

Instructions for use

WASHING MACHINE

GB

GB

English, 1

FR

Français, 13

AR

عربي , 25

AR6F 105

Contents

Installation, 2-3

Unpacking and levelling
Connecting the electricity and water supplies
The first wash cycle
Technical data

Care and maintenance, 4

Cutting off the water or electricity supply
Cleaning the washing machine
Cleaning the detergent dispenser drawer
Caring for the door and drum of your appliance
Cleaning the pump
Checking the water inlet hose

Precautions and tips, 5

General safety
Disposal

Description of the washing machine and starting a wash cycle, 6-7

Control panel
Indicator lights
Starting a wash cycle

Wash cycles, 8

Table of wash cycles

Personalisation, 9

Setting the temperature
Setting the spin speed
Functions

Detergents and laundry, 10

Detergent dispenser drawer
Bleach cycle
Preparing the laundry
Garments requiring special care
Load balancing system

Troubleshooting, 11

Service, 12

Installation

GB

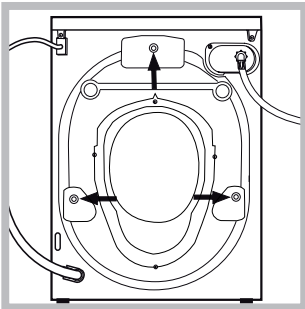
! This instruction manual should be kept in a safe place for future reference. If the washing machine is sold, transferred or moved, make sure that the instruction manual remains with the machine so that the new owner is able to familiarise himself/herself with its operation and features.

! Read these instructions carefully: they contain vital information relating to the safe installation and operation of the appliance.

Unpacking and levelling

Unpacking

1. Remove the washing machine from its packaging.
2. Make sure that the washing machine has not been damaged during the transportation process. If it has been damaged, contact the retailer and do not proceed any further with the installation process.



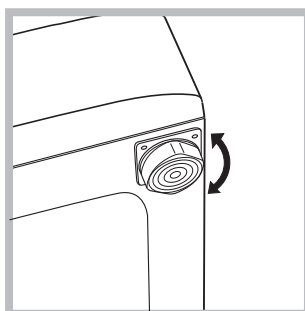
3. Remove the **3** protective screws (used during transportation) and the rubber washer with the corresponding spacer, located on the rear part of the appliance (see figure).

4. Close off the holes using the plastic plugs provided.
5. Keep all the parts in a safe place: you will need them again if the washing machine needs to be moved to another location.

! Packaging materials should not be used as toys for children.

Levelling

1. Install the washing machine on a flat sturdy floor, without resting it up against walls, furniture cabinets or anything else.

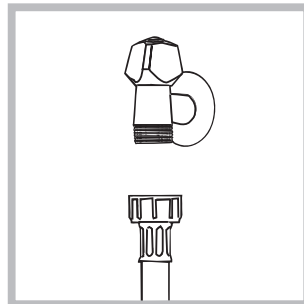


2. If the floor is not perfectly level, compensate for any unevenness by tightening or loosening the adjustable front feet (see figure); the angle of inclination, measured in relation to the worktop, must not exceed 2°.

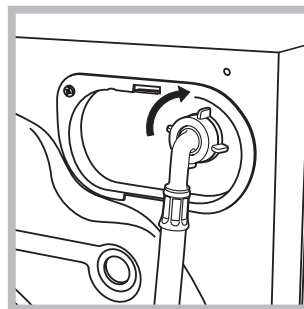
Levelling the machine correctly will provide it with stability, help to avoid vibrations and excessive noise and prevent it from shifting while it is operating. If it is placed on carpet or a rug, adjust the feet in such a way as to allow a sufficient ventilation space underneath the washing machine.

Connecting the electricity and water supplies

Connecting the water inlet hose



1. Connect the supply pipe by screwing it to a cold water tap using a $\frac{3}{4}$ gas threaded connection (see figure). Before performing the connection, allow the water to run freely until it is perfectly clear.



2. Connect the other end of the water inlet hose to the washing machine, screwing it onto the appliance's cold water inlet, situated on the top right-hand side on the rear of the appliance (see figure).

3. Make sure that the hose is not folded over or bent.

! The water pressure at the tap must fall within the values indicated in the Technical details table (see next page).

! If the inlet hose is not long enough, contact a specialised shop or an authorised technician.

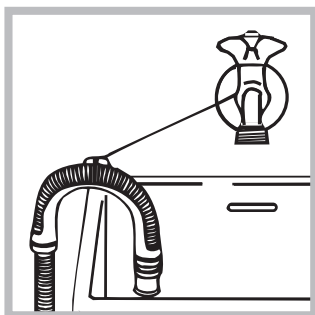
! Never use second-hand hoses.

! Use the ones supplied with the machine.

Connecting the drain hose



Connect the drain hose, without bending it, to a drainage duct or a wall drain located at a height between 65 and 100 cm from the floor;



alternatively, rest it on the side of a washbasin or bathtub, fastening the duct supplied to the tap (see figure). The free end of the hose should not be underwater.

! We advise against the use of hose extensions; if it is absolutely necessary, the extension must have the same diameter as the original hose and must not exceed 150 cm in length.

Electrical connections

Before plugging the appliance into the electricity socket, make sure that:

- the socket is earthed and complies with all applicable laws;
- the socket is able to withstand the maximum power load of the appliance as indicated in the Technical data table (see opposite);
- the power supply voltage falls within the values indicated in the Technical data table (see opposite);
- the socket is compatible with the plug of the washing machine. If this is not the case, replace the socket or the plug.

! The washing machine must not be installed outdoors, even in covered areas. It is extremely dangerous to leave the appliance exposed to rain, storms and other weather conditions.

! When the washing machine has been installed, the electricity socket must be within easy reach.

! Do not use extension cords or multiple sockets.



! The cable should not be bent or compressed.

! The power supply cable must only be replaced by authorised technicians.

Warning! The company shall not be held responsible in the event that these regulations are not respected.

The first wash cycle

Once the appliance has been installed, and before you use it for the first time, run a wash cycle with detergent and no laundry, using the wash cycle 2.

Technical data	
Model	AR6F 105
Dimensions	width 59,5 cm height 85 cm depth 51,7 cm
Capacity	from 1 to 6 kg
Electrical connections	please refer to the technical data plate fixed to the machine
Water connections	maximum pressure 1 MPa (10 bar) minimum pressure 0.05 MPa (0.5 bar) drum capacity 46 litres
Spin speed	up to 1000 rotations per minute
Test wash cycles in accordance with regulations 1061/2010 1015/2010	programme 2; Cotton Standard 60°. programme 3; Cotton Standard 40°.
 	This appliance conforms to the following EC Directives: - 2004/108/EC (Electromagnetic Compatibility) - 2006/95/EC (Low Voltage) - 2012/19/EU (WEEE)

Care and maintenance

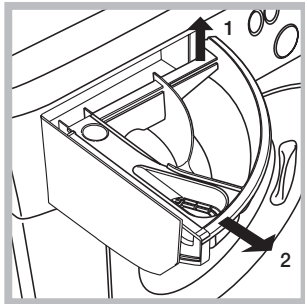
GB Cutting off the water and electricity supplies

- Turn off the water tap after every wash cycle. This will limit wear on the hydraulic system inside the washing machine and help to prevent leaks.
- Unplug the washing machine when cleaning it and during all maintenance work.

Cleaning the washing machine

The outer parts and rubber components of the appliance can be cleaned using a soft cloth soaked in lukewarm soapy water. Do not use solvents or abrasives.

Cleaning the detergent dispenser drawer



Remove the dispenser by raising it and pulling it out (see figure). Wash it under running water; this operation should be repeated frequently.

Caring for the door and drum of your appliance

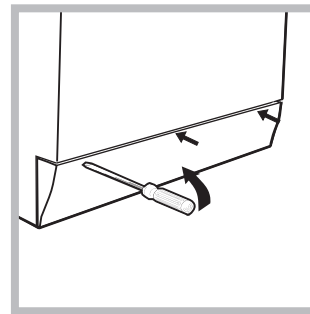
- Always leave the porthole door ajar in order to prevent unpleasant odours from forming.

Cleaning the pump

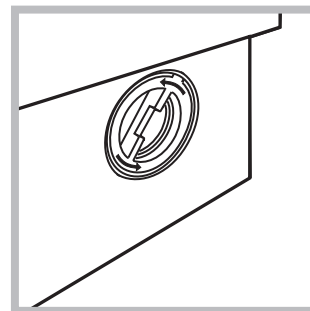
The washing machine is fitted with a self-cleaning pump which does not require any maintenance. Sometimes, small items (such as coins or buttons) may fall into the pre-chamber which protects the pump, situated in its bottom part.

! Make sure the wash cycle has finished and unplug the appliance.

To access the pre-chamber:



1. using a screwdriver, remove the cover panel on the lower front part of the washing machine (see figure);



2. unscrew the lid by rotating it anti-clockwise (see figure): a little water may trickle out. This is perfectly normal;

3. clean the inside thoroughly;
4. screw the lid back on;
5. reposition the panel, making sure the hooks are securely in place before you push it onto the appliance.

Checking the water inlet hose

Check the inlet hose at least once a year. If there are any cracks, it should be replaced immediately: during the wash cycles, water pressure is very strong and a cracked hose could easily split open.

! Never use second-hand hoses.

! This washing machine was designed and constructed in accordance with international safety regulations. The following information is provided for safety reasons and must therefore be read carefully.

General safety

- This appliance was designed for domestic use only.
- This appliance can be used by children aged from 8 years and above and persons with reduced physical, sensory or mental capabilities or lack of experience and knowledge if they have been given supervision or instruction concerning use of the appliance in a safe way and understand the hazards involved. Children shall not play with the appliance. Cleaning and user maintenance shall not be made by children without supervision.
- Do not touch the machine when barefoot or with wet or damp hands or feet.
- Do not pull on the power supply cable when unplugging the appliance from the electricity socket. Hold the plug and pull.
- Do not open the detergent dispenser drawer while the machine is in operation.
- Do not touch the drained water as it may reach extremely high temperatures.
- Never force the porthole door. This could damage the safety lock mechanism designed to prevent accidental opening.
- If the appliance breaks down, do not under any circumstances access the internal mechanisms in an attempt to repair it yourself.
- Always keep children well away from the appliance while it is operating.
- The door can become quite hot during the wash cycle.
- If the appliance has to be moved, work in a group of two or three people and handle it with the utmost care. Never try to do this alone, because the appliance is very heavy.
- Before loading laundry into the washing machine, make sure the drum is empty.

Disposal

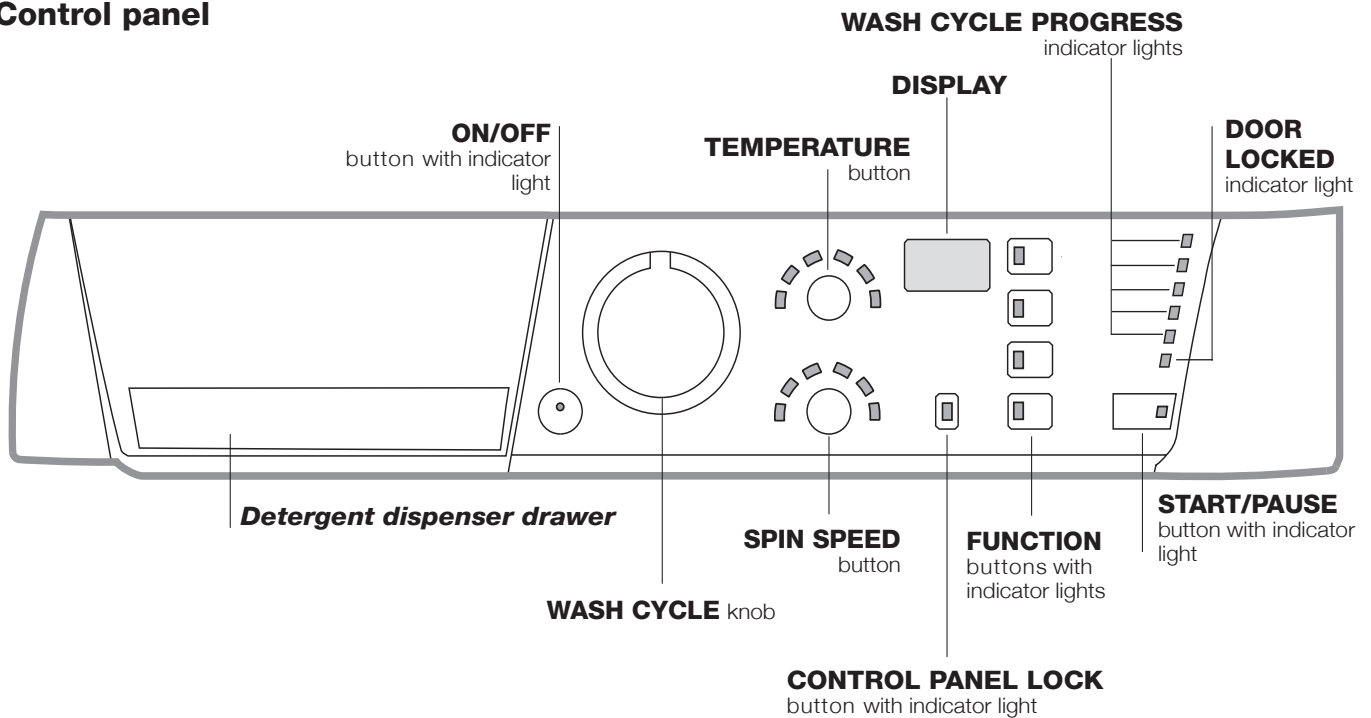
- Disposing of the packaging materials: observe local regulations so that the packaging may be re-used.
- The European Directive 2012/19/EU - WEEE on Waste Electrical and Electronic Equipment, requires that old household electrical appliances must not be disposed of in the normal unsorted municipal waste stream. Old appliances must be collected separately in order to optimise the recovery and recycling of the materials they contain and reduce the impact on human health and the environment. The crossed out “wheeled bin” symbol on the product reminds you of your obligation, that when you dispose of the appliance it must be separately collected. Consumers should contact their local authority or retailer for information concerning the correct disposal of their old appliance.

Consumers should contact their local authority or retailer for information concerning the correct disposal of their old appliance.

Description of the washing machine and starting a wash cycle

GB

Control panel



Detergent dispenser drawer: used to dispense detergents and washing additives (see “Detergents and laundry”).

There is a key which provides a summary of the available wash cycles inside the detergent dispenser drawer; this may be consulted at any time.

ON/OFF button with indicator light: switches the machine on and off.

If the indicator light is illuminated, this indicates that the machine is switched on.

WASH CYCLE knob: programmes the wash cycles. During the wash cycle, the knob does not move.

SPIN SPEED button: sets the spin speed or exclude the spin cycle completely (see “Personalisation”).

TEMPERATURE button: sets the temperature or the cold wash cycle (see “Personalisation”).

DISPLAY: indicates the time remaining for the selected wash cycle and, if a delayed start has been programmed, the time remaining until the start of the wash cycle.

CONTROL PANEL LOCK button with indicator light: activates or deactivates the control panel lock.

FUNCTION buttons with indicator light: used to select the available functions. The indicator light corresponding to the selected function will remain lit.

WASH CYCLE PROGRESS indicator lights: used to monitor the progress of the wash cycle.

The illuminated indicator light shows which phase is in progress.

DOOR LOCKED indicator light: indicates whether the door may be opened or not (see next page).

START/PAUSE button with indicator light: starts or temporarily interrupts the wash cycles.

N.B. To pause the wash cycle in progress, press this button; the corresponding indicator light will flash orange, while the indicator light for the current wash cycle phase will remain lit in a fixed manner. If the **DOOR LOCKED** indicator light is switched off, the door may be opened (wait approximately 3 minutes).

To start the wash cycle from the point at which it was interrupted, press this button again.

Standby mode

This washing machine, in compliance with new energy saving regulations, is fitted with an automatic standby system which is enabled after about 30 minutes if no activity is detected. Press the ON-OFF button briefly and wait for the machine to start up again.

Indicator lights

The indicator lights provide important information. This is what they can tell you:

Wash cycle phase indicator lights

As the WASH CYCLE knob is rotated, the indicator lights illuminate, indicating the stages which will be performed by the machine in accordance with the selected wash cycle.

Once the desired wash cycle has been selected and has begun, the indicator lights switch on one by one to indicate which phase of the cycle is currently in progress.

Wash	
Rinse	
Spin	
Drain no spin	
End of wash cycle	END

Function buttons and corresponding indicator lights

When a function is selected, the corresponding indicator light will illuminate.

If the selected function is not compatible with the programmed wash cycle, the corresponding indicator light will flash, a sound signal will be emitted and the function will not be activated.

If a function which is incompatible with another function selected previously, only the most recent selection will remain active.

Temperature indicator light

When a temperature value is selected, the corresponding indicator light will illuminate.



Spin indicator light

When a spin value is selected, the corresponding indicator light will illuminate.



Control panel lock indicator light

To **activate** the control panel lock, press and hold the button for approximately 2 seconds. When the indicator light is illuminated, the control panel is locked. This means it is possible to prevent wash cycles from being modified accidentally, especially where there are children in the home.

To **deactivate** the control panel lock, press and hold the button for approximately 2 seconds.

Door locked indicator light

If this indicator light is on, the appliance door is locked to prevent it from being opened accidentally; to avoid any damage, wait for the indicator light to switch off before you open the appliance door (wait approximately 3 minutes).

N.B. If the DELAY TIMER function is activated, the door cannot be opened; pause the machine by pressing the START/PAUSE button if you wish to open it.

! If the START/PAUSE indicator light (orange) flashes rapidly at the same time as the function indicator light, this indicates a problem has occurred (see "Troubleshooting").

Starting a wash cycle

1. Turn the washing machine on by pressing the ON/OFF button. All the indicator lights will turn on for a few seconds, then only the indicator lights relative to the selected programme settings will remain lit and the START/PAUSE indicator light will flash.
2. Load the laundry and close the door.
3. Set the WASH CYCLE knob to the desired programme.
4. Set the washing temperature (see "Personalisation").
5. Set the spin speed (see "Personalisation").
6. Measure out the detergent and washing additives (see "Detergents and laundry").
7. Select the desired functions.
8. Start the wash cycle by pressing the START/PAUSE button and the corresponding indicator light will remain lit in a fixed manner, in green.



To cancel the set wash cycle, pause the machine by pressing the START/PAUSE button and select a new cycle.

9. At the end of the wash cycle the **END** indicator light will switch on. The DOOR LOCKED indicator light will switch off, indicating that the door may be opened (wait approximately 3 minutes). Take out your laundry and leave the appliance door ajar to make sure the drum dries completely. Switch the washing machine off by pressing the ON/OFF button.

Wash cycles

GB

Table of wash cycles

Wash cycles	Description of the wash cycle	Max. temp. (°C)	Max. speed (rpm)	Detergents				Max. load (kg)	Residual dampness%	Energy consumption kWh	Total water l	Cycle duration
				Prewash	Bleach	Wash	Fabric softener					
1	Cotton + Prewash: extremely soiled whites.	90°	1000	●	-	●	●	6	-	-	-	**
2	 Cotton Standard 60° (1): heavily soiled whites and resistant colours.	60° (Max.90°)	1000	-	-	●	●	6	62	1,01	49,8	195'
3	 Cotton Standard 40° (2): lightly soiled resistant and delicate colours.	40°	1000	-	-	●	●	6	62	0,86	76	185'
4	Cotton Standard 20°: lightly soiled resistant and delicate colours.	20°	1000	-	-	●	●	6	-	-	-	**
5	Synthetics: heavily soiled resistant colours.	60°	1000	-	-	●	●	3	44	0,78	50	105'
5	Synthetics (3): lightly soiled resistant colours.	40°	1000	-	-	●	●	3	-	-	-	95'
6	Mix 30': to refresh lightly soiled garments quickly (not suitable for wool, silk and clothes which require washing by hand).	30°	800	-	-	●	●	3	71	0,12	32	30'
7	Mix 15': to refresh lightly soiled garments quickly (not suitable for wool, silk and clothes which require washing by hand).	30°	800	-	-	●	●	1,5	71	0,12	27	15'
8	Sanitizing cycle: extremely soiled whites.	90°	1000	-	●	●	●	6	-	-	-	**
9	Goodnigt cycle: lightly soiled delicate colours.	40°	800	-	-	●	●	4	-	-	-	**
10	Baby cycle: heavily soiled delicate colours.	40°	1000	-	-	●	●	4	-	-	-	**
11	Shirts	40°	600	-	-	●	●	2	-	-	-	**
12	Silk/Curtains: for garments in silk and viscose, lingerie.	30°	0	-	-	●	●	1	-	-	-	**
13	Wool: for wool, cashmere, etc.	40°	800	-	-	●	●	1,5	-	-	-	**
A	Rinse	-	1000	-	-	-	●	6	-	-	-	**
B	Spin	-	1000	-	-	-	-	6	-	-	-	**
C	Drain	-	0	-	-	-	-	6	-	-	-	**

** The duration of the wash cycles can be checked on the display.

The length of cycle shown on the display or in this booklet is an estimation only and is calculated assuming standard working conditions. The actual duration can vary according to factors such as water temperature and pressure, the amount of detergent used, the amount and type of load inserted, load balancing and any wash options selected.

1) Test wash cycle in compliance with regulation 1061/2010: set wash cycle 2 with a temperature of 60°C.

This cycle is designed for cotton loads with a normal soil level and is the most efficient in terms of both electricity and water consumption; it should be used for garments which can be washed at 60°C. The actual washing temperature may differ from the indicated value.

2) Test wash cycle in compliance with regulation 1061/2010: set wash cycle 3 with a temperature of 40°C.

This cycle is designed for cotton loads with a normal soil level and is the most efficient in terms of both electricity and water consumption; it should be used for garments which can be washed at 40°C. The actual washing temperature may differ from the indicated value.

For all Test Institutes:

2) Long wash cycle for cottons: set wash cycle 3 with a temperature of 40°C.

3) Synthetic program along: set wash cycle 5 with a temperature of 40°C.

Cotton Standard 20° (wash cycle 4). Ideal for lightly soiled cotton loads. The effective performance levels achieved at cold temperatures, which are comparable to washing at 40°, are guaranteed by a mechanical action which operates at varying speed, with repeated and frequent peaks.

Mix 30' (wash cycle 6) this wash cycle was designed to wash lightly soiled garments quickly: it lasts just 30 minutes and therefore saves both energy and time. By selecting this wash cycle (6 at 30°C), it is possible to wash different fabrics together (except for wool and silk items), with a maximum load of 3 kg.

Mix 15' (wash cycle 7) this wash cycle was designed to wash lightly soiled garments quickly: it lasts just 15 minutes and therefore saves both energy and time. By selecting this wash cycle (7 at 30°C), it is possible to wash different fabrics together (except for wool and silk items), with a maximum load of 1.5 kg.

Sanitizing cycle (wash cycle 8). A high-temperature hygienic wash cycle (over 60°C) which requires the use of bleach. Pour the bleach, the detergent and the additives into the relevant compartments (see paragraph entitled "Detergent dispenser drawer").

Goodnigt cycle (wash cycle 9). This is a silent cycle which can be run at night, when the electricity prices are lower. The wash cycle is designed for cottons and synthetics. At the end of the cycle the machine stops while there is still water in the drum; to spin and drain the laundry press the START/PAUSE button; alternatively the machine will perform the spin cycle and drain the water automatically after 8 hours.

Baby cycle (wash cycle 10). This wash cycle can be used to remove the soiling typically caused by babies, while ensuring that all detergent is removed from nappies in order to prevent the delicate skin of babies from suffering allergies. The cycle has been designed to reduce the amount of bacteria by using a greater quantity of water and optimising the effect of special disinfecting additives added to the detergent.

Setting the temperature

By pressing the TEMPERATURE button to set the wash temperature (see *Table of wash cycles*).

The temperature may be lowered, or even set to a cold wash (❄).

The washing machine will automatically prevent you from selecting a temperature which is higher than the maximum value set for each wash cycle.

! Exception: if the **2** programme is selected, the temperature can be increased up to a value of 90°C.

Setting the spin speed

By pressing the SPIN SPEED button to set the spin speed for the selected wash cycle.

The maximum spin speeds available for each wash cycle are as follows:

Wash cycles	Maximum spin speed
Cottons	1000 rpm
Synthetics	1000 rpm
Wool	800 rpm
Silk	drain only

The spin speed may be lowered, or the spin cycle can be excluded altogether by selecting the symbol ⌘.

The washing machine will automatically prevent you from selecting a spin speed which is higher than the maximum speed set for each wash cycle.

Functions

The various wash functions available with this washing machine will help to achieve the desired results, every time.

To activate the functions:

1. Press the button corresponding to the desired function;
2. the function is enabled when the corresponding indicator light is illuminated.

Note:

- If the selected function is not compatible with the programmed wash cycle, the corresponding indicator light will flash, a sound signal will be emitted and the function will not be activated.
- If a function which is incompatible with another function selected previously, only the most recent selection will remain active.

Delay timer

To set a delayed start for the selected wash cycle, press the button repeatedly until the desired delay time is displayed (this may be between 1 hour and 24 hours).

To disable the function press the button until the text *OFF* is displayed.

N.B. Once you have pressed the START/PAUSE button, the delay time may only be decreased if you wish to modify it.

Super Wash

Because a greater quantity of water is used in the initial phase of the cycle, and because of the increased cycle duration, this function offers a high-performance wash.

Extra rinse

By selecting this function, the efficiency of the rinse is increased and optimal detergent removal is guaranteed. It is particularly useful for sensitive skin.

Easy iron

By selecting this function, the wash and spin cycles will be modified in order to reduce the formation of creases. At the end of the cycle the washing machine will perform slow rotations of the drum; the EASY IRON and START/PAUSE indicator lights will flash (orange) and the **END** phase will remain lit in a fixed manner. To end the cycle, press the START/PAUSE button or the EASY IRON button.

For the **Silk** wash cycle, the machine will end the cycle while the laundry is soaking, the EASY IRON and START/PAUSE indicator lights will flash (orange) and the RINSE phase will remain lit in a fixed manner. To drain the water so that the laundry may be removed, press the START/PAUSE button or the EASY IRON button.

Detergents and laundry

GB

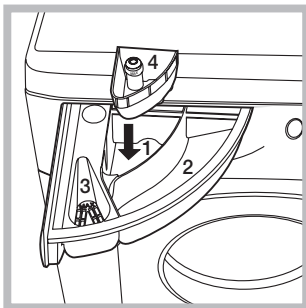
Detergent dispenser drawer

Good washing results also depend on the correct dose of detergent: adding too much detergent will not necessarily result in a more efficient wash, and may in fact cause build up on the inside of your appliance and contribute to environmental pollution.

! Use powder detergent for white cotton garments, for pre-washing, and for washing at temperatures over 60°C.

! Follow the instructions given on the detergent packaging.

! Do not use hand washing detergents because these create too much foam.



Open the detergent dispenser drawer and pour in the detergent or washing additive, as follows.

compartment 1: Pre-wash detergent (powder)

Before pouring in the detergent, make sure that extra compartment 4 has been removed.

compartment 2: Detergent for the wash cycle (powder or liquid)

Liquid detergent should only be poured in immediately prior to the start of the wash cycle.

compartment 3: Additives (fabric softeners, etc.)

The fabric softener should not overflow the grid.

extra compartment 4: Bleach

Bleach cycle

Bleaching may only be performed in conjunction with wash cycle 8.

Pour the bleach into extra compartment 4; pour the detergent and softener into the corresponding compartments, then select one of the abovementioned wash cycles.

This option is recommended only for very soiled cotton garments.

Preparing the laundry

- Divide the laundry according to:
 - the type of fabric/the symbol on the label.
 - the colours: separate coloured garments from whites
- Empty all garment pockets and check the buttons.
- Do not exceed the listed values, which refer to the weight of the laundry when dry: see "Table of wash cycles".

How much does your laundry weigh?

- 1 sheet 400-500 g
- 1 pillow case 150-200 g
- 1 tablecloth 400-500 g
- 1 bathrobe 900-1200 g
- 1 towel 150-250 g

Garments requiring special care


Shirts: use special wash cycle 11 to wash shirts in various fabrics and colours.

It guarantees maximum care is taken of the garments and minimises the formation of creases.

Silk: use special wash cycle 12 to wash all silk garments.

We recommend the use of special detergent which has been designed to wash delicate clothes.

Curtains: fold curtains and place them in a pillow case or mesh bag. Use wash cycle 12.

Wool: all wool garments can be washed using programme 13, even those carrying the "hand-wash only"  label.

For best results, use special detergents and do not exceed 1,5 kg of laundry.

Load balancing system

Before every spin cycle, to avoid excessive vibrations and to distribute the load in a uniform manner, the drum rotates continuously at a speed which is slightly greater than the washing rotation speed. If, after several attempts, the load is not balanced correctly, the machine spins at a reduced spin speed. If the load is excessively unbalanced, the washing machine performs the distribution process instead of spinning. To encourage improved load distribution and balance, we recommend small and large garments are mixed in the load.

Your washing machine could fail to work. Before contacting the Technical Assistance Centre (see "Assistance"), make sure that the problem cannot be not solved easily using the following list.

Problem:

Possible causes / Solutions:

The washing machine does not switch on.

- The appliance is not plugged into the socket fully, or is not making contact.
- There is no power in the house.

The wash cycle does not start.

- The washing machine door is not closed properly.
- The ON/OFF button has not been pressed.
- The START/PAUSE button has not been pressed.
- The water tap has not been opened.
- A delayed start has been set.

The washing machine does not take in water (the indicator light for the first wash cycle stage flashes rapidly).

- The water inlet hose is not connected to the tap.
- The hose is bent.
- The water tap has not been opened.
- There is no water supply in the house.
- The pressure is too low.
- The START/PAUSE button has not been pressed.

The washing machine continuously takes in and drains water.

- The drain hose is not fitted at a height between 65 and 100 cm from the floor (see "Installation").
- The free end of the hose is under water (see "Installation").
- The wall drainage system is not fitted with a breather pipe.

If the problem persists even after these checks, turn off the water tap, switch the appliance off and contact the Assistance Service. If the dwelling is on one of the upper floors of a building, there may be problems relating to water drainage, causing the washing machine to fill with water and drain continuously. Special anti-draining valves are available in shops and help to avoid this inconvenience.

The washing machine does not drain or spin.

- The wash cycle does not include draining: some wash cycles require the drain phase to be started manually.
- The EASY IRON function has been activated: To complete the wash cycle, press the START/PAUSE button ("Personalisation").
- The drain hose is bent (see "Installation").
- The drainage duct is clogged.

The washing machine vibrates a lot during the spin cycle.

- The drum was not unlocked correctly during installation (see "Installation").
- The washing machine is not level (see "Installation").
- The washing machine is trapped between cabinets and walls (see "Installation").

The washing machine leaks.

- The water inlet hose is not screwed on properly (see "Installation").
- The detergent dispenser drawer is blocked (for cleaning instructions, see "Care and maintenance").
- The drain hose is not fixed properly (see "Installation").

The START/PAUSE indicator light (orange) and the function indicator lights flash rapidly.

- Switch off the machine and unplug it, wait for approximately 1 minute and then switch it back on again.
If the problem persists, contact the Technical Assistance Service.

There is too much foam.

- The detergent is not suitable for machine washing (it should display the text "for washing machines" or "hand and machine wash", or the like).
- Too much detergent was used.

Service

GB

Before calling for Assistance:

- Check whether you can solve the problem alone (see "Troubleshooting");
- Restart the programme to check whether the problem has been solved;
- If this is not the case, contact an authorised Technical Assistance Centre using the telephone number provided on the guarantee certificate.

! Always request the assistance of authorised technicians.

Have the following information to hand:

- the type of problem;
- the appliance model (Mod.);
- the serial number (S/N).

This information can be found on the data plate applied to the rear of the washing machine, and can also be found on the front of the appliance by opening the door.

COMMISSION DELEGATED REGULATION (EU) No 1061/2010	
Brand	ARISTON
Model	AR6F 105 EX.M
Rated capacity in kg of cotton	6
Energy efficiency class on a scale from A+++ (low consumption) to G (high consumption)	A+
Energy consumption per year in kWh ¹⁾	196
Energy consumption of the standard 60 °C cotton programme at full load in kWh ²⁾	1.014
Energy consumption of the standard 60 °C cotton programme at partial load in kWh ²⁾	0.761
Energy consumption of the standard 40 °C cotton programme at partial load in kWh ²⁾	0.7
Power consumption of the off-mode in W	0.5
Power consumption of the left-on mode in W	8
Water consumption per year in litres ³⁾	8400
Spin-drying efficacy class on a scale from G (minimum efficacy) to A (maximum efficacy)	C
Maximum spin speed attained ⁴⁾	1000
Remaining moisture content ⁵⁾	62.0%
Programme time of the "standard 60 °C cotton" at full load in minutes	195
Programme time of the "standard 60 °C cotton" at partial load in minutes	160
Programme time of the "standard 40°C cotton" at partial load in minutes	150
Duration of the left-on mode in minutes	30
Noise in dB(A) re 1 pW washing ⁶⁾	62
Noise in dB(A) re 1 pW spinning ⁶⁾	80
Built-in model	

¹⁾ The "standard 60°C cotton" at full and partial load and the "standard 40°C cotton" at partial load are the standard washing programmes to which the information in the label and the fiche relates. Standard 60°C cotton and standard 40°C cotton are suitable to clean normally soiled cotton laundry and are the most efficient programmes in terms of combined energy and water consumption. Partial load is half the rated load.

²⁾ Based on 220 standard washing cycles for cotton programmes at 60°C and 40°C at full and partial load, and the consumption of the low-power modes. Actual energy consumption will depend on how the appliance is used.

³⁾ Based on 220 standard washing cycles for cotton programmes at 60°C and 40°C at full and partial load. Actual water consumption will depend on how the appliance is used.

⁴⁾ For the standard 60 °C at full and partial load or the 40°C at partial whichever is lower.

⁵⁾ Attained for 60 °C cotton at full and partial load or the 40°C at partial whichever is higher.

⁶⁾ Based on washing and spinning phases for the standard 60°C cotton programme at full load.

FR

Français

AR6F 105

Sommaire

Installation, 14-15

Déballage et mise à niveau
Raccordements eau et électricité
Premier cycle de lavage
Caractéristiques techniques

Entretien et soin, 16

Coupure de l'arrivée d'eau et du courant
Nettoyage du lave-linge
Nettoyage du tiroir à produits lessiviels.
Entretien du hublot et du tambour
Nettoyage de la pompe
Contrôle du tuyau d'arrivée de l'eau

Précautions et conseils, 17

Sécurité générale
Mise au rebut

Description du lave-linge et démarrage d'un programme, 18-19

Bandeau de commandes
Voyants
Démarrage d'un programme

Programmes, 20

Tableau des programmes

Personnalisations, 21

Sélection de la température
Sélection de l'essorage
Fonctions

Produits lessiviels et linge, 22

Tiroir à produits lessiviels
Cycle blanchissage
Triage du linge
Linge ou vêtements particuliers
Système d'équilibrage de la charge

Anomalies et remèdes, 23

Assistance, 24



ARISTON

FR

Installation

FR

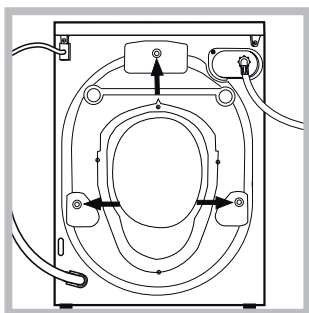
! Conserver ce mode d'emploi pour pouvoir le consulter à tout moment. En cas de vente, de cession ou de déménagement, veiller à ce qu'il suive toujours le lave-linge pour que son nouveau propriétaire soit informé sur son mode de fonctionnement et puisse profiter des conseils correspondants.

! Lire attentivement les instructions: elles fournissent des conseils importants sur l'installation, l'utilisation et la sécurité de l'appareil.

Déballage et mise à niveau

Déballage

1. Déballer le lave-linge.
2. Contrôler que le lave-linge n'a pas été endommagé pendant le transport. S'il est abîmé, ne pas le raccorder et contacter le vendeur.



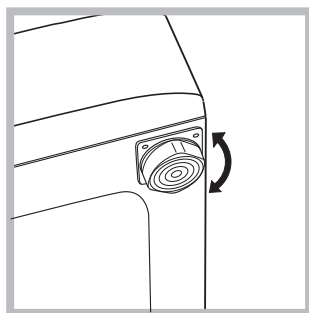
3. Enlever les **3** vis de protection servant au transport, le caoutchouc et la cale, placés dans la partie arrière (voir figure).

4. Boucher les trous à l'aide des bouchons plastique fournis.
5. Conserver toutes ces pièces: il faudra les remonter en cas de transport du lave-linge.

! Les pièces d'emballage ne sont pas des jouets pour enfants.

Mise à niveau

1. Installer le lave-linge sur un sol plat et rigide, sans l'appuyer contre des murs, des meubles ou autre.

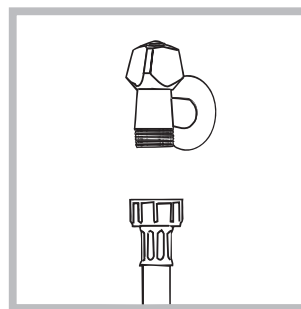


2. Si le sol n'est pas parfaitement horizontal, visser ou dévisser les pieds de réglage avant (voir figure) pour niveler l'appareil; son angle d'inclinaison, mesuré sur le plan de travail, ne doit pas dépasser 2°.

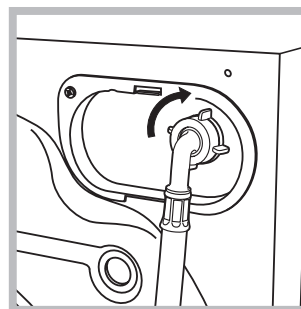
Une bonne mise à niveau garantit la stabilité de l'appareil et évite qu'il y ait des vibrations, du bruit et des déplacements en cours de fonctionnement. Si la machine est posée sur de la moquette ou un tapis, régler les pieds de manière à ce qu'il y ait suffisamment d'espace pour assurer une bonne ventilation.

Raccordements eau et électricité

Raccordement du tuyau d'arrivée de l'eau



1. Reliez le tuyau d'alimentation en le vissant à un robinet d'eau froide à embout fileté 3/4 gaz (voir figure). Faire couler l'eau jusqu'à ce qu'elle soit limpide et sans impuretés avant de raccorder.



2. Raccorder le tuyau d'arrivée de l'eau au lave-linge en le vissant à la prise d'eau prévue, dans la partie arrière en haut à droite (voir figure).

3. Attention à ce que le tuyau ne soit pas plié ou écrasé.

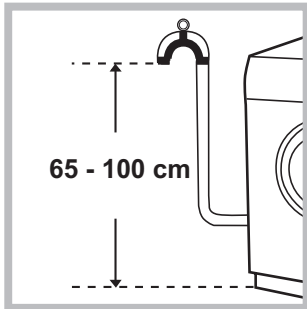
! La pression de l'eau doit être comprise entre les valeurs indiquées dans le tableau des Caractéristiques techniques (voir page ci-contre).

! Si la longueur du tuyau d'alimentation ne suffit pas, s'adresser à un magasin spécialisé ou à un technicien agréé.

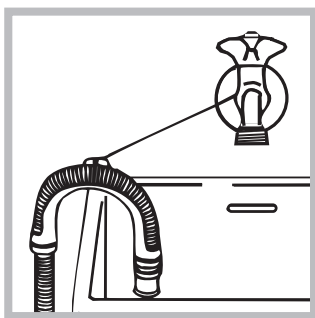
! N'utiliser que des tuyaux neufs.

! Utiliser ceux qui sont fournis avec l'appareil.

Raccordement du tuyau de vidange



Raccorder le tuyau d'évacuation, sans le plier, à un conduit d'évacuation ou à une évacuation murale placés à une distance du sol comprise entre 65 et 100 cm;



ou bien l'accrocher à un évier ou à une baignoire, dans ce cas, fixer le support en plastique fourni avec l'appareil au robinet (voir figure). L'extrémité libre du tuyau d'évacuation ne doit pas être plongée dans l'eau.

! L'utilisation d'un tuyau de rallonge est absolument déconseillée mais si on ne peut faire autrement, il faut absolument qu'il ait le même diamètre que le tuyau original et sa longueur ne doit pas dépasser 150 cm.

Branchement électrique

Avant de brancher la fiche dans la prise de courant, s'assurer que:

- la prise est bien reliée à la terre et est conforme aux réglementations en vigueur;
- la prise est bien apte à supporter la puissance maximale de l'appareil indiquée dans le tableau des Caractéristiques techniques (voir ci-contre);
- la tension d'alimentation est bien comprise entre les valeurs figurant dans le tableau des Caractéristiques techniques (voir ci-contre);
- la prise est bien compatible avec la fiche du lave-linge. Autrement, remplacer la prise ou la fiche.

! Le lave-linge ne doit pas être installé dehors, même à l'abri, car il est très dangereux de le laisser exposé à la pluie et aux orages.

! Après installation du lave-linge, la prise de courant doit être facilement accessible.

! N'utiliser ni rallonges ni prises multiples.

! Le câble ne doit être ni plié ni trop écrasé.

! Le câble d'alimentation ne doit être remplacé que par des techniciens agréés.

Attention! Nous déclinons toute responsabilité en cas de non-respect des normes énumérées ci-dessus.

Premier cycle de lavage

Avant la première mise en service de l'appareil, effectuer un cycle de lavage avec un produit lessiviel mais sans linge et sélectionner le programme 2.

Caractéristiques techniques

Modèle	AR6F 105
Dimensions	largeur 59,5 cm hauteur 85 cm profondeur 51,7 cm
Capacité	de 1 à 6 kg
Raccorde-ments élec-triques	Voir la plaque signalétique appliquée sur la machine
Raccor-dements hydrauliques	pression maximale 1 MPa (10 bar) pression minimale 0,05 MPa (0,5 bar) capacité du tambour 46 litres
Vitesse d'essorage	jusqu'à 1000 tours minute
Programmes de contrôle selon les règlements 1061/2010 1015/2010	Programme 2; Coton standard 60°C. Programme 3; Coton standard 40°C.



Cet appareil est conforme aux Directives Communautaires suivantes:
- 2004/108/CE (Compatibilité électromagnétique)
- 2012/19/EU - WEEE
- 2006/95/CE (Basse Tension)

Entretien et soin

FR

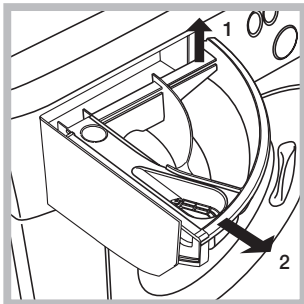
Coupure de l'arrivée d'eau et du courant

- Fermer le robinet de l'eau après chaque lavage. Cela réduit l'usure de l'installation hydraulique du lave-linge et évite tout danger de fuites.
- Débrancher la fiche de la prise de courant lors de tout nettoyage du lave-linge et pendant tous les travaux d'entretien.

Nettoyage du lave-linge

Pour nettoyer l'extérieur et les parties en caoutchouc, utiliser un chiffon imbibé d'eau tiède et de savon. N'utiliser ni solvants ni abrasifs.

Nettoyage du tiroir à produits lessiviels.



Soulever le tiroir et le tirer vers soi pour le sortir de son logement (voir figure). Le laver à l'eau courante; effectuer cette opération assez souvent.

Entretien du hublot et du tambour

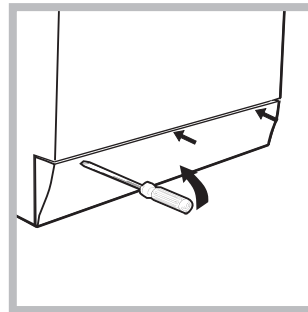
- Il faut toujours laisser le hublot entrouvert pour éviter la formation de mauvaises odeurs.

Nettoyage de la pompe

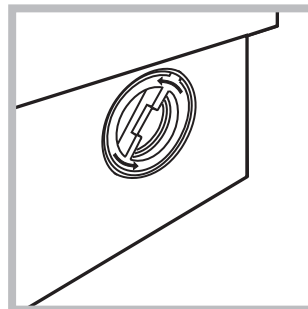
Le lave-linge est équipé d'une pompe autonettoyante qui n'exige aucune opération d'entretien. Il peut toutefois arriver que de menus objets (pièces de monnaie, boutons) tombent dans la préchambre qui protège la pompe, placée en bas de cette dernière.

! S'assurer que le cycle de lavage est bien terminé et débrancher la fiche.

Pour accéder à cette préchambre:



1. démonter le panneau situé à l'avant du lave-linge à l'aide d'un tournevis (voir figure);



2. dévisser le couvercle en le tournant dans le sens inverse des aiguilles d'une montre (voir figure); il est normal qu'un peu d'eau s'écoule;

3. nettoyer soigneusement l'intérieur;
4. revisser le couvercle;
5. remonter le panneau en veillant à bien enfiler les crochets dans les fentes prévues avant de le pousser contre l'appareil.

Contrôle du tuyau d'arrivée de l'eau

Contrôler le tuyau d'alimentation au moins une fois par an. Procéder à son remplacement en cas de craquements et de fissures: car les fortes pressions subies pendant le lavage pourraient provoquer des cassures.

! N'utiliser que des tuyaux neufs.

! Ce lave-linge a été conçu et fabriqué conformément aux normes internationales de sécurité. Ces consignes sont fournies pour des raisons de sécurité, il faut les lire attentivement.

Sécurité générale

- Cet appareil peut être utilisé par les enfants à partir de 8 ans et par les personnes dont les capacités physiques, sensorielles ou mentales sont réduites ou qui ne disposent pas des connaissances suffisantes, à condition qu'ils soient encadrés ou aient été formés de façon appropriée pour l'utilisation de l'appareil de façon sûre et en comprenant les dangers qui y sont liés. Les enfants ne doivent pas jouer avec l'appareil. L'entretien et le nettoyage ne doivent pas être effectués par les enfants sans surveillance.
- Cet appareil est conçu pour un usage domestique.
- Ne jamais toucher l'appareil si l'on est pieds nus et si les mains sont mouillées ou humides.
- Ne jamais tirer sur le câble pour débrancher la fiche de la prise de courant.
- Ne pas ouvrir le tiroir à produits lessiviels si la machine est branchée.
- Ne pas toucher à l'eau de vidange, elle peut atteindre des températures très élevées.
- Ne pas forcer pour ouvrir le hublot: le verrouillage de sécurité qui protège contre les ouvertures accidentelles pourrait s'endommager.
- En cas de panne, éviter à tout prix d'accéder aux mécanismes internes pour tenter une réparation.
- Veiller à ce que les enfants ne s'approchent pas de l'appareil pendant son fonctionnement.
- Pendant le lavage, le hublot a tendance à se réchauffer.
- Deux ou trois personnes sont nécessaires pour déplacer l'appareil avec toutes les précautions nécessaires. Ne jamais le déplacer tout seul car il est très lourd.
- Avant d'introduire le linge, s'assurer que le tambour est bien vide.

Mise au rebut

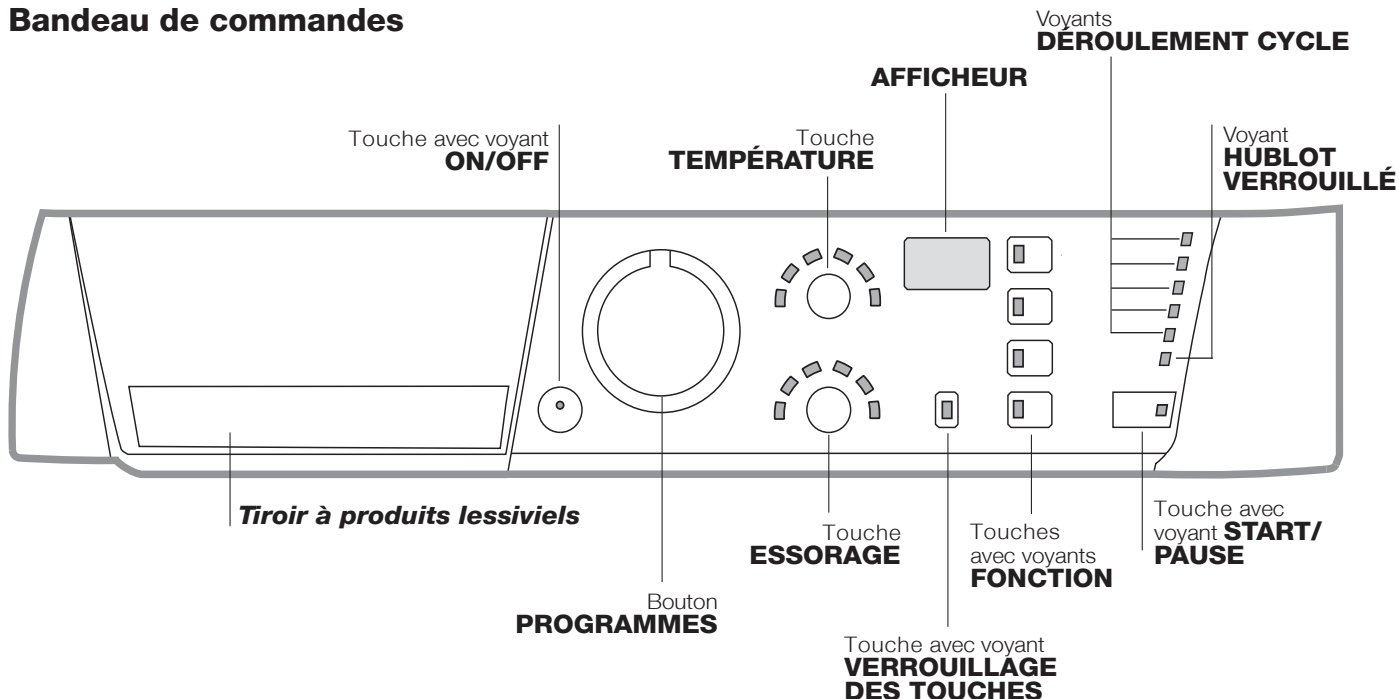
- Mise au rebut du matériel d'emballage: se conformer aux réglementations locales de manière à ce que les emballages puissent être recyclés.
- La Directive Européenne 2012/19/EU - WEEE sur les Déchets des Equipements Electriques et Electroniques, exige que les appareils ménagers usagés ne soient pas jetés dans le flux normal des déchets municipaux. Les appareils usagés doivent être collectés séparément afin d'optimiser le taux de récupération et le recyclage des matériaux qui les composent et réduire l'impact sur la santé humaine et l'environnement.

Le symbole de la "poubelle barrée" est apposée sur tous les produits pour rappeler les obligations de collecte séparée. Les consommateurs devront contacter les autorités locales ou leur revendeur concernant la démarche à suivre pour l'enlèvement de leur vieil appareil.

Description du lave-linge et démarrage d'un programme

FR

Bandeau de commandes



Tiroir à produits lessiviels: pour charger les produits lessiviels et les additifs (voir "Produits lessiviels et linge").

Touche avec voyant **ON/OFF:** pour allumer ou éteindre le lave-linge.
Le témoin allumé indique que l'appareil est sous tension.

Bouton **PROGRAMMES:** pour sélectionner les programmes. Pendant le programme, le bouton ne tournera pas.

Touche **ESSORAGE:** pour sélectionner l'essorage ou le supprimer (voir "Personnalisations").

Touche **TEMPÉRATURE:** pour sélectionner la température ou un lavage à froid (voir "Personnalisations").

AFFICHEUR: pour afficher le temps restant du cycle de lavage sélectionné et, en cas de sélection d'un départ différé, le temps restant avant le démarrage du lavage.

Touche et voyant **VERROUILLAGE DES TOUCHES:** pour activer ou désactiver le verrouillage du bandeau de commandes.

Touches avec voyants **FONCTION:** pour sélectionner les fonctions disponibles. Le voyant correspondant à la fonction sélectionnée restera allumé.

Voyants **DÉROULEMENT CYCLE:** pour suivre le stade d'avancement du programme de lavage.
Le voyant allumé indique la phase de lavage en cours.

Voyant **HUBLOT VERROUILLÉ:** indique si la porte est verrouillée (voir page ci-contre).

Touche avec voyant **START/PAUSE:** pour démarrer les programmes ou les interrompre momentanément.

N.B.: pour effectuer une pause du lavage en cours, appuyer sur cette touche, le voyant correspondant se mettra à clignoter en orange tandis que celui de la phase en cours restera allumé fixe. Si le voyant HUBLOT VERROUILLÉ est éteint, on peut ouvrir la porte (3 minutes environ). Pour faire redémarrer le lavage exactement de l'endroit où il a été interrompu, appuyer une nouvelle fois sur la touche.

Stand-by

Ce lave-linge, conformément aux nouvelles normes en vigueur dans le domaine de l'économie d'énergie, est équipée d'un système d'extinction automatique (veille) activé après environ 30 minutes d'inutilisation. Appuyez brièvement sur la touche MARCHE/ARRÊT et attendre que la machine soit réactivée.

Voyants

Les voyants fournissent des informations importantes. Voilà ce qu'ils signalent:

Voyants phase en cours

Au fur et à mesure qu'on tourne le bouton des PROGRAMMES, les voyants s'allument pour indiquer les phases que l'appareil effectue selon le programme choisi.

Une fois que le cycle de lavage sélectionné a démarré, les voyants s'allument progressivement pour indiquer son stade d'avancement:

Lavage	
Rinçage	
Essorage	
Vidange	
Fin de Lavage	END

Touches fonction et voyants correspondants

La sélection d'une fonction entraîne l'allumage du voyant correspondant.

Si la fonction sélectionnée est incompatible avec le programme sélectionné, le voyant correspondant se met à clignoter, un signal sonore retentit et la fonction n'est pas activée.

En cas de sélection d'une fonction incompatible avec une autre précédemment sélectionnée, la seule à être activée sera celle choisie en dernier.

Voyants température

La sélection d'une température entraîne l'éclairage du voyant correspondant.



Voyants essorage

La sélection d'un essorage entraîne l'éclairage du voyant correspondant.



Voyant verrouillage des touches

Pour "**activer**" le verrouillage du bandeau de commandes, garder la touche enfoncée pendant 2 secondes environ. Le voyant allumé indique que le tableau de bord est verrouillé. Ceci permet d'éviter toute modification involontaire des programmes, surtout s'il y a des enfants à la maison.

Pour "**désactiver**" le verrouillage du bandeau de commandes, garder la touche enfoncée pendant 2 secondes environ.

Voyant hublot verrouillé

Le voyant allumé indique que le hublot est verrouillé pour empêcher toute ouverture accidentelle. Pour éviter d'endommager l'appareil, attendre que le voyant cesse de clignoter avant d'ouvrir la porte (3 minutes environ).

N.B: si la fonction DÉPART DIFFÉRÉ est activée, le hublot ne s'ouvre pas. Pour l'ouvrir il faut appuyer sur la touche START/PAUSE qui met l'appareil en pause.



! Un clignotement rapide du voyant START/PAUSE (orange) simultanément à celui des fonctions signale une anomalie (voir "*Anomalies et remèdes*").

Démarrage d'un programme

1. Allumer le lave-linge en appuyant sur la touche ON/OFF. Tous les voyants s'allumeront pendant quelques secondes, ne resteront ensuite allumés que les voyants correspondant aux sélections du programme en cours et le voyant START/PAUSE se mettra à clignoter.
2. Charger le linge et fermer le hublot.
3. Sélectionner à l'aide du bouton PROGRAMMES le programme désiré.
4. Sélectionner la température de lavage (voir "*Personnalisations*").
5. Sélectionner la vitesse d'essorage (voir "*Personnalisations*").
6. Verser les produits lessiviels et les additifs (voir "*Produits lessiviels et linge*").
7. Sélectionner les fonctions désirées.
8. Appuyer sur la touche START/PAUSE pour démarrer le programme, le voyant correspondant vert restera allumé en fixe. Pour annuler le cycle sélectionné, appuyer sur la touche START/PAUSE pour placer l'appareil en pause et choisir un nouveau cycle.
9. A la fin du programme, le voyant **End** s'allume. Le voyant HUBLOT VERROUILLÉ s'éteint pour signaler que le hublot peut être ouvert (3 minutes environ). Sortir le linge et laisser le hublot entrouvert pour faire sécher le tambour. Eteindre le lave-linge en appuyant sur la touche ON/OFF.

Programmes

Tableau des programmes

Programmes	Description du Programme	Temp. maxi. (°C)	Vitesse maxi (tours minute)	Produits lessiviels				Charge maxi (Kg)	Humidité résiduelle %	Consommation d'énergie kWh	Eau totale lt	Durée cycle
				Prelavage	Javel	Lavage	Assouplissant					
1	Coton + Prelavage: blancs extrêmement sales.	90°	1000	●	-	●	●	6	-	-	-	**
2	 Coton standard 60°C (1): blancs et couleurs résistantes très sales.	60° (Max.90°)	1000	-	-	●	●	6	62	1,01	49,8	195'
3	 Coton standard 40°C (2): blancs et couleurs délicates peu sales.	40°	1000	-	-	●	●	6	62	0,86	76	185'
4	Coton standard 20°C: blancs et couleurs délicates peu sales.	20°	1000	-	-	●	●	6	-	-	-	**
5	Synthétique: couleurs résistantes très sales.	60°	1000	-	-	●	●	3	44	0,78	50	105'
5	Synthétique (3): couleurs résistantes peu sales.	40°	1000	-	-	●	●	3	-	-	-	95'
6	MIX 30': pour rafraîchir rapidement du linge peu sale (ne convient pas pour la laine, la soie et le linge à laver à la main).	30°	800	-	-	●	●	3	71	0,12	32	30'
7	MIX 15': pour rafraîchir rapidement du linge peu sale (ne convient pas pour la laine, la soie et le linge à laver à la main).	30°	800	-	-	●	●	1,5	71	0,12	27	15'
8	Anti-bactérien: blancs extrêmement sales.	90°	1000	-	●	●	●	6	-	-	-	**
9	Bonne Nuit: couleurs délicates peu sales.	40°	800	-	-	●	●	4	-	-	-	**
10	Bébé: couleurs délicates très sales.	40°	1000	-	-	●	●	4	-	-	-	**
11	Chemises	40°	600	-	-	●	●	2	-	-	-	**
12	Soie/Voilages 30°: pour linge en soie, viscose, lingerie.	30°	0	-	-	●	●	1	-	-	-	**
13	Laine 40°: pour laine, cachemire, etc.	40°	800	-	-	●	●	1,5	-	-	-	**
A	Rinçage	-	1000	-	-	-	●	6	-	-	-	**
B	Essorage	-	1000	-	-	-	-	6	-	-	-	**
C	Vidange	-	0	-	-	-	-	6	-	-	-	**

** La durée des programmes de lavage est contrôlable sur l'afficheur.

La durée du cycle indiquée sur l'écran ou dans la notice représente une estimation calculée dans des conditions standard. Le temps effectif peut varier en fonction de nombreux facteurs tels que : température et pression de l'eau en entrée, température ambiante, quantité de lessive, quantité et type de charge, équilibrage de la charge, options supplémentaires sélectionnées.

1) Programme de contrôle selon la règlementations 1061/2010: sélectionner le programme 2 et une température de 60°C.

Ce cycle convient au lavage d'une charge de coton normalement sale et c'est le plus performant en termes de consommation d'eau et d'énergie, l'utiliser pour du linge lavable à 60°C. La température effective de lavage peut différer de la température indiquée.

2) Programme de contrôle selon la règlementations 1061/2010: sélectionner le programme 3 et une température de 40°C.

Ce cycle convient au lavage d'une charge de coton normalement sale et c'est le plus performant en termes de consommation d'eau et d'énergie, l'utiliser pour du linge lavable à 40°C. La température effective de lavage peut différer de la température indiquée.

Pour tous les instituts qui effectuent ces tests :

2) Programme coton long: sélectionner le programme 3 et une température de 40°C.

3) Programme synthétique long: sélectionner le programme 5 et une température de 40°C.

Coton Standard 20° (programme 4). Idéal pour des charges de linge sale en coton. Les bonnes performances, même à froid, comparables à celles d'un lavage à 40°, sont assurées grâce à une action mécanique qui brasse en variant la vitesse et avec des pics répétés et rapprochés.

Mix 30' (programme 6) spécialement conçu pour laver du linge peu sale en un rien de temps: il ne dure que 30 minutes et permet ainsi de faire des économies d'énergie et de temps. La sélection de ce programme (6 à 30°C) permet de laver ensemble des textiles différents (sauf laine et soie) en ne dépassant pas 3 kg de charge.

Mix 15' (programme 7) spécialement conçu pour laver du linge peu sale en un rien de temps: il ne dure que 15 minutes et permet ainsi de faire des économies d'énergie et de temps. La sélection de ce programme (7 à 30°C) permet de laver ensemble des textiles différents (sauf laine et soie) en ne dépassant pas 1,5 kg de charge.

Anti-bactérien (programme 8). Un programme hautes températures qui prévient l'utilisation de produits javelés à des températures supérieures à 60°C. Pour blanchir, verser le produit javelé, les lessives et les additifs dans les compartiments correspondants (voir paragraphe "Tiroir à produits lessiviels").

Bonne nuit (programme 9). C'est un cycle silencieux qui permet de faire fonctionner le lave-linge la nuit quand le tarif d'électricité est plus bas. Ce programme est spécialement conçu pour les synthétiques et le coton. A la fin du cycle l'appareil s'arrête, cuve pleine. Pour procéder à l'essorage et à la vidange, appuyer sur la touche START/PAUSE, à défaut, l'appareil procédera automatiquement au bout de 8 heures à l'essorage et à la vidange de l'eau.

Bébé (programme 10). Programme spécial, idéal pour le lavage des vêtements d'enfants souvent très sales, il élimine toute trace de lessive du linge pour protéger leur peau délicate et éviter tout risque d'allergie. Spécialement conçu pour diminuer la charge bactérienne, ce cycle utilise une plus grande quantité d'eau et optimise l'effet des additifs désinfectants spécifiques ajoutés à la lessive.

Sélection de la température

Appuyer sur la touche TEMPÉRATURE pour sélectionner la température de lavage (voir *Tableau des programmes*).

La température peut être abaissée jusqu'au lavage à froid (❄).

La machine interdira automatiquement toute sélection d'une température supérieure à la température maximale prévue pour chaque programme.

! Exception: lors de la sélection du programme **2** la température peut être augmentée jusqu'à 90°.

Sélection de l'essorage

Appuyer sur la touche ESSORAGE pour sélectionner la vitesse d'essorage du programme sélectionné.

Les vitesses maximales prévues pour les programmes sont:

Programmes	Vitesse maximale
Coton	1000 tours/minute
Synthétiques	1000 tours/minute
Laine	800 tours/minute
Soie	vidange seule

La vitesse d'essorage peut être réduite ou l'essorage supprimé en sélectionnant le symbole (🌀).

La machine interdira automatiquement tout essorage à une vitesse supérieure à la vitesse maximale prévue pour chaque programme.

Fonctions

Les différentes fonctions de lavage prévues par le lave-linge permettent d'obtenir la propreté et le blanc souhaités.

Pour activer les fonctions:

1. appuyer sur la touche correspondant à la fonction désirée;
2. l'allumage du voyant correspondant signale que la fonction est activée.

Remarque:

- Si la fonction sélectionnée est incompatible avec le programme sélectionné, le voyant correspondant se met à clignoter, un signal sonore retentit et la fonction n'est pas activée.
- En cas de sélection d'une fonction incompatible avec une autre précédemment sélectionnée, la seule à être activée sera celle choisie en dernier.

Départ différé

Pour programmer un départ différé du programme sélectionné, appuyer plusieurs fois de suite sur la touche jusqu'à ce que le retard désiré (de 1 à 24 h) soit affiché.

Pour désactiver cette fonction, appuyer sur la touche jusqu'à affichage du message **OFF**.

N.B.: Après avoir appuyé sur la touche START/PAUSE, le retard programmé ne peut être modifié que pour le diminuer.

Intensif

Grâce à l'utilisation d'une plus grande quantité d'eau au cours de la phase initiale du cycle et à l'emploi de davantage de temps, cette fonction permet d'obtenir un lavage très performant.

Rinçage plus

La sélection de cette fonction permet d'augmenter l'efficacité du rinçage et d'éliminer toute trace de lessive. Elle est très utile en cas de peaux particulièrement sensibles.

Repassage facile

En cas de sélection de cette fonction, le lavage et l'essorage seront dûment modifiés pour réduire le froissage. En fin de cycle, le lave-linge fait tourner le tambour lentement, le voyant de la fonction REPASSAGE FACILE et celui de START/PAUSE se mettent à clignoter (orange), la phase **End** reste allumée en fixe. Pour compléter le cycle, il faut appuyer sur la touche START/PAUSE ou sur la touche REPASSAGE FACILE.

Pour le programme **Soie** l'appareil arrive au bout du cycle en laissant le linge tremper, le voyant de la fonction REPASSAGE FACILE et celui de START/PAUSE se mettent à clignoter (orange), la phase RINÇAGE reste allumée en fixe. Pour vidanger l'eau et pouvoir sortir le linge, il faut appuyer sur la touche START/PAUSE ou sur la touche REPASSAGE FACILE.

Produits lessiviels et linge

FR

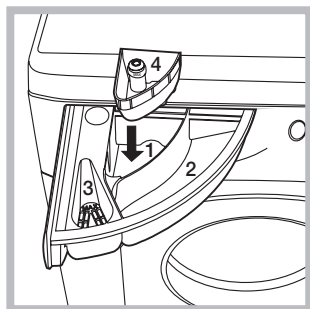
Tiroir à produits lessiviels

Un bon résultat de lavage dépend aussi d'un bon dosage de produit lessiviel: un excès de lessive ne lave pas mieux, il incruste l'intérieur du lave-linge et pollue l'environnement.

! Utiliser des lessives en poudre pour du linge en coton blanc et en cas de pré-lavage et de lavages à une température supérieure à 60°C.

! Respecter les indications figurant sur le paquet de lessive.

! Ne pas utiliser de lessives pour lavage à la main, elles moussent trop.



Sortir le tiroir à produits lessiviels et verser la lessive ou l'additif comme suit.

bac 1: Lessive pré-lavage (en poudre)

Avant d'introduire la lessive, s'assurer que le bac supplémentaire 4 n'est pas présent.

bac 2: Lessive lavage (en poudre ou liquide)

Verser la lessive liquide juste avant la mise en marche.

bac 3: Additifs (assouplissant, etc.)

L'assouplissant ne doit pas déborder de la grille.

bac supplémentaire 4: Produit javéliné

Cycle blanchissage

Le blanchissage n'est possible qu'avec le programme **8**. Verser le produit javéliné dans le bac supplémentaire **4**, la lessive et l'assouplissant dans les bacs correspondants, puis sélectionner un des programmes sus-indiqués. Conseillé en cas de linge en coton très sale.

Triage du linge

- Trier correctement le linge d'après:
 - le type de textile / le symbole sur l'étiquette.
 - les couleurs: séparer le linge coloré du blanc.
- Vider les poches et contrôler les boutons.
- Ne pas dépasser les valeurs indiquées correspondant au poids de linge sec : voir "Tableau des programmes".

Combien pèse le linge ?

- 1 drap 400-500 g
- 1 taie d'oreiller 150-200 g
- 1 nappe 400-500 g
- 1 peignoir 900-1200 g
- 1 serviette éponge 150-250 g


Linge ou vêtements particuliers

Chemises: sélectionner le programme **11** approprié au lavage de chemises de couleurs et textiles différents.

Il en prend le plus grand soin en réduisant le froissage.

Soie: sélectionner le programme de lavage spécial **12** pour vêtements en soie. Il est conseillé d'utiliser une lessive spéciale pour linge délicat.

Voilages: pliez-les bien et glissez-les dans une taie d'oreiller ou dans un sac genre filet. Sélectionner le programme **12**.

Laine: grâce au programme **13** vous pouvez laver à la machine tous vos vêtements en laine, y compris ceux qui portent l'étiquette " lavage à la main uniquement " . Pour obtenir d'excellents résultats utilisez un produit lessiviel spécial et ne dépassez pas une charge de 1,5 kg.

Système d'équilibrage de la charge

Avant tout essorage, pour éviter toute vibration excessive et répartir le linge de façon uniforme, le lave-linge fait tourner le tambour à une vitesse légèrement supérieure à la vitesse de lavage. Si au bout de plusieurs tentatives, la charge n'est toujours pas correctement équilibrée, l'appareil procède à un essorage à une vitesse inférieure à la vitesse normalement prévue. En cas de déséquilibre excessif, le lave-linge préfère procéder à la répartition du linge plutôt qu'à son essorage. Pour une meilleure répartition de la charge et un bon équilibrage, nous conseillons de mélanger de grandes et petites pièces de linge.

Il peut arriver que le lave-linge ne fonctionne pas bien. Avant d'appeler le Service de dépannage (voir "Assistance"), contrôler s'il ne s'agit pas par hasard d'un problème facile à résoudre à l'aide de la liste suivante.

Anomalies:

Causes / Solutions possibles:

Le lave-linge ne s'allume pas.

- La fiche n'est pas branchée dans la prise de courant ou mal branchée.
- Il y a une panne de courant.

Le cycle de lavage ne démarre pas.

- Le hublot n'est pas bien fermé.
- La touche ON/OFF n'a pas été enfoncée.
- La touche START/PAUSE n'a pas été enfoncée.
- Le robinet de l'eau n'est pas ouvert.
- Un départ différé a été sélectionné (voir "Personnalisations").

Il n'y a pas d'arrivée d'eau (le voyant de la première phase de lavage clignote rapidement).

- Le tuyau d'arrivée de l'eau n'est pas raccordé au robinet.
- Le tuyau est plié.
- Le robinet de l'eau n'est pas ouvert.
- Il y a une coupure d'eau.
- La pression n'est pas suffisante.
- La touche START/PAUSE n'a pas été enfoncée.

Le lave-linge prend l'eau et vidange continuellement.

- Le tuyau de vidange n'est pas installé à une distance du sol comprise entre 65 et 100 cm (voir "Installation").
- L'extrémité du tuyau de vidange est plongée dans l'eau (voir "Installation").
- L'évacuation murale n'a pas d'évent.

Si après ces vérifications, le problème persiste, fermer le robinet de l'eau, éteindre la machine et appeler le service Assistance. Si l'appartement est situé en étage dans un immeuble, il peut y avoir des phénomènes de siphonnage qui font que le lave-linge prend et évacue l'eau continuellement. Pour supprimer cet inconvénient, on trouve dans le commerce des soupapes spéciales anti-siphonnage.

Le lave-linge ne vidange pas et n'essore pas.

- Le programme ne prévoit pas de vidange: pour certains programmes, il faut la faire partir manuellement.
- La fonction REPASSAGE FACILE est activée: pour compléter le programme, appuyer sur la touche START/PAUSE ("Personnalisations").
- Le tuyau de vidange est plié (voir "Installation").
- La conduite d'évacuation est bouchée.

Le lave-linge vibre beaucoup pendant l'essorage.

- Le tambour n'a pas été débloqué comme il faut lors de l'installation du lave-linge (voir "Installation").
- Le lave-linge n'est pas posé à plat (voir "Installation").
- Le lave-linge est coincé entre des meubles et le mur (voir "Installation").

Le lave-linge a des fuites.

- Le tuyau d'arrivée de l'eau n'est pas bien vissé (voir "Installation").
- Le tiroir à produits lessiviels est bouché (pour le nettoyer voir "Entretien et soin").
- Le tuyau de vidange n'est pas bien fixé (voir "Installation").

Le voyant START/PAUSE (orange) ainsi que les voyants des fonctions clignotent rapidement.

- Eteindre l'appareil et débrancher la fiche de la prise de courant, attendre 1 minute environ avant de rallumer.
Si l'anomalie persiste, appeler le service d'assistance.

Il y a un excès de mousse.

- Le produit de lavage utilisé n'est pas une lessive spéciale machine (il faut qu'il y ait l'inscription "pour lave-linge", "main et machine", ou autre semblable).
- La quantité utilisée est excessive.

Assistance

FR

Avant d'appeler le service après-vente:

- Vérifier si on ne peut pas résoudre l'anomalie par ses propres moyens (voir "Anomalies et Remèdes");
- Remettre le programme en marche pour contrôler si l'inconvénient a disparu;
- Autrement, contacter le Centre d'Assistance technique agréé au numéro de téléphone indiqué sur le certificat de garantie.

! Ne jamais s'adresser à des techniciens non agréés.

Communiquer:

- le type de panne;
- le modèle de l'appareil (Mod.);
- son numéro de série (S/N).

Ces informations se trouvent sur la plaque signalétique apposée à l'arrière du lave-linge et à l'avant quand on ouvre la porte hublot.

RÈGLEMENT DÉLÉGUÉ (UE) N ° 1061/2010 DE LA COMMISSION	
Marque	ARISTON
Modèle	AR6F 105 EX.M
Capacité nominale en kg de coton	6
Classe énergétique sur une échelle de A+++ (faible consommation) à G (consommation élevée)	A+
Consommation d'énergie par année en kWh ¹⁾	196
Consommation d'énergie d'un programme coton standard à 60°C et à pleine charge en kWh ²⁾	1.014
Consommation d'énergie d'un programme coton standard à 60°C et à demi-charge en kWh ²⁾	0.761
Consommation d'énergie d'un programme coton standard à 40°C et à demi-charge en kWh ²⁾	0.7
Consommation d'énergie en mode "off" en W	0.5
Consommation d'énergie en mode "on" en W	8
Consommation d'eau par an en litres ³⁾	8400
Classe d'efficacité d'essorage sur une échelle de G (efficacité minimum) à A (efficacité maximum)	C
Vitesse d'essorage maximum ⁴⁾	1000
Taux d'humidité résiduelle (en %) ⁵⁾	62.0%
Durée du « programme coton standard à 60°C » à pleine charge en minutes	195
Durée du « programme coton standard à 60°C » à demi-charge en minutes	160
Durée du « programme coton standard à 40°C » à demi-charge en minutes	150
Durée du mode laissé en marche en minutes	30
Émissions acoustiques dans l'air, exprimées en dB(A) re 1 pW en phase de lavage ⁶⁾	62
Émissions acoustiques dans l'air, exprimées en dB(A) re 1 pW en phase d'essorage ⁶⁾	80
Encastrable	

¹⁾ Le programme "coton standard 60°C" pleine et demi-charge et le programme "coton standard 40°C" demi-charge sont les programmes de lavage standard auxquels se rapportent les informations qui figurent sur l'étiquette et sur la fiche. Ils conviennent pour laver du linge en coton normalement sale, et il s'agit des programmes les plus efficaces en termes de consommation combinée d'eau et d'énergie. La demi-charge correspond à la moitié de la charge nominale.

²⁾ Sur la base de 220 cycles de lavage standard pour les programmes coton à 60°C et à 40°C à pleine et à demi-charge, et de la consommation des modes à faible puissance. La consommation réelle d'énergie dépend des conditions d'utilisation de l'appareil.

³⁾ Sur la base de 220 cycles de lavage standard pour les programmes coton à 60°C et à 40°C à pleine et à demi-charge. La consommation réelle d'eau dépend des conditions d'utilisation de l'appareil.

⁴⁾ Pour le programme standard à 60°C à pleine ou demi-charge, ou le programme standard à 40°C à demi-charge, la valeur la plus faible des deux étant retenue.

⁵⁾ Atteint avec le programme coton à 60°C à pleine et demi-charge, ou le programme coton à 40°C à demi-charge, la valeur la plus élevée des deux étant retenue.

⁶⁾ Sur la base des phases de lavage et d'essorage pour le programme coton standard à 60°C à pleine charge.

المحتويات

التركيب، 26-27

إفراغ المحتويات وتحديد المستوى
وصل إمدادات الكهرباء والماء
دورة الغسيل الأولى
بيانات تقنية

AR

عربي

وصف ماكينة الغسيل وتشغيل دورة الغسيل، 28-29

لوحة التحكم
المصابيح المؤشرة
تشغيل دورة الغسيل

دورات الغسيل، 30

جدول دورات الغسيل

التخصيصات، 31

ضبط درجة الحرارة
ضبط سرعة الدوران
الوظائف

AR6F 105

مواد التنظيف والغسيل، 32

درج وعاء مواد التنظيف
دورة التبييض
تحضير الغسيل
ملابس تتطلب عناية خاصة
نظام موازنة الحمل

وسائل حذر ونصائح، 33

الوقاية العامة
التخلص

العناية والصيانة، 34

قطع إمداد الماء أو الكهرباء
تنظيف ماكينة الغسيل
تنظيف درج وعاء مواد التنظيف
العناية بباب وبرميل الجهاز لديك
تنظيف المضخة
فحص خرطوم إدخال الماء

استكشاف المشاكل وحلها، 35

الخدمة، 36

تحديد مستوى الماكينة بشكل صحيح سيمنعها الثبات، سيساعد على تحاشي الارتجاجات والضجيج الزائد وسيمنعها من الانحراف أثناء العمل. إذا تم وضعها في خزانة أو على بساط، قم بمعايرة الأرجل بنفس الطريقة لتوفير مساحة تهوية كافية تحت ماكينة الغسيل.

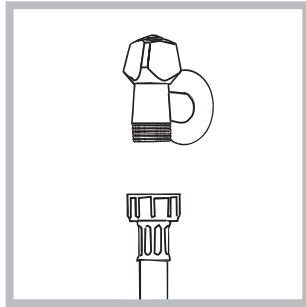
! يجب الاحتفاظ بدليل التعليمات هذا في مكان آمن لمراجعته في المستقبل. إذا تم بيع الجهاز، إرساله أو نقله، تأكد من أن دليل التعليمات قد أرفق بالماكينة بحيث يتمكن مالكوها الجدد من التعرف على عملها وخصائصها.

! اقرأ هذه التعليمات بعناية: إنها تحتوي على معلومات هامة فيما يتعلق بالتركيب الآمن وتشغيل الجهاز.

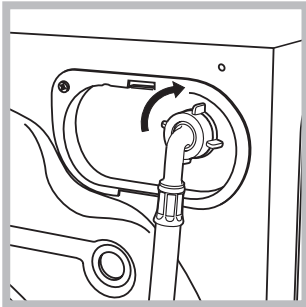
وصل إمدادات الكهرباء والماء

وصل خرطوم إدخال الماء

1. قم بوصل خرطوم التزويد بواسطة تثبيته لولبيا في حنفية الماء البارد باستخدام توصيل غاز 3/4 ممدد (انظر الرسم).
قبل إنجاز التوصيل، أتح للماء أن يتدفق بحرية حتى يصبح نظيفا تماما.



2. قم بتوصيل فتحة المدخل بماكينة الغسيل، عن طريق تثبيتها لولبيا داخل مدخل الماء الملائم في الجهاز، الموجود في الجهة اليمنى العليا في الجزء الخلفي من الجهاز (انظر الرسم).



3. تأكد من أن الفوهة غير مثنية أو معوجة.

! على ضغط الماء في الحنفية أن يكون في نطاق القيم المشار إليها في جدول البيانات التقنية (انظر الصفحة التالية).

! إذا لم يكن خرطوم الإدخال طويلا بما فيه الكفاية، اتصل بمتجر متخصص أو بفني معتمد.

! لا تستخدم الخراطيم المستعملة أبدا.

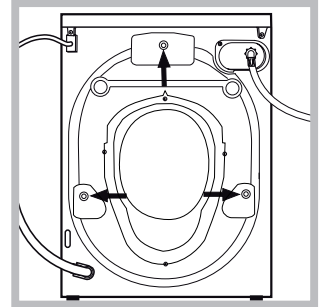
! استخدم تلك المرفقة بالماكينة.

إفراغ المحتويات وتحديد المستوى

إفراغ المحتويات

1. أخرج ماكينة الغسيل من رزمتها.
2. تأكد من أنه لم يلحق ضرر بماكينة الغسيل خلال عملية الشحن. إذا لحق بها ضرر، اتصل بالموزع ولا تنفذ أية عملية تركيب إضافية.

3. فك البراغي الـ 3 الواقية (المستخدمة خلال الشحن) ومطاط الماكينة مع حافظ المسافة الملائم الموجود في الجهة الخلفية من الجهاز.



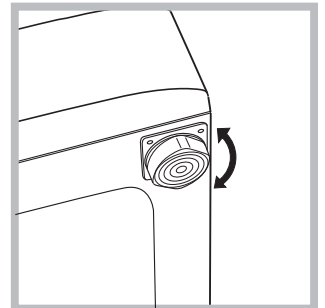
4. أغلق الفتحات باستخدام الأغشية البلاستيكية المزودة.
5. أبق كل الأجزاء في مكان آمن: سوف تحتاجها مرة أخرى في حال تم نقل ماكينة الغسيل إلى موقع آخر.

! يجب عدم استخدام مواد التعبئة كالعاب للأولاد.

تحديد المستوى

1. قم بتركيب ماكينة الغسيل على أرضية مستوية ومثينة، من دون وضعها مقابل الجدران، الخزائن، الأثاث أو أي أمر آخر.

2. إذا لم تكن الأرضية مستوية تماما، قم بتعويض أي تفاوت بواسطة شد أو فك أرجل المعايرة الأمامية (انظر الرسم)؛ على قياس زاوية الانحناء مقارنة بمسطح العمل، ألا يتعدى 2°.



! لا تستخدم كبلات الإطالة أو المقابس المتعددة.

! على الكبل ألا يكون معوجا أو مضغوطا.

! يجب فحص الكبل بانتظام وتبديله من قبل فني مؤهل فقط.

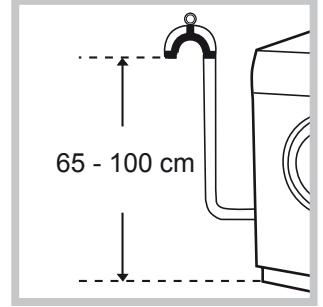
تحذير! لن تتحمل الشركة أية مسؤولية في حال لم يتم احترام هذه التعليمات.

دورة الغسيل الأولى

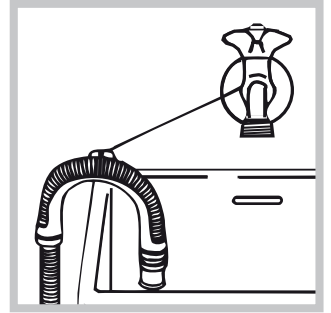
بعد الانتهاء من تركيب الجهاز، وقبل استخدامه للمرة الأولى، قم بتشغيل دورة غسيل مستخدما مواد التنظيف من دون غسيل، باستخدام دورة الغسيل 2.

وصل خرطوم تصريف الماء

قم بتوصيل خرطوم تصريف الماء، من دون ثنيه، بأنبوب تصريف أو بتصريف جداري على ارتفاع يتراوح بين 65 وحتى 100 سم عن الأرض؛



أو قم بتثبيتته على طرف الحوض أو المغسلة، مع تثبيت الأنبوب المزود بالحفنية (أنظر الرسم). على الطرف الحر من الخرطوم ألا يكون تحت الماء.



! نحن لا ننصح باستخدام إطالات الخرطوم؛ إذا كان ذلك ضروريا جدا، فعلى الإطالات أن تكون بنفس قطر الخرطوم الأصلي على ألا يتعدى طوله 150 سم.

التوصيلات الكهربائية

قبل توصيل الجهاز بتزويد الطاقة، تأكد من أن:

- المقبس مؤرّض ويزعن لكل القوانين الواجب تطبيقها؛
- المقبس قادر على تحمل عبء الطاقة القصوى، كما هو مبين في جدول البيانات التقنية (انظر الجهة المقابلة)؛
- فولتية تزويد الطاقة تتراوح بين القيم المشار إليها في جدول البيانات التقنية (انظر الجهة المقابلة)؛
- أن المقبس متوافق مع قابس ماكينة الغسيل. إذا لم يكن الأمر كذلك، قم بتبديل المقبس أو القابس.

! يجب عدم تركيب ماكينة الغسيل خارج المنزل، حتى وإن كان ذلك في مناطق مغطاة. من الخطر جدا إبقاء الجهاز عرضة للشتاء، العواصف وأحوال الطقس الأخرى.

! على مقبس شبكة الكهرباء الرئيسية أن يبقى سهل الوصول بعد تركيب ماكينة الغسيل.

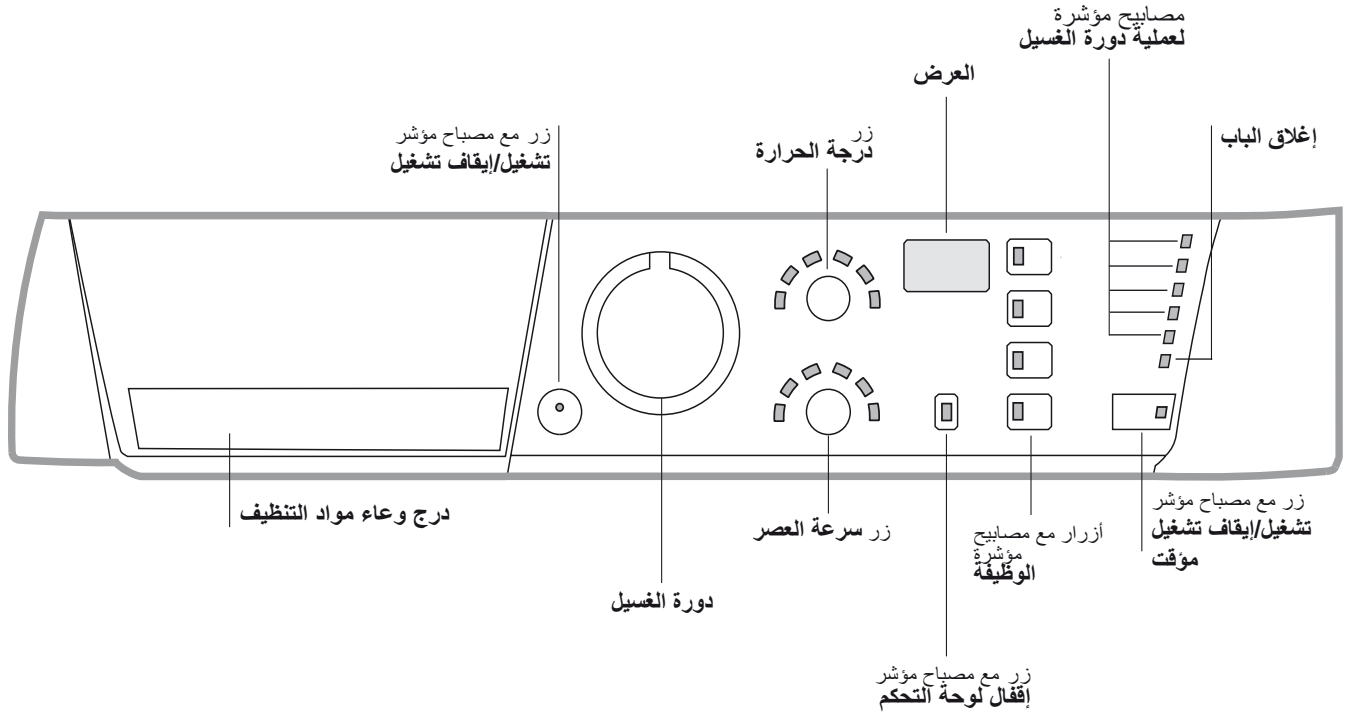
بيانات تقنية	
الطراز	AR6F 105
الأبعاد	العرض 59.5 سم الارتفاع 85 سم العمق 51.7 سم
السعة	من 1 وحتى 6 كغم
التوصيلات الكهربائية	الرجاء راجع لوحة البيانات التقنية المملصة على الماكينة
توصيلات الماء	الضغط الأقصى 1 MPa (10 بار) الضغط الأدنى 0.05 MPa (0.5 بار) سعة البرميل 46 لتر
سرعة الدوران	حتى 1000 دورة في الدقيقة
برامج تقييم الطاقة وفق التنظيمات 1061/2010	البرنامج 2: القطنيات العادية 60° درجة مئوية؛ البرنامج 3: القطنيات العادية 40° درجة مئوية؛
	يذعن هذا الجهاز لإرشادات EC: 2006/95/EC - (جهد منخفض) 89/336/EEC - من تاريخ 03/05/89 (تطابق المغناطيسية الكهربائية) والتعديلات اللاحقة WEEE - 2012/19/EU -



وصف ماكينة الغسيل وتشغيل دورة الغسيل

AR

لوحة التحكم



للوظيفة: يتم استخدامه لاختيار الوظائف المتوفرة. المصباح المؤشر الملائم للوظيفة المختارة سيبقى مضاء.

برنامج دورة الغسيل/عداد الوقت المؤجل مصباح مؤشر S: يتم استخدامه لرصد برنامج دورة الغسيل. يظهر المصباح المؤشر للمرحلة الجارية.

إغلاق الباب: يشير إما إلى إن الباب مفتوح أم لا (انظر الصفحة التالية).

بدء/إيقاف مؤقت: يبدأ أو يعترض مؤقتاً دورات الغسيل.

ملاحظة: لإيقاف دورة الغسيل الجارية بشكل مؤقت، اضغط هذا الزر؛ سيومض المصباح المؤشر الملائم باللون البرتقالي، بينما يبقى المصباح المؤشر لمرحلة دورة الغسيل الحالية مضاء بشكل ثابت. إذا انطفأ المصباح المؤشر لإغلاق الباب، وإذا أصبح بالإمكان فتح الباب (انتظر حوالي 3 دقائق).

لبدء دورة الغسيل من النقطة التي تم اعتراضها، اضغط هذا الزر مجدداً.

نمط الانتظار

عند انتهاء الدورة، أو إذا تم تشغيل ماكينة الغسيل ولم يتم تشغيل دورة غسيل، فسوف تنطفئ بعد بضع دقائق بهدف تقليل استهلاك الطاقة. لإعادة تشغيل الماكينة

درج وعاء مواد التنظيف: يتم استخدامه لتوزيع مواد التنظيف ومضافات الغسيل (انظر "مواد التنظيف والغسيل"). هناك مفتاح يشكّل مجملًا لدورات الغسيل المتوفرة داخل درج وعاء مواد التنظيف؛ يمكن الاستعانة به دائماً.

زر مع مصباح مؤشر بدء/إيقاف مؤقت: لتشغيل ماكينة الغسيل وإيقاف تشغيلها.

إذا أضاء المصباح المؤشر، فهذا يشير إلى أن الماكينة قد تم تشغيلها.

دورة الغسيل: يبرمج دورات الغسيل. خلال دورة الغسيل، لا يتحرك المفتاح.

سرعة الدوران: يضبط دورة العصر أو يستثني دورة العصر كلياً (انظر "التخصيصات").

درجة الحرارة: لضبط درجة الحرارة أو دورة الغسيل البارد (انظر "التخصيصات").

العرض: يشير إلى الوقت المتبقي لدورة الغسيل المختارة وإذا تمت برمجة وقت مؤجل للبدء، فسيبقى الوقت حتى بدء دورة الغسيل.

إفقال لوحة التحكم: لتنشيط أو إلغاء تنشيط إفقال لوحة التحكم.

المصابيح المؤشرة

ضوء مؤشر الثرموستات
 عند اختيار قيمة من الثرموستات، سيضيء المصباح المؤشر الملائم.



ضوء مؤشر العصر

عند اختيار قيمة العصر، سيضيء المصباح المؤشر الملائم.



مصباح مؤشر إقفال لوحة التحكم

لتنشيط إقفال لوحة التحكم، اضغط ضغطاً متواصلاً على الزر لمدة ثانيتين تقريباً. ستكون لوحة التحكم مقفلة عندما يضيء المصباح المؤشر. هذا يعني أنه من الممكن تحاشي تعديل دورات الغسيل عن طريق الخطأ، وخاصة عندما يكون هناك أولاد في البيت. **لإلغاء تنشيط** إقفال لوحة التحكم، اضغط ضغطاً متواصلاً على الزر لمدة ثانيتين تقريباً.

المصباح المؤشر لإغلاق الباب:

إذا كان هذا المصباح المؤشر مشغلاً، فيكون باب الجهاز مغلقاً لتحاشي فتحه عن غير قصد؛ لتحاشي أية أعطال، انتظر حتى يطفئ المصباح المؤشر قبل أن تفتح باب الجهاز (انتظر حوالي 3 دقائق) **ملاحظة** إذا تم تشغيل عداد الوقت المؤجل، فلا يمكن فتح الباب؛ أوقف الماكينة بواسطة الضغط على زر بدء/إيقاف مؤقت إذا أردت أن تفتحه.

! إذا كان المصباح المؤشر لبدء/إيقاف مؤقت (برتقالي) يومض بسرعة في نفس الوقت مع المصباح المؤشر للوظيفة، هذا يشير إلى

توفر المصابيح المؤشرة معلومات هامة.
 هذا ما يمكننا أن نخبرك به:

المصابيح المؤشرة لمرحلة دورة الغسيل

عندما تتم إدارة مفتاح دورة الغسيل، سيضيء المصباح المؤشر، ليشير إلى المراحل التي سيتم إنجازها من قبل الماكينة وفقاً لدورة الغسيل المختارة.

فور اختيار دورة الغسيل المرغوب بها وبدءها، تضيئ المصابيح المؤشرة، الواحد تلو الآخر للإشارة لمرحلة الدوران التي تعمل حالياً.

	غسيل
	شطف
	عصر
	التصريف دون العصر
	نهاية دورة الغسيل

أضرار الوظائف والمصابيح المؤشرة الملائمة.

عند اختيار وظيفة، سيضيء المصباح المؤشر الملائم. إذا لم تكن الوظيفة المختارة تتوافق مع دورة الغسيل المبرمجة، سيومض المصباح المؤشر الملائم وستطلق إشارة صوتية ولن يتم تشغيل الوظيفة. إذا تم إعداد وظيفة لا تتوافق مع وظيفة أخرى تم اختيارها مسبقاً، سيتم تشغيل الأخيرة المختارة فقط.

تشغيل دورة الغسيل

1. قم بتشغيل ماكينة الغسيل بواسطة الضغط على زر بدء/إيقاف التشغيل. ستضيئ كل المصابيح المؤشرة لمدة ثوان قليلة، بعدها ستنتطفئ والمصباح المؤشر للبدء/إيقاف مؤقت سيومض.
2. قم بإدخال الغسيل وأغلق الباب.
3. اضبط مفتاح دورة الغسيل للبرنامج المرغوب.
4. اضبط درجة حرارة الغسيل (أنظر "التخصيصات").
5. اضبط سرعة الدوران (أنظر "التخصيصات").
6. قم بقياس مواد التنظيف ومضافات الغسيل (انظر "مواد التنظيف والغسيل").
7. اختر الوظائف المرغوب بها.

8. قم بتشغيل دورة الغسيل بواسطة الضغط على زر بدء/إيقاف مؤقت وسيبقى المصباح المؤشر مضاء بشكل ثابت، بالأخضر. لإلغاء ضبط دورة الغسيل، أوقف الماكينة بشكل مؤقت بواسطة الضغط على زر بدء/إيقاف واختر دورة جديدة.

9. عند انتهاء دورة الغسيل END سيضيء المصباح المؤشر. سينطفئ المصباح المؤشر لإغلاق الباب ليشير إلى أنه قد أصبح بالإمكان فتح الباب (انتظر حوالي 3 دقائق) خرج غسيلك واترك باب الجهاز مفتوح جزئياً للتأكد من أن البرميل قد جف تماماً. قم بإطفاء ماكينة الغسيل بواسطة الضغط على زر بدء/إيقاف التشغيل.

دورات الغسيل

AR

جدول دورات الغسيل

مدة الدورة	حمل أقصى (كغم)	مواد التنظيف				الحد الأقصى للسرعة (دورة في الدقيقة)	الحد الأقصى لدرجة الحرارة (منوية)	وصف دورة الغسيل	دورات الغسيل
		مطري للأقمشة	التبييض	غسيل	ما قبل الغسيل				
يمكن فحص مدة دورات الغسيل على شاشة العرض.	6	●	●	-	●	1000	90°	القطنيات مع دورة ما قبل الغسل: الملابس البيضاء المتسخة للغاية.	1
	6	●	●	-	-	1000	60° (Max.90°)	القطنيات (1): الملابس البيضاء المتسخة بشدة والألوان الداكنة.	2
	6	●	●	-	-	1000	40°	القطنيات (2): الألوان الداكنة خفيفة الاتساخ.	3
	6	●	●	-	-	1000	20°	القطنيات العادية 20 درجة منوية: الملابس البيضاء خفيفة الاتساخ والألوان الفاتحة.	4
	3	●	●	-	-	1000	60°	الأقمشة الاصطناعية: الألوان الداكنة المتسخة بشدة.	5
	3	●	●	-	-	800	30°	MIX 30': لإنعاش الغسيل الملابس المتسخة قليلاً بسرعة (غير ملائم للصوص، الحرير والملابس التي تتطلب الغسيل باليد).	6
	1,5	●	●	-	-	800	30°	MIX 15': لإنعاش الغسيل الملابس المتسخة قليلاً بسرعة (غير ملائم للصوص، الحرير والملابس التي تتطلب الغسيل باليد).	7
	6	●	●	●	-	1000	90°	دورة التعقيم: الغسيل الأبيض المتسخ جداً.	8
	4	●	●	-	-	800	40°	الدورة الليلية: الملابس ذات الألوان الناعمة المتسخة قليلاً.	9
	4	●	●	-	-	1000	40°	دورة خاصة بملابس الأطفال: الملابس ذات الألوان الناعمة المتسخة جداً.	10
	2	●	●	-	-	600	40°	قمصان	11
	1	●	●	-	-	0	30°	الحرير/الستائر: للأقمشة الحريرية والبيسكوزا، ملابس النساء التحتية.	12
	1,5	●	●	-	-	800	40°	الصوف: للملابس الصوفية والكشمير وغيرها.	13
	6	●	-	-	-	1000	-	شطف	A
	6	-	-	-	-	1000	-	عصر	B
6	-	-	-	-	0	-	التصريف دون العصر	C	

إن مدة الدورة الظاهرة على الشاشة أو في هذا الكتيب تعتبر مدة تقديرية ويتم حسابها باقتراض توافر ظروف العمل القياسية. قد تختلف مدى الدورة الفعلية تبعاً لبعض العوامل مثل درجة حرارة الماء والضغط، وكمية المواد المنظفة المستخدمة، وكمية ونوع حمولة الملابس، وموازنة الكمية وأية خيارات أخرى تم تحديدها.

- (1) قم بفحص دورة الغسيل وتوافقها مع اللائحة 1061/2010: اضبط دورة الغسيل 2 مع درجة حرارة 60 منوية. تم تصميم هذه الدورة لأحمال الغسيل من القطنيات ذات مستوى الاتساخ العادي، وهي الأكثر كفاءة فيما يتعلق باستهلاك كل من الكهرباء والماء، ويجب استخدامه للملابس التي يمكن غسلها عند درجة حرارة 60 منوية. قد تختلف درجة حرارة الغسل من القيمة المحددة.
- (2) قم بفحص دورة الغسيل وتوافقها مع اللائحة 1061/2010: اضبط دورة الغسيل 3 مع درجة حرارة 40 منوية. تم تصميم هذه الدورة لأحمال الغسيل من القطنيات ذات مستوى الاتساخ العادي، وهي الأكثر كفاءة فيما يتعلق باستهلاك كل من الكهرباء والماء، ويجب استخدامه للملابس التي يمكن غسلها عند درجة حرارة 40 منوية. قد تختلف درجة حرارة الغسل من القيمة المحددة.

لكافة المعاهد الاختبارات:

(2) دورة غسيل طويلة للقطنيات: اضبط دورة الغسيل 3 مع درجة حرارة 40 منوية.

□ ظيف من الحفاضات بهدف منع معاناة جلد الأطفال الصغار من الحساسيات. تم تصميم الدورة بحيث تقلل كمية البكتيريا المستخدمة كمية كبيرة من قطنيات عادية 20 درجة (دورة الغسل 4) مثالي للملابس القطنية شديدة الاتساخ. يمكن ضمان مستويات فعالة من الأداء في درجات الحرارة الباردة، مقارنة بالنتائج المتحققة عند درجة حرارة 40 منوية، وذلك نتيجة للحركة الميكانيكية التي تعمل بسرعات متفاوتة، وذات فترات تزايد متكررة ومتواترة.

Mix 30' (دورة الغسيل 6) تم تصميم دورة الغسيل هذه لغسل ملابس متسخة قليلاً بسرعة: تستغرق 30 دقيقة فقط ولذا توفر الطاقة والوقت. عند اختيار دورة الغسيل هذه (6 درجة حرارة 30 درجة منوية)، يمكن غسل أنواع مختلفة من الأقمشة معاً (فيما عدا العناصر الصوفية والحريرية)، بحمل أقصاه 3 كغم.

Mix 15' (دورة الغسيل 7) تم تصميم دورة الغسيل هذه لغسل ملابس متسخة قليلاً بسرعة: تستغرق 15 دقيقة فقط ولذا توفر الطاقة والوقت. عند اختيار دورة الغسيل هذه (7 درجة حرارة 30 درجة منوية)، يمكن غسل أنواع مختلفة من الأقمشة معاً (فيما عدا العناصر الصوفية والحريرية)، بحمل أقصاه 1.5 كغم.

دورة التعقيم (دورة الغسيل 8). دورة غسيل تعقيم بدرجة حرارة عالية (أعلى من 60°C) تتطلب استخدام المبيض. اسكب المبيض، مادة التنظيف ومضافات الغسيل في الحجر المناسبة (انظر الفقرة بعنوان "درج وعاء مواد التنظيف").

الدورة الليلية (دورة الغسيل 9). هذه دورة صامتة يمكن إدارتها في الليل، عندما تكون أسعار الكهرباء أكثر انخفاضاً. دورة الغسيل مصممة للقطنيات والأقمشة الاصطناعية. عند نهاية الدورة تتوقف الماكينة وما زال هناك ماء في البرميل؛ لعصر الغسيل وللتنصريف اضغط زر بدء التشغيل/إيقاف مؤقت؛ أو بدلاً من ذلك ستقوم الماكينة بدورة العصر والتنصريف للماء أوتوماتيكياً بعد 8 ساعات.

ترود سبيلام لافطلاً (ترود ليسغلا 10). نمكي مادختسار ودليسغلا هذه تران لإخاسولاً بيلاً اهببسي لافطلاً أةداع، نيدكوزم هنأتم تران إةفك داوم فيظنم تاضافحلا فدهب عنم مةاناع دلج لافطلاً ار اغصلا نم تاياسا حلا. مت ميبصت ترودلاً تيجب للقت تيمك ايريتك ابلا مةدختسم تيمك تر بيك نم ءاملا ديزنو نم ريثأت نافاضم داوم فيظنم تةمقعملا فصاخلا يف ليسغلا دحلل لثملاً.

ضبط درجة الحرارة

بواسطة إدارة مفتاح درجة الحرارة لضبط درجة حرارة الغسيل (انظر جدول دورات الغسيل).
يمكن خفض درجة الحرارة أو حتى إعدادها للغسيل البارد (°C).
ستمنعك ماكينة الغسيل أوتوماتيكيا من اختيار درجة حرارة أعلى من القيمة القصوى المحددة لكل دورة غسيل.
! استثناء: إذا تم اختيار البرنامج 2، فمن الممكن زيادة درجة الحرارة حتى 90 درجة مئوية.

ضبط سرعة الدوران

بواسطة إدارة مفتاح سرعة الدوران لضبط سرعة الدوران لدورة الغسيل المختارة.
سرعات الدوران القصوى لكل من دورات الغسيل هي كالتالي:

دورات الغسيل	سرعة الدوران القصوى
القطنيات	1000 دورة في الدقيقة
الأقمشة الاصطناعية	1000 دورة في الدقيقة
الصوف	800 دورة في الدقيقة
الحرير	التصريف فقط

يمكن خفض سرعة العصر أو استثناء دورة العصر كلياً بواسطة اختيار الرمز (°C).
ستمنعك ماكينة الغسيل أوتوماتيكيا من اختيار سرعة عصر أعلى من السرعة القصوى المحددة لكل دورة غسيل.

الوظائف

وظائف الغسيل المتنوعة المتوفرة في ماكينة الغسيل هذه ستساعدك في الحصول على النتائج المرادة، في كل مرة.
لتشغيل الوظائف:

1. اضغط الزر الملائم للوظيفة المرغوبة؛
 2. سيبدأ عمل الوظيفة عندما يضيء المصباح المؤشر الملائم.
- ملاحظة:

- إذا لم تكن الوظيفة المختارة تتوافق مع دورة الغسيل المبرمجة، مؤشر الملائم وستطلق إشارة صوتية ولن يتم تشغيل الوظيفة.
- إذا تم إعداد وظيفة لا تتوافق مع وظيفة أخرى تم اختيارها مسبقاً، سيتم تشغيل الأخيرة المختارة فقط.

عداد الوقت المؤجل

لإعداد البدء المؤجل لدورة غسيل معينة، اضغط الزر باستمرار حتى يتم عرض الوقت المؤجل المرغوب به (يمكن لذلك أن يتراوح بين ساعة واحدة وحتى 24 ساعة).
لإلغاء الوظيفة اضغط على الزر حتى يظهر النص .
ملاحظة: عندما تضغط على زر بدء/إيقاف مؤقت يمكن خفض الوقت المؤجل فقط إذا رغبت في تعديله.

سوبر غسيل

بما أنه يتم استهلاك كمية أكبر من الماء في مرحلة الغسيل الأولى، وبسبب مدة الدورة المتزايدة، تعرض هذه الوظيفة أداء رائع في الغسيل.

شطف إضافي

بواسطة اختيار هذه الوظيفة، تزداد فعالية الشطف وتضمن الإزالة الأمثل لمواد التنظيف. إنها مفيدة جداً للجلد الحساس.

يكل لهسلا

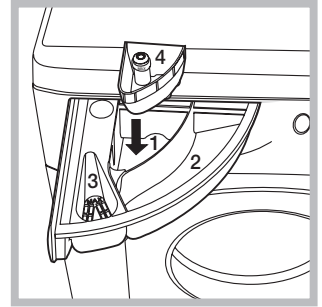
تطساوب ايتخا هذه ففيطسولا، متي ليدعت ترو دليسغلا لاورصع فدهب ضفخ نوكت تادعجتلا.
ءاهت ترو دلا موقس تنيكام ليسغلا تارودب تنيطب؛ ليمربلسل ضموتس حيباصملا تروشؤملا يكلل لهسلا ءدبلاو/فاقيلا تقؤملا (نولاب يلاق ترو بلا)
END حابصملاو رشؤملا تلمرملل يقبيس اضم لكشب تباش. ءاهنلا ترو دلا، طغضارز ءدب/فاقيلا تقؤم وأرز يكلل لهسلا.
نم لجأ ريرحلا ترو دليسغلا، بهنتس تنيكاملا ترو دلا امنيب عقني ليسغلا، ضموتس حيباصملا تروشؤملا يكلل لهسلا ءدبلاو/فاقيلا تقؤملا
(نولاب يلاق ترو بلا) حابصملاو رشؤملا تلمرمل فطشلا يقبيس اضم لكشب تباش. فيرصتل ءاملا تح متي جارخا ليسغلا، طغضارز ءدب/فاقيلا تقؤم
وأرز يكلل لهسلا.

درج وعاء مواد التنظيف

تعتمد نتائج الغسيل الجيدة أيضا على كمية مواد التنظيف: إن إضافة مواد تنظيف أكثر مما يجب لا يزيد فاعلية الغسيل بالضرورة، يمكن أن يؤدي إلى انسداد في الأجزاء الداخلية من الجهاز لديك وحتى يمكن أن يلوث البيئة.

! لا تستخدم المواد المعدة للغسيل باليد لأنها يمكن أن تطلق رغوة فائضة.

افتح درج وعاء مواد التنظيف
واسكب مواد التنظيف أو
مضافات الغسيل، كما يلي.



الحجرة 1: مواد التنظيف المعدة لما قبل الغسيل (مسحوق)

قبل سكب مادة التنظيف، تأكد من أنه تم إزالة الحجرة الإضافية 4.

الحجرة 2: مواد التنظيف المعدة لدورة الغسيل (مسحوق أو سائل)

يجب سكب المواد السائلة فقط قبل بدء دورة الغسيل مباشرة.

الحجرة 3: الملحقات (المواد المطرية للغسيل وما شابه).

يجب على المطري ألا يزيد عن ارتفاع الشبكة.

الحجرة 4: إكسترا 4: تبييض

كم يزن الغسيل لديك؟

شرشف واحد 400-500 غم
غطاء وسادة واحد 150-200 غم
مفرش طاولة واحد 400-500 غم
برنس حمام واحد 900-1200 غم
منشفة واحدة 150-250 غم

ملابس تتطلب عناية خاصة

قمصان: استخدم دورة الغسيل الخاصة 11 لغسل القمصان متنوعة الأقمشة والألوان.

يضمن هذا عناية قصوى بالملابس ويقلل تكون التجعدات.

الحرير: استخدم دورة الغسيل الخاصة 12 لغسل كافة ملابس الحرير.

نوصي باستخدام مادة التنظيف الخاصة المصممة لغسل الملابس الناعمة.

الستائر: قم بطي الستائر وضعها داخل غطاء وسادة أو كيس شبكي.

استخدم دورة الغسيل 12.

الصوف: يمكن غسل جميع الأقمشة الصوفية باستخدام البرنامج 13، وحتى تلك التي تحمل ملصق "الغسيل باليد فقط". للحصول على أفضل النتائج، استخدم مواد التنظيف الخاصة ولا تتعدى 1.5 كغم من الغسيل.

نظام موازنة الحمل

لتحاشي الارتجاج الزائد قبل كل دورة عصر ولتوزيع الحمل بشكل موحد، يدور البرميل باستمرار بسرعة تزيد بعض الشيء عن سرعة دوران عملية الغسيل. في حال لم يتوازن الحمل بالشكل الصحيح بعد عدة محاولات، تقوم الماكينة بالعصر بسرعة مخفضة. إذا لم يكن الحمل موازنا بشكل كبير، تنجز الماكينة عملية التوزيع بدل العصر. لتشجيع توزيع محسن للحمل وموازنته، نوصي بدمج الملابس الكبيرة والصغيرة في الحمل.

دورة التبييض

يمكن القيام بالتبييض بالتزامن مع دورات الغسيل 8.

اسكب المبييض للحجرة الإضافية 4؛ اسكب المادة المنظفة والمطري داخل

الحجر الملائمة، ثم اختر إحدى دورات الغسيل المذكورة أعلاه.

يوصى بهذه الإمكانية فقط للملابس القطنية المتسخة جدا.

تحضير الغسيل

• قسّم الغسيل حسب ما يلي:

- نوع القماش/ الرمز على اللاصقة

- الألوان: افصل بين الملابس الملونة والبيضاء.

• قم بإفراغ جيوب كافة الملابس وافحص الأزرار.

• لا تتعدى القيم المدرجة في القائمة "جدول دورات الغسيل"، التي تعود لوزن الغسيل عندما يكون جافا.

! تم تصميم ماكينة الغسيل وتصنيعه طبقا لمواصفات الأمان العالمية. يتم تزويد التحذيرات التالية لأسباب وقائية ويجب قراءتها بعناية.

الوقاية العامة

- تم تصميم هذا الجهاز للاستخدام المنزلي فقط.
- يجب استخدام ماكينة الغسيل من قبل البالغين فقط، بموجب التعليمات المزودة في هذا الدليل.
- لا تلامس الماكينة وأنت حافي القدمين أو بيدين ورجلين مبللتين أو رطبتين.
- لا تقم بسحب كبل تزويد الطاقة عند فصل الجهاز عن مقبس شبكة الطاقة الكهربائية. امسك القابس واسحبه.
- لا تفتح درج وعاء مواد التنظيف بينما تكون الماكينة قيد التشغيل.
- لا تلامس ماء الصرف، حيث يمكن أن يكون بدرجة حرارة عالية جدا.
- لا تدفع باب الفتحة بشدة: يمكن لذلك أن يتلف ميكانيكية قفل الأمان المصمم لمنع فتحه عن غير قصد.
- إذا تعطل الجهاز، لا تحاول بأي حال من الأحوال، الوصول إلى الأجهزة الداخلية في محاولة لتصليحها بنفسك.
- أبق الأطفال بعيدين عن الجهاز دائما أثناء عمله.
- يمكن للباب أن يصبح ساخنا فعلا خلال دورة الغسيل.
- إذا كانت هناك حاجة لنقل الجهاز، نفذ العمل بمجموعة من شخصين أو ثلاثة أشخاص وتعاملوا معه بمنتهى الحذر. لا تحاول أبدا القيام بذلك لوحدهم، لأن الجهاز ثقيل جدا.
- قبل إدخال الغسيل إلى ماكينة الغسيل، تأكد من أن البرميل فارغ.

التخلص

- التخلص من مواد التعبئة: تقيّد بالقوانين المحلية حيث يمكن لمواد التعبئة أن يعاد تصنيعها.
- التوجيهات الأوروبية WEEE - 2012/19/EU فيما يتعلق بالأجهزة الكهربائية النافثة والأجهزة الإلكترونية النافثة تتطلب عدم التخلص من الأجهزة الكهربائية المنزلية القديمة عن طريق خدمات القمامة البلدية العادية. يجب جمع الأجهزة القديمة على انفراد بهدف جعل استرداد وإعادة تدوير المواد التي تحتوي عليها بشكل أمثل وتقليل التأثير على صحة الناس وعلى البيئة رمز "سلة القمامة الدائرية" المشطوبة على المنتج يذكرك بالتزامك أنه عند التخلص من الجهاز يجب جمعه على حدة.
- يتوجب على المستهلكين الاتصال بسلطتهم المحلية أو بتاجر التجزئة فيما يتعلق بالمعلومات المتعلقة بالطريقة الصحيحة للتخلص من جهازهم القديم.

قطع إمداد الماء والكهرباء

تنظيف المضخة

ماكينة الغسيل مزودة بمضخة للتنظيف الذاتي، حيث لا تحتاج إلى أية عناية في أي وقت. في بعض الأحيان، يمكن للقطع الصغيرة (مثل القطع النقدية أو الأزرار) أن تسقط داخل الحجرة الأولية التي تحمي المضخة، والموجودة في جزئها الأسفل.

! تأكد من انتهاء دورة الغسيل وافصل الجهاز عن الكهرباء.

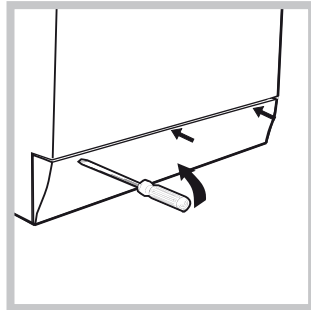
- قم بإيقاف حنفية الماء بعد كل دورة غسيل. سيحدد هذا من تآكل النظام الهيدروليكي داخل ماكينة الغسيل ويساعد على منع التسربات.
- افصل الماكينة عن الكهرباء عند تنظيفها أو أثناء أي عمل صيانة.

تنظيف ماكينة الغسيل

يمكن تنظيف الأجزاء الخارجية والقطع المطاطية في الماكينة باستخدام خرقة نظيفة مبللة بالماء الفاتر والصابون. لا تستخدم المواد المذيبة أو الكاشطة.

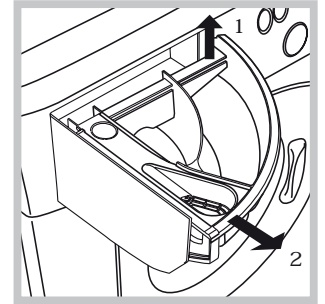
للوصول إلى الحجرة الأولية:

1. باستخدام مفك براغي، أزل غطاء اللوحة من الجهة الأمامية السفلى في ماكينة الغسيل (انظر الرسم)؛

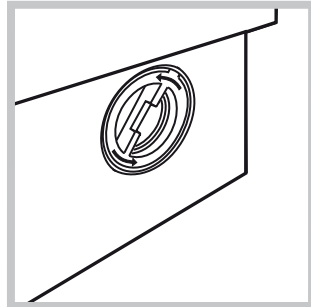


تنظيف درج وعاء مواد التنظيف

أزل الوعاء بواسطة رفعه وسحبه إلى الخارج (انظر الرسم). قم بغسله تحت الماء المتدفق؛ يجب تكرار هذه العملية.



2. فك الغطاء بواسطة إدارته بعكس عقارب الساعة (انظر الرسم): يمكن للقليل من الماء أن يخرج إلى الخارج. هذا أمر طبيعي؛



العناية بباب وبرميل الجهاز لديك

- أترك باب الفتحة مفتوحا دائما لتحاشي تكوّن الروائح الكريهة.

3. تنظيف الجزء الداخلي تماما؛

4. أعد تركيب الغطاء في مكانه؛

5. أعد تركيب اللوحة، وتأكد من أن العقبات مثبتة بأمان في مكانها قبل أن تدفعها باتجاه الجهاز.

فحص خرطوم إدخال الماء

افحص فوهة الخرطوم مرة في السنة على الأقل. إذا كانت هناك أية شقوق، يجب تبديلها فوراً. خلال دورات الغسيل، يكون ضغط الماء قويا جدا ويمكن للفوهة المتشققة أن تتشقق لتتفتح بسهولة.

! لا تستخدم الخراطيم المستعملة أبدا.

يمكن لماكينة الغسيل أن تفشل في العمل فجأة. قبل الاتصال بمركز المساعدة التقنية (أنظر "الخدمة") تأكد من أن المشكلة لا يمكن حلها بسهولة باستخدام الجدول التالي.

المشكلة:

الأسباب المحتملة/ الحل:

لا يمكن تشغيل ماكينة الغسيل.

- الجهاز غير موصل بالمقبس الكهربائي بشكل كامل، أو أنه لا يحدث تماس.
- يوجد انقطاع كهرباء في البيت.

دورة الغسيل لا تبدأ بالعمل.

- باب ماكينة الغسيل غير مقفل بشكل صحيح.
- لم يتم الضغط على زر تشغيل/إيقاف تشغيل.
- لم يتم الضغط على زر بدء التشغيل/إيقاف مؤقت.
- لم يتم فتح حنفية الماء.
- تم ضبط بداية مؤجلة (أنظر "التخصيصات").

ماكينة الغسيل لا تمتلئ بالماء (الضوء المؤشر لمرحلة الغسيل الأولى يومض بسرعة).

- خرطوم دخول الماء غير متصل بالحنفية.
- الخرطوم ملتو.
- لم يتم فتح حنفية الماء.
- يوجد انقطاع في تزويد الماء في البيت.
- الضغط منخفض أكثر مما يجب.
- لم يتم الضغط على زر بدء التشغيل/إيقاف مؤقت.

ماكينة الغسيل تمتلئ بالماء وتفرغ منه بشكل متكرر.

- خرطوم التصريف غير مركب على ارتفاع يتراوح بين 65 وحتى 100 سم عن الأرض (أنظر "التركيب").
- الطرف الحر من الخرطوم تحت الماء (أنظر "التركيب").
- نظام التصريف الجداري غير مزود بأنبوب تنفس.
- إذا بقيت المشكلة حتى بعد هذه الفحوص، أقلل حنفية الماء، أوقف تشغيل الجهاز واتصل بمركز المساعدة التقنية. إذا كان المسكن في أحد الطوابق العلوية من المبنى، فمن الممكن أن تكون هناك مشاكل متعلقة بتصريف الماء، تسبب لماكينة الغسيل الامتلاء بالماء وإفراغه بشكل متكرر. هناك صمامات خاصة متوفرة في الحوائط لمنع التصريف، وهي تساعد على تحاشي هذه المشكلة.

ماكينة الغسيل لا تصرف الماء أو لا تعصر.

- دورة الغسيل لا تشمل التصريف: بعض دورات الغسيل تتطلب تشغيل مرحلة التصريف يدوياً.
- وظيفة "الكي السهل" مشغلة: لإنهاء دورة الغسيل، اضغط زر بدء/إيقاف مؤقت ("التخصيصات").
- خرطوم التصريف ملتوي (أنظر "التركيب").
- أنبوب التصريف مسدود.

ماكينة الغسيل تهتز كثيرا خلال دورة العصر.

- لم يتم إزالة قفل البرميل بشكل صحيح خلال عملية التركيب (أنظر "التركيب").
- الماكينة غير مستوية (أنظر "التركيب").
- الماكينة عالقة بين خزانات وجدران (أنظر "التركيب").

يوجد تسرب في ماكينة الغسيل.

- مدخل خرطوم الماء غير مثبت بشكل صحيح (أنظر "التركيب").
- حجرة مواد التنظيف مسدودة (لتعليمات التنظيف، أنظر "العناية والصيانة").
- خرطوم التصريف غير مثبت في مكانه بشكل صحيح (أنظر "التركيب").

الضوء المؤشر لبدء التشغيل/إيقاف مؤقت (البرتقالي) والناضوء المؤشرة للوظيفة تومض بسرعة.

- قم بإيقاف تشغيل الماكينة وافصلها عن الكهرباء، انتظر حوالي دقيقة واحدة ثم أعد تشغيلها مرة أخرى.
- إذا بقيت المشكلة، اتصل بخدمة المساعدة التقنية.

يوجد الكثير من الرغوة.

- مواد التنظيف غير ملائمة لماكينة الغسيل (يجب أن تطابق الوصف "لماكينات الغسيل" أو "للغسيل اليدوي وماكينات الغسيل"، أو التعليمات المشابهة).
- تم استخدام كمية مواد تنظيف أكثر مما يجب.

قبل استدعاء المساعدة:

- افحص فيما إذا كان بإمكانك حل المشكلة بنفسك (انظر "اكتشاف المشاكل واصلاحها);
- أعد تشغيل البرنامج للفحص فيما إذا تم حل المشكلة؛
- إذا لم يكن الأمر كذلك، اتصل بمركز مساعدة تقني معتمد بواسطة رقم الهاتف

! اطلب دائما مساعدة فني مؤهل.

الرجاء خذ بعين الاعتبار المعلومات التالية:

- نوع المشكلة؛
 - طراز الجهاز (Mod)؛
 - الرقم التسلسلي (S/N).
- يمكن إيجاد هذه المعلومات في لوحة البيانات في الجهة الخلفية من ماكينة الغسيل، ويمكن إيجادها أيضا في الجهة الأمامية من الجهاز بواسطة فتح الباب.