



Printed using VOC (Volatile Organic Compound)-free vegetable oil based ink.

http://www.sony.net/

"WALKMAN" is a trademark of Sony Corporation.

The validity of the CE marking is restricted to only those countries where it is legally enforced, mainly in the countries EEA (European Economic Area).

CE 标志的有效性, 仅限于那些有法律限制的国家, 主要在 EEA (欧洲经济区) 国家。



WM-FX522/FX521

Sony Corporation ©2001 Printed in Malaysia

For customers in the United States Product registration

Please register this product on line at www.sony.com/productregistration. <http://www.sony.com/productregistration>

Proper registration will enable us to send you periodic mailings about new products, services, and other important announcements. Registering your product will also allow us to contact you in the unlikely event that the product needs adjustment or modification. Thank you.

Owner's Record

The model number is located at the rear and the serial number is located inside the cassette holder. Record these numbers in the space provided below. Refer to them whenever you call upon your Sony dealer regarding this product.

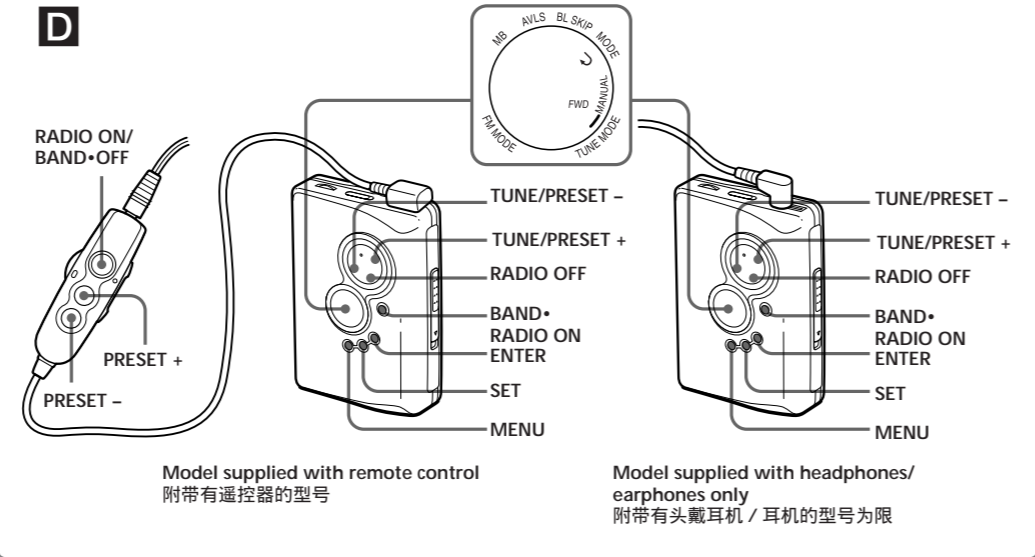
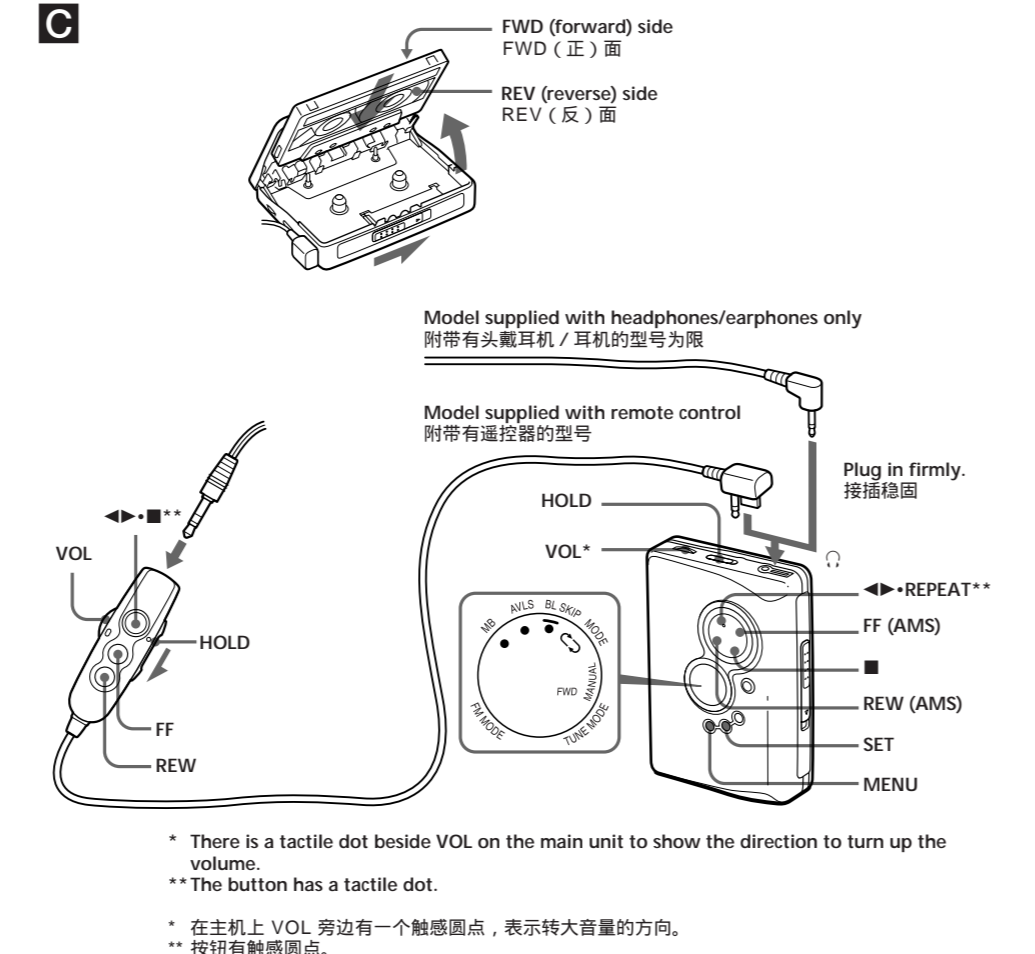
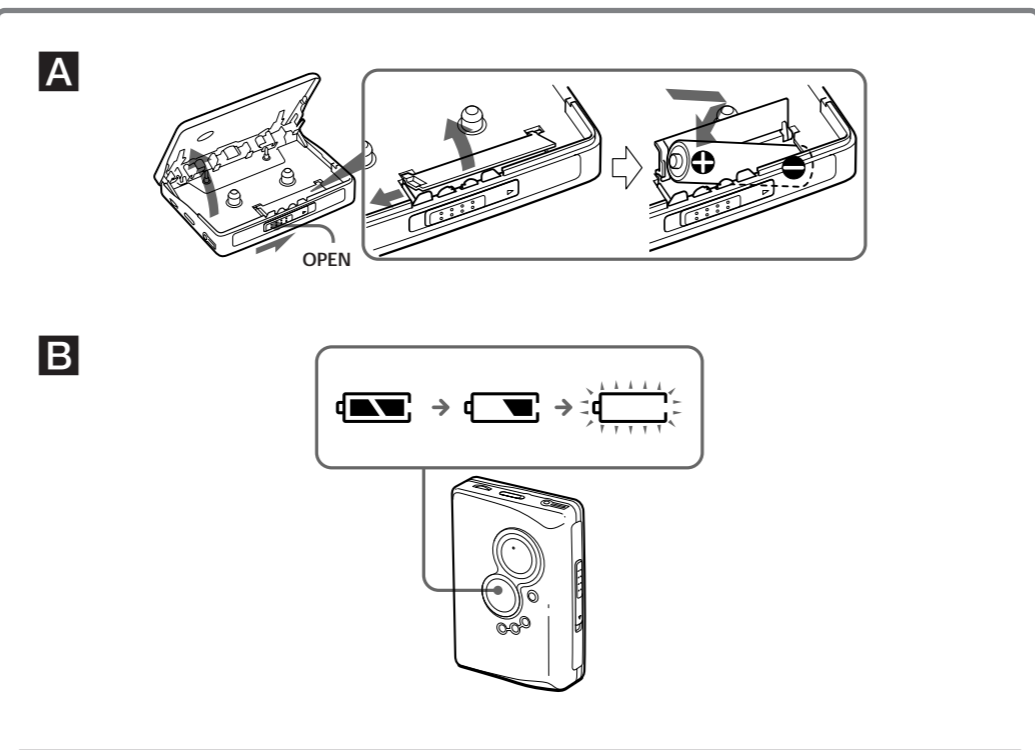
Model No. _____
Serial No. _____

For customers in the United States INFORMATION

This equipment has been tested and found to comply with the limits for a Class B digital device, pursuant to Part 15 of the FCC Rules. These limits are designed to provide reasonable protection against harmful interference in a residential installation. This equipment generates, uses, and can radiate radio frequency energy and, if not installed and used in accordance with the instructions, may cause harmful interference to radio communications. However, there is no guarantee that interference will not occur in a particular installation. If this equipment does cause harmful interference to radio or television reception, which can be determined by turning the equipment off and on, the user is encouraged to try to correct the interference by one or more of the following measures:
- Reorient or relocate the receiving antenna.
- Increase the separation between the equipment and receiver.
- Connect the equipment into an outlet on a circuit different from that to which the receiver is connected.
- Consult the dealer or an experienced radio/TV technician for help.

This device complies with Part 15 of the FCC Rules. Operation is subject to the following two conditions:
(1) This device may not cause harmful interference, and
(2) this device must accept any interference received, including interference that may cause undesired operation.

You are cautioned that any changes or modifications not expressly approved in this manual could void your authority to operate this equipment.



This warranty is valid only in the United States. 此保证限在美国有效。

SONY LIMITED WARRANTY (Portable Audio)

Sony Electronics Inc. ("Sony") warrants this Product (including any accessories) against defects in material or workmanship as follows:

1. **LABOR:** For a period of 90 days from the date of purchase, if this Product is determined to be defective, Sony will repair or replace the Product, at its option, at no charge, or pay the labor charges to any Sony authorized service facility. After the Warranty Period, you must pay for all labor charges.

2. **PARTS:** In addition, Sony will supply, at no charge, new or rebuilt replacements in exchange for defective parts for a period of one (1) year. After 90 days from the date of purchase, labor for removal and installation is available from Sony authorized service facilities or a Sony Service Center at your expense.

To obtain warranty service, you must take the Product, or deliver the Product freight prepaid, in either its original packaging or packaging affording an equal degree of protection, to any authorized Sony service facility. This warranty does not cover customer instruction, installation, set up adjustments or signal reception problems.

This warranty does not cover cosmetic damage or damage due to acts of God, accident, misuse, abuse, negligence, commercial use, or modification of, or to any part of the Product, including the antenna. This warranty does not cover damage due to improper operation or maintenance, connection to improper voltage supply, or attempted repair by anyone other than a facility authorized by Sony to service the Product. This warranty does not cover Products sold AS IS or WITH ALL FAULTS, or consumables (such as fuses or batteries). This warranty is valid only in the United States.

Proof of purchase in the form of a bill of sale or receipted invoice which is evidence that the unit is within the Warranty period must be presented to obtain warranty service.

This warranty is invalid if the factory applied serial number has been altered or removed from the Product.

REPAIR OR REPLACEMENT AS PROVIDED UNDER THIS WARRANTY IS THE EXCLUSIVE REMEDY OF THE CONSUMER. SONY SHALL NOT BE LIABLE FOR ANY INCIDENTAL OR CONSEQUENTIAL DAMAGES FOR BREACH OF ANY EXPRESS OR IMPLIED WARRANTY ON THIS PRODUCT, EXCEPT TO THE EXTENT PROHIBITED BY APPLICABLE LAW. ANY IMPLIED WARRANTY OF MERCHANTABILITY OR FITNESS FOR A PARTICULAR PURPOSE ON THE PRODUCT IS LIMITED IN DURATION TO THE DURATION OF THIS WARRANTY.

Some states do not allow the exclusion or limitation of incidental or consequential damages, or allow limitations on how long an implied warranty lasts, so the above limitations or exclusions may not apply to you. In addition, if you enter into a service contract with the Sony Partnership within 90 days of the date of sale, the limitation on how long an implied warranty lasts does not apply to you. This warranty gives you specific legal rights, and you may have other rights which vary from state to state.

For your convenience, Sony Electronics Inc. has established telephone numbers for frequently asked questions:

To locate the service or dealer nearest you, or for service assistance or resolution of a service problem, or for product information or operation, call:

Sony Direct Response Center
1-800-222-7669
or write to:
Sony Direct Response Center
1281 Gateway Blvd.
Fort Myers, FL 33913

For an accessory or part not available from your authorized dealer, call:
1-800-488-SONY (7669)

English

Preparations

To Insert battery A

- Slide the OPEN switch to open the cassette holder.
- Release the catch to open the battery compartment lid, and insert one R6 (size AA) dry battery with correct polarity.

Notes

- For maximum performance we recommend that you use a Sony alkaline battery.
- Battery level indication is different for tape and radio due to different power consumption.

When to replace the battery B

Replace or charge the battery when "□" flashes in the display.

Playing a Tape C

- Insert a cassette and if the HOLD function is on, slide the HOLD switch in the opposite direction of the arrow to unlock the controls.
- Press ◀▶•REPEAT on the main unit and adjust the volume with VOL. (Only for models supplied with remote control: On the remote control, press ▶▶(play)•■(stop).)

When adjusting the volume on the main unit (only for models supplied with remote control)
Set the VOL control on the remote control at maximum.

When adjusting the volume on the remote control (only for models supplied with remote control)
Set the VOL control on the main unit to slightly above the medium level.

Operation on the main unit

To	Press
Switch playback to the other side	◀▶•REPEAT during playback
Stop playback	■(stop)
Repeat the current track (Repeat Single Track function)	◀▶•REPEAT for 2 seconds or more during playback <i>To stop a single repeat, press it again.</i>

Operation on the remote control (only for models supplied with remote control)

To	Press
Switch playback to the other side	◀▶•■ for 2 seconds or more during playback
Stop playback	◀▶•■ once during playback
Repeat the current track (Repeat Single Track function)	◀▶•■ twice during playback <i>To stop a single repeat, press ▶▶•■ once.</i>

Other tape operations

To	Press
Fast forward*	FF
Rewind*	REW
Play the next track/succeeding 9 tracks from the beginning (AMS**)	FF once/repeatedly during playback
Play the current track/previous 8 tracks from the beginning (AMS**)	REW once/repeatedly during playback
Play the other side from the beginning (Skip Reverse function)	FF for 2 seconds or more during stop
Play the same side from the beginning (Rewind Auto Play function)	REW for 2 seconds or more during stop

* If ◀▶•■ on the remote control is pressed during fast forward or rewind, the Walkman switches to playback.
**Automatic Music Sensor

Adjusting playback modes

To select playback direction mode

Press MENU repeatedly to set the cursor in the display to MODE. Then press SET to select the desired mode.

To play	Select
both sides repeatedly	↔
both sides once from the FWD side	↗

To skip a long space between tracks (BL SKIP* function)

Press MENU repeatedly to set the cursor in the display to BL SKIP. Then press SET to show "●".

* The tape is fast-forwarded to the next track if there is a blank space longer than 12 seconds.

Listening to the Radio D

- Press BAND•RADIO ON to turn on the radio.
- Press BAND•RADIO ON repeatedly to select AM or FM.
- Press MENU on the main unit repeatedly and set "—" (the cursor) in the display to TUNE MODE.
- For manual tuning
 - Press SET to choose MANUAL.
 - Press TUNE/PRESET + or - repeatedly to tune in to the desired station. Hold down TUNE/PRESET + or - for a few seconds to scan for stations.
- For preset tuning
 - Press SET to choose PRESET.
 - Press TUNE/PRESET + or - repeatedly to recall the desired preset station. To use preset tuning, preset stations first (see "Presetting Radio Stations").

To turn off the radio

Press RADIO OFF.

To improve the broadcast reception

- For AM: Reorient the unit itself.
- For FM: Extend the remote control cord or headphones/earphones cord (antenna). If the reception is still not good, press MENU repeatedly to set the cursor in the display to FM MODE. Then press SET to choose "LOCAL" (or "MONO" (monaural)) or none (stereo) for best reception.

To operate from the remote control (only for models supplied with remote control)

To turn on the radio, press RADIO ON/BAND•OFF for more than one second (while the tape is in stop mode only).

To select the band, press RADIO ON/BAND•OFF for more than two seconds while the radio is on.

To tune in or recall a preset station, press PRESET+ or -.

To turn off the radio, press RADIO ON/BAND•OFF.

(turn over)

中文

准备工作

装插电池 A

- 滑动 OPEN 开关以打开磁带盒。
- 释放锁键以打开电池座盖, 并插入一个 R6 (AA) 干电池, 请注意装插正确极性。

注

- 为能发挥机器的最佳性能, 最好请使用 Sony 碱电池。
- 磁带和收音机, 由於两者的消耗电力不一样, 其电池电平指示也不相同。

何时须更换电池 B

当显示器中闪烁着 "□" 时, 即请更换电池, 或给充电式电池进行充电。

播放录音带 C

- 装入盒带, 如果遥控器的 HOLD 功能仍打着, 即请沿相反于箭头方向滑动 HOLD 开关以释放控制器。
- 按主机上的 ◀▶•REPEAT 并用 VOL 调整音量。(限于附有遥控器的型号; 使用遥控器时, 则请按 ▶▶(播放)•■(停止)。)

在主机上调节音量时 (限于附有遥控器的型号)

请把遥控器上的 VOL 控制设定于最大。

在遥控器上调节音量时 (限于附有遥控器的型号)
请将主机上的 VOL 控制器设定于略高于中等的水平。

在主机上的操作

要	请按
换播放另一面	播放中按 ◀▶• REPEAT
停止播放	■(停止)
反复现在放音中曲子 (反复一曲功能)	播放中按 ◀▶• REPEAT 2 秒以上 <i>停止一曲反复放音时, 请再按一次按钮。</i>

在遥控器上的操作 (限于附有遥控器的型号)

要	请按
换播放另一面	播放中按 ◀▶•■ 2 秒以上
停止播放	播放中按一次 ◀▶•■
反复现在放音中曲子 (反复一曲功能)	播放中按两次 ◀▶•■ <i>要停止一曲反复放音时, 请按一次 ◀▶•■。</i>

(接反面)

其他磁带操作

要	请按
快进绕*	FF
重绕*	REW
从头播放下一曲 / 接下 9 首曲子 (AMS**)	播放中按一次 / 反复按 FF
从头播放现在放音中曲子 / 前面 8 首曲子 (AMS**)	播放中按一次 / 反复按 REW
从头播放另外一面 (跳越倒绕功能)	停止中按 FF 2 秒以上
从头播放同一面 (重绕自动播放功能)	停止中按 REW 2 秒以上

* 如果在快进绕或重绕过程中按了遥控器上的 ◀▶•■, Walkman 将转换为放音。
**自动乐曲探测。

调整放音方式

要选择播放方向时

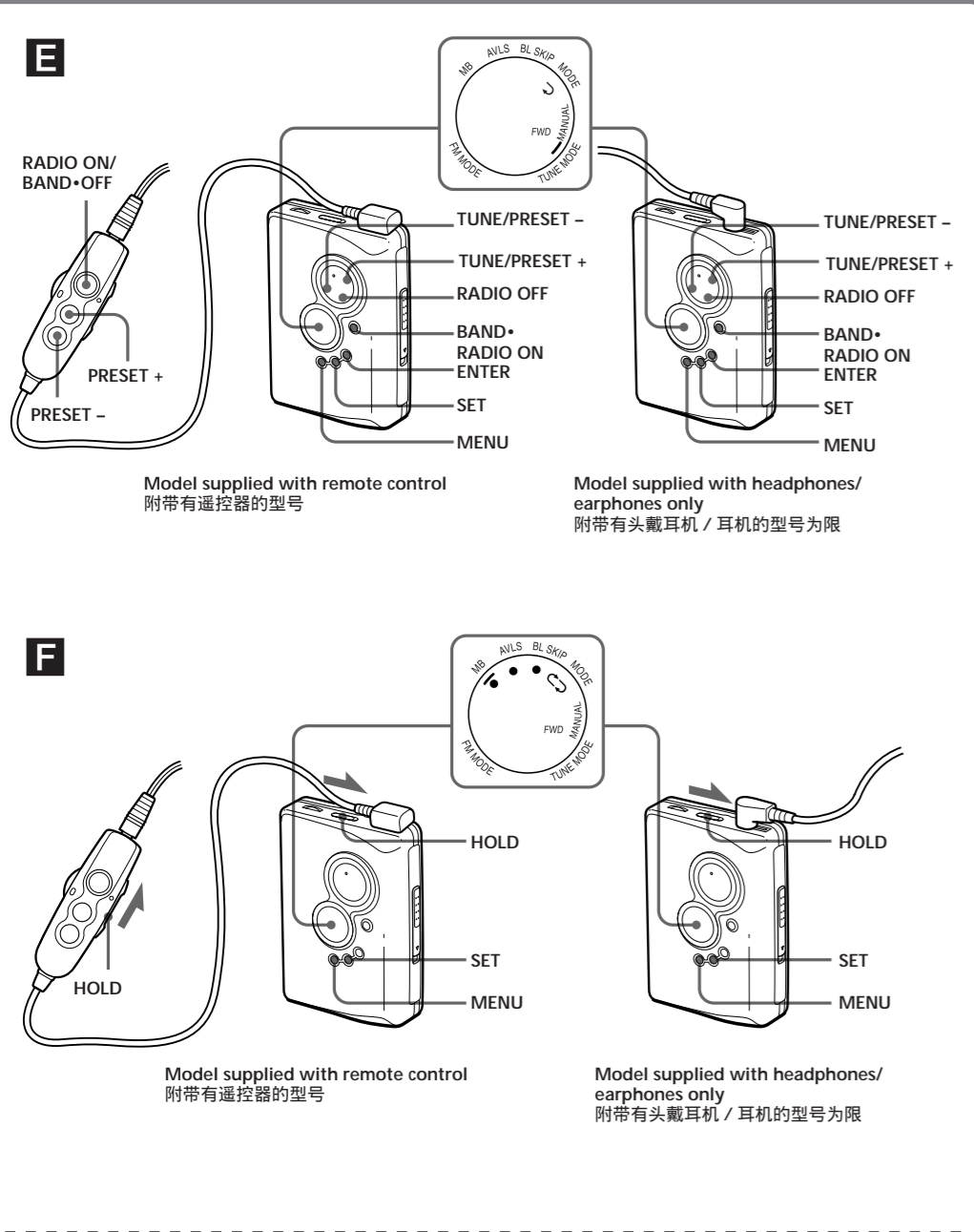
请反复按 MENU 把显示器中的游标设定于 MODE, 然后按 SET 以选择所要模式。

要	请选择
反复放双面	↔
从 FWD 面放一次双面	↗

跳越曲子间的长空白 (BL SKIP* 功能)

反复按 MENU 把显示器中的游标设定于 BL SKIP。然后按 SET 以显示 "●"。

* 如果曲子间的空白长于 12 秒, 录音带即快进绕到下一个曲子。



Specifications							
Radio section	Supplied accessories						
Frequency range FM: 87.5 - 108 MHz AM: 530 - 1 710 kHz (North, Central, and South America) 531 - 1 602 kHz (other countries)	<ul style="list-style-type: none"> Stereo headphones/earphones with remote control or stereo headphones/earphones (1) 						
Tape section	Design and specifications are subject to change without notice.						
Frequency response Playback: 40 - 15 000 Hz	Battery life* (Approx. hours)						
Output Headphones (⌚) jack Load impedance 8 - 300 Ω	<table border="1"> <thead> <tr> <th></th> <th>Tape playback</th> <th>Radio reception</th> </tr> </thead> <tbody> <tr> <td>Sony alkaline LR6 (SG)**</td> <td>35</td> <td>65</td> </tr> </tbody> </table>		Tape playback	Radio reception	Sony alkaline LR6 (SG)**	35	65
	Tape playback	Radio reception					
Sony alkaline LR6 (SG)**	35	65					
General	* Measured value by the standard of JETA (Japan Electronics and Information Technology Industries Association). (Using a Sony HF series cassette tape)						
Power requirements 1.5 V One R6 (size AA) battery	**When using a Sony LR6 (SG) "STAMINA" alkaline dry battery (produced in Japan).						
Dimensions (w/h/d) Approx. 77.0 × 108.4 × 28.7 mm (3¼ × 4¼ × 1¼ inches), excl. projecting parts and controls	Note						
Mass Approx. 165 g (5.9 oz) (main unit only)	<ul style="list-style-type: none"> The battery life may be shorter depending on the operating condition, the surrounding temperature and battery type. 						

规格							
收音机部分	附件						
频率范围 FM: 87.5 - 108 MHz AM: 530 - 1 710 kHz (北美洲、中美洲和南美洲) 531 - 1 602 kHz (其它国家)	<ul style="list-style-type: none"> 带遥控器的立体声头戴耳机 / 耳机或立体声头戴耳机 / 耳机 (1) 						
录音带部分	设计和规格有所变更时，恕不另行通知。						
频率响应 放音：40 - 15 000 Hz	电池使用时间* (大约时数)						
输出 头戴耳机 (⌚) 插孔 负载阻抗 8 - 300 Ω	<table border="1"> <thead> <tr> <th></th> <th>播放磁带</th> <th>听收音机</th> </tr> </thead> <tbody> <tr> <td>Sony 碱电池 LR6(SG)**</td> <td>35</td> <td>65</td> </tr> </tbody> </table>		播放磁带	听收音机	Sony 碱电池 LR6(SG)**	35	65
	播放磁带	听收音机					
Sony 碱电池 LR6(SG)**	35	65					
一般规格	* 按 JETA (Japan Electronics and Information Technology Industries Association) 标准测定的值。(使用 Sony HF 系列的磁带)						
电源 1.5 V 一节 R6 (AA) 电池	** 使用 Sony LR6(SG) "STAMINA " 碱电池 (日本制造) 时。						
尺寸 (宽 / 高 / 纵深) 大约 77.0 × 108.4 × 28.7 mm，不含突出部分和控制器	注						
质量 大约 165 g (主机为限)	<ul style="list-style-type: none"> 根据操作的条件，周围的温度和电池类型，电池的使用时间可能会缩短些。 						

English

Presetting Radio Stations

You can store radio stations into the unit's memory. You can preset up to 40 stations — 30 for FM and 10 for AM (models for North, Central and South America), or 35 for FM and 5 for AM (models for other countries).

Tuning in to and Storing Radio Stations Automatically (Auto-Memory Scanning function)

- Press BAND•RADIO ON to turn on the radio.
- Press BAND•RADIO ON repeatedly to select AM or FM.
- Press ENTER for more than 2 seconds. Preset number 1 will flash in the display and the Walkman starts scanning for stations from the lower frequencies, and stops for about 3 seconds when a station is received.
- If you wish to preset the received station, press ENTER while the preset number is flashing. The received station is preset on preset number 1 and the unit starts scanning for the next receivable station.
- Repeat step 4 until all receivable stations are preset.

Note

- Do not remove the power sources until all the stations are stored.

Storing Radio Stations Manually (Manual-Memory function)

You can preset the stations in any order.

- Press BAND•RADIO ON to turn on the radio.
- Press BAND•RADIO ON repeatedly to select AM or FM.
- Press ENTER. The frequency digits will flash in the display.
- Press TUNE/PRESET + or – repeatedly to tune in to the desired station and press ENTER. The preset number will flash in the display.
- Press TUNE/PRESET + or – repeatedly to select the desired preset number and press ENTER. The station is preset to the number of your choice.

Notes

- If you cannot complete step 4 or 5 while the indications are flashing, repeat from step 3.
- If you press a new station to the same preset number, the previously stored station will be erased.

To cancel the stored station

Follow the procedure above and in step 4, instead of tuning in to a station, press and hold TUNE/PRESET + or – until "----" is displayed. Press ENTER while "----" is flashing. The preset number will flash in the display. Press TUNE/PRESET + or – repeatedly to select the preset number you want to cancel and press ENTER.

Receiving Stations Outside Your Country (Excluding European, Saudi Arabian, and Chinese model)

- Press BAND•RADIO ON to turn on the radio.
- Press ENTER. The frequency digits will flash in the display.
- Press and hold BAND•RADIO ON until "Eur" or "USA" flashes.
- Press BAND•RADIO ON repeatedly to select "Eur" or "USA" and press ENTER.
- Tune in to and store stations as necessary following the procedure of "Listening to the Radio" and "Presetting Radio Stations".

Area*	Frequency range FM (MHz)	AM(kHz)
Eur	87.5 - 108	531 - 1 602
USA	87.5 - 108	530 - 1 710

* Eur :European and other countries
USA :USA, Canada, and Central and South America

Using Other Functions

Locking the Controls — HOLD Function

Slide the HOLD switch in the direction of the arrow to lock the controls of the Walkman or the remote control.

Emphasizing Bass

Press MENU repeatedly to set the cursor in the display to MB (Mega Bass). Then press SET to show "●".

Protecting Your Hearing — AVLS (Automatic Volume Limiter System)

Press MENU repeatedly to set the cursor to AVLS in the display. Then press SET to show "●".

To cancel the AVLS function

Press SET so that "●" disappears.

Note

- The AVLS setting will be canceled when you replace the battery.

Precautions

On batteries

- Do not carry the dry or rechargeable batteries with coins or other metallic objects. It can generate heat if the positive and negative terminals of the batteries are accidentally contacted by a metallic object.
- When you do not use the Walkman for a long time, remove the battery to avoid any damage caused by battery leakage and subsequent corrosion.

On handling

- Do not drop the unit or give a shock to the unit, or it may cause a malfunction.
- Do not leave the unit in a location near heat sources, or in a place subject to direct sunlight, excessive dust or sand, moisture, rain, mechanical shock, or in a car with its windows closed.
- The LCD display may become hard to see or slow down when using the unit at high temperatures (above 40 C/104°F) or at low temperatures (below 0 C/32°F). At room temperature, the display will return to its normal operating condition.
- Do not use cassettes longer than 90 minutes except for long continuous playback.
- If the unit has not been used for long period of time, set it in the playback mode and warm it up for a few minutes before you start using again.

On the remote control (only for models supplied with remote control)

Use the supplied remote control only with this unit.

On headphones/earphones

Road safety

Do not use headphones/earphones while driving, cycling, or operating any motorized vehicle. It may create a traffic hazard and is illegal in some areas. It can also be potentially dangerous to play your headphones/earphones at high volume while walking, especially at pedestrian crossings. You should exercise extreme caution or discontinue use in potentially hazardous situations.

Preventing hearing damage

Do not use headphones/earphones at high volume. Hearing experts advise against continuous, loud and extended play. If you experience a ringing in your ears, reduce volume or discontinue use.

Caring for others

Keep the volume to a moderate level. This will allow you to hear outside sounds and to be considerate to the people around you.

On maintenance

- Clean the tape head and tape path, using a cotton swab and commercially available cleaning solvent after every 10 hours of use.
- To clean the exterior, use a soft cloth slightly moistened in water. Do not use alcohol, benzine or thinner.
- Clean the headphones/earphones and remote control plugs periodically.

中文

预约电台

您可以在本机的存储器中储存广播电台。您最多可以预调 40 个电台 - FM 30 台和 AM 10 台（北美洲，中南美洲型号），或 FM 35 台和 AM 5 台（其它国家型号）。

自动调入和储存广播电台（自动储存扫描功能）

- 按 BAND•RADIO ON 打开收音机。
- 反复按 BAND•RADIO ON 选择 AM 或 FM。
- 按 ENTER 2 秒以上。显示器中将闪烁着预设号数 1，而 Walkman 即从较低频率的电台开始扫描，当接收到电台时，即停止大约 3 秒钟。
- 您如果要预设该所接收的电台，便请在预设号数还闪烁着时按 ENTER。所接收的电台即被预设在预设号数 1 中，然后机器又开始扫描下一个能接收的电台。
- 重复步骤 4 至预设完所有能接收的电台。

注

- 在所有电台储存完毕之前请勿关掉电源。
- 磁带和收音机，由於两者的消耗电力不一样，其电池电平指示也不相同。

手动储存广播电台（手动储存功能）

您可以按任意顺序预调电台。

- 按 BAND•RADIO ON 打开收音机。
- 反复按 BAND•RADIO ON 选择 AM 或 FM。
- 按 ENTER 键。频率数字将闪烁于显示窗中。
- 反复按 TUNE/PRESET + 或 – 调入所要的电台并按 ENTER 键。预约号将闪烁于显示窗中。
- 反复按 TUNE/PRESET + 或 – 选择所要的预约号并按 ENTER 键。电台即被预约为您所选择的号码。

注

- 如果您不能在指示闪烁时完成步骤 4 或 5，请从步骤 3 开始重复。
- 如果您给一个新电台预设了相同的预约号，则以前所储存的电台将被抹消。

要取消已储存的电台时

请按照上述步骤操作，在步骤 4，不调入电台而按住 TUNE/PRESET + 或 – 直到“----”显示出来。在“----”闪烁着时按 ENTER 键。预约号将闪烁于显示窗中。

反复按 TUNE/PRESET + 或 – 选择您要取消的预约号并按 ENTER 键。

接收国外电台（欧洲、沙地阿拉伯和中国型号除外）

- 按 BAND•RADIO ON 打开收音机。
- 按 ENTER 键。频率数字将闪烁于显示窗中。
- 按住 BAND•RADIO ON 直到“Eur”或“USA”闪烁。
- 反复按 BAND•RADIO ON 选择“Eur”或“USA”并按 ENTER 键。
- 按照“听收音机”和“预约电台”的步骤操作，调入并储存所要的电台。

地区*	频率范围 FM (MHz)	AM (kHz)
Eur	87.5 - 108	531 - 1 602
USA	87.5 - 108	530 - 1 710

* Eur：欧洲和其它国家
USA：美国、加拿大和中南美

利用其他功能

锁定控制器 - HOLD 功能

沿箭头所指方向滑动 HOLD 开关以锁定 Walkman 或遥控器上的控制器。

增强低音

反复按 MENU，把显示器中的游标设定于 MB (Mega Bass)。然后按 SET 以显示“●”。

保护您的听觉 - AVLS（自动音量限制系统）

反复按 MENU 把显示器中的游标设定于 AVLS，然后按 SET 以显示“●”。

要解除 AVLS 功能时

按 SET 使“●”消失显示。

注

- 当更换电池时，AVLS 设定将被抹去。

使用前须注意

电池须知

- 请勿将干电池与硬币或其他金属小件混在一起携带。如果电池的正极和负极意外地接触了金属小件，将意外生热。
- 长期不使用 Walkman 时，请取出电池以避免因电池漏液而腐蚀受损。

本机须知

- 请勿掉落或撞击本机，否则会引起故障。
- 请勿将本机置于热源附近，或受阳光直射、极多尘沙、潮湿、会淋到雨、有机械冲击的地方，或紧闭的汽车里。
- 在高温（40 以上）或低温（0 以下）环境使用机器时，液晶显示器可能变得不易看清或转动变慢。但拿到室温处，即将恢复正常操作条件。
- 请不要使用 90 分钟以上长度的磁带，除非需要长时间连续收音或录音。
- 如果长时间未使用本机，在重新开始使用之前，请先将其置于收音状态预热几分钟。

遥控器须知（限于带有遥控器的型号）

本机限使用附带的遥控器。

头戴耳机 / 耳机须知

交通安全

请勿在驾车、骑车或操纵任何机动车辆时使用头戴耳机 / 耳机，否则可能导致交通事故。有些地区是违法的。即使在步行时，特别是在过马路时，高音量地使用头戴耳机 / 耳机也会有潜在的危险。在可能有危险的情况下，必须减小音量或暂停使用。

防止损伤听力

请勿高音量地使用头戴耳机 / 耳机。耳科专家告诫不要连续、高音量和长时间使用耳机。有耳鸣经验的人也请降低音量或不连续使用。

为他人着想

请保持适当的音量，使您能听到外界的声音，而且不骚扰周围的人。

维修须知

- 每使用了 10 个小时，即请用棉棒和市售清洁液清洁一下磁头和磁带通道。
- 请用软布轻蘸湿清水擦拭机器外壳。切勿使用酒精，汽油或稀硫酸。
- 请定期地清洁头戴耳机 / 耳机和遥控器的插头。