

IC Recorder

Quick Start Guide _____ **GB**

Guide de démarrage rapide _____ **FR**

Guía de inicio rápido _____ **ES**

Introductiehandleiding _____ **NL**

ICD-SX700/SX800

IC RECORDER

English

This Quick Start Guide describes only basic operations, such as how to record, play back, or erase messages. The operating instructions explaining all the features and functions are supplied with the IC recorder as PDF files in 20 languages stored on the supplied CD-ROM. You can copy the PDF files of the operating instructions to your computer. Insert the supplied CD-ROM into the CD-ROM drive of your computer, and just follow the instructions shown on the screen. If the instructions are not shown on the screen, right-click the CD-ROM on Windows Explorer to open, and double-click [SetupLauncher.exe]. The English edition of the operating instructions is supplied as a booklet as well.

For customers in Europe

Disposal of Old Electrical & Electronic Equipment (Applicable in the European Union and other European countries with separate collection systems)



This symbol on the product or on its packaging indicates that this product shall not be treated as household waste. Instead it shall be handed over to the applicable collection point for the recycling of electrical and electronic equipment. By ensuring this product is disposed of correctly, you

will help prevent potential negative consequences for the environment and human health, which could otherwise be caused by inappropriate waste handling of this product. The recycling of materials will help to conserve natural resources. For more detailed information about recycling of this product, please

contact your local Civic Office, your household waste disposal service or the shop where you purchased the product.

Applicable accessories: USB connecting cable, cradle

Disposal of waste batteries (applicable in the European Union and other European countries with separate collection systems)



This symbol on the battery or on the packaging indicates that the battery provided with this product shall not be treated as household waste. By ensuring these batteries are disposed of correctly, you will

help prevent potentially negative consequences for the environment and human health which could otherwise be caused by inappropriate waste handling of the battery. The recycling of the materials will help to conserve natural resources.

In case of products that for safety, performance or data integrity reasons require a permanent connection with an incorporated battery, this battery should be replaced by qualified service staff only. To ensure that the battery will be treated properly, hand over the product at end-of-life to the applicable collection point for the recycling of electrical and electronic equipment.

For all other batteries, please view the section on how to remove the battery from the product safely. Hand the battery over to the applicable collection point for the recycling of waste batteries.

For more detailed information about recycling of this product or battery, please contact your local Civic Office, your household waste disposal service or the shop where you purchased the product.

Notice for the customers: the following information is only applicable to equipment sold in the countries applying EU directives

The manufacturer of this product is Sony Corporation, 1-7-1 Konan, Minato-ku, Tokyo, Japan. The Authorized Representative for EMC and product safety is Sony Deutschland GmbH, Hedelfinger Strasse 61, 70327 Stuttgart, Germany. For any service or guarantee matters please refer to the addresses given in separate service or guarantee documents.

- The recorded music is limited to private use only. Use of the music beyond this limit requires permission of the copyright holders.
- Sony is not responsible for incomplete recording/downloading or damaged data due to problems of the IC recorder or computer.
- Depending on the types of the text and characters, the text shown on the IC recorder may not be displayed properly on device. This is due to:
 - The capacity of the connected IC recorder.
 - The IC recorder is not functioning normally.
 - Content information is written in the language or the character that is not supported by the IC recorder.

You are cautioned that any changes or modifications not expressly approved in this manual could void your authority to operate this equipment.

Notice for users

Program © 1999, 2000, 2001, 2002, 2003, 2004, 2005, 2006, 2007, 2008, 2009 Sony Corporation
Documentation ©2009 Sony Corporation

All rights reserved. This manual or the software described herein, in whole or in part, may not be reproduced, translated or reduced to any machine readable form without prior written approval from Sony Corporation.

IN NO EVENT SHALL SONY CORPORATION BE LIABLE FOR ANY INCIDENTAL, CONSEQUENTIAL OR SPECIAL DAMAGES, WHETHER BASED ON TORT, CONTRACT, OR OTHERWISE, ARISING OUT OF OR IN CONNECTION WITH THIS MANUAL, THE SOFTWARE OR OTHER INFORMATION CONTAINED HEREIN OR THE USE THEREOF.

Sony Corporation reserves the right to make any modification to this manual or the information contained herein at any time without notice. The software described herein may also be governed by the terms of a separate user license agreement.

- This software is for Windows and cannot be used for Macintosh.
- The supplied connecting cable is for the IC recorder ICD-SX700/SX800. You cannot connect other IC recorders.

GB

Table of Contents

Checking the Contents of the Package.....	4
---	---

Getting Started

Step 1: Preparing a Power Source	5
Step 2: Setting the Clock.....	6
Step 3: Setting the Language to Be Used in the Display Window	7
Turning the IC Recorder On or Off.....	8

Recording

Recording Messages.....	9
-------------------------	---

Playback

Playing Back Messages.....	10
----------------------------	----

Utilizing Your Computer

Using the Supplied Digital Voice Editor Software	11
--	----

Additional Information

Precautions.....	14
------------------	----

Checking the Contents of the Package

IC Recorder (1)

NH-AAA (size AAA) rechargeable batteries (2)

Stereo headphones* (1)

USB connecting cable (1)

Wind Screen (1)

Application Software, Digital Voice Editor (CD-ROM)

Cradle* (1)

Stand (1)

Carrying pouch (1)

Microphone* (1)

Battery case (1)

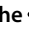
Operating Instructions

* The stereo headphones, the cradle and the microphone are supplied with some models in some regions only.

Step 1: Preparing a Power Source

Remove the film on the display window before you use the IC recorder.

Inserting the batteries

- 1 Slide and lift the battery compartment lid.**
- 2 Insert two NH-AAA rechargeable batteries with correct polarity, and close the lid.**
- 3 Charge the batteries by connecting the  (USB) connector of the IC recorder to your computer.**

Disconnecting the IC recorder from your computer

Follow the procedures below; otherwise, data may be damaged.

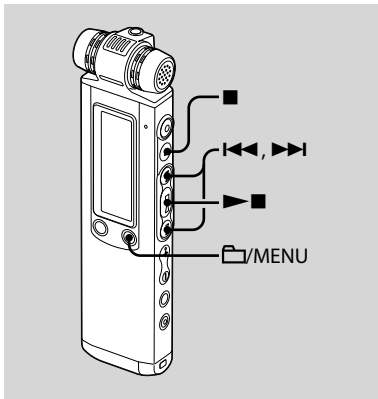
- 1 Make sure that the operation indicator is not flashing.**
- 2 Disconnect the USB connecting cable connected to the IC recorder from the USB connector of the computer.**

On the Windows screen, left-click "Safely Remove Hardware" on the taskbar, and click "Safely remove USB Mass Storage Device."

On the Macintosh screen, drag the "IC RECORDER" on the desktop to "Trash" and drop it there.

For details on disconnecting the IC recorder, refer to the operating instructions supplied with your computer.

Step 2: Setting the Clock

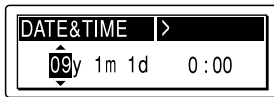


You need to set the clock to use the alarm function or record the date and time.

Clock setting display appears when you insert batteries for the first time, or when you insert batteries after the IC recorder has been without batteries for a certain period of time, "SET DATE & TIME" appears, and then the year section flashes in the display window.

Continued directly from "Step 1: Preparing a Power Source"

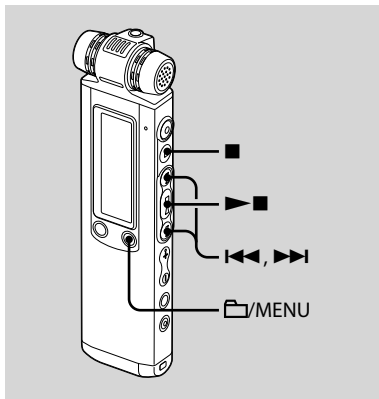
- 1 Press ◀◀ or ▶▶ to set the year, month, day, hour, and minute in sequence, then press ▶■.



"EXECUTING..." appears and the clock is set.

- 2 Press ■ (stop) to return to the display of the stop mode.

Step 3: Setting the Language to Be Used in the Display Window



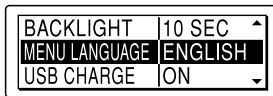
You can select the language to be used for messages, menus, folder names, file names, etc. from 2 languages (European model)/7 languages (other models).

- 1 Press and hold /MENU to enter the menu mode.

The menu mode window will be displayed.

- 2 Press or to select "DETAIL MENU," then press .

- 3 Press or to select "MENU LANGUAGE," then press .



- 4 Press or to select the language that you want to use, then press .

You can select the following languages.
European model :

ENGLISH, Русский (Russian)

Other models :

ENGLISH, Русский (Russian),

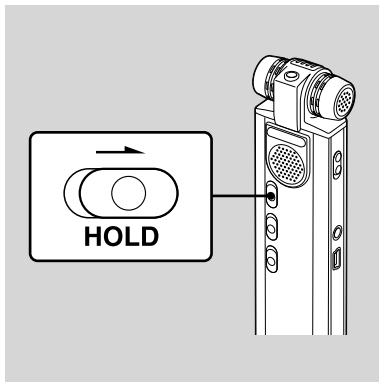
日本語 (Japanese), 한국어 (Korean),

简体中文 (Chinese), 繁體中文 (Chinese),

ไทย (Thai)

- 5 Press (stop) to exit the menu mode.

Turning the IC Recorder On or Off



When you are not using the IC recorder, you can prevent the batteries from getting weak quickly by turning the power off.

Turning the power off

Slide the HOLD switch in the direction of the arrow in the stop mode. "HOLD" with the key mark and the current time is displayed, then "POWER OFF" is displayed. The IC recorder turns off within a few seconds.

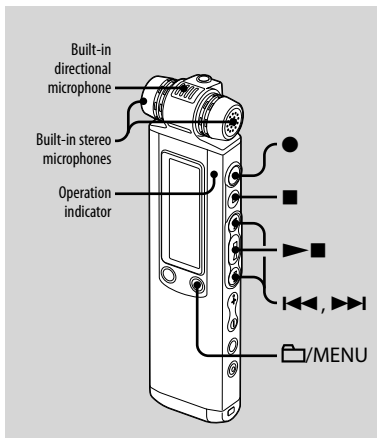
Turning the power on

Slide the HOLD switch in the opposite direction from that of the arrow. The IC recorder turns on, and an accessing animation is displayed.

Tips

- When you are not going to use the IC recorder for a long time, we recommend to turn off the IC recorder.
- When about 10 minutes have passed after you have turned on the IC recorder and left it without doing anything, the display goes off automatically. (Press any button to show the display.)

Recording Messages



1 Select a folder.

- 1 Press /MENU to display the folder selection window.
- 2 Press or to select the folder in which you want to record messages, then press .

2 Start recording.

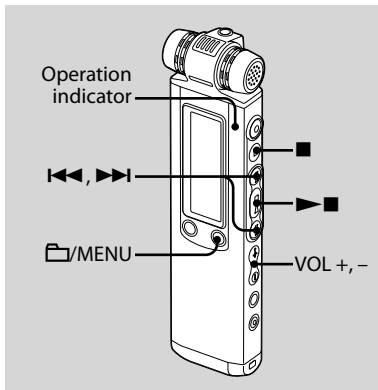
- 1 Press (record/pause) in the stop mode.
The operation indicator lights in red. (When "LED" is set to "OFF" in the menu, the operation indicator does not light.)
You do not need to press and hold (record/pause) while recording. The new message will be automatically recorded after the last recorded message.

- 2 Speak into the built-in microphones.

3 Press (stop) to stop recording.

The IC recorder stops at the beginning of the current recording.

Playing Back Messages



1 Select a folder.

- 1 Press /MENU.
- 2 Press or to select the folder, then press .

2 Press or to select the message you want to play.

3 Press to start playback.

The operation indicator lights in green. (When “LED” is set to “OFF” in the menu, the operation indicator does not light.)

4 Press VOL + or - to adjust the volume.

5 Press (stop) to stop playback.

Using the Supplied Digital Voice Editor Software

System requirements

To use the supplied software, your computer must meet the operating system requirements and hardware environment described below.

Operating Systems:

Windows Vista® Ultimate
Windows Vista® Business
Windows Vista® Home Premium
Windows Vista® Home Basic
Windows® XP Media Center Edition 2005 Service Pack 2 or higher
Windows® XP Media Center Edition 2004 Service Pack 2 or higher
Windows® XP Media Center Edition Service Pack 2 or higher
Windows® XP Professional Service Pack 2 or higher
Windows® XP Home Edition Service Pack 2 or higher
Windows® 2000 Professional Service Pack 4 or higher
Pre-Installed

Hardware Environment:

- Computer: IBM PC/AT or compatible
- CPU : 266 MHz Pentium® II processor or higher (For Windows Vista®, 800MHz Pentium® III processor or higher)
- RAM: 128MB or more (For Windows Vista®, 512MB or more)
- Hard disk space: 150MB or more
- CD-ROM drive (When creating an audio CD or data CD, a CD-R/RW drive is needed)
- Port: USB port
- Sound board: Sound cards compatible with any of the supported Microsoft® Windows® operating systems
- Display: High color (16bit) or more and 800x480 dots or more
- Internet access for Voice Mail function and CD database service

Note

The following systems are not supported:

- Any 64bit operating system
- Any operating systems other than the ones indicated above
- Personally assembled PCs or operating systems
- Upgraded operating systems
- Multi-boot environment
- Multi-monitor environment

Installing the software

Install the Digital Voice Editor software on your computer's hard disk.

1 Make sure that the IC recorder is not connected, then turn on your computer and start up Windows.

2 Insert the supplied CD-ROM into the CD-ROM drive.

The [IC Recorder Software Setup] menu starts up automatically and the [Welcome to IC Recorder Software Setup] window appears. If the [Welcome to IC Recorder Software Setup] menu does not start up, open the [DVE] folder in the [Setup] folder on the CD-ROM, then double click [setup.exe].

3 Make sure that you accept the terms of the license agreement, select [I accept the terms of the license agreement], then click [Next].

The [Software Install] window appears.

4 Select [Digital Voice Editor], then click [Install].

Follow the instructions on the screen to make the settings required for installation.

If you have already installed a previous version of the Digital Voice Editor or any version of the "Memory Stick Voice Editor"

The dialog box used to uninstall a previous version of the Digital Voice Editor or any version of the "Memory Stick Voice Editor" will be displayed. Follow the instructions on the screen to uninstall the software. The message files are not removed.

Note

If any illegal data modification is attempted, or a file is used for other than private purposes, the file may become unplayable or the Digital Voice Editor may become inoperable.

When the dialog box used to select how to save files is displayed

When you save files recorded using the IC recorder onto the computer named above, you can select whether you wish to convert them into the MP3 format. Select the desired setting.

When the dialog box used to select an ICD-P30/P50 is displayed

Select [Yes] to edit messages recorded using ICD-P30/P50.

When the dialog box used to select the language to be used for the help is displayed

Click the language you want to use for the help.

5 When the [Ready to Install the Program] window appears, click [Install].

The installation starts.

6 When the [InstallShield Wizard Complete] window appears, select [Yes, I want to restart my computer now], then click [Finish].

The computer will be restarted.

When the computer has been restarted, installation is completed.

Referring to the help files

For details on each operation, refer to the help files.



Precautions

On power

- Operate the unit only on 2.4 V or 3.0 V DC. Use two NH-AAA rechargeable batteries or two LR03 (size AAA) alkaline batteries.

On safety

- Do not operate the unit while driving, cycling or operating any motorized vehicle.

On handling

- Do not leave the unit in a location near heat sources, or in a place subject to direct sunlight, excessive dust or mechanical shock.
- Should any solid object or liquid fall into the unit, remove the batteries and have the unit checked by qualified personnel before operating it any further.

On noise

- Noise may be heard when the unit is placed near an AC power source, a fluorescent lamp or a mobile phone during recording or playback.
- Noise may be recorded when an object, such as your finger, etc., rubs or scratches the unit during recording.

On maintenance

- To clean the exterior, use a soft cloth slightly moistened in water. Do not use alcohol, benzene or thinner.

If you have any questions or problems concerning your unit, please consult your nearest Sony dealer.

Backup recommendations

To avoid potential risk of data loss caused by accidental operation or malfunction of the IC recorder, we recommend that you save a backup copy of your recorded messages on a tape recorder or to a computer, etc.

Français

Ce guide de démarrage rapide décrit uniquement les opérations de base, telles l'enregistrement, la lecture ou l'effacement de messages.

Le mode d'emploi décrivant toutes les caractéristiques et fonctions est fourni avec l'enregistreur IC sous la forme d'un fichier PDF en 20 langues et enregistré sur le CD-ROM fourni.

Vous pouvez copier les fichiers PDF du mode d'emploi sur votre ordinateur. Insérez le CD-ROM fourni dans le lecteur de CD-ROM de votre ordinateur, puis suivez les instructions à l'écran.

Si les instructions ne s'affichent pas à l'écran, faites un clic droit sur le CD-ROM sous Windows Explorer pour l'ouvrir, puis double-cliquez sur [SetupLauncher.exe]. L'édition anglaise du mode d'emploi est aussi fournie sous la forme d'un livret.

Modèle européen seulement

Traitement des appareils électriques et électroniques en fin de vie (Applicable dans les pays de l'Union Européenne et aux autres pays européens disposant de systèmes de collecte sélective)



Ce symbole, apposé sur le produit ou sur son emballage, indique que ce produit ne doit pas être traité avec les déchets ménagers. Il doit être remis à un point de collecte approprié pour le recyclage des équipements électriques et électroniques. En s'assurant que ce produit est bien

mis au rebut de manière appropriée, vous aiderez à prévenir les conséquences négatives potentielles pour l'environnement et la santé humaine. Le recyclage des matériaux aidera à préserver les ressources naturelles. Pour toute information supplémentaire au sujet du recyclage de ce produit, vous pouvez contacter votre municipalité, votre déchetterie ou le magasin où vous

avez acheté le produit.

Ceci s'applique aux accessoires suivants : Câble de raccordement USB, Station d'accueil

Élimination des piles et accumulateurs usagés (Applicable dans les pays de l'Union Européenne et aux autres pays européens disposant de systèmes de collecte sélective)



Ce symbole, apposé sur les piles et accumulateurs ou sur les emballages, indique que les piles et accumulateurs fournis avec ce produit ne doivent pas être traités comme de simples déchets ménagers. En vous assurant que ces piles et accumulateurs sont mis au rebut

de façon appropriée, vous participez activement à la prévention des conséquences négatives que leur mauvais traitement pourrait provoquer sur l'environnement et sur la santé humaine. Le recyclage des matériaux contribue par ailleurs à la préservation des ressources naturelles.

Pour les produits qui pour des raisons de sécurité, de performance ou d'intégrité de données nécessitent une connexion permanente à une pile ou à un accumulateur, il conviendra de vous rapprocher d'un service technique qualifié pour effectuer son remplacement.

En rapportant votre appareil électrique en fin de vie à un point de collecte approprié vous vous assurez que la pile ou l'accumulateur incorporé sera traité correctement.

Pour tous les autres cas de figure et afin d'enlever les piles ou accumulateurs en toute sécurité de votre appareil, reportez-vous au manuel d'utilisation. Rapporter les piles ou accumulateurs usagés au point de collecte approprié pour le recyclage.

Pour toute information complémentaire au sujet du recyclage de ce produit ou des piles et accumulateurs, vous pouvez contacter votre municipalité, votre déchetterie locale ou le point de vente où vous avez acheté ce produit.

Remarque à l'intention des clients : les informations suivantes ne concernent que l'équipement vendu dans les pays appliquant les directives européennes

Le fabricant de ce produit est Sony Corporation, 1-7-1 Konan, Minato-ku, Tokyo, Japon. Le représentant autorisé pour les questions de compatibilité électromagnétique (EMC) et la sécurité des produits est Sony Deutschland GmbH, Hedelfinger Strasse 61, 70327 Stuttgart, Allemagne. Pour toute question relative au SAV ou à la garantie, merci de bien vouloir vous référer aux coordonnées contenues dans les documents relatifs au SAV ou la garantie.

- La musique enregistrée est limitée à un usage privé exclusivement. L'utilisation de la musique au-delà de cette limite nécessite l'autorisation des détenteurs des droits d'auteur.
- Sony ne peut être tenu responsable de tout enregistrement ou téléchargement incomplet ou de dommages causés aux données suite à des problèmes rencontrés par l'enregistreur IC ou l'ordinateur.
- Selon le type de texte et de caractères, le texte affiché sur l'enregistreur IC peut ne pas apparaître correctement sur l'appareil. Ceci est dû :
 - aux caractéristiques techniques de l'enregistreur IC raccordé ;
 - à un défaut de fonctionnement de l'enregistreur IC ;
 - à des informations écrites dans une langue ou avec des caractères non pris en charge par l'enregistreur IC.

Vous êtes informé que toute modification qui n'est pas expressément approuvée dans ce mode d'emploi peut annuler votre autorisation à faire fonctionner cet appareil.

Notice destinée aux utilisateurs

Programme © 1999, 2000, 2001, 2002, 2003, 2004, 2005, 2006, 2007, 2008, 2009 Sony Corporation
Documentation ©2009 Sony Corporation

Tous droits réservés. Le présent mode d'emploi et le logiciel qui y est décrit ne peuvent être reproduits, traduits ou réduits, en tout ou en partie, sous quelque forme compréhensible pour une machine que ce soit sans l'autorisation écrite préalable de Sony Corporation.

EN AUCUN CAS, SONY CORPORATION NE POURRA ETRE TENU RESPONSABLE DE TOUT DOMMAGE DIRECT, INDIRECT, OU SPECIAL LIE A UN ACTE DELICTUEUX, UN CONTRAT OU AUTRE, QUI DECOULE OU EST A METTRE EN RELATION AVEC LE PRESENT MODE D'EMPLOI, LE LOGICIEL OU TOUT AUTRE INFORMATION QU'IL CONTIENT, OU ENCORE DE SON UTILISATION.

Sony Corporation se réserve le droit de modifier ce manuel ou les informations qu'il contient à tout moment sans préavis.

Le logiciel décrit dans le présent mode d'emploi peut également être soumis aux conditions d'un contrat de licence utilisateur séparé.

- Ce logiciel est destiné à Windows et ne peut pas être utilisé sur Macintosh.
- Le câble de raccordement fourni est uniquement réservé à l'enregistreur IC ICD-SX700/SX800. Vous ne pouvez pas raccorder d'autres enregistreurs IC.

Table des matières

Vérification du contenu de l'emballage	17
--	----

Préparation

Etape 1 : Préparation d'une source d'alimentation	18
Etape 2 : Réglage de l'horloge.....	19
Etape 3 : Réglage de la langue à utiliser dans la fenêtre d'affichage	20
Mise sous/hors tension de l'enregistreur IC	21

Enregistrement

Enregistrement de messages.....	22
---------------------------------	----

Lecture

Lecture de messages.....	23
--------------------------	----

Utilisation de l'ordinateur

Utilisation du logiciel Digital Voice Editor fourni	24
---	----

Informations complémentaires

Précautions.....	27
------------------	----

Vérification du contenu de l'emballage

Enregistreur IC (1)

Piles rechargeables NH-AAA (AAA) (2)

Casque stéréo* (1)

Câble de raccordement USB (1)

Écran anti-vent (1)

Logiciel d'application, Digital Voice Editor (CD-ROM)

Station d'accueil* (1)

Support (1)

Etui (1)

Microphone* (1)

Boîtier de la pile (1)


Mode d'emploi

* Dans certaines régions et avec certains modèles, le casque stéréo, la station d'accueil et le microphone ne sont pas fournis.

Etape 1 : Préparation d'une source d'alimentation

Retirez le film de la fenêtre d'affichage avant d'utiliser l'enregistreur IC.

Insertion des piles

- 1 Faites glisser et soulevez le couvercle du compartiment des piles.
- 2 Introduisez deux piles rechargeables NH-AAA en respectant la polarité et refermez le couvercle.
- 3 Chargez les piles en raccordant le connecteur  (USB) de l'enregistreur IC à l'ordinateur.

Déconnexion de l'enregistreur IC de votre ordinateur

Suivez les procédures ci-dessous, sinon les données peuvent être endommagées.

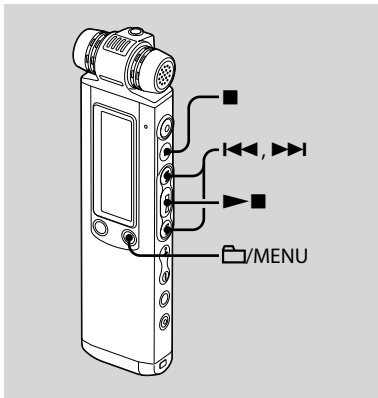
- 1 Assurez-vous que l'indicateur de fonctionnement ne clignote pas.
- 2 Débranchez le câble de raccordement USB raccordé à l'enregistreur IC du connecteur USB de l'ordinateur.

Sur l'écran Windows, cliquez sur « Retirer le périphérique en toute sécurité » sur la barre des tâches et cliquez sur « Retirer le périphérique de stockage de masse USB en toute sécurité ».

Sur l'écran Macintosh, faites glisser « IC RECORDER » sur le bureau et déposez-le dans la « Corbeille ».

Pour obtenir des détails sur la déconnexion de l'enregistreur IC, consultez le mode d'emploi fourni avec votre ordinateur.

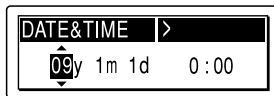
Etape 2 : Réglage de l'horloge



Vous devez régler l'horloge pour utiliser la fonction de réglage de l'alarme ou enregistrer la date et l'heure. L'écran de réglage de l'horloge apparaît lorsque vous introduisez des piles pour la première fois ou lorsque l'enregistreur IC est resté sans piles pendant un certain temps, « SET DATE & TIME » apparaît et la section de l'année clignote dans la fenêtre d'affichage.

« Suite de l'Etape 1 : Préparation d'une source d'alimentation »

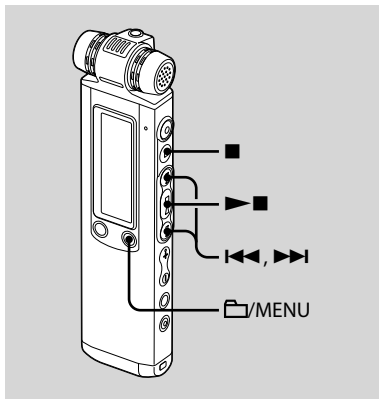
- 1 Appuyez sur **◀◀** ou sur **▶▶** pour régler l'année, le mois, le jour, l'heure et la minute dans l'ordre puis appuyez sur **▶■**.




« EXECUTING... » apparaît et l'horloge est réglée.

- 2 Appuyez sur **■** (arrêt) pour revenir à l'affichage en mode d'arrêt.







Etape 3 : Réglage de la langue à utiliser dans la fenêtre d'affichage

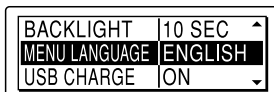





Vous pouvez sélectionner la langue à utiliser pour les messages, les menus, les noms de dossiers, les noms de fichiers, etc. parmi 2 langues (modèle européen)/7 langues (autres modèles).

- 1 Maintenez le bouton /MENU enfoncé pour activer le mode de menu.

La fenêtre du mode de menu s'affiche.

- 2 Appuyez sur  ou sur  pour sélectionner « **DETAIL MENU** », puis appuyez sur .
- 3 Appuyez sur  ou sur  pour sélectionner « **MENU LANGUAGE** », puis appuyez sur .



- 4 Appuyez sur  ou sur  pour sélectionner la langue que vous souhaitez utiliser, puis appuyez sur .


Vous pouvez sélectionner les langues suivantes.

Modèle européen :

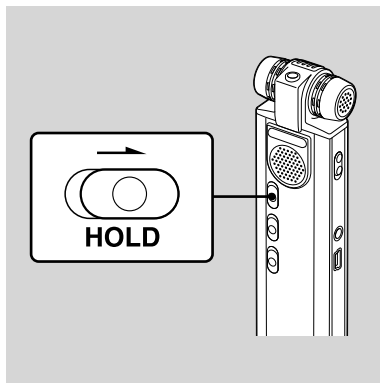
ENGLISH (Anglais), Русский (Russe)

Autres modèles :

ENGLISH (Anglais), Русский (Russe),
日本語 (Japonais), 한국어 (Coréen),
简体中文 (Chinois), 繁體中文 (Chinois),
ไทย (Thaï)

- 5 Appuyez sur  (arrêt) pour quitter le mode de menu.

Mise sous/hors tension de l'enregistreur IC



Lorsque vous n'utilisez pas l'enregistreur IC, vous pouvez éviter que les piles ne se déchargent rapidement en le mettant hors tension.

Mise hors tension

Faites glisser le commutateur HOLD dans le sens de la flèche en mode d'arrêt. « HOLD » avec le repère de la touche et l'heure actuelle s'affichent, puis « POWER OFF » apparaît. L'enregistreur IC s'éteint au bout de quelques secondes.

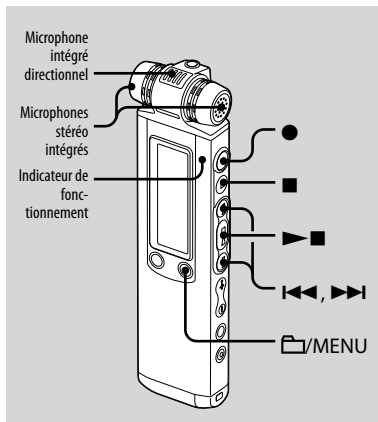
Mise sous tension

Faites glisser le commutateur HOLD dans le sens opposé à la flèche. L'enregistreur IC est sous tension et une animation s'affiche.

Conseils

- Lorsque vous n'allez pas utiliser l'enregistreur IC pendant une longue période, nous vous recommandons de le mettre hors tension.
- Lorsque 10 minutes environ se sont écoulées après l'activation de l'enregistreur IC et que vous ne l'avez pas utilisé, l'affichage s'éteint automatiquement. (Appuyez sur n'importe quel bouton pour afficher l'écran.)

Enregistrement de messages



1 Sélectionnez un dossier.

- ① Appuyez sur 📁/MENU pour afficher la fenêtre de sélection du dossier.
- ② Appuyez sur ◀▶ ou sur ▶▶ pour sélectionner le dossier dans lequel vous souhaitez enregistrer les messages, puis appuyez sur ▶■.

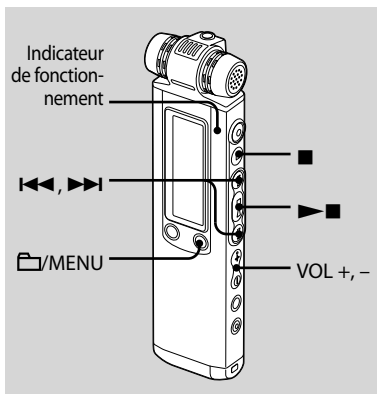
2 Lancez l'enregistrement.

- ① Appuyez sur ● (enregistrement/pause) en mode d'arrêt. L'indicateur de fonctionnement s'allume en rouge. (Lorsque « LED » est réglé sur « OFF » dans le menu, l'indicateur de fonctionnement ne s'allume pas.) Vous n'avez pas besoin de maintenir ● (enregistrement/pause) enfoncé pendant l'enregistrement. Le nouveau message est enregistré automatiquement après le dernier message enregistré.
- ② Parlez dans les microphones intégrés.

3 Appuyez sur ■ (arrêt) pour arrêter l'enregistrement.

L'enregistreur IC s'arrête au début de l'enregistrement en cours.

Lecture de messages



1 Sélectionnez un dossier.

- 1 Appuyez sur <=>/MENU.
- 2 Appuyez sur <=> ou sur <=> pour sélectionner le dossier, puis appuyez sur <=>.

2 Appuyez sur <=> ou sur <=> pour sélectionner le message que vous souhaitez lire.

3 Appuyez sur <=> pour commencer la lecture.

L'indicateur de fonctionnement s'allume en vert. (Lorsque « LED » est réglé sur « OFF » dans le menu, l'indicateur de fonctionnement ne s'allume pas.)

4 Appuyez sur VOL + ou sur - pour ajuster le volume.

5 Appuyez sur <=> (arrêt) pour arrêter la lecture.

Utilisation du logiciel Digital Voice Editor fourni

Configuration système requise

Pour utiliser le logiciel fourni, votre ordinateur doit satisfaire aux exigences du système d'exploitation et à l'environnement matériel décrits ci-dessous.

Systèmes d'exploitation :

Windows Vista® Ultimate
Windows Vista® Business
Windows Vista® Home Premium
Windows Vista® Home Basic
Windows® XP Media Center Edition 2005
Service Pack 2 ou version supérieure
Windows® XP Media Center Edition 2004
Service Pack 2 ou version supérieure
Windows® XP Media Center Edition
Service Pack 2 ou version supérieure
Windows® XP Professional Service Pack 2
ou version supérieure
Windows® XP Home Edition Service Pack
2 ou version supérieure
Windows® 2000 Professional Service Pack
4 ou version supérieure
Pré-installé

Environnement matériel :

- Ordinateur : IBM PC/AT ou compatible
- Unité centrale : processeur 266 MHz Pentium® II ou version supérieure (pour Windows Vista®, processeur 800 MHz Pentium® III ou version supérieure)
- Mémoire vive : 128 Mo ou plus (pour Windows Vista®, 512 Mo ou plus)
- Espace mémoire disponible sur le disque dur : 150 Mo ou plus
- Lecteur de CD-ROM (lors de la création d'un CD audio ou d'un CD de données, un lecteur CD-R/RW est requis)
- Port : port USB
- Carte son : cartes son compatibles avec n'importe quel système d'exploitation Microsoft® Windows® pris en charge
- Ecran : couleur (16 bits) ou plus et 800x480 points ou plus
- Accès Internet pour la fonction Voice Mail et le service de base de données CD

■ Remarque

- Les systèmes suivants ne sont pas pris en charge :
- Les systèmes d'exploitation de 64 bits
 - Les systèmes d'exploitation autres que ceux indiqués ci-dessus
 - Les ordinateurs ou systèmes d'exploitation fabriqués par l'utilisateur
 - Les systèmes d'exploitation mis à niveau
 - L'environnement à amorçage double
 - L'environnement à moniteur multiple

Installation du logiciel

Installez le logiciel Digital Voice Editor sur le disque dur de votre ordinateur.

1 Assurez-vous que l'enregistreur IC n'est pas raccordé, puis mettez votre ordinateur sous tension et lancez Windows.

2 Insérez le CD-ROM fourni dans le lecteur de CD-ROM.

Le menu [IC Recorder Software Setup] s'ouvre automatiquement et la fenêtre [Welcome to IC Recorder Software Setup] apparaît. Si le menu [Welcome to IC Recorder Software Setup] ne se lance pas, ouvrez le dossier [DVE] dans le dossier [Setup] du CD-ROM puis double-cliquez sur [setup.exe].

3 Acceptez les termes du contrat de licence, sélectionnez [I accept the terms of the license agreement], puis cliquez sur [Next].

La fenêtre [Software Install] apparaît.

4 Sélectionnez [Digital Voice Editor], puis cliquez sur [Install].

Suivez les instructions à l'écran pour effectuer les réglages nécessaires à l'installation.

Si vous avez déjà installé une version précédente de Digital Voice Editor ou n'importe quelle version du « Memory Stick Voice Editor ».

La boîte de dialogue utilisée pour désinstaller une version précédente de Digital Voice Editor ou n'importe quelle version du « Memory Stick Voice Editor » s'affiche. Suivez les instructions à l'écran pour désinstaller le logiciel. Les fichiers de messages ne sont pas supprimés.

Remarque

En cas de tentative de modification illégale des données ou d'exploitation des données à des fins autres que privées, le fichier peut devenir illisible ou Digital Voice Editor peut devenir inexploitable.

Lorsque la boîte de dialogue utilisée pour sélectionner la méthode d'enregistrement des fichiers apparaît

Lorsque vous sauvegardez des fichiers enregistrés à l'aide de l'enregistreur IC sur l'ordinateur nommé ci-dessus, vous pouvez choisir de les convertir au format MP3. Sélectionnez le réglage désiré.

Quand la boîte de dialogue utilisée pour sélectionner un ICD-P30/P50 s'affiche

Sélectionnez [Yes] pour éditer des messages enregistrés à l'aide de ICD-P30/P50.

Lorsque la boîte de dialogue permettant de sélectionner la langue à utiliser pour l'aide s'affiche

Cliquez sur la langue de votre choix pour utiliser l'aide.

5 Lorsque la fenêtre [Ready to Install the Program] apparaît, cliquez sur [Install].

L'installation commence.

6 Lorsque la fenêtre [InstallShield Wizard Complete] s'affiche, sélectionnez [Yes, I want to restart my computer now], puis cliquez sur [Finish].

L'ordinateur redémarre.

Une fois que l'ordinateur a redémarré, l'installation est terminée.

Référence aux fichiers d'aide

Pour plus de détails sur chaque opération, reportez-vous aux fichiers d'aide.



Précautions

Alimentation

- Faites uniquement fonctionner l'appareil sur une tension de 2,4 V ou 3,0 V CC. Utilisez deux piles rechargeables NH-AAA ou deux piles alcalines LR03 (AAA).

Sécurité

- Ne faites pas fonctionner l'appareil en conduisant une voiture, une bicyclette ou tout autre véhicule motorisé.

Manipulation

- Ne laissez pas l'appareil à proximité d'une source de chaleur ou dans un endroit exposé au rayonnement direct du soleil, à une poussière excessive ou à des chocs mécaniques.
- Si des solides ou des liquides venaient à pénétrer à l'intérieur de l'appareil, retirez les piles et faites-le vérifier par un technicien qualifié avant de le remettre en service.

Bruits

- Des bruits parasites peuvent se faire entendre si l'appareil est placé à proximité d'une source d'alimentation secteur, d'une lampe fluorescente ou d'un téléphone mobile durant l'enregistrement ou la lecture.
- Il se peut que des bruits parasites soient enregistrés si quelque chose comme votre doigt par exemple, touche ou frotte accidentellement l'appareil pendant l'enregistrement.

Entretien

- Pour nettoyer l'extérieur, utilisez un chiffon doux légèrement imprégné d'eau. N'utilisez pas d'alcool, d'essence ou de diluant.

Si vous avez des questions ou des problèmes concernant cet appareil, consultez votre revendeur Sony.

Sauvegardes recommandées

Pour éviter tout risque de perte de données à la suite d'une opération accidentelle ou d'un problème de fonctionnement de l'enregistreur IC, nous vous conseillons d'enregistrer une copie de sauvegarde de vos messages sur un magnétophone ou sur un ordinateur, etc.

Español

Esta Guía de inicio rápido describe sólo las operaciones básicas, tales como la grabación, reproducción o eliminación de mensajes. Las manual de instrucciones que explican todas las características y funciones se proporcionan con la grabadora IC como archivos PDF en 20 idiomas almacenados en el CD-ROM suministrado.

Puede copiar los archivos PDF del manual de instrucciones a su ordenador. Introduzca el CD-ROM suministrado en la unidad de CD-ROM del ordenador y simplemente siga las instrucciones mostradas en pantalla.

Si no se muestran las instrucciones en la pantalla, haga clic con el botón derecho del ratón en el CDROM en Windows Explorer para abrirlo y haga doble clic en [Setup.Launcher.exe].

La edición en inglés de las manual de instrucciones también se proporciona como folleto.

Grabadora IC

POR FAVOR LEA DETALLADAMENTE ESTE MANUAL DE INSTRUCCIONES ANTES DE CONECTAR Y OPERAR ESTE EQUIPO.
RECUERDE QUE UN MAL USO DE SU APARATO PODRÍA ANULAR LA GARANTÍA.

Atención para los clientes en Europa

Tratamiento de los equipos eléctricos y electrónicos al final de su vida útil (aplicable en la Unión Europea y en países europeos con sistemas de recogida selectiva de residuos)



Este símbolo en el equipo o el embalaje indica que el presente producto no puede ser tratado como residuos domésticos normales, sino que debe entregarse en el correspondiente punto de recogida de equipos eléctricos y electrónicos. Al asegurarse de que este producto se

desecha correctamente, Ud. ayuda a prevenir las consecuencias negativas para el medio ambiente y la salud humana que podrían derivarse de la incorrecta manipulación en el momento de deshacerse de este producto. El reciclaje de materiales ayuda a conservar los recursos naturales. Para recibir información detallada sobre el reciclaje de este producto, póngase en contacto con el ayuntamiento, el punto de recogida más cercano o el establecimiento donde ha adquirido el producto.

Accesorios a los que se aplica: Cable de conexión USB, Soporte

Tratamiento de las baterías al final de su vida útil (aplicable en la Unión Europea y en países europeos con sistemas de recogida selectiva de residuos)



Este símbolo en la batería o en el embalaje indica que la batería proporcionada con este producto no puede ser tratada como un residuo doméstico normal. Al asegurarse de que estas baterías se desechan

correctamente, Ud. ayuda a prevenir las consecuencias negativas para el medio ambiente y la salud humana que podrían derivarse de la incorrecta manipulación en el momento de deshacerse de la batería. El reciclaje de materiales ayuda a conservar los recursos naturales.

En el caso de productos que por razones de seguridad, rendimiento o mantenimiento de datos, sea necesaria una conexión permanente con la batería incorporada, esta batería solo deberá ser reemplazada por personal técnico cualificado para ello.

Para asegurarse de que la batería será tratada correctamente, entregue el producto al final de su vida útil en un punto de recogida para el reciclado de aparatos eléctricos y electrónicos.

Para las demás baterías, vea la sección donde se indica cómo quitar la batería del producto de forma segura. Deposite la batería en el correspondiente punto de recogida para el reciclado.

Para recibir información detallada sobre el reciclaje de este producto o de la batería, póngase en contacto con el ayuntamiento, el punto de recogida más cercano o el establecimiento donde ha adquirido el producto.

Aviso para los clientes: la siguiente información sólo es pertinente para los equipos vendidos en países que aplican las directivas de la UE.

El fabricante de este producto es Sony Corporation, 1-7-1 Konan, Minato-ku, Tokyo, Japón. El representante autorizado para EMC y seguridad en el producto es Sony Deutschland GmbH, Hedelfinger Strasse 61, 70327 Stuttgart, Alemania. Para cualquier asunto relacionado con servicio o garantía por favor diríjase a la dirección indicada en los documentos de servicio o garantía adjuntados con el producto.

- La música grabada es sólo para uso privado. Su uso fuera de esta limitación requiere el permiso de los propietarios de los derechos de autor.
- Sony no se hace responsable de grabaciones/ descargas incompletas o de datos dañados debido a problemas de la grabadora IC o del equipo.
- Según el tipo de texto y caracteres, es posible que el texto que se muestra en la grabadora IC no se visualice correctamente en el dispositivo. Esto se debe a:
 - La capacidad de la grabadora IC conectado.
 - Un funcionamiento anormal de la grabadora IC.
 - La grabadora IC no es compatible con el idioma o los caracteres con los que se ha escrito la información de contenido.

Aviso a los usuarios

Programa © 1999, 2000, 2001, 2002, 2003, 2004, 2005, 2006, 2007, 2008, 2009 Sony Corporation
Documentación ©2009 Sony Corporation

Todos los derechos reservados. Queda prohibida la reproducción, traducción y reducción a cualquier formato legible con máquina de este manual y del software descrito en éste, tanto en parte como en su totalidad, sin el consentimiento escrito de Sony Corporation.

SONY CORPORATION NO SE RESPONSABILIZA BAJO NINGÚN CONCEPTO DE CUALQUIER DAÑO INCIDENTAL, CONSECUENCIAL O ESPECIAL, YA SEA BASADO EN AGRAVIO, CONTRATO U OTRA CAUSA, EN RELACIÓN CON ESTE MANUAL, EL SOFTWARE U OTRA INFORMACIÓN CONTENIDA EN EL MISMO O EL USO DE DICHA INFORMACIÓN.

Sony Corporation se reserva el derecho de realizar cualquier modificación en este manual o en la información que contiene en cualquier momento y sin previo aviso.

El software descrito en este manual también puede regirse por los términos de un acuerdo de licencia de usuario.

- Este software es para Windows y no puede utilizarse con Macintosh.
- El cable de conexión suministrado es sólo para la grabadora IC ICD-SX700/SX800. No es posible conectar otras grabadoras IC.

Tenga en cuenta que cualquier cambio o modificación que no se haya aprobado expresamente en este manual puede anular su autoridad para utilizar este equipo.

Índice

Comprobación del contenido del paquete30

Procedimientos iniciales

Paso 1: Preparación de una fuente de alimentación.....31

Paso 2: Ajuste del reloj.....32

Paso 3: Ajuste del idioma del visor.....33

Cómo encender o apagar la grabadora IC34

Grabación

Grabación de mensajes35

Reproducción

Reproducción de mensajes36

Utilización con el ordenador

Utilización del software Digital Voice Editor suministrado37

Información complementaria

Precauciones40

Comprobación del contenido del paquete

Grabadora IC (1)

Pilas recargables NH-AAA (tamaño AAA) (2)

Auriculares estéreo* (1)

Cable de conexión USB (1)

Protección contra el viento (1)

Software de aplicación, Digital Voice Editor (CD-ROM)

Soporte* (1)

Base (1)

Bolsa de transporte (1)

Micrófono* (1)

Funda de la pila (1)


Manual de instrucciones

* Los auriculares estéreo, el soporte y el micrófono se suministran con algunos modelos en algunas regiones solamente.

Paso 1: Preparación de una fuente de alimentación

Retire el plástico protector del visor antes de usar la grabadora IC.

Inserción de las pilas

- 1 Deslice y levante la tapa del compartimiento de las pilas.**
- 2 Inserte dos pilas recargables NH-AAA con la polaridad correcta y cierre la tapa.**
- 3 Cargue las pilas conectando el conector  (USB) de la grabadora IC al ordenador.**

Desconexión de la grabadora IC del ordenador

Para evitar que los datos resulten dañados, siga este procedimiento.

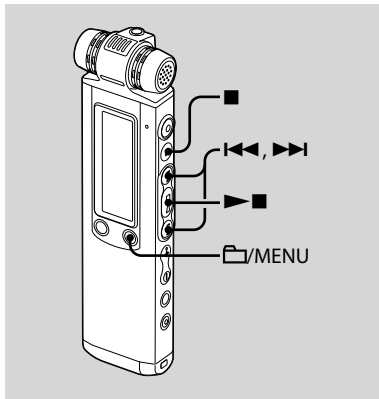
- 1 Asegúrese de que el indicador de funcionamiento no parpadea.**
- 2 Desconecte el cable de conexión USB conectado a la grabadora IC del conector USB del ordenador.**

En la pantalla de Windows, haga clic en "Quitar hardware con seguridad" en la barra de tareas y luego haga clic en "Extracción segura de Dispositivo de almacenamiento masivo USB".

En la pantalla de Macintosh, arrastre el icono de "IC RECORDER" en el escritorio hasta "Papelera" y suéltelo ahí.

Para obtener más información acerca de cómo desconectar la grabadora IC, consulte el manual de instrucciones suministrado con el ordenador.

Paso 2: Ajuste del reloj

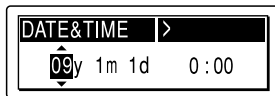


Es necesario ajustar el reloj para utilizar la función de alarma o para grabar la fecha y la hora.

La pantalla de ajuste del reloj aparece al insertar las pilas por primera vez, o bien al insertar las pilas después de que la grabadora IC haya permanecido sin pilas durante un período de tiempo; luego aparece "SET DATE & TIME" y, a continuación, la sección del año parpadea en la ventana del visor.

Continuación directa desde "Paso 1: Preparación de una fuente de alimentación"

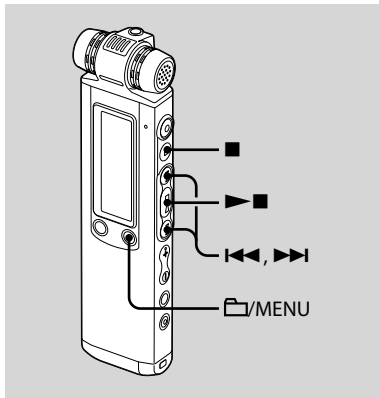
- 1 Pulse **◀◀** o **▶▶** para ajustar el año, el mes, el día, la hora y los minutos en este orden y, a continuación, pulse **▶■**.



Aparece el mensaje "EXECUTING..." y se ajusta el reloj.

- 2 Pulse **■** (parada) para volver al visor del modo de parada.

Paso 3: Ajuste del idioma del visor



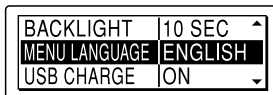
Puede seleccionar uno de los idiomas disponibles para mostrar los mensajes, menús, nombres de carpeta, nombres de archivo, etc. En el modelo europeo hay 2 idiomas disponibles y en otros modelos hay 7 idiomas.

- 1 Mantenga pulsado /MENU para entrar en el modo de menú.

Aparecerá la ventana del modo de menú.

- 2 Pulse o para seleccionar "DETAIL MENU" y, a continuación, pulse .

- 3 Pulse o para seleccionar "MENU LANGUAGE" y, a continuación, pulse .



- 4 Pulse o para seleccionar el idioma que desea utilizar y, a continuación, pulse .

Puede seleccionar los siguientes idiomas.

Modelo europeo:

ENGLISH (inglés), Русский (ruso)

Otros modelos:

ENGLISH (inglés), Русский (ruso),

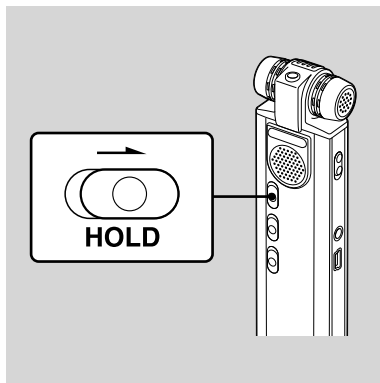
日本語 (japonés), 한국어 (coreano),

简体中文 (chino), 繁體中文 (chino),

ไทย (tailandés)

- 5 Pulse (parada) para salir del modo de menú.

Cómo encender o apagar la grabadora IC



Si no utiliza la grabadora IC, puede apagarla para evitar que las pilas se agoten rápidamente.

Para apagarla

Deslice el interruptor HOLD en el sentido de la flecha durante el modo de parada. Se muestra "HOLD" con la marca de llave y la hora actual y, a continuación, se muestra "POWER OFF". La grabadora IC se apaga unos segundos después.

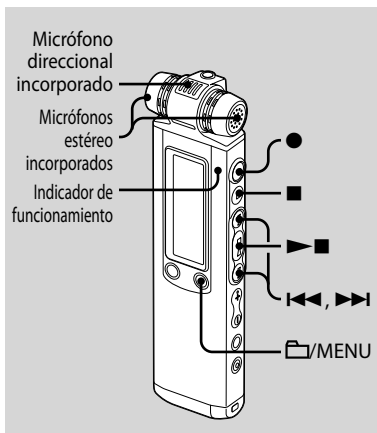
Para encenderla

Deslice el interruptor HOLD en el sentido opuesto al que indica la flecha. La grabadora IC se enciende y se muestra una animación de acceso.

Sugerencias

- Si no va a utilizar la grabadora IC durante un período de tiempo prolongado, se recomienda apagar la grabadora IC.
- Si se enciende la grabadora IC y transcurren 10 minutos sin haber realizado ninguna acción, el visor se apaga automáticamente. (Pulse cualquier botón para mostrar el visor.)

Grabación de mensajes



1 Seleccione una carpeta.

- 1 Pulse /MENU para mostrar la ventana de selección de carpeta.
- 2 Pulse o para seleccionar la carpeta en la que desea grabar mensajes y, a continuación, pulse .

2 Inicie la grabación.

- 1 Pulse (grabación/pausa) en el modo de parada. El indicador de funcionamiento se ilumina en rojo. (Cuando "LED" está ajustado en "OFF" en el menú, el indicador de funcionamiento no se ilumina.) No es necesario mantener pulsado (grabación/pausa) durante la grabación. El nuevo mensaje se grabará automáticamente después del último mensaje grabado.
- 2 Hable a través de los micrófonos incorporados.

3 Pulse (parada) para detener la grabación.

La grabadora IC se detiene al principio de la grabación actual.

Utilización del software Digital Voice Editor suministrado

Requisitos del sistema

Para poder utilizar el software suministrado, su ordenador debe cumplir los requisitos de sistema operativo y entorno de hardware descritos a continuación.

Sistemas operativos:

Windows Vista® Ultimate
Windows Vista® Business
Windows Vista® Home Premium
Windows Vista® Home Basic
Windows® XP Media Center Edition 2005 Service Pack 2 o superior
Windows® XP Media Center Edition 2004 Service Pack 2 o superior
Windows® XP Media Center Edition Service Pack 2 o superior
Windows® XP Professional Service Pack 2 o superior
Windows® XP Home Edition Service Pack 2 o superior
Windows® 2000 Professional Service Pack 4 o superior
Pre-instalado

Entorno de Hardware:

- Ordenador: PC/AT IBM o compatible
- CPU: Procesador Pentium® II 266 MHz o superior (Para Windows Vista®, procesador Pentium® III 800MHz o superior)
- RAM: 128MB o más (Para Windows Vista®, 512MB o más)
- Espacio en disco duro: 150 MB o más
- Unidad de CD-ROM (cuando se crea un CD de audio o CD de datos, es necesaria una unidad CD-R/RW)
- Puerto: puerto USB
- Tarjeta de sonido: tarjetas de sonido compatibles con cualquiera de los sistemas operativos Microsoft® Windows® admitidos
- Pantalla: color de alta densidad (16 bits) o más, y resolución de 800x480 puntos o más
- Acceso a Internet para la función de Voice Mail y servicio de base de datos de CD

Nota

Los siguientes sistemas no son compatibles:

- Cualquier sistema operativo de 64 bits
- Sistemas operativos distintos de los indicados anteriormente
- Ordenadores o sistemas operativos contruidos personalmente
- Sistemas operativos actualizados
- Entorno operativo multiarranque
- Entorno con múltiples monitores

Instalación del software

Instale el software Digital Voice Editor en el disco duro del ordenador.

1 Asegúrese de que la grabadora IC no está conectada y, a continuación, arranque el equipo e inicie Windows.

2 Inserte el CD-ROM suministrado en la unidad de CD-ROM.

El menú [IC Recorder Software Setup] se inicia automáticamente y se muestra la ventana [Welcome to IC Recorder Software Setup]. Si no se inicia el menú [IC Recorder Software Setup], haga clic con el botón derecho del ratón en el CD-ROM en el Explorador de Windows para abrirlo y, a continuación, haga doble clic en [setup.exe].

3 Asegúrese de que acepta los términos del acuerdo de licencia, seleccione [I accept the terms of the license agreement] y, a continuación, haga clic en [Next].

Aparecerá la ventana [Software Install].

4 Seleccione [Digital Voice Editor] y, a continuación, haga clic en [Install].

Siga las instrucciones de pantalla para realizar los ajustes requeridos para la instalación.

Si tiene instalada una versión anterior de Digital Voice Editor o cualquier versión de "Memory Stick Voice Editor"

Se mostrará el cuadro de diálogo utilizado para desinstalar una versión anterior de Digital Voice Editor o cualquier versión de "Memory Stick Voice Editor". Siga las instrucciones en pantalla para desinstalar el software. Los archivos de mensajes no se eliminarán.

Nota

Si se ha intentado realizar una modificación ilegal de datos, o bien, si se utiliza un archivo para fines distintos de los privados, es posible que el archivo no pueda volver a reproducirse, o que el software Digital Voice Editor deje de funcionar.

Precauciones

Alimentación

- Utilice la unidad sólo con CC de 2,4 V o 3,0 V. Utilice dos pilas recargables NH-AAA o dos pilas alcalinas LR03 (tamaño AAA).

Seguridad

- No utilice la unidad mientras conduce, va en bicicleta o utiliza cualquier vehículo motorizado.

Manejo

- No deje la unidad cerca de fuentes de calor, ni en lugares expuestos a la luz solar directa, polvo excesivo o golpes mecánicos.
- Si se introduce algún objeto sólido o líquido en la unidad, extraiga las pilas y hágala revisar por personal cualificado antes de seguir utilizándola.

Ruido

- Si se coloca la unidad cerca de una fuente de alimentación de CA, una lámpara fluorescente o un teléfono móvil durante la reproducción o la grabación, es posible que oiga ruido.
- Si algún objeto, como su dedo, frota o araña la superficie de la unidad durante la grabación, es posible que se grabe ruido.

Mantenimiento

- Para limpiar el exterior, utilice un paño suave ligeramente humedecido con agua. No emplee alcohol, bencina ni diluyente.

Si tiene problemas o preguntas acerca de esta unidad, consulte al distribuidor Sony más cercano.

Recomendaciones sobre copias de seguridad

Para evitar el posible riesgo de pérdida de datos debido a un uso accidental o a un fallo de funcionamiento de la grabadora IC, se recomienda guardar una copia de seguridad de los mensajes grabados en una grabadora de cintas o en un ordenador, etc.

Nederlands

In deze introductiehandleiding worden alleen basishandelingen, bijvoorbeeld opnemen, afspelen of berichten wissen, beschreven. In de gebruiksaanwijzing worden alle functies en de werking uitgelegd. Deze gebruiksaanwijzing wordt op de CD-ROM als PDF-bestand in 20 talen geleverd bij de IC-recorder.

U kunt de PDF-bestanden van de gebruiksaanwijzing naar uw computer kopiëren. Plaats de bijgeleverde CD-ROM in het CD-ROM-station van uw computer en volg de aanwijzingen die op het scherm worden getoond.

Als de aanwijzingen niet op het scherm worden afgebeeld, klikt u met de rechtermuisknop op de CD-ROM in Windows Explorer om deze te openen, en dubbelklikt u daarna op [SetupLauncher.exe]. De Engelse versie van de gebruiksaanwijzing wordt eveneens als boekje geleverd.

Voor klanten in Europa

Verwijdering van oude elektrische en elektronische apparaten (Toepasbaar in de Europese Unie en andere Europese landen met gescheiden ophaalsystemen)



Het symbool op het product of op de verpakking wijst erop dat dit product niet als huishoudelijk afval mag worden behandeld. Het moet echter naar een plaats worden gebracht waar elektrische en elektronische apparatuur wordt gerecycled. Als u ervoor zorgt dat dit product op de

correcte manier wordt verwijderd, voorkomt u voor mens en milieu negatieve gevolgen die zich zouden kunnen voordoen in geval van verkeerde afvalbehandeling. De recycling van materialen draagt bij tot het vrijwaren van natuurlijke bronnen. Voor

meer details in verband met het recyclen van dit product, neemt u contact op met de gemeentelijke instanties, het bedrijf of de dienst belast met de verwijdering van huishoudafval of de winkel waar u het product hebt gekocht.

Dit betreft de accessoires: USB-kabel, Houder

Verwijdering van oude batterijen (in de Europese Unie en andere Europese landen met afzonderlijke inzamelingsystemen)



Dit symbool op de batterij of verpakking wijst erop dat de meegeleverde batterij van dit product niet als huishoudelijk afval behandeld mag worden.

Door deze batterijen op juiste wijze af te voeren, voorkomt u voor mens en milieu negatieve gevolgen die zich zouden kunnen voordoen in geval van verkeerde afvalbehandeling. Het recyclen van materialen draagt bij tot het vrijwaren van natuurlijke bronnen.

In het geval dat de producten om redenen van veiligheid, prestaties dan wel in verband met dataintegriteit een permanente verbinding met batterij vereisen, dient deze batterij enkel door gekwalificeerd servicepersoneel vervangen te worden. Om ervoor te zorgen dat de batterij op een juiste wijze zal worden behandeld, dient het product aan het eind van zijn levenscyclus overhandigd te worden aan het desbetreffende inzamelingspunt voor de recyclage van elektrisch en elektronisch materiaal. Voor alle andere batterijen verwijzen we u naar het gedeelte over hoe de batterij veilig uit het product te verwijderen. Overhandig de batterij bij het desbetreffende inzamelingspunt voor de recyclage van batterijen.

Voor meer details in verband met het recyclen van dit product of batterij, neemt u contact op met de gemeentelijke instanties, het bedrijf of de dienst belast met de verwijdering van huishoudafval of de winkel waar u het product hebt gekocht.

Mededeling voor de klant: de volgende informatie is uitsluitend van toepassing op apparatuur verkocht in landen waar EU-richtlijnen gelden.

De fabrikant van dit product is Sony Corporation, 1-7-1 Konan, Minato-ku, Tokyo, Japan. De geautoriseerde vertegenwoordiging voor EMC en produkt veiligheid is Sony Deutschland GmbH, Hedelfinger Strasse 61, 70327 Stuttgart, Duitsland. Voor service- of garantie zaken verwijzen wij u graag naar de adressen in de afzonderlijke service/garantie documenten.

- De opgenomen muziek mag alleen voor particuliere doeleinden worden gebruikt. Voor elk ander gebruik van de muziek is toestemming van de copyrighthouders vereist.
- Sony is niet aansprakelijk voor incomplete opnamen/downloads of beschadigde gegevens door problemen met de IC-recorder of computer.
- Afhankelijk van de soort tekst en tekens, wordt de tekst mogelijk niet altijd goed weergegeven op de IC-recorder. Dit is te wijten aan:
 - De capaciteit van de aangesloten IC-recorder.
 - De IC-recorder werkt niet zoals het hoort.
 - Inhoudgegevens zijn geschreven in een taal of in tekens die niet door de IC-recorder worden ondersteund.

We wijzen u erop dat elke wijziging of aanpassing die niet uitdrukkelijk wordt goedgekeurd in deze gebruiksaanwijzing u onbevoegd kan maken voor de bediening van dit apparaat.

Gebruikersinformatie

Programma © 1999, 2000, 2001, 2002, 2003, 2004, 2005, 2006, 2007, 2008, 2009 Sony Corporation
Documentatie ©2009 Sony Corporation

Alle rechten voorbehouden. Deze gebruiksaanwijzing en de software die hierin wordt beschreven, mogen niet, volledig of gedeeltelijk, worden gereproduceerd, vertaald of omgezet zonder voorafgaande schriftelijke toestemming van Sony Corporation.

SONY CORPORATION KAN IN GEEN GEVAL AANSPRAKELIJK WORDEN GESTELD VOOR ENIGE SCHADE DIE HET GEVOLG IS VAN OF VERBAND HOUDT MET DEZE GEBRUIKSAANWIJZING, SOFTWARE OF ANDERE INFORMATIE DAN WEL HET GEBRUIK ERVAN.

Sony Corporation behoudt zich het recht voor deze gebruiksaanwijzing of de informatie erin te allen tijde en zonder voorafgaande kennisgeving te wijzigen. Voor de beschreven software kan ook een afzonderlijke gebruikerslicentieovereenkomst gelden.

- Deze software is ontwikkeld voor Windows en is niet geschikt voor Macintosh.
- De bijgeleverde verbindingkabel is alleen bedoeld voor de IC-recorder ICD-SX700/SX800. U kunt geen andere IC-recorders aansluiten.

Inhoudsopgave

De inhoud van de verpakking
controleren.....43

Aan de slag

Stap 1: Een stroombron
voorbereiden.....44

Stap 2: Klok instellen.....45

Stap 3: De gebruikte taal in het
display instellen.....46

De IC-recorder in- of uitschakelen.....47

Opnemen

Berichten opnemen.....48

Afspelen

Berichten afspelen.....49

Uw computer gebruiken

De bijgeleverde Digital Voice Editor-
software gebruiken.....50

Aanvullende informatie

Voorzorgsmaatregelen..... 53

De inhoud van de verpakking controleren

IC-recorder (1)

Oplaadbare NH-AAA-batterijen (AAA-
formaat) (2)

Stereohoofdtelefoon* (1)

USB-kabel (1)

Winscherm (1)

Toepassingssoftware, Digital Voice
Editor (CD-ROM)

Houder* (1)

Standaard (1)

Draagtas (1)

Microfoon* (1)

Batterijdoosje (1)


Gebruiksaanwijzing

* In bepaalde regio's en bij bepaalde
modellen worden de stereo-
hoofdtelefoon, de houder en de
microfoon niet bijgeleverd.

Stap 1: Een stroombron voorbereiden

Verwijder de folie van het display voordat u de IC-recorder gebruikt.

De batterijen plaatsen

- 1 Verschuif en open het deksel van de batterijhouder.
- 2 Plaats twee oplaadbare NH-AAA-batterijen met de pool in de juiste richting in de houder en sluit het deksel.
- 3 Laad de batterijen op door de  (USB)aansluiting van de IC-recorder op de computer aan te sluiten.

De IC-recorder van de computer loskoppelen

Volg onderstaande werkwijze; anders kunnen er gegevens beschadigen.

1 Controleer of de werkingsaanduiding niet knippert.

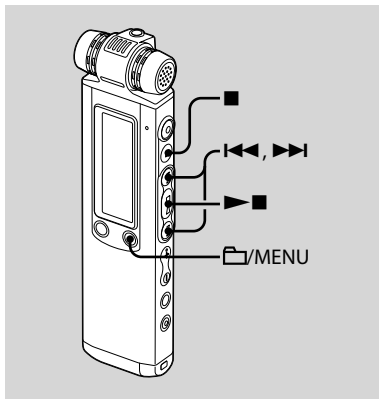
2 Ontkoppel de USB-kabel die is aangesloten op de IC-recorder van de USB-aansluiting van de computer.

Op het Windows-scherm klikt u met de linkermuisknop op "Hardware veilig verwijderen" op de taakbalk, en klikt u op "USB-apparaat voor massaopslag-Station veilig verwijderen".

Op het Macintosh-scherm sleept u de "IC-recorder" op het bureaublad naar "Prullenbak" en zet hem daar neer.

Raadpleeg de gebruiksaanwijzing die bij uw computer is geleverd voor meer informatie over het loskoppelen van de IC-recorder.

Stap 2: Klok instellen

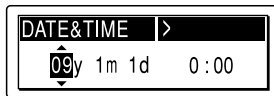


U moet de klok instellen als u de alarmfunctie wilt gebruiken of de datum en tijd wilt opnemen.

Het klokinstelvenster verschijnt als u voor het eerst batterijen plaatst of als u batterijen in de IC-recorder plaatst nadat deze langere tijd zijn verwijderd, "SET DATE & TIME" verschijnt en het jaar knippert in het display.

Vervolg direct na "Stap 1: Een stroombron voorbereiden"

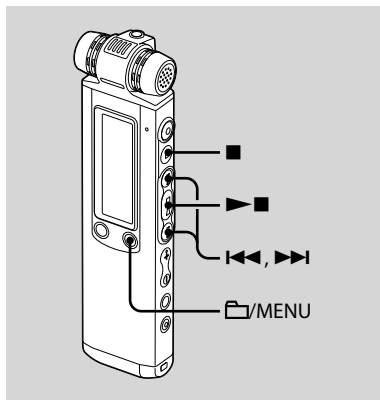
- 1 Druk op ◀◀ of ▶▶ om achtereenvolgens het jaar, de maand, de dag, het uur en de minuten in te stellen en druk op ▶■.



"EXECUTING..." wordt weergegeven en de klok is ingesteld.

- 2 Druk op ■ (stoppen) om naar het display in de stopstand terug te keren.

Stap 3: De gebruikte taal in het display instellen



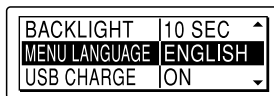
U kunt de taal die gebruikt moet worden voor berichten, menu's, mapnamen, bestandsnamen, enzovoort selecteren uit 2 talen (Europees model)/7 talen (overige modellen).

- 1 Houd /MENU ingedrukt om naar de menustand te gaan.

Het venster met de menustand wordt weergegeven.

- 2 Druk op of om "DETAIL MENU" te selecteren en druk op .

- 3 Druk op of om "MENU LANGUAGE" te selecteren en druk op .



- 4 Druk op of om de taal te selecteren die u wilt wijzigen en druk op .

U kunt kiezen uit de volgende talen.

Europees model:

ENGLISH (Engels), Русский (Russisch)

Overige modellen:

ENGLISH (Engels), Русский (Russisch),

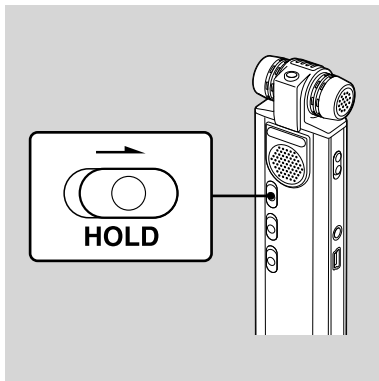
日本語 (Japans), 한국어 (Koreaans),

简体中文 (Chinees), 繁體中文 (Chinees),

ไทย (Thais)

- 5 Druk op (stoppen) om de menustand af te sluiten.

De IC-recorder in- of uitschakelen



Als u de IC-recorder niet gebruikt, kunt u voorkomen dat de batterijen snel opraken door de stroom uit te schakelen.

De stroom uitschakelen

Schuif de HOLD-schakelaar in de richting van de pijl in de stopstand. "HOLD" met de toetsmarkering en de huidige tijd wordt weergegeven als "POWER OFF" wordt weergegeven. De IC-recorder schakelt na enkele seconden uit.

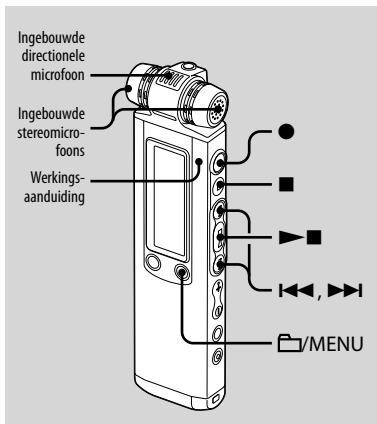
De stroom inschakelen

Schuif de HOLD-schakelaar in de tegengestelde richting van de pijl. De IC-recorder gaat aan, en er verschijnt een toegangsanimatie.

Tips

- We raden aan om de IC-recorder uit te schakelen wanneer u hem lange tijd niet gaat gebruiken.
- Wanneer ongeveer 10 minuten verstrijken nadat u de IC-recorder hebt ingeschakeld zonder er iets mee te doen, schakelt het display automatisch uit. (Druk op een willekeurige toets om het display weer te geven.)

Berichten opnemen



1 Selecteer een map.

- ① Druk op 📁/MENU zodat u een map in het display kunt selecteren.
- ② Druk op ◀◀ of ▶▶ om de map te selecteren waarin u de berichten wilt opnemen en druk vervolgens op ▶■.

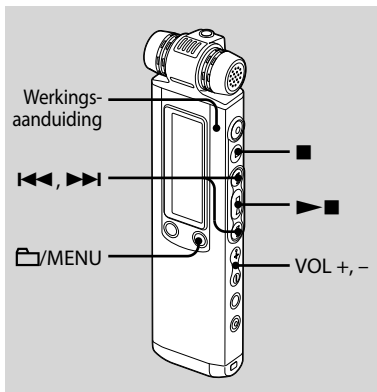
2 Start de opname.

- ① Druk op ● (opnemen/pauze) in de stopstand.
De werkingaanduiding gaat rood branden.
(Wanneer "LED" in het menu is ingesteld op "OFF", gaat de werkingaanduiding niet branden.)
U hoeft ● (opnemen/pauze) niet ingedrukt te houden tijdens de opname.
Het nieuwe bericht wordt automatisch opgenomen na het laatst opgenomen bericht.
- ② Praat in de ingebouwde microfoon.

3 Druk op ■ (stoppen) om de opname te stoppen.

De IC-recorder stopt bij het begin van de huidige opname.

Berichten afspelen



1 Selecteer een map.

- 1 Druk op 📁/MENU.
- 2 Druk op I◀◀ of ▶▶I om de map te selecteren en druk op ▶■.

2 Druk op I◀◀ of ▶▶I om het gewenste bericht te selecteren.

3 Druk op ▶■ om het afspelen te starten.

De werkingaanduiding gaat groen branden. (Wanneer "LED" in het menu is ingesteld op "OFF", gaat de werkingaanduiding niet branden.)

4 Druk op VOL + of – om het volume aan te passen.

5 Druk op ■ (stoppen) om het afspelen te stoppen.

De bijgeleverde Digital Voice Editor-software gebruiken

Systemvereisten

Om de meegeleverde software te gebruiken moet uw computer voldoen aan de besturingssysteemvereisten en de hardware-omgeving die hieronder staat beschreven.

Besturingssystemen:

Windows Vista® Ultimate
Windows Vista® Business
Windows Vista® Home Premium
Windows Vista® Home Basic
Windows® XP Media Center Edition 2005 Service Pack 2 of hoger
Windows® XP Media Center Edition 2004 Service Pack 2 of hoger
Windows® XP Media Center Edition Service Pack 2 of hoger
Windows® XP Professional Service Pack 2 of hoger
Windows® XP Home Edition Service Pack 2 of hoger
Windows® 2000 Professional Service Pack 4 of hoger
Vooraf geïnstalleerd

Hardware-omgeving:

- Computer: IBM PC/AT of compatibele computer
- Processor: 266 MHz Pentium® II processor of hoger (Voor Windows Vista®, 800MHz Pentium® III processor of hoger)
- RAM: 128MB of meer (Voor Windows Vista®, 512MB of meer)
- Beschikbare schijfruimte: 150MB of meer
- CD-ROM-station (Wanneer u een audio-CD of gegevens-CD wilt maken, hebt u een CD-R/RW-station nodig)
- Poort: USB-poort
- Geluidskaart: Geluidskaarten die compatibel zijn met één van de Microsoft® Windows®-besturingssystemen
- Beeldscherm: Hoge kleuren (16bit) of meer en 800×480 pixels of meer
- Toegang tot Internet voor Voice Mail-functie en CD-database-service

Opmerking

De volgende systemen worden niet ondersteund:

- Elk 64bit besturingssysteem
- Andere besturingssystemen dan de hierboven genoemde
- Door de gebruiker zelf geconstrueerde PC's of besturingssystemen
- Geüpgrade besturingssystemen
- Multi-boot besturingsomgeving
- Multi-monitor besturingsomgeving

De software installeren

Installeer de Digital Voice Editor-software op de vaste schijf van de computer.

1 Controleer of de IC-recorder niet is aangesloten. Schakel de computer in en start Windows.

2 Plaats de bijgeleverde CD-ROM in het CD-ROM-station.

Het menu [IC Recorder Software Setup] wordt automatisch gestart en het venster [Welcome to IC Recorder Software Setup] verschijnt. Als het menu [Welcome to IC Recorder Software Setup] niet wordt gestart, open dan de [DVE]-map in de [Setup]-map op de CD-ROM, en dubbelklikt u daarna op [setup.exe].

3 Het is belangrijk dat u akkoord gaat met de voorwaarden van de licentieovereenkomst, selecteer [I accept the terms of the license agreement] en klik daarna op [Next].

Het venster [Software Install] verschijnt.

4 Selecteer [Digital Voice Editor], en klik daarna op [Install].

Volg de instructies op het scherm en geef de instellingen op die nodig zijn voor de installatie.

Als u al een eerdere versie van de Digital Voice Editor of een versie van "Memory Stick Voice Editor" hebt geïnstalleerd

Het dialoogvenster dat wordt gebruikt voor het ongedaan maken van de installatie van de vorige versie van Digital Voice Editor of een versie van de "Memory Stick Voice Editor" wordt weergegeven. Volg de instructies op het scherm en maak de installatie van de software ongedaan. De berichtenbestanden worden niet verwijderd.

Opmerking

Als op onrechtmatige wijze wordt geprobeerd gegevens te wijzigen, of als een bestand voor andere dan privé-doelenden wordt gebruikt, kan het bestand of de Digital Voice Editor onbruikbaar worden.

Wanneer het dialoogvenster dat wordt gebruikt om te selecteren hoe bestanden worden opgeslagen, wordt weergegeven

Wanneer u bestanden opslaat die zijn vastgelegd met de IC-recorder op de hierboven genoemde computer, kunt u kiezen of u de bestanden wilt converteren naar de MP3-indeling. Selecteer de instelling van uw keuze.

Als het dialoogvenster die wordt gebruikt voor het selecteren van een ICD-P30/P50 wordt weergegeven

Selecteer [Yes] als u de berichten wilt bewerken die zijn opgenomen met ICD -P30/P50.

Wanneer het dialoogvenster dat wordt gebruikt voor het selecteren van de taal voor de Help, wordt weergegeven

Klik op de taal die u voor de Help wilt gebruiken.

- 5** Wanneer het venster [Ready to Install the Program] verschijnt, klikt u op [Install].

De installatie wordt gestart.

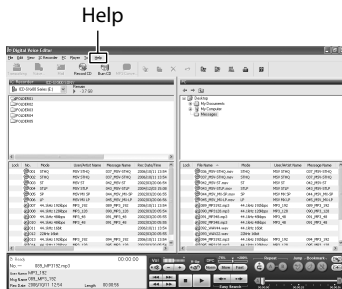
- 6** Wanneer het venster [InstallShield Wizard Complete] verschijnt, selecteert u [Yes, I want to restart my computer now] en klikt u op [Finish].

De computer wordt opnieuw gestart.

Wanneer de computer opnieuw is gestart, is de installatie voltooid.

De Help-bestanden raadplegen

Voor meer informatie over de bewerkingen kunt u de Help-bestanden raadplegen.



Voorzorgsmaatregelen

Stroom

- Gebruik het apparaat alleen op 2,4 V of 3,0 V gelijkstroom. Gebruik twee oplaadbare NH-AAA-batterijen of twee LR03-alkalinebatterijen (AAA-formaat).

Veiligheid

- Gebruik het apparaat niet terwijl u autorijdt, fietst of een gemotoriseerd voertuig bedient.

Gebruik

- Laat het apparaat niet liggen in de buurt van een warmtebron of op een plaats waar dit wordt blootgesteld aan direct zonlicht, overmatig veel stof of mechanische schokken.
- Als er een object of vloeistof in het apparaat terecht komt, moet u de batterijen verwijderen en het apparaat laten nakijken door een ervaren servicetechnicus voordat u het weer gebruikt.

Ruis

- Als u het apparaat naast een stopcontact, een tl-lamp of een mobiele telefoon plaatst tijdens het opnemen of afspelen, kan dit ruis veroorzaken.
- Als u met een object, zoals uw vinger, tegen het apparaat schuurt tijdens een opname, kan er ruis in de opname terecht komen.

Onderhoud

- Maak de buitenkant schoon met een zachte doek die enigszins is bevochtigd met water. Gebruik geen alcohol, wasbenzine of thinner.

Neem contact op met de dichtstbijzijnde Sony-handelaar voor vragen of problemen met het apparaat.

Reservekopieën

Het wordt aangeraden een reservekopie van de opgenomen berichten op te slaan op een cassette recorder of een computer om te voorkomen dat er gegevens verloren gaan door een bedieningsfout of een defect aan de IC-recorder.

Trademarks

- Microsoft, Windows, Windows Vista, Windows Media, Outlook, DirectX and logos are trademarks or registered trademarks of Microsoft Corporation in the United States and/or other countries.
- Apple and Macintosh are trademarks of Apple Inc., registered in the USA and other countries.
- Pentium is a registered trademark of Intel Corporation.
- Nuance, the Nuance logo, Dragon NaturallySpeaking, and RealSpeak are trademarks and/or registered trademarks of Nuance Communications, Inc., and/or its affiliates in the United States and/or other countries. © 2007 - 2008 Nuance Communications, Inc. All rights reserved.
- MPEG Layer-3 audio coding technology and patents licensed from Fraunhofer IIS and Thomson.
- "Memory Stick" and  are trademarks of Sony Corporation.
- "LPEC" and  are registered trademarks of Sony Corporation.
- US and foreign patents licensed from Dolby Laboratories.

All other trademarks and registered trademarks are trademarks or registered trademarks of their respective holders. Furthermore, "™" and "®" are not mentioned in each case in this manual.

The "Digital Voice Editor" uses software modules as shown below:

Microsoft DirectX Runtime 9.0c

©2004 Microsoft Corporation. All Rights Reserved.



This product is protected by certain intellectual property rights of Microsoft Corporation. Use or distribution of such technology outside of this product is prohibited without a license from Microsoft or an authorized Microsoft subsidiary.

Marques commerciales

- Microsoft, Windows, Windows Vista, Windows Media, Outlook, DirectX et leurs logos sont des marques commerciales ou des marques déposées de Microsoft Corporation aux Etats-Unis et/ou dans d'autres pays ou régions.
- Apple et Macintosh sont des marques commerciales de Apple Inc., déposées aux Etats-Unis et dans d'autres pays ou régions.
- Pentium est une marque déposée de Intel Corporation.
- Nuance, le logo de Nuance, Dragon NaturallySpeaking ainsi que RealSpeak sont des marques et/ou marques déposées de Nuance Communications, Inc. et/ou de ses filiales aux Etats-Unis et dans d'autres pays. © 2007-2008 Nuance Communications, Inc. Tous droits réservés.
- Technologie d'encodage audio MPEG Layer-3 et brevets sous licence de Fraunhofer IIS et Thomson.
- « Memory Stick » et  sont des marques commerciales de Sony Corporation.
- « LPEC » et  sont des marques déposées de Sony Corporation.
- Brevets américains et étrangers sous licence de Dolby Laboratories.

Les autres marques commerciales et marques déposées apparaissant dans le présent document sont des marques commerciales ou des marques déposées de leurs propriétaires respectifs. En outre, les indications « ™ » et « ® » ne sont pas mentionnées systématiquement dans ce mode d'emploi.

Le logiciel « Digital Voice Editor » utilise les modules des logiciels suivants :

Microsoft DirectX Runtime 9.0c

©2004 Microsoft Corporation. Tous droits réservés.



This product is protected by certain intellectual property rights of Microsoft Corporation. Use or distribution of such technology outside of this product is prohibited without a license from Microsoft or an authorized Microsoft subsidiary.

Marcas comerciales

- Microsoft, Windows, Windows Vista, Windows Media, Outlook, DirectX y los logotipos son marcas comerciales registradas o marcas comerciales de Microsoft Corporation en los Estados Unidos y/o en otros países.
- Apple y Macintosh son marcas comerciales de Apple Inc., registradas en los EE. UU. y en otros países.
- Pentium es una marca registrada de Intel Corporation.
- Nuance, el logotipo de Nuance, Dragon NaturallySpeaking y RealSpeak son marcas y/o marcas registradas de Nuance Communications Inc., y/o de sus empresas afiliadas en Estados Unidos y/o en otros países. © 2007 - 2008 Nuance Communications, Inc. Todos los derechos reservados.
- Tecnología de codificación de audio MPEG Layer-3 y patentes con licencia de Fraunhofer IIS y Thomson.
- "Memory Stick" y  son marcas comerciales de Sony Corporation.
- "LPEC" y  son marcas comerciales registradas de Sony Corporation.
- Patentes en EE. UU. y otros países con licencia de Dolby Laboratories.

Todas las demás marcas comerciales y marcas comerciales registradas son marcas comerciales o marcas comerciales registradas de sus respectivos propietarios. Además, "™" y "®" no se mencionan en cada caso en este manual.

"Digital Voice Editor" emplea los módulos de software siguientes:

Microsoft DirectX Runtime 9.0c

©2004 Microsoft Corporation. Todos los derechos reservados.



This product is protected by certain intellectual property rights of Microsoft Corporation. Use or distribution of such technology outside of this product is prohibited without a license from Microsoft or an authorized Microsoft subsidiary.

Handelsmerken

- Microsoft, Windows, Windows Vista, Windows Media, Outlook, DirectX y logo's zijn handelsmerken of gedeponeerde handelsmerken van Microsoft Corporation in de Verenigde Staten en/of andere landen.
- Apple en Macintosh zijn handelsmerken van Apple Inc., gedeponeerd in de Verenigde Staten en andere landen.
- Pentium is een gedeponeerd handelsmerk van Intel Corporation.
- Nuance, the Nuance logo, Dragon NaturallySpeaking, and RealSpeak are trademarks and/or registered trademarks of Nuance Communications, Inc., and/or its affiliates in the United States and/or other countries. ©2007-2008 Nuance Communications, Inc. All rights reserved.
- MPEG Layer-3-audiocoderingstechnologie en -octrooien zijn in licentie gegeven door Fraunhofer IIS en Thomson.
- "Memory Stick" en  zijn handelsmerken van Sony Corporation.
- "LPEC" en  zijn gedeponeerde handelsmerken van Sony Corporation.
- Octrooien in de Verenigde Staten en in andere landen vallen onder de licentie van Dolby Laboratories.

Alle andere handelsmerken en gedeponeerde handelsmerken zijn handelsmerken of gedeponeerde handelsmerken van hun respectieve eigenaren. Bovendien worden "™" en "®" niet elke keer vermeld in deze gebruiksaanwijzing.

De "Digital Voice Editor" gebruikt de volgende softwaremodules:

Microsoft DirectX Runtime 9.0c

©2004 Microsoft Corporation. Alle rechten voorbehouden.



This product is protected by certain intellectual property rights of Microsoft Corporation. Use or distribution of such technology outside of this product is prohibited without a license from Microsoft or an authorized Microsoft subsidiary.

<http://www.sony.net/>



* 4 1 2 7 5 7 8 1 1 * (1)