

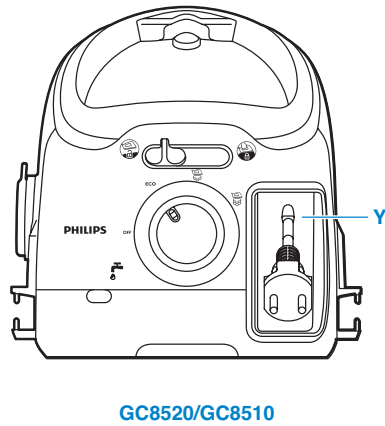
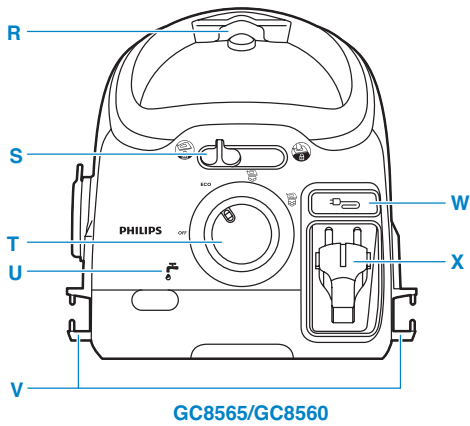
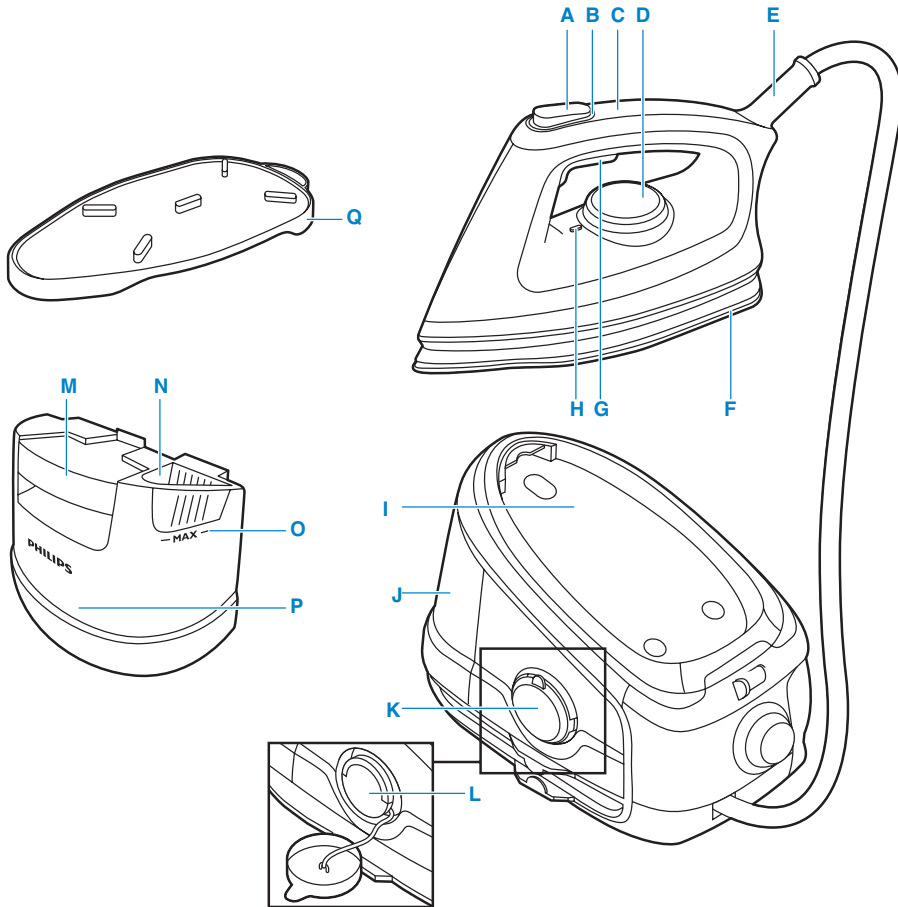
Register your product and get support at  
[www.philips.com/welcome](http://www.philips.com/welcome)

ComfortCare - GC8500 series



**PHILIPS**







<b>ENGLISH</b>	<b>6</b>
<b>DANSK</b>	<b>12</b>
<b>DEUTSCH</b>	<b>18</b>
<b>ΕΛΛΗΝΙΚΑ</b>	<b>25</b>
<b>ESPAÑOL</b>	<b>32</b>
<b>SUOMI</b>	<b>39</b>
<b>FRANÇAIS</b>	<b>45</b>
<b>ITALIANO</b>	<b>52</b>
<b>NEDERLANDS</b>	<b>59</b>
<b>NORSK</b>	<b>66</b>
<b>PORTUGUÊS</b>	<b>72</b>
<b>SVENSKA</b>	<b>79</b>
<b>TÜRKÇE</b>	<b>85</b>

## 6 ENGLISH

### Introduction

Congratulations on your purchase and welcome to Philips! To fully benefit from the support that Philips offers, register your product at [www.philips.com/welcome](http://www.philips.com/welcome).

#### Two steps for ergonomic ironing

1 Ergonomic iron design (Fig. 1)

The upward-sloping handle ensures a comfortable position of the wrist.

2 Ergonomic iron resting mat (Fig. 2)

To reduce the strain on your wrist, the iron resting mat allows you to place the iron horizontally on the ironing board.

Only use the iron resting mat on an ironing board. Never use it on a surface that is not heat resistant.

### General description (Fig. 3)

- A** Steam boost button
- B** Temperature light
- C** Handle
- D** Temperature dial
- E** Steam supply hose
- F** Soleplate
- G** Steam trigger
- H** Temperature indicator
- I** Iron platform
- J** Detachable water tank
- K** Calc-Clean rinsing flap
- L** Calc-Clean rinsing cap
- M** Water tank release lever
- N** Filling hole
- O** Maximum level mark
- P** Anti-Calc tablet holder
- Q** Heat-resistant iron resting mat
- R** Carry lock
- S** Carry lock slide
- T** Power knob with steam control (ECO, moderate and high steam settings)
- U** 'Water tank empty' light
- V** Supply hose storage bracket
- W** Cord rewind button (GC8565/GC8560 only)
- X** Mains cord with plug
- Y** Cord storage compartment (GC8520/GC8510 only)

### Important

Read this user manual carefully before you use the appliance and save it for future reference.

#### Danger

- Never immerse the iron or the steam generator in water.

#### Warning

- Check if the voltage indicated on the type plate corresponds to the local mains voltage before you connect the appliance.
- Do not use the appliance if the plug, the mains cord, the supply hose or the appliance itself shows visible damage, or if the appliance has been dropped or leaks.

- If the mains cord or the supply hose is damaged, you must have it replaced by Philips, a service centre authorised by Philips or similarly qualified persons in order to avoid a hazard.
- Never leave the appliance unattended when it is connected to the mains.
- This appliance is not intended for use by persons (including children) with reduced physical, sensory or mental capabilities, or lack of experience and knowledge, unless they have been given supervision or instruction concerning use of the appliance by a person responsible for their safety.
- Children should be supervised to ensure that they do not play with the appliance.
- Do not let the mains cord and supply hose come into contact with the hot soleplate of the iron.
- If steam escapes from under the Calc-Clean rinsing cap when the appliance heats up, switch off the appliance and tighten the Calc-Clean rinsing cap. If steam continues to escape when the appliance heats up, switch off the appliance and contact a service centre authorised by Philips.
- Do not remove the Calc-Clean rinsing cap from the steam generator when the steam generator is still hot or under pressure.
- Do not use any other cap on the steam generator than the Calc-Clean rinsing cap that has been supplied with the appliance.
- Do not put the switched-on iron on the heat-resistant iron resting mat for a long period of time. Only use the heat-resistant iron resting mat to put down the iron briefly during ironing.

### Caution

- Only connect the appliance to an earthed wall socket.
- Check the mains cord and the supply hose regularly for possible damage.
- Always place and use the iron and the steam generator on a stable, level and horizontal surface.
- Fully unwind the mains cord before you put the plug in the wall socket.
- The iron platform and the soleplate of the iron can become extremely hot and may cause burns if touched. If you want to move the steam generator, do not touch the iron platform.
- When you have finished ironing, when you clean the appliance, when you fill or empty the steam generator and also when you leave the iron even for a short while: put the iron on the heat-resistant iron resting mat, switch off the appliance and remove the mains plug from the wall socket.
- Rinse the steam generator regularly according to the instructions in chapter 'Cleaning and maintenance'.
- This appliance is intended for household use only.

### Electromagnetic fields (EMF)

This Philips appliance complies with all standards regarding electromagnetic fields (EMF). If handled properly and according to the instructions in this user manual, the appliance is safe to use based on scientific evidence available today.

## Using the appliance

### Steam ironing

**1** Place the steam generator on a stable and level surface, e.g. on the hard part of the ironing board or on a table.

**2** Make sure that there is enough water in the water tank (Fig. 4).

You can detach the water tank and fill it at any time during use.

Fill the water tank before first use and as soon as the 'water tank empty' light flashes.

**Do not put hot water, perfume, vinegar, starch, descaling agents, ironing aids or other chemicals in the water tank.**

*Note: If the tap water in your area is very hard, we advise you to mix it with an equal amount of distilled water.*

## 8 ENGLISH

*Note: Do not tilt or shake the steam generator when the water tank is full, otherwise water may spill out of the filling hole.*

- 3** Make sure that the water tank is firmly attached to the steam generator, otherwise the iron does not produce any steam.
- 4** Place the iron resting mat on the ironing board. (Fig. 5)
- 5** Slide the carry lock slide to the left to unlock the iron from the steam generator. Place the iron on the iron resting mat.
- 6** Put the mains plug in an earthed wall socket and switch on the steam generator.
- 7** To set the required ironing temperature, turn the temperature dial to the appropriate position (Fig. 6).

*Note: Steam ironing is only possible at higher ironing temperatures (temperature settings ●● or higher).*

- 8** Turn the power knob to the desired steam setting to switch on the appliance. Make sure the steam setting is suitable for the selected ironing temperature (Fig. 7).
  - 1 Set to ECO steam (temperature settings ●● to MAX).
  - 2 Set to moderate steam (temperature settings ●●● to MAX).
  - 3 Set to maximum steam (temperature setting to MAX).
  - ▶ The corresponding steam setting light flashes to indicate that the steam generator is heating up (Fig. 8).
  - ▶ After approx. 2 minutes, the corresponding steam setting light stays on to indicate that the steam generator is ready for steam ironing.

- 9** Press the steam trigger and keep it pressed while you steam iron. (Fig. 9)  
To iron without steam, simply use the iron without pressing the steam trigger.

*Note: You can safely put the hot iron on the iron resting mat during ironing. Do not place the mat with hot iron on a surface that can be scorched by heat.*

*Note: Do not touch the iron resting mat for some time after you have removed the hot iron from it, as the mat is hot.*

### Steam boost function

During steam ironing, you can use the steam boost function to remove stubborn creases.

- 1** Set the temperature dial to a setting between ●●● and MAX.
- 2** Press the steam boost button. (Fig. 10)

Never direct the steam at people.

*Note: Some water droplets may appear when you use the steam boost function for the first time. The water droplets disappear after you have used the steam boost function for some time.*

## Cleaning and maintenance

### Calc-Clean function

Never remove the Calc-Clean rinsing cap when the steam generator is hot.

*Note: The Anti-Calc tablet helps to reduce scale build-up in the steam generator. Rinse the steam generator once a month or after every 10 times of use for optimal steaming performance.*

- 1** Unplug the appliance and let it cool down for 2 hours.
- 2** Remove the detachable water tank. Hold the steam generator with both hands and shake well. (Fig. 11)



- 3 Open the Calc-Clean rinsing flap that covers the Calc-Clean rinsing cap. Turn the Calc-Clean rinsing cap anticlockwise and remove it. (Fig. 12)
- 4 Empty the steam generator into the sink (Fig. 13).
- 5 Fill the steam generator with fresh water, shake well and empty it into the sink again. (Fig. 14)
- 6 Repeat step 5 a few times to obtain the best result.
- 7 Screw the Calc-Clean rinsing cap tightly back onto the steam generator and put back the Calc-Clean rinsing flap.
- 8 Put the water tank back into the steam generator.

### Storage

- 1 Switch off the appliance and unplug it.  
Be careful with the iron resting mat, it may be hot after use.
- 2 Empty the water tank.
- 3 Insert the tip of the iron into the carry lock (1) and then put down the heel of the iron (2). (Fig. 15)
- 4 Slide the carry lock slide to the right to lock the iron onto the steam generator. (Fig. 16)
- 5 GC8565/GC8560: Press the cord rewind button to rewind the mains cord.
- 6 GC8520/GC8510: Insert the cord neatly into the cord storage compartment.
- 7 Wind the supply hose around the base and secure it inside the storage hooks (Fig. 17).
- 8 With one hand, you can now easily carry the whole appliance by the handle of the iron. (Fig. 18)

Do not carry the appliance by holding the water tank release lever.

### Environment

- Do not throw away the appliance with the normal household waste at the end of its life, but hand it in at an official collection point for recycling. By doing this, you help to preserve the environment (Fig. 19).

### Guarantee & service

If you need service or information or if you have a problem, please visit the Philips website at **www.philips.com** or contact the Philips Consumer Care Centre in your country (you find its phone number in the worldwide guarantee leaflet). If there is no Consumer Care Centre in your country, go to your local Philips dealer.

### Troubleshooting

This chapter summarises the most common problems you could encounter with the appliance. If you are unable to solve the problem with the information below, contact the Consumer Care Centre in your country.

## 10 ENGLISH

Problem	Possible cause	Solution
The appliance does not become hot.	There is a connection problem.	Check the mains cord, the plug and the wall socket.
	The appliance is not switched on.	Set the power knob with steam control to a steam setting.
	The set ironing temperature is too low.	Set a higher ironing temperature.
Some smoke comes out of the appliance after I have switched it on for the first time.	This is normal. Some parts of the appliance have been greased lightly in the factory.	This phenomenon ceases after a short while.
The appliance produces a pumping sound.	Water is pumped into the boiler inside the steam generator. This is normal	If the pumping sound continues non-stop, switch off the appliance immediately and unplug it. Contact an authorised Philips service centre.
The appliance does not produce any steam.	There is not enough water in the water tank.	Fill the water tank.
	The steam generator is not hot enough to produce steam.	Wait until the steam setting light stays on.
	You are not pressing the steam trigger.	Press the steam trigger and keep it pressed while you steam iron.
Superheated (i.e. high-quality) steam is hardly visible, especially when the temperature dial is set to maximum position and even less so when the ambient temperature is relatively high.	The water tank is not placed properly in the appliance.	Slide the water tank firmly back into the steam generator ('click').
		To check if the iron really produces steam, set the iron to a lower temperature setting between ●● and ●●● for more visible steam.
	The appliance is not switched on.	Set the power knob with steam control to a steam setting.
Water droplets come out of the soleplate.	When you start steam ironing and when you continue steam ironing after an interruption, the steam that was still present in the hose has cooled down and condensed into water. This causes water droplets to come out of the soleplate.	This is normal. Hold the iron over an old cloth and press the steam trigger. The cloth absorbs the drops. After a few seconds, steam instead of water comes out of the soleplate.
	The temperature dial is set to a temperature that is too low for steam ironing.	Set an ironing temperature that is suitable for steam ironing (temperature settings ●● to MAX).

Problem	Possible cause	Solution
Wet spots appear on the garment during ironing.	The wet spots that appear on your garment after you have steam ironed for some time may be caused by steam that has condensed onto the ironing board.	Iron the wet spots without steam for some time to dry them. If the underside of the ironing board is wet, wipe it dry with a piece of dry cloth.
Water leaks from the appliance.	If you tilt the steam generator during transport or place it on an uneven surface when the water tank is full, water may spill out of the water tank.	Do not tilt the appliance when the water tank is full.
Water spots appear on the garment during use of the steam boost function.	The water spots on your garment are due to condensation in the supply hose. When the supply hose cooled down, the steam that was still present in the hose cooled down and condensed into water.	The water droplets stop coming out of the appliance when you have used the steam boost function for some time.
Flakes and impurities come out of the soleplate or the soleplate is dirty.	Impurities or chemicals present in the water have deposited in the steam vents and/or on the soleplate.	Clean the soleplate with a damp cloth.
	Too much scale and minerals have accumulated inside the steam generator.	Rinse the steam generator frequently (see chapter 'Cleaning and maintenance').
The steam supply hose is warm during ironing.	This is normal as steam passes through the steam supply hose during steam ironing.	Place the steam supply hose on the opposite side of the ironing board in such a way that your hand does not touch the hose during ironing.
I cannot put the iron on its heel.	The iron cannot be put on its heel because it has an ergonomic design that reduces strain on your wrist (see chapter 'Introduction').	Place the iron horizontally on the heat-resistant iron resting mat.
GC8565/GC8560 only: The cord is not wound completely when I press the cord rewind button	The cord jammed during rewinding.	Pull a small part of the cord out of the appliance and press the cord rewind button again.

### Introduktion

Tillykke med dit køb og velkommen til Philips! For at få fuldt udbytte af den support, Philips tilbyder, skal du registrere dit produkt på [www.philips.com/welcome](http://www.philips.com/welcome).

#### To trin til ergonomisk strygning

1 Ergonomisk designet strygejern (fig. 1)

Det skrå håndgreb sikrer, at håndledet befinder sig i en behagelig stilling.

2 Ergonomisk afsætningsmåtte til strygejernet (fig. 2)

For at mindske belastningen på håndledet kan du stille strygejernet vandret på strygebrættets afsætningsmåtte.

**Brug kun afsætningsmåtten på et strygebræt - aldrig på en overflade, der ikke er varmebestandig.**

### Generel beskrivelse (fig. 3)

- A** Knap til dampskud
- B** Temperaturindikator med lys
- C** Håndgreb
- D** Temperaturvælger
- E** Dampslange
- F** Strygesål
- G** Dampudløser
- H** Temperaturindikator
- I** Holder til strygejern
- J** Aftagelig vandtank
- K** Calc-Clean-rensklap
- L** Calc-Clean-dæksel
- M** Udløser til vandtank
- N** Påfyldningshul
- O** Maksimum-markering
- P** Holder til anti-kalktablet
- Q** Varmebestandig afsætningsmåtte
- R** Lås til transport
- S** Skydelås til transport
- T** Reguleringsknap med dampvælger (ECO-, moderat og høj dampindstilling)
- U** Lysindikator for "Tom vandtank"
- V** Opbevaringstap til dampslange
- W** Knap til ledningsoprul (kun for GC8565/GC8560)
- X** Netledning med stik
- Y** Opbevaringsrum til ledning (kun for GC8520/GC8510)

### Vigtigt

Læs denne brugsvejledning omhyggeligt igennem, inden apparatet tages i brug, og gem den til eventuelt senere brug.

#### Fare

- Hverken strygejern eller dampstank må kommes ned i vand.

#### Advarsel

- Kontrollér, om spændingsangivelsen på typeskiltet svarer til den lokale netspænding, før du tilslutter apparatet.
- Brug ikke apparatet, hvis stik, netledning, dampslange eller selve apparatet viser tegn på beskadigelse, eller hvis apparatet er blevet tabt, eller det er utæt.

- Hvis ledningen eller dampslangen beskadiges, må de kun udskiftes af Philips, et autoriseret Philips-serviceværksted eller af en kvalificeret fagmand for at undgå enhver risiko ved efterfølgende brug.
- Hold altid apparatet under opsyn, når det er sluttet til el-nettet.
- Dette apparat er ikke beregnet til at blive brugt af personer (herunder børn) med nedsatte fysiske og mentale evner, nedsat følesans eller manglende erfaring og viden, medmindre de er blevet vejledt eller instrueret i apparatets anvendelse af en person, der er ansvarlig for deres sikkerhed.
- Apparatet bør holdes uden for børns rækkevidde for at sikre, at de ikke kan komme til at lege med det.
- Lad ikke netledningen og dampslangen komme i kontakt med den varme strygesål på strygejernnet.
- Hvis der slipper damp ud af Calc-Clean-dækslet, mens apparatet varmer op, skal du slukke for apparatet og stramme Calc-Clean dækslet. Slipper der fortsat damp ud under opvarmningen, skal du slukke for apparatet og kontakte et autoriseret Philips-serviceværksted.
- Fjern ikke Calc-Clean-rensede dækslet fra dampgeneratoren, mens dampgeneratoren er varm eller under tryk.
- Brug ikke noget andet dæksel til dampgeneratoren end Calc-Clean-rensede dækslet, der fulgte med apparatet.
- Lad ikke det tændte strygejern stå på den varmbestandige afsætningsmåtte i længere tid. Brug kun måtten til kort at sætte strygejernnet fra dig under stryging.

### Forsigtig

- Apparatet må kun slutes til en stikkontakt med jordforbindelse.
- Kontrollér med jævne mellemrum, at netledningen og dampslangen er hele og ubeskadigede.
- Placér og brug altid strygejern og dampgenerator på et stabilt, plant og vandret underlag.
- Rul netledningen helt ud, før du sætter stikket i stikkontakten.
- Både holder og strygesål kan blive meget varme og forårsage brandsår ved berøring. Undgå berøring af holderen, når dampgeneratoren tages af.
- Når du er færdig med at stryge, når du rengør apparatet, når du fylder eller tømmer dampgeneratoren, og når du forlader strygejernnet – selvom det kun er i et kort øjeblik – skal du placere strygejernnet på den varmebestandige afsætningsmåtte, slukke for apparatet og tage stikket ud af stikkontakten.
- Rengør dampgeneratoren regelmæssigt ifølge anvisningerne i afsnittet "Rengøring og vedligeholdelse".
- Dette apparat er kun beregnet til almindelig husholdningsbrug.

### Elektromagnetiske felter (EMF)

Dette Philips-apparat overholder alle standarder for elektromagnetiske felter (EMF). Ved korrekt anvendelse i overensstemmelse med instruktionerne i denne brugervejledning, er apparatet sikkert at anvende ifølge den videnskabelige viden, der er tilgængelig i dag.

## Sådan bruges apparatet

### Dampstrygning

- 1** Placér dampgeneratoren på et stabilt, jævnt underlag, f.eks. på den hårde del af strygebrættet eller et bord.
- 2** Kontrollér, at der er tilstrækkeligt vand i vandtanken (fig. 4).  
Du kan tage vandtanken af og fylde den når som helst under brug.  
Fyld vandtanken inden første brug, og så snart lysindikatoren for "Tom vandtank" blinker.

**Kom aldrig varmt vand, parfume, eddike, stivelse, afkalkningsmiddel, strygemiddel eller andre kemikalier i vandtanken.**

## 14 DANSK

*Bemærk: Er vandet i dit område meget hårdt, anbefales det at anvende lige dele postevand og lige dele destilleret vand.*

*Bemærk: Dampgeneratoren må ikke vippes eller rystes, når vandtanken er fuld, da der kan komme vand ud af påfyldningshullet.*

- 3** Sørg for, at vandtanken sidder godt fast på dampgeneratoren, da strygejernnet ellers ikke producerer damp.
- 4** Sæt afsætningsmåtten på strygebrættet. (fig. 5)
- 5** Skub skydelåsen til transport til venstre for at låse strygejernnet fri af dampgeneratoren. Sæt strygejernnet på afsætningsmåtten.
- 6** Sæt stikket i en stikkontakt med jordforbindelse, og tænd for dampgeneratoren.
- 7** Indstil den ønskede strygetemperatur ved at dreje temperaturvælgeren (fig. 6).

*Bemærk: Dampstrygning er kun mulig ved høje strygetemperaturer (temperaturindstilling på ●● eller højere).*

- 8** Drej reguleringsknappen til den ønskede dampindstilling for at tænde for apparatet. Sørg for, at dampindstillingen passer til den valgte strygetemperatur (fig. 7).
  - 1 Indstil til ECO-dampmængde (temperaturindstillinger fra ●● til MAX).
  - 2 Indstil til moderat dampmængde (temperaturindstillinger fra ●●● til MAX).
  - 3 Indstil til maksimal dampmængde (temperaturindstillinger til MAX).
  - ▶ Den tilsvarende dampindikator blinker for at vise, at dampgeneratoren er ved at varme op (fig. 8).
  - ▶ Efter ca. 2 minutter lyser den tilsvarende dampindikator konstant for at indikere, at dampgeneratoren er klar til dampstrygning.

- 9** Tryk på dampudløseren, og hold den nede, mens du dampstryger. (fig. 9)  
For at stryge uden damp skal du blot bruge strygejernnet uden at trykke på dampudløseren.

*Bemærk: Det er sikkert at sætte det varme strygejern på afsætningsmåtten under strygning. Læg ikke afsætningsmåtten med et varmt strygejern på en overflade, der kan tage skade af varmen.*

*Bemærk: Undgå at røre ved afsætningsmåtten i et stykke tid, efter at du har fjernet det varme strygejern fra den, da måtten er meget varm.*

### Dampskudsfunktion

Under dampstrygning kan du bruge dampskudsfunktionen til at fjerne genstridige folder:

- 1** Drej temperaturvælgeren til en indstilling mellem ●●● og MAX.
- 2** Tryk på dampskudsknappen. (fig. 10)

Ret aldrig dampstrålen mod personer.

*Bemærk: Der drypper måske lidt vand ud, når du bruger dampskudsfunktionen første gang. Dryppene forsvinder, når du har brugt dampskudsfunktionen i et stykke tid.*

### Rengøring og vedligeholdelse

#### Calc-Clean-funktion

Calc-Clean-dækslet må aldrig fjernes, når dampgeneratoren er varm.

*Bemærk: Anti-kalktablettet hjælper med at reducere kalkaflejringer i dampgeneratoren. Skyl dampgeneratoren én gang om måneden eller efter hver 10. gang, den er blevet brugt, for at få den optimale dampfunktion.*

- 1 Tag stikket ud af stikkontakten, og lad apparatet køle af i 2 timer.
- 2 Tag den aftagelige vandtank af. Tag fat om dampgeneratoren med begge hænder, og ryst den godt. (fig. 11)
- 3 Åbn Calc-Clean-rensklappen, der dækker rensedækslet. Drej rensedækslet mod uret, og tag det af. (fig. 12)
- 4 Tøm dampgeneratoren i vasken (fig. 13).
- 5 Fyld dampgeneratoren med rent vand, ryst den godt, og tøm den i vasken igen. (fig. 14)
- 6 Gentag trin 5 et par gange for at få det bedste resultat.
- 7 Skru Calc-Clean-rensedækslet fast på dampgeneratoren igen, og sæt Calc-Clean-rensklappen på igen.
- 8 Sæt vandtanken tilbage på dampgeneratoren.

### Opbevaring

- 1 Sluk for apparatet, og tag stikket ud af stikkontakten.
- Vær forsigtig med afsætningsmåtten, den kan være meget varm efter brug.
- 2 Tøm vandtanken.
  - 3 Sæt spidsen af strygejernets i transportlåsen (1), og sæt derefter strygejernets bagerste ende ned (2). (fig. 15)
  - 4 Skub skydelåsen til transport til højre for at låse strygejernets fast på dampgeneratoren. (fig. 16)
  - 5 GC8565/GC8560: Tryk på knappen til ledningsoprul, så netledningen rulles ind.
  - 6 GC8520/GC8510: Placer ledningen i opbevaringsrummet.
  - 7 Rul dampslangen rundt om basen, og sæt den fast i tappene (fig. 17).
  - 8 Med den ene hånd kan du nu nemt transportere hele apparatet i håndtaget på strygejernets. (fig. 18)

Løft ikke apparatet ved at holde i vandtankens udløser.

### Miljøhensyn

- Apparatet må ikke smides ud sammen med almindeligt husholdningsaffald, når det til sin tid kasseres. Aflever det i stedet på en kommunal genbrugsstation. På den måde er du med til at beskytte miljøet (fig. 19).

### Reklamationsret og service

For alle yderligere oplysninger eller ved eventuelle problemer med apparatet henvises til Philips' hjemmeside på adressen [www.philips.com](http://www.philips.com) eller det lokale Philips Kundecenter (telefonnumre findes i vedlagte "Worldwide Guarantee"-folder). Hvis der ikke findes et kundecenter i dit land, bedes du kontakte din lokale Philips-forhandler.

### Fejlfinding

Dette kapitel opsummerer de mest almindelige problemer; du kan støde på ved brug af apparatet. Hvis du ikke kan løse problemet ved hjælp af nedenstående oplysninger, bedes du kontakte Philips Kundecenter.

Problem	Mulig årsag	Løsning
Apparatet bliver ikke varmt.	Der kan være problemer med tilslutningen.	Kontrollér netledning, stik og stikkontakt.
	Der er ikke tændt for apparatet.	Indstil reguleringsknappen med dampvælger til en dampindstilling.
	Den indstillede strygetemperatur er for lav.	Indstil til en højere strygetemperatur.
Det ryger fra apparatet, første gang jeg tænder for det.	Dette er helt normalt og skyldes, at nogle af delene i apparatet er smurt med olie fra fabrikkens side.	Dette ophører efter kort tid.
Der høres en pumpelyd fra apparatet.	Der pumpes vand ind i vandkogerens i dampgeneratoren. Dette er normalt	Hvis pumpelyden fortsætter, skal du straks slukke for apparatet og tage stikket ud af stikkontakten. Kontakt dit lokale Philips Kundecenter.
Apparatet producerer ingen damp.	Der er ikke nok vand i vandtanken.	Fyld vandtanken.
	Dampgeneratoren er ikke varm nok til at producere damp.	Vent, til indikatoren for dampindstilling lyser konstant.
	Du trykker ikke på dampudløseren.	Tryk på dampudløseren, og hold den nede, mens du dampstryger.
Meget varm damp (høj kvalitet) kan næsten ikke ses, specielt ikke hvis temperaturvælgeren står på MAX, eller hvis rumtemperaturen er relativt høj.	Vandtanken sidder ikke rigtigt i apparatet.	Sæt vandtanken tilbage på dampgeneratoren ("klik").
	Der er ikke tændt for apparatet.	Indstil reguleringsknappen med dampvælger til en dampindstilling.
	Der drypper vand ud fra strygesålen.	Når du begynder at dampstryge, og når du fortsætter dampstrygningen efter en afbrydelse, vil dampen i slangen være kølet ned og fortættet til vand. Derfor kan der komme vanddråber ud af strygesålen.
	Temperaturvælgeren er indstillet til en temperatur, som er for lav til dampstrygning.	Indstil en strygetemperatur, som egner sig til dampstrygning (temperaturindstillinger fra ●● til MAX).



Problem	Mulig årsag	Løsning
Der kommer våde pletter på stoffet under strygning.	De våde pletter, der kommer på stoffet, når du har dampstrøget i nogen tid, skyldes muligvis, at dampen har dannet kondens på strygebrættet.	Stryg de våde pletter uden damp i et stykke tid for at tørre dem. Hvis undersiden af strygebrættet er våd, kan du tørre den med en tør klud.
Der siver vand ud af apparatet.	Hvis du vipper dampgeneratoren under transport eller stiller den på et ujævnt underlag, mens vandtanken er fuld, kan der løbe vand ud af vandtanken.	Vip ikke apparatet, mens vandtanken er fuld.
Der kommer vandpletter på tøjet ved brug af dampskudsfunctioenen.	Vandpletterne på tøjet skyldes kondensvand i dampslangen. Når dampslangen køler ned, bliver den tilbageværende damp fortættet til vand.	Vanddråberne holder op med at komme ud af apparatet, når du har brugt dampskudsfunctioenen i nogen tid.
Der kommer partikler og urenheder ud fra strygesålen, eller strygesålen er snavset.	Urenheder eller kemikalier i vandet kan have aflejret sig i damphullerne og/eller på strygesålen.	Rengør strygesålen med en fugtig klud.
	Der er aflejret for meget kalk og mineraler inde i dampgeneratoren.	Skyl dampgeneratoren jævnligt (se afsnittet "Rengøring og vedligeholdelse").
Dampslangen er varm under strygning.	Dette er normalt, da der kommer damp igennem slangen under dampstrygning.	Læg dampslangen på den modsatte side af strygebrættet, så din hånd ikke rører ved dampslangen under strygningen.
Jeg kan ikke stille strygejernet på højkant.	Strygejernet kan ikke stilles på højkant, fordi det har et ergonomisk design, der mindsker belastningen af håndleddet (se afsnittet "Introduktion").	Sæt strygejernet vandret på den varmebestandige afsætningsmåtte.
Kun GC8565/GC8560: Ledningen ruller ikke helt op, når jeg trykker på knappen til ledningsoprul.	Ledningen er blevet filtret under oprulning.	Træk et lille stykke af ledningen ud af apparatet, og tryk igen på knappen til ledningsoprul.

### Einführung

Herzlichen Glückwunsch zu Ihrem Kauf und willkommen bei Philips! Um die Unterstützung von Philips optimal nutzen zu können, registrieren Sie Ihr Produkt bitte unter [www.philips.com/welcome](http://www.philips.com/welcome).

### In 2 Schritten zum ergonomischen Bügeln

- 1 Intelligentes, ergonomisches Design (Abb. 1)  
Der aufwärts geneigte Griff gewährleistet eine besonders komfortable Haltung des Handgelenks.
- 2 Ergonomische Bügeleisenmatte (Abb. 2)  
Zur Entlastung Ihres Handgelenks ermöglicht die Bügeleisenmatte ein horizontales Abstellen des Bügeleisens auf dem Bügelbrett.

Verwenden Sie die Bügeleisenmatte nur auf einem Bügelbrett und niemals auf einer nicht hitzebeständigen Oberfläche.

### Allgemeine Beschreibung (Abb. 3)

- A** Dampfstoß-Taste
- B** Temperaturleuchte
- C** Griff
- D** Temperaturregler
- E** Verbindungsschlauch
- F** Bügelsohle
- G** Dampfauslöser
- H** Temperaturanzeige
- I** Bügeleisen-Abstellfläche
- J** Abnehmbarer Wassertank
- K** Calc-Clean-Klappe
- L** Calc-Clean-Verschluss
- M** Entriegelung für den Wassertank
- N** Einfüllöffnung
- O** Markierung für maximale Füllhöhe
- P** Anti-Kalk-Tablettenhalter
- Q** Hitzebeständige Bügeleisenmatte
- R** Transportverriegelung
- S** Hebel für Transportverriegelung
- T** Leistungs- und Dampfregler (hohe, mittlere und ECO-Dampfstellung)
- U** Anzeige "Wassertank leer"
- V** Halterung zum Aufwickeln des Verbindungsschlauchs
- W** Kabelaufwicklungstaste (nur GC8565/GC8560)
- X** Netzkabel mit Stecker
- Y** Kabelfach (nur GC8520/GC8510)

### Wichtig

Lesen Sie diese Bedienungsanleitung vor dem Gebrauch des Geräts aufmerksam durch, und bewahren Sie sie für eine spätere Verwendung auf.

#### Gefahr

- Tauchen Sie das Bügeleisen oder die Dampfeinheit niemals in Wasser.

#### Warnhinweis

- Prüfen Sie vor Inbetriebnahme des Geräts, ob die auf dem Typenschild angegebene Betriebsspannung mit der örtlichen Netzspannung übereinstimmt.
- Benutzen Sie das Gerät nicht, wenn der Netzstecker, das Netzkabel, der Verbindungsschlauch oder das Gerät selbst beschädigt ist oder das Gerät heruntergefallen ist bzw. Wasser austritt.

- Wenn das Netzkabel oder der Verbindungsschlauch defekt oder beschädigt ist, darf das Kabel bzw. der Schlauch nur von einem Philips Service-Center oder einer von Philips autorisierten Werkstatt durch ein Original-Ersatzteil ausgetauscht werden, um Gefährdungen zu vermeiden.
- Lassen Sie das Gerät nicht unbeaufsichtigt, solange es mit dem Stromnetz verbunden ist.
- Dieses Gerät ist für Benutzer (einschl. Kinder) mit eingeschränkten physischen, sensorischen oder psychischen Fähigkeiten bzw. ohne jegliche Erfahrung oder Vorwissen nur dann geeignet, wenn eine angemessene Aufsicht oder ausführliche Anleitung zur Benutzung des Geräts durch eine verantwortliche Person sichergestellt ist.
- Achten Sie darauf, dass Kinder nicht mit dem Gerät spielen.
- Lassen Sie das Netzkabel und den Verbindungsschlauch nicht mit der heißen Bügelsohle in Kontakt kommen.
- Tritt Dampf unter dem Calc-Clean-Verschluss aus, während das Gerät aufheizt, schalten Sie es aus, und drehen Sie den Calc-Clean-Verschluss fest. Tritt weiterhin beim Aufheizen Dampf aus, schalten Sie das Gerät aus, und setzen Sie sich mit einem Philips Service-Center in Verbindung.
- Öffnen Sie den Calc-Clean-Verschluss der Dampfeinheit nicht, solange die Dampfeinheit noch heiß ist und unter Druck steht.
- Verwenden Sie zum Verschließen der Dampfeinheit ausschließlich den mitgelieferten Calc-Clean-Verschluss.
- Stellen Sie das eingeschaltete Bügeleisen nicht für längere Zeit auf der hitzebeständigen Bügeleisenmatte ab. Verwenden Sie die hitzebeständige Bügeleisenmatte ausschließlich, um das Bügeleisen während des Bügelns kurz darauf abzustellen.

### **Achtung**

- Schließen Sie das Gerät nur an eine geerdete Steckdose an.
- Überprüfen Sie das Netzkabel und den Verbindungsschlauch regelmäßig auf mögliche Beschädigungen.
- Verwenden Sie das Bügeleisen und die Dampfeinheit auf einer stabilen, ebenen und waagerechten Unterlage.
- Wickeln Sie das Netzkabel vollständig ab, bevor Sie den Stecker an die Netzsteckdose anschließen.
- Die Abstellfläche und die Bügelsohle können sehr heiß werden und bei Berührung zu Verbrennungen führen. Berühren Sie keinesfalls die Abstellfläche, wenn Sie die Dampfeinheit bewegen.
- Wenn Sie den Bügelvorgang beendet haben, das Gerät reinigen, die Dampfeinheit füllen oder leeren oder kurz den Raum verlassen, stellen Sie das Bügeleisen auf die hitzebeständige Bügeleisenmatte, schalten Sie das Gerät aus, und ziehen Sie den Netzstecker aus der Steckdose.
- Spülen Sie die Dampfeinheit regelmäßig entsprechend den Anweisungen im Abschnitt "Reinigung und Wartung" aus.
- Dieses Gerät ist nur für den Gebrauch im Haushalt bestimmt.

### **Elektromagnetische Felder**

Dieses Philips Gerät erfüllt sämtliche Normen bezüglich elektromagnetischer Felder (EMF). Nach aktuellen wissenschaftlichen Erkenntnissen ist das Gerät sicher im Gebrauch, sofern es ordnungsgemäß und entsprechend den Anweisungen in dieser Bedienungsanleitung gehandhabt wird.

## **Das Gerät benutzen**

### **Dampfbügeln**

- 1** Stellen Sie die Dampfeinheit auf eine stabile, ebene Fläche, z. B. die Abstellfläche des Bügelbretts oder einen Tisch.
- 2** Überprüfen Sie, ob sich genügend Wasser im Wassertank befindet (Abb. 4). Während des Gebrauchs können Sie den Wassertank jederzeit abnehmen und nachfüllen.

Füllen Sie den Wassertank vor der ersten Verwendung und wenn die Anzeige "Wassertank leer" aufleuchtet.

Füllen Sie niemals heißes Wasser, Parfüm, Essig, Wäschesteife, Entkalkungsmittel, Bügelzusätze oder andere Chemikalien in den Wassertank.

*Hinweis: Sollte das Leitungswasser in Ihrer Gegend sehr hart sein, empfiehlt es sich, es zu gleichen Teilen mit destilliertem Wasser zu mischen.*

*Hinweis: Kippen oder schütteln Sie die Dampfheißung nicht, wenn der Wassertank voll ist. Andernfalls kann Wasser aus der Einfüllöffnung austreten.*

- 3** Vergewissern Sie sich, dass der Wassertank fest an der Dampfheißung angebracht ist. Andernfalls kann das Bügeleisen keinen Dampf erzeugen.
- 4** Legen Sie die Bügeleisenmatte auf das Bügelbrett. (Abb. 5)
- 5** Schieben Sie den Hebel für die Transportverriegelung nach links, um die Dampfheißung zu entriegeln. Stellen Sie das Gerät auf der Bügeleisenmatte ab.
- 6** Stecken Sie den Netzstecker in eine geerdete Steckdose, und schalten Sie die Dampfheißung ein.
- 7** Stellen Sie die gewünschte Bügeltemperatur durch Drehen des Temperaturreglers ein (Abb. 6).

*Hinweis: Dampf bügeln ist nur bei höheren Temperaturen möglich (ab Einstellung ●●).*

- 8** Drehen Sie den Leistungsregler auf die gewünschte Dampfeinstellung, um das Gerät einzuschalten. Stellen Sie sicher, dass die Dampfeinstellung für die ausgewählte Bügeltemperatur geeignet ist (Abb. 7).
  - 1 Wählen Sie die ECO-Dampfeinstellung (Temperatureinstellungen ●● bis MAX).
  - 2 Wählen Sie eine Einstellung mit mäßigem Dampf (Temperatureinstellungen ●●● bis MAX).
  - 3 Wählen Sie eine Einstellung mit starkem Dampf (Temperatureinstellung bis MAX).
  - ▶ Die entsprechende Anzeige für die Dampfeinstellung blinkt und zeigt damit an, dass die Dampfheißung aufgeheizt wird (Abb. 8).
  - ▶ Nach ca. zwei Minuten leuchtet die Dampfanzeige konstant und zeigt damit an, dass das Wasser in der Dampfheißung heiß genug zum Dampf bügeln ist.
- 9** Halten Sie den Dampfauslöser während des Dampf bügelns gedrückt. (Abb. 9)  
Sie bügeln ohne Dampf, wenn Sie den Dampfauslöser nicht drücken.

*Hinweis: Sie können das heiße Bügeleisen während des Bügelns jederzeit sicher auf der Bügeleisenmatte abstellen. Legen Sie die Matte mit dem heißen Bügeleisen nicht auf Oberflächen, die durch Hitze beschädigt werden können.*

*Hinweis: Nachdem Sie das heiße Bügeleisen von der Bügeleisenmatte genommen haben, sollten Sie diese eine Zeit lang nicht berühren, da sie noch heiß ist.*

### Dampfstoß-Funktion

Beim Dampf bügeln können Sie mithilfe der Dampfstoß-Funktion hartnäckige Falten entfernen.

- 1** Stellen Sie den Temperaturregler auf eine Einstellung zwischen ●●● und MAX.
- 2** Drücken Sie die Dampfstoß-Taste. (Abb. 10)

Richten Sie den Dampfstoß niemals auf Personen!

*Hinweis: Bei der ersten Verwendung der Dampfstoß-Funktion können Wassertropfen auftreten. Die Tropfen treten nicht mehr auf, wenn Sie diese Funktion längere Zeit einsetzen.*

## Reinigung und Wartung

### Calc-Clean-Funktion

Nehmen Sie niemals den Calc-Clean-Verschluss ab, solange die Dampfeinheit heiß ist.

*Hinweis: Mit der Anti-Kalk-Tablette können Sie die Kalkbildung in der Dampfeinheit verringern. Spülen Sie die Dampfeinheit einmal monatlich bzw. nach zehnmalem Einsatz aus, um eine optimale Dampfleistung zu gewährleisten.*

- 1 Ziehen Sie den Netzstecker aus der Steckdose, und lassen Sie das Gerät für zwei Stunden abkühlen.
- 2 Nehmen Sie den Wassertank ab. Halten Sie die Dampfeinheit mit beiden Händen fest, und schütteln Sie sie gut. (Abb. 11)
- 3 Öffnen Sie die Calc-Clean-Klappe, die den Calc-Clean-Verschluss abdeckt. Drehen Sie den Calc-Clean-Verschluss gegen den Uhrzeigersinn, und nehmen Sie ihn ab. (Abb. 12)
- 4 Leeren Sie die Dampfeinheit über dem Spülbecken aus (Abb. 13).
- 5 Füllen Sie die Dampfeinheit mit frischem Wasser, schütteln Sie sie gut, und leeren Sie sie erneut über dem Spülbecken aus. (Abb. 14)
- 6 Um ein optimales Ergebnis zu erhalten, empfiehlt es sich, Schritt 5 mehrmals zu wiederholen.
- 7 Drehen Sie den Calc-Clean-Verschluss wieder fest auf die Dampfeinheit, und bringen Sie die Calc-Clean-Klappe wieder an.
- 8 Setzen Sie den Wassertank wieder in die Dampfeinheit ein.

### Aufbewahrung

- 1 Schalten Sie das Gerät aus, und ziehen Sie den Netzstecker aus der Steckdose.
- Beachten Sie, dass die Bügeleisenmatte nach dem Gebrauch heiß sein kann.
- 2 Leeren Sie den Wassertank.
  - 3 Schieben Sie das Bügeleisen mit der Spitze in die Transportverriegelung (1), und drücken Sie die Rückseite des Bügeleisens nach unten (2). (Abb. 15)
  - 4 Schieben Sie den Hebel für die Transportverriegelung nach rechts, um das Bügeleisen auf der Dampfeinheit zu fixieren. (Abb. 16)
  - 5 GC8565/GC8560: Drücken Sie die Kabelaufwicklungstaste, um das Netzkabel aufzuwickeln.
  - 6 GC8520/GC8510: Legen Sie das Kabel sorgfältig in das Kabelfach.
  - 7 Wickeln Sie den Verbindungsschlauch um den Boden, und sichern Sie ihn mithilfe der entsprechenden Haken (Abb. 17).
  - 8 Auf diese Weise können Sie das gesamte Gerät mit einer Hand am Griff des Bügeleisens tragen. (Abb. 18)

Tragen Sie das Gerät nicht am Entriegelungshebel für den Wassertank.

### Umweltschutz

- Werfen Sie das Gerät am Ende der Lebensdauer nicht in den normalen Hausmüll. Bringen Sie es zum Recycling zu einer offiziellen Sammelstelle. Auf diese Weise helfen Sie, die Umwelt zu schonen (Abb. 19).

### Garantie und Kundendienst

Benötigen Sie weitere Informationen oder treten Probleme auf, besuchen Sie bitte die Philips Website ([www.philips.com](http://www.philips.com)), oder setzen Sie sich mit einem Philips Service-Center in Ihrem Land in Verbindung (Telefonnummer siehe internationale Garantieschrift). Sollte es in Ihrem Land kein Service-Center geben, wenden Sie sich bitte an Ihren Philips Händler.

### Fehlerbehebung

In diesem Kapitel sind die häufigsten Probleme aufgeführt, die beim Gebrauch Ihres Geräts auftreten können. Sollten Sie ein Problem mithilfe der nachstehenden Informationen nicht beheben können, wenden Sie sich bitte an das Philips Service-Center in Ihrem Land.

Problem	Mögliche Ursache	Lösung
Das Gerät heizt nicht auf.	Es gibt ein Problem mit der Stromversorgung.	Überprüfen Sie das Netzkabel, den Netzstecker und die Steckdose.
	Das Gerät wurde nicht eingeschaltet.	Stellen Sie den Leistungsregler mit dem Dampfregler auf eine Dampfeinstellung.
Nach dem ersten Einschalten tritt Rauch aus dem Gerät aus.	Die gewählte Bügeltemperatur ist zu niedrig.	Stellen Sie eine höhere Temperatur ein.
	Einige Teile des Geräts wurden in der Fabrik leicht gefettet. Das ist normal.	Schon nach kurzer Zeit tritt dieses Problem nicht mehr auf.
Das Gerät macht ein Pumpgeräusch.	Wasser wird in den Boiler in der Dampfeinheit gepumpt. Das ist normal.	Wenn das Pumpgeräusch nicht aufhört, schalten Sie das Gerät sofort aus, und ziehen Sie den Netzstecker. Wenden Sie sich an ein Philips Service-Center.
Das Bügeleisen erzeugt keinen Dampf.	Der Wasserbehälter ist leer.	Füllen Sie den Wassertank.
	Die Dampfeinheit ist nicht heiß genug, um Dampf zu produzieren.	Warten Sie, bis die Dampfanzeige konstant leuchtet.
	Sie haben den Dampfauslöser nicht gedrückt.	Halten Sie den Dampfauslöser während des Dampfbügelns gedrückt.
	Der Wassertank ist nicht ordnungsgemäß in das Gerät eingesetzt.	Schieben Sie den Wassertank wieder in die Dampfeinheit, bis er mit einem "Klick" hörbar einrastet.
	Sehr heißer Dampf ist kaum sichtbar. Das gilt insbesondere, wenn der Temperaturregler auf der Maximalposition steht und die Umgebungstemperatur ebenfalls relativ hoch ist.	Um zu überprüfen, ob das Bügeleisen tatsächlich Dampf produziert, wählen Sie am Bügeleisen eine niedrigere Temperatur (zwischen ●● und ●●●), damit der Dampf besser sichtbar wird.

Problem	Mögliche Ursache	Lösung
	Das Gerät wurde nicht eingeschaltet.	Stellen Sie den Leistungsregler mit dem Dampfregler auf eine Dampfeinstellung.
Wasser tropft aus der Bügelsohle.	Wenn Sie mit dem Dampfbügeln beginnen oder nach einer Unterbrechung fortsetzen, hat sich der noch im Schlauch verbliebene Dampf abgekühlt und ist kondensiert. Dieses Wasser tropft dann aus der Bügelsohle.	Das ist ganz normal. Halten Sie das Bügeleisen über ein altes Tuch, und drücken Sie den Dampfauslöser. Das Tuch nimmt die Tropfen auf. Nach wenigen Sekunden kommt aus der Bügelsohle wieder Dampf statt Wasser.
	Die eingestellte Temperatur ist zu niedrig zum Dampfbügeln.	Stellen Sie eine zum Dampfbügeln geeignete Temperatur ein (●● bis MAX).
Während des Bügelns erscheinen feuchte Stellen auf dem Kleidungsstück.	Die feuchten Stellen auf den mit Dampf gebügelten Kleidungsstücken wurden möglicherweise von Dampf verursacht, der sich auf dem Bügelbrett niedergeschlagen hat.	Bügeln Sie die feuchten Stellen einige Zeit ohne Dampf, um sie zu trocknen. Falls die Unterseite des Bügelbretts nass ist, wischen Sie sie mit einem trockenen Tuch ab.
Aus dem Gerät läuft Wasser aus.	Wenn Sie die Dampfeinheit mit vollem Wassertank beim Transport schräg halten oder auf eine unebene Oberfläche stellen, kann Wasser aus dem Wassertank austreten.	Halten Sie das Gerät immer gerade, wenn der Wassertank voll ist.
Während der Verwendung der Dampfstoß-Funktion erscheinen Wasserflecken auf dem Kleidungsstück.	Die Wasserflecken werden durch Kondensation im Verbindungsschlauch verursacht. Beim Abkühlen des Verbindungsschlauchs hat sich der Dampf im Schlauch ebenfalls abgekühlt und ist kondensiert.	Wenn Sie die Dampfstoß-Funktion längere Zeit verwenden, kommen keine Wassertropfen mehr aus dem Gerät.
Kalkpartikel und Verunreinigungen treten aus der Bügelsohle aus oder die Bügelsohle ist verschmutzt.	Verunreinigungen und Chemikalien aus dem Wasser haben sich in den Dampfaustrittsdüsen bzw. an der Bügelsohle abgesetzt.	Reinigen Sie die Bügelsohle mit einem feuchten Tuch.
	Es haben sich zu viele Kalkablagerungen und Mineralien in der Dampfeinheit angesammelt.	Spülen Sie die Dampfeinheit häufig aus (siehe "Reinigung und Wartung").
Der Verbindungsschlauch ist während des Bügelns heiß.	Das ist normal, da dieser Schlauch den zum Dampfbügeln benötigten Dampf führt.	Bringen Sie den Verbindungsschlauch so am anderen Ende des Bügelbretts an, dass Ihre Hand den Schlauch beim Bügeln nicht berührt.

Problem	Mögliche Ursache	Lösung
Ich kann das Bügeleisen nicht aufrecht hinstellen.	Das Bügeleisen kann aufgrund seiner ergonomischen Form, die die Belastung Ihres Handgelenks verringert (siehe Kapitel "Einführung"), nicht aufrecht hingestellt werden.	Stellen Sie das Gerät horizontal auf der hitzebeständigen Bügeleisenmatte ab.
Nur GC8565/GC8560: Das Netzkabel wird nicht vollständig aufgewickelt, wenn ich die Kabelaufwicklungstaste drücke.	Das Kabel wurde beim Aufwickeln eingeklemmt.	Ziehen Sie das Kabel ein kurzes Stück aus dem Gerät heraus, und drücken Sie die Kabelaufwicklungstaste erneut.



## Εισαγωγή

Συγχαρητήρια για την αγορά σας και καλώς ήρθατε στη Philips! Για να επωφεληθείτε πλήρως από την υποστήριξη που παρέχει η Philips, καταχωρήστε το προϊόν σας στην ιστοσελίδα [www.philips.com/welcome](http://www.philips.com/welcome).

### Δύο βήματα για εργονομικό σιδέρωμα

- 1 Εργονομικός σχεδιασμός σίδηρου (Εικ. 1)  
Η επικλινής λαβή εξασφαλίζει μια άνετη κλίση για τον καρπό σας.
- 2 Εργονομικό κάλυμμα εναπόθεσης σίδηρου (Εικ. 2)  
Για να μειώσετε την καταπόνηση στον καρπό σας, το κάλυμμα εναπόθεσης σίδηρου σας επιτρέπει να τοποθετείτε το σίδερο οριζόντια επάνω στη σιδερώστρα.

Χρησιμοποιείτε το κάλυμμα εναπόθεσης σίδηρου μόνο επάνω σε σιδερώστρα. Μην το χρησιμοποιείτε ποτέ επάνω σε μη αντιθερμική επιφάνεια.

## Γενική περιγραφή (Εικ. 3)

- A** Κουμπί βολής ατμού
- B** Λυχνία θερμοκρασίας
- C** Λαβή
- D** Διακόπτης θερμοκρασίας
- E** Σωλήνας τροφοδοσίας ατμού
- F** Πλάκα
- G** Σκανδάλη ατμού
- H** Δείκτης θερμοκρασίας
- I** Βάση σίδηρου
- J** Αποσπώμενη δεξαμενή νερού
- K** Πτερύγιο καθαρισμού αλάτων
- L** Καπάκι καθαρισμού αλάτων
- M** Μοχλός απασφάλισης δεξαμενής νερού
- N** Άνοιγμα πλήρωσης
- O** Ένδειξη μέγιστου επιπέδου
- P** Θήκη ταμπλέτας κατά των αλάτων
- Q** Αντιθερμικό κάλυμμα εναπόθεσης σίδηρου
- R** Κλειδώμα μεταφοράς
- S** Διακόπτης κλειδώματος μεταφοράς
- T** Διακόπτης λειτουργίας με ρύθμιση ατμού (ECO, μέτρια και υψηλή ρύθμιση ατμού)
- U** Λυχνία 'άδειας δεξαμενής νερού'
- V** Άγκιστρο αποθήκευσης σωλήνα τροφοδοσίας
- W** Κουμπί περιτύλιξης καλωδίου (μόνο για τα GC8565/GC8560)
- X** Καλώδιο με φισ
- Y** Χώρος αποθήκευσης καλωδίου (μόνο για τα GC8520/GC8510)

## Σημαντικό

Διαβάστε αυτό το εγχειρίδιο χρήσης προσεκτικά πριν χρησιμοποιήσετε τη συσκευή και φυλάξτε το για μελλοντική αναφορά.

### Κίνδυνος

- Μην βυθίζετε ποτέ το σίδερο ή τη γεννήτρια ατμού σε νερό.

### Προειδοποίηση

- Ελέγξτε εάν η τάση που αναγράφεται στο πινακίδιο στοιχείων του προϊόντος αντιστοιχεί στην τοπική τάση ρεύματος πριν συνδέσετε τη συσκευή.

- Μην χρησιμοποιείτε τη συσκευή εάν το φις, το καλώδιο, ο σωλήνας τροφοδοσίας ή η ίδια η συσκευή παρουσιάζουν ορατή φθορά ή εάν η συσκευή έχει πέσει κάτω ή έχει διαρροή.
- Εάν το καλώδιο ή ο σωλήνας τροφοδοσίας έχουν υποστεί φθορά, θα πρέπει να αντικατασταθούν από ένα κέντρο σέρβις εξουσιοδοτημένο από τη Philips ή από εξίσου εξειδικευμένα άτομα προς αποφυγή κινδύνου.
- Μην αφήνετε ποτέ τη συσκευή χωρίς επίβλεψη όταν είναι συνδεδεμένη στο ρεύμα.
- Αυτή η συσκευή δεν προορίζεται για χρήση από άτομα (συμπεριλαμβανομένων των παιδιών) με περιορισμένες σωματικές, αισθητήριες ή διανοητικές ικανότητες ή από άτομα χωρίς εμπειρία και γνώση, εκτός και εάν τη χρησιμοποιούν υπό επιτήρηση ή έχουν λάβει οδηγίες σχετικά με τη χρήση της συσκευής από άτομο υπεύθυνο για την ασφάλειά τους.
- Τα παιδιά θα πρέπει να επιβλέπονται προκειμένου να διασφαλιστεί ότι δεν θα παίζουν με τη συσκευή.
- Μην αφήνετε το καλώδιο και το σωλήνα τροφοδοσίας να έρθουν σε επαφή με τη ζεστή πλάκα του σίδηρου.
- Εάν διαφεύγει ατμός από το καπάκι καθαρισμού αλάτων ενώ θερμαίνεται η συσκευή, απενεργοποιήστε τη συσκευή και σφίξτε το καπάκι καθαρισμού αλάτων. Εάν συνεχίσει να διαφεύγει ατμός ενώ θερμαίνεται η συσκευή, απενεργοποιήστε τη συσκευή και επικοινωνήστε με ένα κέντρο σέρβις εξουσιοδοτημένο από τη Philips.
- Μην αφαιρείτε το καπάκι καθαρισμού αλάτων από τη γεννήτρια ατμού ενώ η γεννήτρια είναι ακόμα ζεστή ή υπό πίεση.
- Μην χρησιμοποιείτε κανένα άλλο καπάκι στη γεννήτρια ατμού εκτός από το καπάκι καθαρισμού αλάτων που παρέχεται με τη συσκευή.
- Μην αφήνετε το ενεργοποιημένο σίδερο επάνω στο αντιθερμικό κάλυμμα εναπόθεσης σίδηρου για μεγάλο χρονικό διάστημα. Χρησιμοποιείτε το αντιθερμικό κάλυμμα εναπόθεσης σίδηρου μόνο για να ακουμπάτε το σίδερο για λίγο κατά τη διάρκεια του σιδερώματος.

### Προσοχή

- Συνδέετε τη συσκευή μόνο σε πρίζα με γείωση.
- Ελέγχετε τακτικά το καλώδιο και το σωλήνα τροφοδοσίας για πιθανή φθορά.
- Τοποθετείτε και χρησιμοποιείτε πάντα το σίδερο και τη γεννήτρια ατμού σε σταθερή, επίπεδη και οριζόντια επιφάνεια.
- Ξετυλίξτε εντελώς το καλώδιο προτού συνδέσετε το φις στην πρίζα.
- Η βάση και η πλάκα του σίδηρου μπορεί να καίει υπερβολικά και να προκαλέσουν εγκαύματα εάν τις αγγίζετε. Εάν θέλετε να μετακινήσετε τη γεννήτρια ατμού, μην αγγίζετε τη βάση του σίδηρου.
- Όταν τελειώνετε το σιδέρωμα, όταν καθαρίζετε τη συσκευή, όταν γεμίζετε ή αδειάζετε τη γεννήτρια ατμού και επίσης όταν αφήνετε το σίδερο έστω και για λίγο: τοποθετήστε το σίδερο επάνω στο αντιθερμικό κάλυμμα εναπόθεσης σίδηρου, απενεργοποιήστε τη συσκευή και αποσυνδέστε το φις από την πρίζα.
- Ξεπλένετε τακτικά τη γεννήτρια ατμού σύμφωνα με τις οδηγίες του κεφαλαίου 'Καθαρισμός και συντήρηση'.
- Αυτή η συσκευή προορίζεται για οικιακή χρήση μόνο.

### Ηλεκτρομαγνητικά Πεδία (EMF)

Η συγκεκριμένη συσκευή της Philips συμμορφώνεται με όλα τα πρότυπα που αφορούν τα ηλεκτρομαγνητικά πεδία (EMF). Εάν γίνει σωστός χειρισμός και σύμφωνα με τις οδηγίες του παρόντος εγχειριδίου χρήσης, η συσκευή είναι ασφαλής στη χρήση βάσει των επιστημονικών αποδείξεων που είναι διαθέσιμες μέχρι σήμερα.

## Χρήση της συσκευής

### Σιδέρωμα με ατμό

**1** Τοποθετήστε τη γεννήτρια ατμού επάνω σε σταθερή και επίπεδη επιφάνεια, π.χ. στο σκληρό τμήμα της σιδερώστρας ή σε ένα τραπέζι.

**2** Βεβαιωθείτε ότι υπάρχει αρκετό νερό στη δεξαμενή νερού (Εικ. 4).

Μπορείτε να αφαιρέσετε τη δεξαμενή νερού και να την γεμίσετε οποιαδήποτε στιγμή κατά τη διάρκεια της χρήσης.

Γεμίστε τη δεξαμενή νερού πριν από την πρώτη χρήση και μόλις αναβοσβήσει η λυχνία 'άδειας δεξαμενής νερού'.

Μην βάζετε ζεστό νερό, άρωμα, ζύδι, κόλλα κολλαρίσματος, ουσίες αφαλάτωσης, υγρά σιδερώματος ή άλλα χημικά μέσα στη δεξαμενή νερού.

*Σημείωση: Εάν το νερό βρύσης στην περιοχή σας είναι πολύ σκληρό, σας συνιστούμε να το αναμίξετε με ίση ποσότητα αποσταγμένου νερού.*

*Σημείωση: Μην γέρνετε ή ανακινείτε τη γεννήτρια ατμού όταν η δεξαμενή νερού είναι γεμάτη, διαφορετικά μπορεί να χυθεί νερό από το άνοιγμα πλήρωσης.*

**3** Βεβαιωθείτε ότι η δεξαμενή νερού είναι καλά προσαρτημένη στη γεννήτρια ατμού, διαφορετικά το σίδερο δεν παράγει καθόλου ατμό.

**4** Τοποθετήστε το κάλυμμα εναπόθεσης σίδηρου επάνω στη σιδερώστρα. (Εικ. 5)

**5** Θέστε το διακόπτη κλειδώματος μεταφοράς στα αριστερά για να ξεκλειδώσετε το σίδερο από τη γεννήτρια ατμού. Τοποθετήστε το σίδερο στο κάλυμμα εναπόθεσης σίδηρου.

**6** Συνδέστε το φισ σε πρίζα με γείωση και ενεργοποιήστε τη γεννήτρια ατμού.

**7** Για να ρυθμίσετε την απαιτούμενη θερμοκρασία σιδερώματος, γυρίστε το διακόπτη θερμοκρασίας στην κατάλληλη θέση (Εικ. 6).

*Σημείωση: Το σιδέρωμα με ατμό είναι δυνατό μόνο σε υψηλές θερμοκρασίες σιδερώματος (ρυθμίσεις θερμοκρασίας ●● ή υψηλότερες).*

**8** Γυρίστε το διακόπτη λειτουργίας στην επιθυμητή ρύθμιση ατμού για να ενεργοποιήσετε τη συσκευή. Βεβαιωθείτε ότι η ρύθμιση ατμού είναι κατάλληλη για την επιλεγμένη θερμοκρασία σιδερώματος (Εικ. 7).

1 Ρύθμιση ατμού ECO (ρυθμίσεις θερμοκρασίας ●● έως MAX).

2 Ρύθμιση μέτριου ατμού (ρυθμίσεις θερμοκρασίας ●●● έως MAX).

3 Ρύθμιση μέγιστου ατμού (ρύθμιση θερμοκρασίας στο MAX).

• Η αντίστοιχη λυχνία ρύθμισης ατμού αναβοσβήνει υποδεικνύοντας ότι η γεννήτρια ατμού θερμαίνεται (Εικ. 8).

• Μετά από περίπου 2 λεπτά, η αντίστοιχη λυχνία ρύθμισης ατμού παραμένει συνεχώς αναμμένη υποδεικνύοντας ότι η γεννήτρια ατμού είναι έτοιμη για σιδέρωμα με ατμό.

**9** Πιέστε και κρατήστε πατημένη τη σκανδάλη ατμού ενώ σιδερώνετε με ατμό. (Εικ. 9)

Για σιδέρωμα χωρίς ατμό, απλά χρησιμοποιήστε το σίδερο χωρίς να πιέζετε τη σκανδάλη ατμού.

*Σημείωση: Μπορείτε με ασφάλεια να τοποθετήσετε το ζεστό σίδερο επάνω στο κάλυμμα εναπόθεσης σίδηρου κατά τη διάρκεια του σιδερώματος. Μην τοποθετείτε το κάλυμμα με το ζεστό σίδερο επάνω σε επιφάνεια που μπορεί να καεί από την θερμότητα.*

*Σημείωση: Μην αγγίζετε το κάλυμμα εναπόθεσης σίδηρου για λίγη ώρα αφού αφαιρέσετε το καυτό σίδερο από πάνω του, καθώς το κάλυμμα είναι καυτό.*

### Λειτουργία βολής ατμού

Κατά τη διάρκεια του σιδερώματος με ατμό, μπορείτε να χρησιμοποιήσετε τη λειτουργία βολής ατμού για να αφαιρέσετε επίμονες τσακίσεις.

- 1 Θέστε το διακόπτη ρύθμισης θερμοκρασίας σε μια ρύθμιση μεταξύ ●●● και MAX.
- 2 Πιέστε το κουμπί βολής ατμού. (Εικ. 10)

Μην κατευθύνετε ποτέ τον ατμό προς ανθρώπους.

*Σημείωση: Μερικές σταγόνες νερού μπορεί να εμφανιστούν όταν χρησιμοποιήσετε τη λειτουργία βολής ατμού για πρώτη φορά. Οι σταγόνες νερού θα εξαφανιστούν αφού χρησιμοποιήσετε τη λειτουργία βολής ατμού για λίγη ώρα.*

### Καθαρισμός και συντήρηση

#### Λειτουργία καθαρισμού αλάτων (Calc-Clean)

Μην αφαιρείτε ποτέ το καπάκι καθαρισμού αλάτων ενώ η γεννήτρια ατμού είναι ζεστή.

*Σημείωση: Η ταμπλέτα κατά των αλάτων βοηθά στη μείωση της δημιουργίας αλάτων στη γεννήτρια ατμού. Ξεπλένετε τη γεννήτρια ατμού μία φορά το μήνα ή μετά από 10 χρήσεις για βέλτιστη απόδοση ατμού.*

- 1 Αποσυνδέστε τη συσκευή από την πρίζα και αφήστε τη να κρυώσει για 2 ώρες.
- 2 Αφαιρέστε την αποσπώμενη δεξαμενή νερού. Κρατήστε τη γεννήτρια ατμού και με τα δύο χέρια και ανακινήστε καλά. (Εικ. 11)
- 3 Ανοίξτε το πτερύγιο καθαρισμού αλάτων που καλύπτει το καπάκι καθαρισμού αλάτων. Γυρίστε το καπάκι καθαρισμού αλάτων αριστερόστροφα και αφαιρέστε το. (Εικ. 12)
- 4 Αδειάστε τη γεννήτρια ατμού στο νεροχύτη (Εικ. 13).
- 5 Γεμίστε τη γεννήτρια ατμού με φρέσκο νερό, ανακινήστε καλά και αδειάστε τη στο νεροχύτη ξανά. (Εικ. 14)
- 6 Επαναλάβετε το βήμα 5 μερικές φορές για βέλτιστα αποτελέσματα.
- 7 Βιδώστε σφιχτά το καπάκι καθαρισμού αλάτων πάνω στη γεννήτρια ατμού και τοποθετήστε ξανά το πτερύγιο καθαρισμού αλάτων.
- 8 Επανατοποθετήστε τη δεξαμενή νερού στη γεννήτρια ατμού.

#### Συστήματα αποθήκευσης

- 1 Απενεργοποιήστε τη συσκευή και αποσυνδέστε την από την πρίζα.
- Προσέχετε με το κάλυμμα εναπόθεσης σιδήρου καθώς μπορεί να είναι καυτό μετά τη χρήση.
- 2 Αδειάστε τη δεξαμενή νερού.
  - 3 Εισαγάγετε το άκρο του σιδήρου μέσα στο κλειδώμα μεταφοράς (1) και, στη συνέχεια, πιέστε προς τα κάτω το πίσω μέρος του σιδήρου (2). (Εικ. 15)
  - 4 Θέστε το διακόπτη κλειδώματος μεταφοράς στα δεξιά για να κλειδώσετε το σίδηρο πάνω στη γεννήτρια ατμού. (Εικ. 16)
  - 5 GC8565/GC8560: Πιέστε το κουμπί περιτύλιξης καλωδίου για να τυλίξετε το καλώδιο.
  - 6 GC8520/GC8510: Τακτοποιήστε το καλώδιο μέσα στο χώρο αποθήκευσης καλωδίου.
  - 7 Τυλίξτε το σωλήνα τροφοδοσίας γύρω από τη βάση της συσκευής και ασφαλίστε τον μέσα στα γαντζάκια αποθήκευσης (Εικ. 17).

- 8** Τώρα μπορείτε με ευκολία να μεταφέρετε ολόκληρη τη συσκευή από τη λαβή του σίδερου με το ένα χέρι. (Εικ. 18)

Μην μεταφέρετε τη συσκευή κρατώντας την από το μοχλό απασφάλισης της δεξαμενής νερού.

### Περιβάλλον

- Στο τέλος της ζωής της συσκευής μην την πετάξετε μαζί με τα συνηθισμένα απορρίμματα του σπιτιού σας, αλλά παραδώστε τη σε ένα επίσημο σημείο συλλογής για ανακύκλωση. Με αυτόν τον τρόπο, θα βοηθήσετε στην προστασία του περιβάλλοντος (Εικ. 19).

### Εγγύηση & σέρβις

Εάν χρειάζεστε σέρβις ή πληροφορίες ή εάν αντιμετωπίζετε κάποιο πρόβλημα, παρακαλούμε επισκεφτείτε την ιστοσελίδα της Philips στη διεύθυνση [www.philips.com](http://www.philips.com) ή επικοινωνήστε με το Κέντρο Εξυπηρέτησης Καταναλωτών της Philips στη χώρα σας (θα βρείτε το τηλέφωνο στο φυλλάδιο διεθνούς εγγύησης). Εάν δεν υπάρχει Κέντρο Εξυπηρέτησης Καταναλωτών στη χώρα σας, απευθυνθείτε στον τοπικό αντιπρόσωπό σας της Philips.

### Οδηγός ανεύρεσης/επίλυσης προβλημάτων

Σε αυτό το κεφάλαιο συνοψίζονται τα πιο συνηθισμένα προβλήματα που μπορεί να αντιμετωπίσετε με τη συσκευή. Εάν δεν μπορείτε να επιλύσετε το πρόβλημα βάσει των παρακάτω πληροφοριών, επικοινωνήστε με το Κέντρο Εξυπηρέτησης Καταναλωτών στη χώρα σας.

Πρόβλημα	Πιθανή αιτία	Λύση
Η συσκευή δεν θερμαίνεται.	Υπάρχει πρόβλημα στη σύνδεση.	Ελέγξτε το καλώδιο, το φιλς και την πρίζα.
	Η συσκευή δεν είναι ενεργοποιημένη.	Θέστε το διακόπτη λειτουργίας με ρύθμιση ατμού σε μια ρύθμιση ατμού.
Λίγος καπνός βγαίνει από τη συσκευή την πρώτη φορά που την ενεργοποιώ.	Η καθορισμένη θερμοκρασία σιδερώματος είναι πολύ χαμηλή.	Ρυθμίστε μια υψηλότερη θερμοκρασία σιδερώματος.
	Αυτό είναι φυσιολογικό. Ορισμένα μέρη της συσκευής έχουν λιπανθεί ελαφρά στο εργοστάσιο.	Αυτό το φαινόμενο σταματά μετά από λίγο.
Η συσκευή παράγει έναν ήχο άντλησης.	Νερό αντλείται μέσα στο μπόιλερ στο εσωτερικό της γεννήτριας ατμού. Αυτό είναι φυσιολογικό.	Εάν ο ήχος άντλησης συνεχίζεται χωρίς διακοπές, απενεργοποιήστε αμέσως τη συσκευή και αποσυνδέστε την από την πρίζα. Επικοινωνήστε με ένα εξουσιοδοτημένο κέντρο σέρβις της Philips.
Η συσκευή δεν παράγει καθόλου ατμό.	Δεν υπάρχει αρκετό νερό στη δεξαμενή νερού.	Γεμίστε τη δεξαμενή νερού.

Πρόβλημα	Πιθανή αιτία	Λύση
	Η γεννήτρια ατμού δεν έχει θερμανθεί αρκετά ώστε να παράξει ατμό.	Περιμένετε μέχρι η λυχνία ρύθμισης ατμού να παραμείνει αναμμένη.
	Δεν πιέζετε τη σκανδάλη ατμού.	Πιέστε και κρατήστε πατημένη τη σκανδάλη ατμού ενώ σιδερώνετε με ατμό.
	Η δεξαμενή νερού δεν έχει τοποθετηθεί σωστά στη συσκευή.	Επανατοποθετήστε σωστά τη δεξαμενή νερού στη γεννήτρια ατμού ('κλικ').
	Ο πολύ θερμός ατμός (δηλ. υψηλής ποιότητας) γίνεται δύσκολα ορατός, ειδικά όταν ο διακόπτης θερμοκρασίας έχει ρυθμιστεί στη μέγιστη θέση. Ο ατμός γίνεται ακόμη πιο δύσκολα ορατός όταν η θερμοκρασία περιβάλλοντος είναι σχετικά υψηλή.	Για να ελέγξετε εάν το σίδερο πραγματικά παράγει ατμό, θέστε το σίδερο σε μια ρύθμιση χαμηλότερης θερμοκρασίας μεταξύ ●● και ●●● για πιο ορατό ατμό.
	Η συσκευή δεν είναι ενεργοποιημένη.	Θέστε το διακόπτη λειτουργίας με ρύθμιση ατμού σε μια ρύθμιση ατμού.
Σταγόνες νερού βγαίνουν από την πλάκα.	Όταν ξεκινάτε να σιδερώνετε με ατμό και όταν συνεχίζετε να σιδερώνετε με ατμό μετά από μια προσωρινή διακοπή, ο ατμός που υπήρχε μέσα στο σωλήνα έχει κρυώσει και έχει υγροποιηθεί. Αυτό προκαλεί την έξοδο σταγόνων νερού από την πλάκα.	Αυτό είναι φυσιολογικό. Κρατήστε το σίδερο πάνω από ένα παλιό πανί και πιέστε τη σκανδάλη ατμού. Το πανί θα απορροφήσει τις σταγόνες. Μετά από λίγα δευτερόλεπτα, ατμός, αντί για νερό, θα βγει από την πλάκα.
	Ο διακόπτης ρύθμισης θερμοκρασίας έχει ρυθμιστεί σε θερμοκρασία πολύ χαμηλή για σιδέρωμα με ατμό.	Ρυθμίστε μια θερμοκρασία σιδερώματος κατάλληλη για σιδέρωμα με ατμό (ρυθμίσεις θερμοκρασίας ●● έως MAX).
Υγρά στίγματα εμφανίζονται στα ρούχα κατά το σιδέρωμα.	Τα υγρά στίγματα που εμφανίζονται στα ρούχα, αφού έχετε σιδερώσει με ατμό για κάποιο χρονικό διάστημα, ενδέχεται να προκαλούνται από ατμό που έχει συγκεντρωθεί πάνω στη σιδερώστρα.	Σιδερώστε τα υγρά στίγματα χωρίς ατμό για λίγη ώρα ώστε να στεγνώσουν. Εάν η κάτω πλευρά της σιδερώστρας είναι υγρή, σκουπίστε τη με ένα στεγνό πανί.

Πρόβλημα	Πιθανή αιτία	Λύση
Παρατηρείται διαρροή νερού από τη συσκευή.	Εάν γείρετε τη γεννήτρια ατμού κατά τη μεταφορά ή εάν την τοποθετήσετε σε μη ομαλή ή επικλινή επιφάνεια όταν η δεξαμενή νερού είναι γεμάτη, ενδέχεται να χυθεί νερό από τη δεξαμενή νερού.	Μην γέρνετε τη συσκευή όταν η δεξαμενή νερού είναι γεμάτη.
Κηλίδες νερού εμφανίζονται στα ρούχα κατά τη χρήση της λειτουργίας βολής ατμού.	Οι κηλίδες νερού στα ρούχα οφείλονται στους υδρατμούς που υπάρχουν μέσα στο σωλήνα τροφοδοσίας. Όταν ο σωλήνας τροφοδοσίας κρυώσει, ο ατμός που υπήρχε μέσα στο σωλήνα κρυσώνει και υγροποιείται.	Οι σταγόνες νερού σταματούν να βγαίνουν από τη συσκευή όταν χρησιμοποιήσετε τη λειτουργία βολής ατμού για λίγη ώρα.
Νιφάδες αλάτων και ακαθαρσία βγαίνουν από την πλάκα ή η πλάκα είναι βρώμικη.	Ακαθαρσία ή χημικά που περιέχονται στο νερό έχουν κατακαθίσει στις οπές εξόδου ατμού και/ή στην πλάκα.	Καθαρίστε την πλάκα με ένα υγρό πανί.
	Μεγάλη ποσότητα αλάτων και μεταλλικών στοιχείων έχει συσσωρευτεί μέσα στη γεννήτρια ατμού.	Ξεπλένετε τακτικά τη γεννήτρια ατμού (δείτε το κεφάλαιο 'Καθαρισμός και συντήρηση').
Ο σωλήνας τροφοδοσίας ατμού είναι ζεστός κατά τη διάρκεια του σιδερώματος.	Αυτό είναι φυσιολογικό καθώς ατμός διέρχεται μέσα από το σωλήνα τροφοδοσίας ατμού κατά τη διάρκεια του σιδερώματος με ατμό.	Τοποθετήστε το σωλήνα τροφοδοσίας ατμού στην άλλη πλευρά της σιδερώστρας έτσι ώστε το χέρι σας να μην αγγίζει το σωλήνα κατά τη διάρκεια του σιδερώματος.
Δεν μπορώ να τοποθετήσω το σίδερο όρθιο.	Το σίδερο δεν μπορεί να τοποθετηθεί όρθιο επειδή έχει εργονομικό σχεδιασμό που μειώνει την καταπόνηση του καρπού σας (δείτε το κεφάλαιο 'Εισαγωγή').	Τοποθετήστε το σίδερο οριζόντια επάνω στο αντιθερμικό κάλυμμα εναπόθεσης σίδηρου.
Μόνο στους τύπους GC8565/GC8560:Το καλώδιο δεν τυλίγεται εντελώς όταν πιέζω το κουμπί περιτύλιξης καλωδίου.	Το καλώδιο μπλόκαρε κατά τη περιτύλιξη.	Τραβήξτε ένα μικρό τμήμα του καλωδίου έξω από τη συσκευή και πιέστε ξανά το κουμπί περιτύλιξης καλωδίου.

## Introducción

Enhorabuena por la compra de este producto y bienvenido a Philips. Para sacar el mayor partido de la asistencia que Philips le ofrece, registre su producto en [www.philips.com/welcome](http://www.philips.com/welcome).

### Dos claves para un planchado ergonómico

1 Diseño ergonómico de la plancha (fig. 1)

La empuñadura inclinada garantiza una posición cómoda de la muñeca.

2 Alfombrilla ergonómica para dejar la plancha (fig. 2)

Para reducir la tensión en la muñeca, la alfombrilla le permite dejar la plancha en posición horizontal sobre la tabla.

Utilice la alfombrilla únicamente sobre una tabla de planchar. No la utilice nunca sobre una superficie que no sea resistente al calor.

## Descripción general (fig. 3)

- A** Botón Supervapor
- B** Piloto de temperatura
- C** Asa
- D** Control de temperatura
- E** Manguera de vapor
- F** Suela
- G** Botón de vapor
- H** Indicador de temperatura
- I** Plataforma de la plancha
- J** Depósito de agua extraíble
- K** Tapa de limpieza Calc-Clean
- L** Tapón de limpieza Calc-Clean
- M** Palanca para liberar el depósito de agua
- N** Abertura de llenado
- O** Marca de nivel máximo
- P** Soporte para la pastilla antical
- Q** Alfombrilla resistente al calor para dejar la plancha
- R** Bloqueo para transporte
- S** Botón de bloqueo
- T** Botón de potencia con control de vapor (posiciones ECO, moderado y vapor alto)
- U** Piloto 'depósito de agua vacío'
- V** Clip para fijar la manguera
- W** Botón de recogida del cable (sólo modelos GC8565 y GC8560)
- X** Cable de alimentación con clavija
- Y** Compartimento para el cable (sólo modelos GC8520 y GC8510)

## Importante

Antes de usar el aparato, lea atentamente este manual de usuario y consérvelo por si necesitara consultarlo en el futuro.

### Peligro

- No sumerja nunca la plancha ni el generador de vapor en agua.

### Advertencia

- Antes de enchufar el aparato, compruebe si el voltaje indicado en la placa de modelo se corresponde con el voltaje de red local.
- No utilice el aparato si la clavija, el cable de alimentación, la manguera o el propio aparato tienen daños visibles, o si el aparato se ha caído o está goteando.



- Si el cable de alimentación o la manguera están dañados, deben ser sustituidos por Philips o por un centro de servicio autorizado por Philips, con el fin de evitar situaciones de peligro.
- No deje nunca el aparato desatendido cuando esté enchufado a la toma de corriente.
- Este aparato no debe ser usado por personas (adultos o niños) con su capacidad física, psíquica o sensorial reducida, ni por quienes no tengan los conocimientos y la experiencia necesarios, a menos que sean supervisados o instruidos acerca del uso del aparato por una persona responsable de su seguridad.
- Asegúrese de que los niños no jueguen con este aparato.
- No permita que el cable de alimentación y la manguera entren en contacto con la suela caliente de la plancha.
- Si sale vapor por debajo del tapón de limpieza Calc-Clean mientras el aparato se está calentando, apáguelo y apriete el tapón de limpieza Calc-Clean. Si sigue saliendo vapor mientras el aparato se está calentando, apáguelo y diríjase a un centro de servicio autorizado por Philips.
- No quite el tapón de limpieza Calc-Clean del generador de vapor si éste aún está caliente o tiene presión.
- No utilice ningún otro tapón para el generador de vapor que no sea el tapón de limpieza Calc-Clean que se suministra con el aparato.
- No coloque la plancha encendida sobre la alfombra resistente al calor durante mucho tiempo. Utilice la alfombra resistente al calor únicamente para apoyar la plancha brevemente durante el planchado.

**Precaución**

- Conecte el aparato sólo a un enchufe con toma de tierra.
- Compruebe el cable de alimentación y la manguera con regularidad por si estuvieran dañados.
- Coloque y utilice siempre la plancha y el generador de vapor sobre una superficie estable, plana y horizontal.
- Desenrolle completamente el cable de alimentación antes de enchufarlo a la toma de corriente.
- La suela y la plataforma de la plancha pueden calentarse mucho y, si se tocan, pueden causar quemaduras. Si desea mover el generador de vapor; no toque la plataforma de la plancha.
- Cuando haya acabado de planchar; cuando limpie el aparato, cuando llene o vacíe el generador de vapor o cuando deje la plancha, aunque sólo sea por un momento, ponga la plancha en la alfombra resistente al calor; apague el aparato y desenchúfelo de la red.
- Enjuague el generador de vapor regularmente siguiendo las instrucciones del capítulo "Limpieza y mantenimiento".
- Este aparato es sólo para uso doméstico.

**Campos electromagnéticos (CEM)**

Este aparato Philips cumple todos los estándares sobre campos electromagnéticos (CEM). Si se utiliza correctamente y de acuerdo con las instrucciones de este manual, el aparato se puede usar de forma segura según los conocimientos científicos disponibles hoy en día.

**Uso del aparato**

**Planchado con vapor**

- 1** Coloque el generador de vapor en una superficie plana y estable, por ejemplo, sobre una tabla de planchar o sobre una mesa.
- 2** Asegúrese de que haya suficiente agua en el depósito de agua (fig. 4).

Puede desmontar el depósito de agua y llenarlo en cualquier momento durante el uso. Llene el depósito de agua antes de utilizarlo por primera vez y en cuanto parpadee el piloto 'depósito de agua vacío'.

No eche en el depósito de agua perfume, vinagre, almidón, productos desincrustantes, productos que ayuden al planchado ni otros productos químicos.

*Nota: Si el agua del grifo de su zona es muy dura, le aconsejamos que la mezcle a partes iguales con agua destilada.*

*Nota: No incline ni sacuda el generador de vapor cuando el depósito de agua esté lleno, ya que el agua podría salirse por la abertura de llenado.*

- 3** Asegúrese de que el depósito de agua está bien colocado en el generador de vapor, de lo contrario la plancha no producirá vapor.
- 4** Coloque la alfombrilla para dejar la plancha sobre la tabla de planchar. (fig. 5)
- 5** Para liberar la plancha del generador de vapor, desplace el botón de bloqueo hacia la izquierda. Coloque la plancha sobre la alfombrilla.
- 6** Conecte el aparato a un enchufe con toma de tierra y encienda el generador de vapor.
- 7** Para seleccionar la temperatura de planchado adecuada, gire el control de temperatura hasta la posición correspondiente (fig. 6).

*Nota: Sólo se puede planchar con vapor a temperaturas de planchado elevadas (posiciones de temperatura a partir de ●●).*

- 8** Para encender el aparato, gire el botón de potencia hasta la posición de vapor deseada. Asegúrese de que la posición de vapor es la adecuada para la temperatura de planchado seleccionada (fig. 7).
  - 1 Posición de vapor ECO (posiciones de temperatura de ●● a MAX).
  - 2 Posición de vapor moderado (posiciones de temperatura de ●●● a MAX).
  - 3 Posición de vapor máximo (posición de temperatura en MAX).
  - ▶ El piloto de posición de vapor correspondiente parpadea para indicar que el generador de vapor se está calentando (fig. 8).
  - ▶ Después de unos 2 minutos, el piloto de posición de vapor correspondiente permanece iluminado para indicar que el generador de vapor está listo para el planchado con vapor.

- 9** Pulse el botón de vapor y manténgalo pulsado mientras plancha. (fig. 9)

Si desea planchar sin vapor, sólo tiene que utilizar la plancha sin pulsar el botón de vapor.

*Nota: Puede dejar la plancha caliente sobre la alfombrilla durante el planchado sin riesgo de que ésta se queme. No deje la alfombrilla con la plancha caliente sobre una superficie que se pueda quemar.*

*Nota: No toque la alfombrilla durante un rato después de retirar la plancha caliente, ya que estará caliente también.*

### **Función supervapor**

Durante el planchado con vapor puede utilizar la función supervapor para eliminar las arrugas rebeldes.

- 1** Coloque el control de temperatura en una posición entre ●●● y MAX.
- 2** Presione el botón de supervapor. (fig. 10)

No dirija nunca el vapor hacia las personas.

*Nota: Es posible que salgan gotas de agua la primera vez que use la función supervapor. Éstas desaparecerán cuando haya usado la función durante algún tiempo.*

## Limpieza y mantenimiento

### Función Calc-Clean

No quite nunca el tapón de limpieza Calc-Clean cuando el generador de vapor esté caliente.

*Nota: La pastilla antical ayuda a prevenir la formación de depósitos de cal en el generador de vapor. Enjuague el generador de vapor una vez al mes o cada 10 planchados para conseguir un rendimiento de vapor óptimo.*

- 1 Desenchufe el aparato y deje que se enfríe durante 2 horas.
- 2 Quite el depósito de agua extraíble. Sostenga el generador de vapor con las dos manos y agítelo bien. (fig. 11)
- 3 Abra la tapa de limpieza Calc-Clean que cubre el tapón de limpieza Calc-Clean. Gire el tapón hacia la izquierda y quítelo. (fig. 12)
- 4 Vacíe el generador de vapor en el fregadero (fig. 13).
- 5 Llene el generador de vapor con agua, agítelo bien y vuelva a vaciarlo en el fregadero. (fig. 14)
- 6 Repita el paso 5 varias veces para conseguir el mejor resultado.
- 7 Vuelva a enroscar el tapón de limpieza Calc-Clean en el generador de vapor y cierre de nuevo la tapa de limpieza Calc-Clean.
- 8 Vuelva a colocar el depósito de agua en el generador de vapor.

### Almacenamiento

- 1 Apague el aparato y desenchúfelo.
- Tenga cuidado con la alfombrilla para dejar la plancha, ya que puede estar caliente después de usar el aparato.
- 2 Vacíe el depósito de agua.
  - 3 Fije la punta de la plancha en el bloqueo para transporte (1) y luego presione hacia abajo la parte de atrás de la plancha (2). (fig. 15)
  - 4 Deslice el botón de bloqueo hacia la derecha para fijar la plancha al generador de vapor. (fig. 16)
  - 5 Modelos GC8565 y GC8560: pulse el botón de recogida del cable para recoger el cable de alimentación.
  - 6 Modelos GC8520 y GC8510: introduzca el cable en su compartimento de forma ordenada.
  - 7 Enrolle la manguera alrededor de la base y fíjela en los enganches (fig. 17).
  - 8 Ahora podrá transportar fácilmente el aparato asiendo la plancha por su empuñadura. (fig. 18)

No transporte el aparato sujetándolo por la palanca para liberar el depósito de agua.

### Medio ambiente

- Al final de su vida útil, no tire el aparato junto con la basura normal del hogar. Llévelo a un punto de recogida oficial para su reciclado. De esta manera ayudará a conservar el medio ambiente (fig. 19).

### Garantía y servicio

Si necesita información o si tiene algún problema, visite la página Web de Philips en **www.philips.com** o póngase en contacto con el Servicio de Atención al Cliente de Philips en su país (hallará el número de teléfono en el folleto de la garantía mundial). Si no hay Servicio de Atención al Cliente de Philips en su país, diríjase a su distribuidor local Philips.

### Guía de resolución de problemas

En este capítulo se resumen los problemas más frecuentes que pueden surgir. Si no puede resolver el problema con la siguiente información, póngase en contacto con el Servicio de Atención al Cliente de su país.

Problema	Posible causa	Solución
El aparato no se calienta.	Hay un problema de conexión.	Compruebe el cable de alimentación, la clavija y el enchufe.
	El aparato no está encendido.	Coloque el botón de potencia con control de vapor en una posición de vapor.
	La temperatura de planchado seleccionada es demasiado baja.	Establezca una temperatura de planchado superior.
Sale algo de humo del aparato después de conectarlo por primera vez.	Esto es normal. Algunas piezas del aparato se han engrasado ligeramente en la fábrica.	Dejará de ocurrir al cabo de un rato.
El aparato produce un sonido de bombeo.	El agua se está bombeando a la caldera del generador de vapor. Esto es normal.	Si el sonido de bombeo continúa ininterrumpidamente, apague el aparato inmediatamente y desenchúfelo. Póngase en contacto con un centro de servicio autorizado por Philips.
El aparato no produce vapor.	No hay suficiente agua en el depósito.	Llene el depósito de agua.
	El generador de vapor no está lo suficientemente caliente como para producir vapor.	Espere hasta que el piloto de posición de vapor permanezca iluminado.
	No ha pulsado el botón de vapor.	Pulse el botón de vapor y manténgalo pulsado mientras plancha.
	El depósito de agua no se ha colocado correctamente en el aparato.	Vuelva a colocar firmemente el depósito de agua en el generador de vapor ("clic").

Problema	Posible causa	Solución
	El vapor sobrecalentado (es decir, de alta calidad) es difícilmente visible, en especial cuando el control de temperatura se coloca en la posición máxima, y aún menos visible cuando la temperatura ambiente es relativamente alta.	Para comprobar si sale vapor de la plancha, baje la temperatura de la plancha entre ●● y ●●● para que el vapor sea más visible.
	El aparato no está encendido.	Coloque el botón de potencia con control de vapor en una posición de vapor:
Salen gotitas de agua por la suela.	Cuando comienza a planchar con vapor y cuando continúa haciéndolo después de una pausa, el vapor que había en la manguera se enfría y se condensa en forma de agua. Esto es lo que hace que salgan gotitas por la suela.	Esto es normal. Ponga la plancha sobre un trozo de tela viejo y pulse el botón de vapor. El paño absorberá las gotas. Después de unos pocos segundos, saldrá vapor en lugar de agua por la suela.
	El control de temperatura está ajustado a una temperatura demasiado baja para planchar con vapor.	Seleccione una temperatura adecuada para planchar con vapor (posiciones de temperatura entre ●● y MAX).
Aparecen manchas de agua en la prenda durante el planchado.	Las manchas de agua que aparecen en la prenda después de haber estado planchando con vapor durante un rato pueden deberse al vapor condensado en la tabla de planchar.	Planche las manchas de agua sin vapor para secarlas. Si la parte inferior de la tabla de planchar está mojada, séquela con un paño.
Gotea agua del aparato.	Si inclina el generador de vapor durante el transporte o lo coloca sobre una superficie irregular cuando el depósito de agua está lleno, puede que se salga el agua del depósito.	No incline el aparato cuando el depósito de agua esté lleno.
Aparecen manchas de agua en la prenda mientras se utiliza la función supervapor.	Las manchas de agua en la prenda se deben a la condensación en la manguera. Al enfriarse ésta, el vapor que había en la manguera se ha enfriado y condensado en forma de agua.	Las gotas de agua dejarán de salir del aparato cuando haya utilizado la función supervapor durante un tiempo.
Salen partículas de cal e impurezas por la suela o la suela está sucia.	Las impurezas o los componentes químicos del agua se han depositado en los orificios de salida del vapor o en la suela.	Limpie la suela con un paño húmedo.
	Se ha acumulado demasiada cal y partículas minerales dentro del generador de vapor.	Enjuague el generador de vapor a menudo (consulte el capítulo "Limpieza y mantenimiento").

Problema	Posible causa	Solución
La manguera de vapor se calienta durante el planchado.	Esto es normal, ya que el vapor circula a través de la manguera durante el planchado con vapor:	Coloque la manguera en el lado opuesto de la tabla de planchar, de modo que no pueda rozar la manguera con la mano mientras plancha.
No puedo colocar la plancha sobre su talón.	No se puede colocar la plancha sobre su talón, ya que posee un diseño ergonómico para reducir la tensión en la muñeca (consulte el capítulo "Introducción").	Coloque la plancha de forma horizontal sobre la alfombra resistente al calor.
Sólo modelo GC8565 y GC8560: el cable no se recoge completamente al pulsar el botón de recogida del cable.	El cable se ha atascado mientras se recoge.	Saque un trozo de cable del aparato y vuelva a pulsar el botón de recogida del cable.

## Johdanto

Onnittelut ostoksestasi ja tervetuloa Philips-tuotteiden käyttäjäksi! Hyödynnä Philipsin tuki ja rekisteröi tuotteesi osoitteessa [www.philips.com/welcome](http://www.philips.com/welcome).

### Ergonominen silittäminen

- 1 Ergonomisesti muotoiltu silitysrauta (Kuva 1)  
Ylöspäin kalteva kahva varmistaa, että ranteen asento on oikea.
- 2 Ergonominen silitysraudan alusta (Kuva 2)  
Ranteiden rasittamisen vähentämiseksi silitysraudan voi laskea silitysraudalla olevalle alustalle vaakasuorassa asennossa.

Käytä silitysraudan alustaa ainoastaan silitysraudalla. Älä koskaan käytä sitä pinnalla, joka ei ole lämmönkestävä.

## Laitteen osat (Kuva 3)

- A** Höyrysuihkauspainike
- B** Lämpötilan merkkivalo
- C** Kantokahva
- D** Lämpötilanvalitsin
- E** Höyryletku
- F** Pohja
- G** Höyryliipaisin
- H** Lämpötilan ilmaisin
- I** Silitysraudan laskualusta
- J** Irrotettava vesisäiliö
- K** Calc-Clean-huuhteluläppä
- L** CalcClean-huuhtelaukon tulppa
- M** Vesisäiliön irrotusvipu
- N** Täyttöaukko
- O** Enimmäistason merkki
- P** Anti-Calc-tabletin pidike
- Q** Silitysraudan lämmönkestävä alusta
- R** Lukitsin
- S** Lukitsin
- T** Virtakytkin ja höyryvalitsin (ECO, höyryasetukset keskitaso ja tehokas)
- U** Vesisäiliö tyhjä -merkkivalo
- V** Höyryletkun säilytyspidike
- W** Johdon kelauspainike (vain GC8565/GC8560)
- X** Virtajohto ja pistoke
- Y** Säilytyspaikka johdolle (vain GC8520/GC8510)

## Tärkeää

Lue tämä käyttöopas huolellisesti ennen käyttöä ja säilytä se vastaisen varalle.

### Vaara

- Älä upota höyrysilitysrauta tai höyrylaitetta veteen.

### Tärkeää

- Tarkista, että laitteen arvokilven jännitemerkintä vastaa paikallista verkkojännitettä, ennen kuin liität laitteen pistorasiaan.
- Älä käytä laitetta, jos sen pistoke, virtajohto, höyryletku tai jokin muu osa on viallinen tai jos laite on pudonnut tai vuotaa.

- Jos virtajohto tai höyryletku on vaurioitunut, se on vaaratilanteiden välttämiseksi vaihdettava Philipsin valtuuttamassa huoltoliikkeessä tai muulla ammattitaitoisella korjaajalla.
- Laitetta ei saa koskaan jättää ilman valvontaa silloin, kun se on liitetty sähköverkkoon.
- Laitetta ei ole tarkoitettu lasten tai sellaisten henkilöiden käyttöön, joiden fyysinen tai henkinen toimintakyky on rajoittunut tai joilla ei ole kokemusta tai tietoa laitteen käytöstä, muuten kuin heidän turvallisuudestaan vastaavan henkilön valvonnassa ja ohjauksessa.
- Pienten lasten ei saa antaa leikkiä laitteella.
- Älä anna virtajohdon tai höyryletkun koskettaa silitysraudan kuumaa pohjaa.
- Jos CalcClean-huuhteluaukon tulpan alta purkautuu höyryä laitteen lämmityksen aikana, sammuta laite ja kiristä CalcClean-huuhteluaukon tulppaa. Jos höyryä purkautuu edelleen laitteen lämmityksen aikana, sammuta laite ja ota yhteys Philipsin valtuuttamaan huoltoliikkeeseen.
- Älä irrota Calc-Clean-huuhteluaukon tulppaa höyrylaitteesta, kun höyrylaite on edelleen kuuma tai siinä on painetta.
- Käytä höyrylaitteessa ainoastaan laitteen mukana toimitettua Calc-Clean-huuhteluaukon tulppaa.
- Älä jätä kuumaa silitysrautaa lämmönkestävälle alustalle pitkäksi aikaa. Laske silitysrauta lämmönkestävälle alustalle silittämisen aikana vain lyhyeksi ajaksi.

### Varoitus

- Yhdistä laite vain maadoitettuun pistorasiaan.
- Tarkista virtajohdon ja liittimen kunto säännöllisesti.
- Säilytä ja käytä höyrysilitysrautaa ja höyrylaitetta tukevalla, tasaisella ja vaakasuoralla pinnalla.
- Suorista virtajohto kokonaan, ennen kuin työntät pistokkeen pistorasiaan.
- Höyryraudan laskualusta ja höyryraudan pohja voivat tulla hyvin kuumiksi ja voivat koskettaessa aiheuttaa palovammoja. Jos haluat siirtää höyrylaitetta, varo koskemasta höyryraudan laskualustaan.
- Aseta höyrysilitysrauta lämmönkestävälle alustalle ja katkaise laitteesta virta ja irrota pistoke pistorasiasta aina, kun lopetat silittämisen, kun puhdistat laitetta, kun täytät tai tyhjennät höyrylaitetta tai kun hetkeksikin poistut höyrysilitysraudan luota.
- Huuhtelee höyrylaite säännöllisesti noudattamalla kohdassa Puhdistus ja hoito annettuja ohjeita.
- Tämä laite on tarkoitettu vain kotitalouksien käyttöön.

### Sähkömagneettiset kentät (EMF)

Tämä Philips-laite vastaa kaikkia, sähkömagneettisia kenttiä (EMF) koskevia standardeja. Jos laitetta käytetään oikein ja tämän käyttöohjeen ohjeiden mukaisesti, sen käyttäminen on turvallista tämänhetkisen tutkimustiedon perusteella.

## Käyttö

### Höyrysilitys

**1** Aseta höyrylaite tukevalla ja tasaiselle alustalle, eli silitysraudalle tai pöydälle.

**2** Varmista että vesisäiliössä on riittävästi vettä (Kuva 4).

Voit irrottaa ja täyttää vesisäiliön milloin tahansa käytön aikana.

Täytä vesisäiliö ennen ensimmäistä käyttökertaa ja heti, kun Vesisäiliö tyhjä -merkkivalo vilkkuu.

**Älä pane vesisäiliöön kuumaa vettä, hajusteita, etikkaa, tärkkinä, kalkinpoistoaineita, silitysaineita tai muitakaan kemikaaleja.**

*Huomautus: Jos paikallinen vesijohtovesi on hyvin kova, suosittelemme sekoittamaan vesijohtoveteen puolet tislattua vettä.*

*Huomautus: Älä kallista tai ravista höyrylaitetta, kun vesisäiliö on täysi. Täyttöaukosta voi läikkyä vettä.*

**3** Varmista, että vesisäiliö on tiukasti kiinni höyrylaitteessa. Muuten silitysrauta ei tuota lainkaan höyryä.



- 4 Aseta silytysraudan alusta silytyslaudun päälle. (Kuva 5)
- 5 Irrota silytysrauta höyrylaitteesta liu'uttamalla lukitsinta vasemmalle. Aseta silytysrauta alustalleen.
- 6 Työnnä pistoke maadoitettuun pistorasiaan ja käynnistä höyrylaite.
- 7 Aseta silytyslämpötila kääntämällä lämpötilanvalitsin sopivaan asentoon (Kuva 6).

*Huomautus: Höyrysilitys on mahdollista vain riittävän korkeissa silytyslämpötiloissa (●● tai korkeampi).*

- 8 Kytke laitteeseen virta kääntämällä virtakytkintä haluamasi höyryasetuksen kohdalle. Varmista, että höyryasetus sopii valitulle silytyslämpötilalle (Kuva 7).
  - 1 Valitse ECO-höyryasetus (lämpötila-asetukset ●●–MAX).
  - 2 Valitse kohtuullisesti höyryä (lämpötila-asetukset ●●●–MAX).
  - 3 Valitse paljon höyryä (lämpötila-asetus MAX).
  - Vastaavan höyryasetusvalon vilkkuminen osoittaa, että höyrylaite kuumenee (Kuva 8).
  - Noin kahden minuutin kuluttua höyryasetusvalo lopettaa vilkkumisen ja palaa jatkuvasti. Tällöin höyrylaite on valmis höyrysilitystä varten.

- 9 Paina höyryliipaisinta ja pidä sitä alhaalla höyrysilityksen aikana. (Kuva 9)  
Jos haluat silittää ilman höyryä, älä paina höyryliipaisinta.

*Huomautus: Silytysraudan voi laskea alustalle silittämisen aikana. Älä aseta silytysrauta ja alusta pinnalle, joka ei kestä kuumuutta.*

*Huomautus: Silytysraudan alusta on kuuma sen jälkeen, kun olet nostanut silytysraudan alustalta.*

### Höyrysuihkaustoiminto

Höyrysuihkaustoiminto auttaa poistamaan itsepinnaiset laskokset.

- 1 Aseta lämpötilanvalitsin välille ●●●–MAX.
- 2 Paina höyrysuihkauspainiketta. (Kuva 10)

Älä koskaan suuntaa höyrysuihkaa ihmisiä kohti.

*Huomautus: Laitteessa voi näkyä vesipisaroita käytettäessä höyrysuihkaustoimintoa ensimmäisen kerran. Ne häviävät, kun toimintoa on käytetty jonkin aikaa.*

### Puhdistus ja hoito

#### Calc-Clean-toiminto

Älä koskaan irrota CalcClean-huuhteluaukon tulppaa, kun höyrylaite on kuuma.

*Huomautus: Anti-Calc-tabletti ehkäisee kalkin kertymistä höyrylaitteeseen. Huuhtele höyrylaite kerran kuussa tai aina 10 käyttökerran jälkeen, jotta höyrytoiminto toimii moitteettomasti.*

- 1 Irrota laitteen pistoke pistorasiasta ja anna laitteen jäähtyä 2 tuntia.
- 2 Poista irrotettava vesisäiliö. Tartu höyrylaitteeseen kahdella kädellä ja ravista kunnolla. (Kuva 11)
- 3 Avaa Calc-Clean-huuhteluaukon tulppaa peittävä Calc-Clean-läppä. Käännä Calc-Clean-huuhteluaukon tulppaa vastapäivään ja irrota se. (Kuva 12)
- 4 Tyhjennä vesi höyrylaitteesta pesultaaseen (Kuva 13).
- 5 Täytä höyrylaite raikkaalla vedellä, ravista ja tyhjennä pesultaaseen. (Kuva 14)
- 6 Parhaan tuloksen saat toistamalla vaiheen 5 muutaman kerran.

- 7** Kierrä Calc-Clean-huhteluaukon tulppa tiukasti höyrylaitteeseen ja laita Calc-Clean-läppä paikalleen.
- 8** Aseta vesisäiliö takaisin höyrylaitteeseen.

### Säilytys

- 1** Katkaise laitteesta virta ja irrota pistoke pistorasiasta.
- Varo, silitysraudan alusta voi olla kuuma käytön jälkeen.
- 2** Tyhjennä vesisäiliö.
- 3** Työnnä höyrysilitysraudan kärki lukitsimeen (1) ja laske silitysraudan kanta alas (2). (Kuva 15)
- 4** Lukitse silitysrauta höyrylaitteeseen liu'uttamalla lukitsin oikealle. (Kuva 16)
- 5** GC8565/GC8560: Kelaajavirtajohto takaisin painamalla kelauskytkintä.
- 6** GC8520/GC8510: Aseta johto huolellisesti säilytyslokeroonsa.
- 7** Kierrä höyryletku rungon alaosaan ympäri ja kiinnitä se säilytyskoukkuihin (Kuva 17).
- 8** Nyt voit helposti kantaa yhdellä kädellä koko laitetta silitysraudan kahvasta. (Kuva 18)
- Älä kanna laitetta vesisäiliön irrotusvivusta.

### Ympäristöasiaa

- Älä hävitä vanhoja laitteita tavallisen talousjätteen mukana, vaan toimita ne valtuutettuun kierrätyspisteeseen. Näin autat vähentämään ympäristölle aiheuttamia haittavaikutuksia (Kuva 19).

### Takuu & huolto

Jos haluat lisätietoja tai laitteen suhteen on ongelmia, katso lisätietoja sivustosta **www.philips.com** tai ota yhteyttä Philipsin maakohtaiseen kuluttajapalvelukeskukseen (puhelinnumero on kansainvälisessä takuulehtisessä). Jos maassasi ei ole kuluttajapalvelukeskusta, ota yhteys paikalliseen Philips-jälleenmyyjään.

### Vianmääritys

Tässä luvussa kuvataan tavallisimmat laitteen käyttöön liittyvät ongelmat. Ellet onnistu ratkaisemaan ongelmaa alla olevien ohjeiden avulla, ota yhteys Philipsin maakohtaiseen asiakaspalveluun.

Ongelma	Mahdollinen syy	Ratkaisu
Laitte ei kuumene.	Virtaa ei tule.	Tarkasta virtajohto, pistoke ja pistorasia.
	Laitte ei käynnisty.	Käännä virtakytkin ja höyryvalitsin joltain höyryasetusta kohti.
Laitteesta tulee savua, kun kytken siihen virran ensimmäisen kerran.	Valittu silityslämpötila on liian alhainen.	Valitse korkeampi silityslämpötila.
	Tämä on normaalia. Jotkut laitteen osat on rasvattu tehtaalla.	Ilmiö katoaa vähän ajan kuluttua.

Ongelma	Mahdollinen syy	Ratkaisu
Laitteesta kuuluu pumppaava ääni.	Vettä pumpataan höyrylaitteen boileriin. Tämä on normaalia.	Jos pumppaava ääni ei lakkaa, katkaise välittömästi laitteesta virta ja irrota pistoke pistorasiasta. Ota yhteys Philipsin valtuuttamaan huoltoliikkeeseen.
Laite ei tuota lainkaan höyryä.	Vesisäiliössä ei ole tarpeeksi vettä.	Täytä vesisäiliö.
	Höyrylaite ei ole riittävän kuuma höyryntuotantoa varten.	Odota, kunnes höyryasetusvalo palaa tasaisesti.
	Et paina höyryliipaisinta.	Paina höyryliipaisinta ja pidä sitä alhaalla höyrysilityksen aikana.
	Vesisäiliö ei ole kunnolla kiinni laitteessa.	Työnnä vesisäiliö takaisin höyrylaitteeseen niin, että se napsahtaa paikalleen.
	Hyvin kuuma (eli korkealuokkainen) höyry ei juurikaan näy, varsinkaan silloin kun lämpötilanvalitsin on maksimiasennossa ja ympäristön lämpötila on suhteellisen korkea.	Voit tarkistaa höyryn tulon valitsemalla silytsraudassa alhaisemman lämpötila-asetuksen välillä ●● ja ●●●, jolloin höyryn pitäisi näkyä paremmin.
	Laite ei käynnisty.	Käännä virtakytkin ja höyryvalitsin jotain höyryasetusta kohti.
Pohjasta tippuu vesipisaroita.	Kun aloitat höyrysilityksen tai jatkat sitä keskeytyksen jälkeen, höyryletkussa oleva höyry on jäähtynyt ja tiivistynyt vedeksi. Siksi pohjasta tulee vesipisaroita.	Tämä on normaalia. Pidä höyrysilityksraudtaa jonkin vanhan kankaan päällä ja paina höyryliipaisinta. Pisarat imeytyvät kankaaseen. Muutaman sekunnin kuluttua pohjasta alkaa veden asemesta tulla höyryä.
	Lämpötilan valitsin on asetettu osoittamaan lämpötilaa, joka on liian alhainen höyrysilitykseen.	Aseta silytslämpötila, joka sopii höyrysilitykseen (lämpötila-asetukset ●●–MAX)
Vaatteessa näkyy silytyksen aikana märkiä kohtia.	Höyrysilityksen aikana tekstiilien pinnalle ilmestyvät märät pisteet johtuvat silytslaudalla tiivistyneestä höyrystä.	Silitä märkiä kohtia hetken aikaa ilman höyryä, jotta ne kuivuvat. Jos silytslaudan alusta on märkä, pyyhkäise sitä kuivalla kankaalla.
Laitteesta vuotaa vettä.	Jos käännät höyrylaitetta kuljetuksen aikana tai asetat sen epätasaiselle alustalle, kun vesisäiliö on täynnä, säiliöstä voi vuotaa vettä.	Älä käännä laitetta, kun vesisäiliö on täynnä.

Ongelma	Mahdollinen syy	Ratkaisu
Vaatteeseen ilmestyy vesiläikkä höyrysuihkaustoimintoa käytettäessä.	Vaatteeseen ilmestyvät vesiläikät johtuvat höyryletkuun tiivistyneestä vedestä. Kun höyryletku jäähtyy, letkussa vielä oleva höyry jäähtyy ja tiivistyy vedeksi.	Laitteesta ei tule vesipisaroita, kun laitetta on käytetty jonkin aikaa.
Pohjasta tulee hiutaleita ja epäpuhtauksia tai pohja on likainen.	Vedessä olevia epäpuhtauksia tai kemikaaleja on kertynyt höyrysilitysraudan höyryaukkoihin ja/tai pohjaan.	Puhdista pohja kostealla liinalla.
	Höyrylaitteeseen on kertynyt liikaa kalkkia ja epäpuhtauksia.	Huuhtelee höyrysäiliö usein. (lisätietoja kohdassa Puhdistus ja hoito).
Höyryletku lämpenee silityksen aikana.	Tämä on normaalia, koska letkun kautta kulkee höyryä silityksen aikana.	Aseta höyryletku silitysraudan toiselle puolelle niin, ettei kätesi osu letkuun silityksen aikana.
Silitysrautaa ei voi asettaa pystyasentoon.	Silitysrautaa ei voi asettaa pystyasentoon, koska sen ergonominen muotoilu vähentää ranteen rasitusta (lisätietoja kohdassa Johdanto).	Aseta silitysrauta vaaka-asentoon lämmönkestävälle alustalleen.
Vain GC8565/GC8560: Johto ei kelaudu kokonaan, kun kelauspainiketta painetaan.	Johto jumiutuu kelauksen aikana.	Vedä jonkin verran johtoa ulos laitteesta ja paina johdon kelauspainiketta uudelleen.

## Introduction

Félicitations pour votre achat et bienvenue dans l'univers Philips ! Pour profiter pleinement de l'assistance Philips, enregistrez votre produit sur le site à l'adresse suivante : [www.philips.com/welcome](http://www.philips.com/welcome).

### Deux étapes à suivre pour un repassage ergonomique

1 Fer ergonomique (fig. 1)

L'inclinaison de la poignée favorise une position naturelle du poignet.

2 Repose-fer ergonomique (fig. 2)

Pour réduire la pression au niveau des poignets, le repose-fer vous permet de placer votre fer horizontalement sur la table à repasser.

Utilisez uniquement le repose-fer sur une planche à repasser. Ne l'utilisez jamais sur une surface ne résistant pas à la chaleur.

## Description générale (fig. 3)

- A** Bouton Effet pressing
- B** Voyant de température
- C** Poignée
- D** Thermostat
- E** Cordon d'arrivée de la vapeur
- F** Semelle
- G** Gâchette vapeur
- H** Indicateur de température
- I** Support du fer à repasser
- J** Réservoir d'eau amovible
- K** Volet de vidange de la cuve
- L** Bouchon de vidange de la cuve
- M** Levier de dégagement du réservoir d'eau
- N** Orifice de remplissage
- O** Repère de niveau maximal
- P** Cassette anti-calcaire
- Q** Tapis repose-fer thermorésistant
- R** Verrouillage du fer
- S** Bouton de verrouillage du fer
- T** Bouton de réglage de la vapeur (réglages de vapeur ECO, moyen et élevé)
- U** Voyant « Réservoir d'eau vide »
- V** Crochet de rangement du cordon vapeur
- W** Bouton d'enroulement du cordon (GC8565/GC8560 uniquement)
- X** Cordon d'alimentation avec fiche secteur
- Y** Rangement du cordon (GC8520/GC8510 uniquement)

## Important

Lisez attentivement ce mode d'emploi avant d'utiliser l'appareil et conservez-le pour un usage ultérieur.

### Danger

- Ne plongez jamais le fer ni la chaudière dans l'eau.

### Avertissement

- Avant de brancher l'appareil, vérifiez que la tension indiquée sur la plaque signalétique correspond à la tension secteur locale.

- N'utilisez pas l'appareil si la fiche, le cordon d'alimentation, le cordon d'arrivée de la vapeur ou l'appareil lui-même est endommagé, s'il est tombé ou s'il fuit.
- Si le cordon d'alimentation ou le cordon d'arrivée de la vapeur est endommagé, il doit être remplacé par Philips, par un Centre Service Agréé Philips ou par une personne qualifiée afin d'éviter tout accident.
- Ne laissez jamais l'appareil sans surveillance pendant qu'il est branché.
- Cet appareil n'est pas destiné à être utilisé par des personnes (notamment des enfants) dont les capacités physiques, sensorielles ou intellectuelles sont réduites, ou par des personnes manquant d'expérience ou de connaissances, à moins que celles-ci ne soient sous surveillance ou qu'elles n'aient reçu des instructions quant à l'utilisation de l'appareil par une personne responsable de leur sécurité.
- Veillez à ce que les enfants ne puissent pas jouer avec l'appareil.
- Évitez tout contact entre le cordon d'alimentation/cordon d'arrivée de la vapeur et la semelle du fer à repasser lorsqu'elle est chaude.
- Si de la vapeur s'échappe du bouchon de vidange de la cuve lorsque l'appareil chauffe, éteignez l'appareil et resserrez le bouchon. Si la vapeur continue de s'échapper, éteignez l'appareil et contactez un Centre Service Agréé Philips.
- Ne dévissez jamais le bouchon de vidange de la cuve lorsque la chaudière est encore chaude ou sous pression.
- Ne fermez jamais la chaudière avec un autre bouchon que le bouchon de vidange de la cuve fourni avec l'appareil.
- Ne placez pas le fer allumé sur le repose-fer thermorésistant pendant une longue durée. Utilisez uniquement le repose-fer thermorésistant pour poser le fer lors du repassage.

### Attention

- Branchez l'appareil uniquement sur une prise secteur mise à la terre.
- Vérifiez régulièrement l'état du cordon d'alimentation et du cordon d'arrivée de la vapeur.
- Placez et utilisez toujours le fer à repasser et la chaudière sur une surface horizontale, stable et plane.
- Déroulez complètement le cordon d'alimentation avant de le brancher à la prise secteur.
- Le support du fer à repasser et sa semelle deviennent extrêmement chauds. Ils peuvent donc provoquer des brûlures en cas de contact avec la peau. Si vous souhaitez déplacer la chaudière, ne touchez pas le support.
- Lorsque vous avez fini de repasser, pendant que vous nettoyez l'appareil, que vous remplissez ou videz la chaudière, ou même si vous laissez le fer sans surveillance pendant un bref instant, posez le fer sur le repose-fer thermorésistant, éteignez l'appareil, puis débranchez-le du secteur.
- Rincez régulièrement la chaudière en suivant les instructions du chapitre « Nettoyage et entretien ».
- Cet appareil est destiné à un usage domestique uniquement.

### Champs électromagnétiques (CEM)

Cet appareil Philips est conforme à toutes les normes relatives aux champs électromagnétiques (CEM). Il répond aux règles de sécurité établies sur la base des connaissances scientifiques actuelles s'il est manipulé correctement et conformément aux instructions de ce mode d'emploi.

## Utilisation de l'appareil

### Repassage à la vapeur

- 1** Placez la chaudière sur une surface stable et plane, par exemple sur la partie solide d'une planche à repasser ou sur une table.
- 2** Assurez-vous qu'il y a suffisamment d'eau dans le réservoir (fig. 4).  
Vous pouvez retirer le réservoir d'eau et le remplir à tout moment pendant le repassage.

Remplissez le réservoir d'eau avant la première utilisation et chaque fois que le voyant « Réservoir d'eau vide clignote.

Ne mettez pas d'eau chaude, de parfum, de vinaigre, d'amidon, de détartrants ou d'autres agents chimiques dans le réservoir d'eau.

*Remarque : Si l'eau du robinet de votre région est très calcaire, il est conseillé de la mélanger avec de l'eau distillée.*

*Remarque : Lorsque le réservoir d'eau est plein, n'inclinez pas la chaudière et ne la secouez pas, sous peine de provoquer une fuite au niveau de l'orifice de remplissage.*

- 3** Assurez-vous que le réservoir est bien fixé à la chaudière. Dans le cas contraire, le fer ne produit pas de vapeur.
- 4** Placez le repose-fer sur la table à repasser. (fig. 5)
- 5** Faites glisser le bouton de verrouillage du fer sur la gauche pour détacher le fer de la chaudière, puis placez-le sur le repose-fer.
- 6** Branchez le cordon d'alimentation sur une prise secteur mise à la terre, puis mettez la chaudière en route.
- 7** Pour régler la température de repassage, tournez le thermostat sur la position adéquate (fig. 6).

*Remarque : Le repassage à la vapeur est possible uniquement à des températures élevées (réglages de température : ●● ou supérieure).*

- 8** Positionnez le bouton de puissance sur le réglage de vapeur de votre choix pour allumer l'appareil. Assurez-vous que ce réglage est approprié à la température de repassage choisie (fig. 7).

- 1 Pour une vapeur ECO (réglages de températures : ●● à MAX).
- 2 Pour une vapeur modérée (réglages de températures : ●●● à MAX).
- 3 Pour une vapeur maximale (réglages de températures à MAX).
- Le voyant correspondant au réglage de vapeur clignote afin d'indiquer que la chaudière est en train de chauffer (fig. 8).
- Après 2 minutes environ, le voyant correspondant au réglage de vapeur reste allumé : il indique que la chaudière est prête pour le repassage à la vapeur.

- 9** Maintenez le bouton vapeur enfoncé lorsque vous repassez à la vapeur. (fig. 9)

Pour repasser sans vapeur, utilisez le fer sans appuyer sur le bouton vapeur.

*Remarque : Pendant le repassage, vous pouvez poser le fer chaud sur le repose-fer en toute sérénité. Une fois le fer sur le repose-fer, ne déposez jamais l'ensemble sur une surface ne résistant pas à la chaleur.*

*Remarque : Ne touchez jamais le repose-fer immédiatement après en avoir retiré le fer chaud car celui-ci est également chaud.*

### Fonction Effet pressing

Pendant le repassage à la vapeur, vous pouvez utiliser la fonction Effet pressing pour éliminer les faux plis tenaces.

- 1** Réglez le thermostat sur une position située entre ●●● et MAX.
- 2** Appuyez sur le bouton Effet pressing. (fig. 10)

Ne dirigez en aucun cas le jet de vapeur vers des personnes.

*Remarque : Il est possible que des gouttes d'eau s'écoulent du fer lors de la première utilisation de la fonction Effet pressing. Ce phénomène disparaît après quelques utilisations.*

## Nettoyage et entretien

### Fonction anticalcaire

Ne retirez jamais le bouchon de vidange de la cuve tant que la chaudière est chaude.

*Remarque : La cassette anti-calcaire permet de réduire la formation de dépôts de calcaire dans la chaudière. Rincez la chaudière une fois par mois ou toutes les 10 utilisations pour garantir un fonctionnement optimal.*

- 1 Débranchez l'appareil et laissez-le refroidir pendant 2 heures.
- 2 Retirez le réservoir d'eau amovible. Tenez bien la chaudière entre vos deux mains et secouez-la. (fig. 11)
- 3 Ouvrez le volet de vidange de la cuve recouvrant le bouchon de vidange de la cuve. Tournez le bouchon de vidange de la cuve dans le sens contraire aux aiguilles d'une montre et retirez-le. (fig. 12)
- 4 Videz le contenu de la chaudière dans l'évier (fig. 13).
- 5 Remplissez la chaudière d'eau fraîche, secouez-la bien, puis videz-la de nouveau dans l'évier. (fig. 14)
- 6 Répétez l'étape 5 plusieurs fois pour obtenir un résultat optimal.
- 7 Revissez fermement le bouchon de vidange de la cuve sur la chaudière, puis repositionnez le volet de vidange de la cuve.
- 8 Repositionnez correctement le réservoir d'eau sur la chaudière.

### Rangement

- 1 Arrêtez l'appareil et débranchez-le.

Manipulez le repose-fer avec soin, il est possible qu'il soit chaud après utilisation.

- 2 Videz le réservoir d'eau.
- 3 Insérez la tête du fer dans le système de verrouillage (1), puis reposez le talon du fer (2). (fig. 15)
- 4 Faites glisser le bouton de verrouillage du fer sur la droite pour verrouiller le fer sur la chaudière. (fig. 16)
- 5 GC8565/GC8560 : Enroulez le cordon d'alimentation en appuyant sur le bouton d'enroulement.
- 6 GC8520/GC8510 : Insérez convenablement le cordon dans le compartiment de rangement du cordon.
- 7 Enroulez le cordon d'arrivée de la vapeur autour des crochets de rangement de la base de l'appareil (fig. 17).
- 8 Vous pouvez facilement déplacer la centrale en la tenant par la poignée du fer. (fig. 18)

Ne tenez jamais l'appareil par le levier de dégagement du réservoir d'eau.

### Environnement

- Lorsqu'il ne fonctionnera plus, ne jetez pas l'appareil avec les ordures ménagères, mais déposez-le à un endroit assigné à cet effet, où il pourra être recyclé. Vous contribuerez ainsi à la protection de l'environnement (fig. 19).



## Garantie et service

Si vous souhaitez obtenir des informations supplémentaires ou faire réparer l'appareil, ou si vous rencontrez un problème, rendez-vous sur le site Web de Philips à l'adresse **www.philips.com** ou contactez le Service Consommateurs Philips de votre pays (vous trouverez le numéro de téléphone correspondant sur le dépliant de garantie internationale). S'il n'existe pas de Service Consommateurs Philips dans votre pays, renseignez-vous auprès de votre revendeur Philips local.

## Dépannage

Ce chapitre présente les problèmes les plus courants que vous pouvez rencontrer avec votre appareil. Si vous ne parvenez pas à résoudre le problème à l'aide des informations ci-dessous, contactez le Service Consommateurs Philips de votre pays.

Problème	Cause possible	Solution
L'appareil ne chauffe pas.	Il s'agit d'un problème de branchement.	Vérifiez le cordon d'alimentation, la fiche et la prise secteur.
	L'appareil n'est pas allumé.	Positionnez le bouton de puissance avec commande de vapeur sur un réglage de vapeur.
	La température sélectionnée est trop basse.	Sélectionnez une température plus élevée.
Pourquoi de la fumée s'échappe de l'appareil après la première mise en marche ?	C'est normal. Certaines parties du fer ont été légèrement graissées.	Ce phénomène cesse après un bref instant.
Le fer produit un bruit de pompe.	L'eau est aspirée dans le réservoir de la chaudière. Ce phénomène est normal.	Si le bruit provoqué persiste, éteignez l'appareil et débranchez-le. Contactez un Centre Service Agréé Philips.
L'appareil ne produit pas de vapeur.	Il n'y a pas assez d'eau dans le réservoir d'eau.	Remplissez le réservoir d'eau.
	La chaudière n'a pas suffisamment chauffé pour produire de la vapeur.	Patiencez jusqu'à l'allumage continu du voyant de vapeur.
	Vous n'appuyez pas sur le bouton vapeur.	Maintenez le bouton vapeur enfoncé lorsque vous repassez à la vapeur.
	Le réservoir d'eau n'est pas correctement inséré dans l'appareil.	Repositionnez correctement le réservoir d'eau sur la chaudière (clic).

Problème	Cause possible	Solution
	La vapeur ultrachaud (c'est-à-dire de bonne qualité) est à peine visible, en particulier lorsque le thermostat est réglé sur la position maximale et si la température ambiante est relativement élevée.	Pour vérifier si le fer produit de la vapeur, réglez la température du fer à un niveau plus bas, entre ●● et ●●● pour que la vapeur soit plus visible.
	L'appareil n'est pas allumé.	Positionnez le bouton de puissance avec commande de vapeur sur un réglage de vapeur:
Des gouttes d'eau s'écoulent de la semelle.	Lorsque vous commencez le repassage ou reprenez le repassage après une interruption, la vapeur contenue dans le cordon d'arrivée de la vapeur refroidit et se condense. Elle s'écoule en gouttelettes par la semelle du fer.	Ce phénomène est normal. Tenez le fer au-dessus d'un chiffon et appuyez sur le bouton vapeur. Le chiffon absorbe les gouttes d'eau. Après quelques secondes, de la vapeur, et non plus de l'eau, s'échappe de la semelle.
	Le thermostat est réglé sur une température trop basse pour le repassage à la vapeur.	Sélectionnez une température de repassage adaptée au repassage à la vapeur (réglages de température ●● à MAX).
Des zones humides apparaissent sur le tissu pendant le repassage.	Il peut arriver que la vapeur se condense sur la planche à repasser, entraînant l'apparition de zones humides sur vos tissus lorsque vous repassez à la vapeur.	Repassez sans vapeur ces zones humides jusqu'à ce qu'elles disparaissent. Si l'envers de la planche à repasser est également humide, séchez-le à l'aide d'un chiffon sec.
De l'eau s'écoule de l'appareil.	Si pendant que vous la transportez, vous inclinez la chaudière ou encore si vous la placez sur une surface inégale, de l'eau pourrait s'écouler du réservoir.	N'inclinez jamais l'appareil lorsque le réservoir d'eau est rempli.
Des zones humides apparaissent sur le tissu pendant l'utilisation de la fonction Effet pressing.	Les zones humides sur votre tissu sont dues à la vapeur condensée dans le cordon d'arrivée de la vapeur. Lorsque le cordon d'arrivée de la vapeur refroidit, la vapeur contenue dans le cordon refroidit et se condense.	Après quelques utilisations, les gouttes d'eau cessent de couler.
Des particules de calcaire et des impuretés s'échappent de la semelle ou la semelle est sale.	Des impuretés ou dépôts de calcaire se sont formés sur les événements à vapeur et/ou à l'intérieur de la semelle.	Nettoyez le fer avec un chiffon humide.

Problème	Cause possible	Solution
	La chaudière contient trop de calcaire/minéraux.	Rincez régulièrement la chaudière (voir le chapitre « Nettoyage et entretien »).
Le cordon d'arrivée de la vapeur est chaud pendant le repassage.	Ce phénomène est normal puisque pendant le repassage, la vapeur circule dans le cordon d'arrivée de la vapeur.	Placez le cordon d'arrivée de la vapeur à l'opposé de la table à repasser de façon à ce que votre main ne le touche pas pendant le repassage.
Je ne parviens pas à poser le fer sur son talon.	Il est impossible de poser le fer sur son talon du fait de sa conception ergonomique qui réduit la pression au niveau du poignet (voir le chapitre « Introduction »).	Placez le fer horizontalement sur le repose-fer thermorésistant.
GC8565/GC8560 uniquement : Le cordon d'alimentation ne rentre pas complètement lorsque j'appuie sur le bouton d'enroulement.	Le cordon se coince pendant l'enroulement.	Faites sortir une petite partie du cordon de l'appareil et appuyez à nouveau sur le bouton d'enroulement.

### Introduzione

Congratulazioni per l'acquisto e benvenuti in Philips! Per trarre il massimo vantaggio dall'assistenza Philips, registrate il vostro prodotto su [www.philips.com/welcome](http://www.philips.com/welcome).

#### Le due fasi della stiratura ergonomica

1 Design ergonomico (fig. 1)

L'impugnatura inclinata verso l'alto vi consente di mantenere il polso in una posizione comoda.

2 Tappetino ergonomico per appoggiare il ferro (fig. 2)

Il tappetino d'appoggio vi consente di posizionare il ferro in orizzontale sull'asse da stiro e quindi di ridurre lo sforzo del polso.

Utilizzate il tappetino solo su un'asse da stiro e mai su una superficie che non sia termoresistente.

### Descrizione generale (fig. 3)

- A** Tasto colpo di vapore
- B** Spia della temperatura
- C** Impugnatura
- D** Termostato
- E** Tubo del vapore
- F** Piastra
- G** Pulsante del vapore
- H** Indicatore della temperatura
- I** Base caldaia
- J** Serbatoio dell'acqua estraibile
- K** Sportellino del sistema di pulizia Calc-Clean
- L** Tappo del sistema Calc-Clean
- M** Pulsante di sgancio del serbatoio dell'acqua
- N** Foro di riempimento
- O** Indicatore di livello massimo
- P** Porta-pastiglie anticalcare
- Q** Tappetino termoresistente
- R** Blocco trasporto
- S** Interruttore a scorrimento per blocco trasporto
- T** Manopola di alimentazione con regolatore del vapore (impostazioni vapore ECO, moderato e elevato)
- U** Spia "serbatoio dell'acqua vuoto"
- V** Supporto per l'avvolgimento del tubo del vapore
- W** Pulsante avvolgicavo (solo GC8565/GC8560)
- X** Cavo di alimentazione con spina
- Y** Vano portacavo (solo GC8520/GC8510)

### Importante

Prima di utilizzare l'apparecchio, leggete attentamente il presente manuale e conservatelo per eventuali riferimenti futuri.

#### Pericolo

- Non immergete mai il ferro o il generatore di vapore nell'acqua.

#### Avvertenza

- Prima di collegare l'apparecchio, controllate che la tensione indicata sulla placchetta corrisponda a quella della rete locale.

- Non utilizzate l'apparecchio nel caso in cui la spina, il cavo di alimentazione, il tubo del vapore o l'apparecchio stesso siano danneggiati o in presenza di rotture o perdite dall'apparecchio.
- Nel caso in cui il cavo di alimentazione o il tubo del vapore fossero danneggiati, dovranno essere sostituiti presso i centri autorizzati Philips, i rivenditori specializzati oppure da personale opportunamente qualificato, per evitare situazioni pericolose.
- Non lasciate mai l'apparecchio incustodito quando è collegato alla presa di corrente.
- L'apparecchio non è destinato a persone (inclusi bambini) con capacità mentali, fisiche o sensoriali ridotte, fatti salvi i casi in cui tali persone abbiano ricevuto assistenza o formazione per l'uso dell'apparecchio da una persona responsabile della loro sicurezza.
- Adottate le dovute precauzioni per evitare che i bambini giochino con l'apparecchio.
- Evitate che il cavo di alimentazione e il tubo del vapore vengano a contatto con la piastra del ferro calda.
- In caso di fuoriuscita di vapore dal tappo del sistema Calc-Clean durante la fase di riscaldamento, spegnete subito il ferro e stringete bene il tappo. Se continua a uscire vapore durante la fase di riscaldamento, spegnete l'apparecchio e rivolgetevi a un centro autorizzato Philips.
- Non rimuovete il tappo del sistema Calc-Clean dal generatore di vapore quando quest'ultimo è ancora caldo o in pressione.
- Sul generatore di vapore può essere applicato solo il tappo del sistema Calc-Clean fornito insieme all'apparecchio.
- Non lasciate il ferro acceso sul tappetino termoresistente per un lungo periodo di tempo. Utilizzate il tappetino per appoggiare brevemente il ferro durante la stiratura.

### Attenzione

- Collegate l'apparecchio esclusivamente a una presa di messa a terra.
- Verificate periodicamente le condizioni del cavo di alimentazione e del tubo del vapore.
- Appoggiate e utilizzate sempre il ferro e il relativo generatore di vapore su una superficie orizzontale stabile e perfettamente piana.
- Srotolate completamente il cavo di alimentazione prima di inserire la spina nella presa a muro.
- La piattaforma e la piastra del ferro possono raggiungere temperature molto elevate e provocare scottature se a contatto con la pelle. Se desiderate spostare il generatore di vapore, non toccate mai la piattaforma.
- Dopo aver utilizzato l'apparecchio, durante le operazioni di pulizia, riempimento o svuotamento del generatore di vapore, oppure se lasciate l'apparecchio incustodito anche per un breve periodo, appoggiate il ferro sull'apposito tappetino termoresistente, spegnetelo e scollegate la spina dalla presa di corrente.
- Pulite il generatore di vapore regolarmente, seguendo le istruzioni riportate nel capitolo "Pulizia e manutenzione".
- Questo apparecchio è destinato esclusivamente a uso domestico.

### Campi elettromagnetici (EMF)

Questo apparecchio Philips è conforme a tutti gli standard relativi ai campi elettromagnetici (EMF). Se utilizzato in modo appropriato seguendo le istruzioni contenute nel presente manuale utente, l'apparecchio consente un utilizzo sicuro come confermato dai risultati scientifici attualmente disponibili.

## Modalità d'uso dell'apparecchio

### Stiratura a vapore

- 1** Appoggiate il generatore di vapore su una superficie stabile e perfettamente piana, ad esempio sulla parte rigida dell'asse da stiro o sul tavolo.
- 2** Verificate il livello di riempimento del serbatoio dell'acqua (fig. 4).  
Il serbatoio dell'acqua può essere rimosso e riempito in qualsiasi momento durante l'uso.

Riempite il serbatoio dell'acqua prima di utilizzare l'apparecchio e quando la spia di "serbatoio vuoto" lampeggia.

Non aggiungete acqua calda, profumo, aceto, amido, agenti disincrostanti, prodotti per la stiratura o altre sostanze chimiche al serbatoio dell'acqua.

*Nota Nel caso l'acqua della vostra zona fosse particolarmente dura, vi consigliamo di miscelarla con la stessa quantità di acqua distillata.*

*Nota Quando il serbatoio dell'acqua è pieno, non capovolgete né agitate il generatore di vapore, al fine di evitare che l'acqua fuoriesca dal foro di riempimento.*

- 3** Assicuratevi che il serbatoio dell'acqua sia collegato saldamente al generatore di vapore in modo che l'apparecchio produca vapore.
- 4** Posizionate il tappetino d'appoggio del ferro sull'asse da stiro. (fig. 5)
- 5** Spostate verso sinistra l'interruttore a scorrimento per il blocco trasporto in modo da sganciare il ferro da stiro dal generatore di vapore. Posizionate il ferro sull'apposito tappetino.
- 6** Inserite la spina dell'alimentazione in una presa a muro con messa a terra e accendete il generatore di vapore.
- 7** Impostate la temperatura di stiratura desiderata ruotando il termostato sulla posizione appropriata (fig. 6).

*Nota La stiratura a vapore è possibile solo ad alte temperature (impostazioni della temperatura: ●● o superiore).*

**8** Girate la manopola di regolazione sull'impostazione del vapore desiderata in modo da accendere l'apparecchio. Assicuratevi che l'impostazione del vapore sia adeguata alla temperatura di stiratura selezionata (fig. 7).

- 1 Impostate il vapore sul valore ECO (impostazioni temperatura comprese tra ●● e MAX).
- 2 Impostate il vapore sul valore intermedio (temperatura compresa tra ●●● e MAX).
- 3 Impostate il vapore sul valore massimo (temperatura su MAX).

- ▶ La spia del vapore corrispondente al valore selezionato lampeggia per indicare che il generatore di vapore si sta riscaldando (fig. 8).
- ▶ Dopo circa 2 minuti, la spia del vapore emette una luce fissa per indicare che il generatore di vapore è pronto per la stiratura.

**9** Tenere premuto il pulsante del vapore mentre stirate a vapore. (fig. 9)

Per stirare senza vapore, utilizzate il ferro senza premere il relativo pulsante.

*Nota Il ferro caldo può essere appoggiato tranquillamente sul tappetino durante la stiratura. Non posizionate il tappetino con sopra il ferro su una superficie che può essere danneggiata dal calore.*

*Nota Non toccate il tappetino per un po' di tempo dopo aver rimosso il ferro caldo perché potreste scottarvi.*

### Colpo di vapore

Durante la stiratura a vapore, è possibile utilizzare la funzione colpo di vapore per rimuovere le pieghe più difficili.

- 1** Impostate il termostato su una temperatura compresa fra ●●● e MAX.
- 2** Premete il pulsante dell'emissione di vapore. (fig. 10)

Non puntate mai il getto di vapore verso le persone.

*Nota Quando si utilizza per la prima volta la funzione colpo di vapore, alcune gocce possono fuoriuscire dal ferro. L'inconveniente non si verifica più dopo avere usato questa funzione per qualche tempo.*

## Pulizia e manutenzione

### Funzione Calc-Clean

Non togliete mai il tappo del sistema Calc-Clean quando il generatore di vapore è caldo.

*Nota La pastiglia anticalcare consente di ridurre l'accumulo di calcare nel generatore di vapore. Sciacquate il generatore di vapore una volta al mese dopo 10 utilizzi per ottenere prestazioni ottimali.*

- 1 Scollegate l'apparecchio e lasciatelo raffreddare per due ore.
- 2 Rimuovete il serbatoio dell'acqua. Tenete saldamente con entrambe le mani il generatore di vapore e scuotetelo accuratamente. (fig. 11)
- 3 Sollevate lo sportellino del sistema di pulizia Calc-Clean che copre il tappo. Girate il tappo del sistema Calc-Clean in senso antiorario e rimuovetelo. (fig. 12)
- 4 Svotate il generatore di vapore nel lavandino (fig. 13).
- 5 Riempite il generatore di vapore con acqua pulita, scuotetelo accuratamente e svuotatelo nuovamente nel lavandino. (fig. 14)
- 6 Per ottenere risultati ottimali, ripetete più volte il passaggio 5.
- 7 Riavvitare saldamente il tappo del sistema Calc-Clean sul generatore di vapore e richiudete lo sportellino.
- 8 Ricollocate il serbatoio dell'acqua sul generatore di vapore.

### Conservazione

- 1 Spegner l'apparecchio e staccare la spina.
- Dopo l'uso, il tappetino d'appoggio del ferro potrebbe essere ancora caldo.
- 2 Svotate il serbatoio dell'acqua.
  - 3 Inserite la punta del ferro nel blocco trasporto(1), quindi appoggiate la parte posteriore del ferro stesso (2). (fig. 15)
  - 4 Spostare l'interruttore a scorrimento per blocco trasporto verso destra al fine di bloccare il ferro sul generatore di vapore. (fig. 16)
  - 5 GC8565/GC8560: premete il pulsante avvolgicavo per avvolgere il cavo di alimentazione.
  - 6 GC8520/GC8510: inserite il cavo all'interno dell'apposito vano.
  - 7 Avvolgete il tubo di alimentazione attorno alla base e bloccatelo con gli appositi ganci (fig. 17).
  - 8 Con una mano potete quindi trasportare l'intero apparecchio tramite l'impugnatura del ferro. (fig. 18)

Non trasportate l'apparecchio tenendolo per il pulsante di sgancio del serbatoio dell'acqua.

### Tutela dell'ambiente

- Per contribuire alla tutela dell'ambiente, non smaltite l'apparecchio insieme ai rifiuti domestici, ma consegnatelo a un centro di raccolta ufficiale (fig. 19).

### Garanzia e assistenza

Per assistenza o informazioni, o in caso di problemi, visitate il sito Web Philips all'indirizzo **www.philips.com** oppure contattate il Centro Assistenza Clienti Philips del vostro paese (per conoscere il numero di telefono consultate l'opuscolo della garanzia). Se nel vostro paese non esiste un Centro Assistenza Clienti, rivolgetevi al vostro rivenditore Philips.

### Risoluzione dei guasti

In questo capitolo vengono riportati i problemi più ricorrenti legati all'uso dell'apparecchio. Se non riuscite a risolvere i problemi con le informazioni seguenti, vi preghiamo di contattare il Centro Assistenza Clienti Philips del vostro paese.

Problema	Possibile causa	Soluzione
L'apparecchio non si scalda.	Si è verificato un problema di alimentazione.	Controllate il cavo di alimentazione, la spina e la presa a muro.
	L'apparecchio non è acceso.	Impostate la manopola di regolazione sull'opzione di vapore desiderata.
	La temperatura di stiratura selezionata è troppo bassa.	Impostate una temperatura più alta.
Alla prima accensione, l'apparecchio emette del fumo.	È del tutto normale, in quando alcune parti del ferro sono state leggermente lubrificate in fabbrica.	Dopo un po' il fenomeno non si verifica più.
Dall'apparecchio fuoriesce un rumore di pompaggio.	L'acqua viene pompata nella caldaia all'interno del generatore di vapore. È un fenomeno normale.	Tuttavia se il rumore di pompaggio non cessa, spegnete immediatamente l'apparecchio e scollegatelo dalla presa. Contattate un centro di assistenza Philips autorizzato.
L'apparecchio non produce vapore.	Non c'è abbastanza acqua nel serbatoio.	Riempite il serbatoio dell'acqua.
	Il generatore di vapore non è abbastanza caldo per produrre vapore.	Attendete fino a che la spia dell'impostazione del vapore non rimane fissa.
	Non state premendo il pulsante del vapore.	Tenete premuto il pulsante del vapore mentre stirate a vapore.
	Il serbatoio dell'acqua non è posizionato correttamente sull'apparecchio.	Reinserite il serbatoio dell'acqua nel generatore di vapore facendolo scattare in posizione.
	Il vapore supercaldo (cioè di alta qualità) è difficile da vedere, soprattutto quando il termostato è stato impostato sulla posizione massima e ancora più se la temperatura esterna è piuttosto elevata.	Per verificare se il ferro produce realmente vapore, impostate l'apparecchio su una temperatura più bassa compresa tra ●● e ●●●● per rendere più visibile il vapore.



Problema	Possibile causa	Soluzione
	L'apparecchio non è acceso.	Impostate la manopola di regolazione sull'opzione di vapore desiderata.
Dalla piastra fuoriescono goccioline d'acqua.	Quando iniziate a stirare a vapore e successivamente interrompete per qualche momento la stiratura, il vapore presente nel tubo si raffredda e si trasforma in acqua, che causa la fuoriuscita di goccioline dalla piastra.	È un fenomeno del tutto normale: tenete il ferro su un panno e premete il pulsante del vapore. Il panno assorbe le gocce d'acqua e dopo alcuni secondi l'erogazione del vapore si stabilizza.
	Il termostato è stato impostato su una temperatura troppo bassa per la stiratura a vapore.	Selezionate una temperatura adatta per la stiratura a vapore (impostazioni temperatura da ●● a MAX).
Durante la stiratura rimangono zone bagnate sui tessuti.	Le zone bagnate compaiono talvolta sui tessuti dopo la stiratura a vapore perché il vapore si condensa sull'asse da stiro.	Passate più volte il ferro sulle zone bagnate senza erogare vapore per asciugarle. Se la parte inferiore dell'asse da stiro è bagnata, asciugatela con un panno asciutto.
Dall'apparecchio fuoriesce acqua.	Se il generatore di vapore viene inclinato durante il trasporto o posizionato su una superficie irregolare quando il serbatoio dell'acqua è pieno, è possibile che si verifichino delle perdite.	Non inclinate l'apparecchio quando il serbatoio dell'acqua è pieno.
Quando viene utilizzata la funzione colpo di vapore, sugli indumenti compaiono delle gocce di acqua.	Le gocce di acqua che si formano sugli indumenti sono dovute alla condensa che si crea nel tubo del vapore. Quando il tubo si raffredda, anche il vapore ancora presente al suo interno si raffredda e si trasforma in acqua.	Quando avrete utilizzato la funzione colpo di vapore più volte, queste gocce non si formeranno più.
Dalla piastra fuoriescono impurità e residui di calcare oppure la piastra è sporca.	Le impurità o le sostanze chimiche presenti nell'acqua si sono depositate sui fori di fuoriuscita del vapore e/o sulla piastra.	Pulite la piastra con un panno umido.
	All'interno del generatore di vapore si è accumulata una quantità eccessiva di calcare e minerali.	Sciacquate il generatore di vapore (vedere il capitolo "Pulizia e manutenzione").
Il tubo del vapore si surriscalda durante l'utilizzo.	Questo fenomeno è normale, dato che il vapore vi passa attraverso durante la stiratura.	Posizionate il tubo del vapore sul lato opposto dell'asse da stiro, in modo da non toccarlo durante la stiratura.

Problema	Possibile causa	Soluzione
Non posso appoggiare il ferro in posizione verticale.	Il ferro non può essere posizionato in verticale perché è dotato di un design ergonomico che riduce lo sforzo del polso (vedere il capitolo "Introduzione").	Posizionate il ferro in orizzontale sul tappetino d'appoggio termoresistente.
Solo GC8565/ GC8560: il cavo non si avvolge completamente quando viene premuto il pulsante di riavvolgimento.	Il cavo si è incastrato durante la fase di riavvolgimento.	Estraete una parte del cavo dall'apparecchio e premete nuovamente il pulsante di riavvolgimento.

## Inleiding

Gefeliciteerd met uw aankoop en welkom bij Philips! Als u volledig wilt profiteren van de ondersteuning die Philips biedt, registreer uw product dan op [www.philips.com/welcome](http://www.philips.com/welcome).

### Twee stappen voor ergonomisch strijken

- 1 Ergonomisch ontwerp van het strijkijzer (fig. 1)  
Het schuin oplopende handvat zorgt voor een comfortabele houding van de pols.
- 2 Ergonomische strijkijzermat (fig. 2)  
De belasting op uw pols wordt verminderd dankzij de strijkijzermat, die het mogelijk maakt het strijkijzer horizontaal op de strijkplank te plaatsen.

Gebruik de strijkijzermat alleen op een strijkplank. Gebruik de mat nooit op een oppervlak dat niet hittebestendig is.

## Algemene beschrijving (fig. 3)

- A** Stoomstootknop
- B** Temperatuurlampje
- C** Handvat
- D** Temperatuurregelaar
- E** Stoomtoevoerslang
- F** Zoolplaat
- G** Stoomhendel
- H** Temperatuurindicator
- I** Strijkijzerplateau
- J** Uitneembaar waterreservoir
- K** Calc-Clean-spoelflap
- L** Calc-Clean-spoeldop
- M** Hendel om waterreservoir te ontgrendelen
- N** Vulopening
- O** Maximumniveau-aanduiding
- P** Antikalktablethouder
- Q** Hittebestendige strijkijzermat
- R** Draagvergrendeling
- S** Draagvergrendelingsknop
- T** Aan/uitknop met stoomregeling (ECO, matige en hoge stoomstand)
- U** 'Waterreservoir leeg'-lampje
- V** Opberghaak voor toevoerslang
- W** Snoeropwindknop (alleen GC8565/GC8560)
- X** Netsnoer met stekker
- Y** Snoeropbergruimte (alleen GC8520/GC8510)

## Belangrijk

Lees deze gebruiksaanwijzing zorgvuldig door voordat u het apparaat gaat gebruiken. Bewaar de gebruiksaanwijzing om deze indien nodig te kunnen raadplegen.

### Gevaar

- Dompel het strijkijzer of de stoomgenerator nooit in water.

### Waarschuwing

- Controleer of het voltage aangegeven op het typeplaatje overeenkomt met de plaatselijke netspanning voordat u het apparaat aansluit.
- Gebruik het apparaat niet indien de stekker, het netsnoer, de toevoerslang of het apparaat zelf zichtbaar beschadigd is. Gebruik het apparaat ook niet meer als het is gevallen of als het lekt.

- Indien het netsnoer of de toevoerslang beschadigd is, moet deze worden vervangen door Philips, een door Philips geautoriseerd servicecentrum of personen met vergelijkbare kwalificaties om gevaar te voorkomen.
- Laat het apparaat nooit onbeheerd achter terwijl het op netspanning is aangesloten.
- Dit apparaat is niet bedoeld voor gebruik door personen (waaronder kinderen) met verminderde lichamelijke, zintuiglijke of geestelijke vermogens, of die gebrek aan ervaring of kennis hebben, tenzij iemand die verantwoordelijk is voor hun veiligheid toezicht op hen houdt of hun heeft uitgelegd hoe het apparaat dient te worden gebruikt.
- Houd toezicht op jonge kinderen om te voorkomen dat ze met het apparaat gaan spelen.
- Voorkom dat het netsnoer of de toevoerslang in aanraking komt met de hete zoolplaat van het strijkijzer.
- Als er stoom van onder de Calc-Clean-spoeldop komt tijdens het opwarmen, schakel het apparaat dan uit en draai de Calc-Clean-spoeldop verder vast. Als er stoom blijft ontsnappen tijdens het opwarmen, schakel het apparaat dan uit en neem contact op met een door Philips geautoriseerd servicecentrum.
- Verwijder de Calc-Clean-spoeldop niet van de stoomgenerator als de stoomgenerator nog heet is of nog onder druk staat.
- Gebruik geen andere kap op de stoomgenerator dan de bij het apparaat geleverde Calc-Clean-spoeldop.
- Plaats het ingeschakelde strijkijzer niet voor langere tijd op de hittebestendige strijkijzermat. Gebruik de hittebestendige strijkijzermat alleen om het strijkijzer kort op te zetten tijdens het strijken.

### Let op

- Sluit het apparaat alleen aan op een geaard stopcontact.
- Controleer regelmatig of het netsnoer en de toevoerslang niet beschadigd zijn.
- Plaats en gebruik het strijkijzer en de stoomgenerator altijd op een stabiele, vlakke en horizontale ondergrond.
- Wikkel het netsnoer volledig af voordat u de stekker in het stopcontact steekt.
- Het strijkijzerplateau en de zoolplaat van het strijkijzer kunnen zeer heet worden en bij aanraking brandwonden veroorzaken. Als u de stoomgenerator wilt verplaatsen, raak dan het strijkijzerplateau niet aan.
- Als u klaar bent met strijken, als u het apparaat schoonmaakt, als u de stoomgenerator vult of leegt en als u bij het strijkijzer wegloopt (al is het maar even): zet het strijkijzer op de hittebestendige strijkijzermat, schakel het apparaat uit en haal de stekker uit het stopcontact.
- Spoel de stoomgenerator regelmatig schoon zoals beschreven in hoofdstuk 'Schoonmaken en onderhoud'.
- Dit apparaat is uitsluitend bedoeld voor huishoudelijk gebruik.

### Elektromagnetische velden (EMV)

Dit Philips-apparaat voldoet aan alle richtlijnen met betrekking tot elektromagnetische velden (EMV). Mits het apparaat op de juiste wijze en volgens de instructies in deze gebruiksaanwijzing wordt gebruikt, is het veilig te gebruiken volgens het nu beschikbare wetenschappelijke bewijs.

## Het apparaat gebruiken

### Stoomstrijken

**1** Plaats de stoomgenerator op een stabiele en vlakke ondergrond, bijvoorbeeld het harde deel van de strijkplank of een tafel.

**2** Zorg ervoor dat er voldoende water in het waterreservoir zit (fig. 4).

U kunt het waterreservoir op ieder moment tijdens het gebruik verwijderen en vullen. Vul het waterreservoir voordat u het apparaat voor de eerste keer gebruikt en zodra het 'Waterreservoir leeg'-lampje knippert.

Doe geen heet water, reukstof, azijn, stijfsel, ontkalkers, strijkconcentraat of andere chemicaliën in het waterreservoir.

*Opmerking: Als het kraanwater in uw woongebied erg hard is, raden wij u aan het kraanwater te mengen met een gelijke hoeveelheid gedistilleerd water.*

*Opmerking: Kantel of schud de stoomgenerator niet als het waterreservoir vol is; er kan water uit de vulopening lopen.*

- 3** Zorg ervoor dat het waterreservoir stevig aan de stoomgenerator is bevestigd, anders produceert het strijkijzer geen stoom.
- 4** Plaats de strijkijzermat op de strijkplank. (fig. 5)
- 5** Schuif de draagvergrendelingsknop naar links om het strijkijzer los te koppelen van de stoomgenerator. Plaats het strijkijzer op de strijkijzermat.
- 6** Steek de stekker in een geaard stopcontact en schakel de stoomgenerator in.
- 7** Stel de vereiste strijktemperatuur in door de temperatuurregelaar naar de juiste stand te draaien (fig. 6).

*Opmerking: Stoomstrijken is alleen mogelijk bij hogere strijktemperaturen (temperatuurstand ●● of hoger).*

- 8** Draai de aan/uitknop naar de gewenste stoomstand om het apparaat in te schakelen. Zorg dat de stoomstand geschikt is voor de gekozen strijktemperatuur (fig. 7).
  - 1 Instellen op ECO-stoom (temperatuurstand ●● tot MAX).
  - 2 Instellen op matige stoom (temperatuurstand ●●● tot MAX).
  - 3 Instellen op maximale stoom (temperatuurstand tot MAX).
  - ▶ Het bijbehorende stoomlampje knippert om aan te geven dat de stoomgenerator aan het opwarmen is (fig. 8).
  - ▶ Na ongeveer 2 minuten blijft het stoomlampje onafgebroken branden om aan te geven dat de stoomgenerator gereed is voor stoomstrijken.

- 9** Houd de stoomhendel tijdens het stoomstrijken ingedrukt. (fig. 9)  
Als u zonder stoom wilt strijken, druk dan de stoomhendel niet in.

*Opmerking: U kunt tijdens het strijken het hete strijkijzer veilig op de strijkijzermat plaatsen. Plaats de mat met het hete strijkijzer echter niet op een oppervlak dat door hitte kan verschroeien.*

*Opmerking: Raak de strijkijzermat enige tijd nadat u het strijkijzer hebt verwijderd niet aan, aangezien de mat heet is.*

### Stoomstootfunctie

Tijdens het stoomstrijken kunt u de stoomstootfunctie gebruiken om hardnekkige vouwen te verwijderen.

- 1** Zet de temperatuurregelaar op een stand tussen ●●● en MAX.
- 2** Druk op de stoomstootknop. (fig. 10)

Richt de stoom nooit op mensen.

*Opmerking: Er kunnen waterdruppels verschijnen wanneer u de stoomstootfunctie voor de eerste keer gebruikt. De waterdruppels verdwijnen vanzelf nadat u de stoomstootfunctie enige tijd hebt gebruikt.*

**Schoonmaken en onderhoud****Calc-Clean-functie**

Verwijder nooit de Calc-Clean-spoeldop wanneer de stoomgenerator heet is.

*Opmerking: De antikalktablet helpt kalkvorming in de stoomgenerator te verminderen. Spoel de stoomgenerator één keer per maand of na 10 keer gebruik schoon om een optimale stoomproductie te garanderen.*

- 1** Haal de stekker uit het stopcontact en laat het apparaat 2 uur afkoelen.
- 2** Verwijder het uitneembare waterreservoir. Houd de stoomgenerator met beide handen vast en schud deze goed heen en weer. (fig. 11)
- 3** Open de Calc-Clean-spoelflap die de Calc-Clean-spoelknop bedekt. Draai de Calc-Clean-spoelknop linksom en verwijder deze. (fig. 12)
- 4** Leeg de stoomgenerator in de gootsteen (fig. 13).
- 5** Vul de stoomgenerator met schoon water, schud de generator goed heen en weer en leeg deze weer in de gootsteen. (fig. 14)
- 6** Herhaal stap 5 enkele keren voor het beste resultaat.
- 7** Schroef de Calc-Clean-spoelknop stevig terug op de stoomgenerator en plaats de Calc-Clean-spoelflap terug.
- 8** Plaats het waterreservoir terug in de stoomgenerator.

**Opbergen**

- 1** Schakel het apparaat uit en haal de stekker uit het stopcontact.
- Wees voorzichtig met de strijkijzermat. Deze kan na gebruik nog heet zijn.
- 2** Leeg het waterreservoir.
  - 3** Plaats de punt van het strijkijzer in de draagvergrendeling (1) en druk vervolgens de achterkant van het strijkijzer (2) omlaag. (fig. 15)
  - 4** Schuif de draagvergrendelingsknop naar rechts om het strijkijzer op de stoomgenerator te vergrendelen. (fig. 16)
  - 5** GC8565/GC8560: druk op de snoeropwindknop om het netsnoer op te winden.
  - 6** GC8520/GC8510: duw het snoer netjes in de snoeropbergruimte.
  - 7** Wikkel de toevoerslang rondom de voet en zet de slang vast binnen de snoeropberghaken (fig. 17).
  - 8** U kunt het hele apparaat nu eenvoudig met één hand dragen aan het handvat van het strijkijzer. (fig. 18)

Draag het apparaat niet door de ontgrendelhendel van het waterreservoir vast te houden.

**Milieu**

- Gooi het apparaat aan het einde van zijn levensduur niet weg met het normale huisvuil, maar lever het in op een door de overheid aangewezen inzamelpunt om het te laten recyclen. Op die manier levert u een bijdrage aan een schonere leefomgeving (fig. 19).

### Garantie & service

Als u service of informatie nodig hebt of als u een probleem hebt, bezoek dan de Philips-website ([www.philips.nl](http://www.philips.nl)) of neem contact op met het Philips Consumer Care Centre in uw land (u vindt het telefoonnummer in het 'worldwide garantie'-vouwblad). Als er geen Consumer Care Centre in uw land is, ga dan naar uw Philips-dealer.

### Problemen oplossen

Dit hoofdstuk behandelt in het kort de problemen die u kunt tegenkomen tijdens het gebruik van het apparaat. Als u er niet in slaagt het probleem op te lossen met behulp van de onderstaande informatie, neem dan contact op met het Consumer Care Centre in uw land.

Probleem	Mogelijke oorzaak	Oplossing
Het apparaat wordt niet heet.	Er is een aansluitprobleem.	Controleer het netsnoer, de stekker en het stopcontact.
	Het apparaat is niet ingeschakeld.	Stel de aan/uitknop met de stoomregeling in op een stoomstand.
	De ingestelde strijkt temperatuur is te laag.	Stel een hogere strijkt temperatuur in.
Er komt rook uit het apparaat nadat ik het voor de eerste keer heb ingeschakeld.	Dit is normaal. Sommige onderdelen van het apparaat zijn licht ingeget in de fabriek.	Dit verschijnsel zal vrij snel verdwijnen.
Het apparaat maakt een pompend geluid.	Er wordt water in de boiler van de stoomgenerator gepompt. Dit is normaal.	Als het pompende geluid echter niet stopt, schakel het apparaat dan onmiddellijk uit en haal de stekker uit het stopcontact. Neem contact op met een door Philips geautoriseerd servicecentrum.
Het apparaat produceert geen stoom.	Er zit niet voldoende water in het waterreservoir.	Vul het waterreservoir.
	De stoomgenerator is niet warm genoeg om stoom te produceren.	Wacht totdat het stoomlampje onafgebroken blijft branden.
	U drukt niet op de stoomhendel.	Houd de stoomhendel tijdens het stoomstrijken ingedrukt.
	Het waterreservoir is niet goed in het apparaat geplaatst.	Schuif het waterreservoir stevig terug in de stoomgenerator ('klik').
	Oververhitte (d.w.z. hoogwaardige) stoom is vrijwel onzichtbaar, vooral wanneer de temperatuurregelaar op MAX staat. De stoom is zelfs nog minder goed zichtbaar wanneer de omgevingstemperatuur relatief hoog is.	Om te zien of het strijkijzer werkelijk stoom produceert, stelt u de temperatuur in op een stand tussen ●● en ●●●. De stoom is op deze stand beter zichtbaar.

Probleem	Mogelijke oorzaak	Oplossing
	Het apparaat is niet ingeschakeld.	Stel de aan/uitknop met de stoomregeling in op een stoomstand.
Er komen waterdruppeltjes uit de zoolplaat.	Wanneer u begint te stoomstrijken of doorgaat met stoomstrijken na een onderbreking, zal de stoom die nog in de slang aanwezig was, afgekoeld en gecondenseerd zijn. Hierdoor komen er waterdruppeltjes uit de zoolplaat.	Dit is normaal. Houd het strijkijzer boven een oude lap en druk de stoomhendel in. De lap absorbeert de druppels. Na enkele seconden zal er dan weer stoom in plaats van water uit de zoolplaat komen.
	Mogelijk staat de temperatuurregelaar op een temperatuur die te laag is voor stoomstrijken.	Stel een strijktemperatuur in die geschikt is voor stoomstrijken (temperatuurstanden ●● tot MAX).
Tijdens het strijken ontstaan er natte plekken op de kleding.	De natte plekken die op uw kleding ontstaan nadat u enige tijd aan het stoomstrijken bent geweest, worden veroorzaakt door stoom die op de strijkplank is gaan condenseren.	Strijk de natte plekken enkele keren zonder stoom om ze te drogen. Als de onderzijde van de strijkplank nat is, veeg het vocht dan weg met een droge doek.
Er lekt water uit het apparaat.	Als u de stoomgenerator tijdens vervoer kantelt of op een niet-vlakke ondergrond plaatst als het waterreservoir vol is, kan er water uit het waterreservoir lopen.	Kantel het apparaat niet als het waterreservoir vol is.
Er verschijnen watervlekken op de kleding wanneer ik de stoomstootfunctie gebruik.	De watervlekken op uw kleding zijn het gevolg van condens in de toevoerslang. Wanneer de toevoerslang is afgekoeld, is ook de stoom die nog in de slang aanwezig was, afgekoeld en gecondenseerd.	Wanneer u de stoomstootfunctie gedurende enige tijd hebt gebruikt, zullen er geen waterdruppels meer uit het apparaat komen.
Er komen schilfertjes en verontreinigingen uit de zoolplaat of de zoolplaat is vuil.	Onzuiverheden of chemicaliën in het water hebben zich afgezet in de stoomgaatjes van de zoolplaat en/of op de zoolplaat zelf.	Maak de zoolplaat schoon met een vochtige doek.
	Er hebben zich te veel kalkdeeltjes en mineralen opgehoopt in de stoomgenerator.	Spoel de stoomgenerator regelmatig schoon (zie hoofdstuk 'Schoonmaken en onderhoud').
De stoomtoevoerslang wordt warm tijdens het strijken.	Dit is normaal. Tijdens stoomstrijken komt er stoom door de stoomtoevoerslang.	Plaats de stoomtoevoerslang aan de andere kant van de strijkplank, zodat uw handen tijdens het strijken niet in aanraking komen met de slang.



Probleem	Mogelijke oorzaak	Oplossing
Ik kan het strijkijzer niet op zijn achterkant zetten.	U kunt het strijkijzer niet op zijn achterkant zetten vanwege het ergonomische ontwerp dat de belasting op uw pols vermindert (zie hoofdstuk 'Inleiding').	Zet het strijkijzer horizontaal op de hittebestendige strijkijzermat.
Alleen GC8565/ GC8560: het snoer wordt niet volledig opgewikkeld als ik op de snoeropwindknop druk.	Het snoer is vastgelopen tijdens het opwinden.	Trek het snoer een stukje uit het apparaat en druk nogmaals op de snoeropwindknop.

### Innledning

Gratulerer med kjøpet og velkommen til Philips! Du får best mulig nytte av støtten som Philips tilbyr; hvis du registrerer produktet ditt på [www.philips.com/welcome](http://www.philips.com/welcome).

#### To trinn for ergonomisk stryking

1 Ergonomisk strykejernutforming (fig. 1)

Håndtaket skråner oppover; noe som gir en behagelig stilling for håndleddet.

2 Ergonomisk hvilematte for strykejernet (fig. 2)

Hvis du vil redusere belastningen på håndleddet, gjør hvilematten det mulig for deg å plassere strykejernet horisontalt på strykebrettet.

Hvilematten skal bare brukes på et strykebrett. Den må aldri brukes på en overflate som ikke er varmebestandig.

### Generell beskrivelse (fig. 3)

- A** Dampstøt knapp
- B** Temperaturlampe
- C** Håndtak
- D** Temperaturbryter
- E** Dampslange
- F** Strykesåle
- G** Dampbryter
- H** Temperaturindikator
- I** Strykejernplattform
- J** Avtakbar vannbeholder
- K** Klaff for Calc-Clean-rens
- L** Lokk for Calc-Clean-rens
- M** Utløserhendel for vannbeholder
- N** Påfyllingshull
- O** Merke for maks.nivå
- P** Antikalktabletholder
- Q** Varmebestandig hvilematte for strykejernet
- R** Bærelås
- S** Bærelåsspor
- T** Knapp med dampkontroll (dampinnstillinger for ECO, moderat og høy)
- U** Lampe som lyser når vannbeholderen er tom
- V** Oppbevaringsbrakett for slange
- W** Knapp for innrulling av ledning (kun GC8565/GC8560)
- X** Ledning med støpsel
- Y** Oppbevaringsrom for ledning (kun GC8520/GC8510)

### Viktig

Les denne brukerveiledningen nøye før du bruker apparatet, og ta vare på den for senere referanse.

#### Fare

- Senk aldri strykejernet eller dampgeneratoren ned i vann.

#### Advarsel

- Kontroller at spenningen som er angitt på merkeplaten, er den samme som nettspenningen, før du kobler til apparatet.
- Ikke bruk apparatet hvis støpselet, strømledningen, slangen eller selve apparatet har synlig skade, eller hvis apparatet har falt i gulvet eller lekker.

- Hvis ledningen eller slangen er ødelagt, må den alltid skiftes ut av Philips, et servicesenter godkjent av Philips eller liknende kvalifisert personell, slik at man unngår farlige situasjoner.
- La aldri apparatet stå uten tilsyn når det er koblet til strømmettet.
- Dette apparatet er ikke tiltenkt bruk av personer (inkludert barn) som har nedsatt sanseevne eller fysisk eller psykisk funksjonsevne, eller personer som ikke har erfaring eller kunnskap, unntatt hvis de får tilsyn eller instruksjoner om bruk av apparatet av en person som er ansvarlig for sikkerheten.
- Pass på at barn er under tilsyn, slik at de ikke leker med apparatet.
- Ikke la ledningen og slangen komme i kontakt med den varme strykesålen på strykejernet.
- Hvis det kommer damp ut fra lokket på Calc-Clean-rensen når apparatet varmes opp, slår du av apparatet og skrur lokket på Calc-Clean-rensen bedre fast. Hvis det fortsatt kommer ut damp, slår du av apparatet og tar kontakt med et servicesenter som er godkjent av Philips.
- Ikke fjern lokket for Calc-Clean-rens fra dampgeneratoren når dampgeneratoren fremdeles er varm eller under trykk.
- Ikke bruk noe annet lokk på dampgeneratoren enn lokket for Calc-Clean-rens som følger med apparatet.
- Ikke la det påslåtte strykejernet stå på den varmebestandige hvilematten for strykejern i lange perioder om gangen. Bruk den varmebestandige hvilematten for strykejern til å sette fra deg strykejernet en kort stund mens du stryker tøy.

### Viktig

- Bruk kun jordet stikkontakt til dette apparatet.
- Kontroller ledningen og slangen regelmessig for eventuelle skader.
- Plasser og bruk alltid strykejernet og dampgeneratoren på en stabil, jevn og vannrett overflate.
- Dra ledningen helt ut før du setter støpselet i stikkontakten.
- Strykejernplattformen og strykesålen kan bli svært varme, og kan forårsake brannskår ved berøring. Hvis du vil flytte dampgeneratoren, må du ikke berøre plattformen.
- Når du er ferdig med å stryke, når du rengjør apparatet, når du fyller eller tømmer dampgeneratoren, og når du setter fra deg strykejernet et øyeblikk, bør du sette strykejernet på den varmebestandige hvilematten, slå av apparatet og ta støpselet ut av stikkontakten.
- Skyll dampgeneratoren regelmessig i henhold til instruksjonene i avsnittet Rengjøring og vedlikehold.
- Dette apparatet skal kun brukes i husholdningen.

### Elektromagnetiske felt (EMF)

Dette Philips-apparatet overholder alle standarder som gjelder for elektromagnetiske felt (EMF). Hvis det håndteres riktig og i samsvar med instruksjonene i denne brukerveiledningen, er det trygt å bruke det ut fra den kunnskapen vi har per dags dato.

## Bruke apparatet

### Dampstryking

**1** Sett dampgeneratoren på en stabil og jevn overflate, for eksempel på den harde delen av strykebrettet eller på et bord.

**2** Kontroller at det er nok vann i vannbeholderen (fig. 4).

Du kan ta av og fylle vannbeholderen når som helst under strykingen.

Fyll vannbeholderen før første gangs bruk, og så snart lampen for tom vannbeholder blinker:

**Ikke ha varmt vann, parfyme, eddik, stivelse, avkalkingsmidler, strykemidler eller andre kjemikalier i vannbeholderen.**

*Merk: Hvis vannet i springen der du bor er veldig hardt, anbefaler vi å bruke like deler med vann fra springen og demineralisert vann.*

*Merk: Du må ikke vippe eller riste dampgeneratoren når vannbeholderen er full. Hvis du gjør det, kan vannet renne ut av påfyllingshullet.*

- 3** Kontroller at vannbeholderen er godt festet til dampgeneratoren. Hvis ikke produserer ikke strykejernet damp.
- 4** Plasser hvilematten for strykejernet på strykebrettet. (fig. 5)
- 5** Skyv bærelås Bryteren til venstre for å løse strykejernet fra dampgeneratoren. Plasser strykejernet på hvilematten.
- 6** Sett støpselet i en jordet stikkontakt, og slå på dampgeneratoren.
- 7** Når du vil stille inn ønsket stryketemperatur, vrir du temperaturvelgeren til riktig posisjon (fig. 6).

*Merk: Dampstryking er bare mulig ved høye stryketemperaturer (temperaturinnstillingene ●● eller høyere).*

- 8** Vri knappen til ønsket dampinnstilling for å slå på apparatet. Kontroller at dampinnstillingen passer til den valgte stryketemperaturen (fig. 7).
  - 1 Angi ECO-damp (temperaturinnstillingene ●● til MAX).
  - 2 Angi moderat damp (temperaturinnstillingene ●●● til MAX).
  - 3 Angi maksimal damp (temperaturinnstillingen MAX).
  - ▶ Den tilsvarende damplampen blinker for å vise at dampgeneratoren varmes opp (fig. 8).
  - ▶ Etter ca. to minutter lyser lampen kontinuerlig for å vise at dampgeneratoren er klar for dampstryking.

- 9** Trykk på dampbryteren og hold den inne mens du stryker med damp. (fig. 9)  
Hvis du vil stryke uten damp, bruker du bare strykejernet uten å trykke på dampbryteren.

*Merk: Du kan trygt sette det varme strykejernet på hvilematten når du stryker. Ikke plasser matten med et varmt strykejern på en overflate som kan få merke av varme.*

*Merk: Ikke berør hvilematten på en stund etter at du har tatt vekk det varme strykejernet. Matten holder seg varm en stund.*

### Dampstøtfunksjon

Under dampstryking kan du bruke dampstøtfunksjonen for å fjerne vanskelige skrukker.

- 1** Sett temperaturvelgeren til en innstilling mellom ●●● og MAX.
- 2** Trykk på dampstøt-knappen. (fig. 10)

Du må aldri rette dampen mot mennesker.

*Merk: Noen vanndråper kan komme når du bruker dampstøtfunksjonen for første gang. Vanndråpene forsvinner når du har brukt dampstøtfunksjonen en stund.*

## Rengjøring og vedlikehold

### Kalkrensfunksjon

Du må ikke ta av lokket for Calc-Clean-rens når dampgeneratoren er varm.

*Merk: Antikalktablett bidrar til å redusere kalkbelegg i dampgeneratoren. Skyll dampgeneratoren én gang i måneden eller etter hver tiende gangs bruk for optimal dampytelse.*

- 1** Koble fra apparatet og la det avkjøles i to timer.

- 2 Fjern den avtakbare vannbeholderen. Hold dampgeneratoren med begge hender, og rist den godt. (fig. 11)
- 3 Åpne klaffen for Calc-Clean-rens som dekker lokket for Calc-Clean-rens. Vri lokket for Calc-Clean-rens mot klokken, og ta det av. (fig. 12)
- 4 Hell ut innholdet i dampgeneratoren i vasken (fig. 13).
- 5 Fyll dampgeneratoren med rent vann, rist godt og tøm den i vasken igjen. (fig. 14)
- 6 Gjenta trinn 5 et par ganger for å få best resultat.
- 7 Skru lokket for Calc-Clean-rens godt på dampgeneratoren, og sett på plass klaffen for Calc-Clean-rens.
- 8 Sett vannbeholderen tilbake i dampgeneratoren.

### Lagring

- 1 Slå apparatet av, og trekk ut støpselet fra stikkkontakten.  
Vær forsiktig med hvilematten for strykejernet. Den kan være svært varm etter bruk.
- 2 Tøm vannbeholderen.
- 3 Sett tuppen på strykejernet inn i bærelåsen (1), og sett deretter ned bakstykket på strykejernet (2). (fig. 15)
- 4 Skyv bærelåssporet til høyre for å feste strykejernet til dampgeneratoren. (fig. 16)
- 5 GC8565/GC8560: Trykk på knappen for innrulling av ledningen.
- 6 GC8520/GC8510: Legg ledningen inn i oppbevaringsrommet for ledningen.
- 7 Kveil slangen rundt sokkelen, og fest den med oppbevaringskrokene (fig. 17).
- 8 Du kan nå enkelt bære hele apparatet med én hånd, ved hjelp av håndtaket på strykejernet. (fig. 18)

Ikke bær apparatet ved å holde i utløserhendelen for vannbeholderen.

### Miljø

- Ikke kast apparatet som vanlig husholdningsavfall når det ikke kan brukes lenger. Lever det på en gjenvinningsstasjon. Slik bidrar du til å ta vare på miljøet (fig. 19).

### Garanti og service

Hvis du trenger service eller informasjon, eller hvis du har et problem med produktet, kan du gå til nettsidene til Philips på [www.philips.com](http://www.philips.com). Du kan også ta kontakt med Philips' forbrukertjeneste der du bor (du finner telefonnummeret i garantiheftet). Hvis det ikke finnes noen forbrukertjeneste i nærheten, kan du kontakte din lokale Philips-forhandler.

### Feilsøking

Dette avsnittet oppsummerer de vanligste problemene som kan oppstå med apparatet. Hvis du ikke klarer å løse problemet med informasjonen nedenfor, kan du ta kontakt med Philips' forbrukertjeneste der du bor.

Problem	Mulig årsak	Løsning
Apparatet blir ikke varmt.	Det er problemer med tilkoblingen.	Undersøk ledningen, støpslet og stikkontakten.
	Apparatet er ikke på.	Sett knappen med dampkontroll til en dampinnstilling.
Det kommer noe røyk ut av apparatet når jeg har slått det på for første gang.	Den innstilte stryketemperaturen er for lav.	Still inn en høyere stryketemperatur.
	Dette er normalt. Noen av delene på apparatet er smurt på fabrikken.	Dette slutter etter en liten stund.
Apparatet lager en pumpelyd.	Vann pumpes inn i kokeren på innsiden av dampgeneratoren. Dette er normalt.	Hvis pumpelyden fortsetter uavbrutt, må du slå av apparatet umiddelbart og koble det fra strømmen. Ta kontakt med et autorisert Philips-servicesenter.
Apparatet avgir ikke damp.	Det er ikke nok vann i vannbeholderen.	Fyll vannbeholderen.
	Dampgeneratoren er ikke varm nok til å produsere damp.	Vent til lampen for dampinnstillingen lyser kontinuerlig.
	Du trykker ikke på dampbryteren.	Trykk på dampbryteren og hold den inne mens du stryker med damp.
	Vannbeholderen er ikke plassert riktig i apparatet.	Sett vannbeholderen ordentlig tilbake på dampgeneratoren (du skal høre et klikk).
	Overhetet damp (dvs. damp av høy kvalitet) er nesten usynlig, særlig når temperaturvelgeren er satt i maksimalstillingen og romtemperaturen er forholdsvis høy.	Når du vil kontrollere om strykejernet virkelig produserer damp, setter du strykejernet til en lavere temperaturinnstilling, mellom ●● og ●●● for mer synlig damp.
	Apparatet er ikke på.	Sett knappen med dampkontroll til en dampinnstilling.
Det kommer vandrdåper ut av strykesålen.	Når du begynner å stryke med damp, og når du fortsetter dampstryking etter en pause, har damp som befant seg i slangen, blitt avkjølt og blitt til kondens. Dette fører til at det kommer vandrdåper ut av strykesålen.	Dette er normalt. Hold strykejernet over en gammel fille, og trykk på dampbryteren. Fillen absorberer dråpene. Etter noen sekunder kommer det damp i stedet for vann ut av strykesålen.
	Temperaturbryteren er satt til en temperatur som er for lav til dampstryking.	Velg en stryketemperatur som er egnet for dampstryking (temperaturinnstillingene ●● til MAX).

Problem	Mulig årsak	Løsning
Våte flekker vises på plagget under strykingen.	De våte flekkene som vises på plagget når du har strøket med damp en stund, kan komme av damp som har kondensert på strykebrettet.	Stryk de våte flekkene uten damp en liten stund for å tørke dem. Hvis undersiden av strykebrettet er vått, må du tørke den med en tørr klut.
Det lekker vann fra apparatet.	Hvis du vipper dampgeneratoren under transport eller plasserer den på en ujevn overflate når vannbeholderen er full, kan det søles vann ut av vannbeholderen.	Ikke vipp apparatet når vannbeholderen er full.
Vannflekker vises på plagget når jeg bruker dampstøtfunksjonen.	Vannflekkene på plagget er kondensering i slangen. Når slangen kjøles ned, kjøles gjenværende damp også ned og blir til kondens.	Vanndråpene slutter å komme ut av apparatet når du har brukt dampstøtfunksjonen en liten stund.
Flak og andre urenheter kommer ut av strykesålen eller strykesålen er skitten.	Urenheter eller kjemikalier i vannet har avleiret seg i dampventilene og/eller på strykesålen.	Rengjør strykesålen med en fuktig klut.
	Det er lagret for mye kalk og mineraler inni dampgeneratoren.	Skyll dampbeholderen regelmessig (se avsnittet Rengjøring og vedlikehold).
Dampslangen er varm under strykingen.	Dette er normalt siden damp går gjennom dampslangen under strykingen.	Plasser dampslangen på motsatt side av strykebrettet på en slik måte at hånden din ikke kommer i kontakt med slangen under strykingen.
Jeg kan ikke sette strykejernet i oppreist stilling.	Strykejernet kan ikke settes i oppreist stilling fordi det har en ergonomisk design som reduserer belastningen på håndleddet (se avsnittet Innledning).	Plasser strykejernet horisontalt på den varmebestandige hvilematten for strykejernet.
Kun GC8565/ GC8560: Ledningen rulles ikke helt inn når jeg trykker på knappen for innrulling av ledning.	Ledningen satte seg fast under innrulling.	Trekk en liten del av ledningen ut av apparatet, og trykk på knappen for innrulling av ledning igjen.

### Introdução

Parabéns pela sua compra e bem-vindo à Philips! Para tirar todo o partido da assistência fornecida pela Philips, registre o seu produto em [www.philips.com/welcome](http://www.philips.com/welcome).

#### Dois passos para um engomar ergonómico

1 Design ergonómico do ferro (fig. 1)

O punho com inclinação para cima assegura uma posição confortável do pulso.

2 Base de descanso ergonómica do ferro (fig. 2)

Para reduzir a tensão exercida sobre o pulso, a base de descanso do ferro permite colocar o ferro horizontalmente sobre a tábua de passar a ferro.

Utilize a base de descanso do ferro apenas numa tábua de engomar. Nunca o utilize numa superfície que não seja resistente ao calor.

### Descrição geral (fig. 3)

- A** Botão do jacto de vapor
- B** Luz da temperatura
- C** Pega
- D** Botão da temperatura
- E** Tubo flexível de fornecimento de vapor
- F** Base
- G** Botão do vapor
- H** Indicador da temperatura
- I** Plataforma do ferro
- J** Depósito de água amovível
- K** Tampa de enxaguar Calc-Clean
- L** Tampa de enxaguamento Calc-Clean
- M** Patilha para soltar o depósito de água
- N** Abertura para encher
- O** Marca de nível máximo
- P** Suporte para pastilhas anti-calcário
- Q** Capa resistente ao calor
- R** Fixador
- S** Botão de fixação
- T** Botão de alimentação com controlo de vapor (regulações de vapor ECO, vapor moderado e vapor elevado)
- U** Luz indicadora de ausência de água no tanque
- V** Suporte para arrumação da mangueira de abastecimento
- W** Botão de recolha do fio (apenas para GC8565/GC8560)
- X** Cabo de alimentação com ficha
- Y** Compartimento para arrumação do fio (apenas para GC8520/GC8510)

### Importante

Leia cuidadosamente este manual do utilizador antes de utilizar o aparelho e guarde-o para consultas futuras.

#### Perigo

- Nunca mergulhe o ferro ou o vaporizador em água.

#### Aviso

- Antes de ligar o aparelho, verifique se a tensão indicada na placa de identificação corresponde à tensão eléctrica local.



- Não utilize o aparelho se a ficha, o cabo de alimentação, o tubo flexível de fornecimento ou o próprio aparelho apresentar danos visíveis ou se o aparelho tiver caído ou apresentar fugas.
- Se o cabo de alimentação ou o tubo flexível de fornecimento estiver danificado, deve mandá-lo substituir pela Philips, por um centro de assistência autorizado pela Philips ou por pessoas qualificadas, para evitar situações perigosas.
- Nunca abandone o aparelho quando estiver ligado à alimentação eléctrica.
- Este aparelho não se destina a ser utilizado por pessoas (incluindo crianças) com capacidades físicas, sensoriais ou mentais reduzidas, ou com falta de experiência e conhecimentos, salvo se tiverem recebido supervisão ou instruções sobre o uso do aparelho por alguém responsável pela sua segurança.
- As crianças devem ser supervisionadas para garantir que não brincam com o aparelho.
- Não permita que o cabo de alimentação e a mangueira entrem em contacto com a placa base quente do ferro.
- Se sair vapor da tampa de enxaguar Calc-Clean quando o aparelho aquecer; desligue o aparelho e aperte a tampa de enxaguamento Calc-Clean com mais força. Se o vapor continuar a sair quando o aparelho aquecer; desligue o aparelho e contacte um centro de assistência autorizado pela Philips.
- Não retire a tampa de enxaguar Calc-Clean do vaporizador quando este ainda estiver quente ou sob pressão.
- Não utilize outra tampa no vaporizador além da tampa de enxaguar Calc-Clean fornecida com o aparelho.
- Não coloque o ferro ligado sobre o tapete de descanso resistente ao calor durante um período de tempo prolongado. Só utilize o tapete de descanso resistente ao calor para pousar brevemente o ferro enquanto estiver a engomar.

### **Cuidado**

- Só ligue o aparelho a uma tomada com ligação à terra.
- Verifique regularmente o cabo de alimentação e a mangueira quanto a possíveis danos.
- Coloque e utilize sempre o ferro e o vaporizador sobre uma superfície estável, plana e horizontal.
- Desenrole completamente o cabo de alimentação antes de colocar a ficha na tomada de parede.
- A plataforma e a base do ferro podem ficar extremamente quentes e podem causar queimaduras se forem tocadas. Se pretender deslocar o vaporizador; não toque na plataforma do ferro.
- Quando terminar de passar; quando limpar o aparelho, quando encher ou esvaziar o vaporizador e também quando abandonar o ferro mesmo por pouco tempo: coloque o ferro no tapete de descanso resistente ao calor; desligue o aparelho e retire a ficha de alimentação da tomada eléctrica.
- Enxagúe o vaporizador regularmente, seguindo as instruções do capítulo 'Limpeza e manutenção'.
- Este aparelho destina-se apenas a uso doméstico.

### **Campos electromagnéticos (CEM)**

Este aparelho Philips cumpre com todas as normas correspondentes a campos electromagnéticos (CEM). Se manuseado correctamente e de acordo com as instruções fornecidas neste manual do utilizador, o aparelho pode ser utilizado em segurança com base em provas científicas disponíveis actualmente.

## **Utilizar o aparelho**

### **Engomar a vapor**

- 1** Coloque o vaporizador sobre uma superfície estável e plana, por exemplo, sobre a parte rígida da tábua de engomar ou sobre uma mesa.

**2** Certifique-se de que o depósito tem água suficiente (fig. 4).

Pode retirar o depósito de água e enchê-lo em qualquer momento durante a utilização. Encha o depósito de água antes da primeira utilização e assim que a luz de 'depósito de água vazio' ficar intermitente.

Não verta água quente, perfume, vinagre, goma, produtos descalcificantes, produtos para passar a ferro ou outros agentes químicos para dentro do depósito de água.

*Nota: Se a água da torneira da sua área de residência for muito dura, é aconselhável misturá-la em quantidades iguais com água destilada.*

*Nota: Não incline ou agite o vaporizador quando o depósito de água estiver cheio, caso contrário, pode entornar água pela abertura de encher.*

**3** Certifique-se de que o depósito de água está bem fixado ao vaporizador, caso contrário, o ferro não produz qualquer vapor.**4** Coloque a base de descanso do ferro sobre a tábua de passar a ferro. (fig. 5)**5** Deslize o botão de fixação para a esquerda para desbloquear o ferro do gerador de vapor. Coloque o ferro na base de descanso do ferro.**6** Ligue a ficha de alimentação a uma tomada com ligação à terra e ligue o vaporizador.**7** Para definir a temperatura pretendida para engomar, rode o botão da temperatura para a posição adequada (fig. 6).

*Nota: Só é possível engomar a vapor com temperaturas elevadas (definições de temperatura ●● ou superiores).*

**8** Rode o botão de alimentação para a definição de vapor pretendida para ligar o aparelho. Certifique-se de que a definição de vapor é a correcta para a temperatura de engomar seleccionada (fig. 7).

1 Defina para vapor ECO (definições de temperatura ●● a MAX).

2 Defina para vapor moderado (definições de temperatura ●●● a MAX).

3 Defina para o máximo de vapor (definição de temperatura a MAX).

▶ A luz de definição do vapor correspondente fica intermitente, indicando que o vaporizador está a aquecer (fig. 8).

▶ Após cerca de 2 minutos, a luz de definição do vapor correspondente permanece acesa indicando que o vaporizador está pronto para engomar com vapor.

**9** Prima o gatilho do vapor e mantenha-o premido enquanto estiver a engomar a vapor. (fig. 9)

Para engomar sem vapor, basta utilizar o ferro sem premir o botão do vapor.

*Nota: Pode colocar em segurança o ferro quente sobre a base de descanso do ferro enquanto passa a ferro. Não coloque o tapete com o ferro quente sobre uma superfície que possa ser danificada pelo calor.*

*Nota: Não toque na base de descanso do ferro durante algum tempo depois de ter removido o ferro quente da mesma, pois a base está quente.*

**Função super vapor**

Durante o engomar com vapor, pode utilizar a função super vapor para remover vincos difíceis.

**1** Regule o botão da temperatura para uma posição entre ●●● e MAX.**2** Prima o botão de emissão de jacto de vapor. (fig. 10)

Nunca dirija o vapor a pessoas.

*Nota: Algumas gotas de água podem aparecer quando utilizar a função super vapor pela primeira vez. As gotas de água desaparecem depois de ter utilizado a função super vapor por algum tempo.*

## Limpeza e manutenção

### Função Calc-Clean (limpeza do calcário)

Nunca retire a tampa de enxaguamento Calc-Clean com o vaporizador quente.

*Nota: A pastilha anti-calcário ajuda a reduzir a acumulação de calcário no vaporizador. Lave o vaporizador uma vez por mês ou depois de cada 10 utilizações para uma vaporização perfeita.*

- 1 Desligue o aparelho e permita que arrefeça durante 2 horas.
- 2 Remova o depósito de água amovível. Segure o vaporizador com ambas as mãos e agite bem. (fig. 11)
- 3 Abra a capa de enxaguar Calc-Clean que cobre a tampa de enxaguar Calc-Clean. Rode a tampa de enxaguar Calc-Clean para a esquerda e retire-a. (fig. 12)
- 4 Esvazie o vaporizador no lava-loiça (fig. 13).
- 5 Encha o gerador de vapor com água limpa, agite bem e esvazie-o novamente para o lava-loiça. (fig. 14)
- 6 Repita o passo 5 algumas vezes para obter o melhor resultado.
- 7 Aperte novamente a tampa de enxaguar Calc-Clean com firmeza no vaporizador e coloque novamente a capa de enxaguar Calc-Clean.
- 8 Volte a colocar o depósito de água no vaporizador.

## Armazenamento

- 1 Desligue o aparelho e retire a ficha da corrente.
- Tenha cuidado com a base de descanso do ferro, pode estar quente após a utilização.
- 2 Esvazie o depósito de água.
  - 3 Introduza a ponta do ferro no fixador (1) e depois pouse a traseira do ferro (2). (fig. 15)
  - 4 Deslize o botão de fixação para a direita de modo a fixar o ferro ao vaporizador. (fig. 16)
  - 5 GC8565/GC8560: Prima o botão de recolha do fio para recolher o cabo de alimentação.
  - 6 GC8520/GC8510: Introduza correctamente o cabo no compartimento para arrumação do fio.
  - 7 Enrole o tubo flexível de fornecimento em redor da base e fixe-o no interior dos ganchos de arrumação (fig. 17).
  - 8 Pode agora carregar todo o aparelho com uma só mão, segurando-o pela pega. (fig. 18)

Não transporte o aparelho segurando a patilha para soltar o depósito de água.

## Meio ambiente

- Não deite fora o aparelho juntamente com o lixo doméstico normal no final da sua vida útil e entregue-o num ponto de recolha autorizado para reciclagem. Ao fazê-lo, ajuda a preservar o meio ambiente (fig. 19).

### Garantia e assistência

Se precisar de assistência ou informações, ou se tiver algum problema, visite o Web site da Philips em **www.philips.pt** ou contacte o Centro de Assistência ao Consumidor Philips no seu país (poderá encontrar o número de telefone no folheto de garantia mundial). Se não houver um Centro de Assistência ao Consumidor no seu país, dirija-se ao revendedor local da Philips.

### Resolução de problemas

Este capítulo resume os problemas mais comuns que pode ter com o aparelho. Se não conseguir resolver o problema com as informações fornecidas a seguir, contacte o Centro de Assistência ao Cliente do seu país.

Problema	Causa provável	Solução
O aparelho não aquece.	Ocorreu um problema com a ligação.	Verifique o cabo de alimentação, a ficha e a tomada de parede.
	O aparelho não está ligado.	Regule o botão de alimentação com controlo de vapor para uma definição de vapor.
	A temperatura de engomar seleccionada é demasiado baixa.	Regule uma temperatura de engomar mais alta.
Sai algum fumo do aparelho depois de o ligar pela primeira vez.	Isto é normal. Algumas peças do aparelho foram ligeiramente lubrificadas na fábrica.	Este fenómeno termina passado pouco tempo.
O aparelho produz um ruído.	A água está a ser bombeada para o fervedor no interior do vaporizador. É normal	Se o som da bomba persistir sem parar; desligue de imediato o botão do aparelho e remova o cabo de alimentação da tomada. Contacte um centro de assistência autorizado da Philips.
O aparelho não produz vapor.	Não existe água suficiente no depósito da água.	Encha o depósito de água.
	O vaporizador não está quente o suficiente para produzir vapor.	Aguarde até que a luz da definição do vapor fique acesa.
	Não está a premir o gatilho do vapor.	Prima o gatilho do vapor e mantenha-o premido enquanto estiver a engomar a vapor.
	O depósito de água não está colocado devidamente no aparelho.	Volte a introduzir o depósito de água no vaporizador; com firmeza (até ouvir um 'clique').
	O vapor sobreaquecido (ou seja, de alta qualidade) mal se vê, especialmente quando o botão da temperatura está posicionado para a posição máxima e ainda menos quando a temperatura ambiente é relativamente elevada.	Para verificar se o ferro produz realmente vapor; coloque o ferro numa definição de temperatura inferior entre ●● e ●●● para um vapor mais visível.

Problema	Causa provável	Solução
	O aparelho não está ligado.	Regule o botão de alimentação com controlo de vapor para uma definição de vapor.
A base liberta gotas de vapor:	Quando começar a passar a ferro com vapor e quando continuar a passar a ferro com vapor após uma interrupção, o vapor que ainda estava presente no tubo flexível já arrefeceu e se condensou em água. Isto faz com que gotas de água saiam da base.	É normal. Segure o ferro sobre um pano velho e prima o botão do vapor. O pano absorve as gotas. Após alguns segundos, vapor em vez de água sai da base.
	O botão da temperatura pode ter sido regulado para uma temperatura demasiado baixa para passar a vapor.	Defina uma temperatura de engomar adequada para engomar a vapor (definições de temperatura ●● a MAX).
Aparecem manchas molhadas nas peças ao engomar:	The wet spots that appear on your garment after you have steam ironed for some time may be caused by steam that has condensed onto the ironing board.	Passe a ferro as manchas molhadas sem vapor durante algum tempo para as secar. Se o avesso da tábua de passar a ferro estiver molhado, seque-o com um bocado de pano seco.
Existem fugas de água do aparelho.	Se inclinar o vaporizador durante o transporte ou colocá-lo sobre uma superfície desigual com o depósito de água cheio, pode entornar-se água do depósito de água.	Não incline o aparelho com o depósito de água cheio.
Manchas de água aparecem nas peças de roupa durante a utilização da função super vapor.	As manchas de água na peça de roupa devem-se à condensação no tubo flexível de fornecimento. Quando o tubo flexível de fornecimento arrefece, o vapor ainda presente no mesmo arrefece e condensa-se em água.	As gotas de água deixam de sair do aparelho quando utilizar a função super vapor pela primeira vez.
Saem partículas de calcário e impurezas da base do ferro ou a base do ferro está suja.	Podem ter-se depositado no depósito do vapor e/ou na base impurezas ou químicos presentes na água.	Limpe a placa base com um pano húmido.
	Acumulou-se demasiado calcário e minerais no vaporizador.	Enxagúe o vaporizador (consulte o capítulo 'Limpeza e manutenção').

Problema	Causa provável	Solução
O tubo flexível de fornecimento de vapor está quente enquanto passo a ferro.	É normal pois o vapor passa pelo tubo flexível de fornecimento de vapor enquanto passa a ferro com vapor.	Coloque o tubo flexível de fornecimento de vapor no lado oposto da tábua de passar a ferro, de forma a que a sua mão não toque no tubo flexível enquanto passa a ferro.
Não consigo colocar o ferro de engomar sobre a sua traseira.	O ferro não pode ser colocado sobre a traseira porque possui um design ergonómico que reduz a tensão sobre o pulso (consulte o capítulo 'Introdução').	Coloque o ferro horizontalmente no tapete de descanso resistente ao calor.
Apenas para GC8565/ GC8560: O fio não se enrola por completo quando primo o botão de recolha do fio	O fio ficou preso enquanto era enrolado.	Retire uma pequena parte do fio do aparelho e prima novamente o botão de recolha do fio.

## Inledning

Grattis till inköpet och välkommen till Philips! För att dra maximal nytta av den support som Philips erbjuder kan du registrera din produkt på [www.philips.com/welcome](http://www.philips.com/welcome).

### Två steg för ergonomisk strykning

1 Ergonomisk strykdesign (Bild 1)

Det uppåtlutande handtaget ger en bekväm position för handleden.

2 Ergonomiskt strykjärnsunderlägg (Bild 2)

Strykjärnsunderlägget gör att du kan placera strykjärnet horisontellt på strykbrädan för att minska belastningen på handleden.

Använd endast strykjärnsunderlägget på en strykbräda. Använd det aldrig på en yta som inte är värmetålig.

## Allmän beskrivning (Bild 3)

- A** Ångpuffknapp
- B** Temperaturlampa
- C** Handtag
- D** Temperaturvred
- E** Slang för ångtillförsel
- F** Stryksula
- G** Ångaktivator
- H** Temperaturindikator
- I** Strykställ
- J** Löstagbar vattentank
- K** Avkalkningsflik
- L** Avkalkningslock
- M** Frigöringsspak för vattentank
- N** Påfyllningsöppning
- O** Markering för maximal nivå
- P** Hållare för avkalkningsplatta
- Q** Värmetåligt strykjärnsunderlägg
- R** Bärlås
- S** Reglage för bärlås
- T** Effektivred med ångvred (ånginställningar: ECO, medel och hög)
- U** Lampa för tom vattentank
- V** Hållare för förvaring av tillförselslang
- W** Knapp för sladdupprullning (endast GC8565/GC8560)
- X** Nätsladd med kontakt
- Y** Sladdförvaringsutrymme (endast GC8520/GC8510)

## Viktigt

Läs användarhandboken noggrant innan du använder apparaten och spara den för framtida bruk.

### Fara

- Sänk aldrig ned strykjärnet eller ånggeneratorn i vatten.

### Varning

- Kontrollera att nätspänningen som anges på märkplåten motsvarar den lokala nätspänningen innan du ansluter apparaten.
- Använd inte apparaten om kontakten, nätsladden, tillförselslangen eller själva apparaten har synliga skador eller om apparaten har tappats i golvet eller läcker.

- Om nätsladden eller tillförselslangen är skadad måste den bytas ut av Philips, ett av Philips auktoriserade serviceombud eller en lika kvalificerad person för att undvika fara.
- Lämna aldrig apparaten utan uppsikt när den är ansluten till elnätet.
- Apparaten är inte avsedd för användning av personer (inklusive barn) med olika funktionshinder, eller av personer som inte har kunskap om hur apparaten används, om de inte övervakas eller får instruktioner angående användning av apparaten av en person som är ansvarig för deras säkerhet.
- Små barn ska övervakas så att de inte kan leka med apparaten.
- Låt inte nätsladden och tillförselslangen komma i kontakt med den varma stryksulan.
- Om det kommer ut ånga under avkalkningslocket när apparaten värms upp stänger du av den och drar åt avkalkningslocket. Om det fortsätter att komma ut ånga när apparaten värms upp stänger du av den och kontaktar ett av Philips auktoriserade serviceombud.
- Ta inte bort avkalkningslocket från ånggeneratorm när den fortfarande är varm eller när det fortfarande är tryck i den.
- Använd inte något annat lock till ånggeneratorm än det avkalkningslock som medföljer strykjärnet.
- Låt inte det påslagna strykjärnet stå på det värmetaliga strykjärnsunderlägget under en längre tid. Ställ endast ned strykjärnet på det värmetaliga strykjärnsunderlägget i korta perioder under strykningen.

### Varning!

- Apparaten får endast anslutas till ett jordat vägguttag.
- Kontrollera nätsladden och tillförselslangen regelbundet för att se om de är skadade.
- Strykjärnet och ånggeneratorm ska alltid placeras och användas på en stabil, jämn och horisontell yta.
- Linda ut nätsladden helt och hållet innan du sätter i kontakten i vägguttaget.
- Stället och stryksulan kan bli väldigt varma och kan orsaka brännskador vid beröring. Vidrör inte stället när du ska flytta på ånggeneratorm.
- När du har strukit klart, när du rengör strykjärnet, när du fyller på eller tömmer ånggeneratorm och också när du lämnar strykjärnet för en kort stund: ställ strykjärnet på det värmetaliga strykjärnsunderlägget, stäng av strykjärnet och dra ut stickkontakten ur vägguttaget.
- Skölj ånggeneratorm regelbundet enligt anvisningarna i kapitlet Rengöring och underhåll.
- Apparaten är endast avsedd för hushållsbruk.

### Elektromagnetiska fält (EMF)

Den här apparaten från Philips uppfyller alla standarder för elektromagnetiska fält (EMF). Om apparaten hanteras på rätt sätt och enligt instruktionerna i den här användarhandboken är den säker att använda enligt de vetenskapliga belägg som finns i dagsläget.

## Använda apparaten

### Ångstrykning

**1** Placera ånggeneratorm på en stabil och jämn yta, t.ex. på den hårda delen av strykbrädan eller på ett bord.

**2** Se till att det finns tillräckligt med vatten i vattentanken (Bild 4).

Du kan ta loss vattentanken och fylla på den när som helst under strykningen.

Fyll vattentanken före först användningen och så fort lampan för tom vattentank blinkar.

Håll inte varmt vatten, parfym, vinäger, stärkelse, avkalkningsmedel, strykjälpmiddel eller andra kemikalier i vattentanken.

*Obs! Om kranvattnet där du bor är mycket hårt rekommenderar vi att du blandar det med lika delar destillerat vatten.*



*Obs! Luta eller skaka inte ånggeneratoren när vattentanken är full. Annars kan vatten rinna ut ur påfyllningsöppningen.*

- 3** Se till att vattentanken är ordentligt fastsatt på ånggeneratoren, annars producerar inte strykjärnet någon ånga.
- 4** Placera strykjärnsunderlägget på strykbrädan. (Bild 5)
- 5** Skjut låsreglaget åt vänster om du vill lossa strykjärnet från ånggeneratoren. Placera strykjärnet på strykjärnsunderlägget.
- 6** Sätt in stickkontakten i ett jordat vägguttag och slå på ånggeneratoren.
- 7** Ställ in önskad stryktemperatur genom att vrida temperaturvredet till lämpligt läge (Bild 6).

*Obs! Ångstrykning är endast möjligt vid höga temperaturer (temperaturinställning ●● eller högre).*

- 8** Slå på apparaten genom att vrida effektvredet till önskad ånginställning. Se till att ånginställningen är lämplig för den valda stryktemperaturen (Bild 7).
  - 1 Ställ in på ECO-ånga (temperaturinställning ●● till MAX).
  - 2 Ställ in på måttlig ånga (temperaturinställning ●●● till MAX).
  - 3 Ställ in på maximal ånga (temperaturinställning MAX).
  - ▶ Motsvarande ånginställningslampa blinkar vilket visar att ånggeneratoren värms upp (Bild 8).
  - ▶ Efter ca två minuter lyser motsvarande ånginställningslampa med fast sken vilket visar att ånggeneratoren är klar för ångstrykning.

- 9** Tryck på ångaktivatorn och håll den intryckt medan du ångstryker. (Bild 9)

Om du vill stryka utan ånga använder du bara strykjärnet utan att trycka på ångaktivatorn.

*Obs! Du kan utan risk ställa det varma strykjärnet på underlägget när du stryker. Placera inte underlägget med det varma strykjärnet på en yta som kan skadas av värme.*

*Obs! Rör inte vid strykjärnsunderlägget ett tag efter att du har tagit bort det varma strykjärnet från det eftersom underlägget är varmt.*

### Ångpuffsfunktion

Vid ångstrykning kan du använda ångpuffsfunktionen för att ta bort envisa veck.

- 1** Ställ in temperaturvredet på ett läge mellan ●●● och MAX.
- 2** Tryck på ångpuffknappen. (Bild 10)

Rikta aldrig ångan mot människor.

*Obs! Det kan komma några vattendroppar när du använder ångpuffsfunktionen första gången. Vattendropparna försvinner när du har använt ångpuffsfunktionen ett tag.*

## Rengöring och underhåll

### Avkalkningsfunktion

Ta aldrig bort avkalkningslocket när ånggeneratoren är varm.

*Obs! Avkalkningsplattan förhindrar att det bildas kalkavlagringar i ånggeneratoren. Skölj ånggeneratoren en gång i månaden eller efter var 10:e användning för att ångfunktionen ska fungera på bästa sätt.*

- 1** Dra ut apparatens stickkontakt och låt den svalna i två timmar.
- 2** Ta bort den löstagbara vattentanken. Håll ånggeneratoren med båda händerna och skaka ordentligt. (Bild 11)
- 3** Öppna avkalkningsfliken som täcker avkalkningslocket. Vrid avkalkningslocket moturs och ta bort det. (Bild 12)

- 4 Töm ånggeneratoren i vasken (Bild 13).
- 5 Fyll ånggeneratoren med rent vatten, skaka ordentligt och håll ut vattnet i vasken igen. (Bild 14)
- 6 Upprepa steg 5 några gånger för att uppnå bäst resultat.
- 7 Skruva tillbaka avkalkningslocket ordentligt på ånggeneratoren och sätt tillbaka avkalkningsfliken.
- 8 Sätt tillbaka vattentanken i ånggeneratoren.

### Förvaring

- 1 Stäng av apparaten och dra ur nätsladden.

Var försiktig med strykjärnsunderlägget. Det kan vara varmt efter användning.

- 2 Töm vattentanken.
- 3 För in strykjärnets spets i bärlåset (1) och sätt sedan ned strykjärnets häl. (2). (Bild 15)
- 4 Skjut bärlåsreglaget åt höger om du vill låsa fast strykjärnet vid ånggeneratoren. (Bild 16)
- 5 GC8565/GC8560: Rulla in nätsladden genom att trycka på knappen för sladdupprullning.
- 6 GC8520/GC8510: För in sladden i sladdförvaringsutrymmet.
- 7 Linda tillförselslangen runt basdelen och sätt fast den runt förvaringskrokarna (Bild 17).
- 8 Du kan nu enkelt bära hela apparaten i strykjärnshandtaget med en hand. (Bild 18)

Bär inte apparaten genom att hålla i frigöringsspaken för vattentanken.

### Miljön

- Kasta inte apparaten i hushållssoporna när den är förbrukad. Lämna in den för återvinning vid en officiell återvinningsstation, så hjälper du till att skydda miljön (Bild 19).

### Garanti och service

Om du behöver service eller information eller har problem med apparaten kan du besöka Philips webbplats på [www.philips.com](http://www.philips.com) eller kontakta Philips kundtjänst i ditt land (du hittar telefonnumret i garantibroschyren). Om det inte finns någon kundtjänst i ditt land vänder du dig till din lokala Philips-återförsäljare.

### Felsökning

I det här kapitlet finns en översikt över de vanligaste problemen som kan uppstå med apparaten. Om du inte kan lösa problemet med hjälp av nedanstående information kan du kontakta kundtjänst i ditt land.

Problem	Möjlig orsak	Lösning
Strykjärmet blir inte varmt.	Det är problem med anslutningen.	Kontrollera nätsladden, stickkontakten och vägguttaget.
	Apparaten är inte påslagen.	Ställ in effektvredet med ångvred på en ånginställning.
	Den inställda stryktemperaturen är för låg.	Ange en högre stryktemperatur.

Problem	Möjlig orsak	Lösning
Det kommer lite rök ur apparaten när jag har slagit på den första gången.	Det är normalt eftersom vissa delar av strykjärnet har smorts in en aning i fabriken.	Röken upphör efter en kort stund.
Apparaten avger ett pumppljud.	Vatten pumpas in i ångenheten inuti ånggeneratoren. Det är normalt.	Om det pumpande ljudet fortsätter hela tiden stänger du omedelbart av apparaten och drar ur nätsladden. Kontakta ett auktoriserat Philips-serviceombud.
Apparaten avger inte någon ånga.	Det finns inte tillräckligt med vatten i tanken.	Fyll vattentanken.
	Ånggeneratoren är inte tillräckligt varm för att producera ånga.	Vänta tills ånginställningslampan förblir tänd.
	Du trycker inte på ångaktivatorn.	Tryck på ångaktivatorn och håll den intryckt medan du ångstryker.
Upphettad (dvs. högkvalitativ) ånga syns knappt, särskilt inte när temperaturvredet är inställt på det högsta läget, och ännu mindre när den omgivande temperaturen är relativt hög.	Vattentanken är inte ordentligt placerad i apparaten.	Sätt tillbaka vattentanken ordentligt i ånggeneratoren (ett klickljud hörs).
	Apparaten är inte påslagen.	Kontrollera om strykjärnet producerar ånga genom att ställa in en lägre temperaturinställning mellan ●● och ●●● för synligare ånga.
	Ställ in effektvredet med ångvred på en ånginställning.	
Det kommer vattendroppar ur stryksulan.	När du börjar ångstryka och när du fortsätter att ångstryka efter en paus har ångan som fanns kvar i tillförselslangen kylts ned och kondenserats till vatten. Det gör att vattendroppar kommer ut ur stryksulan.	Det är normalt. Håll strykjärnet över en gammal trasa och tryck på ångaktivatorn. Trasan suger upp dropparna. Efter några sekunder kommer det ånga istället för vatten ur stryksulan.
	Temperaturvredet är inställt på en temperatur som är för låg för ångstrykning.	Ställ in en stryktemperatur som är lämplig för ångstrykning (temperaturinställningar från ●● till MAX).
Det blir våta fläckar på plagget när du stryker.	De våta fläckarna på plagget som uppkommer när du har ångstrukt en stund kan ha orsakats av ånga som har kondenserats på strykbrädan.	Stryk på de våta fläckarna utan ånga under några minuter så att de torkar. Om undersidan av strykbrädan är våt torkar du av den med en torr trasa.

Problem	Möjlig orsak	Lösning
Apparaten läcker vatten.	Om du lutar ånggeneratoren under transport eller placerar den på ett ojämnt underlag när vattentanken är full kan vatten läcka ut ur vattentanken.	Luta inte apparaten när vattentanken är full.
Det blir våta fläckar på plagget när jag använder ångpuffsfunktionen.	De våta fläckarna på plagget beror på kondens i tillförselslangen. När tillförselslangen har svalnat har ångan som fanns kvar i slangen kylts ned och kondenserats till vatten.	Det slutar att komma vatten ur apparaten när du använt ångpuffsfunktionen ett tag.
Det kommer flagor och smuts ur stryksulan eller så är stryksulan smutsig.	Smuts eller kemikalier som finns i vattnet har fastnat i ångöppningarna och/eller på stryksulan.	Rengör stryksulan med en fuktig trasa.
	För mycket kalk och mineraler har samlats i ånggeneratom.	Skölj ånggeneratom regelbundet (se kapitlet Rengöring och underhåll).
Slangen för ångtillförsel är varm under strykningen.	Det är normalt eftersom ånga passerar genom ångtillförselslangen vid ångstrykning.	Placera ångtillförselslangen på andra sidan strykbrädan så att du inte kommer åt den med handen under strykningen.
Jag kan inte ställa strykjärnet på hälen.	Strykjärnet kan inte ställas på hälen eftersom det har en ergonomisk design som minskar belastningen på handleden (mer information finns i kapitlet Introduktion).	Placera strykjärnet horisontellt på det värmetaliga strykjärnsunderlägget.
Endast GC8565/ GC8560: Sladden rullas inte upp ordentligt när jag trycker på knappen för sladdupprullning.	Sladden fastnade under upprullningen.	Dra ut en liten bit av sladden ur apparaten och tryck på knappen för sladdupprullning igen.

## Giriş

Ürünümüzü satın aldığınız için teşekkür ederiz; Philips'e hoş geldiniz! Philips'in sunduğu destekten faydalanabilmek için lütfen ürününüzü şu adresten kaydedin: [www.philips.com/welcome](http://www.philips.com/welcome).

### İki adımda ergonomik ütüleme

- 1 Ergonomik ütü tasarımı (Şek. 1)  
Yukarıya eğimli sap, bileğin rahat bir pozisyon almasını sağlar.
- 2 Ergonomik ütü altlığı (Şek. 2)  
Ütü altlığı, bileklerinizdeki baskıyı azaltmak için ütüyü, ütü masasının üzerine yatay olarak yerleştirmenize olanak sağlar.

Ütü altlığını sadece ütü masasının üzerinde kullanın. Isıya dayanıklı olmayan bir yüzeyin üzerinde kesinlikle kullanmayın.

## Genel açıklamalar (Şek. 3)

- A** Buhar püskürtme düğmesi
- B** Sıcaklık lambası
- C** Kol
- D** Sıcaklık kadranı
- E** Buhar besleme hortumu
- F** Taban
- G** Buhar tetiği
- H** Sıcaklık göstergesi
- I** Ütü platformu
- J** Sökülebilir su deposu
- K** Kireç Temizleme yıkama kanadı
- L** Kireç Temizleme yıkama kapağı
- M** Su haznesi çıkarma kolu
- N** Doldurma deliği
- O** Maksimum seviye işareti
- P** Kireç önleme tableti tutacağı
- Q** Isıya dayanıklı ütü altlığı
- R** Taşıma kilidi
- S** Taşıma kilidi sürgüsü
- T** Buhar kontrollü güç düğmesi (ECO, normal ve yüksek buhar ayarları)
- U** 'Su haznesi boş' ışığı
- V** Besleme hortumu saklama braketi
- W** Kordon sarma düğmesi (sadece GC8565/GC8560)
- X** Fişli elektrik kablosu
- Y** Kordon saklama bölmesi (sadece GC8520/GC8510)

## Önemli

Cihazı kullanmadan önce bu kullanım kılavuzunu okuyun ve gelecekte de başvurmak üzere saklayın.

### Tehlike

- Ütü veya buhar üreticisi kesinlikle suya sokmayın.

### Uyarı

- Cihazı prize takmadan önce, tip plakasında yazılı olan gerilimin, evinizdeki şebeke gerilimiyle aynı olup olmadığını kontrol edin.
- Fiş, kablo, besleme hortumu veya cihazın kendisinde gözle görülür bir hasar varsa, cihaz düşmüşse veya cihazda sızıntı varsa kullanmayın.

- Cihazın elektrik kablosu veya besleme hortumu hasarlıysa, tehlikeden sakınmak için mutlaka Philips'in yetki verdiği servis merkezi veya benzer şekilde kalifiye kişiler tarafından değiştirilmesini sağlayın.
- Cihaz elektriğe bağlıyken asla gözetimsiz bırakmayın.
- Bu cihaz, güvenliklerinden sorumlu kişilerin nezareti veya talimatı olmadan, fiziksel, sinirsel ya da zihinsel becerileri gelişmemiş veya bilgi ve tecrübe açısından yetersiz kişiler tarafından (çocuklar da dahil) kullanılmamalıdır.
- Küçük çocukların cihazla oynamaları engellenmelidir.
- Elektrik kablosu ve besleme hortumunun sıcak ütü tabanına temas etmesine izin vermeyin.
- Cihaz ısınırken Kireç Temizleme yıkama kapağının altından buhar çıkarsa, cihazı kapatın ve Kireç Temizleme yıkama kapağını sıkın. Cihaz ısınırken buhar çıkmaya devam ederse, cihazı kapatın ve Philips yetkili servisine başvurun.
- Buhar üretici sıcakken veya basıç altındayken Kireç Temizleme yıkama kapağını buhar üreticiden çıkarmayın.
- Buhar üreticiye cihazla birlikte bir verilen dışında bir Kireç Temizleme yıkama kapağı takmayın.
- Çalışır durumdaki ütüyü uzun süreyle ısıya dayanıklı ütü altlığının üzerinde bırakmayın. Isıya dayanıklı ütü altlığını sadece ütü sırasında ütüyü kısa süreli bırakmak için kullanın.

### Dikkat

- Cihazı yalnızca toprak hatlı prize takın.
- Olası hasarlara karşı kabloyu ve besleme hortumunu düzenli olarak kontrol edin.
- Ütüyü ve buhar üreticiyi her zaman sabit, düz ve yatay bir yüzeye yerleştirin.
- Prize takmadan önce elektrik kordonunu tamamen açın.
- Ütü platformu ve ütünün tabanı son derece sıcak hale gelebilir ve dokunulduğunda yanıklara neden olabilir. Buhar haznesini hareket ettirmek isterseniz ütü platformuna dokunmayın.
- Ütüleme işlemini bitirdikten sonra, cihazı temizlerken, buhar üreticiyi doldururken veya boşaltırken ve ütülemeye kısa bir süre için olsa bile ara verdiğinizde: ütüyü ısıya dayanıklı ütü altlığının üzerine koyun, cihazı kapatın ve fişi prizden çekin.
- Buhar üreticiyi 'Temizlik ve bakım' bölümündeki talimatlara göre düzenli olarak temizleyin.
- Bu cihaz sadece evde kullanım için tasarlanmıştır.

### Elektromanyetik alanlar (EMF)

Bu Philips cihazı elektromanyetik alanlarla (EMF) ilgili tüm standartlara uygundur. Bu cihaz, gereği gibi ve bu kılavuzdaki talimatlara uygun şekilde kullanıldığında, bugünün bilimsel verilerine göre kullanımı güvenlidir.

## Cihazın kullanımı

### Buharlı ütüleme

**1** Buhar üreticiyi düz, sabit bir zemine yerleştirin, örneğin ütü masasının ya da başka bir masanın sert kısmı.

**2** Su haznesinde yeterince su olduğundan emin olun (Şek. 4).

Su haznesini, kullanım sırasında herhangi bir zamanda çıkarıp doldurabilirsiniz.

Su haznesini ilk kullanımdan önce ve 'su haznesi' ışığı yanıp sönmeye başlar başlamaz suyla doldurun.

**Su haznesine sıcak su, parfüm, sirke, kola, kireç çözücü maddeler, ütülemeye yardımcı olacak maddeler veya başka kimyasal maddeler koymayın.**

**Dikkat:** *Bulduğunuz yerdeki musluk suyu çok sertse, eşit miktarda saf suyla karıştırmanızı tavsiye ederiz.*

**Dikkat:** *Su haznesi doluyken buhar üreticiyi eğmeyin veya sarsmayın. Aksi takdirde, doldurma deliğinden su dökülebilir.*

- 3 Su haznesinin buhar üreticiye düzgün bir şekilde takıldığından emin olun; aksi takdirde ütü buhar üretmez.
- 4 Ütü altlığını ütü masasına yerleştirin. (Şek. 5)
- 5 Ütüyü buhar üreticiden ayırmak için taşıma kilidi sürgüsünü sola kaydırın. Ütüyü ütü altlığına yerleştirin.
- 6 Elektrik fişini topraklı bir prize takın ve buhar üreticiyi açın.
- 7 Sıcaklık kadranını uygun konuma çevirerek istenilen ütüleme sıcaklığını ayarlayın (Şek. 6).

*Dikkat: Buharlı ütüleme sadece yüksek ütüleme sıcaklıklarında ( ●● veya daha yüksek sıcaklık ayarları) yapılabilir.*

- 8 Cihazı açmak için güç düğmesini istenilen buhar ayarına getirin. Buhar ayarının seçilen ütüleme sıcaklığı için uygun olduğundan emin olun (Şek. 7).
  - 1 ECO buhar ayarını seçin (sıcaklık ayarı ●●- MAX).
  - 2 Orta buhar ayarını seçin (sıcaklık ayarı ●●●- MAX).
  - 3 Maksimum buhar ayarı (sıcaklık ayarı - MAX).
  - ▶ İlgili buhar ışığı, buhar üreticinin ısınmakta olduğunu göstermek için yanıp söner (Şek. 8).
  - ▶ Yaklaşık 2 dakika sonra ilgili buhar ışığı sürekli yanmaya başlayarak, buhar üreticinin buharlı ütü yapmaya hazır olduğunu gösterir.

- 9 Buhar tetiğine basın ve buharlı ütüleme sırasında basılı tutun. (Şek. 9)  
Buharsız ütü yapmak için, ütüyü buhar tetiğine basmadan kullanın.

*Dikkat: Ütüleme sırasında ütüyü ütü altlığına güvenle koyabilirsiniz. Ütü altlığını üzerinde ütü varken aşırı ısınabilecek bir yüzeye koymayın.*

*Dikkat: Hala sıcak olabileceğinden, ütüyü üzerinden aldıktan sonra bir süre ütü altlığına dokunmayın.*

### Buhar püskürtme fonksiyonu

Buharlı ütüleme sırasında, inatçı kışkıklıkları gidermek için buhar püskürtme fonksiyonunu kullanabilirsiniz.

- 1 Sıcaklık ayar kadranını ●●● ile MAX arasında bir ayara getirin.
- 2 Buhar püskürtme düğmesine basın. (Şek. 10)

Asla buharı insanlara yöneltmeyin.

*Dikkat: Buhar püskürtücü fonksiyonunu ilk kez kullandığınızda su damlaları oluşabilir. Su damlaları buhar püskürtme fonksiyonunu bir süre kullandıktan sonra kaybolacaktır.*

## Temizlik ve bakım

### Kireç Temizleme özelliği

Buhar üretici sıcakken Kireç Temizleme yıkama kapağını çıkarmayın.

*Dikkat: Kireç önleme tableti buhar üreticide kireç oluşumunu önlemeye yarar. Optimum buhar performansı sağlamak için buhar üreticiyi ayda bir kez veya her 10 kullanım sonrası yıkayın.*

- 1 Cihazın fişini prizden çekin ve soğuması için 2 saat bekleyin.
- 2 Çıkarılabilir su haznesini çıkarın. Buhar üreticiyi iki elinizle tutun ve iyice sallayın. (Şek. 11)
- 3 Kireç Temizleme yıkama kapağını örten Kireç Temizleme yıkama kanadını açın. Kireç temizleme kapağını saat yönünün tersine çevirin ve açın. (Şek. 12)
- 4 Buhar üreticiyi lavaboya boşaltın (Şek. 13).

- 5 Buhar üreticiyi temiz suyla doldurun, iyice çalkalayın ve lavaboya boşaltın. (Şek. 14)
- 6 En iyi sonucu elde etmek için 5. adımı birkaç kez tekrarlayın.
- 7 Kireç Temizleme yıkama kapağını buhar üreticiye sıkıca geri takın ve Kireç Temizleme yıkama kanadını takın.
- 8 Su haznesini tekrar buhar üreticiye takın.

### Saklama

- 1 Cihazı kapatarak fişini prizden çekin.

Kullanımdan sonra sıcak olabileceğinden, ütü altlığına dikkat edin.

- 2 Su haznesini boşaltın.
- 3 Ütünün ucunu taşıma kilidine (1) takın ve ütünün arka kısmını (2) oturtun. (Şek. 15)
- 4 Ütüyü, buhar üreticiye kilitlemek için taşıma kilidi sürgüsünü sağa doğru kaydırın. (Şek. 16)
- 5 GC8565/GC8560: Elektrik kordonunu sarmak için kordon sarma düğmesine basın.
- 6 GC8520/GC8510: Kordonu düzgünce kablo saklama bölmesine yerleştirin.
- 7 Besleme hortumunu tabanın etrafına sarın ve saklama kancasının içine sabitleyin (Şek. 17).
- 8 Cihazı ütünün taşıma kulbu yardımıyla tek elle kolaylıkla taşıyabilirsiniz. (Şek. 18)

Cihazı su tankı çıkarma kolundan tutarak taşımayın.

### Çevre

- Kullanım ömrü sonunda, cihazı normal evsel atıklarınızla birlikte atmayın; bunun yerine, geri dönüşüm için resmi toplama noktalarına teslim edin. Böylece, çevrenin korunmasına yardımcı olursunuz (Şek. 19).

### Garanti ve Servis

Servise ya da daha fazla bilgiye ihtiyaç duyarsanız veya bir sorunla karşılaşırsanız, [www.philips.com.tr](http://www.philips.com.tr) adresindeki Philips İnternet sitesini ziyaret edin veya ülkenizde bulunan Philips Müşteri Merkeziyle iletişim kurun (telefon numarasını dünya çapında geçerli garanti belgesinde bulabilirsiniz). Ülkenizde bir Müşteri Merkezi yoksa, yerel Philips bayisine başvurun.

### Sorun giderme

Bu bölümde, cihazda en sık karşılaşılabileceğiniz sorunlar özetlenmektedir. Sorunu aşağıdaki bilgilerle çözemezseniz, bulunduğunuz ülkedeki Müşteri Hizmetleri Merkezi ile iletişim kurun.

Sorun	Nedeni	Çözüm
Cihaz ısınmıyor:	Bağlantı sorunu var:	Cihazın fişini, elektrik kablosunu ve prizi kontrol edin.
	Cihaz açık değildir:	Buhar kontrollü güç düğmesini bir buhar ayarına getirin.
	Ayarlanan ütüleme sıcaklığı çok düşük.	Daha yüksek bir ütüleme sıcaklığı seçin.



Sorun	Nedeni	Çözüm
Cihazı ilk kez çalıştırdığımda bir miktar duman çıkıyor	Bu durum normaldir. Cihazın bazı kısımları fabrikada hafifçe yağlanmıştı.	Bu durum kısa bir süre sonra ortadan kalkacaktır.
Cihazdan pompalama sesleri geliyor.	Su, buhar üreticisindeki kaynatıcıya pompalanmıştır. Bu durum normaldir	Sürekli pompalama sesi geliyorsa, cihazı derhal kapatın ve fişten çekin. Yetkili bir Philips servis merkeziyle iletişim kurun.
Cihaz buhar üretmiyor.	Su haznesinde yeterince su yok.	Su haznesini doldurun.
	Buhar üretici buhar üretmek için yeterli derecede sıcak değildir.	Buhar ayarı ışığı yanana kadar bekleyin.
	Buhar tetiğine basmıyorsunuz.	Buhar tetiğine basın ve buharlı ütüleme sırasında basılı tutun.
	Su haznesi cihaza düzgün şekilde yerleştirilmemiştir.	Su haznesini buhar üreticideki yerine geçirin ('klik' sesi duyulur).
	Yüksek derecede ısıtılmış (yüksek kaliteli) buhar, özellikle sıcaklık kadranı maksimum konuma getirildiğinde ve ortam sıcaklığı görece yüksekken zorlukla görülebilir.	Ütünün gerçekten buhar üretip üretmediğini kontrol etmek için, ütüyü buharın daha iyi görülebileceği ●● ve ●●● arasında, düşük bir sıcaklık ayarına getirin.
	Cihaz açık değildir.	Buhar kontrollü güç düğmesini bir buhar ayarına getirin.
Ütü tabanından su damlıyor.	Buharlı ütüleme sırasında ütülemeye kısa bir süre ara verdikten sonra devam ettiğinizde, hortumda kalan buharın soğuması ve yoğuşması nedeniyle, ütü tabanında damlama meydana gelecektir.	Bu durum normaldir. Ütüyü eski bir bez parçasının üzerinde tutup buhar tetiğine basın. Bez parçası damlaları emer. Birkaç saniye sonra tabandan su yerine buhar çıkmaya başlar.
	Sıcaklık kadranı buharlı ütüleme yapmak için çok düşük bir sıcaklığa ayarlanmıştır.	Buharlı ütülemeye uygun bir ütüleme sıcaklığı ayarlayın ( ●● - MAKS arasındaki sıcaklık ayarı)
Ütüleme sırasında kumaş üzerinde ıslak noktalar oluşuyor.	Buharla ütüleme sonrasında kumaş üzerinde ortaya çıkan ıslak noktalar bazen ütü masası üzerinde yoğunlaşan buhardan kaynaklanabilir.	Islak noktaları kurutmak için bir süre buharsız ütüleyin. Ütü masasının alt kısmı ıslaksa, bir parça bezle kurulayın.
Cihazdan su sızıyor.	Taşıma sırasında buhar üreticisi yatırırsanız veya su haznesi doluyken düzgün olmayan bir zemine yerleştirirseniz, su haznesinden su sızabilir.	Su haznesi doluyken cihazı yatırmayın.

Sorun	Nedeni	Çözüm
Buharlı ütöleme fonksiyonunu kullanırken kumaş üzerinde ıslak noktalar beliriyor.	Kumaşınızın üzerindeki ıslak noktalar besleme hortumundaki suyun yoğuşmasından kaynaklanır; Besleme hortumu soğuduğunda, hortum içinde kalan buhar soğur ve yoğuşur.	Cihazın buharlı ütöleme fonksiyonunu bir süre kullandığınızda cihaz su damlaları görünmez olacaktır.
Ütünün altından bazı maddeler geliyor veya ütü tabanı kirli.	Suda bulunan kireç veya kimyasal maddeler buhar deliklerinde ve/veya ütü tabanında birikiyor.	Tabanı nemli bir bezle siliniz.
	Buhar üreticinin içinde çok miktarda kireç ve mineral birikmiştir.	Buhar üreticisi sık sık yıkayın (bkz. "Temizlik ve bakım" bölümü.)
Buhar besleme hortumu ütöleme sırasında ısınır.	Buharlı ütöleme sırasında buhar, buhar besleme hortumunun içinden geçtiği için bu durum normaldir.	Buhar besleme hortumunu ütü masasının karşı tarafına yerleştirin, böylelikle ütöleme sırasında eliniz hortuma temas etmeyecektir.
Ütüyü arka kısmı üzerine oturtamıyorum.	Ütü bileğinizdeki baskıyı azaltan ergonomik tasarıma sahip olduğundan, arkalığının üzerine oturtulamaz (bkz. 'Giriş' bölümü).	Ütüyü ısıya dayanıklı ütü altlığına yatay bir şekilde yerleştirin.
Sadece GC8565/ GC8560: Elektrik kordonu sarma düğmesine bastığımda kordon tamamen sarılmıyor	Kordon geri sarma sırasında sıkışmıştır.	Kordonun küçük bir kısmını cihazdan dışarı çekin ve geri sarma düğmesine yeniden basın.













[www.philips.com](http://www.philips.com)



100% recycled paper  
100% papier recyclé

4239.000.7504.2