

MB QUART

MAXXSONICS USA, INC
1290 Ensell Road
Lake Zurich, Illinois 60047 USA
E-Mail: info@maxxsonics.com
Website: www.maxxsonics.com
www.mbquartusa.com



REFERENCE SUBWOOFER

Installation Manual
Einbauanleitung
Directiones de installation
Instrucciones de instalación
Istruzioni di montaggio
Инструкция по установке

Congratulations!

With the purchase of a MB QUART car hi-fi loudspeaker set, you have purchased a technically sophisticated, high-quality product. MB QUART feels confident that you will enjoy your new Subwoofer System. Should you have any questions about this system or any other MB QUART products, please feel free to send us an email to info@maxxsonics.com.

If you are not having the installation carried out by a specialist workshop, please read the following installation instructions carefully.

Herzlichen Glückwunsch!

Mit dem Kauf eines Car-HiFi Lautsprechersets aus dem Hause MB QUART haben Sie sich für ein technisch und qualitativ hochwertiges Produkt entschieden. MB QUART wünscht Ihnen viel Spaß mit Ihrem Subwoofer System. Sollten Sie Fragen zu diesem Subwoofer oder anderen MB QUART Produkten haben, freuen wir uns über eine E-Mail an info@maxxsonics.com.

Wenn Sie den Einbau nicht durch eine Fachwerkstatt vornehmen lassen, lesen Sie bitte nachstehende Einbauhinweise sorgfältig durch.

Félicitations!

Vous venez d'acquérir en achetant un lot de haut-parleurs hi-fi pour voitures de la maison MB QUART un produit de grande valeur sur le plan technique et qualitatif. MB QUART vous souhaite beaucoup de plaisir avec votre système de boumeurs. Si vous avez des questions concernant ce haut-parleur ou l'un des autres produits de la maison MB QUART, veuillez nous écrire à l'adresse info@maxxsonics.com.

Si vous préférez vous charger vous-même du montage au lieu d'en laisser le soin à un atelier spécialisé, veuillez lire soigneusement la notice d'installation et de montage ci-dessous.

¡Enhorabuena!

Con la compra de un set de altavoces Car-HiFi de MB QUART, ha adquirido usted un producto de alta calidad técnica. MB QUART le desea que disfrute de su sistema Subwoofer. Si desea hacer alguna consulta sobre este altavoz u otro producto MB QUART puede ponerse en contacto con nosotros por correo info@maxxsonics.com.

Si no encarga el montaje a un taller especializado, lea atentamente las instrucciones de montaje siguientes.

Congratulazioni!

Acquistando un'altoparlante Hi-Fi Car MB QUART avete scelto un prodotto di massimo livello tecnologico e qualitativo. MB QUART Vi augura un buon ascolto con il Vostro, nuovo, sistema Subwoofer. Nel caso Lei abbia ancora delle domande in merito a questo altoparlante oppure ad altri prodotti realizzati dalla MB QUART, saremo ben lieti di poter rispondere a una Sua email inviata al seguente indirizzo info@maxxsonics.com.

Nel caso in cui non incarichiate dell'installazione un'officina specializzata, vi preghiamo di leggere attentamente le seguenti note di installazione.

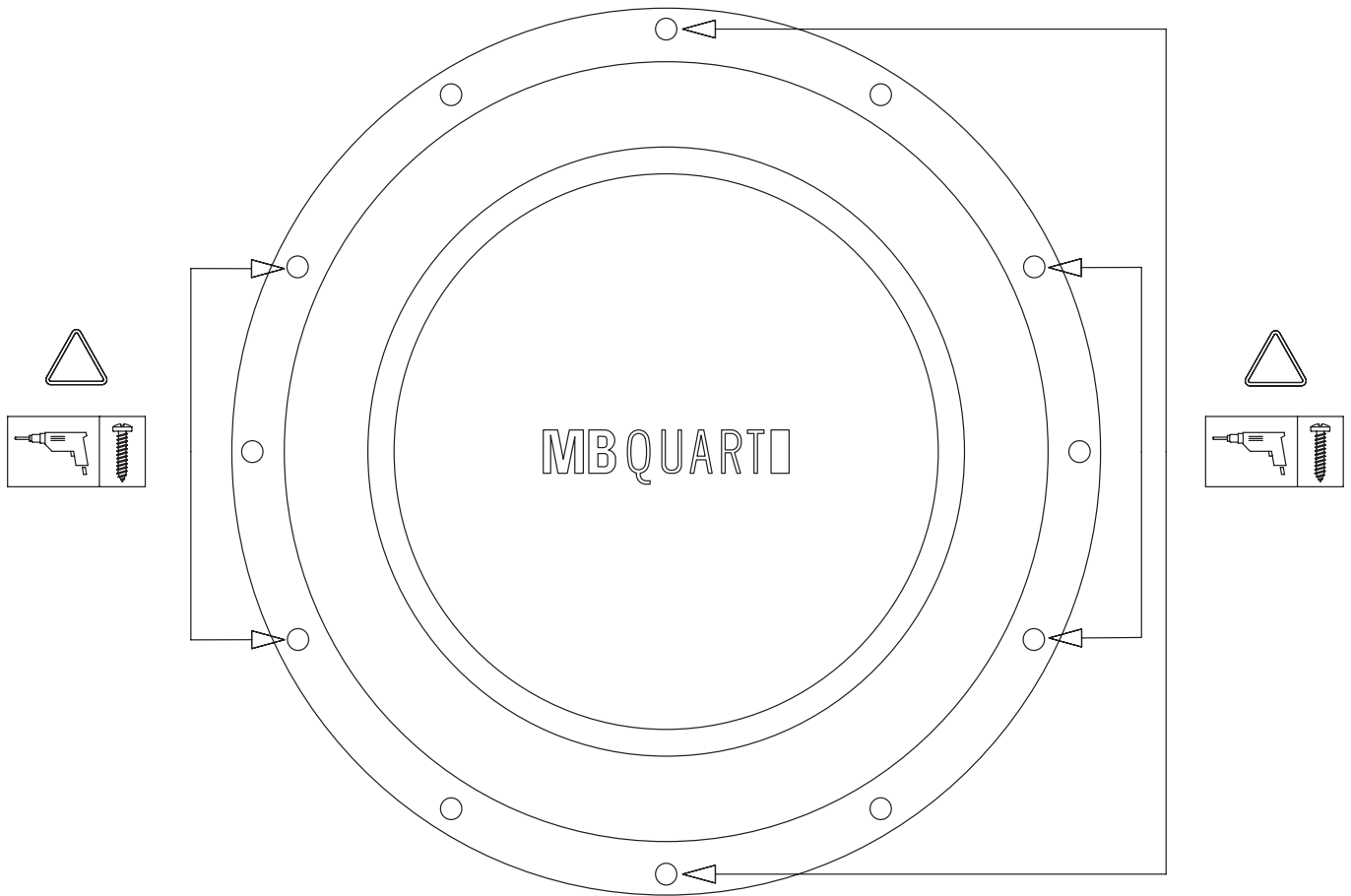
Примите наши сердечные поздравления!

Купив комплект автомобильных громкоговорителей категории Hi-Fi фирмы MB QUART Вы выбрали высококачественное в техническом отношении изделие. Фирма MB QUART желает Вам приятного времяпровождения с Вашей системой Subwoofer. Если у Вас появятся вопросы по этой системе или по другим изделиям фирмы MB QUART, будем рады получить от Вас письмо по электронной почте info@maxxsonics.com.

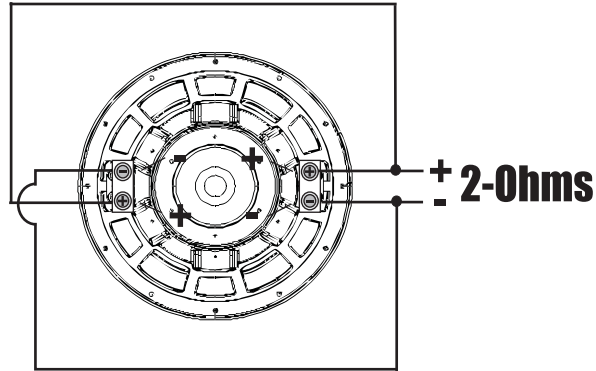
Если Вы не собираетесь приглашать для выполнения монтажа представителя специализированного предприятия, внимательно прочитайте помещённую ниже инструкцию по сборке.

RLP254 / RLP304

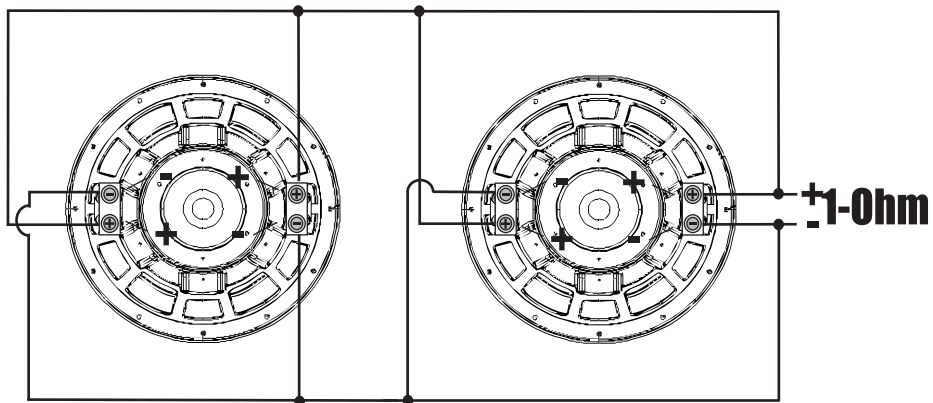
The diagram below shows a screw pattern for mounting your subwoofer. It is very important that you follow this pattern as indicated or your cosmetic trim ring will not fit properly.



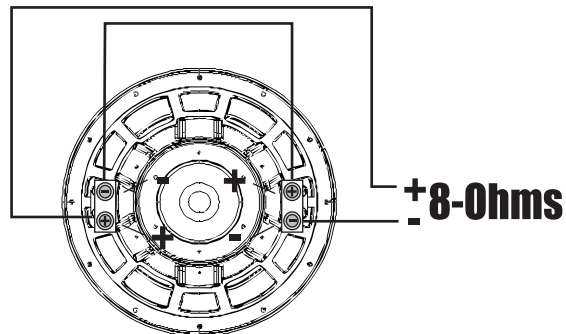
**DVC 4-0hms
Parallel**



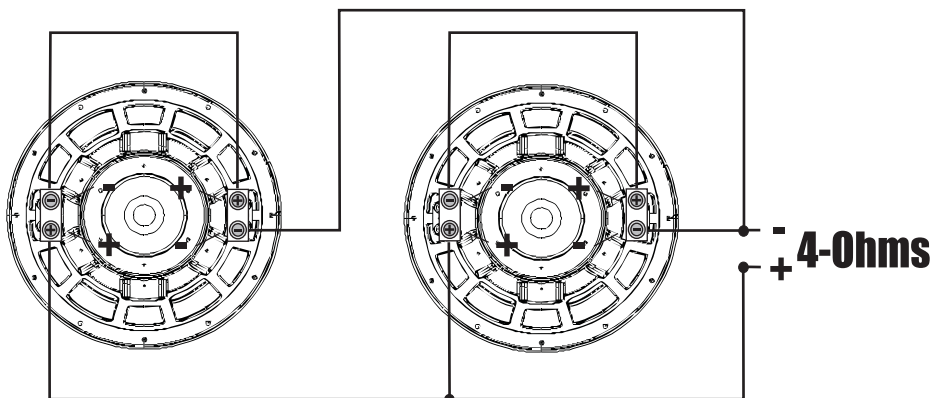
Parallel Coils / Parallel Subs

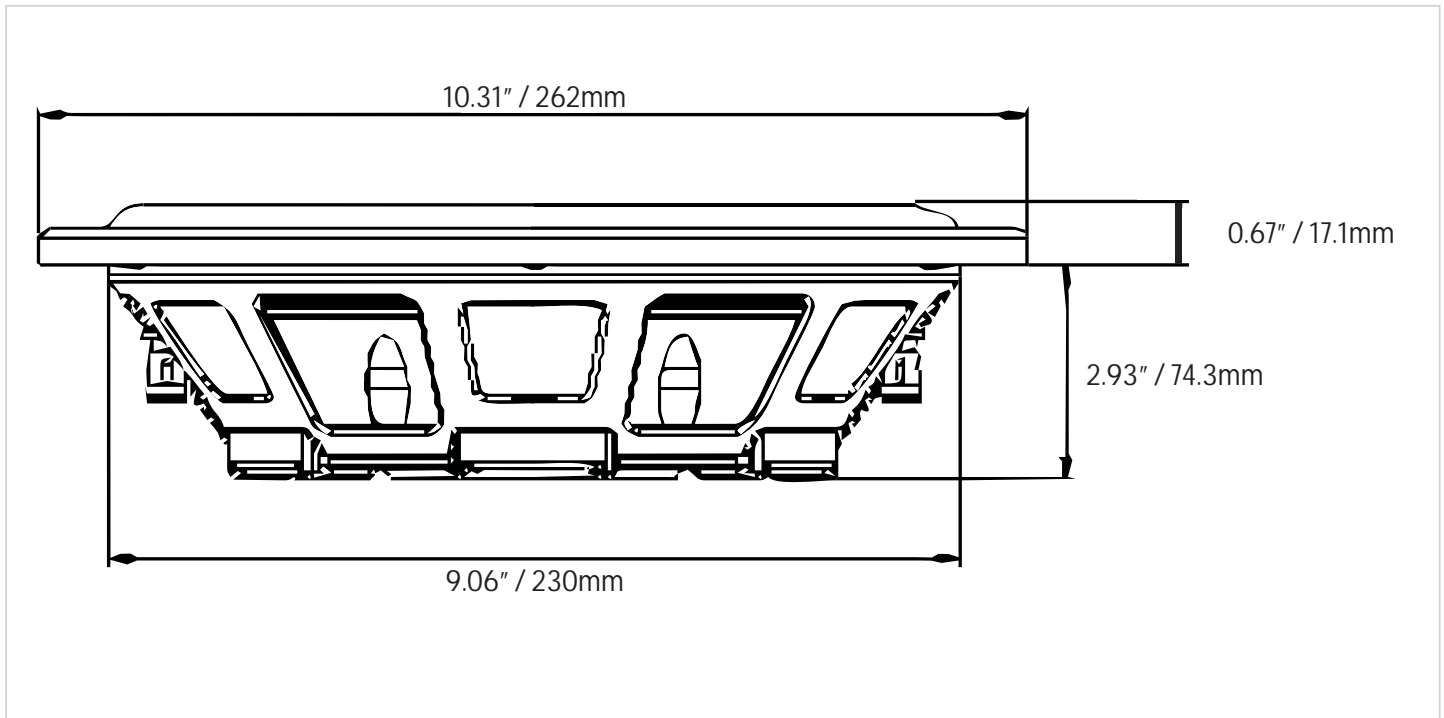


Series



Series Coils / Parallel Subs





TECHNICAL DATA

Power Rating: 300-600 W
 Impedance: DVC 4 ohms
 Sensitivity: 82 dB (1W/1m)
 Frequency Response: 25-160 Hz

COMPRISING:

1 woofer 20.5 cm / 10"

TECHNISCHE DATEN

Belastbarkeit: 300-600 W
 Impedanz: DVC 4 ohms
 Empfindlichkeit: 82 dB (1W/1m)
 Übertragungsbereich: 25-160 Hz

BESTÜCKUNG:

1 woofer 20.5 cm / 10"

CARACTÉRISTIQUES TECHNIQUES

Puissance: 300-600 W
 Impédance: DVC 4 ohms
 Rendement: 82 dB (1W/1m)
 Bande passante: 25-160 Hz

EQUIPEMENT:

1 woofer 20.5 cm / 10"

DATOS TÉCNICOS

Carga admisible: 300-600 W
 Impedancia: DVC 4 ohmios
 Potencia de servicio: 82 dB (1W/1m)
 Campo de transmisión: 25-160 Hz

EQUIPAMIENTO:

1 woofer 20.5 cm / 10"

DATI TECNICI

Potenza: 300-600 W
 Impedenza: DVC 4 ohmios
 Sensibilità: 82 dB (1W/1m)
 Risposta in frequenza: 25-160 Hz

DOTAZIONE:

1 woofer 20.5 cm / 10"

Технические Данные

Нагрузочная способность: 300-600 Вт
 Импеданс: DVC 4 ом
 Рабочая мощность: 82 дБ (1Вт/1м)
 Диапазон передачи: 25-160 Гц

Оснащение:

1 woofer 20.5 cm / 10"

Subject to technical changes · Technische Änderungen vorbehalten · Sous réserve de modifications techniques · Ci si riservano modifiche tecniche
 Reservados los cambios técnicos · Производитель оставит за собой право на технические изменения

T/S PARAMETERS

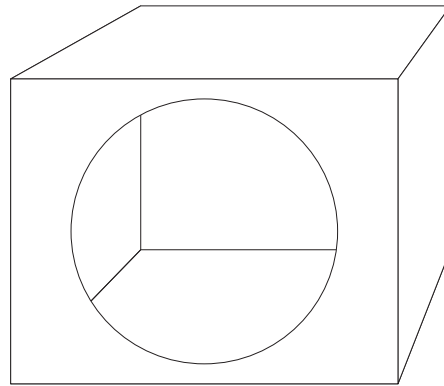
Fs: 33.95 Hz	Mms: 130.81 g	Vd: 0.294 liters	BL: 14.137 Tm
Qms: 5.44	Xmax: 8.65 mm	Qes: 0.963	QTS: 0.819
Vas: 27.55 liters	Dia: 208 mm	Re: 6.9 ohms	no: 0.108 %
Cms: 168.01 um/N	Sd: 0.034 sq.m	NomZ: 8.28 ohms	1W/1M: 82.4 dB

(coils in series)

RECOMMENDED ENCLOSURE (SEALED)

**SMALL BOX
(Tight Bass)**

Total Internal Volume:
.4 Cubic Feet
Qtc: 1.094
F3: 47Hz
Heavy Polyfill

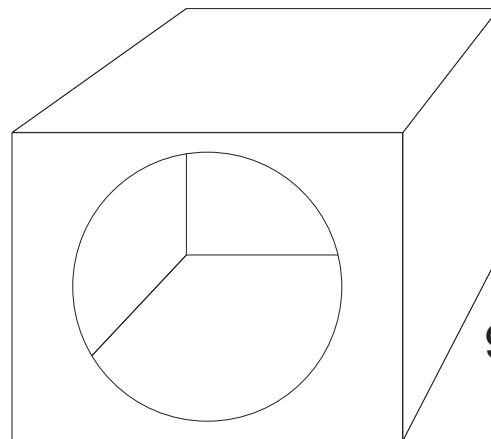


12.5" Tall
6.25" Deep

12.5" Wide

**Optimal Sound Quality
(Flat Response)**

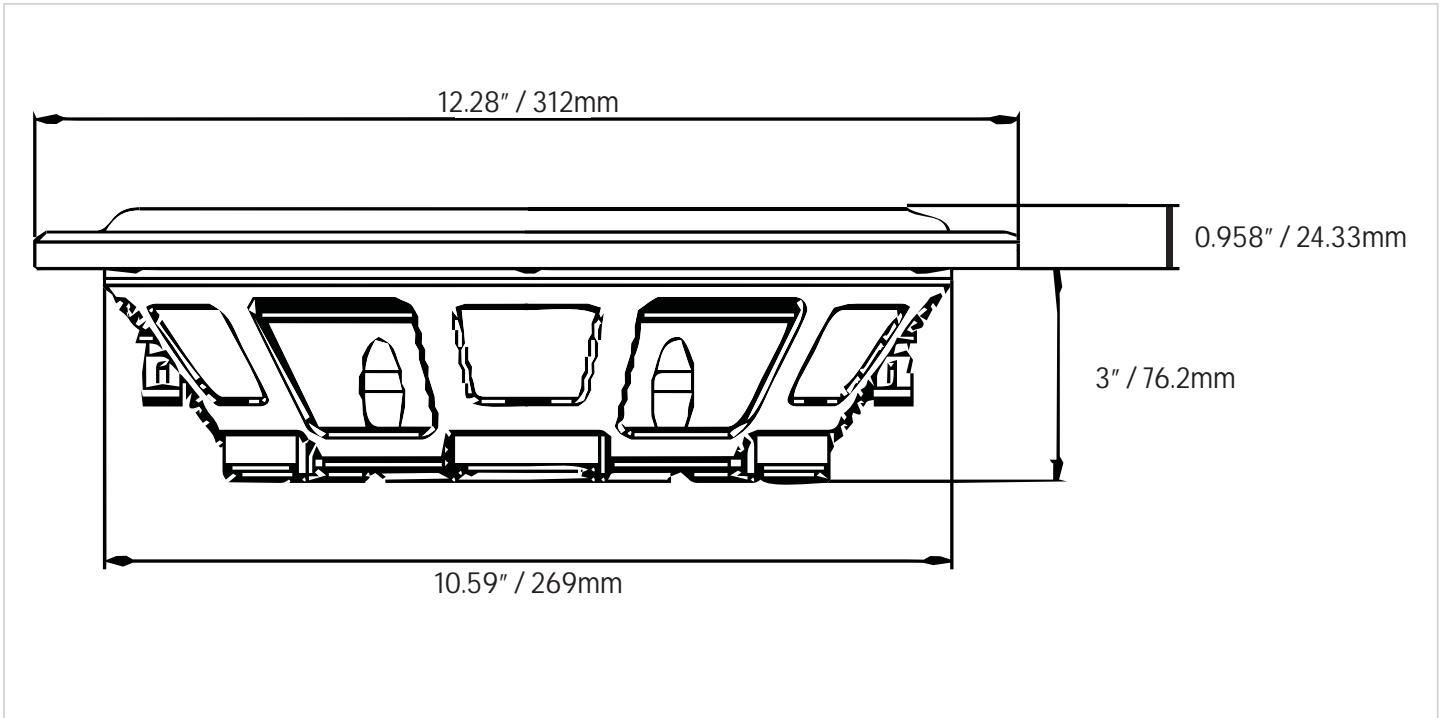
Total Internal Volume:
.65 Cubic Feet
Qtc: 0.959
F3: 42Hz
Heavy Polyfill



12.5" Tall
9.5" Deep

12.5" Wide

** Boxes have been designed using 1/2" MDF.
Dimensions can be changed as long as recommended volumes remain the same.
Subwoofer Displacement is .06 Cubic Feet*



TECHNICAL DATA

Power Rating: 300-600 W
 Impedance: DVC 4 ohms
 Sensitivity: 86 dB (1W/1m)
 Frequency Response: 25-160 Hz

COMPRISING:

1 woofer 30.48 cm / 12"

DATOS TÉCNICOS

Carga admisible: 300-600 W
 Impedancia: DVC 4 ohmios
 Potencia de servicio: 86dB (1W/1m)
 Campo de transmisión: 25-160 Hz

EQUIPAMIENTO:

1 woofer 30.48 cm / 12"

TECHNISCHE DATEN

Belastbarkeit: 300-600 W
 Impedanz: DVC 4 ohms
 Empfindlichkeit: 86 dB (1W/1m)
 Übertragungsbereich: 25-160 Hz

BESTÜCKUNG:

1 woofer 30.48 cm / 12"

DATI TECNICI

Potenza: 300-600 W
 Impedenza: DVC 4 ohmios
 Sensibilità: 86dB (1W/1m)
 Risposta in frequenza: 25-160 Hz

DOTAZIONE:

1 woofer 30.48 cm / 12"

CARACTÉRISTIQUES TECHNIQUES

Puissance: 300-600 W
 Impédance: DVC 4 ohmios
 Rendement: 86 dB (1W/1m)
 Bande passante: 25-160 Hz

EQUIPEMENT:

1 woofer 30.48 cm / 12"

Технические Данные

Нагрузочная способность: 300-600 Вт
 Импеданс: DVC 4 ом
 Рабочая мощность: 86 дБ (1Вт/1м)
 Диапазон передачи: 25-160 Гц

Оснащение:

1 woofer 30.48 cm / 12"

Subject to technical changes · Technische Änderungen vorbehalten · Sous réserve de modifications techniques · Ci si riservano modifiche tecniche
 Reservados los cambios técnicos · Производитель оставит за собой право на технические изменения

T/S PARAMETERS

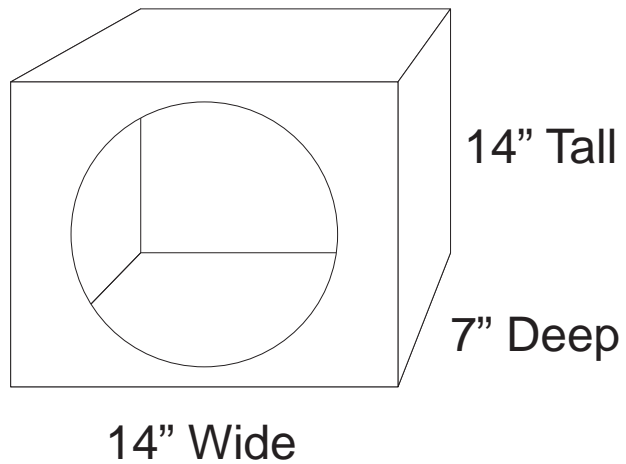
Fs: 29.13 Hz	Mms: 174.42 g	Vd: 0.424 liters	BL: 15.38 Tm
Qms: 6.928	Xmax: 9 mm	Qes: 0.952	QTS: 0.837
Vas: 53.98 liters	Dia: 245 mm	Re: 7.05 ohms	no: 0.135 %
Cms: 171 um/N	Sd: 0.047 sq.m	NomZ: 8.46 ohms	1W/1M: 86 dB

(coils in series)

RECOMMENDED ENCLOSURE (SEALED)

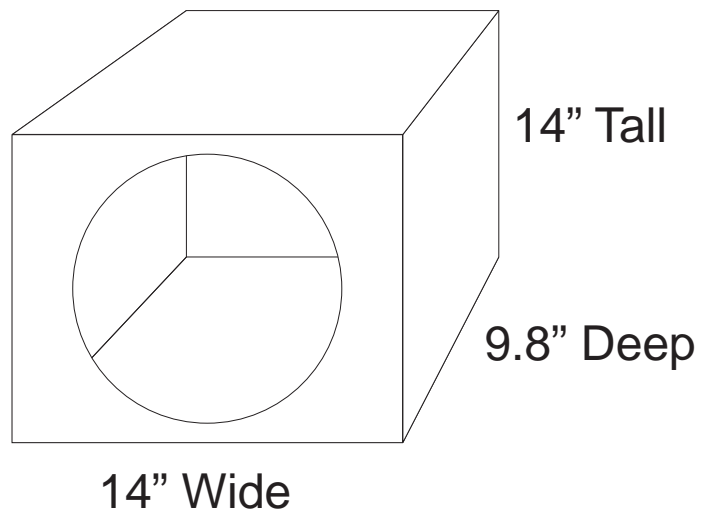
**SMALL BOX
(Tight Bass)**

Total Internal Volume:
.5 Cubic Feet
Qtc: 1.25
F3: 46Hz
Heavy Polyfill



**Optimal Sound Quality
(Flat Response)**

Total Internal Volume:
.75 Cubic Feet
Qtc: 1.10
F3: 40Hz
Heavy Polyfill



** Boxes have been designed using 3/4" MDF.
Dimensions can be changed as long as recommended volumes remain the same.
Subwoofer Displacement is .078 Cubic Feet*



Maxxsonics Limited Warranty

As the manufacturer of Maxxsonics, Autotek, Crunch, MB Quart and Hifonics car audio products, Maxxsonics USA Inc. Warrants to the original consumer purchaser the amplifier to be free from defects in material and workmanship for one (1) Year from date of purchase.

All other parts and accessories of the system are warrantied to be free from defects in material and workmanship for one (1) year from date of purchase. Maxxsonics will repair or replace at it's option and free of charge during the warranty period, any system component that proves defective in materials and workmanship under normal installation, use and service provided that the product is returned to the authorized Maxxsonics dealer from where it was purchased. A photo copy of the original receipt must accompany the product being returned.

Valid purchase receipts will contain the name and address of the authorized reseller.

Any damage to the product as a result of misuse, abuse, accident, incorrect wiring, improper installation, alteration of date code or bar code labels, revolution, natural disaster, or any sneaky stuff because someone messed up, repair or alteration out side of our factory or authorized service centers and any thing else you have done that you should not have done is not covered.

This warranty is limited to defective parts and specifically excludes any incidental or consequential damages connected therewith. This warranty is not to be construed as an insurance policy.

Warranty on installation labor, removal, re-installation and freight charges are not the responsibility of Maxxsonics USA Inc.

Warranty products damaged as a result of insufficient or improper packing materials are not covered by this limited warranty and such damaged product will be returned "as is" at the expense of the owner.