



Gläserpülmaschine Deltamat

111445 – TF 404E

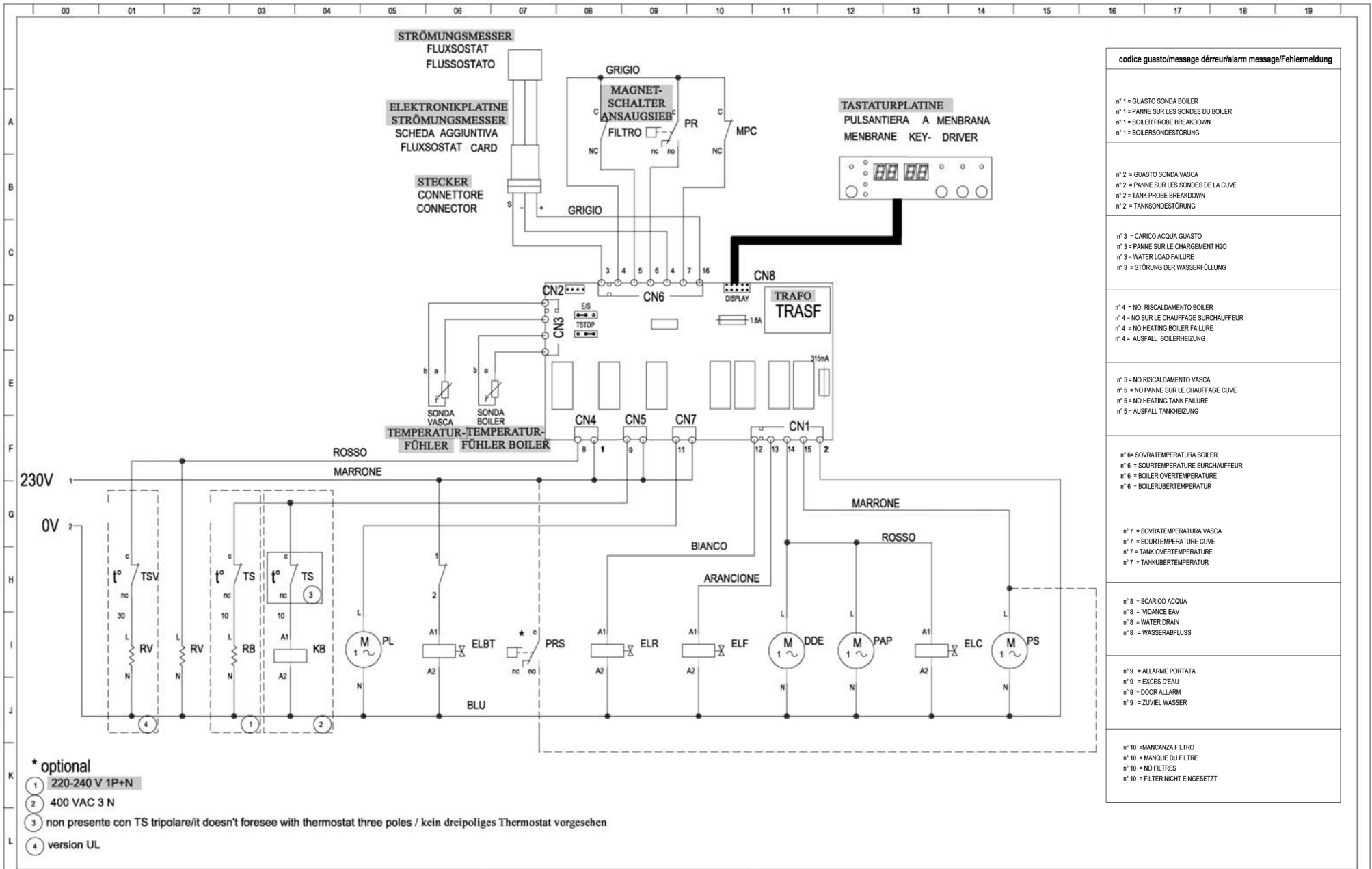
111446 – TF 404EH

111447 – TF 404EHP



Schaltpläne

Status 28.06.2007



codice guasto/message déreur/alarm message/Fehlermeldung

n° 1 = GUASTO SONDA BOILER
 n° 1 = PANNE SUR LES SONDES DU BOILER
 n° 1 = BOILER PROBE BREAKDOWN
 n° 1 = BOILERSONDESTÖRUNG

n° 2 = GUASTO SONDA VASCA
 n° 2 = PANNE SUR LES SONDES DE LA CUVE
 n° 2 = TANK PROBE BREAKDOWN
 n° 2 = TANKSONDESTÖRUNG

n° 3 = CARICO ACQUA GUASTO
 n° 3 = PANNE SUR LE CHARGEMENT H2O
 n° 3 = WATER LOAD FAILURE
 n° 3 = STÖRUNG DER WASSERFÜLLUNG

n° 4 = NO RISCALDAMENTO BOILER
 n° 4 = NO SUR LE CHAUFFAGE SURCHAUFFEUR
 n° 4 = NO HEATING BOILER FAILURE
 n° 4 = AUSFALL BOILERHEIZUNG

n° 5 = NO RISCALDAMENTO VASCA
 n° 5 = NO PANNE SUR LE CHAUFFAGE CUVE
 n° 5 = NO HEATING TANK FAILURE
 n° 5 = AUSFALL TANKHEIZUNG

n° 6 = SOVRATEMPERATURA BOILER
 n° 6 = SOURTEMPERATURE SURCHAUFFEUR
 n° 6 = BOILER OVERTEMPERATURE
 n° 6 = BOILERÜBERTEMPÉRATUR

n° 7 = SOVRATEMPERATURA VASCA
 n° 7 = SOURTEMPERATURE CUVE
 n° 7 = TANK OVERTEMPERATURE
 n° 7 = TANKÜBERTEMPÉRATUR

n° 8 = SCARICO ACQUA
 n° 8 = VIDANCE EAV
 n° 8 = WATER DRAIN
 n° 8 = WASSERABFLUSS

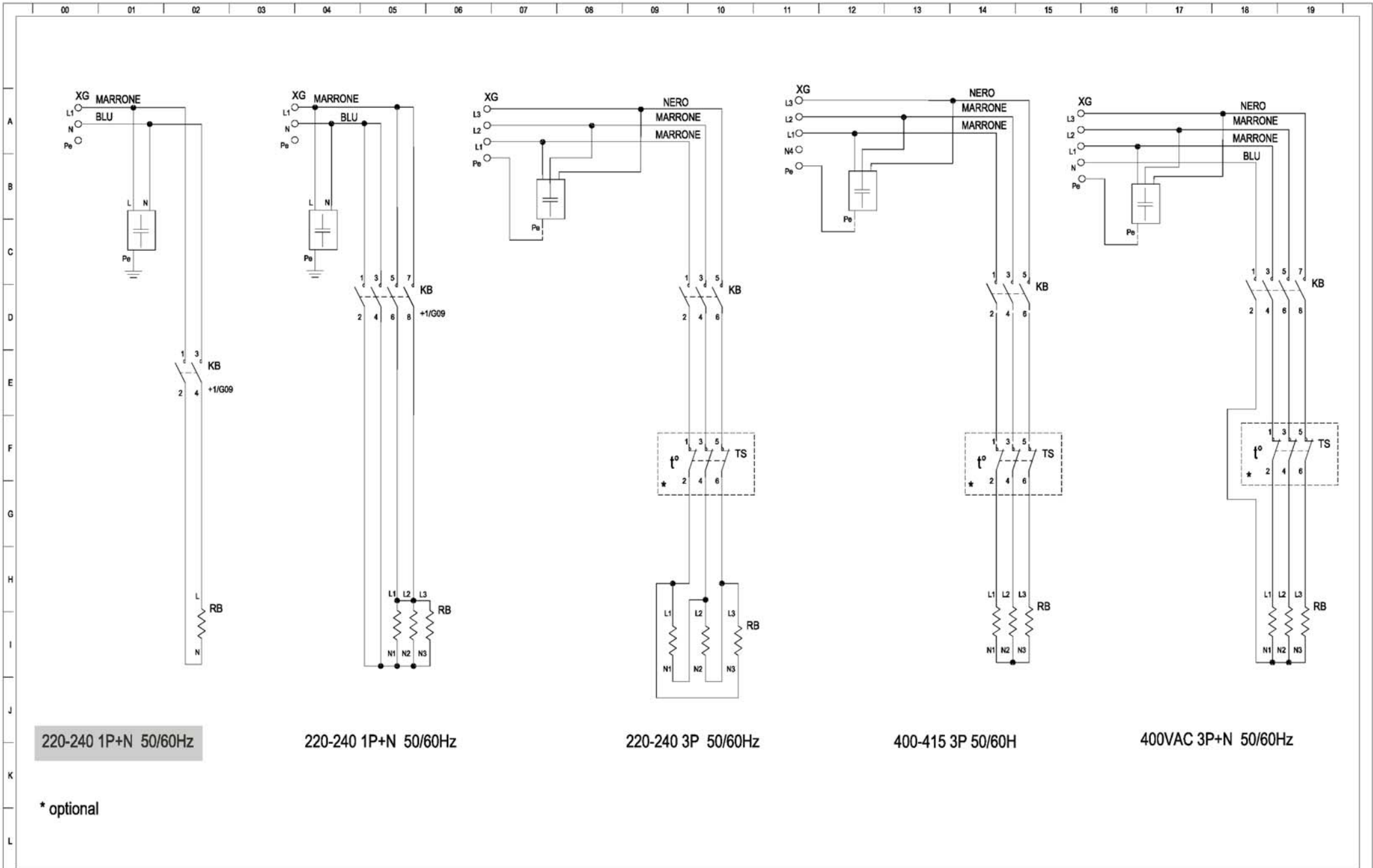
n° 9 = ALLARME PORTATA
 n° 9 = EXCES D'EAU
 n° 9 = DOOR ALLARM
 n° 9 = ZUVIEL WASSER

n° 10 = MANCANZA FILTRO
 n° 10 = MANQUE DU FILTRE
 n° 10 = NO FILTERS
 n° 10 = FILTER NICHT ENGESETZT



111445 220-240V
 111446
 111447 1P+N 50/60Hz

Steuerstromkreis



| | 00 | 01 | 02 | 03 | 04 | 05 | 06 | 07 | 08 | 09 | 10 | 11 | 12 | 13 | 14 | 15 | 16 | 17 | 18 | 19 | |
|--|----|--------|----|----------------------------------|---------------------------------|---------------------------------------|------------------------------------|----|----|----|----|----|----|----|----|----|----|---------|--------|-----------|-----------|
| | | C | = | CONDENSATORE | CONDENSER/CAPACITOR | CONDENSATEUR | KONDENSATOR | | | | | | | | | | | | | | |
| | | PL | = | POMPA LAVAGGIO | WASH PUMP | POMPE LAVAGE | WASCHPUMPE | | | | | | | | | | | MARRONE | BROWN | MARON | BRAUN |
| | | DDE | = | DOSATORE DETERSIVO ELETTRICO | ELECTRIC DETERGENT PUMP | DOSEUR ELETRIQUE DETERGENT | DOSIERGERÄT | | | | | | | | | | | CELESTE | BLUE | BLEU/BLAU | HELL BLAU |
| | | PS | = | POMPA SCARICO | DRAIN PUMP | POMPE DE VIDANGE | LAUGENPUMPE | | | | | | | | | | | NERO | BLACK | NOIR | SCHARZ |
| | | PAP | = | POMPA AUMENTO PRESSIONE | BOOSTER PUMP | SURPRESSEUR | DRUCKERHOHUNGSPUMPE (ALS ZUBEHÖR) | | | | | | | | | | | ROSSO | RED | ROUGE | ROT |
| | | ELC | = | ELETTROVALVOLA RISCIACCIO CALDO | RINSE HOT WATER SOLENOID VALVE | ELECTROSOUPAPE RINÇAGE CHAUD | WARMWASSER-MAGNETVENTIL | | | | | | | | | | | VERDE | GREEN | VERT | GRÜN |
| | | ELF | = | ELETTROVALVOLA RISCIACCIO FREDDO | RINSE COLD WATER SOLENOID VALVE | ELECTROSOUPAPE RINÇAGE FROID | KALTWASSER-MAGNETVENTIL | | | | | | | | | | | BIANCO | WHITE | BLANC | WEISS |
| | | ELR | = | ELETTROVALVOLA RIGENERAZIONE | REGENERATION SOLENOID VALVE | ELECTROSOUPAPE REGENERATION | REGENERIERUNGSMAGNETVENTIL | | | | | | | | | | | GRIGIO | GREY | GRIS | GRAU |
| | | ELCR | = | ELETTROVALVOLA CARICO | LOAD SOLENOID VALVE | ELECTROSOUPAPE CHARGEMENT | ZUFUSS-MAGNETVENTIL | | | | | | | | | | | ARANCIO | ORANGE | ORANGE | ORANGE |
| | | ELSC | = | ELETTROVALVOLA SCARICO | DRAIN SOLENOID VALVE | ELECTROSOUPAPE VIDANGE | ENTLEERUNGSMAGNETVENTIL | | | | | | | | | | | VIOLA | VIOLET | VIOLET | VIOLET |
| | | ST | = | SPIA TEMPERATURA | TEMPERATURE LIGHT | VOYANT TEMPERATURE | TEMPERATURSLEUCHE | | | | | | | | | | | BLU | BLEU | BLEU | BLAU |
| | | SC | = | SPIA CICLO | CYCLE LIGHT | VOYANT CYCLE | BETRIEBSLEUCHE | | | | | | | | | | | | | | |
| | | SPR | = | SPIA RIGENERAZIONE | REGENERATION CYCLE LIGHT | VOYANT REGENERATION | REGENERIERUNGSLEUCHE | | | | | | | | | | | | | | |
| | | SR | = | SPIA RETE | MAIN SWITCH LIGHT | VOYANT RESEAU ELECTRIQUE | NETZWERKSLEUCHE | | | | | | | | | | | | | | |
| | | SA | = | SPIA ALLARME | ALARM WARNING LIGHT | VOYANT ALARME | ALARMI-ANZEIGER | | | | | | | | | | | | | | |
| | | SV | = | SPIA VASCA | TANK LEVEL LIGHT | VOYANT NIVEAU CUVE | TANKWASSERNIVEAULAMPE | | | | | | | | | | | | | | |
| | | RB | = | RESISTENZA BOILER | BOILER HEATING ELEMENT | RESISTANCE SURCHAUFFEUR | BOILERHEIZUNG | | | | | | | | | | | | | | |
| | | RV | = | RESISTENZA VASCA | TANK HEATING ELEMENT | RESISTANCE CUVE | TANKHEIZUNG | | | | | | | | | | | | | | |
| | | IG | = | INTERRUTTORE GENERALE | MAIN SWITCH | INTERRUPTEUR GENERAL | HAUPTSCHALTER | | | | | | | | | | | | | | |
| | | IGD | = | INTERRUTTORE GENERALE STAND BY | STAND BY MAIN SWITCH | INTERUPTEUR GENERAL STAND BY | HAUPTSCHALTER STAND BY | | | | | | | | | | | | | | |
| | | MPC | = | MICRO PORTA Contatto | DOOR SAFETY SWITCH | MICRO SECURITE PORTE | MIKROTÜRKONTAKT | | | | | | | | | | | | | | |
| | | MPM | = | MICRO PORTA Magnetico | MAGNETIC DOOR SAFETY SWITCH | MICRO SECURITE PORTE MAGNETIQUE | MAGNETISCHE SICHERHEITSMIKROTÜR | | | | | | | | | | | | | | |
| | | PPS | = | PULSANTE POMPA SCARICO | DRAIN PUMP SWITCH | BOUTON POMPE DE VIDANGE | ENTLEERUNGSPUMPE-SCHALTER | | | | | | | | | | | | | | |
| | | PR | = | PRESSOSTATO | PRESSURE SWITCH | PRESSOSTAT | DRUCKWÄCHTER | | | | | | | | | | | | | | |
| | | PC | = | PULSANTE CICLO | CYCLE SWITCH | BOUTON DEMARREUR | TASTSCHALTER F. PROGRAMMANFLAU | | | | | | | | | | | | | | |
| | | PCR | = | PULSANTE CICLO RIGENERAZIONE | REGENERATION CYCLE SWITCH | VOYANT REGENERATION | REGENERIERUNGSBETRIEBSLEUCHE | | | | | | | | | | | | | | |
| | | PRF | = | PULSANTE RISCIACCIO FREDDO | RINSE COLD WATER SWITCH | BOUTON DE RINÇAGE FROID | KALTESPUHLUNG SCHALTER | | | | | | | | | | | | | | |
| | | PCI | = | PULSANTE CICLO INFINITO | UNLIMITED CYCLE PUSH BUTTON | BOUTON CYCLE SANS ARRET | PAUSENLOS ZYKLUSKNOPF | | | | | | | | | | | | | | |
| | | PPG | = | PULSANTE PROGRAMMAZIONE | PROGRAMMATION SWITCH | BOUTON PROGRAMMATION | PROGRAMMSCHALTER | | | | | | | | | | | | | | |
| | | DEVAM | = | DEV. AUTOMATICO/MANUALE | AUTOMATIC/MANUAL SWITCH | SELECTEUR AUTOMATIQUE/MANUAL | AUTOMATISCHER/MANUAL WÄHLER | | | | | | | | | | | | | | |
| | | DEVCF | = | DEV. RISCIACCIO CALDO/FREDDO | HOT/COLD RINSING SWITCH | COMM. DE RINÇAGE CHAUD/FROID | UMSCHALTER F.KALT WARMWASSER | | | | | | | | | | | | | | |
| | | TSP | = | TERMOSTATO SICUREZZA POMPA | PUMP SAFETY THERMOSTAT | THERMOSTAT SECURITE POMPE | SICHERUNGSTHERMOSTAT DER PUMPE | | | | | | | | | | | | | | |
| | | TV | = | TERMOSTATO VASCA | TANK THERMOSTAT | THERMOSTAT CUVE | TANKTHERMOSTAT | | | | | | | | | | | | | | |
| | | TB | = | TERMOSTATO BOILER | BOILER THERMOSTAT | THERMOSTAT SURCHAUFFEUR | BOIERTHERMOSTAT | | | | | | | | | | | | | | |
| | | TS | = | TERMOSTATO SICUREZZA | SAFETY THERMOSTAT | THERMOSTAT DE SECURITE | SICHERHEITSTHERMOSTAT | | | | | | | | | | | | | | |
| | | MTz | = | TIMER CICLO | CYCLE TIMER | PROGRAMMATEUR DU CYCLE | ZYKLUSTIMER | | | | | | | | | | | | | | |
| | | MTzR | = | MOTORE TIMER RIGENERAZIONE | REGENERATION CYCLE MOTOR | MOTEUR DU RIGENERATION | SINCHRONMOT.F.REGENERIERUNGS TIMER | | | | | | | | | | | | | | |
| | | MTz(L) | = | MOTORE LENTO (MTz) | SLOW (MTz) | (MTz) LENT | LANGSAMER MOTOR | | | | | | | | | | | | | | |
| | | MTz(V) | = | MOTORE VELOCE (MTz) | FAST (MTz) | (MTz) RAPIDE | SCHNELLER MOTOR | | | | | | | | | | | | | | |
| | | MT5 | = | CONTATTORE TIMER BOBINA | CONTACTOR TIMER | CONTACTEUR DU PROGRAMMATEUR | NT5 SCHALTERKONTAKT | | | | | | | | | | | | | | |
| | | KR | = | TELERUTTORE RESISTENZA | HEATING ELEMENT CONTACTOR | TELERUPTEUR RESISTANCE | HEIZUNGFERNSCHALTER-SCHÜTZ | | | | | | | | | | | | | | |
| | | KPAP | = | TELERUTTORE PAP | BOOSTER PUMP CONTACTOR | TELERUPTEUR SURPRESSEUR | FERNSCHALTER-SCHÜTZ | | | | | | | | | | | | | | |
| | | KP | = | TELERUTTORE POMPA | PUMP CONTACTOR | TELERUPTEUR POMPE | PUMPEFERNASCHALTER-SCHÜTZ | | | | | | | | | | | | | | |
| | | KB | = | TELERUTTORE BOILER | BOILER CONTACTOR | TELERUPTEUR SURCHAUFFEUR | BOILERFERNASCHALTER-SCHÜTZ | | | | | | | | | | | | | | |
| | | KV | = | TELERUTTORE VASCA | TANK CONTACTOR | TELERUPTEUR CUVE | TANKFERNASCHALTER-SCHÜTZ | | | | | | | | | | | | | | |
| | | RLn* | = | RELE' | RELAY | RELAIS | RELAIS | | | | | | | | | | | | | | |
| | | TPS | = | TIMER POMPA SCARICO | DRAIN PUMP TIMER | PROGRAMMATEUR POMPE DE VIDAGE | LAUGENPUMPE TIMER | | | | | | | | | | | | | | |
| | | RM | = | RELE' TERMICO | THERMIC RELAY | RELAIS THERMIQUE | THERMISCH RELAIS | | | | | | | | | | | | | | |
| | | BL | = | BLOCCO PORTA | DOOR LOCK | SERRAGE PORTE | TÜRRSPERRE | | | | | | | | | | | | | | |
| | | ELBT | = | ELETTROVALVOLA BREAK TANK | BREAK TANK SOLENOID VALVE | ELECTROSOUPAPE DU SYSTEME ANTI RETOUR | BREAK TANK SYSTEM MAGNETVENTIL | | | | | | | | | | | | | | |
| | | PRBT | = | PRESSOSTATO BREAK TANK | BREAK TANK PRESSURE SWITCH | PRESSOSTAT DU SYSTEME ANTI RETOUR | BREAK TANK SYSTEM DRUCKWÄCHTER | | | | | | | | | | | | | | |
| | | PLIFT | = | POMPA LIFT | LIFT PUMP | POMPE SYSTEME RELEVAGE CAPOT | LIFT PUMPE | | | | | | | | | | | | | | |
| | | ELLF | = | ELETTROVALVOLA LIFT | LIFT SOLENOID VALVE | ELECTROSOUPAPE SYSTEME RELEVAGE CAPOT | LIFT SYSTEM MAGNETVENTIL | | | | | | | | | | | | | | |
| | | PRLF | = | PRESSOSTATO LIFT | LIFT PRESSURE SWITCH | PRESSOSTAT SYSTEME RELEVAGE CAPOT | LIFT SYSTEM DRUCKWÄCHTER | | | | | | | | | | | | | | |
| | | PRS | = | PRESSOSTATO SICUREZZA | SAFETY PRESSURE SWITCH | PRESSOSTAT DE SECURITE | SICHERHEIT DRUCKWÄCHTER | | | | | | | | | | | | | | |
| | | PR | = | PRESSOSTATO | PRESSURE SWITCH | PRESSOSTAT | DRUCKWÄCHTER | | | | | | | | | | | | | | |



111445
111446
111447

220-240V
1P+N 50/60Hz

Legende

Seite 4/5

Schema 111445/111446/111447

| Beschreibung / Description | | |
|----------------------------|---------------------------|--------------------------|
| F1 | Filter | Filter |
| B1 | Boiler | Boiler |
| P2 | Drucksteigerungspumpe * | Pressure increase pump * |
| PL | Spülpumpe | Wash pump |
| DB | Klarspülmitteldosierpumpe | Electric polish pump |
| SC1 | Ablauf | Draining |
| ELC | Wassermagnetventil | Water solenoid valve |
| P.S. | Laugenpumpe * | Drain pump * |

→ Klarspülzyklus / Rinsing cycle

→ Waschzyklus / Washing cycle

* Nicht serienmäßig / not serial

