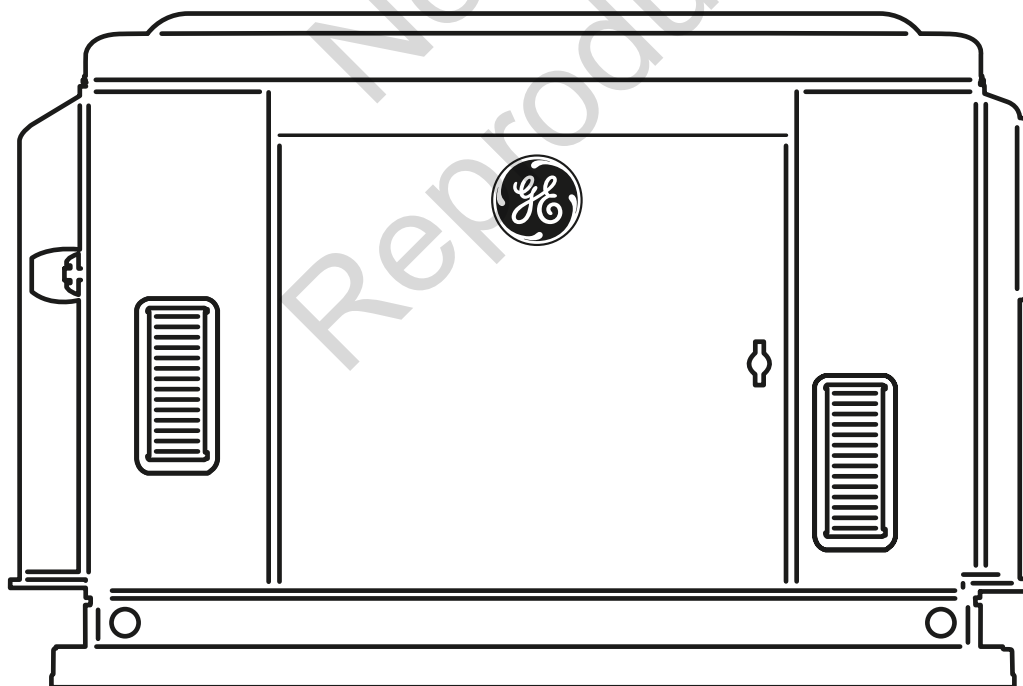




GE Home Generator Systems
15,000 and 20,000 Watt
Home Generator Systems

Operator's Manual



Thank you for purchasing this quality-built GE home generator. We're pleased that you've placed your confidence in the GE brand. When operated and maintained according to the instructions in this manual, your home generator will provide many years of dependable service.

This manual contains safety information to make you aware of the hazards and risks associated with home standby generators and how to avoid them. Because we do not necessarily know all the applications this equipment could be used for, it is important that you read and understand these instructions thoroughly before attempting to start or operate this equipment. **Save these instructions for future reference.**

This home standby generator requires professional installation before use. Refer to the separate installation manual for full information. Your installer should follow the instructions completely.

Where to Find Us

You never have to look far to find GE support and service for your generator. For quick service when you need it, keep your original receipt with this manual. You may contact Customer Service at **888 575-8226** or click on Find a Dealer at BRIGGSandSTRATTON.COM, which provides a list of authorized dealers.

Generator and engine model and serial numbers should be recorded in the installation manual.

Not for
Reproduction

Table of Contents

Important Safety Instructions	4
Installation	7
For the Home Owner.....	7
For the Installing Dealer/Contractor.....	7
Owner Orientation.....	8
Fuel Factors.....	8
Generator Location	9
Delivery Inspection	10
Controls	11
Operation.....	14
Automatic Operation	14
Setting Exercise Timer	15
Maintenance.....	16
Fault Detection System	16
Generator Maintenance.....	18
Engine Oil.....	18
Battery	19
Cleaning the Generator	20
Storage.....	21
Troubleshooting	22
Warranty	23
Product Specifications	25

Safety Rules

Important Safety Instructions

SAVE THESE INSTRUCTIONS - This manual contains important instructions that should be followed during installation and maintenance of the generator and batteries.

Safety Symbols and Meanings



Explosion



Fire



Electrical Shock



Toxic Fumes



Rotating Parts



Hot Surface



Auto Start



Explosive Pressure



Chemical Burn



Lift Hazard



Read Manual

The manufacturer cannot possibly anticipate every possible circumstance that might involve a hazard. The warnings in this manual, and the tags and decals affixed to the unit are, therefore, not all-inclusive. If you use a procedure, work method or operating technique that the manufacturer does not specifically recommend, you must satisfy yourself that it is safe for you and others. You must also make sure that the procedure, work method or operating technique that you choose does not render the generator system unsafe.

▲ WARNING Running engine gives off carbon monoxide, an odorless, colorless, poison gas. Breathing carbon monoxide could cause headache, fatigue, dizziness, vomiting, confusion, seizures, nausea, fainting or death.

- Operate generator ONLY outdoors.
- Install a battery operated carbon monoxide alarm near the bedrooms.
- Keep exhaust gas from entering a confined area through windows, doors, ventilation intakes, or other openings.

▲ WARNING The engine exhaust from this product contains chemicals known to the State of California to cause cancer, birth defects, or other reproductive harm.

▲ WARNING Certain components in this product and related accessories contain chemicals known to the State of California to cause cancer, birth defects, or other reproductive harm. Wash hands after handling.

▲ The safety alert symbol indicates a potential personal injury hazard. A signal word (DANGER, WARNING, or CAUTION) is used with the alert symbol to designate a degree or level of hazard seriousness. A safety symbol may be used to represent the type of hazard. The signal word NOTICE is used to address practices not related to personal injury.

▲ DANGER indicates a hazard which, if not avoided, *will* result in death or serious injury.

▲ WARNING indicates a hazard which, if not avoided, *could* result in death or serious injury.

▲ CAUTION indicates a hazard which, if not avoided, *could* result in minor or moderate injury.

NOTICE addresses practices not related to personal injury.

⚠ WARNING Storage batteries give off explosive hydrogen gas during recharging. Slightest spark will ignite hydrogen and cause explosion. Battery electrolyte fluid contains acid and is extremely caustic.



Contact with battery contents will cause severe chemical burns. A battery presents a risk of electrical shock and high short circuit current.

- DO NOT dispose of battery in a fire. Recycle battery.
- DO NOT allow any open flame, spark, heat, or lit cigarette during and for several minutes after charging a battery.
- DO NOT open or mutilate the battery.
- Wear protective goggles, rubber apron, rubber boots and rubber gloves.
- Remove watches, rings, or other metal objects.
- Use tools having insulated handles.

⚠ WARNING Propane and Natural Gas are extremely flammable and explosive. Fire or explosion could cause severe burns or death.



- Install the fuel supply system according to NFPA 37 and other applicable fuel-gas codes.
- Before placing the generator into service, the fuel system lines must be properly purged and leak tested.
- After the generator is installed, you should inspect the fuel system periodically.
- NO leakage is permitted.
- DO NOT operate engine if smell of fuel is present or other explosive conditions exist.
- DO NOT smoke around the generator. Wipe up any oil spills immediately. Ensure that no combustible materials are left in the generator compartment. Keep the area near the generator clean and free of debris.

⚠ WARNING Generator produces hazardous voltage. Failure to properly ground generator can result in electrocution.



Failure to isolate generator from power utility could result in death or injury to electric utility workers due to backfeed of electrical energy.

- When using generator for backup power, notify utility company.
- DO NOT touch bare wires or bare receptacles.
- DO NOT use generator with electrical cords which are worn, frayed, bare or otherwise damaged.
- DO NOT handle generator or electrical cords while standing in water, while barefoot, or while hands or feet are wet.
- If you must work around a unit while it is operating, stand on an insulated dry surface to reduce the risk of a shock hazard.
- DO NOT allow unqualified persons or children to operate or service generator.
- In case of an accident caused by electrical shock, immediately shut down the source of electrical power and contact the local authorities. **Avoid direct contact with the victim.**
- Despite the safe design of the residential generator, operating this equipment imprudently, neglecting its maintenance or being careless can cause possible injury or death.
- Remain alert at all times while working on this equipment. Never work on the equipment when you are physically or mentally fatigued.
- Before performing any maintenance on the generator, disconnect the battery cable indicated by a **NEGATIVE, NEG** or (-) first. When finished, reconnect that cable last.
- After your system is installed, the generator may crank and start without warning any time there is a power failure. To prevent possible injury, always set the generator's system switch to **OFF**, remove the service disconnect from the disconnect box AND remove the 15 Amp fuse BEFORE working on the equipment.

▲ WARNING Contact with muffler area could result in serious burns.



Exhaust heat/gases can ignite combustibles or structures causing a fire.

- DO NOT touch hot parts and AVOID hot exhaust gases.
- Allow equipment to cool before touching.
- DO NOT install the generator closer than 5 feet (1.5m) from any combustibles or structures with combustible walls having a fire resistance rating of less than 1 hour.
- Keep at least minimum distances shown in *General Location Guidelines* to insure for proper generator cooling and maintenance clearances.
- It is a violation of California Public Resource Code, Section 4442, to use or operate the engine on any forest-covered, brush-covered, or grass-covered land unless the exhaust system is equipped with a spark arrester, as defined in Section 4442, maintained in effective working order. Other states or federal jurisdictions may have similar laws. Contact the original equipment manufacturer, retailer, or dealer to obtain a spark arrester designed for the exhaust system installed on this engine.
- Replacement parts must be the same and installed in the same position as the original parts.

▲ WARNING Starter and other rotating parts could entangle hands, hair, clothing, or accessories.



- NEVER operate generator without protective housings, covers, or guards in place.
- DO NOT wear loose clothing, jewelry or anything that may be caught in the starter or other rotating parts.
- Tie up long hair and remove jewelry.
- Before servicing, remove 15 Amp fuse from control panel and disconnect **Negative (NEG or -)** battery cable.

▲ CAUTION Installing the 15A fuse could cause the engine to start.



- Observe that the 15 Amp fuse has been removed from the control panel for shipping.
- DO NOT install this fuse until all plumbing and wiring has been completed and inspected.

▲ CAUTION Excessively high operating speeds increase risk of injury and damage to generator.

Excessively low speeds impose a heavy load on generator.

- DO NOT tamper with governed speed. Generator supplies correct rated frequency and voltage when running at governed speed.
- DO NOT modify generator in any way.

NOTICE Exceeding generators wattage/amperage capacity could damage generator and/or electrical devices connected to it.

- Start generator and let engine stabilize before connecting electrical loads.

NOTICE Improper treatment of generator could damage it and shorten its life.

- Use generator only for intended uses.
- If you have questions about intended use, contact your authorized dealer.
- Operate generator only on level surfaces.
- Adequate, unobstructed flow of cooling and ventilating air is critical to correct generator operation.
- The access panels/door must be installed whenever the unit is running.
- DO NOT expose generator to excessive moisture, dust, dirt, or corrosive vapors.
- Remain alert at all times while working on this equipment. Never work on the equipment when you are physically or mentally fatigued.
- DO NOT start engine with air cleaner or air cleaner cover removed.
- DO NOT insert any objects through cooling slots.
- DO NOT use the generator or any of its parts as a step. Stepping on the unit can cause stress and break parts. This may result in dangerous operating conditions from leaking exhaust gases, fuel leakage, oil leakage, etc.
- If connected devices overheat, turn them off and disconnect them from generator.
- Shut off generator if:
 - electrical output is lost;
 - equipment sparks, smokes, or emits flames;
 - unit vibrates excessively.

Installation

We sincerely appreciate your patronage. For this reason, we have made every effort to provide for a safe, streamlined and cost-effective installation. Because each installation is unique, it is impossible to know of and advise the trade of all conceivable procedures and methods by which installation might be achieved. Neither could we know of possible hazards and/or the results of each method or procedure.

For these reasons, only current licensed electrical and plumbing professionals should attempt home generator system installations. Installations must strictly comply with all applicable codes, industry standards and regulations.

Your home generator is supplied with this "Operator's Manual" and a separate "Installation Manual". These are important documents and should be retained by the owner after the installation has been completed.

For the Home Owner

To help you make informed choices and communicate effectively with your installation contractor(s),

Read and understand *Owner Orientation* in this manual before contracting or starting your home generator installation.

To arrange for proper installation, contact the store at which you purchased your home generator, your dealer, a licensed electrician or your utility power provider.

The home generator warranty is VOID unless the system is installed by licensed electrical and plumbing professionals.

Every effort has been made to ensure that information in this manual is accurate and current. However, we reserve the right to change, alter, or otherwise improve the product and this document at any time without prior notice.

The Emission Control System for this generator is warranted for standards set by the U.S. Environmental Protection Agency and by the California Air Resources Board (CARB).

For the Installing Dealer/Contractor

For most applications, the installation manual contains all the information required to properly install and start the home generator. This operator's manual describes routine operation and owner maintenance procedures.

If you need more information in this matter, please call 888 575-8226 between 8:00 AM and 5:00 PM CT.

Owner Orientation

This section provides home generator owners with the information necessary to achieve the most satisfactory and cost effective installation possible.

The illustrations are for typical circumstances and are meant to familiarize you with the installation options available with your home generator. A thorough understanding of these options will provide fundamental control over the cost of your installation, as well as ensure your final satisfaction and security.

Federal and local codes, appearance, noise levels, fuel types, and distances are the factors that must be considered when negotiating with an installation professional. Remember that as the distance from the existing electrical service and

gaseous fuel supply increases, and the number of 90 degree bends in the fuel supply increases; compensations in piping and wiring materials must be made. This is necessary to comply with local codes and overcome electrical voltage drops and gaseous fuel pressure drops.

The factors mentioned above will have a direct affect on the overall price of your home generator installation.


In some areas you may need to acquire electrical permits for installing the home generator, building permits for installing gas lines, and permits for noise allowances. Your installer should check your local codes AND obtain the permits before installing the system.

Fuel Factors

An important consideration affecting the entire installation is the type of fuel used by your home generator. The system was factory tested and adjusted using natural gas, but can be converted to use LP vapor. For proper engine function, factors that are inherent to each of these fuels, your location and the duration of possible utility interruptions are important considerations in the following fuel guidelines:

- Use clean, dry fuel, free of moisture or any particulate material. Using fuels outside the following recommended values may cause performance problems.
- In engines set up to run on propane (LP), commercial grade HD5 propane with a minimum fuel energy of 2500 BTUs/ft³ with maximum propylene content of 5% and butane and heavier gas content of 2.5% and minimum propane content of 90%.

Natural gas rating will depend on specific fuel but typical derates are between 10 to 20% off the LP gas rating.

 **WARNING** Propane and Natural Gas are extremely flammable and explosive. Fire or explosion could cause severe burns or death.

- The residential generator is equipped with an automatic safety gas "fuel shut-off" valve.
- DO NOT operate the equipment if the "fuel shut-off" valve is missing or inoperative.

Power Decrease at High Altitude or High Temperature

Air density is less at high altitudes, resulting in less available engine power. Specifically, engine power will decrease 3.5% for each 1,000 feet (300 meters) above sea level and 1% for each 10° F (5.6°C) above 77°F (25°C). Make sure you and your installer consider these factors when determining total generator load.


Generator Location

The actual physical location of your home generator has a direct affect on:

1. The amount of plumbing required to fuel your generator.
2. The amount of wiring required to control and connect your generator.


Specific location guidelines are discussed in the installation manual. Acquaint yourself with that information and confer with your installer. Be sure to ask how your site might affect installation costs and compliance with local codes and standards.

The generator must be installed outdoors. DO NOT install generator where exhaust gas could accumulate and enter inside or be drawn into a potentially occupied building. Ensure exhaust gas is kept away from any windows, doors, ventilation intakes or other openings that can allow exhaust gas to collect in a confined area. Prevailing winds and air currents should be taken into consideration when positioning generator. See the installation manual for full details on safe generator location.

 **WARNING** Running engine gives off carbon monoxide, an odorless, colorless, poison gas. Breathing carbon monoxide could cause headache, fatigue, dizziness, vomiting, confusion, seizures, nausea, fainting or death.



- Operate generator ONLY outdoors.
- Install a battery operated carbon monoxide alarm near the bedrooms.
- Keep exhaust gas from entering a confined area through windows, doors, ventilation intakes, or other openings.

 **WARNING** Exhaust heat/gases could ignite combustibles or structures causing a fire.



- DO NOT install the generator closer than 5 feet (1.5m) from any combustibles or structures with combustible walls having a fire resistance rating of less than 1 hour.

Not for
Reproduction

Delivery Inspection

Carefully inspect the home generator for any damage that may have occurred during shipment.

If loss or damage is noted at time of delivery, have the person(s) making delivery note all damage on the freight bill and affix his signature under the consignor's memo of loss or damage. If loss or damage is noted after delivery, separate the damaged materials and contact the carrier and your installer for claim procedures. Missing or damaged parts are not warranted.

The home generator system is supplied with:

- Pre-attached mounting pad
- Fully-serviced oil/lubricating system
- Flexible fuel hook-up hose
- Installation and start-up manual
- Operator's manual
- Engine operator's manual
- Installation checklist
- Alternator cover
- Spare access door keys
- Spare 15A fuse
- Two pin control panel connector
- Ten pin control panel connector
- Touch up paint

Not included:

- Starting battery
- Connecting wire and conduit
- Fuel supply valves/plumbing
- Various specialty tools/equipment

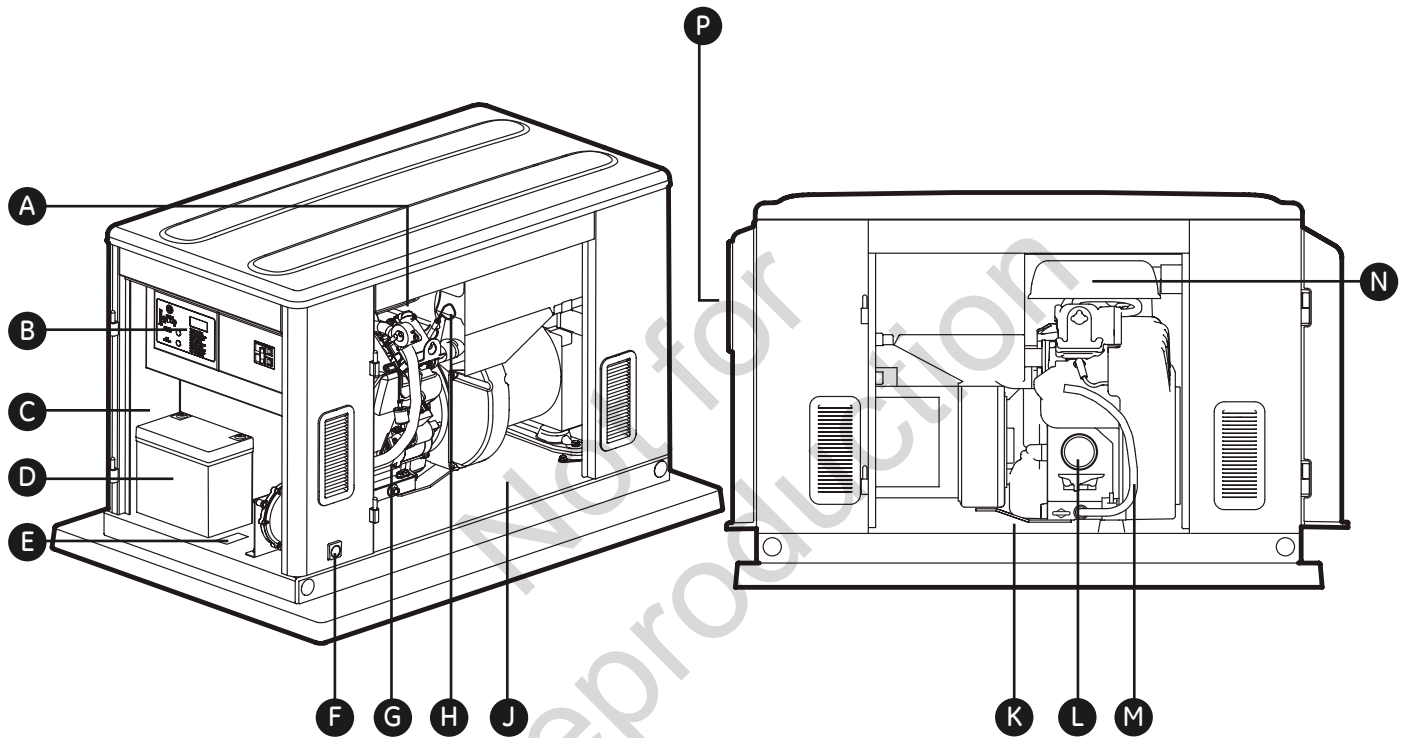
Not for
Reproduction

Controls

Home Generator



Read this operator's manual and *Important Safety Instructions* **before** operating your generator. Compare the illustration with your generator to familiarize yourself with the locations of various controls and adjustments. **Save this manual for future reference.**



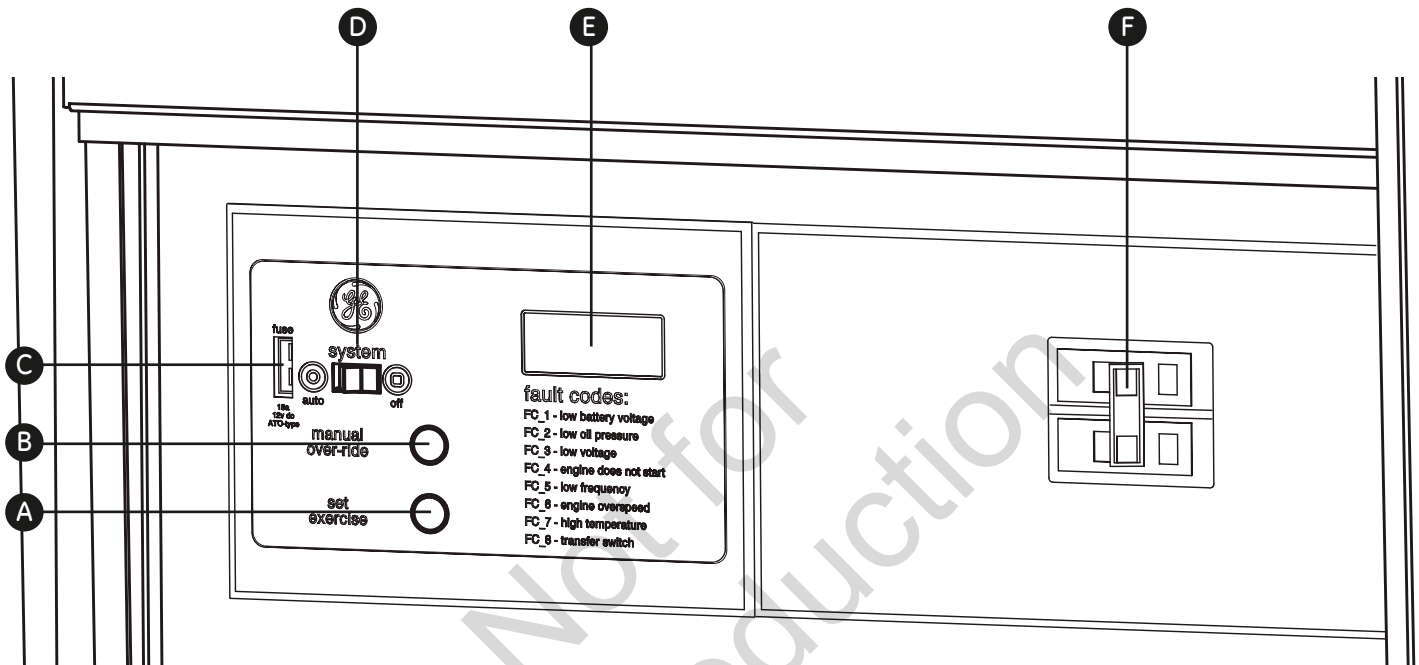
Generator is shown with access covers removed for clarity.

- A - Oil Fill Cap** — Remove to service the engine with recommended oil.
- B - Control Panel** — Used for various test, operation and maintenance functions. See *System Control Panel*.
- C - Control Panel Door** opening — Provides access to control panel and battery.
- D - Battery** (installer supplied) — 12 Volt DC, valve-regulated, rechargeable battery provides power to start the engine.
- E - ID Label** (located on base) — Identifies unit by model and serial number.
- F - Fuel Inlet** — Fuel supply is connected here.

- G - Engine Label** — Identifies engine model and type.
- H - Oil Dip Stick** — Used to check the engine oil level.
- J - Oil Fill Door** opening — Provides access for engine servicing.
- K - Oil Drain Door** opening — Provides access for engine servicing.
- L - Oil Filter** — Filters engine oil to prolong system life.
- M - Oil Drain Hose** — Provided to facilitate oil changing.
- N - Air Cleaner** — Protects engine by filtering dust and debris out of intake air.
- P - Exhaust Port** — High-performance muffler lowers engine noise to comply with most residential codes.

System Control Panel

Compare this control panel illustration with your generator to familiarize yourself with the location of these important controls:



A - SET EXERCISE— Used to set the exercise cycle start time and day-of-the-week. Exercise cycle only occurs in **AUTO** mode.

B - MANUAL OVER-RIDE— With system switch in **AUTO** position, push the manual over-ride switch to start the generator. To turn off the generator, push and hold the manual over-ride switch again until engine stops.

C - 15 Amp Fuse — Protects the home generator DC control circuits. If the fuse has 'blown' (melted open) or was removed, the engine cannot crank or start. Replace the fuse using only an identical ATO 15A fuse.

D - System Switch — This two-position switch is the most important control on the system and is used as follows:

- **"AUTO"** position is the normal operating position. If a utility power outage is sensed, the system will start the generator. When utility power is restored, **AUTO** lets

the engine stabilize internal temperatures, shuts off the generator, and waits for the next utility power outage.

- **"OFF"** position turns off running generator, prevents unit from starting and resets any detected faults.

E - Digital Display — Displays the total number of hours the generator has been running and fault codes. Used to schedule maintenance tasks and for troubleshooting operational problems with the home generator. A constant number displayed indicates the total hours of operation. Fault conditions will flash "FC" followed by a fault code number. All fault conditions are described in *Fault Detection System*.

F - Circuit Breaker — Protects the generator from shorts and other over-current conditions. Must be **ON** to supply power to the automatic transfer switch.

Access Ports

The home generator is equipped with an enclosure that has several access doors. The doors are named for a significant component located behind them, as follows:

- A Control Panel door
- B Fuel Inlet Port (shown for reference)
- C Oil Drain door
- D Exhaust Port (shown for reference)
- E Oil Fill door

▲ WARNING Contact with muffler and engine parts could result in serious burns.



- DO NOT touch hot parts and AVOID hot exhaust gases.
- Allow equipment to cool before touching.

The oil and control panel doors must be installed whenever the unit is running to assure proper cooling, reduce noise, and for added safety.

Each home generator is supplied with a set of identical keys. These keys fit the locks that secure the access doors.

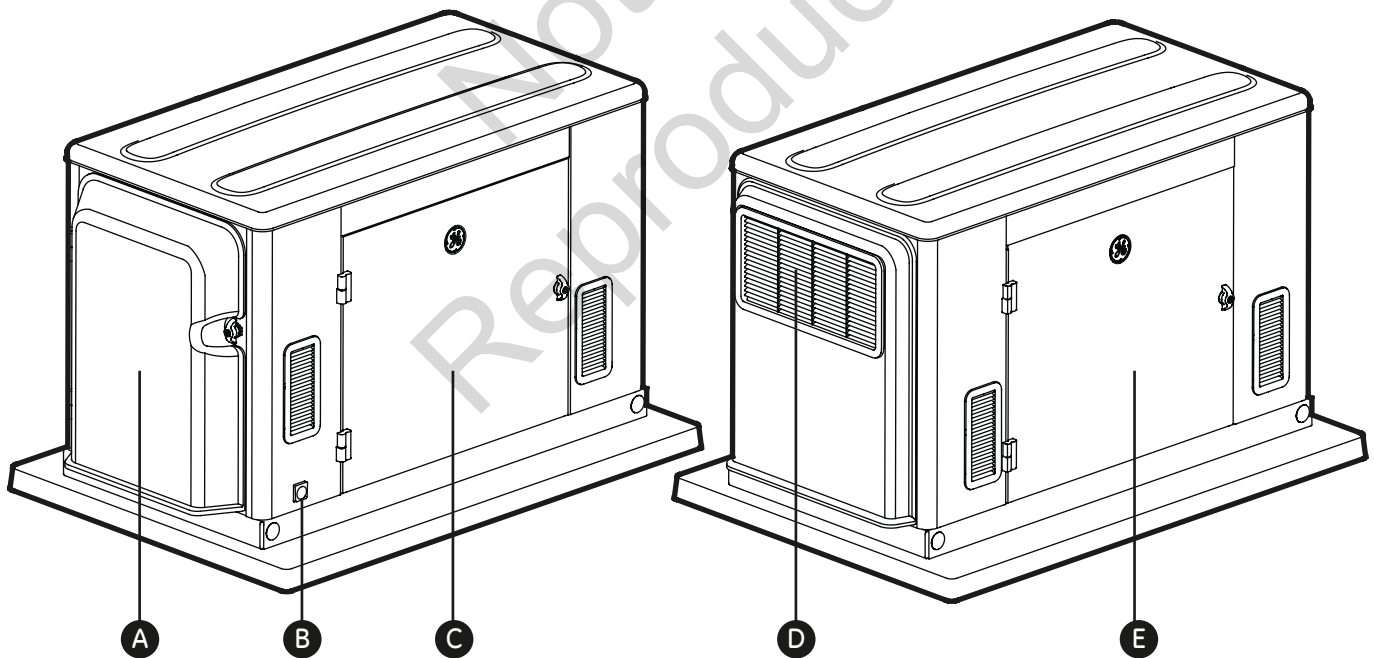
To open access door:

1. Insert key into lock of access door handle and turn key one quarter turn counterclockwise.
2. Grasp door's handle and turn one quarter turn counterclockwise to open. Remove key.

To close access door:

1. Close door and turn door's handle one quarter turn clockwise.
2. Insert key into lock of door handle and turn key one quarter turn clockwise. Remove key.

Additional force may be required to fully close and lock the doors because they create a pressurized seal for the generator enclosure.



Operation

Important Owner's Considerations

Engine Oil

NOTICE Any attempt to crank or start the engine before it has been properly serviced with the recommended oil will result in equipment failure.

- Refer to *Maintenance* in the operator's manual and engine manual for oil fill information.
- Damage to equipment resulting from failure to follow this instruction will void engine and generator warranty.

This engine is shipped from the factory pre-run and filled with synthetic oil (API SJ/CF 5W-30). This allows for system operation in a wide range of temperature and climate conditions. Before starting the engine, check oil level as described in the engine manual.

Battery

The installer must supply a valve-regulated, rechargeable 12 volt DC starting battery. See *Battery* in *Final Installation Considerations* in the installation manual. Installer must connect battery charge wire (wire #13) to positive battery terminal!

▲ WARNING Battery posts, terminals and related accessories contain lead and lead compounds, chemicals known to the State of California to cause cancer and reproductive harm. Wash hands after handling.

With the battery installed, all wiring to transfer switch and home generator completed, utility power supplied to the automatic transfer switch, and the unit in **AUTO** mode, the battery receives a trickle charge while the engine is not running. The trickle charge cannot be used to recharge a battery that is completely discharged.

15 Amp Fuse

The generator's 15 Amp fuse is critical to correct system operation. The 15 Amp fuse was removed at the factory to prevent the unit from starting during shipping. Your installer will ensure the fuse is properly installed upon completion of the installation.

Automatic Operation

To select automatic operation, do the following:

1. Confirm 15 Amp fuse is installed in control panel.
2. Set the main distribution panel circuit breaker that sends utility voltage to the transfer switch to **ON**.
3. Set the generator's circuit breaker to its **ON** position.
4. Set the control panel system switch to **AUTO**.

▲ CAUTION With the system switch set to **AUTO**, the engine may crank and start at any time without warning.



- To prevent possible injury that may be caused by such sudden starts, always set the system switch to **OFF** if performing maintenance on the system.
- Remove the 15 Amp fuse before working on or around the generator or transfer switch.

Checking Automatic Operation

To check the system for proper automatic operation, proceed as follows:

1. Turn **OFF** the service disconnect or main distribution panel circuit breaker sending power to the automatic transfer switch.

When utility voltage is lost and the sensor has timed out, the engine will crank and start. Let the system go through its entire automatic operation sequence.
2. With generator output supplying its loads, turn **ON** the service disconnect or main distribution panel circuit breaker that supplies utility power to the automatic transfer switch.

3. The automatic transfer switch will transfer loads back to utility power after a 5 minute minimum run time and utility power is available.
4. The generator will run for one additional minute for engine cool down, then will shut down.

If utility is restored and generator does not shut down after 10 minutes, set system switch to **OFF** and contact your installer or local service center.

This completes the test procedures for automatic operation. The home generator will now start automatically and will supply power to the transfer switch when utility power is lost.

Setting Exercise Timer

The home generator is equipped with an exercise timer that will start and exercise the system once every seven days. During this exercise period, the unit runs for approximately 20 minutes and then shuts down. Electrical load transfer DOES NOT occur during the exercise cycle (unless an utility power outage occurs).

A button on the control panel is labeled "SET EXERCISE" (see System Control Panel). The specific day and the specific time of day this button is pressed is programmed into the control board memory. This date and time is then used to automatically initiate the system exercise cycle. The "SET EXERCISE" legend on the control panel will flash until the set exercise cycle is set.

To perform the Set Exercise procedure:

1. Choose the day and time you want your home generator to exercise.
2. On that day and time, press and hold "SET EXERCISE" for three seconds.

The "Set Exercise" display will illuminate then turn off to confirm that the exercise timer has been set. Then release the button.

The unit will crank and run the exercise cycle. During the cycle, "Set Exercise" will illuminate.

Once the exercise cycle is complete, the unit will turn off and "Set Exercise" will no longer be displayed.

The exercise cycle may be discontinued at anytime by turning the System Switch to OFF.

3. The unit will then start and run it's 20 minute exercise cycle.

For example, if you press SET EXERCISE on Sunday morning at 10:00 AM, the unit will run an immediate exercise cycle and an exercise cycle every following Sunday at 10:00 AM (+/- 1/2 hour).

"Set Exercise" will only work if the unit is in the AUTO mode and this exact procedure is followed. The exerciser will need to be re-set if the 15 Amp fuse is removed or changed, or if the starting battery is disconnected.

If you want to change the day and time the unit exercises, simply perform the "Set Exercise" procedure at the exact weekday and time you want it to take place.

Generator will not exercise if timer is not set.

Maintenance

Servicing the System

Before performing any generator maintenance, always perform the following steps:

1. Set generator's circuit breaker to its **OFF** position.
2. Set control panel system switch to **OFF**.
3. Remove 15 Amp fuse from control panel.
4. **Utility voltage is present at generator control panel.** Disconnect power before servicing control panel by removing the fuses from the transfer switch.
5. After all servicing has been completed, replace fuses in transfer switch, replace 15 Amp fuse in control panel, set system switch and circuit breaker **ON** and reset exercise timer. See *Setting Exercise Timer in Operation*.

Fault Detection System

The generator may have to run for long periods of time with no operator present. For that reason, the system is equipped with sensors that automatically shut down the generator in the event of potentially damaging conditions, such as low oil pressure, high temperature, over speed, and other conditions.

The generator's control panel has a digital display that shows fault codes, like "FC_1". The table below lists the detected fault, the fault code as displayed on the control panel.

Fault Description	Fault Codes
Low battery voltage	FC_1
Low oil pressure	FC_2
Low voltage	FC_3
Engine does not start	FC_4
Low frequency	FC_5
Engine overspeed	FC_6
High temperature	FC_7
Transfer switch fault	FC_8

Reset Fault Detection System

The operator must reset the fault detection system each time it activates. To do so, place the control panel system switch in the **OFF** position for 30 seconds or more. Remedy the fault condition, then return the home generator to service by placing the system switch in the **AUTO** position, installing the 15 Amp fuse, and resetting the exercise timer. See *Setting Exercise Timer in Operation*.

Low Battery Voltage (FC_1)

This fault is indicated by fault code FC_1. This condition occurs if the generator cannot start because the starting battery output power is below that needed to crank the engine. Causes for this problem may be a faulty battery or battery charge circuit.

To remedy the problem, contact your local service center to check the battery charge output. Remove the 15 Amp fuse and disconnect the battery from the generator. Take the battery to a local battery store for analysis.

Reinstall the battery (replace if necessary - see *Battery in Final Installation Considerations* in the installation manual). Then reset the fault detection system, as described earlier.

Low Oil Pressure (FC_2)

This fault is indicated by fault code FC_2. The unit is equipped with an oil pressure switch that uses normally closed contacts held open by engine oil pressure during operation. Should oil pressure drop below the 8 psi range, switch contacts close and the engine is shut down.

To remedy the low oil pressure condition, add the recommended oil to the FULL mark on the dipstick.

If the low oil pressure condition still exists, the engine will start, then shut down again. The fault code will appear. In this case, contact an authorized dealer.

Low Voltage (Generator, FC_3)

This fault is indicated by fault code FC_3. This condition is caused by a restriction in the fuel flow, a broken or disconnected signal lead, a failed alternator winding, the control panel circuit breaker is open, or the generator is overloaded.

To remedy the problem, contact your installer or an authorized dealer.

Engine Does Not Start (FC_4)

This fault is indicated by fault code FC_4. This feature prevents the generator from damaging itself if it continually attempts to start in spite of another problem, such as no fuel supply. Each time the system is directed to start, the unit will crank for 10 seconds, pause for 10 seconds, and repeat. If the system does not begin producing electricity after approximately 2 minutes, the unit will stop cranking.

Check to make sure the generator's circuit breaker is in the **ON** position in order for the sensing leads to verify that the unit is running.

The most likely cause of this problem is no fuel supply. Check the internal and external fuel shut off valves to ensure they are fully open. Other causes could be failed spark plug(s), failed engine ignition, or the engine air filter is clogged. You may need to contact your installer for assistance if you can't remedy these problems.

Low Frequency (FC_5)

This fault is indicated by fault code FC_5. This feature protects devices connected to the transfer switch by shutting the generator down if the engine runs slower than 55 Hz for three seconds.

This condition is caused by a failed engine component or by excessive loads on the generator. To remedy the problem, contact your installer or an authorized dealer.

Engine Overspeed (FC_6)

This fault is indicated by fault code FC_6. This feature protects devices connected to the transfer switch by shutting the generator down if the engine happens to run faster than the preset limit.

The overspeed fault is detected as follows:

- If the generator output frequency is 65-70 Hz, after three seconds, the generator will shut down.
- If the generator output frequency is greater than 70 Hz, the generator will shut down immediately.

This condition is caused by a failed engine component. To remedy the problem, contact your installer or an authorized dealer.

High Temperature (FC_7)

This fault is indicated by fault code FC_7. The contacts of the temperature switch are normally open. If the engine temperature exceeds approximately 149°C (300°F), the fault is detected and the engine shuts down.

Common causes for this condition include running the unit with access panels removed, obstructed air inlet or exhaust port, low oil level, or debris in the engine cylinder cooling fins.

To resolve the problem, let the engine cool down and remove any accumulated debris and obstructions. Ensure that all access panels are installed whenever the unit is running.

Transfer Switch Fault (FC_8)

This fault is indicated by fault code FC_8 (if transfer switch is equipped with fault detection).

The most likely cause of this fault is a blown fuse in the transfer switch. To remedy the problem, contact your installer or an authorized dealer.

Generator Maintenance

The generator warranty does not cover items that have been subjected to operator abuse or neglect. To receive full value from the warranty, the operator must maintain the system as instructed in the engine operator's manual.

All adjustments should be made at least once each season. Follow the requirements in the engine operator's manual.

Generator maintenance consists of keeping the unit clean. Operate the unit in an environment where it will not be exposed to excessive dust, dirt, moisture or any corrosive vapors. Cooling air louvers on the enclosure must not become clogged with snow, leaves, or any other

foreign material. To prevent generator damage caused by overheating, keep the enclosure cooling inlets and outlets clean and unobstructed at all times.

Check the cleanliness of the unit frequently and clean when dust, dirt, oil, moisture or other foreign substances are visible on its exterior/interior surface. Inspect the air inlet and outlet openings inside and outside the enclosure to ensure air flow is not blocked.

DO NOT use direct spray from a garden hose to clean generator. Water can enter the engine and generator and cause problems.

Engine Oil

The engine is filled with synthetic oil (API SJ/CF 5W-30). This allows for system operation in the widest range of temperature and climate conditions.

The use of synthetic oil does not alter the required oil change intervals described in the engine operator's manual.

Changing Engine Oil

CAUTION Avoid prolonged or repeated skin contact with used motor oil.

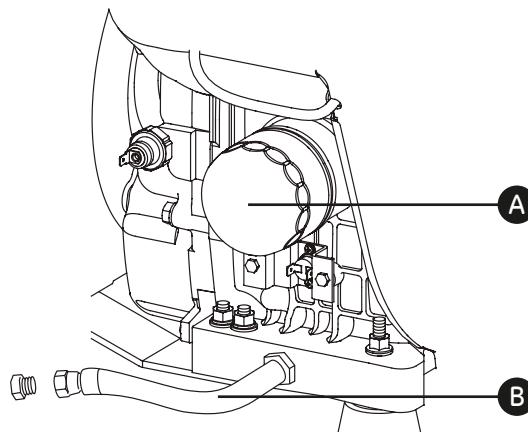
- Used motor oil has been shown to cause skin cancer in certain laboratory animals.
- Thoroughly wash exposed areas with soap and water.



KEEP OUT OF REACH OF CHILDREN. DON'T POLLUTE. CONSERVE RESOURCES. RETURN USED OIL TO COLLECTION CENTERS.

1. Set control board system switch to **OFF**.
2. Remove 15 Amp fuse from control panel.
3. Place oil drain hose into an approved container.
4. Remove brass fitting from end of drain hose.

Shown here is the oil drain hose (**B**) and the oil filter location (**A**) for the generator:



Change oil while the engine is still warm from running, as described in the engine operator's manual.

5. When oil has drained, replace brass fitting on hose.
6. Add oil. See below.

To fill your engine with oil:

Follow the synthetic oil grade recommendation and oil fill instructions given in the engine operator's manual.

If all engine servicing is complete, replace 15 Amp fuse in control panel and reset exercise timer. See *Setting Exercise Timer in Operation*.

NOTICE Any attempt to crank or start the engine before it has been properly serviced with the recommended oil will result in equipment failure.

- Refer to *Maintenance* in the operator's manual and engine manual for oil fill information.
- Damage to equipment resulting from failure to follow this instruction will void engine and generator warranty.

Battery

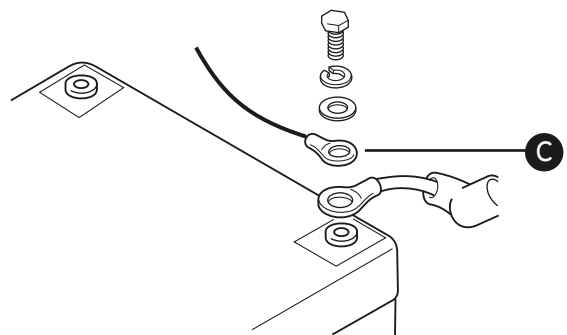
Servicing of batteries is to be performed or supervised by personnel knowledgeable of batteries and the required precautions. Keep unauthorized personnel away from batteries.

▲ WARNING Battery posts, terminals and related accessories contain lead and lead compounds, chemicals known to the State of California to cause cancer and reproductive harm. Wash hands after handling.

Servicing the Battery

If it is necessary to service the battery, proceed as follows:

1. Set control board system switch to **OFF**.
2. Remove 15 Amp fuse from control panel.
3. Service or replace battery as required. See *Battery* in *Final Installation Considerations* in the installation manual for specific battery needed.
4. Connect red battery cable to battery positive terminal (indicated by **POSITIVE, POS,** or **(+)**).
5. Connect the battery charge wire (wire #13) shown as **(C)** to the battery positive terminal (indicated by **POSITIVE, POS,** or **(+)**):
6. Connect black negative battery cable to negative battery terminal (indicated by **NEGATIVE, NEG,** or **(-)**).
7. Ensure hardware on both positive and negative battery terminals is secure and fully isolated.



8. Reinstall 15 Amp fuse in control panel.
9. Set generator's system switch to **AUTO**.
10. Reset exercise timer. See *Setting Exercise Timer*.



DON'T POLLUTE. CONSERVE RESOURCES, RETURN USED BATTERY TO RECYCLING COLLECTION CENTER.

Charging the Battery

If it is necessary to charge the battery, proceed as follows:

1. Set control board system switch to **OFF**.
2. Remove 15 Amp fuse from control panel.
3. Disconnect negative battery cable from negative battery terminal (indicated by **NEGATIVE, NEG, or (-)**).


NOTICE Failure to disconnect negative battery cable will result in equipment failure.

- DO NOT attempt to jump start the generator.
 - Damage to equipment resulting from failure to follow this instruction will void engine and generator warranty.
4. Charge battery with battery charger at 2 Amps until battery holds 12 Volts. DO NOT exceed 13.7 volts when charging.

⚠ WARNING Storage batteries give off explosive hydrogen gas during recharging. Slightest spark will ignite hydrogen and cause explosion. Battery electrolyte fluid contains acid and is extremely caustic.


Contact with battery contents will cause severe chemical burns. A battery presents a risk of electrical shock and high short circuit current.

- DO NOT dispose of battery in a fire. Recycle battery.
- DO NOT allow any open flame, spark, heat, or lit cigarette during and for several minutes after charging a battery.
- DO NOT open or mutilate the battery.
- Wear protective goggles, rubber apron, rubber boots and rubber gloves.
- Remove watches, rings, or other metal objects.
- Use tools having insulated handles.



5. Connect negative battery cable to negative battery terminal (indicated by **NEGATIVE, NEG, or (-)**).
6. Ensure hardware on both positive and negative battery terminals is secure.
7. Reinstall 15 Amp fuse in control panel.

⚠ CAUTION With the system switch set to **AUTO**, the engine may crank and start at any time without warning.



- To prevent possible injury that may be caused by such sudden starts, always set the system switch to **OFF** if performing maintenance on the system.
- Remove the 15 Amp fuse before working on or around the generator or transfer switch.

8. Set generator's system switch to **AUTO**.
9. Reset exercise timer. See *Setting Exercise Timer*.

Cleaning the Generator

NOTICE Improper treatment of generator can damage it and shorten its life.

- DO NOT expose generator to excessive moisture, dust, dirt, or corrosive vapors.
 - DO NOT insert any objects through cooling slots.
1. Set control board system switch to **OFF**.
 2. Remove 15 Amp fuse from control panel.

3. Clean generator as desired.
 - Use a damp cloth to wipe exterior surfaces clean.
 - Use a soft, bristle brush to loosen caked on dirt, etc.
 - Use a vacuum cleaner to pick up loose dirt and debris.
 - Use low pressure air (not to exceed 25 psi) to blow away dirt. Inspect cooling air slots and openings on the generator. These openings must be kept clean and unobstructed.
4. Reinstall 15 Amp fuse in control panel.
5. Set generator's system switch to **AUTO**.
6. Reset exercise timer. See *Setting Exercise Timer*.

When Calling for Assistance

You must have the following information at hand if it is necessary to contact a local service center regarding service or repair of this unit:

1. Obtain the unit Model Number and Serial Number from the unit ID label. See *Controls* for location of the label or refer to the information recorded on the inside front cover of the installation manual.
2. Obtain the engine identification numbers from the engine label. See the engine operator's manual for location of this information. Please note that several different engines are described in the engine manual, so your engine may vary from that shown.

Storage

The home generator system is designed for long term service as a backup generator. There is no need to take any storage precautions. However, if it becomes necessary to take the system out of service for an extended period, call Technical Services at **888 575-8226**, between 8:00 AM and 5:00 PM CT for specific recommendations. Refer to the engine operator's manual for additional information.

Not for
Reproduction

Troubleshooting

Problem	Cause	Correction
Engine is running, but no AC output is available.	<ol style="list-style-type: none"> 1. Circuit breaker open or defective. 2. Fault in generator control panel. 3. Poor wiring connections or defective transfer switch. 	<ol style="list-style-type: none"> 1. Reset or replace circuit breaker. 2. Contact local service facility. 3. Check and repair or contact local service facility.
Engine runs good at no-load but “bogs down” when loads are connected.	<ol style="list-style-type: none"> 1. Short circuit in a connected load. 2. Generator is overloaded. 3. Shorted generator circuit. 4. Fuel pressure or mixture is incorrect. 5. Kinked fuel line between regulator and engine. 	<ol style="list-style-type: none"> 1. Disconnect shorted electrical load. 2. Turn off one or more loads. 3. Contact local service facility. 4. See <i>Gaseous Fuel System</i> in the installation manual. 5. Remove kink. Replace if necessary.
Engine will not start; or starts and runs rough.	<ol style="list-style-type: none"> 1. 15 Amp fuse missing or blown. 2. Fuel supply turned off or depleted. 3. Failed battery. 4. Clogged air filter. 	<ol style="list-style-type: none"> 1. Install (new) 15 Amp fuse. See <i>System Control Panel</i>. 2. Open fuel valve(s); check propane tank. 3. Replace battery. 4. Clean or replace air filter.
Engine shuts down during operation.	<ol style="list-style-type: none"> 1. Fuel supply turned off or depleted. 2. Fault code indicated. 	<ol style="list-style-type: none"> 1. Check fuel valves, fill propane tank. 2. Refer to <i>Fault Detection System</i>.
Loss of power on circuits.	<ol style="list-style-type: none"> 1. Generator circuit breaker is open. 2. Transfer switch problems. 	<ol style="list-style-type: none"> 1. Reset circuit breaker. 2. See transfer switch manual.

Warranty

Limited Warranty

Briggs & Stratton Power Products Group, LLC will repair or replace, free of charge, any part(s) of the equipment that is defective in material or workmanship or both. Travel expenses are reimbursed as specified under the Briggs & Stratton Warranty Guidelines document to authorized Briggs & Stratton dealers for performing applicable warranty repair work. This warranty is effective for the time periods and subject to the conditions stated below. For all warranty service, find the nearest Authorized Service Dealer in our dealer locator map at BRIGGSandSTRATTON.com.

THERE IS NO OTHER EXPRESS WARRANTY. IMPLIED WARRANTIES, INCLUDING THOSE OF MERCHANTABILITY AND

FITNESS FOR A PARTICULAR PURPOSE, ARE LIMITED TO ONE YEAR FROM PURCHASE, OR TO THE EXTENT PERMITTED BY LAW. ANY AND ALL IMPLIED WARRANTIES ARE EXCLUDED. LIABILITY FOR INCIDENTAL OR CONSEQUENTIAL DAMAGES IS EXCLUDED TO THE EXTENT EXCLUSION IS PERMITTED BY LAW. Some states or countries do not allow limitations on how long an implied warranty lasts, and some states or countries do not allow the exclusion or limitation of incidental or consequential damages, so the above limitation and exclusion may not apply to you. This warranty gives you specific legal rights and you may also have other rights which vary from state to state or country to country.

Warranty Period

5 years or 1,800 hours, whichever comes first

The warranty period begins on the date of purchase by the first retail consumer and continues for the period of time stated above.

NO WARRANTY REGISTRATION IS NECESSARY TO OBTAIN WARRANTY ON BRIGGS & STRATTON PRODUCTS. SAVE YOUR PROOF OF PURCHASE RECEIPT. IF YOU DO NOT PROVIDE PROOF OF THE INITIAL PURCHASE DATE AT THE TIME WARRANTY SERVICE IS REQUESTED, THE MANUFACTURING DATE OF THE PRODUCT WILL BE USED TO DETERMINE THE WARRANTY PERIOD.

Warranty Terms continue on next page



is a trademark of General Electric Company and is under license by Briggs & Stratton Power Products Group, LLC.

Copyright © 2010. All rights reserved. No part of this material may be reproduced or transmitted in any form without the express written permission of Briggs & Stratton Power Products Group, LLC.

About Your Warranty

We welcome warranty repair and apologize to you for being inconvenienced. Any authorized service dealer may perform warranty repairs. Most warranty repairs are handled routinely, but sometimes requests for warranty service may not be appropriate. For example, warranty service would not apply if equipment damage occurred because of misuse, lack of routine maintenance, shipping, handling, warehousing or improper installation. Similarly, the warranty is void if the manufacturing date or the serial number on the equipment has been removed or the equipment has been altered or modified. During the warranty period, the authorized service dealer, at its option, will repair or replace any part that, upon examination, is found to be defective under normal use and service. This warranty will not cover the following repairs and equipment:

- **Normal Wear:** Outdoor Power Equipment and engines, like all mechanical devices, needs periodic parts and service to perform well. This warranty does not cover repair when normal use has exhausted the life of a part or the equipment.
- **Installation and Maintenance:** This warranty does not apply to equipment or parts that have been subjected to improper or unauthorized installation or alteration and modification, misuse, negligence, accident, overloading, overspeeding, improper maintenance, repair or storage so as, in our judgment, to adversely affect its performance and reliability. This warranty also does not cover normal maintenance such as adjustments, fuel system cleaning and obstruction (due to chemical, dirt, carbon, lime, and so forth).
- **Other Exclusions:** This warranty excludes starting battery, accessory parts, wear items such as oil gauges, o-rings, filters, fuses, or spark plugs, etc., or damage or malfunctions resulting from accidents, abuse, modifications, alterations, or improper servicing or freezing or chemical deterioration. This warranty excludes failures due to acts of God and other force majeure events beyond the manufacturers control. And this warranty excludes used, reconditioned, and demonstration equipment; equipment used for prime power in place of utility power, equipment used in mobile or rental applications, and equipment used in life support applications.
 - Enclosure is warranted against surface rust and corrosion for the first year of the warranty period.
 - Surface rust and corrosion is defined as any rust or corrosion that has penetrated the paint but has not penetrated through the metal substructure.
 - Enclosure is warranted against rust-through for the first two years of the warranty period.
 - Rust-through is defined as rust or corrosion that has penetrated completely through the paint and metal substructure.
 - Enclosure is not warranted for surface rust or corrosion or complete rust-through that may result due to improper installation, damage to painted surfaces that compromise the paint's corrosion prevention properties, or if the unit is installed in environments that expose the generator to high levels of corrosive agents.

Warranty terms effective November 1, 2009 - replaces all undated Warranties and Warranties dated before November 1, 2009 207905E, Rev. D, 2 November 2009

Product Specifications

15kW

Rated Maximum Load Current* (at 25°C/77°F, LP):	
at 240 Volts	62.5 Amps
Rated AC Voltage	240 Volts
Phase	Single phase
Rated Frequency	60 Hertz
Normal Operating Range	-20°F (-28.8°C) to 104°F (40°C)
Output Sound Level	65 dB(A) at 23 ft. (7 m) at full load
Shipping Weight	650 lb (295 kg)

* Natural gas rating will depend on specific fuel but typical derates are between 10 to 20% off the LP gas rating.

20kW

Rated Maximum Load Current* (at 25°C/77°F, LP):	
at 240 Volts	83.3 Amps
Rated AC Voltage	240 Volts
Phase	Single phase
Rated Frequency	60 Hertz
Normal Operating Range	-20°F (-28.8°C) to 104°F (40°C)
Output Sound Level	68 dB(A) at 23 ft. (7 m) at full load
Shipping Weight	632 lb (287 kg)

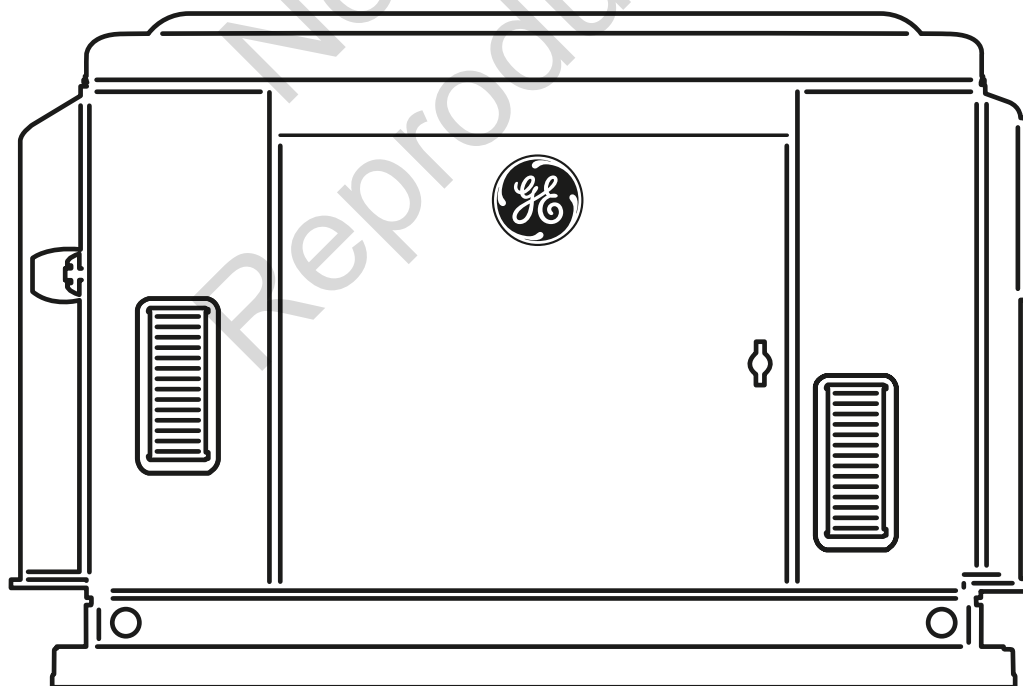
* Natural gas rating will depend on specific fuel but typical derates are between 10 to 20% off the LP gas rating.

Not for
Reproduction



GE Home Generator Systems
15,000 y 20,000 vatios
sistema generador doméstico

Manual del operario



Gracias por aduinar este generador doméstico de reserva GE de alta calidad. Nos complace que haya depositado su confianza en la marca GE. Si se utiliza y mantiene conforme a las instrucciones de este manual, el generador GE le ofrecerá muchos años de servicio fiable.

Este manual contiene información de seguridad sobre los riesgos asociados con los generadores domésticos de reserva y sobre cómo evitarlos. Puesto que Rheem no conoce necesariamente todas las aplicaciones para las que se puede usar este equipo, es importante que lea y comprenda perfectamente estas instrucciones antes de poner en marcha o utilizar este equipo. **Guarde estas instrucciones para futuras consultas.**

Antes de utilizar el generador doméstico de reserva, es necesario que lo instale un profesional. Consulte en el manual de instalación las instrucciones relativas a la seguridad de los procedimientos de instalación. El instalador deberá seguir las instrucciones al pie de la letra.

Dónde encontrarnos

Nunca tendrá que buscar mucho para poder obtener soporte y servicio técnico para su equipo generador de reserva. Consulte las páginas amarillas. Hay muchos distribuidores de servicio autorizados de GE que ofrecen servicio de calidad. También puede llamar al departamento de servicio al cliente de GE al **888 575-8226**, o chasque encendido encuentran a un distribuidor autorizado en BRIGGSandSTRATTON.COM, que ofrece la lista de los distribuidores de servicio autorizados.

Consulte el manual de instalación para conocer la fecha de compra del sistema y los números de identificación de los componentes.

Not for
Reproduction

Tabla de Contenido

Instrucciones importantes de seguridad	29
Instalación	33
Para el propietario doméstico	33
Para el agente de ventas/contratista que realiza la instalación	33
Orientación para el propietario	34
Factores relacionados con el combustible	34
Ubicación del generador	35
Inspección al momento de la entrega	36
Controles	37
Operación	40
Funcionamiento automático	40
Configuración del temporizador de práctica	41
Mantenimiento	42
Sistema de detección de fallas	42
Mantenimiento del generador	44
Aceite del motor	45
Batería	46
Para limpiar el generador	47
Almacenamiento	48
Problemas	49
Garantía	50
Especificaciones del producto	52

Instrucciones de seguridad

Instrucciones importantes de seguridad

GUARDE ESTAS INSTRUCCIONES - Este manual contiene instrucciones importantes que se deben seguir durante la instalación y el mantenimiento del generador y de las baterías.

Símbolos sobre la seguridad y significados



Explosión



Fuego



Descarga Eléctrica



Gases Tóxicos



Partes en Movimiento



Superficie Caliente



Arranque Automático



Presión Explosiva



Quemaduras Químicas




Peligro al Elevar



Lea el Manual

El fabricante no puede prever todas las posibles circunstancias que pueden implicar riesgos. Por lo tanto, las advertencias que aparecen en este manual y las etiquetas y calcomanías adheridas a la unidad no incluyen todas las posibilidades. Si aplica un procedimiento, método de trabajo o técnica de operación no recomendada específicamente por el fabricante, debe estar seguro de que se trata de una práctica segura para usted y para otras personas. También debe asegurarse de que el procedimiento, método de trabajo o técnica de operación que elija, no haga que el generador se torne inseguro.

⚠ ADVERTENCIA Al motor funcionar, se produce monóxido de carbono, un gas inodoro y venenoso.

 Respirar monóxido de carbono puede provocar dolor de cabeza, fatiga, mareos, vómitos, confusión, ataques, náuseas, desmayos o incluso la muerte.

- Opere el generador SOLAMENTE al aire libre.
- Instale una alarma de monóxido de carbono con batería cerca de los dormitorios.
- Asegúrese de que los gases de escape no puedan entrar por ventanas, puertas, tomas de aire de ventilación u otras aberturas en un espacio cerrado en el que puedan acumularse.

⚠ ADVERTENCIA El escape del motor de este producto contiene elementos químicos reconocidos en el Estado de California por producir cáncer, defectos de nacimiento u otros daños de tipo reproductivo.

⚠ ADVERTENCIA Determinados componentes en este producto y los accesorios relacionados contienen sustancias químicas declaradas cancerígenas, causantes de malformaciones, y otros defectos congénitos por el Estado de California. Lávese las manos después de manipular estos elementos.

⚠ El símbolo de alerta de seguridad indica un posible riesgo para su integridad física. Se utiliza una palabra de señalización (PELIGRO, ADVERTENCIA o ATENCIÓN) junto con el símbolo de alerta para designar un grado o nivel de gravedad de riesgo. Se puede utilizar un símbolo de seguridad para representar el tipo de riesgo. La palabra de señalización AVISO se utiliza para hacer referencia a una práctica no relacionada con una lesión física.

⚠ PELIGRO indica un riesgo que, de no evitarse, *provocará* la muerte o lesiones de gravedad.

⚠ ADVERTENCIA indica un riesgo que, de no evitarse, *podría* provocar la muerte o lesiones de gravedad.

⚠ ATENCIÓN indica un riesgo que, de no evitarse, *podría* provocar lesiones leves o moderadas.

AVISO hace referencia a una práctica no relacionada con una lesión física.

⚠ ADVERTENCIA Las baterías almacenadas producen hidrógeno explosivo mientras estén siendo recargadas.



Una pequeña chispa puede encender el hidrógeno y causar una explosión. El fluido de electrolito de la batería contiene ácido y es extremadamente cáustico.

El contacto con el fluido de la batería puede causar quemaduras químicas severas.

Las baterías presentan un riesgo de descarga eléctrica y de elevada corriente de cortocircuito.

- NO deseche la batería tirándola al fregadero. Recicle la batería.
- No permita ninguna llama abierta, chispa, calor, o encienda un cigarrillo durante y por varios minutos después de haber recargado la batería.
- NO abra ni manipule la batería.
- Utilice gafas de protección, y delantal, botas y guantes de goma.
- No lleve relojes, anillos ni otros objetos metálicos.
- Utilice herramientas con mangos aislados.

⚠ ADVERTENCIA El Gas Natural y el Propano son extremadamente inflamables y explosivos. El fuego o una explosión pueden causar quemaduras severas e inclusive la muerte.



- Instale el sistema de suministro de combustible de acuerdo con los códigos de gas combustible que correspondan.
- Antes de poner en servicio el sistema de generador de doméstico, se deben purgar las líneas del sistema de combustible y se debe probar si presentan pérdidas.
- Una vez instalado el sistema, se lo debe inspeccionar en forma periódica.
- NO se debe permitir que se produzca ninguna pérdida.
- NO haga funcionar el motor si se percibe olor a combustible o si existe alguna otra fuente de ignición.
- NO fume cerca del generador. Limpie en forma inmediata cualquier derrame de aceite. Asegúrese de no dejar materiales combustibles en el compartimiento del generador. Mantenga el área próxima al generador limpia y libre de desperdicios.

⚠ ADVERTENCIA Los generadores producen un voltaje muy poderoso.

Si no hace tierra apropiadamente con un generador, puede hacer que ocurra un electrocutamiento.

Si no aísla el generador de utilidades de energía, puede hacer que los trabajadores de electricidad sufran heridas graves e inclusive la muerte, debido a la retroalimentación de la energía eléctrica.

- Cuando use un generador como poder de energía auxiliar, notifique a la compañía de utilidades.
- NO toque los cables pelados ni las tomas expuestas.
- NO use un generador con cables eléctricos que estén malgastados, rotos, pelados o dañados de cualquier forma.
- NO maneje el generador o cables eléctricos mientras esté parado en agua, descalzo o cuando las manos y los pies estén mojados.
- Si tiene que trabajar junto a una unidad en funcionamiento, manténgase en una superficie aislada y seca para reducir el riesgo de descarga eléctrica.
- NO permita que personas descalificadas o niños operen o sirvan al generador.
- En caso de que se produzca un accidente causado por una descarga eléctrica, cierre inmediatamente la fuente de energía eléctrica y contacta administración local. **Evite el contacto directo con la víctima.**
- A pesar del diseño seguro del sistema de generador de doméstico, si se opera este equipo en forma imprudente, si no se cumple con el mantenimiento o si se actúa con descuido, se pueden producir lesiones o la muerte.
- Permanezca siempre alerta cuando trabaje con este equipo. NUNCA trabaje con este equipo si se siente cansado física o mentalmente.
- Antes de realizar cualquier tarea de mantenimiento en el generador, desconecte primero el cable de la batería marcado como **NEGATIVE, NEG** o (-). Cuando haya terminado, vuelva a conectar el cable en último lugar.
- Después de instalar el sistema generador, puede arrancarse y comenzar a funcionar sin previo aviso cada vez que se presente una falla eléctrica. Para evitar posibles lesiones, siempre fije el conmutador del sistema en **OFF**, Y retire el fusible de 15 Amperios ANTES de realizar trabajos en el equipo.

▲ ADVERTENCIA El contacto con la zona del silenciador puede producir quemaduras graves.



Los gases y el calor de escape pueden inflamar los materiales combustibles y las estructuras y provocar un incendio.

- NO toque las superficies calientes y evite los gases del escape a alta temperatura.
- Permita que el equipo se enfríe antes de tocarlo.
- NO instale el generador a menos de 1,5 metros (5 pies) de todo material combustible o estructura con muros combustibles cuya resistencia al fuego sea inferior a una hora.
- Mantenga por lo menos las distancias mínimas que se muestran en las Pautas generales de colocación para garantizar la refrigeración del generador y el espacio libre para mantenimiento adecuados.
- Utilizar el motor en un terreno boscoso, con maleza o cubierto de hierba constituye una infracción al Código de recursos públicos de California, a menos que el sistema de escape esté equipado con una pantalla apagachispas, de acuerdo a la definición de la Sección 4442, que se mantenga en buenas condiciones de funcionamiento. En otros estados o jurisdicciones federales puede haber leyes similares en vigor. Póngase en contacto con el fabricante, el vendedor o el distribuidor del equipo original para obtener una pantalla apagachispas diseñada para el sistema de escape instalado en este motor.
- Las piezas de recambio deben ser las mismas que las piezas originales y estar instaladas en la misma posición.

▲ ADVERTENCIA El arrancador y otras piezas que rotan pueden enredar las manos, el pelo, la ropa, o los accesorios.



- NUNCA utilice el generador sin las carcasas, tapas o guardas de protección en su lugar.
- NO use ropa suelta, joyas o elementos que puedan quedar atrapados en el arranque o en otras partes rotatorias.
- Ate para arriba el pelo largo y quite la joyería.
- Antes de trabajar en el equipo, quite el fusible de 15 A del panel de control y desconecte el cable **Negativo** de la batería (**NEG** o **-**).

▲ ATENCIÓN Instala el fusible se puede producir el arranque del motor.



- Tenga en cuenta que el fusible de 15 Amperios ha sido retirado del panel de control para realizar el envío.
- NO instale este fusible hasta que no se hayan completado e inspeccionado todas las conexiones de cables y tuberías.

⚠ ATENCIÓN Las velocidades de operación en exceso, aumentan los riesgos de heridas y daños al generador.

Las velocidades excesivamente bajas incrementan la carga de trabajo del generador.

- NO cambie ninguna velocidad determinada. El generador suministra una frecuencia y un voltaje calificado cuando funciona a una velocidad determinada.
- NO modifique al generador en ninguna forma.

AVISO El sobrepasar la capacidad del amperaje y vataje del generador, puede dañar al generador y los aparatos eléctricos conectados al mismo

- Encienda su generador y deje que el motor se estabilice antes de conectar las cargas eléctricas.

AVISO El tratamiento inadecuado del generador puede dañarlo y acortar su vida productiva.

- Use el generador solamente con la finalidad para el cual fue diseñado.
- Si usted tiene alguna pregunta acerca de las finalidades de uso del generador, pregúntele a su concesionario o contacte distribuidor autorizado.
- Opere el generador solamente en superficies niveladas.
- Para la correcta operación del generador es fundamental contar con ventilación y una circulación de aire de refrigeración adecuada y que no sufra obstrucciones.
- La puerta de servicio del aceite o la del panel de control deben estar instaladas siempre que la unidad esté en funcionamiento.
- No exponga al generador a una humedad excesiva, polvo, suciedad o vapores corrosivos.
- A pesar del diseño seguro del generador doméstico, si se opera este equipo en forma imprudente, si no se cumple con el mantenimiento o si se actúa con descuido, se pueden producir lesiones o la muerte.
- Permanezca siempre alerta cuando trabaje con este equipo. NUNCA trabaje con este equipo si se siente cansado física o mentalmente.
- NUNCA encienda el motor si el filtro de aire o su cubierta han sido retirados.
- NO inserte cualquier objeto a través de las ranuras de enfriamiento.
- NUNCA utilice el generador ni ninguna de sus piezas como escalera. Si se sube sobre la unidad, sus piezas se pueden ver sobreexigidas y pueden romperse. Esto puede dar como resultado condiciones de operación peligrosas como consecuencias de la fuga de gases del escape, pérdida de combustible, pérdida de aceite, etc.
- Si los aparatos conectados se sobrecalientan, apáguelos y desconéctelos del generador.
- Apague el generador si:
 - Se pierde la salida eléctrica;
 - El equipo produce chispas, humo o emite llamas;
 - La unidad vibra de una manera excesiva.

Instalación

Agradecemos sinceramente su confianza. Por esta razón, tenemos realizado el máximo esfuerzo para que la instalación resulte segura, sencilla y económica. Porque cada instalación es única, es imposible conocer y recomendar todos los procedimientos y métodos posibles para efectuarla. No podemos conocer todos los riesgos y/o resultados posibles de cada método o procedimiento.

Por tanto, La instalación de los sistemas de generadores domésticos (HGS) debe estar a cargo de contratistas especializados en electricidad y plomería, sin excepciones. Las instalaciones deben cumplir estrictamente con todos los códigos, regulaciones y normas industriales aplicables.

El generador doméstico incluye este "Manual del operario" y un "Manual de instalación" separado. Estos son dos documentos muy importantes que el propietario debe conservar una vez finalizada la instalación.

Para el propietario doméstico

Para que pueda tomar decisiones fundamentadas y lograr una comunicación efectiva con el o los contratistas de instalación.

Lea y comprenda la sección de este manual denominada Orientación para el Propietario ANTES de contratar o iniciar la instalación de su generador doméstico.

Para coordinar y organizar una instalación adecuada, consulte al comercio en el cual adquirió su generador doméstico, a su agente de ventas o a la compañía proveedora de electricidad.

La garantía del HGS se ANULA si la instalación del sistema no está a cargo de profesionales especializados en electricidad y plomería debidamente certificados y matriculados.

Se ha hecho cada esfuerzo posible para asegurarse que la información que aparece en este manual es exacta y se encuentra actualizada. Sin embargo, nosotros se reserva el derecho a cambiar, alterar o de otra manera mejorar, el producto y este documento en cualquier momento, sin previo aviso.

El sistema de control de emisiones para este generador está garantizado para las normas establecidas por la Agencia de Protección Ambiental de EE.UU. y por el Consejo de Recursos del Aire de California (CARB).

Para el agente de ventas/contratista que realiza la instalación

Para la mayoría de las aplicaciones, el Manual de instalación contiene toda la información necesaria para instalar y arrancar adecuadamente el generador doméstico. En este Manual del operario se describe la operación de rutina y los procedimientos de mantenimiento que debe llevar a cabo el propietario.

Si necesita más información, llame al **888 575-8226**, entre las 8:00 AM y las 5:00 PM hora del centro.

Orientación para el propietario

En esta sección se brinda al propietario del generador doméstico la información necesaria para lograr la instalación más rentable y satisfactoria posible.

Los códigos locales, la apariencia, los niveles de ruido, los tipos de combustible y las distancias son los factores fundamentales a tener en cuenta cuando se realiza la negociación con el profesional que tendrá a su cargo la instalación. Recuerde que a medida que la distancia del servicio de electricidad existente y del suministro de combustible aumenta, se deberá prever una compensación en la tubería y los materiales de cableado. Esto es necesario para cumplir con los códigos locales y solucionar caídas en la tensión eléctrica y caídas en la presión del combustible aseoso.

Los factores antes mencionados tendrán un efecto directo sobre el precio general de la instalación del generador doméstico.

En algunas áreas, es posible que deba obtener permisos especiales para las instalaciones eléctricas del generador doméstico, permisos de construcción para la instalación de las líneas de gas y permisos para niveles de ruido admisibles. El instalador debe verificar los códigos locales y obtener los permisos correspondientes antes de instalar el sistema.

Factores relacionados con el combustible

El tipo de combustible utilizado para hacer funcionar el generador doméstico es un aspecto importante que hay que tener en cuenta ya que afecta a toda la instalación. El sistema se ha probado y regulado en fábrica con gas natural o propano líquido (vapor de PL). Para el buen funcionamiento del motor, es importante tener en cuenta las siguientes directrices con relación a los factores inherentes a cada uno de los combustibles, la ubicación de la unidad y la duración de las posibles interrupciones del suministro eléctrico:

- Utilice combustible limpio y seco, libre de humedad o cualquier otro material. Si se utilizan combustibles que no cumplan con estos valores recomendados se pueden presentar problemas de funcionamiento.
- En motores preparados para funcionar a gas propano (LP), el propano comercial de grado HD5 con un nivel de energía combustible mínimo de 2500 BTU/pie cúbico con un contenido de propileno máximo del 5% y un contenido de gas butano o gases más pesados y un contenido mínimo de propano de 90%.

Los valores nominales de gas natural dependerán del combustible específico, pero por lo general se encuentran entre el 10 y el 20% por debajo de los valores nominales para PL.

▲ ADVERTENCIA El Gas Natural y el Propano son extremadamente inflamables y explosivos. El fuego o una explosión pueden causar quemaduras severas e inclusive la muerte.

- Este equipo cuenta con una válvula automática de seguridad de cierre de combustible.
- No haga funcionar el equipo si la válvula de cierre de combustible no funciona o ha sido retirada.

Disminución de la potencia a temperaturas elevadas o en lugares altos

La densidad del aire es menor en alturas elevadas, dando como resultado una menor energía disponible del motor. Específicamente, la potencia del motor disminuirá un 3.5% cada 1000 pies (300 metros) por sobre el nivel del mar y un 1% cada 10° F (5.6°C) por encima de los 77°F (25°C). Tanto usted como el instalador deben tener en cuenta estos factores cuando determinen la carga total del generador.

Ubicación del generador

La ubicación física real de su generador de respaldo tiene un efecto directo en:

1. La magnitud de las conexiones necesarias para entregar combustible al generador.
2. La cantidad de cableado requerido para controlar y conectar su generador.

En el manual de instalación se analizan las pautas específicas para la ubicación. Familiarícese con esa información y consulte al instalador. Asegúrese de consultar de qué manera el predio o sitio podría afectar los costos de instalación y el cumplimiento de las normas y los códigos locales.

El generador se debe instalar a la intemperie. NO instale el generador en lugares en los que los gases de escape se puedan acumular o entrar en un edificio que pueda estar ocupado. Asegúrese de que los gases de escape no puedan entrar por ventanas, puertas, tomas de aire de ventilación u otras aberturas en un espacio cerrado en el que puedan acumularse. Tenga en cuenta los vientos y las corrientes de aire preponderantes cuando elija la ubicación del generador. Consulte el manual de instalación para obtener información detallada sobre la ubicación segura del generador.

⚠ ADVERTENCIA Al motor funcionar, se produce monóxido de carbono, un gas inodoro y venenoso.



Respirar monóxido de carbono puede provocar dolor de cabeza, fatiga, mareos, vómitos, confusión, ataques, náuseas, desmayos o incluso la muerte.

- Opere el generador SOLAMENTE al aire libre.
- Instale una alarma de monóxido de carbono con batería cerca de los dormitorios.
- Asegúrese de que los gases de escape no puedan entrar por ventanas, puertas, tomas de aire de ventilación u otras aberturas en un espacio cerrado en el que puedan acumularse.

⚠ ADVERTENCIA Los gases y el calor de escape pueden inflamar los materiales combustibles y las estructuras provocar un incendio.



- NO instale el generador a menos de 1,5 metros (5 pies) de todo material combustible o estructura con muros combustibles cuya resistencia al fuego sea inferior a una hora.

Not for
Reproduction

Inspección al momento de la entrega

Luego de retirar la caja, inspeccione cuidadosamente el generador doméstico para detectar cualquier daño que pudiera haber ocurrido durante el traslado.

Si en el momento de la entrega se detecta alguna pérdida o daño, solicite a la persona o personas encargadas de la entrega que dejen debida constancia en la nota de entrega y que firmen debajo de la nota del consignador donde se informa acerca de la pérdida o daño. Si la pérdida o el daño se detecta después de la entrega, separe los materiales dañados y póngase en contacto con el transportista para llevar a cabo los procedimientos de reclamo. Las piezas perdidas o dañadas no están garantizadas.

El generador doméstico incluye lo siguiente:

- Placa de montaje fijada previamente
- Sistema de aceite/lubricante con todos los servicios.
- Acoplamiento flexible para combustible.
- Manual de instalación y arranque.
- Manual del operario.
- Manual del operario del motor.
- Lista de control de la instalación.
- Tapa del alternador
- Llaves para puerta de acceso.
- Fusible de repuesto tipo ATO de 15 A.
- Conector del panel de control de dos pernos.
- Conector del panel de control de diez pernos.
- Pintura de contacto

No incluye:

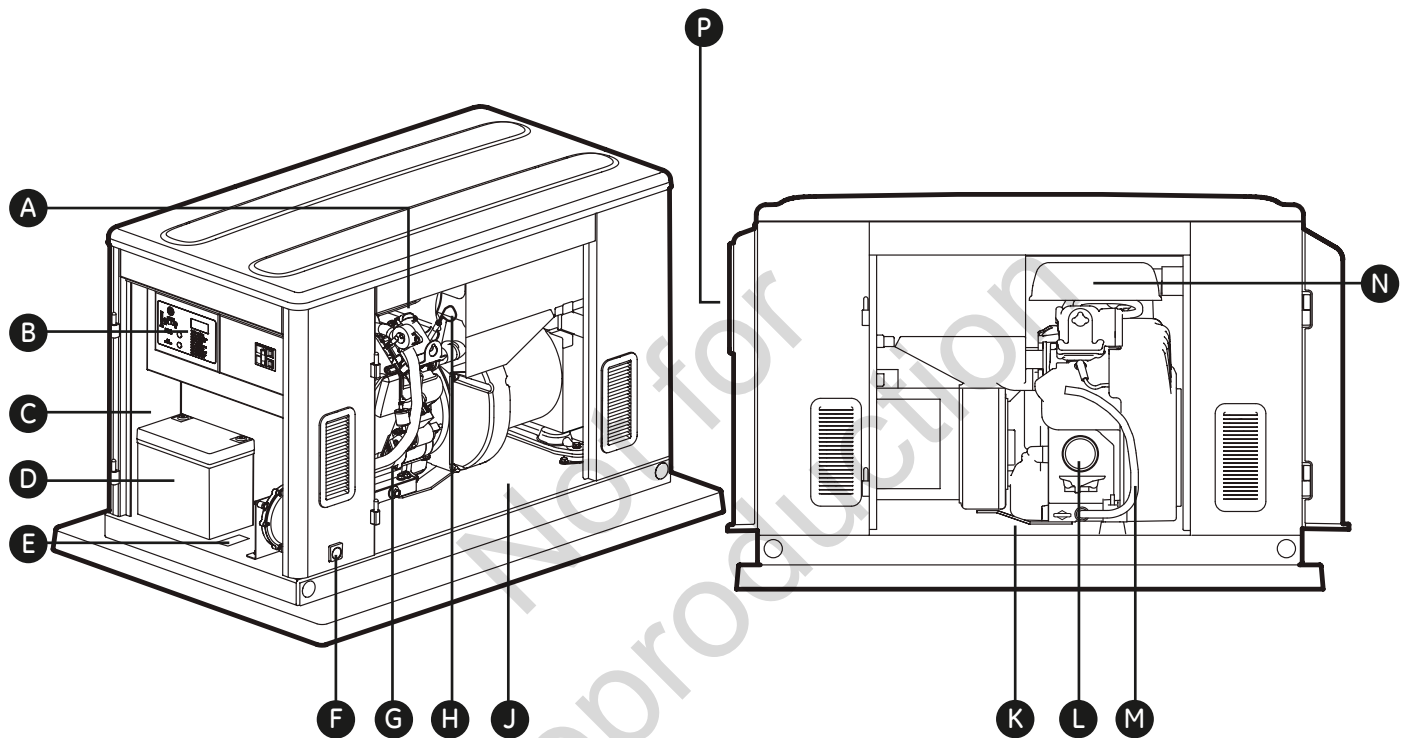
- Batería de arranque
- Cable y conducto de conexión.
- Válvulas/tubería de suministro de combustible.
- Herramientas/equipos especiales diversos.

Controles

Generador doméstico



Lea este manual del operario y las *Instrucciones Importantes de Seguridad* **antes** de operar su generador. Compare las ilustraciones con su generador para familiarizarse con las ubicaciones de los diferentes controles y ajustes. **Conserve este manual para referencias futuras.**



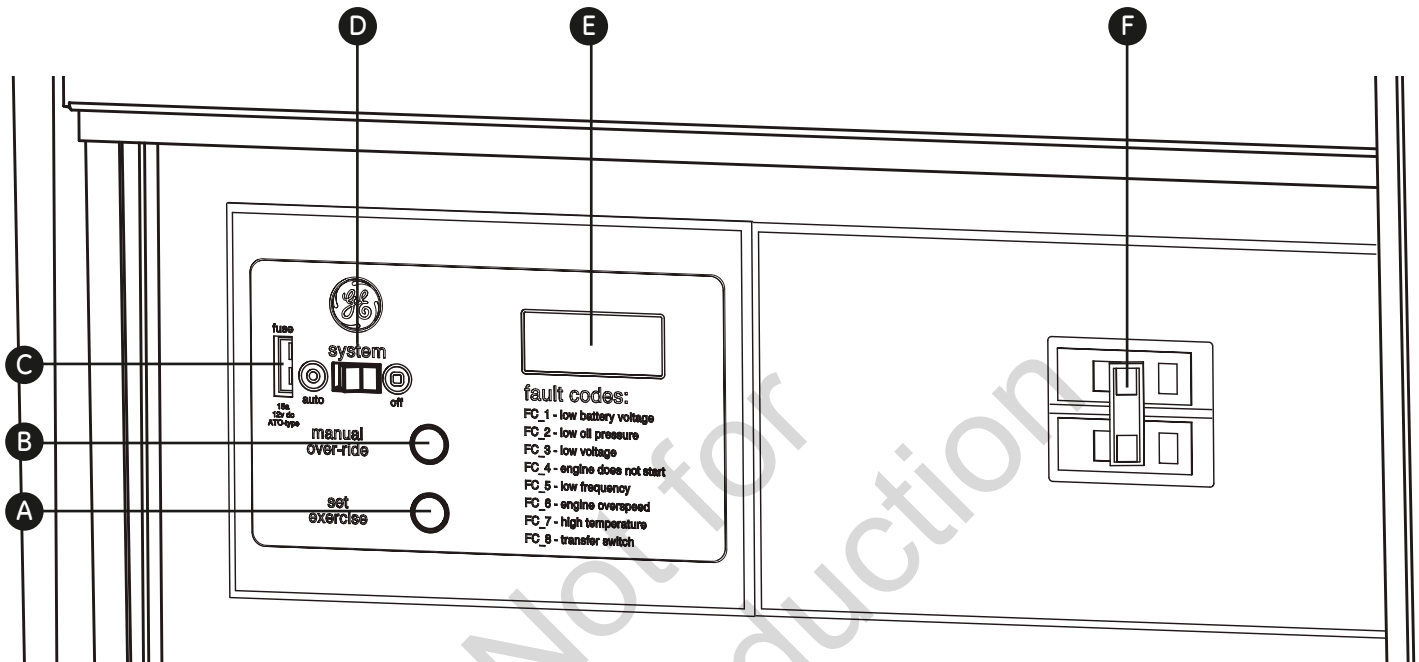
En la ilustración, el generador se muestra sin las puertas de acceso para mayor claridad.

- A - Tapón de llenado y varilla de nivel de aceite** - Permite comprobar el nivel de aceite y llenar el motor.
- B - Panel de control** - Se utiliza para distintas funciones de mantenimiento, operación y prueba. Consulte la sección *Panel de control del sistema*.
- C - Abertura de la puerta del panel de control** - Permite acceder al panel de control y a la batería.
- D - Batería** - (suministrados por el instalador) La batería recibe carga lenta y continua mientras el generador no está en funcionamiento.
- E - Calcomanía de datos de la unidad** - Identifica a la unidad mediante un número de serie.
- F - Entrada de combustible** - Conecte una línea de suministro de combustible adecuada.

- G - Etiqueta del motor** - Identifica el tipo y modelo del motor.
- H - Varilla para medir el aceite** - Se utiliza para controlar el nivel de aceite del motor.
- J - Abertura de la puerta de llenado de aceite** - Permite acceder al motor para realizar tareas de mantenimiento.
- K - Abertura de la puerta de drenaje de aceite** - Permite acceder al motor para realizar tareas de mantenimiento.
- L - Filtro de aceite** - Filtra el aceite del motor para prolongar la vida útil del sistema.
- M - Manguera de drenaje de aceite** - Provista para facilitar el cambio de aceite. Localizado dentro de la cubierta del acceso en el entrepaño del lado.
- N - Depurador de aire** - Filtra el aire de entrada a medida que penetra en el motor.
- P - Salida del escape** - Silenciador de alto rendimiento que disminuye los ruidos del motor para cumplir con los códigos necesarios para zonas residenciales.

Panel de control del sistema

Compare esta ilustración del panel de control con su generador para familiarizarse con la ubicación de estos controles importantes:



A - SET EXERCISE (Interruptor de configuración de práctica) - Permite establecer la hora de inicio del ciclo de ejercicio. El ciclo de práctica sólo se produce en el modo **AUTO**.

B - MANUAL OVER-RIDE (Cancelación manual) - Con el conmutador del sistema en la posición **AUTO**, pulse el botón de cancelación manual durante seis segundos para poner en marcha el generador. Apague el generador, mantenga pulsado el botón de cancelación manual hasta que el motor se detenga.

C - Fusible de 15 amperios - Protege los circuitos de control de c.c. del generador doméstico. Si el fusible está "quemado" (fundido abierto) o si se ha retirado, el motor no se puede arrancar ni arrancar manualmente en forma lenta. Cambie el fusible por otro idéntico: ATO de 15 A.

D - Conmutador del sistema - Este dispositivo de dos posiciones es el control más importante en el sistema. Se utiliza de la siguiente manera:

- La posición "**AUTO**" es la posición normal funcionamiento. Si se detecta una interrupción de la alimentación eléctrica de la red, el sistema hace que arranque el generador. Cuando se restablece la

alimentación eléctrica de la red, el sistema espera a que se establezcan las temperaturas internas del motor, para el generador y se pone en estado de espera para la próxima vez que se interrumpa la alimentación eléctrica.

- La posición "**OFF**" hace que se pare el generador, impide el arranque de la unidad y reinicializa cualquier fallo detectado.

E - Pantalla digital - Muestra el número total de horas de funcionamiento del generador y los códigos de fallo. Se utiliza para programar las tareas de mantenimiento y para resolver problemas de funcionamiento del generador de reserva doméstico. El número constante mostrado indica la cantidad total de horas de funcionamiento. En condiciones de fallo parpadea el texto "FC", seguido de un número de código de fallo. Todas las condiciones de fallo se describen en la sección *Sistema de detección de fallos*.

F - Interruptor de potencia - Protege al sistema de condiciones de cortocircuitos y otros excesos de corriente. Debe estar en la posición **ON** para abastecer de energía al conmutador de transferencia automático.

Puertas de acceso

El generador doméstico está equipado con una protección con puertas de acceso. Los nombres de las puertas están relacionados con el componente importante ubicado detrás de ellas:

- A - Puerta del panel de control
- B - Orificio de entrada de combustible (se muestra como referencia)
- C - Puerta de drenaje de aceite
- D - Orificio de gases de escape (se muestra como referencia)
- E - Puerta de llenado de aceite

⚠ ADVERTENCIA El contacto con la zona del silenciador puede producir quemaduras graves.



- NO toque las superficies calientes y evite los gases del escape a alta temperatura.
- Permita que el equipo se enfríe antes de tocarlo.

Las puertas de llenado de aceite y del panel de control deben estar instaladas siempre que la unidad esté en funcionamiento para asegurar el enfriamiento adecuado del equipo, disminuir el ruido y aumentar la seguridad..

Cada generador doméstico se suministra con un juego de llaves idénticas. Que accionan los cerrojos de las puertas de acceso.

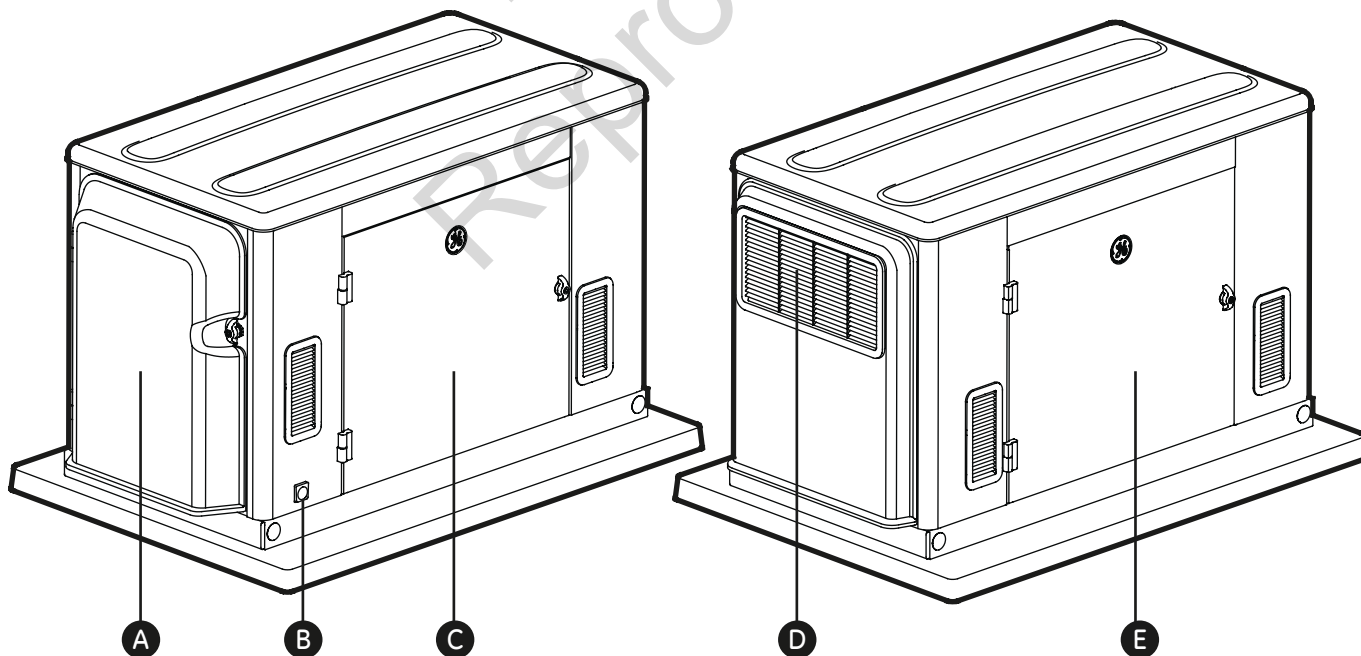
Para abrir una puerta de acceso:

1. Inserte la llave en la cerradura de la puerta de acceso que desee abrir y gire la llave un cuarto de vuelta hacia la izquierda.
2. Agarre el picaporte de la puerta y gire un cuarto de vuelta hacia la izquierda para abrir. Retire la llave.

Para cerrar una puerta de acceso:

1. Cierre la puerta y gire su picaporte un cuarto de vuelta hacia la derecha.
2. Inserte la llave en la cerradura de la puerta de acceso y gire la llave un cuarto de vuelta hacia la derecha. Retire la llave.

Puede que sea necesaria fuerza adicional para cerrar y bloquear las puertas ya que éstas crean un sello presurizado para la carcasa del generador.



Operación

Consideraciones importantes para el propietario

Aceite de motor

AVISO Si intenta arrancar el motor antes de llenarlo con el aceite recomendados, provocará un fallo del equipo.

- Consulte la información de llenado de aceite y combustible en la sección *Mantenimiento* y en el manual del operario.
- El daño a la generador, resultado de la desatención a esta precaución, no será cubierto por la garantía.

El motor se entrega configurado en fábrica y lleno de aceite sintético (API SJ/CF 5W-30), lo que permite que el sistema funcione en la gama más amplia de condiciones de temperatura y climáticas. Antes de ponerlo en marcha, compruebe el nivel de aceite y asegúrese de que se sigan los procedimientos de mantenimiento descritos en el manual del operario.

Batería

El instalador debe suministrar una batería de arranque de 12 V. Consulte *Batería* el *Consideraciones finales para la instalación* en el manual de instalación. ¡El instalador debe conectar el cable de carga de la batería (cable N.º 13) al terminal positivo de la batería!

▲ ADVERTENCIA Las patillas de las baterías, los terminales y los accesorios relacionados contienen plomo y compuestos de plomo - sustancias químicas declaradas cancerígenas y causantes de malformaciones congénitas por el Estado de California. Lávese las manos después de manipular estos elementos.

Estando la batería instalada y terminado todo el cableado hasta el interruptor de transferencia y el generador doméstico, al aplicar tensión de la red al interruptor automático de transferencia con la unidad en modo **AUTO**, la batería recibe una carga lenta y continua mientras el motor no está funcionando. El cargador de carga lenta no se puede utilizar para recargar una batería que esté totalmente descargada.

Fusible de 15 A

El fusible de 15 A del generador se ha retirado en fábrica para evitar el arranque de la unidad durante el transporte. El instalador deberá asegurarse de que el fusible está bien instalado al realizar la instalación.

Funcionamiento automático

Para seleccionar el funcionamiento automático, haga lo siguiente:

1. Compruebe que el fusible de 15 A esté instalado en el panel de control.
2. Ponga el disyuntor del panel de distribución principal que alimenta tensión de la red al conector en la posición **ON**.
3. Sitúe el interruptor del generador en la posición **ON**.
4. Ponga el conmutador del sistema del panel de control en **AUTO**.

▲ ATENCIÓN Con el interruptor en la posición **AUTO**, el motor puede comenzar a dar vueltas y arrancar en cualquier momento sin previo aviso.

- Para evitar posibles lesiones que pudieran ser provocadas por dichos arranques repentinos, siempre ponga el conmutador del sistema en **OFF** cuando realice operaciones de mantenimiento en el sistema.
- Retire el fusible de 15 Amperios antes de realizar trabajos en el generador, en el conmutador de transferencia o en lugares cercanos a estos equipos.

Verificación de la operación automática

Para verificar la correcta operación automática del sistema, proceda de la siguiente manera:

1. Ponga en el seccionador de servicio o el interruptor del cuadro de distribución principal que alimenta tensión al interruptor automático de transferencia en la posición **OFF**.

El motor comenzará a dar vueltas y arrancará cuando descienda la tensión de la red y transcurra el tiempo determinado por el temporizador. Deje que el sistema realice la secuencia completa de funcionamiento automático.

2. Con la salida del generador alimentando las cargas conectadas, ponga el seccionador de servicio o el interruptor del cuadro de distribución principal que alimenta tensión al interruptor automático de transferencia en la posición **ON**.

3. El conector automático transferirá de nuevo las cargas a la red pública después de un tiempo de funcionamiento de cinco minutos como mínimo y cuando la alimentación de la red pública esté disponible.
4. El generador seguirá funcionando durante un minuto más para que se enfríe el motor y luego se parará.

Si el generador no se para después de transcurrir diez minutos, ponga el conmutador del sistema en la posición **OFF** y póngase en contacto con el instalador o con el centro de servicio local.

De esta manera se completan los procedimientos de prueba de la operación automática. El generador doméstico arrancará automáticamente cuando se pierda la energía de la compañía proveedora de electricidad y proporcionará energía al conmutador de transferencia.

Configuración del temporizador de práctica

El generador doméstico está equipado con un temporizador de práctica que arranca el sistema y lo prueba una vez cada siete días. Durante este período de práctica, la unidad trabaja durante aproximadamente 20 minutos y luego se apaga. Durante el ciclo de práctica NO se produce la transferencia de cargas eléctricas (a menos que se produzca un corte en el suministro de la compañía proveedora de electricidad).

Si un tiempo de ejercicio no se ha establecido, el generador nunca ejerce.

El panel de control incluye un botón "SET EXERCISE" (Preparar prueba) (consulte Panel de control del sistema). La fecha y la hora concretas en las que se pulsa dicho botón están programadas en la memoria de la tarjeta de control. Esta información se utiliza para iniciar automáticamente el ciclo de prueba del sistema. La leyenda "SET EXERCISE" del panel de control parpadeará hasta que se active el ciclo de prueba.

Para llevar a cabo el procedimiento para configurar la práctica (Set Exercise):

1. Elija el día y la hora en que desea que se realice la práctica del generador doméstico.
2. Ese día y a esa hora, pulse y mantenga pulsado el conmutador "Set Exercise" (Preparar prueba) durante tres segundos.

La presentación de "Ejercicio de Conjunto" iluminará entonces apaga para confirmar que el reloj de ejercicio ha sido puesto. Entonces suelte el botón Fijo de Ejercicio.

La unidad acodará y correrá el ciclo de ejercicio. Durante el ciclo, Ejercicio de Conjunto iluminará.

Una vez el ciclo de ejercicio es completo, la unidad apagará y "Ejercicio de Conjunto" ya no será demostrado.

El ciclo de Ejercicio puede ser discontinuado en girando en cualquier momento el Interruptor de Sistema a LEJOS.

3. Posteriormente, la unidad arrancará y realizará su ciclo de prueba de 20 minutos.

Por ejemplo, si pulsa el botón "Set Exercise" el domingo en la mañana a las 10:00 a.m., la unidad realizará un ciclo de prueba inmediato y un ciclo de prueba cada domingo a las 10:00 a.m. (+/- 1/2 hora).

La función de configuración de práctica ("Set Exercise") sólo funciona si la unidad se encuentra en el modo AUTO y si se cumple este procedimiento en forma estricta. El dispositivo de prueba deberá rearmarse si el fusible de 15 A se cambia o retira o si la batería de arranque se desconecta.

Si desea cambiar el día y la hora en que se realiza la práctica de la unidad, simplemente realice el procedimiento de configuración de práctica ("Set Exercise") exactamente el día de la semana y a la hora en que desea que se lleve a cabo.

Mantenimiento

Paro del sistema

Antes de realizar cualquier tarea de mantenimiento en el generador, siempre realice los siguientes pasos.

1. Fije el interruptor de potencia principal del generador en la posición **OFF**.
2. Fije el conmutador del sistema en la posición **OFF**.
3. Quite el fusible de 15 A del panel de control.
4. **El panel de control recibe tensión de la red pública.** Desconecte la fuente de alimentación antes de dar

mantenimiento al panel de control; retire los dos fusibles del conector.

5. Después de finalizar el mantenimiento, vuelva a colocar los fusibles en el conector, vuelva a colocar el fusible de 15 A en el panel de control, ponga el conmutador del sistema y el disyuntor en la posición **ON** y reinicie el temporizador de ejercicio. Consulte la sección *Configuración del temporizador de práctica* el *Operación*.

Sistema de detección de fallas

Puede que el generador funcione durante períodos prolongados sin presencia de un operario. Por esta razón, el sistema está equipado con detectores que apagan automáticamente el generador en condiciones de riesgo potencial para el equipo (baja presión de aceite, exceso de temperatura, exceso de velocidad, etc.).

El panel de control del generador incluye una pantalla digital que muestra los códigos de fallo, como "FC_1". En la siguiente tabla se enumera la falla detectada, el código de falla tal cual se muestra en el panel de control.

Descripción de la Falla	Código de fallo
Baja tensión de la batería	FC_1
Baja presión de aceite	FC_2
Baja tensión	FC_3
El motor no arranca	FC_4
Baja frecuencia	FC_5
Sobrevelocidad del motor	FC_6
Alta temperatura	FC_7
Fallo del conector	FC_8

Restablecimiento del sistema de detección de fallas

El operador debe restablecer el sistema de detección de fallas cada vez que se activa. Para hacerlo, ponga el conmutador del sistema en la posición **OFF** durante 30 segundos o más. Vuelva a poner el generador doméstico en servicio después de corregir el problema. Para hacerlo, ponga el conmutador del sistema en la posición **AUTO**.

Posteriormente, instale el fusible de 15 A en el panel de control y reinicie el temporizador de ejercicio. Consulte la sección *Configuración del temporizador de práctica* el *Operación*..

Baja tensión de la batería (FC_1)

Este fallo se indica mediante el código de fallo FC_1. Esta situación se produce cuando el generador no puede arrancar porque la carga de la batería de arranque se encuentra por debajo de la necesaria para poner el motor en funcionamiento. Las causas de este problema podrían ser una batería defectuosa o una falla en el circuito de carga lenta.

Para solucionar el problema, póngase en contacto con el centro de servicio local para comprobar la salida de carga lenta de la batería. Quite el fusible de 15 A y desconecte la batería del generador. Lleve la batería a una tienda de baterías local para que la analicen.

Cambie la batería si es necesario; consulte *Batería* en la sección *Consideraciones finales para la instalación* en el Manual de instalación. Después reinicialice el sistema de detección de fallos, como se describió previamente.

Baja presión de aceite (FC_2)

Este fallo se indica mediante el código de fallo FC_2. La unidad está equipada con un presostato de aceite que utiliza contactos normalmente cerrados y que se mantienen abiertos por la presión del aceite del motor durante el funcionamiento. En caso de que la presión de aceite caiga debajo del rango de 8 psi, los contactos se cierran y el motor se para.

Para solucionar el problema de baja presión de aceite, añada el aceite recomendado hasta que el nivel llegue a la marca FULL de la varilla de nivel de aceite.

Si la baja presión de aceite continúa, el motor arrancará y después volverá a pararse. El código de fallo aparecerá. En este caso, póngase en contacto con un distribuidor autorizado.

Baja tensión (FC_3)

Este fallo se indica mediante el código de fallo FC_3. Esta situación puede ser debida a una restricción del caudal de combustible, un cable de señales roto o desconectado, un fallo de los devanados del alternador, el hecho de estar abierto el interruptor del panel de control o una sobrecarga del generador de reserva doméstico.

Para solucionar el problema, póngase en contacto con el centro de servicio local.

El motor no arranca (FC_4)

Este fallo se indica mediante el código de fallo FC_4. Esta función evita que el generador se dañe si está continuamente intentando arrancar a pesar de que existe otro problema, como por ejemplo que no haya suministro de combustible. Cada vez que se da al sistema la instrucción de arrancar, la unidad realiza el arranque manual durante 10 segundos, luego hace una pausa de 10 segundos, realiza el arranque manual durante 10 segundos, hace una pausa de 10 segundos y repite la acción. Si el sistema no comienza a producir electricidad luego de aproximadamente 2 minutos, la unidad deja de realizar el arranque manual.

Asegúrese de que el interruptor principal del generador está en la posición **ON** (cerrado), de forma que los cables detectores verifiquen que la unidad está en funcionamiento.

La causa más probable de este problema es la falta de suministro de combustible. Compruebe las válvulas de paso de combustible interna y externa para asegurarse de que estén totalmente abiertas. Otras causas podrían ser las bujías defectuosas, una falla en el sistema de ignición del motor o que el filtro de aire del motor esté obstruido. Es posible que deba consultar al instalador para solicitar asistencia si no logra solucionar estos problemas.

Baja frecuencia (FC_5)

Este fallo se indica mediante el código de fallo FC_5. Esta función protege los dispositivos conectados al conector desconectando el generador si el motor funciona por debajo de 55 Hz durante tres segundos.

Esta condición puede deberse al fallo de un componente del motor. Para solucionar el problema, póngase en contacto con el centro de servicio local.

Sobrevelocidad del motor (FC_6)

Este fallo se indica mediante el código de fallo FC_6. Esta función protege los dispositivos conectados al conmutador de transferencia apagando el generador si el motor trabaja a una velocidad superior al límite preestablecido. La falla por sobrevelocidad se detecta de la siguiente manera:

- Si la frecuencia de salida del generador es 65-70 Hz, durante tres segundos, el generador se para.
- Si la frecuencia de salida del generador es más que 70 Hz, el generador se para inmediatamente.

Esta condición se debe al fallo de un componente del motor. Para solucionar el problema, póngase en contacto con el centro de servicio local.

Alta temperatura (FC_7)

Este fallo se indica mediante el código de fallo FC_7. Los contactos del interruptor de temperatura están normalmente abiertos. Si la temperatura del motor excede aproximadamente los 149°C (300° F), se detecta la falla y el motor se apaga.

Entre las causas más comunes de esta situación se encuentran la operación del motor con todas las puertas de acceso retiradas, la obstrucción de la entrada de aire o de la salida del escape o suciedad en las aletas de enfriamiento del cilindro del motor.

Para solucionar el problema, retire la suciedad acumulada o las obstrucciones y deje que el motor se enfríe. Asegúrese de que la puerta de servicio del aceite o la del panel de control se encuentren instaladas siempre que la unidad esté en funcionamiento.

Fallo del conector (FC_8)

Este fallo se indica mediante el código FC_8 (si el conector dispone de sistema de detección de fallos). Para solucionar el problema, póngase en contacto con el centro de servicio local.

Mantenimiento del generador

La garantía del generador no cubre artículos que hayan sido sometidos al abuso o negligencia por parte del operador. Para recibir el valor total de la garantía, el operador debe dar mantenimiento al sistema de acuerdo con las indicaciones del manual del operario del motor.

Todos los ajustes se deben llevar a cabo al menos una vez por temporada. Siga los requisitos del Manual del operario del motor.

El mantenimiento del generador consiste en conservar la unidad limpia y seca. Opere y almacene la unidad en un ambiente limpio y seco donde no será expuesta al polvo, suciedad, humedad o vapores corrosivos. Las ranuras del aire de enfriamiento del generador no deben

estar tapadas con nieve, hojas, o cualquier otro material extraños. Para evitar que el generador sufra daños debido al recalentamiento, mantenga en todo momento las entradas y salidas de refrigeración de la carcasa limpias y despejadas.

Verifique que la unidad sea limpiada con frecuencia y lávela cuando observe polvo, suciedad, aceite, humedad u otras sustancias extrañas en la superficie exterior. Inspeccione las aberturas de entrada y salida de aire por dentro y por fuera de la carcasa para comprobar que el aire pueda circular libremente.

NO recomendamos el uso de mangueras de jardín para limpiar el generador. El agua podría introducirse en el motor y causar problemas.

Aceite del motor

El sistema se llena con el aceite sintético recomendado (API SJ/CF 5W-30). Esta medida facilita hacer funcionar el sistema en una amplia gama de condiciones de temperatura y climáticas.

Consulte el Manual del operario del motor para conocer el aceite y los intervalos de cambio de aceite recomendados.

Cambio de aceite del motor

- ⚠ ATENCIÓN** Evite el contacto prolongado o repetido de piel con aceite usado de motor.
- El aceite usado del motor ha sido mostrado al causar el cáncer de la piel de la causa en ciertos animales del laboratorio.
 - Completamente lavado expuso áreas con el jabón y el agua.



MANTENER FUERA DEL ALCANCE DE LOS NIÑOS. NO CONTAMINE. CONSERVE LOS RECURSOS. DEPOSITE EL ACEITE USADO EN UN PUNTO DE RECOGIDA.

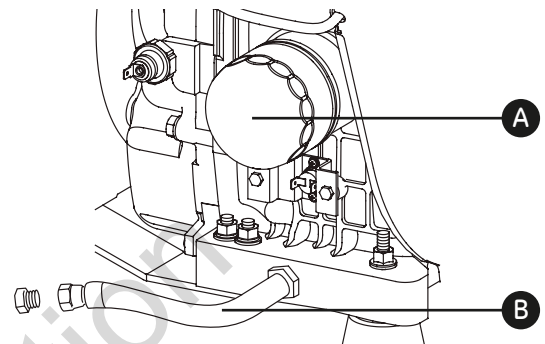
1. Sitúe el conmutador del sistema del generador en la posición **OFF**.
2. Quite el fusible de 15 A del panel de control.
3. Coloque la manguera de vaciado de aceite en un recipiente homologado.
4. Retire el accesorio de latón del extremo de la manguera de vaciado.

Para llenar el motor de aceite:

Utilice aceite sintético del grado recomendado y siga las instrucciones de llenado de aceite que se indican en el Manual del operario del motor.

Después de finalizar el mantenimiento del motor, vuelva a colocar el fusible de 15 A en el panel de control, ponga el conmutador del sistema y el disyuntor en la posición **AUTO** y reinicie el temporizador de ejercicio. Consulte la sección *Configuración del temporizador de práctica*.

A continuación se muestra la ubicación del orificio de vaciado de aceite (**B**) y del filtro de aceite (**A**):



Cambie el aceite cuando el motor siga estando caliente después de haber funcionado, como se describe en el Manual del operario del motor.

5. Cuando haya vaciado todo el aceite, vuelva a colocar el accesorio de latón en la manguera.
6. Añada aceite. Consulte más adelante.

AVISO Si intenta arrancar el motor antes de llenarlo con el aceite recomendados, provocará un fallo del equipo.

- Consulte la información de llenado de aceite y combustible en la sección *Mantenimiento* y en el manual del operario.
- El daño a la generador, resultado de la desatención a esta precaución, no será cubierto por la garantía.

Batería

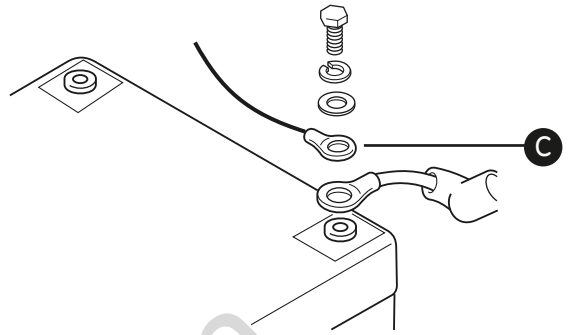
Atender a de baterías es de ser realizado o para ser supervisado por el personal informado de baterías y las precauciones necesarias. Mantenga el personal no autorizado lejos de baterías.

▲ ADVERTENCIA Las patillas de las baterías, los terminales y los accesorios relacionados contienen plomo y compuestos de plomo - sustancias químicas declaradas cancerígenas y causantes de malformaciones congénitas por el Estado de California. Lávese las manos después de manipular estos elementos.

Servicio la batería

Si es necesario realizar el servicio de la batería, proceda de la manera siguiente:

1. Fije el conmutador del sistema del generador en la posición **OFF**.
2. Quite el fusible de 15 A del panel de control.
3. Dé mantenimiento o cambie la batería si es necesario. Consulte *Batería* en la sección *Consideraciones finales para la instalación* en el manual de instalación para obtener información sobre la batería específica necesaria.
4. Conectar el conductor rojo de la batería al terminal positivo de la misma (marcado como **POSITIVE, POS** ó **(+)**).
5. Conecte el cable de carga de la batería (cable N.º 13) que se muestra como **(C)** debajo del terminal positivo de la batería (marcado como **POSITIVE, POS** ó **(+)**):
6. Conecte el conductor negro de la batería al terminal negativo (marcado como **NEGATIVE, NEG** ó **(-)**).
7. Compruebe que los elementos de fijación en los terminales negativo y positivo de la batería están perfectamente apretados.
8. Instale el fusible de 15 A en el panel de control.
9. Fije el conmutador del sistema del generador en la posición **AUTO**.
10. Reinicialización del temporizador de prueba. Consulte *Configuración del temporizador de práctica*.



NO CONTAMINE. CONSERVE LOS RECURSOS.
DEPOSITE EL BATERIA USADO EN UN PUNTO
DE RECOGIDA.

Cargar la batería

Si es necesario realizar el cargar de la batería, proceda de la manera siguiente:

1. Fije el conmutador del sistema del generador en la posición **OFF**.
2. Quite el fusible de 15 A del panel de control.
3. Desconecte el cable negativo de la batería al terminal negativo (marcado como **NEGATIVE, NEG** ó (-)).

AVISO Si no se desconecta el cable negativo de la batería, se provocará una avería.

- NO intente arrancar en puente la generador.
- El daño a la generador, resultado de la desatención a esta precaución, no será cubierto por la garantía.

ADVERTENCIA Las baterías almacenadas producen hidrógeno explosivo mientras estén siendo recargadas. Una pequeña chispa puede encender el hidrógeno y causar una explosión. El fluido de electrolito de la batería contiene ácido y es extremadamente cáustico. El contacto con el fluido de la batería puede causar quemaduras químicas severas. Las baterías presentan un riesgo de descarga eléctrica y de elevada corriente de cortocircuito.



- NO deseche la batería tirándola al fuego. Recicle la batería.
- No permita ninguna llama abierta, chispa, calor, o encienda un cigarrillo durante y por varios minutos después de haber recargado la batería.
- NO abra ni manipule la batería.
- Utilice gafas de protección, y delantal, botas y guantes de goma.
- No lleve relojes, anillos ni otros objetos metálicos.
- Utilice herramientas con mangos aislados.

4. Cargue la batería con un cargador a 2 A hasta alcanzar una carga de 12 V. NO supere 13,7 V de tensión cuando cargue la batería.
5. Conecte el cable negativo de la batería al terminal negativo (marcado como **NEGATIVE, NEG** ó (-)).
6. Compruebe que los elementos de fijación en los terminales negativo y positivo de la batería están perfectamente apretados.
7. Instale el fusible de 15 Amperios en el panel de control.

ATENCIÓN Con el interruptor en la posición **AUTO**, el motor puede comenzar a dar vueltas y arrancar en cualquier momento sin previo aviso.

- Para evitar posibles lesiones que pudieran ser provocadas por dichos arranques repentinos, siempre ponga el conmutador del sistema en OFF cuando realice operaciones de mantenimiento en el sistema.
- Retire el fusible de 15 Amperios antes de realizar trabajos en el generador, en el conmutador de transferencia o en lugares cercanos a estos equipos.

8. Fije el conmutador del sistema del generador en la posición **AUTO**.
9. Reinicialización del temporizador de prueba. Consulte *Configuración del temporizador de práctica*.

Para limpiar el generador

AVISO El tratamiento inadecuado del generador puede dañarlo y acortar su vida productiva.

- No exponga al generador a una humedad excesiva, polvo, suciedad o vapores corrosivos.
- NO inserte cualquier objeto a través de las ranuras de enfriamiento.
 1. Fije el conmutador del sistema del generador en la posición **OFF**.
 2. Quite el fusible de 15 A del panel de control.
 3. Limpiar el generador:
 - Utilice un trapo húmedo para limpiar las superficies exteriores.
 - Puede usar un cepillo de cerdas suaves para retirar la suciedad endurecida, aceite, etc.

- Puede usar una máquina aspiradora para eliminar suciedad y residuos sueltos.
 - Puede usar aire a baja presión (que no exceda los 25 psi) para eliminar la suciedad. Inspeccione las ranuras para aire de enfriamiento y la apertura del generador. Estas aperturas deberán mantenerse limpias y despejadas.
4. Instale el fusible de 15 Amperios en el panel de control.
 5. Fije el conmutador del sistema del generador en la posición **AUTO**.
 6. Reinicialización del temporizador de prueba. Consulte *Configuración del temporizador de práctica*.

Si llama a la fábrica

En caso de que sea necesario consultar al servicio técnico respecto a servicios reparaciones de esta unidad, usted debe tener disponible la siguiente información:

1. Obtenga el número de modelo y número de serie de la unidad de la etiqueta de datos. Consulte *Controles* para localizar la etiqueta o consulte la información registrada en la portada del manual de instalación.
2. Obtenga los números de identificación del motor de la etiqueta del motor. Consulte el manual del operario del motor para localizar esta información. Observe que en este manual se describen distintos motores, por lo que es posible que su motor sea diferente al que se muestra.

Almacenamiento

El generador doméstico está diseñado para una operación de respaldo continuo. Como tal, no hay necesidad de tomar precaución alguna con relación al almacenamiento. Sin embargo, si fuera necesario mantener el sistema fuera de servicio durante un tiempo prolongado, llame al Servicio técnico al **888 575-8226**, entre 8:00 a.m. y 5:00 p.m. hora del centro de EE.UU. para obtener recomendaciones específicas. Consulte el manual del operario del motor para obtener más información.

Problemas

Problemas	Causa	Corrección
<p>El motor está funcionando pero no hay salida de c.a. disponible.</p>	<ol style="list-style-type: none"> 1. El interruptor automático está abierto o defectuoso. 2. Fallo en el panel de control del generador. 3. Las conexiones de cableado son inadecuadas o el conmutador de transferencia está defectuoso. 	<ol style="list-style-type: none"> 1. Restablezca el interruptor automático o reemplácelo. 2. Consulte al servicio. 3. Verifíuelo y repárelo.
<p>El motor funciona cuando no tiene carga pero "se atasca" cuando se conectan las cargas.</p>	<ol style="list-style-type: none"> 1. Hay un cortocircuito en una de las cargas conectadas. 2. El generador está sobrecargado. 3. Hay un circuito del generador en cortocircuito. 4. La presión o mezcla de combustible es incorrecta. 	<ol style="list-style-type: none"> 1. Desconecte la carga que está en cortocircuito. 2. Desconecte la carga. 3. Consulte al servicio. 4. Consulte la sección <i>El sistema de combustible gaseoso</i> del manual de instalación.
<p>El motor no arranca o arranca pero funciona con dificultad.</p>	<ol style="list-style-type: none"> 1. Falta un fusible de 15 Amperios o está fundido. 2. No hay combustible. 3. La batería presenta una falla. 4. Filtro de aire atascado. 	<ol style="list-style-type: none"> 1. Instale un fusible de 15 Amperios (nuevo). 2. Abra la o las válvulas de combustible; verifique el tanque de propano. 3. Reemplace la batería. 4. Limpie o reemplace filtro de aire.
<p>El motor se apaga durante la operación.</p>	<ol style="list-style-type: none"> 1. No hay combustible. 2. La pantalla digital del panel de control muestra un código de fallo. 	<ol style="list-style-type: none"> 1. Verifique las válvulas de combustible, llene el tanque de propano. 2. Consulte la sección <i>Sistema de detección de fallas</i>.
<p>Pérdida de potencia en los circuitos.</p>	<ol style="list-style-type: none"> 1. El interruptor automático del generador está abierto. 2. Problemas en el interruptor de transferencia. 	<ol style="list-style-type: none"> 1. Restablezca el interruptor automático. 2. Consulte el manual del interruptor de transferencia.

Garantía

Garantía limitada

Briggs & Stratton Power Products Group, LLC reparará o sustituirá sin cargo alguno cualquier componente del equipo que presente defectos de materiales y/o mano de obra. Los gastos de viaje se reembolsan según se especifica en el documento Pautas de la garantía de Briggs & Stratton, a los distribuidores de Briggs & Stratton autorizados para realizar las reparaciones cubiertas por la garantía correspondiente. El período de vigencia y las condiciones de esta garantía son los que se estipulan a continuación. Para obtener servicio en garantía, localice el distribuidor de servicio autorizado más próximo en nuestro mapa de distribuidores, en BRIGGSandSTRATTON.COM.

NO EXISTE NINGUNA OTRA GARANTÍA EXPLÍCITA.
LAS GARANTÍAS IMPLÍCITAS, INCLUIDAS LAS DE

COMERCIABILIDAD O IDONEIDAD PARA UN FIN CONCRETO, SE LIMITAN A UN AÑO A PARTIR DE LA FECHA DE COMPRA O AL LÍMITE DE TIEMPO PERMITIDO POR LA LEY. QUEDAN EXCLUIDAS TODAS LAS GARANTÍAS IMPLÍCITAS. QUEDA EXCLUIDA LA RESPONSABILIDAD POR DAÑOS SECUNDARIOS Y DERIVADOS HASTA EL LÍMITE PERMITIDO POR LA LEY. Algunos países o estados no permiten limitar la duración de una garantía implícita ni excluir o limitar los daños secundarios y derivados. Por tanto, es posible que las limitaciones y exclusiones mencionadas no sean aplicables en su caso. Esta garantía le otorga determinados derechos legales y es posible que tenga otros derechos que pueden variar de un país o estado a otro.

Período de garantía

5 años ó 1.800 horas, lo que suceda antes

El período de garantía comienza en la fecha de compra del primer consumidor o usuario comercial final y se prolonga durante el tiempo especificado en la siguiente tabla.

Los términos de la garantía continúan en la página siguiente.

NO ES NECESARIO REGISTRAR LA GARANTÍA PARA OBTENER SERVICIO DE BRIGGS & STRATTON PRODUCTS. GUARDE SU RECIBO DE COMPRA. SI NO APORTA LA PRUEBA DE LA FECHA DE COMPRA INICIAL, SE UTILIZARÁ LA FECHA DE FABRICACIÓN DEL PRODUCTO PARA DETERMINAR EL PERÍODO DE GARANTÍA.



es una marca registrada de General Electric Company y se utiliza con licencia por Briggs & Stratton Power Products Group, LLC.

Acerca de la garantía

Esperamos que disfrute de nuestra garantía y le pedimos disculpas por las molestias causadas. Cualquier distribuidor de servicio autorizado puede llevar a cabo reparaciones en garantía. La mayoría de las reparaciones en garantía se gestionan normalmente, pero algunas veces la solicitud de servicio en garantía puede no ser procedente. Por ejemplo, la garantía no será válida si el equipo presenta daños debidos al mal uso, la falta de mantenimiento, el transporte, la manipulación, el almacenamiento o la instalación inadecuados. De manera similar, la garantía quedará anulada si se ha borrado la fecha de fabricación o el número de serie del equipo, o si el equipo ha sido alterado o modificado. Durante el período de garantía, el distribuidor de servicio autorizado podrá reparar o sustituir, a su libre elección, cualquier pieza que, previa inspección, sea defectuosa en condiciones normales de uso y servicio. Esta garantía no cubre las reparaciones y equipos que se detallan a continuación:

- **Desgaste normal:** Al igual que cualquier otro aparato mecánico y motores, los equipos de uso en exteriores necesitan piezas y mantenimiento periódicos para funcionar correctamente. Esta garantía no cubre las reparaciones cuando el uso normal haya agotado la vida útil de una pieza concreta del equipo.
- **Instalación y mantenimiento:** Esta garantía no cubre los equipos ni las piezas cuya instalación sea incorrecta o no haya sido autorizada, ni aquellos que hayan sido objeto de cualquier tipo de alteración, mal uso, negligencia, accidente, sobrecarga, exceso de velocidad o mantenimiento, reparación o almacenamiento inadecuados que, a nuestro juicio, haya afectado negativamente a su funcionamiento y su fiabilidad. La garantía tampoco cubre el mantenimiento normal, como los ajustes y la limpieza, o la obstrucción del sistema de combustión (debido a materias químicas, suciedad, carbón, cal, etc.).

- **Otras exclusiones:** Quedan excluidos batería de arranque, los elementos accesorios, de esta garantía el desgaste de elementos tales como medidores de aceite, juntas tóricas, filtros, fusibles, bujías, etc. así como los daños derivados de accidentes, uso indebido, modificaciones, alteraciones, servicio inadecuado, congelación o deterioro químico. Esta garantía excluye los fallos debidos a hechos fortuitos y a otros acontecimientos de fuerza mayor que escapen al control del fabricante. También se excluyen los equipos usados o reacondicionados y los destinados a demostraciones; los equipos utilizados como fuente principal de energía en lugar de un servicio público, los equipos utilizados en usos móviles o de alquiler, así como cualquier equipos sanitario destinado al mantenimiento de las constantes vitales.

La caja tiene garantía contra óxido y corrosión de la superficie durante el primer año del período de garantía.

Óxido y corrosión de la superficie se definen como cualquier óxido o corrosión que haya penetrado en la pintura pero que no haya penetrado a través de la subestructura metálica.

La caja tiene garantía contra corrosión integral durante los primeros dos años del período de garantía.

Corrosión integral se define como óxido o corrosión que haya penetrado completamente a través de la pintura y de la subestructura metálica.

La caja no tiene garantía contra óxido o corrosión de la superficie o contra corrosión integral que pueda ser consecuencia de una instalación inadecuada, del daño a las superficies pintadas que afecte las propiedades de prevención contra corrosión de la pintura, o si la unidad es instalada en entornos que expongan al generador a altos niveles de agentes corrosivos.

Los términos de la garantía entran en vigor el 1 de noviembre de 2009. Sustituye a todas las garantías sin fecha y a las de fecha anterior al 1 de noviembre de 2009.
207905S, Rev. D, 2 noviembre 2009.

Especificaciones del producto

15 vaitos

Corriente de carga nominal máxima* a 25°C (77°F) (PL):

a 240 Voltios	62.5 Amperios
Tensión de c.a. nominal	240 Voltios
Fases	Monofásico
Frecuencia nominal	60 Hz
Rango operativo normal	-28.8°C (-20°F) to 40°C (104°F)
Nivel de ruido	65 dB(A) at 7 m (23 pies) con carga completa
Peso de envío del sistema	295 kg (650 lb)

* Los valores nominales de gas natural dependerán del combustible específico, pero por lo general se encuentran entre el 10 y el 20% por debajo de los valores nominales para PL.

20 vaitos

Corriente de carga nominal máxima* a 25°C (77°F) (PL):

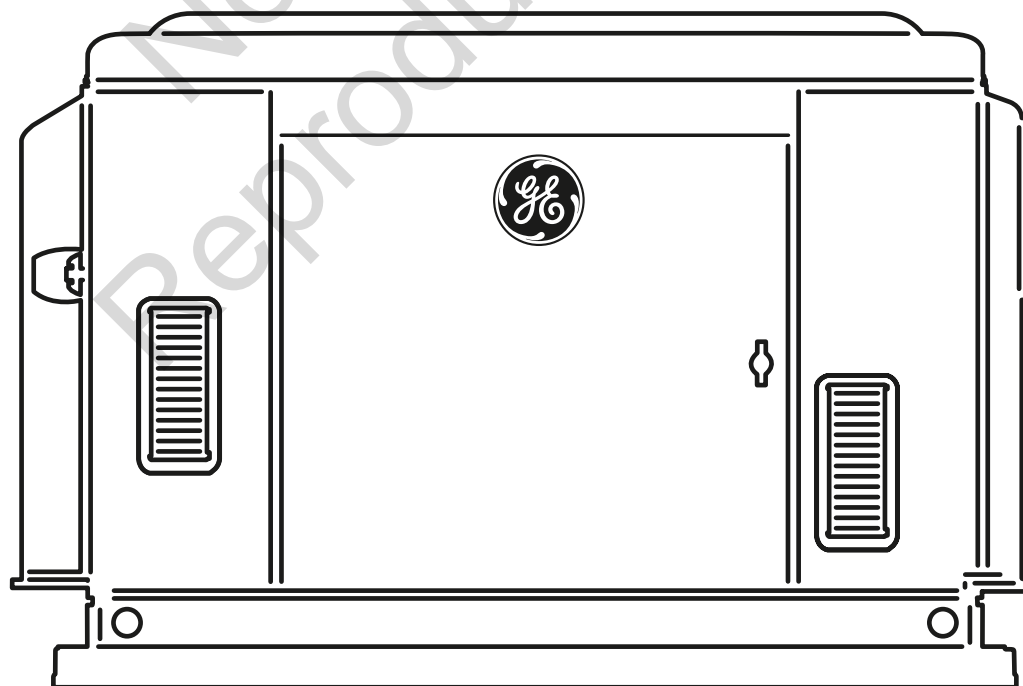
a 240 Voltios	83.3 Amperios
Tensión de c.a. nominal	240 Voltios
Fases	Monofásico
Frecuencia nominal	60 Hz
Rango operativo normal	-28.8°C (-20°F) to 40°C (104°F)
Nivel de ruido	68 dB(A) at 7 m (23 pies) con carga completa
Peso de envío del sistema	287 kg (632 lb)

* Los valores nominales de gas natural dependerán del combustible específico, pero por lo general se encuentran entre el 10 y el 20% por debajo de los valores nominales para PL.



GE Home Generator Systems
15,000 á 20,000 watt
groupe électrogène

Manuel de l'utilisation



Nous vous remercions d'avoir acheté cette génératrice résidentielle de qualité GE. Nous sommes heureux que vous fassiez confiance à la marque GE. Lorsque utilisée et entretenue selon les instructions de ce manuel, votre génératrice GE vous offrira de nombreuses années de service fiable.

Ce manuel reforme des directives de sécurité pour vous faire prendre conscience des dangers et des risques associés aux génératrices résidentielles auxiliaires et de la façon de les éviter. Comme nous ne connaissons pas nécessairement toutes les applications pour lesquelles cet équipement peut être utilisé, il est important de lire et de bien comprendre ces instructions avant de tenter de démarrer ou d'utiliser cet équipement. **Conservez ces instructions aux fins de consultation ultérieure.**

Cette génératrice résidentielle auxiliaire nécessite une installation professionnelle avant l'utilisation. Consultez le manuel d'installation séparé pour les directives sur les procédures sécuritaires d'installation. Votre installateur devrait suivre les instructions d'installation à la lettre.

Où nous trouver

Vous n'aurez jamais à chercher bien loin pour trouver un centre de support et de service pour les génératrices résidentielles auxiliaires. Consultez les Pages Jaunes. Plusieurs distributeurs de services après-vente agréés GE offrent un service de qualité. Vous pouvez également communiquer avec le service à la clientèle de GE en téléphonant sans frais au **888 575-8226** ou cliquez sur [trouvent dessus un revendeur à BRIGGSandSTRATTON.COM](http://www.briggsandstratton.com), qui procure une liste des détaillants autorisés.

Consultez le Manuel d'installation pour obtenir la date d'achat du système et les numéros d'identification des pièces.

Table des matières

Directives importantes.....	56
Installation	60
Au propriétaire résidentiel.....	60
Au détaillant ou à l'entrepreneur procédant à l'installation.....	61
Conseils au propriétaire.....	61
Facteurs relatifs au combustible.....	62
Emplacement de la génératrice.....	63
Vérification de la livraison.....	64
Commandes	65
Fonctionnement	68
Fonctionnement automatique	68
Réglage de la minuterie du cycle d'exercice.....	69
Entretien	70
Système de détection des pannes.....	70
Entretien du générateur.....	72
l'Huile moteur.....	73
Batterie.....	74
Pour nettoyer le générateur	76
Remisage	76
Dépannage	77
Garantie	78
Caractéristiques du produit	80

Directives importantes

Directives de sécurité importantes

CONSERVEZ CES DIRECTIVES – Ce manuel renferme d'importantes directives qu'il faut suivre durant l'installation et l'entretien de la génératrice et des batteries.

Symboles de sécurité et leur signification



Explosion



Feu



Choc Électrique



Emanations Toxiques



Parties en Mouvement



Surface Chaude



Auto Démarrage



Pression Explosive



Brûlures Chimiques



Risque de Levage



Lire le Manuel

▲ Le symbole d'alerte de sécurité indique un risque potentiel de blessure personnelle. Un mot signal (DANGER, ATTENTION ou AVERTISSEMENT) est utilisé avec un symbole d'alerte pour vous indiquer le degré ou le niveau du risque. Un symbole de sécurité peut être utilisé pour représenter le type de risque. Le mot signal AVIS est utilisé pour traiter les pratiques qui ne sont pas reliées aux blessures personnelles.

▲ Le mot signal **DANGER** indique un danger qui, s'il n'est pas évité, *causera* la mort ou des blessures graves.

▲ Le mot signal **AVERTISSEMENT** indique un risque qui, s'il n'est pas évité, *pourrait causer* la mort ou des blessures graves.

▲ Le mot signal **ATTENTION** indique un risque qui, s'il n'est pas évité, *pourrait causer* des blessures mineures ou modérées.

Le mot **AVIS** est utilisé pour les pratiques qui ne sont pas reliées aux blessures personnelles.

Le fabricant ne peut anticiper toutes les circonstances potentielles pouvant comporter un danger. Par conséquent, les avertissements contenus dans le présent manuel, ainsi que les plaques et les décalques apposés sur l'unité n'englobent pas toutes les possibilités. Si vous utilisez une procédure, une méthode de travail ou une technique d'opération non spécifiquement recommandée par le fabricant, vous devez vous assurer qu'elle ne compromet pas votre sécurité ni celle des autres. Vous devez également vous assurer que la procédure, la méthode de travail ou la technique d'opération que vous choisissez ne rende pas la génératrice dangereuse.

▲ **AVERTISSEMENT** Le moteur, lorsqu'il fonctionne, produit du monoxyde de carbone, un gaz toxique inodore et incolore. L'inhalation du monoxyde de carbone peut causer des maux de tête, de la fatigue, des étourdissements, le vomissement, de la confusion, des crises épileptiques, des nausées, l'évanouissement ou la mort.

- Faites fonctionner le générateur SEULEMENT à l'extérieur.
- Installez un avertisseur de monoxyde de carbone à piles près des chambres à coucher.
- Évitez que les gaz d'échappement entrent dans un espace restreint, par une fenêtre, une porte, une prise d'aération ou toute autre ouverture.

▲ **AVERTISSEMENT** L'échappement du moteur de ce produit contient des produits chimiques que l'État de Californie considère comme causant le cancer, des déformations à la naissance ou d'autres dangers concernant la reproduction.

▲ **AVERTISSEMENT** Certains composants de ce produit ainsi que les accessoires reliés contiennent des produits chimiques reconnus par l'État de la Californie comme causant des cancers, des malformations congénitales, ou d'autres problèmes de reproduction. Nettoyez-vous les mains après la manipulation.

⚠ AVERTISSEMENT Les batteries d'accumulateur produisent du gaz hydrogène explosif lorsqu'elles se rechargent. La plus petite étincelle enflammera l'hydrogène et provoquera une explosion. Le liquide d'électrolyte de l'accumulateur contient de l'acide et est extrêmement caustique.



Le contact avec le liquide de l'accumulateur provoquera de graves brûlures chimiques.

Toute batterie présente un risque de choc électrique et de courant de court-circuit élevé.

- NE jetez PAS la batterie dans un feu. Recyclez la batterie.
- Ne laissez aucune flamme, étincelle, source de chaleur ou cigarette allumée pendant ou plusieurs minutes suivant la charge de l'accumulateur.
- N'ouvrez PAS ni N'endommagez la batterie.
- Portez des lunettes de sécurité ainsi qu'un tablier, des bottes et des gants en caoutchouc.
- Enlevez votre montre, vos bagues et tout autre objet de métal.
- Utilisez des outils avec des poignées isolées.

⚠ AVERTISSEMENT Le générateur produit une tension élevée.

Ne pas relier le générateur à la terre risque de provoquer des électrocutions.



NE PAS isoler le générateur de l'installation électrique risque de provoquer des blessures ou même d'être fatal pour les ouvriers électriciens et de causer des dommages au générateur dus à un "backfeed" d'énergie électrique

- Lorsque vous utilisez le générateur comme source d'énergie de secours, il est nécessaire d'aviser les services publics d'électricité.
- NE touchez PAS aux fils ou aux prises dénudés.
- N'utilisez PAS le générateur avec des cordons électriques usés, effilochés ou dénudés, ou abîmés de quelque sorte que ce soit.
- NE manipulez PAS le générateur ou les cordons d'alimentation lorsque vous êtes debout dans l'eau, pieds nus ou avec les mains ou les pieds humides.
- Si vous devez travailler aux environs d'une unité alors qu'elle est en marche, placez-vous sur une surface sèche isolée afin de réduire les risques de choc électrique.
- NE laissez PAS des personnes non qualifiées ou des enfants se servir ou réparer le générateur.
- En cas d'accident causé par un choc électrique, procédez immédiatement à la mise hors tension de l'alimentation électrique et contacter des autorités locales. **Évitez tout contact direct avec la victime.**
- En dépit de la conception sécuritaire du groupe électrogène, le fait d'opérer l'équipement de façon imprudente, de ne pas l'entretenir ou d'être négligent peut causer des blessures et la mort.
- Demeurez alerte en tout temps lorsque vous travaillez sur cet équipement. NE travaillez JAMAIS sur l'équipement si vous êtes fatigué physiquement ou mentalement.
- Avant de procéder à tout entretien sur la génératrice, débranchez tout d'abord le câble de batterie identifié par **NEGATIVE, NEG** ou (-). Rebranchez le câble après avoir terminé.
- Une fois votre groupe électrogène installé, la génératrice peut se lancer et démarrer sans avertissement lorsque survient une panne électrique. Pour prévenir des blessures potentielles, AVANT de travailler sur l'équipement, réglez toujours l'interrupteur de système sur **OFF**, ET enlevez le fusible de 15 Ampères.

⚠ AVERTISSEMENT Le gaz propane et le gaz naturel sont extrêmement inflammables et explosifs.



Le feu ou l'explosion risque de provoquer des blessures graves, pouvant être fatales.

- Installez le système d'alimentation de combustible conformément aux codes applicables aux combustibles et aux gaz.
- Avant de mettre en service le génératrice d'état d'attente, il faut purger adéquatement les lignes d'alimentation de combustible et les tester pour les fuites.
- Une fois le système installé, vous devez vérifier le système de combustible sur une base régulière.
- Aucune fuite ne peut être tolérée.
- NE faites PAS fonctionner le moteur si vous sentez une odeur de combustible ou si d'autres conditions d'explosion sont présentes.
- Abstenez-vous de fumer près de la génératrice. Essayez immédiatement tout déversement d'huile. Assurez-vous de ne laisser aucun matériau combustible dans le compartiment de la génératrice. Gardez la zone autour de la génératrice propre et sans débris.

⚠ AVERTISSEMENT Démarreur et autre tournères peut empêtrer mains, cheveux, vêtement, ou accessoires.



- N'utilisez JAMAIS la génératrice sans bâtis, couvercles ou gardes de protection installés.
- NE portez PAS de vêtements lâches, de bijoux ou tout ce qui risquerait d'être pris dans le démarreur ou toute autre pièce rotative.
- Embouteiller des cheveux longs et enlève la bijouterie.
- Avant l'entretien, ôtez le fusible de 15 ampères du tableau de commande et débranchez le câble de batterie **Négatif (NEG ou -)**.

⚠ AVERTISSEMENT Tout contact avec la zone du silencieux peut causer des brûlures graves.



La chaleur et les gaz d'échappement peuvent enflammer des matériaux combustibles et les structures ainsi que causer un incendie.

- NE touchez PAS aux pièces chaudes et évitez le contact avec les gaz d'échappement.
- Laissez l'équipement refroidir avant de le toucher.
- N'installez PAS la génératrice à moins de 1,5 m (5 pi) de tous matériaux combustibles ou structures comportant des murs combustibles dont le degré de résistance au feu est de moins d'une heure.
- Laissez au moins les distances minimum indiquées dans les *Directives générales concernant l'emplacement* afin de vous assurer d'un refroidissement approprié de la génératrice et des dégagements requis pour l'entretien.
- L'utilisation ou le fonctionnement d'un moteur sur un terrain boisé, couvert de broussailles ou gazonné constitue une violation dans l'État de la Californie, en vertu de la section 4442 du California Public Resources Code, à moins qu'il ne soit doté d'un pare-étincelles tel que défini dans la section 4442 et maintenu en bon état de fonctionnement. Il se peut que d'autres États ou d'autres compétences fédérales aient des lois semblables. Communiquez avec le fabricant, le détaillant ou le concessionnaire original de l'appareil afin d'obtenir un pare-étincelles conçu pour le système d'échappement installé sur ce moteur.
- Les pièces de rechange doivent être identiques aux pièces d'origine et être installées à la même position.

⚠ ATTENTION L'installation du fusible pourrait causer le démarrage du moteur.



- Prenez note que, avant l'expédition, le fusible de 1 Ampères a été retiré du panneau électrique.
- N'installez PAS ce fusible avant que toute la plomberie et le câblage n'aient été complétés et vérifiés.

⚠ ATTENTION Les vitesses de fonctionnement excessivement élevées augmentent les risques de blessure ou risquent d'endommager le génératrice.

Des vitesses excessivement lentes produisent une charge importante pour la génératrice.

- NE trafiquez PAS la vitesse réglée. Le génératrice produit une fréquence nominale et une tension correctes lorsqu'il fonctionne à une vitesse réglée.
- NE modifiez PAS le génératrice d'aucune façon.

AVIS Dépasser la capacité de puissance ou d'ampérage du générateur risque d'endommager ce dernier et/ou les autres appareils électriques qui y sont branchés.

- Démarrez le générateur et laissez le moteur se stabiliser avant de brancher les charges électriques.

AVIS Un traitement inapproprié du génératrice risque de l'endommager et de raccourcir sa durée d'utilisation.

- Ne vous servez du générateur que pour les utilisations prévues.
- Si vous avez des questions concernant les utilisations prévues, demandez à votre distributeur ou revendeur autorisé.
- Ne faites fonctionner le générateur que sur des surfaces horizontales.
- Des débits d'air de refroidissement et d'aération adéquats sont nécessaires au bon fonctionnement de la génératrice.
- Lorsque l'unité est en marche, il faut que les portes de l'orifice de remplissage d'huile et d'accès au tableau de commande soient installées.
- N'exposez pas le générateur à une humidité excessive, à de la poussière, à de la saleté ou à des vapeurs corrosives.
- En dépit de la conception sécuritaire du groupe électrogène, le fait d'opérer l'équipement de façon imprudente, de ne pas l'entretenir ou d'être négligent peut causer des blessures et la mort.
- Demeurez alerte en tout temps lorsque vous travaillez sur cet équipement. Ne travaillez jamais sur l'équipement si vous êtes fatigué physiquement ou mentalement.
- Ne démarrez jamais le moteur sans son filtre à air ou sans le couvercle du filtre à air.
- N'insérez aucun objet dans les fentes de refroidissement.
- N'utilisez pas la génératrice ni aucune partie de celle-ci comme palier. Le fait de marcher sur l'unité peut causer des contraintes et briser des pièces. Cela peut résulter en des conditions de fonctionnement dangereuses à cause d'une fuite de gaz d'échappement, de combustible, d'huile, etc.
- Si les appareils branchés sont en surchauffe, éteignez-les et débranchez-les du générateur.
- Arrêtez le générateur si :
 - la puissance électrique est inexistante;
 - l'équipement produit des étincelles, de la fumée ou des flammes;
 - l'unité vibre excessivement.

Installation

Nous sommes vraiment reconnaissants de vous compter parmi nos clients. Pour cette raison, a tout fait pour fournir un produit dont l'installation soit sécuritaire, facile et économique. Comme chaque installation est unique, il est impossible de connaître et de recommander une marche à suivre présentant toutes les méthodes et consignes d'installation possibles. ignore également les dangers et/ou les résultats potentiels de chaque méthode ou procédure. C'est pourquoi,

Seuls des entrepreneurs en électricité et en plomberie qualifiés devraient procéder à l'installation des groupes électrogènes. Toute installation doit être conforme à tous codes de sécurité applicables, ainsi qu'aux normes et à la réglementation de l'industrie.

Votre groupe électrogène est livré avec le présent "Manuel d'Utilisation", ainsi qu'un "Guide d'Installation" séparé. Ces deux documents sont importants; après avoir complété l'installation, l'acheteur doit les conserver.

Au propriétaire résidentiel

Afin de vous aider à faire des choix avisés et à communiquer efficacement avec l'entrepreneur qui procédera à l'installation,

Veillez lire avec soin la section Conseils au propriétaire dans le présent guide avant de contracter un entrepreneur ou de commencer l'installation de votre groupe électrogène.

Pour assurer une installation adéquate, veuillez contacter le magasin qui vous a vendu votre groupe électrogène, votre détaillant ou votre fournisseur de services d'électricité.

Si l'installation du groupe électrogène n'est pas effectuée par des professionnels certifiés en électricité et en plomberie, la garantie sera ANNULÉE.

Tout a été fait pour s'assurer que les renseignements contenus dans le présent guide soient exacts et à jour. Toutefois, le fabricant se réserve le droit de changer, de modifier ou encore d'améliorer le système en tout temps et ce, sans préavis.

Nous garantissons que le dispositif antipollution de cette génératrice répond aux normes établies par le U.S. Environmental Protection Agency et le California Air Resources Board (CARB).

Au détaillant ou à l'entrepreneur procédant à l'installation

Le guide d'installation renferme tous les renseignements nécessaires à l'installation adéquate ainsi qu'au démarrage du groupe électrogène pour la plupart des usages. Le présent Manuel d'utilisation décrit de fonctionnement normal et d'entretien par le propriétaire.

*Si vous avez besoin de renseignements supplémentaires, veuillez appeler au **888 575-8226** de 8 h à 17 h HNC.*

Conseils au propriétaire

La présente section présente au propriétaire du groupe électrogène les renseignements dont il aura besoin pour que l'installation du groupe électrogène soit la plus satisfaisante et économique possible.

Les illustrations se rapportent à des cas typiques et ont pour but de vous familiariser avec les différentes options d'installation de votre groupe électrogène dont vous disposez. En comprenant pleinement ces options, vous pourrez bien contrôler les coûts liés à votre installation et assurer votre satisfaction finale ainsi que votre sécurité.

Au moment de négocier avec un installateur professionnel, il faudra tenir compte des facteurs suivants : les codes de sécurité locaux, l'apparence, le niveau de bruits, les types de carburant et les distances. Souvenez-vous que plus grandes sont les distances entre le groupe électrogène et

le service électrique existant ainsi que l'alimentation en combustible gazeux, la tuyauterie et le câblage doivent être modifiés en conséquence. Ces modifications sont nécessaires pour vous conformer aux codes de sécurité locaux et pour surmonter les chutes de tension et les baisses de pression du combustible gazeux.

Les facteurs mentionnés ci-dessus auront une incidence directe sur le prix total de l'installation de votre groupe électrogène.

Dans certaines régions, vous devrez vous procurer un permis de travail d'électricité pour installer le groupe électrogène, un permis de construction pour l'installation des canalisations de gaz, ainsi qu'un permis relatif au bruit. Votre installateur est tenu de vérifier les codes locaux ET d'obtenir les permis requis avant de procéder à l'installation du système.

Facteurs relatifs au combustible

Le type de combustible utilisé par votre groupe électrogène aura une incidence importante sur l'ensemble de l'installation. Le système a été testé en usine et réglé avec soit du gaz naturel ou du propane liquide (vapeur de PL).

Pour que le moteur fonctionne correctement, les facteurs inhérents à chacun de ces combustibles, votre emplacement et la durée possible des interruptions de courant doivent être pris en compte lorsque vous suivez les lignes directrices suivantes sur le combustible :

- Utilisez un combustible propre et sec, libre de toute humidité ou de dépôts. L'utilisation de combustible à l'extérieur des plages de valeurs recommandées pourrait causer des problèmes de performance.
- Pour les moteurs réglés sur l'utilisation du gaz de pétrole liquéfié (GPL), le propane commercial de classe HD5, ayant une énergie combustible minimum de 2500 Btu/pi³ à teneur maximum de 5% de propylène et de butane et de 2,5% de gaz plus lourds et une teneur minimum en propane de 90%, convient.

Le débit de gaz naturel dépend du combustible spécifique, mais la dépréciation typique se situe entre 10 et 20% du débit du gaz de pétrole liquéfié.

▲ AVERTISSEMENT Le gaz propane et le gaz naturel sont extrêmement inflammables et explosifs. Le feu ou l'explosion risque de provoquer des blessures graves, pouvant être fatales.



- Cet équipement est muni d'un robinet de sécurité pour la fermeture automatique des gaz.
- N'opérez pas l'équipement si le robinet de fermeture du combustible est manquant ou ne fonctionne pas.

Baisse de puissance à haute altitude ou à température élevée

La densité de l'air étant moindre en haute altitude, la puissance du moteur est donc réduite. En fait, la puissance du moteur sera réduite de 3,5% pour chaque 1000 pieds (300 mètres) au-dessus du niveau de la mer, et de 1% pour chaque 10° F (5,6°C) au-dessus de 77°F (25°C). Votre installateur et vous-même devriez vous assurer de tenir compte de ces facteurs au moment de déterminer la charge totale de la génératrice.

Emplacement de la génératrice

L'emplacement physique réel de votre génératrice de secours a une incidence directe sur:

1. La quantité de tuyauterie nécessaire pour l'alimentation en combustible de votre génératrice.
2. La quantité de câblage nécessaire pour commander et brancher votre génératrice.

Le Guide d'installation présente des consignes particulières relatives au choix de l'emplacement de la génératrice.

Familiarisez-vous avec celles-ci et discutez-en avec votre installateur. N'oubliez pas de demander à l'installateur si votre choix d'emplacement est conforme aux normes et aux codes locaux et de quelle façon celui-ci influe sur les coûts d'installation.

La génératrice doit être installée à l'extérieur. N'installez PAS la génératrice dans un endroit où les gaz d'échappement pourraient s'accumuler et pénétrer ou être aspirés dans un édifice qui pourrait être occupé. Assurez-vous que les gaz d'échappement ne puissent entrer par une fenêtre, une porte, une prise d'aération ou une autre ouverture qui pourrait leur permettre de s'accumuler dans un espace restreint. Tenez aussi compte des vents dominants et des courants d'air au moment de choisir l'endroit où vous installerez la génératrice. Consultez le manuel d'installation pour connaître les détails d'un emplacement sécuritaire pour la génératrice.

▲ AVERTISSEMENT Le moteur, lorsqu'il fonctionne, produit du monoxyde de carbone, un gaz toxique inodore et incolore. L'inhalation du monoxyde de carbone peut causer des maux de tête, de la fatigue, des étourdissements, le vomissement, de la confusion, des crises épileptiques, des nausées, l'évanouissement ou la mort.



- Faites fonctionner le générateur SEULEMENT à l'extérieur.
- Installez un avertisseur de monoxyde de carbone à piles près des chambres à coucher.
- Évitez que les gaz d'échappement entrent dans un espace restreint, par une fenêtre, une porte, une prise d'aération ou toute autre ouverture.

▲ AVERTISSEMENT La chaleur et les gaz d'échappement peuvent enflammer des matériaux combustibles et les structures ainsi que causer un incendie.



- N'installez PAS la génératrice à moins de 1,5 m (5 pi) de tous matériaux combustibles ou structures comportant des murs combustibles dont le degré de résistance au feu est de moins d'une heure.

Vérification de la livraison

Après avoir enlevé le carton, examinez avec soin les éléments de la génératrice pour tout dommage subi durant l'expédition.

Au moment de la livraison, si vous remarquez des dommages ou des pièces manquantes, demandez au livreur de noter tous les dommages sur la facture de fret et d'apposer sa signature dans l'espace réservé à cet effet. Après la livraison, si vous remarquez des pièces manquantes ou des dommages, mettez les pièces endommagées de côté et communiquez avec le transporteur pour connaître les procédures de réclamation. Les pièces manquantes ou endommagées ne sont pas garanties.

Le groupe électrogène est livré avec les éléments suivants:

- Berceau de montage préfixé
- Système de lubrification viabilisé
- Raccord de combustible flexible
- Guide d'installation et de démarrage
- Manuel d'utilisation
- Manuel d'utilisation du moteur
- Liste de vérification d'installation
- Couvercle de l'alternateur
- Clés pour la porte d'accès
- Fusible de rechange de 15 ampères ATO
- Connecteur à deau mâle pour tableau de commande
- Connecteur à dix mâle pour tableau de commande
- Peinture de retouche

Articles non fournis :

- Batterie de démarrage
- Fil et conduit de connexion
- Vannes/plomberie d'alimentation en combustible
- Divers outils/équipements spécialisés

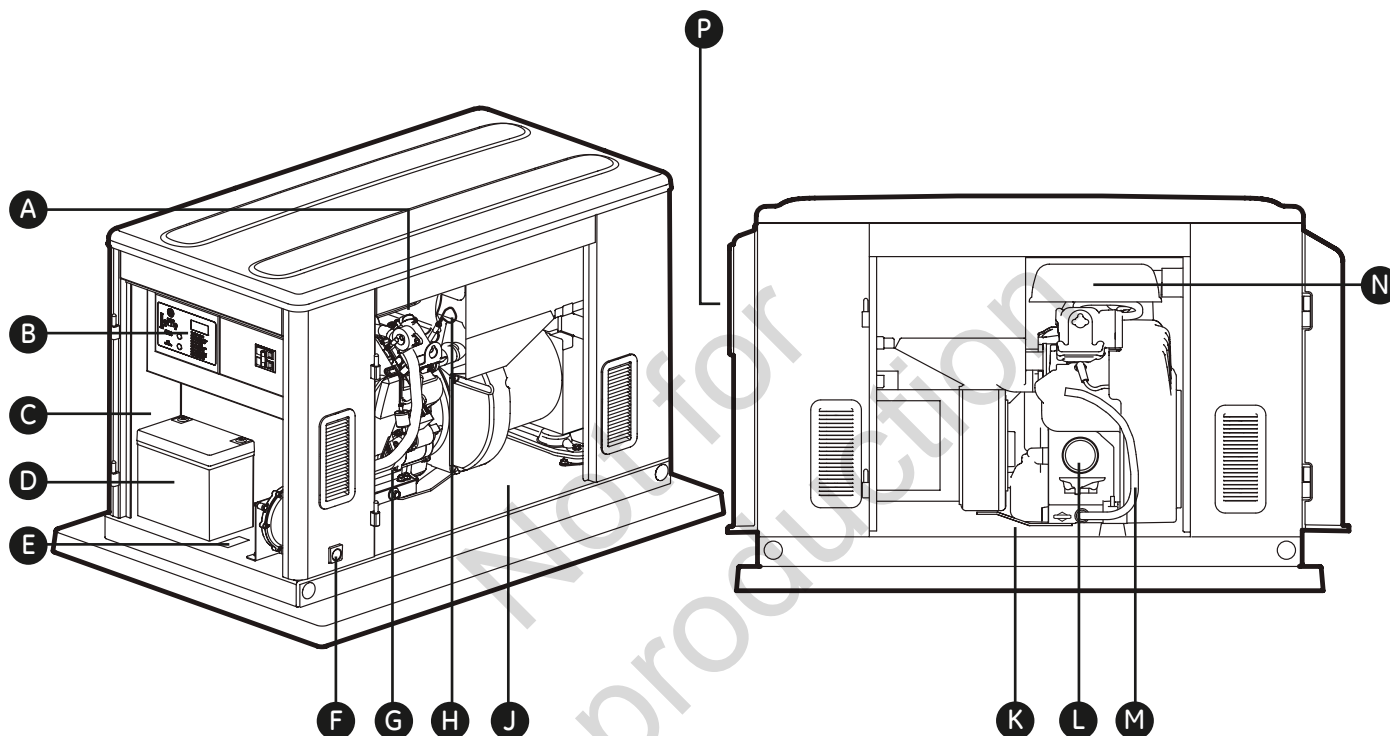
Commandes

La génératrice résidentielle



Lire ce manuel de l'utilisateur et les *Directives de sécurité importantes* **avant** de faire marcher votre générateur.

Comparez les illustrations avec votre générateur pour vous familiariser avec l'emplacement des diverses commandes et réglages. **Gardez ce manuel pour le consulter plus tard.**



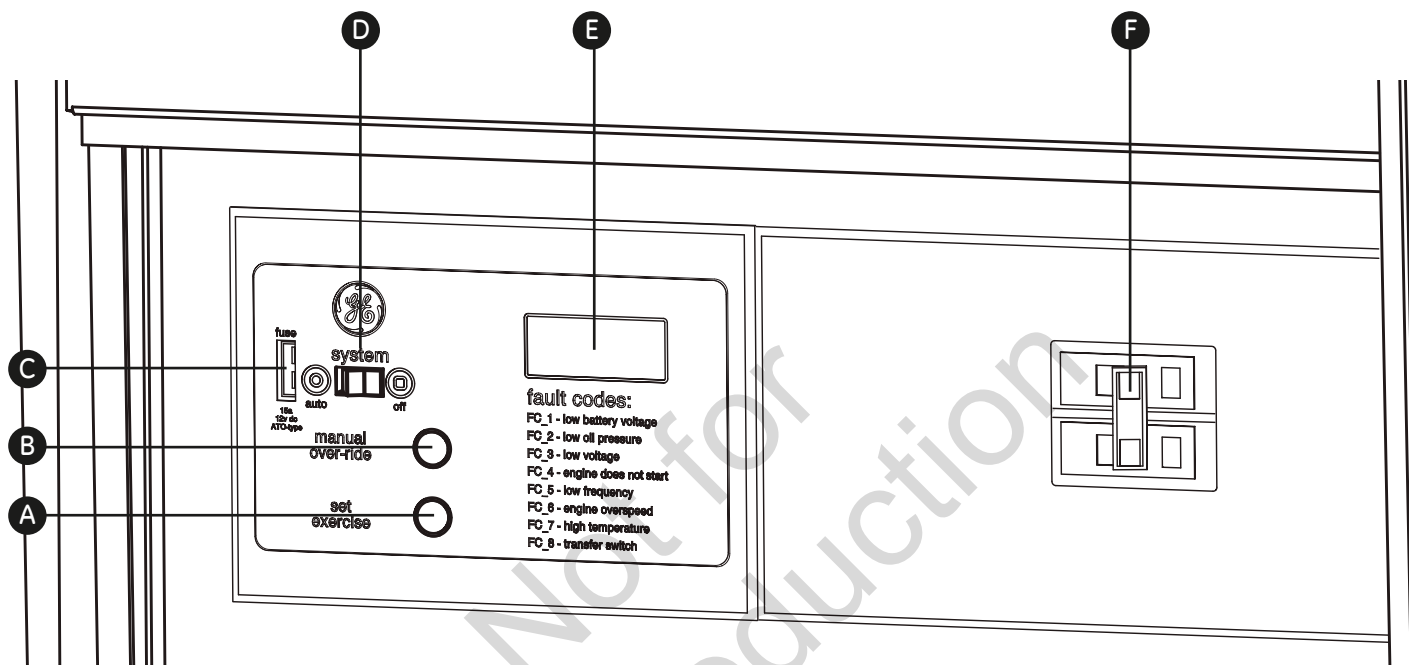
La génératrice est illustrée sans les portes d'accès afin de mieux la voir.

- A - Bouchon de remplissage d'huile** - Enlevez-le pour effectuer l'entretien du moteur avec le type d'huile recommandé.
- B - Tableau de commande** - Utilisé pour diverses fonctions d'essai, de fonctionnement et d'entretien. Voir *Tableau de commande de système*.
- C - Porte d'accès du tableau de commande** - Permet d'accéder au tableau de commande et à la batterie.
- D - Batterie** - (fournis par l'installateur) - La batterie reçoit une charge à faible débit lorsque la génératrice n'est pas en marche.
- E - Décalque apposé sur l'unité** - Identifie l'unité par son numéro de série.
- F - Orifice d'admission du combustible** - Branchez le dispositif d'alimentation en combustible approprié à la génératrice à cet endroit.

- G - Plaque du moteur** - Identifie le modèle ainsi que le type de moteur.
- H - Jauge d'huile** - Utilisée pour vérifier le niveau d'huile du moteur.
- J - Porte de remplissage d'huile** - Permet d'accéder au moteur pour l'entretien.
- K - Porte de vidange d'huile** - Permet d'accéder au moteur pour l'entretien.
- L - Filtre à l'huile** - Filtre l'huile du moteur afin d'en prolonger la durée de vie utile.
- M - Boyau de vidange d'huile** - Fourni afin de faciliter les changements d'huile.
- N - Filtre à air** - Utilise un élément de filtre du type sec et un pré-filtre en mousse pour limiter le montant de saleté et de poussières entrant dans le moteur.
- P - Orifice d'échappement** - Silencieux haute performance qui réduit le bruit du moteur afin de se conformer à la plupart des codes en milieu résidentiel.

Tableau de commande de système

Comparez la présente illustration au tableau de commande de votre génératrice afin de vous familiariser avec l'emplacement des importantes commandes suivantes:



- A - SET EXERCISE** (Réglage du cycle d'exercice) - Utilisé pour régler le jour et l'heure du début du cycle d'exercice. Le cycle d'exercice ne s'exécute qu'en mode **AUTO**.
- B - MANUAL OVER-RIDE** (Surpassement manuel) - Lorsque l'interrupteur de système est à la position **AUTO**, maintenez le bouton enfoncé pendant six secondes pour démarrer la génératrice. Pour éteindre la génératrice, maintenez le bouton de surpassement manuel enfoncé jusqu'à ce que le moteur s'arrête.
- C - Fusible de 15 A** - Protège les circuits de commande C.C. du groupe électrogène. Si le fusible est grillé (fondu et ouvert) ou a été enlevé, le moteur ne peut être lancé ou démarrer. Remplacez le fusible grillé uniuement par un fusible ATO identique de 15 A.
- D - Interrupteur de système** - Ce dispositif à deux positions est la commande la plus importante du système et s'utilise comme suit:
- La position normale de fonctionnement est la position "AUTO". Si une panne d'électricité est détectée, le système démarrera la génératrice. Lorsque l'électricité

est rétablie, laissez le moteur stabiliser les températures internes, fermez la génératrice et attendez la prochaine panne d'électricité.

- La position "OFF" ferme la génératrice quand elle fonctionne, ce qui empêche l'unité de démarrer et de remettre à zéro toute détection de panne.
- E - Affichage numérique** - Affiche le nombre total d'heures de fonctionnement de la génératrice et les codes de défaillance. Utilisé pour planifier les tâches d'entretien et le dépannage des problèmes de fonctionnement du groupe électrogène résidentiel. Un chiffre constant affiché indique le nombre total des heures de fonctionnement. Lors de conditions de défaillance, « FC » clignote suivi d'un code de défaillance. Toutes les conditions de panne sont décrites dans la section *Système de détection des pannes*.
- F - Coupe-circuits** - Protège le système contre les courts-circuits et autres conditions de surintensité. Celui-ci doit être en position **ON** pour alimenter le commutateur de transfert automatique.

Portes d'accès

Le groupe électrogène est muni d'un boîtier doté de portes d'accès, comme le montre l'illustration ci-dessous. Chaque porte est identifiée par un élément important qui se trouve derrière celle-ci, comme suit :

- A - Porte d'accès du tableau de commande
- B - Orifice d'admission de combustible (illustré pour référence)
- C - Porte de drainage d'huile
- D - Orifice d'échappement (illustré pour référence)
- E - Porte de remplissage d'huile

⚠ AVERTISSEMENT Tout contact avec la zone du silencieux peut causer des brûlures graves.



- NE touchez PAS aux pièces chaudes et évitez le contact avec les gaz d'échappement.
- Laissez l'équipement refroidir avant de le toucher.

Lorsque l'unité est en marche, les portes de l'orifice de remplissage d'huile et d'accès au tableau de commande doivent être installées afin d'assurer un refroidissement adéquat de l'équipement, la réduction de bruit et l'ajout de sécurité.

Chaque génératrice résidentielle est munie de clés identiques. Ces clés s'adaptent aux serrures qui verrouillent les portes d'accès.

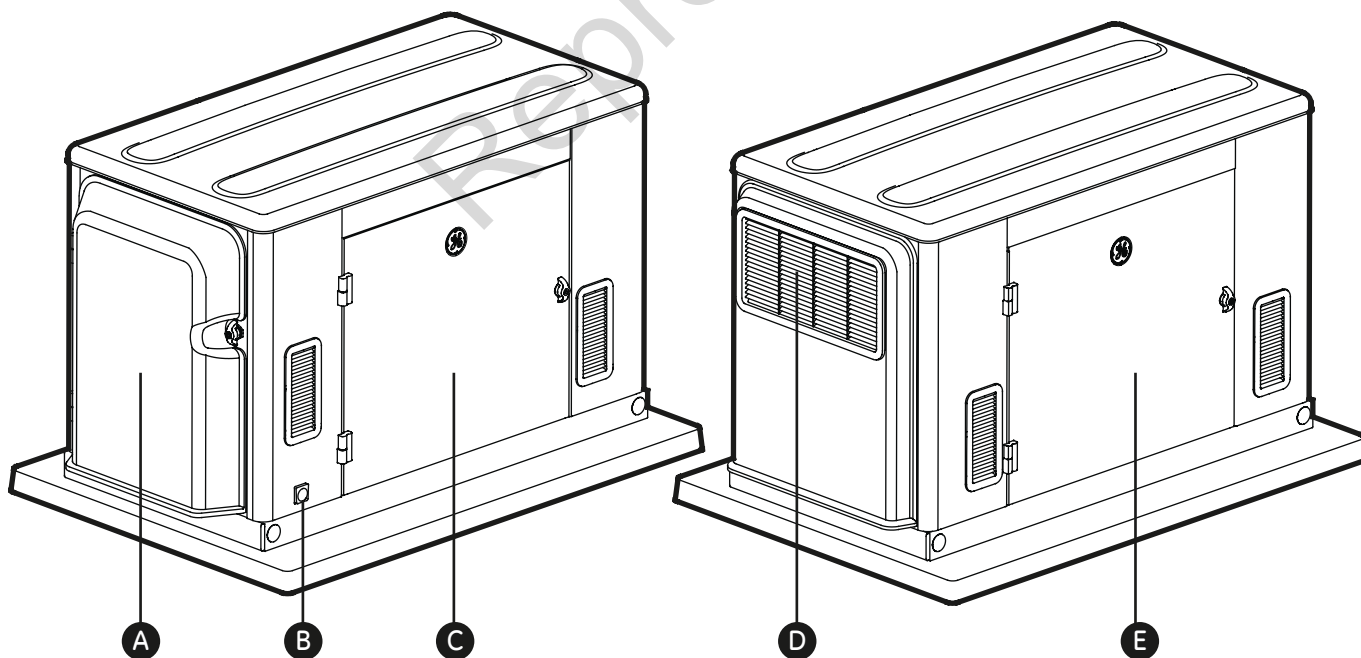
Pour ouvrir une porte d'accès :

1. Insérez une des clés dans la serrure de la porte d'accès que vous souhaitez ouvrir et tournez la clé d'un quart de tour dans le sens antihoraire
2. Saisissez la poignée de la porte et tournez-la d'un quart de tour dans le sens antihoraire pour l'ouvrir. Retirez la clé.

Pour fermer une porte d'accès :

1. Fermez la porte et tournez la poignée de la porte d'un quart de tour dans le sens horaire.
2. Insérez une des clés dans la serrure de la porte d'accès et tournez la clé d'un quart de tour dans le sens horaire. Retirez la clé.

De la force additionnelle peut être requise pour fermer complètement et verrouiller les portes puisqu'elles créent un joint sous pression pour l'enceinte de la génératrice.



Fonctionnement

Considérations importantes pour le propriétaire

Huile à moteur

AVIS Toute tentative de démarrer le moteur avant qu'il ait été rempli avec l'huile recommandés entraînera une panne de l'équipement.

- Consultez la section *Entretien* des manuels d'utilisation et du moteur au sujet du remplissage de l'huile.
- La garantie sera annulée si des dommages à l'équipement sont entraînés par le manquement à se conformer à cette directive.

Ce moteur a été testé en usine et est livré rempli d'huile synthétique (API SJ/CF 5W-30). Cela permet au système de fonctionner dans une plage élargie de températures et de conditions climatiques. Avant de démarrer le moteur, vérifiez le niveau d'huile et assurez-vous que le moteur a subi l'entretien décrit dans le Manuel d'utilisation du moteur.

Batterie

L'installateur doit fournir une batterie de démarrage rechargeable de 12 volts. Voir *Batterie* dans la section *Considérations pour l'installation finale* du manuel d'installation. L'installateur doit brancher un câble de recharge de la batterie (câble de calibre 13) à la borne positive de la batterie!

▲ AVERTISSEMENT Les bornes, les cosses ainsi que tous les accessoires reliés à la batterie contiennent du plomb et des composés de plomb - produits chimiques reconnus par l'État de la Californie comme causant des cancers et d'autres problèmes de reproduction. Nettoyez-vous les mains après la manipulation.

Alors que la batterie est installée, que tous les câbles reliant le commutateur de transfert et le groupe électrogène sont branchés, que l'électricité de service est fournie au commutateur de transfert automatique et que l'unité est en mode **AUTO**, la batterie reçoit une charge à faible débit si le moteur n'est pas en marche. La charge à faible débit ne peut être utilisée pour recharger une batterie complètement à plat.

Fusible de 15 A

Le fusible de 15 A de la génératrice a été retiré à l'usine afin d'empêcher l'unité de démarrer durant le transport. Votre installateur s'assurera que le fusible est correctement remis en place après l'installation de la génératrice.

Fonctionnement automatique

Pour actionner le fonctionnement automatique, suivez la procédure décrite ci-dessous :

1. Confirmez qu'un fusible de 15 A est installé dans le tableau de commande.
2. Réglez à **ON** le disjoncteur principal du panneau de distribution qui alimente la tension de service vers le commutateur de transfert.
3. Réglez le disjoncteur principal de la génératrice en position **ON**.
- 4 Réglez l'interrupteur de système du tableau de commande à **AUTO**.

▲ ATTENTION Avec l'interrupteur en position **AUTO**, le moteur peut se lancer et démarrer en tout temps sans avertissement.

- Pour éviter toute blessure potentielle qui pourrait résulter d'un tel démarrage, réglez toujours l'interrupteur de système sur **OFF**.
- Enlevez le fusible de 15 Ampères, avant de travailler sur ou autour de la génératrice ou du commutateur de transfert.

Vérification du fonctionnement automatique

Pour vérifier si le fonctionnement automatique du système est adéquat, procédez comme suit :

1. Mettez hors tension le disjoncteur principal du panneau de distribution qui alimente le commutateur de transfert automatique.
Lorsqu'il y aura baisse de tension et que le temps imparti du capteur sera écoulé, le moteur sera lancé et démarrera. Laissez le système compléter la totalité de sa séquence de fonctionnement automatique.
2. Pendant que la génératrice alimente ses charges, mettez sous tension le disjoncteur principal du panneau de distribution qui alimente le commutateur de transfert automatique.

3. L'interrupteur de transfert automatique transférera les charges à l'alimentation de service après 5 minutes de fonctionnement minimum et du rétablissement de l'électricité.
4. La génératrice fonctionnera une minute de plus pour refroidir le moteur, puis s'arrêtera.

Si l'électricité est rétablie et que la génératrice ne s'arrête pas après 10 minutes, réglez l'interrupteur du système à **OFF** et appelez votre installateur ou votre centre de service local.

Cela met fin aux procédures d'essais du fonctionnement automatique. La génératrice résidentielle démarrera automatiquement et alimentera le commutateur de transfert en cas de panne électrique.

Réglage de la minuterie du cycle d'exercice

Le groupe électrogène est muni d'une minuterie de cycle d'exercice qui se met en marche et vérifie le système une fois par semaine. Au cours de ce cycle d'exercice, l'unité fonctionne durant une douzaine de 20 minutes, puis s'arrête. Le transfert de charge électrique N'A PAS lieu durant le cycle d'exercice (sauf si une panne de courant survient).

Si un temps d'exercice n'est pas défini, le générateur ne pourra jamais exercer.

Un bouton du tableau de commande est étiqueté « SET EXERCISE » (voir Tableau de commande du système). Le jour et l'heure particuliers auxquels ce bouton est pressé sont programmés dans la mémoire du tableau de commande. Ce jour et cette heure sont alors utilisés pour initialiser automatiquement le cycle d'exercice du système. La légende « SET EXERCISE » du tableau de commande clignote jusqu'à ce que le cycle d'exercice soit réglé.

Pour exécuter la procédure de réglage du cycle d'exercice:

1. Choisissez le jour et l'heure à laquelle vous désirez que le cycle d'exercice du groupe électrogène ait lieu.
2. À cette journée et heure, appuyez et maintenez enfoncé l'interrupteur "Set Exercise" pendant trois secondes.
Le "Set Exercise" l'affichage illuminera alors éteint pour confirmer que le minuteur d'exercice a été réglé. Alors relâcher le bouton Fixe d'Exercice.

L'unité coudera et courra le cycle d'exercice. Pendant le cycle, Réglage l'Exercice illuminera.

Une fois le cycle d'exercice est complet, l'unité éteindra et "Set Exercise" fera non plus long est affiché.

Le cycle d'Exercice pourrait être interrompu à n'importe quand en tournant le Commutateur de Système à LOIN.

3. Pendant sept jours plus tard l'unité puis entreprendra son cycle d'exercice de 20 minutes.

Par exemple, si vous appuyez « SET EXERCISE » de réglage du cycle d'exercice le dimanche à 10 h, l'unité exécutera un cycle d'exercice puis fera de même tous le dimanche matin à 10 h (+/- ½ heure).

Le réglage du cycle d'exercice ne fonctionnera que si l'unité est en mode AUTO et que si la procédure exacte est suivie. Vous devrez reprogrammer le cycle d'exercice si vous enlevez ou remplacez le fusible de 15 A ou si la batterie de démarrage est débranchée.

Si vous voulez changer le jour et l'heure du cycle d'exercice, vous n'avez qu'à exécuter à nouveau la procédure de "Réglage de la minuterie du cycle d'exercice" le jour et à l'heure exacte à laquelle vous voulez que le cycle d'exercice ait lieu.

Entretien

Arrêt du système

Avant de procéder à l'entretien de la génératrice, suivez toujours les étapes suivantes.

1. Réglez le disjoncteur principal de la génératrice en position **OFF**.
2. Réglez l'interrupteur de système du tableau de commande à **OFF**.
3. Retirez le fusible de 15 A du panneau de commande.
4. **De la tension de service est présente au tableau de commande de la génératrice.** Débranchez l'alimentation avant d'effectuer l'entretien du tableau de commande en retirant les deux fusibles du commutateur de transfert.
5. Une fois l'entretien terminé, remplacez le fusible de 15 ampères dans le tableau de commande puis réinitialisez la minuterie du cycle d'exercice. Voir *Réglage de la minuterie du cycle d'exercice* à la section *Fonctionnement*.

Système de détection des pannes

La génératrice fonctionnera sans doute sur de longues périodes sans la présence d'un opérateur. C'est pourquoi le système est muni de capteurs qui arrêtent automatiquement la génératrice lorsque surviennent des problèmes potentiels, tels qu'une faible pression de l'huile, une température élevée, l'emballement du moteur, et d'autres conditions.

Le tableau de commande de la génératrice est doté d'un affichage numérique qui indique des codes de défaillance, par exemple « FC_1 ». Le tableau ci-dessous indique la défaillance détectée, le code de défaillance tel qu'il est affiché sur le tableau de commande.

Réarmement du système de détection des pannes

L'opérateur doit réarmer le système de détection des pannes chaque fois que celui-ci est activé. Pour ce faire, placez l'interrupteur de système du tableau de commande en position **OFF** pendant au moins 30 secondes. Après avoir corrigé le problème, remettez le groupe électrogène en service en plaçant l'interrupteur de système en position **AUTO**. Installez ensuite le fusible de 15 ampères dans le tableau de commande puis réinitialisez la minuterie du cycle d'exercice. Voir *Réglage de la minuterie du cycle d'exercice* à la section *Fonctionnement*.

Description du Problème	Code de défaillance
Faible tension de la batterie	FC_1
Faible pression d'huile	FC_2
Basse tension	FC_3
Le moteur ne démarre pas	FC_4
Fréquence basse	FC_5
Emballement du moteur	FC_6
Température élevée	FC_7
Défaillance du commutateur de transfert	FC_8

Faible tension de la batterie (FC_1)

Cette défaillance est indiquée par le code de défaillance FC_1. Cette situation se produit si la génératrice ne peut démarrer parce que la puissance de la batterie est inférieure au minimum requis pour lancer le moteur. Ce problème peut être causé par une batterie défectueuse ou par une panne du circuit de charge à faible débit.

Pour régler le problème, appelez votre centre de service local pour vérifier la puissance de la charge à faible débit de la batterie. Ôtez le fusible de 15 ampères et débranchez la batterie de la génératrice. Amenez la batterie chez un fournisseur local pour fins d'analyse.

Remplacez la batterie si nécessaire – voir *Batterie* dans la section *Considérations pour l'installation finale* du manuel d'installation. Puis réarmez le système de détection des pannes, tel qu'indiqué ci-dessus.

Faible pression d'huile (FC_2)

Cette défaillance est indiquée par le code de défaillance FC_2. L'unité est munie d'un manocontact d'huile utilisant des contacts normalement fermés qui sont maintenus ouverts par la pression de l'huile du moteur lorsque celui-ci est en marche. Si la pression d'huile baisse sous les 8 lb/po², les manocontacts se referment et le moteur s'arrête.

Pour régler un problème de faible pression d'huile, ajoutez l'huile recommandée jusqu'à la marque FULL de la jauge d'huile.

Si la pression d'huile est toujours faible, le moteur démarrera pour ensuite s'arrêter à nouveau. Le code de défaillance apparaîtra. Le cas échéant, contactez un détaillant autorisé.

Basse tension (FC_3)

Cette défaillance est indiquée par le code de défaillance FC_3. Une telle panne est causée par une restriction du débit de combustible, un fil de signal cassé ou débranché, une panne d'enroulement de l'alternateur, l'ouverture du coupe-circuits du tableau de commande ou parce que le groupe électrogène est surchargé.

Pour régler ce problème, appelez votre centre de service local.

Le moteur ne démarre pas (FC_4)

Cette défaillance est indiquée par le code de défaillance FC_4. Cette caractéristique du système empêche la génératrice de s'infliger des dommages en tentant continuellement de démarrer en dépit de la présence d'un autre problème, comme par exemple un manque de combustible. Chaque fois que le système reçoit le signal de démarrage, l'unité se lance durant 10 secondes, fait une pause de 10 secondes, se lance durant 10 secondes, fait une pause de 10 secondes, et ainsi de suite. Si, après environ 2 minutes, le système ne commence pas à produire de l'électricité.

Assurez-vous que le disjoncteur principal de la génératrice est à la position **ON** (fermé) de sorte que les électrodes à capteur vérifient le fonctionnement de l'appareil.

La source la plus probable de ce problème est le manque de combustible. Vérifiez si les valves de fermeture interne et externe du combustible sont entièrement ouvertes. D'autres causes par une défectuosité de l'un des composants du moteur. Si vous n'êtes pas en mesure de résoudre ces problèmes, demandez l'aide de votre installateur. Une fois le problème corrigé, réarmez le système de détection des pannes, tel que décrit ci-dessus.

Basse fréquence (FC_5)

Cette défaillance est indiquée par le code de défaillance FC_5. Cette caractéristique protège les appareils branchés au commutateur de transfert en arrêtant la génératrice si le régime du moteur est inférieur à 55 Hz pendant trois secondes. Ce problème est causé par une défectuosité de l'un des composants du moteur ou par des charges excessives sur la génératrice. Pour régler ce problème, communiquez avec votre installateur ou un détaillant autorisé.

Emballlement du moteur (FC_6)

Cette défaillance est indiquée par le code de défaillance FC_6. Cette caractéristique protège les appareils branchés au commutateur de transfert des circuits essentiels en arrêtant la génératrice si le régime du moteur est plus rapide que la limite préétablie. Le problème d'emballement est détecté comme suit :

- Si la fréquence de sortie de la génératrice est 65-70 Hz, après trois secondes, la génératrice s'arrête.
- Si la fréquence de sortie de la génératrice est plus grand que 70 Hz, la génératrice s'arrête instantanément.

Ce problème est causé par une défektivité du régulateur de régime. Pour y remédier, vous devez obtenir l'aide de votre installateur ou du service technique.

Température élevée (FC_7)

Cette défaillance est indiquée par le code de défaillance FC_7. Les thermocontacts sont normalement ouverts. Si la température du moteur dépasse environ 149 °C (300 °F), la défaillance est détectée, et le moteur s'arrête.

Les causes habituelles de cette avarie incluent le fonctionnement de l'unité avec les portes d'accès enlevées, l'obstruction de l'entrée d'air ou de l'orifice d'échappement, la faiblesse du niveau d'huile ou la présence de débris dans le compartiment du moteur.

Pour résoudre ce problème, enlevez toute accumulation de débris ainsi que toute obstruction, et laissez refroidir le moteur. Lorsque l'unité est en marche, assurez-vous que les portes de l'orifice de remplissage d'huile et d'accès du tableau de commande sont installées.

Défaillance du commutateur de transfert (FC_8)

Cette défaillance est indiquée par le code de défaillance FC_8. Pour régler ce problème, vous devez demander l'aide de l'installateur ou de votre centre de service local.

Entretien du générateur

La garantie de la génératrice ne couvre pas les éléments soumis à l'abus ou à la négligence de l'opérateur. Pour obtenir la pleine application de la garantie, il faut que l'opérateur maintienne le système conformément aux instructions du manuel d'utilisation du moteur.

Il faut effectuer tous les réglages au moins une fois par saison. Respectez les exigences présentées dans le manuel d'utilisation.

L'entretien du générateur consiste à le garder propre et sec. Faire marcher et remiser l'appareil dans un environnement propre et sec où celui-là ne sera pas exposé à trop de poussière, de saleté, d'humidité ou à des vapeurs corrosives. Les fentes de refroidissement par air du générateur ne doivent pas être bouchées par de la neige, des feuilles ou

tout autre corps étranger. Afin de prévenir tout dommage à la génératrice causé par la surchauffe, gardez les entrées et les sorties de refroidissement du boîtier propres et dégagées en tout temps.

Vérifiez souvent la propreté de l'appareil et nettoyez ce dernier lorsque de la poussière, des saletés, de l'huile, de l'humidité ou d'autres substances étrangères sont visibles sur sa surface extérieure. Inspectez l'entrée d'air et les ouvertures de sortie ainsi que la partie extérieure du boîtier pour vous assurer que la circulation de l'air n'est pas obstruée.

Nous NE RECOMMANDONS PAS d'utiliser un tuyau d'arrosage pour nettoyer le générateur. L'eau peut entrer dans le moteur et causer des problèmes.

L'huile moteur

Le système est rempli avec de l'huile synthétique (API SJ/CF 5W-30). Cela permet au système de fonctionner dans une plage élargie de températures et de conditions climatiques.

Consultez le manuel d'utilisation du moteur et suivez les recommandations relatives au type d'huile et aux intervalles de changement d'huile.

Changement d'huile à moteur

▲ ATTENTION Évitez tout contact cutané prolongé ou répété avec l'huile moteur usagée.

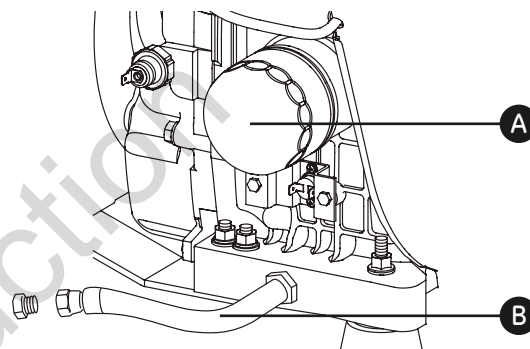
- Il a été démontré que l'huile moteur usagée risque de provoquer un cancer de la peau chez certains animaux de laboratoire.
- Rincez consciencieusement les zones exposées avec de l'eau et du savon.



GARDEZ HOS DE PORTÉE DES ENFANTS. NE POLLUEZ PAS. CONSERVEZ LE SURPLUS. RAPPORTEZ L'HUILE USAGÉE AUX CENTRES DE RECYCLAGE.

1. Réglez l'interrupteur de système du tableau de commande à **OFF**.
2. Retirez le fusible de 15 A du panneau de commande.
3. Placez le boyau de vidange d'huile dans un récipient approuvé.
4. Retirez le raccord en laiton de l'extrémité du boyau.

La figure présente ici l'emplacement du purgeur d'huile (B) et le filtre à huile (A):



Changez l'huile lorsque le moteur est encore chaud, comme décrit dans le manuel d'utilisation du moteur.

5. Une fois l'huile vidangée, remplacez le raccord en laiton sur le boyau.
6. Ajoutez de l'huile. Voir ci-dessous.

Pour mettre de l'huile dans le moteur:

Suivez les recommandations applicables à l'huile et les directives de remplissage d'huile qui figurent dans le manuel d'utilisation du moteur.

Une fois l'entretien à moteur terminé, remplacez le fusible de 15 ampères dans le tableau de commande, réglez l'interrupteur du système et le disjoncteur à **AUTO** puis réinitialisez la minuterie du cycle d'exercice Voir *Réglage de la minuterie du cycle d'exercice*.

AVIS Toute tentative de démarrer le moteur avant qu'il ait été rempli avec l'huile recommandés entraînera une panne de l'équipement.

- Consultez la section *Entretien* des manuels d'utilisation et du moteur au sujet du remplissage de l'huile.
- La garantie sera annulée si des dommages à l'équipement sont entraînés par le manquement à se conformer à cette directive.

Batterie

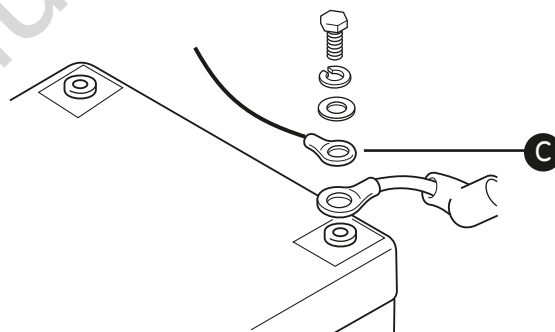
Entretien de batteries est être exécuté ou être surveillé par le personnel bien informé de batteries et les précautions exigées. Eloigner le personnel inautorisé des batteries.

▲ AVERTISSEMENT Les bornes, les cosses ainsi que tous les accessoires reliés à la batterie contiennent du plomb et des composés de plomb - produits chimiques reconnus par l'État de la Californie comme causant des cancers et d'autres problèmes de reproduction. Nettoyez-vous les mains après la manipulation.

Entretien de la batterie

Si vous devez faire l'entretien de la batterie, procédez comme suit:

1. Réglez l'interrupteur de système de la génératrice sur **OFF**.
2. Retirez le fusible de 15 A du panneau électrique.
3. Entretenez et remplacez la batterie au besoin.
Voir *Batterie* dans la section *Considérations pour l'installation finale* du manuel d'installation au sujet de la batterie spécifique requise.
4. À l'aide de la uincaillerie fournie, branchez le fil rouge de la batterie au terminal positif de la batterie (identifié par **POSITIVE, POS** ou (+)).
5. Veuillez brancher le câble de recharge de la batterie (câble de calibre 13), tel que montré en (C) ci-dessous, à la borne positive de la batterie (identifié par **POSITIVE, POS** ou (+)) :
6. À l'aide de la uincaillerie fournie, branchez le fil noir de la batterie au terminal négative de la batterie (identifié par **NEGATIVE, NEG** ou (-)).



7. Assurez-vous que la uincaillerie des terminaux positif et de retour de la batterie sont fixés solidement.
8. Installez le fusible de 15 A dans le panneau électrique.
9. Réglez l'interrupteur de système de la génératrice sur **AUTO**.
10. Réinitialisez la minuterie du cycle d'exercice. Voir *Réglage de la minuterie du cycle d'exercice*.



NE POLLUEZ PAS. CONSERVEZ LE SURPLUS.
RAPPORTEZ BATTERIE USAGÉE AUX CENTRES
DE RECYCLAGE

Rechargez la batterie

Si vous devez faire charge de la batterie, procédez comme suit:

1. Réglez l'interrupteur de système de la génératrice sur **OFF**.
2. Retirez le fusible de 15 ampères du panneau électrique.
3. À l'aide de la quincaillerie fournie, débrancher le fil noir de la batterie au terminal négative de la batterie (identifié par **NEGATIVE, NEG** ou (-)).

▲ AVERTISSEMENT



Les batteries d'accumulateur produisent du gaz hydrogène explosif lorsqu'elles se rechargent.

La plus petite étincelle enflammera l'hydrogène et provoquera une explosion. Le liquide d'électrolyte de l'accumulateur contient de l'acide et est extrêmement caustique.

Le contact avec le liquide de l'accumulateur provoquera de graves brûlures chimiques.

Toute batterie présente un risque de choc électrique et de courant de court-circuit élevé.

- NE jetez PAS la batterie dans un feu. Recyclez la batterie.
- Ne laissez aucune flamme, étincelle, source de chaleur ou cigarette allumée pendant ou plusieurs minutes suivant la charge de l'accumulateur.
- N'ouvrez PAS ni N'endommagez la batterie.
- Portez des lunettes de sécurité ainsi qu'un tablier, des bottes et des gants en caoutchouc.
- Enlevez votre montre, vos bagues et tout autre objet de métal.
- Utilisez des outils avec des poignées isolées.

AVIS L'omission de débrancher le câble négatif de la batterie entraînera une panne de l'équipement.

- NE tentez PAS d'utiliser une batterie d'appoint.
- La garantie sera annulée si des dommages à l'équipement sont entraînés par le non-respect de cette directive.

4. Rechargez la batterie avec le chargeur de batterie à 2 ampères jusqu'à obtention de la tension de 12 volts. N'excédez PAS la recharge à 13.7 Volts.
5. À l'aide de la quincaillerie fournie, branchez le fil noir de la batterie au terminal négative de la batterie (identifié par **NEGATIVE, NEG** ou (-)).
6. Assurez-vous que la quincaillerie des terminaux positif et de retour de la batterie sont fixés solidement.
7. Installez le fusible de 15 A dans le panneau électrique.



ATTENTION Avec l'interrupteur en position AUTO, le moteur peut se lancer et démarrer en tout temps sans avertissement.

- Pour éviter toute blessure potentielle qui pourrait résulter d'un tel démarrage, réglez toujours l'interrupteur de système sur **OFF**.
- Enlevez le fusible de 15 Ampères, avant de travailler sur ou autour de la génératrice ou du commutateur de transfert.

8. Réglez l'interrupteur de système de la génératrice sur **AUTO**.
9. Réinitialisez la minuterie du cycle d'exercice. Voir *Réglage de la minuterie du cycle d'exercice*.

Pour nettoyer le générateur

AVIS Un traitement inapproprié du générateur risque de l'endommager et de raccourcir sa durée d'utilisation.

- N'exposez pas le générateur à une humidité excessive, à de la poussière, à de la saleté ou à des vapeurs corrosives.
 - N'insérez aucun objet dans les fentes de refroidissement.
1. Réglez l'interrupteur de système de la génératrice sur **OFF**.
 2. Retirez le fusible de 15 ampères du panneau électrique.
 3. Nettoyer le générateur:
 - Se servir d'un chiffon humide pour essuyer et nettoyer les surfaces extérieures.
 - Une brosse douce à poils soyeux peut être utilisée pour dégager la saleté, l'huile durcie.

- Un aspirateur peut être utilisé pour ramasser la saleté et les débris qui ne sont pas collés.
 - On peut se servir d'air comprimé à basse pression (pas plus de 25 psi) pour enlever la saleté. Inspectez les fentes d'air de refroidissement et les ouvertures sur le générateur. Ces ouvertures doivent rester propres et non bouchées.
4. Installez le fusible de 15 A dans le panneau électrique.
 5. Réglez l'interrupteur de système de la génératrice sur **AUTO**.
 6. Réinitialisez la minuterie du cycle d'exercice. Voir *Réglage de la minuterie du cycle d'exercice*.

Communications avec le fabricant

Si vous devez communiquer avec le service technique de la société GE pour l'entretien ou la réparation de cette unité, ayez en main les renseignements suivants:

1. Notez le numéro de modèle ainsi que le numéro de série de l'unité qui sont indiqués sur l'étiquette apposée sur l'unité. Voir *Commandes* au sujet de l'emplacement de l'étiquette ou consulter les renseignements apparaissant sur la deuxième de couverture du manuel d'installation.
2. Notez les numéros de modèle, de type et de code du moteur, lesquels sont indiqués sur la plaque apposée au moteur. Consultez le manuel d'utilisation du moteur pour savoir où trouver ces renseignements. Veuillez noter que plusieurs types de moteurs sont décrits dans le manuel d'utilisation. Il se peut donc que votre moteur diffère de celui illustré.

Remisage

La génératrice est conçue pour produire une alimentation de secours de façon continue. Vous n'avez pas besoin de prendre des mesures relatives à l'entreposage. Toutefois, s'il devient nécessaire de désactiver le système durant une période prolongée, appelez le service technique au **888 575-8226**, entre 8 h et 17 h HNC, pour obtenir des recommandations spécifiques. Veuillez consulter le manuel d'utilisation du moteur pour de plus amples renseignements.

Dépannage

Problème	Cause	Solution
Le moteur fonctionne, mais il n'y a aucune sortie de C.A.	<ol style="list-style-type: none"> 1. Disjoncteur ouvert ou défectueux. 2. Défaillance dans la génératrice. 3. Raccords du câblage mal effectués ou commutateur de transfert défectueux. 	<ol style="list-style-type: none"> 1. Réarmez ou remplacez le disjoncteur. 2. Contactez le centre d'entretien. 3. Vérifiez et réparez.
Le moteur tourne bien sans charge mais connaît des ratés lorsque les charges sont branchées.	<ol style="list-style-type: none"> 1. Court-circuit dans une des charges branchées. 2. Surcharge de la génératrice. 3. Court-circuit sur un circuit de la génératrice. 4. La pression de combustible est incorrecte. 	<ol style="list-style-type: none"> 1. Débranchez la charge électrique ayant un court-circuit. 2. Débranchez la charge électrique. 3. Contactez le centre d'entretien. 4. Consultez la section <i>Système de combustible gazeux</i> du guide d'installation.
Le moteur ne démarre pas, ou il démarre et a des ratés.	<ol style="list-style-type: none"> 1. Fusible de 15 Ampères manquant ou grillé. 2. Panne de combustible. 3. Batterie défectueuse. 4. Filtre à air obstrué. 	<ol style="list-style-type: none"> 1. Installez un fusible (neuf) de 15 A. 2. Ouvrez la(s) vanne(s) de combustible; vérifiez le réservoir de gaz propane. 3. Remplacez la batterie. 4. Nettoyer ou remplacer le filtre à air.
Le moteur s'arrête lorsqu'il est en marche.	<ol style="list-style-type: none"> 1. Panne de combustible. 2. L'affichage numérique du tableau de commande indique un code de défaillance. 	<ol style="list-style-type: none"> 1. Vérifiez les vannes de combustible; remplissez le réservoir de gaz propane. 2. Référez-vous à <i>Système de détection des pannes</i>.
Perte de puissance sur les circuits.	<ol style="list-style-type: none"> 1. Disjoncteur ouvert sur la génératrice. 2. Problèmes de commutateur de transfert. 	<ol style="list-style-type: none"> 1. Réarmez le disjoncteur. 2. Voir le manuel du commutateur de transfert.

Garantie

Garantie limitée

Briggs & Stratton Power Products Group, LLC réparera ou remplacera, sans frais, toutes pièces d'équipement défectueuses comportant un vice de matériau ou un défaut de fabrication ou les deux. Les frais de déplacement sont remboursés tel que spécifié dans le document Directives reliées à la garantie de Briggs & Stratton, aux détaillants autorisés Briggs & Stratton pour les travaux de réparation applicables couvertes par la garantie. La présente garantie sera en vigueur aux conditions et durant les périodes stipulées ci-dessous. Pour obtenir des services en vertu de la garantie, veuillez consulter notre Outil de recherche d'un Service après-vente agréé au BRIGGSandSTRATTON.COM, afin de trouver un distributeur de service après-vente agréé dans votre région.

IL N'EXISTE AUCUNE AUTRE GARANTIE EXPRESSE. LES GARANTIES IMPLICITES, INCLUANT CELLES DE QUALITÉ MARCHANDE ET D'APTITUDE À UN USAGE PARTICULIER, SONT LIMITÉES À UN AN DE LA DATE D'ACHAT OU ENCORE JUSQU'À LA LIMITE PERMISE PAR LA LOI. TOUTE GARANTIE IMPLICITE EST EXCLUE. LA RESPONSABILITÉ POUR DOMMAGES ACCESSOIRES OU INDIRECTS EST EXCLUE DANS LA MESURE OÙ UNE TELLE EXCLUSION EST PERMISE PAR LA LOI. Certains états/provinces ou pays n'autorisent aucune restriction sur la durée d'une garantie implicite, et certains états/provinces ou pays n'autorisent pas l'exclusion ou la limitation des dommages consécutifs ou indirects. Par conséquent, les restrictions et exclusions décrites ci-dessus pourraient ne pas s'appliquer dans votre cas. La présente garantie vous accorde des droits légaux spécifiques et vous pourriez également en avoir d'autres, qui peuvent varier d'un état ou d'une province à l'autre et d'un pays à l'autre.

Période de garantie

5 ans ou 1 800 heures, le premier des deux prévalant

La période de garantie débute à la date d'achat par le premier acheteur au détail ou par le premier utilisateur commercial final, et se prolonge pour la durée stipulée dans le tableau ci-dessus.

POUR EXERCER LA GARANTIE SUR TOUT PRODUIT FABRIQUÉ PAR BRIGGS & STRATTON, IL N'EST PAS NÉCESSAIRE DE L'ENREGISTRER. CONSERVEZ LE REÇU COMME PREUVE D'ACHAT. SI, LORS D'UNE RÉCLAMATION DE GARANTIE, VOUS NE POUVEZ PROUVER LA DATE INITIALE DE L'ACHAT, NOUS UTILISERONS LA DATE DE FABRICATION DU PRODUIT COMME DATE DE RÉFÉRENCE POUR DÉTERMINER LA PÉRIODE DE GARANTIE.

Les modalités de la garantie se poursuivent à la page suivante.



est une marque de commerce de la société General Electric Company et est utilisée sous licence par Briggs & Stratton Power Products Group, LLC.

À propos de la garantie

Nous acceptons de faire effectuer les réparations couvertes par la garantie et tenons à nous excuser pour tout inconvénient subi. Tout agent d'un service après-vente agréé peut exécuter les réparations couvertes par la garantie. La plupart des réparations couvertes par la garantie sont traitées automatiquement; cependant, il arrive parfois que les demandes de service en vertu de la garantie soient non fondées. Par exemple, la garantie ne couvre pas les dommages causés à l'équipement par une utilisation abusive, par un manque d'entretien périodique, durant l'expédition, la manutention ou l'entreposage, ou en raison d'une installation inadéquate. De même, la garantie sera annulée si la date de fabrication ou le numéro de série apposé à l'équipement a été enlevé ou si l'équipement a été changé ou modifié. Durant la période de garantie, le distributeur de service après-vente agréé réparera ou remplacera, à son gré, toute pièce qui, après examen, est trouvée défectueuse à la suite d'une utilisation et d'un entretien normaux. La présente garantie ne couvre pas les réparations et les équipements suivants:

- **Usure normale:** Comme tout autre dispositif mécanique et moteurs, les groupes électrogènes d'extérieur nécessitent l'entretien périodiques de certaines pièces pour fonctionner adéquatement. La présente garantie ne couvre pas les frais de réparation des pièces ou des équipements dont la durée de vie utile a été dépassée à la suite d'une utilisation normale.
- **Installation et entretien:** La présente garantie ne couvre pas les équipements ou les pièces qui ont fait l'objet d'une installation ou de modifications et de changements inadéquats ou non autorisés, d'une mauvaise utilisation, de négligence, d'un accident, d'une surcharge, d'emballement, d'entretien inadéquat, de réparation ou d'entreposage qui, selon nous, auraient nui à la performance et à la fiabilité du produit. De plus, la garantie ne couvre pas l'entretien normal tel que le réglage, le nettoyage du circuit d'alimentation et son obstruction (causée par l'accumulation de produits chimiques, de saletés, de calamine, de calcaire, etc.).

- **Exclusions supplémentaires:** La présente garantie exclut batterie de démarrage, les pièces accessoires, les pièces qui s'usent telles que les jauges d'huile, les joints toriques, les filtres, les fusibles et les bougies, etc., ou tout dommage ou tout mauvais fonctionnement résultant d'un accident, d'une utilisation abusive, de modifications, de changements ou d'un entretien inadéquat du système, du gel ou d'une détérioration chimique. Cette garantie exclut toute défaillance due à une catastrophe naturelle ou à toute autre force majeure hors du contrôle du fabricant. Est aussi exclu tout équipement usé, remis à neuf ou de démonstration, tout équipement utilisé pour l'alimentation principale en remplacement de l'alimentation de service, équipement utilisé dans des applications mobiles ou de location, et tout équipement utilisé pour l'alimentation d'appareils de maintien des fonctions vitales.

Le boîtier est garanti contre la rouille et la corrosion de surface pendant la première année de la période de garantie.

La rouille et la corrosion de surface sont définies comme étant toute rouille ou corrosion qui a pénétré la peinture mais qui n'a pas pénétré la substructure de métal.

Le boîtier est garanti contre la rouille pénétrante pendant les deux premières années de la période de garantie.

La rouille pénétrante est définie comme étant toute rouille et corrosion qui a complètement pénétré la peinture et la substructure de métal.

Le boîtier n'est pas garanti contre la rouille et la corrosion de surface ou la rouille pénétrante complète pouvant découler d'une mauvaise installation, de dommage aux surfaces peintes qui compromet les propriétés de prévention de la corrosion de la peinture ou si l'unité est installée dans des environnements qui exposent la génératrice à des niveaux élevés d'agents corrosifs.

Caractéristiques du produit

12 kwatt

Charge nominale maximum* à 25°C (77°F) - PL:

à 240 Volts 62.5 Ampères

Tension nominale C.A. 240 Volts

Phase Monophasé

Fréquence nominale 60 Hz

Plage d'utilisation normale -28.8°C (-20°F) to 40°C
(104°F)

Niveau de bruit en sortie 65 dB(A) at 7 m (23 ft.)
à pleine charge

Poids du système à l'expédition 295 kg (650 lb)

20 kwatt

Charge nominale maximum* à 25°C (77°F) - PL :

à 240 Volts 83.3 Ampères

Tension nominale C.A. 240 Volts

Phase Monophasé

Fréquence nominale 60 Hz

Plage d'utilisation normale -28.8°C (-20°F) to 40°C
(104°F)

Niveau de bruit en sortie 68 dB(A) at 7 m (23 ft.)
à pleine charge

Poids du système à l'expédition 287 kg (632 lb)

* Le débit de gaz naturel dépend du combustible spécifique, mais la dépréciation typique se situe entre 10 et 20% du débit du gaz de pétrole liquéfié.

* Le débit de gaz naturel dépend du combustible spécifique, mais la dépréciation typique se situe entre 10 et 20% du débit du gaz de pétrole liquéfié.

Not for
Reproduction

