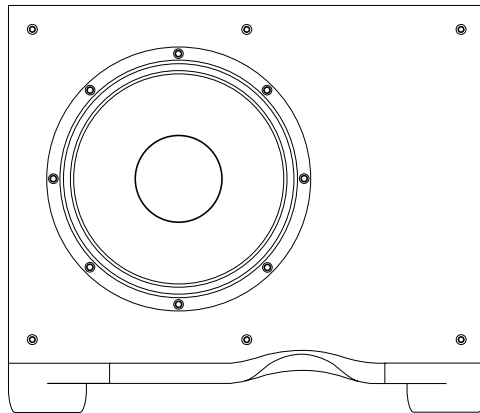


ASW2000

O W N E R ' S M A N U A L



L I S T E N A N D Y O U ' L L S E E

ASW2000 Owner's manual

English	5
Français	8
Deutsch	11
Español	14
Português	17
Italiano	20
Nederlands	23
Ελληνικά	26
中文	29
Magyar	32
Polski	35
Русский	38
Dansk	42
Svenska	42
Norsk	42
Suomi	43

Figure 1

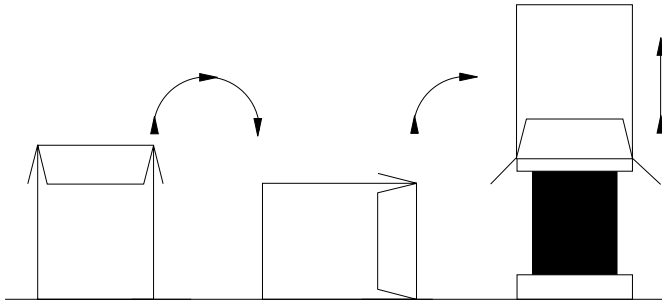


Figure 2

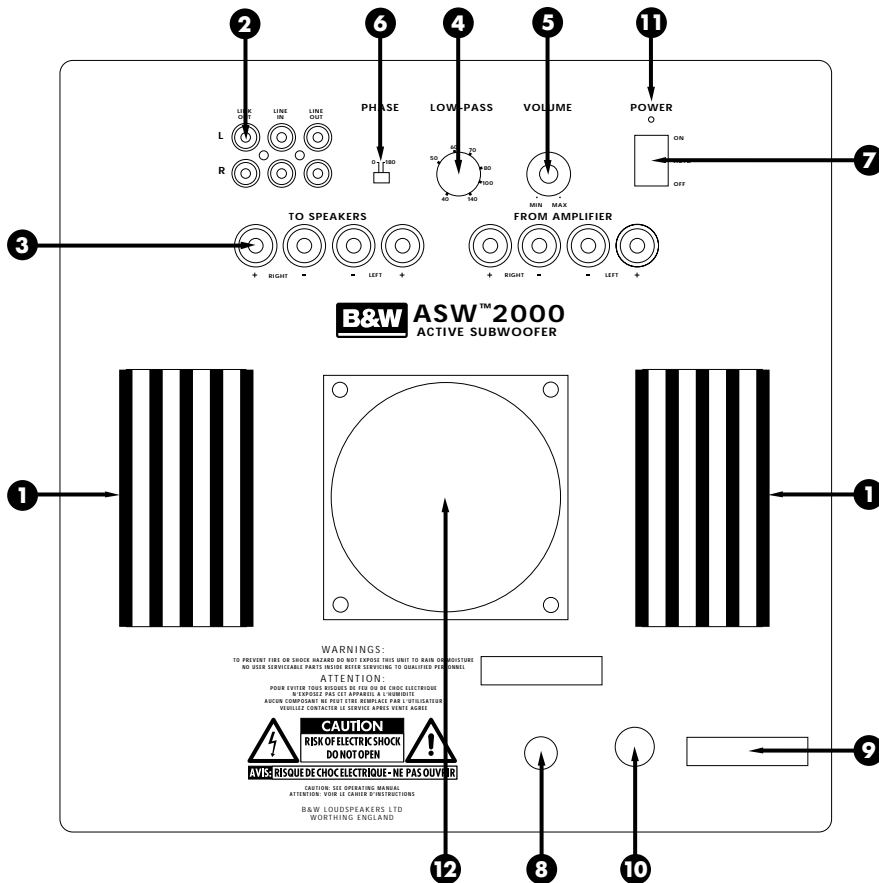


Figure 3

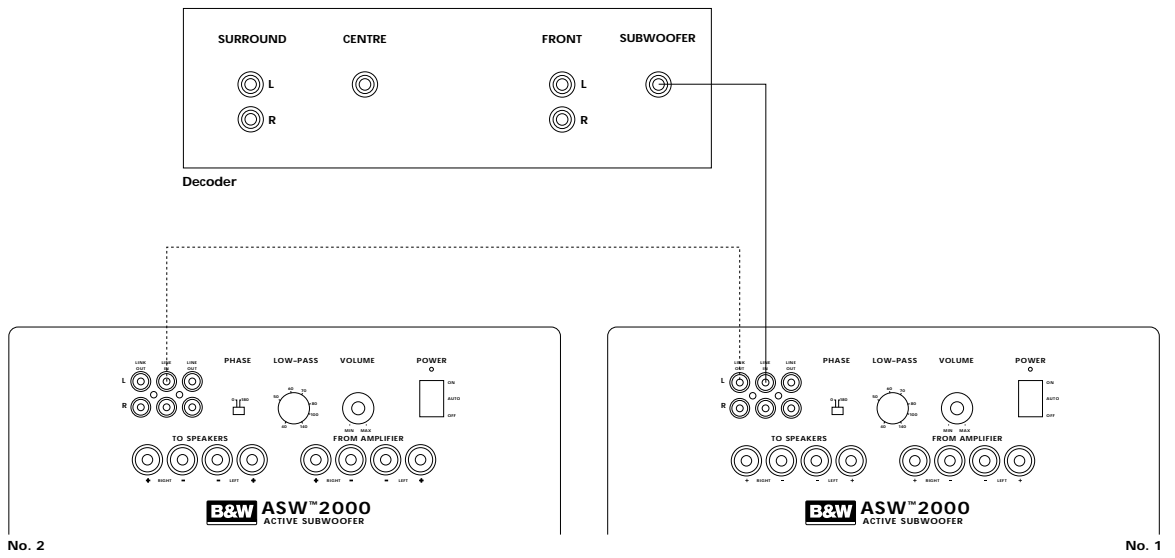


Figure 4

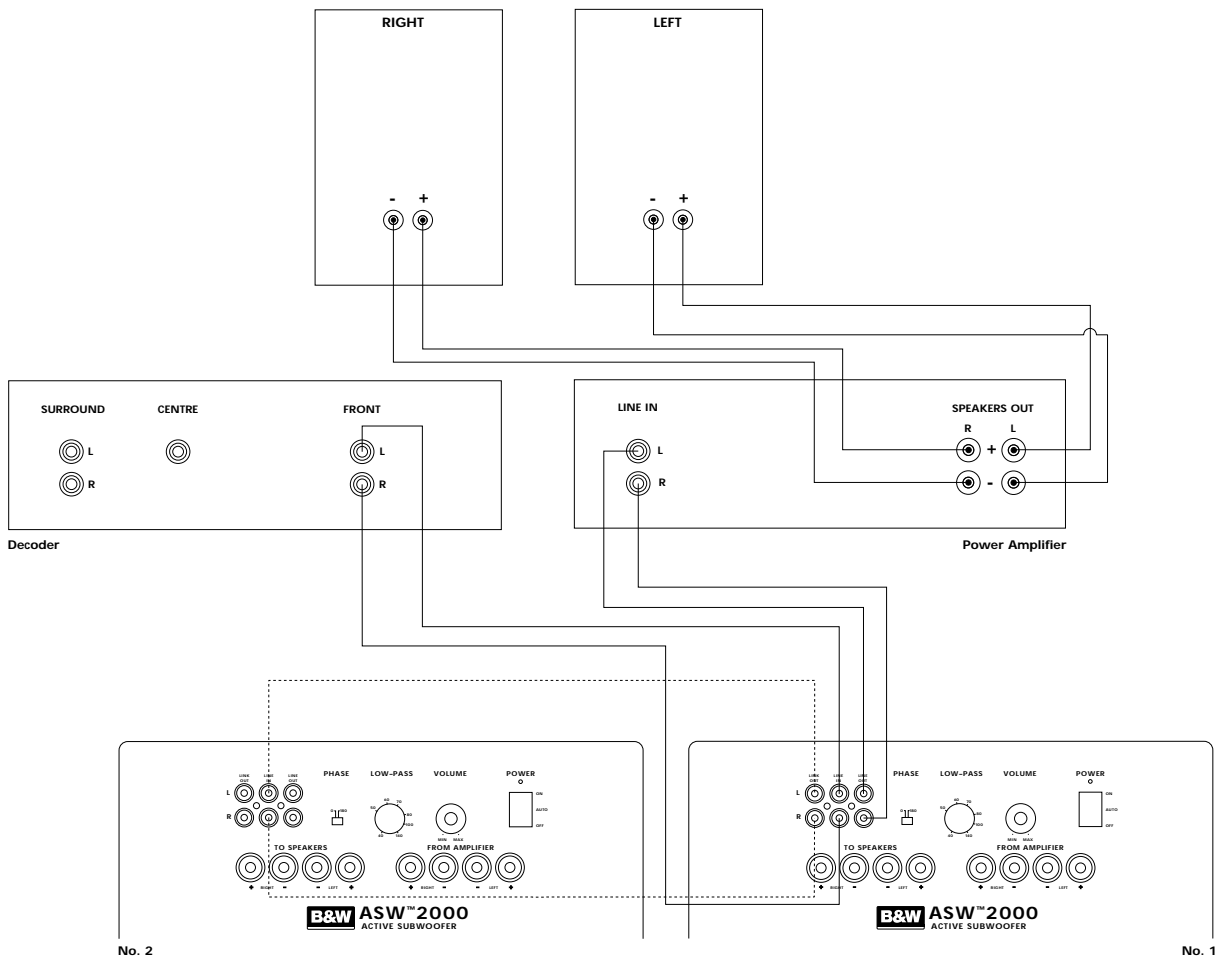


Figure 5

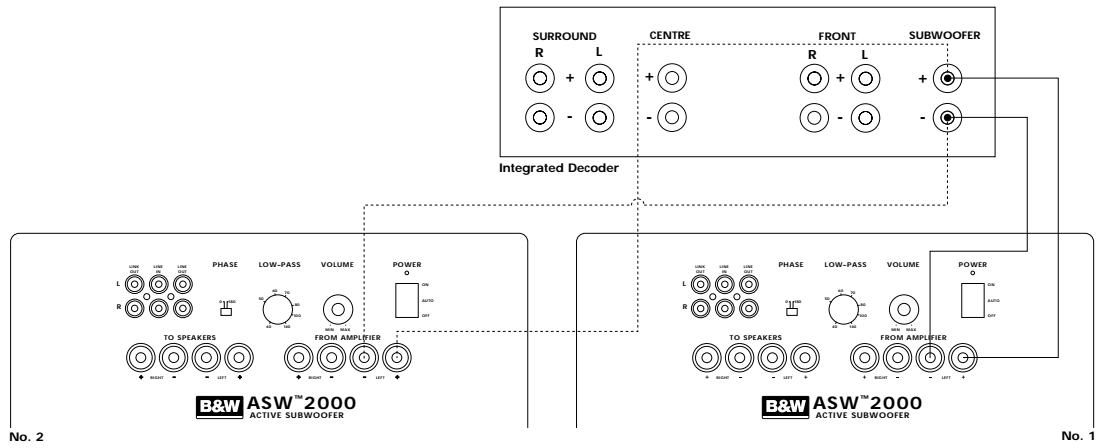


Figure 6

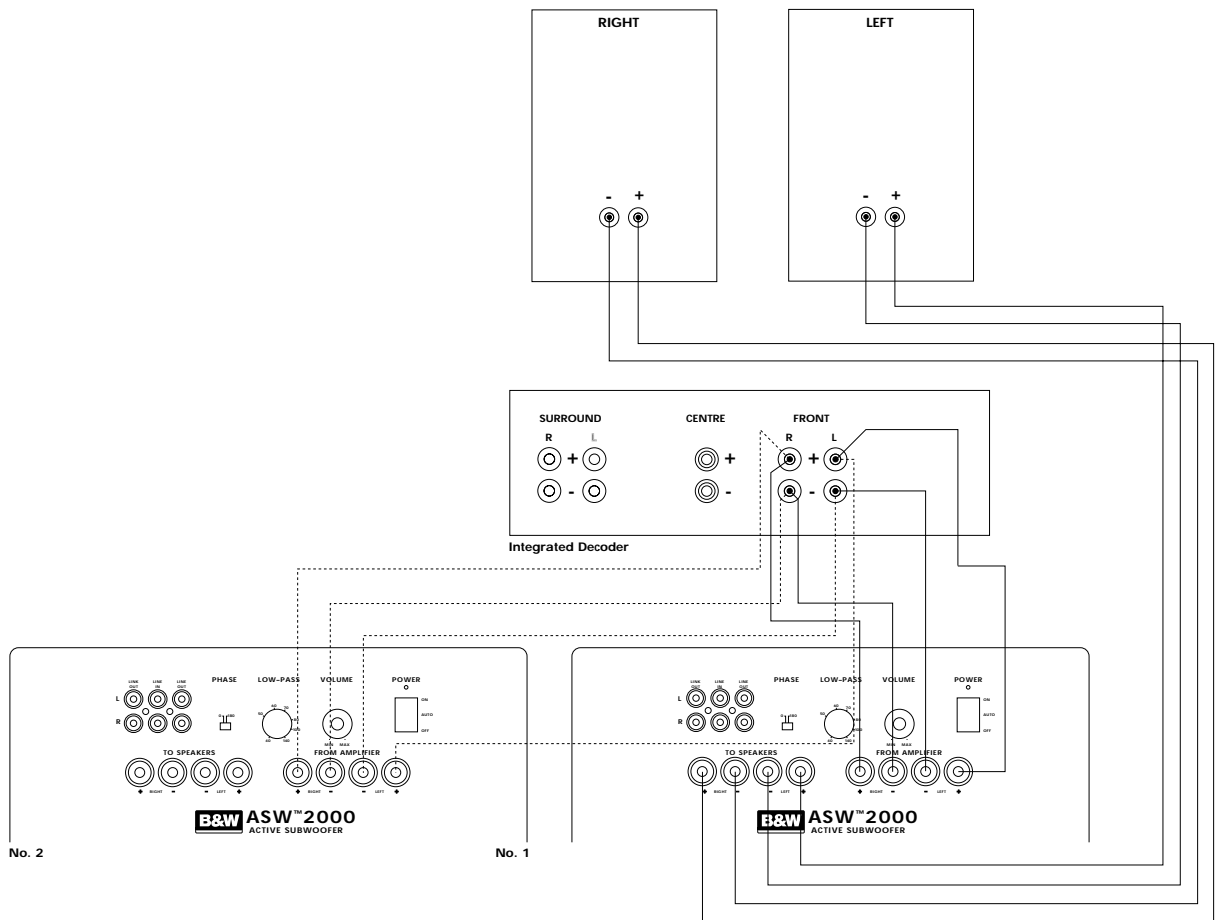


Figure 7

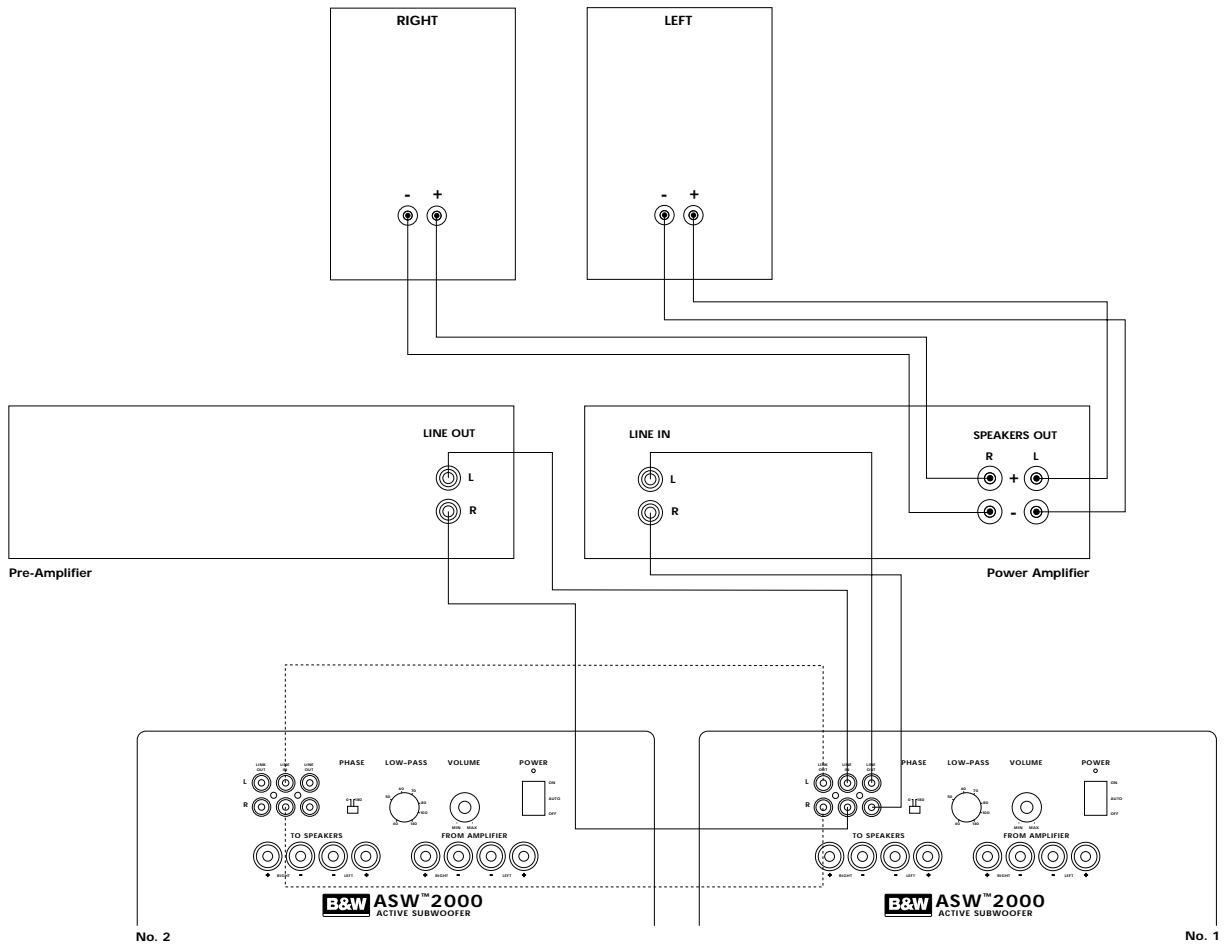


Figure 8

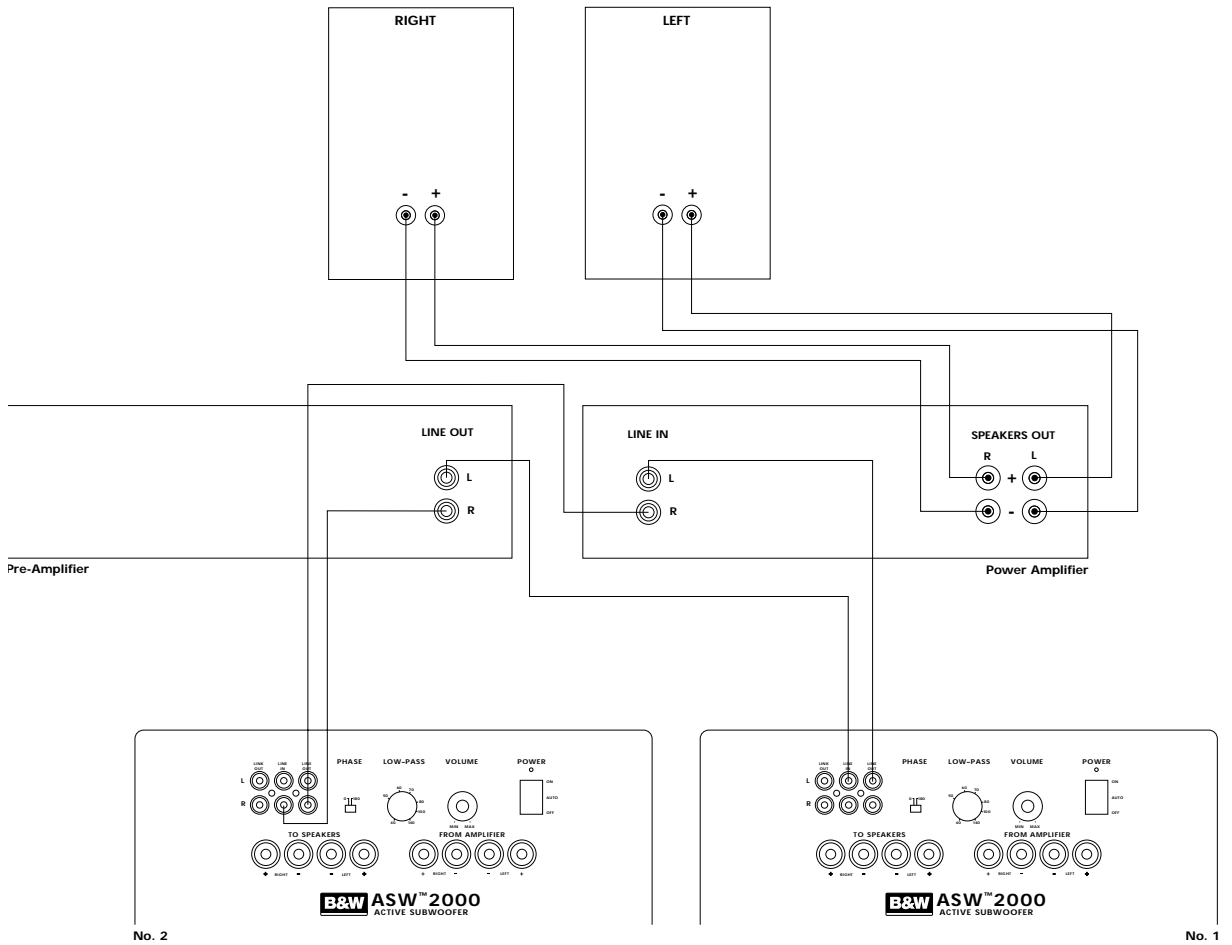


Figure 9

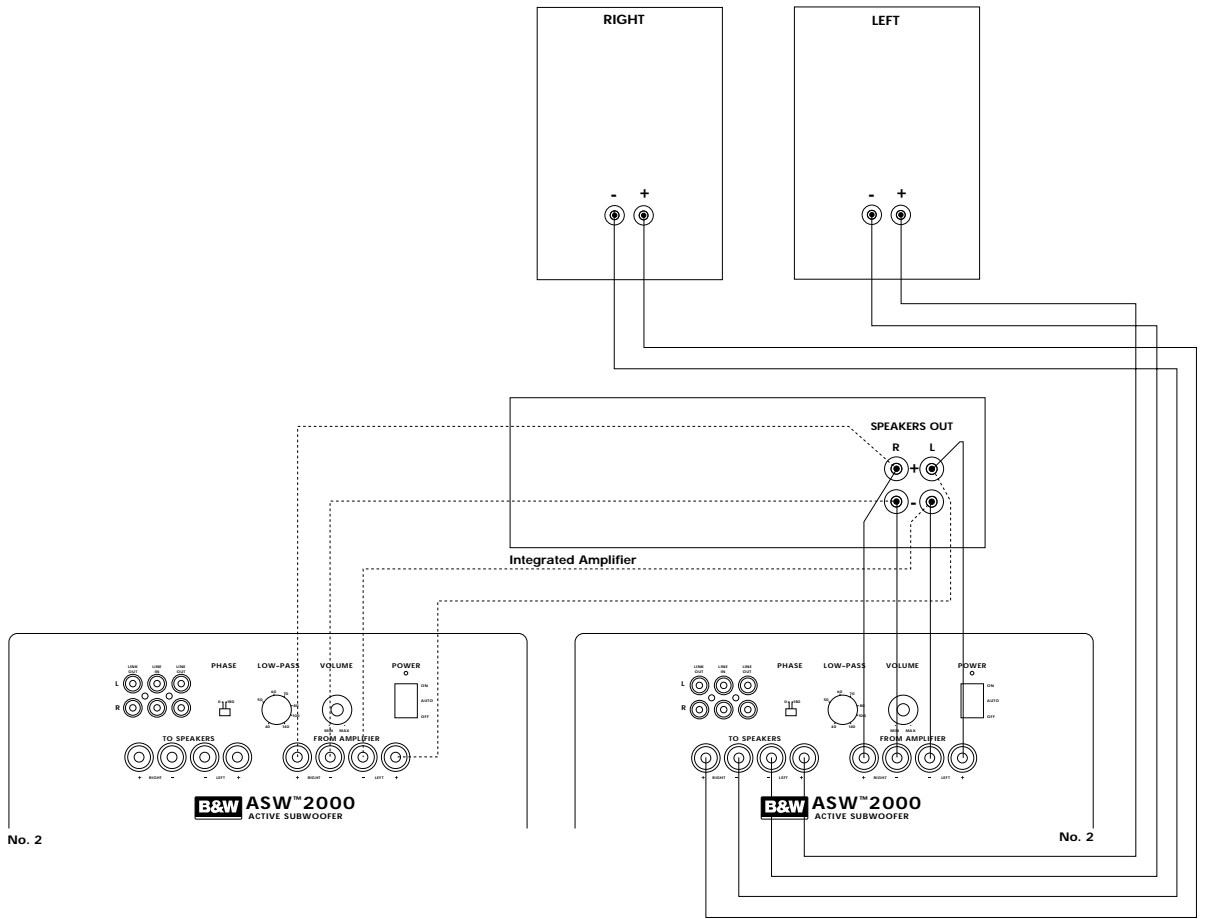
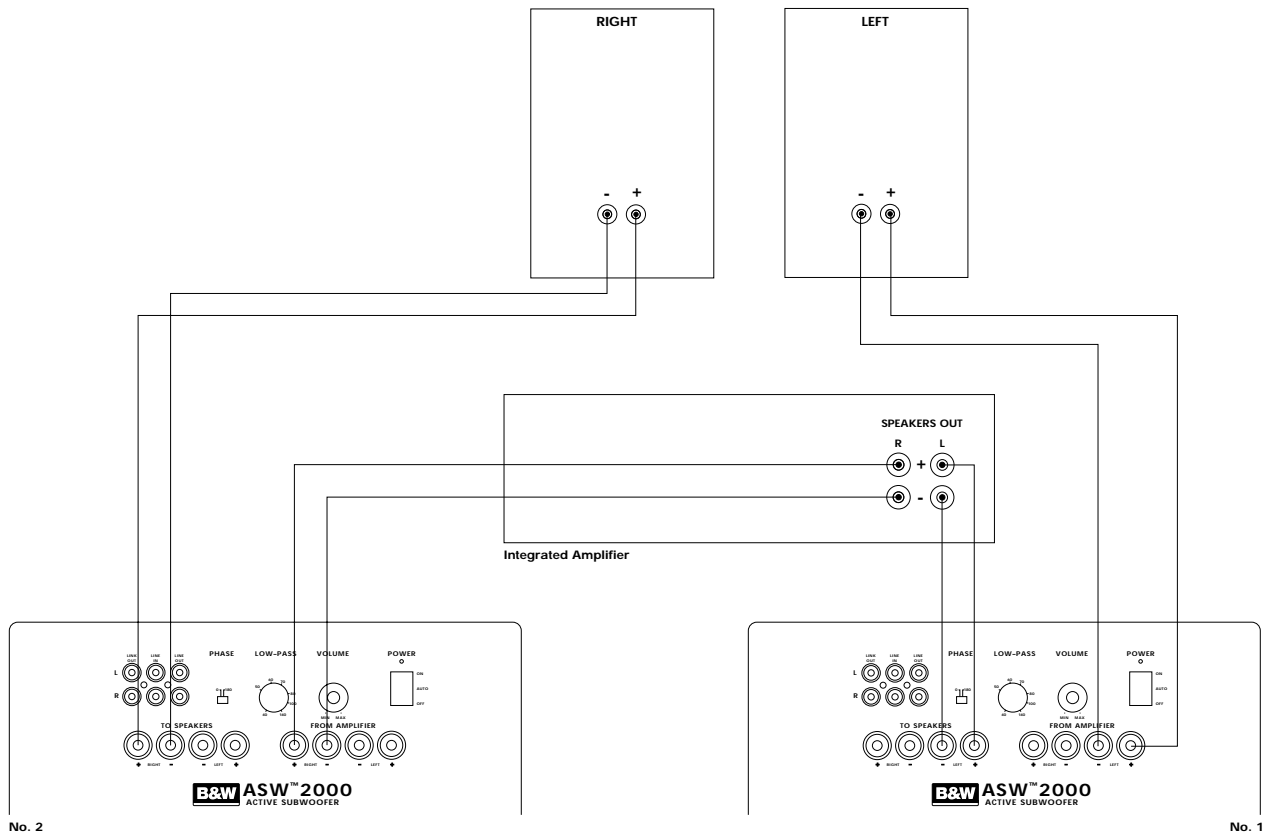


Figure 10





Safety Instructions



Caution:

To reduce the risk of electric shock, do not remove the back panel. No user-serviceable parts inside. Refer servicing to qualified personnel.

Explanation of Graphical Symbols



The lightning flash within an equilateral triangle is intended to alert you to the presence of uninsulated "dangerous voltage" within the product's enclosure that may be of sufficient magnitude to constitute an electric shock to persons.



The exclamation point within an equilateral triangle is intended to alert you to the presence of important operating and maintenance (servicing) instructions in the literature accompanying the appliance.

- 1 Read instructions – All the safety and operating instructions should be read before the appliance is operated.
- 2 Retain instructions – The safety and operating instructions should be retained for future reference.
- 3 Heed warnings – All warnings on the appliance and in the operating instructions should be adhered to.
- 4 Follow instructions – All operating and use instructions should be followed.
- 5 Water and moisture – The appliance should not be used near water - for example, near a bathtub, washbowl, kitchen sink, laundry tub, in a wet basement, or near a swimming pool and the like.
- 6 Carts and Stands – The appliance should be used only with a cart or stand that is recommended by the manufacturer
- 7 Wall or Ceiling Mounting – The appliance should be mounted to a wall or ceiling only as recommended by the manufacturer.

8 Ventilation – The appliance should be situated so that its location or position does not interfere with its proper ventilation. For example, the appliance should not be situated on a bed, sofa, rug, or similar surface that may block the ventilation openings; or placed in a built-in installation, such as a bookcase or cabinet, that may impede the flow of air through the ventilation openings.

9 Heat – The appliance should be situated away from heat sources such as radiators, heat registers, stoves, or other appliances that produce heat.

10 Power Sources – The appliance should be connected to a power supply only of the type described in the operating instructions or as marked on the appliance.

11 Grounding or Polarisation – The appliance is double insulated and should not be grounded. When using an extension power-supply cord or a power-supply cord other than that supplied with the appliance, it should be 2-core, fitted with the appropriate moulded-on plugs and carry safety approval appropriate to the country of use.

12 Power Cord Protection – Power-supply cords should be routed so that they are not likely to be walked on or pinched by items placed on or against them, paying particular attention to cords at plugs, convenience receptacles and the point where they exit from the appliance.

13 Cleaning – The appliance should be cleaned only as recommended by the manufacturer.

14 Non-use Periods – The power cord of the appliance should be unplugged from the outlet when left unused for a long period of time.

15 Object and Liquid Entry – Care should be taken so that objects do not fall and liquids are not spilled into the enclosure through openings.

16 Damage Requiring Service – The appliance should be serviced by qualified personnel when:

- a The power-supply cord or the plug has been damaged; or
- b Objects have fallen, or liquid has been spilled into the appliance; or
- c The appliance has been exposed to rain; or
- d The appliance does not appear to operate normally, or exhibits a marked change in performance; or
- e The appliance has been dropped, or the enclosure damaged.

17 Servicing – The user should not attempt to service the appliance beyond that described in the operating instructions. All other servicing should be referred to qualified service personnel.

Warnings:

To prevent fire or shock hazard, do not expose this equipment to rain or moisture.

Observe all warnings on the equipment itself. To avoid electrical shock, do not open the enclosure or remove the amplifier from the rear panel. There are no user serviceable parts inside. Refer all service questions to an authorised B&W dealer.

To prevent electric shock, do not use this (polarised) power plug with an extension cord receptacle or other outlet unless the blades can be fully inserted to prevent blade exposure.

Ensure that the voltage indicated on the amplifier panel matches that of the power supply.

The mains fuseholder is located on the back panel of the amplifier module. Replacement fuse must be of the same type and rating as supplied.

The equipment should not be earthed (grounded)

To ensure adequate cooling of the amplifier, operate the equipment only with the heatsink fins aligned vertically.

Important for UK only:

The wires in this mains lead are coloured in accordance with the following code:

blue: neutral
brown: live

As the colours of the wires in the mains lead of this apparatus may not correspond with the coloured markings identifying the terminals in your plug, proceed as follows:

The terminal in the plug which is marked with the letter E, or by the earth symbol, or coloured green or green and yellow must be left unconnected.

The wire which is coloured blue must be connected to the terminal which is marked with the letter N or coloured black.

The wire which is coloured brown must be connected to the terminal which is marked with the letter L or coloured red.

The subwoofer is heavy and bulky, it should be moved or lifted by at least two people.

Check that there are no cables under the carpet that may be damaged by the spikes.

Do not walk the unit on the spikes as this may cause them to become detached from the cabinet and cause damage.

Take care not to spike through your own feet.

Introduction

Thank you for purchasing the B&W ASW2000 Active Subwoofer.

Since its foundation in 1966, the continuing philosophy of B&W has been the quest for perfect sound reproduction. Inspired by the company's founder, the late John Bowers, this quest has entailed not only high investment in audio technology and innovation but also an abiding appreciation of music and the demands of film sound to ensure that the technology is put to maximum effect.

The ASW2000 has been designed for home theatre installations and to augment the bass performance of 'full range' speakers in stereo audio use. Adding the subwoofer to your system not only extends the bass to lower frequencies, it improves the midrange clarity by reducing the low-frequency demands on your existing speakers.

The subwoofer is magnetically shielded for use close to a television screen.

Please read through this manual fully before using the subwoofer. All sound installations require some planning and experimentation if you are to get the best out of the products used and this manual will guide you in this process.

As the subwoofer is connected to the electricity power supply, it is important that you familiarise yourself with the safety instructions and heed all warnings.

Keep this manual in a safe place for future reference.

B&W loudspeakers are distributed to over 50 countries world-wide and we maintain an international network of carefully chosen and dedicated distributors. If you have a problem which your dealer cannot resolve, our distributors will be more than willing to assist you.

Unpacking (figure 1)

The easiest way to unpack the subwoofer and avoid damage is as follows:

- Open the carton flaps right back and invert the carton and contents.
- Lift the carton away from the product.
- We recommend that you retain the packaging for future use.

In addition to this manual, the carton should contain:

- 1 Subwoofer
- 1 Accessory pack containing:
 - 4 Spikes with lock nuts
 - 4 Self-adhesive rubber feet

A tour of the subwoofer (figure 2)

- 1 Heatsinks
- 2 Line level connectors
- 3 Speaker level connectors
- 4 Low-pass filter frequency control
- 5 Volume control
- 6 Phase switch
- 7 On/Auto/Off switch
- 8 Power cord
- 9 Voltage rating label
- 10 Fuseholder
- 11 Power/Standby indicator
- 12 Toroidal mains transformer housing

Positioning the subwoofer

Because the subwoofer produces only low-frequency sounds, positioning is less critical in some respects compared to full-range speakers. Directional information is much less precise and you have more choice where to place the speakers to good effect. This said, best results are obtained if the subwoofer is placed between the satellite speakers or in the vicinity of one of them. If you use two subwoofers, it is best to put one near each satellite speaker.

Placing the subwoofer behind the listeners, even in surround sound installations, generally gives inferior imaging; but may be an acceptable compromise if domestic considerations dictate.

As with all speakers, the proximity of room boundaries affects the sound. Bass is generally increased as more surfaces come into close proximity with the speakers. Unlike full-range speakers, however, you can always restore the correct overall system balance by adjusting the volume level of the subwoofer. The more boost you get from the room, the less hard the speaker has to work; but there is a down side. Corner positions often excite more low-frequency room resonances, making the bass more uneven with frequency. There is no substitute for experiment as all rooms behave differently, so try the subwoofer in a variety of positions before making a final decision. A piece of music with a bass line ascending or descending the musical scale is useful for assessing the smoothness of the bass response. Listen for exaggerated or quiet notes. Having a separate subwoofer does enable you to optimise for room resonances independently from siting the satellite speakers for best imaging.

If the subwoofer is to be used in a confined space (eg in custom furniture), the space must be ventilated to allow sufficient air to circulate and cool the unit. Ask your dealer for advice.

The subwoofer is supplied with four spike feet. The spikes pierce through carpet pile, giving a firm support directly to the floor surface without crushing the pile. When fitting spikes, first screw the lock nuts fully onto the spikes, then screw the spikes fully onto the threaded inserts in the base of the cabinet. If the unit rocks, loosen the relevant two opposing spikes until the support is firm, then re-tighten the lock nuts to the inserts. If the unit is to be placed on a vulnerable surface, either place a protective disc under each spike or fit the four rubber pads in place of the spikes.

Electrical connections

Disconnect all sound system equipment from the power supply until the signal connections have been made and checked. This avoids the risk of damage whilst connections are made or broken.

The function of the subwoofer is to receive signals from the amplification chain and, where necessary split the signal into low bass and higher frequencies and feed the latter back out to the satellite speakers. Left and right channel inputs may be combined into a single mono low bass feed to the subwoofer drive unit if required.

The subwoofer will input and output both line level signals via the RCA Phono sockets and speaker level signals via the 4mm binding posts located on the back panel, giving a flexible choice of connection methods. However, you must not use a mixture of line level and speaker level connections in the same installation. If you have a choice between line level and speaker level connections, choose line level.

Use the following table to select the correct wiring method for your installation:

Application:

Home Theatre:- Equipment:

- Decoder with separate power amplifiers:
 - a With subwoofer output: Connections: fig. 3
 - b No subwoofer output: Connections: fig. 4
- Decoder with integrated power amplifiers:
 - a With subwoofer output: Connections: fig. 5
 - b No subwoofer output: Connections: fig. 6

Application:

Stereo Audio:- Equipment:

- Separate pre- & power amplifiers:
 - a One or more subwoofers with output combined into a single mono signal: Connections: fig. 7
 - b Two subwoofers with separate left and right signals: Connections: fig. 8
- Integrated amplifier:
 - a One or more subwoofers with output combined into a single mono signal: Connections: fig. 9
 - b Two subwoofers with separate left and right signals: Connections: fig. 10

Using more than one subwoofer

- Using more than one unit in a single installation can improve performance in the following ways:
 - maintain stereo separation to the lowest frequencies.
 - Cope with larger listening rooms.
 - Enable greater maximum sound output – often useful for effectively reproducing special effects in Home Theatre applications. Smooth out the effects of low-frequency room resonances.

If you are using two subwoofers for stereo audio, stereo separation is improved if each channel has its own subwoofer, providing each one is sited close to the relevant satellite speaker.

If the subwoofers cannot be ideally sited, or if you are using a dedicated subwoofer output from a decoder, connect the second subwoofer from the first. If using a decoder, use only one input channel. For two channel audio, both input channels should be used.

Double check the connections

Before auditioning the sound quality of your new installation and fine tuning it, double check the connections. All too often, users complain that they cannot get a decent sound however they set the controls, only to discover something has been wrongly connected. Make sure that:

- The phasing is correct – there should be no positive to negative connections (this applies only to speaker level interconnects). If something is out of phase you may get a fuzzy sound with an imprecise and floating image, a lack of bass or a combination of the two.
- There are no left to right mix-ups – this can result, for example, in the orchestra being the wrong way round or, more disastrously, sounds on your home theatre going in the opposite direction to the action on the screen.

Switching on and off

We recommend that you switch the subwoofer on before any power amplifiers receiving signals from the subwoofer. Similarly, when switching off, switch the subwoofer off last.

On first switching the subwoofer on, the amplifier goes into standby mode and the light above the on/auto/off switch glows red. When an input signal is detected, the amplifier automatically becomes fully active and the light glows green.

After a period of about 5 minutes without an input signal, the amplifier automatically reverts to standby mode.

Setting the controls

There are three controls to consider:

- The LOW-PASS filter frequency
- The VOLUME control
- The PHASE switch

The optimum settings depend on the other equipment used with the subwoofer. If using more than one subwoofer, make sure the controls on each one are set the same.

Use with THX® controllers (including THX controllers set in non-THX mode)

The ASW2000 is not an THX licensed component, but may be used with a THX controller if desired.

- Set the LOW-PASS filter frequency to maximum.

- Set the VOLUME control to the half-way (12 o'clock) position (this is a standard THX pre-set level)
- Set the PHASE switch initially to 0°, then see the section below on fine tuning.

Ensure that the subwoofer function on the THX controller is enabled. When so configured it incorporates all the filtering and level setting required for the subwoofer in all modes. For level calibration, the internal test noise and channel level controls in the THX controller should be used. In all cases the levels should be set so as to obtain 75db spl (C-weighted) at the listening position from the controller's internal noise test signal. Refer to your controller manual for further details as to how to set the levels. Inexpensive sound level meters are readily available from electronics stores and should be used to calibrate the levels.

Use with other home theatre decoders

- If the decoder has a dedicated subwoofer output and an internal low-pass filter for the subwoofer having a slope of 2nd-order (12db/octave) or greater, set the LOW-PASS filter frequency to maximum, otherwise set it initially to 80Hz.
- Set the volume control initially to the half-way (12 o'clock) position, then see the section below on fine tuning.
- Set the phase switch initially to 0°, then see the section below on fine tuning.

Use for stereo audio

- Set the LOW-PASS filter initially to 80Hz then see the section below on fine tuning.
- Set the VOLUME control initially to the half way (12 o'clock) position, then see the section below on fine tuning.
- Set the PHASE switch initially to 0°, then see the section below on fine tuning.

Fine tuning

The optimum settings of the PHASE switch and the LOW-PASS filter frequency are inter-related and also dependent on the low-frequency cut-off characteristic of the satellite speakers and the relative positions of all the speakers in the installation.

Set the system up in the preferred position and play some programme with a steady bass content. The optimum setting for the LOW-PASS cut-off frequency depends on several variables the bass performance and power handling of the satellite speakers, the number of subwoofers used and their position relative to the satellite speakers. The range 80-90Hz is a good starting point for the LOW-PASS frequency. Unless two subwoofers are used to preserve separate right and left channel information and are sited close to the relevant satellite speakers, using a higher cut-off frequency may compromise the stereo image and should only be considered if the bass performance of the satellite speakers is particularly limited.

At each setting of the cut-off frequency, listen with the phase switch in both positions. The correct one is that which gives the fullest bass and that will depend on the bass characteristics of your satellite speakers and the relative distances of the subwoofer(s) and the satellite speakers to the listeners. When using more than one subwoofer, ensure that each one has its cut-off frequency and phase switch set the same way.

If at any time you make changes to the amplification of the system such that you change from speaker to line level connections to the subwoofer, it is worth checking the phase setting again, as the speaker level and line level high-pass filter phase characteristics of the subwoofer are different.

Set the loudness of the subwoofer relative to the satellite systems to your liking. Use a wide variety of programme material to get an average setting. One that sounds impressive on one piece may sound overpowering on another. Listen at realistic levels as the perception of balance varies with sound level.

If you get problems with lumpy bass – if certain bass notes are exaggerated more than others – then you probably have a room interface problem and it is worth experimenting with the placement of the subwoofer. What may seem like small changes in position – 15cm (6in) or so – can have a profound effect on the sound. Try raising the subwoofer clear of the floor as well as lateral movement. The use of multiple subwoofers can smooth the effects of room resonances as each subwoofer will tend to excite resonances at different frequencies. If you alter the relative distances from the subwoofer(s) and satellite speakers to the listeners appreciably, reassess the phase switch setting. You should also check the level setting of the subwoofer (using either the decoder output levels or the volume control on the subwoofer amplifier as appropriate), but only after setting the phase correctly.

Taking care of the subwoofer

The cabinet of the subwoofer may be cleaned by dusting with a dry cloth. If you wish to use an aerosol cleaning spray, do not spray directly on the cabinet; spray onto the cloth. Remove the grille first so that the cloth does not become stained, but be careful not to disturb the drive unit. The grille itself may be cleaned using a soft brush.

Do not use the subwoofer as a table. When in use, objects left on top of the subwoofer are liable to rattle. In particular, avoid the risk of liquids being spilled (eg from drinks or vases of flowers).

If the system is taken out of use for a long period, disconnect the subwoofer from the power supply.

Avertissements:

Pour éviter tout risque d'incendie ou d'électrocution, n'exposez jamais cet appareil à la pluie ou même à l'humidité.

Assurez-vous, en premier lieu, que la tension indiquée sur l'appareil correspond bien à celle de votre réseau électrique.

Observez tout signe anormal pouvant provenir du subwoofer lui-même, n'ouvrez jamais l'enceinte et ne sortez pas l'amplificateur de son logement; vous n'y trouverez aucun réglage utile.

En cas de problème renseignez-vous, préalablement à toute intervention, auprès d'un véritable revendeur spécialiste de la marque B&W.

Pensez que vous risquez l'électrocution si vous n'enfoncez pas complètement les pôles de la prise d'alimentation, surtout lorsque vous employez un prolongateur ou un raccord électrique.

Les fusibles d'alimentation se trouvent sur le panneau du module d'amplification. En cas de remplacement, n'utilisez jamais de fusibles d'un type différent; vérifiez que les valeurs indiquées sur les nouveaux fusibles sont parfaitement identiques à celles qui figurent sur les modèles d'origine.

Cet appareil ne doit pas être raccordé à la terre.

Pour assurer une ventilation suffisante à l'amplificateur, les ailettes des radiateurs de refroidissement doivent être orientées en position verticale.

Ce subwoofer est lourd et volumineux, il doit être manipulé par un minimum de deux personnes.

Contrôlez que les câbles ne risquent pas d'être transpercés par les pointes de découplage.

Ne déplacez pas l'appareil en le faisant glisser sur ses pointes. Vous risquez de les arracher ou de créer des dégâts.

Prenez simplement garde à ne pas vous piquer.

Introduction:

Nous vous remercions d'avoir choisi le Subwoofer actif B&W ASW™2000.

Depuis la création de notre entreprise en 1966, la base invariable de notre philosophie a toujours été la recherche de la perfection absolue. Inspirée par son fondateur, le regretté John Bowers, cette extraordinaire aventure qu'est la quête de l'absolu, n'a pas seulement débouché sur de très lourds investissements consacrés à la recherche et à l'innovation, mais aussi sur une profonde connaissance de la musique et des spécificités du son cinématographique. Cette connaissance nous permet de nous assurer que la technologie sera toujours utilisée au service du meilleur résultat possible et non à la technique pour la technique.

L'ASW™2000 n'a pas seulement été étudié pour les installations de Home Cinéma, il conviendra naturellement à la reproduction de haute qualité des très basses fréquences de toute chaîne sonore.

Ce subwoofer apporte, en plus d'une extension spectaculaire de la réponse vers l'extrême-grave, une amélioration non négligeable de la clarté de reproduction du médium, grâce à la réduction du travail demandé aux enceintes principales.

L'ASW™2000 est blindé magnétiquement. Vous pouvez donc l'utiliser à proximité de votre téléviseur.

Veuillez lire attentivement et totalement cette notice avant d'utiliser votre subwoofer. Toute installation sonore requiert un minimum d'attention et d'expérimentation quand on souhaite en tirer le meilleur parti; ce manuel vous guidera dans cette voie.

Avant de raccorder le subwoofer au réseau électrique, il est important que vous ayez pris connaissance des consignes de sécurité pour que vous puissiez tenir compte de tout signe anormal ou alarmant.

Rangez ce guide de telle façon que vous puissiez le retrouver facilement pour de futures consultations.

La distribution de B&W est assurée dans plus de 50 pays à travers le monde. Nous entretenons un réseau d'importateurs sélectionnés avec la plus grande attention.

Quelque soit le problème qu'un revendeur ne saurait régler, n'hésitez jamais à contacter votre agent national afin qu'il puisse vous assister.

Deballage: (figure 1)

Pour débaler aisément votre subwoofer tout en évitant le risque d'un choc malencontreux, veuillez procéder de la manière suivante:

Ouvrez les abattants du carton au maximum puis retournez le colis.

Il suffit ensuite de soulever le carton pour que l'appareil sorte de l'emballage.

Nous vous conseillons de conserver le carton et ses accessoires pour toute utilisation ultérieure.

En plus de ce manuel vous trouverez également:

- Le Subwoofer
- Un sachet d'accessoires contenant:
 - 4 pointes de découplage
 - 4 tampons auto-adhésifs

Faisons le tour du Subwoofer

(figure 2)

- 1 Radiateur de refroidissement
- 2 Connecteurs pour raccordement à une sortie préamplifiée (niveau ligne)
- 3 Connecteurs pour raccordement à une sortie amplifiée
- 4 Réglage de la fréquence de coupure du filtre passe-bas
- 5 Réglage du volume sonore
- 6 Inverseur de phase
- 7 Commutateur de mise en service
- 8 Cordon d'alimentation électrique
- 9 Indication de la tension d'alimentation électrique
- 10 Porte fusible
- 11 Indicateur de mise en fonction et de mise en veille
- 12 Logement du transformateur torique d'alimentation.

Trouver le bon emplacement

Parce qu'il ne diffuse que de très basses fréquences et parce que les informations relatives à la localisation des sons y sont nettement moins importantes, le positionnement d'un subwoofer est beaucoup moins critique que celui d'enceintes à large bande. Vous disposez donc d'un choix plus large pour trouver l'emplacement idéal. Les meilleurs résultats sont, généralement, obtenus lorsque le subwoofer est placé au milieu des enceintes satellites ou encore au voisinage immédiat de l'une d'entre elles. Lorsque vous utilisez deux subwoofers, le mieux est que vous en placiez un à proximité de chaque satellite.

Placer le subwoofer derrière l'auditeur, même dans une installation "surround", procure une image généralement moins précise mais représente un compromis acceptable quand les considérations domestiques l'emportent.

Les réflexions du son sur les parois de la pièce modifient la qualité de reproduction de toute enceinte acoustique, car les murs et le sol qui se trouvent à proximité immédiate amplifient les basses. Cependant et contrairement à ce qui se passe avec les modèles à large bande, vous pourrez toujours rééquilibrer la balance sonore d'un ensemble utilisant un subwoofer actif; pour cela, il suffit d'ajuster le niveau sonore du caisson de grave et tout rentrera dans l'ordre.

Il peut être tentant de rechercher l'amplification acoustique maximale en approchant le subwoofer des angles de la pièce. Ceux-ci comportent trois parois (le sol et deux murs) qui amplifient très avantageusement et très efficacement le grave. Ce procédé permet de réduire la puissance du subwoofer et le travail du haut-parleur lui-même.

C'est, cependant, une voie qu'il faudra emprunter avec beaucoup de prudence, car la position en encoignure n'est pas nécessairement la meilleure pour ce qui concerne les résonances de salle. Mal contrôlées, celles-ci peuvent altérer gravement la régularité de la réponse en fréquence.

Il n'existe pas de meilleur procédé que l'expérimentation, chaque salle étant très différente d'une autre. Vous devrez essayer une grande variété d'emplacements avant de faire votre choix définitif.

Utiliser un extrait musical avec une partie de basse montant et descendant la gamme est très utile pour juger l'équilibre des graves. Ecoutez attentivement les notes très contrastées, trop faibles ou exagérément fortes.

Le fait de posséder un reproducteur de grave séparé, comme l'ASW™2000, autorise une optimisation très efficace de votre installation. Vous pourrez tenir compte des résonances de la pièce tout en soignant l'image stéréophonique, parce que vous pouvez adopter un emplacement spécifique différent pour le subwoofer et pour les satellites.

Si le subwoofer est placé dans un espace très restreint (intégré dans un meuble par exemple), cet espace devra être ventilé afin qu'il y ait suffisamment d'air pour refroidir l'appareil; questionnez votre revendeur à ce sujet.

Un jeu de quatre pointes de découplage est fourni avec le subwoofer. Ces pointes traversent le tapis ou la moquette, dans le but de procurer une assise très ferme en recherchant un contact direct avec le sol. Lorsque vous les utilisez, vissez d'abord au maximum les écrous sur la pointe, puis vissez à fond l'ensemble pointe et écrou dans les inserts situés à la base de l'ébénisterie.

Si l'ensemble est instable, desserrez les deux pointes opposées jusqu'à l'immobilisation totale du subwoofer, puis bloquez les écrous contre les inserts.

Si l'appareil est placé sur une surface sensible et fragile, préférez les tampons auto-adhésifs ou bien, placez sous chaque pointe un petit disque de protection ou une pièce de monnaie.

Raccordement

Veillez déconnecter les appareils du réseau électrique tant que le raccordement n'est pas totalement terminé et contrôlé. Vous éviterez, de cette façon, tout risque de détérioration du matériel en cours d'opération.

La fonction d'un subwoofer actif est de recevoir le signal sonore provenant d'un préamplificateur ou d'un amplificateur puis de le filtrer pour le séparer en deux registres distincts. Le grave et l'extrême-grave sont amplifiés et diffusés par le subwoofer lui-même; le haut-grave, le médium et l'aigu sont aiguillés vers les enceintes satellites à travers un amplificateur externe ou directement à partir du subwoofer, selon le mode d'utilisation choisi. L'ensemble des basses des canaux gauche et droit est diffusé en monophonie quand la reproduction est assurée par un seul subwoofer.

Il n'y aura pas d'altération perceptible de l'image stéréophonique générale, si vous suivez nos conseils.

Notre subwoofer offre une grande flexibilité d'utilisation, car il autorise deux modes de raccordements distincts: soit à partir d'un préamplificateur, en le connectant aux embases RCA; soit à partir d'un amplificateur, en le raccordant aux connecteurs de 4 mm que vous trouverez sur le panneau arrière. Attention! n'essayez jamais de combiner simultanément les deux modes de raccordement dans une même installation.

Si vous avez le choix entre les deux solutions, privilégiez le raccordement à un préamplificateur.

Reportez-vous au tableau suivant afin de choisir la formule de raccordement convenable.

Application: Home Cinéma

- Décodeur avec amplificateurs de puissance indépendants:
 - a Equipement avec sortie subwoofer: Connexions fig. 3
 - b Equipement sans sortie subwoofer: Connexions fig. 4
- Décodeur avec amplificateurs intégrés:
 - a Equipement avec sortie subwoofer: Connexions fig. 5
 - b Equipement sans sortie subwoofer: Connexions fig. 6

Application: en Haute-Fidélité

- Préamplificateur et amplificateurs indépendants:
 - a Equipement: d'un ou plusieurs subwoofers en monophonie: Connexions fig. 7
 - b Equipement: deux subwoofers avec signaux gauche et droit séparés: Connexions fig. 8
- Amplificateur intégré:
 - a Equipement: d'un ou de plusieurs subwoofers en monophonie: Connexions fig. 9
 - b Equipement: de deux subwoofers avec signaux gauche et droit séparés: Connexions fig. 10

Utilisation de plusieurs Subwoofers

L'utilisation de plusieurs subwoofers dans une seule installation est bénéfique dans les cas suivants:

- Quand vous souhaitez maintenir une séparation stéréophonique jusqu'aux très basses fréquences.
- Lorsque vous avez une très grande salle à sonoriser.
- Lorsque vous cherchez à obtenir une puissance sonore plus importante, particulièrement lorsque vous souhaitez reproduire les effets du Home Cinéma avec une très grande efficacité.
- Lorsque vous devez atténuer les effets gênants des résonances de votre salle d'écoute.

Au cas où vous utiliseriez deux subwoofers au sein d'une installation stéréophonique, la séparation entre la voie gauche et la voie droite sera maintenue si chaque caisson de basses est placé à proximité du satellite correspondant

Quand les subwoofers ne peuvent être placés de manière idéale ou lorsqu'ils sont raccordés à la sortie subwoofer monophonique d'un décodeur Home Cinéma, il est préférable de connecter le second subwoofer directement sur le premier.

En cas de raccordement à un décodeur surround, vous n'utiliserez qu'un seul canal d'entrée sur le caisson.

Ce n'est qu'en stéréophonie que les deux voies d'entrée sont utilisées.

Double contrôle des connexions

Avant de profiter de la qualité sonore de votre nouvelle installation et d'en optimiser finement les réglages, nous vous recommandons d'effectuer un double contrôle des connexions.

Trop souvent, l'utilisateur découvre une erreur de raccordement lorsqu'il obtient un résultat sonore de médiocre qualité. Pour éviter toute perte de temps, assurez-vous donc que:

- La phase est correcte et qu'il n'y a pas d'intervention des fils positifs et négatifs (ceci ne peut se produire qu'avec les borniers de raccordement pour amplificateur). Lorsque la phase est incorrecte, vous obtiendrez un son confus, une image imprécise et instable, un manque de grave, voire une combinaison de tous ces inconvénients.
- Qu'il n'y a pas d'inversion entre les différents canaux et que chaque voie d'amplification est bien raccordée au haut-parleur correspondant. Le résultat obtenu pourrait être très singulier, par exemple: un orchestre disposé à l'envers ou, plus désastreux, le son de votre film se déplaçant dans la direction opposée à l'action visible à l'écran.

Mise en service

Nous vous recommandons de mettre votre subwoofer en service le premier; de cette façon, les amplificateurs principaux ne risqueront pas de transmettre un éventuel transitoire de commutation. A l'inverse, pensez à éteindre le subwoofer en dernier.

Lors de la mise sous tension, l'amplificateur intégré reste en mode veille et le témoin lumineux, situé au dessus du commutateur, rayonne une lumière de couleur rouge. Lorsqu'un signal sonore est détecté, l'amplificateur se met automatiquement en service; le témoin lumineux diffuse alors une lumière de couleur verte.

En l'absence de signal sonore pendant une période de cinq minutes, l'amplificateur revient automatiquement en position veille.

Réglages

Trois contrôles actifs sont à votre disposition:

- Le réglage de fréquence de coupure du filtre passe-bas,
- Le réglage du volume sonore,
- Le commutateur de phase.

L'optimisation des réglages dépend beaucoup des caractéristiques des appareils associés à votre subwoofer. En cas d'utilisation de plusieurs caissons de grave, assurez-vous que tous leurs réglages sont identiques.

Utilisation du subwoofer avec un contrôleur THX (même non réglé en mode THX)

L'ASW™2000 n'est pas agréé THX, cependant vous pouvez l'associer à un contrôleur THX.

- Ajustez le réglage de fréquence au maximum,
- Amenez le réglage de volume à mi course car cette position correspond au niveau standard THX,
- Commutez le réglage de la phase sur 0 puis reportez-vous au paragraphe "réglages fins"

Assurez-vous que la fonction subwoofer du contrôleur THX, ainsi que les filtres qui lui sont associés, sont en service. Ce n'est que lorsqu'il est réglé de cette façon que votre contrôleur peut alimenter un subwoofer actif.

Lorsque vous ajusterez les niveaux de l'installation, vous devrez "impérativement" employer les réglages internes du contrôleur THX ainsi que le générateur de bruit intégré. Vous chercherez à obtenir, à la place d'écoute et pour chacune des voies, le niveau de 75 dB spl (avec pondération C) correspondant aux spécifications THX. Reportez-vous au mode d'emploi de votre contrôleur pour connaître en détail la procédure de mise en oeuvre.

Si vous souhaitez obtenir un réglage de grande précision, nous vous recommandons d'acquérir l'un de ces sonomètres très abordables que l'on trouve dans les magasins de pièces détachées électroniques; il s'agit d'un instrument totalement indispensable et vraiment peu coûteux.

Utilisation avec d'autres décodeurs Home Cinéma:

- Si votre décodeur possède une sortie subwoofer spécialisée avec filtre passe-bas de second ordre (12 dB par octave) ou plus, réglez la fréquence du filtre passe-bas de l'ASW™2000 au maximum, si la sortie du décodeur ne possède pas de filtre, ajustez celui de votre subwoofer à 80 Hz.
- Réglez le volume sonore du subwoofer à mi-course.
- Commutez la Phase sur 0, puis reportez-vous au paragraphe: "réglages fins"

Utilisation en pure stéréophonie:

- Réglez le filtre passe-bas à 80 Hz
- Ajustez le volume à mi course.
- Commutez la phase sur 0, puis reportez-vous au paragraphe: "réglages fins".

Reglages fins

Les réglages dépendent de la coupure basse des satellites et du positionnement de toutes les enceintes dans la salle d'écoute.

Une fréquence de coupure choisie aux alentours de 80/90 Hz est un excellent point de départ pour maintenir une bonne séparation entre canal gauche et canal droit.

A moins d'utiliser deux subwoofers, placés au plus près des satellites auxquels ils sont associés, le choix d'une fréquence de coupure plus élevée risque de compromettre la qualité de l'image stéréophonique. Cette solution ne doit être envisagée qu'au cas où les performances des satellites sont particulièrement limitées dans le grave.

Si vous utilisez plusieurs caissons de grave, assurez-vous une fois encore qu'ils sont tous réglés de façon similaire, en fréquence comme en phase.

Pour bien régler votre système, commencez par ajuster la puissance du subwoofer à votre goût puis affinez ce réglage en utilisant la plus large variété d'enregistrements. Cette méthode est préférable si vous voulez parvenir aux meilleurs résultats, car tout réglage convenant à un seul enregistrement peut se révéler très mauvais avec un autre.

Procédez en plusieurs fois, en vous ménageant certaines périodes de repos et surtout effectuez toutes vos écoutes au niveau sonore le plus réaliste possible. La perception de l'équilibre tonal varie considérablement avec le niveau de reproduction et la fatigue auditive, vous limiterez ainsi les risques d'erreurs.

Vous devez chercher à obtenir une restitution équilibrée, sans exagération ni insuffisance des basses. Vous pouvez être amené à retoucher, légèrement, la fréquence de coupure si le réglage de volume seul ne suffit pas à parvenir à l'équilibre parfait. Pour chaque nouveau réglage du filtre passe-bas, écoutez le résultat obtenu en testant chacune des deux positions du commutateur de phase. Le bon réglage de phase est celui qui procure les basses les plus puissantes il dépend évidemment des performances des satellites dans le grave et de leur position relative par rapport au(x) subwoofer(s) et à l'auditeur.

Si vous ne parvenez pas à un équilibre satisfaisant, si le grave semble gonflé ou si certaines notes sont reproduites avec exagération tandis que d'autres sont à peine audibles, c'est que vous vous trouvez, probablement, en présence de problèmes d'interface avec la salle d'écoute. Vous aurez avantage, dans ce cas, à reconsidérer l'emplacement du subwoofer. Un simple déplacement de 15 cm peut avoir un effet spectaculaire sur la qualité sonore; essayez également de le surélever.

L'utilisation de plusieurs subwoofers est bénéfique car elle atténue les effets de résonance de la salle. Positionnés à des places différentes, ces subwoofers excitent aussi des fréquences différentes. Les résonances sont donc moins exagérées, voire même masquées. Le son est enrichi, beaucoup plus naturel et surtout moins coloré.

Attention ! une modification appréciable de la distance relative entre le ou les subwoofers, les satellites et l'auditeur nécessite, à chaque fois, un nouveau contrôle de la phase.

Si vous êtes amené à modifier les raccordements entre le subwoofer et les autres appareils, en utilisant le réseau de connecteurs pour liaison à un préamplificateur à la place des connecteurs pour liaison à un amplificateur, ou inversement, il est indispensable de contrôler à nouveau le réglage de phase. Le subwoofer comporte, en effet, un filtre passe-haut non réglable qui est destiné au raccordement idéal des satellites. La pente d'atténuation de ce filtre passe-haut varie selon que l'on utilise le réseau pour amplificateur ou pour préamplificateur. C'est cette différence qui se traduit par une modification tout à fait normale de la phase.

Il faut également procéder à la vérification systématique du niveau du subwoofer qui peut varier selon que vous l'avez approché ou éloigné de la zone d'écoute (l'emploi du réglage interne du décodeur ou du réglage de volume du subwoofer conviennent tous les deux car ils produisent exactement le même effet). Ce dernier contrôle ne doit s'opérer qu'après vérification de la phase.

Entretenez votre Subwoofer

L'ébénisterie du subwoofer sera entretenue à l'aide d'un chiffon doux et sec. Vous pouvez utiliser un produit d'entretien en aérosol à condition de le vaporiser sur le chiffon, jamais directement sur l'appareil. Retirez la grille pour éviter de la tâcher, tout en prenant garde de ne pas endommager le transducteur. Cette grille se nettoie simplement avec une brosse douce.

N'utilisez jamais le subwoofer en tant que table basse. Pendant le fonctionnement de l'appareil tous les objets posés sur le dessus sont en mesure de vibrer et de créer des bruits parasites gênants.

Evitez, tout particulièrement, de renverser du liquide (boissons ou eau d'un vase).

Si vous ne devez pas employer votre subwoofer pendant une assez longue période, pensez à le déconnecter du réseau électrique.

Achtung:

Um die Gefahr eines Brandes oder elektrischen Schlages auszuschließen, darf das Gerät weder Nässe noch Feuchtigkeit ausgesetzt werden.

Beachten Sie alle Warnhinweise auf dem Gerät. Öffnen Sie niemals das Gehäuse und bauen Sie niemals den Verstärker an der Rückseite aus. Im Innern befinden sich keine vom Bediener zu wartenden Teile. Der Service ist ausschließlich von einem autorisierten B&W-Fachhändler durchzuführen.

Um einem elektrischen Schlag vorzubeugen, ist beim Anschließen des Gerätes ans Netz unbedingt sicherzustellen, daß die Pole des Netzsteckers exakt in die Buchsen der jeweiligen Steckdose passen.

Stellen Sie sicher, daß die auf dem Verstärker angegebene Spannung der Netzspannung entspricht.

Die Netzsicherung befindet sich an der Rückseite des Verstärkermoduls. Beim Austausch dürfen nur Sicherungen desselben Typs mit denselben Nenndaten verwendet werden.

Das Gerät ist schutzisoliert und muß daher nicht geerdet werden.

Um eine ausreichende Kühlung des Verstärkers zu gewährleisten, müssen die Kühlrippen während des Betriebs stets vertikal ausgerichtet sein.

Der Subwoofer ist schwer und unhandlich und sollte daher von mindestens zwei Personen transportiert werden.

Vergewissern Sie sich, daß unter dem Teppich(boden) keine Kabel liegen, die durch die Spikes beschädigt werden könnten.

Bewegen Sie den Subwoofer nicht auf den Spikes, da diese sich hierdurch vom Gehäuse lösen können, was wiederum zu Beschädigungen führen kann.

Achten Sie darauf, daß Sie sich nicht an den Spikes verletzen.

Einleitung

Vielen Dank für Ihr Vertrauen in die Marke B&W.

Seit der Gründung 1966 war B&Ws oberstes Anliegen die perfekte Klangwiedergabe. Inspiriert durch den Firmengründer, den verstorbenen John Bowers, wird diesem Streben nicht nur durch hohe Investitionen in die Audio-Technologie und stetige Innovationen Rechnung getragen, sondern auch durch die Liebe zur Musik, um sicherzustellen, daß die Technologie auch in neuen Anwendungsbereichen wie HiFi-Cinema optimal eingesetzt wird.

Der ASW™2000 ist für HiFi-Cinema-Anwendungen geeignet. In Stereo-Audio-Anwendungen besteht seine Aufgabe darin, die Tieftonleistung von "Full-Range"-Lautsprechern, d.h. Lautsprechern, die das komplette Klangspektrum abdecken, zu steigern. Die Verwendung dieses Subwoofers erweitert nicht nur den Baß im Tieftonbereich, sondern verbessert auch die Transparenz im Mitteltönenbereich durch Entlastung der anderen Lautsprecher im Tieftonbereich.

Der Subwoofer ist magnetisch abgeschirmt und kann daher in der Nähe von Fernsehgeräten eingesetzt werden.

Bitte lesen Sie sich diese Bedienungsanleitung vor Inbetriebnahme des Subwoofers aufmerksam durch. Das Aufstellen von Beschallungsanlagen verlangt einige Planung und Experimentierfreudigkeit, wenn Sie das bestmögliche Ergebnis erzielen möchten. Diese Bedienungsanleitung wird Ihnen dabei helfen.

Bevor Sie den Subwoofer an das Netz anschließen, sollten Sie mit den Sicherheitshinweisen vertraut sein. Beachten Sie alle Warnhinweise.

Bewahren Sie diese Bedienungsanleitung sorgfältig auf.

B&W liefert in über 50 Länder und verfügt weltweit über ein weitverzweigtes Netz erfahrener Distributoren, die Ihnen weiterhelfen, auch wenn der Händler Ihr Problem nicht lösen kann.

Auspacken (figure 1)

Um ein beschädigungsfreies Auspacken des Subwoofers sicherzustellen, sollten Sie folgendermaßen vorgehen:

Klappen Sie die Kartonlaschen nach hinten und drehen Sie Karton samt Inhalt um.

Ziehen Sie den Karton vom Inhalt ab.

Wir empfehlen, die Verpackung für einen eventuellen späteren Transport aufzubewahren.

Neben dieser Bedienungsanleitung sollte der Karton enthalten:

- 1 Subwoofer
- 1 Zubehörpaket bestehend aus:
 - 4 Spikes mit Kontermuttern
 - 4 selbstklebenden Gummifüßen

Ausstattungsmerkmale des Subwoofers (figure 2)

- 1 Kühlbleche
- 2 Line-Level-Anschlüsse
- 3 Speaker-Level-Anschlüsse
- 4 Frequenzregelung des Low-Pass-Filters
- 5 Lautstärkereglern (Volume)
- 6 Phase-Schalter
- 7 Netzschalter (Positionen On/Auto/Off)
- 8 Netzkabel
- 9 Spannungsangabe
- 10 Sicherung
- 11 Power-/Standby-Anzeige
- 12 Gehäuse für den Ringkerntransformator

Positionieren des Subwoofers

Da der Subwoofer ausschließlich Bässe produziert, ist seine Positionierung in gewisser Hinsicht nicht so schwierig wie die von "Full-Range"-Lautsprechern. Die gerichtete Information ist weit weniger genau, so daß Sie von verschiedenen Positionen aus ein gutes Ergebnis erzielen können. Die besten Resultate erhalten Sie jedoch, wenn der Subwoofer zwischen die Satellitenlautsprecher oder in die Nähe eines Satellitenlautsprechers gestellt wird. Bei Verwendung von zwei Subwoofern sollte jeweils einer neben einem Satellitenlautsprecher stehen.

Eine Platzierung des Subwoofers hinter den Zuhörern führt im allgemeinen zu einer Verschlechterung des Klangbildes. Dies gilt auch für Surround-Sound-Anwendungen. Jedoch kann hierin ein akzeptabler Kompromiß bestehen, falls die örtlichen Gegebenheiten es nicht anders zulassen.

Wie bei allen Lautsprechern wird die Klangqualität des Subwoofers durch die Nähe von Wänden beeinflusst. Der Baß wird stets intensiver, je größer die Oberflächen in nächster Nähe der Lautsprecher sind. Im Gegensatz zu "Full-Range"-Lautsprechern kann die Klangbalance des Gesamtsystems einfach durch Einstellen des Subwoofer-Lautstärkereglers optimiert werden. Je größer die Verstärkung durch den Raum, desto weniger muß der Subwoofer leisten. Jedoch hat dies nicht nur Vorteile. So werden tiefe Raumresonanzen durch die Platzierung in den Ecken eines Raumes in der Regel verstärkt, wodurch die Baßwiedergabe nicht im Einklang mit der Frequenz steht. Letztendlich gibt es kein Patentrezept, da sich der Klang mit dem Raum verändert. Daher sollten Sie mehrere Positionen ausprobieren, bevor Sie Ihre Entscheidung treffen. Ein Musikstück mit längeren, variierenden Baßpassagen erleichtert die Einstellung, um schließlich eine erstklassige Baßwiedergabe sicherzustellen. Achten Sie auf betonte oder ruhigere Passagen. Durch die Verwendung eines weiteren Subwoofers kann der Klang der Anlage im Hinblick auf Raumresonanzen optimiert werden, und zwar unabhängig von der Platzierung der Satellitenlautsprecher zur Verbesserung des Klangbildes.

Wird der Subwoofer auf begrenztem Raum betrieben (z.B. in speziellem Mobiliar), muß für eine ausreichende Belüftung des Gerätes gesorgt werden. Lassen Sie sich von Ihrem autorisierten Fachhändler beraten.

Zum Lieferumfang des Subwoofers gehören vier Spikes. Die Spikes bohren sich durch Teppichboden und liegen direkt auf dem Boden auf. Ohne Beschädigungen hervorzurufen, verleihen sie dem Subwoofer eine hervorragende Standfestigkeit. Vor dem Anbringen der Spikes schrauben Sie die Kontermuttern vollständig auf die Spikes und anschließend die Spikes vollständig in die Gewindebohrungen am Gehäuseboden. Steht das Gerät instabil, lösen Sie die beiden betreffenden, gegenüberliegenden Spikes, bis die optimale Standfestigkeit erreicht ist. Ziehen Sie die Kontermuttern anschließend gegen die Bohrung fest. Handelt es sich um eine sehr empfindliche Oberfläche, sollten Sie eine Schutzscheibe unter die Spikes legen oder anstelle der Spikes die Gummunterlagen verwenden.

Elektrische Anschlüsse

Die zum System gehörenden Geräte sollten zunächst untereinander verbunden werden (achten Sie dabei auf die korrekte Polarität der Anschlüsse!), bevor die Anlage ans Stromnetz angeschlossen wird. Dadurch können Beschädigungen vermieden werden.

Innerhalb der Anlagenkette erhält der Subwoofer seine Informationen von den Verstärkern, trennt diese gegebenenfalls in niedrige Tieftonfrequenzen und höhere Frequenzen auf und leitet die letztgenannten zurück zu den Satellitenlautsprechern. Gegebenenfalls können die Eingangssignale der rechten und linken Kanäle zusammengeführt und als ein Mono-Tiefbaßsignal dem Subwoofer-Lautsprechersystem zugeleitet werden.

An der Rückseite des ASW™2000 befinden sich sowohl Cinch-Phono-Buchsen für Line-Level- als auch 4-mm-Anschlußklemmen für Speaker-Level-Signale. Dies führt zu einer hohen Flexibilität, wobei jedoch unbedingt zu beachten ist, daß Line-Level- und Speaker-Level-Anschlüsse gleichzeitig in einem System nicht möglich sind. Sollten Sie die Wahl zwischen Line- und Speaker-Level-Anschlüssen haben, sind Line-Level-Anschlüsse zu empfehlen.

Die folgenden Hinweise helfen Ihnen beim korrekten Anschluß Ihrer Anlage:

Anwendung: HiFi-Cinema

- Decoder mit separaten Endstufen:
 - a Mit Subwoofer-Ausgang: Anschlüsse fig. 3
 - b Ohne Subwoofer-Ausgang: Anschlüsse fig. 4
- Decoder mit integrierten Endstufen:
 - a Mit Subwoofer-Ausgang: Anschlüsse fig. 5
 - b Ohne Subwoofer-Ausgang: Anschlüsse fig. 6

Anwendung: Stereo-Audio

- Vor- und Endstufen getrennt:
 - a Ein oder zwei Subwoofer mit zu einem Mono-Signal gekoppeltem Ausgangssignal: Anschlüsse fig. 7
 - b Zwei Subwoofer, je einer pro Kanal: Anschlüsse fig. 8
- Vollverstärker:
 - a Ein oder zwei Subwoofer mit zu einem einzigen Mono-Signal gekoppeltem Ausgangssignal: Anschlüsse fig. 9
 - b Zwei Subwoofer, je einer pro Kanal: Anschlüsse fig. 10

Einsatz von mehr als einem Subwoofer

Durch die Verwendung mehr als eines Subwoofers in einem einzigen System kann die Leistung gesteigert werden:

- durch präzise Stereokanaltrennung bis hin zu tiefsten Frequenzen
- in größeren Hörräumen
- durch höhere maximale Klangleistung – dies ist oftmals sinnvoll bei der Wiedergabe von Spezialeffekten in HiFi-Cinema-Anwendungen
- durch Klangoptimierung im Hinblick auf Raumresonanzen.

Verwenden Sie zwei Subwoofer für Stereo-Audio, so wird die Stereokanaltrennung verbessert, wenn jeder Kanal seinen eigenen Subwoofer besitzt. Wichtig ist hierbei, daß jeder Subwoofer in der Nähe des jeweiligen Satellitenlautsprechers aufgestellt wird.

Ist es nicht möglich, den Subwoofer optimal zu positionieren oder verfügt der Decoder über einen speziellen Subwoofer-Ausgang, verbinden Sie den zweiten Subwoofer mit dem ersten. Bei Verwendung eines Decoders sollte nur ein Eingangskanal, für Zweikanal-Audio sollten beide Eingangskanäle genutzt werden.

Prüfen der Anschlüsse

Bevor Sie mit der Klangoptimierung Ihres neuen Systems beginnen und die Komponenten aufeinander abstimmen, sollten Sie noch einmal die Anschlüsse prüfen. Oftmals beklagen sich die Bediener über den schlechten Klang des Systems, obwohl Sie die Bedienelemente des Gerätes eingestellt haben und stellen anschließend fest, daß ein Gerät einfach nicht korrekt angeschlossen wurde. Stellen Sie daher sicher, daß:

- die Polarität korrekt ist. Plus darf niemals an Minus angeschlossen werden (dies bezieht sich nur auf Speaker-Level-Anschlüsse). Ist die Polarität nicht korrekt, ist das Ergebnis ein unpräziser Klang mit einem ungenauen Klangbild, schwachem Baß bzw. einer Kombination aus beidem.
- die Signale aus dem rechten und linken Kanal nicht vermischt werden – das kann z.B. dazu führen, daß die Musik eines Orchesters genau seitenverkehrt wahrgenommen wird oder, was noch schlimmer ist, daß der Klang aus Ihrer HiFi-Cinema-Anlage seitenverkehrt zur Handlung auf dem Bildschirm ist.

Ein- und Ausschalten

Wir empfehlen Ihnen, den Subwoofer einzuschalten, bevor die Verstärker Signale vom Subwoofer erhalten. Entsprechend sollte der Subwoofer beim Ausschalten als letztes Gerät ausgeschaltet werden.

Setzen Sie den Netzschalter des Subwoofers in die AUTO-Position, geht der Verstärker in den Standby-Modus und die über dem Schalter befindliche Betriebsanzeige leuchtet rot. Sobald ein Eingangssignal empfangen wird, wird der Verstärker aktiviert und die Anzeige leuchtet grün.

Wird über eine Dauer von 5 Minuten kein Eingangssignal empfangen, schaltet der Verstärker automatisch in den Standby-Modus.

Einstellen des Subwoofers

Sie haben drei Einstellungsmöglichkeiten:

Über die mit LOW-PASS bzw. VOLUME gekennzeichneten Drehschalter können die Filterfrequenz bzw. die Lautstärke eingestellt werden. Darüber hinaus haben Sie über den PHASE-Schalter die Möglichkeit, die Phase umzukehren.

Die jeweils optimale Einstellung hängt von den mit dem Subwoofer kombinierten Geräten ab. Stellen Sie bei Verwendung von mehr als einem Subwoofer sicher, daß die Schalter bei allen Subwoofern gleich eingestellt sind.

Kombination mit THX®-Controllern (einschließlich THX-Controller im NICHT- THX-Modus)

Der ASW™2000 ist nicht THX-lizenziert, kann gegebenenfalls aber auch mit einem THX-Controller verwendet werden.

- Setzen Sie den LOW-PASS-Filter auf Maximum.
- Setzen Sie den Lautstärkeregler in die 12-Uhr-Position (dies ist eine Standard-THX-Einstellung).
- Setzen Sie den PHASE-Schalter auf 0 Grad.

Lesen Sie anschließend den Abschnitt "Feinabstimmung".

Vergewissern Sie sich, daß die Subwoofer-Funktion des THX-Controllers aktiviert ist. Bei dieser Einstellung ist gewährleistet, daß alle für den Subwoofer erforderlichen Filter- und Pegelinstellungen in allen Modi verfügbar sind. Zur Pegelinstellung sollten die internen Testgeräusch- und Kanalpegelregler im THX-Controller genutzt werden. In allen Fällen sollten die Pegel in Hörposition auf 75 dB spl (IHF C) des internen Geräusch-Testsignals des Controllers eingestellt werden. Der dem Controller beiliegenden Bedienungsanleitung können Sie Einzelheiten zur Pegelinstellung entnehmen.

Preisgünstige Schallpegelmesser sind in Elektronik-Fachgeschäften erhältlich und sollten zur Pegelinstellung verwendet werden.

Kombination mit anderen HiFi-Cinema- Decodern

- Verfügt der Decoder über einen speziellen Subwoofer-Ausgang und einen internen Low-Pass-Filter mindestens 2. Ordnung (12 dB/Oktave), stellen Sie für die Low-Pass-Filterfrequenz den Maximalwert ein. Ansonsten setzen Sie den Low-Pass-Filter zunächst auf 80 Hz.
- Setzen Sie den Lautstärkeregler in die 12-Uhr-Position.
- Setzen Sie den PHASE-Schalter auf 0 Grad.

Lesen Sie anschließend den Abschnitt "Feinabstimmung".

Im Modus Stereo-Audio

- Setzen Sie den LOW-PASS-Filter auf 80 Hz.
- Setzen Sie den Lautstärkeregler in die 12-Uhr-Position.
- Setzen Sie den PHASE-Schalter auf 0 Grad.

Lesen Sie anschließend den Abschnitt "Feinabstimmung".

Feinabstimmung

Es besteht ein Zusammenhang zwischen der optimalen Einstellung des PHASE-Schalters und der LOW-PASS-Filterfrequenz, die ferner auch von der Tiefton-Cut-off-Charakteristik der Satellitenlautsprecher und der relativen Positionen aller Lautsprecher eines Systems abhängt.

Setzen Sie das System in die von Ihnen bevorzugte Position und spielen Sie Stücke mit kontinuierlichen Baßpassagen. Die optimale Einstellung für die Low-Pass-Cut-off-Frequenz hängt von mehreren Variablen ab: der Baßleistung und Nennbelastbarkeit der Satellitenlautsprecher, der Anzahl der verwendeten Subwoofer und ihrer relativen Position zu den Satellitenlautsprechern. Der Bereich von 80 bis 90 Hz ist ein guter Ausgangspunkt für den LOW-PASS-Filter. Werden nicht zwei Subwoofer zur Gewährleistung von rechter und linker Kanalinformationsübertragung verwendet und in der Nähe des jeweiligen Satellitenlautsprechers aufgestellt, kann eine höhere Cut-off-Frequenz zu einem schlechteren Stereoklangbild führen und sollte nur in Betracht gezogen werden, wenn die Baßleistung der Satellitenlautsprecher ausgesprochen begrenzt ist.

Bei jeder Einstellung der Cut-off-Frequenz sollte der Phase-Schalter in beide Positionen gesetzt und ein Hörtest gemacht werden. Bei korrekter Einstellung ist ein vollerer Baß zu hören. Das hängt von der Baßcharakteristik Ihrer Satellitenlautsprecher und der relativen Entfernung von Subwoofer(n) und Satellitenlautsprechern zu den Zuhörern ab. Beim Einsatz von mehr als einem Subwoofer sollten Sie sicherstellen, daß Cut-off-Frequenz und Phase-Schalter jeweils gleich eingestellt sind.

Sollten Sie Veränderungen an der Systemverstärkung vornehmen und beispielsweise von Speaker- auf Line-Level-Anschlüsse zum Subwoofer wechseln, sollte die Phase-Einstellung erneut geprüft werden, da die Speaker-Level- und die Line-Level-High-Pass-Filter-Phasencharakteristiken des Subwoofers unterschiedlich sind.

Stellen Sie die Lautstärke des Subwoofers so ein, daß sie im Einklang mit den Satellitensystemen steht. Nutzen Sie dazu eine große Programmbandbreite, um eine optimale Einstellung zu gewährleisten. Was bei einem Stück beeindruckend ist, kann bei einem anderen Stück als unangenehm empfunden werden.

Werden bestimmte Baßpassagen mehr betont als andere, ist der Klang der Anlage vermutlich nicht optimal an den Raum angepaßt. Hierbei lohnt es sich, die Position des Subwoofers solange zu verändern, bis er optimal plaziert ist. Selbst kleinste Änderungen in der Position – z.B. 15 cm – können einen erheblichen Einfluß auf den Klang haben. Versuchen Sie, einen Abstand zwischen Boden und Subwoofer zu schaffen oder den Subwoofer hin und her zu bewegen. Der Einsatz mehrerer Subwoofer kann die Wirkung von Raumresonanzen mildern, da jeder Subwoofer in unterschiedlichen Frequenzbereichen Resonanzen erzeugen wird. Wird der relative Abstand von Subwoofer(n) zu den Satellitenlautsprechern verändert, kann es unter Umständen erforderlich sein, die Einstellung des Phase-Schalters zu ändern. Ferner ist die Pegelinstellung des Subwoofers zu prüfen (entweder über die Decoder-Ausgangspegel oder die Lautstärkeregelung am Verstärker des Subwoofers), aber erst, nachdem die Phase korrekt eingestellt wurde.

Pflege

Das Subwoofergehäuse kann einfach mit einem trockenen Staubtuch abgewischt werden. Bei Verwendung eines Aerosol-Reinigers sollten Sie diesen zunächst auf ein Tuch sprühen und nicht direkt auf das Gehäuse. Entfernen Sie die Frontblende, indem Sie sie vorsichtig vom Gehäuse abziehen. Achten Sie darauf, daß dabei nicht das Lautsprechersystem beschädigt wird. Die Frontblende kann mit einer weichen Bürste gereinigt werden.

Benutzen Sie den Subwoofer nicht als Ablagefläche. Auf der Oberfläche abgestellte Gegenstände können wackeln und so die Klangqualität beeinträchtigen. Besonders Flüssigkeiten (z.B. Getränke oder Blumenvasen mit Wasser) sollten niemals auf den Subwoofer gestellt werden.

Wird Ihr System für längere Zeit nicht benutzt, ziehen Sie den Netzstecker heraus.

Precauciones:

Para evitar cualquier peligro de incendio o electrocución, no exponga este aparato a la lluvia o la humedad.

Observe todas las precauciones posibles durante la manipulación del aparato. Para evitar el riesgo de sufrir una descarga eléctrica, no abra el recinto ni extraiga el amplificador situado en su panel posterior. No hay partes manipulables por el usuario en el interior del aparato. Para cualquier pregunta relacionada con el tema, consulte con un distribuidor autorizado de productos B&W.

Para evitar que se produzca una descarga eléctrica, no utilice la clavija polarizada suministrada de serie con un cable de extensión u otro enchufe cuya clavija no se adapte perfectamente a aquella con el fin de evitar la exposición de uno de sus terminales.

Asegúrese de que la tensión eléctrica indicada en el panel del amplificador coincida con la de su red eléctrica local.

El compartimento portafusibles principal está ubicado en el panel posterior del módulo amplificador. El fusible de repuesto debería ser del mismo tipo y valor que el suministrado de serie.

Este aparato no debería ser conectado a tierra.

Con el fin de asegurar una refrigeración adecuada del amplificador, utilice el subwoofer únicamente con las aletas de ventilación alineadas verticalmente.

El subwoofer es pesado y voluminoso, por lo que debería ser desplazado o levantado por un mínimo de dos personas.

Compruebe que no haya cables en la alfombra/moqueta susceptibles de ser dañados por las puntas metálicas de desacople del subwoofer.

No desplace el aparato con las puntas de desacople montadas puesto que podría provocar que las mismas saliesen de su lugar y por tanto dañaran el suelo de la sala de escucha.

Asegúrese de que ninguna de las puntas de desacople se coloque sobre su propio pie

Introducción

Gracias por haber adquirido el Subwoofer Activo B&W ASW™2000.

Desde su fundación en 1966, la filosofía de B&W no ha sido otra que la búsqueda de la perfecta reproducción del sonido. Inspirada por el fundador de la compañía, el fallecido John Bowers, esta búsqueda ha supuesto no solo la realización de grandes inversiones en innovación y tecnología aplicadas al campo del audio sino también una muy precisa apreciación de la música y las exigencias de la reproducción de bandas sonoras de películas con el fin de asegurar que dicha tecnología es aprovechada al máximo de sus posibilidades.

El ASW™2000 ha sido diseñado para los sistemas de Cine en Casa y también para mejorar la respuesta en graves de las cajas acústicas habitualmente utilizadas en las instalaciones estereofónicas de Alta Fidelidad. La adición de un subwoofer a su equipo no solo extiende la respuesta en graves del mismo hacia octavas inferiores sino que mejora la claridad en la reproducción de la gama media como consecuencia de la reducción de las exigencias que a nivel de dicha respuesta se producirá en las cajas acústicas que ya se posea.

El subwoofer está apantallado magnéticamente para que pueda ser ubicado cerca de una pantalla de televisión.

Le rogamos que lea cuidadosamente el presente manual antes de utilizar el subwoofer. Todas las instalaciones de sonido requieren cierta planificación y experimentación durante su puesta a punto. Si usted está interesado en explotar al máximo las posibilidades de los componentes de su equipo, este manual le servirá de guía en el proceso.

Puesto que el subwoofer es conectado directamente a la red eléctrica, es importante que usted se familiarice con las instrucciones de seguridad y tenga en cuenta todas las advertencias que figuran al principio del presente manual.

Guarde este manual en un lugar seguro para el caso de que necesite utilizarlo en el futuro.

Las cajas acústicas B&W son distribuidas en más de 50 países de todo el mundo, motivo por el que mantenemos una red internacional constituida por distribuidores altamente cualificados que han sido cuidadosamente seleccionados. En caso de que tenga algún problema que su detallista no pueda resolver, nuestros distribuidores estarán encantados de poder ayudarle.

Desembalaje (figura 1)

La manera más fácil de desembalar el subwoofer y a la vez de evitar que pueda sufrir daños es la siguiente:

Abra las aletas del embalaje y sitúelas hacia atrás, procediendo posteriormente a colocar en posición invertida la caja y su contenido.

Levante la caja de modo que el subwoofer quede depositado en el suelo.

Le recomendamos que guarde el embalaje para un posible uso futuro del mismo.

Además del presente manual, la caja debería contener:

- 1 Subwoofer
- 1 Paquete de accesorios en el que figuran:
 - 4 Puntas de desacople con sus correspondientes tornillos
 - 4 Pies de goma autoadhesivos.

Un repaso al subwoofer (figura 2)

- 1 Dissipador
- 2 Conectores de Nivel de línea
- 3 Conectores de Alto nivel
- 4 Control de la frecuencia de corte superior (Low-pass) del filtro
- 5 Control de Volumen
- 6 Conmutador de Fase
- 7 Conmutador de puesta en marcha (On/off)
- 8 Cable de alimentación
- 9 Etiqueta con la tensión de alimentación correcta
- 10 Compartimento portafusibles.
- 11 Indicador de puesta en marcha/posición de espera (Power/Standby)
- 12 Recinto que alberga el transformador de alimentación principal

Colocación del subwoofer

Puesto que el subwoofer produce únicamente sonidos de baja frecuencia, en muchos aspectos su posición resulta menos crítica que la de las cajas acústicas convencionales. La información direccional es mucho menos precisa y por tanto usted dispone de muchas más alternativas a la hora de colocar las cajas acústicas y conseguir un buen efecto. Dicho esto, los mejores resultados se obtienen si el subwoofer es colocado entre las cajas acústicas satélites o en las cercanías de una de ellas. Si usted utiliza dos subwoofers, es mejor situar uno cerca de cada satélite.

La colocación del subwoofer detrás de los oyentes, incluso en instalaciones de sonido envolvente, suele proporcionar una imagen sonora de inferior calidad aunque puede constituir un compromiso aceptable en caso de que lo dicten las consideraciones domésticas.

Tal y como sucede con todo tipo de cajas acústicas, la proximidad de las paredes de la habitación afecta al sonido. Generalmente, los graves sufren un incremento en su nivel cuanto más superficies haya en las cercanías de los altavoces que los producen. Sin embargo, y contrariamente a lo que sucede con las cajas acústicas de gama completa, usted siempre puede restaurar el correcto balance tonal global del sistema ajustando el nivel de volumen del subwoofer. Cuando más realce los graves presentes en su habitación, menos tendrán que trabajar los otros altavoces. Pero también hay un punto oscuro: la ubicación del subwoofer en las esquinas de la habitación suele excitar con más intensidad las resonancias (modos propios) de baja frecuencia de la misma, desequilibrando a los graves con respecto al resto de frecuencias.

No hay, en este sentido, una alternativa a la experimentación pura y simple puesto que cada habitación exhibe un comportamiento diferente; en consecuencia, evalúe la respuesta del subwoofer en una amplia variedad de posiciones antes de tomar una decisión final. Un tema musical con un bajo que ascienda o descienda progresivamente en la escala musical resulta muy útil para evaluar la suavidad de la respuesta en graves. Escuche atentamente tanto los párrafos más exagerados como los más suaves.

Poseer un subwoofer separado le permitirá optimizar el comportamiento de su equipo con respecto a las resonancias de la habitación, así como conseguir la mejor imagen sonora posible.

Si el subwoofer va a ser utilizado en un espacio limitado (como por ejemplo un mueble hecho a medida), dicho espacio debe estar suficientemente ventilado para permitir la perfecta refrigeración del amplificador incluido en aquél. Consulte con su detallista en caso de que precise de algún consejo al respecto.

El subwoofer es suministrado de serie con cuatro puntas de desacoplo. Dichas puntas atravesarán la alfombra de su habitación, proporcionando un firme soporte del aparato directamente sobre el suelo aunque sin dañar este último. Cuando ajuste las puntas, empiece colocando las tuercas de bloqueo en todas ellas y a continuación enrósquelas completamente en los orificios dispuestos para tal efecto en la zona inferior del recinto del subwoofer. Si el aparato "baila" un poco, afloje las puntas necesarias hasta que el soporte sea completamente firme y a continuación fije herméticamente las tuercas de bloqueo de las mismas. Si el aparato va a ser ubicado sobre una superficie delicada, coloque un disco metálico (por ejemplo una moneda) de protección debajo de cada punta o monte los cuatro tacos de goma en lugar de las puntas.

Conexiones electricas

Desconecte todos los componentes de su equipo de sonido de la red eléctrica hasta que hayan sido efectuadas y comprobadas todas las conexiones de señal. De este modo evitará el riesgo de que se produzcan daños en caso de que se lleven a cabo conexiones erróneas.

La función del subwoofer consiste en recibir señales procedentes de la cadena de amplificación y, donde sea necesario, dividir la señal entre extremo grave y frecuencias más altas para enviarla de nuevo a las cajas acústicas satélites. Las entradas correspondientes a los canales izquierdo y derecho pueden ser combinadas en una única señal monofónica de alta frecuencia que puede enviarse, en caso de que así se desee, al subwoofer.

El subwoofer admitirá la entrada y la salida tanto de señales de nivel de línea como de alto nivel a través, respectivamente, de los terminales RCA y los de 4 mm para la conexión de cajas acústicas ubicados en su panel posterior, ofreciendo de este modo al usuario una notable flexibilidad a la hora de realizar las diferentes conexiones. Sin embargo, no debe utilizarse bajo ningún precepto una combinación de las conexiones citadas en la misma instalación. En caso de que pueda elegir entre las conexiones de línea y las de alto nivel, opte por las primeras.

Utilice la siguiente tabla para seleccionar el modo de conexión adecuado para su instalación:

Aplicación: Cine en Casa:- Equipo:

- Decodificador con amplificadores de potencia separados:
 - a Con salida para subwoofer: Conexiones fig. 3
 - b Sin salida para subwoofer: Conexiones fig. 4
- Decodificador con amplificadores de potencia integrados
 - a Con salida para subwoofer: Conexiones fig. 5
 - b Sin salida para subwoofer: Conexiones fig. 6

Aplicación: Audio Estéreo:- Equipo:

- Preamplificador y etapa de potencia separados:
 - a Uno o más subwoofers con su salida combinada en una única señal monofónica: fig. 7
 - b Dos subwoofers con señales separadas para los canales izquierdo y derecho: fig. 8
- Amplificador integrado:
 - a Uno o más subwoofers con su salida combinada en una única señal monofónica: fig. 9
 - b Dos subwoofers con señales separadas para los canales izquierdo y derecho: fig. 10

Utilizacion de mas de un subwoofer

El empleo de más de un subwoofer en una única instalación puede mejorar las prestaciones de la misma del siguiente modo:

- Mantenimiento de la separación estereofónica hasta las frecuencias más bajas.
- Sonorización de habitaciones de mayores dimensiones.
- Permitir niveles de presión sonora más elevados, lo que a menudo resulta muy útil para reproducir de modo efectivo los efectos especiales relacionados con las aplicaciones de Cine en Casa.
- Suavizar los efectos de las resonancias de baja frecuencia de la sala de escucha.

Si usted está utilizando dos subwoofers para escuchar sonido estereofónico, la separación estereofónica es mejorada si cada canal posee su propio subwoofer, suponiendo que éste se ubique cerca del correspondiente satélite.

Si los subwoofers no pueden colocarse del modo idóneo o usted está utilizando una salida específica para subwoofer de un decodificador de sonido envolvente, conecte el segundo subwoofer al primero. En caso de que esté trabajando con un decodificador, utilice únicamente un canal de entrada. En el caso de que trabaje con dos canales de audio, debería utilizar las entradas correspondientes a los mismos.

Compruebe las conexiones

Antes de proceder a la evaluación de la calidad sonora de su nueva instalación y al ajuste fino de la misma, compruebe las conexiones realizadas. Muy a menudo, los usuarios se quejan de que no pueden obtener un sonido decente a pesar de manejar adecuadamente los controles aunque solo para descubrir que algo había sido conectado de forma errónea. Asegúrese de que:

- La fase de las conexiones es correcta, es decir que no debería haber conexiones de positivo a negativo (esto vale únicamente para las conexiones de alto nivel). Si algo está fuera de fase, usted percibirá un sonido difuso con una imagen sonora imprecisa y flotante, una falta de graves o una combinación de ambas cosas.
- No hay cruces entre canales, hecho que podría derivar en, por ejemplo, que una orquesta esté situada en la posición incorrecta o, peor aún, los sonidos de su sistema de Cine en Casa fueran en dirección opuesta a la de la acción que transcurre en la pantalla.

Arranque y apagado

Le recomendamos que ponga en marcha el subwoofer antes que cualquier amplificador que reciba señales del mismo. Del mismo modo, en el momento del apagado del sistema deje al subwoofer para el final.

En el momento de poner en marcha el subwoofer por vez primera, el amplificador se situará en el modo de espera ("standby") y la luz situada encima del conmutador on/auto/off se pondrá de color rojo. Cuando se detecte una señal de entrada, el amplificador se activará plenamente y la mencionada luz se pondrá de color verde.

Después de un período de aproximadamente 5 minutos sin presencia de señal en la entrada del subwoofer, el amplificador regresará automáticamente al modo de espera.

Ajuste de los controles

Hay tres controles a considerar:

- Frecuencia de corte superior ("LOW-PASS") del filtro
- Control de VOLUMEN
- Conmutador de FASE

El ajuste óptimo depende del resto de componentes utilizados conjuntamente con el subwoofer. Si se está utilizando más de un subwoofer, asegúrese de que los controles de cada uno están ajustados en la misma posición.

Utilización con controladores THX (incluyendo controladores THX trabajando en una modalidad distinta de la THX)

El ASW™2000 no es un componente con certificación THX pero puede utilizarse con un controlador THX en caso de que así se desee. Para ello, proceda del siguiente modo:

- Sitúe la frecuencia de corte superior en su valor máximo.
- Ajuste el control de volumen en su posición intermedia (las doce en punto, es decir el nivel de preajuste estándar del THX).
- Sitúe inicialmente el conmutador de fase a 0° y a continuación lea la sección que sigue para proceder al ajuste fino.

Asegúrese de que se ha activado la función del controlador THX correspondiente al subwoofer. Cuando está configurado de esta forma, incorpora todos los ajustes de nivel y filtraje exigidos por el subwoofer en todos los modos. Para la calibración del nivel, deberían utilizarse el generador de ruido de prueba y los controles de nivel de los canales del controlador THX. En todos los casos, los niveles deberían ajustarse para obtener, utilizando para ello la señal de prueba interna del controlador, un nivel de presión sonora de 75 dB (medidos con ponderación C) en la posición de escucha. Consulte el manual de instrucciones de su controlador para obtener detalles adicionales en lo que respecta a cómo ajustar los niveles. Pueden adquirirse sonómetros de bajo precio en cualquier tienda de componentes electrónicos. Dichos aparatos deberían utilizarse cada vez que se procediese a calibrar los niveles correspondientes a los distintos canales de su equipo.

Utilización con otros decodificadores de sonido envolvente

- Si el decodificador incluye una salida específica para subwoofer y un filtro paso bajo interno para el mismo con una pendiente igual o superior a 12 dB por octava (filtro de 2º orden), ajuste la frecuencia de corte superior del filtro a su valor máximo. En cualquier otro caso, ajústela inicialmente a 80 Hz.
- Inicialmente, sitúe el control de volumen en su posición intermedia, es decir las doce en punto, y a continuación consulte la sección que sigue para proceder al ajuste fino del mismo.
- Ajuste inicialmente a 0° el selector de fase y a continuación consulte la sección que sigue para proceder al ajuste fino de la misma.

Utilización en sistemas estereofónicos de Alta Fidelidad

- Ajuste inicialmente la frecuencia de corte superior del filtro a 80 Hz y a continuación consulte la sección que sigue para proceder al ajuste fino de la misma.
- Inicialmente, sitúe el control de volumen en su posición intermedia, es decir las doce en punto, y a continuación consulte la sección que sigue para proceder al ajuste fino del mismo.
- Ajuste inicialmente a 0° el selector de fase y a continuación consulte la sección que sigue para proceder al ajuste fino de la misma.

Ajuste fino

Los ajustes óptimos para el selector de fase y la frecuencia de corte inferior del filtro están interrelacionados y dependen asimismo de la frecuencia de corte inferior de las cajas acústicas satélites, así como de las posiciones relativas de todas las cajas acústicas de la instalación.

Ajuste el sistema en su posición preferida y escuche piezas musicales o bandas sonoras con un importante contenido en graves. El ajuste óptimo para la frecuencia de corte superior del subwoofer depende de diversas variables, como por ejemplo la extensión de la respuesta en graves y la capacidad de manejo de potencia de las cajas acústicas satélites, el número de subwoofers utilizados y su posición relativa con respecto a aquéllas. La gama de frecuencias comprendidas entre 80 y 90 Hz constituye un buen punto de partida para la frecuencia de corte superior del subwoofer. A menos de que se utilicen dos subwoofers situados cerca de los satélites para preservar la información de los canales izquierdo y derecho, el empleo de una frecuencia de corte más alta puede llegar a comprometer la imagen estereofónica, por lo que debería considerarse únicamente en caso de que la respuesta en graves de las cajas acústicas satélites fuese particularmente limitada.

Cada vez que realice un ajuste de la frecuencia de corte superior del subwoofer, realice una prueba de escucha con el conmutador de fase en las dos posiciones. La posición correcta será aquella que proporcione un mayor nivel de graves, dependiendo el resultado final de las características de la respuesta en graves de sus cajas acústicas satélites y de las distancias relativas del(los) subwoofer(s) y aquéllas a los oyentes. Cuando utilice más de un subwoofer, asegúrese de que cada uno tiene los mismos ajustes en la frecuencia de corte y el selector de fase.

Si en un momento dado usted realiza cambios en la amplificación del sistema, de forma que cambie las conexiones de alto nivel por las de línea en el subwoofer, es importante que verifique de nuevo la fase absoluta puesto que las características de fase del filtro correspondiente a las entradas de alto nivel y las de línea son diferentes.

Ajuste el nivel de salida del subwoofer con respecto a las cajas acústicas satélites en función de sus preferencias. Utilice una amplia variedad de mensajes musicales con el fin de establecer un ajuste intermedio que sea válido para todos. Piense al respecto que un ajuste que proporcione un sonido impresionante con un tema musical puede ser desastroso para otro. Escuche la música a niveles de presión sonora sensatos puesto que la percepción del balance varía con el nivel del sonido.

Si detecta problemas relacionados con una concentración excesiva de graves -es decir si ciertas notas bajas son exageradas con respecto a otras-, es muy posible que se deban a la interacción del equipo con la sala de escucha, por lo que le recomendamos que experimente con la colocación del subwoofer. Piense que un pequeño cambio en la posición -del orden de unos 15 centímetros- puede tener efectos muy importantes sobre el sonido. Intente elevar un poco el subwoofer con respecto al suelo, así como desplazarlo lateralmente. El uso de varios subwoofers puede suavizar los efectos debidos a las resonancias de la habitación puesto que cada subwoofer tenderá a excitar resonancias a frecuencias distintas. Si usted altera de modo apreciable las distancias relativas entre el(los) subwoofers(s) y las cajas acústicas satélites con respecto a los oyentes, reajuste el selector de fase. También debería comprobar el ajuste de nivel del subwoofer (utilizando los controles del nivel de salida del decodificador o el control de volumen del subwoofer dependiendo de cada situación) aunque solo después de ajustar correctamente la fase.

Cuidado y mantenimiento

El recinto del subwoofer debe limpiarse con ayuda de una gamuza seca. Si desea utilizar un spray limpiador de tipo aerosol, no pulverice directamente hacia el recinto de la caja sino hacia la gamuza. Quite la rejilla antes de proceder a la limpieza del recinto pero asegúrese de no tocar el altavoz. La rejilla también puede limpiarse con ayuda de un cepillo suave.

No utilice el subwoofer como mesa. Cuando está funcionando, los objetos situados en su parte superior pueden moverse y caer. En particular, evite los riesgos asociados al vertido de líquidos (procedentes de bebidas o floreros).

Si el sistema no va a ser utilizado durante un largo período de tiempo, desconecte el subwoofer de la red eléctrica.

Avisos:

Para evitar o risco de choque eléctrico, não exponha este equipamento à chuva ou humidade.

Respeite todos os avisos presentes no próprio equipamento. Para evitar choques eléctricos, não abra a tampa nem retire o painel posterior. Não existem partes substituíveis pelo utilizador no interior, devendo todas as questões relativas a assistência ser apresentadas a um revendedor autorizado B&W.

Para evitar o risco de choque eléctrico, não utilize uma extensão para o cabo de alimentação, a não ser que os pinos da ficha fiquem completamente cobertos.

Assegure-se que a tensão de alimentação especificada para o amplificador é igual à da sua instalação.

O fusível de alimentação está colocado no interior do módulo de amplificação, em caso de defeito, o substituto deve ser do mesmo tipo e calibre do inicialmente fornecido.

Este equipamento não deve ser ligado à terra.

Para assegurar o correcto arrefecimento do amplificador, utilize-o apenas com os rasgos dos dissipadores alinhados verticalmente.

O subwoofer é pesado e corpulento, devendo por isso ser levantado ou deslocado pelo menos por duas pessoas.

Verifique se não existem cabos sob a carpete que possam ser danificados pelos espigões.

Não desloque o equipamento sobre os espigões, pois isso pode fazer com que se soltem do equipamento e causar danos.

Tenha cuidado com os seus próprios pés, os espigões são perigosos.

Introdução

Gratos pela sua aquisição do subwoofer activo B&W ASW™2000.

Desde a sua fundação em 1966, que a filosofia de base da B&W tem sido a procura da reprodução sonora perfeita. Inspirados pelo fundador da companhia, o já falecido John Bowers, esta busca significou não só um elevado investimento em tecnologia e inovação de áudio mas também uma permanente avaliação em termos musicais para assegurar que a tecnologia é aproveitada ao máximo.

O ASW™2000 foi projectado para utilização em instalações de auditório doméstico e para aumentar o desempenho de baixos de colunas de "banda larga" em estereofonia. Adicionando o subwoofer ao seu sistema não só aumenta a extensão dos baixos, como melhora a transparência da gama média ao reduzir as exigências de baixos das suas colunas.

O subwoofer é blindado em termos magnéticos para poder ser utilizado junto ao ecrã do televisor.

Por favor, leia a totalidade deste manual antes de utilizar o subwoofer. Todas as instalações sonoras necessitam de algum planeamento e ensaio quando se pretende obter o melhor desempenho dos equipamentos utilizados. Este manual poderá guiá-lo através deste processo.

Uma vez que o subwoofer é ligado à rede de alimentação, será da maior importância que se familiarize com as instruções de segurança e siga todos os avisos.

Mantenha este manual em lugar seguro para futuras consultas.

Os equipamentos B&W Loudspeakers são distribuídos em mais de 50 países de todo o mundo e mantemos uma rede internacional de dedicados distribuidores cuidadosamente escolhidos. Se deparar com qualquer problema que o seu revendedor não esteja em condições de resolver, os nossos distribuidores estão à sua disposição.

Desembalagem (figura 1)

A forma mais fácil para desembalar o subwoofer é a seguinte:

Abra completamente as tampas e coloque a caixa em posição invertida

Levante a caixa deixando o equipamento no chão

Recomendamos que guarde a embalagem para futura utilização.

Para além deste manual, a caixa deve conter:

- 1 Subwoofer
- 1 Pacote de acessórios contendo:
 - 4 Espigões com porcas de ajuste
 - 4 Pés auto-adesivos de borracha.

Visita ao subwoofer (figura 2)

- 1 Dissipador
- 2 Tomadas de nível de linha
- 3 Tomadas de nível de coluna
- 4 Controlo de frequência do filtra passa-baixo
- 5 Controlo de volume
- 6 Comutador de fase
- 7 Interruptor ligar/auto/desligar
- 8 Cabo de alimentação
- 9 Etiqueta de tensão de funcionamento
- 10 Suporte de fusível
- 11 Indicador de Funcionamento/Repouso
- 12 Alojamento do transformador toroidal de alimentação

Colocação do subwoofer

Uma vez que o subwoofer reproduz apenas sons de frequência muito baixa, a colocação da unidade é menos exigente, em certos aspectos, do que a das colunas convencionais. A informação mais direccional é muito menos precisa existindo uma maior gama de escolha na colocação do equipamento para obter um bom efeito. Dito isto, os melhores resultados são obtidos quando o subwoofer é colocado entre as colunas ou próximo de uma delas. Se utilizar dois subwoofers, o melhor será colocar um junto de cada uma das colunas frontais.

A colocação do subwoofer atrás do ouvinte, mesmo em sistemas de som envolvente, oferece geralmente uma imagem sonora de menor qualidade; mas pode constituir um compromisso aceitável em casos de incompatibilidade com a decoração doméstica.

Como em todas as colunas, a proximidade das paredes afecta o desempenho sonoro. Os baixos são geralmente reforçados pela proximidade de superfícies. No entanto, ao contrário das colunas para toda a gama, poderá sempre ajustar o equilíbrio geral do sistema através do controlo de volume do subwoofer. Quanto mais ganho obtiver da própria sala, menos potência a coluna terá de fornecer; mas existe um contra. A colocação junto ao canto excita por vezes as ressonâncias de baixa frequência da sala, tornando os baixos menos homogéneos. Não existe qualquer forma de substituir os ensaios, uma vez que todas as salas se comportam de forma diferente, por isso deverá ensaiar várias soluções de colocação antes de tomar a decisão final. Uma peça musical com uma linha de baixos subindo ou descendo a escala musical, será útil para determinar o equilíbrio da resposta de baixos. Esteja atento à existência de notas demasiado fortes ou fracas. Com um subwoofer independente poderá otimizar a interacção com as ressonâncias da sala independentemente da colocação das colunas satélite para uma melhor imagem sonora.

Se pretender utilizar o subwoofer num espaço exíguo, como é o caso de mobiliário feito por medida, assegure-se que existe suficiente ventilação para o amplificador integrado no equipamento. Se não estiver certo se o espaço para ventilação é adequado, consulte o seu revendedor.

O subwoofer é fornecido com quatro espigões. Estes espigões atravessam a tapete, fixando a coluna directamente ao solo sem achatar a tapete. Quando colocar os espigões, aperte em primeiro lugar as porcas completamente nos espigões, em seguida aperte completamente as roscas no local apropriado existente na parte inferior da coluna. se o equipamento balançar, desenrosque os espigões que não apoiam completamente no solo até que a coluna esteja totalmente apoiada, em seguida reaperte as porcas. se o equipamento for colocado sobre uma superfície frágil, coloque um disco protector sob cada espigão ou coloque os suportes de borracha em vez dos espigões.

Ligações eléctricas

Desligue todos os equipamentos do sistema de som da respectiva alimentação até efectuar e verificar todas as ligações. Isto assegura que não há risco de provocar avarias quando se ligam e desligam os cabos.

A função do subwoofer é de receber sinais da cadeia de amplificação e, quando necessário, dividir o sinal em baixos profundos e frequências mais altas, enviando estas últimas para as colunas satélite. As entradas dos canais esquerdo e direito podem, se necessário, ser combinadas numa saída mono de baixo profundo para o subwoofer.

O subwoofer possui entradas e saídas para sinais de nível de linha através de fichas RCA e sinais de nível de coluna através de bornes de 4mm localizados no painel posterior, oferecendo uma escolha flexível de métodos de ligação. No entanto, não deverá utilizar uma mistura de sinais de nível de linha e de coluna na mesma instalação. Se poder escolher entre os dois tipos de sinal, escolha o de nível de linha.

Utilize a tabela seguinte para escolher a forma de ligação correcta do seu sistema.

Aplicação: Home Theatre:- Equipamento:

- Decodificador com amplificadores de potência separados:
 - a Com saída de subwoofer: Ligações fig. 3
 - b Sem saída de subwoofer: Ligações fig. 4
- Decodificador com amplificadores de potência integrados:
 - a Com saída de subwoofer: Ligações fig. 5
 - b Sem saída de subwoofer: Ligações fig. 6

Áudio Estéreo:- Equipamento:

- Amplificador de potência e pré-amplificador separados:
 - a Um ou mais subwoofers com saída combinada num único sinal mono: Ligações fig. 7
 - b Dois subwoofers com sinais independentes esquerdo e direito: Ligações fig. 8
- Amplificador integrado:
 - a Um ou mais subwoofers com saída combinada num único sinal mono: Ligações fig. 9
 - b Dois subwoofers com sinais independentes esquerdo e direito: Ligações fig. 10

Utilização de mais de um subwoofer

A montagem de vários subwoofers pode melhorar o desempenho da seguinte forma:

- Mantém a separação entre canais nas frequências mais baixas.
- Melhor desempenho em salas de maiores dimensões
- Possibilita um maior nível saída – especialmente para efeitos especiais em sistemas Home Theatre.
- Suaviza os efeitos das ressonâncias de baixa frequência da sala

Se utilizar dois subwoofers para áudio estéreo, a separação entre canais será melhorada se cada um dos canais possuir o seu próprio subwoofer, desde que cada um seja colocado junto à coluna satélite do respectivo canal.

Se os subwoofers não poderem ser colocados de forma ideal, ou se utilizar um subwoofer ligado à saída própria de um decodificador, ligue o segundo subwoofer a partir do primeiro. Se utilizar um decodificador, utilize apenas um canal de entrada. Para áudio de dois canais, devem ser utilizados ambos os canais de entrada.

Confirme as ligações

Antes de apreciar a qualidade de som da sua nova instalação e de efectuar o respectivo ajuste fino, volte a verificar as ligações. Os utilizadores queixam-se muitas vezes de não conseguirem obter um som de qualidade decente quando ajustam os controlos, e a causa está normalmente em ligações erradas. Assegure-se que:

- As ligações estão em fase – não devem existir ligações do positivo com o negativo (isto aplica-se às interligações com sinais de nível de coluna). Se alguma ligação estiver fora de fase poderá obter um som indefinido com uma imagem imprecisa e flutuante, um enfraquecimento dos baixos, ou uma combinação de ambas as situações.
- Não devem existir trocas do canal esquerdo com o direito – isso pode resultar, por exemplo, numa disposição incorrecta da orquestra ou, pior ainda, o som do seu sistema de audição doméstico é proveniente do lado oposto do ecrã àquela em que decorre a acção.

Ligar e desligar

Recomendamos que ligue o subwoofer antes de qualquer amplificador que receba sinais deste equipamento. De forma idêntica, quando desligar, desligue o subwoofer em último lugar.

Em primeiro lugar ligue o subwoofer, o amplificador fica em modo de repouso e a lâmpada imediatamente acima do interruptor de ligação (on/auto/off) ilumina-se de cor vermelha. Quando é detectado um sinal de entrada, o amplificador fica automaticamente activo e a mesma lâmpada passa a verde.

Após um período de 5 minutos sem qualquer sinal de entrada, o amplificador volta automaticamente ao modo de repouso.

Ajuste dos controlos do subwoofer

Existem três controlos a considerar:

- Frequência do filtro Passa-Baixo (LOW-PASS)
- Controlo de VOLUME
- Comutador de Fase (PHASE)

A posição óptima dos ajustes depende do restante equipamento utilizado com o subwoofer. Se usar mais de um subwoofer, assegure-se que a posição dos controlos de ambos é idêntica.

Utilização com dispositivos de controlo THX™ (incluindo dispositivos de controlo THX em modo não THX)

O ASW™2000 não é um equipamento com certificação THX, mas se desejar pode ser utilizado com um controlador THX.

- Ajuste o controlo de frequência do filtro Passa-Baixo para o máximo.
- Coloque o controlo de volume na posição intermédia (esta é uma posição normalizada de pré-ajuste THX).
- Coloque o comutador de fase inicialmente na posição de 0°, em seguida consulte a secção de ajuste fino.

Assegure-se que a função de subwoofer do dispositivo de controlo THX está activada. Quando isso acontece ele inclui todos os ajustes de nível e fillragem necessários ao subwoofer em todos os modos de funcionamento. Para calibração de nível, devem ser utilizados os controlos internos de ganho do canal e do sinal de teste do dispositivo de controlo THX. Em todos os casos os níveis devem ser ajustados de forma a obter 75 dB nps (ponderação-C) na posição de audição, com o sinal interno de ruído de teste. Consulte o manual do seu dispositivo de controlo para mais detalhes sobre o ajuste dos níveis. Existem aparelhos económicos de medida de nível de pressão sonora (nps) nas lojas de componentes electrónicos que devem ser utilizados para calibrar estes níveis.

Utilização com outros descodificadores Home Theatre

- Se o descodificador possui uma saída própria para subwoofer e um filtro interno passa-baixos para o subwoofer com uma pendente de 2ª ordem (12 dB/oitava) ou superior, ajuste a frequência do filtro passa-baixo para o máximo, de outra forma coloque-o inicialmente na posição 80 Hz.
- Coloque inicialmente o controlo de volume na posição intermédia (12 horas), em seguida siga as instruções de ajuste fino.
- Coloque o comutador de fase inicialmente na posição de 0º, em seguida consulte a secção de ajuste fino.

Utilização em estéreo

- Coloque inicialmente o ajuste do filtro Passa-Baixo em 80 Hz e em seguida consulte a secção de ajuste fino.
- Coloque inicialmente o controlo de Volume na posição intermédia (12 horas), em seguida veja a secção de ajuste fino.
- Coloque o comutador de Fase inicialmente em 0º, em seguida consulte a secção de ajuste fino.

Ajuste fino do sistema

A posição óptima do comutador de Fase e do controlo de frequência do filtro Passa-Baixo está relacionada e depende também da característica de corte das colunas satélite e da posição relativa das colunas no espaço de audição.

Coloque o sistema na posição preferida e utilize alguma música com conteúdo uniforme de baixos. A posição óptima da frequência de corte do filtro passa-baixos depende de algumas variáveis – o desempenho de baixos e potência de dissipação das colunas satélite, o número de subwoofers usados e a respectiva colocação em relação aos satélite. A gama de 80-90 Hz será um bom ponto de início para a frequência de corte do filtro Passa-Baixo. A não ser que utilize dois subwoofers para manter a separação entre canais e estes estejam colocados junto às colunas satélite, a utilização de uma frequência de corte mais elevada pode comprometer a imagem estéreo e apenas deve ser considerada no caso da resposta de baixos das colunas satélite ser particularmente limitada.

Para cada ajuste da frequência de corte, escute o som com o comutador de fase em ambas as posições. A posição correcta é aquela que fornece mais baixos e que depende do desempenho de baixos das colunas satélite e da distância relativa do(s) subwoofer(s) e colunas satélite ao ouvinte. Quando utilizar mais de um subwoofer, assegure-se que cada um possui os mesmos ajustes de fase e frequência de corte.

Se em qualquer altura efectuar alterações ao sistema de amplificação, como por exemplo alterar as ligações no subwoofer de nível de coluna para nível de linha, vale a pena verificar novamente a posição do comutador de fase, uma vez que as características do filtro passa-alto do subwoofer são diferentes para a ligação de nível de linha e de nível de coluna.

Ajuste o ganho do subwoofer em relação aos satélites de acordo com o seu gosto. Utilize uma grande variedade de músicas para poder obter um ajuste médio, pois um som que pode impressionar em determinada peça pode exceder o limite numa outra. Faça o seu ajuste com os níveis de som habituais pois a percepção de equilíbrio varia com o nível de som.

Se tiver problemas de desequilíbrio na reprodução de baixos – com algumas notas baixas exageradas em relação a outras – isto quer dizer que terá provavelmente um problema de interacção com a própria sala de audição, que poderá em princípio ser resolvido alterando a posição do subwoofer. Aquilo que poderá parecer uma pequena alteração de posição – cerca de 15cm – poderá produzir um profundo efeito no som. Experimente levantar o subwoofer do chão assim como a deslocação lateral do mesmo. A utilização de vários subwoofers pode suavizar o efeito das ressonâncias da sala uma vez que cada subwoofer tem tendência para excitar ressonâncias a frequências diferentes. Se alterar de forma apreciável as distâncias relativas do(s) subwoofer(s) e colunas satélite ao ouvinte, controle novamente a posição do comutador de fase. Deverá também verificar o ajuste de nível do subwoofer (utilizando tanto o controlo de nível de saída do descodificador ou o controlo de volume do amplificador do subwoofer), mas apenas após escolher a posição correcta do comutador de fase.

Cuidados com o subwoofer

A caixa do subwoofer pode ser limpa apenas com um pano seco. Se preferir utilizar um produto de polimento em spray, deverá pulverizar sobre o pano e depois aplicar (nunca pulverizar directamente sobre o equipamento). Remova cuidadosamente a grelha afastando-a da caixa e limpe-a com uma escova macia.

Não utilize o subwoofer como mesa. Os objectos colocados sobre ele chocam e deterioram a qualidade de som. Os líquidos são particularmente perigosos (por exemplo bebidas ou vasos de flores), deve pois conservá-los o mais possível afastados do equipamento.

Se o seu sistema não for utilizado por um longo período de tempo, desligue o subwoofer da alimentação.



Avvertenze:

Per evitare incendi o folgorazioni non esporre l'apparecchiatura a pioggia o umidità

Rispettare tutte le avvertenze sulle apparecchiature stesse. Per evitare scosse non aprire il cabinet né rimuovere l'amplificatore dal pannello posteriore. Non contiene parti che l'utente possa utilizzare. Per qualsiasi domanda rivolgersi al rivenditore autorizzato B&W.

Per evitare folgorazioni, non utilizzare questa spina di corrente (polarizzata) con una prolunga o altro a meno che le lamelle non siano accuratamente inserite per evitare l'esposizione della lamella stessa.

Controllare che il voltaggio dell'amplificatore sia quello della rete.

Sostituire il fusibile della rete solo con lo stesso tipo e la stessa potenza come indicato sull'etichetta di voltaggio posta vicino alla spina d'ingresso della rete.

Togliete l'alimentazione e rimuovete il cavo portante dall'amplificatore prima di cambiare il fusibile.

Questa apparecchiatura richiede la messa a terra.

Per garantire un raffreddamento adeguato dell'amplificatore, fate funzionare l'amplificatore solo con le alette dissipatrici di calore allineate verticalmente e non ostruite i fori di ventilazione.

Non infilate oggetti attraverso i fori di ventilazione.

Il subwoofer è pesante ed ingombrante e dovrebbe essere spostato o sollevato da almeno due persone.

Controllate che non ci siano cavi sotto il tappeto che potrebbero venire danneggiati dalle punte.

Non spostate il sistema con le punte applicate perché i piedini conici potrebbero staccarsi dal cabinet e danneggiarlo.

Fate attenzione a non trapassarvi i piedi con le punte.

Introduzione

Grazie per avere acquistato il Subwoofer attivo ASW2000 B&W.

Fin dalla sua fondazione nel 1966, la costante filosofia di B&W è stata quella di ricercare una perfetta riproduzione del suono. Questa ricerca, ispirata dal fondatore della società, John Bowers, ha comportato non solo un elevato investimento in tecnologia audio ed innovazioni, ma ha anche significato una costante rivalutazione della musica e della qualità sonora nei film per garantire il massimo rendimento della tecnologia stessa.

L'ASW2000 è stato progettato per installazioni home theatre e per aumentare la risposta alle basse frequenze dei diffusori 'full range' nell'uso audio stereo. L'aggiunta del subwoofer al vostro sistema non solo estende le basse frequenze a ottave inferiori, ma migliora la purezza della gamma media riducendo le richieste di basse frequenze ai vostri attuali diffusori.

Il subwoofer è schermato magneticamente per un utilizzo in prossimità di schermo televisivo.

Vi preghiamo di leggere attentamente questo manuale prima di usare il subwoofer. Tutte le installazioni audio richiedono alcune prove al fine di utilizzare in maniera ottimale i prodotti e questo manuale vi guiderà in questo procedimento.

Appena collegato il subwoofer alla rete di alimentazione è importante conoscere le istruzioni di sicurezza e seguire le avvertenze.

Conservate questo manuale in un posto sicuro per successive consultazioni.

I diffusori B&W sono distribuiti in più di 50 paesi in tutto il mondo con una rete internazionale di distributori esclusivi accuratamente selezionati. Se avete un problema che il vostro rivenditore non può risolvere, i nostri distributori saranno lieti di assistervi.

Sballaggio (figura 1)

Il modo migliore per sballare il Subwoofer evitando di causare danni è il seguente:

Aprirete totalmente i lembi della scatola e capovolgete il cartone e il suo contenuto

Sollevate il cartone togliendolo dal prodotto.

Vi raccomandiamo di conservare l'imballo per un successivo utilizzo.

Oltre a questo manuale l'imballo dovrebbe contenere:

- 1 subwoofer
- 1 pacchetto di accessori contenente:
- 4 piedini in gomma autoadesivi
- 4 punte con dadi di fissaggio

Uno sguardo al subwoofer (figura 2)

- 1 Dissipatore di calore
- 2 Connettori LIVELLO LINEA
- 3 Connettori LIVELLO ALTOPARLANTE
- 4 Controllo frequenza filtro PASSA-BASSO
- 5 Controllo VOLUME
- 6 Interruttore di FASE
- 7 Interruttore d'ACCENSIONE
- 8 Cordone di alimentazione
- 9 Alloggiamento per fusibile
- 10 Targhetta voltaggio dichiarato
- 11 Spia alimentazione/standby
- 12 Alloggiamento trasformatore toroidale di alimentazione.

Posizionamento del subwoofer

Poiché il subwoofer riproduce solo note molto basse, il posizionamento è in qualche modo meno impegnativo di quello dei diffusori a gamma estesa. La direzionalità dell'informazione musicale è molto meno precisa e voi avete maggiore scelta sul posizionamento dei diffusori per ottenere il miglior effetto. Detto questo, i risultati migliori si ottengono se il subwoofer viene collocato fra i diffusori satellite o in prossimità di uno di essi. Se utilizzate due subwoofer è meglio collocarne uno vicino ad ogni diffusore satellite.

Il subwoofer collocato dietro agli ascoltatori, anche in installazioni con suono surround, generalmente crea un'immagine inferiore, tuttavia può risultare un compromesso accettabile nel caso fosse dettato da considerazioni domestiche.

Così come con tutti i diffusori, la vicinanza con le pareti della stanza condiziona il suono. Generalmente i bassi aumentano quando più superfici sono molto vicine ai diffusori. Tuttavia, a differenza dei diffusori a gamma estesa, potete sempre ricreare il corretto bilanciamento di tutto il sistema modificando il livello di volume del subwoofer. Più la stanza tende ad amplificare le basse frequenze, meno il subwoofer deve lavorare. Ma c'è un inconveniente. Le posizioni d'angolo stimolano maggiori risonanze a bassa frequenza nella stanza rendendo il basso più irregolare. Non c'è alcuna alternativa alla sperimentazione in quanto ogni stanza si comporta diversamente, pertanto provate il subwoofer in varie posizioni prima di prendere la decisione finale. Un brano musicale con una scala di bassi ascendente e discendente è utile per determinare la linearità della risposta alle basse frequenze. Ascoltate gli estremi della gamma dei bassi. La presenza di un subwoofer separato vi consente di ottimizzare le risonanze sonore della stanza indipendentemente dalla collocazione dei diffusori satellite per un'immagine ottimale.

Se il subwoofer deve essere utilizzato in uno spazio angusto (per esempio in un mobile apposito), lo spazio deve essere ventilato per consentire una sufficiente circolazione d'aria per raffreddare l'unità. Chiedete consiglio al vostro rivenditore.

Se il subwoofer deve essere collocato su una moquette, avvitate le punte sui piedini conici. Le punte trapassano la trama del tappeto fornendo un solido sostegno direttamente sulla superficie del pavimento senza rompere la trama. Quando sistemate le punte, avvitate prima completamente i dadi alle punte, poi avvitate le punte saldamente ai piedini conici. Se l'unità oscilla allentate le due punte opposte che sporgono fino a che il sostegno è stabile poi riavvitate i dadi ai piedini conici. Se l'unità deve essere collocata su una superficie delicata sistemate i quattro cuscinetti in gomma al posto delle punte.

Collegamenti elettrici

Scollegate tutto l'impianto audio dalla rete di alimentazione fino a che i collegamenti di segnale sono stati effettuati e controllati. Ciò evita il rischio di danni mentre i collegamenti vengono effettuati o che questi possano essere interrotti.

La funzione del subwoofer è quella di ricevere segnali dalla catena di amplificazione e, dove necessario, suddividere il segnale in frequenze più basse e frequenze più alte ed inviare queste ultime ai diffusori satellite. Gli ingressi del canale destro e sinistro possono essere uniti in un unico segnale mono alle bassissime frequenze e inviato all'unità subwoofer se necessario.

I preamplificatori THX ed alcuni decoder per home theater hanno incorporati i propri circuiti di filtro e i filtri del subwoofer possono essere bypassati se richiesto.

Il subwoofer può ricevere ed inviare sia segnali di livello linea attraverso le prese RCA Phono che segnali di livello altoparlanti attraverso morsetti da 4 mm collocati sul pannello posteriore offrendo così una flessibilità di metodi di collegamento. Tuttavia, non dovete combinare collegamenti di livello linea e livello altoparlante nella stessa installazione. Se potete scegliere fra un collegamento di livello linea e uno di livello altoparlante, preferite il livello linea.

Utilizzate questa tabella per selezionare il metodo corretto di collegamento per il vostro impianto:

Applicazione:

Home theater:- Impianto

- Decoder con amplificatore separato:
 - a Con uscita subwoofer Collegamenti: fig. 3
 - b Senza uscita subwoofer: Collegamenti: fig. 4
- Decoder con amplificatore integrato:
 - a Con uscita subwoofer: Collegamenti: fig. 5
 - b Senza uscita subwoofer: Collegamenti: fig. 6

Stereo Audio:- Impianto

- Preamplificatore e finale di potenza separato:
 - a Uno o più subwoofer con uscita combinata in un unico segnale mono: Collegamenti: fig. 7
 - b Due subwoofer con segnali separati destro e sinistro Collegamenti: fig. 8
- Preamplificatore e finale di potenza integrato:
 - a Uno o più subwoofer con uscita combinata in un unico segnale mono Collegamenti: fig. 9
 - b Due subwoofer con segnali separati destro e sinistro Collegamenti: fig. 10

Istallazioni con piu' subwoofer

- Utilizzare più di un'unità in un'installazione può migliorare le prestazioni nei seguenti modi:
- Mantenere la separazione stereo alle frequenze più basse.
- Adattarsi a stanze d'ascolto di dimensioni più vaste.
- Consentire un elevato livello sonoro di uscita spesso indispensabile per riprodurre in modo efficace gli effetti speciali nelle applicazioni home theater. Attenuare gli effetti delle risonanze della stanza alle basse frequenze

Se usate due subwoofer in un impianto stereo, la separazione stereo migliora se ogni canale ha il suo subwoofer purchè ognuno sia collocato vicino al diffusore satellite principale.

Se i diffusori non sono collocati in modo ideale, o state utilizzando un'uscita dedicata per il subwoofer da un decoder, collegate il secondo subwoofer al primo. Se avete un decoder utilizzate solo un canale d'ingresso. Per un impianto audio a due canali dovrebbero essere utilizzati entrambi i canali d'ingresso.

Controllate accuratamente i collegamenti

Prima di ascoltare la qualità sonora della vostra nuova installazione e di metterla a punto controllate accuratamente i collegamenti. Troppo spesso gli utenti si lamentano di non riuscire ad ottenere un suono decente nonostante regolino i controlli per poi scoprire che qualche collegamento è stato effettuato male. Assicuratevi che:

- La fase sia corretta – non ci dovrebbero essere collegamenti da positivo a negativo (questo solamente per le interconnessioni a livello altoparlanti). Se qualcosa è fuori fase potete notare un suono confuso con un'immagine imprecisa e fluttuante, una mancanza di basse frequenze o una combinazione delle due.
- Il canale destro e quello sinistro non siano invertiti – Questo può produrre come risultato, per esempio, che l'orchestra si trovi nella posizione opposta o, ancor peggio, che i suoni nel vostro sistema home theater vadano nella direzione opposta all'azione sullo schermo.

Accensione e spegnimento

Vi raccomandiamo di accendere il subwoofer prima che qualsiasi amplificatore di potenza riceva segnali dal subwoofer. Allo stesso modo quando lo spegnete disinserite il subwoofer per ultimo.

Alla prima accensione del subwoofer l'amplificatore entra in modo standby e la spia sopra l'interruttore diventa gialla. Quando viene identificato un segnale d'ingresso, l'amplificatore automaticamente diventa attivo e la spia si illumina di verde.

Dopo circa cinque minuti, in assenza di segnale d'ingresso, l'amplificatore automaticamente ritorna in standby.

Regolazione dei controlli sul subwoofer

Ci sono tre controlli da prendere in considerazione:

- Frequenza di filtro PASSA/BASSO
- Controllo VOLUME
- Di FASE

Le regolazioni ottimali dipendono dall'altra apparecchiatura usata con il subwoofer. se utilizzate più di un subwoofer, assicuratevi che i controlli su entrambi siano uguali.

Utilizzo con unità di controllo THX (comprese le unità di controllo THX posizionate in modo non-THX)

L'ASW2000 non è un componente con qualifica THX, ma può essere utilizzato con un preamplificatore THX se si vuole.

- Ponete il filtro PASSA-BASSO al massimo.
- Spostate il controllo Volume in posizione media (ore 12) (questo è un livello preselezionato standard THX).
- Spostate l'interruttore Fase inizialmente su 0° poi consultate il paragrafo successivo sulla perfetta messa a punto.

Assicuratevi che la funzione subwoofer sull'unità di controllo THX sia abilitata. In questa configurazione tutti i filtri e le regolazioni di livello necessarie al subwoofer in tutti i modi risultano inseriti. Per la calibrazione di livello, il test di rumore interno e i controlli di livello di canali dovrebbero essere usati. In tutti i casi i livelli dovrebbero essere regolati in modo tale da ottenere 75 dB di pressione sonora (pesato C) nella posizione d'ascolto dal segnale test di rumore interno dell'unità di controllo. Fate riferimento al manuale della vostra unità per maggiori dettagli come ad esempio la regolazione dei livelli. Misuratori di livello sonoro poco costosi sono facilmente reperibili presso i negozi di elettronica e dovrebbero essere usati per regolare accuratamente i livelli.

Utilizzo con altri decoder home theater

- Se il decoder ha un'uscita dedicata per il subwoofer e un filtro interno passa-basso per il subwoofer che ha una pendenza del 12 dB/ottava o maggiore, ponete l'interruttore mode in posizione THX. Diversamente posizionatelo su AUDIO.
- Spostate il controllo volume inizialmente in posizione centrale (ore 12) poi considerate la sezione successiva sulla messa a punto.
- Posizionate il commutatore di fase inizialmente a 0°, poi leggete la sezione successiva sulla messa a punto.

Utilizzo impianto stereo

- Ponete inizialmente il filtro passa-basso a 80Hz poi consultate la sezione successiva sulla messa a punto.
- Mettete il controllo volume inizialmente in posizione centrale (ore 12) , poi consultate la sezione successiva sulla messa a punto.
- Mettete l'interruttore di fase inizialmente a 0°, poi consultate la sezione successiva sulla messa a punto.

Suggerimenti per una perfetta messa a punto

Le regolazioni ottimali del commutatore di fase e della frequenza del filtro PASSA/BASSO sono correlate e dipendono anche dalla caratteristica di taglio alle basse frequenze dei diffusori satellite e dalle relative posizioni di tutti i diffusori dell'impianto.

Anche in un'installazione THX, dove le caratteristiche dei componenti separati sono accuratamente specificate, il modo in cui le uscite del subwoofer e dei diffusori anteriori si combinano può essere compromesso se non sono approssimativamente tutti alla stessa distanza dagli ascoltatori. Poiché la differenza tra la distanza dell'ascoltatore dal subwoofer e la distanza dello stesso dal diffusore anteriore diventa un multiplo approssimato della metà della lunghezza d'onda alla frequenza di crossover, l'uscita del subwoofer tenderà ad essere fuori fase ed eliminerà quella frequenza dai diffusori anteriori, sopra un'ampiezza di banda di una o due ottave. Alla frequenza di crossover THX di 80Hz. La lunghezza d'onda è di 4,26 m e se la differenza della distanza è tra 1/4 e 3/4 della lunghezza d'onda (1,1m - 3,2 m) le uscite tenderanno ad eliminarsi in quella parte della frequenza di crossover. Questo può essere corretto spostando l'interruttore di fase su 180°.

Ciò troverà conferma con l'ascolto di un brano musicale con un ricco contenuto di basse frequenze. Il corretto posizionamento del commutatore di fase produrrà un suono più corposo.

Collocate il sistema nella posizione preferita ed ascoltate alcuni brani con un ricco contenuto di basse frequenze. La regolazione ottimale della frequenza di taglio passa-basso dipende da diverse variabili – la risposta ai bassi e la potenza di pilotaggio dei diffusori satellite, il numero dei subwoofer utilizzati e la loro posizione rispetto ai diffusori. La gamma degli 80-90Hz è un buon punto di partenza per il filtro passa-basso. A meno che non vengano utilizzati due subwoofer per garantire un'informazione musicale separata nei canali destro e sinistro, e questi sono collocati vicino ai diffusori principali, l'utilizzo di una frequenza di taglio più alta può alterare l'immagine stereo e dovrebbe essere presa in considerazione solo nel caso in cui la risposta sui bassi dei diffusori satellite fosse particolarmente limitata.

Ad ogni regolazione della frequenza di taglio ascoltate con il commutatore di fase in entrambe le posizioni. Quella corretta vi darà il basso più corposo e questo dipenderà dalle caratteristiche di risposta alle basse frequenze dei vostri diffusori satellite e dalle relative distanze del/dei subwoofer e dei satelliti dall'ascoltatore. Quando utilizzate più di un subwoofer, assicuratevi che ognuno di essi abbia i commutatori di fase e di frequenza di taglio nella stessa posizione.

Se in un qualsiasi momento fate dei cambiamenti all'amplificazione dell'impianto come i collegamenti da livello altoparlanti a livello linea al subwoofer, è consigliabile controllare ancora la commutazione di fase dato che le caratteristiche di fase del filtro passa-alto sono differenti tra il livello altoparlanti e il livello linea del subwoofer.

Regolate il loudness del subwoofer rispetto ai diffusori satellite a vostro piacimento. Usate un'ampia varietà di brani per trovare una regolazione ottimale. Se un pezzo musicale ad un livello di regolazione ha un suono eccezionale, un altro brano allo stesso livello di loudness può risultare eccessivamente potente. Ascoltate a livelli realistici poiché la percezione del bilanciamento varia in funzione del livello sonoro.

Se avete problemi di bassi eccessivi – se alcune note basse sono esuberanti più di altre, probabilmente avete problemi di interfaccia con l'ambiente d'ascolto ed è consigliabile intervenire sul posizionamento del subwoofer. Quelli che possono sembrare piccoli spostamenti circa 15cm – possono avere effetti molto rilevanti sul suono. Provate ad alzare dal pavimento il subwoofer spostandolo anche dai lati. L'utilizzo di più subwoofer può attenuare gli effetti delle risonanze della stanza poiché ogni subwoofer tenderà a stimolare risonanze a frequenze diverse. Se modificate in modo considerevole le distanze relative fra i subwoofer e i diffusori satellite e gli ascoltatori, ridefinite la regolazione della fase. Dovreste anche verificare il livello del subwoofer (utilizzando sia i livelli di uscita del decoder, sia il controllo volume sull'amplificatore del subwoofer in maniera adeguata) ma solo dopo aver regolato correttamente la fase.

Manutenzione del subwoofer

Il cabinet del subwoofer potrebbe essere pulito spolverandolo con un panno asciutto. Se desiderate utilizzare un prodotto spray per la pulizia, non spruzzatelo direttamente sul cabinet, ma sul panno. Rimuovete prima la griglia in modo tale che il tessuto non si macchi, facendo attenzione a non arrecare danno all'unità altoparlante. La griglia stessa può essere pulita usando una spazzola morbida.

Non usate il subwoofer come un tavolo. Quando è in funzione gli oggetti lasciati sul piano superiore tendono a vibrare. In particolare, evitate il rischio che liquidi vengano versati (ad esempio bevande o vasi di fiori).

Se il sistema non viene usato per parecchio tempo, scollegate il subwoofer dalla rete di alimentazione.

Waarschuwingen:

Om brand- en schokgevaar te voorkomen mag u dit apparaat niet blootstellen aan regen of vocht.

Volg de waarschuwingen die op het apparaat staan altijd op. Voorkom een elektrische schok: open daarom de behuizing niet en haal ook de versterker niet van het achterpaneel. Onderdelen kunnen niet door de gebruiker worden gerepareerd. Reparatie en onderhoud mag uitsluitend gebeuren door een gekwalificeerde B&W-dealer.

V voorkom een elektrische schok: gebruik de netspanningskabel uitsluitend met kontaktdozen of verlengkabels die de pennen van de netstekker volledig afdekken.

Overtuig u ervan of de netspanning van het apparaat overeenkomt met die van het lichtnet.

Vervang de zekering uitsluitend door een van hetzelfde type en waarde zoals is meegeleverd.

Het apparaat is dubbelgesoleerd en moet zonder randaarde worden gebruikt.

Voor een optimale koeling van de versterker moeten de koelribben altijd vertikaal staan.

De sublaagluidspreker is zwaar en groot en moet u dan ook verplaatsen met tenminste twee personen.

Kontroleer of er geen kabels onder het tapijt liggen die kunnen worden beschadigd door de 'spikes'.

Verplaats de behuizing niet door hem van de ene 'spike'-punt naar de andere te kantelen: hierdoor kunnen deze losbreken van de behuizing en schade veroorzaken.

Haal uw eigen voeten onder de 'spikes' weg voor u de behuizing neerzet.

Inleiding

Van harte gefeliciteerd met de aanschaf van uw B&W ASW2000 Aktieve sublaagluidspreker!

Vanaf het allereerste begin in 1966 heeft B&W altijd gezocht naar de 'perfekte geluidswaergave'. Deze zoektocht heeft niet alleen geleid tot hoge investeringen in audiotecnologie en -innovaties, maar (genspireerd door de inmiddels overleden oprichter John Bowers) ook in een permanente waardering voor muziek: dit garandeert namelijk dat al die technologie maximaal en op de juiste manier wordt gebruikt.

De ASW2000 is ontworpen voor gebruik in Home Cinema systemen en om het laag van stereosystemen te versterken. Maar de ASW2000 doet veel meer dan alleen de laagweergave van uw audiosysteem uitbreiden. Doordat de gewone luidsprekers in het laag nu veel minder belast worden, verbeterd ook de weergave van het erg belangrijke middengebiet.

De sublaagluidspreker is magnetisch afgeschermd en kan dichtbij een beeldscherm worden gebruikt.

Echter: hoe goed de luidspreker op zich ook is, hij moet goed werken in de luisterruimte. De tijd die u daarom spendeert aan een zo goed mogelijke plaatsing zal uiteindelijk resulteren in vele uren luisterplezier.

Lees daarom deze gebruiksaanwijzing helemaal door, de informatie helpt u de weergavekwaliteit van uw audiosysteem te optimaliseren.

Omdat de actieve luidspreker direct is verbonden met het lichtnet is het belangrijk dat u de veiligheidsinstructies en waarschuwingen goed leest en ook opvolgt.

Bewaar deze gebruiksaanwijzing op een veilige plaats als referentie voor later.

B&W luidsprekers worden verkocht in meer dan 50 landen over de hele wereld. B&W heeft een internationaal netwerk van zorgvuldig uitgezochte importeurs die u de beste service zullen geven. Als u op een bepaald moment problemen heeft die uw leverancier niet kan oplossen, kan de importeur u altijd verder helpen.

Uitpakken (figure 1)

Het eenvoudigste is om eerst de doosflappen geheel terug te vouwen, dan de doos om te keren, waarna u alleen de doos voorzichtig omhoog trekt. De luidspreker blijft dan op zijn plaats staan.

Verwijder het verpakkingsmateriaal van de luidspreker.

We adviseren u om het verpakkingsmateriaal te bewaren. Wanneer u eventueel in de toekomst de luidsprekers moet vervoeren, komt de originele verpakking van pas.

Naast deze gebruiksaanwijzing bevat de doos:

- 1 sublaagluidspreker
- 1 accessoirepakket met:
- 4 'spikes' en klemmoeren
- 4 zelfklevende rubber voetjes

Een rondleiding langs de ASW2000 (figuur 2)

- 1 Koelribben
- 2 Aansluitingen voor lijnniveau
- 3 Aansluitingen voor luidsprekerniveau
- 4 Frequentieregelaar voor laagfilter
- 5 Volumeregelaar
- 6 Polariteitschakelaar (0/180)
- 7 Aan/auto/uit-schakelaar
- 8 Netspanningskabel
- 9 Plaatje met de te gebruiken lichtnetspanning
- 10 Zekeringhouder
- 11 Netspanning-/standby-indicatie
- 12 Behuizing voor ringkern-lichtnettrafo.

Plaatsen van de ASW2000

De sublaagluidspreker geeft uitsluitend zeer lage frequenties weer, daarom is de plaatsing minder belangrijk dan bij normale luidsprekers. De richtingsinformatie is veel minder nauwkeurig zodat u meer keuzemogelijkheden heeft met betrekking tot de plaatsing van de sublaagluidspreker.

Maar voor de beste resultaten adviseren we de ASW2000 tussen de linker en rechter vrluidspreker te plaatsen of tenminste dicht bij n van de twee. Gebruikt u twee ASW2000's dan zet u elk zo dicht mogelijk bij een vrluidspreker.

Een sublaagluidspreker achter de luisteraars geeft zelfs in surround systemen meestal een slecht geluidsbeeld. Het kan echter een noodzakelijk compromis zijn in het kader van 'huiselijke omstandigheden' (als u begrijpt wat we bedoelen).

Zoals bij alle luidsprekers heeft de plaatsing ten opzichte van een muur effect op de weergave. Hoe meer vlakken in de onmiddellijke omgeving van de luidspreker, hoe krachtiger het laag. In tegenstelling tot gewone full-range luidsprekers kunt u bij de sublaagluidspreker altijd weer de juiste totaalklankbalans vinden door het volume van de sublaagluidspreker bij te regelen.

Hoe meer de ruimte dus versterkt, hoe minder de sub hoeft te werken: er is echter een minpuntje. Bij plaatsing helemaal in een hoek zullen er meer resonantiefrequenties van de ruimte worden geactiveerd en zal de laagweergave onregelmatiger worden.

Omdat elke ruimte anders reageert is de enige manier om veel te experimenteren met de sublaagluidspreker in verschillende posities voordat u de definitieve kiest. Hierbij is het handig om een stuk muziek te hebben met een duidelijk basloopje van laag naar hoog of omgekeerd: zo is te controleren of de laagweergave strak is door te luisteren naar noten die overdreven hard en/of zacht klinken.

Met een sublaagluidspreker is het echter wel veel eenvoudiger om de ruimteresnanties onder controle te krijgen, terwijl u tegelijkertijd de hoofdluidsprekers op hun – voor het totaal geluidsbeeld – beste plaats neer kunt zetten.

Wilt u de ASW2000 in een kleine ruimte inbouwen, zoals bijvoorbeeld in handgemaakte meubels, zorg dan wel voor een goede ventilatie en koeling voor de ingebouwde eindversterker. Twijfelt u over de ventilatie, vraag dan advies aan uw leverancier.

De ASW2000 wordt geleverd met vier 'spikes'. Deze prikken door het tapijt en rusten op de vloer eronder. Draai eerst de klemmoeren helemaal op de spikes en draai dan de spikes geheel in de luidsprekeronderkant. Staat de behuizing niet stabiel, draai dan de twee spikes die de vloer niet raken naar buiten totdat de behuizing stevig staat. Fixeer dan alle spikes door de klemmoeren tegen de behuizing vast te draaien.

Heeft u geen tapijt en wilt u krassen op de vloer voorkomen, gebruik dan een beschermplaatje tussen vloer en spikes of gebruik in plaats van de spikes de rubber voetjes.

Een andere en betere mogelijkheid is om zogenaamde 'pucks' (bijvoorbeeld van Transrotor) te gebruiken. Deze voorkomen zowel koppeling van luidsprekertrillingen met de vloer als beschadiging van de behuizing.

Aansluiten

Overtuig u er eerst van dat de ASW2000 en alle andere apparaten van het systeem niet meer met het lichtnet zijn verbonden. Hierdoor bent u er zeker van dat er tijdens het loshalen en vastmaken van kabels geen enkele schade kan ontstaan.

De functie van een sublaaguidspreker is om signalen van de versterker(keten) te splitsen in een sublaag- en een restsignaal. Dit laatste wordt dan doorgestuurd naar de satellietluidsprekers. De linker en rechter ingangskanalen kunnen desnoods worden gemengd naar een mono laagsignaal voor de subluidspreker.

De sublaaguidspreker heeft in- en uitgangen met zowel LINE LEVEL-aansluitingen (tulp) als SPEAKERS-aansluitingen (4 mm banaanklem) op het achterpaneel: dit biedt zeer flexibele aansluitmogelijkheden. U kunt echter niet tegelijkertijd zowel de LINE LEVEL als de SPEAKERS-aansluitingen gebruiken. Gebruik bij voorkeur de LINE LEVEL aansluitingen.

Onderstaande tabel toont de juiste aansluitmethode voor uw installatie:

Toepassing:

Home Theatre:- Apparatuur

- Decoder met aparte eindversterkers:
 - a Met subwoofer-uitgang: Aansluiting: Fig. 3
 - b Zonder subwoofer-uitgang: Aansluiting: fig. 4
- Decoder met ingebouwde eindversterkers:
 - a Met subwoofer-uitgang: Aansluiting: fig. 5
 - b Zonder subwoofer-uitgang: Aansluiting: fig. 6

Application:

Stereo Systeem:- Apparatuur:

- Aparte voor- en eindversterkers:
 - a Een of meer sublaaguidsprekers en uitgang gecombineerd tot mono signaal: Aansluiting: fig. 7
 - b Twee sublaaguidsprekers met gescheiden signaal voor links en rechts: Aansluiting: fig. 8
- Gentegreerde versterker:
 - a Een of meer sublaaguidsprekers en uitgang gecombineerd tot mono signaal: Aansluiting: fig. 9
 - b Twee sublaaguidsprekers met gescheiden signaal voor links en rechts: Aansluiting: fig. 10

Meer dan n sublaaguidspreker gebruiken

- U Meer dan n sub in een systeem kan de weergave op de volgende manieren verbeteren:
- De stereoscheiding blijft optimaal tot de laagste frequenties.
- Grotere luisterruimtes zijn mogelijk.
- Hogere geluidsniveaus zijn mogelijk, vaak noodzakelijk om op de juiste wijze de speciale Home Cinema effecten goed weer te geven. Ruimteresnanties worden minder storend hoorbaar.

Als u twee sublaaguidsprekers gebruikt voor stereoweergave zal de stereoscheiding verbeteren als elk kanaal zijn eigen sub gebruikt die vlak bij de bijbehorende satellietluidspreker staat.

Als de sublaaguidsprekers niet op de beste plaats kunnen worden gebruikt of als u het signaal gebruikt uit de enkele subwoofer-uitgang van de decoder, sluit dan de tweede sublaaguidspreker parallel aan op de eerste. Gebruik bij een decoder slechts n ingang en voor stereogebruik beide ingangen.

Kontroleer alle aansluitingen nogmaals

Voordat u de weergave van uw systeem gaat beluisteren en afregelen moet u nogmaals alle aansluitingen controleren. Het gebeurt namelijk maar al te vaak dat gebruikers klagen dat ze geen behoorlijk geluid krijgen ongeacht de gemaakte instelling om dan te ontdekken dat er iets verkeerd was aangesloten. Controleer dus of:

- De signaalpolariteit klopt: voor de luidsprekeraansluitingen geldt dat de '+' op de '+' moet zijn aangesloten en de '-' op de '-'. Als dit niet goed is, krijgt u een wazig geluid met een onduidelijke stereopositionering of weinig laag of zelfs beide tegelijk.
- De linker en rechter kanalen in het gehele systeem op dezelfde manier zijn aangesloten. In een goed Home Cinema systeem beweegt het geluidsbeeld in dezelfde richting als het beeld op het scherm. Dus als bijvoorbeeld een vliegtuig van links naar rechts vliegt, moet het geluid ook van links naar rechts bewegen. Bij een foutieve aansluiting ergens in het systeem zal het geluid dan precies andersom (van rechts naar links) bewegen.

In - en uitschakelen

We adviseren om rst de ASW2000 in te schakelen (met 7.) en daarna pas de andere versterkers die signalen van de sublaaguidspreker krijgen. Het omgekeerde geldt bij uitschakelen: dan moet de ASW2000 als laatste worden uitgeschakeld.

Na de eerste maal inschakelen zal de versterker in de standby-stand staan: de indicatie (11.) boven de on/auto/off-schakelaar (7.) licht rood op. Zodra een ingangssignaal wordt gedetecteerd, schakelt de versterker automatisch in en zal de indicatie groen oplichten.

Als er langer dan 5 minuten geen ingangssignaal aanwezig is, zal de versterker automatisch weer naar standby schakelen.

Instellen

Er zijn drie 'knoppen':

- De LOW-PASS frequentieregelaar
- De VOLUME regelaar
- De PHASE schakelaar

De optimale instelling van elk is afhankelijk van de andere apparatuur die met de sublaaguidspreker wordt gebruikt.

Als er meer dan n sublaaguidspreker wordt gebruikt moet u van elk de schakelaars in dezelfde stand zetten.

Het gebruik met THX controllers (inclusief THX controllers in de niet-THX-stand)

De ASW2000 is geen THX-gecertificeerd produkt, maar kan desgewenst met een THX controller worden gebruikt.

- Zet de LOW-PASS regelaar op de hoogste frequentie.
- Zet de VOLUME regelaar op 'half' (12 uur stand, dit is een standaard THX niveau).
- Zet de PHASE schakelaar op 0 en lees de volgende paragraaf over Het Fijn Afregelen.

Schakel op de THX controller de subwoofer-functie in. Op deze manier zijn de instellingen voor het filter en volume optimaal om de sublaaguidspreker in alle toepassingen te gebruiken.

Voor het inregelen van de geluidsniveaus moet u het interne testruissignaal en de kanaalinstellingen van de THX controller gebruiken. In alle gevallen moet u met deze testruis voor de luisterpositie een geluidsdruk van 75 dB SPL (C) instellen. In de gebruiksaanwijzing van de controller vindt u informatie over hoe u de verschillende geluidsniveaus moet afstellen. Bij elektronikawinkels zijn betaalbare geluidsdrukmeters te koop die u nodig heeft om de geluidsniveaus in te stellen.

Gebruik met andere Home Cinema decoders

- Als de decoder een aparte subwoofer-uitgang heeft plus een intern laagfilter (van 12 dB/oktaaf of meer), zet dan de LOW-PASS regelaar op de maximum stand. In andere gevallen zet u hem om te beginnen op 80Hz.
- Zet de VOLUME regelaar op 'half' (12 uur) en lees de volgende paragraaf over Het Fijn Afregelen.
- Zet de PHASE schakelaar op 0 en lees de volgende paragraaf over Het Fijn Afregelen.

Gebruik in een stereo-installatie

- Zet de LOW-PASS regelaar om te beginnen op 80 Hz en lees de volgende paragraaf over Het Fijn Afregelen.
- Zet de VOLUME regelaar op 'half' (12 uur) en lees de volgende paragraaf over Het Fijn Afregelen.
- Zet de PHASE schakelaar op 0 en lees de volgende paragraaf over Het Fijn Afregelen.

Het Fijn Afregelen

De optimale instellingen van de PHASE schakelaar en de LOW-PASS filterfrequentie zijn afhankelijk van elkaar, van de laagweergave van de satellietluidsprekers en van de onderlinge plaatsing van alle luidspreker in de ruimte.

Plaats het systeem in de gewenste opstelling en geef muziek weer met een redelijk constante hoeveelheid laag. De optimale instelling voor het laagfilter hangt van verschillende variabelen af, zoals de laagweergave en belastbaarheid van de satellietluidsprekers, het aantal sublaaguidsprekers en hun positie ten opzichte van de satellietluidsprekers. Het gebied tussen 80 en 90Hz is een goed uitgangspunt voor de LOW-PASS frequentie.

Een hogere frequentie zal het stereobeeld negatief beïnvloeden tenzij u twee sublaaguidsprekers gebruikt dichtbij de satellietluidsprekers voor een volledige kanaalscheiding. Gebruik de hogere waarde alleen als de laagweergave van de satellietluidsprekers behoorlijk beperkt is.

Beluister bij elke frequentie-instelling het effect van de PHASE-schakelaar in beide posities. De juiste stand is die welke het meest volle laag geeft. Welke dat is hangt af van de laagweergave van de satellietluidsprekers en de relatieve afstand tussen luisteraar en sublaaguidsprekers plus satellietluidsprekers. Gebruikt u meer dan n sublaaguidspreker zorg er dan wel voor dat de ingestelde LOW-PASS frequentie en PHASE voor elk gelijk is.

Als u ooit nog eens iets verandert in de versterkingsketen (zoals bijvoorbeeld het gebruiken van Line signalen in plaats van Speaker signalen) dan moet u beslist de PHASE opnieuw controleren. De fasekarakteristiek van de filters in de Speaker en Line signalen zijn namelijk niet aan elkaar gelijk.

Regel het geluidsniveau van de sublaaguidspreker in verhouding tot die van de satellietluidsprekers naar wens af. Gebruik daarvoor veel verschillende soorten muziek om tot een gemiddelde waarde te komen.

Want een instelling die bij een bepaald stuk indrukwekkend klinkt, kan bij een ander stuk teveel van het goede zijn. Luister vooral ook op normale geluidsniveaus, omdat de klankbalansperceptie sterk afhankelijk is van het niveau.

Als u een ongelijkmatige laagweergave hoort, heeft u waarschijnlijk last van interferentie door staande golven in de luisterruimte. De oplossing is om dan de ASW2000 op een iets andere plaats te zetten: zelfs kleine verschuivingen van zo'n 15 cm hebben al grote invloed op het geluid.

Heeft u een aantal verschillende posities geprobeerd en blijft het probleem, probeer dan om de ASW2000 hoger boven de vloer te zetten of hem zijwaarts te verschuiven. Door meer dan n sublaaguidsprekers te gebruiken kunt u het effect van de resonanties sterk beperken omdat elke sublaaguidspreker resonanties op verschillende frequenties activeert.

Als u de ASW2000 en de satellietluidsprekers aanzienlijk dichterbij of verder van de luisteraar heeft geplaatst, is het mogelijk dat u de PHASE-schakelaar opnieuw moet instellen. Controleer dan ook weer het volume van de sublaaguidspreker (ofwel via de decoder-uitgangen ofwel met de VOLUME regelaar op de sub zelf), maar pas nadat de PHASE goed is ingesteld.

Onderhoud

De behuizing hoeft normaliter alleen te worden afgestoft met een droge doek. De behuizing kan worden behandeld als elk ander meubelstuk.

Als u de grille wilt schoonmaken, haal deze eerst van de luidspreker. Trek hem voorzichtig aan de randen naar voren. Het materiaal kan dan met een normale kledingborstel of iets dergelijks worden schoongemaakt.

Als u een schoonmaakmiddel in spuitbus gebruikt, spuit dit middel dan eerst op een doek op een afstandje van de luidsprekervoorkant en eenheid en van de grille in het bijzonder.

Raakt u s.v.p. de luidsprekereenheid niet aan omdat anders onherstelbare schade kan ontstaan.

Gebruik de ASW2000 sublaaguidspreker niet als tafel. Voorwerpen er bovenop zullen rammelen en de geluidskwaliteit verminderen. Vooral vloeistoffen (uit glazen en vazen) zijn gevaarlijk voor de ingebouwde versterker van de ASW2000: houd ze dan ook bij de luidspreker weg.

Als u de luidspreker langere tijd niet gebruikt, haal dan de netstekker uit de wandkontaktdoos.



Προσοχή:

ΓΙΑ ΝΑ ΑΠΟΦΥΓΕΤΕ ΤΟ ΕΝΔΕΧΟΜΕΝΟ ΦΩΤΙΑΣ Η ΗΛΕΚΤΡΟΠΛΗΞΙΑΣ, ΜΗΝ ΕΚΘΕΤΕΤΕ ΤΗ ΣΥΣΚΕΥΗ ΑΥΤΗ ΣΕ ΒΡΟΧΗ Η ΥΓΡΑΣΙΑ.

ΔΩΣΤΕ ΠΡΟΣΟΧΗ ΣΤΙΣ ΠΡΟΕΙΔΟΠΟΙΗΣΕΙΣ ΠΟΥ ΥΠΑΡΧΟΥΝ ΕΠΑΝΩ ΣΤΗ ΣΥΣΚΕΥΗ. ΓΙΑ ΝΑ ΑΠΟΦΥΓΕΤΕ ΤΟ ΕΝΔΕΧΟΜΕΝΟ ΗΛΕΚΤΡΟΠΛΗΞΙΑΣ, ΜΗΝ ΑΝΟΙΞΕΤΕ ΤΟ ΚΑΛΥΜΜΑ ΤΗΣ ΣΥΣΚΕΥΗΣ ΚΑΙ ΜΗΝ ΑΦΑΙΡΕΣΕΤΕ ΤΟΝ ΕΝΙΣΧΥΤΗ ΑΠΟ ΤΗΝ ΠΙΣΩ ΠΛΕΥΡΑ ΤΗΣ. ΔΕΝ ΥΠΑΡΧΟΥΝ ΣΤΟ ΕΣΩΤΕΡΙΚΟ ΤΗΣ ΣΥΣΚΕΥΗΣ ΜΕΡΗ ΠΟΥ ΜΠΟΡΟΥΝ ΝΑ ΕΠΙΣΚΕΥΑΣΤΟΥΝ ΑΠΟ ΤΟΝ ΧΡΗΣΤΗ. ΓΙΑ ΟΠΟΙΑΔΗΠΟΤΕ ΑΠΟΡΙΑ Η ΕΠΙΣΚΕΥΗ ΑΠΕΥΘΥΝΘΕΙΤΕ ΣΕ ΕΞΟΥΣΙΟΔΟΤΗΜΕΝΟ ΚΑΤΑΣΤΗΜΑ SERVICE ΤΗΣ B&W.

ΦΡΟΝΤΙΣΤΕ ΩΣΤΕ ΟΙ ΑΚΡΟΔΕΚΤΕΣ ΤΟΥ ΚΑΛΩΔΙΟΥ ΡΕΥΜΑΤΟΣ ΝΑ ΕΦΑΠΤΟΝΤΑΙ ΚΑΛΑ ΣΤΗΝ ΠΡΙΖΑ Η ΣΤΗΝ ΠΡΟΕΚΤΑΣΗ ΠΟΥ ΕΝΔΕΧΟΜΕΝΩΣ ΘΑ ΧΡΗΣΙΜΟΠΟΙΗΣΕΤΕ.

ΒΕΒΑΙΩΘΕΙΤΕ ΟΤΙ Η ΤΑΣΗ ΡΕΥΜΑΤΟΣ ΠΟΥ ΑΝΑΓΡΑΦΕΤΑΙ ΕΠΑΝΩ ΣΤΟΝ ΕΝΙΣΧΥΤΗ ΕΙΝΑΙ ΙΔΙΑ ΜΕ ΤΗΝ ΤΑΣΗ ΤΗΣ ΠΑΡΟΧΗΣ ΡΕΥΜΑΤΟΣ ΣΤΗΝ ΟΠΟΙΑ ΕΙΝΑΙ ΣΥΝΔΕΔΕΜΕΝΟΣ.

ΕΑΝ ΧΡΕΙΑΣΤΕΙ ΝΑ ΑΝΤΙΚΑΤΑΣΤΗΣΕΤΕ ΤΗΝ ΑΣΦΑΛΕΙΑ ΤΡΟΦΟΔΟΣΙΑΣ, ΘΑ ΠΡΕΠΕΙ ΝΑ ΧΡΗΣΙΜΟΠΟΙΗΣΕΤΕ ΑΣΦΑΛΕΙΑ ΙΔΙΟΥ ΤΥΠΟΥ ΚΑΙ ΧΑΡΑΚΤΗΡΙΣΤΙΚΩΝ. Η ΥΠΟΔΟΧΗ ΤΗΣ ΑΣΦΑΛΕΙΑΣ ΒΡΙΣΚΕΤΑΙ ΣΤΗΝ ΠΙΣΩ ΠΛΕΥΡΑ ΤΟΥ ΕΝΙΣΧΥΤΗ.

Η ΣΥΣΚΕΥΗ ΑΥΤΗ ΧΡΕΙΑΖΕΤΑΙ ΓΕΙΩΣΗ.

ΓΙΑ ΝΑ ΕΞΑΣΦΑΛΙΣΤΕΙ Η ΕΠΑΡΚΗΣ ΨΥΞΗ ΤΟΥ ΕΝΙΣΧΥΤΗ ΘΑ ΠΡΕΠΕΙ Η ΣΥΣΚΕΥΗ ΝΑ ΕΙΝΑΙ ΤΟΠΟΘΕΤΗΜΕΝΗ ΕΤΣΙ ΩΣΤΕ ΤΑ ΕΛΑΣΜΑΤΑ ΤΗΣ ΨΗΚΤΡΑΣ ΝΑ ΕΙΝΑΙ ΚΑΘΕΤΑ. ΦΡΟΝΤΙΣΤΕ ΕΠΙΣΗΣ ΝΑ ΜΗΝ ΕΙΝΑΙ ΚΑΛΥΜΜΕΝΕΣ ΟΙ ΟΠΕΣ ΕΞΑΕΡΙΣΜΟΥ.

ΤΟ SUBWOOFER ΕΙΝΑΙ ΟΓΚΩΔΕΣ ΚΑΙ ΒΑΡΥ, ΚΑΙ ΚΑΤΑ ΣΥΝΕΠΕΙΑ ΘΑ ΠΡΕΠΕΙ ΝΑ ΜΕΤΑΚΙΝΕΙΤΑΙ Η ΝΑ ΣΗΚΩΝΕΤΑΙ ΑΠΟ ΔΥΟ ΤΟΥΛΑΧΙΣΤΟΝ ΑΤΟΜΑ.

ΦΡΟΝΤΙΣΤΕ ΩΣΤΕ ΚΑΤΩ ΑΠΟ ΤΟ ΧΑΛΙ ΝΑ ΜΗΝ ΥΠΑΡΧΟΥΝ ΚΑΛΩΔΙΑ ΠΟΥ ΜΠΟΡΕΙ ΝΑ ΠΑΘΟΥΝ ΖΗΜΙΑ ΑΠΟ ΤΙΣ ΑΚΙΔΕΣ ΣΤΑΘΕΡΟΠΟΙΗΣΗΣ ΤΗΣ ΣΥΣΚΕΥΗΣ.

ΜΗΝ ΣΕΡΝΕΤΕ ΤΟ ΗΧΕΙΟ ΕΠΑΝΩ ΣΤΙΣ ΑΚΙΔΕΣ ΓΙΑΤΙ ΥΠΑΡΧΕΙ ΕΝΔΕΧΟΜΕΝΟ ΝΑ ΣΠΑΣΟΥΝ ΚΑΙ ΝΑ ΠΡΟΚΛΗΘΕΙ ΖΗΜΙΑ ΣΤΟ ΗΧΕΙΟ.

ΚΡΑΤΗΣΤΕ ΤΑ ΠΟΔΙΑ ΣΑΣ ΜΑΚΡΙΑ ΑΠΟ ΤΙΣ ΑΚΙΔΕΣ.

Εισαγωγή

Σας ευχαριστούμε που επιλέξατε το ενεργό subwoofer ASW™2000 της B&W.

Από την ίδρυση της το 1966, η φιλοσοφία της B&W δεν έπαψε ποτέ να είναι η αναζήτηση της αναπαραγωγής του τέλειου ήχου. Εμπνευσμένη από τον ιδρυτή της John Bowers, η αναζήτηση αυτή δεν οδήγησε μόνο σε μεγάλες επενδύσεις και καινοτομίες στο χώρο της τεχνολογίας αναπαραγωγής του ήχου αλλά και στο σεβασμό προς την ίδια τη μουσική, γεγονός που εξασφαλίζει ότι η χρήση της τεχνολογίας θα δώσει το καλύτερο δυνατό αποτέλεσμα.

Το ASW™2000 σχεδιάστηκε για συστήματα οικιακού κινηματογράφου (Home Cinema) αλλά και για την ενίσχυση των χαμηλών συχνοτήτων (μπάσων) στα ηχεία “πλήρους γκάμας” που πλαισιώνουν τα στερεοφωνικά συγκροτήματα. Εάν προσθέσετε το ASW™2000 στο σύστημά σας, δεν θα πετύχετε μόνο την βελτίωση της απόδοσης των χαμηλών, αλλά και την διαυγέστερη απόδοση των μεσαίων συχνοτήτων, αφού θα έχουν μειωθεί πλέον οι απαιτήσεις υποστήριξης των χαμηλών από τα ηχεία σας.

Το ASW™2000 είναι μαγνητικά μονωμένο ούτως ώστε να μπορεί να τοποθετηθεί κοντά στην τηλεόραση χωρίς να την επηρεάζει.

Παρακαλούμε, πριν εγκαταστήσετε και θέσετε σε λειτουργία το subwoofer, διαβάστε προσεκτικά τις οδηγίες χρήσης. Όλες οι ηχητικές εγκαταστάσεις απαιτούν κάποιο σχεδιασμό και κάποιες δοκιμές προκειμένου να έχετε την καλύτερη δυνατή απόδοση από το σύστημά σας. Το φυλλάδιο αυτό θα σας χρησιμεύσει ως οδηγός στη διαδικασία αυτή.

ΤΟ ASW™2000 ΣΥΝΔΕΕΤΑΙ ΜΕ ΤΗΝ ΠΑΡΟΧΗ ΡΕΥΜΑΤΟΣ, ΓΕΓΟΝΟΣ ΠΟΥ ΣΗΜΑΙΝΕΙ ΟΤΙ ΥΠΑΡΧΕΙ ΥΨΗΛΗ ΤΑΣΗ ΣΤΟ ΕΣΩΤΕΡΙΚΟ ΤΟΥ. ΓΙΑ ΤΟ ΛΟΓΟ ΑΥΤΟ ΘΑ ΠΡΕΠΕΙ ΝΑ ΠΡΟΣΞΕΤΕ ΟΛΕΣ ΤΙΣ ΟΔΗΓΙΕΣ ΠΟΥ ΣΧΕΤΙΖΟΝΤΑΙ ΜΕ ΤΗΝ ΑΣΦΑΛΕΙΑ ΣΑΣ ΚΑΙ ΝΑ ΛΑΒΕΤΕ ΟΛΕΣ ΤΙΣ ΣΧΕΤΙΚΕΣ ΠΡΟΦΥΛΑΞΕΙΣ.

Κρατήστε το φυλλάδιο με τις οδηγίες για ενδεχόμενη μελλοντική χρήση.

Η B&W διαθέτει τα προϊόντα της σε περισσότερες από 50 χώρες σε όλο τον κόσμο, μέσω ενός δικτύου επίσημων αντιπροσώπων οι οποίοι είναι σε θέση να σας βοηθήσουν να λύσετε όλα τα προβλήματα που ενδεχομένως θα συναντήσετε.

Αποσυσκευασία (Εικόνα 1)

Ο πιο εύκολος τρόπος να αποσυσκευάσετε το ηχείο αποφεύγοντας οποιαδήποτε ζημιά είναι ο εξής:

Ανοίξτε το κιβώτιο και γυρίστε το ανάποδα.

Σηκώστε το και αφαιρέστε το, αφήνοντας το περιεχόμενο κάτω.

Καλό είναι να κρατήσετε τη συσκευασία για πιθανή χρήση στο μέλλον.

Στη συσκευασία, εκτός από τις οδηγίες χρήσης περιλαμβάνονται:

- 1 subwoofer
- Πακέτο με αξεσουάρ που περιέχει:
- 4 ακίδες σταθεροποίησης με παξιμάδια ασφάλισης
- 4 αυτοκόλλητα λαστιχένια πέλματα

Περιγραφή του subwoofer (Εικόνα 2)

- 1 Ψήκτρα
- 2 Υποδοχές σύνδεσης επιπέδου LINE (LINE LEVEL)
- 3 Υποδοχές σύνδεσης επιπέδου ηχείων (SPEAKER LEVEL)
- 4 Ρυθμιστικό συχνότητας φίλτρου LOW-PASS
- 5 Ρυθμιστικό έντασης (VOLUME)
- 6 Διακόπτης PHASE
- 7 Διακόπτης λειτουργίας
- 8 Καλώδιο ρεύματος
- 9 Ετικέτα ένδειξης απαιτούμενης τάσης λειτουργίας
- 10 Ασφάλεια
- 11 Ένδειξη λειτουργίας/αναμονής
- 12 Κάλυμμα δακτυλιοειδούς μετασχηματιστή

Τοποθέτηση

Για το λόγο ότι το subwoofer αναπαράγει μόνο χαμηλές συχνότητες (μπάσα), το σημείο που θα τοποθετηθεί δεν έχει τόσο μεγάλη σημασία σε σύγκριση με τα κανονικά ηχεία. Η κατεύθυνση προς την οποία θα πρέπει να είναι στραμμένο δεν είναι τόσο συγκεκριμένη, και οι επιλογές που έχετε είναι πολύ περισσότερες. Γενικά πάντως, το καλύτερο ηχητικό αποτέλεσμα επιτυγχάνεται τοποθετώντας το subwoofer μεταξύ των ηχείων-δορυφόρων ή κοντά σε ένα από αυτά. Εάν χρησιμοποιείτε δύο subwoofers, το καλύτερο είναι να τοποθετήσετε από ένα κοντά σε κάθε δορυφόρο.

Η τοποθέτηση του subwoofer πίσω από τους ακροατές δίνει γενικά κατώτερη ηχητική εικόνα – ακόμη και σε συστήματα surround. Πάντως, εάν η διάταξη του χώρου επιβάλλει κάτι τέτοιο, η θέση αυτή είναι αποδεκτή.

Όπως συμβαίνει και με όλα τα ηχεία, η απόδοση του subwoofer επηρεάζεται από το πόσο κοντά του είναι τα αντικείμενα που υπάρχουν στο χώρο ακρόασης. Γενικά, οι χαμηλές συχνότητες (μπάσα) εντείνονται εάν υπάρχουν πολλές επιφάνειες κοντά στο ηχείο. Όμως, αντίθετα με ό,τι συμβαίνει με τα κανονικά ηχεία, μπορείτε ανά πάσα στιγμή να διορθώσετε την τονική ισορροπία (balance) του συστήματος, ρυθμίζοντας απλά την ένταση του subwoofer. Όσο περισσότερο τονίζονται οι χαμηλές λόγω της διάταξης του χώρου, τόσο μικρότερη “προσπάθεια” πρέπει να καταβάλλει το ηχείο. Υπάρχει όμως και ένα μειονέκτημα: οι γωνιακές θέσεις εντείνουν περισσότερο τις χαμηλές αντηχήσεις του χώρου, με αποτέλεσμα τα μπάσα να αποδίδονται άνισα σε σχέση με τις υπόλοιπες συχνότητες. Για το λόγο αυτό και επειδή κάθε χώρος έχει διαφορετική ηχητική συμπεριφορά, ο καλύτερος τρόπος για να επιτύχετε το βέλτιστο αποτέλεσμα είναι, πριν καταλήξετε, να δοκιμάσετε διάφορα σημεία τοποθέτησης του ηχείου. Καλό θα ήταν, όταν κάνετε τις δοκιμές να βάλετε να ακούγεται ένα μουσικό κομμάτι τα μπάσα του οποίου να κινούνται σε όλο το εύρος της περιοχής των χαμηλών συχνοτήτων, ούτως ώστε να μπορέσετε να εκτιμήσετε πλήρως το πόσο ομαλή είναι η απόκριση των χαμηλών. Ακούστε προσεκτικά τις έντονες και τις σιγανές νότες. Η ύπαρξη ενός ξεχωριστού subwoofer σας δίνει τη δυνατότητα να ελέγξετε καλύτερα τις αντηχήσεις του χώρου.

Εάν τοποθετήσετε το subwoofer σε κάποιο κλειστό χώρο (π.χ. σε κάποιο ράφι ή ειδικό έπιπλο), θα πρέπει φροντίσετε ώστε ο χώρος αυτός να επιτρέπει την επαρκή κυκλοφορία του αέρα για να ψύχεται το ηχείο. Συμβουλευτείτε σχετικά τον προμηθευτή σας.

Στη συσκευασία θα βρείτε τέσσερις ακίδες στήριξης. Οι ακίδες περνούν στο εσωτερικό της πλέξης του χαλιού (χωρίς να το διαπερνούν) και σπηρίζουν καλά το ηχείο, κατ’ ευθείαν στην επιφάνεια του πατώματος. Πριν τοποθετήσετε τις ακίδες, βιδώστε πλήρως σε αυτές τα παξιμάδια ασφαλείας και κατόπιν βιδώστε πλήρως τις ακίδες στις υποδοχές που υπάρχουν στη βάση της καμπίνας. Εάν το πάτωμα παρουσιάζει κάποια ανωμαλία και το ηχείο δεν είναι σταθερό, ξεβιδώστε τις ακίδες των δύο διαγώνιων ποδιών που δεν εφάπτονται καλά, τόσο ώστε να σταθεροποιηθεί το ηχείο, και μετά βιδώστε πάλι τα παξιμάδια στις υποδοχές. Εάν τοποθετήσετε το ηχείο σε κάποια ευαίσθητη επιφάνεια, αντί για τις ακίδες τοποθετήστε τα λαστιχένια πέλματα.

Συνδέσεις

Για να αποκλείσετε το ενδεχόμενο να προκληθεί ζημιά, βγάλτε όλες τις συσκευές του συστήματος από την πρίζα όσο θα κάνετε τις συνδέσεις. Ο ρόλος του subwoofer είναι να λαμβάνει τα σήματα από την αλυσίδα ενίσχυσης και, όπου είναι απαραίτητο, να διαχωρίζει το σήμα σε χαμηλές και υψηλές συχνότητες και να στέλνει τις τελευταίες πίσω στα ηχεία – δορυφόρους. Τα σήματα εισόδου του δεξιού και του αριστερού καναλιού μπορούν αν χρειαστεί να συγχωνευτούν σε ένα μονοφωνικό σήμα χαμηλών που θα πηγαίνει στο subwoofer.

Το subwoofer οδηγεί όλα τα σήματα εισόδου και εξόδου επιπέδου line (μέσω των υποδοχών τύπου RCA) και επιπέδου ηχείων (speaker level – μέσω των ακροδεκτών 4mm που υπάρχουν στη πίσω πλευρά του), γεγονός που δίνει αρκετές επιλογές ως προς τις συνδέσεις. Όμως, δεν θα πρέπει στην ίδια εγκατάσταση να συνδυάσετε συνδέσεις επιπέδου line (line level) με συνδέσεις επιπέδου ηχείων (speaker level). Αν μπορείτε να επιλέξετε μεταξύ σύνδεσης επιπέδου line και επιπέδου ηχείων, επιλέξτε τη σύνδεση line.

Χρησιμοποιήστε τον παρακάτω πίνακα για να επιλέξετε το σωστό τρόπο σύνδεσης για το σύστημά σας:

Τύπος Εγκατάστασης:

Home Theatre:- Εξοπλισμός:

- Αποκωδικοποιητής με ξεχωριστούς τελικούς ενισχυτές:

α Με έξοδο subwoofer:
Συνδέσεις: Εικόνα 3

β Χωρίς έξοδο subwoofer:
Συνδέσεις: Εικόνα 4

- Αποκωδικοποιητής με ολοκληρωμένους ενισχυτές:

α Με έξοδο subwoofer:
Συνδέσεις: Εικόνα 5

β Χωρίς έξοδο subwoofer:
Συνδέσεις: Εικόνα 6

Στερεοφωνικό συγκρότημα:- Εξοπλισμός:

- Προενισχυτής – Τελικός:

α Ένα ή περισσότερα subwoofers με συγχώνευση σημάτων εξόδου σε ένα μονοφω-νικό σήμα: Συνδέσεις: Εικόνα 7

β Δύο subwoofers με ξεχωριστά σήματα δεξιού και αριστερού καναλιού:
Συνδέσεις: Εικόνα 8

- Ολοκληρωμένος ενισχυτής:

α Ένα ή περισσότερα subwoofers με συγχώνευση σημάτων εξόδου σε ένα μονοφωνικό σήμα: Συνδέσεις: Εικόνα 9

β Δύο subwoofers με ξεχωριστά σήματα δεξιού και αριστερού καναλιού:
Συνδέσεις: Εικόνα 10

Χρήση περισσότερων από ένα subwoofers

Η χρήση περισσότερων από ένα subwoofers μπορεί να βελτιώσει την απόδοση του συστήματός σας ως εξής:

- Διατηρώντας το στερεοφωνικό διαχωρισμό στις πολύ χαμηλές συχνότητες.
- Επιτυγχάνοντας καλύτερη απόδοση σε μεγαλύτερους χώρους.
- Αυξάνοντας το μέγιστο επίπεδο έντασης, γεγονός που βοηθά στην βελτιστοποίηση της απόδοσης των ειδικών εφφέ σε συστήματα Home Theatre.
- Ελέγχοντας καλύτερα και περιορίζοντας τις χαμηλές αντηχήσεις του χώρου.

Χρησιμοποιώντας δύο subwoofers στο στερεοφωνικό σας συγκρότημα, δηλαδή συνδέοντας ένα subwoofer σε κάθε κανάλι, με την προϋπόθεση ότι θα είναι τοποθετημένο κοντά σε κάθε ένα από τα ηχεία δορυφόρους, βελτιώνεται σημαντικά ο στερεοφωνικός διαχωρισμός.

Εάν δεν μπορείτε να τοποθετήσετε τα subwoofers στην ιδανική θέση, ή εάν είναι συνδεδεμένα με την ειδική για subwoofer έξοδο ενός αποκωδικοποιητή, συνδέστε το δεύτερο subwoofer με το πρώτο. Εάν πρόκειται για αποκωδικοποιητή, χρησιμοποιήστε μόνο το ένα κανάλι εισόδου. Εάν πρόκειται για στερεοφωνικό συγκρότημα θα πρέπει να χρησιμοποιήσετε και τα δύο κανάλια εισόδου.

Έλεγχος των συνδέσεων

Πριν ακούσετε την ηχητική απόδοση του συστήματός σας και πριν κάνετε τις τελικές ρυθμίσεις, ελέγξτε πάλι τις συνδέσεις. Συμβαίνει πολύ συχνά, να εκφράζονται παράπονα από τους χρήστες ότι δεν μπορούν να επιτύχουν καλό ήχο όσο και αν προσπαθήσουν, για να αποδειχτεί τελικά ότι είχαν κάνει κάποιο λάθος στις συνδέσεις. Έτσι, θα πρέπει να βεβαιωθείτε:

- Ότι έχετε κάνει τις συνδέσεις διατηρώντας τη σωστή πολικότητα (ότι δηλαδή, δεν έχει συνδεθεί κάποιος θετικός με κάποιο αρνητικό πόλο – αυτό αφορά μόνο τις συνδέσεις επιπέδου ηχείων (speaker level connections)). Εάν κάτι είναι εκτός φάσης, ο ήχος μπορεί να είναι παραμορφωμένος και ασαφής ή/και τα μπάσα ελλειπή.

- Ότι έχετε συνδέσει σωστά τα κανάλια (το δεξί (Right – R) στο δεξί και το αριστερό (Left – L) στο αριστερό). Τέτοιου είδους λάθος σύνδεση μπορεί να έχει σαν αποτέλεσμα, τα όργανα της ορχήστρας να ακούγονται σαν ήταν τοποθετημένα ανάποδα ή – ακόμη χειρότερα – ο ήχος σε ένα σύστημα Home Theatre να έρχεται αντίθετα από τη δράση στην οθόνη.

Ενεργοποίηση και απενεργοποίηση του ηχείου

Καλό είναι, το subwoofer να τίθεται σε λειτουργία πριν από τον ενισχυτή σας και αντίστοιχα να απενεργοποιείται τελευταίο.

Ενεργοποιώντας το subwoofer, ο ενισχυτής του ηχείου μπαίνει σε κατάσταση αναμονής (standby mode) και ο φωτεινός δείκτης που βρίσκεται επάνω από το διακόπτη λειτουργίας ανάβει κόκκινα. Μόλις ο ενισχυτής δεχτεί κάποιο σήμα εισόδου, τίθεται σε πλήρη λειτουργία και ο φωτεινός δείκτης γίνεται πράσινος.

Αν περάσουν 5 περίπου λεπτά χωρίς να δεχτεί σήμα εισόδου, ο ενισχυτής περνά αυτόματα σε κατάσταση αναμονής.

Χρήση των ρυθμιστικών πλήκτρων του ASW™2000

Το ASW™2000 διαθέτει τρία ρυθμιστικά:

- Ρυθμιστικό συχνότητας του βαθυπέρατου φίλτρου (LOW-PASS)
- Ρυθμιστικό έντασης (VOLUME)
- Διακόπτης PHASE

Οι ιδανικές ρυθμίσεις εξαρτώνται από τον υπόλοιπο εξοπλισμό που χρησιμοποιείτε. Αν χρησιμοποιείτε δύο subwoofers, οι ρυθμίσεις θα πρέπει να είναι ίδιες και στα δύο.

Χρήση του subwoofer με THX αποκωδικοποιητή (ακόμη και αν ο αποκωδικοποιητής αυτός δεν είναι σε THX mode)

Το ASW™2000 δεν είναι εγκεκριμένο για χρήση σε συστήματα THX. Εν τούτοις, μπορείτε αν θέλετε να το χρησιμοποιήσετε με έναν αποκωδικοποιητή THX.

- Θέστε το ρυθμιστικό συχνότητας του βαθυπέρατου φίλτρου (LOW-PASS) στη μέγιστη θέση (max.).
- Βάλτε το ρυθμιστικό VOLUME στην κεντρική θέση (θέση “12:00”). Αυτό είναι το πάγιο επίπεδο έντασης για τα συστήματα THX).
- Βάλτε αρχικά το διακόπτη PHASE στη θέση 0°, και στη συνέχεια συμβουλευτείτε την παράγραφο σχετικά με τις τελικές ρυθμίσεις.

Βεβαιωθείτε ότι ο THX αποκωδικοποιητής μπορεί να υποστηρίξει subwoofer. Αν ισχύει αυτό, τότε ο αποκωδικοποιητής θα ενσωματώνει και όλες τις σχετικές με τα φίλτρα και το επίπεδο έντασης ρυθμίσεις. Για να ρυθμίσετε το επίπεδο έντασης, θα πρέπει να χρησιμοποιήσετε το σήμα ελέγχου του ήχου και τα ρυθμιστικά επίπεδα των καναλιών, που διαθέτει ο αποκωδικοποιητής. Σε κάθε περίπτωση θα πρέπει να επιτευχθεί η τιμή των 75dB spl (c-ζύγιση) στη θέση ακρόασης από το εσωτερικό δοκιμαστικό σήμα του αποκωδικοποιητή. Για περισσότερες λεπτομέρειες διαβάστε τις οδηγίες χρήσης του αποκωδικοποιητή. Για να μετρήσετε το επίπεδο του ήχου μπορείτε να χρησιμοποιήσετε κάποιον από τους φθηνούς σχετικά μετρητές που κυκλοφορούν στο εμπόριο.

Χρήση του ASW™2000 με άλλους αποκωδικοποιητές συστημάτων Home Theatre

- Εάν ο αποκωδικοποιητής διαθέτει ειδική έξοδο και εσωτερικό βαθυπερατό (LOW-PASS) φίλτρο για υπογούφερ 2^{ης} τάξης (12dB/οκτάβα) ή μεγαλύτερο για υπογούφερ, βάλτε το ρυθμιστικό LOW-PASS στη μέγιστη θέση. Διαφορετικά βάλτε το στη θέση των 80Hz.
- Αρχικά, βάλτε το ρυθμιστικό VOLUME στην κεντρική θέση (θέση “12:00”) και στη συνέχεια συμβουλευτείτε την παράγραφο που αναφέρεται στις τελικές ρυθμίσεις.
- Βάλτε αρχικά το διακόπτη PHASE στη θέση 0°, και στη συνέχεια συμβουλευτείτε την παράγραφο σχετικά με τις τελικές ρυθμίσεις.

Χρήση του ASW™2000 με στερεοφωνικό συγκρότημα

- Βάλτε το ρυθμιστικό LOW-PASS αρχικά στη θέση 80Hz και στη συνέχεια συμβουλευτείτε την παράγραφο που αναφέρεται στις τελικές ρυθμίσεις.
- Αρχικά, βάλτε το ρυθμιστικό VOLUME στην κεντρική θέση (“12:00”) και στη συνέχεια συμβουλευτείτε την παράγραφο που αναφέρεται στις τελικές ρυθμίσεις.
- Βάλτε αρχικά το διακόπτη PHASE στη θέση 0°, και στη συνέχεια συμβουλευτείτε την παράγραφο σχετικά με τις τελικές ρυθμίσεις.

Τελικές ρυθμίσεις

Οι ρυθμίσεις του διακόπτη PHASE και του ρυθμιστικού LOW-PASS είναι άμεσα συνδεδεμένες μεταξύ τους και εξαρτώνται από το χαρακτηριστικό “απομόνωσης” (cut-off) των χαμηλών συχνοτήτων των

ηχείων-δορυφόρων, καθώς και από τις θέσεις όλων των ηχείων του συστήματος. Τοποθετήστε τα ηχεία στη θέση που θέλετε και βάλτε να ακούγεται ένα κομμάτι με σταθερά μπάσα. Η ιδανική θέση του ρυθμιστικού LOW-PASS εξαρτάται από διάφορες παραμέτρους, όπως η απόδοση των χαμηλών και η ισχύς των ηχείων-δορυφόρων, ο αριθμός των subwoofers και η θέση τους σε σχέση με τα ηχεία-δορυφόρους. Η περιοχή μεταξύ 80-90Hz είναι καλή για να ξεκινήσετε τις δοκιμές. Κάποια υψηλότερη συχνότητα “απομόνωσης” (cut-off frequency) μπορεί να χαλάσει τη στερεοφωνική εικόνα (εκτός αν χρησιμοποιούνται δύο subwoofers, το κάθε ένα τοποθετημένο κοντά σε κάθε ένα από τα ηχεία-δορυφόρους), και θα πρέπει να επιλέγεται μόνο εάν τα ηχεία-δορυφόροι έχουν μειωμένη απόδοση στις χαμηλές συχνότητες.

Για κάθε ρύθμιση του LOW-PASS, δοκιμάστε να βάλτε το διακόπτη PHASE και στις δύο θέσεις. Η σωστή θέση θα είναι αυτή που σας δίνει τα καλύτερα μπάσα, και αυτό εξαρτάται από την απόδοση των ηχείων-δορυφόρων στις χαμηλές συχνότητες αλλά και από τη διαφορά της απόστασης subwoofer – ακροατή και ηχείων-δορυφόρων – ακροατή. Εάν χρησιμοποιείτε περισσότερα από ένα subwoofers, φροντίστε ώστε οι ρυθμίσεις του LOW-PASS και του διακόπτη PHASE να είναι σε όλα ίδιες.

Εάν κάνετε οποιοσδήποτε αλλαγές στην ενίσχυση (π.χ. εάν αλλάξετε τη σύνδεση του subwoofer από speaker level (επίπεδο ηχείων) σε line level (επίπεδο line), όπου τα χαρακτηριστικά φάσης του υπεπέρατου φίλτρου (high-pass) του subwoofer είναι διαφορετικά για κάθε ένα από τα επίπεδα αυτά) θα πρέπει να ελέγξετε πάλι τη θέση του διακόπτη PHASE.

Ρυθμίστε την σχέση της έντασης (balance) μεταξύ του subwoofer και των ηχείων-δορυφόρων στο επίπεδο που θέλετε. Για να βρείτε κάποια ικανοποιητική σχέση, κάντε δοκιμές ακούγοντας αρκετά και διαφορετικά μεταξύ τους μουσικά κομμάτια, αφού η σχέση που ακούγεται ικανοποιητική σε κάποιο κομμάτι μπορεί να είναι υπερβολική σε κάποιο άλλο. Κάντε τις δοκιμές, με το συνολικό ήχο σε μέτρια επίπεδα έντασης γιατί η σχέση μεταβάλλεται ανάλογα με την ένταση.



Εάν η απόδοση των χαμηλών είναι “άνιση”, δηλαδή εάν κάποιες μπάσες νότες τονίζονται περισσότερο από κάποιες άλλες, είναι πολύ πιθανό αυτό να οφείλεται στην ηχητική συμπεριφορά του χώρου, και θα ήταν καλό να κάνετε κάποιους πειραματισμούς ως προς τη θέση του subwoofer. Ακόμα και μικρές αλλαγές στην τοποθέτηση (της τάξεως π.χ. των 15 εκατοστών), μπορούν να οδηγήσουν σε σημαντική βελτίωση του ήχου. Δοκιμάστε να σηκώσετε το ηχείο ψηλότερα από το πάτωμα ή να το μετακινήσετε στο πλάι. Η χρήση περισσότερων από ένα subwoofers μπορεί να βοηθήσει αισθητά στον έλεγχο των αντηχήσεων του χώρου. Μπορείτε επίσης να μεταβάλλετε τη σχέση μεταξύ της απόστασης subwoofer – ακροατή και δορυφόρων – ακροατή. Αν κάνετε κάτι τέτοιο θα πρέπει να ελέγξετε πάλι τη θέση του διακόπτη PHASE. Ελέγξτε επίσης το επίπεδο έντασης του subwoofer (είτε από το ρυθμιστικό έντασης του αποκωδικοποιητή, είτε το ρυθμιστικό έντασης του ενισχυτή του subwoofer), αλλά μόνο αφού έχετε ρυθμίσει σωστά το διακόπτη PHASE.

Φροντίδα του ηχείου

Μπορείτε να καθαρίσετε την καμπίνα του subwoofer χρησιμοποιώντας ένα στεγνό κομμάτι ύφασμα. Εάν θέλετε να χρησιμοποιήσετε κάποιο καθαριστικό σε μορφή σπρέι, μην ψεκάσετε κατ’ ευθείαν στην καμπίνα αλλά στο ύφασμα. Πριν καθαρίσετε την καμπίνα, αφαιρέστε την μπάφλα προσέχοντας να μην προξενήσετε ζημιά στο μεγάφωνο. Μπορείτε να καθαρίσετε τη μπάφλα χρησιμοποιώντας μία μαλακή βούρτσα.

Μην τοποθετείτε αντικείμενα επάνω στο ηχείο. Όταν το subwoofer λειτουργεί δημιουργούνται κραδασμοί και μπορεί τα αντικείμενα να πέσουν και να προξενήσουν ζημιά. Αποφύγετε κυρίως το ενδεχόμενο να χυθεί κάποιο υγρό επάνω στο ηχείο (π.χ. κάποιο ποτό ή το νερό από κάποιο βάζο).

Αν δεν πρόκειται να χρησιμοποιήσετε το σύστημα για μεγάλο χρονικό διάστημα, βγάλτε το subwoofer από την πρίζα.

ΠΡΟΒΛΕΨΗ

Μην τοποθετείτε το ηχείο σε υγρό περιβάλλον, όπως βροχή ή υγρασία, για να αποφύγετε βλάβες ή να αποφύγετε την εμφάνιση μούχας ή άλλων οργανισμών που μπορεί να βλάψουν το ηχείο.

Μην ανοίγετε το ηχείο ή να αφαιρέσετε οποιαδήποτε μέρη του ηχείου, εκτός από τα μέρη που αναφέρονται στις οδηγίες. Η ανοίξη του ηχείου μπορεί να προκαλέσει βλάβες ή να οδηγήσει σε βλάβες ή να οδηγήσει σε βλάβες ή να οδηγήσει σε βλάβες.

Μην χρησιμοποιείτε το ηχείο με κατεστραμμένα καλώδια ή με κατεστραμμένα καλώδια ή με κατεστραμμένα καλώδια.

Μην χρησιμοποιείτε το ηχείο με κατεστραμμένα καλώδια ή με κατεστραμμένα καλώδια ή με κατεστραμμένα καλώδια.

Μην χρησιμοποιείτε το ηχείο με κατεστραμμένα καλώδια ή με κατεστραμμένα καλώδια ή με κατεστραμμένα καλώδια.

Μην χρησιμοποιείτε το ηχείο με κατεστραμμένα καλώδια ή με κατεστραμμένα καλώδια ή με κατεστραμμένα καλώδια.

Μην χρησιμοποιείτε το ηχείο με κατεστραμμένα καλώδια ή με κατεστραμμένα καλώδια ή με κατεστραμμένα καλώδια.

Μην χρησιμοποιείτε το ηχείο με κατεστραμμένα καλώδια ή με κατεστραμμένα καλώδια ή με κατεστραμμένα καλώδια.

Μην χρησιμοποιείτε το ηχείο με κατεστραμμένα καλώδια ή με κατεστραμμένα καλώδια ή με κατεστραμμένα καλώδια.

Μην χρησιμοποιείτε το ηχείο με κατεστραμμένα καλώδια ή με κατεστραμμένα καλώδια ή με κατεστραμμένα καλώδια.

Μην χρησιμοποιείτε το ηχείο με κατεστραμμένα καλώδια ή με κατεστραμμένα καλώδια ή με κατεστραμμένα καλώδια.

ΠΡΟΒΛΕΨΗ

Μην χρησιμοποιείτε το ηχείο με κατεστραμμένα καλώδια ή με κατεστραμμένα καλώδια ή με κατεστραμμένα καλώδια.

Μην χρησιμοποιείτε το ηχείο με κατεστραμμένα καλώδια ή με κατεστραμμένα καλώδια ή με κατεστραμμένα καλώδια.

Μην χρησιμοποιείτε το ηχείο με κατεστραμμένα καλώδια ή με κατεστραμμένα καλώδια ή με κατεστραμμένα καλώδια.

Μην χρησιμοποιείτε το ηχείο με κατεστραμμένα καλώδια ή με κατεστραμμένα καλώδια ή με κατεστραμμένα καλώδια.

Μην χρησιμοποιείτε το ηχείο με κατεστραμμένα καλώδια ή με κατεστραμμένα καλώδια ή με κατεστραμμένα καλώδια.

Μην χρησιμοποιείτε το ηχείο με κατεστραμμένα καλώδια ή με κατεστραμμένα καλώδια ή με κατεστραμμένα καλώδια.

Μην χρησιμοποιείτε το ηχείο με κατεστραμμένα καλώδια ή με κατεστραμμένα καλώδια ή με κατεστραμμένα καλώδια.

Μην χρησιμοποιείτε το ηχείο με κατεστραμμένα καλώδια ή με κατεστραμμένα καλώδια ή με κατεστραμμένα καλώδια.

ΚΑΤΑΣΤΡΟΦΗ

Μην χρησιμοποιείτε το ηχείο με κατεστραμμένα καλώδια ή με κατεστραμμένα καλώδια ή με κατεστραμμένα καλώδια.

Μην χρησιμοποιείτε το ηχείο με κατεστραμμένα καλώδια ή με κατεστραμμένα καλώδια ή με κατεστραμμένα καλώδια.

Μην χρησιμοποιείτε το ηχείο με κατεστραμμένα καλώδια ή με κατεστραμμένα καλώδια ή με κατεστραμμένα καλώδια.

Μην χρησιμοποιείτε το ηχείο με κατεστραμμένα καλώδια ή με κατεστραμμένα καλώδια ή με κατεστραμμένα καλώδια.

Μην χρησιμοποιείτε το ηχείο με κατεστραμμένα καλώδια ή με κατεστραμμένα καλώδια ή με κατεστραμμένα καλώδια.

- 超低音一部
- 腳釘四件及鎖帽四件
- 自動黏貼橡膠腳四件

超低音一覽圖 (圖2)

1. 散熱座
2. 線路電平連接器
3. 揚聲器電平連接器
4. 低通濾波頻率控制
5. 音量控制
6. 相位開關
7. 電源開/自動/關 開關
8. 電源電線
9. 電壓額定標號
10. 熔絲架
11. 電源/備用指示器

超低音擺位

由於超低音僅播送低頻聲音，與全頻揚聲器比較，擺位要求在某方面沒有那般嚴格。有著發音的方向性為非常次要的特性，你便能在擺位時多所選擇而不失揚聲器最佳效果。在左與右前置衛星揚聲器之間或其中一個的地點，擺放超低音，可獲最佳音效。倘若同時使用兩個超低音，則可分別靠近左方及右方揚聲器擺放。

將超低音擺放在聆聽者後方，或以環繞聲裝置使用，音像一般略差，如須首先取決於家居環境，此亦可折衷接受。

房間範圍的距離，都能影響著任何揚聲器所發的聲音。在揚聲器的近距離，擺設多個平面，低音音量普遍增多。話雖如此，與全頻揚聲器不同，你可以隨時調整在超低音上的音量控制以糾正整個系統的平衡度。房間本身越能推谷聲響，揚聲器工作量越應減少，但也有負面情況。牆角位置通常激發更多房間的低頻共鳴，令音域內低頻段更欠均勻。由於每個房間特性不同，個別得出的結果不能用以代替，所以在作出最後決定前，應將超低音在不同地方多作擺放。樂章裏低音段上升或下降音階對評估低音頻應的順滑度，很有用處。

應細聽有否增強或減弱的單音。採用分體式超低音能協助你成功取得房間共鳴的最佳優勢而又能無阻單獨地將衛星揚聲器擺放在最佳音像位置。

倘若空間有限，例如將超低音置於訂製傢俬組合內，必須確保超低音內置放大器有通風空間，以便充份空氣流通和冷卻器材。假如你未能肯定是否通風良好，可諮詢你的分銷商。隨超低音內附有腳釘四隻。釘尖設計是用以刺穿地氈，確保喇叭能穩固直接企立地上，沒有壓著地氈塊。安裝腳釘，首先將鎖帽完全旋進腳釘，再將腳釘完全旋進喇叭底的螺絲孔。若聲箱搖擺不定，將兩口離地腳釘反旋至聲箱穩立，再將鎖帽向箱底旋緊以鎖定腳釘。如未有地氈，又不想擦花地台，可在腳釘與地台間放置錢幣般保護物或改用四隻橡膠腳代替腳釘承放。

電氣接駁

勿將全套音響系統設備駁連電源直至訊源已經接駁及檢查後。這樣以避免在駁線或拆線時有關設備受損。

超低音的機能是接收來自放大系列的訊號，當必需時將訊號分裂作低音和較高頻率；再將後者轉輸往衛星揚聲器。在需要時，左及右聲道的輸入訊號，可合併為一個單聲道低音傳輸往超低音的驅動單元。

超低音可經設在背板上的 RCA 蓮花座，作兩個輸入和輸出的線路電平訊號，及經 4mm 接線柱，作揚聲器電平訊號。提供一個靈活性接駁方法的選擇。話雖如此，切勿在同一器材設備，混合線路電平和揚聲器電平接駁。如可以任選其一，應選線路電平接駁。

使用下列圖表，選出你的系統的正確駁線方法。

家庭影院

- 解碼器加外置功率放大器：
 - a 使用超低音輸出：圖 3
 - b 未設有超低音輸出：圖 4
- 解碼器內置合併功率放大器：
 - a 使用超低音輸出：圖 5
 - b 未設有超低音輸出：圖 6

立體聲音響

- 分體式前級和功率放大器：
 - a 一部或以上超低音輸出合併為一個單聲道訊號：圖 7
 - b 兩部超低音分有左右訊號：圖 8
- 合併放大器：
 - a 一部或以上超低音輸出合併為一個單聲道訊號：圖 9
 - b 兩部超低音分有左右訊號：圖 10

採用多部超低音

在一個系統中，採用一部以上超低音，能如下述情況改善音響表現：

- 在最低頻率音段，能維持立體聲分隔。
- 匹配較大聆聽房間。
- 能提供極大輸出音量—在家庭影院應用上，常能負責有效地營造出特別效果。
- 將修補順滑房間共鳴的低頻效應。

倘若在立體音響中，使用兩部超低音，各聲道採用本身的超低音。分別在衛星揚聲器的近距離擺放，立體聲分隔度自然得以改善。

倘若超低音未能擺放在理想地點，又或使用解碼器中的惟一超低音輸出，由首部超低音接駁往第二部超低音。如採用一部解碼器，應祇選用一個輸入聲道。採用兩聲道音響器材，應使用兩個輸入聲道。

再次檢查連接位置

在鑑賞你新置系統的音質和微調前，請再次檢查連接點。器材主人常常全是投訴他們如何操作那些控制，都不能取得良好音效，皆因某部份發現為錯誤接駁。請確保如下：

- 相位是否正確—不應有「正」駁「負」(祇適合於揚聲器電平連接)。若相位錯誤，你會聽到聲音模糊加音像漂忽欠準確；缺少低音；或兩者混合。
- 不能分清左右—此之出現，例如交響樂團互換位置，或更嚴重性的，家庭影院銀幕上，聲音與動作方向對立。

應用開關

我們建議在功率放大器接收訊號前，開啟超低音。同樣先關掉其他，最後才關超低音。

當首次將超低音開啟時，放大器進入備用狀態，在 on/auto/off（開/自動/關）上之燈呈紅色。在遇有輸入訊號被檢拾到時，放大器即自行進入全面啟動狀態，燈轉呈綠色。

在經過未有任何輸入訊號五分鐘後，放大器即自動轉回備用狀態。

操作控制

有三份控制待用：

- 低通濾波器頻率
- 音量控制
- 相位開關

恰當的應用視乎與超低音一起使用的器材。如使用多部超低音，確保每部的控制皆在同一操作。

與 THX 調控器使用（包括 THX 調控被調節在非 THX 狀態）。

ASW™1000 不是 THX 規格頒令的器材，但仍可與 THX 調控器使用。

- 將 LOW-PASS 低通濾波器頻率調至最高位置。
- 將音量控制調至中程（12時）位置（即標準 THX 預校水平）。
- 將 PHASE 相位控制初撥至 0，然後參考如下微調。

確定 THX 調控器的超低音功能良好。在妥善調校排列後，超低音在任何所選程式狀態對濾波及水平預校的所需，都進入啟動狀態。在校正器材時，需使用上 THX 調控器的內置測試雜音和聲道水平控制。在任何情況下，水平皆需調至在聆聽位置時讀取調控器發出內置雜音測試訊號為 75 分貝（dB SPL）（C-比重）。請參閱調控器使用說明書的細節以便如何校正水平。電子儀器店的平價音位計能提供校正水平的即時輔助。

與其他家庭影院解碼器一起使用

- 如解碼器祇備有一個超低音輸出及內置低通濾波器，以第二調列（12分貝 / 八度）或更大數值供超低音使用，將低通濾波頻率掣（LOW-PASS）調至最高，或首先將其調至 80Hz。
- 將音量控制首先調至中程（12時）位置，然後參閱下段文字有關微調的操作。
- 將相位開關（PHASE）首先撥去 0，然後參閱下段文字有關微調的操作。

作立體聲音響系統

- 將低通濾波頻率掣（LOW-PASS）首先調至 80Hz，然後參閱下段文字有關微調的操作。
- 將音量控制首先調至中程（12時）位置，然後參閱下段文字有關微調的操作。
- 將相位開關（PHASE）首先撥去 0，然後參閱下段文字有關微調的操作。

微調操作

相位開關（PHASE）與低通濾波頻率掣（LOW-PASS）的不同匹配調校是互相關連及取決於衛星揚聲器的低頻分頻特性和系統採用的所有揚聲器關連位置。

將系統擺放在理想位置及播放一些有平穩低音表現的樂段。低通分頻截止頻率所用的不同調校由幾個因素影響—衛星揚聲器的低音表現和功率的控制能力，採用的超低音數量和他們與衛星揚聲器的互相關連位置。低通濾波頻率掣（LOW-PASS）的最佳起步點在 80-90 分貝（Hz）之間。除非使用兩部超低音以取得左右分隔度及在衛星揚聲器近距離擺放外，應選用一個較高的分頻截止頻率以便能折衷地取得較佳立體音像。更須作如此考慮，倘若衛星揚聲器的低頻表現實屬非常有限。

調校分頻截止頻率，應作不同相位的聆聽。調校在正確點時，低音表現最為豐滿。與此

有關的有衛星揚聲器的低音特性，聆聽人仕與超低音和衛星揚聲器的互相關連距離。當採一個以上超低音時，確保其低通頻率和相位開關製作同樣調校。

倘若因更換放大器而需由揚聲器電平改為線路電平接駁，便應再次檢查相位的調校，因超低音的低通濾波和相位在揚聲器電平，線路電平時的特性有異。

跟據你的喜好，調校跟衛星系統互相關連的超低音響度。採用大幅度不同的曲目，以取得中肯調校的位置。在其一曲顯得動聽時換上另一曲則見聲浪過大。應以實際可接受的音量作為大小不同變化的音量平衡預算感受。

如遇到有肥腫低音問題—即某些低頻單音比其他誇張—這可能是房間的介面問題，該嘗試移動超低音位置。即使 15cm（6吋）的不同位置，亦有可能起天淵之別的情況。提升超低音離地面或作橫向遷移皆可。採用多部超低音能將房間共鳴的效果變為順滑。因每部超低音都能激發不同頻率的諧振。倘若聆聽者，衛星揚聲器，超低音之互相關連距離，曾作一定程度上的改變，便應重將相位開關調校。亦應檢查超低音的音量）可視乎適當情況，使用解碼器上的輸出水平或超低音的音量控制），但仍須在調校相位正確之後。

超低音的保養

清潔超低音聲箱僅需以乾布拭去灰塵。如採用噴霧劑，噴在抹布上清潔，不可直接噴在聲箱面。須輕柔地拉走面網，避免網面染污，更須小心免觸及發音單元。清潔面網可在移開後，用軟擦清潔。

切勿將超低音作檯。使用時，承在頂部的雜物當會嘍嘍作響。尤其避免液體（如飲品，花瓶）溢出。

倘若器材長時間擱置不用，將超低音電源插頭拔掉。

本說明書有英文及中文兩種文本，倘兩文本的文意有差別，以英文本為準。

Tűz és áramütés megelőzése érdekében a készüléket ne tegye ki eső és magas páratartalom hatásának.

ÜGYELJEN MINDEN, A KÉSZÜLÉKEN TALÁLHATÓ FIGYELMEZTETÉSRE. AZ ÁRAMÜTÉS ELKERÜLÉSE ÉRDEKÉBEN, NE NYISSA FEL A KÉSZÜLÉKHÁZAT, ILLETVE NE SZEREJJE KI A HÁTLEPŐL AZ ERŐSÍTŐT. A KÉSZÜLÉK BELSEJÉBEN NINCS FELHASZNÁLÓ ÁLTAL JAVÍTHATÓ ALKATRÉSZ. MINDEN JAVÍTÁSSAL KAPCSOLATOS KÉRDÉSEL FORDULJON A B&W SZAKSZERVIZHEZ.

AZ ÁRAMÜTÉS ELKERÜLÉSE ÉRDEKÉBEN NE HASZNÁLJA A MELLÉKELT HÁLÓZATI CSATLAKOZÓ KÁBELT HOSSZABBÍTÓVAL, VAGY EGYÉB CSATLAKOZÓVAL, HACSAK A VILLÁK BE NEM DUGHATÓK ÚGY, HOGY AZOK NE LÁTSZÓDJANAK.

BIZONYOSODJON MEG ARRÓL, HOGY AZ ERŐSÍTŐ PANELEN FELTÜNTETETT FESZÜLTÉG ÉRTÉK MEGEGYEZIK A HÁLÓZATI FESZÜLTÉSGGEL.

A BIZTOSÍTÉKTARTÓ AZ ERŐSÍTŐ MODUL HÁTLEPŐLJÉN TALÁLHATÓ. A BIZTOSÍTÉK CSERÉJÉNÉL MINDIG UGYANOLYAN TÍPUSÚ BIZTOSÍTÉKOT KELL ÚJRA BEHELYEZNI.

A KÉSZÜLÉKET NEM SZABAD FÖLDELNI.

AZ ERŐSÍTŐ MEGFELELŐ HŰTÉSE ÉRDEKÉBEN A KÉSZÜLÉKET CSAK ÚGY ÜZEMELTESSE HOGY A HŰTŐBORDÁK FÜGGŐLEGES HELYZETBEN VANNAK.

A MÉLYSUGÁRZÓ NEHÉZ ÉS ROBOSZTUS, MINDIG LEGALÁBB KÉT EMBER SZÜKSÉGES A MEGMOZDÍTÁSÁHOZ.

ELLENŐRIZZE, HOGY NINCS-E KÁBEL A SZŐNYEG ALATT, MIVEL A KÉSZÜLÉK TÜSKÉI MEGSÉRTHETIK AZT.

A KÉSZÜLÉKET NE A TÜSKÉIN SZÁLLÍTSA, MIVEL AZOK MEGSÉRÜLHETNEK.

ÜGYELJEN ARRA, HOGY A TÜSKÉKET NE TEGYE SAJÁT LÁBÁRA.

Bevezetés

Köszönjük, hogy megvásárolta a B&W ASW™2000 Aktív Mélysugárzóját.

1966-os alapítása óta a B&W filozófiája a tökéletes hangreprodukció keresése. Cégünk alapítója, a néhai John Bowers ösztönzésével ez a kutatás nem csak az audio technológiában és a fejlesztésben nyert teret, hanem elismerésre méltó zenei és film anyagokban is, bizonyítva a technológia magas hatásfokát.

Az ASW™2000 hangsugárzót a házi mozi rendszerekhez terveztük és célja az, hogy megnövelje a "teljes tartományú" hangsugárzók basszus teljesítményét. Ha rendszerét kiegészíti ezzel a mélysugárzóval, nem csak a mélyebb tartomány szélessége nő, de javul a középső sáv tisztasága is, azáltal hogy csökken az alacsonyabb frekvenciák által képviselt terhelés a már meglévő hangsugárzókon.

A mélysugárzó mágnesesen árnyékolt, így közvetlenül a TV készülék mellett is használható.

Kérjük olvassa el figyelmesen ezt a tájékoztatót, mielőtt készülékét használni kezdené. Minden hangsugárzó üzembe helyezése igényel valamennyi tervezést és kísérletezést, ha készülékéből a legjobbat szeretné kihozni. Tájékoztatónk ebben segíti Önt.

MIVEL A KÉSZÜLÉK ELEKTROMOS ÁRAMMAL MŰKÖDIK, NAGYON FONTOS, HOGY JÓL ISMERJE A BIZTONSÁGI ÖVINTÉZKEDÉSEKET, ÉS AZ ÖSSZES FIGYELMEZTETÉST.

Későbbi hivatkozás céljából tartsa ezen útmutatót biztonságos helyen.

A B&W világszerte több mint 50 országban árusítja termékeit. Gondosan válogatott és képzett disztribútorok nemzetközi hálózatával rendelkezünk. Ha olyan problémája van, mellyel szakkereskedője nem tud megbirkózni, vegye fel a kapcsolatot disztribútorunkkal, aki boldogan segít Önnek.

Kicsomagolás (1. ábra)

A hangsugárzót az alábbiak szerint tudja a legkönnyebben, sérülésmentesen kicsomagolni:

- Nyissa ki a doboztetőt, hajtsa ki a fedőlapokat teljesen és fordítsa meg a dobozt tartalmával együtt.
- Húzza le a dobozt a termékről.
- Javasoljuk, hogy őrizze meg a dobozt és a csomagolóanyagokat az esetleges későbbi szállítás céljából.

Ezen útmutatón kívül a doboz az alábbiakat tartalmazza:

- 1 mélysugárzó
- 1 tartozék-csomag, az alábbiakkal:
- 4 db tüske záróanyákkal
- 4 db öntapadó gumi láb

Séta a mélysugárzó körül

(2. ábra)

- 1 Hűtőborda
- 2 LINE LEVEL (vonalbemeneti) csatlakozók
- 3 SPEAKER LEVEL (hangsugárzó) csatlakozók
- 4 LOW-PASS (aluláteresztő) szűrő frekvencia szabályozója
- 5 VOLUME (hangerő) szabályozó
- 6 PHASE (fázis) kapcsoló
- 7 ON(be)/AUTO(automatikus)/OFF(ki) kapcsoló
- 8 Hálózati csatlakozó kábel
- 9 Feszültség besorolási tábla
- 10 Biztosítéktartó
- 11 Üzemi/készenléti kijelző
- 12 Gyűrűs hálózati feszültség transzformátor

A mélysugárzó elhelyezése

Mivel a mélysugárzó csak alacsony frekvenciás hangokat állít elő, elhelyezésének nincs annyira kritikus szerepe mint egy teljes tartományú hangsugárzónak. A hang irányítottasága kevésbé lényeges, ezért Önnek több választása van, hogy a megfelelő hatás érdekében hova helyezze a készüléket. Azt mondják, hogy a legjobb hatás akkor érhető el, ha a mélysugárzót a szatellit sugárzók közé, vagy azok egyikének közelében helyezi el. Ha két mélysugárzót használ, az a legjobb, ha azokat a két szatellit sugárzó mellé helyezi el.

Ha a mélysugárzót a hallgató mögé helyezik, azzal még háttérhang rendszer esetében is gyengébb hangminőség érhető el. Ha azonban a környezet ezt úgy kívánja, még ez a megoldás is elfogadható.

Mint ahogy az minden hangsugárzó esetében igaz, a szoba határainak közelsége kihatással van a hangzásra. A basszus hatása általában növekszik azzal, ha közelebb helyezjük a mélysugárzót a szoba határoló felületeihez. A teljes tartományú hangsugárzóktól eltérően azonban, a rendszer teljes kiegyensúlyozását a mélysugárzó hangerő szabályozójával is befolyásolhatja. Minél több erősítést nyújt a szoba, annál kevésbé kell a mélysugárzónak erősíteni, de ennek van egy másik oldala is. Ha sarokba helyezi a készüléket, több alacsony frekvenciás rezonancia keletkezik, amely egyenetlenebb frekvenciájú basszust eredményez. Nincs egy általánosan alkalmazható képlet a mélysugárzó elhelyezésére, mivel minden helyiség másképpen viselkedik, de mielőtt végső döntését meghozná, próbáljon ki néhány variációt. Egy a zenei skálán emelkedő vagy ereszkedő basszus szólamot tartalmazó zenedarab a legalkalmasabb a basszus tartomány egyenletességének tesztelésére. Figyelje a kiugró vagy csendes hangokat. Egy külön mélysugárzó lehetővé teszi a helyiség rezonanciáinak a szatellit hangsugárzóktól független, a legjobb hangzáskép kialakítását szolgáló optimalizálását.

Ha a készüléket szűk helyre illeszti be (pl. elemes bútorba), mindig ügyeljen arra, hogy legyen elegendő hely a szellőzésre a készülék mellett. Kérje ki szakkereskedője tanácsát.

A készülékhez 4 tüskét mellékelünk. A tüske hegyei áthatolnak a szőnyeg bolyhain, stabil támaszt biztosítva a készüléknek, a szőnyeg rongálása nélkül. A tüskék beillesztésekor a záróanyákat először csavarja teljesen a tüskékre, majd csavarja a tüskéket a készülék aljában lévő menetes furatokba. Ha a készülék billeg, igazítsa a két ellentétes tüskén, majd szorítsa meg ismét a záróanyákat. Ha a készüléket olyan helyre teszi, ahol a támasztó felület megsérülhet, tegyen védő filckorongot a lábak alá, vagy a tüskék helyett tegye fel az öntapadó gumi lábakat.

Elektromos csatlakoztatás

Mielőtt a csatlakoztatást elvégezné, és leellenőrizné, húzza ki a rendszer összes elemének hálózati csatlakozóját a fali konnektorból. Így elkerülhető a készülékek sérülése a csatlakoztatások kialakítása vagy megszüntetése közben.

A mélysugárzó feladata az, hogy fogadja az erősítési láncból érkező jeleket, és ahol szükséges szétossza azokat mély és magas frekvenciákra, és az utóbbiakat a szatellit sugárzókra továbbítsa. A jobb és a baloldali csatorna bemenetek kombinálhatóak egy mono basszus jellel, amely szükség esetén ilyen formában kerül a mélysugárzó vezérlő egységéhez.

A mélysugárzó képes az RCA csatlakozóin keresztül vonal-jellegű, hátoldali 4 mm-es kábelszorítóin pedig hangszugárzó-jellegű jeleket fogadni és adni, lehetővé téve különféle csatlakoztatási módokat használatát. A vonal és a hangszugárzó-jellegű csatlakozók egyidejű használata, keverése azonban nem lehetséges. Ha a vonal és a hangszugárzó-jellegű csatlakozók közül választhat, azt ajánljuk, válassza a vonal-jellegű csatlakoztatási módot.

A következő táblázat segítségével kiválaszthatja az Ön rendszerének megfelelő vezetékvezetést.

Alkalmazás

Házi Mozi:- Felszerelés:

- Dekóder külső végfok-erősítővel:

a Mélysugárzó kimenettel:

Csatlakoztatás: 3. ábra

b Mélysugárzó kimenet nélkül:

Csatlakoztatás: 4. ábra

- Dekóder beépített végfok-erősítővel:

a Mélysugárzó kimenettel:

Csatlakoztatás: 5. ábra

b Mélysugárzó kimenet nélkül:

Csatlakoztatás: 6. ábra

Sztereo Audio:- Felszerelés:

- Elkülönített elő- és végfok-erősítők:

a Egy vagy több mélysugárzó egyetlen mono jellel kombinált kimenettel:

Csatlakoztatás: 7. ábra

b Két mélysugárzó külön bal és jobb oldali jelekkel: Csatlakoztatás: 8. ábra

- Integrált erősítő:

a Egy vagy több mélysugárzó egyetlen mono jellel kombinált kimenettel:

Csatlakoztatás: 9. ábra

b Két mélysugárzó külön bal és jobb oldali jelekkel: Csatlakoztatás: 10. ábra

Egynél több mélysugárzó használata

Ha egynél több mélysugárzót használ rendszerében, akkor az alábbiak szerint javul a rendszer teljesítménye:

- Lehetővé válik a sztereo elkülönülés a legmélyebb tartományban is.
- Lefedi a nagyobb hallgatási környezetet is.
- Lehetővé válik a maximális hangteljesítmény – nagyon gyakran hasznos a házi mozi speciális effektusainak reprodukálása során.
- Kiegyenlíti az alacsony frekvenciájú rezonanciák hatásait.

Ha sztereo rendszerben használ 2 mélysugárzót, javul a sztereo elkülönülés, ha mindkét csatornának megvan a saját mélysugárzója, feltéve hogy azok a megfelelő oldali szatellit sugárzókhoz közel kerültek elhelyezésre.

Ha nem lehetséges a mélysugárzó ideális elhelyezése, vagy ha egy dekóder speciális mélysugárzó kimenetét használja, a második mélysugárzót csatlakoztassa az elsőhöz. Kétszoros audio rendszernél mindkét bemeneti csatornát használni kell.

Ellenőrizze ismét a csatlakoztatásokat

Mielőtt kipróbálná új hangszugárzó rendszerének hangját, és elvégezné finomhangolását, ellenőrizze ismét a csatlakoztatásokat. Elég gyakran megtörténik az, hogy a felhasználók panaszkodnak a nem megfelelő a hangminőségre, pedig ők a szabályozókat megfelelően állították be, csak éppen valamit rosszul csatlakoztattak. Mindig bizonyosodjon meg arról, hogy:

- megfelelő a fázis – a pozitív a pozitívhoz, a negatív a negatívhoz legyen csatlakoztatva (ez csak a hangszugárzó-jellegű, hangszugárzó közötti kapcsolatokra vonatkozik). Ha a fázis nem megfelelő, zavart hangot hall, pontatlan, lebegő hangzásképpel vagy basszus nélkül, vagy a kettő kombinációjával.

- nem keverte-e össze a jobb és a bal oldalt – ennek eredményeképpen pl. a zenekar hangszerei fordított sorrendben helyezkednek el, vagy ennél szörnyűbb esetben a házi mozi hangja a képernyőn látható hangforrás mozgásával ellentétes irányba halad.

Be és kikapcsolás

Javasoljuk, hogy a mélysugárzó jeleit fogadó végfok-erősítők bekapcsolása előtt kapcsolja be a mélysugárzót. Ugyanígy igaz ez a kikapcsolásnál is; legutoljára a mélysugárzót kapcsolja ki.

Amikor először kapcsolja be a mélysugárzót, az erősítő készenléti üzemmódba kapcsol és a be/auto/ki kapcsoló feletti jelzőfény piros fényrel világít. Ha bemenő jel érkezik, az erősítő automatikusan aktív állapotba kapcsol, és a piros fény zöldre változik.

Ha kb. 5 perc telik el bemenő jel vétele nélkül, az erősítő automatikusan készenléti üzemmódba kapcsol.

A szabályozók beállítása

A készüléken három szabályozó található:

- Az aluláteresztő szűrő frekvencia szabályozója
- A hangerő szabályozó
- A fáziskapcsoló

Az optimális beállítás a többi, a mélysugárzóval együtt használt berendezés függvénye. Ha egynél több mélysugárzót használ, bizonyosodjon meg arról, hogy azok szabályozói azonos állásban állnak-e.

A THX® vezérlő használata (beleértve a THX® vezérlő nem-THX üzemmódját is)

Az ASW™2000 nem THX minősítésű berendezés, de THX vezérlővel is használható.

- Állítsa az aluláteresztő szűrő frekvenciáját a maximumra.
- Állítsa a hangerő szabályozót 50%-ra (12 órára) (ez a szabványos THX elő-beállítási szint)
- A fáziskapcsolót kezdő értéként állítsa 0°-ra, majd nézze át a következő bekezdést a finomhangolásra vonatkozólag.

Bizonyosodjon meg arról, hogy a THX vezérlő mélysugárzó funkciója be van kapcsolva. Ekképpen konfigurálva minden üzemmódra vonatkozólag egyesíti a mélysugárzó számára szükséges szűrő és jelszint beállításokat. A jelszint kalibrálásához, a THX vezérlő belső teszthangját és a csatorna jelszint szabályozóit kell használni. Minden esetben úgy kell beállítani a jelszinteket, hogy a teszthang a hallgatási pozícióban elérje a 75dB hangnyomásszintet (C-súlyozással). Nézze át a vezérlő használati útmutatójának a jelszint beállítására vonatkozó részét. Minden elektronikai szakboltban kaphatók már olcsóbb hangnyomásmérők, amelyeket a jelszint kalibrálásához felhasználhat.

Más házi mozi dekóderrel használva

- Ha a dekóder rendelkezik elkülönített mélysugárzó kimenettel és belső, másod- vagy annál magasabb rendű mélysugárzó számára megfelelő (12dB/oktáv) aluláteresztő szűrővel, állítsa az aluláteresztő szűrő frekvenciáját maximumra. Egyéb esetben állítsa azt kezdetben 80Hz-re.
- Állítsa a hangerő szabályozót 50%-ra (12 órára), majd nézze át a következő bekezdést a finomhangolásra vonatkozólag.
- A fáziskapcsolót kezdetben állítsa 0°-ra, majd nézze át a következő bekezdést a finomhangolásra vonatkozólag.

Sztereo audio célú felhasználás

- Állítsa az aluláteresztő szűrő frekvenciáját kezdetben 80Hz-re, majd nézze át a következő bekezdést a finomhangolásra vonatkozólag.
- Állítsa a hangerő szabályozót 50%-ra (12 órára), majd nézze át a következő bekezdést a finomhangolásra vonatkozólag.
- A fáziskapcsolót kezdetben állítsa 0°-ra, majd nézze át a következő bekezdést a finomhangolásra vonatkozólag.

Finomhangolás

A fáziskapcsoló és az aluláteresztő szűrő optimális beállításai hatással vannak egymásra és függenek még a szatellit sugárzók alacsony frekvenciás levágási karakterisztikájától, illetve a rendszer összes hangsugárzójának egymáshoz viszonyított helyzetétől is.

Állítsa fel a rendszert a kívánt módon, majd játsszon le néhány folyamatos basszussal rendelkező műsorszámot. Az aluláteresztő levágási frekvencia optimális beállítása számos változó függvénye (pl. a szatellit sugárzó terhelhetősége és alacsony frekvenciás teljesítménye). Az aluláteresztő szűrő számára a 80-90Hz optimális kezdeti érték. Hacsak nem használ 2 mélysugárzót a bal és jobboldali csatornák elkülönülésének megőrzése érdekében és azokat nem a megfelelő szatellit sugárzó közelében helyezi el, akkor egy magasabb levágási frekvencia veszélyeztetheti a sztereo hatást, és csak akkor jöhet számításba, ha a szatellit sugárzók alacsony frekvenciás teljesítménye különösen korlátozott van.

A levágási frekvencia minden egyes beállítását hallgassa meg, a fáziskapcsoló mindkét állásával. A megfelelő választás az, amikor a legteljesebb basszust hallja, és amely függ a szatellit sugárzók basszus karakterisztikájától illetve a mélysugárzó(k) és a szatellit sugárzók hallgatókhoz viszonyított relatív távolságától. Ha egynél több mélysugárzót használ, bizonyosodjon meg arról, hogy mindegyik levágási frekvenciája és fáziskapcsolója ugyanarra az értékre legyen állítva.

Ha módosítja a rendszer erősítését, például a hangsugárzó csatlakozó helyett a vonal csatlakozó használatba vételével, érdemes ismét ellenőrizni a fázis beállítást, mivel a hangsugárzó és a vonal csatlakozók aluláteresztő szűrője és fázis karakterisztikája eltérő.

A mélysugárzó szatellit sugárzóra vonatkozó fiziológiai hangszínszabályozóját az Ön igényei szerint állítsa be. Az átlagos beállításhoz műsorok széles választékát hallgassa végig. Ha egy beállítással hatásosan szól a hang, egy másik műsorszám ugyanazzal a beállítással hamisan csenghet. Hallgassa a zenét valóságos hangerőn, mivel a kiegyenlítés a hangerővel együtt változik.

Ha a basszus "darabos" – ha néhány hang jobban kihallatszik mint a többi – valószínűleg a szobával van a probléma, és érdemes kikísérletezni a mélysugárzó megfelelő elhelyezését. Még a kis változtatás is – ami lehet 15 cm is –, nagy hatással lehet a hangzásra. Legutolsó próbálkozásként próbálja meg feljebb emelni a mélysugárzót a padlószinttől. Több mélysugárzó használata is elsimítja a szoba okozta rezonanciából adódó hatásokat, mivel a mélysugárzók különböző frekvencián fogják a rezonanciát kelteni. Ha változtatja a relatív távolságot a hallgató és a mélysugárzó, illetve a szatellit sugárzó között, ügyeljen a fáziskapcsoló beállítására. A mélysugárzó jelszint beállítását is ellenőriznie kell (használhatja akár a dekóder kimeneti jelét, akár a mélysugárzó erősítőjének hangerő szabályozóját), de csak a megfelelő fázis beállítása után.

A mélysugárzó karbantartása

A mélysugárzó burkolatát száraz ruhával tisztíthatja meg a portól. Ha tisztító sprayt használ, azt ne közvetlenül a készülékházra permetezze, hanem egy rongyra. Először távolítsa el az előlapot, hogy az ne színezza el a rongyot, és a tisztítás során ügyeljen a sugárzóegységre. Az előlapot egy puha ecset segítségével tisztíthatja meg.

Ne használja asztalként a mélysugárzót. Használat során a készüléken felejtett tárgyak zöröghetnek. Különösen ügyeljen arra, hogy folyadék ne kerüljön a készülék belsejébe (pl. poharakból, virágvázákból).

Ha hosszabb ideig nem használja a készüléket, húzza ki annak hálózati csatlakozó kábelét a fali konnektorból.

Uwaga:

Aby uniknąć porażenia prądem lub pożaru, nie narażać urządzenia na działanie wilgoci.

Uważnie przeczytaj wszystkie ostrzeżenia. Aby uniknąć porażenia prądem, nie zdejmować panelu frontowego oraz przenosić urządzenia trzymając za panel przedni. Nie naprawiaj niczego sam, z problemami zwracaj się do autoryzowanego serwisu lub przedstawicieli firmy B&W.

Bezpieczniki znajdują się na panelu tylnym. Wymiany bezpieczników można dokonać, gdy urządzenie jest odłączone od sieci, wymieniane bezpieczniki muszą być tego samego typu co bezpieczniki oryginalne.

Ustawienie urządzenia musi zapewniać odpowiednią cyrkulację powietrza w celu chłodzenia.

Urządzenie nie musi być uziemione.

Uwaga:

Przewody mają określone kolory:

- niebieski: „zero”
- brązowy: „faza”

Ponieważ subwoofer jest ciężki, do przeniesienia lub przesunięcia go potrzebne są dwie osoby.

Przed postawieniem subwoofera upewnij się, że pod dywanem nie przebiegają kable połączeniowe innych urządzeń, które mogą zostać uszkodzone przez kolce.

Nie wolno przesuwając urządzenia na kolcach, może to spowodować uszkodzenia.

Przy stawianiu uważać na stopy.

Wprowadzenie

Dziękujemy Państwu za nabycie aktywnego zespołu niskotonowego B&W ASW™2000.

Mamy nadzieję, że będą Państwo zadowoleni z zakupu.

Od początku istnienia firmy (1966 rok) filozofią B&W było osiągnięcie perfekcyjnej reprodukcji dźwięku.

Nasze osiągnięcia w tej dziedzinie zawdzięczamy nieustającym pracom badawczym – wprowadzamy w życie najnowsze technologie audio, a jednocześnie staramy się jak najlepiej zrozumieć potrzeby miłośników kina domowego.

ASW™2000 został zaprojektowany specjalnie dla potrzeb kina domowego, by jak najlepiej odtworzyć dźwięk stereo w jego najniższych rejestrach.

Dołączenie subwoofera do Twojego systemu nie tylko pozwoli Ci usłyszeć całe pasmo niskich częstotliwości, ale jednocześnie zwiększy czystość średniego zakresu poprzez redukcję niskich częstotliwości w głośniku przeznaczonym do odtwarzania tonów średnich.

Subwoofer posiada specjalne ekrany magnetyczne, zastosowane po to, by mógł pracować blisko odbiornika TV.

Prosimy o dokładne przeczytanie instrukcji obsługi, przed zainstalowaniem subwoofera – nowa instalacja wymaga przemyślenia oraz dokładnego rozplanowania, ale również eksperymentów, by osiągnąć jak najlepsze efekty.

Ponieważ subwoofer jest podłączony do sieci, konieczne jest zachowanie ostrożności w czasie użytkowania. Pomoże Ci w tym instrukcja obsługi – wyjaśni sposób obchodzenia się z tym urządzeniem.

Instrukcja powinna być przechowywana w miejscu dostępnym tak, by w razie problemów można było po nią sięgnąć.

Systemy głośnikowe B&W są importowane do ponad 50 krajów na całym świecie. Podtrzymujemy międzynarodową sieć wysyłkową poprzez doświadczonych dystrybutorów. W przypadku powstania jakichkolwiek problemów nasi przedstawiciele na pewno Ci pomogą.

Rozpakowanie (Rysunek 1)

Najłatwiejszy sposób rozpakowania subwoofera, przy którym unikniesz uszkodzeń, jest następujący:

- Otwórz klapy pudełka, a następnie odchyl je do tyłu i odwróć pudełko dnem do góry wraz zawartością.
- Zdejmij pudełko z subwoofera.

Zgodnie z instrukcją w pudełku powinny się znajdować:

- Subwoofer
- Zestaw montażowy:
- 4 kolce z nakrętkami blokującymi
- 4 gumowe podkładki

Panel tylny subwoofera (Rysunek 2)

- 1 Radiatory
- 2 Połączenia liniowe
- 3 Terminale głośnikowe (do połączenia głośników ze wzmacniaczem)
- 4 Filtr dolnoprzepustowy – kontrola częstotliwości
- 5 Kontrola natężenia dźwięku
- 6 Przetwornik fazy
- 7 Włacznik sieciowy (ON/AUTO/OFF)
- 8 Przewód sieciowy
- 9 Informacje o napięciu znamionowym
- 10 Miejsce na bezpieczniki
- 11 Dioda POWER/STANDBY
- 12 Obudowa trójfaznego transformatora sieciowego.

Ustawienie subwoofera

Ponieważ subwoofer przenosi tylko dźwięki o niskiej częstotliwości, jego ustawienie względem słuchacza jest mniej krytyczne niż dobrych stereofonicznych zespołów głośnikowych. Trudno jednak udzielić precyzyjnych wskazówek dotyczących ustawienia. Jedynym kryterium jest maksymalnie wysoka jakość odtwarzanego dźwięku. Najlepsze rezultaty można osiągnąć ustawiając subwoofer pomiędzy głośnikami bocznymi – satelitami, lub w sąsiedztwie jednego z nich. Ustawienie go za słuchaczami nawet w systemie dźwięku dookólnego – daje zwykle gorsze efekty – bas nie jest aż tak głęboki. Może być jednak zaakceptowany, gdy warunki domowe nie pozwalają na inne ustawienie.

Natężenie basu zwykle wzrasta, gdy w pobliżu subwoofera znajdują się powierzchnie odbijające dźwięk.

Cały system nagłośnienia powinien być dostrojony do subwoofera (poziom natężenia dźwięku pozostałych głośników). Usytuowanie subwoofera w kącie pokoju uwydatnia rezonanse pomieszczenia, czyniąc bas bardziej niejednorodnym. Tu także nie ma reguł, każde pomieszczenie ma inne cechy akustyczne, wypróbuj więc subwoofer w różnych miejscach, zanim podejmiesz ostateczną decyzję o ustawieniu głośnika. Utwory z wyraźną, dynamiczną linią basów mogą być wykorzystane do ustawienia parametrów subwoofera.

Posiadanie jednego subwoofera umożliwi Ci uzyskanie optymalnych warunków odsłuchu z niezależnych głośników bocznych.

Jeśli subwoofer ma być ustawiony wśród mebli, miejsce to nie może być zbyt ciasne. Do chłodzenia głośnika konieczna jest cyrkulacja powietrza.

Subwoofer zaopatrzone jest w cztery podstawki (kolce znakrętkami blokującymi). Nóżki te wchodzi we włókna dywanu chroniąc powierzchnię podłogi jednocześnie nie niszcząc dywanu. Zanim dopasujesz nóżki wkręć śruby całkowicie w nóżki, następnie wkręć nóżki w odpowiednie miejsca obudowy. Jeśli zgubisz dwie nóżki, zanim dostaniesz nowe przykręć ponownie śruby.

Jeżeli system ma być ustawiony na niezabezpieczonej powierzchni, umieść pod każdą nóżką ochronny dysk lub dopasowane gumowe podkładki.

Połączenia

Odtłącz cały system nagłośnieniowy od zasilania do chwili, gdy wszystkie połączenia będą wykonane i sprawdzone.

Pozwoli to uniknąć zniszczenia sprzętu w przypadku niewłaściwego wykonania połączeń.

Zadaniem subwoofera jest, po otrzymaniu sygnału ze wzmacniacza, rozdzielenie go na najniższe i wyższe częstotliwości, a następnie przekazanie przebiegu bez linii basu do głośników satelitarnych.

Lewy i prawy kanał mocy, jeśli zajdzie taka konieczność może być wykorzystany jako pojedynczy (mono) do zasilania subwoofera.

Subwoofer zaopatrzone w wejścia i wyjścia RCA. Możliwość podłączenia za pośrednictwem gniazd głośnikowych poprzez 4 mm terminale pozwalają na duży wybór połączeń. Nie wolno jednak mieszać połączeń (LINE LEVEL i SPEAKER LEVEL) w tej samej instalacji. Jeżeli musisz wybrać pomiędzy połączeniami liniowymi i głośnikowymi, wybierz liniowe.

Korzystaj z tych informacji w celu wykonania prawidłowej instalacji.

Ustawienie

Kino domowe:- Sprzęt:

- Dekoder z oddzielnymi wzmacniaczami
 - a z wyjściem na subwoofer:
Połączenia: rys. 3
 - b bez wyjścia na subwoofer:
Połączenia: rys. 4
- Dekoder ze wzmacniaczem zintegrowanym:
 - a z wyjściem na subwoofer:
Połączenia: rys. 5
 - b bez wyjścia na subwoofer:
Połączenia: rys. 6

Stereo Audio:- Sprzęt:

- Przedwzmacniacz i końcówka mocy:
 - a jeden lub dwa subwoofery zasilane sygnałem monofonicznym: Połączenia: rys. 7
 - b dwa subwoofery zasilane stereofonicznym sygnałem: Połączenia: rys. 8
- Wzmacniacz zintegrowany:
 - a jeden lub dwa subwoofery zasilane sygnałem monofonicznym: Połączenia: rys. 9
 - b dwa subwoofery zasilane stereofonicznym sygnałem: Połączenia: rys. 10

Użycie więcej niż jednego subwoofera

Użycie większej liczby zespołów głośnikowych w jednej instalacji pomoże polepszyć odtwarzanie w następujący sposób:

- utrzyma separację kanałów w najniższych rejestrach,
- powiększy przestrzeń odsłuchu,
- powiększy dostępną moc wyjściową, używaną często do efektywniejszego odtwarzania efektów dźwiękowych w systemie kina domowego,
- zminimalizuje rezonanse pomieszczenia.

Jeżeli wykorzystujesz dwa subwoofery do odtwarzania dźwięku stereo, ustaw subwoofery blisko głośników przednich.

Do odtwarzania dźwięku stereo (dwa subwoofery) wykorzystaj wyjścia dla dwóch kanałów.

Końcowe sprawdzenie połączeń

Zanim zachwyci Cię jakość dźwięku w Twoim kinie domowym, sprawdź ponownie połączenia. Często przyczyną złej jakości dźwięku są nieprawidłowo wykonane połączenia.

Przed uruchomieniem urządzeń sprawdź, czy:

- przewody są odpowiednio spolaryzowane (połączenia głośnikowe),
- nie występuje miksowanie kanałów (dźwięk przechodzi w przeciwnym kierunku do akcji na ekranie).

Włączanie i wyłączanie

Zalecamy Ci włączanie subwoofera jako pierwszego urządzenia. Przy wyłączeniu zachowaj kolejność odwrotną – wyłącz subwoofer jako ostatni.

Przy pierwszym włączeniu subwoofera wchodzi on w tryb standby (kontrolka on/auto/off świeci się na czerwono). Kiedy ze wzmacniacza sygnał dotrze do subwoofera, włączy się automatycznie (kontrolka on/auto/off zaświeci się na zielono).

Po upływie 5 minut bez sygnału wejściowego, subwoofer powróci do trybu standby.

Kontrola parametrów

Subwoofer posiada trzy punkty kontroli:

- Filtr dolnoprzepustowy (LOW PASS filter),
- Kontrola głośności,
- Przełącznik fazy.

Optymalne ustawienie zależy od pozostałych współpracujących z subwooferem urządzeń.

Jeżeli używasz więcej niż jednego subwoofera, upewnij się, że zostały na nich ustawione takie same parametry.

Użycie z urządzeniami sterującymi THX

ASW™2000 nie otrzymał certyfikatu THX, ale może być używany z urządzeniami sterującymi THX, jeśli to konieczne:

- ustawić filtr LOW PASS na maksimum, później zastosować tryb strojenia końcowego,
- ustawić kontrolę głośności na połowę (godzina 12) – standardowy poziom THX, później zastosować tryb strojenia końcowego,
- ustawić przełącznik fazy w pozycji 0°, później zastosować tryb strojenia końcowego.

Upewnij się, czy funkcje subwoofera są dostępne w urządzeniu sterującym THX. Do kalibracji subwoofera i ustawienia użyj wewnętrznego sygnału testującego kontrolera THX. We wszystkich kombinacjach instalacji natężenie dźwięku powinno wynosić 75 dB, zmierzone w pozycji słuchacza, przy użyciu wewnętrznego sygnału testowego kontrolera THX. Informacje na temat uruchomienia sygnału testowego znajdziesz w instrukcji obsługi kontrolera THX. Do pomiaru natężenia dźwięku powinien zostać użyty specjalistyczny miernik natężenia dźwięku.

Użycie z innymi elementami kina domowego

- Jeżeli dekodер posiada wyjście na subwoofer oraz wewnętrzny filtr dolnoprzepustowy drugiego rzędu (nachylenie zbocza 12 dB/okt) dla subwoofera to należy ustawić filtr LOW PASS na maksymalną częstotliwość, lub rozpocząć regulację od 80 Hz, później zastosować tryb strojenia końcowego.
- Regulację siły głosu ustawić na połowę (godzina 12), później zastosować tryb strojenia końcowego.
- Ustawić przełącznik fazy w pozycji 0°, później zastosować tryb strojenia końcowego.

Użycie z systemem stereo audio

- Filtr LOW PASS ustawić na częstotliwość 80 Hz, później zastosować tryb strojenia końcowego.
- Regulację siły głosu ustawić na połowę (godzina 12), później zastosować tryb strojenia końcowego.
- Ustawić przełącznik fazy w pozycji 0°, później zastosować tryb strojenia końcowego.

Strojenie końcowe

Ustawienia filtra LOW PASS oraz przełącznika fazy należy wzajemnie korygować, by otrzymać najlepszą kombinację. Jakość dźwięku zależy również od przestrzennego ustawienia głośników-satelitów oraz pozostałych elementów.

Częstotliwość 80-90 Hz jest dobrą pozycją wyjściową do dalszego dostrajania częstotliwości filtrów dolnoprzepustowych. Używając dwóch subwooferów do odtwarzania odrębnych kanałów (lewy i prawy) oraz satelitów, należy użyć nieco wyższej częstotliwości wyjściowej, w celu pełniejszego odwzorowania przestrzennego dźwięku.

W każdym położeniu filtra dolnoprzepustowego, dokonuj odsłuchu w obu położeniach przełącznika fazy (PHASE). Pomoże to dopasować pełniejszy bas do charakterystyki Twoich głośników, oraz rozmieszczenia ich w pomieszczeniu.

Jeżeli używasz więcej niż jednego subwoofera, ustaw ich parametry w ten sam sposób.

W przypadku zmian w systemie (np. zmiana wzmacniacza) trzeba wprowadzić również zmiany w ustawieniu poziomu wejściowego subwooferów. Ustawić na nowo filtr dolnoprzepustowy – dostosować subwoofer do nowej charakterystyki systemu.

W przypadku wystąpienia problemów z poziomem basów (będą bardziej słyszalne od innych częstotliwości) trzeba poszukać innego miejsca na głośniki – problem wynika z akustyki pomieszczenia.

Nawet niewielka zmiana pozycji źródła dźwięku (około 15 cm) może poprawić warunki odsłuchu.

Subwoofer powinien stać bezpośrednio na podłodze.

Jeżeli używasz więcej niż jednego subwoofera (ustawienie np.; w kącie pokoju), możesz zetknąć się z rezonansom pomieszczenia.

Zalecenia ogólne

Kolumna głośnikowa powinna być utrzymywana w czystości, w razie potrzeby należy ją odkurzyć suchą ściereczką. W przypadku użycia aerozolu nie wolno kierować strumienia bezpośrednio na subwoofer, ale na ściereczkę.

Czyszcząc panel tylny należy uważać, by nie uszkodzić aktywnej części urządzenia.

Maskownice mogą być czyszczone za pomocą miękkiej ściereczki.

Nie używaj subwoofera jako stolika w czasie pracy subwoofer jest wprawiony w drgania.

Wszystko, co postawisz na głośniku może spaść (np. wazon z kwiatami, czy szklanka z napojem).

Jeżeli urządzenie nie będzie używane przez dłuższy czas, należy odłączyć je od sieci.

Внимание!

НЕЛЬЗЯ ДОПУСКАТЬ ПРОНИКНОВЕНИЯ ВЛАГИ В ИЗДЕЛИЕ, ЭТО МОЖЕТ ПРИВЕСТИ К ПОЖАРУ ИЛИ К ПОРАЖЕНИЮ ЭЛЕКТРИЧЕСКИМ ТОКОМ.

ВНИМАТЕЛЬНО ПРОЧИТАЙТЕ ВСЕ НАКЛЕЙКИ С ПРЕДОСТЕРЕЖЕНИЯМИ, ИМЕЮЩИЕСЯ НА ИЗДЕЛИЯХ. НЕЛЬЗЯ ОТКРЫВАТЬ КОРПУС ИЛИ СНИМАТЬ ЗАДНЮЮ ПАНЕЛЬ И ИЗВЛЕКАТЬ УСИЛИТЕЛЬ – ЭТО МОЖЕТ ПРИВЕСТИ К ПОРАЖЕНИЮ ЭЛЕКТРИЧЕСКИМ ТОКОМ. ВНУТРИ ИЗДЕЛИЯ НЕТ НИКАКИХ ЭЛЕМЕНТОВ, КОТОРЫЕ ДОЛЖЕН ОБСЛУЖИВАТЬ ПОЛЬЗОВАТЕЛЬ. ВСЕ ВОПРОСЫ, СВЯЗАННЫЕ С ОБСЛУЖИВАНИЕМ ДАННОГО ИЗДЕЛИЯ, СЛЕДУЕТ АДРЕСОВАТЬ АВТОРИЗОВАННОМУ ДИЛЕРУ КОМПАНИИ V&W.

ВИЛКА ШНУРА ПИТАНИЯ ЯВЛЯЕТСЯ ПОЛЯРНОЙ. ЕЕ МОЖНО ВСТАВЛЯТЬ ТОЛЬКО В РОЗЕТКИ ТАКОГО ТИПА, В КОТОРЫЕ КОНТАКТЫ ВИЛКИ ВХОДЯТ НА ВСЮ ДЛИНУ. В ПРОТИВНОМ СЛУЧАЕ ВОЗНИКНЕТ ОПАСНОСТЬ ПОРАЖЕНИЯ ЭЛЕКТРИЧЕСКИМ ТОКОМ.

ОБЯЗАТЕЛЬНО УБЕДИТЕСЬ В ТОМ, ЧТО НАПРЯЖЕНИЕ ПИТАНИЯ, УКАЗАННОЕ НА ПАНЕЛИ УСИЛИТЕЛЯ, СООТВЕТСТВУЕТ НАПРЯЖЕНИЮ ИСПОЛЪЗУЕМОЙ СЕТИ.

ПЛАВКИЙ ПРЕДОХРАНИТЕЛЬ НАХОДИТСЯ В ГНЕЗДЕ НА ЗАДНЕЙ ПАНЕЛИ УСИЛИТЕЛЯ. ЗАМЕНА ПЕРЕГОРЕВШЕГО ПРЕДОХРАНИТЕЛЯ ДОЛЖНА ПРОИЗВОДИТЬСЯ НА ПРЕДОХРАНИТЕЛЬ ТОГО ЖЕ ТИПА И С ТАКИМ ЖЕ НОМИНАЛЬНЫМ ТОКОМ.

ДАННОЕ ИЗДЕЛИЕ ЗАЗЕМЛЯТЬ НЕ ТРЕБУЕТСЯ.

ИЗДЕЛИЕ ДОЛЖНО БЫТЬ РАСПОЛОЖЕНО ТАКИМ ОБРАЗОМ, ЧТОБЫ ТЕПЛОТВОДЯЩИЕ РЕБРА БЫЛИ НАПРАВЛЕННЫ ВЕРТИКАЛЬНО – ЭТО ОБЕСПЕЧИВАЕТ НОРМАЛЬНОЕ ОХЛАЖДЕНИЕ УСИЛИТЕЛЯ.

САБВУФЕР ЯВЛЯЕТСЯ ДОВОЛЬНО ТЯЖЕЛЫМ И ГРОМОЗДКИМ УСТРОЙСТВОМ, ПОЭТОМУ ПОДНИМАТЬ И ПЕРЕМЕЩАТЬ ЕГО НУЖНО, ПО КРАЙНЕЙ МЕРЕ, ВДВОЕМ.

РАЗМЕЩАЯ САБВУФЕР, УБЕДИТЕСЬ, ЧТО ПОД КОВРОМ НЕТ НИКАКИХ КАБЕЛЕЙ, КОТОРЫЕ МОГУТ БЫТЬ ПОВРЕЖДЕННЫ ШИПАМИ.

ЕСЛИ НА САБВУФЕР УЖЕ УСТАНОВЛЕННЫ ШИПЫ-ОПОРЫ, ТО ЕГО НЕЛЬЗЯ ТАЩИТЬ ВОЛОКОМ, ПОСКОЛЬКУ ПРИ ЭТОМ МОЖНО ПОВРЕДИТЬ ШИПЫ.

УСТАНОВЛИВАЯ ИЗДЕЛИЕ, БУДЬТЕ ОСТОРОЖНЫ, НЕ ОПУСТИТЕ ШИПЫ НА НОГИ.

Введение

Благодарим Вас за приобретение изделия компании V&W а активного сабвуфера ASW™2000.

Компания V&W, основанная в 1966 году, всегда ставила своей целью безупречное воспроизведение звука. Воодушевляемая в этом стремлении своим основателем, ныне покойным Джоном Бауэрсом, компания не только вкладывала большие средства в новейшие технологии воспроизведения звука, но и постоянно следила за тем, чтобы эти технологии соответствовали тем требованиям, которые предъявляют к аудиотехнике современная музыка и кинематограф.

Сабвуфер ASW™2000 предназначен для использования в составе акустической системы домашнего кинотеатра, а также для того, чтобы улучшить звучание басов при воспроизведении музыки стереофонической системой. Добавление сабвуфера к акустической системе не только увеличивает диапазон воспроизведения в сторону низких частот, но и делает более чистым звучание средних частот, благодаря тому что от остальных громкоговорителей не требуется хорошее воспроизведение басов.

Сабвуфер экранирован, поэтому его можно размещать рядом с телевизором, не опасаясь влияния магнитного поля сабвуфера на кинескоп.

Прежде чем приступать к эксплуатации сабвуфера, нужно внимательно прочесть данную инструкцию. При установке любых акустических систем требуется продумать и опробовать разные варианты их размещения, что позволяет добиться оптимального звучания. В этом Вам поможет данная инструкция.

САБВУФЕР ПОДКЛЮЧАЕТСЯ К ЭЛЕКТРОСЕТИ, ПОЭТОМУ НУЖНО ОБЯЗАТЕЛЬНО ОЗНАКОМИТЬСЯ С ПРАВИЛАМИ БЕЗОПАСНОСТИ И НЕУКЛОННО ИХ СОБЛЮДАТЬ.

Сохраните эту инструкцию, она может понадобиться Вам в дальнейшем.

Акустические системы V&W широко известны во всем мире и продаются более чем в 50 странах. Компания имеет международную сеть надежных и квалифицированных дистрибьютеров. Если у Вас возникли какие-либо проблемы, с которыми не может справиться дилер, наши дистрибьютеры охотно придут Вам на помощь.

Распаковка (рисунок 1)

Для того чтобы распаковать сабвуфер и не повредить его, проще всего поступить следующим образом.

Отогнуть верхние клапаны картонной коробки и перевернуть ее, поставив верхней частью на пол.

Снять картонную коробку.

Советуем сохранить упаковку на тот случай, если в будущем понадобится перевозить сабвуфер.

В коробке должно быть следующее:

- 1 сабвуфер;
- 1 пакет с принадлежностями, в котором находятся:
- 4 шипа с контргайками;
- 4 самоклеющиеся резиновые ножки;
- а также данная инструкция.

Элементы сабвуфера (рис. 2)

- 1 Радиатор
- 2 Разъемы линейного входа (LINE LEVEL)
- 3 Разъемы мощного входа (SPEAKER LEVEL)
- 4 Регулятор фильтра нижних частот (LOW PASS)
- 5 Регулятор громкости (VOLUME)
- 6 Переключатель фазы (PHASE)
- 7 Выключатель питания (ON/AUTO/OFF)
- 8 Шнур питания
- 9 Табличка с указанием напряжения питания
- 10 Гнездо предохранителя
- 11 Индикатор напряжения питания и режима ожидания
- 12 Тороидальный корпус силового трансформатора

Размещение сабвуфера

Поскольку сабвуфер воспроизводит только звуки низкой частоты, место его расположения не так сильно влияет на характер звучания акустической системы, как расположение основных колонок. Локализация источника звука низкой частоты ощущается человеческим ухом очень неточно, поэтому при размещении сабвуфера у Вас есть большая свобода выбора. Наилучшие результаты, как правило, достигаются при размещении сабвуфера между сателлитными громкоговорителями или вблизи одного из них. Если в состав акустической системы входят два сабвуфера, то желательно расположить по одному рядом с каждым сателлитным громкоговорителем.

При размещении сабвуфера позади слушателей создается впечатление, что источник звука находится внизу. Это относится даже к системам пространственного звучания, но если условия в комнате не позволяют выбрать более лучшее расположение, то такое размещение может оказаться вполне приемлемым.

На звучание сабвуфера, как и любого громкоговорителя, влияет расстояние до стен комнаты. Общее правило заключается в том, что чем ближе к громкоговорителю расположены отражающие поверхности, тем сильнее звучат басы. Однако если в акустическую систему входит отдельный сабвуфер, то можно отрегулировать баланс звучания, изменив громкость сабвуфера. Чем сильнее отражение звука в комнате, тем меньшая мощность требуется от громкоговорителя. Но имеется и ограничение. Так, например, при размещении громкоговорителя в углу комнаты резонанс низких частот может увеличиться настолько, что это приведет к неестественно подчеркнутому звучанию басов. Акустические свойства помещений очень сильно отличаются друг от друга, поэтому никакие общие рекомендации не могут заменить испытаний. Проверьте, как звучит система при установке сабвуфера в разных местах комнаты и выберите оптимальный вариант. Для проверки звучания системы включите такую музыку, в которой имеются восходящие и нисходящие басовые пассажи. Прислушайтесь к тому, как звучат подчеркнутые и тихие ноты. При наличии отдельного сабвуфера можно подобрать его оптимальное местоположение в соответствии с условиями резонанса в комнате независимо от размещения сателлитных громкоговорителей.

Если сабвуфер приходится размещать в замкнутом пространстве (например, внутри мебели), то нужно позаботиться о вентиляции, достаточной для охлаждения громкоговорителя. Посоветуйтесь об этом со своим дилером.

Сабвуфер поставляется в комплекте с четырьмя шипами-опорами. При размещении сабвуфера на ковре, шипы протыкают ворс и обеспечивают прочное соединение с полом, не повреждая при этом ковер. Прикрепляя шипы к сабвуферу, нужно сначала до конца навинтить контргайки на шипы, затем винтить шипы до упора в гнезда, имеющиеся на нижней поверхности корпуса. Если из-за неровности пола сабвуфер шатается, то нужно отрегулировать высоту шипов. Для этого следует вывинтить два расположенных по диагонали шипа, которые не достают до пола, так чтобы громкоговоритель опирался на все четыре ножки, затем зафиксировать шипы в этом положении, затянув до упора контргайки. Если Вы опасаетесь повредить пол, то можно подложить под шипы защитные прокладки или заменить шипы резиновыми ножками.

Подключение сабвуфера

На время выполнения подключений и проверки их правильности необходимо отключить питание всей системы. Это позволит избежать возможных повреждений.

Функция сабвуфера состоит в воспроизведении полученного от усилителя сигнала и, в некоторых случаях, разделении сигнала на две частотных полосы. В этом случае низкочастотный сигнал воспроизводится сабвуфером, а верхняя полоса сигнала передается на сателлитные громкоговорители. Если конфигурация системы требует подачи на сабвуфер монофонического сигнала, то входы левого и правого каналов можно соединить.

Подключение к линейному выходу усилителя осуществляется через гнезда типа втюльпанг. Разъемы для подключения к мощному выходу усилителя представляют собой универсальные 4-мм клеммы. Все разъемы расположены на задней панели сабвуфера. Таким образом, можно выбрать либо подключение к линейному выходу, либо к мощному выходу оконечного усилителя, однако нельзя использовать оба эти способа одновременно. Предпочтительным является подключение сабвуфера к линейному выходу усилителя.

Выбрать правильный метод подключения, соответствующий назначению и конфигурации Вашей системы, поможет следующая таблица.

Назначение:

Домашний кинотеатр:- Оборудование:

- Декодер с отдельными усилителями мощности:

- a С выходом для сабвуфера:
Способ соединения: Рисунок 3
- b Без выхода для сабвуфера:
Способ соединения: Рисунок 4

- Декодер с встроенными усилителями мощности:

- a С выходом для сабвуфера:
Способ соединения: Рисунок 5
- b Без выхода для сабвуфера:
Способ соединения: Рисунок 6

Назначение:

Стереосистема:- Оборудование:

- Отдельные предусилители и усилители мощности:

- a Один или несколько сабвуферов с объединением выходных сигналов в единый монофонический сигнал:
Способ соединения: Рисунок 7
- b Два сабвуфера с отдельным подключением к левому и правому каналам:
Способ соединения: Рисунок 8

- Интегральный усилитель:

- a Один или несколько сабвуферов с объединением выходных сигналов в единый монофонический сигнал:
Способ соединения: Рисунок 9
- b Два сабвуфера с отдельным подключением к левому и правому каналам:
Способ соединения: Рисунок 10

Использование двух или большего количества сабвуферов

- Использование в одной акустической системе двух или большего количества сабвуферов может улучшить воспроизведение звука. У таких систем есть следующие достоинства:
- Разделение низкочастотного сигнала на левый и правый стереофонические каналы;
- Адаптация системы к помещениям большого размера;
- Повышение максимальной звуковой мощности, что зачастую улучшает воспроизведение специальных звуковых эффектов в домашнем кинотеатре;
- Уменьшение резонанса низких частот.

При подключении к левому и правому стереоканалам собственных сабвуферов достигается лучший стереоэффект, при условии что каждый из сабвуферов расположен недалеко от своего сателлитного громкоговорителя.

Если идеальное размещение сабвуферов оказывается невозможным или если сабвуфер подключается к специальному выходу декодера, второй сабвуфер следует подсоединить к первому. При использовании декодера следует подключать только один входной канал. Для подключения к двухканальной стереосистеме следует использовать оба входных канала.

Проверка правильности подключений

Прежде чем приступать к проверке качества звучания и тонкой настройке системы, необходимо еще раз проверить правильность подключений. Если в процессе настройки не удается добиться качественного звучания системы, то это, как правило, вызвано неправильным подключением. Необходимо проверить следующее:

- Правильно ли выбрана фаза? Убедитесь, что положительные клеммы не соединены с отрицательными (это относится только к подключению сабвуфера через клеммы мощного входа). При неправильном выборе фазы звучание отличается невнятностью и неустойчивой локализацией, либо слабыми басами, либо и тем и другим;
- Не перепутаны ли левый и правый каналы? Это может привести, например, к тому, что расположение инструментов в оркестре будет казаться зеркально отраженным. В домашнем кинотеатре это может вызвать более неприятный эффект а локализация звука не будет совпадать с происходящим на экране.

Включение и выключение напряжения питания

Мы советуем включать сначала сабвуфер, а только после этого те усилители мощности, на которые подается сигнал от сабвуфера. Аналогичным образом, при выключении системы сабвуфер следует выключать последним.

При первом включении сабвуфера усилитель переходит в режим ожидания, при этом загорается красный индикатор, расположенный над выключателем. После того как на сабвуфер подается входной сигнал, усилитель автоматически переключается в рабочий режим, при этом загорается зеленый индикатор.

Если в течение 5 минут на сабвуфер не подается входной сигнал, то усилитель автоматически переключается в режим ожидания.

Порядок выполнения настройки с помощью органов управления

Для настройки используются три органа управления:

- Регулятор фильтра низкой частоты;
- Регулятор громкости;
- Переключатель фазы.

Оптимальная настройка зависит от оборудования, к которому подключается сабвуфер. Если Вы используете несколько сабвуферов, то все они должны быть настроены одинаково.

Использование сабвуфера с контроллером THX® (в том числе с контроллером THX, работающем в не-THX режиме)

ASW™2000 не является компонентом, лицензированным THX, но может подключаться к контроллеру THX.

- Установить регулятор фильтра низкой частоты на максимум.
- Установить регулятор громкости в среднее положение (на «12 часов») а это стандартное положение для настройки уровня сигнала THX.
- Установить переключатель фазы в положение 0, последующую тонкую настройку производить в соответствии с приведенной ниже инструкцией.

Проверьте, включена ли на контроллере THX функция сабвуфера. При таком подключении настройка фильтров и баланса сабвуфера во всех режимах работы автоматически регулируется контроллером. Для калибровки громкости сабвуфера нужно воспользоваться калибровочным сигналом контроллера THX. При калибровке следует добиться, чтобы взвешенное соотношение сигнал/шум в месте нахождения слушателя составляло 75 дБ. Подробнее о настройке уровня громкости можно прочесть в руководстве к контроллеру. Для калибровки можно воспользоваться недорогим измерителем уровня звука.

Использование сабвуфера с другими декодерами для домашних кинотеатров

- Если в декодере предусмотрен специальный выход для сабвуфера и его встроенный фильтр низкой частоты имеет крутизну второго порядка (12 дБ на октаву) или больше, то нужно установить регулятор фильтра низкой частоты на максимум. В противном случае его нужно установить сначала на 80 Гц.
- Установить регулятор громкости в среднее положение (на «12 часов»). Последующую тонкую настройку производить в соответствии с приведенной ниже инструкцией.
- Установить переключатель фазы в положение 0. Последующую тонкую настройку производить в соответствии с приведенной ниже инструкцией.

Использование сабвуфера в стереофонической системе

- Установить регулятор фильтра низкой частоты сначала на 80 Гц. Последующую тонкую настройку производить в соответствии с приведенной ниже инструкцией.
- Установить регулятор громкости в среднее положение (на «12 часов»). Последующую тонкую настройку производить в соответствии с приведенной ниже инструкцией.
- Установить переключатель фазы в положение 0. Последующую тонкую настройку производить в соответствии с приведенной ниже инструкцией.

Тонкая настройка

Оптимальные положения переключателя фазы и регулятора фильтра низкой частоты взаимосвязаны. Кроме того, они зависят от частоты перехода сателлитных громкоговорителей и относительного расстояния между входящими в систему громкоговорителями.

Для настройки нужно установить все колонки в выбранные позиции и включить музыку с продолжительной партией баса. Оптимальная настройка фильтра низкой частоты зависит от нескольких факторов: мощности сателлитных громкоговорителей и качества воспроизведения ими низких частот, количества входящих в систему сабвуферов и их расположения относительно сателлитных громкоговорителей. Для начала настройки можно выбрать частоту 80-90 Гц. Если у Вас нет возможности подключить к каждому стереоканалу свой сабвуфер, расположив его рядом с соответствующим сателлитным громкоговорителем, то для улучшения стереоэффекта можно настроить фильтр на большую частоту, однако при этом не следует чрезмерно ограничивать воспроизведение низких частот сателлитными громкоговорителями.

Проверяя настройку фильтра низкой частоты, следует каждый раз прослушивать звучание системы при обоих положениях переключателя фазы. Нужно выбрать то положение переключателя, при котором звучание басов отличается наибольшей насыщенностью. Это зависит от качества воспроизведения низких частот сателлитными громкоговорителями и от расстояния между сабвуфером, сателлитными громкоговорителями и слушателем. Если в систему входит два или несколько сабвуферов, то следует установить регуляторы фильтра низкой частоты и переключатели фазы на всех сабвуферах в одинаковое положение.

Если Вы изменяете систему усиления сигнала и переключаете сабвуфер с выходов оконечного усилителя на линейный выход, то рекомендуется вновь проверить выбор фазы, поскольку фазовые характеристики частоты среза этих сигналов не совпадают.

Баланс громкости сабвуфера и сателлитных громкоговорителей можно выбрать по своему вкусу. Оптимальный баланс оказывается различным при прослушивании разных музыкальных произведений. Проверьте, как звучит система при воспроизведении разных музыкальных фрагментов и постарайтесь подобрать такой баланс, который окажется наилучшим решением для большинства случаев. Оптимальный баланс зависит от уровня громкости, поэтому настройку производите при такой громкости, которую намерены использовать и в дальнейшем.

Если при воспроизведении вхрамяют басы, то есть какие-то ноты звучат излишне подчеркнuto, а какие-то слишком тихо, то вероятно это вызвано резонансом. Попробуйте найти более удачное место для расположения сабвуфера. Небольшое, всего на 15 см, перемещение может существенно изменить качество звучания. При этом можно не только сдвигать сабвуфер в сторону, но и изменять его высоту над полом. Применение двух или большего числа сабвуферов может сгладить влияние резонанса, поскольку резонансные частоты разных сабвуферов будут отличаться. Если расстояния между сабвуфером, сателлитными громкоговорителями и слушателем существенно изменяется, то советуем вновь проверить выбор фазы. При этом нужно будет также отрегулировать громкость сабвуфера (либо с помощью выходного сигнала декодера, либо регулятором громкости сабвуфера), однако предварительно следует выбрать фазу.

Уход за сабвуфером

Для удаления пыли с корпуса сабвуфера его можно протирать сухой тканью. При желании, можно воспользоваться чистящим средством, однако наносить его следует не на корпус, а на ткань. Для того чтобы не запачкать ткань, решетку лучше снять с сабвуфера, однако при этом нужно быть внимательным и не повредить динамик. Решетку можно чистить мягкой щеткой.

Не используйте сабвуфер в качестве столика – при включении акустической системы предметы, лежащие на сабвуфере, начинают дребезжать. Особенно внимательно проследите за тем, чтобы на нем не оказалась, например, ваза с цветами или бокал с напитком. Пролившаяся жидкость может повредить аппаратуру.

Если система долго не будет эксплуатироваться, то сабвуфер нужно отключить от сети.

DK**Advarsler:**

For at undgå fare for ild og risiko for elektrisk slød må udstyret ikke udsættes for vand eller fugt.

Vær opmærksom på de advarsler som angives på udstyret. Lad være med at åbne udstyret, eller fjern forsterkeren fra bagpanelet. Der findes ingen betjeningsdele inde i subwooferen. Alle service spørgsmål bedes rettet til autoriseret B&W forhandler.

Vær sikker på at netspændingen angivet på forsterkeren svarer til lysnettets netspænding.

Hovedsikringen er placeret inde i apparatet. Udsiftingning må kun ske med den samme type sikring, og den må kun skiftes af en autoriseret B&W forhandler.

Udstyret bør ikke jordforbindes.

For at sikre bedst mulig afkøling skal subwooferen placeres så forsterkerens køleribber er i vertikal stilling.

Subwooferen er tung og svær at håndtere, og bør derfor kun flyttes eller løftes hvis der er mindst to personer om det.

Inden subwooferen sættes på gulvet bør du checke at der ikke er kabler under den som kan blive beskadiget af de spidse spikes.

Brug ikke spikene som støtteben hvis du flytter subwooferen. Det kan medføre at spikene går løs eller at kabinettet bliver beskadiget.

Pas på ikke at sætte spikene på dine fødder.

SW**Varningar:**

För att undvika eldsvåda och elektriska stötar, får högtalaren inte utsättas för regn eller fukt.

Lägg märke till all varningstext på högtalaren. Avlägsna ej högtalarhöljat eller demontera förstärkardelen från högtalarens baksida då detta kan medföra elektriska stötar. Högtalaren innehåller inga delar som kan repareras av lekman. All service skall utföras på av B&W auktoriserad verkstad.

Undvik elektriska stötar genom att alltid tillse att stickkontakten sitter korrekt i vägguttaget eller förlängningsladdan.

Kontrollera att högtalarens märkspänning överensstämmer med spänningen i vägguttaget.

Huvudsäkring är placerad i förstärkardelen. Ersättning får endast ske med samma typ och värde som originalet och bytas på auktoriserad B&W verkstad.

Högtalaren behöver ej anslutas till jordat vägguttag.

Se till att förstärkardelen får ordentlig luftväxling genom att ej täppa till ventilationshålen. Kylflåsarna måste orienteras stående (vertikalt).

Högtalaren är tung och skrymmande och bör därför hanteras av minst två personer.

Baxa inte högtalaren på sina spikes efter som de koniska fötterna då kan lossna från högtalaren och orsaka skada på underlaget.

Se till att du inte får fötterna i kläm under högtalarens spikes. Spik i foten kan vara allvarligt!

N**Advarsel:**

For å unngå brann og elektriske støt, må dette utstyr ikke utsettes for vann eller fuktige omgivelser.

Følg anvisningen på produktet. Ikke åpne eller ta ut forsterkeren fra baksiden. Bruker vil ikke finne noen deler for utskifting innvendig. Alle forespørsler om reparasjon skal rettes til autorisert B&W forhandler.

Må ikke brukes i improviserte kontakter som blottlegger nettstikkets metalldele.

Pass på at utlesningen for nettspenning på baksiden av apparatet korresponderer med den lokale nettspenning.

Hoved sikringsholderen er på bakplaten av forsterkeren. Ny sikring må være av samme type og størrelse som den originale.

Dette apparatet trenger ikke å jordes.

Dette apparatet må kun brukes med kjølefinnene vertikalt for å sikre tilstrekkelig kjøling.

Denne subwooferen er så tung at den kun bør flyttes eller bæres av minst to personer.

Forsikre deg om at det ikke finns ledninger under teppet som kan bli ødelagt av denne subwooferens spikes.

Apparatet må løftes ikke skyves, da føttene på apparatet kan løsne fra kabinettet og forårsake skade.

Vær forsiktig så du ikke setter apparatet på dine egne bein.



Turvaohjeet:

Tulipalon tai sähköiskun vaaran välttämiseksi suojaa laite sateelta tai kosteudelta.

Ota huomioon kaikki laitteessa olevat varoitukset. Sähköiskunvaaraan vuoksi älä avaa laitetta tai irroita vahvistinta takapaneelista. Laite ei sisällä käyttäjän huollettavissa olevia huoltokohteita. Käänny houltoasioissa suomen hi-fi klubin puoleen.

Käytä vain maadoitettua jatkojohtoa.

Varmistu, että laitteen tyyppikilvessä oleva jännite vastaa sulaketaulussa mainittua.

Laitteen sulake on laitteen sisällä. Sulakkeen vaihtamiseksi käänny valtuutetun B&W jälleenmyyjän puoleen. Sulakkeen saa korvata vain alkuperäistyyppisellä sulakkeella; sulakkeen tyyppi käy ilmi verkkoliitännän välittömässä läheisyydessä olevasta jännitekilvestä.

Riittävän jäähtymisen varmistamiseksi laitetta saa käyttää vain siten asennettuna että jäähdytysrivat ovat pystysuunnassa ja laitteen tuuletusreiät ovat vapaat esteistä.

Subwoofer on painava ja kookas, on suositeltavaa että sitä siirtää vähintään kaksi henkilöä.

Varmistu että laitteen jalkojen piikit eivät vaurioita lattialla tai mahdollisen maton alla olevia kaapeleita.

Älä siirrä laitetta sen jalkojen varassa kulma kerrallaan, jalkojen kiinnitystä ei ole suunniteltu tällaista rasitusta kestäämään.

Varo jalkojasi laitetta siirtäessäsi, piikit ovat terävät ja laite painava.

Kun käytät useampaa kuin yhtä subwooferia, varmistu että linjatasonsäätimet ovat samassa asennossa.