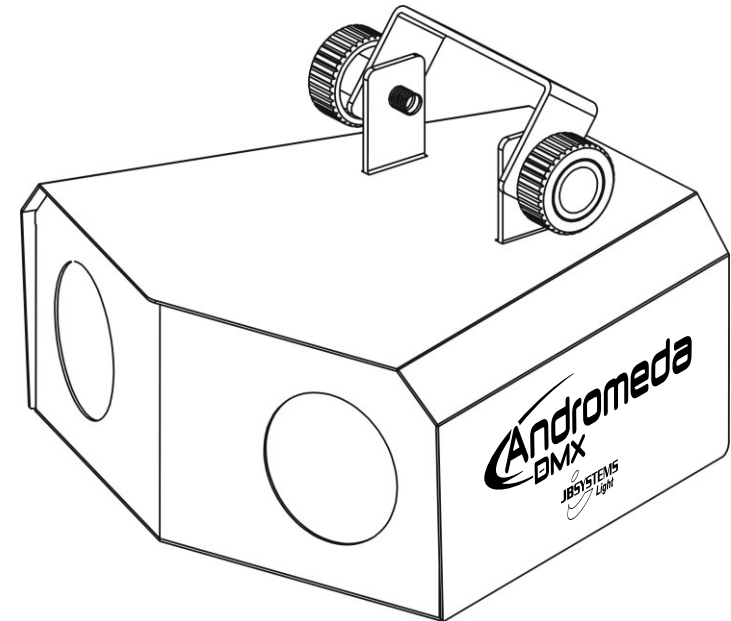


Andromeda DMX



Operation Manual EN
Mode d'emploi FR
Gebruiksaanwijzing NL
Bedienungsanleitung DE
Manual de instrucciones ES
Manual do utilizador PT

WWW.BEGLEC.COM

Copyright © 2009 by BEGLEC comm.v.a.

*t Hofveld 2 ~ B1702 Groot-Bijgaarden ~ Belgium

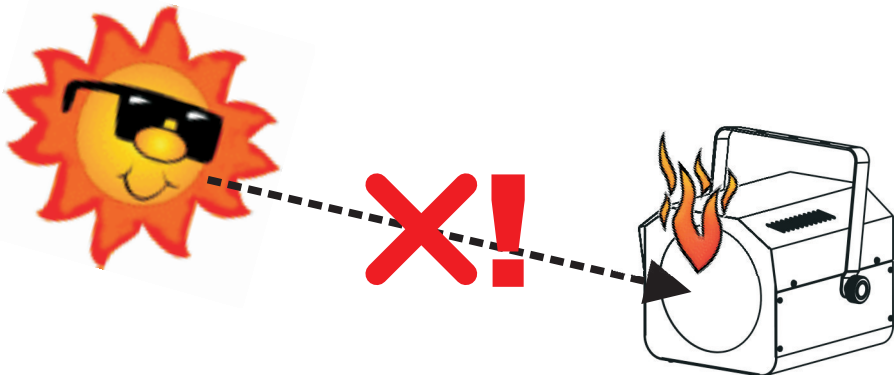
Reproduction or publication of the content in any manner, without express permission of the publisher, is prohibited.



Version: 1.0



DANGER ~ GEVAAR ~ GEFAHR ~ PELIGRO ~ PERIGO



WARNING: DANGER! never expose the lens to direct sunlight, even for a short period. This may damage the light effect or even cause fire!

ATTENTION: DANGER! n'exposez jamais la lentille directement aux rayons de soleil, même pendant un bref instant. Ceci peut endommager l'intérieur de l'appareil ou même causer un incendie !

OPGELET : GEVAAR ! stel de lens nooit bloot aan direct zonlicht, zelfs gedurende een korte periode. Dit kan het toestel beschadigen en zelfs brand veroorzaken!

WARNUNG: GEFAHR! Setzen sie die Linse niemals direkter Sonneneinstrahlung aus, auch nicht für eine kurze Zeit ! Die direkte Sonneneinstrahlung kann das Gerät zerstören oder zum brennen bringen!

ADVERTENCIA: ¡PELIGRO! ¡nunca exponga la lente a la luz solar directa, aún durante un período corto! ¡Esto puede dañar el efecto de luz o incluso causar el fuego!

AVISO: PERIGO! Nunca exponha as lentes directamente à luz solar, mesmo que por pouco tempo! Isto pode danificar o efeito luminoso ou mesmo provocar um incêndio!

EN - DISPOSAL OF THE DEVICE

Dispose of the unit and used batteries in an environment friendly manner according to your country regulations.

FR - DÉCLASSER L'APPAREIL

Débarrassez-vous de l'appareil et des piles usagées de manière écologique, conformément aux dispositions légales de votre pays.

NL - VERWIJDEREN VAN HET APPARAAT

Verwijder het toestel en de gebruikte batterijen op een milieuvriendelijke manier conform de in uw land geldende voorschriften.

DU - ENTSORGUNG DES GERÄTS

Entsorgen Sie das Gerät und die Batterien auf umweltfreundliche Art und Weise gemäß den Vorschriften Ihres Landes.

ES - DESHACERSE DEL APARATO

Reciclar el aparato y pilas usadas de forma ecologica conforme a las disposiciones legales de su país.

PT - COMO DESFAZER-SE DA UNIDADE

Tente reciclar a unidade e as pilhas usadas respeitando o ambiente e em conformidade com as normas vigentes no seu país.



OPERATION MANUAL

Thank you for buying this JB Systems® product. To take full advantage of all possibilities and for your own safety, please read these operating instructions very carefully before you start using this unit.

FEATURES

This unit is radio-interference suppressed. This product meets the requirements of the current European and national guidelines. Conformity has been established and the relevant statements and documents have been deposited by the manufacturer.

- This device has been designed to produce decorative effect lighting and is used in light show systems.
- Incredible LED based double moonflower!
- Thanks to 1channel DMX control, the unit can be switched on/off by any DMX-controller.
- Uses 92 high power LEDs (32 red + 30 green + 30 blue):
 - Extremely brilliant colors compared to effects with halogen lamps
 - More dynamic effects compared to effects based on halogen lamps
 - No moving parts (motors) inside!
 - No lamp replacements!
 - LEDs with an extremely long lifespan.
 - Virtually no heat production
 - Very low power consumption
 - Lightweight (no lamp transformers needed)
- Built-in lightshows (triggered by sound)
- Perfect for small applications: discos, clubs, mobile DJs, home, ...

BEFORE USE

- Before you start using this unit, please check if there's no transportation damage. Should there be any, do not use the device and consult your dealer first.
- **Important:** This device left our factory in perfect condition and well packaged. It is absolutely necessary for the user to strictly follow the safety instructions and warnings in this user manual. Any damage caused by mishandling is not subject to warranty. The dealer will not accept responsibility for any resulting defects or problems caused by disregarding this user manual.
- Keep this booklet in a safe place for future consultation. If you sell the fixture, be sure to add this user manual.

Check the contents:

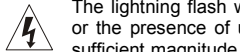
Check that the carton contains the following items:

- Operating instructions
- Andromeda DMX unit

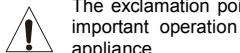
SAFETY INSTRUCTIONS:



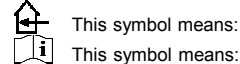
CAUTION: To reduce the risk of electric shock, do not remove the top cover. No user-serviceable parts inside. Refer servicing to qualified service personnel only.



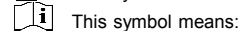
The lightning flash with arrowhead symbol within the equilateral triangle is intended to alert the user or the presence of un-insulated "dangerous voltage" within the product's enclosure that may be of sufficient magnitude to constitute a risk of electric shock.



The exclamation point within the equilateral triangle is intended to alert the user to the presence of important operation and maintenance (servicing) instructions in the literature accompanying this appliance.



This symbol means: indoor use only.



This symbol means: Read instructions.

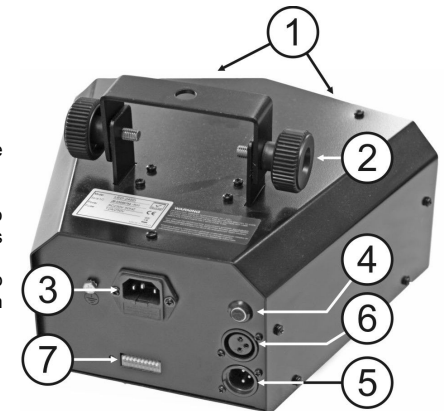
- To protect the environment, please try to recycle the packing material as much as possible.

- A new light effect sometimes causes some unwanted smoke and/or smell. This is normal and disappears after some minutes.
- To prevent fire or shock hazard, do not expose this appliance to rain or moisture.
- To avoid condensation to be formed inside, allow the unit to adapt to the surrounding temperatures when bringing it into a warm room after transport. Condense sometimes prevents the unit from working at full performance or may even cause damages.
- This unit is for indoor use only.
- Don't place metal objects or spill liquid inside the unit. Electric shock or malfunction may result. If a foreign object enters the unit, immediately disconnect the mains power.
- Locate the fixture in a well ventilated spot, away from any flammable materials and/or liquids. The fixture must be fixed at least 50cm from surrounding walls.
- Don't cover any ventilation openings as this may result in overheating.
- Prevent use in dusty environments and clean the unit regularly.
- Keep the unit away from children.
- Inexperienced persons should not operate this device.
- Maximum save ambient temperature is 40°C. Don't use this unit at higher ambient temperatures.
- The units' surface temperature may reach up to 85°C. Don't touch the housing with bare hands during its operation.
- Make sure the area below the installation place is free from unwanted persons during rigging, de-rigging and servicing.
- Allow the device about 10 minutes to cool down before replacing the bulb or start servicing.
- Always unplug the unit when it is not used for a longer time or before replacing the bulb or start servicing.
- The electrical installation should be carried out by qualified personal only, according to the regulations for electrical and mechanical safety in your country.
- Check that the available voltage is not higher than the one stated on the rear panel of the unit.
- The power cord should always be in perfect condition. Switch the unit immediately off when the power cord is squashed or damaged. It must be replaced by the manufacturer, its service agent or similarly qualified persons in order to avoid a hazard.
- Never let the power-cord come into contact with other cables!
- This fixture must be earthed to in order comply with safety regulations.
- Don't connect the unit to any dimmer pack.
- Always use an appropriate and certified safety cable when installing the unit.
- In order to prevent electric shock, do not open the cover. Apart from the lamp and mains fuse there are no user serviceable parts inside.
- **Never** repair a fuse or bypass the fuse holder. **Always** replace a damaged fuse with a fuse of the same type and electrical specifications!
- In the event of serious operating problems, stop using the fixture and contact your dealer immediately.
- The housing and the lenses must be replaced if they are visibly damaged.
- Please use the original packing when the device is to be transported.
- Due to safety reasons it is prohibited to make unauthorized modifications to the unit.

Important: Never look directly into the light source! Don't use the effect in the presence of persons suffering from epilepsy.

DESCRIPTION:

1. Optical lenses + scan mirrors
2. Hanging bracket with 2 knobs on both sides to fasten the unit and a mounting hole to fix a mounting hook.
3. Mains input with IEC socket and integrated fuse holder, connect the supplied mains cable here.
4. Microphone
5. DMX input: 3pin male XLR-connector used to connect universal DMX-cables. This input receives instructions from a DMX-controller.
6. DMX output: 3pin female XLR-connector used to connect the Andromeda DMX with the next unit in the DMX chain.
7. DIP switches, to set the DMX-starting address.



OVERHEAD RIGGING

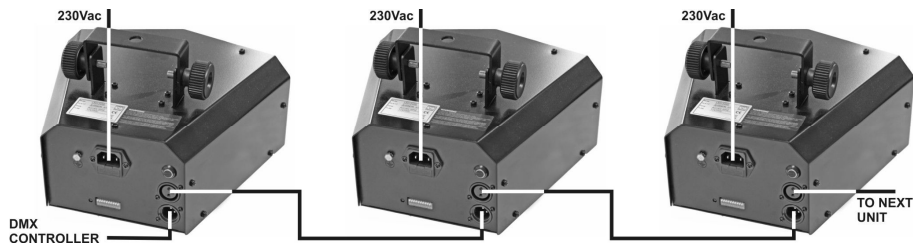
- **Important:** The installation must be carried out by qualified service personal only. Improper installation can result in serious injuries and/or damage to property. Overhead rigging requires extensive experience! Working load limits should be respected, certified installation materials should be used, the installed device should be inspected regularly for safety.
- Make sure the area below the installation place is free from unwanted persons during rigging, de-rigging and servicing.
- Locate the fixture in a well ventilated spot, far away from any flammable materials and/or liquids. The fixture must be fixed at least 50cm from surrounding walls.
- The device should be installed out of reach of people and outside areas where persons may walk by or be seated.
- Before rigging make sure that the installation area can hold a minimum point load of 10times the device's weight.
- Always use a certified safety cable that can hold 12times the weight of the device when installing the unit. This secondary safety attachment should be installed in a way that no part of the installation can drop more than 20cm if the main attachment fails.
- The device should be well fixed; a free-swinging mounting is dangerous and may not be considered!
- Don't cover any ventilation openings as this may result in overheating.
- The operator has to make sure that the safety-relating and machine-technical installations are approved by an expert before using them for the first time. The installations should be inspected every year by a skilled person to be sure that safety is still optimal.

ELECTRICAL INSTALLATION + ADDRESSING

Important: The electrical installation should be carried out by qualified personal only, according to the regulations for electrical and mechanical safety in your country.

Electrical installation in DMX-mode:

- The DMX-protocol is a widely used high speed signal to control intelligent light equipment. You need to "daisy chain" your DMX controller and all the connected units with a good quality balanced cable.
- Both XLR-3pin and XLR-5pin connectors are used, however XLR-3pin is more popular because these cables are compatible with balanced audio cables.
Pin layout XLR-3pin: Pin1 = GND ~ Pin2 = Negative signal (-) ~ Pin3 = Positive signal (+)
Pin layout XLR-5pin: Pin1 = GND ~ Pin2 = Negative signal (-) ~ Pin3 = Positive signal (+) ~ Pins4+5 not used.
- To prevent strange behavior of the light effects, due to interferences, you must use a 90Ω to 120Ω terminator at the end of the chain. Never use Y-splitter cables, this simply won't work!
- Make sure that all units are connected to the mains.
- Each light effect in the chain needs to have its proper starting address so it knows which commands from the controller it has to decode. In the next section you will learn how to set the DMX addresses.



How to set the DIP-switches to obtain the right starting address:

Each of the first 9 DIP-switches correspond to a certain DMX-value:

DIP	#1	#2	#3	#4	#5	#6	#7	#8	#9	#10
Value	1	2	4	8	16	32	64	128	256	Slave inversion not used in DMX-mode

You can combine the values of these switches to become any starting address between 1 and 512:

Begin address = 01 → switch 1=ON values: 1
 Begin address = 05 → switch 1+3=ON values: 1+4 = 5
 Begin address = 09 → switch 1+4=ON values: 1+8 = 9
 Begin address = 13 → switch 1+3+4=ON values: 1+4+8 = 13
 ...
 Begin address = 62 → switch 2+3+4+5+6=ON values: 2+4+8+16+32 = 62

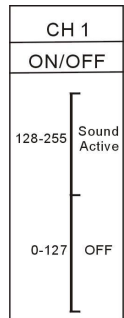
OPERATING INSTRUCTIONS

1. Standalone 1unit:

Just connect the unit to the mains and put on some music. The unit will start working automatically to the rhythm of the music.

2. DMX-mode:

When the units are connected in DMX-mode, they can be controlled using the following DMX-chart:



- Always unplug the unit when it is not used for a longer time or before replacing the bulb or start servicing.
- In the event of serious operating problems, stop using the fixture and contact your dealer immediately.
- **Important:** Never look directly into the light source! Don't use the effect in the presence of persons suffering from epilepsy.

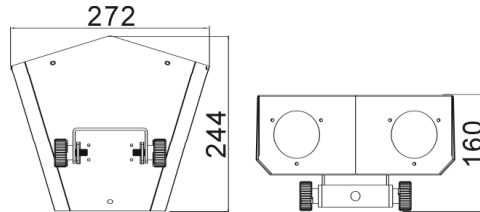
MAINTENANCE

- Make sure the area below the installation place is free from unwanted persons during servicing.
- Switch off the unit, unplug the mains cable and wait until the unit has been cooled down.
- **During inspection the following points should be checked:**
- All screws used for installing the device and any of its parts should be tightly fastened and may not be corroded.
- Housings, fixations and installations spots (ceiling, truss, suspensions) should be totally free from any deformation.
- When an optical lens is visibly damaged due to cracks or deep scratches, it must be replaced.
- The mains cables must be in impeccable condition and should be replaced immediately when even a small problem is detected.
- In order to protect the device from overheat the cooling fans (if any) and ventilation openings should be cleaned monthly.
- The interior of the device should be cleaned annually using a vacuum cleaner or air-jet.
- The cleaning of internal and external optical lenses and/or mirrors must be carried out periodically to optimize light output. Cleaning frequency depends on the environment in which the fixture operates: damp, smoky or particularly dirty surroundings can cause greater accumulation of dirt on the unit's optics.
 - Clean with a soft cloth using normal glass cleaning products.
 - Always dry the parts carefully.
 - Clean the external optics at least once every 30 days.
 - Clean the internal optics at least every 90 days.

Attention: We strongly recommend internal cleaning to be carried out by qualified personnel!

SPECIFICATIONS

Mains Input:	AC 100 to 250V, 50Hz/60Hz
Fuse:	250V 2A slow blow (20mm glass)
Power consumption:	10 Watt
Sound Control:	Internal microphone
Lamp:	2x 46 LEDs (R=16, G=15, B=15)
Size:	see drawings
Weight:	3,00 kg



Every information is subject to change without prior notice

You can download the latest version of this user manual on our website: www.beglec.com

MODE D'EMPLOI

Merci d'avoir choisi ce produit JB Systems®. Pour votre sécurité et pour une utilisation optimale de toutes les possibilités de l'appareil, lisez attentivement cette notice avant utilisation.

EN VOUS INSCRIVANT POUR LA LETTRE D'INFORMATION VOUS SEREZ TOUJOURS TENU AU COURANT DES DERNIERES NOUVELLES CONCERNANT NOS PRODUITS: NOUVEAUTES, ACTIONS SPECIALES, JOURNEES PORTES OUVERTES, ETC.
→ SURFEZ SUR: WWW.BEGLEC.COM ←

CARACTERISTIQUES

Cet appareil ne produit pas d'interférences radio. Il répond aux exigences nationales et européennes. La conformité a été établie et les déclarations et documents correspondants ont été déposés par le fabricant.

- Cet appareil a été conçu pour la production d'effets lumière décoratifs et est utilisé dans des spectacles lumineux.
- Des effets incroyables avec cette double moonflower faisant appel à la technologie des LED !
- Grace au mode DMX à 1 canal, l'appareil peut être allumé/éteint par n'importe quel contrôleur DMX.
- Utilise 92 LED à haute puissance (32 rouges, 30 vertes et 30 bleues) :
 - Couleurs extrêmement brillantes comparées aux effets fonctionnant avec des lampes halogènes ;
 - Effets nettement plus dynamiques comparés aux effets fonctionnant avec des lampes halogènes ;
 - Il n'y a aucune partie mobile (comme des moteurs, par exemple) à l'intérieur !
 - Pas de lampes à remplacer !
 - Utilise des LED ayant une durée de vie très longue.
 - Pratiquement aucune production de chaleur ;
 - Consommation de courant très faible ;
 - Poids plume (aucun transfo pour lampes n'est nécessaire).
- Light shows préprogrammés (réagissant à la musique).
- Idéal pour des applications de taille modeste : discothèques, bars, DJ itinérants, à la maison, ...

AVANT UTILISATION

- Avant d'utiliser cet appareil, assurez-vous de l'absence de dommage lié au transport. En cas d'endommagement, n'utilisez pas l'appareil et contactez le vendeur.
- **Important:** Cet appareil a quitté notre usine en parfaite condition et bien emballé. Il est primordial que l'utilisateur suive les instructions de sécurité et avertissements inclus dans ce manuel. La garantie ne s'applique pas en cas de dommage lié à une utilisation incorrecte. Le vendeur ne prend pas la responsabilité des défauts ou de tout problème résultant du fait de n'avoir pas tenu compte des mises en garde de ce manuel.
- Conservez ce manuel dans un endroit sûr pour toute consultation future. Si vous vendez l'appareil, assurez-vous d'y joindre ce manuel également.

Vérifiez le contenu:

Vérifiez si la boîte contient bien les articles suivants :

- Mode d'emploi
- ANDROMEDA DMX

INSTRUCTIONS DE SECURITE:



CAUTION
RISK OF ELECTRIC SHOCK
DO NOT OPEN



ATTENTION: afin de réduire le risque d'électrocution, n'enlevez jamais le couvercle de l'appareil. Il n'y a aucune pièce à l'intérieur de l'appareil que vous puissiez remplacer vous-même. Confiez l'entretien uniquement à



des techniciens qualifiés.

La flèche dans un triangle met l'utilisateur en garde contre la présence de haute tension sans isolation dans l'appareil, ce qui peut causer un risque d'électrocution.



Un point d'exclamation dans un triangle prévient de la présence d'instructions relatives au fonctionnement et à la maintenance se trouvant dans le manuel fourni avec l'appareil.



Ce symbole signifie: uniquement pour usage à l'intérieur.



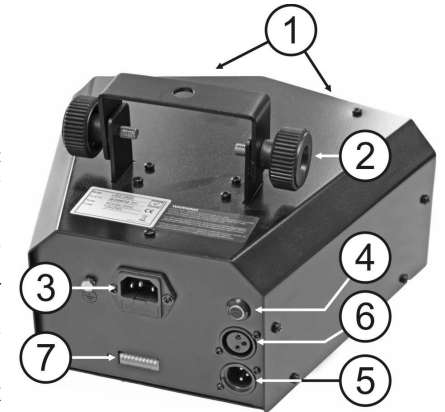
Ce symbole signifie : Lire le mode d'emploi.

- Afin de protéger l'environnement, merci de recycler les emballages autant que possible.
- Un effet lumière neuf peut provoquer de la fumée et/ou une odeur non souhaitée, qui devrait disparaître après quelques minutes.
- Afin d'éviter tout risque d'incendie ou de décharge électrique, ne pas exposer cet appareil à la pluie ou à l'humidité.
- Pour éviter la formation de condensation à l'intérieur de l'appareil, patientez quelques minutes pour laisser l'appareil s'adapter à la température ambiante lorsqu'il arrive dans une pièce chauffée après le transport. La condensation empêche l'appareil de fonctionner manière optimale, et elle peut même causer des dommages.
- Cet appareil est destiné à une utilisation à l'intérieur uniquement.
- Ne pas insérer d'objet métallique ou renverser de liquide dans l'appareil. Aucun objet contenant un liquide, tels que des vases, ne peut être placé sur cet appareil. Cela risquerait de provoquer une décharge électrique ou un dysfonctionnement. Si un corps étranger est introduit dans l'appareil, déconnectez immédiatement de la source d'alimentation.
- Aucune source de flamme nue, telle que des bougies allumées, ne peut être placée sur l'appareil.
- Placez l'appareil dans un endroit bien ventilé, éloigné de tout matériau ou liquide inflammable. L'appareil doit être fixé à 50cm minimum des murs.
- Ne pas couvrir les orifices de ventilation, un risque de surchauffe en résulterait.
- Ne pas utiliser l'appareil dans un environnement poussiéreux et le nettoyer régulièrement.
- Ne pas laisser l'appareil à portée des enfants.
- Les personnes non expérimentées ne doivent pas utiliser cet appareil.
- La température ambiante maximale d'utilisation de l'appareil est de 45°C. Ne pas l'utiliser au-delà de cette température.
- La température des parois de l'appareil peut atteindre 85°C. Ne pas toucher ces parois à mains nues en cours de fonctionnement.
- Assurez-vous que la zone au-dessous du lieu d'installation ne comporte pas de personnes non concernées pendant le montage, le démontage et les opérations de maintenance.
- Laissez l'appareil refroidir environ 10 minutes avant de remplacer l'ampoule ou d'effectuer des réparations.
- Débranchez toujours l'appareil si vous ne l'utilisez pas de manière prolongée avant de changer une ampoule ou d'entreprendre des réparations.
- Les installations électriques ne peuvent être faites que par du personnel qualifié et conformément aux règlements de sécurité électrique et mécanique en vigueur dans votre pays.
- Assurez-vous que la tension d'alimentation de la source d'alimentation de la zone dans laquelle vous vous trouvez ne dépasse pas celle indiquée à l'arrière de l'appareil.
- Le cordon d'alimentation doit toujours être en parfait état. Mettez immédiatement l'unité hors tension si le cordon devait être écrasé ou endommagé. Pour éviter tout risque de choc électrique, le cordon doit être remplacé par le constructeur, son agent ou un technicien qualifié.
- Ne laissez jamais le cordon d'alimentation entrer en contact avec d'autres câbles !
- L'appareil doit être à la masse selon les règles de sécurité.
- Ne pas connecter l'unité à un variateur de lumière.
- Utilisez toujours des câbles appropriés et certifiés lorsque vous installez l'appareil.
- Pour éviter toute décharge électrique, ne pas ouvrir l'appareil. En dehors des ampoules et du fusible principal, il n'y a pas de pièces pouvant être changées par l'utilisateur à l'intérieur.
- **Ne jamais** réparer ou court-circuiter un fusible. Remplacez **systématiquement** un fusible endommagé par un fusible de même type et ayant les mêmes spécifications électriques !
- En cas de problèmes de fonctionnement sérieux, arrêtez toute utilisation de l'appareil et contactez votre revendeur immédiatement.
- La carrosserie et les lentilles doivent être remplacées si elles sont visiblement endommagées.
- Utilisez l'emballage d'origine si l'appareil doit être transporté.
- Pour des raisons de sécurité, il est interdit d'apporter une quelconque modification à l'unité non spécifiquement autorisée par les parties responsables.

Important: Ne jamais fixer directement la source de lumière ! Ne pas utiliser d'effets en présence de personnes souffrant d'épilepsie.

DESCRIPTION:

1. Lentille et miroirs scan
2. Support de fixation, pourvu de 2 leviers de serrage (un de chaque côté de l'appareil) et d'un trou pouvant recevoir un crochet de fixation.
3. Entrée de l'alimentation secteur, avec prise IEC et fusible incorporé. Connectez les câbles d'alimentation fournis à cette prise.
4. Micro intégré
5. Entrée DMX : connecteur XLR mâle à 3 broches utilisé pour connecter des câbles DMX universels. Cette entrée reçoit ses instructions d'un contrôleur DMX.
6. Sortie DMX : connecteur XLR femelle à 3 broches utilisé pour connecter l'Andromeda DMX à l'appareil qui suit dans la chaîne DMX
7. Interrupteurs DIP utilisés pour régler l'adresse DMX de départ de l'appareil.



INSTALLATION EN HAUTEUR

- **Important:** L'installation doit être faite par du personnel qualifié uniquement. Une installation incorrecte peut causer des blessures sévères et/ou endommager l'appareil. L'installation en hauteur exige de l'expérience ! Les limites de charge doivent être respectées, du matériel d'installation certifié doit être utilisé, et l'appareil installé doit subir des inspections de sécurité régulièrement.
- Assurez-vous que la zone au-dessous du lieu d'installation ne comporte pas de personnes indésirables lors de l'installation, la désinstallation ou la maintenance.
- Placez l'appareil dans un endroit bien ventilé, éloigné de tout matériau ou liquide inflammable. L'appareil doit être fixé à **50cm minimum** des murs situés à proximité.
- L'appareil doit être hors de portée du public et en dehors des zones de passage de personnes ou des zones où le public est installé.
- Avant l'installation assurez-vous que la zone d'installation supporte un point localisé minimum de 10 fois le poids de l'appareil.
- Utilisez systématiquement un câble de sécurité qui peut supporter 12 fois le poids de l'appareil lors de l'installation. Ce câble de sécurité secondaire doit être installé de manière à ce qu'aucune partie de l'appareil ne puisse descendre de plus de 20 cm si le support principal tombe.
- L'appareil doit être bien fixé, un montage à balancement est dangereux et ne devrait pas être considéré !
- Ne pas couvrir les ouvertures de ventilation pour éviter tout risque de surchauffe.
- L'utilisateur doit s'assurer que les installations techniques et de sécurité sont bien approuvées par un expert avant la première utilisation. Les installations doivent être inspectées chaque année par du personnel qualifié pour assurer une sécurité optimale.

INSTALLATION ELECTRIQUE + ADRESSAGE



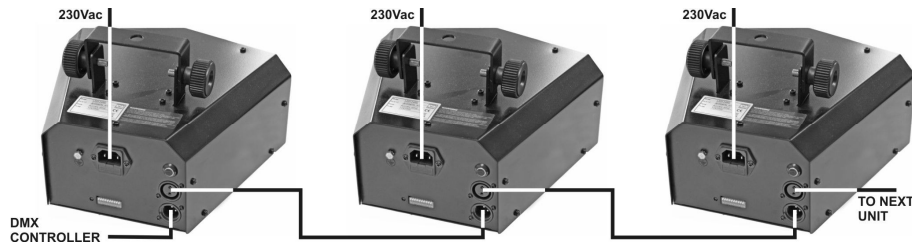
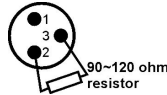
Important: L'installation électrique doit uniquement être effectué par du personnel qualifié, selon la législation concernant les mesures de sécurité électriques et mécaniques en vigueur dans votre pays.

Installation électrique en mode DMX :

- Le protocole DMX est un signal à haute vitesse très utilisé pour contrôler des équipements lumineux intelligents. Vous devez connecter en guirlande votre contrôleur DMX et tous les appareils avec un câble balancé de bonne qualité.
- Les deux types de connecteurs XLR, ceux à 3 broches comme ceux à 5 broches, peuvent être utilisés ; cependant, les connecteurs à 3 broches se rencontrent plus fréquemment car ils sont compatibles avec les câbles audio symétriques.
Plan de câblage des XLR à 3 broches : Broche 1 = prise de terre ~ broche 2 = signal négatif (-) ~ broche 3 = signal positif (+)

Plan de câblage des XLR à 5 broches : Broche 1 = prise de terre ~ broche 2 = signal négatif (-) ~ broche 3 = signal positif (+) ~ broches 4 et 5 : non utilisées.

- Pour éviter des comportements étranges des effets de lumières dus aux interférences, vous devez utiliser une résistance de bouclage de 90Ω à 120Ω au bout de la guirlande. Ne jamais utiliser de séparateur de câbles en forme « Y », cela ne fonctionnera pas!
- Assurez-vous que les appareils sont tous branchés sur le secteur.
- Chaque effet de lumière dans la guirlande doit avoir sa propre adresse de départ afin de savoir quelle est la commande du contrôleur il doit décoder. Dans la prochaine section, vous apprendrez à régler l'adresse DMX.



Comment régler les interrupteurs DIP pour créer une adresse de départ correcte :

Chacun des 9 premiers interrupteurs DIP correspond à une certaine valeur DMX.

DIP	#1	#2	#3	#4	#5	#6	#7	#8	#9	#10
Valeur	1	2	4	8	16	32	64	128	256	L'inversion des appareils esclaves n'est pas utilisée en mode DMX

On peut combiner les valeurs de ces interrupteurs de manière à obtenir n'importe quelle adresse de départ entre 1 et 512 :

Réglage adresse = 01	→ int. 1 = ON	valeur = 1
Réglage adresse = 05	→ int. 1+3 = ON	valeur = 1+4 = 5
Réglage adresse = 09	→ int. 1+4 = ON	valeur = 1+8 = 9
Réglage adresse = 13	→ int. 1+3+4 = ON	valeur = 1+4+8 = 13
...		
Réglage adresse = 62	→ int. 2+3+4+5+6 = ON	valeur = 2+4+8+16+32 = 62

INSTRUCTIONS D'UTILISATION

1. Un seul appareil en mode autonome :

Connectez simplement l'appareil au secteur et mettez de la musique. L'appareil commencera à fonctionner automatiquement en suivant le rythme de la musique.

2. Mode DMX:

Quand les appareils sont connectés en mode DMX, ils peuvent être contrôlés en suivant les instructions du tableau DMX ci-contre:

- Débranchez systématiquement l'appareil s'il n'est pas utilisé pour une période prolongée ou avant de changer une ampoule ou d'effectuer des opérations de maintenance.
- En cas de problèmes de fonctionnement sérieux, arrêtez toute utilisation de l'appareil et contactez votre revendeur immédiatement.
- **Important:** Ne jamais fixer directement la source de lumière ! Ne pas utiliser d'effets en présence de personnes souffrant d'épilepsie.

CH 1	
ON/OFF	
128-255	Sound Active
0-127	OFF

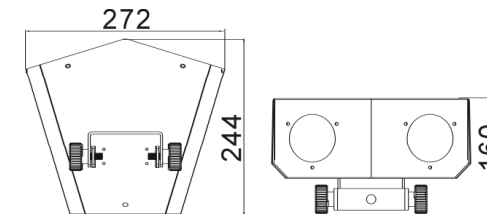
MAINTENANCE

- Assurez-vous que la zone au-dessous du lieu d'installation ne comporte pas de personnes indésirables lors de la maintenance
- Mettez l'unité hors tension, débranchez le cordon d'alimentation et attendez que l'appareil ait refroidi.
- **Pendant l'inspection, les points suivants doivent être vérifiés :**
- Toutes les vis utilisées pour l'installation de l'appareil ou de chacune de ses pièces doivent être bien fixées et non corrodées.
- Les niches, fixations et structures de support (plafond, poutres, suspensions) doivent être totalement intactes, sans aucune déformation.
- Lorsqu'une lentille optique est visiblement endommagée (fissure ou éraflures profondes), elle doit être remplacée.
- Les câbles doivent être en parfaite condition et doivent être remplacés immédiatement en cas de détection d'un problème, même bénin.
- Pour protéger l'appareil de toute surchauffe, les ventilateurs (si applicable) et les ouvertures de ventilation doivent être nettoyés mensuellement.
- L'intérieur de l'appareil doit être nettoyé annuellement à l'aide d'un aspirateur ou jet d'air.
- Le nettoyage des lentilles optiques internes et externes et/ou des miroirs doit être effectué périodiquement pour optimiser la production de lumière. La fréquence de nettoyage dépend de l'environnement dans lequel l'appareil fonctionne: des environnements humides, enfumés ou particulièrement sales peuvent entraîner une accumulation de saletés plus importante sur les parties optiques de l'appareil.
 - Nettoyez à l'aide d'un chiffon doux avec des produits de nettoyage pour verres normaux.
 - Séchez toujours les parties soigneusement.
 - Nettoyez les optiques externes ou moins une fois tous les 30 jours.
 - Nettoyez les optiques internes ou moins une fois tous les 90 jours.

Attention: Nous vous recommandons fortement de faire exécuter le nettoyage interne par du personnel qualifié !

SPECIFICATIONS

Alimentation:	AC 100 a 250V, 50Hz/60Hz
Fusible:	250V 2A, de type lent (20mm verre)
Consommation :	10 watts
Contrôle du son:	Microphone interne
Ampoules:	2x 46 LED (16 rouges, 15 vertes et 15 bleues)
Dimensions :	voir dessin ci-dessous
Poids:	3,00kg



Chacune de ces informations peut être modifiée sans avertissement préalable. Vous pouvez télécharger la dernière version de ce mode d'emploi de notre site Web: www.beglec.com

GEBRUIKSAANWIJZING

Hartelijk dank voor de aankoop van dit JB Systems® product. Om ten volle te kunnen profiteren van alle mogelijkheden en voor uw eigen veiligheid, gelieve de aanwijzingen zeer zorgvuldig te lezen voor U begint het apparaat te gebruiken.

**DOOR U OP ONZE MAILINGLIJST IN TE SCHRIJVEN ONTVANGT U STEEDS DE LAATSTE INFORMATIE OVER ONZE PRODUKTEN: NIEUWIGHEDEN, SPECIALE ACTIES, OPENDEURDAGEN, ENZ.
→ SURF NAAR: WWW.BEGLEC.COM ←**

KARAKTERISTIEKEN

In dit apparaat is radio-interferentie onderdrukt. Dit product voldoet aan de gangbare Europese en nationale voorschriften. Het is vastgesteld dat het apparaat er zich aan houdt en de desbetreffende verklaringen en documenten zijn door de fabrikant afgegeven.

- Het toestel is ontworpen om decoratieve lichteffecten te produceren en kan eventueel worden gebruikt in lichtshows.
- Prachtige dubbele moonflower gebaseerd op LED!
- Dank zij de 1 kanaals DMX controle kan het toestel via elke DMX controller aan/uitgezet worden.
- Gebruikt 92 hoogintensiteit LEDs (32 rood + 30 groen + 30 blauw):
 - Extreem heldere kleuren in vergelijking met effecten met halogeen lampen
 - Meer dynamische effecten in vergelijking met effecten met halogeen lampen
 - Geen bewegende delen (motoren) aan de binnenzijde!
 - Geen lampvervangings nodig!
 - LEDs met een extreem lange levensduur
 - Bijna geen warmteproductie
 - Zeer laag stroomverbruik
 - Lichtgewicht (geen lampransformatoren nodig)
- Ingebouwde lichtshows (aangestuurd door muziek)
- Perfect voor kleinere applicaties: discotheken, clubs, mobiele DJ's, thuis, ...

ALVORENS HET APPARAAT IN GEBRUIK TE NEMEN

- Controleer voor het eerste gebruik van het apparaat of het tijdens het transport beschadigd werd. Mocht er schade zijn, gebruik het dan niet, maar raadpleeg eerst uw dealer.
- **Belangrijk:** Dit apparaat verliet de fabriek in uitstekende staat en goed verpakt. Het is erg belangrijk dat de gebruiker de veiligheidsaanwijzingen en raadgevingen in deze gebruiksaanwijzing uiterst nauwkeurig volgt. Elke schade veroorzaakt door verkeerd gebruik van het apparaat valt niet onder de garantie. De dealer aanvaardt geen verantwoordelijkheid voor mankementen en problemen die komen door het veronachtzamen van deze gebruiksaanwijzing.
- Bewaar deze brochure op een veilige plaats om hem in de toekomst nogmaals te kunnen raadplegen. Indien U het apparaat verkoopt, denk U er wel aan om de gebruiksaanwijzing bij te voegen.

Controleer de inhoud:

Controleer of de doos volgende onderdelen bevat:

- Handleiding
- ANDROMEDA DMX

VEILIGHEIDSVOORSCHRIFTEN:



CAUTION
RISK OF ELECTRIC SHOCK
DO NOT OPEN



WAARSCHUWING: Om het risico op elektrocutie zoveel mogelijk te vermijden mag u nooit de behuizing verwijderen. Er bevinden zich geen onderdelen in het toestel die u zelf kan herstellen. Laat de herstellingen enkel uitvoeren door een bevoegde technicus.



De bliksempijl die zich in een gelijkbenige driehoek bevindt is bedoeld om u te wijzen op het gebruik of de aanwezigheid van niet-geïsoleerde onderdelen met een "gevaarlijke spanning" in het toestel die voldoende kracht heeft om een risico van elektrocutie in te houden.



Het uitroepteken binnen de gelijkbenige driehoek is bedoeld om de gebruiker erop te wijzen dat er in de meegeleverde literatuur belangrijke gebruik en onderhoudsinstructies vermeld staan betreffende dit onderdeel.



Dit symbool betekent: het apparaat mag enkel binnenhuis worden gebruikt.



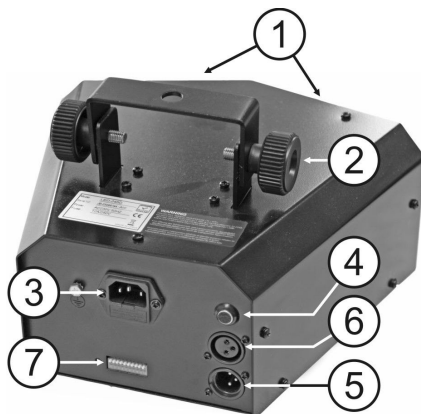
Dit symbool betekent: Lees de handleiding!

- Om het milieu te beschermen, probeer zoveel mogelijk het verpakkingsmateriaal te recycleren.
- Stel dit apparaat niet bloot aan regen of vocht, dit om het risico op brand en elektrische schokken te voorkomen.
- Om de vorming van condensatie binnenin te voorkomen, laat het apparaat aan de omgevingstemperatuur wennen wanneer het, na het transport, naar een warm vertrek is overgebracht. Condensatie kan het toestel soms verhinderen perfect te functioneren. Het kan soms zelfs schade aan het apparaat toebrengen.
- Gebruik dit apparaat uitsluitend binnenshuis.
- Plaats geen stukken metaal en mors geen vocht binnen in het toestel om elektrische schokken of storing te vermijden. Indien een vreemd voorwerp in het apparaat geraakt, moet U het direct van het lichtnet afkoppelen.
- Plaats de installatie op een plaats met goede ventilatie, ver van brandbare materialen en/of vloeistoffen. De installatie moet op minstens 50 cm van de muren rondom geplaatst worden.
- Bedek geen enkele ventilatieopening om oververhitting te vermijden.
- Zorg dat het toestel niet in een stoffige omgeving wordt gebruikt en maak het regelmatig schoon.
- Houd het apparaat uit de buurt van kinderen.
- Dit apparaat mag niet door onervaren personen bediend worden.
- De maximum veilige omgevingstemperatuur is 40°C. Gebruik het apparaat dus niet bij hogere temperaturen.
- Verzeker er U van dat er zich onder de plaats waar het toestel wordt geïnstalleerd geen ongewenste personen bevinden tijdens het bevestigen en losmaken alsook bij het onderhoud.
- Trek altijd de stekker uit wanneer het apparaat gedurende langere tijd niet wordt gebruikt of alvorens de lamp te vervangen of alvorens te beginnen met de onderhoudsbeurt.
- De elektrische installatie behoort uitsluitend uitgevoerd te worden door bevoegd personeel, volgens de in uw land geldende regels betreffende elektrische en mechanische veiligheid.
- Controleer dat de beschikbare spanning niet hoger is dan die aangegeven op de achterzijde van het toestel.
- De elektrische kabel behoort altijd in uitstekende staat te zijn. Zet het apparaat onmiddellijk af als de elektrische kabel gekneusd of beschadigd is. De kabel moet vervangen worden door de fabrikant zelf, zijn dealer of vergelijkbare bekwame personen om een brand te voorkomen.
- Laat de elektrische draad nooit in contact komen met andere draden.
- Volgens de veiligheidsvoorschriften moet deze installatie geaard worden.
- Sluit het apparaat niet aan op een elektronische dimmer.
- Gebruik altijd een geschikte en gekeurde veiligheidskabel bij het installeren van het toestel.
- Om elektrische schokken te voorkomen, moet U de behuizing niet openen. Er zitten geen onderdelen in die door de gebruiker moeten worden onderhouden.
- Repareer **nooit** een zekering en overbrug de zekeringhouder nooit. Vervang een beschadigde zekering **steeds** door een zekering van hetzelfde type en met dezelfde elektrische kenmerken.
- Ingeval van ernstige problemen met het bedienen van het toestel, stopt U onmiddellijk het gebruik ervan. Contacteer uw dealer voor een eventuele reparatie.
- De behuizing en de lenzen moeten vervangen worden als ze zichtbaar beschadigd zijn.
- Gebruik best de originele verpakking als het toestel vervoerd moet worden.
- Om veiligheidsredenen is het verboden om ongeautoriseerde modificaties aan het toestel aan te brengen.

Belangrijk: Kijk nooit rechtstreeks in de lichtbron. Gebruik het lichteffect niet in de tegenwoordigheid van personen die lijden aan epilepsie.

BESCHRIJVING:

1. Optische lenzen en scanspiegels
2. Ophangbeugel met opening voor het monteren van een ophanghaak, alsook 2 hendels voor het fixeren van de behuizing.
3. Netaansluiting met IEC stopcontact en geïntegreerde zekeringhouder, sluit de bijgeleverde netstekker hier aan.
4. Microfoon
5. DMX ingang: mannelijke 3pins XLR-connector voor het aansluiten van universele DMX kabels. Deze ingang kan instructies krijgen van een DMX-controller.
6. DMX uitgang: vrouwelijke 3pins XLR-connector om de Andromeda DMX met het volgende toestel in de DMX keten te verbinden
7. DIP schakelaars voor het instellen van het DMX startadres van het toestel.



OPHANGEN VAN HET APPARAAT

- **Belangrijk:** De installatie van het toestel mag uitsluitend door bekwaam onderhoudspersoneel uitgevoerd worden. Onjuiste plaatsing kan ernstige letsels en/of schade aan eigendommen tot gevolg hebben. Het ophangen vergt veel ervaring. U behoort de grenzen te respecteren aan de werklust; erkende installeringmaterialen moeten worden gebruikt; de veiligheid van het geïnstalleerde toestel moet regelmatig worden gecontroleerd.
- Overtuig U ervan dat het gebied onder installatieplaats vrij is van ongewenste personen tijdens het plaatsen, het weghalen en het onderhoud.
- Installeer het toestel op een goed geventileerde plaats, ver van brandbare stoffen en/of vloeistoffen. Het toestel moet worden bevestigd op **minstens 50 cm** van de omringende muren.
- Het toestel moet worden geïnstalleerd buiten het bereik van iedereen en weg van plaatsen waar men mag lopen en zitten.
- Alvorens tot plaatsen over te gaan, moet men controleren dat de minimum puntbelasting van de installatieplaats 10 keer het gewicht van het toestel bedraagt.
- Gebruik bij het installeren van het toestel altijd een gewaarmerkte veiligheidskabel die 12 keer het gewicht van het toestel kan dragen. Deze bijkomende veiligheidsbevestiging moet zo worden aangebracht dat geen deel van het toestel meer dan 20 cm vallen kan als de hoofdbeveiliging faalt.
- Het apparaat moet goed worden vastgezet; aan een vrij zwaaiende montering mag zelfs niet gedacht worden.
- Bedek geen ventilatieopeningen, anders zou dit oververhitting tot gevolg kunnen hebben.
- De gebruiker moet er zich van verzekeren dat de installaties met betrekking tot de veiligheid en de technische mechaniek door een expert zijn goedgekeurd alvorens ze voor de eerste keer te gebruiken. Elk jaar moeten de installaties worden gekeurd door een vakman om te controleren of de veiligheid nog steeds perfect is.

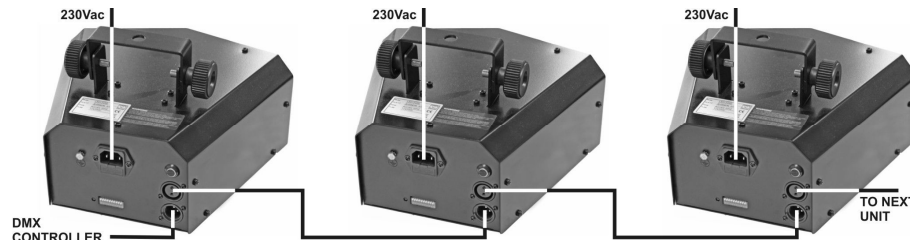
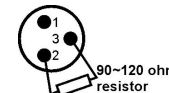
ELEKTRISCHE INSTALLATIE + ADRESSERING

⚠ Belangrijk: De elektrische installatie zou alleen uitgevoerd moeten worden door een bekwaam persoon volgens de voorschriften voor elektrische en mechanische veiligheid in uw land.

DMX INSTALLATIE

- Het DMX-protocol is een veel gebruikt hogesnelheidssignaal om lichtuitrustingen te bedienen. U moet uw DMX bediening en alle units met een gebalanceerde kabel van goede kwaliteit doorverbinden.
- Zowel de 3pins-XLR als de 5pins-XLR connector worden gebruikt, de 3pins-XLR is echter meer populair want deze kabels zijn compatibel met symmetrische microfoonkabels.
Pin layout XLR-3pin: Pin1 = GND ~ Pin2 = Negatief signaal (-) ~ Pin3 = Positief signaal (+)
Pin layout XLR-5pin: Pin1 = GND ~ Pin2 = Negatief signaal (-) ~ Pin3 = Positief signaal (+) ~ Pins4+5 niet in gebruik.

- Om vreemd gedrag van de lichteffecten, veroorzaakt door storing, te voorkomen, moet u een afsluitweerstand van 90Ω tot 120Ω aan het eind van de keten gebruiken. Gebruik nooit een Y-splittkabel, dit zal eenvoudig weg niet werken!
- Weet zeker dat alle units op het lichtnet zijn aangesloten.
- Elk lichteffect in de keten heeft een eigen DMX startadres nodig zodat het weet welke commando's van de bediening het moet ontcijferen. In de volgende sectie zal u leren hoe het DMX adres in te stellen.



Hoe de DIP-schakelaars gebruiken om het gewenste DMX startadres in te stellen:

Elk van de eerste 9 DIP-schakelaars stemt overeen met een bepaalde DMX-waarde:

DIP	#1	#2	#3	#4	#5	#6	#7	#8	#9	#10
Waarde	1	2	4	8	16	32	64	128	256	Slave inversie, niet gebruikt in DMX-mode

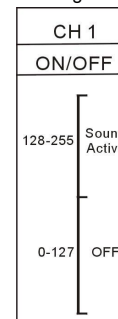
U kunt de waarden van deze schakelaars combineren om zo om het even welk startadres tussen 1 en 512 te bekomen:

Startadres = 01	→ schakelaar 1=ON	waarde: 1
Startadres = 05	→ schakelaar 1+3=ON	waarde: 1+4 = 5
Startadres = 09	→ schakelaar 1+4=ON	waarde: 1+8 = 9
Startadres = 13	→ schakelaar 1+3+4=ON	waarde: 1+4+8 = 13
...		
Startadres = 62	→ schakelaar 2+3+4+5+6=ON	waarde: 2+4+8+16+32 = 62

BEDIENINGSVOORSCHRIFTEN

1. **1 autonoom toestel:**
Sluit het toestel gewoon aan op het net en laat muziek afspelen. Het toestel zal automatisch beginnen werken op het ritme van de muziek.

2. **DMX-modus:**
In DMX modus, kan het toestel bediend worden volgens de DMX-chart hiernaast:



- Trekt U altijd de stekker uit het stopcontact als het apparaat langere tijd geen dienst doet of alvorens een lamp te vervangen of alvorens een onderhoudsbeurt te beginnen.
- Stop, in geval van serieuze bedieningsproblemen, met het gebruiken van het apparaat en stel U onmiddellijk in verbinding met uw dealer.
- **Belangrijk:** Kijk nooit rechtstreeks in de lichtbron. Gebruik het effect nooit in de aanwezigheid van mensen die aan epilepsie lijden.

ONDERHOUD

- Overtuig U ervan dat het gebied onder de installatieplaats vrij is van ongewenste personen tijdens het onderhoud.
- Zet het toestel uit, trek de netstekker uit het stopcontact en wacht tot het toestel is afgekoeld.

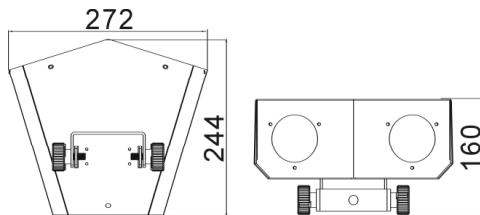
Bij inspectie moeten de volgende punten worden gecontroleerd.

- Alle schroeven gebruikt om het te toestel te installeren en al zijn onderdelen moeten goed vastgedraaid zijn en mogen niet verroest zijn.
- Behuizingen, vastzetstukken, installeringplaatsen (plafond, spanten, schokbrekers) mogen absoluut niet verwrongen zijn.
- Wanneer een optische lens klaarblijkelijk beschadigd is door barsten of diepe krassen, dan moet deze vervangen worden.
- De stroomkabels moeten in perfecte staat zijn en behoren vervangen te worden, wanneer er zelfs maar een klein probleem ontdekt werd.
- Om het toestel tegen oververhitting te beschermen, behoren de ventilatoren (als die er zijn) en de ventilatieopeningen elke maand gereinigd te worden.
- De binnenkant van het toestel behoort elk jaar gereinigd te worden met een stofzuiger of een luchtspuit.
- Het schoonmaken van inwendige en uitwendige optische lenzen en/of spiegels moet regelmatig worden uitgevoerd om een zo goed mogelijke lichtuitstraling te verkrijgen. Hoe vaak ze schoon moeten worden gemaakt hangt af van de omgeving waar het toestel wordt gebruikt: een klamme, rokerige of bijzonder vuile omgeving kan een grotere opeenhoping van vuil veroorzaken op de optische uitrusting.
 - Reinig met een zachte doek en gebruik normale glasreinigende producten.
 - Droog de onderdelen altijd zorgvuldig af,
 - Reinig de uitwendige optische uitrusting minstens één keer per maand.
 - Reinig de inwendige optische uitrusting minstens om de 3 maanden.

Let op: We bevelen sterk aan dat het schoonmaken van de binnenkant wordt uitgevoerd door vakbekwaam personeel!!

TECHNISCHE KENMERKEN

- Netvoeding:** wisselstroom 100 tot 250V, 50Hz/60Hz
Zekering: 250 V/ 2A trage zekering (20 mm)
Stroomverbruik: 10 Watt
Geluidscontrole: Inwendige microfoon
Lamp: 2x 46 LEDs (R=16, G=15, B=15)
Afmetingen: zie afbeelding hieronder
Gewicht: 3,00kg



Elke inlichting kan veranderen zonder waarschuwing vooraf

U kan de laatste versie van deze handleiding downloaden via Onze website: www.beglec.com

BEDIENUNGSANLEITUNG

Vielen Dank, dass Sie sich für den Erwerb dieses JBSystems®-Produkt entschieden haben. Bitte lesen sie diese Bedienungsanleitung sorgfältig vor der Inbetriebnahme durch, zur vollen Ausschöpfung der Möglichkeiten, die dieses Gerät bietet sowie, zu Ihrer eigenen Sicherheit.

EIGENSCHAFTEN

Das Gerät ist funktentstört und erfüllt die Anforderungen der europäischen und nationalen Bestimmungen. Entsprechende Dokumentation liegt beim Hersteller vor.

- Das Gerät ist zur Erzeugung von dekorativem Licht sowie der Benutzung in Lightshows bestimmt.
- Fantastischer LED Doppel Moonflower!
- Dank der 1 Kanal DMX Steuerung, kann das Gerät über ein DMX Controller ein- bzw. ausgeschaltet werden.
- 92 high power LEDs (32 rot + 30 grün + 30 blau):
 - Sehr brillante Farben im Gegensatz zu einem Effekt mit Halogenlampe
 - Keine beweglichen Teile (Motoren) im Gerät
 - Kein Lampen austauschen
 - LEDs mit einer extreme langen Lebensdauer
 - Sehr geringe Hitze Entwicklung
 - Sehr geringer Stromverbrauch
 - Leichtgewicht (es wird kein Trafo für die Lampe benötigt)
- Eingebaute Lichtshow (Musikgesteuert)
- Perfekt für kleine Anwendungen: Discos, Clubs, mobile DJs, Partykeller, ...

VOR DER ERSTBENUTZUNG

- Vor der Erstbenutzung bitte das Gerät zuerst auf Transportschäden überprüfen. Sollte das Gerät einen Schaden aufweisen, Gerät bitte nicht benutzen, sondern unverzüglich mit ihrem Händler in Verbindung setzen.
- **Wichtiger Hinweis:** Das Gerät hat das Werk unbeschädigt und gut verpackt verlassen. Es ist wichtig, dass der Benutzer sich streng an die Sicherheitshinweise und Warnungen in der Bedienungsanleitung hält. Schäden durch unsachgemäße Handhabung sind von der Garantie ausgeschlossen. Der Händler übernimmt keine Verantwortung für Schäden, die durch Nichtbeachtung der Bedienungsanleitung hervorgerufen wurden.
- Die Bedienungsanleitung, für zukünftiges Nachschlagen, bitte aufbewahren. Bei Verkauf oder sonstiger Weitergabe des Gerätes, bitte Bedienungsanleitung beifügen.

Packungsinhalt prüfen:

Bitte überprüfen Sie, dass die Packung folgende Einzelteile enthält:

- Bedienungsanleitung
- ANDROMEDA DMX

SICHERHEITSHINWEISE



CAUTION
RISK OF ELECTRIC SHOCK
DO NOT OPEN



ACHTUNG: Um sich nicht der Gefahr eines elektrischen Schlags auszusetzen, entfernen Sie keines der Gehäuseteile. Im Geräte-inneren befinden sich keine vom Benutzer reparierbaren Teile. Überlassen Sie Reparaturen dem qualifizierten Kundendienst.



Das Blitzsymbol im Dreieck weist den Benutzer darauf hin, dass eine Berührungsfahr mit nicht isolierten Teilen im Geräteinneren, welche eine gefährliche Spannung führen, besteht. Die Spannung ist so hoch, das hier die Gefahr eines elektrischen Schlages besteht.



Das Ausrufezeichen im Dreieck weist den Benutzer auf wichtige Bedienungs- und Wartungshinweise in den Dokumenten hin, die dem Gerät beiliegen.



Dieses Symbol bedeutet: Nur innerhalb von Räumen verwenden.



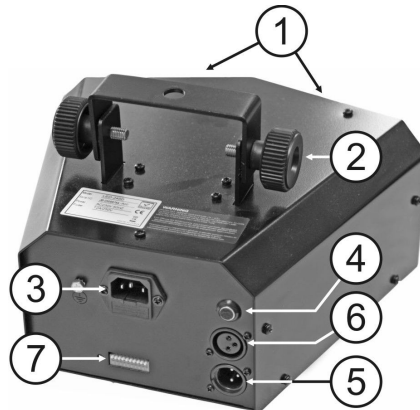
Dieses Symbol bedeutet: Achtung! Bedienungsanleitung lesen!

- Aus Umweltschutzgründen, Verpackung bitte wiederverwenden, oder richtig trennen.
- Ein neues Gerät kann Geruch oder Rauch entwickeln. Das ist völlig normal und legt sich nach einigen Minuten.
- Zur Vermeidung von Stromschlag oder Feuer, Gerät bitte nicht Regen oder Feuchtigkeit aussetzen.
- Zur Vermeidung von Kondensation im Inneren des Geräts, bitte nach Transport in eine warme Umgebung einige Zeit zum Temperaturengleich bringen. Kondensation kann zu Leistungsverlust des Gerätes oder gar Beschädigung führen.
- Gerät nicht im Freien und in feuchten Räumen und Umgebungen verwenden.
- Keine Metallgegenstände oder Flüssigkeiten ins Innere des Geräts gelangen lassen, Kurzschluß oder Fehlfunktion können die Folge sein. Falls es doch einmal vorkommen sollte, bitte sofort Netzstecker ziehen und vom Stromkreis trennen.
- Gerät nur in gut belüfteter Position und entfernt von entflammaren Materialien oder Flüssigkeiten betreiben. Mindestabstand an allen Seiten soll mindestens 50 cm sein.
- Ventilationsöffnungen nicht abdecken, da Überhitzungsgefahr!
- Nicht in staubiger Umgebung verwenden und regelmäßig reinigen.
- Für Kinder unerreichbar aufbewahren.
- Unerfahrene Personen sollen das Gerät nicht bedienen.
- Umgebungstemperatur darf 40°C nicht überschreiten.
- Die Oberflächentemperatur kann bis zu 85°C erreichen, Gerät während des Betriebs nicht mit bloßen Händen anfassen.
- Sicherstellen, daß sich während des Auf- und Abbaus keine unbefugten Personen unterhalb des Geräts befinden.
- Vor dem Auswechslern des Leuchtmittels oder sonstigen Eingriffen, 10 Minuten Abkühlzeit einhalten.
- Stets Netzstecker ziehen, wenn Gerät für längeren Zeitraum nicht genutzt, oder es gewartet wird.
- Elektrische Anschlüsse nur durch qualifiziertes Fachpersonal überprüfen lassen.
- Sicherstellen, daß Netzspannung mit Geräteaufkleber übereinstimmt.
- Gerät nicht mit beschädigtem Netzkabel betreiben. Ist die Zugangsleitung beschädigt, muß diese durch den Hersteller, seinen Vertrieb oder durch eine Qualifizierte Person ersetzt werden.
- Netzkabel nicht mit anderen Kabeln in Berührung kommen lassen!
- Zur Einhaltung der Sicherheitsbestimmungen muß das Gerät geerdet sein.
- Gerät nicht an einen Dimmer anschließen.
- Ausschließlich vorschriftsmäßige Kabel zur Installation verwenden.
- Gerät nicht öffnen. Abgesehen vom Tausch des Leuchtmittels und der Sicherung sind keine zu wartenden Bauteile im Gerät enthalten.
- Sicherung **niemals** reparieren oder überbrücken, sondern **immer** mit gleichartiger Sicherung ersetzen!
- Bei Fehlfunktion, Gerät nicht benutzen und mit Händler in Verbindung setzen.
- Bei sichtbaren Beschädigungen müssen Gehäuse und Optik ersetzt werden.
- Bei Transport bitte Originalverpackung verwenden, um Schäden am Gerät zu vermeiden.
- Aus Sicherheitsgründen dürfen an dem Gerät keine unbefugten Veränderungen vorgenommen werden.

Wichtiger Hinweis: Nicht direkt in die Lichtquelle blicken! Gerät nicht verwenden, wenn sich Personen im Raum befinden, die unter Epilepsie leiden.

BESCHREIBUNG

1. Objektiv und zwei Ablenkspiegel
2. Deckenhalterung mit 2 Drehknöpfen zum Festschrauben und zum Befestigen einen Montagehaken.
3. Netzanschluss mit Hilfe des IEC Steckers und eingebauter Sicherung, verbinden sie hier den Netzstecker.
4. Internes Mikro
5. DMX-Eingang: 3-poliger XLR-Stecker zum Anschließen von gängigen DMX-Kabeln. Dieser Eingang erhält Befehle von einem DMX-Controller.
6. DMX-Ausgang: 3-polige XLR-Buchse zum Anschließen des Andromeda DMX an das nachfolgende Gerät in der DMX-Kette
7. DIP-Schalter zur Einstellung der DMX-Startadresse des Geräts.



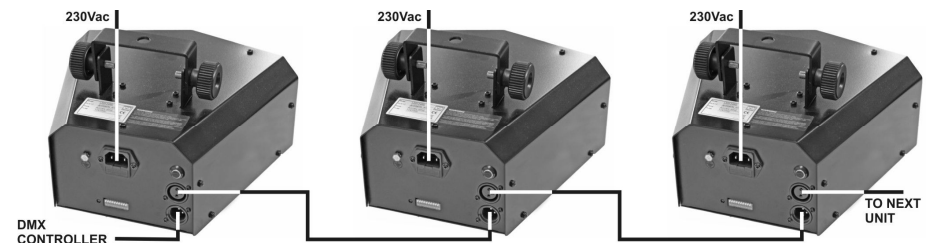
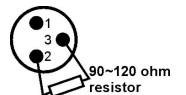
ÜBERKOPF-MONTAGE

- **Wichtig:** Montage ausschließlich durch qualifiziertes Fachpersonal durchführen lassen. Unvorschriftsmäßiger Einbau kann erhebliche Verletzungen und/oder Schäden verursachen. Überkopf-Montage verlangt entsprechende Erfahrung! Belastungsgrenzen müssen beachtet werden, geeignetes Installationsmaterial muß verwendet werden und das installierte Gerät muß in regelmäßigen Abständen überprüft werden.
- Sicherstellen, dass sich keine unbefugten Personen unterhalb des Geräts befinden, während es installiert oder gewartet wird.
- Gerät in gut belüfteter Position installieren, weit entfernt von entflammaren Materialien und/oder Flüssigkeiten. Einen Seitenabstand von **mindestens 50cm** einhalten.
- Gerät außerhalb der Reichweite von Personen, und nicht in niedrigen Durchgängen oder in der Nähe von Sitzgelegenheiten installieren.
- Vor Montage sicherstellen, dass die gewählte Position wenigstens das 10-fache Gerätegewicht aufnehmen kann.
- Zur Aufhängung stets geeignetes Befestigungsmaterial verwenden, das das 12-fache Gerätegewicht aushalten kann. Eine zweite Sicherungsaufhängung muß angebracht werden, die ein Absacken des Geräts von mehr als 20 cm verhindert, sollte die Befestigung brechen.
- Gerät gut befestigen. Eine freischwingende Aufhängung ist gefährlich und sollte auf gar keinen Fall in Betracht gezogen werden!
- Ventilationsöffnungen nicht abdecken, da Überhitzungsgefahr!
- Betreiber muß sicherstellen, dass die sicherheitsrelevanten und technischen Installationen vor Erstbetrieb fachmännisch vorgenommen worden sind.
- Installationen sollten jährlich durch qualifiziertes Fachpersonal inspiziert werden, um jederzeit einen sicheren Betrieb zu gewährleisten.

ELEKTROINSTALLATION + ADDRESSIERUNG

Wichtig: Die Elektroinstallation sollte nur von Fachleuten in Übereinstimmung mit den in Ihrem Land geltenden Bestimmungen für elektrische und mechanische Sicherheit ausgeführt werden. **Elektroinstallation im DMX-Modus:**

- Das DMX-Protokoll ist ein gängiges Hochgeschwindigkeitssignal, um intelligente Lichtsysteme zu steuern. Sie müssen Ihren DMX-Controller und alle angeschlossenen Geräte mit einem hochwertigen symmetrischen Kabel hintereinander schalten (daisy chain).
- Es werden sowohl XLR-3pin als auch XLR-5pin-Stecker benutzt, allerdings ist der XLR-3pin gängiger, da diese Kabel mit symmetrischen Audiokabel kompatibel sind.
Stiftanordnung XLR-3pin: Pin1 = GND ~ Pin2 = Negatives Signal (-) ~ Pin3 = Positives Signal (+)
Stiftanordnung XLR-5pin: Pin1 = GND ~ Pin2 = Negatives Signal (-) ~ Pin3 = Positives Signal (+) ~ Pins4+5 werden nicht verwendet
- Um durch Interferenzen verursachte Fehlfunktionen der Lichteffekte zu vermeiden, müssen Sie einen 90Ω bis 120Ω Abschlusswiderstand am Ende der Kette einsetzen. Verwenden Sie niemals Y-Splitter Kabel, das funktioniert nicht!
- Stellen Sie sicher, dass alle Geräte ans Netz angeschlossen sind.
- Jeder Lichteffekt in der Kette muss seine eigene Startadresse haben, damit er erkannt, welche Befehle des Controllers er entschlüsseln muss. Im folgenden Abschnitt erhalten Sie eine Anleitung zum Einstellen der DMX-Adressen.



Einstellen der DIP-Schalter, um die richtige Startadresse zu erhalten:

Jeder der ersten 9 DIP-Schalter entspricht einem bestimmten DMX-Wert:

DIP	#1	#2	#3	#4	#5	#6	#7	#8	#9	#10
Wert	1	2	4	8	16	32	64	128	256	Slave-Umkehrung wird im DMX-Modus nicht benutzt

Sie können die Werte dieser Schalter kombinieren, um gleich welche Startadresse zwischen 1 und 512 zu erhalten:

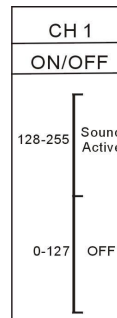
Anfangsadresse = 01	→ Schalter 1=ON	Werte: 1
Anfangsadresse = 05	→ Schalter 1+3=ON	Werte: 1+4 = 5
Anfangsadresse = 09	→ Schalter 1+4=ON	Werte: 1+8 = 9
Anfangsadresse = 13	→ Schalter 1+3+4=ON	Werte: 1+4+8 = 13
...		
Anfangsadresse = 62	→ Schalter 2+3+4+5+6=ON	Werte: 2+4+8+16+32 = 62

BEDIENUNGSANLEITUNG**1. Standalone 1 Gerät:**

Schließen Sie die Einheit einfach ans Netz und schalten Sie Musik ein. Die Einheit beginnt automatisch im Takt der Musik zu arbeiten.

2. DMX-modus:

Wenn die Geräte im DMX-Modus angeschlossen sind, können sie gemäß dem folgenden DMX-Diagramm gesteuert werden:



- Stets Netzstecker ziehen, wenn Gerät für längeren Zeitraum nicht genutzt, oder es gewartet wird.
- Bei Fehlfunktion Gerät nicht benutzen und umgehend mit ihrem Händler in Verbindung setzen.
- **Wichtiger Hinweis:** Nicht direkt in die Lichtquelle blicken! Gerät nicht verwenden, wenn sich Personen im Raum befinden, die unter Epilepsie leiden.

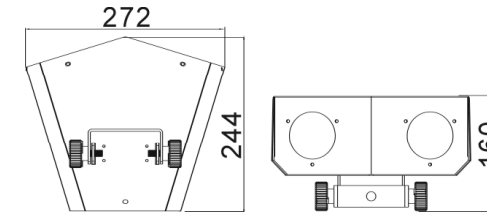
WARTUNG UND INSTANDHALTUNG

- Sicherstellen, dass sich keine unbefugten Personen unterhalb des Geräts befinden, während es gewartet wird.
- Gerät ausschalten, Netzstecker ziehen und warten, bis es sich abgekühlt hat.
- **Während der Wartung sind folgende Punkte ganz besonders zu beachten:**
- Sämtliche Schrauben zur Installation und Befestigung jeglicher Teile müssen fest angezogen und rostfrei sein.
- Gehäuse, Befestigungsmaterialien und Aufhängungen (Decke, Balken, abgehängte Decken) dürfen keine Anzeichen von Verformung zeigen.
- Ist die Optik sichtbar beschädigt (Sprünge oder tiefe Kratzer), dann müssen die entsprechenden Teile ausgewechselt werden.
- Netzkabel muß stets in einwandfreiem Zustand sein und selbst bei kleinsten Beschädigungen erneuert werden.
- Zur Vermeidung von Überhitzung müssen die Ventilatoren (sofern vorhanden) und Lüftungsschlitze monatlich gereinigt werden.
- Gerät innen mindestens einmal pro Jahr mit Staubsauger oder Airjet reinigen.
- Reinigung der inneren und äußeren optischen Linsen und/oder Spiegel müssen in regelmäßigen Abständen zur Beibehaltung einer optimalen Lichtausbeute vorgenommen werden. Reinigungsintervalle hängen stark von der Umgebung ab: feuchte, verrauchte und besonders verschmutzte Umgebung führen zu größerer Verschmutzung auf den Linsen.
 - Mit weichem Tuch und gewöhnlichem Glasreiniger säubern.
 - Alle Teile stets gut abtrocknen.
 - Äußere Optik mindestens alle 30 Tage säubern.
 - Innere Optik mindestens alle 90 Tage säubern.

Achtung: Wir empfehlen dringend, Reinigung im Innern des Geräts nur von qualifiziertem Personal durchführen zu lassen!

TECHNISCHE EINZELHEITEN

Netzspannung:	≈ 100 bis 250V, 50Hz/60Hz
Sicherung:	250V / 2A langsame Sicherung (20mm Glas)
Energieverbrauch:	10 Watt
Klangregler:	Eingebautes Mikrofon
Lichtquelle:	2x 46 LEDs (R=16, G=15, B=15)
Abmessungen:	siehe Zeichnung
Gewicht:	3,00kg



Technische Änderungen können auch ohne Vorankündigung vorgenommen werden!
Sie können sich die neueste Version dieses Benutzerhandbuchs von unserer Website herunterladen:
www.beglec.com

MANUAL DE INSTRUCCIONES

Gracias por la compra de este producto JB Systems®. Para sacar todo el rendimiento de las posibilidades de este aparato y por su propia seguridad, por favor lea este manual de instrucciones con mucho cuidado antes de utilizar esta unidad.

CARACTERÍSTICAS

Esta unidad no interfiere con señales de radio. Este producto cumple las exigencias de las directrices actuales Europeas y nacionales. Se ha establecido conformidad y las declaraciones y documentos relevantes se han depositado por el fabricante.

- Este aparato ha sido diseñado para producir efecto de iluminación decorativa y se usa en sistemas de iluminación de espectáculos.
- Increíble LED basado sobre el doble moonflower
- Gracias a 1 canal DMX de control, se puede encender/apagar la unidad desde cualquier controlador DMX.
- Utiliza 92 potentes LEDs (32 rojo + 30 verde + 30 azul):
 - Colores sumamente brillantes comparados a efectos con lámparas de halógeno
 - Efectos más dinámicos comparados a efectos basados en lámparas de halógeno
 - Sin componentes en movimiento (motores) dentro!
 - No necesita remplazos de lámpara
 - LEDs con una vida útil sumamente larga.
 - Prácticamente ninguna producción de calor
 - Consumo de electricidad muy bajo
 - Peso ligero (sin transformador de lámpara)
- Lightshows incluidos (activados por sonido)
- Perfecto para pequeños usos: discotecas, clubs, pinchadiscos móviles, en casa, ...

ANTES DEL USO

- Antes de utilizar esta unidad, por favor compruebe que no hay daños causados por el transporte. En caso contrario, no utilice este aparato y consulte a su vendedor.
- **Importante:** Este aparato salió de la empresa en perfecto estado y bien empaquetado. Es absolutamente necesario por parte del usuario seguir estrictamente las instrucciones de seguridad y advertencias de este manual. Cualquier daño causado por manejo inadecuado no estará sujeto a la garantía. El vendedor no aceptará responsabilidad por ningunos defectos o problemas que resulten de ignorar este manual del usuario.
- Mantenga este folleto en un lugar seguro para consultas futuras. Si vende esta instalación, asegúrese de añadir este manual de usuario.
- Para proteger el medio ambiente, por favor intente reciclar el material de empaquetado tanto como sea posible.

Compruebe el contenido:

Compruebe que la caja contiene los siguientes ítems:

- Instrucciones de manejo
- ANDROMEDA DMX

INSTRUCCIONES DE SEGURIDAD:



PRECAUCIÓN: Para reducir el riesgo de electrocución, no quite la cubierta superior. Ninguna pieza usable adentro para el utilizador. Dirjase unicamente a personal cualificado.



El símbolo de un rayo en el interior de un triángulo alerta sobre la presencia o el uso de elementos no aislados donde un voltaje peligroso constituye un riesgo grande para causar una eventual electrocución.



El punto de exclamación en el interior de un triángulo alerta al usuario sobre la presencia de importantes instrucciones de operación y de mantenimiento tenidas en cuenta en el manual de uso.



Este símbolo significa : uso para el interior solamente.



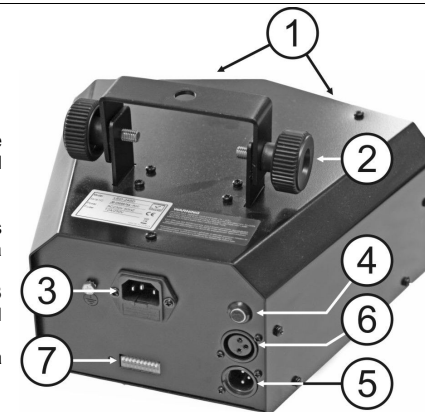
Este símbolo significa : Lea las instrucciones.

- Afin de evitar todo riesgo de incendio o electrocución, no exponer el aparato a la lluvia o ambiente húmedo.
- Un nuevo efecto de luz algunas veces causa algún olor y/o humo no deseados. Esto es normal y desaparece después de algunos minutos.
- Para evitar fuego o riesgos de descargas no exponga este aparato a la lluvia o humedad.
- Para evitar que se forme condensación en el interior, permita que la unidad se adapte a las temperaturas circundantes cuando la lleve a una habitación cálida después de transporte. Condensación algunas veces impide que la unidad funcione a rendimiento pleno o puede incluso causar daños.
- Esta unidad es sólo para uso interior.
- No coloque objetos metálicos o derrame líquidos dentro de la unidad. Podría resultar descarga eléctrica o mal funcionamiento. Si un objeto extraño entrara en la unidad, desconecte inmediatamente la fuente de alimentación.
- Coloque la instalación en un lugar bien ventilado, alejado de cualquier material inflamable y/o líquidos. La instalación debe ser fijada al menos a 50 cm. de distancia de los muros circundantes.
- No cubra ninguna apertura de ventilación ya que esto podría resultar en sobrecalentamiento.
- Evite su uso en ambientes polvorientos y limpie la unidad regularmente.
- Mantenga la unidad alejada de los niños.
- Personas sin experiencia no deberían manejar este aparato.
- La temperatura máxima de ambiente es 40°C. No use esta unidad a temperaturas más elevadas.
- Asegúrese de que el área por debajo del sitio de instalación está libre de personas ajenas durante el montaje, desmontaje y reparación.
- Siempre desenchufe la unidad cuando no la use por un periodo de tiempo largo o antes de comenzar una reparación.
- La instalación eléctrica debería ser llevada a cabo sólo por personal cualificado, acorde a las regulaciones para seguridad eléctrica y mecánica de su país.
- Compruebe que el voltaje disponible no es superior al que aparece en el panel trasero de la unidad.
- El cable de alimentación debería estar siempre en perfectas condiciones: apague el aparato inmediatamente cuando el cable de alimentación esté roto o dañado. Debe ser sustituido por el fabricante, su servicio técnico o otra persona cualificada.
- ¡Nunca deje el cable de alimentación entrar en contacto con otros cables!
- Esta instalación debe ser conectada a tierra para cumplir con las regulaciones de seguridad.
- No conecte la unidad a ningún paquete de reducción de luz.
- Siempre use un cable de seguridad apropiado y certificado cuando instale la unidad.
- Para prevenir descargas eléctricas, no abra la tapa. No hay partes que puedan ser reparadas por el usuario en su interior.
- **Nunca** repare un fusible o haga un bypass al fusible. ¡Siempre sustituya el fusible dañado por un fusible del mismo tipo y especificaciones eléctricas!
- En el caso de problemas serios de manejo, deje de usar la instalación y contacte con su vendedor inmediatamente.
- La carcasa y las lentes deben ser cambiadas si hay daño visible.
- Por favor, use el empaquetado original cuando el aparato deba ser transportado.
- **Debido a motivos de seguridad está prohibido hacer modificaciones sin autorizar a la unidad.**

Importante: ¡Nunca mire directamente a la fuente de luz! No use el efecto en presencia de personas que sufran de epilepsia.

DESCRIPTION:

1. Lentes Ópticas y espejos scan
2. Asa para colgar con una tuerca en ambos lados la unidad con un gancho de montaje.
3. Entrada de red eléctrica con la toma IEC y el soporte de fusible integrado, conecte el cable de red suministrado aquí.
4. Micrófono interno
5. Entrada DMX: El conector macho XLR de 3 clavijas se utiliza para conectar cables DMX universales. Esta entrada recibe instrucciones de un controlador DMX.
6. Salida DMX: Se utiliza un conector XLR hembra de 3 pines para conectar el Andromeda DMX con el siguiente aparato DMX en la cadena
7. Interruptores dip se utilizan para establecer la dirección de inicio DMX de la unidad.



APAREJADO SUPERIOR

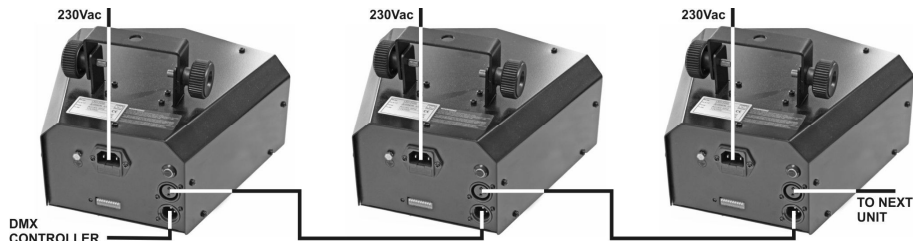
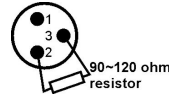
- **Importante:** La instalación debe ser llevada a cabo sólo por personal cualificado. Una instalación impropia podría resultar en serias heridas y/o daño a la propiedad. ¡El aparejado superior requiere una larga experiencia! Los límites de las cargas de trabajo deben respetarse, materiales certificados de instalación deben ser usados, el aparato instalado debería ser inspeccionado regularmente por seguridad.
- Asegúrese de que el área por debajo del sitio de instalación está libre de personas ajenas durante el montaje, desmontaje y reparación.
- Coloque la instalación en un sitio bien ventilado, lejos de cualquier material inflamable y/o líquidos. La instalación debe ser fijada **al menos a 50cm** de los muros circundantes.
- El aparato debería ser instalado fuera del alcance de la gente y fuera de áreas donde personas puedan caminar o sentarse.
- Antes del aparejado asegúrese de que el área de instalación puede soportar un mínimo punto de carga de 10 veces el peso del aparato.
- Siempre use un cable de seguridad certificado que pueda sostener 12 veces el peso del aparato. Este añadido secundario de seguridad debería ser instalado de una forma que no hubiera parte de la instalación que pudiera caer más de 20cm si el añadido principal falla.
- El aparato debe ser bien fijado, ¡un montaje que se mueva con libertad es peligroso y no debe considerarse!
- No cubra ninguna apertura de ventilación ya que esto podría resultar en sobrecalentamiento.
- El operador tiene que asegurarse de que las instalaciones relativas a seguridad, maquinaria y técnica están aprobadas por un experto antes de usarlas la primera vez. Las instalaciones deberían ser inspeccionadas cada año por una persona con conocimientos para asegurar que la seguridad es todavía óptima.

INSTALACIÓN ELÉCTRICA + DIRECCIONAMIENTO

Importante: La instalación eléctrica sólo debe ser llevada a cabo por personal cualificado, de acuerdo con la regulaciones sobre seguridad eléctrica y mecánica de su país.

Instalación eléctrica en modo DMX:

- El protocolo DMX es una señal de alta velocidad muy utilizada para controlar equipo de iluminación inteligente. Necesita conectar en cadena tipo margarita su controlador DMX y todas las unidades conectadas con un cable equilibrado de buena calidad.
- Se utilizan conectores XLR de 3 pines y conectores XLR de 5 pines, no obstante, el conector XLR de 3 pines es más popular porque estos cables son compatibles con los cables de audio equilibrados. Disposición de pines en el conector XLR de 3 pines: Pin1 = GND ~ Pin2 = Señal negativa (-) ~ Pin3 = Señal positiva (+)
Disposición de pines en el conector XLR de 5 pines: Pin1 = GND ~ Pin2 = Señal negativa (-) ~ Pin3 = Señal positiva (+) ~ Pines4+5 no se utilizan.
- Para evitar un comportamiento anómalo de los efectos luminosos, debido a interferencias, debe utilizar un terminador de 90Ω a 120Ω al final de la cadena. Nunca utilice cables divisores en Y, ¡no funcionarán!
- Asegúrese de que todas las unidades están conectadas a la red eléctrica.
- Cada efecto luminoso en la cadena necesita disponer de su propia dirección de inicio de forma que sepa qué comando del controlador debe descodificar. En la siguiente sección obtendrá información sobre cómo establecer las direcciones DMX.



Ajuste de los interruptores DIP para que puedan obtener la dirección de inicio correcta:

Cada uno de los 9 interruptores DIP corresponden a cierto valor DMX

DIP	#1	#2	#3	#4	#5	#6	#7	#8	#9	#10
Valor	1	2	4	8	16	32	64	128	256	La inversión esclava no se utiliza en modo DMX

Puede combinar los valores de estos interruptores para que se conviertan en cualquier dirección de inicio entre 1 y 512:

- Dirección de inicio = 01 → interruptor 1=ON valores: 1
- Dirección de inicio = 05 → interruptor 1+3=ON valores: 1+4 = 5
- Dirección de inicio = 09 → interruptor 1+4=ON valores: 1+8 = 9
- Dirección de inicio = 13 → interruptor 1+3+4=ON valores: 1+4+8 = 13
- ...
- Dirección de inicio = 62 → interruptor 2+3+4+5+6=ON valores: 2+4+8+16+32 = 62

INSTRUCCIONES DE USO

1. **1 unidad independiente:**
todos los demás están OFF Conecte la unidad a la red eléctrica y ponga algo de música. La unidad comenzará a funcionar automáticamente al ritmo de la música.
2. **Modo DMX:**
Cuando las unidades están conectadas en modo DMX, pueden controlarse mediante la siguiente tabla DMX:

CH 1	
ON/OFF	
128-255	Sound Active
0-127	OFF

- Siempre desenchufe la unidad cuando no la use por un periodo de tiempo largo o antes de cambiar la bombilla o comenzar una reparación.
- En el caso de problemas serios de manejo, deje de usar la instalación y contacte con su vendedor inmediatamente.
- **Importante:** ¡Nunca mire directamente a la fuente de luz! No use el efecto en presencia de personas que sufran de epilepsia.

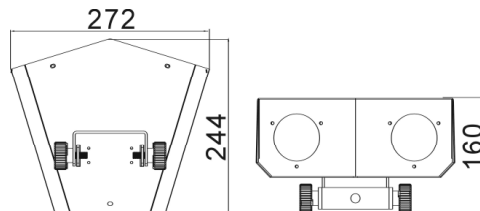
MANTENIMIENTO

- Asegúrese de que el área por debajo del por debajo del sitio de instalación está libre de personas ajenas durante la reparación.
- Apague la unidad, desconecte el cable principal y espere hasta que la unidad se haya enfriado.
- **Durante la inspección los siguientes puntos deben ser comprobados:**
- Todos los tornillos usados para la instalación del aparato y cualquiera de sus partes deben ser apretados fuertemente y no pueden estar corroídos.
- Carcasas, fijaciones y puntos de instalación (techos, armaduras, suspensiones) deberán estar totalmente libres de ninguna deformación.
- Cuando una lente óptica esté visiblemente dañada debido a golpes o rayados profundos, debe ser cambiada.
- Los cables principales deben estar en una condición impecable y deben ser cambiados de inmediato cuando incluso un pequeño problema se detecte.
- En orden de proteger al aparato de sobrecalentamiento, los ventiladores de enfriamiento (caso de haberlos) y las aperturas de ventilación deberían ser limpiados mensualmente.
- El interior del aparato debería ser limpiado anualmente usando una aspiradora o máquina de aire.
- La limpieza de lentes y/o espejos internos y externos debe ser llevada a cabo periódicamente para optimizar la salida de luz. La frecuencia de limpieza depende del ambiente en el cual la instalación está funcionando: húmedo, con humo o con alrededores particularmente sucios puede causar una mayor acumulación de polvo en las ópticas de la unidad.
 - Limpie con un trapo suave usando productos limpiadores normales de cristal.
 - Seque siempre las partes cuidadosamente.
 - Limpie las ópticas externas al menos una vez cada 30 días.
 - Limpie las ópticas internas al menos una vez cada 90 días.

Atención: ¡Recomendamos con insistencia que la limpieza interna sea llevada a cabo por personal cualificado!

ESPECIFICACIONES

Alimentación:	AC 100 hasta 250V, 50Hz/60Hz
Fusible:	250V 2A Volado lento (cristal de 20mm)
Consumo de energía:	10 Watt
Control de sonido:	Micrófono Interno
Lámpara:	2x 46 LEDS (R=16, V=15, A=15)
Tamaño:	Consulte el gráfico
Peso:	3,00kg



Toda la información está sujeta a cambios sin previo aviso

Puede descargar la última versión de este manual de usuario en nuestro sitio web: www.beglec.com

MANUAL DO UTILIZADOR

Obrigado por ter adquirido este produto da JB Systems®. De modo a tirar total proveito das possibilidades deste produto, por favor leia este manual com atenção antes de utilizar a unidade.

CARACTERÍSTICAS

Esta unidade está protegida contra interferências rádio. Este produto cumpre as exigências impostas pelas presentes directivas nacionais e europeias. A conformidade deste produto foi comprovada e as declarações e documentos relevantes foram efectuados pelo fabricante.

- Esta unidade destina-se a produzir efeitos luminosos decorativos e é utilizada em sistemas de espectáculos de luz.
- Incrível moonflower dupla baseada em Leds!
- Graças ao controlo DMX de 1 canal, a unidade pode ser ligada / desligada por qualquer controlador DMX.
- Utiliza 92 LEDS de alta potência (32 Vermelhos + 30 Verdes + 30 Azuis):
 - Cores extremamente brilhantes comparadas com os efeitos com lâmpadas de halogéneo
 - Efeitos mais dinâmicos comparados com efeitos baseados em lâmpadas de halogéneo
 - Sem peças a moverem-se (motores) no interior!
 - Sem substituição de lâmpadas!
 - Utiliza LEDS com uma duração de vida extremamente longa
 - Virtualmente sem produção de calor
 - Consumo muito baixo de energia
 - Muito leve (sem necessidade de transformadores para a lâmpada)
 - Espectáculos incorporados (activados por som)
- Perfeito para pequenas aplicações: discotecas, clubes, Djs móveis, casa, ...

ANTES DE UTILIZAR

- Antes de utilizar esta unidade verifique se existem danos provocados durante o transporte. Caso existam danos aparentes, não utilize a unidade e contacte o seu revendedor.
- **Importante:** Esta unidade deixou a nossa fábrica em perfeitas condições e devidamente embalada. É imprescindível que o utilizador siga as instruções de segurança e avisos descritos neste manual. Quaisquer danos provocados por utilização incorrecta não serão cobertos pela garantia. O revendedor não será responsável por quaisquer danos ou problemas causados pelo incumprimento das instruções deste manual.
- Guarde este manual num local seguro para consulta futura. Caso venda esta unidade, forneça este manual.

Verifique o conteúdo:

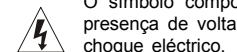
Certifique-se que a caixa contém os seguintes artigos:

- Manual do utilizador
- Unidade ANDROMEDA DMX

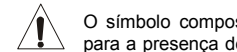
INSTRUÇÕES DE SEGURANÇA:



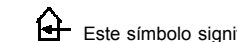
ATENÇÃO: De forma a evitar o risco de choque eléctrico, não remova peças da unidade. Não tente fazer reparações. Contacte pessoal qualificado.



O símbolo composto por um triângulo equilátero com um relâmpago no interior alerta para a presença de voltagem perigosa não isolada no interior do produto que poderá constituir risco de choque eléctrico.



O símbolo composto por um triângulo equilátero com um ponto de exclamação alerta o utilizador para a presença de instruções importantes de utilização e manutenção do produto.



Este símbolo significa: utilização unicamente em espaços fechados.

 Este símbolo significa: Leia instruções.

- Proteja o ambiente. Recicle o material desta embalagem.
- Os efeitos luminosos novos podem por vezes produzir algum fumo e/ou cheiro desagradável. Esta situação é normal e temporária.
- De modo a evitar risco de fogo ou choque eléctrico, não exponha este produto a chuva ou humidade.
- De forma a evitar a formação de condensação no interior da unidade, ao transportá-la para ambiente quente aguarde algum tempo de modo a que haja uma ambientação à temperatura. A condensação poderá afectar o desempenho da unidade ou até danificá-la.
- Esta unidade destina-se unicamente a utilização em espaços fechados.
- Não introduza objectos de metal nem verta líquidos no interior do produto, correrá risco de choque eléctrico ou poderá danificar o produto. Caso algum objecto estranho entre em contacto com o interior da unidade, desligue-a de imediato da corrente.
- Coloque esta unidade num local arejado, afastado de materiais inflamáveis e/ou líquidos. Esta unidade deverá ser instalada a pelos menos 50cm de distância de paredes circundantes.
- Não cubra os orifícios de ventilação ou a unidade poderá sobreaquecer.
- Evite locais com poeiras. Limpe a unidade regularmente.
- Mantenha esta unidade fora do alcance das crianças.
- Esta unidade deverá ser operada unicamente por pessoas experientes.
- Temperatura ambiente de funcionamento máxima é de 40°C. Não utilize esta unidade a temperaturas ambientes mais elevadas.
- Certifique-se de que não irão passar pessoas sob a área de instalação da unidade durante a instalação e manutenção.
- Desligue sempre a unidade da corrente quando não a utilizar durante longos períodos de tempo, antes de efectuar manutenção.
- A instalação eléctrica deve ser efectuada unicamente por pessoal qualificado, cumprindo os regulamentos de segurança em instalações eléctricas e mecânicas do seu país.
- Certifique-se que a voltagem a utilizar não é superior à voltagem indicada no painel traseiro da unidade.
- O cabo de alimentação deverá estar sempre em perfeitas condições. Desligue a unidade e substitua imediatamente o cabo caso este apresente algum dano. Deverá ser substituído pelo fabricante, pelo agente autorizado ou pessoal qualificado de modo a evitar um acidente.
- Nunca permita que este cabo entre em contacto com outros cabos!
- Esta unidade deverá estar ligada à Terra de forma a respeitar as regras de segurança.
- Não ligue a unidade a reguladores de intensidade.
- Utilize sempre um cabo de segurança aprovado ao instalar a unidade.
- De forma a não correr risco de choque eléctrico não abra a cobertura da unidade. Não existem peças que possam ser substituídas pelo utilizador.
- **Nunca** repare um fusível nem tente operar a unidade sem fusível. Substitua **sempre** um fusível danificado por outro com as mesmas características!
- Em caso de problemas sérios de funcionamento, interrompa a utilização da unidade e contacte imediatamente o seu revendedor.
- A cobertura e as lentes deverão ser substituídas caso apresentem danos visíveis.
- Caso seja necessário transportar a unidade utilize a embalagem original.
- Por motivos de segurança, são proibidas quaisquer alterações não autorizadas à unidade.

Importante: Nunca olhe directamente para a luz! Não utilize este efeito luminoso na presença de pessoas epiléticas.

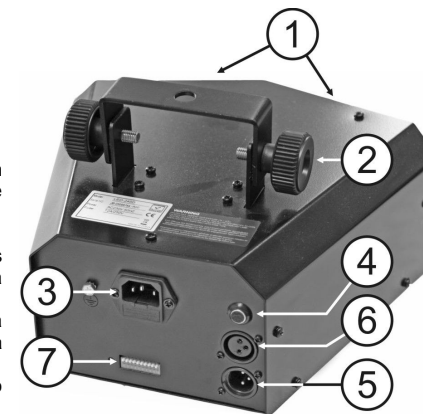
INSTALAÇÃO EM SUSPENSÃO

- **Importante:** A instalação deve ser efectuada unicamente por pessoal qualificado. Uma instalação incorrecta pode resultar em ferimentos graves e/ou danos na sua propriedade. Para efectuar uma instalação em suspensão é necessária muita experiência! Respeite os limites de carga, utilize materiais de instalação aprovados e inspeccione a unidade instalada regularmente de forma a assegurar a segurança.
- Certifique-se que sob a área de instalação da unidade não irão passar pessoas durante a instalação e manutenção.
- Coloque esta unidade num local arejado, afastado de materiais inflamáveis e/ou líquidos. Esta unidade deverá ser instalada a **pelos menos 50cm** de distância de paredes circundantes.


- A unidade deve ser instalada fora do alcance das pessoas; afastada de áreas onde as pessoas possam passar ou sentar-se.
- Antes de proceder à instalação certifique-se que a área seleccionada pode suportar uma carga mínima de 10 vezes o peso da unidade.
- Na instalação, utilize sempre um cabo de segurança aprovado com capacidade para suportar 12 vezes o peso da unidade. Esta medida de segurança secundária deverá ser instalada de forma a que nenhuma parte da instalação possa cair mais de 20cm caso o ponto de apoio principal ceda.
- A unidade deverá ser fixa firmemente. Uma instalação oscilante pode ser perigosa e não deverá ser efectuada!
- Não cubra os orifícios de ventilação ou a unidade poderá sobreaquecer.
- O utilizador da unidade deverá certificar-se que a instalação é aprovada em termos de segurança e em termos técnicos por uma pessoa qualificada antes de efectuar a primeira utilização. A instalação deverá ser inspeccionada todos os anos por um técnico qualificado de forma a certificar-se que a segurança está assegurada.

DESCRIÇÃO:

1. Lentes ópticas + espelhos varredores
2. Suporte de suspensão com 2 parafusos de aperto em ambos os lados para fixar a unidade e um orifício para aplicação de um gancho de montagem.
3. Entrada de corrente eléctrica com tomada IEC com e suporte de fusível integrado, para ligar o cabo de alimentação fornecido.
4. Microfone
5. Entrada DMX: Conector XLR macho de 3 pinos usado para ligar cabos DMX universais. Esta entrada recebe instruções de um controlador DMX.
6. Saída DMX: Conector XLR fêmea 3 pinos usada para conectar o Andromeda DMX com a próxima unidade na cadeia DMX
7. Interruptores DIP, usados para definir o endereço inicial da unidade.

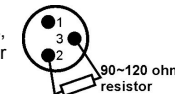


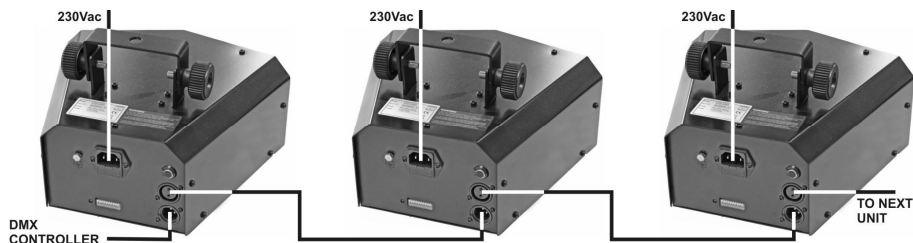
INSTALAÇÃO ELÉCTRICA + CONFIGURAÇÃO

 **Importante:** A instalação eléctrica deve ser feita apenas por pessoal qualificado, de acordo com os regulamentos para segurança eléctrica e mecânica no vosso país.

Instalação eléctrica em modo DMX:

- O protocolo DMX é um sinal de alta velocidade usado para controlar equipamento inteligente de luz. É necessário ligar em série o vosso controlador DMX a todas as unidades conectadas com um cabo balanceado de boa qualidade
- Ambos os conectores XLR 3 pinos e XLR 5 pinos são usados, mas os XLR 3 pinos são mais populares porque estes cabos são compatíveis com cabos de áudio balanceados.
Configuração XLR 3 pinos: Pino 1 = Terra ~ Pino 2 = Sinal negativo (-) ~ Pino 3 = Sinal positivo (+)
Configuração XLR 5 pinos: Pino 1 = Terra ~ Pino 2 = Sinal negativo (-) ~ Pino 3 = Sinal positivo (+) ~ Pinos 4+5 não são usados.
- Para prevenir comportamento estranho dos efeitos de luz, devido a interferências, deverá usar uma resistência de 90Ω a 120Ω no final da série. Nunca utilize divisor de cabo Y, isto simplesmente não funciona!
- Verifique se todas as unidades estão ligadas à corrente.
- Cada efeito de luz na série precisa de ter o seu próprio endereço inicial para saber quais os comandos do controlador que tem de descodificar. Na próxima secção irá aprender como configurar os endereços DMX.





Como definir os interruptores DIP para obter o endereço inicial correcto:

Cada um dos primeiros 9 interruptores DIP corresponde a um certo valor DMX:

DIP	#1	#2	#3	#4	#5	#6	#7	#8	#9	#10
Valor	1	2	4	8	16	32	64	128	256	Inversão Slave, não usada em modo DMX

Pode combinar os valores destes interruptores para tornar qualquer endereço inicial entre 1 e 512:

- Endereço Inicial = 01 → Interruptor 1=ON valor: 1
- Endereço Inicial = 05 → Interruptor 1+3=ON valor: 1+4 = 5
- Endereço Inicial = 09 → Interruptor 1+4=ON valor: 1+8 = 9
- Endereço Inicial = 13 → Interruptor 1+3+4=ON valor: 1+4+8 = 13
- ...
- Endereço Inicial = 62 → Interruptor 2+3+4+5+6=ON valor: 2+4+8+16+32 = 62

INSTRUÇÕES DE FUNCIONAMENTO

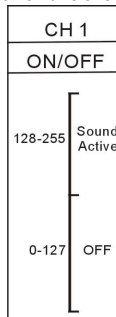
1. 1 unidade autónoma:

Simplemente conecte a unidade á corrente e ponha alguma música. A unidade irá começar a funcionar automaticamente ao ritmo da música.

2. Modo DMX:

Quando as unidades estão ligadas em modo DMX, podem ser controladas usando a seguinte tabela DMX:

- Desligue sempre a unidade da corrente quando não a utilizar durante longos períodos de tempo, antes de substituir a lâmpada ou de efectuar a manutenção.
- Caso a unidade apresente problemas sérios de funcionamento, interrompa a utilização da unidade e contacte o seu revendedor imediatamente.
- **Importante:** Nunca olhe directamente para a luz! Não utilize este efeito luminoso na presença de pessoas epilépticas.



MANUTENÇÃO

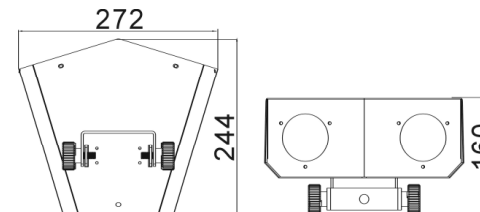
- Certifique-se que sob a área de instalação da unidade não irão passar pessoas durante a manutenção.
- Desligue o cabo de alimentação da corrente e aguarde que a unidade arrefeça.
- **Durante a inspeção deverá verificar os seguintes pontos:**
 - Todos os parafusos utilizados nas peças da unidade e na instalação deverão estar apertados firmemente e não poderão estar corroídos.
 - A cobertura da unidade, os pontos de fixação e as áreas de instalação (tecto, armação, etc.) não deverão apresentar qualquer deformação.
 - Caso uma lente apresente danos visíveis como fendas ou riscos profundos, deverá ser substituída imediatamente.
 - O cabo de alimentação deverá estar em perfeitas condições e deverá ser substituído assim que for detectado o mais pequeno dano.

- As ventoinhas de arrefecimento (caso existam) e os orifícios de ventilação deverão ser limpos todos os meses de modo a evitar que unidade sobreaqueça.
- Utilize um aspirador ou um compressor de ar para limpar o interior da unidade uma vez por ano.
- De forma a otimizar a projecção de luz, limpe as lentes ópticas internas e externas e/ou espelhos periodicamente. A regularidade das limpezas depende do ambiente em que está instalada a unidade: um ambiente húmido, com fumo ou poeiras dará origem a uma maior acumulação de impurezas nas ópticas da unidade.
 - Utilize um pano macio e um limpa-vidros normal na limpeza da unidade.
 - Seque sempre as peças cuidadosamente.
 - Limpe as ópticas externas pelo menos uma vez em cada 30 dias.
 - Limpe as ópticas internas pelo menos uma vez em cada 90 dias.

Atenção: Recomendamos vivamente que a limpeza do interior da unidade seja efectuada por pessoal qualificado!

ESPECIFICAÇÕES

- Fonte de Alimentação:** AC 100 até 250V, 50Hz/60Hz
- Fusível:** 250V 2A fusão lenta (20mm vidro)
- Consumo:** 10 Wat
- Controlo de som:** Microfone interno
- Lâmpada:** 2x 46 LEDs (Vermelho=16, Verde=15, Azul=15)
Veja o desenho
- Peso:** 3,00kg



Estas informações estão sujeitas a alterações sem aviso prévio
 Pode fazer download da versão mais recente deste manual no nosso site: www.beglec.com