

# Homelite®

## OPERATOR'S MANUAL

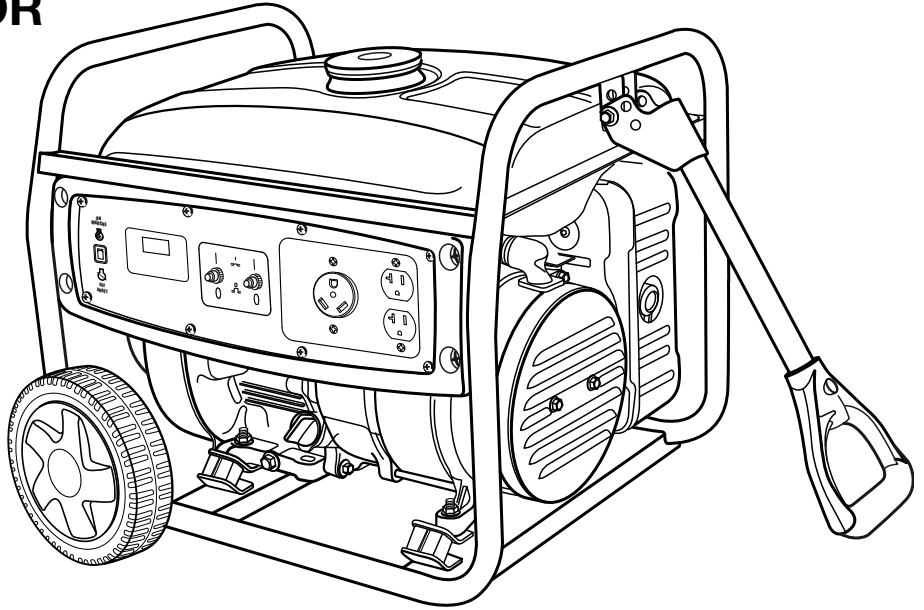
Manuel d'utilisation  
Manual del operador

### 3000 WATT GENERATOR

Générateur de 3000 watts  
Generador 3000 watts

### HGCA3000 Series

Série HGCA3000  
Serie HGCA3000



#### NEUTRAL BONDED TO FRAME

CONNECTEUR NEUTRE RELIÉ AU CADRE / PUNTO NEUTRO CONECTADO AL MARCO

Your generator has been engineered and manufactured to our high standard for dependability, ease of operation, and operator safety. When properly cared for, it will give you years of rugged, trouble-free performance.

**⚠ DANGER:** You WILL be KILLED or SERIOUSLY HURT if you do not follow the instructions in this operator's manual.

Thank you for your purchase.

## SAVE THIS MANUAL FOR FUTURE REFERENCE

Ce générateur a été conçu et fabriqué conformément à nos strictes normes de fiabilité, de simplicité d'emploi et de sécurité d'utilisation. Correctement entretenu, il vous donnera des années de fonctionnement robuste et sans problème.

**⚠ DANGER :** Le non-respect des instructions fournies dans ce manuel d'utilisation entraînera des BLESSURES GRAVES, voire MORTELLES.

Merci de votre achat.

**CONSERVER CE MANUEL POUR  
FUTURE RÉFÉRENCE**

Su generator ha sido diseñado y fabricado de conformidad con estrictas normas para brindar fiabilidad, facilidad de uso y seguridad para el operador. Con el debido cuidado, le brindará muchos años de sólido y eficiente funcionamiento.

**⚠ PELIGRO:** El incumplimiento de las instrucciones en este manual del operador puede CAUSARLE LA MUERTE O LESIONARLE GRAVEMENTE.

Le agradecemos su compra.

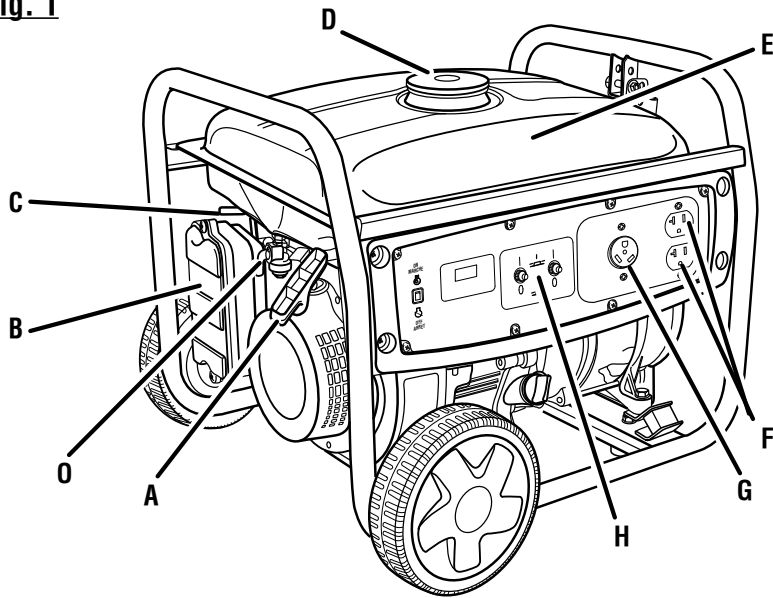
**GUARDE ESTE MANUAL PARA  
FUTURAS CONSULTAS**

**See this fold-out section for all of the figures referenced in the operator's manual.**

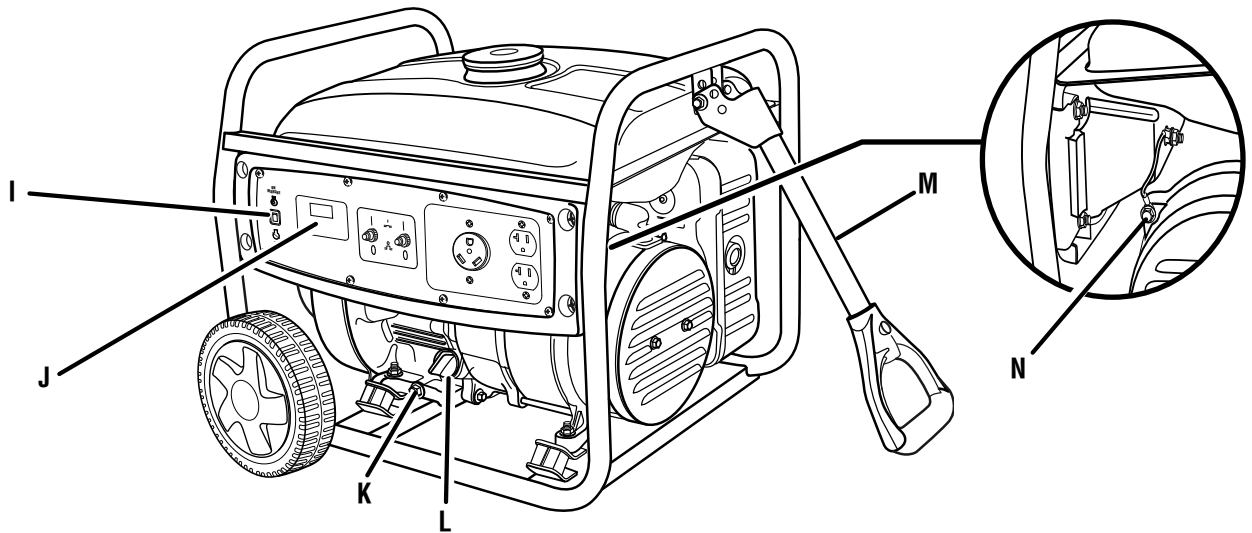
**Consulter l'encart à volets afin d'examiner toutes les figures mentionnées dans le manuel d'utilisation.**

**Consulte esta sección desplegable para ver todas las figuras a las que se hace referencia en el manual del operador.**

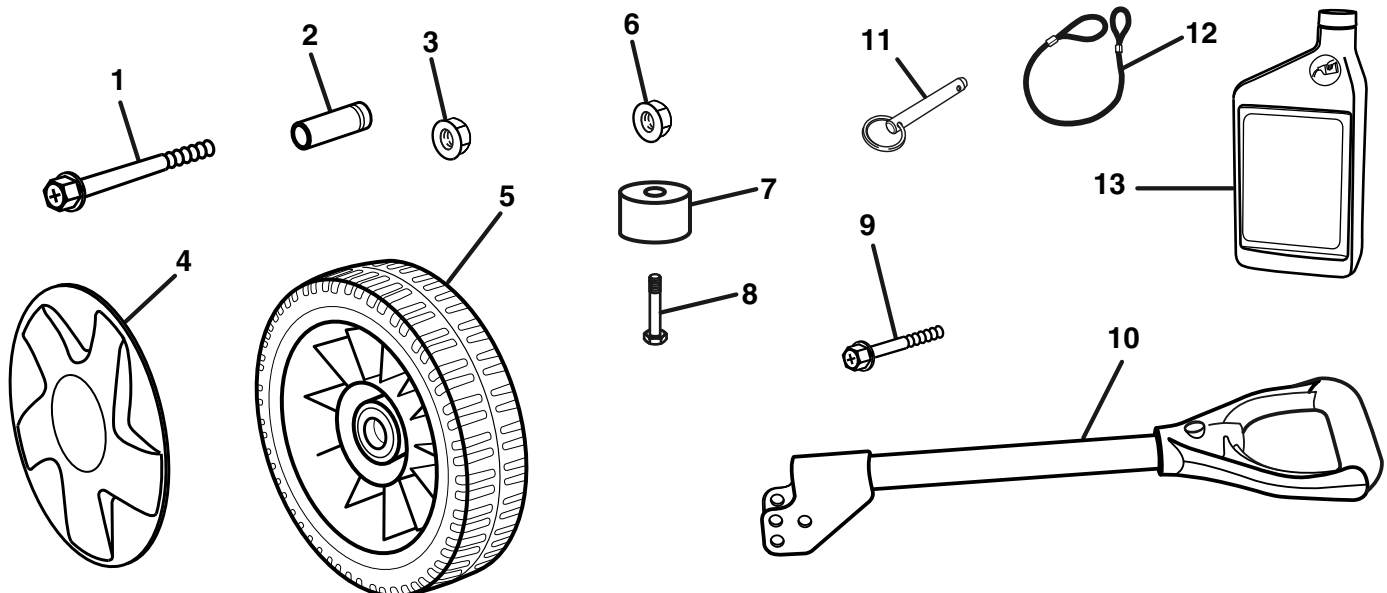
**Fig. 1**



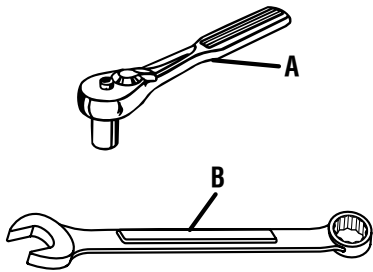
- A - Recoil starter grip (poignée du démarreur à rappel, mango del arrancador retráctil)
- B - Air filter (filtre à air, filtro de aire)
- C - Choke lever (levier d'étrangleur, palanca del anegador)
- D - Fuel cap (bouchon de carburant, tapa del tanque)
- E - Fuel tank (réservoir de carburant, tanque de combustible)
- F - 120 volt AC 20 amp receptacles (prises 120 V C.A. 20 A, 120 V de CA 20 A receptáculos)
- G - 125 volt AC 30 amp receptacle (prise 125 V C.A. 30 A, 125 V de CA 30 A receptáculo)
- H - AC circuit breaker (disjoncteur de C.A., disyuntor de circuito de CA)
- I - Engine switch (commutateur du moteur, interruptor del motor)
- J - Digital display (afficheur numérique, pantalla digital)
- K - Oil drainage bolt (vis de vidange d'huile, perno de drenaje de aceite)
- L - Oil cap/dipstick (bouchon/jauge d'huile, tapa de relleno de aceite/varilla medidora de aceite)
- M - Handle (poignée, mango)
- N - Ground terminal (borne de terre, terminal de conexión a tierra)
- O - Fuel valve (robinet de carburant, válvula de combustible)



**Fig. 2**

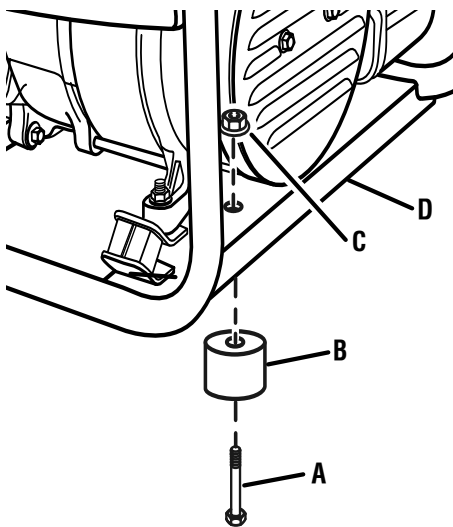


**Fig. 3**



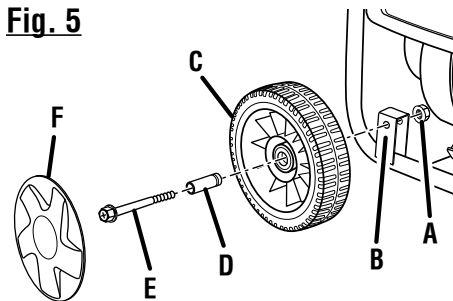
- A - Socket wrench (clé à douille, llave de casquillo)
- B - Combination wrench (clé mixte, llave de combinación)

**Fig. 4**



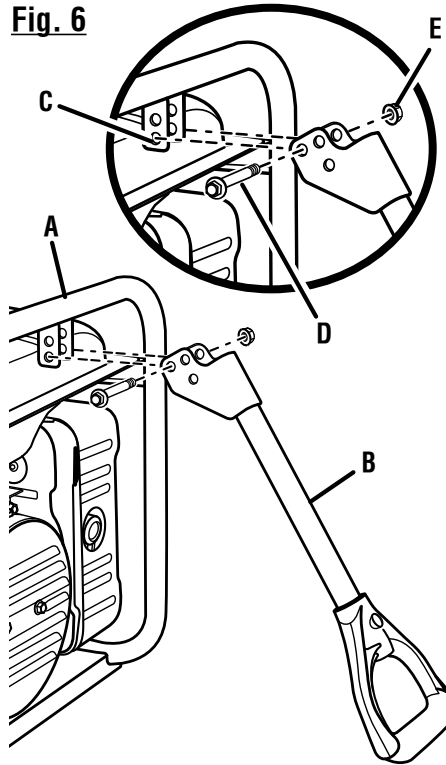
- A - Bolt (boulon, perno)
- B - Rubber foot (patin en caoutchouc, pie de goma)
- C - Lock nut (écrou frein, tuerca de bloqueo)
- D - Frame (cadre, armazón)

**Fig. 5**



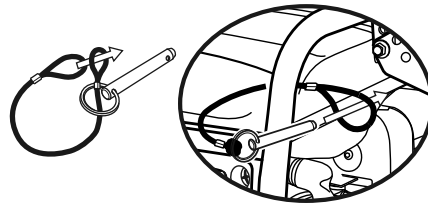
- A - Lock nut (écrou frein, tuerca de bloqueo)
- B - U-bracket (support en U, soporte en "U")
- C - Wheel (roue, rueda)
- D - Wheel spacer (écarteur de roue, espaciador de rueda)
- E - Bolt (boulon, perno)
- F - Wheel cover (wheel cover, wheel cover)

**Fig. 6**

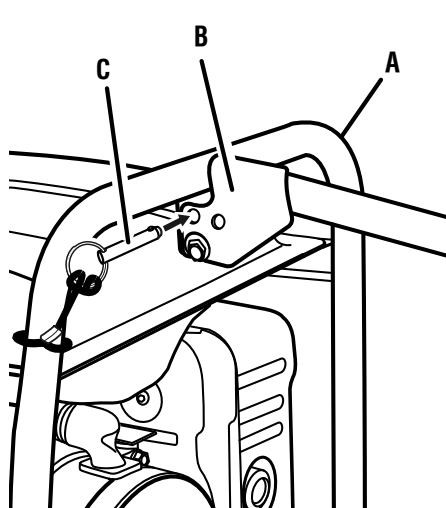


- A - Frame (cadre, armazón)
- B - Handle (poignée, mango)
- C - Hole (trou, agujero)
- D - Bolt (boulon, perno)
- E - Lock nut (écrou frein, tuerca de bloqueo)

**Fig. 7**

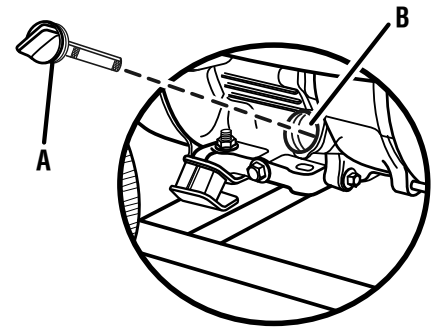


**Fig. 8**



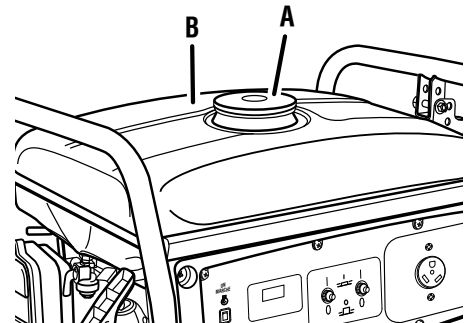
- A - Frame (cadre, armazón)
- B - Handle (poignée, mango)
- C - Lanyard with pin (bracelet avec goupille, Correa con pasador)

**Fig. 9**



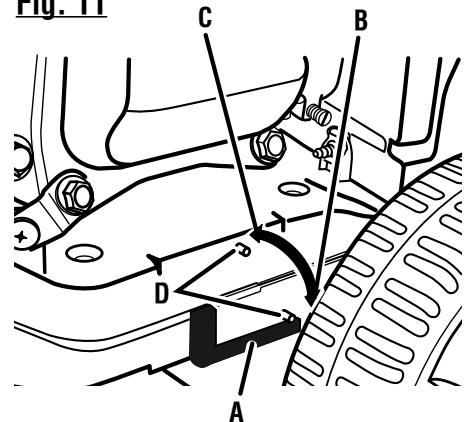
- A - Oil cap/dipstick (bouchon/jauge d'huile, tapa de relleno de aceite/varilla medidora de aceite)
- B - Lubricant fill hole (orifice de remplissage d'huile, agujero de llenado de aceite)

**Fig. 10**

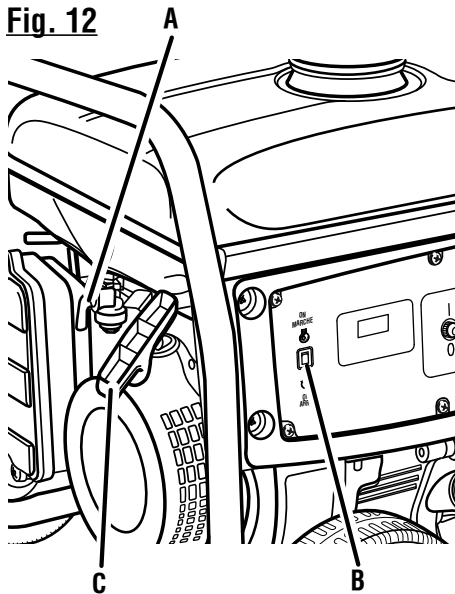


- A - Fuel cap (bouchon de carburant, tapa del tanque de combustible)
- B - Fuel tank (réservoir de carburant, tanque de combustible)

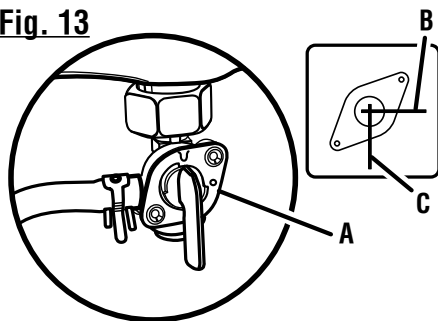
**Fig. 11**



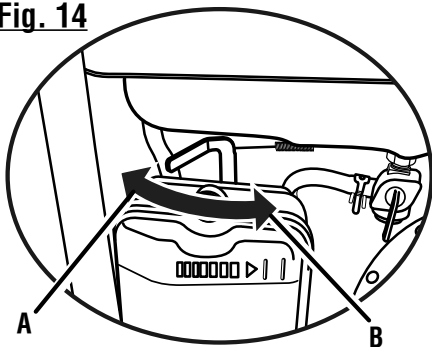
- A - Air intake valve lever (levier de soupape d'admission d'air, brazo de la válvula de toma de aire)
- B - Open (vertical) during winter months [ouvert (à la verticale) pendant les mois d'hiver, abierto (de manera vertical) durante los meses de invierno]
- C - Closed (horizontal) during summer months [fermé (à l'horizontale) pendant les mois d'été, cerrado (de manera horizontal) durante los meses de verano]
- D - Holding pin (goupille de retenue, clavija de sujeción)

**Fig. 12**

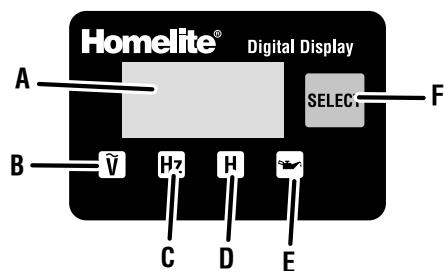
- A - Fuel valve (robinet de carburant, interruptor del motor)
- B - Engine switch (contacteur du moteur, válvula de combustible)
- C - Recoil starter grip (poignée de démarreur à rappel, mango del arrancador retráctil)

**Fig. 13**

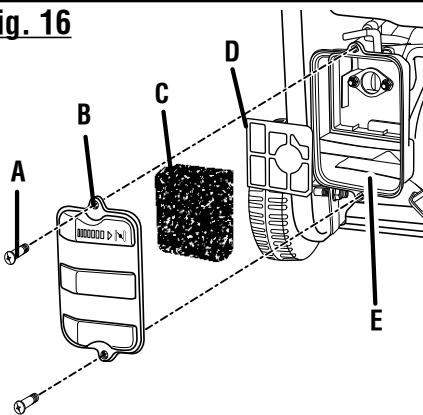
- A - Fuel valve (robinet de carburant, válvula de combustible)
- B - Off (arrêt, apagado)
- C - On (marche, encendido)

**Fig. 14**

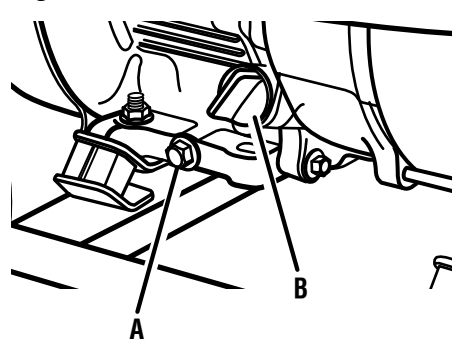
- A - Move choke lever left to run (pousser gauche le levier d'étranglement pour la marche, desplace izquierda la palanca del anegador para poner en marcha)
- B - Move choke lever right to start (tirer droite le levier d'étranglement pour démarrer, desplace derecha de la palanca del anegador para arrancar)

**Fig. 15**

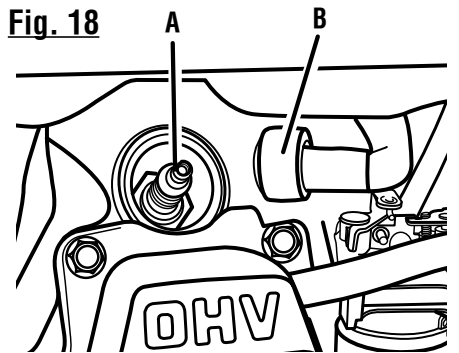
- A - Digital display (afficheur numérique, pantalla digital)
- B - AC voltage indicator (indicateur de tension c.a., indicador de voltaje de corr. alt.)
- C - Frequency indicator (indicateur de fréquence, indicador de frecuencia)
- D - Hour indicator (indicateur d'heures de fonctionnement, indicador de tiempo)
- E - Low lubricant alert (alerte de bas niveau de lubrifiant, alerta de poco lubricante)
- F - Select button (bouton de sélection, botón de selección)

**Fig. 16**

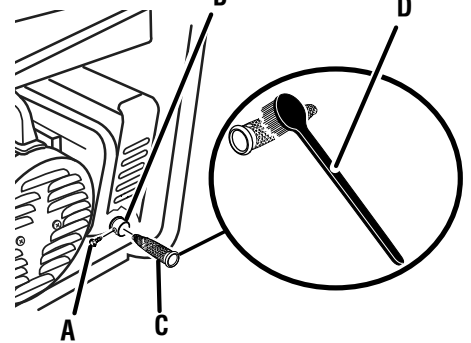
- A - Screw (vis, tornillo)
- B - Air filter cover (couverture du filtre à air, tapa del filtro de aire)
- C - Filter element (élément du filtre, elemento de filtro)
- D - Filter gasket (garniture de filtre, junta del filtro)
- E - Air filter unit (unité de filtre à air, unidad del filtro de aire)

**Fig. 17**

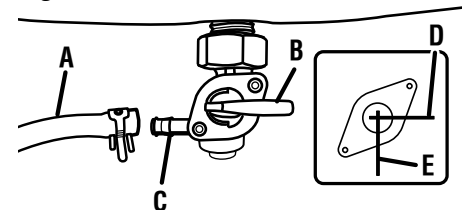
- A - Oil drainage bolt (vis de vidange d'huile, perno de drenaje de aceite)
- B - Oil cap/dipstick (bouchon/ jauge d'huile, tapa de relleno de aceite/varilla medidora de aceite)

**Fig. 18**

- A - Spark plug (bougie, bujía)
- B - Spark plug cap (capuchon de bougie, tapa de la bujía)

**Fig. 19**

- A - Screw (vis, tornillo)
- B - Muffler outlet (sortie du silencieux, recubrimiento del silenciador)
- C - Spark arrester (pare-étincelles, parachispas)
- D - Wire brush (brosse métallique, cepillo de alambre)

**Fig. 20**

- A - Fuel line (conduite de carburant, conducto de combustible)
- B - Fuel valve (robinet de carburant, válvula de combustible)
- C - Petcock (robinet de carburant, llave de purge)
- D - Off (arrêt, apagado)
- E - On (marche, encendido)

**Fig. 21**

- A - Carburetor drain screw (vis de vidange du carburateur, tornillo de drenaje del carburador)

# TABLE OF CONTENTS

■ Introduction.....	2
■ Important Safety Instructions .....	3-4
■ Specific Safety Rules.....	4
■ Symbols.....	5-7
■ Electrical .....	8-9
■ Features .....	10
■ Assembly .....	11-12
■ Operation .....	12-14
■ Maintenance .....	15-17
■ Troubleshooting .....	18
■ Warranty.....	19
■ Parts Ordering / Service.....	Back Page

## INTRODUCTION

This product has many features for making its use more pleasant and enjoyable. Safety, performance, and dependability have been given top priority in the design of this product, making it easy to maintain and operate.

### **DANGER:**

#### **GROUNDING THE GENERATOR**

To reduce the risk of shock or electrocution, generator must be properly grounded. The nut and ground terminal on the frame must always be used to connect the generator to a suitable ground source. The ground path should be made with #8 size wire. Connect the terminal of the ground wire between the lock washer and the nut, and tighten the nut fully. Connect the other end of the wire securely to a suitable ground source.

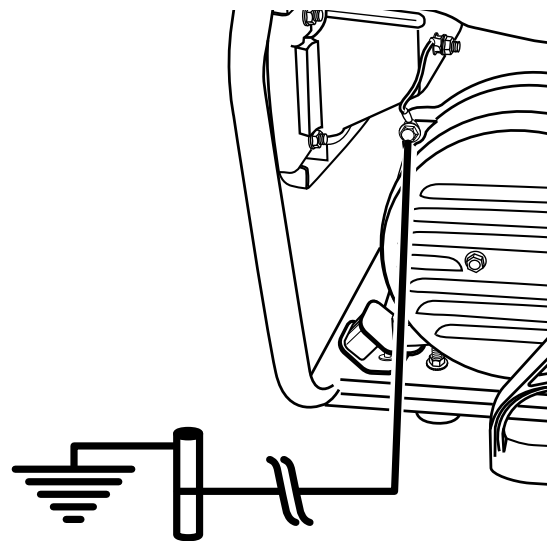
The National Electric Code contains several practical ways in which to establish a good ground source. If a steel or iron rod is used, it should be at least 5/8 in. diameter, and if a nonferrous rod is used, it should be at least 1/2 in. diameter and be listed as material for grounding. Drive the rod or pipe to a depth of 8 ft. If a rock bottom is encountered less than 4 ft. down, bury the rod or pipe in a trench.

All electrical tools and appliances operated from this generator must be properly grounded by use of a third wire or be “Double Insulated.”

It is recommended to:

1. Use electrical devices with 3-prong grounded plugs.
2. Use an extension cord with a 3-pole receptacle and a 3-prong plug at opposite ends to ensure continuity of the ground protection from the generator to the appliance.

Check and adhere to all applicable federal, state, and local regulations relating to grounding specifications. Consult a qualified electrician or service personnel if the grounding instructions are not completely understood or if in doubt as to whether the generator is properly grounded.



# IMPORTANT SAFETY INSTRUCTIONS

## **DANGER:**

**Carbon Monoxide.** Using a generator indoors CAN KILL YOU IN MINUTES.

Generator exhaust contains high levels of carbon monoxide (CO), a poisonous gas you cannot see or smell. If you can smell the generator exhaust, you are breathing CO. But even if you cannot smell the exhaust, you could be breathing CO.

- Never use a generator inside homes, garages, crawl-spaces, or other partly enclosed areas. Deadly levels of carbon monoxide can build up in these areas. Using a fan or opening windows and doors does NOT supply enough fresh air.
- ONLY use a generator outdoors and far away from open windows, doors, and vents. These openings can pull in generator exhaust.

Even when you use a generator correctly, CO may leak into the home. ALWAYS use a battery-powered or battery-backup CO alarm in the home.

If you start to feel sick, dizzy, or weak after the generator has been running, move to fresh air RIGHT AWAY. See a doctor. You could have carbon monoxide poisoning.

## **WARNING:**

**Read and understand all instructions.** Failure to follow all instructions listed below may result in electrocution, fire, and/or carbon monoxide poisoning, which will cause death or serious injury.

## **WARNING:**

National Electric Code requires generator to be grounded to an approved earth ground. Before using the ground terminal, consult a qualified electrician, electrical inspector, or local agency having jurisdiction for local codes or ordinances that apply to the intended use of the generator.

## **SAVE THESE INSTRUCTIONS**

This manual contains important instructions that should be followed during installation and maintenance of the generator and batteries.

- Do not connect to a building's electrical system unless the generator and transfer switch have been properly installed and the electrical output has been verified by a qualified electrician.
- Do not allow children or untrained individuals to use this unit.

- Never start or run the engine inside a closed or partially enclosed area. Breathing exhaust fumes will kill you.
- Always wear eye protection with side shields marked to comply with ANSI Z87.1 as well as hearing protection when operating this equipment.
- Keep all bystanders, children, and pets at least 10 feet away.
- Wear sturdy and dry shoes or boots. Do not operate while barefoot.
- Do not operate generator when you are tired or under the influence of drugs, alcohol, or medication.
- Keep all parts of your body away from any moving parts and all hot surfaces of the unit.
- Do not touch bare wire or receptacles.
- Do not use generator with electrical cords which are worn, frayed, bare, or otherwise damaged.
- Before storing, allow the engine to cool and drain fuel from the unit.
- Do not operate or store the generator in rain, snow, or wet weather.
- Store the generator in a well-ventilated area with the fuel tank empty. Fuel should not be stored near the generator.
- Empty fuel tank, close fuel valve, and restrain the unit from moving before transporting in a vehicle.
- Allow engine to cool for five minutes before refueling.
- To reduce the risk of fire and burn injury, handle fuel with care. It is highly flammable.
- Do not smoke while handling fuel.
- Store fuel in a container approved for gasoline.
- Position the unit on level ground, stop engine, and allow to cool before refueling.
- Loosen fuel cap slowly to release pressure and to keep fuel from escaping around the cap.
- Tighten the fuel cap securely after refueling.
- Wipe spilled fuel from the unit.
- Never attempt to burn off spilled fuel under any circumstances.
- Generators vibrate in normal use. During and after the use of the generator, inspect the generator as well as extension cords and power supply cords connected to it for damage resulting from vibration. Have damaged items repaired or replaced as necessary. Do not use plugs or cords that show signs of damage such as broken or cracked insulation or damaged blades.
- For power outages, permanently installed stationary generators are better suited for providing back-up power to the home. Even a properly connected portable generator can become overloaded. This may result in overheating or stressing the generator components, possibly leading to generator failure.

# IMPORTANT SAFETY INSTRUCTIONS

- Use only authorized replacement parts and accessories and follow instructions in the *Maintenance* section of this manual. Use of unauthorized parts or failure to follow maintenance instructions may create a risk of shock or injury.
- Maintain the unit per maintenance instructions in this Operator's Manual.
- Inspect the unit before each use for loose fasteners, fuel leaks, etc. Replace damaged parts.

## SPECIFIC SAFETY RULES



### WARNING:




**When this generator is used to supply a building wiring system:** generator must be installed by a qualified electrician and connected to a transfer switch as a separately derived system in accordance with NFPA 70, National Electrical Code. The generator shall be connected through a transfer switch that switches all conductors other than the equipment grounding conductor. The frame of the generator shall be connected to an approved grounding electrode. Failure to isolate the generator from power utility can result in death or injury to electric utility workers.

- Exhaust contains poisonous carbon monoxide, a colorless, odorless gas. Breathing exhaust can cause loss of consciousness and can lead to death. If running in a confined or partially-enclosed area, the air may contain a dangerous amount of carbon monoxide. To keep exhaust fumes from building up, always provide adequate ventilation.
- Always use a battery-powered carbon monoxide detector when running the generator. If you begin to feel sick, dizzy, or weak while using the generator, shut it off and get to fresh air immediately. See a doctor. You may have carbon monoxide poisoning.
- Place the generator on a flat, stable surface.
- Operate in a well-ventilated, well-lit area isolated from working areas to avoid noise interference.
- Operating the generator in wet conditions could result in electrocution. Keep the unit dry.
- Keep the generator a minimum of 3 feet away from all types of combustible material.
- Do not operate generator near hazardous material.
- Do not operate generator at a gas or natural gas filling station.
- Do not touch the muffler or cylinder during or immediately after use; they are HOT and will cause burn injury.
- This generator has a neutral bonded condition. This means the neutral conductor is electrically connected to the frame of the machine.
- Do not allow the generator's gas tank to overflow when filling. Fill to 1 in. below the top neck of the gasoline tank to allow for fuel expansion. Do not cover the fuel tank cap when the engine is running. Covering the fuel tank cap during use may cause engine failure and/or damage to the tool.
- Do not smoke when filling the generator with gasoline.
- Shut down the engine and allow to cool completely before adding gasoline or lubricant to the generator.
- Do not remove the oil dipstick or the fuel tank cap when the engine is running.
- Pay close attention to all safety labels located on the generator.
- Keep children a minimum of 10 feet away from the generator at all times.
- The unit operates best in temperatures between 23°F and 104°F with a relative humidity of 90% or less.
- Specific modifications for high-altitude performance are needed if the generator will **always** be operated at altitudes above 5,000 feet. Contact your nearest authorized service center for more information and to have these modifications performed.
- Operating voltage and frequency requirement of all electronic equipment should be checked prior to plugging them into this generator. Damage may result if the equipment is not designed to operate within a +/- 10% voltage variation, and +/- 3 hz frequency variation from the generator name plate ratings. To reduce the risk of damage, always have an additional load plugged into the generator if solid state equipment (such as a television set) is used. A power line conditioner is recommended for some solid state applications.
- Save these instructions. Refer to them frequently and use them to instruct others who may use this product. If you loan someone this product, loan them these instructions also.













# SYMBOLS

The following signal words and meanings are intended to explain the levels of risk associated with this product.

SYMBOL	SIGNAL	MEANING
	<b>DANGER:</b>	Indicates an imminently hazardous situation, which, if not avoided, will result in death or serious injury.
	<b>WARNING:</b>	Indicates a potentially hazardous situation, which, if not avoided, could result in death or serious injury.
	<b>CAUTION:</b>	Indicates a potentially hazardous situation, which, if not avoided, may result in minor or moderate injury.
	<b>CAUTION:</b>	(Without Safety Alert Symbol) Indicates a situation that may result in property damage.

Some of the following symbols may be used on this product. Please study them and learn their meaning. Proper interpretation of these symbols will allow you to operate the product better and safer.

SYMBOL	NAME	DESIGNATION/EXPLANATION
	Safety Alert	Indicates a potential personal injury hazard.
	Read Operator's Manual	To reduce the risk of injury, user must read and understand operator's manual before using this product.
	Wet Conditions Alert	Do not expose to rain or use in damp locations.
	Electric Shock	Failure to use in dry conditions and to observe safe practices can result in electric shock.
	Toxic Fumes	Running generator gives off carbon monoxide, an odorless, colorless, poison gas. Breathing carbon monoxide can cause nausea, fainting, or death.
	Fire/Explosion	Fuel and its vapors are extremely flammable and explosive. Fire or explosion can cause severe burns or death.
	Hot Surface	To reduce the risk of injury or damage, avoid contact with any hot surface.
	Lifting Hazard	To reduce the risk of serious injury, avoid attempting to lift the generator alone.
	Ground	Consult with local electrician to determine grounding requirements before operation.
	Electrocution	Failure to properly ground generator can result in electrocution, especially if the generator is equipped with a wheel kit.

# SYMBOLS

Some of the following symbols may be used on this product. Please study them and learn their meaning. Proper interpretation of these symbols will allow you to operate the product better and safer.

SYMBOL	NAME	DESIGNATION/EXPLANATION
V	Volts	Voltage
A	Amperes	Current
Hz	Hertz	Frequency (cycles per second)
W	Watt	Power
hrs	Hours	Time
gal	Gallon	Volume
qt	Quart	Volume

## SAFETY LABELS

The information below can be found on the generator. For your safety, please study and understand all of the labels before starting the generator.

If any of the labels come off the unit or become hard to read, contact an authorized service center for replacement.

**⚠ DANGER ⚠ DANGER ⚠ PELIGRO**

**You WILL be KILLED or SERIOUSLY HURT** if you do not follow the Operator's Manual instructions.  
 Ne pas procéder de la manière décrite dans ce Manuel d'utilisation entraîne des BLESSURES GRAVES voire la MORT.  
 SE MATARÁ o LESIONARÁ GRAVEMENTE si no sigue las instrucciones del Manual del operador.

**Risk of fire. Do not add fuel while the product is operating.**  
 Risque d'incendie. Ne pas ajouter de carburant pendant l'utilisation de l'appareil.  
 Riesgo de incendio. No agregue combustible cuando el producto está funcionando.

**Generator is a potential source of electric shock. Do not expose to moisture, rain, or snow. Do not operate with wet hands or feet.**  
 Le générateur est une source potentielle de chocs électriques. Ne pas exposer à l'humidité, la pluie ou la neige. Ne pas utiliser avec les mains ou les pieds mouillés.  
 El generador es una fuente de descarga eléctrica. No lo exponga a humedad, la lluvia, ni a la nieve. No opere con manos o pies húmedos.

**Exhaust contains poisonous carbon monoxide gas that can cause unconsciousness or DEATH. Operate in well ventilated, outdoor areas away from open windows or doors.**  
 L'échappement contient le gaz mortel de carbone toxique qui peut causer l'inconscience ou la MORT. Fonctionner dans les secteurs bien ventilés et extérieurs loin d'ouvrir des fenêtres ou des portes.  
 El escape contiene gas venenoso de monóxido de carbono que puede causar pérdida del conocimiento o MUERTE. Opere en áreas exteriores bien ventiladas lejos de puertas o ventanas abiertas.

**Failure to properly ground generator can result in electrocution, especially if the generator is equipped with a wheel kit.**  
 Une mauvaise mise à la terre du générateur peut causer une électrocution, surtout si le générateur est équipé d'un kit de roue.  
 La omisión de conectar a tierra adecuadamente el generador puede resultar en electrocución, especialmente si el generador está equipado con un kit de ruedas.

**Do not expose to rain or use in damp locations.**  
 Ne pas exposer à la pluie ou l'humidité.  
 No exponga a la lluvia ni use en lugares húmedos.

940654112-002

**⚠ DANGER**

**Using a generator indoors CAN KILL YOU IN MINUTES. Generator exhaust contains carbon monoxide. This is a poison you cannot see or smell.**



**NEVER use inside a home or garage, EVEN IF doors and windows are open.**

**Only use OUTSIDE and far away from windows, doors, and vents.**

**⚠ DANGER**

**L'utilisation d'une génératrice à l'intérieur PEUT VOUS TUER EN QUELQUES MINUTES.**

**Les génératrices produisent du monoxyde de carbone, un gaz mortel incolore et inodore.**

**NE JAMAIS utiliser à l'intérieur d'une maison ou d'un garage, MÊME SI les portes et les fenêtres sont ouvertes. Utiliser uniquement À L'EXTÉRIEUR et loin des fenêtres, des portes et des événements.**

**⚠ PELIGRO**

**Usar un generador en el interior PUEDE MATARLO EN POCOS MINUTOS.**

**Los gases de escape del generador contienen monóxido de carbono. Es un veneno que no puede verse ni olerse. NUNCA lo use dentro de su hogar o del garaje, INCLUSO con las puertas y las ventanas abiertas. Sólo utilícelo AL AIRE LIBRE y lejos de ventanas, puertas y respiraderos.**

- You WILL be KILLED or SERIOUSLY HURT if you do not follow the Operator's Manual instructions.
- Risk of Fire. Do not add fuel while the product is operating.
- Generator is a potential source of electric shock. Do not expose to moisture, rain, or snow. Do not operate with wet hands or feet.
- Exhaust contains poisonous carbon monoxide gas that can cause unconsciousness or DEATH. Operate in well-ventilated, outdoor areas away from open windows or doors.
- Failure to properly ground generator can result in electrocution, especially if the generator is equipped with a wheel kit.
- Do not expose to rain or use in damp locations.
- Using a generator indoors CAN KILL YOU IN MINUTES. Generator exhaust contains carbon monoxide. This is a poison you cannot see or smell.
- NEVER use inside a home or garage, EVEN IF doors and windows are open.
- Only use OUTSIDE and far away from windows, doors, and vents.

# SYMBOLS

## FUEL WARNING

No smoking when filling with gasoline. Do not overfill. Full level is 1 in. below the top of the fuel neck. Stop the engine for five minutes before refueling to avoid the heat from the muffler igniting fuel vapors.

**⚠ DANGER ⚠ DANGER ⚠ PELIGRO**



Risk of Fire. Check for any fuel overflow or leaking. Stop the engine before refueling.  
 Risque d'incendie. Vérifier l'absence de débordement ou de fuite de carburant. Arrêter le moteur avant de faire le plein.  
 Riesgo de incendio. Revisar si hay algún derrame o fuga de combustible. Apague el motor antes de poner combustible.

940974007-04

## ENGINE LUBRICANT WARNING

You must add lubricant before first operating the generator. The oil reservoir capacity is 0.64 qt. Always check the lubricant level before each operation. The lubricant level should always register between the hatched areas on the dipstick. The unit is equipped with a sensor which will automatically shut off the engine if the lubricant level falls below a safe limit.



Add lubricant to full mark to start. Engine will not start or will shut off if lubricant is too low.  
 Ajouter de lubrifiant jusqu'au repère de remplissage pour démarrer. Le moteur ne démarrera pas ou s'arrêtera si le niveau de lubrifiant est bas.  
 Añada lubricante hasta la marca de lleno para arrancar. El motor no arrancará o se apagará si el nivel de lubricante está demasiado bajo.

## GROUNDING WARNING

National Electric Code requires generator to be grounded to an approved earth ground.

**⚠ WARNING** Operation of this equipment may create sparks that can start fires around dry vegetation. A spark arrestor may be required. The operator should contact local fire agencies for laws or regulations relating to fire prevention requirements.

**⚠ AVERTISSEMENT** L'utilisation de cet équipement peut créer des étincelles susceptibles d'enflammer la végétation sèche. Il peut être nécessaire d'utiliser un pare-étincelles. L'utilisateur doit communiquer avec le service local d'incendie pour connaître toutes les lois et tous les règlements portant sur les exigences en matière de prévention des incendies.


940947003-00

**⚠ WARNING ⚠ AVERTISSEMENT ⚠ ADVERTENCIA**

Product does not include ground rod or copper wire. National Electric Code requires generator to be properly grounded to an approved earth ground. Call an electrician for local grounding requirements.

Le produit ne comprend pas de piquet de terre ou de fil en cuivre. Le code électrique américain (National Electric Code) requiert un générateur pour une bonne mise à la terre approuvée. Appeler un électricien pour connaître les exigences locales de mise à la terre.

El producto no incluye el cable de cobre ni la barra de conexión a tierra. Los Reglamentos Nacionales de Electricidad exigen que el generador esté debidamente conectado a una tierra aprobada. Comuníquese con un electricista para todo lo relacionado con los requisitos de conexión a tierra.



**⚠ WARNING**  
HOT SURFACE

**⚠ AVERTISSEMENT**  
SURFACES TRÈS CHAUDE

**⚠ ADVERTENCIA**  
SUPERFICIES CALIENTE



## HOT SURFACE WARNING

Do not touch the muffler or aluminum cylinder of the engine. They are very HOT and will cause severe burns. Don't put any flammable or combustible materials in the direct path of the exhaust.

# ELECTRICAL

## EXTENSION CORD CABLE SIZE

Refer to the table below to ensure the cable size of the extension cords you use are capable of carrying the required load. Inadequate size cables can cause a voltage drop, which can damage the appliance and overheat the cord.

Current in Amperes	Load in Watts		Maximum Allowable Cord Length				
	At 120V	At 240V	#8 Wire	#10 Wire	#12 Wire	#14 Wire	#16 Wire
2.5	300	600		1000 ft.	600 ft.	375 ft.	250 ft.
5	600	1200		500 ft.	300 ft.	200 ft.	125 ft.
7.5	900	1800		350 ft.	200 ft.	125 ft.	100 ft.
10	1200	2400		250 ft.	150 ft.	100 ft.	50 ft.
15	1800	3600		150 ft.	100 ft.	65 ft.	
20	2400	4800	175 ft.	125 ft.	75 ft.		
25	3000	6000	150 ft.	100 ft.			
30	3600	7200	125 ft.	65 ft.			
40	4800	9600	90 ft.				

## ELECTRIC MOTOR LOADS

It is characteristic of common electric motors in normal operation to draw up to six times their running current while starting. This table may be used to estimate the watts required to start "Code G" electric motors; however, if an electric motor fails to start or reach running speed, turn off the appliance or tool immediately to avoid equipment damage. Always check the requirements of the tool or appliance being used compared to the rated output of the generator.

Motor Size (H.P.)	Running Watts	Watts Required to Start Motor		
		Repulsion Induction	Capacitor	Split Phase
1/8	275	600	850	1200
1/6	275	600	850	2050
1/4	400	850	1050	2400
1/3	450	975	1350	2700
1/2	600	1300	1800	3600
3/4	850	1900	2600	—
1	1100	2500	3300	—

### CAUTION:

Operating voltage and frequency requirement of all electronic equipment should be checked prior to plugging them into this generator. Damage may result if the equipment is not designed to operate within a +/- 10% voltage variation, and +/- 3 hz frequency variation from the generator name plate ratings. To avoid damage, always have an additional load plugged into the generator if solid state equipment (such as a television set) is used. A power line conditioner is recommended for some solid state applications.

# ELECTRICAL

## GENERATOR CAPACITY

Make sure the generator can supply enough continuous (running) and surge (starting) watts for the items you will power at the same time. Follow these simple steps.

1. Select the items you will power at the same time.
2. Total the continuous (running) watts of these items. This is the amount of power the generator must produce to keep the items running. See the wattage reference chart at right.
3. Estimate how many surge (starting) watts you will need. Surge wattage is the short burst of power needed to start electric motor-driven tools or appliances such as a circular saw or refrigerator. Because not all motors start at the same time, total surge watts can be estimated by adding only the item(s) with the highest additional surge watts to the total rated watts from step 2.

### Example:

Tool or Appliance	Continuous (Running) Watts	Surge (Starting) Watts
Window AC, 10,000 BTU	1200	1800
Refrigerator	700	2200
1/3 HP Well Pump	1000	2000
27 in. Television	500	0
Light (75 Watts)	75	0
	3475 Total Running Watts	2200 Highest Surge Watts

Total Continuous (Running) Watts      3475  
 Plus Highest Additional Surge Watts    + 2200

Equals Total Generator Output Required    5675

## POWER MANAGEMENT

To prolong the life of the generator and attached devices, it is important to take care when adding electrical loads to the generator. There should be nothing connected to the generator outlets before starting its engine. The correct and safe way to manage generator power is to sequentially add loads as follows:

1. With nothing connected to the generator, start the engine as described later in this manual.
2. Plug in and turn on the first load, preferably the largest load you have.
3. Permit the generator output to stabilize (engine runs smoothly and attached device operates properly).
4. Plug in and turn on the next load.
5. Again, permit the generator to stabilize.
6. Repeat steps 4 and 5 for each additional load.

Never add more loads than the generator capacity. Take special care to consider surge loads in generator capacity as previously described.

### CAUTION:

Do not overload the generator's capacity. Exceeding the generator's wattage/amperage capacity can damage the generator and/or electrical devices connected to it.

Application/Equipment	Estimated Run Watts	Estimated Starting Watts
<b>Emergency / Home Standby</b>		
Clock Radio	50	50
Lights (qty. 4 x 75 W)	300	300
Refrigerator	700	2200
Furnace Fan	800	2350
Water Well Pump	1000	1500
Microwave	1000	1000
Sump Pump	1050	2200
Electric Range (per element)	2100	2100
<b>Job Site</b>		
Electric Drill – 1/2 HP	600	900
Airless Sprayer – 1/3 HP	600	1200
Quartz Halogen Work Light	1000	1000
Reciprocating Saw	960	1920
Air Compressor – 1 HP	1600	4500
Circular Saw – 7-1/4 in.	1400	2300
Planer/Joiner – 6 in	1800	1800
Miter Saw – 10 in.	1800	1800
Table Saw/Radial Arm Saw – 10 in.	2000	2000

\*Wattages listed are approximate. Check tool or appliance for actual wattage.

# FEATURES

## PRODUCT SPECIFICATIONS

### ENGINE

Engine Type .....	6.5 HP OHV
Cooling System .....	Forced Air
Starting System .....	Recoil
Ignition System .....	T.C.I.
Spark Plug .....	Champion N64Y
Engine Lubricant Volume .....	0.64 qt.
Fuel Volume .....	4 gal.

### GENERATOR

Rated Voltage .....	120V
Rated Amps .....	20 A/25 A
Rated Output .....	3,000 W
Maximum Output .....	3,500 W
Rated Frequency .....	60 Hz

### DIMENSIONS

Length .....	24 in.
Width .....	17 in.
Height .....	18 in.
Weight .....	101.5 lbs.

## KNOW YOUR GENERATOR

*See Figure 1.*

The safe use of this product requires an understanding of the information on the product and in this operator's manual as well as a knowledge of the project you are attempting. Before use of this product, familiarize yourself with all operating features and safety rules.

### AC CIRCUIT BREAKERS

The circuit breakers are provided to protect the generator against electrical overload. The circuit breaker may be reset by pressing the circuit breaker reset button.

### AIR FILTER

The air filter helps to limit the amount of dirt and dust drawn into the unit during operation.

### AIR INTAKE VALVE

This unit is equipped with an air intake valve to help improve engine performance during colder winter temperatures.

### CHOKE LEVER

The choke lever is used when starting the engine.

### DIGITAL DISPLAY

The digital display shows the voltage, frequency, the hour meter and the low lubricant alert.

### FUEL TANK

The fuel tank has a capacity of 4 gallons.

## FUEL VALVE

The flow of fuel through the generator is controlled by the position of the fuel valve.

## GROUND TERMINAL

The ground terminal is used to assist in properly grounding the generator to help protect against electrical shock. Consult with a local electrician for grounding requirements in your area.

## OIL CAP

Remove the oil fill cap to check and add lubricant to the generator when necessary.

## OIL DRAINAGE BOLT

When changing the engine lubricant, the oil drainage bolt is loosened to allow old engine lubricant to be drained.

## RECEPTACLES

Your generator has the following single phase, 60 Hz outlets: one 120 Volt AC, 20 Amp duplex receptacle, and two 120 Volt AC, 30 Amp twist-lock receptacles. These can be used for operating appropriate appliances, electrical lighting, tools, and motor loads.

## RECOIL STARTER GRIP

The recoil starter grip is used (along with the engine switch) to start the generator's engine.

# ASSEMBLY

## **WARNING:**

Do not attempt to operate the generator until assembly is complete. Failure to comply could result in possible serious personal injury.

## LOOSE PARTS LIST

See Figure 2.

The following items are included with the generator:

### Key

No.	Description	Qty.
1	Bolts (M10 x 17 mm) .....	2
2	Spacers .....	2
3	Lock Nuts (M8) .....	3
4	Wheel Covers .....	2
5	Wheels .....	2
6	Lock Nuts (M10) .....	2
7	Rubber Feet .....	2
8	Bolt (M8 x 20 mm) .....	2
9	Bolt (M8 x 40 mm) .....	1
10	Handle Assembly .....	1
11	Handle Lock Pin .....	1
12	Lanyard .....	1
13	Bottle of Engine Lubricant .....	1
	Operator's Manual (not shown) .....	1

## TOOLS NEEDED

See Figure 3.

The following tools (not included or drawn to scale) are needed for assembly:

- Socket Wrench (12 mm and 13 mm)
- Combination Wrench (10 mm, 12 mm, 13 mm, and 14 mm)

**NOTE:** Do not put fuel or lubricant in the generator before installing the legs and wheels.

## UNPACKING

This product requires assembly.

- Carefully cut the box down the sides then remove the machine and any accessories from the box. Make sure that all items listed in the packing list are included.

**NOTE:** This machine is heavy and requires a minimum of two people to lift. To avoid back injury, lift with your legs and not your back.

## **WARNING:**

Do not use this product if any parts on the Loose Parts List are already assembled to your product when you unpack it. Parts on this list are not assembled to the product by the manufacturer and require customer installation. Use of a product that may have been improperly assembled could result in serious personal injury.

- Inspect the unit carefully to make sure no damage occurred during shipping.
- Do not discard the packing material until you have carefully inspected and satisfactorily operated the product.
- If any parts are damaged or missing, please call 1-800-242-4672 for assistance.

## **WARNING:**

If any parts are damaged or missing do not operate this product until the parts are replaced. Use of this product with damaged or missing parts could result in serious personal injury.

## **WARNING:**

Do not attempt to modify this product or create accessories not recommended for use with this product. Any such alteration or modification is misuse and could result in a hazardous condition leading to possible serious personal injury.

## **WARNING:**

Do not attempt to operate the generator until assembly is complete. Failure to comply could result in possible serious personal injury.

**NOTE:** Do not put fuel or lubricant in the generator before installing the feet and wheels.

## INSTALLING FEET

See Figure 4.

- Raise the end of the generator opposite where the recoil starter is located high enough to gain access to the frame bottom; securely position props underneath to support.
  - Locate the following items:
    - 2 rubber feet
    - 2 lock nuts (M8)
    - 2 bolts (M8 x 20 mm)
  - Insert bolt through the foot and frame as shown.
  - Then install nut and tighten securely.
- NOTE: Be careful not to overtighten so that foot material collapses.**
- Repeat with remaining foot.

# ASSEMBLY

## INSTALLING THE WHEELS

See Figure 5.

Wheels are provided to assist in moving the generator to the desired location and should be installed on the same side as the recoil starter.

- Locate the following items:
  - 2 bolts (M10 x 17 mm)
  - 2 spacers (.38 ID)
  - 2 wheels
  - 2 lock nuts (M10)
  - 2 wheel covers
- Raise the end of the generator where the recoil starter is located high enough to gain access to the frame bottom; securely position props underneath to support.
- Insert a wheel spacer into the center of the wheel.
- Slide bolt through the wheel spacer, then through the wheel bracket on the frame, with the offset side of the wheel hub against the wheel bracket.
- Install nut on bolt and tighten securely.
- Install wheel cover.
- Repeat the process on the other side to install second wheel.

## ATTACHING THE HANDLE ASSEMBLY

See Figure 6.

- Locate the following items:
  - Bolt (M8 x 40 mm)
  - Handle Assembly
  - Lock Nut (M8)
- Place the handle on the handle bracket, located on the generator frame on the side opposite the recoil starter.
- Slide the M8 x 40 mm bolt through the handle and handle bracket; install nut and tighten securely.

## SECURING THE HANDLE

See Figures 7 - 8.

- Locate the following items:
  - Handle lock pin
  - Lanyard
- Attach the lanyard to the handle lock pin and the handle as shown.
- Insert the pin through the hole in the handle and the generator frame to secure handle in place.



### WARNING:

Do not attempt to lift the unit by the handle assembly. If it is necessary to lift the generator, always grasp by the frame. Use proper lifting techniques to avoid back injury.

# OPERATION



### DANGER:

**Carbon Monoxide.** Using a generator indoors WILL CAN YOU IN MINUTES.

Generator exhaust contains high levels of carbon monoxide (CO), a poisonous gas you cannot see or smell. If you can smell the generator exhaust, you are breathing CO. But even if you cannot smell the exhaust, you could be breathing CO.

- Never use a generator inside homes, garages, crawlspaces, or other partly enclosed areas. Deadly levels of carbon monoxide can build up in these areas. Using a fan or opening windows and doors does NOT supply enough fresh air.
- ONLY use a generator outdoors and far away from open windows, doors, and vents. These openings can pull in generator exhaust.

Even when you use a generator correctly, CO may leak into the home. ALWAYS use a battery-powered or battery-backup CO alarm in the home.

If you start to feel sick, dizzy, or weak after the generator has been running, move to fresh air RIGHT AWAY. See a doctor. You could have carbon monoxide poisoning.



# OPERATION

## **DANGER:**

Failure to properly ground generator can result in electrocution, especially if the generator is equipped with a wheel kit. National Electric Code requires generator to be properly grounded to an approved earth ground. Call an electrician for local grounding requirements.

## **WARNING:**

Do not allow familiarity with this product to make you careless. Remember that a careless fraction of a second is sufficient to inflict serious injury.

## **WARNING:**

Do not use any attachments or accessories not recommended by the manufacturer of this product. The use of attachments or accessories not recommended can result in serious personal injury.

Before each use, inspect the entire product for damaged, missing, or loose parts such as screws, nuts, bolts, caps, etc. Tighten securely all fasteners and caps and do not operate this product until all missing or damaged parts are replaced. Please call 1-800-242-4672 or contact an authorized service center for assistance.

## **APPLICATIONS**

This generator is designed to supply electrical power for operating compatible electrical lighting, appliances, tools, and motor loads.

## **BEFORE OPERATING THE UNIT**

- Only use OUTSIDE and far away from windows, doors, and vents.
- NEVER use inside a home or garage, EVEN IF doors and windows are open.
- Always position the generator on a flat firm surface.

## **CAUTION:**

Attempting to start the engine before it has been properly filled with lubricant will result in equipment failure.

## **CHECKING/ADDING LUBRICANT**

See Figure 9.

Engine lubricant has a major influence on engine performance and service life. For general, all-temperature use, SAE 10W-30 is recommended. Always use a 4-stroke motor lubricant that meets or exceeds the requirements for API service classification SJ. We recommend you use ONLY Homelite.

**NOTE:** Non-detergent or 2-stroke engine lubricants will damage the engine and should not be used.

- Unscrew the oil cap/dipstick and remove.
- Wipe dipstick clean and re-seat in hole; do not re-thread.
- Remove dipstick again and check lubricant level. Lubricant level should fall between the hatched areas on the dipstick.
- If level is low, add engine lubricant until the fluid level rises to the upper portion of the dipstick.
- Replace and secure the oil cap/dipstick.

## **CHECKING/ADDING FUEL**

See Figure 10.

- Remove the fuel cap.
- Fill the fuel tank to 1 in. below the top of the fuel neck.
- Replace and secure the fuel cap.

**NOTE:** Always use unleaded gasoline with a pump octane rating of 86 or higher. Never use old, stale, or contaminated gasoline, and do not use an oil/gas mixture. Do not allow dirt or water into the fuel tank.

## **USING FUEL STABILIZER**

Fuel gets old, oxidizes, and breaks down over time. Adding a fuel stabilizer (not included) extends the usable life of fuel and helps prevent deposits from forming that can clog the fuel system. Follow fuel stabilizer manufacturer's directions for correct ratio of stabilizer to fuel.

- Add stabilizer to fuel tank, then fill with gasoline following previous instructions.  
**NOTE:** Fuel stabilizer and gasoline can be mixed prior to filling the tank by using a gas can or other approved fuel container and shaking gently to combine.
- Replace and secure the fuel tank cap.
- Start and run the engine for at least 5 minutes to allow stabilizer to treat the entire fuel system.

## **OXYGENATED FUELS**

**DO NOT USE E85 FUEL. IT WILL VOID YOUR WARRANTY.**

**NOTE:** Fuel system damage or performance problems resulting from the use of an oxygenated fuel containing more than the percentages of oxygenates stated below **are not covered under warranty.**

**Ethanol.** Gasoline containing up to 10% ethanol by volume (commonly referred to as E10) or 15% ethanol by volume (commonly referred to as E15) are acceptable. E85 is not.

## **CAUTION:**

On a level surface with the engine off, check the lubricant level before each use of the generator.

# OPERATION

## AIR INTAKE VALVE

See Figure 11.

This unit is equipped with an air intake valve to help improve engine performance during colder winter temperatures. As shown in figure 10, the air intake valve lever should be closed (horizontal) raised during summer months and open (vertical) during winter months. Pull the lever slightly toward you to allow it to move over the holding pins, then move the lever to the desired position and release.

## STARTING THE ENGINE

See Figures 12 - 14.

**NOTE:** If location of generator is not level, the unit may not start or may shut down during operation.

- Unplug all loads from the generator.
- Turn the fuel valve to the ON position.
- Move the choke lever right to the START position.  
**NOTE:** If engine is warm or the temperature is above 50°F, move the choke lever left to the RUN position.
- Put the engine switch in the ON (I) position.
- Pull the recoil starting grip until the engine runs (a maximum of 6 times).  
**NOTE:** Do not allow the grip to snap back after starting; return it gently to its original place.
- Allow the engine to run for 30 seconds, then move the choke lever left to the RUN position.

## STOPPING THE ENGINE

See Figures 12 - 13.

**To stop the engine under normal operating conditions:**

- Remove any load from the generator.

- Turn the fuel valve to the OFF position.
- Put the engine switch in the OFF (O) position.

**To stop the engine in an emergency situation:**

- Put the engine switch in the OFF (O) position.

## UNDERSTANDING THE DIGITAL DISPLAY

See Figure 15.

The digital display shows AC voltage output, frequency, and the total number of hours used. To cycle through these displays, depress the select button. The indicators below the digital display will light in sequence to show which type of information is being displayed.

**Hour meter:** The hour meter keeps track of how many hours the unit has been used.

If an alarm condition exists, the button associated with the alarm will blink.

**AC voltage:** The AC voltage indicator will blink when the output voltage exceeds the rated voltage more than 10%. The light will stop blinking when the voltage returns to within the 10% range.

**Frequency:** The frequency indicator will blink when the rated frequency is more than 5%. Once the frequency has returned to within the 5% range, the indicator will stop blinking.

**Low engine lubricant:** The low engine lubricant light will blink and the engine will automatically shut off whenever the lubricant level in the engine becomes low. The engine may not be restarted until sufficient engine oil has been added to the generator.

**NOTE:** It is normal for the indicator lights to illuminate and/or blink each time the engine is started. Once the engine warms up, the lights should default to the pattern above.

# MAINTENANCE

## **WARNING:**

When servicing, use only identical Homelite replacement parts. Use of any other parts may create a hazard or cause product damage.

## **WARNING:**

Always wear eye protection with side shields marked to comply with ANSI Z87.1. Failure to do so could result in objects being thrown into your eyes, resulting in possible serious injury.

Only the parts shown on the parts list are intended to be repaired or replaced by the customer. All other parts should be replaced at an authorized service center.

## GENERAL MAINTENANCE

Before each use, inspect the entire product for damaged, missing, or loose parts such as screws, nuts, bolts, caps, etc. Tighten securely all fasteners and caps and do not operate this product until all missing or damaged parts are replaced. Please call 1-800-242-4672 or contact an authorized service center for assistance.

Keep the generator in a clean and dry environment where it is not exposed to dust, dirt, moisture, or corrosive vapors. Do not allow the cooling air slots in the generator to become clogged with foreign material such as leaves, etc.

Do not use a garden hose to clean the generator. Water entering the fuel system or other internal parts of the unit can cause problems that will decrease the life of the generator.

### To clean the unit:

- Use a soft bristle brush and/or vacuum cleaner to loosen and remove dirt and debris.
- Clean air vents with low pressure air that does not exceed 25 psi.
- Wipe the exterior surfaces of the generator with a damp cloth.

## CHECKING/CLEANING AIR FILTER

See Figure 16.

For proper performance and long life, keep air filter clean.

- Loosen the screws on the top and bottom of the air filter cover. Remove cover and set aside.
- Remove the filter element.
- Remove the filter gasket. Wipe with a clean cloth and replace in the air filter unit.
- If the filter element is dirty, clean with warm, soapy water. Rinse and let dry.

- Apply a light coat of engine lubricant to the element, then squeeze it out.
- Replace the element in the air filter unit.
- Replace the air filter cover and tighten screws to secure.

**NOTE:** Do not run the generator without the air filter or gasket. Rapid engine wear will result.

## CHANGING ENGINE LUBRICANT

See Figure 17.

- Remove the oil cap/dipstick.
- Place a container underneath the oil drainage bolt to collect used lubricant as it drains.
- Unscrew the oil drainage bolt and remove.
- Allow lubricant to drain completely.
- Reinstall the oil drainage bolt and tighten securely.
- Refill with lubricant following the instructions in the **Checking/Adding Lubricant** section.
- Reinstall the oil cap/dipstick.

**NOTE:** Used lubricant should be disposed of at an approved disposal site. See your local oil retailer for more information.

## SPARK PLUG MAINTENANCE

See Figure 18.

The spark plug must be properly gapped and free of deposits in order to ensure proper engine operation. To check:

- Remove the spark plug cap.
- Clean any dirt from around base of spark plug.
- Remove spark plug using wrench (not included).
- Inspect spark plug for damage, and clean with a wire brush before reinstalling. If insulator is cracked or chipped, spark plug should be replaced.  
**NOTE:** If replacing, use the following recommended spark plug or equivalent: Champion N64Y.
- Measure plug gap. The correct gap is 0.028–0.031 in. (0.7–0.8 mm). To widen gap, if necessary, carefully bend the ground (top) electrode. To lessen gap, gently tap ground electrode on a hard surface.
- Seat spark plug in position; thread in by hand to prevent cross-threading.
- Tighten with wrench to compress washer. If spark plug is new, use 1/2 turn to compress washer appropriate amount. If reusing old spark plug, use 1/8 to 1/4 turn for proper washer compression.  
**NOTE:** An improperly tightened spark plug will become very hot and could damage the engine.

# MAINTENANCE

## CLEANING THE EXHAUST PORT AND MUFFLER

Depending on the type of fuel used, the type and amount of lubricant used, and/or your operating conditions, the exhaust port and muffler may become blocked with carbon deposits. If you notice a power loss with your gas-powered products, you may need to remove these deposits to restore performance. We highly recommend that only qualified service technicians perform this service.

## SPARK ARRESTOR

See Figures 19.

The spark arrestor must be cleaned or replaced every 50 hours or yearly to ensure proper performance of your product. Spark arrestors may be in different locations depending on the model purchased. Please contact your nearest service dealer for the location of the spark arrestor for your model.

## DRAINING FUEL TANK/CARBURETOR

See Figures 20 - 21.

To help prevent gum deposits in the fuel system, drain the fuel from the tank and carburetor before storing.

### DRAINING THE FUEL TANK

- Turn the engine switch OFF (O).
- Turn the fuel valve to the OFF position.
- Remove the fuel line from the petcock by squeezing the

ends of the retaining clip and sliding the fuel line off.

- Install one end of a drain line over the petcock, and place the other end in a fuel container large enough to catch the fuel being drained from the tank.
- Turn the fuel valve to the ON position.
- When the fuel has drained from the tank, close the fuel valve and reinstall fuel line on petcock.

### DRAINING THE CARBURETOR

- Turn the engine switch OFF (O).
- Turn the fuel valve to the OFF position.
- Position a suitable container under the carburetor drain screw to catch fuel; loosen the screw.
- Allow fuel to drain completely into container.
- Retighten drain screw.

**NOTE:** Consult hazardous waste management guidelines in your area for the proper way to dispose of used fuel.

## TRANSPORTING

- Turn engine switch OFF (O).
- Turn the fuel valve to the OFF position.
- Make sure engine and exhaust of unit is cool.
- Empty the fuel tank.
- Do not drop or strike unit or place under heavy objects.

# MAINTENANCE

## STORAGE

When preparing the generator for storage, allow the unit to cool completely then follow the guidelines below.

STORAGE TIME	PRIOR TO STORING
Less than 2 months	<ul style="list-style-type: none"> <li>■ Drain gasoline from tank and dispose of in a suitable container according to state and local ordinances.</li> </ul>
2 months to 1 year	<ul style="list-style-type: none"> <li>■ Drain fuel from carburetor.</li> <li>■ Drain gasoline from tank and dispose of in a suitable container according to state and local ordinances.</li> </ul>
1 year or more	<ul style="list-style-type: none"> <li>■ Drain fuel from the carburetor.</li> <li>■ Remove spark plug.</li> <li>■ Drain gasoline from tank and dispose of in a suitable container according to state and local ordinances.</li> <li>■ Put a tablespoon of engine oil into the spark plug cylinder. Turn the engine slowly with the pull rope to distribute the oil.</li> <li>■ Reinstall spark plug.</li> <li>■ Change engine lubricant.</li> </ul> <p>After removal from storage:</p> <ul style="list-style-type: none"> <li>■ Fill with fresh gasoline.</li> </ul>

## MAINTENANCE SCHEDULE

**NOTE:** If a separate engine manual is provided for this generator, please follow the maintenance schedule provided in the engine manual instead of the maintenance information listed below.

	Before each use	After 1st month or 20 hours of operation	Every 3 months or 50 hours of operation	Every 6 months or 100 hours of operation	Every year or after 300 hours of operation
<b>Check Engine Lubricant</b>	■				
<b>Change Engine Lubricant<sup>2</sup></b>		■		■	
<b>Check Air Filter</b>	■				
<b>Clean Air Filter</b>			■		
<b>Change Air Filter<sup>2</sup></b>					■
<b>Check/Adjust Spark Plug</b>				■	
<b>Replace Spark Plug<sup>2</sup></b>					■
<b>Check/Adjust Idle Speed</b>					■
<b>Check/Adjust Valve Clearance<sup>1,2</sup></b>					■
<b>Clean Fuel Tank and Filter<sup>1,2</sup></b>				■	
<b>Check Fuel Tube</b>					■

1. These items should only be carried out by an authorized service center.

2. See engine manual for maintenance schedule for this item.

**NOTE:** Maintenance should be performed more frequently when generator is used in dusty areas.

When generator has exceeded the maximum figures specified in the table, maintenance should still be cycled according to the intervals of time or hours stated herein.

# TROUBLESHOOTING

PROBLEM	POSSIBLE CAUSE	SOLUTION
Engine will not start.	Engine switch is OFF. No fuel. Lubricant level is low.  Fuel valve is OFF. Spark plug faulty, fouled, or improperly gapped. Choke lever is in RUN position. Engine stored without treating or draining gasoline, or refueled with bad gasoline.	Turn engine switch to ON. Fill fuel tank. Check engine lubricant level and fill, if necessary. Turn fuel valve ON. Replace spark plug.  Move choke lever to START position. Drain fuel and carburetor. Refuel with fresh gasoline.
Engine lacks power.	Fuel element clogged.  Engine stored without treating or draining gasoline, or refueled with bad gasoline.	Check air filter element. Clean or replace as needed. Drain fuel and carburetor. Refuel with fresh gasoline. If problem continues, contact your nearest authorized service center.
AC receptacle does not work.	Circuit breaker is OFF. Item plugged in is defective.	Turn ON the AC circuit breaker. Try a different item.
Generator makes a “spark knock” or “pinging” noise.	An occasional light “knocking” or “pinging” under heavy load is not a cause for concern. However, if the knocking or pinging occurs under normal load at a steady engine speed, the problem may be with the brand of gasoline being used.	Switch to a different brand of gasoline, making sure that the octane rating is 86 or higher. If problem continues, contact your nearest authorized service center.
If problem persists after trying the above solutions, contact your nearest authorized service center for assistance.		
The following symptoms may indicate problems that will affect the emissions level of the unit: <ul style="list-style-type: none"> <li>■ Hard starting or stalling after starting</li> <li>■ Rough idle</li> <li>■ Misfiring or backfiring under load</li> <li>■ Afterburning (backfiring)</li> <li>■ Black exhaust smoke or high fuel consumption</li> </ul> If you encounter any of these symptoms, have the unit inspected and repaired by the nearest authorized service center.		

# WARRANTY

## LIMITED WARRANTY

### WARRANTY COVERAGE

Homelite Consumer Products, Inc., (the Company) warrants to the original retail purchaser that this Homelite Product is free from defects in material and workmanship and agrees to repair or replace, at the Company's discretion, any defective Product free of charge within these time periods from the date of purchase:

- Two years, if the Product is used solely for personal, family, or household use;
- One year, if the Product is used for business or commercial use.

This warranty applies only to Products sold within the United States of America, the District of Columbia, Canada, Mexico, the Commonwealth of Puerto Rico, the Virgin Islands, or Guam.

This warranty is not transferable and does not cover damage resulting from defects other than in material or workmanship, or damage caused by unreasonable use, including the failure to provide reasonable and necessary maintenance.

#### **Other items not covered under this warranty include:**

- Transportation charges for sending the product to the Company or its authorized service representative for warranty service, or for shipping repaired or replacement products back to the customer; these charges must be borne by the original retail purchaser.
- Damages caused by abuse, accident, misuse, neglect, alteration, modification, the effects of corrosion, erosion, normal wear and tear or repairs by other than the Company or its authorized service representative.
- In addition this warranty does not cover:
  - Tune-ups – Spark Plugs, Carburetor, Carburetor Adjustments, Ignition, Filters, Oil Change
  - Wear items – Recoil Starter Rope, Engine Brushes, Cotter Pins, Wheels

Warranty is voided if the customer fails to install, maintain and operate the product in accordance with the instructions and recommendations of the Company as set forth in the Product's operator's manual or if the Product is used as rental equipment.

The Company will not pay for repairs or adjustments to the Product, or for any costs or labor, performed without the Company's prior authorization.

### **SAVE YOUR SALES SLIP**

Proof of purchase in the form of your dated sales receipt, cash register slip, etc., will be required before the Company and/or its authorized service representatives can perform warranty service on the Product.

### **EXCLUSIONS AND LIMITATIONS**

**THIS LIMITED WARRANTY IS IN LIEU OF ALL OTHER EXPRESS WARRANTIES.** ANY IMPLIED WARRANTY OF MERCHANTABILITY, FITNESS FOR A PARTICULAR PURPOSE, OR OTHERWISE, APPLICABLE TO THIS PRODUCT, SHALL BE LIMITED IN DURATION TO THE DURATION OF THIS LIMITED WARRANTY. THE WARRANTY SERVICE DESCRIBED ABOVE IS THE EXCLUSIVE REMEDY UNDER THIS WARRANTY. THE COMPANY SHALL NOT BE LIABLE FOR ANY SPECIAL, INCIDENTAL OR CONSEQUENTIAL DAMAGES.

SOME STATES DO NOT ALLOW A LIMITATION ON THE DURATION OF IMPLIED WARRANTIES, OR THE EXCLUSION OR LIMITATION OF INCIDENTAL, OR CONSEQUENTIAL DAMAGES, SO THE ABOVE LIMITATION OR EXCLUSION MAY NOT APPLY TO YOU.

### **HOW TO OBTAIN WARRANTY SERVICE**

**For warranty service: Call toll free 1-800-242-4672, or write to Homelite Consumer Products, Inc., 1428 Pearman Dairy Road, Anderson, SC 29625.**

**For warranty service outside the USA, please contact your local Homelite dealer.**

# WARRANTY

## EPA EMISSION CONTROL WARRANTY STATEMENT YOUR WARRANTY RIGHTS AND OBLIGATIONS

The EPA and SUMEC MACHINERY & ELECTRIC CO. LTD. are pleased to explain the emission (where "emissions" is understood to mean both exhaust and evaporative emissions) control system warranty on your 2010 model year small off-road engine (SORE). In USA, new SORE must be designed, built, and equipped to meet the State's stringent anti-smog standards. SUMEC MACHINERY & ELECTRIC CO. LTD. must warrant the ECS on your SORE for the period of time listed below provided there has been no abuse, neglect or improper maintenance of your SORE.

Your ECS may include parts such as the carburetor, fuel-injection system, the ignition system, catalytic converter, fuel tanks, fuel lines, fuel caps, valves, canisters, filters, vapor hoses, clamps, connectors, and other associated emission-related components.

Where a warrantable condition exists, SUMEC MACHINERY & ELECTRIC CO. LTD. will repair your SORE at no cost to you including diagnosis, parts and labor.

### MANUFACTURER'S WARRANTY COVERAGE:

This emission (or emissions) control system is warranted for two years. If any emission-related part on your equipment is defective, the part will be repaired or replaced by SUMEC MACHINERY & ELECTRIC CO. LTD.

### OWNER'S WARRANTY RESPONSIBILITIES:

As the SORE owner, you are responsible for performance of the required maintenance listed in your operator's manual. SUMEC MACHINERY & ELECTRIC CO. LTD. recommends that you retain all receipts covering maintenance on your SORE, but SUMEC MACHINERY & ELECTRIC CO. LTD. cannot deny warranty solely for the lack of receipts.

As the SORE owner, you should however be aware that SUMEC MACHINERY & ELECTRIC CO. LTD. may deny you warranty coverage if your SORE or a part has failed due to abuse, neglect, or improper maintenance or unapproved modifications.

You are responsible for presenting your SORE to SUMEC MACHINERY & ELECTRIC CO. LTD.'s distribution center or service center as soon as the problem exists. The warranty repairs should be completed in a reasonable amount of time, not to exceed 30 days. If you have a question regarding your warranty coverage, you should contact Sunright International of America at 770-729-9065, or write to the following address: Sunright International of America, Inc., 5965 Peachtree Corners E. Ste C-3, Norcross, GA 30071. ATTENTION WARRANTY DEPARTMENT.

### GENERAL EMISSIONS WARRANTY COVERAGE:

SUMEC MACHINERY & ELECTRIC CO. LTD. warrants to the ultimate purchaser and each subsequent purchaser that the SORE is:

- Designed, built and equipped so as to conform with all applicable regulations; and
- Free from defects in materials and workmanship that cause the failure of a warranted part to be identical in all material respects to that part as described in SUMEC MACHINERY & ELECTRIC CO. LTD.'s application for certification.

The warranty period begins on the date the SORE is delivered to an ultimate purchaser or first placed into service. The warranty period is two years.

Subject to certain conditions and exclusions as stated below, the warranty on emission-related parts is as follows:

(1) Any warranted part that is not scheduled for replacement as required maintenance in the written instructions supplied, is warranted for the warranty period stated above. If the part fails during the period of warranty coverage, the part will be repaired or replaced by SUMEC MACHINERY & ELECTRIC CO. LTD. According to subsection (4) below. Any such part repaired or replaced under warranty will be warranted for the remainder of the period.

(2) Any warranted part that is scheduled only for regular inspection in the written instructions supplied is warranted for the warranty period stated above. Any such part repaired or replaced under warranty will be warranted for the remaining warranty period.

(3) Any warranted part that is scheduled for replacement as required maintenance in the written instructions supplied is warranted for the period of time before the first scheduled replacement date for that part. If the part fails before the first scheduled replacement, the part will be repaired or replaced by SUMEC MACHINERY & ELECTRIC CO. LTD. according to subsection (4) below. Any such part repaired or replaced under warranty will be warranted for the remainder of the period prior to the first scheduled replacement point for the part.

(4) Repair or replacement of any warranted part under the warranty provisions herein must be performed at a warranty station at no charge to the owner.

(5) Notwithstanding the provisions herein, warranty services or repairs will be provided at all of our distribution centers that are franchised to service the subject engines or equipment.

(6) The SORE owner will not be charged for diagnostic labor that is directly associated with diagnosis of a defective, emission-related warranted part, provided that such diagnostic work is performed at a warranty station.

(7) SUMEC MACHINERY & ELECTRIC CO. LTD. is liable for damages to other engine or equipment components proximately caused by a failure under warranty of any warranted part.

(8) Throughout the SORE warranty period stated above, SUMEC MACHINERY & ELECTRIC CO. LTD. will maintain a supply of warranted parts sufficient to meet the expected demand for such parts.

(9) Any replacement part may be used in the performance of any warranty maintenance or repairs and must be provided without charge to the owner. Such use will not reduce the warranty obligations of SUMEC MACHINERY & ELECTRIC CO. LTD.

(10) Add-on or modified parts that are not exempted by the Air Resources Board may not be used. The use of any non-exempted add-on or modified parts by the ultimate purchaser will be grounds for disallowing warranty claims. SUMEC MACHINERY & ELECTRIC CO. LTD. will not be liable to warrant failures of warranted parts caused by the use of a non-exempted add-on or modified part.

### WARRANTED PARTS:

The repair or replacement of any warranted part otherwise eligible for warranty coverage may be excluded from such warranty coverage if the SORE has been abused, neglected, or improperly maintained, and that such abuse, neglect, or improper maintenance was the direct cause of the need for repair or replacement of the part. That notwithstanding, any adjustment of a component that has a factory installed, and properly operating, adjustment-limiting device is still eligible for warranty coverage. The following emission warranty parts list are covered (use portions of this list applicable to your SORE:

- 1) Fuel Metering System:
  - a) Gasoline carburetor assembly and its internal components
  - b) Fuel filter (if so equipped)
  - c) Carburetor gaskets
  - d) Fuel pump (if so equipped)
- 2) Air Induction System including:
  - a) Intake pipe/manifold
  - b) Air cleaner
- 3) Ignition System including:
  - a) Spark plug
  - b) Ignition module/coil
- 4) Miscellaneous Items Used in Above Systems:
  - a) Vacuum, temperature, and time sensitive valves and switches
  - b) Hoses, belts, connectors, and assemblies
- 5) Evaporate Control:
  - a) Fuel Line
  - b) Fuel Line Fittings
  - c) Clamps





# TABLE DES MATIÈRES

■ Introduction.....	2
■ Instructions importantes concernant la sécurité .....	3-4
■ Règles de sécurité particulières.....	4
■ Symboles.....	5-7
■ Caractéristiques électriques .....	8-9
■ Caractéristiques .....	10
■ Assemblage .....	11-12
■ Utilisation .....	12-14
■ Entretien.....	15-17
■ Dépannage.....	18
■ Garantie .....	19
■ Commande de pièces / réparation .....	page arrière

## INTRODUCTION

Ce produit offre de nombreuses fonctions destinées à rendre son utilisation plus plaisante et plus satisfaisante. Lors de la conception de ce produit, l'accent a été mis sur la sécurité, les performances et la fiabilité, afin d'en faire un outil facile à utiliser et à entretenir.

### DANGER :

#### MISE À LA TERRE DU GÉNÉRATEUR

Pour réduire les risques de choc électrique ou d'électrocution, le générateur doit être correctement mis à la terre. L'écrou et la borne de terre sur le cadre doivent toujours être utilisés pour connecter le générateur à une source de terre adaptée. La mise à la terre doit se faire avec un fil de calibre 8. Brancher la borne du fil de terre entre la rondelle de blocage et l'écrou, puis bien serrer l'écrou. Brancher l'autre extrémité du fil à une source de terre adaptée.

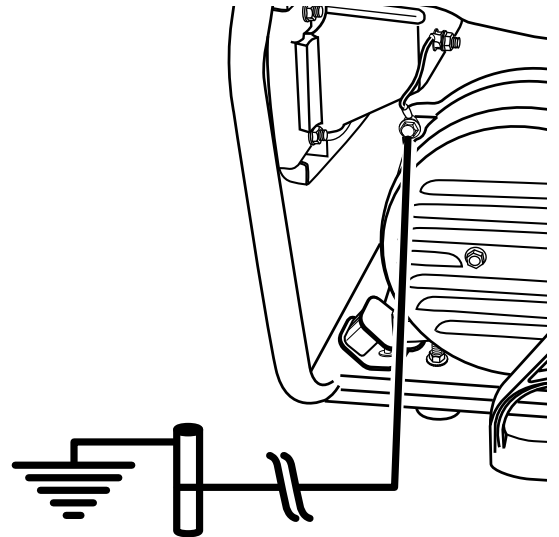
Le code électrique américain contient diverses façons pratiques permettant d'établir une bonne source de terre. Si une tige en fer ou en acier est utilisée, elle doit être d'au moins 15 mm (5/8 po) et si une tige non ferreuse est utilisée, elle doit avoir un diamètre d'au moins 12,5 mm (1/2 po) et être faite d'un matériau indiqué pour la mise à la terre. Introduire la tige ou le fourreau à une profondeur de 2,4 m (8 pieds). Si un fond rocailleux est présent à moins de 1,2 m (4 pieds), enterrer la tige ou le fourreau dans une tranchée.

Tous les outils et les appareils électriques utilisés à l'aide de ce générateur doivent être correctement mis à la terre par l'intermédiaire d'un troisième fil ou être doublement isolés.

Il est recommandé :

1. d'utiliser des appareils électriques avec prises de terre à trois fiches.
2. d'utiliser un cordon prolongateur avec prise à 3 pôles et une fiche à 3 broches aux extrémités opposées pour assurer la continuité de la protection de mise à la terre du générateur à l'appareil.

Consulter et respecter tous les règlements nationaux et locaux applicables concernant les spécifications de mise à la terre. Consulter un électricien qualifié ou le personnel de service si les instructions de mise à la terre ne sont pas bien comprises, ou en cas de doute au sujet de la mise à la terre.



# INSTRUCTIONS IMPORTANTES CONCERNANT LA SÉCURITÉ

## DANGER :

**Monoxyde de Carbone.** Utiliser une génératrice à l'intérieur d'un bâtiment CAUSERA LA MORT EN QUELQUES MINUTES.

Le tuyau d'échappement de la génératrice contient un niveau élevé de monoxyde de carbone (CO), lequel s'avère être un gaz poison inodore et invisible. Si vous pouvez sentir les gaz du tuyau d'échappement de la génératrice, vous respirez du CO. Mais, même si vous ne pouvez pas sentir les gaz provenant du tuyau d'échappement, vous pourriez être en train de respirer du CO.

- Ne jamais utiliser une génératrice à l'intérieur d'une maison, des garages, des petits espaces, ou autres aires restreintes partiellement fermées. Des niveaux mortels de monoxyde de carbone peuvent s'accumuler dans ces aires restreintes. Utiliser un ventilateur ou ouvrir une fenêtre ou les portes NE fournie PAS assez d'air frais à respirer.
- Utilisez SEULEMENT la génératrice à l'extérieur et loin des fenêtres ouvertes, des portes ouvertes, et des bouches d'aérations. Ces ouvertures peuvent tirer l'air provenant du tuyau d'échappement.

Même si vous utilisez une génératrice correctement, des gaz CO peuvent toujours s'infiltrer dans la maison. TOUJOURS utiliser une alarme de monoxyde de carbone à piles dans votre maison.

Si vous ressentez que vous commencez à être étourdi ou faible suite au fonctionnement de la génératrice, allez prendre l'air frais IMMÉDIATEMENT. Consultez un médecin. Vous pourriez avoir un empoisonnement au monoxyde de carbone.

## AVERTISSEMENT :

**Lire et comprendre toutes les instructions.** Le non-respect de toutes les instructions ci-dessous peut entraîner une électrocution, un incendie et/ou un empoisonnement au monoxyde de carbone, pouvant causer des blessures graves, voire mortelles.

## AVERTISSEMENT :

Le code électrique américain (National Electric Code) requiert que le générateur soit mis à la terre par l'intermédiaire d'une source de terre approuvée. Avant d'utiliser la borne de terre, consulter un électricien qualifié, un inspecteur en électricité ou un organisme local connaissant les codes et les règlements locaux applicables à l'utilisation prévue du générateur.

## CONSERVER CES INSTRUCTIONS

Ce manuel relate à propos d'instructions importantes, lesquelles devraient être suivies pendant l'installation et l'entretien des piles et de la génératrice.

- Ne pas brancher au circuit électrique d'un bâtiment à moins que la génératrice et le commutateur de transfert n'aient été installés

correctement par un électricien qualifié, et que ce dernier n'ait vérifié la sortie électrique.

- Ne pas laisser des enfants ou personnes n'ayant pas reçu une formation adéquate utiliser cette unité.
- Ne jamais mettre en marche ou faire tourner le moteur dans une zone fermée ou partiellement fermée. L'inhalation des fumées d'échappement provoquent le décès.
- Toujours porter une protection oculaire avec d'écrans latéraux certifiée conforme à la norme ANSI Z87.1, ainsi qu'une protection auditive lors de l'utilisation de cet outil.
- Garder les badauds, enfants et animaux domestiques à une distance minimum de 3 m (10 pi).
- Porter des chaussures ou des bottes robustes et sèches. Ne pas utiliser pieds nus.
- Ne pas utiliser le générateur en état de fatigue, si l'on est souffrant ou sous l'influence de l'alcool, de drogues ou de médicaments.
- Garder toutes les parties du corps à l'écart des pièces en mouvement et des parties brûlantes de l'outil.
- Ne pas toucher les prises ou les fils dénudés.
- Ne pas utiliser le générateur avec des cordons électriques usés, effilochés, dénudés ou autrement endommagés.
- Laisser le moteur refroidir avant de remiser l'outil et vidanger le carburant.
- Ne pas utiliser le générateur dans la pluie ou la neige.
- Remiser la génératrice dans un endroit bien ventilé après avoir vider le réservoir de carburant. Ne pas remiser le carburant à proximité de la génératrice.
- Pour le transport dans un véhicule, le réservoir doit être vide, le robinet de carburant fermé et la machine bien arrimée.
- Laisser le moteur refroidir pendant 5 minutes avant de faire le plein.
- Manipuler le carburant avec précaution pour éviter les risques d'incendies et de brûlures. Le carburant est extrêmement inflammable.
- Ne pas fumer pendant la manipulation du carburant.
- Conserver le carburant dans un bidon ou jerrican approuvé pour l'essence.
- Poser la machine sur un sol plat, arrêter le moteur et le laisser refroidir avant de faire le plein.
- Desserrer le bouchon du réservoir lentement pour relâcher la pression et éviter que le carburant ne s'échappe.
- Une fois le réservoir plein, remettre le bouchon en place et le serrer fermement.
- Essuyer tout le carburant éventuellement répandu.
- N'essayer en aucun cas de brûler le carburant répandu.
- Une vibration est normale pendant l'utilisation de la génératrice. Pendant et après l'utilisation de la génératrice, inspectez celle-ci, tout comme les câbles d'extension et les câbles branchés à la boîte d'alimentation afin de détecter tout bris potentiel du matériel. Faites réparer tout dommage immédiatement ou remplacer les pièces endommagées au besoin. Ne pas utiliser de fiches ou des câbles qui sont endommagés tels qu'ils aient des signes de fissures ou si la couche isolante est craquée ou si les lamelles sont endommagées.

# INSTRUCTIONS IMPORTANTES CONCERNANT LA SÉCURITÉ

- Il est préférable d'utiliser une génératrice fixe comme source d'énergie de secours pour alimenter la maison en cas de panne d'électricité. Une génératrice portable, même correctement branchée, risque une surcharge. Il peut en résulter une surchauffe ou une contrainte induite sur les composants de la génératrice, ce qui peut provoquer une défaillance de la génératrice.
- Utiliser uniquement des pièces de rechange et des accessoires approuvés et suivre les instructions dans la section Entretien de ce manuel. L'usage de pièces non autorisées ou le non-respect des instructions peut présenter des risques de choc électrique ou de blessures.
- Entretien du produit conformément aux instructions de ce manuel d'utilisation.
- Inspecter le produit avant chaque utilisation pour s'assurer qu'il n'y a pas de pièces desserrées, de fuites de carburant, etc. Remplacer les pièces endommagées.

## RÈGLES DE SÉCURITÉ PARTICULIÈRES






### AVERTISSEMENT :

Lorsque cette génératrice est utilisée pour fournir de l'énergie à un système électrique d'un bâtiment : cette génératrice doit être installée par un électricien qualifié et doit être branchée à un circuit fermé muni d'un interrupteur de transfert, conformément au Code National Électrique NFPA70. La génératrice devra être branchée sur un interrupteur de transfert lequel pourra allumer tous les conducteurs autres que celui du circuit électrique principal. Le cadre de la génératrice doit être mis à la terre par l'intermédiaire d'une source de terre approuvée. Si cette étape n'est pas faite, la génératrice ne sera pas isolée du circuit électrique et cela pourrait entraîner des blessures graves, voire même la mort chez un électricien travaillant pour l'usine.











- L'échappement contient du monoxyde de carbone, un gaz toxique incolore et inodore. L'inhalation des fumées d'échappement peut causer la perte de conscience et le décès. Si la machine tourne dans un endroit clos ou partiellement clos, l'air peut contenir une quantité dangereuse de monoxyde de carbone. Pour éviter l'accumulation de fumées d'échappement, toujours assurer une ventilation adéquate.
- Toujours utiliser un détecteur de monoxyde de carbone fonctionnant sur piles lors de l'utilisation du générateur. En cas de sensation de nausée, d'étourdissement ou de faiblesse lors de l'utilisation du générateur, l'arrêter et aller immédiatement à l'air frais. Consulter un docteur. Il peut s'agir d'un empoisonnement au monoxyde de carbone.
- Placer le générateur sur une surface stable et plate.
- Utiliser dans un endroit bien ventilé et bien éclairé à l'écart des zones de travail pour éviter les interférences sonores.
- L'utilisation du générateur dans des conditions mouillées peut entraîner l'électrocution. Conserver l'unité au sec.
- Garder le générateur à au moins 1 m (3 pieds) de tout type de matériau combustible.
- Ne jamais utiliser le générateur près de matériaux dangereux.
- Ne pas utiliser le générateur près d'une station de distribution d'essence ou de gaz naturel.
- Ne pas toucher le silencieux ou le cylindre durant ou immédiatement après l'utilisation. Ils sont BRÛLANTS et peuvent provoquer des brûlures.
- Cette génératrice est équipée d'un connecteur neutre lié à la masse. Cela signifie que le conducteur neutre est relié électriquement au cadre de l'unité.
- Ne pas laisser le réservoir d'essence de la génératrice déborder lors du remplissage. Remplir le réservoir jusqu'à 25,4 mm (1 po) de l'ouverture du goulot du réservoir pour permettre l'expansion du carburant. Ne pas recouvrir le bouchon du réservoir de carburant lorsque le moteur fonctionne. Ne pas respecter cette directive peut causer une panne de moteur ou endommager l'outil.
- Ne pas fumer lors du remplissage du générateur avec de l'essence.
- Fermer le moteur et le laisser refroidir complètement avant l'ajout de carburant ou la lubrification de la génératrice.
- Ne pas retirer la jauge d'huile ou le bouchon du réservoir de carburant lorsque le moteur tourne.
- Bien tenir compte de tous les autocollants de sécurité situés sur le générateur.
- Garder les enfants à un minimum de 3 m (10 pieds) du générateur à tout moment.
- L'unité fonctionne le mieux à des températures comprises entre -5 et 40 °C (23 et 104 °F) avec une humidité relative de 90 % ou moins.
- Des modifications spéciales pour une performance en haute altitude sont requises si le générateur est utilisé en permanence à des altitudes supérieures à 1500 m (5000 pieds). Contacter le centre de réparations agréé Homelite le plus proche pour plus d'informations et pour faire effectuer des modifications.
- Vérifier la tension et la fréquence requises avant de brancher tout équipement électronique sur le générateur. Le générateur peut se trouver endommagé si les appareils branchés ne sont pas prévus pour fonctionner à une tension égale à  $\pm 10\%$  et une fréquence égale à  $\pm 3$  Hz de celles indiquées sur la plaque signalétique du générateur. Pour réduire les risques de dommage, toujours brancher une charge additionnelle sur le générateur lorsqu'un appareil à circuits intégrés (tel qu'un téléviseur) est utilisé. Une varistance peut être aussi nécessaire pour certaines applications, dans le cas d'un ordinateur, par exemple. Une varistance peut être aussi nécessaire pour certaines applications de l'équipement en solide.
- Conserver ces instructions. Les consulter fréquemment et les utiliser pour instruire les autres utilisateurs éventuels. Si ce produit est prêté, il doit être accompagné de ces instructions.

# SYMBOLES

Les termes de mise en garde suivants et leur signification ont pour but d'expliquer le degré de risques associé à l'utilisation de ce produit.

SYMBOLE	SIGNAL	SIGNIFICATION
	<b>DANGER :</b>	Indique une situation extrêmement dangereuse qui, si elle n'est pas évitée, aura pour conséquences des blessures graves, voire mortelles.
	<b>AVERTISSEMENT :</b>	Indique une situation potentiellement dangereuse qui, si elle n'est pas évitée, aura pour conséquences des blessures graves ou mortelles.
	<b>ATTENTION :</b>	Indique une situation potentiellement dangereuse qui, si elle n'est pas évitée, pourrait entraîner des blessures légères ou de gravité modérée.
	<b>ATTENTION :</b>	(Sans symbole d'alerte de sécurité) Indique une situation pouvant entraîner des dommages matériels.

Certains des symboles ci-dessous peuvent être utilisés sur le produit. Veiller à les étudier et à apprendre leur signification. Une interprétation correcte de ces symboles permettra d'utiliser le produit plus efficacement et de réduire les risques.

SYMBOLE	NOM	DÉSIGNATION / EXPLICATION
	Alerte de sécurité	Indique un risque de blessure potentiel.
	Lire manuel d'utilisation	Pour réduire les risques de blessures, l'utilisateur doit lire et veiller à bien comprendre le manuel d'utilisation avant d'utiliser ce produit.
	Avertissement concernant l'humidité	Ne pas exposer à la pluie ou l'humidité.
	Choc électrique	Une utilisation de l'équipement dans des conditions non sèches et le non-respect des méthodes sans danger peuvent entraîner un choc électrique.
	Vapeurs toxiques	Durant le fonctionnement, le générateur émet du monoxyde de carbone, un gaz toxique inodore et incolore. Respirer le monoxyde de carbone peut entraîner des nausées, des évanouissements, voire la mort.
	Incendie/explosion	Le carburant et ses vapeurs sont extrêmement inflammables et explosifs. Un incendie ou une explosion peut entraîner des brûlures graves, voire la mort.
	Surface chaude	Pour éviter les risques de blessures ou de dommages, éviter tout contact avec les surfaces brûlantes.
	Danger au levage	Pour réduire le risque de blessures graves, éviter de lever le générateur seul.
	Mise à la terre	Consulter un électricien local pour déterminer les exigences de mise à la terre avant le fonctionnement.
	Électrocution	Une mauvaise mise à la terre du générateur peut causer une électrocution, surtout si le générateur est équipé d'un kit de roues.

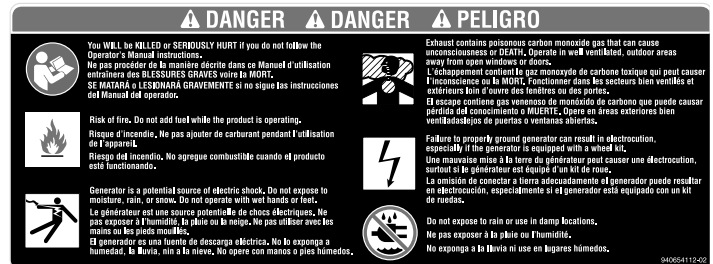
# SYMBOLES

Certains des symboles ci-dessous peuvent être utilisés sur le produit. Veiller à les étudier et à apprendre leur signification. Une interprétation correcte de ces symboles permettra d'utiliser le produit plus efficacement et de réduire les risques.

SYMBOLE	NOM	DÉSIGNATION / EXPLICATION
V	Volts	Tension
A	Ampères	Courant
Hz	Hertz	Fréquence (cycles par seconde)
W	Watt	Puissance
hrs	Heures	Durée
gal	Gallon	Volume
qt	Quart	Volume

## AUTOCOLLANTS DE SÉCURITÉ

Les informations ci-dessous se trouvent sur le générateur. Pour des raisons de sécurité, étudier et comprendre tous les autocollants avant de mettre le générateur en marche. Si un autocollant se détache ou devient illisible, contacter le centre de réparations agréé pour obtenir un autocollant de rechange.



**⚠ DANGER**

**Using a generator indoors CAN KILL YOU IN MINUTES. Generator exhaust contains carbon monoxide. This is a poison you cannot see or smell.**

**NEVER** use inside a home or garage, **EVEN IF** doors and windows are open.

Only use **OUTSIDE** and far away from windows, doors, and vents.

**⚠ DANGER**

**L'utilisation d'une génératrice à l'intérieur PEUT VOUS TUER EN QUELQUES MINUTES.**

Les génératrices produisent du monoxyde de carbone, un gaz mortel incolore et inodore.

**NE JAMAIS** utiliser à l'intérieur d'une maison ou d'un garage, **MÊME SI** les portes et les fenêtres sont ouvertes. Utiliser uniquement à l'**EXTÉRIEUR** et loin des fenêtres, des portes et des événements.

**⚠ PELIGRO**

**Usar un generador en el interior PUEDE MATARLO EN POCOS MINUTOS.**

Los gases de escape del generador contienen monóxido de carbono. Es un veneno que no puede verse ni olerse. **NUNCA** lo use dentro de su hogar o del garaje, **INCLUSO** con las puertas y las ventanas abiertas. Sólo utilícelo **AL AIRE LIBRE** y lejos de ventanas, puertas y respiraderos.

- Ne pas procéder de la manière décrite dans ce manuel d'utilisation entraînera des BLESSURES GRAVES voire la MORT.
- Risque d'incendie. Ne pas ajouter de carburant pendant l'utilisation de l'appareil.
- Le générateur est une source potentielle de chocs électriques. Ne pas exposer à l'humidité, la pluie ou la neige. Ne pas utiliser avec les mains ou les pieds mouillés.
- L'échappement contient le gaz monoxyde de carbone toxique qui peut causer l'inconscience ou la MORT les secteurs bien ventilés et extérieurs loin d'ouvre des fenêt ou des portes.
- Une mauvaise mise à la terre du générateur peut causer une électrocution, surtout si le générateur est équipé d'un kit de roue.
- Ne pas exposer à la pluie ou l'humidité.
- L'utilisation d'une génératrice à l'intérieur PEUT VOUS TUER EN QUELQUES MINUTES. Les génératrices produisent du monoxyde de carbone, un gaz mortel incolore et inodore.
- NE JAMAIS utiliser à l'intérieur d'une maison ou d'un garage, **MÊME SI** les portes et les fenêtres sont ouvertes.
- Utiliser uniquement à l'**EXTÉRIEUR** et loin des fenêtres, des portes et des événements.

# SYMBOLES

## AVERTISSEMENT CONCERNANT LE CARBURANT

Ne pas fumer lors du plein. Ne pas trop remplir. Le plein est obtenu à 25 mm (1 po) en dessous du haut du goulot de remplissage. Arrêter le moteur pendant cinq minutes avant de faire le plein pour éviter que la chaleur du silencieux n'allume les vapeurs de carburant.


## AVERTISSEMENT CONCERNANT LE LUBRIFIANT MOTEUR

Ajouter de le lubrifiant avant l'utilisation initiale du générateur. La contenance du réservoir est de 0,61 l (0,64 quart). Toujours vérifier le niveau de lubrifiant avant chaque utilisation. Le niveau de lubrifiant doit toujours se trouver dans la zone hachurée de la jauge. Cette unité est équipée d'un capteur d'huile qui coupe automatiquement le moteur si le niveau de lubrifiant descend à un niveau dangereux.


## MISE À LA TERRE - AVERTISSEMENT

Le code électrique américain (National Electric Code) requiert que le générateur soit mis à la terre par l'intermédiaire d'une source de terre approuvée.

**⚠ DANGER ⚠ DANGER ⚠ PELIGRO**

 Risk of Fire. Check for any fuel overflow or leaking. Stop the engine before refueling.  
Risque d'incendie. Vérifier l'absence de débordement ou de fuite de carburant. Arrêter le moteur avant de faire le plein.  
Riesgo de incendio. Revise si hay algún derrame o fuga de combustible. Apague el motor antes de poner combustible.

940974007-04

 Add lubricant to full mark to start. Engine will not start or will shut off if lubricant is too low.  
Ajouter de lubrifiant jusqu'au repère de remplissage pour démarrer. Le moteur ne démarrera pas ou s'arrêtera si le niveau de lubrifiant est bas.  
Añada lubricante hasta la marca de lleno para arrancar. El motor no arrancará o se apagará si el nivel de lubricante está demasiado bajo.

**⚠ WARNING** Operation of this equipment may create sparks that can start fires around dry vegetation. A spark arrestor may be required. The operator should contact local fire agencies for laws or regulations relating to fire prevention requirements.

**⚠ AVERTISSEMENT** L'utilisation de cet équipement peut créer des étincelles susceptibles d'enflammer la végétation sèche. Il peut être nécessaire d'utiliser un pare-étincelles. L'utilisateur doit communiquer avec le service local d'incendie pour connaître toutes les lois et tous les règlements portant sur les exigences en matière de prévention des incendies.


940947003-00

**⚠ WARNING ⚠ AVERTISSEMENT ⚠ ADVERTENCIA**

Product does not include ground rod or copper wire. National Electric Code requires generator to be properly grounded to an approved earth ground. Call an electrician for local grounding requirements.

Le produit ne comprend pas de piquet de terre ou de fil en cuivre. Le code électrique américain (National Electric Code) requiert un générateur pour une bonne mise à la terre approuvée. Appeler un électricien pour connaître les exigences locales de mise à la terre.

El producto no incluye el ealambre de cobre ni la barra de conexión a tierra. Los Reglamentos Nacionales de Electricidad exigen que el generador esté debidamente conectado a una tierra aprobada. Comuníquese con un electricista para todo lo relacionado con los requisitos de conexión a tierra.



**⚠ WARNING**  
HOT SURFACE  
**⚠ AVERTISSEMENT**  
SURFACES TRÉS CHAUDE  
**⚠ ADVERTENCIA**  
SUPERFICIES CALIENTE


## AVERTISSEMENT CONCERNANT LES SURFACES BRÛLANTES

Ne pas toucher le silencieux ou le cylindre en aluminium du moteur. Ils sont BRÛLANTS et peuvent causer de graves brûlures. Ne mettre aucun matériau inflammable ou combustible sur le chemin direct de l'échappement.

# CARACTÉRISTIQUES ÉLECTRIQUES

## TAILLE DU CÂBLE DU CORDON PROLONGATEUR

Voir le tableau ci-dessous pour vérifier que la taille de câble des cordons prolongateurs utilisés est capable de porter la charge requise. Des tailles de câbles inadéquates peuvent causer une chute de tension qui peut dommage l'appareil et surchauffer le cordon.

Courant en ampères	Charge en watts		Longueur de cordon permise maximum				
	À 120 V	À 240 V	Fil de calibre 8	Fil de calibre 10	Fil de calibre 12	Fil de calibre 14	Fil de calibre 16
2.5	300	600		305 m (1000 pieds)	183 m (600 pieds)	114 m (375 pieds)	76 m (250 pieds)
5	600	1200		152 m (500 pieds)	91 m (300 pieds)	61 m (200 pieds)	38 m (125 pieds)
7.5	900	1800		107 m (350 pieds)	61 m (200 pieds)	38 m (125 pieds)	31 m (100 pieds)
10	1200	2400		76 m (250 pieds)	46 m (150 pieds)	31 m (100 pieds)	15 m (50 pieds)
15	1800	3600		46 m (150 pieds)	31 m (100 pieds)	20 m (65 pieds)	
20	2400	4800	53 m (175 pieds)	38 m (125 pieds)	23 m (75 pieds)		
25	3000	6000	46 m (150 pieds)	31 m (100 pieds)			
30	3600	7200	38 m (125 pieds)	20 m (65 pieds)			
40	4800	9600	27 m (90 pieds)				

## CHARGES DU MOTEUR ÉLECTRIQUE

Les moteurs électriques courants en fonctionnement normal tirent jusqu'à six fois leur courant de fonctionnement lors du démarrage. Ce tableau peut être utilisé pour estimer les watts requis pour démarrer les moteurs électriques « code G » ; cependant, si un moteur électrique ne démarre pas ou n'atteint pas sa vitesse de fonctionnement, éteindre immédiatement l'appareil ou l'outil pour éviter d'endommager l'équipement. Toujours vérifier les exigences de l'outil ou de l'appareil utilisé par rapport à la sortie nominale du générateur.

Taille du moteur (ch)	Watts de fonctionnement	Watts requis pour le démarrage du moteur		
		Répulsion Induction	Condensateur	Phase auxiliaire
1/8	275	600	850	1200
1/6	275	600	850	2050
1/4	400	850	1050	2400
1/3	450	975	1350	2700
1/2	600	1300	1800	3600
3/4	850	1900	2600	—
1	1100	2500	3300	—

### ATTENTION :

Vérifier la tension et la fréquence requises avant de brancher tout équipement électronique sur le générateur. Le générateur peut se trouver endommagé si les appareils branchés ne sont pas prévus pour fonctionner à une tension égale à  $\pm 10\%$  et une fréquence égale à  $\pm 3$  Hz de celles indiquées sur la plaque signalétique du générateur. Pour éviter tout dommage, toujours brancher une charge additionnelle sur le générateur lorsqu'un appareil à circuits intégrés (tel qu'un téléviseur) est utilisé. Une varistance peut être aussi nécessaire pour certaines applications, dans le cas d'un ordinateur, par exemple. Une varistance peut être aussi nécessaire pour certaines applications de l'équipement en solide.



# CARACTÉRISTIQUES ÉLECTRIQUES

## CAPACITÉ DU GÉNÉRATEUR

S'assurer que le générateur peut fournir les watts continus (de fonctionnement) et de surtension (démarrage) suffisants pour tous les articles alimentés au même moment. Suivre ces simples étapes.

1. Sélectionner les articles qui seront alimentés au même moment.
2. Faire le total des watts continus (de fonctionnement) de ces articles. Ceci correspond à la somme de puissance que le générateur doit produire pour que ces articles puissent fonctionner. Voir le tableau de référence de wattage à droite.
3. Déterminer les watts de surtension (démarrage) nécessaires. Les watts de surtension correspondent à la courte pointe de puissance nécessaire pour démarrer les outils ou les appareils à moteur électriques, tels que les scies circulaires ou les réfrigérateurs. Les moteurs ne démarrent pas tous au même moment, le total des watts de surtension peut être déterminé en ajoutant uniquement les articles au wattage de surtension supplémentaire le plus élevé au wattage nominal total de l'étape 2.

### Exemple :

Outil ou appareil	Watts de fonctionnement (continu)	Watts de surtension (démarrage)
Climatiseur de fenêtre, 10 000 BTU	1200	1800
Réfrigérateur	700	2200
Pompe de puits 1/2 ch	1000	2000
Télévision de 27 pouces	500	0
Éclairage (75 W)	75	0
	3475 Wattage de fonctionnement total	2200 Wattage de surtension maximum

Wattage continu (fonctionnement) total 3475  
 Plus wattage de surtension supplémentaire maximum + 2200  
 Égal à la sortie totale du générateur requise 5675

## GESTION DE L'ÉNERGIE

Pour prolonger la durée de vie du générateur et des appareils reliés, il est important d'effectuer l'ajout de charges électriques supplémentaires au générateur avec soin. Rien ne doit être connecté aux sorties du générateur avant le démarrage du moteur. Une gestion correcte et en toute sécurité de l'énergie du générateur consiste à ajouter des charges en séquence :

1. Sans appareil connecté au générateur, mettre le moteur en marche de la façon décrite dans ce manuel.
2. Brancher et mettre en marche la première charge, de préférence la plus importante.
3. Laisser la sortie du générateur se stabiliser (le moteur tourne régulièrement et l'appareil relié fonctionne correctement).
4. Brancher et mettre la charge suivante en marche.
5. Une fois de plus, laisser le générateur se stabiliser.
6. Répéter les étapes 4 et 5 pour chaque charge supplémentaire.

Ne jamais ajouter de charges supérieures à la capacité du générateur. Bien veiller à considérer les charges de surtension comme décrit précédemment.

### ATTENTION :

Ne pas surcharger la capacité du générateur. Le dépassement de la capacité du wattage/de l'ampérage du générateur peut endommager le générateur et/ou les appareils électriques qui lui sont reliés.

Application/Équipement	Estimé watts de fonctionnement	Estimé watts de démarrage
<b>Cas d'urgence / De secours à la maison</b>		
Radio d'horloge	50	50
Iluminación (qté. 4 x 75 vatios)	300	300
Réfrigérateur	700	2200
Ventilateur de générateur d'air chaud	800	2350
Pompe de puits	1000	1500
Micro-ondes	1000	1000
Pompe de vidange	1050	2200
Cuisinière électrique - réchaud unique	2100	2100
<b>Site de travail</b>		
Perceuse électrique - 1/2 ch	600	900
Pulvérisateur sans air - 1/3 ch	600	1200
Lampe de travail quartz-halogène	1000	1000
Scie alternative	960	1920
Compresseur à air - 1 ch	1600	4500
Scie circulaire - 185 mm (7-1/4 po)	1400	2300
Raboteuse/dégauchisseuse - 152 mm (6 po)	1800	1800
Scie à onglet - 255 mm (10 po)	1800	1800
Scie circulaire à table/scie circulaire tous azimuts - 255 mm (10 po)	2000	2000

\*Les wattages indiqués sont approximatifs. Vérifier le wattage sur l'outil ou l'appareil.

# CARACTÉRISTIQUES

## FICHE TECHNIQUE

### MOTEUR

Type de moteur.....	6,5 HP, OHV
Système de refroidissement.....	Air forcé
Système de démarrage.....	À rappel
Système d'allumage.....	Transistorisé
Bougie.....	Champion N64Y
Volume de lubrifiant moteur.....	0,61 l (0,64 quart)
Volume de carburant.....	15,1 l (4 gal.)

### GÉNÉRATEUR

Tension nominale.....	120 V
Ampérage nominal.....	20 A/25 A
Sortie nominale.....	3 000 W
Sortie maximum.....	3 500 W
Fréquence nominale.....	60 Hz

### DIMENSIONS

Longueur.....	610 mm (24 po)
Largeur.....	432 mm (17 po)
Hauteur.....	457 mm (18 po)
Poids.....	46 kg (101,5 lb)

## BIEN CONNAÎTRE LE GÉNÉRATEUR

Voir la figure 1.

L'utilisation sûre de ce produit exige une compréhension des renseignements figurant sur le produit et contenus dans le manuel d'utilisation, ainsi qu'une bonne connaissance du projet entrepris. Avant d'utiliser ce produit, se familiariser avec toutes ses caractéristiques et règles de sécurité.

### DISJONCTEUR C.A.

Les disjoncteurs sont fournis pour protéger le générateur contre la surcharge électriques. Appuyer sur le bouton du disjoncteur pour le réenclencher.

### FILTRE À AIR

Le filtre à air permet de limiter la quantité de poussière et de saleté pénétrant dans l'unité lors du fonctionnement.

### SOUPAPE D'ADMISSION D'AIR

L'unité est dotée d'une soupape d'admission d'air pour améliorer la performance du moteur lors des journées plus froides de l'hiver.

### LEVIER D'ÉTRANGLEMENT

Le levier d'étranglement sert lors du démarrage du moteur.

### AFFICHEUR NUMÉRIQUE

L'afficheur numérique indique la tension, la fréquence, les heures de fonctionnement et une alerte de bas niveau de lubrifiant.

### RÉSERVOIR DE CARBURANT

Le réservoir de carburant a une contenance de 15,1 l (4 gallons).

## ROBINET DE CARBURANT

Le débit de carburant par le générateur est contrôlé par la position du robinet de carburant.

## BORNE DE TERRE

La borne de terre permet d'obtenir une bonne mise à la terre du générateur pour la protection contre les chocs électriques. Consulter un électricien local pour les exigences de mise à la terre locales.

## BOUCHON

Retirer le bouchon de remplissage d'huile pour vérifier le niveau d'huile et faire l'appoint selon le besoin.

## VIS DE VIDANGE D'HUILE

Lors de la vidange de lubrifiant moteur, la vis de vidange d'huile moteur est desserrée pour permettre à l'huile d'être vidangée.

## PRISES

La génératrice comprend les prises monophasées de 60 Hz suivantes : un prise double de 120 V c.a., 20 A, et deux prises à verrouillage par rotation de 120 V c.a., 30 A. Elles peuvent être utilisées pour le fonctionnement d'appareils, d'éclairage électrique, d'outils et de charges de moteur adéquats.

## POIGNÉE DU DÉMARREUR À RAPPEL

La poignée du démarreur à rappel est utilisée (avec le contacteur du moteur) pour mettre le générateur du moteur en marche.

# ASSEMBLAGE



## AVERTISSEMENT :

Ne pas tenter d'utiliser le générateur avant d'avoir terminé l'assemblage. Le non-respect de cette instruction pourrait entraîner des blessures graves.

## LISTE DES PIÈCES DÉTACHÉE

Voir la figure 2.

Les articles suivants sont inclus avec le générateur :

### No. de

Pièce	Description	Qté.
1	Boulons (M10 x 17 mm) .....	2
2	Écarteurs .....	2
3	Écrous frein (M8).....	3
4	Couvercles de roue .....	2
5	Roues .....	2
6	Écrous frein (M10).....	2
7	Patin en caoutchouc.....	2
8	Boulons (M8 x 20 mm) .....	2
9	Boulon (M8 x 40 mm) .....	1
10	Ensemble de poignée.....	1
11	Goupille de blocage de la poignée.....	1
12	Bracelet .....	1
13	Flacon de lubrifiant de moteur .....	1
	Manuel d'utilisation (non illustré).....	1

## OUTILS NÉCESSAIRES

Voir la figure 3.

Les outils suivants (non inclus ou dessiné pour escalader) sont nécessaires pour effectuer l'assemblage :

- Clé à douille (12 mm et 13 mm)
- Clé mixte (10 mm, 12 mm, et 13 mm)

**NOTE :** Ne pas mettre du carburant ou du lubrifiant dans la génératrice avant d'installer les pieds et les roues.

## DÉBALLAGE

Ce produit doit être assemblé.

- Couper prudemment les côtés de la caisse puis sortir le machine et les accessoires de la caisse. S'assurer que toutes les pièces figurant sur la liste de contrôle sont incluses.

**NOTE :** Cette machine est lourde et nécessite au minimum deux personnes pour être soulevée. Pour éviter des problèmes lombaires soulever avec les jambes, pas avec le dos et demander de l'aide lorsque nécessaire.



## AVERTISSEMENT :

Ne pas utiliser le produit si, en le déballant, vous constatez que des éléments figurant dans la liste des pièces détachées sont déjà assemblés. Certaines pièces figurant sur cette liste n'ont pas été assemblées par le fabricant et exigent une installation. Le fait d'utiliser un produit qui a été assemblé de façon inadéquate peut entraîner des blessures.

- Examiner soigneusement l'unité pour s'assurer que rien n'a été brisé ou endommagé en cours de transport.
- Ne pas jeter les matériaux d'emballage avant d'avoir soigneusement examiné le produit et vérifié qu'il fonctionne correctement.
- Si des pièces manquent ou sont endommagées, appeler le 1-800-242-4672 pour obtenir de l'aide.



## AVERTISSEMENT :

Si des pièces manquent ou sont endommagées, ne pas utiliser le produit jusqu'à ce qu'elles soient remplacées. Le fait d'utiliser ce produit même s'il contient des pièces endommagées ou s'il lui manque des pièces peut entraîner des blessures graves.



## AVERTISSEMENT :

Ne pas essayer de modifier ce produit ou de créer des accessoires non recommandés pour ce produit. De telles altérations ou modifications sont considérées comme un usage abusif et peuvent créer des conditions dangereuses pouvant entraîner des blessures graves.



## AVERTISSEMENT :

Ne pas tenter d'utiliser le générateur avant d'avoir terminé l'assemblage. Le non-respect de cette instruction pourrait entraîner des blessures graves.

**NOTE :** Ne pas mettre du carburant ou du lubrifiant dans la génératrice avant d'installer les patins et les roues.

## INSTALLATION DES CAOUTCHOUC

Voir la figure 4.

- Relever l'extrémité du générateur à l'opposé du démarreur à rappel suffisamment pour accéder au bas du cadre ; placer des cales en dessous pour obtenir un bon support.
- Localiser les pièces suivantes :
  - 2 patin en caoutchouc
  - 2 écrous frein (M8)
  - 2 boulons (M8 x 20 mm)
- Insérer le boulon dans le pied et le cadre tel qu'indiqué.
- Installer l'écrou et serrer solidement.

**NOTE :** Faire attention à ne pas trop le serrer pour éviter que le pied ne s'écroule.

- Répéter l'opération sur l'autre pied.

## INSTALLATION DES ROUES

Voir la figure 5.

Les roues sont fournies pour aider à déplacer le générateur à l'endroit désiré et doivent être installées du même côté que le démarreur de rappel.

# ASSEMBLAGE

- Localiser les pièces suivantes :
  - 2 boulons (M10 x 17 mm)
  - 2 écarteur (0,38 ID)
  - 2 écrous frein
  - 2 écrous (M10)
  - 2 couvercles de roue
- Relever l'extrémité du générateur du côté du démarreur à rappel suffisamment pour accéder au bas du cadre ; placer des cales en dessous pour obtenir un bon support.
- Insérer un écarteur de roues au centre d'une roue.
- Glisser le boulon dans l'entretoise de la roue, puis dans le support de la roue du cadre en s'assurant que le côté décalé de l'enjoliveur de roue repose sur le support de la roue.
- Fixer l'écrou sur le boulon et serrer solidement.
- Installer les couvercles de roue.
- Répéter le processus de l'autre côté pour fixer la deuxième roue.

## FIXER L'ENSEMBLE DE POIGNÉE

Voir la figure 6.

- Localiser les pièces suivantes :
  - Boulon (M8 x 40 mm)
  - Ensemble de poignée
  - Écrous frein (M8)

- Placer la poignée sur le support de la poignée, qui se trouve sur le cadre de la génératrice, du côté opposé au démarreur à rappel.
- Glisser le boulon M8 x 40 mm dans la poignée et dans le support de la poignée; installer l'écrou et serrer solidement.

## FIXER LA POIGNÉE

Voir les figures 7 et 8.

- Localiser les pièces suivantes :
  - Goupille de blocage de la poignée
  - Bracelet
- Attacher le bracelet à la goupille de verrouillage de poignée et à la poignée tel qu'indiqué.
- Insérer la goupille dans le trou située sur la poignée et le cadre de la génératrice et fixer la poignée en place.



### AVERTISSEMENT :

Ne pas tenter de lever l'unité par la poignée. Si le générateur doit être levé, toujours le saisir par le cadre. Utiliser les techniques de levage appropriées pour éviter les blessures du dos.

# UTILISATION



### DANGER :

**Monoxyde de Carbone.** Utiliser une génératrice à l'intérieur d'un bâtiment CAUSERA LA MORT EN QUELQUES MINUTES.

Le tuyau d'échappement de la génératrice contient un niveau élevé de monoxyde de carbone (CO), lequel s'avère être un gaz poison inodore et invisible. Si vous pouvez sentir les gaz du tuyau d'échappement de la génératrice, vous respirez du CO. Mais, même si vous ne pouvez pas sentir les gaz provenant du tuyau d'échappement, vous pourriez être en train de respirer du CO.

- Ne jamais utiliser une génératrice à l'intérieur d'une maison, des garages, des petits espaces, ou autres aires restreintes partiellement fermées. Des niveaux mortels de monoxyde de carbone peuvent s'accumuler dans ces aires restreintes. Utiliser un ventilateur ou ouvrir une fenêtre ou les portes NE fournie PAS assez d'air frais à respirer.
- Utilisez SEULEMENT la génératrice à l'extérieur et loin des fenêtres ouvertes, des portes ouvertes, et des bouches d'aérations. Ces ouvertures peuvent tirer l'air provenant du tuyau d'échappement.

Même si vous utilisez une génératrice correctement, des gaz CO peuvent toujours s'infiltrer dans la maison. TOUJOURS utiliser une alarme de monoxyde de carbone à piles dans votre maison.

Si vous ressentez que vous commencez à être étourdi ou faible suite au fonctionnement de la génératrice, allez prendre l'air frais IMMÉDIATEMENT. Consultez un médecin. Vous pourriez avoir un empoisonnement au monoxyde de carbone.

# UTILISATION

## DANGER :

Une mauvaise mise à la terre du générateur peut causer une électrocution, surtout si le générateur est équipé d'un kit de roues. Le code électrique américain (National Electric Code) requiert un générateur correctement mis à la terre à une source de terre approuvée. Appeler un électricien pour connaître les exigences locales de mise à la terre.

## AVERTISSEMENT :

La familiarité avec l'appareil ne doit pas faire oublier la vigilance. Ne pas oublier qu'une fraction de seconde d'inattention peut entraîner des blessures graves.

## AVERTISSEMENT :

N'utiliser ni accessoires, ni outils non recommandés par le fabricant de ce produit. L'utilisation de pièces et accessoires non recommandés peut entraîner des blessures graves.

Avant chaque utilisation, inspecter au complet le produit afin de s'assurer qu'aucune pièce (vis, écrous, boulons, chapeaux, etc.) n'est endommagée, manquante ou desserrée. Serrer solidement toutes les pièces de fixation et les chapeaux et ne pas utiliser le produit tant que toutes les pièces manquantes ou endommagées n'ont pas été remplacées. Veuillez composer le 1-800-242-4672 ou communiquer avec un centre de réparations agréé pour obtenir de l'aide.

## APPLICATIONS

Cé générateur est conçu pour fournir une alimentation électrique pour le fonctionnement d'éclairages, d'appareils, d'outils et de charges de moteur compatibles.

## AVANT D'UTILISER L'UNITÉ

- Utiliser uniquement À L'EXTÉRIEUR et loin des fenêtres, des portes et des événements.
- NE JAMAIS utiliser à l'intérieur d'une maison ou d'un garage, MÊME SI les portes et les fenêtres sont ouvertes.
- Toujours poser la génératrice sur une surface stable et plate.

## ATTENTION :

Une tentative de démarrage du moteur avant le remplissage en lubrifiant correct entraîne une panne de l'équipement.

## VÉRIFICATION/AJOUT DE LUBRIFIANT

Voir la figure 9.

Le lubrifiant moteur a une influence majeure sur la performance du moteur et la durée de service. De manière générale et pour toutes températures, de l'huile SAE 10W-30 est recommandée. Toujours utiliser une huile moteur à 4 temps conforme ou supérieure aux exigences de service SJ API. Il est recommandé d'utiliser UNIQUEMENT de l'huile de marque Homelite.

**NOTE :** Des lubrifiants moteur 2 temps non détergentes endommageront le moteur et ne doivent pas être utilisées.

- Dévisser le capuchon d'huile/la jauge et les retirer.
- Essuyer la jauge et l'insérer de nouveau dans le trou sans visser.
- Retirer une nouvelle fois la jauge et vérifier le niveau de lubrifiant. Le niveau de lubrifiant doit se trouver dans la zone hachurée de la jauge.
- Si le niveau est bas, ajouter de le lubrifiant moteur jusqu'à ce que le niveau atteigne la portion supérieure sur la jauge.
- Réinstaller et serrer le bouchon d'huile/la jauge.

## VÉRIFICATION/AJOUT DE CARBURANT

Voir la figure 10.

- Retirer le bouchon du réservoir de carburant.
- Remplir le réservoir de carburant à 25 mm (1 po) en dessous du haut du goulot du réservoir de carburant.
- Replacer et serrer le bouchon.

**NOTE :** Toujours utiliser de l'essence sans plomb avec un indice d'octane de 86 ou plus. Ne jamais utiliser du carburant vieux, éventé ou contaminé et ne pas utiliser de mélange lubrifiant/carburant. Ne pas laisser la poussière ou l'eau pénétrer dans le réservoir de carburant.

## UTILISATION DE STABILISATEUR DE CARBURANT

Le carburant défraîchit, s'oxyde et se dégrade avec le temps. L'ajout de stabilisateur de carburant allonge la durée d'utilisation du carburant et permet d'éviter la formation de dépôts pouvant obstruer le circuit de carburant. Suivre les instructions du fabricant de stabilisateur de carburant pour le rapport stabilisateur/carburant correct.

- Ajouter le stabilisateur dans le réservoir de carburant puis remplir d'essence en suivant les instructions données précédemment.

**NOTE :** Le stabilisateur de carburant et l'essence peuvent être mélangés avant le remplissage en utilisant un jerrican ou un autre récipient approuvé et en secouant doucement pour mélanger.

- Replacer et serrer le bouchon.

# UTILISATION

- Mettre le moteur en marche et le faire tourner pendant au moins 5 minutes pour que le stabilisateur pénètre dans tout le circuit de carburant.

## CARBURANTS OXYGÉNÉS

**NE PAS UTILISER LE CARBURANT E85. LE NON-RESPECT DE CETTE DIRECTIVE ENTRAÎNE L'ANNULATION DE LA GARANTIE.**

**NOTE :** Les dommages au circuit de carburant et les problèmes de performance résultant de l'utilisation de carburant oxygéné contenant des pourcentages de composants oxygénés supérieurs à ceux indiqués ci-dessous **ne sont pas couverts par la garantie.**

**Éthanol.** L'essence contenant jusqu'à 10 % d'éthanol par volume (généralement désignée E10) ou 15 % d'éthanol par volume (généralement désignée E15) est acceptable. L'essence désignée E85 ne l'est pas.

### ATTENTION :

Sur une surface à niveau, avec le moteur sur arrêt, vérifier le niveau d'huile avant chaque utilisation du générateur.

## SOUPAPE D'ADMISSION D'AIR

*Voir la figure 11.*

L'unité est dotée d'une soupape d'admission d'air qui permet d'améliorer la performance du moteur lors des journées plus froides de l'hiver. Comme le montre la figure 10, le levier de la soupape d'admission d'air doit être fermé (à l'horizontale) pendant les mois d'été et ouvert (à la verticale) pendant les mois d'hiver. Tirer le levier légèrement vers soi afin qu'il passe au-dessus des goupilles de retenue. Le déplacer ensuite à la position désirée et le relâcher.

## MISE EN MARCHÉ DU MOTEUR

*Voir les figures 12 - 14.*

**NOTE :** Si l'emplacement de générateur n'est pas à niveau, l'unité peut ne pas démarrer ou peut s'arrêter durant le fonctionnement.

- Débrancher toutes les charges du générateur.
- Ouvrir le robinet de carburant.
- Écarter droit le levier d'étranglement à la position START (DÉMARRAGE).  
**NOTE :** Si le moteur est chaud ou que la température est supérieure à 10 °C (50 °F), écarter gauche le levier d'étranglement sur la position RUN (MARCHE).
- Mettre le contacteur du moteur sur MARCHE ( I ) .

- Tirer la poignée de démarrage à rappel jusqu'à ce que le moteur démarre (6 fois maximum).

**NOTE :** Ne pas laisser la poignée repartir brusquement en arrière après le démarrage. La ramener doucement à sa place d'origine.

- Laisser le moteur tourner pendant 30 secondes et mettre le levier d'étranglement sur RUN (MARCHE).

## ARRÊT DU MOTEUR

*Voir les figures 12 et 13.*

**Pour arrêter le moteur dans des conditions de fonctionnement normales :**

- Retirer toute charge du générateur.
- Fermer le robinet de carburant.
- Mettre le contacteur du moteur sur ARRÊT ( O ) .

**Pour arrêter le moteur en cas d'urgence :**

- Mettre le contacteur du moteur sur ARRÊT ( O ) .

## COMPRENDRE L'AFFICHEUR NUMÉRIQUE

*Voir la figure 15.*

L'afficheur numérique indique la sortie de tension c.a., la fréquence et le nombre total d'heures de fonctionnement. Pour passer d'un affichage à l'autre, appuyer sur le bouton de sélection. Les indicateurs sous l'afficheur numérique s'allument en séquence pour montrer quel type d'information s'affiche.

**Compteur d'heures :** Le compteur d'heures enregistre le nombre d'heures pendant lesquelles l'unité a été utilisée.

En cas de condition d'alarme, le bouton associé à l'alarme clignote.

**Tension c.a. :** L'indicateur de tension c.a. clignote lorsque la sortie de tension dépasse la tension nominale de plus de 10 %. L'indicateur cesse de clignoter lorsque la tension revient à 10 % ou moins de la tension nominale.

**Fréquence :** L'indicateur de fréquence clignote lorsque la fréquence nominale est supérieure à 5 %. Lorsque la fréquence se retrouve à 5 % ou moins, l'indicateur cesse de clignoter.

**Bas niveau d'huile pour moteur :** L'indicateur de bas niveau d'huile clignote et le moteur s'arrête automatiquement lorsque le niveau d'huile est bas. Il ne faut pas redémarrer le moteur tant qu'une quantité suffisante d'huile n'aura pas été ajoutée dans la génératrice.

**NOTE :** Il est normal que les voyants s'allument ou clignent à chaque démarrage du moteur. Après le réchauffement du moteur, les voyants respectent la forme ci-dessus.

# ENTRETIEN

## **AVERTISSEMENT :**

Utiliser exclusivement des pièces Homelite identiques à celles d'origine pour les réparations. L'utilisation de toute autre pièce peut créer une situation dangereuse ou endommager le produit.

## **AVERTISSEMENT :**

Toujours porter une protection oculaire avec d'écrans latéraux certifiée conforme à la norme ANSI Z87.1. Si cette précaution n'est pas prise, des objets peuvent être projetés dans les yeux et causer des lésions graves.

Seules les pièces figurant sur la liste des pièces sont conçues pour être réparées ou remplacées par l'utilisateur. Toutes les autres pièces doivent être remplacées dans un centre de réparations agréé.

## ENTRETIEN GÉNÉRAL

Avant chaque utilisation, inspecter au complet le produit afin de s'assurer qu'aucune pièce (vis, écrous, boulons, chapeaux, etc.) n'est endommagée, manquante ou desserrée. Serrer solidement toutes les pièces de fixation et les chapeaux et ne pas utiliser le produit tant que toutes les pièces manquantes ou endommagées n'ont pas été remplacées. Veuillez composer le 1-800-242-4672 ou communiquer avec un centre de réparations agréé pour obtenir de l'aide.

Conserver le générateur dans un environnement propre et sec sans exposition à la poussière, la saleté, l'humidité ou des vapeurs corrosives. Ne pas laisser les événements de refroidissement du générateur s'obstruer avec des feuilles, de la neige, etc.

Ne pas utiliser un tuyau de jardinage pour nettoyer le générateur. De l'eau pénétrant dans le circuit de carburant ou d'autres pièces internes de l'unité peut causer des problèmes réduisant la durée de vie du générateur.

### **Pour nettoyer l'unité :**

- Utiliser une brosse à poils doux et/ou un aspirateur pour détacher et retirer la saleté et les débris.
- Nettoyer les événements à pression basse ne dépassant pas 25 psi.
- Essuyer les surfaces extérieures du générateur avec un chiffon humide.

## INSPECTION/NETTOYAGE DU FILTRE À AIR

*Voir la figure 16.*

Pour assurer un fonctionnement correct et une longue vie utile, garder les filtres à air propres.

- Desserrer les vis qui se trouvent sur le dessus et le dessous du couvercle du filtre à air. Retirer le couvercle et mettre de côté.

- Retirer les éléments du filtre à air.
- Retirer le joint du filtre, le nettoyer au moyen de chiffons propres et le remettre en place dans le filtre à air.
- Si les éléments du filtre à air sont sales, les nettoyer avec de l'eau savonneuse chaude. Rincer et laisser sécher.
- Appliquer une légère couche d'huile moteur sur les éléments puis l'essorer.
- Replacer les éléments dans le filtre à air.
- Replacer le couvercle du filtre à air et resserrer les vis pour le fixer.

**NOTE :** Ne pas faire tourner le générateur sans le filtre à air ou garniture. Ceci entraînerait une usure rapide du moteur.

## VIDANGE DE LE LUBRIFIANT MOTEUR

*Voir la figure 17.*

- Retirer le bouchon/la jauge d'huile.
- Placer un récipient sous la vis de vidange d'huile pour recueillir le lubrifiant vidangé.
- Dévisser et retirer la vis de vidange d'huile.
- Laisser le lubrifiant se vidanger complètement.
- Réinstaller la vis de vidange d'huile et bien serrer.
- Remplir de lubrifiant en suivant les instructions de la section **Vérification/ajout de lubrifiant**.
- Réinstaller le bouchon/la jauge d'huile.

**NOTE :** Le lubrifiant usé doit être éliminé auprès d'un site approuvé. Voir le détaillant d'huile local pour plus d'informations.

## ENTRETIEN DE LA BOUGIE

*Voir la figure 18.*

L'écartement de la bougie doit être vérifié et la bougie doit être exempte de dépôts pour que le moteur fonctionne correctement. Pour vérifier :

- Retirer le bouchon de la bougie.
- Nettoyer la saleté autour de la base de la bougie.
- Retirer la bougie à l'aide de la clé fournie (non inclus).
- Inspecter la bougie pour vérifier qu'elle n'est pas endommagée et la nettoyer avec une brosse métallique avant de la réinstaller. Si l'isolateur est fissuré ou écaillé, remplacer la bougie.

**NOTE :** Pour le remplacement, utiliser la bougie recommandées suivantes ou des bougies équivalentes : Champion N64Y.

- Mesurer l'écartement de la bougie. L'écartement correct est de 0,7-0,8 mm (0,028-0,031 po). Pour augmenter l'écartement, si nécessaire, courber avec précaution l'électrode de terre (supérieure). Pour réduire l'écartement, taper doucement l'électrode de terre sur une surface dure.
- Installer la bougie ; la visser à la main pour éviter de foirer le filetage.

# ENTRETIEN

- Serrer avec la clé pour comprimer la rondelle. Si la bougie est neuve, utiliser 1/2 tour pour comprimer la rondelle. Si elle est usée, utiliser 1/8 à 1/4 de tour pour comprimer la rondelle.

**NOTE :** Une bougie mal serrée devient très chaude et peut endommager le moteur.

## NETTOYAGE DE L'ORIFICE D'ÉCHAPPEMENT ET DU SILENCIEUX

Selon le type de carburant utilisé, le type et la quantité de lubrifiant utilisée et/ou les conditions d'utilisation, l'orifice d'échappement et le silencieux peuvent être obstrués par de la calamine. Si l'appareil fonctionnant avec de l'essence semble avoir perdu de la puissance, cette calamine doit être éliminée pour restaurer le fonctionnement normal. Il est vivement recommandé de confier ce travail à un technicien qualifié.

## PARE-ÉTINCELLES

*Voir les figures 19.*

Le pare-étincelles doit être nettoyé ou remplacé toutes les 50 heures de fonctionnement ou tous les ans pour assurer le fonctionnement correct de l'outil. L'emplacement du pare-étincelles diffère suivant le modèle. Contacter le concessionnaire le plus proche pour connaître l'emplacement du pare-étincelles sur le modèle utilisé.

## VIDANGE DU RÉSERVOIR DE CARBURANT/ CARBURATEUR

*Voir les figures 20 et 21.*

Afin de prévenir les dépôts de gommages dans le circuit de carburant, vidanger le carburant du réservoir et du carburateur avant de le remiser.

## VIDANGE DU RÉSERVOIR DE CARBURANT

- Mettre le contacteur du moteur sur arrêt ( O ).
- Turn the fuel valve to the OFF position.
- Retirer la conduite de carburant du petit robinet en serrant les extrémités de l'attache et en glissant la conduite pour la retirer.
- Installer une extrémité du tuyau de vidange sur le robinet et placer l'autre extrémité dans un récipient suffisamment large pour contenir le carburant vidangé.
- Mettre le robinet de carburant sur MARCHE.
- Lorsque le carburant est vidangé du réservoir, fermer le robinet de carburant et réinstaller la conduite sur le petit robinet.

## VIDANGE DU CARBURATEUR

- Mettre le contacteur du moteur sur arrêt ( O ).
- Mettre le robinet de carburant sur ARRÊT.
- Placer un récipient adapté sous la vis de vidange du carburateur pour recueillir le carburant ; desserrer la vis.
- Laisser le carburant se vidanger complètement dans le récipient.
- Resserrer la vis de vidange.

**NOTE :** Consulter les directives d'élimination des déchets locales pour éliminer le carburant correctement.

## TRANSPORT

- Mettre le contacteur du moteur sur arrêt ( O ).
- Mettre le robinet de carburant sur ARRÊT.
- S'assurer que le moteur et l'échappement de l'unité sont froids.
- Videz le réservoir de carburant.
- Ne pas faire chuter, heurter ou placer l'unité sous de lourds objets.



# ENTRETIEN

## REMISAGE

Lors de la préparation du générateur pour le remisage, laisser l'appareil refroidir complètement puis suivre les instructions ci-dessous.

DURÉE DU REMISAGE	AVANT LE REMISAGE
Moins d'2 mois	<ul style="list-style-type: none"> <li>■ Vidanger l'essence du réservoir et la disposer dans un récipient adapté selon les règlements nationaux et locaux en vigueur.</li> </ul>
2 mois à 1 an	<ul style="list-style-type: none"> <li>■ Vidanger le carburant du carburateur.</li> <li>■ Vidanger l'essence du réservoir et la disposer dans un récipient adapté selon les règlements nationaux et locaux en vigueur.</li> </ul>
1 an ou plus	<ul style="list-style-type: none"> <li>■ Vidanger le carburant du carburateur.</li> <li>■ Retirer la bougie.</li> <li>■ Vidanger l'essence du réservoir et la disposer dans un récipient adapté selon les règlements nationaux et locaux en vigueur.</li> <li>■ Placer une cuillère à soupe d'huile moteur dans le cylindre de la bougie. Faire tourner lentement le moteur avec le cordon pour répartir l'huile.</li> <li>■ Réinstaller la bougie.</li> <li>■ Vidanger l'huile moteur.</li> </ul> <p>Après le remisage :</p> <ul style="list-style-type: none"> <li>■ Remplir d'essence fraîche.</li> </ul>

## CALENDRIER D'ENTRETIEN

NOTE : Si un autre manuel du moteur est fourni avec cette génératrice, veuillez respecter le calendrier d'entretien présenté dans le manuel du moteur au lieu de suivre les instructions d'entretien décrites ci-dessous.

	Avant chaque utilisation	Après 1 mois ou 20 heures de fonctionnement	Tous les 3 mois ou 50 heures de fonctionnement	Tous les 6 mois ou 100 heures de fonctionnement	Chaque année ou toutes les 300 heures de fonctionnement
Vérifier l'huile moteur	■				
Changer l'huile moteur <sup>2</sup>		■		■	
Vérifier le filtre à air	■				
Nettoyer le filtre à air			■		
Remplacer le filtre à air <sup>2</sup>					■
Vérifier/régler l'écartement de la bougie				■	
Remplacer la bougie <sup>2</sup>					■
Vérifier/régler le ralenti					■
Vérifier/régler le jeu des soupapes <sup>1,2</sup>					■
Nettoyer le réservoir de carburant et le filtre <sup>1,2</sup>				■	
Vérifier le tube de carburant					■

1. Ceci ne doit être effectué que par un centre de réparations agréé.

2. Consulter le manuel du moteur pour prendre connaissance du calendrier d'entretien de cet article.

**NOTE :** L'entretien doit être effectué plus fréquemment lorsque le générateur est utilisé dans des zones poussiéreuses. Lorsque le générateur a dépassé les valeurs maximum indiquées dans le tableau, l'entretien doit continuer à être effectué selon les intervalles ou aux fréquences indiqués.

# DÉPANNAGE

PROBLÈME	CAUSE POSSIBLE	SOLUTION
Le moteur ne démarre pas.	<p>Le contacteur du moteur est sur ARRÊT.</p> <p>Pas de carburant.</p> <p>Niveau d'huile bas.</p> <p>Le robinet de carburant est FERMÉ.</p> <p>Bougie défectueuse, encrassée ou mal écartée.</p> <p>Le levier d'étranglement est en position RUN (MARCHE).</p> <p>Moteur remisé sans traitement ou vidange de l'essence, ou plein fait avec un mauvais carburant.</p>	<p>Mettre le contacteur du moteur sur marche.</p> <p>Remplir le réservoir de carburant.</p> <p>Vérifier le niveau d'huile moteur et faire l'appoint si nécessaire.</p> <p>Mettre le robinet de carburant sur MARCHE.</p> <p>Remplacer la bougie.</p> <p>Tirer le levier de l'étrangleur sur FERMÉ.</p> <p>Vidanger le carburant et le carburateur.</p> <p>Remplir d'essence fraîche.</p>
Le moteur manque de puissance.	<p>Élément du circuit de carburant obstrués.</p> <p>Moteur remisé sans traitement ou vidange de l'essence, ou plein fait avec un mauvais carburant.</p>	<p>Vérifier l'élément du filtre à air. Nettoyer ou remplacer selon le besoin.</p> <p>Vidanger le carburant et le carburateur.</p> <p>Remplir d'essence fraîche.</p>
La prise c.a. ne fonctionne pas.	<p>Disjoncteur déclenché.</p> <p>L'appareil branché est défectueux.</p>	<p>Enclencher le disjoncteur c.a.</p> <p>Essayer un autre article.</p>
Le générateur émet un cognement ou un cliquettement.	<p>Un cognement ou un cliquettement sous une lourde charge est normal. Cependant, s'il a lieu sous une charge normale à un régime moteur régulier, le problème peut provenir de la marque de carburant utilisée.</p>	<p>Choisir une autre marque et s'assurer que l'indice d'octane est supérieur ou égal à 86. Si le problème continue, contacter le centre de réparations agréé le plus proche.</p>
<p>Si le problème persiste après avoir essayé les solutions ci-dessus, contacter le centre de réparations agréé le plus proche pour obtenir de l'aide.</p>		
<p>Les symptômes suivants peuvent indiquer des problèmes affectant le niveau d'émissions de l'unité :</p> <ul style="list-style-type: none"> <li>■ Démarrage difficile ou calage après le démarrage</li> <li>■ Ralenti irrégulier</li> <li>■ Ratés ou retours de flamme sous charge</li> <li>■ Post-combustion (retours de flamme)</li> <li>■ Fumée d'échappement noire ou consommation de carburant élevée</li> </ul> <p>En cas de présence d'un de ces symptômes, faire inspecter l'unité et la faire réparer par le centre de réparations agréé le plus proche.</p>		

# GARANTIE

## GARANTIE LIMITÉE

### COUVERTURE DE LA GARANTIE

Homelite Consumer Products, Inc. (l'entreprise) garantit à l'acheteur original au détail que ce produit de marque Homelite est exempt de tout vice de matériau ou de fabrication et s'engage à réparer ou remplacer, à discrétion, tout produit s'avérant défectueux au cours des périodes indiquées ci-dessous, à compter de la date d'achat :

- Deux ans sur les produits utilisés uniquement par des particuliers;
- Un an sur les produits à des fins d'utilisation professionnelle ou commerciale.

Cette garantie s'applique uniquement aux produits vendus aux États-Unis, dans le district fédéral de Columbia, au Canada, au Mexique, à Puerto Rico, dans les îles Vierges, ou Guam.

Cette garantie n'est pas transférable et ne couvre pas les dommages attribuables à des vices autres que les vices de matériau ou de fabrication, ou les dommages liés à une utilisation abusive, ce qui inclut l'omission de faire subir au produit un entretien raisonnable. **Les éléments suivants ne sont pas couverts par la garantie :**

- Les frais de transport requis pour envoyer le produit à l'entreprise ou à son représentant autorisé du service à la clientèle en vue de procéder à l'entretien sous garantie du produit, ou pour réexpédier le produit au client à la suite de sa réparation ou de son remplacement. Il incombe à l'acheteur original d'assumer ces frais.
- Les dommages attribuables à une utilisation abusive, à un accident, à une mauvaise utilisation, à de la négligence, à une modification, aux effets de la corrosion ou de l'érosion, à l'usure normale ou à des réparations effectuées par quiconque autre que le personnel de l'entreprise ou de son représentant autorisé du service à la clientèle.
- En outre, la présente garantie exclut :
  - Les réglages – bougies, carburateur, réglages du carburateur, allumage, filtres, vidange d'huile
  - Les articles soumis à l'usure - cordon du démarreur à rappel, charbons du moteur, goupilles fendues, roues

La garantie est considérée comme nulle si le produit n'est pas installé, entretenu et utilisé conformément aux instructions et aux recommandations de l'entreprise, qui sont décrites dans le manuel d'utilisation du produit. La garantie s'annule également si le produit est utilisé à des fins de location.

L'entreprise n'assumera en aucun cas les frais liés à la réparation ou à l'ajustement du produit, ou les coûts associés à des tâches pour lesquelles elle n'a pas donné son consentement.

### CONSERVER LES FACTURES

Une preuve d'achat sous la forme d'un reçu de vente ou de caisse daté est requise pour que l'entreprise ou ses représentants autorisés du service à la clientèle puissent procéder à l'entretien sous garantie du produit.

### EXCLUSIONS ET LIMITES

**CETTE GARANTIE LIMITÉE REMPLACE TOUTES LES AUTRES GARANTIES EXPRESSES.** LA DURÉE DE TOUTE GARANTIE IMPLICITE DE QUALITÉ MARCHANDE, DE QUALITÉ DE CONVENANCE À DES FINS PARTICULIÈRES OU DE TOUT AUTRE COUVERTURE APPLICABLE À CE PRODUIT NE PEUT EXCÉDER LA DURÉE DE LA PRÉSENTE GARANTIE. L'ENTRETIEN SOUS GARANTIE DÉCRIT PRÉCÉDEMMENT CONSTITUE LE SEUL RECOURS PRÉVU AUX TERMES DE LA GARANTIE. L'ENTREPRISE NE PEUT ÊTRE TENUE RESPONSABLE POUR AUCUN DOMMAGE SPÉCIAL, INDIRECT OU CONSÉCUTIF.

CERTAINS ÉTATS ET CERTAINES PROVINCES NE PERMETTENT PAS D'EXONÉRATION OU DE RÉSERVE POUR CE QUI EST DE LA COUVERTURE DES DOMMAGES DIRECTS OU CONSÉCUTIFS ET DE LA DURÉE DE TOUTE GARANTIE IMPLICITE; IL SE PEUT DONC QUE L'EXONÉRATION PRÉCÉDENTE NE PUISSE S'APPLIQUER.

### COMMENT BÉNÉFICIER D'UN ENTRETIEN SOUS GARANTIE

**Pour bénéficier d'un entretien sous garantie, composer sans frais le 1-800-242-4672 ou communiquer par écrit à l'adresse suivante : Homelite Consumer Products, Inc., 1428 Pearman Dairy Road, Anderson, SC 29625.**

**Pour bénéficier d'un entretien sous garantie à l'extérieur des États Unis, veuillez communiquer avec le concessionnaire local des produits Homelite.**

# GARANTIE

## DÉCLARATION DE L'EPA À PROPOS DE LA GARANTIE SUR LE CONTRÔLE DES ÉMISSIONS VOS DROITS ET RESPONSABILITÉS EN VERTU DE CETTE GARANTIE

L'U.S. Environmental Protection Agency (EPA) et SUMEC MACHINERY & ELECTRIC CO. LTD. se font un plaisir de vous expliquer la garantie sur le dispositif de contrôle des émissions (où le terme « émissions » désigne les émissions de gaz polluants et l'évaporation de carburant) de votre petit moteur hors route, modèle 2010. Aux États-Unis, tout nouveau petit moteur hors route doit être conçu, construit et équipé conformément aux strictes réglementations antipollution de l'État. SUMEC MACHINERY & ELECTRIC CO. LTD. doit garantir le dispositif de contrôle des émissions de votre petit moteur hors route pour la période indiquée ci-dessous, à condition qu'il n'ait pas subi un usage abusif ou un mauvais entretien.

Votre dispositif de contrôle des émissions peut inclure des pièces telles que le carburateur, le système d'injection de carburant, le système d'allumage, le convertisseur catalytique, le réservoir de carburant, la canalisation d'essence, les bouchons d'avitaillement, les valves, les boîtes filtrantes, les filtres, les tuyaux d'évacuation des gaz, les fixations, les connecteurs et d'autres composants connexes.

Dans l'éventualité d'un problème couvert par la garantie, SUMEC MACHINERY & ELECTRIC CO. LTD. s'engage à réparer gratuitement votre petit moteur hors route, ce qui comprend le diagnostic, les pièces et la main-d'œuvre.

### DURÉE DE LA GARANTIE DU FABRICANT :

Le dispositif de contrôle des émissions est garanti pour deux ans. Si une pièce du dispositif de contrôle des émissions de votre moteur est défectueuse, elle sera réparée ou remplacée par SUMEC MACHINERY & ELECTRIC CO. LTD.

### RESPONSABILITÉS DU PROPRIÉTAIRE AU REGARD DE LA GARANTIE :

En tant que propriétaire de ce petit moteur hors route, vous êtes tenu d'effectuer les entretiens indiqués dans le manuel d'utilisation. SUMEC MACHINERY & ELECTRIC CO. LTD. recommande de conserver tous les reçus relatifs à l'entretien de votre petit moteur hors route, mais SUMEC MACHINERY & ELECTRIC CO. LTD. ne peut refuser la couverture de la garantie pour l'unique raison du manque de reçus.

Toutefois, en tant que propriétaire d'un petit moteur hors route, vous devez être averti que les réparations couvertes par la garantie peuvent être refusées par SUMEC MACHINERY & ELECTRIC CO. LTD. si la défaillance de ce moteur ou d'une de ses pièces est due à un usage abusif, à la négligence, à un manque d'entretien ou à des modifications non approuvées.

Vous êtes tenu de confier votre petit moteur hors route à un centre de distribution ou de réparations de SUMEC MACHINERY & ELECTRIC CO. LTD. dès qu'un problème se présente. Les réparations sous garantie seront effectuées dans un délai raisonnable, ne dépassant pas 30 jours. Pour toute question concernant la couverture de la garantie, veuillez communiquer par téléphone avec Sunright International of America au 770-729-9065, ou écrire à l'adresse suivante : Sunright International of America, Inc.,

5965 Peachtree Corners E. Ste C-3, Norcross, GA 30071. À L'ATTENTION DU SERVICE DE LA GARANTIE.

### COUVERTURE GÉNÉRALE DE GARANTIE SUR LE CONTRÔLE DES ÉMISSIONS :

SUMEC MACHINERY & ELECTRIC CO. LTD. garantit à l'acheteur d'origine, ainsi qu'à tous les propriétaires ultérieurs, que le petit moteur hors route est :

- conçu, construit et équipé conformément à toutes les réglementations applicables;
- exempt de défaut des matériaux ou de la main-d'œuvre, défaut qui ferait en sorte que la pièce garantie ne soit pas identique en tous points à celle décrite dans la demande de certification de SUMEC MACHINERY & ELECTRIC CO. LTD.

La période de la couverture commence à la date de livraison du petit moteur hors route à l'acheteur d'origine ou à la date à laquelle le produit a été mis en service pour la première fois. La garantie est d'une durée de deux ans.

La garantie est assujettie à certaines conditions et restrictions. La garantie sur les pièces associées au dispositif de contrôle des émissions sera interprétée comme suit :

(1) Toute pièce garantie dont le remplacement n'est pas prévu en tant qu'entretien obligatoire conformément aux instructions en format papier fournies, est garantie pour la période mentionnée précédemment. Si la pièce s'avère défectueuse pendant la période de couverture de la garantie, elle sera réparée ou remplacée par SUMEC MACHINERY & ELECTRIC CO. LTD., conformément à la sous-section (4) ci-dessous. Toute pièce de ce genre réparée ou remplacée dans le cadre de cette garantie est garantie pour le restant de la période.

(2) Toute pièce garantie qui doit uniquement subir une inspection périodique, tel que décrit dans les instructions en format papier fournies, est garantie pour la période mentionnée précédemment. Toute pièce réparée ou remplacée dans le cadre de cette garantie sera garantie pour le reste de la durée de la garantie.

(3) Toute pièce qui doit être remplacée conformément au calendrier d'entretien, tel que décrit dans les instructions en format papier fournies, est garantie pour la période de temps précédant le premier remplacement prévu pour cette pièce. Si la pièce s'avère défectueuse avant le premier remplacement, elle sera réparée ou remplacée par SUMEC MACHINERY & ELECTRIC CO. LTD., conformément à la sous-section (4) ci-dessous. Toute pièce de ce genre réparée ou remplacée dans le cadre de cette garantie est garantie pour le restant de la période qui précède la première échéance de remplacement.

(4) La réparation ou le remplacement de toute pièce garantie dans le cadre de cette garantie doivent être effectués sans frais à un centre de garantie.

(5) Nonobstant les dispositions de la présente garantie, les services ou les réparations inclus dans la garantie seront dispensés aux centres de distribution franchisés pour l'entretien des moteurs ou de l'équipement concernés.

(6) Le propriétaire du petit moteur hors route n'assumera en aucune façon les frais liés au travail directement associé au diagnostic d'une pièce défectueuse liée au dispositif de contrôle des émissions, à condition qu'un tel diagnostic soit effectué à un centre de garantie.

(7) SUMEC MACHINERY & ELECTRIC CO. LTD. est responsable des dommages à d'autres composants du moteur ou de l'équipement se trouvant à proximité causés par une pièce toujours couverte par la garantie.

(8) Pendant la période de la garantie du petit moteur hors route spécifiée précédemment, SUMEC MACHINERY & ELECTRIC CO. LTD. assurera l'approvisionnement des pièces couvertes par la garantie afin de répondre à la demande.

(9) Toute pièce de remplacement peut être utilisée pour tout entretien ou réparation sous garantie, et être fournie au propriétaire sans frais. Cela ne réduit en aucune façon les obligations de garantie de SUMEC MACHINERY & ELECTRIC CO. LTD.

(10) Des ajouts ou des pièces modifiées qui ne sont pas exemptés par Air Resource Board ne peuvent pas être utilisés. L'utilisation de toute pièce non exemptée ou modifiée par l'acheteur d'origine peut justifier le refus d'une réclamation au titre de la garantie. SUMEC MACHINERY & ELECTRIC CO. LTD. ne sera pas responsable pour des dommages aux pièces sous garantie causés par l'utilisation d'une pièce non-exemptée ou modifiée.

### PIÈCES GARANTIES :

La réparation ou le remplacement de toute pièce couverte par la garantie qui bénéficie autrement de la couverture de la garantie peut être exclue de la présente garantie si SUMEC MACHINERY & ELECTRIC CO. LTD. démontre que le petit moteur hors route a subi un usage abusif, de la négligence ou un mauvais entretien, et que l'un ou l'autre de ces éléments constitue la cause directe de la nécessité de procéder à la réparation ou au remplacement de la pièce. En dépit de cela, tout ajustement d'un composant qui est doté d'un dispositif de limitation de réglage installé en usine et qui fonctionne correctement demeure admissible à la couverture par la garantie. La liste suivante comprend toutes les pièces de dispositifs de contrôle des émissions couvertes par la garantie (utiliser les éléments de cette liste qui s'appliquent à un petit moteur hors route) :

- 1) Système de contrôle d'alimentation en carburant :
  - a) Ensemble carburateur et ses composants internes
  - b) Filtre à carburant (le cas échéant)
  - c) Joints statiques du carburateur
  - d) Pompe à carburant (le cas échéant)
- 2) Système d'admission d'air, notamment :
  - a) Tuyau/tubulure d'admission
  - b) Purificateur d'air
- 3) Système d'allumage, notamment :
  - a) Bougie
  - b) Module/bobine d'allumage
- 4) Pièces diverses utilisées dans les systèmes énumérés ci-dessus :
  - a) Valves et interrupteurs sensibles au vide, à la température et au temps
  - b) Tuyaux flexibles, courroies, connecteurs et modules
- 5) Contrôle d'évaporation :
  - a) Canalisation d'essence
  - b) Raccords de la canalisation d'essence
  - c) Colliers

# ÍNDICE DE CONTENIDO

■ Introducción .....	2
■ Instrucciones de seguridad importantes .....	3-4
■ Reglas de seguridad específicas .....	4
■ Símbolos .....	5-7
■ Aspectos eléctricos .....	8-9
■ Características .....	10
■ Armado .....	11-12
■ Funcionamiento .....	12-14
■ Mantenimiento .....	15-17
■ Corrección de problemas .....	18
■ Garantía .....	19
■ Pedidos de piezas / Servicio .....	Pág. posterior

## INTRODUCCIÓN

Este producto ofrece numerosas características que hacen el uso del mismo más placentero y agradable. En el diseño de este producto se ha conferido prioridad a la seguridad, al desempeño y la fiabilidad, por lo cual se facilita su manejo y mantenimiento.

### PELIGRO:

#### CONEXIÓN A TIERRA DEL GENERADOR

Para reducir el riesgo de descarga o electrocución, el generador debe conectarse a tierra correctamente. Siempre debe utilizarse la tuerca y el terminal de conexión a tierra del bastidor para conectar el generador a una fuente apropiada de conexión a tierra. La conexión a tierra debe realizarse con alambre calibre N° 8. Conecte el terminal del alambre de conexión a tierra entre la arandela y la tuerca, y apriete firmemente la tuerca. Conecte el otro extremo del alambre firmemente a una fuente apropiada de conexión a tierra.

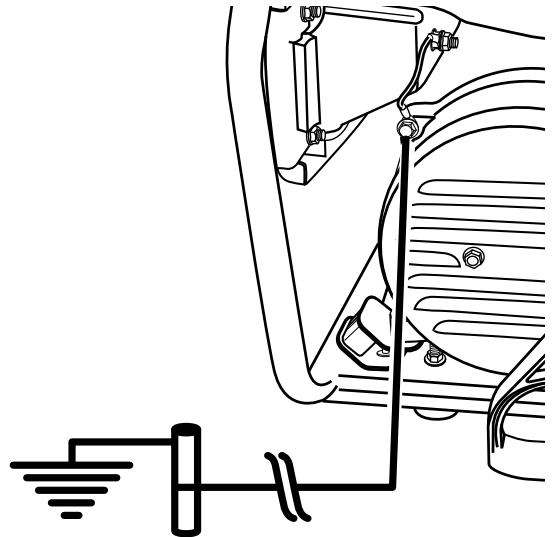
El Código Eléctrico Nacional especifica varias maneras prácticas para establecer una buena fuente de conexión a tierra. Si se utiliza una barra de acero o de hierro, éste debe ser de 15,9 mm (5/8 pulg.) de diámetro, y si se utiliza una barra no ferrosa, ésta debe ser de 13 mm (1/2 pulg.) de diámetro como mínimo y estar listada como material adecuado para conexión a tierra. Hínque la barra o tubo hasta una profundidad de 2,44 m (8 pies). Si se encuentra roca sólida a menos de 1,22 m (4 pies) de profundidad, entierre la barra o tubo en una zanja.

Todas las herramientas eléctricas y aparatos alimentados por este generador deben conectarse apropiadamente a tierra mediante el uso de un tercer alambre o tener un diseño con “doble aislamiento”.

Se recomienda:

1. Usar dispositivos eléctricos con clavija de tres patillas conectada a tierra.
2. Para asegurar la continuidad de la protección a tierra del generador al dispositivo, utilice un cordón de extensión con un receptáculo de tres orificios en un extremo y una clavija de tres patillas en el otro.

Revise y cumpla con todas las reglas federales, estatales y locales relevantes en relación con las especificaciones de conexión a tierra. Consulte a un electricista calificado o técnico de servicio si no ha comprendido completamente las instrucciones de conexión a tierra o si no está seguro si el generador está conectado a tierra correctamente.



# INSTRUCCIONES DE SEGURIDAD IMPORTANTES



## PELIGRO:

**Monóxido de carbono.** Usar un generador en el interior LO MATARÁ EN POCOS MINUTOS.

Los gases de escape del generador contienen niveles altos de monóxido de carbono (CO), un gas venenoso que no puede verse ni olerse. Si puede oler los gases de escape del generador, está respirando CO. Pero incluso si no puede oler los gases de escape, es posible que esté respirando CO.

- Nunca use un generador dentro de su hogar, garaje, sótano, ni demás espacios parcialmente encerrados. En dichos espacios, pueden acumularse niveles mortales de monóxido de carbono. Usar un ventilador o abrir puertas y ventanas NO proporciona suficiente aire fresco.
- SÓLO utilice el generador al aire libre y lejos de ventanas, puertas y respiraderos abiertos. Estas aberturas pueden atraer los gases de escape del generador.

Incluso si utiliza el generador correctamente, el CO puede ingresar en su hogar. SIEMPRE utilice una alarma de CO de pilas o con pilas de respaldo en su hogar.

Si comienza a sentirse descompuesto, mareado o débil luego de que el generador estuvo funcionando, trasládese adonde haya aire fresco INMEDIATAMENTE. Vea a un doctor. Puede sufrir intoxicación por monóxido de carbono.



## ADVERTENCIA:

**Lea y comprenda todas las instrucciones.** El incumplimiento de cualquiera de las instrucciones siguientes puede causar electrocución, incendio o intoxicación por monóxido de carbono, lo cual puede causar la muerte o lesiones graves.



## ADVERTENCIA:

El Reglamento Nacional de Electricidad exige que el generador esté conectado a una tierra aprobada. Antes de utilizar la terminal de tierra, consulte a un electricista calificado, inspector de instalaciones eléctricas u organismo gubernamental de la localidad en lo referente a las reglas y disposiciones relacionadas con el uso deseado del generador.

## GUARDE ESTAS INSTRUCCIONES

Este manual contiene importantes instrucciones, que se deben seguir durante la instalación y las actividades de mantenimiento del generador y las baterías.

- No conecte la unidad al sistema eléctrico de un edificio a menos que el generador y el interruptor de transferencia se hayan instalado correctamente y que un electricista calificado haya verificado la salida de energía eléctrica.
- No permita que utilicen esta unidad niños ni personas carentes de la debida instrucción para su manejo.
- Nunca arranque ni accione el motor dentro de un área total o parcialmente cerrada. La inhalación de las emanaciones del escape puede ser mortal.

- Al utilizar esta herramienta, póngase protección para los ojos con la marca de cumplimiento de las normas ANSI Z87.1, así como protección para los oídos.
- Mantenga a todos los circunstantes, niños y animales por lo menos a 3 m (10 pies) de distancia.
- Use botas o zapatos robustos y secos. No utilice la unidad estando descalzo.
- No utilice este generador cuando se encuentre fatigado, enfermo o bajo los efectos de drogas, alcohol o medicamentos.
- Mantenga todas las partes del cuerpo alejadas de toda pieza móvil y superficie caliente de la unidad.
- No toque cables ni receptáculos desprovistos de aislamiento.
- No utilice el generador con cordones de corriente gastados, deshilachados, pelados o dañados de cualquier forma.
- Antes de guardar la unidad, deje que se enfríe el motor y retire el combustible de la unidad.
- No utilice o guarde el generador en la lluvia, nieve o tiempo húmedo.
- Guarde el generador en un lugar bien ventilado y con el tanque de combustible vacío. El combustible no se debe guardar cerca del generador.
- Antes de transportar la unidad en un vehículo, vacíe el tanque de combustible, cierre la válvula del combustible e inmovilice aquélla.
- Deje enfriar el motor durante cinco minutos antes de reabastecerlo de gasolina.
- Para reducir el riesgo de incendio o de lesiones por quemadura, maneje con cuidado el combustible. Es sumamente inflamable.
- No fume mientras esté mezclando el combustible o reabasteciendo el tanque.
- Almacene el combustible en un recipiente aprobado para gasolina.
- Coloque la unidad sobre el piso nivelado, apague el motor, y deje que se enfríe antes de reabastecerlo de combustible.
- Afloje la tapa del tanque de combustible para aliviar la presión y para evitar que se escape combustible por la tapa.
- Después de reabastecer de combustible la unidad ponga la tapa y apriétela firmemente.
- Limpie todo el combustible que se haya derramado de la unidad.
- Nunca intente en ninguna circunstancia eliminar el combustible derramado quemándolo.
- Los generadores vibran durante el uso normal. Durante y después del uso del generador, inspeccione el generador, así como los cordones de extensión y los cordones de corriente conectados a éste, para ver si tienen daños causados por la vibración. Deben repararse o reemplazarse los artículos dañados, según sea necesario. No use enchufes ni cordones que muestren señales de daño, como roturas o agrietamientos en el aislamiento, o daño en las espigas.
- Los generadores fijos instalados de manera permanente son la mejor alternativa para abastecer de electricidad al hogar durante los cortes de energía. Incluso los generadores portátiles que están conectados correctamente pueden sobrecargarse. De esta manera, los componentes del generador pueden recalentarse

# INSTRUCCIONES DE SEGURIDAD IMPORTANTES

o exigirse demasiado, lo que podría producir una falla en el generador.

- Use únicamente repuestos y accesorios autorizados y siga las instrucciones descritas en la sección de *Mantenimiento* de este manual. El empleo de piezas no autorizadas o el incumplimiento de las instrucciones de mantenimiento puede significar un riesgo de descarga eléctrica o de lesiones.

- Mantenga la unidad según las instrucciones de mantenimiento señaladas en este manual del operador.
- Inspeccione cada vez la unidad antes de usarla para ver si tiene tornillos flojos, fugas de combustible, etc. Reemplace toda pieza dañada.

## REGLAS DE SEGURIDAD ESPECÍFICAS



### ADVERTENCIA:

**Cuando este generador se utiliza para abastecer el sistema de cableado de un edificio:** un electricista calificado debe instalar el generador, que debe conectarse a un interruptor de transferencia como un sistema derivado independiente, de conformidad con el Reglamento Nacional de Electricidad (NFPA 70). El generador se conectará a través de un interruptor de transferencia que controla todos los conductores, excepto el conductor de conexión a tierra del equipo. El bastidor del generador debe conectarse a un electrodo de conexión a tierra aprobado. Si no se aísla el generador de las líneas de alto voltaje puede causarse la muerte o lesiones a los trabajadores de dichas líneas.

- Las emanaciones del escape contienen monóxido de carbono, un gas tóxico incoloro e inodoro. La inhalación de las emanaciones del escape puede causar la pérdida de la conciencia e incluso la muerte. Si se utiliza la unidad en un área total o parcialmente cerrada, el aire puede contener una cantidad peligrosa de monóxido de carbono. Para evitar la acumulación de las emanaciones del escape, siempre asegúrese de que haya ventilación suficiente.
- Siempre use un detector de monóxido de carbono de baterías al utilizar el generador. Si comienza a sentirse mal, mareado o débil al estar utilizando el generador, apáguelo y respire aire fresco de inmediato. Vea a un doctor. Puede sufrir intoxicación por monóxido de carbono.
- Coloque el generador en una superficie estable horizontal.
- Utilice la unidad en un área bien ventilada e iluminada, aislada de las áreas de trabajo para evitar la interferencia del ruido.
- Si se utiliza el generador en condiciones húmedas, puede causarse una electrocución. Mantenga seca la unidad.
- Mantenga el generador a una distancia mínima de 910 mm (3 pies) de todo tipo de material combustible.
- No utilice el generador cerca de materiales peligrosos.
- No utilice el generador en una estación de abastecimiento de gasolina o gas natural.
- No toque el silenciador ni el cilindro durante el funcionamiento de la unidad ni inmediatamente después; están CALIENTES y causan lesiones por quemadura.
- Este generador tiene un punto neutro conectado a tierra. Esto significa que el conductor neutro está conectado por vías eléctricas al marco de la máquina.

- No permita que se derrame el tanque del generador al abastecerlo de gasolina. Llénelo hasta una altura de 25,4 mm (1 pulg.) abajo del cuello del tanque de gasolina para permitir la expansión del combustible. Revise el orificio de ventilación del interior del tanque de combustible para ver si tiene basura. No bloquee el respiradero.
- No fume mientras abastece de gasolina el generador.
- Apague el motor y déjelo enfriar por completo antes de agregar gasolina o lubricante al generador.
- No retire la varilla de nivel de aceite ni la tapa del tanque del combustible mientras esté funcionando el motor.
- Preste atención en particular a todas las etiquetas de seguridad adheridas al generador.
- En todo momento mantenga a los niños a una distancia mínima de 3 m (10 pies) del generador.
- La unidad funciona mejor a una temperatura entre -5 y 40 °C (23 y 104 °F) con una humedad relativa de 90% o menos.
- Es necesario modificar el generador si va a utilizarse **siempre** a una altitud superior a 1524 metros (5000 pies). Comuníquese con el centro de servicio autorizado de su preferencia si necesita más información y para que realicen tales modificaciones.
- El requerimiento de voltaje y frecuencia operativa de todos los equipos electrónicos debe comprobarse antes de enchufarlos a este generador. Pueden ocurrir daños si el equipo no está diseñado para operar dentro de una variación de voltaje de +/-10% y una variación de frecuencia de +/-3 hz de los valores nominales que aparecen en la placa de identificación del generador. Para reducir el riesgo de daños, siempre tenga una carga adicional enchufada al generador en caso de usarse equipos de estado sólido (tales como un aparato de televisión). También podría resultar necesario un acondicionador de la línea eléctrica para algunas aplicaciones; por ejemplo, con una computadora. También podría resultar necesario un acondicionador de la línea eléctrica para algunas aplicaciones de equipo de estado sólido.
- Guarde estas instrucciones. Consúltelas con frecuencia y empléelas para instruir a otras personas que puedan utilizar esta producto. Si presta a alguien esta producto, facilítele también las instrucciones.

# SÍMBOLOS

Las siguientes palabras de señalización y sus significados tienen el objeto de explicar los niveles de riesgo relacionados con este producto.

SÍMBOLO	SEÑAL	SIGNIFICADO
	<b>PELIGRO:</b>	Indica una situación peligrosa inminente, la cual, si no se evita, causará lesiones graves o mortales.
	<b>ADVERTENCIA:</b>	Indica una situación peligrosa posible, la cual, si no se evita, podría causar lesiones graves o mortales.
	<b>PRECAUCIÓN:</b>	Indica una situación peligrosa posible, la cual, si no se evita, podría causar lesiones menores o leves.
	<b>PRECAUCIÓN:</b>	(Sin el símbolo de alerta de seguridad) Indica una situación que puede producir daños materiales.

Es posible que se empleen en este producto algunos de los siguientes símbolos. Le suplicamos estudiarlos y aprender su significado. Una correcta interpretación de estos símbolos le permitirá utilizar mejor y de manera más segura el producto.

SÍMBOLO	NOMBRE	DENOMINACIÓN / EXPLICACIÓN
	Alerta de seguridad	Indica un peligro posible de lesiones personales.
	Lea manual del operador	Para reducir el riesgo de lesiones, el usuario debe leer y comprender el manual del operador antes de usar este producto.
	Alerta de condiciones húmedas	No exponga la unidad a la lluvia ni la use en lugares húmedos.
	Descarga eléctrica	Si no se usa la unidad en condiciones secas y no se observan prácticas seguras de trabajo, puede producirse una descarga eléctrica.
	Emanaciones tóxicas	Con el funcionamiento del generador se emite monóxido de carbono, un gas tóxico incoloro e inodoro. Si se inhala monóxido de carbono puede causarse náusea, desmayo o la muerte.
	Fuego / Explosión	El combustible y los vapores del mismo son extremadamente inflamables y explosivos. El fuego o una explosión pueden causar quemaduras graves e incluso la muerte.
	Superficie caliente	Para reducir el riesgo de lesiones corporales o daños materiales evite tocar toda superficie caliente.
	Peligro al levantar	Para reducir el riesgo de lesiones serias, evite intentar levantar el generador usted solo.
	Conexión a tierra	Consulte a un electricista de la localidad para determinar los requisitos de conexión a tierra antes de utilizar la unidad.
	Electrocución	El incumplimiento de conectar correctamente a tierra el generador puede resultar en electrocución, especialmente si el generador está equipado con un conjunto de disco.



# SÍMBOLOS

Es posible que se empleen en este producto algunos de los siguientes símbolos. Le suplicamos estudiarlos y aprender su significado. Una correcta interpretación de estos símbolos le permitirá utilizar mejor y de manera más segura el producto.

SÍMBOLO	NOMBRE	DENOMINACIÓN / EXPLICACIÓN
V	Voltios	Voltaje
A	Amperios	Corriente
Hz	Hertz	Frecuencia (ciclos por segundo)
W	Watt	Potencia
hrs	Horas	Tiempo
gal	Galón	Volumen
qt	Cuarto	Volumen

## ETIQUETAS DE SEGURIDAD

La siguiente información puede encontrarse en el generador. Para su propia seguridad, le sugerimos estudiar y entender todas la etiquetas antes de poner marcha el generador.

Si se desprende de la unidad cualquiera de las etiquetas o se vuelven ilegibles, comuníquese con algún centro de servicio autorizado para obtener un reemplazo.

**⚠ DANGER**

**Using a generator indoors CAN KILL YOU IN MINUTES. Generator exhaust contains carbon monoxide. This is a poison you cannot see or smell.**



**NEVER use inside a home or garage, EVEN IF doors and windows are open.**



**Only use OUTSIDE and far away from windows, doors, and vents.**


**⚠ DANGER**


**L'utilisation d'une génératrice à l'intérieur PEUT VOUS TUER EN QUELQUES MINUTES. Les génératrices produisent du monoxyde de carbone, un gaz mortel incolore et inodore. NE JAMAIS utiliser à l'intérieur d'une maison ou d'un garage, MÊME SI les portes et les fenêtres sont ouvertes. Utiliser uniquement À L'EXTÉRIEUR et loin des fenêtres, des portes et des événements.**


**⚠ PELIGRO**


**Usar un generador en el interior PUEDE MATARLO EN POCOS MINUTOS. Los gases de escape del generador contienen monóxido de carbono. Es un veneno que no puede verse ni olerse. NUNCA lo use dentro de su hogar o del garaje, INCLUSO con las puertas y las ventanas abiertas. Sólo utilícelo AL AIRE LIBRE y lejos de ventanas, puertas y respiraderos.**


**⚠ DANGER ⚠ DANGER ⚠ PELIGRO**


 You WILL be KILLED or SERIOUSLY HURT if you do not follow the Operator's Manual instructions. Ne pas procéder via le manuel d'instructions dans ce Manuel d'utilisation enfilera des BLESSURES GRAVES voire la MORT. SE MATARÁ o LESIONARÁ GRAVEMENTE si no sigue las instrucciones del Manual del operador.

 Risk of fire. Do not add fuel while the product is operating. Risque d'incendie. Ne pas ajouter de carburant pendant l'utilisation de l'appareil. Riesgo de incendio. No agregue combustible cuando el producto esté funcionando.

 Generator is a potential source of electric shock. Do not expose to moisture, rain, or snow. Do not operate with wet hands or feet. Le générateur est une source potentielle de chocs électriques. Ne pas exposer à l'humidité, la pluie ou la neige. Ne pas utiliser avec les mains ou les pieds mouillés. El generador es una fuente de descarga eléctrica. No lo exponga a humedad, la lluvia, ni a la nieve. No opere con manos o pies húmedos.

 Exhaust contains poisonous carbon monoxide gas that can cause unconsciousness or DEATH. Operate in well ventilated, outdoor areas away from open windows or doors. L'échappement contient le gaz monoxyde de carbone toxique qui peut causer l'inconscience ou la MORT. Fonctionnez dans les secteurs bien ventilés et extérieurs loin d'ouvrir des fenêtres ou des portes. El escape contiene gas venenoso de monóxido de carbono que puede causar pérdida del conocimiento o MUERTE. Opere en áreas exteriores bien ventiladas/lejos de puertas o ventanas abiertas.

 Failure to properly ground generator can result in electrocution, especially if the generator is equipped with a wheel kit. Une mauvaise mise à la terre du générateur peut causer une électrocution, surtout si le générateur est équipé d'un kit de roues. La omisión de conectar a tierra adecuadamente el generador puede resultar en electrocución, especialmente si el generador está equipado con un kit de ruedas.

 Do not expose to rain or use in damp locations. Ne pas exposer à la pluie ou l'humidité. No exponga a la lluvia ni use en lugares húmedos.

940854112-03

- SE MATARÁ o LESIONARÁ GRAVEMENTE si no sigue las instrucciones del Manual del operador.
- Riesgo de incendio. No agregue combustible cuando el producto esté funcionando.
- El generador es una fuente potencial de descarga eléctrica. No lo exponga a humedad, la lluvia ni a la nieve. No opere con manos o pies húmedos.
- El escape contiene gas venenoso de monóxido de carbono que puede causar pérdida del conocimiento a la MUERTE. Opere en áreas exteriores bien ventiladas lejos de puertas o ventanas abiertas.
- La omisión de conectar a tierra adecuadamente el generador puede resultar en electrocución, especialmente si el generador está equipado con un kit de ruedas.
- No exponga la unidad a la lluvia ni la use en lugares húmedos.
- Usar un generador en el interior PUEDE MATARLO EN POCOS MINUTOS. Los gases de escape del generador contienen monóxido de carbono. Es un veneno que no puede verse ni olerse.
- NUNCA lo use dentro de su hogar o del garaje, INCLUSO con las puertas y las ventanas abiertas.
- Sólo utilícelo AL AIRE LIBRE y lejos de ventanas, puertas y respiraderos.

# SÍMBOLOS

## ADVERTENCIA DE COMBUSTIBLE

No fume al abastecer el combustible. No llene de más. El nivel de lleno es 25 mm (1 pulg.) debajo del cuello del tanque de combustible. Pare la marcha del motor cinco minutos antes del reabastecimiento de combustible para evitar que el calor del silenciador encienda los vapores de combustible.

## ADVERTENCIA DEL LUBRICANTE DE MOTOR

Antes de utilizar el generador debe abastecerlo de lubricante. El tanque de aceite tiene una capacidad de 0,61 L (0,64 cuarto). Antes de utilizar la unidad, revise el nivel de lubricante. El nivel de lubricante siempre debe estar entre las áreas cubiertas con rayas entrecruzadas de la varilla de nivel. La unidad está equipada de un sensor, el cual apaga automáticamente el motor si el nivel de lubricante desciende abajo del límite de seguridad.

## ADVERTENCIA ACERCA DE LA CONEXIÓN A TIERRA

El Reglamento Nacional de Electricidad exige que el generador esté conectado a una tierra aprobada.

### ⚠️ WARNING ⚠️ AVERTISSEMENT ⚠️ ADVERTENCIA

Product does not include ground rod or copper wire. National Electric Code requires generator to be properly grounded to an approved earth ground. Call an electrician for local grounding requirements.

Le produit ne comprend pas de piquet de terre ou de fil en cuivre. Le code électrique américain (National Electric Code) requiert un générateur pour une bonne mise à la terre approuvée. Appeler un électricien pour connaître les exigences locales de mise à la terre.

El producto no incluye el cable de cobre ni la barra de conexión a tierra. Los Reglamentos Nacionales de Electricidad exigen que el generador esté debidamente conectado a una tierra aprobada. Comuníquese con un electricista para todo lo relacionado con los requisitos de conexión a tierra.



### ⚠️ DANGER ⚠️ DANGER ⚠️ PELIGRO



Risk of Fire. Check for any fuel overflow or leaking. Stop the engine before refueling. Risque d'incendie. Vérifier l'absence de débordement ou de fuite de carburant. Arrêter le moteur avant de faire le plein. Riesgo de incendio. Revise si hay algún derrame o fuga de combustible. Apague el motor antes de poner combustible.

9402974007-04



Add lubricant to full mark to start. Engine will not start or will shut off if lubricant is too low.

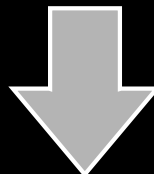
Ajouter de lubrifiant jusqu'au repère de remplissage pour démarrer. Le moteur ne démarrera pas ou s'arrêtera si le niveau de lubrifiant est bas.

Añada lubricante hasta la marca de lleno para arrancar. El motor no arrancará o se apagará si el nivel de lubricante está demasiado bajo.

⚠️ WARNING Operation of this equipment may create sparks that can start fires around dry vegetation. A spark arrestor may be required. The operator should contact local fire agencies for laws or regulations relating to fire prevention requirements.

⚠️ AVERTISSEMENT L'utilisation de cet équipement peut créer des étincelles susceptibles d'enflammer la végétation sèche. Il peut être nécessaire d'utiliser un pare-étincelles. L'utilisateur doit communiquer avec le service local d'incendie pour connaître toutes les lois et tous les règlements portant sur les exigences en matière de prévention des incendies.

940297003-00



### ⚠️ WARNING

HOT SURFACE

⚠️ AVERTISSEMENT

SURFACES TRÈS CHAUDE

⚠️ ADVERTENCIA

SUPERFICIES CALIENTE

## ADVERTENCIA DE SUPERFICIE CALIENTE

No toque el silenciador ni el cilindro de aluminio del motor. Están muy CALIENTES y causan quemaduras graves. No ponga ningún material inflamable o combustible directamente en la trayectoria de las emanaciones del escape.

# ASPECTOS ELÉCTRICOS

## CALIBRE DEL CORDÓN DE EXTENSIÓN

Consulte el cuadro mostrado abajo para asegurarse de que el calibre de los cordones de extensión que utilice puedan con la carga eléctrica requerida. Los cordones de calibre insuficiente pueden causar una caída de voltaje, lo cual puede dañar el dispositivo y recalentar el cordón mismo.

Corriente en Amperios	Carga en vatios		Longitud máxima permitida del cordón				
	A 120 V	A 240 V	Conduct. #8	Conduct. #10	Conduct. #12	Conduct. #14	Conduct. #16
2,5	300	600		305 m (1000 pies)	183 m (600 pies)	114 m (375 pies)	76 m (250 pies)
5	600	1200		152 m (500 pies)	91 m (300 pies)	61 m (200 pies)	38 m (125 pies)
7,5	900	1800		107 m (350 pies)	61 m (200 pies)	38 m (125 pies)	31 m (100 pies)
10	1200	2400		76 m (250 pies)	46 m (150 pies)	31 m (100 pies)	15 m (50 pies)
15	1800	3600		46 m (150 pies)	31 m (100 pies)	20 m (65 pies)	
20	2400	4800	53 m (175 pies)	38 m (125 pies)	23 m (75 pies)		
25	3000	6000	46 m (150 pies)	31 m (100 pies)			
30	3600	7200	38 m (125 pies)	20 m (65 pies)			
40	4800	9600	27 m (90 pies)				

## CARGAS DE MOTORES ELÉCTRICOS

Es característico en el funcionamiento normal de los motores eléctricos comunes consumir durante el arranque hasta seis veces su corriente de operación. Esta tabla puede emplearse para estimar la potencia necesaria (en vatios) para arrancar los motores eléctricos de "Código G"; no obstante, si un motor eléctrico no arranca o no alcanza la velocidad de funcionamiento, apague el dispositivo o herramienta de inmediato para evitar dañar el equipo. Siempre verifique los requisitos de la herramienta o aparato con la salida nominal del generador.

Capacidad del motor (H.P.)	Potencia en marcha (vatios)	Potencia necesaria para arrancar el motor (vatios)		
		Inducción de repulsión	Capacitor	Fase dividida
1/8	275	600	850	1200
1/6	275	600	850	2050
1/4	400	850	1050	2400
1/3	450	975	1350	2700
1/2	600	1300	1800	3600
3/4	850	1900	2600	—
1	1100	2500	3300	—

### PRECAUCIÓN:

El requerimiento de voltaje y frecuencia operativa de todos los equipos electrónicos debe comprobarse antes de enchufarlos a este generador. Pueden ocurrir daños si el equipo no está diseñado para operar dentro de una variación de voltaje de +/-10% y una variación de frecuencia de +/-3 hz de los valores nominales que aparecen en la placa de identificación del generador. A fin de evitar daños, siempre tenga una carga adicional enchufada al generador en caso de usarse equipos de estado sólido (tales como un aparato de televisión). También podría resultar necesario un acondicionador de la línea eléctrica para algunas aplicaciones; por ejemplo, con una computadora. También podría resultar necesario un acondicionador de la línea eléctrica para algunas aplicaciones de equipo de estado sólido.

# ASPECTOS ELÉCTRICOS

## CAPACIDAD DEL GENERADOR

Cerciórese que el generador pueda suministrar suficientes vatios de potencia continua (en marcha) y de sobrecorriente (al arrancar) para los equipos que desee alimentar al mismo tiempo. Siga estos pasos sencillos.

1. Seleccione los equipos que desea alimentar al mismo tiempo.
2. Sume la potencia continua (en marcha) en vatios de estos equipos. Esta es la cantidad de potencia que el generador debe producir para mantener en marcha los equipos. Observe la tabla de referencia de potencia en vatios, a la derecha.
3. Calcule cuánta potencia inicial (al arranque) en vatios necesitará. La potencia inicial (en vatios) es la breve variación rápida de potencia necesaria para poner en marcha los aparatos o herramientas accionados con motor eléctrico como las sierras circulares o los refrigeradores. Debido a que no todos los motores arrancan al mismo tiempo, se puede calcular la potencia inicial total en vatios sumando sólo los equipos con el mayor valor de potencia inicial adicional a la potencia nominal del paso 2.

### Ejemplo:

Herramienta o aparato	Potencia continua (en marcha) en vatios	Potencia inicial (arranque) en vatios
Acondicionador de aire de ventana, 10000 BTU	1200	1800
Refrigerador	700	2200
Bomba de pozo de 1/3 HP	1000	2000
Televisor de 27 pulg	500	0
Iluminación (75 vatios)	75	0
	3475 vatios, potencia en marcha total	2200 vatios, potencia inicial máxima

Potencia continua total en vatios (en marcha) 3475  
 Potencia inicial adicional máxima en vatios + 2200  
 Potencia total de salida requerida del generador 5675

## ADMINISTRACIÓN DE LA POTENCIA

A fin de prolongar la vida útil del generador y los dispositivos acoplados, es importante tener cuidado al agregar cargas eléctricas al generador. NO debe haber equipo alguno conectado a los tomacorrientes del generador antes de poner en marcha el motor respectivo. La manera correcta y segura de administrar la potencia del generador consiste en agregar las cargas de manera secuencial de la manera siguiente:

1. Sin equipos conectados al generador, ponga en marcha el motor de la manera que se describe posteriormente en este manual.

2. Enchufe y active la primera carga, preferiblemente la máxima carga que tenga.
  3. Deje que se estabilice la salida del generador (el motor marcha uniformemente y el dispositivo acoplado funciona correctamente).
  4. Enchufe y active la siguiente carga.
  5. Nuevamente, deje que el generador se estabilice.
  6. Repita los pasos 4 y 5 para cada carga adicional.
- Nunca añada más cargas que las que permita la capacidad del generador. Tenga especial cuidado al considerar las cargas de sobrecorriente en la capacidad del generador según se describió anteriormente.

### PRECAUCIÓN:

No exceda la capacidad del generador. Si excede la capacidad de corriente (amperios) y potencia (vatios) del generador puede dañar el generador y los dispositivos eléctricos conectados al mismo.

Herramienta o aparato	En marcha en vatios	Estimado W de arranque
<b>Emergencia / En casa espera</b>		
Radio-despertador	50	50
Luces (4 qty. x 75 W)	300	300
Refrigerador	700	2200
Ventilador de calefacción	800	2350
Bomba de pozo de agua	1000	1500
Microondas	1000	1000
Bomba de sumidero	1050	2000
Autonomía eléctrica (por elemento)	2100	2100
<b>Sitio de trabajo</b>		
Taladro eléctrico – 1/2 HP	600	900
Rociador de aire comprimido – 1/3 HP	600	1200
Lámpara de trabajo de halógeno de cuarzo	1000	1000
Sierra alternativa	960	1920
Compresor de aire – 1 HP	1600	4500
Sierra circular - 7-1/4 pulg. (184 mm)	1400	2300
Cepillo de juntas – 6 pulg. (150 mm)	1800	1800
Sierra de ingletes – 10 pulg. (254 mm)	1800	1800
Sierra de banco/sierra radial de brazo – 10 pulg. (254 mm)	2000	2000

\*Los valores de potencias en vatios indicados son aproximados. Verifique la potencia real de cada herramienta o aparato.

# CARACTERÍSTICAS

## ESPECIFICACIONES DEL PRODUCTO

### MOTOR

Tipo de motor.....	6,5 HP, OHV
Sistema de enfriamiento.....	Aire forzado
Sistema de arranque.....	Retráctil
Sistema de ignición.....	T.C.I.
Bujía.....	Champion N64Y
Volumen de aceite de motor.....	0,61 L (0,64 cuartos)
Volumen de combustible.....	15,1 L (4 galones)

### GENERADOR

Voltaje nominal.....	120 V
Amperaje nominal.....	20 A / 25 A
Salida nominal.....	3000 W
Salida máxima.....	3500 W
Frecuencia nominal.....	60 Hz

### DIMENSIONES

Longitud.....	610 mm (24 pulg.)
Ancho.....	432 mm (17 pulg.)
Altura.....	457 mm (18 pulg.)
Peso.....	46 kg (101,5 lb.)

## FAMILIARÍCESE CON EL GENERADOR

*Vea la figura 1.*

El uso seguro que este producto requiere la comprensión de la información impresa en el producto y en el manual del operador así como ciertos conocimientos sobre el proyecto a realizar. Antes de usar este producto, familiarícese con todas las características de funcionamiento y normas de seguridad.

### DISYUNTOR

Los disyuntors se proporcionan para proteger el generator contra sobrecarga eléctrica. El disyuntor puede restaurarse pulsando el botón del disyuntor.

### FILTRO DE AIRE

El filtro de aire ayuda a limitar la cantidad de tierra y polvo que penetra a la unidad durante el funcionamiento.

### VÁLVULA DE TOMA DE AIRE

Esta unidad está equipada con una válvula de toma de aire que ayuda a mejorar el rendimiento del motor durante las temperaturas bajas del invierno.

### PALANCA DEL ANEGADOR

La palanca del anegador se emplea al arrancar el motor.

### PANTALLA DIGITAL

La pantalla digital indica el voltaje, la frecuencia, el medidor de tiempo y la alerta de poco lubricante.

### TANQUE DE COMBUSTIBLE

El tanque de combustible tiene una capacidad de 15,1 L (4 galones).

## VÁLVULA DE COMBUSTIBLE

El flujo de combustible a través del generador se controla por medio de la posición de la válvula de combustible.

## TERMINAL DE CONEXIÓN A TIERRA

El terminal de conexión a tierra se utiliza para ayudar a conectar a tierra correctamente el generador como ayuda de protección contra descargas eléctricas. Consulte con un electricista local con respecto a los requisitos de conexión a tierra en el área geográfica donde se encuentre usted.

## TAPA DE RELLENO DE ACEITE

Retire la tapa de relleno de aceite para revisar el nivel y añadir lubricante al generador cuando sea necesario.

## PERNO DE DRENAJE DE ACEITE

Al cambiar el lubricante de motor, se afloja el perno de drenaje de aceite para permitir el drenaje del lubricante usado.

## RECEPTÁCULOS

Su generador cuenta con las siguientes tomas de corriente monofásicas de 60 Hz: uno receptáculo dúplex de corr. alt. de 120 V, 20 A, y dos tomas receptáculos de fijación por giro de corr. alt. de 120 V, 30 A. Los receptáculos pueden utilizarse para accionar los aparatos, iluminación eléctrica, herramientas y motores apropiados.

## MANGO DEL ARRANCADOR RETRÁCTIL

El mango del arrancador retráctil se usa (junto con el interruptor del motor) para arrancar el motor del generador.

# ARMADO

## **ADVERTENCIA:**

No intente accionar el generador antes de terminar de armarlo. De lo contrario puede ocurrir un riesgo de lesiones graves.

## LISTA DE PIEZAS SUELTAS

Vea la figura 2.

Los siguientes accesorios vienen incluidos:

Núm.	Descripción	Cant.
1	Pernos (M10 x 17 mm) .....	2
2	Espaciador.....	2
3	Tuercas de bloqueo (M8).....	3
4	Cubiertas del rueda.....	2
5	Ruedas .....	2
6	Tuercas de bloqueo (M10).....	2
7	Patas de goma .....	2
8	Pernos (M8 x 20 mm) .....	2
9	Perno (M8 x 40 mm).....	1
10	Conjunto del mango.....	1
11	Pasador de seguro del mango .....	1
12	Correa.....	1
13	Botella de lubricante para motor.....	1
	Manual del operador (no se ilustra) .....	1

## HERRAMIENTAS NECESARIAS

Vea la figura 3.

Para armar la unidad se necesitan las siguientes herramientas (no incluido o dibujado para escalar):

- Llave de casquillo (12 mm y 13 mm)
- Llave de combinación (10 mm, 12 mm, 13 mm, y 14 mm)

**NOTA:** Ponga combustible ni lubricante en el generador antes de instalar las patas y ruedas.

## DESEMPAQUETADO

Este producto requiere armarse.

- Corte cuidadosamente los lados de la caja y después retire la herramienta y cualesquier accesorios de la caja. Asegúrese de que estén presentes todos los artículos enumerados en la lista de empaquetado.

**NOTA:** Esta herramienta es pesada y requiere al menos de dos personas para levantarla. Para evitar una lesión en la espalda, levántela con sus piernas, no con su espalda.

## **ADVERTENCIA:**

No utilice este producto si alguna pieza incluida en la lista de piezas sueltas ya está ensamblada al producto cuando lo desempaqueta. El fabricante no ensambla las piezas de esta lista en el producto. Éstas deben ser instaladas por el usuario. El uso de un producto que puede haber sido ensamblado de forma inadecuada podría causar lesiones personales graves.

- Inspeccione cuidadosamente la unidad para asegurarse que no haya sufrido ninguna rotura o daño durante el transporte.
- No deseche el material de empaquetado hasta que haya inspeccionado cuidadosamente el producto y lo haya utilizado satisfactoriamente.
- Si hay piezas dañadas o faltantes, le suplicamos llamar al 1-800-242-4672, donde le brindaremos asistencia.

## **ADVERTENCIA:**

Si hay piezas dañadas o faltantes, no utilice este producto sin haber reemplazado todas las piezas. Usar este producto con partes dañadas o faltantes puede causar lesiones serias al operador.

## **ADVERTENCIA:**

No intente modificar esta producto ni introducir accesorios no recomendados para la misma. Cualquier alteración o modificación constituye maltrato y puede causar una condición peligrosa, y como consecuencia posibles lesiones corporales graves.

## **ADVERTENCIA:**

No intente accionar el generador antes de terminar de armarlo. De lo contrario puede ocurrir un riesgo de lesiones graves.

**NOTA:** Ponga combustible ni lubricante en el generador antes de instalar las pies y ruedas.

## INSTALACIÓN DE LOS PIES

Vea la figura 4.

- Eleve el extremo del generador opuesto al arrancador retráctil hasta la altura suficiente para obtener acceso a la parte inferior del bastidor; coloque firmemente cuñas debajo para apoyarlo.
- Localice los siguientes artículos:
  - 2 pies de goma
  - 2 tuerca de bloqueo (M8)
  - 2 perno (M8 x 20 mm)
- Inserte el perno a través del pie y el armazón tal como se indica.
- Coloque la tuerca y ajústela firmemente.  
**NOTA: Asegúrese de no ajustar excesivamente para evitar que el material del pie se doble.**
- Repita estos pasos con el otro pie.

## INSTALACIÓN DE LAS RUEDAS

Vea la figura 5.

Las ruedas se proporcionan para ayudar a trasladar el generador hasta la ubicación deseada y deben instalarse del mismo lado que el arrancador retráctil.

# ARMADO

- Localice los siguientes artículos:
  - 2 perno (M10 x 17 mm)
  - 2 espaciador (.38 ID)
  - 2 rueda
  - 2 tuercas de bloqueo (M10)
  - 2 cubiertas del rueda
- Eleve el extremo del generador donde está ubicado el arrancador retráctil hasta una altura suficiente que permita el acceso a la parte inferior del bastidor; coloque firmemente cuñas debajo para apoyarlo.
- Coloque un espaciador de rueda en el centro de ésta.
- Deslice el perno a través del espaciador de rueda y a través del soporte de la rueda en el bastidor, con el lado de desplazamiento de la maza de rueda contra el soporte de la rueda.
- Coloque la tuerca en el perno y ajústela correctamente.
- Instale la cubierta de la rueda.
- Para instalar la segunda rueda para el otro lado, repita el procedimiento.

## COLOCACIÓN DEL MANGO

*Vea la figura 6.*

- Localice los siguientes artículos:
  - Perno (M8 x 40 mm)
  - Conjunto del mango
  - Tuercas de bloqueo (M8)

- Coloque el mango en el soporte del mango, que se encuentra en el almacén del generador en el lado opuesto del arrancador retráctil.
- Deslice el perno M8 x 40 mm a través del mango y el soporte del mango. Coloque la tuerca y ajústela firmemente.

## ASEGURAR EL MANGO

*Vea las figuras 7 y 8.*

- Localice los siguientes artículos:
  - Pasador de seguro del mango
  - Correa
- Sujete la correa en el pasador del mango y en el mango como se muestra.
- Inserte el pasador a través del agujero en el mango y el bastidor del generador para asegurar el mango correctamente.



### ADVERTENCIA:

No intente levantar la unidad por medio de los mangos. Si fuese necesario izar el generador, siempre hágalo por medio del bastidor. Utilice las técnicas apropiadas de izado para evitar lesiones en la columna.

# FUNCIONAMIENTO



### PELIGRO:

**Monóxido de carbono.** Usar un generador en el interior LO MATARÁ EN POCOS MINUTOS.

Los gases de escape del generador contienen niveles altos de monóxido de carbono (CO), un gas venenoso que no puede verse ni olerse. Si puede oler los gases de escape del generador, está respirando CO. Pero incluso si no puede oler los gases de escape, es posible que esté respirando CO.

- Nunca use un generador dentro de su hogar, garaje, sótano, ni demás espacios parcialmente encerrados. En dichos espacios, pueden acumularse niveles mortales de monóxido de carbono. Usar un ventilador o abrir puertas y ventanas NO proporciona suficiente aire fresco.
- SÓLO utilice el generador al aire libre y lejos de ventanas, puertas y respiraderos abiertos. Estas aberturas pueden atraer los gases de escape del generador.

Incluso si utiliza el generador correctamente, el CO puede ingresar en su hogar. SIEMPRE utilice una alarma de CO de pilas o con pilas de respaldo en su hogar.

Si comienza a sentirse descompuesto, mareado o débil luego de que el generador estuvo funcionando, trasládese adonde haya aire fresco INMEDIATAMENTE. Vea a un doctor. Puede sufrir intoxicación por monóxido de carbono.

# FUNCIONAMIENTO

## PELIGRO:

El incumplimiento de conectar correctamente a tierra el generador puede resultar en electrocución, especialmente si el generador está equipado con un conjunto de ruedas. El Reglamento Nacional de Electricidad exige que el generador esté debidamente conectado a una tierra aprobada. Comuníquese con un electricista para todo lo relacionado con los requisitos de conexión a tierra.

## ADVERTENCIA:

No permita que su familiarización con este producto lo vuelva descuidado. Tenga presente que un descuido de un instante es suficiente para causar una lesión grave.

## ADVERTENCIA:

No utilice ningún aditamento o accesorio no recomendado por el fabricante de este producto. El empleo de aditamentos o accesorios no recomendados podría causar lesiones graves.

Antes de cada uso, inspeccione todo el producto para detectar algún daño, partes faltantes o sueltas, como tornillos, tuercas, pernos, tapas, etc. Ajuste firmemente todos los sujetadores y las tapas y no active este producto hasta que todas las partes faltantes o dañadas sean reemplazadas. Llame al 1-800-242-4672 o comuníquese con un centro de servicio autorizado para recibir asistencia.

## APLICACIONES

Este generador está diseñado para suministrar alimentación eléctrica para el funcionamiento de iluminación eléctrica compatible, electrodomésticos, herramientas y cargas de motor.

## ANTES DE ACCIONAR LA UNIDAD

- Sólo utilícelo AL AIRE LIBRE y lejos de ventanas, puertas y respiraderos.
- NUNCA lo use dentro de su hogar o del garaje, INCLUSO con las puertas y las ventanas abiertas.
- Coloque siempre el generador sobre una superficie firme plana.

## PRECAUCIÓN:

Si se intenta arrancar el motor antes de haberse abastecido debidamente de lubricante podría descomponerse el equipo.

## VERIFICACIÓN Y ABASTECIMIENTO DE LUBRICANTE

*Vea la figura 9.*

El lubricante de motor empleado es un factor de gran importancia en el rendimiento y vida de servicio del motor. Para uso general, a todas temperaturas, se recomienda el aceite SAE 10W-30. Siempre utilice lubricante para motor de cuatro tiempos que satisfaga o sobrepase los requisitos SJ de clasificación de servicio API. Recomendamos utilizar ÚNICAMENTE Homelite.

**NOTA:** El lubricante sin detergente o para motor de dos tiempos daña el motor, por lo cual no debe usarse.

- Desenrosque la tapa de relleno de aceite/varilla medidora de aceite y retírela.
- Limpie la varilla de nivel y vuelva a asentarla en el agujero; no la enrosque.
- Retire de nuevo la varilla medidora de lubricante y verifique el nivel de lubricante. El nivel de lubricante siempre debe estar entre las áreas cubiertas con rayas entrecruzadas de la varilla medidora.
- Si está bajo el nivel, abastezca de lubricante el motor hasta que el nivel del fluido alcance la parte superior de la varilla.
- Vuelva a colocar la tapa de relleno de aceite/varilla medidora de aceite y asegúrela.

## VERIFICACIÓN Y ABASTECIMIENTO DE COMBUSTIBLE

*Vea la figura 10.*

- Retire la tapa de combustible.
- Llene el tanque de combustible hasta una altura de 2,5 cm (1 pulg.) abajo del cuello del tanque.
- Coloque de nuevo la tapa del tanque de combustible y asegúrela.

**NOTA:** Siempre utilice gasolina sin plomo con un octanaje nominal inicial de 86 o mayor. Nunca utilice gasolina vieja, pasada o contaminada, y no utilice mezcla de aceite y gasolina. No permita que entre tierra o agua en el tanque de combustible.

## USO DE ESTABILIZADOR DE COMBUSTIBLE

El combustible se hace viejo, se oxida y descompone al paso del tiempo. Agregando estabilizador de combustible (no incluido) se prolonga la vida útil del combustible y se evita la formación de depósitos, los cuales pueden tapan el sistema del combustible. Siga las instrucciones del fabricante del estabilizador de combustible en cuanto a la debida proporción estabilizador-combustible.

- Vierta el estabilizador en el tanque de combustible y, después, llénelo de gasolina de conformidad con las instrucciones anteriores.



# FUNCIONAMIENTO

**NOTA:** Pueden mezclarse el estabilizador y la gasolina antes de llenar el tanque; para ello utilice una lata de gasolina u otro recipiente aprobado para combustible y agítela suavemente para realizar la mezcla.

- Coloque de nuevo la tapa del tanque de combustible y asegúrela.
- Arranque el motor y déjelo funcionar por lo menos cinco minutos para permitir que el estabilizador trate todo el sistema de combustible.

## COMBUSTIBLES OXIGENADOS

### NO USE COMBUSTIBLE E85. ANULARÁ SU GARANTÍA.

**NOTA:** No están cubiertos en la garantía los problemas de desempeño o daños al sistema de combustible producidos por el uso de un combustible oxigenado con un contenido superior a los porcentajes de alcohol o compuesto de éter señalados abajo.

**Etanol.** Las gasolinas con un contenido de 10% de etanol por volumen (comunmente conocida como E10) o 15% de etanol por volumen (comunmente conocida como E15) son aceptables. La E85 no lo es.

### PRECAUCIÓN:

Teniendo la unidad en una superficie nivelada y con el motor apagado, revise el nivel de lubricante cada vez antes de usar el generador.

## VÁLVULA DE TOMA DE AIRE

Vea la figura 11.

Esta unidad está equipada con una válvula de toma de aire que ayuda a mejorar el rendimiento del motor durante las temperaturas bajas del invierno. Tal como se indica en la figura 10, el brazo de la válvula de toma de aire debe cerrado (de manera horizontal) durante los meses de verano y debe abierto (de manera vertical) durante los meses de invierno. Tire del brazo suavemente en dirección hacia usted para que el brazo pueda moverse sobre las clavijas de sujeción; luego mueva el brazo a la posición deseada y suéltelo.

## ARRANQUE DEL MOTOR

Vea las figuras 12 a 14.

**NOTA:** Si el generador no está en una superficie nivelada, es posible que no arranque o se apague durante su funcionamiento.

- Desconecte todas las cargas del generador.
- Ponga la válvula de combustible en la posición ON (ENCENDIDO).
- Desplace izquierda de la palanca del anegador hasta la posición START (ARRANQUE).

**NOTA:** Si el motor está caliente, o la temperatura es superior a los 10 °C (50 °F), desplace derecha la palanca del anegador de la posición RUN (FUNCIONAMIENTO).

- Lleve el interruptor del motor a la posición de ENCENDIDO (I).

- Tire del mango del arrancador retráctil hasta que comience a funcionar el motor (seis veces como máximo).

**NOTA:** No permita que el mango se retraiga violentamente después de arrancar; regréselo suavemente a su lugar original.

- Permita que el motor funcione 30 segundos y, después, desplace izquierda la palanca del anegador en la posición RUN (FUNCIONAMIENTO).

## APAGADO DEL MOTOR

Vea las figuras 12 y 13.

**Para apagar el motor en condiciones normales de funcionamiento:**

- Desconecte del generador toda carga presente.
- Ponga la válvula de combustible en la posición OFF (APAGADO).
- Lleve el interruptor del motor a la posición de APAGADO (O).

**Para apagar el motor en una situación de emergencia:**

- Lleve el interruptor del motor a la posición de APAGADO (O).

## INFORMACIÓN SOBRE EL FUNCIONAMIENTO DE LA PANTALLA DIGITAL

Vea la figura 15.

La pantalla digital muestra la salida de voltaje de corr. alt., la frecuencia y la cantidad total de horas que el generador estuvo en funcionamiento. Para recorrer estas pantallas, presione el botón de selección. Los indicadores que se encuentran debajo de la pantalla digital se encenderán en secuencia para indicar el tipo de información que se muestra en pantalla.

**Horómetro:** El horómetro registra la cantidad de horas de uso de la unidad.

Si se produce una condición de alarma, el botón relacionado con la alarma parpadeará.

**Voltaje de corr. alt.:** El indicador de voltaje de corr. alt. parpadeará cuando el voltaje de salida supere la tensión nominal en un 10%. La luz dejará de parpadear cuando el voltaje regrese al rango del 10%.

**Frecuencia:** El indicador de frecuencia parpadeará cuando la frecuencia nominal supere el 5%. Cuando la frecuencia regrese al rango del 5%, el indicador dejará de parpadear.

**Bajo nivel de lubricante para motor:** La luz de bajo nivel de lubricante parpadeará y el motor se detendrá automáticamente cuando el nivel de lubricante del motor sea bajo. Es posible que el motor no pueda encenderse hasta que no se agregue suficiente aceite de motor en el generador.

**NOTA:** Es normal que las luces del indicador se enciendan o parpaddeen cada vez que se encienda el motor. Cuando el motor se haya calentado, las luces deben regresar de manera predeterminada al patrón anterior.

# MANTENIMIENTO

## **ADVERTENCIA:**

Al dar servicio a la unidad, sólo utilice piezas de repuesto Homelite idénticas. El empleo de piezas diferentes puede causar un peligro o dañar el producto.

## **ADVERTENCIA:**

Siempre póngase protección ocular con protección lateral con la marca de cumplimiento de la norma ANSI Z87.1. La inobservancia de esta advertencia puede permitir que los objetos lanzados hacia los ojos puedan provocar lesiones graves.

Solamente las piezas enumeradas en la lista de piezas pueden ser reparadas o cambiadas por el consumidor. Todas las piezas restantes deben ser reemplazadas en un centro de servicio autorizado.

## MANTENIMIENTO GENERAL

Antes de cada uso, inspeccione todo el producto para detectar algún daño, partes faltantes o sueltas, como tornillos, tuercas, pernos, tapas, etc. Ajuste firmemente todos los sujetadores y las tapas y no active este producto hasta que todas las partes faltantes o dañadas sean reemplazadas. Llame al 1-800-242-4672 o comuníquese con un centro de servicio autorizado para recibir asistencia.

Mantenga el generador en un entorno limpio y seco, en el cual no esté expuesto al polvo, tierra, humedad o vapores corrosivos. No permita que las ranuras de aire de ventilación del generador se tapen de materia extraña, como hojas, etc.

No utilice una manguera de jardín para limpiar el generador. El agua que entra al sistema de combustible u otras partes internas puede causar problemas que acortan la vida de servicio del generador.

### Para limpiar la unidad:

- Con un cepillo de cerdas suaves y/o una aspiradora afloje y elimine la tierra y la basura.
- Limpie las aberturas de ventilación con aire a baja presión que no se exceda de 25 psi.
- Limpie las superficies exteriores del generador con un paño húmedo.

## REVISIÓN Y LIMPIEZA DEL FILTRO DE AIRE

*Vea la figura 16.*

Para obtener un desempeño apropiado y una larga vida útil de la unidad, mantenga limpios los filtro de aire.

- Afloje los tornillos ubicados en la parte superior e inferior de la tapa del filtro de aire. Retire la tapa y hágala a un lado.
- Retire los elemento de filtro.
- Retire la empaquetadura del filtro. Limpie con un paño limpio y reemplace la unidad de filtro de aire.

- Si el elemento de filtro están sucios, lávese con agua jabonosa tibia. Enjuáguelo y déjelo secar.
- Aplique una capa delgada de lubricante a los elementos y, después, estruje para sacar aquél.
- Coloque de nuevo los elemento en la unidad del filtro.
- Vuelva a colocar la tapa del filtro de aire y apriete los tornillos para asegurarla.

**NOTA:** No ponga a funcionar el generador sin los filtro de aire o junta. Se causa un desgaste acelerado del motor.

## CAMBIO DEL LUBRICANTE DEL MOTOR

*Vea la figura 17.*

- Retire la tapa de relleno de aceite/varilla medidora de aceite.
- Coloque un recipiente bajo el perno de drenaje de aceite para recoger el lubricant a medida que salga.
- Desenrosque el perno de drenaje de aceite y retírelo.
- Permita que se drene completamente el lubricante.
- Instale de nuevo el perno de drenaje de aceite y apriételo firmemente.
- Reabastezca de lubricante la unidad de conformidad con las instrucciones indicadas en el apartado **Verificación y abastecimiento de lubricante.**
- Reinstale la tapa de relleno de aceite/varilla medidora de aceite.

**NOTA:** El lubricante usado debe desecharse en un sitio de desecho aprobado. Si necesita más información, consulte a un concesionario de aceite de la localidad.

## MANTENIMIENTO DE LA BUJÍA

*Vea la figura 18.*

La bujía debe tener el debido espacio interelectrónico y debe estar libre de depósitos para que el motor funcione de forma correcta. Para verificar:

- Retire la tapa de la bujía.
- Limpie toda la tierra presente alrededor de la base de la bujía.
- Retire los bujías con la llave (no incluido).
- Inspeccione la bujía para ver si está dañada, y límpiela con un cepillo de alambre antes de volver a instalarla. Si el aislante está agrietado o desportillado, debe reemplazarse la bujía.

**NOTA:** Si va a reemplazarla, utilice la bujía recomendadas, o una equivalente: Champion N64Y.

- Mida el espacio interelectrónico. La separación correcta es 0,7-0,8 mm (0,028-0,031 pulg.). Para ampliar la separación, doble con cuidado el electrodo (superior) de conexión a tierra. Para angostar el espacio, golpee suavemente sobre una superficie dura el electrodo de tierra.
- Asiente en su lugar la bujía y enrósquela con la mano para evitar trasroscarla.

# MANTENIMIENTO

- Apriétela con una llave para comprimir la arandela. Si es nueva la bujía, gírela 1/2 vuelta para comprimir al nivel adecuado la arandela. Si va a volver a usar la bujía vieja, gírela de 1/8 a 1/4 de vuelta para comprimir al nivel adecuado la arandela.

**NOTA:** Si no se aprieta debidamente, la bujía se calienta mucho y podría dañar el motor.

## LIMPIEZA DEL ORIFICIO DE ESCAPE Y DEL SILENCIADOR

Según sea el tipo de combustible empleado, el tipo y cantidad de lubricante empleado, así como las condiciones de funcionamiento, puede obstruirse el orificio de escape y el silenciador con depósitos de carbono. Si observa alguna pérdida de potencia en la productos con motor de gasolina, quizá sea necesario eliminar dichos depósitos para restablecer el desempeño original. Recomendamos enfáticamente que este servicio lo realicen únicamente técnicos de servicio calificados.

## PARACHISPAS

Es necesario limpiar o reemplazar el parachispas cada 50 horas o anualmente para asegurarse del buen funcionamiento de la unidad. Los parachispas pueden estar instalados en diferentes posiciones dependiendo del modelo del cual se trate. Comuníquese con el establecimiento de servicio más cercano para confirmar la ubicación del parachispas para su modelo específico.

## DRENAJE DEL TANQUE DEL COMBUSTIBLE Y DEL CARBURADOR

*Vea las figuras 19 y 20.*

Para evitar los depósitos de sustancias gomosas en el sistema de combustible, vacíe el tanque de combustible y el carburador antes de guardarlo.

### DRENAJE DEL TANQUE DE COMBUSTIBLE

- Ponga el interruptor del motor en OFF (O) (APAGADO).
- Ponga la válvula de combustible en la posición OFF (APAGADO).

- Retire el conducto de combustible de la llave de purga; para ello, apriete los extremos del sujetador de retención y separe el conducto.
- Instale un extremo del conducto de drenaje en la llave de purga, y coloque el otro extremo en un recipiente de combustible de la suficiente capacidad para recibir el combustible drenado del tanque.
- Ponga la válvula de combustible en la posición ON (ENCENDIDO).
- Una vez que se haya drenado todo el combustible del tanque, cierre la válvula y vuelva a instalar el conducto en la llave de purga.

### DRENAJE DEL CARBURADOR

- Ponga el interruptor del motor en OFF (O) (APAGADO).
- Ponga la válvula de combustible en la posición OFF (APAGADO).
- Coloque un recipiente adecuado bajo el tornillo de drenaje del carburador para recibir el combustible; afloje el tornillo.
- Permita que se drene completamente el combustible y caiga en el recipiente.
- Vuelva a apretar el tornillo de drenaje.

**NOTA:** Consulte las normas de desecho de residuos peligrosos de la localidad donde se encuentre para averiguar la forma correcta de desechar el combustible usado.

## TRANSPORTE

- Ponga el interruptor del motor en OFF (O) (APAGADO).
- Ponga la válvula de combustible en la posición OFF (APAGADO).
- Asegúrese de que estén fríos el motor y el escape de la unidad.
- Vacíe el tanque de combustible.
- No deje caer la unidad, no la golpee ni la coloque bajo objetos pesados.

# MANTENIMIENTO

## ALMACENAMIENTO

Al preparar el generador para guardarlo, deje que la unidad se enfríe por completo y luego siga los lineamientos señalados abajo.

TIEMPO DE ALMACENAMIENTO	ANTES DE GUARDARLO
Menos de dos meses	<ul style="list-style-type: none"> <li>■ Vacíe el tanque de combustible y colóquelo en un recipiente apropiado según lo establecido por las disposiciones estatales y locales.</li> </ul>
De dos meses a un año	<ul style="list-style-type: none"> <li>■ Drene el combustible del carburador.</li> <li>■ Vacíe el tanque de combustible y colóquelo en un recipiente apropiado según lo establecido por las disposiciones estatales y locales.</li> </ul>
Un año o más	<ul style="list-style-type: none"> <li>■ Drene el combustible del carburador.</li> <li>■ Retire la bujía.</li> <li>■ Vacíe el tanque de combustible y colóquelo en un recipiente apropiado según lo establecido por las disposiciones estatales y locales.</li> <li>■ Ponga una cucharada sopera de aceite para motor en el cilindro de la bujía. Gire el motor lentamente con la cuerda de tiro para distribuir el aceite.</li> <li>■ Instale de nuevo la bujía.</li> <li>■ Cambie el lubricante del motor.</li> </ul> <p>Al sacar la unidad después de haberla tenido guardada:</p> <ul style="list-style-type: none"> <li>■ Reabastezca de gasolina fresca la unidad.</li> </ul>

## PROGRAMA DE MANTENIMIENTO

**NOTA:** Si recibe un manual del motor para este generador en particular, respete el cronograma de mantenimiento que se indique en el manual del motor y no la información de mantenimiento que figura a continuación.

	Antes de cada uso	Al cabo del primer mes o 20 horas de funcionamiento	Cada 3 meses o 50 horas de funcionamiento	Cada 6 meses o 100 horas de funcionamiento	Cada año o luego de 300 horas de funcionamiento
Revisar el lubricante del motor	■				
Cambiar el lubricante del motor <sup>2</sup>		■		■	
Revisar el filtro de aire	■				
Limpiar el filtro de aire			■		
Cambiar el filtro de aire <sup>2</sup>					■
Comprobar/ajustar la bujía				■	
Reemplazar la bujía <sup>2</sup>					■
Comprobar/ajustar la velocidad de ralentí					■
Comprobar/ajustar el huelgo de válvula <sup>1,2</sup>					■
Limpiar el depósito y el filtro de combustible <sup>1,2</sup>				■	
Comprobar el tubo de combustible					■

1 Estas tareas deben ser efectuadas sólo por el centro de servicio autorizado.

2 Consulte el manual del motor para conocer el cronograma de mantenimiento de este elemento.

**NOTA:** La frecuencia de mantenimiento debe ser mayor si se el generador se usa en zonas de mucho polvo.

Si el generador ha sobrepasado los valores máximos especificados en el cuadro, aun debe seguirse el programa de mantenimiento de acuerdo con los intervalos allí recomendados.

# CORRECCIÓN DE PROBLEMAS

PROBLEMA	CAUSA POSIBLE	SOLUCIÓN
El motor no arranca.	<p>El interruptor del motor está en apagado (OFF). No hay combustible. Está bajo el nivel de lubricante.</p> <p>Está cerrada la válvula de combustible (OFF). Bujía defectuosa, sucia o con separación incorrecta.</p> <p>La palanca de anegador está en la posición RUN (FUNCIONAMIENTO).</p> <p>El motor almacenado sin tratamiento ni vaciado de gasolina, o reabastecido de gasolina de mala calidad.</p>	<p>Ponga el interruptor del motor en encendido (ON). Llene el tanque de combustible. Revise el nivel del lubricante del motor, y reabastézcalo si es necesario. Abra la válvula (ON).</p> <p>Reemplace la bujía.</p> <p>Desplace izquierda de la palanca del anegador hasta la posición START (ARRANQUE).</p> <p>Vacíe el combustible y el carburador. Reabastezca de gasolina fresca la unidad.</p>
Le falta potencia al motor.	<p>Elemento de combustible obstruidos.</p> <p>El motor almacenado sin tratamiento ni vaciado de gasolina, o reabastecido de gasolina de mala calidad.</p>	<p>Compruebe el elemento de filtro de aire. Limpie o reemplace según sea necesario.</p> <p>Vacíe el combustible y el carburador. Reabastezca de gasolina fresca la unidad. Si el problema continúa, comuníquese con un centro de servicio autorizado.</p>
No funciona el receptáculo de corriente alterna.	<p>El disyuntor está en apagado (OFF).</p> <p>Está defectuoso el dispositivo conectado.</p>	<p>Ponga en encendido (ON) el disyuntor de corriente alterna.</p> <p>Pruebe con un dispositivo diferente.</p>
El generador produce un ruido como de “cascabeleo” o “explosiones”.	<p>Un leve ruido ocasional de “cascabeleo” o “explosiones” si la carga es pesada no debe ser causa de preocupación. No obstante, si tal cascabeleo o explosiones ocurren con una carga normal a velocidad estable del motor, el problema puede ser la marca de gasolina utilizada.</p>	<p>Cambie a una marca diferente de gasolina, y asegúrese de que sea de un octanaje de 86 por lo menos. Si el problema continúa, comuníquese con un centro de servicio autorizado.</p>
<p>Si el problema persiste después de probar las soluciones mencionadas arriba, comuníquese con un centro de servicio autorizado para solicitar asistencia.</p>		
<p>Los siguientes síntomas pueden indicar problemas que afectan el nivel de emisiones de la unidad:</p> <ul style="list-style-type: none"> <li>■ Arranque difícil o paro del motor después de arrancar</li> <li>■ Marcha lenta irregular</li> <li>■ Falla o retardo en la combustión, con la unidad bajo carga</li> <li>■ Combustión secundaria (combustión retardada)</li> <li>■ Sale humo negro del escape o consumo elevado de combustible</li> </ul> <p>Si encuentra cualquiera de estos síntomas, permita que inspeccionen y reparen la unidad en un centro de servicio autorizado.</p>		

# GARANTÍA

## GARANTIA LIMITADA COBERTURA DE LA GARANTÍA

Homelite Consumer Products, Inc., (la Compañía) garantiza al comprador minorista original que este Producto Homelite carece de defectos en material y mano de obra, y acuerda reparar o reemplazar, a la discreción de la Compañía, cualquier Producto defectuoso sin cargo en los siguientes períodos a partir de la fecha de la compra:

- Dos años si el Producto se utiliza exclusivamente para fines personales, familiares o domésticos.
- Un año si el Producto se utiliza para fines comerciales.

Esta garantía sólo es válida para los Productos vendidos dentro del territorio de los Estados Unidos de América, el distrito de Columbia, Canadá, México, el Estado Libre Asociado de Puerto Rico, las Islas Vírgenes, o Guam.

Esta garantía no es transferible y sólo cubre los daños derivados de defectos en material o mano de obra y no los daños causados por el uso irracional, incluida la falta de mantenimiento razonable y necesario. **Entre los artículos que no cuentan con la cobertura de esta garantía, se encuentran:**

- Los gastos de transporte originados por el envío del producto a la Compañía o a su representante de servicio autorizado para el mantenimiento incluido en la garantía, o por el envío al consumidor de productos reparados o reemplazados; estos cargos corren por cuenta del comprador minorista original.
- Los daños causados por el maltrato, los accidentes, el uso indebido, la negligencia, la alteración, la modificación, los efectos de la corrosión, la erosión, el desgaste normal o las reparaciones realizadas por personas ajenas a la Compañía o a sus representantes de servicio autorizados.
- Además, esta garantía no cubre:
  - Afinación – Bujías, carburador, ajustes del carburador, encendido, filtros, cambio de aceite
  - Desgaste de piezas – Cuerda del arrancador retráctil, escobillas del motor, pasadores de chaveta, ruedas

La garantía queda anulada si el cliente no instala, mantiene o utiliza el producto respetando las instrucciones y las recomendaciones de la Compañía, según se expresa en el manual del operador del Producto, o si el Producto se utiliza como equipo de alquiler.

La Compañía no se hará cargo de las reparaciones o los ajustes al Producto, o de cualquier tarea o gasto que no sea autorizado previamente por esta Compañía.

### **GUARDE SU COMPROBANTE DE COMPRA**

Antes de que la Compañía o sus representantes de servicio autorizados puedan efectuar el servicio correspondiente cubierto por la garantía del Producto, se solicitará como comprobante de compra una factura de compra con fecha.

### **EXCLUSIONES Y LIMITACIONES**

**ESTA GARANTÍA LIMITADA PREVALECE SOBRE CUALQUIER OTRA GARANTÍA EXPRESA.** CUALQUIER GARANTÍA IMPLÍCITA DE COMERCIALIZACIÓN, IDONEIDAD PARA UN FIN ESPECÍFICO U OTRA QUE BRINDE COBERTURA PARA ESTE PRODUCTO ESTARÁ LIMITADA EN DURACIÓN AL PLAZO DE ESTA GARANTÍA LIMITADA. EL SERVICIO DE GARANTÍA DESCRITO ANTERIORMENTE ES EL ÚNICO RECURSO BAJO ESTA GARANTÍA. LA COMPAÑÍA NO SERÁ RESPONSABLE DE CUALQUIER DAÑO ESPECIAL, INDIRECTO O CONSECUENTE. ALGUNOS ESTADOS NO PERMITEN LIMITACIONES EN CUANTO A LA DURACIÓN DE UNA GARANTÍA IMPLÍCITA, O LA EXCLUSIÓN O LIMITACIÓN DE LOS DAÑOS INDIRECTOS O CONSECUENTES; POR LO QUE ES POSIBLE QUE LAS LIMITACIONES O EXCLUSIONES ANTERIORES NO SE APLIQUEN EN SU CASO.

### **CÓMO OBTENER UN SERVICIO DE GARANTÍA**

**Para obtener el servicio de garantía: Llame sin cargo al 1-800-242-4672 o escriba a Homelite Consumer Products, Inc., 1428 Pearman Dairy Road, Anderson, SC 29625.**

**Para obtener el servicio de garantía fuera de los EE. UU., comuníquese con el establecimiento Homelite local.**

# GARANTÍA

## DECLARACIÓN DE GARANTÍA DE CONTROL DE EMISIONES DE LA EPA SUS DERECHOS Y OBLIGACIONES DE GARANTÍA

EPA y SUMEC MACHINERY & ELECTRIC CO. LTD. se complacen en explicar la garantía del sistema de control de emisiones (se entiende por "emisiones" tanto las emisiones del escape y las emisiones por evaporación) de su pequeño motor todoterreno modelo 2010 (SORE). En los EE. UU. el nuevo SORE debe estar diseñado, construido y equipado para cumplir con las rigurosas normas antiesmog del estado. SUMEC MACHINERY & ELECTRIC CO. LTD. debe garantizar el ECS en su SORE durante el período de tiempo que se detalla a continuación siempre que no haya existido abuso, negligencia ni mantenimiento inadecuado de su SORE.

Su ECS puede incluir piezas como el carburador, el sistema de inyección de combustible, el sistema de encendido, el convertidor catalítico, los tanques de combustible, las tuberías, las tapas de combustible, las válvulas, los envases, los filtros, las mangueras de vapores, las abrazaderas, los acoples y otros componentes relacionados con los componentes de la emisión.

Cuando se den las condiciones de garantía, SUMEC MACHINERY & ELECTRIC CO. LTD. repararán su SORE sin costo para usted, incluidos el diagnóstico, las piezas y la mano de obra.

### COBERTURA DE LA GARANTÍA DEL FABRICANTE:

La garantía de este sistema de control de emisiones tiene una duración de dos años. Si alguna pieza de la emisión de su equipo presenta una falla, ésta será reparada y reemplazada por SUMEC MACHINERY & ELECTRIC CO. LTD.

### RESPONSABILIDAD DE LA GARANTÍA DEL PROPIETARIO:

Como propietario del SORE, usted es responsable de la realización del mantenimiento necesario que se detalla en el manual del operador. SUMEC MACHINERY & ELECTRIC CO. LTD. recomienda que usted conserve todos los recibos de mantenimiento de su SORE, pero SUMEC MACHINERY & ELECTRIC CO. LTD. no puede desestimar la garantía sólo por falta de recibos.

Como propietario del SORE, debe tener que en cuenta que SUMEC MACHINERY & ELECTRIC CO. LTD. puede desestimar la cobertura de garantía si su SORE o una de sus piezas falla debido a abuso, negligencia, mantenimiento inadecuado o modificaciones no aprobadas.

Es su responsabilidad acercarse a su SORE hasta el centro de servicio o de distribución de SUMEC MACHINERY & ELECTRIC CO. LTD. tan pronto como aparezca el problema. Las reparaciones de garantía deben completarse en un tiempo razonable, de no más de 30 días. Si tiene alguna pregunta sobre la cobertura de su garantía, debe comunicarse con Sunright International of America al 770-729-9065, o escriba a la siguiente dirección: Sunright International of America, Inc., 5965 Peachtree Corners E. Ste C-3, Norcross, GA 30071. ATTENTION WARRANTY DEPARTMENT.

### COBERTURA GENERAL DE LA GARANTÍA DE EMISIONES:

SUMEC MACHINERY & ELECTRIC CO. LTD. garantiza al comprador final y cada comprador subsiguiente que el SORE:

- está diseñado, construido y equipado para cumplir con las normas vigentes, y
- no tiene defectos de material ni de mano de obra que causan falla de una pieza garantizada, y estas piezas son idénticas en lo que refiere a materiales a lo descrito en la solicitud de certificación de SUMEC MACHINERY & ELECTRIC CO. LTD.

El período de garantía comienza en la fecha en que se entrega el SORE al comprador final o en que se lo pone por primera vez en funcionamiento. El período de garantía es de dos años.

Limitada a ciertas condiciones y exclusiones que se detallan posteriormente, la garantía de las piezas relacionadas a la emisión expresa:

- (1) Cualquier pieza garantizada que no tenga un reemplazo programado por el mantenimiento que figura en las instrucciones escritas provistas está garantizada durante el período antes mencionado. Si la pieza falla durante el período de cobertura de la garantía, la pieza será reparada o reemplazada por SUMEC MACHINERY & ELECTRIC CO. LTD. según lo detallado en la subsección (4). Cualquier parte reparada o reemplazada por esta garantía se garantizará por el resto del período.
- (2) Cualquier pieza garantizada que no tenga un reemplazo programado por el mantenimiento que figura en las instrucciones escritas provistas está garantizada durante el período antes mencionado. Cualquier parte reparada o reemplazada por esta garantía se garantizará por el resto del período de garantía.
- (3) Cualquier pieza garantizada que tenga un reemplazo programado por el mantenimiento que figura en las instrucciones escritas provistas está

garantizada durante el período anterior a la fecha de mantenimiento de la pieza. Si la pieza falla durante el período anterior al reemplazo programado, la pieza será reparada o reemplazada por SUMEC MACHINERY & ELECTRIC CO. LTD. según lo detallado en la subsección (4). Cualquier parte reparada o reemplazada por esta garantía se garantizará por el resto del período anterior al primer reemplazo programado de la pieza.

(4) La reparación o el reemplazo de cualquier parte garantizada por esta garantía deben ser realizados por una estación de garantía sin cargo para el propietario.

(5) A pesar de lo descrito en estas disposiciones, los servicios de garantía o reparaciones serán provistos en todos los centros de distribución que están autorizados para realizar el servicio de motores y de equipos.

(6) No se cobrará al propietario del SORE por el trabajo de diagnóstico que está directamente asociado al diagnóstico de una pieza defectuosa relacionada a la emisión, siempre que dicho diagnóstico sea realizado por una estación de garantía.

(7) SUMEC MACHINERY & ELECTRIC CO. LTD. es responsable por los daños causados a otros componentes del motor o del equipo debido a la falla de cualquier parte garantizada.

(8) Durante el período de garantía del SORE detallado anteriormente, SUMEC MACHINERY & ELECTRIC CO. LTD. mantendrá una provisión suficiente de las piezas garantizadas para satisfacer la demanda esperada de dichas piezas.

(9) Cualquier pieza reemplazada puede usarse durante la realización de cualquier mantenimiento o reparación de garantía y deben proporcionarse sin cargo para el propietario. Dicho uso no reducirá las obligaciones de garantía de SUMEC MACHINERY & ELECTRIC CO. LTD.

(10) Las piezas agregadas o modificadas que no están exentas por el Consejo de los Recursos del Aire no pueden utilizarse. La utilización por parte del comprador de cualquier pieza agregada o modificada no exenta será causa para la no aceptación de los reclamos de garantía. SUMEC MACHINERY & ELECTRIC CO. LTD. no será responsable por las fallas de garantía de las piezas garantizadas provocadas por el uso de piezas agregadas o modificadas no exentas.

### PIEZAS GARANTIZADAS:

La reparación o el reemplazo de cualquier pieza garantizada, que de otro modo hubiera cumplido con los requisitos de la cobertura de garantía, quedará excluida de dicha cobertura de garantía si SUMEC MACHINERY & ELECTRIC CO. LTD. demuestra que el SORE ha sufrido abuso, negligencia o mantenimiento inadecuado, y que dicho abuso, negligencia o mantenimiento inadecuado fue la causa directa de la necesidad de reparación o de reemplazo de la pieza. Esto no quita que cualquier ajuste de un componente que tiene un dispositivo de limitación de ajuste instalado por la fábrica y que haya sido usado adecuadamente cumplirá con los requisitos de la cobertura de garantía. La siguiente lista de partes de emisión garantizadas están cubiertas (use la parte de esta lista que corresponda a su SORE):

- 1) Sistema de medición de combustible:
  - a) Conjunto de carburador de gasolina y sus componentes internos
  - b) Filtro de combustible (si está incluido)
  - c) Juntas del carburador
  - b) Bomba de combustible (si está incluida)
- 2) Sistema de inducción de aire incluidos:
  - a) Colector o tubería de admisión
  - b) Filtro de aire
- 3) Sistema de encendido incluidos:
  - a) Bujía
  - b) Módulo o bobina de encendido
- 4) Artículos varios usados en los sistemas anteriormente mencionados:
  - a) Válvulas e interruptores sensibles a la aspiración, temperatura o tiempo
  - b) Mangueras, correas, conectores y conjuntos
- 5) Control de evaporación:
  - a) Tubería del combustible
  - b) Adaptadores de la tubería del combustible
  - c) Abrazaderas



# OPERATOR'S MANUAL

MANUEL D'UTILISATION  
MANUAL DEL OPERADOR

**3,000 WATT GENERATOR**  
Générateur de 3000 watts  
Generador 3000 watts

**HGCA3000 Series**  
Série HGCA3000  
Serie HGCA3000

### **WARNING:**

The engine exhaust from this product contains chemicals known to the State of California to cause cancer, birth defects, or other reproductive harm.

#### **CALIFORNIA PROPOSITION 65**

### **AVERTISSEMENT :**

Les gaz d'échappement de ce produit contiennent des produits chimiques identifiés par l'état de Californie comme causes de cancer, de malformations congénitales et d'autres troubles de l'appareil reproducteur.

#### **PROPOSITION 65 DE L'ÉTAT DE CALIFORNIE**

### **ADVERTENCIA:**

Las emanaciones provenientes del escape del motor de este producto contienen sustancias químicas reconocidas por el estado de California como causantes de cáncer, defectos congénitos y otras afecciones del aparato reproductor.

#### **CALIFORNIA - PROPUESTA DE LEY NÚM. 65**

### **SERVICE**

For parts or service, contact your nearest Homelite authorized service dealer. Be sure to provide all relevant information when you call or visit. For the location of the authorized service dealer nearest you, please call 1-800-242-4672 or visit us online at [www.homelite.com](http://www.homelite.com).

### **REPAIR PARTS**

The model number of this product is found on a plate or label attached to the housing. Please record the serial number in the space provided below.

**MODEL NO.** \_\_\_\_\_

**SERIAL NO.** \_\_\_\_\_

• • • • •

### **DÉPANNAGE**

Pour tout entretien ou réparation du produit, contacter le centre de réparations Homelite agréé le plus proche. Veiller à fournir toutes les informations pertinentes lors de tout appel téléphonique ou visite. Pour obtenir l'adresse du centre de réparations agréé le plus proche, téléphoner au 1-800-242-4672, ou visiter notre site [www.homelite.com](http://www.homelite.com).

### **PIÈCES DE RECHANGE**

Le numéro de modèle se trouve sur une plaquette ou étiquette placée sur le bâti. Noter le numéro de série dans l'espace ci-dessous.

**NUMÉRO DE MODÈLE** \_\_\_\_\_

**NUMÉRO DE SÉRIE** \_\_\_\_\_

• • • • •

### **SERVICIO**

Para obtener piezas o servicio, comuníquese con el centro de servicio autorizado de Homelite más cercano. Asegúrese de proporcionar todos los datos pertinentes al llamar o al presentarse personalmente. Para obtener información sobre el establecimiento de servicio autorizado más cercano a usted, le suplicamos llamar al 1-800-242-4672 o visitar nuestro sitio en la red mundial, en la dirección [www.homelite.com](http://www.homelite.com).

### **PIEZAS DE REPUESTO**

El número de modelo de este producto se encuentra en una placa o etiqueta pegada a la caja del motor. Le recomendamos anotar el número de serie en el espacio suministrado abajo.

**NÚMERO DE MODELO** \_\_\_\_\_

**NÚMERO DE SERIE** \_\_\_\_\_

## **HOMELITE CONSUMER PRODUCTS, INC.**

1428 Pearman Dairy Road, Anderson, SC 29625  
1-800-242-4672 • [www.homelite.com](http://www.homelite.com)