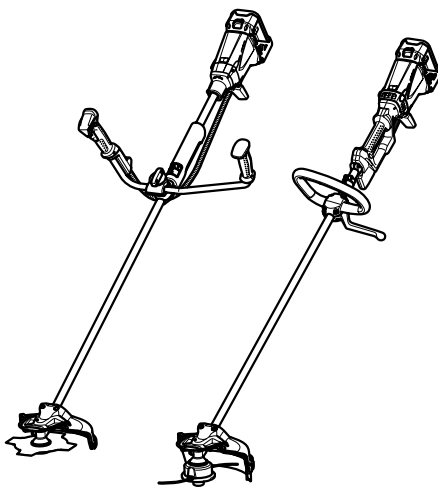


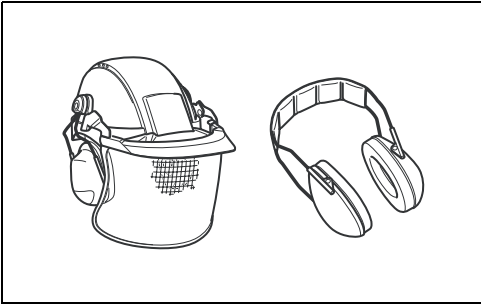
# DOLMAR



<b>GB</b>	<b>Cordless Brushcutter/ Cordless String Trimmer</b>	<b>Instruction manual</b>
<b>F</b>	<b>Débroussailleuse sans-fil/ Coupe herbe sans-fil</b>	<b>Manuel d'instructions</b>
<b>D</b>	<b>Akku-Freischneider/ Akku-Rasentrimmer</b>	<b>Betriebsanleitung</b>
<b>I</b>	<b>Decespugliatore a batteria/ Tagliabordi a batteria</b>	<b>Istruzioni per l'uso</b>
<b>NL</b>	<b>Accubosmaaier/ Accugraskantmaaier</b>	<b>Gebruiksaanwijzing</b>
<b>E</b>	<b>Desbrozadora inalámbrica</b>	<b>Manual de instrucciones</b>
<b>P</b>	<b>Roçadeira a bateria/ Aparador de grama a bateria</b>	<b>Manual de instruções</b>
<b>DK</b>	<b>Batteridrevet buskrydder/ Batteridrevet græstrimmer</b>	<b>Brugsanvisning</b>
<b>GR</b>	<b>Θαμνοκοπτικό μπαταρίας/ Θαμνοκοπτικό μπαταρίας με μεσηνέζα</b>	<b>Οδηγίες χρήσης</b>

**AT-3623**  
**AT-3630**

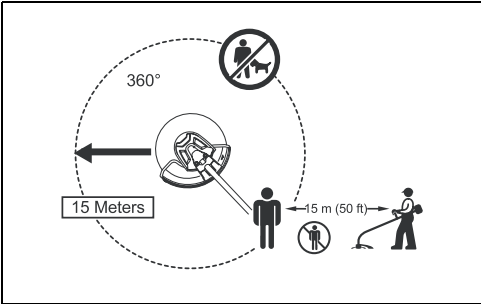




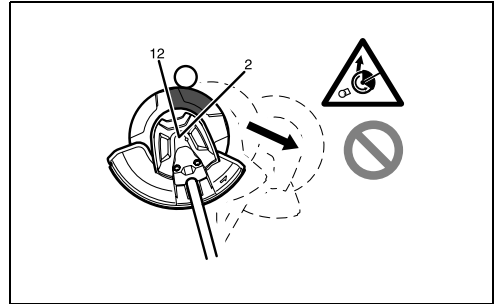
1



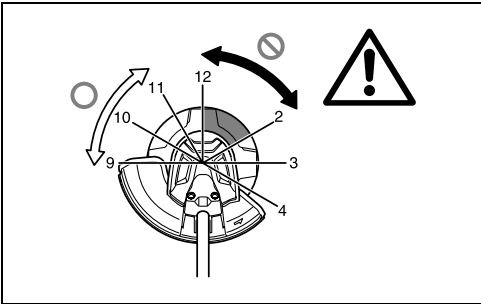
2



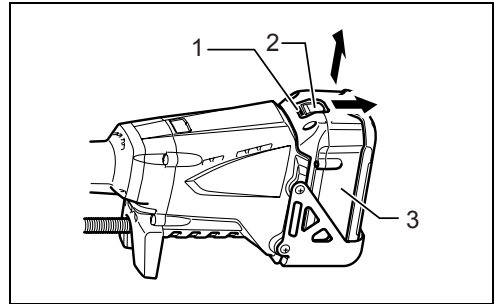
3



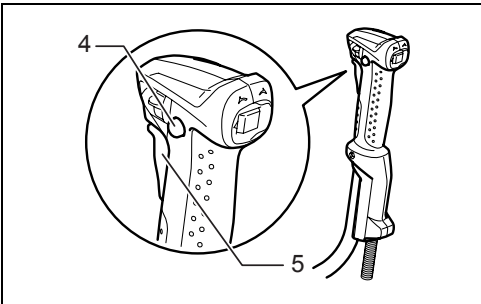
4



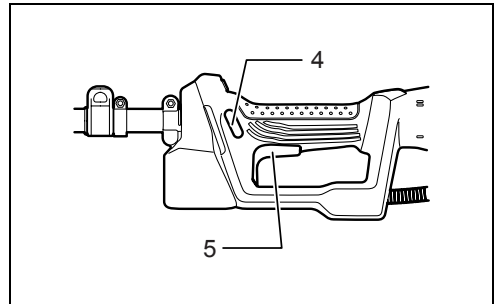
5



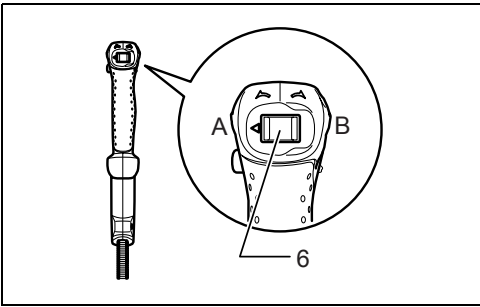
6



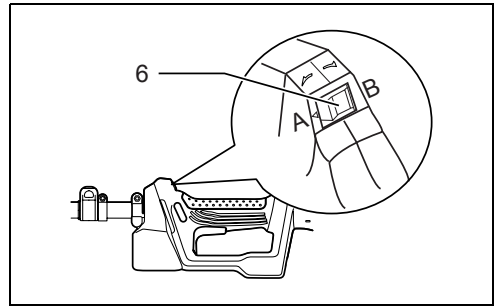
7



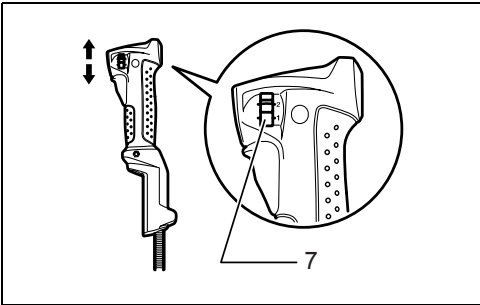
8



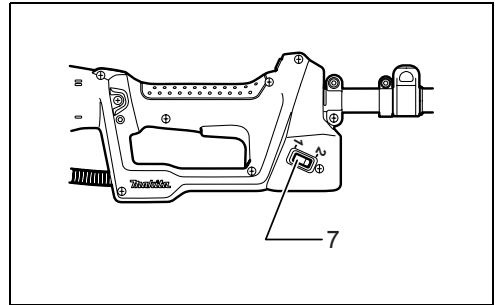
9



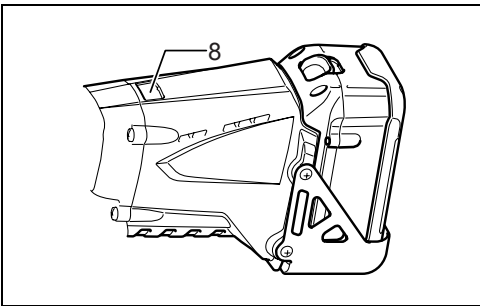
10



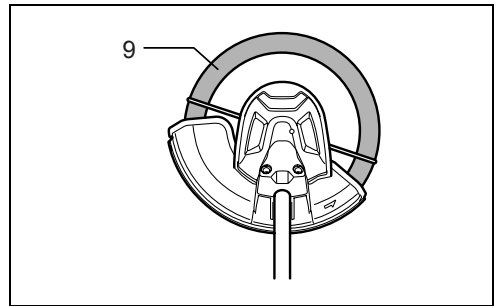
11



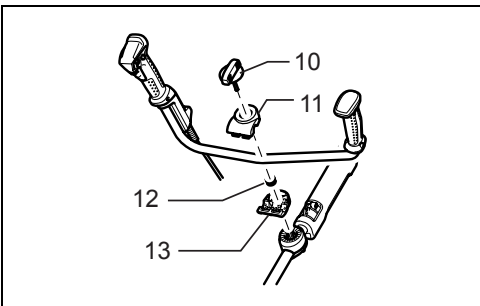
12



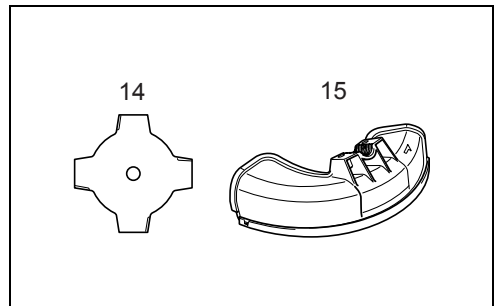
13



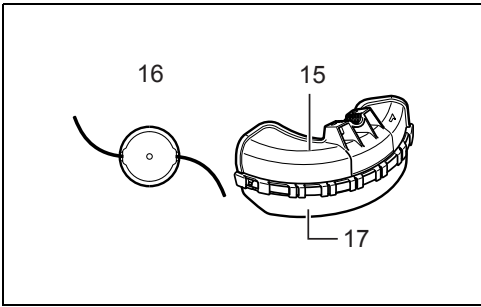
14



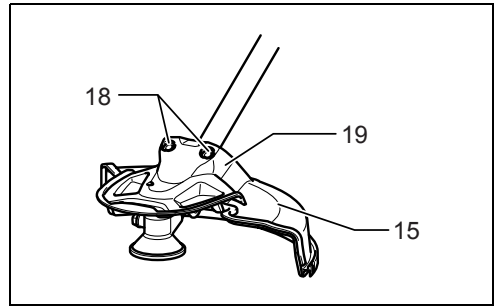
15



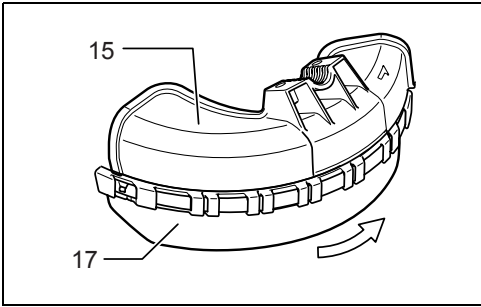
16



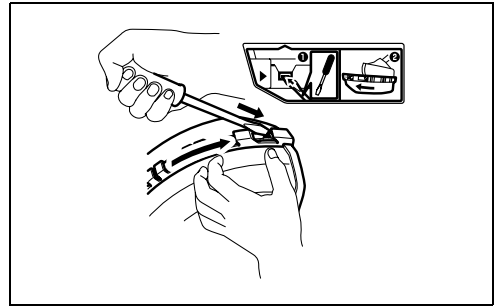
17



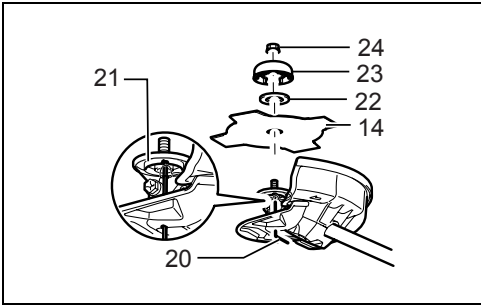
18



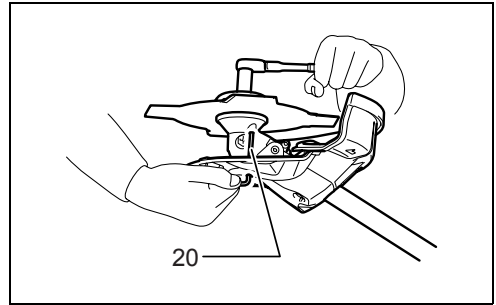
19



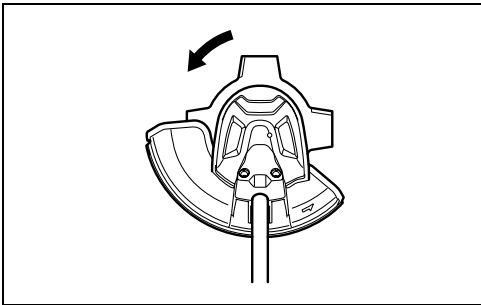
20



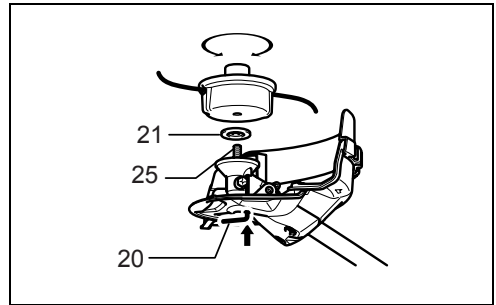
21



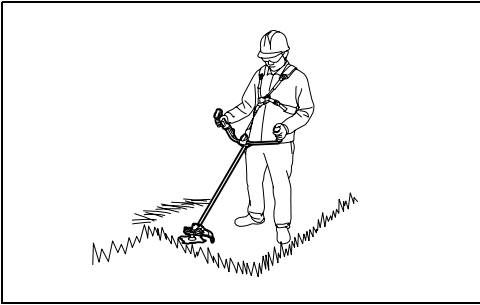
22



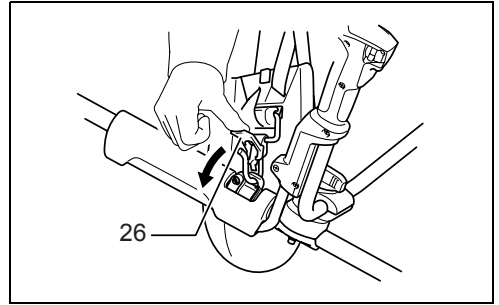
23



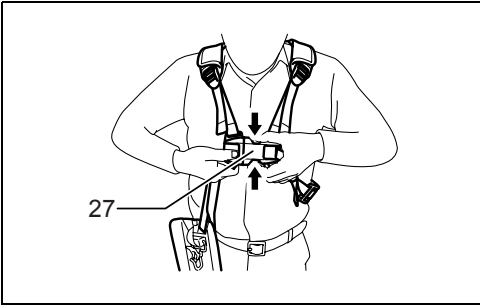
24



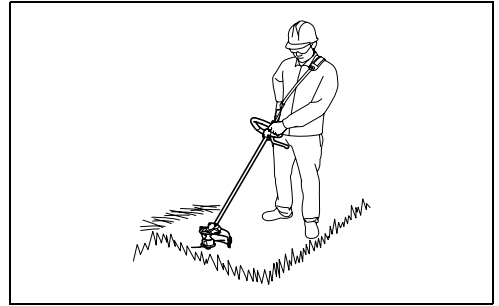
25



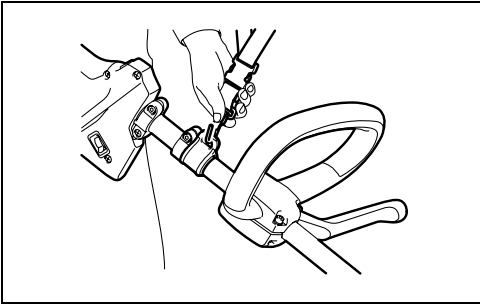
26



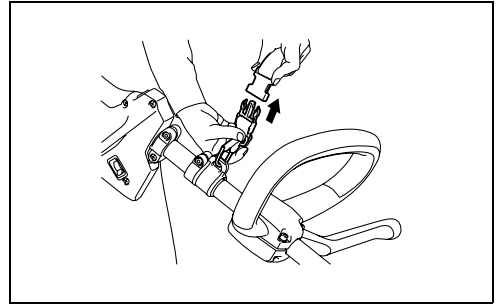
27



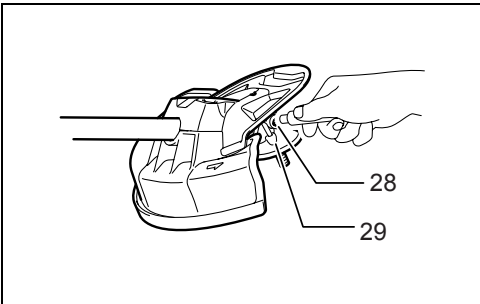
28



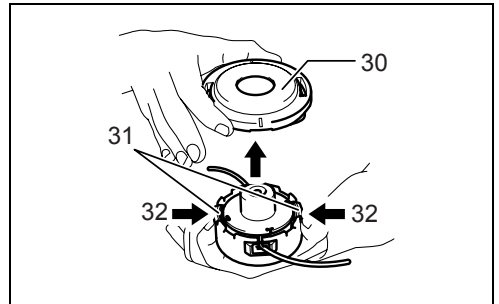
29



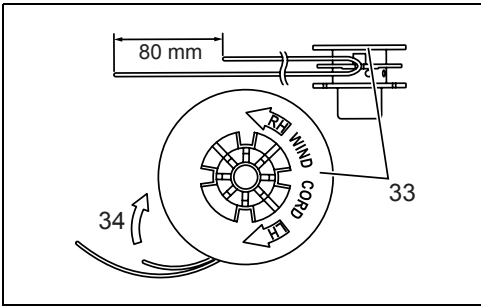
30



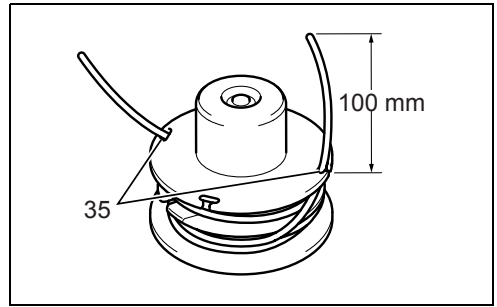
31



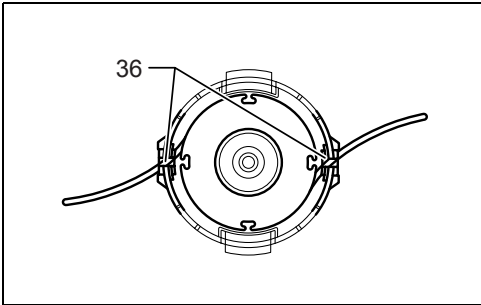
32



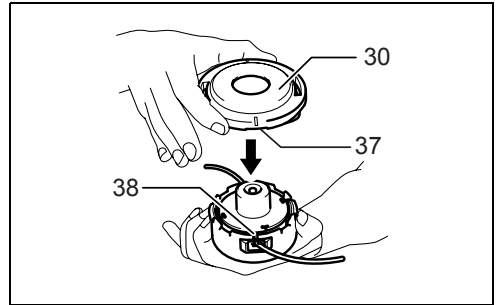
**33**



**34**



**35**



**36**

## ENGLISH (Original instructions)

### Explanation of general view

- |                                |                        |                            |
|--------------------------------|------------------------|----------------------------|
| 1. Red part                    | 14. Cutter blade       | 27. Buckle                 |
| 2. Slide button                | 15. Guard              | 28. Gear case              |
| 3. Battery cartridge           | 16. Nylon cutting head | 29. Grease hole            |
| 4. Lock-off button             | 17. Guard extension    | 30. Cover                  |
| 5. Switch trigger              | 18. Two bolts          | 31. Latches                |
| 6. Reversing switch            | 19. Protector cover    | 32. Press                  |
| 7. Speed change switch lever   | 20. Hex wrench         | 33. Spool                  |
| 8. Indication lamp             | 21. Receive washer     | 34. For left hand rotation |
| 9. Most effective cutting area | 22. Clamp washer       | 35. Notches                |
| 10. Knob                       | 23. Cup                | 36. Eyelets                |
| 11. Handle clamp               | 24. Hex nut            | 37. Protrusion (Not shown) |
| 12. Compression spring         | 25. Threaded spindle   | 38. Slot of the eyelet     |
| 13. Handle holder              | 26. Lever              |                            |

## SPECIFICATIONS




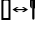






Model		AT-3623	AT-3630
Type of handle		Bike handle	Loop handle
No load speed	High	0 - 7,300 min <sup>-1</sup>	0 - 6,600 min <sup>-1</sup>
	Low	0 - 5,300 min <sup>-1</sup>	0 - 4,900 min <sup>-1</sup>
Overall length		1,880 mm	1,850 mm
Cutting blade diameter		230 mm	-
Cutting diameter with nylon cutting head		-	300 mm
Net weight		7.1 kg	5.9 kg
Rated voltage		D.C. 36 V	


- Due to our continuing programme of research and development, the specifications herein are subject to change without notice.
- Specifications and battery cartridge may differ from country to country.
- Weight, with battery cartridge, according to EPTA-Procedure 01/2003


### Symbols


END008-1

The following show the symbols used for the equipment. Be sure that you understand their meaning before use.

-  ..... Take particular care and attention.
-  ..... Read instruction manual.
-  ..... Danger; be aware of thrown objects.
-  ..... The distance between the tool and bystanders must be at least 15 m.
-  ..... Keep bystanders away.
-  ..... Keep distance at least 15 m.
-  ..... Avoid kickback.
-  ..... Wear a helmet, goggles and ear protection.
-  ..... Wear protective gloves.
-  ..... Wear sturdy boots with nonslip soles. Steelted safety boots are recommended.

 ..... Do not expose to moisture.

 ..... Top permissible tool speed.

 Cd Ni-MH Li-Ion ..... Only for EU countries  
Do not dispose of electric equipment or battery pack together with household waste material!  
In observance of European Directive 2002/96/EC on waste electric and electronic equipment, 2006/66/EC on batteries and accumulators and waste batteries and accumulators and their implementation in accordance with national laws, electric equipment and battery pack that have reached the end of their life must be collected separately and returned to an environmentally compatible recycling facility.


### Intended use

ENE074-1

The equipment is intended for cutting grass, weeds, bushes and undergrowth.

## SAFETY INSTRUCTIONS

GEB068-1

 **WARNING! Read all safety warnings and all instructions.** Failure to follow the warnings and

instructions may result in electric shock, fire and/or serious injury.

## Save all warnings and instructions for future reference.

### General instructions

1. To ensure correct operation, user has to read this instruction manual to make himself familiar with the handling of the equipment. Users insufficiently informed will risk danger to themselves as well as others due to improper handling.
2. It is recommended only to lend the equipment to people who have proven to be experienced with brushcutters/string trimmers. Always hand over this instruction manual.
3. First users should ask the dealer for basic instructions to familiarize oneself with the handling of brushcutters/string trimmers.
4. Never allow people unfamiliar with these instructions, people (including children) with reduced physical, sensory or mental capabilities, or lack of experience and knowledge to use the equipment. Local regulations can restrict the age of the operator.
5. Use the equipment with the utmost care and attention.
6. Operate the equipment only if you are in good physical condition. Perform all work calmly and carefully. Use common sense and keep in mind that the operator or user is responsible for accidents or hazards occurring to other people or their property.
7. Never use the equipment after consumption of alcohol or drugs, or if feeling tired or ill.
8. The motor is to be switched off immediately in case that the equipment shows any problem or abnormal sign.
9. Switch off and remove the battery cartridge when resting and when leaving the equipment unattended, and place it in a safe location to prevent danger to others or damage to the equipment.
10. Don't force the equipment, it will do the job better and with less likelihood of a risk of injury at the rate for which it was designed.
11. Don't overreach. Keep proper footing and balance at all times.

### Intended use of the equipment

1. Use right equipment. The cordless brushcutter/string trimmer is only intended for cutting grass, weeds, bushes and undergrowth. It should not be used for any other purpose such as edging or hedge cutting as this may cause injury.

### Personal protective equipment

1. Dress Properly. The clothing worn should be functional and appropriate, i.e. it should be tight-fitting but not cause hindrance. Do not wear either jewelry or clothing which could become entangled with bushes or shrubs. Wear protective hair covering to contain long hair.
2. In order to avoid either head, eye, hand or foot injuries as well as to protect your hearing the following protective equipment and protective clothing must be used during operation of the equipment. **(Fig. 1)**

3. Always wear a helmet where there is a risk of falling objects. The protective helmet is to be checked at regular intervals for damage and is to be replaced at the latest after 5 years. Use only approved protective helmets.
4. The visor of the helmet (or alternatively goggles) protects the face from flying debris and stones. During operation of the equipment always wear goggles, or a visor to prevent eye injuries.
5. Wear adequate noise protection equipment to avoid hearing impairment (ear muffs, ear plugs etc.). **(Fig. 2)**
6. The work overalls protect against flying stones and debris. It is strongly recommended that the user wears work overalls.
7. Special gloves made of thick leather are part of the prescribed equipment and must always be worn during operation of the equipment.
8. When using the equipment, always wear sturdy shoes with a nonslip sole. This protects against injuries and ensures a good footing.

### Electrical and battery safety

1. Avoid dangerous environment. Don't use the equipment in damp or wet locations or expose it to rain. Water entering an equipment will increase the risk of electric shock.
2. Recharge only with the charger specified by the manufacturer. A charger that is suitable for one type of battery pack may create a risk of fire when used with another battery pack.
3. Use power tools only with specifically designated battery packs. Use of any other battery packs may create a risk of injury and fire.
4. When battery pack is not in use, keep it away from other metal objects, like paper clips, coins, keys, nails, screws or other small metal objects, that can make a connection from one terminal to another. Shorting the battery terminals together may cause burns or a fire.
5. Under abusive conditions, liquid may be ejected from the battery; avoid contact. If contact accidentally occurs, flush with water. If liquid contacts eyes, additionally seek medical help. Liquid ejected from the battery may cause irritation or burns.
6. Do not dispose of the battery(ies) in a fire. The cell may explode. Check with local codes for possible special disposal instructions.
7. Do not open or mutilate the battery(ies). Released electrolyte is corrosive and may cause damage to the eyes or skin. It may be toxic if swallowed.

### Starting up the equipment (Fig. 3)

1. Make sure that there are no children or other people within a working range of 15 meters (50 ft), also pay attention to any animals in the working vicinity. Otherwise stop using the equipment.
2. Before use always check that the equipment is safe for operation. Check the security of the cutting tool and the guard and the switch trigger/lever for easy and proper action. Check for clean and dry handles and test the function of the start/stop.
3. Check damaged parts before further use of the equipment. A guard or other part that is damaged should be carefully checked to determine that it will operate properly and perform its intended function.



Check for alignment of moving parts, binding of moving parts, breakage of parts, mounting, and any other condition that may affect its operation. A guard or other part that is damaged should be properly repaired or replaced by our authorized service center unless indicated elsewhere in this manual.

4. Switch on the motor only when the hands and feet are away from the cutting tool.
5. Before starting make sure that the cutting tool has no contact with hard objects such as branches, stones etc. as the cutting tool will revolve when starting.

## Method of operation

1. Only use the equipment in good light and visibility. During the winter season beware of slippery or wet areas, ice and snow (risk of slipping). Always ensure a safe footing.
2. Take care against injury to feet and hands from the cutting tool.
3. Never cut above waist height.
4. Never stand on a ladder and run the equipment.
5. Never climb up into trees to perform cutting operation with the equipment.
6. Never work on unstable surfaces.
7. Remove sand, stones, nails etc. found within the working range. Foreign particles may damage the cutting tool and can cause dangerous kick-backs.
8. Should the cutting tool hit stones or other hard objects, immediately switch off the motor and inspect the cutting tool.
9. Inspect the cutting tool at short regular intervals for damage (detection of hairline cracks by means of tapping-noise test).
10. Before commencing cutting, the cutting tool must have reached full working speed.
11. Operate the equipment only with the shoulder harness attached which is to be suitably adjusted before putting the equipment into operation. It is essential to adjust the shoulder harness according to the user size to prevent fatigue occurring during use.
12. During operation always hold the equipment with both hands. Never hold the equipment with one hand during use. Always ensure a safe footing.
13. The cutting tool has to be equipped with the appropriate guard. Never run the equipment with damaged guards or without guards in place!
14. All protective installations and guards supplied with the equipment must be used during operation.
15. Never use the equipment striking or bumping the weeds or similar to cut away them.
16. Except in case of emergency, never drop or cast the equipment to the ground or this may severely damage the equipment.
17. Remember to lift the entire equipment from the ground when moving the equipment.
18. Always remove the battery cartridge from the equipment:
  - whenever leaving the equipment unattended;
  - before clearing a blockage;
  - before checking, cleaning or working on the equipment;
  - after striking a foreign object;
  - whenever the equipment starts vibrating abnormally.

19. Always ensure that the ventilation openings are kept clear of debris.

## Kickback (blade thrust)

1. When operating the equipment, uncontrolled kickback (blade thrust) may occur. (Fig. 4)
2. This is particularly the case when attempting to cut within a blade segment between 12 and 2 o'clock.
3. Never apply the equipment within a segment between 12 and 2 o'clock.
4. Never apply this segment of the cutter blade to solids, such as bushes and trees, etc., having a diameter in excess of 3 cm or the cutter blade will be deflected at great force with the risk of injuries.

## Kickback prevention

**To avoid kickbacks, observe the following:**

1. Operation within a blade segment between 12 and 2 o'clock presents positive hazards, especially when using metal cutting tools. (Fig. 5)
2. Cutting operations within a blade segment between 11 and 12 o'clock, and between 2 and 5 o'clock, must only be performed by trained and experienced operators, and then only at their own risk.
3. Easy cutting with almost no kickback is possible within a blade segment between 9 and 11 o'clock.

## Cutting Tools

1. Employ only the correct cutting tool for the job in hand.
2. To cut thick materials, such as weed, high grass, bushes, shrubs, underwood, thicket etc. (max. 2 cm dia. thickness), perform the cutting work by swinging the equipment evenly in half-circles from right to left (similar to using a scythe).

## Maintenance instructions

1. The condition of the equipment, in particular of the cutting tool of the protective devices and also of the shoulder harness must be checked before commencing work.
2. Particular attention is to be paid to the cutting blades which must be correctly sharpened.
3. Turn off the motor and remove the battery cartridge before carrying out maintenance, replacing/ sharpening cutting tools or cleaning the equipment or cutting tool.
4. Check loose fasteners and damaged parts such as cracks in the cutting attachment.
5. Follow instructions for lubricating and changing accessories.
6. When not in use, store the equipment indoors in dry and high or locked-up place - out of the reach of children. Clean and maintain before storage.
7. Use only the manufacturer's recommended replacement parts and accessories.
8. Inspect and maintain the equipment regularly, especially before/after use. Have the equipment repaired only by our authorized service center.
9. Keep handles dry, clean and free from oil and grease.

## SAVE THESE INSTRUCTIONS.

**⚠ WARNING:**

**DO NOT** let comfort or familiarity with product (gained from repeated use) replace strict adherence to safety rules for the subject product. **MISUSE** or failure to follow the safety rules stated in this instruction manual may cause serious personal injury.

## **IMPORTANT SAFETY INSTRUCTIONS**

ENC007-4

### **FOR BATTERY CARTRIDGE**

1. Before using battery cartridge, read all instructions and cautionary markings on (1) battery charger, (2) battery, and (3) product using battery.
2. Do not disassemble battery cartridge.
3. If operating time has become excessively shorter, stop operating immediately. It may result in a risk of overheating, possible burns and even an explosion.
4. If electrolyte gets into your eyes, rinse them out with clear water and seek medical attention right away. It may result in loss of your eyesight.
5. Do not short the battery cartridge:
  - (1) Do not touch the terminals with any conductive material.
  - (2) Avoid storing battery cartridge in a container with other metal objects such as nails, coins, etc.
  - (3) Do not expose battery cartridge to water or rain.

A battery short can cause a large current flow, overheating, possible burns and even a breakdown.
6. Do not store the tool and battery cartridge in locations where the temperature may reach or exceed 50°C (122°F).
7. Do not incinerate the battery cartridge even if it is severely damaged or is completely worn out. The battery cartridge can explode in a fire.
8. Be careful not to drop or strike battery.
9. Do not use dropped or struck battery.

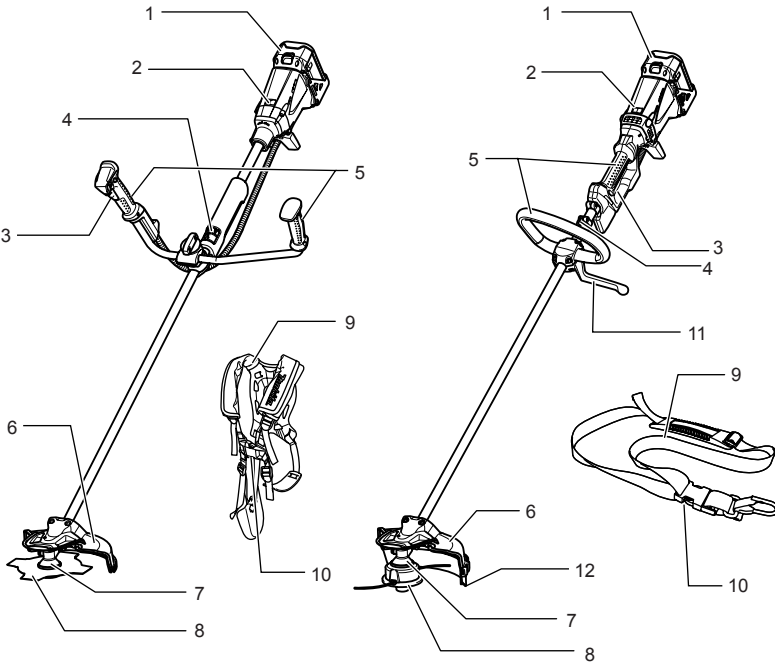
### **SAVE THESE INSTRUCTIONS.**

#### **Tips for maintaining maximum battery life**

1. Charge the battery cartridge before completely discharged.

Always stop tool operation and charge the battery cartridge when you notice less tool power.
2. Never recharge a fully charged battery cartridge. Overcharging shortens the battery service life.
3. Charge the battery cartridge with room temperature at 10°C - 40°C (50°F - 104°F). Let a hot battery cartridge cool down before charging it.

# PARTS DESCRIPTIONS



1	Battery cartridge	7	Gear case
2	Indication lamp	8	Cutting tool
3	Switch trigger	9	Shoulder harness
4	Hanger (suspension point)	10	Buckle
5	Grip	11	Barrier
6	Cutting tool guard	12	Guard extension

## FUNCTIONAL DESCRIPTION

### ⚠ CAUTION:

- Always be sure that the equipment is switched off and the battery cartridge is removed before adjusting or checking function on the equipment.

### Installing or removing battery cartridge (Fig. 6)

- Always switch off the equipment before insertion or removal of the battery cartridge.
- To remove the battery cartridge, withdraw it from the equipment while sliding the button on the front of the cartridge.
- To insert the battery cartridge, align the tongue on the battery cartridge with the groove in the housing and slip it into place. Always insert it all the way until it locks in place with a little click. If you can see the red part on the upper side of the button, it is not locked completely. Insert it fully until the red part cannot be seen. If not, it may accidentally fall out of the equipment, causing injury to you or someone around you.

- Do not use force when inserting the battery cartridge. If the cartridge does not slide in easily, it is not being inserted correctly.

### Power switch action

#### ⚠ CAUTION:

- Before inserting the battery cartridge into the equipment, always check to see that the switch trigger actuates properly and returns to the "OFF" position when released. (Fig. 7 & 8)

To prevent the switch trigger from being accidentally pulled, a lock-off button is provided.

To start the equipment, depress the lock-off button and pull the switch trigger. The tool speed is increased by increasing pressure on the switch trigger. Release the switch trigger to stop.

### Reversing switch action

#### ⚠ WARNING:

- Always be sure that the equipment is switched off and the battery cartridge is removed before removing the weeds or similar entangled in the cutting tool that

cannot be removed in spite of using the reversing switch.

**⚠ CAUTION:**

- Always check the direction of rotation before operation.
- Use the reversing switch only after the equipment comes to a complete stop. Changing the direction of rotation before the equipment stops may damage it.

(Fig. 9 & 10)

This equipment has a reversing switch to change the direction of rotation to remove weeds entangled on the cutting tool. Depress the reversing switch lever from the A side for counterclockwise (normal) rotation or from the B side for clockwise (reverse) rotation.

In the reversing mode, the equipment automatically stops in a short time after turned on.

**Speed change (Fig. 11 & 12)**

Two speed ranges can be preselected with the speed change switch.



To change the speed range, turn the speed change switch lever so that it points toward "1" for low speed or "2" for high speed.

**Battery/motor protection system**

The battery cartridge and machine are equipped with protection systems, which automatically reduces or cuts off the output power for their long service life.

Under overloaded situation, the protector drops the revolution to protect the motor. In this case, the following two indication lamps do not light up or blink.

The other functions can be recognized by two indication lamps as follows when working. (Fig. 13)

		Status	Action to be taken
-	Blinking	Battery power has been nearly used up.	Replace the battery with fully charged one.
-	Lighting On	Battery protector is shutting off the power - battery power has been used up.	Replace the battery with fully charged one.
Blinking	-	Overload protector is shutting off the power - the motor was locked.	Release the switch trigger and remove the cause of the motor lock or overload. If the cutting tool is locked by entangling weeds or the like, always remove the battery cartridge before clearing it.
Lighting On	-	Overheat protector is shutting off the power - overheating.	Rest the equipment for a while.
Blinking	Blinking	Electric or electronic malfunction	Ask your local authorized service center for repairs.

**Nylon cutting head (optional accessory for machines equipped with cutter blade)**

**⚠ CAUTION:**

- Do not bump the head when it rotates greater than 4,500 min<sup>-1</sup> or it is stopped. (Fig. 14)

The nylon cutting head is a dual string trimmer head with bump & feed mechanisms.

Bump the nylon cutting head against the ground to feed out extra cord during driving the equipment. The cord will be automatically cut to the appropriate length by the cutter on the guard extension.

**NOTE:**

If the nylon cord does not feed out with bump, rewind/replace the nylon cord by following the procedures described under "Maintenance".

**ASSEMBLY**

**⚠ CAUTION:**

- Always be sure that the equipment is switched off and the battery cartridge is removed before carrying out any work on the equipment.
- Start the equipment only after having assembled it completely.

**Installing the handle (for bike handle type model only) (Fig. 15)**

Loosen knob.

Place handle between handle clamp and handle holder. Adjust the handle to an angle that provides a comfortable working position and then secure by firmly hand-tightening knob.

**Installing the guard (Fig. 16 & 17)**

**⚠ WARNING:**

- Only the cutting tool/guard combinations as indicated below must be used. Failure to do so can cause serious injury. Never use the equipment without the guard.
- The outside diameter of the cutter blade must be 230 mm. Never use any blade exceeding 230 mm in outside diameter.

**In use of the metal blade (Fig. 18)**

Fix the guard to the clamp with two bolts as shown.

Tighten the right and left bolts evenly.

**In use of the nylon cutting head**

**⚠ CAUTION:**

- Take care not to injure yourself on the cutter for cutting the nylon cord on the inside of the guard extension.
- Be sure to push in the guard extension until it is fully inserted. (Fig. 19)

Fix the guard to the clamp with two bolts as shown.

Tighten the right and left bolts evenly.

Mount the guard extension by sliding it into place from the flank of the guard as shown.

## NOTE:

- Remove tape adhered to cutter, which cuts nylon cord, on guard extension at the first use. (Fig. 20)

To remove the guard extension, apply a flat-blade screwdriver into the notch on the guard, push it in and meanwhile slide the guard extension.

## Installing the cutter blade

### CAUTION:

- Be sure to use genuine Dolmar cutter blade.
- The cutter blade must be well polished, free of cracks or breakage. If the cutter blade hits against a stone during operation, stop the motor and check the blade immediately.
- Polish or replace the cutter blade every three hours of operation.
- Always wear gloves when handling the cutter blade.
- Always attach the blade cover when the machine is not in use or is being transported.
- The cutter blade-fastening nut (with spring washer) is a consumable part. If there appears any wear or deformation on the spring washer, replace the nut. Ask your local authorized service center to order it.

Turn the machine upside down so that you can replace the cutter blade easily. (Fig. 21)

To dismount the cutter blade, insert the hex wrench through the hole on the protector cover and gear case. Rotate the receive washer until it is locked with the hex wrench. Loosen the hex nut (left-hand thread) with the socket wrench and remove the nut, cup, clamp washer and hex wrench. (Fig. 22)

Mount the cutter blade onto the shaft so that the guide of the receive washer fits in the arbor hole in the cutter blade. Install the clamp washer, cup, and secure the cutter blade with the hex nut with 13 to 23 Nm of tightening torque during holding the receive washer with hex wrench. (Fig. 23)

Make sure that the blade is the left way up.

## Installing of nylon cutting head

### CAUTION:

- Always mount not only guard but also guard extension when using nylon cutting head.
- Be sure to use genuine Dolmar nylon cutting head.
- If the nylon cutting head hits against a stone during operation, stop the motor and check the nylon cutting head immediately.

Turn the machine upside down so that you can replace the nylon cutting head easily. (Fig. 24)

Insert the hex wrench through the hole on the protector cover and the gear case and rotate the receive washer until it is locked with the hex wrench. Mount the nylon cutting head onto the threaded spindle directly and tighten it by turning it counterclockwise. Remove the hex wrench. To dismount the nylon cutting head, turn the nylon cutting head clockwise during holding the receive washer with hex wrench.

# OPERATION

## Correct handling of machine (with bike type handle)

### Correct posture

#### WARNING:

- Always position the equipment on your right-hand side so that the shaft of the left handle is always ahead of you. The correct posture reduces the risk of injury caused by kickback. (Fig. 25)

Fit the shoulder harness as shown and hang the machine firmly on your right side so that the shaft of the left handle is always ahead of you.

### Attachment of shoulder harness (Fig. 26)

Wear the shoulder harness on your back and buckle it up until a click is heard. Make sure that it cannot be taken off with pulling it off. Hang the machine as shown.

Adjust the strap length so that the cutter blade will be kept parallel with the ground at the level of 10 to 30 cm above the ground.

### Detachment (Fig. 27)

In case of emergency, press the lever of the buckle strongly to take off the harness and the machine.

#### WARNING:

- **Be extremely careful to maintain control of the machine at this time. Do not allow the machine to be deflected toward you or anyone in the work vicinity.** Failure to do so could result in serious injury.

## Correct handling of machine (with loop type handle)

### Correct posture

#### WARNING:

- Always position the equipment on your right-hand side so that the shaft of the barrier is always ahead of you. The correct posture reduces the risk of injury caused by kickback. (Fig. 28)

Fit the shoulder harness as shown and hang the machine firmly on your right side so that the barrier is always ahead of you.

### Attachment of shoulder harness (Fig. 29)

Hang the shoulder harness on your left shoulder with putting your head and right arm through it. Buckle it to the hook unit until a click is heard. Make sure that it cannot be taken off with pulling it off. Hang the machine as shown. Adjust the strap length so that the cutter blade will be kept parallel with the ground at the level of 10 to 30 cm above the ground.

### Detachment (Fig. 30)

In case of emergency, press the emergency detachment lever strongly.

#### WARNING:

- **Be extremely careful to maintain control of the machine at this time. Do not allow the machine to be deflected toward you or anyone in the work vicinity.** Failure to do so could result in serious injury.

# MAINTENANCE

## CAUTION:

- Always be sure that the equipment is switched off and the battery cartridge is removed before attempting to perform inspection or maintenance.
- Never use gasoline, benzine, thinner, alcohol or the like. Discoloration, deformation or cracks may result.

## Supply of grease to gear case (Fig. 31)

Supply grease (Shell Alvania 2 or equivalent) to the gear case through the grease hole every 30 hours. (Genuine Dolmar grease may be purchased from your Dolmar dealer.)

## Replacing the nylon cord

### WARNING:

- Release the switch trigger and remove the battery pack before replacing nylon cord.
- Make sure that the cover of the nylon cutting head is secured to the housing properly as described below. Failure to do so may make it fly apart and cause serious injury. (Fig. 32)

Press on the housing latches inward to lift off the cover, then take the spool out and remove the remaining nylon cord on it. (Fig. 33)

Hook the center of new nylon cord into the notch in the center of the spool, with one end of the cord extending about 80 mm more than the other.

Then wind both ends firmly around the spool in the direction of the head rotation (left-hand direction indicated by LH and right-hand direction by RH on the side of the spool). (Fig. 34)

Wind all but about 100 mm (3-15/16") of the cords, leaving the ends temporarily hooked through a notch on the side of the spool. (Fig. 35)

Mount the spool in the housing so that the grooves and protrusions on the spool match up with those in the housing. Keep the side with letters on the spool visible on the top. Now, unhook the ends of the cord from their temporary position and feed the cords through the eyelets to come out of the housing. (Fig. 36)

Align the protrusion on the underside of the cover with the slots of the eyelets. Then push cover firmly onto the housing to secure it. Make sure the latches fully spread in the cover.

To maintain product SAFETY and RELIABILITY, repairs, any other maintenance or adjustment should be performed by Dolmar Authorized Service Centers, always using Dolmar replacement parts.

# TROUBLE SHOOTING

Before asking for repairs, conduct your own inspection first. If you find a problem that is not explained in the

manual, do not rashly dismantle the equipment. Instead, ask Dolmar Authorized Service Centers, always using Dolmar replacement parts for repairs.

Malfunction status	Cause	Action
Motor does not run.	Battery cartridge is not installed.	Install the battery cartridge.
	Battery problem (under voltage)	Recharge the battery. If recharging is not effective, replace battery.
	The drive system does not work correctly.	Ask your local authorized service center for repair.
Motor stops in a while after start.	Rotation is reverse.	Change the direction of rotation with the reversing switch.
	Battery is nearly flat.	Recharge the battery. If recharging is not effective, replace battery.
	Overheating.	Rest the equipment for a while.
Revolution does not achieve the appropriate speed.	Battery is installed improperly.	Install the battery cartridge as described in this manual.
	Battery power is dropping.	Recharge the battery. If recharging is not effective, replace battery.
	The drive system does not work correctly.	Ask your local authorized service center for repair.
Cutting tool does not rotate: Stop the machine immediately!	Foreign object such as a branch is jamming between the guard and the cutting tool.	Remove the foreign object.
	Cutter blade fastening nut is loose.	Tighten the nut properly as described in this manual.
	The cutter blade is bended.	Replace the cutter blade.
	The drive system does not work correctly.	Ask your local authorized service center for repair.
Abnormal vibration: Stop the machine immediately!	One end of the nylon cord has been broken.	Bump the nylon cutting head against the ground during driving the equipment to feed the cord.
	The cutter blade is bended, cracked or worn.	Replace the cutter blade.
	Cutter blade fastening nut is loose.	Tighten the nut properly as described in this manual.
	Cutter blade is fastened improperly.	
	The drive system does not work correctly.	Ask your local authorized service center for repair.
Cutting tool and motor cannot stop: Remove the battery immediately!	Electric or electronic malfunction.	Remove the battery and ask your local authorized service center for repair.

## ACCESSORIES

### CAUTION:

- These accessories or attachments are recommended for use with your Dolmar equipment specified in this manual. The use of any other accessories or attachments might present a risk of injury to persons. Only use accessory or attachment for its stated purpose.

If you need any assistance for more details regarding these accessories, ask your local Dolmar Service Center.

- Cutter blade
- Nylon cutting head
- Pole hedge trimmer attachment
- Pole saw attachment
- Cultivator attachment
- Dolmar genuine battery and charger

### For Model AT-3623

#### Noise

ENG104-2

The typical A-weighted noise level determined according to ISO22868:

Sound pressure level ( $L_{pA}$ ): 79.7 dB (A)

Uncertainty (K): 2.5 dB (A)

The noise level under working may exceed 80 dB (A).

**Wear ear protection.**

#### Vibration

ENG244-1

The vibration emission value determined according to ISO22867, EN786:

Vibration emission ( $a_{r1}$ ): 2.5 m/s<sup>2</sup> or less

Uncertainty (K): 1.5 m/s<sup>2</sup>

**For Model AT-3630**

**Noise** ENG104-2

The typical A-weighted noise level determined according to EN786:

Sound pressure level ( $L_{pA}$ ): 79.3 dB (A)

Uncertainty (K): 2.5 dB (A)

The noise level under working may exceed 80 dB (A).

**Wear ear protection.**

**Vibration** ENG244-1

The vibration emission value determined according to EN786:

Vibration emission ( $a_h$ ): 2.5 m/s<sup>2</sup> or less

Uncertainty (K): 1.5 m/s<sup>2</sup>

**For European countries only** ENH021-5

**EC Declaration of Conformity**

**The undersigned, Tamiro Kishima and Rainer**

**Bergfeld, as authorized by Dolmar GmbH, declare that the DOLMAR machine(s):**

Designation of Machine:

Cordless Brushcutter

Model No./ Type: AT-3623

Specifications: see "SPECIFICATIONS" table.

are of series production and

**Conforms to the following European Directives:**

2000/14/EC, 2006/42/EC

And are manufactured in accordance with the following standards or standardised documents:

EN60745, ISO11806

The technical documentation is on file at:

Dolmar GmbH,

Jenfelder Straße 38, Abteilung FZ,

D-22045 Hamburg

The conformity assessment procedure required by

Directive 2000/14/EC was in Accordance with annex V.

Measured Sound Power Level: 93.6 dB

Guaranteed Sound Power Level: 95 dB

16th October 2009



Tamiro Kishima  
Managing Director



Rainer Bergfeld  
Managing Director

**For European countries only** ENH212-10

**EC Declaration of Conformity**

**The undersigned, Tamiro Kishima and Rainer**

**Bergfeld, as authorized by Dolmar GmbH, declare that the DOLMAR machine(s):**

Designation of Machine:

Cordless String Trimmer

Model No./ Type: AT-3630

Specifications: see "SPECIFICATIONS" table.

are of series production and

**Conforms to the following European Directives:**

2000/14/EC, 2006/42/EC

And are manufactured in accordance with the following standards or standardised documents:

EN60745, EN60335

The technical documentation is on file at:

Dolmar GmbH,

Jenfelder Straße 38, Abteilung FZ,

D-22045 Hamburg

The conformity assessment procedure required by

Directive 2000/14/EC was in Accordance with annex VIII.

Notified Body:

TÜV Rheinland Product Safety GmbH, Am Grauen

Stein D-51105 Köln, identification no. 0197

Measured Sound Power Level: 91.3 dB

Guaranteed Sound Power Level: 93 dB

16th October 2009



Tamiro Kishima  
Managing Director



Rainer Bergfeld  
Managing Director



# FRANÇAIS (Instructions d'origine)

## Descriptif

- |  |                              |                                  |
|--|------------------------------|----------------------------------|
| 1. Partie rouge                                      | 13. Support de poignée       | 27. Boucle                       |
| 2. Bouton à coulisse                                 | 14. Lame                     | 28. Boîtier d'engrenage          |
| 3. Batterie  | 15. Protège-lame             | 29. Orifice de graissage         |
| 4. Bouton de sécurité                                | 16. Tête à fils de nylon     | 30. Capot                        |
| 5. Gâchette  | 17. Rallonge du protège-lame | 31. Attaches                     |
| 6. Inverseur   | 18. Deux boulons             | 32. Presse                       |
| 7. Levier de l'interrupteur de changement de vitesse | 19. Couvercle de protection  | 33. Bobine                       |
| 8. Voyant  | 20. Clé hexagonale           | 34. Pour une rotation de gaucher |
| 9. Zone de coupe la plus efficace                    | 21. Rondelle de réception    | 35. Entailles                    |
| 10. Bouton   | 22. Rondelle de serrage      | 36. Œillets                      |
| 11. Dispositif de serrage de la poignée              | 23. Coupelle                 | 37. Saillie (non illustrée)      |
| 12. Ressort de compression                           | 24. Écrou hexagonal          | 38. Fente de l'œillet            |
|  | 25. Broche filetée           |                                  |
|  | 26. Levier                   |                                  |

## SPÉCIFICATIONS














Modèle		AT-3623	AT-3630
Type de poignée		Guidon de vélo	Poignée fermée
Vitesse à vide	Élevé	0 - 7 300 min <sup>-1</sup>	0 - 6 600 min <sup>-1</sup>
	Faible	0 - 5 300 min <sup>-1</sup>	0 - 4 900 min <sup>-1</sup>
Longueur totale		1 880 mm	1 850 mm
Diamètre de la lame		230 mm	-
Diamètre de coupe avec la tête à fils de nylon		-	300 mm
Poids net		7,1 kg	5,9 kg
Tension nominale		36 V C.C.	

- Étant donné l'évolution constante de notre programme de recherche et de développement, les spécifications contenues dans ce manuel sont sujettes à des modifications sans préavis.
- Les spécifications et la batterie peuvent varier d'un pays à l'autre.
- Poids, batterie incluse, selon la procédure EPTA 01/2003

### Symboles

END008-1

Les symboles utilisés pour l'appareil sont indiqués ci-dessous. Assurez-vous d'avoir bien compris leur signification avant d'utiliser l'appareil.

- |   |       |   |
|---|-------|---|
|    | ..... | Usez d'attention et de soins tous particuliers.   |
|   | ..... | Reportez-vous au manuel d'instructions.   |
|   | ..... | Danger ; faites attentions au risque de projection d'objets.  |
|   | ..... | La distance entre l'appareil et les spectateurs doit être d'au moins 15 m.  |
|   | ..... | Éloignez les spectateurs.   |
|   | ..... | Tenez-les à une distance d'au moins 15 m.   |
|   | ..... | Évitez les chocs en retour.   |
|   | ..... | Portez un casque protecteur, des lunettes de sécurité et des protections d'oreilles.                              |
|    | ..... | Portez des gants de protection.   |
|   | ..... | Portez des bottes de sécurité avec des semelles antidérapantes. Les bottes de sécurité coquées sont recommandées. |
|  | ..... | Tenez l'appareil à l'abri de l'humidité.  |
|  | ..... | Vitesse d'appareil maximale autorisée   |
|  | ..... | Uniquement pour les pays de l'Union européenne  |
- Ne jetez pas les appareils électriques et les batteries dans les ordures ménagères !  
Conformément à la directive européenne 2002/96/CE relative aux déchets d'équipements électriques ou électroniques (DEEE) et à la directive 2006/66/CE relative aux batteries, aux accumulateurs ainsi qu'aux batteries et accumulateurs usagés et à leur transposition dans la législation nationale, les appareils électriques et les batteries doivent être collectés à part et être soumis à un recyclage respectueux de l'environnement.

L'appareil est conçu pour couper l'herbe, les mauvaises herbes, les buissons et les sous-bois.

## CONSIGNES DE SÉCURITÉ GEB068-1

**⚠ AVERTISSEMENT !** Veuillez lire toutes les consignes de sécurité et les instructions. Il y a un risque de choc électrique, d'incendie et/ou de blessure grave si les consignes et les instructions ne sont pas toutes respectées.

## Conservez toutes les consignes et instructions pour référence ultérieure.

### Instructions générales

1. Pour une utilisation correcte, lisez ce mode d'emploi pour vous familiariser avec le fonctionnement de l'appareil. Sans ces informations, vous risquez de ne pas utiliser l'appareil correctement, de vous mettre en danger ou de blesser d'autres personnes.
2. Il est préférable de ne prêter la débroussailleuse ou le taille-bordures qu'à des personnes expérimentées avec l'appareil en question. Prêtez-leur systématiquement le mode d'emploi.
3. Veuillez d'abord solliciter des instructions de base auprès du vendeur, afin de vous familiariser avec le fonctionnement d'une débroussailleuse/d'un taille-bordures.
4. Ne prêtez jamais l'appareil à des personnes n'ayant pas connaissance de ces instructions, des personnes (y compris des enfants) dont les capacités physiques, sensorielles ou mentales sont réduites ou manquant d'expérience et de connaissance de ce type d'appareil. Les réglementations locales peuvent limiter l'âge de l'opérateur.
5. N'utilisez l'appareil qu'avec une précaution et une attention extrêmes.
6. Utilisez l'appareil uniquement si vous êtes en bonne condition physique. Effectuez tout le travail avec calme et prudence. Faites preuve de bon sens et gardez à l'esprit que l'opérateur ou l'utilisateur est responsable des accidents ou blessures arrivant à d'autres personnes ou à leurs biens.
7. N'utilisez jamais l'appareil sous l'emprise de l'alcool ou de drogues ou si vous vous sentez fatigué ou malade.
8. Éteignez immédiatement le moteur si vous constatez un problème ou une anomalie avec l'appareil.
9. Lorsque vous rangez l'appareil et que vous le laissez sans surveillance, mettez-le hors tension, retirez la batterie et placez-le en lieu sûr pour protéger les autres et éviter que l'appareil ne s'abîme.
10. N'utilisez pas l'appareil au-dessus des capacités pour lesquels il a été conçu : cela pourrait nuire à la qualité du travail et provoquer un risque de blessures.
11. Ne vous dépassez pas. Assurez-vous d'une bonne prise au sol et d'une bonne position d'équilibre en tout temps.

## Utilisation prévue de l'appareil

1. Utilisez le bon appareil. La débroussailleuse et le taille-bordures sans fil doivent être utilisés exclusivement pour couper l'herbe, les mauvaises herbes, les buissons et les sous-bois. Ils ne sont pas conçus pour toute autre utilisation, telle que la coupe des haies, car cela comporte un risque de blessure.

## Dispositifs de protection individuelle

1. Portez des vêtements adéquats. Les vêtements que vous portez doivent être fonctionnels et appropriés, c'est-à-dire qu'ils doivent être près du corps, sans pour autant gêner vos mouvements. Ne portez pas de bijoux ou de vêtements qui pourraient s'emmêler dans les taillis ou les petits arbustes. Portez un filet de protection pour envelopper les cheveux longs.
2. L'équipement de protection suivant ainsi que les vêtements de protection doivent être utilisés afin d'éviter des blessures au pied, à la main, aux yeux et à la tête ainsi que pour protéger votre ouïe durant l'utilisation. (**Fig. 1**)
3. Portez toujours un casque où il y a un risque que des objets puissent tomber. Le casque de protection doit être vérifié à des intervalles réguliers pour d'éventuels dommages et doit être remplacé au plus tard tous les 5 ans. N'utilisez que des casques de protection agréés.
4. La visière du casque (ou alternativement les lunettes) protège le visage des débris et des pierres qui volent. Pendant l'utilisation de l'appareil, portez toujours des lunettes de protection ou une visière pour protéger vos yeux des blessures.
5. Portez un équipement de protection antibruit adéquat afin d'éviter toute blessure (coquilles antibruit, bouchons d'oreille, etc.). (**Fig. 2**)
6. Les vêtements de travail protègent contre les débris et les pierres qui volent. Nous vous recommandons fortement de porter des vêtements de travail.
7. Des gants spéciaux en cuir épais font partie de l'appareil prescrit et doivent toujours être portés durant l'utilisation de l'appareil.
8. Lorsque vous utilisez l'appareil, portez toujours des chaussures de sécurité avec semelle anti-dérapante. Elles vous protégeront de blessures éventuelles et vous assureront une bonne stabilité.

## Sécurité électrique

1. Évitez les environnements dangereux. N'utilisez pas l'appareil dans des lieux humides et ne l'exposez pas aux intempéries. Le risque de choc électrique augmente lorsque de l'eau pénètre dans un appareil électrique.
2. N'utilisez que le chargeur spécifié par le fabricant. Un chargeur qui convient à un type de batterie peut créer un risque d'incendie s'il est utilisé avec un autre type de batterie.
3. Utilisez les outils électriques uniquement avec les batteries désignées. L'utilisation d'autres types de batterie peut créer un risque de blessures et d'incendie.
4. Lorsque le bloc-batterie n'est pas utilisé, gardez-le éloigné de tout objet métallique, comme les trombones, pièces, clefs, clous, vis ou autres petits objets métalliques, qui peuvent faire office de

connexion d'une borne à l'autre. Court-circuiter les bornes de la batterie peut provoquer des brûlures ou un incendie.

5. En cas de mauvaise utilisation, du liquide peut fuir de la batterie ; évitez tout contact. Si un contact accidentel se produit, nettoyez avec de l'eau. Si le liquide entre en contact avec les yeux, consultez un médecin. Le liquide émis par la batterie peut provoquer une irritation ou des brûlures.
6. Ne jetez pas les batteries au feu. Elles risqueraient d'exploser. Consultez la réglementation locale pour connaître les éventuelles consignes de mise au rebut spéciales.
7. N'ouvrez pas les batteries et n'essayez pas de les démonter. L'électrolyte libéré est corrosif et risquerait de blesser vos yeux ou votre peau. Si vous l'avez, il peut se révéler toxique.

### Démarrage de l'appareil (Fig. 3)

1. Éloignez les personnes et les enfants du lieu de travail à une distance minimum de 15 mètres et aussi faites attention aux animaux qui pourraient se trouver à proximité. Sinon, arrêtez l'appareil.
2. Avant l'utilisation, vérifiez toujours que l'appareil ne présente aucun danger. Vérifiez la sécurité de l'outil tranchant et de son protège-lame, le fonctionnement de la gâchette et du levier. Vérifiez que les poignées sont propres et sèches, ainsi que le bon fonctionnement de l'interrupteur marche/arrêt.
3. Recherchez les éventuelles pièces endommagées avant de continuer à utiliser l'appareil. Un protège-lame ou une autre pièce endommagée doit être inspecté soigneusement pour déterminer s'il va fonctionner correctement. Assurez-vous que les pièces en mouvement sont alignées et se déplacent librement, qu'aucune pièce n'est cassée, que les pièces sont correctement montées et qu'il n'y a aucune anomalie pouvant affecter le fonctionnement de l'appareil. Un protège-lame ou toute autre pièce endommagée doit être correctement réparé ou remplacé par un centre de service agréé, sauf indication contraire dans ce manuel.
4. Ne mettez le moteur sous tension que lorsque vos mains et vos pieds sont éloignés de la lame.
5. Avant de démarrer, assurez-vous que l'outil de coupe n'est pas en contact avec des objets durs tels que des branches, des pierres, etc. et qu'il tournera au démarrage.

### Mode d'emploi

1. N'utilisez l'appareil que dans des conditions d'éclairage et de luminosité suffisantes. En hiver, faites attention aux zones glissantes ou mouillées, au verglas et à la neige (risques de glissade). Assurez-vous toujours d'avoir une bonne stabilité.
2. Faites attention à ne pas vous blesser les pieds et les mains avec l'outil de coupe.
3. Ne coupez jamais à une hauteur supérieure aux épaules.
4. N'utilisez jamais l'appareil sur une échelle.
5. Ne montez jamais dans un arbre pour utiliser l'appareil.
6. Ne travaillez jamais sur des surfaces instables.

7. Enlevez le sable, les pierres, les clous, etc. trouvés à l'intérieur du périmètre de travail. Des corps étrangers peuvent endommager l'outil de coupe et causer des chocs en retour dangereux.
8. Si l'outil de coupe frappe des pierres ou d'autres objets durs, éteignez de suite le moteur et examinez l'outil de coupe.
9. Examinez l'outil de coupe à intervalles réguliers courts pour voir s'il n'a pas subi de dommages (détection de fissures capillaires en utilisant le test de tapping).
10. Avant de commencer à couper, l'outil de coupe doit avoir atteint sa vitesse de travail maximale.
11. N'utilisez l'appareil qu'avec la bandoulière que vous devez régler correctement avant de mettre l'appareil en marche. Il est très important de régler la bandoulière selon votre taille afin d'éviter toute fatigue supplémentaire pendant l'utilisation.
12. Tenez toujours l'appareil à deux mains. Ne tenez jamais l'appareil d'une seule main durant l'utilisation. Assurez-vous toujours d'avoir une bonne stabilité.
13. L'outil de coupe doit toujours être équipé de son protège-lame approprié. N'utilisez jamais l'appareil si les protège-lames sont endommagés ou s'ils ne sont pas en place !
14. Utilisez tous les dispositifs de protection et protège-lames fournis avec l'appareil.
15. N'utilisez jamais l'appareil en tapant les mauvaises herbes pour les couper.
16. Sauf en cas d'urgence, ne laissez jamais tomber l'appareil et ne le jetez pas sur le sol, ce qui risquerait de l'endommager grièvement.
17. Veillez à toujours soulever l'ensemble de l'appareil du sol lorsque vous le déplacez.
18. Retirez toujours la batterie de l'appareil :
  - toutes les fois où l'appareil doit être laissé sans surveillance ;
  - avant toute opération de retrait d'obstruction ;
  - avant toute opération de vérification, de nettoyage ou de réparation de l'appareil ;
  - après avoir heurté un objet étranger ;
  - dès que l'appareil commence à vibrer de manière anormale.
19. Assurez-vous toujours que les ouvertures de ventilation ne sont pas obstruées par des débris.

### Choc en retour (poussée de lame)

1. Lorsque vous utilisez l'appareil, des chocs en retour inopinés sont possibles. (Fig. 4)
2. Cela est particulièrement probable lorsque vous tentez de couper avec le segment de la lame compris entre 12h et 2h.
3. N'utilisez jamais l'appareil lorsque le segment est compris entre 12 et 2h.
4. N'utilisez pas de segment d'outil de coupe sur des objets solides, comme des buissons ou arbres, dont le diamètre dépasse 3 cm ou la lame risque d'être déviée avec une grande force et de causer des blessures.

## Prévention des chocs en retour

Pour éviter les chocs en retour, souvenez-vous ce qui suit :

1. L'utilisation du segment de lame entre 12h et 2h présente des dangers, surtout lorsque vous utilisez des outils de coupe en métal. (Fig. 5)
2. Les opérations de coupe avec segment de lame compris entre 11h et 12h, ainsi qu'entre 2h et 5h, ne doivent être effectués que par des opérateurs formés et expérimentés, et à leurs risques et périls.
3. Pour une coupe avec un risque réduit de choc en retour, utilisez un segment de lame compris entre 9h et 11h.


## Outils de coupe

1. Utilisez uniquement l'outil de coupe adapté au travail.
2. Pour couper des matériaux épais, tels que des mauvaises herbes, de l'herbe haute, des buissons, des arbustes, des sous bois, des fourrés, etc. (épaisseur max. de 2 cm de diamètre), utilisez l'appareil comme une faux, en faisant des demi-cercles réguliers de droite à gauche.

## Instructions d'entretien

1. Avant d'utiliser l'appareil, vérifiez son état, et notamment l'outil de coupe, les dispositifs de protection et la bandoulière.
2. Examinez également avec une attention toute particulière les lames qui doivent être bien aiguisées.
3. Avant d'effectuer une opération d'entretien, de remplacer/aiguiser les lames ou de nettoyer l'appareil ou la lame, mettez le moteur hors tension et retirez la batterie.
4. Vérifiez que les dispositifs de fixation sont bien attachés et recherchez les éventuelles pièces endommagées, comme des fissures sur la fixation de l'outil de coupe.
5. Suivez les instructions de lubrification et de changement des accessoires.
6. Lorsqu'ils ne sont pas utilisés, les appareils doivent être rangés dans un endroit sec, élevé ou verrouillé, hors de portée des enfants. Nettoyez l'appareil et effectuez les opérations d'entretien avant de le ranger.
7. N'utilisez que les pièces et accessoires de remplacement recommandés par le fabricant.
8. Remplacez et assurez régulièrement l'entretien de l'appareil, particulièrement avant/après utilisation. Ne faites réparer l'appareil que par notre centre de service agréé.
9. Maintenez les poignées de l'appareil sèches, propres et exemptes d'huile ou de graisse.

## CONSERVEZ CES INSTRUCTIONS.

 **ATTENTION :**  
**NE** vous laissez **PAS** tromper (au fil d'une utilisation répétée) par un sentiment d'aisance et de familiarité avec le produit, en négligeant le respect rigoureux des consignes de sécurité qui accompagnent l'appareil. Une **UTILISATION INCORRECTE** de l'appareil ou un **non-respect** des consignes de sécurité indiquées dans ce manuel d'instructions peuvent causer des blessures graves.

## CONSIGNES DE SÉCURITÉ IMPORTANTES

ENC007-4

## POUR LA BATTERIE

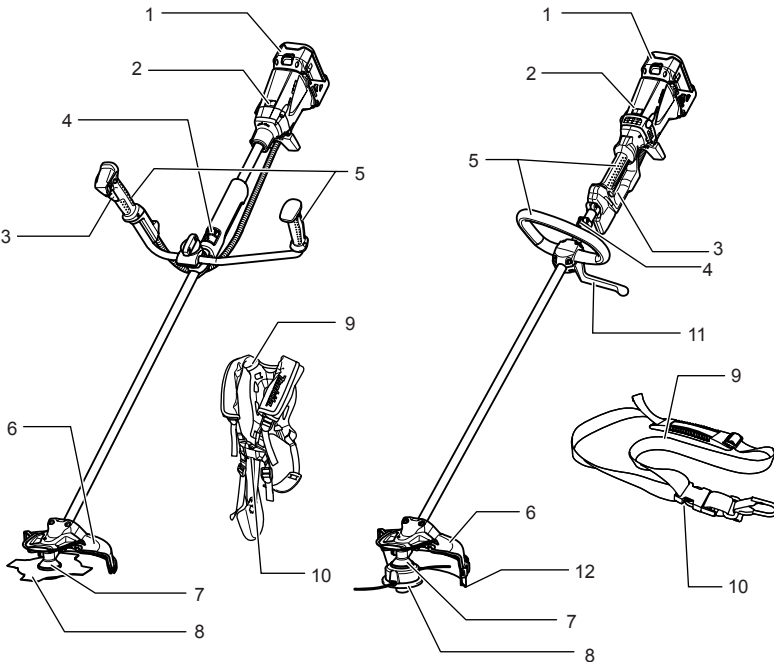
1. Avant d'utiliser la batterie, veuillez lire toutes les instructions et tous les avertissements inscrits sur (1) le chargeur, (2) la batterie et (3) l'appareil alimenté par la batterie.
2. Ne démontez pas la batterie.
3. Cessez immédiatement l'utilisation si le temps de fonctionnement devient excessivement court. Il y a risque de surchauffe, de brûlures, voire d'explosion.
4. Si l'électrolyte pénètre dans vos yeux, rincez-les à l'eau claire et consultez immédiatement un médecin. Il y a risque de perte de la vue.
5. Évitez de court-circuiter la batterie :
  - (1) Ne touchez pas les bornes avec un matériau conducteur.
  - (2) Évitez de ranger la batterie dans un contenant où se trouvent d'autres objets métalliques tels que clous, pièces de monnaie, etc.
  - (3) N'exposez pas la batterie à l'eau ou à la pluie. Un court-circuit de la batterie peut provoquer un fort courant, une surchauffe, des brûlures et même une panne.
6. Ne rangez pas l'appareil ou la batterie dans des endroits où la température risque d'atteindre ou de dépasser 50 °C.
7. Ne jetez pas la batterie au feu même si elle est sérieusement endommagée ou complètement épuisée. La batterie peut exploser au contact du feu.
8. Veillez à ne pas laisser tomber ou heurter la batterie.
9. Ne pas utiliser une batterie qui est tombée ou qui a subi un choc.

## CONSERVEZ CES INSTRUCTIONS.

### Conseils pour assurer la durée de vie optimale de la batterie

1. Rechargez la batterie avant qu'elle ne soit complètement épuisée. Arrêtez toujours l'appareil et rechargez la batterie quand vous constatez que la puissance de l'appareil diminue.
2. Ne rechargez jamais une batterie complètement chargée. La surcharge réduit la durée de service de la batterie.
3. Chargez la batterie alors que la température de la pièce se trouve entre 10 °C et 40 °C. Si une batterie est chaude, laissez-la refroidir avant de la charger.

## DESCRIPTIONS DES PIÈCES



1	Batterie	7	Boîtier d'engrenage
2	Voyant	8	Outil de coupe
3	Gâchette	9	Bandoulière
4	Crochet (point de suspension)	10	Boucle
5	Poignée	11	Écran
6	Protège-lame de l'outil de coupe	12	Rallonge du protège-lame

## DESCRIPTION DU FONCTIONNEMENT

### ⚠ ATTENTION :

- Veillez toujours à ce que l'appareil soit éteint et la batterie déposée avant d'effectuer des réglages ou de vérifier le fonctionnement de l'appareil.

### Installation et retrait de la batterie (Fig. 6)

- Mettez toujours l'appareil hors tension avant d'insérer ou de retirer la batterie.
- Pour retirer la batterie, sortez-la de l'appareil tout en faisant glisser le bouton à l'avant de la batterie.
- Pour insérer la batterie, alignez sa languette sur la rainure qui se trouve à l'intérieur du carter, puis glissez la batterie pour la mettre en place. Insérez-la toujours bien à fond, jusqu'à ce qu'elle se verrouille en émettant un léger clic. Si vous pouvez voir la partie rouge sur la face supérieure du bouton, la batterie n'est pas parfaitement verrouillée. Insérez-la à fond, jusqu'à ce que la partie rouge ne soit plus visible. Sinon, la batterie risque de tomber accidentellement de

l'appareil, en vous blessant ou en blessant une personne se trouvant près de vous.

- N'appliquez pas une force excessive lors de l'insertion de la batterie. Si la batterie ne glisse pas aisément, c'est qu'elle n'est pas insérée correctement.

### Fonctionnement de l'interrupteur

#### ⚠ ATTENTION :

- Avant d'insérer la batterie dans l'appareil, vérifiez toujours que la gâchette fonctionne bien et revient en position d'arrêt lorsqu'elle est libérée. (Fig. 7 et 8) Pour éviter tout déclenchement accidentel de la gâchette, l'appareil est muni d'un bouton de sécurité. Pour démarrer l'appareil, enfoncez le bouton de sécurité puis tirez sur la gâchette. La vitesse de l'appareil augmente à mesure que vous augmentez la pression exercée sur la gâchette. Pour arrêter l'appareil, relâchez la gâchette.

## Fonctionnement de l'inverseur

### ⚠ ATTENTION :

- Assurez-vous toujours que l'appareil est hors tension et que la batterie est retirée avant d'éliminer les mauvaises herbes ou autre coincées dans l'outil de coupe que vous n'avez pas pu retirer avec l'inverseur.

### ⚠ ATTENTION :

- Vérifiez toujours le sens de rotation avant de mettre l'appareil en marche.
- N'actionnez l'inverseur qu'une fois l'appareil complètement arrêté. Si vous changez le sens de rotation de l'appareil avant l'arrêt de celui-ci, vous risquez de l'endommager. (Fig. 9 et 10)

L'appareil est équipé d'un inverseur destiné à changer le sens de rotation de la lame, ce qui permet d'éliminer les mauvaises herbes coincées dans l'outil de coupe.

Appuyez sur le levier de l'inverseur sur le côté A pour une rotation dans le sens inverse des aiguilles d'une montre (normale), ou sur le côté B pour une rotation dans le sens des aiguilles d'une montre (sens inverse).

En mode inversé, l'appareil s'arrête automatiquement peu de temps après sa mise sous tension.

## Changement de vitesse (Fig. 11 et 12)



Deux vitesses peuvent être sélectionnées avec l'interrupteur de changement de vitesse.

Pour changer de vitesse, tournez le levier de l'interrupteur de changement de vitesse et faites-le pointer vers « 1 » pour une vitesse lente et vers « 2 » pour une vitesse rapide.

## Système de protection de la batterie/du moteur

La batterie et l'appareil sont équipés de systèmes de protection qui réduisent ou coupent automatiquement la tension de sortie pour garantir une longue durée de vie. Dans une situation de surcharge, le dispositif de protection fait chuter la vitesse de rotation pour protéger le moteur. Dans ce cas, les deux voyants suivants ne s'allument pas et ne clignotent pas.

Les deux voyants permettent de reconnaître les fonctions suivantes : (Fig. 13)

		État	Mesure à prendre
-	Clignote	La batterie est presque déchargée.	Remplacez la batterie par une batterie rechargée.
-	S'allume	Le dispositif de protection de la batterie met l'appareil hors tension : la batterie est déchargée.	Remplacez la batterie par une batterie rechargée.
Clignote	-	Le dispositif de protection de surcharge met l'appareil hors tension : le moteur est verrouillé.	Relâchez la gâchette et éliminez la cause du verrouillage du moteur ou de la surcharge. Si l'outil de coupe est bloqué par des herbes coincées, retirez toujours la batterie avant de les éliminer.
S'allume	-	Le dispositif de protection de surchauffe met l'appareil hors tension en raison d'une surchauffe.	Laissez reposer l'appareil un moment.
Clignote	Clignote	Dysfonctionnement électrique ou électronique	Faites réparer l'appareil par votre centre de service agréé local.

## Tête à fils de nylon (accessoire en option pour les appareils équipés de lames)

### ⚠ ATTENTION :

- Ne heurtez pas la tête lorsqu'elle pivote à une vitesse supérieure à 4 500 min<sup>-1</sup> ni lorsqu'elle est arrêtée. (Fig. 14)

La tête à fils de nylon est une tête de taille-bordures double équipée de mécanismes d'alimentation semi-automatique par frappe au sol.

Frappez la tête à fils de nylon sur le sol pour sortir plus de fil de l'appareil lorsque vous l'utilisez. Le fil sera automatiquement coupé à la bonne longueur par l'outil de coupe de la rallonge du protège-lame.

### REMARQUE :

Si le fil de nylon ne sort pas lorsque vous frappez l'appareil, rembobinez/remplacez le fil en suivant les procédures décrites dans la section « Entretien ».

## ASSEMBLAGE

### ⚠ ATTENTION :

- Assurez-vous toujours que l'appareil est hors tension et que la batterie est retirée avant d'effectuer toute intervention sur l'appareil.
- Ne démarrez l'appareil qu'après l'avoir monté complètement.

## Fixation de la poignée (pour le modèle avec guidon de vélo uniquement) (Fig. 15)

Desserrez le bouton.

Placez le guidon entre le dispositif de serrage de la poignée et le support de la poignée.

Réglez la poignée à un angle permettant une position de travail confortable, puis serrez fermement le bouton à la main.

## Installation du protège-lame (Fig. 16 et 17)

### ⚠ ATTENTION :

- Seules les combinaisons outil de coupe/protège-lame suivantes doivent être utilisées. Dans le cas contraire, il y a risque de blessure. N'utilisez jamais l'appareil sans protège-lame.
- Le diamètre extérieur de la lame doit être de 230 mm. N'utilisez jamais de lame dont le diamètre extérieur est supérieur à 230 mm.

### Utilisation d'une lame en métal (Fig. 18)

Fixez le protège-lame au dispositif de serrage avec deux boulons, comme illustré. Serrez autant le boulon droit que le boulon gauche.

### Utilisation de la tête à fils de nylon

### ⚠ ATTENTION :

- Faites attention à ne pas vous blesser avec l'outil de coupe de cette tête lorsqu'il est hors de la rallonge du protège-lame.
  - Assurez-vous de pousser complètement la rallonge du protège-lame jusqu'à son insertion complète. (Fig. 19)
- Fixez le protège-lame au dispositif de serrage avec deux boulons, comme illustré. Serrez autant le boulon droit que le boulon gauche.

Montez la rallonge du protège-lame en la faisant glisser par le flanc du protège-lame comme illustré.

### REMARQUE :

- Retirez l'adhésif se trouvant sur la lame qui coupe le fil de nylon ou sur la rallonge du protège-lame après la première utilisation. (Fig. 20)

Pour retirer la rallonge du protège-lame, placez un tournevis plat dans la rainure du protège-lame, poussez-le tout en faisant glisser la rallonge.

## Installation de la lame

### ⚠ ATTENTION :

- Assurez-vous d'utiliser une lame Dolmar.
- La lame doit être bien aiguisée, sans fissures ou cassures. Si la lame heurte une pierre durant l'utilisation, arrêtez le moteur et vérifiez la lame immédiatement.
- Aigusez ou remplacez la lame toutes les trois heures de fonctionnement.
- Portez toujours des gants quand vous maniez la lame.
- Fixez toujours le protecteur de lame lorsque l'appareil n'est pas utilisé ou lorsque vous le transportez.
- L'écrou de fixation de la lame (avec la rondelle à ressort) est une pièce à changer périodiquement. S'il apparaît de l'usure ou des déformations sur la rondelle à ressort, remplacez l'écrou. Demandez à votre centre de service agréé local de le commander.

Retournez l'appareil pour pouvoir remplacer facilement la lame. (Fig. 21)

Pour démonter la lame, insérez la clé hexagonale par le trou du couvercle de protection et du boîtier d'engrenage. Faites tourner la rondelle de réception jusqu'à ce que la clé hexagonale la bloque. Desserrez l'écrou hexagonal (fileté vers la gauche) avec la clé à douille et retirez l'écrou, la coupelle, la rondelle de serrage et la clé hexagonale. (Fig. 22)

Montez la lame sur l'arbre de sorte que le guide de la rondelle de réception s'ajuste dans l'orifice de l'arbre de la

lame. Montez la rondelle de serrage et la coupelle, puis fixez la lame avec l'écrou hexagonal avec un couple de serrage de 13 à 23 Nm tout en maintenant la rondelle de réception avec la clé hexagonale. (Fig. 23)  
Assurez-vous que le côté gauche de la lame est en haut.

## Montage de la tête à fils de nylon

### ⚠ ATTENTION :

- Montez toujours le protège-lame, mais aussi sa rallonge lorsque vous utilisez la tête à fils de nylon.
- Assurez-vous d'utiliser une tête à fils de nylon Dolmar.
- Si la tête à fils de nylon heurte une pierre durant l'utilisation, arrêtez le moteur et vérifiez la tête à fils de nylon immédiatement.

Retournez l'appareil pour pouvoir remplacer facilement la tête à fils de nylon. (Fig. 24)

Insérez la clé hexagonale à travers le trou du couvercle de protection et du boîtier d'engrenage et faites tourner la rondelle de réception jusqu'à ce qu'elle soit bloquée avec la clé hexagonale. Montez la tête à fils de nylon directement sur la broche filetée et serrez-la en la tournant dans le sens inverse des aiguilles d'une montre. Retirez la clé hexagonale.

Pour démonter la tête à fils de nylon, tournez-la dans le sens des aiguilles d'une montre tout en tenant la rondelle de réception avec la clé hexagonale.

## FONCTIONNEMENT

### Manipulation correcte de l'appareil (avec guidon de vélo)

#### Placement correct

### ⚠ ATTENTION :

- Placez toujours l'appareil à votre droite de sorte que l'arbre et la poignée gauche soient toujours devant vous. Ce placement correct réduit le risque de blessure provoqué par un choc en retour. (Fig. 25)

Placez la bandoulière comme illustré et tenez fermement l'appareil sur votre droite de sorte que l'arbre et la poignée gauche soient toujours devant vous.

#### Fixation de la bandoulière (Fig. 26)

Placez la bandoulière sur votre dos et bouclez-la. Assurez-vous qu'elle ne risque pas de se détacher. Tenez l'appareil comme illustré.

Réglez la longueur de la bandoulière de sorte à garder la lame parallèle au sol à un niveau compris entre 10 et 30 cm au-dessus du sol.

#### Décrochage (Fig. 27)

En cas d'urgence, appuyez fortement sur le levier de la boucle pour décrocher la bandoulière de l'appareil.

### ⚠ ATTENTION :

- **Faites très attention de ne pas perdre le contrôle de l'appareil à ce moment-là. Ne laissez pas l'appareil pencher vers vous ou quelqu'un se trouvant à proximité.** Sinon, il y a risque de graves blessures.

## Manipulation correcte de l'appareil (avec poignée de type boucle)

### Placement correct

#### ATTENTION :

- Placez toujours l'appareil à votre droite de sorte que l'arbre de l'écran soit toujours devant vous. Ce placement correct réduit le risque de blessure provoqué par un choc en retour. **(Fig. 28)**

Placez la bandoulière comme illustré et tenez fermement l'appareil sur votre droite de sorte que l'écran soit toujours devant vous.

### Fixation de la bandoulière (Fig. 29)

Passez votre tête et votre bras droit dans la bandoulière pour suspendre cette dernière sur votre épaule gauche. Bouclez-la sur le crochet jusqu'au dé clic. Assurez-vous qu'elle ne risque pas de se détacher. Tenez l'appareil comme illustré.

Régalez la longueur de la bandoulière de sorte à garder la lame parallèle au sol à un niveau compris entre 10 et 30 cm au-dessus du sol.

### Décrochage (Fig. 30)

En cas d'urgence, appuyez fortement sur le levier de décrochage d'urgence.

#### ATTENTION :

- Faites très attention de ne pas perdre le contrôle de l'appareil à ce moment-là. Ne laissez pas l'appareil pencher vers vous ou quelqu'un se trouvant à proximité. Sinon, il y a risque de graves blessures.

## ENTRETIEN

#### ATTENTION :

- Assurez-vous toujours que l'appareil est hors tension et que la batterie est retirée avant d'y effectuer tout travail d'inspection ou d'entretien.
- N'utilisez jamais d'essence, de benzine, de diluant, d'alcool ou de produit similaire. Ces produits risquent de provoquer des décolorations, des déformations ou des fissures.

### Graissage du boîtier d'engrenage (Fig. 31)

Mettez de la graisse (Shell Alvania 2 ou équivalent) dans le boîtier d'engrenage à travers l'orifice de graissage toutes les 30 heures. (Vous pouvez acheter de la graisse d'origine Dolmar chez votre revendeur Dolmar.)

### Remplacement du fil en nylon

#### ATTENTION :

- Relâchez la gâchette et retirez la batterie avant de remplacer le fil en nylon.
- Assurez-vous que le couvercle de la tête à fils de nylon est correctement fixé au boîtier, comme décrit ci-dessous. Dans le cas contraire, il risquerait de s'envoler et de provoquer de graves blessures. **(Fig. 32)**

Appuyez sur les attaches du boîtier vers l'intérieur pour relever le couvercle, sortez la bobine et retirez le fil de nylon restant. **(Fig. 33)**

Accrochez le centre du nouveau fil à nylon dans l'entaille au centre de la bobine, avec une extrémité s'étendant d'environ 80 mm de plus que l'autre.

Tournez ensuite fermement les deux extrémités autour de la bobine dans le sens de rotation de la tête (direction vers la gauche indiquée par LH, vers la droite indiquée par RH sur le côté de la bobine). **(Fig. 34)**

Enroulez tout sauf environ 100 mm de fil, en laissant les extrémités temporairement accrochées à travers l'entaille sur le côté de la bobine. **(Fig. 35)**

Montez la bobine dans le boîtier de sorte que les rainures et les saillies sur la bobine correspondent à celles du boîtier. Placez la bobine avec le côté contenant des lettres dirigé vers le haut. Ensuite, décrochez les extrémités du fil de leurs emplacements temporaires et glissez les fils à travers les œillets pour les faire sortir du boîtier. **(Fig. 36)**

Alignez la partie saillante sur le dessous du couvercle avec les trous des œillets. Poussez ensuite fermement le capot pour qu'il s'enclenche dans le bloc. Assurez-vous que les attaches se déploient bien sur le couvercle.

Pour maintenir la SÉCURITÉ et la FIABILITÉ du produit, les réparations, tout autre travail d'entretien ou de réglage doivent être effectués dans un centre de service Dolmar agréé, exclusivement avec des pièces de rechange Dolmar.



# DÉPANNAGE

Avant de demander la réparation, commencez par mener votre propre inspection. Si vous rencontrez un problème

non recensé dans ce manuel, ne démontez pas l'appareil, cela est imprudent. Demandez plutôt de l'aide à un centre de service Dolmar agréé, et utilisez toujours des pièces de remplacement Dolmar.

État du dysfonctionnement	Cause	Mesure
Le moteur ne tourne pas.	La batterie n'est pas en place.	Mettez la batterie en place.
	Problème de batterie (sous tension)	Rechargez la batterie. Si cela ne sert à rien, remplacez la batterie.
	Le système d'entraînement ne fonctionne pas correctement.	Faites réparer l'appareil par votre centre de service agréé local.
Le moteur s'arrête peu après son démarrage.	La rotation est inversée.	Changez le sens de la rotation avec l'inverseur.
	La batterie est presque à plat.	Rechargez la batterie. Si cela ne sert à rien, remplacez la batterie.
	Surchauffe.	Laissez reposer l'appareil un moment.
La rotation n'atteint pas la vitesse appropriée.	La batterie est mal montée.	Montez la batterie selon la description de ce guide.
	Le niveau de la batterie chute.	Rechargez la batterie. Si cela ne sert à rien, remplacez la batterie.
	Le système d'entraînement ne fonctionne pas correctement.	Faites réparer l'appareil par votre centre de service agréé local.
L'outil de coupe ne tourne pas : Arrêtez immédiatement l'appareil !	Un corps étranger, tel qu'une branche, est coincé entre le protège-lame et l'outil de coupe.	Retirez le corps étranger.
	L'écrou de fixation de la lame de coupe est desserré.	Serrez correctement l'écrou selon les consignes de ce guide.
	La lame est courbée.	Remplacez-la.
	Le système d'entraînement ne fonctionne pas correctement.	Faites réparer l'appareil par votre centre de service agréé local.
Vibration anormale : Arrêtez immédiatement l'appareil !	Une extrémité du fil en nylon est cassée.	Frappez la tête à fils de nylon sur le sol pour sortir plus de fil de l'appareil.
	La lame est courbée, fissurée ou usée.	Remplacez-la.
	L'écrou de fixation de la lame de coupe est desserré.	Serrez correctement l'écrou selon les consignes de ce guide.
	La lame est mal fixée.	
Le système d'entraînement ne fonctionne pas correctement.	Faites réparer l'appareil par votre centre de service agréé local.	
Impossible d'arrêter l'outil de coupe et le moteur : Retirez immédiatement la batterie !	Dysfonctionnement électrique ou électronique	Retirez la batterie et faites réparer l'appareil par votre centre de service agréé local.

## ACCESSOIRES

### ⚠ ATTENTION :

- Ces accessoires ou pièces complémentaires sont recommandés pour l'utilisation avec l'appareil Dolmar spécifié dans ce mode d'emploi. L'utilisation de tout autre accessoire ou pièce complémentaire peut comporter un risque de blessure. N'utilisez les accessoires ou pièces qu'aux fins auxquelles ils ont été conçus.

Pour obtenir plus de détails sur ces accessoires, contactez votre centre de service local Dolmar.

- Lame
- Tête à fils de nylon
- Fixation du taille-haie à perche
- Fixation de la scie à long manche
- Fixation du motoculteur
- Batterie et chargeur Dolmar d'origine

### Pour le modèle AT-3623

#### Bruit

ENG104-2

Les niveaux de bruit pondéré A typiques ont été mesurés selon la norme ISO22868 :

Niveau de pression sonore ( $L_{pA}$ ) : 79,7 dB (A)

Incertitude (K) : 2,5 dB (A)

Le niveau de bruit peut dépasser 80 dB (A) lors de l'utilisation.

#### Portez des protections auditives.

#### Vibrations

ENG244-1

La valeur d'émission des vibrations a été mesurée selon les normes ISO22867, EN786 :

Emission des vibrations ( $a_{hv}$ ) : 2,5 m/s<sup>2</sup> ou moins

Incertitude (K) : 1,5 m/s<sup>2</sup>

**Pour le modèle AT-3630**

**Bruit** ENG104-2

Les niveaux de bruit pondéré A typiques ont été mesurés selon la norme EN786 :

Niveau de pression sonore ( $L_{pA}$ ) : 79,3 dB (A)

Incertitude (K) : 2,5 dB (A)

Le niveau de bruit peut dépasser 80 dB (A) lors de l'utilisation.

**Portez des protections auditives.**

**Vibrations** ENG244-1

La valeur d'émission des vibrations a été mesurée selon la norme EN786 :

Émission des vibrations ( $a_n$ ) : 2,5 m/s<sup>2</sup> ou moins

Incertitude (K) : 1,5 m/s<sup>2</sup>

**Pour les pays d'Europe uniquement** ENH021-5

**Déclaration de conformité CE**

**Les soussignés, Tamiro Kishima et Rainer Bergfeld, tels qu'autorisés par Dolmar GmbH, déclarent que les outils DOLMAR :**

Nom de la machine :

Débroussailleuse sans-fil

N° de modèle/Type : AT-3623

Spécifications : voir le tableau

« SPÉCIFICATIONS »,

sont fabriquées en série et

**sont conformes aux directives européennes suivantes :**

2000/14/CE, 2006/42/CE

et sont produites conformément aux normes ou documents de normalisation suivants :

EN60745, ISO11806

La documentation technique se trouve dans les locaux de l'entreprise sise :

Dolmar GmbH,

Jenfelder Straße 38, Abteilung FZ,

D-22045 Hambourg

La procédure d'évaluation de la conformité requise par la directive 2000/14/CE est conforme à l'annexe V.

Niveau de puissance sonore mesurée : 93,6 dB

Niveau de puissance sonore garantie : 95 dB

16 octobre 2009



Tamiro Kishima  
Directeur général



Rainer Bergfeld  
Directeur général

**Pour les pays d'Europe uniquement** ENH212-10

**Déclaration de conformité CE**

**Les soussignés, Tamiro Kishima et Rainer Bergfeld, tels qu'autorisés par Dolmar GmbH, déclarent que les outils DOLMAR :**

Nom de la machine :

Coupe herbe sans-fil

N° de modèle/Type : AT-3630

Spécifications : voir le tableau

« SPÉCIFICATIONS »,

sont fabriquées en série et

**sont conformes aux directives européennes suivantes :**

2000/14/CE, 2006/42/CE

et sont produites conformément aux normes ou documents de normalisation suivants :

EN60745, EN60335

La documentation technique se trouve dans les locaux de l'entreprise sise :

Dolmar GmbH,

Jenfelder Straße 38, Abteilung FZ,

D-22045 Hambourg

La procédure d'évaluation de la conformité requise par la directive 2000/14/CE est conforme à l'annexe VIII.

Organisme notifié :

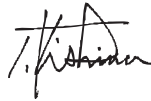
TÜV Rheinland Product Safety GmbH, Am Grauen

Stein D-51105 Köln, n° d'identification 0197

Niveau de puissance sonore mesurée : 91,3 dB

Niveau de puissance sonore garantie : 93 dB

16 octobre 2009



Tamiro Kishima  
Directeur général



Rainer Bergfeld  
Directeur général

# DEUTSCH (Originalanweisungen)

## Erklärung der Gesamtdarstellung

- |                                       |                        |                                  |
|---------------------------------------|------------------------|----------------------------------|
| 1. Roter Bereich                      | 13. Griffhalterung     | 26. Hebel                        |
| 2. Schiebetaste                       | 14. Schneidblatt       | 27. Gurtschloss                  |
| 3. Akkublock                          | 15. Schutzblende       | 28. Getriebegehäuse              |
| 4. Entriegelungstaste                 | 16. Nylon-Schneidkopf  | 29. Schmierloch                  |
| 5. Ein/Aus-Schalter                   | 17. Schutzverlängerung | 30. Abdeckung                    |
| 6. Umschalter                         | 18. Zwei Bolzen        | 31. Riegel                       |
| 7. Schalter zur Änderung der Drehzahl | 19. Schutzabdeckung    | 32. Drücken                      |
| 8. Anzeigenleuchte                    | 20. Inbusschlüssel     | 33. Spule                        |
| 9. Effektivster Schnittbereich        | 21. Aufnahmescheibe    | 34. Für Linke-Hand-Drehung       |
| 10. Knauf                             | 22. Klemmscheibe       | 35. Einkerbungen                 |
| 11. Griffklemme                       | 23. Kappe              | 36. Seilführungen                |
| 12. Druckfeder                        | 24. Sechskantmutter    | 37. Vorsprung (nicht abgebildet) |
|                                       | 25. Gewindespindel     | 38. Schlitz der Seilführung      |

## TECHNISCHE DATEN

Modell		AT-3623	AT-3630
Grifftyp		Fahrradgriff	Bügelgriff
Leerlauf-Drehzahl	Hoch	0 bis 7.300 min <sup>-1</sup>	0 bis 6.600 min <sup>-1</sup>
	Niedrig	0 bis 5.300 min <sup>-1</sup>	0 bis 4.900 min <sup>-1</sup>
Gesamtlänge		1.880 mm	1.850 mm
Durchmesser des Schneidblatts		230 mm	-
Schneiddurchmesser mit Nylon-Schneidkopf		-	300 mm
Nettogewicht		7,1 kg	5,9 kg
Nennspannung		36 V Gleichspannung	


- Aufgrund unserer andauernden Forschungen und Weiterentwicklungen sind Änderungen an den hier angegebenen Technischen Daten ohne Vorankündigung vorbehalten.
- Die Technischen Daten und der Akkublock können in den einzelnen Ländern Abweichungen aufweisen.
- Gewicht, mit Akkublock, ermittelt gemäß EPTA-Verfahren 01/2003


### Symbole


END008-1


Im Folgenden sind die im Zusammenhang mit diesem Werkzeug verwendeten Symbole dargestellt. Machen Sie sich vor der Benutzung des Werkzeugs unbedingt mit diesen Symbolen vertraut!


 ..... Besondere Aufmerksamkeit erforderlich.

 ..... Lesen Sie die vorliegende Bedienungsanleitung.


 ..... Gefahr; achten Sie auf umherfliegende Gegenstände.


 ..... Der Abstand zwischen Werkzeug und Umstehenden muss mindestens 15 m betragen.


 ..... Halten Sie Umstehende fern.


 ..... Halten Sie einen Abstand vom mindestens 15 m ein.


 ..... Vermeiden Sie einen Rückschlag.


 ..... Tragen Sie stets Helm, Schutzbrille und Gehörschutz.

 ..... Tragen Sie Schutzhandschuhe.

 ..... Tragen Sie festes Schuhwerk mit rutschfester Sohle. Empfohlen werden Arbeitsschutzschuhe mit Stahlkappen.

 ..... Setzen Sie das Werkzeug keiner Feuchtigkeit aus.

 ..... Maximal zulässige Werkzeugdrehzahl.

 ..... Nur für EU-Länder  
Entsorgen Sie Elektrowerkzeuge, Batterien und Akkus nicht über den Hausmüll!  
Gemäß Europäischer Richtlinie 2002/96/EG über Elektro- und Elektronik-Altgeräte, 2006/66/EG über Batterien und Akkumulatoren sowie Altbatterien und Altkumulatoren und Umsetzung in nationales Recht müssen verbrauchte Elektrowerkzeuge, Altbatterien und Altkumulatoren getrennt gesammelt und einer umweltgerechten Wiederverwertung zugeführt werden.

## Verwendungszweck

ENE074-1

Das Gerät ist zum Schneiden von Gras, Unkraut, Büschen und Gestrüpp bestimmt.

## SICHERHEITSGESETZE

GEB068-1

**⚠️ WARNUNG! Lesen Sie alle Sicherheitswarnungen und -anweisungen aufmerksam durch.** Wenn die aufgeführten Warnhinweise und Anweisungen nicht beachtet werden, besteht die Gefahr eines Stromschlags, Brands und/oder das Risiko schwerer Verletzungen.

## Bewahren Sie alle Warnhinweise und Anweisungen zum späteren Nachschlagen gut auf.

### Allgemeine Sicherheitshinweise

1. Zur Gewährleistung eines ordnungsgemäßen Betriebs muss der Benutzer diese Bedienungsanleitung aufmerksam durchlesen, um sich mit dem Umgang des Geräts vertraut zu machen. Unzureichend informierte Bedienpersonen können durch einen unsachgemäßen Umgang sich selbst und andere gefährden.
2. Es wird empfohlen, das Gerät nur an Personen zu verleihen, die erfahren im Umgang mit Motorsensen bzw. Rasentrimmern sind. Überreichen Sie stets auch diese Bedienungsanleitung.
3. Erstanwender sollten den Händler nach grundlegenden Anleitungen fragen, um mit dem Umgang einer Motorsense bzw. eines Rasentrimmers vertraut zu werden.
4. Gestatten Sie niemals Personen, die nicht mit diesen Anleitungen vertraut sind sowie Personen (einschließlich Kindern) mit verminderten physischen, sensorischen oder mentalen Fähigkeiten oder fehlender Erfahrung und mangelndem Wissen die Verwendung dieses Geräts. Örtliche Bestimmungen können das Mindestalter für den Bediener festlegen.
5. Verwenden Sie das Gerät mit äußerster Aufmerksamkeit und Achtung.
6. Betreiben Sie das Gerät nur, wenn Sie in guter physischer Verfassung sind. Führen Sie alle Arbeiten ruhig und sorgfältig durch. Setzen Sie Ihren gesunden Menschenverstand ein und beachten Sie, dass der Bediener für Unfälle mit oder Gefahren für andere Personen oder deren Eigentum verantwortlich ist.
7. Betreiben Sie das Gerät nie nach dem Genuss von Alkohol oder nach der Einnahme von Medikamenten, oder wenn Sie müde oder krank sind.
8. Der Motor wird sofort ausgeschaltet, falls am Gerät ein Problem oder Anzeichen eines abnormalen Verhaltens auftritt.
9. Schalten Sie das Gerät aus und entfernen Sie den Akkublock, wenn Sie eine Pause machen und wenn Sie das Gerät unbeaufsichtigt lassen. Lagern Sie das Gerät an einem sicheren Ort, um Gefahren für andere oder eine Beschädigung des Geräts abzuwenden.
10. Üben Sie keinen übermäßigen Druck auf das Gerät aus, so können Sie die Aufgaben besser und mit geringerem Verletzungsrisiko bei Auslegungsdrehzahl durchführen.

11. Übernehmen Sie sich nicht. Achten Sie jederzeit auf sicheren Stand und sicheres Gleichgewicht.

### Verwendungszweck des Geräts

1. Verwenden Sie eine geeignete Ausrüstung. Die Akku-Motorsense bzw. der Akku-Rasentrimmer sind ausschließlich zum Schneiden von Gras, Unkraut, Büschen und Gestrüpp bestimmt. Das Gerät darf nicht für andere Zwecke verwendet werden, beispielsweise zum Beschneiden von Kanten oder Hecken, da dies zu Verletzungen führen kann.

### Persönliche Schutzausrüstung

1. Tragen Sie geeignete Kleidung. Die Kleidung sollte funktional und geeignet sein, d.h. sie sollte eng anliegen, aber keine Behinderung verursachen. Tragen Sie keinen Schmuck. Tragen Sie keine Kleidung, mit der Sie sich in Büschen oder Gestrüpp verfangen können. Tragen Sie langes Haar unter einer geeigneten Kopfbedeckung.
2. Um Verletzungen von Gehör, Augen, Händen und Füßen zu vermeiden, aber auch um Ihre Hörleistung während des Betriebs zu schützen, müssen Sie während der Bedienung des Geräts die folgenden Schutzausrüstungen oder Schutzkleidungen tragen. **(Abb. 1)**
3. Tragen Sie stets einen Helm, wenn Gegenstände herabfallen können. Der Schutzhelm muss regelmäßig auf Beschädigungen überprüft und spätestens alle 5 Jahre ausgetauscht werden. Verwenden Sie ausschließlich zugelassene Schutzhelme.
4. Das Visier des Helms (oder alternativ eine Schutzbrille) schützt das Gesicht vor herumfliegenden Fremdkörpern und Steinen. Tragen Sie während des Betriebs des Geräts Rasentrimmers eine Schutzbrille oder ein Visier, um Verletzungen der Augen zu vermeiden.
5. Tragen Sie einen angemessenen Gehörschutz, um eine Schädigung des Gehörs zu vermeiden (Gehörschutzkapseln, Gehörschutzstöpsel usw.). **(Abb. 2)**
6. Arbeitsanzüge schützen gegen herumfliegende Steine und Fremdkörper. Es wird sehr empfohlen, dass der Benutzer einen Arbeitsanzug trägt.
7. Spezielle Handschuhe aus dickem Leder sind Bestandteil der vorgeschriebenen Ausrüstung und müssen stets bei Betrieb des Geräts getragen werden.
8. Tragen Sie bei Verwendung des Geräts stets festes Schuhwerk mit einer rutschfesten Sohle. Dadurch sind Sie gegen Verletzungen geschützt und haben einen sicheren Halt.

### Elektrische Sicherheit

1. Vermeiden Sie gefährliche Umgebungen. Verwenden Sie das Gerät nicht an feuchten Standorten und setzen Sie es keinem Regen aus. Wenn Wasser in ein Elektrowerkzeug eindringt, erhöht dies die Gefahr eines elektrischen Schlags.
2. Der Akku darf nur mit dem vom Hersteller angegebenen Ladegerät aufgeladen werden. Ein Ladegerät, das sich für den einen Akkutyp eignet,

- kann bei der Verwendung mit einem anderen Akku eine Brandgefahr darstellen.
3. Elektrowerkzeuge dürfen nur mit den dafür speziell vorgesehenen Akkus verwendet werden. Die Verwendung sonstiger Akkus kann eine Verletzungs- und Brandgefahr darstellen.
  4. Wenn der Akku nicht verwendet wird, darf er nicht in der Nähe von anderen metallischen Gegenständen wie Büroklammern, Münzen, Nägeln, Schrauben oder sonstigen metallischen Kleingegenständen aufbewahrt werden, da die Gefahr besteht, dass sich die Kontakte berühren. Ein Kurzschluss der Akkukontakte kann Verbrennungen verursachen oder eine Brandgefahr darstellen.
  5. Bei falschem Gebrauch kann Flüssigkeit aus dem Akku austreten; vermeiden Sie in diesem Fall jeglichen Kontakt mit der Flüssigkeit. Wenn Sie versehentlich damit in Berührung geraten, waschen Sie die betroffene Stelle gründlich mit Wasser ab. Wenn die Flüssigkeit in die Augen gerät, müssen Sie darüber hinaus einen Arzt aufsuchen. Die aus dem Akku austretende Flüssigkeit kann Hautreizungen oder Verbrennungen verursachen.
  6. Verbrennen Sie die Akkus nicht. Der Akku kann explodieren. Prüfen Sie lokale Vorschriften auf mögliche Sondervorschriften zur Entsorgung.
  7. Öffnen oder beschädigen Sie die Akkus nicht. Austretendes Elektrolyt ist ätzend und kann Verletzungen der Augen oder der Haut verursachen. Es kann giftig sein, wenn es geschluckt wird.

### Starten des Geräts (Abb. 3)

1. Vergewissern Sie sich, dass sich in einem Arbeitsbereich von 15 m keine Kinder oder andere Personen aufhalten, achten Sie außerdem auf Tiere im Arbeitsbereich. Stoppen Sie andernfalls den Betrieb des Geräts.
2. Überprüfen Sie vor jeder Verwendung, dass das Gerät betriebsicher ist. Prüfen Sie die Sicherheit des Schneidwerkzeugs und des Schutzes sowie die einfache und ordnungsgemäße Betätigung des Auslösers. Überprüfen Sie, dass die Griffe sauber und trocken sind und testen Sie die Funktionsweise des Start/Stoppschalters.
3. Überprüfen Sie vor der Verwendung des Geräts dieses auf beschädigte Teile. Beschädigte Schutzvorrichtungen oder sonstige beschädigte Teile müssen sorgfältig überprüft werden, um sicherzustellen, dass diese Teile noch ordnungsgemäß funktionieren und ihren beabsichtigten Zweck erfüllen. Überprüfen Sie die Ausrichtung beweglicher Teile, deren Verbindung und ob Teile beschädigt sind. Vergewissern Sie sich darüber hinaus, dass die Montage korrekt ist und keine Umstände vorliegen, die den ordnungsgemäßen Betrieb stören könnten. Sofern in dieser Bedienungsanleitung nicht anders angegeben, müssen beschädigte Schutzvorrichtungen und sonstige beschädigte Teile durch unser autorisiertes Fachpersonal ordnungsgemäß repariert oder ausgetauscht werden.
4. Schalten Sie den Motor nur ein, wenn Hände und Füße nicht in der Nähe des Schneidwerkzeugs sind.

5. Überprüfen Sie vor dem Starten, dass das Schneidwerkzeug keine harten Gegenstände (Geäst, Steine usw.) berührt, da sich das Schneidwerkzeug beim Starten dreht.

### Betriebsmethode

1. Verwenden Sie das Gerät nur bei guten Licht- und Sichtverhältnissen. Achten Sie im Winter auf rutschige oder nasse Bereiche, z.B. auf vereiste oder schneebedeckte Flächen (Rutschgefahr). Sorgen Sie immer für eine gute Standsicherheit.
2. Achten Sie auf Verletzungsrisiken für Füße und Hände durch das Schneidwerkzeug.
3. Schneiden Sie niemals über Schulterhöhe.
4. Betreiben Sie das Gerät niemals, wenn Sie auf einer Leiter stehen.
5. Klettern Sie niemals auf Bäume, um mit dem Gerät zu schneiden.
6. Arbeiten Sie niemals auf nicht stabilen Flächen.
7. Entfernen Sie Sand, Steine, Nägel usw. innerhalb des Arbeitsbereiches. Fremdkörper können das Schneidwerkzeug beschädigen und so gefährliche Rückschläge verursachen.
8. Sollte das Schneidwerkzeug Steine oder andere harte Gegenstände treffen, schalten Sie sofort den Motor aus und überprüfen Sie das Schneidwerkzeug.
9. Überprüfen Sie das Schneidwerkzeug in regelmäßigen, kurzen Intervallen. Prüfen Sie mit einem Klopfest auf Haarrisse.
10. Vergewissern Sie sich vor Beginn des Schnitts, dass das Schneidwerkzeug die volle Arbeitsdrehzahl erreicht hat.
11. Betreiben Sie das Gerät nur mit angefügtem Schultergurtzeug, das vor der Inbetriebnahme an den Benutzer angepasst werden muss. Wichtig ist, dass das Schultergurtzeug auf die Körperhöhe des Benutzers eingestellt wird, um ein Ermüden während der Verwendung zu verhindern.
12. Halten Sie das Gerät während des Betriebs mit beiden Händen. Halten Sie das Gerät während des Betriebs niemals mit nur einer Hand. Sorgen Sie immer für eine gute Standsicherheit.
13. Das Schneidwerkzeug muss immer mit dem entsprechenden Schutz versehen werden. Betreiben Sie das Gerät niemals mit beschädigtem oder ohne Schutz!
14. Alle mit dem Werkzeug gelieferten Schutzvorrichtungen und Abdeckungen müssen während des Betriebs verwendet werden.
15. Verwenden Sie das Gerät niemals zum Anschlagen oder Stoßen der Büsche oder ähnlichen, um diese abzuschneiden.
16. Lassen Sie das Gerät nur im Notfall auf den Boden fallen, da dadurch das Gerät beschädigt werden kann.
17. Heben Sie beim Bewegen immer das gesamte Werkzeug vom Boden an.
18. Entfernen Sie den Akkublock in folgenden Fällen stets aus dem Gerät:
  - immer, wenn das Gerät unbeaufsichtigt ist;
  - bevor Sie eine Blockierung lösen;
  - vor dem Prüfen, Reinigen oder Arbeiten am Gerät;
  - nach dem Anschlagen an Fremdkörper;
  - immer, wenn das Gerät abnormal zu vibrieren beginnt.

19. Achten Sie stets darauf, dass die Belüftungsöffnungen frei von Fremdkörpern sind.

## Rückschlag (Kickback)

1. Während des Betriebs des Geräts können unkontrollierte Rückschläge (Kickbacks) auftreten. (Abb. 4)
2. Rückschläge treten vor allem auf, wenn Sie im Blattabschnitt zwischen 12 und 2 einer Uhr schneiden.
3. Wenden Sie niemals den Blattabschnitt des Geräts zwischen 12 und 2 einer Uhr an.
4. Wenden Sie diesen Bereich des Schneidblattes niemals an festen Gegenständen (Büsche oder Bäume usw.) mit einem Durchmesser von mehr als 3 cm an. Andernfalls wird das Schneidblatt mit großer Kraft abgelenkt, was sehr gefährlich ist und zu Verletzungen führen kann.

## Rückschlagverhinderung

**Beachten Sie Folgendes, um Rückschläge zu vermeiden:**

1. Das Arbeiten im Schneidblattbereich zwischen 12 und 2 einer Uhr ist extrem gefährlich, besonders bei Verwendung von Metallschneiden. (Abb. 5)
2. Schnitтарbeiten im Schneidblattbereich zwischen 11 und 12 sowie zwischen 2 und 5 einer Uhr dürfen nur durch einen geschulten und erfahrenen Bediener, und dann nur bei eigenem Risiko durchgeführt werden.
3. Der optimale Bereich für ein leichtes Schneiden mit fast keinen Rückschlägen ist zwischen 9 und 11 einer Uhr des Schneidblattes.

## Schneidwerkzeuge

1. Verwenden Sie für die anstehenden Arbeiten ausschließlich das entsprechende Schneidwerkzeug.
2. Schneiden Sie dickere Materialien, wie Unkraut, hohes Gras, Büsche, Gestrüpp, Unterholz, Dickicht usw. (mit einer Dicke bis zu 2 cm im Durchmesser) durch gleichmäßiges Schwingen in Halbkreisen von rechts nach links (ähnlich wie bei einer Sense).

## Wartungsanweisungen

1. Überprüfen Sie immer den Zustand des Geräts, vor allem auch der Schutzvorrichtungen und des Schultergurtzeugs, bevor Sie mit der Arbeit beginnen.
2. Achten Sie besonders auf ordnungsgemäß geschärfte Schneidklingen.
3. Schalten Sie den Motor aus und entfernen Sie den Akkublock, bevor Sie Wartungsarbeiten durchführen, Schneidwerkzeuge ersetzen bzw. schärfen oder das Gerät oder das Schneidwerkzeug reinigen.
4. Prüfen Sie das Gerät auf lose Befestigungsteile und beschädigte Teile (z.B. Risse in der Schneidbefestigung).
5. Befolgen Sie die Anweisungen hinsichtlich Schmiermittel und Austauschzubehör.
6. Nicht genutzte Werkzeuge müssen an einem trockenen und hochgelegenen oder verschließbaren Ort außerhalb der Reichweite von Kindern aufbewahrt werden. Reinigen und warten Sie das Gerät vor dem Einlagern.
7. Verwenden Sie ausschließlich vom Hersteller empfohlene Ersatz- und Zubehörteile.

8. Überprüfen und warten Sie das Gerät regelmäßig, vor allem vor und nach der Verwendung. Lassen Sie das Gerät ausschließlich von unserem autorisierten Servicecenter reparieren.
9. Achten Sie darauf, dass die Griffe trocken, sauber und frei von Öl und Schmiermittel sind.

## BEWAHREN SIE DIESE ANLEITUNG SORGFÄLTIG AUF.

### ⚠️ WARNUNG:

Lassen Sie sich **NIE** durch Bequemlichkeit oder (aus fortwährendem Gebrauch gewonnener) Vertrautheit mit dem Werkzeug dazu verleiten, die Sicherheitsregeln für das Werkzeug zu missachten. Bei **MISSBRÄUCLICHER** Verwendung des Werkzeugs oder Missachtung der in diesem Handbuch enthaltenen Sicherheitshinweise kann es zu schweren Verletzungen kommen.

## WICHTIGE SICHERHEITSREGELN

ENC007-4

## FÜR AKKUBLOCK

1. **Lesen Sie vor der Verwendung des Akkublocks alle Anweisungen und Sicherheitshinweise für das Akkuladegerät (1), den Akku (2) und das Produkt (3), für das der Akku verwendet wird, sorgfältig durch.**
2. **Der Akkublock darf nicht zerlegt werden.**
3. **Falls die Betriebsdauer erheblich kürzer wird, beenden Sie den Betrieb umgehend. Andernfalls besteht die Gefahr einer Überhitzung sowie das Risiko möglicher Verbrennungen und sogar einer Explosion.**
4. **Wenn Elektrolyt in Ihre Augen gerät, waschen Sie diese mit klarem Wasser aus, und suchen Sie sofort einen Arzt auf. Andernfalls können Sie Ihre Sehfähigkeit verlieren.**
5. **Vermeiden Sie einen Kurzschluss des Akkublocks:**
  - (1) **Die Kontakte dürfen nicht mit leitendem Material in Berührung kommen.**
  - (2) **Der Akkublock darf nicht in einem Behälter aufbewahrt werden, in dem sich andere metallische Gegenstände wie beispielsweise Nägel, Münzen usw. befinden.**
  - (3) **Der Akkublock darf weder Feuchtigkeit noch Regen ausgesetzt werden. Ein Kurzschluss des Akkus kann zu einem hohem Stromfluss, Überhitzung, möglichen Verbrennungen und sogar zu einer Zerstörung führen.**
6. **Werkzeug und Akkublock dürfen nicht an Orten aufbewahrt werden, an denen die Temperatur 50°C oder höher erreichen kann.**
7. **Beschädigte oder verbrauchte Akkus dürfen nicht verbrannt werden. Der Akkublock kann in den Flammen explodieren.**
8. **Lassen Sie den Akku nicht fallen und vermeiden Sie Schläge gegen den Akku.**
9. **Verwenden Sie heruntergefallene Akkus oder Akkus, die Stößen ausgesetzt waren, nicht mehr.**

# BEWAHREN SIE DIESE ANLEITUNG SORGFÄLTIG AUF.

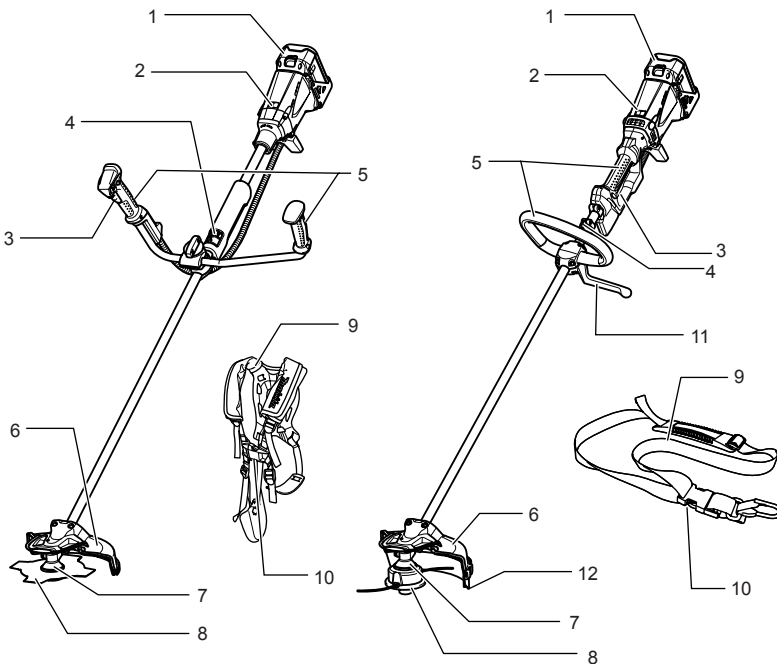
## Tipps für eine maximale Nutzungsdauer von Akkus

1. Laden Sie den Akkublock auf, bevor der Akku vollständig entladen ist. Sobald Sie eine verringerte Leistung des Werkzeugs bemerken, beenden Sie stets den

Betrieb des Werkzeugs und laden Sie den Akkublock auf.

2. Ein voll aufgeladener Akkublock darf niemals erneut geladen werden. Durch Überladungen wird die Lebensdauer des Akkus verkürzt.
3. Laden Sie den Akkublock bei einer Zimmertemperatur von 10°C bis 40°C auf. Lassen Sie einen heißen Akkublock vor dem Aufladen abkühlen.

## BESCHREIBUNGEN DER TEILE



1	Akkublock	7	Getriebegehäuse
2	Anzeigenleuchte	8	Schneidwerkzeug
3	Ein/Aus-Schalter	9	Schultergurtzeug
4	Aufhänger (Aufhängungspunkt)	10	Gurtschloss
5	Griff	11	Abstandshalter
6	Schutz für Schneidwerkzeug	12	Schutzverlängerung

## FUNKTIONSBESCHREIBUNG

### ⚠ VORSICHT:

- Schalten Sie das Gerät stets aus und entfernen Sie den Akkublock, bevor Sie Einstellungen oder eine Funktionsprüfung des Geräts vornehmen.

### Montieren und Demontieren des Akkublocks (Abb. 6)

- Schalten Sie das Gerät stets aus, bevor Sie den Akkublock einsetzen oder entfernen.

- Zur Entfernung des Akkublocks müssen Sie diesen aus dem Gerät herausziehen, während Sie die Taste auf der Vorderseite des Blocks schieben.
- Zum Einsetzen des Akkublocks müssen Sie die Zunge des Akkublocks an der Rille im Gehäuse ausrichten und in die gewünschte Position schieben. Setzen Sie den Block immer ganz ein, bis er mit einem Klick einrastet. Wenn Sie den roten Bereich oben auf der Taste sehen können, ist der Block nicht ganz eingerastet. Setzen Sie ihn ganz ein, bis der rote Bereich nicht mehr zu sehen ist. Andernfalls kann der

- Block versehentlich aus dem Gerät fallen und Sie oder Personen in Ihrem Umfeld verletzen.
- Wenden Sie beim Einsetzen des Akkublocks keine Gewalt an. Wenn der Block nicht leicht hineingleitet, wird er nicht richtig eingesetzt.

## Betätigung des Netzschalters

### ⚠ VORSICHT:

- Achten Sie vor dem Einsetzen des Akkublocks in das Gerät darauf, dass sich der Ein/Aus-Schalter korrekt bedienen lässt und beim Loslassen in die Position „OFF“ (AUS) zurückkehrt. **(Abb. 7 und 8)**

Damit die Auslöseschaltung nicht versehentlich gezogen wird, befindet sich am Gerät eine Entriegelungstaste. Zum Starten des Geräts drücken Sie zuerst die Entriegelungstaste und betätigen Sie dann den Ein-/Aus-Schalter. Die Drehzahl des Werkzeugs wird durch größeren Druck auf den Ein/Aus-Schalter erhöht. Lassen Sie zum Ausschalten des Werkzeugs den Ein/Aus-Schalter los.

## Betätigung des Umschalters

### ⚠ WARNUNG:

- Vergewissern Sie sich, dass das Gerät ausgeschaltet ist und der Akkublock herausgenommen wurde, bevor Sie im Schneidwerkzeug verfangene Büsche oder ähnliches entfernen, die Sie nicht durch Betätigen des Umkehrschalters entfernen können.

### ⚠ VORSICHT:

- Überprüfen Sie vor jedem Betrieb stets die Drehrichtung.

- Der Umschalter darf nur betätigt werden, wenn das Gerät im Stillstand ist. Wenn Sie die Drehrichtung bei noch laufendem Werkzeug umschalten, kann das Gerät beschädigt werden. **(Abb. 9 und 10)**

Dieses Gerät ist mit einem Umkehrschalter zum Ändern der Drehrichtung ausgestattet, um im Schneidwerkzeug verfangenes Geäst zu entfernen. Für eine Drehbewegung entgegen dem Uhrzeigersinn muss der Umschalthebel von der Seite A nach unten gedrückt werden (normal), und für eine Drehbewegung im Uhrzeigersinn von der Seite B (umgekehrt).

Im Umkehrmodus stoppt das Gerät automatisch kurz nach dem Einschalten.

## Ändern der Drehzahl (Abb. 11 und 12)

Mit dem Schalter zur Änderung der Drehzahl können Sie zwei Drehzahlbereiche auswählen.



Zum Ändern des Drehzahlbereichs drehen Sie den Schalter für die Drehzahländerung so, dass dieser für eine niedrige Drehzahl auf „1“ und für eine hohe Drehzahl auf „2“ steht.

## Akku-/Motor-Schutzsystem

Der Akkublock und der Motor sind mit Schutzsystemen ausgestattet, die die Ausgangsleistung für eine längere Lebenszeit des Akkus automatisch vermindert oder ausschaltet.

In Überlastsituationen drosselt der Schutz die Drehzahl zum Schutz des Motors. In diesem Fall leuchten oder blinken die zwei Anzeigelampen nicht.

Die anderen Funktionen können während des Betriebs anhand der zwei Anzeigelampen wie folgt erkannt werden. **(Abb. 13)**

		Status	Auszuführende Maßnahme
-	Blinken	Akkuleistung nahezu verbraucht.	Ersetzen Sie den Akku durch einen geladenen.
-	Leuchten	Akkuschutz hat das Gerät ausgeschaltet – Akkuleistung verbraucht.	Ersetzen Sie den Akku durch einen geladenen.
Blinken	-	Überlastschutz hat das Gerät ausgeschaltet – der Motor war arretiert.	Lassen Sie den Ein/Aus-Schalter los und beseitigen Sie die Ursache der Motorarretierung bzw. -überlastung. Falls das Schneidwerkzeug durch verfangenes Geäst oder ähnliches arretiert ist, entfernen Sie vor dem Reinigen stets den Akkublock.
Leuchten	-	Überhitzungsschutz hat das Gerät ausgeschaltet – Überhitzung.	Lassen Sie das Gerät für eine Weile abkühlen.
Blinken	Blinken	Elektrische oder elektronische Fehlfunktion	Wenden Sie sich für eine Reparatur an Ihr örtliches, autorisiertes Servicecenter.

## Nylon-Schneidkopf (Sonderzubehör für Geräte mit Schneidblatt)

### ⚠ VORSICHT:

- Stoßen Sie den Kopf nicht, wenn dieser sich mit 4.500 Umdrehungen/min<sup>-1</sup> dreht oder angehalten ist. **(Abb. 14)**

Der Nylon-Schneidkopf ist ein zweiseitiger Trimmerkopf mit Stoß- und Führungsmechanismus.

Stoßen Sie mit dem Nylon-Schneidkopf gegen den Boden, um während des Arbeitens weiteren Faden abzuwickeln. Die Schnur wird durch den Abschneider an der Schutzverlängerung automatisch auf die entsprechende Länge geschnitten.

### HINWEIS:

Falls das Nylonseil nicht mithilfe des Stoßens herausgeführt werden kann, spulen Sie das Nylonseil auf und tauschen Sie es aus (siehe Abschnitt „Wartung“).



# MONTAGE

## VORSICHT:

- Schalten Sie das Gerät stets aus und entfernen Sie den Akkublock, bevor Sie Arbeiten am Gerät ausführen.
- Stellen Sie sicher, dass Sie das Gerät vor dem Start wieder vollständig montiert haben.

## Montieren des Griffs (nur für Fahrradgriffmodell) (Abb. 15)

Lösen Sie den Knauf.

Platzieren Sie den Griff zwischen Griffklemme und Griffhalterung.

Richten Sie den Griff in einem Winkel aus, der Ihnen eine komfortable Arbeitsposition ermöglicht und sichern Sie diesen anschließend, indem Sie den Knauf handfest anziehen.

## Montieren des Schutzes (Abb. 16 und 17)

### WARNUNG:

- Es dürfen nur die im Folgenden gekennzeichneten Schneidwerkzeug/Schutz-Kombinationen verwendet werden. Zuwiderhandlungen können zu schweren Personenschäden führen. Betreiben Sie das Gerät niemals ohne Schutz.
- Der Außendurchmesser des Schneidblatts muss 230 mm betragen. Verwenden Sie niemals ein Blatt mit einem Außendurchmesser von mehr als 230 mm.

### Bei Verwendung eines Metallblattes (Abb. 18)

Befestigen Sie den Schutz an der Klemme, wie in der Abbildung dargestellt. Ziehen Sie die linken und rechten Bolzen gleichmäßig fest.

### Bei Verwendung eines Nylon-Schneidkopfes

#### VORSICHT:

- Achten Sie darauf, dass Sie sich nicht selbst am Absneider für den Nylonfaden an der Innenseite der Schutzverlängerung verletzen.
- Vergewissern Sie sich, dass die Schutzverlängerung ganz hineingedrückt ist. (Abb. 19)

Befestigen Sie den Schutz an der Klemme, wie in der Abbildung dargestellt. Ziehen Sie die linken und rechten Bolzen gleichmäßig fest.

Montieren Sie die Schutzverlängerung, indem Sie diese von der Flanke des Schutzes hineinschieben, wie in der Abbildung dargestellt.

### HINWEIS:

- Entfernen Sie bei der erstmaligen Verwendung das am Absneider für den Nylonfaden anhaftende Band. (Abb. 20)

Zum Entfernen der Schutzverlängerung drücken Sie einen flachen Schraubendreher in die Kerbe am Schutz und schieben Sie die Schutzverlängerung heraus.

## Montieren des Schneidblattes

### VORSICHT:

- Vergewissern Sie sich, dass Sie ein originales Dolmar-Schneidblatt verwenden.
- Das Schneidblatt muss gut glänzen und darf keine Risse oder Brüche aufweisen. Falls das Schneidblatt

während des Betriebs gegen Steine schlägt, stoppen Sie den Motor und überprüfen Sie die Klinge sofort.

- Polieren oder ersetzen Sie die Schneidblatt aller drei Betriebsstunden.
- Tragen Sie beim Umgang mit dem Schneidblatt immer Schutzhandschuhe.
- Befestigen Sie stets die Blattabdeckung, wenn das Gerät nicht verwendet oder transportiert wird.
- Die Mutter zum Festziehen des Schneidblatts (mit Federscheibe) ist ein Verschleißteil. Wenn Sie Verschleiß oder Deformation an der Federscheibe feststellen, ersetzen Sie die Mutter. Wenden Sie sich für die Bestellung dieser an Ihr örtliches, autorisiertes Servicecenter.

Drehen Sie das Gerät um, damit Sie das Schneidblatt leicht austauschen können. (Abb. 21)

Setzen Sie zur Demontage des Schneidblatts einen Inbusschlüssel in das Loch an der Schutzabdeckung und am Getriebegehäuse ein.

Drehen Sie die Aufnahmescheibe, bis der Inbusschlüssel greift. Lösen Sie die Sechskantmutter (Linksgewinde) mit dem Steckschlüssel und entfernen Sie Mutter, Kappe, Klemmscheibe und Inbusschlüssel. (Abb. 22)

Montieren Sie das Schneidblatt auf dem Schaft, sodass die Führung der Aufnahmescheibe in das Spindeloch im Schneidblatt passt. Bauen Sie Klemmscheibe und Kappe wieder ein. Sichern Sie das Schneidblatt mit der Sechskantmutter mit einem Anzugsmoment von 13 bis 23 Nm, während Sie die Aufnahmescheibe mit einem Inbusschlüssel halten. (Abb. 23)

Vergewissern Sie sich, dass sich das Blatt gegen den Uhrzeigersinn dreht.

## Montieren des Nylon-Schneidkopfes

### VORSICHT:

- Montieren Sie bei Verwendung des Nylon-Schneidkopfes stets nicht nur den Schutz, sondern auch die Schutzverlängerung.
- Vergewissern Sie sich, dass Sie einen originalen Nylon-Schneidkopf von Dolmar verwenden.
- Falls der Nylon-Schneidkopf während des Betriebs gegen Steine schlägt, stoppen Sie den Motor und überprüfen Sie den Nylon-Schneidkopf sofort.

Drehen Sie das Gerät um, damit Sie den Nylon-Schneidkopf leicht austauschen können. (Abb. 24)

Stecken Sie den Inbusschlüssel durch die Öffnung in der Schutzabdeckung und drehen Sie die Aufnahmescheibe, bis diese mit dem Inbusschlüssel einrastet. Montieren Sie den Nylon-Schneidkopf direkt auf der Gewindespindel und ziehen Sie diesen durch Drehen entgegen dem Uhrzeigersinn fest. Entfernen Sie den Inbusschlüssel.

Drehen Sie für die Demontage des Nylon-Schneidkopfes diesen im Uhrzeigersinn, während Sie die Aufnahmescheibe mit einem Inbusschlüssel halten.

# BETRIEB

## Korrektter Umgang mit dem Gerät (Fahrradgriffmodell)

### Korrekte Körperhaltung

#### **WARNUNG:**

- Positionieren Sie das Gerät stets an Ihrer rechten Seite, sodass sich der Schaft des linken Griffs stets vor Ihnen befindet. Eine korrekte Körperhaltung vermindert das Risiko von Verletzungen durch einen Rückschlag. (Abb. 25)

Passen Sie das Schultergurtzeug wie abgebildet an und hängen Sie das Gerät sicher an Ihrer rechten Seite ein, sodass sich der Schaft des linken Griffs stets vor Ihnen befindet.

### Anfügen des Schultergurtzeugs (Abb. 26)

Tragen Sie das Schultergurtzeug auf Ihrem Rücken und schließen Sie das Gurtschloss bis zum Klicken. Vergewissern Sie sich, dass sich das Schloss nicht öffnet, wenn Sie daran ziehen. Hängen Sie das Gerät entsprechend der Abbildung ein. Passen Sie die Gurtlänge so an, dass das Schneidblatt parallel zum Erdboden etwa 10 bis 30 cm über diesem verläuft.

### Demontage (Abb. 27)

Drücken Sie im Notfall den Hebel am Gurtschloss kräftig, um Gurtzeug und Gerät zu trennen.

#### **WARNUNG:**

- **Gehen Sie äußerst vorsichtig vor, damit Sie jederzeit die Kontrolle über das Werkzeug behalten. Lassen Sie nicht zu, dass das Werkzeug in Ihre Richtung oder in Richtung anderer Personen in Ihrer Nähe abprallt.** Zuwiderhandlungen können zu schweren Personenschäden führen.

## Korrektter Umgang mit dem Gerät (Bügelgriffmodell)

### Korrekte Körperhaltung

#### **WARNUNG:**

- Positionieren Sie das Gerät stets an Ihrer rechten Seite, sodass sich der Schaft des Abstandshalters stets vor Ihnen befindet. Eine korrekte Körperhaltung vermindert das Risiko von Verletzungen durch einen Rückschlag. (Abb. 28)

Passen Sie das Schultergurtzeug wie abgebildet an und hängen Sie das Gerät sicher an Ihrer rechten Seite ein, sodass sich der Abstandshalter stets vor Ihnen befindet.

### Anfügen des Schultergurtzeugs (Abb. 29)

Hängen Sie das Schultergurtzeug über Ihre linke Schulter und ziehen Sie Ihren Kopf und den rechten Arm durch. Schließen Sie das Gurtschloss mit einem Klicken. Vergewissern Sie sich, dass sich das Schloss nicht öffnet, wenn Sie daran ziehen. Hängen Sie das Gerät entsprechend der Abbildung ein. Passen Sie die Gurtlänge so an, dass das Schneidblatt parallel zum Erdboden etwa 10 bis 30 cm über diesem verläuft.

### Demontage (Abb. 30)

Drücken Sie im Notfall den Hebel zur Notfalldemontage kräftig.

#### **WARNUNG:**

- **Gehen Sie äußerst vorsichtig vor, damit Sie jederzeit die Kontrolle über das Werkzeug behalten. Lassen Sie nicht zu, dass das Werkzeug in Ihre Richtung oder in Richtung anderer Personen in Ihrer Nähe abprallt.** Zuwiderhandlungen können zu schweren Personenschäden führen.

## WARTUNG

#### **VORSICHT:**

- Schalten Sie das Gerät stets aus und entfernen Sie den Akkublock, bevor Sie Inspektionen oder Wartungsarbeiten am Gerät vornehmen.
- Verwenden Sie zum Reinigen niemals Kraftstoffe, Benzin, Verdünner, Alkohol oder ähnliches. Dies kann zu Verfärbungen, Verformungen oder Rissen führen.

## Auftragen von Schmiere auf das Getriebegehäuse (Abb. 31)

Tragen Sie aller 30 Betriebsstunden Schmiere (Shell Alvania 2 oder eine äquivalente) durch das Schmierloch auf das Getriebegehäuse auf. (Originales Dolmar-Schmierfett erhalten Sie bei Ihrem Dolmar-Händler.)

## Ersetzen des Nylonseils

#### **WARNUNG:**

- Lassen Sie den Ein/Aus-Schalter los und entfernen Sie den Akkublock, bevor Sie das Nylonseil ersetzen.
- Vergewissern Sie sich, dass die Abdeckung des Nylon-Schneidkopfes richtig auf dem Gehäuse gesichert ist (siehe folgende Beschreibung). Andernfalls kann diese wegfiegen und schwere Personenschäden verursachen. (Abb. 32)

Drücken Sie die Gehäuselaschen nach innen, um die Abdeckung anzuheben. Nehmen Sie die Spule heraus und entfernen Sie das darauf verbliebene Nylonseil. (Abb. 33)

#### **(Abb. 33)**

Haken Sie die Mitte des Nylonseils in die Kerbe in der Mitte der Spule ein, das eine Ende des Seils muss etwa 80 mm länger als das andere sein. Wenden Sie anschließend beide Enden fest um die Spule in Richtung der Kopfdrehung (Linksdrehung wird durch „LH“ und Rechtsdrehung durch „RH“ an der Seite der Spule gekennzeichnet). (Abb. 34)

Wenden Sie etwa 100 mm des Seils um die Spule und lassen Sie die Enden vorübergehend in der Einkerbung an der Seite der Spule eingehängt. (Abb. 35)

Montieren Sie die Spule in dem Gehäuse, sodass die Kerben und Vorsprünge an der Spule mit denen im Gehäuse übereinstimmen. Halten Sie die Seite mit den Buchstaben an der Spule sichtbar nach oben. Haken Sie nun die Enden des Seils aus ihrer vorübergehenden Positionen aus, und führen Sie das Seil durch die Seilführungen, sodass diese aus dem Gehäuse herausstehen. (Abb. 36)

Richten Sie den Vorsprung an der Unterseite der Abdeckung an den Schlitzen der Seilführungen aus. Drücken Sie dann die Abdeckung fest auf das Gehäuse. Vergewissern Sie sich, dass die Laschen richtig in der Abdeckung sitzen.

## PROBLEMBEHEBUNG

Zur Gewährleistung von SICHERHEIT und ZUVERLÄSSIGKEIT des Produkts sollten Reparaturen, Wartungsarbeiten und Einstellungen nur durch von Dolmar autorisierte Servicecenter durchgeführt und ausschließlich Dolmar-Ersatzteile verwendet werden.

Prüfen Sie das Gerät erst selbst, bevor Sie eine Reparatur anfordern. Falls Sie vor einem Problem stehen, das nicht im Handbuch erläutert ist, bauen Sie das Gerät nicht voreilig auseinander. Wenden Sie sich an ein von Dolmar autorisiertes Servicecenter, in denen stets Dolmar-Ersatzteile verwendet werden.

Fehlfunktionsstatus	Ursache	Maßnahme
Motor dreht sich nicht.	Kein Akku eingebaut.	Setzen Sie den Akkublock ein.
	Akkuprobem (unter Spannung)	Laden Sie den Akku wieder auf. Tauschen Sie den Akku aus, falls ein Aufladen nicht effektiv ist.
	Das Antriebssystem arbeitet nicht korrekt.	Wenden Sie sich für eine Reparatur an Ihr örtliches, autorisiertes Servicecenter.
Motor stoppt kurz nach dem Start.	Drehung in umgekehrte Richtung.	Ändern Sie die Drehrichtung mit dem Umkehrschalter.
	Akku ist nahezu verbraucht.	Laden Sie den Akku wieder auf. Tauschen Sie den Akku aus, falls ein Aufladen nicht effektiv ist.
	Überhitzung.	Lassen Sie das Gerät für eine Weile abkühlen.
Umdrehung erreicht nicht die entsprechende Drehzahl.	Akku wurde nicht ordnungsgemäß installiert.	Bauen Sie den Akku, wie in diesem Handbuch beschrieben, ein.
	Akkuleistung fällt ab.	Laden Sie den Akku wieder auf. Tauschen Sie den Akku aus, falls ein Aufladen nicht effektiv ist.
	Das Antriebssystem arbeitet nicht korrekt.	Wenden Sie sich für eine Reparatur an Ihr örtliches, autorisiertes Servicecenter.
Schneidklinge dreht sich nicht: Stoppen Sie das Gerät sofort!	Ein Fremdkörper, zum Beispiel ein Ast, ist zwischen Schutz und Schneidblatt verklemmt.	Entfernen Sie den Fremdkörper.
	Befestigungsmutter des Schneidblatts ist lose.	Ziehen Sie die Mutter, wie in diesem Handbuch beschrieben, fest.
	Das Schneidblatt ist verbogen.	Tauschen Sie das Schneidblatt aus.
	Das Antriebssystem arbeitet nicht korrekt.	Wenden Sie sich für eine Reparatur an Ihr örtliches, autorisiertes Servicecenter.
Abnormale Vibration: Stoppen Sie das Gerät sofort!	Ein Ende des Nylonseils ist zerbrochen.	Stoßen Sie mit dem Nylon-Schneidkopf gegen den Boden, um während des Arbeitens weiteren Faden abzuwickeln.
	Das Schneidblatt ist verbogen, verschlissen oder gerissen.	Tauschen Sie das Schneidblatt aus.
	Befestigungsmutter des Schneidblatts ist lose.	Ziehen Sie die Mutter, wie in diesem Handbuch beschrieben, fest.
	Schneidblatt ist unzureichend festgezogen.	Ziehen Sie die Mutter, wie in diesem Handbuch beschrieben, fest.
	Das Antriebssystem arbeitet nicht korrekt.	Wenden Sie sich für eine Reparatur an Ihr örtliches, autorisiertes Servicecenter.
Schneidwerkzeug und Motor können nicht gestoppt werden: Entnehmen Sie den Akku sofort!	Elektrische oder elektronische Fehlfunktion.	Entnehmen Sie den Akku und wenden Sie sich für eine Reparatur an Ihr örtliches, autorisiertes Servicecenter.

# ZUBEHÖR

## VORSICHT:

- Für das in diesem Handbuch beschriebene Dolmar-Gerät werden die folgenden Zubehör- und Zusatzteile empfohlen. Die Verwendung anderer Zubehör- und Zusatzteile kann zu Personenschäden führen. Verwenden Sie Zubehör- und Zusatzteile nur für den vorgesehenen Zweck.

Informationen zu diesem Zubehör erhalten Sie von Ihrem Dolmar-Servicecenter.

- Schneidblatt
- Nylon-Schneidkopf
- Aufsatz für Schwert-Heckenschere
- Aufsatz für Schwertsäge
- Kultivatoraufsatz
- Originalakku und Ladegerät von Dolmar

## Für Modell AT-3623

**Schall** ENG104-2

Typischer A-bewerteter Schallpegel nach ISO22868:

Schalldruckpegel ( $L_{pA}$ ): 79,7 dB (A)

Abweichung (K): 2,5 dB (A)

Unter Arbeitsbedingungen kann der Schallpegel 80 dB (A) überschreiten.

### Tragen Sie Gehörschutz.

**Schwingung** ENG244-1

Die Schwingungsbelastung wird gemäß ISO22867,

EN786 bestimmt:

Schwingungsbelastung ( $a_h$ ): 2,5 m/s<sup>2</sup> oder weniger

Abweichung (K): 1,5 m/s<sup>2</sup>

## Für Modell AT-3630

**Schall** ENG104-2

Typischer A-bewerteter Schallpegel nach EN786:

Schalldruckpegel ( $L_{pA}$ ): 79,3 dB (A)

Abweichung (K): 2,5 dB (A)

Unter Arbeitsbedingungen kann der Schallpegel 80 dB (A) überschreiten.

### Tragen Sie Gehörschutz.

**Schwingung** ENG244-1

Die Schwingungsbelastung wird gemäß EN786 bestimmt:

Schwingungsbelastung ( $a_h$ ): 2,5 m/s<sup>2</sup> oder weniger

Abweichung (K): 1,5 m/s<sup>2</sup>

## Nur für europäische Länder

ENH021-5

### EG-Konformitätserklärung

**Die Unterzeichnenden, Tamiro Kishima und Rainer Bergfeld, bevollmächtigt durch die Dolmar GmbH, erklären, dass die Geräte der Marke DOLMAR:**

Bezeichnung des Geräts:

Akku-Freischneider

Nummer / Typ des Modells: AT-3623

Technische Daten: siehe Tabelle „TECHNISCHE DATEN“.

in Serienfertigung hergestellt werden und **den folgenden Richtlinien der Europäischen Union genügen:**

2000/14/EG, 2006/42/EG

Außerdem werden die Geräte gemäß den folgenden Standards oder Normen gefertigt:

EN60745, ISO11806

Die technische Dokumentation befindet sich bei:

Dolmar GmbH,

Jenfelder Straße 38, Abteilung FZ,

D-22045 Hamburg

Das Verfahren zur Konformitätsbewertung, vorgesehen in 2000/14/EG, erfolgte in Übereinstimmung mit Anhang V.

Gemessener Schallleistungspegel: 93,6 dB

Garantierter Schallleistungspegel: 95 dB

16. Oktober 2009



Tamiro Kishima  
Geschäftsführer



Rainer Bergfeld  
Geschäftsführer

## Nur für europäische Länder

ENH212-10

### EG-Konformitätserklärung

**Die Unterzeichnenden, Tamiro Kishima und Rainer Bergfeld, bevollmächtigt durch die Dolmar GmbH, erklären, dass die Geräte der Marke DOLMAR:**

Bezeichnung des Geräts:

Akku-Rasentrimmer

Nummer / Typ des Modells: AT-3630

Technische Daten: siehe Tabelle „TECHNISCHE DATEN“.

in Serienfertigung hergestellt werden und **den folgenden Richtlinien der Europäischen Union genügen:**

2000/14/EG, 2006/42/EG

Außerdem werden die Geräte gemäß den folgenden Standards oder Normen gefertigt:

EN60745, EN60335

Die technische Dokumentation befindet sich bei:

Dolmar GmbH,

Jenfelder Straße 38, Abteilung FZ,

D-22045 Hamburg

Das Verfahren der Konformitätsbewertung, das in der Richtlinie 2000/14/EG verlangt wird, wurde in

Übereinstimmung mit Anhang VIII durchgeführt.

Benannte Stelle:

TÜV Rheinland Product Safety GmbH, Am Grauen

Stein, D-51105 Köln – Deutschland; ID-Nr. 0197

Gemessener Schallleistungspegel: 91,3 dB

Garantierter Schallleistungspegel: 93 dB

16. Oktober 2009



Tamiro Kishima  
Geschäftsführer



Rainer Bergfeld  
Geschäftsführer

## ITALIANO (Istruzioni originali)

### Spiegazione della vista generale

- |                                       |                                |                                     |
|---------------------------------------|--------------------------------|-------------------------------------|
| 1. Area rossa                         | 14. Lama da taglio             | 27. Fibbia                          |
| 2. Pulsante scorrevole                | 15. Protezione                 | 28. Scatola degli ingranaggi        |
| 3. Batteria                           | 16. Testina da taglio in nylon | 29. Foro per il grasso              |
| 4. Sicura di accensione               | 17. Estensione protezione      | 30. Coperchio                       |
| 5. Interruttore di accensione         | 18. Due bulloni                | 31. Chiusure                        |
| 6. Leva di inversione della rotazione | 19. Coperchio protettivo       | 32. Premere                         |
| 7. Leva di regolazione della velocità | 20. Chiave esagonale           | 33. Bobina                          |
| 8. Spia luminosa                      | 21. Rondella ricevente         | 34. Per la rotazione verso sinistra |
| 9. Area di taglio più efficace        | 22. Rondella morsetto          | 35. Tacche                          |
| 10. Manopola                          | 23. Anello conico              | 36. Occhielli                       |
| 11. Morsetto impugnatura              | 24. Dado esagonale             | 37. Sporgenza (non rappresentata)   |
| 12. Molla di compressione             | 25. Perno filettato            | 38. Fessura dell'occhiello          |
| 13. Supporto impugnatura              | 26. Leva                       |                                     |

## CARATTERISTICHE TECNICHE

Modello		AT-3623	AT-3630
Tipo di impugnatura		Impugnatura a manubrio	Impugnatura ad anello
Velocità a vuoto	Alta	0 - 7.300 min <sup>-1</sup>	0 - 6.600 min <sup>-1</sup>
	Bassa	0 - 5.300 min <sup>-1</sup>	0 - 4.900 min <sup>-1</sup>
Lunghezza totale		1.880 mm	1.850 mm
Diametro lama da taglio		230 mm	-
Diametro di taglio con testina da taglio in nylon		-	300 mm
Peso netto		7,1 kg	5,9 kg
Tensione nominale		36 V CC	


- Le caratteristiche tecniche riportate di seguito sono soggette a modifiche senza preavviso in virtù del nostro programma continuo di ricerca e di sviluppo.
- Le caratteristiche tecniche e le batterie possono differire da paese a paese.
- Peso, comprensivo di batteria, calcolato in base alla Procedura EPTA 01/2003


### Simboli


END 008-1

Il seguente elenco riporta i simboli utilizzati per questo utensile. È importante comprenderne il significato prima di utilizzare l'utensile.

-  Prestare particolare cura e attenzione.
-  Leggere il manuale di istruzioni.
-  Pericolo; attenzione al lancio di oggetti.
-  La distanza tra l'utensile e gli osservatori deve essere di almeno 15 m.
-  Tenere a distanza gli osservatori.
-  Mantenere una distanza di almeno 15 m.
-  Evitare i cortocircuiti.
-  Indossare elmetto, occhiali protettivi e cuffie antirumore.
-  Indossare guanti di protezione.
-  Indossare calzature pesanti con suola antiscivolo. Si consigliano scarpe di sicurezza con puntale in metallo.

 Evitare l'esposizione all'umidità.

 Velocità massima ammissibile dell'utensile.

 Solo per i paesi UE  
Non gettare le apparecchiature elettriche o le batterie tra i rifiuti domestici. In base alla Direttiva Europea 2002/96/CE sui rifiuti di apparecchiature elettriche ed elettroniche e alla Direttiva Europea 2006/66/CE sulle batterie e gli accumulatori e sui rifiuti di batterie e di accumulatori, e la loro attuazione in conformità alle norme nazionali, le apparecchiature elettriche e le batterie esauste devono essere raccolte separatamente, al fine di essere riciclate in modo ecocompatibile.

### Uso previsto

ENE 074-1

L'utensile è destinato al taglio di erba, erbacce, cespugli e sottobosco.

# ISTRUZIONI PER LA SICUREZZA

CEB 068-1

**⚠ AVVERTENZA!** Leggere attentamente tutte le avvertenze di sicurezza e le istruzioni. La mancata osservanza delle istruzioni e delle avvertenze potrebbe provocare scosse elettriche, incendi e/o lesioni gravi.

## Conservare tutte le avvertenze e le istruzioni per riferimenti futuri.

### Istruzioni generali

1. Per garantire il corretto funzionamento, leggere il presente manuale di istruzioni onde acquisire familiarità con l'utensile. Un'informazione non sufficiente unita a un utilizzo improprio può mettere in pericolo gli utilizzatori e le altre persone presenti.
2. Si raccomanda di dare in prestito l'utensile solo a persone con provata esperienza nell'utilizzo di decespugliatori/tagliabordi. Consegnare sempre, insieme all'utensile, il presente manuale di istruzioni.
3. Gli utilizzatori alle prime armi sono tenuti a richiedere le istruzioni di base al rivenditore per familiarizzare con l'utilizzo di un decespugliatore/tagliabordi.
4. Non permettere mai di usare l'utensile a persone che non hanno familiarità con le presenti istruzioni, a bambini, a persone con disabilità fisiche, sensoriali o mentali, a persone con esperienza e conoscenze insufficienti. Le normative locali possono fissare un'età minima per l'utilizzatore.
5. Usare l'utensile con la massima cura e attenzione.
6. Usare l'utensile solo se si è in buone condizioni fisiche. Eseguire tutto il lavoro di taglio con calma e attenzione costanti. Adoperare il buonsenso e tenere presente che l'operatore o l'utilizzatore è responsabile di eventuali incidenti o pericoli che possono riguardare altre persone o le loro proprietà.
7. Non usare mai l'utensile dopo l'assunzione di alcol o farmaci, oppure se ci si sente stanchi o indisposti.
8. Spegnerne immediatamente il motore se l'utensile mostra un qualsiasi problema o anomalia.
9. Spegnerne l'utensile e rimuovere la batteria durante le pause e quando si lascia l'utensile incustodito. Collocare l'utensile in un luogo sicuro per prevenire pericoli per altre persone e danni al prodotto stesso.
10. Non forzare l'utensile. Il lavoro verrà svolto meglio e con minori rischi per la sicurezza personale rispettando la velocità per la quale è stato progettato.
11. Non eccedere le proprie possibilità. Mantenere sempre un equilibrio e un punto d'appoggio adeguati.

### Uso previsto dell'utensile

1. Utilizzare correttamente l'utensile. Il decespugliatore/tagliabordi a batteria è destinato esclusivamente al taglio di erba, erbacce, cespugli e sottobosco. Non deve essere usato per nessun altro scopo, come la rifinitura dei bordi o la potatura delle siepi: può provocare lesioni.

### Dispositivi di protezione personale

1. Indossare un abbigliamento adeguato. L'abbigliamento indossato deve essere funzionale e appropriato; ossia, deve essere aderente ma senza causare impedimenti. Non indossare gioielli o abiti che

potrebbero impigliarsi in cespugli o arbusti. Indossare una protezione per tenere raccolti i capelli lunghi.

2. Per evitare lesioni a testa, occhi, mani o piedi, oltre che per proteggere l'udito durante il lavoro, in fase d'uso dell'utensile è necessario indossare i seguenti dispositivi e indumenti protettivi. (Fig. 1)
3. Indossare sempre un elmetto quando vi sia rischio di caduta di oggetti. L'elmetto di protezione deve essere controllato periodicamente per verificare eventuali danni e deve essere sostituito almeno ogni 5 anni. Usare solo elmetti protettivi omologati.
4. Il visore dell'elmetto (o gli occhiali di protezione in alternativa) proteggono il volto da detriti e sassi volanti. Per prevenire lesioni agli occhi, indossare sempre occhiali di protezione o un visore durante l'uso dell'utensile.
5. Indossare adeguate protezioni contro il rumore per evitare danni all'udito (cuffie, tappi per le orecchie e così via). (Fig. 2)
6. Indossare una tuta da lavoro per proteggersi da sassi e detriti volanti. Si consiglia fortemente di indossare una tuta da lavoro integrale.
7. Guanti speciali di cuoio pesante fanno parte dell'equipaggiamento prescritto e devono sempre essere indossati durante l'uso dell'utensile.
8. Indossare sempre calzature pesanti con suola antiscivolo. Consentono la protezione da infortuni e garantiscono la corretta stabilità.

### Sicurezza elettrica e della batteria

1. Evitare gli ambienti pericolosi. Evitare i luoghi bagnati o umidi e l'esposizione alla pioggia durante l'uso. Eventuali infiltrazioni di acqua nell'utensile aumentano il rischio di scosse elettriche.
2. Ricaricare solo utilizzando il caricabatteria specificato dal produttore. Un caricabatteria adatto per un tipo di batteria potrebbe creare il rischio di incendio se utilizzato con un'altra batteria.
3. Utilizzare gli utensili elettrici solo con le apposite batterie. L'uso di tipi diversi di batterie potrebbe provocare il rischio di lesioni e incendi.
4. Quando la batteria non viene utilizzata, evitare di tenerla a contatto con oggetti metallici, quali graffette, monete, chiavi, chiodi, viti o altri piccoli oggetti metallici che possano stabilire un contatto tra un terminale e l'altro. Cortocircuitare i terminali della batteria potrebbe causare ustioni o incendi.
5. In condizioni precarie, potrebbe fuoriuscire del liquido dalla batteria. In questo caso, evitare il contatto. In caso di contatto accidentale, lavare abbondantemente con acqua. In caso di contatto del liquido con gli occhi, rivolgersi a un medico. Il liquido fuoriuscito dalla batteria potrebbe provocare irritazioni o ustioni.
6. Non tentare di smaltire le batterie con il fuoco. La pila potrebbe esplodere. Controllare le normative locali vigenti per eventuali istruzioni speciali di smaltimento.
7. Non tentare di aprire o rompere la batteria. La fuoriuscita di elettrolita corrosivo può provocare lesioni a occhi e pelle. Non ingerire: rischio di intossicazione.

### Avvio dell'utensile (Fig. 3)

1. Assicurarsi che non siano presenti bambini o altre persone in un raggio di 15 metri; fare anche attenzione alla presenza di animali nelle vicinanze

- dell'area di lavoro. Altrimenti, interrompere l'utilizzo dell'utensile.
- Prima dell'uso controllare sempre che l'utensile non presenti fattori di rischio per la sicurezza. Controllare la sicurezza dell'utensile da taglio, della protezione e degli interruttori/leve per assicurare la facilità e la correttezza di funzionamento. Controllare che le impugnature siano pulite e asciutte, quindi verificare la funzionalità dell'avviamento e dell'arresto.
  - Controllare le parti danneggiate prima di continuare a utilizzare l'utensile. Sottoporre ad accurato controllo le protezioni o altri pezzi danneggiati per stabilire se sono in grado di funzionare correttamente e per gli usi previsti. Verificare l'allineamento e l'eventuale inceppamento delle parti mobili, controllare che non vi siano pezzi danneggiati, parti montate in modo sbagliato o qualunque altra condizione che influisca sul corretto funzionamento. Le protezioni o altre parti danneggiate devono essere riparate o sostituite da centri di assistenza autorizzati, salvo quando diversamente indicato nel presente manuale.
  - Accendere il motore solo quando le mani e i piedi si trovano a debita distanza dall'utensile da taglio.
  - Prima dell'avviamento, assicurarsi che l'utensile da taglio non sia a contatto con oggetti duri come rami, pietre, ecc. poiché all'avvio l'utensile si metterà in rotazione.

## Metodo di utilizzo

- Operare solo in condizioni di buona illuminazione e visibilità. Durante la stagione invernale fare attenzione alle zone umide o scivolose, a neve e ghiaccio (rischio di scivolamento). Assicurarsi sempre di avere una buona presa a terra.
- Prestare attenzione a non ferirsi piedi e mani con l'utensile da taglio.
- Non eseguire tagli a un'altezza superiore a quella della cintura.
- Non utilizzare mai l'utensile mentre ci si trova su una scala.
- Non arrampicarsi mai sugli alberi per eseguire operazioni di taglio con l'utensile.
- Non lavorare mai su superfici instabili.
- Rimuovere sabbia, pietre, chiodi, ecc. dall'area di lavoro. Corpi estranei possono danneggiare l'utensile da taglio e causare pericolosi contraccolpi.
- Nel caso in cui l'utensile da taglio urti pietre o altri oggetti duri, spegnere immediatamente il motore e ispezionare l'utensile da taglio.
- Controllare l'utensile da taglio frequentemente e con regolarità per verificare la presenza di danni (rilevare eventuali piccole fratture picchiando leggermente).
- Prima di iniziare il taglio, l'utensile da taglio deve aver raggiunto la piena velocità operativa.
- Prima di iniziare a utilizzare l'utensile, indossare sempre la cintura a spalla, agganciata all'utensile, e regolala adeguatamente. È fondamentale regolare la cintura a spalla in base alla corporatura dell'utilizzatore per prevenire l'affaticamento durante l'uso.
- Reggere sempre l'utensile con entrambe le mani durante l'utilizzo. Non tenere mai l'utensile con una mano sola durante l'utilizzo. Assicurarsi sempre di avere una buona presa a terra.

- L'utensile da taglio deve essere dotato dell'apposita protezione. Non utilizzare mai l'utensile se le protezioni sono danneggiate o non collocate in posizione.
- Durante l'uso devono essere impiegati tutti i sistemi di sicurezza e le protezioni forniti con il prodotto.
- Non usare l'utensile per colpire, battere, ecc. le erbacce o materiali simili nel tentativo di tagliarli.
- Tranne che in caso di emergenza, non lasciar cadere o gettare l'utensile a terra: potrebbe danneggiarsi gravemente.
- Per spostare l'utensile, sollevarlo sempre completamente dal suolo.
- Rimuovere sempre la batteria dall'utensile:
  - quando si lascia incustodito l'utensile;
  - prima di rimuovere un'ostruzione;
  - prima di controllare, pulire o eseguire qualsiasi operazione sull'utensile;
  - dopo aver colpito un corpo estraneo;
  - se l'utensile inizia a vibrare in modo anomalo.
- Assicurarsi sempre che le prese d'aria siano libere da detriti.

## Contraccolpo (colpo di lama)

- Durante l'utilizzo è possibile che si verifichi un contraccolpo incontrollato (colpo di lama). (Fig. 4)
- Questo avviene in particolare durante i tentativi di taglio all'interno di un segmento di lama compreso tra ore 12 e ore 2 .
- Non utilizzare mai l'utensile all'interno di un segmento tra ore 12 e ore 2 .
- Non applicare questo segmento della lama da taglio a oggetti solidi, quali cespugli e alberi, con un diametro superiore a 3 cm, altrimenti la lama da taglio verrà deviata con notevole forza, provocando il rischio di infortuni.

## Prevenzione dei contraccolpi

### Tenere presente i punti seguenti per evitare contraccolpi:

- L'utilizzo all'interno di un segmento della lama compreso tra ore 12 e ore 2 presenta pericoli positivi, soprattutto se vengono utilizzati utensili da taglio in metallo. (Fig. 5)
- Le operazioni di taglio all'interno di un segmento della lama compreso tra ore 11 e ore 12, o tra ore 2 e ore 5, devono essere effettuate esclusivamente da operatori esperti e soltanto a loro rischio e pericolo.
- È possibile un taglio agevole, quasi senza contraccolpi, all'interno di un segmento di lama compreso tra ore 9 e ore 11.

## Utensili da taglio

- Utilizzare solamente l'utensile da taglio corretto per il lavoro in corso.
- Per tagliare materiali spessi come erbacce, erba alta, cespugli, arbusti, sottobosco, fratte ecc. (max. 2 cm di diam. di spessore), eseguire il lavoro di taglio facendo ruotare omogeneamente l'utensile in semicerchi da destra verso sinistra (come se fosse una falce fienaiia).

## Istruzioni per la manutenzione

1. Verificare le condizioni dell'utensile, in particolare dell'utensile da taglio, dei dispositivi di protezione e della cintura a spalla, prima di iniziare il lavoro.
2. Prestare particolare attenzione alle lame da taglio, che devono essere adeguatamente affilate.
3. Spegnerne il motore e rimuovere la batteria prima di eseguire lavori di manutenzione, sostituire/affilare gli utensili da taglio o pulire il prodotto o l'utensile da taglio.
4. Controllare che non ci siano dispositivi di fissaggio allentati o parti danneggiate, come incrinature, nell'accessorio di taglio.
5. Osservare le istruzioni di lubrificazione e sostituzione degli accessori.
6. Quando l'utensile non viene utilizzato, conservarlo al coperto, in un luogo asciutto, non raggiungibile o chiuso a chiave, fuori dalla portata dei bambini. Provvedere alla pulizia e manutenzione dell'utensile prima di riporlo.
7. Utilizzare solamente parti e accessori di ricambio raccomandati dal produttore.
8. Ispezionare ed eseguire regolarmente la manutenzione dell'utensile, soprattutto prima e dopo ciascun utilizzo. Far riparare il prodotto solo presso un centro di assistenza autorizzato.
9. Tenere le impugnature asciutte, pulite e prive di olio e grasso.

## CONSERVARE QUESTE ISTRUZIONI.

### AVVERTENZA:

**NON lasciare che la familiarità acquisita con il prodotto (dovuta all'uso ripetuto) provochi l'inosservanza delle regole di sicurezza per il presente utensile. L'USO IMPROPRIO o la mancata osservanza delle norme di sicurezza contenute in questo manuale di istruzioni può provocare lesioni personali gravi.**

## ISTRUZIONI IMPORTANTI PER LA SICUREZZA

ENC 007-4

## RELATIVE ALLA BATTERIA

1. **Prima di utilizzare la batteria, leggere tutte le istruzioni e gli avvisi di sicurezza relativi a (1) caricabatteria, (2) batteria e (3) prodotto utilizzato con la batteria.**
2. **Non smontare la batteria.**
3. **Se il tempo di funzionamento è diventato eccessivamente breve, non utilizzare l'utensile. Potrebbero verificarsi surriscaldamenti, ustioni o esplosioni.**
4. **In caso di contatto dell'elettrolita della batteria con gli occhi, sciacquare con acqua fresca e rivolgersi immediatamente a un medico. Potrebbero verificarsi danni permanenti alla vista.**
5. **Non cortocircuitare la batteria.**
  - (1) **Non toccare i terminali della batteria con materiale in grado di condurre elettricità.**

- (2) **Evitare di conservare le batterie a contatto con oggetti metallici quali chiodi, monete e così via.**
- (3) **Non esporre le batterie all'acqua o alla pioggia. Un cortocircuito può provocare un elevato flusso di corrente, surriscaldamento, ustioni o una scarica a scintilla.**
6. **Non conservare l'utensile e la batteria a una temperatura superiore a 50 °C (122 °F).**
7. **Non smaltire le batterie danneggiate o esaurite bruciandole. Se esposte al fuoco, le batterie possono esplodere.**
8. **Non far cadere o colpire la batteria.**
9. **Non utilizzare la batteria se è caduta o ha urtato contro altri oggetti.**

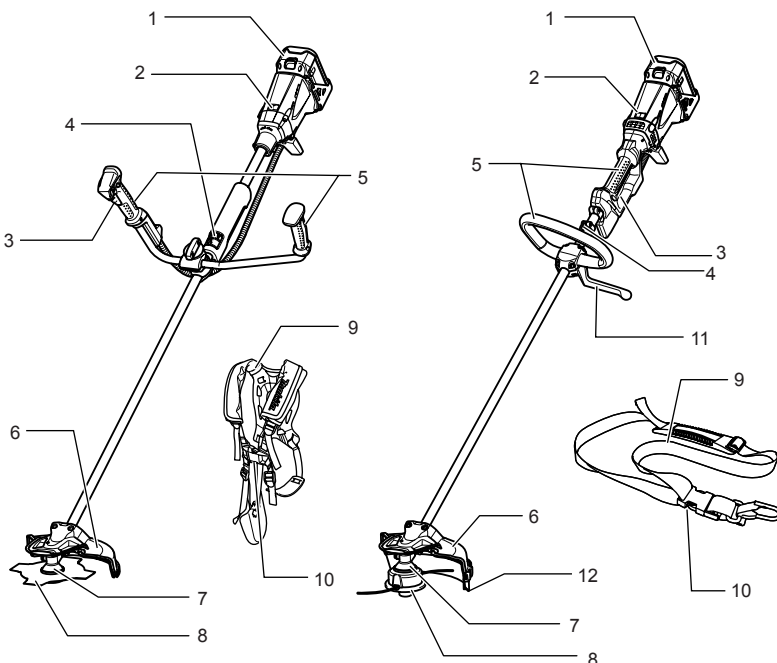
## CONSERVARE QUESTE ISTRUZIONI.

### Suggerimenti per il prolungamento della durata della batteria

1. **Ricaricare la batteria prima che sia completamente scarica.**  
**Se si nota una diminuzione di potenza dell'utensile, interrompere il lavoro e ricaricare la batteria.**
2. **Non ricaricare una batteria già completamente carica.**  
**In caso contrario, la durata operativa della batteria potrebbe ridursi.**
3. **Caricare la batteria in ambienti con temperatura compresa tra 10 °C e 40 °C (50 °F - 104 °F). Prima di caricare una batteria surriscaldata, lasciarla raffreddare.**



## DESCRIZIONE DELLE PARTI



1	Batteria	7	Scatola degli ingranaggi
2	Spia luminosa	8	Utensile da taglio
3	Interruttore di accensione	9	Cintura a spalla
4	Staffa (punto di sospensione)	10	Fibbia
5	Impugnatura	11	Barriera
6	Protezione utensile da taglio	12	Estensione protezione

## DESCRIZIONE FUNZIONALE

### ⚠ ATTENZIONE:

- Prima di regolare o controllare le funzioni dell'utensile, verificare sempre di averlo spento e di aver rimosso la batteria.

### Installazione o rimozione della batteria (Fig. 6)

- Prima di inserire o rimuovere la batteria, spegnere sempre l'utensile.
- Per rimuovere la batteria, estrarla dall'utensile facendo scorrere il pulsante sulla parte frontale della batteria.
- Per inserire la batteria, allineare la linguetta sulla batteria con la scanalatura dell'alloggiamento e farla scorrere fino a raggiungere la posizione corretta. Inserire sempre la batteria fino a quando si blocca in posizione con uno scatto. Se l'area rossa del lato superiore del pulsante è ancora visibile, la batteria non è completamente inserita. Inserirli fino a quando l'area rossa non è più visibile. In caso contrario la batteria può fuoriuscire accidentalmente dalla macchina e

provocare lesioni all'operatore o a eventuali osservatori.

- Non applicare una forza eccessiva per inserire la batteria. Se la batteria non scorre agevolmente, la manovra di inserimento non è corretta.

### Azionamento dell'interruttore di accensione

#### ⚠ ATTENZIONE:

- Prima di inserire la batteria nell'utensile, controllare se l'interruttore di accensione funziona correttamente e ritorna alla posizione "SPENTO" una volta rilasciato. (Fig. 7 e 8)

La sicura previene l'azionamento involontario dell'interruttore di accensione.

Per accendere l'utensile, premere la sicura e tirare l'interruttore di accensione. Per aumentare la velocità dell'utensile, aumentare la pressione sull'interruttore di accensione. Per spegnere l'utensile, rilasciare l'interruttore di accensione.

## Azionamento della leva di inversione della rotazione

### **AVVERTENZA:**

- Accertarsi sempre che l'utensile sia spento e che la batteria sia disinserita prima di procedere alla rimozione di erbacce o materiali simili rimasti impigliati nell'utensile da taglio e che non si riesce a rimuovere nonostante l'utilizzo della leva di inversione della rotazione.

### **ATTENZIONE:**

- Prima di azionare l'utensile, controllare sempre la direzione di rotazione impostata.
- Utilizzare la leva di inversione della rotazione solo quando l'utensile è completamente fermo. Modificare la direzione di rotazione prima dell'arresto può danneggiare l'utensile. (Fig. 9 e 10)

Questo prodotto è dotato di una leva di inversione della rotazione che consente di modificare la direzione di rotazione per rimuovere le erbacce rimaste impigliate nell'utensile da taglio. Premere la leva di inversione della rotazione dal lato A se si desidera una rotazione in senso

antiorario (normale), dal lato B se si desidera una rotazione in senso orario (invertita).

Nella modalità di rotazione invertita, l'utensile si arresta automaticamente dopo breve tempo dall'accensione.

## Modifica della velocità (Fig. 11 e 12)

Utilizzando la leva di regolazione della velocità è possibile preselezionare due tipi di velocità.

Per modificare la velocità, girare la leva di regolazione della velocità su "1" per velocità bassa e "2" per velocità alta.


## Sistema di protezione batteria/motore

La batteria e l'utensile sono dotati di sistemi di protezione che riducono o interrompono automaticamente il flusso di corrente per garantirne una maggiore durata.

In caso di sovraccarico, il sistema abbassa la velocità di rotazione per proteggere il motore. In tale caso, le seguenti due spie luminose non si illuminano e non lampeggiano.

In condizioni di normale funzionamento, le varie indicazioni delle due spie luminose sono le seguenti.

(Fig. 13)

		Stato	Cosa fare
-	Lampeggiante	La batteria è quasi esaurita.	Sostituire la batteria con una completamente carica.
-	Accesa	Il sistema di protezione della batteria sta spegnendo l'utensile, la batteria è scarica.	Sostituire la batteria con una completamente carica.
Lampeggiante	-	Il sistema di protezione da sovraccarico sta spegnendo l'utensile, qualcosa ha bloccato il motore.	Rilasciare l'interruttore di accensione e rimuovere la causa del blocco o del sovraccarico del motore. Se l'utensile da taglio è bloccato da erbacce o materiali simili rimasti impigliati, rimuovere sempre la batteria prima di procedere alla rimozione.
Accesa	-	Il sistema di protezione da surriscaldamento sta spegnendo l'utensile, che si è surriscaldato.	Lasciare spento l'utensile per qualche tempo.
Lampeggiante	Lampeggiante	Malfunzionamento elettrico o elettronico	Rivolgersi al centro di assistenza autorizzato di zona per la riparazione.

## Testina da taglio in nylon (accessorio opzionale per le macchine dotate di lama da taglio)

### **ATTENZIONE:**

- Non battere la testina quando ruota a più di 4.500 min<sup>-1</sup> o quando è in fase di arresto. (Fig. 14)

La testina da taglio in nylon è una testina tagliabordi doppia con meccanismo di avanzamento del filo a battitura.

Battere la testina da taglio in nylon contro il suolo per far uscire più filo durante l'utilizzo dell'utensile. Il filo verrà automaticamente tagliato alla lunghezza giusta dalla lama posizionata sull'estensione della protezione.

### **NOTA:**

Se non si riesce ad estrarre il filo di nylon battendo la testina, riavvolgere o sostituire il filo seguendo le procedure descritte in "Manutenzione".

## MONTAGGIO

### **ATTENZIONE:**

- Prima di eseguire qualsiasi operazione sull'utensile, verificare sempre di averlo spento e di aver rimosso la batteria.
- Avviare l'utensile solo al termine del montaggio.

## Installazione dell'impugnatura (solo per il modello con impugnatura a manubrio) (Fig. 15)

Allentare la manopola.

Posizionare l'impugnatura tra il morsetto e il supporto relativi.

Regolare l'impugnatura a un'angolazione che consenta una posizione di lavoro comoda, quindi serrare correttamente la manopola con le mani.

## Installazione della protezione (Fig. 16 e 17)

### **⚠ AVVERTENZA:**

- Utilizzare soltanto le combinazioni utensile da taglio/protezione come indicato sotto. La mancata osservanza di questa precauzione può provocare lesioni gravi. Non utilizzare mai l'utensile senza la protezione.
- Il diametro esterno della lama da taglio deve essere di 230 mm. Non usare mai lame dal diametro esterno maggiore di 230 mm.

### **Impiego con la lama metallica (Fig. 18)**

Fissare la protezione al morsetto con i due bulloni, come illustrato. Stringere i bulloni destro e sinistro in maniera uguale.

### **Impiego con la testina da taglio in nylon**

#### **⚠ ATTENZIONE:**

- Prestare attenzione a non ferirsi sulla lama che serve a tagliare il filo di nylon sul lato interno dell'estensione della protezione.
- Assicurarsi di spingere l'estensione della protezione fino al suo completo inserimento. (Fig. 19)

Fissare la protezione al morsetto con i due bulloni, come illustrato. Stringere i bulloni destro e sinistro in maniera uguale.

Montare l'estensione della protezione facendola scorrere in posizione dal lato della protezione, come illustrato.

#### **NOTA:**

- Rimuovere al primo utilizzo il nastro adesivo rimasto attaccato sulla lama che taglia il filo di nylon, sull'estensione della protezione. (Fig. 20)

Per rimuovere l'estensione della protezione, applicare un cacciavite a taglio nella tacca sulla protezione, spingere e far scorrere al contempo l'estensione della protezione.

## Installazione della lama da taglio

### **⚠ ATTENZIONE:**

- Usare solo lame da taglio originali Dolmar.
- La lama da taglio deve essere ben affilata e priva di incrinature o rotture. Se durante il lavoro la lama da taglio urta contro una pietra, arrestare il motore e controllare immediatamente la lama.
- Affilare o sostituire la lama da taglio dopo ogni tre ore di utilizzo.
- Indossare sempre i guanti per maneggiare la lama da taglio.
- Applicare sempre il coperchio della lama quando l'utensile non è in uso e durante il trasporto.
- Il dado di serraggio della lama da taglio (con la rondella a molla) è una parte usurabile. Se sulla rondella a molla compaiono segni di usura o deformazione, sostituire il dado. Rivolgersi al centro di assistenza autorizzato di zona per ordinarlo.

Per sostituire facilmente la lama da taglio, capovolgere l'utensile. (Fig. 21)

Per smontare la lama da taglio, inserire la chiave esagonale attraverso il foro nel coperchio protettivo e nella scatola degli ingranaggi.

Ruotare la rondella ricevente fino a che non rimanga bloccata con la chiave esagonale. Allentare il dado esagonale (filetto sinistro) con la chiave a bussola e rimuovere il dado, l'anello conico, la rondella del morsetto e la chiave esagonale. (Fig. 22)

Montare la lama da taglio sull'albero in modo che la guida della rondella ricevente si inserisca nel foro dell'asta nella lama. Rimontare la rondella del morsetto e l'anello conico e fissare la lama da taglio con il dado esagonale con una coppia di serraggio da 13 a 23 Nm tenendo ferma la rondella ricevente con la chiave esagonale. (Fig. 23)  
Assicurarsi che la lama sia rivolta verso l'alto.

## Installazione della testina da taglio in nylon

### **⚠ ATTENZIONE:**

- Quando si usa la testina da taglio in nylon, montare sempre non solo la protezione ma anche l'estensione della protezione.
- Usare solo testine da taglio in nylon originali Dolmar.
- Se durante il lavoro la testina da taglio in nylon urta contro una pietra, arrestare il motore e controllare immediatamente la testina da taglio.

Per sostituire facilmente la testina da taglio in nylon, capovolgere l'utensile. (Fig. 24)

Inserire la chiave esagonale attraverso il foro nel coperchio protettivo e nella scatola degli ingranaggi e ruotare la rondella ricevente fino a che non rimane bloccata con la chiave esagonale. Montare la testina da taglio in nylon direttamente sul perno filettato e stringere girando in senso antiorario. Rimuovere la chiave esagonale.

Per smontare la testina da taglio in nylon, girare la testina in senso orario tenendo ferma la rondella ricevente con la chiave esagonale.

## USO

### Utilizzo corretto del prodotto (con impugnatura a manubrio)

#### **Postura corretta**

#### **⚠ AVVERTENZA:**

- Posizionare sempre l'utensile alla propria destra in modo da avere sempre il manico dell'impugnatura sinistra davanti a sé. Una postura corretta riduce il rischio di lesioni provocate dai contraccolpi. (Fig. 25)  
Disporre la cintura a spalla come illustrato e agganciare saldamente l'utensile alla propria destra in modo da avere sempre il manico dell'impugnatura sinistra davanti a sé.

#### **Aggancio della cintura a spalla (Fig. 26)**

Indossare la cintura a spalla sulla schiena e allacciarla fino a udire lo scatto. Assicurarsi che non possa essere tolta senza prima essere slacciata. Agganciare l'utensile come illustrato.

Regolare la lunghezza della cintura in modo che la lama da taglio rimanga parallela al suolo a un'altezza di 10-30 cm.

### Rimozione (Fig. 27)

In caso di emergenza, premere con forza la leva della fibbia per togliersi la cintura e l'utensile.

#### **⚠ AVVERTENZA:**

- **In tale circostanza prestare particolare attenzione nel mantenere il controllo dell'utensile. Impedire che l'utensile venga deviato verso l'operatore o chiunque si trovi nelle vicinanze.** La mancata osservanza di questa precauzione comporta il rischio di lesioni gravi.

### Utilizzo corretto del prodotto (con impugnatura ad anello)

#### Postura corretta

#### **⚠ AVVERTENZA:**

- Posizionare sempre l'utensile alla propria destra in modo da avere sempre il manico della barriera davanti a sé. Una postura corretta riduce il rischio di lesioni provocate dai contraccolpi. (Fig. 28)

Disporre la cintura a spalla come illustrato e agganciare saldamente l'utensile alla propria destra in modo da avere sempre la barriera davanti a sé.

#### Aggancio della cintura a spalla (Fig. 29)

Agganciare la cintura a spalla alla spalla sinistra facendo passare all'interno la testa e il braccio destro. Allacciare la cintura all'unità gancio fino a udire lo scatto. Assicurarsi che non possa essere tolta senza prima essere slacciata. Agganciare l'utensile come illustrato.

Regolare la lunghezza della cintura in modo che la lama da taglio rimanga parallela al suolo a un'altezza di 10 - 30 cm.

### Rimozione (Fig. 30)

In caso di emergenza, premere con forza la leva di rimozione di emergenza.

#### **⚠ AVVERTENZA:**

- **In tale circostanza prestare particolare attenzione nel mantenere il controllo dell'utensile. Impedire che l'utensile venga deviato verso l'operatore o chiunque si trovi nelle vicinanze.** La mancata osservanza di questa precauzione comporta il rischio di lesioni gravi.

## MANUTENZIONE

#### **⚠ ATTENZIONE:**

- Prima di effettuare controlli o operazioni di manutenzione, verificare sempre di aver spento l'utensile e di aver rimosso la batteria.
- Evitare assolutamente di usare benzina, diluenti, solventi, alcol o sostanze simili. In caso contrario, potrebbero verificarsi scoloriture, deformazioni o incrinature.

### Ingrassaggio della scatola degli ingranaggi (Fig. 31)

Inserire del grasso (Shell Alvania 2 o equivalente) nella scatola degli ingranaggi attraverso l'apposito foro ogni 30 ore (il grasso originale Dolmar può essere acquistato dai rivenditori Dolmar).

## Sostituzione del filo di nylon

#### **⚠ AVVERTENZA:**

- Rilasciare l'interruttore di accensione e rimuovere la batteria prima di sostituire il filo di nylon.
- Assicurarsi che il coperchio della testina da taglio in nylon sia fissato correttamente sull'alloggiamento, come descritto di seguito. La mancata osservanza di questa precauzione può provocarne il distacco e, quindi, lesioni gravi. (Fig. 32)

Premere sulle chiusure dell'alloggiamento verso l'interno per sollevare il coperchio, quindi estrarre la bobina e rimuovere il filo di nylon residuo su di essa. (Fig. 33)

Agganciare il centro di un nuovo filo di nylon nella tacca al centro della bobina, in modo che una delle estremità del filo sia più lunga dell'altra di circa 80 mm.

Avvolgere quindi strettamente entrambe le estremità attorno alla bobina, nella direzione di rotazione della testina (le indicazioni LH ed RH sul fianco della bobina indicano rispettivamente la rotazione a sinistra e a destra). (Fig. 34)

Avvolgere tutto il filo, tranne 100 mm, lasciando le estremità temporaneamente agganciate alla tacca sul fianco della bobina. (Fig. 35)

Montare la bobina nel suo alloggiamento, in modo che le scanalature e le sporgenze su di essa corrispondano a quelle sull'alloggiamento. Mantenere il lato con le lettere sulla bobina in alto, in modo che sia visibile. Sganciare quindi le estremità del filo dalla loro posizione temporanea e passarle attraverso gli occhielli, in modo che fuoriescano dall'alloggiamento. (Fig. 36)

Allineare la sporgenza sul lato inferiore del coperchio con le fessure degli occhielli. Spingere quindi con forza il coperchio sull'alloggiamento per fissarlo. Assicurarsi che le chiusure si estendano completamente sul coperchio.

Per mantenere la SICUREZZA e L'AFFIDABILITÀ del prodotto, le riparazioni e qualsiasi altra operazione di manutenzione o regolazione devono essere eseguiti dai centri di assistenza autorizzati Dolmar utilizzando sempre parti di ricambio Dolmar.

## RISOLUZIONE DEI PROBLEMI

Prima di richiedere la riparazione, condurre autonomamente un'ispezione. Se si rileva un problema

non affrontato nel manuale, evitare di smontare l'utensile. Rivolgersi invece ai centri di assistenza autorizzati Dolmar, utilizzando per le riparazioni sempre ricambi Dolmar.

Problema di funzionamento	Causa	Azione
Il motore non si avvia.	La batteria non è inserita.	Inserire la batteria.
	Problema della batteria (sottotensione)	Ricaricare la batteria. Se la ricarica non è efficace, sostituire la batteria.
	Il sistema di guida non funziona correttamente.	Rivolgersi al centro di assistenza autorizzato di zona per la riparazione.
Il motore si arresta poco dopo l'avvio.	La rotazione è invertita.	Cambiare la direzione di rotazione con la leva di inversione della rotazione.
	La batteria è quasi scarica.	Ricaricare la batteria. Se la ricarica non è efficace, sostituire la batteria.
	Surriscaldamento.	Lasciare spento l'utensile per qualche tempo.
La rotazione non raggiunge la velocità giusta.	La batteria è inserita in modo scorretto.	Inserire la batteria seguendo le istruzioni del presente manuale.
	La batteria si sta esaurendo.	Ricaricare la batteria. Se la ricarica non è efficace, sostituire la batteria.
	Il sistema di guida non funziona correttamente.	Rivolgersi al centro di assistenza autorizzato di zona per la riparazione.
L'utensile da taglio non ruota: Arrestare immediatamente l'utensile.	Un corpo estraneo, come un ramo, è incastrato tra la protezione e l'utensile da taglio.	Rimuovere il corpo estraneo.
	Il dado di serraggio della lama da taglio è allentato.	Stringere correttamente il dado seguendo le istruzioni del presente manuale.
	La lama da taglio è piegata.	Sostituire la lama da taglio.
	Il sistema di guida non funziona correttamente.	Rivolgersi al centro di assistenza autorizzato di zona per la riparazione.
Vibrazione anomala: Arrestare immediatamente l'utensile.	Un'estremità del filo di nylon si è spezzata.	Battere la testina da taglio in nylon contro il suolo per far uscire più filo durante l'utilizzo dell'utensile.
	La lama da taglio è piegata, incrinata o consumata.	Sostituire la lama da taglio.
	Il dado di serraggio della lama da taglio è allentato.	Stringere correttamente il dado seguendo le istruzioni del presente manuale.
	La lama da taglio non è fissata correttamente.	
	Il sistema di guida non funziona correttamente.	Rivolgersi al centro di assistenza autorizzato di zona per la riparazione.
L'utensile da taglio e il motore non si arrestano: Rimuovere immediatamente la batteria.	Malfunzionamento elettrico o elettronico.	Rimuovere la batteria e rivolgersi al centro di assistenza autorizzato di zona per la riparazione.

## ACCESSORI

### ⚠ ATTENZIONE:

- Si raccomanda di usare questi accessori per l'utensile Dolmar descritto in questo manuale. L'uso di qualsiasi altro accessorio potrebbe provocare lesioni personali. Utilizzare gli accessori esclusivamente per l'uso dichiarato.

Per l'assistenza e ulteriori informazioni su tali accessori, rivolgersi al centro di assistenza Dolmar di zona.

- Lama da taglio
- Testina da taglio in nylon
- Accessorio taglia siepi per pergolati

- Accessorio sega per pergolati
- Accessorio coltivatore
- Batteria e caricabatteria originali Dolmar

### Per il modello AT-3623

#### Rumore

ENG 104-2

Il tipico livello di rumore ponderato "A" è determinato in conformità con la norma ISO 22868:

Livello di pressione sonora ( $L_{pA}$ ): 79,7 dB (A)

Variazione (K): 2,5 dB (A)

Il livello acustico in funzionamento può superare 80 dB (A).

**Indossare delle cuffie antirumore.**

## Vibrazione

ENG 244-1

Il valore di emissione delle vibrazioni è determinato in conformità con le norme ISO 22867, EN 786:

Emissione di vibrazioni ( $a_h$ ): 2,5 m/s<sup>2</sup> o inferiore  
Variazione (K): 1,5 m/s<sup>2</sup>

## Per il modello AT-3630

### Rumore

ENG 104-2

Il tipico livello di rumore ponderato "A" è determinato in conformità con la norma EN 786:

Livello di pressione sonora ( $L_{pA}$ ): 79,3 dB (A)  
Variazione (K): 2,5 dB (A)

Il livello acustico in funzionamento può superare 80 dB (A).

### Indossare delle cuffie antirumore.

## Vibrazione

ENG 244-1

Il valore di emissione delle vibrazioni è determinato in conformità con la norma EN 786:

Emissione di vibrazioni ( $a_h$ ): 2,5 m/s<sup>2</sup> o inferiore  
Variazione (K): 1,5 m/s<sup>2</sup>

## Solo per i paesi europei

ENH 021-5

### Dichiarazione di conformità CE

**I sottoscritti Tamiro Kishima e Rainer Bergfeld, debitamente autorizzati da Dolmar GmbH, dichiarano che le macchine DOLMAR indicate di seguito:**

Denominazione dell'utensile:  
Decespugliatore a batteria  
N. modello/Tipo: AT-3623  
Caratteristiche tecniche: vedere la tabella "CARATTERISTICHE TECNICHE".

appartengono a una produzione in serie e

**sono conformi alle seguenti direttive europee:**

2000/14/CE, 2006/42/CE

Sono inoltre prodotti in conformità con gli standard o i documenti standardizzati riportati di seguito:

EN 60745, ISO 11806

La documentazione tecnica è conservata presso:

Dolmar GmbH,  
Jenfelder Straße 38, Abteilung FZ,  
D-22045 Amburgo

La procedura di valutazione della conformità richiesta dalla Direttiva 2000/14/CE è stata effettuata secondo quanto specificato nell'allegato V.

Livello di potenza sonora misurato: 93,6 dB

Livello di potenza sonora garantito: 95 dB

16 ottobre 2009

Tamiro Kishima  
Direttore responsabile

Rainer Bergfeld  
Direttore responsabile

## Solo per i paesi europei

ENH 212-10

### Dichiarazione di conformità CE

**I sottoscritti Tamiro Kishima e Rainer Bergfeld, debitamente autorizzati da Dolmar GmbH, dichiarano che le macchine DOLMAR indicate di seguito:**

Denominazione dell'utensile:  
Tagliaboardi a batteria  
N. modello/Tipo: AT-3630  
Caratteristiche tecniche: vedere la tabella "CARATTERISTICHE TECNICHE".

appartengono a una produzione in serie e

**sono conformi alle seguenti direttive europee:**

2000/14/CE, 2006/42/CE

Sono inoltre prodotti in conformità con gli standard o i documenti standardizzati riportati di seguito:

EN 60745, EN 60335

La documentazione tecnica è conservata presso:

Dolmar GmbH,  
Jenfelder Straße 38, Abteilung FZ,  
D-22045 Amburgo

La procedura di valutazione della conformità richiesta dalla Direttiva 2000/14/CE è stata effettuata secondo quanto specificato nell'allegato VIII.

Ente competente:

TÜV Rheinland Product Safety GmbH Am Grauen  
Stein D-51105 Köln, n. identificazione 0197

Livello di potenza sonora misurato: 91,3 dB

Livello di potenza sonora garantito: 93 dB

16 ottobre 2009

Tamiro Kishima  
Direttore responsabile

Rainer Bergfeld  
Direttore responsabile

## NEDERLANDS (Originele instructies)

### Verklaring van het onderdelenoverzicht

1. Rode deel	14. Metalen snijblad	27. Gesp
2. Schuifknop	15. Beschermkap	28. Tandwielhuis
3. Accu	16. Nylondraad-snijkop	29. Smeeropening
4. Uit-vergrendelknop	17. Beschermkapopzetstuk	30. Deksel
5. Aan/uit-schakelaar	18. Twee bouten	31. Vergrendelknokken
6. Omkeerschakelaar	19. Beschermstuk	32. Drukken
7. Draaisnelheid-keuzeschakelaar	20. Inbussleutel	33. Draadspoel
8. Bedrijfslampje	21. Ontvangerring	34. Voor linksom draaien
9. Meest effectieve maaigebied	22. Klemring	35. Inkepingen
10. Knop	23. Kom	36. Openingen
11. Handgreepklem	24. Zeskantmoer	37. Uifsteeksel (niet zichtbaar)
12. Drukveer	25. As met schroefdraad	38. Sleuf naar de opening
13. Handgreepbevestiging	26. Hendel	

## TECHNISCHE GEGEVENS


Model		AT-3623	AT-3630
Type handgreep		Fietsstuurhandgreep	Beugelhandgreep
Onbelast toerental	Hoog	0 - 7.300 min <sup>-1</sup>	0 - 6.600 min <sup>-1</sup>
	Laag	0 - 5.300 min <sup>-1</sup>	0 - 4.900 min <sup>-1</sup>
Totale lengte		1.880 mm	1.850 mm
Diameter van snijblad		230 mm	-
Maaidiameter met nylondraad-snijkop		-	300 mm
Netto gewicht		7,1 kg	5,9 kg
Nominale spanning		36 V gelijkstroom	


- Als gevolg van ons doorlopende onderzoeks- en ontwikkelingsprogramma, zijn de technische gegevens van dit gereedschap onderhevig aan veranderingen zonder voorafgaande kennisgeving.
- De technische gegevens kunnen van land tot land verschillen.
- Gewicht, inclusief de accu, volgens de EPTA-procedure 01/2003


### Symbolen

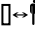
END008-1


Hieronder staan de symbolen die voor dit gereedschap worden gebruikt. Zorg ervoor dat u weet wat ze betekenen alvorens het gereedschap te gebruiken.


 ..... Besteed bijzondere zorg en aandacht!


 ..... Lees de gebruiksaanwijzing.


 ..... Gevaar: wees bedacht op weggeworpen voorwerpen.

 ..... De afstand tussen het gereedschap en omstanders moet minstens 15 meter te zijn.


 ..... Houd omstanders uit de buurt.


 ..... Blijf minstens 15 meter uit de buurt.

 ..... Voorkom terugslag.


 ..... Draag een veiligheidshelm, veiligheidsbril en gehoorbescherming.

 ..... Draag veiligheidshandschoenen.

 ..... Draag stevige schoenen met antislipzolen. Veiligheidsschoenen met stalen neuzen worden aanbevolen.

 ..... Stel het gereedschap niet bloot aan vocht.

 ..... Toegestaan maximumtoerental.

 Cd Ni-MH Li-Ion ..... Alleen voor EU-landen  
Geef elektrisch gereedschap en accu's niet met het huisvuil mee!  
Volgens de Europese richtlijn 2002/96/EG inzake de Europese richtlijn 2002/96/EG inzake elektrische en elektronische apparaten, 2006/66/EG inzake batterijen en accu's en oude batterijen en accu's en de toepassing daarvan binnen de nationale wetgeving, dienen gebruikt elektrisch gereedschap en accu's gescheiden te worden ingezameld en te worden afgevoerd naar een recyclebedrijf dat voldoet aan de geldende milieu-eisen.

### Gebruiksdoelinden

ENE074-1

Het gereedschap is bedoeld voor het maaien van gras, struiken en ondergroei.



## WAARSCHUWING! Lees alle

veiligheidswaarschuwingen en alle instructies. Het niet volgen van de waarschuwingen en instructies kan leiden tot elektrische schokken, brand en/of ernstig letsel.

## Bewaar alle waarschuwingen en instructies om in de toekomst te kunnen raadplegen.

### Algemene instructies

1. Voor een correcte gebruik dient de gebruiker deze gebruiksaanwijzing te lezen om zichzelf bekend te maken met de juiste manier van omgaan met het gereedschap. Gebruikers die onvoldoende geïnformeerd zijn, lopen de kans zichzelf en anderen in gevaar te brengen als gevolg van onjuist omgaan met het gereedschap.
2. Wij adviseren u het gereedschap uitsluitend uit te lenen aan personen die aantoonbare ervaring hebben in het gebruik van een bosmaaier/graskantmaaier. Geef altijd deze gebruiksaanwijzing mee.
3. Allereerst dienen gebruikers de dealer te vragen om basisinstructies om zichzelf bekend te maken met het omgaan met een bosmaaier/graskantmaaier.
4. Laat in geen geval personen die deze gebruiksaanwijzing niet gelezen hebben, personen (waaronder kinderen) met een verminderd lichamelijk, zintuiglijk of geestelijk vermogen, of gebrek aan kennis en ervaring voor het gebruik van dit gereedschap. De leeftijd van de gebruiker kan landelijk gereguleerd zijn.
5. Gebruik het gereedschap met de hoogstmogelijke zorg en aandacht.
6. Gebruik het gereedschap alleen als u in goede lichamelijke conditie bent. Werk altijd rustig en voorzichtig. Gebruik uw gezond verstand en denk eraan dat de gebruiker van het gereedschap verantwoordelijk is voor ongelukken en gevaren die personen of hun eigendommen kunnen overkomen.
7. Gebruik het gereedschap nooit na het gebruik van alcohol of drugs, of wanneer u zich moe of ziek voelt.
8. In het geval het gereedschap enig probleem of abnormaal gedrag vertoont, moet de motor onmiddellijk worden uitgeschakeld.
9. Tijdens uitrusten en wanneer het gereedschap onbeheerd achtergelaten wordt, schakelt u het gereedschap uit en verwijdt u de accu, en legt u het gereedschap op een veilige plaats neer om gevaar voor anderen en beschadiging van het gereedschap te voorkomen.
10. Forceer het gereedschap niet. Het gereedschap werkt beter en met een kleinere kans op letsel op de manier waarvoor het is ontworpen.
11. Reik niet te ver. Zorg altijd voor een stevige stand en goede lichaamsbalans.

### Bedoeld gebruik van het gereedschap

1. Gebruik het juiste gereedschap. De accubosmaaier/-graskantmaaier is uitsluitend bedoeld voor het maaien van gras, onkruid, struiken en ondergroei. Het mag niet worden gebruikt voor enig ander doel, zoals

randen bijwerken of heggen snoeien, aangezien dit tot letsel kan leiden.

### Persoonlijke-veiligheidsuitrusting

1. Draag geschikte kleding. De te dragen kleding dient functioneel en geschikt te zijn, d.w.z. nauwsluitend zonder te hinderen. Draag geen juwelen of kleding die in de struiken verstrikt kunnen raken. Draag een haarbedekking om lang haar uit de weg te houden.
2. Om tijdens het gebruik letsels aan hoofd, ogen, handen of voeten te voorkomen en uw gehoor te beschermen, moeten de volgende veiligheidsuitrusting en beschermende kleding worden gebruikt terwijl u met het gereedschap werkt. (**zie afb. 1**)
3. Draag altijd een helm wanneer het risico bestaat op vallende objecten. U moet de veiligheidshelm regelmatig controleren op beschadigingen en uiterlijk na 5 jaar vervangen. Gebruik alleen goedgekeurde veiligheidshelmen.
4. Het spatscherm van de helm (of de veiligheidsbril) beschermt het gezicht tegen rondvliegend afval en stenen. Draag tijdens het gebruik van het gereedschap altijd een veiligheidsbril of een spatscherm om letsel aan de ogen te voorkomen.
5. Draag geschikte uitrusting om u te beschermen tegen het lawaai en gehoorbeschadiging te voorkomen (oorbeschermers, oordopjes, enz.). (**zie afb. 2**)
6. Een werkoverall beschermt tegen rondvliegend afval en weggegooid stenen. Wij raden u sterk aan een werkoverall te dragen.
7. Speciale handschoenen van dik leer maken deel uit van de voorgeschreven uitrusting en moeten altijd worden gedragen tijdens het gebruik van het gereedschap.
8. Draag altijd stevige schoenen met een antislipzool wanneer u het gereedschap gebruikt. Dit beschermt u tegen letsel en garandeert dat u stevig staat.

### Elektrische veiligheid en accu

1. Vermijd gevaarlijke omgevingen. Gebruik het gereedschap niet op vochtige of natte plaatsen en stel het niet bloot aan regen. Als water binnendringt in het gereedschap, wordt de kans op een elektrische schok groter.
2. Laad alleen op met de acculader aanbevolen door de fabrikant. Een acculader die geschikt is voor een bepaald type accu, kan brandgevaar opleveren indien gebruikt met een ander type accu.
3. Gebruik het gereedschap uitsluitend met de daarvoor bestemde accu. Als u een andere accu erin gebruikt, kan dit leiden tot persoonlijk letsel of brand.
4. Als de accu niet wordt gebruikt, houdt u deze uit de buurt van metalen voorwerpen zoals paperclips, muntgeld, sleutels, schroeven en andere kleine metalen voorwerpen die een kortsluiting kunnen veroorzaken tussen de accupolen. Kortsluiting tussen de accupolen kan leiden tot brandwonden of brand.
5. Onder zware gebruiksomstandigheden kan vloeistof uit de accu komen. Voorkom aanraking! Als u deze vloeistof per ongeluk aanraakt, wast u deze goed af met water. Als de vloeistof in uw ogen komt, raadpleegt u tevens een arts. Vloeistof uit de accu kan irritatie en brandwonden veroorzaken.



- Werp de accu niet in een vuur. De accu kan exploderen. Raadpleeg de lokale regelgeving voor mogelijke speciale verwerkingsvereisten.
- Open of vervorm de accu niet. Het elektrolyt is agressief en kan letsel toebrengen aan de ogen en huid. Het kan giftig zijn bij inslikken.
- Voordat u begint te maaien, moet het snijgarnituur op maximaal toerental draaien.
- Gebruik het gereedschap alleen terwijl het bevestigd is aan het schouderdraagstel, dat goed moet worden afgesteld voordat het gereedschap gebruikt. Het is belangrijk het schouderdraagstel af te stellen op de lichaamsgrootte van de gebruiker om vermoeidheid tijdens gebruik te voorkomen.

## Het gereedschap inschakelen (zie afb. 3)

- Controleer of er geen kinderen of andere mensen aanwezig zijn binnen een werkbereik van 15 meter en let ook op of er geen dieren in de werkomgeving zijn. Als dat het geval is, stopt u met het gebruik van het gereedschap.
- Controleer voor gebruik altijd of het gereedschap veilig is om te gebruiken. Controleer de veiligheid van het snijgarnituur en de beschermkap, en controleer of de aan/uit-schakelaar goed werkt en gemakkelijk kan worden bediend. Controleer of de handgrepen schoon en droog zijn en test de werking van de stopschakelaar.
- Controleer op beschadigde onderdelen voordat u het gereedschap verder gebruikt. Een beschermkap of ander onderdeel dat beschadigd is, moet nauwkeurig worden onderzocht om te bepalen of het nog goed te gebruiken is en zijn oorspronkelijke taak kan uitvoeren. Controleer of bewegende delen goed uitgelijnd zijn en niet vastgelopen zijn, of onderdelen niet kapot zijn en stevig gemonteerd zijn, en enige andere situatie die van invloed kan zijn op de werking van het gereedschap. Een beschermkap of ander onderdeel dat beschadigd is, dient vakkundig te worden gerepareerd of vervangen door een erkend servicecentrum, behalve indien anders aangegeven in deze gebruiksaanwijzing.
- Schakel de motor alleen in wanneer de handen en voeten uit de buurt van het snijgarnituur zijn.
- Controleer vóór het starten of het snijgarnituur geen contact maakt met harde voorwerpen, zoals takken, stenen, enz., omdat tijdens het starten het snijgarnituur zal ronddraaien.
- Houd tijdens gebruik het gereedschap altijd met twee handen vast. Houd het gereedschap tijdens het gebruik nooit met slechts één hand vast. Zorg er altijd voor dat u stevig staat.
- Het snijgarnituur moet zijn uitgerust met de bijbehorende beschermkap. Gebruik het gereedschap nooit met een beschadigde beschermkap of zonder aangebrachte beschermkap!
- Alle beschermingsvoorzieningen en beschermkappen die bij het gereedschap werden geleverd, moeten tijdens gebruik zijn aangebracht.
- Gebruik het gereedschap nooit om tegen de onkruiden te stoten of slaan om ze zo weg te maaien.
- Behalve in noodgevallen mag u het gereedschap nooit op de grond laten vallen of weggooien omdat hierdoor het gereedschap zwaar beschadigd kan raken.
- Let erop dat u het volledige gereedschap van de grond tilt wanneer u het verplaatst.
- Verwijder altijd de accu uit het gereedschap:
  - iedere keer als u het gereedschap onbeheerd achterlaat;
  - voordat u een blokkering verwijdert;
  - voordat u het gereedschap controleert, reinigt of er werkzaamheden aan gaat verrichten;
  - na het raken van een vreemd voorwerp;
  - als het gereedschap op ongebruikelijke manier begint te trillen.
- Zorg ervoor dat de ventilatieopeningen altijd vrij zijn van vuil.

## Gebruiksmethode

- Gebruik het gereedschap alleen bij goed licht en zicht. Wees in de winter bedacht op gladde of natte plaatsen, ijs en sneeuw (gevaar voor uitglijden). Zorg er altijd voor dat u stevig staat.
- Wees voorzichtig uw handen en voeten niet te verwonden aan het snijgarnituur.
- Maai nooit boven heuphoogte.
- Sta nooit op een ladder met draaiend gereedschap.
- Klim nooit in een boom om daar met het gereedschap te werken.
- Werk nooit op onstabiele oppervlakken.
- Verwijder zand, stenen, nagels, enz. die u binnen uw werkbereik vindt. Vreemde voorwerpen kunnen het snijgarnituur beschadigen en gevaarlijke terugslagen veroorzaken.
- Als het snijgarnituur stenen of andere objecten raakt, moet u de motor onmiddellijk uitschakelen en het snijgarnituur controleren.
- Controleer het snijgarnituur regelmatig op beschadiging (inspecteren op haarscheurtjes met de klopgeleidetest).

## Terugslag (stoot van het snijblad)

- Tijdens het gebruik van het gereedschap, kan een ongecontroleerde terugslag (stoot van het snijblad) optreden. (zie afb. 4)
- Dit is met name het geval wanneer u begint te maaien binnen het snijbladsegment tussen 12 en 2 uur.
- Begin nooit met maaien binnen het snijbladsegment tussen 12 en 2 uur.
- Zorg ervoor dat het snijblad binnen dit segment nooit in aanraking komt met harde voorwerpen, zoals stuiken, bomen, enz., met een diameter van 3 cm of meer omdat anders het snijblad met grote kracht kan worden teruggeslagen met kans op letsel.

## Terugslag voorkomen

### Houd rekening met het volgende om terugslag te voorkomen:

- Maaien binnen het snijbladsegment tussen 12 en 2 uur geeft een risico op terugslag, met name bij gebruik van metalen snijgarnituur. (zie afb. 5)
- Maaien binnen het snijbladsegment tussen 11 en 12 uur of tussen 2 en 5 uur mag alleen worden uitgevoerd door opgeleide en ervaren gebruikers, en dit alleen op eigen risico.

3. Gemakkelijk maaien met nagenoeg geen kans op terugslag is mogelijk binnen het snijbladsegment tussen 9 en 11 uur.

## Snijgarnituren

1. Gebruik uitsluitend het juiste snijgarnituur voor de geplande werkzaamheden.
2. Om dik materiaal, zoals onkruid, hoog gras, struiken, heesters, ondergroei, kreupelhout, enz. (diameter max. 2 cm), te maaien, kunt u het gereedschap gelijkmatig in halve cirkels van rechts naar links zwaaien (op de manier waarop een zeis wordt gebruikt).

## Onderhoudsinstructies

1. De toestand van het gereedschap, met name van het snijgarnituur en de veiligheidsuitrusting, maar ook van het schouderdraagstel, moet worden gecontroleerd voor aanvang van de werkzaamheden.
2. Besteed bijzondere aandacht aan de snijbladen die correct moeten worden geslepen.
3. Schakel de motor uit en verwijder de accu voordat u onderhoudswerkzaamheden uitvoert, het snijgarnituur vervangt/slijpt, of het gereedschap of snijgarnituur schoonmaakt.
4. Controleer loszittende bevestigingen en beschadigde onderdelen, zoals scheuren in de snijhulpstukken.
5. Volg de instructies voor het smeren en verwisselen van accessoires.
6. Als een gereedschap niet wordt gebruikt, dient dit binnen te worden opgeborgen op een droge, hoge of afgesloten plaats, buiten het bereik van kinderen. Onderhoud het gereedschap en maak het schoon voordat u het opbergt.
7. Gebruik uitsluitend de door de fabrikant aanbevolen vervangingsonderdelen en accessoires.
8. Inspecteer en onderhoud het gereedschap regelmatig, met name vóór en na gebruik. Laat het gereedschap alleen repareren door een erkend servicecentrum.
9. Houd de handgrepen droog, schoon en vrij van olie en vetten.

## BEWAAR DEZE INSTRUCTIES.

### WAARSCHUWING:

Laat u **NIET** misleiden door een vals gevoel van comfort en bekendheid met het gereedschap (na veelvuldig gebruik) en neem alle veiligheidsvoorschriften van het betreffende product altijd strikt in acht. **VERKEERD GEBRUIK** of het niet volgen van de veiligheidsinstructies in deze gebruiksaanwijzing kan leiden tot ernstig persoonlijk letsel.

## BELANGRIJKE VEILIGHEIDSinSTRUCTIES ENC007-4

### VOOR ACCU'S

1. Alvorens de accu in gebruik te nemen, leest u eerst alle instructies en waarschuwingsopdrachten op (1) de acculader, (2) de accu en (3) het apparaat waarin de accu wordt aangebracht.

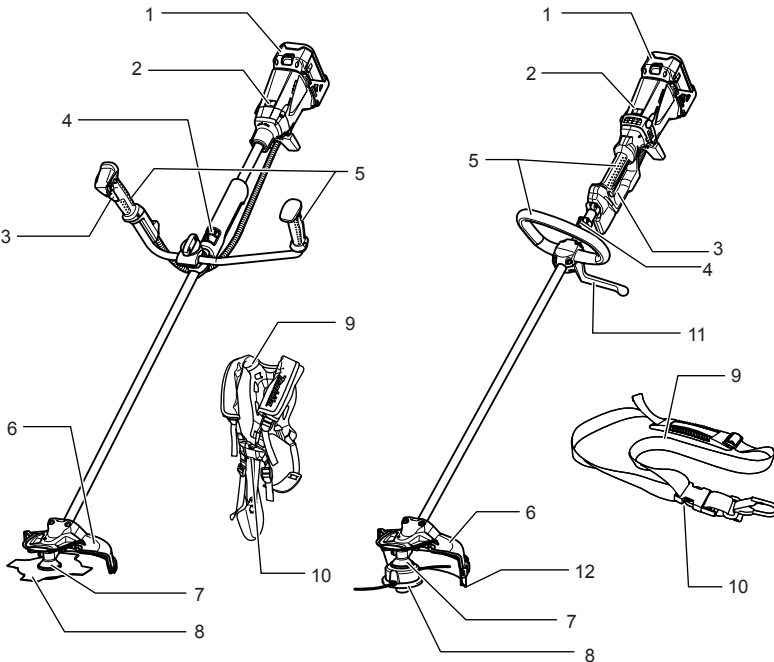
2. Haal de accu niet uit elkaar.
3. Als de gebruikstijd aanzienlijk korter is geworden, stopt u onmiddellijk met het gebruik. Anders kan dit leiden tot kans op oververhitting, mogelijke brandwonden en zelfs een explosie.
4. Als de elektrolyt in uw ogen komt, wast u deze uit met schoon water en raadpleegt u onmiddellijk een arts. Dit kan leiden tot verlies van gezichtsvermogen.
5. Sluit de accu niet kort:
  - (1) Raak de accupolen niet aan met enig geleidend materiaal.
  - (2) Bewaar de accu niet op een plaats waar deze in aanraking kan komen met andere metalen voorwerpen, zoals spijkers, munten, enz.
  - (3) Stel de accu niet bloot aan water of regen. Kortsluiting van de accu kan leiden tot een hoge stroomsterkte, oververhitting, mogelijke brandwonden en zelfs een defect.
6. Bewaar het gereedschap en de accu niet op plaatsen waar de temperatuur kan oplopen tot 50 °C of hoger.
7. Werp de accu niet in een vuur, zelfs niet als deze al ernstig beschadigd of helemaal versleten is. De accu kan in een vuur exploderen.
8. Wees voorzichtig dat u de accu niet laat vallen of ergens tegenaan stoot.
9. Gebruik een accu die is gevallen of gestoten niet meer.

## BEWAAR DEZE INSTRUCTIES.

### Tips voor een lange levensduur van de accu

1. Laad de accu op voordat deze volledig leeg is. Wanneer u merkt dat het gereedschap minder vermogen heeft, stopt u met het gebruik ervan en laadt u eerst de accu op.
2. Laad nooit een volledig opgeladen accu op. Te lang opladen verkort de levensduur van de accu.
3. Laad de accu op bij een omgevingstemperatuur van 10 °C tot 40 °C. Laat een warme accu eerst afkoelen voordat u deze oplaadt.

## BESCHRIJVING VAN DE ONDERDELEN



1	Accu	7	Tandwielhuis
2	Bedrijfslampje	8	Snijgarnituur
3	Aan/uit-schakelaar	9	Schouderdraagstel
4	Oog (bevestigingspunt)	10	Gesp
5	Handvat	11	Beschermplaat
6	Beschermkap van snijgarnituur	12	Beschermkapopzetstuk

## BESCHRIJVING VAN DE FUNCTIES

### ⚠ LET OP:

- Zorg ervoor dat het gereedschap is uitgeschakeld en dat de accu is verwijderd voordat u de werking van het gereedschap aanpast of controleert.

### De accu aanbrengen en verwijderen (zie afb. 6)

- Schakel het gereedschap altijd uit voordat u de accu aanbrengt of verwijderd.
- Om de accu te verwijderen verschuift u de knop aan de voorkant van de accu en trekt u tegelijkertijd de accu uit het gereedschap.
- Om de accu aan te brengen lijnt u de lip op de accu uit met de groef in de behuizing en duwt u de accu op zijn plaats. Steek de accu zo ver mogelijk in het gereedschap tot u een klikgeluid hoort. Als u het rode deel aan de bovenkant van de knop kunt zien, is de accu niet goed aangebracht. Steek de accu zo ver mogelijk erin tot het rode deel niet meer zichtbaar is.

Als u dit niet doet, kan de accu per ongeluk uit het gereedschap vallen en u of anderen in uw omgeving verwonden.

- Oefen geen grote kracht uit bij het aanbrengen van de accu. Als de accu niet gemakkelijk in het gereedschap kan worden gestoken, wordt deze niet goed aangebracht.

### In- en uitschakelen

#### ⚠ LET OP:

- Controleer altijd, voordat u de accu in het gereedschap steekt, of de aan/uit-schakelaar op de juiste manier schakelt en weer terugkeert naar de uit-stand nadat deze is losgelaten. (zie afb. 7)

Om te voorkomen dat de aan/uit-schakelaar per ongeluk wordt bediend, is een uit-vergrendelknop aangebracht. Om het gereedschap te starten, drukt u de uit-vergrendelknop in en knijpt u de aan/uit-schakelaar in. De draaisnelheid van het gereedschap neemt toe naarmate u meer druk uitoefent op de aan/uit-schakelaar. Laat de aan/uit-schakelaar los om het gereedschap te stoppen.

## Werking van de omkeerschakelaar

### WAARSCHUWING:

- Controleer altijd of het gereedschap is uitgeschakeld en de accu is verwijderd, voordat u onkruid en dergelijke verwijderd dat in het snijgarnituur verstrikt is geraakt en niet kan worden verwijderd met behulp van de omkeerschakelaar.

### LET OP:

- Controleer altijd de draairichting alvorens het gereedschap te gebruiken.
- Gebruik de omkeerschakelaar alleen nadat het gereedschap volledig tot stilstand is gekomen. Als u de draairichting verandert voordat het gereedschap volledig stilstaat, kan het gereedschap worden beschadigd. (zie afb. 9 en 10)

Dit gereedschap heeft een omkeerschakelaar waarmee de draairichting kan worden omgekeerd om onkruid te verwijderen die verstrikt zitten in het snijgarnituur. Druk op de omkeerschakelaar vanaf kant A voor de draairichting linksom (normaal), of vanaf kant B voor de draairichting rechtsom (omgekeerd).

In de omgekeerde draairichting stopt het gereedschap automatisch kort nadat het is ingeschakeld.

## De draaisnelheid veranderen (zie afb. 11 en 12)

Twee draaisnelheidsbereiken kunnen vooraf worden ingesteld met behulp van de draaisnelheidskeuzeschakelaar.



Om het draaisnelheidsbereik te veranderen, verandert u de stand van de draaisnelheidskeuzeschakelaar zodat deze wijst naar "1" voor een lage draaisnelheid, of naar "2" voor een hoge draaisnelheid.

## Accu- en motorbeveiligingssysteem

De accu en de motor zijn uitgerust met beveiligingsystemen die automatisch het uitgangsvermogen verlagen of onderbreken om een lange levensduur te verkrijgen.

In geval van overbelasting, verlaagt de beveiliging de draaisnelheid om de motor te beschermen. In dit geval branden of knippen de volgende twee bedrijfslampjes niet.

De andere functies worden tijdens het gebruik als volgt aangegeven door de twee bedrijfslampjes. (zie afb. 13)

		Status	Te nemen maatregelen
-	Knippert	De acculading is bijna opgebruikt.	Vervang de accu door een volledig opgeladen accu.
-	Brandt	De accubeveiliging schakelt de stroom uit - de acculading is volledig opgebruikt.	Vervang de accu door een volledig opgeladen accu.
Knippert	-	De overbelastingsbeveiliging schakelt de stroom uit - de motor wordt geblokkeerd.	Laat de aan/uit-schakelaar los en hef de oorzaak van de motorblokkering of overbelasting op. Als het snijgarnituur geblokkeerd wordt door verstrikt onkruid of iets dergelijks, verwijdert u altijd de accu voordat u de blokkering opheft.
Brandt	-	De overbelastingsbeveiliging schakelt de stroom uit - oververhitting.	Laat het gereedschap enige tijd afkoelen.
Knippert	Knippert	Elektrische of elektronische storing	Vraag uw plaatselijk erkende servicecentrum het gereedschap te repareren.

## Nylondraad-snijkop (los verkrijgbaar voor modellen uitgerust met een snijblad)

### LET OP:

- Stoot niet met de maaikop wanneer deze sneller dan 4.500 min<sup>-1</sup> ronddraait of wanneer deze stilstaat. (zie afb. 14)

De nylondraad-snijkop is een dubbele-draadkop uitgerust met een stoot-aanvoermechanisme.

Stoot tijdens het gebruik van het gereedschap de nylondraad-snijkop tegen de grond om extra nylondraad aan te voeren. De nylondraad wordt automatisch afgesneden op de juiste lengte door de mesjes in het beschermkapopzetstuk.

### OPMERKING:

Als de nylon draad niet automatisch wordt aangevoerd, volgt u de procedures die zijn beschreven onder "Onderhoud" om de nylondraad opnieuw op te wikkelen of te vervangen.

## DE ONDERDELEN MONTEREN

### LET OP:

- Controleer altijd of het gereedschap is uitgeschakeld en de accu is verwijderd alvorens enige werkzaamheden aan het gereedschap te verrichten.
- Start het gereedschap alleen nadat het op de juiste wijze is gemonteerd.

## De handgreep monteren (alleen voor fietsstuurhandgreep) (zie afb. 15)

Draai de knop los.

Plaats de handgreep tussen de handgreepklem en de handgreepbevestiging.

Stel de handgreep af onder een hoek die u een comfortabele werkhouding biedt en zet deze daarna vast door de knop met de hand vast te draaien.

## De beschermkap monteren (zie afb. 16 en 17)

### ⚠ WAARSCHUWING:

- Alleen de combinaties van snijgarnituur en beschermkap die hieronder worden aangegeven mogen worden gebruikt. Als u zich hier niet aan houdt, kan ernstig letsel worden veroorzaakt. Gebruik het gereedschap nooit zonder de beschermkap.
- De buitendiameter van de snijgarnituur moet 230 mm zijn. Gebruik nooit een snijblad met een buitendiameter groter dan 230 mm.

### Bij gebruik van een metalen snijblad (zie afb. 18)

Bevestig de beschermkap op de klem met twee bouten, zoals afgebeeld. Draai de linker- en rechterbout gelijkmatig vast.

### Bij gebruik van een nylondraad-snijkop

#### ⚠ LET OP:

- Wees voorzichtig u niet te snijden aan het mesje voor het afsnijden van de nylondraad aan de binnenkant van het beschermkapopzetstuk.
- Zorg ervoor dat het beschermkapopzetstuk volledig op de beschermkap wordt geduwd. (zie afb. 19)

Bevestig de beschermkap op de klem met twee bouten, zoals afgebeeld. Draai de linker- en rechterbout gelijkmatig vast.

Bevestig het beschermkapopzetstuk door het op zijn plaats te schuiven vanaf de zijkant van de beschermkap, zoals afgebeeld.

### OPMERKING:

- Verwijder de beschermkap vanaf het mesje dat de nylondraad moet afsnijden voordat u het beschermkapopzetstuk voor het eerst gebruikt. (zie afb. 20)

Om de beschermkap te verwijderen, steekt u een platkopschroevendraaier in de inkeping op de beschermkap, duwt u hem naar binnen en schuift u tegelijkertijd het beschermkapopzetstuk los.

## De snijmes aanbrenen

### ⚠ LET OP:

- Gebruik altijd een origineel Dolmar-snijblad.
- Het snijblad moet goed geslepen zijn en vrij zijn van barsten of breuken. Als het snijblad een steen raakt tijdens het gebruik, moet u de motor onmiddellijk uitschakelen en het snijblad controleren.
- Slijp of vervang het snijblad na elke drie uur gebruik.
- Draag altijd beschermende handschoenen wanneer u het snijblad hanteert.
- Bevestig altijd de afdekking over het snijblad wanneer de machine niet in gebruik is of wordt vervoerd.
- De bevestigingsmoer van het snijblad (met veerring) is een verbruiksartikel. Als u slijtage of vervorming van de veerring opmerkt, moet u de moer vervangen. Vraag uw plaatselijk erkende servicecentrum de onderdelen te bestellen.

Draai het gereedschap ondersteboven zodat u het snijblad gemakkelijk kunt vervangen. (zie afb. 21)

Om het snijblad te verwijderen, steekt u een inbussleutel door de opening in het beschermstuk en het tandwielhuis. Draai met de inbussleutel de ontvangerring tot deze wordt vergrendeld. Draai de zeskantmoer (met linksdraaiend

schroefdraad) los met de dopsleutel en verwijder de kom, klemring en inbussleutel. (zie afb. 22)

Monteer het snijblad op de as zodat de nok van de ontvangerring past in de inkeping in het middengat van het snijblad. Plaats de klemring, de kom en het snijblad en draai de zeskantmoer aan met een aantrekkoppel van 13 tot 23 Nm terwijl u de ontvangerring tegenhoudt met de inbussleutel. (zie afb. 23)

Zorg ervoor dat het snijblad met de goede kant omhoog wijst voor linksom draaien.

## De nylondraad-snijkop monteren

### ⚠ LET OP:

- Wanneer u met de nylondraad-snijkop werkt, brengt u niet alleen de beschermkap maar tevens het beschermkapopzetstuk aan.
- Gebruik altijd een originele Dolmar-snijkop.
- Als de nylondraad-snijkop een steen raakt tijdens het gebruik, moet u de motor onmiddellijk uitschakelen en de nylondraad-snijkop controleren.

Draai het gereedschap ondersteboven zodat u de nylondraad-snijkop gemakkelijk kunt vervangen. (zie afb. 24)

Steek de inbussleutel in de opening in het beschermstuk en het tandwielhuis en draai met de inbussleutel de ontvangerring tot deze wordt vergrendeld. Breng de nylondraad-snijkop rechtstreeks aan op de as met schroefdraad en bevestig hem door hem linksom te draaien. Haal de inbussleutel eruit.

Om de nylondraad-snijkop te verwijderen, houdt u met de inbussleutel de ontvangerring op zijn plaats en draait u tegelijkertijd de nylondraad-snijkop rechtsom.

## GEBRUIK

### Correct gebruik van het gereedschap (met fietsstuurhandgreep)

#### Correcte lichaamshouding

#### ⚠ WAARSCHUWING:

- Houd het gereedschap altijd aan de rechterkant van uw lichaam zodat de linkerhelft van de handgreep zich recht voor uw lichaam bevindt. De correcte lichaamshouding verkleint het risico op letsel veroorzaakt door terugslag. (zie afb. 25)

Trek het schouderdraagstel aan zoals afgebeeld en hang het gereedschap stevig tegen uw rechterzijde zodat de linkerhelft van de handgreep zich recht voor uw lichaam bevindt.

#### Bevestiging van het schouderdraagstel (zie afb. 26)

Draag het schouderdraagstel op uw rug en gesp het dicht zodat u een klikgeluid hoort. Controleer dat het niet losgetrokken kan worden door eraan te trekken. Hang het gereedschap aan het schouderdraagstel, zoals afgebeeld.

Stel de lengte van de draagriem zo af dat het snijblad parallel aan de grond hangt op een hoogte van 10 tot 30 cm boven de grond.

#### Losmaken (zie afb. 27)

In noodgevallen duwt u hard tegen de hendel van de gesp om het gereedschap los te maken, en knijpt u de gesp in om het schouderdraagstel los te maken.

### **WAARSCHUWING:**

- **Let er goed op dat u op dat moment de controle over het gereedschap behoudt. Zorg ervoor dat het gereedschap zich niet in uw richting of in de richting van iemand die in de buurt staat beweegt.** Als u dat niet doet, kan dat leiden tot ernstig letsel.

## **Correct gebruik van het gereedschap (met beugelhandgreep)**

### **Correcte lichaamshouding**

#### **WAARSCHUWING:**

- Houd het gereedschap altijd aan de rechterkant van uw lichaam zodat de beschermplaat zich recht voor uw lichaam bevindt. De correcte lichaamshouding verkleint het risico op letsel veroorzaakt door terugslag. (zie afb. 28)

Trek het schouderdraagstel aan zoals afgebeeld en hang het gereedschap stevig tegen uw rechterzijde zodat de beschermplaat zich recht voor uw lichaam bevindt.

### **Bevestiging van het schouderdraagstel (zie afb. 29)**

Hang het schouderdraagstel over uw linkerschouder door uw hoofd en rechterarm erdoor te steken. Gesp het vast aan de ophangaak tot u een klinkgeluid hoort. Controleer dat het niet losgetrokken kan worden door eraan te trekken. Hang het gereedschap aan het schouderdraagstel, zoals afgebeeld.

Stel de lengte van de draagriem zo af dat het snijblad parallel aan de grond hangt op een hoogte van 10 tot 30 cm boven de grond.

### **Losmaken (zie afb. 30)**

In noodgevallen knijpt u de gesp in om het schouderdraagstel los te maken.

#### **WAARSCHUWING:**

- **Let er goed op dat u op dat moment de controle over het gereedschap behoudt. Zorg ervoor dat het gereedschap zich niet in uw richting of in de richting van iemand die in de buurt staat beweegt.** Als u dat niet doet, kan dat leiden tot ernstig letsel.

## **ONDERHOUD**

### **LET OP:**

- Zorg er altijd voor dat het gereedschap is uitgeschakeld en de accu is verwijderd, voordat u een inspectie of onderhoud uitvoert.
- Gebruik nooit benzine, wasbenzine, thinner, alcohol, enz. Dit kan leiden tot verkleuren, vervormen of barsten.

### **Tandwielhuis smeren met vet (zie afb. 31)**

Breng elke 30 uur vet (Shell Alvania 2 of gelijkwaardig) aan via de smeeroening in het tandwielhuis. (Origineel Dolmar-smeervet kan worden aangeschaft bij uw Dolmar-dealer.)

## **De nylondraad vervangen**

#### **WAARSCHUWING:**

- Laat de aan/uit-schakelaar los en verwijder de accu uit het gereedschap voordat u de nylondraad vervangt.
- Controleer of het deksel van de nylondraad-snijkop goed op de behuizing is bevestigd, zoals hieronder

beschreven. Als dit niet het geval is, kan hij uit elkaar vliegen en ernstig letsel veroorzaken. (zie afb. 32) Druk de vergrendelknoppen van de behuizing naar binnen om het deksel eraf te tillen, verwijder vervolgens de draadspoel en haal de resterende nylondraad daar vanaf. (zie afb. 33)

Haak het midden van de totale lengte van de nieuwe nylondraad in de inkeping in het midden van de draadspoel en zorg ervoor dat één uiteinde ongeveer 80 mm langer is dan het andere.

Wikkel vervolgens beide draadhelften rond de draadspoel in de draairichting van de snijkop (de wikkelrichting linksom wordt aangegeven door de pijl LH, en de wikkelrichting rechtsom wordt aangegeven door de pijl RH op de zijkant van de draadspoel). (zie afb. 34) Wikkel op 100 mm na de volledige lengte van de nylondraad op de draadspoel, en haak de uiteinden tijdelijk in de inkeping in de zijkant van de draadspoel. (zie afb. 35)

Plaats de draadspoel in de behuizing zodat de groeven en uitsteeksels op de spoel overeenkomen met die in de behuizing. Zorg ervoor dat de zijkant van de draadspoel waarop de letters staan naar buiten wijst. Maak nu de uiteinden van de nylondraad los uit hun tijdelijke positie en voer de nylondraden door de openingen zodat ze uit de behuizing steken. (zie afb. 36)

Lijn het uitsteeksel op de onderkant van het deksel uit met de sleuven naar de openingen. Druk daarna het deksel stevig op de behuizing zodat hij wordt vergrendeld.

Controleer of de vergrendelknoppen zich volledig spreiden in het deksel.

Om de VEILIGHEID en BETROUWBAARHEID van het gereedschap te handhaven, dienen alle reparaties, onderhoud en afstellingen te worden uitgevoerd door een erkend Dolmar-servicecentrum, en altijd met gebruikmaking van originele Dolmar-vervangingsonderdelen.

## PROBLEMEN OPLOSSEN

Alvorens om reparatie te verzoeken, voert u eerst zelf een inspectie uit. Als u een probleem ondervindt dat niet in deze handleiding wordt beschreven, haalt u het

gereedschap niet onmiddellijk uit elkaar. Vraag in plaats daarvan een erkend Dolmar-servicecentrum, en altijd met gebruikmaking van originele Dolmar- vervangingsonderdelen, het gereedschap te repareren.

Toestand tijdens defect	Oorzaak	Handeling
Motor loopt niet.	De accu is niet aangebracht.	Breng de accu aan.
	Probleem met de accu (lage spanning)	Laad de accu op. Als het opladen niet helpt, vervangt u de accu
	De aandrijving werkt niet goed.	Vraag uw plaatselijk erkende servicecentrum het gereedschap te repareren.
De motor stopt korte tijd na het starten.	De draairichting is omgekeerd.	Verander de draairichting met de omkeerschakelaar.
	De accu is bijna leeg.	Laad de accu op. Als het opladen niet helpt, vervangt u de accu
	Oververhitting.	Laat het gereedschap enige tijd afkoelen.
De juiste draaisnelheid wordt niet bereikt.	De accu is niet goed aangebracht.	Breng de accu aan zoals beschreven in deze gebruiksaanwijzing.
	Het accuvermogen neemt af.	Laad de accu op. Als het opladen niet helpt, vervangt u de accu
	De aandrijving werkt niet goed.	Vraag uw plaatselijk erkende servicecentrum het gereedschap te repareren.
Het snijgarnituur draait niet: Stop het gereedschap onmiddellijk!	Vreemde voorwerpen, zoals een tak, zitten klem tussen de beschermkap en het snijgarnituur.	Verwijder het vreemde voorwerp.
	De bevestigingsmoer van het snijblad zit los.	Draai de moer goed vast, zoals beschreven in deze gebruiksaanwijzing.
	Het snijblad is verbogen.	Vervang het snijblad.
	De aandrijving werkt niet goed.	Vraag uw plaatselijk erkende servicecentrum het gereedschap te repareren.
Abnormale trillingen: Stop het gereedschap onmiddellijk!	Eén uiteinde van de nylondraad is afgebroken.	Stoot tijdens het gebruik van het gereedschap de nylondraad-snijkop tegen de grond om extra nylondraad aan te voeren.
	Het snijblad is verbogen, gescheurd of versleten.	Vervang het snijblad.
	De bevestigingsmoer van het snijblad zit los.	Draai de moer goed vast, zoals beschreven in deze gebruiksaanwijzing.
	Het snijblad is niet goed bevestigd.	Vraag uw plaatselijk erkende servicecentrum het gereedschap te repareren.
	De aandrijving werkt niet goed.	Vraag uw plaatselijk erkende servicecentrum het gereedschap te repareren.
Het snijgarnituur en de motor kunnen niet stoppen: Verwijder de accu onmiddellijk!	Elektrische of elektronische storing.	Verwijder de accu en vraag uw plaatselijk erkende servicecentrum het gereedschap te repareren.

## ACCESSOIRES

### ⚠ LET OP:

- Deze accessoires of hulpstukken worden aanbevolen voor gebruik met het Dolmar-gereedschap dat in deze gebruiksaanwijzing wordt beschreven. Het gebruik van andere accessoires of hulpstukken kan gevaar voor persoonlijk letsel opleveren. Gebruik de accessoires of

hulpstukken uitsluitend voor de aangegeven gebruiksdoeleinden.

Mocht u meer informatie willen hebben over deze accessoires, dan kunt u contact opnemen met uw plaatselijke Dolmar-servicecentrum.

- Metalen snijblad
- Nylonraad-snijkop
- Stokheggenaarhulpstuk
- Stoksnoeizaaghulpstuk

- Grondfreeshulpstuk
- Originele Dolmar accu en lader

**Voor model AT-3623**

**Geluid** ENG104-2

De typische, A-gewogen geluidsniveaus zijn gemeten volgens ISO22868:

Geluidsdrukniveau ( $L_{pA}$ ): 79,7 dB (A)

Onzekerheid (K): 2,5 dB (A)

Het geluidsniveau kan tijdens gebruik hoger worden dan 80 dB (A).

**Draag gehoorbescherming.**

**Trilling** ENG244-1

De trillingsemisiewaarde is bepaald volgens ISO22867 en EN786:

Trillingsemisie ( $a_h$ ): 2,5 m/s<sup>2</sup> of minder

Onzekerheid (K): 1,5 m/s<sup>2</sup>

**Voor model AT-3630**

**Geluid** ENG104-2

De typische, A-gewogen geluidsniveaus zijn gemeten volgens EN786:

Geluidsdrukniveau ( $L_{pA}$ ): 79,3 dB (A)

Onzekerheid (K): 2,5 dB (A)

Het geluidsniveau kan tijdens gebruik hoger worden dan 80 dB (A).

**Draag gehoorbescherming.**

**Trilling** ENG244-1

De trillingsemisiewaarde is bepaald volgens EN786:

Trillingsemisie ( $a_h$ ): 2,5 m/s<sup>2</sup> of minder

Onzekerheid (K): 1,5 m/s<sup>2</sup>

**Alleen voor Europese landen** ENH021-5

**EU-verklaring van conformiteit**

**Ondergetekenden, Tamiro Kishima en Rainer Bergfeld, als erkende vertegenwoordigers van Dolmar GmbH, verklaren dat de DOLMAR-machine(s):**

Aanduiding van de machine:

Accubosmaaier

Modelnr./Type: AT-3623

Technische gegevens: zie de tabel "TECHNISCHE GEGEVENS".

in serie is geproduceerd en

**Voldoet aan de volgende Europese richtlijnen:**

2000/14/EU en 2006/42/EU

En is gefabriceerd in overeenstemming met de volgende normen of genormaliseerde documenten:

EN60745 en ISO11806

De technische documentatie wordt bewaard door:

Dolmar GmbH,

Jenfelder Straße 38, Abteilung FZ,

D-22045 Hamburg, Duitsland

De conformiteitsbeoordelingsprocedure vereist door Richtlijn 2000/14/EC was is Overeenstemming met annex V.

Gemeten geluidsvermoggenniveau: 93,6 dB

Gegarandeerd geluidsvermoggenniveau: 95 dB

16 oktober 2009



Tamiro Kishima  
Hoofddirecteur



Rainer Bergfeld  
Hoofddirecteur

**Alleen voor Europese landen** ENH212-10

**EU-verklaring van conformiteit**

**Ondergetekenden, Tamiro Kishima en Rainer Bergfeld, als erkende vertegenwoordigers van Dolmar GmbH, verklaren dat de DOLMAR-machine(s):**

Aanduiding van de machine:

Accugraskantmaaier

Modelnr./Type: AT-3630

Technische gegevens: zie de tabel "TECHNISCHE GEGEVENS".

in serie is geproduceerd en

**Voldoet aan de volgende Europese richtlijnen:**

2000/14/EU en 2006/42/EU

En is gefabriceerd in overeenstemming met de volgende normen of genormaliseerde documenten:

EN60745 en EN60335

De technische documentatie wordt bewaard door:

Dolmar GmbH,

Jenfelder Straße 38, Abteilung FZ,

D-22045 Hamburg, Duitsland

De conformiteitsbeoordelingsprocedure vereist door Richtlijn 2000/14/EC was is Overeenstemming met annex VIII.

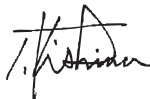
Officiële instantie:

TÜV Rheinland Product Safety GmbH, Am Grauen Stein D-51105 Köln, Duitsland. Identificatienr. 0197

Gemeten geluidsvermoggenniveau: 91,3 dB

Gegarandeerd geluidsvermoggenniveau: 93 dB

16 oktober 2009



Tamiro Kishima  
Hoofddirecteur



Rainer Bergfeld  
Hoofddirecteur



# ESPAÑOL (Instrucciones originales)

## Explicación de los dibujos

- |                                   |                                |                                 |
|-----------------------------------|--------------------------------|---------------------------------|
| 1. Pieza roja                     | 14. Cuchilla de corte          | 27. Hebilla                     |
| 2. Botón deslizante               | 15. Protección                 | 28. Caja de engranajes          |
| 3. Cartucho de la batería         | 16. Cabezal de corte de nylon  | 29. Orificio de engrase         |
| 4. Botón de desbloqueo            | 17. Extensión de la protección | 30. Cubierta                    |
| 5. Gatillo interruptor            | 18. Dos pernos                 | 31. Pestillos                   |
| 6. Interruptor de inversión       | 19. Cubierta protectora        | 32. Pulse                       |
| 7. Palanca de cambio de velocidad | 20. Llave hexagonal            | 33. Carrete                     |
| 8. Luz indicadora                 | 21. Arandela de apoyo          | 34. Para el giro a la izquierda |
| 9. Área de corte más eficaz       | 22. Arandela abrazadera        | 35. Muestras                    |
| 10. Pomo                          | 23. Vaso                       | 36. Ojales                      |
| 11. Abrazadera del asidero        | 24. Tuerca hexagonal           | 37. Saliente (no se muestra)    |
| 12. Muelle de compresión          | 25. Eje roscado                | 38. Ranura del ojal             |
| 13. Soporte del asidero           | 26. Palanca                    |                                 |

## ESPECIFICACIONES

Modelo		AT-3623	AT-3630
Tipo de asidero		Asidero de motocicleta	Mango curvado
Velocidad en vacío	Alta	0 - 7.300 min <sup>-1</sup>	0 - 6.600 min <sup>-1</sup>
	Baja	0 - 5.300 min <sup>-1</sup>	0 - 4.900 min <sup>-1</sup>
Longitud total		1.880 mm	1.850 mm
Diámetro de la cuchilla de corte		230 mm	-
Diámetro de corte con el cabezal de corte de nylon		-	300 mm
Peso neto		7,1 kg	5,9 kg
Tensión nominal		CC 36 V	









- Debido a nuestro programa continuo de investigación y desarrollo, las especificaciones aquí descritas están sujetas a cambios sin previo aviso.
- Las especificaciones y el cartucho de la batería pueden variar de un país a otro.
- Peso, con el cartucho de la batería, de acuerdo con el procedimiento EPTA 01/2003


### Símbolos


END008-1


Se utilizan los siguientes símbolos para el equipo.


Asegúrese de que comprende su significado antes del uso.

-  ..... Preste especial cuidado y atención.
-  ..... Lea el manual de instrucciones.
-  ..... Peligro; esté atento a los objetos que salgan despedidos.
-  ..... La distancia entre la herramienta y las personas circundantes debe ser de 15 m como mínimo.
-  ..... Mantenga alejadas a las personas circundantes.
-  ..... Mantenga una distancia de 15 m como mínimo.
-  ..... Evite los contragolpes.
-  ..... Lleve casco y protección para los ojos y oídos.
-  ..... Utilice guantes de protección

 ..... Utilice botas robustas con suela antideslizante. Se recomienda utilizar botas de seguridad con puntera de acero.

 ..... No la exponga a la lluvia.

 ..... Máxima velocidad permitida de la herramienta.

 ..... Sólo para países de la UE  
 ¡No deseche el aparato eléctrico o la batería junto con los residuos domésticos!

De conformidad con la Directiva Europea 2002/96/CE sobre residuos de aparatos eléctricos y electrónicos, 2006/66/CE sobre baterías y acumuladores y el desecho de baterías y acumuladores y su aplicación de acuerdo con la legislación nacional, la herramienta eléctrica y la batería cuya vida útil haya llegado a su fin se deberán recoger por separado y trasladar a una planta de reciclaje que cumpla con las exigencias ecológicas.

## Uso previsto

ENE074-1

El equipo está diseñado para cortar pasto, malas hierbas, arbustos y maleza.

pasto, malas hierbas, arbustos y maleza. No se debe utilizar con ninguna otra finalidad, como canteado o cortado de setos, ya que se podrían causar lesiones.

# INSTRUCCIONES DE SEGURIDAD

GEB068-1

**⚠ ¡ADVERTENCIA! Lea todas las advertencias de seguridad y todas las instrucciones.** La no observancia de las advertencias y las instrucciones puede provocar descargas eléctricas, incendios y/o lesiones graves.

## Guarde todas las advertencias e instrucciones para futuras consultas.

### Instrucciones generales

1. Para garantizar un uso correcto, el usuario debe leer este manual de instrucciones para familiarizarse con el manejo del equipo. Los usuarios con una información insuficiente se pondrán en riesgo a ellos mismos y pondrán en riesgo a otros a causa de un manejo incorrecto.
2. Se recomienda prestar el equipo solamente ha personas con experiencia comprobada en el manejo de desbrozadoras/cortabordes. Entregue siempre este manual de instrucciones.
3. Los usuarios que utilizan por primera vez la máquina deben pedir al distribuidor instrucciones básicas para familiarizarse con el manejo de la desbrozadora/ cortabordes.
4. Nunca deje que personas no familiarizadas con estas instrucciones, personas (incluyendo niños) con capacidades físicas, sensoriales o mentales reducidas, o falta de experiencia y conocimientos utilicen el equipo. Las normas locales pueden restringir la edad del operario.
5. Utilice el equipo con el máximo cuidado y la máxima atención.
6. Utilice el equipo solamente si se encuentra en buen estado físico. Realice todo el trabajo con calma y con cuidado. Use el sentido común y tenga en cuenta que el operario o el usuario es responsable de los accidentes o situaciones de peligro que se produzcan para otras personas o su propiedad.
7. Nunca utilice el equipo tras consumir alcohol o medicamentos o si se siente cansado o enfermo.
8. El motor se debe detener inmediatamente si el equipo muestra algún problema o señales de anomalías.
9. Apague el equipo y extraiga el cartucho de la batería cuando descansa y deje el equipo desatendido, y colóquelo en un lugar seguro para evitar situaciones de peligro para terceras personas o daños en el equipo.
10. No fuerce el equipo. Realizará mejor su trabajo y con menos probabilidades de lesiones a la velocidad para la que fue diseñado.
11. No intente abarcar demasiada distancia. Mantenga la postura adecuada y el equilibrio en todo momento.

### Uso previsto del equipo

1. Utilice el equipo adecuado. La desbrozadora/ cortabordes se ha diseñado solamente para cortar

### Equipo de protección personal

1. Use la indumentaria apropiada. Debe llevarse ropa funcional y apropiada, es decir, debe ser ajustada pero sin que sea incómoda. No lleve joyas ni prendas que puedan engancharse en arbustos o maleza. Lleve protección para el cabello para sujetar el cabello largo.
2. Para evitar lesiones en la cabeza, los ojos, las manos o los pies y para proteger los oídos, debe llevarse el siguiente equipo y la siguiente ropa de protección mientras se utiliza el equipo. **(Fig. 1)**
3. Utilice siempre un casco cuando haya riesgo de caída de objetos. Debe comprobarse periódicamente si el casco protector (1) tiene algún daño y se debe sustituir como máximo después de 5 años. Utilice solamente cascos protectores homologados.
4. El visor del casco (o, como alternativa, las gafas de seguridad) protege la cara de piedras y objetos que salen despedidos. Durante el manejo del equipo utilice gafas de seguridad o un visor para evitar lesiones en los ojos.
5. Utilice un equipo de protección acústica adecuado para evitar daños en el oído (protectores de oído, tapones para los oídos, etc.). **(Fig. 2)**
6. El mono de trabajo protege contra piedras y otros objetos que salen despedidos. Recomendamos encarecidamente utilizar un mono de trabajo.
7. Los guantes especiales de cuero grueso forman parte del equipo obligatorio y siempre deben utilizarse durante el manejo del equipo.
8. Cuando utilice el equipo, utilice siempre zapatos robustos con una suela que no resbale. De esta manera se protegerá contra lesiones y se asegurará de que los pies estén en una posición firme.

### Seguridad eléctrica y de la batería

1. Evite entornos peligrosos. No utilice el equipo en ubicaciones mojadas o húmedas ni lo exponga a la lluvia. Si entra agua en el equipo, aumenta el riesgo de sufrir una descarga eléctrica.
2. Recárguelo solamente con el cargador especificado por el fabricante. Un cargador que es adecuado para un tipo de batería puede crear un riesgo de incendio cuando se usa con otra batería.
3. Utilice las herramientas eléctricas solamente con los paquetes de batería designados. El uso de cualquier otra batería puede crear un riesgo de lesiones e incendio.
4. Cuando no se utilice la batería, manténgala alejada de otros objetos metálicos, como clips de papel, monedas, llaves, clavos, tornillos u otros objetos metálicos pequeños que puedan establecer una conexión entre los terminales. El cortocircuito de los terminales de la batería puede provocar quemaduras o un incendio.
5. En condiciones de maltrato, la batería puede expulsar líquido; evite el contacto con él. Si se produce un contacto accidental, lávelo con agua. Si el líquido entra en contacto con los ojos, adicionalmente,

- solicite ayuda médica. El líquido expulsado de la batería puede provocar irritaciones o quemaduras.
- No deseche las baterías en un fuego. Puede explotar. Consulte en las normativas locales las posibles instrucciones de desecho.
  - No abra ni mutile las baterías. El electrolito que se desprende es corrosivo y puede causar daños a los ojos o la piel. Puede ser tóxico si se ingiere.

### **Puesta en marcha del equipo (Fig. 3)**

- Asegúrese de que no haya niños y otras personas en un área de trabajo de 15 metros (50 pies) y preste atención también a cualquier animal que pueda estar cerca del lugar de trabajo. De lo contrario, deje de usar el equipo.
- Antes del uso, compruebe que el equipo permita realizar las operaciones con seguridad. Compruebe la seguridad de la herramienta de corte y el protector y que el gatillo interruptor o la palanca funcionen correctamente y se accionen fácilmente. Compruebe que los asideros estén limpios y secos y pruebe la función de arranque/parada.
- Compruebe si hay partes dañadas antes de utilizar el equipo. Si un protector o cualquier otra parte de la herramienta se ha dañado, debe inspeccionarse con detenimiento para determinar si funcionará correctamente y si cumplirá con su finalidad. Compruebe la alineación de las partes móviles, el libre movimiento de las partes móviles, la rotura de piezas, el montaje y cualquier otra condición que pueda afectar a su funcionamiento. Los protectores, o cualquier otra pieza que esté dañada, deben repararse correctamente en nuestro centro de reparaciones autorizado a menos que se indique lo contrario en este manual.
- Ponga en marcha el motor solamente cuando los pies y las manos estén alejados de la herramienta de corte.
- Antes de la puesta en marcha, asegúrese de que la herramienta de corte no esté en contacto con objetos duros tales como ramas, piedras, etc. ya que la herramienta de corte girará al poner en marcha la máquina.

### **Método de trabajo**

- Utilice el equipo únicamente con buenas condiciones de iluminación y visibilidad. Durante el invierno tenga cuidado con las áreas húmedas o resbaladizas, hielo y nieve (riesgo de resbalar). Asegúrese siempre de que sus pies se encuentran en una posición segura.
- Protéjase de las lesiones en los pies y las manos causadas por la herramienta de corte.
- No corte nunca por encima de la altura de la cintura.
- No se suba nunca a una escalera mientras utilice el equipo.
- No se suba a árboles mientras realice la operación de corte con el equipo.
- No trabaje nunca en superficies inestables.
- Elimine la arena, piedras, clavos, etc. que se encuentren en el área de trabajo. Los objetos extraños pueden dañar la herramienta de corte y provocar peligrosos contragolpes.

- Si la herramienta de corte golpea piedras u otros objetos duros, apague el motor inmediatamente e inspecciónela.
- Inspeccione periódicamente la herramienta de corte para comprobar si hay daños (compruebe si hay grietas finas mediante pruebas de sonido).
- Antes de comenzar a cortar, la herramienta de corte debe alcanzar la velocidad de trabajo completa.
- Utilice el equipo únicamente con el arnés de hombro asegurado, que se debe ajustar correctamente antes de poner en marcha el equipo. Es muy importante ajustar el arnés de hombro de acuerdo con la talla del usuario para evitar la fatiga durante el uso.
- Durante las operaciones, sujete siempre el equipo con ambas manos. Nunca sujete el equipo con una mano durante el uso. Asegúrese siempre de que sus pies se encuentran en una posición segura.
- La herramienta de corte debe estar equipada con la protección adecuada. ¡Nunca utilice el equipo con las protecciones dañadas o sin utilizar protecciones!
- Todas las piezas de protección y las protecciones suministradas con el equipo deben utilizarse durante el funcionamiento.
- Nunca utilice el equipo golpeando o haciéndolo rebotar sobre malas hierbas o maleza para recortarlas.
- Excepto en caso de emergencia, nunca deje caer ni lance el equipo hacia el suelo, ya que el equipo se puede dañar gravemente.
- No olvide levantar todo el equipo del suelo cuando lo mueva.
- Extraiga siempre el cartucho de la batería del equipo:
  - cuando deje el equipo desatendido;
  - antes de despejar un atasco;
  - antes de comprobar, limpiar o trabajar en el equipo;
  - después de golpear un objeto extraño;
  - cuando el equipo empiece a vibrar de forma anómala.
- Asegúrese siempre de que las aberturas de ventilación estén libres de residuos.

### **Contragolpe (empuje de la cuchilla)**

- Durante el uso del equipo se puede producir un contragolpe (empuje de la cuchilla) no controlado. (Fig. 4)
- Suele producirse cuando se intenta cortar un segmento de la cuchilla entre las 12 y las 2 en punto.
- Nunca aplique el equipo en un segmento entre las 12 y las 2 en punto.
- Nunca aplique este segmento de la cuchilla a sólidos, tales como arbustos y árboles, etc., con un diámetro que sea superior a 3 cm o la cuchilla de corte se desviará con gran fuerza con el riesgo de lesiones.

### **Prevención de contragolpes**

#### **Para evitar contragolpes, tenga en cuenta lo siguiente:**

- El funcionamiento con un segmento de cuchilla entre las 12 y las 2 en punto presenta un peligro real, especialmente cuando se utilizan herramientas de corte de metal. (Fig. 5)
- Las operaciones de corte en un segmento de cuchilla entre las 11 y las 12 en punto y entre las 2 y las 5 en punto solamente deben realizarlas operarios con

formación y experiencia y únicamente bajo su propio riesgo.

3. Se puede realizar un corte sencillo sin casi contragolpe con un segmento de cuchilla entre las 9 y las 11 en punto.

## Herramientas de corte

1. Utilice solamente la herramienta de corte correcta para el trabajo que va a realizar.
2. Para cortar materiales gruesos, como malas hierbas, pasto algo, arbustos, maleza, sotobosque, matorrales, etc. (grosor máximo de 2 cm de diámetro), realice el trabajo de corte balanceando el equipo uniformemente en medios círculos de derecha a izquierda (de forma parecida a usar una guadaña).

## Instrucciones de mantenimiento

1. El estado del equipo, en concreto de la herramienta de corte, de los dispositivos protectores y también del arnés de hombro debe comprobarse antes de comenzar el trabajo.
2. Debe prestarse especial atención a las cuchillas de corte, que deben estar afiladas correctamente.
3. Apague el motor y extraiga el cartucho de la batería antes de realizar tareas de mantenimiento, sustituir o afilar las herramientas de corte o limpiar el equipo o la herramienta de corte.
4. Compruebe si hay elementos de sujeción sueltos y partes dañadas, como grietas, en el accesorio de corte.
5. Siga las instrucciones para lubricar y cambiar accesorios.
6. Cuando no se utilice, el equipo debe guardarse en un lugar alto o cerrado, fuera del alcance de los niños. Limpie el equipo y realice las tareas de mantenimiento antes de almacenarlo.
7. Utilice solamente accesorios y piezas de recambio recomendados por el fabricante.
8. Inspeccione el equipo y realice las tareas de mantenimiento regularmente, especialmente antes/ después del uso. Haga que el equipo se repare solamente en un centro de servicio autorizado.
9. Mantenga las empuñaduras secas, limpias y libres de aceite y grasa.

## GUARDE ESTAS INSTRUCCIONES.

### ADVERTENCIA:

No deje que la comodidad o la familiaridad con el producto (a base de utilizarlo repetidamente) sustituya la estricta observancia de las normas de seguridad del producto en cuestión. El MAL USO o la no observancia de las normas de seguridad expuestas en este manual de instrucciones pueden ocasionar graves daños corporales.

## INSTRUCCIONES DE SEGURIDAD IMPORTANTES

ENC007-4

## PARA EL CARTUCHO DE LA BATERÍA

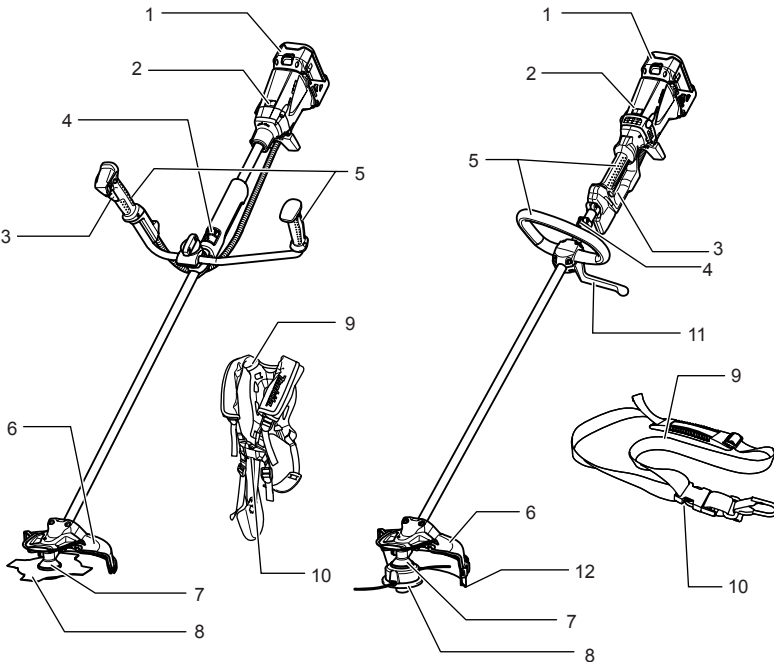
1. Antes de utilizar el cartucho de la batería, lea todas las instrucciones y referencias de precaución que se encuentran en (1) el cargador de baterías, (2) la batería y (3) el producto que utiliza la batería.
2. No desmonte el cartucho de la batería.
3. Si el tiempo de funcionamiento es excesivamente corto, deje de utilizar la herramienta de inmediato. De lo contrario, existe el riesgo de sobrecalentamiento, quemaduras e incluso explosión.
4. Si se produce contacto ocular con electrolito, enjuáguese los ojos con agua limpia y acuda de urgencia al médico. Corre el riesgo de perder la visión.
5. No cortocircuite el cartucho de la batería:
  - (1) No toque los terminales con material conductor.
  - (2) Evite guardar el cartucho de la batería en un recipiente con otros objetos metálicos, como clavos, monedas, etc.
  - (3) No exponga el cartucho de la batería al agua o a la lluvia.  
Un cortocircuito puede provocar un elevado flujo de corriente, sobrecalentamiento, quemaduras o incluso una avería.
6. No almacene la herramienta ni el cartucho de la batería en lugares donde la temperatura supere los 50 °C (122°F).
7. No queme el cartucho de la batería aunque esté gravemente dañado o completamente gastado. El cartucho de la batería puede explotar si entra en contacto con fuego.
8. Procure que la batería no sufra golpes ni caídas.
9. No utilice baterías que hayan sufrido golpes o caídas.

## GUARDE ESTAS INSTRUCCIONES.

### Consejos para conseguir una mayor duración de la batería

1. Cargue la batería antes de que se descargue por completo.  
Cuando observe que la herramienta tiene menos potencia, deje de utilizarla y cargue el cartucho de la batería.
2. No recargue nunca un cartucho de batería completamente cargado.  
La sobrecarga acorta la vida útil de la batería.
3. Cargue el cartucho de la batería a una temperatura ambiente que oscile entre 10 °C y 40 °C (50°F - 104°F). Antes de cargar un cartucho de batería caliente, deje que se enfríe.

## DESCRIPCIONES DE LAS PIEZAS



1	Cartucho de la batería	7	Caja de engranajes
2	Luz indicadora	8	Herramientas de corte
3	Gatillo interruptor	9	Arnés de hombro
4	Gancho (punto de suspensión)	10	Hebilla
5	Empuñadura	11	Barrera
6	Protección de la herramienta de corte	12	Extensión de la protección

## DESCRIPCIÓN DEL FUNCIONAMIENTO

### ⚠ PRECAUCIÓN:

- Antes de ajustar o de comprobar el equipo, asegúrese siempre de que está apagado y de que la batería ha sido extraída.

### Instalación o extracción del cartucho de la batería (Fig. 6)

- Apague siempre el equipo antes de insertar o extraer el cartucho de la batería.
- Para extraer el cartucho de la batería, quítelo del equipo al mismo tiempo que desliza el botón situado en la parte frontal del cartucho.
- Para insertar el cartucho de la batería, alinee la lengüeta situada en el cartucho de la batería con la ranura del alojamiento e insértela. Insértela completamente hasta que quede firmemente sujeta y se bloquee con un clic. Si puede ver la parte roja de la zona superior del botón, significa que el cartucho no está completamente bloqueado. Insértelo

completamente hasta que la parte roja quede oculta.

De lo contrario, el cartucho puede desprenderse accidentalmente del equipo y causar lesiones al operario o a alguna persona que se encuentre cerca.

- No haga fuerza al insertar el cartucho de la batería. Si no se inserta suavemente, significa que no lo está instalando correctamente.

### Accionamiento del interruptor de encendido

#### ⚠ PRECAUCIÓN:

- Antes de insertar el cartucho de la batería en el equipo, asegúrese siempre de que el interruptor disparador funciona como es debido y que vuelve a la posición "OFF" (apagado) al soltarlo. (Fig. 7 y 8)

Para evitar que el gatillo interruptor pueda ser apretado accidentalmente, se ha provisto un botón de desbloqueo. Para poner en marcha el equipo, presione el botón de bloqueo y tire del disparador del interruptor. La velocidad de la herramienta aumenta al incrementar la presión sobre el interruptor disparador. Suelte el gatillo interruptor para detener la herramienta.

## Accionamiento del interruptor de inversión

### ⚠ ADVERTENCIA:

- Asegúrese siempre de que el equipo esté apagado y de que se haya extraído el cartucho de la batería antes de retirar malas hierbas o cualquier otro objeto que se haya enredado en la herramienta de corte y que no se pueda eliminar utilizando el interruptor de inversión de giro.

### ⚠ PRECAUCIÓN:

- Antes de trabajar, compruebe siempre la dirección del giro.
- Utilice el interruptor de inversión sólo cuando el equipo se haya detenido por completo, ya que, de lo contrario, el equipo podría averiarse. (Fig. 9 y 10)

Este equipo tiene un interruptor de inversión de giro para cambiar la dirección de giro y eliminar malas hierbas enredadas en la herramienta de corte. Apriete la palanca del interruptor de inversión por el lado A para obtener un giro en el sentido contrario a las agujas del reloj (normal) o por el lado B para girar en el sentido de las agujas del reloj (inverso).

En el modo inverso, el equipo se detiene automáticamente tras un breve período de tiempo después de encenderse.

## Cambio de velocidad (Fig. 11 y 12)

Se pueden preseleccionar dos intervalos de velocidad con el interruptor de cambio de velocidad.



Para cambiar el intervalo de velocidad, gire la palanca de cambio de velocidad de forma que apunte a "1" para baja velocidad o "2" para alta velocidad.

## Sistema de protección de batería/motor

El cartucho de la batería y la máquina están equipados con sistemas de protección, que automáticamente reducen o cortan la alimentación para prolongar su vida útil.

Bajo una situación de sobrecarga, el protector reduce las revoluciones para proteger el motor. En ese caso, los dos indicadores siguientes no se encienden ni parpadean.

Las otras funciones se pueden reconocer por los dos indicadores que tienen este estado durante el funcionamiento. (Fig. 13)

		Estado	Acción que debe realizarse
-	Parpadeando	La carga de la batería está próxima a agotarse.	Sustituya la batería con una completamente cargada.
-	Encendido fijo	El protector de la batería está cortando la alimentación, se ha agotado la carga de la batería.	Sustituya la batería con una completamente cargada.
Parpadeando	-	El protector de sobrecarga está cortando la alimentación, el motor estaba bloqueado.	Suelte el interruptor disparador y elimine la causa de la sobrecarga o el bloqueo del motor. Si la herramienta de corte se bloquea con malas hierbas u otros objetos enredados, retire siempre el cartucho de la batería antes de despejar el atasco.
Encendido fijo	-	El protector de sobrecalentamiento está cortando la alimentación. Hay un sobrecalentamiento.	Deje que el equipo descanse durante un rato.
Parpadeando	Parpadeando	Avería eléctrica o electrónica	Solicite a su centro de servicio autorizado local una reparación.

## Cabezal de corte de nylon (accesorio opcional para máquinas equipadas con cuchilla de corte)

### ⚠ PRECAUCIÓN:

- No golpee el cabezal cuando gire a más de 4.500 min<sup>-1</sup> o cuando esté detenido. (Fig. 14)

El cabezal de corte de nylon es un cabezal de corte de hilo doble con mecanismos de sacudida y avance. Golpee el cabezal de corte de nylon contra el suelo para que se extraiga hilo adicional durante el uso del equipo. El hilo se cortará automáticamente a la longitud adecuada mediante la cuchilla de la extensión de la protección.

### NOTA:

Si el hilo de nylon no se alarga correctamente con la sacudida, rebóbinelo o sustitúyalo siguiendo los procedimientos descritos en "Mantenimiento".

## MONTAJE

### ⚠ PRECAUCIÓN:

- Asegúrese siempre de apagar el equipo y extraer el cartucho de la batería antes de intentar realizar cualquier tipo de operación en el equipo.
- Ponga en marcha el equipo únicamente después de haberla montado completamente.

## Instalación del asidero (solamente para el modelo de tipo de asidero de motocicleta) (Fig. 15)

Afloje el pomo.

Coloque el asidero entre la abrazadera del asidero y el soporte del asidero.

Ajuste el asidero en un ángulo que proporcione una posición de trabajo cómoda y, a continuación, apriételo firmemente apretando a mano el pomo.

## Instalación del protector (Fig. 16 y 17)

### ⚠ ADVERTENCIA:

- Solamente se deben utilizar las combinaciones de herramienta/protección indicadas a continuación. De lo contrario, pueden producirse heridas graves. Nunca utilice el equipo sin la protección.
- El diámetro exterior de la cuchilla de corte debe ser de 230 mm. Nunca utilice ninguna cuchilla cuyo diámetro exterior sea superior a 230 mm.

### Uso de la cuchilla metálica (Fig. 18)

Fije la protección en la abrazadera con dos pernos como se muestra. Apriete los pernos derecho e izquierdo uniformemente.

### Uso del cabezal de corte de nylon

#### ⚠ PRECAUCIÓN:

- Tenga cuidado de no lastimarse con la cuchilla de corte del hilo de nylon de la parte interior de la extensión de la protección.
- Asegúrese de empujar la extensión de la protección hasta que esté totalmente insertada. (Fig. 19)

Fije la protección en la abrazadera con dos pernos como se muestra. Apriete los pernos derecho e izquierdo uniformemente.

Monte la extensión de la protección deslizándola en su lugar desde el costado de la protección como se muestra.

#### NOTA:

- Retire la cinta adherida a la cuchilla, que corta el hilo de nylon, de la extensión de la protección en el primer uso. (Fig. 20)

Para extraer la extensión de la protección, aplique un destornillador de punta plana a la muesca de la protección, empújela y, a la vez, deslice la extensión de la protección.

## Instalación de la cuchilla de corte

### ⚠ PRECAUCIÓN:

- Asegúrese de utilizar una cuchilla de corte auténtica de Dolmar.
- La cuchilla de corte deberá estar afilada, sin grietas ni roturas. Si la cuchilla golpea una piedra durante el uso, detenga el motor y compruébela inmediatamente.
- Afíle o reemplace la cuchilla cada tres horas de funcionamiento.
- Utilice siempre guantes cuando maneje la cuchilla.
- Acople siempre la cubierta de la cuchilla cuando no se utilice la máquina o cuando se transporte.
- La tuerca de apriete de la cuchilla (con una arandela con muelle) es una parte desechable. Si se aprecia algún desgaste o deformación en la arandela de muelle, reemplace la tuerca. Solicite a su centro de servicio autorizado local la pieza.

Ponga la máquina boca arriba para reemplazar la cuchilla de corte fácilmente. (Fig. 21)

Para desmontar la cuchilla de corte, inserte la llave hexagonal a través del orificio de la cubierta del protector y la caja de engranajes.

Gire la arandela de apoyo hasta que se bloquee con la llave hexagonal. Afloje la tuerca hexagonal (rosca a

izquierda) con la llave de tubo y extraiga la tuerca, el vaso, la arandela abrazadera y la llave hexagonal.

### (Fig. 22)

Monte la cuchilla en el eje para que la guía de la arandela de apoyo se ajuste al orificio del eje de la cuchilla. Instale la arandela abrazadera, el vaso y fije la cuchilla de corte con la tuerca hexagonal con un par de apriete de 13 a 23 Nm mientras sujeta la arandela de apoyo con la llave hexagonal. (Fig. 23)

Asegúrese de que la cuchilla esté con el lado izquierdo hacia arriba.

## Instalación del cabezal de corte de nylon

### ⚠ PRECAUCIÓN:

- Monte siempre la extensión de la protección además de la protección cuando utilice el cabezal de corte de nylon.
- Asegúrese de utilizar un cabezal de corte de nylon auténtico de Dolmar.
- Si el cabezal de corte de nylon golpea una piedra durante el uso, detenga la herramienta y compruebe la cuchilla inmediatamente.

Ponga la máquina boca arriba para reemplazar el cabezal de corte de nylon fácilmente. (Fig. 24)

Inserte la llave hexagonal en el orificio de la cubierta del protector y la caja de engranajes y gire la arandela de apoyo hasta que quede bloqueada con la llave hexagonal. Monte el cabezal de corte de nylon en el eje con rosca directamente y apriételo girándolo en el sentido contrario a las agujas del reloj. Retire la llave hexagonal. Para desmontar el cabezal de corte, gírelo en el sentido de las agujas del reloj mientras sujeta la arandela de apoyo con la llave hexagonal.

## OPERACIÓN

### Manipulación correcta de la máquina (con el asidero de motocicleta)

#### Postura correcta

#### ⚠ ADVERTENCIA:

- Coloque siempre el equipo a la derecha de forma que el eje del asidero izquierdo siempre esté delante de usted. La posición correcta reduce el riesgo de lesiones causado por los contragolpes. (Fig. 25)
- Ajuste el arnés de hombro como se muestra y cuelgue la máquina a la derecha de forma que el eje del asidero izquierdo siempre esté delante de usted.

#### Acoplamiento del arnés de hombro (Fig. 26)

Colóquese el arnés de hombro a la espalda y abróchelo hasta que oiga un clic. Asegúrese de que no se desprenda tirando de él. Cuelgue la máquina como se muestra.

Ajuste la longitud de la correa de forma que la cuchilla de corte esté paralela con el suelo a un nivel de 10 a 30 cm encima del suelo.

#### Desabrochado (Fig. 27)

En caso de emergencia, presione la palanca de la hebilla con fuerza para desprender el arnés y la máquina.

#### ⚠ ADVERTENCIA:

- **Tenga mucho cuidado para mantener el control de la máquina en ese momento. No permita que la**

**máquina se desvíe hacia usted o hacia cualquiera que se encuentre cerca de usted.** En caso contrario se podrían provocar lesiones graves.

## Manipulación correcta de la máquina (con el asidero curvado)

### Postura correcta

#### ADVERTENCIA:

- Coloque siempre el equipo a la derecha de forma que el eje de la barrera siempre esté delante de usted. La posición correcta reduce el riesgo de lesiones causado por los contragolpes. (Fig. 28)

Ajuste el arnés de hombro como se muestra y cuelgue la máquina a la derecha de forma que la barrera siempre esté delante de usted.

### Acoplamiento del arnés de hombro (Fig. 29)

Cuelgue el arnés de hombro del hombro izquierdo haciendo pasar su cabeza y el brazo derecho a través de él. Abróchelo a la unidad de gancho hasta que oiga un clic. Asegúrese de que no se desprendan tirando de él. Cuelgue la máquina como se muestra.

Ajuste la longitud de la correa de forma que la cuchilla de corte esté paralela con el suelo a un nivel de 10 a 30 cm encima del suelo.

### Desabrochado (Fig. 30)

En caso de emergencia, presione firmemente la palanca de desabrochado de emergencia.

#### ADVERTENCIA:

- Tenga mucho cuidado para mantener el control de la máquina en ese momento. No permita que la máquina se desvíe hacia usted o hacia cualquiera que se encuentre cerca de usted.** En caso contrario se podrían provocar lesiones graves.

## MANTENIMIENTO

#### PRECAUCIÓN:

- Asegúrese de apagar siempre el equipo y extraer el cartucho de la batería antes de intentar realizar cualquier trabajo de inspección o mantenimiento en ella.
- Nunca utilice gasolina, benceno, disolvente, alcohol o un producto similar. Se puede provocar una decoloración, una deformación o grietas.

### Suministro de grasa a la caja de engranajes (Fig. 31)

Suministre grasa (Shell Alvania 2 o equivalente) a la caja de engranajes a través del orificio de engrase cada 30 horas. (Puede comprar grasa original de Dolmar en su distribuidor Dolmar.)

### Reemplazo del hilo de nylon

#### ADVERTENCIA:

- Suelte el interruptor disparador y extraiga el paquete de la batería antes de reemplazar el hilo de nylon.
- Asegúrese de que la cubierta del cabezal de corte de nylon esté fijada al alojamiento correctamente como se describe más abajo. De lo contrario, puede salir despedida y puede provocar heridas graves. (Fig. 32)

Presione los pestillos del alojamiento hacia dentro para levantar la cubierta y extraerla y, a continuación, retire el carrete y extraiga el hilo de nylon restante. (Fig. 33) Enganche el centro del nuevo hilo de nylon en la ranura del centro del carrete, con un extremo del hilo extendido unos 80 mm más que el otro.

A continuación, enrolle ambos extremos firmemente alrededor del carrete en la dirección de giro del cabezal (dirección hacia la izquierda indicada por LH y dirección hacia la derecha indicada por RH en el lateral del carrete). (Fig. 34)

Enrolle la totalidad del hilo, excepto unos 100 mm (3-15/16"), dejando los extremos temporalmente enganchados alrededor de la hendidura del lateral del carrete. (Fig. 35)

Monte el carrete en el chasis de forma que las ranuras y los salientes del carrete coincidan con los del chasis.

Mantenga el lado con letras en el carrete visible hacia arriba. Ahora desenganche los extremos del hilo de su posición temporal y haga pasar los hilos por los ojales hasta que sobresalgan del alojamiento. (Fig. 36)

Alinee el saliente del lado inferior de la cubierta con las ranuras de los ojales. A continuación, presione firmemente la cubierta en el alojamiento para fijarla.

Asegúrese de que los pestillos están totalmente extendidos en la cubierta.

Para mantener la SEGURIDAD y la FIABILIDAD del producto, las reparaciones y cualquier otra tarea de mantenimiento o ajuste deberán ser realizadas en centros de servicio autorizados por Dolmar, utilizando siempre repuestos Dolmar.



# SOLUCIÓN DE PROBLEMAS

Antes de solicitar reparaciones, lleve a cabo su propia inspección. Si encuentra un problema que no se explica

en el manual, no desmonte precipitadamente el equipo. En su lugar, consulte con centros de servicio autorizados de Dolmar y utilice siempre repuestos de Dolmar para las reparaciones.

Estado de la avería	Causa	Acción
El motor no funciona.	El cartucho de la batería no está instalado.	Instale el cartucho de la batería.
	Problema de la batería (tensión insuficiente)	Recargue la batería. Si la recarga no tiene efecto, reemplace la batería.
	El sistema de transmisión no funciona correctamente.	Solicite a su centro de servicio autorizado local una reparación.
El motor se detiene al poco de ponerse en marcha.	El giro está en el ajuste inverso.	Cambie la dirección de giro con el interruptor de inversión.
	La batería está casi agotada.	Recargue la batería. Si la recarga no tiene efecto, reemplace la batería.
	Sobrecalentamiento.	Deje que el equipo descanse durante un rato.
El giro no logra la velocidad adecuada.	La batería se ha instalado incorrectamente.	Instale el cartucho de la batería como se describe en este manual.
	El nivel de la batería está cayendo.	Recargue la batería. Si la recarga no tiene efecto, reemplace la batería.
	El sistema de transmisión no funciona correctamente.	Solicite a su centro de servicio autorizado local una reparación.
La herramienta de corte no gira: ¡Detenga la máquina inmediatamente!	Un objeto extraño, como una rama, está atascado entre la protección y la herramienta de corte.	Extraiga el objeto extraño.
	La tuerca de apriete de la cuchilla de corte está suelta.	Apriete la tuerca correctamente como se describe en este manual.
	La cuchilla de corte está doblada.	Sustituya la cuchilla de corte
	El sistema de transmisión no funciona correctamente.	Solicite a su centro de servicio autorizado local una reparación.
Vibración anómala: ¡Detenga la máquina inmediatamente!	Un extremo del hilo de nylon se ha roto.	Golpee el cabezal de corte de nylon contra el suelo para que se extraiga hilo durante el uso del equipo.
	La cuchilla de corte está doblada, agrietada o gastada.	Sustituya la cuchilla de corte
	La tuerca de apriete de la cuchilla de corte está suelta.	Apriete la tuerca correctamente como se describe en este manual.
	La cuchilla de corte se ha apretado incorrectamente.	
	El sistema de transmisión no funciona correctamente.	Solicite a su centro de servicio autorizado local una reparación.
La herramienta de corte y el motor no se pueden detener: ¡Extraiga la batería inmediatamente!	Avería eléctrica o electrónica.	Retire la batería y solicite a su centro de servicio autorizado local una reparación.

## ACCESORIOS

### ⚠ PRECAUCIÓN:

- Se recomienda el uso de estos accesorios o complementos con el equipo Dolmar especificado en este manual. El uso de otros accesorios o complementos puede conllevar el riesgo de ocasionar daños corporales. Utilice los accesorios o complementos solamente para su fin establecido.

Si necesita cualquier ayuda para obtener más información relativa a estos accesorios, pregunte a su centro de servicio Dolmar local.

- Cuchilla de corte
- Cabezal de corte de nylon

- Accesorio cortasetos articulado de altura
- Accesorio de sierra de pértiga
- Accesorio motocultor
- Batería y cargador originales de Dolmar

### Para el modelo AT-3623

#### Ruido

ENG104-2

Niveles típicos de ruido ponderado A determinados conforme a ISO22868:

Nivel de presión de sonido ( $L_{pA}$ ): 79,7 dB (A)  
Incertidumbre (K): 2,5 dB (A)

El nivel de ruido durante el trabajo puede superar los 80 dB (A).

**Utilice protección para los oídos.**

**Vibración** ENG244-1  
Valor de emisión de vibraciones determinado de acuerdo con ISO22867, EN786:  
Emisión de vibraciones ( $a_h$ ): 2,5 m/s<sup>2</sup> o menos  
Incertidumbre (K): 1,5 m/s<sup>2</sup>

**Para el modelo AT-3630**

**Ruido** ENH104-2  
Niveles típicos de ruido ponderado A determinados conforme a EN786:

Nivel de presión de sonido ( $L_{pA}$ ): 79,3 dB (A)

Incertidumbre (K): 2,5 dB (A)

El nivel de ruido durante el trabajo puede superar los 80 dB (A).

**Utilice protección para los oídos.**

**Vibración** ENG244-1  
Valor de emisión de vibraciones determinado de acuerdo con EN786:

Emisión de vibraciones ( $a_h$ ): 2,5 m/s<sup>2</sup> o menos

Incertidumbre (K): 1,5 m/s<sup>2</sup>

**Sólo para países europeos** ENH021-5

**Declaración de conformidad de la CE**

**Los abajo firmantes, Tamiro Kishima y Rainer Bergfeld, debidamente autorizados por Dolmar GmbH, declaran que la(s) máquina(s) DOLMAR:**

Designación de la máquina:

Desbrozadora inalámbrica

Nº de modelo/ Tipo: AT-3623

Especificaciones: consulte la tabla

"ESPECIFICACIONES".

son de producción serie y

**Cumplen con las siguientes Directivas europeas:**

2000/14/CE, 2006/42/CE

Y se han fabricado de acuerdo con los siguientes estándares o documentos estandarizados:

EN60745, ISO11806

La documentación técnica está depositada en:

Dolmar GmbH,

Jenfelder Straße 38, Abteilung FZ,

D-22045 Hamburg

El procedimiento de evaluación de conformidad requerido por la Directiva 2000/14/CE se realizó de acuerdo con el anexo V.

Nivel de potencia sonora medido: 93,6 dB

Nivel de potencia sonora garantizado: 95 dB

16 de octubre de 2009



Tamiro Kishima  
Director general



Rainer Bergfeld  
Director general

**Sólo para países europeos** ENH212-10

**Declaración de conformidad de la CE**

**Los abajo firmantes, Tamiro Kishima y Rainer Bergfeld, debidamente autorizados por Dolmar GmbH, declaran que la(s) máquina(s) DOLMAR:**

Designación de la máquina:

Desbrozadora inalámbrica

Nº de modelo/ Tipo: AT-3630

Especificaciones: consulte la tabla

"ESPECIFICACIONES".

son de producción serie y

**Cumplen con las siguientes Directivas europeas:**

2000/14/CE, 2006/42/CE

Y se han fabricado de acuerdo con los siguientes estándares o documentos estandarizados:

EN60745, EN60335

La documentación técnica está depositada en:

Dolmar GmbH,

Jenfelder Straße 38, Abteilung FZ,

D-22045 Hamburg

El procedimiento de evaluación de conformidad requerido por la Directiva 2000/14/CE se realizó de acuerdo con el anexo VIII.

Organismo notificado:

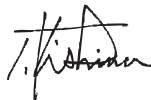
TÜV Rheinland Product Safety GmbH, Am Grauen

Stein D-51105 Colonia, nº de identificación 0197

Nivel de potencia sonora medido: 91,3 dB

Nivel de potencia sonora garantizado: 93 dB

16 de octubre de 2009



Tamiro Kishima  
Director general



Rainer Bergfeld  
Director general

# PORTUGUÊS (Instruções de origem)

## Descrição geral

- |   |                              |                                  |
|---|------------------------------|----------------------------------|
| 1. Peça vermelha                                    | 13. Suporte da pega          | 26. Alavanca                     |
| 2. Botão de deslize                                 | 14. Lâmina de corte          | 27. Fivela                       |
| 3. Bateria  | 15. Resguardo                | 28. Caixa de engrenagens         |
| 4. Botão de bloqueio                                | 16. Cabeça de corte em nylon | 29. Orifício de lubrificação     |
| 5. Gatilho  | 17. Extensão do resguardo    | 30. Tampa                        |
| 6. Interruptor de inversão                          | 18. Dois parafusos           | 31. Linguetas                    |
| 7. Manípulo do interruptor de mudança de velocidade | 19. Tampa de protecção       | 32. Prima                        |
| 8. Luz indicadora                                   | 20. Chave sextavada          | 33. Bobina                       |
| 9. Área de corte mais eficaz                        | 21. Anilha receptora         | 34. Para rotação para a esquerda |
| 10. Manípulo  | 22. Anilha do grampo         | 35. Entalhes                     |
| 11. Grampo da pega                                  | 23. Tampa                    | 36. Ilhós                        |
| 12. Mola de compressão                              | 24. Porca sextavada          | 37. Saliência (Não mostrada)     |
|   | 25. Fuso roscado             | 38. Ranhura do ilhó              |

## ESPECIFICAÇÕES


Modelo		AT-3623	AT-3630
Tipo de pega		Pega em U	Pega fechada
Velocidade sem carga	Alta	0 - 7.300 min <sup>-1</sup>	0 - 6.600 min <sup>-1</sup>
	Baixo	0 - 5.300 min <sup>-1</sup>	0 - 4.900 min <sup>-1</sup>
Comprimento total		1.880 mm	1.850 mm
Diâmetro da lâmina de corte		230 mm	-
Diâmetro de corte com cabeça de corte em nylon		-	300 mm
Peso líquido		7,1 kg	5,9 kg
Voltagem nominal		CC 36 V	


- Devido à pesquisa e desenvolvimento constantes, estas especificações estão sujeitas a alteração sem aviso prévio.
- As especificações e o cartucho da bateria podem ser diferentes consoante o país.
- Peso, com a bateria, de acordo com o procedimento EPTA de 01/2003.


### Símbolos


END008-1


Descrição dos símbolos utilizados no equipamento. Certifique-se de que compreende o seu significado, antes da utilização.


 ..... Tenha um cuidado e atenção especiais.


 ..... Leia o manual de instruções.


 ..... Cuidado; preste atenção aos objectos projectados.

 ..... A distância entre a ferramenta e as pessoas deve ser, no mínimo, 15 m.


 ..... Mantenha as pessoas afastadas.


 ..... Mantenha uma distância mínima de 15 m.


 ..... Evite recuos.


 ..... Usar um capacete, óculos e protecção para os ouvidos.

 ..... Utilizar luvas de protecção.

 ..... Use botas resistentes com solas não derrapantes. Recomenda-se a utilização de botas de segurança com biqueira de aço.

 ..... Não exponha à humidade.

 ..... Velocidade máxima admissível da ferramenta.

 Cd Ni-MH Li-Ion ..... Apenas para países da UE  
 Não deite equipamentos eléctricos ou a bateria no lixo doméstico!  
 De acordo com a directiva europeia 2002/96/CE sobre ferramentas eléctricas e electrónicas usadas, a directiva 2006/66/CE sobre baterias, acumuladores e baterias usadas e a sua aplicação para as leis nacionais, as ferramentas eléctricas e as baterias usadas devem ser recolhidas em separado e encaminhadas a uma instalação de reciclagem dos materiais ecológicos.

### Utilização prevista

ENE074-1

O equipamento destina-se a cortar relva, ervas daninhas, arbustos e vegetação rasteira.

# INSTRUÇÕES DE SEGURANÇA

GEB068-1

**⚠️ AVISO!** Leia todos os avisos de segurança e todas as instruções. O não cumprimento dos avisos e instruções pode resultar na ocorrência de choques eléctricos, incêndios e/ou ferimentos graves.

## Guarde todos os avisos e instruções para referência futura.

### Instruções gerais

1. Para assegurar um funcionamento correcto, certifique-se de que lê e entende este manual de instruções para saber como se utiliza o equipamento. Utilizar este equipamento sem entender como operá-lo correctamente pode resultar em ferimentos graves em si ou em outros.
2. É aconselhável emprestar o equipamento apenas a pessoas que demonstraram ter experiência com roçadeiras/máquinas de cortar relva. Empreste-lhes sempre este manual de instruções ao mesmo tempo.
3. Se é a primeira vez que utiliza roçadeiras/máquinas de cortar relva, consulte o seu revendedor para instruções básicas.
4. Nunca permita que pessoas que desconhecem estas instruções, pessoas (incluindo crianças) com capacidades físicas, sensoriais ou mentais reduzidas ou falta de experiência e conhecimento, utilizem o equipamento. As regulamentações locais podem restringir a idade do operador.
5. Utilize o equipamento com o máximo de cuidado e atenção.
6. Opere o equipamento apenas se estiver em boas condições físicas. Efectue todos os trabalhos com calma e cuidado. Tenha bom senso e lembre-se que o operador ou o utilizador é responsável pelos acidentes ou perigos que ocorrem a outras pessoas ou à sua propriedade.
7. Nunca utilize o equipamento após o consumo de álcool ou drogas, ou se estiver cansado ou doente.
8. O motor deve ser desligado imediatamente, caso o equipamento demonstre qualquer problema ou sinal anormal.
9. Desligue e retire a bateria quando descansar e quando abandonar o equipamento sem supervisão e coloque-a num local seguro para evitar perigos para terceiros ou danos no equipamento.
10. Não force o equipamento, irá efectuar melhor o trabalho e com menos probabilidade de ferimentos à velocidade para a qual foi concebido.
11. Não perca a postura correcta. Mantenha-se sempre bem equilibrado e apoiado.

### Utilização pretendida do equipamento

1. Utilize equipamento adequado. A roçadeira/máquina de cortar relva sem fios destina-se apenas a cortar relva, ervas daninhas, arbustos e vegetação rasteira. Não deve ser utilizado para outros fins como aparar sebes, uma vez que pode causar ferimentos.

### Equipamento de protecção pessoal

1. Vista-se de forma adequada. Utilize sempre roupas que sejam funcionais e apropriadas ao seu trabalho,

isto é, que fiquem justas mas não demasiado apertadas ao ponto de causar um movimento desconfortável. Não utilize joalheria ou roupas que possam ficar presas nos arbustos. Caso tenha cabelo comprido utilize equipamento adequado para o prender.

2. Para evitar ferimentos na cabeça, olhos, mãos ou pés, assim como para proteger a sua audição, deve utilizar o seguinte equipamento e roupa de protecção durante o funcionamento do equipamento. **(Fig. 1)**
3. Utilize um capacete sempre que existir risco de queda de objectos. Deve verificar regularmente se existem danos no capacete protector e deve substituí-lo, no mínimo, após 5 anos. Utilize apenas capacetes protectores aprovados.
4. O visor do capacete (ou óculos, em alternativa) protege a face de resíduos e pedras. Durante o funcionamento do equipamento, utilize sempre óculos ou um visor para evitar ferimentos oculares.
5. Use equipamento de protecção contra ruído adequado para evitar deficiências auditivas (protector auditivo, tampões para os ouvidos etc.). **(Fig. 2)**
6. Os fatos-macaco protegem contra pedras e resíduos. Recomendamos vivamente que o utilizador use fatos-macaco.
7. Luvas especiais feitas de couro espesso fazem parte do equipamento prescrito e devem ser sempre usadas durante o funcionamento do equipamento.
8. Quando utilizar o equipamento, use sempre sapatos resistentes com uma sola não derrapante. Estes sapatos protegem contra ferimentos e asseguram um bom apoio.

### Segurança eléctrica e de bateria

1. Evite ambientes perigosos. Não utilize o equipamento em locais húmidos nem o exponha à chuva. A entrada de água num equipamento aumentará o risco de choques eléctricos.
2. Recarregue apenas com o carregador especificado pelo fabricante. Um carregador adequado para um tipo de bateria pode criar um risco de incêndio quando utilizado com outra bateria.
3. Utilize ferramentas eléctricas apenas com baterias especificamente concebidas. A utilização de qualquer outra bateria pode criar um risco de ferimentos e incêndios.
4. Quando a bateria não estiver a ser utilizada, mantenha-a afastada de objectos metálicos como, por exemplo, cliques, moedas, chaves, pregos, parafusos ou outros pequenos objectos metálicos que possam fazer a ligação entre terminais. Provocar um curto-circuito nos terminais da bateria pode causar queimaduras ou um incêndio.
5. Sob condições abusivas, poderá ser ejectado líquido da bateria; evite o contacto. Se ocorrer acidentalmente um contacto, lave com água. Se o líquido entrar em contacto com os olhos, consulte um médico. O líquido ejectado da bateria pode causar irritação ou queimaduras.
6. Não elimine a(s) bateria(s) num incêndio. A célula pode explodir. Consulte os códigos locais para possíveis instruções de eliminação especiais.

7. Não abra nem desmonte a(s) bateria(s). O electrólito libertado é corrosivo e pode causar danos nos olhos ou na pele. Se engolido, pode ser tóxico.

## Ligar o equipamento (Fig. 3)

1. Certifique-se de que não há crianças ou outras pessoas a trabalhar num raio de 15 metros, tome também atenção a animais nas proximidades. Caso contrário, não utilize o equipamento.
2. Antes da utilização, certifique-se sempre de que o equipamento está seguro. Verifique a segurança da ferramenta de corte, o resguardo e o gatilho/alavanca para uma acção fácil e adequada. Certifique-se de que as peças estão limpas e secas e de que o dispositivo de arranque/paragem está a funcionar correctamente.
3. Verifique as peças danificadas antes de nova utilização do equipamento. Um resguardo ou outra peça danificada, verifique-o com cuidado para se certificar de que funciona correctamente. Verifique o alinhamento das peças móveis, união das peças móveis, se há peças partidas, a sua montagem e outras condições que possam afectar o funcionamento da ferramenta. Um resguardo ou outra peça danificada deve ser reparado convenientemente ou substituído pelo nosso agente autorizado a não ser que este manual indique o contrário.
4. Ligue o motor apenas quando as mãos e os pés estiverem afastados da ferramenta de corte.
5. Antes de arrancar, certifique-se de que a ferramenta de corte não está em contacto com objectos duros como ramos, pedras etc., uma vez que a ferramenta de corte irá rodar ao arrancar.

## Método de funcionamento

1. Utilize o equipamento apenas com boa luz e visibilidade. Durante a época de Inverno, tenha cuidado com áreas escorregadias ou molhadas, gelo e neve (risco de escorregar). Certifique-se sempre de que tem um apoio seguro.
2. Prevína-se contra ferimentos nos pés e nas mãos provocados pela ferramenta de corte.
3. Nunca corte acima da altura dos ombros.
4. Nunca utilize o equipamento em cima de uma escada.
5. Nunca trepe árvores para efectuar uma operação de corte com o equipamento.
6. Nunca trabalhe em superfícies instáveis.
7. Remova areia, pedras, pregos etc. encontrados na área de trabalho. Partículas estranhas podem danificar a ferramenta de corte e causar recuos perigosos.
8. Caso a ferramenta de corte atinja pedras ou outros objectos duros, desligue imediatamente o motor e inspeccione a ferramenta de corte.
9. Inspeccione a ferramenta de corte em intervalos curtos regulares para se certificar de que não está danificada (detecção de fissuras utilizando o teste do toque).
10. Antes de começar a cortar, certifique-se de que a ferramenta de corte atingiu a velocidade de funcionamento completa.
11. Opere o equipamento apenas com o arnês dos ombros, o qual deve ser correctamente ajustado antes de colocar o equipamento em funcionamento. O

arnês dos ombros deve estar ajustado ao tamanho do utilizador para evitar fadiga durante o manuseamento do equipamento.

12. Durante o funcionamento, segure sempre o equipamento com ambas as mãos. Nunca segure o equipamento com uma mão durante a utilização. Certifique-se sempre de que tem um apoio seguro.
13. A ferramenta de corte tem de estar equipada com o resguardo apropriado. Nunca utilize o equipamento com resguardos danificados ou sem os resguardos instalados!
14. Todas as instalações de protecção e resguardos fornecidos com este equipamento devem ser usados durante o funcionamento.
15. Nunca utilize o equipamento ao bater ou ressaltar nas ervas daninhas ou algo semelhante para cortá-las.
16. Excepto em caso de emergência, nunca deixe cair nem atire o equipamento ao chão uma vez que isto pode danificá-lo gravemente.
17. Lembre-se de levantar todo o equipamento do chão ao movê-lo.
18. Retire sempre a bateria do equipamento.
  - sempre que deixar o equipamento sem supervisão;
  - antes de eliminar um bloqueio;
  - antes de verificar, limpar ou efectuar reparações no equipamento;
  - após bater num objecto estranho;
  - sempre que o equipamento começar a vibrar de forma estranha.
19. Certifique-se sempre de que as aberturas de ventilações estão isentas de detritos.

## Recuo (impulso da lâmina)

1. Quando operar o equipamento, podem ocorrer recuos descontrolados (impulso da lâmina). (Fig. 4)
2. Os recuos ocorrem frequentemente ao tentar cortar com a secção 12 a 2 horas da lâmina.
3. Nunca aplique a secção 12 a 2 horas da lâmina do equipamento.
4. Nunca aplique esta secção da lâmina de corte a objectos sólidos tais como arbustos ou árvores etc. que tenham um diâmetro maior do que 3 cm ou a lâmina de corte desvia-se com uma grande quantidade de força e pode causar ferimentos.

## Prevenção de recuos

### Para evitar recuos, lembre-se do seguinte:

1. Utilizar a secção 12 a 2 horas da lâmina é muito perigoso, especialmente ao utilizar ferramentas de corte de metal. (Fig. 5)
2. As operações de corte dentro de um segmento de lâmina entre 11 e 12 horas e entre 2 e 5 horas devem ser efectuadas apenas por técnicos especializados e experientes e a seu próprio risco.
3. A secção de corte óptima para corte fácil com quase nenhum recuo está na secção 9 a 11 horas da lâmina.

## Ferramentas de corte

1. Utilize apenas a ferramenta de corte correcta para o trabalho a efectuar.
2. Para cortar materiais espessos, como ervas daninhas, relva alta, arbustos, vegetação rasteira, moita etc. (máx. 2 cm diâ. espessura), execute o trabalho de corte movimentando o equipamento

uniformemente em meios círculos da direita para a esquerda (semelhante à utilização de uma foice).

## Instruções de manutenção

1. O estado do equipamento, em particular da ferramenta de corte dos dispositivos de protecção e também do arnês dos ombros tem de ser verificado antes de iniciar o trabalho.
2. Deve também prestar especial atenção às lâminas de corte, que devem estar devidamente afiadas.
3. Desligue o motor e retire a bateria antes de efectuar a manutenção, substituindo/afiando as ferramentas de corte ou limpando o equipamento ou a ferramenta de corte.
4. Verifique os fixadores soltos e as peças danificadas, tal como fissuras, no acessório de corte.
5. Siga as instruções para lubrificar e mudar acessórios.
6. Quando não for utilizado, guarde o equipamento no interior num local seco, alto e fechado, fora do alcance das crianças. Limpe e efectue a manutenção antes do armazenamento.
7. Utilize apenas as peças e acessórios de substituição recomendados pelo fabricante.
8. Inspeccione e efectue a manutenção do equipamento regularmente, especialmente antes/depois da utilização. Efectue as reparações do equipamento apenas num centro de assistência autorizado.
9. Mantenha as pegas secas, limpas e sem óleo ou gordura.

## GUARDE ESTAS INSTRUÇÕES.

### AVISO:

**NÃO** deixe que o conforto ou a familiaridade com o produto (adquirida de uma utilização frequente) substitua o respeito total pelas regras de segurança para utilização do produto. A UTILIZAÇÃO INCORRECTA ou o não cumprimento das regras de segurança fornecidas neste manual de instruções podem provocar ferimentos graves.

## INSTRUÇÕES DE SEGURANÇA IMPORTANTES

ENB007-4

## RELATIVAS À BATERIA

1. Antes de utilizar a bateria, leia as instruções e chamadas de atenção de: (1) o carregador da bateria, (2) a bateria e (3) o produto que utiliza a bateria.
2. Não desmonte a bateria.
3. Se o tempo de utilização com a bateria se tornar demasiado curto, deve parar imediatamente. Se continuar, pode causar sobreaquecimento, incêndio e mesmo explosão.
4. Se o electrólito entrar em contacto com os olhos, enxágue-os com água limpa e consulte imediatamente um médico. Os riscos incluem perda de visão.
5. Não provoque um curto-circuito na bateria:
  - (1) Não deixe que quaisquer materiais condutores entrem em contacto com os terminais da bateria.

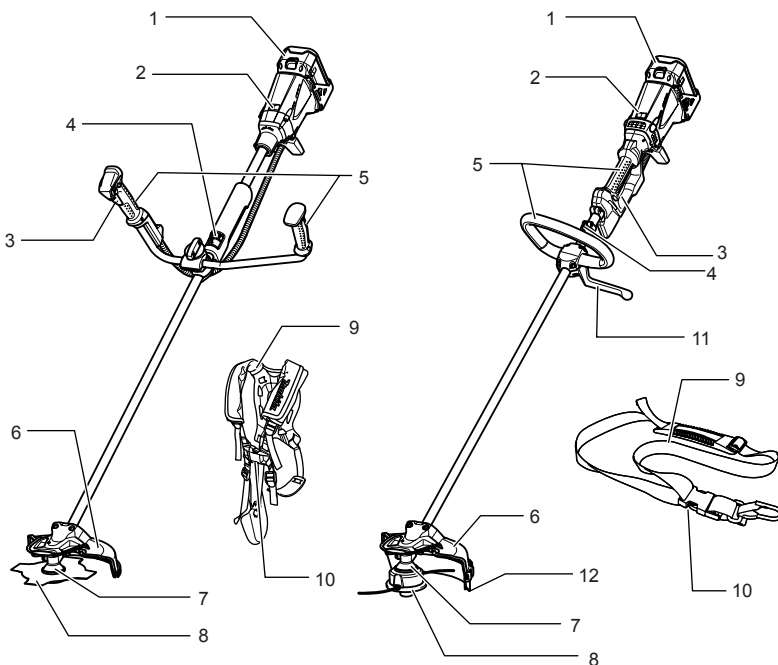
- (2) Evite guardar a bateria juntamente com outros objectos de metal como moedas, por exemplo.
- (3) Não exponha a bateria a água ou chuva. Um curto-circuito na bateria pode criar uma grande carga eléctrica, sobreaquecimento, incêndio e um corte de corrente.
6. Não guarde a ferramenta e a bateria em locais onde a temperatura possa atingir ou exceder 50°C.
7. Não incinere a bateria, nem mesmo se esta estiver irremediavelmente danificada ou completamente gasta. Pode explodir e causar um incêndio.
8. Não a deixe cair e evite o choque com outros objectos.
9. Não utilize baterias que tenham caído ou sofrido choques.

## GUARDE ESTAS INSTRUÇÕES.

### Sugestões para o máximo de tempo de vida da bateria

1. Não espere que a bateria se gaste completamente para voltar a carregá-la. Pare a ferramenta e carregue a bateria sempre que detectar um baixo nível de energia.
2. Nunca volte a carregar uma bateria já completamente carregada. O carregamento excessivo diminui o tempo de vida das baterias.
3. Carregue a bateria em locais onde a temperatura se situe entre 10°C e 40°C (50°F - 104°F). Se a bateria estiver quente, deixe-a arrefecer antes de iniciar o carregamento.

## DESCRIÇÕES DAS PEÇAS



1	Bateria	7	Caixa de engrenagens
2	Luz indicadora	8	Ferramenta de corte
3	Gatilho	9	Arnês dos ombros
4	Gancho (ponto de suspensão)	10	Fivela
5	Pega	11	Barreira
6	Resguardo da ferramenta de corte	12	Extensão do resguardo

## DESCRIÇÃO DO FUNCIONAMENTO

### ⚠ PRECAUÇÃO:

- Certifique-se sempre de que o equipamento está desligado e que a bateria foi removida antes de proceder a ajustes ou testar o funcionamento do equipamento.

### Inserir ou retirar a bateria (Fig. 6)

- Sempre que for inserir ou retirar a bateria, desligue o equipamento.
- Para retirar a bateria, puxe-a para fora ao mesmo tempo que desliza o botão localizado na parte frontal.
- Para inserir a bateria, alinhe a respectiva saliência com a calha do compartimento e encaixe-a suavemente. Insira-a completamente até fixar em posição com um clique. Se ainda estiver visível a peça vermelha na parte superior do botão, não estará bem encaixada. Insira-a completamente, até deixar de ver a peça vermelha. Caso contrário, pode cair do equipamento e causar ferimentos em si, ou em alguém que esteja perto de si.

- Não exerça força ao inserir a bateria. Se não encaixar facilmente é porque não está correctamente posicionada.

### Acção do interruptor de alimentação

#### ⚠ PRECAUÇÃO:

- Antes de inserir a pilha no equipamento, verifique se o gatilho está a funcionar correctamente e se regressa à posição "OFF" quando o solta. (Fig. 7 e 8)

Para evitar que o gatilho seja acidentalmente puxado, é fornecido botão de bloqueio.

Para iniciar o equipamento, pressione o botão de bloqueio e puxe o gatilho. A velocidade da ferramenta aumenta com a pressão exercida no gatilho. Para parar a ferramenta, solte o gatilho.

### Acção do interruptor de inversão

#### ⚠ AVISO:

- Certifique-se sempre de que o equipamento está desligado e a bateria removida antes de retirar as ervas daninhas, ou algo do género, presas na

ferramenta de corte que não podem ser retiradas apesar do uso do interruptor de inversão.

#### **⚠ PRECAUÇÃO:**

- Verifique sempre a direcção da rotação antes da operação.
- Este interruptor deve ser utilizado apenas quando o equipamento estiver completamente parado. Se alterar a direcção da rotação antes do equipamento ter parado pode avariá-lo. (Fig. 9 e 10)

Este equipamento tem um interruptor de inversão para alterar a direcção de rotação de modo a retirar ervas daninhas presas na ferramenta de corte. Rode o interruptor a partir da posição A no sentido contrário aos ponteiros do relógio normal, ou a partir da posição B no sentido dos ponteiros do relógio reverso.

No modo de inversão, o equipamento pára automaticamente num curto período de tempo após ser ligado.

## **Alteração da velocidade (Fig. 11 e 12)**

Podem ser pré-seleccionadas duas gamas de velocidade com o interruptor de alteração de velocidade.



Para alterar a gama de velocidade, rode a alavanca do interruptor de alteração de velocidade para que aponte para "1" para baixa velocidade ou "2" para alta velocidade.

## **Sistema de protecção da bateria/motor**

A bateria e a máquina estão equipadas com sistemas de protecção, que reduzem ou cortam automaticamente a alimentação, aumentando a vida útil.

Numa situação de carga excessiva, o protector reduz as rotações para proteger o motor. Neste caso, as duas luzes avisadoras seguintes não acendem nem piscam. Quando em funcionamento, as outras funções podem ser reconhecidas pelas duas luzes avisadoras seguintes.

(Fig. 13)

		Estado	Ação a efectuar
-	Intermitente	A carga da bateria está quase gasta.	Substitua a bateria por uma totalmente carregada.
-	Luz acesa	O protector da bateria está a cortar a alimentação - a carga da bateria está gasta.	Substitua a bateria por uma totalmente carregada.
Intermitente	-	O protector de carga excessiva está a cortar a alimentação - o motor estava bloqueado.	Solte o gatilho e retire a causa do bloqueio do motor ou carga excessiva. Se a ferramenta de corte está bloqueada por ervas daninhas presas, ou algo do género, retire sempre a bateria antes de as limpar.
Luz acesa	-	O protector de sobreaquecimento está a cortar a alimentação - sobreaquecimento.	Desligue o equipamento durante alguns momentos.
Intermitente	Intermitente	Avaria eléctrica ou electrónica	Consulte o seu centro de assistência autorizado local para reparações.

## **A cabeça de corte em nylon (acessório opcional para máquinas equipadas com lâmina de corte)**

#### **⚠ PRECAUÇÃO:**

- Não ressalte com a cabeça quando esta roda a uma velocidade superior a 4.500 min<sup>-1</sup> ou a cabeça pára. (Fig. 14)

A cabeça de corte em nylon é uma cabeça dupla de máquina de cortar relva com mecanismos de ressalto e fornecimento.

Ressalte a cabeça de corte em nylon contra o chão para fornecer fio extra durante o manuseamento do equipamento. O fio será automaticamente cortado ao comprimento adequado pelo cortador na extensão do resguardo.

#### **NOTA:**

Se o fio de nylon não fornecer com o ressalto, rebobine/ substitua o fio de nylon seguindo os procedimentos descritos em "Manutenção".

## **MONTAGEM**

#### **⚠ PRECAUÇÃO:**

- Certifique-se sempre de que o equipamento está desligado e a bateria removida, antes de efectuar qualquer operação no equipamento.
- Ligue o equipamento após a montagem completa.

## **Instalar a pega (apenas para modelo de tipo de pega em U) (Fig. 15)**

Desaperte o manípulo.

Coloque a pega entre o grampo da pega e o suporte da pega.

Ajuste a pega para um ângulo que proporcione uma posição de trabalho confortável e depois fixe apertando firmemente o manípulo à mão.

## **Instalar o resguardo (Fig. 16 e 17)**

#### **⚠ AVISO:**

- Têm de ser utilizadas apenas as combinações ferramenta de corte/resguardo, como indicado abaixo. Caso contrário, pode causar ferimentos graves. Nunca utilize o equipamento sem o resguardo.



- O diâmetro exterior da lâmina de corte tem de ser 230 mm. Nunca utilize uma lâmina que exceda 230 mm de diâmetro exterior.

### Na utilização da lâmina metálica (Fig. 18)

Fixe o resguardo ao grampo com dois parafusos, como indicado. Aperte os parafusos direito e esquerdo uniformemente.

### Na utilização da cabeça de corte em nylon

#### ⚠ PRECAUÇÃO:

- Tenha cuidado para não se ferir no cortador para cortar o fio de nylon na parte interior da extensão do resguardo.
- Certifique-se de pressionar a extensão do resguardo até estar totalmente introduzido. (Fig. 19)

Fixe o resguardo ao grampo com dois parafusos, como indicado. Aperte os parafusos direito e esquerdo uniformemente.

Monte a extensão do resguardo, deslizando-a para a posição, a partir da parte lateral do resguardo, como indicado.

#### NOTA:

- Aquando da primeira utilização, retire a fita que adere ao cortador, que corta fio de nylon, na extensão do resguardo. (Fig. 20)

Para retirar a extensão do resguardo, aplique uma chave de fendas de lâmina chata no entalhe no resguardo, pressione-o e, ao mesmo tempo, deslize a extensão do resguardo.

## Instalar a lâmina do cortador

#### ⚠ PRECAUÇÃO:

- Certifique-se de que utiliza lâminas de corte da Dolmar genuínas.
- A lâmina de corte deve ser bem polida, livre de fendas ou quebras. Se a lâmina de corte for de encontro a uma pedra durante a operação, pare o motor e verifique a lâmina imediatamente.
- Deve polir ou substituir a lâmina de corte a cada três horas de funcionamento.
- Use sempre luvas ao manusear a lâmina de corte.
- Instale sempre a protecção da lâmina quando a máquina não é utilizada ou está a ser transportada.
- A porca de aperto da lâmina de corte (com anilha de pressão) é uma parte consumível. Se aparecer algum desgaste ou deformação na anilha de pressão, substitua a porca. Consulte o seu centro de assistência autorizado local para encomendar.

Vire a máquina ao contrário para que possa substituir a lâmina de corte com facilidade. (Fig. 21)

Para desmontar a lâmina de corte, introduza a chave sextavada através do orifício na tampa de protecção e caixa de engrenagens.

Rode a anilha receptora com a chave sextavada até bloquear. Desaperte a porca sextavada (rosca para a esquerda) com a chave de bocas e retire a porca, tampa, anilha do grampo e chave sextavada. (Fig. 22)

Monte a lâmina de corte no veio para que o guia da anilha receptora encaixe no orifício do mandril na lâmina de corte. Instale a anilha do grampo, tampa e fixe a lâmina de corte com a porca sextavada com 13 a 23 Nm de binário de aperto enquanto segura a anilha receptora com a chave sextavada. (Fig. 23)

Certifique-se de que a lâmina é deixada bem para cima.

## Instalar a cabeça de corte em nylon

#### ⚠ PRECAUÇÃO:

- Além do resguardo, monte também sempre a extensão do resguardo quando utilizar a cabeça de corte em nylon.
- Certifique-se de que utiliza cabeças de corte em nylon da Dolmar genuínas.
- Se a cabeça de corte em nylon for de encontro a uma pedra durante o funcionamento, pare o motor e verifique a cabeça de corte em nylon imediatamente.

Vire a máquina ao contrário para que possa substituir a cabeça de corte em nylon com facilidade. (Fig. 24) Insira a chave sextavada no orifício na tampa do projector e na caixa de engrenagens e rode a anilha receptora até que esteja apertada com a chave sextavada. Monte a cabeça de corte em nylon directamente no fuso roscado e aperte rodando-a no sentido contrário aos ponteiros do relógio. Retire a chave sextavada.

Para desmontar a cabeça de corte em nylon, rode a cabeça de corte em nylon no sentido dos ponteiros do relógio e, ao mesmo tempo, segure a anilha receptora com a chave sextavada.

## FUNCIÓNAMENTO

### Manuseamento correcto da máquina (com tipo de pega em U)

#### Postura correcta

#### ⚠ AVISO:

- Posicione sempre o equipamento no seu lado direito para que o veio na pega esquerda esteja sempre à sua frente. A postura correcta reduz o risco de ferimentos causados por recuos. (Fig. 25)

Coloque o arnés dos ombros, como mostrado, e pendure a máquina firmemente no seu lado direito de modo a que o veio na pega esquerda esteja sempre à sua frente.

#### Colocação do arnés dos ombros (Fig. 26)

Use o arnés dos ombros nas costas e prenda-o até ouvir um estalido. Certifique-se de que não pode ser retirado com um puxão. Coloque a máquina como mostrado.

Ajuste o comprimento da alça de modo a que a lâmina de corte seja mantida paralela ao chão ao nível de 10 a 30 cm acima do chão.

#### Remoção (Fig. 27)

Em caso de emergência, pressione com força a alavanca da fivela para retirar o arnés e a máquina.

#### ⚠ AVISO:

- **Certifique-se de que mantém o controlo da máquina nesta altura. Não permita que a máquina seja desviada em direcção a si ou a alguém próximo de si.** Caso contrário, pode resultar em ferimentos graves.

## Manuseamento correcto da máquina (com tipo de pega fechada)

### Postura correcta

#### AVISO:

- Posicione sempre o equipamento no seu lado direito para que o veio da barreira esteja sempre à sua frente. A postura correcta reduz o risco de ferimentos causados por recuos. **(Fig. 28)**

Coloque o arnés dos ombros, como mostrado, e pendure a máquina firmemente no seu lado direito de modo a que a barreira esteja sempre à sua frente.

### Colocação do arnés dos ombros (Fig. 29)

Coloque o arnés dos ombros no ombro esquerdo colocando a cabeça e o braço direito através do mesmo. Prenda-o ao gancho até ouvir um estalido. Certifique-se de que não pode ser retirado com um puxão. Coloque a máquina como mostrado.

Ajuste o comprimento da alça de modo a que a lâmina de corte seja mantida paralela ao chão ao nível de 10 a 30 cm acima do chão.

### Remoção (Fig. 30)

Em caso de emergência, pressione com força a alavanca de remoção de emergência.

#### AVISO:

- **Certifique-se de que mantém o controlo da máquina nesta altura. Não permita que a máquina seja desviada em direcção a si ou a alguém próximo de si.** Caso contrário, pode resultar em ferimentos graves.

## MANUTENÇÃO

#### PRECAUÇÃO:

- Certifique-se sempre de que o equipamento está desligado e a bateria removida antes de efectuar operações de inspecção ou de manutenção.
- Nunca utilize gasolina, benzina, diluente, álcool ou semelhante. Podem formar-se descolorações, deformações ou fissuras.

### Fornecimento de lubrificação para a caixa de engrenagens (Fig. 31)

Forneça lubrificação (Shell Alvania 2 ou equivalente) para a caixa de engrenagens através do orifício de lubrificação a cada 30 horas. (Lubrificação Dolmar pode ser adquirida no seu revendedor Dolmar.)

### Substituir o fio de nylon

#### AVISO:

- Solte o gatilho e retire a bateria antes de substituir o fio de nylon.
- Certifique-se de que a tampa da cabeça de corte em nylon está fixa à armação adequadamente, como descrito abaixo. O incumprimento disto, pode fazer com que seja projectada, resultando em ferimentos graves. **(Fig. 32)**

Pressione os entalhes da armação para dentro para levantar a tampa, de seguida, retire a bobina e o restante fio de nylon. **(Fig. 33)**

Prenda o centro do novo fio de nylon no entalhe no centro da bobina, com uma extremidade do fio mais comprida em 80mm mais do que a outra.

De seguida, enrole ambas as extremidades em torno da bobina na direcção da rotação da cabeça (direcção para a esquerda indicada por LH e direcção para a direita indicada por RH na parte lateral da bobina). **(Fig. 34)**

Enrole tudo excepto cerca de 100 mm (3-15/16") dos fios, deixando as extremidades temporariamente presas através do entalhe no lado da bobina. **(Fig. 35)**

Monte a bobina no alojamento para que as ranhuras e saliências na bobina correspondam às do alojamento. Mantenha o lado com letras na bobina visível na parte superior. Agora, desengate as extremidades do fio da posição temporária e forneça os fios pelos ilhós para saírem pela armação. **(Fig. 36)**

Alinhe a saliência no lado inferior da tampa com as ranhuras dos ilhós. De seguida, empurre firmemente na armação para a fixar. Certifique-se de que os entalhes estão totalmente espalhados na tampa.

Para manter os níveis de SEGURANÇA e FIABILIDADE, as reparações e os procedimentos de manutenção ou ajustes devem ser executados por centros de assistência Dolmar autorizados, utilizando sempre peças de substituição Dolmar.

# RESOLUÇÃO DE PROBLEMAS

Antes de pedir reparações, efectue primeiro a sua própria inspecção. Se encontrar um problema que não é

explicado no manual, não desmonte precipitadamente o equipamento. Em vez disso, contacte os centros de assistência autorizados da Dolmar, utilizando sempre peças de reposição Dolmar para reparações.

Estado da avaria	Causa	Ação
O motor não arranca.	A bateria não está instalada.	Instale a bateria.
	Problema da bateria (sob tensão)	Recarregue a bateria. Se o recarregamento não for eficaz, substitua a bateria.
	O sistema de accionamento não funciona correctamente.	Consulte o seu centro de assistência autorizado local para reparação.
O motor pára pouco tempo depois do arranque.	A rotação é invertida.	Altere a direcção de rotação com o interruptor de inversão.
	A bateria está quase gasta.	Recarregue a bateria. Se o recarregamento não for eficaz, substitua a bateria.
	Sobreaquecimento.	Desligue o equipamento durante alguns momentos.
As rotações não atingem a velocidade adequada.	A bateria não está bem instalada.	Instale a bateria como descrito neste manual.
	A carga da bateria está a diminuir.	Recarregue a bateria. Se o recarregamento não for eficaz, substitua a bateria.
	O sistema de accionamento não funciona correctamente.	Consulte o seu centro de assistência autorizado local para reparação.
A ferramenta de corte não roda: Pare imediatamente a máquina!	Um objecto estranho como um ramo está encravado entre o resguardo e a ferramenta de corte.	Retire o objecto estranho.
	A porca de aperto da lâmina de corte está solta.	Aperte a porca adequadamente como descrito neste manual.
	A lâmina de corte está empenada.	Substitua a lâmina de corte.
	O sistema de accionamento não funciona correctamente.	Consulte o seu centro de assistência autorizado local para reparação.
Vibração anormal: Pare imediatamente a máquina!	Foi quebrada uma extremidade do fio de nylon.	Ressalte a cabeça de corte em nylon contra o chão durante o manuseamento do equipamento para fornecer fio.
	A lâmina de corte está empenada, fissurada ou gasta.	Substitua a lâmina de corte.
	A porca de aperto da lâmina de corte está solta.	Aperte a porca adequadamente como descrito neste manual.
	A lâmina de corte está apertada incorrectamente.	
	O sistema de accionamento não funciona correctamente.	Consulte o seu centro de assistência autorizado local para reparação.
A ferramenta de corte e o motor não param: Retire imediatamente a bateria!	Avaria eléctrica ou electrónica.	Retire a bateria e consulte o serviço de assistência autorizado local para reparação.

## ACESSÓRIOS

### PRECAUÇÃO:

- Os seguintes acessórios ou extensões são os recomendados para utilizar com o equipamento Dolmar especificado neste manual. A utilização de quaisquer outros acessórios poderá representar um risco de ferimento para as pessoas. Apenas utilize o acessório para o fim indicado.

Se precisar de informações adicionais relativas aos acessórios, contacte o centro local de assistência Dolmar.

- Lâmina de corte
- Cabeça de corte em nylon
- Acessório de extensão do aparador de sebes
- Acessório de extensão da serra
- Acessório cultivador
- Bateria e carregador genuínos da Dolmar

## Para modelo AT-3623

**Ruído** ENG104-2

Os níveis acústicos ponderados A típicos foram determinados segundo a ISO22868:

Nível de pressão sonora ( $L_{pA}$ ): 79,7 dB (A)

Incerteza (K): 2,5 dB (A)

O nível de ruído quando em funcionamento pode exceder os 80 dB (A).

### Use protecção para os ouvidos.

**Vibração** ENG244-1

O valor de emissão das vibrações determinado de acordo com a ISO22867, EN786:

Emissão de vibração ( $a_h$ ): 2,5 m/s<sup>2</sup> ou menos

Incerteza (K): 1,5 m/s<sup>2</sup>

## Para o modelo AT-3630

**Ruído** ENG104-2

Os níveis acústicos ponderados A típicos foram determinados segundo a EN786:

Nível de pressão sonora ( $L_{pA}$ ): 79,3 dB (A)

Incerteza (K): 2,5 dB (A)

O nível de ruído quando em funcionamento pode exceder os 80 dB (A).

### Use protecção para os ouvidos.

**Vibração** ENG244-1

O valor de emissão das vibrações determinado de acordo com a EN786:

Emissão de vibração ( $a_h$ ): 2,5 m/s<sup>2</sup> ou menos

Incerteza (K): 1,5 m/s<sup>2</sup>

**Apenas para os países europeus** ENH021-5

### Declaração de conformidade CE

**O abaixo-assinado, Tamiro Kishima e Rainer Bergfeld, assim autorizado pela Dolmar GmbH, declaram que as máquinas DOLMAR:**

Designação da máquina:

Roçadeira a bateria

N.º de modelo/Tipo: AT-3623

Especificações: consulte a tabela

"ESPECIFICAÇÕES".

são produzidas em série e

**estão em conformidade com as Directivas Europeias seguintes:**

2000/14/CE, 2006/42/CE

E são fabricadas de acordo com as normas ou os documentos padronizados seguintes:

EN60745, ISO11806

A documentação técnica está arquivada em:

Dolmar GmbH,

Jenfelder Straße 38, Abteilung FZ,

D-22045 Hamburg

O procedimento de avaliação da conformidade requisitado pela Directiva 2000/14/CE estava em conformidade com o anexo V.

Nível de potência sonora medida: 93,6 dB

Nível de potência sonora garantida: 95 dB

16 de Outubro de 2009

Tamiro Kishima  
Director executivo

Rainer Bergfeld  
Director executivo

**Apenas para os países europeus** ENH212-10

### Declaração de conformidade CE

**O abaixo-assinado, Tamiro Kishima e Rainer Bergfeld, assim autorizado pela Dolmar GmbH, declaram que as máquinas DOLMAR:**

Designação da máquina:

Aparador de grama a bateria

N.º de modelo/Tipo: AT-3630

Especificações: consulte a tabela

"ESPECIFICAÇÕES".

são produzidas em série e

**estão em conformidade com as Directivas Europeias seguintes:**

2000/14/CE, 2006/42/CE

E são fabricadas de acordo com as normas ou os documentos padronizados seguintes:

EN60745, EN60335

A documentação técnica está arquivada em:

Dolmar GmbH,

Jenfelder Straße 38, Abteilung FZ,

D-22045 Hamburg

O procedimento de avaliação da conformidade

requisitado pela Directiva 2000/14/CE estava de acordo com o anexo VIII.

Corpo notificado:

TÜV Rheinland Product Safety GmbH, Am Grauen

Stein D-51105 Köln, N.º identificação 0197

Nível de potência sonora medida: 91,3 dB

Nível de potência sonora garantida: 93 dB

16 de Outubro de 2009

Tamiro Kishima  
Director executivo

Rainer Bergfeld  
Director executivo

## DANSK (Originalvejledning)

### Forklaring til generel oversigt

1. Rød del	14. Klinge	27. Spænde
2. Skydeknop	15. Afskærmning	28. Gearkasse
3. Batteripakke	16. Nylontrimmerhoved	29. Smørehul
4. Aflåseknop	17. Skærmforlængelse	30. Dæksel
5. Afbryderkontakt	18. To bolte	31. Klemmemekanismer
6. Skiftekontakt	19. Beskyttelsesdæksel	32. Tryk
7. Hastighedskontakt	20. Unbrakonøgle	33. Spole
8. Indikatorlampe	21. Modtageskive	34. Til venstrehåndsrrotation
9. Mest effektive skæreområde	22. Klemmeskive	35. Indhak
10. Knap	23. Skål	36. Øjer
11. Håndtagsklemme	24. Sekskantmøtrik	37. Fremspring (ikke vist)
12. Trykfjeder	25. Spindel med gevind	38. Øjets hul
13. Håndtagsholder	26. Håndtag	

## SPECIFIKATIONER

Model	AT-3623	AT-3630	
Håndtagstype	Cykelhåndtag	Bøjlehåndtag	
Hastighed uden belastning	Høj	0 - 7.300 min <sup>-1</sup>	0 - 6.600 min <sup>-1</sup>
	Lav	0 - 5.300 min <sup>-1</sup>	0 - 4.900 min <sup>-1</sup>
Længde i alt	1.880 mm	1.850 mm	
Klangediameter	230 mm	-	
Skærediameter med nylontrimmerhoved	-	300 mm	
Nettovægt	7,1 kg	5,9 kg	
Nominel spænding	36 V DC		

- På grund af vores løbende forsknings- og udviklingsprogram kan specifikationerne heri ændres uden forudgående varsel.
- Specifikationerne og batteripakken kan variere fra land til land.
- Vægt, inklusive batteripakken, i henhold til EPTA-Procedure 01/2003

### Symboler

END008-1

Følgende viser de symboler, der benyttes til udstyret. Vær sikker på, at du forstår deres betydning, før du bruger maskinen.

-  ..... Vær særlig forsigtig og opmærksom.
-  ..... Læs brugsanvisningen.
-  ..... Fare; pas på udkastede genstande.
-  ..... Afstanden mellem værktøjet og folk i nærheden skal være mindst 15 m.
-  ..... Hold andre tilstedeværende på afstand.
-  ..... Hold en afstand på mindst 15 m.
-  ..... Undgå tilbagelag.
-  ..... Bær hjelm, beskyttelsesbriller og høreværn.
-  ..... Bær beskytteshandsker.
-  ..... Anvend kraftige støvler med skridsikre såler. Sikkerhedssko med stål næse anbefales.



..... Udsæt ikke maskinen for fugt.



..... Maksimal tilladelig hastighed for værktøj.



..... Kun for EU-lande

Elektrisk udstyr eller batteripakke må ikke bortskaffes sammen med almindelig affald!

I henhold til det europæiske direktiv 2002/96/EF om bortskaffelse af elektriske og elektroniske produkter, 2006/66/EF om batterier og akkumulatører og bortskaffelse af batterier og akkumulatører og deres implementering under gældende national lovgivning skal brugt elektrisk udstyr og batteripakker, der har udtjent deres levetid, indsamles separat og returneres til miljøgodkendt genindvinding.

### Tilsigtet anvendelse

ENE074-1

Maskinen er beregnet til klipping af græs, ukrudt, buskadser og bundvegetation.

# SIKKERHEDSINSTRUKTIONER

GEB068-1

**⚠ ADVARSEL!** Læs alle sikkerhedsadvarselserne og alle instruktionerne. Det kan medføre elektrisk stød, brand og/eller alvorlig personskade, hvis du ikke overholder advarselserne og følger instruktionerne.

## Gem alle advarsler og instruktioner så du har dem til fremtidig brug.

### Generelle instruktioner

1. For at sikre at maskinen anvendes korrekt, skal brugeren læse denne brugsanvisning, sådan at han kender til håndteringen af maskinen. Brugere, som ikke kender tilstrækkeligt til anvendelsen, er til fare for dem selv og andre pga. forkert håndtering af maskinen.
2. Det anbefales kun at udlåne maskinen til personer, som har erfaring med brugen af buskryddere/græstrimmere. Overdrag altid denne brugsanvisning.
3. Førstegangsbrugere bør bede forhandleren om de grundlæggende instrukser for at få kendskab til håndteringen af buskryddere/græstrimmere.
4. Lad aldrig personer som ikke er bekendt med disse instruktioner, personer (inklusive børn) med reducerede fysiske, sensoriske eller mentale evner, eller med manglende erfaring og viden, bruge dette maskine. Lokale bestemmelser kan sætte begrænsninger for brugerens alder.
5. Anvend maskinen med allerstørste omhu og opmærksomhed.
6. Anvend kun maskinen, hvis du er i god fysisk form. Udfør alt arbejde roligt og forsigtigt. Anvend sund fornuft og vær opmærksom på, at operatøren eller brugeren er ansvarlig for ulykker eller farlige situationer, der måtte opstå mod andre personer eller deres ejendele.
7. Anvend aldrig maskinen efter indtagelse af alkohol eller medicin, eller hvis du føler dig træt eller dårligt tilpas.
8. Motoren skal slukkes øjeblikkeligt i tilfælde af tegn på problemer med maskinen eller unormale forhold.
9. Sluk og fjern batteripakken under pauser og når maskinen lades uden for opsyn, og placer den på et sikkert sted for at forhindre at andre kommer til skade på den, eller maskinen bliver beskadiget.
10. Anvend ikke kraft på maskinen. Den vil fungere bedre, og der er mindre sandsynlighed for skader, hvis den betjenes sådan, som den er beregnet til.
11. Stræk dig ikke for langt. Bevar fodfæstet og balancen til enhver tid.

### Beregnet brug af maskinen

1. Anvend maskinen korrekt. Den batteridrevne buskrydder/græstrimmer er kun beregnet til klipning af græs, ukrudt, buskadsler og bundvegetation. Den skal ikke bruges til andre formål som f.eks. kantafretning eller hækkeklipping, eftersom det kan medføre personskader.

### Personligt sikkerhedsudstyr

1. Bær korrekt påklædning. Der skal bæres funktionelt og passende tøj, dvs. det bør sidde tæt, men ikke være til hindring. Bær ikke smykker eller tøj, der kan sidde fast i buske eller krat. Anvend hånet eller lignende, så langt hår holdes på plads.
2. For at undgå skader på hoved, øjne, hænder eller fødder samt for at beskytte din hørelse, skal du altid anvende følgende sikkerhedsudstyr og beskyttelsesbeklædning, når du anvender maskinen. (Fig. 1)
3. Bær altid en hjelm på steder hvor der er risiko for, at ting falder ned. Beskyttelseshjelm skal med jævne mellemrum efterses for skader og skal udskiftes mindst hvert 5. år. Brug kun godkendte beskyttelseshjelme.
4. Hjelmens visir (eller alternativt beskyttelsesbriller) beskytter ansigtet mod flyvende afskårne dele og sten. Under arbejde med maskinen skal der altid anvendes beskyttelsesbriller eller et visir for at forhindre øjenskader.
5. Anvend passende støjbekyttelsesudstyr for at undgå hørenedsættelse (høreværn, ørepropper m.v.). (Fig. 2)
6. Arbejdsoverall beskytter mod flyvende sten og afskårne stykker. Det anbefales på det stærkeste, at brugeren anvender arbejdsoverall.
7. Specialhandsker, der er lavet af tykt læder, er en del af det foreskrevne udstyr og skal altid anvendes under arbejde med maskinen.
8. Anvend altid kraftige sko med skridsikre såler ved brug af maskinen. Dette beskytter mod personskader og sikrer et godt fodfæste.

### Elektrisk og batterisikkerhed

1. Undgå farlige omgivelser. Anvend ikke maskinen på fugtige eller eller våde steder, og udsæt det ikke for regn. Risikoen for elektrisk stød forøges, hvis der kommer vand ind i maskinen.
2. Genoplad kun med den oplader, der specificeret af producenten. En oplader, der passer til én type batteripakke, kan medføre risiko for brand, hvis den anvendes med en anden batteripakke.
3. Anvend kun maskiner sammen med særligt designede batteripakker. Brug af andre batteripakker kan muligvis medføre risiko for personskader og brand.
4. Når batteripakken ikke er i brug, skal den holdes væk fra andre metalgenstande som f.eks. papirclips, mønter, søm, skruer eller andre små metalgenstande, som kan forbinde den ene terminal med den anden. Kortslutning af batteriterminalerne kan medføre forbrændinger eller brand.
5. Ved forkert behandling kan der sive væske ud fra batteriet; undgå kontakt. Hvis der opstår utilsigtet kontakt, skal du skylle med vand. Hvis du får væske i øjnene, skal du desuden søge lægehjælp. Væske fra batteriet kan forårsage irritation eller forbrændinger.
6. Smid ikke batterier ind i et bål. Battericellen kan eksplodere. Se de lokale bestemmelser for eventuelle særlige bortskaffningsinstruktioner.
7. Åbn eller ødelæg ikke batterier. Den frigivne elektrolyt er ætsende og kan forårsage skade på øjne og hud. Den kan være giftig, hvis den indtages.

## Start af maskinen (Fig. 3)

1. Sørg for, at der ikke er nogen børn eller andre personer indenfor et arbejdsområde på 15 meter, samt vær opmærksom på eventuelle dyr i nærheden af arbejdsområdet. Ellers skal brugen af maskinen stoppes.
2. Før arbejdet påbegyndes, kontrolleres det, at maskinen er klar til drift. Kontroller sikkerheden af skæreværktøjet og afskærmningen samt at afbryderkontakten/-armen aktiveres på nem og korrekt vis. Sørg for, at håndtagene er rene og tørre og test start-/stopfunktionen.
3. Kontroller for beskadigede dele inden videre brug af maskinen. En beskadiget afskærmning eller anden del bør omhyggeligt kontrolleres for at sikre, at den vil fungere ordentligt og kan udføre dens tilsigtede funktion. Kontroller for justering af bevægelige dele, stramhed i bevægelige dele, beskadigelse af dele, montering eller andre forhold der kan påvirke funktionen. En beskadiget afskærmning eller anden del bør repareres på korrekt vis eller udskiftes af vores autoriserede servicecenter medmindre, der er angivet andet i denne brugsanvisning.
4. Start kun motoren, når hænder og fødder er væk fra skæreværktøjet.
5. Inden du starter, skal du sikre dig, at skæreværktøjet ikke er i kontakt med hårde objekter som f.eks. grene, sten eller lignende, eftersom skæreværktøjet drejer rundt, når du starter.

## Anvendelsesmetode

1. Brug kun maskinen i god belysning og med godt udsyn. I vintersæsonen skal du være på vagt overfor glatte eller våde områder, is og sne (der er risiko for at falde). Sørg altid for at have et godt fodfæste.
2. Pas på at fødder og hænder ikke kommer til skade på skæreværktøjet.
3. Skær aldrig over hoftehøjde.
4. Stå aldrig på en stige, når du arbejder med maskinen.
5. Kravl aldrig op i træer for at klippe eller skære med maskinen.
6. Arbejd aldrig på ustabile overflader.
7. Fjern sand, sten, søm m.v. som findes inden for arbejdsområdet. Fremmedlegemer kan beskadige skæreværktøjet og forårsage farlige tilbageslag.
8. Skulle skæreværktøjet ramme sten eller andre hårde objekter, skal du straks slukke for motoren og efterse skæreværktøjet.
9. Efterse skæreværktøjet for skader med korte jævne mellemrum (efterse for hårridses vha. banke-støj-testen).
10. Inden foretagelse af skærearbejde skal skæreværktøjet have nået op på fuld arbejds hastighed.
11. Anvend kun maskinen med bæreselen monteret, der desuden skal være ordentligt justeret, inden maskinen anvendes. Det er vigtigt at justere bæreselen i henhold til brugerens størrelse for at forhindre træthed under brug.
12. Maskinen skal altid holdes med begge hænder under anvendelsen. Hold aldrig maskinen med kun én hånd under brug. Sørg altid for at have et godt fodfæste.
13. Skæreværktøjet skal altid være udstyret med den tilhørende afskærmning. Anvend aldrig maskinen med

- beskadigede afskærmninger eller uden monterede afskærmninger!
14. Alle sikkerhedsinstallationer og skærme, der følger med maskinen, skal anvendes under betjeningen.
  15. Brug aldrig maskinen til at slå eller støde ukrudt eller lignende for at klippe det af.
  16. Undtagen i nødstilfælde må du aldrig tabe eller kaste maskinen ned på jorden, ellers kan dette beskadige maskinen alvorligt.
  17. Husk altid at løfte hele maskinen op fra jorden, når du flytter den.
  18. Tag altid batteripakken ud af maskinen:
    - inden maskinen lades uden opsyn;
    - inden du fjerner en forhindring;
    - inden kontrol, rengøring eller arbejde på maskinen;
    - efter du har ramt et fremmedlegeme;
    - når maskinen begynder at vibrere unormalt.
  19. Sørg altid for, at ventilationsåbningerne holdes fri for afklippede materialer.

## Tilbagekast (klingestød)

1. Der kan opstå ukontrolleret tilbagekast (klingestød) under anvendelse af maskinen. (Fig. 4)
2. Dette gælder især ved forsøg på skæring med klingeafsnittet mellem klokken 12 og 2.
3. Anvend aldrig maskinens klingeafsnit i retningen mellem klokken 12 og 2.
4. Anvend aldrig denne del af klingens til hårde ting, som f.eks. buske og træer osv., der har en diameter på over 3 cm, ellers kastes klingens med stor kraft tilbage med fare for personskader.

## Forebyggelse af tilbageslag

### Vær opmærksom på følgende for at undgå tilbageslag:

1. Anvendelse af klingeafsnittet mellem klokken 12 og 2 er meget farligt, især ved brug af metalkskæreværktøjer. (Fig. 5)
2. Skærearbejde med den del af klingens, der svarer til mellem klokken 11 til 12 og mellem klokken 2 og 5, må kun udføres af trænede og erfarne personer, og kun på egen risiko.
3. Det er muligt at foretage nemt skærearbejde næsten uden tilbageslag med den del af klingens, der svarer til mellem klokken 9 og 11.

## Skæreværktøjer

1. Anvend kun det korrekte skæreværktøj til jobbet.
2. For at skære tykke materialer som f.eks. ukrudt, højt græs, buske, krat, underskov, buskadser m.v. (maks. tykkelse på 2 cm i diameter) skal du udføre skærearbejdet ved at svinge maskinen jævnt i halvcirkler fra højre mod venstre (på samme måde som ved anvendelse af en le).

## Vedligeholdelsesvejledning

1. Maskinens tilstand, især beskyttelsesanordningerne for skæreværktøjet og også bæreselen, skal kontrolleres inden brug.
2. Vær også ekstra opmærksom på klingerne, der skal være slebet korrekt.
3. Sluk for motoren og tag batteripakken ud, inden der udføres vedligeholdelse, udskiftning/slibning af

- skæreværktøjer eller rengøring af maskinen eller skæreværktøjet.
4. Kontroller for løse bolte og beskadigede dele som f.eks. revner i skæreudstyret.
  5. Følg instruktionerne for smøring og udskiftning af tilbehør.
  6. Når den ikke anvendes, skal maskinen opbevares indendørs på et tørt sted højt oppe eller et aflåst sted - uden for børns rækkevidde. Rengør og vedligehold inden opbevaring.
  7. Anvend kun producentens anbefalede reservedele og tilbehør.
  8. Efterse og vedligehold maskinen regelmæssigt, især før/efter brug. Få kun maskinen repareret af vores autoriserede servicecenter.
  9. Hold håndtagene tørre, rene og fri for olie og fedtstoffer.

## GEM DISSE INSTRUKTIONER.

### ADVARSEL:

LAD IKKE tryghed eller kendskab til produktet (fra gentagen brug) føre til, at du ikke strengt overholder sikkerhedsreglerne for det gældende produkt. MISBRUG eller manglende overholdelse af sikkerhedsreglerne i denne brugsanvisning kan medføre alvorlig personskade.

## VIGTIGE SIKKERHEDSINSTRUKTIONER

ENC007-4

## FOR BATTERIPAKKEN

1. Før brugen af batteripakken skal du læse alle instruktioner og advarsler på (1) batteriopladeren, (2) batteriet og (3) det produkt, som batteriet anvendes i.
2. Skil ikke batteripakken ad.
3. Hvis driftstiden bliver betydeligt kortere, skal du straks ophøre med brugen. Brug kan medføre risiko for overophedning, risiko for forbrændinger eller endog eksplosion.
4. Hvis du får elektrolyt i øjnene, skal du med det samme rense øjnene med rent vand og søge læge. Dette kan medføre tab af synet.
5. Kortslut ikke batteripakken:
  - (1) Undgå at røre ved terminalerne med ledende materiale.
  - (2) Undgå at opbevare batteripakken i en beholder med andre metalgenstande som f.eks. søm, mønter osv.
  - (3) Udsæt ikke batteripakken for vand eller regn. Hvis batteriet kortsluttes, kan det medføre voldsom strøm, overophedning, mulige forbrændinger og endog nedbrud.
6. Undgå at opbevare værktøjet og batteripakken på steder, hvor temperaturen kan komme op på eller overstige 50°C.
7. Sæt ikke ild til batteripakken, selvom den er alvorligt beskadiget eller helt udtjent. Batteripakken kan eksplodere ved brand.
8. Undgå at tabe eller slå på batteriet.

9. Brug ikke et batteri, der har været tabt eller slået på.

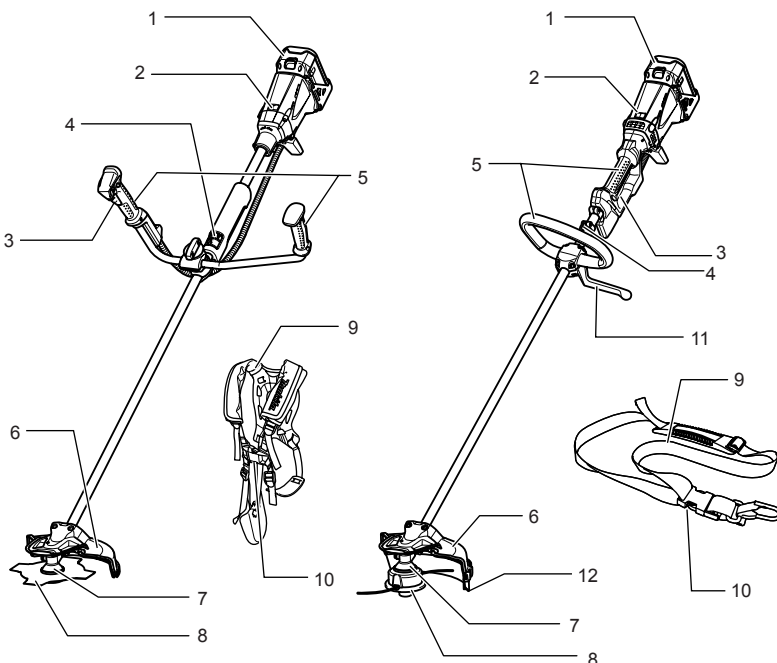
## GEM DISSE INSTRUKTIONER.

### Tips til, hvordan du forlænger batteriets levetid

1. Oplad batteripakken, før den bliver helt afladet. Ophør med at bruge værktøjet, og udskift batteripakken, hvis strømmen til værktøjet aftager.
2. Oplad aldrig en fuldt opladet batteripakke. Overopladning forkorter batteriets levetid.
3. Oplad batteripakken ved stuetemperatur på 10 °C - 40 °C. Lad batteripakken køle ned, før den oplades, hvis den er varm.



## BESKRIVELSE AF DELE



1	Batteripakke	7	Gearkasse
2	Indikatorlampe	8	Skæreværktøj
3	Afbrøderkontakt	9	Bæresele
4	Bøjle (ophængningspunkt)	10	Spænde
5	Greb	11	Barriere
6	Afskærmning for skæreværktøj	12	Skærmforlængelse

## FUNKTIONSBESKRIVELSE

### ⚠ FORSIGTIG:

- Sørg altid for, at maskinen er slukket, og at batteripakken er taget ud, før du justerer maskinen eller kontrollerer dens funktion.

### Isætning eller udtagning af batteripakken (Fig. 6)

- Sluk altid for maskinen, før du isætter eller fjerner batteripakken.
- Ved udtagning af batteripakken trækkes den ud af maskinen, mens der trykkes på knappen foran på pakken.
- Ved isætning af batteripakken justeres tungen på batteripakken med rillen i huset, hvorefter pakken skubbes på plads. Sæt den altid hele vejen ind, indtil den låses på plads med et lille klik. Hvis den røde del øverst på knappen er synlig, er batteripakken ikke låst helt fast. Sæt den helt ind, indtil den røde del ikke er synlig. Ellers kan den falde ud af maskinen og skade dig eller andre personer i nærheden.

- Brug ikke magt ved isætning af batteripakken. Hvis den ikke glider let ind, er den ikke indsat korrekt.

### Betjening af afbrøderkontakten

#### ⚠ FORSIGTIG:

- Før batteripakken sættes i maskinen, skal du altid kontrollere, at afbrøderkontakten reagerer korrekt og vender tilbage til "OFF"-stillingen, når du slipper den. (Fig. 7 og 8)

En sikringsknap forhindrer, at afbrøderkontakten trykkes ind ved et uheld.

Maskinen startes ved at trykke sikringsknappen ind og trække i afbrøderkontakten. Maskinens hastighed forøges ved at trykke hårdere på afbrøderkontakten. Slip afbrøderkontakten for at stoppe.

### Betjening af skiftekontakten

#### ⚠ ADVARSEL:

- Sørg altid for, at maskinen er slukket, og at batteripakken er taget ud, før du fjerner ukrudt eller lignende, der sidder fast i skæreværktøjet, og som ikke kan fjernes ved hjælp af skiftekontakten.

### **FORSIGTIG:**

- Kontroller altid rotationsretningen før anvendelsen.
- Betjen ikke skiftekontakten, før maskinen er helt stoppet. Hvis rotationsretningen ændres, inden maskinen er helt stoppet, kan det beskadige maskinen. (Fig. 9 og 10)

Denne maskine er udstyret med en skiftekontakt til ændring af rotationsretningen for at fjerne ukrudt, som sidder fast på skæreværktøjet. Tryk skiftekontakten mod A-siden for (normal) rotation mod uret eller mod B-siden for (omvendt) rotation med uret.

I den omvendte tilstand stopper maskinen automatisk et kort stykke tid efter aktivering.

### **Ændring af hastigheden (Fig. 11 og 12)**

Der kan på forhånd vælges mellem to hastighedsområder med hastighedskontakten.



For at ændre hastighedsområdet skal du dreje hastighedskontakten sådan, at den peger mod "1" for lav hastighed eller "2" for høj hastighed.

### **Batteri-/motorbeskyttelsessystem**

Batteripakken og maskinen er udstyret med beskyttelsessystemer, der automatisk reducerer eller slår udgangsstrømmen fra for at forlænge deres levetid.

I situationer med overbelastning sænker beskyttelsessystemet omdrejningerne for at beskytte motoren. I dette tilfælde lyser eller blinker de følgende indikatorlamper ikke.

De andre funktioner kan registreres via to indikatorlamper under arbejdet som følger. (Fig. 13)

		Status	Afhjælpning
-	Blinker	Batteriet er næsten brugt op.	Udskift batteriet med et fuldt opladet batteri.
-	Lyser	Batteribeskyttelsen lukker for strømmen - batteriet er brugt op.	Udskift batteriet med et fuldt opladet batteri.
Blinker	-	Overbelastningsbeskyttelsen lukker for strømmen - motoren var låst.	Slip afbryderkontakten og fjern årsagen til at motoren låses eller overbelastes. Hvis skæreværktøjet er låst pga., at der sidder ukrudt eller lignende fast, skal du altid fjerne batteripakken, før du fjerner det.
Lyser	-	Overbelastningsbeskyttelsen lukker for strømmen - overbelastning.	Lad maskinen hvile et stykke tid.
Blinker	Blinker	Elektrisk eller elektronisk funktionsfejl	Henvend dig til dit lokale autoriserede servicecenter angående reparation.

### **Nylontrimmerhoved (ekstraudstyr til maskiner udstyret med klinger)**

#### **FORSIGTIG:**

- Bank ikke hovedet ned i jorden, når den roterer hurtigere end 4.500 min<sup>-1</sup>, eller den er stoppet. (Fig. 14)

Nylontrimmerhovedet er et græstrimmerhoved med to snore og bank-fremføringsmekanisme.

Bank nylontrimmerhovedet ned i jorden for at fremføre ekstra snor, mens maskinen kører. Snoren skæres automatisk af til den passende længde vha. kniven på skærmforlængelsen.

#### **BEMÆRK:**

Hvis nylonsnoren ikke kommer ud, når hovedet bankes ned i jorden, skal du oprulle/udskifte nylonsnoren ved at følge procedureerne, som er beskrevet under "Vedligeholdelse".

## **MONTERING**

#### **FORSIGTIG:**

- Sørg altid for, at maskinen er slukket, og at batteripakken er taget ud, før du udfører nogen form for arbejde på maskinen.
- Start kun maskinen efter den er helt samlet.

### **Montering af håndtaget (kun for modeller med cykelhåndtag) (Fig. 15)**

Løsn knappen.

Placer håndtaget mellem håndtagsklemmen og håndtagsholderen.

Juster håndtaget ind på en vinkel der giver en behagelig arbejdsposition, og fastgør det derefter ordentligt ved at stramme knappen til med håndkraft.

### **Montering af afskærmningen (Fig. 16 og 17)**

#### **ADVARSEL:**

- Der må kun anvendes de skæreværktøjs-/ afskærmningskombinationer, der er angivet nedenfor. Ellers kan det medføre alvorlig personskade. Anvend aldrig maskinen uden afskærmningen.
- Klingens udvendige diameter skal være 230 mm. Anvend aldrig klinger med en udvendig diameter, som overstiger 230 mm.

#### **Ved anvendelse af metalklingen (Fig. 18)**

Fastgør afskærmningen på spændestykket med to bolte som vist. Stram den højre og venstre bolt lige meget.

## Ved anvendelse af nylontrimmerhovedet

### ⚠ FORSIGTIG:

- Pas på du ikke kommer til skade på kniven til afskæring af nylonsnoren på indersiden af skærmforlængelsen.
- Sørg for at skubbe skærmforlængelsen helt ind, indtil den sidder korrekt på plads. (Fig. 19)

Fastgør afskærmningen på spændestykket med to bolte som vist. Stram den højre og venstre bolt lige meget. Monter skærmforlængelsen ved at skubbe den ind på plads fra siden af afskærmningen som vist.

### BEMÆRK:

- Fjern den tape der sidder på kniven på skærmforlængelsen, som afskærer nylonsnoren, når du anvender den første gang. (Fig. 20)

For at afmontere skærmforlængelsen skal du sætte en skruetrækker med lige kærvt ind i indhakkert på afskærmningen og trykke ind, mens du skubber skærmforlængelsen af.

## Montering af klingens

### ⚠ FORSIGTIG:

- Sørg for at anvende en ægte Dolmar-klinge.
- Klingens skal være velpudset, fri for ridser og revner. Hvis klingen rammer mod en sten under arbejdet, skal du stoppe motoren og straks undersøge klingen.
- Puds eller udskift klingen efter hver tre timers brug.
- Bær altid handsker, når du håndterer klingen.
- Monter altid klingedækslet, når maskinen ikke anvendes eller under transport.
- Fastspændingsmøtrikken til klingen (med fjederskive) er en forbrugsdel. Hvis der kan ses slid eller deformation på fjederskiven, skal du udskifte møtrikken. Henvend dig til dit lokale autoriserede servicecenter angående bestilling.

Vend maskinen på hovedet sådan at du nemt kan udskifte klingen. (Fig. 21)

For at afmontere klingen skal du indsætte unbrakonøglen gennem hullet i beskyttelsesdækslet og gearkassen. Drej modtageskiven indtil den er låst med unbrakonøglen. Løsn sekskantmøtrikken (venstregevind) med skruenøglen og fjern møtrikken, skålen, klemmeskiven og unbrakonøglen. (Fig. 22)

Monter klingen på skaffet sådan at føringen på modtageskiven passer ind i skaffetåbningen på klingen. Monter klemmeskiven, skålen og fastgør klingen med sekskantmøtrikken med et spændingsmoment på 13 til 23 Nm, mens du holder modtageskiven med unbrakonøglen. (Fig. 23)

Kontroller, at klingen er vendt til venstrerotation.

## Montering af nylontrimmerhoved

### ⚠ FORSIGTIG:

- Monter altid både afskærmningen og skærmforlængelsen, når du anvender nylontrimmerhovedet.
- Sørg for, at du anvender et ægte Dolmar-nylontrimmerhoved.
- Hvis nylontrimmerhovedet rammer mod en sten under arbejdet, skal du stoppe motoren og straks undersøge nylontrimmerhovedet.

Vend maskinen på hovedet sådan at du nemt kan udskifte nylontrimmerhovedet. (Fig. 24)

Indsæt unbrakonøglen gennem hullet i beskyttelsesdækslet og gearkassen og drej modtageskiven, indtil den er låst med unbrakonøglen. Monter nylontrimmerhovedet direkte på spindelgevindend og stram til ved at dreje det mod urets retning. Fjern unbrakonøglen.

For at afmontere nylontrimmerhovedet skal du dreje nylontrimmerhovedet med uret, mens du holder modtageskiven med unbrakonøglen.

## BETJENING

### Korrekt håndtering af maskinen (med cykelhåndtag)

#### Korrekt holdning

#### ⚠ ADVARSEL:

- Placer altid maskinen på højre side, sådan at skaffet på venstre håndtag altid er foran dig. Den korrekte holdning reducerer risikoen for personskader pga. tilbageslag. (Fig. 25)

Placer bæreselen som vist og hæng maskinen fast på din højre side, sådan at skaffet på venstre håndtag altid er foran dig.

#### Montering af bæreselen (Fig. 26)

Tag bæreselen på ryggen og spænd den, indtil der høres et klik. Kontroller, at den ikke kan hives af. Hæng maskinen som vist.

Juster længden på remmen sådan, at klingen holdes parallelt med jorden med en afstand på 10 til 30 cm over jorden.

#### Aftagning (Fig. 27)

I nødstilfælde skal du trykke hårdt på spændet for at aftage bæreselen og maskinen.

#### ⚠ ADVARSEL:

- Du skal være meget omhyggelig med at beholde kontrollen over maskinen på dette tidspunkt. Tillad ikke maskinen at blive slået tilbage mod dig selv eller andre i nærheden. Ellers kan det medføre alvorlige personskader.

### Korrekt håndtering af maskinen (med bøjlehåndtag)

#### Korrekt holdning

#### ⚠ ADVARSEL:

- Placer altid maskinen på højre side, sådan at skaffet på barrieren altid er foran dig. Den korrekte holdning reducerer risikoen for personskader pga. tilbageslag. (Fig. 28)

Placer bæreselen som vist og hæng maskinen fast på din højre side, sådan at barrieren altid er foran dig.

#### Montering af bæreselen (Fig. 29)

Hæng bæreselen på din venstre skulder ved at trække den over hovedet og højre arm. Hægt den fast i spændet, indtil der høres et klik. Kontroller, at den ikke kan hives af. Hæng maskinen som vist.

Juster længden på remmen sådan, at klingen holdes parallelt med jorden med en afstand på 10 til 30 cm over jorden.

### Aftagning (Fig. 30)

I nødstilfælde skal du trykke hårdt på nødafagnetarmen.

#### ADVARSEL:

- **Du skal være meget omhyggelig med at beholde kontrollen over maskinen på dette tidspunkt. Tillad ikke maskinen at blive slået tilbage mod dig selv eller andre i nærheden.** Ellers kan det medføre alvorlige personskader.

## VEDLIGEHOLDELSE

#### FORSIGTIG:

- Sørg altid for, at maskinen er slukket, og at batteripakken er taget ud, før du forsøger at udføre eftersyn eller vedligeholdelse.
- Brug aldrig benzin, benzen, fortynder, alkohol eller lignende. Det kan muligvis medføre misfarvning, deformation eller revner.

### Smøring af gearkassen (Fig. 31)

Tilføj smøremiddel (Shell Alvania 2 eller tilsvarende) til gearkassen gennem smørehullet hver 30. time. (Ægte Dolmar-smøremiddel kan anskaffes fra din Dolmar-forhandler.)

### Udskiftning af nylonspor

#### ADVARSEL:

- Slip afbryderkontakten og fjern batteripakken, inden du udskifter nylonsporen.
- Sørg for, at nylontrimmerhovedets dæksel er ordentligt fastgjort til huset som beskrevet nedenfor. Ellers kan det falde af og forårsage alvorlig personskade.

#### (Fig. 32)

Tryk ind på husets klemmemekanismer for at tage dækslet af, og tag derefter spolen ud og fjern den nylonspor, der er tilbage på den. (Fig. 33)

Hægt midten af nylonsporen fast i indhakket på midten af spolen med den ene ende af snoren cirka 80 mm længere end den anden.

Rul derefter begge ender stramt omkring spolen i hovedrotationens retning (venstrehandsretning angivet med LH og højrehandsretning angivet med RH på spolens side). (Fig. 34)

Rul snorene helt op på nær cirka 100 mm, og lad midlertidigt enderne være hægtet gennem et indhak i siden af spolen. (Fig. 35)

Monter spolen i huset sådan at rillerne og fremspringene på spolen matcher med dem i huset. Sørg for, at siden på spolen med bogstaver er synlig ovenfra. Hægt derefter enderne på snoren af fra deres midlertidige placering og før snorene gennem øjerne, sådan at de kommer ud af huset. (Fig. 36)

Ret fremspringet på undersiden af dækslet ind med øjernes huller. Tryk derefter dækslet ordentligt ind på huset, sådan at det sidder fast. Sørg for, at klemmemekanismerne hæfter dækslet ordentligt fast.

For at holde produktet SIKKERT og PÅLIDELIGT skal reparationer samt al anden vedligeholdelse eller justering udføres af autoriserede Dolmar-servicecentre, og der skal altid benyttes Dolmar-reservedele.

## FEJLFINDING

Foretag først selv eftersyn, inden du beder om reparation.  
Hvis du finder et problem, der ikke er forklaret i

brugsanvisningen, skal du ikke straks skille maskinen ad.  
Bed i stedet et autoriseret Dolmar-servicecenter, der altid  
benytter Dolmar-reservedele, om reparation.

Fejlfunktionsstatus	Årsag	Afhjælpning
Motoren kører ikke.	Batteripakken er ikke isat.	Isæt batteripakken.
	Batteriproblem (mangler spænding)	Genoplad batteriet. Hvis opladning ikke virker, skal batteriet udskiftes.
	Drivsystemet fungerer ikke korrekt.	Henvend dig til dit lokale autoriserede servicecenter angående reparation.
Motoren stopper et stykke tid efter start.	Rotationsretningen er omvendt.	Ændr rotationsretningen med skiftekontakten.
	Batteriet er næsten fladt.	Genoplad batteriet. Hvis opladning ikke virker, skal batteriet udskiftes.
	Overophedning.	Lad maskinen hvile et stykke tid.
Omdrejningen når ikke op på den passende hastighed.	Batteriet er ikke sat ordentligt i.	Sæt batteripakken i som beskrevet i denne brugsanvisning.
	Batteriniveauet falder.	Genoplad batteriet. Hvis opladning ikke virker, skal batteriet udskiftes.
	Drivsystemet fungerer ikke korrekt.	Henvend dig til dit lokale autoriserede servicecenter angående reparation.
Skæreværktøjet roterer ikke: Stop straks maskinen!	Fremmedlegemer som f.eks. en gren er i klemme mellem afskærmningen og skæreværktøjet.	Fjern fremmedlegemet.
	Fastspændingsmøtrikken til klingens er løs.	Stram møtrikken ordentligt som beskrevet i denne brugsanvisning.
	Klingen er bøjet.	Udskift klingen.
	Drivsystemet fungerer ikke korrekt.	Henvend dig til dit lokale autoriserede servicecenter angående reparation.
Unormal vibration: Stop straks maskinen!	Den ene ende af nylonsnoren er knækket.	Bank nylontrimmerhovedet ned i jorden, mens maskinen kører, for at fremføre snoren.
	Klingen er bøjet, revnet eller slidt.	Udskift klingen.
	Fastspændingsmøtrikken til klingens er løs.	Stram møtrikken ordentligt som beskrevet i denne brugsanvisning.
	Klingen er ikke ordentligt fastspændt.	Henvend dig til dit lokale autoriserede servicecenter angående reparation.
	Drivsystemet fungerer ikke korrekt.	Henvend dig til dit lokale autoriserede servicecenter angående reparation.
Skæreværktøj og motor kan ikke stoppe: Fjern straks batteripakken!	Elektrisk eller elektronisk funktionsfejl.	Tag batteriet ud og henvend dig til dit lokale autoriserede servicecenter angående reparation.

## TILBEHØR

- Originalt batteri og oplader fra Dolmar

### ⚠ FORSIGTIG:

- Dette tilbehør eller ekstraudstyr anbefales til brug med den Dolmar-maskine, som er beskrevet i denne brugsanvisning. Brug af andet tilbehør eller ekstraudstyr kan forårsage personskade. Brug kun tilbehør eller ekstraudstyr til det formål, det er beregnet til.

Henvend dig til din lokale Dolmar-servicecenter, hvis du har brug for hjælp eller yderligere oplysninger vedrørende tilbehøret.

- Klinge
- Nylontrimmerhoved
- Stanghækkklipper-tilbehør
- Stangsav-tilbehør
- Kultivator-tilbehør

### For model AT-3623

#### Støj

Det typiske A-vægtede støjniveau bestemt i overensstemmelse med ISO22868:

Lydtryksniveau ( $L_{pA}$ ): 79,7 dB (A)

Usikkerhed (K): 2,5 dB (A)

Støjniveauet under arbejdet kan være større end 80 dB (A).

#### Bær høreværn.

#### Vibration

Vibrationsemissionsværdien er bestemt i henhold til ISO22867, EN786:

Vibrationsemission ( $a_{r1}$ ): 2,5 m/s<sup>2</sup> eller mindre

Usikkerhed (K): 1,5 m/s<sup>2</sup>

ENG104-2

ENG244-1

**For model AT-3630****Støj** ENG104-2

Det typiske A-vægtede støjniveau bestemt i overensstemmelse med EN786:

Lydtryksniveau ( $L_{pA}$ ): 79,3 dB (A)

Usikkerhed (K): 2,5 dB (A)

Støjniveauet under arbejdet kan være større end 80 dB (A).

**Bær høreværn.****Vibration** ENG244-1

Vibrationsemissionsværdien er bestemt i henhold til EN786:

Vibrationsemission ( $a_h$ ): 2,5 m/s<sup>2</sup> eller mindreUsikkerhed (K): 1,5 m/s<sup>2</sup>**Kun for lande i Europa** ENH021-5**EF-overensstemmelseserklæring**

**De undertegnede, Tamiro Kishima og Rainer Bergfeld, erklærer som autoriserede af Dolmar GmbH at denne/disse DOLMAR-maskine(r):**

Maskinens betegnelse:

Batteridrevet buskrydder

Modelnummer/ type: AT-3623

Specifikationer: se tabellen "SPECIFIKATIONER".

er en produktionsserie og

**Overholder følgende europæiske direktiver:**

2000/14/EF, 2006/42/EF

Og er produceret i overensstemmelse med følgende standarder eller standardiserede dokumenter:

EN60745, ISO11806

Den tekniske dokumentation opbevares på:

Dolmar GmbH,

Jenfelder Straße 38, Abteilung FZ,

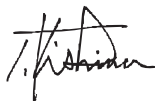
D-22045 Hamburg

Den konformitetsvurderingsprocedure, der kræves af Direktiv 2000/14/EF, blev udført i henhold til appendiks V.

Målt lydeffektniveau: 93,6 dB

Garanteret lydeffektniveau: 95 dB

16. oktober 2009



Tamiro Kishima  
Administrerende direktør



Rainer Bergfeld  
Administrerende direktør

**Kun for europæiske lande**

ENH212-10

**EF-overensstemmelseserklæring**

**De undertegnede, Tamiro Kishima og Rainer Bergfeld, erklærer som autoriserede af Dolmar GmbH at denne/disse DOLMAR-maskine(r):**

Maskinens betegnelse:

Batteridrevet græstrimmer

Modelnummer/ type: AT-3630

Specifikationer: se tabellen "SPECIFIKATIONER".

er en produktionsserie og

**Overholder følgende europæiske direktiver:**

2000/14/EF, 2006/42/EF

Og er produceret i overensstemmelse med følgende standarder eller standardiserede dokumenter:

EN60745, EN60335

Den tekniske dokumentation opbevares på:

Dolmar GmbH,

Jenfelder Straße 38, Abteilung FZ,

D-22045 Hamburg

Den konformitetsvurderingsprocedure, der kræves af Direktiv 2000/14/EF, blev udført i henhold til appendiks VIII.

Underrettet organ:

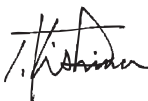
TÜV Rheinland Product Safety GmbH, Am Grauen

Stein D-51105 Köln, identifikationsnummer 0197

Målt lydeffektniveau: 91,3 dB

Garanteret lydeffektniveau: 93 dB

16. oktober 2009



Tamiro Kishima  
Administrerende direktør



Rainer Bergfeld  
Administrerende direktør

# ΕΛΛΗΝΙΚΑ (Πρωτογενείς οδηγίες)

## Γενική περιγραφή

- |                                       |                            |                              |
|---------------------------------------|----------------------------|------------------------------|
| 1. Κόκκινο τμήμα                      | 13. Στήριγμα χερουλιού     | 27. Πόρπη                    |
| 2. Κουμπί ολίσθησης                   | 14. Λάμα κοπής             | 28. Κιβώτιο ταχυτήτων        |
| 3. Μπαταρία                           | 15. Προφυλακτήρας          | 29. Τρύπα γράσου             |
| 4. Κουμπί ασφάλισης                   | 16. Νάιλον κεφαλή κοπής    | 30. Κάλυμμα                  |
| 5. Σκανδάλη διακόπτης                 | 17. Προέκταση προφυλακτήρα | 31. Μάνδαλα                  |
| 6. Διακόπτης αναστροφής               | 18. Δυο μπουλόνια          | 32. Πιέστε                   |
| 7. Μοχλός-διακόπτης αλλαγής ταχύτητας | 19. Κάλυμμα προστατευτικού | 33. Καρούλι                  |
| 8. Ενδεικτική λυχνία                  | 20. Εξάγωνο άλεν           | 34. Για αριστερή περιστροφή  |
| 9. Η πιο αποτελεσματική περιοχή κοπής | 21. Ροδέλα υποδοχής        | 35. Εγκοπές                  |
| 10. Κουμπί                            | 22. Ροδέλα σύσφιξης        | 36. Οφθαλμίδα                |
| 11. Σφικτήρας χερουλιού               | 23. Καπάκι                 | 37. Προεξοχή (Δεν δείχνεται) |
| 12. Ελατήριο συμπίεσης                | 24. Εξάγωνο παξιμάδι       | 38. Οπή του οφθαλμιδίου      |
|                                       | 25. Άξονας με σπείρωμα     |                              |
|                                       | 26. Μοχλός                 |                              |

## ΠΡΟΔΙΑΓΡΑΦΕΣ

Μοντέλο		AT-3623	AT-3630
Τύπος χερουλιού		Χερούλι ποδηλάτου	Χερούλι σε σχήμα βρόγχου
Ταχύτητα χωρίς φορτίο	Υψηλή	0 - 7.300 min <sup>-1</sup>	0 - 6.600 min <sup>-1</sup>
	Χαμηλή	0 - 5.300 min <sup>-1</sup>	0 - 4.900 min <sup>-1</sup>
Ολικό μήκος		1.880 mm	1.850 mm
Διάμετρος λάμας κοπής		230 mm	-
Διάμετρος κοπής με νάιλον κεφαλή κοπής		-	300 mm
Καθαρό βάρος		7,1 kg	5,9 kg
Ονομαστική τιμή τάσης		D.C. 36 V	


- Λόγω του συνεχόμενου προγράμματος που εφαρμόζουμε για έρευνα και ανάπτυξη, τα τεχνικά χαρακτηριστικά στο παρόν έντυπο υπόκεινται σε αλλαγή χωρίς προειδοποίηση.
- Τα τεχνικά χαρακτηριστικά και η μπαταρία ενδέχεται να διαφέρουν από χώρα σε χώρα.
- Βάρος μαζί με την μπαταρία σύμφωνα με τη διαδικασία της ΕΡΤΑ 01/2003

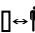
### Σύμβολα


Παρακάτω παρουσιάζονται τα σύμβολα που χρησιμοποιούνται για τον εξοπλισμό. Βεβαιωθείτε ότι κατανοείτε τη σημασία τους πριν από τη χρήση.


 ..... Δώστε ιδιαίτερη φροντίδα και προσοχή.

 ..... Διαβάστε το εγχειρίδιο οδηγιών.


 ..... Κίνδυνος, δώστε προσοχή στα αντικείμενα που εκκινάσσονται.

 ..... Η απόσταση μεταξύ του εργαλείου και των παρευρισκόμενων πρέπει να είναι τουλάχιστον 15 μέτρα.

 ..... Κρατήστε μακριά τους παρευρισκόμενους.

 ..... Διατηρήστε μια απόσταση τουλάχιστον 15 μέτρα.

 ..... Αποφύγετε το κλώτσημα.

 ..... Να φοράτε κράνος ασφαλείας, προστατευτικά γυαλιά και ωτοασπίδες.

 ..... Να φοράτε προστατευτικά γάντια.

END008-1



..... Φοράτε ανθεκτικές μπότες με αντιολισθητικές σόλες. Συνιστάνται μπότες ασφαλείας με ενίσχυση στα άκρα των δακτύλων.



..... Μην το εκθέσετε στην υγρασία.



..... Ανώτατη επιτρεπτή ταχύτητα του εργαλείου.



..... Μόνο για τις χώρες της ΕΕ  
Μην απορρίπτετε τον ηλεκτρικό εξοπλισμό ή την μπαταρία μαζί με τα οικιακά απορρίμματα!  
Σύμφωνα με την Ευρωπαϊκή Οδηγία 2002/96/ΕΚ περί αποβλήτων ηλεκτρικού και ηλεκτρονικού εξοπλισμού, την 2006/66/ΕΚ περί μπαταριών και συσσωρευτών και των αποβλήτων μπαταριών και συσσωρευτών και την ενσωμάτωσή τους στην εθνική νομοθεσία, ο ηλεκτρικός εξοπλισμός και η μπαταρία που έχουν φτάσει στο τέλος της ζωής τους πρέπει να συλλέγονται ξεχωριστά και να επιστρέφονται σε εγκαταστάσεις περιβαλλοντικής ανακύκλωσης.

## Προοριζόμενη χρήση

ENE074-1

Η συσκευή αυτή προορίζεται για την κοπή γρασιδιού, χόρτων, θάμνων και χαμηλής βλάστησης.

## ΣΗΜΑΝΤΙΚΕΣ ΟΔΗΓΙΕΣ ΑΣΦΑΛΕΙΑΣ

GEB068-1

**⚠️ ΠΡΟΕΙΔΟΠΟΙΗΣΗ!** Διαβάστε όλες τις προειδοποιήσεις ασφαλείας και όλες τις οδηγίες. Αν δεν ακολουθήσετε όλες τις προειδοποιήσεις και τις οδηγίες, υπάρχει κίνδυνος ηλεκτροπληξίας, πυρκαγιάς ή/και σοβαρού τραυματισμού.

## Φυλάξτε όλες τις προειδοποιήσεις και τις οδηγίες για μελλοντική αναφορά.

### Γενικές οδηγίες

1. Για την διασφάλιση της σωστής λειτουργίας, ο χρήστης πρέπει να διαβάσει αυτό το εγχειρίδιο οδηγιών για να εξοικειωθεί με τον χειρισμό αυτής της συσκευής. Οι χρήστες οι οποίοι δεν διαθέτουν επαρκή ενημέρωση, θα θέσουν σε κίνδυνο τους εαυτούς τους καθώς και τους άλλους λόγω του ακατάλληλου χειρισμού.
2. Συνιστάται να δανείζετε τη συσκευή μόνο στα άτομα που έχουν αποδεδειγμένη εμπειρία στα θαμνοκοπτικά/χλοοκοπτικά μεσπινέζας. Πάντοτε να παραδίδετε αυτό το εγχειρίδιο οδηγιών.
3. Οι χρήστες που το χρησιμοποιούν για πρώτη φορά θα πρέπει να ρωτούν τον μεταπωλητή τους για τις βασικές οδηγίες για να εξοικειωθούν με το χειρισμό των θαμνοκοπτικών/χλοοκοπτικών μεσπινέζας.
4. Ποτέ μην επιτρέψετε στα άτομα που δεν γνωρίζουν αυτές τις οδηγίες, στα άτομα (συμπεριλαμβανομένων των παιδιών) που παρουσιάζουν ελαττωμένες φυσικές, αισθητήριες ή διανοητικές ικανότητες, στα άτομα με ανεπαρκή εμπειρία και γνώσεις να κάνουν χρήση αυτής της συσκευής. Μπορεί να υπάρχει περιορισμός όσον αφορά την ηλικία του χρήστη από την τοπική νομοθεσία.
5. Χρησιμοποιείτε τη συσκευή με τη μεγαλύτερη δυνατή φροντίδα και προσοχή.
6. Να χρησιμοποιείτε τη συσκευή μόνο όταν βρίσκεστε σε καλή φυσική κατάσταση. Να διεξάγετε όλη την εργασία με ηρεμία και προσοχή. Χρησιμοποιήστε την κοινή λογική και έχετε κατά νου ότι ο χρήστης ή ο χειριστής είναι υπεύθυνος για τα ατυχήματα ή τους κινδύνους που προκαλούνται στα άλλα άτομα ή στην ιδιοκτησία τους.
7. Ποτέ να μην χρησιμοποιήσετε τη συσκευή μετά από την κατανάλωση αλκοόλ ή φαρμάκων, ή εάν αισθανόσαστε κουρασμένοι ή είστε ασθενείς.
8. Ο κινητήρας σβήνει αμέσως στην περίπτωση που η συσκευή εμφανίσει το οποιοδήποτε πρόβλημα ή κάτι το ασυνήθιστο.
9. Σβήστε τον κινητήρα και αφαιρέστε την μπαταρία όταν σταματάτε κατά την ανάπαυση και όταν παραμένει η συσκευή χωρίς επίβλεψη, και τοποθετήστε τη σε ένα ασφαλή χώρο για την αποφυγή πρόκλησης κινδύνου σε άλλους ή ζημιάς στη συσκευή.
10. Μην ασκείτε δύναμη στη συσκευή, θα πραγματοποιήσει την εργασία καλύτερα και με

μικρότερο ρίσκο τραυματισμού στο βαθμό για τον οποίο έχει σχεδιαστεί.

11. Μην τεντώνετε υπερβολικά. Να στέκεστε πάντοτε σταθερά και ισορροπημένα.

### Προοριζόμενη χρήση της συσκευής

1. Χρησιμοποιείτε το σωστό εξοπλισμό. Το θαμνοκοπτικό μπαταρίας/χλοοκοπτικό μεσπινέζας προορίζεται μόνο για την κοπή γρασιδιού, χόρτων, θάμνων και χαμηλής βλάστησης. Δεν πρέπει να χρησιμοποιηθεί για άλλους σκοπούς όπως κοπή άκρων και φρακτών επειδή μπορεί να προκαλέσει τραυματισμό.

### Προσωπικός προστατευτικός εξοπλισμός

1. Να ντύνεστε κατάλληλα. Ο ρουχισμός που φοράτε θα πρέπει να είναι λειτουργικός και κατάλληλος, δηλαδή να είναι εφαρμοστός αλλά να μην σας παρεμποδίζει. Μην φοράτε κοσμήματα ή ρούχα τα οποία μπορούν να μπλεχτούν μέσα στους θάμνους ή στους βάλτους. Να φοράτε προστατευτικό κάλυμμα μαλλιών που να κρατά μαζεμένα τα μακριά μαλλιά.
2. Για την προστασία του τραυματισμού της κεφαλής, των ματιών, ή των ποδιών καθώς επίσης και την προστασία της ακοής θα πρέπει να χρησιμοποιηθεί ο παρακάτω προστατευτικός εξοπλισμός και ο προστατευτικός ρουχισμός κατά τη χρήση της συσκευής. **(ΕΙΚ. 1)**
3. Πάντοτε να φοράτε κράνος όπου υπάρχει ο κίνδυνος της πτώσης αντικειμένων. Το κράνος θα πρέπει να ελέγχεται για την ύπαρξη ζημιάς κατά τακτικά χρονικά διαστήματα και θα πρέπει να αντικατασταθεί τουλάχιστον μετά από 5 χρόνια. Χρησιμοποιείται μόνο εγκεκριμένα κράνη.
4. Η προσωπίδα του κράνους (ή εναλλακτικά προστατευτικό γυαλιά) προστατεύει το πρόσωπο από τα θραύσματα και τις πέτρες που εκτινάσσονται. Κατά τη χρήση της συσκευής, πάντοτε να φοράτε προστατευτικό γυαλιά ή προσωπίδα για την αποφυγή του τραυματισμού των ματιών.
5. Φοράτε τον απαραίτητο εξοπλισμό προστασίας ενάντια στο θόρυβο για την αποφυγή πρόκλησης βλάβης στην ακοή (προστατευτικά επικαλύμματα αυτιών, ωτοασπίδες κτλ.). **(ΕΙΚ. 2)**
6. Η φόρμα εργασίας προστατεύει από τις πέτρες και τα θραύσματα που εκτινάσσονται. Σας συστήνουμε ανεπιφύλακτα τη χρήση της φόρμας εργασίας από το χρήστη.
7. Ειδικά γάντια φτιαγμένα από παχύ δέρμα αποτελούν μέρος του συσσωρευμένου εξοπλισμού και θα πρέπει πάντοτε να φοριούνται κατά τη χρήση της συσκευής.
8. Κατά την χρήση της συσκευής, πάντοτε να φοράτε ανθεκτικά παπούσια με αντιολισθητικές σόλες. Αυτά προστατεύουν έναντι των τραυματισμών και διασφαλίζουν το καλό πάτημα.

### Ηλεκτρική ασφάλεια και ασφάλεια μπαταρίας

1. Να αποφεύγετε τα επικίνδυνα περιβάλλοντα. Να μην χρησιμοποιήσετε τη συσκευή σε υγρές ή νοτερές περιοχές και μην την εκθέτετε στη βροχή. Αν εισέλθει νερό στη συσκευή, αυξάνεται ο κίνδυνος πρόκλησης ηλεκτροπληξίας.



2. Επαναφορτίστε μόνο με τον φορησίτη που καθορίζετε από το κατασκευαστή. Ο φορησίτης που είναι κατάλληλος για έναν τύπο της μπαταρίας μπορεί να δημιουργήσει κίνδυνο πυρκαγιάς όταν χρησιμοποιείται με άλλη μπαταρία.
3. Χρησιμοποιήστε τα ηλεκτρικά εργαλεία μόνο με ειδικά καθορισμένες μπαταρίες. Αν χρησιμοποιήσετε άλλες μπαταρίες μπορεί να παρουσιαστεί κίνδυνος για πρόκληση τραυματισμού ή πυρκαγιάς.
4. Όταν η μπαταρία δεν χρησιμοποιείται, φυλάξτε τη μακριά από άλλα μεταλλικά αντικείμενα, όπως συνδετήρες, νομίσματα, κλειδιά, καρφιά, βίδες ή άλλα μικρά μεταλλικά αντικείμενα, τα οποία μπορούν να δημιουργήσουν σύνδεση από τον ένα πόλο στον άλλο. Η σύνδεση των ακροδεκτών της μπαταρίας μπορεί να προκαλέσει εγκαυματα ή πυρκαγιά.
5. Σε ακραίες συνθήκες μπορεί να πεταχτεί έξω το υγρό της μπαταρίας. Αποφύγετε την επαφή μαζί του. Εάν συμβεί τυχαία επαφή, ξεπλύνετε με νερό. Εάν το υγρό έρθει σε επαφή με τα μάτια, ζητήστε ιατρική βοήθεια. Το υγρό που εκτινάχθηκε από την μπαταρία μπορεί να προκαλέσει ερεθισμό ή εγκαυματα.
6. Μην απορρίπτετε την μπαταρία(ες) σε εστία φωτιάς. Το στοιχείο μπορεί να εκραγεί. Ελέγξτε τους τοπικούς κώδικες για πιθανές ειδικές οδηγίες απόρριψης.
7. Μην ανοίξετε ή κομματιάσετε τη μπαταρία(ες). Ο απελευθερωμένος ηλεκτρολύτης προκαλεί διάβρωση και μπορεί να προκαλέσει βλάβη στα μάτια ή στο δέρμα. Μπορεί να είναι τοξικός σε περίπτωση κατάποσης.

## Θέτοντας σε λειτουργία τη συσκευή (Εικ. 3)

1. Φροντίστε να μην υπάρχουν παιδιά ή άλλα άτομα μέσα σε μια απόσταση εργασίας 15 μέτρων (50 πόδια), επίσης δώστε προσοχή στα οποιαδήποτε ζώα μέσα στην περιοχή εργασίας. Διαφορετικά σταματήστε τη χρήση της συσκευής.
2. Πριν από τη χρήση ελέγχετε πάντοτε ότι η συσκευή είναι ασφαλής για εργασία. Ελέγξτε την ασφάλεια του κοπτικού εργαλείου και το προφυλακτικό και το διακόπτη ενεργοποίησης/μοχλό για την εύκολη και σωστή λειτουργία του. Ελέγξτε τα χερούλια ώστε να είναι καθαρά και ξηρά και δοκιμάστε την λειτουργία της εκκίνησης/διακοπής.
3. Ελέγξτε για την ύπαρξη φαρμακένων μερών πριν από την περαιτέρω χρήση της συσκευής. Θα πρέπει να ελέγξετε προσεκτικά για τυχόν ύπαρξη ζημιών στον προφυλακτικό ή σε άλλα εξάρτημα για να καθορίσετε ότι θα λειτουργήσουν σωστά και θα πραγματοποιήσουν την προοριζόμενη λειτουργία τους. Ελέγξτε την ευθυγράμμιση των κινούμενων μερών, την στερέωση των κινούμενων μερών, το σπάσιμο εξαρτημάτων, τη στερέωση και οποιαδήποτε άλλη συνθήκη που ενδεχομένως να επηρεάσει τη λειτουργία του εργαλείου. Ένα προστατευτικό ή άλλο εξάρτημα με ζημιά θα πρέπει να επισκευαστεί ή να αντικατασταθεί σε εξουσιοδοτημένο κέντρο σέρβις εκτός εάν δηλώνεται διαφορετικά στο παρόν εγχειρίδιο.
4. Ενεργοποιήστε τον κινητήρα μόνο όταν τα χέρια και τα πόδια βρίσκονται μακριά από το εργαλείο κοπής.
5. Πριν το ξεκίνημα, βεβαιωθείτε ότι το εργαλείο κοπής δεν βρίσκεται σε επαφή με σκληρά αντικείμενα όπως

κλαδιά, πέτρες κτλ επειδή το εργαλείο κοπής θα περιστραφεί κατά την εκκίνηση.

## Μέθοδος λειτουργίας

1. Χρησιμοποιείτε τη συσκευή μόνο σε συνθήκες καλού φωτισμού και ορατότητας. Κατά τη διάρκεια της εποχής του χειμώνα δώστε προσοχή στις περιοχές που είναι υγρές και γλιστρούν, πάγος και χιόνι (κίνδυνος ολισθηρότητας). Πάντοτε να έχετε ένα ασφαλές πάτημα.
2. Δώστε προσοχή ώστε να μην τραυματιστείτε στα χέρια ή στα πόδια από το εργαλείο κοπής.
3. Ποτέ μην κόβετε επάνω από το ύψος της μέσης σας.
4. Ποτέ να μην λειτουργείτε τη συσκευή όταν είστε αναβασμένοι πάνω σε σκάλα.
5. Πάντα να μην σκαρφαλώνετε σε δέντρα για να εκτελέσετε εργασίες κοπής με τη συσκευή.
6. Ποτέ να μην εργάζεστε πάνω σε ασταθείς επιφάνειες.
7. Αφαιρέστε την άμμο, τις πέτρες, τα καρφιά κτλ που βρίσκονται μέσα στο εύρος της περιοχής εργασίας. Τα ξένα στοιχεία μπορεί να προκαλέσουν ζημιά στο εργαλείο κοπής και να δημιουργήσουν επικίνδυνη οπισθολακτίσματα.
8. Εάν το εργαλείο κοπής χτυπήσει πέτρες ή άλλα σκληρά αντικείμενα, αμέσως κλείστε τον κινητήρα και επιθεωρήστε το εργαλείο κοπής.
9. Επιθεωρήστε το εργαλείο κοπής για ζημιά ανά τακτά και σύντομα διαστήματα (διάγνωση λεπτών ρωγμών χρησιμοποιώντας το τεστ ήχου που παράγεται από τη κρούση).
10. Πριν το ξεκίνημα της κοπής, το εργαλείο κοπής θα πρέπει να έχει αποκτήσει την πλήρη ταχύτητα λειτουργίας.
11. Να χειρίζεστε τη συσκευή μόνο έχοντας συνδεδεμένο τον ιμάντα ώμου, ο οποίος θα πρέπει να προσαρμόζεται κατάλληλα πριν θέσετε σε λειτουργία τη συσκευή. Είναι σημαντικό να προσαρμόζετε τον ιμάντα ώμου ανάλογα με το σωματικό μέγεθος του χρήστη για την αποφυγή της εμφάνισης της κούρασης κατά τη χρήση.
12. Κατά την χρήση, πάντοτε να κρατάτε τη συσκευή γερά με τα δυο σας χέρια. Ποτέ να μην κρατάτε τη συσκευή με το ένα χέρι κατά τη χρήση. Πάντοτε να έχετε ένα ασφαλές πάτημα.
13. Το εργαλείο κοπής θα πρέπει πάντοτε να είναι εφοδιασμένο με τον κατάλληλο προφυλακτικό. Ποτέ μη λειτουργείτε τη συσκευή με προφυλακτικές που έχουν φθαρεί ή αφαιρεθεί!
14. Όλα τα προστατευτικά συγκροτήματα και προφυλακτικές που παρέχονται με αυτή τη συσκευή πρέπει να χρησιμοποιούνται κατά την λειτουργία.
15. Ποτέ μην χρησιμοποιήσετε τη συσκευή για να χτυπήσετε ή να κοπανάτε τα χόρτα ή τα παρόμοια υλικά με σκοπό να τα κόψετε.
16. Εκτός από την περίπτωση της έκτακτης ανάγκης, ποτέ να μην ρίξετε ή να πετάξετε τη συσκευή στο έδαφος επειδή αν το κάνει αυτό μπορεί να προκληθεί σοβαρή ζημιά στη συσκευή.
17. Θυμηθείτε να σηκώνετε ολόκληρη τη συσκευή από το έδαφος όταν τη μετακινείτε.
18. Πάντοτε να αφαιρείτε τη μπαταρία από τη συσκευή:
  - όποτε αφήνετε την συσκευή χωρίς επίβλεψη,
  - πριν από το ξεμπλοκάρισμα,

- πριν από τον έλεγχο, την συντήρηση ή την εκτέλεση εργασίας πάνω στη συσκευή,
  - μετά από το κτύπημα ενός ξένου αντικειμένου,
  - όποτε η συσκευή αρχίζει να πάλετε με αφύσικο τρόπο.
19. Πάντοτε να διασφαλίζετε ότι οι οπές εξαιρισμού δεν είναι μπλοκαρισμένες από θραύσματα.

## Κλώτσημα (κλώτσημα λάμας)

1. Κατά την λειτουργία της συσκευής, μπορεί να συμβεί ανεξέλεγκτο κλώτσημα (κλώτσημα λάμας). **(Εικ. 4)**
2. Αυτό μπορεί να συμβεί ιδιαίτερα κατά την προσπάθεια κοπής με το τμήμα της λάμας που βρίσκεται μεταξύ των 12 και 2 “ωρών”.
3. Ποτέ μην χρησιμοποιήσετε τη συσκευή με το τμήμα της λάμας που βρίσκεται μεταξύ των 12 και 2 “ωρών”.
4. Ποτέ μην χρησιμοποιήσετε αυτό το τμήμα της λάμας κοπής πάνω σε στερεά, όπως θάμνοι και δέντρα κτλ. που έχουν διάμετρο μεγαλύτερη από 3 εκατ. διαφορετικά η λάμα κοπής θα εξοστρακιστεί με μεγάλη δύναμη προκαλώντας τον κίνδυνο τραυματισμών.

## Αποτροπή κλωσήματος

Για την αποφυγή των κλωσήματων, τηρήσετε τα παρακάτω:

1. Η χρήση με το τμήμα της λάμας μεταξύ των 12 και 2 “ωρών” προκαλεί κινδύνους, ιδιαίτερα με τη χρήση των μεταλλικών εργαλείων κοπής. **(Εικ. 5)**
2. Οι εργασίες κοπής με τη χρήση του τμήματος της λάμας των 11 έως 12 “ωρών” και των 2 έως 5 “ωρών”, πρέπει να εκτελούνται από εκπαιδευμένους και έμπειρους χειριστές, και τότε μόνο με δική τους ευθύνη.
3. Είναι επικτό το κόψιμο με σχεδόν χωρίς κλώτσημα από το τμήμα της λάμας που βρίσκεται μεταξύ των 9 και 11 “ωρών”.

## Εργαλεία κοπής

1. Χρησιμοποιήστε μόνο το σωστό εργαλείο κοπής για την εργασία που πρόκειται να κάνετε.
2. Για την κοπή χοντρών υλικών όπως χόρτα, υψηλό γρασίδι, θάμνους, βάλτους, χαμόκλαδα, συστάδες κτλ (μέν. 2 εκ. διάμετρος πάχους), εκτελέστε αυτή την εργασία κοπής περιστρέφοντας ομαλά τη συσκευή σε μισούς κύκλους από τα δεξιά στα αριστερά (με τρόπο παρόμοιο με τη χρήση του δρεπανιού).

## Οδηγίες συντήρησης

1. Η κατάσταση της συσκευής, ιδιαίτερα του εργαλείου κοπής των προστατευτικών συσκευών και επίσης του ιμάντα του ώμου θα πρέπει να ελέγχεται πριν από την έναρξη της εργασίας.
2. Ιδιαίτερη προσοχή πρέπει επίσης να δίνεται στις λάμες κοπής, οι οποίες πρέπει να είναι σωστά ακονισμένες.
3. Κλείστε τον κινητήρα και αφαιρέστε την μπαταρία πριν την εκτέλεση της συντήρησης, κατά την αντικατάσταση/το ακόνισμα των εργαλείων κοπής, ή κατά τον καθαρισμό της συσκευής ή του εργαλείου κοπής.
4. Ελέγξτε για την ύπαρξη ξεσφιγμένων σφικτήρων και εξαρτημάτων που παρουσιάζουν φθορά όπως ρωγμές στο προσάρτημα κοπής.

5. Να ακολουθείτε τις οδηγίες για τη λίπανση και την αλλαγή των αξεσουάρ.
6. Όταν δεν χρησιμοποιείται, θα πρέπει να αποθηκεύεται τη συσκευή σε στεγνό και υψηλό ή κλειδωμένο μέρος, μακριά από την πρόσβαση των παιδιών. Καθαρίστε και εκτελέστε τις εργασίες συντήρησης πριν από την αποθήκευση.
7. Χρησιμοποιήστε μόνο τα συνιστώμενα από τον κατασκευαστή ανταλλακτικά και αξεσουάρ.
8. Επιθεωρείτε και συντηρείτε το μηχάνημα τακτικά, ειδικά πριν/μετά την χρήση. Η επιδιόρθωση της συσκευής πρέπει να γίνεται μόνο από ένα εξουσιοδοτημένο κέντρο σέρβις.
9. Να διατηρείτε τα χερούλια στεγνά, καθαρά, χωρίς λάδι και γράσο.

## ΦΥΛΑΞΤΕ ΑΥΤΕΣ ΤΙΣ ΟΔΗΓΙΕΣ.

### ⚠ ΠΡΟΕΙΔΟΠΟΙΗΣΗ:

**ΜΗΝ επιτρέψετε στη βολικότητα ή στην εξοικειώσή σας με το προϊόν (που αποκτήθηκε από επανειλημμένη χρήση) να αντικαταστήσει την αυστηρή προσηλωση στους κανόνες ασφάλειας του εν λόγω προϊόντος. Η ΛΑΝΘΑΣΜΕΝΗ ΧΡΗΣΗ ή η μη τήρηση των κανόνων ασφαλείας που διατυπώνονται στο παρόν εγχειρίδιο οδηγιών μπορεί να προκαλέσει σοβαρό τραυματισμό.**

## ΣΗΜΑΝΤΙΚΕΣ ΟΔΗΓΙΕΣ ΑΣΦΑΛΕΙΑΣ

ENC007-4

## ΓΙΑ ΤΗΝ ΜΠΑΤΑΡΙΑ

1. Πριν χρησιμοποιήσετε την μπαταρία, διαβάστε όλες τις οδηγίες και τις ενδείξεις προφύλαξης στο (1) φορτιστή μπαταρίας, (2) την μπαταρία και (3) το προϊόν στο οποίο χρησιμοποιείται η μπαταρία.
2. Μην αποσυναρμολογείτε την μπαταρία.
3. Αν ο χρόνος λειτουργίας της μπαταρίας είναι υπερβολικά σύντομος, διακόψτε αμέσως τη λειτουργία. Αν συνεχίσετε, μπορεί να έχει ως αποτέλεσμα τον κίνδυνο υπερθέρμανσης, πιθανών εκκαυμάτων κι ακόμη έκρηξης.
4. Αν μπει στα μάτια σας ηλεκτρολύτης, ξεπλύνετε με καθαρό νερό και αναζητήστε αμέσως ιατρική βοήθεια. Μπορεί να χάσετε την όρασή σας.
5. Μην βραχυκυκλώνετε την μπαταρία:
  - (1) Μην αγγίζετε τους ακροδέκτες με αγώγιμο υλικό.
  - (2) Μην αποθηκεύετε την μπαταρία σε δοχείο με άλλα μεταλλικά αντικείμενα, όπως καρφιά, νομίσματα, κτλ.
  - (3) Μην εκθέτετε την μπαταρία σε νερό ή βροχή. Αν βραχυκυκλωθεί η μπαταρία, μπορεί να προκληθεί μεγάλη ροή ηλεκτρικού ρεύματος, υπερθέρμανση, πιθανά εκκαυμάματα και ακόμη καταστροφή της μπαταρίας.
6. Μην αποθηκεύετε το εργαλείο και την μπαταρία σε μέρη όπου η θερμοκρασία μπορεί να φτάσει ή να ξεπεράσει τους 50°C (122°F).
7. Μην αποτεφρώνετε την μπαταρία ακόμη κι αν παρουσιάζει σοβαρή ζημιά ή είναι εντελώς φθαρμένη. Η μπαταρία μπορεί να εκραγεί σε φωτιά.

8. Να προσέχετε να μη σας πέσει η μπαταρία και να μη συγκρουστεί με κάποιο αντικείμενο.
9. Μη χρησιμοποιήσετε μια μπαταρία που έχει πέσει κάτω ή είναι χτυπημένη.

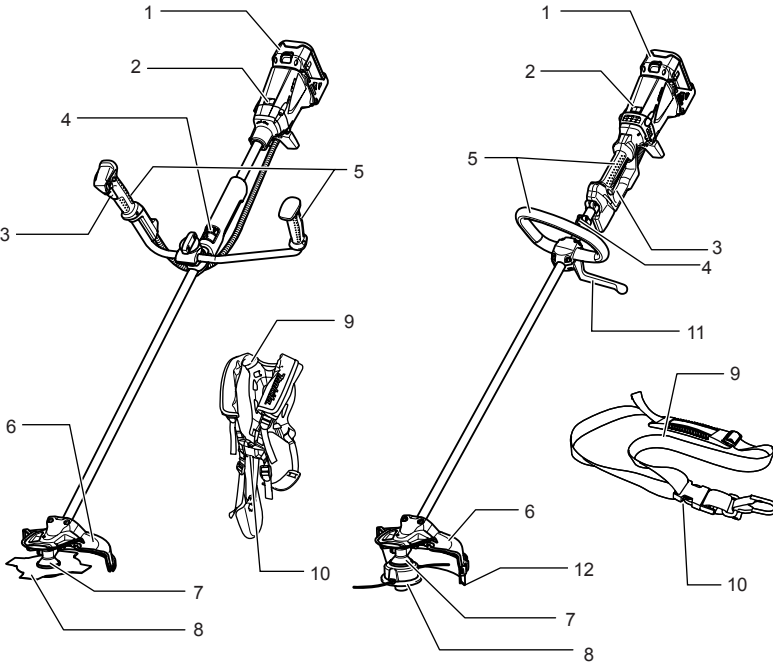
## ΦΥΛΑΞΤΕ ΑΥΤΕΣ ΤΙΣ ΟΔΗΓΙΕΣ.

### Συμβουλές για τη διατήρηση της μέγιστης ζωής της μπαταρίας

1. Να φορτίζετε την μπαταρία πριν αποφορτιστεί εντελώς.

2. Πάντοτε να διακόπτετε τη λειτουργία του εργαλείου και να φορτίζετε την μπαταρία όταν παρατηρείται μειωμένη ισχύ του εργαλείου.
2. Ποτέ μην επαναφορτίζετε μια πλήρως φορτισμένη μπαταρία.  
Αν υπερφορτίσετε την μπαταρία, μειώνεται η ωφέλιμη διάρκεια ζωής της.
3. Να φορτίζετε την μπαταρία σε θερμοκρασία δωματίου, δηλαδή στους 10°C έως 40°C (50°F έως 104°F). Αν η μπαταρία είναι θερμή, αφήστε την να ψυχθεί πριν τη φορτίσετε.

## ΠΕΡΙΓΡΑΦΗ ΕΞΑΡΤΗΜΑΤΩΝ



1	Μπαταρία	7	Κιβώτιο ταχυτήτων
2	Ενδεικτική λυχνία	8	Εργαλείο κοπής
3	Σκανδάλη διακόπτης	9	Ιμάντας ώμου
4	Κρεμάστρα (σημείο ανάρτησης)	10	Πόρπη
5	Λαβή	11	Εμπόδιο
6	Προφυλακτήρας εργαλείου κοπής	12	Προέκταση προφυλακτήρα

## ΠΕΡΙΓΡΑΦΗ ΛΕΙΤΟΥΡΓΙΑΣ

### ⚠ ΠΡΟΣΟΧΗ:

- Να βεβαιώνετε πάντοτε ότι έχετε σβήσει τη συσκευή και έχετε βγάλει την μπαταρία πριν ρυθμίσετε ή ελέγξετε κάποια λειτουργία της συσκευής.

## Τοποθέτηση ή αφαίρεση της μπαταρίας (Εικ. 6)

- Πάντοτε να σβήνετε τη συσκευή πριν βάλετε ή βγάλετε τη μπαταρία.
- Για να βγάλετε την μπαταρία, τραβήξτε την από τη συσκευή καθώς σύρετε το κουμπί στο μπροστινό τμήμα της μπαταρίας.
- Για να τοποθετήσετε την μπαταρία, ευθυγραμμίστε τη γλωττίδα στην μπαταρία με την εγκοπή στη θήκη και

### ⚠ ΠΡΟΣΟΧΗ:

- Πριν από τη λειτουργία, να ελέγχετε πάντοτε την κατεύθυνση περιστροφής.
- Να χρησιμοποιείτε το διακόπτη αναστροφής μόνο όταν η συσκευή είναι εντελώς ακινητοποιημένη. Αν αλλάξετε την κατεύθυνση περιστροφής πριν ακινητοποιηθεί το εργαλείο, μπορεί να προκληθεί βλάβη στη συσκευή. **(Εικ. 9 & 10)**

Η συσκευή αυτή διαθέτει διακόπτη αναστροφής για να αλλάξετε την κατεύθυνση της περιστροφής για να αφαιρέσετε τα χώρα που έχουν μπλεχτεί στο εργαλείο κοπής. Πατήστε το μοχλό του διακόπτη αναστροφής από την πλευρά Α για αριστερόστροφη περιστροφή (κανονική) ή από την πλευρά Β για αριστερόστροφη (αντίστροφη) περιστροφή.

Στη λειτουργία αναστροφής, η συσκευή σταματά αυτόματα σε σύντομο χρόνο μετά την ενεργοποίησή της.

### Αλλαγή ταχύτητας (Εικ. 11 & 12)

Μπορούν να προεπιλεγούν δυο ταχύτητες με το διακόπτη αλλαγής ταχύτητας.

Για να αλλάξετε το εύρος της ταχύτητας, περιστρέψτε το μοχλό αλλαγής ταχύτητας στην πλευρά "1" για υψηλή ταχύτητα ή στην πλευρά "2" για χαμηλή ταχύτητα.

### Σύστημα προστασίας μπαταρίας/κινητήρα

Η μπαταρία και το μηχανήμα διαθέτουν συστήματα προστασίας, τα οποία διακόπτουν ή ελαττώνουν αυτόματα την παροχή ρεύματος για τη διατήρηση της μακράς διάρκειας ζωής τους.

Στην περίπτωση υπερφόρτωσης, το προστατευτικό ελαττώνει την περιστροφή για να προστατεύσει τον κινητήρα. Σε αυτή την περίπτωση, οι παρακάτω ενδεικτικές λυχνίες δεν ανάβουν ή αναβοσβήνουν. Οι άλλες λειτουργίες μπορούν να αναγνωριστούν από τις δυο ενδεικτικές λυχνίες κατά την λειτουργία όπως δείχνεται παρακάτω. **(Εικ. 13)**

ολισθήσει τη στη θέση της. Πάντοτε να την τοποθετείτε έως το τέρμα, δηλαδή έως όπου ασφαλίζει στη θέση και ακουστεί ένας χαρακτηριστικός ήχος "κλικ". Αν φαίνεται το κόκκινο τμήμα στην άνω πλευρά του κουμπιού, η μπαταρία δεν είναι πλήρως ασφαλισμένη. Εισάγετέ την πλήρως για να μη φαίνεται το κόκκινο τμήμα. Σε αντίθετη περίπτωση, μπορεί να πέσει κατά λάθος από τη συσκευή και να τραυματίσει εσάς ή κάποιον παρευρισκόμενο.

- Να μη χρησιμοποιείτε δύναμη όταν τοποθετείτε την μπαταρία. Αν η μπαταρία δεν ολισθαίνει με ευκολία, δεν την εισήγατε σωστά.

### Δράση διακόπτη ρεύματος

#### ⚠ ΠΡΟΣΟΧΗ:

- Πριν την τοποθέτηση της μπαταρίας στη συσκευή, πάντοτε να ελέγχετε ότι η σκανδάλη-διακόπτης ενεργοποιείται κανονικά και επιστρέφει στη θέση "OFF" όταν την αφήνετε. **(Εικ. 7 & 8)**



Για να μην πιέζεται η σκανδάλη-διακόπτης κατά λάθος, παρέχεται ένα κουμπί ασφάλισης.

Για να ξεκινήσετε τη λειτουργία της συσκευής, πιέστε το κουμπί ασφάλισης και πατήστε τη σκανδάλη-διακόπτη. Αν αυξήσετε την πίεση στη σκανδάλη-διακόπτης, αυξάνεται η ταχύτητα της συσκευής. Για να σταματήσετε τη συσκευή, αφήστε τη σκανδάλη-διακόπτης.

### Δράση διακόπτη αναστροφής

#### ⚠ ΠΡΟΕΙΔΟΠΟΙΗΣΗ:

- Να βεβαιώνετε πάντοτε ότι έχετε σβήσει τη συσκευή και έχετε βγάλει την μπαταρία πριν αφαιρέσετε τα χόρτα ή τα παρόμοια μπλεγμένα αντικείμενα από το εργαλείο κοπής που δεν μπορούν να αφαιρεθούν παρά με τη χρήση του διακόπτη αναστροφής.

		Κατάσταση:	Ενέργεια που πρέπει να γίνει
-	Αναβοσβήνει	Η ισχύς της μπαταρίας έχει σχεδόν εξαντληθεί.	Αντικαταστήστε την μπαταρία με μια πλήρως φορτισμένη.
-	Ανάβει	Το σύστημα προστασίας της μπαταρίας διακόπτει το ρεύμα - η ισχύς της μπαταρίας έχει εξαντληθεί.	Αντικαταστήστε την μπαταρία με μια πλήρως φορτισμένη.
Αναβοσβήνει	-	Το σύστημα προστασίας διακόπτει το ρεύμα - ο κινητήρας έχει μπλοκάρει.	Ελευθερώστε τη σκανδάλη-διακόπτης και απομακρύνετε την αιτία του μπλοκαρίσματος του κινητήρα ή της υπερφόρτωσης. Εάν το εργαλείο κοπής είναι μπλοκαρισμένο από μπλεγμένα χόρτα ή παρόμοια, πάντοτε να αφαιρείτε την μπαταρία πριν το καθαρίσετε.
Ανάβει	-	Το σύστημα προστασίας υπερφόρτισης διακόπτει το ρεύμα - υπερφόρτιση.	Ξεκουράστε τη συσκευή για λίγο.
Αναβοσβήνει	Αναβοσβήνει	Ηλεκτρική ή ηλεκτρονική δυσλειτουργία	Απευθυνθείτε στο τοπικό σας εξουσιοδοτημένο κέντρο σέρβις για επισκευές.

## Νάιλον κεφαλή κοπής (προαιρετικό εξάρτημα για μηχανήματα που διαθέτουν λάμα κοπής)

### ΠΡΟΣΟΧΗ:

- Μην χτυπάτε την κεφαλή όταν περιστρέφεται με περισσότερες στροφές από τις 4.500 min<sup>-1</sup> ή όταν είναι σταματημένη. **(Εικ. 14)**

Η νάιλον κεφαλή κοπής είναι μια κεφαλή κοπής διπλής μεσηνέζας με μηχανισμούς πρόσρουσας & τροφοδοσίας.

Κτυπήστε τη νάιλον κεφαλή κοπής πάνω στο έδαφος για τα τροφοδοτήστε επιπλέον μεσηνέζα κατά τη λειτουργία της συσκευής. Η μεσηνέζα θα κοπεί αυτόματα στη κατάλληλο μήκος από τον κόφτη που βρίσκεται στην προέκταση του προφυλακτήρα.

### ΣΗΜΕΙΩΣΗ:

Εάν η νάιλον μεσηνέζα δεν τροφοδοτείται με το χτύπημα, επανατυλίξτε/αντικαταστήστε τη νάιλον μεσηνέζα ακολουθώντας τις διαδικασίες που περιγράφονται στην ενότητα “Συντήρηση”.

## ΣΥΝΑΡΜΟΛΟΓΗΣΗ

### ΠΡΟΣΟΧΗ:

- Να βεβαιώνετε πάντοτε ότι έχετε σβήσει τη συσκευή και έχετε βγάλει την μπαταρία πριν εκτελέσετε οποιοδήποτε εργασία σε αυτό.
- Να ξεκινάτε τη συσκευή μόνο αφού την έχετε συναρμολογήσει εντελώς.

### Τοποθέτηση του χερουλιού (μόνο για μοντέλα με χερούλια τύπου ποδηλάτου) **(Εικ. 15)**

Ξεσφίξτε το κουμπί.

Τοποθετήστε το χερούλι μεταξύ του σφικτήρα του χερουλιού και του στηρίγματος του χερουλιού. Προσαρμόστε το χερούλι κατά μια γωνία που παρέχει μια βολική θέση εργασίας και στη συνέχεια στερεώστε το καλά σφίγγοντας με το χέρι το κουμπί.

### Τοποθέτηση του προφυλακτήρα **(Εικ. 16 & 17)**

### ΠΡΟΕΙΔΟΠΟΙΗΣΗ:

- Θα πρέπει να χρησιμοποιούνται μόνο οι συνδυασμοί μεταξύ του εργαλείου κοπής/προφυλακτήρα που υποδεικνύονται παρακάτω. Αν δεν τηρήσετε αυτήν την οδηγία, μπορεί να προκληθεί σοβαρός τραυματισμός. Ποτέ να μην λειτουργήσετε τη συσκευή χωρίς τον προφυλακτήρα.
- Η εξωτερική διάμετρος της λάμας κοπής πρέπει να είναι 230 χιλ. Ποτέ να μην χρησιμοποιήσετε λάμα που υπερβαίνει τα 230 χιλ.

### Στην περίπτωση της μεταλλικής λάμας **(Εικ. 18)**

Στερεώστε το προφυλακτήρα πάνω στο σφικτήρα με τα δυο μπουλόνια όπως εμφανίζεται. Σφίξτε ομοιόμορφα τα αριστερά και τα δεξιά μπουλόνια.

## Κατά τη χρήση της νάιλον κεφαλής κοπής

### ΠΡΟΣΟΧΗ:

- Φροντίστε να μην τραυματιστείτε πάνω στον κόφτη κόβοντας τη νάιλον μεσηνέζα στο εσωτερικό της προέκτασης του προφυλακτήρα.
- Βεβαιωθείτε να στρώσετε προς τα μέσα τον προφυλακτήρα έως ότου ειχωρήσει πλήρως. **(Εικ. 19)**

Στερεώστε το προφυλακτήρα πάνω στο σφικτήρα με τα δυο μπουλόνια όπως εμφανίζεται. Σφίξτε ομοιόμορφα τα αριστερά και τα δεξιά μπουλόνια.

Στερεώστε την προέκταση του προφυλακτήρα στρώνοντας στη θέση της από την πλευρά του προφυλακτήρα όπως δείχνεται.

### ΣΗΜΕΙΩΣΗ:

- Αφαιρέστε την ταινία που είναι κολλημένη στον κόφτη, η οποία κόβει τη νάιλον μεσηνέζα, στην προέκταση του κόφτη κατά την πρώτη χρήση. **(Εικ. 20)**

Για να αφαιρέσετε την προέκταση του προφυλακτήρα, εισάγετε ένα πλατύκεφαλο κατσαβίδι μέσα στην εγκοπή του προφυλακτήρα, στρώστε το μέσα και ταυτόχρονα ολισθήστε την προέκταση του προφυλακτήρα.

## Τοποθέτηση της λάμας κοπής

### ΠΡΟΣΟΧΗ:

- Φροντίστε να χρησιμοποιήσετε μια αυθεντική λάμα κοπής της Dolmar.
- Η λάμα κοπής πρέπει πάντοτε να είναι γυαλισμένη, και χωρίς ρωγμές ή σπασίματα. Εάν η λάμα κοπής χτυπήσει μια πέτρα κατά τη λειτουργία, σταματήστε τον κινητήρα και ελέγξτε αμέσως την λάμα.
- Γυαλίστε ή αντικαταστήστε την λάμα κοπής κάθε τρεις ώρες λειτουργίας.
- Πάντοτε να φοράτε γάντια κατά τον χειρισμό της λάμας κοπής.
- Πάντοτε να τοποθετείτε το κάλυμμα της λάμας όταν το μηχανήμα δεν βρίσκεται σε χρήση ή κατά την μεταφορά του.
- Το παξιμάδι στερέωσης της λάμας κοπής (με ελατηριωτή ροδέλα) είναι ένα αναλώσιμο εξάρτημα. Εάν εμφανιστεί η οποιαδήποτε φθορά ή παραμόρφωση στη ελατηριωτή ροδέλα, αντικαταστήστε το παξιμάδι. Απευθυνθείτε στο τοπικό σας εξουσιοδοτημένο κέντρο σέρβις για να την παραγγείλετε.

Αναποδογυρίστε το μηχανήμα ώστε να μπορείτε εύκολα να αντικαταστήσετε τη λάμα κοπής. **(Εικ. 21)**

Για να αποσυναρμολογήσετε την λάμα κοπής, εισάγετε το εξάγωνο άλεν μέσα στην τρύπα στο κάλυμμα του προστατευτικού και στο κιβώτιο ταχυτήτων.

Περιστρέψτε την ροδέλα υποδοχής έως ότου να κλειδώσει με το εξάγωνο άλεν. Ξεσφίξτε το εξάγωνο παξιμάδι (αριστερό σπειρώμα) με το κλειδί και αφαιρέστε το παξιμάδι, το καπάκι, τη ροδέλα σύσφιξης και το εξάγωνο άλεν. **(Εικ. 22)**

Στερεώστε τη λάμα κοπής πάνω στον άξονα έτσι ώστε ο οδηγός της ροδέλας υποδοχής να παιράζει στην τρύπα του άξονα στην λάμα κοπής. Τοποθετήστε τη ροδέλα σύσφιξης, το καπάκι και στερεώστε τη λάμα κοπής με το εξάγωνο παξιμάδι σφίγγοντας με ροπή 13 έως 23 Nm καθώς κρατάτε την ροδέλα υποδοχής με το εξάγωνο άλεν. **(Εικ. 23)**

Φροντίστε ώστε η λάμα να έχει την πάνω μεριά αριστερά.

## Τοποθέτηση της νάιλον κεφαλής κοπής

### **⚠️ ΠΡΟΣΟΧΗ:**

- Πάντοτε να στερεώνετε όχι μόνο τον προφυλακτήρα αλλά και την προέκταση του προφυλακτήρα όταν χρησιμοποιείτε την νάιλον κεφαλή κοπής.
- Φροντίστε να χρησιμοποιήσετε μια αυθεντική νάιλον κεφαλή κοπής της Dolmar.
- Εάν η νάιλον κεφαλή κοπής χτυπήσει μια πέτρα κατά τη λειτουργία, σταματήστε τον κινητήρα και ελέγξτε αμέσως την κεφαλή κοπής.

Αναποδογυρίστε το μηχανήμα ώστε να μπορείτε εύκολα να αντικαταστήσετε τη νάιλον κεφαλή κοπής. **(Εικ. 24)** Βάλτε το εξάγωνο άλεν μέσα στην τρύπα στο κάλυμμα του προστατευτικού και στο κιβώτιο ταχυτήτων και περιστρέψτε τη ροδέλα υποδοχής έως ότου κλειδώσει με το εξάγωνο άλεν. Στερεώστε την νάιλον κεφαλή κοπής πάνω στον άξονα που διαθέτει σπειρώμα και σφίξτε την περιστρέφοντας την αριστερόστροφα. Αφαιρέστε το εξάγωνο άλεν.

Για να αποσυναρμολογήσετε την νάιλον κεφαλή κοπής, περιστρέψτε την νάιλον κεφαλή κοπής δεξιόστροφα καθώς κρατάτε την ροδέλα υποδοχής με το εξάγωνο άλεν.

## ΛΕΙΤΟΥΡΓΙΑ

### Σωστός χειρισμός του μηχανήματος (με χερούλι τύπου ποδηλάτου)

#### Σωστή θέση

### **⚠️ ΠΡΟΕΙΔΟΠΟΙΗΣΗ:**

- Πάντοτε να έχετε τη συσκευή στην δεξιά σας πλευρά ώστε ο άξονας του δεξιού χερουλιού να βρίσκεται πάντοτε μπροστά σας. Η σωστή θέση ελαττώνει τον κίνδυνο τραυματισμού που προκαλείται από το κλώτσημα. **(Εικ. 25)**

Βάλετε τον ιμάντα ώμου όπως δείχνεται και κρεμάστε την μηχανή καλά στη δεξιά σας πλευρά έτσι ώστε ο άξονας του αριστερού χερουλιού να βρίσκεται πάντοτε μπροστά σας.

#### Στερέωση του ιμάντα ώμου (Εικ. 26)

Φορέστε τον ιμάντα ώμου στην πλάτη σας και ασφαλίστε τον έως ότου ακουστεί το κλικ. Βεβαιωθείτε ότι δεν μπορεί να βγει τραβώντας τον. Κρεμάστε το μηχανήμα όπως δείχνεται.

Προσαρμόστε το μήκος του ιμάντα έτσι ώστε η λάμα κοπής να είναι παράλληλη ως προς το έδαφος σε ένα ύψος των 10 με 30 εκατ. από το έδαφος.

#### Αποσύνδεση (Εικ. 27)

Στην περίπτωση έκτακτης ανάγκης, πατήστε δυνατά τον μοχλό της πόρπης για να βγάλετε τον ιμάντα και το μηχανήμα.

### **⚠️ ΠΡΟΕΙΔΟΠΟΙΗΣΗ:**

- **Τη στιγμή αυτή δώστε μεγάλη προσοχή για να διατηρήσετε τον έλεγχο του μηχανήματος. Μην επιτρέψετε στο μηχανήμα να εκτραπεί προς τα εσάς ή προς τον οποιονδήποτε στην περιοχή εργασίας.** Αν δεν τηρήσετε αυτήν την οδηγία, μπορεί να προκληθεί σοβαρός τραυματισμός.

## Σωστός χειρισμός του μηχανήματος (με χερούλι τύπου βρόγχου)

#### Σωστή θέση

### **⚠️ ΠΡΟΕΙΔΟΠΟΙΗΣΗ:**

- Πάντοτε να έχετε τη συσκευή στην δεξιά σας πλευρά ώστε ο άξονας του εμποδίου να βρίσκεται πάντοτε μπροστά σας. Η σωστή θέση ελαττώνει τον κίνδυνο τραυματισμού που προκαλείται από το κλώτσημα. **(Εικ. 28)**

Βάλετε τον ιμάντα ώμου όπως δείχνεται και κρεμάστε την μηχανή καλά στη δεξιά σας πλευρά έτσι ώστε το εμπόδιο να βρίσκεται πάντοτε μπροστά σας.

#### Στερέωση του ιμάντα ώμου (Εικ. 29)

Κρεμάστε τον ιμάντα ώμου στον αριστερό σας ώμο περνώντας από μέσα το κεφάλι και το δεξιό μπράτσο μας. Ασφαλίστε τον στο άγκιστρο έως ότου ακουστεί ένα κλικ. Βεβαιωθείτε ότι δεν μπορεί να βγει τραβώντας τον. Κρεμάστε το μηχανήμα όπως δείχνεται. Προσαρμόστε το μήκος του ιμάντα έτσι ώστε η λάμα κοπής να είναι παράλληλη ως προς το έδαφος σε ένα ύψος των 10 με 30 εκατ. από το έδαφος.

#### Αποσύνδεση (Εικ. 30)

Στην περίπτωση έκτακτης ανάγκης, πατήστε γερά το μοχλό αποσύνδεσης έκτακτης ανάγκης.

### **⚠️ ΠΡΟΕΙΔΟΠΟΙΗΣΗ:**

- **Τη στιγμή αυτή δώστε μεγάλη προσοχή για να διατηρήσετε τον έλεγχο του μηχανήματος. Μην επιτρέψετε στο μηχανήμα να εκτραπεί προς τα εσάς ή προς τον οποιονδήποτε στην περιοχή εργασίας.** Αν δεν τηρήσετε αυτήν την οδηγία, μπορεί να προκληθεί σοβαρός τραυματισμός.

## ΣΥΝΤΗΡΗΣΗ

### **⚠️ ΠΡΟΣΟΧΗ:**

- Να βεβαιώνετε πάντοτε ότι έχετε σβήσει τη συσκευή και έχετε βγάλει την μπαταρία πριν εκτελέσετε οποιαδήποτε εργασία ελέγχου ή συντήρησης σε αυτή.
- Μην χρησιμοποιήσετε βενζίνη, βενζόλη, διαλυτικό, αλκοόλη ή κάτι παρόμοιο. Μπορεί να προκληθεί αποχρωματισμός, παραμόρφωση ή ρωγμές.

### Παροχή γράσου στο κιβώτιο ταχυτήτων (Εικ. 31)

Βάλτε γράσο (Shell Alvania 2 ή ισοδύναμο) στο κιβώτιο ταχυτήτων μέσα από την τρύπα του γράσου κάθε 30 ώρες. (Το αυθεντικό γράσο Dolmar μπορεί να αγοραστεί από τον αντιπρόσωπο της Dolmar.)

### Αντικατάσταση της νάιλον μεσηνέζας

### **⚠️ ΠΡΟΕΙΔΟΠΟΙΗΣΗ:**

- Ελευθερώστε τη σκανδάλη-διακόπτης και αφαιρέστε την μπαταρία πριν από την αντικατάσταση της νάιλον μεσηνέζας.
- Φροντίστε ώστε το κάλυμμα της νάιλον κεφαλής κοπής να είναι στερεωμένο κατάλληλα στη θήκη όπως περιγράφεται παρακάτω. Αν δεν το κάνετε αυτό μπορεί να εκτιναχθεί προκαλώντας σοβαρό τραυματισμό. **(Εικ. 32)**

Πιέστε τα μάνδαλα της θήκης προς τα μέσα για να ανυψώσετε το κάλυμμα, στη συνέχεια βγάλτε έξω το

καρούλι και αφαιρέστε την εναπομένουσα νάιλον μεσηνέζα από πάνω του. **(Εικ. 33)**

Αγκιστρώστε το κέντρο της καινούργιας νάιλον μεσηνέζας στην εγκοπή στο κέντρο του καρουλιού, με το ένα άκρο της μεσηνέζας να εξέχει περίπου 80 χιλ περισσότερο από το άλλο.

Στη συνέχεια τυλίξτε και τα δυο άκρα γύρω από τον κύλινδρο προς την διεύθυνση περιστροφής της κεφαλής (η αριστερή κατεύθυνση δείχνεται από το LH και η δεξιά κατεύθυνση από το RH στον κύλινδρο). **(Εικ. 34)**

Τυλίξτε τα άκρα γύρω εκτός από ένα μήκος 100 χιλ (3-15/16") της μεσηνέζας, αφήνοντας προσωρινά τα άκρα αγκιστρωμένα μέσα στις εγκοπές στο πλάι του καρουλιού. **(Εικ. 35)**

Στερεώστε το καρούλι μέσα στη θήκη έτσι ώστε οι αυλακώσεις και οι προεξοχές στο καρούλι να ταιριάζουν με αυτές στη θήκη. Να έχετε στην κορυφή την πλευρά με τα γράμματα ορατά στο καρούλι. Τώρα, απαγκιστρώστε τα άκρα της μεσηνέζας από την προσωρινή τους θέση και περάστε τις μεσηνέζες μέσα στα οφθαλμίδια για να βγουν έξω από την θήκη. **(Εικ. 36)**

Ταιριάστε την προεξοχή στην κάτω πλευρά του καλύμματος με τις εγκοπές των οφθαλμιδίων. Στη συνέχεια σπρώξτε το κάλυμμα καλά πάνω στην θήκη για το ασφαλίσετε. Φροντίστε ώστε τα μάνταλα να εκτίνονται πλήρως πάνω στο κάλυμμα.

Για να διατηρείται η ΑΣΦΑΛΕΙΑ και η ΑΞΙΟΠΙΣΤΙΑ του προϊόντος, οι εργασίες επισκευής, καθώς και οποιαδήποτε άλλη εργασία συντήρησης ή ρύθμισης, θα πρέπει να εκτελούνται σε εξουσιοδοτημένα κέντρα εξυπηρέτησης της Dolmar, και πάντοτε με τη χρήση ανταλλακτικών της Dolmar.

## ΕΠΙΛΥΣΗ ΠΡΟΒΛΗΜΑΤΩΝ

Πριν ζητήσετε επισκευές, προβείτε πρώτα στον δικό σας έλεγχο. Εάν βρείτε κάποιο πρόβλημα που δεν επεξηγείται στο εγχειρίδιο, μην αποσυναρμολογήσετε βιαστικά τη

συσκευή. Ανταυτού, επικοινωνήστε με τα εξουσιοδοτημένα κέντρα εξυπηρέτησης της Dolmar και πάντοτε χρησιμοποιήστε τα ανταλλακτικά της Dolmar για τις επισκευές.

Κατάσταση δυσλειτουργίας	Αιτία	Δράση
Ο κινητήρας δεν λειτουργεί.	Δεν είναι τοποθετημένη η μπαταρία.	Τοποθετήστε τη μπαταρία.
	Πρόβλημα μπαταρίας (υπόταση)	Επαναφορτίστε τη μπαταρία. Εάν η επαναφόρτιση δεν είναι αποτελεσματική, αντικαταστήστε την μπαταρία.
	Το σύστημα κίνησης δεν λειτουργεί σωστά.	Απευθυνθείτε στο τοπικό σας εξουσιοδοτημένο κέντρο σέρβις για την επισκευή.
Ο κινητήρας σταματά αμέσως μετά την εκκίνηση.	Αντίστροφη περιστροφή.	Αλλάξτε την διεύθυνση περιστροφής με το διακόπτη αναστροφής.
	Η μπαταρία είναι αρκετά εξασθενημένη.	Επαναφορτίστε την μπαταρία. Εάν η επαναφόρτιση δεν είναι αποτελεσματική, αντικαταστήστε την μπαταρία.
	Υπερθέρμανση.	Ξεκουράστε τη συσκευή για λίγο.
Η περιστροφή δεν επιτυγχάνει την κατάλληλη ταχύτητα.	Η μπαταρία δεν έχει τοποθετηθεί σωστά.	Τοποθετήστε την μπαταρία όπως έχει περιγραφεί σε αυτόν τον οδηγό.
	Η ισχύς της μπαταρίας ελαττώνεται.	Επαναφορτίστε τη μπαταρία. Εάν η επαναφόρτιση δεν είναι αποτελεσματική, αντικαταστήστε την μπαταρία.
	Το σύστημα κίνησης δεν λειτουργεί σωστά.	Απευθυνθείτε στο τοπικό εξουσιοδοτημένο κέντρο σέρβις για την επισκευή.
Το εργαλείο κοπής δεν περιστρέφεται: Σταματήστε το μηχάνημα αμέσως!	Ένα ξένο αντικείμενο όπως ένα κλαδί έχει μπλοκάρει μεταξύ του προφυλακτήρα και του εργαλείου κοπής.	Αφαιρέστε το ξένο αντικείμενο.
	Έχει ξεσφίξει το παξιμάδι στερέωσης της λάμας κοπής.	Τοποθετήστε το παξιμάδι σωστά όπως έχει περιγραφεί σε αυτόν τον οδηγό.
	Η λάμα κοπής έχει καμφθεί.	Αντικαταστήστε τη λάμα κοπής
	Το σύστημα κίνησης δεν λειτουργεί σωστά.	Απευθυνθείτε στο τοπικό σας εξουσιοδοτημένο κέντρο σέρβις για την επισκευή.
Ανώμαλη δόνηση: Σταματήστε το μηχάνημα αμέσως!	Το ένα άκρο της νάιλον μεσηνέζας έχει σπάσει.	Κτυπήστε τη νάιλον κεφαλή κοπής ενάντια στο έδαφος κατά τη λειτουργία της συσκευής για τα τροφοδοτήστε επιπλέον μεσηνέζα.
	Η λάμα κοπής έχει καμφθεί, ραγίσει ή φθαρεί.	Αντικαταστήστε τη λάμα κοπής
	Έχει ξεσφίξει το παξιμάδι στερέωσης της λάμας κοπής.	Τοποθετήστε το παξιμάδι σωστά όπως έχει περιγραφεί σε αυτόν τον οδηγό.
	Η λάμα κοπής δεν είναι στερεωμένη σωστά.	Τοποθετήστε το παξιμάδι σωστά όπως έχει περιγραφεί σε αυτόν τον οδηγό.
	Το σύστημα κίνησης δεν λειτουργεί σωστά.	Απευθυνθείτε στο τοπικό σας εξουσιοδοτημένο κέντρο σέρβις για την επισκευή.
Το εργαλείο κοπής και ο κινητήρας δεν σταματούν: Αφαιρέστε τη μπαταρία αμέσως!	Ηλεκτρική ή ηλεκτρονική δυσλειτουργία.	Αφαιρέστε την μπαταρία και επικοινωνήστε με το τοπικό σας εξουσιοδοτημένο κέντρο σέρβις για την επισκευή.



# ΑΞΕΣΟΥΑΡ

## ΠΡΟΣΟΧΗ:

- Συνιστάται η χρήση αυτών των αξεσουάρ ή εξαρτημάτων με τη συσκευή της Dolmar, όπως περιγράφεται στο παρόν εγχειρίδιο. Αν χρησιμοποιήσετε άλλα αξεσουάρ ή εξαρτήματα μπορεί να παρουσιαστεί κίνδυνος για πρόκληση τραυματισμού προσωπών. Να χρησιμοποιείτε τα αξεσουάρ και τα εξαρτήματα μόνο για το σκοπό για τον οποίο προορίζονται.

Αν χρειάζεστε κάποια βοήθεια ή περισσότερες πληροφορίες σχετικά με τα αξεσουάρ αυτά, απευθυνθείτε στο πλησιέστερο κέντρο εξυπηρέτησης της Dolmar.

- Λάμα κοπή
- Νάιλον κεφαλή κοπή
- Προσάρτημα κονταριού κοπτικού θαμνοειδών από φράκτες
- Προσάρτημα κονταροπρίονο
- Προσάρτημα καλλιεργητή εδάφους
- Αυθεντική μπαταρία και φορτιστής της Dolmar

### Για το μοντέλο AT-3623

#### Θόρυβος ENG104-2

Το σύνθετος σταθμισμένο επίπεδο θορύβου που έχει καθοριστεί σύμφωνα με το ISO22868:

Επίπεδο ηχητικής πίεσης ( $L_{pA}$ ): 79,7 dB (A)

Αβεβαιότητα (K): 2,5 dB (A)

Το επίπεδο θορύβου κατά τη λειτουργία ενδέχεται να υπερβεί τα 80 dB (A).

#### Να φοράτε ωτοασπίδες.

#### Δόνηση ENG244-1

Η τιμή εκπομπής δόνησης έχει καθοριστεί σύμφωνα με το ISO22867, EN786:

Εκπομπή δόνησης ( $a_h$ ): 2,5 m/s<sup>2</sup> ή λιγότερο

Αβεβαιότητα (K): 1,5 m/s<sup>2</sup>

### Για το μοντέλο AT-3630

#### Θόρυβος ENG104-2

Το σύνθετος σταθμισμένο επίπεδο θορύβου που έχει καθοριστεί σύμφωνα με το EN786:

Επίπεδο ηχητικής πίεσης ( $L_{pA}$ ): 79,3 dB (A)

Αβεβαιότητα (K): 2,5 dB (A)

Το επίπεδο θορύβου κατά τη λειτουργία ενδέχεται να υπερβεί τα 80 dB (A).

#### Να φοράτε ωτοασπίδες.

#### Δόνηση ENG244-1

Η τιμή εκπομπής δόνησης έχει καθοριστεί σύμφωνα με το EN786:

Εκπομπή δόνησης ( $a_h$ ): 2,5 m/s<sup>2</sup> ή λιγότερο

Αβεβαιότητα (K): 1,5 m/s<sup>2</sup>

### Για Ευρωπαϊκές χώρες μόνο

ENH021-5

#### ΕΚ – Δήλωση συμμόρφωσης

Οι υπογεγραμμένοι, **Tamiro Kishima** και **Rainer Bergfeld**, λαμβάνοντας εξουσιοδότηση από την **Dolmar GmbH**, δηλώνουν ότι το μηχανήμα(τα) της **DOLMA:**

Ονομασία Μηχανήματος:

Θαμνοκοπτικό μπαταρίας

Αρ. Μοντέλου/ Τύπος: AT-3623

Προδιαγραφές: δείτε τον πίνακα "ΠΡΟΔΙΑΓΡΑΦΕΣ".

αποτελεί παραγωγή σε σειρά και

### Συμμορφώνεται με τις ακόλουθες Ευρωπαϊκές

#### Οδηγίες:

2000/14/ΕΚ, 2006/42/ΕΚ

Και κατασκευάζεται σύμφωνα με τα παρακάτω πρότυπα ή

τυποποιημένα έγγραφα:

EN60745, ISO11806

Τα τεχνικά έγγραφα βρίσκονται στο αρχείο στην:

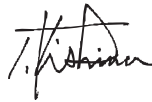
Dolmar GmbH,  
Jenfelder Straße 38, Abteilung FZ,  
D-22045 Hamburg

Η διαδικασία εκτίμησης συμμόρφωσης που απαιτείται από την Οδηγία 2000/14/ΕΚ εκτελέστηκε σύμφωνα με το Παράρτημα V.

Μετρημένο Επίπεδο Ηχητικής Ισχύος: 93,6 dB

Εγγυημένο Επίπεδο Ηχητικής Ισχύος: 95 dB

16η Οκτωβρίου 2009



Tamiro Kishima  
Διευθύνων Σύμβουλος



Rainer Bergfeld  
Διευθύνων Σύμβουλος

### Για Ευρωπαϊκές χώρες μόνο

ENH212-10

#### ΕΚ – Δήλωση συμμόρφωσης

Οι υπογεγραμμένοι, **Tamiro Kishima** και **Rainer Bergfeld**, λαμβάνοντας εξουσιοδότηση από την **Dolmar GmbH**, δηλώνουν ότι το μηχανήμα(τα) της **DOLMA:**

Ονομασία Μηχανήματος:

Θαμνοκοπτικό μπαταρίας με μεσηνέζα

Αρ. Μοντέλου/ Τύπος: AT-3630

Προδιαγραφές: δείτε τον πίνακα "ΠΡΟΔΙΑΓΡΑΦΕΣ".

αποτελεί παραγωγή σε σειρά και

**Συμμορφώνεται με τις ακόλουθες Ευρωπαϊκές**

#### Οδηγίες:

2000/14/ΕΚ, 2006/42/ΕΚ

Και κατασκευάζεται σύμφωνα με τα παρακάτω πρότυπα ή

τυποποιημένα έγγραφα:

EN60745, EN60335

Τα τεχνικά έγγραφα βρίσκονται στο αρχείο στην:

Dolmar GmbH,  
Jenfelder Straße 38, Abteilung FZ,  
D-22045 Hamburg

Η διαδικασία εκτίμησης συμμόρφωσης που απαιτείται από την Οδηγία 2000/14/ΕΚ εκτελέστηκε σύμφωνα με το Παράρτημα VIII.

Κοινοποιημένος Οργανισμός:

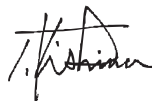
TÜV Rheinland Product Safety GmbH, Am Grauen

Stein D-51105 Köln, αρ. αναγνώρισης 0197

Μετρημένο Επίπεδο Ηχητικής Ισχύος: 91,3 dB

Εγγυημένο Επίπεδο Ηχητικής Ισχύος: 93 dB

16η Οκτωβρίου 2009



Tamiro Kishima  
Διευθύνων Σύμβουλος



Rainer Bergfeld  
Διευθύνων Σύμβουλος







DOLMAR GmbH  
Postfach 70 04 20  
D-22004 Hamburg  
Germany  
<http://www.dolmar.com>

884944-935