

# Hands-free Car Kit

Parrot 3200 LS-COLOR PLUS  
User manual



For Bluetooth  
Mobile Phone



## Warning

The manufacturer Parrot S.A. and its affiliates should not be held liable towards end users or third parties to prejudice caused by misuse of the product, nor for usage that would be in violation of local traffic regulations and laws.

## Disclaimer

The information in this document is subject to change without notice and does not represent a commitment on the part of vendor. No warranty or representation, either expressed or implied, is made with respect of quality, accuracy or fitness for any particular purpose of this document. The associated with it at any time without obligation to notify any person or organisation of such changes. In no event will the manufacturer be liable for direct, indirect, special, incidental or consequential damages arising out of the use or inability to use this product or documentation, even if advised of the possibility of such damages. This document contains material protected by copyright. All rights are reserved. No part of this manual may be reproduced or transmitted in any form, by any means or for any purpose without express written consent. Product names appearing in this document are mentioned for identification purposes only. All trademarks, product names appearing in this document are registered property of their respective owners.

## FCC Compliance Statement



This device complies with part 15 of the FCC rules. Operation is subject to the following two conditions.

1. This device may not cause harmful interference, and
2. This device must accept any interference received, including interference that may cause undesired operation.

Note: The manufacturer is not responsible for any radio or TV interference caused by unauthorized modifications to this equipment. Such modifications could void the user's authority to operate the equipment.

## Declaration of Conformity



We, Parrot S.A. 174 quai de Jemmapes, 75010 Paris, France, declare under our sole responsibility that our product, the Parrot 3200 LS-COLOR PLUS, to which this declaration relates is in conformity with appropriate standards EN300328, EN301489-17, EN 60950 following the provision of Radio Equipment and Telecommunication Equipment directive 1995/5/EC with requirements covering EMC directive 89/336/EEC and Low Voltage directive 73/23/EEC.

## Bluetooth®

The Bluetooth word mark and logos are owned by the Bluetooth SIG, Inc. and any use of such marks by Parrot S.A. is under license. Other trademarks and trade names are those of their respective owners.

## Correct Disposal of This Product ( Waste Electrical & Electronic Equipment )



(Applicable in the European Union and other European countries with separate collection systems). This marking shown on the product or its literature, indicates that it should not be disposed with other household wastes at the end of its working life. To prevent possible harm to the environment or human health from uncontrolled waste disposal, please separate this from other types of wastes and recycle it responsibly to promote the sustainable reuse of material resources. Household users should contact either the retailer where they purchased this product, or their local government office, for details of where and how they can take this item for environmentally safe recycling. Business users should contract their supplier and the terms and conditions of the purchase contract. This product should not be mixed with other commercial wastes for disposal.

# Parrot 3200 LS-COLOR PLUS

## Directions for use



## INTRODUCTION

---

The Bluetooth technology enables voice and data communications via a short-distance radio link. It allows several electronic devices to communicate with each other, particularly telephones and hands-free kits.

Parrot is drawing on its long years of experience in signal processing and voice recognition technology to introduce a hands-free kit offering superior audio quality during calls. The Parrot 3200 LS-COLOR PLUS benefits from the Beamforming technology through a double microphone built into the screen of the hands-free kit. This technology allows for greater call quality by means of improved noise reduction.

Thank you for buying a Parrot hands-free kit. With the Parrot CK3200 LS-COLOR PLUS, you will be able to make telephone calls from your car while keeping your hands on the wheel. With its colour interface and customisable wallpaper, the Parrot 3200 LS-COLOR PLUS is the most user-friendly hands-free kit. It acts as a real extension of your mobile phone. Furthermore, you can take the Parrot 3200 LS-COLOR PLUS screen with you when you leave your vehicle.

## KIT CONTENTS

---

- Colour LCD screen
- Installation cable
- Electronic control unit
- Directions for use
- Fitting accessories

## FITTING

---

First of all, choose the place for the colour screen inside your vehicle. We would advise you to fit it in the centre of the dashboard or near you.

Make sure that you can view the screen at a good angle and that it does not obstruct your view of the road. Once the hands-free kit is fully installed and switched on, you can adjust the screen's brightness.

The installation cable is fitted with ISO connectors, as well as two line-out jacks for connecting to the car stereo's line-in jacks if applicable.

### **Car stereo with line-in jacks:**

Use this type of connection by wiring the brown and white wires (or red and black) to the car stereo's line-in jack and the yellow wire to the car stereo's mute jack.

### **Car stereo with ISO connectors:**

Disconnect the ISO connectors from your car stereo. Join the male ISO connectors of the kit's cable to the car stereo. Join the vehicle's ISO connectors to the female ISO connectors of the kit's cable.

If the car stereo features a mute in jack, connect the yellow wire of the kit's cable to the corresponding "mute in" jack (Mute in 1, 2 or 3).

### **Car stereo without ISO connectors:**

An adapter cable is required to convert the specific connections into an ISO connector. As a result, installation will be the same as with an ISO connector. Parrot offers a range of ISO adapter cables. Visit our website at [www.parrot.com](http://www.parrot.com).

### **Fitting the kit's cable:**

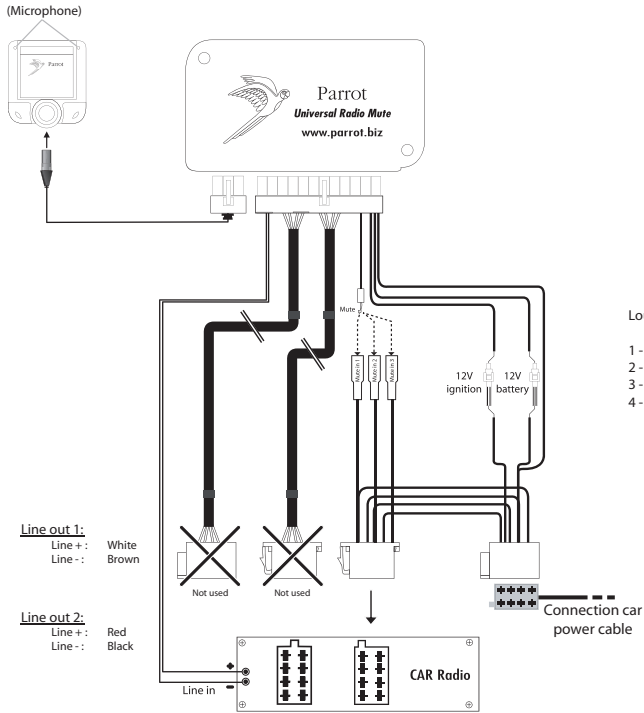
Check the wiring diagram for the car stereo's ISO cable.

The red wire of the kit's cable must be connected to the constant 12V supply, the orange wire to the ignition 12V and the black wire to ground. On some vehicles, the red and orange wires may need to be reversed. This can easily be done by reversing the two fuse holders. On other vehicles, the ignition 12V may be missing from the car stereo's connectors, meaning that you must connect the orange wire directly to an available ignition 12V source in the vehicle. Do not connect the orange wire to the constant 12V supply, as you could run down the vehicle's battery.

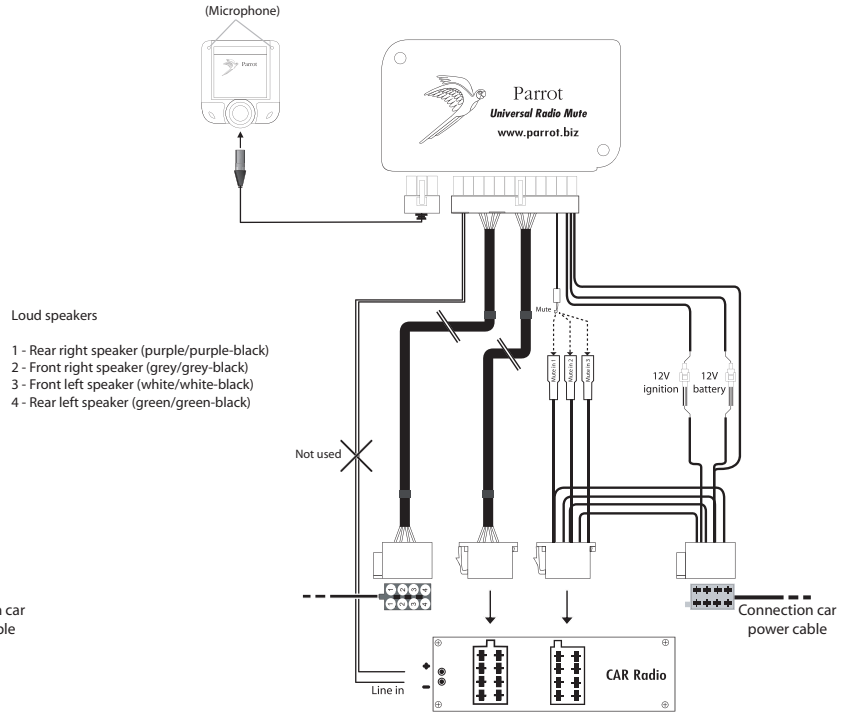
### **Checking the installation:**

If your Parrot 3200 LS-COLOR PLUS is correctly fitted, you should see the message "Goodbye" on the screen when you switch off your car's ignition.

## Using line-in jacks



## Using ISO connectors



## Installing the Parrot 3200 LS-COLOR PLUS screen

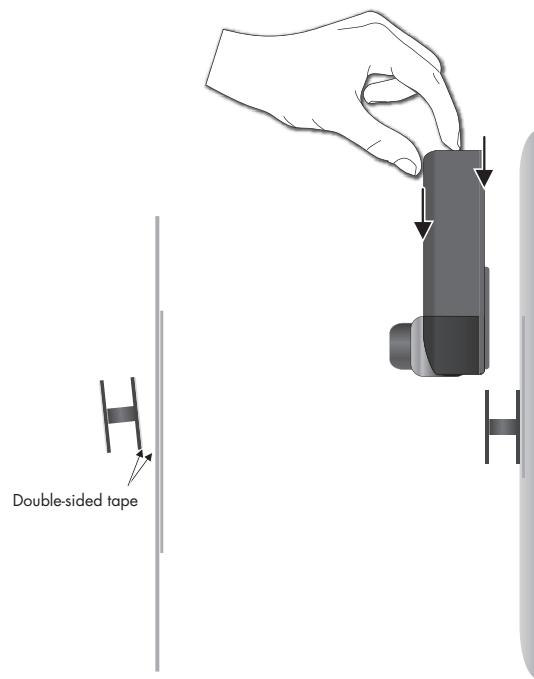
---

To guarantee optimal call quality, do not stick the screen directly on the dashboard.

Use one of the two brackets supplied.

The first bracket lets you place the screen against the dashboard.

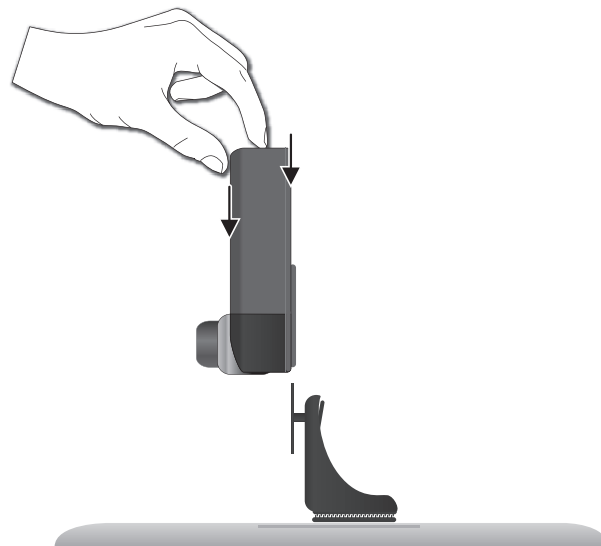
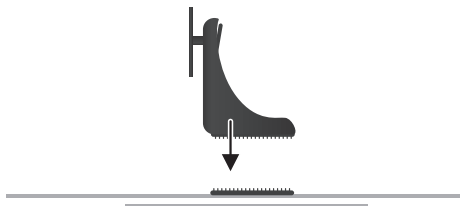
- Stick some double-sided tape on one of the flat sides of the bracket and some double-sided tape on the dashboard.
- Place the bracket on the dashboard.
- Then insert the screen into the bracket.



**IMPORTANT: remember to remove your screen when leaving the vehicle to avoid tempting any would-be thieves and to prevent prolonged exposure to sunlight.**

The second bracket lets you place the Parrot 3200 LS-COLOR PLUS screen higher up.

- Stick one of the Velcro strips on the bracket and the other strip on the dashboard.
- Place the bracket on the dashboard.
- Then insert the screen into the bracket.



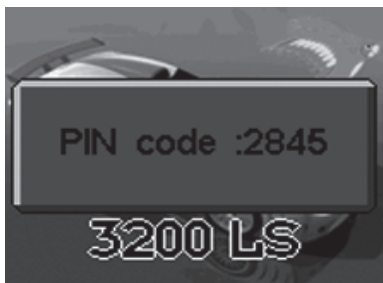
**IMPORTANT:** remember to remove your screen when leaving the vehicle to avoid tempting any would-be thieves and to prevent prolonged exposure to sunlight.

## PAIRING WITH YOUR MOBILE PHONE: Using for the first time

---

The first time that you switch on the Parrot 3200 LS-COLOR PLUS, you must pair your mobile phone with the kit.

- . Enable the Bluetooth mode on your phone.
- . On the hands-free kit, scroll through the menus until you come to Settings Pair with phone..., and select the relevant option for your phone. A 4-digit PIN code then appears on screen. Memorise it.
- . Search for any peripherals: for further information on this procedure, refer to the Bluetooth chapter in your mobile phone's user guide or check out our website at : [www.parrot.com](http://www.parrot.com)
- . Once the search has finished, "Parrot 3200LS" is displayed on your phone.
- . Select the kit. Your phone prompts you to enter a code: key in the code shown on the kit screen and confirm on your phone.



- . The kit's screen displays "Pairing".
- . Once the data has been exchanged, "pairing successful" appears on the Parrot 3200 LS-COLOR PLUS.
- . The Parrot 3200 LS-COLOR PLUS then connects to your phone.

When pairing the first phone with your Parrot 3200 LS-COLOR PLUS, you will automatically be prompted to adjust the direction of the double microphone. Doing so will enable the kit to provide your callers with greater call quality. The following directions are available:

- Left: the driver is on the left of the hands-free kit.
- Centre: the driver is facing the hands-free kit.
- Right: the driver is on the right of the hands-free kit.
- No special direction: allows callers to hear both the driver and the passenger. Noise reduction is then less effective.

Subsequently, you can change this setting by going to the "Settings / Mic direction" menu.

Once the connection has been made, the Bluetooth logo is displayed on the screen (except for certain phones using the Headset profile). Some phones offer additional features, such as displaying your phone's name on the kit's screen, as well as the battery and signal levels and the operator's name. Please refer to the Support heading on our website at [www.parrot.com](http://www.parrot.com) for details on your phone's features.

When your phone is connected to your hands-free kit, the menus of the Parrot 3200 LS-COLOR PLUS are available and their name is announced by the hands-free kit when you turn the scroll wheel. You can now access the menus and their name is announced by the hands-free kit when you turn the scroll wheel. Press the green button (or the scroll wheel) to access the menus, and press the red button to exit them.

You can now use your hands-free kit to make and receive calls.

- **Receiving a call:** press the green button to answer the call.
- **Ending a call:** press the red button.
- **Redial function:** hold down the green key on the kit for two seconds to redial the last number dialled.
- **Adjusting the volume:** turn the scroll wheel during a call to adjust the volume.



## FEATURES

---

The kit's screen displays your mobile phone's main information, in particular your phonebook.

- ♦ Automatic downloading of your phonebook.
- ♦ Display of the caller's name and image.
- ♦ Contacts phoned using the kit's voice recognition feature.
- ♦ Car stereo muting during calls.
- ♦ Call records.
- ♦ Volume adjustment during calls.
- ♦ Dual call management.
- ♦ Automatic redial of the last caller.
- ♦ Wallpaper change.
- ♦ Brightness settings.
- ♦ Ringtone selection.
- ♦ Language setting.
- ♦ DTMF: when you receive a call from your message system, press the scroll wheel so that you can access the digits allowing you to manage your message.



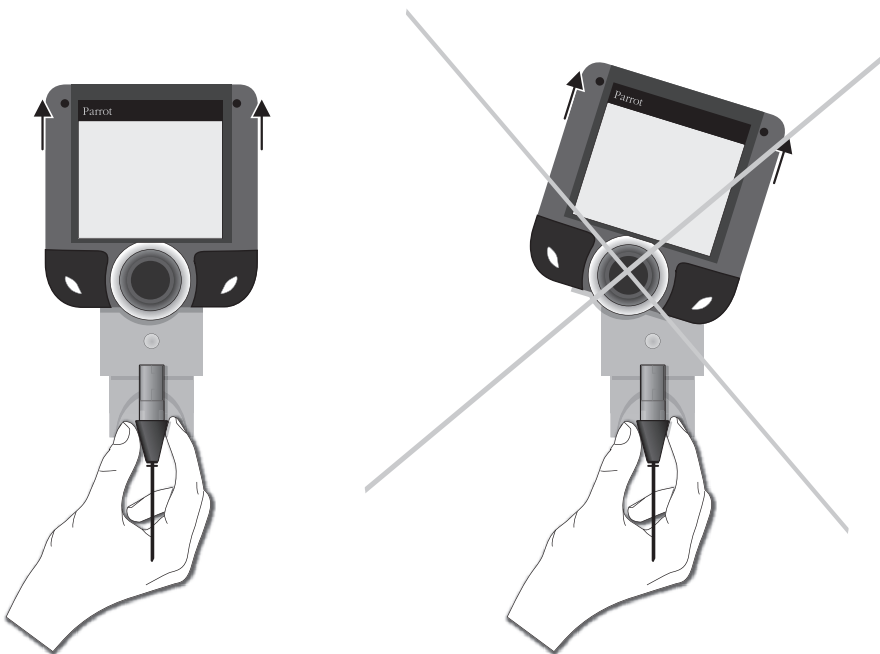
Note: the use of certain features (voice recognition, redial, discreet mode) depends exclusively on your phone. Refer to the Support heading on our website at [www.parrot.com](http://www.parrot.com) for further information.

## Remove the Parrot 3200LS-COLOR PLUS display:

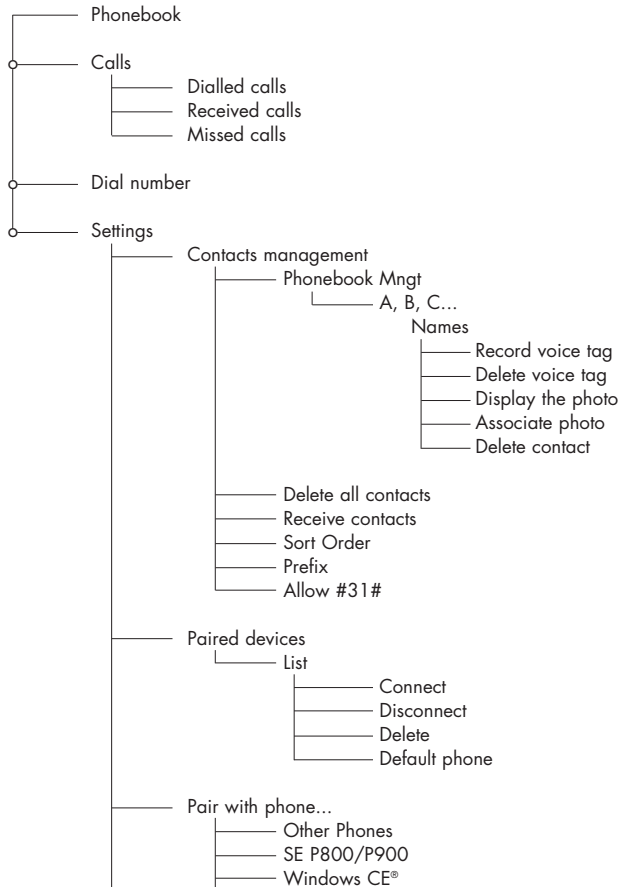
---

The Parrot 3200 LS-COLOR PLUS is equipped with a USB connector. You can remove your hands-free kit's screen when leaving the vehicle.

It is important to switch off your vehicle's ignition and then wait until the Parrot 3200 LS-COLOR PLUS displays "Goodbye" before unplugging the screen from your hands-free kit. To remove the screen, you are advised to hold the cable of the Parrot 3200 LS-COLOR PLUS and then slide the screen vertically from its holder.



# MENUS



- Samsung E-720/E-530
- SE K600, K750, W550
- Disable Synchro
- IDEN phones
- D800, S400i
- D500, D500e
- Z310
- Z300, Z500
- LG U8360, VK
- Sagem phones
- Headset Phone

## Languages

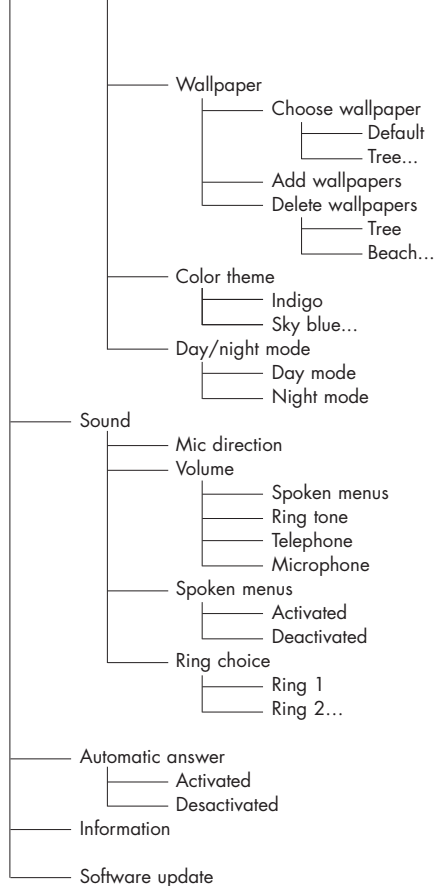
- Automatic
- English...

## Voice Command

- Keywords
  - Phone
    - Record voice tag
    - Activate/Deactivate
  - Home
  - Work
  - Cellular
  - General
  - Other
  - Preferred
- Select voice recognition
  - Hands-free kit
  - Phone

## Display

- Brightness
- Phonebook zoom
  - 4 lines
  - 3 lines



## ACCESSING THE MENUS

### Phonebook

After pairing your phone with the Parrot 3200 LS-COLOR PLUS, synchronisation with your phonebook will begin automatically. Once the synchronisation process is complete, you can access your phonebook from the hands-free kit screen. To access your phonebook and call a contact, turn the scroll wheel to access the menus, then select Phonebook. Scroll through the letters until you reach the first letter of the relevant person's name and confirm. You will then see this person's name and the various phone numbers you have for them.

If your phone does not support the automatic phonebook synchronisation feature, you can send your contacts manually from the phone to the hands-free kit. To benefit from the most up-to-date procedures, please refer to our website at [www.parrot.com](http://www.parrot.com).

Note: the "Automatic phonebook synchronisation" and "Send contacts manually" features depend exclusively on your phone. Refer to the Support heading on our website at [www.parrot.com](http://www.parrot.com) for further information.

### Calls

This menu option displays the list of calls and is divided into three sub-menus: Missed Calls / Received Calls / Dialed Calls. It is automatically synchronised with your phone's call records and you can access them to call back a missed call.

- Select the contact from these menus.
- Press the scroll wheel or the green button to call the contact back.

Note: the use of this feature depends exclusively on your phone. Refer to the Support heading on our website at [www.parrot.com](http://www.parrot.com) for further information.

### Dial number

Select this menu to dial a number directly via the kit.

- Turn and press the scroll wheel to select a digit.
- The trashcan icon deletes the last digit.
- Once the number has been dialled, press the green button to call.

## SETTINGS

---

This menu allows you to adjust the necessary settings to get the most out of your hands-free kit.

### Contacts management

This menu enables you to manage contacts in the Parrot 3200 LS-COLOR PLUS. Once you have selected the contact from the list (which you access via the Phonebook management menu) you can record or delete a voiceprint, view or delete the photo, or delete the contact from the phonebook.

You can also receive a contact with the relevant photo (if supported by the phone) by selecting Receive contacts. Select on your phone the contact you want to send via Bluetooth to the hands-free kit. From then on, whenever this person calls you, his or her photo and name will appear on the kit screen.

Note: the use of certain features depends exclusively on your phone. Refer to the Support heading on our website at [www.parrot.com](http://www.parrot.com) for further information. You will also find the most up-to-date usage procedures for your phone.

You can also delete all the contacts in the kit or reverse the sort order from surname-first name to first name-surname



## VOICE RECOGNITION

---

### Select voice recognition

The Parrot 3200 LS-COLOR PLUS lets you use your phone's voice recognition feature if available. The Parrot 3200 LS-COLOR PLUS also lets you use its own voice recognition feature. Your phone must be capable of sending contacts to the hands-free kit to be able to use this feature. The car kit voice recognition feature is the most suitable in a car environment. We advise to set your car kit with this option.

- **Hands-free kit:** the selected voiceprints are those recorded in the memory of the hands-free kit.
- **Phone :** the selected voiceprints are those recorded in the memory of the phone.

### Keywords

Keywords enable you to select the different types of phone number associated with your contact: work, home, mobile, and so on.

Recording keywords enables you to phone without taking your hands off the wheel. You can control the whole call with your voice.

All keywords must be recorded, so that they can be validated.

- To record the keywords, simply select the keyword that you wish to record.
- You are advised to record the keywords in a quiet setting, turn off your engine, close the windows and make sure that you are in the driver's seat. Do not get close to the microphone of the Parrot Parrot 3200 LS-COLOR PLUS and remain in your normal driving position.
- The hands-free kit will prompt you to say the keyword. If the keyword is properly recorded, you will be asked to repeat the keyword.
- After recording a keyword, the Parrot 3200 LS-COLOR PLUS will automatically get ready to record the next keyword.

## **Paired devices**

The Parrot 3200 LS-COLOR PLUS lets you pair up to five Bluetooth phones, but bearing in mind that only one can be connected at any one time.

The Paired devices menu allows you to connect, disconnect or delete a phone from the kit's memory. From the Define default phone menu option, you can control the priority level given to the Bluetooth phone during connections with several phones in the car.

### Caution:

Deleting a paired phone will clear any voiceprints attributed to the contacts on that phone.

## **Pair with phone**

Before pairing your Bluetooth phone, you must enable the mode corresponding to your Bluetooth phone.

Once the relevant mode has been selected, a (random) 4-digit code appears. Start searching for Bluetooth peripherals from your phone. Once you have found the hands-free kit, select it and enter this code.

Note: for greater compatibility with phones, new pairing modes are likely to be added to future versions.

## **Language**

Select the language for displaying the menus on your Parrot 3200 LS-COLOR PLUS.

## **Display**

Four options are available for customising the way in which information is displayed:

- **Brightness :** use the scroll wheel to obtain the required level and confirm by clicking the scroll wheel.
- **Phonebook zoom:** used to display the Phonebook menu over 3 or 4 lines.

- **Wallpaper:** allows you to select a wallpaper image.
- **Color Theme:** lets you select a colour theme.

## **Sounds**

- **Volume:** use the scroll wheel to control the volume level of the call and the microphones' sensitivity.
- **Spoken menus:** adjust the volume of the hands-free kit's prompts to the required level.
- **Ringtone:** for phones that do not play a specific ringtone for incoming calls, select the ringtone that you wish to hear when you receive a call.
- **Microphone direction:** this menu lets you choose a specific direction for the double microphone and thereby ensure the very highest call quality for all your callers. The following directions are available:
  - Left: the driver is on the left of the hands-free kit.
  - Centre: the driver is facing the hands-free kit.
  - Right: the driver is on the right of the hands-free kit.
  - No special direction: allows callers to hear both the driver and the passenger. Noise reduction is then less effective.

## **Automatic answer**

Enable this mode if you want the Parrot 3200 LS-COLOR PLUS to automatically answer any incoming calls.

## **Information**

This menu provides information on the version of the built-in software.

## UPDATE

---

You can update the software version of your Parrot 3200 LS-COLOR PLUS by Bluetooth. Enable this mode before updating. The update is performed by Bluetooth from a computer equipped with Bluetooth.

Updating provides access to new features and improves compatibility with the advanced functions on an even wider range of phones.

For further information, visit our website: [www.parrot.com](http://www.parrot.com).

## HOTLINE

---

Our hotline is at your disposal. You can contact the hotline by email or telephone. Open from Monday to Friday between 9 am and 6 pm (GMT+1).

Check out our website ([www.parrot.com](http://www.parrot.com)) for further information.

Europe : [+33] 1 48 03 60 69

France : 01 48 03 60 69

Italie : [+39] 02 86 39 14 63

Espagne : [+34] 902 404 202

UK : [+ 44] (0) 870 112 5872

Allemagne : 0900 172 77 68

USA : [+1] (877) 9 PARROT (toll-free)

Chine : [+86] (0) 2164 601 944

## NOTES

---



# Parrot 3200 LS-COLOR PLUS

## Notice d'utilisation



## INTRODUCTION

---

La technologie Bluetooth® permet d'établir des communications voix et données via une liaison radio courte distance. Elle permet à de nombreux équipements électroniques de communiquer entre eux, notamment les téléphones et les kits mains-libres. Parrot tire bénéfice des ses longues années d'expérience en traitement du signal et reconnaissance vocale pour introduire un kit mains-libres avec une qualité audio supérieure lors des communications. Le Parrot 3200 LS-COLOR PLUS bénéficie de la technologie Beamforming à travers un double microphone intégré dans l'écran du kit main-libres. Cette technologie permet une meilleure qualité de communication par une réduction de bruit optimale.

Merci d'avoir acheté un kit mains-libres Parrot. Avec le Parrot 3200 LS-COLOR PLUS vous allez pouvoir passer des appels téléphoniques depuis votre voiture en gardant les mains sur le volant. Avec son interface couleur et son fond d'écran personnalisable, le Parrot 3200 LS-Color est le kit mains-libres le plus agréable à utiliser. Il fonctionne comme une véritable extension de votre téléphone portable. De plus, vous pourrez emporter avec vous l'écran du Parrot 3200 LS-COLOR PLUS lorsque vous sortez de votre véhicule.

## CONTENU DE L'EMBALLAGE

---

- Ecran LCD couleur.
- Câble d'installation.
- Boîtier électronique.
- Notice d'utilisation.
- Supports de fixation.

## INSTALLATION

---

Choisissez d'abord l'emplacement de l'écran couleur dans l'habitacle de votre véhicule. Nous vous conseillons de le positionner au centre de votre tableau de

bord ou proche de vous.

Assurez-vous d'avoir un bon angle de vue sur l'écran et que celui-ci ne gêne pas votre vision de la route. Une fois le kit mains-libres complètement installé et mis en service vous pourrez régler la luminosité de l'écran. Le câble d'installation est équipé de connecteurs ISO, ainsi que de 2 sorties " line out " pour se connecter sur les entrées « line in » d'un système audio si il dispose de cette option.

### **Autoradio avec entrées " line in " :**

Utilisez ce type de connexion en reliant les fils marron et blanc (ou rouge et noir) sur l'entrée « line in » du système audio ainsi que le fil jaune sur l'entrée « mute » de votre autoradio.

### **Autoradio avec connecteur ISO :**

Déconnectez les connecteurs ISO de votre autoradio. Reliez les connecteurs ISO mâle du câble du kit à l'autoradio. Reliez les connecteurs ISO du véhicule aux connecteurs ISO femelles du câble du kit.

Si l'autoradio est équipé d'une entrée Mute, reliez le fil jaune du câble du kit à l'entrée Mute correspondante (« Mute in 1 », « Mute in 2 » ou « Mute in 3 »).

### **Autoradio sans connecteurs ISO :**

Un câble adaptateur est nécessaire, il permet de convertir la connectique spécifique en une connectique ISO. Ainsi l'installation devient identique à une installation avec connecteur ISO. Parrot propose une gamme de câbles adaptateurs ISO. N'hésitez pas à consulter notre site Internet : [www.parrot.com](http://www.parrot.com)

### **Installation du câble du kit :**

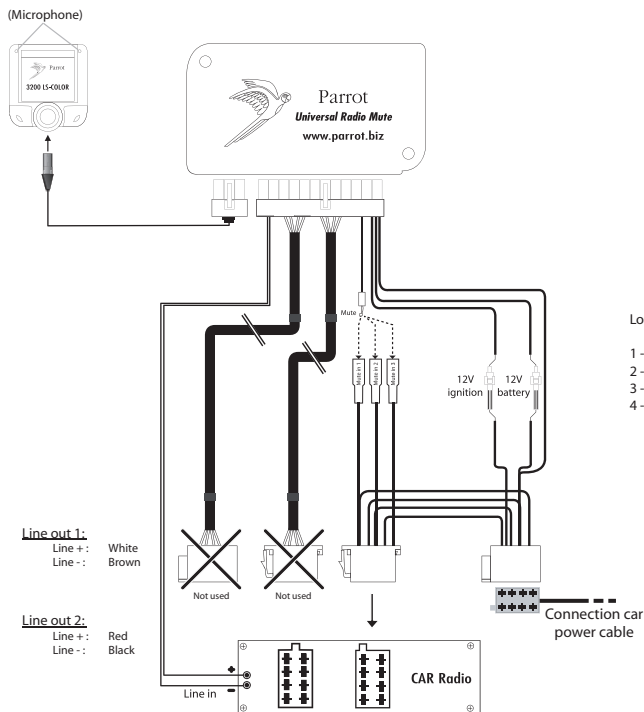
Vérifiez le schéma électrique du faisceau ISO de l'autoradio.

Le fil rouge du câble du kit doit être relié au +12V permanent, le fil orange au 12V après-contact et le fil noir à la masse. Sur certains véhicules, il est nécessaire d'inverser les fils rouge et orange. Cette opération s'effectue simplement en inversant les deux porte fusibles. Sur d'autres véhicules, le +12V après contact n'est pas présent sur les connecteurs de l'autoradio, il est alors nécessaire de relier en direct le fil orange à un +12V après contact disponible sur le véhicule. Ne connectez pas le fil orange au 12V permanent, vous risqueriez de décharger la batterie du véhicule.

## Vérification de l'installation :

Si votre Parrot 3200 LS-COLOR PLUS est bien installé, vous devez voir le message " au revoir " sur l'écran lors que vous coupez le contact de votre voiture.

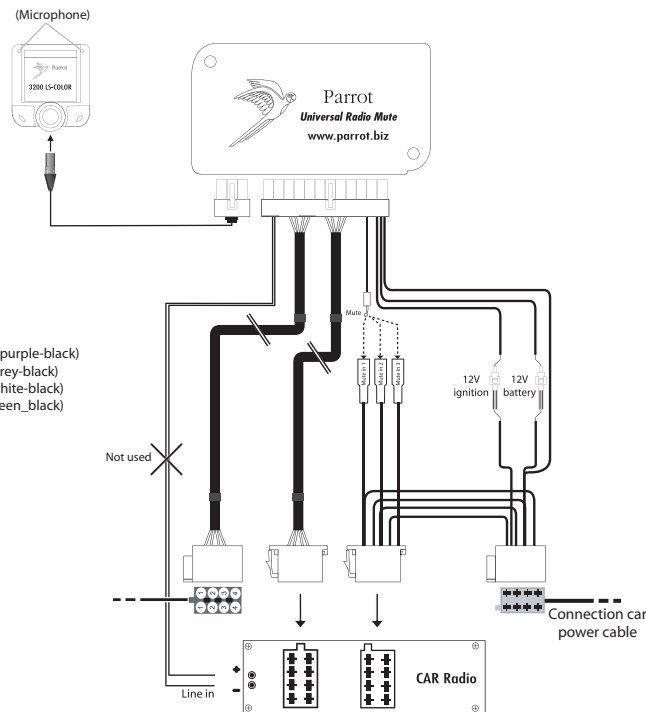
### Utilisation d'entrée «Line»



Loud speakers

- 1 - Rear right speaker (purple/purple-black)
- 2 - Front right speaker (grey/grey-black)
- 3 - Front left speaker (white/white-black)
- 4 - Rear left speaker (green/green\_black)

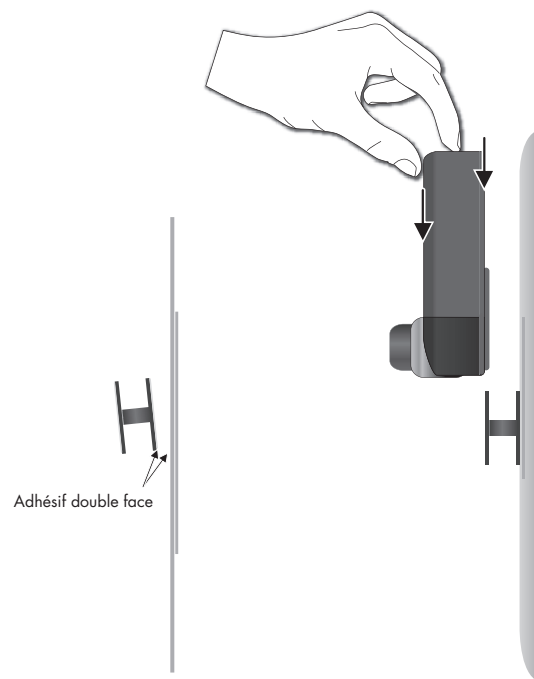
### Utilisation de connecteurs ISO



## Installation de l'écran du Parrot 3200 LS-COLOR PLUS

Afin de bénéficier de communication de qualité optimale, ne collez pas l'écran directement sur le tableau de bord. Utilisez pour cela l'un des deux supports fournis. Le premier support vous permet de placer l'écran contre le tableau de bord.

- Collez un adhésif double face sur une des faces planes du support et un autre adhésif double face sur le tableau de bord.
- Placez le support sur le tableau de bord.
- Insérez ensuite l'écran sur le support.

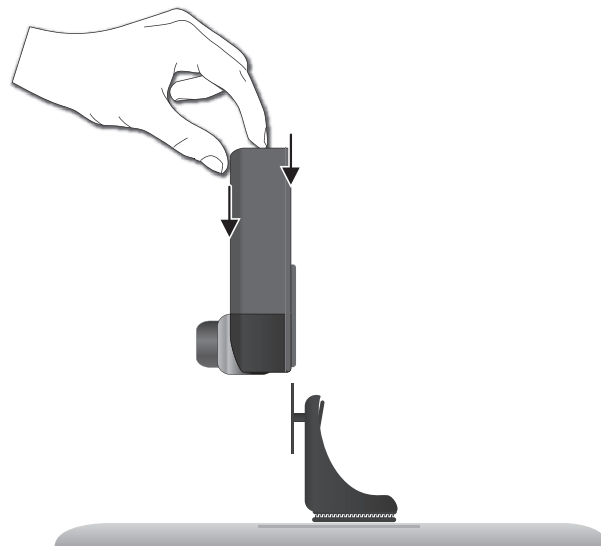
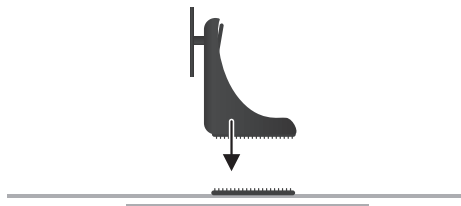


### **IMPORTANT :**

Pensez à enlever votre écran lorsque vous quittez votre véhicule afin d'éviter les risques de vol et d'exposition prolongée au soleil.

Le deuxième support vous permet de placer l'écran du Parrot 3200 LS-COLOR PLUS en hauteur.

- Collez une bande scratch sur le support et une autre sur le tableau de bord.
- Placez le support sur le tableau de bord.
- Insérez ensuite l'écran sur le support.



**IMPORTANT :**

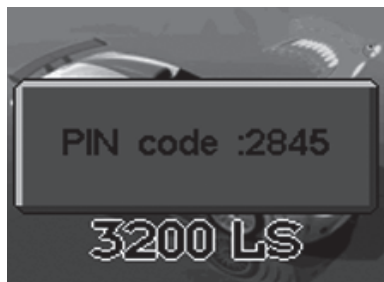
Pensez à enlever votre écran lorsque vous quittez votre véhicule afin d'éviter les risques de vol et d'exposition prolongée au soleil.

## JUMELAGE AVEC VOTRE TELEPHONE :

### Première utilisation

Lors de la première mise sous tension du Parrot 3200 LS-COLOR PLUS, vous devez jumeler votre téléphone avec le kit.

- . Activez Bluetooth sur votre téléphone.
- . Sur le kit mains-libres, naviguez dans les menus jusqu'à : Préférences, Jumeler téléphone..., et sélectionnez l'option correspondante à votre téléphone. Un PIN code de 4 chiffres est alors affiché à l'écran. Mémorisez-le.



- . Lancez une recherche de périphériques : Pour plus d'informations sur cette opération, veuillez vous référer à la notice de votre téléphone (chapitre Bluetooth) ou rendez-vous sur notre site Web à : [www.parrot.com](http://www.parrot.com), rubrique guides utilisateurs.
- . Une fois la recherche terminée, " Parrot 3200 LS " s'affiche sur votre téléphone.
- . Sélectionnez le kit, votre téléphone vous demande d'entrer un code : tapez le code affiché sur l'écran du kit, et validez sur votre téléphone.
- . " Jumelage en cours " s'affiche sur l'écran du kit.
- . Une fois les données échangées, " jumelage réussi " s'affiche sur le Parrot 3200 LS-COLOR PLUS.

Le Parrot 3200 LS-COLOR PLUS se connecte alors avec votre téléphone. Lors du jumelage d'un premier téléphone avec votre Parrot 3200 LS-COLOR PLUS, il vous sera automatiquement demandé de régler la direction du double microphone. Cette étape permettra au kit de transmettre à votre interlocuteur une plus grande qualité de communication. Les directions suivantes sont disponibles :

- Direction gauche : Le conducteur est placé à gauche du kit main libres
  - Direction centrale : Le conducteur est en face du kit main libres
  - Direction droite : Le conducteur est placé à droite du kit main libres
  - Pas de direction privilégiée : Permet à l'interlocuteur d'entendre le conducteur et le passager. La réduction de bruit est alors moins efficace
- Vous pourrez par la suite modifier ce réglage en allant dans le menu « Préférences / Direction micro »

Une fois la connexion établie, le logo Bluetooth s'affiche sur l'écran (excepté pour certains téléphones utilisant le profil Headset). Certains téléphones offrent des fonctionnalités supplémentaires, telles que l'affichage du nom de votre téléphone sur l'écran du kit, affichage également des niveaux de réseau et de batterie ainsi que du nom de votre opérateur.

Veuillez consulter notre site internet [www.parrot.com](http://www.parrot.com) rubrique Support afin de connaître les fonctionnalités de votre téléphone. Les menus sont accessibles et leur nom est énoncé par le kit mains-libres lorsque vous faites tourner la molette. Entrez dans les menus en appuyant sur le bouton vert (ou la molette). Pour en sortir, appuyez sur le bouton rouge

Vous pouvez maintenant utiliser votre kit mains-libres pour communiquer

- **Recevoir un appel** : appuyez sur le bouton vert pour décrocher l'appel.
- **Raccrocher un appel** : appuyez sur le bouton rouge.
- **Fonction Bis** : appuyez deux secondes sur le bouton vert du kit pour rappeler le dernier numéro composé.
- **Réglage volume** : tournez la molette pendant une communication pour régler le volume.

## FONCTIONNALITES

Sur l'écran du kit, vous retrouvez les principales informations de votre téléphone, notamment votre répertoire.

- ♦ Téléchargement automatique de votre répertoire téléphonique.
- ♦ Affichage du nom et de l'image de l'appelant.
- ♦ Appel de contacts en utilisant la reconnaissance vocale du kit.
- ♦ Coupure de l'autoradio pendant la communication.
- ♦ Journal d'appel.
- ♦ Réglage du volume en communication.
- ♦ Gestion du double appel.
- ♦ Rappel automatique du dernier correspondant.
- ♦ Changement du fond d'écran.
- ♦ Réglage de la luminosité.
- ♦ Sélection de la sonnerie.
- ♦ Réglage de la langue.
- ♦ DTMF : lors d'un appel de votre messagerie, appuyez sur la molette afin d'avoir accès aux chiffres permettant de gérer vos messages.



Note : L'utilisation de certaines de ces fonctionnalités (Reconnaissance Vocale, Bis, Mode Discret) dépend uniquement de votre téléphone. Consultez notre site web [www.parrot.com](http://www.parrot.com) rubrique Support pour plus d'informations.

## Retrait de l'écran:

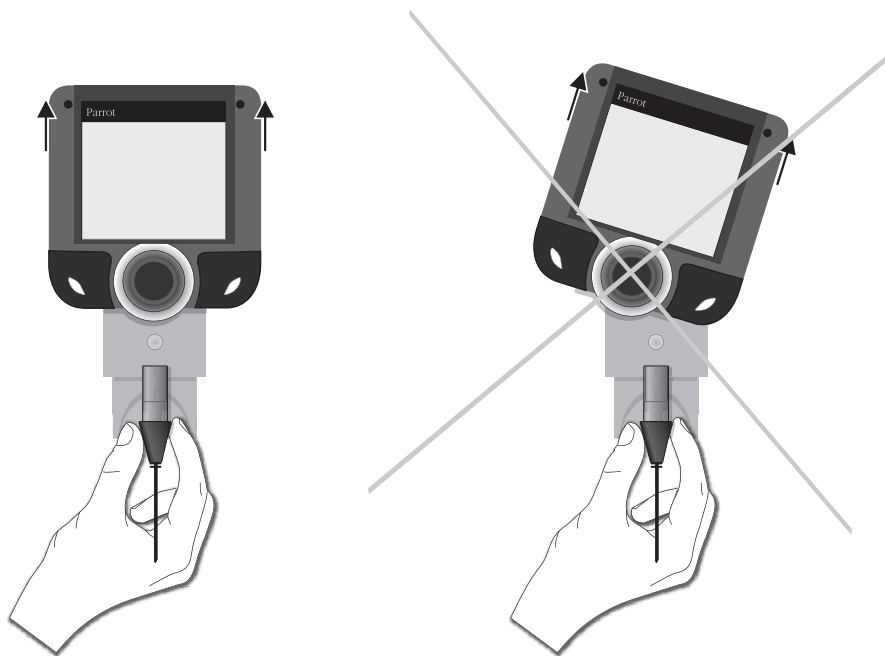
---

Le Parrot 3200 LS-COLOR PLUS est muni d'un connecteur USB.

Vous pourrez retirer l'écran de votre kit mains-libres lorsque vous quittez votre véhicule.

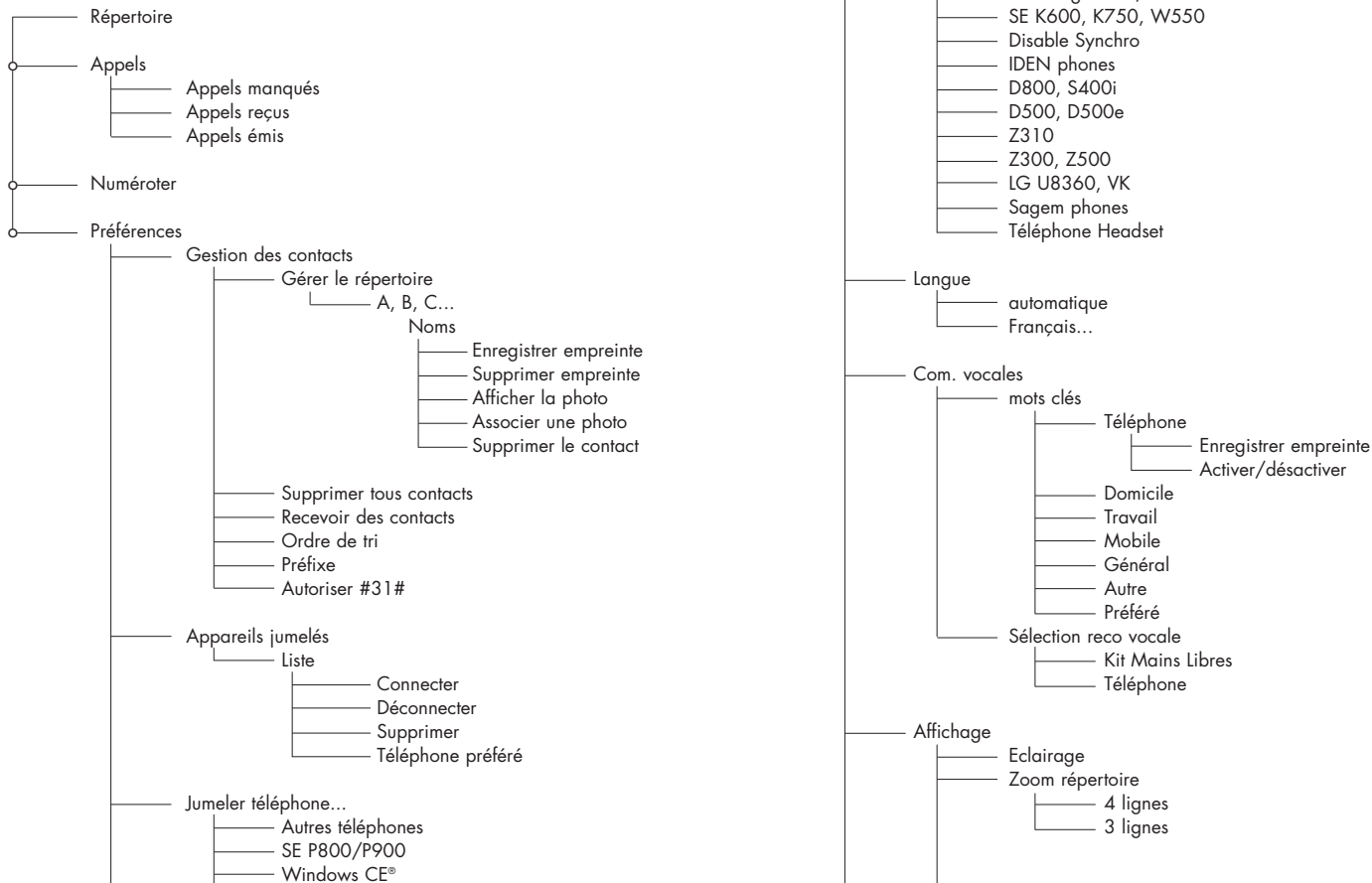
Il est important de couper le contact de votre véhicule puis d'attendre que le Parrot 3200 LS-COLOR PLUS affiche le message « Au revoir » avant de retirer l'écran de votre kit mains-libres.

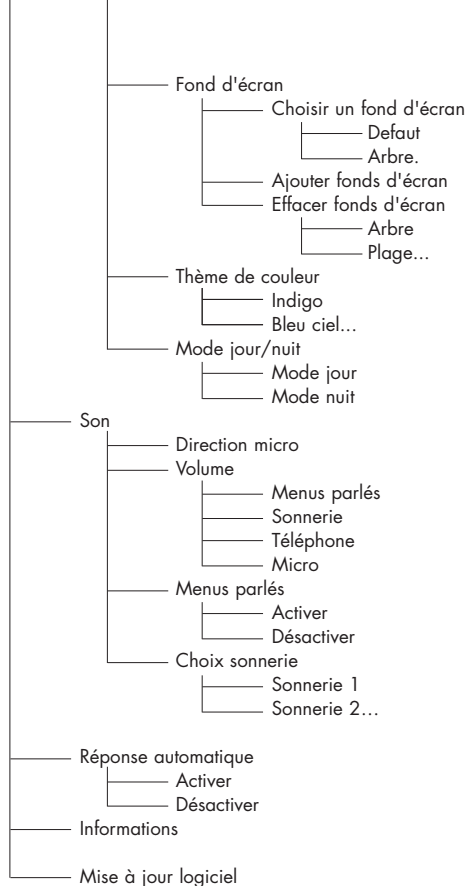
Pour retirer l'écran, il est conseillé de maintenir le câble du Parrot 3200 LS-COLOR PLUS puis de faire glisser verticalement l'écran de son support.





# MENUS





## ACCES AUX MENUS

### Répertoire

Après vous être jumelé avec le Parrot 3200 LS-COLOR PLUS, la synchronisation de votre répertoire débute automatiquement. A la fin de celle-ci (synchronisation terminée), le répertoire de votre téléphone est accessible depuis l'écran du kit mains-libres. Pour y accéder et appeler un correspondant, tournez la molette pour accéder aux menus, puis sélectionnez Répertoire. Faites défiler les lettres jusqu'à atteindre la première lettre du nom de cette personne et validez. Vous y verrez le nom, les différents numéros de téléphone de cette personne. Ensuite, sélectionnez le numéro de téléphone à appeler.

Si votre téléphone ne permet pas la synchronisation automatique des contacts, vous pouvez envoyer vos contacts manuellement du téléphone au kit mains-libres. Afin de bénéficier de procédures actualisées, veuillez consulter notre site web [www.parrot.com](http://www.parrot.com).

Note : Les fonctionnalités Synchronisation automatique des contacts et Envoi manuel de contacts dépendent uniquement de votre téléphone. Consultez notre site web [www.parrot.com](http://www.parrot.com) rubrique Support pour plus d'informations.

### Journal d'appels

Cette rubrique affiche la liste des appels et se divise en trois sous-menus : Appels manqués / Appels reçus / Appels émis.

Il se synchronise automatiquement avec celui de votre téléphone, et vous pouvez accéder pour rappeler un correspondant dont vous avez manqué l'appel.

- Sélectionner le contact depuis ces menus.
- Appuyer sur la molette ou le bouton vert pour le rappeler.

Note : L'utilisation de cette fonctionnalité dépend uniquement de votre téléphone. Consultez notre site web [www.parrot.com](http://www.parrot.com) rubrique Support pour plus d'informations.

## Numéroter

Sélectionnez ce menu pour composer un numéro directement depuis le kit.

- Tournez et appuyez sur la molette pour sélectionner un chiffre.
- La lettre C efface le dernier chiffre.
- Une fois le numéro composé, appuyez sur le bouton vert pour appeler.

## PREFERENCES

Ce menu vous permet d'effectuer des paramétrages nécessaires à une meilleure utilisation de votre kit mains-libres.

### Gestion des contacts

Ce menu vous permet de gérer les contacts du Parrot 3200 LS-COLOR PLUS. Une fois le contact sélectionné dans la liste (accédez au menu Gérer le répertoire), vous pourrez enregistrer ou supprimer une empreinte vocale, voir ou effacer la photo, ou supprimer ce contact du répertoire. Pour recevoir un contact avec la photo associée (si supportée par le téléphone), sélectionnez Recevoir des Contacts.

Depuis votre téléphone, choisissez le contact à envoyer par Bluetooth vers le kit mains-libres. Dorénavant, quand cette personne vous appellera, sa photo et son nom apparaîtront sur l'écran du kit. Vous pourrez aussi inverser l'ordre de tri: nom-prénom vers prénom-nom.

Note : L'utilisation de certaines fonctionnalités dépend uniquement de votre téléphone. Consultez notre site web [www.parrot.com](http://www.parrot.com) rubrique Support pour plus d'informations. Vous y trouverez également des procédures d'utilisation actualisées pour votre téléphone.

## RECONNAISSANCE VOCALE

### **Sélection reconnaissance vocale**

Le Parrot 3200 LS-COLOR PLUS vous permet d'utiliser la reconnaissance de votre téléphone portable si celui-ci possède cette fonctionnalité.

Le Parrot 3200 LS-COLOR PLUS vous permet également d'utiliser sa propre reconnaissance vocale. Votre téléphone doit alors être capable d'envoyer des contacts sur votre kit mains-libres pour pouvoir bénéficier de cette fonctionnalité. La fonction reconnaissance vocale du kit mains-libres étant la mieux adaptée pour une utilisation en voiture, nous vous conseillons donc de paramétrer votre kit en conséquence.

- **Kit mains-libres** : les empreintes vocales sélectionnées sont celles enregistrées dans la mémoire du kit mains libres.
- **Téléphone** : les empreintes vocales sélectionnées sont celles enregistrées dans la mémoire du téléphone.

### **Mots clés**

Les mots clés vous permettent de sélectionner les différents types de numéros de téléphones associés à votre contact : bureau, maison, portable...

L'enregistrement de ces mots clés vous permet de téléphoner tout en gardant en permanence vos mains sur le volant.

Vous pouvez contrôler toute la communication avec votre voix.

Tous les mots clés doivent être enregistrés pour qu'ils soient validés.

- Pour enregistrer ces mots clés il vous suffit de sélectionner le mot clés que vous voulez enregistrer.
- Il est conseillé de procéder à cet enregistrement dans un milieu calme, d'éteindre votre moteur, de fermer les vitres de votre véhicule et de vous installer à la place du conducteur. Ne vous rapprochez pas du micro du Parrot 3200 LS-COLOR PLUS et gardez votre position de conduite.
- Le kit-mains libres vous demandera alors de prononcer le mot clé. Si l'enregistrement sonore est valable il vous demandera une nouvelle fois de prononcer ce mot clés.
- Après avoir enregistré un mot clé, le Parrot 3200 LS-COLOR PLUS procédera automatiquement à l'enregistrement du mot clé suivant.

## Appareils jumelés

Le Parrot 3200 LS-COLOR PLUS vous permet de jumeler jusqu'à 5 téléphones Bluetooth, sachant qu'un seul peut être connecté lors d'une session.

Le menu Appareils jumelés vous permet de connecter, déconnecter ou supprimer un téléphone de la mémoire du kit.

Depuis Définir téléphone préféré, vous pouvez contrôler la priorité donnée au téléphone Bluetooth lors des connections avec plusieurs téléphones présents dans la voiture.

### Attention :

Lors de la suppression d'un jumelage, vous perdrez toutes les empreintes vocales qui sont attribuées aux contacts de ce téléphone.

## Jumeler téléphone

Avant d'appairer votre téléphone Bluetooth, vous devez activer le mode correspondant à votre téléphone Bluetooth.

Une fois le mode sélectionné, un code de 4 chiffres (aléatoire) s'affiche. Lancez la recherche de périphériques Bluetooth depuis votre téléphone. Une fois le kit mains-libres trouvé, sélectionnez-le et entrez ce code.

Note : Pour une plus grande compatibilité avec les téléphones, de nouveaux modes d'appairage sont susceptibles d'être ajoutés dans les futures versions.

## Langue

Sélectionnez la langue d'affichage des menus de votre Parrot 3200 LS-COLOR PLUS.

## Affichage

4 rubriques vous permettent de personnaliser l'affichage des informations :

- **Eclairage :** Utilisez la molette pour obtenir le niveau souhaité et validez en cliquant sur la molette.
- **Zoom Répertoire :** Permet l'affichage sur 3 ou 4 lignes dans le menu Répertoire.

- **Fond d'écran :** Vous permet de sélectionner une image en fond d'écran.
- **Thème de couleur :** Correspond à la sélection d'un thème de couleur.

## Son

- **Volume :** Utilisez la molette pour contrôler le niveau de volume de la communication, et le niveau de sensibilité des micros.
- **Menus parlés :** Ajustez le volume des prompts du kit mains libres au niveau voulu.
- **Choix sonnerie :** Pour les téléphones ne jouant pas leur sonnerie sur un appel entrant, sélectionnez la sonnerie que vous voulez entendre lors qu'un correspondant vous appelle.
- **Direction microphone :** Ce menu vous permet de privilégier une direction du double microphone parmi les directions possibles et ainsi de permettre au kit de transmettre à votre interlocuteur une plus grande qualité de communication. Les directions suivantes sont disponibles :
  - Direction gauche : Le conducteur est placé à gauche du kit main libres
  - Direction centrale : Le conducteur est en face du kit main libres
  - Direction droite : Le conducteur est en face du kit main libres
  - Pas de direction privilégiée : Permet à l'interlocuteur d'entendre le conducteur et le passager. La réduction de bruit est alors moins efficace

## Réponse automatique

Activez ce mode si vous voulez que le Parrot 3200 LS-COLOR PLUS décroche automatiquement les appels entrants.

## Information

Ce menu permet de consulter les informations relatives à la version logicielle embarquée.

## MISE A JOUR

---

Vous pouvez mettre à jour la version logicielle de votre Parrot 3200 LS-COLOR PLUS par Bluetooth. Activez ce mode avant la mise à jour. Celle-ci s'effectue par Bluetooth depuis un ordinateur équipé de Bluetooth.

La mise à jour permet de nouvelles fonctionnalités, et d'améliorer la compatibilité avec les fonctions avancées d'un plus grand nombre de téléphones.

Rendez-vous sur notre site web pour plus d'informations : [www.parrot.com](http://www.parrot.com)

## HOTLINE

---

Notre hot-line se tient à votre disposition.

Vous pouvez la contacter par mail ou par téléphone.

Permanence du lundi au vendredi de 9h00 à 18h00 (GMT +1).

Connectez-vous sur notre site Internet [www.parrot.com](http://www.parrot.com) pour plus d'informations.

Europe : [+33] 1 48 03 60 69

France : 01 48 03 60 69

Italie : [+39] 02 86 39 14 63

Espagne : [+34] 902 404 202

UK : [+ 44] (0) 870 112 5872

Allemagne : 0900 172 77 68

USA : [+1] (877) 9 PARROT (toll-free)

Chine : [+86] (0) 2164 601 944

## NOTES

---

# Parrot 3200 LS-COLOR PLUS

## Manual de empleo



## INTRODUCCIÓN

---

La tecnología Bluetooth® permite establecer comunicaciones de voz y datos mediante un enlace de radio de corta distancia. Permite a numerosos equipos electrónicos comunicarse entre sí, especialmente a los teléfonos y kits de manos libres.

Parrot saca provecho de sus muchos años de experiencia en el tratamiento de la señal y el reconocimiento de voz para introducir un kit de manos libres con una calidad de audio superior durante la comunicación.

El Parrot 3200 LS-COLOR PLUS goza de la tecnología Beamforming a través de un micrófono doble integrado en la pantalla del kit manos libres. Esta tecnología permite una mayor calidad de comunicación gracias a una reducción óptima del ruido.

Gracias por adquirir este kit de manos libres Parrot. Con el Parrot 3200 LS-COLOR PLUS podrá pasar llamadas telefónicas desde su coche sin soltar las manos del volante. Con su interfaz a color y su fondo de pantalla personalizable, el Parrot 3200 LS-COLOR PLUS es el kit de manos libres más cómodo de utilizar. Funciona como una verdadera prolongación de su teléfono móvil. Además, cuando salga del vehículo, podrá llevarse consigo la pantalla del Parrot 3200 LS-COLOR PLUS.

## CONTENIDO DEL EMBALAJE

---

- Pantalla LCD de color.
- Cable de instalación.
- Caja electrónica.
- Manual de empleo.
- Soportes de sujeción.

## INSTALACIÓN

---

En primer lugar, elija el emplazamiento de la pantalla de color en el habitáculo del vehículo. Le aconsejamos que la coloque en el centro del salpicadero o cerca del conductor. Cerciórese de tener un buen ángulo de visión de la pantalla y que ésta no obstaculice el campo de visión de la carretera. Una vez instalado y puesto en marcha el kit de manos libres podrá regular la luminosidad de la pantalla. El cable de instalación está equipado con conectores ISO, así como con 2 salidas "line out" para conectarse en las entradas "line in" de un sistema audio si éste dispone de esta opción.

### **Autorradio con entradas "line in":**

Utilice este tipo de conexión conectando los hilos marrón y blanco (o rojo y negro) a la entrada "line in" del sistema audio así como el hilo amarillo a la entrada "mute" de su autorradio.

### **Autorradio con conectores ISO:**

Desconecte los conectores ISO de su autorradio. Conecte los conectores ISO machos del cable del kit a la autorradio. Conecte los conectores ISO del vehículo a los conectores ISO hembras del cable del kit. Si la autorradio está equipada con una entrada Mute, conecte el hilo amarillo del cable del kit a la entrada Mute correspondiente ("Mute in 1", "Mute in 2" o "Mute in 3").

### **Autorradio sin conectores ISO:**

Se necesita un cable adaptador que permite convertir el sistema de conexión específico en un sistema de conexión ISO. De este modo, la instalación se vuelve idéntica a una instalación con conector ISO. Parrot ofrece una gama de cables adaptadores ISO. No dude en consultar nuestra página Web: [www.parrot.com](http://www.parrot.com).

### **Instalación del cable del kit:**

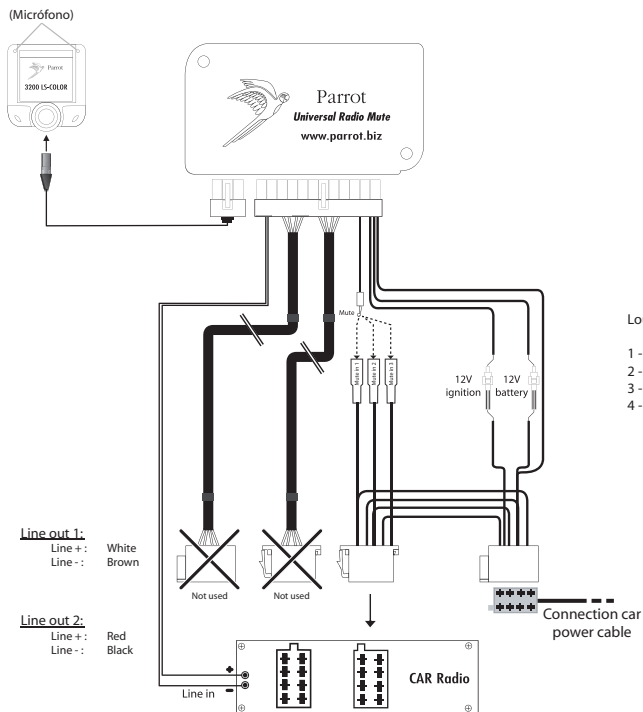
Compruebe el esquema eléctrico del haz ISO de la autorradio. El hilo rojo del cable del kit debe conectarse al 12V positivo permanente, el hilo naranja al 12V bajo llave y el hilo negro a la masa. En algunos vehículos, es necesario invertir los hilos rojo y naranja. Esta operación se efectúa simplemente invirtiendo los dos portafusibles. En otros vehículos, los conectores de la autorradio no disponen del 12V positivo bajo llave, por lo que es necesario conectar directamente el hilo naranja a un 12V positivo bajo llave que esté disponible en el vehículo. No conecte el hilo naranja al 12V permanente, correrá el riesgo de descargar la batería del vehículo.



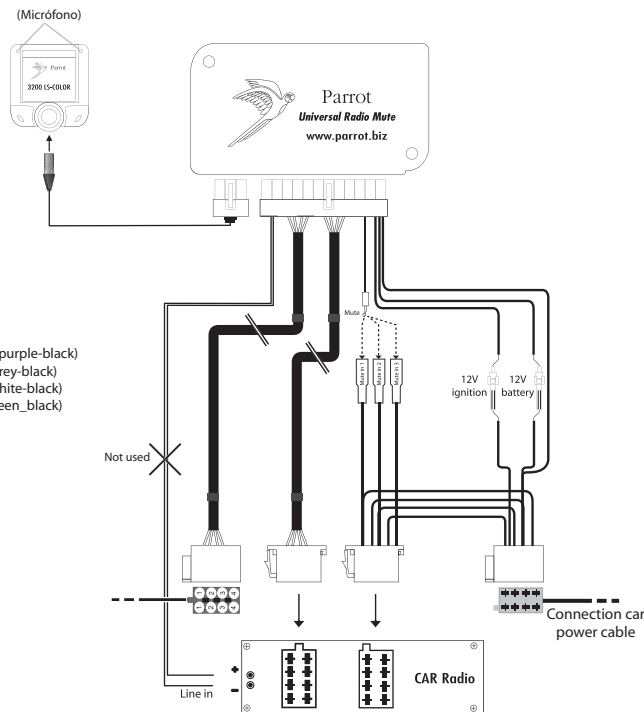
## Comprobación de la instalación:

Si su Parrot 3200 LS-COLOR PLUS está bien instalado, cuando quita el contacto de su coche, en la pantalla debe aparecer el mensaje "Adios".

## Utilización de la entrada «Line»



## Utilización de las conexiones ISO

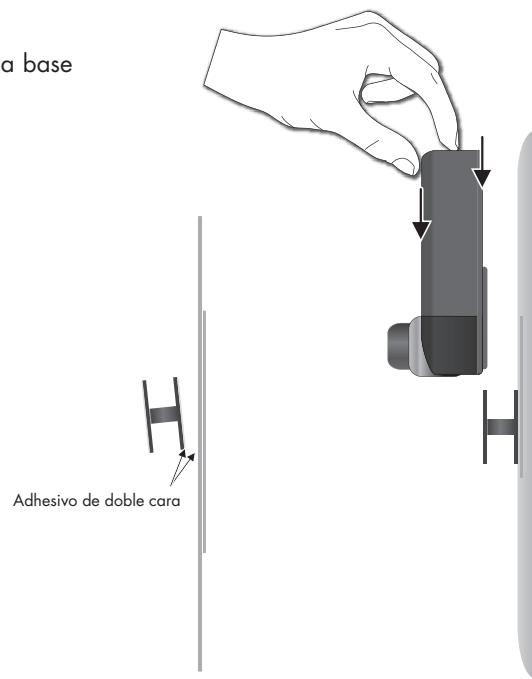


## Instalación de la pantalla del Parrot 3200 LS-COLOR PLUS

Para que pueda beneficiarse de la máxima calidad, no adhiera la pantalla directamente sobre el salpicadero. Utilice una de las dos bases que se le entregan.

La primera base le permitirá colocar la pantalla contra el salpicadero.

- Pegue un adhesivo de doble cara sobre una de las caras planas de la base y el otro adhesivo de doble cara sobre el salpicadero.
- Coloque la base sobre el salpicadero.
- Encaje la pantalla sobre la base.

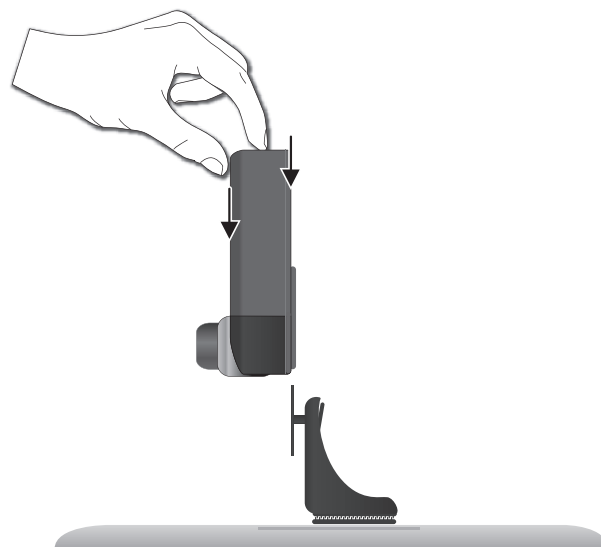
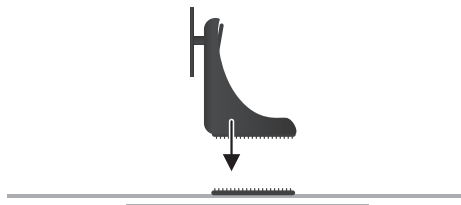


### **IMPORTANTE :**

Recuerde sacar la pantalla cuando salga del vehículo para evitar el riesgo de robo y de una exposición al sol prolongada.

La segunda base le permitirá colocar la pantalla del Parrot 3200 LS-COLOR PLUS en la parte superior.

- Pegue una tira scratch sobre la base y otra sobre el salpicadero.
- Coloque la base sobre el salpicadero.
- Encaje la pantalla sobre la base.



**IMPORTANTE :**

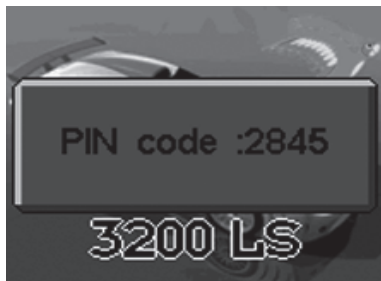
Recuerde sacar la pantalla cuando salga del vehículo para evitar el riesgo de robo y de una exposición al sol prolongada.

## ENLAZAMIENTO DEL TELÉFONO:

### Primera utilización

Cuando ponga en tensión por primera vez el Parrot 3200 LS-COLOR PLUS, deberá enlazar el teléfono al kit.

- . Active el Bluetooth de su teléfono.
- . En el kit manos libres, navegue en los menús hasta: Preferencias, Enlazar teléfono..., y seleccione la opción correspondiente a su teléfono. Aparecerá en la pantalla un código PIN de 4 cifras. Memorícelo.
- . Busque los periféricos: Para más información sobre esta operación, consulte el manual de su teléfono (capítulo de Bluetooth) o consulte nuestro sitio Web: [www.parrot.com](http://www.parrot.com)



- . Una vez realizada la búsqueda, aparece Parrot 3200 LS-COLOR PLUS en su teléfono.
- . Seleccione el kit; el teléfono le pedirá que introduzca un código: teclee el código que aparece en la pantalla del kit y confirme en su teléfono.
- . En el kit, aparece "Enlace en curso".
- . Una vez intercambiados los datos, en el Parrot 3200 LS-COLOR PLUS aparece "Enlace terminado".
- . El Parrot 3200 LS-COLOR PLUS se conectará entonces a su teléfono.

Durante el emparejamiento de un primer teléfono con su Parrot 3200 LS-COLOR PLUS, automáticamente se le pedirá que ajuste la dirección del micrófono doble. Esta etapa permitirá al kit transmitir a su interlocutor una mayor cantidad de comunicación. Están disponibles las direcciones siguientes:

- Dirección izquierda: el conductor se encuentra a la izquierda del kit manos libres
- Dirección central: el conductor se encuentra en frente del kit manos libres.
- Dirección derecha: el conductor se encuentra a la derecha del kit manos libres
- Sin dirección preferente: permite al interlocutor oír al conductor y al pasajero. En este caso, la reducción del ruido es menos eficaz.

Más adelante, podrá modificar este ajuste yendo al menú "Preferencias/Dirección micro".

Una vez realizada la conexión, aparecerá el logo Bluetooth en la pantalla (salvo en algunos teléfonos que utilicen el perfil Headset). Algunos teléfonos ofrecen funciones adicionales, como poder ver el nombre del teléfono en la pantalla del kit, ver los niveles de red y de batería así como el nombre del operador.

Para conocer las funciones de su teléfono, consulte la sección Apoyo al cliente de nuestra página Web [www.parrot.com](http://www.parrot.com).

Cuando su teléfono está conectado a su kit manos libres, se puede acceder a los menús del Parrot 3200 LS-COLOR PLUS y haciendo girar la rueda, el kit manos libres pronunciará sus enunciados. Tras esta operación, ya se puede acceder a los menús y el kit de manos libres dice su nombre cuando se le gira la rueda. Entre en los menús pulsando el botón verde (o la rueda). Para salir, pulse el botón rojo. Ya puede utilizar ahora el kit de manos libres para comunicarse.

- **Recepción de una llamada:** pulse el botón verde para atender la llamada.
- **Colgar una llamada:** pulse sobre el botón rojo.
- **Función Bis:** pulse durante dos segundos en el botón verde del kit para marcar el último número al que ha llamado.
- **Regulación del volumen:** gire la rueda durante una comunicación, para regular el volumen.

# FUNCIONES

---

En la pantalla del kit, encontrará las principales informaciones sobre el teléfono, principalmente su agenda.

- ♦ Descarga automática de la agenda telefónica.
- ♦ Presentación del nombre y la imagen de la persona que llama.
- ♦ Llamada de contactos, mediante el reconocimiento de voz del kit.
- ♦ Corte de la autorradio durante la comunicación.
- ♦ Diario de llamadas.
- ♦ Regulación del volumen durante la comunicación.
- ♦ Gestión de llamadas.
- ♦ Marcación automática del último número.
- ♦ Cambio del fondo de la pantalla.
- ♦ Regulación de la luminosidad.
- ♦ Selección del sonido de la llamada.
- ♦ Regulación del idioma.
- ♦ DTMF: cuando reciba una llamada de su mensajería, pulse en la rueda para acceder a las cifras que permiten gestionar sus mensajes.



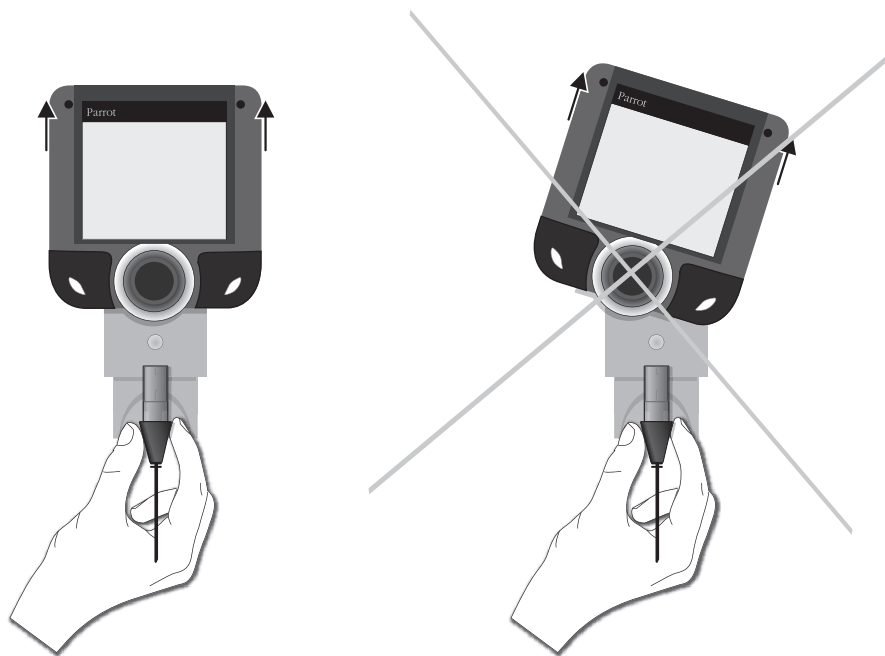
Nota: La utilización de algunas de estas funciones (Reconocimiento de Voz, Bis, Modo discreto) depende únicamente de su teléfono. Para más información, consulte nuestra página Web [www.parrot.com](http://www.parrot.com), sección Apoyo al cliente.

## Retirar la pantalla del Parrot 3200 LS-COLOR PLUS:

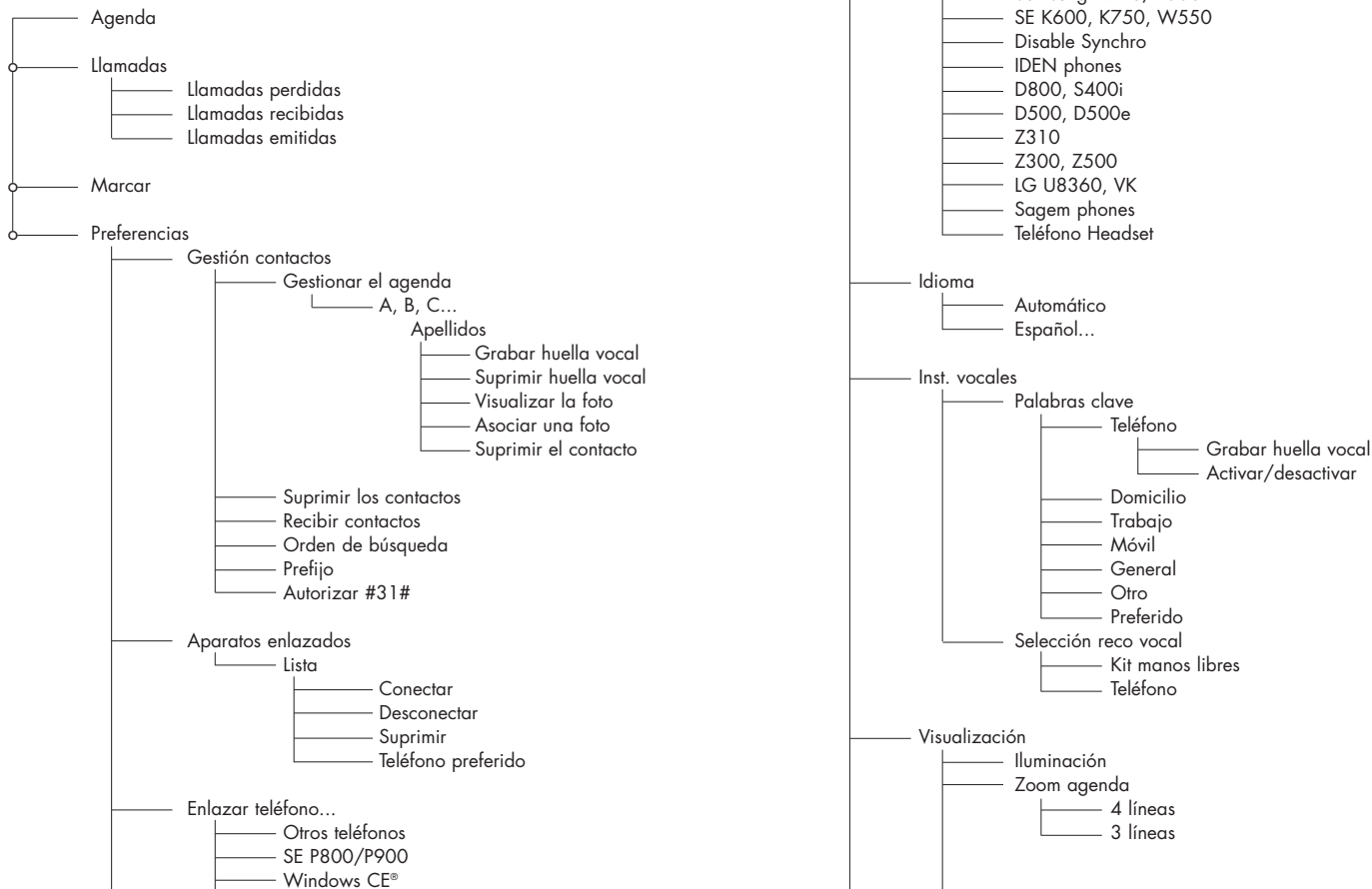
---

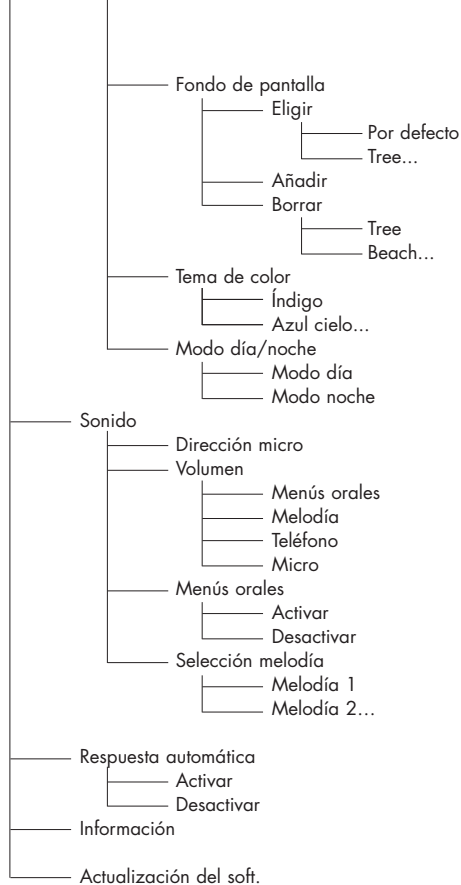
El Parrot 3200 LS-COLOR PLUS está provisto de un conector USB. Podrá extraer la pantalla de su kit manos libres cuando abandone el vehículo.

Antes de retirar la pantalla de su kit manos libres, es importante que quite el contacto de su vehículo y que espere a que el Parrot 3200 LS-COLOR PLUS muestre el mensaje "Adios". Para retirar la pantalla, es aconsejable sujetar el cable del Parrot 3200 LS-COLOR PLUS y deslizar la pantalla de su soporte en sentido vertical.



# MENUS





## ACCESO A LOS MENÚS

### Agenda

Una vez enlazado el Parrot 3200 LS-COLOR PLUS, arranca automáticamente la sincronización de la agenda. Al finalizar ésta (sincronización terminada), se puede acceder a la agenda del teléfono desde la pantalla del kit de manos libres. Para acceder a ella y llamar a alguien, gire la rueda para acceder a los menús y, luego, seleccione Agenda. Haga pasar las letras hasta llegar a la primera letra del nombre de la persona en cuestión y confirme la selección. Verá el nombre y los diferentes números de teléfono de esta persona.

Si su teléfono no permite la sincronización de los contactos, puede enviar sus contactos manualmente del teléfono al kit manos libres. Para beneficiarse de procedimientos actualizados, consulte nuestra página Web [www.parrot.com](http://www.parrot.com).

Nota: Las funciones Sincronización automática de los contactos y Envío manual de contactos dependen únicamente de su teléfono. Para más información, consulte nuestra página Web [www.parrot.com](http://www.parrot.com), sección Apoyo al cliente.

### Llamadas

Esta función presenta la lista de llamadas y se divide en tres submenús: Llamadas perdidas / Llamadas recibidas / Llamadas emitidas. Se sincroniza automáticamente con el del teléfono, y puede acceder a él para llamar a alguien con el que no ha podido contactar antes.

- Seleccione el contacto desde estos menús.
- Pulse la rueda o el botón verde para llamar.

Nota: La utilización de esta función depende únicamente de su teléfono. Para más información, consulte nuestra página Web [www.parrot.com](http://www.parrot.com), sección Apoyo al cliente.



## Marcar

Seleccione este menú para marcar un número directamente desde el kit.

- Gire y pulse la rueda para seleccionar un dígito.
- El icono de papelería borra el último dígito.
- Una vez marcado el número, pulse el botón verde para llamar.

## PREFERENCIAS

Este menú le permite efectuar las configuraciones necesarias para una mejor utilización de su kit manos libres.

### Gestión contactos

Este menú le permite gestionar los contactos del Parrot 3200 LS-COLOR PLUS. Una vez seleccionado el contacto en la lista (acceder al Menú Gestionar el agenda), podrá grabar o suprimir un registro de voz, ver o suprimir la foto, o eliminar este contacto de la agenda.

Para recibir un contacto con la foto asociada (si el teléfono tiene la capacidad suficiente), seleccione Recibir Contactos. Elija desde su teléfono el contacto que Bluetooth debe enviar al kit manos libres. A partir de ese momento, cuando esa persona le llame, aparecerán su foto y su nombre en la pantalla del kit.



Nota: La utilización de algunas funciones depende únicamente de su teléfono. Para más información, consulte nuestra página Web [www.parrot.com](http://www.parrot.com), sección Apoyo al cliente. En la página, también encontrará procedimientos de utilización actualizados para su teléfono.

## RECONOCIMIENTO DE VOZ

### Selección reconocimiento de voz

El Parrot 3200 LS-COLOR PLUS le permite utilizar el reconocimiento de voz de su teléfono móvil si éste dispone de esta función. El Parrot 3200 LS-COLOR PLUS le permite igualmente utilizar su propio reconocimiento de voz. Para poder disfrutar de esta función, su teléfono debe ser capaz de enviar contactos a su kit manos libres. el reconocimiento de voz de su kit manos libres e la más conveniente para un ambiente del coche. Aconsejamos para fijar su kit del coche con esta opción.

- **Kit manos libres:** las voces seleccionadas son las que están grabadas en la memoria del kit de manos libres.
- **Teléfono:** las voces seleccionadas son las que están grabadas en la memoria del teléfono.

### Palabras clave

Las palabras clave permiten seleccionar los diferentes tipos de números de teléfonos asociados a su contacto: Oficina, casa, portátil...La grabación de palabras clave le permite llamar por teléfono sin tener que soltar las manos del volante. Podrá controlar toda la comunicación con la voz.

Para que sean válidas, todas las palabras clave deben grabarse previamente.

- Para grabar estas palabras clave, basta seleccionar la palabra clave que desea grabar.
- Se aconseja proceder a esta grabación en un entorno tranquilo, apagar el motor, subir las ventanillas de su vehículo e instalarse en el asiento del conductor. No se acerque al micrófono del Parrot 3200 LS-COLOR PLUS y mantenga la postura de conducción.
- El kit manos libres le pedirá que pronuncie la palabra clave. Si la grabación sonora es válida, le pedirá que pronuncie esta palabra clave de nuevo.
- Tras grabar una palabra clave, el Parrot 3200 LS-COLOR PLUS procederá automáticamente a la grabación de la palabra clave siguiente.

## Aparatos enlazados

El Parrot 3200 LS-COLOR PLUS le permite enlazar hasta 5 teléfonos Bluetooth, teniendo en cuenta que sólo uno de ellos puede estar conectado durante una sesión. El menú de Aparatos enlazados le permite conectar, desconectar o eliminar un teléfono de la memoria del kit. Desde Definir teléfono preferido, podrá controlar la prioridad dada al teléfono Bluetooth durante las conexiones con varios teléfonos presentes en el coche.

Atención: Al eliminar un enlazamiento, perderá todas las voces atribuidas a los contactos de ese teléfono.

## Enlazar teléfono

Antes de emparejar su teléfono Bluetooth, debe activar el modo correspondiente al teléfono Bluetooth. Una vez seleccionado el modo, aparecerá un código de 4 cifras (aleatorio). Lance la búsqueda de periféricos Bluetooth desde su teléfono. Una vez encontrado el kit manos libres, selecciónelo e introduzca este código.

Nota: De cara a una mayor compatibilidad con los teléfonos, en las futuras versiones pueden añadirse nuevos modos de emparejamiento.

## Idioma

Seleccione el idioma de presentación de los menús del Parrot 3200 LS-COLOR PLUS.

## Visualización

4 secciones le permiten personalizar la presentación de la información:

- **Iluminación:** Utilice la rueda para obtener el nivel deseado y confirme pulsando sobre la rueda.
- **Zoom agenda:** Permite ver 3 ó 4 líneas en el menú de Agenda.
- **Fondo de pantalla:** Le permite seleccionar una imagen para el fondo de pantalla.
- **Tema de color:** Corresponde a la selección de un tema de color.

## Sonido

- **Volúmen:** Utilice la rueda para controlar el nivel de volumen de la comunicación y el nivel de sensibilidad de los micrófonos.
- **Menús orales:** Ajuste el volumen del kit de manos libres al nivel deseado.
- **Melodía:** Para los teléfonos que no suenan cuando reciben una llamada, seleccione el sonido que desea oír al recibir una llamada.
- **Dirección micrófono:** Este menú le permite dar prioridad a una dirección del micrófono doble entre las direcciones posibles y así permitir al kit transmitir a su interlocutor una mayor calidad de comunicación. Están disponibles las direcciones siguientes:
  - Dirección izquierda: el conductor se encuentra a la izquierda del kit manos libres
  - Dirección central: el conductor se encuentra en frente del kit manos libres.
  - Dirección derecha: el conductor se encuentra a la derecha del kit manos libres
  - Sin dirección preferente: permite al interlocutor oír al conductor y al pasajero. En este caso, la reducción del ruido es menos eficaz.

## Respuesta automática

Active este modo si desea que el Parrot 3200 LS-COLOR PLUS descuelgue automáticamente las llamadas entrantes.

## Información

Este menú permite consultar la información referente a la versión del programa instalado.

## ACTUALIZACIÓN

---

Puede actualizar la versión del programa del Parrot 3200 LS-COLOR PLUS mediante Bluetooth. Active este modo antes de realizar la actualización. Bluetooth la realiza desde un ordenador equipado con Bluetooth.

La actualización permite nuevas funciones, así como mejorar la compatibilidad con las funciones avanzadas desde un mayor número de teléfonos.

Para más información, visite nuestro sitio web: [www.parrot.com](http://www.parrot.com).

## LÍNEA DIRECTA

---

Nuestra línea directa está a su entera disposición. Puede ponerse en contacto con nosotros por correo electrónico o por teléfono.

Estamos de lunes a viernes de 9:00 h a 18:00 h (GMT +1).

Si desea más información, también puede visitar nuestro sitio Internet [www.parrot.com](http://www.parrot.com).

Europe : [+33] 1 48 03 60 69

France : 01 48 03 60 69

Italie : [+39] 02 86 39 14 63

Espagne : [+34] 902 404 202

UK : [+ 44] (0) 870 112 5872

Allemagne : 0900 172 77 68

USA : [+1] (877) 9 PARROT (toll-free)

Chine : [+86] (0) 2164 601 944

**NOTA**

---

# Parrot 3200 LS-COLOR PLUS

## Manuale d'istruzioni



## INTRODUZIONE

---

La tecnologia Bluetooth® consente di stabilire delle comunicazioni vocali e di dati tramite un collegamento radio a distanza ravvicinata. Tale tecnologia consente la comunicazione tra diversi dispositivi elettronici come ad esempio telefoni e kit mani libere. Parrot vanta una lunga esperienza nella gestione del segnale e del riconoscimento vocale che le hanno consentito di introdurre sul mercato un kit mani libere con una qualità audio superiore delle comunicazioni. Parrot 3200 LS-COLOR PLUS è dotato della tecnologia Beamforming, che viene applicata tramite l'uso di due microfoni integrati nello schermo del kit vivavoce. Grazie alla riduzione ottimale dei disturbi, questa tecnologia permette di ottenere una qualità di comunicazione migliore.

Grazie di aver acquistato un kit mani libere Parrot. Con il kit Parrot 3200 LS-COLOR PLUS, è possibile effettuare chiamate telefoniche dall'automobile tenendo le mani sul volante. Parrot 3200 LS-COLOR PLUS rappresenta un kit unico nel suo genere, grazie all'interfaccia colorata e allo sfondo personalizzabile. Funziona come una reale estensione del telefono portatile. Inoltre, quando lasciate l'auto potrete portare con voi lo schermo di Parrot 3200 LS-COLOR PLUS.

## CONTENUTO DELLA CONFEZIONE

---

- Display LCD a colori.
- Cavo per l'installazione.
- Scatola elettronica.
- Manuale d'istruzioni.
- Supporti di fissaggio.

## INSTALLAZIONE

---

Scegliere la posizione del display a colori nell'abitacolo dell'autoveicolo. Si consiglia di posizionarlo al centro del cruscotto oppure accanto al posto di guida.

Assicurarsi di disporre di un buon angolo di visione sullo schermo e che quest'ultimo non disturbi la visione della strada. Una volta installato e messo in funzione il kit mani libere, sarà possibile regolare la luminosità dello schermo. Il cavo di installazione è dotato di connettori ISO e di 2 uscite di tipo "line out" per il collegamento agli ingressi "line in" di un sistema audio che disponga di questa opzione.

### **Autoradio con ingressi di linea " line in " :**

Per utilizzare questo tipo di collegamento, occorre collegare i fili marrone e bianco (o rosso e nero) all'ingresso "line in" del sistema audio e il filo giallo all'ingresso "Mute" dell'autoradio.

### **Autoradio con prese ISO :**

Scollare i connettori ISO dell'autoradio. Collegare i connettori ISO maschio del cavo del kit all'autoradio. Collegare i connettori ISO del veicolo ai connettori ISO femmina del cavo del kit. Se l'autoradio è dotata di un ingresso Mute, collegare il filo giallo del cavo del kit all'ingresso Mute corrispondente ("Mute in 1", "Mute in 2" o "Mute in 3").

### **Autoradio senza prese ISO :**

Per la conversione del connettore specifico in un connettore ISO, è necessario disporre di un cavo adattatore. In tal modo, l'installazione equivarrà ad un'installazione con connettore ISO. Parrot propone una gamma di cavi adattatori ISO. Per ulteriori informazioni, consultare il nostro sito Internet: [www.parrot.com](http://www.parrot.com)

### **Installazione del cavo del kit :**

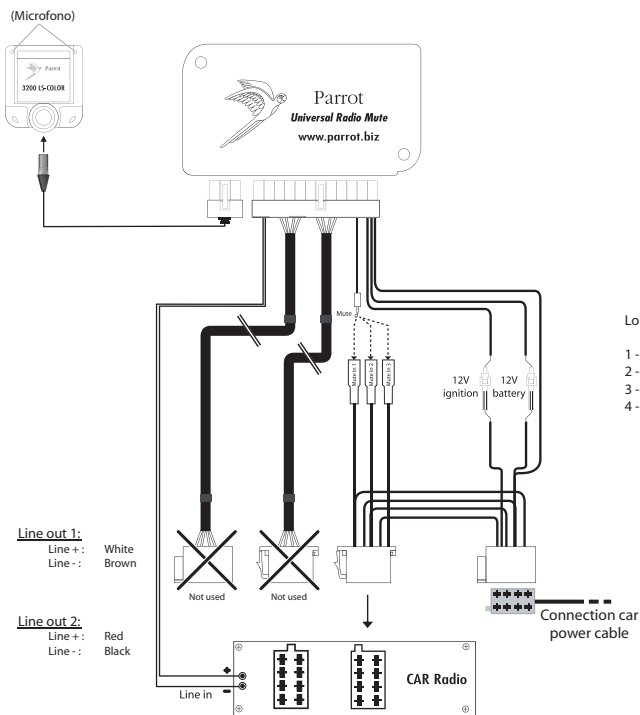
Controllare lo schema elettrico del cavo ISO dell'autoradio. Il filo rosso del cavo del kit deve essere collegato al +12V permanente, il filo arancione al 12V con contatto e il filo nero alla massa. In alcune auto, è necessario invertire i fili rosso e arancione. Questa operazione può essere effettuata invertendo semplicemente i due portafusibili.

In altre auto, poiché il +12V con contatto non è presente sui connettori dell'autoradio, occorre collegare direttamente il filo arancione a un +12V con contatto disponibile nell'auto. Non collegare il filo arancione al 12V permanente, onde evitare di scaricare la batteria dell'auto.

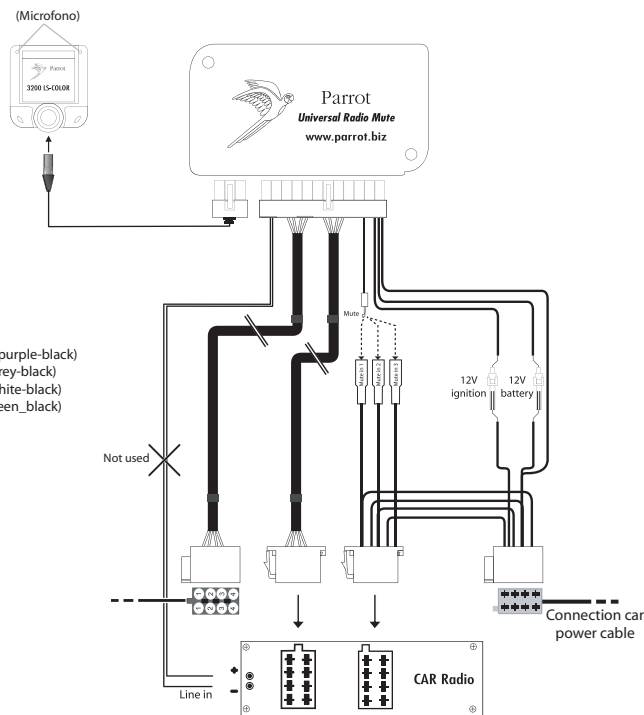
### **Verifica dell'installazione :**

Se l'installazione di Parrot 3200 LS-COLOR PLUS è stata effettuata correttamente, quando il motore dell'auto viene spento sullo schermo appare un messaggio di chiusura.

## Uso dell'ingresso «Line»



## Uso dei connettori ISO



Loud speakers

- 1 - Rear right speaker (purple/purple-black)
- 2 - Front right speaker (grey/grey-black)
- 3 - Front left speaker (white/white-black)
- 4 - Rear left speaker (green/green\_black)

## Installazione dello schermo di 3200 LSCOLOR PLUS

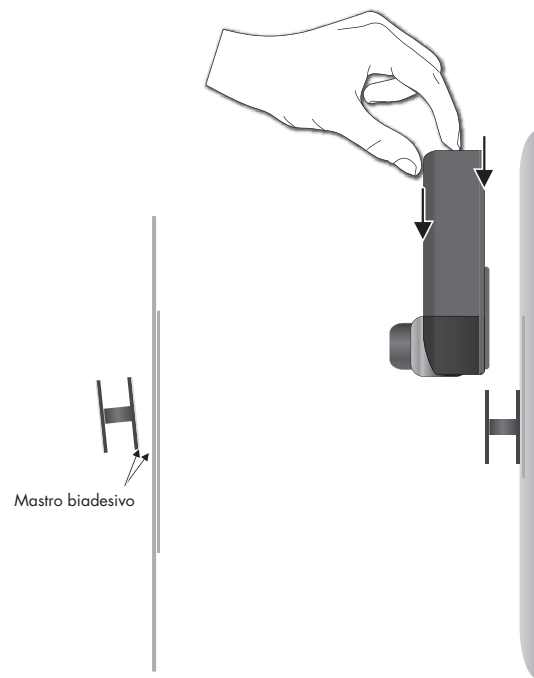
---

Al fine di ottenere comunicazioni di qualità ottimale, non applicare lo schermo direttamente sul cruscotto.

A tale scopo, utilizzare uno dei due supporti forniti.

Il primo supporto consente di posizionare lo schermo contro il cruscotto.

- Applicare un nastro biadesivo su una delle superfici piane del supporto e un altro nastro biadesivo sul cruscotto..
- Posizionare il supporto sul cruscotto.
- Inserire quindi lo schermo sul supporto.



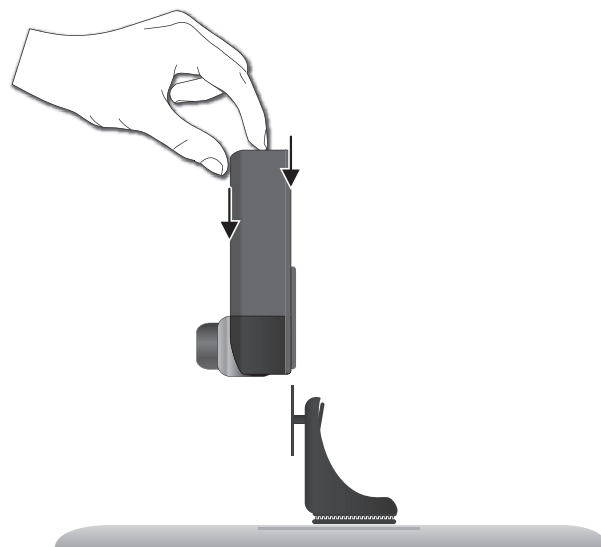
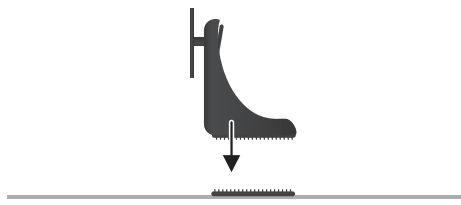
### **IMPORTANTE :**

Si consiglia di rimuovere lo schermo prima di uscire dal veicolo, onde evitare il rischio di furto e di esposizione prolungata alla luce del sole.



Il secondo supporto consente di posizionare lo schermo di 3200 LS-COLOR PLUS in verticale.

- Applicare un nastro scratch sul supporto e un altro sul cruscotto.
- Posizionare il supporto sul cruscotto.
- Inserire quindi lo schermo sul supporto.



**IMPORTANTE :**

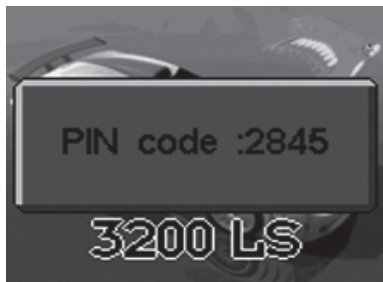
Si consiglia di rimuovere lo schermo prima di uscire dal veicolo, onde evitare il rischio di furto e di esposizione prolungata alla luce del sole.

## INTERFACCIA CON IL TELEFONO :

### Primo utilizzo

Durante la prima accensione, è necessario gemellare il telefono con il kit Parrot 3200 LS-COLOR PLUS.

- . Attivare la connessione Bluetooth sul proprio telefono cellulare.
- . Sul kit mani libere, scorrere i menu fino a: Impostazioni, Collegare telefono... e selezionare l'opzione corrispondente al telefono in uso. Viene visualizzato sullo schermo un codice PIN a 4 cifre, da memorizzare.



- . Effettuare una ricerca delle periferiche : Per maggiori informazioni su questa operazione, fare riferimento al manuale di istruzioni del telefono cellulare (capitolo Bluetooth) oppure consultare il nostro sito Web all'indirizzo : [www.parrot.com](http://www.parrot.com)
- . Una volta terminata la ricerca, sul telefono viene visualizzata la dicitura " Parrot 3200LS ".
- . Selezionare il kit, quindi il telefono richiede l'immissione di un codice : digitare il codice visualizzato sullo schermo del kit, quindi convalidare sul telefono.
- . Il messaggio " Bluetooth in corso " viene visualizzato sullo schermo del kit.
- . Una volta avvenuto lo scambio di dati, sul Parrot 3200 LS-COLOR PLUS viene visualizzato il messaggio " Bluetooth riuscito".

A questo punto, il kit Parrot 3200 LS-COLOR PLUS si collega al telefono. Al momento della prima associazione di un telefono con Parrot 3200 LS-COLOR PLUS, verrà automaticamente richiesto di regolare la direzione dei due microfoni. Questa fase consente al kit di trasmettere all'interlocutore una migliore qualità di comunicazione. Sono disponibili le seguenti direzioni:

- Direzione sinistra: il conducente si trova a sinistra rispetto al kit viva voce
- Direzione centrale: il conducente si trova di fronte al kit vivavoce
- Direzione destra: il conducente si trova a destra rispetto al kit vivavoce
- Nessuna direzione preferenziale: consente all'interlocutore di sentire sia la voce del conducente che quella del passeggero. In tal caso, la riduzione dei disturbi sarà meno efficace.

Questa regolazione può essere modificata tramite il menu "Impostazioni/Direzione microfono".

Una volta stabilita la connessione, il logo Bluetooth viene visualizzato sullo schermo (ad eccezione di alcuni telefoni che utilizzano il profilo Headset). Alcuni telefoni offrono delle funzionalità aggiuntive come ad esempio la visualizzazione del nome del telefono sullo schermo del kit, la visualizzazione del livello di rete e di carica del telefono nonché il nome dell'operatore telefonico in uso. Per ulteriori informazioni sulle funzioni del telefono in uso, consultare il nostro sito Internet [www.parrot.com](http://www.parrot.com) alla sezione dedicata ad assistenza e supporto. Con il telefono collegato al kit vivavoce, è possibile accedere ai menu di Parrot 3200 LS-COLOR PLUS, i cui nomi vengono pronunciati dal kit vivavoce quando la rotellina viene ruotata. I menu sono quindi accessibili e i rispettivi nomi vengono enuncati dal kit mani libere facendo ruotare la manopola. Accedere ai menu premendo il pulsante verde (o la manopola). Per uscire, premere il pulsante rosso.

È ora possibile utilizzare il kit mani libere per comunicare.

- **Ricezione di una chiamata :** premere il pulsante verde per rispondere alla chiamata.
- **Per riagganciare :** premere il pulsante rosso.
- **Funzione Ripetizione ultimo numero :** premere e tenere premuto

per due secondi il pulsante verde del kit per richiamare l'ultimo numero composto.

- **Regolazione volume** : far ruotare la manopola durante la comunicazione per regolare il volume.

## FUNZIONALITÀ

Sullo schermo del kit vengono visualizzate le informazioni principali del telefono, in particolare la rubrica.

- ♦ Caricamento automatico della rubrica telefonica.
- ♦ Visualizzazione del nome e dell'immagine del chiamante.
- ♦ Richiamo dei contatti mediante sistema di riconoscimento vocale del kit.
- ♦ Interruzione dell'autoradio durante la comunicazione.
- ♦ Registro chiamate.
- ♦ Regolazione del volume durante la comunicazione.
- ♦ Gestione dell'avviso di chiamata.
- ♦ Richiamo automatico dell'ultimo corrispondente.
- ♦ Modifica dello sfondo dello schermo.
- ♦ Regolazione della luminosità.
- ♦ Selezione della suoneria.
- ♦ Scelta della lingua.
- ♦ DTMF: in caso di chiamata del servizio di messaggeria, premere la manopola per accedere ai numeri che consentono di gestire i propri messaggi.

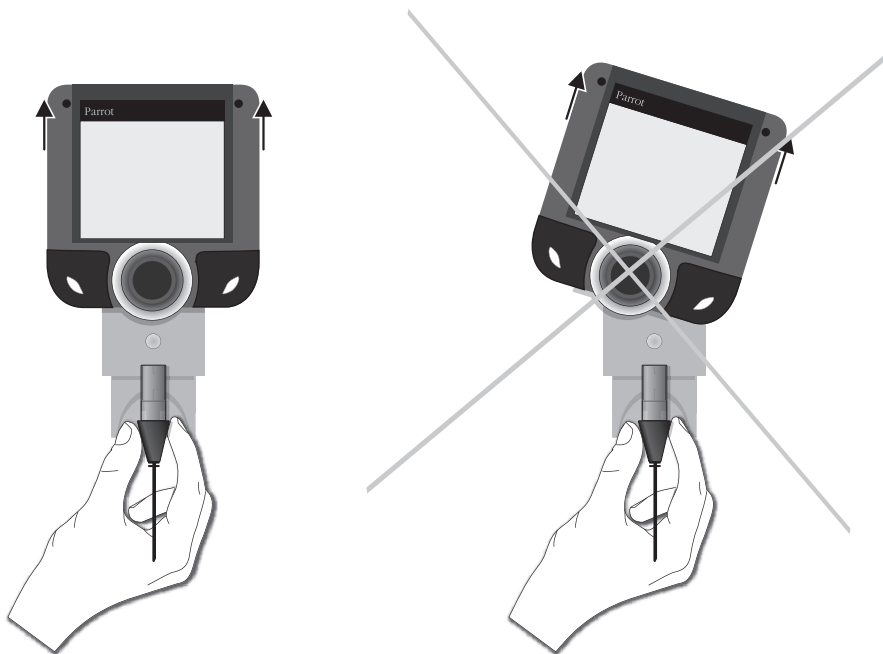
Nota: l'utilizzo di determinate funzioni (riconoscimento vocale, ripetizione degli ultimi numeri chiamati, modalità privata) dipende esclusivamente dal telefono in uso. Per ulteriori informazioni, consultare il nostro sito Web [www.parrot.com](http://www.parrot.com) alla sezione dedicata ad assistenza e supporto.

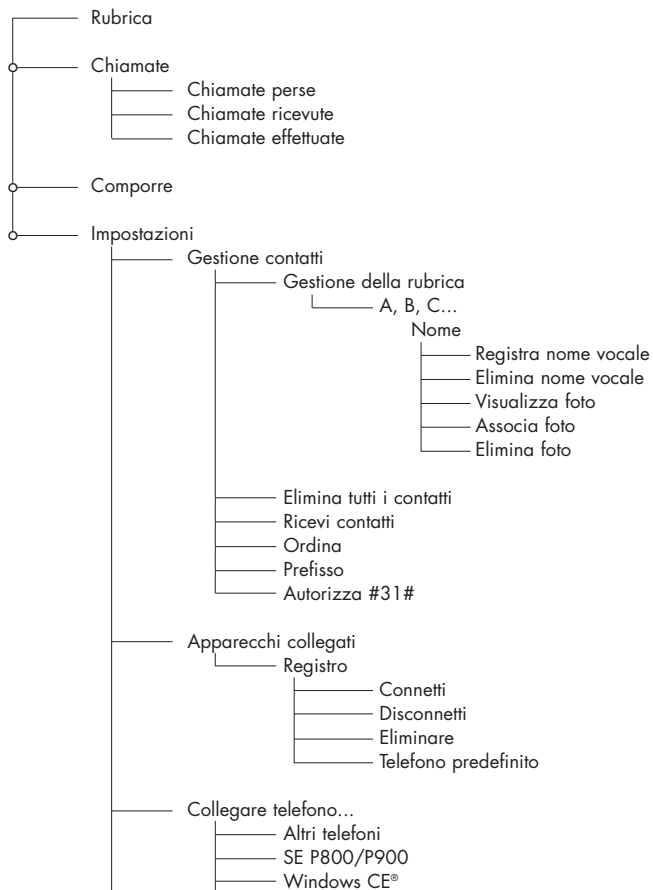


## Rimuovere lo schermo di 3200 LSCOLOR PLUS:

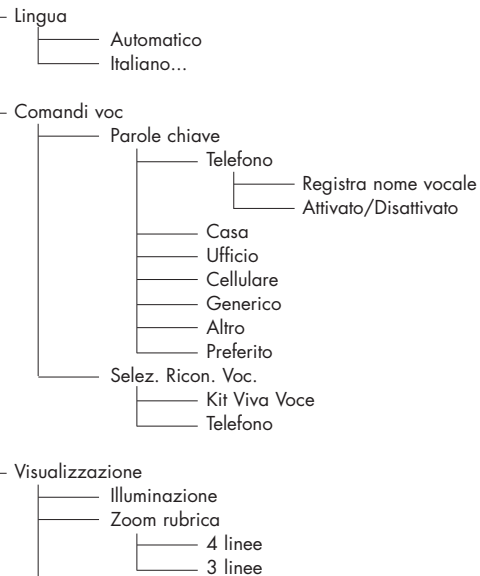
---

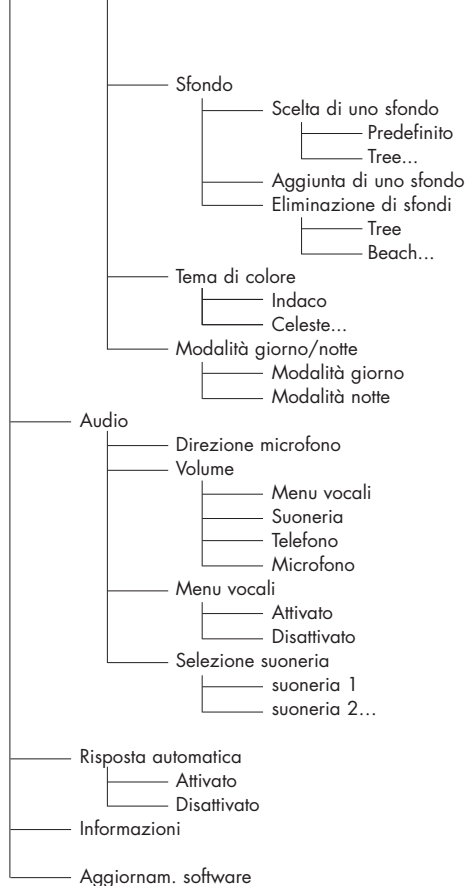
Parrot 3200 LS-COLOR PLUS è dotato di un connettore USB. Potrete portare con voi lo schermo del kit vivavoce quando lasciate l'auto. Prima di rimuovere lo schermo del kit vivavoce, dopo avere spento il motore dell'auto è necessario attendere che su Parrot 3200 LS-COLOR PLUS venga visualizzato il messaggio di chiusura. Per rimuovere lo schermo, afferrare il cavo di Parrot 3200 LS-COLOR PLUS, quindi di fare scorrere verticalmente lo schermo estraendolo dal relativo supporto.





- Samsung E-720/E-530
- SE K600, K750, W550
- Disable Synchro
- IDEN phones
- D800, S400i
- D500, D500e
- Z310
- Z300, Z500
- LG U8360, VK
- Sagem phones
- Auricolare





## ACCESSO AI MENU

### Rubrica

Dopo aver eseguito il gemellaggio con il kit Parrot 3200 LS-COLOR PLUS, la sincronizzazione della rubrica viene avviata automaticamente. Al termine dell'operazione (sincronizzazione completata), sarà possibile accedere alla rubrica del telefono dal kit mani libere. Per accedere alla rubrica e chiamare un corrispondente, ruotare la manopola per accedere ai menu, quindi selezionare Rubrica. Far scorrere le lettere fino al raggiungimento della prima lettera del nome della persona e convalidare. Verranno visualizzati il nome e i differenti numeri telefonici della persona.. Successivamente, selezionare il numero telefonico da chiamare.

Se il telefono non consente la sincronizzazione automatica dei contatti, è possibile inviarli manualmente dal telefono al kit vivavoce. Per ottenere le procedure aggiornate, consultare il nostro sito Web [www.parrot.com](http://www.parrot.com).

Nota: le funzioni di sincronizzazione automatica dei contatti e di invio manuale dei contatti dipendono esclusivamente dal telefono in uso. Per ulteriori informazioni, consultare il nostro sito Web [www.parrot.com](http://www.parrot.com) alla sezione dedicata ad assistenza e supporto.

### Chiamate

Questo registro visualizza l'elenco delle chiamate ed è suddiviso in tre sottomenu : Chiamate perse / Chiamate ricevute / Chiamate effettuate.

Si sincronizza automaticamente con quello del telefono ed è possibile accedere per richiamare un corrispondente di cui si è persa la chiamata.

- Selezionare il contatto da questi menu.
- Premere la manopola o il pulsante verde per richiamare.

Nota: l'uso di questa funzione dipende esclusivamente dal telefono in uso.

Per ulteriori informazioni, consultare il nostro sito Web [www.parrot.com](http://www.parrot.com) alla sezione dedicata ad assistenza e supporto.

## Comporre

Selezionare questo menu per comporre un numero direttamente dal kit.

- Ruotare e premere la manopola per selezionare un numero.
- L'icona con il cestino cancella l'ultimo numero digitato.
- Una volta composto il numero, premere il pulsante verde per inoltrare la chiamata.

## IMPOSTAZIONI

Questo menu consente di effettuare le impostazioni necessarie ad un migliore utilizzo del kit vivavoce.

### Gestione contatti

Questo menu consente di gestire i contatti del Parrot 3200 LS-COLOR PLUS. Una volta selezionato il contatto nell'elenco (accedere al menu per la Gestione della rubrica), sarà possibile registrare o eliminare un nome vocale, visualizzare o cancellare la fotografia oppure eliminare il contatto dalla rubrica.

Per ricevere un contatto con la fotografia associata (se supportata dal telefono in uso), selezionare l'opzione Ricevi contatti. Dal telefono, selezionare il contatto da inviare mediante connessione Bluetooth al kit mani libere. Da questo momento, quando si riceve una chiamata da tale contatto, sullo schermo del kit vengono visualizzati il nome e la fotografia.

Nota: l'uso di alcune funzioni dipende esclusivamente dal telefono in uso. Per ulteriori informazioni, consultare il nostro sito Web [www.parrot.com](http://www.parrot.com) alla sezione dedicata ad assistenza e supporto, dove sono inoltre disponibili le procedure di utilizzo aggiornate per il telefono in uso.



## RICONOSCIMENTO VOCALE

### Selezione riconoscimento vocale

Parrot 3200 LS-COLOR PLUS consente di utilizzare la funzione di riconoscimento vocale del telefono cellulare, se supportata da quest'ultimo. Potrete inoltre utilizzare la funzione di riconoscimento vocale propria di Parrot 3200 LS-COLOR PLUS. In tal caso, per poter utilizzare questa funzione il telefono deve essere in grado di inviare i contatti al kit vivavoce. La funzione di riconoscimento vocale del kit vivavoce è la più adatta per in uso in automobile. Raccomandiamo attivare il vostro kit vivavoce con questa opzione.

- **Kit Viva Voce:** i nomi vocali selezionati sono quelli registrati nella memoria del kit mani libere.
- **Telefono:** i nomi vocali selezionati sono quelli registrati nella memoria del telefono.

### Parole chiave

Le parole chiave consentono di selezionare i diversi tipi di numero telefonico associati al contatto, ossia ufficio, casa, cellulare e così via.

La registrazione di queste parole chiave consente all'utente di telefonare mantenendo le mani sul volante. È possibile controllare tutta la comunicazione tramite la voce.

Tutte le parole chiave devono essere registrate per poter essere convalidate.

- Per registrare tali parole chiave, è sufficiente selezionare quella desiderata.
- Si consiglia di procedere alla registrazione in un luogo tranquillo, spegnere il motore, chiudere i finestrini dell'auto e sedersi al posto di guida. Non avvicinarsi al microfono di Parrot 3200 LS-COLOR PLUS, mantenere la normale posizione di guida.
- Il kit vivavoce richiede di pronunciare la parola chiave. Se la registrazione audio è valida, verrà richiesto di ripetere di nuovo la parola chiave.
- Una volta registrata una parola chiave, Parrot 3200 LS-COLOR PLUS procederà automaticamente alla registrazione della parola chiave successiva.

## Apparecchi collegati

Il kit Parrot 3200 LS-COLOR PLUS consente inoltre di gemellare fino a 5 telefoni Bluetooth, anche se è possibile collegarne solo uno per sessione. Il menu Apparecchi collegati vi consente di collegare, scollegare o eliminare un telefono dalla memoria del kit.

Dal menu Definire telefono predefinito, è possibile controllare la priorità attribuita al telefono Bluetooth se sono gemellati più telefoni presenti contemporaneamente nella vettura.

### **Attenzione :**

Durante l'eliminazione di un gemellaggio, tutti i nomi vocali attribuiti ai contatti di quel particolare telefono verranno persi.

## Collegare telefono

Prima di abbinare il telefono Bluetooth è necessario attivare la modalità corrispondente al telefono Bluetooth in uso.

Una volta selezionata la modalità, viene visualizzato un codice a 4 cifre (casuale). Avviare la ricerca delle periferiche Bluetooth dal telefono. Dopo avere individuato il kit mani libere, selezionarlo e inserire il relativo codice.

Nota : per una maggiore compatibilità con i telefoni, possono essere aggiunte delle modalità di abbinamento nelle versioni successive.

## Lingua

Selezionare la lingua di visualizzazione dei menu del kit Parrot 3200 LS-COLOR PLUS.

## Visualizzazione

Sono disponibili 4 voci per la personalizzazione della visualizzazione delle informazioni :

- **Illuminazione :** utilizzare la manopola per selezionare il livello desiderato e convalidare facendo clic sulla manopola.

- **Zoom rubrica :** consente la visualizzazione su 3 o 4 righe nel menu Rubrica.
- **Sfondo :** consente di selezionare un'immagine di sfondo per lo schermo.
- **Tema di colore :** corrisponde alla selezione di un tema di colore.

## Audio

- **Volume :** utilizzare la manopola per regolare il livello del volume della comunicazione e il livello di sensibilità dei microfoni.
- **Menu vocali :** regolare il volume dei comandi del kit mani libere al livello desiderato.
- **Selezione suoneria :** per i telefoni che non consentono la selezione delle suonerie per le chiamate in entrata, selezionare la suoneria desiderata da abbinare ai diversi corrispondenti.
- **Direzione microfono :** mediante questo menu, è possibile specificare una direzione dei due microfoni tra quelle disponibili, consentendo al kit di trasmettere all'interlocutore una migliore qualità di comunicazione. Sono disponibili le seguenti direzioni:
  - **Direzione sinistra :** il conducente si trova a sinistra rispetto al kit viva voce
  - **Direzione centrale :** il conducente si trova di fronte al kit vivavoce.
  - **Direzione destra :** il conducente si trova a destra al kit vivavoce.
  - **Nessuna direzione preferenziale :** consente all'interlocutore di sentire sia la voce del conducente che quella del passeggero. In tal caso, la riduzione dei disturbi sarà meno efficace..

## Risposta automatica

Attivare questa modalità se si desidera che il kit Parrot 3200 LS-COLOR PLUS risponda automaticamente alle chiamate in entrata.

## Informazioni

Questo menu consente di consultare le informazioni relative alla versione del software.



## AGGIORNAMENTO

---

È possibile aggiornare la versione del software in uso del kit Parrot 3200 LS-COLOR PLUS tramite Bluetooth. Attivare questa modalità prima dell'aggiornamento. L'aggiornamento viene eseguito tramite connessione Bluetooth da un computer dotato di tecnologia Bluetooth.

L'aggiornamento consente di installare le nuove funzionalità disponibili e di migliorare la compatibilità con le funzioni avanzate di un maggior numero di telefoni.

Visitare il nostro sito Web per maggiori informazioni : [www.parrot.com](http://www.parrot.com).

## HOT-LINE

---

È disponibile una hot-line per gli utenti. Gli utenti possono contattare la hot-line tramite e-mail o tramite chiamata telefonica.

La hot-line è disponibile dal lunedì al venerdì con orario continuato dalle 9 alle 18 (ora italiana).

Per ulteriori informazioni, visitare il sito Internet [www.parrot.com](http://www.parrot.com).

Europe : [+33] 1 48 03 60 69

France : 01 48 03 60 69

Italie : [+39] 02 86 39 14 63

Espagne : [+34] 902 404 202

UK : [+ 44] (0) 870 112 5872

Allemagne : 0900 172 77 68

USA : [+1] (877) 9 PARROT (toll-free)

Chine : [+86] (0) 2164 601 944

**NOTA**

---

# Parrot CK3200 LS-COLOR PLUS

## Gebruiksaanwijzing



## INTRODUCTIE

---

Met de technologie Bluetooth® kunnen via een radioverbinding over korte afstand communicaties (gesprekken en gegevens) in stand worden gebracht. Deze technologie maakt het mogelijk dat vele elektronische apparaten onderling kunnen communiceren, met name telefoons en handsfree-sets. Steunend op zijn vele jaren ervaring in signaalverwerking en spraakherkenning brengt Parrot nu een handsfree-kit op de markt met een superieure geluidskwaliteit van de gesprekken. De Parrot 3200 LS-COLOR PLUS gebruikt de Beamforming technologie door middel van een dubbele microfoon, die in het scherm van de handsfree-kit is ingebouwd. Deze technologie zorgt voor verbeterde geluidskwaliteit van uw gesprekken dankzij optimale ruisonderdrukking.

Wij danken u voor de aankoop van deze hands-free set van Parrot. Met de Parrot 3200 LS-COLOR PLUS kunt u vanuit uw auto telefoneren waarbij u uw handen aan het stuur kunt houden.

Met de gekleurde interface en de persoonlijk aan te passen schermachtergrond, is de Parrot 3200 LS-COLOR PLUS de hands-free set die het plezierigst te gebruiken is. Hij functioneert als een echte verlenging van uw mobiele telefoon. Bovendien kunt u het scherm van de Parrot 3200 LS-COLOR PLUS met u meenemen, wanneer u de auto uitstapt.

## INHOUD VAN DE VERPAKKING

---

- LCD-scherm kleur.
- Installatiesnoer.
- Schakelkastje.
- Gebruiksaanwijzing.
- Bevestigingssteunen.

## INSTALLATIE

---

Kies ten eerste de plaats voor het kleurenscherm in uw auto.

Wij raden u aan het in het midden van het dashboard, of dichterbij u, te zetten. Zorg dat u het scherm onder een goede gezichtshoek hebt en dat dit uw zicht op de weg niet hindert. Zodra de handsfree carkit volledig is geïnstalleerd en in werking is gesteld kunt u de helderheid van het scherm regelen. De installatiekabel is voorzien van ISO stekkers en van 2 "line out" uitgangen om het apparaat te kunnen aansluiten op de "line in" ingangen van een geluidssysteem, als dit over een dergelijke optie beschikt.

### **Autoradio met ingangen 'line in':**

Gebruik dit type verbinding door de bruine en witte (of rode en zwarte) draden op de "line in" ingang van het geluidssysteem aan te sluiten en de gele draad op de "mute" ingang van uw autoradio.

### **Autoradio met ISO-stekkers:**

Koppel de ISO stekkers van uw autoradio los. Sluit de ISO mannetjesstekkers van de kabel van de carkit aan op de autoradio. Sluit de ISO stekkers van de auto aan op de ISO vrouwjesstekkers van de kabel van de carkit.

Als de autoradio is voorzien van een Mute ingang, sluit de gele draad van de kabel van de carkit dan aan op de overeenkomstige Mute ingang ("Mute in 1", "Mute in 2" of "Mute in 3").

### **Autoradio zonder ISO-stekkers:**

U heeft een adapterkabel nodig, hiermee kan de specifieke aansluittechniek worden omgezet in ISO aansluittechniek. Hierdoor wordt de installatie hetzelfde als een installatie met ISO stekkers. Parrot heeft een assortiment ISO adapterkabels. Meer informatie vindt u op onze website: [www.parrot.com](http://www.parrot.com)

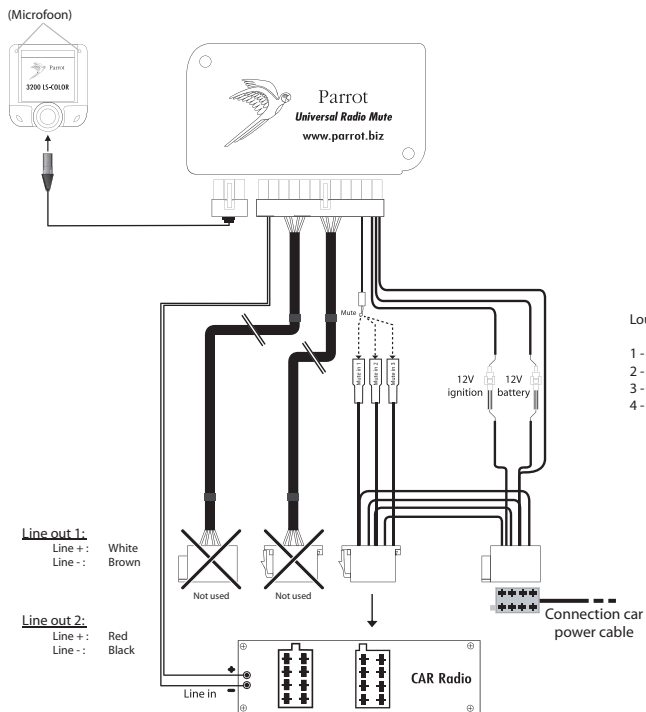
### **Installatie van de kabel van de kit:**

Controleer het elektrische schema van de ISO kabelboom van de autoradio. De rode draad van de carkit-kabel moet worden aangesloten op de permanente +12V, de oranje draad op de 12V na contact en de zwarte draad op de massa. Bij sommige auto's moeten de rode en oranje draad worden verwisseld. U kunt dit eenvoudig doen door de twee zekeringhouders te verwisselen. Bij andere auto's kan het zijn dat de +12V na contact niet bij de stekkers van de autoradio aanwezig is, de oranje draad moet dan direct op een, op de auto beschikbare, +12V na contact worden aangesloten. Sluit de oranje draad niet aan op de permanente 12V, want daarmee loopt u het risico dat de accu van de auto leegloopt.

## Controle van de installatie:

Als uw Parrot 3200 LS-COLOR PLUS goed is geïnstalleerd, moet u het bericht "Tot ziens" op het scherm zien verschijnen wanneer u het contact van uw auto uitschakelt.

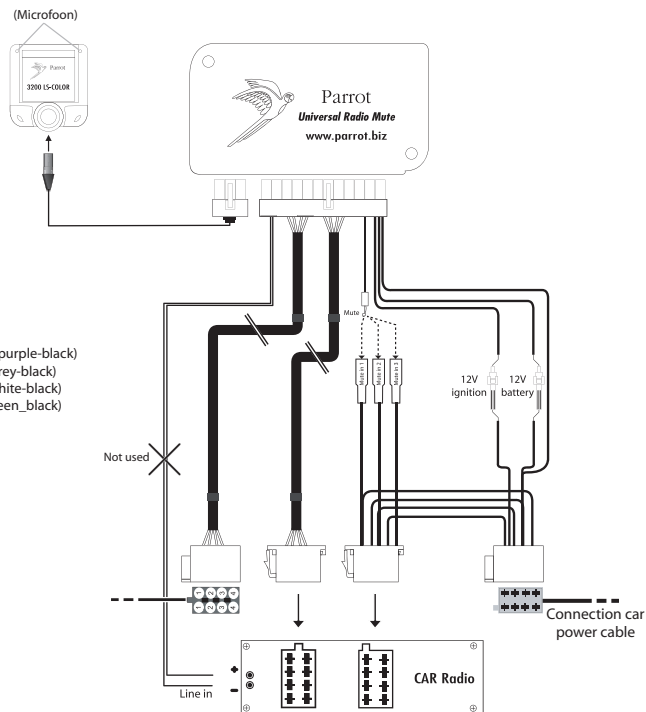
## Aansluiting op de «Line» ingangen «Line»



### Loud speakers

- 1 - Rear right speaker (purple/purple-black)
- 2 - Front right speaker (grey/grey-black)
- 3 - Front left speaker (white/white-black)
- 4 - Rear left speaker (green/green\_black)

## Aansluiting van de ISO stekkers

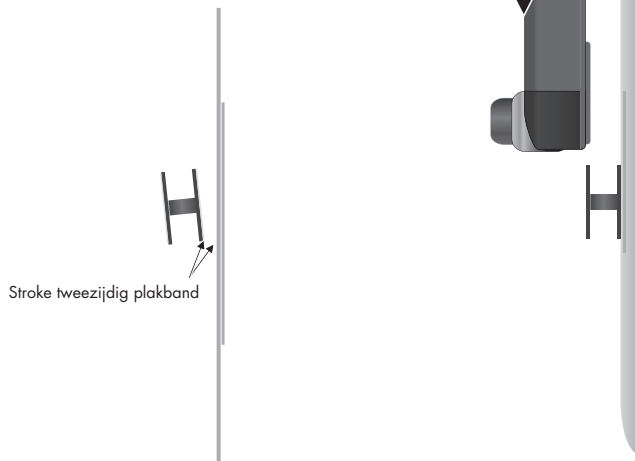


## Installatie van het scherm van de Parrot 3200 LS-COLOR PLUS

---

Voor optimale geluidskwaliteit van uw gesprekken wordt aangeraden om het scherm niet direct op het dashboard te plakken. Gebruik hiervoor een van de twee meegeleverde steunen. Met de eerste steun kunt u het scherm tegen het dashboard plaatsen.

- Plak een strook tweezijdig plakband op een van de vlakke zijden van de steun en een andere strook tweezijdig plakband op het dashboard.
- Plak de steun op het dashboard
- Schuif vervolgens het scherm op de steun.

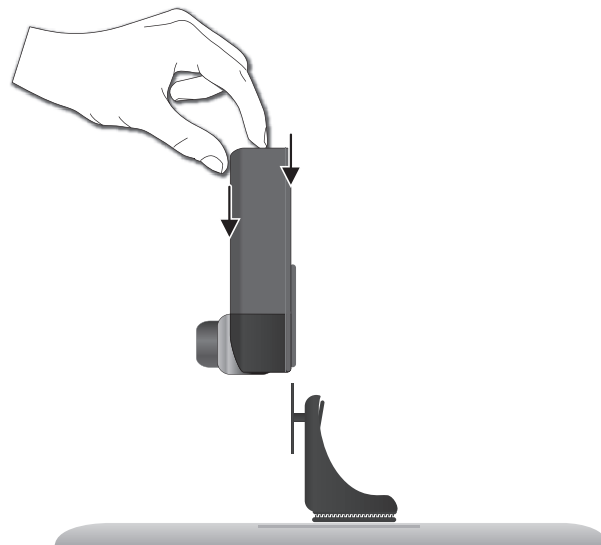
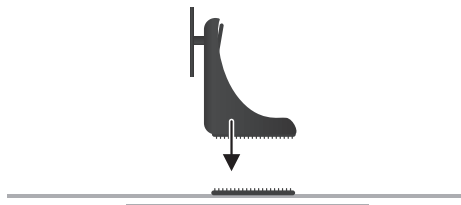


### **BELANGRIJK :**

Vergeet niet het scherm te verwijderen wanneer u de auto uitstapt, om de risico's van diefstal en langdurige blootstelling aan de zon te vermijden.

Met de tweede steun kunt u het scherm van de Parrot 3200 LS-COLOR PLUS bovenop het dashboard plaatsen.

- Plak een strook dubbelzijdig plakband op de steun en een andere strook op het dashboard.
- Plak de steun op het dashboard.
- Schuif vervolgens het scherm op de steun.



#### **BELANGRIJK :**

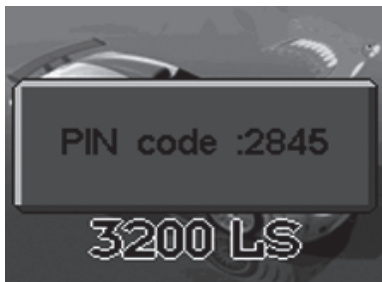
Vergeet niet het scherm te verwijderen wanneer u de auto uitstapt, om de risico's van diefstal en langdurige blootstelling aan de zon te vermijden.

## KOPPELING AAN UW TELEFOON: eerste gebruik

---

Wanneer de Parrot 3200 LS-COLOR PLUS voor het eerst wordt aangeschakeld, moet u een koppeling tot stand brengen tussen uw telefoon en de kit.

- . Activeer Bluetooth op uw mobiele telefoon.
- . Navigeer op de handsfree carkit door de menu's totdat u komt bij: Voorkeuren, Koppelen met telefoon en kies de optie die overeenkomt met uw telefoon. Een PIN-code van 4 cijfers verschijnt nu op het scherm. Prent deze in uw geheugen.



- . Voer een zoekopdracht uit naar randapparatuur Raadpleeg voor meer informatie over deze operatie de gebruiksaanwijzing van uw telefoon (hoofdstuk Bluetooth) of bezoek de Internetsite: [www.parrot.com](http://www.parrot.com)
- . Zodra het is gedetecteerd, wordt 'Parrot 3200LS' op uw telefoon weergegeven.
- . 'Bezig met koppeling' wordt nu op het scherm van de kit weergegeven.
- . Selecteer de carkit, waarna uw telefoon u vraagt een code in te voeren: voer de op het scherm van de carkit weergegeven code in en bevestig dit op uw telefoon.
- . De Parrot 3200 LS-COLOR PLUS verbindt zich nu met uw telefoon.

PLUS wordt u automatisch gevraagd om de richting van de dubbele microfoon in te stellen. Door dit te doen stelt u de carkit in staat w stem met optimale geluidskwaliteit aan uw correspondent door te sturen. U kunt de volgende richtingen instellen:

- Naar links gericht: De bestuurder bevindt zich links van de handsfree-carkit
- Naar het midden gericht: De bestuurder bevindt zich tegenover de handsfree-carkit
- Naar rechts gericht: De bestuurder bevindt zich rechts van de handsfree-carkit
- Geen bepaalde richting: Hierdoor kan de correspondent zowel de bestuurder als de passagier horen. De ruisonderdrukking is in dit geval minder efficiënt.

U kunt deze instelling naderhand wijzigen via het menu "Instellingen/Microfoonrichting"

Zodra de verbinding is gemaakt, verschijnt het logo van Bluetooth op het scherm (behalve bij bepaalde telefoons die het profiel Headset gebruiken). Sommige telefoons hebben extra functies, zoals het weergeven van de naam van uw telefoon op het scherm van de kit, de weergave van de niveau's van het netwerk en de batterij net als de naam van uw operator. Bezoek onze website [www.parrot.com](http://www.parrot.com), rubriek Support om te weten over welke functionaliteiten uw telefoon beschikt.

Wanneer uw telefoon op uw handsfree-kit is aangesloten, zijn de menu's van de Parrot 3200 LS-COLOR PLUS toegankelijk en spreekt de handsfree-kit de naam van de menu's uit wanneer u de scrollknop draait. Na deze operatie zijn de menu's toegankelijk en wordt hun naam door de handsfree carkit genoemd wanneer u de draaiknop laat draaien. U kunt de menu's openen door op de groene knop (of de draaiknop) te drukken. Om een menu te sluiten, drukt u op de rode knop.

U kunt nu uw hands-free set gebruiken om te communiceren.

- **Een gesprek ontvangen:** druk op de groene knop om de oproep aan te nemen.

Bij de koppeling van een eerste telefoon aan uw Parrot 3200 LS-COLOR



- **Een gesprek ophangen:** klik op de rode knop.
- **Herhaalfunctie:** druk twee secondes op de groene knop van de kit om het laatst gedraaide nummer opnieuw te bellen.
- **Instellen van het volume:** draai aan het wielletje gedurende een gesprek om het volume in te stellen.

## FUNCTIES

---

Op het scherm van de kit vindt u de belangrijkste informatie van uw telefoon, onder meer het telefoonboek.

- ♦ Automatisch downloaden van uw telefoonboek.
- ♦ Weergave van de naam en het beeld van de beller.
- ♦ Bellen van contacten met gebruik van de spraakherkenning van de kit.
- ♦ Onderbreking van de autoradio gedurende de communicatie.
- ♦ Historie oproepen.
- ♦ Instellen volume bij het bellen.
- ♦ Beheer van tweede oproep.
- ♦ Automatisch terugbellen van de laatste correspondent.
- ♦ Veranderen van de achtergrond van het scherm.
- ♦ Instellingen van de helderheid.
- ♦ Keuze van de beltoon.
- ♦ Instelling van de taal.
- ♦ DTMF: wanneer u wordt gebeld door uw voicemail, drukt u op de draaiknop om toegang te krijgen tot de cijfers waarmee u uw berichten kunt beheren.

NB! Het gebruik van sommige functies (Spraakherkenning, Herhaalfunctie, Privacy modus) is uitsluitend afhankelijk van uw telefoon.

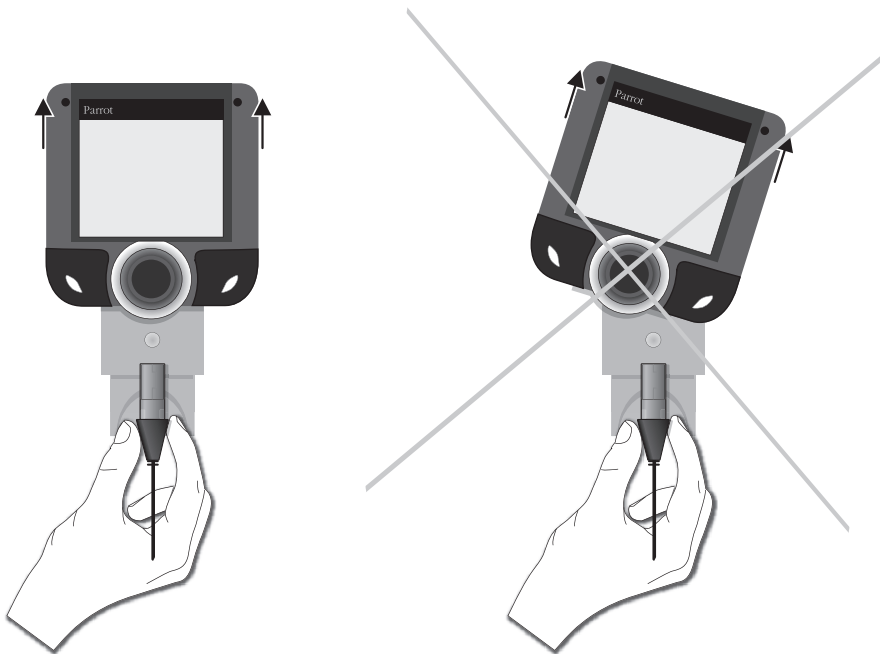
Zie onze website [www.parrot.com](http://www.parrot.com), rubriek Support voor meer informatie.

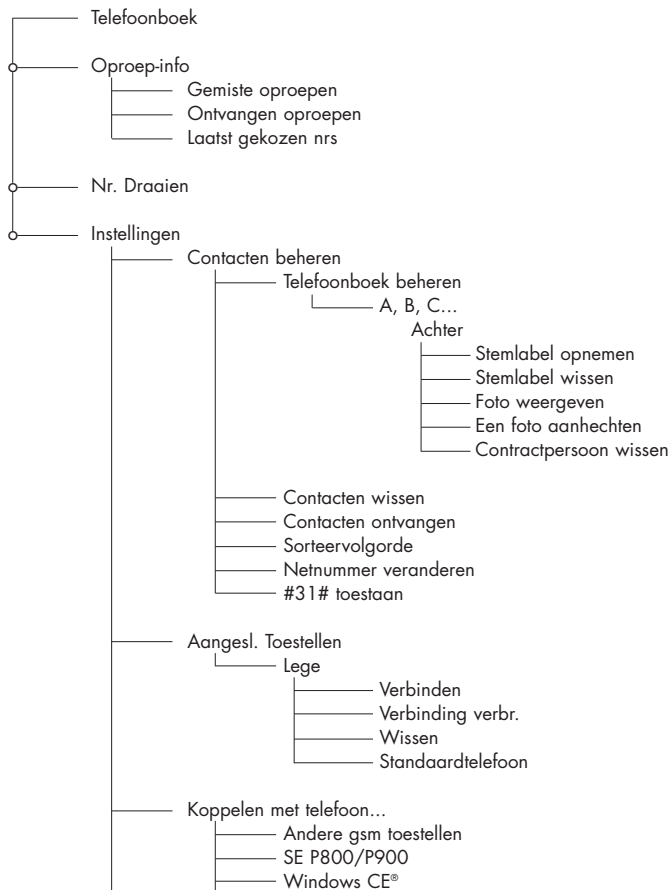


## Verwijderen het scherm van de Parrot 3200 LS-COLOR PLUS:

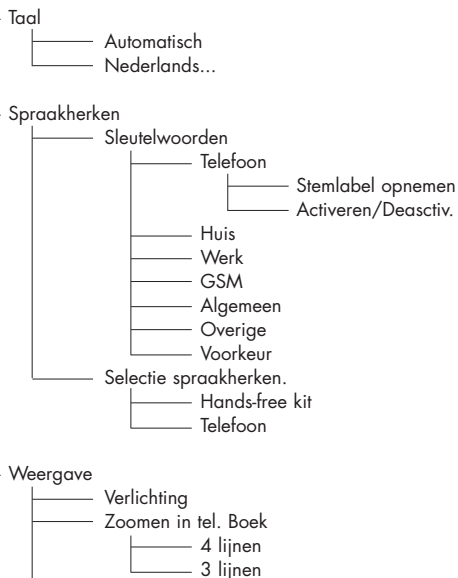
De Parrot 3200 LS-COLOR PLUS is voorzien van een USB aansluiting. U kunt het scherm van uw handsfree-carkit verwijderen, wanneer u de auto uitstapt.

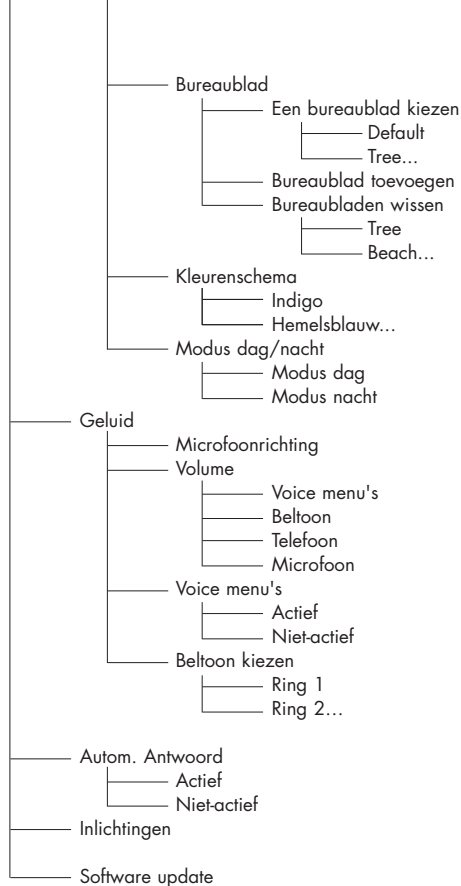
Het is belangrijk om het contact van uw auto uit te schakelen en te wachten totdat het bericht "Tot ziens" op het scherm van de Parrot 3200 LS-COLOR PLUS verschijnt, voordat u het scherm verwijdert. Om het scherm los te nemen, wordt aanbevolen om de kabel van de Parrot 3200 LS-COLOR PLUS vast te houden en het scherm verticaal van zijn houder af te schuiven.





- Samsung E-720/E-530
- SE K600, K750, W550
- Disable Synchro
- IDEN phones
- D800, S400i
- D500, D500e
- Z310
- Z300, Z500
- LG U8360, VK
- Sagem phones
- Headset Phone





## TOEGANG TOT MENU'S

### Telefoonboek

Nadat u de koppeling met de Parrot 3200 LS-COLOR PLUS heeft gemaakt, begint automatisch de synchronisatie van uw telefoonboek. Nadat dit voltooid is (synchronisatie geëindigd), is het telefoonboek van uw telefoon toegankelijk vanaf het scherm van de handsfree carkit. Om er toegang toe te krijgen en uw correspondent te bellen, draait u de draaiknop om toegang tot de menu's te krijgen en kiest u vervolgens Telefoonboek. Laat de letters voorbij schuiven, totdat u de eerste letter van de naam van de gewenste persoon ziet, en bevestigt. U ziet nu de naam en de verschillende telefoonnummers van deze persoon. Vervolgens kiest u het telefoonnummer dat u wilt bellen.

Als uw telefoon geen automatische synchronisatie van het telefoonboek van uw telefoon mogelijk maakt, kunt u uw contacten handmatig van de telefoon naar de handsfree-kit sturen. Bezoek onze website [www.parrot.com](http://www.parrot.com), om te kunnen beschikken over de geactualiseerde procedures.

NB! De functies Automatische synchronisatie van het telefoonboek en Handmatig versturen van contacten hangen uitsluitend af van uw telefoon. Bezoek onze website [www.parrot.com](http://www.parrot.com), rubriek Support voor meer informatie.

### Oproep-info

Deze rubriek geeft de lijst oproepen weer en is onderverdeeld in drie ondermenu's: Gemiste oproepen / Ontvangen oproepen / Uitgegang Oproepen.

Deze wordt automatisch met de telefoon gesynchroniseerd, en u kunt er toegang tot krijgen om een correspondent terug te bellen van wie u de oproep heeft gemist.

- Kies het contact vanaf deze menu's.
- Druk op de draaiknop, of op de groen knop om hem terug te bellen.

NB! Het gebruik van deze functie hangt uitsluitend af van uw telefoon. Bezoek onze website [www.parrot.com](http://www.parrot.com), rubriek Support voor meer informatie.

## Nummer draaien

Kies dit menu om een nummer direct vanaf de kit te vormen.

- Draai de draaiknop en druk hierop om een cijfer te kiezen.
- De icoon van de mand wist het laatste cijfer.
- Zodra het nummer is gevormd, drukt u op de groene knop om de correspondent te bellen.

## Instellingen

Met dit menu kunt u de instellingen doen die nodig zijn voor optimaal gebruik van uw handsfree-carkit.

### Contacten beheren

Met dit menu kunt u de contactpersonen van de Parrot 3200 LS-COLOR PLUS beheren. Nadat u een contactpersoon heeft gekozen in de lijst (open het menu Telefoonboek beheren), kunt u zijn stemlabel opnemen of wissen, zijn foto zien of wissen, of deze contactpersoon uit het telefoonboek wissen.

Om de naam van een contactpersoon met bijbehorende foto te ontvangen (mits uw telefoon dit ondersteunt), kiest u Contacten ontvangen. Op uw telefoon kiest u de door Bluetooth naar de handsfree carkit te sturen contactpersoon. In het vervolg, wanneer deze persoon u belt, verschijnen zijn foto en zijn naam op het scherm van de carkit.

NB! Het gebruik van sommige functies is uitsluitend afhankelijk van uw telefoon. Bezoek onze website [www.parrot.com](http://www.parrot.com), rubriek Support voor meer informatie. U vindt er bovendien de geactualiseerde procedures voor het gebruik van uw telefoon.



## SPRAAKHERKENNING

### Selectie spraakherken

Met de Parrot 3200 LS-COLOR PLUS kunt u de functie spraakherkenning van uw mobiele telefoon gebruiken, als deze hiervan is voorzien.

U kunt ook de spraakherkenning van de Parrot 3200 LS-COLOR PLUS zelf gebruiken. Om deze functie te kunnen gebruiken, moet uw telefoon wel in staat zijn om uw contacten naar uw handsfree-kit te sturen. De spraakherkenning van de handsfree kit is het meest geschikt in een autoomgeving. Wij raden aan om uw uitrusting van auto met deze keuze te regelen.

- **Hands Free Kit:** de gekozen stemlabels zijn opgeslagen in het geheugen van de hands-free set.
- **Telefoon:** de gekozen stemlabels zijn opgeslagen in het geheugen van de telefoon.

### Sleutelwoorden

Met de sleutelwoorden kunt u kiezen uit de verschillende typen telefoonnummers van uw contact: werk, huis, mobiel enz. Het opnemen van de belangrijke woorden maakt het mogelijk om te telefoneren waarbij u uw handen aan het stuur kunt houden. U kunt het gehele gesprek bedienen met uw stem.

- Om de sleutelwoorden op te nemen, kiest u het sleutelwoord dat u wilt opnemen.
- Aanbevolen wordt om deze opname uit te voeren in een rustige omgeving, om de motor van de auto uit te schakelen, de ruiten van de auto te sluiten en op de bestuurdersplaats te gaan zitten. Spreek niet te dicht bij de microfoon van de Parrot 3200 LS-COLOR PLUS en neem dezelfde houding aan als tijdens het rijden.
- De handsfree-kit vraagt u nu om het sleutelwoord uit te spreken. Als de geluidsovername goed is, zal hij u vragen om het sleutelwoord nogmaals uit te spreken.
- Nadat u een sleutelwoord hebt opgenomen, gaat de Parrot 3200 LS-COLOR PLUS automatisch door naar de opname van het volgende sleutelwoord.

### Aangesl. Toestellen

De Parrot 3200 LS-COLOR PLUS kan met maximaal 5 Bluetooth telefoons worden gekoppeld, terwijl er maar één gedurende een sessie aangesloten kan zijn. Het menu Gekoppelde apparaten maakt het mogelijk om een telefoon aan te sluiten, los te koppelen of te wissen uit het geheugen van de kit. Vanaf Standaardtelefoon instellen, kunt u de prioriteit bepalen die aan de telefoon Bluetooth wordt gegeven bij de aansluitingen met meerdere telefoons die in de auto aanwezig zijn.

## **Opgelet:**

Bij het wissen van een koppeling, verliest u alle stemlabels die aan de contacten van die telefoon zijn toegekend.

## **Koppelen met telefoon**

Voordat u uw telefoon Bluetooth koppelt, moet u de modus activeren die overeenkomt met uw telefoon Bluetooth.

Zodra de modus gekozen is, verschijnt er een code van 4 (willekeurige) cijfers. Start het zoeken van Bluetooth randapparatuur vanaf uw telefoon. Zodra de handsfree carkit is gevonden, selecteert u deze en voert deze code in.

Opmerking: voor een grotere compatibiliteit met de telefoons, kunnen in de toekomstige versies nieuwe koppelmodi worden toegevoegd.

## **Taal**

Kies de taal voor het weergeven van menu's van uw Parrot 3200 LS-COLOR PLUS.

## **Weergave**

4 rubrieken maken het mogelijk om de weergave van informatie persoonlijk te maken:

- **Verlichting:** gebruik de draaknop om het gewenste niveau te bereiken en valideer door op de knop te drukken.
- **Zoomen in tel. Boek:** maakt de weergave over 3 of 4 regels in het menu telefoonboek mogelijk.
- **Bureaublad:** hiermee kunt u een afbeelding kiezen voor de achtergrond van het scherm.
- **Kleurenschema:** komt overeen met de keuze van het thema van de kleur.

## **Geluid**

- **Volume:** gebruik de draaknop om het gewenste geluidsniveau voor het geluidsvolume van het gesprek, en het niveau van de gevoeligheid van de microfoons in te stellen.
- **Gesproken menu's:** stel het geluidsvolume van de vragen van de hands-free set naar wens in.

- **Beltoon kiezen:** voor telefoons die geen beltoon laten horen al er een oproep binnen komt, kunt u hier de beltoon kiezen die u wilt horen als een correspondent u belt.
- **Richting van de microfoon:** Dit menu geeft u de keuze uit verschillende mogelijkheden voor het instellen van de richting van de dubbele microfoon. Hierdoor kan de carkit uw stem met optimale geluidskwaliteit aan uw correspondent doorsturen.  
U kunt de volgende richtingen instellen:
  - Naar links gericht: De bestuurder bevindt zich links van de handsfree-carkit
  - Naar het midden gericht: De bestuurder bevindt zich tegenover de handsfree-carkit
  - Naar rechts gericht: De bestuurder bevindt zich rechts van de handsfree-car kit
  - Geen bepaalde richting: Hierdoor kan de correspondent zowel de bestuurder als de passagier horen. De ruisonderdrukking is in dit geval minder efficiënt.

## **Automatisch beantwoorden**

Activeer deze mode als u wilt dat de Parrot 3200 LS-COLOR PLUS automatisch de binnenkomende gesprekken aanneemt.

## **Informatie**

In dit menu kunt u de informatie over de versie van de software raadplegen.

## BIJWERKEN

---

U kunt de versie van de software van uw Parrot 3200 LS-COLOR PLUS per Bluetooth bijwerken. Activeer deze mode voor de bijwerking. Deze wordt gedaan door Bluetooth vanaf een computer die met Bluetooth is uitgerust.

De bijwerking maakt nieuwe functies mogelijk, en maakt het mogelijk de compatibiliteit met de gevorderde functies van een groter aantal telefoons te verbeteren. Bezoek onze Internetsite voor meer informatie: [www.parrot.com](http://www.parrot.com).

## HULPLIJN

---

Onze help-lijn staat voor u klaar. U kunt met ons per e-mail of per telefoon contact opnemen.

We zijn geopend van maandag t/m vrijdag van 9.00 tot 18.00 uur (GMT +1).

Bezoek onze Internetsite [www.parrot.com](http://www.parrot.com) voor meer informatie.

Europe : [+33] 1 48 03 60 69

France : 01 48 03 60 69

Italie : [+39] 02 86 39 14 63

Espagne : [+34] 902 404 202

UK : [+ 44] (0) 870 112 5872

Allemagne : 0900 172 77 68

USA : [+1] (877) 9 PARROT (toll-free)

Chine : [+86] (0) 2164 601 944

## AANTEKENINGEN

---



# Parrot 3200 LS-COLOR PLUS

## Bedienungsanleitung



## EINFÜHRUNG

---

Die Bluetooth®-Technologie ermöglicht eine Übertragung von Sprache und Daten über kurze Entfernungen per Funkverbindung. Unter Rückgriff auf Bluetooth können unterschiedliche elektronische Geräte miteinander kommunizieren, insbesondere Telefone und Freisprecheinrichtungen. Die Parrot 3200 LS-COLOR PLUS wurde mit zwei direkt in das Display integrierten Mikrofonen ausgestattet und stellt dadurch die einmaligen Vorteile der Technologie Beamforming bereit. Diese Technologie ermöglicht eine grundlegende Verbesserung der Kommunikationsqualität durch optimale Geräuschreduzierung.

Aufbauend auf seine langjährige Erfahrung im Bereich Signalverarbeitung und Spracherkennung präsentiert Parrot eine Freisprecheinrichtung, die sich beim Telefonieren durch eine herausragende Audioqualität auszeichnet. Sie haben sich für eine Freisprecheinrichtung von Parrot entschieden: Herzlichen Dank! Mit dem Parrot 3200 LS-COLOR PLUS können Sie Ihre Anrufe erledigen, während Sie mit Ihrem Auto unterwegs sind? Ihre Hände bleiben dabei am Steuer. Die farbige Oberfläche und der anpassbare Bildschirmhintergrund machen den Parrot 3200 LS-COLOR PLUS zur denkbar bedienerfreundlichsten Freisprecheinrichtung. Er fungiert richtiggehend als Erweiterung Ihres Mobiltelefons. Darüber hinaus können Sie das Display der Parrot 3200 LS-COLOR PLUS einfach mitnehmen, wenn Sie das Fahrzeug verlassen.

## VERPACKUNGSMATERIAL

---

- LCD-Farbdisplay
- Anschlusskabel
- Kontrollbox
- Bedienungsanleitung
- Befestigungsvorrichtungen

## INSTALLATION

---

Wählen Sie zunächst eine geeignete Position für das Farbdisplay im Innenraum Ihres Fahrzeugs. Empfohlen wird die Mitte des Armaturenbretts oder eine Position in Ihrer Nähe.

Stellen Sie sicher, dass Sie über einen guten Blickwinkel auf das Display verfügen, und dass die Position des Displays Ihre Sicht auf den Straßenverkehr nicht beeinträchtigt. Nach der Installation und Inbetriebnahme der Freisprecheinrichtung können Sie die Helligkeit bedarfsgerecht einstellen.

Das Anschlusskabel ist mit ISO-Anschlüssen sowie mit 2 "Line out"-Ausgängen ausgestattet, die eine Verbindung mit den "Line in"-Eingängen des Audiosystems ermöglichen, sofern das System diese Option bereitstellt.

### **Autoradio mit Eingängen "line in":**

Bei diesem Anschlussstyp werden der braune und weiße (bzw. der rote und schwarze) Draht mit dem "Line in"-Eingang des Audiosystems und der gelbe Draht mit dem "Mute"-Eingang des Autoradios verbunden.

### **Autoradio mit ISO-Steckverbinder:**

Entfernen Sie die ISO-Verbindungen von Ihrem Autoradio. Schließen Sie die ISO-Stecker des Kabels der Freisprechanlage an das Autoradio an. Verbinden Sie die ISO-Stecker des Fahrzeugs mit den ISO-Steckbuchsen am Kabel der Freisprechanlage.

Sollte das Autoradio über einen „Mute“-Eingang verfügen, dann verbinden Sie den gelben Draht des Kabels der Freisprechanlage mit dem entsprechenden „Mute“-Eingang ("Mute in 1", "Mute in 2" oder "Mute in 3").

### **Autoradio ohne ISO-Steckverbinder:**

Für diesen Anschlussstyp ist ein Adapterkabel erforderlich, um die vorhandenen Anschlüsse an den ISO-Standard anzupassen. Die weitere Vorgehensweise entspricht dann derjenigen mit ISO-Anschlüssen. Parrot stellt Ihnen eine komplette Serie von ISO-Adapterkabeln zur Auswahl. Besuchen Sie diesbezüglich die Parrot-Website: [www.parrot.com](http://www.parrot.com)

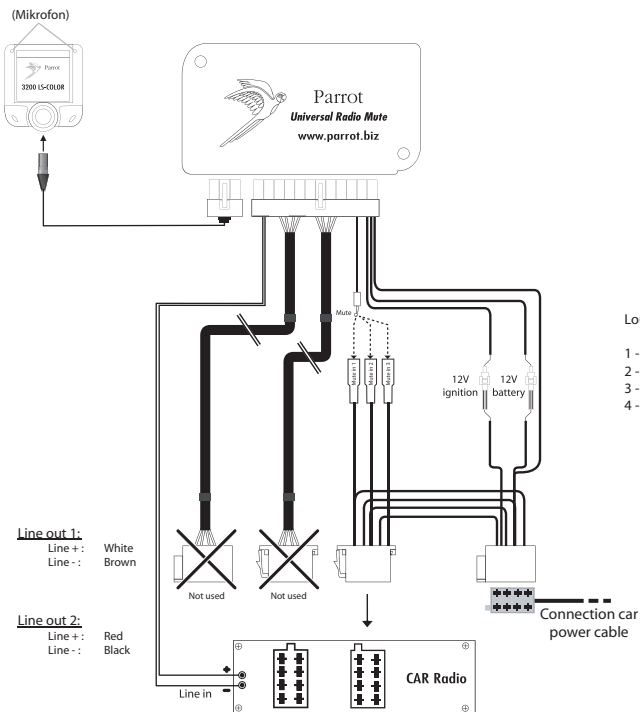
### **Anschluss des Kabels der Freisprecheinrichtung:**

. Halten Sie sich an das Schaltbild für das ISO-Drahtbündel des Autoradios. Der rote Draht des Kabels der Freisprechanlage muss mit der permanenten und der orangefarbene Draht mit der kontaktgeschalteten 12V-Spannungsversorgung verbunden werden. Der schwarze Draht wird an die Masse angeschlossen. In manchen Kraftfahrzeugen ist eine Invertierung des roten und des orangefarbenen Drahts erforderlich. Dazu sind lediglich die zwei Sicherungsträger auszuwechseln. In anderen Fahrzeugen wiederum ist am Autoradio kein Anschluss für die kontaktgeschaltete 12V-Spannungsversorgung vorgesehen. In diesem Fall ist der orangefarbene Draht direkt mit einem am Fahrzeug verfügbaren 12V-Spannungsanschluss zu verbinden. Verbinden Sie den orangefarbenen Draht keinesfalls mit der permanenten 12V-Versorgung, da dies eine Entleerung der Fahrzeugbatterie zur Folge haben kann.

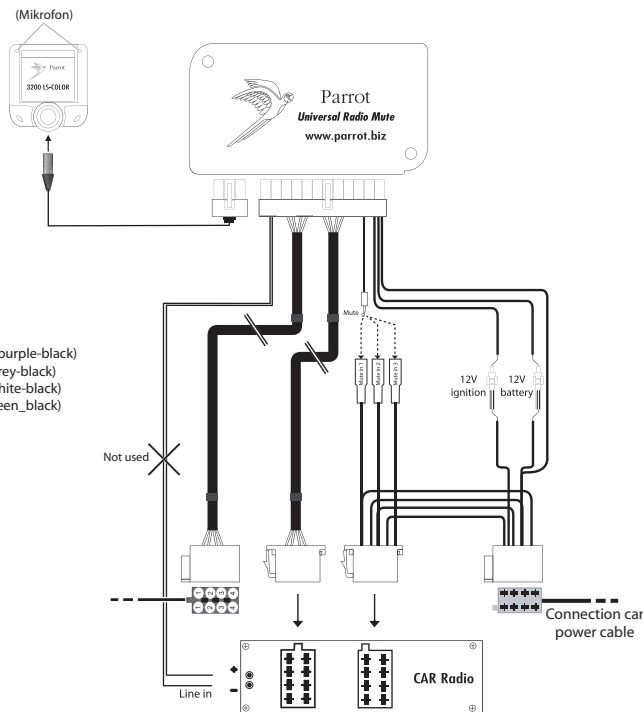
### Prüfung der Installation:

Wenn die Installation der Parrot 3200 LS-COLOR PLUS ordnungsgemäß durchgeführt wurde, erscheint beim Ausschalten der Zündung Ihres Fahrzeugs die Meldung "Auf Wiedersehen" auf dem Display.

## Verwendung des Leitungseingangs «Line»



## Verwendung des ISO-Anschlusses



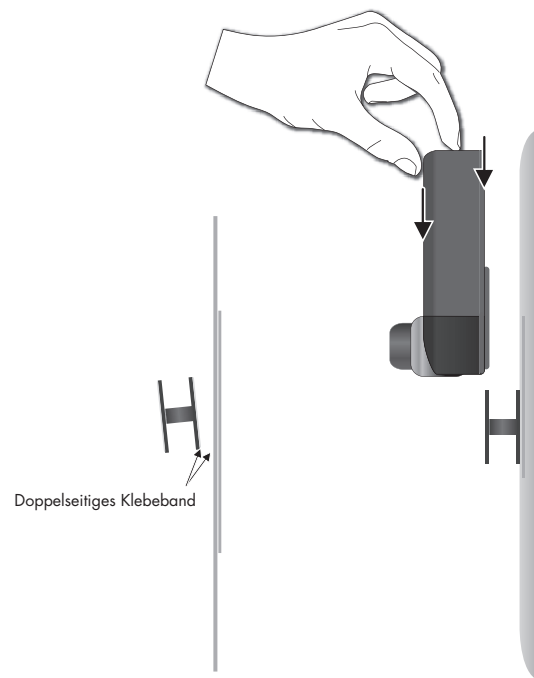
Loud speakers

- 1 - Rear right speaker (purple/purple-black)
- 2 - Front right speaker (grey/grey-black)
- 3 - Front left speaker (white/white-black)
- 4 - Rear left speaker (green/green\_black)

## Installation des Displays der Parrot 3200 LS-COLOR PLUS

Um eine optimale Kommunikationsqualität zu gewährleisten, sollte das Display nicht direkt auf dem Armaturenbrett angebracht werden. Verwenden Sie für die Anbringung eine der zwei Halterungsvorrichtungen. Die erste Halterung ermöglicht eine Anbringung des Displays vorn am Armaturenbrett.

- Bringen Sie ein doppelseitiges Klebeband an einer der glatten Flächen der Halterungsvorrichtung an, ein anderes am Armaturenbrett.
- Befestigen Sie die Halterung am Armaturenbrett.
- Führen Sie dann das Display in die Halterung ein.

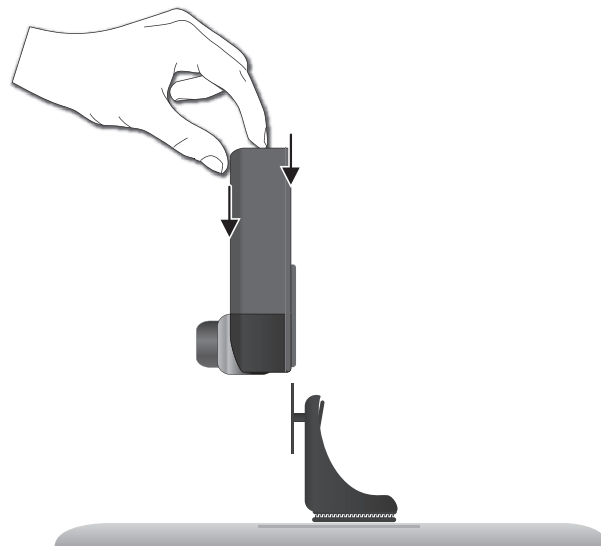
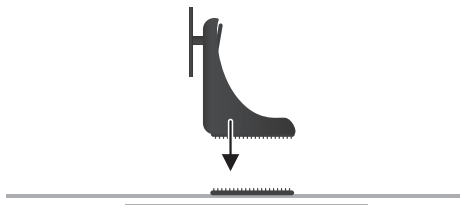


### WICHTIG :

Vergessen Sie nicht, das Display herauszunehmen, wenn Sie das Fahrzeug verlassen, um Diebstahl und längere Sonneneinstrahlung zu vermeiden.

Die zweite Halterung ermöglicht eine Anbringung des Displays der 3200 LS-COLOR PLUS in einer höheren Position.

- Bringen Sie einen Klettverschluss an der Halterungsvorrichtung und einen anderen auf dem Armaturenbrett an.
- Befestigen Sie die Halterung auf dem Armaturenbrett.
- Führen Sie dann das Display in die Halterung ein.



**WICHTIG :**

Vergessen Sie nicht, das Display herauszunehmen, wenn Sie das Fahrzeug verlassen, um Diebstahl und längere Sonneneinstrahlung zu vermeiden.

## KOPPLUNG MIT DEM TELEFON: Erste Verwendung

---

Beim ersten Einschalten des Parrot 3200 LS-COLOR PLUS müssen Sie Ihr Telefon mit der Freisprecheinrichtung koppeln.

- Aktivieren Sie die Bluetooth-Funktion auf Ihrem Telefon.
- Navigieren Sie in den Menüs Ihrer Freisprecheinrichtung bis zu "Einstellungen", "Koppeln mit Gerät"... , und wählen Sie die Option, die Ihrem Telefon entspricht. Es erscheint ein 4 Ziffern umfassender PIN-Code auf dem Display, den Sie sich merken sollten.



- Starten Sie eine Suche nach Peripheriegeräten: Detaillierte Informationen zu diesem Vorgang finden Sie in der Bedienungsanleitung Ihres Telefons (Kapitel über Bluetooth). Oder besuchen Sie unsere Website: [www.parrot.com](http://www.parrot.com).
- Nach Abschluss des Suchvorgangs wird "Parrot 3200LS" auf dem Telefon angezeigt.
- Wählen Sie die Freisprecheinrichtung aus. Sie werden dann von Ihrem Telefon zur Eingabe eines Codes aufgefordert. Geben Sie den auf dem Display Ihrer Freisprecheinrichtung angezeigten Code ein, und bestätigen Sie die Eingabe auf Ihrem Telefon.
- Auf dem Display der Freisprecheinrichtung erscheint die Angabe "Kopplung OK".

- Nach dem Austausch der erforderlichen Daten wird "Kopplung erfolgreich" auf dem Display des Parrot 3200 LS-COLOR PLUS angezeigt.
- Der Parrot 3200 LS-COLOR PLUS stellt dann eine Verbindung zu Ihrem Telefon her.

Bei der ersten Kopplung eines Telefons mit der Parrot 3200 LS-COLOR PLUS werden Sie automatisch zur Einstellung der Ausrichtung der Mikrofone aufgefordert. Durch eine bedarfsgerechte Einstellung ermöglichen Sie eine gezieltere Stimmübertragung an ihre Gesprächspartner und damit eine wesentlich bessere Kommunikationsqualität. Folgende Ausrichtungen stehen zur Auswahl:

- Ausrichtung links: Der Fahrer befindet sich links von der Freisprechanlage.
- Ausrichtung Mitte: Der Fahrer befindet sich der Freisprechanlage genau gegenüber.
- Ausrichtung rechts: Der Fahrer befindet sich rechts von der Freisprechanlage.
- Keine bevorzugte Ausrichtung: In diesem Fall kann der Gesprächspartner die Stimmen von Fahrer und Beifahrer hören. Dadurch wird jedoch die allgemeine Geräuschreduzierung eingeschränkt.

Über das Menü "Einstellung / Mikrofon ausrichten" können Sie die Ausrichtung jederzeit zu einem späteren Zeitpunkt wieder ändern.

Nach dem Aufbau der Verbindung erscheint das Bluetooth-Logo auf dem Display (außer bei manchen Telefonen, die das Headset-Profil verwenden). Einige Telefone stellen zusätzliche Funktionen bereit, z. B. die Anzeige des Telefonnamens, der Netzstärke, des Akkuladestands und des Netzbetreibers auf dem Display der Freisprecheinrichtung. Auf der Website [www.parrot.com](http://www.parrot.com), Rubrik "Kundenkontakt", finden Sie den genauen Funktionsumfang Ihres Telefons.

Nach dem Aufbau einer Verbindung zwischen Ihrem Telefon und der Freisprechanlage stehen Ihnen die Menüs der Parrot 3200 LS-COLOR PLUS zur Auswahl. Durch Drehen des Reglerrads werden die Namen der Menüs von der Freisprechanlage laut ausgegeben. Die Menüs stehen zur Verfügung und die entsprechenden Namen werden von der Freisprecheinrichtung laut ausgegeben, wenn Sie das Reglerrad drehen. Rufen Sie die verschiedenen Menüs durch Drücken der grünen Taste (oder Drücken des Reglerrads) auf. Drücken Sie die rote Taste, um die Menüs zu verlassen.

Sie können Ihre Freisprecheinrichtung jetzt für Ihre Telefongespräche verwenden.

- **Entgegennehmen eines Anrufs:** Drücken Sie die grüne Taste, um den Anruf anzunehmen.
- **Beenden eines Anrufs:** Drücken Sie die rote Taste.
- **Rufwiederholung:** Drücken Sie die grüne Taste auf der Freisprecheinrichtung und halten Sie sie zwei Sekunden lang gedrückt, um die zuletzt gewählte Nummer erneut zu wählen.
- **Einstellen der Lautstärke:** Drehen Sie das Reglerrad während eines Gesprächs, um die Lautstärke wunschgemäß einzustellen.

## FUNCTIES

Auf dem Display der Freisprecheinrichtung finden Sie alle grundlegenden Informationen in Bezug auf Ihr Telefon, insbesondere Ihr Telefonbuch.

- ♦ Automatisches Laden Ihres Telefonbuchs
- ♦ Anzeige von Namen und Bild des Anrufers
- ♦ Rufnummernwahl für gespeicherte Kontakte über die Spracherkennungsfunktion der Freisprecheinrichtung
- ♦ Stummschaltung des Autoradios für die Dauer des Telefongesprächs
- ♦ Anrufliste
- ♦ Einstellung der Lautstärke bei aktiver Kommunikation
- ♦ Verwaltung der Anklopffunktion
- ♦ Automatischer Rückruf des letzten Gesprächsteilnehmers
- ♦ Änderung des Bildschirmhintergrunds
- ♦ Einstellung von Helligkeit
- ♦ Auswahl des Klingeltons
- ♦ Einstellung der Sprache
- ♦ DTMF: Wenn Sie einen Anruf von Ihrem Mitteilungssystem erhalten, drücken Sie das Reglerrad, um auf die Ziffern zuzugreifen, über die Sie Ihre Mitteilungen verwalten können.

Hinweis: Die Verfügbarkeit einiger Funktionen (Spracherkennung, Wahlwiederholung, diskreter Modus) ist ausschließlich von Ihrem Telefon abhängig. Weitere Informationen finden Sie auf der Website [www.parrot.com](http://www.parrot.com), Rubrik "Kundenkontakt".

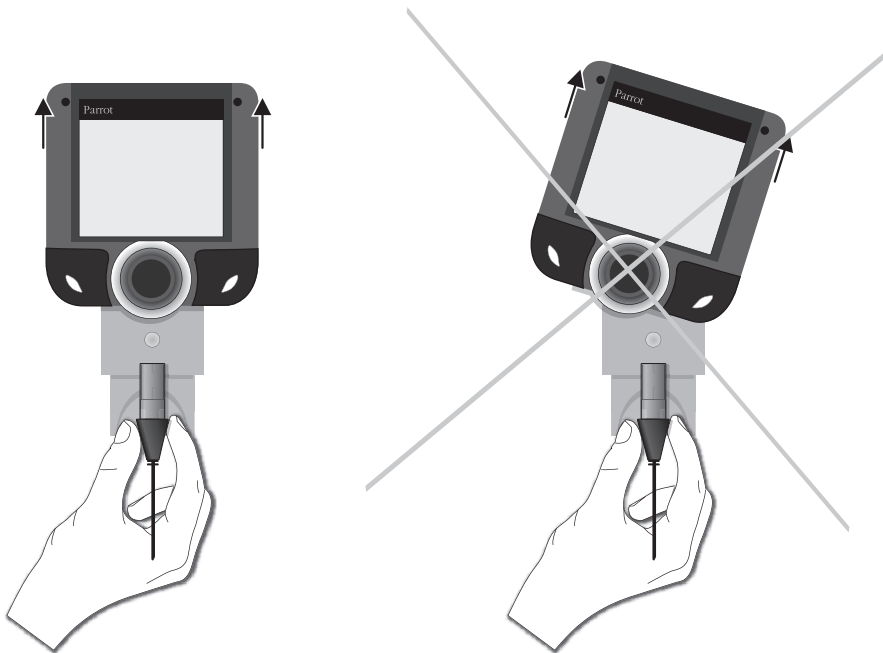


## Entnahme des Displays der Parrot 3200 LS-COLOR PLUS:

Die Parrot 3200 LS-COLOR PLUS ist mit einem USB-Anschluss ausgestattet. Deshalb können Sie beim Verlassen des Fahrzeugs das Display ganz einfach von der Freisprechanlage trennen.

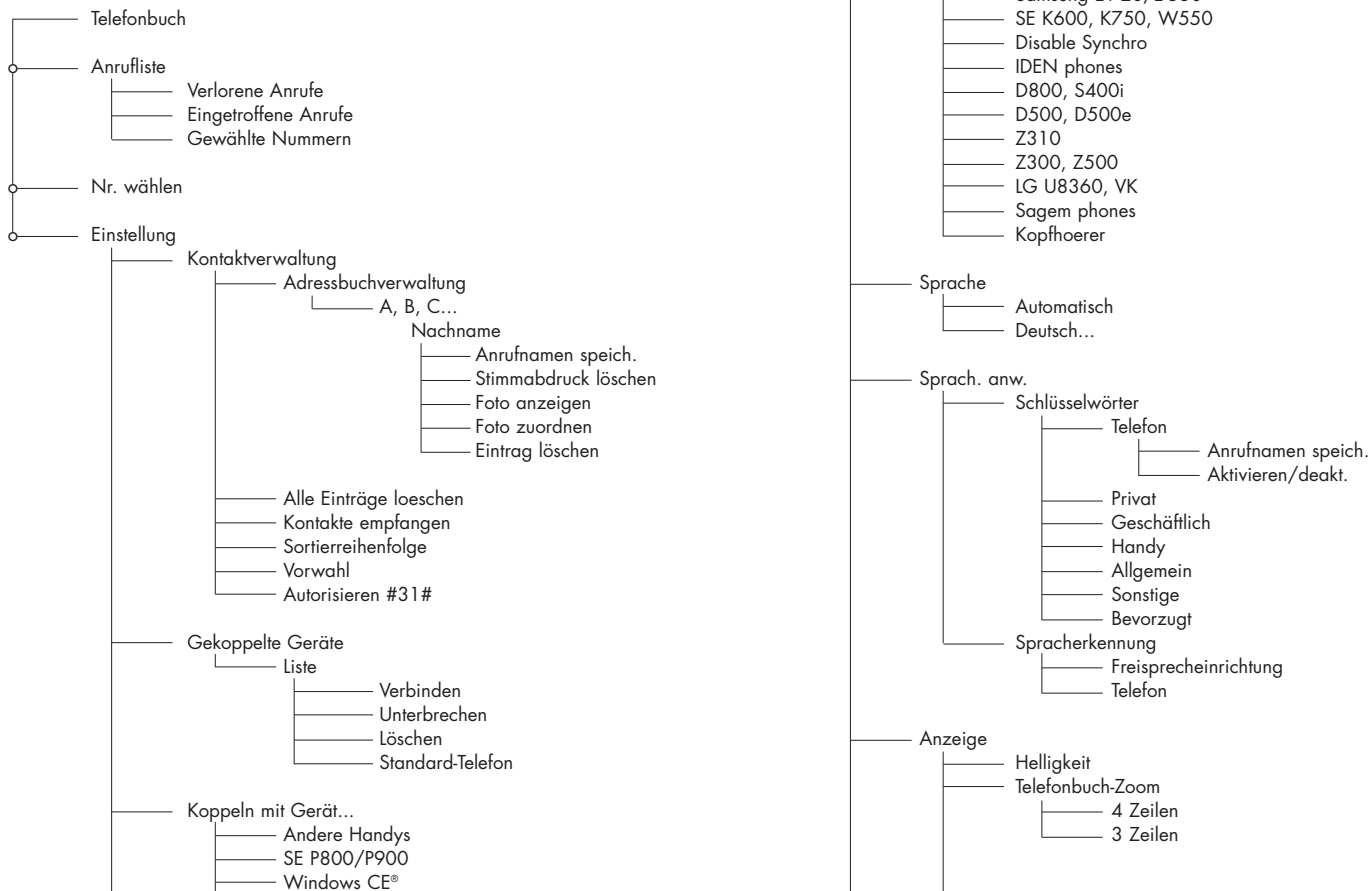
Bevor Sie das Display entfernen, müssen Sie auf jeden Fall zuerst die Zündung ausschalten und auf die Anzeige der Meldung "Auf Wiedersehen" auf der Freisprechanlage warten.

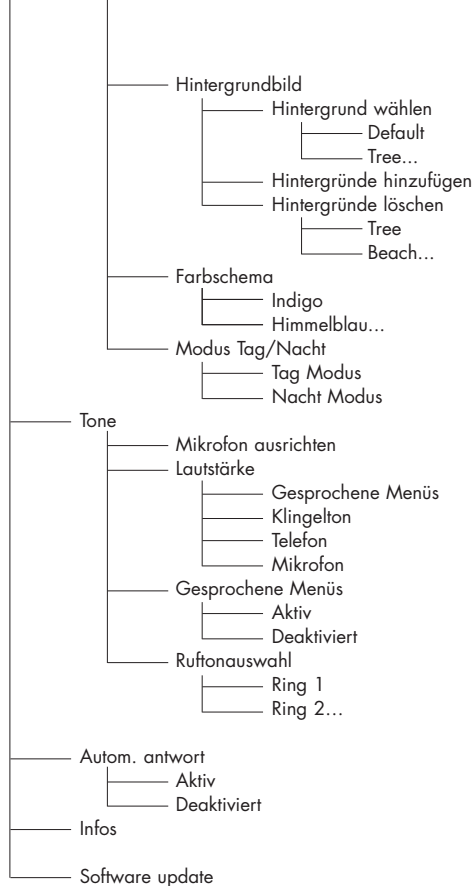
Für die Entnahme des Displays sollten Sie das Kabel der Parrot 3200 LS-COLOR PLUS festhalten und das Display vertikal aus seinem Sockel ziehen.





# MENÜ





## ZUGRIFF AUF DIE MENÜS

### Telefonbuch

Im Anschluss an die Kopplung Ihres Telefons mit dem Parrot 3200 LS-COLOR PLUS wird automatisch die Synchronisation Ihres Telefonbuchs gestartet. Nach dem Synchronisationsvorgang ("Synchronisation beendet") steht das Telefonbuch Ihres Telefons auch auf dem Display der Freisprecheinrichtung zur Verfügung. Wenn Sie auf das Telefonbuch zugreifen und einen Teilnehmer anrufen möchten, drehen Sie das Reglerrad, um auf die Menüs zuzugreifen, und wählen dann das Menü "Telefonbuch". Durchlaufen Sie die Buchstaben des Alphabets bis zum ersten Buchstaben des Namens des gewünschten Teilnehmers, und bestätigen Sie Ihre Auswahl. Für den ausgewählten Teilnehmer werden Name und Telefonnummern angezeigt. Wählen Sie die Nummer aus, die angerufen werden soll. Wenn Ihr Telefon keine automatische Synchronisation der Kontakte unterstützt, können Sie diese manuell vom Telefon aus auf die Freisprechanlage übertragen. Welche Möglichkeiten Ihnen mit Ihrem Telefon gegeben sind, erfahren Sie auf der Website [www.parrot.com](http://www.parrot.com).

Hinweis: Die Verfügbarkeit der Funktionen "Automatische Synchronisation der Kontakte" und "Manuelle Übertragung der Kontakte" ist ausschließlich von Ihrem Telefon abhängig. Weitere Informationen finden Sie auf der Website [www.parrot.com](http://www.parrot.com), Rubrik "Kundenkontakt".

### Anrufliste

Über dieses Menü werden sämtliche Anrufe angezeigt, untergliedert in drei Untermenüs:

Gewählte Nummern / Eintreffene Anrufe / Verlorene Anrufe.

Die Liste wird automatisch mit derjenigen Ihres Telefons synchronisiert und ermöglicht Ihnen den Rückruf eines Teilnehmers, dessen Anruf Sie versäumt haben.

- Wählen Sie den gewünschten Kontakt in den Untermenüs aus.
- Drücken Sie das Reglerrad oder die grüne Taste, um den Kontakt zurückzurufen.

Hinweis: Die Verfügbarkeit dieser Funktion ist ausschließlich von Ihrem Telefon abhängig. Weitere Informationen finden Sie auf der Website [www.parrot.com](http://www.parrot.com), Rubrik "Kundenkontakt".

## Nummer wählen

Wählen Sie dieses Menü, um direkt über die Freisprecheinrichtung eine Rufnummer zu wählen.

- Drehen und drücken Sie dann das Reglerrad, um eine Ziffer auszuwählen.
- Über das Papierkorbsymbol kann die letzte Ziffer jeweils wieder gelöscht werden.
- Drücken Sie nach der Eingabe der Nummer auf die grüne Taste, um die Nummer zu wählen.

## EINSTELLUNG

Dieses Menü ermöglicht Ihnen die Einstellung bestimmter Parameter im Hinblick auf eine optimierte Verwendung der Freisprechanlage.

### Kontaktverwaltung

Dieses Menü ermöglicht Ihnen die Verwaltung der Kontakte auf dem Parrot 3200 LS-COLOR PLUS. Nach Auswahl des Kontakts in der Liste (Zugriff über das Menü "Adressbuchverwaltung") können Sie einen Stimmabdruck speichern oder löschen, das verknüpfte Foto anzeigen bzw. löschen oder den gesamten Eintrag aus dem Telefonbuch entfernen.

Wenn Sie einen neuen Kontakt mit einem zugeordneten Foto empfangen möchten (sofern diese Funktion von Ihrem Telefon unterstützt wurde), wählen Sie "Kontakte empfangen". Wählen Sie dann auf Ihrem Telefon den Kontakt aus, den Sie per Bluetooth an die Freisprecheinrichtung senden möchten. Werden Sie anschließend von diesem Kontakt angerufen, erscheinen sowohl das Foto als auch der Name der Person auf dem Display.

Hinweis: Die Verfügbarkeit einiger Funktionen ist ausschließlich von Ihrem Telefon abhängig. Weitere Informationen finden Sie auf der Website [www.parrot.com](http://www.parrot.com), Rubrik "Kundenkontakt". Sie finden dort ebenfalls aktuelle Hinweise für eine optimale Verwendung Ihres Telefons.

## SPRACHERKENNUNG

### Spracherkennung wählen

Die Parrot 3200 LS-COLOR PLUS ermöglicht Ihnen den Rückgriff auf die Spracherkennungsfunktion Ihres Mobiltelefons, sofern diese Funktion von Ihrem Telefon unterstützt wird. Darüber hinaus stellt die Parrot 3200 LS-COLOR PLUS eine eigene Spracherkennung zur Verfügung. Damit Sie von dieser Funktion profitieren können, muss Ihr Telefon die Übertragung der Kontakte auf die Freisprechanlage ermöglichen. Die Sprachanerkennungsfunktion Ihres Autos ist in einem Autok anzupassen. Wir raten Ihnen Freisprecheinrichtung mit dieser Wahl einzustellen.

- **Freisprecheinrichtung:** Die Auswahl der Stimmabdrücke erfolgt im Speicher der Freisprecheinrichtung.
- **Telefon:** Die Auswahl der Stimmabdrücke erfolgt im Speicher des Telefons.

### Schlüsselwörter

Anhand von Schlüsselwörtern können Sie unter den verschiedenen, für einen Kontakt gespeicherten Rufnummern eine Auswahl treffen: Büro, Privat oder Handy. Durch die Speicherung von Schlüsselwörtern sind Sie in der Lage, Telefongespräche zu führen, ohne dazu die Hände vom Lenkrad nehmen zu müssen. Die gesamte Kommunikation wird allein über Ihre Stimme gesteuert.

Alle Schlüsselwörter müssen gespeichert werden, um als bestätigt zu gelten.

- Zur Speicherung der Schlüsselwörter müssen Sie lediglich ein erstes Schlüsselwort auswählen, das Sie speichern möchten.
- Der Aufnahme- bzw. Speichervorgang sollte in einer geräuscharmen Umgebung erfolgen. Schalten Sie den Motor aus, schließen Sie die Wagenfenster und setzen Sie sich auf den Fahrersitz. Nähern Sie sich nicht unnötig dem Mikrofon der Parrot 3200 LS-COLOR PLUS, sondern behalten Sie die Position bei, die Sie auch während des Fahrens einnehmen.
- Die Freisprechanlage fordert Sie zur lauten Aussprache des Schlüsselworts auf. Bei erfolgreicher akustischer Aufnahme des Schlüsselworts werden Sie aufgefordert, dasselbe Schlüsselwort ein zweites Mal auszusprechen.
- Im Anschluss an die Speicherung des Schlüsselworts geht die Parrot 3200 LS-COLOR PLUS dann automatisch zum nächsten Schlüsselwort über.

## Gekoppelte Geräte

Der Parrot 3200 LS-COLOR PLUS ermöglicht Ihnen die Kopplung von bis zu 5 Bluetooth-Telefonen, wobei in einer Sitzung jeweils nur zu einem Telefon eine Verbindung hergestellt werden kann. Über das Menü Standard-Telefon definieren können Sie eine Verbindung zu einem Telefon herstellen oder trennen oder ein Telefon im Speicher der Freisprecheinrichtung löschen. Über "Haupt-Benutzer" sind Sie in der Lage, die Priorität zu steuern, die einem Bluetooth-Telefon beim Verbindungsaufbau eingeräumt wird, wenn sich mehrere Telefone im Wagen befinden.

Wichtig:

Beim Löschen einer Kopplung gehen alle Stimmabdrücke verloren, die den Kontakten des betreffenden Telefons zugeordnet wurden.

## Koppeln mit Gerät

Vor der Kopplung Ihres Bluetooth-Telefons müssen Sie den dem Telefon entsprechenden Modus aktivieren.

Nach dem Auswählen des Modus wird ein Code mit 4 (zufälligen) Ziffern angezeigt. Starten Sie die Suche nach Bluetooth-Peripheriegeräten über Ihr Telefon. Sobald Sie die Freisprecheinrichtung gefunden haben, markieren Sie sie und geben den zuvor angezeigten Code ein.

Hinweis: Um eine größere Kompatibilität mit Telefonen bereitstellen zu können, werden in den zukünftigen Versionen mit Sicherheit noch weitere Kopplungsmodi hinzukommen.

## Sprache

Wählen Sie eine Sprache für die Anzeige der Menüs auf dem Parrot 3200 LS-COLOR PLUS.

## Anzeige

Anhand der verfügbaren 4 Rubriken können Sie die Datenanzeige wunschgemäß anpassen:

- **Helligkeit:** Stellen Sie mithilfe des Reglerrads das gewünschte Niveau ein und bestätigen Sie Ihre Einstellung durch Drücken des Reglerrads.
- **Telefonbuch-Zoom:** Ermöglicht eine Anzeige der Telefonbucheinträge über 3 oder 4 Zeilen.

- **Hintergrund:** Ermöglicht Ihnen die Auswahl eines Hintergrundbilds.
- **Farbschema:** Verweist auf die Auswahl eines Farbthemas.

## Töne

- **Lautstärke:** Stellen Sie mithilfe des Reglerrads die Lautstärke der Gesprächsübertragung und den Grad der Empfindlichkeit der Mikrofone ein.
- **Gesprochene Menüs:** Stellen Sie die Lautstärke für die von der Freisprecheinrichtung laut ausgegebenen Elemente auf das gewünschte Niveau ein.
- **Rufftonauswahl:** Wählen Sie für die Telefone, die bei eingehenden Anrufen nicht einen eigenen Klingelton ausgeben, den Klingelton, der beim Anruf eines Teilnehmers ertönen soll.
- **Mikrofon Ausrichtung:** Dieses Menü ermöglicht Ihnen die Auswahl einer bevorzugten Ausrichtung für die zwei Mikrofone unter mehreren Möglichkeiten. Dadurch lässt sich für die Übertragung Ihrer Stimme an Ihre Gesprächspartner eine deutlich bessere Audioqualität gewährleisten. Folgende Ausrichtungen stehen zur Auswahl:
  - Ausrichtung links: Der Fahrer befindet sich links von der Freisprechanlage.
  - Ausrichtung Mitte: Der Fahrer befindet sich der Freisprechanlage genau gegenüber.
  - Ausrichtung rechts: Der Fahrer befindet sich rechts von der Freisprechanlage.
  - Keine bevorzugte Ausrichtung: In diesem Fall kann der Gesprächspartner die Stimmen von Fahrer und Beifahrer hören. Dadurch wird jedoch die all gemeine Geräuschreduzierung eingeschränkt.

## Automatische Antwort

Aktivieren Sie diesen Modus, wenn das Parrot 3200 LS-COLOR PLUS eingehende Anrufe automatisch annehmen soll.

## Infos

Dieses Menü ermöglicht Ihnen die Anzeige von Informationen zur Version der geladenen Software.

## AKTUALISIERUNG

---

Sie haben die Möglichkeit, die Softwareversion Ihres Parrot 3200 LS-COLOR PLUS über eine Bluetooth-Verbindung zu aktualisieren. Aktivieren Sie vor der Aktualisierung diesen Modus. Die Aktualisierung erfolgt dann per Bluetooth über einen Bluetooth-fähigen Computer. Durch eine Aktualisierung können neue Funktionen hinzugefügt werden. Außerdem lässt sich die Kompatibilität mit den jeweils neuesten Funktionen von immer mehr Telefonen verbessern. Weitere Informationen hierzu finden Sie auf unserer Website: [www.parrot.com](http://www.parrot.com).

## HOTLINE

---

Unsere Hotline steht zu Ihrer Verfügung - per E-Mail oder Telefon: Montag bis Freitag von 9:00 Uhr bis 18:00 Uhr (GMT +1).

Weitere Informationen finden Sie auf unserer Website [www.parrot.com](http://www.parrot.com).

Europe : [+33] 1 48 03 60 69

France : 01 48 03 60 69

Italie : [+39] 02 86 39 14 63

Espagne : [+34] 902 404 202

UK : [+ 44] (0) 870 112 5872

Allemagne : 0900 172 77 68

USA : [+1] (877) 9 PARROT (toll-free)

Chine : [+86] (0) 2164 601 944

## HINWEIS

---

# Parrot 3200 LS-COLOR PLUS

## Manual de utilização



## INTRODUÇÃO

---

A tecnologia Bluetooth permite estabelecer comunicações de voz ou dados através de uma ligação de rádio de curta distância. Com ela, muitos equipamentos electrónicos podem comunicar entre eles, nomeadamente os telefones e os kits mãos-livres. O Parrot 3200 LS-COLOR PLUS beneficia da tecnologia Beamforming através de um microfone duplo incorporado no ecrã do kit mãos-livres. Esta tecnologia permite uma melhor qualidade de comunicação através de uma óptima redução do ruído.

O Parrot aproveita os seus muitos anos de experiência em matéria de tratamento de sinal e de reconhecimento de voz para introduzir um kit mãos-livres que permite uma qualidade de som superior durante as comunicações. Obrigado por ter comprado um kit mãos-livres Parrot.

Com o Parrot 3200 LS-COLOR PLUS, vai poder telefonar no seu carro sem tirar as mãos do volante. Com a sua interface de cor e o seu fundo de ecrã que pode ser personalizado, o Parrot 3200 LS-COLOR PLUS é o kit mãos-livres mais agradável de utilizar. Funciona como uma verdadeira extensão do seu telemóvel. Para além disso, pode transportar consigo o ecrã do Parrot 3200 LS-COLOR PLUS quando sair do veículo.

## CONTEÚDO DA EMBALAGEM

---

- Ecrã LCD de cor.
- Cabo de instalação.
- Caixa electrónica.
- Manual de utilização.
- Suportes de fixação.

## INSTALAÇÃO

---

Decida primeiro onde deseja colocar o seu ecrã a cores no habitáculo do seu veículo. Aconselhamos uma instalação no centro do seu painel de bordo ou perto de si.

Certifique-se de que tem um bom ângulo de visão sobre o ecrã e que este não obstrua a sua visibilidade relativamente à estrada. Depois de ter instalado completamente o kit mãos-livres e depois da sua colocação em serviço, poderá ajustar a luminosidade do ecrã. O cabo de instalação está equipado com conectores ISO e com 2 saídas "line out" para ligação às entradas "line in" de um sistema de áudio, caso disponha dessa opção.

### **Autorádio com entradas " line in ":**

Utilize este tipo de ligação, ligando os fios castanho e branco (ou vermelho e preto) à entrada "line in" do sistema de áudio, e o fio amarelo à entrada "silêncio" do seu auto-rádio.

### **Autorádio com conector ISO:**

Desligue os conectores ISO do seu auto-rádio. Ligue novamente os conectores ISO macho do cabo do kit ao auto-rádio. Ligue novamente os conectores ISO do veículo aos conectores ISO fêmea do cabo do kit. Se o auto-rádio estiver equipado com uma entrada "silêncio", volte a ligar o fio amarelo do cabo do kit à entrada "silêncio" correspondente ("Mute in 1", "Mute in 2" ou "Mute in 3").

### **Autorádio sem conector ISO:**

É necessário um cabo adaptador, pois permite converter o conector específico num conector ISO. Deste modo, a instalação torna-se idêntica a uma instalação com conector ISO. A Parrot propõe uma gama de cabos adaptadores ISO. Não hesite em consultar o nosso sítio da Internet: [www.parrot.com](http://www.parrot.com)

### **Instalação do cabo do kit:**

Verifique o esquema eléctrico do feixe ISO do auto-rádio.

O fio vermelho do cabo do kit deve ser ligado ao +12V de corrente permanente; o fio laranja ao 12V pós-contacto, e o fio preto à massa. Em certos veículos, torna-se necessário inverter os fios vermelho e laranja. Para isso, basta inverter os dois porta-fusíveis.

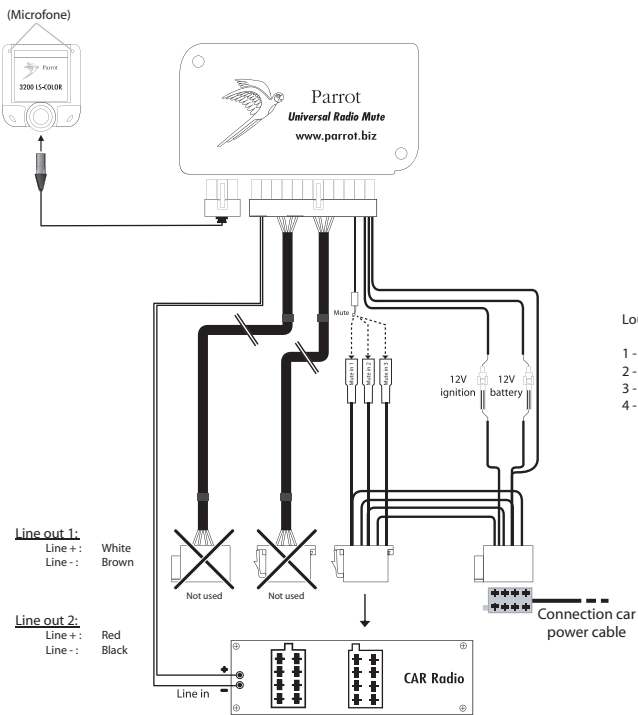
Noutros veículos, o +12V pós-contacto não está presente nos conectores do auto-rádio, tornando-se necessário ligar directamente o fio laranja a um +12V pós-contacto disponível no veículo. Não ligue o fio laranja ao 12V de corrente permanente, pois pode provocar a descarga da bateria do veículo.

### **Verificação da instalação:**

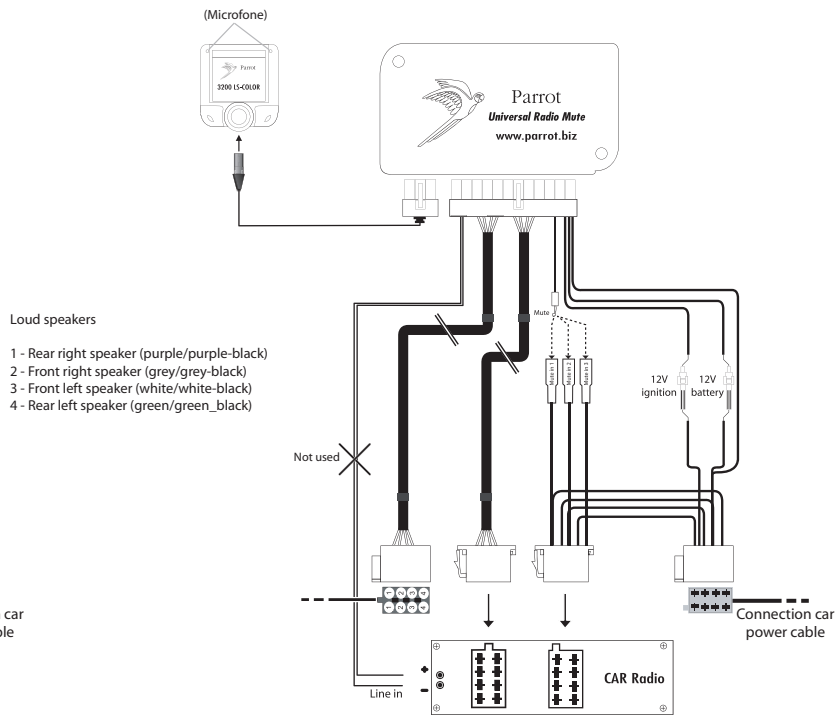
Se o seu Parrot 3200 LS-COLOR PLUS estiver bem instalado, deverá aparecer a mensagem "Adeus" no ecrã quando desligar a ignição do automóvel.



## Utilização de uma entrada "Line"



## Utilização de conectores ISO

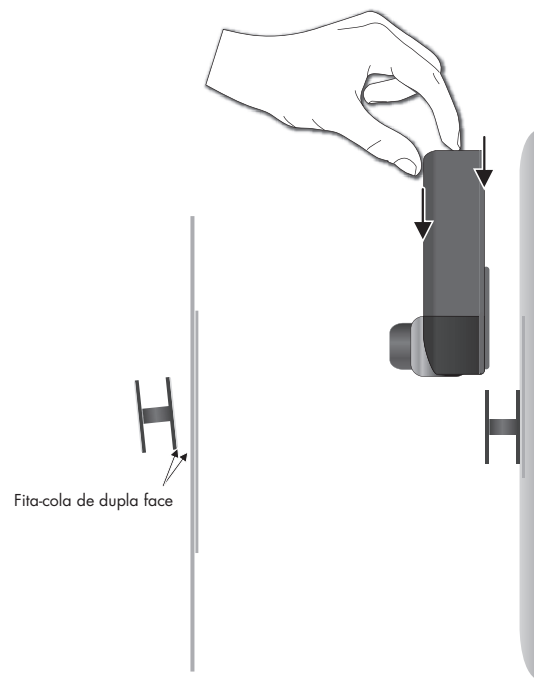


## Colocação do ecrã do Parrot 3200 LS-COLOR PLUS

De modo a usufruir de uma comunicação de qualidade excepcional, não fixe o ecrã directamente sobre o painel de instrumentos. Utilize para o efeito um dos dois suportes fornecidos.

O primeiro suporte permite-lhe colocar o monitor no painel de instrumentos.

- Cole uma fita-cola de dupla face sobre uma das superfícies planas do suporte e outra sobre o painel de instrumentos.
- Coloque o suporte no painel de instrumentos.
- Em seguida, coloque o monitor no suporte.

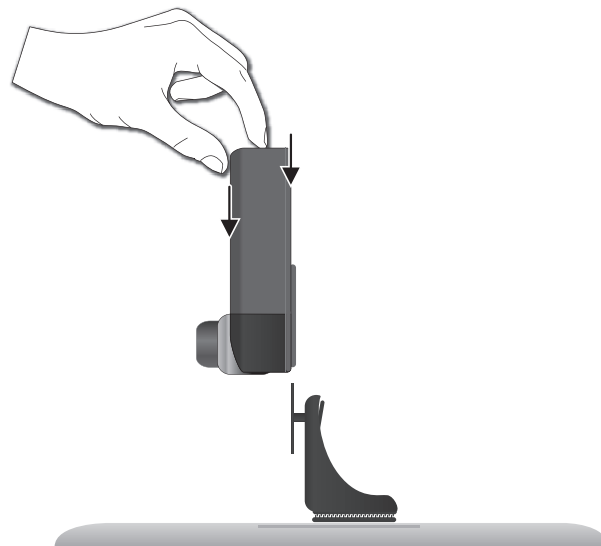
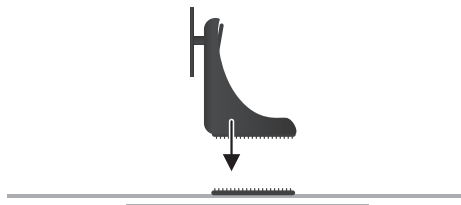


### **IMPORTANTE :**

Retire o seu monitor quando sair do automóvel, de modo a evitar os perigos de roubo e de exposição prolongada ao sol.

O segundo suporte permite-lhe colocar o ecrã do Parrot 3200 LS-COLOR PLUS na vertical.

- Cole uma fita de velcro no suporte e outra sobre o painel de instrumentos.
- Coloque o suporte no painel de instrumentos.
- Em seguida, coloque o monitor no suporte.



#### **IMPORTANTE :**

Retire o seu monitor quando sair do automóvel, de modo a evitar os perigos de roubo e de exposição prolongada ao sol.

## LIGACÃO COM O SEU TELEFONE: Primeira utilização

No momento da primeira colocação sob tensão do Parrot 3200 LS-COLOR PLUS, é necessário ligar o seu telemóvel ao kit.

- . Active o Bluetooth no seu telefone.
- . No kit mãos-livres, percorra os menus até: Definições, Conjuguar telefone..., e seleccione a opção correspondente ao seu telefone. É apresentado um código PIN de 4 números no ecrã. Memorize-o.



- . Inicie uma procura de periféricos: Para mais informações sobre a operação, veja o manual do seu telefone (capítulo Bluetooth) ou visite o nosso sítio web: [www.parrot.com](http://www.parrot.com)
- . Depois do fim da procura, " Parrot 3200LS " aparece no seu telefone.
- . Seleccione o kit. O telefone solicitar-lhe-á que introduza um código: digite o código apresentado no ecrã do kit e efectue a validação no telefone.
- . " Ligação em curso " aparece no ecrã do kit.
- . Depois do envio dos dados, " Ligação bem sucedida " aparece no Parrot 3200 LS-COLOR PLUS.
- . O Parrot 3200 LS-COLOR PLUS entra então em conexão com o seu telefone. Quando emparelhar pela primeira vez um telemóvel ao seu Parrot 3200 LS-COLOR PLUS, ser-lhe-á solicitado automaticamente que defina

a direcção do microfone duplo. Esta etapa permitirá que o kit transmita ao seu interlocutor uma melhor qualidade de comunicação. Estão disponíveis as seguintes direcções:

- Direcção esquerda: o condutor fica posicionado à esquerda do kit mãos-livres
- Direcção central: o condutor fica posicionado à frente do kit mãos-livres
- Direcção direita: o condutor fica posicionado à direita do kit mãos-livres
- Sem qualquer direcção específica: permite ao interlocutor ouvir o condutor e o passageiro. A redução do ruído torna-se menos eficaz. Posteriormente, poderá alterar esta definição através do menu "Definições / Direcção do micro"

Depois do estabelecimento da conexão, o logótipo Bluetooth aparece no ecrã (excepto para alguns telefones que utilizam o perfil Headset). Alguns telefones oferecem funcionalidades adicionais, tais com a visualização do nome do seu telefone no ecrã do kit, a visualização dos níveis de rede e de bateria, assim como o nome do seu operador. Visite o menu Support em [www.parrot.com](http://www.parrot.com) para ficar a conhecer as funcionalidades do seu telemóvel.

Quando o seu telemóvel estiver ligado ao kit mãos-livres, os menus do Parrot 3200 LS-COLOR PLUS ficarão acessíveis e o respectivo nome será apresentado pelo kit mãos-livres quando fizer rodar o botão rotativo. Os menus tornam-se acessíveis e o respectivo nome é apresentado pelo kit mãos-livres quando se roda o selector. Acesse aos menus premindo o botão verde (ou o selector). Para sair, prima o botão vermelho. Pode então utilizar o seu kit mãos-livres para comunicar.

- **Atender uma chamada:** carregue no botão verde para atender a chamada.
- **Desligar uma chamada:** clique no botão vermelho.
- **Função Bis:** carregue durante dois segundos no botão verde do kit para ligar para o último número marcado.
- **Ajustar o volume:** durante uma comunicação, pode rodar o selector para ajustar o volume.

## FUNCIONALIDADES

---

No ecrã do kit, poderá encontrar as principais informações sobre o seu telefone, nomeadamente a sua lista telefónica.

- ♦ Transferência automática da sua lista telefónica.
- ♦ Visualização do nome e da imagem de quem está a ligar.
- ♦ Chamada dos contactos através do reconhecimento de voz do kit.
- ♦ Corte do autorádio durante a comunicação.
- ♦ Lista de chamadas
- ♦ Ajuste do volume durante a comunicação.
- ♦ Gestão da chamada tripartida.
- ♦ Remarcação automática do último número chamado.
- ♦ Substituição do fundo de ecrã.
- ♦ Ajuste da luminosidade.
- ♦ Selecção do toque.
- ♦ Escolha da língua.
- ♦ DTMF: durante uma chamada do seu atendedor de chamadas, prima o selector para poder ter acesso aos números que lhe permitem gerir as suas mensagens



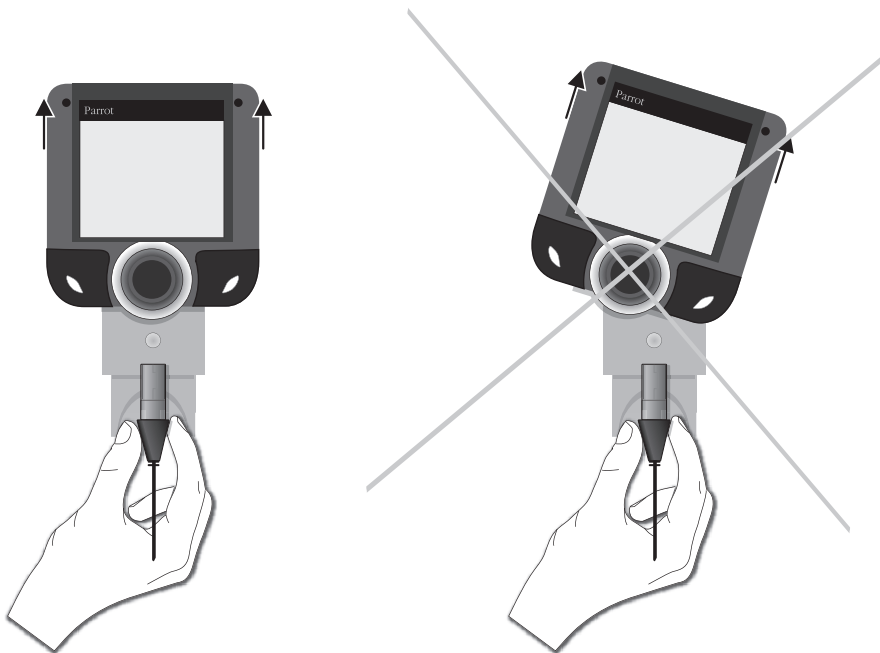
Nota: A utilização de algumas destas funcionalidades (Reconhecimento de Voz, Remarcação, Modo Silencioso) depende unicamente do seu telemóvel. Para mais informações, visite o menu Support em [www.parrot.com](http://www.parrot.com).

## Retirar o ecrã do Parrot 3200 LS-COLOR PLUS:

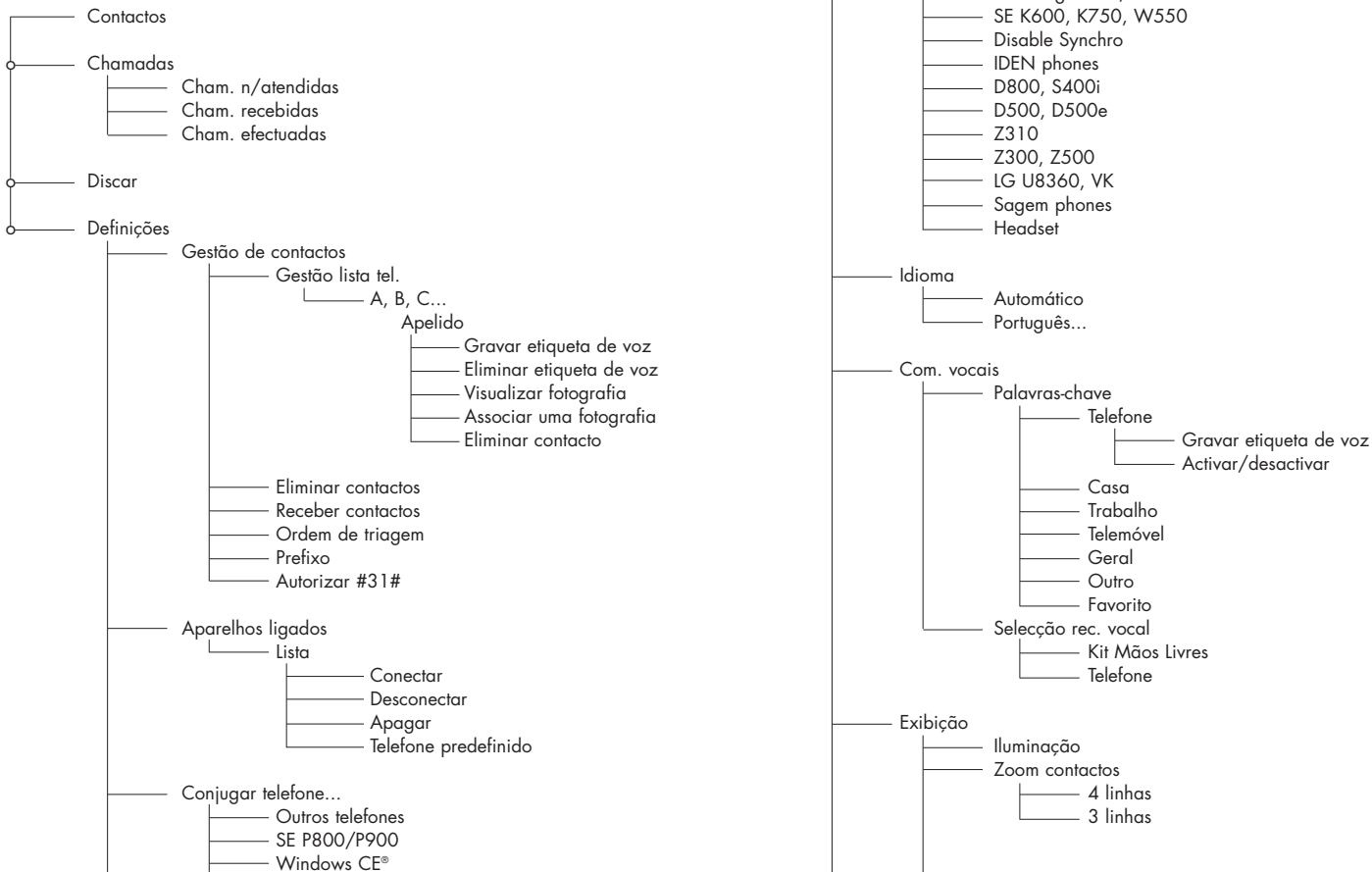
O Parrot 3200 LS-COLOR PLUS está equipado com um conector USB. Pode retirar o ecrã do seu kit mãos-livres quando sair do veículo.

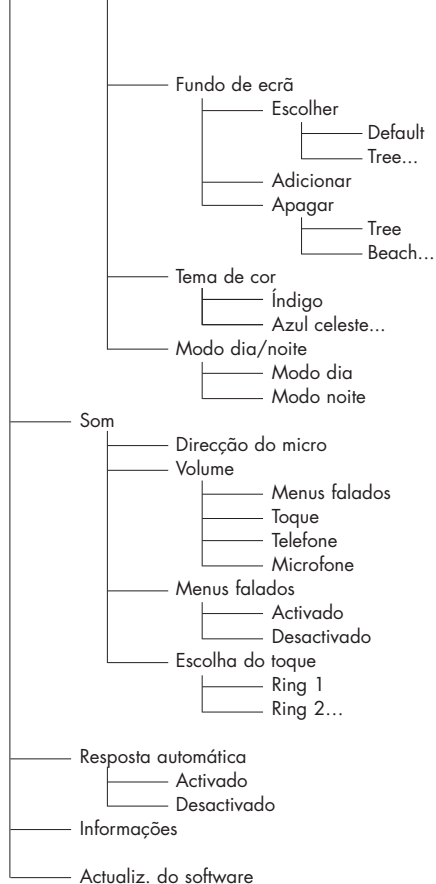
É importante desligar a ignição do veículo e aguardar até que o Parrot 3200 LS-COLOR PLUS apresente a mensagem "Adeus" antes de retirar o ecrã do seu kit mãos-livres.

Para retirar o ecrã, é aconselhável manter o cabo do Parrot 3200 LS-COLOR PLUS e fazer deslizar o ecrã do suporte na vertical.



# MENU





## ACESSO AOS MENUS

### Agenda

Depois do ligamento com o Parrot 3200 LS-COLOR PLUS, a sincronização da sua lista telefónica começa automaticamente. Depois de terminada a sincronização, poderá aceder à lista telefónica do seu telefone a partir do ecrã do kit mãos-livres. Para aceder à mesma e ligar para um contacto, carregue uma vez no selector para aceder aos menus e seleccione depois Lista telefónica. Percorra as letras até chegar à primeira letra do nome da pessoa pretendida e valide. Poderá então ver o nome e os diversos números de telefone dessa pessoa. Seleccione então o número de telefone que deseja marcar. Se o telemóvel não permitir efectuar a sincronização automática dos contactos, poderá enviá-los manualmente do telemóvel para o kit mãos-livres. Para beneficiar de procedimentos actualizados, consulte o nosso sítio da Web [www.parrot.com](http://www.parrot.com).

Nota: As funcionalidades Sincronização automática dos contactos e Envio manual de contactos dependem unicamente do seu telemóvel. Para mais informações, visite o menu Support em [www.parrot.com](http://www.parrot.com).

### Chamadas

Esta secção permite visualizar a lista das chamadas e inclui três submenus: Chamadas não attentidas / Chamadas recebidas / Chamadas efectuadas. Sincroniza-se automaticamente com a do seu telefone, e pode-se aceder à mesma para ligar para um contacto cuja chamada ficou perdida.

- Seleccione o contacto a partir desses menus.
- Carregue no selector ou no botão verde para remarcar o número.

Nota: A utilização desta funcionalidade depende unicamente do seu telemóvel. Para mais informações, visite o menu Support em [www.parrot.com](http://www.parrot.com).

### Discar

Seleccione este menu para marcar um número directamente a partir do kit.

- Rode e prima o selector para seleccionar um número.
- O ícone do lixo apaga o último dígito.
- Depois de marcar o número, carregue no botão verde para iniciar a chamada.



## Definições

Este menu permite-lhe efectuar as configurações necessárias a uma melhor utilização do seu kit mãos-livres.

### Gestão de contactos

Este menu permite-lhe gerir os contactos do Parrot 3200 LS-COLOR PLUS. Depois de seleccionar o contacto na lista (aceder ao menu Gestão lista tel), poderá gravar ou eliminar uma etiqueta de voz, ver ou apagar uma fotografia ou eliminar o contacto da lista telefónica.

Para receber um contacto com fotografia anexada (se for suportada pelo telefone), seleccione Receber contactos. A partir do seu telefone, seleccione o contacto a enviar pelo Bluetooth para o kit mãos-livres. A partir deste momento, sempre que esta pessoa lhe telefonar, a sua fotografia e o seu nome serão apresentados no ecrã do kit.

Nota: A utilização de determinadas funcionalidades depende unicamente do seu telemóvel. Para mais informações, visite o menu Support em [www.parrot.com](http://www.parrot.com). Poderá encontrar também procedimentos de utilização actualizados para o seu telemóvel.



## RECONHECIMENTO DE VOZ

### Seleção reconhecimento de voz

O Parrot 3200 LS-COLOR PLUS permitir-lhe-á utilizar o reconhecimento do seu telemóvel se este possuir esta funcionalidade.

O Parrot 3200 LS-COLOR PLUS permite-lhe também utilizar o seu próprio reconhecimento de voz. Para poder beneficiar desta funcionalidade, o telemóvel deverá ter capacidade para enviar contactos para o kit mãos-livres. O sistema de recognition de voz do kit mãos livres é a mais apropriada num ambiente do carro. Recomendamos de ajustar seu aparelho com esta opção.

- **Kit Mãos Livres:** as vozes seleccionadas são as que foram guardadas na memória do kit mãos-livres.
- **Telefone:** as vozes seleccionadas são as que foram guardadas na memória do telefone.

### Palavras chave

As palavras-chave permitem-lhe seleccionar os vários tipos de números de telefone associados ao seu contacto: escritório, casa, telemóvel...

Guardar palavras chave permite-lhe telefonar sem nunca ter de tirar as mãos do volante. Pode controlar a totalidade da comunicação com a sua voz.

Todas as palavras chave devem ter sido guardadas para ficarem validadas.

- Para gravar as palavras-chave, basta seleccionar a palavra-chave que pretende gravar.
- É aconselhável efectuar a gravação num ambiente calmo, desligar o motor, fechar os vidros do veículo e instalar-se no lugar do condutor. Não se aproxime do microfone do Parrot 3200 LS-COLOR PLUS e mantenha-se na posição de condução.
- O kit mãos-livres solicitar-lhe-á então que pronuncie a palavra-chave. Se a gravação sonora for válida, solicitar-lhe-á que repita a palavra-chave.
- Depois de ter gravado a palavra-chave, o Parrot 3200 LS-COLOR PLUS procederá automaticamente à gravação da palavra-chave seguinte.

### Aparelhos ligados

O Parrot 3200 LS-COLOR PLUS permite-lhe ligar até 5 telefones Bluetooth, sabendo que um só pode estar conectado durante uma sessão.

O menu Aparelhos ligados lhe permite conectar, desconectar ou suprimir um telefone da memória dum kit. A partir de Definir telefone predefinido, pode controlar a prioridade dada ao telefone Bluetooth durante

as conexões com vários telefones presentes no carro.

### **Cuidado:**

Quando se suprime um ligamento, perdem-se todas as vozes atribuídas aos contactos desse telefone.

### **Conjugar telefone**

Antes de emparelhar o seu telefone Bluetooth, é preciso activar o modo que corresponde ao seu telefone Bluetooth.

Depois de seleccionar o modo, é apresentado um código de 4 números (aleatório). Inicie a procura de periféricos Bluetooth a partir do seu telefone. Depois de ter encontrado o kit mãos-livres, seleccione e introduza este código.

Nota: Para uma maior compatibilidade com os telefones, novos modos de emparelhamento podem ser acrescentados na versões futuras.

### **Idioma**

Selecione a língua de visualização dos menus do seu Parrot CK3200 LS-COLOR PLUS.

### **Exibição**

4 secções permitem-lhe personalizar a visualização das informações:

- **Iluminação:** Utilize o selector para obter o nível desejado e valide com um clique no selector.
- **Zoom contatos** Permite a visualização em 3 ou 4 linhas no menu Lista telefónica.
- **Fundo de ecrã:** Permite seleccionar uma imagem para o fundo do ecrã.
- **Tema de cor:** Corresponde à selecção dum tema de cor.

### **Som**

- **Volume:** Utilize o selector para controlar o nível do volume da comunicação e o nível de sensibilidade dos micros.
- **Menus falados:** Ajuste o volume dos prompts do kit mãos-livres até ao nível pretendido.
- **Escolha do toque:** Para os telefones que não tocam quando chega uma chamada, seleccione o toque que deseja ouvir quando um contacto está a ligar.

- **Direcção do microfone:** Este menu permite-lhe seleccionar uma das direcções disponíveis para o microfone duplo e, deste modo, permitir que o kit transmita ao seu interlocutor uma melhor qualidade de comunicação.

Estão disponíveis as seguintes direcções:

- Direcção esquerda: o condutor fica posicionado à esquerda do kit mãos-livres
- Direcção central: o condutor fica posicionado à frente do kit mãos-livres
- Direcção direita: o condutor fica posicionado à direita do kit mãos-livres
- Sem qualquer direcção específica: permite ao interlocutor ouvir o condutor e o passageiro. A redução do ruído torna-se menos eficaz.

### **Resposta automática**

Active este modo se deseja que o Parrot 3200 LS-COLOR PLUS atenda automaticamente as chamadas.

### **Informação**

Este menu permite consultar as informações relativas à versão software embarcada.

## **ACTUALIZAÇÃO**

---

Pode actualizar a versão do software do seu Parrot 3200 LS-COLOR PLUS com o Bluetooth. Active o modo antes da actualização. Está será realizada pelo Bluetooth a partir de um computador equipado com o Bluetooth.

A actualização permite novas funcionalidades e melhora a compatibilidade com as funções avançadas de cada vez mais telefones. Visite o nosso sítio web para obter mais informações: [www.parrot.com](http://www.parrot.com).

## HOTLINE

---

A nossa hot-line está ao seu dispor. Pode contactá-la por mail ou por telefone.  
Permanência da segunda à sexta-feira das 9h00 às 18h00 (GMT +1).

Visite o nosso sítio Internet [www.parrot.com](http://www.parrot.com) para obter mais informações.

Europe : [+33] 1 48 03 60 69

France : 01 48 03 60 69

Italie : [+39] 02 86 39 14 63

Espagne : [+34] 902 404 202

UK : [+ 44] (0) 870 112 5872

Allemagne : 0900 172 77 68

USA : [+1] (877) 9 PARROT (toll-free)

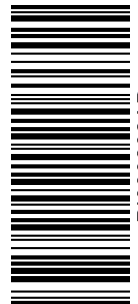
Chine : [+86] (0) 2164 601 944

## NOTE

---



Parrot S.A. - 174, quai de Jemmapes - 75010 Paris - France  
Fax +33 1 48 03 06 66 / Phone +33 1 48 03 60 60  
[www.parrot.com](http://www.parrot.com)



P1030202AD