

AG97250-5I

User manual
Notice d'utilisation
Benutzerinformation
Manual de instrucciones

Freezer
Congélateur
Gefriergerät
Congelador

Thank you for choosing one of our high-quality products.

To ensure optimal and regular performance of your appliance please read this instruction manual carefully. It will enable you to navigate all processes perfectly and most efficiently. To refer to this manual any time you need to, we recommend you to keep it in a safe place. And please pass it to any future owner of the appliance.

We wish you much joy with your new appliance.

CONTENTS

SAFETY INFORMATION	2	Freezing Calendar	7
Children and vulnerable people safety		Thawing	7
General safety	3	Ice-cube production	7
Daily Use	4	Cold accumulators	8
Care and cleaning	4	HELPFUL HINTS AND TIPS	8
Installation	4	Hints for freezing	8
Service	5	Hints for storage of frozen food	8
CONTROL PANEL	5	CARE AND CLEANING	8
Switching on	5	Periodic cleaning	8
Switching off	5	Defrosting the freezer	9
Temperature indicator	5	Periods of non-operation	10
Temperature regulation	6	WHAT TO DO IF...	10
FROSTMATIC function	6	Closing the door	11
High temperature alarm	6	TECHNICAL DATA	11
Door open alarm	6	INSTALLATION	12
FIRST USE	6	Positioning	12
Cleaning the interior	6	Electrical connection	12
DAILY USE	7	Ventilation requirements	12
Freezing fresh food	7	ENVIRONMENTAL CONCERNS	13
Storage of frozen food	7		

Subject to change without notice



SAFETY INFORMATION

In the interest of your safety and to ensure the correct use, before installing and first using the appliance, read this user manual carefully, including its hints and warnings. To avoid unnecessary mistakes and accidents, it is important to ensure that all people using the appliance are thoroughly familiar with its operation and safety features. Save these instructions and make sure that they remain with the appliance if it is moved or sold, so that everyone using it through its life will be properly informed on appliance use and safety. For the safety of life and property keep the precautions of these user's instructions as the manufacturer is not responsible for damages caused by omission.

Children and vulnerable people safety

- This appliance is not intended for use by persons (including children) with reduced physical, sensory or mental capabilities, or lack of experience and knowledge, unless they have been given supervision or instruction concerning use of the appliance by a person responsible for their safety.

Children should be supervised to ensure that they do not play with the appliance.

- Keep all packaging well away from children. There is risk of suffocation.
- If you are discarding the appliance pull the plug out of the socket, cut the connection cable (as close to the appliance as you can) and remove the door to prevent playing children to suffer electric shock or to close themselves into it.
- If this appliance featuring magnetic door seals is to replace an older appliance having a spring lock (latch) on the door or lid, be sure to make that spring lock unusable before you discard the old appliance. This will prevent it from becoming a death trap for a child.

General safety



CAUTION!

Keep ventilation openings clear of obstruction.

- The appliance is intended for keeping foodstuff and/or beverages in a normal household as explained in this instruction booklet.
- Do not use a mechanical device or any artificial means to speed up the thawing process.
- Do not use other electrical appliances (such as ice cream makers) inside of refrigerating appliances, unless they are approved for this purpose by the manufacturer.
- Do not damage the refrigerant circuit.
- The refrigerant isobutane (R600a) is contained within the refrigerant circuit of the appliance, a natural gas with a high level of environmental compatibility, which is nevertheless flammable.

During transportation and installation of the appliance, be certain that none of the components of the refrigerant circuit become damaged.

If the refrigerant circuit should become damaged:

- avoid open flames and sources of ignition
- thoroughly ventilate the room in which the appliance is situated
- It is dangerous to alter the specifications or modify this product in any way. Any damage to the cord may cause a short-circuit, fire and/or electric shock.



WARNING!

Any electrical component (power cord, plug, compressor) must be replaced by a certified service agent or qualified service personnel.

1. Power cord must not be lengthened.
2. Make sure that the power plug is not squashed or damaged by the back of the appliance. A squashed or damaged power plug may overheat and cause a fire.
3. Make sure that you can come to the mains plug of the appliance.
4. Do not pull the mains cable.
5. If the power plug socket is loose, do not insert the power plug. There is a risk of electric shock or fire.
6. You must not operate the appliance without the lamp cover¹⁾ of interior lighting.

- This appliance is heavy. Care should be taken when moving it.
- Do not remove nor touch items from the freezer compartment if your hands are damp/wet, as this could cause skin abrasions or frost/freezer burns.
- Avoid prolonged exposure of the appliance to direct sunlight.
- Bulb lamps²⁾ used in this appliance are special purpose lamps selected for household appliances use only. They are not suitable for household room illumination.

Daily Use

- Do not put hot pot on the plastic parts in the appliance.
- Do not store flammable gas and liquid in the appliance, because they may explode.
- Do not place food products directly against the air outlet on the rear wall.³⁾
- Frozen food must not be re-frozen once it has been thawed out.
- Store pre-packed frozen food in accordance with the frozen food manufacturer's instructions.
- Appliance's manufacturers storage recommendations should be strictly adhered to. Refer to relevant instructions.
- Do not place carbonated or fizzy drinks in the freezer compartment as it creates pressure on the container, which may cause it to explode, resulting in damage to the appliance.
- Ice lollies can cause frost burns if consumed straight from the appliance.

Care and cleaning

- Before maintenance, switch off the appliance and disconnect the mains plug from the mains socket.
- Do not clean the appliance with metal objects.
- Do not use sharp objects to remove frost from the appliance. Use a plastic scraper.

Installation



For electrical connection carefully follow the instructions given in specific paragraphs.

- Unpack the appliance and check if there are damages on it. Do not connect the appliance if it is damaged. Report possible damages immediately to the place you bought it. In that case retain packing.
- It is advisable to wait at least four hours before connecting the appliance to allow the oil to flow back in the compressor.
- Adequate air circulation should be around the appliance, lacking this leads to overheating. To achieve sufficient ventilation follow the instructions relevant to installation.
- Wherever possible the back of the product should be against a wall to avoid touching or catching warm parts (compressor, condenser) to prevent possible burn.
- The appliance must not be located close to radiators or cookers.
- Make sure that the mains plug is accessible after the installation of the appliance.
- Connect to potable water supply only.⁴⁾

1) If the lamp cover is foreseen

2) If the lamp is foreseen

3) If the appliance is Frost Free

4) If a water connection is foreseen

Service

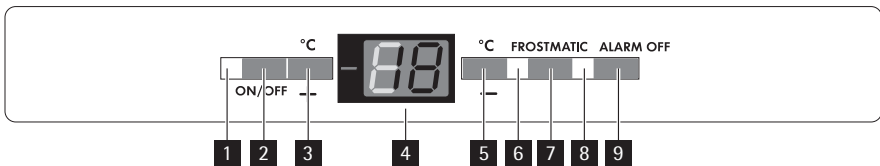
- Any electrical work required to do the servicing of the appliance should be carried out by a qualified electrician or competent person.
- This product must be serviced by an authorized Service Centre, and only genuine spare parts must be used.

Environment Protection



This appliance does not contain gasses which could damage the ozone layer, in either its refrigerant circuit or insulation materials. The appliance shall not be discarded together with the urban refuse and rubbish. The insulation foam contains flammable gases: the appliance shall be disposed according to the applicable regulations to obtain from your local authorities. Avoid damaging the cooling unit, especially at the rear near the heat exchanger. The materials used on this appliance marked by the symbol are recyclable.

CONTROL PANEL



1. Pilot light
2. ON/OFF switch
3. Temperature regulator (warmest)
4. Temperature indicator
5. Temperature regulator (coldest)
6. FROSTMATIC indicator
7. FROSTMATIC switch
8. ALARM OFF indicator
9. ALARM OFF switch

Switching on

1. Plug the mains plug into the mains socket.
2. Press ON/OFF switch.
3. The pilot light will light up.

Switching off

1. Keep ON/OFF switch pressed for more than 5 seconds.
2. After that, a countdown of the temperature from -3 -2 -1 will be shown. When "1" appears the appliance is turned off. The temperature indicator switches off. The Pilot light switches off.

Temperature indicator

The temperature indicator shows the freezer temperature currently set (DESIRED temperature).

Temperature regulation

The set temperature of the freezer may be adjusted by pressing the temperature button.

Set default temperature:

- -18°C for the freezer

The temperature indicator shows the set temperature.

The set temperature will be reached within 24 hours.



After a power failure the set temperature remains stored.

FROSTMATIC function

The FROSTMATIC function accelerates the freezing of fresh food and, at the same time, protects foodstuffs already stored from undesirable warming.

To activate the function, do these steps:

1. Press the FROSTMATIC switch.
2. The FROSTMATIC indicator will light up.

To deactivate the function, do these steps:

1. Press the FROSTMATIC switch.
2. The FROSTMATIC indicator goes out.



The FROSTMATIC function stops automatically after about 52 hours.

If the FROSTMATIC function is switched on the temperature setting may not be changed.

High temperature alarm

An increase in the temperature in the freezer (for example due to an earlier power failure or door is open) is indicated by:

- flashing of ALARM OFF light
- sounding of buzzer.

When normal conditions are restored:

- the acoustic signal shuts off
- ALARM OFF light continues to flash.

Stop the alarm light by pushing the ALARM OFF switch.

When the ALARM OFF switch is hold, the warmest temperature reached in the compartment flashes on the temperature indicator.

Door open alarm

An acoustic alarm will sound when the door is left open for around 80 seconds.

When normal conditions are restored (door closed), the acoustic alarm will stop.

FIRST USE

Cleaning the interior

Before using the appliance for the first time, wash the interior and all internal accessories with lukewarm water and some neutral soap so as to remove the typical smell of a brand-new product, then dry thoroughly.



Do not use detergents or abrasive powders, as these will damage the finish.

DAILY USE

Freezing fresh food

The freezer compartment is suitable for freezing fresh food and storing frozen and deep-frozen food for a long time.

To freeze fresh food activate the FROSTMATIC function at least 24 hours before placing the food to be frozen in the freezer compartment.

Place the fresh food to be frozen in the top compartment.

The maximum amount of food that can be frozen in 24 hours is specified on the **rating plate**, a label located on the inside of the appliance.

The freezing process lasts 24 hours: during this period do not add other food to be frozen.

Storage of frozen food

When first starting-up or after a period out of use, before putting the products in the compartment let the appliance run at least 2 hours on the higher settings.



In the event of accidental defrosting, for example due to a power failure, if the power has been off for longer than the value shown in the technical characteristics chart under "rising time", the defrosted food must be consumed quickly or cooked immediately and then re-frozen (after cooling).

Freezing Calendar



The symbols show different types of frozen goods.

The numbers indicate storage times in months for the appropriate types of frozen goods. Whether the upper or lower value of the indicated storage time is valid depends on the quality of the foods and treating before freezing.

Thawing

Deep-frozen or frozen food, prior to being used, can be thawed in the refrigerator compartment or at room temperature, depending on the time available for this operation.

Small pieces may even be cooked still frozen, directly from the freezer: in this case, cooking will take longer.

Ice-cube production

This appliance is equipped with one or more trays for the production of ice-cubes. Fill these trays with water, then put them in the freezer compartment.



Do not use metallic instruments to remove the trays from the freezer.

Cold accumulators

One or more cold accumulators are supplied in the freezer; these increase the length of time for which food will keep in the event of a power failure or breakdown.

HELPFUL HINTS AND TIPS

Hints for freezing

To help you make the most of the freezing process, here are some important hints:

- the maximum quantity of food which can be frozen in 24 hrs. is shown on the rating plate;
- the freezing process takes 24 hours. No further food to be frozen should be added during this period;
- only freeze top quality, fresh and thoroughly cleaned, foodstuffs;
- prepare food in small portions to enable it to be rapidly and completely frozen and to make it possible subsequently to thaw only the quantity required;
- wrap up the food in aluminium foil or polythene and make sure that the packages are airtight;
- do not allow fresh, unfrozen food to touch food which is already frozen, thus avoiding a rise in temperature of the latter;
- lean foods store better and longer than fatty ones; salt reduces the storage life of food;
- water ices, if consumed immediately after removal from the freezer compartment, can possibly cause the skin to be freeze burnt;
- it is advisable to show the freezing in date on each individual pack to enable you to keep tab of the storage time.

Hints for storage of frozen food

To obtain the best performance from this appliance, you should:

- make sure that the commercially frozen foodstuffs were adequately stored by the retailer;
- be sure that frozen foodstuffs are transferred from the foodstore to the freezer in the shortest possible time;
- not open the door frequently or leave it open longer than absolutely necessary.
- Once defrosted, food deteriorates rapidly and cannot be refrozen.
- Do not exceed the storage period indicated by the food manufacturer.

CARE AND CLEANING



CAUTION!

Unplug the appliance before carrying out any maintenance operation.



This appliance contains hydrocarbons in its cooling unit; maintenance and recharging must therefore only be carried out by authorized technicians.

Periodic cleaning

The equipment has to be cleaned regularly:

- clean the inside and accessories with lukewarm water and some neutral soap.
- regularly check the door seals and wipe clean to ensure they are clean and free from debris.
- rinse and dry thoroughly.



Do not pull, move or damage any pipes and/or cables inside the cabinet.

Never use detergents, abrasive powders, highly perfumed cleaning products or wax polishes to clean the interior as this will damage the surface and leave a strong odour.

Clean the condenser (black grill) and the compressor at the back of the appliance with a brush or a vacuum cleaner. This operation will improve the performance of the appliance and save electricity consumption.



Take care of not to damage the cooling system.

Many proprietary kitchen surface cleaners contain chemicals that can attack/damage the plastics used in this appliance. For this reason it is recommended that the outer casing of this appliance is only cleaned with warm water with a little washing-up liquid added. After cleaning, reconnect the equipment to the mains supply.

Defrosting the freezer

A certain amount of frost will always form on the freezer shelves and around the top compartment.

Defrost the freezer when the frost layer reaches a thickness of about 3-5 mm.



About 12 hours prior to defrosting, set the Temperature regulator toward higher settings, in order to build up sufficient chill reserve for the interruption in operation.

To remove the frost, follow the instructions below:

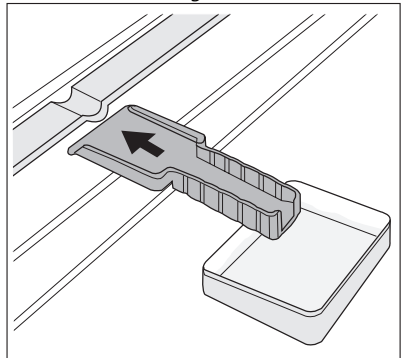
1. Switch off the appliance.
2. Remove any stored food, wrap it in several layers of newspaper and put it in a cool place.



CAUTION!

Do not touch frozen goods with wet hands. Hands can freeze to the goods.

3. Leave the door open and insert the plastic scraper in the appropriate seating at the bottom centre, placing a basin underneath to collect the defrost water



In order to speed up the defrosting process, place a pot of warm water in the freezer compartment. In addition, remove pieces of ice that break away before defrosting is complete.

4. When defrosting is completed, dry the interior thoroughly and keep the scraper for future use.
5. Switch on the appliance.
6. After two or three hours, reload the previously removed food into the compartment.



Never use sharp metal tools to scrape off frost from the evaporator as you could damage it.

Do not use a mechanical device or any artificial means to speed up the thawing process other than those recommended by the manufacturer.

A temperature rise of the frozen food packs, during defrosting, may shorten their safe storage life.

Periods of non-operation

When the appliance is not in use for long periods, take the following precautions:

- **disconnect the appliance from electricity supply**
- remove all food
- defrost ⁵⁾ and clean the appliance and all accessories
- leave the door/doors ajar to prevent unpleasant smells.

If the cabinet will be kept on, ask somebody to check it once in a while to prevent the food inside from spoiling in case of a power failure.

WHAT TO DO IF...



WARNING!

Before troubleshooting, disconnect the mains plug from the mains socket.

Only a qualified electrician or competent person must do the troubleshooting that is not in this manual.



There are some sounds during normal use (compressor, refrigerant circulation).

Problem	Possible cause	Solution
The appliance does not operate. The Pilot light does not flash.	The appliance is switched off.	Switch on the appliance.
	The mains plug is not connected to the mains socket correctly.	Connect the mains plug to the mains socket correctly.
	The appliance has no power. There is no voltage in the mains socket.	Connect a different electrical appliance to the mains socket. Contact a qualified electrician.
The Pilot light flashes.	The appliance is not working properly.	Contact a qualified electrician.
The Alarm light flashes.	The temperature in the freezer is too high.	Refer to "High temperature alarm"
The compressor operates continually.	The temperature is not set correctly.	Set a higher temperature.
	The door is not closed correctly.	Refer to "Closing the door".
	The door has been opened too frequently.	Do not keep the door open longer than necessary.

5) If foreseen.

Problem	Possible cause	Solution
	The product temperature is too high.	Let the product temperature decrease to room temperature before storage.
	The room temperature is too high.	Decrease the room temperature.
	The FROSTMATIC function is switched on.	Refer to "FROSTMATIC function".
The temperature in the freezer is too low.	The temperature regulator is not set correctly.	Set a higher temperature.
	The FROSTMATIC function is switched on.	Refer to "FROSTMATIC function".
The temperature in the freezer is too high.	The temperature regulator is not set correctly.	Set a lower temperature.
	The door is not closed correctly.	Refer to "Closing the door".
	The product temperature is too high.	Let the product temperature decrease to room temperature before storage.
	Many products are stored at the same time.	Store less products at the same time.
	Products are too near to each other.	Store products so that there is cold air circulation.

Closing the door

1. Clean the door gaskets.
2. If necessary, adjust the door. Refer to "Installation".
3. If necessary, replace the defective door gaskets. Contact the Service Center.

TECHNICAL DATA

Dimension of the recess		
	Height	720 mm
	Width	560 mm
	Depth	550 mm
Rising Time		24 h

The technical information are situated in the rating plate on the internal left side of the appliance and in the energy label.

INSTALLATION

Positioning



WARNING!

If you are discarding an old appliance that has a lock or catch on the door, you must ensure that it is made unusable to prevent young children being trapped inside.



The appliance shall have the plug accessible after installation.

Install this appliance at a location where the ambient temperature corresponds to the climate class indicated on the rating plate of the appliance:

Climate class	Ambient temperature
SN	+10°C to + 32°C
N	+16°C to + 32°C
ST	+16°C to + 38°C
T	+16°C to + 43°C

Electrical connection

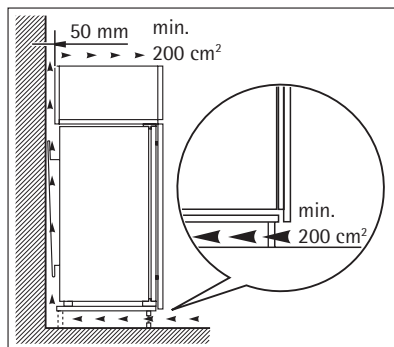
Before plugging in, ensure that the voltage and frequency shown on the rating plate correspond to your domestic power supply.

The appliance must be earthed. The power supply cable plug is provided with a contact for this purpose. If the domestic power supply socket is not earthed, connect the appliance to a separate earth in compliance with current regulations, consulting a qualified electrician. The manufacturer declines all responsibility if the above safety precautions are not observed.


This appliance complies with the E.E.C. Directives.

Ventilation requirements

The airflow behind the appliance must be sufficient.



ENVIRONMENTAL CONCERNS

The symbol  on the product or on its packaging indicates that this product may not be treated as household waste. Instead it should be taken to the appropriate collection point for the recycling of electrical and electronic equipment. By ensuring this product is disposed of correctly, you will help prevent potential negative consequences for the environment and human health, which could otherwise be caused by inappropriate waste handling of this product. For more detailed information about recycling of this product, please contact your local council, your household waste disposal service or the shop where you purchased the product.

Nous vous remercions d'avoir choisi l'un de nos produits de qualité.

Afin de garantir une performance optimale et constante de votre appareil, veuillez lire attentivement cette notice d'utilisation. Il vous permettra d'utiliser correctement et efficacement toutes les fonctions de l'appareil. Nous vous recommandons de conserver cette notice à proximité pour une utilisation rapide et optimale. Si l'appareil devait être vendu ou cédé à une autre personne, assurez-vous que la notice d'utilisation l'accompagne.

Nous vous souhaitons beaucoup de plaisir avec votre nouvel appareil.

SOMMAIRE

CONSIGNES DE SÉCURITÉ	14	La décongélation	20
Sécurité des enfants et des personnes vulnérables	15	Fabrication de glaçons	20
Mesures générales de sécurité	15	Accumulateurs de froid	20
Utilisation quotidienne	16	CONSEILS	20
Entretien et nettoyage	16	Conseils pour la congélation	20
Installation	17	Conseils pour la conservation des produits surgelés et congelés du commerce	21
Maintenance	17	ENTRETIEN ET NETTOYAGE	21
BANDEAU DE COMMANDE	17	Nettoyage périodique	21
Mise en marche	18	Dégivrage du congélateur	22
Mise à l'arrêt	18	En cas d'absence prolongée ou de non-utilisation	22
Indicateur de température (sur le bandeau de commandes)	18	EN CAS D'ANOMALIE DE FONCTIONNEMENT	23
Réglage de la température	18	Fermeture de la porte	24
Fonction FROSTMATIC	18	CARACTÉRISTIQUES TECHNIQUES	24
Alarme haute température	18	INSTALLATION	25
Alarme porte ouverte	19	Emplacement	25
PREMIÈRE UTILISATION	19	Branchement électrique	25
Nettoyage intérieur	19	Ventilation	25
UTILISATION QUOTIDIENNE	19	EN MATIÈRE DE PROTECTION DE L'ENVIRONNEMENT	26
Congélation d'aliments frais	19		
Conservation des aliments congelés	19		
Guide de congélation	20		

Sous réserve de modifications



CONSIGNES DE SÉCURITÉ

Pour votre sécurité et garantir une utilisation correcte de l'appareil, lisez attentivement cette notice, y compris les conseils et avertissements, avant d'installer et d'utiliser l'appareil pour la première fois. Pour éviter toute erreur ou accident, veillez à ce que toute personne qui utilise l'appareil connaisse bien son fonctionnement et ses fonctions de sécurité. Conservez cette notice avec l'appareil. Si l'appareil doit être vendu ou cédé à une autre personne,

veillez à remettre cette notice au nouveau propriétaire, afin qu'il puisse se familiariser avec son fonctionnement et sa sécurité.

Pour la sécurité des personnes et des biens, conservez et respectez les consignes de sécurité figurant dans cette notice. Le fabricant décline toute responsabilité en cas de dommages dus au non-respect de ces instructions.

Sécurité des enfants et des personnes vulnérables

- Cet appareil n'est pas destiné à être utilisé par des enfants ou des personnes dont les capacités physiques, sensorielles ou mentales, ou le manque d'expérience et de connaissance les empêchent d'utiliser l'appareil sans risque lorsqu'ils sont sans surveillance ou en l'absence d'instruction d'une personne responsable qui puisse leur assurer une utilisation de l'appareil sans danger.

Empêchez les enfants de jouer avec l'appareil.

- Ne laissez pas les différents emballages à portée des enfants. Ils pourraient s'asphyxier.
- Si l'appareil doit être mis au rebut, veillez à couper le câble d'alimentation électrique au ras de l'appareil pour éviter les risques d'électrocution. Démontez la porte pour éviter que des enfants ne restent enfermés à l'intérieur.
- Cet appareil est muni de fermetures magnétiques. S'il remplace un appareil équipé d'une fermeture à ressort, nous vous conseillons de rendre celle-ci inutilisable avant de vous en débarrasser. Ceci afin d'éviter aux enfants de s'enfermer dans l'appareil et de mettre ainsi leur vie en danger.

Mesures générales de sécurité



ATTENTION

Veillez à ce que les orifices de ventilation ne soient pas obstrués.

- Cet appareil est destiné uniquement à la conservation d'aliments et/ou de boissons dans le cadre d'un usage domestique normal, tel que celui décrit dans la présente notice.
- N'utilisez pas d'appareils électriques, d'agents chimiques ou tout autre système artificiel pour accélérer le processus de dégivrage.
- N'utilisez pas d'autres appareils électriques (par exemple, sorbetières) à l'intérieur d'appareils réfrigérants sauf s'ils sont homologués pour cet usage par leur fabricant.
- Faites très attention lorsque vous déplacez l'appareil afin de ne pas endommager des parties du circuit de refroidissement et ainsi d'éviter des risques de fuite.
- Le circuit de refroidissement de l'appareil contient de l'isobutane (R600a), un gaz naturel offrant un haut niveau de compatibilité avec l'environnement mais qui est néanmoins inflammable.

Pendant le transport et l'installation de l'appareil, assurez-vous qu'aucune pièce du circuit de refroidissement n'est endommagée.

Si tel est le cas :

- Évitez les flammes vives (briquet) et tout autre allumage (étincelles).
- Aérez soigneusement la pièce où se trouve l'appareil.
- Ne modifiez pas les spécifications de l'appareil. Un cordon d'alimentation endommagé peut être la cause de courts-circuits, d'incendies et/ou de décharges électriques.



AVERTISSEMENT

Les composants électriques (cordon d'alimentation, prise, compresseur) doivent être remplacés par un technicien d'entretien agréé ou par un électricien spécialisé.

1. L'appareil ne doit pas être raccordé à l'aide d'un prolongateur, d'une prise multiple ou d'un raccordement multiple (risque d'incendie).
 2. Assurez-vous que la prise n'est pas écrasée ou endommagée par l'arrière de l'appareil. Une prise de courant endommagée peut surchauffer et provoquer un incendie.
 3. Vérifiez que la prise murale reste accessible une fois que l'installation est terminée.
 4. Ne débranchez pas l'appareil en tirant sur le câble, particulièrement lorsque l'appareil est tiré de son logement.
 5. Si la fiche du cordon d'alimentation est desserrée, ne la branchez pas dans la prise murale. Risque d'électrocution ou d'incendie !
 6. N'utilisez pas l'appareil si le diffuseur de l'ampoule d'éclairage n'est pas présent.⁶⁾ pour l'éclairage intérieur.
- Cet appareil est lourd. Faites attention en le déplaçant.
 - Ne touchez pas avec les mains humides les surfaces givrées et les produits congelés (risque de brûlure et d'arrachement de la peau).
 - Évitez une exposition prolongée de l'appareil aux rayons solaires.
 - Ampoules⁷⁾ utilisées dans cet appareil sont des ampoules spéciales dédiées uniquement à un usage avec des appareils ménagers. Elles ne conviennent pas à l'éclairage des pièces d'une habitation.

Utilisation quotidienne

- Ne posez pas d'éléments chauds sur les parties en plastique de l'appareil.
- Ne stockez pas de gaz ou de liquides inflammables dans l'appareil (risque d'explosion).
- Ne placez pas d'aliments directement contre la sortie d'air sur la paroi arrière de l'appareil.⁸⁾
- Un produit décongelé ne doit jamais être recongelé.
- Conservez les aliments emballés conformément aux instructions de leur fabricant.
- Respectez scrupuleusement les conseils de conservation donnés par le fabricant de l'appareil. Consultez les instructions respectives.
- Ne mettez pas de bouteilles ni de boîtes de boissons gazeuses dans le compartiment congélateur, car la pression se formant à l'intérieur du contenant pourrait le faire éclater et endommager ainsi l'appareil.
- Ne consommez pas certains produits tels que les bâtonnets glacés dès leur sortie de l'appareil, car ils peuvent provoquer des brûlures.

Entretien et nettoyage

- Avant tout entretien, mettez l'appareil à l'arrêt et débranchez-le. Si vous n'avez pas accès à la prise, coupez le courant.
- N'utilisez pas d'objets métalliques pour nettoyer l'appareil.
- N'utilisez pas d'objet tranchant pour gratter la couche de givre. N'employez pour cela qu'une spatule en plastique.

6) Si le diffuseur est prévu

7) Si l'ampoule est équipée d'un diffuseur d'éclairage.

8) Si l'appareil est sans givre

Installation



Avant de procéder au branchement électrique, respectez scrupuleusement les instructions fournies dans cette notice.

- Déballez l'appareil et vérifiez qu'il n'est pas endommagé. Ne branchez pas l'appareil s'il est endommagé. Signalez immédiatement au revendeur de l'appareil les dommages constatés. Dans ce cas, gardez l'emballage.
- Il est conseillé d'attendre au moins quatre heures avant de brancher l'appareil pour que le circuit frigorifique soit stabilisé.
- Veillez à ce que l'air circule librement autour de l'appareil pour éviter qu'il ne surchauffe. Pour assurer une ventilation suffisante, respectez les instructions de la notice (chapitre Installation).
- Placez l'appareil dos au mur pour éviter tout contact avec le compresseur et le condenseur (risque de brûlure).
- Placez de préférence votre appareil loin d'une source de chaleur (chauffage, cuisson ou rayons solaires trop intenses).
- Assurez-vous que la prise murale reste accessible après l'installation de l'appareil.
- Branchez à l'alimentation en eau potable uniquement.⁹⁾

Maintenance

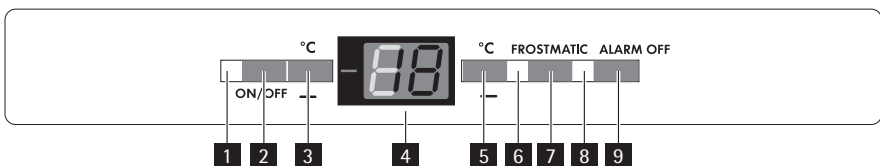
- Les branchements électriques nécessaires à l'entretien de l'appareil doivent être réalisés par un électricien qualifié ou une personne compétente.
- Cet appareil ne doit être entretenu et réparé que par un Service après-vente autorisé, exclusivement avec des pièces d'origine.

Protection de l'environnement



Le système frigorifique et l'isolation de votre appareil ne contiennent pas de C.F.C. contribuant ainsi à préserver l'environnement. L'appareil ne doit pas être mis au rebut avec les ordures ménagères et les déchets urbains. La mousse d'isolation contient des gaz inflammables : l'appareil sera mis au rebut conformément aux règlements applicables disponibles auprès des autorités locales. Veillez à ne pas détériorer les circuits frigorifiques, notamment au niveau du condenseur. Les matériaux utilisés dans cet appareil identifiés par le symbole ♻️ sont recyclables.

BANDEAU DE COMMANDE



1. Voyant
2. Touche ON/OFF
3. Thermostat (plus CHAUD)

⁹⁾ Si un branchement sur le réseau d'eau est prévu

4. Afficheur de température
5. Thermostat (plus FROID)
6. Voyant FROSTMATIC
7. Touche FROSTMATIC
8. Voyant ALARM OFF
9. Touche ALARM OFF

Mise en marche

1. Branchez l'appareil dans la prise.
2. Appuyez ON/OFF sur la touche.
3. Le voyant s'allume.

Mise à l'arrêt

1. Maintenez la touche ON/OFF appuyée pendant plus de 5 secondes.
2. Après quoi un décompte de température -3 -2 -1 s'affiche. Dès que « 1 » apparaît, l'appareil se met à l'arrêt. L'indicateur de température s'éteint. Le voyant s'éteint.

Indicateur de température (sur le bandeau de commandes)

L'afficheur indique la température actuelle du congélateur (température de CONSIGNE).

Réglage de la température

La température de consigne du congélateur peut être réglée en appuyant sur la touche de température.

Réglage de la température par défaut :

- -18 °C dans le compartiment congélateur

L'indicateur de température indique la température programmée.

La température programmée sera atteinte en 24 heures.



Après une coupure de courant, la température programmée reste activée.

Fonction FROSTMATIC

Cette fonction FROSTMATIC accélère la congélation des aliments frais et protège en même temps les denrées déjà entreposées d'un réchauffement indésirable.

Pour activer la fonction, procédez comme suit :

1. Appuyez sur la touche FROSTMATIC.
2. Le voyant FROSTMATIC s'allume.

Pour désactiver la fonction, procédez comme suit :

1. Appuyez sur la touche FROSTMATIC .
2. Le voyant FROSTMATIC s'éteint.



La fonction FROSTMATIC est enclenchée pour une période d'environ 52 heures avec retour automatique en régime conservation à l'issue de ce laps de temps.

Si la fonction FROSTMATIC est activée, la température ne peut pas être modifiée.

Alarme haute température

Une augmentation de la température dans le compartiment congélateur (par exemple lors d'une coupure de courant ou de l'ouverture de la porte) est indiquée par :

- le clignotement du voyant ALARM OFF
- le déclenchement d'une alarme sonore.

Une fois rétablies les condition normales de fonctionnement, vous noterez ce qui suit :

- le signal sonore s'éteint
- le voyant ALARM OFF clignote.

Pour éteindre le voyant Alarme, appuyez sur la touche ALARM OFF .

Lorsque vous appuyez sur la touche ALARM OFF et que vous la maintenez appuyée, la température la plus haute atteinte dans le compartiment clignote sur l'afficheur.

Alarme porte ouverte

Une alarme sonore se déclenche si la porte est restée ouverte pendant 80 secondes environ. Au rétablissement des conditions normales (porte fermée), l'alarme sonore s'arrête.

PREMIÈRE UTILISATION

Nettoyage intérieur

Avant d'utiliser l'appareil pour la première fois, nettoyez l'intérieur et tous les accessoires internes avec de l'eau tiède savonneuse pour supprimer l'odeur caractéristique du "neuf" puis séchez soigneusement.



N'utilisez pas de produits abrasifs, poudre à récurer, éponge métallique pour ne pas abîmer la finition.

UTILISATION QUOTIDIENNE

Congélation d'aliments frais

Le compartiment congélateur est idéal pour congeler des denrées fraîches et conserver à long terme des aliments surgelés ou congelés.

Activez la fonction FROSTMATIC 24 heures au moins avant d'introduire les denrées fraîches à congeler dans le compartiment congélateur.

Placez les denrées fraîches à congeler dans le compartiment supérieur.

La quantité maximale de denrées fraîches que vous pouvez congeler par tranche de 24 heures est indiquée sur la **plaque signalétique** (située à l'intérieur de l'appareil).

Le processus de congélation dure 24 heures : vous ne devez ajouter aucune autre denrée à congeler au cours de cette période.

Conservation des aliments congelés

À la mise en service ou après un arrêt prolongé, placez le thermostat sur la position Max pendant 2 heures environ, avant d'introduire les produits dans le compartiment.



En cas de dégivrage accidentel, dû par exemple à une panne de courant, si la panne doit se prolonger plus longtemps qu'il n'est indiqué à la rubrique "temps d'augmentation" dans la section Caractéristiques techniques, consommez les aliments décongelés le plus rapidement possible ou recongelez-les après les avoir cuits (une fois refroidis).

Guide de congélation



Les symboles indiquent différents types d'aliments congelés.

Les numéros indiquent les temps de conservation en mois correspondant aux différents types d'aliments congelés. La validité du temps de stockage maximum ou minimum indiqué dépend de la qualité des aliments et de leur traitement avant la congélation.

La décongélation

Les aliments surgelés ou congelés peuvent être décongelés dans le compartiment réfrigérateur ou à température ambiante, avant d'être utilisés, en fonction du temps disponible pour cette opération.

Les petites pièces peuvent même être cuites sans décongélation préalable : dans ce cas, la cuisson est plus longue.

Fabrication de glaçons

Cet appareil est équipé d'un ou de plusieurs bacs à glaçons. Remplissez d'eau ces bacs et mettez-les dans le compartiment congélateur.



N'utilisez pas d'instruments métalliques pour décoller les bacs du congélateur.

Accumulateurs de froid

Le compartiment congélateur est équipé d'un ou plusieurs accumulateurs ; il(s) vous permette(nt) d'augmenter l'autonomie de fonctionnement de l'appareil en cas de coupure de courant, de transporter des produits congelés ou surgelés, de maintenir le froid dans les produits surgelés ou congelés durant la période de dégivrage.

CONSEILS

Conseils pour la congélation

Pour obtenir les meilleurs résultats, voici quelques conseils importants :

- la quantité maximale de denrées que vous pouvez congeler par 24 heures est indiquée sur la plaque signalétique.
- le temps de congélation est de 24 heures. Aucune autre denrée à congeler ne doit être ajoutée pendant cette période.
- congelez seulement les denrées alimentaires fraîches, de qualité supérieure (une fois nettoyées).
- préparez la nourriture en petits paquets pour une congélation rapide et uniforme, adaptés à l'importance de la consommation.
- enveloppez les aliments dans des feuilles d'aluminium ou de polyéthylène et assurez-vous que les emballages sont étanches ;
- ne laissez pas des aliments frais, non congelés, toucher des aliments déjà congelés pour éviter une remontée en température de ces derniers.

- les aliments maigres se conservent mieux et plus longtemps que les aliments gras ; le sel réduit la durée de conservation des aliments
- la température très basse à laquelle se trouvent les bâtonnets glacés, s'ils sont consommés dès leur sortie du compartiment congélateur, peut provoquer des brûlures.
- L'identification des emballages est importante : indiquez la date de congélation du produit, et respectez la durée de conservation indiquée par le fabricant.

Conseils pour la conservation des produits surgelés et congelés du commerce

Pour une bonne conservation des produits surgelés et congelés, vous devez :

- vous assurer qu'ils ont bien été conservés au magasin ;
- prévoir un temps réduit au minimum pour leur transport du magasin d'alimentation à votre domicile ;
- éviter d'ouvrir trop souvent la porte du congélateur et ne la laisser ouverte que le temps nécessaire.
- une fois décongelés, les aliments se détériorent rapidement et ne peuvent pas être re-congelés.
- respecter la durée de conservation indiquée par le fabricant.

ENTRETIEN ET NETTOYAGE



ATTENTION

débrancher l'appareil avant toute opération d'entretien.



Cet appareil contient des hydrocarbures dans son circuit réfrigérant : l'entretien et la recharge ne doivent donc être effectués que par du personnel autorisé.

Nettoyage périodique

Cet appareil doit être nettoyé régulièrement :

- nettoyez l'intérieur et tous les accessoires avec de l'eau tiède savonneuse.
- vérifiez régulièrement les joints de porte et nettoyez-les en les essuyant pour éviter toute accumulation de déchets.
- rincez et séchez soigneusement.



Ne pas tirer, déplacer ou endommager les tuyaux et/ou câbles qui se trouvent à l'intérieur de l'appareil.

Ne JAMAIS utiliser de produits abrasifs ou caustiques ni d'éponges avec grattoir pour nettoyer l'intérieur de façon à ne pas l'abîmer et laisser de fortes odeurs.

Nettoyer le condenseur (grille noire) et le compresseur situés à l'arrière de l'appareil avec une brosse ou un aspirateur. Cette opération améliore les performances de l'appareil et permet des économies d'énergie.



Attention à ne pas endommager le système de réfrigération.

De nombreux détergents pour la cuisine recommandés par les fabricants contiennent des produits chimiques qui peuvent attaquer/endommager les pièces en plastique utilisées dans cet appareil. Il est par conséquent recommandé d'utiliser seulement de l'eau chaude additionnée d'un peu de savon liquide pour nettoyer la carrosserie de l'appareil.

Après le nettoyage, rebranchez l'appareil.

Dégivrage du congélateur

Une certaine quantité de givre se forme toujours sur les clayettes du congélateur et autour du compartiment supérieur.

Dégivrez le congélateur lorsque l'épaisseur de la couche de givre est d'environ 3-5 mm.



Environ 12 heures avant d'effectuer le dégivrage, réglez le bouton du thermostat vers le haut, de manière à assurer une réserve de froid pendant l'interruption du fonctionnement.

Pour enlever le givre, suivez les instructions ci-dessous :

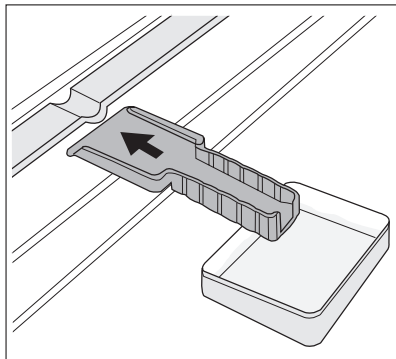
1. Mettez l'appareil à l'arrêt.
2. Sortez les denrées congelées, enveloppez celles-ci dans plusieurs feuilles de papier journal et conservez-les dans un endroit frais.



ATTENTION

Ne touchez pas d'aliments surgelés avec des mains mouillées. Vos mains risqueraient de rester collées.

3. Laissez la porte entrouverte et glissez la spatule en plastique dans le logement prévu, en bas de l'appareil ; placez dessous un récipient pour recevoir l'eau de dégivrage.



Pour accélérer le dégivrage, placez un récipient d'eau chaude dans le compartiment congélateur. De plus, retirez les morceaux de givre qui se détachent en se cassant avant la fin du dégivrage.

4. Le dégivrage terminé, épongez et séchez bien l'intérieur du congélateur et conservez la spatule pour une prochaine utilisation.
5. Mettez l'appareil en marche.
6. Deux ou trois heures plus tard, remplacez les produits surgelés ou congelés dans le compartiment.



N'utilisez jamais de couteau ou d'objet métallique pour gratter la couche de givre, vous risquez de détériorer irrémédiablement l'évaporateur.

N'utilisez aucun autre dispositif mécanique ou moyen artificiel que ceux qui sont recommandés par le fabricant pour accélérer le dégivrage de votre appareil.

Une élévation de la température des denrées congelées, pendant la décongélation, peut réduire leur durée de conservation.

En cas d'absence prolongée ou de non-utilisation

Prenez les précautions suivantes :

- **débranchez l'appareil**
- retirez tous les aliments
- dégivrez ¹⁰⁾et nettoyez l'appareil et tous les accessoires

10) si cela est prévu.

- laissez la porte/les portes entrouverte(s) pour prévenir la formation d'odeurs désagréables.

Si, toutefois, vous n'avez pas la possibilité de débrancher et vider l'appareil, faites vérifier régulièrement son bon fonctionnement pour éviter la détérioration des aliments en cas de panne de courant.

EN CAS D'ANOMALIE DE FONCTIONNEMENT



AVERTISSEMENT

Avant d'intervenir sur l'appareil, débranchez-le.

La résolution des problèmes, non mentionnés dans le présent manuel, doit être exclusivement confiée à un électricien qualifié ou une personne compétente.



Certains bruits pendant le fonctionnement (compresseur, circuit de réfrigérant) sont normaux.

Symptôme	Cause possible	Solution
L'appareil ne fonctionne pas. Le voyant ne clignote pas.	L'appareil est à l'arrêt.	Mettez l'appareil en fonctionnement.
	La fiche n'est pas correctement branchée dans la prise de courant.	Branchez correctement la fiche dans la prise de courant.
	Le courant n'arrive pas à l'appareil. La prise de courant n'est pas alimentée.	Branchez un autre appareil électrique dans la prise de courant. Faites appel à un électricien qualifié.
Le voyant clignote.	L'appareil ne fonctionne pas correctement.	Faites appel à un électricien qualifié.
Le voyant Alarme clignote.	La température du congélateur est trop élevée.	Reportez-vous à « Alarme haute température »
Le compresseur fonctionne en permanence.	Le dispositif de réglage de température n'est pas correctement réglé.	Modifiez la position du dispositif de réglage de température pour obtenir moins de froid.
	La porte n'est pas correctement fermée.	Reportez-vous au paragraphe « Fermeture de la porte ».
	La porte a été ouverte trop souvent.	Ne laissez pas la porte ouverte plus longtemps que nécessaire.
	La température du produit est trop élevée.	Laissez le produit revenir à température ambiante avant de le placer dans l'appareil.
	La température ambiante est trop élevée.	Réduisez la température ambiante.

Symptôme	Cause possible	Solution
	La fonction FROSTMATIC est activée.	Reportez-vous au paragraphe « Fonction FROSTMATIC ».
La température du congélateur est trop basse.	Le dispositif de réglage de température n'est pas correctement réglé.	Modifiez la position du dispositif de réglage de température pour obtenir moins de froid.
	La fonction FROSTMATIC est activée.	Reportez-vous au paragraphe « Fonction FROSTMATIC ».
La température du congélateur est trop élevée.	Le dispositif de réglage de température n'est pas correctement réglé.	Modifiez la position du dispositif de réglage de température pour obtenir plus de froid.
	La porte n'est pas correctement fermée.	Reportez-vous à « Fermeture de la porte ».
	La température du produit est trop élevée.	Laissez le produit revenir à température ambiante avant de le placer dans l'appareil.
	Trop de produits ont été introduits simultanément.	Introduisez moins de produits en même temps.
	Les produits sont trop près les uns des autres.	Rangez les produits de façon à permettre la circulation de l'air froid.

Fermeture de la porte

1. Nettoyez les joints de la porte.
2. Si nécessaire, ajustez la porte. Consultez le paragraphe "Installation".
3. Si nécessaire, remplacez les joints défectueux. Contactez le Service Après-vente.

CARACTÉRISTIQUES TECHNIQUES

Dimensions de la niche d'encastrement		
	Hauteur	720 mm
	Largeur	560 mm
	Profondeur	550 mm
Temps de remontée en température		24 h

Les caractéristiques techniques figurent sur la plaque signalétique située sur le côté gauche à l'intérieur de l'appareil et sur l'étiquette d'énergie.

INSTALLATION

Emplacement



AVERTISSEMENT

Si l'appareil qui doit être mis au rebut est équipé d'un dispositif de fermeture, rendez celui-ci inutilisable de manière à ce que les enfants ne puissent pas rester enfermés à l'intérieur de l'appareil.



La prise de l'appareil doit être facilement accessible après son installation.

Installez cet appareil à un endroit où la température ambiante correspond à la classe climatique indiquée sur la plaque signalétique de l'appareil :

Classe climatique	Température ambiante
SN	+10°C à + 32°C
N	+16°C à + 32°C
ST	+16°C à +38°C
T	+16°C à +43°C

Branchement électrique

Contrôlez, avant de brancher l'appareil, si la tension et la fréquence indiquées sur la plaque signalétique correspondent à celles de votre réseau.

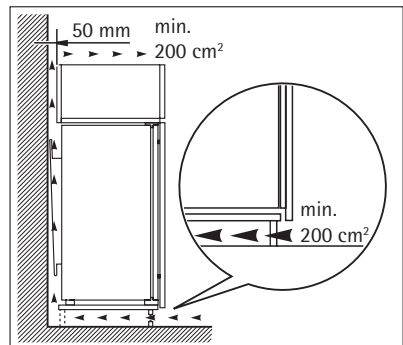
L'appareil doit être relié à la terre. La fiche du câble d'alimentation comporte un logement pour mise à la terre. Si la prise de courant murale n'est pas mise à la terre, branchez l'appareil sur une prise de terre conformément aux normes en vigueur, en demandant conseil à un électricien qualifié.

Le fabricant décline toute responsabilité en cas d'incident suite au non-respect des consignes de sécurité sus-mentionnées.


Cet appareil est conforme aux directives communautaires.

Ventilation

La circulation d'air derrière l'appareil doit être suffisante.



EN MATIÈRE DE PROTECTION DE L'ENVIRONNEMENT

Le symbole  sur le produit ou son emballage indique que ce produit ne peut être traité comme déchet ménager. Il doit être remis au point de collecte dédié à cet effet (collecte et recyclage du matériel électrique et électronique).

En procédant à la mise au rebut de l'appareil dans les règles de l'art, nous préservons l'environnement et notre sécurité, s'assurant ainsi que les déchets seront traités dans des conditions optimum.

Pour obtenir plus de détails sur le recyclage de ce produit, veuillez prendre contact avec les services de votre commune ou le magasin où vous avez effectué l'achat.

Danke, dass Sie sich für eines unserer hochqualitativen Produkte entschieden haben.

Lesen Sie für eine optimale und gleichmäßige Leistung Ihres Gerätes diese Benutzerinformation bitte sorgfältig durch. Sie wird Ihnen helfen, alle Vorgänge perfekt und äußerst effizient zu steuern. Damit Sie diese Benutzerinformation bei Bedarf stets zur Hand haben, empfehlen wir Ihnen, sie an einem sicheren Ort aufzubewahren. Und geben Sie diese Benutzerinformation bitte an einen eventuellen neuen Besitzer dieses Gerätes weiter.

Wir wünschen Ihnen viel Freude mit Ihrem neuen Gerät.

INHALT

SICHERHEITSHINWEISE	27	Gefrierkalender	33
Sicherheit von Kindern und hilfsbedürftigen Personen	28	Auftauen	33
Allgemeine Sicherheitshinweise	28	Eiswürfelbereitung	33
Täglicher Gebrauch	29	Kälteakku(s)	33
Reinigung und Pflege	29	HILFREICHE HINWEISE UND TIPPS	33
Montage	29	Hinweise zum Einfrieren	33
Kundendienst	30	Hinweise zur Lagerung gefrorener Produkte	34
BEDIENBLENDE	30	REINIGUNG UND PFLEGE	34
Einschalten des Geräts	31	Regelmäßige Reinigung	34
Ausschalten des Geräts	31	Abtauen des Gefrierschranks	35
Temperaturanzeige	31	Stillstandzeiten	36
Temperaturregelung	31	WAS TUN, WENN ...	36
FROSTMATIC Funktion	31	Schließen Sie die Tür	37
Temperaturwarnung	31	TECHNISCHE DATEN	37
Tür-offen-Alarm	32	MONTAGE	38
ERSTE INBETRIEBNAHME	32	Aufstellung	38
Reinigung des Innenraums	32	Elektrischer Anschluss	38
TÄGLICHER GEBRAUCH	32	Anforderungen an die Belüftung	38
Einfrieren frischer Lebensmittel	32	HINWEISE ZUM UMWELTSCHUTZ	39
Lagerung gefrorener Produkte	32		

Änderungen vorbehalten



SICHERHEITSHINWEISE

Lesen Sie zu Ihrer Sicherheit und für die optimale Geräteanwendung vor der Installation und dem Gebrauch des Gerätes die vorliegende Benutzerinformation aufmerksam durch, einschließlich der Ratschläge und Warnungen. Es ist wichtig, dass zur Vermeidung von Fehlern und Unfällen alle Personen, die das Gerät benutzen, mit der Bedienung und den Sicherheitsvorschriften vertraut sind. Heben Sie die Benutzerinformation gut auf und übergeben Sie sie bei einem Weiterverkauf des Gerätes dem neuen Besitzer, so dass jeder während der gesamten Lebensdauer des Gerätes über Gebrauch und Sicherheit informiert ist.

Halten Sie sich zu Ihrer Sicherheit und zum Schutz Ihres Eigentums strikt an die Vorsichtsmaßnahmen der vorliegenden Benutzerinformation, da der Hersteller bei Missachtung derselben von jeder Haftung freigestellt ist.

Sicherheit von Kindern und hilfsbedürftigen Personen

- Das Gerät darf von Personen (einschließlich Kindern), deren physische, sensorische Fähigkeiten und deren Mangel an Erfahrung und Kenntnissen einen sicheren Gebrauch des Gerätes ausschließen nur unter Aufsicht oder nach ausreichender Einweisung durch eine verantwortungsbewusste Person benutzt werden, die sicherstellt, dass sie sich der Gefahren des Gebrauchs bewusst sind.

Kinder müssen beaufsichtigt werden, damit sie nicht am Gerät herumspielen können.

- Halten Sie das Verpackungsmaterial unbedingt von Kindern fern. Erstickungsgefahr!
- Ziehen Sie vor der Entsorgung des Gerätes den Netzstecker, schneiden Sie das Netzkabel (so nah wie möglich am Gerät) ab und entfernen Sie die Tür, so dass spielende Kinder vor elektrischem Schlag geschützt sind und sich nicht in dem Gerät einschließen können.
- Wenn dieses Gerät mit magnetischer Türdichtung ein älteres Modell mit Schnappverschluss (Türlasche) an der Tür oder auf dem Deckel ersetzt, machen Sie den Schnappverschluss vor dem Entsorgen des Altgerätes unbrauchbar. So verhindern Sie, dass das Gerät nicht zu einer Todesfalle für Kinder wird.

Allgemeine Sicherheitshinweise



VORSICHT!

Die Belüftungsöffnungen müssen immer frei zugänglich sein.

- Das Gerät ist für die Aufbewahrung von Lebensmitteln und/oder Getränken in einem normalen Haushalt bestimmt, wie in der vorliegenden Gebrauchsanweisung beschrieben wird.
- Benutzen Sie keine mechanischen oder sonstigen Hilfsmittel, um den Abtauprozess zu beschleunigen.
- Verwenden Sie keine anderen Elektrogeräte (wie Speiseeisbereiter) in Kühlgeräten, wenn solche Geräte nicht ausdrücklich vom Hersteller für diesen Zweck zugelassen sind.
- Achten Sie darauf, den Kältekreislauf nicht zu beschädigen.
- Das Kältemittel Isobutan (R600a) im Kältekreislauf des Gerätes ist ein natürliches und sehr umweltfreundliches Gas, das jedoch leicht entflammbar ist.

Achten Sie beim Transport und bei der Aufstellung des Gerätes darauf, nicht die Komponenten des Kältekreislaufs zu beschädigen.

Bei einer eventuellen Beschädigung des Kältekreislaufs:

- Offene Flammen und Zündfunken vermeiden
- Den Raum, in dem das Gerät installiert ist, gut lüften
- Änderungen der technischen Eigenschaften oder am Gerät sind gefährlich. Ein defektes Netzkabel kann Kurzschlüsse und einen Brand verursachen und/oder zu Stromschlägen führen.



WARNUNG!

Elektrische Bauteile (Netzkabel, Stecker, Kompressor) dürfen nur vom Kundendienst oder einer Fachkraft ausgewechselt werden.

1. Das Netzkabel darf nicht verlängert werden.

2. Vergewissern Sie sich, dass der Netzstecker nicht von der Geräterückseite gequetscht oder beschädigt wird. Ein gequetschter oder beschädigter Netzstecker überhitzt und kann einen Brand verursachen.
 3. Vergewissern Sie sich, dass der Netzstecker des Gerätes frei zugänglich ist.
 4. Ziehen Sie nicht am Netzkabel.
 5. Stecken Sie den Netzstecker nie in eine lockere Steckdose. Es besteht Brand- und Stromschlaggefahr.
 6. Betreiben Sie das Gerät nicht ohne Lampenabdeckung, ¹¹⁾ der Innenbeleuchtung.
- Dieses Gerät ist schwer. Vorsicht beim Transport.
 - Entnehmen oder berühren Sie nie mit nassen/feuchten Händen Tiefkühlgut, da dies zu Hautverletzungen oder Kälteverbrennungen führen kann.
 - Das Gerät nicht direkter Sonneneinstrahlung aussetzen.
 - Die Leuchtmittel ¹²⁾ in diesem Gerät sind Speziallampen, die nur für Haushaltsgeräte geeignet sind. Sie eignen sich nicht zur Raumbelichtung.

Täglicher Gebrauch

- Stellen Sie keine heißen Töpfe auf die Kunststoffteile des Gerätes.
- Lagern Sie keine feuergefährlichen Gase oder Flüssigkeiten in dem Gerät. Explosionsgefahr.
- Legen Sie Lebensmittel nicht direkt vor den Luftauslass auf der Rückwand. ¹³⁾
- Ein aufgetautes Produkt darf nicht wieder eingefroren werden.
- Abgepackte Tiefkühlkost immer entsprechend den Herstellerangaben aufbewahren.
- Die Lagerempfehlungen des Geräteherstellers sollten strikt eingehalten werden. Halten Sie sich an die betreffenden Anweisungen.
- Keine kohlen säurehaltigen Getränke oder Sprudel in den Tiefkühlschrank stellen, da der Druckanstieg in den Behältern zur Explosion führen und das Gerät beschädigen kann.
- Eis am Stiel kann Kälteverbrennungen verursachen, wenn es direkt nach der Entnahme aus dem Gefrierschrank gegessen wird.

Reinigung und Pflege

- Schalten Sie vor Wartungsarbeiten immer das Gerät ab und ziehen Sie den Netzstecker aus der Steckdose.
- Reinigen Sie das Gerät nicht mit Metallgegenständen.
- Verwenden Sie keine scharfen Gegenstände zum Entfernen von Reif und Eis im Gerät. Benutzen Sie einen Kunststoffschaber.

Montage



Halten Sie sich für den elektrischen Anschluss strikt an die Anweisungen der betreffenden Abschnitte.

- Kontrollieren Sie nach dem Auspacken das Gerät auf eventuelle Beschädigungen. Nehmen Sie das Gerät nicht in Betrieb, wenn es beschädigt ist. Melden Sie die Schäden umgehend dem Händler, bei dem Sie es erworben haben. Bewahren Sie in diesem Fall die Verpackung auf.

11) Falls vorhanden.

12) Falls vorhanden.

13) No-Frost-Geräte

- Lassen Sie das Gerät mindestens vier Stunden stehen, bevor Sie es elektrisch anschließen, damit das Öl in den Kompressor zurückfließen kann.
- Ausreichenden Freiraum zur Luftzirkulation um das Gerät lassen; anderenfalls besteht Überhitzungsgefahr. Halten Sie sich für die Belüftung an die Installationsanweisungen.
- Das Gerät sollte zur Vermeidung von Verbrennungen durch Berührung von heißen Bauteilen (Kompressor, Kondensator) möglichst mit der Rückseite gegen eine Wand aufgestellt werden.
- Das Gerät darf nicht in der Nähe von Heizkörpern oder Kochern installiert werden.
- Vergewissern Sie sich, dass der Netzstecker des Gerätes nach der Installation frei zugänglich ist.
- Verbinden Sie das Gerät ausschließlich mit einer Trinkwasserzuleitung.¹⁴⁾

Kundendienst

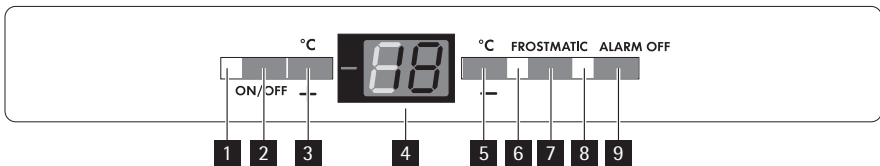
- Sollte die Wartung des Gerätes elektrische Arbeiten verlangen, so dürfen diese nur von einem qualifizierten Elektriker oder einem Elektro-Fachmann durchgeführt werden.
- Wenden Sie sich für Reparaturen und Wartung nur an Fachkräfte der autorisierten Kundendienststellen und verlangen Sie stets Original-Ersatzteile.

Umweltschutz



Das Gerät enthält im Kältekreis oder in dem Isoliermaterial keine ozonschädigenden Gase. Das Gerät darf nicht wie normaler Hausmüll entsorgt werden. Die Isolierung enthält entzündliche Gase: das Gerät muss gemäß den geltenden Vorschriften entsorgt werden; sie erhalten diese bei Ihrer Gemeindeverwaltung. Nicht das Kälteaggregat beschädigen, insbesondere nicht in der Nähe des Wärmetauschers. Die Materialien, die bei der Herstellung dieses Geräts verwendet wurden und mit dem Symbol ♻️ markiert sind, können recycelt werden.

BEDIENBLLENDE



1. Kontrolllampe
2. ON/OFF Taste
3. Taste Temperatureinstellung (für wärmere Temperaturen)
4. Temperaturanzeige
5. Taste Temperatureinstellung (für kältere Temperaturen)
6. FROSTMATIC Anzeige
7. FROSTMATIC Taste
8. ALARM OFF Anzeige
9. ALARM OFF Taste

14) Falls ein Wasseranschluss erforderlich ist

Einschalten des Geräts

1. Stecken Sie den Netzstecker in eine Netzsteckdose.
2. Drücken Sie die ON/OFF-Taste.
3. Die Kontrolllampe leuchtet auf.

Ausschalten des Geräts

1. Halten Sie die ON/OFF-Taste mehr als 5 Sekunden lang gedrückt.
2. Danach wird ein Countdown der Temperatur (-3 -2 -1) angezeigt. Wenn die „1“ erscheint, wird das Gerät abgeschaltet. Die Temperaturanzeige schaltet sich aus, ebenso wie die Kontrolllampe.

Temperaturanzeige

Die Temperaturanzeige zeigt die zurzeit für den Kühlschrank eingestellte Temperatur (SOLL-Temperatur) an.

Temperaturregelung

Die Temperatur des Gefriergeräts wird mit der Temperaturtaste eingestellt.

Stellen Sie die Standardtemperatur ein:

- -18 °C für den Gefrierschrank

Die Temperaturanzeige zeigt die eingestellte Temperatur.

Die eingestellte Temperatur wird innerhalb von 24 Stunden erreicht.



Nach einem Stromausfall bleibt die eingestellte Temperatur gespeichert.

FROSTMATIC Funktion

Die FROSTMATIC -Funktion ist eine Schnellgefrierfunktion, die die Tiefkühlung neu hinzukommender Lebensmittel beschleunigt und gleichzeitig die bereits tiefgekühlten Lebensmittel vor unerwünschter Erwärmung schützt.

So schalten Sie die Funktion ein:

1. Drücken Sie die FROSTMATIC-Taste.
2. Die FROSTMATIC-Anzeige leuchtet auf.

So schalten Sie die Funktion aus:

1. Drücken Sie die FROSTMATIC -Taste.
2. Die FROSTMATIC-Anzeige erlischt.



Die FROSTMATIC -Funktion schaltet sich automatisch nach etwa 52 Stunden aus.

Wenn die FROSTMATIC -Funktion eingeschaltet ist, lässt sich die Temperatureinstellung nicht ändern.

Temperaturwarnung

Ein Anstieg der Temperatur in Gefrierraum (zum Beispiel aufgrund eines Stromausfalls oder einer geöffneten Gerätetür) wird wie folgt angezeigt:

- blinkende Kontrolllampe ALARM OFF
- durch das Ertönen eines Summers.

Sobald die normalen Bedingungen wieder hergestellt sind:

- schaltet sich die Alarmleuchte aus.

- ALARM OFF -Anzeige blinkt weiter.
Schalten Sie die Alarmleuchte aus durch Drücken der Taste ALARM OFF .
Wenn die ALARM OFF Taste länger gedrückt wird, blinkt die wärmste Temperatur im Gefrierraum auf der Temperaturanzeige.

Tür-offen-Alarm

Es ertönt ein Signalton, wenn die Tür seit ca. 80 Sekunden offen steht.
Sobald der Normalbetrieb wiederhergestellt (und die Tür geschlossen) ist, verstummt der Signalton.

ERSTE INBETRIEBNAHME

Reinigung des Innenraums

Bevor Sie das Gerät in Betrieb nehmen, beseitigen Sie den typischen "Neugeruch" am besten durch Auswaschen der Innenteile mit lauwarmem Wasser und einem neutralen Reinigungsmittel. Sorgfältig nachtrocknen.



Verwenden Sie keine Reinigungsmittel oder Scheuerpulver, da hierdurch die Oberfläche beschädigt wird.

TÄGLICHER GEBRAUCH

Einfrieren frischer Lebensmittel

Der Gefrierraum eignet sich zum Einfrieren von frischen Lebensmitteln und zum Lagern von gefrorenen und tiefgefrorenen Lebensmitteln über einen längeren Zeitraum.
Um frische Lebensmittel einzufrieren, aktivieren Sie bitte die FROSTMATIC-Funktion mindestens 24 Stunden, bevor Sie die einzufrierenden Lebensmittel in das Gefrierfach hinein legen.

Legen Sie die einzufrierenden frischen Lebensmittel in das obere Fach.

Die maximale Menge an Lebensmitteln, die in 24 Stunden eingefroren werden kann, ist auf dem **Typenschild** angegeben, das sich im Innern des Geräts befindet.

Der Gefriervorgang dauert 24 Stunden: Legen Sie während dieses Zeitraums keine weiteren einzufrierenden Lebensmittel in das Gerät.

Lagerung gefrorener Produkte

Lassen Sie das Gerät vor der ersten Inbetriebnahme oder nach einer Zeit, in der das Gerät nicht benutzt wurde, mindestens zwei Stunden lang auf den höheren Einstellungen laufen, bevor Sie Lebensmittel in das Gefrierfach hinein legen.



Kam es zum Beispiel durch einen Stromausfall, der länger dauerte als der in der Tabelle mit den technischen Daten angegebene Wert (siehe "Ausfalldauer") zu einem ungewollten Abtauen, dann müssen die aufgetauten Lebensmittel sehr rasch verbraucht oder sofort gekocht und (nach dem Abkühlen) erneut eingefroren werden.

Gefrierkalender



Die Symbole zeigen verschiedene Arten gefrorener Lebensmittel an.

Die Zahlen geben die Lagerzeiten in Monaten für die entsprechenden Arten gefrorener Lebensmittel an. Es hängt von der Qualität der Lebensmittel und ihrer Behandlung vor dem Einfrieren ab, ob der obere oder der untere Wert für die angezeigte Lagerzeit gilt.

Auftauen

Tiefgefrorene oder gefrorene Lebensmittel können vor der Verwendung je nach der zur Verfügung stehenden Zeit im Kühlschrank oder bei Raumtemperatur aufgetaut werden. Kleinere Gefriergutteile können unter Umständen sogar direkt aus dem Gefrierschrank entnommen und anschließend sofort gekocht oder gegart werden: in diesem Fall dauert der Garvorgang allerdings etwas länger.

Eiswürfelbereitung

Dieses Gerät ist mit einer oder mehreren Schalen für die Herstellung von Eiswürfeln ausgestattet. Füllen Sie die Schalen mit Wasser und stellen Sie diese in das Gefrierfach.



Bitte verwenden Sie zum Herausholen der Schalen aus dem Gefrierschrank keine Utensilien aus Metall.

Kälteakku(s)

Der Gefrierschrank wird mit einem oder mehreren Kälteakku(s) geliefert. Diese verlängern die Zeitdauer, in der die Lebensmittel bei einem Stromausfall oder einem Ausfall des Gerätes gekühlt werden.

HILFREICHE HINWEISE UND TIPPS

Hinweise zum Einfrieren

Im Folgenden finden Sie einige wertvolle Tipps für einen optimalen Gefriervorgang:

- die maximale Menge an Lebensmitteln, die innerhalb von 24 Stunden eingefroren werden kann, ist auf dem Typschild angegeben;
- der Gefriervorgang dauert 24 Stunden. Legen Sie während dieses Zeitraums keine weiteren einzufrierenden Lebensmittel in das Gefrierfach;
- frieren Sie ausschließlich frische und gründlich gewaschene Lebensmittel von sehr guter Qualität ein;
- teilen Sie die Lebensmittel in kleinere Portionen ein, damit diese schnell und vollständig gefrieren und Sie später nur die Menge auftauen müssen, die Sie gerade benötigen;
- die einzufrierenden Lebensmittelportionen sollten stets luftdicht in Aluminiumfolie oder in lebensmittelechte Gefrierbeutel verpackt werden, um so wenig Luft wie möglich in der Verpackung zu haben;
- achten Sie beim Hineinlegen von frischen, noch ungefrorenen Lebensmitteln darauf, dass diese keinen Kontakt mit Gefriergut bekommen, da dieses sonst antauen kann;

- weniger fetthaltige Lebensmittel lassen sich besser lagern als fetthaltigere; Salz verkürzt die Lagerzeit von Lebensmitteln im Gefrierfach;
- werden Gefrierwürfel direkt nach der Entnahme aus dem Gefrierfach verwendet, können Sie zu Frostbrand auf der Haut führen;
- Es empfiehlt sich, das Einfrierdatum auf jeder einzelnen Packung zu notieren, um einen genauen Überblick über die Lagerzeit zu haben.

Hinweise zur Lagerung gefrorener Produkte

So erzielen Sie die besten Ergebnisse mit Ihrem Gerät:

- prüfen Sie sorgfältig, dass die im Handel erworbenen gefrorenen Lebensmittel sachgerecht gelagert wurden;
- achten Sie unbedingt darauf, die eingekauften gefrorenen Lebensmittel in der kürzest möglichen Zeit in Ihren Gefrierschrank zu bringen;
- öffnen Sie die Tür nicht zu häufig, und lassen Sie diese nicht länger offen als unbedingt notwendig.
- Abgetaute Lebensmittel verderben sehr schnell und eignen sich nicht für ein erneutes Einfrieren.
- Das Haltbarkeitsdatum auf der Tiefkühlkostverpackung sollte nicht überschritten werden.

REINIGUNG UND PFLEGE



VORSICHT!

Ziehen Sie bitte vor jeder Reinigungsarbeit immer den Netzstecker aus der Steckdose.



Der Kältekreis des Gerätes enthält Kohlenwasserstoffe; Wartungsarbeiten und Nachfüllen von Kältemitteln dürfen daher nur durch vom Hersteller autorisiertes Fachpersonal ausgeführt werden.

Regelmäßige Reinigung

Der gesamte Kühlschrank muss regelmäßig gereinigt werden:

- Reinigen Sie die Innenseiten und die Zubehörteile mit lauwarmem Wasser und etwas Neutralseife.
- Prüfen und säubern Sie die Türdichtungen in regelmäßigen Abständen und kontrollieren Sie, dass diese sauber und frei von Verunreinigungen sind.
- Spülen und trocknen Sie diese sorgfältig ab.



Ziehen Sie nicht an Leitungen und/oder Kabeln im Innern des Kühlschranks und achten Sie darauf, diese nicht zu verschieben oder zu beschädigen.

Benutzen Sie zur Reinigung des Innenraums keinesfalls Putzmittel, Scheuerpulver, stark parfümierte Reinigungsmittel oder Wachspolituren, da diese die Oberfläche des Innenraums beschädigen und einen starken Eigengeruch hinterlassen können.

Reinigen Sie den Kondensator (schwarzes Gitter) und den Motorkompressor auf der Geräterückseite mit einer Bürste oder einem Staubsauger. Dadurch verbessert sich die Leistung des Geräts und es verbraucht weniger Strom.



Bitte achten Sie darauf, das Kühlsystem nicht zu beschädigen.

Viele Haushaltsreiniger für Küchen enthalten Chemikalien, die den im Gerät verwendeten Kunststoff angreifen können. Aus diesem Grund ist es empfehlenswert, das Gerät außen nur mit warmem Wasser und etwas flüssigem Tellerspülmittel zu reinigen. Schließen Sie das Gerät nach der Reinigung wieder an die Netzversorgung an.

Abtauen des Gefrierschranks

Auf den Ablagen des Gefrierschranks und im Innern des oberen Fachs wird sich stets etwas Reif bilden.

Tauen Sie den Gefrierschrank ab, wenn die Reifschicht eine Stärke von etwa 3 bis 5 mm erreicht hat.



Stellen Sie den Temperaturregler bitte 12 Stunden vor dem Abtauen auf eine kühlere Einstellung, damit eine ausreichende Kälte als Reserve für die Unterbrechung im Betrieb entstehen kann.

Entfernen Sie den Reif wie nachstehend erläutert:

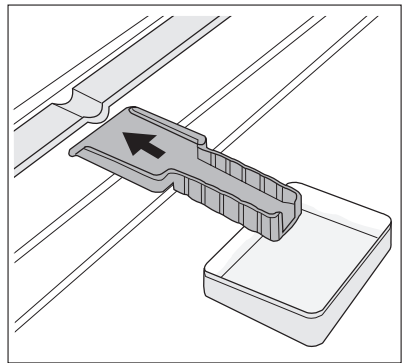
1. Schalten Sie das Gerät aus.
2. Nehmen Sie das gesamte Gefriergut heraus, verpacken Sie es in mehrere Schichten Zeitungspapier und lagern Sie es an einem kühlen Ort.



VORSICHT!

Fassen Sie eingefrorene Lebensmittel nicht mit nassen Händen an. Ihre Hände könnten an den Lebensmitteln festfrieren.

3. Lassen Sie die Tür des Geräts offen stehen und setzen Sie den Kunststoffschaber in den entsprechenden Sitz unten in der Mitte; stellen Sie eine Schale zum Auffangen des Tauwassers darunter



Stellen Sie eine Schale mit heißem Wasser in das Gefrierfach, um den Abtauprozess zu beschleunigen. Entfernen Sie vorsichtig Eisstücke von den Wänden, bevor alles abgetaut ist.

4. Ist alles vollständig abgetaut, trocken Sie die nassen Oberflächen gründlich ab und bewahren Sie den Schaber für eine spätere Verwendung auf.
5. Schalten Sie das Gerät ein.
6. Nachdem das Gerät zwei bis drei Stunden in Betrieb ist, können Sie die ausgelagerten Lebensmittel wieder in den Gefrierschrank hinein legen.



Verwenden Sie bitte niemals scharfe Gegenstände zum Entfernen von Reif und Eis vom Verdampfer, da dieser dadurch beschädigt werden könnte.

Benutzen Sie keine mechanischen oder sonstigen Hilfsmittel, um den Abtauprozess zu beschleunigen; halten Sie sich dazu ausschließlich an die Angaben des Geräteherstellers. Ein Temperaturanstieg des Gefrierguts während des Abtauens des Gerätes kann die Lagerzeit dieser Lebensmittel verkürzen.

Stillstandzeiten

Bei längerem Stillstand des Gerätes müssen Sie folgendermaßen vorgehen:

- **trennen Sie das Gerät von der Netzversorgung**
- entnehmen Sie alle Lebensmittel
- tauen Sie das Gerät ab, ¹⁵⁾Reinigen Sie das Gerät und alle Zubehöerteile
- lassen Sie die Türen offen/angelehnt, um das Entstehen unangenehmer Gerüche zu vermeiden.

Möchten Sie bei einer längeren Abwesenheit den Gefrierschrank weiter laufen lassen, bitten Sie jemanden, gelegentlich die Temperatur zu prüfen, damit das Gefriergut bei einem möglichen Stromausfall nicht im Innern des Gerätes verdirbt.

WAS TUN, WENN ...



WARNUNG!

Ziehen Sie vor der Fehlersuche immer den Netzstecker aus der Steckdose.

Die Fehlersuche, die in der vorliegenden Gebrauchsanweisung nicht beschrieben ist, darf nur von einem qualifizierten Elektriker oder einer kompetenten Person durchgeführt werden.



Während das Gerät in Betrieb ist, entstehen bestimmte Geräusche (Kompressor und Kühlkreislauf).

Störung	Mögliche Ursache	Abhilfe
Das Gerät funktioniert nicht. Die Kontrolllampe blinkt nicht.	Das Gerät ist abgeschaltet.	Schalten Sie das Gerät ein.
	Der Netzstecker steckt nicht richtig in der Steckdose.	Stecken Sie den Netzstecker richtig in die Steckdose.
	Das Gerät bekommt keinen Strom. Es liegt keine Spannung an der Netzsteckdose an.	Testen Sie bitte, ob ein anderes Gerät an dieser Steckdose funktioniert. Kontaktieren Sie gegebenenfalls einen qualifizierten Elektriker.
Die Kontrolllampe blinkt.	Das Gerät arbeitet nicht korrekt.	Kontaktieren Sie gegebenenfalls einen qualifizierten Elektriker.
Die Alarmleuchte blinkt.	Die Temperatur im Gefrierraum ist zu hoch.	Siehe „Temperaturwarnung“.
Der Kompressor arbeitet ständig.	Die Temperatur ist nicht richtig eingestellt.	Stellen Sie eine höhere Temperatur ein.
	Die Tür ist nicht richtig geschlossen.	Siehe hierzu „Schließen der Tür“.
	Die Tür wurde zu häufig geöffnet.	Lassen Sie die Tür nicht länger als unbedingt erforderlich offen.

15) falls dies vorgesehen ist.

Störung	Mögliche Ursache	Abhilfe
	Die Temperatur der zu kühlenden Lebensmittel ist zu hoch.	Lassen Sie Lebensmittel auf Raumtemperatur abkühlen, bevor Sie sie in das Gerät stellen.
	Die Raumtemperatur ist zu hoch.	Senken Sie die Raumtemperatur.
	Die FROSTMATIC-Funktion ist eingeschaltet.	Siehe hierzu „FROSTMATIC-Funktion“.
Die Temperatur im Gefrierraum ist zu niedrig.	Die Temperatur ist nicht richtig eingestellt.	Stellen Sie eine höhere Temperatur ein.
	Die FROSTMATIC-Funktion ist eingeschaltet.	Siehe hierzu „FROSTMATIC-Funktion“.
Die Temperatur im Gefrierraum ist zu hoch.	Die Temperatur ist nicht richtig eingestellt.	Stellen Sie eine niedrigere Temperatur ein.
	Die Tür ist nicht richtig geschlossen.	Siehe hierzu „Schließen der Tür“.
	Die Temperatur der zu kühlenden Lebensmittel ist zu hoch.	Lassen Sie Lebensmittel auf Raumtemperatur abkühlen, bevor Sie sie in das Gerät stellen.
	Es wurden zu viele Lebensmittel auf einmal eingelegt.	Legen Sie weniger Lebensmittel auf einmal ein.
	Die einzufrierenden Packungen liegen zu dicht aneinander.	Stellen Sie sicher, dass die Kaltluft im Gerät zirkuliert und die Lebensmittel dies nicht verhindern.

Schließen Sie die Tür

1. Reinigen Sie die Türdichtungen.
2. Stellen Sie die Tür nach Bedarf ein. Siehe hierzu "Montage".
3. Ersetzen Sie die defekten Türdichtungen, falls erforderlich. Kontaktieren Sie den Kundendienst.

TECHNISCHE DATEN

Abmessung der Aussparung		
	Höhe	720 mm
	Breite	560 mm
	Tiefe	550 mm
Ausfalldauer		24 h

Die technischen Informationen befinden sich auf dem Typenschild innen links im Gerät sowie auf der Energieplakette.

MONTAGE

Aufstellung



WARNUNG!

Wenn Sie ein altes Gerät entsorgen möchten, das ein Schloss oder einen Riegel an der Tür besitzt, müssen Sie das Schloss bzw. den Riegel zunächst unbrauchbar machen, um zu verhindern, dass sich spielende Kinder darin einschließen können.



Die Steckdose für den Anschluss des Geräts muss nach der Installation zugänglich sein.

Installieren Sie dieses Gerät an einem Ort, an dem die Umgebungstemperatur mit der Klimaklasse übereinstimmt, die auf dem Typschild des Geräts angegeben ist:

Klimaklasse	Umgebungstemperatur
SN	+10°C bis +32°C
N	+16°C bis +32°C
ST	+16°C bis +38°C
T	+16°C bis +43°C

Elektrischer Anschluss

Kontrollieren Sie vor der ersten Benutzung des Gerätes, ob die Netzspannung und -frequenz Ihres Hausanschlusses mit den auf dem Typenschild angegebenen Anschlusswerten übereinstimmen.

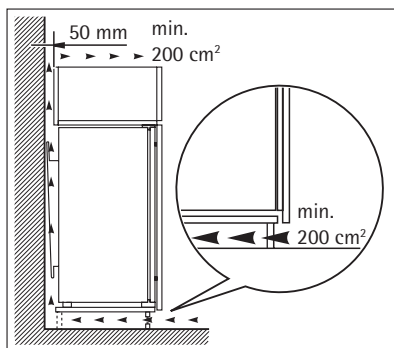
Das Gerät muss geerdet sein. Zu diesem Zweck ist die Netzkabelsteckdose mit einem Schutzkontakt ausgestattet. Falls die Steckdose Ihres Hausanschlusses nicht geerdet sein sollte, lassen Sie das Gerät bitte gemäß den geltenden Vorschriften erden und fragen Sie dafür einen qualifizierten Elektriker.

Der Hersteller übernimmt keinerlei Haftung für Schäden oder Verletzungen, die durch Missachtung der oben genannten Sicherheitshinweise entstehen.


Das Gerät entspricht den EU- Richtlinien.

Anforderungen an die Belüftung

Die Luftzirkulation hinter dem Gerät muss ausreichend groß sein.



HINWEISE ZUM UMWELTSCHUTZ

Das Symbol  auf dem Produkt oder seiner Verpackung weist darauf hin, dass dieses Produkt nicht als normaler Haushaltsabfall zu behandeln ist, sondern an einem Sammelpunkt für das Recycling von elektrischen und elektronischen Geräten abgegeben werden muss. Durch Ihren Beitrag zum korrekten Entsorgen dieses Produkts schützen Sie die Umwelt und die Gesundheit Ihrer Mitmenschen. Umwelt und Gesundheit werden durch falsches Entsorgen gefährdet. Weitere Informationen über das Recycling dieses Produkts erhalten Sie von Ihrem Rathaus, Ihrer Müllabfuhr oder dem Geschäft, in dem Sie das Produkt gekauft haben.

Gracias por elegir uno de nuestros productos de alta calidad.

Si quiere asegurarse de que el electrodoméstico funcione de forma óptima y continua, lea el manual de instrucciones atentamente. Las instrucciones que contiene le permitirán realizar todos los procesos con la máxima perfección y eficacia. Es aconsejable que guarde este manual en un lugar seguro para que pueda consultarlo siempre que lo necesite. Y no olvide entregárselo al futuro propietario del electrodoméstico.

Esperamos que disfrute de su nuevo electrodoméstico.

ÍNDICE DE MATERIAS

INFORMACIÓN SOBRE SEGURIDAD	40	Calendario de congelación	45
Seguridad de niños y personas vulnerables	41	Descongelación	46
Instrucciones generales de seguridad	41	Producción de cubitos de hielo	46
Uso diario	42	Acumuladores de frío	46
Cuidado y limpieza	42	CONSEJOS Y SUGERENCIAS ÚTILES	46
Instalación	42	Consejos sobre la congelación	46
Servicio técnico	43	Consejos para el almacenamiento de alimentos congelados	46
PANEL DE MANDOS	43	MANTENIMIENTO Y LIMPIEZA	47
Encendido	43	Limpieza periódica	47
Apagado	44	Descongelación del congelador	47
Indicador de temperatura	44	Periodos sin funcionamiento	48
Regulación de la temperatura	44	QUÉ HACER SI...	49
Función FROSTMATIC	44	Cierre de la puerta	50
Alarma de temperatura alta	44	DATOS TÉCNICOS	50
Alarma de puerta abierta	45	INSTALACIÓN	50
PRIMER USO	45	Colocación	50
Limpieza de las partes internas	45	Conexión eléctrica	51
USO DIARIO	45	Requisitos de ventilación	51
Congelación de alimentos frescos	45	ASPECTOS MEDIOAMBIENTALES	51
Almacenamiento de alimentos congelados	45		

Salvo modificaciones



INFORMACIÓN SOBRE SEGURIDAD

Por su seguridad y para garantizar el funcionamiento correcto del aparato, antes de instalarlo y utilizarlo por primera vez lea atentamente este manual del usuario, incluidos los consejos y advertencias. Para evitar errores y accidentes, es importante que todas las personas que utilicen el aparato estén perfectamente al tanto de su funcionamiento y de las características de seguridad. Conserve estas instrucciones y no olvide mantenerlas junto al aparato en caso de su desplazamiento o venta para que quienes lo utilicen a lo largo de su vida útil dispongan siempre de la información adecuada sobre el uso y la seguridad.

Por la seguridad de personas y bienes, siga las normas de seguridad indicadas en estas instrucciones, ya que el fabricante no se hace responsable de daños provocados por omisiones.

Seguridad de niños y personas vulnerables

- Este electrodoméstico no está diseñado para que lo usen personas (incluidos niños) con discapacidad física, sensorial o mental, o con experiencia y conocimiento insuficientes, a menos que una persona responsable de su seguridad les supervise o instruya en el uso del electrodoméstico.

No permita que los niños jueguen con el electrodoméstico.

- Mantenga los materiales de embalaje alejados de los niños. Existe riesgo de asfixia.
- Si va a desechar el aparato, extraiga el enchufe de la toma, corte el cable de conexión (tan cerca del aparato como pueda) y retire la puerta para impedir que los niños al jugar puedan sufrir descargas eléctricas o quedar atrapados en su interior.
- Si este aparato, que cuenta con juntas de puerta magnéticas, sustituirá a un aparato más antiguo con cierre de muelle (pestillo) en la puerta, cerciórese de inutilizar el cierre de muelle antes de desechar el aparato antiguo. Evitará así que se convierta en una trampa mortal para niños.

Instrucciones generales de seguridad



PRECAUCIÓN

No obstruya los orificios de ventilación.

- El aparato está diseñado para conservar los alimentos y bebidas de una vivienda normal, como se explica en este folleto de instrucciones.
- No utilice dispositivos mecánicos ni medios artificiales para acelerar el proceso de descongelación.
- No utilice otros aparatos eléctricos (como máquinas para hacer helados) dentro de los aparatos de refrigeración, a menos que el fabricante haya autorizado su utilización para estos fines.
- No dañe el circuito del refrigerante.
- El circuito del refrigerante del aparato contiene isobutano (R600a). Se trata de un gas natural con un alto nivel de compatibilidad medioambiental, aunque es inflamable.

Durante el transporte y la instalación del aparato, cerciórese de no provocar daños en el circuito de refrigeración.

Si el circuito de refrigeración se daña:

- mantenga el aparato alejado de las llamas y de cualquier fuente de encendido
- ventile bien la habitación en la que se encuentra el aparato
- Cualquier intento de alterar las especificaciones o modificar este producto puede ser peligroso. Cualquier daño en el cable de alimentación puede provocar un cortocircuito, un incendio o una descarga eléctrica.



ADVERTENCIA

Los componentes eléctricos (cable de alimentación, enchufe, compresor) debe sustituirlos un técnico autorizado o personal cualificado.

1. No se debe prolongar el cable de alimentación.

2. Compruebe que la parte posterior del aparato no aplaste ni dañe el enchufe. Un enchufe aplastado o dañado puede recalentarse y provocar un incendio.
 3. Cerciórese de que tiene acceso al enchufe del aparato.
 4. No tire del cable de alimentación.
 5. Si la toma de corriente está floja, no inserte el enchufe. Existe riesgo de descarga eléctrica o incendio.
 6. No debe utilizar el aparato sin la tapa de la bombilla.¹⁶⁾ para la iluminación interior.
- Este aparato es pesado. Debe tener precauciones durante su desplazamiento.
 - No retire ni toque elementos del compartimento congelador con las manos húmedas o mojadas, ya que podría sufrir abrasión de la piel o quemaduras por congelación.
 - Evite la exposición prolongada del aparato a la luz solar directa.
 - Las bombillas¹⁷⁾ que se utilizan en este aparato son especiales, y se han seleccionado exclusivamente para uso en aparatos domésticos. No pueden utilizarse para la iluminación de la vivienda.

Uso diario

- No coloque recipientes calientes sobre las piezas plásticas del aparato.
- No almacene gas ni líquido inflamable en el aparato, ya que podrían estallar.
- No coloque alimentos directamente contra la salida de aire de la pared posterior.¹⁸⁾
- Los alimentos que se descongelen no deben volver a congelarse.
- Guarde los alimentos congelados, que se adquieren ya envasados, siguiendo las instrucciones del fabricante.
- Se deben seguir estrictamente las recomendaciones del fabricante del aparato sobre el almacenamiento. Consulte las instrucciones correspondientes.
- No coloque bebidas carbonatadas o con gas en el congelador, ya que se genera presión en el recipiente, que podría estallar y dañar el aparato.
- Si se consumen polos helados directamente del aparato, se pueden sufrir quemaduras causadas por el hielo.

Cuidado y limpieza

- Antes de realizar tareas de mantenimiento, apague el aparato y desconecte el enchufe de la toma de red. Si no puede acceder a la toma de red, corte el suministro eléctrico.
- No limpie el aparato con objetos metálicos.
- No utilice objetos afilados para eliminar el hielo del aparato. Utilice un raspador plástico.

Instalación



Para realizar la conexión eléctrica, siga atentamente las instrucciones de los párrafos correspondientes.

- Desembale el aparato y compruebe que no tiene daños. No conecte el aparato si está dañado. Informe de los posibles daños de inmediato a la tienda donde lo adquirió. En ese caso, conserve el material de embalaje.
- Es recomendable esperar al menos dos horas antes de conectar el aparato, para permitir que el aceite regrese al compresor.

16) Si está previsto el uso de la tapa de la bombilla

17) Si está previsto el uso de bombilla

18) Si el aparato no acumula escarcha (Frost Free)

- El aparato debe contar con circulación de aire adecuada alrededor, ya que de lo contrario se produce recalentamiento. Para conseguir una ventilación suficiente, siga las instrucciones correspondientes a la instalación.
- Siempre que sea posible, la parte posterior del producto debe estar contra una pared, para evitar que se toquen las partes calientes (compresor, condensador) y se produzcan quemaduras.
- El aparato no debe colocarse cerca de radiadores ni de hornillas de cocina.
- Asegúrese de que es posible acceder al enchufe después de instalar el electrodoméstico.
- Realice la conexión sólo con el suministro de agua potable. ¹⁹⁾

Servicio técnico

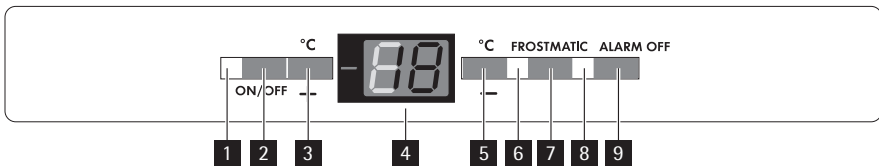
- Un electricista homologado deberá realizar las tareas que se requieran para ejecutar el servicio o mantenimiento de este electrodoméstico.
- Las reparaciones de este aparato debe realizarlas un centro de servicio técnico autorizado y sólo se deben utilizar recambios originales.

Protección del medio ambiente



Este aparato no contiene gases perjudiciales para la capa de ozono, ni en el circuito de refrigerante ni en los materiales aislantes. El aparato no se debe desechar junto con los residuos urbanos. La espuma aislante contiene gases inflamables: el aparato se debe desechar de acuerdo con la normativa vigente, que puede solicitar a las autoridades locales. No dañe la unidad de refrigeración, en especial la parte trasera, cerca del intercambiador de calor. Los materiales de este aparato marcados con el símbolo ♻️ son reciclables.

PANEL DE MANDOS



1. Luz piloto
2. Interruptor ON/OFF
3. Regulador de temperatura (más calor)
4. Indicador de temperatura
5. Regulador de temperatura (más frío)
6. Indicador FROSTMATIC
7. Interruptor FROSTMATIC
8. Indicador ALARM OFF
9. Interruptor ALARM OFF

Encendido

1. Enchufe el aparato a la toma de corriente.
2. Pulse el interruptor ON/OFF.

¹⁹⁾ Si está prevista una conexión de agua

3. Se enciende la luz del piloto.

Apagado

1. Mantenga pulsado el interruptor ON/OFF durante más de 5 segundos.
2. A continuación aparece la cuenta atrás para la temperatura, en la forma -3 -2 -1. El aparato se apaga automáticamente cuando la cuenta atrás llega a "1". Se apaga el indicador de temperatura, y la luz del piloto.

Indicador de temperatura

El indicador de temperatura del congelador muestra la temperatura programada (temperatura DESEADA).

Regulación de la temperatura

La temperatura programada en el congelador puede ajustarse pulsando la tecla de temperatura.

Ajuste de la temperatura predeterminada:

- -18°C para el congelador

El indicador de temperatura muestra la temperatura programada.

La temperatura programada se alcanza en un plazo de 24 horas.



Después de un corte del suministro eléctrico, se guarda la temperatura ajustada.

Función FROSTMATIC

La función FROSTMATIC acelera la congelación de alimentos frescos y, al mismo tiempo, impide que se calienten los alimentos previamente almacenados.

Siga estos pasos para activar la función:

1. Pulse el interruptor FROSTMATIC.
2. Se enciende el indicador FROSTMATIC.

Siga estos pasos para desactivar la función:

1. Pulse el interruptor FROSTMATIC .
2. Se apaga el indicador FROSTMATIC.



La función FROSTMATIC se para automáticamente después de 52 horas.

Si la función FROSTMATIC está activada, no será posible cambiar el ajuste de temperatura.

Alarma de temperatura alta

Un aumento de la temperatura del congelador (por ejemplo, por falta de energía eléctrica o si se queda la puerta abierta) se indicará mediante:

- el parpadeo de la luz ALARM OFF
- la emisión de una señal acústica.

Cuando se restablecen las condiciones normales:

- se apaga la señal acústica
- La luz ALARM OFF sigue parpadeando.

Detenga la luz de alarma pulsando el interruptor ALARM OFF .

Si se mantiene pulsado el interruptor ALARM OFF , la máxima temperatura alcanzada en el compartimiento parpadea en el indicador de temperatura.

Alarma de puerta abierta

Sonará una alarma acústica si la puerta se queda abierta durante 80 segundos aproximadamente.

Al restablecerse las condiciones normales (puerta cerrada, la alarma acústica se detendrá.

PRIMER USO

Limpieza de las partes internas

Antes del empleo limpiar todas las partes internas con agua tibia y jabón neutro, a fin de eliminar el característico olor de nuevo y secarlas luego cuidadosamente.



No utilice detergentes ni polvos abrasivos, ya que podrían dañar el acabado

USO DIARIO

Congelación de alimentos frescos

El compartimento del congelador es adecuado para congelar alimentos frescos y conservar a largo plazo los alimentos congelados y ultracongelados.

Para congelar alimentos frescos, active la función FROSTMATIC al menos 24 horas antes de introducir los alimentos en el compartimento congelador.

Coloque los alimentos que vaya a congelar en el compartimento superior

La cantidad máxima de alimentos que puede congelarse en 24 horas se indica en la **placa de datos técnicos**, una etiqueta situada en el interior del aparato.

El proceso de congelación tarda 24 horas: durante ese tiempo no deben añadirse otros alimentos para su congelación.

Almacenamiento de alimentos congelados

Al poner en marcha el aparato por primera vez o después de un periodo sin uso, déjelo en marcha al menos durante 2 horas con un ajuste alto antes de colocar los productos en el compartimento.



En caso de producirse una descongelación accidental, por ejemplo, por un corte del suministro eléctrico, si la interrupción ha sido más prolongada que el valor indicado en la tabla de características técnicas bajo "tiempo de elevación", los alimentos descongelados deben consumirse cuanto antes o cocinarlos de inmediato y volverlos a congelar (después de que se hayan enfriado).

Calendario de congelación

2-6					4-8					6-12				
-----	--	--	--	--	-----	--	--	--	--	------	--	--	--	--

Los símbolos muestran los distintos tipos de alimentos congelados.

Los números indican los tiempos de almacenamiento en meses de cada tipo de alimento congelado. Que el valor superior o inferior del tiempo de almacenamiento indicado sea

válido dependerá de la calidad de los alimentos y del tratamiento aplicado antes de la congelación.

Descongelación

Los alimentos ultracongelados o congelados, antes de utilizarlos, se pueden descongelar en el compartimento frigorífico o a temperatura ambiente, dependiendo del tiempo de que se disponga.

Es posible incluso cocinar piezas pequeñas congeladas, tomadas directamente del congelador; en tal caso, el tiempo de cocción será más prolongado.

Producción de cubitos de hielo

Este aparato cuenta con una o varias bandejas para la producción de cubitos de hielo. Llene las bandejas con agua y colóquelas en el compartimento congelador.



No utilice instrumentos metálicos para retirar las bandejas del congelador.

Acumuladores de frío

El congelador está provisto de uno o varios acumuladores de frío que incrementan el tiempo de conservación de los alimentos en caso de que se produzca un corte de corriente o una avería.

CONSEJOS Y SUGERENCIAS ÚTILES

Consejos sobre la congelación

Estos consejos son importantes para poder aprovechar al máximo el proceso de congelación:

- la cantidad máxima de alimentos que puede congelarse en 24 horas se muestra en la placa de datos técnicos;
- el proceso de congelación requiere 24 horas. Durante ese periodo no deben añadirse otros alimentos para congelación;
- congele sólo productos alimenticios de máxima calidad, frescos y perfectamente limpios;
- prepare los alimentos en porciones pequeñas para que se congelen de manera rápida y total, así como para poder descongelar posteriormente sólo las cantidades necesarias;
- envuelva los alimentos en papel de aluminio o polietileno y compruebe que los envoltorios quedan herméticamente cerrados;
- no permita que alimentos frescos y sin congelar entren en contacto con alimentos ya congelados, para evitar el aumento de temperatura de los segundos;
- los alimentos magros se congelan mejor que los grasos; la sal reduce el tiempo de almacenamiento de los alimentos;
- el hielo, si se consume inmediatamente después de retirarlo del compartimento congelador, puede provocar quemaduras por congelación en la piel;
- es recomendable etiquetar cada paquete con la fecha de congelación para controlar el tiempo que permanecen almacenados.

Consejos para el almacenamiento de alimentos congelados

Para obtener el máximo rendimiento de este aparato, deberá:

- comprobar que el comerciante ha mantenido los productos congelados correctamente almacenados;
- procurar que los alimentos congelados pasen de la tienda al congelador en el menor tiempo posible;
- evitar la apertura frecuente de la puerta o dejarla abierta más del tiempo estrictamente necesario.
- Una vez descongelados, los alimentos se deterioran con rapidez y no pueden congelarse otra vez.
- No supere el tiempo de almacenamiento indicado por el fabricante de los alimentos.

MANTENIMIENTO Y LIMPIEZA



PRECAUCIÓN

Antes de realizar tareas de mantenimiento, desenchufe el aparato.



Este equipo contiene hidrocarburos en la unidad de refrigeración; por tanto, el mantenimiento y la recarga deben estar a cargo exclusivamente de técnicos autorizados.

Limpieza periódica

El equipo debe limpiarse de manera habitual:

- limpie el interior y los accesorios con agua templada y un jabón neutro.
- revise y limpie periódicamente las juntas de la puerta para mantenerlas limpias y sin restos;
- Aclare y seque a fondo.



No mueva, dañe ni tire de los conductos o cables del interior del armario.

No utilice detergentes, polvos abrasivos, productos de limpieza perfumados ni cera para limpiar el interior, ya que dañarán la superficie y dejarán un fuerte olor.

Limpie el condensador (rejilla negra) y el compresor de la parte posterior del aparato con un cepillo o un aspirador. Esa operación mejorará el rendimiento del aparato y reducirá el consumo eléctrico.



Tenga cuidado para no dañar el sistema de refrigeración.

Muchas marcas de limpiadores de superficies de cocina contienen químicos que pueden atacar o dañar los plásticos del aparato. Por tal razón, se recomienda que el exterior del aparato se limpie sólo con agua templada a la que se añadirá un poco de líquido lavavajillas. Después de la limpieza, vuelva a conectar el aparato a la toma de red.

Descongelación del congelador

Siempre se forma un poco de escarcha en los estantes del congelador y en torno al compartimento superior.

Descongele el congelador sólo cuando la capa de escarcha alcance un grosor de unos 3 a 5 mm.



Unas 12 horas antes de realizar la descongelación, coloque el regulador de temperatura en los niveles más elevados, con el fin de acumular frío suficiente para la interrupción del funcionamiento.

Para eliminar la escarcha, siga estos pasos:

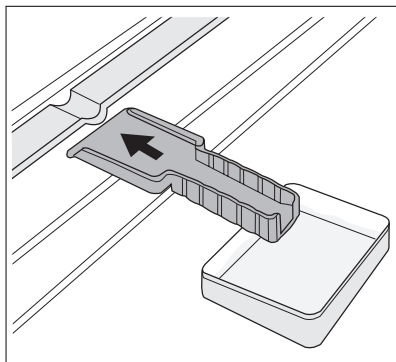
1. Apague el aparato.
2. Retire los alimentos congelados, envuélvalos en varias hojas de papel periódico y colóquelos en un sitio fresco.



PRECAUCIÓN

No toque los alimentos congelados con las manos mojadas. Podrían congelarse al contacto con los alimentos.

3. Deje la puerta abierta e introduzca el raspador plástico en el centro de la base, después de colocar un recipiente debajo para recoger el agua de la descongelación



Para acelerar el proceso de descongelación, coloque un recipiente con agua tibia en el compartimento congelador. Además, retire los trozos de hielo que se desprendan antes de que finalice la descongelación.

4. Cuando finalice la descongelación, seque bien el interior y conserve el raspador para su uso futuro.
5. Encienda el aparato.
6. Al cabo de dos o tres horas, vuelva a introducir los alimentos que retiró previamente.



No utilice herramientas metálicas afiladas para raspar la escarcha del evaporador, ya que podría dañarlo.

No utilice dispositivos mecánicos ni medios artificiales para acelerar el proceso de derretimiento del hielo, excepto los recomendados por el fabricante.

La elevación de la temperatura de los paquetes de alimentos congelados, durante la descongelación, puede acortar la duración de su almacenamiento.

Periodos sin funcionamiento

Si el aparato no se utiliza durante un tiempo prolongado, tome las siguientes precauciones:

- **desconecte el aparato de la red eléctrica;**
- extraiga todos los alimentos;
- descongele ²⁰⁾ y limpie el aparato y todos los accesorios;
- deje la puerta(s) entreabierta para prevenir olores desagradables.

Si va a mantener el armario en marcha, solicite a alguien que lo inspeccione de vez en cuando para evitar que los alimentos se echen a perder en caso de un corte de energía.

20) Si está previsto.

QUÉ HACER SI...



ADVERTENCIA

Antes de realizar cualquier reparación, desconecte el enchufe del aparato de la toma de red.

Sólo un electricista homologado o un técnico profesional debe llevar a cabo cualquier reparación que no figure en este manual.



Se producen ruidos durante el funcionamiento normal (compresor, circulación del refrigerante).

Problema	Causa posible	Solución
El aparato no funciona. La luz piloto no parpadea.	El aparato se apaga.	Encienda el aparato.
	El enchufe no está bien conectado a la toma de red.	Conecte el enchufe a la toma de red correctamente.
	El aparato no recibe corriente. No hay voltaje en la toma de red.	Conecte otro aparato eléctrico a la toma de red. Llame a un electricista profesional.
La luz piloto parpadea.	El aparato no funciona correctamente.	Llame a un electricista profesional.
La luz de alarma parpadea.	La temperatura del congelador es demasiado elevada.	Consulte "Alarma de temperatura alta"
El compresor funciona continuamente.	El ajuste de temperatura es incorrecto.	Seleccione una temperatura más elevada.
	La puerta no está bien cerrada.	Consulte "Cierre de la puerta".
	La puerta se ha abierto con excesiva frecuencia.	No mantenga la puerta abierta más tiempo del necesario.
	La temperatura del producto es demasiado elevada.	Deje que la temperatura del producto descienda a la temperatura ambiente antes de guardarlo.
	La temperatura ambiente es demasiado elevada.	Reduzca la temperatura ambiente.
	La función FROSTMATIC se activa.	Consulte "Función FROSTMATIC".
La temperatura del congelador es demasiado baja.	El regulador de temperatura no está ajustado correctamente.	Seleccione una temperatura más elevada.
	La función FROSTMATIC se activa.	Consulte "Función FROSTMATIC".
La temperatura del congelador es demasiado elevada.	El regulador de temperatura no está ajustado correctamente.	Seleccione una temperatura más baja.

Problema	Causa posible	Solución
	La puerta no está bien cerrada.	Consulte "Cierre de la puerta".
	La temperatura del producto es demasiado elevada.	Deje que la temperatura del producto descienda a la temperatura ambiente antes de guardarlo.
	Se han almacenado muchos productos a la vez.	Almacene menos productos simultáneamente.
	Los productos están demasiado próximos entre sí.	Guarde los productos de modo que exista circulación de aire frío.

Cierre de la puerta

1. Limpie las juntas de la puerta.
2. Si es necesario, ajuste la puerta. Consulte "Instalación".
3. Si es necesario, cambie las juntas de puerta defectuosas. Contacte al Centro de servicio técnico.

DATOS TÉCNICOS

Medidas de la cavidad		
	Altura	720 mm
	Anchura	560 mm
	Fondo	550 mm
Tiempo de elevación		24 h

La información técnica se encuentra en la placa de datos técnicos en el lado interior izquierdo del aparato y en la etiqueta de energía.

INSTALACIÓN

Colocación



ADVERTENCIA

Si va a desechar un aparato antiguo que tiene una cerradura o cierre en la puerta, deberá asegurarse de su inutilización para impedir que niños pequeños queden atrapados en su interior.



El enchufe del aparato debe tener fácil acceso después de la instalación.

Instale el aparato en un punto en el que la temperatura ambiente se corresponda con la clase climática indicada en la placa de datos técnicos del aparato:

Clase climática	Temperatura ambiente
SN	De +10°C a +32°C
N	De +16°C a +32°C
ST	De +16°C a +38°C
T	De +16°C a +43 °C

Conexión eléctrica

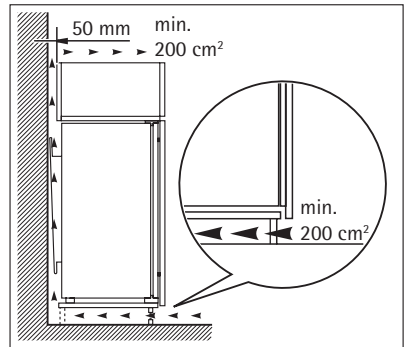
Antes de conectar el aparato, compruebe que el voltaje y la frecuencia que aparecen en la placa de datos técnicos se corresponden con el suministro de la vivienda.

El aparato debe tener conexión a tierra. El enchufe del cable de alimentación se suministra con un contacto para tal fin. Si la toma de red de la vivienda carece de conexión a tierra, conecte el aparato a una toma de tierra conforme con la normativa, después de consultar a un electricista profesional.


El fabricante rechaza toda responsabilidad si no se toman las precauciones antes indicadas. Este aparato es conforme con las directivas de la CEE.

Requisitos de ventilación

El flujo de aire de la parte posterior del aparato debería ser suficiente.



ASPECTOS MEDIOAMBIENTALES

El símbolo  que aparece en el aparato o en su embalaje, indica que este producto no se puede tratar como un residuo normal del hogar. Se deberá entregar, sin coste para el poseedor, bien al distribuidor, en el acto de la compra de un nuevo producto similar al que se deshecha, bien a un punto municipal de recolección selectiva de equipos eléctricos y electrónicos para su reciclaje. Al asegurarse de que este producto se desecha correctamente, usted ayudará a evitar posibles consecuencias negativas para el medio ambiente y la salud pública, lo cual podría ocurrir si este producto no se gestionara de forma adecuada. Para obtener información más detallada sobre el reciclaje de este producto, póngase en contacto con el Ayuntamiento de su Municipio, ó con la tienda donde lo compró.



www.aeg-electrolux.com/shop

