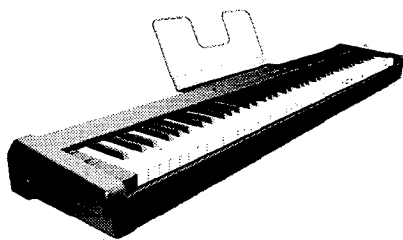


LE BR KO K

SP-100

Digital Piano
Piano Numérique
Digital-Piano
Pianoforte Digitale
デジタル・ピアノ



User's manual
Mode d'emploi
Bedienungseinleitung
Manuale d'istruzioni
取扱説明書

ENGLISH
FRANCAIS
DEUTSCH
ITALIANO
日本語

English

User's Manual

Français

Mode d'emploi

Deutsch

Bedienungseinleitung

Italiano

Manuale di istruzioni

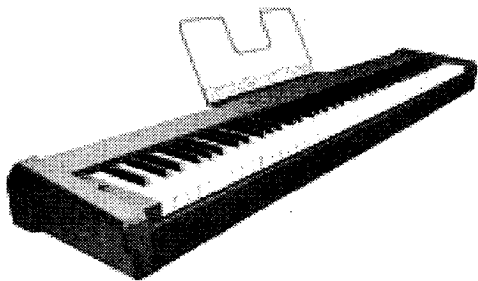
日本語

取扱説明書

KORG

SP-100

Digital Piano



User's Manual

PRECAUTIONS

Location

Using the unit in the following locations can result in a malfunction.

- In direct sunlight
- Locations of extreme temperature or humidity
- Excessively dusty or dirty locations
- Locations of excessive vibration

Power supply

Please connect the designated AC adapter to an AC outlet of the correct voltage. Do not connect it to an AC outlet of voltage other than that for which your unit is intended.

Interference with other electrical devices

This product contains a microcomputer. Radios and televisions placed nearby may experience reception interference. Operate this unit at a suitable distance from radios and televisions.

Handling

To avoid breakage, do not apply excessive force to the switches or controls.

Care

If the exterior becomes dirty, wipe it with a clean, dry cloth. Do not use liquid cleaners such as benzene or thinner, or cleaning compounds or flammable polishes.

Keep this manual

After reading this manual, please keep it for later reference.

Keeping foreign matter out of your equipment

- Never set any container with liquid in it near this equipment. If liquid gets into the equipment, it could cause a breakdown, fire, or electrical shock.
- Be careful not to let metal objects get into the equipment. If something does slip into the equipment, unplug the AC adapter from the wall outlet. Then contact your nearest Korg dealer or the store where the equipment was purchased.

CE MARK FOR EUROPEAN HARMONIZED STANDARDS

The CE mark that is attached to our company's products of AC mains operated apparatus until December 31, 1996 means it conforms to the EMC Directive (89/336/EEC) and to the CE mark Directive (93/68/EEC).

The CE mark that is attached after January 1, 1997 means it conforms to the EMC Directive (89/336/EEC), to the CE mark Directive (93/68/EEC) and to the Low Voltage Directive (73/23/EEC).

In addition, the CE mark that is attached to our company's products of Battery operated apparatus means it conforms to the EMC Directive (89/336/EEC) and to the CE mark Directive (93/68/EEC).

THE FCC REGULATION WARNING (FOR THE U.S.A. ONLY)

This equipment has been tested and found to comply with the limits for a Class B digital device, pursuant to Part 15 of the FCC Rules. These limits are designed to provide reasonable protection against harmful interference in a residential installation. This equipment generates, uses, and can radiate radio frequency

energy and, if not installed and used in accordance with the instructions, may cause harmful interference to radio communications. However, there is no guarantee that interference will not occur in a particular installation. If this equipment does cause harmful interference to radio or television reception, which can be determined by turning the equipment off and on, the user is encouraged to try to correct the interference by one or more of the following measures:

- Reorient or relocate the receiving antenna.
- Increase the separation between the equipment and receiver.
- Connect the equipment into an outlet on a circuit different from that to which the receiver is connected.
- Consult the dealer or an experienced radio/TV technician for help.

Unauthorized changes or modification to this system can void the user's authority to operate this equipment.

DISCLAIMER

The information contained in this manual has been carefully revised and checked through. Due to our constant efforts to improve our products, the specifications might differ to those in the manual. Korg is not responsible for any eventual differences found between the specifications and the contents of the instruction manual - the specifications being subject to change without prior notice

WARRANTY

KORG products are manufactured according to the strictest electrical and mechanical regulations that exist in various countries of the world. These products are warranted by the KORG distributor only in each country. Any KORG product that is not sold with the manufacturer's or distributor's warranty, or without a serial number, cannot benefit from servicing under the warranty. This regulation is for the consumer's own protection.

ASSISTANCE AND SERVICE FOR MUSICIANS

For repairs, contact your nearest Authorized KORG Service Center. For more information on KORG products, and to find software and accessories for your piano, please contact your local Authorized KORG distributor.

KORG ON INTERNET

Home page Korg Italy: "<http://www.korg.it>"

Home page Korg Inc.: "<http://www.korg.co.jp>"

Home page Korg USA: "<http://www.korg.com>"

Home page Korg.net: "<http://www.korg.net>"

DATA RESET

When the instrument is turned off, all parameters are reset. The recorded song is, therefore, deleted from the memory.

Copyright © 1999 by KORG Italy Spa.

CONTENTS

	Before you begin	7
1	Panels	8
	Front panel	8
	Rear panel	9
2	Basic functions	10
	Connection with an external amplification	10
	Turning the instrument on	10
	Adjusting the volume	10
	Selecting a sound	11
	Selecting a combination of sounds	11
	Choosing the reverb and the chorus	11
	Listening to the Demo	12
	Transpose	12
	The pedal	13
	The metronome	14
3	The recorder	16
	General	16
	Recording	16
	Playback	17
4	Other functions	18
	Touch regulation	18
	Fine tuning	18
	MIDI	19
5	Appendix	23
	Troubleshooting	23
	Poliphony	23
	Technical specifications	24

Before you begin

Location. Do not use or store the instrument in places that are dusty, damp, too hot or cold, in direct sunlight, subject to vibration.

Power. Connect the supplied (or KORG recommended) AC adapter to an outlet with suitable voltage. (The voltage is indicated on the AC adapter itself). Do not connect the instrument to an outlet where other large machines, or large household electrical appliances are connected. Do not connect too many apparatus to the same outlet.

Volume. Begin playing at a low volume, and then increase the volume gradually until you get the required level. Do not keep the volume too high.

Interference. Keep the instrument away from fluorescent lighting and any other sources of static electricity. Do not use the instrument near a radio, television or similar apparatus, so as to avoid interference from the instrument's microprocessor. If the instrument does not seem to be working properly, turn it off for a few seconds and then turn it on again.

Handle with care. Do not apply excessive force to the buttons or pedal. Do not drop the instrument.

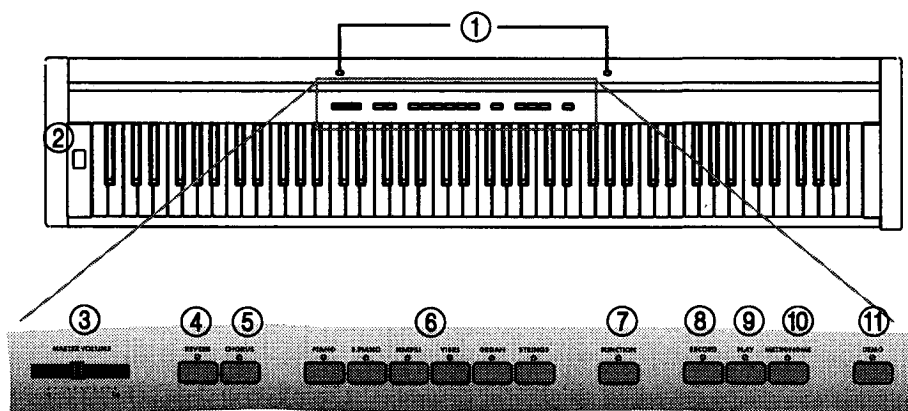
Cleaning and maintenance. Clean the surfaces with a soft dry cloth. Do not use abrasive cloths, organic solvents or inflammable liquids.

Foreign matter. Do not place vases, glasses or other kind of containers on the instrument. Infiltration of liquid can cause fire and electric shocks, and may damage the instrument beyond repair. Do not drop metal objects into the instrument, such as pins or coins.

Warning: If one of the above should accidentally happen, turn off the instrument immediately, disconnect the power cable from the outlet, and contact your dealer or KORG Service Center at once.

Panels

Front panel



- ① **Music stand holes:** Insert the music stand into these two holes.
- ② **POWER:** On/off switch.
Note: When the instrument is turned off, all parameters are reset. The recorded song is, therefore, deleted from the memory.
- ③ **MASTER VOLUME:** Adjusts the volume.
- ④ **REVERB:** Turns the reverb on/off.
- ⑤ **CHORUS:** Turns the chorus on/off.
- ⑥ **Sound selecting buttons:** Press a button to play the indicated sound (SINGLE). Press two buttons together to play two sounds (DUAL).
- ⑦ **FUNCTION:** Multifunction button to be used in order to modify the transpose and fine tuning functions, to program the MIDI parameters and to carry out other adjustments.

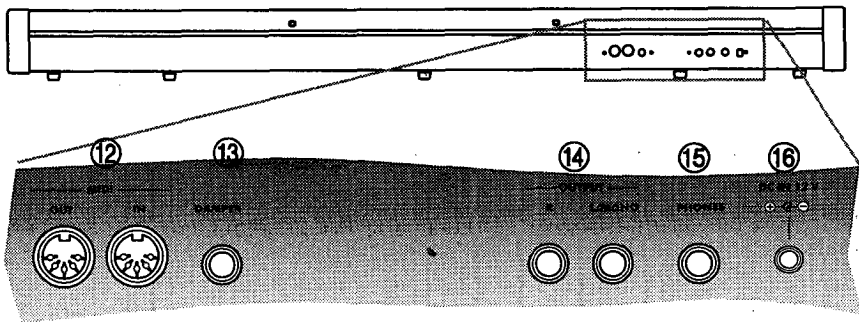
Note: When the instrument is turned off, all parameters are reset.

- ⑧ **RECORD:** Sets the recorder on record. If the LED blinks, start playing to begin recording, or press METRONOME to obtain a pre-count measure, and then start recording.

Note: When the instrument is turned off, all parameters are reset. The recorded song is, therefore, deleted from the memory.

- ⑨ **PLAY:** Sets the recorder on playback.
- ⑩ **METRONOME:** Turns the metronome on/off. If the RECORD LED is blinking recording will begin after a pre-count measure.
- ⑪ **DEMO:** Turns the demo mode on/off, to listen to the demo pieces. Select the pieces with the sound selecting buttons (6).

Rear panel



- ⑫ **MIDI connectors:** Connectors that are used to connect other MIDI devices (sequencer, keyboards, etc.). OUT: Data output (to be connected to the MIDI IN connector of another MIDI device). IN: Data input (to be connected to the MIDI OUT connector of another MIDI device).
- ⑬ **DAMPER:** Connect the supplied pedal to this connector.
- ⑭ **OUTPUT connectors:** Audio output. Connect these connectors to an external amplifying system. (With a hi-fi system use the AUX or TAPE connectors, not the PHONO connector). To amplify the piano in mono, connect the single L/MONO connector.
- ⑮ **PHONES jack:** You can connect a stereo headphone here.
- ⑯ **DC 12V IN:** Connect the supplied AC adapter to this connector.

Basic functions

Connection with an external amplification

To amplify the SP-100 sound, connect the OUTPUTs to a mixer, a stereo hi-fi, or a couple of active monitors. When using a stereo hi-fi, connect the OUTPUTs to the AUX or TAPE inputs (never use the PHONO inputs). For mono amplification, connect only the L/MONO output.

Turning the instrument on

Insert the DC plug of the supplied AC adapter into the DC inlet of the SP-100, and then connect the AC plug to a wall socket; then press the POWER switch. When the instrument is on, the LEDs on the control panel will light up. To turn the instrument off, press the POWER switch again.

Note: When the instrument is turned off, all parameters are reset. The recorded song is, therefore, deleted from the memory.

Adjusting the volume

Move the MASTER VOLUME slider towards the right to increase the volume; towards the left to decrease the volume. The maximum is “10”; the minimum (silence) is “0”. This control adjusts the output level of the headphones and of the OUTPUTs.

Note: It is always better to start with a low volume and then increase gradually – in particular when the instrument sound is amplified externally.

Selecting a sound

Press one of the sound selecting buttons in order to select the sound.

Button	Sound
PIANO	Acoustic stereo piano
E.PIANO	Electric piano
HARPSI	Classical harpsichord
VIBES	Jazz vibes
ORGAN	Pipe organ
STRINGS	String section

If you only press one button, one sound will be selected (SINGLE mode). If you press two buttons together, two sounds will be selected (DUAL mode).

The piano and organ have 16-note polyphony. All the other sounds have 32-note polyphony. DUAL mode reduces the polyphony, according to the sounds selected.

Selecting a combination of sounds

There are two possible combinations of sounds: SINGLE and DUAL modes. Press one of the sound selecting button to select only one sound (SINGLE mode).

Press two of the sound selecting buttons together to select two sounds (DUAL mode). Press only one of the sound selecting buttons again in order to get back to the SINGLE mode with the sound you have selected.

Adjusting the volume of sounds in DUAL. To adjust the balance between the sounds in DUAL mode, keep the button of the sound you wish to lower pressed, and press the button repeatedly of the sound you wish to raise the volume of.

Choosing the reverb and the chorus

The SP-100 has two effects: reverb and chorus. The reverb simulates the sound reverberation in a room, while the chorus simulates a modulating effect.

Turn the REVERB LED on to activate the reverb function, the CHORUS LED to activate the chorus function. You can have a different combination of reverb and chorus for each of the sounds (e.g., only reverb for the PIANO and both reverb and chorus for the E.PIANO).

Note: When the instrument is turned on, the effects are reset (reverb on, chorus off).

Listening to the Demo

The SP-100 contains six pre-recorded demo pieces.

- 1 Press the DEMO button. The sound selection buttons LED will blink, thus indicating that you can select a demo.
- 2 After about two seconds, the first demo will start to be played back. If you wish to start from a different demo, press the corresponding button within the two-second wait. The LED on the selected demo button will blink, while the other LEDs will turn off. The demo will be played back one after another, starting from the one that has been selected.

Button	Demo
PIANO	F. Mendelssohn-Bartholdy: Prelude op.104a no.2
E.PIANO	G. Paradisi: Toccata in A major
HARPSI	S. Joplin: Rag Time
VIBES	J.S. Bach: Prelude in C major (by an Equal Tempered Harpsichord)
ORGAN	W.A. Mozart: Turkish march (from the Sonata A major)
STRINGS	KORG Original (M. Tempia): Rubber Bob

- 3 Press DEMO to exit from the demo mode.

Transpose

You can transpose the pitch of the instrument by one or more semitones higher or lower. This transposing allows you to easily tune the SP-100 to another instrument played together, or to simplify a music with too many sharps or flats.

Note: When the instrument is turned on, the transposing is reset.

- 1 Press the FUNCTION button; its LED will begin blinking.
- 2 Press the key on keyboard that corresponds to the transpose you wish to carry out (see table). The FUNTION LED will remain lit up, to indicate that the transpose function is active.

- 3 To get back to standard pitch, press **FUNCTION** to turn the LED off.



Key	Effect
F#5 — B5	6 — 1 semitones below
C6	Standard pitch
C#6 — F6	1 — 5 semitones higher

The pedal

The supplied pedal can be used as a damper or a sostenuto pedal.

Choosing the pedal effect. The pedal is programmable. When turning the instrument on, it always functions with the damper effect. It can however be programmed to function with the sostenuto effect.

- 1 Press the **FUNCTION** button; its LED will begin blinking.
- 2 Press the key on the keyboard that corresponds to the effect you wish to use (see table). The **FUNCTION** LED will go off.



Key	Effect
A0	Damper
B0	Sostenuto

Damper. The pedal can be used as the damper pedal of an acoustic piano. On an acoustic piano when you press this pedal, the pads (dampers) that dampen the vibrations of the strings are lifted. The strings of the notes that are, and are not played can therefore vibrate freely. When the pedal is released the pads are lowered again and the strings of the notes that are not played stop vibrating.

Sostenuto. The pedal can be used as the sostenuto pedal on an acoustic piano. On an acoustic piano, when you press this pedal the pads (dampers) are lifted from the notes that are playing when the pedal is pressed. This causes some strings to vibrate freely, whereas others are made to vibrate and then dampened again when the key is released.

The metronome

The SP-100 incorporates a metronome, with which you can set the tempo during practice.

Starting the metronome. Press METRONOME to make the metronome start or stop. When turning on, the metronome is set at $\text{♩} = 120$, but you can adjust it with the procedure described below. After having listened to the demo, the tempo will be of the last demo that had been listened to.

Adjusting the metronome volume. While the metronome is working, keep the FUNCTION button pressed and press RECORD repeatedly to lower the volume, or PLAY to raise it.

Adjusting the tempo. Keep the METRONOME button pressed and keep the RECORD button pressed to slow it down gradually, or PLAY to speed it up gradually.

Selecting a predetermined tempo. Keep the METRONOME button pressed, and press RECORD repeatedly to slow it down, or PLAY to speed it up. Each time you press, a predetermined tempo will be selected:

40 ↔ 60 ↔ 70 ↔ 80 ↔ 100 ↔ 120 ↔ 150 ↔ 180 ↔ 210 ↔ 240

Indicating the tempo number value. In order to indicate the exact tempo number value, follow this procedure.

- 1 Keep the METRONOME button pressed.
- 2 Press the B5 (“Activate numbers”) key on the keyboard.
- 3 Choose a three-digit number by using the appropriate keys (see table). Before a two-digit number put a “0”.

Example: To choose a tempo of 168 select 1, 6, 8. To choose a tempo of 85 select 0, 8, 5.

- 4 Press the B6 (“Confirm”) key on the keyboard.

5 Release the METRONOME button.



Key	Number	Key	Number
C6	0	C#6	1
D6	2	D#6	3
E6	4	F6	5
F#6	6	G6	7
G#6	8	A6	9
B5	ACTIVATE NUMBERS	B6	CONFIRM

Getting back to tempo ♩ = 120. Keep the METRONOME button pressed, and press RECORD and PLAY together.

Selecting the time signature. While the metronome is working, keep the METRONOME button pressed and press the button that corresponds to the time signature you wish to use (see table). The first movement of the measure will be accented. To deactivate the accent, keep METRONOME pressed and press PIANO.

Button	Time signature
PIANO	No stress
E.PIANO	2 movements (2/4, 2/8...)
HARPSI	3 movements (3/4, 3/8...)
VIBES	4 movements (4/4, 4/8...)
ORGAN	5 movements (5/4, 5/8...)
STRINGS	6 movements (6/4, 6/8...)

The recorder

General

The recorder allows you to record a musical piece. During playback of the recorded piece you can play the keyboard. This function is very useful while you are practicing: for example, you can record the left hand play and practice the right hand “live”.

Thanks to the metronome of the SP-100, you can record a difficult piece slowly, and then speed up the tempo to listen to it with a faster tempo.

Note: When the instrument is turned off, all parameters are reset. The recorded song is, therefore, deleted from the memory.

Recording

- 1 Press METRONOME if you wish to record with the metronome. Program the metronome (tempo, time signature) as explained in the previous chapter.
- 2 Select the sound(s) and effect(s) you wish to play with.
- 3 Press RECORD. The recorder will be turned on, and the button LED will start blinking.
- 4 Begin playing, and the recorder will start recording. Otherwise, press METRONOME and wait for a one measure pre-count before recording begins. During recording, the RECORD LED will remain on.
- 5 If needed, during recording, select any other sound(s) and effect(s).
- 6 When you have finished recording, press RECORD to turn the recorder off. The button LED will go off.

Note: When the memory is nearly full, the RECORD LED starts blinking. When the memory is full, the recording automatically stops, and the LED turns off.

Playback

- 1 Press **PLAY** to start playback of the piece. The button LED will go on.
- 2 Press **PLAY** again to stop playback. The button LED will go off.

When the piece has played back up to its end, the playback will automatically stop, and the piece will automatically go back to the first measure.

To change the playback tempo, stop the playback, and change the tempo (see the “Metronome” section in the previous chapter).

Other functions

Touch regulation

The keyboard sensitivity, or touch, can be programmed.

Note: When the instrument is turned on, the touch regulation is reset to Normal.

- 1 Press FUNCTION; its LED will start blinking.
- 2 Press the key that corresponds to the value you wish to use (see table). The FUNCTION LED will go off.



Key	Touch sensitivity
D2	Light
E2	Normal
F2	Heavy

Fine tuning

In order to adapt the SP-100 pitch to that of another instrument, you can adjust the pitch in micro-intervals, that is to say, brief intervals called cents or semitone hundredths. It is possible to adjust the pitch up to a maximum of 50 cents above or below standard pitch.

Note: The pitch will go back to standard level (A4 = 440Hz) when the instrument is turned off, then on again.

- 1 Press FUNCTION; its LED will start blinking.
- 2 Press the corresponding key to change the pitch. Each time the D5 or B4 key is

pressed, the pitch will be raised or lowered by 1 cent.

- 3 Press FUNCTION again to turn off its LED.



Key	Fine tuning
B4	Lowers the pitch by 1 cent
C5	Standard pitch (A4 = 440 Hz)
D5	Raises the pitch by 1 cent

MIDI

What is MIDI? MIDI, is the abbreviation of Musical Instrument Digital Interface. It is an international standard that was created to connect and transfer data between electronic musical instruments, computers and other devices.

What can you do with MIDI? Thanks to MIDI, you can use the SP-100 to control other instruments, use other instruments to control the SP-100, and use a sequencer to create complex musical pieces.

When you use the SP-100 keyboard or pedal, or select a sound, the notes, pedal activation and change in sound are transmitted to another instrument, or are recorded by a sequencer.

Connecting. Always connect the MIDI OUT connector of the instrument to the MIDI IN connector of another instrument. Never connect two connectors of the same instrument to each other.

To connect the SP-100 to a computer, you need a MIDI interface for the computer, sequencing or musical notation software, and two Standard MIDI cables. Connect the SP-100 MIDI OUT connector to the MIDI IN connector of the computer. Connect the SP-100 MIDI IN connector to the MIDI OUT connector of the computer.

Standard MIDI settings. When turning the instrument on, the MIDI parameters of the SP-100 are programmed as follows:

Parameter	Setting
Transmission and reception channel	1
Reception on 16 channels	OFF

Parameter	Setting
Local	ON
Omni	ON

Selecting the transmission and reception channel. The standard MIDI has 16 separate channels available for transmission and reception of data. To transmit and receive data from the SP-100, you need to choose which of the 16 channels you wish to transmit and receive data on.

- 1 Press the **FUNCTION** button; its LED will start blinking.
- 2 Press the key that corresponds to the MIDI channel you wish to use (see table). The **FUNCTION** LED will go off.



Key	Selected channel
C3 — D#4	Channel 1 — Channel 16

Omni On/Off. The Omni function allows you to receive data from any MIDI channel.

- 1 Press the **FUNCTION** button; its LED will start blinking.
- 2 Press the key that corresponds to the setting you wish to use (see table). The **FUNCTION** LED will go off.



Key	Omni
E1	OFF (SP-100 will only receive on one MIDI channel)
F1	ON (SP-100 will receive on all MIDI channels)

Local On/Off. Local is the parameter that allows you to establish whether the keyboard has to play the internal sounds and transmit MIDI data at the same time (Local On), or whether it just has to transmit MIDI data and not play the internal sound (Local Off).

Local Off should be chosen when you wish to use the SP-100 as a mute keyboard, to play another instrument. It should be chosen also when SP-100 is connected to a sequencer via its MIDI IN and MIDI OUT connectors. This will avoid the notes to be played twice, by the keyboard and by the sequencer, producing an annoying “echo” effect.

Normally, you will choose Local On (automatically selected when turning the SP-100 on), so that playing the keyboard will produce sound.

- 1 Press the FUNCTION button; its LED will start blinking.
- 2 Press the key that corresponds to the setting you wish to use (see table). The FUNCTION LED will go off.



Key	Local
A1	ON (the keyboard will play the SP-100 sounds)
G1	OFF (the keyboard will not play the SP-100 sounds)

Reception on 16 channels (MULTI mode). Via MIDI, the SP-100 can receive on 16 MIDI channels at the same time. When reception on 16 channels is active, it is no longer possible to activate the DUAL mode on the keyboard.

- 1 Press the FUNCTION button; its LED will start blinking.
- 2 Press the key that corresponds to the setting you wish to use (see table). The FUNCTION LED will go off.



Key	Reception on 16 channels	Dual mode
B1	OFF	ON
C2	ON	OFF

The sound of the SP-100 can be selected via MIDI, by sending a Program Change message on the channel where you wish to assign the sound. The table lists the Pro-

gram Change numbers (numbering from 0-127; if the transmitting device uses numbers from 1-128, you will need to increment the number by one).

Sound	Program Change (0-127)
PIANO	000
E.PIANO	004
HARPSI	006
VIBES	011
ORGAN	019
STRINGS	048

Appendix

Troubleshooting

If during use any of the following problems should occur, carefully examine the instrument to see if you can find out what the problem is, and try resolving it by following the suggestions below. If the instrument will still not function properly refer to your dealer or to an Authorized KORG Service Center.

Problem	Possible remedy	Page
The instrument will not turn on.	Check that the AC adapter is correctly connected to the piano and the outlet.	7
No sound.	(1) Make sure that the volume is not set on 0. If it is, bring it up to an adequate level.	10
	(2) Make sure that the MIDI Local function is not set on OFF. If it is, set it to ON (or turn the instrument off and then on again).	20

Poliphony

The SP-100 contains sampled sounds, which have been recorded, analyzed and processed from the actual sounds of the original musical instruments. These sounds consist of either two different sounds reproduced together by pressing a key, or one single sound reproduced by pressing a key. The PIANO sound consists of two sampled sounds, and such combined sound has a limited polyphony within max. 16 notes (even while the damper pedal is being pressed), while the other sounds have max. 32 notes polyphony. Therefore, when the number of played and sounding notes exceeds the limits, the sound will become discontinued.

Furthermore, when playing in Dual mode with more than two notes, the max. polyphony depends on how many sampled sounds are used. For instance, the polyphony will be limited to 10 notes, when the PIANO sound is combined with other sound.

Technical specifications

Specifications	SP-100
Keyboard	88 notes, velocity sensitive, with hammer-action simulation
Touch selection	Light, Normal, Heavy
Sound generation	ai-squared Synthesis System
Polyphony	32 notes (max)
Sounds	6 sounds in ROM: Stereo Piano, Electric Piano, Harpsichord, Vibraphone, Organ, Strings
Effects	Reverb, Chorus
Recorder	1 track, 4.000 event, Play and Record controls
Demo	6 incorporated demos
Metronome	Tempo, Time signature and Volume controls
Pedal	Damper or Sostenuto (included)
Connections	Audio output (OUTPUT L/MONO, R), Headphones, MIDI (IN, OUT), Damper
Controls	Power switch, Master Volume, Reverb, Chorus, Sound selectors, Function, Record, Play, Metronome, Demo
Power supply	DC12V, 500mA, center negative barrel, AC adapter (included)
Dimensions (W x D x H)	53.7 x 10.9 x 4.5 inch (1365 x 278 x 116 mm)
Weight	41.8 lbs (19 kg)
Accessories	DC12V, 500mA, center negative barrel, AC adapter; Pedal; Music stand (all included)

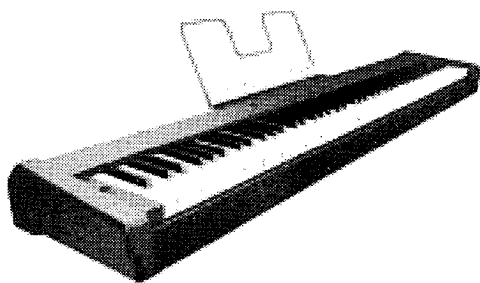
KORG reserves the right to change the specifications without notice.



**U
R
O
K**

SP-100

Piano numérique



Mode d'emploi

PRECAUTIONS

Position

Attention aux situations suivantes qui peuvent provoquer un mauvais fonctionnement de l'appareil.

- Exposition directe aux rayons du soleil
- Milieux particulièrement chauds ou humides
- Milieux sales ou poussiéreux
- Lieux exposés à des vibrations excessives

Alimentation

Connectez l'alimentation externe à une prise secteur dont le voltage doit correspondre à celui indiqué sur l'appareil. Ne jamais connecter l'appareil à une prise secteur de voltage différent.

Interférences avec d'autres dispositifs électroniques

Ce produit contient un microprocesseur qui peut interférer avec le fonctionnement d'appareils radio et de télévision si ces derniers sont trop proches. Pour ce motif, il faut utiliser ce dispositif à une certaine distance des susdits appareils.

Manipuler avec soin

Ne jamais forcer les boutons et les contrôles afin d'en éviter la rupture.

Entretien et nettoyage

Nettoyer les surfaces de l'appareil à l'aide d'un chiffon moelleux et sec. Ne jamais utiliser des chiffons rêches, des détergents liquides (tels que benzène ou diluants), ni solvants organiques, ni liquides inflammables.

Conserver ce mode d'emploi

Après l'avoir lu, conservez le mode d'emploi pour de futures consultations.

Corps étrangers

- Ne jamais poser de vases, récipients ou verres sur l'instrument. D'éventuelles infiltrations de liquide peuvent provoquer des risques d'incendie et d'électrocution et endommager irrémédiablement l'instrument.
- Ne pas introduire d'objets métalliques tels qu'épingles ou monnaies dans l'instrument. Si par malheur de tels objets pénètrent dans l'appareil, déconnectez immédiatement l'alimentation de la prise secteur et contactez votre revendeur.

MARQUE CE POUR LES NORMES EUROPÉENNES HARMONISÉES

La marque CE apposée sur nos appareils et faisant appel à des prises secteur jusqu'au 31 décembre 1996 signifie que ces appareils sont conformes à la Directive EMC (89/336/EEC) et à la Directive sur la marque CE (93/68/EEC).

La marque CE apposée après le 1er janvier 1997 indique la conformité à la Directive EMC (89/336/EEC), à la Directive sur la marque CE (93/68/EEC) et à la Directive sur les Basses Tensions (73/23/EEC).

La marque CE apposée sur nos appareils faisant appel à l'alimentation sur Piles indique la conformité à la Directive EMC (89/336/EEC) et à la Directive sur la marque CE (93/68/EEC).

RESPONSABILITÉ

Les informations listées dans ce mode d'emploi ont été soigneusement préparées et vérifiées. Vu notre continuel engagement à l'amélioration de nos produits, il se peut que des spécifications soient différentes de celles détaillées dans le mode d'emploi. Korg n'assume aucune responsabilité envers les éventuelles différences présentes entre les spécifications et la description détaillée dans le mode d'emploi. Les spécifications sont sujettes à modifications, sans préavis.

GARANTIE

Les produits KORG sont fabriqués conformément aux plus rigoureuses normes électriques et mécaniques en vigueur dans les divers pays du monde. Ces produits sont garantis, dans chaque pays, exclusivement par le distributeur KORG. Les produits KORG qui ont été vendus démunis de la garantie du Fabricant ou du numéro de série, ne jouissent pas de l'assistance prévue en garantie. Cette norme est exclusivement destinée à la sauvegarde du consommateur.

SERVICE ET ASSISTANCE AU MUSICIEN

Pour vos réparations, adressez-vous au plus proche Centre d'Assistance Agréé KORG. Pour de plus amples informations relativement aux produits KORG, et pour trouver les logiciels et les accessoires adaptés à votre piano, contactez:

- *France:*

Gaffarel Musique B.P. 435 • 95005 Cergy Pontoise • France
Tel. 01.34.48.38.38 • Fax 01.30.37.77.00
Email gaffy@worldnet.fr • Hot Line 01.34.48.38.34

- *Suisse:*

Musik Meyer AG • Spitalstr. 74 • 8952 Schlieren • Suisse
Tel. 01-7305505 • Fax 01-7306794

- *Benelux:*

Voerman Amersfoort B.V. • Postbus 321 • NL-3800 AH Amersfoort • The Netherlands
Tel. +31-3346-12908 • Fax +31-3346-16441

- *Canada:*

Jam Industries • 620 McCaffrey • St-Laurent, QC • Canada • H4T 1N1
Tel. (514) 738-3000 • Fax (514) 737-5069

KORG SUR INTERNET

Home page Korg en France: "www.korgfr.com"

Home page Korg en Canada: "www.jam-ind.com"

Home page Korg USA: "www.korg.com"

Home page Korg Inc.: "www.korg.co.jp"

Home page Korg Italy: "www.korg.it"

Home page Korg.net: "www.korg.net"

SAUVEGARDE DES DONNEES

Lors de la mise hors tension de l'instrument, tous les paramètres se rétablissent à leur condition initiale d'usine. Le morceau enregistré à l'aide du magnétophone MIDI interne n'est donc pas mémorisé.

SOMMAIRE

A lire en premier	30
1 Faces Avant et Arrière	31
Face avant	31
Face arrière	32
2 Opérations de base	34
Connecter l'instrument à un système d'amplification	34
Mettre l'instrument sous tension	34
Régler le volume	34
Sélectionner un timbre	35
Sélectionner les combinaisons de timbres	35
Sélection de la réverbération et du chorus	35
Reproduire les morceaux de démonstration (Demo)	36
Transposition	36
La pédale	37
Le métronome	38
3 Le magnétophone	40
En général	40
Enregistrement	40
Reproduction	41
4 Fonctions diverses	42
Réglage du toucher	42
Accordage fin	42
Le MIDI	43
5 Appendice	47
Problèmes et solutions	47
Notes anglaises et notes françaises	47
Polyphonie	48
Spécifications techniques	49

A lire en premier

Positionnement. Ne pas utiliser, ni conserver l'instrument dans des lieux poussiéreux, humides, trop froids ou trop chauds, exposé aux rayons directs du soleil, sujet à des vibrations.

Alimentation. Connectez l'alimentation externe à une prise secteur de voltage approprié. (Voir le voltage sur l'alimentation même). Ne jamais connecter l'instrument à une prise secteur à laquelle sont déjà branchés des moteurs et des électroménagers de grandes dimensions. Ne jamais connecter trop de dispositifs sur la même prise secteur.

Volume. Commencez à jouer à faible volume, ensuite augmentez-le progressivement jusqu'au niveau désiré. De toutes façons, on conseille de ne pas utiliser l'instrument à fort volume.

Interférences. Positionner l'instrument loin de lampes fluorescentes et d'autres sources d'interférences radio. Ne pas utiliser l'instrument près de postes TV ou radio, ou similaires, afin d'éviter que le microprocesseur de l'appareil ne provoque des brouillages à ces dispositifs. Si le fonctionnement de l'instrument vous semble anormal, mettez-le hors tension, attendez quelques secondes et ensuite tournez de nouveau l'interrupteur pour le mettre sous tension.

Manipuler avec soin. Ne pas forcer les boutons et les pédales. Ne pas faire tomber l'instrument.

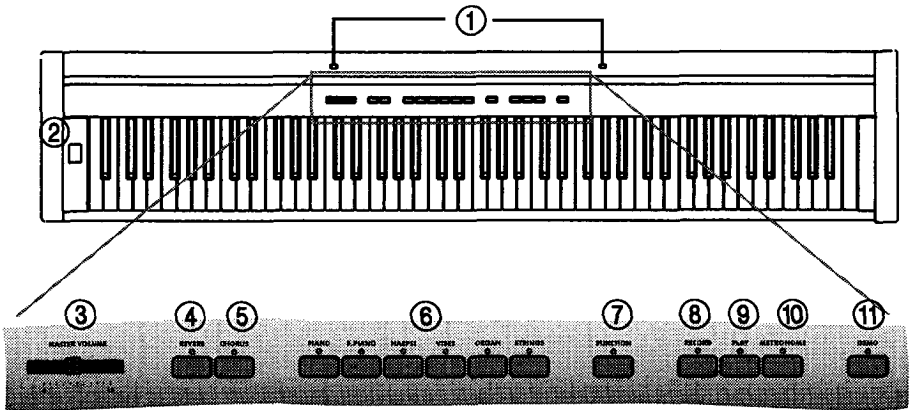
Entretien et nettoyage. Serrez périodiquement les vis du support et du pupitre. Nettoyez l'instrument avec un chiffon moelleux et sec. En aucun cas il ne faut utiliser un chiffon rêche, des solvants organiques ou des liquides inflammables.

Objets. Votre instrument n'est pas une table: n'y posez donc ni vases, ni récipients, ni verres. Des éventuelles infiltrations de liquides peuvent provoquer des incendies et des risques d'électrocution; de toutes façons, ils endommagent irrémédiablement l'appareil. De même, évitez que des objets métalliques tels qu'épingles ou monnaies, ne tombent à l'intérieur de l'instrument.

Attention: Si par malheur un liquide ou un objet tombent à l'intérieur de l'instrument, déconnectez le cordon d'alimentation de la prise secteur et contactez immédiatement votre revendeur de confiance ou le plus proche centre d'assistance agréé KORG.

Faces Avant et Arrière

Face avant



- ① **Perçages pour l'introduction du pupitre:** Introduire le pupitre dans les perçages prévus.
- ② **POWER:** Interrupteur de mise sous/hors tension.

Note: Lors de la mise hors tension de l'instrument, tous les paramètres se rétablissent à leur condition initiale d'usine. Le morceau enregistré à l'aide du magnétophone MIDI interne n'est donc pas mémorisé.

- ③ **MASTER VOLUME:** Règle le volume.
- ④ **REVERB:** Active ou coupe la réverbération.
- ⑤ **CHORUS:** Active ou coupe le chorus.
- ⑥ **Boutons de sélection des timbres:** Appuyez sur l'un des boutons pour jouer le timbre indiqué (mode SINGLE). Appuyez simultanément sur deux boutons pour jouer

deux timbres (mode DUAL).

- ⑦ **FUNCTION:** Bouton multifonctions que l'on utilise pour modifier la transposition et l'accordage fin, pour programmer les paramètres du MIDI et effectuer d'autres réglages.

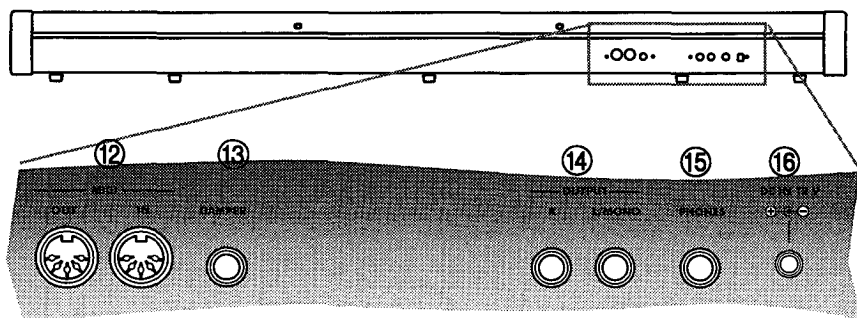
Note: Lors de la mise hors tension de l'instrument, tous les paramètres se rétablissent à leur condition initiale d'usine.

- ⑧ **RECORD:** Prédise le magnétophone à l'enregistrement. Si le témoin clignote, commencez à jouer pour lancer l'enregistrement ou appuyez sur METRONOME pour entendre une mesure jouer à vide, et ensuite commencez à jouer.

Note: Lors de la mise hors tension de l'instrument, le morceau enregistré n'est pas mémorisé.

- ⑨ **PLAY:** Prédise le magnétophone à la reproduction.
- ⑩ **METRONOME:** Active ou coupe le métronome. Si le témoin de RECORD clignote, ce bouton lance l'enregistrement après le battement d'une mesure à vide.
- ⑪ **DEMO:** Active ou coupe le mode Demo, pour l'écoute des morceaux de démonstration. Appuyez sur les boutons de sélection des timbres (6) pour sélectionner les morceaux.

Face arrière



- ⑫ **Bornes MIDI:** Bornes pour la connexion d'autres dispositifs MIDI (séquenceurs, claviers...). OUT: Sortie des données (il faut la connecter à la borne MIDI IN d'un autre dispositif MIDI). IN: Entrée des données (il faut la connecter à la borne MIDI OUT d'un autre dispositif MIDI).
- ⑬ **DAMPERS:** La pédale du damper fournie avec l'instrument doit être connectée à cette borne.

- ⑭ **Bornes OUTPUT:** Sorties audio. Connectez ces bornes à des enceintes externes. (Avec les chaînes hi-fi, utilisez les bornes AUX ou TAPE et non la borne PHONO). Pour amplifier le piano en mono, connectez uniquement la borne L/MONO.
- ⑮ **Borne PHONES:** Connectez un casque stéréo à cette borne.
- ⑯ **DC 12V IN:** Borne pour l'alimentation externe fournie avec l'instrument.

Opérations de base

Connecter l'instrument à un système d'amplification

Pour amplifier votre SP-100, connectez les bornes OUTPUT aux entrées d'une table de mixage, d'une installation hi-fi, ou d'enceintes amplifiées. Dans le cas d'une installation hi-fi, utilisez les bornes AUX ou TAPE (et non la borne PHONO). Pour amplifier le piano en mono, connectez uniquement la borne L/MONO.

Mettre l'instrument sous tension

Connectez la fiche de l'alimentation externe à la borne DC IN 12V du SP-100 et ensuite la fiche de l'alimentation externe à la prise secteur; ensuite appuyez sur l'interrupteur POWER pour mettre l'instrument sous tension. Quand l'instrument est sous tension, les témoins du tableau de commande s'allument. Appuyez de nouveau sur l'interrupteur POWER pour mettre l'instrument hors tension.

Note: Lors de la mise hors tension de l'instrument, tous les paramètres se rétablissent à leur condition initiale d'usine. Le morceau enregistré à l'aide du magnétophone MIDI interne n'est donc pas mémorisé.

Régler le volume

Déplacez le curseur MASTER VOLUME vers la droite pour augmenter le volume, vers la gauche pour le diminuer. La valeur maximum est "10"; celle minimum (silence) est "0". Ce contrôle règle le niveau des casques et des sorties OUTPUT.

Note: On conseille de toujours mettre l'instrument sous tension à faible volume et ensuite augmenter progressivement le volume.

Sélectionner un timbre

Appuyez sur l'un des boutons de sélection des timbres pour programmer un timbre.

Bouton	Timbre
PIANO	Piano acoustique stéréo
E.PIANO	Piano électrique
HARPSI	Clavecin classique
VIBES	Vibraphone jazz
ORGAN	Orgue à tuyaux
STRINGS	Section d'instruments à cordes

Si vous appuyez sur un bouton, vous sélectionnez un timbre (mode SINGLE). Si vous appuyez simultanément sur deux boutons, vous sélectionnez deux timbres (mode DUAL).

La polyphonie de Piano et Organ est de 16 notes. La polyphonie de tous les autres timbres est de 32 notes. DUAL réduit la polyphonie selon les timbres sélectionnés.

Sélectionner les combinaisons de timbres

Il y a deux différentes combinaisons de timbres: SINGLE et DUAL. Appuyez sur un bouton de sélection des timbres pour sélectionner un seul timbre (mode SINGLE).

Appuyez simultanément sur deux boutons de sélection des timbres pour sélectionner deux timbres (mode DUAL).

Appuyez sur un seul bouton de sélection des timbres pour rétablir le mode SINGLE avec le timbre sélectionné.

Régler le volume des timbres en DUAL. Pour régler la balance entre les timbres en DUAL, maintenez enfoncé le bouton du timbre dont vous désirez diminuer le volume et appuyez plusieurs fois sur celui du timbre dont vous désirez augmenter le volume.

Sélection de la réverbération et du chorus

SP-100 est doté de deux effets: réverbération et chorus. La réverbération simule l'effet de la réflexion du son dans une pièce, tandis que le chorus reproduit un effet de modulation obtenu de manière électronique.

Appuyez sur REVERB pour en allumer le témoin et donc activer la réverbération, sur le bouton de CHORUS pour activer le chorus. Vous pouvez régler une différente

combinaison de réverbération et de chorus pour chaque timbre (par ex., uniquement la réverbération pour PIANO et réverbération et chorus pour E.PIANO).

Quand vous sélectionnez un son, vous sélectionnez les effets de ce son. Lors de la mise sous tension du SP-100, la réverbération s'active, tandis que le chorus est déconnecté.

Reproduire les morceaux de démonstration (Demo)

Le piano est doté de six morceaux de démonstration enregistrés en usine (demo).

- 1 Appuyez sur le bouton DEMO. Les témoins des boutons de sélection des timbres commencent à clignoter en indiquant ainsi que vous pouvez sélectionner un morceau de démonstration.
- 2 La reproduction du morceau de démonstration commence après environ deux secondes. Si vous désirez démarrer avec un morceau de démonstration différent, appuyez sur le bouton correspondant pendant ces deux secondes d'attente. Le témoin du morceau sélectionné continue à clignoter, tandis que les autres s'éteignent. Les morceaux de démonstration sont reproduits l'un après l'autre, à partir du premier morceau sélectionné.

Bouton	Demo
PIANO	F. Mendelssohn-Bartholdy: Prélude op.104a no.2
E.PIANO	G. Paradisi: Toccata en La majeur
HARPSI	S. Joplin: Rag Time
VIBES	J.S. Bach: Prélude en Do majeur (tiré du Clavecin bien tempéré)
ORGAN	W.A. Mozart: Marche à la Turquie (de la Sonate en La majeur)
STRINGS	KORG Original (M. Tempia): Rubber Bob

- 3 Appuyez sur DEMO pour quitter le mode Demo.

Transposition

Vous pouvez décaler l'accordage de l'instrument d'un ou de plusieurs demi-tons vers l'aiguë ou vers la grave. La transposition permet d'accorder le piano à un autre instrument ou de simplifier l'exécution de morceaux présentant trop d'altérations.

Note: Lors de la mise sous tension du SP-100, la transposition est annulée.

- 1 Appuyez sur le bouton FUNCTION; son témoin commence à clignoter.
- 2 Appuyez sur le clavier la touche correspondante à la transposition désirée (voir

tableau). Le témoin de **FUNCTION** reste allumé en indiquant ainsi que la transposition est active.



Note	Effet
F#5 — B5	6 — 1 demi-tons plus graves
C6	Accordage standard
C#6 — F6	1 — 5 demi-tons plus aigus

- 3 Pour rétablir l'accordage standard, appuyez de nouveau sur **FUNCTION** pour en éteindre le témoin.

La pédale

SP-100 a une pédale qui peut fonctionner soit en tant que pédale de résonance (damper) que de tonalité (soutien).

Sélectionner le fonctionnement de la pédale. Lors de la mise sous tension, la pédale fonctionne toujours en tant que damper; toutefois on peut la programmer pour fonctionner en tant que soutien.

- 1 Appuyez sur le bouton **FUNCTION**; son témoin commence à clignoter.
- 2 Appuyez sur le clavier la touche correspondante à l'effet désiré (voir tableau). Le témoin de **FUNCTION** s'éteint.



Note	Effet
A0	Damper
B0	Sostenuto

Résonance (Damper). La pédale peut correspondre à la pédale de résonance ou "forte" (damper ou sustain) d'un piano acoustique. Quand on exerce une pression sur cette pédale du piano acoustique, les étouffoirs qui étouffent les vibrations des cordes sont soulevés. C'est ainsi que les cordes des notes jouées et non jouées peu-

vent vibrer librement. Lorsque l'on relâche la pédale, les étouffoirs s'abaissent de nouveau et les cordes des notes non jouées ne vibrent plus.

Sostenuto (soutien). La pédale peut correspondre à la pédale de soutien d'un piano à queue. Quand on exerce une pression sur cette pédale du piano acoustique, les étouffoirs des notes que l'on est en train de jouer se soulèvent. Ainsi, certaines cordes vibrent librement, tandis que d'autres se mettent à vibrer et sont de nouveau étouffées lorsque l'on relâche la touche.

Le métronome

SP-100 est doté d'un métronome qui bat le tempo pendant vos exercices.

Activer le métronome. Appuyez sur METRONOME pour lancer ou arrêter le métronome. Lors de la mise sous tension, le tempo est prédisposé à $\text{♩} = 120$, mais vous pouvez le régler (voir instructions détaillées successivement). Après la reproduction du dernier morceau de démonstration, le tempo prédisposé est celui du dernier morceau reproduit.

Régler le volume du métronome. Pendant que le métronome est en fonction, maintenez enfoncé le bouton FUNCTION et appuyez plusieurs fois sur le bouton RECORD pour diminuer le volume ou sur PLAY pour l'augmenter.

Régler le tempo. Maintenez enfoncé le bouton METRONOME et simultanément le bouton RECORD pour progressivement ralentir ou PLAY pour progressivement accélérer le réglage du tempo.

Sélectionner un tempo prédisposé en usine. Maintenez enfoncé le bouton METRONOME et appuyez plusieurs fois sur RECORD pour ralentir ou sur PLAY pour accélérer. A chaque fois que l'on effectue une pression, on sélectionne un tempo prédisposé:

40 ↔ 60 ↔ 70 ↔ 80 ↔ 100 ↔ **120** ↔ 150 ↔ 180 ↔ 210 ↔ 240

Indiquer la valeur numérique du tempo. Pour indiquer une exacte valeur numérique de tempo, procédez comme suit.

- 1 Appuyez et maintenez enfoncé le bouton METRONOME.
- 2 Appuyez sur le clavier la touche B5 ("Activation numéros").
- 3 Composez un numéro de trois chiffres en appuyant sur les touches correspondantes (voir tableau). Si vous composez un numéro de deux chiffres, le faire précéder par

un "0".

Exemple: Pour sélectionner une valeur de tempo de 168, composez d'abord le 1, ensuite le 6 et pour finir le 8. Pour sélectionner une valeur de tempo de 85, composez 0, 8, 5.

- 4 Appuyez sur le clavier la touche B6 ("Confirmation").
- 5 Relâchez le bouton METRONOME.



Note	Chiffre	Note	Chiffre
C6	0	C#6	1
D6	2	D#6	3
E6	4	F6	5
F#6	6	G6	7
G#6	8	A6	9
B5	ACTIVATION NUMEROS	B6	CONFIRMATION

Rétablir le tempo 120. Maintenez enfoncé le bouton METRONOME et appuyez simultanément sur les deux boutons RECORD et PLAY.

Sélectionner la signature. Pendant que le métronome est en fonction, maintenez enfoncé le bouton METRONOME et appuyez plusieurs fois sur le bouton correspondant au tempo désiré (voir tableau). Le premier mouvement de la mesure est accentué. Pour couper l'accentuation, maintenez enfoncé METRONOME et appuyez sur PIANO.

Bouton	Tempo
PIANO	aucun accent
E.PIANO	2 mouvements (2/4, 2/8...)
HARPSI	3 mouvements (3/4, 3/8...)
VIBES	4 mouvements (4/4, 4/8...)
ORGAN	5 mouvements (5/4, 5/8...)
STRINGS	6 mouvements (6/4, 6/8...)

Le magnétophone

En général

Le magnétophone permet d'enregistrer un morceau musical. Pendant la reproduction du morceau enregistré, on peut jouer sur le clavier; ceci est particulièrement utile pour vos exercices: vous pouvez, par exemple, enregistrer la main gauche et ensuite exercer la main droite en jouant "sur le vif".

Le métronome du SP-100 vous permet d'enregistrer lentement un morceau difficile et ensuite d'accélérer le tempo pour le reproduire avec un tempo plus rapide.

Note: Lors de la mise hors tension de l'instrument, tous les paramètres se rétablissent à leur condition initiale d'usine. Le morceau enregistré à l'aide du magnétophone MIDI interne n'est donc pas mémorisé.

Enregistrement

- 1 Appuyez sur **METRONOME** pour enregistrer avec le métronome. Réglez le métronome (tempo et la signature) selon les explications du chapitre précédent.
- 2 Sélectionnez le son et les effets avec lesquels vous voulez commencer l'enregistrement.
- 3 Appuyez sur **RECORD** pour lancer l'enregistrement; le témoin du bouton commence à clignoter. Les éventuelles données précédemment enregistrées seront effacées de la mémoire.
- 4 Dès que vous jouez, le magnétophone commence à enregistrer. Ou, appuyez sur **METRONOME** et attendez un compte à rebours initial avant l'enregistrement. Pendant l'enregistrement, le témoin de **RECORD** reste allumé.
- 5 Si nécessaire, sélectionnez des sons et des effets différents pendant l'enregistrement. Les modifications sont enregistrées.
- 6 Lorsque l'enregistrement est terminé, appuyez sur **RECORD** pour couper le magné-

tophone. Le témoin du bouton s'éteint.

Note: Quand la mémoire du magnétophone est presque pleine, le témoin de RECORD commence à clignoter. Quand la mémoire est complètement pleine, l'enregistrement s'arrête automatiquement et le témoin de RECORD s'éteint.

Reproduction

- 1 Appuyez sur PLAY pour lancer la reproduction du morceau. Le témoin du bouton s'allume.
- 2 Appuyez de nouveau sur PLAY pour arrêter la reproduction. Le témoin du bouton s'éteint.

A la fin du morceau, la reproduction s'arrête automatiquement et le morceau se rétablit à son début.

On peut changer de tempo avec le morceau à l'arrêt (voir la section "Métronome" du chapitre précédent).

Fonctions diverses

Réglage du toucher

On peut régler la sensibilité du clavier, ou réponse au toucher.

Note: Lors de la mise hors tension de l'instrument, le réglage du toucher se rétablit sur Normal.

- 1 Appuyez sur FUNCTION; son témoin commence à clignoter.
- 2 Appuyez sur le clavier la touche correspondante à la valeur désirée (voir tableau). Le témoin de FUNCTION s'éteint.



Note	Toucher
D2	Léger
E2	Normal
F2	Lourd

Accordage fin

Pour adapter l'accordage du SP-100 à celui d'un autre instrument, vous pouvez régler l'accordage par pas de micro intervalles, c'est à dire de petits intervalles dénommés cents ou centièmes de demi-tons. Le réglage de l'accordage peut s'effectuer jusqu'à un maximum de 50 cents au-dessus ou en dessous de l'accordage standard.

Note: Quand on met l'instrument hors tension et de nouveau sous tension, l'accordage se rétablit à celui standard (A4 = 440Hz).

- 1 Appuyez sur **FUNCTION**; son témoin commence à clignoter.
- 2 Appuyez sur le clavier la touche D5 ou B4. L'accordage augmente ou diminue d'un centième (cent) chaque fois que l'on appuie sur ces touches.
- 3 Appuyez de nouveau sur **FUNCTION** pour en éteindre le témoin.



Note	Accordage fin
B4	Diminue l'accordage d'un centième
C5	Sélectionne l'accordage standard (A4 = 440Hz)
D5	Augmente l'accordage d'un centième.

- 4 Appuyez de nouveau sur **FUNCTION** pour éteindre son témoin.

Le MIDI

Le MIDI, qu'est-ce que c'est? Le MIDI, abréviation de Musical Instrument Digital Interface (interface numérique pour instruments musicaux) est un standard international conçu pour connecter et transférer des données entre instruments électroniques, ordinateurs et dispositifs divers.

Que peut-on faire avec le MIDI. Grâce au MIDI, vous pouvez utiliser votre SP-100 pour piloter d'autres instruments ou piloter votre SP-100 par le biais d'autres instruments et utiliser un séquenceur pour créer des morceaux musicaux complexes.

Lorsque l'on joue sur le clavier ou que l'on appuie sur les pédales du SP-100, ou que l'on sélectionne un timbre, les notes, l'activation des pédales et les changements de timbre sont adressés à un autre instrument ou sont enregistrés par un séquenceur.

Connexions. Il faut toujours connecter la borne MIDI OUT d'un instrument à la borne MIDI IN d'un autre. Ne jamais connecter deux bornes du même instrument entre elles.

Pour connecter votre SP-100 à un ordinateur, il faut une interface MIDI pour l'ordinateur, un logiciel de "sequencing" ou de notation musicale, ainsi que deux câbles MIDI standards. Connectez la borne MIDI OUT du SP-100 à la borne MIDI IN de l'ordinateur. Connectez la borne MIDI IN du SP-100 à la borne MIDI OUT de l'ordinateur.

Réglages MIDI standards. Lors de la mise sous tension, les paramètres MIDI du SP-100 sont réglés comme suit:

Paramètre	Réglage
Canal de réception et transmission	1
Réception sur 16 canaux	OFF
Local	ON
Omni	ON

Sélectionner le canal de transmission et réception. Le standard MIDI prévoit 16 canaux séparés pour la transmission et la réception de données. Pour transmettre et recevoir des données depuis et sur le SP-100, vous devez sélectionner sur lequel des 16 canaux vous voulez transmettre et recevoir.

- 1 Appuyez sur le bouton **FUNCTION**; son témoin commence à clignoter.
- 2 Appuyez sur le clavier la touche correspondante au canal MIDI désiré (voir tableau). Le témoin de **FUNCTION** s'éteint.



Note	Canal sélectionné
C3 — D#4	Canal 1 — Canal 16

Omni On/Off. La fonction Omni permet de recevoir des données depuis n'importe quel canal MIDI.

- 1 Appuyez sur le bouton **FUNCTION**; son témoin commence à clignoter.
- 2 Appuyez sur le clavier la touche correspondante au réglage désiré (voir tableau). Le témoin de **FUNCTION** s'éteint.



Note	Omni
E1	OFF (SP-100 reçoit sur un seul canal MIDI)
F1	ON (SP-100 reçoit sur tous les canaux MIDI)

Local On/Off. Local est le paramètre qui programme le clavier de manière à jouer et transmettre des données MIDI (Local On) ou uniquement transmettre des données MIDI sans jouer (Local Off).

Sélectionnez Local Off quand votre SP-100 doit fonctionner en tant que clavier muet, pour piloter un autre instrument MIDI. Il faut également le sélectionner quand vous connectez votre SP-100 à un séquenceur soit via le MIDI IN, soit via le MIDI OUT. Si Local Off n'est pas sélectionné sur votre SP-100, les notes déjà jouées par le clavier seraient renvoyées au SP-100 par le séquenceur, en créant ainsi un ennuyeux effet d'écho.

- 1 Appuyez sur le bouton **FUNCTION**; son témoin commence à clignoter.
- 2 Appuyez sur le clavier la touche correspondante au réglage désiré (voir tableau). Le témoin de **FUNCTION** s'éteint.



Note	Local
A1	ON (le clavier joue les timbres du SP-100)
G1	OFF (le clavier ne joue pas les timbres du SP-100)

Réception sur 16 canaux (mode MULTI). Via MIDI, SP-100 est en mesure de recevoir sur 16 canaux MIDI. Lorsque la réception sur 16 canaux est active, on ne peut plus activer le mode DUAL.

- 1 Appuyez sur le bouton **FUNCTION**; son témoin commence à clignoter.
- 2 Appuyez sur le clavier la touche correspondante au réglage désiré (voir tableau). Le témoin de **FUNCTION** s'éteint.



Note	Réception sur 16 canaux	Mode Dual
B1	OFF	ON
C2	ON	OFF

On peut sélectionner les timbres du SP-100 via MIDI, en adressant, au canal auquel on veut affecter le timbre, un message de Program Change (changement de Program ou

son). Le tableau liste les numéros de Program Change (numérotation 0-127; si le dispositif qui transmet utilise la numérotation 1-128, il faut augmenter d'un numéro).

Timbre	Program Change (0-127)
PIANO	000
E.PIANO	004
HARPSI	006
VIBES	011
ORGAN	019
STRINGS	048

Appendice

Problèmes et solutions

Si lors de l'utilisation vous détectez les problèmes décrits, examinez l'instrument pour comprendre le problème et essayez de le résoudre en recourant aux conseils proposés. Si l'instrument continue à ne pas fonctionner correctement, adressez-vous à votre revendeur de confiance ou au Centre d'Assistance Agréé KORG le plus proche.

Problème	Possible solution	Page
Lors de la mise sous tension, l'instrument ne fonctionne pas.	Vérifiez que le cordon d'alimentation est correctement connecté à la prise secteur.	30
L'instrument n'émet aucun son.	(1) Contrôlez que le réglage du volume n'est pas à 0. Dans cette éventualité, réglez-le à un niveau approprié.	34
	(2) Contrôlez que Local n'est pas réglé à OFF. Sinon, réglez-le à ON.	45
	(3) Vérifiez si un casque stéréo est connecté. Dans cette éventualité, déconnectez la broche de la borne du piano.	31

Notes anglaises et notes françaises

Dans le texte, on indique en anglais le nom des notes de la gamme. Voir dans le tableau suivant la correspondance entre les noms anglais et français.

Anglais	A	B	C	D	E	F	G
Français	La	Si	Do	Ré	Mi	Fa	Sol

La note est toujours suivie d'un numéro qui indique l'octave d'appartenance, en notation MIDI standard. C4 est le Do central du piano.

Polyphonie

Votre SP-100 est doté de sons échantillonnés, c'est à dire enregistrés à partir du son d'instruments musicaux réels; ce son est successivement élaboré. Ces sons peuvent être constitués de deux sons différents qui sont reproduits quand vous appuyez sur une touche ou d'un seul son reproduit en appuyant sur une touche. Le son PIANO est constitué de deux sons échantillonnés et sa polyphonie est donc limitée à 16 notes (même si la pédale de résonance est enfoncée), tandis que les autres sons ont au maximum une polyphonie de 32 notes. Quand le nombre de notes jouées simultanément dépasse ces limites, certaines peuvent s'interrompre.

Si l'on joue plus de deux notes en mode Dual, la polyphonie maximum dépend du nombre de sons échantillonnés qui constituent les sons utilisés. Par exemple, si l'on joue le PIANO avec d'autres sons, la polyphonie est limitée à 10 voix.

Spécifications techniques

Spécifications	SP-100
Clavier	88 notes lestées, sensibles au toucher, avec simulation de marteau
Réglage du toucher	Léger, Normal, Lourd
Génération de sons	ai-squared Syntesis System
Polyphonie	32 notes (max)
Timbres	6 timbres en ROM: Stereo Piano, Electric Piano, Harpsichord, Vibraphone, Organ, Strings
Effets	Réverbération, Chorus
Magnétophone	1 piste, 4.000 événements, contrôles de Play et de Record
Demo	6 morceaux de démonstration incorporés
Métronome	Contrôles du Tempo, Métrique et Volume
Pédale	Damper ou Soutien (fournie avec l'instrument)
Bornes	Sorties audio (OUTPUT L/MONO, R), Casque, MIDI (IN, OUT)
Contrôles	Interrupteur de mise sous/hors tension, Master Volume, Reverb, Chorus, Sélecteurs de sons, Fonction, Record, Play, Metronome, Demo
Alimentation	Alimentation DC12V externe (fournie avec l'instrument)
Dimensions	L = 1365 mm, P = 278 mm, H = 116 mm (pupitre exclu)
Poids (y compris le support)	19 kg
Accessoires	Alimentation DC12V, 500mA, pôle négatif au centre; pédale; pupitre (fournis)



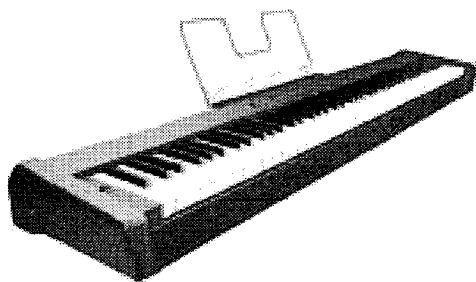
INFINITY
LOOPS BY JUPITER SYSTEMS

KORG se réserve d'apporter à tous moments des modifications aux spécifications, sans préavis.

**K
O
R
U**

SP-100

Digital-Piano



Bedienungsanleitung

VORICHTSMASSNAHMEN

Aufstellung

Der Einsatz des Instruments unter den nachstehend beschriebenen Umständen kann zu Fehlfunktionen führen.

- in direktem Sonnenlicht
- bei extremer Temperatur oder Luftfeuchtigkeit
- in staubigen oder schmutzigen Räumen
- an Orten mit starken Erschütterungen

Stromversorgung

Schließen Sie das mitgelieferte Netzgerät nur an eine Steckdose mit der auf dem Netzteil angegebenen Netzspannung an. Schließen Sie das Netzgerät nicht an eine Steckdose mit anderen Spannungswerten an.

Interferenzen mit anderen elektronischen Geräten

Dieses Instrument ist mit einem Mikroprozessor ausgestattet, der zu Empfangsstörungen in Radio- und Fernsehgeräten in dessen unmittelbarer Nähe führen kann. Betrieben Sie dieses Gerät deshalb in ausreichender Entfernung von Rundfunk- und Fernsehempfängern.

Handhabung

Bedienen Sie Schalter und Regler ohne übermäßigen Kraftaufwand, um diese nicht zu beschädigen.

Wartung und Pflege

Reinigen Sie die Außenseiten des Instruments mit einem trockenen, weichen Tuch. Verwenden Sie keine rauen Reinigungstücher, flüssige Reinigungsmittel (wie Leichtbenzin oder Verdüner), organische Lösungsmittel oder brennbare Flüssigkeiten.

Bedienungshandbuch

Bewahren Sie das Bedienungshandbuch nachdem Sie es gelesen haben, sorgfältig auf, um es später jederzeit zu Rate ziehen zu können.

Fremdkörper

- Stellen Sie keine Vasen, Gefäße oder Gläser mit Flüssigkeiten auf dem Instrument ab. Eventuell eingedrungene Flüssigkeiten können Brände und Stromschläge verursachen sowie irreparable Schäden am Instrument hervorrufen.
- Lassen Sie keine Metallgegenstände wie Heftklammern oder Münzen in das Instrument fallen. Sollte dies dennoch einmal geschehen, ziehen Sie den Netzstecker und wenden Sie sich an Ihren Händler.

CE-ZEICHEN ZUR VEREINHEITLICHUNG DER EUROPÄISCHEN STANDARDS

Das vor dem 31. Dezember 1996 vergebene CE-Zeichen auf den von uns hergestellten, mit WS-betriebenen Geräten zeigt an, daß die Geräte der EMC-Richtlinie (89/336/EWG) und der CE-Richtlinie (93/68/EWG) entsprechen.

Das nach dem 1. Januar 1997 vergebene CE-Zeichen zeigt an, daß diese Geräte der EMC-Richtlinie (89/336/EWG), der CE-Richtlinie (93/68/EWG) und der Niederspannungsrichtlinie (73/23/EWG) entsprechen.

Das CE-Zeichen auf unseren batteriegespeisten Geräten zeigt außerdem an, daß diese Geräte der EMC-Richtlinie (89/336/EWG) und der CE-Richtlinie (93/68/EWG) entsprechen.

HAFTUNG

Die im vorliegenden Handbuch enthaltenen Informationen wurden sorgfältig erarbeitet und überprüft. Da wir bemüht sind, unsere Produkte ständig zu verbessern, können die technischen Daten von den Beschreibungen im Handbuch abweichen. KORG ist für derartige Abweichungen nicht verantwortlich und kann jederzeit Änderungen ohne Vorankündigung vornehmen.

GARANTIE

Alle KORG-Produkte werden entsprechend den elektrischen und mechanischen Richtlinien der jeweiligen Länder mit allergrößter Sorgfalt hergestellt. Sie unterliegen den Garantiebestimmungen der KORG-Vertriebsfirmen in den einzelnen Ländern. Für KORG-Produkte, die nicht mit der entsprechenden Garantiekarte des Herstellers oder Händlers verkauft wurden oder keine Seriennummer besitzen, besteht kein Anspruch auf Garantieleistungen. Diese Vorschrift dient ausschließlich dem Schutz des Verbrauchers.

SERVICE UND KUNDENDIENSTLEISTUNGEN FÜR MUSIKER

Wenden Sie sich im Falle von Reparaturen bitte an einen autorisierten KORG Fach-händler in Ihrer Nähe. Ausführliche Informationen über KORG-Produkte sowie über Software und Zubehör für Ihr Klavier erhalten Sie

- *in Deutschland bei:*
KORG & MORE, Postfach 2147, 35009 Marburg, oder
KORG HOT-LINE-SERVICE, Tel.: 0190-778100
- *in der Schweiz bei:*
Musik Meyer AG, Spitalstr. 74, 8952 Schlieren, Schweiz
- *in Österreich bei:*
Weiss & Kadlec, Triester Str. 281, 1232 Wien, Österreich

KORG IM INTERNET

Korg Italy: "<http://www.korg.it>"

Korg Inc.: "<http://www.korg.co.jp>"

Korg & More: "<http://www.korg.de>"

Korg.net: "<http://www.korg.net>"

Korg USA.: "<http://www.korg.com>"

DATENSICHERUNG

Beim Ausschalten des Instruments werden alle Parameter wieder auf die ursprünglichen Werte eingestellt. Das mittels internem MIDI-Recorder aufgenommene Stück wird folglich gelöscht.

INHALTSVERZEICHNIS

	Bevor Sie beginnen	55
1	Überblick	56
	Vorderseite	56
	Anschlüsse	57
2	Grundlegende Bedienschritte	59
	Instrument an ein Verstärkersystem anschließen	59
	Instrument einschalten	59
	Lautstärke einstellen	59
	Klang selektieren	60
	Klangkombinationen selektieren	60
	Hall und Chorus wählen	60
	Demos abspielen	61
	Transponierung	61
	Pedale	62
	Das Metronom	63
3	Die Aufnahmeeinheit	65
	Allgemeines	65
	Aufnahme	65
	Wiedergabe	66
4	Weitere Funktionen	67
	Einstellung des Anschlags	67
	Feinstimmung	67
	MIDI	68
5	Anhang	72
	Mögliche Fehler und Beseitigung	72
	Englische und deutsche Notenschrift	72
	Polyphonie	73
	Technische Daten	74

Bevor Sie beginnen

Aufstellung. Das Instrument darf nicht in staubigen, feuchten, sehr kalten oder sehr warmen Räumen benutzt oder abgestellt und weder direkter Sonneneinstrahlung noch Vibrationen ausgesetzt werden.

Stromversorgung. Schließen Sie das mitgelieferte Netzgerät an eine Steckdose mit angemessener Spannung an (die erforderliche Netzspannung ist auf dem Netzteil angegeben). Schließen Sie das Instrument keinesfalls an eine Steckdose an, an die Motoren oder große Haushaltsgeräte angeschlossen sind. Vermeiden Sie es, mehrere Geräte an dieselbe Steckdose anzuschließen.

Lautstärke. Spielen Sie zuerst bei geringer Lautstärke und erhöhen Sie sie dann bis auf den gewünschten Pegel. Stellen Sie die Lautstärke nicht zu hoch ein.

Interferenzen. Bringen Sie das Instrument nicht in die Nähe von Leuchtstofflampen oder anderen Funkstörquellen. Benutzen Sie das Instrument nicht in der Nähe von Radioapparaten, Fernsehgeräten o.ä., um Störungen seitens des Mikroprozessors Ihres Instruments zu vermeiden. Falls das Instrument nicht in gewohnter Weise funktioniert, schalten Sie es aus und nach einigen Sekunden wieder ein.

Instrument sorgfältig behandeln. Wenden Sie beim Bedienen der Taster und Pedale keine Gewalt an. Lassen Sie das Instrument nicht herunterfallen.

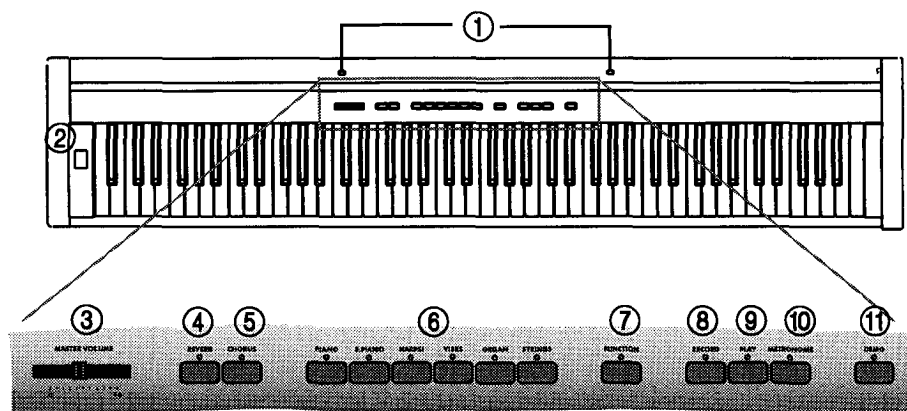
Wartung und Reinigung. Reinigen Sie die Außenseite des Instruments mit einem weichen und trockenen Tuch. Benutzen Sie keine rauen Reinigungstücher, organischen Lösungsmittel oder brennbaren Flüssigkeiten.

Fremdkörper. Stellen Sie keine Vasen, Gefäße oder Gläser mit Flüssigkeiten auf dem Instrument ab. Eventuell eingedrungene Flüssigkeiten können Brände und Elektroschläge verursachen sowie irreparable Schäden am Instrument hervorrufen. Lassen Sie keine Metallgegenstände wie Hest- oder Büroklammern in das Instrument fallen.

Achtung: Sollte dies dennoch einmal passieren, schalten Sie das Instrument sofort aus, ziehen Sie den Netzstecker und wenden Sie sich an Ihren Händler oder ein KORG-Kundendienstzentrum.

Überblick

Vorderseite



- ① **Bohrungen zum Einstecken des Notenständers:** Stecken Sie den Notenständer in die vorgesehenen Löcher ein.
- ② **POWER:** Netzschalter zum Ein- und Ausschalten des Instruments.

Anmerkung: Beim Ausschalten des Instruments werden alle Parameter wieder auf die ursprünglichen Werte eingestellt. Das mittels internem MIDI-Recorder aufgenommene Stück wird folglich gelöscht.

- ③ **MASTER VOLUME:** Dient zur Regelung der Lautstärke.
- ④ **REVERB:** Aktiviert oder deaktiviert den Halleffekt.
- ⑤ **CHORUS:** Aktiviert oder deaktiviert den Choruseffekt.
- ⑥ **Taster zur Auswahl der Klänge:** Drücken Sie einen Taster, um den jeweiligen Klang zu spielen (SINGLE-Modus). Drücken Sie beide Taster gleichzeitig, um zwei

Klänge zu spielen (DUAL-Modus).

- ⑦ **FUNCTION:** Multifunktions-Taste; dient zur Änderung der Transponierung, Feinstimmung, Programmierung der MIDI-Parameter und anderer Einstellungen.

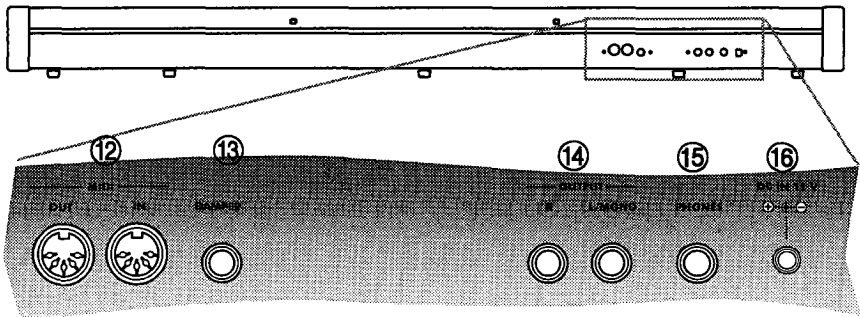
Anmerkung: Beim Ausschalten des Instruments werden alle Parameter wieder auf die ursprünglichen Werte eingestellt.

- ⑧ **RECORD:** Stellt die Aufnahmeeinheit in Aufnahmebereitschaft. Beginnen Sie bei Blinken der LED zu spielen, um die Aufnahme zu starten oder drücken Sie METRONOME, um einen Einzähltakt vorzuschalten und beginnen Sie am Ende desselben zu spielen.

Anmerkung: Das mittels internem MIDI-Recorder aufgenommene Stück wird gelöscht.

- ⑨ **PLAY:** Stellt die Aufnahmeeinheit in den Wiedergabestatus.
- ⑩ **METRONOME:** Aktiviert oder deaktiviert das Metronom. Wenn die RECORD-LED blinkt, beginnt die Aufnahme nach einem Einzähltakt.
- ⑪ **DEMO:** Aktiviert oder deaktiviert den Demo-Modus zum Abspielen der Demo-Stücke. Wählen Sie das gewünschte Stück mit den Tastern der Klangsektion (6).

Anschlüsse



- ⑫ **MIDI-Schnittstellen:** Buchsen für den Anschluß anderer MIDI-Geräte (Sequencer, Keyboards...). OUT: MIDI-Datenausgang (muß an die MIDI IN-Schnittstelle des anderen MIDI-Geräts angeschlossen werden). IN: MIDI-Dateneingang (muß an die MIDI OUT-Schnittstelle des anderen MIDI-Geräts angeschlossen werden).
- ⑬ **DAMPER:** Schließen Sie an diese Buchse das im Lieferumfang enthaltene Damperpedal an.
- ⑭ **OUTPUT-Buchsen:** Audioausgänge. Schließen Sie an diese Buchsen eine externe

Verstärkeranlage an. (Benutzen Sie bei HiFi-Anlagen die AUX- oder TAPE-Buchsen, nicht die PHONO-Buchse). Zur Monoverstärkung des Klaviers ist nur die L/MONO-Buchse anzuschließen.

- ⑮ **PHONES-Buchse:** Schließen Sie an diese Buchse einen Stereokopfhörer an.
- ⑯ **DC 12V IN:** Anschluß für das im Lieferumfang enthaltene Netzgerät.

Grundlegende Bedienschritte

Instrument an ein Verstärkersystem anschließen

Zur Verstärkung des SP-100 sind die OUTPUT-Buchsen an die Eingangsbuchsen eines Mixers, einer HiFi-Anlage oder verstärkter Lautsprecher an. Verwenden Sie bei HiFi-Anlagen die AUX- oder TAPE-Buchsen (nicht die PHONO-Buchse). Zur Monoverstärkung des Klaviers ist nur die L/MONO-Buchse anzuschließen.

Instrument einschalten

Stecken Sie den Stecker des Netzgeräts zuerst in die DC IN-Buchse (12V) des SP-100 und anschließend in die Netzsteckdose ein. Drücken Sie dann den POWER-Schalter, um das Instrument einzuschalten. Bei eingeschaltetem Instrument leuchten die LEDs des Bedienfeldes. Zum Ausschalten des Instruments ist erneut der POWER-Schalter zu betätigen.

Anmerkung: Beim Ausschalten des Instruments werden alle Parameter wieder auf die ursprünglichen Werte eingestellt. Das mittels internem MIDI-Recorder aufgenommene Stück wird folglich gelöscht.

Lautstärke einstellen

Schieben Sie den MASTER VOLUME Schieberegler nach rechts, um die Lautstärke zu erhöhen bzw. nach links, um die Lautstärke zu vermindern. Der Maximalwert beträgt "10"; der Minimalwert (stumm) "0". Mit diesem Regler wird der Ausgangspegel der Kopfhörer und der OUTPUT-Ausgänge eingestellt.

Anmerkung: Es empfiehlt sich, beim Einschalten des Instruments mit geringer Lautstärke zu beginnen und diese dann allmählich zu erhöhen.

Klang selektieren

Drücken Sie hierzu einen der Klangauswahltaster.

Taster	Klang
PIANO	Akustisches Stereoklavier
E.PIANO	Elektrisch-synthetisches Klavier.
HARPSI	Klassisches Cembalo.
VIBES	Jazz-Vibraphon.
ORGAN	Kirchenorgel.
STRINGS	Streichersektion.

Wenn Sie nur einen Taster drücken, wird ein Klang selektiert (SINGLE-Modus). Wenn Sie zwei Taster gleichzeitig drücken, werden zwei Klänge selektiert (DUAL-Modus).

Klavier- und Orgelklang verfügen über 16-stimmige, alle übrigen Klänge über 32-stimmige Polyphonie. Im DUAL-Modus vermindert sich die Polyphonie je nach dem, welche Klänge selektiert werden.

Klangkombinationen selektieren

Es gibt zwei Möglichkeiten zur Auswahl der Klänge: SINGLE und DUAL. Drücken Sie nur einen Klangauswahltaster, wenn Sie einen einzelnen Klang wählen wollen (SINGLE-Modus).

Drücken Sie zwei Klangauswahltaster gleichzeitig, wenn Sie zwei Klänge wählen wollen (DUAL-Modus). Drücken Sie nur einen Klangauswahltaster, um innerhalb des selektierten Klanges zum SINGLE-Modus zurückzukehren.

Lautstärke der Klänge im DUAL-Modus einstellen. Zur Balance-Einstellung der Klänge im DUAL-Modus halten Sie den Klangtaster gedrückt, dessen Lautstärke Sie vermindern wollen und drücken Sie mehrmals den Klangtaster, dessen Lautstärke Sie erhöhen wollen.

Hall und Chorus wählen

Das SP-100 hat zwei Effekte: Hall und Chorus. Der Halleffekt simuliert die Halleigenschaften eines Raumes, während Chorus einen elektronisch erzeugten Modulationseffekt darstellt.

Betätigen Sie den REVERB-Taster, um den Halleffekt bzw. den CHORUS-Taster, um den Choruseffekt zu aktivieren (entsprechende LED schaltet sich ein). Sie kön-

nen für jeden Klang eine andere Hall- und Choruskombination einstellen (z.B. nur Halleffekt für den PIANO-Klang und Hall- + Choruseffekt für das E.PIANO).

Bei Auswahl eines Klangs werden auch die Effekte des gewählten Klangs selektiert. Beim Einschalten des SP-100 ist der Halleffekt ein- und der Chorus-Effekt ausgeschaltet.

Demos abspielen

Das Klavier enthält sechs bereits aufgenommene Demos.

- 1 Drücken Sie den DEMO-Taster. Die LEDs der Taster zur Selektion der Klangfarben beginnen zu blinken, um anzuzeigen, daß eines der Demos ausgewählt werden kann.
- 2 Nach etwa 2 Sekunden wird das erste Demo abgespielt. Wenn Sie mit einem anderen Demo beginnen wollen, drücken Sie während der 2 Sekunden Wartezeit den entsprechenden Taster. Die LED des gewählten Demos blinkt weiter, während die übrigen LEDs erlöschen. Die Demos werden ab dem jeweils gewählten Stück eines nach dem anderen abgespielt.

Taster	Demo
PIANO	F. Mendelssohn-Bartholdy: Präludium op.104a nr.2
E.PIANO	G. Paradisi: Toccata in A-Dur
HARPSI	S. Joplin: Rag Time
VIBES	J.S. Bach: Präludium in C-Dur (aus: "Das wohltemperierte Klavier")
ORGAN	W.A. Mozart: Türkischer Marsch (aus: A-Dur Sonate)
STRINGS	Original KORG (M. Tempia): Rubber Bob

- 3 Drücken Sie DEMO, um den Demo-Modus zu verlassen.

Transponierung

Sie können die Stimmung des Instruments um einen oder mehrere Halbtöne nach oben oder unten transponieren. Die Transponierung ermöglicht es, das Klavier auf ein anderes Instrument abzustimmen oder das Spielen von Stücken mit vielen Alterationen zu vereinfachen.

Anmerkung: Beim Einschalten des SP-100 werden evtl. vorgenommene Transponierungen rückgängig gemacht.

- 1 Drücken Sie den FUNCTION-Taster. Die LED des Tasters beginnt zu blinken.

- 2 Drücken Sie die der gewünschten Transponierung entsprechende Taste auf der Tastatur (siehe Tabelle). Die LED des FUNCTION-Tasters bleibt eingeschaltet und zeigt hiermit an, daß die Transponierung aktiviert ist.
- 3 Um zur Standardstimmung zurückzukehren, drücken Sie FUNCTION; so daß die LED des Tasters erlischt.



Note	Effekt
F#5 — B5	6 — 1 Halbtöne nach unten
C6	Standardstimmung
C#6 — F6	1 — 5 Halbtöne nach oben

Pedale

Das SP-100 ist mit einem Pedal ausgestattet, das als Resonanz- (Damper) oder tonales Pedal (Sustain) eingestellt werden kann.

Wählen Sie die gewünschte Funktion des Pedals. Beim Einschalten des Instruments fungiert das Pedal immer als Damper, es kann aber auch als Sustain-Pedal programmiert werden.

- 1 Drücken Sie den FUNCTION-Taster; die LED des Tasters beginnt zu blinken.
- 2 Drücken Sie die dem gewünschten Effekt entsprechende Taste auf der Tastatur (siehe Tabelle). Die LED des FUNCTION-Tasters erlischt.



Note	Effekt
A0	Damper
B0	Sostenuto

Resonanz (Damper). Das rechte Pedal kann entweder wie das Resonanz- oder das "Forte-Pedal" (Damper oder Sustain) eines akustischen Klaviers funktionieren. Bei akustischen Klavieren werden bei Drücken dieses Pedals die Dämpfer angehoben, die normalerweise die Vibrationen der Saiten dämpfen. Auf diese Weise können sowohl die Saiten der angeschlagenen als auch die der nicht angeschlagenen Noten

frei ausschwingen. Wenn das Pedal losgelassen wird, werden die Dämpfer wieder abgesenkt, so daß die Saiten der nicht angeschlagenen Noten nicht mehr mitschwingen.

Sustain. Das rechte Pedal kann wie das Sustain-Pedal eines Flügels funktionieren. Bei akustischen Klavieren werden durch Drücken dieses Pedals die Dämpfer der angeschlagenen Saiten angehoben. Auf diese Weise können manche Saiten frei ausschwingen, während andere in Schwingung versetzt und wieder abgedämpft werden, wenn die Taste losgelassen wird.

Das Metronom

Das SP-100 besitzt ein eingebautes Metronom, das Ihnen während des Spielens das Tempo vorgibt.

Anmerkung: Das Ticken des Metronoms kann nur über die eingebauten Lautsprecher oder über Kopfhörer gehört werden.

Metronom aktivieren. Drücken Sie METRONOME, um das Metronom zu starten oder zu stoppen. Beim Einschalten des Instruments ist das Tempo auf $\text{♩} = 120$ eingestellt, es kann aber mit dem nachstehend beschriebenen Verfahren verändert werden. Nach Abspielen der Demos bleibt das Tempo des zuletzt gespielten Demos eingestellt.

Lautstärke des Metronoms einstellen. Halten Sie bei laufendem Metronom den FUNCTION-Taster gedrückt und betätigen Sie dann mehrmals RECORD, um die Lautstärke zu vermindern bzw. PLAY, um sie zu erhöhen.

Tempo einstellen. Halten Sie METRONOME und RECORD gedrückt, um das Tempo allmählich zu vermindern bzw. METRONOME und PLAY, um es allmählich zu erhöhen.

Voreingestelltes Tempo selektieren. Halten Sie den METRONOME-Taster gedrückt und drücken Sie mehrmals RECORD, um ein langsames oder PLAY, um ein schnelleres Tempo einzustellen. Bei jedem Drücken des Tasters wird eines der nachstehend aufgeführten voreingestellten Tempi selektiert:

40 ↔ 60 ↔ 70 ↔ 80 ↔ 100 ↔ 120 ↔ 150 ↔ 180 ↔ 210 ↔ 240

Numerischen Wert des Tempos angeben. Zur exakten numerischen Eingabe des Tempos gehen Sie bitte wie folgt vor.

- 1 Halten Sie den METRONOME-Taster gedrückt.
 - 2 Schlagen Sie die Taste B5 auf der Tastatur an (“Aktivierung der Zahlen”).
 - 3 Geben Sie eine dreistellige Zahl mit den entsprechenden Tasten ein (siehe Tabelle). Bei Eingabe einer zweistelligen Zahl muß “0” vorgestellt werden.
- Beispiel:** Zur Eingabe des Tempos 168 tippen Sie 1, 6, 8. Zur Eingabe des Tempos 85 tippen Sie 0, 8, 5.
- 4 Drücken Sie die Taste B6 auf der Tastatur (“Bestätigung”).
 - 5 Lassen Sie den METRONOME-Taster wieder los.



Note	Ziffer	Note	Ziffer
C6	0	C#6	1
D6	2	D#6	3
E6	4	F6	5
F#6	6	G6	7
G#6	8	A6	9
B5	NUMMERNAKTIVIERUNG	B6	BESTÄTIGUNG

Zu Tempo $\text{♩} = 120$ zurückkehren. Halten Sie den METRONOME-Taster gedrückt und drücken Sie gleichzeitig RECORD und PLAY.

Takt selektieren. Halten Sie den METRONOME-Taster bei laufendem Metronom gedrückt und betätigen Sie den Taster, der dem gewünschten Tempo entspricht (siehe Tabelle). Die erste Viertelnote des Taktes wird nun betont. Zur Aufhebung der Betonung halten Sie METRONOME gedrückt und betätigen Sie PIANO.

Taster	Tempo
PIANO	Keine Betonung
E.PIANO	2 Viertelnoten (2/4, 2/8...)
HARPSI	3 Viertelnoten (3/4, 3/8...)
VIBES	4 Viertelnoten (4/4, 4/8...)
ORGAN	5 Viertelnoten (5/4, 5/8...)
STRINGS	6 Viertelnoten (6/4, 6/8...)

Die Aufnahmeeinheit

Allgemeines

Die Aufnahmeeinheit ermöglicht die Aufnahme eines Musikstückes. Während der Wiedergabe des Stückes können Sie gleichzeitig auch auf der Tastatur spielen, was beim Üben sehr nützlich ist. So können Sie beispielsweise die Ausführungen der linken Hand aufnehmen und dazu mit der rechten Hand "live" spielen.

Dank des im SP-100 eingebauten Metronoms können Sie ein schwieriges Stück langsam aufnehmen und dann beim Abspielen ein schnelleres Tempo einstellen.

Anmerkung: Beim Ausschalten des Instruments werden alle Parameter wieder auf die ursprünglichen Werte eingestellt. Das mittels internem MIDI-Recorder aufgenommene Stück wird folglich gelöscht.

Aufnahme

- 1 Drücken Sie METRONOME, wenn Sie bei laufendem Metronom aufnehmen wollen. Programmieren Sie das Metronom (Tempo, Takt) wie im vorhergehenden Kapitel erläutert wurde.
- 2 Wählen Sie den Klang und die Effekte, mit denen Sie die Aufnahme beginnen möchten.
- 3 Drücken Sie RECORD. Die Aufnahmeeinheit wird aktiviert und die LED des Tasters beginnt zu blinken. Eventuell vorhandene, zuvor aufgenommene Daten werden aus dem Speicher gelöscht.
- 4 Sobald Sie zu spielen beginnen, beginnt die Aufnahmeeinheit mit der Aufnahme. Sie können auch METRONOME drücken und das Ende des Einzahltaktes abwarten, bevor Sie mit der Aufnahme beginnen. Während der Aufnahme bleibt die LED des RECORD-Tasters eingeschaltet.
- 5 Wählen Sie, falls notwendig, während der Aufnahme andere Klänge und Effekte

aus. Die vorgenommenen Änderungen werden gespeichert.

- 6 Drücken Sie nach Beendigung der Aufnahme den RECORD-Taster, um die Aufnahmeeinheit zu deaktivieren. Die LED des Tasters erlischt.

Anmerkung: Wenn die Speicherkapazität der Aufnahmeeinheit fast erschöpft ist, beginnt die RECORD-LED zu blinken. Wenn der Speicher voll ist, wird die Aufnahme automatisch beendet und die RECORD-LED erlischt.

Wiedergabe

- 1 Drücken Sie PLAY, um die Wiedergabe des Stückes zu aktivieren. Die LED des Tasters schaltet sich ein.
- 2 Drücken Sie nochmals PLAY, um die Wiedergabe zu beenden. Die LED des Tasters erlischt.

Nach Beendigung des Stückes bricht die Wiedergabe automatisch ab und das Stück wird wieder auf den Anfang zurückgestellt.

Wenn die Wiedergabe des Stückes unterbrochen wird, kann das Tempo geändert werden (siehe Abschnitt "Metronom" im vorhergehenden Kapitel).

Weitere Funktionen

Einstellung des Anschlags

Die Anschlagsempfindlichkeit der Tastatur kann unterschiedlich eingestellt werden.

Anmerkung: Nach Ausschalten des Instruments wird die Anschlagsempfindlichkeit der Tastatur wieder auf "Normal" eingestellt.

- 1 Drücken Sie FUNCTION; die LED des Tasters beginnt zu blinken.
- 2 Drücken Sie die Taste auf der Tastatur, die dem gewünschten Wert entspricht (siehe Tabelle). Die LED des FUNCTION-Tasters erlischt.



Note	Anschlag
D2	Leicht
E2	Normal
F2	Schwer

Feinstimmung

Um die Stimmung des SP-100 der eines anderen Instruments anzupassen, können Sie die Stimmung in kleinsten Intervallen, d.h. in Cents oder hundertstel Halbtonschritten einstellen. Die Stimmung kann bis zu maximal 50 Cents ober- oder unterhalb der Standardstimmung eingestellt werden.

Anmerkung: Wenn das Instrument aus- und anschließend wieder eingeschaltet wird, wird das Instrument wieder auf die Standardstimmung eingestellt (A4 = 440Hz).

- 1 Drücken Sie **FUNCTION**; woraufhin die entsprechende LED zu blinken beginnt.
- 2 Drücken Sie die Taste **D5** oder **B4** auf der Tastatur. Bei jedem Betätigen der Taste wird die Stimmung um 1 Cent höher oder tiefer eingestellt.
- 3 Drücken Sie erneut **FUNCTION**. Die LED des Tasters erlischt.



Note	Feinstimmung
B4	Tiefereinstellung der Stimmung um 1 Cent.
C5	Selektiert die Standardstimmung (A4 = 440Hz).
D5	Erhöht die Stimmung um 1 Cent.

MIDI

Was ist MIDI? MIDI, Abkürzung für Musical Instrument Digital Interface, ist ein internationaler Standard für die Verbindung und die Datenübertragung zwischen elektronischen Musikinstrumenten, Computern und anderen Geräten.

Was leistet MIDI? Dank MIDI können Sie das SP-100 zur Steuerung anderer Instrumente oder diese wiederum zur Steuerung des SP-100 einsetzen oder einen Sequencer zur Kreation komplexer Musikstücke benutzen.

Wenn die Tastatur und das Pedal des SP-100 benutzt oder ein Klang selektiert wird, werden die Noten, die Pedalaktivierung und die Klangänderungen an ein anderes Instrument übertragen oder von einem Sequencer aufgenommen.

Anschlüsse. Schließen Sie stets die MIDI OUT-Buchse eines Instruments an die MIDI IN des anderen Instruments an. Verbinden Sie keinesfalls die beiden MIDI-Buchsen desselben Instruments miteinander.

Zum Anschluß des SP-100 an einen Computer benötigen Sie eine MIDI-Schnittstelle am Computer, Sequencing-Software oder Noten und zwei Standard-MIDI-Kabel. Schließen Sie die MIDI OUT-Buchse des SP-100 an die MIDI IN-Buchse des Computers und die MIDI IN-Buchse des SP-100 an die MIDI OUT-Buchse des Computers an.

Standard-MIDI Einstellungen. Beim Einschalten sind die MIDI-Parameter des SP-100 wie folgt programmiert:

Parameter	Einstellung
Empfangs- und Übertragungskanal	1
Empfang auf 16 Kanälen	OFF
Local	ON
Omni	ON

Übertragungs- und Empfangskanal selektieren . Gemäß MIDI-Standard stehen 16 Kanäle für die Übertragung und den Empfang von Daten zur Verfügung. Für die Übertragung und den Empfang von Daten vom SP-100 müssen Sie zuerst die dafür vorgesehenen Kanäle festlegen.

- 1 Drücken Sie den FUNCTION-Taster; die LED des Tasters beginnt zu blinken.
- 2 Drücken Sie die Taste auf der Tastatur, die dem gewünschten MIDI-Kanal entspricht (siehe Tabelle). Die LED des FUNCTION-Tasters erlischt.



Note	Gewählter Kanal
C3 — D#4	Kanal 1 —Kanal 16

Omni On/Off. Mit der Omni-Funktion lassen sich Daten auf allen MIDI-Kanälen empfangen.

- 1 Drücken Sie den FUNCTION-Taster; die LED des Tasters beginnt zu blinken.
- 2 Drücken Sie die Taste auf der Tastatur, die der gewünschten Einstellung entspricht (siehe Tabelle). Die LED des FUNCTION-Tasters erlischt.



Note	Omni
E1	OFF (SP-100 empfängt auf nur einem MIDI-Kanal)
F1	ON (SP-100 empfängt auf allen MIDI-Kanälen)

Local On/Off. Mit dem Local-Parameter können Sie bestimmen, ob das Keyboard spielt und MIDI-Daten überträgt (Local On) oder ob es MIDI-Daten zwar überträgt, aber nicht spielt (Local Off).

Local Off ist dann einzustellen, wenn das SP-100 als stummes Keyboard benutzt wird, um ein anderes MIDI-Instrument zu steuern. Diese Einstellung ist auch dann zu wählen, wenn das SP-100 sowohl über MIDI IN als auch über MIDI OUT an einen Sequencer angeschlossen ist. Wenn das SP-100 nicht auf Local Off eingestellt wird, werden die bereits von der Tastatur gespielten Noten vom Sequencer an das SP-100 zurückgesendet, so daß eine unangenehme Echowirkung entsteht.

- 1 Drücken Sie den FUNCTION-Taster; die LED des Tasters beginnt zu blinken.
- 2 Drücken Sie die Taste auf der Tastatur, die der gewünschten Einstellung entspricht (siehe Tabelle). Die LED des FUNCTION-Tasters erlischt.



Note	Local
A1	ON (Keyboard spielt die Klänge des SP-100)
G1	OFF (Keyboard spielt nicht die Klänge des SP-100)

Empfang auf 16 Kanälen (MULTI-Modus). Das SP-100 kann über MIDI auf 16 MIDI-Kanälen empfangen. Wenn das Instrument für den Empfang auf 16 Kanälen eingestellt ist, ist nicht mehr möglich, den DUAL-Modus zu aktivieren.

- 1 Drücken Sie den FUNCTION-Taster; die LED des Tasters beginnt zu blinken.
- 2 Drücken Sie die Taste auf der Tastatur, die der gewünschten Einstellung entspricht (siehe Tabelle). Die LED des FUNCTION-Tasters erlischt.



Note	Empfang auf 16 Kanälen	Dual-Modus
B1	OFF	ON
C2	ON	OFF

Die Klänge des SP-100 können via MIDI selektiert werden, indem Sie auf dem Kanal, der für die Zuweisung des Klanges vorgesehen ist, einen Program Change-Befehl senden. In der

Tabelle sind die Program Change-Nummern (0-127) aufgelistet. Falls das übertragende Gerät die Nummerierung 1-128 gebraucht, müssen Sie jeweils eine Nummer abziehen.

Klänge	Program Change (0-127)
PIANO	000
E.PIANO	004
HARPSI	006
VIBES	011
ORGAN	019
STRINGS	048

Anhang

Mögliche Fehler und Beseitigung

Falls bei Benutzung des Instruments die nachstehend beschriebenen Fehler auftreten sollten, prüfen Sie das Instrument sorgfältig und versuchen Sie die Störungen anhand der Vorschläge und Tips zu beseitigen. Falls die Störungen andauern, wenden Sie sich bitte an Ihren Händler oder an ein autorisiertes KORG-Kundendienstzentrum.

Fehler	Abhilfe	Seite
Instrument läßt sich nicht einschalten.	Prüfen Sie, ob das Netzkabel richtig in die Netzsteckdose eingesteckt ist.	59
Instrument bleibt stumm.	(1) Versichern Sie sich, daß die Lautstärke nicht auf 0 eingestellt ist. Regulieren Sie Lautstärke auf ein angemessenes Niveau.	59
	(2) Versichern Sie sich, daß Local nicht auf OFF eingestellt ist. Stellen Sie den Parameter auf ON.	70
	(3) Versichern Sie sich, daß kein Stereokopfhörer eingesteckt ist. Ziehen Sie in diesem Fall den Stecker aus der Buchse des Instruments.	56

Englische und deutsche Notenschrift

Im Text werden die englischen Bezeichnungen für die Noten benutzt. In der nachstehenden Tabelle sind die englischen Bezeichnungen und die deutschen Entsprechungen aufgeführt.

Englisch	A	B	C	D	E	F	G
Deutsch	A	H	C	D	E	F	G

Die Nummer nach der Note gibt die jeweilige Oktave gemäß MIDI-Standard an. C4 bezeichnet das mittlere C des Klaviers.

Polyphonie

Das SP-100 enthält gesampelte Klänge, d.h. von echten Musikinstrumenten erzeugte, aufgenommene und anschließend entsprechend bearbeitete Klänge. Diese Klänge können aus einem oder zwei verschiedenen Klängen bestehen, die bei Betätigen einer Taste wiedergegeben werden. Der PIANO-Klang besteht aus zwei gesampelten Klängen, so daß die Polyphonie auch bei Betätigen des Resonanzpedals auf maximal 16 Noten beschränkt ist, während die übrigen Klänge eine maximale Polyphonie von 32 Noten aufweisen. Wenn die Anzahl der gleichzeitig gespielten Noten dieses Limit überschreitet, werden manche Noten möglicherweise blockiert.

Wenn mehr als zwei Noten im Dual-Modus gespielt werden, hängt die maximale Polyphonie von der Anzahl der gesampelten Klänge ab, die zur Erzeugung des jeweiligen Klangs beitragen. Das heißt, wenn Sie PIANO zusammen mit anderen Klängen spielen, ist die Polyphonie auf 10 Stimmen begrenzt.

Technische Daten

Technische Daten	SP-100
Tastatur	88gesichtete Tasten mit Anschlagdynamik und Hammersimulation
Einstellungen der Anschlagsempfindlichkeit	Leicht, normal, schwer
Klangerzeugung	ai-squared Syntesis System
Polyphonie	32 Noten (max.)
Klangfarben	6 Klangfarben im ROM: Stereo Piano, Electric Piano, Harpsichord, Vibraphone, Organ, Strings
Effekte	Hall, Chorus
Aufnahmeeinheit	1 Spur, 4.000 Events, Play- und Record-Regler
Demo	6 gespeicherte Demos
Metronom	Regler für Tempo, Takt und Lautstärke
Pedale	Damper oder Sustain (im Lieferumfang enthalten)
Anschlüsse	Audio-Ausgänge (OUTPUT L/MONO, R), Kopfhörer, MIDI (IN, OUT)
Regler	Ein-Ausschalter, Master Volume, Reverb, Chorus, Klangauswahltaster, Function, Record, Play, Metronom, Demo
Stromversorgung	Netzgerät DC12V (im Lieferumfang enthalten)
Abmessungen	B = 1365 mm, T = 278 mm, H = 116 mm (ohne Notenständer)
Gewicht (einschließlich Halterung)	19 kg
Zubehör	Netzgerät DC12V, 500mA, Negativpol in der Mitte; Pedal; Notenständer (im Lieferumfang enthalten)

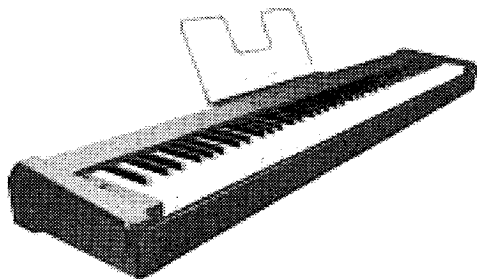
KORG behält sich das Recht vor, technische Daten jederzeit ohne Vorankündigung zu ändern.



KORU

SP-100

Pianoforte Digitale



Manuale di istruzioni

PRECAUZIONI

Collocazione

L'uso dello strumento in una delle situazioni seguenti può causarne il malfunzionamento.

- Alla luce diretta del sole
- In ambienti particolarmente caldi o umidi
- In luoghi sporchi o polverosi
- In luoghi soggetti a eccessive vibrazioni

Alimentazione

Collegate l'alimentatore esterno ad una presa di corrente del voltaggio indicato sull'alimentatore stesso. Non collegatelo ad una presa di corrente di voltaggio diverso.

Interferenze con altri dispositivi elettronici

Questo prodotto contiene un microprocessore, che può interferire con il funzionamento di apparecchi radio e televisivi posti nelle sue vicinanze. Usate questo dispositivo ad una certa distanza da apparecchi radio e televisivi.

Maneggiare con cura

Per evitarne la rottura, non forzate i pulsanti e i controlli.

Manutenzione e pulizia

Pulite le superfici con un panno morbido e asciutto. Non usate panni ruvidi, detersivi liquidi (quali benzene o diluenti), solventi organici o liquidi infiammabili.

Conservate questo manuale

Dopo la lettura, conservate il manuale per ulteriori consultazioni.

Corpi estranei

- Non appoggiate vasi, recipienti o bicchieri sullo strumento. Eventuali infiltrazioni di liquidi possono causare incendi e scosse elettriche, e comunque danneggiare irrimediabilmente lo strumento.
- Non fate cadere oggetti metallici, come spilli o monete, all'interno dello strumento. Se questo dovesse accadere, scollegate l'alimentatore dalla presa di corrente, e contattate il negoziante.

MARCHIO CE PER L'ARMONIZZAZIONE DEGLI STANDARD EUROPEI

Il marchio CE apposto sui prodotti della nostra azienda per gli apparati funzionanti in CA sino al 31 Dicembre 1996 ne indica la conformità alla Direttiva EMC (89/336/EEC) e alla Direttiva sul marchio CE (93/68/EEC).

Il marchio CE apposto dopo il 1° Gennaio 1997 ne indica la conformità alla Direttiva EMC (89/336/EEC), alla Direttiva sul marchio CE (93/68/EEC) e alla Direttiva sulle Basse Tensioni (73/23/EEC).

Inoltre, il marchio CE apposto sui prodotti della nostra azienda per gli apparati funzionanti a Batteria ne indica la conformità alla Direttiva EMC (89/336/EEC) e alla Direttiva sul marchio CE (93/68/EEC).

RESPONSABILITÀ

Le informazioni contenute in questo manuale sono state attentamente riviste e controllate. A causa del costante impegno a migliorare i nostri prodotti, le specifiche potrebbero differire da quanto descritto nel manuale. KORG non è responsabile per eventuali differenze tra le specifiche e la descrizione contenuta nel manuale d'istruzioni. Specifiche soggette a cambiamenti senza preavviso.

GARANZIA

I prodotti KORG sono costruiti in accordo alle più rigorose normative elettriche e meccaniche in vigore in vari paesi del mondo. Questi prodotti sono garantiti in ogni paese esclusivamente dal distributore KORG. I prodotti KORG non venduti con apposita garanzia del costruttore o del distributore, o privi di numero di serie, non possono usufruire di assistenza sotto garanzia. Questa norma è ad esclusiva tutela del consumatore.

SERVIZIO E ASSISTENZA AL MUSICISTA

Per riparazioni, rivolgetevi al più vicino Centro di Assistenza Autorizzato KORG. In Italia, per maggiori informazioni sui prodotti KORG, e per informazioni su software musicale e accessori per il vostro pianoforte, contattate:

Korg.net, via Camerano 19, 60022 Castelfidardo (An), tel. (071) 7819133, fax (071) 7819134, e-mail "info@korg.net".

KORG SU INTERNET

Home page Korg Italy: "<http://www.korg.it>"

Home page Korg.net: "<http://www.korg.net>"

Home page Korg Inc.: "<http://www.korg.co.jp>"

Home page Korg USA: "<http://www.korg.com>"

CONSERVAZIONE DEI DATI

Allo spegnimento dello strumento, tutti i parametri vengono riportati alla condizione iniziale. Il brano registrato con il registratore MIDI interno viene quindi cancellato.

SOMMARIO

	Prima di iniziare	79
1	Prospetti	80
	Pannello frontale	80
	Pannello posteriore	81
2	Operazioni di base	82
	Collegare lo strumento ad un sistema di amplificazione	82
	Accendere lo strumento	82
	Regolare il volume	82
	Selezionare un timbro	83
	Selezionare una combinazione di timbri	83
	Scegliere il riverbero e il chorus	83
	Ascoltare le Demo	84
	Trasposizione	84
	Il pedale	85
	Il metronomo	86
3	Il registratore	88
	Generalità	88
	Registrazione	88
	Riproduzione	89
4	Altre funzioni	90
	Regolazione del tocco	90
	Intonazione fine	90
	Il MIDI	91
5	Appendice	95
	Problemi e soluzioni	95
	Polifonia	95
	Notazione inglese e notazione italiana	96
	Specifiche tecniche	97

Prima di iniziare

Collocazione. Non utilizzate né conservate lo strumento in luoghi polverosi, umidi, troppo freddi o troppo caldi, esposto alla luce diretta del sole, soggetto a vibrazioni.

Alimentazione. Collegare l'alimentatore esterno ad una presa di corrente del voltaggio adatto. (Il voltaggio è indicato sull'alimentatore stesso). Non collegare lo strumento ad una presa di corrente a cui siano collegati motori ed elettrodomestici di grandi dimensioni. Non collegare troppe apparecchiature alla stessa presa di corrente.

Volume. Iniziate a suonare a volume basso, per aumentare poi gradualmente fino al livello desiderato. Non tenete il volume troppo alto.

Interferenze. Tenete lo strumento lontano da lampade fluorescenti e altre sorgenti di radiodisturbi. Non usate lo strumento vicino a radio, televisori o apparecchiature analoghe, per evitare che il microprocessore dello strumento causi loro disturbi. Se lo strumento sembra funzionare in maniera strana, spegnete, attendete alcuni secondi, e poi riaccendete.

Maneggiare con cura. Non forzate i pulsanti e il pedale. Non fate cadere lo strumento.

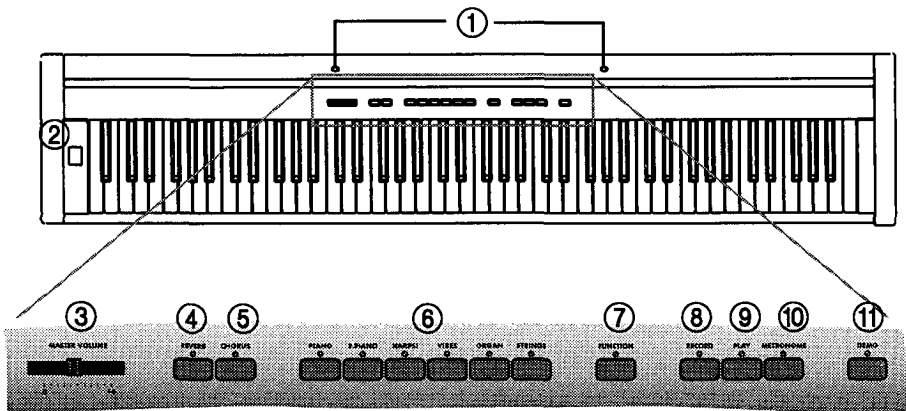
Manutenzione e pulizia. Pulite le superfici con un panno morbido e asciutto. Non usate panni ruvidi, solventi organici o liquidi infiammabili.

Corpi estranei. Non appoggiate vasi, recipienti o bicchieri sullo strumento. Eventuali infiltrazioni di liquidi possono causare incendi e scosse elettriche, e comunque danneggiare irreparabilmente lo strumento. Non fate cadere oggetti metallici, come spilli o monete, all'interno dello strumento.

Attenzione: Se una di queste cose dovesse accadere, spegnete immediatamente lo strumento, scollegate il cavo di alimentazione dalla presa di corrente, e contattate immediatamente il rivenditore o un centro di assistenza KORG.

Prospetti

Pannello frontale



- ① **Fori per l'inserimento del leggio:** Inserite il leggio negli appositi fori.
- ② **POWER:** Interruttore di accensione e spegnimento.
Nota: Allo spegnimento dello strumento, tutti i parametri vengono riportati alla condizione iniziale; il brano registrato con il registratore MIDI interno viene quindi cancellato.
- ③ **MASTER VOLUME:** Regola il volume.
- ④ **REVERB:** Attiva o disattiva il riverbero.
- ⑤ **CHORUS:** Attiva o disattiva il chorus.
- ⑥ **Pulsanti di selezione timbri:** Premete un pulsante per suonare il timbro indicato (modo SINGLE). Premete insieme due pulsanti per suonare due timbri (modo DUAL).
- ⑦ **FUNCTION:** Pulsante multifunzione da usare per: modificare trasposizione e into-

nazione fine, programmare i parametri del MIDI, eseguire altre regolazioni.

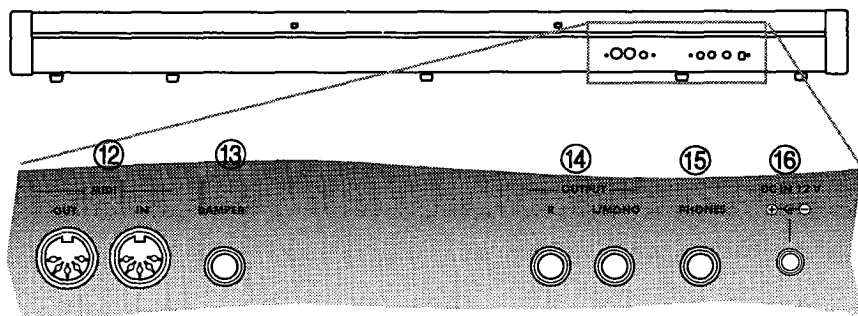
Nota: Allo spegnimento dello strumento, tutti i parametri vengono riportati alla condizione iniziale.

- ⑧ **RECORD:** Pone il registratore in registrazione. Se il led lampeggia, iniziate a suonare per avviare la registrazione, oppure premete **METRONOME** per avere una battuta di pre-conteggio, e poi iniziate a registrare.

Nota: Allo spegnimento dello strumento, il brano registrato viene cancellato.

- ⑨ **PLAY:** Pone il registratore in riproduzione.
- ⑩ **METRONOME:** Attiva o disattiva il metronomo. Se il led di **RECORD** lampeggia, avvia la registrazione dopo una battuta di pre-conteggio.
- ⑪ **DEMO:** Attiva o disattiva il modo demo, per l'ascolto dei brani dimostrativi. Selezionate i brani con i pulsanti di selezione timbri (6).

Pannello posteriore



- ⑫ **Prese MIDI:** Prese per collegamento di altri dispositivi MIDI (sequencer, tastiere...). **OUT:** Uscita dei dati (va collegata alla presa MIDI IN di un altro dispositivo MIDI). **IN:** Ingresso dei dati (va collegata alla presa MIDI OUT di un altro dispositivo MIDI).
- ⑬ **DAMPER:** Collegate a questa presa il pedale di damper fornito di serie.
- ⑭ **Prese OUTPUT:** Uscite audio. Collegate queste prese ad un impianto di amplificazione esterno. (In un impianto hi-fi usate le prese **AUX** o **TAPE**, non la presa **PHONO**). Per amplificare il pianoforte in mono, collegate la sola presa **L/MONO**.
- ⑮ **Presse PHONES:** Collegate a questa presa una cuffia stereo.
- ⑯ **DC 12V IN:** Connettore per l'alimentatore esterno fornito di serie.

Operazioni di base

Collegare lo strumento ad un sistema di amplificazione

Per amplificare SP-100, collegate le prese OUTPUT agli ingressi di un mixer, di un impianto hi-fi, o di diffusori amplificati. In un impianto hi-fi usate le prese AUX o TAPE (e non la presa PHONO). Per amplificare il pianoforte in mono, collegate la sola presa L/MONO.

Accendere lo strumento

Collegate lo spinotto dell'alimentatore esterno al connettore DC IN 12V di SP-100, poi la spina dell'alimentatore esterno alla presa di corrente; premete l'interruttore POWER per accendere lo strumento. Quando lo strumento è acceso i led del pannello di controllo sono illuminati. Per spegnere lo strumento premete nuovamente l'interruttore POWER.

Nota: Allo spegnimento dello strumento, tutti i parametri vengono riportati alla condizione iniziale. Il brano registrato con il registratore MIDI interno viene quindi cancellato.

Regolare il volume

Muovete il cursore MASTER VOLUME verso destra per aumentare il volume; verso sinistra per diminuire il volume. Il valore massimo è "10"; il minimo (silenzio) è "0". Questo controllo regola il livello di uscita delle uscite OUTPUT e della cuffia.

Nota: È sempre meglio accendere lo strumento con un volume basso e poi aumentare il volume gradualmente.

Selezionare un timbro

Premete uno dei pulsanti di selezione timbri per scegliere un timbro.

Pulsante	Timbro
PIANO	Pianoforte acustico stereofonico.
E.PIANO	Pianoforte elettrico.
HARPSI	Clavicembalo classico.
VIBES	Vibrafono jazz.
ORGAN	Organo a canne.
STRINGS	Sezione archi.

Se premete un solo pulsante viene selezionato un timbro (modo SINGLE). Se premete insieme due pulsanti, vengono selezionati due timbri (modo DUAL).

Piano e Organ hanno polifonia di 16 note. Tutti gli altri timbri hanno polifonia di 32 note. Il modo DUAL riduce la polifonia, a seconda dei timbri selezionati.

Selezionare una combinazione di timbri

Ci sono due possibili combinazioni di timbri: SINGLE e DUAL. Premete un pulsante di selezione timbri per selezionare un solo timbro (modo SINGLE).

Premete insieme due pulsanti di selezione timbri per selezionare due timbri (modo DUAL). Premete un solo pulsante di selezione timbri per tornare al modo SINGLE con il timbro selezionato.

Regolare il volume dei timbri in DUAL. Per regolare il bilanciamento tra i timbri in DUAL, tenete premuto il pulsante del timbro di cui volete abbassare il volume, e premete ripetutamente il pulsante del timbro di cui volete alzare il volume.

Scegliere il riverbero e il chorus

SP-100 ha due effetti: riverbero e chorus. Il riverbero simula l'effetto di riverberazione del suono in una stanza, mentre il chorus riproduce un effetto di modulazione ottenuto elettronicamente.

Accendete il led di REVERB per attivare il riverbero, il led di CHORUS per attivare il chorus. Potete avere una combinazione diversa di riverbero e chorus per ognuno dei timbri (p.es., il solo riverbero per il PIANO e riverbero e chorus per l'E.PIANO).

Quando si seleziona un suono, vengono selezionati gli effetti di quel suono. All'accensione di SP-100, il riverbero viene acceso e il chorus spento.

Ascoltare le Demo

Il pianoforte contiene sei brani dimostrativi preregistrati (demo).

- 1 Premete il pulsante DEMO. I led dei pulsanti di selezione timbri iniziano a lampeggiare, indicando la possibilità di selezionare una demo.
- 2 Dopo circa due secondi, la prima demo entra in riproduzione. Se volete partire da una demo diversa, premete il pulsante corrispondente entro i due secondi di attesa. Il led della demo selezionata continua a lampeggiare, mentre gli altri led si spengono. Le demo vengono eseguite una dopo l'altra, a partire dalla demo selezionata.

Pulsante	Demo
PIANO	F. Mendelssohn-Bartholdy: Preludio op.104a n.2
E.PIANO	G. Paradisi: Toccata in La maggiore
HARPSI	S. Joplin: Rag Time
VIBES	J.S. Bach: Preludio in Do maggiore (dal Clavicembalo Ben Temperato)
ORGAN	W.A. Mozart: Marcia alla turca (dalla Sonata in La maggiore)
STRINGS	KORG Original (M. Tempia): Rubber Bob

- 3 Premete DEMO per uscire dal modo demo.

Trasposizione

Potete trasporre l'intonazione dello strumento uno o più semitoni sopra o sotto. La trasposizione permette di accordare il pianoforte ad un altro strumento, o di semplificare l'esecuzione di brani con troppe alterazioni.

Nota: All'accensione di SP-100, la trasposizione viene annullata.

- 1 Premete il pulsante FUNCTION; il suo led inizia a lampeggiare.
- 2 Premete sulla tastiera il tasto corrispondente alla trasposizione desiderata (vedi tabella). Il led di FUNCTION rimane acceso, ad indicare che la trasposizione è attiva.

- 3 Per tornare all'intonazione standard, premete FUNCTION per spegnerne il led.



Nota	Effetto
F#5 — B5	6 — 1 semitoni sotto
C6	Intonazione standard
C#6 — F6	1 — 5 semitoni sopra

Il pedale

SP-100 ha un pedale, che può funzionare da pedale di risonanza (damper) o da pedale tonale (sostenuto).

Scegliere il funzionamento del pedale. All'accensione, il pedale funziona sempre da damper, ma può essere programmato per funzionare da sostenuto.

- 1 Premete il pulsante FUNCTION; il suo led inizia a lampeggiare.
- 2 Premete sulla tastiera il tasto corrispondente all'effetto desiderato (vedi tabella). Il led di FUNCTION si spegne.



Nota	Effetto
A0	Damper
B0	Sostenuto

Risonanza (Damper). Nel pianoforte acustico, quando si preme il pedale di risonanza i feltrini (smorzatori) che smorzano le vibrazioni delle corde vengono sollevati. Le corde delle note suonate e non suonate possono allora vibrare liberamente. Quando il pedale viene rilasciato i feltrini vengono nuovamente abbassati e le corde delle note non suonate smettono di vibrare.

Tonale (Sostenuto). Nel pianoforte acustico, quando si preme il pedale tonale vengono sollevati i feltrini (smorzatori) delle note che stanno suonando quando si preme il pedale. In questo modo alcune corde vengono lasciate libere di vibrare, mentre altre vengono messe in vibrazione dalla pressione del tasto, e nuovamente smorzate quando il tasto viene rilasciato.

Il metronomo

SP-100 incorpora un metronomo, con cui potete battere il tempo durante gli esercizi.

Attivare il metronomo. Premete **METRONOME** per far partire o fermare il metronomo. All'accensione il tempo è $\text{♩} = 120$, ma potete regolarlo con i metodi descritti più avanti. Dopo aver ascoltato le demo, il tempo è quello dell'ultima demo ascoltata.

Regolare il volume del metronomo. Mentre il metronomo sta andando, tenete premuto il pulsante **FUNCTION** e premete ripetutamente **RECORD** per abbassare il volume, o **PLAY** per alzarlo.

Regolare il tempo. Tenete premuto il pulsante **METRONOME** e tenete premuto **RECORD** per rallentare gradualmente, o **PLAY** per accelerare gradualmente.

Scegliere un tempo predefinito. Tenete premuto il pulsante **METRONOME**, e premete ripetutamente **RECORD** per rallentare, o **PLAY** per accelerare. Ad ogni pressione viene selezionato un tempo predefinito:

40↔60↔70↔80↔100↔120↔150↔180↔210↔240

Indicare il valore numerico del tempo. Per indicare l'esatto valore numerico del tempo, usate questa procedura.

- 1 Premete e tenete premuto il pulsante **METRONOME**.
- 2 Premete sulla tastiera il tasto **B5** ("Attivazione numeri").
- 3 Componete un numero a tre cifre con i tasti dedicati (vedi tabella). Prima di un numero a due cifre scegliete lo "0".

Esempio: Per scegliere un tempo di 168 componete 1, 6, 8. Per scegliere un tempo di 85 componete 0, 8, 5.

- 4 Premete sulla tastiera il tasto **B6** ("Conferma").

5 Rilasciate il pulsante METRONOME.



Nota	Cifra	Nota	Cifra
C6	0	C#6	1
D6	2	D#6	3
E6	4	F6	5
F#6	6	G6	7
G#6	8	A6	9
B5	ATTIVAZIONE NUMERI	B6	CONFERMA

Tornare al tempo $\text{♩} = 120$. Tenete premuto il pulsante METRONOME, e premete insieme RECORD e PLAY.

Selezionare il metro. Mentre il metronomo sta andando, tenete premuto il pulsante METRONOME e premete il pulsante corrispondente al tempo desiderato (vedi tabella). Il primo movimento della battuta viene accentato. Per disattivare l'accentazione, tenete premuto METRONOME e premete PIANO.

Pulsante	Tempo
PIANO	nessun accento
E.PIANO	2 movimenti (2/4, 2/8...)
HARPSI	3 movimenti (3/4, 3/8...)
VIBES	4 movimenti (4/4, 4/8...)
ORGAN	5 movimenti (5/4, 5/8...)
STRINGS	6 movimenti (6/4, 6/8...)

Il registratore

Generalità

Il registratore permette di registrare un brano musicale. Durante la riproduzione del brano registrato si può suonare sulla tastiera, una funzione molto utile durante lo studio: per esempio, potete registrare la mano sinistra e fare pratica con la mano destra suonata “dal vivo”.

Grazie al metronomo di SP-100, potete registrare un brano difficile lentamente, e poi accelerare il tempo per riascoltarlo con un tempo più veloce.

Nota: Allo spegnimento dello strumento, tutti i parametri vengono riportati alla condizione iniziale. Il brano registrato con il registratore MIDI interno viene quindi cancellato.

Registrazione

- 1 Premete **METRONOME** se volete registrare con il metronomo. Programmate il metronomo (tempo, metro) come spiegato nel capitolo precedente.
- 2 Scegliete il suono e gli effetti con cui volete iniziare a registrare.
- 3 Premete **RECORD**. Il registratore si attiva; il led del pulsante inizia a lampeggiare. Eventuali dati registrati in precedenza vengono cancellati dalla memoria.
- 4 Incominciate a suonare, e il registratore inizia a registrare. Oppure, premete **METRONOME** e attendete un pre-conteggio di una battuta prima di iniziare a registrare. Durante la registrazione, il led di **RECORD** rimane acceso.
- 5 Se necessario, selezionate suoni ed effetti diversi durante la registrazione. Le modifiche vengono registrate.
- 6 Finita la registrazione, premete **RECORD** per disattivare il registratore. Il led del pulsante si spegne.

Nota: Quando la memoria del registratore è quasi piena, il led di RECORD inizia a lampeggiare. Quando la memoria si riempie completamente, la registrazione termina automaticamente e il led di RECORD si spegne.

Riproduzione

- 1 Premete PLAY per avviare la riproduzione del brano. Il led del pulsante si accende.
- 2 Premete ancora PLAY per fermare la riproduzione. Il led del pulsante si spegne.

Al termine del brano, la riproduzione si ferma automaticamente, e il brano torna all'inizio.

È possibile cambiare il tempo mentre il brano è fermo (vedi la sezione "Metronomo" nel capitolo precedente).

Altre funzioni

Regolazione del tocco

La sensibilità della tastiera, o tocco, può essere programmata.

Nota: Allo spegnimento dello strumento, la regolazione del tocco viene riportata a Normale.

- 1 Premete FUNCTION; il suo led inizia a lampeggiare.
- 2 Premete sulla tastiera il tasto corrispondente al valore desiderato (vedi tabella). Il led di FUNCTION si spegne.



Nota	Tocco
D2	Leggero
E2	Normale
F2	Pesante

Intonazione fine

Per adeguare l'intonazione di SP-100 a quella di un altro strumento, potete regolare l'intonazione per microintervalli, cioè piccoli intervalli chiamati cents o centesimi di semitono. È possibile regolare l'intonazione sino ad un massimo di 50 cents sopra o sotto l'intonazione standard.

Nota: Quando lo strumento viene spento e riacceso, l'intonazione torna standard (A4 = 440Hz).

- 1 Premete FUNCTION; il suo led inizia a lampeggiare.

- 2 Premete sulla tastiera il tasto D5 o B4. Ogni volta che il tasto è premuto, l'intonazione si alza o si abbassa di 1 cent.
- 3 Premete ancora FUNCTION per far spegnere il suo led.



Nota	Intonazione fine
B4	Abbassa l'intonazione di 1 cent.
C5	Seleziona l'intonazione standard (A4 = 440Hz)
D5	Innalza l'intonazione di 1 cent.

II MIDI

Che cos'è il MIDI. Il MIDI, acronimo di Musical Instrument Digital Interface (interfaccia digitale per strumenti musicali) è uno standard internazionale concepito per collegare e trasferire dati tra strumenti musicali elettronici, computer e altri dispositivi.

Che cosa si può fare con il MIDI. Grazie al MIDI, potete usare SP-100 per controllare altri strumenti, usare altri strumenti per controllare SP-100, usare un sequencer per creare complessi brani musicali.

Quando si usano la tastiera e il pedale di SP-100, o si seleziona un timbro, le note, l'attivazione del pedale e i cambi di timbro vengono inviati ad un altro strumento, o vengono registrati da un sequencer.

Collegamenti. Collegate sempre la presa MIDI OUT di uno strumento alla presa MIDI IN di un altro. Non collegate mai due prese dello stesso strumento tra di loro.

Per collegare SP-100 ad un computer, occorrono un'interfaccia MIDI per il computer, un software di sequencing o notazione musicale, e due cavi MIDI standard. Collegate la presa MIDI OUT di SP-100 alla presa MIDI IN del computer. Collegate la presa MIDI IN di SP-100 alla presa MIDI OUT del computer.

Impostazioni MIDI standard. All'accensione i parametri MIDI di SP-100 sono programmati come segue:

Parametro	Impostazione
Canale di ricezione e trasmissione	1
Ricezione su 16 canali	OFF

Parametro	Impostazione
Local	ON
Omni	ON

Selezionare il canale di trasmissione e ricezione. Lo standard MIDI prevede 16 canali separati per la trasmissione e la ricezione dei dati. Per trasmettere e ricevere dati da SP-100, dovete scegliere su quale dei 16 canali volete trasmettere e ricevere.

- 1 Premete il pulsante FUNCTION; il suo led inizia a lampeggiare.
- 2 Premete sulla tastiera il tasto corrispondente al canale MIDI desiderato (vedi tabella). Il led di FUNCTION si spegne.



Nota	Canale selezionato
C3 — D#4	Canale 1 — Canale 16

Omni On/Off. La funzione Omni On permette di ricevere i dati da qualsiasi canale MIDI.

- 1 Premete il pulsante FUNCTION; il suo led inizia a lampeggiare.
- 2 Premete sulla tastiera il tasto corrispondente all'impostazione desiderata (vedi tabella). Il led di FUNCTION si spegne.



Nota	Omni
E1	OFF (SP-100 riceve su un solo canale MIDI)
F1	ON (SP-100 riceve su tutti i canali MIDI)

Local On/Off. Con il Local si può stabilire se la tastiera debba suonare il suono interno del pianoforte, e allo stesso tempo trasmettere dati attraverso il MIDI OUT (Local On), o se deve solo trasmettere dati attraverso il MIDI OUT, ma non suonare il suono interno del pianoforte (Local Off).

Il Local Off va scelto quando si vuole usare SP-100 come tastiera muta, per pilotare un altro strumento MIDI. Va scelto anche quando SP-100 è collegato ad un sequen-

cer sia attraverso il MIDI IN che il MIDI OUT. Se non si ponesse SP-100 in Local Off, le note già suonate dalla tastiera verrebbero ripesedite ad SP-100 dal sequencer, creando un fastidioso effetto di eco.

- 1 Premete il pulsante FUNCTION; il suo led inizia a lampeggiare.
- 2 Premete sulla tastiera il tasto corrispondente all'impostazione desiderata (vedi tabella). Il led di FUNCTION si spegne.



Nota	Local
A1	ON (la tastiera suona i timbri di SP-100)
G1	OFF (la tastiera non suona i timbri di SP-100)

Ricezione su 16 canali (modo MULTI). Via MIDI, SP-100 può ricevere su 16 canali MIDI. Quando la ricezione su 16 canali è attiva, non è più possibile attivare il modo DUAL per suonare due timbri sulla tastiera.

- 1 Premete il pulsante FUNCTION; il suo led inizia a lampeggiare.
- 2 Premete sulla tastiera il tasto corrispondente all'impostazione desiderata (vedi tabella). Il led di FUNCTION si spegne.



Nota	Ricezione su 16 canali	Modo Dual
B1	OFF	ON
C2	ON	OFF

I timbri di SP-100 possono essere selezionati via MIDI, inviando sul canale a cui si vuole assegnare il timbro un messaggio di Program Change. La tabella elenca i numeri di Program Change (numerazione 0-127; se il dispositivo trasmittente fa uso della numerazione 1-128, occorre aumentare di un numero, p.es. Piano=001, E.Piano=005...).

Timbro	Program Change (0-127)
PIANO	000

Timbro	Program Change (0-127)
E.PIANO	004
HARPSI	006
VIBES	011
ORGAN	019
STRINGS	048

Appendice

Problemi e soluzioni

Se durante l'uso dovessero manifestarsi i problemi descritti, esaminate lo strumento per tentare di capire il problema, e cercate di risolverli seguendo i suggerimenti proposti. Se lo strumento continuasse a non funzionare correttamente, rivolgetevi al rivenditore o a un Centro di Assistenza Autorizzato KORG.

Problema	Possibile rimedio	Pag.
Lo strumento non si accende.	Verificate che l'alimentatore sia collegato al pianoforte, e che la spina dell'alimentatore sia inserita correttamente nella presa di corrente.	79
Nessun suono udibile.	(1) Controllate che il volume non sia a posto 0. Se lo è, portatelo ad un livello adeguato.	82
	(2) Controllate che il Local non sia posto a OFF. Se lo è, ponetelo a ON. Oppure, spegnete e riaccendete lo strumento per reinizializzare tutti i parametri.	92

Polifonia

SP-100 contiene suoni campionati, cioè registrati dal suono degli strumenti musicali reali, successivamente elaborato. Questi suoni possono essere costituiti da due suoni diversi che vengono riprodotti quando si preme un tasto, oppure da un solo suono riprodotto premendo un tasto. Il suono di PIANO è costituito da due suoni campionati, quindi la sua polifonia è limitata ad un massimo di 16 note (anche quando il pedale di risonanza è premuto), mentre gli altri suoni hanno una polifonia massima di 32 note. Quando il numero di note suonate insieme supera questi limiti, alcune di esse potrebbero interrompersi.

Inoltre, quando si suonano più di due note in modo Dual, la polifonia massima dipende dal numero di suoni campionati che costituiscono i suoni utilizzati. Per

esempio, se si suona il PIANO insieme ad altri suoni, la polifonia è limitata a 10 voci.

Notazione inglese e notazione italiana

Nel testo vengono usati i nomi inglesi per le note della scala musicale. La tabella seguente elenca i nomi inglesi e il loro corrispettivo italiano.

Inglese	A	B	C	D	E	F	G
Italiano	La	Si	Do	Re	Mi	Fa	Sol

Il numero che segue sempre la nota indica l'ottava di appartenenza, in notazione MIDI standard. C4 è il Do centrale del pianoforte.

Specifiche tecniche

Specifiche	SP-100
Tastiera	88 note pesate sensibili alla dinamica, con simulazione di martelletto
Regolazione del tocco	Leggero, Normale, Pesante
Generazione sonora	ai-squared Syntesis System
Polifonia	32 note (max)
Timbri	6 timbri in ROM: Stereo Piano, Electric Piano, Harpsichord, Vibraphone, Organ, Strings
Effetti	Riverbero, Chorus
Registratore	1 traccia, 4.000 eventi, controlli di Play e Record
Demo	6 demo incorporate
Metronomo	Controlli di Tempo, Metro e Volume
Pedale	Damper o Sostenuto (fornito di serie)
Conessioni	Uscite audio (OUTPUT L/MONO, R), Cuffia, MIDI (IN, OUT), Damper
Controlli	Interruttore di accensione, Master Volume, Reverb, Chorus, Selettori suoni, Function, Record, Play, Metronome, Demo
Alimentazione	Alimentatore esterno DC12V, 500mA, polo negativo al centro (fornito di serie)
Dimensioni	L = 1365 mm, P = 278 mm, A = 116 mm (escluso il leggio)
Peso (compreso il supporto)	19 kg
Accessori	Alimentatore DC12V, 500mA, polo negativo al centro; pedale; leggio (forniti di serie)

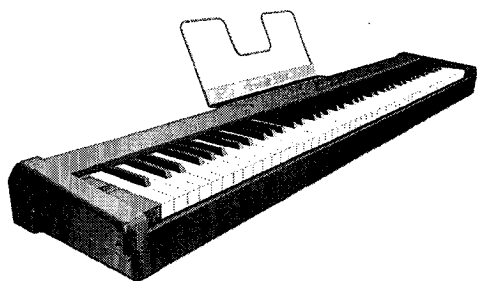
KORG si riserva il diritto di cambiare le specifiche senza preavviso.



KORU

SP-100

デジタル・ピアノ



取扱説明書

安全上のご注意

火災・感電・人身障害の危険を防止するには

以下の指示を守ってください

警告



● 本製品を使用する前に、以下の指示をよく読んでください。

● ACアダプターを使用する場合は、必ずAC100Vの電源コンセントにACアダプターを差し込んでください。

● 次のような場合には直ちに電源を切り、ACアダプター使用時はコンセントから抜きます。そして、コルグ営業所またはお買い上げになった販売店に修理を依頼してください。

○ ACアダプターの電源コードやプラグが破損したとき

○ 異物が内部に入ったり、液体がこぼれたとき

○ 製品が(雨などで)濡れたとき

○ 製品に異常や故障が生じたとき



● 次のような場所での使用や保存はしないでください。

○ 温度が極端に高い場所(直射日光のあたる場所、暖房機器の近く、発熱する機器の上など)

○ 水気の近く(風呂場、洗面台、濡れた床など)や湿度の高い場所

○ ホコリの多い場所



● 修理／部品の交換などで、取扱説明書に書かれている以外のことは、絶対にしないでください。必ず最寄りのコルグ営業所またはコルグ営業技術課に相談してください。

● ACアダプターのコードを無理に曲げたり、上に重いものを乗せたりしないでください。コードに傷がつき危険です。

● 本製品をヘッドホン、アンプ、スピーカーと組み合わせ使用した場合、設定によっては、永久的な難聴になる程度の音量になります。大音量や不快な程度の音量で、長時間使用しないでください。万一、聴力低下や耳鳴りを感じたら、専門の医師に相談してください。

● 本製品に、異物(燃えやすいもの、硬貨、針金など)や液体(水やジュースなど)を絶対にいれないでください。



● 本製品およびACアダプターを分解したり、改造したりしないでください。

注意



- 本製品は正常な通気が妨げられることのない所に設置して、使用してください。
- 本製品はマイクロコンピュータを使用した機器です。このため他の電気機器を接近して同時にご使用になりますと、それらに雑音が入ることがあります。逆に他の電気機器から本製品が雑音を受けて誤動作する場合があります。
- ACアダプターをご使用になる場合は、必ず指定のものをご使用ください。他のアダプターをご使用になりますと故障の原因となります。また、使用後はACアダプターをコンセントから抜いてください。



- スイッチやツマミに必要以上の力を加えますと故障の原因となりますので注意してください。
- 外装のお手入れは、必ず乾いた柔らかい布で軽く拭いてください。ベンジンやシンナー系の液体は絶対にご使用にならないでください。(コンパウンド質、強燃性のポリッシャーも不可)。



- ACアダプターをコンセントから抜くときは、絶対にコードを引っばらないでください。故障の原因となります。

データのリセット

本製品の電源をオフにすると、すべてのパラメータはリセットされます。録音した曲もメモリーから消えてしまいますので、注意してください。

MIDIは社団法人音楽電子事業協会(AMEI)の登録商標です。

Sound Processed with INFINITY™.

目次

はじめに	103
1. パネル	104
フロントパネル	104
リアパネル	105
2. 基本操作	106
接続する	106
電源を入れる	106
音量の調節	106
音色の選択	107
音色の組み合わせ	107
リバーブとコーラス	107
デモ演奏を聴く	108
トランスポーズ	108
ペダル	109
メトロノーム	109
3. レコーダー	112
録音しよう (メトロノーム無し)	112
録音しよう (メトロノーム入り)	113
再生しよう	113
4. その他の機能	114
鍵盤のタッチ	114
ピッチの調整	114
MIDI	115
5. 付録	119
故障とお思いになる前に	119
仕様	120

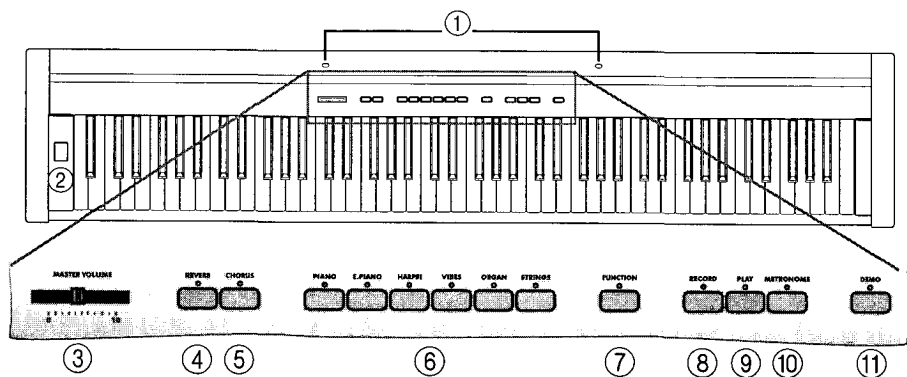
はじめに

このたびは、コルグ デジタル・ピアノSP-100をお買い上げいただきまして、まことにありがとうございます。

SP-100を末永くご愛用いただくためにも、取扱説明書をよくお読みになって、正しい方法でご使用ください。また、この取扱説明書は大切に保管してください。

パネル

フロントパネル



① 譜面立て用穴: 2つの穴に、付属の譜面立てを差し込みます。

② ^{パワ}_ー [POWER]スイッチ: 電源をオンまたはオフにするスイッチです。

注意: 本製品の電源をオフにすると、すべてのパラメータはリセットされ、録音された曲はメモリーから消えてしまいます。

③ ^マ_ス^{ター} ^ボ_{リ^{ュー}_ム [MASTER VOLUME]スライダー: 音量を調節します。}

④ ^リ_{バ^ー_ブ [REVERB]スイッチ: リバーブをオンまたはオフにします。}

⑤ ^コ_{ー^ラ_ス [CHORUS]スイッチ: コーラスをオンまたはオフにします。}

⑥ [音色セレクト]スイッチ: スイッチを1つ押すと、指定した1つの音色が選べます(シングル・モード)。2つのスイッチを同時に押すと、選択した2つの音色が選べます(デュアル・モード)。

⑦ ^フ_{ァ^ン_{ク^シ_{ョ^ン [FUNCTION]スイッチ: トランスポーズ機能やチューニング機能の調節や、パラメータなどを設定するための多機能スイッチです。}}}

⑧ ^{レ コ ー ド} [RECORD]スイッチ: スイッチを押すとこのスイッチのLEDが点滅し、録音待機状態になります。録音の方法は、「レコーダー」(P.112)を参照してください。

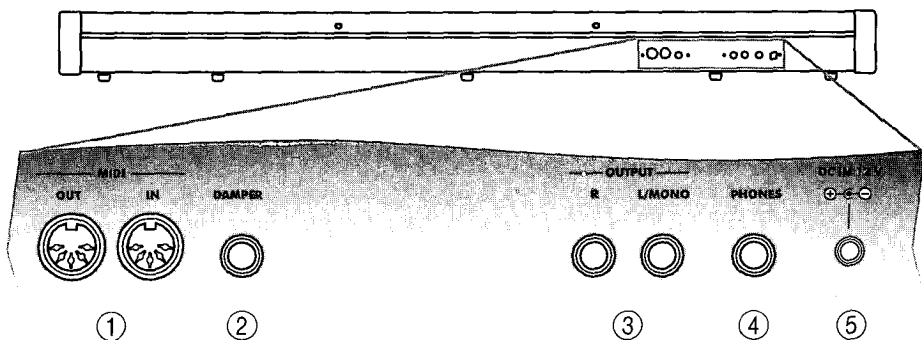
注意: 本製品の電源をオフにすると、すべてのパラメータはリセットされ、録音された曲はメモリーから消えてしまいます。

⑨ ^{プ レ イ} [PLAY]スイッチ: 録音した曲を再生します。

⑩ ^{メ ト ロ ノ ーム} [METRONOME]スイッチ: メトロノームをオンまたはオフにします。[RECORD]スイッチのLEDが点滅しているときは、メトロノームのプリカウントです。1小節のプリカウント後に録音が始まります。

⑪ ^{デ モ} [DEMO]スイッチ: デモ・モードをオンまたはオフにします。デモ演奏を聴くときはオンにします。特定のデモ演奏を聴くときは、[音色セクター]スイッチ(⑥)で選ぶことができます。

リアパネル



① **MIDI端子:** 外部のMIDI機器(シーケンサー、キーボードなど)と接続する端子です。

OUT: 外部MIDI機器のMIDI IN端子に接続します。

IN: 外部MIDI機器のMIDI OUT端子に接続します。

② ^{ダンパー} **DAMPER端子:** 付属のペダルをこの端子に接続します。

③ ^{アウトプット} **OUTPUT端子:** オーディオ出力端子です。外部のアンプやオーディオ機器等と接続する場合、この端子を使用します。オーディオ機器を接続するときは、オーディオ機器のAUXまたはテープ入力端子を使用してください(PHONO入力端子は使用しないでください)。モノラルで接続するときは、L/MONOだけを使用してください。

④ ^{ヘッドホン} **PHONES端子:** ステレオ・ヘッドホンをここに接続します。

⑤ **ACアダプター接続端子(DC 12V IN):** 付属のACアダプター(DC 12V 500mA)をこの端子に接続します。必ずこの付属のアダプターを使用してください。

基本操作

接続する

SP-100をミキサー、オーディオ機器、またはアンプ内蔵スピーカーに接続するときは、SP-100のOUTPUT端子を使用してください。

オーディオ機器を接続する場合は、SP-100のOUTPUT端子と、オーディオ機器のAUXまたはテープ入力端子を使用してください(PHONO入力端子には接続しないでください)。

SP-100をモノラルで接続するときは、OUTPUT端子のL/MONOを使用してください。

電源を入れる

付属のACアダプターのプラグを本製品に接続してから、ACアダプターをコンセントに差し込みます。

その後に[POWER]スイッチを押してください。

電源をオンにすると、フロントパネルのLEDが点灯します。

電源をオフにするときは、再び[POWER]スイッチを押してください。

注意: 本製品の電源をオフにすると、すべてのパラメータはリセットされ、録音された曲はメモリーから消えてしまいます。

音量の調節

[MASTER VOLUME]スライダーを右に動かすと音量が大きくなり、左に動かすと小さくなります。

最大が「10」で最小(無音)が「0」です。このスライダーによって、ヘッドホンとアウトプット端子の出力レベルを調節します。

注意: 初めは小さい音量で、だんだん大きくしてください。

音色の選択

[音色セクター]スイッチを1つ押すと、1つの音色が選ばれます(シングル・モード)。

スイッチ	音色
PIANO	アコースティックなステレオ・ピアノの音
E.PIANO	電子ピアノの音
HARPSI	クラシックなハープシコードの音
VIBES	ジャズ系のビブラフォンの音
ORGAN	パイプオルガンの音
STRINGS	バイオリンなどの弦楽器のアンサンブルの音

ピアノとオルガンは、同時に16音まで出すことができます。その他の音色は、同時に32音まで出すことができます。ただし、デュアル・モードにすると、選んだ音色によっては同時発音数が少なくなります。

音色の組み合わせ

[音色セクター]スイッチを同時に2つ押すと、2つの音色が選ばれます(デュアル・モード)。

デュアル・モード時の音量調節

2つの音色の音量バランスを調節するときは、[音色セクター]スイッチで行います。音量を小さくする音の[音色セクター]スイッチを押しながら、音量を大きくする音の[音色セクター]スイッチをくり返し押します。

リバーブとコーラス

SP-100は、リバーブとコーラスの2つのエフェクトがあります。

リバーブは部屋の残響に似た効果があり、コーラスは音に広がりを与える効果があります。

リバーブをかけるときは、[REVERB]スイッチを押します。リバーブがかかるようになり、スイッチのLEDが点灯します。

コーラスをかけるときは、[CHORUS]スイッチを押します。コーラスがかかるようになり、スイッチのLEDが点灯します。

注意: 電源をオフにすると、エフェクトの設定はリセットされます。

これらのエフェクトは、あらかじめ音色ごとに設定されています。つまり、選択する音色で、使用するエフェクトが異なります。たとえば、[PIANO]ではリバーブだけがかかり、[E.PIANO]ではリバーブとコーラスの両方がかかります。

デモ演奏を聴く

SP-100は、6つのデモ曲を内蔵しています。

1. [DEMO]スイッチを押します。

デモ曲が選べるようになり、すべての[音色セクター]スイッチのLEDが点滅します。

2. 2秒ほど後に、1曲目のデモ演奏がスタートします。

特定のデモ曲からスタートさせたいときは、2秒の待ち時間の間に、聴きたい曲を[音色セクター]スイッチで選びます。

デモ演奏は、選んだ曲から順番に再生され、演奏曲に対応する[音色セクター]スイッチのLEDが点滅します。

曲順	スイッチ	デモ曲
1	PIANO	F. メンデルスゾーン/プレリュード Op.104a-2
2	E.PIANO	G. パラディジー/トッカータイ長調
3	HARPSI	S. ジョブリン/RagTime
4	VIBES	J. S. バッハ/プレリュード ハ長調
5	ORGAN	W. A. モーツァルト/ソナタ K.331 第3楽章「トルコ行進曲」
6	STRINGS	コルグ・オリジナル/Rubber Bob

3. デモ演奏を停止するときは、[DEMO]スイッチを押します。

デモ・モードから抜けます。

トランスポーズ

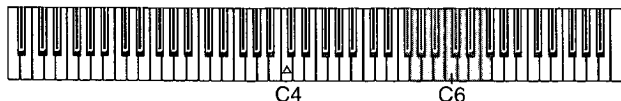
音の高さを半音ずつ高くしたり低くしたりすることによって、トランスポーズ(移調)することができます。トランスポーズ機能を使うと、SP-100のキーを他の楽器のキーに合わせたり、黒鍵を多く使うような曲を簡単に演奏できるようになります。

1. [FUNCTION]スイッチを押します。

スイッチのLEDが点滅します。

2. 移調したい高さ(低さ)に対応する鍵盤を押します。

トランスポーズ機能が働いて、[FUNCTION]スイッチのLEDは点灯します。



鍵盤	トランスポーズの設定
F#5～B5	1～6半音低くなる
C6	基準音
C#6～F6	1～5半音高くなる

3. 元の音の高さに戻すときは、もう一度[FUNCTION]スイッチを押してください。
スイッチのLEDが消灯します。

注意: 電源をオフにすると、トランスポーズの設定はリセットされます。

ペダル

付属のペダルは、ダンパー・ペダルまたはソステヌート・ペダルとして使うことができます。

電源をオンにした直後は、ダンパー・ペダルとして使用できます。ペダル機能(ダンパーまたはソステヌート)の選択は、以下の手順で行ってください。

1. [FUNCTION]スイッチを押します。
スイッチのLEDが点滅します。
2. 鍵盤のA0またはB0を押して、ペダルの機能を設定します。
[FUNCTION]スイッチのLEDが消灯します。



鍵盤	ペダル機能
A0	ダンパー
B0	ソステヌート

ペダル機能が**ダンパー**のときは、ダンパー・ペダルを踏むと、音が広がり、余韻のある豊かな響きになります。

ペダル機能が**ソステヌート**のときは、ソステヌート・ペダルを踏むと、ペダルを踏む直前に弾いた鍵盤の音だけにダンパー効果がかかり、ペダルを踏んでいる間はその音だけが長く伸びます。ペダルを踏んでいる間に新たに弾いた音に対して、ソステヌート効果はかかりません。

メトロノーム

SP-100は、メトロノームが内蔵されています。

練習時や演奏を録音するとき、テンポや拍子の基準にすることができます。

メトロノームをスタート/ストップさせるときは、[METRONOME]スイッチを押します。

電源をオンにした直後は、メトロノームは ♩=120 に設定されています。テンポを調整するときは次の手順で行います。ただしデモ演奏のテンポは、演奏中に調整してください。演奏前にテンポを変更しても、デモ演奏が始まると、データにあらかじめ設定されているテンポで演奏されてしまいます。

テンポの調整

[METRONOME]スイッチを押しながら、[RECORD]スイッチを押すたびにテンポは遅くなり、[PLAY]スイッチを押すたびにテンポは速くなります。

テンポの選択

SP-100には、以下のように、あらかじめ10とおりのテンポが設定されています。
[METRONOME]スイッチを押しながら、[RECORD]スイッチを押すたびにテンポは遅くなり、[PLAY]スイッチを押すたびにテンポは速くなります。

40 ↔ 60 ↔ 70 ↔ 80 ↔ 100 ↔ **120** ↔ 150 ↔ 180 ↔ 210 ↔ 240

テンポの指定

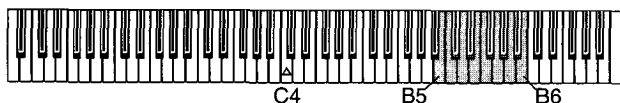
上記以外の細かいテンポを指定するときは、以下の手順で行います。

1. [METRONOME]スイッチを押し続けます。

このスイッチは、手順4が終わるまで押し続けてください。

2. 鍵盤のB5を押します。

B5は、鍵盤で数値入力できるようにするためのキーです。



鍵盤	数字	鍵盤	数字
B5	数値入力	C6	0
C#6	1	D6	2
D#6	3	E6	4
F6	5	F#6	6
G6	7	G#6	8
A6	9	B6	確定

3. 対応する鍵盤を押して、3桁の数字を選びます。

2桁の数字のときは、まず「0」を選んでください。

例: ♩=168にするときは、C#6(1)、F#6(6)、G#6(8)の順に鍵盤を押します。
また、♩=85にするときは、C6(0)、G#6(8)、F6(5)の順に押します。

4. 鍵盤のB6を押します。

B6は、入力した数値を確定するためのキーです。

5. [METRONOME]スイッチを離します。

♩=120に戻るとき

[METRONOME]スイッチを押しながら、[RECORD]スイッチと[PLAY]スイッチを同時に押します。

拍子の選択

メトロノームが鳴っている間に、[METRONOME]スイッチを押しながら、設定する拍子に対応した[音色セレクター]スイッチ (E.PIANO～STRINGS) を押します。

小節の1拍目にアクセント音が入ります。

アクセント音を入れないときは、[METRONOME]スイッチを押しながら[音色セレクター]スイッチのPIANOを押します。

スイッチ	拍子
PIANO	アクセントなし
E.PIANO	2拍子 (2/4、2/8)
HARPSI	3拍子 (3/4、3/8)
VIBES	4拍子 (4/4、4/8)
ORGAN	5拍子 (5/4、5/8)
STRINGS	6拍子 (6/4、6/8)

メトロノームの音量調整

メトロノームが鳴っている間に、[FUNCTION]スイッチを押しながら[RECORD]スイッチをくり返し押すと、音量がだんだん小さくなり、[FUNCTION]スイッチを押しながら[PLAY]スイッチをくり返し押すと、音量がだんだん大きくなります。

レコーダー

SP-100は、レコーダーで曲を録音することができます。

録音した曲を再生しながら、一緒に鍵盤で演奏することもできます。また、メトロノームを使い、遅いテンポで録音し速いテンポで再生すると、難しい曲も録音できます。

注意: 録音できるのは1曲だけなので、すでに曲が録音されている場合、新たに録音をはじめると、以前のデータは消されてしまいます。また、本製品の電源をオフにすると、録音された曲はメモリーから消えてしまいます。

録音しよう(メトロノーム無し)

1. [音色セレクター]スイッチで、音色を選択します。

2. [RECORD]スイッチを押します。

レコーダーは録音待機状態になり、スイッチのLEDが点滅します。

3. 鍵盤で演奏してください。

鍵盤を弾くと録音がスタートし、[RECORD]スイッチのLEDが点灯します。

録音中に音色を変更するときは、[音色セレクター]スイッチを押します。

注意: 録音中は絶対に電源をオフにしないでください。

録音領域のメモリー容量が少なくなると、[RECORD]スイッチのLEDが点滅しはじめます。メモリーの容量が無くなると、自動的に録音が停止し、[RECORD]スイッチのLEDが消灯します。

4. 演奏が終わったら、[RECORD]スイッチを押します。

録音が停止し、スイッチのLEDは消灯します。

録音しよう(メトロノーム入り)

1. [音色セクター]スイッチで、音色を選択します。

2. [METRONOME]スイッチを押します。

メトロノームのテンポ、拍子を設定するときは、「メトロノーム」(P.109)を参照してください。

3. [RECORD]スイッチを押します。

レコーダーは録音待機状態になり、スイッチのLEDが点滅します。

4. 鍵盤で演奏してください。

鍵盤を弾くと録音が始まり、[RECORD]スイッチのLEDが点灯します。

注意: 録音中は絶対に電源をオフにしないでください。

録音領域のメモリー容量が少なくなると、[RECORD]スイッチのLEDが点滅しはじめます。メモリーの容量が無くなると、自動的に録音が停止し、[RECORD]スイッチのLEDが消灯します。

5. 演奏が終わったら、[RECORD]スイッチを押します。

録音が停止し、スイッチのLEDは消灯します。

録音時に1小節のプリカウントを入れる場合は、手順3で、[RECORD]スイッチを押した後、[METRONOME]スイッチを押します。1小節のプリカウントのあとに、自動的に録音が始まります。

再生しよう

1. [PLAY]スイッチを押します。

録音した曲がスタートし、スイッチのLEDは点灯します。

2. 曲の途中で停止するときは、もう一度[PLAY]スイッチを押します。

曲が停止し、スイッチのLEDは消灯します。

曲を最後まで再生すると、自動的に停止します。

曲が停止すると、自動的に最初の小節に戻ります。

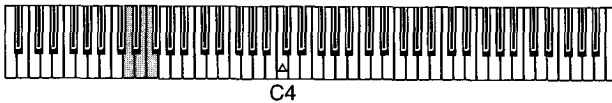
再生時のテンポを変更するときは、曲の停止中に行います。「メトロノーム」(P.109)を参照してください。

その他の機能

鍵盤のタッチ

鍵盤のタッチを3段階に変えることができます(タッチ・コントロール)。タッチを変えると、弾く強さによる音の強弱の度合いも変わります。

1. [FUNCTION]スイッチを押します。
LEDが点滅します。
2. 対応する鍵盤を押して、設定したいタッチ感を選択します。
[FUNCTION]スイッチのLEDが消灯します。
電源をオンにした直後の鍵盤のタッチは、スタンダードです。



鍵盤	タッチ感
D2	ライト
E2	スタンダード
F2	ヘビー

ピッチの調整

SP-100では、他の楽器と一緒に演奏するとき生じる、楽器間の微妙なピッチのズレが調整できます。±50セント単位(1セントは半音の100分の1)で調整できます。電源をオンにした直後のピッチは、基準値(A4=440Hz)です。

1. [FUNCTION]スイッチを押します。
LEDが点滅します。
2. 対応する鍵盤を押して、ピッチを設定します。
[FUNCTION]スイッチのLEDが消灯します。



鍵盤	ピッチ
B4	1セントずつ下げる
C5	基準ピッチ (A4=440Hz)
D5	1セントずつ上げる

3. [FUNCTION]スイッチを押します。

ピッチが設定され、スイッチのLEDが消灯します。

MIDI

MIDI(ミディ)とは?

MIDIはMusical Instrument Digital Interfaceの略です。これは電子楽器やコンピュータなどの機器の間で接続してデータのやりとりをするための、世界共通の規格です。

MIDIで何ができるか?

MIDIを利用すると、SP-100から他のMIDI機器をコントロールしたり、他のMIDI機器からSP-100の音源を鳴らしたりすることができます。また、シーケンサーや複数のMIDI機器を組み合わせることで、複雑なアンサンブルを楽しむこともできます。

MIDIの接続

本製品のMIDI OUT端子と、他の機器のMIDI IN端子を接続します。MIDI IN端子どうし、MIDI OUT端子どうしで接続しないでください。

SP-100とコンピュータを接続する場合は、コンピュータ用のMIDIインターフェイス、シーケンスソフトや作曲ソフト、そして2本のMIDIケーブルが必要です。

SP-100のMIDI OUT端子とコンピュータのMIDI IN端子を接続します。またはSP-100のMIDI IN端子とコンピュータのMIDI OUT端子を接続します。

MIDIの基本設定

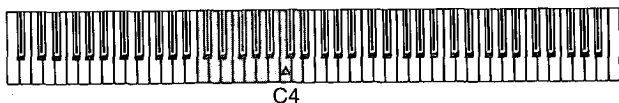
電源をオンにした直後は、SP-100のMIDIパラメータは以下のように設定されています。

MIDIパラメータ	設定
送受信チャンネル	1
受信(16チャンネル)	オフ
ローカル	オン
オムニ	オン

送信/受信チャンネルを選ぶ

MIDIには、データのやりとりが可能な16のチャンネルがあります。SP-100とデータのやりとりをするには、どのチャンネルにデータを送受信するかを選ぶ必要があります。

1. [FUNCTION]スイッチを押します。
スイッチのLEDが点滅します。
2. 対応する鍵盤を押して、使うMIDIチャンネルを選択します。
[FUNCTION]スイッチのLEDが消灯します。

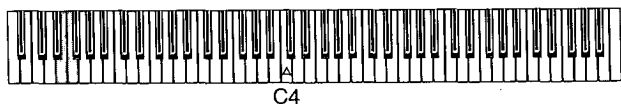


鍵盤	選択チャンネル
C3～D#4	チャンネル1～チャンネル16

オムニ・オン/オフの設定

オムニ・オンに設定すると、どのMIDIチャンネルからもデータを受信できます。

1. [FUNCTION]スイッチを押します。
スイッチのLEDが点滅します。
2. 対応する鍵盤を押して、オムニ・オン/オフを設定します。
[FUNCTION]スイッチのLEDが消灯します。



鍵盤	オムニ・オン/オフ
E1	オフ(SP-100は1つのMIDIチャンネルだけを受信)
F1	オン(SP-100はすべてのMIDIチャンネルを受信)

ローカル・オン/オフの設定

ローカル・オンでは、SP-100の鍵盤を弾くと演奏の音が鳴り、同時にMIDIデータを送信します。ローカル・オフでは、SP-100を弾いても演奏の音は鳴らず、データだけを伝送します。通常はローカル・オンに設定します。

SP-100をマスター・キーボードとして使用する場合、たとえばSP-100をコンピュータと接続し、コンピュータと接続したMIDI機器(キーボード、音源モジュール等)で演奏するときは、本機をローカル・オフに設定します。SP-100は鳴りませんが、コンピュータと接続したMIDI音源で演奏されます。

SP-100を音源として使用する場合、たとえばSP-100をシーケンサーと接続して、

シーケンサー側でエコーバック(シーケンサーが受信したデータを送り返す動作)を設定した場合、戻ってきたデータで二重に鳴るのを防ぐときは、ローカル・オフに設定します。

1. [FUNCTION]スイッチを押します。

LEDが点滅します。

2. 対応する鍵盤を押して、ローカル・オン/オフを設定します。

[FUNCTION]スイッチのLEDが消灯します。



鍵盤	ローカル
A1	オン(鍵盤を押すとSP-100の音が出る)
G1	オフ(鍵盤を押すとSP-100の音が出ない)

マルチ機能

SP-100は、MIDI端子を通じて、16チャンネル分のマルチのデータを同時に受信することができます。ただし、マルチ機能がオンのときは、デュアル・モードで演奏できません。

1. [FUNCTION]スイッチを押します。

スイッチのLEDが点滅します。

2. 対応する鍵盤を押して、マルチ機能のオン/オフを設定します。

[FUNCTION]スイッチのLEDが消灯します。



鍵盤	マルチ機能
B1	オフ
C2	オン

プログラム・チェンジ

SP-100は、外部のMIDI機器から音色を選択することができます。

SP-100の音色を割り当てるチャンネルに、外部MIDI機器からMIDIプログラム・チェンジ・メッセージを送信します。SP-100は、プログラム・チェンジNo.を受信すると、以下の音色が選ばれます。

音色	プログラム・チェンジNo.
PIANO	000
E.PIANO	004
HARPSI	006
VIBES	011
ORGAN	019
STRINGS	048

章

5

付録

故障とお思いになる前に

ご使用中にトラブルが起こった場合は、次の事項を確認してください。それでも本製品が正しく動作しない場合は、販売店またはコルグ・サービスセンターへお問い合わせください。

電源が入らない

ACアダプターが、ピアノとコンセントに正しく接続されているかどうかを確認してください。

音が出ない

音量が0になっていないかを確認してください。

0になっていたら、適当なレベルまで音量を上げてください。

MIDIのローカル・オン/オフがオフになっていないかを確認してください。(P.116参照)

MIDIのローカル・オフのときは、オンに切り換えてください。または、電源を一度切ってから再度オンにしてください。

音がとぎれてしまう

本機の音色は、元になる楽器の音をサンプリングし、分析、加工して作られています。音色によっては、1つの鍵盤を押したときにサンプリング・データの1つを鳴らす音色と2つを鳴らす音色があります。[PIANO]の音色は、サンプリング・データを2つ鳴らしますが、このような音色は、ダンパー・ペダルを踏んでいるときも含めて最大同時発音数が16音です。それ以外の音色では、最大同時発音数は32音です。この最大同時発音数を越えてしまったときに、音がとぎれてしまいます。

また、デュアル・モードで同時に2つの音色を鳴らすとき、サンプリング・データをいくつ使っているかによって最大同時発音数は異なってきます。たとえば、[PIANO]と他の音色を組み合わせると、同時発音数は10音になります。

特定の音域でピアノ音色の音程、音質がおかしい

ピアノ音色では、ピアノ本体の音をできる限り忠実に再現しようとしています。その結果、音域により倍音が強調されて聞こえるなど、音程や音質が異質に感じる場合がありますが、製品の不良ではありません。

仕様

鍵盤	88 鍵 (A0 ~ C8)
タッチ・コントロール	ライト、スタンダード、ヘビー
音源	最大同時発音数 32 音
音色	6 音色: ステレオ・ピアノ、エレクトリック・ピアノ、 ハーブシコード、ピブラフォン、オルガン、ストリングス
エフェクト	リバーブ、コーラス
レコーダー	1トラック、最大 4,000 ノート、録音/再生
デモ演奏	6 曲
メトロノーム	テンポ、拍子、音量
ペダル	ダンパー/ソステヌート
接続端子	OUTPUT 端子 (L/MONO、R)、PHONES 端子、 MIDI 端子 (IN、OUT)、DAMPER 端子
コントロール	[POWER]スイッチ、[MASTER VOLUME]スライダー、 [REVERB]スイッチ、[CHORUS]スイッチ、[音色セクター] スイッチ、[FUNCTION]スイッチ、[RECORD]スイッチ、 [PLAY]スイッチ、[METRONOME]スイッチ、[DEMO]スイッチ
定格電源	DC12V (ACアダプター)
外形寸法 (W x D x H)	1,365 x 278 x 116 (mm)
重量	19kg
付属品	ACアダプター (DC12V 500mA ⊕⊖⊖)、ペダル、譜面立て

仕様は、予告なしに変更することがあります。

MIDI Implementationの配布については、コルグ・インフォメーションへお問い合わせください。

MIDI Implementation chart

KORG SP-100 Digital Piano
Apr. 7, 1999

Function		Transmitted	Recognized	Remarks
Basic Channel	Default	1	1	
	Changed	1-16		
Mode	Default	X	1	
	Messages	X	OMNI ON/OFF, POLY	
	Altered	*****	X	
Note Number:		15-113	15-108	
	True Voice	*****	15-108	
Velocity	Note On	1-127	1-127	
	Note Off	X	X	
Aftertouch	Polyphonic (Key)	X	X	
	Monophonic (Channel)	X	X	
Pitch Bend		X	X	
Control Change	64	O	O	Damper
	66	O	O	Sostenuto
	67	X	O	Soft
Program Change		O 0, 4, 6, 11, 19, 48	O 0, 4, 6, 11, 19, 48	
	True #	*****	O 0, 4, 6, 11, 19, 48	
System Exclusive		X	X	
System Common	Song Position	X	X	
	Song Select	X	X	
	Tune	X	X	
System Real Time	Clock	X	X	
	Commands	X	X	
Aux Messages	Local On/Off	O	O	
	All Notes Off	O	O (123-127)	
	Active Sense	O	O	
	Reset	X	X	
Notes				

Mode 1:OMNI ON, POLY
Mode 3:OMNI OFF, POLY

Mode 2:OMNI ON, MONO
Mode 4:OMNI OFF, MONO

O: Yes
X: No



Typ: SP-100

Serien-Nr.:
(Serial No) _____

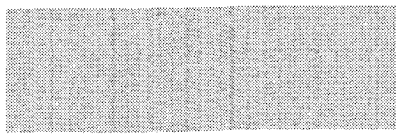
Diese Karte (Service-Beleg) bitte unbedingt innerhalb von 10 Tagen nach Kauf des Gerätes (gut lesbar) ausgefüllt einsenden.

Wichtig

Die Einsendung dieses Service-Beleges erleichtert Ihnen die spätere Wahrnehmung von Garantieansprüchen.

Außerdem wird Ihr Kauf mit Serien-Nummer festgehalten, und bei Verlust des Gerätes ist bei uns die Serien-Nummer gespeichert.

Ich bin damit einverstanden, daß meine hier angegebenen Daten per elektronischer Datenverarbeitung erfaßt werden.



Service-Beleg

(Bitte gut lesbar ausfüllen)

Club-Mitgliedsnummer
(falls vorhanden)

Name des Erstkäufers

Anschrift

Wohnort

Kaufdaten

Gekauft bei Firma

Der Service-Beleg hat nur in dem Land Gültigkeit, in dem das Instrument/Gerät bei einem autorisierten KORG-Händler gekauft wurde. Wenden Sie sich bitte bei Fragen an den Vertrieb Ihres Landes.

Tragen Sie bitte die Seriennummer Ihres Instrumentes ein, und senden Sie diesen an die KORG Vertriebsfirma Ihres Landes.

KORG & MORE, a Division of
Musik Meyer GmbH,
Postfach 2147,
35009 Marburg, Deutschland

Musik Meyer AG, Spitalstr. 74
8952 Schlieren, Schweiz

Weiss & Kadlec, Triester Str. 261,
1232 Wien, Österreich

bitte
freimachen

UNIQUEMENT POUR LA FRANCE
ONLY FOR FRANCE



EXEMPLAIRE DE GARANTIE A RETOURNER A
GAFFAREL MUSIQUE B.P. 435 95005 CERGY PONTOISE

NOM : _____ PRENOM : _____

ADRESSE : _____

Code Postal : _____ VILLE : _____

DATE D'ACHAT : _____

CACHET DU MAGASIN

REFERENCE : _____

N° DE SERIE : _____

KORG

Address

KORG ITALY Spa
Via Cagiata, 85
I-60027 Osimo (An)
Italy

Web servers

www.korg.it
www.korg.co.jp
www.korg.com
www.korg.net
www.korgfr.com
www.jam-ind.com
www.korg.de



PART CODE: MAN0001054

© KORG Italy 1999. All rights reserved