

User's Guide

PREFACE

Every effort has been made to ensure that the information in this document is complete, accurate, and up-to-date. The manufacturer assumes no responsibility for the results of errors beyond its control. The manufacturer also cannot guarantee that changes in software and equipment made by other manufacturers and referred to in this manual will not affect the applicability of the information in it. Mention of software products manufactured by other companies does not necessarily constitute endorsement by the manufacturer.

While all reasonable efforts have been made to make this document as accurate and helpful as possible, we make no warranty of any kind, expressed or implied, as to the accuracy or completeness of the information contained herein.

All rights are reserved by Oki Data Corporation. Unauthorized copying, transferring, translating, or related actions are prohibited. You must obtain written permission from Oki Data Corporation before doing any of the above.

© 2012 Oki Data Corporation

OKI is a registered trademark of Oki Electric Industry Co., Ltd.

Energy Star is a trademark of the United States Environmental Protection Agency.

Microsoft, Windows, Windows Server and Windows Vista are registered trademarks of Microsoft Corporation.

Apple, Macintosh, Rosetta, Mac and Mac OS are registered trademarks of Apple Inc.

Other product names and brand names are registered trademarks or trademarks of their proprietors.



As an Energy Star Program Participant, the manufacturer has determined that this product meets the Energy Star guidelines for energy efficiency.



This product complies with the requirements of the Council Directives 2004/108/EC (EMC) and 2006/95/EC (LVD) and 1999/5/ EC (R&TTE), as amended where applicable on the approximation of the laws of the member states relating to electromagnetic compatibility, low voltage and radio & telecommunications terminal equipment.

The following cables were used to evaluate this product to achieve EMC directive 2004/108/EC compliance and configurations other than this may affect that compliance.

CABLE TYPE	LENGTH (METRE)	CORE	SHIELD
Power	1.8	×	×
USB	1.8	×	✓
Serial	1.8	×	✓
Parallel	1.8	✓	✓
LAN	3.0	×	×

MANUFACTURER

Oki Data Corporation,
4-11-22 Shibaura, Minato-ku,
Tokyo 108-8551,
Japan

For all sales, support and general enquiries contact your local distributor.

IMPORTER TO THE EU/AUTHORISED REPRESENTATIVE

OKI Europe Limited (trading as OKI Printing Solutions)

Blays House
Wick Road
Egham
Surrey, TW20 0HJ
United Kingdom

For all sales, support and general enquiries contact your local distributor.

ENVIRONMENTAL INFORMATION



■ Table of Contents

※ Manual Information & Usage Precautions	5
1. Content Confirmation	9
2. Product Part Names.....	10
3. Installation & Usage.....	12
3-1 Power Connection	12
3-2 Interface Cable Connection	13
3-3 Paper Installation	15
3-4 Buttons and LED.....	16
3-5 Test printing	18
4. Self-Test.....	19
5. Detailed features	20
5-1 Printer setting using utility program.....	20
5-2 Stand-alone Configuration Mode	21
5-3 Pause/Cancel	22
5-4 Media Calibration.....	23
5-5 Smart Media Detection	24
5-6 Gap Sensor Auto Calibration Mode	24
5-7 Black Mark Sensor Auto Calibration Mode	25
5-8 Manual Calibration Mode.....	26
5-9 Cover Closing Mode	27
5-10 Data Dump Mode.....	27
5-11 Factory Reset.....	28
5-12 The Peel-Off (Option).....	28
5-13 Using Fan-Fold Paper.....	30
5-14 Auto Cutter (Option).....	31
5-15 Real-Time Clock (Option)	32
6. Cleaning Head.....	33
6-1 Cleaning Head.....	33
6-2 Cleaning Sensors, Roller or/and Paper Path	34
7. Appendix.....	35
7-1 Specifications.....	35
7-2 Label Types	35

■ Manual Information

This user's guide contains basic information for product usage as well as for emergency measures that may be required.

※ The following separate manuals provide more detailed content on various technological issues and areas.

1. Windows Driver Manual

This manual provides information on the installation instructions and main functions of the Windows Driver.

2. Unified Label Utility-II Manual

This manual provides information on the usage of software for function selection of this product, operating condition modification, etc.

3. Programming (SLCS) Manual

This manual provides information on label printer commands.

4. True Font Downloader Manual

This manual provides information on the usage of the font downloader that can download True Fonts and facilitate their usage as Device Fonts.

5. Network Interface Manual

This manual provides information on the configuration and usage of Ethernet interface.

6. Net Configuration Tool Manual

This manual provides information on the usage of the net configuration tool that can configure Ethernet interface configuration on this product.

We at Oki Data maintain ongoing efforts to enhance and upgrade the functions and quality of all our products. In following, product specifications and/or user's guide content may be changed without prior notice.

■ Safety Precautions

In using the present appliance, please keep the following safety regulations in order to prevent any hazard or material damage.

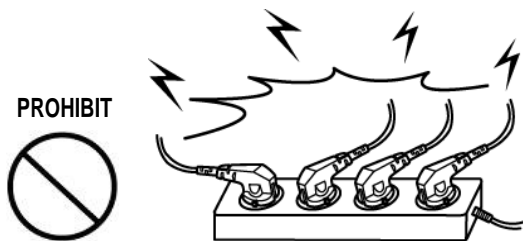


WARNING

Violating following instructions can cause serious injury or death.

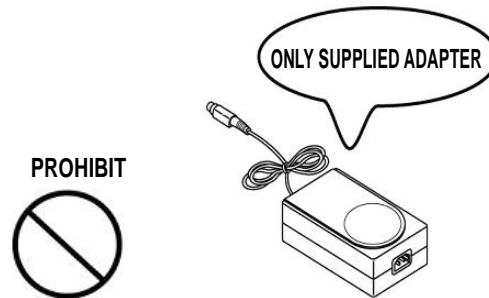
Do not plug several products in one multi-outlet.

- This can provoke over-heating and a fire.
- If the plug is wet or dirty, dry or wipe it before usage.
- If the plug does not fit perfectly with the outlet, do not plug in.
- Be sure to use only standardized multi-outlets.



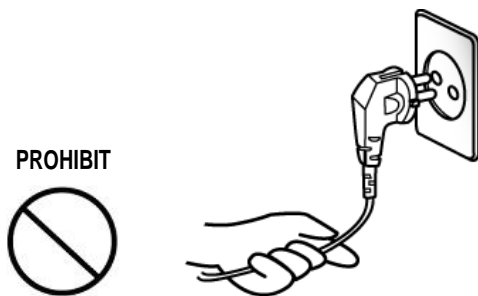
You must use only the supplied adapter.

- It is dangerous to use other adapters.



Do not pull the cable to unplug.

- This can damage the cable, which is the origin of a fire or a breakdown of the printer.



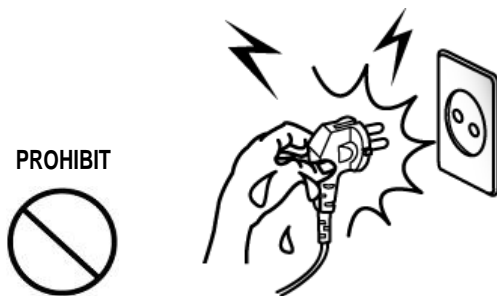
Keep the plastic bag out of children's reach.

- If not, a child may put the bag on his head.



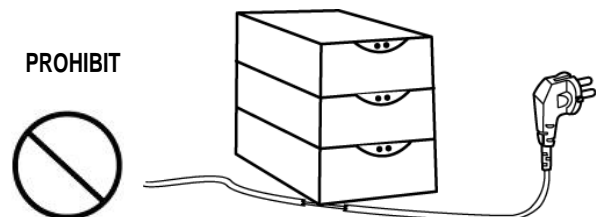
Do not plug in or unplug with your hands wet.

- You can be electrocuted.



Do not bend the cable by force or leave it under any heavy object.

- A damaged cable can cause a fire.





CAUTION

Violating following instructions can cause slight wound or damage the appliance.

If you observe a strange smoke, odor or noise from the printer, unplug it before taking following measures.

- Switch off the printer and unplug the set from the mains.
- After the disappearance of the smoke, call your dealer to repair it.

TO UNPLUG



Be careful not to get your fingers pinched when opening or closing the paper cover. Also be careful the paper cover does not slip off and drop.

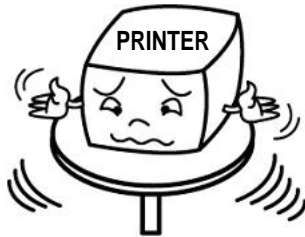
MECHANICAL HAZARD



Install the printer on the stable surface.

- If the printer falls down, it can be broken and you can hurt yourself.

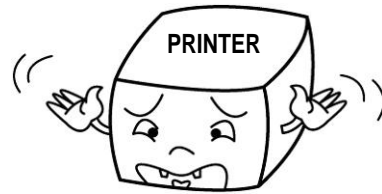
PROHIBIT



Use only approved accessories and do not try to disassemble, repair or remodel it for yourself.

- Call your dealer when you need these services.
- Do not touch the blade of auto cutter.

DISASSEMBLING PROHIBITED



Do not let water or other foreign objects in the printer.

- If this happened, switch off and unplug the printer before calling your dealer.

PROHIBIT



Do not use the printer when it is out of order. This can cause a fire or an electrocution.

- Switch off and unplug the printer before calling your dealer.

TO UNPLUG



■ Other Precautions

The copyright for this user's guide and various other manuals is property of the Oki Data Corporation. Any copying or conversion into electronic form and saving of this material without the express written permission of Oki Data Corporation. is strictly prohibited.

Use of the information contained in this manual is not subject to any patent liability. This manual has been prepared with utmost care and attention to detail but may contain certain errors and/or omissions.

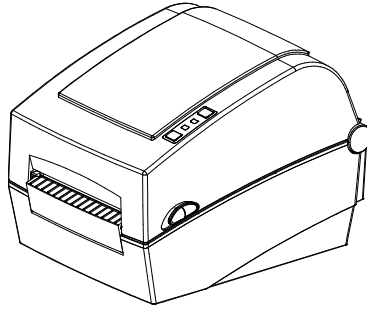
Oki Data Corporation. is not legally liable for any damages resulting from the use of the information in this manual.

Oki Data Corporation. and its affiliates are not legally liable (United States excluded) for any damages, loss, costs, and/or expenses that result from the breakdown, malfunction, and/or misuse of the product due to violation or neglect of the operation and maintenance information and instructions provided by the Oki Data Corporation., as well as from the unauthorized alteration, repair, and/or modification of the product by the user and/or third party.

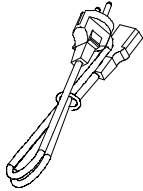
Oki Data Corporation. is not legally liable for any damages and/or issues resulting from the use of options and/or parts that are not authentic Oki Data products or authorized products.

1. Content Confirmation

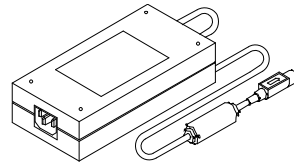
The following items should all be contained in the printer package.
Contact the dealer from which the purchase was made if any item is damaged and/or missing.



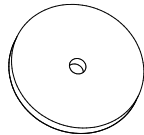
LD630D/LD640D



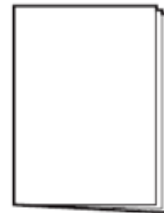
Power Cord



AC Adapter

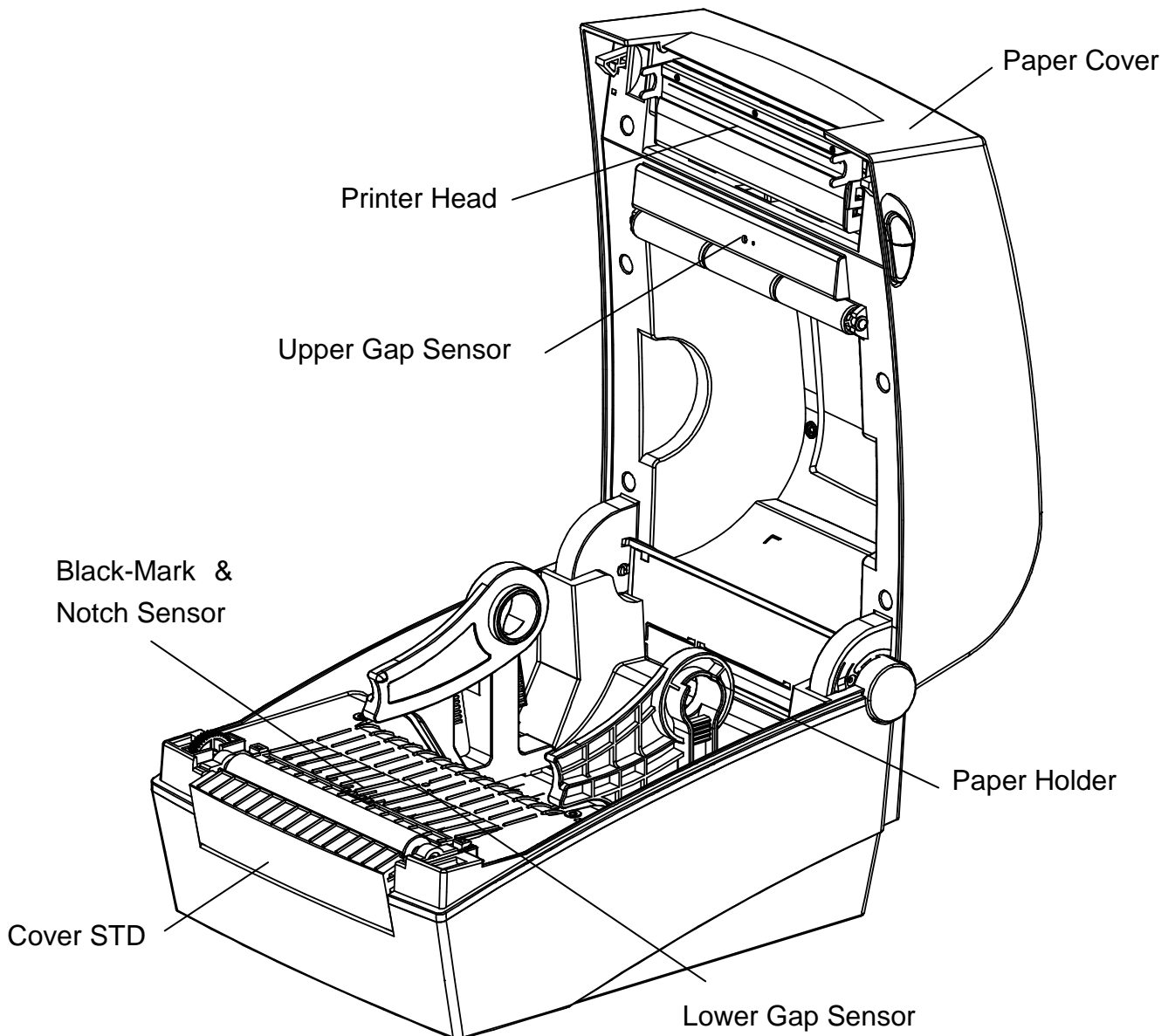
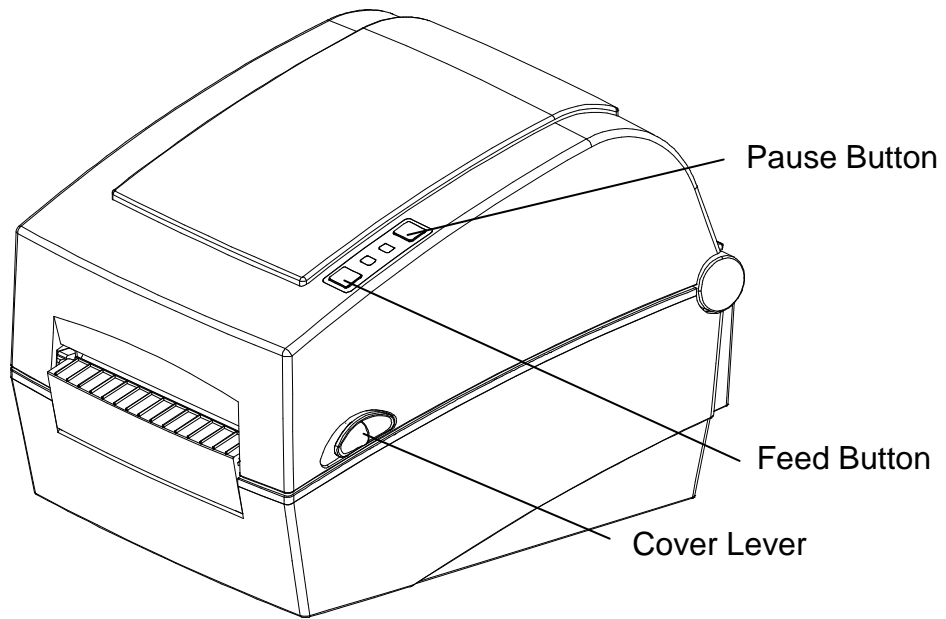


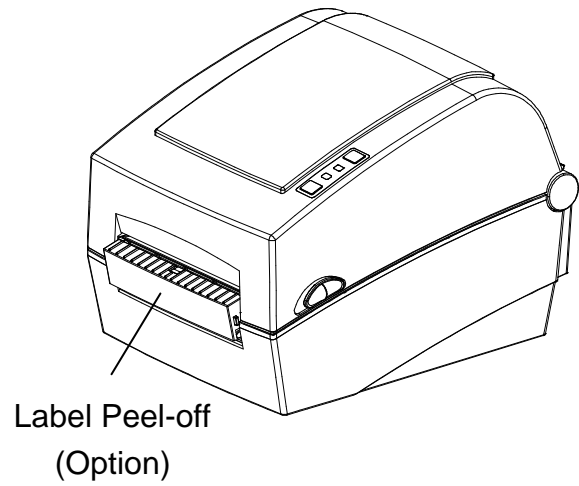
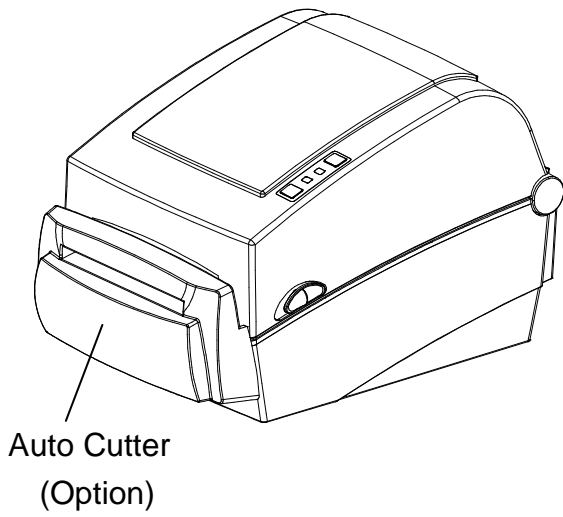
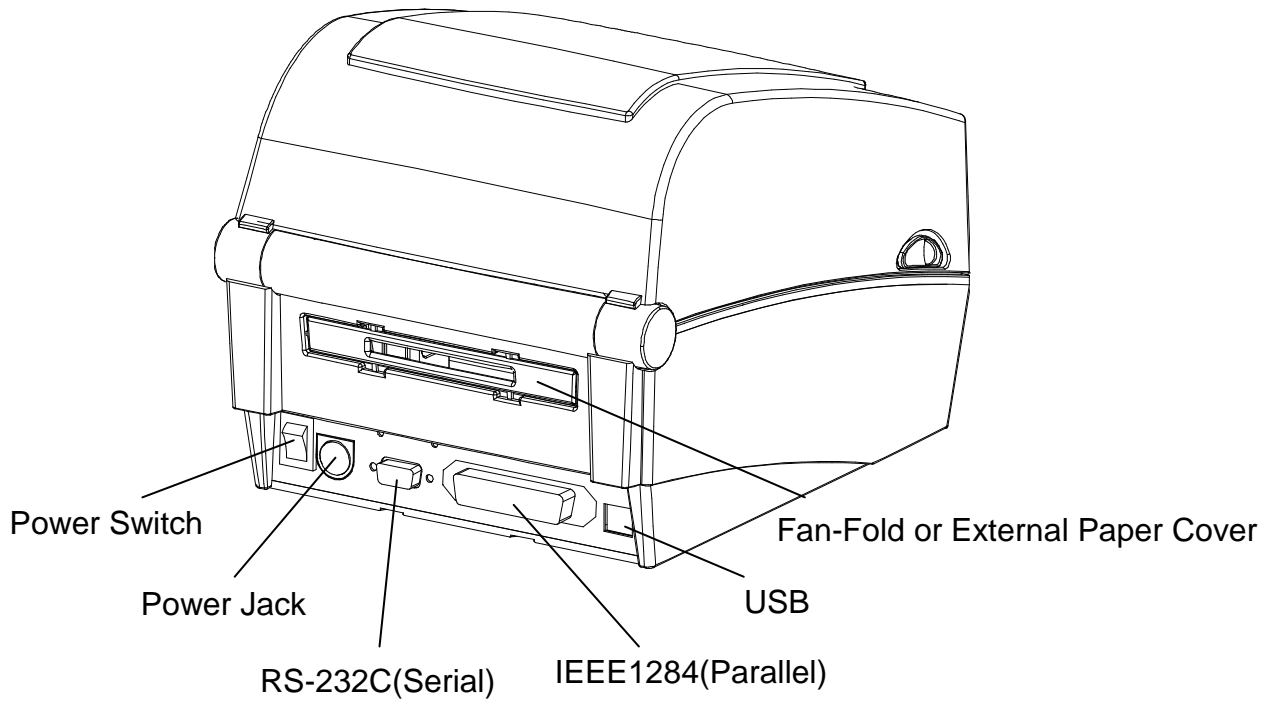
CD



**User Documents
(Setup Guide, Safety, Warranty)**

2. Product Part Names





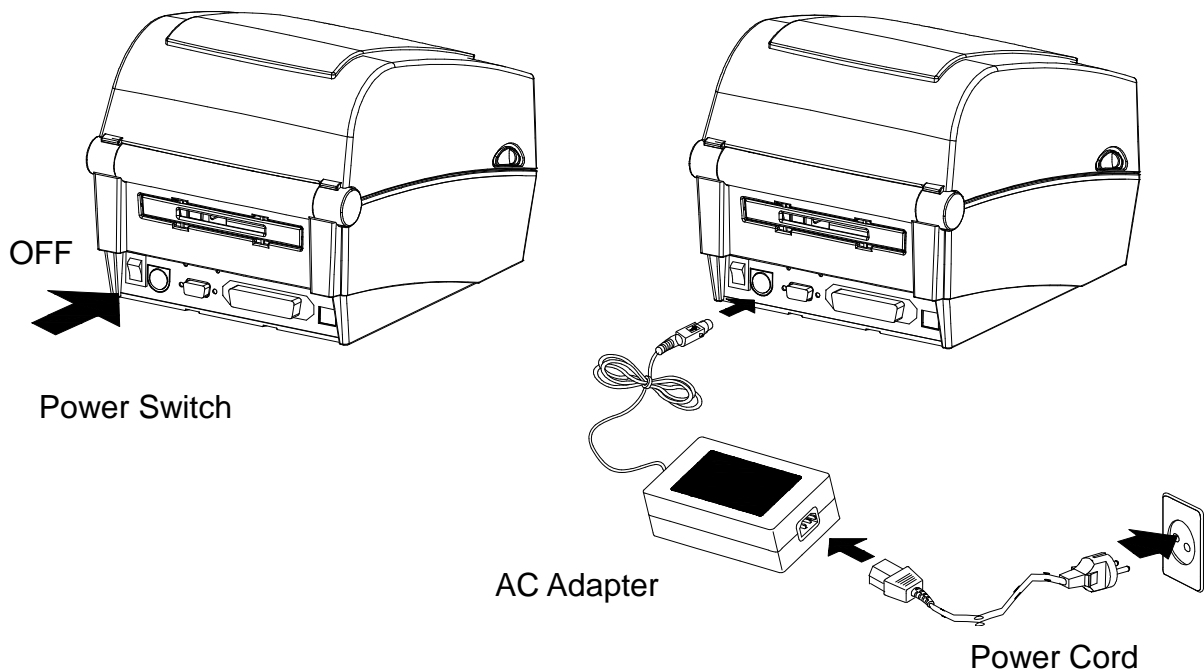
3. Installation & Usage

※ CAUTION

- Be careful not to get your fingers pinched when opening or closing the paper cover. Make sure to open the paper cover all the way until it locks into the open position.
- When loading roll paper, be careful not to get your fingers pinched between the paper roll and the paper holder.
- Do not touch the cutter with your hands or do not put something into the cutter. Doing so could result in an injury.

3-1 Power Connection

Connect power to the printer as shown below.



- 1) Turn off the printer power switch.
- 2) Check to see that the AC adapter voltage matches that of the power source.
- 3) Connect the AC adapter jack to the printer power connector.
- 4) Connect the power cord to the AC adapter.
- 5) Connect the power cord to a power source/outlet.

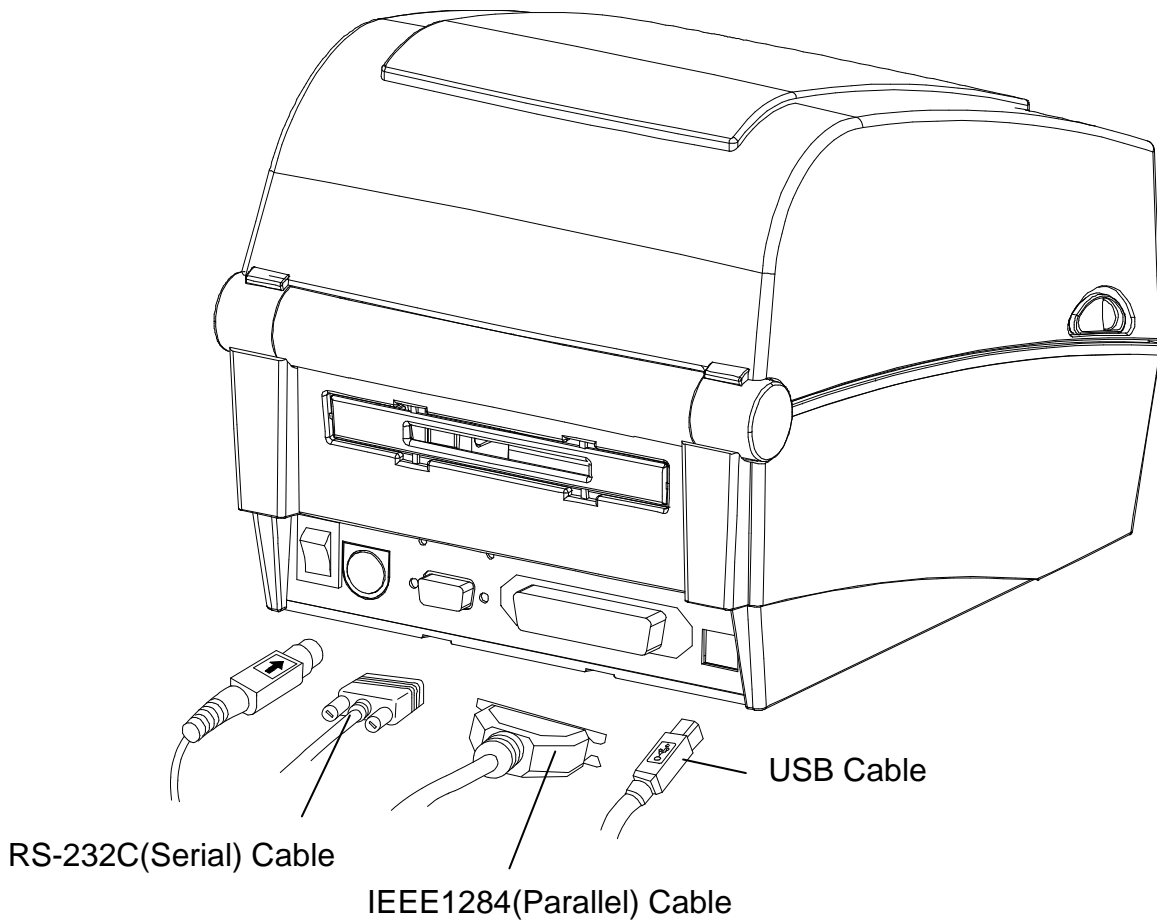
3-2 Interface Cable Connection

3-2-1 Standard Model

Connect the interface cable as shown below.

This printer supports the following communications interface standards.

- RS-232C(Serial) Cable
- IEEE1284(Parallel) Cable
- USB B-Type Cable



1) Turn off the power switch.

2) Connect the communication cable to the printer communication port to be used.

- Connect the RS-232C(Serial) Cable to the SERIAL port.
and tighten the screw on both sides.

This port requires a shielded cable less than 1.8m long.

- Connect the IEEE1284(Parallel) Cable to the PARALLEL port.
and fasten the clips on both sides.

This port requires a shielded cable with ferrite core less than 1.8m long.

- Connect USB B-Type cable to the USB port.

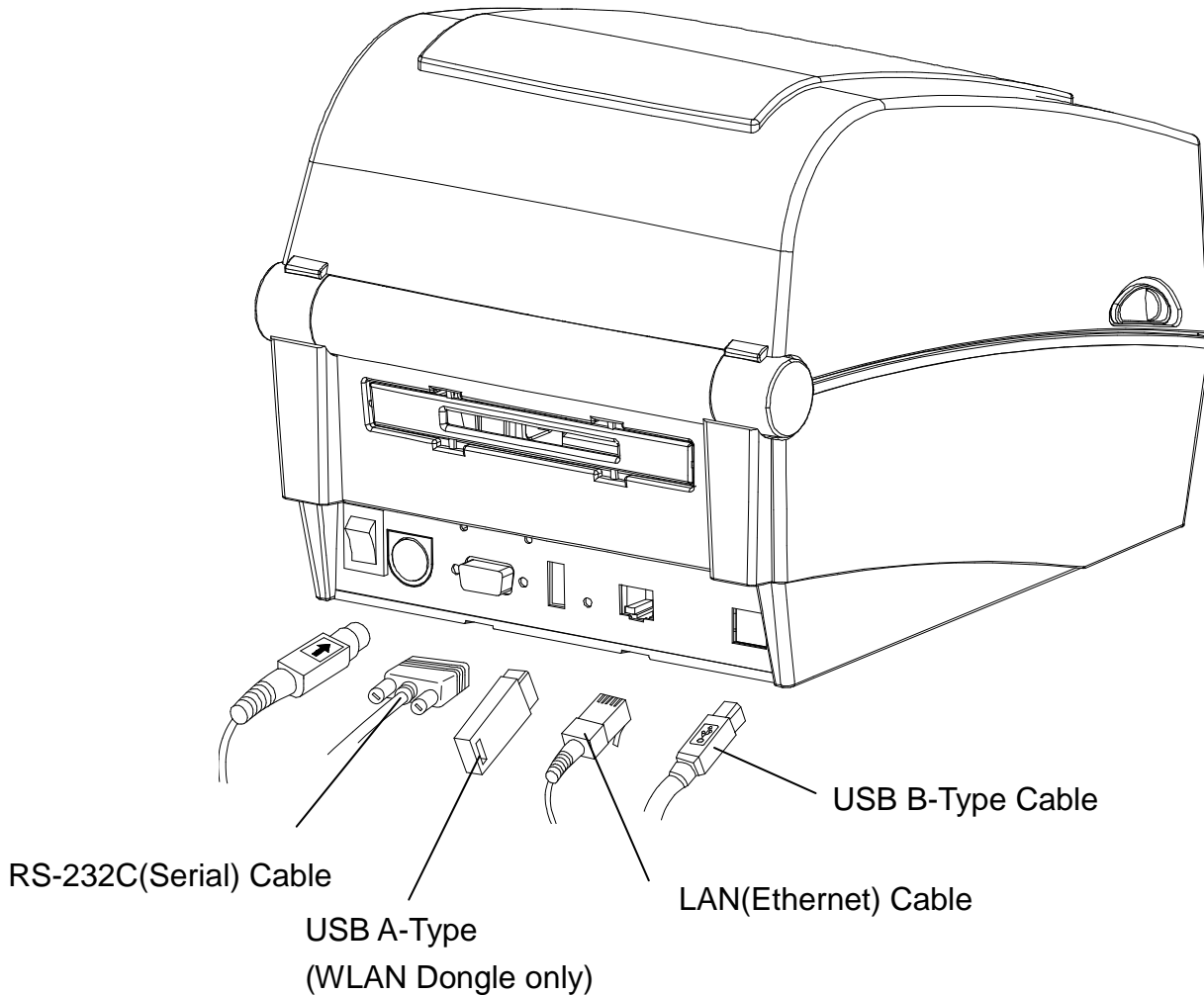
This port requires a shielded cable less than 1.8m long.

3-2-2 Ethernet Model

Connect the interface cable as shown below.

This printer supports the following communications interface standards.

- RS-232C(Serial) Cable
- LAN(Ethernet) Cable
- USB A-Type(WLAN Dongle only)
- USB B-Type Cable



1) Turn off the power switch.

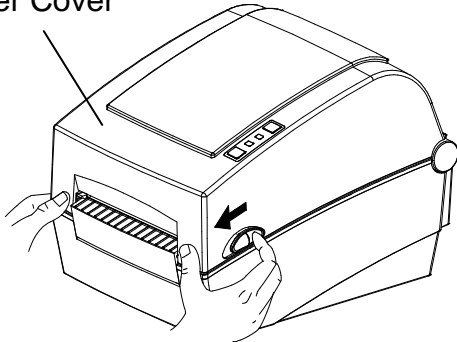
2) Connect the communication cable to the printer communication port to be used.

- Connect the RS-232C(Serial) Cable to the SERIAL port.
and tighten the screw on both sides.
This port requires a shielded cable less than 1.8m long.
- Connect the LAN(Ethernet) Cable to the ETHERNET port.
This port requires a shielded cable less than 3.0m long.
- Connect USB A-Type(WLAN Dongle only) to the HOST port.
- Connect USB B-Type Cable to the USB port.
This port requires a shielded cable less than 1.8m long.

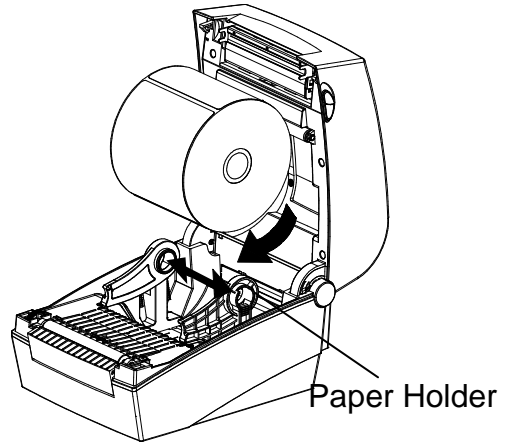
3-3 Paper Installation

1) Open the Paper Cover.

Paper Cover

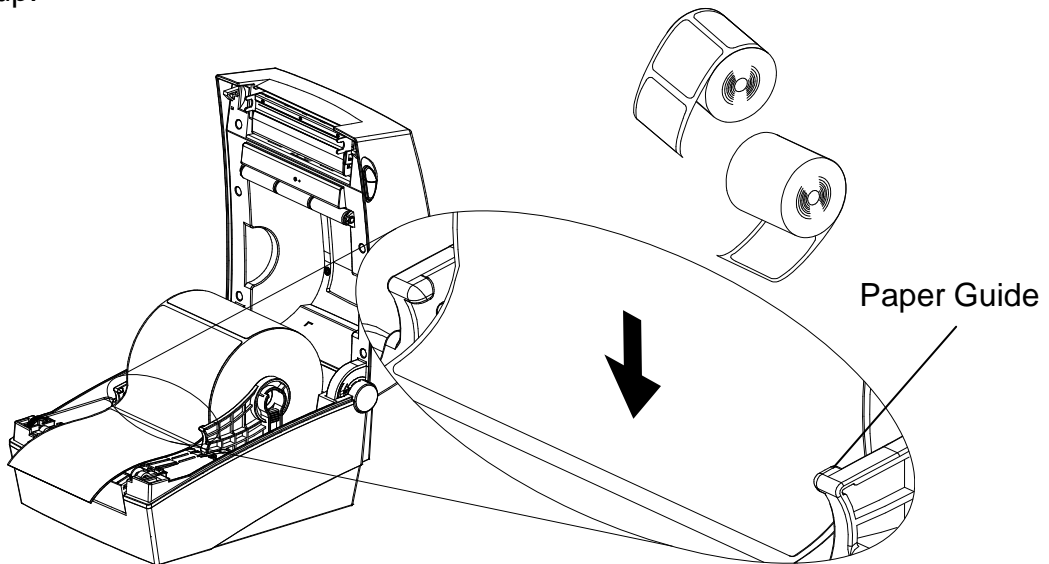


2) Spread the Paper Holder and insert paper roll.

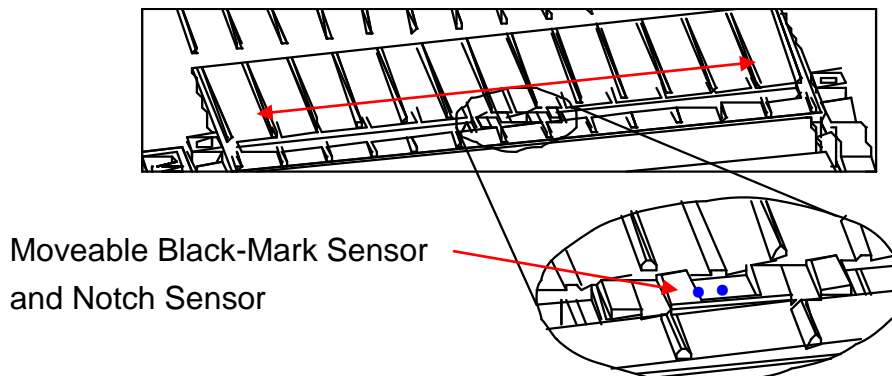


3) Pull the paper so that it extends out of the front of the printer. Push the paper under both of the Paper Guide.

* Whether the paper label is wound inwards or outwards, its printing surface must face up.

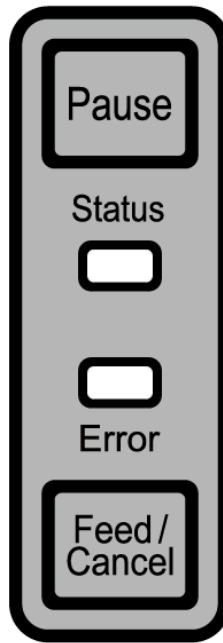


4) If you use Black-Mark or Notch paper roll, please lift up the paper and match the sensor position adjust the black mark or notch hole.



5) Close the Paper Cover until a click sound is heard.

3-4 Buttons and LED



3-4-1 Button Operations

Printer state before operation	Button		Operation procedure	Printer operation mode
	Feed/ Cancel	Pause		
Power OFF	Depress	-	<ul style="list-style-type: none"> • Apply power while depressing the button. • Hold the button for about five seconds. 	Self-test Printing Mode.
Print Standby	Depress	-	<ul style="list-style-type: none"> • Depress the button softly and release it immediately 	Feed Mode
Print Standby	-	Depress	<ul style="list-style-type: none"> • Depress the button for two seconds and continue to hold 	Stand-alone configuration Mode
During printing	Depress	-	<ul style="list-style-type: none"> • Depress the button softly and release it immediately 	Print Cancel Mode
During printing	-	Depress	<ul style="list-style-type: none"> • Depress the button softly and release it immediately 	Print Pause Mode

3-4-2 LED indicator for various printer statuses

Status LED		Error LED		Printer Status	
Color	Status	Color	Status		
Green	On	Green	On	Print standby mode	Print standby mode
Red	On	Red	On	Error mode	Ribbon is not detected
Red	On	Orange	On	Error mode	Paper jam (gap/black mark is not recognized)
Red	On	Green	Blink	Error mode	Printer head overheating
Red	On	Red	Blink	Error mode	Cover open
Red	On	Orange	Blink	Error mode	No paper
Red	On	-	Off	Error mode	Media calibration failure
Red	Blink	Red	Blink	Error mode	Auto-Cutter error
Orange	On	Orange	On	Mode switching notification	Mode switching notification
Green	Blink	Red	On	Wait for input	Print is paused temporarily. Wait for button input
Green	Blink	Green	Blink	Wait for input	Cover Close Mode. Wait for button input
Green	On	Red	Blink	Wait for input	Print Cancel Mode. Wait for button input

3-5 Test printing

3-5-1 Printing using Windows driver

- 1) Install the Windows driver.
Refer to the “Windows driver manual” in the CD for the installation procedure.
- 2) Set the “port” of Windows driver to the appropriate interface to be used. Refer to the “Ethernet interface user’s manual” in the CD when using Ethernet interface.
- 3) Print the test page using the “Print test page” function of Windows driver.

3-5-2 Printing using label design program

- The label design program is included in the CD.

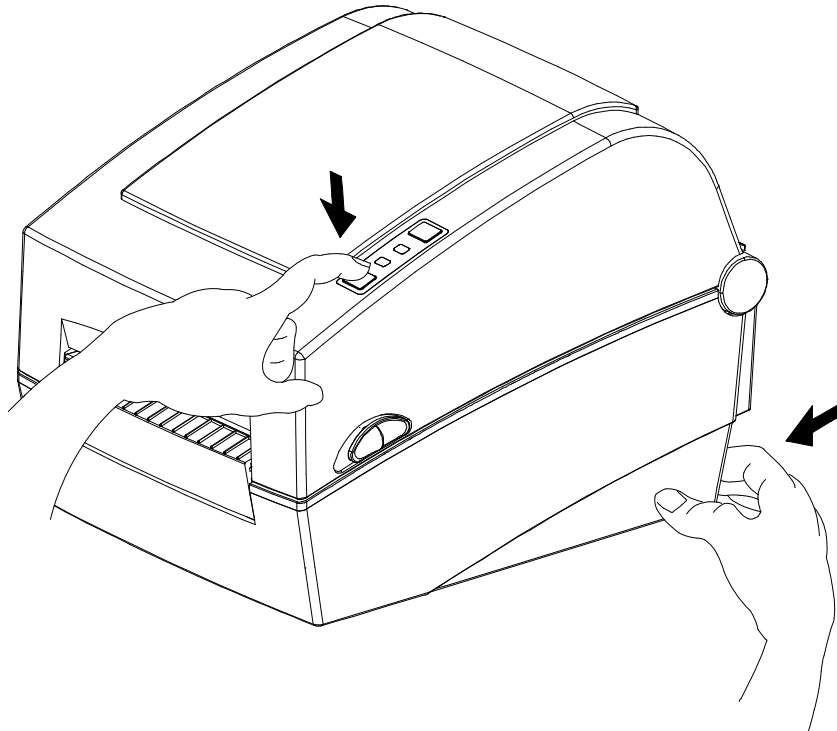
- 1) Install the label design program.
- 2) Refer to the “Label Design Program Manual” included in the CD and set the interface.
- 3) Print the test page after designing a label.

4. Self-Test

The self-test checks whether the printer has any problems.
(Users cannot perform this procedure if using the printer's label peel-off option.)
If the printer does not function properly, contact an authorized dealer.

The self-test checks the following;

- 1) Make sure that the paper roll has been installed properly.
- 2) Turn on the power while holding down the FEED button. The self-test begins.
(It takes about 5 seconds before starting self-test)
- 3) The self-test prints the current printer configuration information.
- 4) After the self-test results are printed out, a printer enters into Print Standby Mode.



5. Detailed features

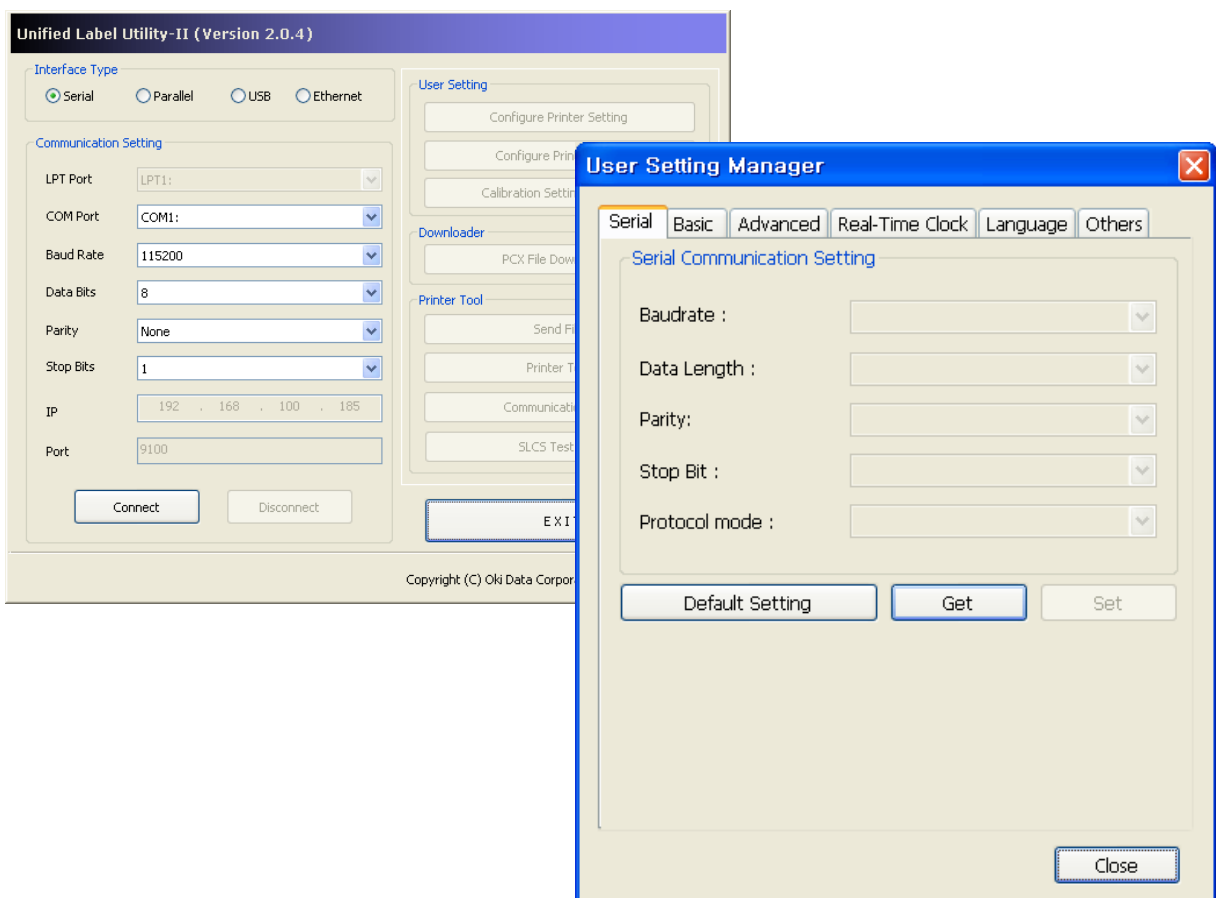
5-1 Printer setting using utility program

Various printer settings can be changed using the utility program (Unified Label Utility-II).

Functions that can be used with the utility program are as follows.

- 1) Serial communication settings
Handshake, Stop bit, Data bit, Parity, and Baud rate can be configured.
- 2) Basic printer settings
Paper size, printing speed and density, paper type, and use of ribbon can be configured.
- 3) Language setting
Code page can be configured.
- 4) Media sensor manual calibration function
This function can be used to detect special type or special material paper that is not detected through automatic calibration function. Refer to Manual Calibration mode page for more details
- 5) Other functions for printer test are also provided.

Refer to the United Label Utility-II Manual contained in the CD for more detailed information.



5-2 Stand-alone Configuration Mode

Various modes can be executed using buttons and LED only.

5-2-1 How to start stand-alone configuration mode

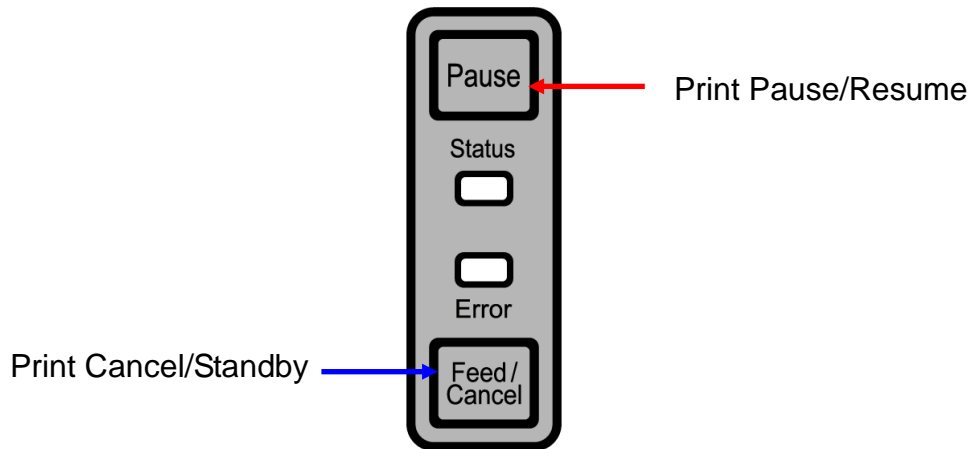
- The printer mode is set to Printer Setting Mode when the Pause button is depressed for two seconds while in Print Standby Mode.
- Both LEDs will change to orange color and the printer will be set to Stand-alone Configuration Mode.
- When the printer enters into this mode, the status of Status LED and Error LED are changed sequentially.
- When the Feed button is depressed at specific LED color combination, the corresponding printer operation will be selected.

5-2-2 List of supported functions

Sequence number	Status LED		Error LED		Printer operation
	Color	Status	Color	Status	
1	Green	On	Green	Blink four times	Print Configuration Info.
2			Orange	Blink four times	Print File List
3			Red	Blink four times	Factory Reset
4	Orange	On	Green	Blink four times	Gap Sensor Auto Calibration
5			Orange	Blink four times	B/M Sensor Auto Calibration
6			Red	Blink four times	Data Dump Mode
7	Red	On	Green	Blink four times	Demo Mode
8			Orange	Blink four times	-
9			Red	Blink four times	Object Delete

5-3 Pause/Cancel

During multiple-page print jobs, the Pause and Cancel button can be used to temporarily cease printing and cancel the print job altogether, respectively.



5-3-1 Pause/Resume Function

- 1) When printing labels, pressing the Pause button
- 2) The printer will pause after finishing the current label printing and the status of LED will be as follows.
 - Status LED: Green Blink
 - Error LED: Red On
- 3) While the print job is paused, press the Pause button again to resume printing.

5-3-2 Print Cancellation

- 1) During label printing and/or pause mode, pressing the Cancel button enters the print cancellation mode.
- 2) The following processes occur in the print cancellation mode.
 - All label printing cancelled
 - All data received in the printer communications buffer deleted.
 - All received data deleted.
- 3) The LED Status in the print cancellation mode can be as follows.
 - Status LED: Green On
 - Error LED: Red Blink
- 4) While in the print cancellation mode, press the Cancel button again to return to print standby mode.

5-4 Media Calibration

This printer has been designed to recognize the gaps with most print papers, but sometimes it may not recognize the gap and keep feeding paper if a special type of paper is used. In this case, run Auto Calibration function so that the printer can recognize the gap. Oki Data printer provides various media calibration methods in order to accommodate various special paper types.

5-4-1 About media calibration

- This function is for adjusting the sensitivity of the paper detection sensor for accurate printing position control and measuring actual length of paper.
- Sensor sensitivity adjustment
 - The purpose is to detect the identifier (gap/black mark/groove) of installed label
- Paper length measurement
 - Accurate length is required to rotate the printing orientation.
 - The purpose is to detect the change of paper type.

5-4-2 When is media calibration required?

- When the printer is installed first time
- When the newly installed paper is a different paper type
- When printer position is not accurate or printer does not stop in the right position

5-4-3 How to perform media calibration

- The following four methods of media calibration can be used depending on the conditions.
 - Smart Media Detection
 - Gap Sensor Auto Calibration Mode
 - Black Mark Sensor Auto Calibration Mode
 - Manual Calibration Mode
- Why are several calibration methods provided?
 - Multiple labels should be scanned for media calibration and more accurate sensitivity calibration can be performed when more labels are scanned.
 - The number of labels to scan for sensor sensitivity adjustment depends on various conditions such as label paper material, color, surface status, thickness, gap length, pre-printed pattern, etc.
 - Four different media calibration modes are provided for compromise between prevention of excessive use of paper and accuracy of sensor sensitivity adjustment.
 - Smart media detection mode that allows for adjustment of sensitivity with minimum amount of scanning should be good enough for most cases with general labels.
 - Try various methods in order of Smart Media Detection → Gap Sensor Automatic Calibration / Black Mark Sensor Automatic Calibration → Manual Calibration Mode.

5-5 Smart Media Detection

- Printer executes this function when necessary without user input and media configuration can be completed with Smart Media Detection function for most print papers.
- Papers with gap or black mark can be identified without separate settings.
- 3 ~ 5 pages of labels will be used depending on the type of paper.
- Smart Media Detection function is executed in the followings cases
 - When the printer is installed first time, it is executed through Feed button or print command.
 - When paper length change is detected during feeding or printing.
 - When the paper type entered by command is different from the configured paper type.
 - After reset with factory settings
- Smart Media Detection function will be turned off after setting the sensor sensitivity using Automatic Calibration Mode or Manual Media Calibration mode, and it will be enabled again after resetting the printer with factory settings.

5-6 Gap Sensor Auto Calibration Mode

Use this mode when paper is not detected correctly with Smart Media Detection function.

Printer feeds paper and calibrates Gap Sensor automatically.

The printer will enter error mode if paper detection fails after feeding up to 1 meter of paper. Error mode can be released by opening and closing the cover.

Use Manual Calibration Mode if paper detection fails in this mode.

Smart Media Detection will be disabled if paper detection is successful in this mode.

5-6-1 Procedure to run the calibration

- Depress the Feed button at 4th LED sequence as shown in section 5-2-2 (Status LED is Orange and Error LED is blinking Green four times) to start Gap Sensor Automatic Calibration Mode.

5-7 Black Mark Sensor Auto Calibration Mode

Use this mode when paper is not detected correctly with Smart Media Detection function.

Printer feeds paper and calibrates Black Mark Sensor automatically.

The printer will enter error mode if paper detection fails after feeding up to 1 meter of paper. Error mode can be released by opening and closing the cover.

Use Manual Calibration Mode if paper detection fails in this mode.

Smart Media Detection will be disabled if paper detection is successful in this mode.

5-7-1 Procedure to run calibration

- Depress the Feed button at 5th LED sequence as shown in section 5-2-2 (Status LED is Orange and Error LED is blinking Orange four times) to start Black Mark Sensor Automatic Calibration Mode.

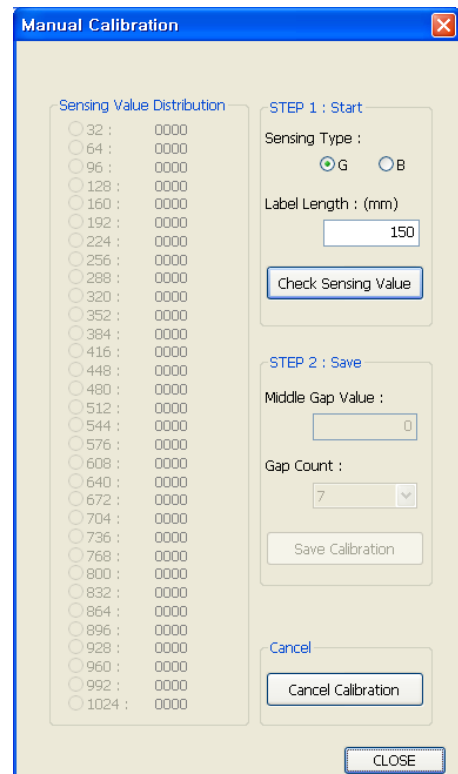
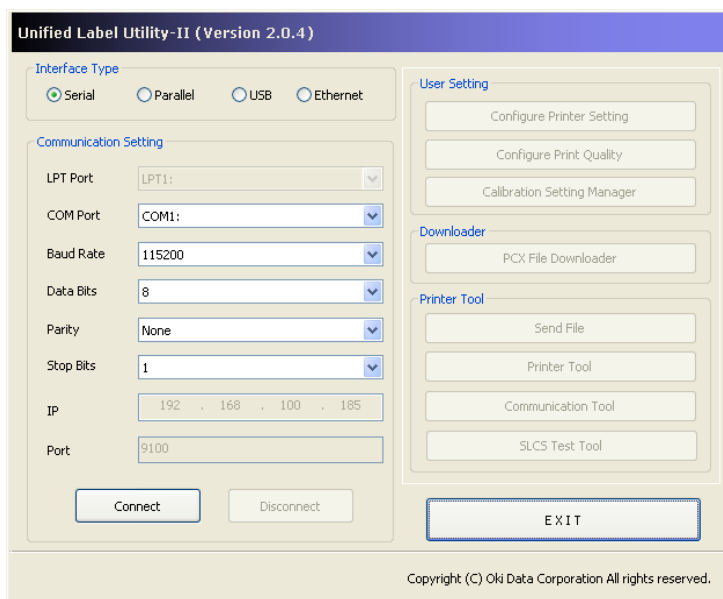
5-8 Manual Calibration Mode

Manual-calibration of media detection can be used when the printer cannot detect a media gap (or black mark) even after auto-calibration has been executed.

Users can calibrate sensor parameters in detail by using the utility program provided by the manufacturer.

The utility can be obtained from the enclosed CD.

Please make sure the printer is connected and execute the utility program.
Click on the Calibration Setting Manager Button after setting the interface type.



- 1) Select the sensing type and input the label length by millimeter and click on “Check Sensing Value” button. Then printer starts to calibrate.
- 2) Printer will print the scanned values after calibration and the values will appear on the Screen.
- 3) Optimal sensing values will appear in bold letters on the left of the utility screen. Select one of the optimal sensing value by clicking on it's option button and then click on "Save Calibration."
- 4) If chosen value does not work properly, please try the other values among the bold letters.
- 5) To go back to the initial value, please click on “Cancel Calibration”

5-9 Cover Closing Mode**1. About Cover Closing Mode**

- The printed area may become out of range of paper if the paper is not in the accurate printing position when the cover is opened and closed.
- The printer is put into Cover Closing Mode instead of Print Standby Mode when the cover is closed in order to prevent this problem, and it waits for user input.
- The status of LEDs are as follows in this mode.
 - Status LED: Green Blink
 - Error LED: Green Blink
- The data received during Cover Close Mode is not printed until the printer recovers to Print Standby Mode.

2. How to switch the printer from Cover Close Mode to Print Standby Mode

- Depress the Pause button to switch to Print Standby Mode without feeding any paper.
- Depress the Feed button to feed one page to align the paper position and switch to the Print Standby Mode.

5-10 Data Dump Mode

This function can be used to diagnose the communication issues when the printing does not work correctly.

In this mode, the received data are not analyzed instead they are dumped in hex format without processing.

Turn the printer off and on to recover to the Print Standby Mode.

5-10-1 How to start Data Dump Mode

- 1) Depress the Pause button for two seconds during Print Standby Mode.
- 2) Both LEDs will change to orange color and the printer will be set to Stand-alone Configuration Mode.
- 3) Depress the Feed button at the third LED sequence in 5-2-2 (Status LED Green / Error LED Red – Blink four times) to enable Data Dump Mode.

5-11 Factory Reset

This function is used to reset the printer settings to factory default settings.

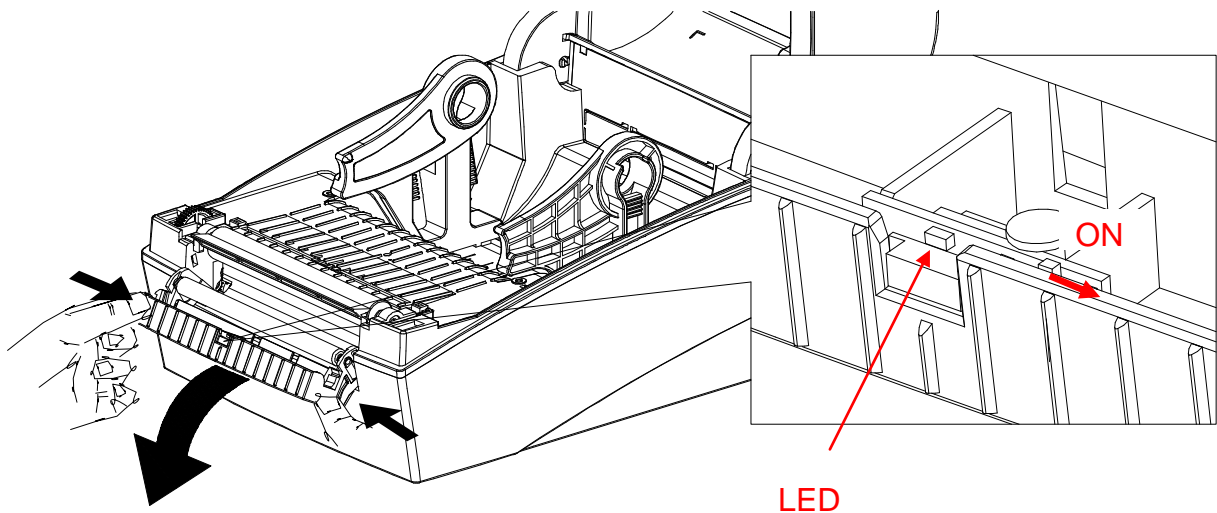
5-11-1 How to reset the printer

- 1) Depress the Pause button for two seconds during Print Standby Mode.
- 2) Both LEDs will change to orange color and the printer will be set to Stand-alone Configuration Mode.
- 3) Depress the Feed button at the 3rd LED sequence as shown in section 5-2-2 (Status LED is Green and Error LED is blinking Red four times) to reset the printer to factory settings, and Smart Media Detection function will be executed.

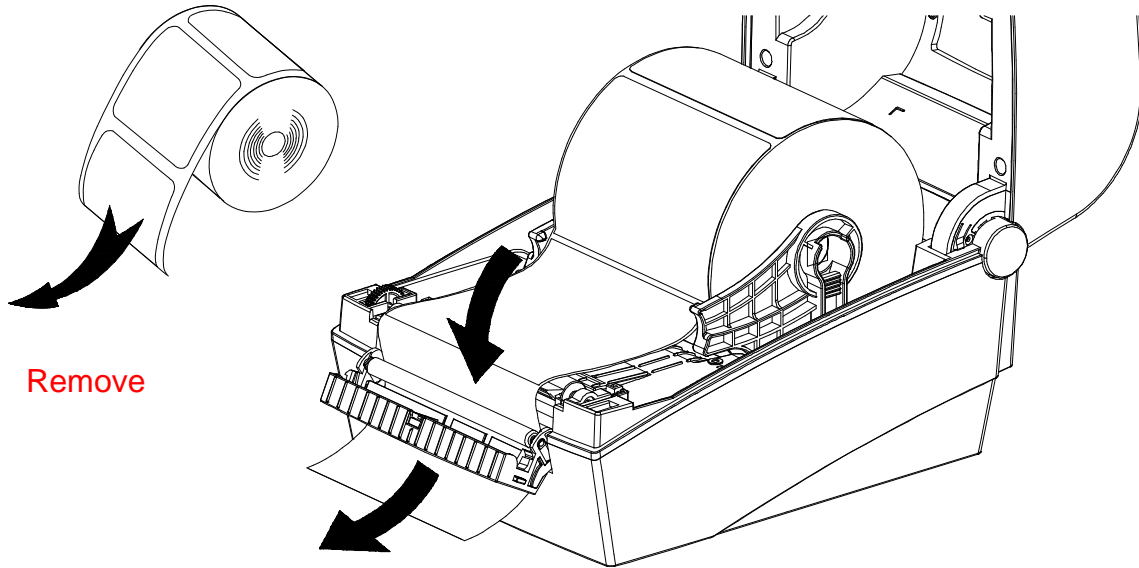
5-12 The Peel-Off (Option)

As a function that is used to peel-off labels, it is used only with label paper.

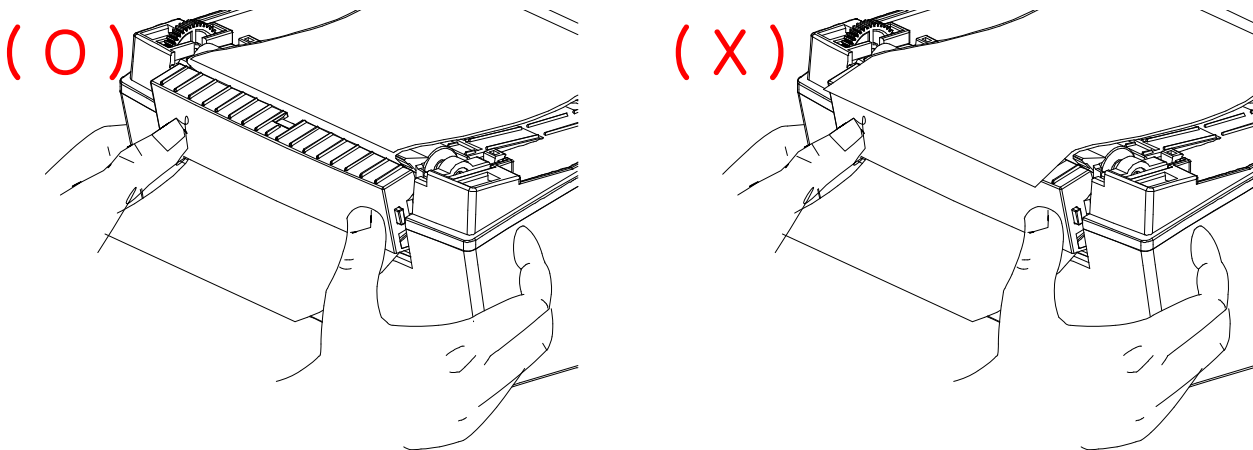
- 1) Open the paper cover.
- 2) Open the label peel-off cover and set the peeler switch to the ON position.
 - Check to see that the LED has turned on.



3) Remove one sheet of the label paper, and insert the paper as shown in the image below.



4) Adjust the paper guides and close the label peel-off cover.



5) Close the Paper Cover until a click sound is heard.

6) Turn the printer off and on.

5-13 Using Fan-Fold Paper

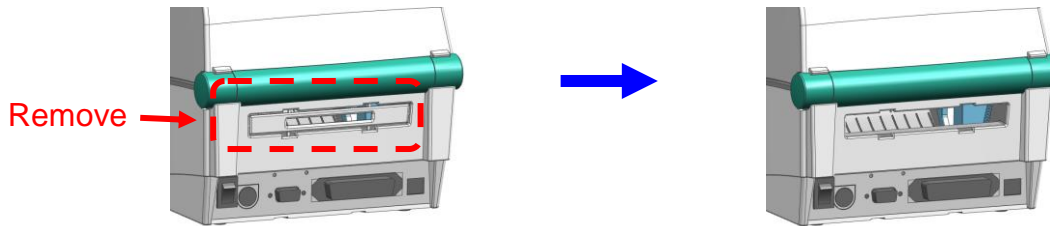
Supplying paper to the printer externally is done as follows.

5-13-1 Printer Preparation

Remove the rear paper supply cover on the back side of the printer with a knife or other cutting instrument.

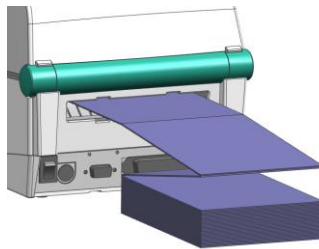
※ CAUTION

- Take care not to injure the hands and/or any other part of the body when performing this step.

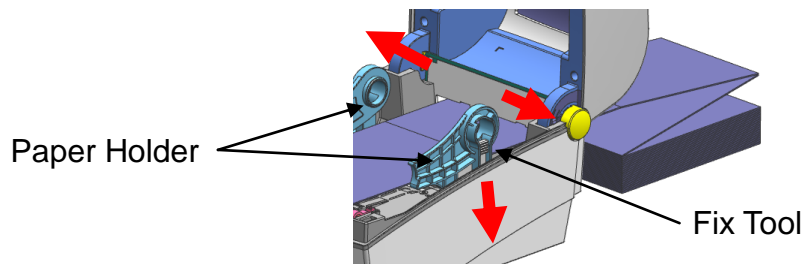


5-13-2 When Using Fan-Fold Paper

- 1) Insert the paper at the rear of the printer using the slot and guides.



- 2) Adjust Paper Holders to the paper width by using the Fix Tool.

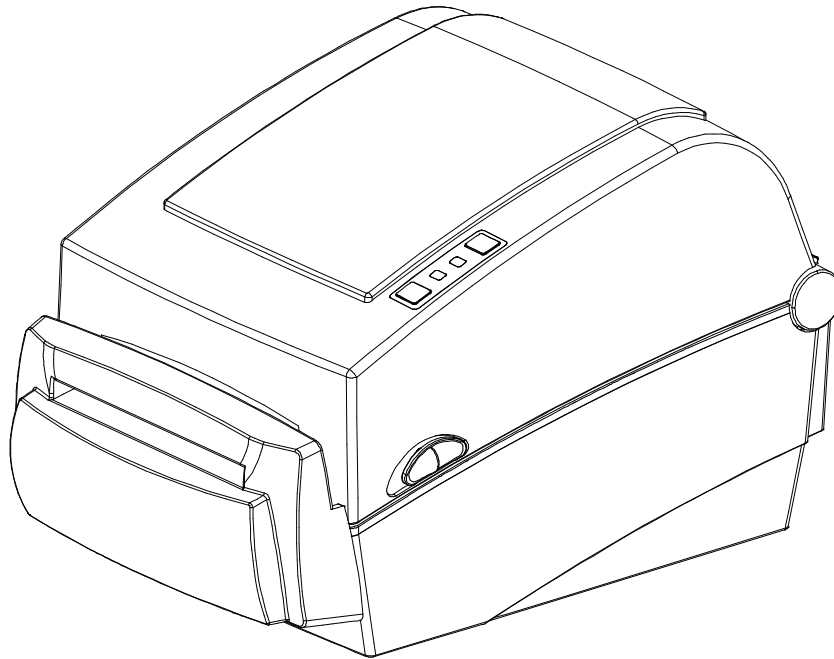


5-14 Auto Cutter (Option)

For auto paper cutting, products equipped with auto cutter are available.

Auto-Cutter can be controlled by command. And default setting can be changed by Unified Label Utility-II.

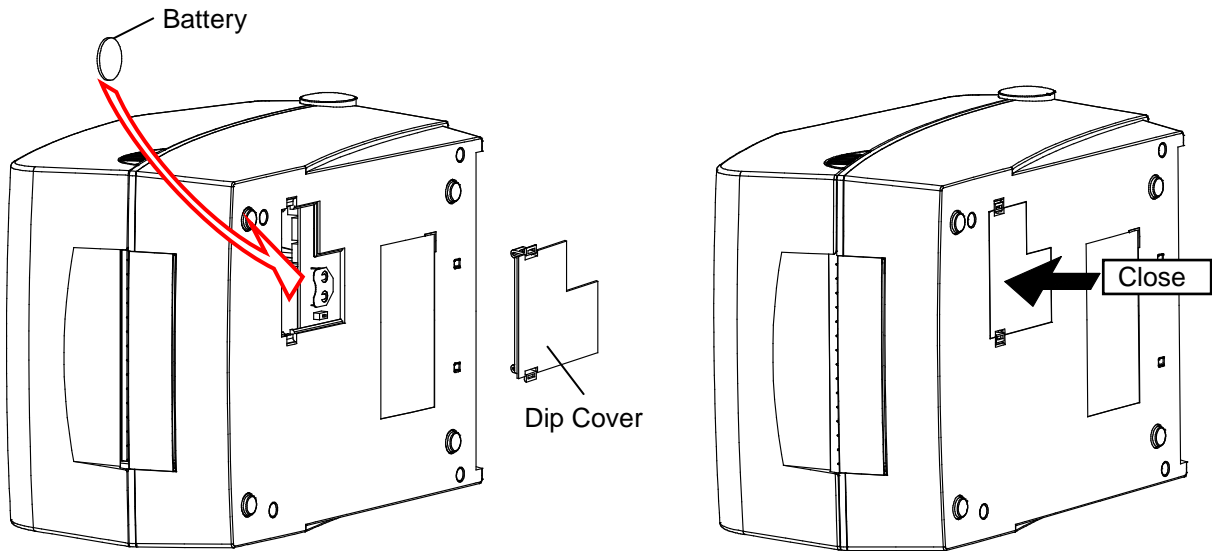
※ The paper installation method is the same as paper with no auto cutter.



5-15 Real-Time Clock (Option)

The function of the Real-Time Clock option is to print the time and date onto the label. The date and time can be set in the printer by using the Unified Label Utility-II.

You can discern a low or depleted battery if printer provides a consistently incorrect time and date. In this case, you need to replace the battery. When battery is changed, the time and the date will need to be reset.

**※ CAUTION**

- For your safety, The access cover on the bottom of the printer should always be closed. When changing the battery, please open the cover with your thumb and index finger. Then close the cover after changing the battery.
- Wrap the battery when recycling or storing to avoid short circuit.
- Do not short circuit the battery. It may result in heat generation or fire.
- Do not disassemble or heat the battery.

6. Cleaning Head

Printing quality might be degraded by dust, foreign substance, adhesive substance, or other pollution materials stuck in the printer head or inside the printer.

When dirty, clean the print head as follows:

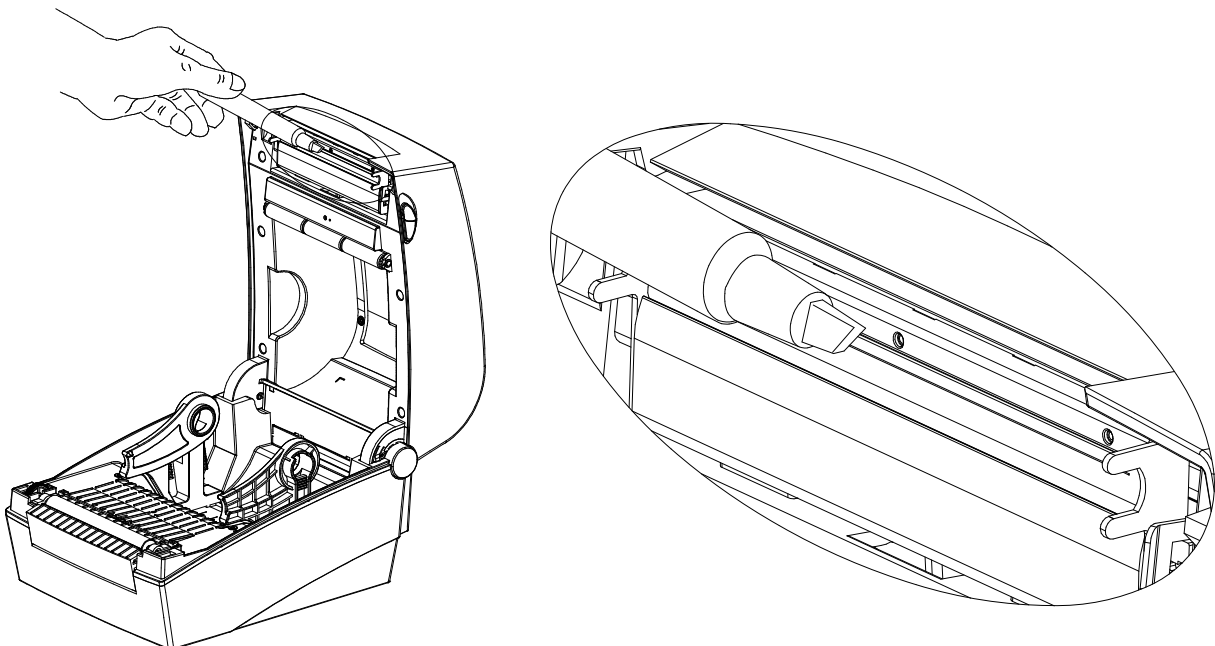
※ CAUTION

- Make sure to turn the printer power off prior to cleaning.
- As the print head gets very hot during printing, if intending to clean the print head, turn the printer power off and wait approximately 2~3 minute before commencement.
- When cleaning the print head, take care not to touch the heated portion of the print head.
 - Printer Head is susceptible to damage from static electricity, etc.
- Take care not to allow the print head to become scratched and/or damaged in any way.
- Be careful not to get your fingers pinched when opening or closing the paper cover. Make sure to open the paper cover all the way until it locks into the open position.
- When loading roll paper, be careful not to get your fingers pinched between the paper roll and the paper holder.
- Do not touch the cutter with your hands or do not put something into the cutter. Doing so could result in an injury.

6-1 Cleaning Head

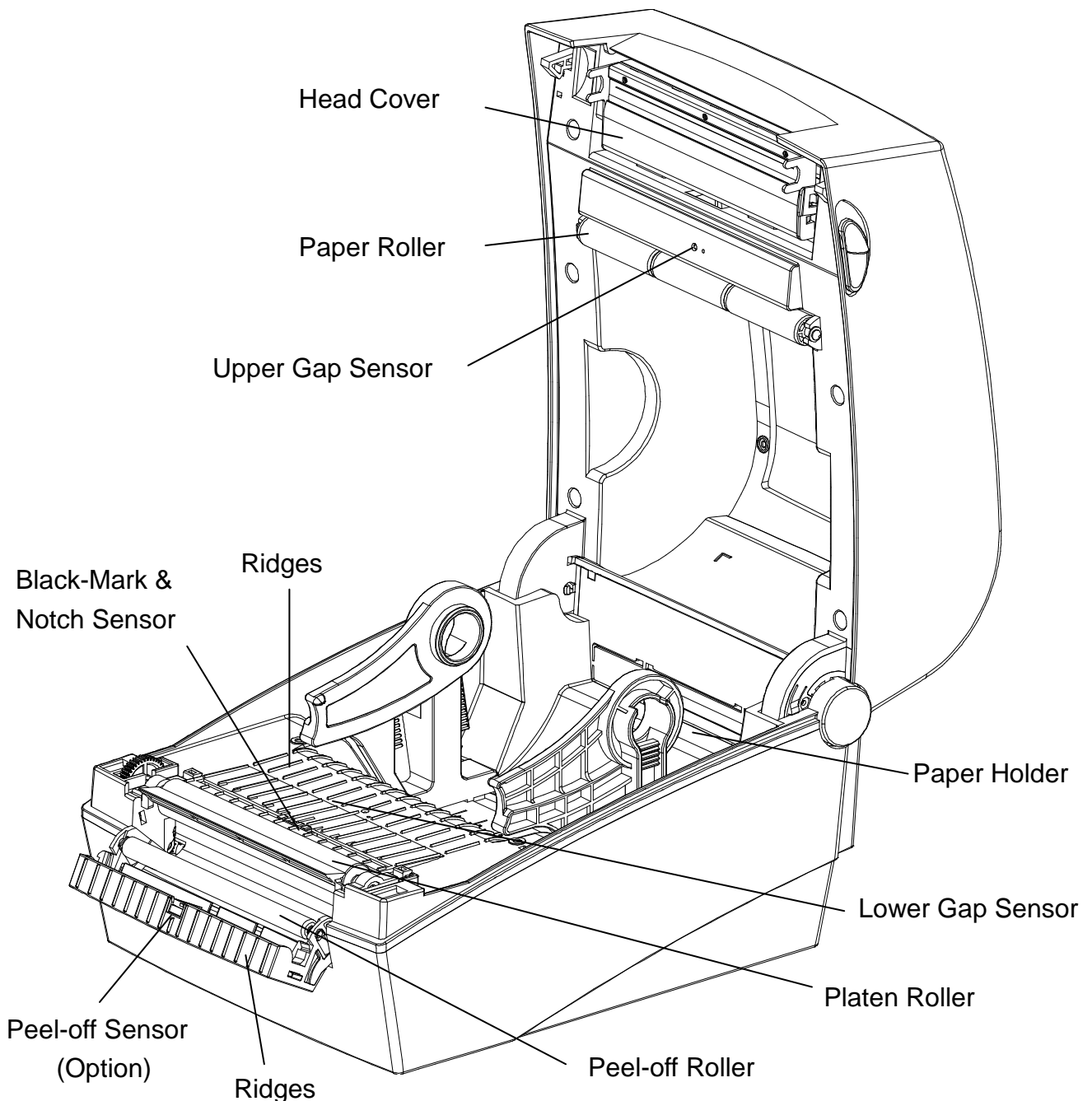
- 1) Open the Paper Cover and then use the cleaning pen to clean the head in the direction from the center of the head to the edges.
- 2) After cleaning the head, do not use the printer until the alcohol used for cleaning evaporates completely (1~2 min) and the printer has completely dried.

- ※ Perform the cleaning process each time the paper roll is replaced to prevent print quality deterioration.



6-2 Cleaning Sensors, Roller or/and Paper Path

- 1) Open the paper cover and then remove the paper.
 - 2) Remove any dust or foreign substance using dry cloth or cotton swab.
 - 3) Soak the cloth or cotton swab in alcohol for medical use and use it to remove adhesive foreign substances or other pollution materials.
 - 4) After cleaning the parts, do not use the printer until the alcohol evaporates completely (1~2 min) and the printer has completely dried
- ※ Clean the parts when there is a degradation of performance in printing quality or paper detection.



7. Appendix

7-1 Specifications

	Item	Description
Printer	Printing Method	Direct Thermal Printing
	Dot Density	LD630D : 203 dpi (8 dot/mm) LD640D : 300 dpi (11.8 dot/mm)
	Printing Width	LD630D : Max. 108 mm(Max. 4.25") LD640D : Max. 105.7 mm(Max. 4.16")
	Printing Speed	LD630D : Max. 165 mm/sec (Max. 6.5ips) LD640D : Max. 102 mm/sec (Max. 4ips)
Paper	Width	20 ~ 110 mm(0.79 ~ 4.33")
	Roll	Max 130mm(Max. 5.12")
	Core	25.4 ~ 38.1mm (1 ~ 1.5")
AC Adapter	Input Voltage	AC 100~240V
	Frequency	50/60 Hz
	Output Voltage	DC 24V±5%
	Output Current	2.5A
Usage Conditions	Temperature	5 ~ 40 °C (Operating) -20 ~ 60 °C (Storage)
	Humidity (except for paper)	10 ~ 80 % RH (Operating) 10 ~ 90 % RH (Storage)

※ Note

- Printing speed can vary depending on the data transmission speed and combination of control commands.
- This equipment is for indoor use and all the communication wirings are limited to inside of the building.
- The switch is the disconnecting device. Turn off switch from any hazard.

7-2 Label Types

The label types used with this printer are as follows.

- Control Labels: PP
- Other Labels: PET

Oki contact details

OkicontactName. Oki Systems (UK) Limited

OkicontactAddress.550 Dundee Road
Slough Trading Estate
Slough
Berkshire
SL1 4LE

Tel:+44 (0) 1753 819819
Fax:+44 (0) 1753 819899
<http://www.oki.co.uk>

Oki Systems Ireland Limited

The Square Industrial Complex
Tallaght
Dublin 24

Tel:+353 (0) 1 4049590
Fax:+353 (0)1 4049591
<http://www.oki.ie>

Oki Systems Ireland Limited - Northern Ireland

19 Ferndale Avenue
Glengormley
BT36 5AL
Northern Ireland

Tel:+44 (0) 7767 271447
Fax:+44 (0) 1 404 9520
<http://www.oki.ie>

Technical Support for all Ireland:

Tel:+353 1 4049570
Fax:+353 1 4049555
E-mail: tech.support@oki.ie

Oki Systems (Czech and Slovak), s.r.o.

IBC – Pobřežní 3
186 00 Praha 8
Czech Republic

Tel: +420 224 890158
Fax:+420 22 232 6621
Website: www.oki.cz, www.oki.sk

Oki Systems (Deutschland) GmbH

Hansaallee 187
40549 Düsseldorf

Tel: 01805/6544357**
01805/OKIHELP**
Fax: +49 (0) 211 59 33 45
Website:
www.okiprintingsolutions.de
info@oki.de

**0,14€/Minute aus dem dt. Festnetz
der T-Com (Stand 11.2008)

Διανομέας των συστημάτων OKI

CPI S.A1 Rafailidou str.
177 78 Tavros
Athens
Greece

Tel: +30 210 48 05 800
Fax:+30 210 48 05 801
EMail:sales@cpi.gr

Oki Systems (Iberica), S.A.U

C/Teide, 3
San Sebastian de los Reyes
28703, Madrid

Tel:+34 91 3431620
Fax: +34 91-3431624
Atención al cliente: 902 36 00 36
Website: www.oki.es

Oki Systèmes (France) S.A.

44-50 Av. du Général de Gaulle
94246 L'Hay les Roses
Paris

Tel:+33 01 46 15 80 00
Télécopie:+33 01 46 15 80 60
Website: www.oki.fr

OKI Systems (Magyarország) Kft.

Capital Square
Tower 2
7th Floor
H-1133 Budapest,
Váci út 76
Hungary

Telefon: +36 1 814 8000
Telefax: +36 1 814 8009
Website: www.oki.hu

OKI Systems (Italia) S.p.A.

via Milano, 11,
20084 Lacchiarella (MI)

Tel:+39 (0) 2 900261
Fax:+39 (0) 2 90026344
Website: www.oki.it

OKI Printing Solutions

Platinum Business Park II, 3rd Floor
ul. Domaniewska 42
02-672 Warsaw
Poland

Tel:+48 22 448 65 00
Fax:+48 22 448 65 01
Website: www.oki.com.pl
E-mail: oki@oki.com.pl
Hotline: 0800 120066
E-mail: tech@oki.com.pl

Oki Systems (Ibérica) S.A.

Sucursal Portugal
Edifício Prime -
Av. Quinta Grande 53
7º C Alfragide
2614-521 Amadora
Portugal

Tel:+351 21 470 4200
Fax:+351 21 470 4201
Website:www.oki.pt
E-mail : oki@oki.pt

Oki Service

Serviço de apoio técnico ao Cliente

Tel: 808 200 197
E-mail : okiserv@oki.pt

OKI Europe Ltd. (Russia)

Office 702, Bldg 1
Zagorodnoye shosse
117152, Moscow

Tel: +74 095 258 6065
Fax: +74 095 258 6070
e-mail: info@oki.ru
Website: www.oki.ru

Technical support:
Tel: +7 495 564 8421
e-mail: tech@oki.ru

Oki Systems (Österreich)

Campus 21
Businesszentrum Wien Sued
Liebermannstrasse A02 603
22345 Brun am Gebirge

Tel: +43 223 6677 110
Drucker Support:
+43 (0) 2236 677110-501
Fax Support:
+43 (0) 2236 677110-502
Website: www.oki.at

OKI Europe Ltd. (Ukraine)

Raisy Opkinoy Street,8
Building B, 2nd Floor,
Kiev 02002
Ukraine

Tel: +380 44 537 5288
e-mail: info@oki.ua
Website: www.oki.ua

OKI Sistem ve Yazıcı Çözümleri Tic. Ltd. Şti.

Harman sok Duran Is Merkezi,
No:4, Kat:6,
34394, Levent
İstanbul

Tel: +90 212 279 2393
Faks: +90 212 279 2366
Web: www.oki.com.tr
www.okiprintingsolutions.com.tr

Oki Systems (Belgium)

Medialaan 24
1800 Vilvoorde

Helpdesk: 02-2574620
Fax: 02 2531848
Website: www.oki.be

AlphaLink Bulgaria Ltd.

2 Kukush Str.
Building "Antim Tower", fl. 6
1463 Sofia, Bulgaria

tel: +359 2 821 1160
fax: +359 2 821 1193
Website: <http://bulgaria.oki.com>

OKI Printing Solutions

Herstedøstervej 27
2620 Albertslund
Danmark

Adm.: +45 43 66 65 00
Hotline: +45 43 66 65 40
Salg: +45 43 66 65 30
Fax: +45 43 66 65 90
Website: www.oki.dk

Oki Systems (Finland) Oy

Polaris Capella
Vänrikinkuja 3
02600 Espoo

Tel: +358 (0) 207 900 800
Fax: +358 (0) 207 900 809
Website: www.oki.fi

Oki Systems (Holland) b.v.

Neptunstraat 27-29
2132 JA Hoofddorp

Helpdesk: 0800 5667654
Tel: +31 (0) 23 55 63 740
Fax: +31 (0) 23 55 63 750
Website: www.oki.nl

Oki Systems (Norway) AS

Tevlingveien 23
N-1081 Oslo

Tel: +47 (0) 63 89 36 00
Telefax: +47 (0) 63 89 36 01
Ordrefax: +47 (0) 63 89 36 02
Website: www.oki.no

**General Systems S.R.L.
(Romania)**

Sos. Bucuresti-Ploiesti Nr. 135.
Bucharest 1
Romania

Tel: +40 21 303 3138
Fax: +40 21303 3150
Website: http://romania.oki.com

Var vänlig kontakta din Återförsäljare
i första hand, för konsultation. I
andra hand kontakta

Oki Systems (Sweden) AB

Borgafjordsgatan 7
Box 1191
164 26 Kista

Tel. +46 (0) 8 634 37 00
e-mail:
info@oki.se för allmänna frågor om
Oki produkter

support@oki.se för teknisk support
gällandes Oki produkter

Vardagar: 08.30 - 12.00,
13.00 - 16.00
Website: www.oki.se

Oki Systems (Schweiz)

Baslerstrasse 15
CH-4310 Rheinfelden

Support deutsch +41 61 827 94 81
Support français +41 61 827 94 82
Support italiano +41 061 827 9473
Tel: +41 61 827 9494
Website: www.oki.ch

Oki Data Americas Inc.(United States)

2000 Bishops Gate Blvd.
Mt. Laurel, NJ 08054
USA

Tel: 1-800-654-3282
Fax: 1-856-222-5247
http://WWW.OKIPRINTINGSOLUTIONS.COM
http://my.okidata.com

Oki Data Americas Inc.(Canada • Canadá)

4140 B Sladeview Crescent Units 7&8
Mississauga, Ontario
Canada L5L 6A1

Tél: 1-905-608-5000
Télé: 1-905-608-5040
http://WWW.OKIPRINTINGSOLUTIONS.COM

Oki Data Americas Inc.(América Latina (OTRO))

2000 Bishops Gate Blvd.
Mt. Laurel, NJ 08054
USA

Tel (Español): 1-856-222-7496
1-856-222-5276
Fax: 1-856-222-5260
Email: LASatisfaction@okidata.com

Oki Data de Mexico, S.A. de C.V.

Mariano Escobedo #748, Piso 8
Col. Nueva Anzures
C.P. 11590, México, D.F.

Tel: 52-555-263-8780
Fax: 52-555-250-3501
http://WWW.OKIPRINTINGSOLUTIONS.COM

Oki Data do Brasil, Ltda.

Rua Avenida Alfredo Egidio de souza Aranha
100-4º andar-Bloco C Chacara Santo Antonio
Sao Paulo, Brazil 04726-170

Tel: 55-11-3444-6747 (Grande São Paulo)
0800-11-5577 (Demais localidades)
Fax: 5511-3444-3501
e-mail: okiserv@okidata.com.br
http://WWW.OKIPRINTINGSOLUTIONS.COM

Oki Data (Singapore) Pte. Ltd.

438A Alexandra Road #02-11/12,
Lobby 3, Alexandra Technopark
Singapore(119967)

Tel:(65) 6221 3722
Fax:(65) 6594 0609
http://www.okidata.com.sg

Oki Systems (Thailand) Ltd.

1168/81-82 Lumpini Tower,
27th Floor Rama IV Road
Tungmahamek, Sathorn
Bangkok 10120

Tel:(662) 679 9235
Fax:(662) 679 9243/245
http://www.okisysthai.com

Oki Systems (Hong Kong) Ltd.

Suite 1908, 19/F, Tower 3,
China Hong Kong City
33 Canton Road, TsimShaTsui,
Kowloon, Hong Kong

Tel: (852) 3543 9288
Fax: (852) 3549 6040
http://www.okiprintingsolutions.com.hk

Oki Data(Australia) Pty Ltd.

Levw1 67 Epping Road, Macquarie Park
NSW 2113, Australia

Tel: +61 2 8071 0000
(Support Tel: 1800 807 472)
Fax: +61 2 8071 0010
http://www.oki.com.au

Comworth Systems Ltd.

8 Antares Place Mairangi Bay,
Auckland, New Zealand

Tel:(64) 9 477 0500
Fax:(64) 9 477 0549
http://www.comworth.co.nz

Oki Data(S) P Ltd. Malaysia Rep Office

Suite 21.03, 21st Floor Menara IGB,
Mid Valley City,
Lingkaran Syed Pura 59200,
Kuala Lumpur, Malaysia

Tel: (60) 3 2287 1177
Fax: (60) 3 2287 1166

Guide de l'utilisateur

PRÉFACE

Tout a été mis en œuvre pour que les informations contenues dans ce document soient complètes, précises et à jour. Le fabricant décline toute responsabilité quant aux conséquences d'erreurs échappant à son contrôle. Le fabricant ne peut garantir que les changements dans les logiciels et les équipements d'autres fabricants et mentionnés dans ce manuel n'affectera pas l'applicabilité de l'information de celui-ci. La mention de produits logiciels fabriqués par d'autres entreprises ne constitue pas nécessairement l'approbation par le fabricant.

Toutes les mesures ont été prises pour que ce document vous apporte une aide précieuse, toutefois nous ne pouvons garantir qu'il traite dans son intégralité toutes les informations contenus.

Tous droits réservés par OKI Data Corporation. Vous ne devez pas effectuer une copie non autorisée, le transfert, la traduction, ou des actions apparentées. Vous devez obtenir l'accord écrit d'Okidata Corporation avant de pouvoir effectuer une des actions mentionnées ci-dessus.

© 2012 Oki Data Corporation

OKI est une marque déposée de Oki Electric Industry Co., Ltd.

Energy Star est une marque de l'Agence de protection de l'environnement des États-Unis.

Microsoft, Windows, Windows Server et Windows Vista sont des marques déposées de Microsoft Corporation.

Apple, Macintosh, Rosetta, Mac et Mac OS sont des marques déposées de Apple Inc.

D'autres noms de produits et noms de fabriques sont des marques déposées ou marques déposées de leur propriétaire.



En tant que participant au programme Energy Star, le fabricant a déterminé que ce produit répond aux directives d'Energy Star concernant l'efficacité énergétique.



Ce produit est conforme aux exigences des directives du Conseil 2004/108/CE (CEM) et 2006/95/CE (LVD) et 1999/5/CE (R&TTE), modifiées si applicables, sur le rapprochement des lois des États membres concernant la compatibilité électromagnétique, basse tension et des & équipements terminaux de télécommunications radio.

Les câbles suivants ont été utilisés pour évaluer ce produit et obtenir la conformité avec la directive EMC le respect de normes 2004/108/EC et des configurations autres que celles-ci peuvent affecter leur respect.

TYPE DE CÂBLE	LONGUEUR (MÈTRE)	COEUR	BLINDAGE
Alimentation	1,8	x	x
USB	1,8	x	✓
Série	1,8	x	✓
Parallèle	1,8	✓	✓
LAN	3,0	x	x

FABRICANT

OKI Data Corporation,
4-11-22 Shibaura, Minato-ku,
Tokyo 108-8551,
Japon

Pour toute question d'ordre général, sur les ventes et sur le support, contactez votre distributeur local.

IMPORTATEUR VERS L'UE/REPRÉSENTANT AGRÉÉ

OKI Europe Limited (Solutions pour l'impression OKI)

Blays House
Wick Road
Egham
Surrey, TW20 0HJ
Royaume Uni

Pour toute question d'ordre général, sur les ventes et sur le support, contactez votre distributeur local.

INFORMATIONS RELATIVES À L'ENVIRONNEMENT



■ Sommaire

※ Mode d'emploi et précautions d'usage.....	5
1. Confirmation du contenu	9
2. Nom des pièces du produit.....	10
3. Installation et utilisation.....	12
3-1 Alimentation	12
3-2 Connexion du câble d'interface.....	13
3-3 Installation du papier.....	15
3-4 Boutons et voyants	16
3-5 Test d'impression	18
4. Auto-test	19
5. Caractéristiques détaillées.....	20
5-1 Paramétrage de l'imprimante à l'aide de programme des utilitaires.....	20
5-2 Mode Configuration automatique.....	21
5-3 Pause / Annuler	22
5-4 Calibrage des médias	23
5-5 Détection intelligente des médias	24
5-6 Mode Calibrage automatique du capteur d'espace.....	24
5-7 Mode Calibrage automatique du capteur de marque noire.....	25
5-8 Mode de calibrage manuel	26
5-9 Mode Capot fermé.....	27
5-10 Mode de transfert des données	27
5-11 Réinitialisation Usine.....	28
5-12 Le détachement des étiquettes (Option).....	28
5-13 Utilisation d'un papier plié en accordéon	30
5-14 Coupe automatique (Option)	31
5-15 Horloge en temps réel (Option).....	32
6. Nettoyage de la tête d'impression.....	33
6-1 Nettoyage de la tête d'impression.....	33
6-2 Détecteur de nettoyage, roulis et/ou chemin du papier.....	34
7. Annexe	35
7-1 Caractéristiques.....	35
7-2 Types d'étiquettes	35

■ Mode d'emploi

Ce mode d'emploi contient des informations basiques concernant l'utilisation d'un produit ainsi que les éventuelles mesures d'urgence à prendre en cas de besoin.

※ Les modes d'emploi suivant fournissent davantage d'informations sur les divers problèmes et contenus technologiques.

1. Manuel du pilote Windows

Ce manuel fournit les consignes d'installation et explique les fonctions principales du pilote Windows.

2. Manuel de l'Unified Label Utility II

Ce manuel fournit des consignes d'utilisation du logiciel pour la sélection du produit, les modifications des conditions d'opération et de fonctionnement, etc.

3. Manuel de programmation (SLCS)

Ce manuel fournit des informations concernant les commandes de l'imprimante à étiquette.

4. Manuel du logiciel de téléchargement des vraies polices (True Font)

Ce manuel fournit des informations concernant l'utilisation du logiciel de téléchargement des polices pouvant télécharger de vraies polices (True Font) et facilitant leur usage en tant que police de l'appareil (Device Fonts)

5. Manuel de l'interface Réseau

Ce manuel fournit les consignes de configuration et d'utilisation de l'Internet Ethernet.

6. Manuel de l'outil de configuration du net

Ce manuel fournit les informations relatives à l'utilisation de l'outil de configuration du net servant à configurer l'interface Ethernet du produit.

Oki Data s'engage à poursuivre ses efforts pour améliorer les fonctions et la qualité de ses produits. Par conséquent, les caractéristiques du produit et/ou le contenu du manuel d'utilisation peuvent être modifiés sans avis préalable.

**PRECAUTION**

Violer les consignes suivantes peuvent entraîner des blessures légères ou endommager le produit.

Si vous observez une fumée, une odeur ou un bruit étrange provenant de l'imprimante, débranchez-la avant de prendre les mesures suivantes.

- Eteindre l'imprimante et débrancher l'ensemble.
- Une fois la fumée dissipée, appeler le fournisseur pour qu'il vienne ma réparer.

BRANCHER

Veillez à ne pas vous pincer les doigts en ouvrant et fermant le couvercle du papier. Veillez également à ce que le couvercle du papier ne vous échappe pas des mains et ne tombe pas.

**DANGER
MECANIQUE**

Installer l'imprimante sur une surface stable.

- Si l'imprimante tombe, elle peut se casser et vous pouvez vous blesser.

INTERDIT

N'utiliser que les accessoires agréés et ne pas tenter de les démonter, réparer ou modifier vous-même.

- En cas de besoin, appelez votre fournisseur.
- Ne pas toucher la lame du coupeur automatique.

**DEMONTAGE
INTERDIT**

Ne pas laisser d'eau ou de corps étranger sur l'imprimante.

- Si cela arrive, éteindre et débrancher l'imprimante avant d'appeler le fournisseur.

INTERDIT

Ne pas utiliser l'imprimante lorsqu'elle est hors service. Il y a un risque d'incendie et d'électrocution.

- Eteindre et débrancher l'imprimante avant d'appeler le fournisseur.

DEBRANCHER

■ **Autres mises en garde**

Les droits d'auteur du guide d'utilisation et des autres manuels et documents sont la propriété d'Oki Data Corporation. Toute copie ou conversion sous format électronique et la sauvegarde de ce document sans l'accord écrit et exprès d'Oki Data Corporation. est strictement interdite.

L'utilisation des informations contenues dans le présent manuel n'est sujette à aucune responsabilité de la société. Même si le plus grand soin a été apporté lors de la rédaction de ce manuel, cependant ce dernier peut contenir quelques erreurs et/ou omissions.

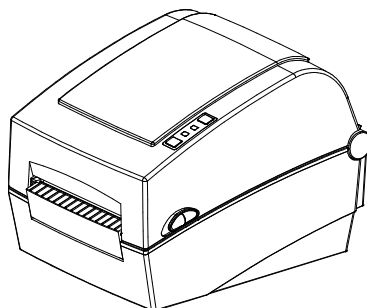
Oki Data Corporation. n'est pas tenue responsable de tout dommage pouvant résulter de l'utilisation des informations fournies par le présent manuel.

Oki Data Corporation. et ses filiales ne sont pas tenues responsables (hormis aux Etats-Unis) de tout dommage, de toute perte, de tout coût et/ou de toute dépendance résultant d'une panne, d'un dysfonctionnement et / ou d'une mauvaise utilisation du produit, causé(e) par une violation ou une non-observation des informations et consignes d'utilisation et d'entretien fournies par Oki Data Corporation. ainsi que par une modification, une réparation et/ou une modification non autorisée(s) du produit effectuée(s) par l'utilisateur et/ou une tierce personne.

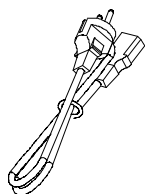
Oki Data Corporation.. n'est pas tenue responsable de tout dommage et/ou problèmes pouvant résulter de l'utilisation d'options et/ou de pièces originales des produits Oki Data ou de pièces non agréées.

1. Confirmation du contenu

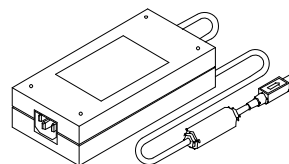
Les articles suivants doivent être fournis avec l'imprimante.
En cas de article endommagé ou manquant, contactez votre revendeur.



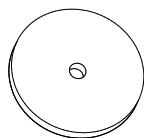
LD630D/LD640D



Câble d'alimentation



Adaptateur CA

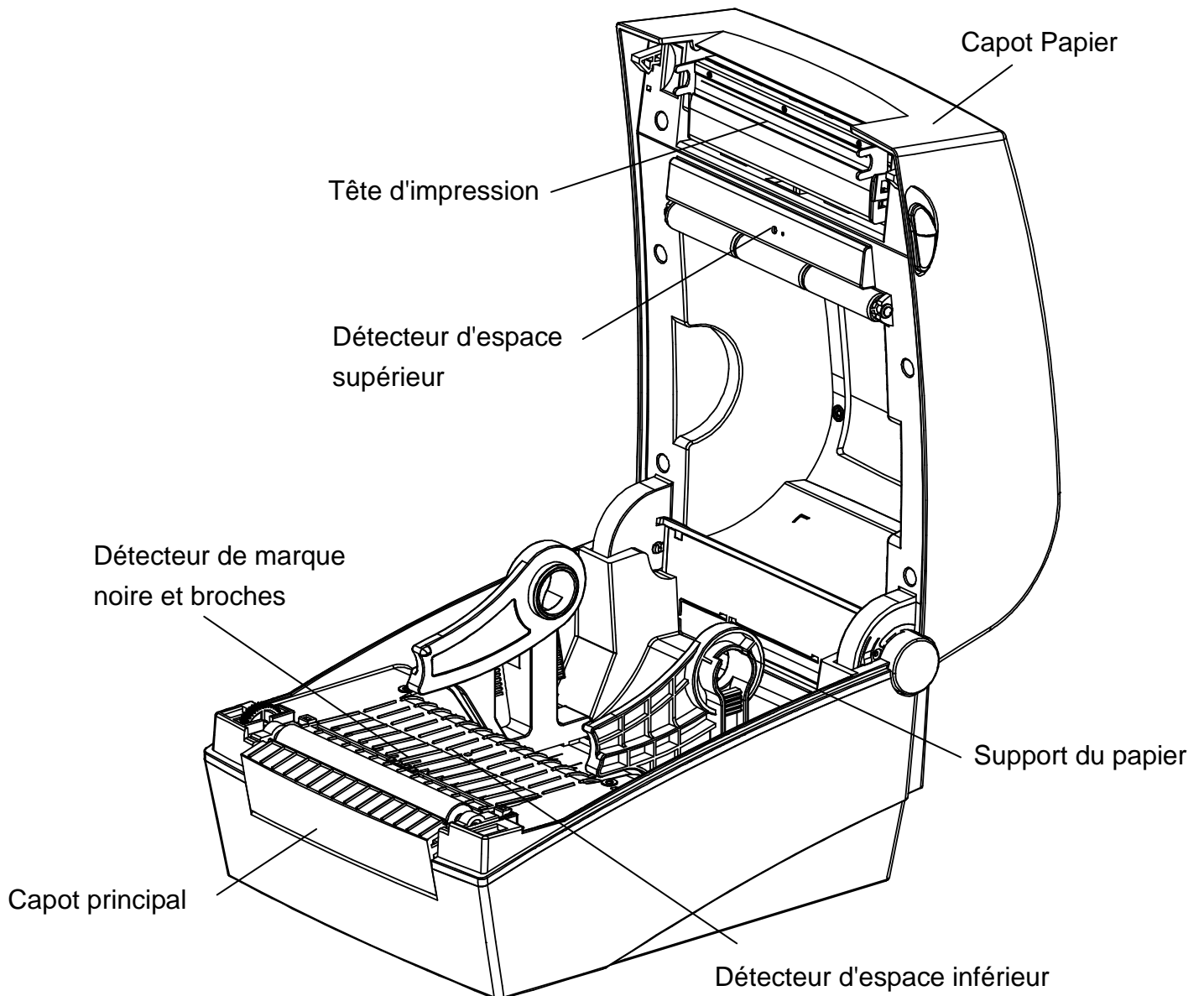
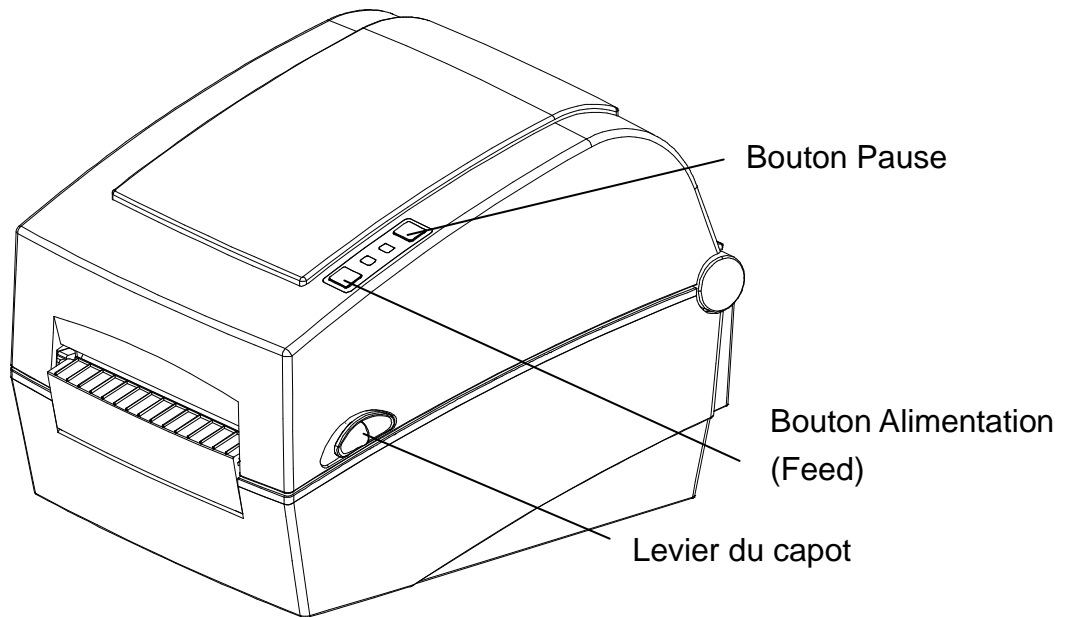


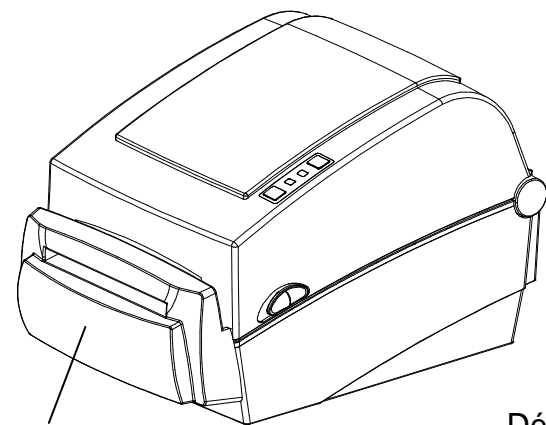
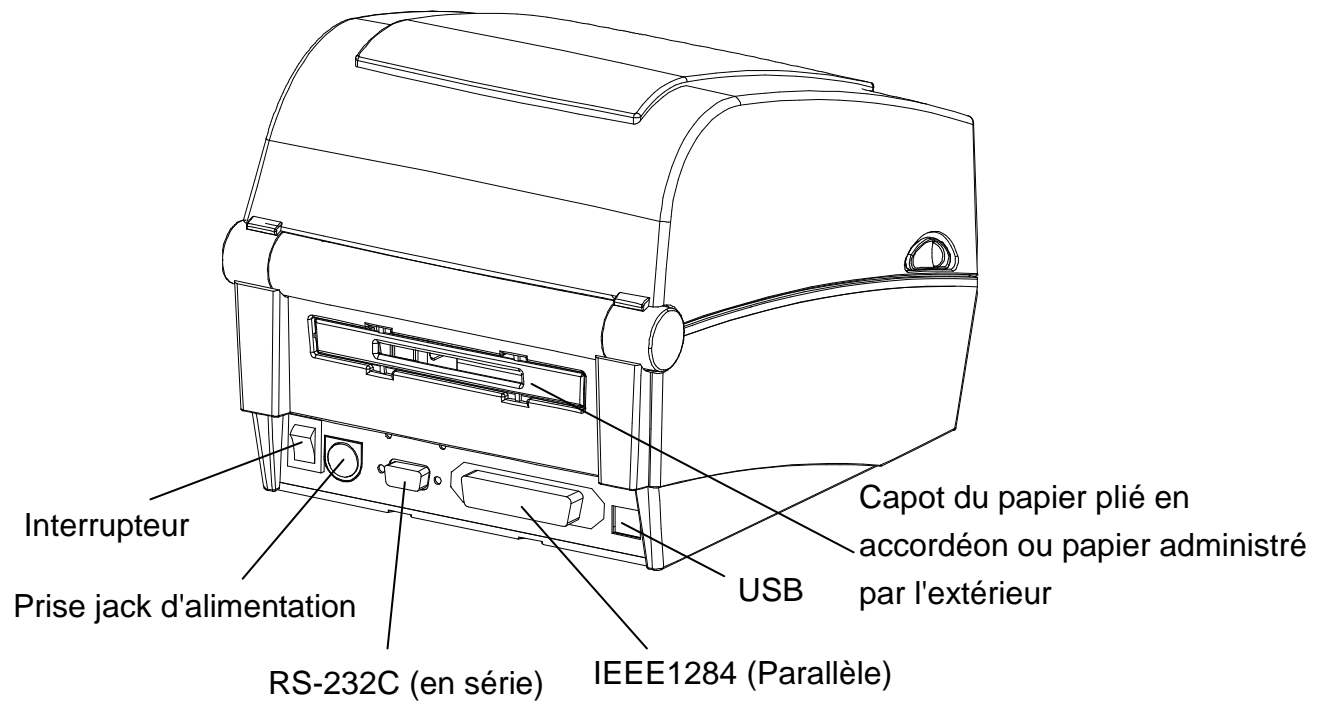
CD



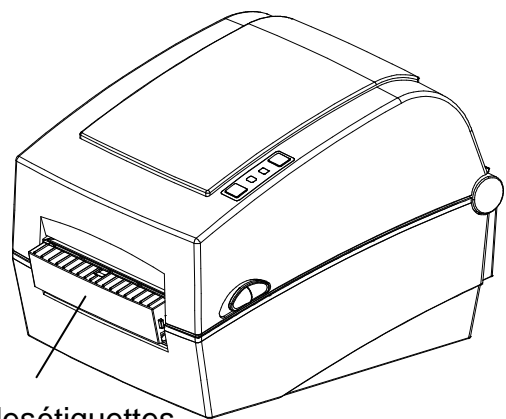
**Documentation Utilisateur
(Guide de paramétrage,
Sécurité, Garantie)**

2. Nom des pièces du produit





Coupe Auto
(en option)



Détachement des étiquettes
(en option)

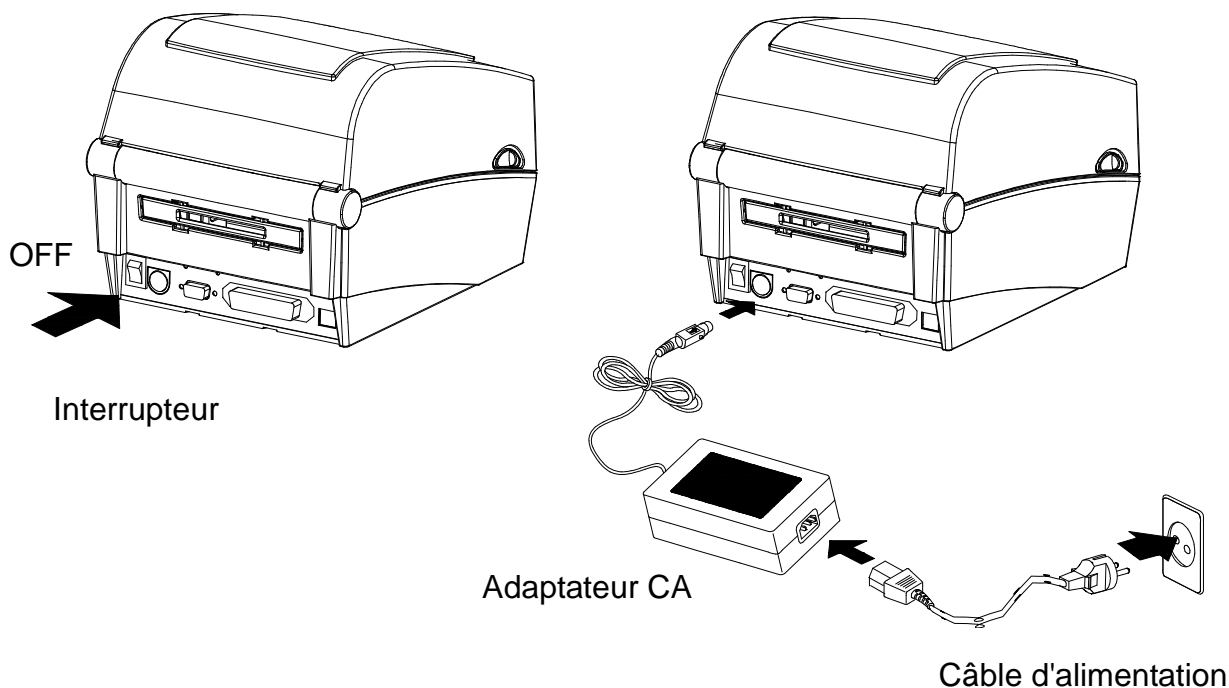
3. Installation et utilisation

※ ATTENTION

- Veillez à ne pas vous pincer les doigts lorsque vous ouvrez et fermez le capot du papier. Assurez d'ouvrir le capot en entier jusqu'à ce qu'il se bloque en position ouverte.
- Lorsque vous rechargez un rouleau de papier, veillez à ne pas vous pincez les doigts entre le rouleau de papier et la fixation du rouleau.
- Ne touchez pas la lame avec les mains et ne placez rien sur la lame. Vous risqueriez de vous blesser.

3-1 Alimentation

Mettez l'imprimante sous tension, comme indiqué ci-dessous.



- 1) Eteignez l'imprimante à l'aide de l'interrupteur.
- 2) Vérifiez que la tension de l'adaptateur CA corresponde bien avec celle de la source d'alimentation/
- 3) Connectez la prise jack de l'adaptateur CA au connecteur d'alimentation de l'imprimante.
- 4) Connectez le câble d'alimentation à l'adaptateur CA.
- 5) Connectez le câble d'alimentation à la source/sortie d'alimentation.

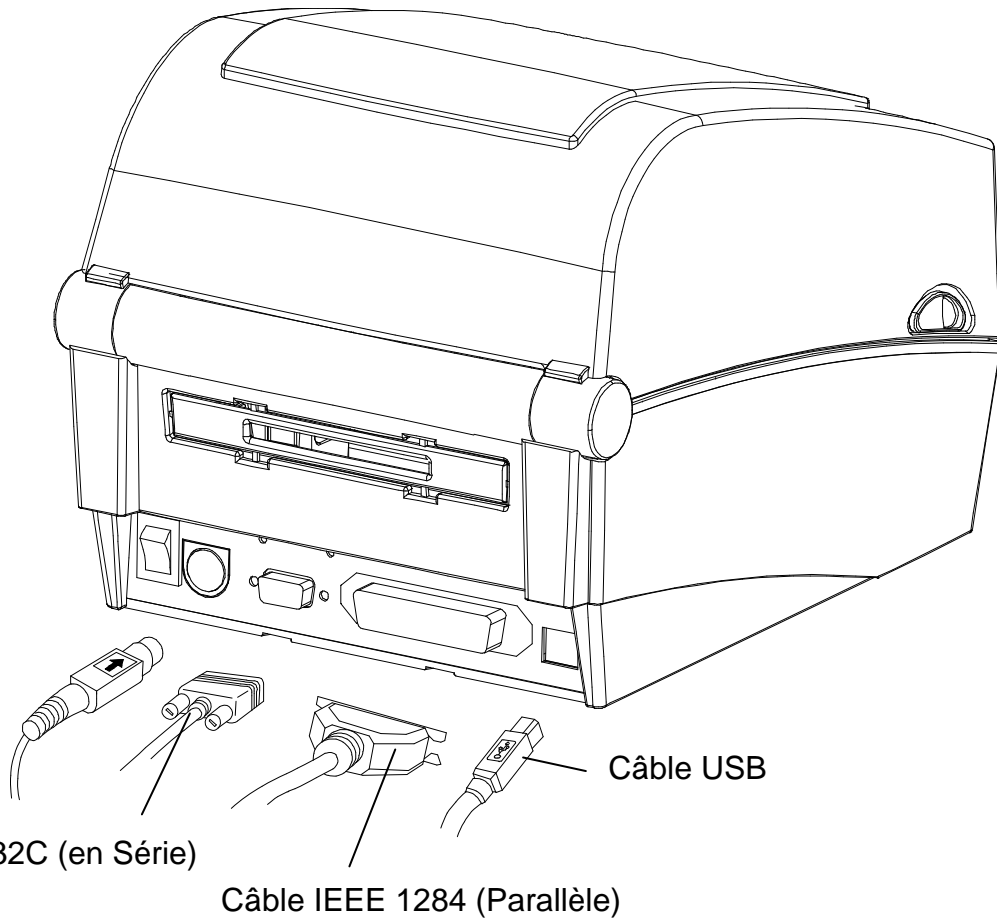
3-2 Connexion du câble d'interface

3-2-1 Modèle standard

Connectez le câble d'interface, comme indiqué ci-dessous.

L'imprimante est compatible avec les interfaces de communication standards suivantes.

- Câble RS-232C (en Série)
- Câble IEEE 1284 (Parallèle)
- Câble USB de type B



1) Eteignez l'imprimante à l'aide de l'interrupteur.

2) Connectez le câble d'alimentation au port de communication de l'imprimante à utiliser.

- Connectez le câble RS-232C (en série) au port SERIAL puis servez-les vis des deux côtés.

Ce port nécessite un câble gainé d'une longueur inférieure à 1,8m.

- Connectez le câble IEEE1284 (en parallèle) au port PARALLEL puis fermez mes clips des deux côtés.

Ce port nécessite un câble gainé avec un cœur en ferrite d'une longueur inférieure à 1,8m.

- Connectez le câble USB de type B au port USB.

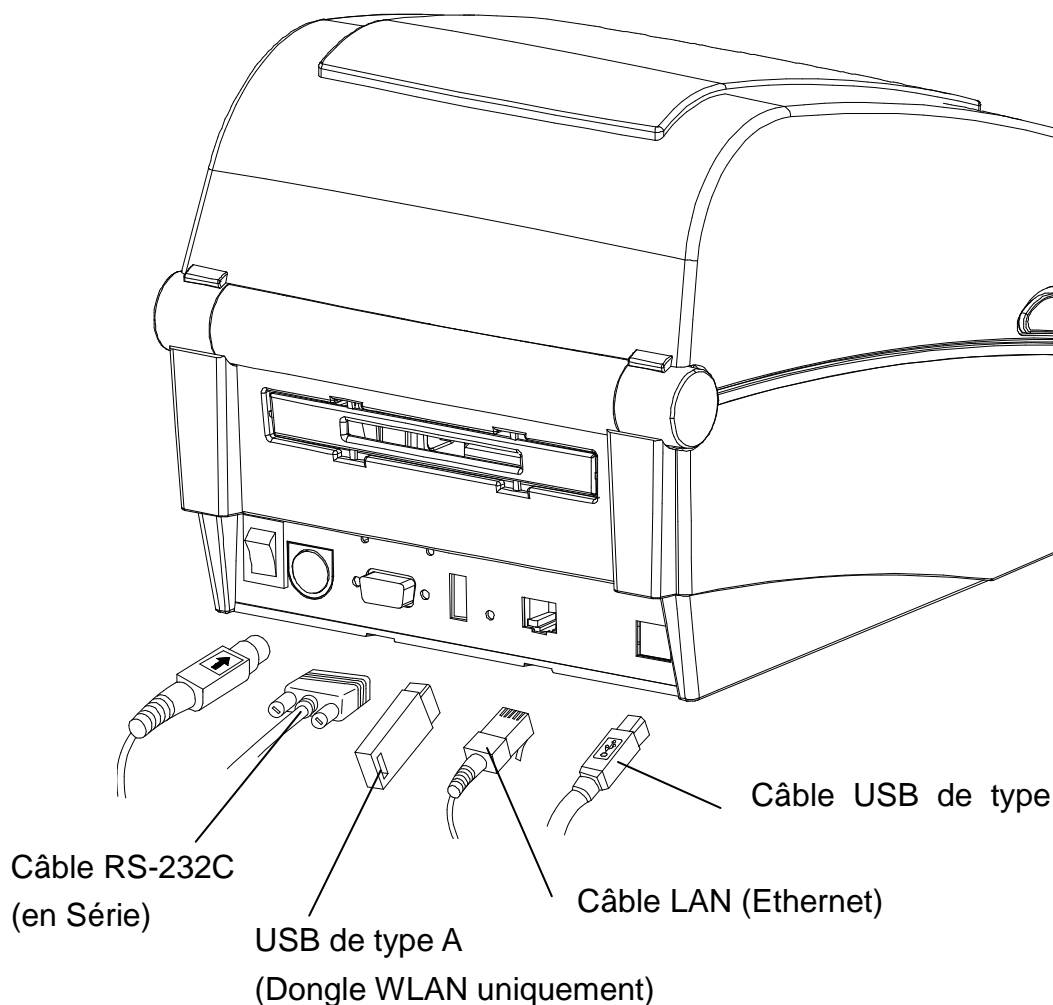
Ce port nécessite un câble gainé d'une longueur inférieure à 1,8m.

3-2-2 Modèle Ethernet

Connectez le câble d'interface, comme indiqué ci-dessous.

L'imprimante est compatible avec les interfaces de communication standards suivantes.

- Câble RS-232C (en Série)
- Câble LAN (Ethernet)
- USB de type A (Dongle WLAN uniquement)
- Câble USB de type B



1) Eteignez l'imprimante à l'aide de l'interrupteur.

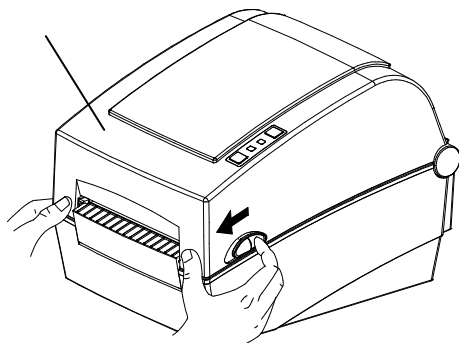
2) Connectez le câble d'alimentation au port de communication de l'imprimante à utiliser.

- Connectez le câble RS-232C (en série) au port SERIAL puis servez-les vis des deux côtés.
Ce port nécessite un câble gainé d'une longueur inférieure à 1,8m.
- Connectez le câble LAN (Ethernet) au port ETHERNET
Ce port nécessite un câble gainé d'une longueur inférieure à 3,0m.
- Connectez le câble USB de type A (Dongle WLAN uniquement) au port Hôte (Host).
- Connectez le câble USB de type B au port USB.
Ce port nécessite un câble gainé d'une longueur inférieure à 1,8m.

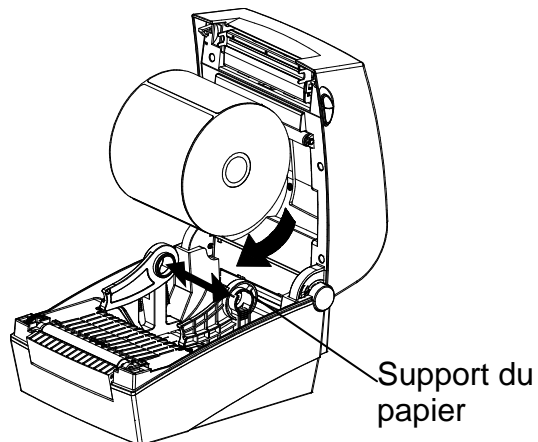
3-3 Installation du papier

1) Ouvrez le capot du papier.

Capot Papier

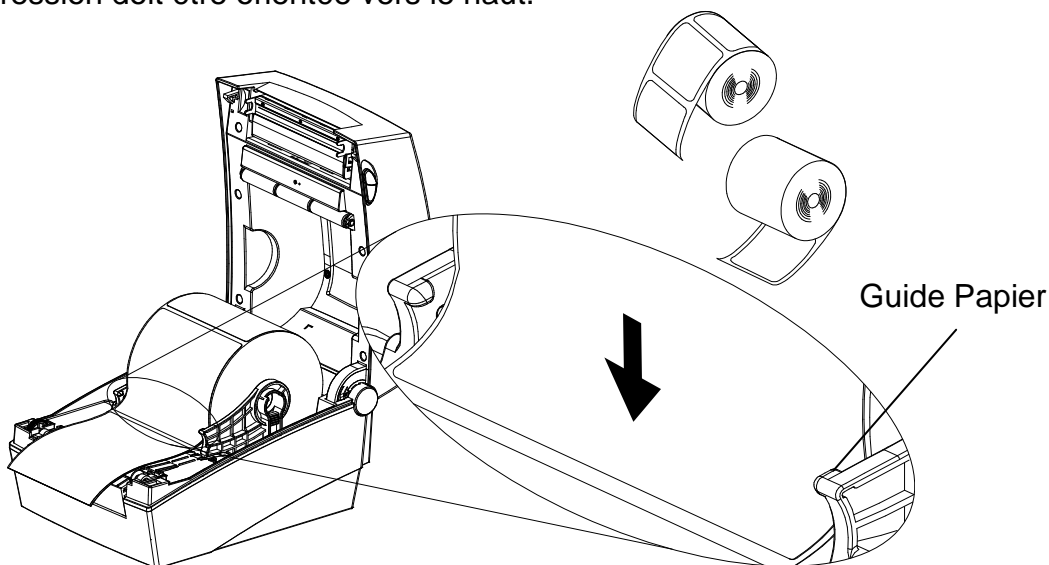


2) Sortez le support du papier puis insérez le rouleau.

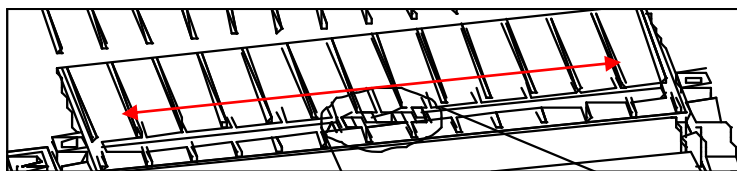


3) Tirez le papier pour qu'il sorte de l'avant de l'imprimante. 4) Placez le papier sous les deux guides de papier.

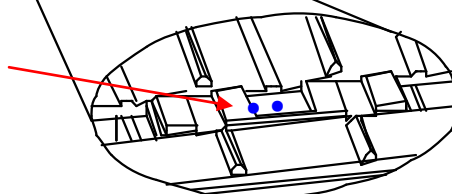
* Que le papier étiquette soit enroulé vers l'intérieur ou vers l'extérieur, sa surface d'impression doit être orientée vers le haut.



4) Si vous utilisez un rouleau de papier Marque-Noire ou à broche, soulevez le papier et placez le capteur en face de la marque noire ou du trou de la broche.

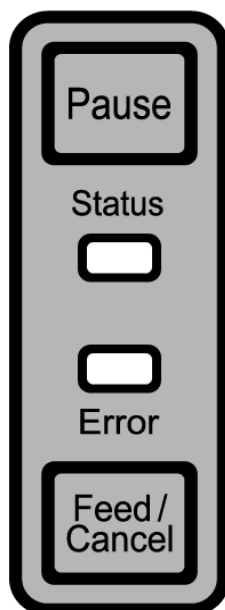


Détecteur de marque noire et
détecteur de broche mobile



5) Fermez le capot du papier jusqu'au clic.

3-4 Boutons et voyants



3-4-1 Fonctions des boutons

Etat de l'imprimante avant l'opération d'un des boutons	Bouton		Opération	Mode d'opération de l'imprimante
	Alimentation (Feed) /Annuler (Cancel)	Pause		
Eteindre (Power Off)	Appuyez	-	<ul style="list-style-type: none"> • Mettez l'appareil sous tension en appuyant sur le bouton. • Maintenez le bouton environ cinq secondes 	Mode d'impression de l'auto-test
Imprimante en veille	Appuyez	-	<ul style="list-style-type: none"> • Appuyez doucement sur le bouton puis relâchez-le immédiatement. 	Mode Alimentation
Imprimante en veille	-	Appuyez	<ul style="list-style-type: none"> • Appuyez sur le bouton deux seconde puis aintenez-le . 	Mode Configuration automatique
Pendant l'impression	Appuyez	-	<ul style="list-style-type: none"> • Appuyez doucement sur le bouton puis relâchez-le immédiatement. 	Mode Annulation d'impression
Pendant l'impression	-	Appuyez	<ul style="list-style-type: none"> • Appuyez doucement sur le bouton puis relâchez-le immédiatement. 	Mode Impression en pause

3-4-2 Voyant LED pour les divers statuts de l'imprimante

Voyants des statuts		Voyant Erreur		Statut de l'imprimante	
Couleur	Statut	Couleur	Statut		
Vert	ON	Vert	ON	Mode Imprimante en veille	Mode Imprimante en veille
Rouge	ON	Rouge	ON	Mode Erreur	Ruban non sélectionné
Rouge	ON	Orange	ON	Mode Erreur	Bourrage papier (l'espace / marque noire n'est pas reconnu(e)).
Rouge	ON	Vert	Clignote	Mode Erreur	Surchauffe de la tête d'impression
Rouge	ON	Rouge	Clignote	Mode Erreur	Capot ouvert
Rouge	ON	Orange	Clignote	Mode Erreur	Pas de papier
Rouge	ON	-	Off	Mode Erreur	Echec du calibrage du médium
Rouge	Clignote	Rouge	Clignote	Mode Erreur	Erreur de découpe automatique
Orange	ON	Orange	ON	Notification de changement de mode	Notification de changement de mode
Vert	Clignote	Rouge	ON	En attente d'un signal d'entrée	L'impression est en pause En attente d'un signal d'entrée pour le bouton
Vert	Clignote	Vert	Clignote	En attente d'un signal d'entrée	Mode Capot fermé En attente d'un signal d'entrée pour le bouton
Vert	ON	Rouge	Clignote	En attente d'un signal d'entrée	Mode Annulation d'impression. En attente d'un signal d'entrée pour le bouton

3-5 Test d'impression

3-5-1 Impression à l'aide du pilote Windows

1) Installation du pilote Windows

Reportez-vous au "Manuel du pilote Windows" du CD pour procéder à l'installation.

2) Paramétrer le "port" du pilote Windows sur la bonne interface pour l'utiliser. Reportez-vous au "Manuel d'utilisation de l'interface Ethernet" du CD pour procéder à l'installation.

3) Imprimez la page test à l'aide de la fonction "Imprimer Page Test" du pilote Windows.

3-5-2 Impression à l'aide du programme de conception des étiquettes

- Le programme de conception des étiquettes est inclus sur le CD.

1) Installation du programme de conception des étiquettes

2) Reportez-vous au "Manuel du programme de conception des étiquettes", inclus sur le CD et paramétrez l'interface.

3) Imprimez la page test après avoir conçu l'étiquette.

4. Auto-test

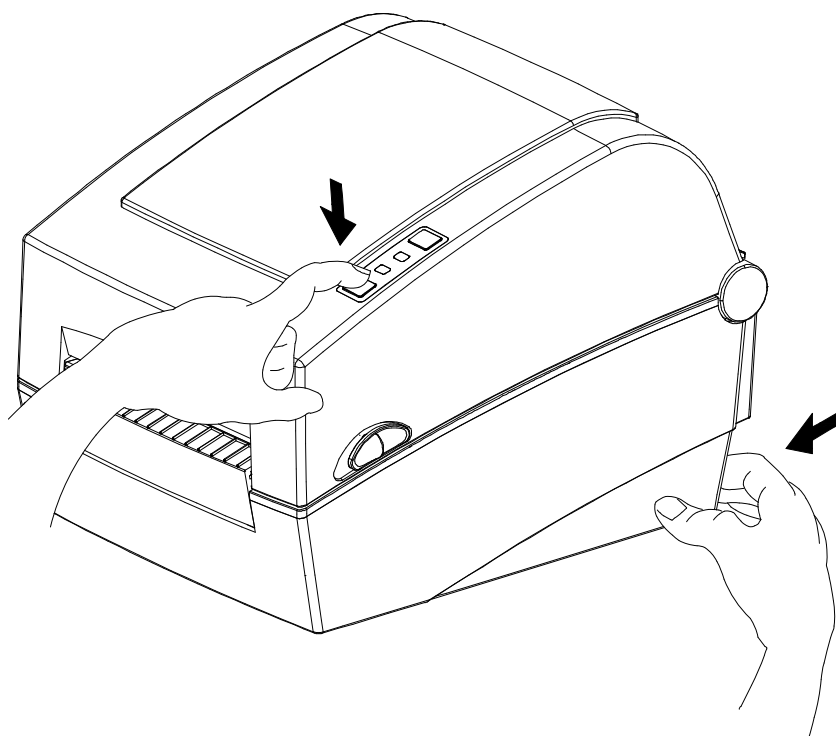
L'auto-test vérifie que l'imprimante ne rencontre aucun problème.

Il n'est pas possible de réaliser cette procédure si l'option détachement des étiquettes est activée.

Si l'imprimante ne fonctionne pas correctement, contactez un revendeur agréé.

L'auto-test vérifie ce qui suit :

- 1) Que le rouleau de papier a bien été installé.
- 2) Mettez l'imprimante sous tension tout en maintenant le bouton ALIMENTATION (FEED) vers le bas. L'auto-test démarre.
(L'auto-test démarre après 5 secondes)
- 3) L'auto-test imprime les informations de la configuration actuelle de l'imprimante.
- 4) Après l'impression des résultats de l'auto-test, l'imprimante entre en mode Impression en vente.



5. Caractéristiques détaillées

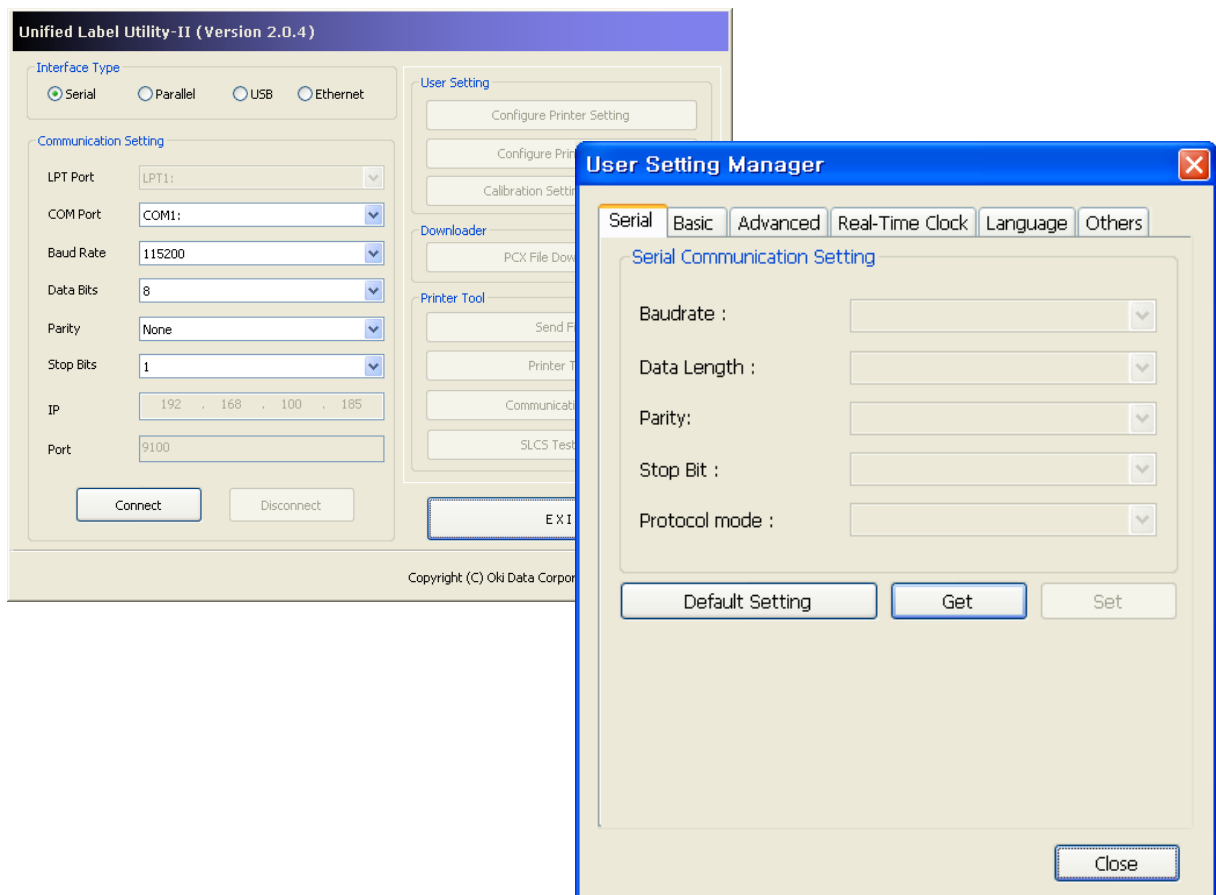
5-1 Paramétrage de l'imprimante à l'aide de programme des utilitaires

Les divers paramètres de l'imprimante peuvent être changés à l'aide du programme des utilitaires (Unified Label Utility-II).

Les fonctions pouvant être utilisées avec le programmes des utilitaires sont les suivantes.

- 1) Paramétrage de la communication en série.
Tremblement, bit d'arrêt, bit des données, parité et début en bauds peuvent être configurés.
- 2) Paramétrage basiques de l'imprimante.
Dimension du papier, vitesse d'impression, densité, type de papier et l'utilisation des rubans peuvent être configurés.
- 3) Paramétrage de la langue
La page des codes ne peut pas être trouvée.
- 4) La fonction Calibrage manuel du détecteur de médias.
Cette fonction peut être utilisée pour détecter un papier spécial, non détecté par la fonction Calibrage automatique. Reportez-vous à la page Calibrage manuel pour plus de détails.
- 5) D'autres fonctions test d'impression sont également disponibles.

Reportez-vous au manuel du "United Label Utility-II", contenu sur le CD pour plus d'informations.



5-2 Mode Configuration automatique

Plusieurs modes peuvent être exécutés à l'aide des boutons et des voyants.

5-2-1 Comment passer en mode Configuration automatique

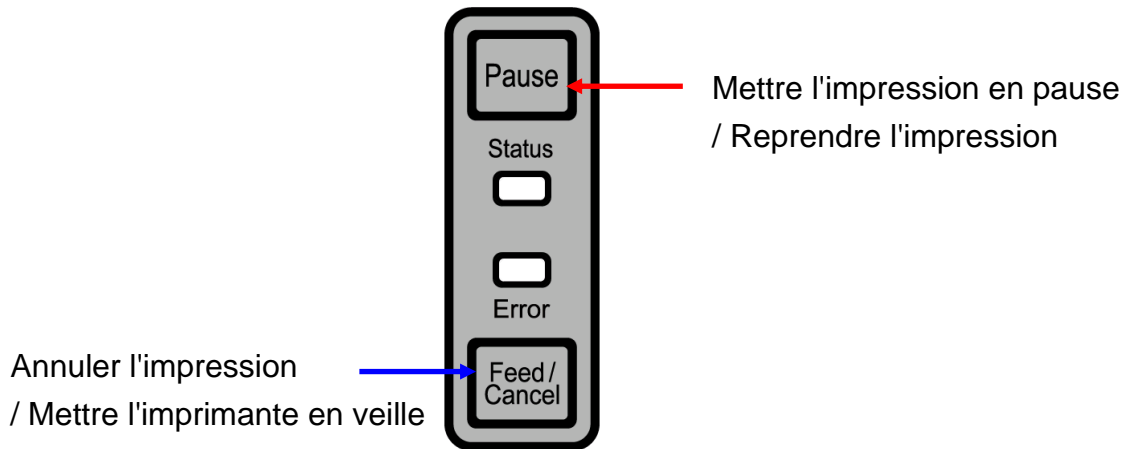
- L'imprimante est en mode Paramétrage de l'imprimante lorsque vous appuyez sur le bouton Pause deux secondes, lorsque l'imprimante est en mode Veille.
- Les deux voyants passeront à l'orange et l'imprimante entrera en mode Configuration automatique.
- Lorsque l'imprimante entre dans ce mode, les statuts des voyants de statut et du voyant Erreur changent.
- Lorsque vous appuyez sur le bouton Alimentation (Feed) lors d'une combinaison de couleurs de voyants, spécifique, l'opération correspondante de l'imprimante sera sélectionnée.

5-2-2 Liste des fonctions disponibles

Numéro de séquence	Voyants des statuts		Voyant Erreur		Opération de l'imprimante
	Couleur	Statut	Couleur	Statut	
1	Vert	ON	Vert	Clignote quatre fois	Info. configuration de l'imprimante
2			Orange	Clignote quatre fois	Liste des fichiers d'impression
3			Rouge	Clignote quatre fois	Réinitialisation Usine
4	Orange	ON	Vert	Clignote quatre fois	Calibrage automatique du capteur d'espace
5			Orange	Clignote quatre fois	Calibrage automatique du capteur des marques noires
6			Rouge	Clignote quatre fois	Mode de transfert des données
7	Rouge	ON	Vert	Clignote quatre fois	Mode Démonstration
8			Orange	Clignote quatre fois	-
9			Rouge	Clignote quatre fois	Supprimer l'objet

5-3 Pause / Annuler

Lorsque vous imprimez plusieurs pages, le bouton Pause / Annuler(Cancel) peut être utilisé pour mettre l'impression en pause ou pour annuler l'impression.

**5-3-1 Fonction Mettre l'impression en pause / Reprendre l'impression**

- 1) Lors de l'impression d'étiquettes, appuyez sur le bouton Pause
- 2) L'imprimante se mettra en pause une fois l'impression d'étiquettes en cours terminée.
Le statut du voyant LED sera le suivant :
 - Voyants des statuts : le vert clignote
 - Voyant Erreur le rouge est allumé
- 3) Lorsque l'impression est en pause, appuyez de nouveau sur le bouton Pause pour reprendre l'impression.

5-3-2 Annulation de l'impression.

- 1) Lorsque l'impression est en cours et/ou en pause, appuyez sur le bouton Annuler (Cancel) pour annuler les travaux d'impression.
- 2) En mode Annulation de l'impression, il se passe ce qui suit :
 - L'ensemble des impressions est annulé
 - Toutes les données reçues dans la mémoire tampon de l'imprimante sont annulées.
 - Toutes les données reçues sont annulées.
- 3) Les statuts des voyants LED en mode Annulation sont les suivants
 - Voyants des statuts : le vert est allumé
 - Voyant Erreur Le rouge clignote
- 4) Lorsque l'impression est en pause, appuyez de nouveau sur le bouton Pause pour reprendre l'impression.

5-4 Calibrage des médias

Cette imprimante a été conçue pour détecter les espaces avec la plupart des papiers d'impression; cependant elle peut ne pas reconnaître l'espace et continuer à alimenter le papier si un type spécial de papier est utilisé. Dans ce cas, lancez la fonction de calibrage automatique pour que l'imprimante puisse reconnaître l'espace. Les imprimantes Oki Data sont dotées de plusieurs modes de calibrage de médias afin d'être compatibles avec la plupart des types spéciaux de papier.

5-4-1 A propos du calibrage des médias

- Cette fonction sert à régler la sensibilité du détecteur de papier pour une position précise de l'impression et une mesure de la longueur réelle du papier.
- Réglage de la sensibilité du capteur
 - Le but est de détecter l'identifiant (espace/marque noire/rainure) de
- Mesure de la longueur du papier
 - Une longueur précise est requise pour faire pivoter l'orientation de l'impression.
 - Le but est de détecter la changement de type de papier.

5-4-2 Quand un calibrage des médias est-il nécessaire ?

- Lorsque l'imprimante est installée pour la première fois
- Lorsque le papier nouvellement installé est un type différent de papier
- Lorsque la position de l'impression n'est pas précise ou que l'imprimante ne s'arrête pas au bon endroit.

5-4-3 Comment procéder au calibrage des médias

- Les quatre méthodes de calibrage des médias suivantes peuvent être utilisées selon les conditions.
 - Détection intelligente des médias
 - Mode Calibrage automatique du capteur d'espace
 - Mode Calibrage automatique du capteur de marque noire
 - Mode de calibrage manuel
- Pourquoi plusieurs modes de calibrage sont-ils disponibles ?
 - Plusieurs étiquettes doivent être scannées pour calibrer les médias et un calibrage plus précis peut être réalisé lorsque plus d'étiquettes sont scannées.
 - Le nombre d'étiquettes à scanner pour le réglage de la sensibilité du détecteur selon diverses conditions, comme le type de papier de l'étiquette, la couleur, le statut de la surface, l'épaisseur, l'espace, l'épaisseur, le motif pré-imprimé, etc.
 - Quatre modes de calibrage de médias différents sont disponibles pour faire un compromis entre éviter une utilisation excessive du papier et régler précisément la sensibilité du détecteur.
 - Mode de détection intelligente des médias permettant de régler la sensibilité avec un minimum de balayage et compatible avec la plupart des étiquettes.

- Essayez plusieurs modes entre détection intelligente des médias → , mode Calibrage automatique du capteur d'espace / Calibrage automatique du capteur des marques noires → Mode de calibrage manuel.

5-5 Détection intelligente des médias

- L'impression exécute cette fonction lorsque cela est nécessaire sans qu'aucune entrée Utilisateur ou configuration ne soit réalisée avec une fonction de détection intelligente des médias pour la plupart des papiers d'impression.
- Les papiers avec un espace ou une marque noire peuvent être identifiés sans paramétrage supplémentaire.
- 3 ~ 5 pages d'étiquettes seront utilisées, en fonction du type de papier.
- La fonction de détection intelligente est exécutée selon les cas suivants :
 - Lorsque l'imprimante est installée pour la première fois, elle est exécutée via le bouton Alimentation (Alimentation) ou la commande d'impression.
 - Lorsqu'un changement de longueur de papier est détecté lors de l'alimentation ou de l'impression.
 - Quand le type de papier est entré par la commande est différent du type de papier configuré.
 - Après une réinitialisation Usine.
- La fonction de détection intelligente sera désactivée après le paramétrage de la sensibilité du capteur à l'aide du mode du calibrage automatique ou un mode de calibrage manuel des médias, et elle sera ré-activée après une réinitialisation des paramètres Usine de l'imprimante.

5-6 Mode Calibrage automatique du capteur d'espace

Utilisez ce mode lorsque le papier n'est pas correctement détecté par la fonction de détection intelligente des médias.

L'imprimante alimente le papier et calibre automatiquement le capteur d'espace.

L'imprimante entrera en mode Erreur si le papier n'est pas détecté après avoir alimenté 1 mètre de papier. Il est possible de sortir du mode Erreur en ouvrant et refermant le capot.

Utilisez le mode de calibrage manuel si le papier n'est pas détecté sous ce mode.

La détection intelligente des médias ne sera désactivée si le papier est détecté dans ce mode.

5-6-1 Comment procéder au calibrage

- Appuyez sur le bouton Alimentation (Feed) lors de la 4e séquence du voyant, comme indiqué au 5-2-2 (voyant du statut est orange et le voyant Erreur clignote en vert quatre fois) pour lancer le mode de calibrage du capteur d'espace .

5-7 Mode Calibrage automatique du capteur de marque noire

Utilisez ce mode lorsque le papier n'est pas correctement détecté par la fonction de détection intelligente des médias.

L'imprimante alimente le papier et calibre automatiquement le capteur des marques noires.

L'imprimante entrera en mode Erreur si le papier n'est pas détecté après avoir alimenté 1 mètre de papier. Il est possible de sortir du mode Erreur en ouvrant et refermant le capot.

Utilisez le mode de calibrage manuel si le papier n'est pas détecté sous ce mode.

La détection intelligente des médias ne sera désactivée si le papier est détecté dans ce mode.

5-7-1 Comment procéder au calibrage

- Appuyez sur le bouton Alimentation (Feed) lors de la 5e séquence du voyant, comme indiqué au 5-2-2 (voyant du statut est orange et le voyant Erreur clignote en orange quatre fois) pour lancer le mode de calibrage du capteur de marques noires .

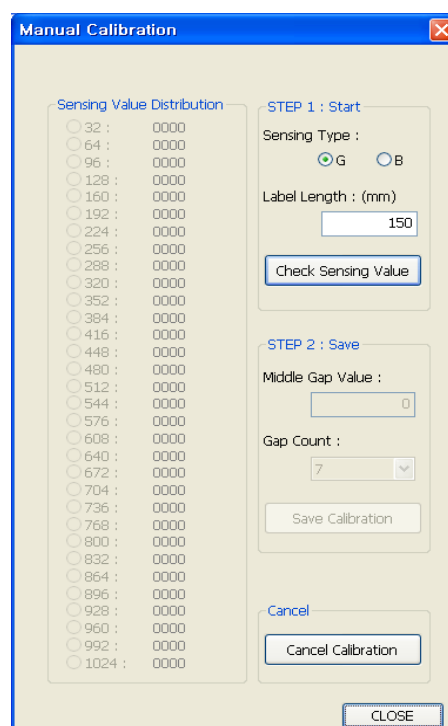
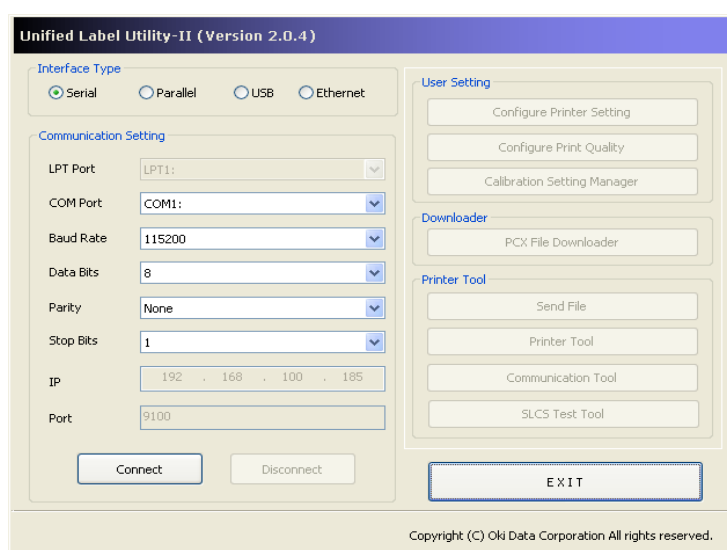
5-8 Mode de calibrage manuel

Le calibrage manuel de la détection des médias peut être utilisé lorsque l'imprimante ne peut pas détecter un espace de médium (ou marque noire) même une fois l'auto-calibrage terminé.

Les utilisateurs peuvent calibrer les paramètres du détecteur à l'aide du programme utilitaire fourni par le fabricant.

Cet outil est inclus sur le CD fourni.

Assurez-vous que l'imprimante est bien connectée puis exécutez le programme utilitaire. Appuyez sur le bouton Gérer le paramétrage du calibrage (Calibration Setting Manager) après avoir paramétré le type d'interface.



- 1) Sélectionnez le type de détection et entrez la longueur de l'étiquette en millimètres puis cliquez sur le bouton "Vérifier la valeur de détection". L'imprimante démarre alors le calibrage.
- 2) L'imprimante imprimera les valeurs scannées après le calibrage et les valeurs apparaîtront à l'écran.
- 3) Les valeurs de détection optimales s'afficheront en lettres en gras, sur la gauche de l'écran du programme Utilitaire. Sélectionnez l'une des valeurs optimales du capteur et cliquez sur "Enregistrer le calibrage" (Save Calibration).
- 4) Si les valeurs choisies ne fonctionnent pas correctement, essayez les autres valeurs indiquées en gras.
- 5) Pour revenir à la valeur initiale, cliquez sur Annuler le calibrage (Cancel Calibration).

5-9 Mode Capot fermé

1. A propos du Mode Capot fermé

- La zone imprimée peut sortir de la feuille si le papier n'est pas correctement placé, lorsque le capot est ouvert ou fermé.
- L'imprimante doit être en mode Capot fermé et non en mode Veille lorsque le capot est fermé pour éviter tout problème, et l'utilisateur doit entrer les données.
- Dans ce mode, le statut des voyants LED est comme suit :
 - Voyants des statuts : le vert clignote
 - Voyant Erreur le vert clignote
- Les données reçues en mode Capot fermé ne sont pas imprimées jusqu'à ce que l'imprimante retourne en mode Veille.

2. Comment faire passer l'imprimante du mode Capot fermé en mode Veille

- Appuyez sur le bouton Pause pour passer en mode Veille sans alimenter de papier.
- Appuyez sur le bouton Alimentation (Feed) pour alimenter une page pour aligner le papier puis passer en mode Veille.

5-10 Mode de transfert des données

Cette fonction peut être utilisée pour diagnostiquer les problèmes de communication lorsque l'impression ne fonctionne pas correctement.

Dans ce mode, les données reçues ne sont pas analysées, mais elles sont transférées en format hexagonal sans être traitées.

Eteignez l'imprimante puis rallumez-la pour repasser en mode Veille.

5-10-1 Comment lancer le mode de transfert des données

- 1) Appuyez sur le bouton Pause deux secondes, lorsque vous êtes en mode Veille.
- 2) Les deux voyants passeront au orange et l'imprimante entrera en mode de configuration automatique.
- 3) Appuyez sur le bouton de la sixième séquence du voyant du 5-2-2 (Voyant du statut) orange / Voyant Erreur rouge – clignote quatre fois) pour entrer en mode de transfert des données.

5-11 Réinitialisation Usine

Cette fonction est utilisée pour réinitialiser l'imprimante au paramétrage Usine.

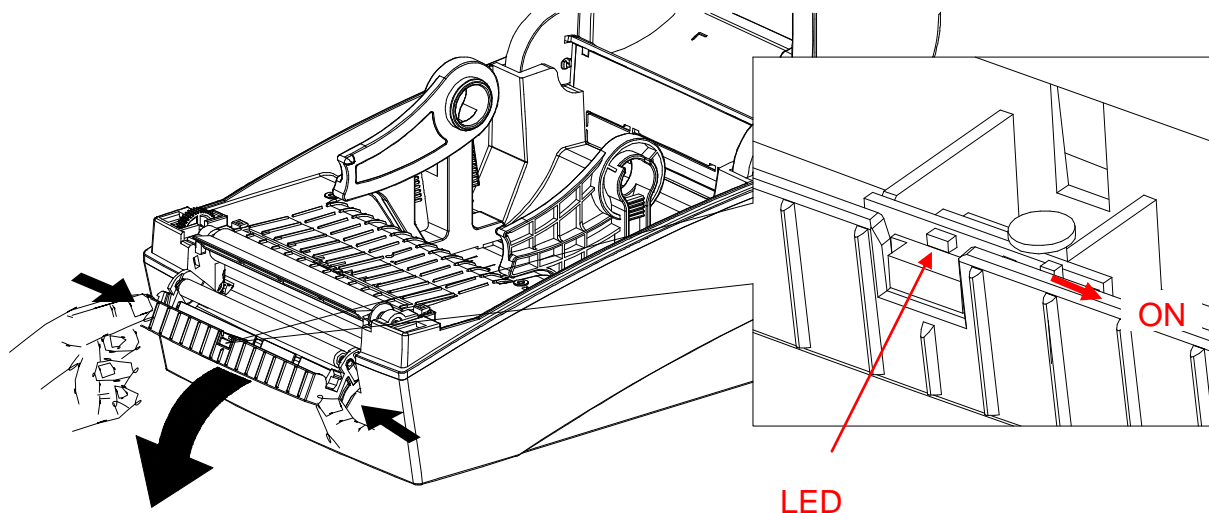
5-11-1 Comment réinitialiser l'imprimante

- 1) Appuyez sur le bouton Pause deux secondes, lorsque vous êtes en mode Veille.
- 2) Les deux voyants passeront au orange et l'imprimante entrera en mode de configuration automatique.
- 3) Appuyez sur le bouton de la 3e séquence du voyant, comme indiqué en 5-2-2 (Voyant du statut est vert et le voyant Erreur clignote en rouge quatre fois) pour réinitialiser l'imprimante aux paramètres par défaut, et la fonction de détection intelligente des médias sera exécutée.

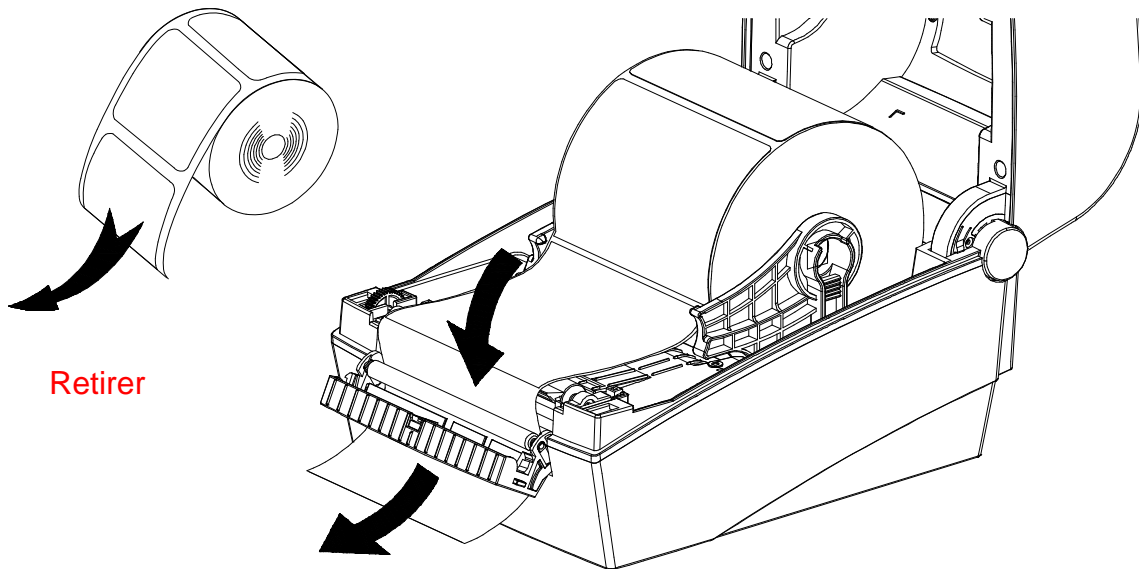
5-12 Le détachement des étiquettes (Option)

Il s'agit d'une fonction permettant de détacher le papier collé derrière les étiquettes, elle est donc applicable avec le papier d'étiquette uniquement.

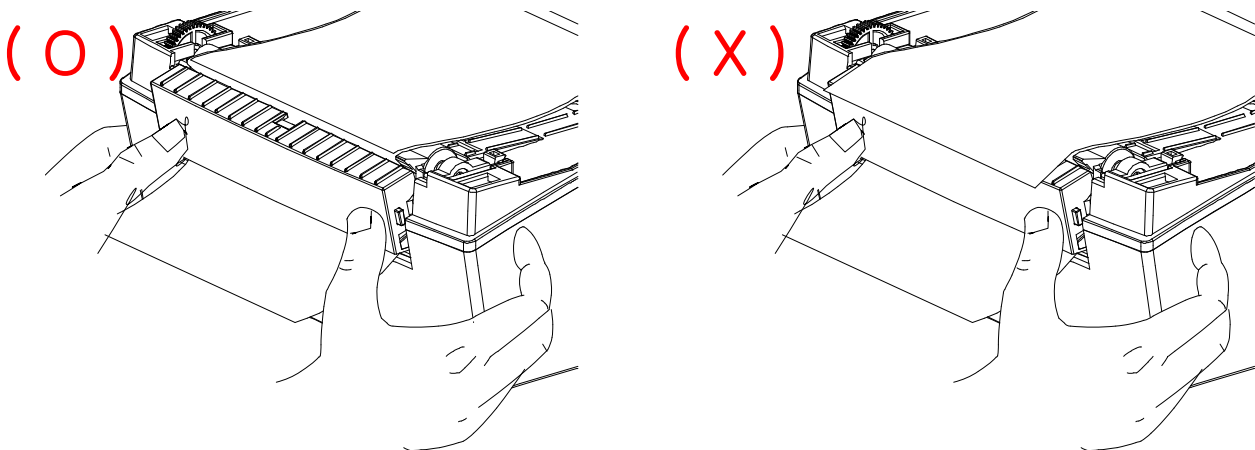
- 1) Ouvrez le capot du papier.
- 2) Ouvrez le capot du détacheur d'étiquettes et paramétrez l'interrupteur du détacheur sur "On".
 - Vérifiez que le voyant LED soit allumé.



3) Retirez une feuille de papier à étiquettes, puis insérez le papier, comme indiqué sur l'image ci-dessous.



4) Réglez les guides du papier puis fermez le capot du détacheur d'étiquettes.



5) Fermez le capot du papier jusqu'au clic.

6) Eteignez l'imprimante puis rallumez-la.

5-13 Utilisation d'un papier plié en accordéon

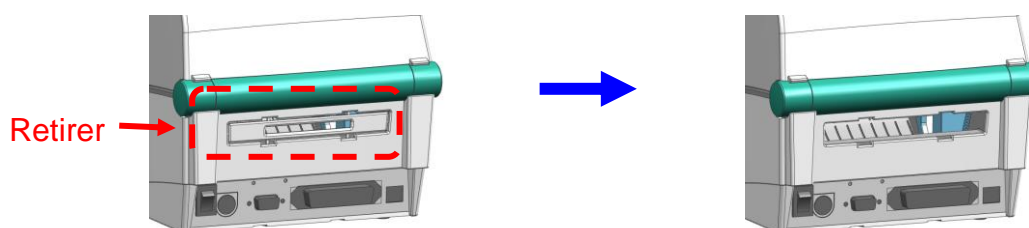
Alimenter le papier dans le bac extérieur se fait comme suit.

5-13-1 Préparation de l'imprimante

Retirez le capot du bac arrière de l'imprimante à l'aide d'un couteau ou un autre instrument coupant.

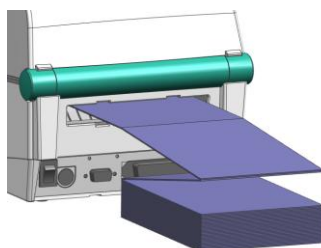
※ **ATTENTION**

- Veillez à ne pas vous blesser la main ou toute autre partie du corps lors de la manipulation

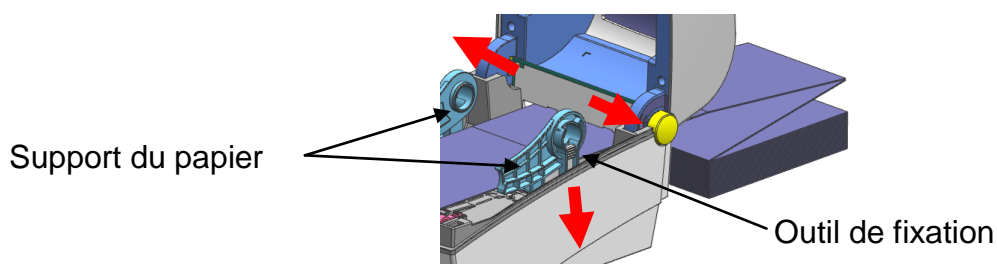


5-13-2 Lors de l'utilisation d'un papier plié en accordéon

- 1) Insérez le papier à l'arrière de l'imprimante en vous aidant des fentes et des guides.



- 2) Réglez les supports du papier en fonction de la largeur de papier; à l'aide de l'outil de fixation.

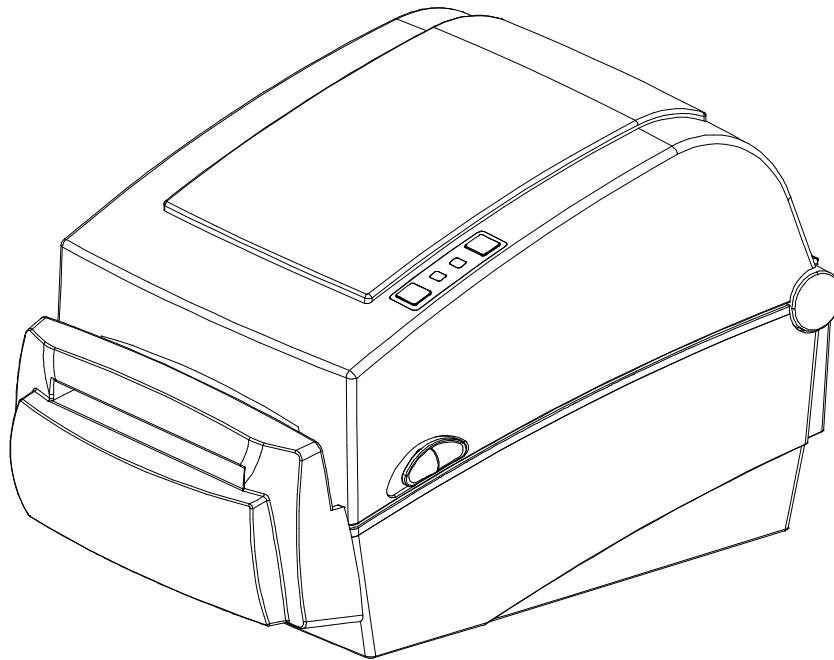


5-14 Coupe automatique (Option)

La découpe automatique du papier est disponible sur les produits équipés d'une coupe automatique.

La coupe automatique peut être contrôlée à l'aide des commandes Le paramétrage par défaut Usine peut être modifié via Unified Label Utility-II.

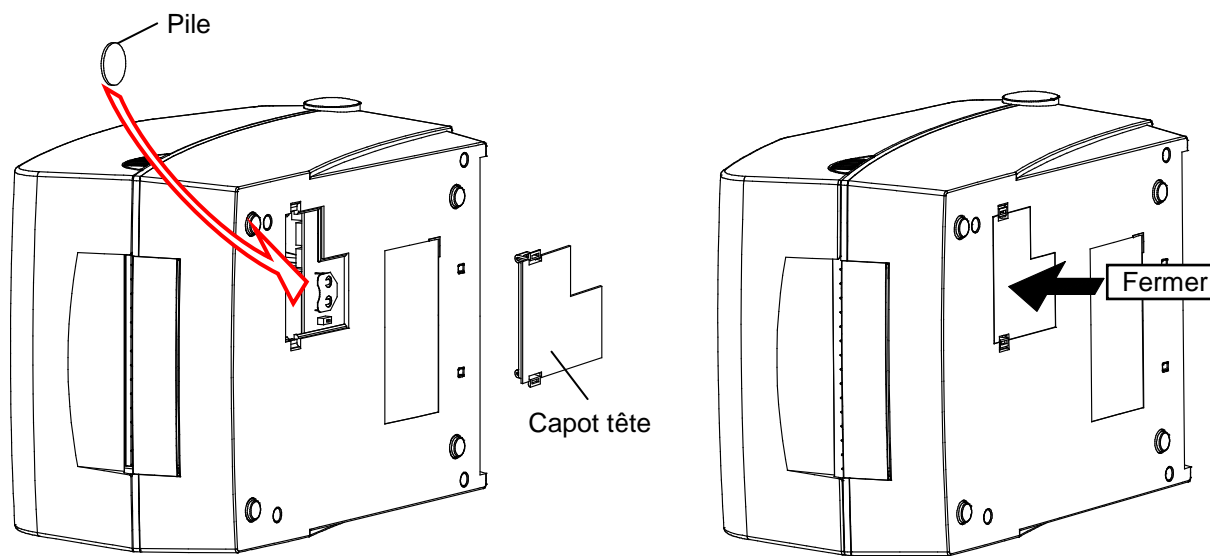
※ Le mode d'installation du papier est le même que le papier sans découpe automatique.



5-15 Horloge en temps réel (Option)

L'option Horloge en temps réel permet d'imprimer la date et l'heure sur l'étiquette. La date et l'heure peuvent être paramétrées à l'aide d'Unified Label Utility-II.

Si l'imprimante indique, régulièrement les mauvaises dates et heures, cela indique que la pile est faible ou à plat. Dans ce cas, changez les piles. Une fois la pile changée, l'heure et la date devront être réinitialisées.

**※ ATTENTION**

- Pour votre sécurité, la capot d'accès, situé sous l'imprimante doit être fermé. Lorsque vous changez les piles, ouvrez le capot à l'aide de votre pouce et de votre index. Puis refermez le capot, une fois les piles en place.
- Emballez les piles lorsque vous les recyclez ou les stockez pour éviter tout court-circuit.
- Ne créez pas de court-circuit avec les piles. Cela peut entraîner une surchauffe voire un incendie.
- Ne démontez pas et ne chauffez pas les piles.

6. Nettoyage de la tête d'impression

La qualité d'impression peut se dégrader si de la poussière, un corps étranger, une substance adhésive ou tout autre polluant se trouve sur la tête d'impression ou à l'intérieure d'imprimante.

Lorsqu'elle est sale, nettoyez la tête d'impression comme suit :

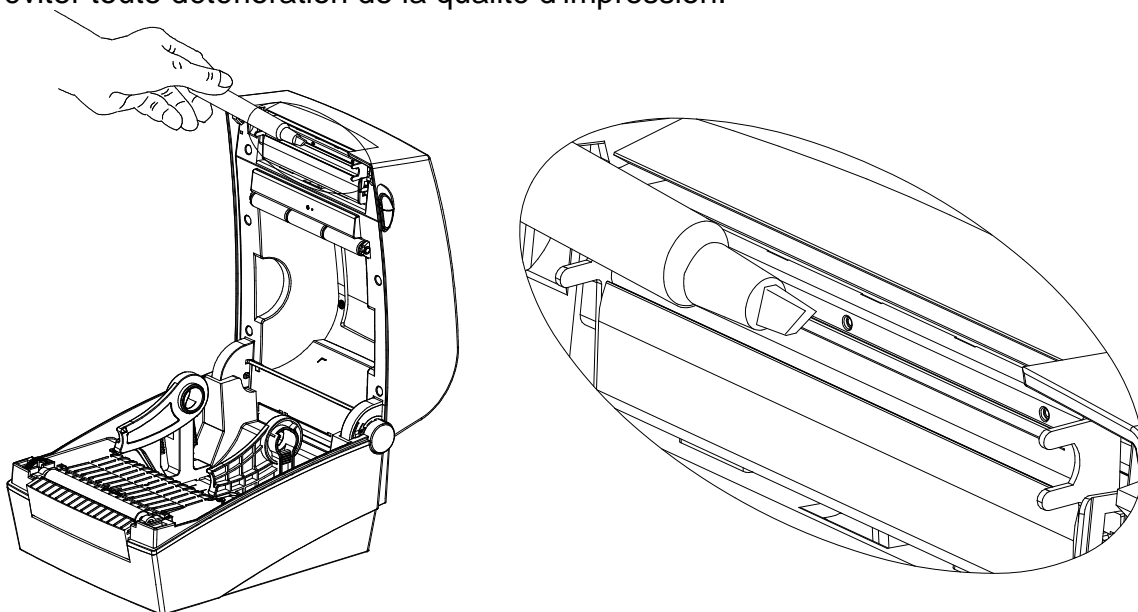
※ ATTENTION

- Assurez-vous d'avoir éteint l'imprimante avant de la nettoyer.
 - La tête d'impression peut être très chaude lors de l'impression, si vous souhaitez la nettoyer, éteignez l'imprimante et attendez entre 2 et 3 minutes avant de commencer le nettoyage.
 - Lorsque vous nettoyez la tête d'impression, veillez à ne pas toucher la partie chaude de la tête de l'impression.
 - La tête d'impression est susceptible d'être endommagé par de l'électricité statique, etc.
 - Veillez à ne pas rayer et/ou endommagé la tête d'impression.
 - Veillez à ne pas vous pincer les doigts lorsque vous ouvrez et fermez le capot du papier.
- Assurez d'ouvrir le capot en entier jusqu'à ce qu'il se bloque en position ouverte.
- Lorsque vous rechargez un rouleau de papier, veillez à ne pas vous pincez les doigts entre le rouleau de papier et la fixation du rouleau.
 - Ne touchez pas la lame avec les mains et ne placez rien sur la lame. Vous risqueriez de vous blesser.

6-1 Nettoyage de la tête d'impression

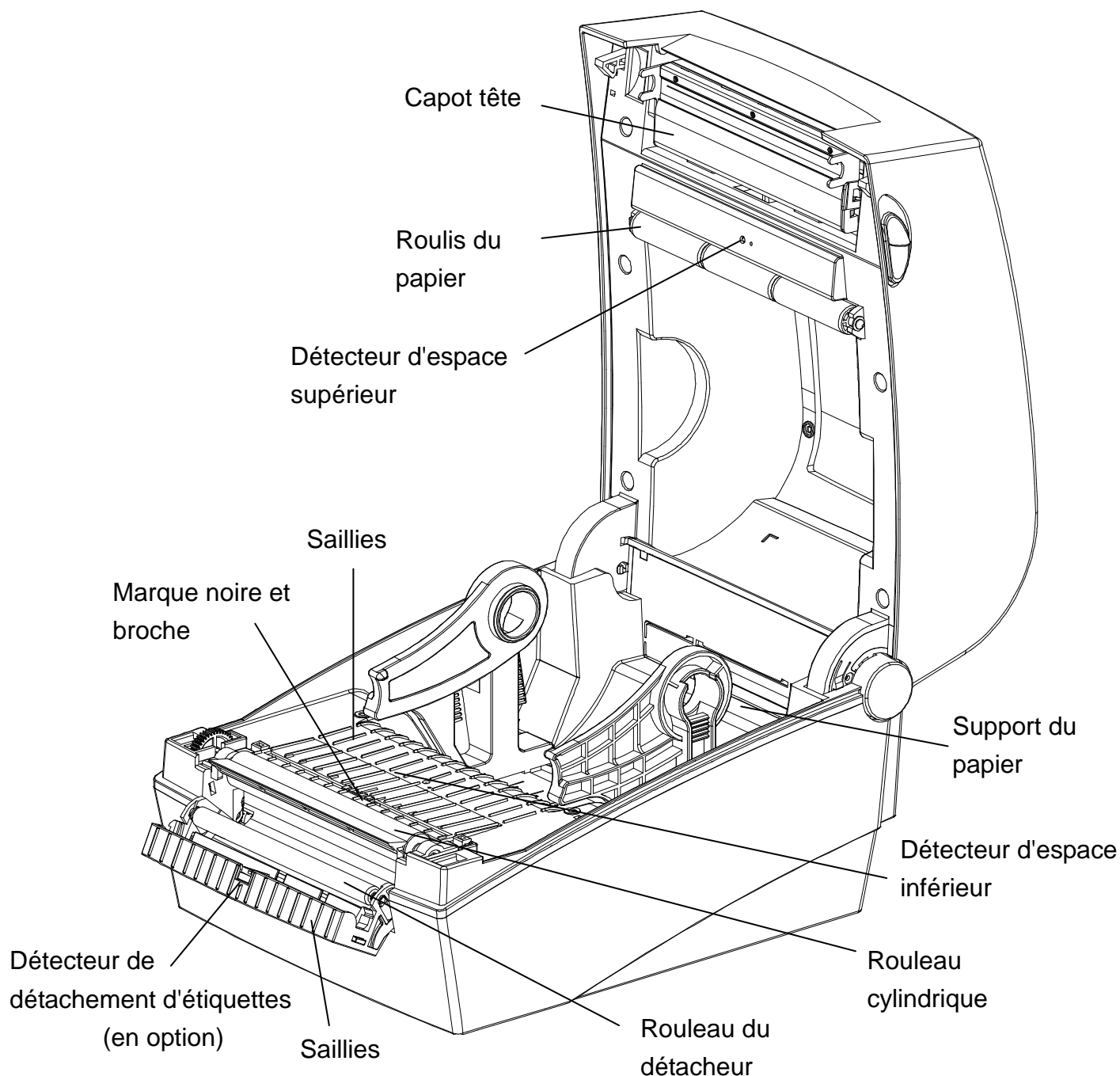
- 1) Ouvrez le capot du papier puis nettoyez la tête d'impression à l'aide d'un crayon de nettoyage en partant du centre vers les bords.
- 2) Après avoir nettoyé la tête, n'utilisez pas l'imprimante jusqu'à ce que l'alcool utilisé pour le nettoyage se soit totalement évaporé (1-2 min) et que l'imprimante soit complètement sèche.

※ Procédez au nettoyage à chaque fois que vous remplacez le rouleau de papier, afin d'éviter toute détérioration de la qualité d'impression.



6-2 Détecteur de nettoyage, roulis et/ou chemin du papier

- 1) Ouvrez le capot du papier et sortez le papier.
 - 2) Retirez toute poussière ou tout corps étranger à l'aide d'un chiffon sec ou d'un coton-tige.
 - 3) Imbibez le chiffon ou le coton tige dans de l'alcool à 90° pour retirer toute substance collante ou autre matière adhésive.
 - 4) Après avoir nettoyé les pièces, n'utilisez pas l'imprimante jusqu'à ce que l'alcool utilisé pour le nettoyage se soit totalement évaporé (1-2 min) et que l'imprimante soit complètement sèche.
- ✳ Nettoyez les pièces dès que la qualité d'impression est dégradée ou que du papier est détecté.



7. Annexe

7-1 Caractéristiques

Article		Description
Imprimante	Mode d'impression	Impression thermique directe
	Densité des points	LD630D : 203 dpi (8 points/mm) LD640D : 300 dpi (11,8 points/mm)
	Largeur d'impression	LD630D : 108 mm Max LD640D : 105,7 mm Max
	Vitesse d'impression	LD630D : Max. 165 mm/sec (Max. 6.5ips) LD640D : Max. 102 mm/sec (Max. 4ips)
Papier	du papier	20 ~ 110 mm
	Rouleau	130mm Max
	Moyeu	25,4~38,1mm
Adaptateur CA	Voltage d'entrée	100/240V CC
	Fréquence	50/60 Hz
	Voltage de sortie	24V CC \pm 5%
	Voltage de sortie	2,5A
Conditions d'utilisation	Température	5 ~ 40 °C (Fonctionnement) -20 ~ 60 °C (Stockage)
	Humidité (sauf pour le papier)	10 ~ 80 % RH (Fonctionnement) 10 ~ 90 % RH (Stockage)

※ Note

- La vitesse d'impression peut varier selon la vitesse de transfert de données et de la combinaison des commandes de contrôle.
- Cet appareil est conçu pour une utilisation en intérieur ; tous les câbles de communication doivent se trouver dans le même bâtiment.
- L'interrupteur permet de déconnecter l'appareil. En cas de danger, éteignez tout.

7-2 Types d'étiquettes

Les types d'étiquettes compatibles avec cette imprimante sont :

- Etiquettes de commande : PP
- Autres étiquettes : PET

Oki détails du contact

OkicontactName. Oki Systems (UK) Limited

OkicontactAddress.550 Dundee Road
Slough Trading Estate
Slough
Berkshire
SL1 4LE

Tel:+44 (0) 1753 819819
Fax:+44 (0) 1753 819899
<http://www.oki.co.uk>

Oki Systems Ireland Limited

The Square Industrial Complex
Tallaght
Dublin 24

Tel:+353 (0) 1 4049590
Fax:+353 (0)1 4049591
<http://www.oki.ie>

Oki Systems Ireland Limited - Northern Ireland

19 Ferndale Avenue
Glengormley
BT36 5AL
Northern Ireland

Tel:+44 (0) 7767 271447
Fax:+44 (0) 1 404 9520
<http://www.oki.ie>

Technical Support for all Ireland:

Tel:+353 1 4049570
Fax:+353 1 4049555
E-mail: tech.support@oki.ie

Oki Systems (Czech and Slovak), s.r.o.

IBC – Pobřežní 3
186 00 Praha 8
Czech Republic

Tel: +420 224 890158
Fax:+420 22 232 6621
Website: www.oki.cz, www.oki.sk

Oki Systems (Deutschland) GmbH

Hansaallee 187
40549 Düsseldorf

Tel: 01805/6544357**
01805/OKIHELP**
Fax: +49 (0) 211 59 33 45
Website:
www.okiprintingsolutions.de
info@oki.de

**0,14€/Minute aus dem dt. Festnetz
der T-Com (Stand 11.2008)

Διανομέας των συστημάτων OKI

CPI S.A1 Rafailidou str.
177 78 Tavros
Athens
Greece

Tel: +30 210 48 05 800
Fax:+30 210 48 05 801
EMail:sales@cpi.gr

Oki Systems (Iberica), S.A.U

C/Teide, 3
San Sebastian de los Reyes
28703, Madrid

Tel:+34 91 3431620
Fax: +34 91-3431624
Atención al cliente: 902 36 00 36
Website: www.oki.es

Oki Systèmes (France) S.A.

44-50 Av. du Général de Gaulle
94246 L'Hay les Roses
Paris

Tel:+33 01 46 15 80 00
Télécopie:+33 01 46 15 80 60
Website: www.oki.fr

Oki Systems (Magyarország) Kft.

Capital Square
Tower 2
7th Floor
H-1133 Budapest,
Váci út 76
Hungary

Telefon: +36 1 814 8000
Telefax: +36 1 814 8009
Website: www.oki.hu

Oki Systems (Italia) S.p.A.

via Milano, 11,
20084 Lacchiarella (MI)

Tel:+39 (0) 2 900261
Fax:+39 (0) 2 90026344
Website: www.oki.it

Oki Printing Solutions

Platinum Business Park II, 3rd Floor
ul. Domaniewska 42
02-672 Warsaw
Poland

Tel:+48 22 448 65 00
Fax:+48 22 448 65 01
Website: www.oki.com.pl
E-mail: oki@oki.com.pl
Hotline: 0800 120066
E-mail: tech@oki.com.pl

Oki Systems (Ibérica) S.A.

Sucursal Portugal
Edifício Prime -
Av. Quinta Grande 53
7º C Alfragide
2614-521 Amadora
Portugal

Tel:+351 21 470 4200
Fax:+351 21 470 4201
Website:www.oki.pt
E-mail : oki@oki.pt

Oki Service

Serviço de apoio técnico ao Cliente

Tel: 808 200 197
E-mail : okiserv@oki.pt

OKI Europe Ltd. (Russia)

Office 702, Bldg 1
Zagorodnoye shosse
117152, Moscow

Tel: +74 095 258 6065
Fax: +74 095 258 6070
e-mail: info@oki.ru
Website: www.oki.ru

Technical support:

Tel: +7 495 564 8421
e-mail: tech@oki.ru

Oki Systems (Österreich)

Campus 21
Businesszentrum Wien Sued
Liebermannstrasse A02 603
22345 Brun am Gebirge

Tel: +43 223 6677 110
Drucker Support:
+43 (0) 2236 677110-501
Fax Support:
+43 (0) 2236 677110-502
Website: www.oki.at

OKI Europe Ltd. (Ukraine)

Raisy Opkinoy Street,8
Building B, 2nd Floor,
Kiev 02002
Ukraine

Tel: +380 44 537 5288
e-mail: info@oki.ua
Website: www.oki.ua

OKI Sistem ve Yazıcı Çözümleri Tic. Ltd. Şti.

Harman sok Duran Is Merkezi,
No:4, Kat:6,
34394, Levent
İstanbul

Tel: +90 212 279 2393
Faks: +90 212 279 2366
Web: www.oki.com.tr
www.okiprintingsolutions.com.tr

Oki Systems (Belgium)

Medialaan 24
1800 Vilvoorde

Helpdesk: 02-2574620
Fax: 02 2531848
Website: www.oki.be

AlphaLink Bulgaria Ltd.

2 Kukush Str.
Building "Antim Tower", fl. 6
1463 Sofia, Bulgaria

tel: +359 2 821 1160
fax: +359 2 821 1193
Website: <http://bulgaria.oki.com>

OKI Printing Solutions

Herstedøstervej 27
2620 Albertslund
Danmark

Adm.: +45 43 66 65 00
Hotline: +45 43 66 65 40
Salg: +45 43 66 65 30
Fax: +45 43 66 65 90
Website: www.oki.dk

Oki Systems (Finland) Oy

Polaris Capella
Vänrikinkuja 3
02600 Espoo

Tel: +358 (0) 207 900 800
Fax: +358 (0) 207 900 809
Website: www.oki.fi

Oki Systems (Holland) b.v.

Neptunstraat 27-29
2132 JA Hoofddorp

Helpdesk: 0800 5667654
Tel: +31 (0) 23 55 63 740
Fax: +31 (0) 23 55 63 750
Website: www.oki.nl

Oki Systems (Norway) AS

Tevlingveien 23
N-1081 Oslo

Tel: +47 (0) 63 89 36 00
Telefax: +47 (0) 63 89 36 01
Ordrefax: +47 (0) 63 89 36 02
Website: www.oki.no

**General Systems S.R.L.
(Romania)**

Sos. Bucuresti-Ploiesti Nr. 135.
Bucharest 1
Romania

Tel: +40 21 303 3138
Fax: +40 21303 3150
Website: http://romania.oki.com

Var vänlig kontakta din Återförsäljare
i första hand, för konsultation. I
andra hand kontakta

Oki Systems (Sweden) AB

Borgafjordsgatan 7
Box 1191
164 26 Kista

Tel. +46 (0) 8 634 37 00
e-mail:
info@oki.se för allmänna frågor om
Oki produkter

support@oki.se för teknisk support
gällandes Oki produkter

Vardagar: 08.30 - 12.00,
13.00 - 16.00
Website: www.oki.se

Oki Systems (Schweiz)

Baslerstrasse 15
CH-4310 Rheinfelden

Support deutsch +41 61 827 94 81
Support français +41 61 827 94 82
Support italiano +41 061 827 9473
Tel: +41 61 827 9494
Website: www.oki.ch

Oki Data Americas Inc.(United States)

2000 Bishops Gate Blvd.
Mt. Laurel, NJ 08054
USA

Tel: 1-800-654-3282
Fax: 1-856-222-5247
http://WWW.OKIPRINTINGSOLUTIONS.COM
http://my.okidata.com

Oki Data Americas Inc.(Canada • Canadá)

4140 B Sladeview Crescent Units 7&8
Mississauga, Ontario
Canada L5L 6A1

Tél: 1-905-608-5000
Télé: 1-905-608-5040
http://WWW.OKIPRINTINGSOLUTIONS.COM

Oki Data Americas Inc.(América Latina (OTRO))

2000 Bishops Gate Blvd.
Mt. Laurel, NJ 08054
USA

Tel (Español): 1-856-222-7496
1-856-222-5276
Fax: 1-856-222-5260
Email: LASatisfaction@okidata.com

Oki Data de Mexico, S.A. de C.V.

Mariano Escobedo #748, Piso 8
Col. Nueva Anzures
C.P. 11590, México, D.F.

Tel: 52-555-263-8780
Fax: 52-555-250-3501
http://WWW.OKIPRINTINGSOLUTIONS.COM

Oki Data do Brasil, Ltda.

Rua Avenida Alfredo Egidio de souza Aranha
100-4º andar-Bloco C Chacara Santo Antonio
Sao Paulo, Brazil 04726-170

Tel: 55-11-3444-6747 (Grande São
Paulo)
0800-11-5577 (Demais
localidades)
Fax: 5511-3444-3501
e-mail: okiserv@okidata.com.br
http://WWW.OKIPRINTINGSOLUTIONS.COM

Oki Data (Singapore) Pte. Ltd.

438A Alexandra Road #02-11/12,
Lobby 3, Alexandra Technopark
Singapore(119967)

Tel:(65) 6221 3722
Fax:(65) 6594 0609
http://www.okidata.com.sg

Oki Systems (Thailand) Ltd.

1168/81-82 Lumpini Tower,
27th Floor Rama IV Road
Tungmahamek, Sathorn
Bangkok 10120

Tel:(662) 679 9235
Fax:(662) 679 9243/245
http://www.okisysthai.com

Oki Systems (Hong Kong) Ltd.

Suite 1908, 19/F, Tower 3,
China Hong Kong City
33 Canton Road, TsimShaTsui,
Kowloon, Hong Kong

Tel: (852) 3543 9288
Fax: (852) 3549 6040
http://www.okiprintingsolutions.com.hk

Oki Data(Australia) Pty Ltd.

Levw1 67 Epping Road, Macquarie Park
NSW 2113, Australia

Tel: +61 2 8071 0000
(Support Tel: 1800 807 472)
Fax: +61 2 8071 0010
http://www.oki.com.au

Comworth Systems Ltd.

8 Antares Place Mairangi Bay,
Auckland, New Zealand

Tel:(64) 9 477 0500
Fax:(64) 9 477 0549
http://www.comworth.co.nz

Oki Data(S) P Ltd. Malaysia Rep Office

Suite 21.03, 21st Floor Menara IGB,
Mid Valley City,
Lingkaran Syed Pura 59200,
Kuala Lumpur, Malaysia

Tel: (60) 3 2287 1177
Fax: (60) 3 2287 1166

Guida per l'utente

PREFAZIONE

Nella stesura di questo manuale è stato fatto il possibile per fornire informazioni complete, precise e aggiornate. Il costruttore non si assume alcuna responsabilità per le conseguenze di eventuali errori causati da fattori sui quali non ha controllo. Inoltre il costruttore non può garantire che le modifiche del software e delle apparecchiature apportate da altri costruttori e a cui si fa riferimento in questo manuale non possano avere delle conseguenze sulla validità delle informazioni in esso contenute. La citazione di prodotti software costruiti da altre società non rappresenta necessariamente approvazione.

Nella stesura di questo documento è stato fatto il possibile per fornire informazioni accurate e utili. Tuttavia non si garantisce in alcun modo, espresso o implicito, la validità e correttezza delle informazioni qui riportate.

Tutti i diritti riservati a OKI Data Corporation. Si fa divieto di effettuare copie non autorizzate, trasferimenti, attività di traduzione o altre azioni correlate. Per ognuna delle azioni sopra elencate, è necessario ottenere un'autorizzazione scritta da parte di Oki Data Corporation.

© 2012 Oki Data Corporation

OKI è un marchio registrato di proprietà di Oki Electric Industry Co., Ltd.

Energy Star è un marchio registrato dell'Agenzia di Protezione Ambientale degli Stati Uniti.

Microsoft, Windows, Windows Server e Windows Vista sono marchi registrati di proprietà di Microsoft Corporation.

Apple, Macintosh, Rosetta, Mac e Mac OS sono marchi registrati di proprietà di Apple Inc.

Gli altri nomi di prodotto e marchi di fabbrica sono marchi o marchi registrati dei rispettivi proprietari.



In qualità di partecipante al programma Energy Star, il costruttore ha stabilito che questo prodotto è conforme alle linee guida Energy Star per l'efficienza energetica.



Questo prodotto soddisfa i requisiti indicati dalle Direttive del Consiglio Europeo 2004/108/EC (EMC) e 2006/95/EC (LVD) e 1999/5/EC (R&TTE), come emendato dove applicabile all'approssimarsi alle leggi degli stati membri in relazione alla compatibilità elettromagnetica, basso voltaggio e apparecchiature terminali per le radio & telecomunicazioni.

I cavi seguenti sono stati utilizzati per valutare il prodotto e stabilirne la conformità alla direttiva normativa EMC 2004/108/EC e configurazioni diverse da quelle potrebbero influire su quella norma.

TIPO DI CAVO	LUNGHEZZA (METRI)	NUCLEO	SCHERMATURA
Alimentazione	1,8	✗	✗
USB	1,8	✗	✓
Seriale	1,8	✗	✓
Parallela	1,8	✓	✓
LAN	3,0	✗	✗

PRODUTTORE

OKI Data Corporation,
4-11-22 Shibaura, Minato-ku,
Tokyo 108-8551,
Giappone

Per informazioni sulla vendita e l'assistenza e qualsiasi altra domanda di carattere generale, contattare il distributore locale.

IMPORTATORE PER L'UNIONE EUROPEA/RAPPRESENTANTE AUTORIZZATO

OKI Europe Limited (che commercializza i prodotti sotto il nome di OKI Printing Solutions)

Blays House
Wick Road
Egham
Surrey, TW20 0HJ
Regno Unito

Per informazioni sulla vendita e l'assistenza e qualsiasi altra domanda di carattere generale, contattare il distributore locale.

INFORMAZIONI SULL'AMBIENTE



■ Tabella dei contenuti

※ Informazioni sul manuale & precauzioni di sicurezza	5
1. Controllo del contenuto dell'imballo	9
2. Nomi delle parti della stampante.....	10
3. Installazione & Uso	12
3-1 Connessione dell'alimentazione	12
3-2 Connessione del cavo d'interfaccia.....	13
3-3 Installazione di carta	15
3-4 Tasti e LED	16
3-5 Test del processo di stampa	18
4. Auto-test.....	19
5. Informazioni dettagliate sulle funzioni.....	20
5-1 Impostare la stampante usando l'apposita utilità.....	20
5-2 Modalità di configurazione stand-alone (indipendente)	21
5-3 Interruzione/Annullamento	22
5-4 Calibrazione dei media.....	23
5-5 Rilevamento intelligente dei media	24
5-6 Modalità di autocalibrazione del sensore di perforazione di carta.....	25
5-7 Modalità di autocalibrazione del sensore Black Mark.....	25
5-8 Modalità di calibrazione manuale	26
5-9 Modalità di chiusura del coperchio.....	27
5-10 Modalità di cattura dei dati	27
5-11 Ripristino delle impostazioni di fabbrica.....	28
5-12 Staccamento delle etichette (Opzione).....	28
5-13 Etichette a carta continua.....	30
5-14 Taglierina automatica (opzione).....	31
5-15 Orologio del tempo reale (opzione)	32
6. Pulizia della testina	33
6-1 Pulizia della testina stampante.....	33
6-2 Pulizia dei sensori, del rullo o/e del percorso della carta	34
7. Appendice	35
7-1 Specifiche.....	35
7-2 Tipi di etichette	35

■ Informazioni sul manuale

Il presente manuale dell'utente contiene informazioni basilari sull'uso del prodotto, nonché sulle precauzioni di sicurezza e misure di emergenza da adottare all'occorrenza.

※ Nei seguenti manuali separati sono riportati contenuti più dettagliati su varie questioni tecnologiche.

1. Manuale del driver per Windows

Il presente manuale contiene le istruzioni relative all'installazione e le informazioni sulle funzioni principali del driver per Windows.

2. Manuale dell'Unified Label Utility-II

Il presente manuale fornisce informazioni sull'uso del software per selezionare varie funzioni del prodotto, per modificare le condizioni di lavoro ecc.

3. Manuale della programmazione (SLCS)

Il presente manuale fornisce informazioni sui comandi della stampante per le etichette.

4. Manuale dell'utilità di scaricamento di True Font.

Il presente manuale fornisce informazioni sull'uso dell'utilità di scaricamento dei font per scaricare True Fonts e facilitarne l'uso come font del dispositivo.

5. Manuale dell'interfaccia di rete

Il presente manuale fornisce informazioni sulla configurazione e sull'uso dell'interfaccia Ethernet.

6. Manuale dello strumento di configurazione di rete

Il presente manuale fornisce informazioni sull'uso dello strumento di configurazione di rete indispensabile per configurare l'interfaccia Ethernet nel presente dispositivo.

Oki Data fa del suo meglio per aggiornare e migliorare le funzioni e la qualità di tutti i suoi prodotti. Di conseguenza le specifiche del prodotto e/o il contenuto del manuale dell'utente sono soggetti a modifiche senza preavviso.

■ Precauzioni di sicurezza

Per evitare qualsiasi pericolo o danni materiali, durante l'uso di questo dispositivo prego osservare queste precauzioni di sicurezza.



AVVISO

Non osservanza delle istruzioni sottostanti può causare gravi lesioni o morte.

Non connettere più dispositivi ad una presa

multipla.

- Questo può causare surriscaldamento o un incendio.
- Se la spina è sporca o umida, prima di usarla bisogna pulirla o asciugarla.
- Se la spina non è compatibile con la presa, non attaccare il dispositivo alla presa.
- Accertarsi che si usino le prese multiple standardizzate.

VIETATO



Usare solo l'adattatore fornito insieme al dispositivo

- L'uso di altri adattatori può essere pericoloso.



Non tirare il cavo per staccarlo dalla presa.

- Questo può danneggiare il cavo ed in seguito causare un incendio oppure un guasto alla stampante.

VIETATO



Tenere il sacco di plastica fuori dalla portata dei bambini.

- Altrimenti il bambino può metterselo in testa e soffocarsi.

VIETATO



Non attaccare e non staccare la spina con le mani umide.

- Questo può causare uno shock elettrico.

VIETATO



Non piegare il cavo con forza e non lasciarlo sotto un oggetto pesante.

- Un cavo danneggiato può causare un incendio.

VIETATO





PRECAUZIONE

Non osservanza delle istruzioni sottostanti può causare lesioni o danni al dispositivo.

Se durante l'uso la stampante emette fumo, odore o un rumore anomalo, staccarlo dall'alimentazione e procedere in seguente modo.

- Spegnere la stampante e staccare il dispositivo dall'alimentazione.
- Quando il fumo sparirà, contattare il venditore per affidargli la riparazione.

TO UNPLUG



Stare attenti a non schiacciarsi le dita, aprendo o chiudendo il coperchio del vano carta. Inoltre, stare attenti a non far scivolare e cadere il coperchio.

RISCHIO MECCANICO



Installare la stampante su una superficie stabile.

- Se la stampante cade, può rompersi o causare lesioni.

VIETATO



Usare solo accessori approvati dal produttore e non provare mai a disassemblare, riparare o modificare la stampante.

- Se avete bisogno di questi servizi, chiamate il Vostro venditore.
- Non toccare la lama del taglierino automatico.

VIETATO DISASSEMBLARE



Non far entrare l'acqua dentro la stampante e non inserirci nessun oggetto.

- Se succede una cosa del genere, spegnere la stampante e staccarla dall'alimentazione prima di chiamare il venditore.

VIETATO



Non usare la stampante, quando vi si è verificata un'avaria. Questo può causare un incendio oppure uno shock elettrico.

- Prima di chiamare il venditore, spegnere la stampante e staccarla dall'alimentazione.

STACCARE



■ Altre precauzioni

I diritti d'autore relativi al presente manuale dell'utente ed a vari altri manuali sono proprietà dell'Oki Data Corporation. È severamente vietato copiare, convertire in forma elettronica o salvare i presenti materiali senza l'espreso permesso scritto della Oki Data Corporation.

L'uso delle informazioni riportate nel presente manuale non è soggetto alla responsabilità riguardo ai brevetti. Il presente manuale è stato preparato con molta cura e attenzione ai dettagli, ciò nonostante può contenere certi errori e/o omissioni.

La Oki Data Corporation non può essere ritenuta responsabile per qualsiasi danno derivante dall'uso delle informazioni contenute nel presente manuale.

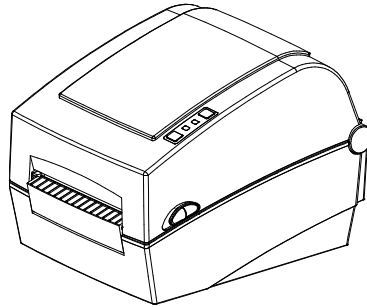
La Oki Data Corporation, e le sue società affiliati non accettano responsabilità legale (esclusi gli Stati Uniti) per alcun danno, perdita, costo e/o spesa derivante dal guasto, malfunzionamento o uso improprio del prodotto causato dalla mancata osservanza o negligenza delle informazioni e istruzioni sull'uso e sulla manutenzione del prodotto fornite dalla Oki Data Corporation nonché da alterazioni, riparazioni e/o modifiche non autorizzate dello stesso da parte dell'utente o di terzi.

La Oki Data Corporation. non può essere ritenuta responsabile per alcun danno e/o problemi derivanti dall'uso delle opzioni e/o parti che non sono prodotti originali della Oki Data o da essa autorizzati.

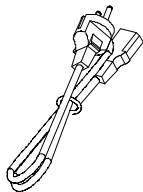
1. Controllo del contenuto dell'imballo

L'imballo deve contenere i seguenti elementi.

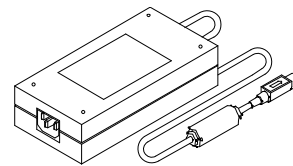
Nel caso si dovesse riscontrare qualsiasi elemento mancante e/o danneggiato, contattare il venditore.



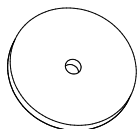
LD630D/LD640D



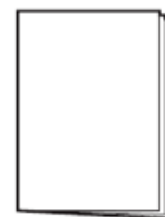
Cavo d'alimentazione



Adattatore AC

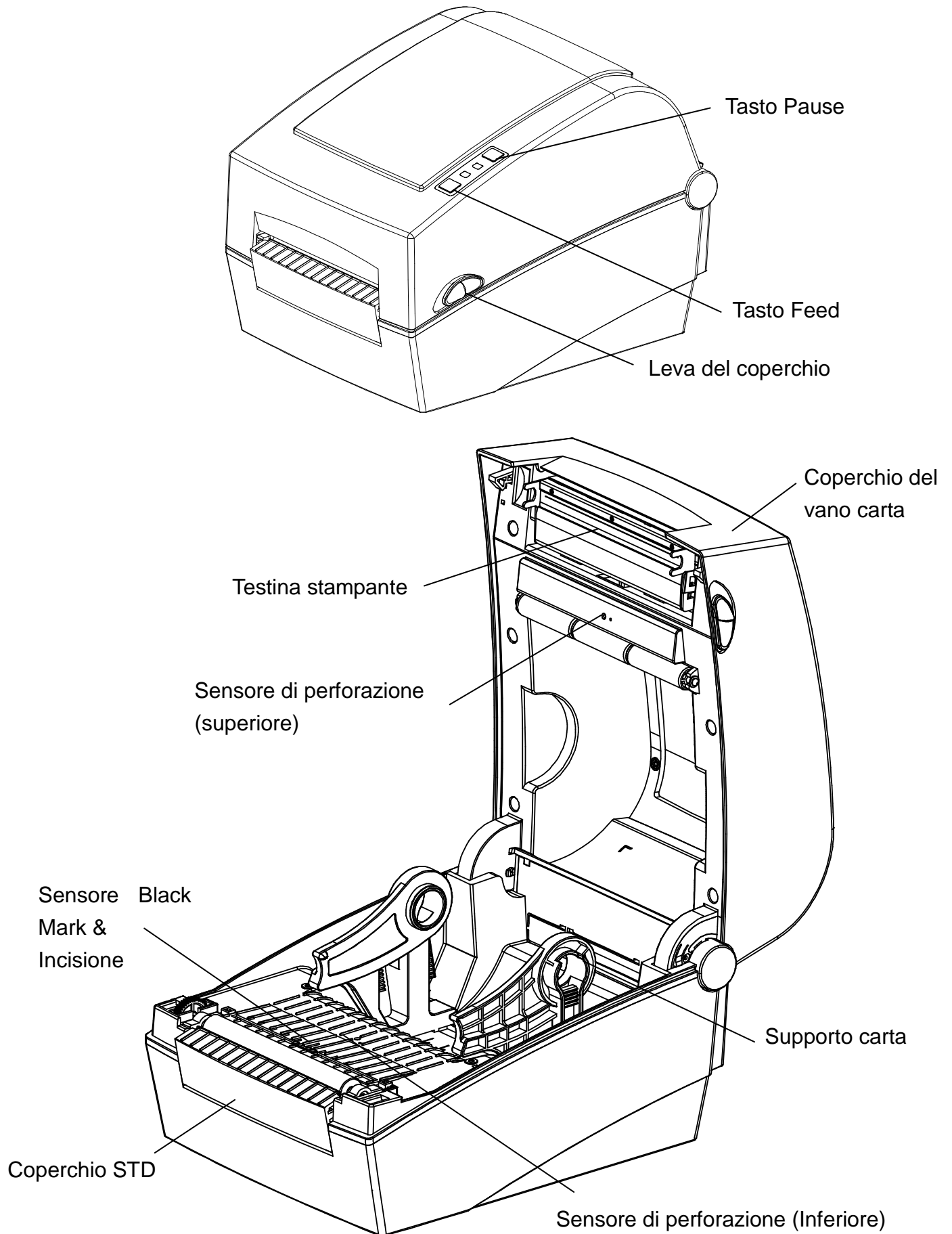


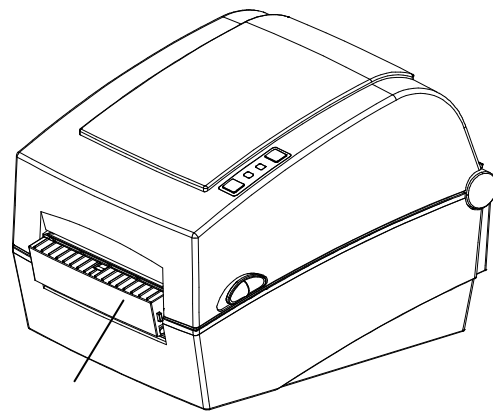
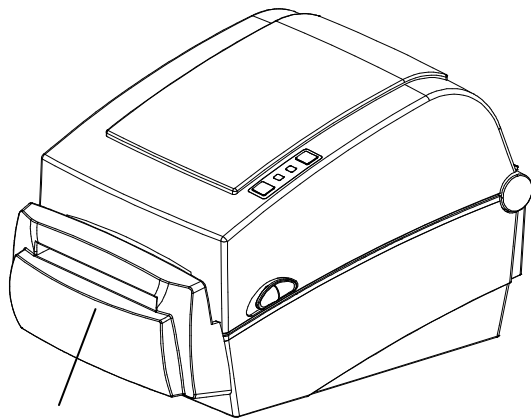
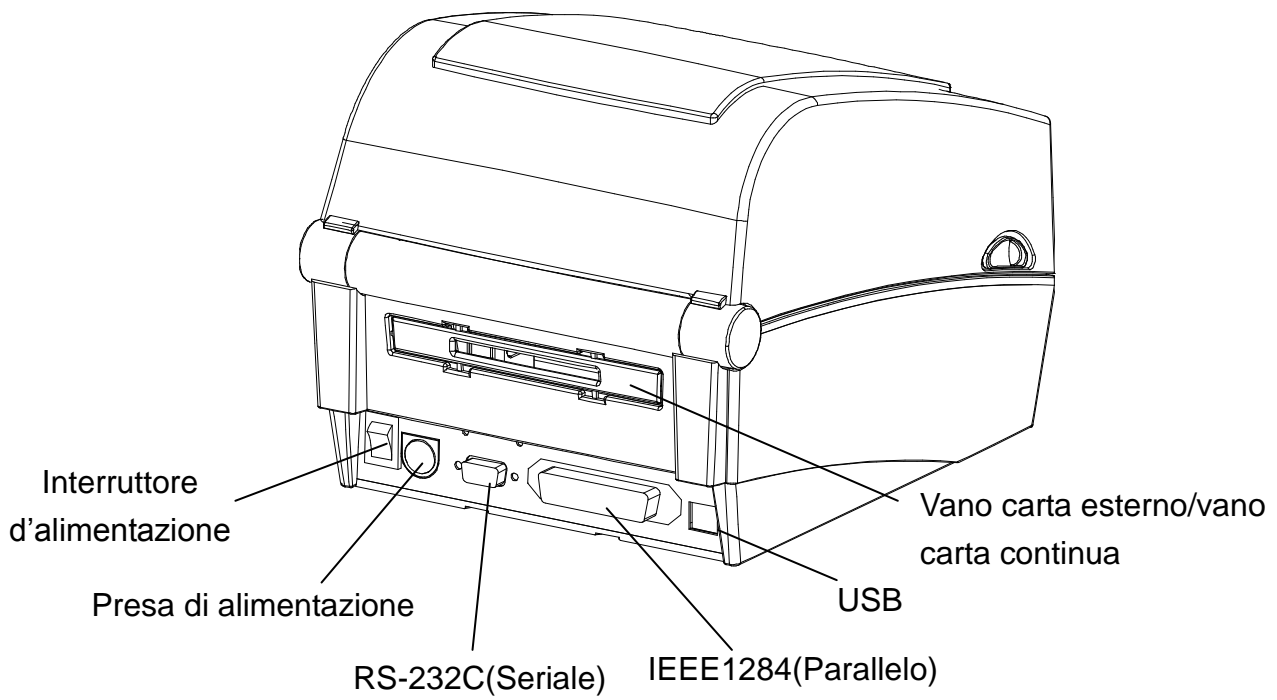
CD



**Documenti dell'utente
(Guida alla configurazione,
precauzioni di sicurezza, garanzia)**

2. Nomi delle parti della stampante





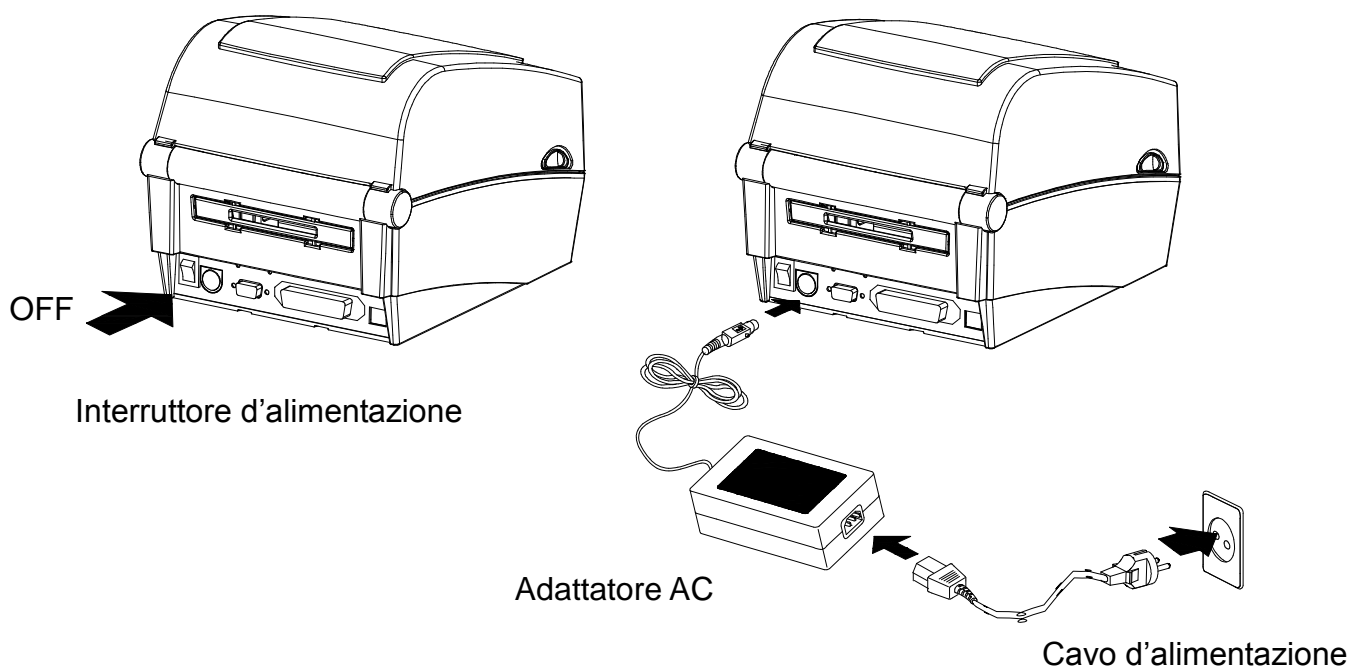
3. Installazione & Uso

※ PRECAUZIONE

- Stare attenti a non schiacciarsi le dita, aprendo o chiudendo il coperchio del vano carta. Aprire correttamente il coperchio del vano carta in modo che si blocchi in posizione aperta.
- Mentre si carica il rotolo, stare attenti a non schiacciarsi le dita fra il rotolo ed il supporto.
- Non toccare la taglierina con le mani e non introdurre corpi estranei. Ciò potrebbe causare lesioni.

3-1 Connessione dell'alimentazione

Collegare la stampante all'alimentazione come mostrato nell'immagine sottostante.



- 1) Spegner l'interruttore della stampante.
- 2) Verificare che la tensione dell'alimentatore corrisponda a quella dell'impianto elettrico.
- 3) Collegare lo spinotto dell'adattatore AC al connettore d'alimentazione della stampante.
- 4) Collegare il cavo d'alimentazione all'adattatore AC.
- 5) Inserire la spina del cavo d'alimentazione in una presa a muro.

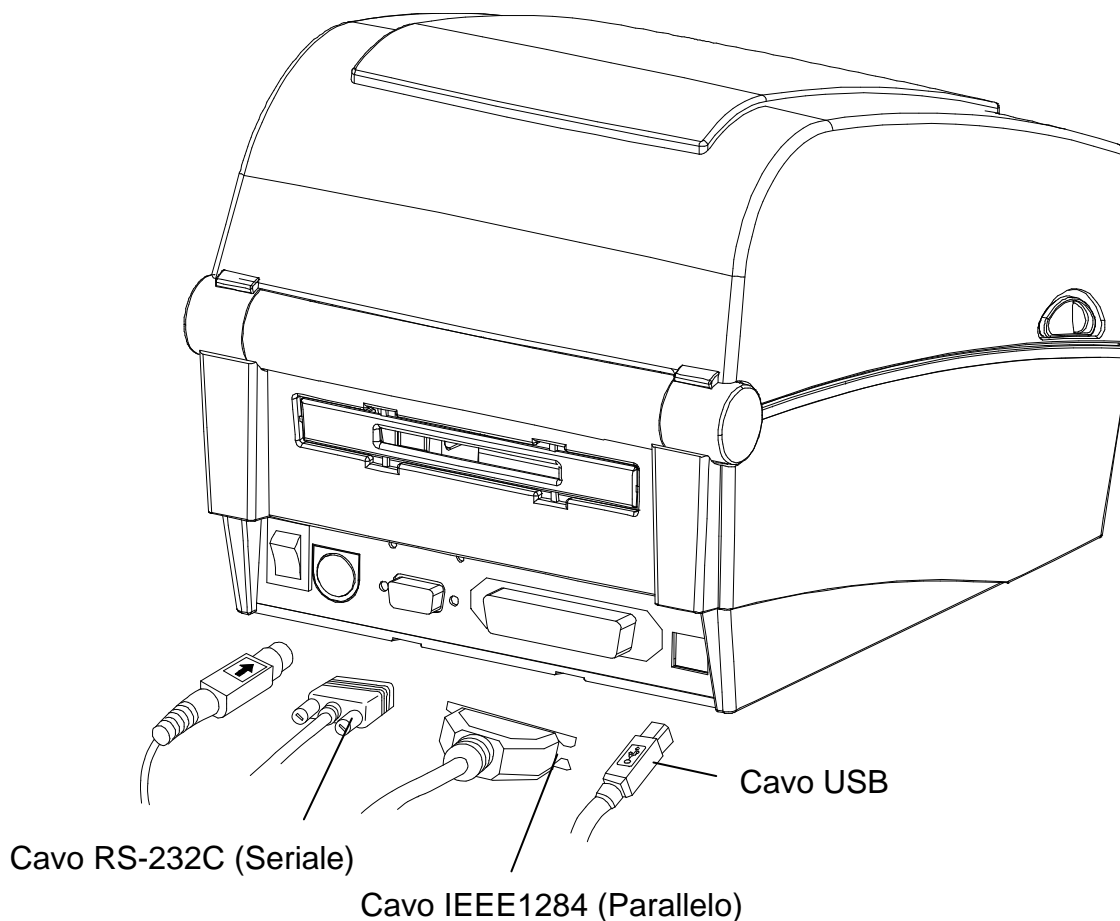
3-2 Connessione del cavo d'interfaccia

3-2-1 Modello standard

Collegare il cavo d'interfaccia come mostrato nell'illustrazione sottostante.

La stampante supporta i seguenti standard dell'interfaccia di comunicazione.

- Cavo RS-232C (Seriale)
- Cavo IEEE1284 (Parallelo)
- Cavo USB (Tipo B)



1) Spegner l'interruttore.

2) Collegare il cavo di comunicazione alla porta di comunicazione della stampante che si vuole usare.

- Collegare il cavo RS-232C (Seriale) alla porta SERIALE e stringere le viti su entrambi i lati.

Questa porta richiede un cavo schermato di lunghezza massima inferiore a 1,8 m.

- Collegare il cavo IEEE1284 (Parallela) alla porta PARALLELA e chiudere i morsetti su entrambi i lati.

Questa porta richiede un cavo schermato con filtro in ferrite di lunghezza massima inferiore a 1,8 m.

- Collegare il cavo USB di tipo B alla porta USB.

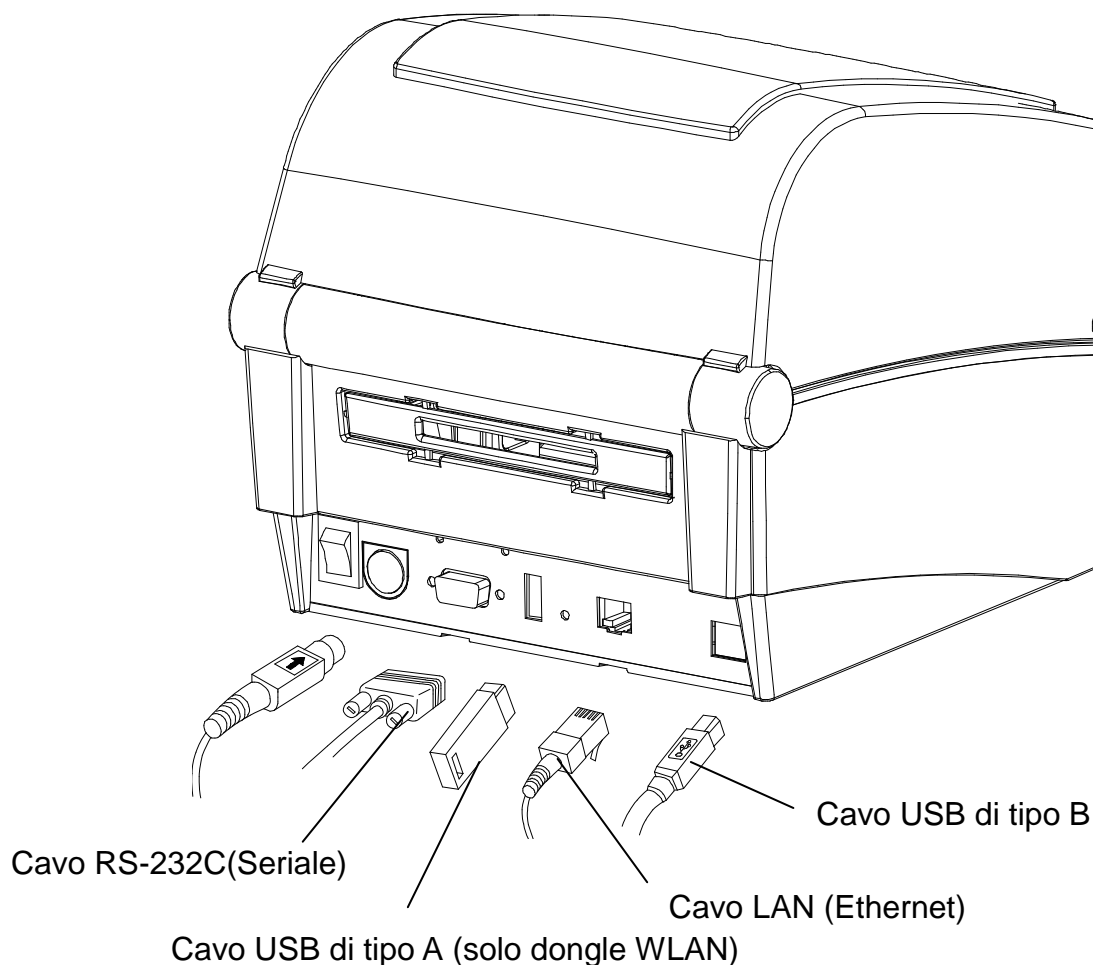
Questa porta richiede un cavo schermato di lunghezza massima inferiore a 1,8 m.

3-2-2 Modello Ethernet

Collegare il cavo d'interfaccia come mostrato nell'illustrazione sottostante.

La stampante supporta i seguenti standard dell'interfaccia di comunicazione.

- Cavo RS-232C (Seriale)
- Cavo LAN (Ethernet)
- USB di tipo A (solo dongle WLAN)
- Cavo USB (Tipo B)



1) Spegner l'interruttore.

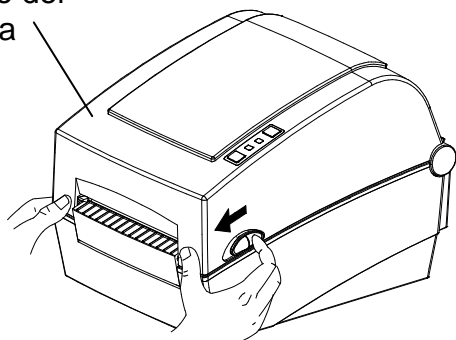
2) Collegare il cavo di comunicazione alla porta di comunicazione della stampante che si vuole usare.

- Collegare il cavo RS-232C (Seriale) alla porta SERIALE e stringere le viti su entrambi i lati. Questa porta richiede un cavo schermato di lunghezza massima inferiore a 1,8 m.
- Collegare il cavo LAN (Ethernet) alla porta ETHERNET. Questa porta richiede un cavo schermato di lunghezza massima inferiore a 3,0m.
- Collegare il cavo USB di tipo A (solo dongle WLAN) alla porta HOST.
- Collegare il cavo USB di tipo B alla porta USB. Questa porta richiede un cavo schermato di lunghezza massima inferiore a 1,8 m.

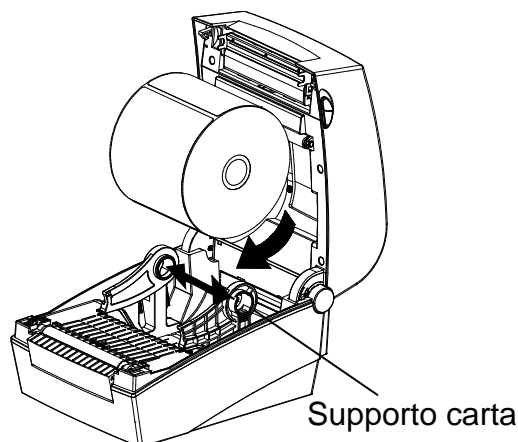
3-3 Installazione di carta

1) Aprire il coperchio del vano carta.

Coperchio del
vano carta

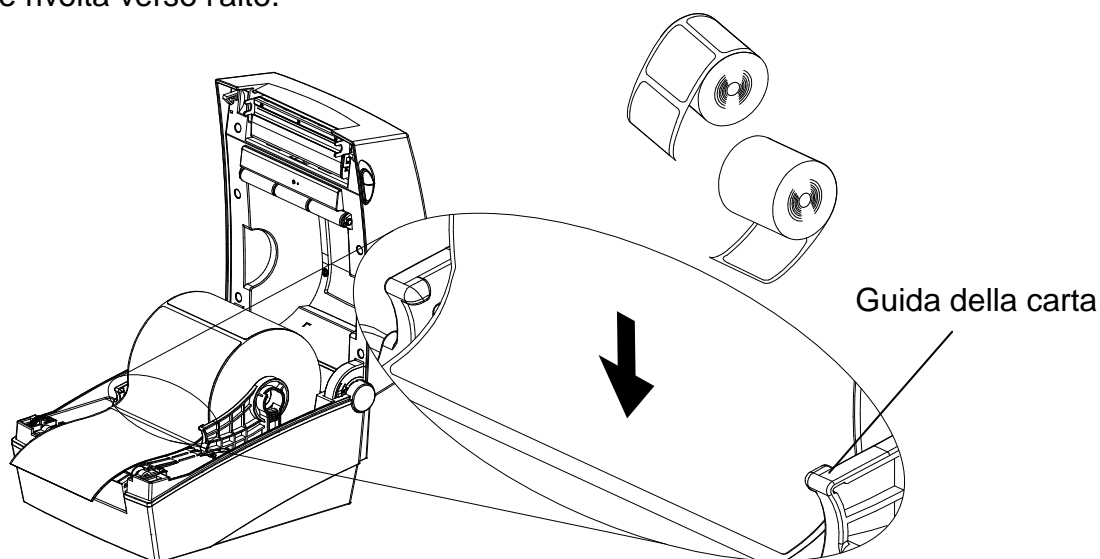


2) Estendere il supporto della carta ed inserire il rotolo.

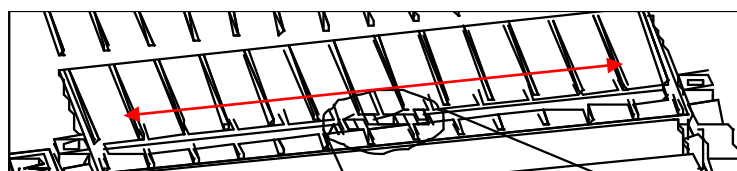


3) Tirare la carta in modo che esca dalla parte frontale della stampante. Spingere la carta sotto entrambe le guide.

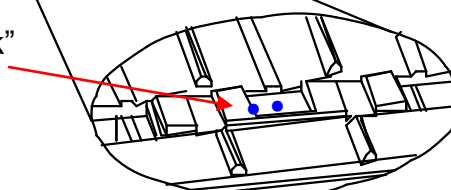
* Che l'etichetta si trovi all'interno o all'esterno, la sua superficie stampabile deve essere rivolta verso l'alto.



4) Se si usa un rotolo di carta "Black-Mark" o "Notch", occorre sollevare la carta e far combaciare la posizione del sensore col segno nero o con la tacca.

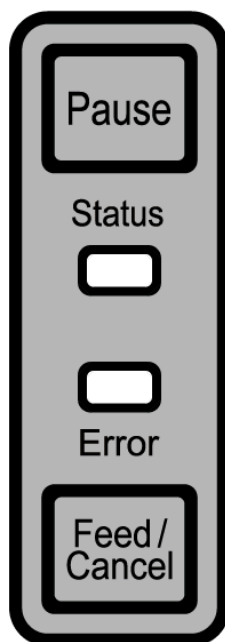


Sensore "Black Mark"
e incisione mobile



5) Chiudere il coperchio del vano carta fino a quando non si sentirà un "click".

3-4 Tasti e LED



3-4-1 Funzioni dei tasti

Stato della stampante prima dell'operazione	Tasto		Procedura	Modalità di lavoro della stampante
	Feed (Avanzamento)/ Cancel (Annulla)	Pause (Pausa)		
Alimentazione spenta	Premere	-	<ul style="list-style-type: none"> • Collegare il dispositivo all'alimentazione, premendo il tasto. • Tenere il tasto premuto per circa cinque secondi. 	Modalità di autotest della stampante
Modalità d'attesa	Premere	-	<ul style="list-style-type: none"> • Premere con delicatezza il tasto e rilasciarlo subito. 	Modalità di avanzamento
Modalità d'attesa	-	Premere	<ul style="list-style-type: none"> • Premere il tasto, tenerlo premuto per due secondi, dopodichè continuare a tenerlo premuto 	Modalità di configurazione stand-alone (indipendente)
Durante la stampa	Premere	-	<ul style="list-style-type: none"> • Premere il tasto con delicatezza e rilasciarlo immediatamente. 	Modalità di annullamento del processo di stampa
Durante la stampa	-	Premere	<ul style="list-style-type: none"> • Premere con delicatezza il tasto e rilasciarlo subito. 	Modalità di pausa del processo di stampa

3-4-2 Indicatori LED relativi ai vari stati della stampante

LED dello stato		LED dell'errore		Stato della stampante	
Colore	Stato	Colore	Stato		
Verde	Acceso	Verde	Acceso	Modalità d'attesa del processo di stampa	Modalità d'attesa del processo di stampa
Rosso	Acceso	Rosso	Acceso	Modalità d'errore	Non è stato rilevato il nastro
Rosso	Acceso	Arancione	Acceso	Modalità d'errore	Intasamento di carta (Non è stata rilevata la perforazione/il segno nero)
Rosso	Acceso	Verde	Lampeggiante	Modalità d'errore	Surriscaldamento della testina stampante
Rosso	Acceso	Rosso	Lampeggiante	Modalità d'errore	Coperchio aperto
Rosso	Acceso	Arancione	Lampeggiante	Modalità d'errore	Mancanza di carta
Rosso	Acceso	-	Spento	Modalità d'errore	Calibrazione dei media non riuscita
Rosso	Lampeggiante	Rosso	Lampeggiante	Modalità d'errore	Errore della taglierina automatica
Arancione	Acceso	Arancione	Acceso	Notifica del cambio di modalità	Notifica del cambio di modalità
Verde	Lampeggiante	Rosso	Acceso	Attesa del comando	Il processo di stampa è stato temporaneamente interrotto. Attesa del comando
Verde	Lampeggiante	Verde	Lampeggiante	Attesa del comando	Modalità di chiusura del coperchio. Attesa del comando
Verde	Acceso	Rosso	Lampeggiante	Attesa del comando	Modalità di annullamento del processo di stampa. Attesa del comando

3-5 Test del processo di stampa

3-5-1 Stampare usando il driver per Windows

- 1) Installare il driver per Windows.
Per documentarsi sulla procedura d'installazione fare riferimento al manuale del driver per Windows (CD).
- 2) Impostare la "porta" del driver per Windows all'apposita interfaccia che verrà usata.
Quando si usa l'interfaccia Ethernet, fare riferimento al manuale dell'utente dell'interfaccia Ethernet (CD).
- 3) Stampare la pagina di prova, usando la funzione "Stampa la pagina di prova" del driver per Windows.

3-5-2 Stampare usando il software per la progettazione delle etichette

- Il software per la progettazione delle etichette è disponibile sul CD.

- 1) Installare il software per la progettazione delle etichette.
- 2) Fare riferimento al manuale del software per la progettazione delle etichette disponibile sul CD e impostare l'interfaccia.
- 3) Dopo aver progettato un'etichetta stampare la pagina di prova.

4. Auto-test

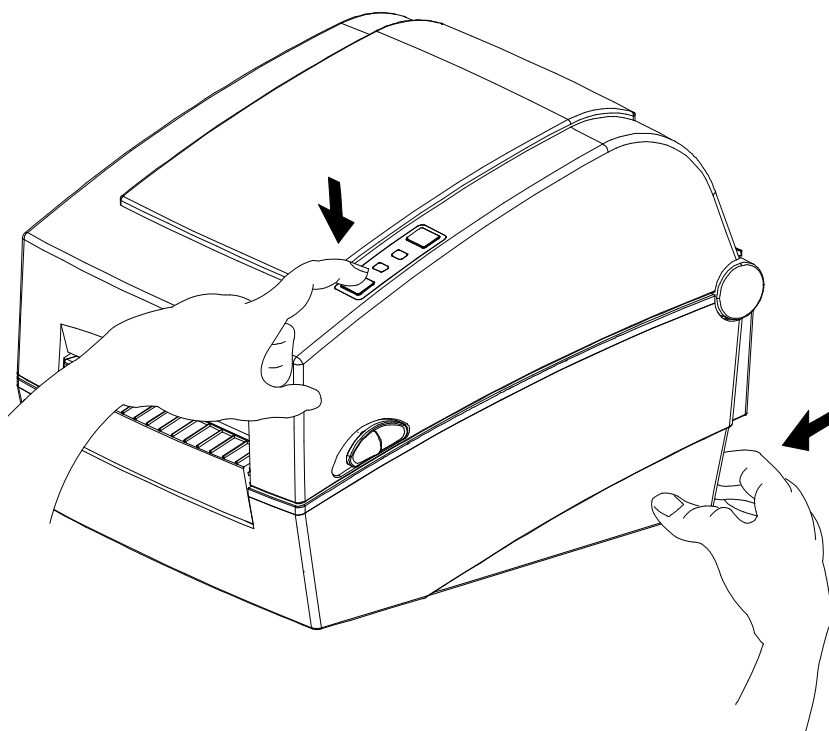
Eseguendo un autotest si può controllare se la stampante funziona correttamente e se non si è verificato alcun problema.

(Gli utenti non possono eseguire questa procedura se si usano etichette staccabili.)

Se la stampante non funziona correttamente, rivolgersi ad un rivenditore autorizzato.

L'autotest controlla i parametri descritti in seguito;

- 1) Accertarsi che il rotolo di carta sia stato installato correttamente.
- 2) Accendere l'alimentazione, tenendo premuto il tasto FEED. L'autotest comincia.
(Per avviare l'autotest ci vogliono circa 5 secondi)
- 3) Durante l'autotest vengono stampate le informazioni relative alla configurazione attuale della stampante.
- 4) Dopo aver stampato i risultati dell'autotest, la stampante entra in modalità d'attesa.



5. Informazioni dettagliate sulle funzioni

5-1 Impostare la stampante usando l'apposita utilità

Usando l'apposita utilità (Unified Label Utility-II), è possibile modificare varie impostazioni della stampante.

L'utilità permette di configurare o modificare le seguenti funzioni.

1) Impostazioni della comunicazione seriale

È possibile configurare l'inizializzazione della comunicazione, bit stop, bit dei dati, parità e la velocità Baud.

2) Impostazioni di base della stampante

È possibile configurare il formato di carta, la velocità e la densità di stampa, il tipo di carta e l'uso del nastro.

3) Impostazione della lingua

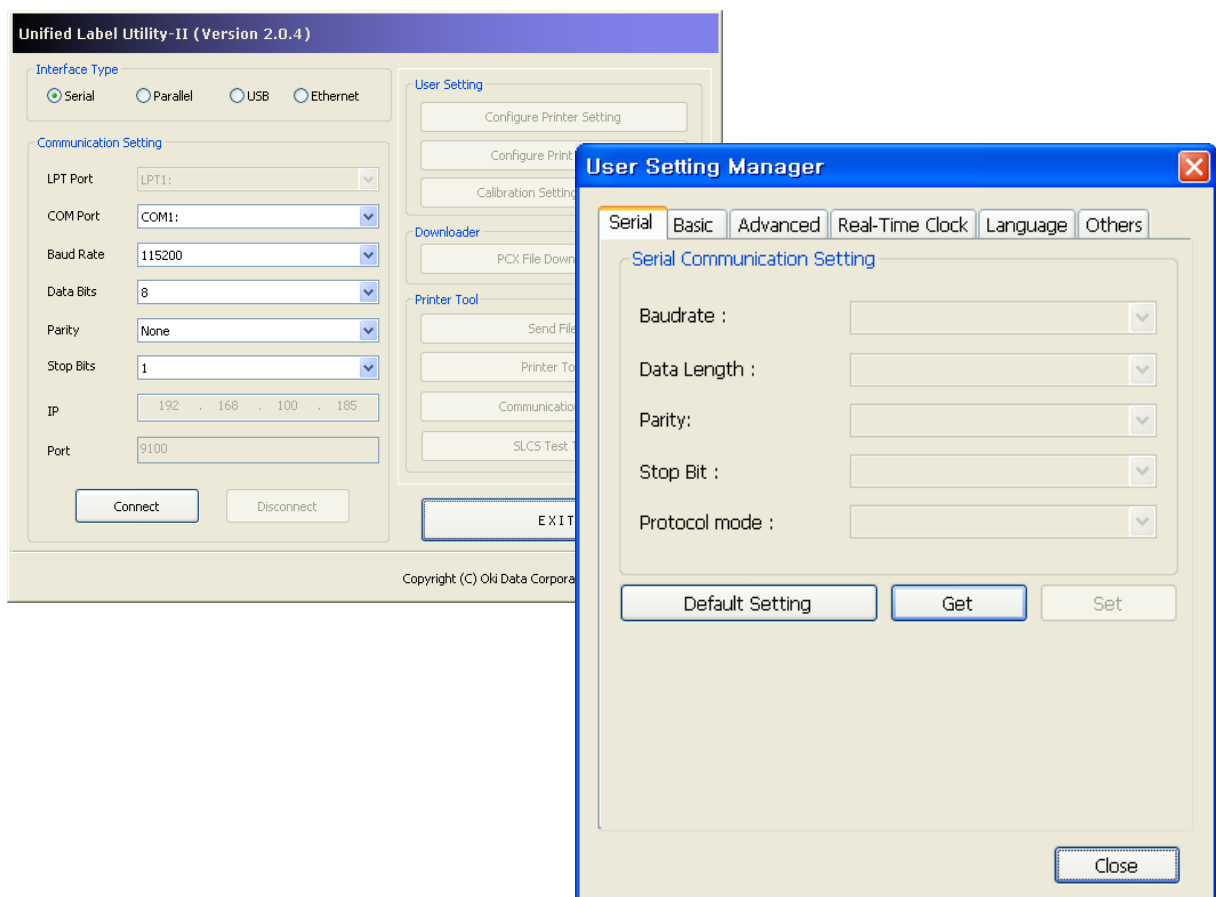
È possibile configurare la pagina dei codici.

4) Funzione di calibrazione manuale del sensore dei media

Questa funzione può essere usata per rilevare un tipo speciale/un materiale speciale di carta che non viene rilevato durante la calibrazione automatica. Per ulteriori informazioni fare riferimento alla pagina dedicate alla modalità di calibrazione manuale.

5) Inoltre sono disponibili altre funzioni per il test del processo di stampa.

Per ulteriori informazioni fare riferimento al manuale del software Unified Label Utility-II sul CD.



5-2 Modalità di configurazione stand-alone (indipendente)

Usando solo i tasti ed i LED si possono eseguire varie modalità.

5-2-1 Come avviare la modalità di configurazione stand-alone (indipendente)

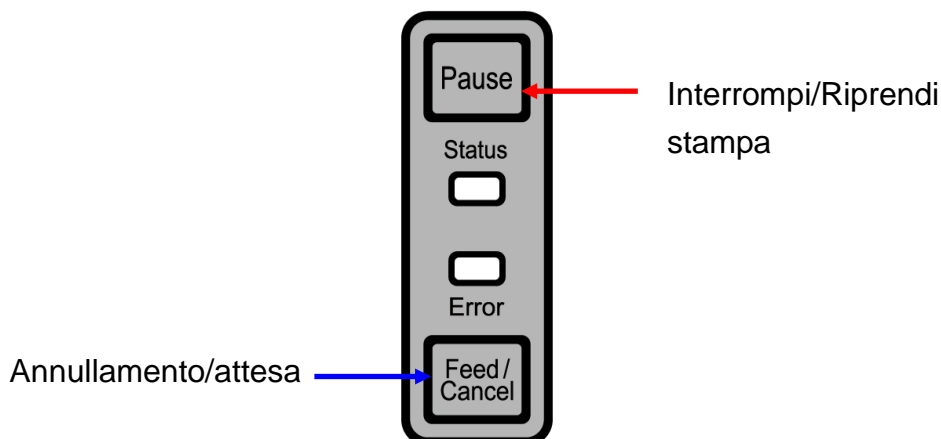
- La modalità della stampante è impostata alla modalità delle impostazioni della stampante, quando si preme il tasto Pause (Pausa) per due secondi in modalità d'attesa.
- Entrambi i LED cambiano il colore in arancione e la stampante passa alla modalità di configurazione stand-alone (indipendente).
- Quando la stampante passa in questa modalità, lo stato del LED dello stato e del LED dell'errore cambiano sequenzialmente.
- Premendo il tasto Feed (Avanzamento) durante una specifica combinazione dei colori LED, viene selezionata l'operazione della stampante che corrisponde alla suddetta combinazione.

5-2-2 Elenco delle funzioni supportate

Numero di sequenza	LED dello stato		LED dell'errore		Procedura effettuata dalla stampante
	Colore	Stato	Colore	Stato	
1	Verde	Acceso	Verde	Lampeggia quattro volte	Stampa delle informazioni relative alla configurazione.
2			Arancione	Lampeggia quattro volte	Stampa dell'elenco dei file.
3			Rosso	Lampeggia quattro volte	Ripristino delle impostazioni di fabbrica.
4	Arancione	Acceso	Verde	Lampeggia quattro volte	Autocalibrazione del sensore di perforazione di carta.
5			Arancione	Lampeggia quattro volte	Autocalibrazione del sensore B/M
6			Rosso	Lampeggia quattro volte	Modalità di cattura dei dati
7	Rosso	Acceso	Verde	Lampeggia quattro volte	Modalità demo
8			Arancione	Lampeggia quattro volte	-
9			Rosso	Lampeggia quattro volte	Eliminazione dell'oggetto

5-3 Interruzione/Annullamento

Durante processi di stampa di molte pagine, il tasto Pause (Pausa) e Cancel (Annulla) possono essere usati per interrompere temporaneamente il processo di stampa o per annullarlo.



5-3-1 Funzione di interruzione/ripresa

- 1) Se si preme il tasto Pause (Pausa) mentre si stampano le etichette:
- 2) La stampante interromperà il processo di stampa dopo aver stampato l'etichetta attuale e lo stato dei LED sarà come segue:
 - LED dello stato: Verde, lampeggiante
 - LED dell'errore: Rosso, acceso
- 3) Se il processo di stampa è stato interrotto, premere di nuovo il tasto Pause (Pausa) per riprenderlo.

5-3-2 Annullamento del processo di stampa

- 1) Mentre si stampano le etichette e/o il modalità di pausa, premendo il tasto Cancel (Annulla) si entra in modalità dell'annullamento del processo di stampa.
- 2) In modalità di annullamento del processo di stampa si verificano le seguenti condizioni:
 - Vengono annullati tutti i processi di stampa delle etichette
 - Tutti i dati trasferiti nel buffer della comunicazione di stampa vengono eliminati
 - Tutti i dati ricevuti vengono eliminati
- 3) Lo stato dei LED in modalità di annullamento del processo di stampa può cambiare come segue:
 - LED dello stato: Verde, acceso
 - LED dell'errore: Rosso, lampeggiante
- 4) In modalità di annullamento del processo di stampa, premere di nuovo il tasto Cancel (Annulla) per tornare alla modalità d'attesa del processo di stampa.

5-4 Calibrazione dei media

La stampante è stata progettata per rilevare le perforazioni nella maggior parte dei tipi di carta, tuttavia talvolta può non rilevarle e far avanzare carta, se si usa un tipo di carta speciale. In questo caso avviare la funzione di autocalibrazione perché la stampante possa rilevare la perforazione. La stampante Oki Data supporta vari metodi di calibrazione dei media adatti per vari tipi di carta speciale.

5-4-1 Informazioni sulla Calibrazione dei media

- Questa funzione serve per adeguare la sensibilità del sensore che rileva la carta per garantire un controllo preciso della posizione durante il processo di stampa e per misurare la lunghezza della carta.
- Regolazione della sensibilità del sensore
 - Questa funzione serve per rilevare l'identificatore (perforazione/segno nero/intaglio) dell'etichetta installata.
- Misurazione della lunghezza della carta
 - La lunghezza esatta è indispensabile per cambiare l'orientamento durante il processo di stampa.
 - Questa funzione serve per rilevare il cambio di tipo della carta.

5-4-2 Quando serve la calibrazione dei media?

- Dopo aver installato la stampante per la prima volta
- Dopo aver installato un tipo di carta diverso dal precedente
- Quando la posizione della stampante non è precisa o la stampante non si ferma in posizione corretta

5-4-3 Come eseguire la calibrazione dei media

- A seconda delle condizioni, possono essere usati quattro metodi di calibrazione dei media.
 - Rilevamento intelligente dei media
 - Modalità di autocalibrazione del sensore di perforazione di carta
 - Modalità di autocalibrazione del sensore Black Mark
 - Modalità di calibrazione manuale
- Perché sono disponibili vari metodi di calibrazione?
 - Per calibrare i media si consiglia la scansione di più etichette che garantisce una calibrazione della sensibilità più accurata.
 - Il numero di etichette da scannare per regolare la sensibilità del sensore dipende da vari fattori, quali il materiale di cui è fatta la carta per le etichette, il colore, la superficie, lo spessore, la lunghezza della perforazione, il disegno prestampato ecc.
 - Per prevenire l'uso eccessivo della carta, assicurando allo stesso tempo una precisa regolazione di sensibilità del sensore, sono disponibili quattro diverse modalità di calibrazione dei media.

- La modalità di rilevamento intelligente dei media permette di adeguare la sensibilità, minimizzando la scansione e nella maggior parte dei casi funziona bene con etichette generiche.
- Si consiglia di provare vari metodi di: Rilevamento intelligente dei media → Autocalibrazione del sensore di perforazione / Autocalibrazione del sensore Black Mark → Modalità di calibrazione manuale.

5-5 Rilevamento intelligente dei media

- La stampante esegue questa funzione all'occorrenza e non richiede l'immissione dei dati e la configurazione dei media da parte dell'utente nella maggior parte dei tipi di carta usata per stampare.
- La funzione permette di identificare tipi di carta perforata o con "black mark" senza impostazioni separate.
- A seconda del tipo di carta possono essere usate 3 ~ 5 pagine di etichette.
- La funzione di rilevamento intelligente dei media è eseguita nei seguenti casi:
 - Quando la stampante viene installata per la prima volta, è avviata, premendo il tasto Feed (Avanzamento) o il processo di stampa.
 - Quando durante l'avanzamento o durante il processo di stampa viene rilevato il cambio della lunghezza di carta.
 - Quando il tipo di carta immesso attraverso l'apposito comando è diverso dal tipo di carta configurato.
 - Dopo aver ripristinato le impostazioni di fabbrica.
- La funzione di rilevamento intelligente dei media verrà disattivata dopo aver impostato la sensibilità del sensore usando la modalità di calibrazione automatica o manuale dei media e verrà riattivata dopo aver ripristinato le impostazioni di fabbrica della stampante.

5-6 Modalità di autocalibrazione del sensore di perforazione di carta

Usare questa modalità, quando la carta non viene rilevata correttamente con la funzione di rilevamento intelligente dei media.

La stampante fa avanzare la carta e calibra automaticamente il sensore di perforazione.

Se il rilevamento di carta è fallito dopo aver fatto avanzare fino a 1 metro di carta, la stampante entrerà in modalità d'errore. La modalità d'errore può essere rilasciata aprendo e chiudendo il coperchio.

Usare la modalità di calibrazione manuale, se il rilevamento di carta non è riuscito in questa modalità.

Il rilevamento intelligente dei media verrà disattivato se il rilevamento di carta è riuscito in questa modalità.

5-6-1 Procedura per avviare la calibrazione

- Premere il tasto Feed (Avanzamento) alla quarta sequenza dei LED, come mostrato in sezione 5-2-2 (Il LED dello stato è arancione, mentre il LED dell'errore è verde e lampeggia quattro volte) per avviare la modalità di autocalibrazione del sensore di perforazione.

5-7 Modalità di autocalibrazione del sensore Black Mark

Usare questa modalità, quando la carta non viene rilevata correttamente con la funzione di rilevamento intelligente dei media.

La stampante fa avanzare la carta e calibra automaticamente il sensore di Black Mark.

Se il rilevamento di carta è fallito dopo aver fatto avanzare fino a 1 metro di carta, la stampante entrerà in modalità d'errore. La modalità d'errore può essere rilasciata aprendo e chiudendo il coperchio.

Usare la modalità di calibrazione manuale, se il rilevamento di carta non è riuscito in questa modalità.

Il rilevamento intelligente dei media verrà disattivato se il rilevamento di carta è riuscito in questa modalità.

5-7-1 Procedura per avviare la calibrazione

- Premere il tasto Feed (Avanzamento) alla quinta sequenza dei LED, come mostrato in sezione 5-2-2 (Il LED dello stato è arancione, mentre il LED dell'errore è verde e lampeggia quattro volte) per avviare la modalità di autocalibrazione del sensore di Black Mark.

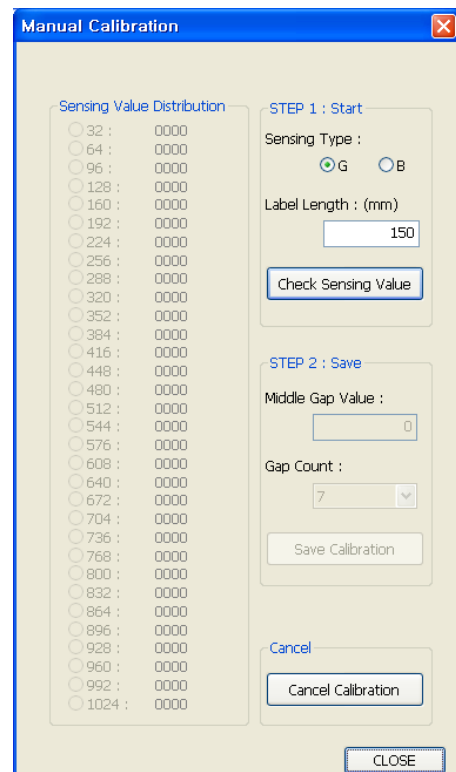
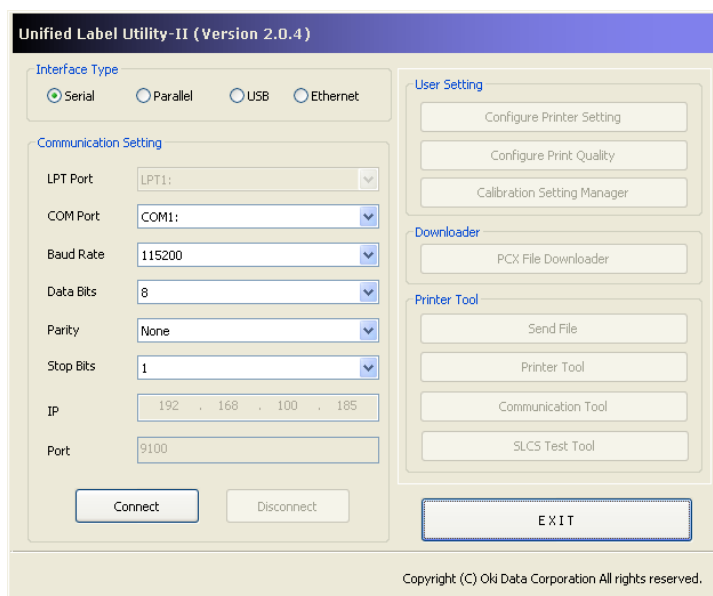
5-8 Modalità di calibrazione manuale

La calibrazione manuale può essere usata, quando la stampante non è in grado di rilevare la perforazione di carta (o black mark) nemmeno dopo aver eseguito una calibrazione automatica.

Gli utenti possono calibrare i parametri dettagliati del sensore, usando il programma fornito dal produttore.

L'utilità è disponibile sul CD allegato.

Accertarsi che la stampante sia collegata ed eseguire il programma. Dopo aver impostato il tipo d'interfaccia premere il tasto Calibration Setting Manager (Manager delle impostazioni di calibrazione).



- 1) Selezionare il tipo di rilevazione ed immettere la lunghezza dell'etichetta in millimetri, cliccando il tasto "Check Sensing Value" (Verifica il valore di rilevazione). La stampante avvierà la calibrazione.
- 2) La stampante stamperà i valori scansionati dopo la calibrazione ed essi verranno visualizzati sullo schermo.
- 3) I valori ottimali verranno visualizzati in grassetto sul lato sinistro della schermata dell'utilità. Selezionare uno dei valori ottimali di rilevazione, cliccando il tasto delle sue opzioni, dopodichè cliccare "Save Calibration" (Salva calibrazione).
- 4) Se il valore selezionato non funziona correttamente, provare altri valori indicati in grassetto.
- 5) Per tornare al valore iniziale cliccare "Annulla calibrazione".

5-9 Modalità di chiusura del coperchio

1. Informazioni sulla modalità di chiusura del coperchio

- L'area stampata può trovarsi fuori la carta, se la carta non è in posizione accurata, quando il coperchio è aperto e chiuso.
- Per prevenire questo problema, la stampante passa in modalità di chiusura del coperchio invece della modalità d'attesa del processo di stampa, quando il coperchio è chiuso, ed aspetta l'immissione del comando da parte dell'utente.
- In questa modalità i LED dello stato cambiano come segue:
 - LED dello stato: Verde, lampeggiante
 - LED dell'errore: Verde, lampeggiante
- I dati ricevuti in modalità di chiusura del coperchio non sono stampati, fino a quando la stampante non rientra in modalità d'attesa del processo di stampa.

2. Come passare dalla modalità di chiusura del coperchio in modalità d'attesa del processo di stampa

- Premere il tasto Pause (Pausa) per passare in modalità d'attesa del processo di stampa senza far avanzare carta.
- Premere il tasto Feed (Avanzamento) per far avanzare una pagina per allineare la posizione della carta e passare in modalità d'attesa del processo di stampa.

5-10 Modalità di cattura dei dati

Questa funzione può servire per diagnosticare problemi di comunicazione, quando il processo di stampa non funziona correttamente.

In questa modalità i dati ricevuti non vengono analizzati, vengono invece catturati in formato esadecimale senza essere elaborati.

Spegnere la stampante e riaccenderla per tornare alla modalità di attesa.

5-10-1 Come avviare la modalità di cattura dei dati

- 1) Premere il tasto Pause (Pausa) per due secondi in modalità d'attesa del processo di stampa.
- 2) Entrambi i LED cambiano il colore in arancione e la stampante passa alla modalità di configurazione stand-alone (indipendente).
- 3) Premere il tasto Feed (Avanzamento) alla sesta sequenza LED in 5-2-2 (il LED dello stato diventa arancione / Il LED dell'errore diventa rosso – Lampeggia quattro volte) per attivare la modalità di cattura dei dati.

5-11 Ripristino delle impostazioni di fabbrica

Questa funzione serve per ripristinare le impostazioni predefinite di fabbrica della stampante.

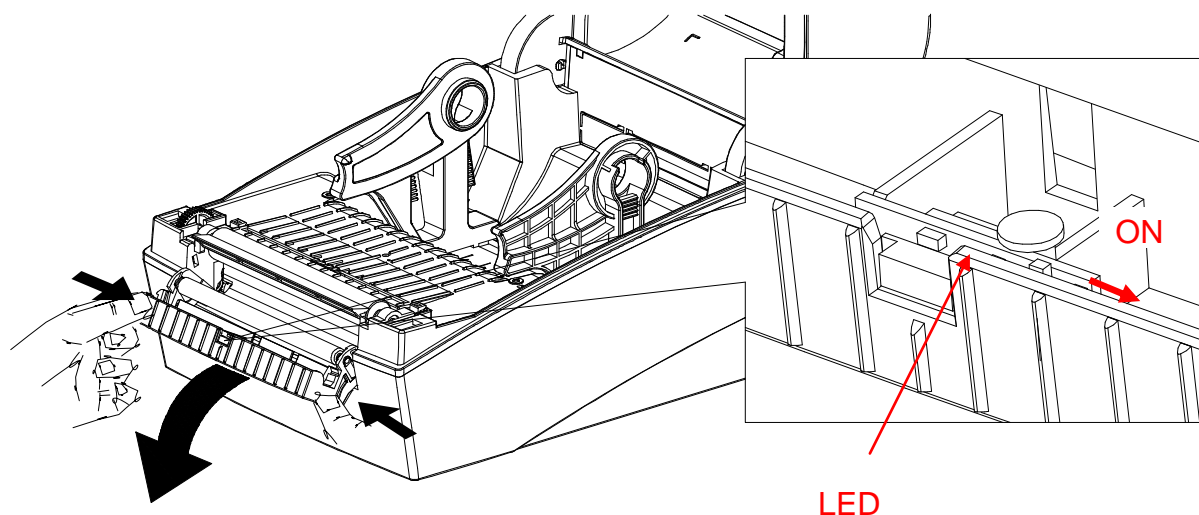
5-11-1 Come ripristinare le impostazioni di fabbrica della stampante

- 1) Premere il tasto Pause (Pausa) per due secondi in modalità d'attesa del processo di stampa.
- 2) Entrambi i LED cambiano il colore in arancione e la stampante passa alla modalità di configurazione stand-alone (indipendente).
- 3) Premere il tasto Feed (Avanzamento) alla terza sequenza dei LED, come mostrato in sezione 5-2-2 (Il LED dello stato è verde e il LED dell'errore è rosso e lampeggia quattro volte) per ripristinare le impostazioni di fabbrica della stampante ed eseguire la funzione del rilevamento intelligente dei media.

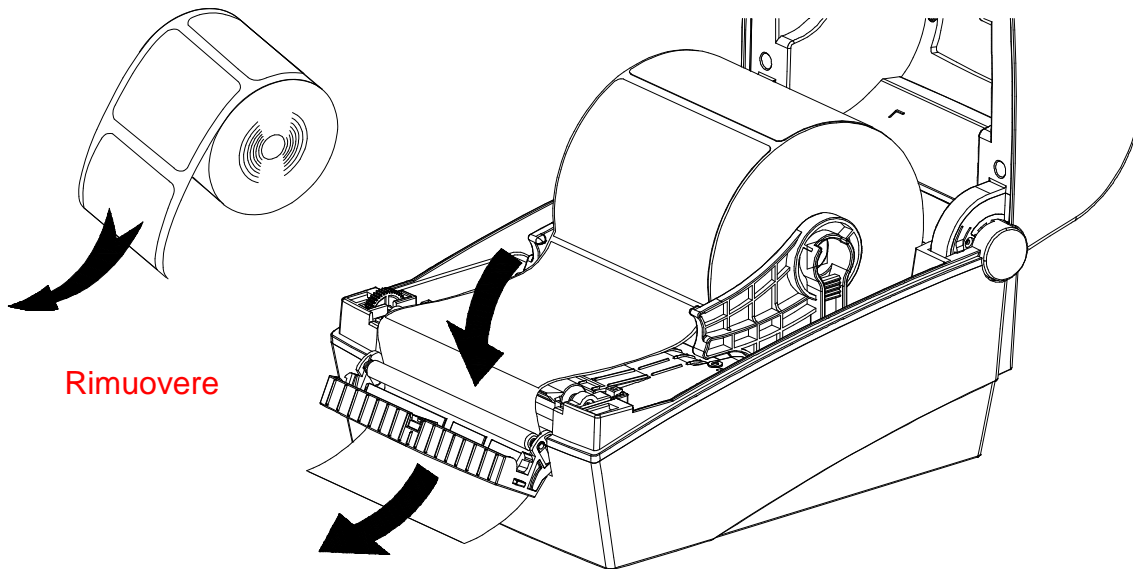
5-12 Staccamento delle etichette (Opzione)

Siccome questa funzione serve solo per staccare le etichette, è usata solo con la carta da etichette.

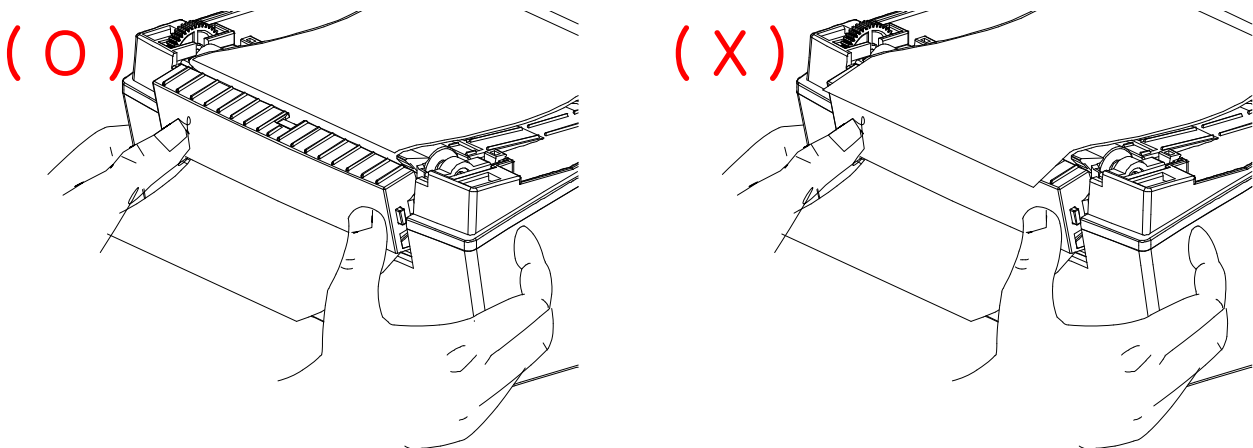
- 1) Aprire il coperchio del vano carta.
- 2) Aprire il coperchio del vano staccamento ed impostare l'interruttore dello staccamento in posizione "ON".
 - Verificare che il LED sia acceso.



3) Rimuovere un foglio di carta da etichette ed inserire la carta come mostrato nell'immagine sottostante.



4) Aggiustare le guide della carta e chiudere il coperchio dello staccamento.



5) Chiudere il coperchio del vano carta fino a quando non si sentirà un “click”.

6) Spegnerla stampante e riaccenderla.

5-13 Etichette a carta continua

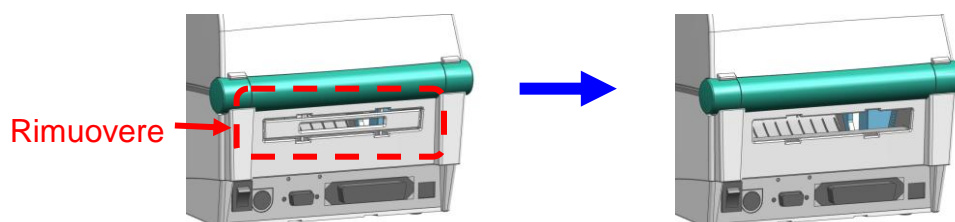
L'alimentazione esterna della carta alla stampante avviene come segue.

5-13-1 Preparazione della stampante

Togliere il coperchio posteriore, attraverso il quale viene alimentata la carta sul lato posteriore della stampante, usando un coltello o un altro oggetto appuntito.

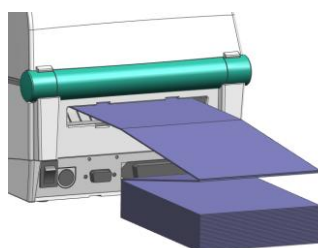
※ PRECAUZIONE

- Stare attenti per evitare eventuali lesioni alle mani e/o altre parti del corpo mentre si esegue questa procedura.

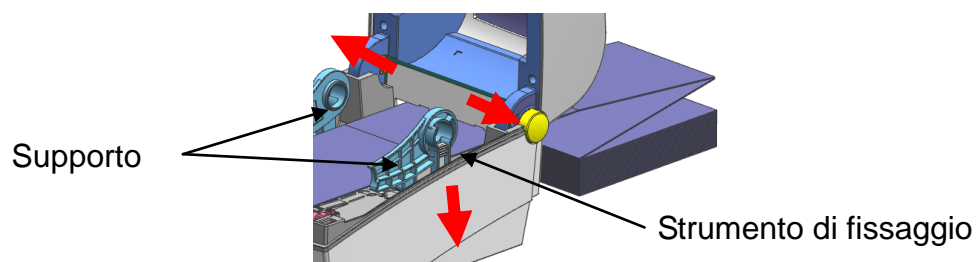


5-13-2 Quando si usano le etichette a carta continua

- 1) Inserire la carta dal retro della stampante, attraverso la fessura, usando le guide.



- 2) Aggiustare i supporti alla larghezza della carta, usando lo strumento di fissaggio.

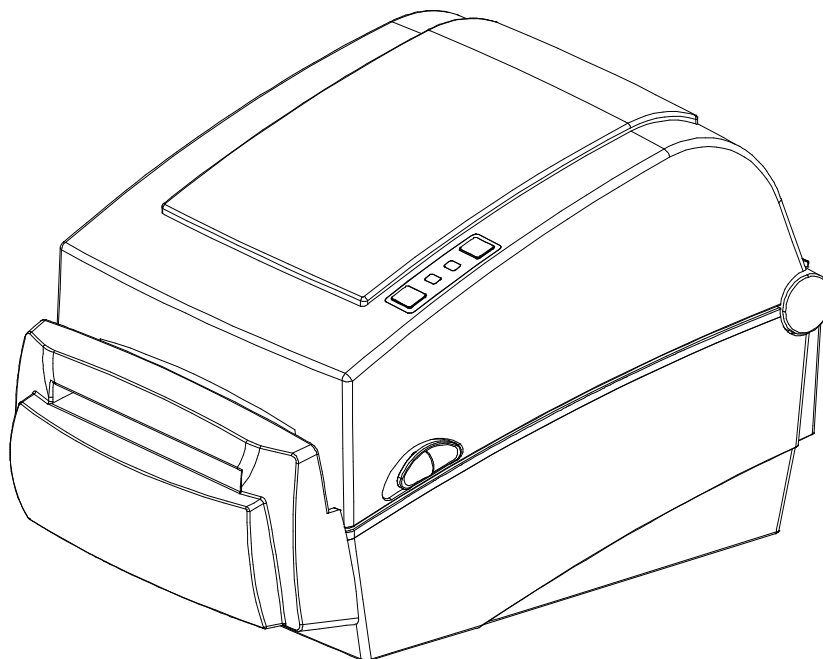


5-14 Taglierina automatica (opzione)

Per permettere di tagliare automaticamente la carta, sono disponibili dispositivi dotati di una taglierina automatica.

La taglierina automatica può essere controllata attraverso comandi. Inoltre, è possibile cambiare l'impostazione predefinita, usando il software Unified Label Utility-II.

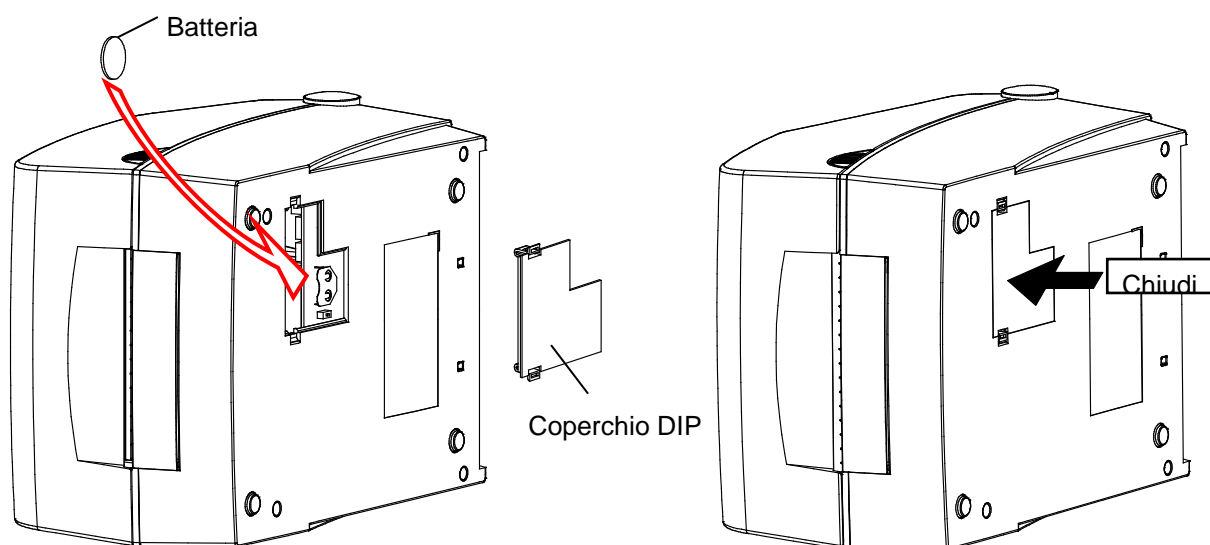
※ Il metodo d'installazione della carta è uguale come nei dispositivi privi di taglierine automatiche.



5-15 Orologio del tempo reale (opzione)

La funzione dell'orologio del tempo reale serve per stampare l'ora e la data sulle etichette. La data e l'ora possono essere impostati nella stampante, usando il software Unified Label Utility-II.

Se la stampante continua a indicare la data e l'ora errate, la batteria potrebbe essere scarica o esaurita. In questo caso è necessario sostituire la batteria. Dopo aver cambiato la batteria occorre reimpostare la data e l'ora.

**※ PRECAUZIONE**

- Per motivi di sicurezza il coperchio nella parte bassa della stampante deve essere sempre chiuso. Per cambiare la batteria, aprire il coperchio con il pollice e l'indice. Dopo aver cambiato la batteria chiudere il coperchio.
- Avvolgere i contatti della batteria col nastro per il riciclaggio o l'immagazzinamento per evitare un corto circuito.
- Non creare corto circuiti alla batteria. Ciò potrebbe generare il calore o causare un incendio.
- Non disassemblare né riscaldare la batteria.

6. Pulizia della testina

La qualità della stampa può deteriorare se nella testina di stampa o dentro la stampante si depositano: polvere, corpi estranei, materiali adesivi o altre sostanze contaminanti.

Quando la testina è sporca, pulirla come segue:

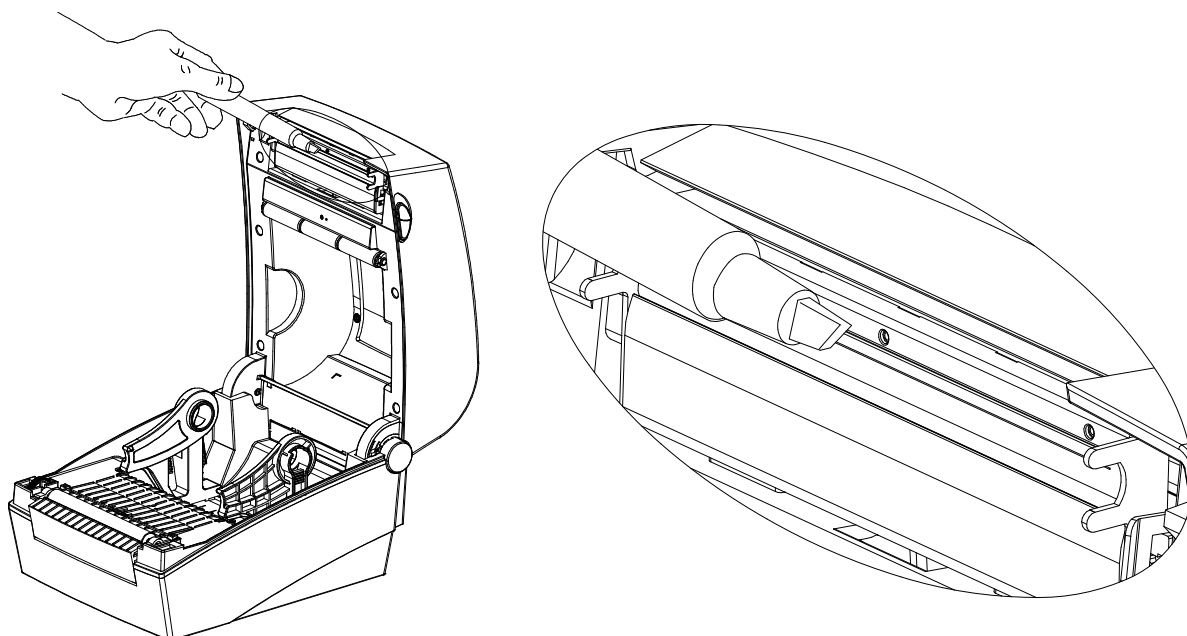
※ PRECAUZIONE

- Prima di pulire la testina accertarti che la stampante sia spenta.
- Siccome la testina stampante diventa molto calda durante la stampa, se si intende pulirla, bisogna spegnere la stampante ed aspettare circa 2~3 minuti che essa si raffreddi.
- Mentre si pulisce la testina stampante bisogna stare attenti a non toccare la parte calda.
 - La testina stampante è suscettibile ai danni causati da scariche elettrostatiche ecc.
- Stare attenti a non graffiare la testina stampante e/o non danneggiare in un altro modo.
- Stare attenti a non schiacciarsi le dita, aprendo o chiudendo il coperchio del vano carta. Aprire correttamente il coperchio del vano carta in modo che si blocchi in posizione aperta.
- Mentre si carica il rotolo, stare attenti a non schiacciarsi le dita fra il rotolo ed il supporto.
- Non toccare la taglierina con le mani e non introdurre corpi estranei. Ciò potrebbe causare lesioni.

6-1 Pulizia della testina stampante

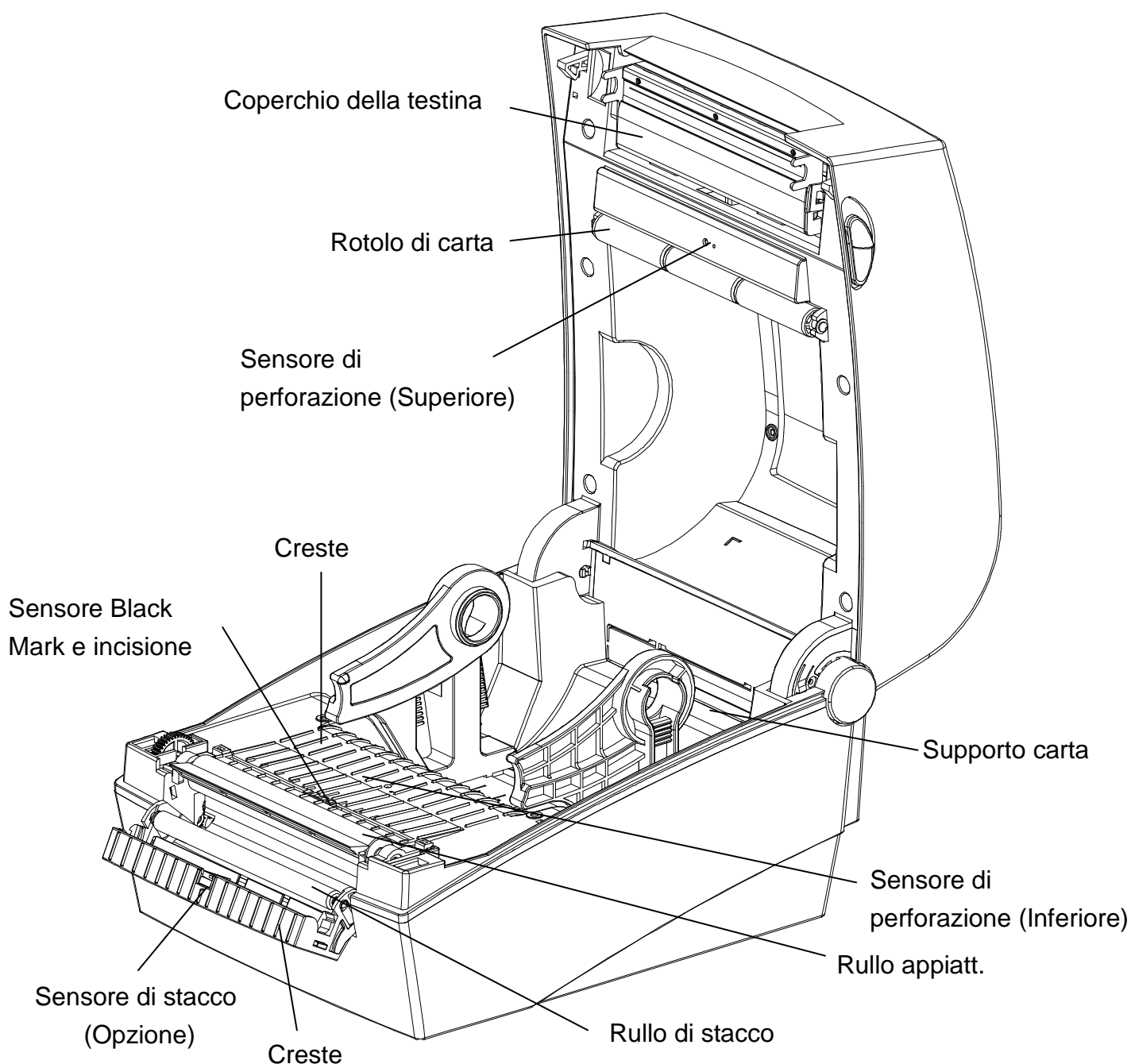
- 1) Aprire il coperchio del vano carta ed usare l'apposita penna per pulire la testina della stampante nella direzione dal centro verso i bordi.
- 2) Dopo aver pulito la testina non usare la stampante fino a quando l'alcol usato per la pulizia non evapori del tutto (1~2 min.) e la stampante non si asciughi completamente.

※ Per prevenire un possibile deterioramento della qualità di stampa pulire la testina ogni volta che si sostituisce il rotolo di carta.



6-2 Pulizia dei sensori, del rullo o/e del percorso della carta

- 1) Aprire il coperchio del vano carta e togliere la carta.
 - 2) Rimuovere polvere o corpi estranei, usando un panno asciutto o un cotton fioc.
 - 3) Inumidire il panno o il cotton fioc con alcol per uso medico ed usarlo per rimuovere le tracce dell'adesivo, corpi estranei o altre sostanze contaminanti.
 - 4) Dopo aver pulito le parti della stampante non utilizzarla fino a quando l'alcol non evaporerà completamente (1~2 min) e fino a quando la stampante non si asciugherà completamente.
- ※ Pulire le parti della stampante ogni volta che si nota un deterioramento della qualità di stampa o quando la stampante non rileva correttamente la carta.



7. Appendice

7-1 Specifiche

Voce		Descrizione
Stampante	Metodo di stampa	Stampa termica diretta
	Densità di punti	LD630D : 203 dpi (8 punti/mm) LD640D : 300 dpi (11,8 punti/mm)
	Larghezza di stampa	LD630D : Max. 108 mm (Max. 4,25") LD640D : Max. 105,7 mm (Max. 4,16")
	Velocità di stampa	LD630D : Max. 165 mm/sec. (Max. 6,5 ips) LD640D : Max. 102 mm/sec. (Max. 4 ips)
Carta	Larghezza	20 ~ 110 mm (0,79 ~ 4,33")
	Rotolo	Max. 130 mm (Max. 5,12")
	Rullo	25,4 ~ 38,1mm (1 ~ 1,5")
Adattatore CA	Tensione d'ingresso	100~240 VAC
	Frequenza	50/ 60 Hz
	Tensione d'uscita	24 VDC \pm 5%
	Corrente d'uscita	2,5 A
Condizioni d'uso	Temperatura	5 ~ 45° C (operazione) -20 ~ 60 °C (immagazzinamento)
	Umidità (eccetto la carta)	Umidità relativa 10 ~ 80 % (operazione) Umidità relativa 10 ~ 90 % (immagazzinamento)

※ Nota

- La velocità della stampa può variare a seconda della velocità di trasmissione dei dati e della combinazione dei comandi di controllo.
- Il dispositivo può essere usato solo in ambienti chiusi e tutta la comunicazione è limitata all'area dell'edificio stesso.
- L'interruttore serve per staccare il dispositivo dall'alimentazione. In caso di emergenza spegnere l'interruttore.

7-2 Tipi di etichette

I tipi di etichette usati con questa stampante sono come segue:

- Etichette di controllo: PP
- Altre etichette: PET

Dettagli contatto Oki

OkicontactName. Oki Systems (UK) Limited

OkicontactAddress.550 Dundee Road
Slough Trading Estate
Slough
Berkshire
SL1 4LE

Tel:+44 (0) 1753 819819
Fax:+44 (0) 1753 819899
<http://www.oki.co.uk>

Oki Systems Ireland Limited

The Square Industrial Complex
Tallaght
Dublin 24

Tel:+353 (0) 1 4049590
Fax:+353 (0)1 4049591
<http://www.oki.ie>

Oki Systems Ireland Limited - Northern Ireland

19 Ferndale Avenue
Glengormley
BT36 5AL
Northern Ireland

Tel:+44 (0) 7767 271447
Fax:+44 (0) 1 404 9520
<http://www.oki.ie>

Technical Support for all Ireland:

Tel:+353 1 4049570
Fax:+353 1 4049555
E-mail: tech.support@oki.ie

Oki Systems (Czech and Slovak), s.r.o.

IBC – Pobřežní 3
186 00 Praha 8
Czech Republic

Tel: +420 224 890158
Fax:+420 22 232 6621
Website: www.oki.cz, www.oki.sk

Oki Systems (Deutschland) GmbH

Hansaallee 187
40549 Düsseldorf

Tel: 01805/6544357**
01805/OKIHELP**
Fax: +49 (0) 211 59 33 45
Website:
www.okiprintingsolutions.de
info@oki.de

**0,14€/Minute aus dem dt. Festnetz
der T-Com (Stand 11.2008)

Διανομέας των συστημάτων OKI

CPI S.A1 Rafailidou str.
177 78 Tavros
Athens
Greece

Tel: +30 210 48 05 800
Fax:+30 210 48 05 801
EMail:sales@cpi.gr

Oki Systems (Iberica), S.A.U

C/Teide, 3
San Sebastian de los Reyes
28703, Madrid

Tel:+34 91 3431620
Fax: +34 91-3431624
Atención al cliente: 902 36 00 36
Website: www.oki.es

Oki Systèmes (France) S.A.

44-50 Av. du Général de Gaulle
94246 L'Hay les Roses
Paris

Tel:+33 01 46 15 80 00
Télécopie:+33 01 46 15 80 60
Website: www.oki.fr

Oki Systems (Magyarország) Kft.

Capital Square
Tower 2
7th Floor
H-1133 Budapest,
Váci út 76
Hungary

Telefon: +36 1 814 8000
Telefax: +36 1 814 8009
Website: www.okihu.hu

Oki Systems (Italia) S.p.A.

via Milano, 11,
20084 Lacchiarella (MI)

Tel:+39 (0) 2 900261
Fax:+39 (0) 2 90026344
Website: www.oki.it

Oki Printing Solutions

Platinum Business Park II, 3rd Floor
ul. Domaniewska 42
02-672 Warsaw
Poland

Tel:+48 22 448 65 00
Fax:+48 22 448 65 01
Website: www.oki.com.pl
E-mail: oki@oki.com.pl
Hotline: 0800 120066
E-mail: tech@oki.com.pl

Oki Systems (Ibérica) S.A.

Sucursal Portugal
Edifício Prime -
Av. Quinta Grande 53
7º C Alfragide
2614-521 Amadora
Portugal

Tel:+351 21 470 4200
Fax:+351 21 470 4201
Website:www.oki.pt
E-mail : oki@oki.pt

Oki Service

Serviço de apoio técnico ao Cliente

Tel: 808 200 197
E-mail : okiserv@oki.pt

OKI Europe Ltd. (Russia)

Office 702, Bldg 1
Zagorodnoye shosse
117152, Moscow

Tel: +74 095 258 6065
Fax: +74 095 258 6070
e-mail: info@oki.ru
Website: www.oki.ru

Technical support:

Tel: +7 495 564 8421
e-mail: tech@oki.ru

Oki Systems (Österreich)

Campus 21
Businesszentrum Wien Sued
Liebermannstrasse A02 603
22345 Brun am Gebirge

Tel: +43 223 6677 110
Drucker Support:
+43 (0) 2236 677110-501
Fax Support:
+43 (0) 2236 677110-502
Website: www.oki.at

OKI Europe Ltd. (Ukraine)

Raisy Opkinoy Street,8
Building B, 2nd Floor,
Kiev 02002
Ukraine

Tel: +380 44 537 5288
e-mail: info@oki.ua
Website: www.oki.ua

OKI Sistem ve Yazıcı Çözümleri Tic. Ltd. Şti.

Harman sok Duran Is Merkezi,
No:4, Kat:6,
34394, Levent
İstanbul

Tel: +90 212 279 2393
Faks: +90 212 279 2366
Web: www.oki.com.tr
www.okiprintingsolutions.com.tr

Oki Systems (Belgium)

Medialaan 24
1800 Vilvoorde

Helpdesk: 02-2574620
Fax: 02 2531848
Website: www.oki.be

AlphaLink Bulgaria Ltd.

2 Kukush Str.
Building "Antim Tower", fl. 6
1463 Sofia, Bulgaria

tel: +359 2 821 1160
fax: +359 2 821 1193
Website: <http://bulgaria.oki.com>

OKI Printing Solutions

Herstedøstervej 27
2620 Albertslund
Danmark

Adm.: +45 43 66 65 00
Hotline: +45 43 66 65 40
Salg: +45 43 66 65 30
Fax: +45 43 66 65 90
Website: www.oki.dk

Oki Systems (Finland) Oy

Polaris Capella
Vänrikinkuja 3
02600 Espoo

Tel: +358 (0) 207 900 800
Fax: +358 (0) 207 900 809
Website: www.oki.fi

Oki Systems (Holland) b.v.

Neptunstraat 27-29
2132 JA Hoofddorp

Helpdesk: 0800 5667654
Tel: +31 (0) 23 55 63 740
Fax: +31 (0) 23 55 63 750
Website: www.oki.nl

Oki Systems (Norway) AS

Tevlingveien 23
N-1081 Oslo

Tel: +47 (0) 63 89 36 00
Telefax: +47 (0) 63 89 36 01
Ordrefax: +47 (0) 63 89 36 02
Website: www.oki.no

**General Systems S.R.L.
(Romania)**

Sos. Bucuresti-Ploiesti Nr. 135.
Bucharest 1
Romania

Tel: +40 21 303 3138
Fax: +40 21303 3150
Website: http://romania.oki.com

Var vänlig kontakta din Återförsäljare
i första hand, för konsultation. I
andra hand kontakta

Oki Systems (Sweden) AB

Borgafjordsgatan 7
Box 1191
164 26 Kista

Tel. +46 (0) 8 634 37 00
e-mail:
info@oki.se för allmänna frågor om
Oki produkter

support@oki.se för teknisk support
gällandes Oki produkter

Vardagar: 08.30 - 12.00,
13.00 - 16.00
Website: www.oki.se

Oki Systems (Schweiz)

Baslerstrasse 15
CH-4310 Rheinfelden

Support deutsch +41 61 827 94 81
Support français +41 61 827 94 82
Support italiano +41 061 827 9473
Tel: +41 61 827 9494
Website: www.oki.ch

Oki Data Americas Inc.(United States)

2000 Bishops Gate Blvd.
Mt. Laurel, NJ 08054
USA

Tel: 1-800-654-3282
Fax: 1-856-222-5247
http://WWW.OKIPRINTINGSOLUTIONS.COM
http://my.okidata.com

Oki Data Americas Inc.(Canada • Canadá)

4140 B Sladeview Crescent Units 7&8
Mississauga, Ontario
Canada L5L 6A1

Tél: 1-905-608-5000
Télé: 1-905-608-5040
http://WWW.OKIPRINTINGSOLUTIONS.COM

Oki Data Americas Inc.(América Latina (OTRO))

2000 Bishops Gate Blvd.
Mt. Laurel, NJ 08054
USA

Tel (Español): 1-856-222-7496
1-856-222-5276
Fax: 1-856-222-5260
Email: LASatisfaction@okidata.com

Oki Data de Mexico, S.A. de C.V.

Mariano Escobedo #748, Piso 8
Col. Nueva Anzures
C.P. 11590, México, D.F.

Tel: 52-555-263-8780
Fax: 52-555-250-3501
http://WWW.OKIPRINTINGSOLUTIONS.COM

Oki Data do Brasil, Ltda.

Rua Avenida Alfredo Egidio de souza Aranha
100-4º andar-Bloco C Chacara Santo Antonio
Sao Paulo, Brazil 04726-170

Tel: 55-11-3444-6747 (Grande São Paulo)
0800-11-5577 (Demais localidades)
Fax: 5511-3444-3501
e-mail: okiserv@okidata.com.br
http://WWW.OKIPRINTINGSOLUTIONS.COM

Oki Data (Singapore) Pte. Ltd.

438A Alexandra Road #02-11/12,
Lobby 3, Alexandra Technopark
Singapore(119967)

Tel:(65) 6221 3722
Fax:(65) 6594 0609
http://www.okidata.com.sg

Oki Systems (Thailand) Ltd.

1168/81-82 Lumpini Tower,
27th Floor Rama IV Road
Tungmahamek, Sathorn
Bangkok 10120

Tel:(662) 679 9235
Fax:(662) 679 9243/245
http://www.okisysthai.com

Oki Systems (Hong Kong) Ltd.

Suite 1908, 19/F, Tower 3,
China Hong Kong City
33 Canton Road, TsimShaTsui,
Kowloon, Hong Kong

Tel: (852) 3543 9288
Fax: (852) 3549 6040
http://www.okiprintingsolutions.com.hk

Oki Data(Australia) Pty Ltd.

Levw1 67 Epping Road, Macquarie Park
NSW 2113, Australia

Tel: +61 2 8071 0000
(Support Tel: 1800 807 472)
Fax: +61 2 8071 0010
http://www.oki.com.au

Comworth Systems Ltd.

8 Antares Place Mairangi Bay,
Auckland, New Zealand

Tel:(64) 9 477 0500
Fax:(64) 9 477 0549
http://www.comworth.co.nz

Oki Data(S) P Ltd. Malaysia Rep Office

Suite 21.03, 21st Floor Menara IGB,
Mid Valley City,
Lingkaran Syed Pura 59200,
Kuala Lumpur, Malaysia

Tel: (60) 3 2287 1177
Fax: (60) 3 2287 1166

Bedienungsanleitung

VORWORT

Es wurden alle Anstrengungen unternommen, um sicherzustellen, dass die in diesem Dokument enthaltenen Informationen vollständig und richtig sind und dem aktuellsten Stand entsprechen. Der Hersteller übernimmt keinerlei Verantwortung für die Konsequenzen von Irrtümern außerhalb der Kontrolle des Unternehmens. Der Hersteller kann weiterhin nicht garantieren, dass Änderungen der Software und Ausrüstung anderer Hersteller, auf die in diesem Handbuch Bezug genommen wird, nicht die Anwendbarkeit der Informationen in diesem Handbuch beeinflussen. Die Erwähnung von Softwareprodukten anderer Firmen beinhaltet nicht notwendigerweise deren Unterstützung.

Obwohl größte Sorgfalt darauf verwendet wurde, die hierin enthaltenen Informationen so akkurat und hilfreich wie möglich weiterzugeben, übernehmen wir keinerlei Garantie hinsichtlich ihrer Genauigkeit und Vollständigkeit.

Oki Data Corporation, alle Rechte vorbehalten. Nicht autorisiertes Kopieren, Übertragen, Übersetzen oder damit verbundene Handlungen sind untersagt. Bevor irgendeine der oben beschriebenen Handlungen ausgeführt wird, muss die schriftliche Genehmigung der Oki Data Corporation eingeholt werden.

© 2012 Oki Data Corporation

OKI ist ein eingetragenes Warenzeichen der Oki Electric Industry Co., Limited.

Energy Star ist eine Marke der United States Environmental Protection Agency.

Microsoft, Windows, Windows Server und Windows Vista sind eingetragene Warenzeichen der Microsoft Corporation.

Apple, Macintosh, Rosetta, Mac und Mac OS sind eingetragene Warenzeichen der Firma Apple Inc.

Andere Produkt- und Markennamen sind eingetragene Marken oder Marken der jeweiligen Unternehmen.



Als Mitglied im Energy Star Programm, hat der Hersteller sichergestellt, dass dieses Produkt die Energy Star-Richtlinien zur Energieeffizienz erfüllt.



Dieses Produkt entspricht den Anforderungen der Richtlinien des EU-Rates 2004/108/EC (EMV), 2006/95/EC (LVD) und 1999/5/EC (R&TTE), ggf. ergänzt, in der Angleichung der Rechtsvorschriften der Mitgliedsstaaten in Bezug auf elektromagnetische Verträglichkeit, die Niederspannung und Funk- & Telekommunikationsanlagen.

Die folgenden Kabel wurden genutzt, um zu bestimmen, ob dieses Produkt die EMV-Richtlinie erfüllt. Andere 2004/108/EC -Übereinstimmungen und Konfigurationen als diese können die Konformität beeinflussen.

KABELTYP	LÄNGE (METER)	ADER	ABSCHIRMUNG
Netz	1,8	✗	✗
USB	1,8	✗	✓
Serielle	1,8	✗	✓
Parallel	1,8	✓	✓
LAN	3,0	✗	✗

HERSTELLER

OKI Data Corporation,
4-11-22 Shibaura, Minato-ku,
Tokyo 108-8551,
Japan

Sollten Sie Fragen zu Vertrieb, Support oder allgemeiner Art haben, wenden Sie sich an Ihren Händler vor Ort.

IMPORTEUR FÜR EU-/AUTORISIERTE VERTRETUNGEN

OKI Europe Limited (handeltreibend als OKI Printing Solutions)

Blays House
Wick Road
Egham
Surrey, TW20 0HJ
Vereinigtes Königreich

Sollten Sie Fragen zu Vertrieb, Support oder allgemeiner Art haben, wenden Sie sich an Ihren Händler vor Ort.

INFORMATIONEN ZUR UMWELT



■ Inhaltsverzeichnis

※ Betriebsanleitung & Sicherheitsmaßnahmen	5
1. Bestätigung des Inhalts	9
2. Bezeichnungen der Produkt-Einzelteile	10
3. Installation & Verwendung	12
3-1 Stromanschluss	12
3-2 Interface Kabelverbindung	13
3-3 Papier einlegen	15
3-4 Tasten und LEDs	16
3-5 Testdruck	18
4. Selbsttest	19
5. Detaillierte Funktionen	20
5-1 Drucker mithilfe des Dienstprogramms einstellen	20
5-2 Stand-alone Konfigurationsmodus	21
5-3 Pause/Abbrechen	22
5-4 Medien-Kalibrierung	23
5-5 Intelligente Medien-Erkennung	24
5-6 Automatischer Kalibrierungsmodus für den Abstandssensor	25
5-7 Automatischer Kalibrierungsmodus für die Schwarze Markierung	25
5-8 Manueller Kalibrierungsmodus	26
5-9 Modus "Abdeckung schließen"	27
5-10 Daten-Dump-Modus	27
5-11 Auf Werkseinstellungen zurücksetzen	28
5-12 Die Option zum Abziehen	28
5-13 Verwendung von Endlospapier	30
5-14 Automatischer Cutter (Optional)	31
5-15 Echtzeit-Uhr (Optional)	32
6. Reinigung des Druckkopfs	33
6-1 Druckkopf reinigen	33
6-2 Reinigung der Sensoren, Walzen oder/und der Papierbahn	34
7. Anhang	35
7-1 Spezifikationen	35
7-2 Etiketten- Typen	35

■ Betriebsanleitung

Dieses Benutzerhandbuch enthält grundlegende Informationen zur Verwendung des Produkts sowie für evtl. nötige Notfallmaßnahmen.

※ Die folgenden, diversen Handbücher enthalten detailliertere Angaben zu verschiedenen, technischen Themenbereichen und Problemstellungen.

1. Windows-Treiber Handbuch

Dieses Handbuch stellt Informationen bzgl. der Installationsvorschriften und der Hauptfunktionen des Windows-Treibers zur Verfügung.

2. Vereinheitlichtes Label-Utility-II-Handbuch

Dieses Handbuch gibt Auskunft über die Verwendung der Software zur Funktionsauswahl dieses Produkts oder zur Anpassung der Betriebsmodi etc.

3. Programmierhandbuch (SLCS)

Dieses Handbuch hält Informationen bezüglich der Etikettendruckbefehle bereit.

4. Handbuch zum Download der True Fonts

Dieses Handbuch gibt Aufschluss darüber, wie der Font-Downloader zum Downloaden der True Fonts (Schriften) funktioniert und wie man diese mit dem Gerät verwendet.

5. Handbuch Netzwerk-Interface

Dieses Handbuch stellt Informationen zur Konfiguration und zur Verwendung der Ethernet-Schnittstelle zur Verfügung.

6. Handbuch Netzwerk-Konfigurations-Tool

Dieses Handbuch stellt Informationen zur Verwendung des Netzwerk-Konfigurations-Tools zur Verfügung, mit dem die Konfiguration der Ethernet-Schnittstelle an diesem Produkt vorgenommen wird.

Wir bei Oki Data sind fortwährend bemüht, die Funktionalität und die Qualität all unserer Produkte zu erhöhen und zu verbessern. Demzufolge können sich Produktspezifikationen oder/und Inhalte in diesem Benutzerhandbuch ohne vorherige Mitteilung jederzeit ändern.

■ Sicherheitshinweise

Befolgen Sie die folgenden Sicherheitshinweise bei der Verwendung des Gerätes, um Gefahren und Materialschäden vorzubeugen.



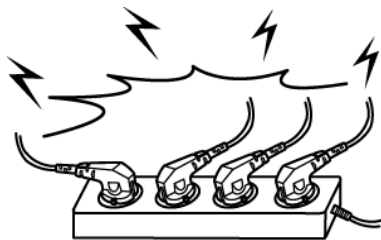
WARNUNG

Die Nichtbeachtung der folgenden Anweisungen kann zu schweren Verletzungen und Tod führen.

Nie mehrere Geräte in eine Mehrfachsteckdose.

- Kann zu Überhitzung und Feuer führen.
- Nassen/schmutzigen Stecker vor Gebrauch trocknen/säubern.
- Wenn Stecker nicht richtig passt, Stecker nicht einstecken.
- Nur genormte Mehrfachsteckdosen verwenden.

VERBOTEN



Nur den mitgelieferten Adapter verwenden.

- Die Verwendung anderer Adapter ist gefährlich.

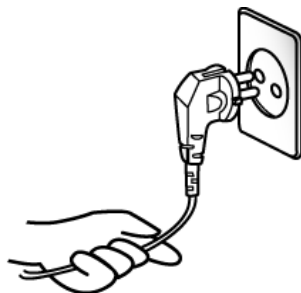
VERBOTEN



Nicht am Kabel ziehen, um Stecker herauszuziehen.

- Das Kabel könnte beschädigt werden. Dies kann zu Feuer oder Druckerausfall führen.

VERBOTEN



Kunststoffverpackung von Kindern fernhalten.

- Anderenfalls könnte Erstickungsgefahr bestehen.

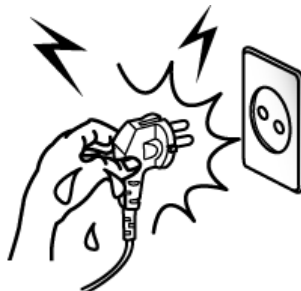
VERBOTEN



Niemals mit nassen Händen Stecker anfassen.

- Anderenfalls besteht die Gefahr eines elektrischen Schlags.

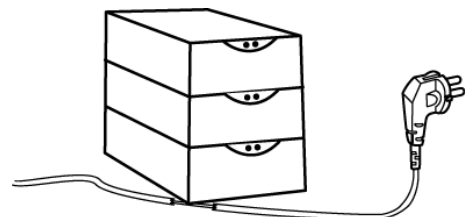
VERBOTEN



Kabel niemals stark biegen oder schwere Objekte darauf abstellen.

- Ein beschädigtes Kabel kann zu Bränden führen.

VERBOTEN





VORSICHT

Die Nichtbeachtung der folgenden Anweisungen kann zu leichten Verletzungen und Sachschäden führen.

Sollten vom Drucker unnormale Rauch-, Geruchs- oder Geräuscentwicklungen ausgehen, den Drucker von der Netzversorgung trennen, bevor die folgenden Maßnahmen ergriffen werden:

- Drucker ausschalten und Netzversorgung trennen.
- Nach Abklingen der Rauchentwicklung, an den Händler wenden, um eine Reparatur vornehmen zu lassen.

STECKER ZIEHEN



Achten Sie darauf, sich beim Öffnen und Schließen der Papierabdeckung nicht die Finger einzuklemmen. Achten Sie außerdem darauf, dass die Papierabdeckung nicht herunterrutscht und fällt.

MECHANISCHE GEFahr



Drucker auf einer stabilen Oberfläche aufstellen.

- Anderenfalls könnte der Drucker herunterfallen und zu Personen- und Sachschäden führen.

VERBOTEN



Nur genehmigtes Zubehör verwenden. Keine Demontage/Reparatur/Modifikation vornehmen.

- Für derartige Arbeiten den Händler aufsuchen.
- Die Schneide des automatischen Abschneiders nicht berühren.

DEMONTAGE VERBOTEN



Niemals Wasser oder Fremdgegenstände in den Drucker eindringen lassen.

- Sollte dies geschehen, Drucker ausschalten und von der Netzversorgung trennen und an Händler wenden.

VERBOTEN



Drucker nicht verwenden, wenn kaputt. Dies kann zu Bränden und elektrischem Schlag führen.

- Drucker ausschalten, von der Netzversorgung trennen und an Händler wenden.

STECKER



■ Weitere Vorschriften

Das Copyright dieses Benutzerhandbuchs sowie verschiedener, anderer Handbücher liegt bei der Oki Data Corporation. Jegliches Kopieren oder Konvertieren, sowie Speichern in elektronischer Firmware ist ohne die ausdrückliche, schriftliche Genehmigung der Oki Data Corporation strengstens verboten.

Die Verwendung der in diesem Handbuch enthaltenen Daten und Informationen unterliegt keiner patentrechtlichen Haftung. Dieses Handbuch wurde mit größtmöglicher Sorgfalt im Detail erstellt, kann aber dennoch bestimmte Fehler oder/und Säumnisse enthalten.

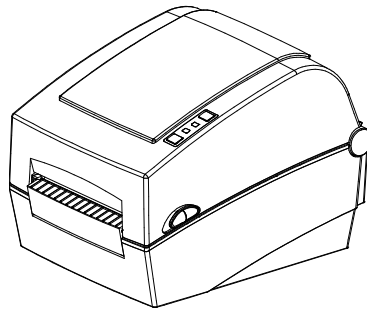
Die Oki Data Corporation. kann nicht gesetzlich haftbar für Schäden gemacht werden, die auf der Verwendung von Informationen in diesem Handbuch beruhen.

Die Oki Data Corporation. und ihre Tochtergesellschaften sind nicht gesetzlich haftbar (Vereinigte Staaten ausgenommen) für irgendwelche Schäden, Verluste, Kosten oder/und Aufwendungen zu machen, die aufgrund von Ausfällen, Fehlfunktionen oder/und Fehlgebrauch auftreten, weil die Vorschriften zur Wartung bzw. Handhabung, die von der Oki Data Corporation. zur Verfügung gestellt werden, missachtet wurden. Gleiches gilt für unbefugte Veränderungen, Reparaturen oder Modifikationen am Gerät durch den Anwender selbst oder etwaige Drittparteien.

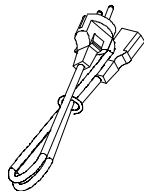
Die Oki Data Corporation. ist nicht für Schäden oder Probleme haftbar zu machen, die auf der Verwendung von (alternativen) Teilen beruhen, die keine originalen Produkte von Oki Data sind bzw. nicht zugelassen sind.

1. Bestätigung des Inhalts

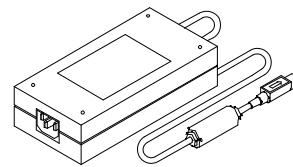
Die folgenden Einzelteile sollten alle in der Verpackung des Druckers enthalten sein. Setzen Sie sich mit dem Händler in Verbindung, bei dem Sie das Gerät erworben haben, wenn irgendeine Komponente beschädigt sein sollte oder fehlt.



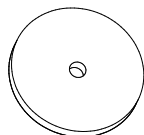
LD630D/LD640D



Netzanschlußkabel



AC-Adapter (Wechselstrom)

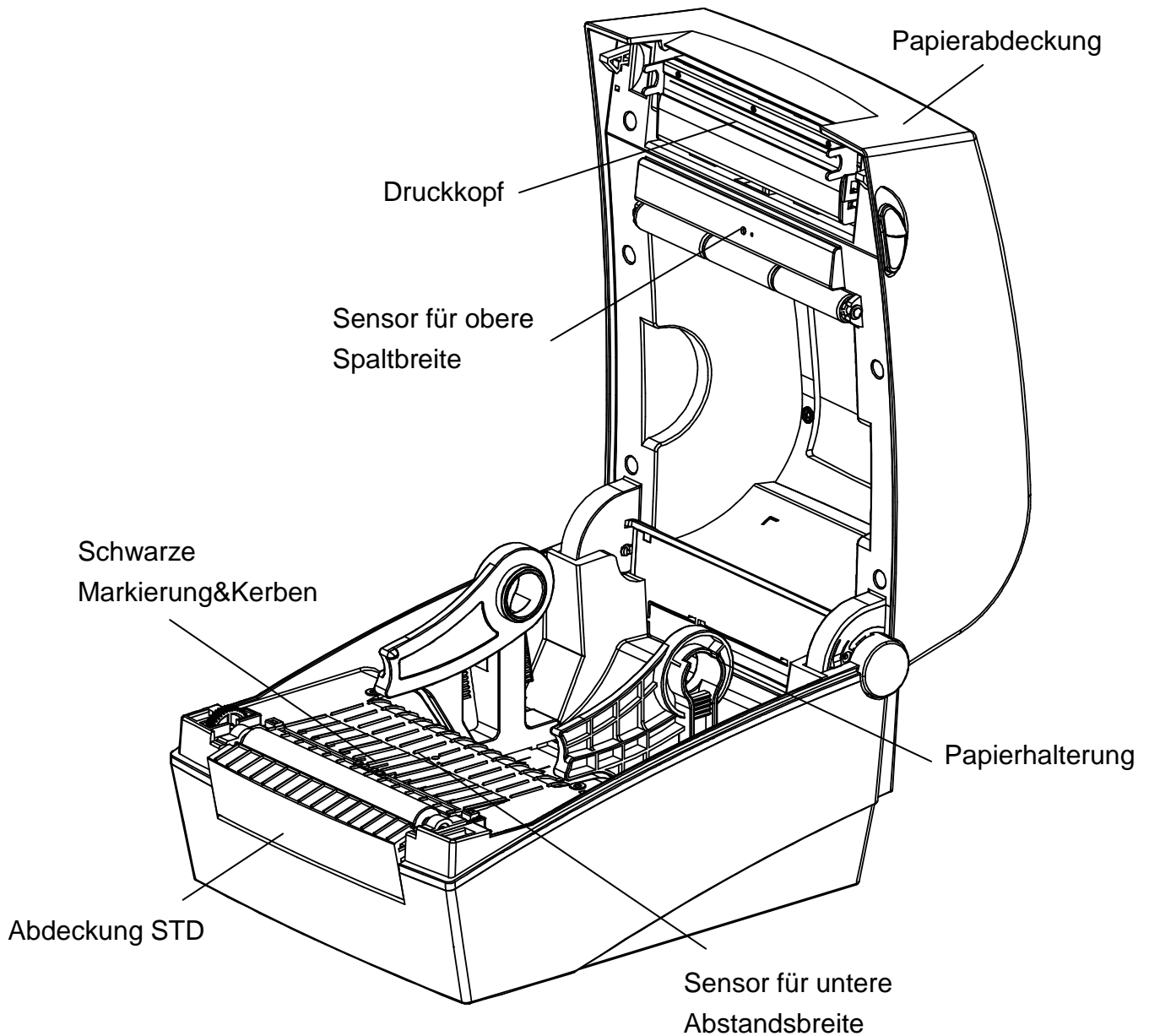
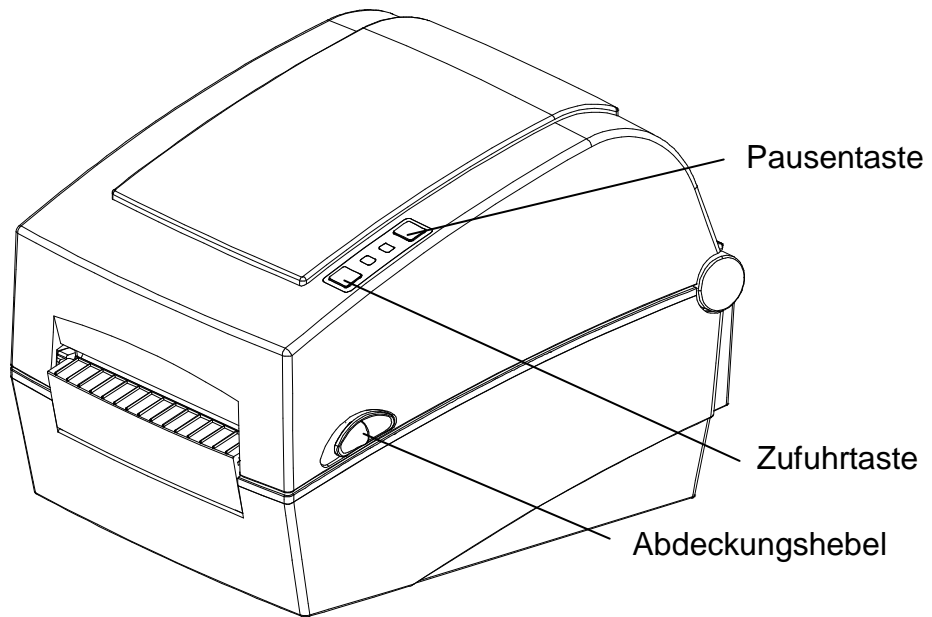


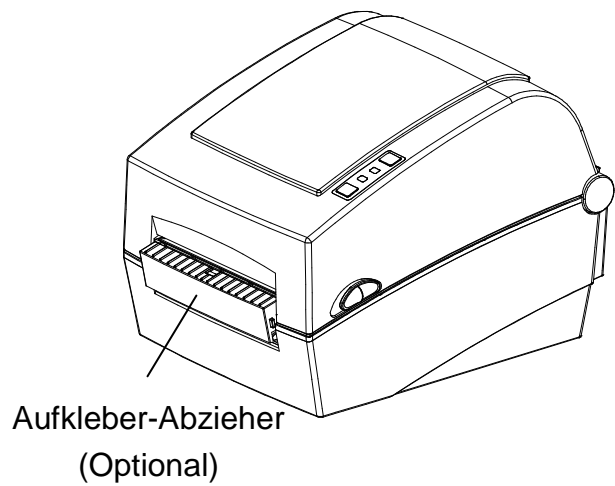
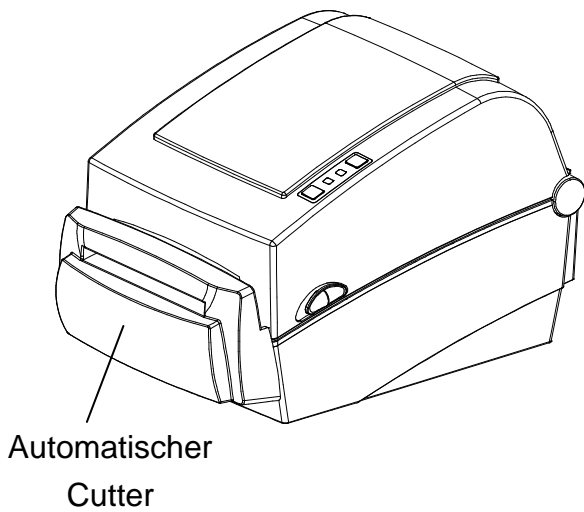
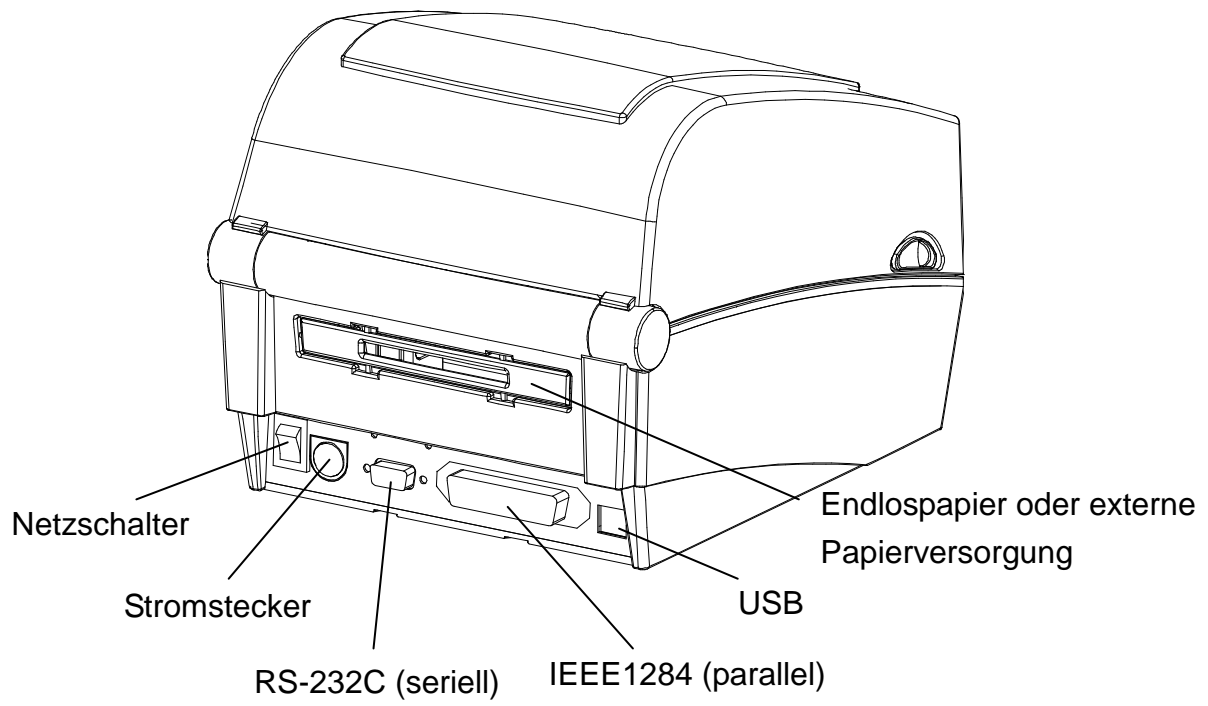
CD



**Benutzerdokumente
(Bedienungsanleitung,
Betriebssicherheit, Garantie)**

2. Bezeichnungen der Produkt-Einzelteile





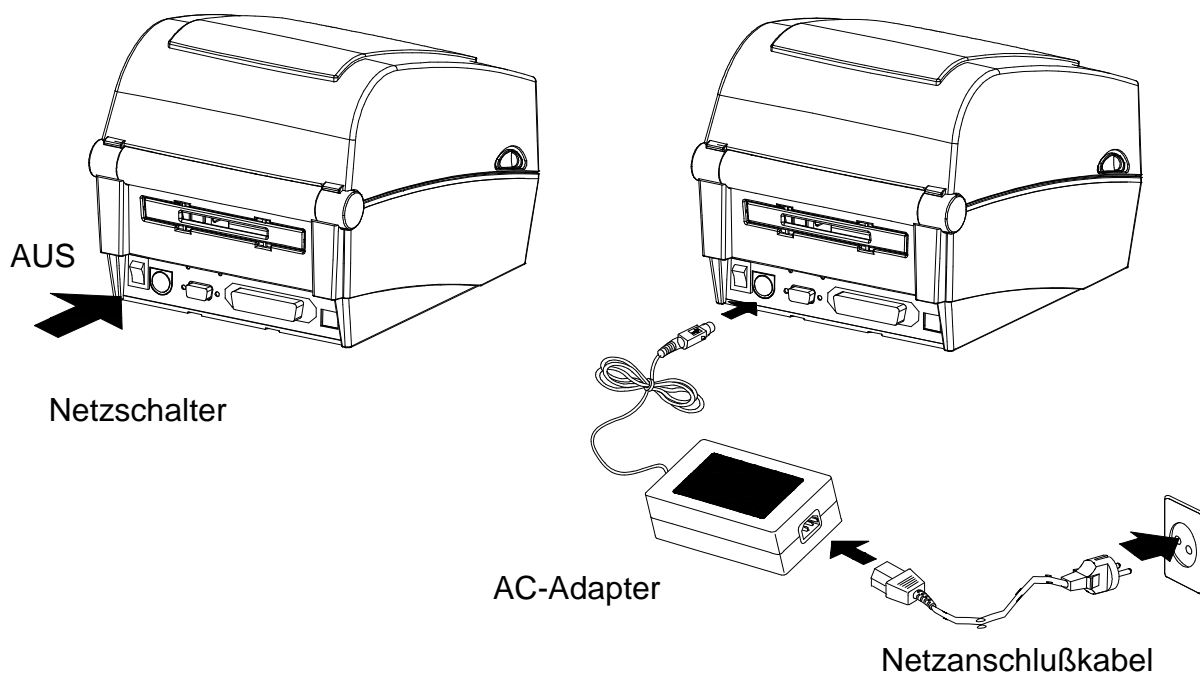
3. Installation & Verwendung

※ ACHTUNG

- Passen Sie auf, dass Sie sich nicht die Finger beim Öffnen- oder Schließen der Papierabdeckung einklemmen.
Öffnen Sie die Papierabdeckung vollständig, bis sie in der geöffneten Position einrastet.
- Wenn Sie Papier auf Rollen einlegen, achten Sie darauf, dass Ihre Finger nicht zwischen der Rolle und dem Papierhalter eingeklemmt werden.
- Berühren Sie das Schneidewerkzeug nicht mit Ihren Händen und legen Sie keine Gegenstände in das Schneidegerät. Dies könnte zu Verletzungen führen.

3-1 Stromanschluss

Verbinden Sie den Drucker mit der Stromquelle – wie unten angezeigt.



- 1) Stellen Sie den Netzschalter des Druckers aus.
- 2) Überprüfen Sie, ob die Voltleistung des AC-Adapters gleich hoch wie die der Stromquelle ist.
- 3) Stecken Sie den Stecker des Wechselstrom-Adapters in den Stromanschlussbuchse des Druckers.
- 4) Schließen Sie das Netzkabel an den AC-Adapter an.
- 5) Schließen Sie das Netzkabel an eine Stromquelle/Steckdose an.

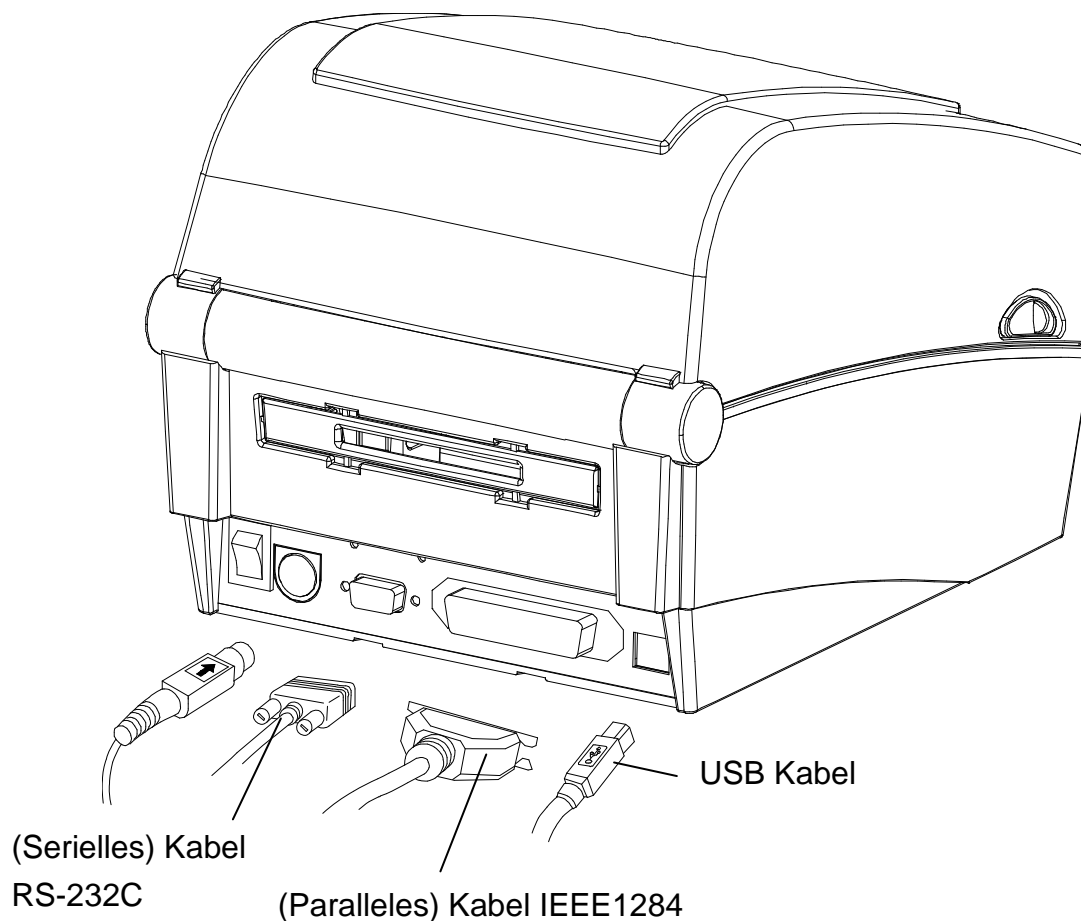
3-2 Interface Kabelverbindung

3-2-1 Standardmodell

Schließen Sie das Interface-Kabel wie unten gezeigt an.

Dieser Drucker unterstützt die folgenden Standard-Kommunikationsschnittstellen.

- (Seriell) Kabel RS-232C
- (Paralleles) Kabel IEEE1284
- USB-Kabel Typ B



1) Schalten Sie den Netzschalter aus.

2) Schließen Sie das Kommunikations-Kabel an den zu verwendenden Kommunikations-Port des Druckers an.

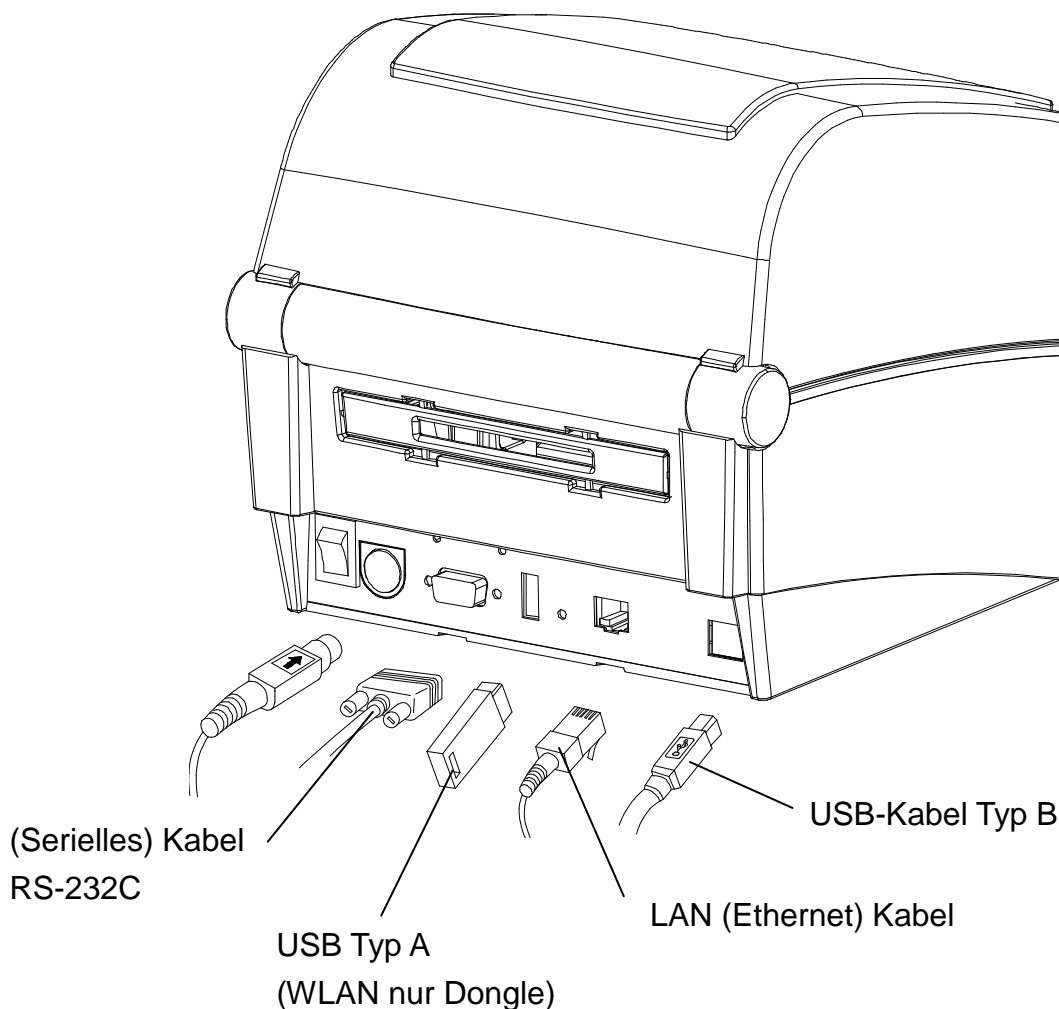
- Schließen Sie das serielle RS-232C Kabel an die SERIELLE Schnittstelle an. und ziehen Sie die Schraube an beiden Seiten fest. Dieser Port erfordert ein abgeschirmtes Kabel mit einer Länge von unter 1,80 Metern.
- Schließen Sie das (parallele) Kabel IEEE1284 an den PARALLELEN Port an. und befestigen Sie die Clips auf beiden Seiten. Dieser Port erfordert ein abgeschirmtes Kabel mit Ferrit-Kern und einer Länge von unter 1,80 Metern.
- Schließen Sie USB Kabel des Typs B an den USB-Port an. Dieser Port erfordert ein abgeschirmtes Kabel mit einer Länge von unter 1,80 Metern.

3-2-2 Ethernet-Modell

Schließen Sie das Interface-Kabel wie unten gezeigt an.

Dieser Drucker unterstützt die folgenden Standard-Kommunikationsschnittstellen.

- (Seriell)es Kabel RS-232C
- LAN (Ethernet) Kabel
- USB Typ A (WLAN nur mit Dongle)
- USB-Kabel Typ B



1) Schalten Sie den Netzschalter aus.

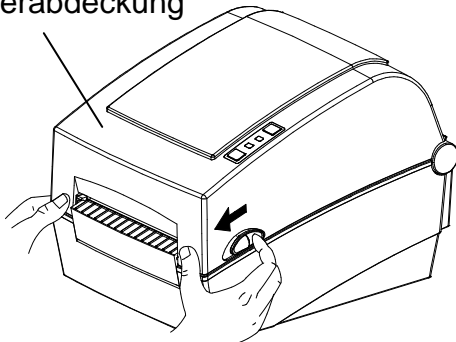
2) Schließen Sie das Kommunikations-Kabel an den zu verwendenden Kommunikations-Port des Druckers an.

- Schließen Sie das serielle RS-232C Kabel an die SERIELLE Schnittstelle an. und ziehen Sie die Schraube an beiden Seiten fest. Dieser Port erfordert ein abgeschirmtes Kabel mit einer Länge von unter 1,80 Metern.
- Verbinden Sie das LAN-Kabel (Ethernet) mit dem ETHERNET-Port. Dieser Port erfordert ein abgeschirmtes Kabel mit einer Länge von unter 3,00 Metern.
- Schließen Sie USB Typ A (WLAN nur Dongle) am Host-Port an.
- Schließen Sie ein USB-Kabel des Typs B an den USB-Port an. Dieser Port erfordert ein abgeschirmtes Kabel mit einer Länge von unter 1,80 Metern.

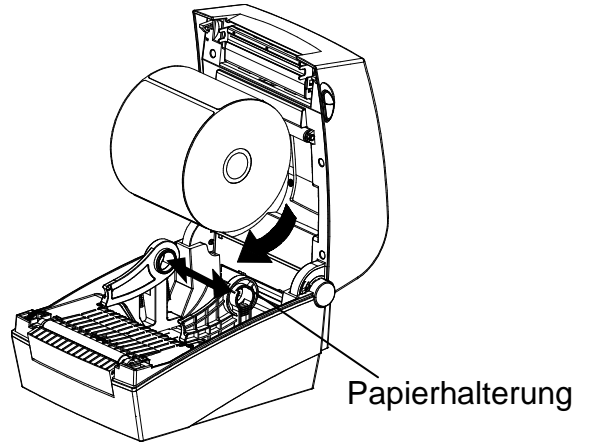
3-3 Papier einlegen

1) Öffnen Sie die Papierabdeckung.

Papierabdeckung

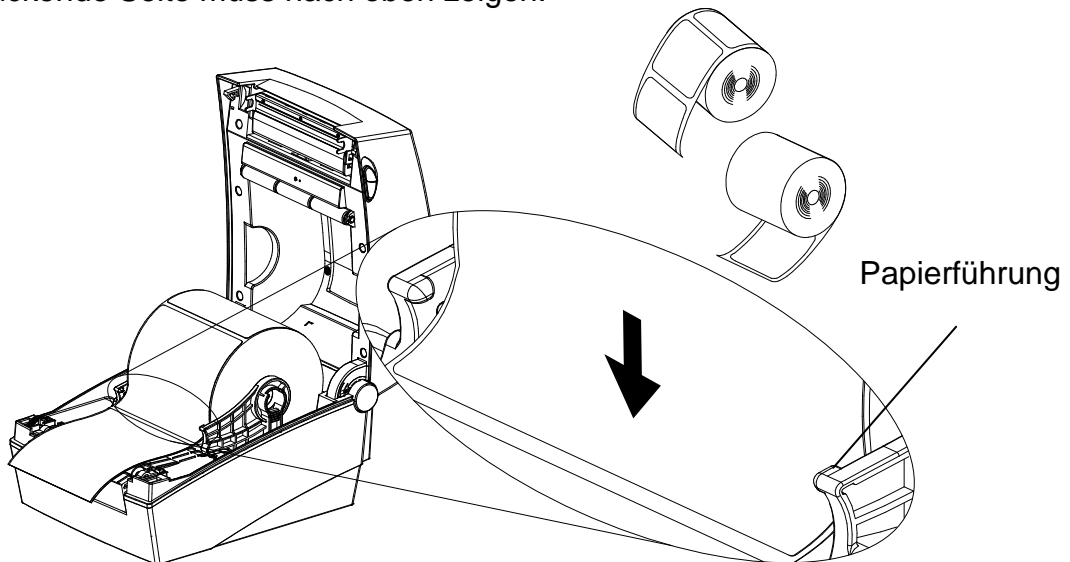


2) Spreizen Sie die Papierhalterung und führen Sie das Papier ein.

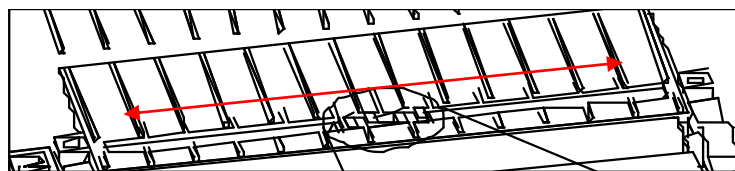


3) Ziehen Sie am Papier, bis es vorne am Drucker herausragt. Drücken Sie das Papier unter beide Papierführungen.

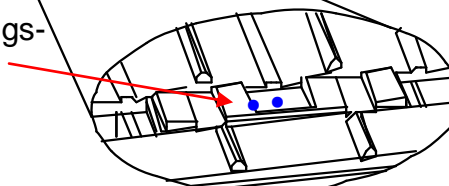
* Gleichgültig, ob das Papieretikett nach innen oder nach außen zeigt, seine zu bedruckende Seite muss nach oben zeigen.



4) Wenn Sie eine Papierrolle mit Schwarzer Markierung oder Einkerbungen verwenden, heben Sie bitte das Papier an und bringen Sie die Sensor-Position in Übereinstimmung mit der schwarzen Markierung oder der Kerbe.

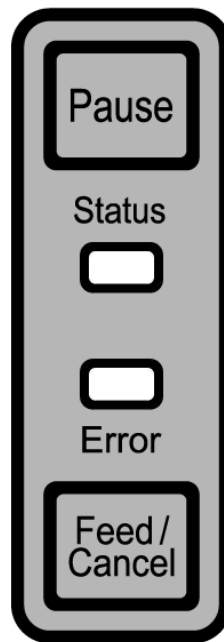


Beweglicher Schwarz-Markierungs-Sensor und Kerben-Sensor



5) Schließen Sie die Papierabdeckung, bis Sie ein klickendes Geräusch vernehmen.

3-4 Tasten und LEDs



3-4-1 Tastenfunktionen

Druckerstat us vor dem Betrieb	Taste		Betriebsverfahren	Modus Druckerbetrieb
	Zufuhr/ Löschen	Pause		
Energie AUS	Drücken	-	<ul style="list-style-type: none"> • Legen Sie Strom an, während Sie die Taste drücken. • Halten Sie die Taste für ungefähr fünf Sekunden gedrückt. 	Modus Druckerselbsttest.
Standby Druck	Drücken	-	<ul style="list-style-type: none"> • Drücken Sie die Taste gefühlvoll und lassen Sie sie sofort wieder los 	Zufuhr-Modus
Standby Druck	-	Drücken	<ul style="list-style-type: none"> • Drücken Sie die Taste 2 Sekunden lang und halten Sie sie gedrückt 	Stand-alone Konfigurationsmodus
Während des Druckes	Drücken	-	<ul style="list-style-type: none"> • Drücken Sie die Taste gefühlvoll und lassen Sie sie sofort wieder los 	Modus Druckvorgang Abbrechen
Während des Druckes	-	Drücken	<ul style="list-style-type: none"> • Drücken Sie die Taste gefühlvoll und lassen Sie sie sofort wieder los 	Modus Druckvorgang pausieren

3-4-2 LED Anzeige für verschiedene Druckerzustände

Status LED		Fehler-LED		Druckerstatus	
Farbe	Status	Farbe	Status		
Grün	Ein	Grün	Ein	Druck-Standby-Modus	Druck-Standby-Modus
ROT	Ein	Rot	Ein	Error-Modus	Band nicht erkannt
Rot	Ein	Orange	Ein	Error-Modus	Papierstau (Abstand/schwarze Markierung wird nicht erkannt)
Rot	Ein	Grün	Blinken	Error-Modus	Überhitzter Druckknopf
Rot	Ein	Rot	Blinken	Error-Modus	Abdeckung geöffnet
Rot	Ein	Orange	Blinken	Error-Modus	Kein Papier
Rot	Ein	-	Aus	Error-Modus	Kalibrierung des Mediums fehlgeschlagen
Rot	Blinken	Rot	Blinken	Error-Modus	Störung automatischer Cutter
Orange	Ein	Orange	Ein	Mitteilung Modus wird umgeschaltet	Mitteilung Modus wird umgeschaltet
Grün	Blinken	Rot	Ein	Warte auf Eingabe	Druck wird vorübergehend pausiert. Warte auf Tasteneingabe
Grün	Blinken	Grün	Blinken	Warte auf Eingabe	Modus Abdeckung geschlossen. Warte auf Tasteneingabe
Grün	Ein	Rot	Blinken	Warte auf Eingabe	Modus Druck abbrechen. Warte auf Tasteneingabe

3-5 Testdruck

3-5-1 Drucken mit Windows-Treiber

- 1) Installieren Sie den Windows Treiber.
Schlagen Sie ggf. im „Windows Treiberhandbuch“ auf der CD für das Installationsverfahren nach.
- 2) Stellen Sie den "Port" des Windows-Treibers auf das passende Interface, das verwendet werden soll, ein. Ziehen Sie ggf. das „Ethernet-Interface-Benutzerhandbuch“ auf der CD zu Rate, wenn Sie eine Ethernet-Schnittstelle verwenden.
- 3) Drucken Sie die Testseite mit der Funktion „Drucktest-Seite“ des Windows-Treibers aus.

3-5-2 Drucken mit dem Etiketten-Design-Programm

- Das Etiketten-Design-Programm ist auf der CD enthalten.

- 1) Installieren Sie das Etiketten-Design-Programms.
- 2) Sehen Sie ggf. im "Handbuch für das Etiketten-Design" nach, das auf der CD enthalten ist und stellen Sie das Interface ein.
- 3) Drucken Sie die Testseite, nachdem Sie ein Etikett entworfen haben.

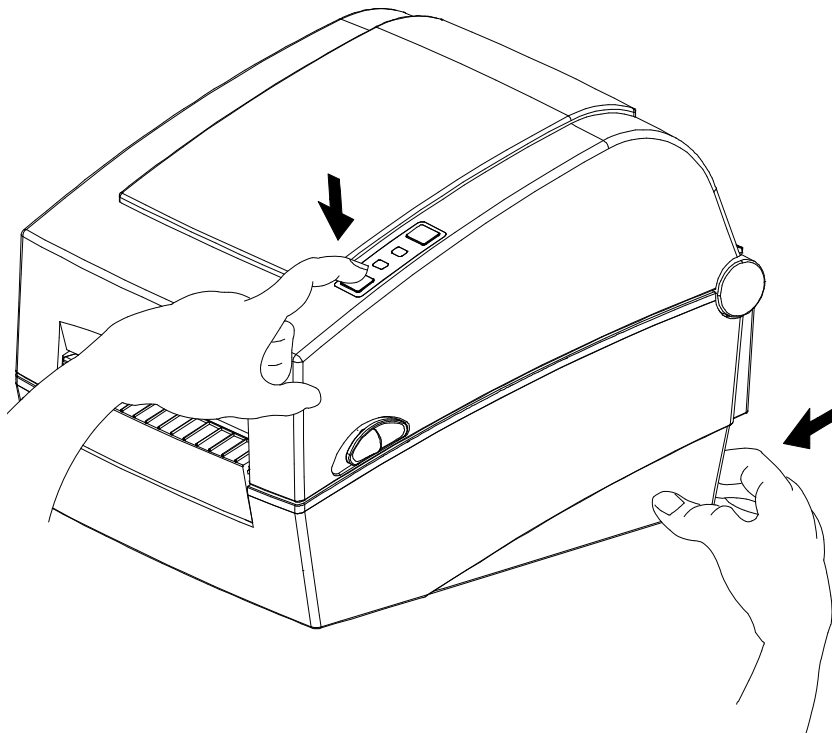
4. Selbsttest

Der Selbsttest überprüft, ob es mit dem Drucker irgendwelche Probleme gibt.
(Benutzer/innen können diesen Prozess nicht durchführen, wenn sie die Abziehfunktion des Druckers nutzen).

Wenn der Drucker nicht richtig funktioniert, kontaktieren Sie einen autorisierten Händler.

Der Selbsttest überprüft Folgendes:

- 1) Überprüfung, ob die Papierrolle richtig angebracht worden ist.
- 2) Schalten Sie die Stromversorgung ein, während Sie die FEED-Taste gedrückt halten.
Der Selbsttest beginnt.
(Es dauert ca. 5 Sekunden, bis der Selbsttest beginnt)
- 3) Der Selbsttest druckt die derzeitigen Einstellungen der Druckerkonfiguration aus.
- 4) Nachdem die Ergebnisse des Selbsttests ausgedruckt sind, geht der Drucker wieder zurück in den Druck-Standby-Modus.



5. Detaillierte Funktionen

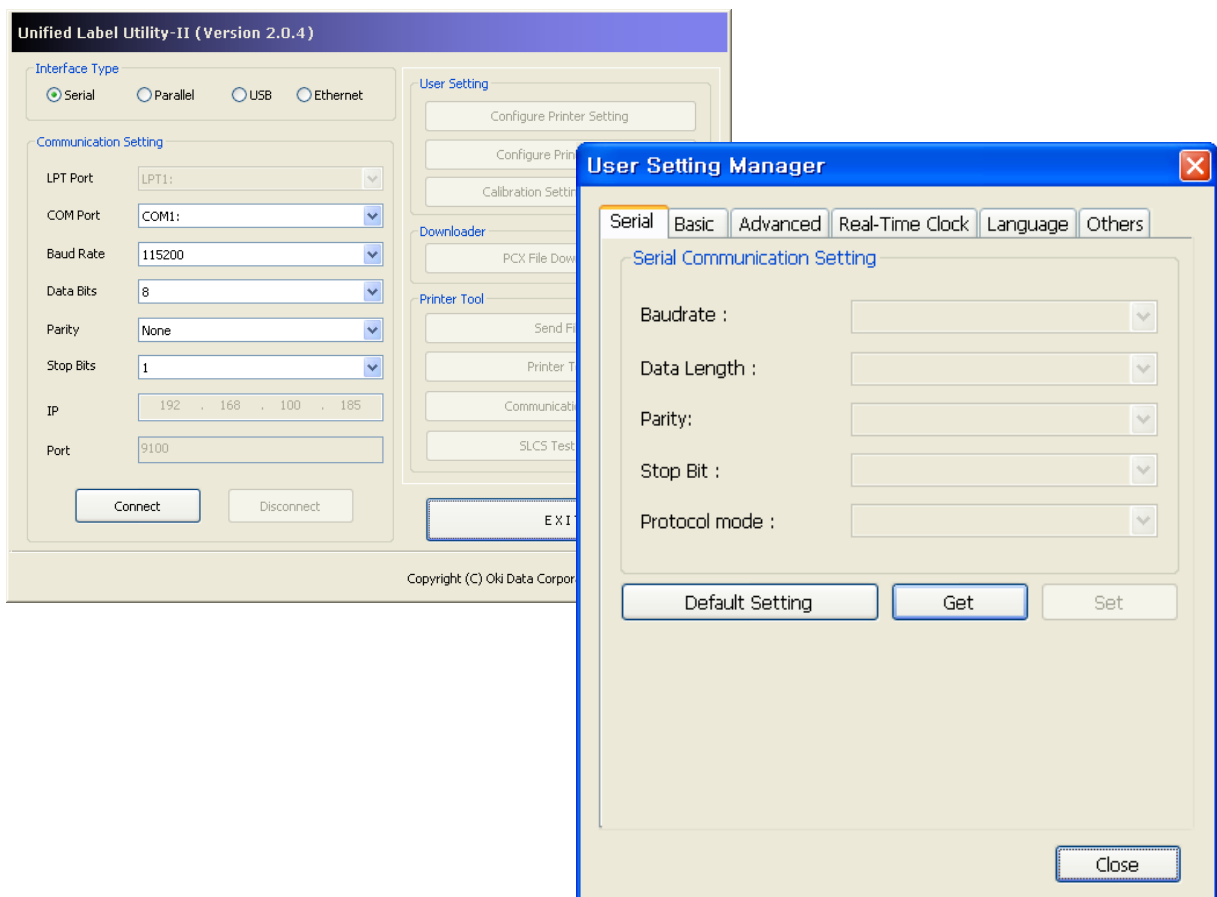
5-1 Drucker mithilfe des Dienstprogramms einstellen

Verschiedene Druckereinstellungen können mit dem Dienstprogramm (vereinheitlichtes Etiketten-Dienstprogramm-II) geändert werden.

Folgende Funktionen können mit dem Dienstprogramm verwendet werden:

- 1) Serielle Kommunikationseinstellungen
Handshake, Stop bit, Data bit, Parität, und Baud-Rate können konfiguriert werden.
- 2) Grundeinstellungen Drucker
Papierformat, Druckgeschwindigkeit und Dichte, Papiersorte und Verwendung des Bandes können konfiguriert werden.
- 3) Spracheinstellung
Code-Seite kann konfiguriert werden.
- 4) Manuelle Kalibrierungsfunktion für den Medien-Sensor
Diese Funktion kann verwendet werden, um einen speziellen Papiertypus oder ein außergewöhnliches Material zu erkennen, das durch die automatische Kalibrierung nicht erkannt wird. Siehe Seite "Manueller Kalibrierungsmodus" für mehr Details
- 5) Es sind noch weitere Funktionen für den Druckertest verfügbar.

Für genauere Informationen siehe "Handbuch Vereinheitlichtes Etiketten-Dienstprogramm", das auf der CD enthalten ist.



5-2 Stand-alone Konfigurationsmodus

Mithilfe der Tasten und des LED-Status können verschiedene Modi aufgerufen werden.

5-2-1 Wie man den Stand-Alone-Konfigurationsmodus startet

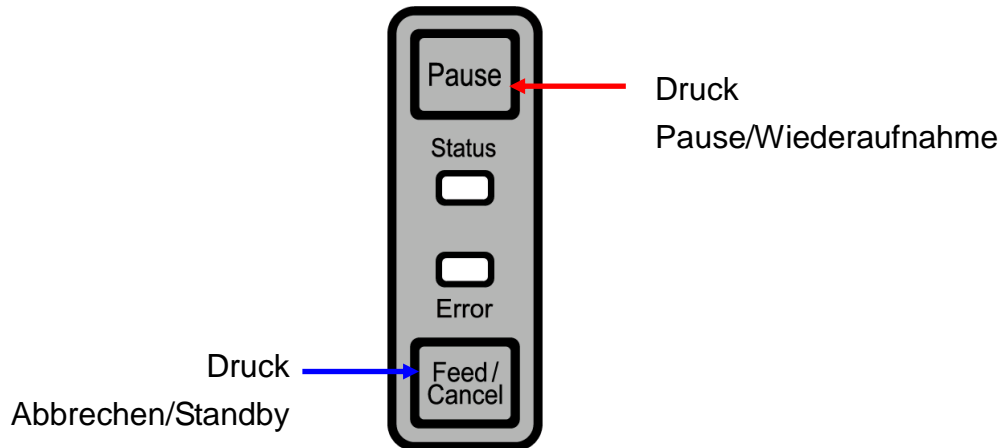
- Der Druckermodus wechselt in den Modus für die Druckereinstellungen, wenn die Pausentaste für zwei Sekunden gedrückt wird, der Drucker im Druck-Standby-Modus ist.
- Beide LEDs leuchten nun orange und der Drucker wird auf Stand-Alone eingestellt Konfigurationsmodus
- Wenn der Drucker in diesem Modus ist, ändern sich die Status- und Fehler-LEDs nacheinander.
- Wenn die Zufahrtaste während einer bestimmten Farbkombination gedrückt wird, wird die entsprechende Betriebsart des Druckers ausgewählt.

5-2-2 Auflistung der unterstützten Funktionen

Sequenznummer	Status LED		Fehler-LED		Druckbetrieb
	Farbe	Status	Farbe	Status	
1	Grün	Ein	Grün	Viermaliges Blinken	Konfigurations-Information ausdrucken.
2			Orange	Viermaliges Blinken	Dateiliste ausdrucken
3			Rot	Viermaliges Blinken	Auf Werkseinstellung zurücksetzen
4	Orange	Ein	Grün	Viermaliges Blinken	Automatische Kalibrierung des Abstandssensors
5.			Orange	Viermaliges Blinken	Automatische Kalibrierung B/M Sensor
6			Rot	Viermaliges Blinken	Daten-Dump-Modus
7.	Rot	Ein	Grün	Viermaliges Blinken	Demomodus
8			Orange	Viermaliges Blinken	-
9			Rot	Viermaliges Blinken	Objekt löschen

5-3 Pause/Abbrechen

Während des Druckens mehrerer Drucker-Jobs können die Tasten "Pause" und "Abbrechen" vorübergehend verwendet werden, um den Druckvorgang zu stoppen bzw. ganz abbrechen.



5-3-1 Funktion Pause/Wiederaufnahme

- 1) Durch Drücken der Pausen-Taste während des Etikettendrucks
- 2) wird der Drucker nach Beendigung des aktuellen Etiketts in den Pausenmodus versetzt und der LED-Status ist folgender:
 - Status LED: Grünes Blinken
 - Fehler LED: Rot Ein
- 3) Während der Druckjob pausiert wird, können Sie die Pausentaste erneut betätigen, um den Druck wieder aufzunehmen.

5-3-2 Druck abbrechen

- 1) Befindet sich der Drucker im Etikettendruckmodus und/oder im Pausenmodus, wird durch Drücken der Taste "Abbruch" der Modus zum Abbruch des Drucks eingeleitet.
- 2) Folgende Vorgänge laufen in diesem Modus ab.
 - Jeder Etikettendruckvorgang wird abgebrochen
 - Alle Daten im Datenpuffer des Druckers werden gelöscht.
 - Alle empfangenen Daten werden gelöscht.
- 3) Der LED-Status im Druckabbruch-Modus kann wie folgt sein.
 - Status LED: Grün Ein
 - Fehler LED: Rotes Blinken
- 4) Drücken Sie im Druckabbruchmodus die Taste "Abbrechen" erneut, um in den Druck-Standby-Modus zu gelangen.

5-4 Medien-Kalibrierung

Dieser Drucker wurde darauf ausgelegt, dass die gängigen Abstände von Druckerpapier erkannt werden können; allerdings werden gelegentlich die Abstände nicht erkannt, so dass weiter Papier zugeführt wird, wenn Spezialpapier verwendet wird. In diesem Fall starten Sie die Automatische Kalibrierung, damit der Drucker den Abstand erkennt. Ihr Oki-Datendrucker bietet verschiedene Methoden zur Kalibrierung, um vielerlei Spezialpapierarten aufnehmen zu können.

5-4-1 Informationen zur Medien-Kalibrierung

- Diese Funktion wird verwendet, um die Empfindlichkeit des Papiererkennungssensors für eine präzise Druckposition einzustellen und der Vermessung der tatsächlichen Papierlänge.
- Einstellung Sensorempfindlichkeit
 - Dies dient dem Auffinden des Erkennungsmerkmals (Lücke/Schwarze Markierung/Kerbe) der Etiketten
- Vermessen der Papierlänge
 - Die genaue Länge wird für die Drehung der Druckausrichtung benötigt.
 - Der Zweck besteht darin, einen Wechsel der Papiersorte zu erkennen.

5-4-2 Wann wird die Medien-Kalibrierung benötigt?

- Wenn der Drucker zum ersten Mal in Betrieb genommen wird
- Wenn das neu eingebrachte Papier eine andere Papiersorte ist
- Wenn Druckposition nicht genau ist oder der Drucker nicht an der richtigen Stelle anhält

5-4-3 Wie man eine Medien-Kalibrierung durchführt

- Die folgenden vier Methoden der Medien-Kalibrierung können, je nach Umstand, eingesetzt werden.
 - Intelligente Medienerkennung
 - Automatischer Kalibrierungsmodus für den Abstandssensor
 - Automatischer Kalibrierungsmodus für die Schwarze Markierung
 - Manueller Kalibrierungsmodus
- Warum werden mehrere Methoden für die Kalibrierung zur Verfügung gestellt?
 - Für die Medien-Kalibrierung sollten mehrere Etiketten gescannt werden und eine möglichst genaue Kalibrierung der Empfindlichkeit ist dadurch ebenfalls möglich.
 - Die Anzahl der zu scannenden Etiketten zur Einstellung der Sensoren-Empfindlichkeit hängt von verschiedenen Faktoren ab, wie z.B. Material des Etikettenpapiers, Farbe, Oberflächenbeschaffenheit, Stärke, Abstandsgröße und vorgedrucktes Muster etc.

- Zum Zwecke eines guten Kompromisses zwischen extremem Papierverbrauch und einer genauen Einstellung der Sensorenempfindlichkeit werden vier verschiedene Modi zur Medienkalibrierung zur Verfügung gestellt.
- Der Modus für die Intelligente Medienerkennung mit geringer Nachjustierung der Genauigkeit und wenig Papierverbrauch während des Scannens ist für die meisten Fälle mit gewöhnlichen Etiketten geeignet.
- Versuchen Sie verschiedene Methoden für eine intelligente Medien-Erkennung → Automatische Kalibrierung des Abstandssensors /Automatische Kalibrierung des Sensors für die Schwarze Markierung Manueller Kalibrierungs-Modus.

5-5 Intelligente Medien-Erkennung

- Wenn nötig, führt der Drucker diese Funktion ohne Benutzereingabe durch und die Konfiguration kann mit der "Intelligenten Medien-Erkennung" bei den meisten Druckerpapieren abgeschlossen werden.
- Papier mit Abstand oder schwarzer Markierung kann ohne gesonderte Einstellungen erkannt werden.
- 3 - 5 Seiten der Etiketten werden – abhängig von der Papiersorte – benutzt.
- Die Funktion "Intelligente Medien-Erkennung" wird in den folgenden Fällen angewandt
 - Bei der Erstinstallation des Druckers wird sie durch Drücken der Zufuhr-Taste (Feed) oder durch den Befehl zum Drucken ausgelöst.
 - Wenn die Papierlänge während des Drucks bzw. während der Zufuhr erkannt wird.
 - Wenn die per Befehl eingegebene Papiersorte von der konfigurierten Papiersorte abweicht.
 - Nach dem Zurücksetzen auf die Werkseinstellungen
- Die "Intelligente Medien-Erkennung" wird nach dem Einstellen der Sensorenempfindlichkeit mittels automatischem- oder manuellem Kalibrierungsmodus ausgeschaltet und wird wieder aktiviert, nachdem der Drucker auf die Werkseinstellungen zurückgesetzt wurde.

5-6 Automatischer Kalibrierungsmodus für den Abstandssensor

Verwenden Sie diesen Modus, wenn das Papier von der Funktion "Intelligente Medien-Erkennung" nicht erkannt wurde.

Der Drucker zieht das Papier ein und kalibriert den Abstandssensor automatisch.

Der Drucker schaltet auf den Fehlermodus, wenn die Papiererkennung von bis zu 1 Meter Länge fehlschlägt. Der Fehlermodus kann durch Öffnen und Schließen der Abdeckung beendet werden.

Verwenden Sie den manuellen Kalibrierungsmodus, wenn die Papiererkennung in diesem Modus fehlschlägt.

Die "Intelligente Papiererkennung" wird deaktiviert, wenn die Papiererkennung in diesem Modus erfolgreich war.

5-6-1 Verfahren zum Ablauf der Kalibrierung

- Drücken Sie die Zufahrtaste während der 4. LED-Sequenz, wie in Abschnitt 5-2-2 gezeigt (Status der LED ist orange und Fehler-LED blinkt viermal grün), um den automatischen Kalibrierungsmodus für den Abstandssensor zu starten.

5-7 Automatischer Kalibrierungsmodus für die Schwarze Markierung

Verwenden Sie diesen Modus, wenn das Papier von der Funktion "Intelligente Medien-Erkennung" nicht erkannt wurde.

Der Drucker zieht das Papier ein und kalibriert den Sensor für die Schwarze Markierung automatisch.

Der Drucker schaltet auf den Fehlermodus, wenn die Papiererkennung auf bis zu einem Meter Länge fehlschlägt. Der Fehlermodus kann durch Öffnen und Schließen der Abdeckung beendet werden.

Verwenden Sie den manuellen Kalibrierungsmodus, wenn die Papiererkennung in diesem Modus fehlschlägt.

Die "Intelligente Papiererkennung" wird deaktiviert, wenn die Papiererkennung in diesem Modus erfolgreich war.

5-7-1 Verfahren zum Ablauf der Kalibrierung

- Drücken Sie die Zufahrtaste während der 5. LED-Sequenz, wie in Abschnitt 5-2-2 gezeigt (Status der LED ist orange und Fehler-LED blinkt viermal orange), um den Sensor für die Schwarze Markierung zu starten. Automatischer Kalibrierungsmodus.

5-8 Manueller Kalibrierungsmodus

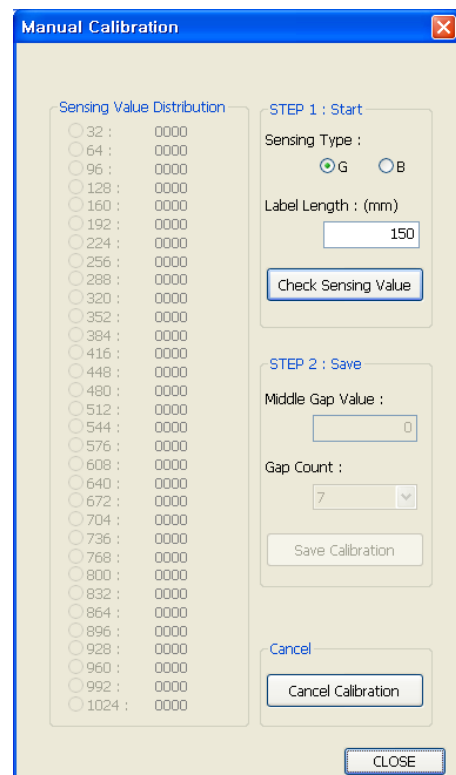
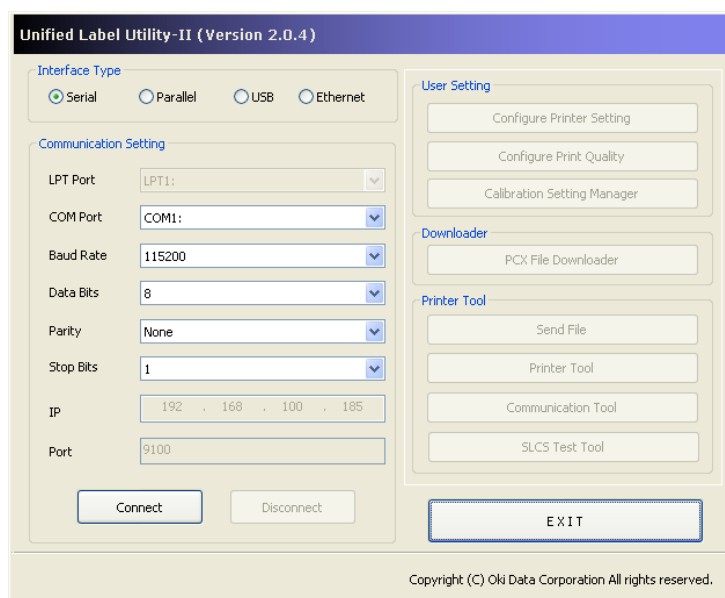
Die Manuelle Kalibrierung der Medieneerkennung kann verwendet werden, wenn der Drucker auch nach dem Durchlaufen der Automatischen Kalibrierung noch keinen Medienabstand (oder keine Schwarze Markierung) ermitteln konnte.

Die Benutzer/innen können die Sensorenparameter mit dem Dienstprogramm des Herstellers genau kalibrieren.

Das Dienstprogramm ist auf der beiliegenden CD zu finden.

Bitte stellen Sie sicher, dass der Drucker angeschlossen ist und führen Sie das Dienstprogramm durch.

Stellen Sie den Typ des Interfaces ein und klicken Sie die dann auf die Taste zum Verwalten der Kalibrierungseinstellungen.



- 1) Wählen Sie die Art der Abtastung, geben Sie die Etikettenlänge in mm an und klicken Sie dann auf "Abtastwert prüfen". Der Drucker startet mit der Kalibrierung.
- 2) Der Drucker druckt die erkannten Werte nach der Kalibrierung aus und sie erscheinen auf dem Bildschirm.
- 3) Optimale Abtastwerte erscheinen in fettgedruckten Buchstaben links auf dem Bildschirm des Programms. Wählen Sie einen der optimalen Werte durch Anklicken von dessen Optionstaste aus klicken Sie dann auf "Kalibrierung speichern".
- 4) Wenn der gewählte Werte nicht optimal funktioniert, versuchen Sie es mit anderen Werten aus der Auflistung schwarzer, fettgedruckter Buchstaben.
- 5) Um zum Ausgangswert zurückzugelangen, klicken Sie bitte auf "Kalibrierung widerrufen".

5-9 Modus "Abdeckung schließen"

1. Informationen zum Modus "Abdeckung schließen"

- Der Druckbereich kann sich zu weit vom Papier entfernen, wenn sich dieses nicht in genauer Druckposition befindet, während die Abdeckung geöffnet und wieder geschlossen wird.
- Der Drucker wird in den Modus "Abdeckung schließen" anstatt in den Druck-Standby-Modus versetzt, wenn die Abdeckung geschlossen wird, um dieses Problem zu verhindern; dann wartet er auf die Eingabe des Bedieners.
- Der Status der LEDs in diesem Modus ist wie folgt.
 - Status-LED: Grünes Blinken
 - Fehler-LED: Grünes Blinken
- Die Daten, die während des Modus' "Abdeckung schließen" empfangen werden, werden nicht gedruckt, bevor der Drucker wieder auf den Druck-Standby-Modus geschaltet hat.

2. Wie kann man den Drucker vom Modus "Abdeckung schließen" in den Druck-Standby-Modus schalten

- Drücken Sie die Pausentaste, ohne Papier zuzuführen, um in den Druck-Standby-Modus zu schalten.
- Drücken Sie die Zufuhrtaste (Feed), um ein Blatt einzuziehen und die Papierposition auszurichten und schalten Sie anschließend auf den Druck-Standby-Modus

5-10 Daten-Dump-Modus

Diese Funktion kann verwendet werden, um Kommunikationsstörungen zu diagnostizieren, wenn das Gerät nicht ordnungsgemäß druckt.

In diesem Modus werden die empfangenen Daten nicht analysiert, sondern unverarbeitet im Hexagonformat gedumpt.

Schalten Sie den Drucker aus und an, um wieder in den Druck-Standby-Modus zu gelangen.

5-10-1 Wie man den Daten-Dump-Modus startet

- 1) Drücken Sie die Pausentaste für zwei Sekunden, während sich der Drucker im Druck-Standby-Modus befindet.
- 2) Beide LEDs leuchten nun orange und der Drucker wird auf den Stand-Alone-Konfigurationsmodus gestellt.
- 3) Drücken Sie die Feed-Taste bei der sechsten LED-Sequenz in 5-2-2 (Status-LED Orange / Error-LED Rot – viermaliges Blinken), um den Daten-Dump-Modus zu aktivieren.

5-11 Auf Werkseinstellungen zurücksetzen

Diese Funktion wird verwendet, um die Druckereinstellungen auf die Standard-Werkseinstellungen zurückzusetzen.

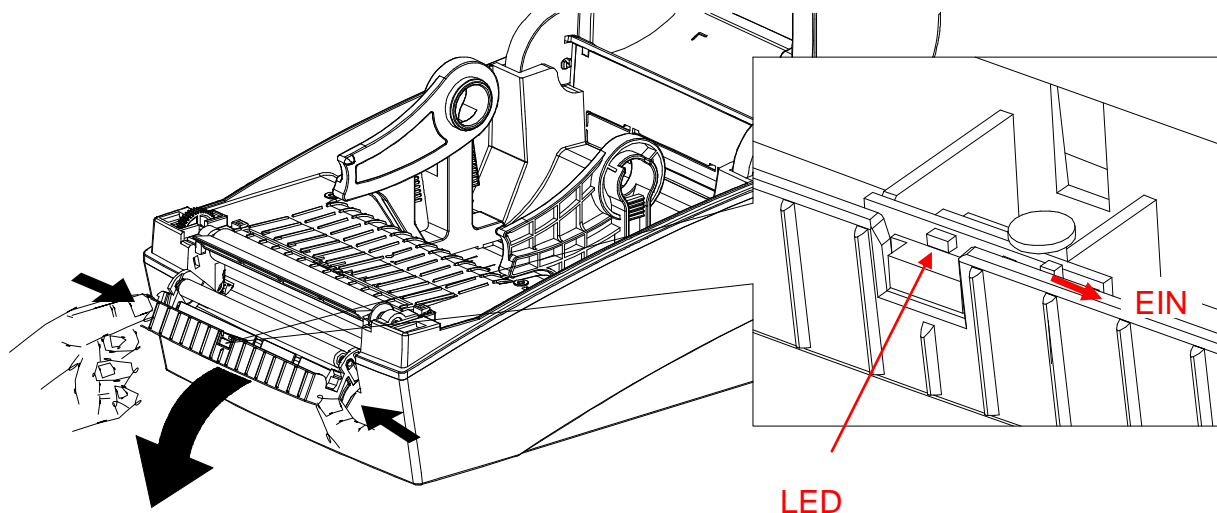
5-11-1 Wie man den Drucker zurücksetzt

- 1) Drücken Sie die Pausentaste für zwei Sekunden, während sich der Drucker im Druck-Standby-Modus befindet.
- 2) Beide LEDs leuchten nun orange und der Drucker wird auf den Stand-Alone Konfigurationsmodus gestellt.
- 3) Drücken Sie die Zufuhraste während der 3. LED-Sequenz, wie in Abschnitt 5-2-2 gezeigt (Status der LED ist grün und die Fehler-LED blinkt viermal rot), um den Drucker auf die Werkseinstellungen zurückzusetzen. Daraufhin wird die "Intelligente Papier-Erkennung" durchgeführt.

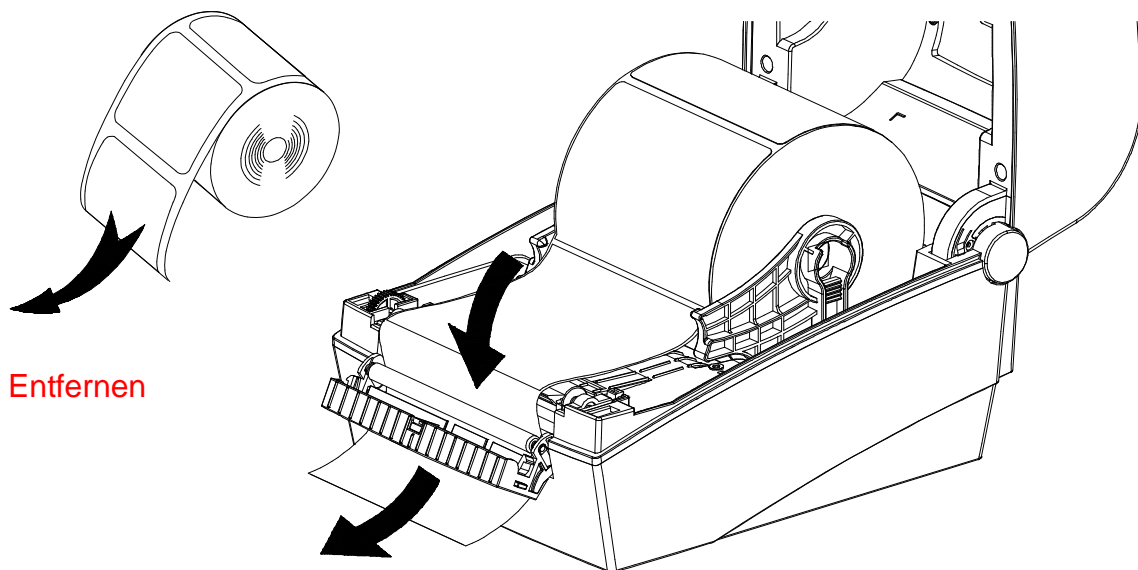
5-12 Die Option zum Abziehen

Da es sich um eine Funktion handelt, um Aufkleber abzuziehen, wird sie nur bei Aufkleber-Druckpapier verwendet.

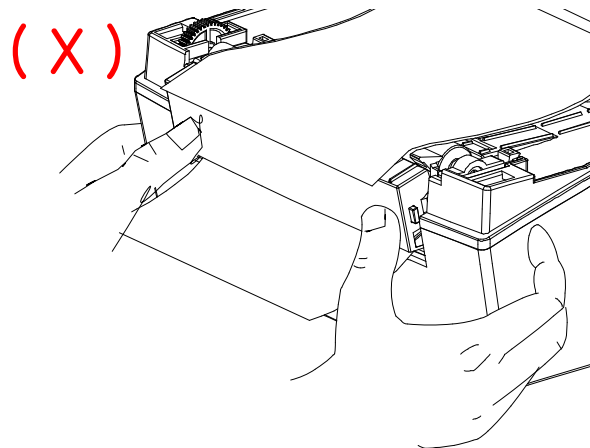
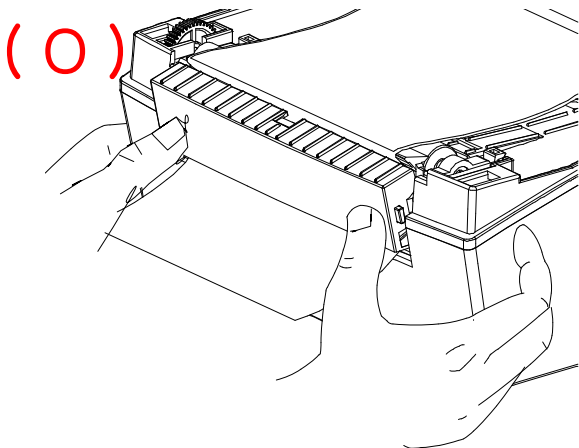
- 1) Öffnen Sie die Papierabdeckung.
- 2) Öffnen Sie die Abdeckung des Aufkleberabziehers und stellen Sie den Abzieher auf die Position EIN.
 - Überprüfen Sie, ob die LED grün leuchtet.



3) Entfernen Sie ein Blatt des Aufkleberpapiers und führen Sie das Papier ein (siehe Bild unten).



4) Justieren Sie die Papierführungen und schließen Sie die Abdeckung des Aufkleberabziehers.



5) Schließen Sie die Papierabdeckung, bis Sie ein klickendes Geräusch vernehmen.

6) Schalten Sie den Drucker aus und wieder an.

5-13 Verwendung von Endlospapier

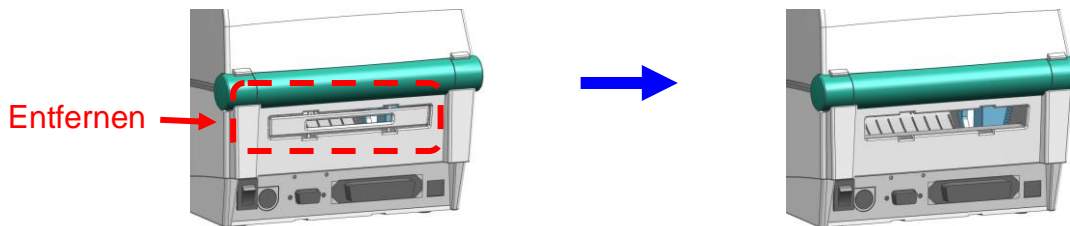
Die Versorgung des Druckers mit externem Papier funktioniert folgendermaßen.

5-13-1 Vorbereitung des Druckers

Entfernen Sie die hintere Papierzufuhrabdeckung auf der Rückseite des Druckers mit einem Messer oder anderem anderen Schneidegerät.

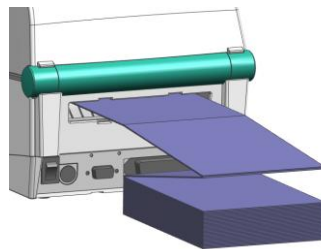
※ **VORSICHT**

- Verletzen Sie dabei nicht ihre Hände oder andere Körperteile dabei.

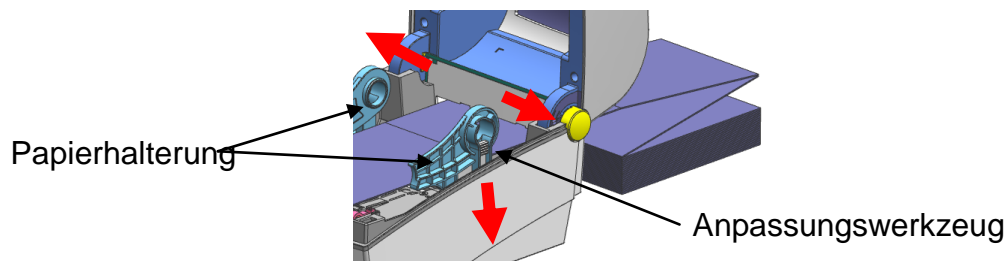


5-13-2 Verwendung von Endlospapier

- 1) Führen Sie das Papier an der Rückseite des Druckers entsprechend der Schlitz und Papierführungen ein.



- 2) Stellen Sie die Papierhalterungen auf die Papierbreite mithilfe des Anpassungswerkzeugs ein.

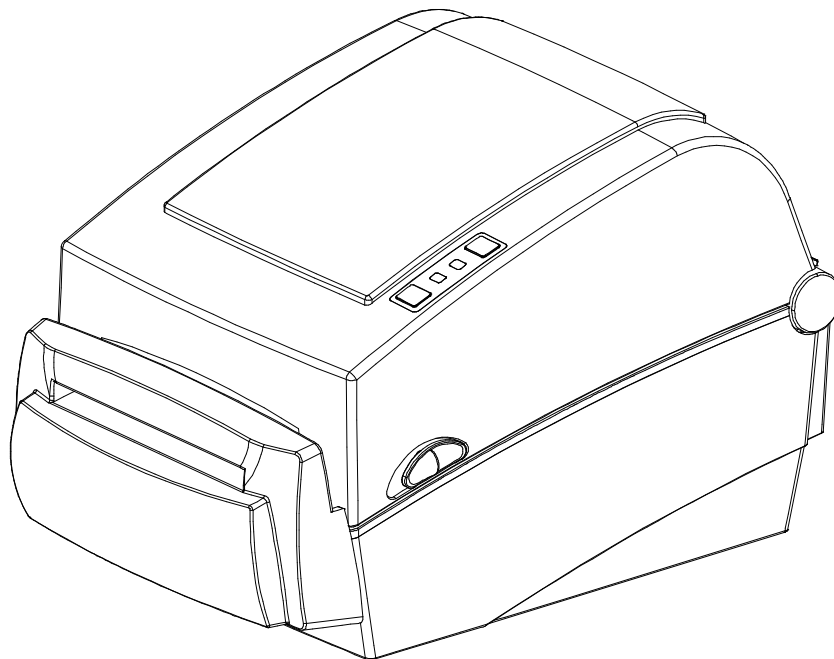


5-14 Automatischer Cutter (Optional)

Zum Schneiden des Papiers sind die Geräte auch mit einer automatischen Schneidevorrichtung (Automatischer Cutter) erhältlich.

Der Automatische Cutter kann per Befehl gesteuert werden. Und die Standardeinstellung kann mithilfe des "vereinheitlichten Utility-II Dienstprogramms für Etiketten" verändert werden.

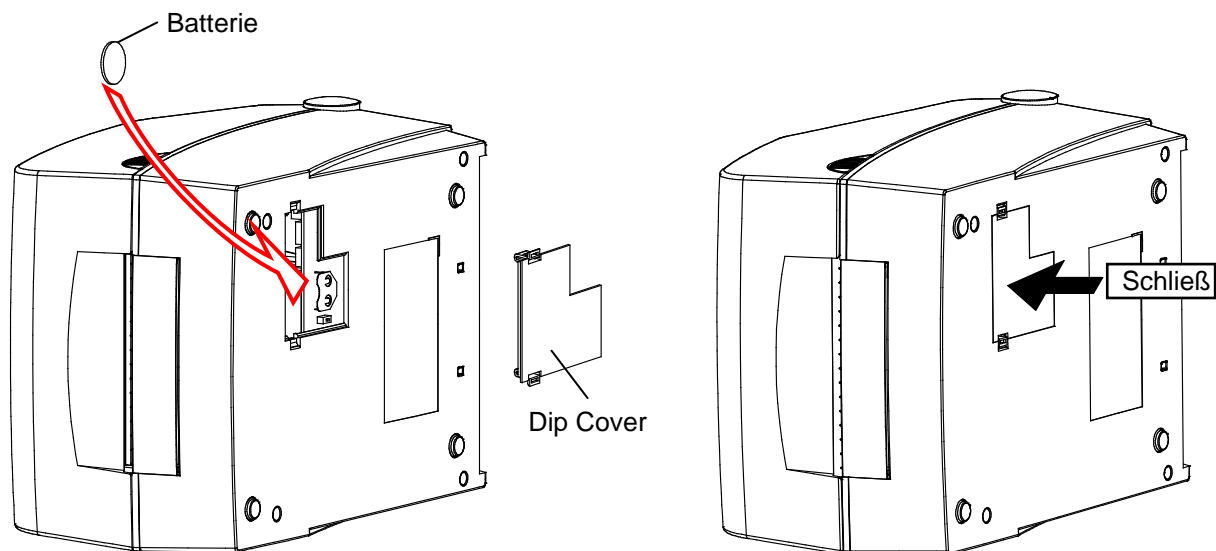
※ Die Methode des Papiereinlegens ist mit der Variante ohne automatischen Cutter identisch.



5-15 Echtzeit-Uhr (Optional)

Mit dieser Funktion können Echtzeit und Datum auf die Etiketten gedruckt werden. Das Datum und die Zeit können am Drucker mithilfe des vereinheitlichten Utility-II Dienstprogramms für Etiketten eingestellt werden.

Man erkennt eine schwache oder erschöpfte Batterie daran, dass der Drucker fortwährend eine falsche Uhrzeit oder ein inkorrektes Datum wiedergibt. In diesem Fall müssen Sie die Batterie ersetzen. Wenn die Batterie ausgetauscht wird, müssen Zeit und Datum neu eingestellt werden.

**※ VORSICHT**

- Zu Ihrer Sicherheit sollten Sie die Abdeckung auf der Unterseite des Druckers immer geschlossen halten. Wenn Sie die Batterie wechseln, öffnen Sie bitte die Abdeckung mit Daumen und Zeigefinger.
Schließen Sie die Abdeckung wieder, nachdem Sie die Batterie gewechselt haben.
- Wickeln Sie die Batterie für die Verwertung oder Lagerung ein, um einen Kurzschluss zu vermeiden.
- Schließen Sie die Batterie nicht kurz. Dabei kann Hitze oder Feuer entstehen.
- Bauen Sie die Batterie nicht auseinander und erhitzen Sie sie nicht.

6. Reinigung des Druckkopfs

Die Druckqualität kann durch Staub, fremdartige oder klebrige Substanzen, sowie andere unreine Materialien gemindert werden, die sich am Druckkopf oder im Inneren des Druckers befinden.

Sollte der Druckkopf verschmutzt sein, reinigen Sie ihn bitte wie folgt:

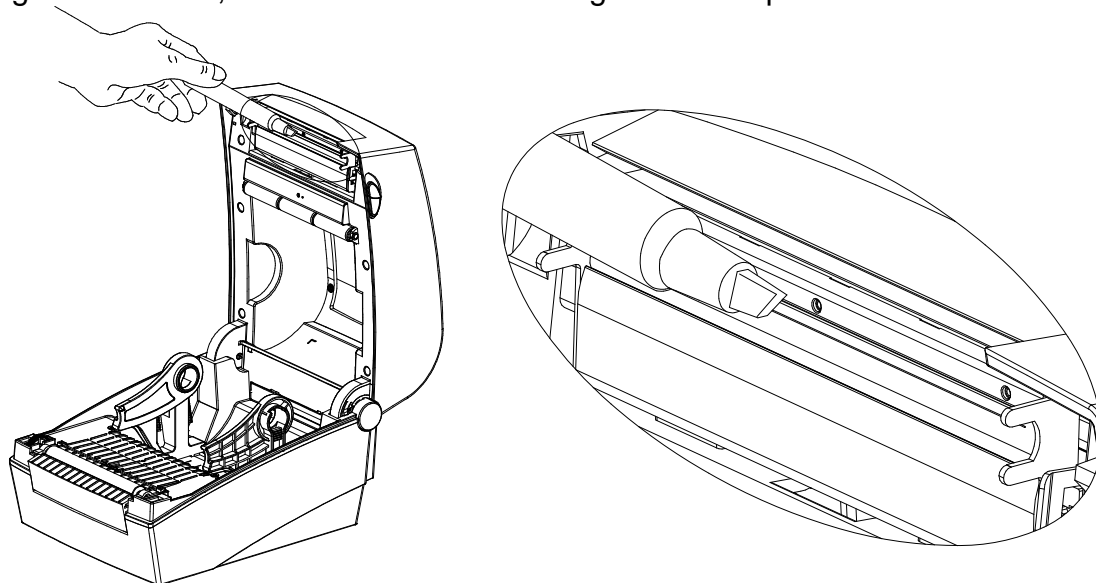
※ VORSICHT

- Stellen Sie sicher, dass die Stromversorgung des Druckers abgestellt ist, bevor Sie mit der Reinigung beginnen.
 - Da der Druckkopf während des Druckens sehr heiß wird, sollten Sie den Drucker abschalten und ca. 2-3 Minuten warten, bevor Sie mit der Reinigung fortfahren.
 - Wenn Sie den Druckkopf reinigen, achten Sie darauf, dass Sie das erhitzte Teil des Druckkopfes nicht berühren.
- Der Druckkopf ist empfindlich gegenüber Elektro- oder Statikschiäden etc. ...
- Vermeiden Sie in jedem Falle ein Verkratzen oder Beschädigen des Druckkopfes – egal auf welche Art.
 - Passen Sie auf, dass Sie sich nicht die Finger beim Öffnen- oder Schließen der Papierabdeckung einklemmen. Öffnen Sie die Papierabdeckung vollständig, bis sie in der geöffneten Position einrastet.
 - Wenn Sie Rollenpapier einlegen, achten Sie darauf, dass Ihre Finger nicht zwischen die Papierrolle und den Papierhalter gelangen.
 - Berühren Sie den Automatischen Cutter (Schneidegerät) nicht mit Ihren Händen und legen Sie keine Gegenstände in den Automatischen Cutter. Dies kann zu Verletzungen führen.

6-1 Druckkopf reinigen

- 1) Öffnen Sie die Papierabdeckung und verwenden Sie den Reinigungsstift, um den Kopf von der Innenseite des Kopfes in Richtung außen zu reinigen.
- 2) Verwenden Sie den Drucker nach der Reinigung nicht, bevor sich der Reinigungsalkohol verflüchtigt hat (1-2 Min.) und der Drucker absolut abgetrocknet ist.

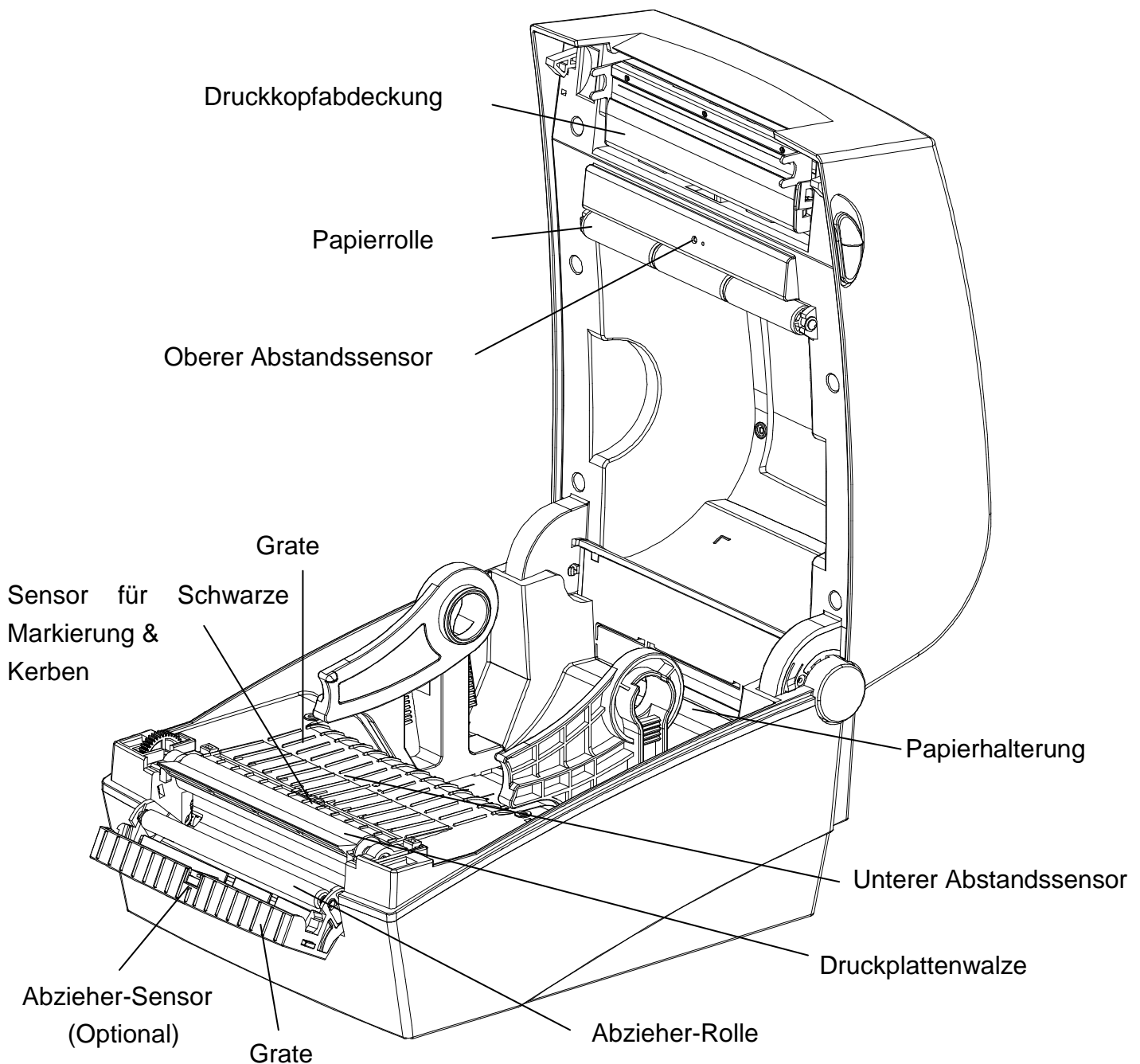
- ※ Führen Sie den Reinigungsprozess jedes Mal durch, wenn die Papierrolle ausgetauscht wird, um eine Verschlechterung der Druckqualität zu verhindern.



6-2 Reinigung der Sensoren, Walzen oder/und der Papierbahn

- 1) Öffnen Sie die Papierabdeckung und entfernen Sie das Papier.
- 2) Entfernen Sie jeglichen Staub oder fremde Substanzen mit einem trockenem Tuch oder einem Putzlappen aus Baumwolle.
- 3) Tränken Sie das Tuch oder den Baumwollputzlappen in medizinischem Alkohol und entfernen Sie mit ihm klebrige Fremdmaterialien oder andere Verunreinigungen.
- 4) Nachdem Sie die Teile gesäubert haben, benutzen Sie den Drucker erst, wenn der Alkohol vollständig verdunstet ist (1-2 Min.) und der Drucker komplett abgetrocknet ist.

※ Säubern Sie die Teile, wenn eine Leistungsver schlechterung bei der Druckqualität bzw. bei der Papiererkennung auftritt.



7. Anhang

7-1 Spezifikationen

Einzelteil		Beschreibung
Drucker	Druckmethode	Direkter Thermodruck
	Punktdichte	LD630D : 203 dpi (8 dot/mm) LD640D : 300 dpi (11.8 dot/mm)
	Druckbreite	LD630D: Max. 108 mm(Max. 4.25") LD640D: Max. 105.7 mm(Max. 4.16")
	Druckgeschwindigkeit	LD630D: Max. 165 mm/sec (Max. 6.5ips) LD640D: Max. 102 mm/sec (Max. 4ips)
Papier	Breite	20 ~ 110 mm(0.79 ~ 4.33")
	Rolle	Max 130mm(Max. 5.12")
	Core	25.4 ~ 38.1mm (1 ~ 1.5")
Wechselstrom Adapter	Eingangsspannung	AC 100~240V
	Frequenz	50/60 Hz
	Ausgangsspannung	DC 24V±5%
	Ausgangsstrom	2.5A
Einsatzbedingungen	Temperatur	5 - 40 °C (Betrieb) -20 - 60 °C (Lagerung)
	Feuchtigkeit (außer für Papier)	10 - 80% relative Feuchtigkeit (Betrieb) 10 - 90% relative Feuchtigkeit (Lagerung)

※ Anmerkung

- Die Druckgeschwindigkeit kann in Abhängigkeit von der Datenübertragungsgeschwindigkeit und aufgrund der Kombination unterschiedlicher Steuerbefehle variieren.
- Dieses Gerät ist für den Gebrauch in Innenräumen gedacht und alle Kommunikationsverkabelung ist auf den Einsatz im Gebäude limitiert.
- Der Schalter ist die Trennvorrichtung. Betätigen Sie diesen Schalter bei Gefahr.

7-2 Etiketten- Typen

Die folgenden Etikettentypen werden von diesem Drucker verwendet.

- Kontrolletiketten: PP
- Andere Etiketten: PET

Oki Kontaktdetails

OkicontactName. Oki Systems (UK) Limited

OkicontactAddress.550 Dundee Road
Slough Trading Estate
Slough
Berkshire
SL1 4LE

Tel:+44 (0) 1753 819819
Fax:+44 (0) 1753 819899
<http://www.oki.co.uk>

Oki Systems Ireland Limited

The Square Industrial Complex
Tallaght
Dublin 24

Tel:+353 (0) 1 4049590
Fax:+353 (0)1 4049591
<http://www.oki.ie>

Oki Systems Ireland Limited - Northern Ireland

19 Ferndale Avenue
Glengormley
BT36 5AL
Northern Ireland

Tel:+44 (0) 7767 271447
Fax:+44 (0) 1 404 9520
<http://www.oki.ie>

Technical Support for all Ireland:

Tel:+353 1 4049570
Fax:+353 1 4049555
E-mail: tech.support@oki.ie

Oki Systems (Czech and Slovak), s.r.o.

IBC – Pobřežní 3
186 00 Praha 8
Czech Republic

Tel: +420 224 890158
Fax:+420 22 232 6621
Website: www.oki.cz, www.oki.sk

Oki Systems (Deutschland) GmbH

Hansaallee 187
40549 Düsseldorf

Tel: 01805/6544357**
01805/OKIHELP**
Fax: +49 (0) 211 59 33 45
Website:
www.okiprintingsolutions.de
info@oki.de

**0,14€/Minute aus dem dt. Festnetz
der T-Com (Stand 11.2008)

Διανομέας των συστημάτων OKI

CPI S.A1 Rafailidou str.
177 78 Tavros
Athens
Greece

Tel: +30 210 48 05 800
Fax:+30 210 48 05 801
EMail:sales@cpi.gr

Oki Systems (Iberica), S.A.U

C/Teide, 3
San Sebastian de los Reyes
28703, Madrid

Tel:+34 91 3431620
Fax: +34 91-3431624
Atención al cliente: 902 36 00 36
Website: www.oki.es

Oki Systèmes (France) S.A.

44-50 Av. du Général de Gaulle
94246 L'Hay les Roses
Paris

Tel:+33 01 46 15 80 00
Télécopie:+33 01 46 15 80 60
Website: www.oki.fr

OKI Systems (Magyarország) Kft.

Capital Square
Tower 2
7th Floor
H-1133 Budapest,
Váci út 76
Hungary

Telefon: +36 1 814 8000
Telefax: +36 1 814 8009
Website: www.oki.hu

OKI Systems (Italia) S.p.A.

via Milano, 11,
20084 Lacchiarella (MI)

Tel:+39 (0) 2 900261
Fax:+39 (0) 2 90026344
Website: www.oki.it

OKI Printing Solutions

Platinum Business Park II, 3rd Floor
ul. Domaniewska 42
02-672 Warsaw
Poland

Tel:+48 22 448 65 00
Fax:+48 22 448 65 01
Website: www.oki.com.pl
E-mail: oki@oki.com.pl
Hotline: 0800 120066
E-mail: tech@oki.com.pl

Oki Systems (Ibérica) S.A.

Sucursal Portugal
Edifício Prime -
Av. Quinta Grande 53
7º C Alfragide
2614-521 Amadora
Portugal

Tel:+351 21 470 4200
Fax:+351 21 470 4201
Website:www.oki.pt
E-mail : oki@oki.pt

Oki Service

Serviço de apoio técnico ao Cliente

Tel: 808 200 197
E-mail : okiserv@oki.pt

OKI Europe Ltd. (Russia)

Office 702, Bldg 1
Zagorodnoye shosse
117152, Moscow

Tel: +74 095 258 6065
Fax: +74 095 258 6070
e-mail: info@oki.ru
Website: www.oki.ru

Technical support:

Tel: +7 495 564 8421
e-mail: tech@oki.ru

Oki Systems (Österreich)

Campus 21
Businesszentrum Wien Sued
Liebermannstrasse A02 603
22345 Brun am Gebirge

Tel: +43 223 6677 110
Drucker Support:
+43 (0) 2236 677110-501
Fax Support:
+43 (0) 2236 677110-502
Website: www.oki.at

OKI Europe Ltd. (Ukraine)

Raisy Opkinoy Street,8
Building B, 2nd Floor,
Kiev 02002
Ukraine

Tel: +380 44 537 5288
e-mail: info@oki.ua
Website: www.oki.ua

OKI Sistem ve Yazıcı Çözümleri Tic. Ltd. Şti.

Harman sok Duran Is Merkezi,
No:4, Kat:6,
34394, Levent
İstanbul

Tel: +90 212 279 2393
Faks: +90 212 279 2366
Web: www.oki.com.tr
www.okiprintingsolutions.com.tr

Oki Systems (Belgium)

Medialaan 24
1800 Vilvoorde

Helpdesk: 02-2574620
Fax: 02 2531848
Website: www.oki.be

AlphaLink Bulgaria Ltd.

2 Kukush Str.
Building "Antim Tower", fl. 6
1463 Sofia, Bulgaria

tel: +359 2 821 1160
fax: +359 2 821 1193
Website: <http://bulgaria.oki.com>

OKI Printing Solutions

Herstedøstervej 27
2620 Albertslund
Danmark

Adm.: +45 43 66 65 00
Hotline: +45 43 66 65 40
Salg: +45 43 66 65 30
Fax: +45 43 66 65 90
Website: www.oki.dk

Oki Systems (Finland) Oy

Polaris Capella
Vänrikinkuja 3
02600 Espoo

Tel: +358 (0) 207 900 800
Fax: +358 (0) 207 900 809
Website: www.oki.fi

Oki Systems (Holland) b.v.

Neptunstraat 27-29
2132 JA Hoofddorp

Helpdesk: 0800 5667654
Tel: +31 (0) 23 55 63 740
Fax: +31 (0) 23 55 63 750
Website: www.oki.nl

Oki Systems (Norway) AS

Tevlingveien 23
N-1081 Oslo

Tel: +47 (0) 63 89 36 00
Telefax: +47 (0) 63 89 36 01
Ordrefax: +47 (0) 63 89 36 02
Website: www.oki.no

**General Systems S.R.L.
(Romania)**

Sos. Bucuresti-Ploiesti Nr. 135.
Bucharest 1
Romania

Tel: +40 21 303 3138
Fax: +40 21303 3150
Website: http://romania.oki.com

Var vänlig kontakta din Återförsäljare
i första hand, för konsultation. I
andra hand kontakta

Oki Systems (Sweden) AB

Borgafjordsgatan 7
Box 1191
164 26 Kista

Tel. +46 (0) 8 634 37 00
e-mail:
info@oki.se för allmänna frågor om
Oki produkter

support@oki.se för teknisk support
gällandes Oki produkter

Vardagar: 08.30 - 12.00,
13.00 - 16.00
Website: www.oki.se

Oki Systems (Schweiz)

Baslerstrasse 15
CH-4310 Rheinfelden

Support deutsch +41 61 827 94 81
Support français +41 61 827 94 82
Support italiano +41 061 827 9473
Tel: +41 61 827 9494
Website: www.oki.ch

Oki Data Americas Inc.(United States)

2000 Bishops Gate Blvd.
Mt. Laurel, NJ 08054
USA

Tel: 1-800-654-3282
Fax: 1-856-222-5247
http://WWW.OKIPRINTINGSOLUTIONS.COM
http://my.okidata.com

Oki Data Americas Inc.(Canada • Canadá)

4140 B Sladeview Crescent Units 7&8
Mississauga, Ontario
Canada L5L 6A1

Tél: 1-905-608-5000
Télé: 1-905-608-5040
http://WWW.OKIPRINTINGSOLUTIONS.COM

Oki Data Americas Inc.(América Latina (OTRO))

2000 Bishops Gate Blvd.
Mt. Laurel, NJ 08054
USA

Tel (Español): 1-856-222-7496
1-856-222-5276
Fax: 1-856-222-5260
Email: LASatisfaction@okidata.com

Oki Data de Mexico, S.A. de C.V.

Mariano Escobedo #748, Piso 8
Col. Nueva Anzures
C.P. 11590, México, D.F.

Tel: 52-555-263-8780
Fax: 52-555-250-3501
http://WWW.OKIPRINTINGSOLUTIONS.COM

Oki Data do Brasil, Ltda.

Rua Avenida Alfredo Egidio de souza Aranha
100-4º andar-Bloco C Chacara Santo Antonio
Sao Paulo, Brazil 04726-170

Tel: 55-11-3444-6747 (Grande São
Paulo)
0800-11-5577 (Demais
localidades)
Fax: 5511-3444-3501
e-mail: okiserv@okidata.com.br
http://WWW.OKIPRINTINGSOLUTIONS.COM

Oki Data (Singapore) Pte. Ltd.

438A Alexandra Road #02-11/12,
Lobby 3, Alexandra Technopark
Singapore(119967)

Tel:(65) 6221 3722
Fax:(65) 6594 0609
http://www.okidata.com.sg

Oki Systems (Thailand) Ltd.

1168/81-82 Lumpini Tower,
27th Floor Rama IV Road
Tungmahamek, Sathorn
Bangkok 10120

Tel:(662) 679 9235
Fax:(662) 679 9243/245
http://www.okisysthai.com

Oki Systems (Hong Kong) Ltd.

Suite 1908, 19/F, Tower 3,
China Hong Kong City
33 Canton Road, TsimShaTsui,
Kowloon, Hong Kong

Tel: (852) 3543 9288
Fax: (852) 3549 6040
http://www.okiprintingsolutions.com.hk

Oki Data(Australia) Pty Ltd.

Levw1 67 Epping Road, Macquarie Park
NSW 2113, Australia

Tel: +61 2 8071 0000
(Support Tel: 1800 807 472)
Fax: +61 2 8071 0010
http://www.oki.com.au

Comworth Systems Ltd.

8 Antares Place Mairangi Bay,
Auckland, New Zealand

Tel:(64) 9 477 0500
Fax:(64) 9 477 0549
http://www.comworth.co.nz

Oki Data(S) P Ltd. Malaysia Rep Office

Suite 21.03, 21st Floor Menara IGB,
Mid Valley City,
Lingkaran Syed Pura 59200,
Kuala Lumpur, Malaysia

Tel: (60) 3 2287 1177
Fax: (60) 3 2287 1166

Guía del Usuario

PREFACIO

Se han realizado todos los esfuerzos posibles para garantizar que la información de este documento sea completa y exacta y esté actualizada. El fabricante no asume ninguna responsabilidad por los resultados de errores que estén fuera de su control. El fabricante tampoco puede garantizar que los cambios realizados por otros fabricantes en software y equipos a los que se hace referencia en este manual no afectarán a la vigencia de la información contenida en él. La mención de productos de software fabricados por otras compañías no constituye necesariamente la aprobación del fabricante.

Aunque se ha hecho todo lo posible para que este documento sea preciso y útil, no garantizamos en forma alguna, expresa o implícita, la precisión o integridad de la información contenida en el mismo.

Todos los derechos reservados por Oki Data Corporation. No debe realizar copias, transferencias, traducciones o acciones relacionadas no autorizadas. Debe obtener permiso escrito de Oki Data Corporation antes de hacer nada de lo descrito anteriormente.

© 2012 Oki Data Corporation

OKI es una marca registrada de Oki Electric Industry Co., Ltd.

Energy Star es una marca comercial de United States Environmental Protection Agency.

Microsoft, Windows, Windows Server y Windows Vista son marcas registradas de Microsoft Corporation.

Apple, Macintosh, Rosetta, Mac y Mac OS son marcas registradas de Apple Inc.

Otros nombres de productos y marcas mencionados son marcas registradas o marcas comerciales de sus respectivos propietarios.



Como participante del programa Energy Star, el fabricante ha determinado que este producto se ajusta a las directrices de eficiencia energética de Energy Star.



Este producto cumple los requerimientos de las Directivas del Consejo 2004/108/EC (EMC) y 2006/95/EC (LVD) y 1999/5/ EC (R&TTE), reformadas donde fuere aplicable para su aproximación a las leyes de los estados miembros relativas a compatibilidad electromagnética, bajo voltaje y equipo de radio & telecomunicaciones.

Los cables siguientes fueron usados para evaluar este producto en conformidad con la directiva EMC 2004/108/EC y otras configuraciones podrían afectar dicha conformidad.

TIPO DE CABLE	LONGITUD (METROS)	NÚCLEO	FUNDA
Alimentación	1,8	x	x
USB	1,8	x	✓
Serie	1,8	x	✓
Paralelo	1,8	✓	✓
LAN	3,0	x	x

FABRICANTE

Oki Data Corporation,
4-11-22 Shibaura, Minato-ku,
Tokio 108-8551,
Japón

Para todas las consultas de tipo general, de soporte y ventas, póngase en contacto con el distribuidor local.

IMPORTADOR PARA LA UE/REPRESENTANTE AUTORIZADO

OKI Europe Limited (que comercializa como Oki Printing Solutions)

Blays House
Wick Road
Egham
Surrey, TW20 0HJ
Reino Unido

Para todas las consultas de tipo general, de soporte y ventas, póngase en contacto con el distribuidor local.

INFORMACIÓN MEDIOAMBIENTAL



■ Tabla de contenidos

※ Información del manual y precauciones de uso	5
1. Confirmación del contenido	9
2. Nombres de las partes del producto	10
3. Instalación y uso	12
3-1 Conexión de energía	12
3-2 Conexión del cable de interfaz	13
3-3 Instalación del papel	15
3-4 Botones y LED	16
3-5 Prueba de impresión	18
4. Autoevaluación	19
5. Características detalladas	20
5-1 Configuración de la impresora usando el programa de utilidad	20
5-2 Modo de configuración independiente	21
5-3 Pausa/Cancelar	22
5-4 Calibración de instrumentos	23
5-5 Detección inteligente de instrumentos	24
5-6 Modo de calibración automática del sensor de separación	25
5-7 Modo de calibración automática del sensor de marcas negras	25
5-8 Modo de calibración manual	26
5-9 Modo de cierre de cubierta	27
5-10 Modo de descarga de datos	27
5-11 Restaurar valores de fábrica	28
5-12 Función de despliegue (opcional)	28
5-13 Uso de papel plegado en zig zag	30
5-14 Cortador automático (opcional)	31
5-15 Reloj en tiempo real (opcional)	32
6. Limpieza del cabezal	33
6-1 Limpieza del cabezal	33
6-2 Limpieza de los sensores, el rollo y/o la ruta del papel	34
7. Apéndice	35
7-1 Especificaciones	35
7-2 Tipos de etiquetas	35

■ Información del manual

Esta guía del usuario contiene información básica para el uso del producto como así también para las medidas de emergencia que sean necesarias.

※ Los siguientes manuales separados proporcionan contenidos más detallados acerca de varios temas y áreas de la tecnología.

1. Manual de los controladores de Windows

Este manual proporciona información acerca de las instrucciones de instalación y funciones principales de los controladores de Windows.

2. Manual de Utility-II con etiqueta unificada

Este manual proporciona información acerca del uso del software para seleccionar las funciones de este producto, para modificar las condiciones de funcionamiento, etc.

3. Manual de programación (SLCS)

Este manual proporciona información acerca de los comandos de la impresora de etiquetas.

4. Manual del descargador de fuente True font

Este manual proporciona información acerca del uso del descargador de fuentes que puede descargar True Fonts y facilitar su uso como fuentes de dispositivo.

5. Manual de interfaz de red

Este manual proporciona información acerca de la configuración y el uso de la interfaz Ethernet.

6. Manual de la herramienta configuración de red

Este manual proporciona información acerca del uso de la herramienta configuración de red que puede configurar la configuración de la interfaz Ethernet de este producto.

En Oki Data mantenemos esfuerzos continuos para mejorar y actualizar las funciones y la calidad de todos nuestros productos. En lo sucesivo, las especificaciones del producto y/o el contenido de la guía del usuario pueden modificarse sin previo aviso.

■ Medidas de seguridad

Al utilizar el presente artefacto, debe cumplir con las siguientes regulaciones de seguridad para prevenir peligros o daños en el material.



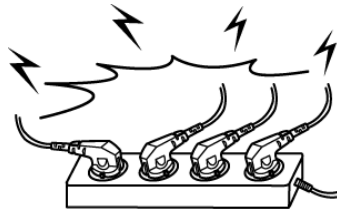
ADVERTENCIA

La violación de las siguientes instrucciones puede causar lesiones graves o la muerte.

No enchufe muchos productos a un tomacorriente múltiple.

- Esto puede causar recalentamiento e incendio.
- Si el enchufe está húmedo o sucio, límpielo antes de usarlo.
- Si el enchufe no se ajusta perfectamente al tomacorriente, no intente forzarlo.
- Asegúrese de usar solo tomacorrientes estándar con entradas múltiples.

PROHIBID



Debe utilizar solamente el adaptador provisto.

- Es peligroso utilizar otros adaptadores.

PROHIBID



No tire del cable para desenchufarlo.

- Esto puede dañar el cable, lo que sería el origen de un incendio o un avería de la impresora.

PROHIBID



Mantenga el envoltorio de plástico fuera del alcance los niños.

- De lo contrario, un niño podría ponerse el envoltorio en la cabeza.

PROHIBID



No enchufe ni desenchufe con las manos húmedas.

- Puede electrocutarse.

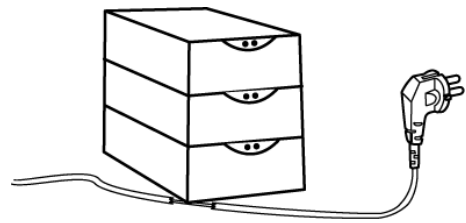
PROHIBID



No doble el cable a la fuerza ni lo deje bajo un objeto pesado.

- Un cable dañado puede provocar un incendio.

PROHIBID





PRECAUCIÓN

La violación de las siguientes instrucciones puede causar heridas leves o dañar el artefacto.

Si detecta humo, olor o un ruido extraño de la impresora, desenchúfela antes de tomar otra medida.

- Apague la impresora y desenchufe el equipo de la red.
- Después de la desaparición del humo, llame a su distribuidor para que lo repare.

DEENCHUFAR



Tenga cuidado de no pincharse los dedos cuando abra o cierre la cubierta del papel. Además tenga cuidado de que la cubierta del papel no se desprenda y se caiga.

PELIGRO MECÁNICO



Instale la impresora en una superficie firme.

- Si la impresora se cae, puede romperse y dañarlo a usted.

PROHIBID



Utilice solo accessories autorizados y no intente desmontar, reparar o remodelarla usted mismo.

- Llame a su distribuidor cuando requiera estos servicios.
- No toque la cuchilla del cortador automático.

DESMONTAR PROHIBIDO



Asegúrese de que no entre agua ni cualquier otro objeto extraño en la impresora.

- Si esto sucede, apague y desenchufe la impresora antes de llamar a su distribuidor.

PROHIBID



No utilice la impresora si no responde. Esto puede causar un incendio o una electrocución.

- Apague y desenchufe la impresora antes de llamar a su distribuidor.

DEENCHUFAR



■ Otras precauciones

Los derechos de autor de esta guía del usuario y otros manuales varios es propiedad de Oki Data Corporation. Cualquier copia o conversión a formato electrónico y el guardado de este material sin la autorización expresa por escrito de Oki Data Corporation están estrictamente prohibidos.

El uso de la información que contiene este manual no está sujeto a ninguna obligación de patente. Este manual ha sido preparado con sumo cuidado y atención en los detalles pero puede contener algunos errores y omisiones.

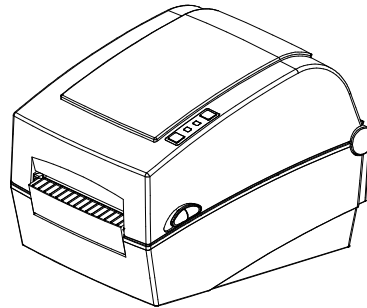
Oki Data Corporation no es legalmente responsable de los daños que implique el uso de la información de este manual.

Oki Data Corporation y sus asociados no son legalmente responsables (a excepción de los Estados Unidos) de los daños, pérdidas, costos y/o gastos que implique la avería, fallas y/o maltrato del producto debido a la violación o desatención de la información e instrucciones de funcionamiento y mantenimiento proporcionadas por Oki Data Corporation, como tampoco lo es de la alteración, reparación y/o modificación no autorizada del producto por parte del usuario y/o terceros.

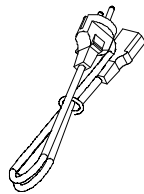
Oki Data Corporation no es legalmente responsable de ningún daño y/o problemas que implique el uso de opciones y/o partes que no sean auténticas de los productos Oki Data o productos autorizados por la misma.

1. Confirmación del contenido

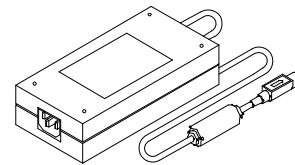
Deben incluirse los siguientes artículos dentro del paquete de la impresora.
Contáctese con el distribuidor al que le realizó la compra en caso de que falte un artículo o si alguno de ellos está dañado.



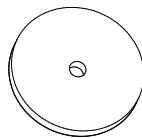
LD630D/LD640D



Cable de energía



Adaptador de CA

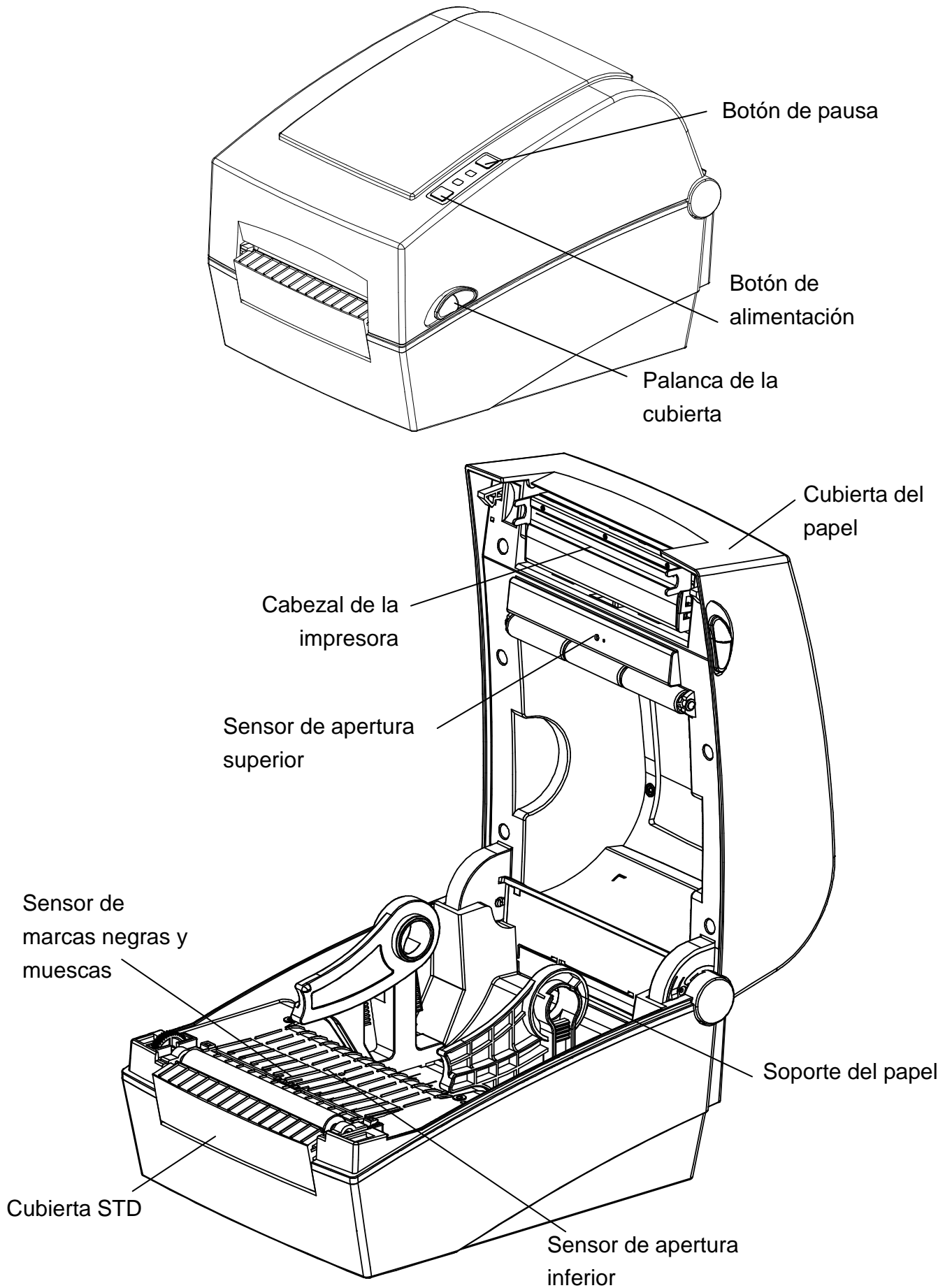


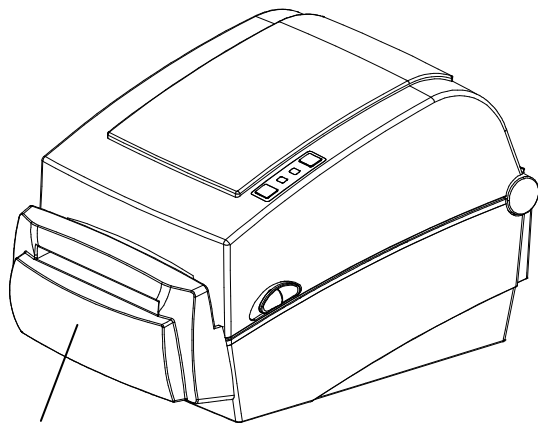
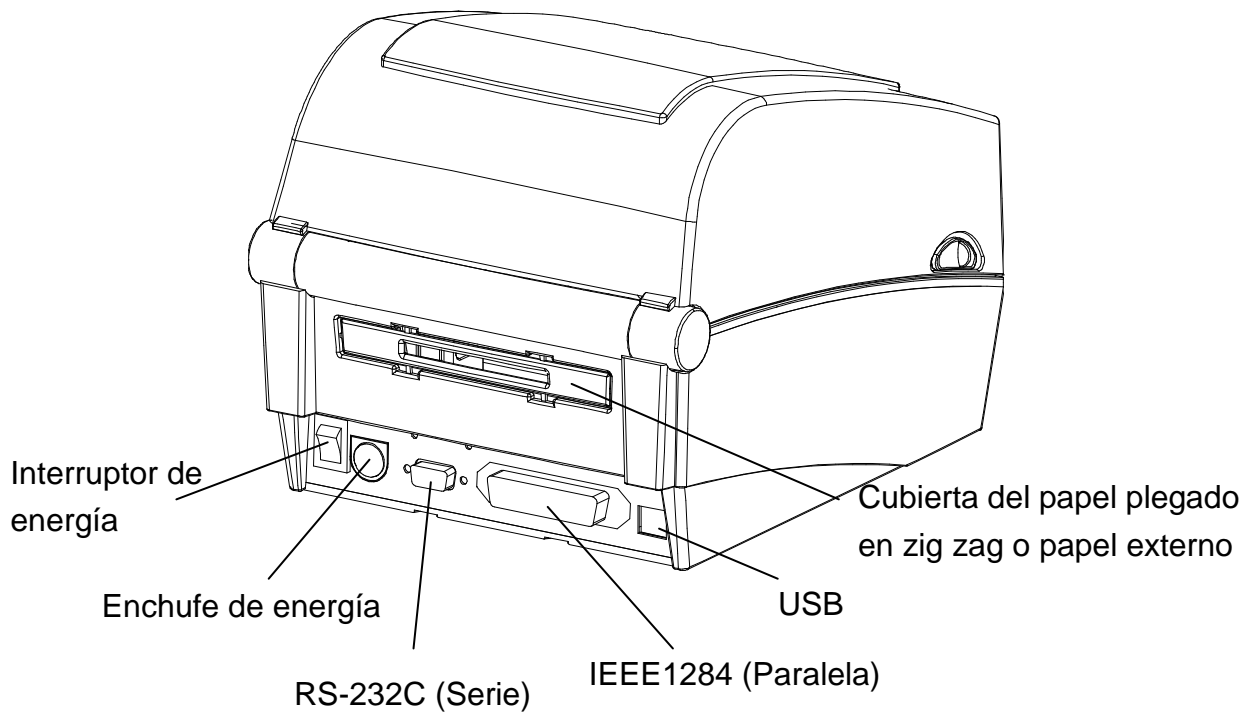
CD



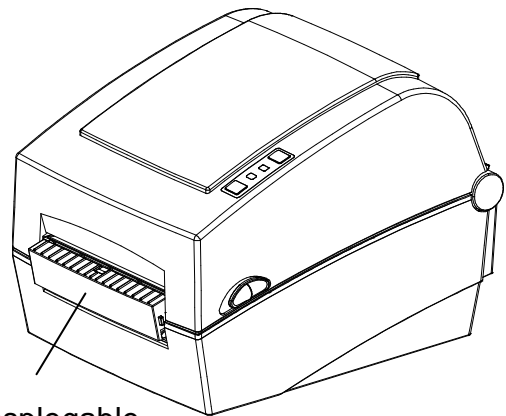
**Documentos del usuario
(Guía de configuración,
Seguridad, Garantía)**

2. Nombres de las partes del producto





Cortador automático
(Opción)



Etiqueta desplegable
(Opción)

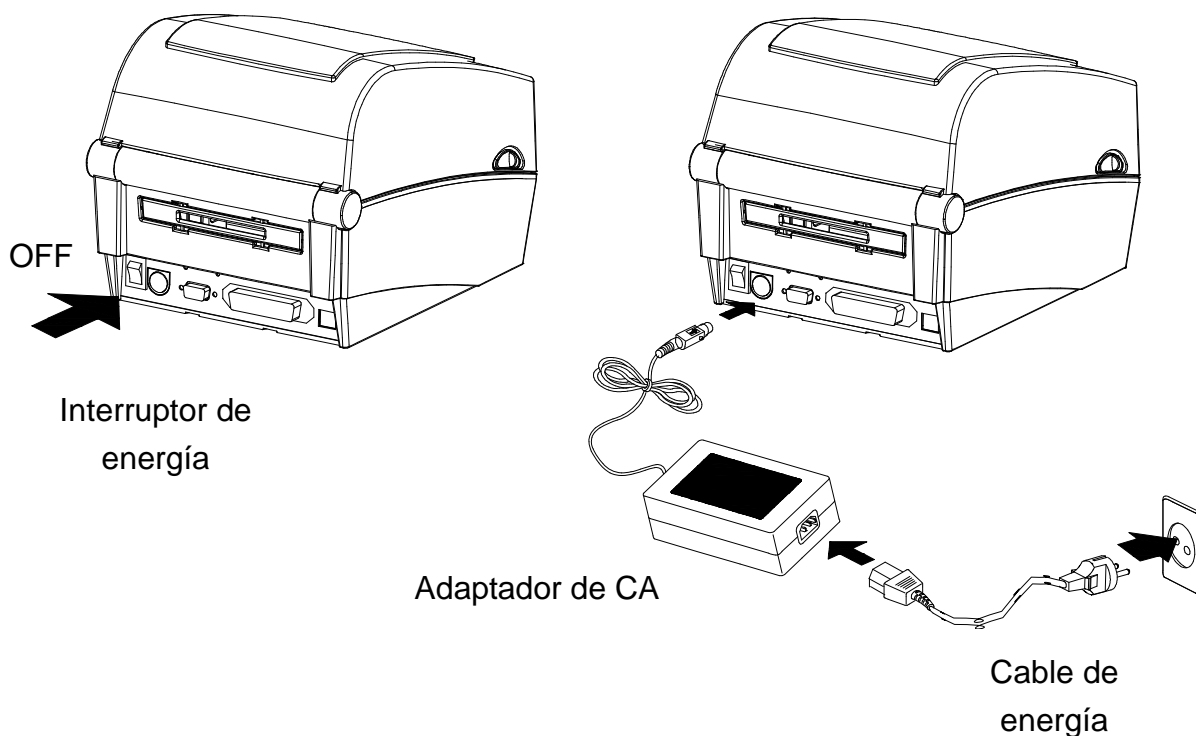
3. Instalación y uso

※ PRECAUCIÓN

- Tenga cuidado de no pincharse los dedos cuando abra o cierre la cubierta del papel. Asegúrese de abrir por completo la cubierta del papel hasta que se fije en la posición de abierto.
- Cuando cargue el rollo de papel, tenga cuidado de no pincharse los dedos entre el rollo de papel y el soporte del papel.
- No toque el cortador con las manos ni introduzca nada en el cortador. Esto puede provocar lesiones.

3-1 Conexión de energía

Conecte la corriente a la impresora como se muestra a continuación.



- 1) Apague el interruptor de energía.
- 2) Compruebe que el voltaje del adaptador de CA coincida con el de la fuente de energía.
- 3) Conecte el adaptador de CA de entrada al conector de alimentación de la impresora.
- 4) Conecte el cable de alimentación al adaptador de CA.
- 5) Conecte el cable de alimentación a una fuente de alimentación o de salida.

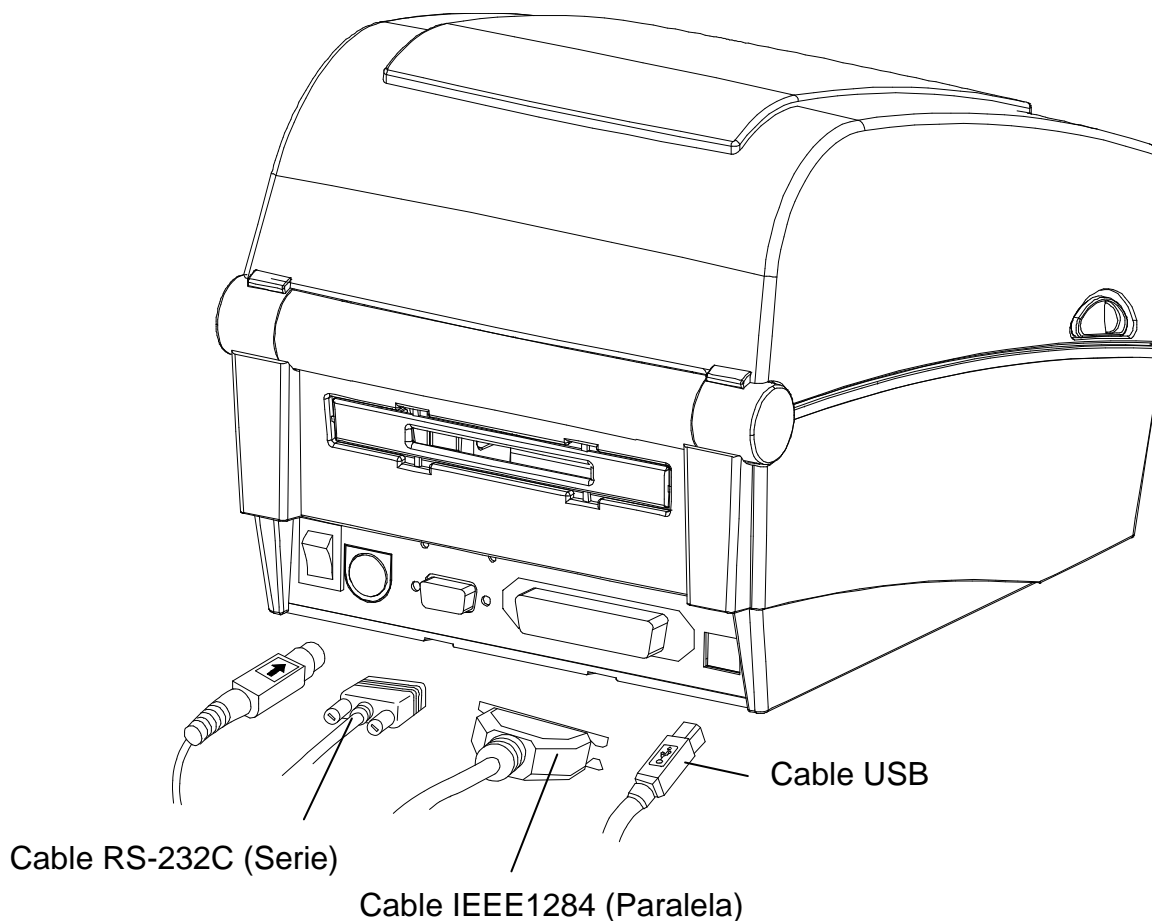
3-2 Conexión del cable de interfaz

3-2-1 Modelo estándar

Conecte el cable de interfaz como se muestra a continuación.

La impresora admite los siguientes estándares de comunicación de la interfaz.

- Cable RS-232C (Serie)
- Cable IEEE1284 (Paralela)
- Cable USB tipo B



1) Apague el interruptor de energía.

2) Conecte el cable de comunicación al puerto de comunicación de la impresora a utilizar.

- Conecte el cable RS-232C (Serie) al puerto SERIAL. y ajuste los tornillos a ambos lados.

Este puerto requiere un cable blindado de menos de 1.8 m de largo.

- Conecte el cable IEEE1284 (Paralela) al puerto de PARALELA. y asegure los sujetacables a ambos lados.

Este puerto requiere un cable blindado con núcleo de ferrita de menos de 1.8 m de largo.

- Conecte el cable USB tipo B al puerto de USB.

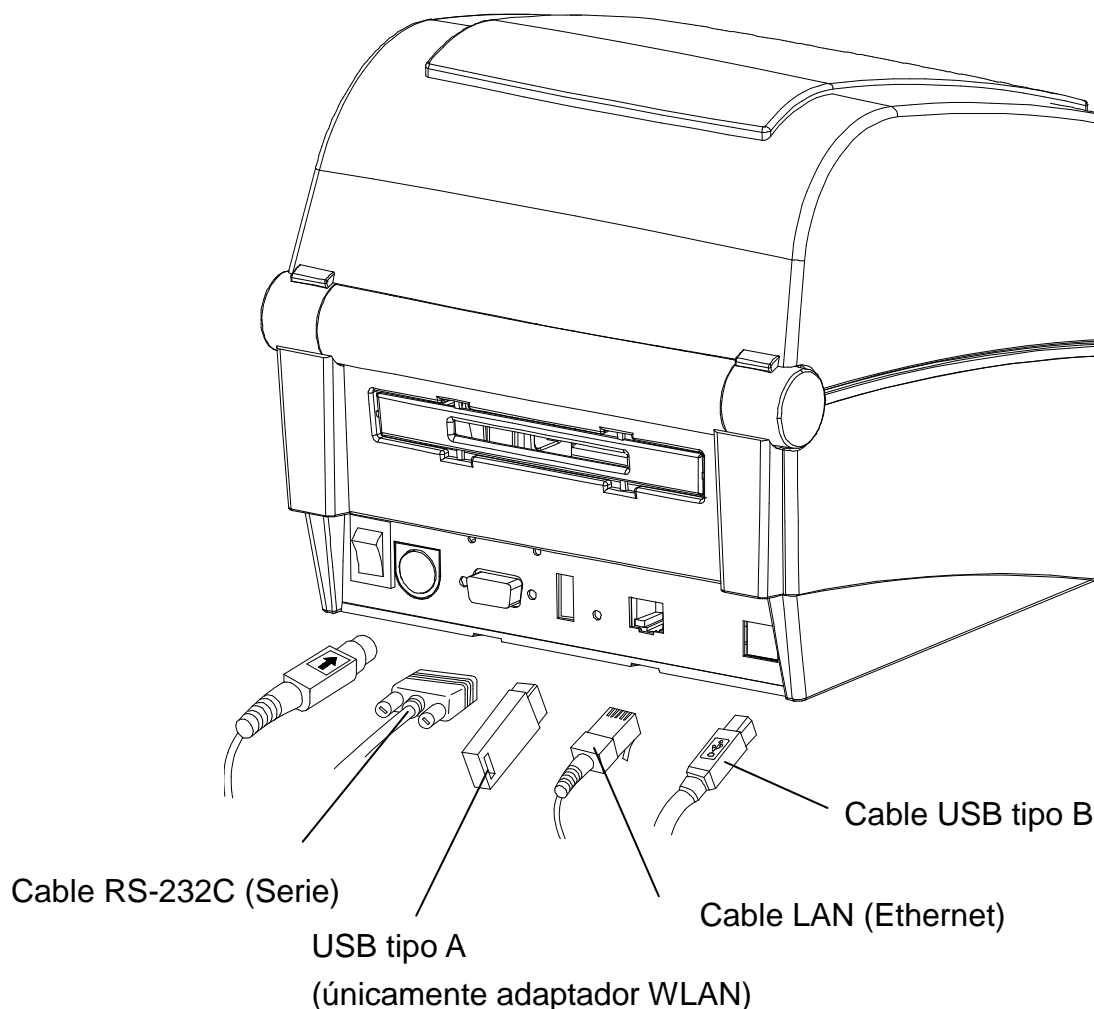
Este puerto requiere un cable blindado de menos de 1.8 m de largo.

3-2-2 Modelo de Ethernet

Conecte el cable de interfaz como se muestra a continuación.

La impresora admite los siguientes estándares de comunicación de la interfaz.

- Cable RS-232C (Serie)
- Cable LAN (Ethernet)
- USB tipo A (únicamente adaptador WLAN)
- Cable USB tipo B



1) Apague el interruptor de energía.

2) Conecte el cable de comunicación al puerto de comunicación de la impresora a utilizar.

- Conecte el cable RS-232C (Serie) al puerto SERIAL. y ajuste los tornillos a ambos lados.

Este puerto requiere un cable blindado de menos de 1.8 m de largo.

- Conecte el cable LAN (Ethernet) al puerto de ETHERNET.

Este puerto requiere un cable blindado de menos de 3,0 m de largo.

- Conecte el USB tipo A (únicamente adaptador WLAN) al puerto del SERVIDOR.

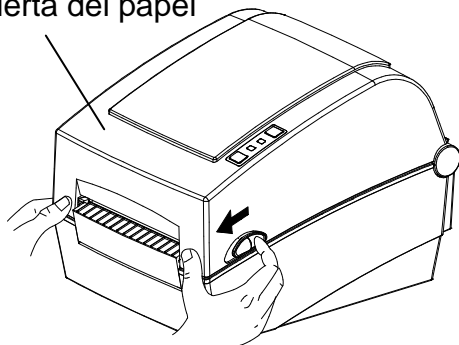
- Conecte el cable USB tipo B al puerto USB.

Este puerto requiere un cable blindado de menos de 1,8m de largo.

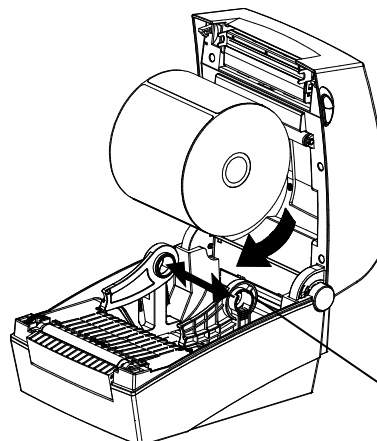
3-3 Instalación del papel

1) Abra la cubierta del papel.

Cubierta del papel



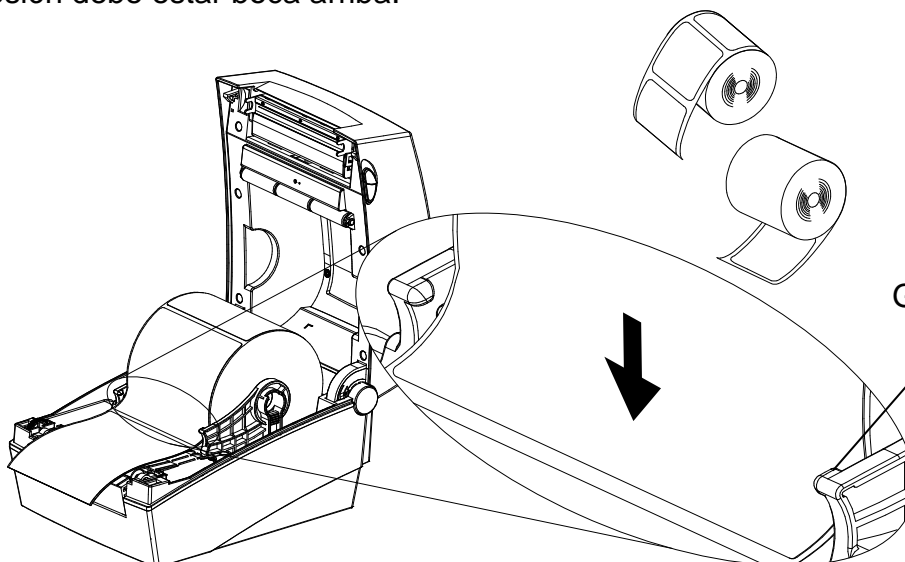
2) Extienda el soporte del papel e inserte el rollo de papel.



Soporte del papel

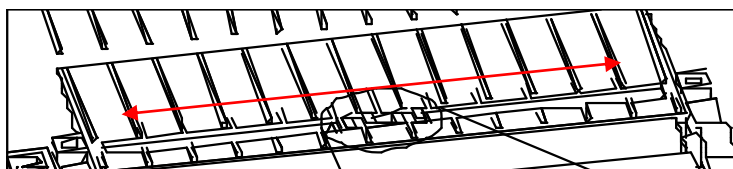
3) Tire del papel de modo que se extienda hacia afuera a través del frente de la impresora. Empuje el papel hacia abajo de la guía de papel

* Ya sea que la etiqueta de papel esté hacia adentro o hacia afuera, la superficie de impresión debe estar boca arriba.

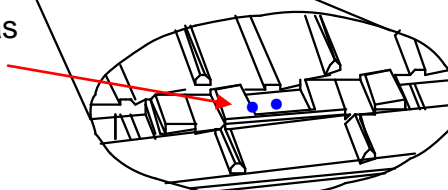


Guía del papel

4) Si utiliza un rollo de papel de marcas negras o muescas, levante el papel y ajuste la posición del sensor en el orificio de marcas negras o muescas.

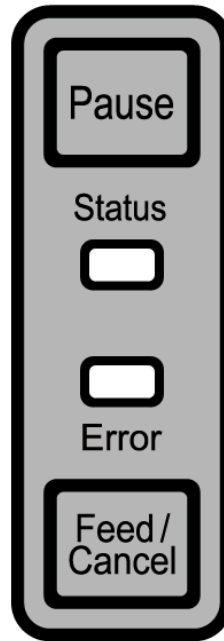


Sensor móvil de marcas negras y de muescas



5) Cierre la Cubierta del papel hasta que se oiga un sonido de clic.

3-4 Botones y LED



3-4-1 Funciones de botones

Estado de la impresora antes del funcionamiento	Botón		Procedimiento de funcionamiento	Modo de funcionamiento de la impresora
	Carga/Cancelar	Pausa		
Apagado (OFF)	Presio-nar	-	<ul style="list-style-type: none"> • Aplica energía al presionar el botón. • Mantenga el botón presionado durante cinco segundos aprox. 	Modo de impresión de la autoevaluación.
Espera de impresión	Presionar	-	<ul style="list-style-type: none"> • Presione el botón suavemente y suéltelo de inmediato 	Modo de alimentación
Espera de impresión	-	Presio-nar	<ul style="list-style-type: none"> • Presione el botón durante dos segundos y continúe presionando 	Modo de configuración independiente
Durante la impresión	Presio-nar	-	<ul style="list-style-type: none"> • Presione el botón suavemente y suéltelo de inmediato 	Modo de cancelación de impresión
Durante la impresión	-	Presio-nar	<ul style="list-style-type: none"> • Presione el botón suavemente y suéltelo de inmediato 	Modo de pausa de impresión

3-4-2 Indicador LED para varios estados de la impresora

LED de estado		LED de error		Estado de la impresora	
Color	Estado	Color	Estado		
Verde	Encendido	Verde	Encendido	Modo de espera de impresión	Modo de espera de impresión
Roja	Encendido	Roja	Encendido	Modo de error	No se detecta la cinta
Roja	Encendido	Naranja	Encendido	Modo de error	Obstrucción de papel (no se reconocen las marcas negras ni de separación)
Roja	Encendido	Verde	Parpadeo	Modo de error	Recalentamiento del cabezal de impresora
Roja	Encendido	Roja	Parpadeo	Modo de error	Cubierta abierta
Roja	Encendido	Naranja	Parpadeo	Modo de error	Sin papel
Roja	Encendido	-	Apag	Modo de error	Fallo en la calibración de instrumentos
Roja	Parpadeo	Roja	Parpadeo	Modo de error	Error en el cortador automático
Naranja	Encendido	Naranja	Encendido	Notificación de cambio de modo	Notificación de cambio de modo
Verde	Parpadeo	Roja	Encendido	Espera de entrada	La impresión se detuvo temporalmente. Esperar botón de entrada
Verde	Parpadeo	Verde	Parpadeo	Espera de entrada	Modo de cierre de cubierta. Esperar botón de entrada
Verde	Encendido	Roja	Parpadeo	Espera de entrada	Modo de cancelación de impresión. Esperar botón de entrada

3-5 Prueba de impresión

3-5-1 Impresión utilizando controlador de Windows

- 1) Instale el controlador de Windows.
Consulte el “Manual de los controladores de Windows” en el CD para el procedimiento de instalación.
- 2) Configure el "puerto" del controlador de Windows a la interfaz adecuada a utilizarse.
Consulte el “Manual del usuario de la interfaz Ethernet” en el CD cuando utilice la interfaz Ethernet.
- 3) Imprima la página de prueba usando la función “Imprimir página de prueba” del controlador de Windows.

3-5-2 Impresión utilizando el programa de diseño de etiquetas

- Se incluye el programa de diseño de etiquetas en el CD.

- 1) Instale el programa de diseño de etiquetas.
- 2) Consulte el “Manual del programa de diseño de etiquetas” incluido en el CD y configure la interfaz.
- 3) Imprima la página de prueba luego de diseñar una etiqueta.

4. Autoevaluación

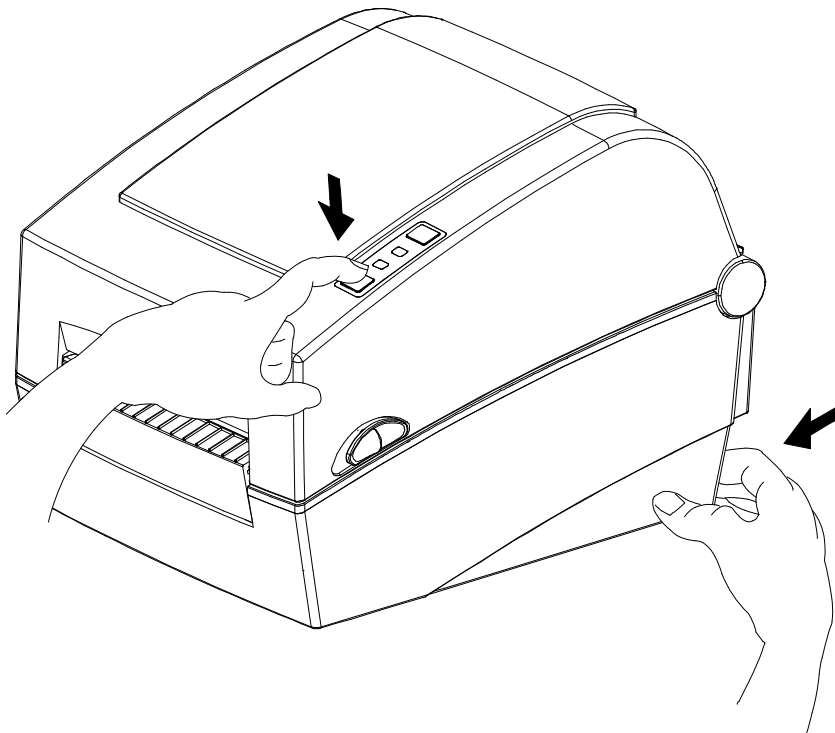
La autoevaluación controla si la impresora tiene problemas.

(Los usuarios no pueden realizar este procedimiento si utilizan la opción de despliegue de etiqueta de la impresora.)

Si la impresora no funciona correctamente, contáctese con su distribuidor autorizado.

La autoevaluación controla lo siguiente:

- 1) Asegúrese de que el rollo de papel haya sido instalado adecuadamente.
- 2) Encienda la impresora mientras mantiene presionado el botón de ALIMENTACIÓN. Comienza la autoevaluación.
(Pasan aproximadamente 5 segundos antes del inicio de la autoevaluación)
- 3) La autoevaluación imprime la información actual de configuración de la impresora.
- 4) Una vez impresos los resultados de la autoevaluación, la impresora ingresa en Modo de espera de impresión.



5. Características detalladas

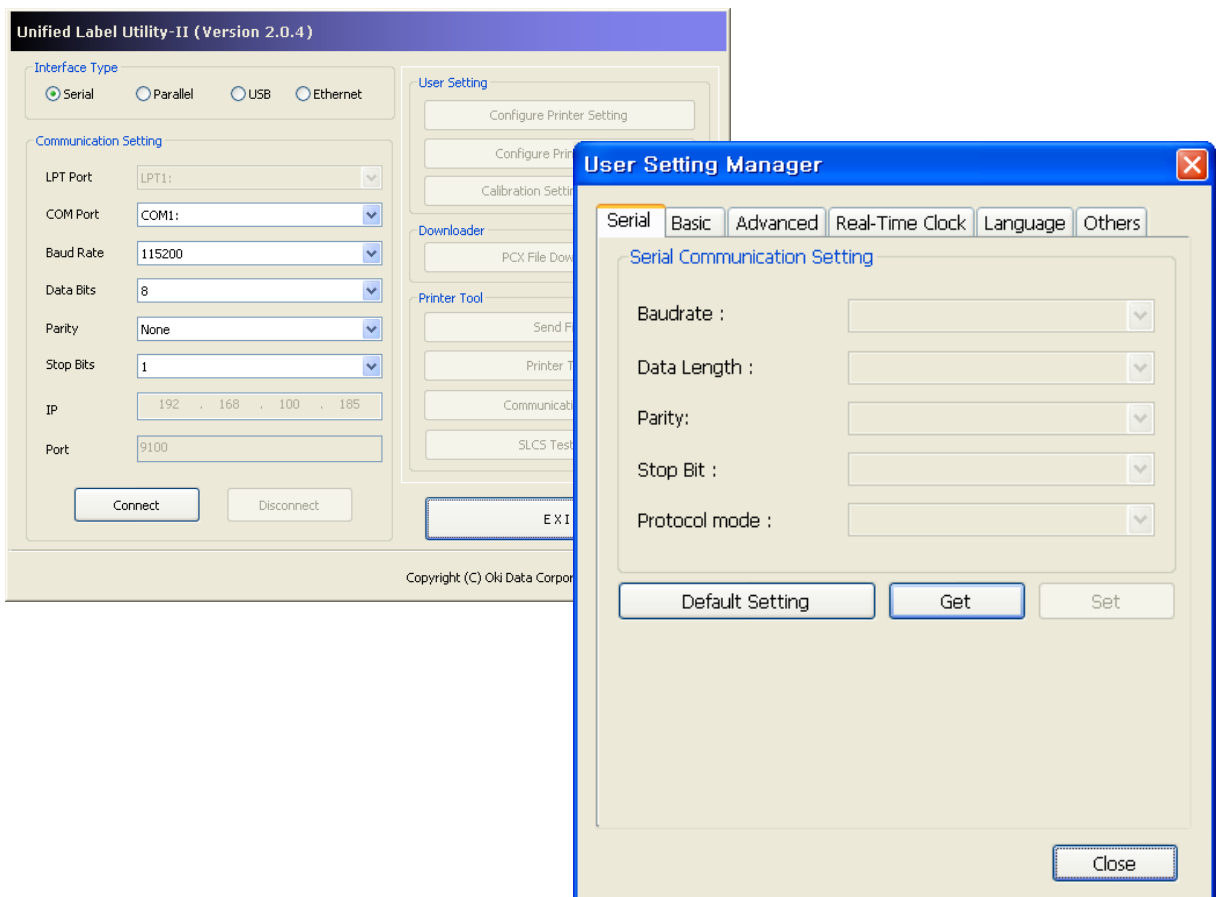
5-1 Configuración de la impresora usando el programa de utilidad

Se pueden cambiar varias configuraciones de la impresora usando el programa de utilidad (Utilidad de etiquetas unificada-II).

Las funciones que se pueden usar con el programa de utilidad son las siguientes:

- 1) Configuraciones de comunicación serial
Se pueden configurar la entrada en comunicación, el bit de stop, el bits de datos, la paridad y la velocidad de transmisión.
- 2) Configuraciones básicas de la impresora
Se pueden configurar el tamaño del papel, la velocidad y la densidad de impresión, el tipo de papel y el uso de la cinta.
- 3) Configuración del idioma
Se puede configurar la página del código.
- 4) Función de calibración manual del sensor de instrumentos
Esta función se puede utilizar para detectar papel de tipo especial o de material special que no se detectaría con la función de calibración automática. Consulte la página de modo de calibración manual para obtener más detalles
- 5) También se ofrecen otras funciones para la prueba de la impresora.

Consulte el Manual de utilidad unificada-II de las impresoras de etiquetas incluido en el CD si desea obtener información más detallada.



5-2 Modo de configuración independiente

Pueden ejecutarse varios modos usando botones y LED únicamente.

5-2-1 Cómo iniciar el modo de configuración independiente

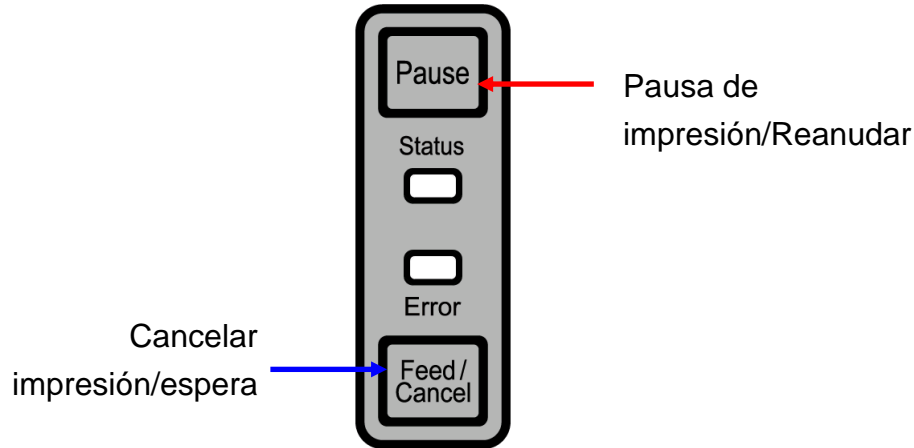
- Para configurar el modo de la impresora en Modo de configuración de la impresora cuando, presione el botón Pausa durante dos segundos, estando en el Modo de espera de impresión.
- Ambos LED cambiarán al color naranja y la impresora estará configurada en Modo de configuración independiente
Modo de configuración.
- Cuando la impresora ingrese a este modo, los estados del LED de estado y LED de error cambian de manera secuencial.
- Cuando se presione el botón de Alimentación en una combinación de color específica de LED, se seleccionará la función correspondiente de la impresora.

5-2-2 Lista de funciones admitidas

Número de secuencia	LED de estado		LED de error		Función de la impresora
	Color	Estado	Color	Estado	
1	Verde	Encendido	Verde	Parpadea cuatro veces	Info. de configuración de la impresora
2			Naranja	Parpadea cuatro veces	Imprimir lista de archivos
3			Roja	Parpadea cuatro veces	Restaurar valores de fábrica
4	Naranja	Encendido	Verde	Parpadea cuatro veces	Calibración automática del sensor de separación
5			Naranja	Parpadea cuatro veces	Calibración automática del Sensor B/M
6			Roja	Parpadea cuatro veces	Modo de descarga de datos
7	Roja	Encendido	Verde	Parpadea cuatro veces	Modo de demostración
8			Naranja	Parpadea cuatro veces	-
9			Roja	Parpadea cuatro veces	Eliminación de objeto

5-3 Pausa/Cancelar

Durante los trabajos de impresión de páginas múltiples, se pueden utilizar los botones Pausa y Cancelar para detener temporalmente la impresión y para cancelar todo el trabajo de impresión, respectivamente.



5-3-1 Función de Pausa/Reanudar

- 1) Cuando imprima etiquetas, presione el botón Pausa
- 2) La impresora hará una pausa luego de finalizar la impresión de la etiqueta actual y el estado de LED será como se detalla a continuación.
 - LED de estado: Parpadeo verde
 - LED de error: Rojo encendido
- 3) Mientras el trabajo de impresión está en pausa, presione el botón Pausa nuevamente para reanudar la impresión.

5-3-2 Cancelación de la impresión

- 1) Durante el modo de impresión de etiquetas y/o pausa, se puede ingresar al modo de cancelación de la impresión presionando el botón Cancelar.
- 2) Los siguientes procesos ocurren durante el modo de cancelación de la impresión.
 - Se cancelan todas las impresiones de etiquetas
 - Se eliminan todos los datos recibidos en el búfer de comunicaciones de la impresora.
 - Se eliminan todos los datos recibidos.
- 3) El estado de LED en el modo de cancelación de la impresión puede ser como se detalla a continuación.
 - LED de estado: Verde encendido
 - LED de error: Rojo intermitente
- 4) Al estar en el modo de cancelación de la impresión, se puede volver al modo de espera presionando nuevamente el botón Cancelar.

5-4 Calibración de instrumentos

Esta impresora fue diseñada para reconocer las separaciones entre la mayoría de los papeles, pero a veces puede no reconocer una separación y seguir suministrando papel si se está utilizando un tipo especial de papel. En este caso, active la función de Calibración automática para que la impresora pueda reconocer la separación. La impresora Oki Data proporciona un número de métodos de calibración de instrumentos para adaptarse a diversos tipos de papel especiales.

5-4-1 Acerca de la calibración de instrumentos

- Esta función es para ajustar la sensibilidad del sensor de detección del papel para un control preciso de la posición de la impresión y para medir la longitud real del papel.
- Ajuste de la sensibilidad del sensor
 - El propósito es detectar el identificador (separación/marca negra/ranura) de la impresora de etiquetas
- Medición del largo del papel
 - Se requiere la longitud exacta para rotar la orientación de la impresión.
 - El propósito es detectar el cambio de tipo de papel.

5-4-2 ¿Cuándo se requiere la calibración de instrumentos?

- Cuando se instala la impresora por primera vez
- Cuando el papel recién instalado es de un tipo diferente
- Cuando la posición de la impresora no es exacta o cuando no se detiene en la posición correcta

5-4-3 Cómo realizar la calibración de instrumentos

- Se pueden utilizar los siguientes cuatro métodos de calibración de instrumentos según las condiciones.
 - Detección inteligente de los instrumentos
 - Modo de calibración automática del sensor de separación
 - Modo de calibración automática del sensor de marcas negras
 - Modo de calibración manual
- ¿Por qué se proporcionan varios métodos de calibración?
 - Se deben escanear múltiples etiquetas para la calibración de instrumentos y se puede realizar una calibración con sensibilidad más precisa al escanear más etiquetas.
 - El número de etiquetas a escanear para un ajuste de sensibilidad del sensor depende de varias condiciones como ser el material del papel de la etiqueta, el color, el estado de la superficie, el espesor, la longitud de la separación, el diseño preimpreso, etc.

- Se proporcionan cuatro métodos diferentes de calibración de instrumentos para llegar a una prevención de uso excesivo del papel y a una precisión del ajuste de la sensibilidad del sensor.
- El modo de detección inteligente de instrumentos que permite el ajuste de sensibilidad con la cantidad mínima de escaneo debería ser suficiente para la mayoría de los casos con etiquetas generales.
- Intente varios métodos para la Detección inteligente de instrumentos → Calibración automática del sensor de separación/ Calibración automática del sensor de marcas negras → Modo de calibración manual.

5-5 Detección inteligente de instrumentos

- La impresora ejecuta esta función cuando es necesario sin la entrada del usuario y la configuración de instrumentos se puede completar con la Detección inteligente de instrumentos para la mayoría de los papeles de impresión.
- Se pueden identificar los papeles con separaciones o marcas negras sin las configuraciones por separado.
- Se utilizarán de 3 a 5 páginas de etiquetas según el tipo de papel.
- La función de Detección inteligente de instrumentos se ejecuta en los siguientes casos
 - Al instalar la impresora por primera vez, se ejecuta mediante el botón de Alimentación o el comando de impresión.
 - Cuando se detecta un cambio en la longitud del papel durante la alimentación o la impresión.
 - Cuando el tipo de papel ingresado por comando es diferente al tipo de papel configurado.
 - Luego de reanudar con valores de fábrica
- La función de Detección inteligente de instrumentos se apagará luego de configurar la sensibilidad del sensor usando el Modo de calibración automática o el modo de Calibración manual de instrumentos y se activará nuevamente luego de reiniciar la impresora con los valores de fábrica.

5-6 Modo de calibración automática del sensor de separación

Use este modo cuando la función de Detección inteligente de instrumentos no detecta correctamente el papel.

La impresora suministra papel y calibra el sensor de separación de forma automática.

La impresora ingresará al modo de error si falla la detección del papel luego de alimentar hasta 1 metro de papel. El modo Error puede desactivarse al abrir y cerrar la cubierta.

Use el modo de calibración manual si falla la detección del papel en este modo.

La Detección inteligente de instrumentos se desactivará si se realiza con éxito la detección del papel en este modo.

5-6-1 Procedimiento para activar la calibración

- Presione el botón de Alimentación en la 4ta secuencia de LED como se muestra en la sección 5-2-2 (LED de estado está Naranja y el LED de Error parpadea cuatro veces con una luz verde) para iniciar el Modo de calibración automática del sensor de separación.

5-7 Modo de calibración automática del sensor de marcas negras

Use este modo cuando la función de Detección inteligente de instrumentos no detecta correctamente el papel.

La impresora suministra papel y calibra el sensor de marcas negras de forma automática.

La impresora ingresará al modo de error si falla la detección del papel luego de alimentar hasta 1 metro de papel. El modo Error puede desactivarse al abrir y cerrar la cubierta.

Use el modo de calibración manual si falla la detección del papel en este modo.

La Detección inteligente de instrumentos se desactivará si se realiza con éxito la detección del papel en este modo.

5-7-1 Procedimiento para activar calibración

- Presione el botón de Alimentación en la 5ta secuencia de LED como se muestra en la sección 5-2-2 (el LED de estado está Naranja y el LED de Error parpadea cuatro veces con una luz verde) para iniciar el Modo de calibración automática del sensor de marcas negras.

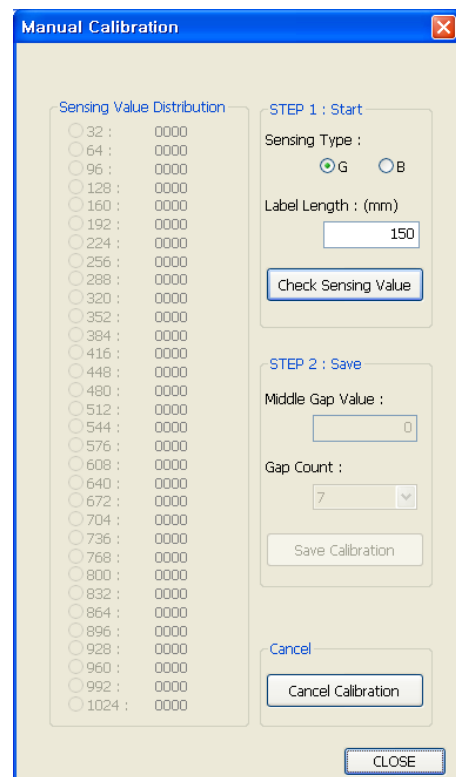
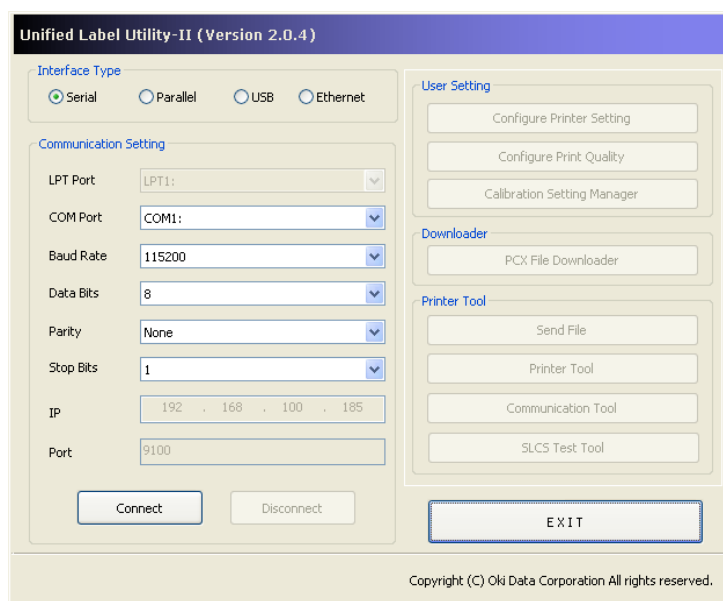
5-8 Modo de calibración manual

La calibración manual de detección de instrumentos se puede usar cuando la impresora no detecta una separación de instrumentos (o una marca negra) incluso después de la ejecución de la calibración automática.

Los usuarios pueden calibrar detalladamente los parámetros del sensor usando el programa de utilidad proporcionado por el fabricante.

El programa puede encontrarse en el CD adjunto.

Asegúrese de que la impresora esté conectada y ejecute el programa de utilidad. Haga clic en el botón Administrador de configuración de calibración luego de configurar el tipo de interfaz.



- 1) Seleccione el tipo de sensor e ingrese el largo de la etiqueta por milímetro y haga clic en el botón "Verificar valor sensor". Luego la impresora comienza a calibrar.
- 2) La impresora imprimirá los valores escaneados después de la calibración y éstos aparecerán en la Pantalla.
- 3) Aparecerán los valores óptimos de sensor en letras negritas a la izquierda de la pantalla de utilidad. Seleccione uno de los valores óptimos de sensor haciendo clic en su botón de opciones y haga clic en "Guardar Calibración."
- 4) Si el valor elegido no funciona adecuadamente, pruebe los otros valores entre las letras negritas.
- 5) Para volver al valor inicial, haga clic en "Cancelar calibración"

5-9 Modo de cierre de cubierta**1. Acerca del Modo de cierre de cubierta**

- La zona impresa puede estar fuera de los límites del papel si el mismo no está en la posición exacta de impresión cuando la cubierta se abre y se cierra.
- La impresora se configura en Modo de cierre de cubierta en lugar de Modo de espera de impresión cuando la cubierta se cierra para evitar este problema y espera la entrada del usuario.
- Los estados de los LED son como se detallan a continuación en este modo.
 - LED de estado: Parpadeo verde
 - LED de error: Parpadeo verde
- Los datos recibidos durante el Modo de cierre de cubierta no se imprimen hasta que la impresora no vuelve al Modo de espera de impresión.

2. Cómo cambiar a la impresora del Modo de cierre de cubierta al Modo de espera de impresión

- Presione el botón Pausa para cambiar al Modo de espera de impresión sin alimentar ningún papel.
- Presione el botón de Alimentación para alimentar una página para alinear la posición del papel y cambiar al Modo de espera de impresión.

5-10 Modo de descarga de datos

Esta función se puede utilizar para diagnosticar problemas de comunicación cuando la impresora no funciona correctamente.

En este modo, los datos recibidos no se analizan, en lugar de eso, se descargan en formato hexadecimal sin procesar.

Apague y vuelva a encender la impresora para volver al Modo de espera de impresión.

5-10-1 Cómo iniciar el Modo de descarga de datos

- 1) Presione el botón de Pausa durante dos segundos en el Modo de espera de impresión.
- 2) Ambos LED cambiarán al color naranja y la impresora estará configurada en Modo de configuración independiente.
- 3) Presione el botón de Alimentación en la sexta secuencia de LED en 5-2-2 (LED de estado Naranja/ LED de error Roja – parpadea cuatro veces) para activar el Modo de descarga de datos.

5-11 Restaurar valores de fábrica

Esta función se utiliza para reanudar las configuraciones de la impresora a las configuraciones predeterminadas de fábrica.

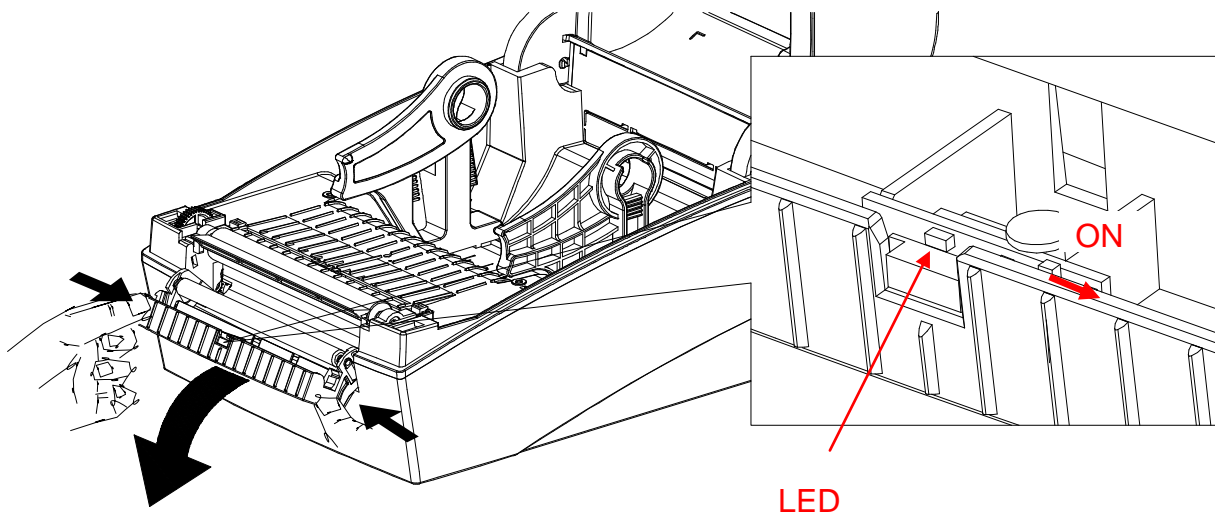
5-11-1 Cómo reanudar la impresora

- 1) Presione el botón de Pausa durante dos segundos en el Modo de espera de impresión.
- 2) Ambos LED cambiarán al color naranja y la impresora estará configurada en Modo de configuración independiente.
- 3) Presione el botón de Alimentación en la 3ra secuencia de LED como se muestra en la sección 5-2-2 (el LED de estado es verde y el LED de Error parpadea cuatro veces con una luz roja) para reanudar la impresora a las configuraciones de fábrica y la función de Detección inteligente de instrumentos se ejecutará.

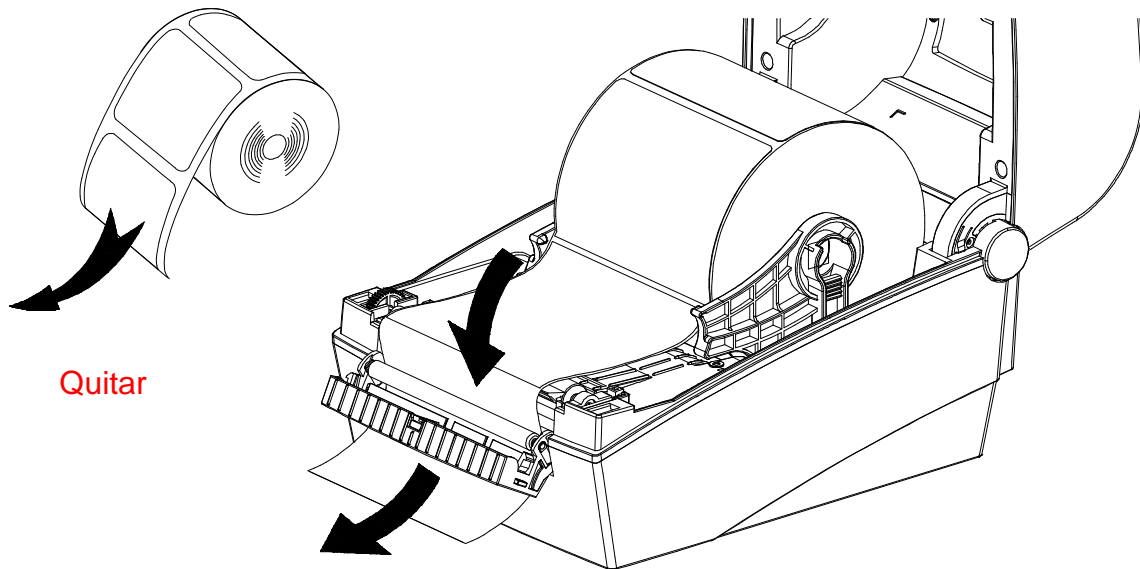
5-12 Función de despliegue (opcional)

Como función para desplegar etiquetas, se usa solamente con papel de etiquetas.

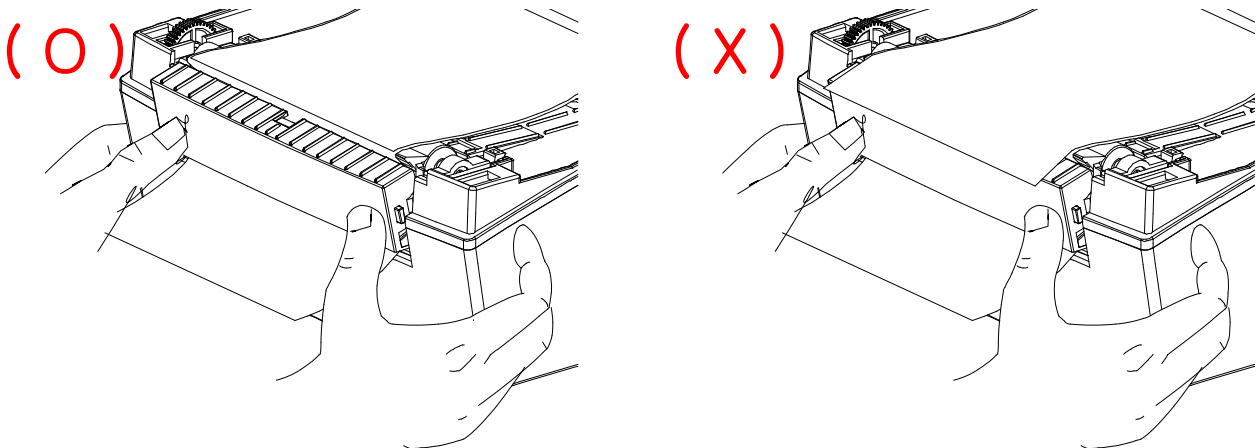
- 1) Abra la cubierta del papel.
- 2) Abra la cubierta de despliegue de etiquetas y configure el interruptor en la posición ON (encendido).
 - Compruebe si el LED se ha encendido.



3) Quite una hoja del papel de etiquetas e inserte el papel como se muestra en la imagen a continuación.



4) Ajuste las guías del papel y cierre la cubierta de despliegue de etiquetas.



5) Cierre la Cubierta del papel hasta que se oiga un sonido de clic.

6) Apague y encienda la impresora.

5-13 Uso de papel plegado en zig zag

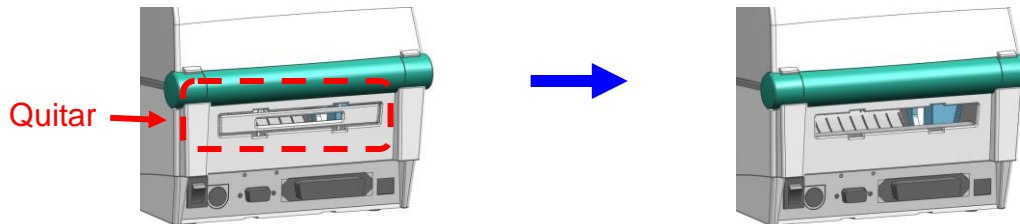
Suministrar externamente papel a la impresora como se indica a continuación:

5-13-1 Preparación de la impresora

Quite la cubierta trasera de suministro de papel sobre el lado trasero de la impresora utilizando un cuchillo u otro instrumento filoso.

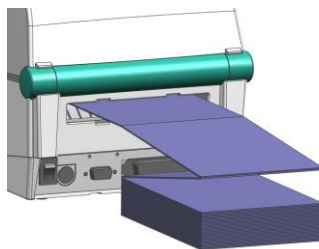
※ PRECAUCIÓN

- Tenga cuidado de no lastimarse las manos y/o cualquier otra parte del cuerpo al realizar este paso.

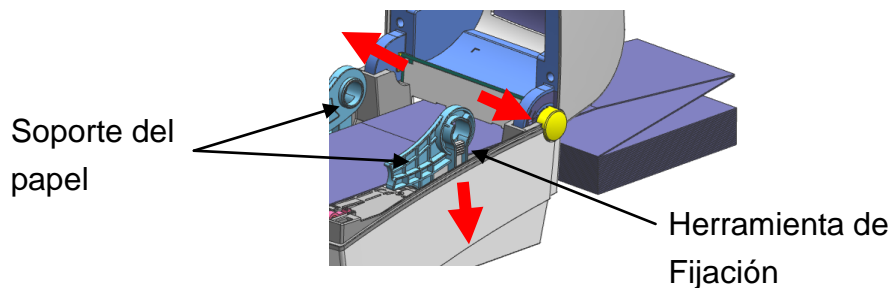


5-13-2 Cuando utilice papel plegado en zig zag

1) Inserte el papel en la parte trasera de la impresora usando la ranura y las guías.



2) Ajuste los soportes de papel al ancho del papel utilizando la Herramienta de fijación.

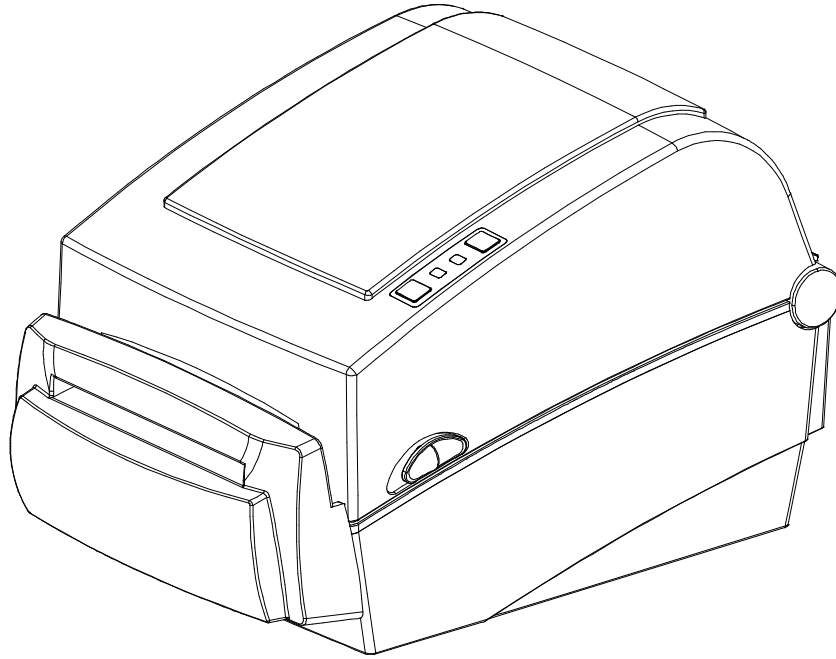


5-14 Cortador automático (opcional)

Para el corte automático de papel, se encuentran disponibles productos equipados con cortadores automáticos.

El cortador automático se puede controlar por comando. Además, se puede cambiar la configuración predeterminada mediante la Utilidad de etiquetas unificada-II.

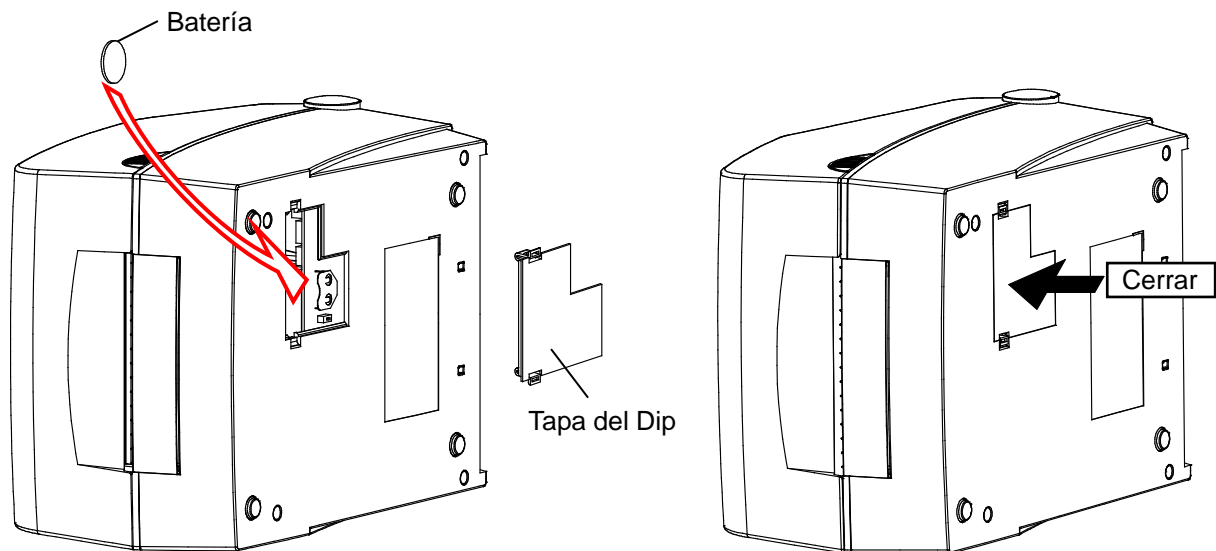
※ El método de instalación del papel es el mismo que para el papel sin cortador automático.



5-15 Reloj en tiempo real (opcional)

La opción del Reloj en tiempo real es para imprimir la hora y la fecha en la etiqueta. La fecha y la hora se pueden configurar en la impresora usando la Utilidad de etiquetas unificada-II.

Puede percibir que la batería se encuentra débil o agotada si la impresora proporciona constantemente la hora y la fecha incorrectas. En este caso, deberá reemplazar la batería. Cuando se cambia la batería, se deberá restablecer la hora y la fecha.

**※ ADVERTENCIA**

- Para su seguridad, La tapa de acceso en la parte inferior de la impresora debe estar siempre cerrada. Cuando cambia la batería, abra la tapa con los dedos pulgar e índice. Después de cambiar la cubierta, cierre la tapa.
- Envuelva la batería cuando la recicle o la guarde para evitar cortocircuitos.
- No provoque cortocircuitos en la batería. Puede provocar acumulaciones de calor o incendios.
- No desarme o caliente la batería.

6. Limpieza del cabezal

Polvo, sustancias extrañas, sustancias adhesivas u otro tipo de contaminación que se encuentre en el cabezal de la impresora o dentro de esta puede disminuir la calidad de la impresión.

Cuando haya suciedad, limpie el cabezal de la impresora como se indica a continuación:

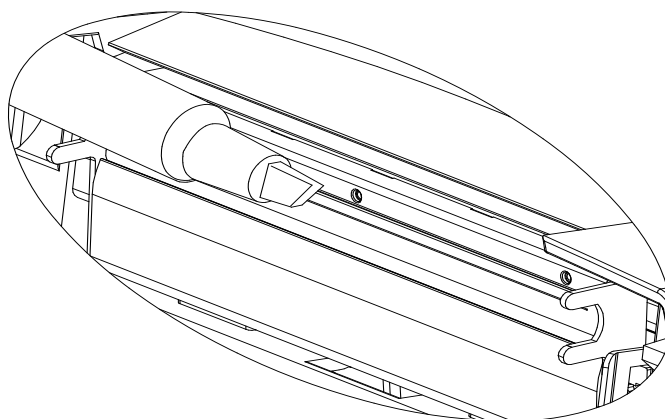
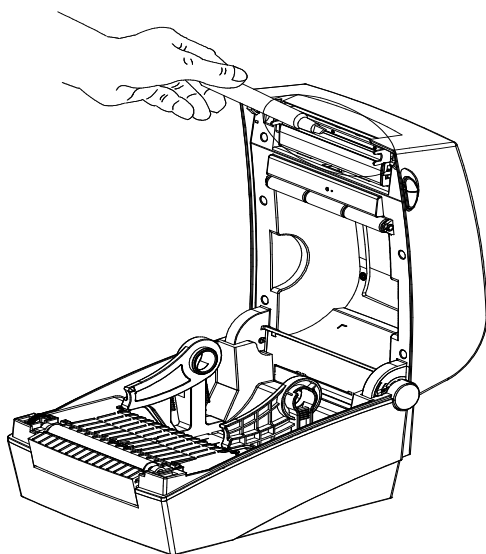
※ PRECAUCIÓN

- Asegúrese de apagar la impresora antes de limpiarla.
- Ya que el cabezal de impresión se calienta demasiado al imprimir, si desea limpiarlo, apague la impresora y espere aproximadamente 2-3 minutos antes de comenzar.
- Cuando limpie el cabezal, tenga cuidado de no tocar la parte caliente del cabezal.
→ El cabezal es vulnerable a los daños de la electricidad estática, etc.
- Tenga el cuidado de evitar de todas formas que el cabezal de impresión se raye y/o dañe.
- Tenga cuidado de no pincharse los dedos cuando abra o cierre la cubierta del papel. Asegúrese de abrir por completo la cubierta del papel hasta que se fije en la posición de abierto.
- Cuando cargue el rollo de papel, tenga cuidado de no pincharse los dedos entre el rollo de papel y el soporte del papel.
- No toque el cortador con las manos ni introduzca nada en el cortador. Esto puede provocar lesiones.

6-1 Limpieza del cabezal

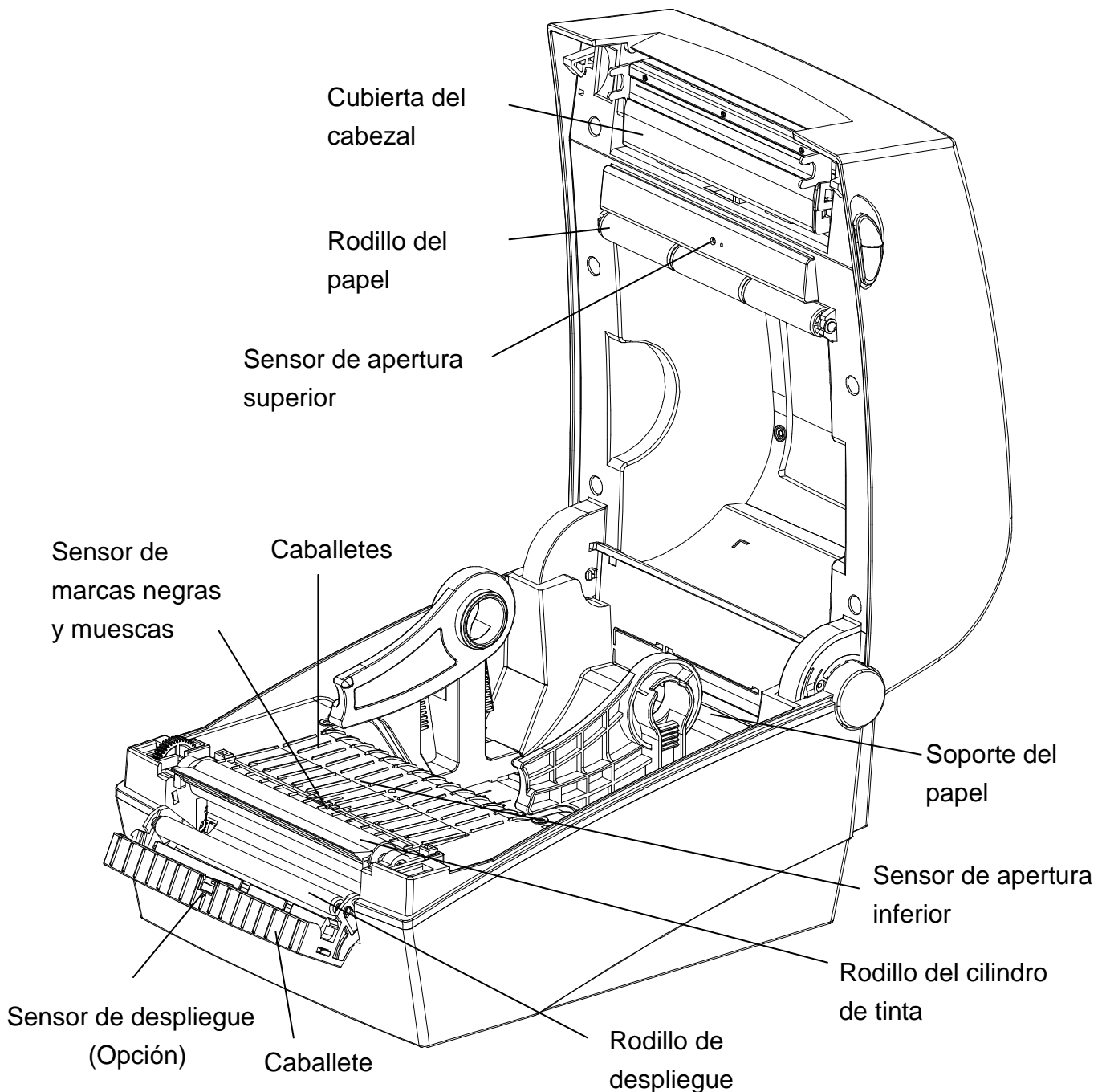
- 1) Abra la Cubierta del papel y después utilice el lápiz limpiador para limpiar el cabezal desde el centro hacia los bordes.
- 2) Luego de limpiar el cabezal, no use la impresora hasta que el alcohol utilizado para la limpieza se evapore completamente (de 1 a 2 min.) y la impresora esté totalmente seca.

※ Realice la limpieza cada vez que se reemplace el rollo de papel para evitar que la calidad de la impresión se deteriore.



6-2 Limpieza de los sensores, el rollo y/o la ruta del papel

- 1) Abra la cubierta del papel y después quite el papel.
 - 2) Quite restos de polvo o sustancias extrañas con un paño seco o un algodón.
 - 3) Humedezca el paño o el algodón con alcohol para uso médico y utilícelo para quitar sustancias adhesivas o extrañas u otros materiales.
 - 4) Después de limpiar las partes, no utilice la impresora hasta que el alcohol se evapore completamente (de 1 a 2 min.) y la impresora esté completamente seca.
- ✳ Limpie las partes cuando disminuye el rendimiento de la calidad de impresión o de la detección del papel.



7. Apéndice

7-1 Especificaciones

Componente		Descripción
Impresora	Método de impresión	Impresión térmica directa
	Densidad del punto	LD630D : 203 ppp (8 puntos/mm) LD640D : 300 ppp (11,8 puntos/mm)
	Ancho de impresión	LD630D : Máx. 108 mm (Máx. 4,25") LD640D : Máx. 105,7 mm (Máx. 4,16")
	Velocidad de impresión	LD630D : Máx. 165 mm/seg (Máx. 6,5ips) LD640D : Máx. 102 mm/seg (Máx. 4ips)
Papel	Ancho	20 ~ 110 mm (0,79 ~ 4,33")
	Rollo	Máx.130mm(Máx. 5,12")
	Identidades	25,4 ~ 38,1mm (1 ~ 1,5")
Adaptador de CA	Tensión de entrada	CA 100~240V
	Frecuencia	50/60 Hz
	Tensión de salida	DC 24V±5%
	Corriente de salida	2,5A
Condiciones de uso	Temperatura	5 ~ 40 °C (Funcionamiento) -20 ~ 60 °C (Almacenamiento)
	Humedad (excepto para el papel)	10 ~ 80 % HR (Funcionamiento) 10 ~ 90 % HR (Almacenamiento)

※ Nota

- La velocidad de impresión puede variar según la velocidad de transmisión de datos y la combinación de los comandos de control.
- Este equipo debe ser utilizado en el interior y todos los cables de comunicación están limitados al interior del edificio.
- El interruptor es el dispositivo de desconexión. Apague el interruptor para evitar cualquier peligro.

7-2 Tipos de etiquetas

Los tipos de etiquetas utilizados con esta impresora son los siguientes.

- Etiquetas de control: PP
- Otras etiquetas: PET (Polietilenotereftalato)

Oki datos de contacto

OkicontactName. Oki Systems (UK) Limited

OkicontactAddress.550 Dundee Road
Slough Trading Estate
Slough
Berkshire
SL1 4LE

Tel:+44 (0) 1753 819819
Fax:+44 (0) 1753 819899
<http://www.oki.co.uk>

Oki Systems Ireland Limited

The Square Industrial Complex
Tallaght
Dublin 24

Tel:+353 (0) 1 4049590
Fax:+353 (0)1 4049591
<http://www.oki.ie>

Oki Systems Ireland Limited - Northern Ireland

19 Ferndale Avenue
Glengormley
BT36 5AL
Northern Ireland

Tel:+44 (0) 7767 271447
Fax:+44 (0) 1 404 9520
<http://www.oki.ie>

Technical Support for all Ireland:

Tel:+353 1 4049570
Fax:+353 1 4049555
E-mail: tech.support@oki.ie

Oki Systems (Czech and Slovak), s.r.o.

IBC – Pobřežní 3
186 00 Praha 8
Czech Republic

Tel: +420 224 890158
Fax:+420 22 232 6621
Website: www.oki.cz, www.oki.sk

Oki Systems (Deutschland) GmbH

Hansaallee 187
40549 Düsseldorf

Tel: 01805/6544357**
01805/OKIHELP**
Fax: +49 (0) 211 59 33 45
Website:
www.okiprintingsolutions.de
info@oki.de

**0,14€/Minute aus dem dt. Festnetz
der T-Com (Stand 11.2008)

Διανομέας των συστημάτων OKI

CPI S.A1 Rafailidou str.
177 78 Tavros
Athens
Greece

Tel: +30 210 48 05 800
Fax:+30 210 48 05 801
EMail:sales@cpi.gr

Oki Systems (Iberica), S.A.U

C/Teide, 3
San Sebastian de los Reyes
28703, Madrid

Tel:+34 91 3431620
Fax: +34 91-3431624
Atención al cliente: 902 36 00 36
Website: www.oki.es

Oki Systèmes (France) S.A.

44-50 Av. du Général de Gaulle
94246 L'Hay les Roses
Paris

Tel:+33 01 46 15 80 00
Télécopie:+33 01 46 15 80 60
Website: www.oki.fr

Oki Systems (Magyarország) Kft.

Capital Square
Tower 2
7th Floor
H-1133 Budapest,
Váci út 76
Hungary

Telefon: +36 1 814 8000
Telefax: +36 1 814 8009
Website: www.okihu.hu

Oki Systems (Italia) S.p.A.

via Milano, 11,
20084 Lacchiarella (MI)

Tel:+39 (0) 2 900261
Fax:+39 (0) 2 90026344
Website: www.oki.it

Oki Printing Solutions

Platinum Business Park II, 3rd Floor
ul. Domaniewska 42
02-672 Warsaw
Poland

Tel:+48 22 448 65 00
Fax:+48 22 448 65 01
Website: www.oki.com.pl
E-mail: oki@oki.com.pl
Hotline: 0800 120066
E-mail: tech@oki.com.pl

Oki Systems (Ibérica) S.A.

Sucursal Portugal
Edifício Prime -
Av. Quinta Grande 53
7º C Alfragide
2614-521 Amadora
Portugal

Tel:+351 21 470 4200
Fax:+351 21 470 4201
Website:www.oki.pt
E-mail : oki@oki.pt

Oki Service

Serviço de apoio técnico ao Cliente

Tel: 808 200 197
E-mail : okiserv@oki.pt

OKI Europe Ltd. (Russia)

Office 702, Bldg 1
Zagorodnoye shosse
117152, Moscow

Tel: +74 095 258 6065
Fax: +74 095 258 6070
e-mail: info@oki.ru
Website: www.oki.ru

Technical support:
Tel: +7 495 564 8421
e-mail: tech@oki.ru

Oki Systems (Österreich)

Campus 21
Businesszentrum Wien Sued
Liebermannstrasse A02 603
22345 Brun am Gebirge

Tel: +43 223 6677 110
Drucker Support:
+43 (0) 2236 677110-501
Fax Support:
+43 (0) 2236 677110-502
Website: www.oki.at

OKI Europe Ltd. (Ukraine)

Raisy Opkinoy Street,8
Building B, 2nd Floor,
Kiev 02002
Ukraine

Tel: +380 44 537 5288
e-mail: info@oki.ua
Website: www.oki.ua

OKI Sistem ve Yazıcı Çözümleri Tic. Ltd. Şti.

Harman sok Duran Is Merkezi,
No:4, Kat:6,
34394, Levent
İstanbul

Tel: +90 212 279 2393
Faks: +90 212 279 2366
Web: www.oki.com.tr
www.okiprintingsolutions.com.tr

Oki Systems (Belgium)

Medialaan 24
1800 Vilvoorde

Helpdesk: 02-2574620
Fax: 02 2531848
Website: www.oki.be

AlphaLink Bulgaria Ltd.

2 Kukush Str.
Building "Antim Tower", fl. 6
1463 Sofia, Bulgaria

tel: +359 2 821 1160
fax: +359 2 821 1193
Website: <http://bulgaria.oki.com>

OKI Printing Solutions

Herstedøstervej 27
2620 Albertslund
Danmark

Adm.: +45 43 66 65 00
Hotline: +45 43 66 65 40
Salg: +45 43 66 65 30
Fax: +45 43 66 65 90
Website: www.oki.dk

Oki Systems (Finland) Oy

Polaris Capella
Vänrikinkuja 3
02600 Espoo

Tel: +358 (0) 207 900 800
Fax: +358 (0) 207 900 809
Website: www.oki.fi

Oki Systems (Holland) b.v.

Neptunstraat 27-29
2132 JA Hoofddorp

Helpdesk: 0800 5667654
Tel: +31 (0) 23 55 63 740
Fax: +31 (0) 23 55 63 750
Website: www.oki.nl

Oki Systems (Norway) AS

Tevlingveien 23
N-1081 Oslo

Tel: +47 (0) 63 89 36 00
Telefax: +47 (0) 63 89 36 01
Ordrefax: +47 (0) 63 89 36 02
Website: www.oki.no

**General Systems S.R.L.
(Romania)**

Sos. Bucuresti-Ploiesti Nr. 135.
Bucharest 1
Romania

Tel: +40 21 303 3138
Fax: +40 21303 3150
Website: http://romania.oki.com

Var vänlig kontakta din Återförsäljare
i första hand, för konsultation. I
andra hand kontakta

Oki Systems (Sweden) AB

Borgafjordsgatan 7
Box 1191
164 26 Kista

Tel. +46 (0) 8 634 37 00
e-mail:
info@oki.se för allmänna frågor om
Oki produkter

support@oki.se för teknisk support
gällandes Oki produkter

Vardagar: 08.30 - 12.00,
13.00 - 16.00
Website: www.oki.se

Oki Systems (Schweiz)

Baslerstrasse 15
CH-4310 Rheinfelden

Support deutsch +41 61 827 94 81
Support français +41 61 827 94 82
Support italiano +41 061 827 9473
Tel: +41 61 827 9494
Website: www.oki.ch

Oki Data Americas Inc.(United States)

2000 Bishops Gate Blvd.
Mt. Laurel, NJ 08054
USA

Tel: 1-800-654-3282
Fax: 1-856-222-5247
http://WWW.OKIPRINTINGSOLUTIONS.COM
http://my.okidata.com

Oki Data Americas Inc.(Canada • Canadá)

4140 B Sladeview Crescent Units 7&8
Mississauga, Ontario
Canada L5L 6A1

Tél: 1-905-608-5000
Télé: 1-905-608-5040
http://WWW.OKIPRINTINGSOLUTIONS.COM

Oki Data Americas Inc.(América Latina (OTRO))

2000 Bishops Gate Blvd.
Mt. Laurel, NJ 08054
USA

Tel (Español): 1-856-222-7496
1-856-222-5276
Fax: 1-856-222-5260
Email: LASatisfaction@okidata.com

Oki Data de Mexico, S.A. de C.V.

Mariano Escobedo #748, Piso 8
Col. Nueva Anzures
C.P. 11590, México, D.F.

Tel: 52-555-263-8780
Fax: 52-555-250-3501
http://WWW.OKIPRINTINGSOLUTIONS.COM

Oki Data do Brasil, Ltda.

Rua Avenida Alfredo Egidio de souza Aranha
100-4º andar-Bloco C Chacara Santo Antonio
Sao Paulo, Brazil 04726-170

Tel: 55-11-3444-6747 (Grande São
Paulo)
0800-11-5577 (Demais
localidades)
Fax: 5511-3444-3501
e-mail: okiserv@okidata.com.br
http://WWW.OKIPRINTINGSOLUTIONS.COM

Oki Data (Singapore) Pte. Ltd.

438A Alexandra Road #02-11/12,
Lobby 3, Alexandra Technopark
Singapore(119967)

Tel:(65) 6221 3722
Fax:(65) 6594 0609
http://www.okidata.com.sg

Oki Systems (Thailand) Ltd.

1168/81-82 Lumpini Tower,
27th Floor Rama IV Road
Tungmahamek, Sathorn
Bangkok 10120

Tel:(662) 679 9235
Fax:(662) 679 9243/245
http://www.okisysthai.com

Oki Systems (Hong Kong) Ltd.

Suite 1908, 19/F, Tower 3,
China Hong Kong City
33 Canton Road, TsimShaTsui,
Kowloon, Hong Kong

Tel: (852) 3543 9288
Fax: (852) 3549 6040
http://www.okiprintingsolutions.com.hk

Oki Data(Australia) Pty Ltd.

Levw1 67 Epping Road, Macquarie Park
NSW 2113, Australia

Tel: +61 2 8071 0000
(Support Tel: 1800 807 472)
Fax: +61 2 8071 0010
http://www.oki.com.au

Comworth Systems Ltd.

8 Antares Place Mairangi Bay,
Auckland, New Zealand

Tel:(64) 9 477 0500
Fax:(64) 9 477 0549
http://www.comworth.co.nz

Oki Data(S) P Ltd. Malaysia Rep Office

Suite 21.03, 21st Floor Menara IGB,
Mid Valley City,
Lingkaran Syed Pura 59200,
Kuala Lumpur, Malaysia

Tel: (60) 3 2287 1177
Fax: (60) 3 2287 1166

Guia do usuário

PREFÁCIO

Foram feitos todos os esforços, no sentido de garantir que a informação contida neste documento é completa, precisa e actualizada. O fabricante não assume qualquer responsabilidade pelo resultado dos erros fora do seu controlo. O fabricante também não pode garantir que alterações no software e no equipamento feitas por outros fabricantes e referidas neste manual não afectarão a aplicabilidade da informação contida nele. Menções a produtos de software fabricados por outras companhias não constituem necessariamente um aval da parte do fabricante.

Embora tenham sido envidados todos os esforços para tornar este manual o mais preciso e útil possível, não nos responsabilizamos, expressa ou implicitamente, pela exactidão ou integralidade da informação nele contida.

Todos os direitos são reservados pela Oki Data Corporation. Não pode efectuar cópia não autorizada, transferência, tradução, ou acções relacionadas. Tem que obter autorização escrita da Oki Data Corporation antes de efectuar qualquer das acções acima.

© 2012 Oki Data Corporation

OKI é uma marca registada de Oki Electric Industry Co., Ltd.

Energy Star é uma marca comercial da United States Environmental Protection Agency.

Microsoft, Windows, Windows Server e Windows Vista são marcas registadas de Microsoft Corporation.

Apple, Macintosh, Rosetta, Mac e Mac OS são marcas registadas de Apple Inc.

Outros nomes de produtos e marcas são marcas comerciais registadas ou marcas comerciais dos respectivos proprietários.



Como Participante no Programa Energy Star, o fabricante determinou que este produto cumpre com as directrizes de eficiência energética da Energy Star.



Este produto está de acordo com os requisitos do Council Directivas 2004/108/EC (EMC) e 2006/95/EC (LVD) e 1999/5/EC (R&TTE), alterados onde aplicável por aproximação às leis dos estados membros relacionados com a compatibilidade electromagnética, baixa voltagem e & equipamento de telecomunicações terminais de rádio.

Os seguintes cabos foram utilizados para avaliar este produto de forma a atingir a conformidade com a directiva EMC observância 2004/108/EC e configurações que não esta poderão afectar essa observância.

TIPO DE CABO	COMPRIMENTO (METROS)	NÚCLEO	BLINDAGEM
Alimentação	1,8	x	x
USB	1,8	x	✓
Série	1,8	x	✓
Paralela	1,8	✓	✓
LAN	3,0	x	x

FABRICANTE

Oki Data Corporation,
4-11-22 Shibaura, Minato-ku,
Tóquio 108-8551,
Japão

Para informações sobre vendas, assistência ou questões gerais, contacte o seu distribuidor local.

IMPORTADOR PARA A UE/REPRESENTANTE AUTORIZADO

OKI Europe Limited (operando como OKI Printing Solutions)

Blays House
Wick Road
Egham
Surrey, TW20 0HJ
Reino Unido

Para informações sobre vendas, assistência ou questões gerais, contacte o seu distribuidor local.

INFORMAÇÃO AMBIENTAL



■ Índice

✳ Manual de instruções e precauções a ter na utilização na impressora	5
1. Conteúdo do pacote da impressora	9
2. Nomes das componentes do produto	10
3. Instalação e utilização	12
3-1 Corrente.....	12
3-2 Ligação do cabo da interface.....	13
3-3 Introdução do rolo de papel na impressora.....	15
3-4 Botões e LED.....	16
3-5 Impressão de teste.....	18
4. Teste automático	19
5. Funções detalhadas.....	20
5-1 Utilizar o programa utilitário para configurar a impressora	20
5-2 Modo de configuração autónomo	21
5-3 Pausa/Cancelar	22
5-4 Calibração do suporte	23
5-5 Função “Smart Media Detection (Detecção inteligente do suporte)	24
5-6 Modo de calibração automática do sensor de intervalos	25
5-7 Modo de calibração automática do sensor marca preta	25
5-8 Modo de calibração manual	26
5-9 Modo de fecho da tampa	27
5-10 Modo de cópias de segurança dos dados	27
5-11 “Factory Reset”(Repor do fabricante).....	28
5-12 Função “Peel-Off” (Destacador) (opção)	28
5-13 Usar papel Zig-Zag.....	30
5-14 Cortador automático (opção)	31
5-15 “Real-Time Clock” (Relógio em tempo real) (opção).....	32
6. Limpeza da cabeça da impressora.....	33
6-1 Limpeza da cabeça da impressora	33
6-2 Sensores de limpeza, cilindro e/ou via do papel.....	34
7. Anexo.....	35
7-1 Especificações	35
7-2 Tipos de etiquetas.....	35

■ Manual de Instruções

Este manual de utilizador contém informações básicas quanto à utilização do produto e também quanto às medidas de emergência que possam ser necessárias.

※ Os seguintes manuais em separado fornecem conteúdos mais detalhados em várias questões e áreas tecnológicas.

1. Manual do controlador do Windows

Este manual fornece informações sobre as instruções de instalação e sobre as funções principais do controlador do Windows.

2. Manual do “Unified Label Utility-II”

Este manual disponibiliza informações relativas à utilização do software para selecção de funções deste produto, modificação de condições de funcionamento, etc.

3. Manual de programação (SLCS)

Este manual fornece informações acerca dos comandos de etiquetagem da impressora.

4. Manual do descarregador de fontes originais

Este manual disponibiliza informações relativas ao descarregador de fontes que pode descarregar fontes originais e permitir a sua utilização sob a forma de fontes do dispositivo.

5. Manual da interface de rede

Este manual disponibiliza informações relativas à configuração e utilização da interface Ethernet.

6. Manual da ferramenta de configuração da Internet

Este manual disponibiliza informações relativas à utilização da ferramenta de configuração da Internet; que pode configurar a interface Ethernet deste produto.

Nós, na Oki Data, empenhamo-nos diariamente para melhorar e actualizar as funções e a qualidade de todos os nossos produtos. Desta forma, as especificações do produto e/ou o conteúdo do manual de utilizador podem ser alterados sem aviso prévio.

■ Precauções de segurança

Ao utilizar este dispositivo, mantenha as seguintes normas de segurança seguintes para evitar qualquer acidente ou dano no material.



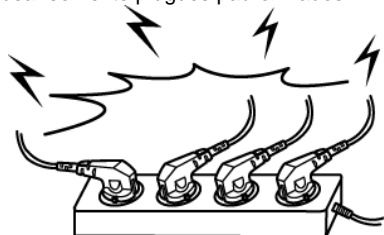
Aviso

A violação das instruções seguintes pode provocar lesões graves ou morte.

Não plugue vários productos em uma mesma tomada.

- Isso poderá provocar aquecimento e incendio.
- Se o plugue estiver sujo, seque-o ou limpe-o antes do uso.
- Se o plugue não entra perfeitamente bem no orifício, não o plugue.
- Tenha a certeza de usar somente plugues padronizados.

PROIBIDO



Voce deve usar somente o adaptador que foi fornecido.

- O uso de outros adaptadores é perigoso.

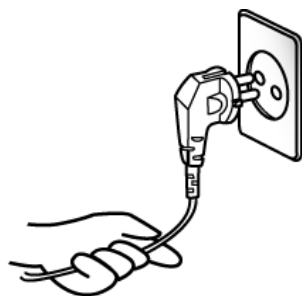
PROIBIDO



Não puxe o cabo para desplugar o mesmo.

- Isso pode danificar o cabo, e poderá causar um incendi o ou até mesmo a quebra da impressora.

PROIBIDO



Mantenha o saco plástico for a do alcance das crianças.

- Caso contrário a criança poderá colcoar o saco na cabeça.

PROIBIDO



Não plugue ou desplugue com suas mãos molhadas.

- Voce poderá se eletrecutar.

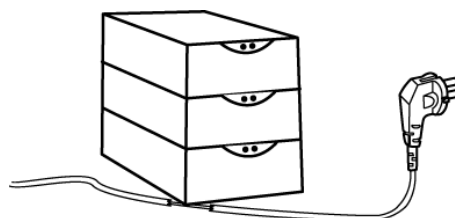
PROIBIDO



Não dobre o cabo com força ou o deixe abaixo de alg um objeto pesado.

- Um cabo danificado pode causar incendio.

PROIBIDO



**ATENÇÃO**

As instruções relativas à violação seguintes podem danificar ligeiramente ou danificar o dispositivo.

Caso observe uma fumaça estranha, cheiro ou barulho vindo da impressora, desplugue-o antes das seguintes providencias.

- Desligue a impressora e desplugue-o da tomada.
- Após o desaparecimento da fumaça, chame o seu revendedor para consertar o mesmo.

PARA DESPLUGAR

Tenha cuidado para não magoar os dedos quando abrir ou fechar a tampa do papel. Além disso, tenha também cuidado para que a tampa do papel não deslize e caia ao chão.

PERIGO MECÂNICO

Coloque a impressora numa superfície estável.

- Caso caia, pode se quebrar e poderas machucar-se.

PROIBIDO

Use somente acessórios aprovados e não tente desmontar, reparar ou remodelar o equipamento por si.

- Chame o revendedor quando esses serviços forem necessários.
- Não toque a lamina do cortador automático.

DESMONTAGEM PROIBIDA

Não deixe que água ou outros objetos estranhos entrem na impressora.

- Caso ocorra isso, desligue-o e desplugue a impressora antes de chamar o revendedor.

PROIBIDO

Não use a impressora quando o mesmo não estiver funcional. Isso pode causar fogo ou eletrecução.

- Desligue a impressora e desplugue a impressora antes de contactar o seu revendedor.

PARA DESPLUGAR

■ Outras Precauções

Os direitos de autor para este guia de utilizador e para outros manuais são propriedade da Oki Data Corporation. Qualquer cópia ou conversão em formato electrónico e o guardar deste material sem a expressa autorização por escrito da Oki Data Corporation é estritamente proibido.

A utilização das informações contidas neste manual não está sujeita a qualquer responsabilidade de patente. Este manual foi preparado com muito cuidado e atenção ao detalhe mas poderá conter alguns erros e/ou omissões.

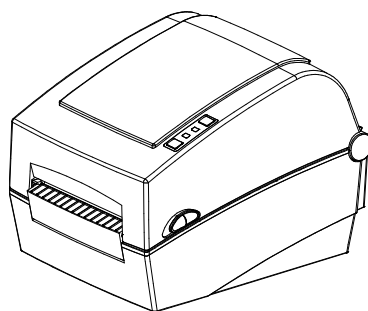
A Oki Data Corporation não é legalmente responsável por quaisquer danos resultantes da utilização das informações neste manual.

A Oki Data Corporation e os seus afiliados não são legalmente responsável (Estados Unidos excluídos) por quaisquer danos, perdas, custos e/ou despesas que resultem da quebra, má utilização e/ou avaria do produto devido a violação ou negligência relativamente às informações de manutenção e operação e instruções indicadas pela Oki Data Corporation, bem como alterações, reparações e/ou modificações não autorizadas ao produto por parte do utilizador e/ou de terceiros.

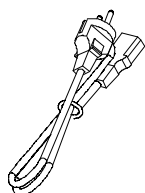
A Oki Data Corporation não é legalmente responsável por quaisquer danos e/ou questões resultantes da utilização de opções e/ou partes que não sejam produtos ou produtos autorizados da Oki Data.

1. Conteúdo do pacote da impressora

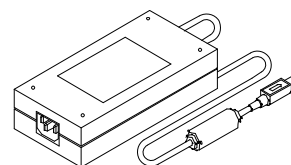
Os itens seguintes deverão estar dentro do pacote da impressora.
Contacte o revendedor a quem comprou a impressora, se algum item estiver danificado e/ou em falta.



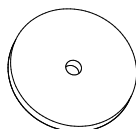
LD630D/LD640D



Cabo eléctrico



Transformador AC

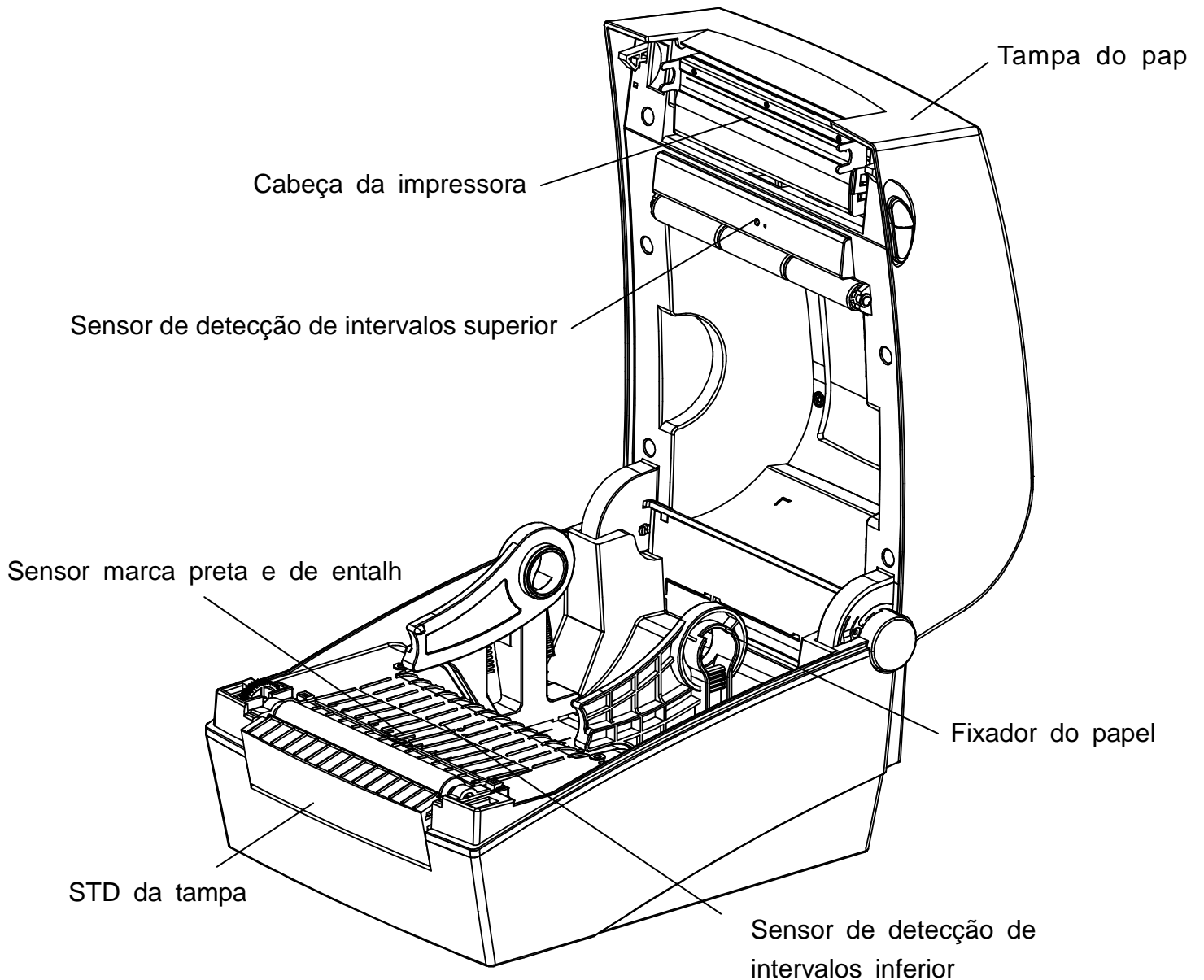
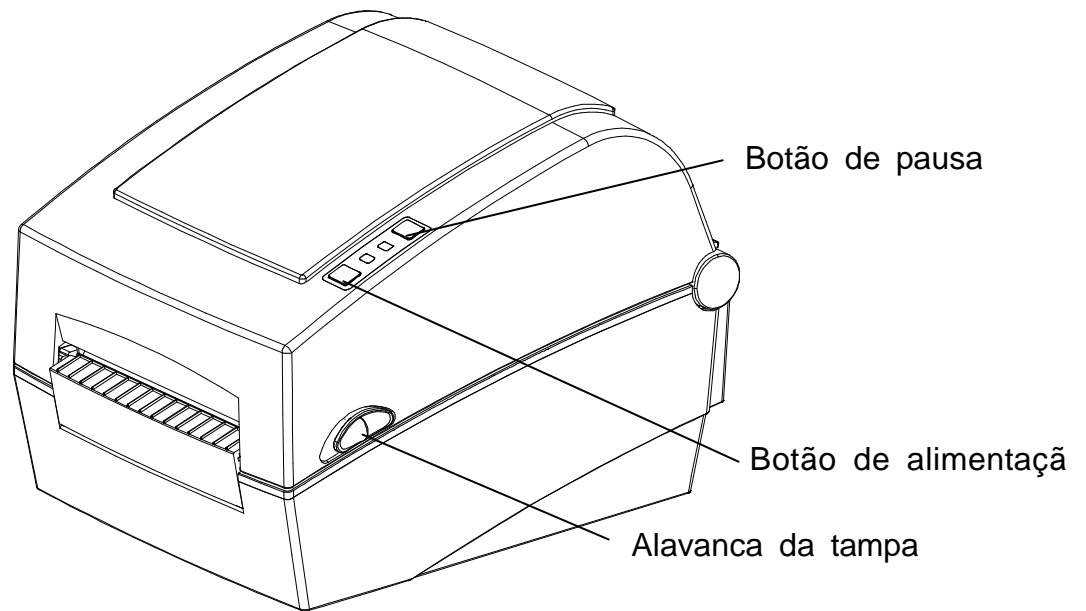


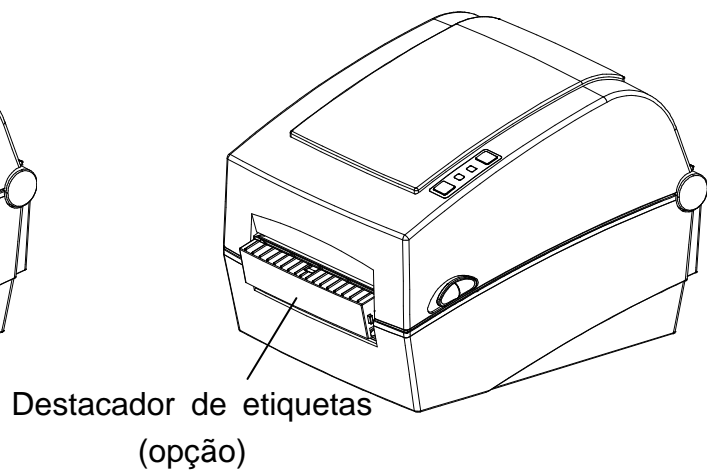
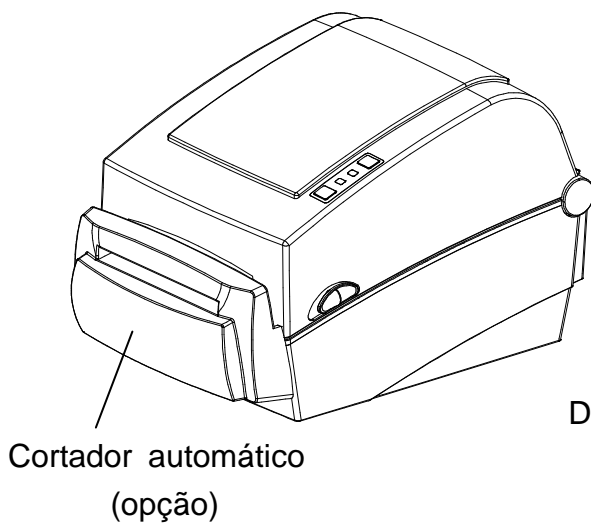
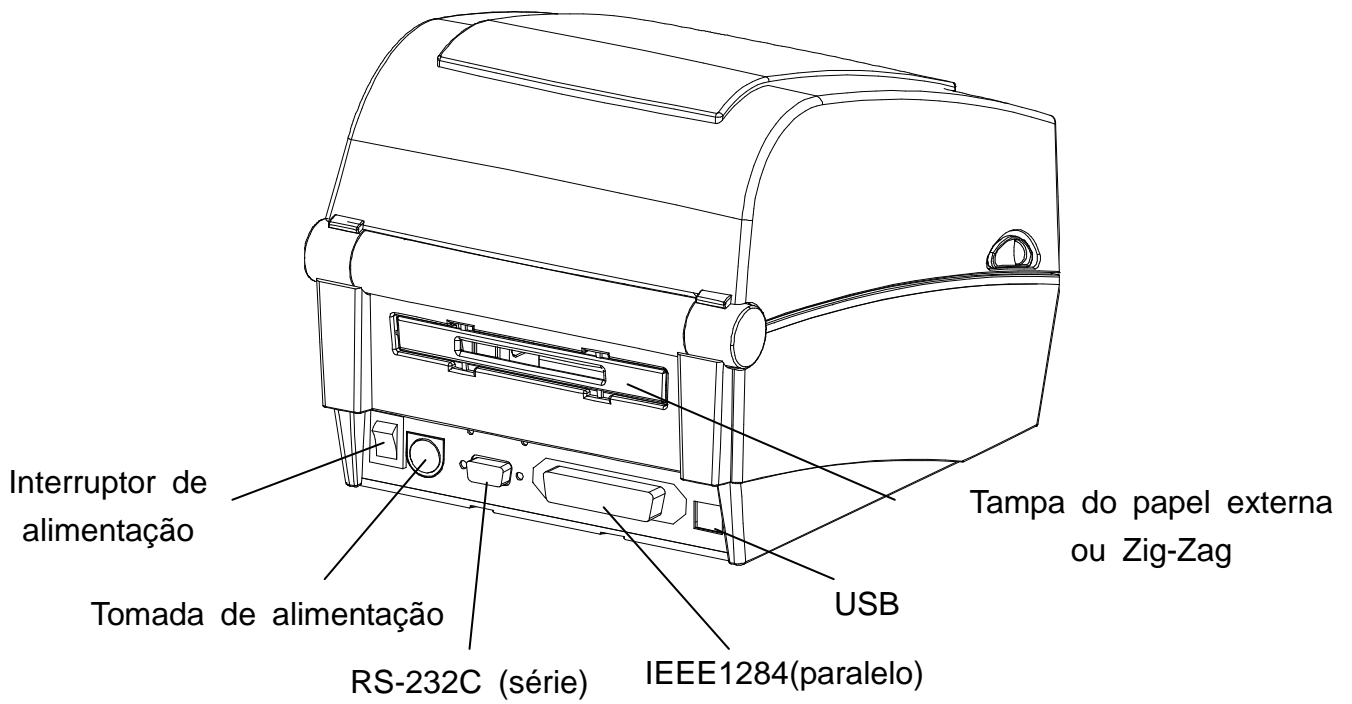
CD



**Documentos do utilizador
(Manual de configuração,
segurança e garantia)**

2. Nomes das componentes do produto





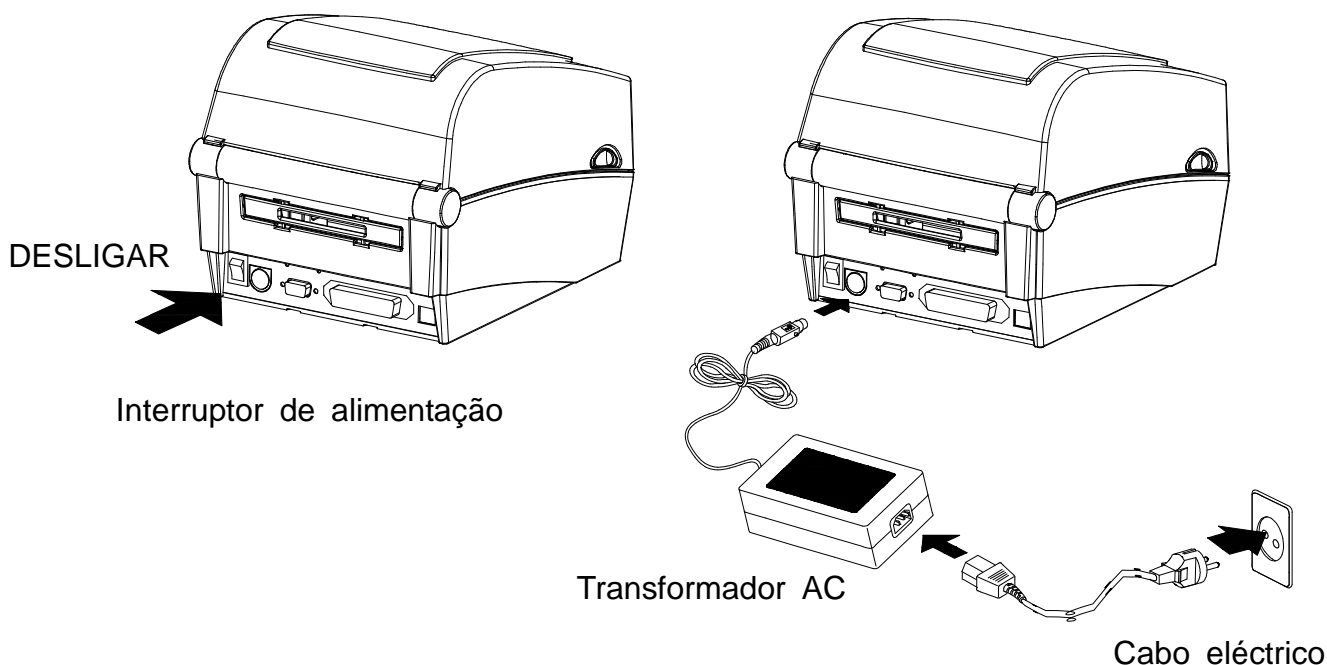
3. Instalação e utilização

※ ATENÇÃO

- Tenha cuidado para não entalar os dedos quando abrir ou fechar a tampa do papel. Certifique-se de que abriu a tampa do papel, até esta ficar totalmente aberta.
- Quando introduzir o papel na impressora, tenha cuidado para não entalar os dedos entre o papel e o fixador do papel.
- Não toque no cortador com as mãos e não introduza nenhum objecto no seu interior. Se o fizer, poderá haver lesões físicas.

3-1 Corrente

Ligue a impressora à corrente tal como é indicado abaixo.



- 1) Desligue o botão de alimentação da impressora.
- 2) Verifique se a voltagem do transformador AC coincide com a da fonte de alimentação.
- 3) Ligue a ficha do transformador AC ao conector de alimentação da impressora.
- 4) Ligue o cabo eléctrico ao transformador AC.
- 5) Ligue o cabo eléctrico a uma fonte de alimentação/tomada.

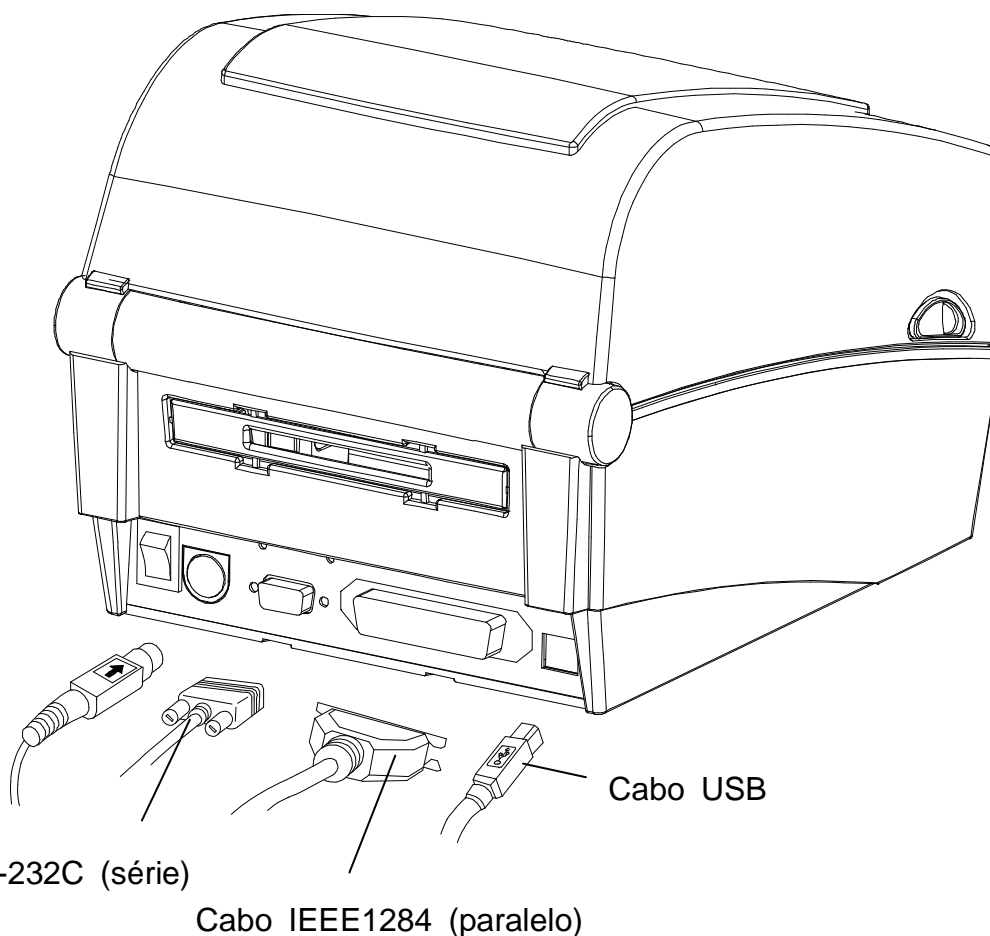
3-2 Ligação do cabo da interface

3-2-1 Modelo normalizado

Ligue o cabo da interface tal como é indicado abaixo.

Esta impressora suporta as seguintes normas da interface de comunicações:

- Cabo RS-232C (série)
- Cabo IEEE1284 (paralelo)
- Cabo USB B-



Cabo RS-232C (série)

Cabo IEEE1284 (paralelo)

1) Desligue o botão de alimentação.

2) Ligue o cabo de comunicações à porta de comunicações da impressora que está a ser utilizada.

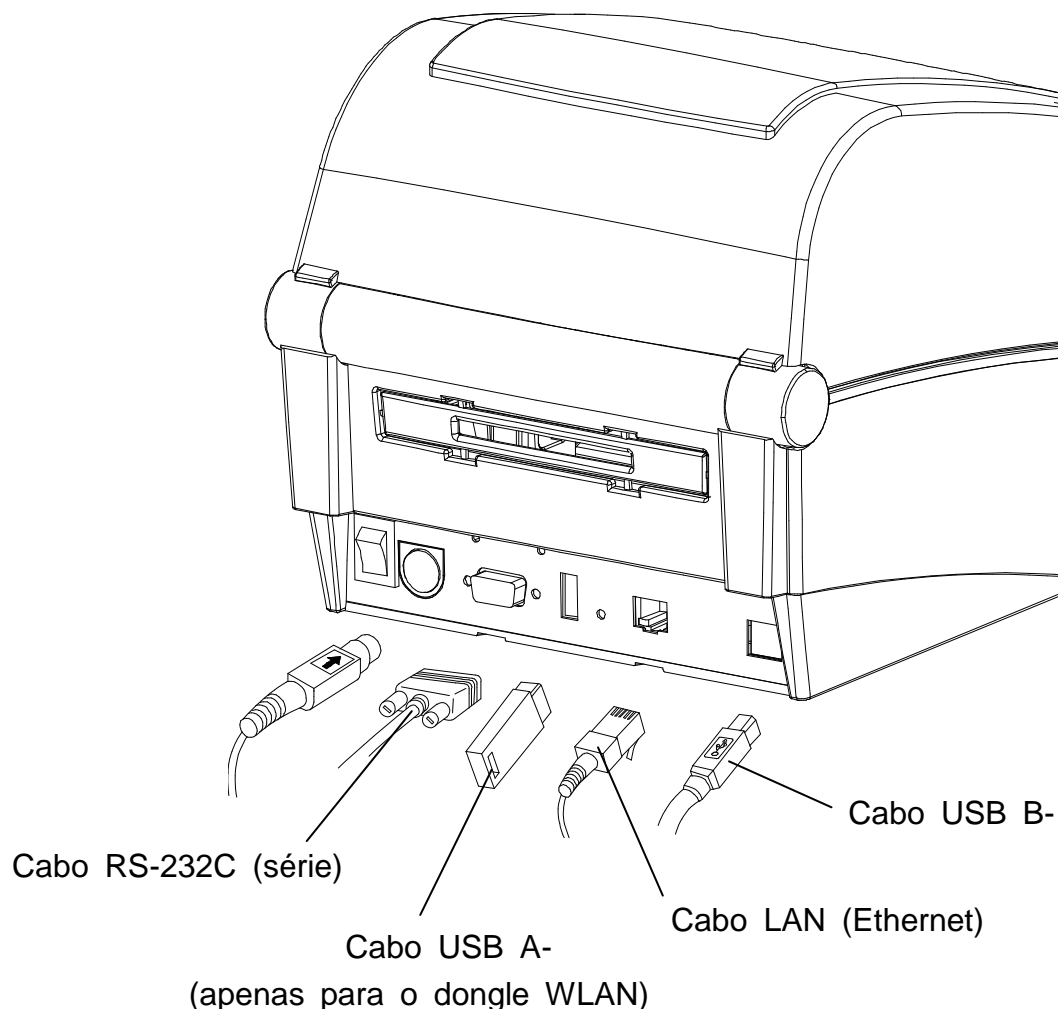
- Ligue o cabo RS-232C (série) à porta SERIAL (Série) e aperte os parafusos existentes em ambos os lados. Esta porta necessita de um cabo protegido com um comprimento inferior a 1,8 m.
- Ligue o Cabo IEEE1284 (paralelo) à porta PARALLEL (Paralela) e aperte os clips. Esta porta necessita de um cabo protegido com um núcleo de ferrite; com um comprimento inferior a 1,8 m.
- Ligue o cabo USB B- à porta USB.
Esta porta necessita de um cabo protegido com um comprimento inferior a 1,8 m.

3-2-2 Modelo Ethernet

Ligue o cabo da interface tal como é indicado abaixo.

Esta impressora suporta as seguintes normas da interface de comunicações:

- Cabo RS-232C (série)
- Cabo LAN (Ethernet)
- Cabo USB A- (apenas para o dongle WLAN)
- Cabo USB B-



1) Desligue o botão de alimentação.

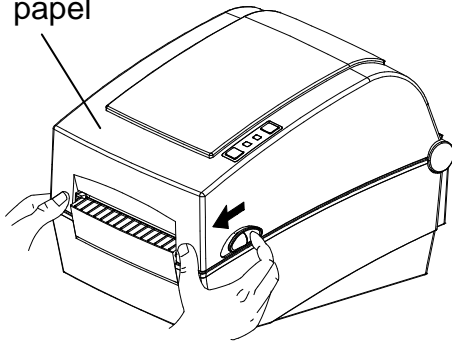
2) Ligue o cabo de comunicações à porta de comunicações da impressora que está a ser utilizada.

- Ligue o cabo RS-232C (série) à porta "SERIAL" da impressora e aperte os parafusos localizados em ambos os lados.
Esta porta necessita de um cabo protegido com um comprimento inferior a 1,8 m.
- Ligue o cabo LAN (Ethernet) à porta ETHERNET.
Esta porta necessita de um cabo protegido com um comprimento inferior a 3,0 m.
- Ligue o cabo USB A- (apenas para o dongle WLAN) à porta HOST (Anfitrião).
- Ligue o cabo USB B- à porta USB.
Esta porta necessita de um cabo protegido com um comprimento inferior a 1,8 m.

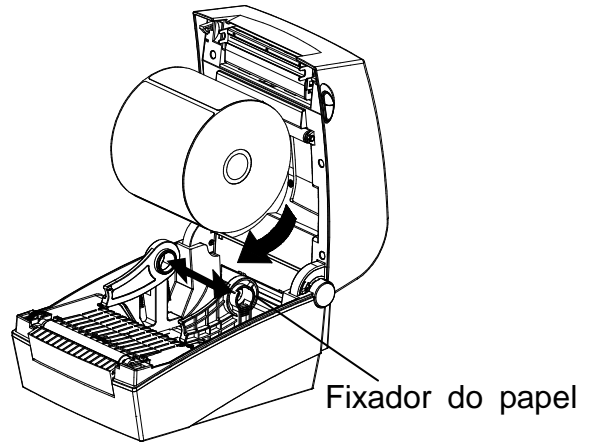
3-3 Introdução do rolo de papel na impressora

1) Abra a tampa do papel.

Tampa do papel

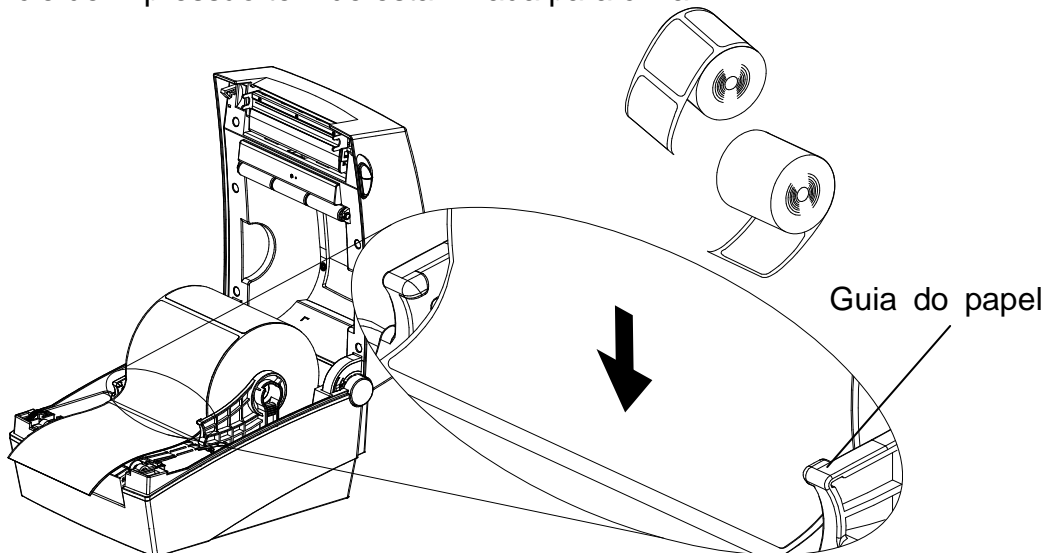


2) Abra o fixador do papel e introduza o rolo do papel na impressora.

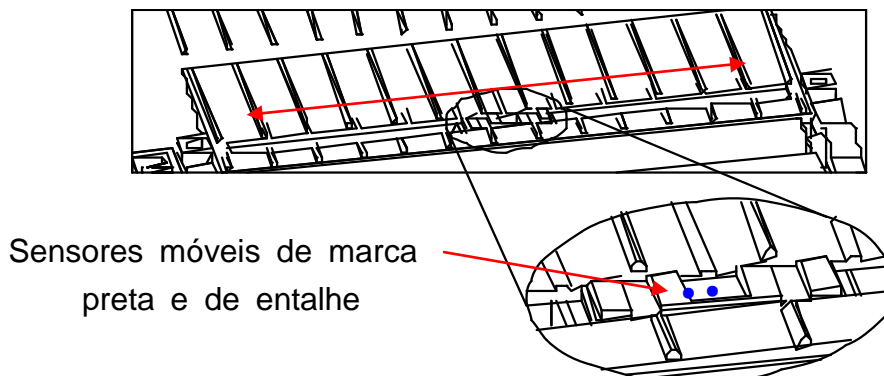


3) Desenrole o rolo do papel, até este sair pela parte dianteira da impressora. Empurre o papel localizado por baixo de ambos os lados da guia do papel.

* Se a etiqueta de papel estiver deteriorada na parte de baixo ou de cima, a superfície de impressão tem de estar virada para cima.

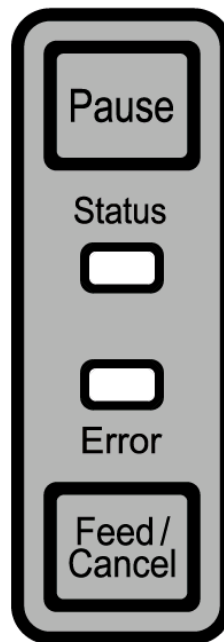


4) Se utilizar o ponto preto ou o entalhe do rolo do papel, levante o papel, faça coincidir a posição do sensor e ajuste o marcador preto ou o orifício do entalhe.



5) Feche a tampa do papel até se ouvir um clique.

3-4 Botões e LED



3-4-1 Funcionamento dos botões

Estado da Impressora antes de operação	Botão		Acção	Modo de operação da impressora
	"Feed" (Alimentação)/ "Cancel" (Cancelar)	"Pausa" (Pausa)		
Desligado	Pressionar	–	<ul style="list-style-type: none"> Exercer pressão enquanto pressiona o botão. Mantenha o botão premido durante cerca de cinco segundos. 	Modo de impressão de teste automático.
Impressão em modo de espera	Pressionar	–	<ul style="list-style-type: none"> Pressione o botão gentilmente e liberte-o de imediato. 	Modo de alimentação
Impressão em modo de espera	–	Pressionar	<ul style="list-style-type: none"> Pressione o botão durante dois segundos e continue a pressionar. 	Modo de configuração autónomo
Durante a impressão	Pressionar	–	<ul style="list-style-type: none"> Pressione o botão gentilmente e liberte-o de imediato. 	Modo de cancelamento da impressão
Durante a impressão	–	Pressionar	<ul style="list-style-type: none"> Pressione o botão gentilmente e liberte-o de imediato. 	Modo de pausa da impressão

3-4-2 Indicador LED para vários estados da impressora

LED de estado		LED de erro		Estado da impressora	
Cor	Estado	Cor	Estado		
Verde	Ligado	Verde	Ligado	Modo de espera de impressão	Modo de espera de impressão
Vermelho	Ligado	Vermelho	Ligado	Modo de erro	A fita não foi detectada
Vermelho	Ligado	Laranja	Ligado	Modo de erro	Papel encravado (intervalo/marca preta não é reconhecida)
Vermelho	Ligado	Verde	Piscar	Modo de erro	Sobreaquecimento da cabeça da impressora
Vermelho	Ligado	Vermelho	Piscar	Modo de erro	Tampa aberta
Vermelho	Ligado	Laranja	Piscar	Modo de erro	Sem papel
Vermelho	Ligado	–	Desligado	Modo de erro	Falha de calibração do suporte
Vermelho	Piscar	Vermelho	Piscar	Modo de erro	Erro do cortador automático
Laranja	Ligado	Laranja	Ligado	Notificação de alteração do modo	Notificação de alteração do modo
Verde	Piscar	Vermelho	Ligado	A aguardar entrada	A impressora está temporariamente em modo de pausa. A aguardar entrada de botão
Verde	Piscar	Verde	Piscar	A aguardar entrada	Modo de fecho da tampa. A aguardar entrada de botão
Verde	Ligado	Vermelho	Piscar	A aguardar entrada	Modo de cancelamento da impressão. A aguardar entrada de botão

3-5 Impressão de teste

3-5-1 Utilizar o controlador do Windows para imprimir

- 1) Instale o controlador do Windows.
Consulte o “Manual do controlador do Windows” contido no CD para instalar o controlador.
- 2) Defina a “porta” do controlador do Windows para a interface que será usada. Quando utilizar a interface Ethernet, consulte o “Manual do utilizador da interface Ethernet” contido no CD.
- 3) Utilize a função “Print test page” (Imprimir página de teste) do controlador do Windows para imprimir uma página de teste.

3-5-2 Utilizar o programa de desenho de etiquetas para imprimir

- O programa de desenho de etiquetas está incluído no CD.

- 1) Instale o programa de desenho de etiquetas.
- 2) Consulte o manual do programa de desenho de etiquetas contido no CD e defina a interface.
- 3) Imprima a página de teste depois de ter desenhado uma etiqueta.

4. Teste automático

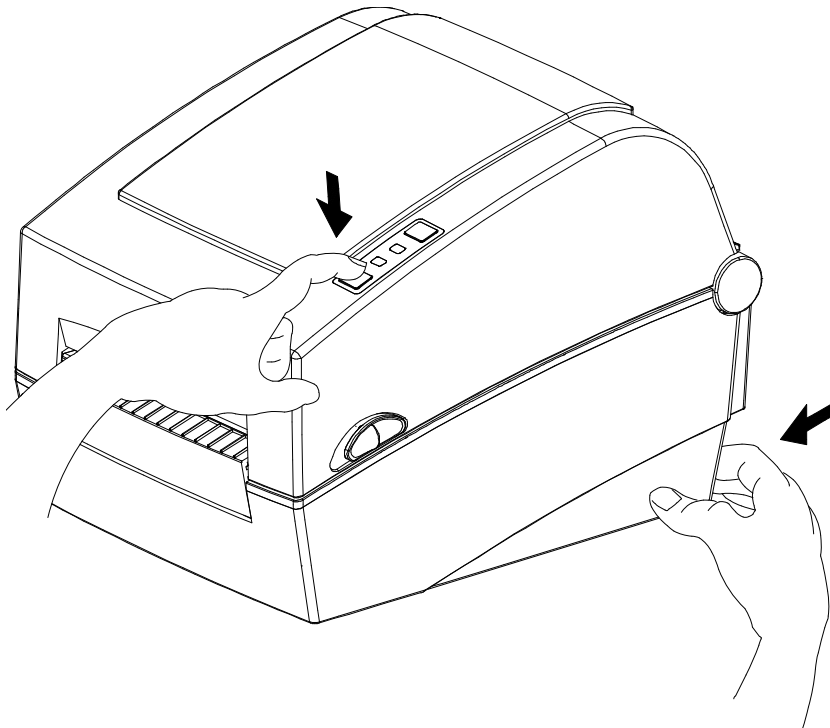
O teste automático verifica se a impressora tem algum problema.

(Os utilizadores não podem realizar este procedimento se utilizarem a opção de destacamento de etiquetas da impressora.)

Se a impressora não funcionar correctamente, contacte um revendedor autorizado.

Os testes automáticos verificam o seguinte:

- 1) Certifique-se de que o rolo de papel foi colocado correctamente.
- 2) Ligue a corrente enquanto mantém premido o botão Feed. O teste automático começa. (Demora cerca de 5 segundos antes do teste automático começar.)
- 3) O teste automático imprime as informações actuais de configuração da impressora.
- 4) Depois dos resultados do teste automático serem impressos; a impressora entra no modo de espera de impressão.



5. Funções detalhadas

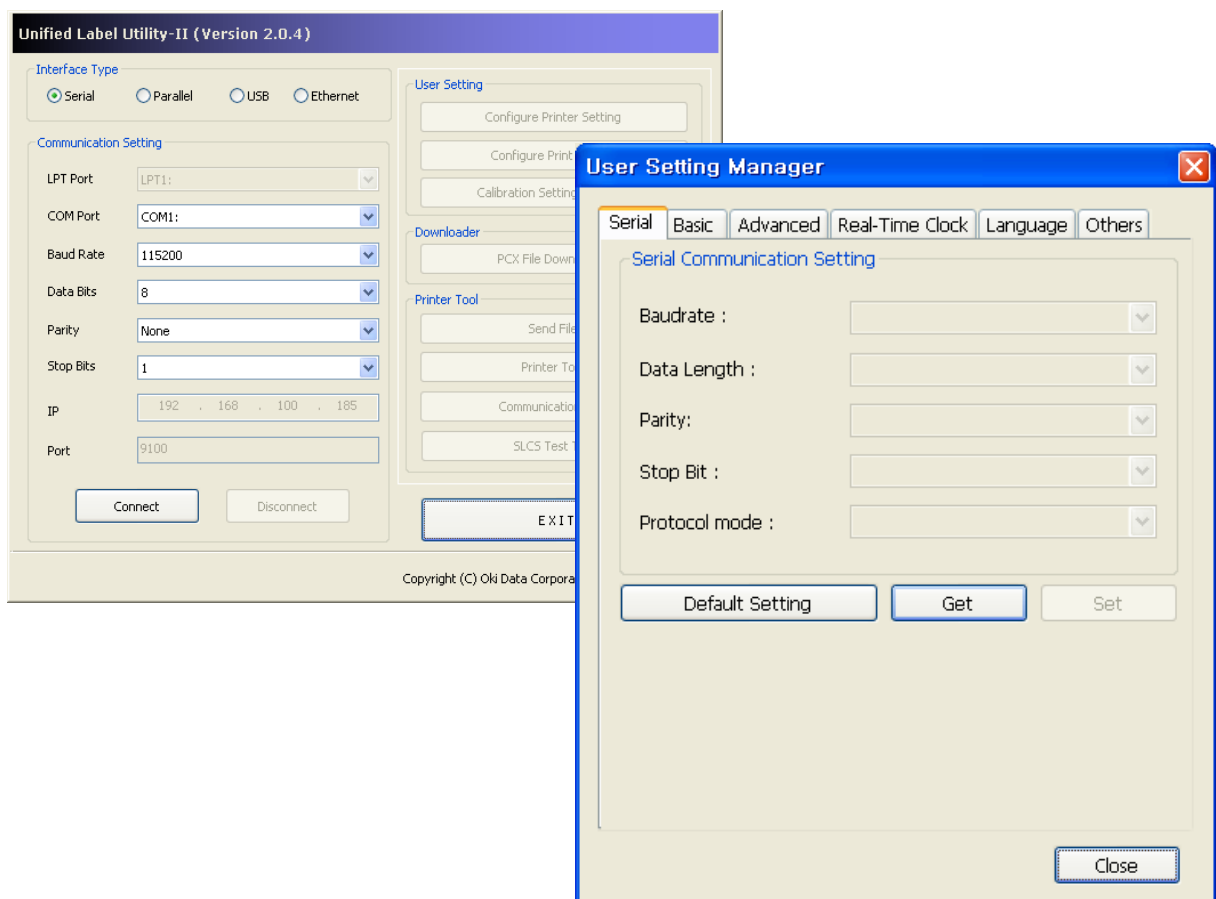
5-1 Utilizar o programa utilitário para configurar a impressora

O programa utilitário “Unified Label Utility-II” pode ser utilizado para alterar diversas definições da impressora.

As funções que podem ser usadas com o programa utilitário são as seguintes:

- 1) “Serial communication settings” (Definições de comunicações série)
Podem ser configuradas as funções “Handshake”, “Stop bit” (Bit de paragem), “Data bit” (Bit de dados), “Parity” (Paridade) e “Baud rate” (Velocidade de transmissão).
- 2) Definições básicas da impressora
Pode-se configurar o tamanho do papel, a velocidade e densidade de impressão, o tipo de papel e a utilização da fita.
- 3) Definição do idioma
A página de código pode ser configurada.
- 4) Função "Media Sensor Manual Calibration" (Calibração manual do sensor do suporte)
Esta função pode ser usada para detectar um papel de material especial que não é detectado pela função “Automatic Calibration” (Calibração automática). Consulte a página do modo de calibração manual para obter informações mais detalhadas.
- 5) Também há outras funções disponíveis para o teste da impressora.

Consulte o manual “United Label Utility-II” contido no CD para obter informações mais detalhadas.



5-2 Modo de configuração autónomo

Podem ser usados vários modos utilizando apenas os botões e o LED.

5-2-1 Iniciar o modo de configuração autónomo

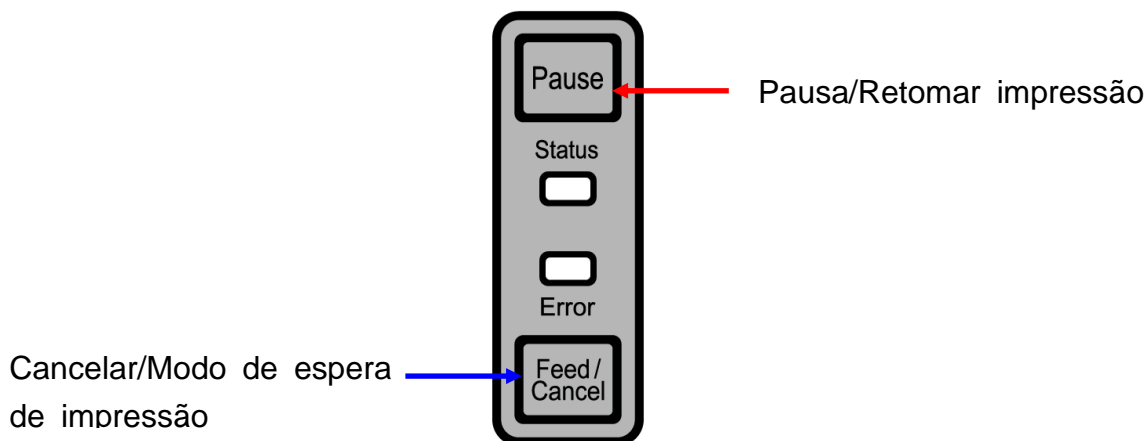
- O modo da impressora é definido para o modo de definição da impressora quando o botão “Pause” é pressionado durante dois segundos no modo de espera de impressão.
- Ambos os LED mudam para cor-de-laranja e a impressora é definida para o modo de configuração autónomo.
- Quando a impressora entra neste modo, o estado dos LED de estado e de erro é alterado sequencialmente.
- Quando o botão “Feed” é pressionado numa combinação específica de cores do LED; é seleccionada a operação de impressão correspondente.

5-2-2 Lista de funções suportadas

Número s equencial	LED de estado		LED de erro		Operação da impressora
	Cor	Estado	Cor	Estado	
1	Verde	Ligado	Verde	Pisca quatro vezes	Informações relativas à configuração da impressora
2			Laranja	Pisca quatro vezes	Lista de ficheiros para imprimir
3			Vermelho	Pisca quatro vezes	Repór do fabricante
4	Laranja	Ligado	Verde	Pisca quatro vezes	Calibração automática do sensor de intervalos
5			Laranja	Pisca quatro vezes	Calibração automática do sensor B/M
6			Vermelho	Pisca quatro vezes	Modo de cópias de segurança dos dados
7	Vermelho	Ligado	Verde	Pisca quatro vezes	Modo de demonstração
8			Laranja	Pisca quatro vezes	–
9			Vermelho	Pisca quatro vezes	Eliminar objectos

5-3 Pausa/Cancelar

Durante a impressão de várias páginas, os botões “Pause” (Pausa) e “Cancel” (Cancelar) (podem ser usados para terminar temporariamente ou cancelar a impressão.



5-3-1 Função “Pause/Resume” (Pausa/Retomar)

- 1) Se estiver a imprimir etiquetas, pressione o botão “Pause”.
- 2) A impressora entrará no modo de pausa depois de terminar a impressão de etiquetas e o estado dos LED será o seguinte:
 - LED de estado: verde intermitente
 - LED de erro: vermelho
- 3) Quando a impressão estiver no modo de pausa, pressione novamente o botão “Pause” para retomar a impressão.

5-3-2 Cancelar a impressão

- 1) Quando a impressora estiver a imprimir etiquetas e/ou no modo de pausa, se pressionar o botão “Cancel” irá colocar a impressora em modo de cancelamento.
- 2) Os seguintes processos ocorrem no modo de cancelamento da impressão:
 - Todas as impressoras de etiquetas canceladas
 - Todos os dados recebidos na memória intermédia das comunicações da impressora são eliminados.
 - Todos os dados recebidos são eliminados.
- 3) O estado dos LED no modo de cancelamento da impressão pode ser o seguinte:
 - LED de estado: verde
 - LED de erro: vermelho intermitente
- 4) No modo de cancelamento da impressão, pressione novamente o botão “Cancel” para que a impressora volte para o modo de espera de impressão.

5-4 Calibração do suporte

Esta impressora foi concebida para identificar os intervalos da maior parte das folhas para impressão; mas por vezes pode não identificar o intervalo e manter a alimentação do papel se for usado um papel especial. Neste caso, execute a função “Auto Calibration”, para que a impressora possa identificar o intervalo. A impressora Oki Data dispõe de diversos métodos de calibração do suporte, de modo a acomodar vários tipos de papel especial.

5-4- Acerca da calibração do suporte

- Esta função é utilizada para ajustar a sensibilidade do sensor de detecção do papel, a fim de obter um controlo exacto do posicionamento da impressão e a medição real do comprimento do papel.
- Ajuste da sensibilidade do sensor
 - O objectivo consiste em detectar o identificador (intervalo/marca preta/ranhura) da impressora de etiqueta.
- Medição do comprimento do papel
 - O comprimento deve ser exacto para se poder rodar a orientação da impressão.
 - O objectivo consiste em detectar a mudança do tipo de papel.

5-4-2 Quando é que é necessário realizar a calibração do suporte?

- Quando a impressora é instalada pela primeira vez.
- Quando o papel introduzido recentemente na impressora é um tipo de papel diferente.
- Quando a posição de impressão não é exacta ou a impressora não pára na posição correcta.

5-4-3 Calibração do suporte

- Os quatro métodos seguintes de calibração do suporte podem ser usados; dependendo das condições.
 - Detecção inteligente do suporte
 - Modo de calibração automática do sensor de intervalos.
 - Modo de calibração automática do sensor marca preta.
 - Modo de calibração manual.
- Porque há vários métodos de calibração?
 - Devem ser digitalizadas diversas etiquetas para calibrar o suporte. Pode-se conseguir uma calibração da sensibilidade mais exacta, se se digitalizarem mais etiquetas.
 - O número de etiquetas a digitalizar para o ajuste de sensibilidade do sensor; depende de vários factores, como por exemplo o material do papel da etiqueta, a cor, o estado da superfície, a espessura, o comprimento de intervalo, o padrão pré-impresso, etc.

- Há quatro modos de calibração diferentes para o compromisso entre a prevenção de uso excessivo de papel e a exactidão do ajuste de sensibilidade do sensor.
- O modo de detecção inteligente do suporte que permite realizar ajustes da sensibilidade com uma quantidade mínima de digitalizações; deverá ser suficiente para a maior parte das etiquetas normais.
- Tente diversos métodos pela seguinte ordem: "Smart Media Detection" (Detecção inteligente do suporte) → "Gap Sensor Automatic Calibration" (Calibração automática do sensor de intervalos) → "Black Mark Sensor Automatic Calibration" (Calibração automática do sensor da marca preta → "Manual Calibration Mode" (Modo de calibração manual).

5-5 Função "Smart Media Detection (Detecção inteligente do suporte)

- A impressora executa esta função quando é necessário e sem entrada do utilizador. Para concluir a configuração do suporte, utilize a função "Smart Media Detection", para a maior parte das folhas para imprimir.
- As folhas com intervalo ou marca preta podem ser identificados sem necessitar de configurações independentes.
- Serão usadas entre 3 a 5 etiquetas, dependendo do tipo de papel.
- A função "Smart Media Detection" é executada nos seguintes casos:
 - Quando a impressora é instalada pela primeira vez, utiliza-se o botão "Feed" ou o comando de impressão.
 - Quando é detectada uma mudança do comprimento de papel durante a alimentação ou impressão.
 - Quando o tipo de papel introduzido pelo comando é diferente do tipo de papel configurado.
 - Depois de repor as predefinições do fabricante.
- A função "Smart Media Detection" será desactivada depois de utilizar o modo de calibração automática ou o modo de calibração manual do suporte para definir a sensibilidade do sensor. Será activada novamente depois de repor as predefinições do fabricante da impressora.

5-6 Modo de calibração automática do sensor de intervalos

Use este modo quando o papel não for correctamente detectado pela função “Smart Media Detection”.

A impressora realiza automaticamente a alimentação do papel e a calibração do sensor de intervalos.

A impressora entra no modo de erro se a detecção de papel falhar depois de alimentar até 1 metro de papel. O modo de erro pode ser desactivado abrindo e fechando a tampa.

Utilize o modo de calibração manual, se a detecção de papel falhar neste modo.

A função “Smart Media Detection” será desactivada, se a detecção de papel for bem sucedida neste modo.

5-6-1 Realização da calibração

- Prima o botão “Feed” na sequência do 4º LED como é mostrado na secção 5-2-2 (o LED de estado está laranja e o LED de erro pisca verde quatro vezes), para iniciar o modo de calibração automática do sensor de intervalos.

5-7 Modo de calibração automática do sensor marca preta

Use este modo quando o papel não for correctamente detectado pela função “Smart Media Detection”.

A impressora realiza automaticamente a alimentação do papel e a calibração do sensor marca preta.

A impressora entra no modo de erro se a detecção de papel falhar depois de alimentar até 1 metro de papel. O modo de erro pode ser desactivado abrindo e fechando a tampa.

Utilize o modo de calibração manual, se a detecção de papel falhar neste modo.

A função “Smart Media Detection” será desactivada, se a detecção de papel for bem sucedida neste modo.

5-7-1 Realização da calibração

- Prima o botão “Feed” na sequência do 5º LED como é mostrado na secção 5-2-2 (o LED de estado está laranja e o LED de erro pisca laranja quatro vezes), para iniciar o modo de calibração automática do sensor marca preta.

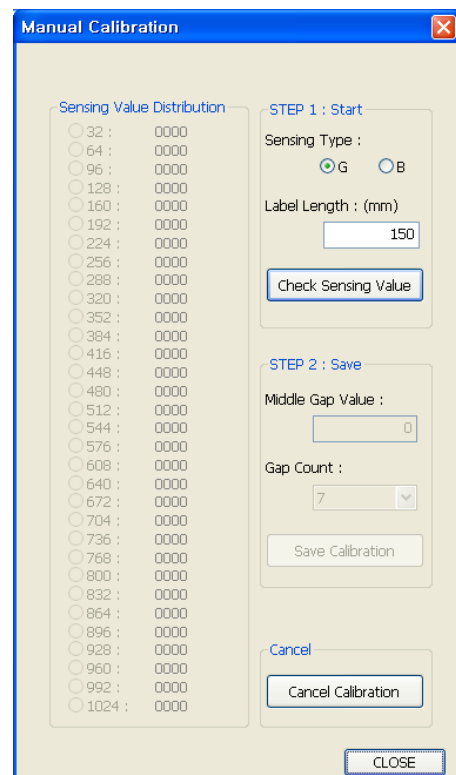
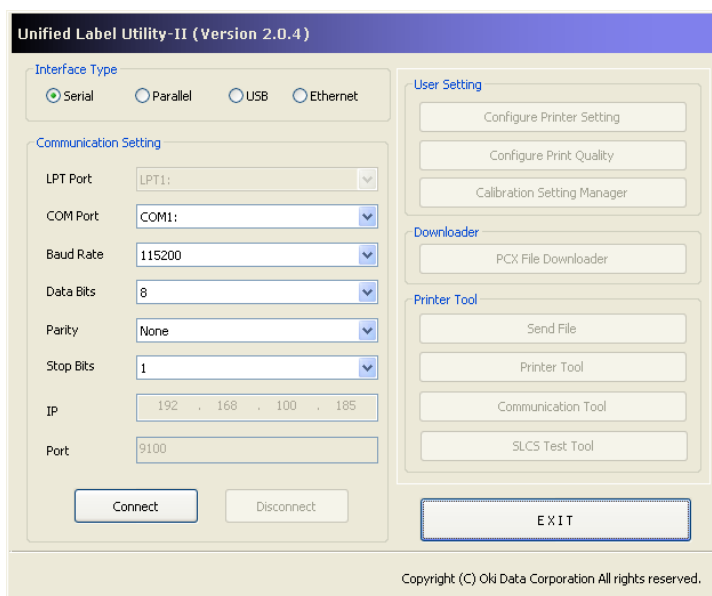
5-8 Modo de calibração manual

A calibração manual para detecção do suporte pode ser usada quando a impressora não detectar um intervalo no suporte (ou marca preta); mesmo depois de ter sido executada a calibração automática.

Os utilizadores podem utilizar o programa utilitário disponibilizado pelo fabricante para calibrar os parâmetros do sensor.

O programa utilitário está contido no CD anexo.

Certifique-se de que a impressora está ligada e execute o programa utilitário. Pressione o botão “Gestor de definições de calibração” depois de definir o tipo de interface.



- 1) Seleccione o tipo de sensibilidade e a entrada do comprimento da etiqueta por milímetro e clique no botão “Check Sensing Value” (Verificar valor da sensibilidade e). De seguida, a impressora inicia a operação de calibração.
- 2) A impressora irá digitalizar os valores depois da calibração e esses valores aparecerão no ecrã.
- 3) Os valores de sensibilidade óptimos aparecerão com letras maiúsculas no lado esquerdo do ecrã do programa utilitário. Seleccione um dos valores de sensibilidade óptimos, clicando no seu botão de opção e, de seguida, clique em "Save Calibration" (Guardar calibração).
- 4) Se os valores escolhidos não funcionarem correctamente, tente outros valores entre as letras a negrito.
- 5) Para voltar ao valor inicial, clique no botão “Cancel Calibration” (Cancelar calibração).

5-9 Modo de fecho da tampa

1. Acerca do modo de fecho da tampa

- A área de impressão pode ficar fora da margem do papel, se o papel não estiver na posição correcta de impressão quando a tampa for aberta e fechada.
- A impressora é colocada no modo de fecho da tampa, em vez do modo de espera de impressão; quando a tampa é fechada de modo a evitar este problema e aguarda pela entrada do utilizador.
- O estado dos LED é o seguinte neste modo:
 - LED de estado: verde intermitente
 - LED de erro: verde intermitente
- Os dados recebidos durante o modo de fecho da tampa não são impressos até que a impressora fique no modo de espera de impressão.

2. Mudar a impressora do modo de fecho da tampa para o modo de espera de impressão

- Pressione o botão “Pause” para mudar para o modo de espera de impressão e alimentar qualquer papel.
- Pressione o botão “Feed” para alimentar uma página, a fim de alinhar a posição do papel e mudar para o modo de espera de impressão.

5-10 Modo de cópias de segurança dos dados

Este modo pode ser usado para diagnosticar problemas de comunicação quando a impressora não funciona correctamente.

Neste modo, os dados recebidos não são analisados e impressos; em vez disso, são feitas cópias de segurança em formato hex sem serem processadas.

Desligue a impressora e volte a ligá-la para voltar ao modo de espera de impressão.

5-10-1 Iniciar o modo de cópias de segurança dos dados

- 1) Pressione o botão “Pause” por um período de tempo de dois segundos durante o modo de espera de impressão.
- 2) Ambos os LED mudam para cor-de-laranja e a impressora é definida para o modo de configuração autónomo.
- 3) Pressione o botão “Feed” (Alimentação) na sequência do 6º LED em 5-2-2 (LED de estado laranja/LED de erro vermelho – pisca quatro vezes) para activar o modo de cópia de segurança dos dados.

5-11 “Factory Reset”(Repor do fabricante)

Esta função é usada para repor as predefinições do fabricante da impressora.

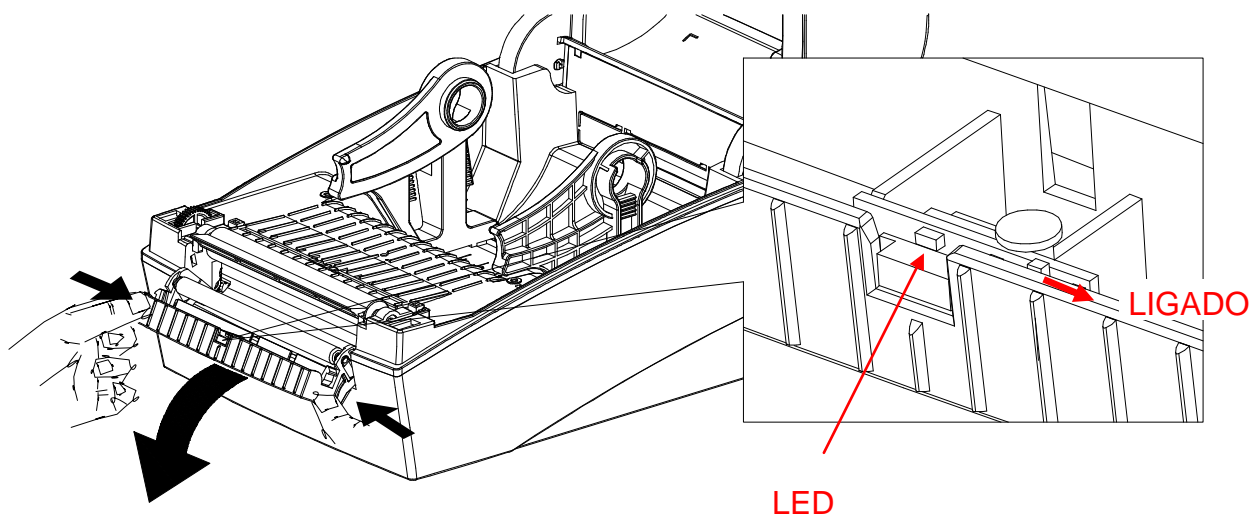
5-11-1 Reiniciar a impressora

- 1) Pressione o botão “Pause” por um período de tempo de dois segundos durante o modo de espera de impressão.
- 2) Ambos os LED mudam para cor-de-laranja e a impressora será definida para o modo de configuração autónomo.
- 3) Pressione o botão “Feed” na sequência do 3º LED como mostra a secção 5-2-2 (o LED de estado está verde e o LED de erro pisca vermelho quatro vezes), para repor as predefinições do fabricante da impressora. A função “Detecção inteligente do suporte” será executada.

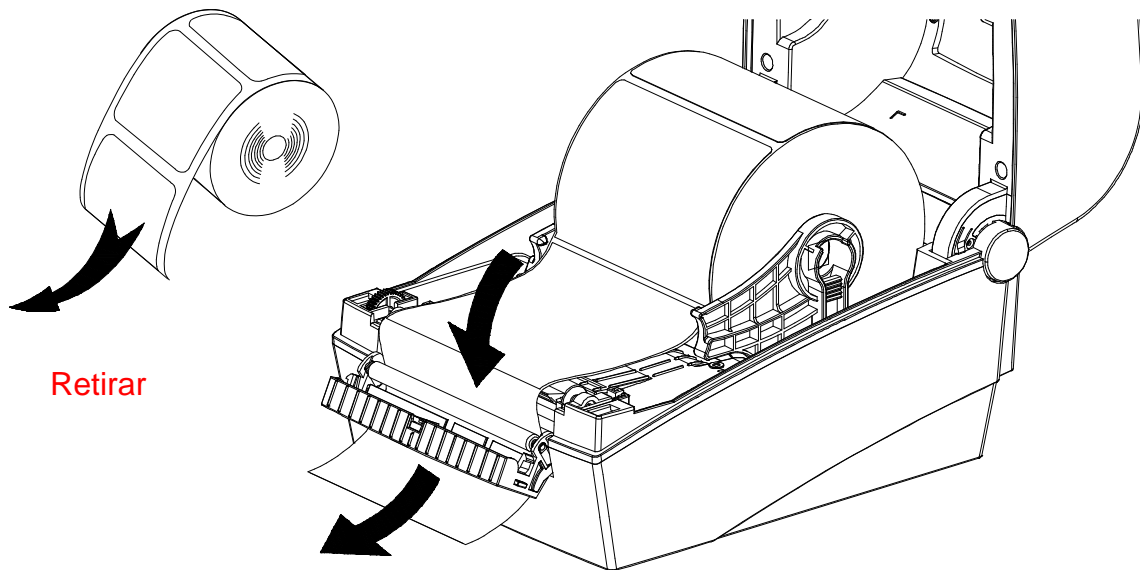
5-12 Função “Peel-Off” (Destacador) (opção)

Como esta função é usada para destacar etiquetas, só é usada com papel de etiqueta.

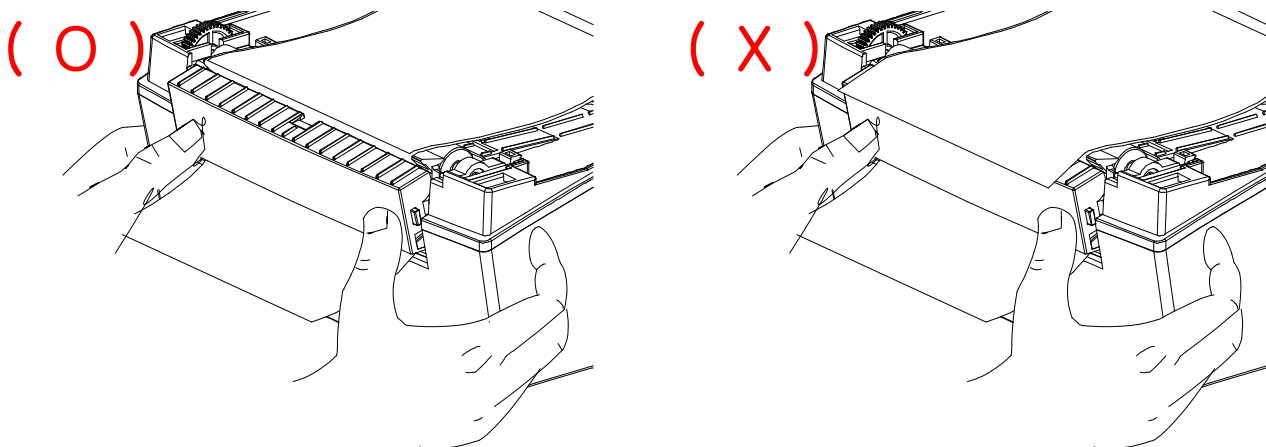
- 1) Abra a tampa do papel.
- 2) Abra a tampa do destacador de etiquetas e coloque o botão do destacador na posição ON (Ligado).
 - Verifique se o LED acendeu.



3) Retire uma folha do papel da etiqueta e insira o papel conforme exibido na imagem abaixo.



4) Ajuste as guias do papel e feche a tampa do destacador de etiquetas.



5) Feche a tampa do papel até se ouvir um clique.

6) Desligue e volte a ligar a impressora.

5-13 Usar papel Zig-Zag

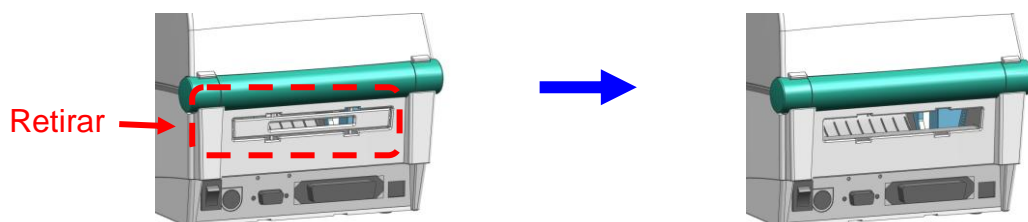
A introdução de papel externo na impressora é feita da seguinte forma:

5-13-1 Preparação da impressora

Retire a tampa de introdução do papel traseira localizada na parte posterior da impressora com uma faca ou outro instrumento de corte.

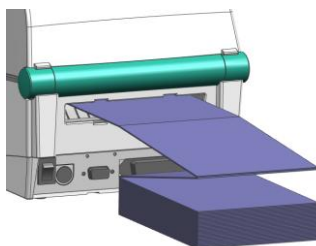
※ ATENÇÃO

- Tenha cuidado para não ferir as mãos e/ou qualquer outra parte do corpo quando efectuar este passo.

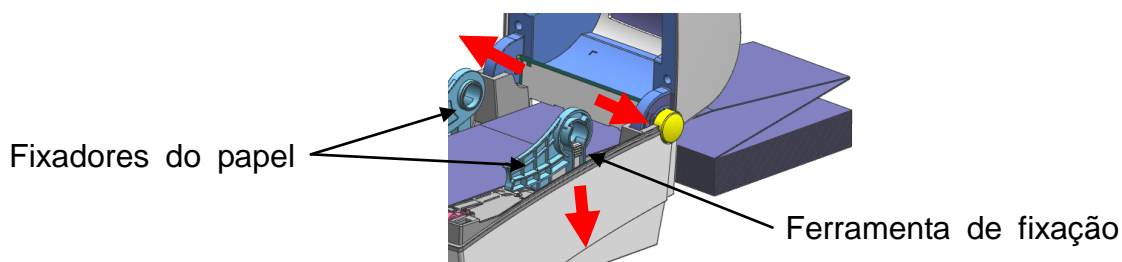


5-13-2 Usar papel Zig-Zag

1) Utilize a ranhura e as guias da impressora para inserir o papel na parte de trás do dispositivo.



2) Utilize a ferramenta de fixação para ajustar os fixadores do papel à largura do papel.

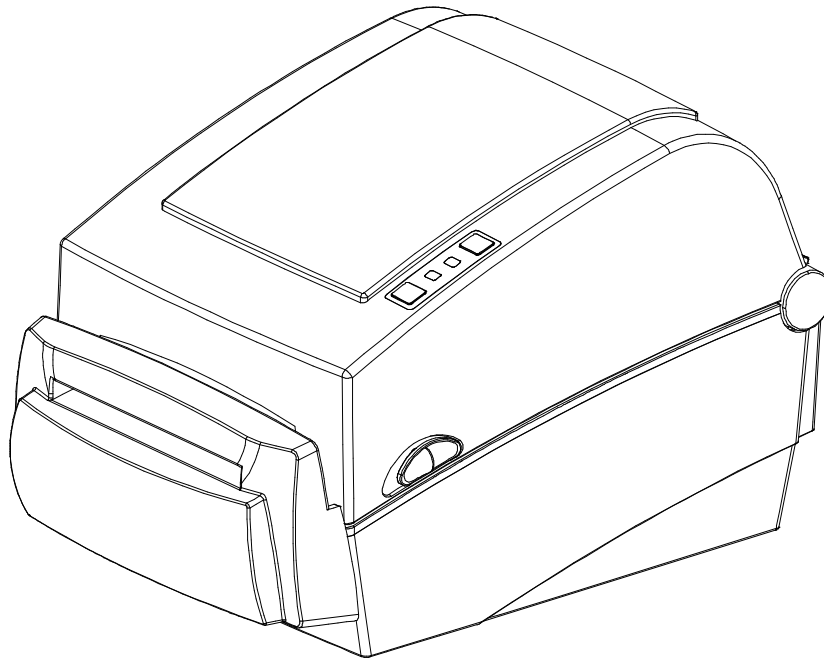


5-14 Cortador automático (opção)

Para o corte automático de papel, há produtos equipados com cortador automático.

O cortador automático pode ser controlado por comando. A predefinição pode ser alterada pelo programa utilitário “Unified Label Utility-II”.

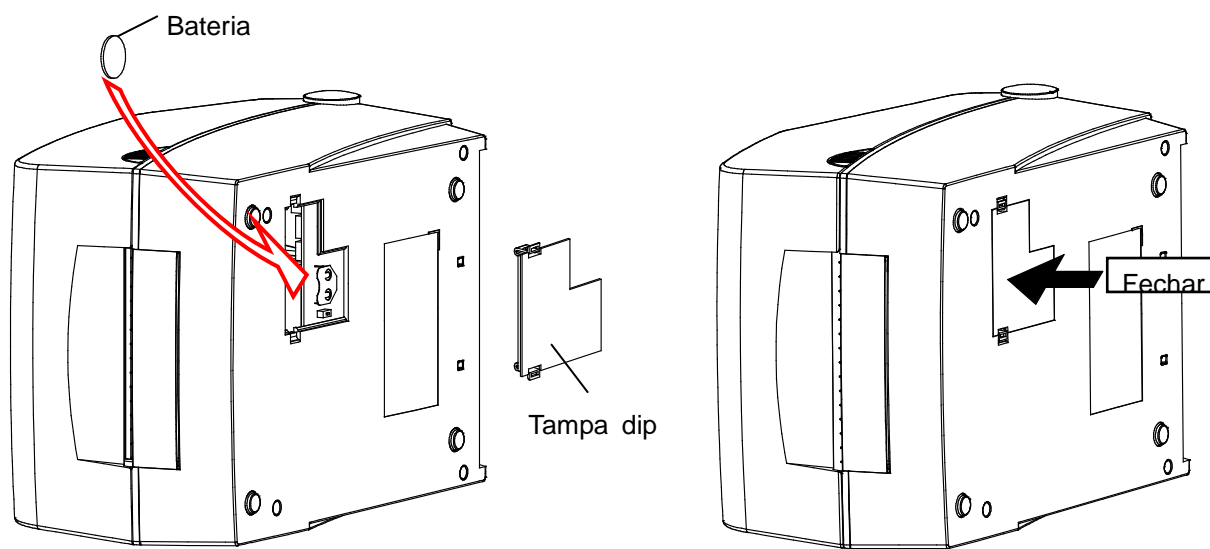
※ O método de introdução do papel é o mesmo que para o papel sem cortador automático.



5-15 “Real-Time Clock” (Relógio em tempo real) (opção)

A função da opção “Real-Time Clock” consiste em imprimir a hora e a data na etiqueta. Utilize o programa utilitário “Unified Label Utility-II” para definir a data e a hora.

Uma bateria está fraca ou seca quando a impressora apresenta a data e hora constantemente incorrectas. Se tal acontecer, tem de substituir a bateria. Quando a bateria é trocada, é necessário redefinir a hora e a data.

**※ ATENÇÃO**

- Por questões de segurança, a tampa de acesso localizada na parte inferior da impressora tem sempre de estar fechada. Quando trocar a bateria, abra a tampa com o dedo polegar e o dedo indicador. A seguir, feche a tampa depois de trocar a bateria.
- A bateria deve ser protegida quando for reciclada ou guardada para evitar a ocorrência de curto-circuitos.
- Não curte-circuite a bateria. Se o fizer, poderá ter como consequência a produção de calor ou fogo.
- Não desmonte ou aqueça a bateria.

6. Limpeza da cabeça da impressora

A qualidade da impressão pode ser afectada por pó, substâncias estranhas, substâncias adesivas ou outros materiais poluentes introduzidos na cabeça da impressora ou no interior da mesma.

Quando estive suja, limpe a cabeça da impressora da seguinte forma:

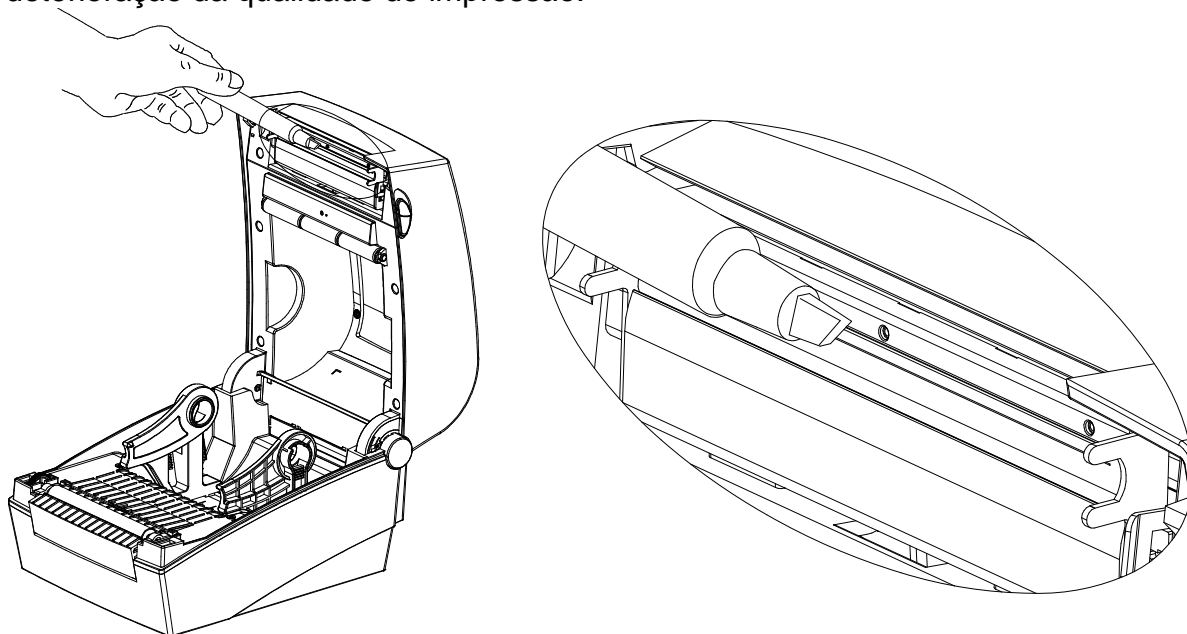
※ ATENÇÃO

- Certifique-se de que desligou a impressora antes de a limpar.
- Como a cabeça da impressora aquece muito durante a impressão; se a pretender limpar, desligue a impressora e aguarde 2 a 3 minutos antes de começar.
- Quando limpar a cabeça de impressão, tenha cuidado para não tocar na parte quente desta componente da impressora.
→ A cabeça da impressora pode ser danificada com a electricidade estática, etc.
- Tenha cuidado para não permitir que a cabeça de impressão sofra arranhões e/ou seja danificada de qualquer forma.
- Tenha cuidado para não entalar os dedos quando abrir ou fechar a tampa do papel. Certifique-se de que abriu a tampa do papel, até esta ficar totalmente aberta.
- Quando introduzir um rolo de papel na impressora, tenha cuidado para não entalar os dedos entre o rolo do papel e o fixador do papel.
- Não toque no cortador com as mãos e não introduza nenhum objecto no seu interior. Se o fizer, poderá haver lesões físicas.

6-1 Limpeza da cabeça da impressora

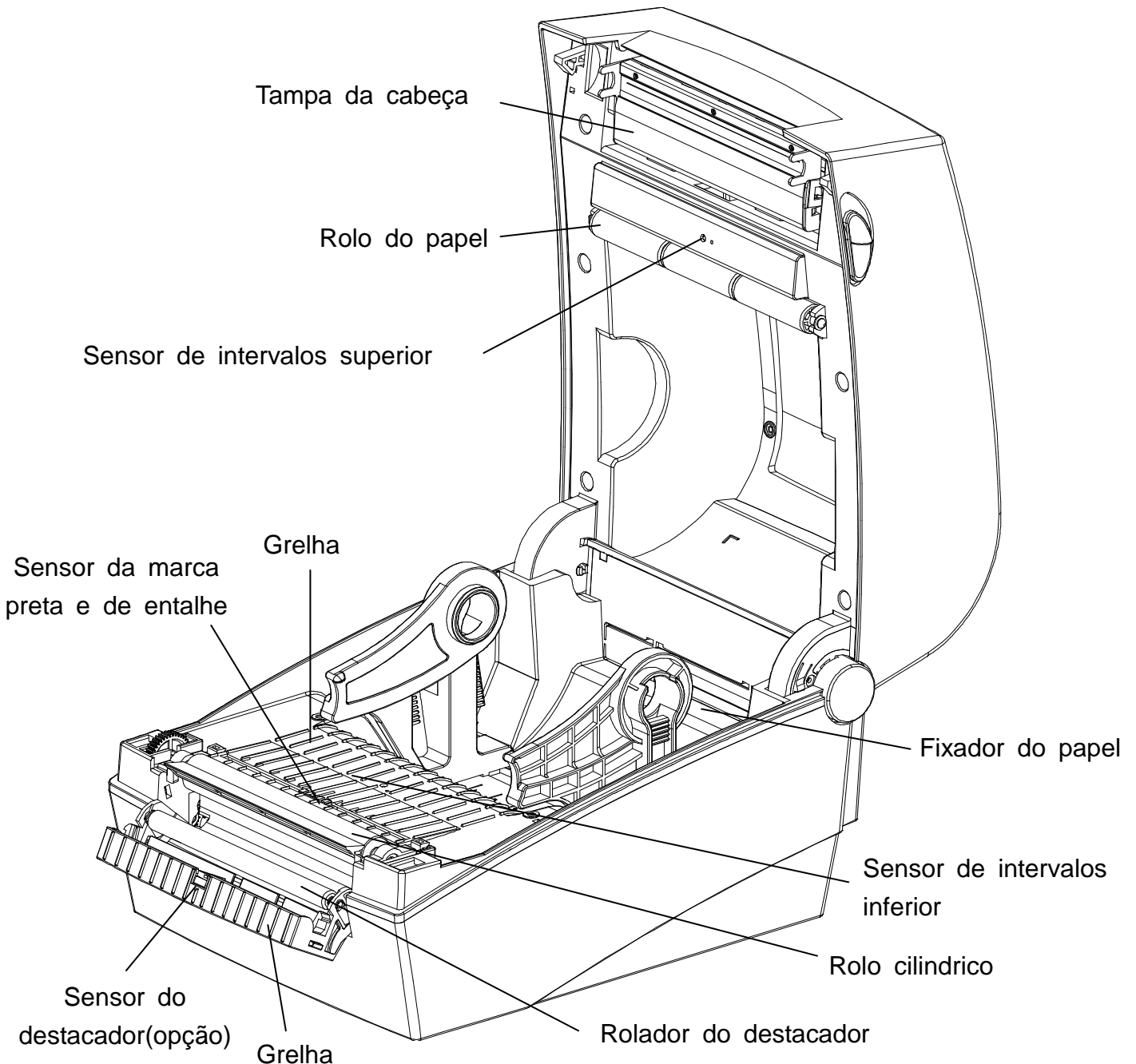
- 1) Abra a tampa de papel e, de seguida, utilize a caneta de limpeza para limpar a cabeça da impressora do centro da cabeça para as extremidades.
- 2) Depois de limpar a cabeça, não utilize a impressora até que o álcool usado para a limpeza evapore completamente (entre 1 e 2 minutos) e que a impressora esteja completamente seca.

- ※ Limpe a cabeça da impressora sempre que o rolo de papel for substituído para evitar a deterioração da qualidade de impressão.



6-2 Sensores de limpeza, cilindro e/ou via do papel

- 1) Abra a tampa do papel e, de seguida, retire o papel.
 - 2) Utilize um pano seco ou uma cotonete para remover qualquer poeira ou substância estranha acumulada na cabeça da impressora.
 - 3) Impregne o pano ou a cotonete em álcool medicinal e use-o para remover as substâncias estranhas, substâncias adesivas ou outros materiais poluentes.
 - 4) Depois de limpar as componentes, não utilize a impressora até que o álcool tenha evaporado completamente.
(Entre 1 e 2 minutos) e a impressora secou completamente.
- ※ Limpe as componentes da impressora quando houver uma deterioração da qualidade de impressão ou da detecção do papel.



7. Anexo

7-1 Especificações

	Item	Descrição
Impressora	Método de impressão	Impressão térmica directa
	Densidade dos pontos	LD630D: 203 dpi (8 pontos/mm) LD640D: 300 dpi (11,8 pontos/mm)
	Largura de impressão	LD630D: máx. 108 mm LD640D: máx. 105,7 mm (máx. 4,16")
	Velocidade de impressão	LD630D: máx. 165 mm/seg. (máx.6,5 ips) LD640D: máx. 102 mm/seg. (máx. 4 ips)
Papel	Largura	Entre 20 e 110 mm
	Rolo	Máx. 130 mm
	Núcleo	Entre 25,4 e 38,1mm
Transformador AC	Tensão de entrada	AC entre 100 e 240 V
	Frequência	50/60 Hz
	Tensão de saída	DC 24 V \pm 5%
	Corrente de saída	2,5 A
Condições de utilização	Temperatura	Entre 5 e 40 °C (funcionamento) Entre -20 e 60 °C (armazenamento)
	Humidade (excepto para o papel)	Entre 10 e 80% RH (funcionamento) Entre 10 e 90% RH (armazenamento)

※ Nota

- A velocidade de impressão pode variar, dependendo da velocidade de transmissão de dados e da combinação dos comandos de controlo.
- Este equipamento só deve ser utilizado em espaços fechados e todas as cablagens de comunicação estão limitadas ao interior do edifício.
- O interruptor é o dispositivo que permite desligar a impressora. Desligue o interruptor se houver algum acidente com a impressora.

7-2 Tipos de etiquetas

Os tipos de etiquetas utilizados com esta impressora são os seguintes:

- Etiquetas de controlo: PP
- Outras etiquetas: PET

Oki detalhes de contacto

OkicontactName. Oki Systems (UK) Limited

OkicontactAddress.550 Dundee Road
Slough Trading Estate
Slough
Berkshire
SL1 4LE

Tel:+44 (0) 1753 819819
Fax:+44 (0) 1753 819899
<http://www.oki.co.uk>

Oki Systems Ireland Limited

The Square Industrial Complex
Tallaght
Dublin 24

Tel:+353 (0) 1 4049590
Fax:+353 (0)1 4049591
<http://www.oki.ie>

Oki Systems Ireland Limited - Northern Ireland

19 Ferndale Avenue
Glengormley
BT36 5AL
Northern Ireland

Tel:+44 (0) 7767 271447
Fax:+44 (0) 1 404 9520
<http://www.oki.ie>

Technical Support for all Ireland:

Tel:+353 1 4049570
Fax:+353 1 4049555
E-mail: tech.support@oki.ie

Oki Systems (Czech and Slovak), s.r.o.

IBC – Pobřežní 3
186 00 Praha 8
Czech Republic

Tel: +420 224 890158
Fax:+420 22 232 6621
Website: www.oki.cz, www.oki.sk

Oki Systems (Deutschland) GmbH

Hansaallee 187
40549 Düsseldorf

Tel: 01805/6544357**
01805/OKIHELP**
Fax: +49 (0) 211 59 33 45
Website:
www.okiprintingsolutions.de
info@oki.de

**0,14€/Minute aus dem dt. Festnetz
der T-Com (Stand 11.2008)

Διανομέας των συστημάτων OKI

CPI S.A1 Rafailidou str.
177 78 Tavros
Athens
Greece

Tel: +30 210 48 05 800
Fax:+30 210 48 05 801
EMail:sales@cpi.gr

Oki Systems (Iberica), S.A.U

C/Teide, 3
San Sebastian de los Reyes
28703, Madrid

Tel:+34 91 3431620
Fax: +34 91-3431624
Atención al cliente: 902 36 00 36
Website: www.oki.es

Oki Systèmes (France) S.A.

44-50 Av. du Général de Gaulle
94246 L'Hay les Roses
Paris

Tel:+33 01 46 15 80 00
Télécopie:+33 01 46 15 80 60
Website: www.oki.fr

Oki Systems (Magyarország) Kft.

Capital Square
Tower 2
7th Floor
H-1133 Budapest,
Váci út 76
Hungary

Telefon: +36 1 814 8000
Telefax: +36 1 814 8009
Website: www.oki.hu

Oki Systems (Italia) S.p.A.

via Milano, 11,
20084 Lacchiarella (MI)

Tel:+39 (0) 2 900261
Fax:+39 (0) 2 90026344
Website: www.oki.it

Oki Printing Solutions

Platinum Business Park II, 3rd Floor
ul. Domaniewska 42
02-672 Warsaw
Poland

Tel:+48 22 448 65 00
Fax:+48 22 448 65 01
Website: www.oki.com.pl
E-mail: oki@oki.com.pl
Hotline: 0800 120066
E-mail: tech@oki.com.pl

Oki Systems (Ibérica) S.A.

Sucursal Portugal
Edifício Prime -
Av. Quinta Grande 53
7º C Alfragide
2614-521 Amadora
Portugal

Tel:+351 21 470 4200
Fax:+351 21 470 4201
Website:www.oki.pt
E-mail : oki@oki.pt

Oki Service

Serviço de apoio técnico ao Cliente

Tel: 808 200 197
E-mail : okiserv@oki.pt

OKI Europe Ltd. (Russia)

Office 702, Bldg 1
Zagorodnoye shosse
117152, Moscow

Tel: +74 095 258 6065
Fax: +74 095 258 6070
e-mail: info@oki.ru
Website: www.oki.ru

Technical support:

Tel: +7 495 564 8421
e-mail: tech@oki.ru

Oki Systems (Österreich)

Campus 21
Businesszentrum Wien Sued
Liebermannstrasse A02 603
22345 Brun am Gebirge

Tel: +43 223 6677 110
Drucker Support:
+43 (0) 2236 677110-501
Fax Support:
+43 (0) 2236 677110-502
Website: www.oki.at

OKI Europe Ltd. (Ukraine)

Raisy Opkinoy Street,8
Building B, 2nd Floor,
Kiev 02002
Ukraine

Tel: +380 44 537 5288
e-mail: info@oki.ua
Website: www.oki.ua

OKI Sistem ve Yazıcı Çözümleri Tic. Ltd. Şti.

Harman sok Duran Is Merkezi,
No:4, Kat:6,
34394, Levent
İstanbul

Tel: +90 212 279 2393
Faks: +90 212 279 2366
Web: www.oki.com.tr
www.okiprintingsolutions.com.tr

Oki Systems (Belgium)

Medialaan 24
1800 Vilvoorde

Helpdesk: 02-2574620
Fax: 02 2531848
Website: www.oki.be

AlphaLink Bulgaria Ltd.

2 Kukush Str.
Building "Antim Tower", fl. 6
1463 Sofia, Bulgaria

tel: +359 2 821 1160
fax: +359 2 821 1193
Website: <http://bulgaria.oki.com>

OKI Printing Solutions

Herstedøstervej 27
2620 Albertslund
Danmark

Adm.: +45 43 66 65 00
Hotline: +45 43 66 65 40
Salg: +45 43 66 65 30
Fax: +45 43 66 65 90
Website: www.oki.dk

Oki Systems (Finland) Oy

Polaris Capella
Vänrikinkuja 3
02600 Espoo

Tel: +358 (0) 207 900 800
Fax: +358 (0) 207 900 809
Website: www.oki.fi

Oki Systems (Holland) b.v.

Neptunstraat 27-29
2132 JA Hoofddorp

Helpdesk: 0800 5667654
Tel: +31 (0) 23 55 63 740
Fax: +31 (0) 23 55 63 750
Website: www.oki.nl

Oki Systems (Norway) AS

Tevlingveien 23
N-1081 Oslo

Tel: +47 (0) 63 89 36 00
Telefax: +47 (0) 63 89 36 01
Ordrefax: +47 (0) 63 89 36 02
Website: www.oki.no

**General Systems S.R.L.
(Romania)**

Sos. Bucuresti-Ploiesti Nr. 135.
Bucharest 1
Romania

Tel: +40 21 303 3138
Fax: +40 21303 3150
Website: http://romania.oki.com

Var vänlig kontakta din Återförsäljare
i första hand, för konsultation. I
andra hand kontakta

Oki Systems (Sweden) AB

Borgafjordsgatan 7
Box 1191
164 26 Kista

Tel. +46 (0) 8 634 37 00
e-mail:
info@oki.se för allmänna frågor om
Oki produkter

support@oki.se för teknisk support
gällandes Oki produkter

Vardagar: 08.30 - 12.00,
13.00 - 16.00
Website: www.oki.se

Oki Systems (Schweiz)

Baslerstrasse 15
CH-4310 Rheinfelden

Support deutsch +41 61 827 94 81
Support français +41 61 827 94 82
Support italiano +41 061 827 9473
Tel: +41 61 827 9494
Website: www.oki.ch

Oki Data Americas Inc.(United States)

2000 Bishops Gate Blvd.
Mt. Laurel, NJ 08054
USA

Tel: 1-800-654-3282
Fax: 1-856-222-5247
http://WWW.OKIPRINTINGSOLUTIONS.COM
http://my.okidata.com

Oki Data Americas Inc.(Canada • Canadá)

4140 B Sladeview Crescent Units 7&8
Mississauga, Ontario
Canada L5L 6A1

Tél: 1-905-608-5000
Télé: 1-905-608-5040
http://WWW.OKIPRINTINGSOLUTIONS.COM

Oki Data Americas Inc.(América Latina (OTRO))

2000 Bishops Gate Blvd.
Mt. Laurel, NJ 08054
USA

Tel (Español): 1-856-222-7496
1-856-222-5276
Fax: 1-856-222-5260
Email: LASatisfaction@okidata.com

Oki Data de Mexico, S.A. de C.V.

Mariano Escobedo #748, Piso 8
Col. Nueva Anzures
C.P. 11590, México, D.F.

Tel: 52-555-263-8780
Fax: 52-555-250-3501
http://WWW.OKIPRINTINGSOLUTIONS.COM

Oki Data do Brasil, Ltda.

Rua Avenida Alfredo Egidio de souza Aranha
100-4º andar-Bloco C Chacara Santo Antonio
Sao Paulo, Brazil 04726-170

Tel: 55-11-3444-6747 (Grande São Paulo)
0800-11-5577 (Demais localidades)
Fax: 5511-3444-3501
e-mail: okiserv@okidata.com.br
http://WWW.OKIPRINTINGSOLUTIONS.COM

Oki Data (Singapore) Pte. Ltd.

438A Alexandra Road #02-11/12,
Lobby 3, Alexandra Technopark
Singapore(119967)

Tel:(65) 6221 3722
Fax:(65) 6594 0609
http://www.okidata.com.sg

Oki Systems (Thailand) Ltd.

1168/81-82 Lumpini Tower,
27th Floor Rama IV Road
Tungmahamek, Sathorn
Bangkok 10120

Tel:(662) 679 9235
Fax:(662) 679 9243/245
http://www.okisysthai.com

Oki Systems (Hong Kong) Ltd.

Suite 1908, 19/F, Tower 3,
China Hong Kong City
33 Canton Road, TsimShaTsui,
Kowloon, Hong Kong

Tel: (852) 3543 9288
Fax: (852) 3549 6040
http://www.okiprintingsolutions.com.hk

Oki Data(Australia) Pty Ltd.

Levw1 67 Epping Road, Macquarie Park
NSW 2113, Australia

Tel: +61 2 8071 0000
(Support Tel: 1800 807 472)
Fax: +61 2 8071 0010
http://www.oki.com.au

Comworth Systems Ltd.

8 Antares Place Mairangi Bay,
Auckland, New Zealand

Tel:(64) 9 477 0500
Fax:(64) 9 477 0549
http://www.comworth.co.nz

Oki Data(S) P Ltd. Malaysia Rep Office

Suite 21.03, 21st Floor Menara IGB,
Mid Valley City,
Lingkaran Syed Pura 59200,
Kuala Lumpur, Malaysia

Tel: (60) 3 2287 1177
Fax: (60) 3 2287 1166

Oki Data Corporation
4-11-22 Shibaura, Minato-ku, Tokyo
108-8551, Japan

www.okiprintingsolutions.com

