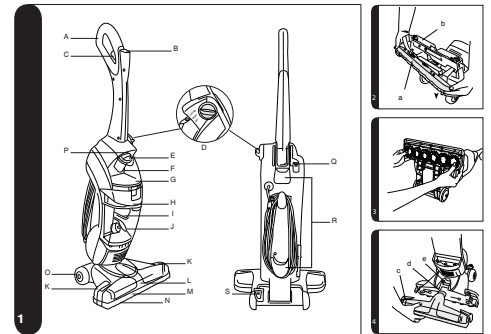




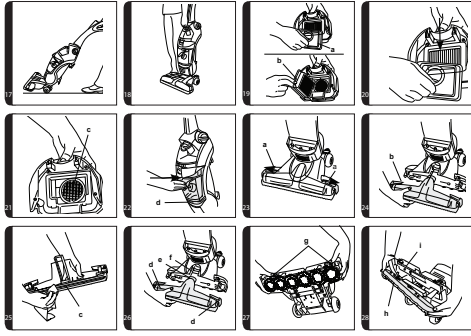
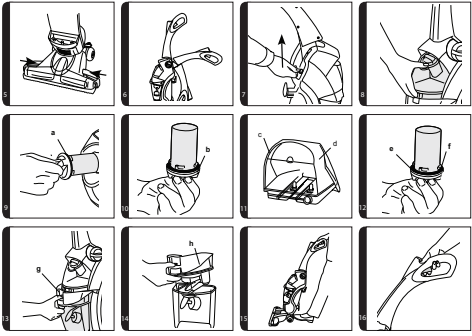
# HOOVER FLOORMATE

INSTRUCTION MANUAL  
ENGLISH GB  
FRANCAIS FR  
ITALIANO IT  
DEUTSCH DE  
PORTUGUES PT  
ESPAÑOL ES  
DANSK DK  
NORSK NO  
SVEDESKA SV  
SUOMI FI  
SUOMI PU  
POLSKI PL  
SUOMI SUOMI  
SUOMI SUOMI



PRINTED IN P.R.C.  
480579







## IMPORTANT SAFETY REMINDERS

This cleaner should only be used for domestic cleaning, as described in this user guide. Please ensure that this guide is fully understood before operating the appliance. Use only attachments recommended or supplied by Hoover.

When using cleaning tools ensure to always steady the product with your other hand. This will ensure the product does not fall while in use.

**WARNING:** Danger of scalding. This product is very hot when used. Avoid any contact with steam.

**WARNING:** Electricity can be extremely dangerous. This appliance must be earthed. This plug is fitted with a 13 amp fuse (UK only).

**IMPORTANT:** The wires in the mains power lead are coloured in accordance with the following code: **Blue – Neutral** **Brown – Live**

**AFTER USE:** Switch the cleaner off and remove the plug from the electricity supply. Always switch off and remove the plug before cleaning the appliance or attempting any maintenance task.

### SAFETY WITH CHILDREN, ELDERLY OR THE INFIRM:

This appliance can be used by children aged from 8 years and above and persons with reduced physical, sensory or mental capabilities or lack of experience and knowledge if they have been given supervision or instruction concerning use of the appliance in a safe way and understand the hazards involved. Children shall not play with the appliance. Cleaning and user maintenance shall not be made by children without supervision.

**HOOVER SERVICE:** To ensure the continued safe and efficient operation of this appliance we recommend that any servicing or repairs are only carried out by an authorised Hoover service engineer.

## IT IS IMPORTANT THAT YOU

GB

- Use indoors only.
- Use only on surfaces moistened by the cleaning process or small spills. Do not immerse product.
- For use on bare floors or sealed wood floors. NOT for use on carpets.
- Always install float before any wet pick up operation.
- Close supervision is necessary when any appliance is used by or near children. Do not allow cleaner to be used as a toy or to run unattended at any time.
- Keep hair, loose clothing, fingers, feet and all parts of body away from openings and moving parts.
- Do not pick up anything that is burning or smoking, such as cigarettes, matches, or hot ashes.
- Do not pick up or use flammable or combustible materials such as gasoline or fine wood sandings or use in areas where they may be present.
- Avoid picking up hard, sharp objects with the cleaner. They may damage the machine.
- Do not put any object into openings. Do not use with any opening blocked; keep free of dust, lint, hair, and anything that may reduce air flow.
- Do not pull or carry by cord, use cord as a handle, close door on cord or pull cord around sharp edges or corners. Do not run appliance over cord. Keep cord away from heated surfaces.
- Always disconnect cord from electrical outlet before servicing the cleaner.
- Unplug cleaner when not in use. Turn off all controls before unplugging.
- Do not unplug by pulling on cord. To unplug, grasp the plug, not the cord.
- Never handle plug or appliance with wet hands.
- Do not clean over floor electrical outlets.
- Do not use without tanks in place.
- Use extra care when cleaning on stairs. Do not place cleaner on stairs.
- Keep detergents and other cleaners out of children's reach.
- Do not pick up chlorine bleach, drain cleaner, gasoline or any other toxic material with this appliance.
- When using recommended chemicals with this machine, be certain area is well ventilated.
- Do not use a flammable or combustible liquid to clean a floor.
- Follow manufacturer's instructions for all chemicals used with this machine. Do not exceed recommended mixing ratios.
- Store in a dry place. Do not expose machine to freezing temperatures.
- Do not continue to use your cleaner if it appears to be faulty. If the power cord is damaged stop using the cleaner IMMEDIATELY. To avoid a safety hazard, an authorised Hoover service engineer must replace the power cord.
- Use cleaner only for its intended use as described in the instructions.

## GETTING TO KNOW YOUR CLEANER

- A. Soft Hand Grip
- B. ON/OFF Switch
- C. Solution Trigger: squeeze to release cleaning solution
- D. Mode Selector Dial: turns brushes ON for wet washing and OFF for drying and vacuuming
- E. Clean Water Solution Tank Cap/Measuring Cup
- F. Clean Water Solution Tank
- G. Clean Water Solution Tank Release
- H. Dirty Water Tank Release
- I. Dirty Water Tank Lid and Filter
- J. Dirty Water Tank: collects dry debris as well as dirty cleaning solution
- K. Nozzle Release Buttons: release nozzle for easy clean-up (located behind nozzle)
- L. Nozzle
- M. Squeegee (underneath nozzle)
- N. Bumper
- O. Soft-tread Wheels
- P. Carrying Handle
- Q. Upper Handle Release Button
- R. Cord Hooks: top hook rotates for quick cord release
- S. Handle Release Pedal

## ASSEMBLING YOUR CLEANER

Remove all components from the packaging.

### Install Brushes and Nozzle

1. To install brushes, place handle in upright position. Tilt cleaner back so that it rests on the floor. Align post (a) on brush block with hole (b) on bottom of cleaner. Turn brushes slightly until post fits easily into hole. [2]
2. Press brush assembly firmly to snap into place. [3]
3. To install nozzle, make sure latches (c) are out. Align middle section (d) of nozzle with opening (e) on cleaner. Remove cardboard packing insert from squeegee area on underside of nozzle. [4]
4. While holding nozzle in place, slide latches inward to lock in place. [5]

### Unfold / Fold the Handle

1. Raise upper handle to upright position until it locks in place. [6]
2. Press upper handle release button to fold handle to storage position. [7]

## USING YOUR CLEANER

### BEFORE YOU BEGIN CLEANING

#### Clean Water Tank Solution

The Clean Water Solution Tank holds detergent and water that is to be dispersed onto the surface being cleaned.

1. Turn cleaner off and disconnect from electrical outlet.
2. Place carpet cleaner handle in the upright, locked position. [6]
3. To remove tank, squeeze release button and pull tank straight out. [8]
4. Rotate tank cap counter-clockwise and lift up to remove cap (a). [9]
5. Turn cap (b) upside down to serve as a measuring cup. [10]
6. For hard surface floors such as vinyl, linoleum, marble, laminate wood, polyurethane sealed wood or other wood floors that can normally be cleaned using water, use one cup (60ml) of low foam producing floor detergent.
7. Pour cleaning detergent into tank (c). Fill tank to fill line (d) with warm water. [11]
8. If rubber ring (e) on cap has become dislodged, reposition it with uneven side against ledge (f) as shown. [12]
9. Replace cap. Rotate cap clockwise until it locks in place. Cap must be locked in place for proper performance and to prevent leaking.
10. Slide tank straight into position until latch snaps in place.

Note: Check for worn spots or joint separations before using, as these conditions could lead to damaged flooring when using water to clean floor.

IMPORTANT: Do not use cleaning concentrates that contain solvent based ingredients.

### Cleaning Floors

Recommended cleaning sequence:

**VACUUM:** Vacuum to remove loose dirt, hair and debris.

**WASH:** Clean the floor surface. The brushes will provide light agitation to help loosen dirt.

**DRY:** Pickup reduces drying time of the floor surface.

1. Set Mode selector dial to VACUUM position and vacuum floor. [1D]
2. Fill Clean Water Solution Tank with either floor cleaning detergent and water.
3. Turn Mode selector dial to WASH position. [1D]
4. Dry hands and plug cleaner into a properly grounded outlet.
5. Step on handle release pedal and lower handle to operating position. [15] Turn cleaner ON. [1B]
6. To release solution, squeeze trigger. Slowly move cleaner forward and backward over area to be cleaned. Squeeze trigger to release solution as needed. [16]
7. Overlap strokes by one inch to help prevent streaking. The cleaner's suction will pick up the dirty solution throughout cleaning.

8. To greatly enhance drying of the floor surface, release trigger and turn Mode selector dial to the DRY position. **[1D]** Continue to move cleaner over the area to pick up the dirty solution.
9. To continue cleaning another area, turn Mode selector dial to WASH position. **[1D]** Repeat cleaning motion.
10. Empty Dirty Water Tank or clean the filter when the motor sound becomes higher in pitch and there is a loss of suction (see "Automatic shut-off" section).

#### Picking up spills

Your cleaner may also be used to pick up small liquid spills (1L or less, never to exceed 1/4 inch in depth) on non-carpeted floors.

Turn Mode selector dial to the WASH position and **release** the trigger. Continue to move cleaner over the area to pick up the spill.

#### Transporting your cleaner

1. To move your cleaner from room to room, put handle in upright position, tilt cleaner back on rear wheels and push forward. **[17]**
2. The cleaner may also be lifted using the carrying handle (A) on the front of the cleaner. **[18]**

#### Storage

Before storing cleaner:

- Turn cleaner OFF and disconnect from electrical outlet.
- Empty and rinse solution and Dirty Water Tanks. Allow to air dry.
- Press on upper handle release button to lower handle for storage.
- Make sure that nothing is pressing on the nozzle squeegee.
- Do not store cleaner on a wood surface unless cleaner is completely dry.

## MAINTENANCE

### Emptying The Dirty Water Tank

#### Automatic "Shut Off"

An automatic suction shut-off is built into the Dirty Water Tank to prevent the tank from overflowing. When the shut-off activates, the cleaner will not pick up debris and the sound of the motor will change. The Dirty Water Tank is full and must be emptied.

1. Turn cleaner off and disconnect from electrical outlet.
2. To remove tank, press down on release button (g) and pull tank straight out. **[13]**
3. Remove tank lid (h). Empty tank. **[14]**

Note: Although not necessary for satisfactory performance, it is recommended that the Dirty Water Tank be emptied after dry vacuuming and before wet operation.

### Cleaning the Filters

The tank lid contains a washable, reusable filter. Clean this filter when suction is low or reduced.

1. Turn cleaner off and disconnect from electrical outlet.
2. Remove Dirty Water Tank and lid **[13&14]** Remove filter lid (a), then remove filter (b). **[19]**
3. Remove loose debris from filter by tapping the filter or gently brushing using your hand. The filter may also be rinsed for additional cleaning. Allow filter to air dry between uses.
4. Reposition filter.
5. Replace filter lid. Press down firmly until snapped in place. **[20]**
6. Dry or loose debris will also collect on the filter screen located in the tank lid. To remove debris from screen, remove the pleated filter from the lid. Remove debris from screen (c). **[21]**
7. The filter screen may also be cleaned by rinsing it under running water.
8. Reposition pleated filter in lid. Replace lid onto Dirty Water Tank, pressing down firmly until snapped in place.
9. To replace Dirty Water Tank, place bottom of tank behind ledge (d) and push tank straight into cleaner body until it is locked in place. **[22]**

### Cleaning the Nozzle

1. Slide the two nozzle release latches (a) outward. **[23]**
2. Remove nozzle (b) by pulling straight out. **[24]**
3. Rinse nozzle under running water. Remove debris from squeegee (c) and wipe with a damp cloth. **[25]**
4. To replace nozzle, make sure latches (d) are out. Cleaner should be in the upright position for easier assembly of the nozzle. Align middle section (e) of nozzle with opening (f) on cleaner. **[26]**
5. While holding nozzle in place, slide latches inward to lock in place. **[5]**

### Cleaning and Changing the Brush Assembly

#### How to Remove

1. Place handle in the upright position. Remove tanks to prevent leaking. Set aside.
2. Pull the two nozzle release buttons (a) out. **[23]** Remove nozzle. **[24]** Tilt cleaner back so handle rests on floor.
3. Push two brush release buttons (g) and remove the brush assembly. **[27]**
4. The brushes can be washed with a mild detergent and rinsed. Do not use a solvent based detergent.



GB

### How to Replace

1. To replace brushes, align post (h) on brush block with hole (i) on bottom of cleaner. Turn brushes slightly until post fits easily into hole. Press brush assembly firmly to snap into place. [28]
2. Return cleaner to upright position. Replace nozzle, making sure latches (d) are out. Align middle section (e) of nozzle with opening (f) on cleaner. [26]
3. While holding nozzle in place, slide latches inward to lock in. [5]

### IMPORTANT INFORMATION

#### Hoover spares and Consumables

Always replace parts with genuine Hoover spares. These are available from your local Hoover dealer or direct from Hoover. When ordering parts always quote your model number.

#### Spares

Washable Filter S116 35601336  
Brush Block F5 35601337

#### Hoover Service

Should any faults occur with your cleaner during the first 12 months contact the Hoover Customer Helpline on the number below.

#### Quality

Hoover's factories have been independently assessed for quality. Our products are made using a quality system which meets the requirements of ISO 9001.

#### The Environment:

This appliance is marked according to the European Directive 2002/96/EC on Waste Electrical and Electronic Equipment (WEEE). By ensuring this product is disposed of correctly you will help prevent potential negative consequences for the environment and human health, which could otherwise be caused by inappropriate waste handling of this product.

The symbol on the product indicates that this product may not be treated as household waste. Instead it shall be handed over to the appliance collection point for recycling of electrical and electronic equipment. Disposal must be carried out in accordance with the local environmental regulations for waste disposal. For more detailed information about treatment, recovery and recycling of this product, please contact your local city office, your household waste disposal service or the shop where you purchased the product.



#### Your Guarantee

The guarantee conditions for this appliance are as defined by our representative in the country in which it is sold. Details regarding these conditions can be obtained from the dealer from whom the appliance was purchased. The bill of sale or receipt must be produced when making any claim under the terms of this guarantee. Subject to change without notice.

### TROUBLESHOOTING

Should you have a problem with the product, complete this simple user checklist before calling your local Hoover service.

PROBLEM	POSSIBLE CAUSE	SOLUTION
<b>Cleaner won't run</b>	<ul style="list-style-type: none"><li>• Power cord not firmly plugged in.</li><li>• Blown fuse or tripped breaker</li></ul>	<ul style="list-style-type: none"><li>• Plug unit in firmly</li><li>• Check fuse or breaker in home. Replace</li></ul>
<b>Low suction</b>	<ul style="list-style-type: none"><li>• Washable filter is dirty.</li><li>• Dirty water tank is full and the auto shut off engaged.</li><li>• Tanks not in place</li><li>• Filter or filter lid not in place.</li><li>• Nozzle not in place.</li></ul>	<ul style="list-style-type: none"><li>• Clean washable filter</li><li>• Empty the dirty water tank</li><li>• Make sure tanks are locked in place.</li><li>• Make sure filter and filter lid are properly positioned.</li><li>• Make sure nozzle is replaced properly and locked in place.</li></ul>
<b>Water puddling behind cleaner</b>	<ul style="list-style-type: none"><li>• Wrong detergent used.</li><li>• Clean water solution tank not in place.</li><li>• Dirty water tank full.</li></ul>	<ul style="list-style-type: none"><li>• Use recommended detergents to reduce foaming.</li><li>• Make sure clean water solution tank is installed properly.</li><li>• Empty dirty water tank.</li></ul>
<b>Cleaner won't pick up dirty solution</b>	<ul style="list-style-type: none"><li>• Dirty water tank not in place.</li><li>• Dirty water tank full.</li><li>• Filter or filter lid not in place.</li></ul>	<ul style="list-style-type: none"><li>• Make sure Dirty Water Tank is installed properly.</li><li>• Empty Dirty Water Tank.</li><li>• Make sure Filter and Filter lid are properly positioned.</li></ul>
<b>Cleaner solution won't dispense</b>	<ul style="list-style-type: none"><li>• Tanks not in place.</li><li>• Clean water solution tank is empty.</li></ul>	<ul style="list-style-type: none"><li>• Make sure tanks are locked in place.</li><li>• Refill Clean Water Solution Tank.</li></ul>
<b>Brushes won't rotate</b>	<ul style="list-style-type: none"><li>• Blown fuse or tripped breaker.</li></ul>	<ul style="list-style-type: none"><li>• Check fuse or breaker in home. Replace fuse / reset breaker in home.</li><li>• If the brushes continue to stall and the breaker trips again, clean the brushes to remove debris.</li></ul>



FR

## IMPORTANTES RAPPELS DE SÉCURITÉ

Ce nettoyeur ne doit être utilisé que pour un nettoyage domestique, conformément au guide d'utilisation. Veiller à ce que ce guide soit bien compris avant toute utilisation de l'appareil. Utiliser uniquement les accessoires recommandés ou fournis par Hoover.

Lors de l'utilisation des accessoires de nettoyage, veiller à toujours bien maintenir l'appareil avec l'autre main. Cela évitera à l'appareil de tomber pendant son utilisation.

**MISE EN GARDE** : Risque de brûlures. Lors de son utilisation, ce produit est très chaud. Éviter tout contact avec la vapeur.

**MISE EN GARDE** : L'électricité peut être extrêmement dangereuse. Cet appareil doit être mis à la terre. Cette prise est équipée d'un fusible 13 ampères (R.U. uniquement).

**IMPORTANT** : Les fils du cordon d'alimentation sont colorés selon le code suivant :

**Bleu – Neutre**

**Marron – Phase**

**APRÈS L'UTILISATION** : Éteindre le nettoyeur et débrancher la prise.

Veiller à toujours éteindre et débrancher la prise avant de nettoyer l'appareil ou de procéder à tout entretien.

**SÉCURITÉ DES ENFANTS, DES PERSONNES ÂGÉES OU DÉFICIENTES** : Cet appareil n'est pas destiné à être utilisé par des personnes (y compris les enfants) ayant des capacités physiques, sensorielles ou mentales réduites ou ayant trop peu d'expérience ou de connaissances concernant l'appareil, à moins qu'elles n'aient été formées ou qu'elles ne soient surveillées par une personne responsable de leur sécurité pour l'utilisation de l'appareil. Surveiller les enfants en s'assurant qu'ils ne jouent pas avec l'appareil.

**SERVICE HOOVER** : Pour assurer le fonctionnement continu et efficace de cet appareil, nous recommandons de n'en confier l'entretien et les réparations qu'à un réparateur Hoover agréé.

## IL EST IMPORTANT QUE VOUS

- Ne l'utilisez qu'en intérieur.
- Utiliser uniquement sur des surfaces mouillées au cours du processus de nettoyage ou par un peu de liquide renversé. Ne pas plonger le produit dans l'eau.
- Adapté à une utilisation sur sols nus ou sur sols durs. N'est PAS adapté à une utilisation sur tapis et moquettes.
- Installer toujours le flotteur avant de ramasser tout débris humide.
- Une étroite surveillance est nécessaire lorsque l'appareil est utilisé par ou près d'un enfant. Le nettoyeur ne doit pas être utilisé comme jouet et ne doit jamais fonctionner sans surveillance.
- Veiller à ce que cheveux, vêtements amples, doigts, pieds et toute partie du corps restent à distance des ouvertures et des parties en mouvement.
- Ne rien aspirer qui brûle ou qui fume, comme les cigarettes, les allumettes ou les cendres.
- Ne pas aspirer ou utiliser de matières inflammables ou de matières combustibles comme l'essence ou la sciure de bois et ne pas utiliser dans des endroits où elles pourraient être présentes.
- Éviter d'aspirer des objets durs et coupants avec le nettoyeur. Ils pourraient endommager l'appareil.
- N'insérer aucun objet dans les ouvertures. Ne pas utiliser si des ouvertures sont obstruées ; veiller à ce que rien ne réduise le flux d'air : poussière, peluches, cheveux ou autre.
- Ne pas tirer ou transporter en tirant le cordon d'alimentation, ne pas utiliser le cordon d'alimentation comme poignée, ne pas coincer le cordon d'alimentation sous une porte, ne pas faire passer le cordon d'alimentation le long de bords coupants ou dans des coins saillants. Ne pas faire rouler l'appareil sur le cordon d'alimentation. Ne pas approcher le cordon d'alimentation de surfaces chaudes.
- Veiller à toujours débrancher le cordon d'alimentation de la prise électrique avant l'entretien du nettoyeur.
- Débrancher le nettoyeur s'il n'est pas utilisé. Éteindre l'appareil avant de le débrancher.
- Ne pas débrancher en tirant sur le cordon d'alimentation. Pour débrancher, saisir la prise et non pas le cordon d'alimentation.
- Ne jamais manipuler la prise ou le produit avec les mains mouillées.
- Ne pas nettoyer en passant au dessus de prises de courant au sol.
- Ne pas utiliser sans les réservoirs correctement positionnés.
- Faire très attention en nettoyant les marches d'escaliers. Ne pas placer le nettoyeur sur des marches d'escaliers.
- Garder les détergents et autres agents nettoyants hors de la portée des enfants.
- Ne pas aspirer de javel-chlore, de produits pour déboucher les tuyaux, d'essence ou toute autre matière toxique avec cet appareil.
- Lors de l'utilisation de produits chimiques recommandés avec cet appareil, veiller à ce que l'endroit soit bien aéré.
- Ne pas utiliser de liquide inflammable ou combustible pour nettoyer un sol.
- Suivre les indications du fabricant pour tous les produits chimiques utilisés avec cet appareil. Ne pas dépasser les proportions de mélange conseillées.
- Ranger dans un endroit sec. Ne pas exposer l'appareil au gel.
- Ne pas continuer à utiliser l'appareil s'il semble défectueux. Si le cordon d'alimentation est abîmé, cesser IMMÉDIATEMENT d'utiliser le nettoyeur. Pour éviter tout risque quant à la sécurité, le cordon d'alimentation doit être remplacé par un réparateur Hoover agréé.
- N'utiliser le nettoyeur vapeur que pour son utilisation spécifique, telle qu'elle est décrite dans le mode d'emploi.

## APPRENDRE À CONNAÎTRE VOTRE NETTOYEUR

- A. Poignée Soft-Grip
- B. Interrupteur ON/OFF
- C. Gâchette à solution : appuyer dessus pour libérer la solution nettoyante
- D. Bouton de sélection : activer les brosses (ON) pour nettoyer à l'eau et les désactiver (OFF) pour nettoyer à sec ou aspirer.
- E. Bouchon du réservoir pour solution eau propre / verre mesureur
- F. Réservoir pour solution eau propre
- G. Déverrouillage du réservoir pour solution d'eau propre
- H. Déverrouillage du réservoir d'eau sale
- I. Couvercle et filtre du réservoir d'eau sale
- J. Réservoir d'eau sale : récupérer les débris secs ainsi que la solution nettoyante sale
- K. Boutons de déverrouillage de la buse : débloquer la buse pour faciliter le nettoyage (situés derrière la buse)
- L. Buse
- M. Raclette (sous la buse)
- N. Butoir
- O. Roulettes souples
- P. Poignée de transport
- Q. Bouton de déverrouillage de la poignée supérieure
- R. Crochets du cordon d'alimentation : le crochet du haut tourne pour que le cordon d'alimentation se dégage rapidement
- S. Pédale de déverrouillage de la poignée

## MONTAGE DU NETTOYEUR

Sortir tous les composants de l'emballage.

### Monter les brosses et la buse

1. Pour monter les brosses, placer la poignée à la verticale. Incliner le nettoyeur vers l'arrière pour qu'il soit posé au sol. Aligner la tige (a) du bloc brosse avec le trou (b) sur la partie basse du nettoyeur. Tourner doucement les brosses jusqu'à ce que la tige entre dans le trou. [2]
2. Appuyer fermement sur la brosse pour l'enclencher. [3]
3. Pour monter la buse, s'assurer que les loquets (c) sont sortis. Aligner la partie centrale (d) de la buse avec l'ouverture (e) sur le nettoyeur. Enlever le carton inséré de la raclette situé en dessous de la buse. [4]
4. En tenant la buse en place, faire glisser les loquets vers l'intérieur pour verrouiller en position. [5]

### Déplier / Plier la poignée

1. Redresser la poignée à la verticale jusqu'à ce qu'elle soit verrouillée en position. [6]
2. Appuyer sur le bouton de déverrouillage de la poignée supérieure pour plier la poignée en position de rangement. [7]

## UTILISATION DU NETTOYEUR

### AVANT DE COMMENCER À NETTOYER

#### Solution pour le réservoir d'eau propre

Le réservoir pour solution eau propre contient du détergent et de l'eau qui sont déversés sur la surface à nettoyer.

1. Éteindre le nettoyeur et débrancher la prise.
2. Placer la poignée du nettoyeur en position verticale et verrouillée. [6]
3. Pour retirer le réservoir, appuyer sur le bouton de déverrouillage et dégager le réservoir en tirant. [8]
4. Tourner le bouchon du réservoir dans le sens contraire des aiguilles d'une montre et soulever pour retirer le bouchon (a). [9]
5. Retourner le bouchon (b) pour l'utiliser comme verre mesureur [10]
6. Pour les sols durs comme le vinyle, linoléum, marbre, bois stratifié, polyuréthane pour parquets ou tout autre sol en bois pouvant normalement être nettoyé à l'eau, utiliser une mesure (60ml) de détergent pour sols produisant peu de mousse.
7. Verser l'agent détergent dans le réservoir (c). Remplir le réservoir jusqu'à la limite (d) avec de l'eau tiède. [11]
8. Si la bague en caoutchouc (e) du bouchon s'est délogée, il faut la replacer avec le côté irrégulier contre le bord (f) comme sur le dessin. [12]
9. Remettre le bouchon. Tourner le bouchon dans le sens des aiguilles d'une montre jusqu'à ce qu'il soit verrouillé en position. Le bouchon doit être verrouillé en position pour garantir l'efficacité et empêcher toute fuite.
10. Faire glisser le réservoir en position jusqu'à ce que le loquet s'enclenche en position.

Note : Vérifier s'il y a des zones ou des joints de séparation usés avant toute utilisation, car de telles conditions pourraient avoir comme conséquence d'endommager le plancher lors de l'utilisation de l'eau pour nettoyer le sol.

IMPORTANT : Ne pas utiliser de concentrés de nettoyage qui contiennent des ingrédients à base de solvant.

### Nettoyage des sols

Séquence conseillée pour le nettoyage :

**ASPIRER** : Aspirer pour enlever la saleté, les cheveux et les débris.

**LAVER** : Nettoyer la surface du sol. Les brosses effectueront un léger mouvement pour aider à enlever la poussière.

**SÉCHER** : Aspirer le dépôt d'eau de lavage de la surface du sol réduit son temps de séchage .

1. Mettre le bouton de sélection en position ASPIRATION et aspirer le sol. [1D]
2. Remplir le réservoir pour solution eau propre avec de l'eau et un agent nettoyant.
3. Tourner le bouton de sélection en position LAVAGE. [1D]
4. Brancher le nettoyeur à la terre, avec les mains sèches.
5. Appuyer sur la pédale de déverrouillage de la poignée et baisser la poignée en position de fonctionnement. [15] Allumer le nettoyeur (ON). [1B]





FR

6. Pour libérer la solution, appuyer sur la gâchette. Passer lentement le nettoyeur en avant et en arrière sur la surface à nettoyer. Appuyer sur la gâchette pour libérer la quantité de solution souhaitée. [16]
7. Superposer les passages sur 2 ou 3 centimètres pour éviter de laisser des traces. Le système d'aspiration du nettoyeur récupérera la solution sale durant le nettoyage.
8. Pour permettre d'améliorer considérablement le séchage de la surface du sol, débloquer la gâchette et tourner le bouton de sélection en position SÉCHAGE. [1D] Continuer à passer le nettoyeur sur la toute surface pour récupérer la solution sale.
9. Pour continuer à nettoyer une autre zone, tourner le bouton de sélection en position LAVAGE. [1D] Répéter le mouvement de nettoyage.
10. Vider le réservoir d'eau sale ou nettoyer le filtre quand le son du moteur devient plus aigu et qu'il y a une perte d'aspiration (cf. chapitre "arrêt automatique").

#### Aspirer des liquides renversés

Le nettoyeur peut également être utilisé pour aspirer un peu de liquide renversé (jusqu'à 1 litre max., jamais une quantité de plus d'1/2 cm) sur des sols autres que tapis et moquettes. Tourner le bouton de sélection en position LAVAGE et **débloquer** la gâchette. Continuer à passer le nettoyeur sur la toute surface pour récupérer le liquide renversé.

#### Transport du nettoyeur

1. Pour déplacer le nettoyeur d'une pièce à l'autre, mettre la poignée en position verticale, incliner l'appareil sur les roulettes arrière et pousser. [17]
2. Il est également possible de soulever le nettoyeur en utilisant la poignée de transport (A) à l'avant de l'appareil. [18]

#### Rangement

Avant de ranger l'appareil :

- Éteindre le nettoyeur et débrancher la prise.
- Vider et rincer le réservoir contenant la solution et l'eau sales. Laisser sécher à l'air libre.
- Appuyer sur le bouton de déverrouillage de la poignée supérieure afin d'abaisser la poignée pour le rangement.
- Bien s'assurer que rien n'appuie sur la raclette de la buse.
- Ne pas ranger le nettoyeur sur une surface en bois tant que l'appareil n'est pas complètement sec.

## ENTRETIEN

### Vider le réservoir d'eau sale

#### Arrêt automatique

Un système d'arrêt automatique d'aspiration a été mis en place à l'intérieur du réservoir afin d'éviter au réservoir de déborder. Lorsque le système d'arrêt se déclenche, le nettoyeur n'aspire pas de débris et le son du moteur change. Le réservoir d'eau sale est plein et doit être vidé.

1. Éteindre le nettoyeur et débrancher la prise.
2. Pour retirer le réservoir, appuyer sur le bouton de déverrouillage (g) et dégager le réservoir en tirant. [13]
3. Retirer le couvercle du réservoir (h). Vider le réservoir. [14]

Note : Bien que cela ne soit pas indispensable, afin d'assurer une meilleure efficacité, il est conseillé de vider le réservoir d'eau sale après avoir aspiré à sec et avant toute opération de fonctionnement à l'eau.

### Nettoyage des filtres

Le couvercle du réservoir contient un filtre lavable réutilisable. Nettoyer le filtre lorsque l'aspiration est faible ou réduite.

1. Éteindre le nettoyeur et débrancher la prise.
2. Retirer le réservoir d'eau sale et le couvercle [13&14]. Retirer le couvercle du filtre (a), puis retirer le filtre (b). [19]
3. Retirer les débris du filtre en tapotant le filtre ou en brossant doucement de la main. Rincer le filtre pour mieux le nettoyer. Laisser sécher le filtre à l'air libre entre deux utilisations.
4. Repositionner le filtre.
5. Replacer le couvercle du filtre. Appuyer dessus fermement jusqu'à ce qu'il s'enclenche. [20]
6. D'autres débris sont également collectés sur la crépine située dans le couvercle du réservoir. Pour enlever les débris de la crépine, retirer le filtre plissé du couvercle. Retirer les débris de la crépine (c). [21]
7. La crépine peut également être nettoyée en la passant sous l'eau courante.
8. Repositionner le filtre plissé dans le couvercle. Replacer le couvercle sur le réservoir d'eau sale, en appuyant fermement jusqu'à ce qu'il s'enclenche.
9. Pour replacer le réservoir d'eau sale, placer le fond du réservoir derrière le rebord (d) et pousser le réservoir à l'intérieur du corps du nettoyeur jusqu'à ce qu'il soit verrouillé en position. [22]

### Nettoyage de la buse

1. Dégager les deux loquets de déverrouillage (a) de la buse. [23]
2. Retirer la buse (b) en tirant dessus. [24]
3. Rincer la buse en la passant sous l'eau courante. Retirer les débris de la raclette (c) et essuyer avec un linge humide. [25]
4. Pour remonter la buse, s'assurer que les loquets (d) sont sortis. Le nettoyeur doit être à la verticale pour que le montage de la buse soit plus facile. Aligner la partie centrale (e) de la buse avec l'ouverture (f) sur le nettoyeur. [26]
5. En tenant la buse en place, faire glisser les loquets vers l'intérieur pour verrouiller en position. [5]

### Nettoyer et changer le système de brosses.

#### Comment l'enlever

1. Placer la poignée en position verticale. Retirer les réservoirs pour empêcher toute fuite. Les mettre de côté.
2. Dégager les deux boutons de déverrouillage (a) de la buse. [23] Retirer la buse. [24] Incliner le nettoyeur vers l'arrière pour que la poignée soit posée au sol.
3. Appuyer sur deux boutons de déverrouillage des brosses (g) et retirer le système de brosses. [27]
4. Les brosses peuvent être lavées avec un détergent doux puis rincées. Ne pas utiliser de détergent à base de solvant.



### Comment le remettre en place

1. Pour remettre les brosses en place, aligner la tige (h) du bloc brosse avec le trou (i) sur la partie basse du nettoyeur. Tourner doucement les brosses jusqu'à ce que la tige entre dans le trou. Appuyer fermement sur la brosse pour l'enclencher. [28]
2. Remettre le nettoyeur en position verticale. Remonter la buse en s'assurant que les loquets (d) sont sortis. Aligner la partie centrale (e) de la buse avec l'ouverture (f) sur le nettoyeur. [26]
3. En tenant la buse en place, faire glisser les loquets vers l'intérieur pour verrouiller dans la position. [5]

### INFORMATIONS IMPORTANTES

#### Pièces détachées et consommables Hoover

Remplacer toujours les pièces par des pièces détachées originales de la marque Hoover. Celles-ci sont disponibles auprès de votre revendeur Hoover. Lors de la commande de pièces, prendre soin de toujours préciser le numéro du modèle.

#### Pièces détachées

Filtre lavable S116 35601336  
Bloc brosse F5 35601337

#### Service Hoover

Au cas où le nettoyeur tomberait en panne au cours des 12 premiers mois, contacter le service d'assistance téléphonique Hoover au numéro ci-dessous.

#### Qualité

Le contrôle qualité des usines Hoover a été effectué par un organisme indépendant. Nos produits sont fabriqués selon un système de qualité conforme à la norme ISO 9001.

#### Environnement :

Cet appareil porte des marques conformément à la directive européenne 2002/96/CE relative aux déchets d'équipements électriques et électroniques (WEEE). S'assurer que ce produit est éliminé de façon appropriée permet d'éviter des conséquences potentiellement néfastes pour l'environnement et pour la santé et qui, en revanche, pourraient être provoquées si ce produit était jeté de façon inappropriée.

Le symbole figurant sur le produit indique qu'il ne peut pas être mis à la poubelle avec les ordures ménagères. Il doit être déposé dans un centre de recyclage des déchets électriques et électroniques. La mise au rebut doit être effectuée conformément à la réglementation locale en matière d'élimination des déchets. Pour obtenir des compléments d'information sur le traitement, la récupération et le recyclage de ce produit, merci de contacter votre municipalité, le service local des ordures ménagères ou le revendeur du produit.



#### Votre garantie

Les conditions de garantie de cet appareil sont définies par notre représentant dans le pays où il est vendu. Pour tout renseignement concernant ces conditions, contacter le revendeur de l'appareil. Toute réclamation concernant les conditions de cette garantie doit être accompagnée par la facture d'achat ou le reçu.

Ces conditions peuvent être modifiées sans préavis.

### RÉSOLUTION DES PROBLÈMES

En cas de problème avec l'appareil, consulter cette liste de vérifications à l'intention des utilisateurs avant d'appeler le service après-vente Hoover.

PROBLÈME	CAUSE POSSIBLE	SOLUTION
<b>Le nettoyeur ne fonctionne pas</b>	<ul style="list-style-type: none"><li>• Le cordon d'alimentation n'est pas correctement branché.</li><li>• Fusible grillé ou disjoncteur déclenché</li></ul>	<ul style="list-style-type: none"><li>• Brancher correctement</li><li>• Contrôler le fusible et le disjoncteur à la maison. Remplacer</li></ul>
<b>Faible aspiration</b>	<ul style="list-style-type: none"><li>• Le filtre lavable est encrassé.</li><li>• Le réservoir d'eau sale est plein et l'arrêt automatique s'est déclenché.</li><li>• Les réservoirs ne sont pas bien positionnés</li><li>• Le filtre ou le couvercle du filtre ne sont pas bien positionnés.</li><li>• La buse n'est pas bien positionnée.</li></ul>	<ul style="list-style-type: none"><li>• Nettoyer le filtre lavable</li><li>• Vider le réservoir d'eau sale</li><li>• S'assurer que les réservoirs sont bien verrouillés en position.</li><li>• S'assurer que le filtre ou le couvercle du filtre sont bien positionnés.</li><li>• S'assurer que la buse est remplacée correctement et verrouillée en position.</li></ul>
<b>Marre d'eau derrière le nettoyeur</b>	<ul style="list-style-type: none"><li>• Utilisation d'un mauvais détergent.</li><li>• Le réservoir pour solution eau propre n'est pas bien positionné.</li><li>• Le réservoir d'eau sale est plein.</li></ul>	<ul style="list-style-type: none"><li>• Utiliser les détergents conseillés pour réduire la mousse.</li><li>• S'assurer que le réservoir pour solution eau propre est bien installé.</li><li>• Vider le réservoir d'eau sale.</li></ul>
<b>Le nettoyeur n'aspire pas la solution sale.</b>	<ul style="list-style-type: none"><li>• Le réservoir d'eau sale n'est pas bien positionné.</li><li>• Le réservoir d'eau sale est plein.</li><li>• Le filtre ou le couvercle du filtre ne sont pas bien positionnés.</li></ul>	<ul style="list-style-type: none"><li>• S'assurer que le réservoir d'eau sale est bien installé.</li><li>• Vider le réservoir d'eau sale</li><li>• S'assurer que le filtre ou le couvercle du filtre sont bien positionnés.</li></ul>
<b>La solution de nettoyage n'est pas libérée</b>	<ul style="list-style-type: none"><li>• Les réservoirs ne sont pas bien positionnés</li><li>• Le réservoir pour solution eau propre est vide.</li></ul>	<ul style="list-style-type: none"><li>• S'assurer que les réservoirs sont bien verrouillés en position.</li><li>• Remplir le réservoir pour solution eau propre.</li></ul>
<b>Les brosses ne tournent pas</b>	<ul style="list-style-type: none"><li>• Fusible grillé ou disjoncteur déclenché.</li></ul>	<ul style="list-style-type: none"><li>• Contrôler le fusible et le disjoncteur à la maison. Changer le fusible / remettre le disjoncteur en marche à la maison.</li><li>• Si les brosses continuent de caler et que le disjoncteur continue à se déclencher, nettoyer les brosses pour retirer les débris.</li></ul>