

OWNER'S MANUAL

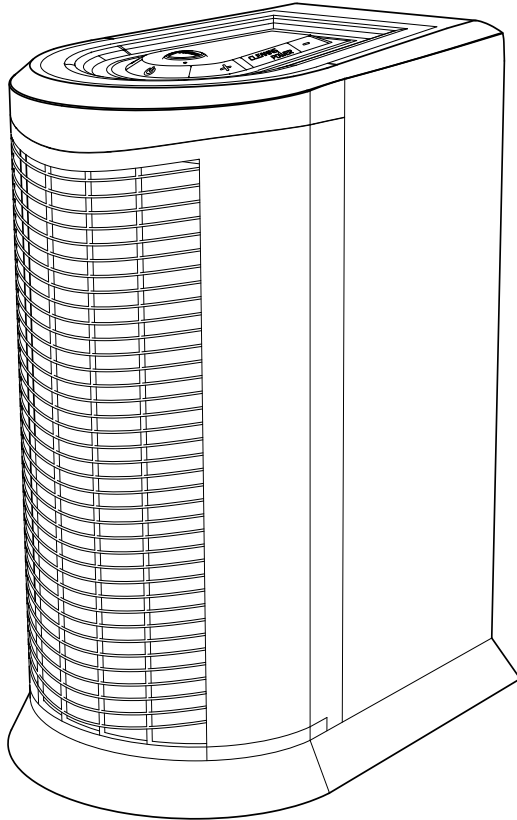
Operating and Servicing Instructions

Español - página E1



www.hoover.com

AIR PURIFIER



IMPORTANT: READ CAREFULLY BEFORE ASSEMBLY AND USE.

Questions or concerns? For assistance, please call Customer Service at 1-800-944-9200 Mon-Fri 8am-7pm EST. **PLEASE DO NOT RETURN THIS PRODUCT TO THE STORE.**

**THIS PRODUCT IS INTENDED FOR HOUSEHOLD USE ONLY.
IF USED COMMERCIALY WARRANTY IS VOID.
CAUTION: HIGH VOLTAGE.**

Thank you for choosing a HOOVER® product.

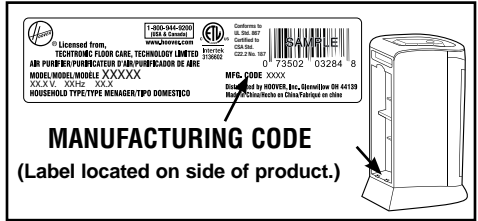
Please enter the complete model and Manufacturing Code in the spaces provided.

MODEL _____

MFG. CODE _____

Hint: Attach your sales receipt to this owner's manual. Verification of date of purchase may be required for warranty service of your HOOVER® product.

Be sure to register your product online at Hoover.com or call 1-800-944-9200 to register by phone.



MANUFACTURING CODE
(Label located on side of product.)

CONTENTS

Important Safeguards	3
Set Up and How To Use	5
Product Description	5
Setup	5
Maintenance	6
Rinsable Pre-Filter	6
Replacement of filter made with HEPA media	6
UV Bulb Replacement	6
Power Cord Care	7
Troubleshooting	7
Specifications	7
Service	7
Warranty	8

If you need assistance:

Visit our website at hoover.com. Follow the authorized dealer locator link to find the Hoover® authorized dealer nearest you or call 1-800-944-9200 for an automated referral of Hoover® authorized dealer locations (U.S. only) or to speak with a customer service representative; Mon- Fri 8am- 7pm EST.

PLEASE DO NOT RETURN THIS PRODUCT TO THE STORE.

IMPORTANT SAFETY INSTRUCTIONS

SAVE THESE INSTRUCTIONS

When using an electrical appliance, basic precautions should always be followed, including the following:

READ ALL INSTRUCTIONS BEFORE USING THIS APPLIANCE.

WARNING: TO REDUCE THE RISK OF FIRE, ELECTRIC SHOCK OR INJURY:

- Fully assemble before operating.
- Operate product only at voltage specified on data plate located on side of product.
- Unplug from outlet when not in use and before cleaning or servicing.
- Do not use outdoors or on wet surfaces. Keep the unit away from water.
- Do not allow to be used as a toy. Not intended for use by children age 12 and under. Close supervision is necessary when used near children. To avoid injury or damage, keep children away from product, and do not allow children to place fingers or other objects into any openings.
- Use only as described in this manual.
- Do not use with damaged cord or plug. If appliance is not working as it should, has been dropped, damaged, left outdoors, or dropped into water, take it to a service center prior to continuing use.
- Do not pull or carry by cord, use cord as a handle, close a door on cord, or pull cord around sharp edges or corners. Do not place product on cord.
- Do not unplug by pulling on cord. To unplug, grasp the plug, not the cord.
- Do not handle plug or appliance with wet hands.
- Do not put any object into openings. Do not use with any opening blocked; keep free of dust, lint, hair, and anything that may reduce air flow.
- Keep hair, loose clothing, fingers, and all parts of body away from openings.
- Turn off all controls before unplugging.
- Do not use without filters in place.

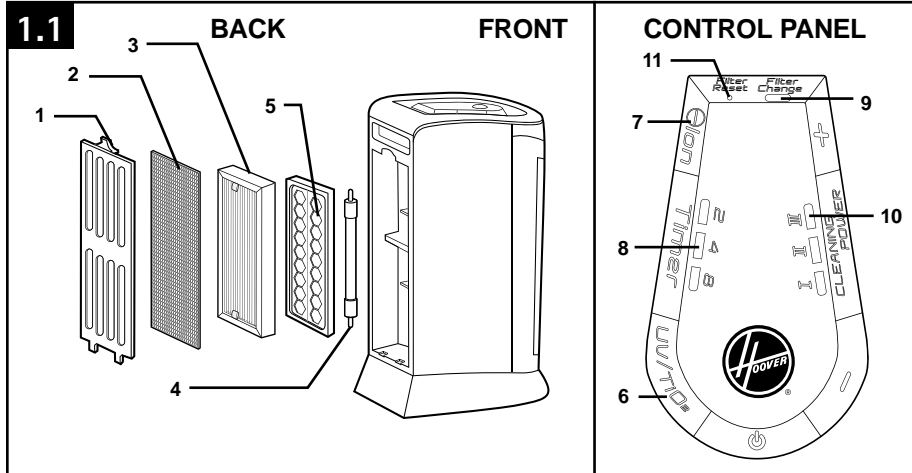
WARNING: To reduce the risk of electric shock, this appliance has a polarized plug (one blade is wider than the other). This plug will fit in a polarized outlet only one way. If the plug does not fit fully in the outlet, reverse the plug. If it still does not fit, contact a qualified electrician to install the proper outlet. Do not change the plug in any way.

CAUTION:

- Do not block or partially block the air intake or air outtake grilles. Ensure that there is adequate airflow around the product.
- Keep the Air Purifier away from heaters / fireplaces and other hot objects / locations.
- Do not disassemble the unit.
- Do not place any items on top of the unit, or sit on the product.
- Never open the rear grille while the unit is plugged into a wall outlet.
- Keep personal and loose objects (such as jewelry, loose ties, long hair etc.) away from the unit.
- Keep children and pets away from the product.
- Never use compressed gas dusters, canned air, flammable or aerosol cleaners on this product. Some cleaning agents may combust, causing serious injury and/or property damage. Never use this product near flammable solvents or substances and vapors.

1. SET-UP & HOW TO USE

PRODUCT DESCRIPTION



BACK/FRONT

1. Rear Grille
2. Rinsable Pre-Filter
3. Replaceable Filter made with HEPA Media
4. UV Bulb
5. TiO₂ Coated Screen

CONTROL PANEL

6. UV Bulb/ TiO₂ On
7. Ionizer
8. 2/4/8 Hour Timer
9. Filter made with HEPA Media Replacement Indicator
10. 3 Speed Fan Control
11. Filter Reset

SET-UP

- Remove the air purifier from its packaging.

• IMPORTANT •

Place the unit on a flat, stable surface with adequate ventilation.

- Plug the unit into an AC outlet.
- Press the POWER button.
- Adjust the Air Cleaning Power with the "+" and "-" buttons. The unit has 3 Air Cleaning Power settings, and an LED will indicate which setting is in operation.
- Press the "UV/TiO₂" button to toggle on/off. The curved light at the front of the unit will illuminate when the UV/TiO₂ mode has been activated.
- Press the "ION" button to toggle on/off. The button will illuminate with an amber light when the ION mode has been activated.
- Press the TIMER button to set the timer to 2 hours/4 hours/8 hours/OFF (hours indicated with LEDs).

2. MAINTENANCE

Familiarize yourself with these home maintenance tasks as proper use and care of your cleaner will ensure continued cleaning effectiveness.

Any other servicing should be done by an authorized service representative.

⚠ WARNING ⚠

HIGH VOLTAGE. To reduce the risk of electric shock - unplug Air Purifier before servicing.

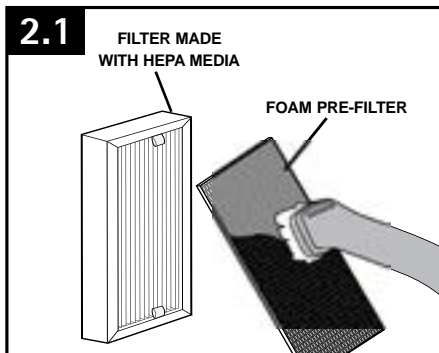
RINSABLE PRE-FILTER

The rinsable pre-filter extends the life of your filter made with HEPA media by trapping larger airborne particles before they reach the filter made with HEPA Media.

The pre-filter is black in color and is attached to the filter made with HEPA media by hook and loop fastener.

We recommend that you inspect the pre-filter once a month to ensure that it is clean and therefore working most effectively. Before inspecting the pre-filter, **switch off the unit, and unplug it from the AC outlet.**

2.1 When you observe that the pre-filter is becoming clogged and requires cleaning, remove the pre-filter



and either gently vacuum it or gently rinse it under a running tap. (NOTE: Do not use any cleaning solutions, as these may damage the pre-filter.) Allow filter to dry.

REPLACEMENT OF FILTER MADE WITH HEPA MEDIA

Your Air Purifier is equipped with a feature that automatically advises you when your filter made with HEPA Media needs replacement.

A red light will illuminate reminding you to change the filter. Replace the filter with Hoover Part Number: AH60010 and then use a paper clip to press the "Filter

Reset" button next to the red light. Press and hold until beep occurs and light turns off.

To replace the filter made with HEPA media:

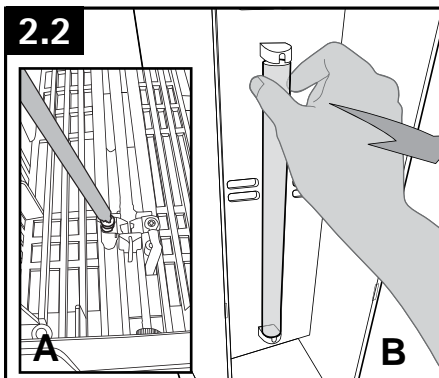
- **Switch off the unit, and unplug it from the AC outlet.**
- Remove the rear grille and filter made with HEPA media.
- Replace the old filter made with HEPA media ensuring that the pre-filter is aligned correctly.
- Replace the rear grille.

UV BULB REPLACEMENT

The UV/TiO₂ feature is activated by a fluorescent bulb inside the Air Purifier. As with all bulbs, this will require periodic replacement, depending on frequency of use. To ensure bulb is operational, periodically look at back of product for a blue glow through the grille. Checking in a low light environment or in the dark will aid in seeing the glow. Replace the UV Bulb with Hoover part #440001068.

To replace the UV bulb:

- **Switch off the unit, and unplug it from the AC outlet.**
- Remove the rear grille and filter made with HEPA Media.
- Remove the TiO₂ coated screen.
- Loosen the larger screw (2.2 A) on the top clamp and the larger screw on the bottom clamp. Do not remove the screws entirely.
- Gently grasp bulb at the top and pull outward until bulb is free of clamp (2.2 B). Repeat for the bottom of bulb. Place new bulb in position and apply very light pressure to top of bulb to seat. Repeat steps for bottom of bulb.
- Tighten both screws. Reinstall TiO₂ coated screen, Filter made with HEPA Media and rear cover.



⚠ WARNING ⚠

To avoid injury do not touch the glass. Use a tissue to remove.

NOTE: The TiO₂ coated screen does not require replacement or cleaning.

POWER CORD CARE

- Do not rest anything on the power cord.
- Do not place the Air Purifier where people or pets may trip over or walk on the power cord.
- Do not pick the unit up by the power cord.
- Inspect the power cord before use to ensure the cord and plug are in a good condition.

3. TROUBLESHOOTING

If a minor problem occurs, it usually can be solved quite easily when the cause is found by using the checklist below.

Any other servicing should be done by an authorized service representative.

WARNING

To reduce risk of personal injury - unplug product before servicing.

PROBLEM	POSSIBLE SOLUTION
The air purifier will not power on.	1. Check that the power cord is securely plugged into an AC outlet.
	2. Check that the rear grille is securely closed.
	3. Check that the unit is on a level surface
The airflow is reduced.	1. Check that there is adequate airflow around the unit.
	2. Check that the pre-filter is not clogged.
	3. Check that the filter made with HEPA Media is not clogged.

4. SPECIFICATIONS

Power Source: AC 120V/60HZ

Power Consumption: 50 Watts

Weight: 7.3lbs

Dimensions: 15.2 x 9.3 x 6.5 inches

5. SERVICE

To obtain approved Hoover® service and genuine Hoover® parts, locate the nearest Authorized Hoover® Warranty Service Dealer (Depot) by:

- Visit our website at hoover.com (U.S. Customers) or hoover.ca (Canadian customers). Follow the service center link to find the service outlet nearest you.
- For an automated referral of authorized service outlet locations call 1-800-944-9200.

Do not send your product to Hoover®, Inc., Company in Glenwillow for service. This will only result in delay.

If you need further assistance:

To speak with a customer service representative call 1-800-944-9200; Mon-Fri 8am-7pm EST.

Always identify your product by the complete model number when requesting information or ordering parts. **(Label located on side of product.)**

PLEASE DO NOT RETURN THIS PRODUCT TO THE STORE.

6. WARRANTY

HOOVER® AIR PURIFIER LIMITED 2 YEAR WARRANTY (Domestic Use)

WHAT THIS WARRANTY COVERS

When used and maintained in normal household use and in accordance with the Owner's Manual, your HOOVER® product is warranted against original defects in material and workmanship for a full 2 years from date of purchase (the "Warranty Period"). During the Warranty Period, Hoover will provide labor and parts, at no cost to you, to correct any such defect in products purchased in the United States, U.S. Military Exchanges and Canada.

HOW TO MAKE A WARRANTY CLAIM

If this product is not as warranted, take or send the product to Hoover® Authorized Warranty Service Dealer along with proof of purchase. For an automated referral to authorized service outlets in the U.S.A., phone: 1-800-944-9200 OR visit Hoover® online at www.hoover.com. For additional assistance or information concerning this Warranty or the availability of warranty service outlets, phone the Hoover® Consumer Response Center, Phone 1-800-944-9200, Mon-Fri 8am-7pm EST.

WHAT THIS WARRANTY DOES NOT COVER

This Warranty does not cover: rinsable pre-filter, filter made with HEPA media, TiO₂ coated screen, UV bulb, use of the product in a commercial operation, improper maintenance of the product, damage due to misuse, acts of God, nature, vandalism or other acts beyond the control of Hoover, owner's acts or omissions, use outside the country in which the product was initially purchased and resales of the product by the original owner. This warranty does not cover pick up, delivery, transportation or house calls. However, if you mail your product to a Hoover® Authorized Warranty Service Dealer for warranty service, cost of shipping will be paid one way.

This warranty does not apply to products purchased outside the United States, including its territories and possessions, outside a U.S. Military Exchange and outside of Canada. This warranty does not cover products purchased from a party that is not an authorized retailer, dealer, or distributor of Hoover® products.

OTHER IMPORTANT TERMS

This Warranty is not transferable and may not be assigned. This Warranty shall be governed and construed under the laws of the state of Ohio. The Warranty Period will not be extended by any replacement or repair performed under this Warranty.

THIS WARRANTY IS THE EXCLUSIVE WARRANTY AND REMEDY PROVIDED BY HOOVER. ALL OTHER WARRANTIES, EXPRESSED OR IMPLIED, INCLUDING WARRANTIES OF MERCHANTABILITY OR FITNESS FOR PARTICULAR PURPOSE, ARE DISCLAIMED. IN NO EVENT WILL HOOVER BE LIABLE FOR ANY SPECIAL, INDIRECT, INCIDENTAL OR CONSEQUENTIAL DAMAGES OF ANY KIND OR NATURE TO OWNER OR ANY PARTY CLAIMING THROUGH OWNER, WHETHER BASED IN CONTRACT, NEGLIGENCE, TORT OR STRICT PRODUCTS LIABILITY OR ARISING FROM ANY CAUSE WHATSOEVER. Some states do not allow the exclusion of consequential damages, so the above exclusion may not apply to you. This warranty gives you specific rights; you may also have others that vary from state to state.

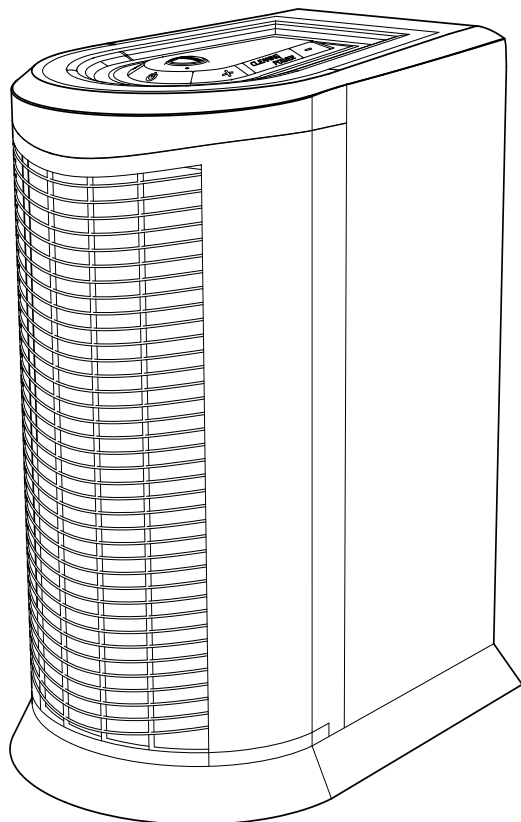
MANUAL DEL PROPIETARIO

Instrucciones de Funcionamiento y Servicio



AIR PURIFIER

www.hoover.com



IMPORTANTE: LEA ATENTAMENTE ANTES DE ENSAMBLAR Y USAR.

¿Tiene alguna pregunta o inquietud? Para obtener asistencia, llame al Servicio de atención al cliente al 1-800 944 9200, de lunes a viernes, de 8 a.m. a 7 p.m., hora del ESTE.

POR FAVOR, NO DEVUELVA ESTE PRODUCTO A LA TIENDA.

**ESTA PRODUCTO PARA ALFOMBRAS ESTÁ DISEÑADA
PARA USO DOMÉSTICO.**

EL USO COMERCIAL DE ESTE PRODUCTO ANULA LA GARANTÍA.

Gracias por haber elegido un producto HOOVER®.

Anote los números completos de Código de fabricación en los espacios provistos.

MODELO _____

CÓDIGO DE FABRICACIÓN _____

Consejo: Adjunte su recibo de compra a este Manual del propietario. Para obtener el servicio de garantía de su producto HOOVER® puede requerirse la verificación de la fecha de compra.

Inscriba su producto en línea en Hoover.com, o llame al 1-800-944-9200 si prefiere hacerlo por teléfono.



ÍNDICE

Salvaguardias Importantes	E3
Configuración Y Cómo Utilizar	E5
Descripción Del Producto.....	E5
Configuración	E5
Mantenimiento	E6
Pre-Filtro Enjuagable	E6
Reemplazo Del Filtro Fabricado Con Material Hepa.....	E6
Remplazo De La Bombila Uv.....	E6
Cuidado Del Cable De Alimenta Ción	E7
Solución De Problemas	E7
Especificaciones	E7
Servicio	E7
Garantía	E8

Si necesita ayuda:

Visite nuestro sitio web en www.hoover.com. Haga clic en el enlace que permite localizar los vendedores autorizados hoover para encontrar el vendedor más cercano, o marque el 1-800-944-9200 para escuchar un mensaje indicando la dirección de los vendedores autorizados Hoover® (sólo en ee. Uu.) O para hablar con un representante de atención al cliente (de 8 am a 7 pm, hora estándar del este, de lunes a viernes).

POR FAVOR, NO DEVUELVA ESTE PRODUCTO A LA TIENDA.

¡SALVAGUARDIAS IMPORTANTES! ¡GUARDE ESTAS INSTRUCCIONES!

Al usar un aparato eléctrico, observe siempre las precauciones básicas, incluyendo las siguientes:

LEA TODAS LAS INSTRUCCIONES ANTES DE USAR ESTE APARATO

ADVERTENCIA: PARA REDUCIR EL RIESGO DE INCENDIOS, CHOQUES ELÉCTRICOS O LESIONES:

- Ensamble completamente el producto antes de hacerlo funcionar.
- Opere el producto únicamente con la tensión que se especifica en la placa de datos ubicada dentro del área de la parrilla trasera en la parte inferior del alojamiento del filtro.
- Desenchúfelo de la toma de corriente cuando no lo esté usando y antes de limpiarlo o darle mantenimiento.
- No use este aparato en lugares al aire libre ni en superficies húmedas. Mantenga la unidad alejada del agua.
- No permita que esta máquina se use como un juguete. No está diseñada para que lo utilicen niños de 12 años y menos. Se debe prestar especial atención cuando este producto es usado cerca de los niños. Para evitar lesiones o daños, mantenga a los niños lejos del producto y no permita que los niños coloquen los dedos u otros objetos en ninguna abertura.
- Use el producto sólo como se describe en este manual.
- No use este aparato con un cordón o enchufe dañado. Si el aparato no está funcionando adecuadamente, se dejó caer, se dañó, se dejó a la intemperie, o se dejó caer dentro del agua, llévelo a un centro de servicio.
- No tire del cordón ni traslade el aparato jalando del cordón, ni tampoco lo use como manija; no cierre la puerta cuando el cordón está atravesado ni tire de este alrededor de bordes o esquinas filosos.
- No lo desenchufe tirando del cordón. Para desenchufarlo, sujete el enchufe, no el cordón.
- Nunca manipule el enchufe ni el aparato con las manos húmedas.
- No coloque ningún objeto en las aberturas. No use este aparato con ninguna abertura obstruida; manténgalo libre de suciedad, pelusa, cabello o cualquier objeto que pueda reducir el flujo de aire.
- Mantenga el cabello, la ropa holgada, los dedos y todas las partes del cuerpo fuera de las aberturas y de las piezas en movimiento.
- Apague todos los controles antes de desenchufar el aparato.
- No use sin filtro en su lugar.

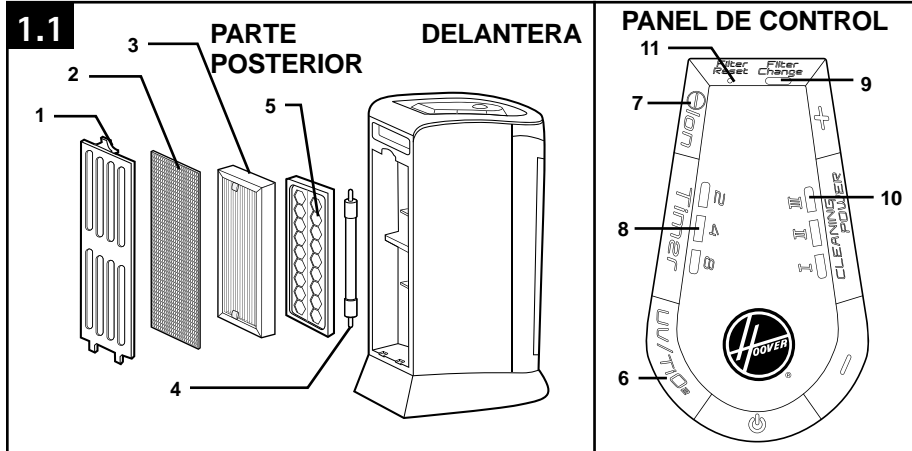
ADVERTENCIA: Para disminuir el riesgo de choque eléctrico, este aparato tiene un enchufe polarizado (una patilla es más ancha que la otra). Este enchufe puede usarse en una toma de corriente polarizada, de una sola manera. Si el enchufe no encaja completamente en la toma de corriente, colóquelo al revés. Si aun así no encaja, comuníquese con un electricista calificado para que instale la toma de corriente apropiada. No haga ningún tipo de modificación al enchufe.

PRECAUCIÓN:

- No bloquee ni bloquee parcialmente las rejillas de entrada ni de salida de aire. Asegúrese de que exista un flujo adecuado de aire alrededor de la unidad.
- Mantenga el purificador de aire alejado de calefactores/chimeneas y otros objetos/ ubicaciones calientes.
- No desarme la unidad.
- Desenchufe la unidad cuando la misma no se encuentre en uso.
- No coloque ningún objeto sobre la unidad, ni se sienta sobre la unidad.
- Nunca abra la parrilla trasera mientras la unidad está enchufada en un tomacorriente de pared.
- Nunca opere la unidad sin el filtro fabricado con material HEPA o con un filtro dañado, ya que la exposición a la bombilla UV puede causar daño ocular severo y posible ceguera.
- Nunca inserte los dedos ni objetos dentro de la unidad.
- Mantenga los objetos personales y sueltos (tales como alhajas, corbatas sueltas, cabello largo, etc.) alejados de la unidad.
- Mantenga a los niños y las mascotas alejados de la unidad.
- Nunca use espolvoreadores de gas comprimido inflamables ni limpiadores de aire comprimido o en aerosol, basados en petróleo, en este producto. Algunos agentes limpiadores pueden producir combustión y causar lesiones y/o daños a la propiedad graves. Nunca use este producto cerca de solventes o sustancias y vapores inflamables.

1. CONFIGURACIÓN Y CÓMO UTILIZAR

DESCRIPCIÓN DEL PRODUCTO



PARTE POSTERIOR/DELANTERA

1. Parrilla trasera
2. Pre-filtro enjuagable
3. Reemplazo del filtro fabricado con material HEPA
4. Bombilla UV
5. Malla con recubrimiento TiO_2

PANEL DE CONTROL

6. Bombilla UV/Filtro TiO_2 ON
7. Ionizador
8. Temporizador de 2/4/8 horas
9. Indicador de reemplazo del filtro fabricado con material HEPA
10. Control de 3 velocidades
11. Restablecer filtro

CONFIGURACIÓN

- Retire el purificador de aire de su embalaje.

IMPORTANTE

Coloque la unidad sobre una superficie plana y estable con ventilación adecuada.

- Enchufe la unidad en un tomacorriente de CA.
- Oprima el botón POWER (Encendido)
- Regule la potencia limpiadora de aire con los botones "+" y "-". La unidad cuenta con 3 configuraciones de potencia limpiadora de aire, y un LED indicará qué configuración está en operación.
- Oprima el botón "UV/ TiO_2 " para alternar entre encendido y apagado. La luz curva en el frente de la unidad se iluminará cuando se ha activado el modo UV/ TiO_2 .
- Oprima el botón "ION" para alternar entre encendido y apagado. El botón se iluminará con una luz ámbar cuando se ha activado el modo ION.
- Oprima el botón TIMER (Temporizador) para configurar el temporizador en 2 horas/4 horas/8 horas/OFF (las horas se indican con LEDs).

2. MANTENIMIENTO

Familiarícese con estas tareas de mantenimiento en el hogar, ya que el uso y cuidado apropiados de su aspiradora asegurarán una limpieza continuamente eficaz.

Cualquier otra tarea de mantenimiento debe ser realizada por un representante de mantenimiento autorizado.

⚠️ ADVERTENCIA ⚠️

ALTA TENSIÓN. Para reducir el riesgo de descargas eléctricas: desenchufe el purificador de aire antes de realizar el servicio.

PRE-FILTRO ENJUAGABLE

El pre-filtro enjuagable prolonga la vida de su filtro fabricado con material HEPA atrapando las partículas más grandes acarreadas por el aire antes de que lleguen al filtro fabricado con material HEPA.

El pre-filtro es de color negro y está fijado al filtro fabricado con material HEPA mediante cinta de gancho y bucle.

Recomendamos que inspeccione el pre-filtro una vez al mes para asegurarse de que esté limpio y, por lo tanto, trabajando de la manera más efectiva. Antes de inspeccionar el pre-filtro, apague la unidad y desenchúfela del tomacorriente de CA.

FILTRO REEMPLAZABLE FABRICADO CON MATERIAL HEPA

Su purificador de aire está equipado con una función que le advierte automáticamente cuando sus filtros fabricados con material HEPA necesitan reemplazo. Un icono de "Filtro" se mostrará en la pantalla, recordándole cuándo cambiar los filtros. Reemplace los filtros con el repuesto Hoover® número: AH60015 y luego utilice un sujetapapeles (paper clip) para oprimir el botón "Restablecer filtro". Presione y mantenga



2.1 Cuando observe que el pre-filtro se está obstruyendo y requiere limpieza, retire el pre-filtro y aspirelo o enjuáguelo delicadamente bajo agua corriente. (NOTA: No utilice ninguna solución limpiadora, ya que la misma puede dañar el pre-filtro.) Deje secar el filtro.

oprimido hasta que se escuche un bip y la luz se apague.

Para reemplazar el filtro fabricado con material HEPA:

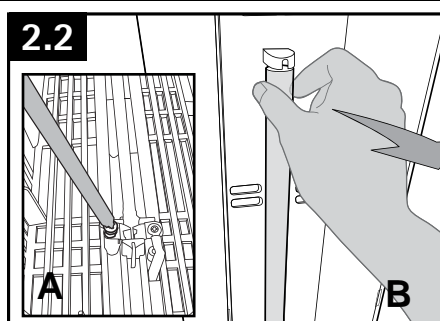
- Retire la parrilla trasera y los filtros fabricados con material HEPA viejos.
- Reemplace los filtros fabricados con material HEPA viejos con los filtros fabricados con material HEPA nuevos, asegurándose de que el pre-filtro esté alineado correctamente.
- Vuelva a colocar la parrilla trasera.

REEMPLAZO DE LA BOMBILLA UV

La función UV/TiO₂ se activa mediante una bombilla fluorescente dentro del purificador de aire. Al igual que con todas las bombillas, esta requerirá un reemplazo periódico, dependiendo de la frecuencia de uso. Para asegurarse de que la bombilla esté en funcionamiento, periódicamente observe la parte posterior del producto para verificar si se ve un resplandor azul a través de la parrilla. Hacer la verificación en un ambiente con poca luz o en la oscuridad ayudará a ver el resplandor. Reemplazo de la bombilla UV con el repuesto Hoover® número: #440001068.

Para reemplazar la bombilla UV:

- **Apague la unidad, y desenchúfela del tomacorriente de CA.**
- Retire la parrilla trasera y el filtro fabricado con material HEPA.
- Retire la malla con recubrimiento TiO₂.
- Afloje el tornillo más grande (2.2 A) en la abrazadera superior y el tornillo más grande en la abrazadera inferior. No retire los tornillos completamente.
- Con delicadeza tome la bombilla en la parte superior y tire hacia fuera hasta que se desenganche de la abrazadera (2.2 B). Repita para la parte inferior de la bombilla. Coloque la nueva bombilla en posición y aplique una presión muy leve en la



⚠️ ADVERTENCIA ⚠️

Para evitar lesiones tome los extremos no toque el vidrio. Utilice un papel tisú para retirarla.

- parte superior de la misma para asentarla. Repita los pasos para la parte inferior de la bombilla.
- Ajuste ambos tornillos. Vuelva a colocar el filtro TiO₂, el filtro fabricado con material HEPA, y la cubierta trasera.

NOTA: La malla con recubrimiento TiO₂ no requiere reemplazo ni limpieza.

CUIDADO DEL CABLE DE ALIMENTACIÓN

- No coloque nada sobre el cable de alimentación.
- No coloque el purificador de aire donde las personas o mascotas puedan tropezar o caminar sobre el cable de alimentación.
- No levante la unidad tomándola del cable de alimentación.
- Inspeccione el cable de alimentación antes del uso para asegurarse de que el cable y el enchufe estén en buen estado.

3. SOLUCIÓN DE PROBLEMAS

Si ocurre un problema menor, generalmente puede resolverse con bastante facilidad cuando se halla la causa, usando esta lista de verificación.

Cualquier otra tarea de mantenimiento debe ser realizada por un representante de mantenimiento autorizado.

⚠ ADVERTENCIA ⚠

Para reducir el riesgo de lesiones ocasionadas por piezas en movimiento, desenchufe la aspiradora antes de realizar el mantenimiento.

PROBLEMA	SOLUCIÓN POSIBLE
El purificador de aire no se enciende.	<ol style="list-style-type: none">1. Verifique que el cable de alimentación esté enchufado en forma segura dentro de un tomacorriente de CA.2. Verifique que la parrilla trasera esté cerrada en forma segura.3. Verifique que la unidad se encuentre en una superficie nivelada.
El flujo de aire se reduce.	<ol style="list-style-type: none">1. Verifique que exista un flujo de aire adecuado alrededor de la unidad.2. Verifique que el pre-filtro no esté obstruido.3. Verifique que el filtro fabricado con material HEPA no esté obstruido.

4. ESPECIFICACIONES

Fuente de alimentación: CA 120V/60HZ

Consumo de potencia: 50 Watts

Peso: 7.3 libras

Dimensiones: 15.2 x 9.3 x 6.5 pulgadas

5. SERVICIO

Para obtener un servicio aprobado de Hoover® y piezas genuinas de Hoover®, encuentre el Concesionario autorizado de servicio de garantía de Hoover® (depositario) más cercano:

- Visite nuestro sitio web en hoover.com (clientes estadounidenses) o hoover.ca (clientes canadienses). Siga el enlace del centro de servicio para encontrar el centro de servicio más cercano.
- Para que le informen de manera automática la ubicación de los centros autorizados de servicio, llame al 1-800-944-9200. No envíe su producto a Hoover®, Inc., Company en Glenwillow para realizar el servicio. Esto sólo provocará demoras.

Si necesita recibir más ayuda:

Para hablar con un representante de atención al cliente, llame al 1-800-944-9200; de lunes a viernes, de 8 a.m. a 7 p.m., hora del Este.

Siempre identifique su producto por el número de modelo completo al solicitar información o realizar pedidos de piezas.

(Etiqueta ubicada en el costado del producto.)

NO DEVUELVA ESTE PRODUCTO A LA TIENDA.

6. GARANTÍA

GARANTÍA LIMITADA DE DOS AÑOS PARA EL PURIFICADOR DE AIRE MARCA HOOVER® (Para uso doméstico)

QUÉ CUBRE ESTA GARANTÍA

Siempre que el uso y el mantenimiento de su producto HOOVER® se realicen en condiciones de uso doméstico normales y según el Manual del usuario, el producto estará garantizado contra defectos originales en el material y la fabricación durante de dos años completos desde la fecha de compra (el "Período de Garantía"). Durante el Período de Garantía, Hoover le proporcionará gratuitamente, como se describe en esta garantía, la mano de obra y las piezas necesarias para corregir cualquier defecto en los productos comprados en los Estados Unidos, en una tienda situada en una base militar de los EE. UU. y en Canadá.

CÓMO HACER UN RECLAMO EN VIRTUD DE LA GARANTÍA

Si este producto no se ajusta a las condiciones garantizadas, llévalo a un Concesionario autorizado de servicio de garantía de Hoover® junto con el comprobante de compra. Para que le informen de manera automática la ubicación de los centros autorizados de servicio, llame al: 1-800-944-9200 o visite Hoover en Internet, en hoover.com. (clientes estadounidenses) o hoover.ca (clientes canadienses). Si necesita asistencia adicional o información sobre esta Garantía o la disponibilidad de los centros de servicio de garantía, llame al 1-800-944-9200, de lunes a viernes, de 8 a.m. a 7 p.m., hora del Este.

QUÉ NO CUBRE ESTA GARANTÍA

Esta garantía no cubre: Esta Garantía no cubre: pre-filtro enjuagable, filtro fabricado con material HEPA, de la bombilla UV, Malla con recubrimiento TiO₂, el uso del producto en una operación comercial, el mantenimiento inadecuado del producto, los daños provocados por el uso indebido, caso fortuito, hechos de la naturaleza, vandalismo u otros actos que excedan del control de Hoover, acciones u omisiones del propietario, uso fuera del país en que el producto fue comprado inicialmente y reventa del producto por parte del propietario original. Esta garantía no cubre el retiro del producto, la entrega, el transporte ni las visitas a domicilio.

Esta garantía no se aplica a los productos comprados fuera de los Estados Unidos, incluidos sus territorios y posesiones, fuera de una tienda situada en una base militar de los EE. UU. ni fuera de Canadá. Esta garantía no cubre los productos comprados a una parte que no sea un minorista, concesionario o distribuidor autorizados de los productos de Hoover®.

OTROS TÉRMINOS IMPORTANTES

Esta Garantía no es transferible ni puede cederse. Esta Garantía se registrará e interpretará de conformidad con las leyes del estado de Ohio. El Período de Garantía no se prorrogará en función de ningún reemplazo o reparación realizados en virtud de esta Garantía.

ESTA GARANTÍA ES LA ÚNICA GARANTÍA Y EL ÚNICO RECURSO QUE HOOVER PROPORCIONA. TODAS LAS DEMÁS GARANTÍAS, EXPRESAS O IMPLÍCITAS, INCLUIDAS LAS GARANTÍAS DE COMERCIABILIDAD O APTITUD PARA UN FIN PARTICULAR, QUEDAN EXCLUIDAS. HOOVER NO SERÁ RESPONSABLE EN NINGÚN CASO POR NINGÚN DAÑO ESPECIAL, INDIRECTO, INCIDENTAL O MEDIATO DE NINGÚN TIPO O NATURALEZA CON RESPECTO AL PROPIETARIO O A CUALQUIER PARTE QUE REALICE UN RECLAMO A TRAVÉS DEL PROPIETARIO, YA SEA QUE SE BASE EN RESPONSABILIDAD CONTRACTUAL, NEGLIGENCIA, RESPONSABILIDAD EXTRACONTRACTUAL O RESPONSABILIDAD CIVIL OBJETIVA POR LOS PRODUCTOS, O EMERGENTE DE CUALQUIER OTRA CAUSA. Algunos estados no permiten la exclusión de los daños mediatos, por lo cual es posible que la exclusión mencionada no se aplique en su caso. Esta garantía le otorga derechos específicos; es posible que, además, tenga otros derechos que varían de un estado a otro.

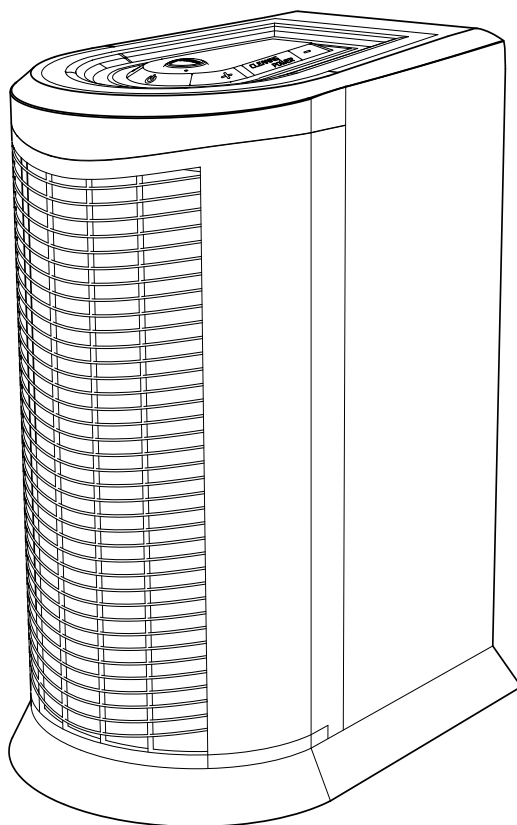
GUIDE D'UTILISATION

Instructions d'utilisation et d'entretien



AIR PURIFIER

www.hoover.com



IMPORTANT : LIRE CES INSTRUCTIONS ATTENTIVEMENT AVANT D'UTILISER L'ASPIRATEUR.

Vous avez des questions ou des inquiétudes? Veuillez appeler le service à la clientèle au
1 800 9449200 du lundi au vendredi, de 8 h à 19 h (HNE).

VEUILLEZ NE PAS RETOURNER CE PRODUIT AU MAGASIN.

**L'UTILISATION DE CE PRODUIT À DES FINS COMMERCIALES INVALIDE
LA PRÉSENTE GARANTIE.**

Merci d'avoir choisi un produit HOOVER^{MD}.

Veuillez inscrire les numéros de modèle et de série COMPLETS dans les espaces fournis à cet effet

MODÈLE _____

CODE DE FABRICATION _____

Conseil: Il est recommandé de joindre votre reçu de caisse au guide de l'utilisateur, car une vérification de la date d'achat peut être effectuée avant toute réparation couverte par la garantie de votre produit HOOVER^{MD}.

N'oubliez pas d'enregistrer votre produit en ligne, à l'adresse Hoover.com, ou par téléphone, au 1-800-944-9200.



CONTENU

Consignes de sécurité importantes	3
Installation et utilisation	5
Description du produit	5
Installation	6
Entretien.....	6
Pré-filtre lavable	6
Remplacement du filtre avec substance filtrante hepa	6
Remplacement de l'ampoule ultraviolette	6
Entretien du cordon d'alimentation.....	7
Dépanage	7
Fiche technique	7
Service.....	7
Garantie.....	8

Pour obtenir de l'assistance :

Visitez notre site web à l'adresse www.hoover.ca. Cliquez sur le lien du localisateur de marchands autorisés Hoover^{MD} pour trouver le marchand le plus près de chez vous, ou composez le 1 800 944 9200 pour écouter un message indiquant les adresses des marchands autorisés Hoover^{MD} (é.-U. Seulement) ou pour parler à un représentant du service à la clientèle (de 8 h à 19 h, hne, du lundi au vendredi).

VEUILLEZ NE PAS RETOURNER CE PRODUIT AU MAGASIN.

CONSIGNES DE SÉCURITÉ IMPORTANTES RANGER ET CONSERVER CES INSTRUCTIONS

Durant l'utilisation d'un appareil électrique, toujours respecter les précautions élémentaires, y compris les suivantes :

LIRE TOUTES LES INSTRUCTIONS AVANT D'UTILISER CET APPAREIL.

AVERTISSEMENT: AFIN DE REDUIRE AU MINIMUM LES RISQUES D'INCENDIE, DE CHOC ELECTRIQUE OU DE BLESSURES :

- Assembler complètement avant l'utilisation.
- Utiliser le produit uniquement à la tension indiquée sur la plaque signalétique située sur le côté du produit.
- Le débrancher quand il n'est pas utilisé et avant d'en faire l'entretien.
- Ne pas utiliser l'appareil à l'extérieur ou sur des surfaces humides. Tenir l'appareil éloigné de l'eau.
- Ne pas permettre que l'appareil soit utilisé comme un jouet. Ce produit n'est pas conçu pour être utilisé par des enfants de 12 ans et moins. Exercer une étroite surveillance lorsque l'appareil est utilisé à proximité d'enfants. Pour éviter les risques de blessures ou de dommages, tenir le produit hors de la portée des enfants, et ne pas leur permettre de placer leurs doigts ou des objets dans les ouvertures.
- L'appareil doit être utilisé seulement comme indiqué dans ce manuel.
- Ne pas utiliser l'appareil si la fiche ou le cordon est endommagé. Si l'appareil fonctionne mal, s'il est tombé par terre ou dans l'eau, s'il est endommagé ou a été laissé à l'extérieur, il doit être apporté à un centre de service.
- Ne pas tirer l'appareil par le cordon d'alimentation, utiliser le cordon pour transporter ou soulever l'appareil, fermer une porte sur le cordon ou tirer le cordon autour de coins ou d'arêtes vives.
- Ne pas tirer sur le cordon d'alimentation pour débrancher l'appareil. Saisir la fiche et non le cordon pour débrancher l'appareil.
- Ne jamais manipuler la fiche ou l'appareil avec les mains mouillées.
- Ne pas introduire d'objets dans les ouvertures. S'assurer qu'aucune ouverture n'est obstruée; garder les ouvertures exemptes de poussière, de peluches, de cheveux ou de toute autre matière qui pourrait réduire le débit d'air.
- Garder les cheveux, les vêtements, les doigts et toute autre partie du corps à bonne distance des ouvertures et des autres pièces mobiles de l'appareil.
- Éteindre toutes les commandes avant de débrancher l'appareil.
- Ne pas utiliser sans filtres en place.

AVERTISSEMENT:

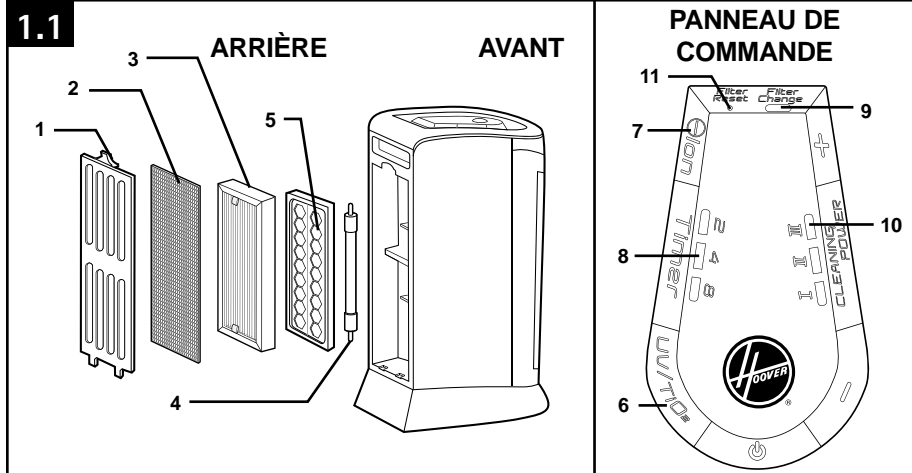
- Afin de réduire les risques de décharge électrique, cet appareil est muni d'une fiche polarisée (une tige est plus large que l'autre). Cette fiche ne peut être insérée que dans une prise de courant polarisée et uniquement dans un sens. Si la fiche ne s'insère pas complètement dans la prise, il faut l'inverser. Si elle ne s'insère toujours pas, demander à un électricien qualifié d'installer la prise appropriée. Ne jamais modifier la fiche.

MISE EN GARDE :

- Ne pas obstruer, même partiellement, les grilles d'entrée ou de sortie d'air. Veiller à ce qu'il y ait une circulation d'air adéquate autour de l'appareil. Veiller à ce qu'il y ait une circulation d'air adéquate autour de l'appareil.
- Tenir le purificateur d'air éloigné des radiateurs/foyers et autres objets/endroits chauds.
- Ne pas démonter l'appareil.
- Ne pas placer d'objets sur le dessus de l'appareil, ni s'asseoir sur l'appareil.
- Ne jamais ouvrir la grille arrière lorsque l'appareil est branché.
- Tenir les objets personnels et libres (p. ex., des bijoux, une cravate détachée, des cheveux longs, etc.) éloignés de l'appareil.
- Tenir les enfants et les animaux de compagnie éloignés de l'appareil.
- Ne jamais utiliser de dépoussiéreurs en aérosol inflammables, de produits à base de pétrole ou de nettoyeurs en bombe ou en aérosol sur l'appareil. Certains agents pourraient s'enflammer, ce qui pourrait causer des blessures graves ou des dommages matériels. Ne jamais utiliser l'appareil à proximité de solvants ou d'autres matières et vapeurs inflammables.

1. INSTALLATION ET UTILISATION

DESCRIPTION DU PRODUIT



ARRIÈRE/AVANT

1. Grille arrière
2. Pré-filtre lavable
3. Remplacement du filtre avec substance filtrante HEPA*
4. Ampoule ultraviolette
5. Préfiltre revêtu de TiO₂

PANNEAU DE COMMANDE

6. Ampoule ultraviolette / filtre TiO₂ ON
7. Ionisateur
8. Minuterie de cycles de 2/4/8 heures
9. Indicateur de remplacement du filtre avec substance filtrante HEPA
10. Entilateur à 3 vitesses
11. Réinitialisation du filtre

INSTALLATION

- Retirer le purificateur d'air de son emballage.

• IMPORTANT •

Placer l'appareil sur une surface plane stable, dans un endroit bien ventilé.

- Brancher l'appareil dans une prise c.a.
- Appuyer sur l'interrupteur.
- Ajuster la puissance de purification de l'air à l'aide des boutons « + » et « - ». L'appareil est doté de trois réglages de puissance de purification de l'air, et un voyant à DEL indique le réglage actif.
- Appuyer sur le bouton « UV/TiO₂ » pour activer/désactiver ce mode. La lumière courbe à l'avant de l'appareil s'allume quand le mode UV/TiO₂ est activé.
- Appuyer sur le bouton « ION » pour activer/désactiver ce mode. Le bouton s'illumine d'une lumière de couleur ambre quand le mode ION est activé.
- Appuyer sur le bouton TIMER (minuterie) pour régler la minuterie à 2 heures / 4 heures / 8 heures / OFF (désactivé) (les heures sont indiquées par des voyants à DEL).

2. ENTRETIEN

Il est recommandé de vous familiariser avec les tâches d'entretien; l'utilisation et l'entretien appropriés de l'appareil assureront son bon fonctionnement.

Toute autre tâche d'entretien doit être confiée à un représentant de service autorisé.

⚠ AVERTISSEMENT ⚠

HAUTE TENSION. Pour réduire le risque de choc électrique, débrancher le purificateur d'air avant d'en effectuer l'entretien.

PRÉ-FILTRE LAVABLE

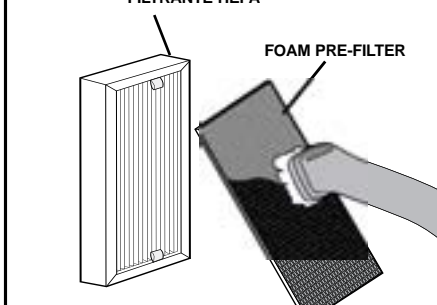
Le pré-filtre lavable prolonge la durée de vie utile de votre filtre avec substance filtrante HEPA en captant les plus grosses particules en suspension dans l'air avant qu'elles n'atteignent le filtre avec substance filtrante HEPA.

Le pré-filtre est noir et est fixé au filtre avec substance filtrante HEPA au moyen d'une bande velcro.

Nous vous recommandons d'inspecter le pré filtre une fois par mois pour veiller à ce qu'il soit propre et donc qu'il fonctionne le plus efficacement possible. Éteindre l'appareil et le débrancher de la prise c.a. avant d'inspecter le pré-filtre.

2.1 Quand le pré-filtre devient obstrué et doit être

2.1 FILTRE AVEC SUBSTANCE FILTRANTE HEPA



nettoyé, le retirer et passer doucement l'aspirateur dessus ou le rincer délicatement sous l'eau du robinet. (NOTA : Ne pas utiliser de solutions nettoyantes, car elles peuvent endommager le pré-filtre.) Laisser le filtre sécher.

FILTRE AVEC SUBSTANCE

FILTRANTE HEPA REMPLAÇABLE

Votre purificateur d'air est doté d'une fonction qui indique automatiquement quand les filtres avec substance filtrante HEPA doivent être remplacés.

Une icône de filtre apparaîtra à l'écran pour vous rappeler de changer les filtres. Remplacer les filtres par la pièce Hoover numéro AH60010, puis utiliser un trombone pour appuyer sur le bouton « Filter Reset » (réinitialisation du filtre). Maintenir le bouton enfoncé

jusqu'au signal sonore et jusqu'à ce que la lumière s'éteigne.

Pour remplacer le filtre avec substance filtrante HEPA:

- **Éteindre l'appareil et le débrancher de la prise c.a.**
- Retirer la grille arrière et les filtres avec substance filtrante HEPA usagés.
- Remplacer les filtres avec substance filtrante HEPA usagés par de nouveaux en veillant à ce que le pré-filtre soit bien aligné.
- Remplacer la grille arrière.

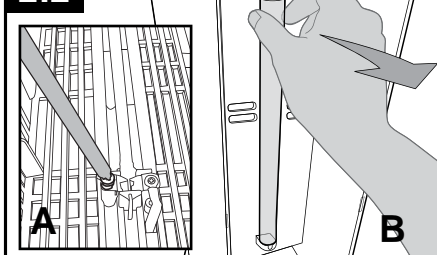
REMPACEMENT DE L'AMPOULE ULTRAVIOLETTE

La fonction UV/TiO₂ est activée par une ampoule fluorescente à l'intérieur du purificateur d'air. À l'instar de tous les types d'ampoules, elle doit être remplacée périodiquement, en fonction de la fréquence d'utilisation de l'appareil. Afin de s'assurer que l'ampoule fonctionne, repérer périodiquement au dos de l'appareil une lueur bleue au travers de la grille. Effectuer cette vérification dans un cadre peu éclairé ou dans le noir aidera à voir la lueur. Remplacement de l'ampoule ultraviolette par la pièce Hoover numéro 440001068.

Pour remplacer l'ampoule ultraviolette :

- **Éteindre l'appareil et le débrancher de la prise c.a.**
- Retirer la grille arrière ainsi que le filtre fabriqué avec substance HEPA.
- Retirer le préfiltre revêtu de TiO₂.
- Desserrer la plus grande vis du serre-joints du haut (2.2 A) et la plus grande vis du serre-joints du bas. Ne pas retirer complètement les vis.
- Saisir la partie supérieure de l'ampoule et la tirer délicatement vers l'extérieur jusqu'à ce qu'elle se dégage du serre-joints (2.2 B). Répéter l'opération pour la partie inférieure de l'ampoule. Mettre la

2.2



⚠ AVERTISSEMENT ⚠

Pour éviter une blessure, ne pas toucher le verre. Utiliser un linge pour la retirer.

nouvelle ampoule en place et exercer une très légère pression sur la partie supérieure de l'ampoule pour la fixer. Répéter les étapes pour la partie inférieure de l'ampoule.

- Réinstaller le préfiltre revêtu de TiO₂, le filtre fabriqué avec substance HEPA et la grille arrière.
- NOTA : Le préfiltre revêtu de TiO₂ n'a pas besoin d'être remplacé ou nettoyé.

ENTRETIEN DU CORDON D'ALIMENTATION

- Ne placer aucun objet sur le cordon d'alimentation.
- Ne pas transporter l'appareil par le cordon d'alimentation.
- Ne pas placer le purificateur d'air à un endroit où les personnes ou les animaux de compagnie sont susceptibles de trébucher ou de marcher sur le cordon d'alimentation.
- Inspecter le cordon d'alimentation avant d'utiliser l'appareil pour vérifier que le cordon et la fiche sont en bon état.

3. DÉPANNAGE

Si un problème mineur survient, il est habituellement possible de le résoudre facilement si la cause est déterminée à l'aide de la liste ci dessous.

Toute autre tâche d'entretien doit être confiée à un représentant de service autorisé.

⚠ AVERTISSEMENT ⚠

Pour réduire les risques de blessures causées par des pièces en mouvement, débrancher l'appareil avant d'en effectuer l'entretien.

PROBLÈME	SOLUTION POSSIBLE
Le purificateur d'air ne s'allume pas.	1. Vérifier si le cordon d'alimentation est bien branché dans une prise c.a. 2. Vérifier si la grille arrière est bien fermée. 3. Vérifier que l'appareil se trouve sur une surface plane.
La circulation d'air est réduite.	1. Vérifier s'il y a une circulation d'air adéquate autour de l'appareil. 2. Vérifier si le pré filtre est obstrué. 3. Vérifier si le filtre avec substance filtrante HEPA est obstrué.

4. FICHE TECHNIQUE

Source d'alimentation : c.a. 120 V/60 Hz

Consommation d'énergie : 50 watts

Poids : 7.3 lb

Dimensions : 15.2 x 9.3 x 6.5 pouces

5. SERVICE

Pour obtenir du service autorisé Hoover^{MD} et des pièces Hoover^{MD} d'origine, trouver l'atelier de service garanti autorisé (dépôt) le plus près de chez vous. Pour ce faire :

- Visiter notre site Web www.hoover.com (aux États-Unis) ou www.hoover.ca (au Canada). Cliquer sur le lien « Service à la clientèle » pour connaître l'adresse du Centre de service le plus près de chez vous.
- Composer le 1-800-944-9200 pour écouter un message indiquant les adresses des Centres de service autorisés.

Prière de ne pas envoyer votre produit à Hoover^{MD}, Inc. à Glenwillow, en Ohio, pour qu'il soit réparé. Cela n'entraînera que des délais supplémentaires.

Si vous avez besoin d'autres renseignements :

Pour parler avec un représentant du service à la clientèle, composer le 1-800-944-9200 du lun. au ven. de 8 h à 17 h (HNE). Toujours identifier l'aspirateur par le numéro du modèle et le code de fabrication lorsque vous demandez des informations ou que vous commandez des pièces de rechange. **(Étiquette située à l'Étiquette située sur le côté du produit.)**

VEUILLEZ NE PAS RETOURNER CE PRODUIT AU MAGASIN.

6. GARANTIE

HOOVER® BRAND AIR PURIFIER GARANTIE LIMITÉE DE DEUX ANS (Usage domestique)

ÉLÉMENTS COUVERTS PAR LA PRÉSENTE GARANTIE

Votre produit HOOVER^{MD} est garanti pour des conditions normales d'utilisation et d'entretien domestiques, comme il est stipulé dans le Guide de l'utilisateur, contre les défauts de matériaux et de fabrication pour une période complète de deux ans à compter de la date d'achat (la « Période de garantie »). Pendant la Période de garantie, Hoover fournira, sans frais supplémentaires, les pièces et la main-d'œuvre nécessaires à la remise en bon état de fonctionnement de tout produit acheté aux États-Unis, au Canada ou par l'intermédiaire du Programme d'échanges militaires américain.

COMMENT PRÉSENTER UNE RÉCLAMATION AU TITRE DE LA GARANTIE

Si ce produit ne fonctionne pas comme annoncé, l'apporter à un atelier de service garanti autorisé Hoover^{MD}, accompagné de la preuve d'achat. Pour accéder à un service d'aide automatique donnant la liste des centres de service autorisés, composer le 1 800 944-9200 OU visiter Hoover^{MD} sur Internet à hoover.com (clients aux États-Unis) ou à hoover.ca (clients au Canada). Pour de plus amples renseignements ou pour toute question sur la présente garantie ou sur l'emplacement des différents centres de service garanti, téléphoner au 1 800 944-9200, du lun. au ven. de 8 h à 19 h (HNE).

ÉLÉMENTS NON COUVERTS PAR LA PRÉSENTE GARANTIE

La présente garantie ne couvre pas : La présente garantie ne couvre pas le pré-filtre lavable, de l'ampoule ultraviolette, le filtre avec substance filtrante HEPA et l'utilisation commerciale de l'appareil, Préfiltre revêtu de TiO₂, l'entretien inadéquat du produit; les dommages liés à une utilisation inadéquate, à des cas fortuits ou catastrophes naturelles, au vandalisme, à tout autre acte hors du contrôle de Hoover ou à tout acte ou négligence de la part du propriétaire du produit; toute utilisation dans un pays autre que celui où le produit a été acheté initialement, et tout produit revendu par son propriétaire original. La présente garantie ne couvre pas le ramassage, la livraison, le transport ou la réparation à

domicile du produit.

Cette garantie ne s'applique pas aux produits achetés : hors des États-Unis (ce qui comprend ses territoires et possessions); hors du Programme d'échanges militaires américain; hors du Canada. Cette garantie ne couvre pas les produits achetés chez un tiers autre qu'un détaillant, marchand ou distributeur autorisé de produits Hoover^{MD}.

AUTRES CONDITIONS IMPORTANTES

La présente garantie n'est pas transférable et ne peut pas être cédée. La présente garantie sera régie et interprétée selon les lois de l'État de l'Ohio. La Période de garantie ne peut pas être prolongée par quelque réparation ou remplacement que ce soit exécuté en vertu de la présente garantie.

LA PRÉSENTE GARANTIE EST L'UNIQUE GARANTIE ET RECOURS FOURNIS PAR HOOVER. HOOVER DÉCLINE TOUTE RESPONSABILITÉ QUANT À TOUTES LES AUTRES GARANTIES EXPRESSES OU TACITES, Y COMPRIS LES GARANTIES LIÉES À LA QUALITÉ MARCHANDE OU À LA COMPATIBILITÉ DU PRODUIT POUR UN USAGE PARTICULIER. HOOVER NE POURRA EN AUCUN CAS ÊTRE TENUE RESPONSABLE DE TOUTS DOMMAGES-INTÉRÊTS SPÉCIAUX OU DOMMAGES INDIRECTS, ACCESSOIRES OU CONSÉCUTIFS DE QUELQUE NATURE QUE CE SOIT SUBIS PAR LE PROPRIÉTAIRE DU PRODUIT OU PAR TOUTE PARTIE RÉCLAMANT PAR L'INTERMÉDIAIRE DU PROPRIÉTAIRE, QU'ILS RELÈVENT DU DROIT DES CONTRATS, DE LA NÉGLIGENCE, DE LA RESPONSABILITÉ CIVILE DÉLICTEUELLE OU DE LA RESPONSABILITÉ STRICTE DU FAIT DES PRODUITS, OU QU'ILS DÉCOULENT DE QUELQUE CAUSE QUE CE SOIT. Certains États ne permettent pas l'exclusion des dommages consécutifs; par conséquent, l'exclusion précédente pourrait ne pas être applicable dans votre cas. La présente garantie vous donne des droits spécifiques; vous pouvez également avoir d'autres droits, qui varient d'un État à l'autre.