

# HOOVER®

## Commercial

## SteamVac™

# Spotter/Carpet Cleaner

**Deep cleans carpet fibers by applying hot tap water and cleaning solution.**

### OPERATING INSTRUCTIONS

English → pp. 1-10

Español → pág. 11-17

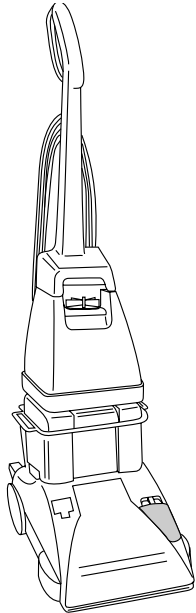
Français → p. 18-23



Model number \_\_\_\_\_

Serial number \_\_\_\_\_

(Located on the data label on the back of the handle.)



**Review these instructions before operating cleaner**

### Index

Important safeguards .....	1
Assembling .....	2-4
How to use .....	5-9
After cleaning.....	7
Agitator speed selector.....	5
Before you begin .....	7
Brush indicator .....	5
Cleaning carpet .....	9
Description .....	4
Emptying the recovery tank .....	6-7
Filling the clean solution tank.....	5-6
Picking up spills .....	8
If you have a problem .....	8
Lubrication .....	9
Service .....	9

© 1995,1996,2001 The Hoover Company

## Important Safeguards!

When using an electrical appliance, always follow basic precautions, including the following:

**READ ALL INSTRUCTIONS BEFORE USING THIS APPLIANCE**

**WARNING:** To reduce the risk of fire, electric shock, or injury:

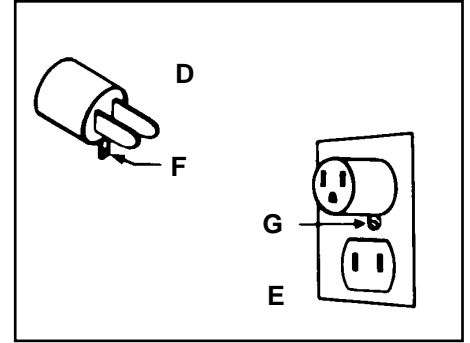
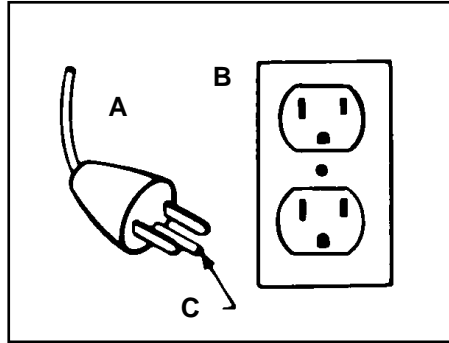
- Use indoors only.
- Use only on surfaces moistened by the cleaning process or small spills. Do not immerse product.
- Connect to a properly grounded outlet only. See "Grounding Instructions".
- Do not clean over floor electrical outlets.
- Do not use without tanks in place.
- Use extra care when cleaning on stairs. Do not place cleaner on stairs.
- Use cleaner only for its intended use as described in the instructions.
- The use of an extension cord is not recommended. If an extension cord is absolutely necessary, use at least a 16 gauge 3-wire cord which has a 3-prong grounding type plug and a 3-pole receptacle that accepts the machine plug.
- Unplug cleaner when not in use. Turn off all controls before unplugging.
- Always disconnect cord from electrical outlet before servicing the deep cleaner.
- Do not unplug by pulling on cord. To unplug, grasp the plug, not the cord. Never handle plug or appliance with wet hands.
- Do not pull or carry by cord, use cord as a handle, close door on cord or pull cord around sharp edges or corners. Do not run appliance over cord. Keep cord away from heated surfaces.
- Do not use with damaged cord or plug. If appliance is not working as it should, has been dropped, damaged, left outdoors, or dropped into water, take it to a Hoover Factory Service Center or Authorized Hoover Commercial Warranty Service Distributor.
- Close supervision is necessary when any appliance is used by or near children. Do not allow cleaner to be used as a toy or to run unattended at any time.
- Use only commercially available floor cleaners intended for machine application. Do not use any type of wax with deep cleaner.
- When using detergents and other cleaners with this machine, be certain the area is well ventilated.
- Keep detergents and other cleaners out of children's reach.
- Do not use to pick up flammable or combustible liquids such as gasoline or use in areas where they may be present.
- Do not pick up chlorine bleach, drain cleaner, gasoline or any other toxic material with this appliance.
- Do not pick up anything that is burning or smoking, such as cigarettes, matches, or hot ashes.
- Avoid picking up hard, sharp objects with the cleaner. They may damage the machine.
- Keep hair, loose clothing, fingers, feet and all parts of body away from openings and moving parts. Do not operate deep cleaner in bare feet or when wearing open toe shoes or sandals.
- Do not put any object into openings. Do not use with any opening blocked; keep free of dust, lint, hair, and anything that may reduce air flow.
- Avoid contact with carpets until they are dry. Keep children and pets away from carpets until they are completely dry.
- Store in a dry place. Do not expose machine to freezing temperatures.



## Save these instructions!

# Grounding Instructions

This appliance must be grounded. If it should malfunction or breakdown, grounding provides a path of least resistance for electrical current to reduce the risk of electric shock. This appliance is equipped with a cord having an equipment-grounding conductor (C) and grounding plug (A). The plug must be plugged into an appropriate outlet (B) that is properly installed and grounded in accordance with all local codes and ordinances.



## DANGER-

Improper connection of the equipment-grounding conductor can result in the risk of electric shock. Check with a qualified electrician or service person if you are in doubt as to whether the outlet is properly grounded. Do not modify the plug provided with the appliance - if it will not fit the outlet, have a proper outlet installed by a qualified electrician. This appliance is for use on a nominal 120 volt circuit and has a grounding plug that looks like the plug (A) illustrated in the sketch.

A temporary adapter (D) may be used to connect this plug to a 2-pole receptacle (E) if a properly grounded outlet is not available. The temporary adapter should be used only until a properly grounded outlet (B) can be installed by a qualified electrician. The green colored rigid ear, lug, or the like (F) extending from the adapter must be connected to a permanent ground such as a properly grounded outlet box cover. Whenever the adapter is used, it must be held in place by a metal screw (G).

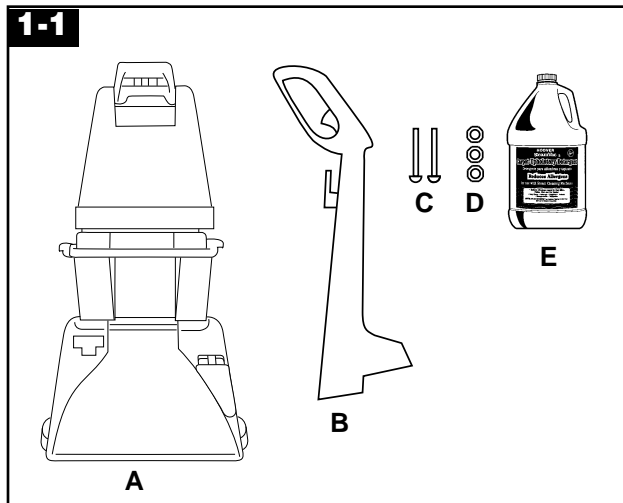
**NOTE:** In Canada, the use of a temporary adapter is not permitted by the Canadian Electrical Code.

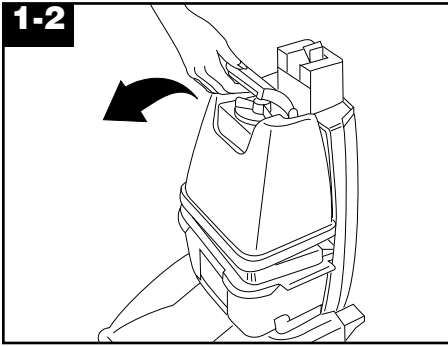
## 1. Assembling

### Carton Contents

Unpack cleaner from the carton and identify the parts shown. Remove and dispose of the packing.

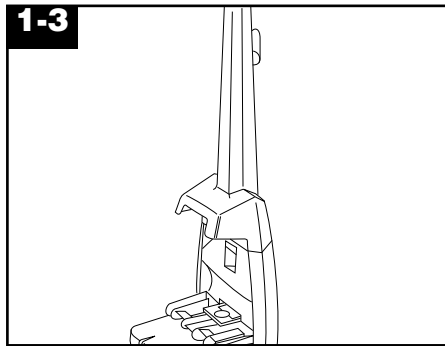
- A. Spotter/carpet cleaner
- B. Upper handle
- C. Bolts (2)
- D. Nuts (3 - one extra included)
- E. Carpet/Upholstery Detergent



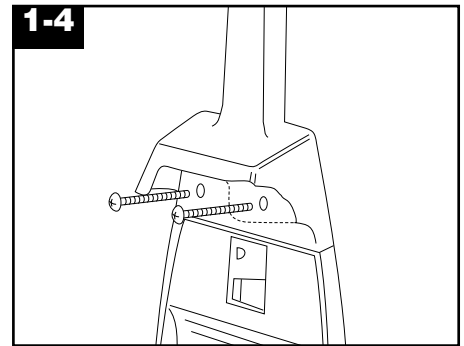


### 1-2 Attach upper handle

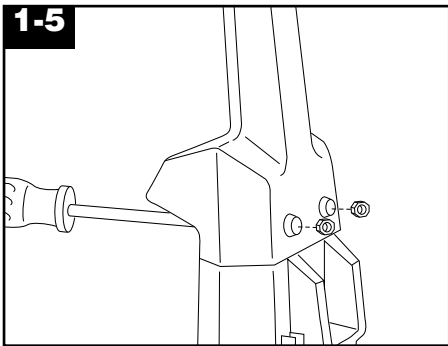
Remove clean solution tank (upper tank).



With cord hook to back of cleaner, push upper handle down onto lower handle.

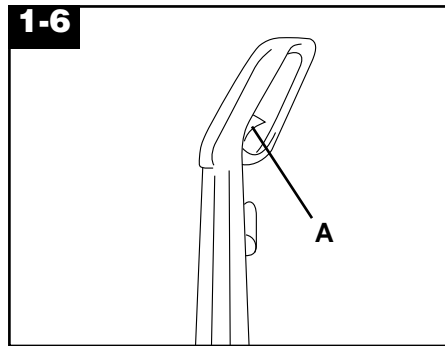


Push **bolts** into holes on **front of handle**.  
**If bolts will not go through hole easily handle is not pushed completely down.**

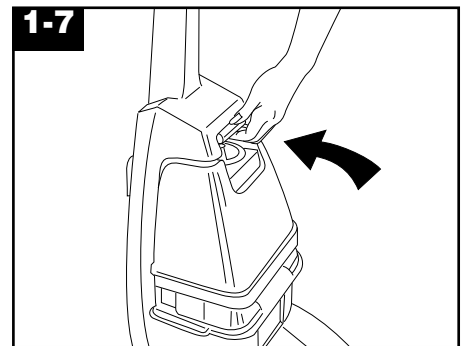


Place **nuts** in recessed areas on **back of handle**. Hold each nut in place while tightening each bolt securely with a Phillips screw driver.

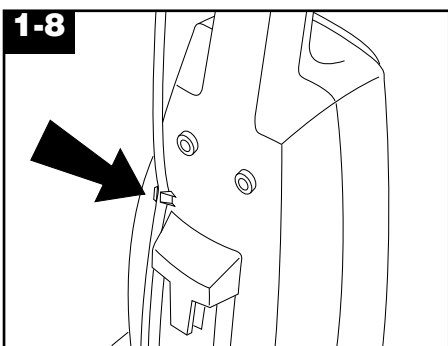
Only two nuts are needed on this model. The extra nut is not required but has been provided for your convenience.



**When handle sections are completely together, squeeze trigger (A) on upper handle to snap trigger rod in place.**



Replace clean solution tank (upper tank) by positioning bottom first. Press on tank handle to snap top of tank into place.



Press cord into cord clip on back of handle.

Pull cord tight.

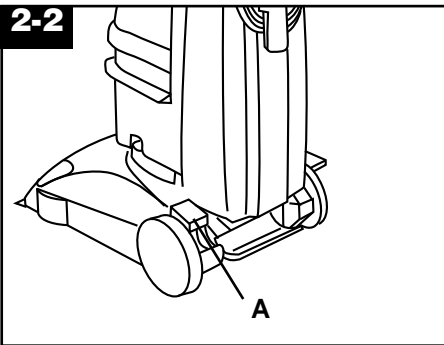
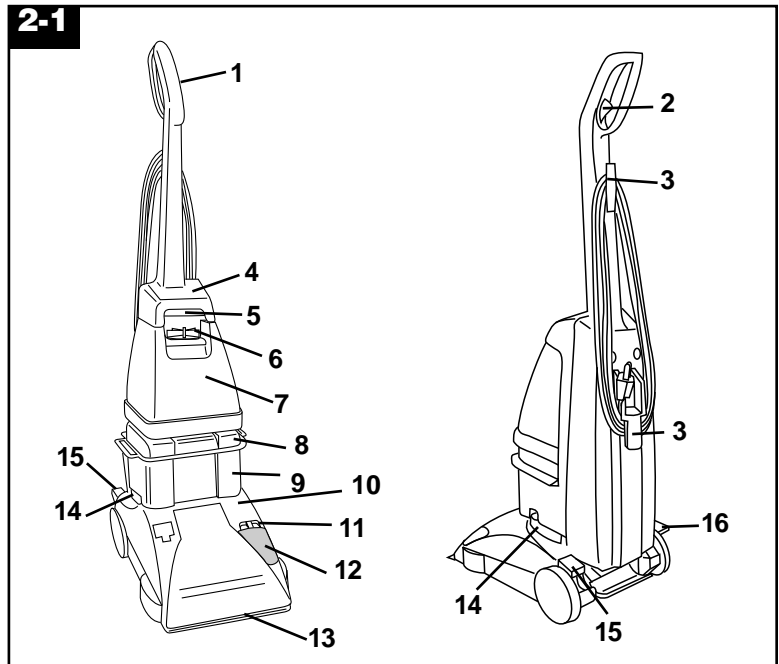
## 2. How to use

### Description

The assembled spotter/carpet cleaner will look like the drawing.

1. **Hand grip**
2. **Solution trigger:** press to release clean solution.
3. **Cord hooks:** wrap cord around hooks for storage.
4. **Carrying handle**
5. **Clean solution tank handle**
6. **Clean solution tank cap/ measuring cup**
7. **Clean solution tank:** holds cleaning solution.
8. **Recovery tank lid**
9. **Recovery tank:** holds dirty solution.
10. **Hood**
11. **Agitator speed selector:** slide selector to set brush speed on HI, LO, or OFF.
12. **Brush indicator:** spins when brushes are rotating.
13. **Nozzle**
14. **Recovery tank latches:** one on each side of tank.
15. **ON/OFF pedal**
16. **Handle release pedal:** step on pedal to lower handle to operating position.

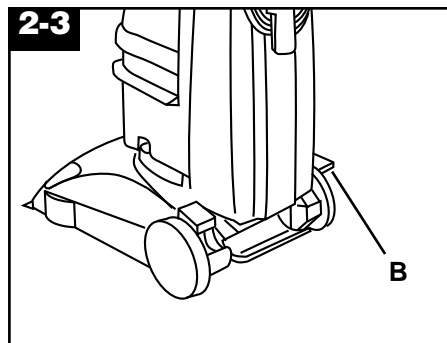
Operate deep cleaner only at voltage specified on data plate on back of cleaner.



### ON/OFF pedal

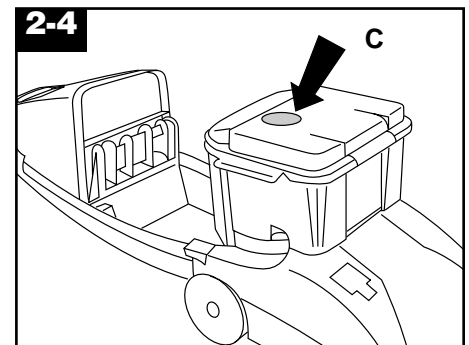
Plug spotter/carpet cleaner into a properly grounded outlet.

Step on pedal (A) to turn cleaner on.  
Step on pedal (A) again to turn cleaner off.



### Handle release pedal

Step on pedal (B) to lower handle to operating position. Handle does not lock into a single position but "floats" to allow convenient operation.

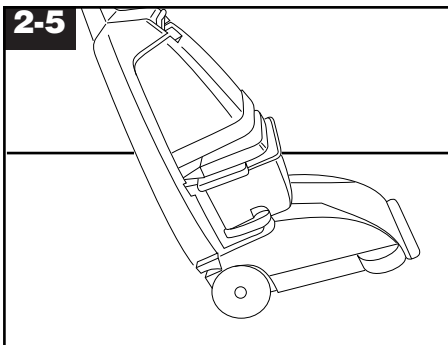


### Automatic "shut-off"

When the recovery tank (lower tank) is full, the automatic "shut-off" mechanism will shut off the cleaner suction. When this happens, the red float disk (C) will rise to the top of the recovery tank lid (see illustration). The cleaner will no longer pick up dirty solution and the motor sound will become noticeably higher in pitch.

**When this happens, turn cleaner off** and empty recovery tank before continuing use.

Check clean solution tank also; it may need to be refilled.



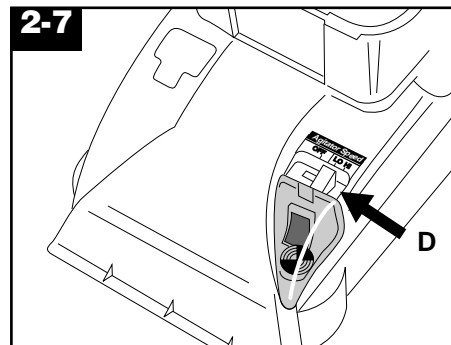
## To transport

### Turn cleaner off before transporting.

To move the cleaner from room to room, put handle in upright and locked position, tilt cleaner back on wheels, and push forward.



The cleaner may also be lifted by placing a hand under the upper clean solution tank handle as shown.



## Agitator speed selector

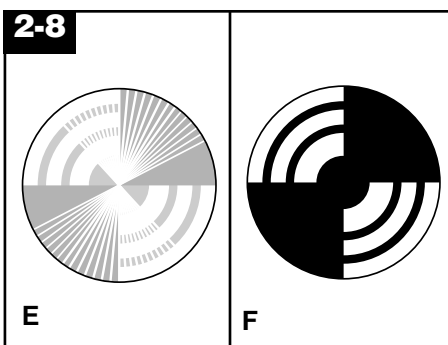
The 'SteamVac' cleaner has three agitator brush settings

**HI** - for normal cleaning of carpet.

**LO** - for gentle cleaning of carpet

**OFF** - when brushing is not desired (such as when picking up liquid spills).

Slide selector button (D) to the desired setting before cleaning.



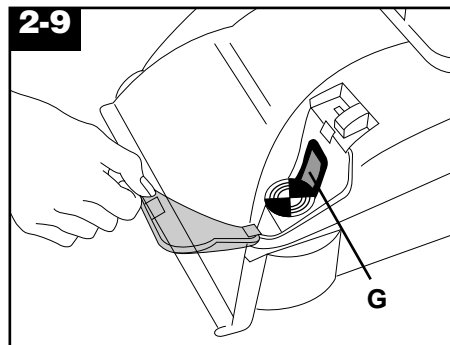
## Brush indicator

The brush indicator will spin (E) when the cleaner is turned on and the brushes are rotating.

**If the indicator does not spin (F) and the pattern is visible when the cleaner is turned on, the brushes are not rotating.**

There are two reasons why the brushes may not be rotating:

1. Brush speed selector is turned OFF (see previous section)
2. Brush indicator screen dirty

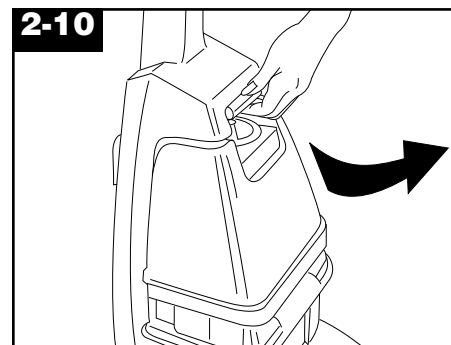


## Cleaning indicator screen

**Turn cleaner off and disconnect from electrical outlet.**

Remove clear cover and wipe off screen (G) with a damp cloth.

Snap cover back into position.



## Tanks

### Clean solution tank (upper tank)

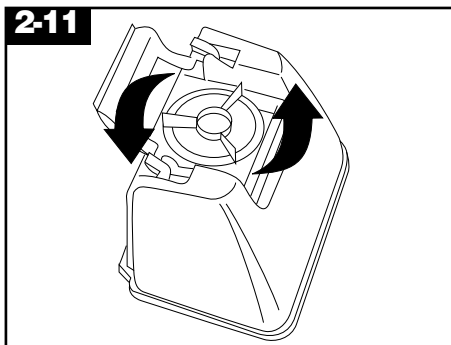
The clean solution tank holds the cleaning solution that is to be dispersed onto the surface to be cleaned.

#### How to fill

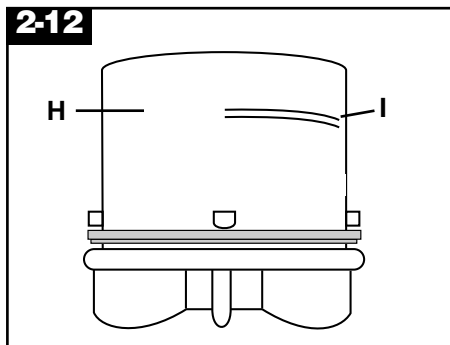
**Disconnect cleaner from electrical outlet.**

Place cleaner handle in the upright, locked position.

To remove tank, press down on handle and pull forward.



Carry tank to a sink.  
Rotate tank cap counterclockwise and lift up to remove cap.



Turn cap (H) upside down to serve as a measuring cup.

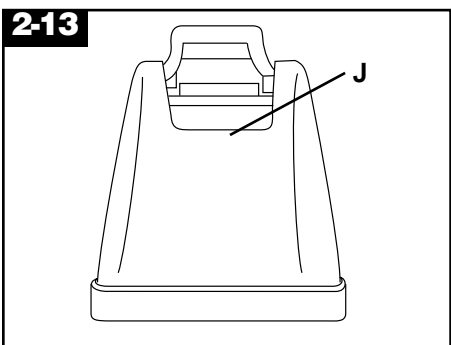
Using cap, measure detergent following the chart:

**For carpet,**  
Fill cap to **fill line (I)** (5 ounces) with HOOVER **Carpet/Upholstery Detergent.**

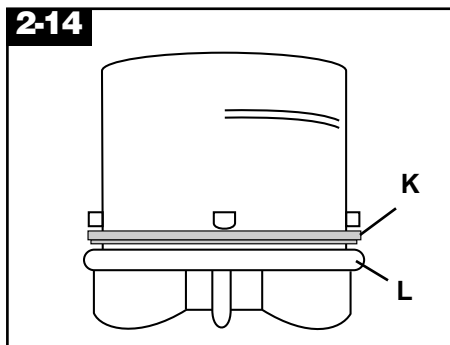
**Do not use any type of wax with your 'SteamVac' cleaner.**

To assure proper performance, it is recommended that only HOOVER detergent be used. It is specifically formulated for use with the cleaner.

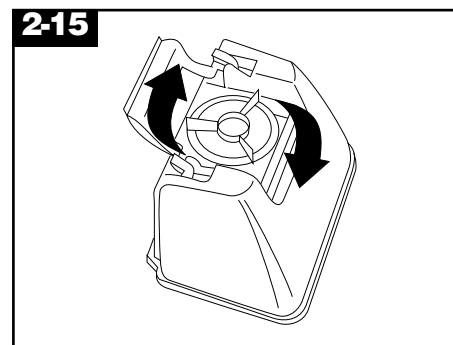
**CAUTION: Detergents contain Anionic and Nonionic Surfactants. Avoid contact with eyes and skin. In case of contact with eyes, flush with cold water for 15 minutes. In case of contact with skin, wash with water. If irritation persists, call a physician. For medical information (U.S.) call 1-800-752-7869.**



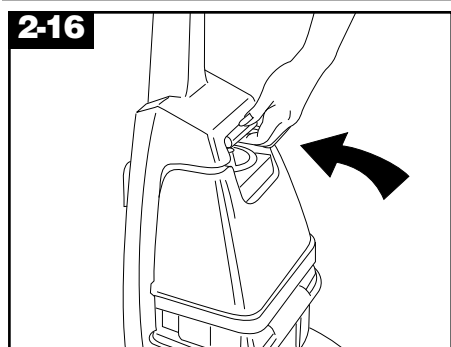
Pour detergent into tank.  
Fill tank to fill line (J) (1 gallon) **with hot tap water.**



If rubber ring (K) on cap has displaced, replace it with uneven side against cap ledge (L) as shown.



Replace cap. **Rotate cap clockwise until it locks in place. Cap must be locked in place for proper performance and to prevent leaking.**



Position bottom of tank into unit and press on tank handle to snap tank into place.

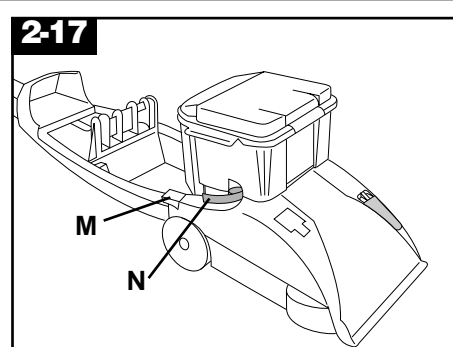
### Recovery tank (lower tank)

The recovery tank holds the dirty solution that is picked up from the carpet.

When the recovery tank is full, the automatic "shut-off" will engage (see page 5) and the tank must be emptied.

**How to empty**  
**Turn cleaner off and disconnect from electrical outlet.**

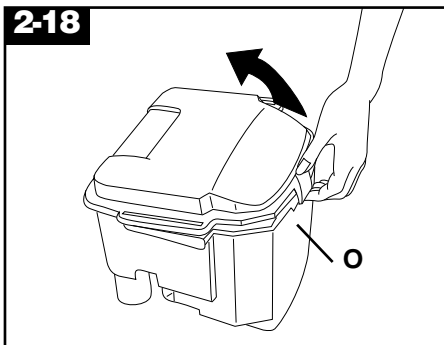
To prevent possible leaking, remove clean solution tank by pressing down on tank handle and pulling forward; set tank aside (**do not set tank on furniture**).



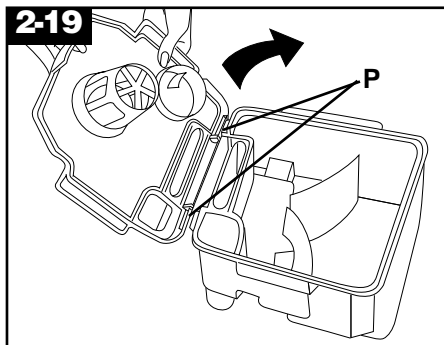
Step on handle release pedal (M) and lower handle until it rests on the floor.

Rotate recovery tank latches (N) outward (one on each side of tank).

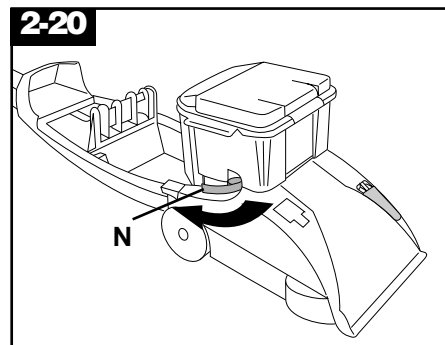
Lift tank off of cleaner and carry it to a sink or drain.



Unlatch back part of tank lid and remove lid.  
Empty tank. Pour dirty water out from the rear of the tank (O).



**The lid replaces in a hinge-like manner.** Position the front of lid under tabs (P) on front of tank.  
Rotate lid down onto tank. **Make sure that the lid is secure on all sides before placing tank on cleaner.**  
**For full suction, it is important that the recovery tank lid is properly secured before cleaning.**



Replace tank and press down to ensure that it is properly seated in place.  
**Rotate latches (N) (one on each side of tank) inward to lock tank in place.**  
Raise handle to upright position and replace upper clean solution tank.

## Before you begin cleaning

**a. Vacuum thoroughly** - For carpet, use a vacuum cleaner with an agitator for best results. **Do not use the 'SteamVac' spotter/carpet cleaner as a dry vacuum cleaner.**

**b. Test for colorfastness** - Mix detergent and water according to the instructions under "Fill solution tank". Wet a white absorbent cloth with the solution. In a small, hidden area, gently rub the surface with the dampened cloth. Wait ten minutes and check for color removal or bleed with white paper towel or cloth. If surface has more than one color, check all colors.

**c. When cleaning entire floor, move furniture out of area to be cleaned** (may not be necessary if only high traffic areas are to be cleaned). For furniture too heavy to move, place aluminum foil or wax paper under legs. This will prevent wood finishes from staining carpet. Pin up furniture skirts and draperies.

**d. Pretreat spots and heavy traffic areas with HOOVER® PreCleaner\*** - Test PreCleaner for colorfastness by first spraying it on a hidden area; wait ten minutes and blot with white paper towels or cloth.

If no color change is visible, spray PreCleaner onto spots and traffic areas. Wait at least ten minutes. Use your 'SteamVac' cleaner to pick up PreCleaner and spot. Repeat until spot is removed; carefully scrub with a household scrub brush if necessary. **Do not saturate** carpet or upholstery with PreCleaner.

\*Available at additional cost.

**e. To prevent staining** - use plastic or aluminum foil to protect wood or metal surfaces from possible water spray.

**f. To avoid wetting and possible damage to wood floors underneath area rugs/carpet** - either move area rugs/carpet to a non-wood bare floor surface or place waterproof material (e.g. plastic) underneath them before cleaning.

## After cleaning

**a.** Allow carpet to dry. To help prevent matting and resoiling the carpet, **keep children and pets away from carpet until it is completely dry.**

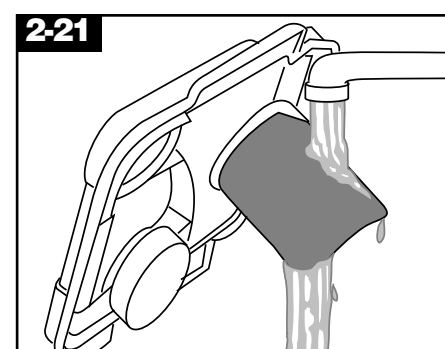
If it is necessary to walk on damp carpet, place towels or white cloths on the traffic areas.

If furniture must be replaced before the carpet is dry, use plastic or aluminum foil pads under legs of furniture so metal slides or wood finishes will not stain the carpet.

**b.** If desired, the carpet may be rinsed. Rinsing is not necessary for cleaning, but it may improve the surface's appearance after it is dry.

If rinsing is desired, be careful not to over-wet the carpet. Allow time for carpet to dry completely between cleaning and rinsing. To rinse, follow the same procedure for cleaning only using hot tap water with no detergent in the upper clean solution tank.

**c.** Empty tanks, rinse with clear water and let air dry.



**d.** Remove debris from recovery tank filter and rinse with clean water.

**Note:** If the filter must be removed for cleaning, it is easier to replace if the filter is wet.

**e.** If desired, vacuum thoroughly after carpet has completely dried. This will help reduce any shading left by the cleaner's brushes.

## To clean nozzle

If lint or other **debris** becomes **lodged in the nozzle**, **do not attempt to remove nozzle cover.**

Pour one to two cups of clear water on a non-carpeted floor. **Do not pour water onto a wood floor.**

Pick-up the water with the spotter/carpet cleaner. Repeat as necessary until debris is flushed out of nozzle.

To clean the outside of the machine, wipe off dirt with a cloth dampened in warm water and mild detergent. **Do not use solvent or petroleum based products to clean the machine.**



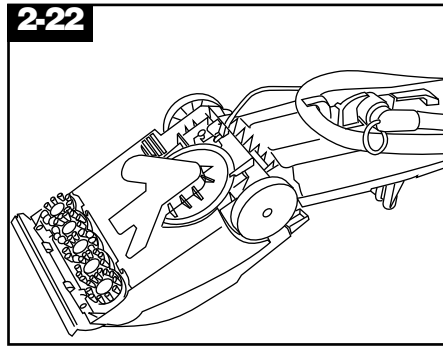
## Removable brushes

Your deep cleaner is equipped with removable brushes for easy cleaning.

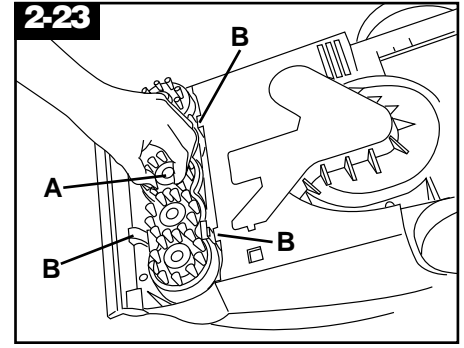
### To remove brushes

**Disconnect cleaner from electrical outlet.**

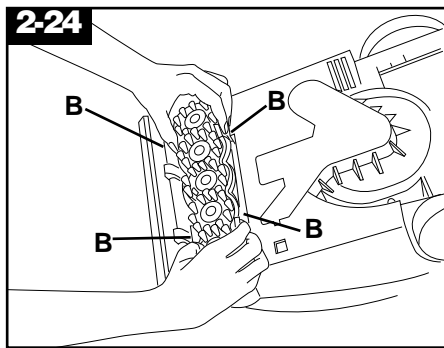
To prevent possible leaking, remove clean solution tank and recovery tank. Set tanks aside.



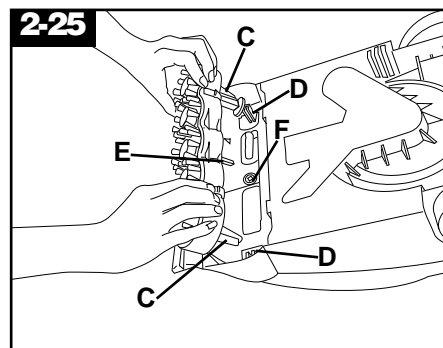
Press handle release pedal to lower handle. Turn cleaner over so bottom is facing up.



Grasp inner portion of brush (A) and pull brush assembly out slightly to reveal latches (B).



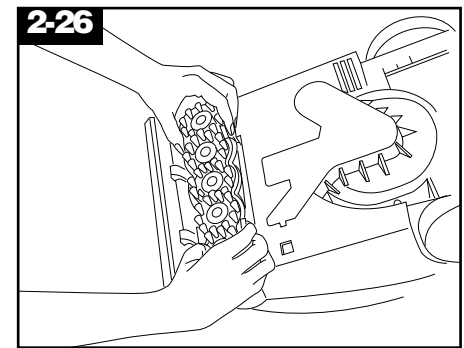
Press all four latches (B) and pull brush block out. The brushes can be cleaned under running water.



### To replace brushes

Align posts (C) on both ends of brush assembly with slots (D) in cleaner housing.

Make sure that square post (E) also aligns with square hole (F). Turn brushes slightly until post fits easily into hole.



Press brush assembly firmly to snap into place.

## Cleaning carpet

**Read “Before you begin cleaning” instructions.**

Fill clean solution tank (upper tank) according to instructions for Fig. 2-10 through 2-16.

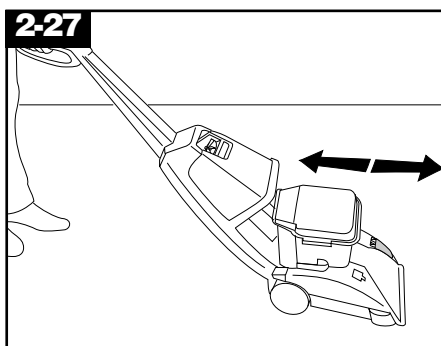
**Move speed selector to LO for gentle cleaning or HI for normal cleaning.**

Dry hands and plug cord into a **properly grounded outlet**.

**Do not clean over floor electrical outlets.**

To avoid walking on damp carpet, start at the end of the room farthest from the door or path to sink where tanks will be emptied and filled .

Step on handle release pedal and lower handle to operating position; turn cleaner ON.



Squeeze trigger to release cleaning solution and **slowly** push cleaner forward (equals one wet stroke). Continue to squeeze trigger and **slowly** pull cleaner back toward you (second wet stroke).

Release trigger and **slowly** push cleaner forward over area just sprayed with solution (dry stroke). Then **slowly** pull cleaner back toward you without squeezing trigger (dry stroke).

Overlap strokes by one inch to help prevent streaking.

Keep nozzle flat on floor for both forward and reverse strokes.

For heavily soiled areas, repeat. **To avoid saturating carpet, do not use more than 4 wet strokes over one area. Always end with dry strokes.**

It is best to alternate wet and dry strokes as described above.

For best cleaning results and to aid in faster drying of carpet, end with more dry strokes. (Continue using dry strokes until little water is visible passing through the recovery tank lid.)

Empty recovery tank when the motor sound becomes higher pitched and there is a loss in suction (see Fig. 2-4).

When finished cleaning, follow “After cleaning” instructions.



## Picking up spills

The HOOVER 'SteamVac' spotter/carpet cleaner may be used to pick up **small liquid spills (1 gallon or less, never to exceed 1/4 inch in depth)** on carpet.

Place floor nozzle **with brushes turned OFF** in front of the spill. Pull the nozzle very slowly over the spill initially with suction only. Repeat with spray and suction. Although no cleaning solution can completely remove all spots, they can be treated by following the instructions provided by the manufacturer of the carpet being cleaned.

**Do not use the cleaner to pick up flammable or combustible liquids or chemicals.**

When finished cleaning, follow "After cleaning" instructions.

## Storage

Before storing:

- Empty solution tank and rinse thoroughly with clean water.

- Replace empty solution tank and turn cleaner ON. Squeeze trigger and push cleaner forward and back several times to expel any solution remaining in the cleaner's system. (Do not use cleaner on wood floors.)

- Empty recovery tank and rinse thoroughly with clean water.

**Allow brushes and underside of cleaner to air dry thoroughly before storing cleaner on a carpeted or wood surface.**

**Do not store cleaner with a full solution tank in place.**

## 3. If you have a problem

If a minor problem occurs, it usually can be solved quite easily when the cause is found by using the check list below.

### Problem: Machine won't run

#### Possible cause

*Possible solution*

- **Not firmly plugged in**
  - *Plug in firmly*
- **No voltage in wall plug**
  - *Check fuse or breaker*
- **Blown fuse/tripped breaker**
  - *Replace fuse/reset breaker*

### Problem: Suction low

#### Possible cause

*Possible solution*

- **Recovery tank lid not on correctly.**
  - *Make sure lid is on securely.*
- **Recovery tank full/automatic shut off engaged.**
  - *Remove and empty recovery tank.*

### Problem: Clean solution won't dispense

#### Possible cause

*Possible solution*

- **Solution tank not firmly in place.**
  - *Make sure tank is securely locked in position.*
- **Solution tank empty.**
  - *Refill tank according to instructions for surface being cleaned.*
- **Recovery tank lid not on correctly.**
  - *Make sure lid is firmly in place.*

### Problem: Brushes/brush indicator won't rotate during floor cleaning

#### Possible cause

*Possible solution*

- **Indicator screen dirty.**
  - *Remove clear cover over indicator and clean screen. Replace cover*
- **Speed selector on OFF.**
  - *Move speed selector to LO or HI.*

## Service

To obtain approved HOOVER service and genuine HOOVER parts, locate the nearest **Hoover Factory Service Center or Authorized Hoover Warranty Commercial Service Distributor** by:

- checking the Yellow Pages under "Vacuum Cleaners - Industrial & Commercial" OR -
- checking the list of Factory Service Centers provided with this cleaner OR -
- calling **1-800-944-9200** for an automated referral of authorized service outlet locations (U.S. only).

Please do not send your cleaner to The Hoover Company in North Canton for service, this will only result in delay.

If further assistance is needed, contact The Hoover Company Consumer Response Center, North Canton, Ohio 44720 Phone: 1-330-499-9499.

In Canada, contact Hoover Canada, Burlington, Ontario L7R 4A8, Phone: 1-800-263-6376.

Always identify your cleaner by the **complete** model number when requesting information or ordering parts. (The model number appears on the back of the cleaner handle.)

## Lubrication

The motor is equipped with bearings which contain sufficient lubrication for the life of the motor. The addition of lubricant could cause damage. **Do not add lubricant to motor bearings.**

# **HOOVER**

## **Commercial/Industrial Products Warranty**

Your HOOVER, Commercial Product is warranted against original defects in material and workmanship for a period of one year from date of purchase. This warranty covers only labor and parts to place this product in correct operating condition and does not cover any other damages including consequential damages. This warranty does not apply to damage or malfunction caused by misuse, abuse, negligence, accident, or damage due to transport. This warranty applies when the appliance is purchased in the United States including its territories and possessions, or in Canada or from a U.S. Military Exchange. Appliances purchased elsewhere are covered by a limited one year warranty which covers the cost of parts only.

Certain parts for your HOOVER Commercial Product require replacement in the ordinary course of use due to normal wear. These are such things as belts, agitator roll sleeves, agitator bearings, brushes, bags, bulbs, etc. These parts are not covered by this warranty.

Warranty service on this product can be obtained only from a Hoover Factory Service Center (see present listing on the opposite side of this warranty), or an Authorized Hoover Commercial Warranty Service Distributor. This warranty does not cover pick up, delivery, or transportation to or from a Service Center or Service Distributor. Proof of purchase may be required before service is rendered.

This warranty does not cover defects or damages caused by repair or alteration by anyone other than a Hoover Factory Service Center, or an Authorized Hoover Commercial Warranty Service Distributor. The Hoover Company reserves the right to inspect any alleged defective product and make final decisions on any warranty claim.

If there are any questions concerning this warranty, or the availability of warranty service outlets, write or phone the Consumer Response Center, The Hoover Company, 101 East Maple Street, North Canton, Ohio (44720). Phone (330) 499-9499.

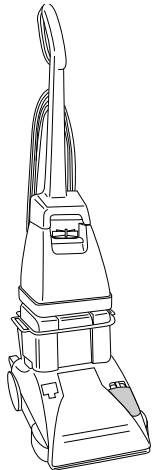
In Canada, contact Hoover Canada, Burlington, Ontario L7R 4A8, 1-800-263-6376.

# HOOVER®

## Quitamanchas/Limpia dor de Alfombras SteamVac™

### Comercial

Limpia a fondo las fibras de la alfombra por medio de agua caliente de la llave y solución de limpieza.



Lea estas instrucciones antes de hacer funcionar el limpiador

## Índice

Salvaguardias importantes.....	11
Ensamblado .....	12
Cómo usar .....	12-13
Después de limpiar.....	14
Selector de velocidad del agitador.....	13
Antes de comenzar.....	14
Indicador de las escobillas.....	13
Limpieza de alfombras.....	15
Descripción.....	12-13
Vaciado del tanque de recuperación.....	14
Llenado del tanque de solución limpia .....	13
Aspiración de derrames .....	15
Si tiene algún problema.....	15-16
Lubricación .....	16
Servicio .....	16



## Instrucciones de operación

ESPAÑOL → pág. 11-17

Número de modelo \_\_\_\_\_

Número de serie \_\_\_\_\_

(Ubicados en la etiqueta de datos en el reverso del mango del limpiador).

## !Salvaguardias importantes!

Al usar un aparato eléctrico observe siempre las precauciones básicas, incluyendo las siguientes:

**LEA TODAS LAS INSTRUCCIONES ANTES DE USAR ESTE APARATO**

**ADVERTENCIA:** Para reducir el riesgo de incendio, choque eléctrico o lesiones:

- Usar solamente en el interior.
- Usar solamente sobre superficies humedecidas por el proceso de limpieza o derrames pequeños. No sumerja el aparato.
- Conéctelo solamente a una toma de corriente adecuadamente conectada a tierra. Vea "Instrucciones de Conexión a Tierra".
- No limpie por encima de tomas de corriente eléctricas ubicadas en el piso.
- No lo use sin los tanques colocados en su lugar.
- Tenga especial cuidado al limpiar escaleras. No coloque el limpiador de alfombras en los escalones.
- Use el limpiador de alfombras solamente para su uso específico según se describe en las instrucciones.
- No se recomienda el uso de cordones de extensión. Si fuera absolutamente necesario, use por lo menos un cordón de calibre 16 con 3 cables, que tenga un enchufe de tipo de conexión a tierra de 3 puntas y un recep táculo de tres polos que acepte el enchufe de la máquina.
- Desenchufe el limpiador cuando no esté en uso. Antes de desenchufar, apague todos los controles.
- Desconecte siempre el cordón de la toma de corriente eléctrica antes de prestar servicio al limpiador.
- No desenchufe tirando del cordón. Para desenchufar, tome el enchufe, no el cordón. Nunca manipule el enchufe o el aparato con las manos húmedas.
- No tire del cordón, no lo jale ni tampoco lo use como mango, no cierre la puerta sobre el cordón ni tire del mismo alrededor de cantos agudos ni esquinas. No pase el artefacto sobre el cordón. Mantenga el cordón ale jado de las superficies calientes.
- No use el aparato con un cordón ni con un enchufe dañado. Si el aparato no está funcionando como debe, se ha caído, se ha averiado, se ha dejado al aire libre o se ha caído al agua, llévelo a un Centro de Servicio de Fábrica de Hoover o al Concesionario Autorizado de Servicio de Garantía de Hoover.
- Es necesaria una supervisión estricta cuando cualquier artefacto es utilizado por los niños o cerca de ellos. No permita que el limpiador sea usado como un juguete ni que funcione sin atención en ningún momento.
- Use solamente limpiadores para pisos disponibles en comercios y destinados para ser aplicados a máquina. No utilice ningún tipo de cera con el limpiador.
- Asegúrese de que el área esté bien ventilada al usar detergentes y otros limpiadores con esta máquina.
- Mantenga los detergentes y otros limpiadores fuera del alcance de los niños.
- No lo use para aspirar líquidos inflamables o combustibles tales como gasolina ni lo use en áreas donde éstos puedan estar presentes.
- No aspire lejía, limpiador de drenajes, gasolina ni ningún otro material tóxico con este aparato.
- No aspire nada que esté ardiendo o humeando, tal como cigarrillos, fósforos o cenizas ardientes.
- Evite aspirar objetos duros o afilados con el limpiador. Estos pueden dañar el aparato.
- Mantenga el cabello, ropas holgadas, dedos, pies y todas las partes del cuerpo alejados de las aberturas y de las piezas en movimiento. No use el limpiador estando descalzo/a o llevando zapatos con puntera abierta o sandalias.
- No coloque ningún objeto en las aberturas. No lo use con ninguna abertura bloqueada; mantén galo libre de polvo, pelusa, cabellos y de cualquier cosa que pueda reducir el flujo del aire.
- Evite el contacto con las alfombras hasta que estén secas. Mantenga a los niños y a los animales domésticos alejados de las alfombras hasta que estén completamente secas.
- Almacénelo en un lugar seco. No exponga el aparato a temperaturas de congelación.

**¡Guarde estas instrucciones!**

ente adecuada por un electricista calificado. Este aparato es para uso en un circuito nominal de 120 voltios y tiene un enchufe de conexión a tierra que se parece al enchufe (A) ilustrado en el esquema.

Puede usarse un adaptador provisional (D) para conectar este enchufe a un receptáculo de 2 polos (E), de no estar disponible una toma de corriente adecuadamente conectada a tierra. El adaptador provisional debe usarse solamente hasta que pueda instalarse una toma de corriente adecuadamente conectada a tierra (B) por un electricista calificado. La oreja, aleta, o similar (F) rígida de color verde que se extiende desde el adaptador, debe conectarse a una conexión permanente a tierra tal como una cubierta de caja de salida adecuadamente conectada a tierra. Siempre que se use el adaptador, debe mantenerse en su lugar mediante un tornillo de metal (G).

**NOTA:** En Canadá, el uso de un adaptador provisional no está permitido por el Código eléctrico canadiense.

Use estas instrucciones en español junto con las figuras paso-a-paso provistas en el manual de inglés.

## Instrucciones de conexión a tierra

Este aparato debe conectarse a tierra. Si funciona mal o se estropea, la conexión a tierra provee una trayectoria de menor resistencia para que la corriente eléctrica reduzca el riesgo de choque eléctrico. Este aparato está equipado con un cordón que tiene un conductor (C) de conexión a tierra del equipo y un enchufe de conexión a tierra (A). El enchufe debe enchufarse a una toma de corriente apropiada (B) que esté adecuadamente instalada y conectada a tierra de acuerdo con todos los códigos y ordenanzas locales.

### PELIGRO –

La conexión incorrecta del conductor de conexión a tierra del equipo puede resultar en el riesgo de choque eléctrico. Consulte con un electricista o técnico de servicio calificado si tiene dudas acerca de si la toma de corriente está conectada correctamente a tierra. No modifique el enchufe provisto con el aparato – si no calza en la toma de corriente haga instalar una toma de corri-

12

## 1. Ensamblado

**1-1 Contenido de la caja**  
Saque el limpiador de la caja e identifique las piezas ilustradas. Saque y deseche los materiales de empaque de la caja.

- A. Quitamanchas/limpiador de alfombras
- B. Mango superior
- C. Pernos (2)
- D. Tuercas (3 – una extra incluida)
- E. Detergente para alfombras/tapizados

### 1-2 Fijación del mango superior

Saque el tanque de solución limpia (tanque superior).

**1-3** Presione el mango superior hacia abajo, sobre el mango inferior, con el gancho para el cordón en el reverso del limpiador.

**1-4** Empuje los pernos dentro de los orificios de la parte delantera del mango. Si los pernos no pasan fácilmente por el orificio, eso significa que el mango no está presionado completamente hacia abajo.

**1-5** Coloque las tuercas en las áreas hundidas del reverso del mango. Sujete cada tuerca en posición mientras ajusta firmemente cada perno con un destornillador Phillips.

Para este modelo sólo se necesitan dos tuercas. La tuerca extra no se requiere pero se ha incluido para su conveniencia.

**1-6** Accione el gatillo (A) en el mango superior para calzar la varilla del gatillo en su lugar, cuando las secciones del mango estén completamente juntas.

**1-7** Vuelva a colocar el tanque de solución limpia (tanque superior) colocando en posición el fondo primero. Presione sobre el mango del tanque para calzar la parte superior del tanque en su lugar.

**1-8** Presione el cordón dentro del clip del cordón en el reverso del mango.

Tire del cordón hasta que lo sienta tirante.

## 2. Cómo usar

### 2-1 Descripción

El quitamanchas/limpiador de alfombras ensamblado se parecerá a la ilustración.

1. Empuñadura
2. Gatillo de la solución: presione para hacer salir la solución limpia.
3. Gancho para el cordón: enrolle el cordón alrededor de los ganchos para guardar el limpiador.
4. Mango de transporte
5. Mango del tanque de solución limpia
6. Tapa/taza de medición del tanque de solución limpia
7. Tanque de solución limpia: con tiene la solución de limpieza.
8. Tapa del tanque de recuperación
9. Tanque de recuperación: contiene la solución sucia.
10. Cubierta
11. Selector de velocidad del agitador: mueva el selector para ajustar la velocidad de las escobillas a HI (alta), LO (baja) u OFF (apagado).

- 12. **Indicador de las escobillas:** da vueltas cuando las escobillas están girando.
- 13. **Boquilla**
- 14. **Trabas del tanque de recuperación:** una en cada lado del tanque.
- 15. **Pedal ON/OFF (encendido/apagado)**
- 16. **Pedal de desenganche del mango:** pise el pedal para bajar el mango a la posición de operación.

Haga funcionar el limpiador solamente al voltaje especificado en la placa de datos ubicada en el reverso del limpiador.

## 2-2 Pedal ON/OFF

**Enchufe el quitamanchas/limpiador de alfombras en una toma de corriente debidamente conectada a tierra.**

Pise el pedal (A) para encender el limpiador.  
Pise nuevamente el pedal (A) para apagar el limpiador.

## 2-3 Pedal de desenganche del mango

Pise el pedal (B) para bajar el mango a la posición de operación. El mango no calza en una posición única sino que “flota” para permitir una operación conveniente.

## 2-4 “Apagado automático”

Cuando el tanque de recuperación (tanque inferior) esté lleno, el mecanismo de apagado automático interrumpirá la succión del limpiador. En ese momento, el disco flotante rojo (C) ascenderá a la parte superior de la tapa del tanque de recuperación (ver la ilustración). El limpiador no aspirará más la solución sucia y el ruido del motor aumentará notablemente.

**Cuando ocurra esto, apague el limpiador** y vacíe el tanque de recuperación antes de continuar su uso.

Inspeccione también el tanque de solución limpia; puede requerir ser rellenado.

## 2-5 Para transportar

**Apague el limpiador antes de transportarlo.**

Para mover el limpiador de un cuarto a otro, coloque el mango en posición vertical y trabada, incline el limpiador hacia atrás sobre las ruedas y empuje hacia delante.

**2-6** También puede levantarse el limpiador, colocando la mano debajo del mango del tanque superior de solución limpia según se muestra.

## 2-7 Selector de velocidad del agitador

El limpiador “SteamVac” tiene tres posiciones para la escobilla del agitador. **HI** – para limpieza normal de alfombras. **LO** – para limpieza suave de alfombras. **OFF** – cuando no se desea pasar la escobilla (como en el caso de aspirar líquidos derramados).

Mueva el botón selector (D) a la posición deseada antes de limpiar.

## 2-8 Indicador de las escobillas

El indicador de las escobillas gira (E) cuando se enciende el limpiador y las escobillas están girando.

**Si el indicador no gira (F) y el dibujo está visible al encender el limpiador, las escobillas no están girando.**

Son dos las razones por las que las escobillas pueden no estar girando:

1. El selector de velocidad está en la posición OFF (vea la sección anterior).
2. La rejilla del indicador de las escobillas está sucia.

## 2-9 Limpieza de la rejilla del indicador

**Apague el limpiador y desconéctelo de la toma de corriente eléctrica.**

Quite la cubierta transparente y limpie la rejilla (G) con un paño húmedo.

Vuelva a calzar la cubierta en su lugar.

## 2-10 Tanques Tanque de solución limpia (tanque superior)

El tanque de solución limpia contiene la solución de limpieza que debe dispersarse sobre la superficie que se va a limpiar.

## Cómo llenarlo

**Desconecte el limpiador de la toma de corriente eléctrica.**

Coloque el mango del limpiador en la posición vertical y trabada. Para quitar el tanque, presione hacia abajo el mango y tire hacia delante.

**2-11** Lleve el tanque a una pileta. Gire la tapa del tanque en sentido contrario a las agujas del reloj y levante para sacar la tapa.

**2-12** Invierta la tapa (H) para servir como una taza de medición.

Usando la tapa, mida el detergente siguiendo esta tabla:

**Para alfombras,**

Llene la tapa hasta la **línea de llenado (I)** (5 onzas) con “**Carpet/Upholstery Detergent**” de Hoover (detergente para alfombras y tapizados).

**No use ningún tipo de cera con su limpiador ‘Steamvac’.**

Para asegurar un rendimiento adecuado, se recomienda usar el detergente HOOVER solamente. Está especialmente formulado para usarse con el limpiador.

**PRECAUCION: Los detergentes contienen tensioactivos aniónicos y no iónicos. Evite el contacto con los ojos y la piel. En caso de contacto con los ojos, lave con agua fría por 15 minutos. En caso de contacto con la piel, lave con agua. Si persiste la irritación llame al médico. Para información médica (EE.UU.) llame al 1-800-752-7869.**

**2-13** Vierta el detergente dentro del tanque.

Llene el tanque hasta la línea de llenado (J) (1 galón) con **agua caliente de la llave.**

**2-14** Si se ha desplazado el anillo de goma (K) de la tapa, vuelva a colocarlo con el lado irregular contra el borde de la tapa (L) según se muestra.

**2-15** Vuelva a colocar la tapa. **Gire la tapa en el sentido de las agujas del reloj hasta que calce en su lugar. La tapa debe calzarse en su lugar para un desempeño adecuado y para evitar fugas.**

**2-16** Coloque la parte inferior del tanque en la unidad y presione sobre el mango del tanque para calzar el tanque en su lugar.



## Tanque de recuperación

(tanque inferior)

El tanque de recuperación contiene la solución sucia que se aspira de la alfombra.

Cuando el tanque de recuperación esté lleno, se activará el "apagado automático" (vea la página 5) y el tanque deberá ser vaciado.

### Cómo vaciar

**Apague el limpiador y desconecte de la toma de corriente eléctrica.**

Para evitar posibles fugas, quite el tanque de solución limpia presionando sobre el mango del tanque y tirando hacia delante; coloque el tanque a un lado (**no coloque el tanque sobre los muebles**).

**2-17** Pise el pedal de desenganche del mango (M) y baje el mango hasta que se apoye sobre el piso.

Gire las trabas del tanque de recuperación (N) hacia fuera (una en cada lado del tanque).

Saque el tanque del limpiador y llévelo a una pileta o drenaje.

**2-18** Desprenda la parte trasera de la tapa del tanque y quite la tapa. Vacíe el tanque. Vierta el agua sucia por la parte trasera del tanque (O).

**2-19** La tapa se vuelve a colocar por medio de bisagras. Coloque la parte delantera de la tapa debajo de las pesañas (P) de la parte delantera del tanque.

Gire la tapa hacia abajo, en dirección al tanque. **Asegúrese de que la tapa esté bien colocada en todos los lados antes de colocar el tanque en el limpiador.**

**Para obtener una succión completa es importante que la tapa del tanque de recuperación esté asegurada debidamente antes de limpiar.**

**2-20** Vuelva a colocar el tanque y presione para asegurarse de que esté correctamente asentado en su lugar.

**Gire las trabas (N) (una en cada lado del tanque) hacia dentro para asegurar el tanque en su lugar.**

Levante el mango del limpiador a la

posición vertical y vuelva a colocar en posición el tanque superior de solución limpia.

## Antes de comenzar la limpieza

**a. Aspire completamente** – Para obtener los mejores resultados con alfombras, use una aspiradora con un agitador. **No use el quitamanchas/limpiador "SteamVac" como una aspiradora en seco.**

**b. Pruebe que el color no se destiña** – Mezcle detergente y agua de acuerdo con las instrucciones bajo "Llenado del tanque de solución". Moje un trapo blanco absorbente en la solución. En un área pequeña y escondida, frote suavemente la superficie con el trapo mojado. Espere diez minutos e inspeccione para ver si se ha desteñido o vetado con una toalla de papel o trapo blanco. Inspeccione todos los colores si la superficie tiene más de un color.

**c. Al limpiar todo el piso, mueva los muebles fuera del área a limpiarse** (puede no ser necesario si se limpiarán áreas de tráfico pesado solamente). Para muebles demasiado pesados de mover, coloque lámina de aluminio o papel encerado debajo de las patas. Esto evitará que los acabados de la madera ensucien la alfombra. Levante y sujete las colgaduras de los muebles y los cortinados.

**d. Trate previamente las manchas y áreas de tráfico pesado con HOOVER® PreCleaner®** - Pruebe el PreCleaner para verificar que no destiña, rociándolo primero en un área oculta; espere diez minutos y seque con toallas de papel o trapo blanco.

Si no es visible un cambio de color, rocíe el PreCleaner sobre las manchas y áreas de tráfico. Espere diez minutos por lo menos. Use su limpiador "SteamVac" para aspirar el PreCleaner y la mancha. Repita hasta que la mancha se elimine; frote cuidadosamente con un cepillo frotador de uso doméstico si fuera necesario. **No sature** la alfombra ni el tapizado con el PreCleaner.

\* Disponible a un costo adicional.

**e. Para evitar manchar** – use lámina plástica o de aluminio para proteger las superficies de madera o metal contra el posible rociado de agua.

**f. Para evitar mojar y posibles daños**

**alos pisos de madera que se encuentran debajo de las alfombras/alfombras de pared a pared** – mueva las alfombras/alfombras de pared a pared a una superficie expuesta de piso que no sea de madera o coloque material impermeable (por ej. plástico) debajo de los mismos antes de limpiar.

## Después de limpiar

**a.** Permita que la alfombra se seque. Para ayudar a evitar marañas y volver a ensuciar la alfombra, **mantenga a los niños y a los animales domésticos alejados de la superficie hasta que esté completamente seca.**

Si es necesario caminar sobre la alfombra húmeda, coloque toallas o trapos blancos sobre el área de tráfico.

Si deben volverse a colocar en posición los muebles, antes de que la alfombra esté seca, use almohadillas plásticas o de lámina de aluminio debajo de las patas de los muebles de manera que las correderas de metal o los acabados de madera no manchen la alfombra.

**b.** Puede enjuagarse la alfombra si se desea. El enjuague no es necesario para limpiar, pero puede mejorar la apariencia de la superficie después de secarse.

Si se desea enjuagar, tenga cuidado de no mojar excesivamente la alfombra. Permita el tiempo suficiente para que la alfombra se seque completamente entre la limpieza y el enjuague. Para enjuagar, siga el mismo procedimiento de limpieza pero use solamente agua caliente de la llave, sin detergente, en el tanque superior de solución limpia.

**c.** Vacíe los tanques, enjuáguelos con agua limpia y permita que se sequen al aire.

**2-21 d.** Extraiga los desechos del filtro del tanque de recuperación y enjuáguelo con agua limpia.

**Nota:** Si necesita quitar el filtro para limpiarlo, es más fácil volver a colocarlo si está mojado.

**e.** Si lo desea, después que la alfombra se haya secado, pásele bien la aspiradora. Con ello reducirá cualquier marca que puedan haber dejado las escobillas del limpiador.

## Para limpiar la boquilla

Si hay pelusa u otros **desechos** en la **boquilla, no intente quitar la cubierta de la boquilla.**

Vierta una o dos tazas de agua limpia sobre un piso sin alfombras. **No vierta agua sobre un piso de madera.**

Aspire el agua con el quitamanchas /limpiador de alfombras. Repita según sea necesario hasta que los **desechos** sean eliminados de la boquilla.

Para limpiar el exterior del aparato, limpie la suciedad con un trapo humedecido en agua tibia y un detergente suave. **Para limpiar el aparato, no use solventes ni productos a base de petróleo.**

## Escobillas removibles

Su limpiador está equipada con cepillos removibles para facilitar su limpieza.

**Para quitar los cepillos desenchufe la aspiradora de la toma de corriente eléctrica.**

Para evitar la posibilidad de fugas, saque el depósito de solución limpia y el depósito de recuperación. Colóquelos a un lado.

**2-22** Apriete el pedal de destrabe del mango para bajarlo. Voltee la aspiradora de manera que se encuentre orientado hacia arriba.

**2-23** Sujete la parte interior del cepillo (A) y jale el conjunto de los cepillos para sacarlo ligeramente, hasta que vea las trabas (B).

**2-24** Presione los cuatro broches y saque el bloque de escobillas. Los cepillos se pueden limpiar bajo un chorro de agua.

### **2-25** Para volver a colocar los cepillos

Alinee los postes (C) en ambos extremos del conjunto de los cepillos con las ranuras (D) del exterior de la aspiradora. Asegúrese de que el poste cuadrado (E) se alinee también con el agujero cuadrado (F). Gire los cepillos ligeramente hasta que el poste quepa fácilmente dentro del agujero.

**2-26** Presione el conjunto de los cepillos con firmeza para trabarlo en su lugar.

## Limpieza de alfombras

### Lea las instrucciones de “Antes de comenzar la limpieza”.

Llene el tanque de solución limpia (tanque superior) según las instrucciones de las ilustraciones 2-10 a 2-16.

**Mueva el selector de velocidad a LO para una limpieza suave o HI para una limpieza normal.**

Séquese las manos y enchufe el cordón en una **toma de corriente debidamente conectada a tierra.**

**No limpie sobre las tomas de corriente eléctricas del piso.**

Para evitar caminar sobre la alfombra húmeda, comience en el extremo del cuarto que esté más alejado de la puerta o del camino a la pileta donde se vaciarán o llenarán los tanques.

Pise el pedal de desenganche del mango y baje el mango a la posición de operación; ENCIENDA (ON) el limpiador.

**2-27** Accione el gatillo para liberar la solución de limpieza y empuje **lentamente** el limpiador hacia delante (esto representa una pasada mojada). Continúe accionando el gatillo y tire **lentamente** del limpiador hacia usted (segunda pasada mojada).

Suelte el gatillo y empuje **lentamente** el limpiador hacia delante sobre el área recién rociada con solución (pasada en seco). A continuación tire **lentamente** del limpiador hacia usted sin accionar el gatillo (pasada en seco).

Haga las pasadas traslapándolas 1 pulgada para no dejar huellas.

Mantenga la boquilla plana sobre el piso para las pasadas de avance y retroceso.

Repita para las áreas muy sucias. **Para evitar saturar la alfombra no use más de 4 pasadas mojadas sobre un área. Finalice siempre con pasadas en seco.**

Es mejor alternar pasadas mojadas y en seco según se describe arriba.

Para obtener los mejores resultados en la limpieza y para ayudar en el secado más rápido de la alfombra, finalice con más pasadas en seco. (Continúe usan-

do pasadas en seco hasta que se vea poca agua pasando a través de la tapa del tanque de recuperación).

Vacíe el tanque de recuperación cuando el ruido del motor aumente de nivel y se reduzca la fuerza de aspiración (vea la ilustración 2-4).

Al finalizar la limpieza, siga las instrucciones de “Después de limpiar”.

## Aspiración de derrames

Su quitamanchas/limpiador para alfombras “SteamVac” de HOOVER puede usarse también para aspirar **pequeños derrames líquidos (1 galón o menos, nunca excediendo 1/4 de pulgada de profundidad)** sobre alfombras.

Coloque la boquilla para pisos con las **escobillas apagadas (OFF)** frente al derrame, pase la boquilla muy lentamente sobre el derrame, inicialmente con succión solamente. Repita con el rociado y la succión. A pesar de que ninguna solución limpiadora puede eliminar completamente todas las manchas, éstas pueden tratarse siguiendo las instrucciones provistas por el fabricante de la alfombra que se está limpiando. **No use el limpiador para aspirar líquidos o productos químicos inflamables o combustibles.**

Al finalizar, siga las instrucciones de “Después de limpiar”.

## Almacenamiento

Antes de guardar:

- Vacíe el tanque de solución y enjuáguelo meticulosamente con agua limpia.
- Vuelva a colocar el tanque de solución vacío y CONECTE (ON) el limpiador. Presione el gatillo y empuje el limpiador hacia delante y atrás varias veces para expeler cualquier solución restante en el sistema del limpiador. (No use el limpiador sobre pisos de madera).
- Vacíe el tanque de recuperación y enjuáguelo meticulosamente con agua limpia.

**Permita que las escobillas y la parte inferior del limpiador se sequen completamente al aire antes de guardar el limpiador sobre una superficie alfombrada o de madera.**

**No guarde el limpiador con el tanque lleno de solución colocado en su lugar.**



### 3. Si tiene un problema

Si ocurre un problema menor, generalmente puede resolverse con bastante facilidad cuando se encuentra la causa, utilizando la lista de verificación siguiente.

#### PROBLEMA: El aparato no funciona

##### Causa posible

Solución posible

- **No está bien enchufado**
- *Enchúfelo bien en la toma de corriente eléctrica*
- **No hay voltaje en la toma de corriente de la pared**
- Inspeccione el fusible o el interruptor de circuito
- **Fusible quemado/interruptor activado**
- *Cambie el fusible/vuelva a conectar el interruptor*

#### PROBLEMA: Succión débil

##### Causa posible

Solución posible

- **La tapa del tanque de recuperación no está bien colocada**
- *Asegúrese de que la tapa esté firmemente en su lugar*
- **Tanque de recuperación lleno/el corte automático está activado**
- *Quite y vacíe el tanque de recuperación*

#### PROBLEMA: La solución limpia no se dispensa

##### Causa posible

Solución posible

- **El tanque de la solución no está firmemente colocado en su lugar**
- *Asegúrese de que el tanque esté firmemente asegurado en posición*
- **El tanque de solución está vacío**
- *Vuelva a llenar el tanque de acuerdo con las instrucciones para la superficie que se está limpiando*
- **La tapa del tanque de recuperación no está bien colocada**
- *Asegúrese de que la tapa esté firmemente colocada en su lugar*

#### PROBLEMA: Las escobillas/el indicador de escobillas no giran durante la limpieza de los pisos

##### Causa posible

Solución posible

- **La rejilla del indicador está sucia**
- *Quite la cubierta transparente del indicador y limpie la rejilla. Vuelva a colocar la rejilla.*
- **El selector de velocidad está en la posición OFF (apagado)**
- *Muévalo a la posición LO o HI (baja o alta)*

#### Servicio

Para obtener el servicio aprobado por HOOVER y las piezas genuinas de HOOVER, localice el **Centro de Servicio de Fábrica Hoover o el Concesionario Autorizado de Servicio de Garantía de Hoover** más cercano:

- buscando en las Páginas Amarillas bajo "Vacuum Cleaners – Industrial & Commercial" (Aspiradoras – Industriales y Comerciales) O –
- buscando en la lista de Centros de Servicio de Fábrica provista con este limpiador O –
- llamando al **1-800-944-9200** para obtener una referencia automatizada de la ubicación de los centros de servicio autorizados (EE.UU. solamente).

Le agradeceremos que no envíe su limpiador a The Hoover Company en North Canton para servicio ya que sólo resultará en demoras.

Si requiere asistencia adicional, consulte con el Centro de Respuesta al Cliente de Hoover (The Hoover Company Consumer Response Center), North Canton, Ohio 44720. Teléfono: 1-330-499-9499.

En Canadá comuníquese con Hoover Canada, Burlington, Ontario L7R 4A8. Teléfono: 1-800-263-6376.

Al solicitar información o pedir piezas, identifique siempre su limpiador por el número **completo** de modelo. (El número de modelo figura en la parte trasera del mango del limpiador).

## Lubricación

El motor está equipado con cojinetes que contienen suficiente lubricación para la vida del motor. Añadir lubricante podría causar daños. **No añada lubricantes a los cojinetes del motor.**

# **Garantía de los productos HOOVER de uso comercial/industrial**

Su producto HOOVER® de uso comercial está garantizado contra defectos originales en el material y la fabricación por un período de un año a contar de la fecha de compra. Esta garantía cubre solamente la mano de obra y las piezas necesarias para dejar este producto en buen estado de funcionamiento y no cubre ningún otro daño incluyendo los daños emergentes. Esta garantía no ampara los daños o averías causadas por uso indebido, maltrato, descuido, accidente o daño debido al transporte. Esta garantía es válida si el artefacto fue comprado en los Estados Unidos, en sus territorios y posesiones, o en Canadá o en una tienda situada en una base militar de EE.UU. Los artefactos comprados en otro lugar están cubiertos por una garantía limitada de un año que cubre solamente el costo de las piezas.

Algunas piezas de su producto HOOVER de uso comercial deben reemplazarse durante su uso debido a desgaste normal. Entre estos componentes se encuentran las correas, mangas del rodillo agitador, cojinetes del agitador, escobillas, bolsas, bombillas, etc. Estas piezas no están cubiertas por esta garantía.

El servicio de garantía para este producto se puede obtener solamente de un Centro de Servicio de Fábrica de Hoover (vea la lista al reverso de esta garantía), o de un Concesionario Autorizado de Servicio de Garantía Comercial de Hoover. Puede requerirse la presentación de un comprobante de compra antes de efectuar el servicio.

Esta garantía no cubre los defectos ni daños causados por trabajos de reparación o modificación que no hayan sido hechos por un Centro de Servicio de Fábrica de Hoover o un Concesionario Autorizado de Servicio de Garantía Comercial de Hoover. The Hoover Company se reserva el derecho de inspeccionar cualquier producto supuestamente defectuoso y de tomar las decisiones finales sobre cualquier reclamación de garantía.

Ante cualquier duda respecto a esta garantía, o para averiguar la disponibilidad de centros de servicio de garantía, escriba o llame al Consumer Response Center, The Hoover Company, 101 East Maple Street, North Canton, Ohio (44720). Teléfono (330) 499-9499.

En Canadá, diríjase a Hoover Canada, Burlington, Ontario L7R 4A8, 1-800-263-6376.

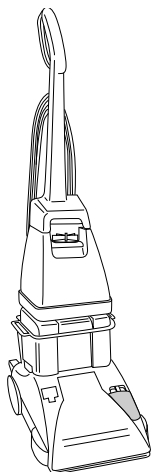
# HOOVER®

## Détachant/nettoyeuse à tapis

### SteamVac™

### Commercial

Nettoie en profondeur les fibres du tapis en appliquant une solution d'eau chaude et de nettoyant.



Lire attentivement ces instructions avant d'utiliser l'appareil

## Index

Consignes de sécurité importantes .....	18
Assemblage .....	19
Utilisation .....	19-22
Après le nettoyage .....	21
Sélecteur de vitesse de l'agitateur .....	20
Avant de commencer .....	21
Indicateur de rotation des brosses .....	20
Nettoyage du tapis .....	21-22
Description .....	19
Vidage du réservoir de récupération .....	20-21
Remplissage du réservoir à solution propre .....	20
Ramassage de liquides renversés .....	22
Dépannage .....	22
Lubrification .....	23
Service .....	23



## Guide de l'utilisateur

FRANÇAIS → pp. 18-23

Numéro de modèle \_\_\_\_\_

Numéro de série \_\_\_\_\_

(Situé sur la plaque signalétique à l'arrière du manche)

## Consignes de sécurité importantes !

Durant l'utilisation d'un appareil électrique, toujours respecter les précautions élémentaires, y compris les consignes suivantes :  
**LIRE TOUTES LES INSTRUCTIONS AVANT D'UTILISER CET APPAREIL**

**Avertissement :** Afin de réduire au minimum les risques d'incendie, de choc électrique ou de blessures :

- N'utiliser qu'à l'intérieur.
- N'utiliser que sur des surfaces déjà rendues humides par le procédé de nettoyage ou le liquide renversé. Éviter d'immerger l'appareil.
- Ne brancher que sur une prise d'alimentation correctement mise à la terre. Consulter la section « Instructions de mise à la terre ».
- Éviter de passer l'appareil sur des prises d'alimentation au sol.
- Éviter d'utiliser l'appareil si les réservoirs ne sont pas en place.
- Faire preuve d'une grande prudence pendant l'utilisation dans des escaliers. Ne pas placer l'appareil sur les marches de l'escalier.
- N'utiliser l'appareil que selon le but dans lequel il a été construit, et conformément aux instructions du fabricant.
- L'utilisation d'une rallonge n'est pas recommandée. Si son utilisation est absolument nécessaire, employer une rallonge de calibre 16 à 3 fils. Elle doit comporter une fiche mâle à 3 broches ainsi qu'une prise femelle compatible avec la fiche de l'appareil.
- Débrancher l'appareil s'il n'est pas utilisé. Éteindre toutes les commandes avant le débranchement.
- Toujours débrancher l'appareil avant d'en faire l'entretien.
- Éviter de tirer sur le cordon d'alimentation pour débrancher l'appareil. Saisir la fiche et non le cordon. Ne jamais manipuler la fiche ou l'appareil avec les mains mouillées.
- Éviter de tirer l'appareil par le cordon d'alimentation, d'utiliser le cordon pour transporter ou soulever l'appareil, de coincer, d'écraser ou de tirer le cordon autour de coins ou d'arêtes vives. Garder le cordon loin de toute surface chauffée.
- Éviter d'utiliser si la fiche ou le cordon sont endommagés. Si l'appareil fonctionne mal, s'il est tombé par terre ou dans l'eau, endommagé ou laissé à l'extérieur, il doit être apporté à un Centre de service en usine Hoover ou à un atelier de service commercial autorisé Hoover.
- Faire preuve d'une grande prudence lorsque l'appareil est utilisé par des enfants ou près de ceux-ci. Éviter que l'appareil soit utilisé comme jouet ou laissé en marche sans surveillance.
- N'utiliser que les nettoyants disponibles en libre vente conçus pour l'utilisation avec cet appareil. Éviter d'employer n'importe quelle cire avec agent de nettoyage en profondeur avec cet appareil.
- Pendant l'utilisation de détergents et d'autres produits nettoyants avec cet appareil, s'assurer que la ventilation est adéquate.
- Garder les détergents et autres produits nettoyants hors de la portée des enfants.
- Éviter d'utiliser avec des liquides inflammables ou combustibles comme de l'essence ou d'utiliser l'appareil dans des endroits où de tels composés sont présents.
- Éviter d'utiliser cet appareil pour ramasser des produits de blanchiment au chlore, des nettoyants à tuyaux, de l'essence ou toute autre matière toxique.
- Éviter que l'aspirateur ne ramasse toute matière qui dégage de la fumée ou qui brûle, comme des cigarettes, des allumettes ou des cendres encore chaudes.
- Éviter d'aspirer des objets durs et acérés. Ils pourraient endommager l'appareil.
- Garder cheveux, vêtements, doigts, pieds ou toute autre partie du corps à bonne distance des ouvertures et des pièces mobiles de l'appareil. Éviter d'utiliser l'appareil pieds nus ou en portant des chaussures ou sandales qui découvrent les orteils.
- Éviter d'introduire des objets dans les ouvertures. S'assurer qu'aucune ouverture n'est obstruée; maintenir celles-ci exemptes de poussière, de mousse, de cheveux ou de toute autre matière qui pourrait réduire le débit d'air.
- Attendre que le tapis soit complètement sec avant de circuler dessus. Faire en sorte que les enfants et animaux fassent de même.
- Ranger dans un endroit sec. Éviter d'exposer l'appareil à des températures inférieures au point de congélation.

**Rangez et conservez ces instructions !**

Utiliser les instructions numérotées de cette section français avec les illustrations numérotées correspondantes de la section anglaise de ce guide.

## Instructions de mise à la terre

Cet appareil doit être mis à la terre. En cas de défectuosité ou bris de l'appareil, la mise à la terre assure une autre voie de circulation au courant électrique, ce qui réduit considérablement le risque de choc électrique. Cet aspirateur comporte un conducteur de mise à la terre (C) et une fiche de mise à la terre (A). La fiche doit être branchée dans une prise d'alimentation conforme (B), installée et mise à la terre conformément aux codes et règlements locaux.

### DANGER

Un mauvais branchement de la fiche peut augmenter le risque de choc électrique. En cas de doute quant à la bonne mise à la terre de l'installation, consulter un électricien qualifié. Éviter de modifier la fiche fournie avec l'appareil. Si elle n'est pas compatible avec la prise femelle, demander à un électricien de remplacer cette dernière. L'aspirateur a été conçu pour une tension de 120 volts et est équipé d'une fiche (A) semblable à celle illustrée sur la figure.

Si une prise avec mise à la terre n'est pas disponible, un adaptateur temporaire (D) peut être utilisé pour brancher l'appareil à une prise à deux trous (E). Cet adaptateur ne doit être utilisé que sur une base temporaire, soit jusqu'à l'installation d'une prise appropriée (B) par un électricien qualifié. La patte rigide verte (F) ou la pièce semblable

qui dépasse de l'adaptateur doit être raccordée en permanence à un dispositif de mise à la terre, tel que le couvercle d'une boîte de sortie. Si l'adaptateur est utilisé, il doit toujours être maintenu en place par une vis métallique (F).

**REMARQUE :** Au Canada, le Code National de l'Électricité interdit l'utilisation d'adaptateurs temporaires.

## 1. Assemblage

### 1-1 Déballage

Retirer l'appareil de sa boîte et identifier les accessoires ci-dessous. Disposer ensuite de l'emballage protecteur en carton.

- A. Détachant/nettoyeuse à tapis
- B. Section supérieure du manche
- C. Boulons (2)
- D. Écrous (3 – un écrou supplémentaire est fourni)
- E. Détergent pour tapis et tissus recouvrant les meubles

### 1-2 Montage de la section supérieure du manche

Retirer le réservoir pour la solution propre (réservoir supérieur).

**1-3** S'assurer que le cordon d'alimentation se trouve à l'arrière de l'appareil, puis enfoncer la section supérieure du manche dans la section inférieure.

**1-4** Insérer les **boulons** dans les trous à l'avant de la poignée. Si l'insertion des boulons est difficile, la section supérieure du manche n'est pas suffisamment enfoncée.

**1-5** Placer les **écrous** dans les retraits à l'arrière du manche. Maintenir chaque écrou en place tout en serrant bien chaque boulon avec un tournevis Phillips. Seulement deux écrous sont requis pour ce modèle. L'écrou supplémentaire inclus sert de pièce de rechange.

**1-6** Une fois les deux sections du manche assemblées, appuyer sur la gâchette (A) sur la section supérieure pour fixer la tige de la gâchette en place.

**1-7** Replacer le réservoir à solution propre (réservoir supérieur) en appuyant d'abord sa partie inférieure contre l'appareil. Appuyer sur la poignée du réservoir pour fixer celui-ci en place (un déclic se fera entendre).

**1-8** Appuyer sur le cordon d'alimentation pour le fixer dans la pince à l'arrière de la poignée.

Tirer sur le cordon pour éliminer tout jeu éventuel.

## 2. Utilisation

### 2-1 Description

La figure ci-contre illustre le détachant/nettoyeuse à tapis une fois assemblé.

1. **Poignée**
2. **Gâchette d'application de solution** : enfoncer pour libérer de la solution propre.
3. **Crochets de rangement du cordon** : au moment de ranger l'appareil, enrouler le cordon autour des crochets.
4. **Poignée de transport**
5. **Poignée du réservoir à solution propre**
6. **Capuchon/tasse à mesurer du réservoir à solution propre**
7. **Réservoir à solution propre** : contient la solution nettoyante.
8. **Couvercle du réservoir de récupération**
9. **Réservoir de récupération** : accumule la solution utilisée.
10. **Couvercle**
11. **Sélecteur de vitesse de l'agitateur** : comporte trois positions : HI (Haute), LO (Basse) et OFF (Arrêt).
12. **Indicateur de rotation des brosses** : tourne durant la rotation des brosses.
13. **Buse**
14. **Verrous du réservoir de récupération** : un verrou de chaque côté du réservoir.
15. **Pédale de Marche/Arrêt**
16. **Pédale de déblocage du manche** : appuyer sur cette pédale pour abaisser le manche à sa position de fonctionnement.

**N'utiliser la nettoyeuse qu'à la tension spécifiée sur la plaque signalétique située à l'arrière de l'appareil.**

## 2-2 Pédale de Marche/Arrêt

Brancher l'appareil dans une prise d'alimentation correctement mise à la terre.

Appuyer sur la pédale (A) pour mettre l'appareil en marche.

Appuyer de nouveau sur la pédale (A) pour éteindre l'appareil.

## 2-3 Pédale de déblocage du manche

Appuyer sur la pédale (B) pour abaisser le manche à sa position de fonctionnement. Le manche ne se verrouille pas à une seule position : il s'ajuste pour plus de commodité.

## 2-4 Fermeture automatique

Si le réservoir de récupération (réservoir inférieur) est plein, le dispositif de fermeture automatique coupe la succion de l'appareil. À ce moment, le disque flottant rouge (C) remonte jusqu'au haut du couvercle du réservoir de récupération (voir figure). L'appareil ne peut alors plus ramasser de solution utilisée, et le bruit du moteur deviendra sensiblement plus aigu.

Éteindre l'appareil, puis vider le réservoir de récupération avant de poursuivre l'utilisation.

Vérifier également le réservoir à solution propre : il peut avoir besoin d'être rempli.

## 2-5 Transport de l'appareil

Éteindre l'appareil avant de le transporter.

Pour déplacer l'appareil d'une pièce à l'autre, placer le manche à la position verticale, verrouiller ce dernier, incliner l'appareil pour qu'il repose sur ses roues, puis pousser.

2-6 Il est aussi possible de soulever l'appareil pour le transporter. Placer une main sous la poignée du réservoir à solution propre (réservoir supérieur), tel qu'illustré.

## 2-7 Sélecteur de vitesse de l'agitateur

L'aspirateur SteamVac comporte trois réglages de vitesse des brosses.

**HI** (Haute) – pour le nettoyage normal du tapis

**LO** (Basse) – pour le nettoyage en douceur du tapis

**OFF** (Arrêt) – si aucune action des brosses n'est désirée (p. ex. pour le ramassage de liquides renversés). Avant le nettoyage, faire glisser le sélecteur (D) à la position désirée.

## 2-8 Indicateur de rotation des brosses

L'indicateur tourne (E) lorsque l'appareil fonctionne et que les brosses tournent.

Si l'indicateur ne tourne pas (F) et que le symbole est visible lorsque l'appareil est en marche, les brosses ne tournent pas.

Il y a deux raisons pour que les brosses ne tournent pas :

1. Le sélecteur de vitesse des brosses est à la position OFF (Arrêt).
2. L'écran de l'indicateur est sale.

## 2-9 Nettoyage de l'écran de l'indicateur

Éteindre puis débrancher l'appareil avant d'effectuer cette opération.

Retirer le couvercle transparent et essuyer l'écran (G) avec un linge humide.

Replacer le couvercle.

## 2-10 Réservoirs Réservoir à solution propre (réservoir supérieur)

Le réservoir à solution propre contient la solution de nettoyage qui sera appliquée sur la surface à nettoyer.

## Remplissage du réservoir Couper l'alimentation électrique de l'appareil.

Verrouiller le manche de l'appareil à la position verticale.

Pour enlever le réservoir, enfoncer la poignée et tirer vers l'avant.

2-11 Placer le réservoir dans un évier. Tourner le capuchon du réservoir dans le sens contraire aux aiguilles d'une montre.

2-12 Utiliser le capuchon (H) comme tasse à mesurer.

À l'aide du capuchon, mesurer le détergent selon le tableau.

### Pour les tapis :

Remplir le capuchon jusqu'à la ligne de remplissage (I) (5 onces) avec le détergent pour tapis et tissus de recouvrement HOOVER.

Éviter d'utiliser n'importe quelle cire avec votre aspirateur SteamVac.

Afin d'assurer une performance optimale,

l'utilisation du détergent HOOVER est recommandée. Il est spécialement conçu pour cet appareil.

**MISE EN GARDE : Les détergents contiennent des surfactifs anioniques et non ioniques. Éviter tout contact avec la peau et les yeux. En cas de contact avec les yeux, rincer à l'eau froide pendant 15 minutes. S'il y a contact avec la peau, laver à l'eau. Si l'irritation persiste, consulter un médecin. Pour de plus amples informations, composer le 1-800-752-7869 (États-Unis).**

2-13 Verser le détergent dans le réservoir.

Remplir le réservoir jusqu'à la ligne de remplissage (J) (1 gallon, ou 4,5 litres) avec de l'eau chaude.

2-14 Si l'anneau de caoutchouc (K) du capuchon est déplacé, le remettre en place, son côté inégal contre le rebord du capuchon (L) tel qu'illustré.

2-15 Replacer le capuchon. Le faire tourner dans le sens des aiguilles d'une montre jusqu'à son blocage. Le capuchon doit être verrouillé en place afin d'assurer son étanchéité et son bon rendement.

2-16 Placer le bas du réservoir dans l'appareil et appuyer sur la poignée du réservoir pour le verrouiller en place.

## Réservoir de récupération (réservoir inférieur)

Le réservoir de récupération contient la solution sale que l'appareil a ramassée.

Une fois le réservoir plein, le dispositif de fermeture automatique s'activera (voir page 5). Le réservoir doit alors être vidé.

## Vidage du réservoir Couper l'alimentation électrique de l'appareil.

Pour empêcher toute fuite, retirer le réservoir à solution propre en enfonçant la poignée du réservoir et en tirant vers l'avant; mettre le réservoir de côté (éviter de placer le réservoir sur un meuble).

2-17 Appuyer sur la pédale de déblocage du manche (M) puis abaisser ce dernier jusqu'à ce qu'il repose sur le sol.

Faire tourner les verrous du réservoir (N) vers l'extérieur (il y a un verrou de chaque côté du réservoir).



Soulever le réservoir et le déposer dans un évier ou un drain.

**2-18** Déverrouiller l'arrière du couvercle du réservoir et enlever celui-ci. Vider le réservoir. L'eau sale s'écoulera de l'arrière du réservoir (O).

**2-19** **Le couvercle se replace comme une charnière.** Placer l'avant du couvercle sous les pattes (P) à l'avant du réservoir. Enfoncer le couvercle sur le réservoir. **S'assurer que le couvercle est bien en place sur tous les côtés avant de replacer le réservoir sur l'appareil.**

**Pour une succion maximale, il est important que le couvercle du réservoir de récupération soit bien fixé avant l'utilisation de l'appareil.**

**2-20** Replacer le réservoir et s'assurer qu'il est bien fixé en place.

**Faire tourner les verrous (N) (un verrou de chaque côté du réservoir) vers l'intérieur pour verrouiller le réservoir.**

Lever le manche jusqu'à sa position verticale puis replacer le réservoir à solution propre (réservoir supérieur).

## Avant de commencer

**a. Bien passer l'aspirateur –** Pour les tapis, utiliser un aspirateur avec agitateur pour obtenir de meilleurs résultats. **Ne pas utiliser le détachant/nettoyeuse SteamVac comme un aspirateur à sec.**

**b. Vérifier la solidité des couleurs –** Mélanger le détergent et l'eau selon les instructions de la section « Remplissage du réservoir à solution propre ». Humecter un linge blanc absorbant avec la solution puis frotter sur une petite zone cachée du tapis. Attendre 10 minutes, puis vérifier que la couleur ne s'est pas transférée sur le linge et que le tapis a toujours une couleur convenable une fois sec. Si le tapis comporte plus qu'une couleur, les vérifier toutes.

**c. Si tout le plancher doit être nettoyé, déplacer les meubles** (pas nécessaire si les zones à circulation élevée seulement sont nettoyées). Placer du papier d'aluminium ou du papier ciré sous les pattes des meubles trop lourds pour être déplacés afin que les finis de bois ne tachent pas le tapis. Épingler aussi les rideaux et les franges des meubles.

**d. Prétraiter les taches et les zones à circulation élevée avec le PréNettoyant\* HOOVER®.** Tester de nouveau la solidité des couleurs en vaporisant le produit sur une section cachée. Attendre 10 minutes puis essuyer avec desessuie-tout ou un linge blanc.

Si aucun changement de couleur n'est visible, vaporiser le PréNettoyant sur les taches et les zones à circulation élevée. Attendre au moins 10 minutes, puis utiliser l'aspirateur SteamVac pour ramasser le PréNettoyant. Répéter l'opération jusqu'à ce que la tache ait disparue : si nécessaire, frotter doucement avec une brosse. **Ne pas saturer** le tapis ou le recouvrement de PréNettoyant.

\* Vendu séparément.

**e. Pour éviter les taches –** Utiliser une pellicule de plastique ou du papier d'aluminium pour protéger les surfaces de bois ou de métal du jet d'eau.

**f. Pour éviter de détremper et ainsi d'endommager les planchers de bois sous le tapis/la moquette –** placer le tapis sur une surface qui n'est pas en bois ou placer un matériau imperméable (comme du plastique) sous le tapis avant de le nettoyer.

## Après le nettoyage

**a.** Laisser le tapis sécher. Afin d'éviter de salir le tapis de nouveau, **éviter que des enfants ou des animaux y circulent jusqu'à ce qu'il soit complètement sec.**

S'il est nécessaire de marcher sur le tapis avant qu'il soit sec, placer des serviettes ou des linges blancs sur la zone où l'on circulera.

Si les meubles doivent être remis en place lorsque le tapis est encore humide, placer une pellicule de plastique ou du papier d'aluminium sous les pattes des meubles afin que les glissières métalliques ou les finis de bois ne tachent pas le tapis ou la moquette.

**b.** Si désiré, le tapis peut aussi être rincé. Le rinçage n'est pas nécessaire, mais il peut améliorer l'apparence de la surface une fois sèche.

Au cours du rinçage, s'assurer de ne pas saturer le tapis. Laisser le tapis sécher complètement entre le nettoyage et le rinçage. Pour rincer, suivre les mêmes directives que pour le nettoyage, en utilisant toutefois de l'eau douce sans détergent dans le réservoir à solution propre (réservoir supérieur).

**c.** Vider les réservoirs, rincer à l'eau propre et laisser sécher à l'air.

**2-21 d.** Retirer les débris du filtre du réservoir de récupération et rincer à l'eau propre.

**Remarque :** Si le filtre doit être enlevé pour être nettoyé, le nettoyage sera plus facile si le filtre est humide.

**e.** Si désiré, passer de nouveau l'aspirateur une fois le tapis complètement sec. Ainsi, il ne restera plus aucune trace laissée par les brosses de l'aspirateur.

## Nettoyage de la buse

Si de la mousse ou d'autres **débris** s'accumulent dans la buse, **ne pas enlever le couvercle de la buse.**

Verser une à deux tasses d'eau propre sur une surface dure. **Éviter de verser de l'eau sur un plancher de bois.**

Ramasser l'eau avec l'appareil. Répéter aussi souvent que nécessaire jusqu'à ce que les débris soient enlevés de la buse.

Pour nettoyer l'extérieur de l'appareil, essuyer la saleté avec un linge humecté d'une solution d'eau tiède et de détergent doux. **Ne pas utiliser de solvant ni de produits à base de pétrole pour nettoyer la machine.**

## Balais amovibles

Votre shampooineuse est équipée de brosses amovibles pour faciliter le nettoyage.

**Pour enlever les brosses : Débrancher l'aspirateur de la prise de courant.** Pour éviter les fuites, enlever le réservoir de solution transparente et le réservoir de récupération. Mettre le réservoir de côté.

**2-22** Enfoncer le pédale de déclenchement du manche pour abaisser le manche. Retourner l'aspirateur à l'envers.

**2-23** Saisir la partie intérieure de la brosse (A) et tirer légèrement sur l'ensemble de la brosse pour avoir accès aux verrous (B).

**2-24** Enfoncer les quatre verrous puis retirer le module de brosse. Les brosses peuvent être nettoyées à l'eau courante.

## 2-25 Pour remplacer les brosses

Aligner les protubérances (C) aux deux extrémités de l'ensemble de la brosse avec les encoches (D) dans le boîtier de l'aspirateur. S'assurer que la protubérance carrée (E) est aussi alignée dans le trou carré (F). Faire tourner un peu les brosses jusqu'à ce que la protubérance entre facilement dans le trou.

**2-26** Appuyer fermement sur l'ensemble de la brosse jusqu'à ce qu'il s'enclenche en place.

## Nettoyage du tapis

**Lire la section « Avant de commencer » à la page précédente.**

Remplir le réservoir à solution propre (réservoir supérieur) selon les instructions relatives aux Figures 2-10 à 2-16.

**Glisser le sélecteur à la position LO pour un nettoyage en douceur ou la position HI pour un nettoyage normal.**

Brancher l'appareil dans une **prise correctement mise à la terre**. S'assurer d'avoir les mains sèches.

**Éviter de passer l'appareil sur des prises d'alimentation au sol.**

Pour éviter d'avoir à marcher sur le tapis humide, commencer le nettoyage à l'extrémité de la pièce la plus loin de la porte ou du chemin vers l'évier où les réservoirs seront vidés et remplis.

Appuyer sur la pédale de déblocage du manche, rabaisser ce dernier jusqu'à sa position de fonctionnement, puis mettre l'appareil en marche.

**2-27** Appuyer sur la gâchette pour appliquer la solution de nettoyage puis pousser **lentement** l'appareil vers l'avant (une passe humide). Continuer d'appuyer sur la gâchette et ramener **lentement** l'aspirateur vers soi (deuxième passe humide). Relâcher la gâchette et pousser de nouveau, **lentement**, l'aspirateur vers l'avant (passe à sec). Ramener **lentement** l'aspirateur vers soi, sans appuyer sur la gâchette (deuxième passe à sec).

Chevaucher les passes sur un pouce afin d'éviter tout effet de marquage.

Maintenir la buse à plat sur le plancher pendant les passes avant et arrière.

Dans le cas des surfaces très sales, répéter l'opération. **Pour éviter de saturer le tapis, éviter d'effectuer plus de 4 passes humides sur une zone**

**donnée. Toujours terminer avec des passes à sec.**

Il est préférable d'alterner les passes humides et à sec, tel que décrit plus haut.

Pour de meilleurs résultats et un séchage plus rapide, terminer le nettoyage avec plusieurs passes à sec. (Répéter les passes à sec jusqu'à ce que très peu d'eau soit visible par le couvercle du réservoir de récupération.)

Vider le réservoir de récupération lorsque le bruit du moteur devient nettement plus aigu et qu'il y a perte de succion (voir Fig. 2-4).

Une fois le nettoyage terminé, consulter la section « Après le nettoyage ».

## Ramassage de liquides renversés

Le détachant/nettoyeuse à tapis Steam-Vac de HOOVER peut s'utiliser pour ramasser les **faibles quantités de liquide renversés (1 gallon (4,5 L) ou moins, jamais plus de 1/4 po (6 mm) de profondeur)** sur un tapis.

Placer la buse avant de l'appareil devant le liquide renversé. **S'assurer que les brosses ne tournent pas (position OFF)**. Amener la buse très lentement vers le liquide, d'abord avec la succion seulement. Répéter, cette fois en vaporisant aussi. Bien qu'aucune solution nettoyante ne puisse enlever toutes les taches, on peut traiter celles-ci en suivant les instructions du fabricant du tapis à traiter. **Éviter d'utiliser l'appareil pour ramasser des liquides ou des produits chimiques inflammables ou combustibles.**

Une fois le nettoyage terminé, consulter la section « Après le nettoyage ».

## Rangement

Avant de ranger l'appareil :

- Vider le réservoir à solution propre et bien rincer à l'eau propre.
- Replacer le réservoir et mettre l'appareil en marche. Appuyer sur la gâchette, pousser puis tirer l'appareil plusieurs fois pour évacuer toute solution encore dans l'appareil. (Ne pas utiliser l'appareil sur des planchers de bois.)
- Vider le réservoir de récupération et bien rincer à l'eau propre.

**Laisser les brosses et le dessous de l'appareil sécher avant de le ranger sur une surface avec tapis ou en bois.**

**Éviter de ranger l'appareil avec le réservoir à solution propre encore plein.**

## 3. Dépannage

Si un problème d'ordre mineur survient, il peut habituellement être résolu très facilement. Il suffit de consulter la liste ci-dessous pour en trouver la cause.

### PROBLÈME : L'aspirateur refuse de fonctionner

**Cause possible**

*Solution possible*

- **L'appareil est mal branché.**
- *Bien enfoncer la fiche dans la prise d'alimentation.*
- **La prise d'alimentation ne fournit aucune tension.**
- *Vérifier le fusible ou le disjoncteur.*
- **Fusible grillé/disjoncteur déclenché.**
- *Remplacer le fusible/réenclencher le disjoncteur.*

### PROBLÈME : L'appareil aspire mal

**Cause possible**

*Solution possible*

- **Le couvercle du réservoir de récupération est mal fixé.**
- *S'assurer que le couvercle est bien en place.*
- **Le dispositif de fermeture automatique s'est déclenché.**
- *Enlever puis vider le réservoir de récupération.*

### PROBLÈME : L'appareil refuse d'appliquer la solution propre

**Cause possible**

*Solution possible*

- **Le réservoir à solution propre est mal fixé.**
- *S'assurer que le réservoir est bien fixé en place.*
- **Le réservoir à solution propre est vide.**
- *Remplir le réservoir selon les instructions relatives à la surface à nettoyer.*
- **Le couvercle du réservoir de récupération est mal fixé.**
- *S'assurer que le couvercle est bien en place.*



**PROBLÈME : Les brosses/l'indicateur de rotation des brosses ne tournent pas lorsque l'appareil est en marche**

#### **Cause possible**

*Solution possible*

- **L'écran de l'indicateur est sale.**
- *Enlever le couvercle au-dessus de l'indicateur et nettoyer l'écran.*
- **Le sélecteur de vitesse est à la position OFF.**
- *Régler le sélecteur à LO ou à HI.*

## **Service**

Pour obtenir le service autorisé HOOVER ainsi que les pièces d'origine HOOVER, il vous faut l'adresse du **Centre de service en usine Hoover ou de l'atelier de service commercial autorisé Hoover** le plus près de chez vous. Pour ce faire, vous pouvez :

- Consulter les Pages Jaunes sous la rubrique « Aspirateurs industriels », OU
- Vérifier la liste des Centres de service des usines fournie avec cet appareil, OU
- Composer le **1-800-944-9200** pour écouter un message vous indiquant les adresses des Centres de service autorisés (É.-U. seulement).

Prière de ne pas envoyer votre appareil à l'adresse de North Canton pour qu'il soit réparé. Il n'en résulterait que des délais supplémentaires.

Si d'autres renseignements sont requis, communiquer avec le Centre d'aide à la clientèle Hoover, North Canton, Ohio 44720

Téléphone : (330) 499-9499.

Au Canada, s'adresser à Hoover Canada, Burlington, Ontario L7R 4A8, au 1-800-263-6376.

Au moment de demander des renseignements ou de commander des pièces, toujours identifier l'appareil par son numéro de modèle **complet**. (Le numéro se trouve au bas de l'aspirateur.)

## **Lubrification**

Le moteur est pourvu de paliers suffisamment lubrifiés pour toute la durée de vie du moteur. Toute lubrification supplémentaire pourrait causer des dommages. **Éviter d'ajouter du lubrifiant aux paliers du moteur.**

## **Garantie de produit industriel et commercial HOOVER**

Votre produit commercial HOOVER® est garanti contre les défauts originaux de matériaux et de fabrication pendant une période d'un an à partir de la date d'achat. Cette garantie ne couvre que la main-d'œuvre et les pièces nécessaires pour mettre ce produit en bon état de fonctionnement et ne couvre aucun autre dommage, y compris les dommages circonstanciels. Cette garantie ne s'applique pas aux dommages ou aux mauvais fonctionnements causés par une mauvaise utilisation, des abus, la négligence, un accident, ou des dégâts causés par le transport. Cette garantie ne s'applique que lorsque l'appareil a été acheté aux États-Unis, dans ses territoires ou possessions, au Canada, ou dans un magasin d'une base militaire U.S.. Les appareils achetés ailleurs sont couverts par une garantie limitée d'un an qui ne couvre que le prix des pièces.

Certaines pièces de votre HOOVER commercial nécessitent d'être remplacées pendant le fonctionnement normal à la suite d'usure. Ces pièces comprennent les courroies, les manchons de rouleau agitateur, les roulements d'agitateur, les brosses, les sacs, les ampoules, etc. Ces pièces ne sont pas couvertes par cette garantie.


Les réparations sous garantie de ce produit ne peuvent être obtenues qu'auprès d'un centre de réparation en usine Hoover (voir la liste actuelle au dos de cette garantie), ou auprès d'un dépôt de réparation sous garantie de produit commercial agréé Hoover. Une preuve d'achat peut être demandée avant que la réparation ne soit effectuée.

Cette garantie ne couvre pas les défauts ou les dommages causés par des réparations ou modifications effectuées en dehors d'un centre de réparation en usine Hoover ou d'un centre commercial de réparation sous garantie agréé Hoover. La Hoover société se réserve le droit d'inspecter tout produit supposé défectueux et de prendre une décision finale sur les demandes sous garantie.

En cas de question sur cette garantie, ou sur la disponibilité des centres de réparation sous garantie, écrivez ou appelez le service d'assistance du consommateur, The Hoover Company, 101 East Maple Street, North Canton, Ohio (44720), États-Unis d'Amérique. Téléphone: (330) 499-9499.

Au Canada, contactez: Hoover Canada, Burlington, Ontario L7R 4A8, 1-800-263-6376.

HOOVER y  son marcas registradas

HOOVER et  sont des marques déposées

HOOVER and  are registered trademarks