

HOOVER®

Road Rat™

Wet & Dry Cleaner



Owner's Manual

English → pp. 1-7

Espanol → pág. 8-11

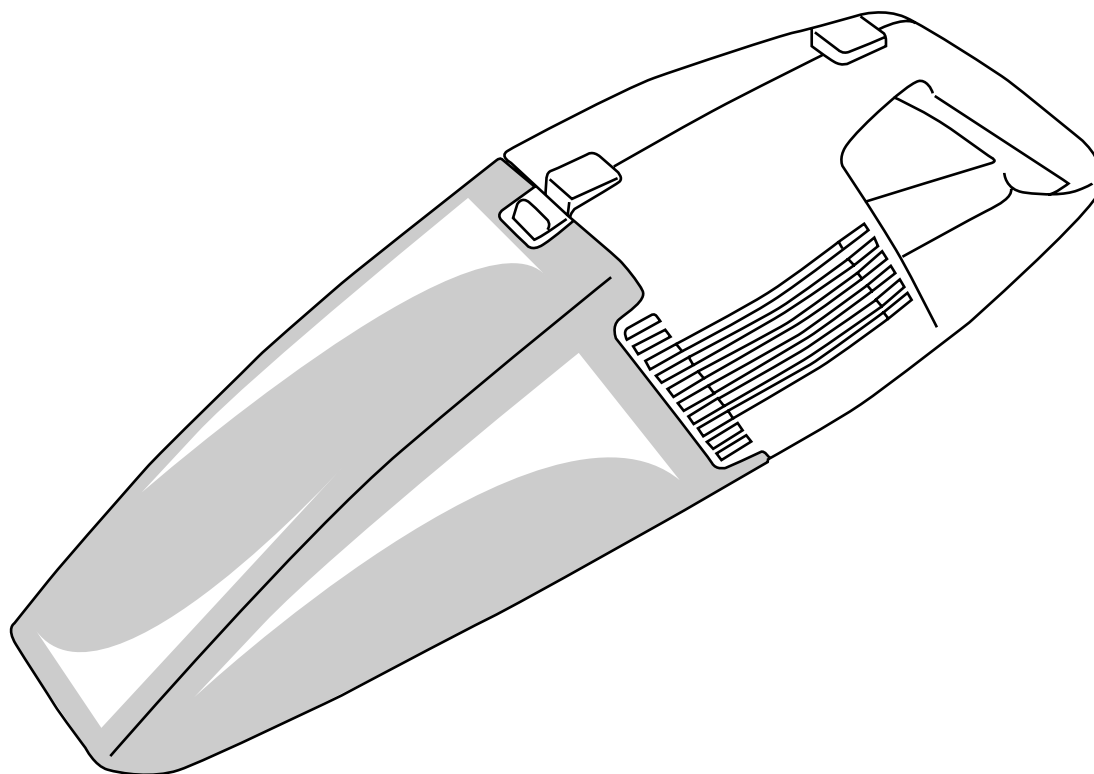
Français → p. 12-15

Thank you for selecting a HOOVER® product.

This cleaner was inspected and packaged carefully before being shipped from the factory. If you should happen to need assistance during assembly or operation, call

1-800-944-9200 for automated referral to authorized service outlet locations (U.S. only) or visit us online at **www.hoover.com** to find the service outlet nearest you (click on the "Customer Service" button) or call 1-330-499-9499 to speak with a representative in our Consumer Response Center.

PLEASE DO NOT RETURN THIS PRODUCT TO THE STORE.



Review this manual before
operating cleaner.

Fill in and retain

The model and serial number are located on the bottom of the cleaner motor housing. For your personal records, please enter the COMPLETE model and serial number in the spaces provided and retain this information.

Your cleaner is model _____

and has serial number _____

It is suggested that you attach your sales receipt to this owner's manual. Verification of date of purchase may be required for warranty service on your Hoover® product.

Table of Contents

Important Safeguards	2
Assembly	3
Carton Contents	3
Description	3
How To Use	
Cleaning Tools	4
Picking Up Dry Debris	4
Picking Up Liquid & Wet Debris	4
Maintenance	
Emptying Collector Cup	5
Cleaning Your Road Rat™ Cleaner	5
Lubrication	6
If You Have A Problem	6
Service	7
Warranty	7



Important Safeguards!

When using an electrical appliance, basic precautions should always be followed, including the following:

READ ALL INSTRUCTIONS BEFORE USING THIS APPLIANCE.

WARNING: To reduce the risk of fire, electric shock or injury:

- Close supervision is necessary when any appliance is used by or near children. Do not allow vacuum cleaner to be used as a toy.
- Do not use cleaner to pick up anything that is burning or smoking, such as cigarettes, matches or hot ashes.
- Do not use cleaner to pick up flammable or combustible materials such as gasoline or fine wood sandings. Do not use in areas where these materials may be present.
- Avoid picking up hard, sharp objects with the cleaner. They may damage the cleaner and the filter.
- Do not use cleaner without collector cup, filter and separator in place. Clean collector cup, filter and separator after picking up any perishable food items.
- Use extra care when cleaning on stairs.
- Do not put any object into cleaner's openings. Do not use with any opening blocked; keep openings free of dust, lint, hair and anything that may reduce airflow.
- Keep hair, loose clothing, fingers and all parts of body away from openings and moving parts.
- Do not pull or carry cleaner by cord, use cord as a handle, close a door on cord or pull cord around sharp edges or corners. Do not run appliance over cord. Keep cord away from heated surfaces.
- Do not unplug by pulling on cord. To unplug, grasp the plug, not the cord. Never handle plug with wet hands.
- The use of an extension cord is not recommended.
- Do not use cleaner with damaged cord or plug. If appliance is not working as it should or has been dropped, damaged, left outdoors or dropped into water, take it to a Hoover Factory Service Center or Authorized Hoover Warranty Service Dealer.
- Use cleaner only for its intended use as described in the instructions. Use only attachments recommended by The Hoover Company; others may cause hazards.

WARNING: This product contains chemicals known to the state of California to cause cancer. Please wash hands after handling.

Save these instructions!

Questions or concerns?

The Hoover Company wants to quickly resolve any concerns about your cleaner or questions regarding its use. Look on the list provided with the product for your local **Hoover Factory Service Center** or in the Yellow Pages under "Vacuum Cleaners – Household" for the nearest **Authorized Hoover Warranty Service Dealer (Depot)** or call:

1-800-944-9200 for an automated referral to authorized service outlet locations (U.S. only)

OR

Visit us online at www.hoover.com to find the service outlet nearest you (click on the "Customer Service" button)

OR

Call 1-330-499-9499 to speak with a representative in the Hoover Consumer Response Center.

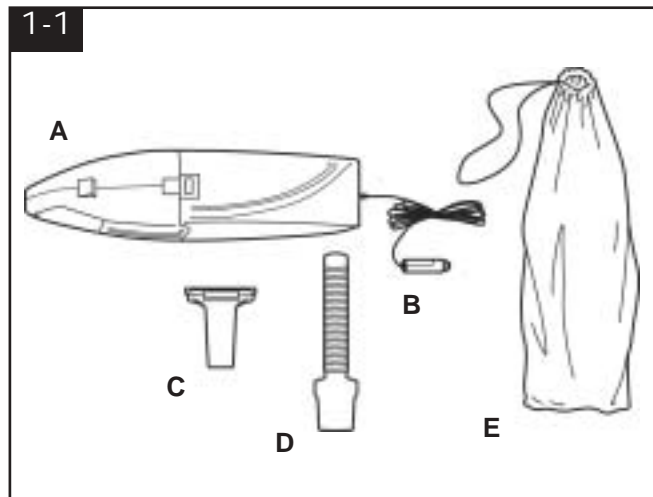
1. Assembly

Carton contents

Unpack the cleaner from carton.
Remove and dispose of cardboard packing.

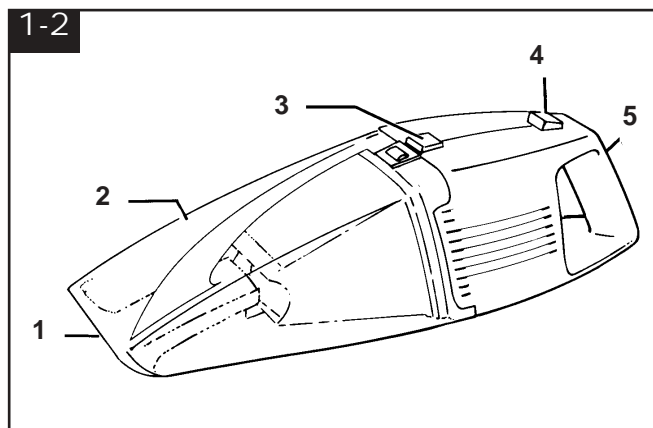
- A. Hand-held cleaner
- B. Cord
- C. Squeegee
- D. Crevice tool
- E. Storage bag

This cleaner is intended for household use. It is not intended for commercial use.



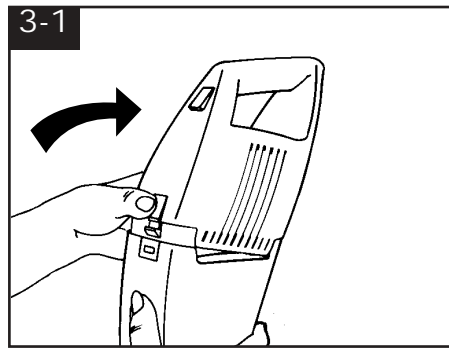
Description

- 1. Multi-purpose nozzle
- 2. Collector cup
- 3. Collector cup latch
- 4. ON/OFF switch
- 5. Handle



3. Maintenance

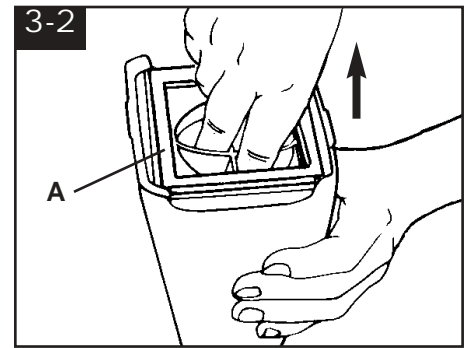
Familiarize yourself with these maintenance tasks and keep this owner's manual in a convenient place where you can refer to it when needed. Proper use and care of your cleaner will ensure continued cleaning effectiveness.



Emptying collector cup

Unplug cleaner from 12V outlet. The dirt, liquid and wet debris picked up by your cleaner is deposited into the collector cup. **Empty cup after each use.**

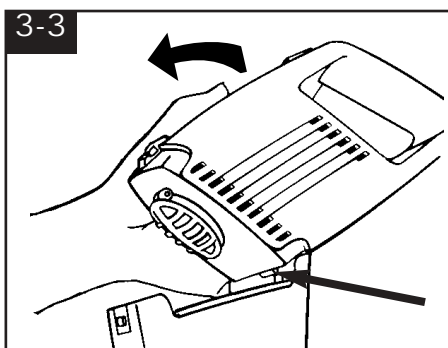
Hold cleaner in a vertical position as shown. Grasp cup section; depress latch and remove motor/handle section of cleaner from cup.



With collector cup in hand, grasp center ribs of filter and lift out filter/separator assembly.

Empty collector cup.

If you have not finished your cleaning task, shake any debris off filter/separator assembly and replace it in the cup.

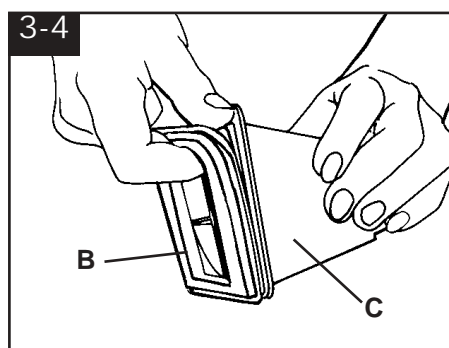


Reassemble cleaner by hooking projection on bottom of motor/handle section into opening in bottom of cup.

Pivot sections together, making sure latch is secure.

Continue using your cleaner. If a drop in performance is noted, refer to problem chart in the back of this book.

If you have finished using the cleaner, proceed with the following cleaning instructions before storing your cleaner.



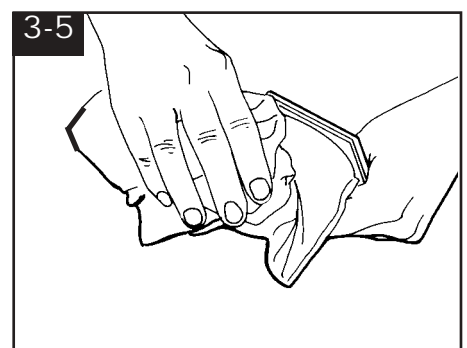
Cleaning your Road Rat™ cleaner

Unplug cleaner from 12V outlet.

Note: It is not recommended that any components of this product be washed in a dishwasher.

To remove filter (B) from separator (C), lift up one corner, then pull edges of filter away from separator.

Remove any debris; wash and dry separator, if necessary.



Remove any debris from the filter by tapping the frame on a hard surface or by brushing filter with a soft brush.

If filter is heavily soiled or wet, wash it in warm soapy water, using a soft brush if necessary. Rinse soap off filter.

Note: Be sure to clean all soiled components after picking up perishable food items.

Dry filter by blotting with a towel; dry thoroughly before storing filter in cleaner.

If necessary, wash and dry collector cup before assembly.

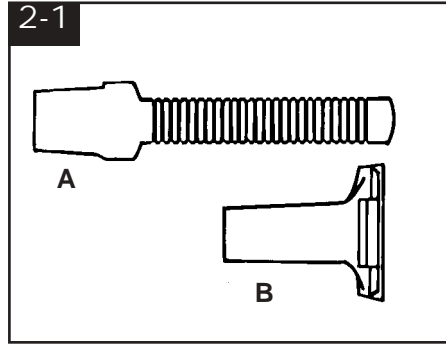
Continued →

2. How to use

Plug cleaner into 12V outlet and depress ON/OFF switch to operate. Release switch to turn cleaner off.

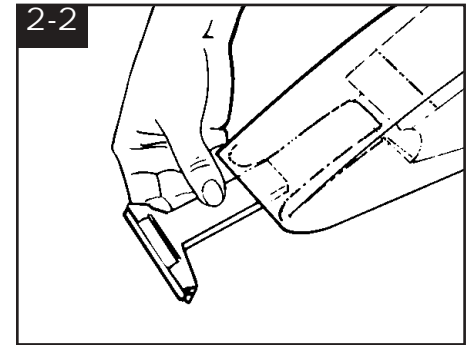
Cleaning tools

The cleaning tools added to the multi-purpose nozzle make it easy to complete the following tasks:

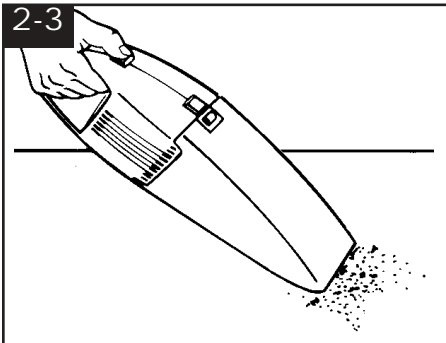


Crevice tool (A) may be used for wet or dry pickup in tight spaces, corners, or along edges.

Squeegee (B) may be used on hard surfaces to pick up **liquids** and to assist in drying surfaces.

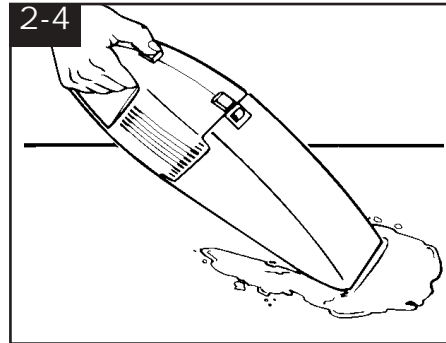


Attach either tool to cleaner by pushing tool firmly into nozzle. Remove tool by pulling straight out.



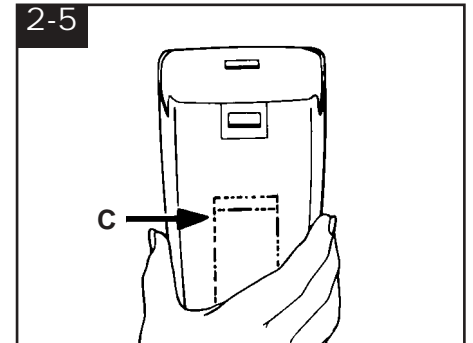
Picking up dry debris

Use cleaner to remove dust, debris and dirt. Empty collector cup before picking up liquids or wet debris.



Picking up liquids and wet debris

Use this cleaner to pick up liquids and wet debris or a combination of both. Hold the nozzle end down after wet pickup to avoid spillage.



The collector cup will hold approximately 8 oz. of liquid. To check the liquid level, hold cleaner with nozzle down; when liquid is near end of tube (C), empty cup.

Cleaning spills

Your wet and dry cleaner can be very effective in cleaning up spills if the following procedures are used:

ON CARPET

1. **Immediately** vacuum up as much of the spill as possible.
2. For **oily spills**, work some low-sudsing carpet shampoo into the area according to the directions on the container. Vacuum up shampoo and spill residue; continue with procedure for water-soluble spills.

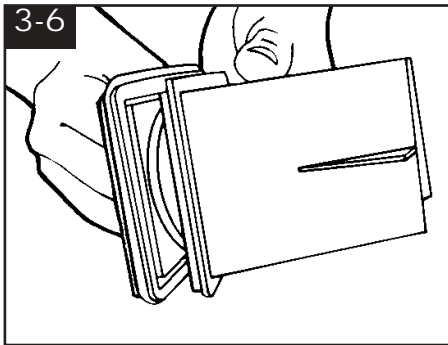
For **water-soluble** spills, dampen area using a spray bottle of cool, clear water. Be careful not to saturate carpet.

3. Work water into nap of carpet.
4. Vacuum up water and spill residue.
5. Repeat procedure if necessary, but not more than **four** times to avoid saturating the carpet.
6. Cover the area with several layers of white paper towels or a terrycloth towel. Step on towels several times to blot carpet.
7. Brush up nap of carpet.

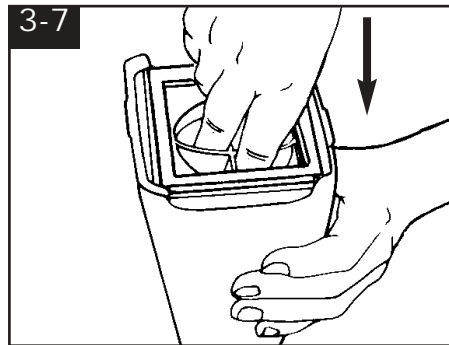
ON UPHOLSTERY

1. **Immediately** vacuum up as much of the spill as possible.
2. Follow the manufacturer's instructions for spot cleaning the upholstery, using your cleaner whenever possible.

NOTE: Do not attempt to pick up a solvent-based product with this cleaner.

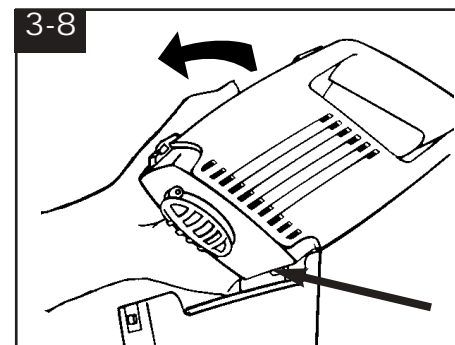


Align filter frame with separator frame and press edges together.



Replace filter/separator assembly into collector cup.

If soiled, wipe motor/handle section with a damp cloth. **Do not immerse in water.**



Reattach cup assembly to motor as shown.

Lubrication

The motor bearings are permanently lubricated. The addition of lubricant could cause damage. **Therefore, do not lubricate the motor bearings.**

4. If you have a problem

If a minor problem occurs, it can usually be solved quite easily when the cause is found by using the checklist below.

Problem: Cleaner won't run

Possible cause

Possible solution

- **Not firmly plugged in**
- *Plug in firmly*
- **No voltage to vacuum**
- *Check vehicle fuse or breaker*
- *Check vacuum fuse located inside the plug*
- **Blown fuse/tripped breaker**
- *Replace vehicle fuse/reset breaker*
- *Replace vacuum fuse with FST-type slow blow 10 amp/250 fuse*

Problem: Cleaner won't pick up

Possible cause

Possible solution

- **Collector cup full**
- *Empty cup*
- **Nozzle or tools clogged**
- *Empty cup and clean filter; blot filter dry*

Problem: Dirt or liquid leaking from cleaner

Possible cause

Possible solution

- **Collector cup overfilled**
- *Empty cup*

Service

To obtain approved HOOVER service and genuine HOOVER parts, locate the nearest **Hoover Factory Service Center or Authorized Hoover Warranty Service Dealer (Depot)** by:

- checking the Yellow Pages under "Vacuum Cleaners – Household" OR
- checking the list of Factory Service Centers provided with this cleaner OR
- calling **1-800-944-9200** for an automated referral to authorized service outlet locations (U.S. only) OR
- checking the Customer Service section of The Hoover Company online at **www.hoover.com**

Please do not send your cleaner to The Hoover Company in North Canton for service; this will only result in delay.

If further assistance is needed, contact:
The Hoover Company
Consumer Response Center
101 East Maple St.
North Canton, Ohio 44720
Phone: 1-330-499-9499

In Canada, contact:
Hoover Canada
Burlington, Ontario L7R 4A8
Phone: 1-800-263-6376

Always identify your cleaner by the **complete** model number when requesting information or ordering parts. (The model number appears in the middle of the back of the cleaner body.)

Full One-Year Warranty

(Domestic Use)

Your HOOVER® appliance is warranted in normal household use in accordance with the Owner's Manual against original defects in material and workmanship for a period of one full year from date of purchase. This warranty provides, at no cost to you, all labor and parts to place this appliance in correct operating condition during the warranted period. This warranty applies when the appliance is purchased in the United States including its territories and possessions, or in Canada or from a U.S. Military Exchange. Appliances purchased elsewhere are covered by a limited one-year warranty which covers the cost of parts only. This warranty does not apply if the appliance is used in a commercial or rental application.

Warranty service can only be obtained by presenting the appliance to one of the following authorized warranty service outlets. Proof of purchase will be required before service is rendered.

1. Hoover Factory Service Centers
2. Hoover Authorized Warranty Service Dealers (Depots)

For an automated referral to authorized service outlets in the U.S.A., phone 1-800-944-9200 OR visit The Hoover Company online at www.hoover.com

This warranty does not cover pickup, delivery or house calls; however, if you mail your appliance to a Hoover Factory Service Center for warranty service, transportation will be paid one way.

While this warranty gives you specific legal rights, you may also have other rights which vary from state to state.

If further assistance is needed, or if there are questions concerning this warranty or the availability of warranty service outlets, write or phone:

The Hoover Company
Consumer Response Center
101 East Maple St.
North Canton, Ohio 44720
Phone: (330) 499-9499

In Canada, contact:
Hoover Canada
Burlington, Ontario L7R 4A8
Phone: 1-800-263-6376

HOOVER®

Aspiradora de líquidos y partículas sólidas

Lea este manual antes de utilizar la aspiradora.

Manual del usuario

Espanol → pág. 8-11

Índice

Medidas importantes de seguridad ..8
Ensamblado9
Contenido de la caja.....9
Descripción9
Modo de uso
Accesorios de limpieza9
Aspiración de partículas sólidas ..9
Aspiración de líquido y partículas húmedas9
Mantenimiento
Vaciado del recipiente colector9
Limpieza de la aspiradora
Road Rat™10
Lubricación10
Solución de problemas10
Servicio10
Garantía11



© 1987, 1990, 2004
The Hoover Company
www.hoover.com

Gracias por elegir un producto de la línea HOOVER®.

Esta aspiradora ha sido inspeccionada y embalada cuidadosamente antes de salir de fábrica. En caso de necesitar asistencia durante el ensamblado o uso, llame al

1-800-944-9200 y recibirá información en forma automatizada sobre la ubicación de los centros de servicio autorizados (sólo para los EE. UU.). Visite nuestro sitio Web www.hoover.com para hallar el centro de servicio más cercano a su domicilio (haga clic en el botón "Atención al cliente") o llame al **1-330-499-9499** para hablar con un representante de nuestro Centro de atención al consumidor.

POR FAVOR NO DEVUELVA ESTE PRODUCTO A LA TIENDA.

Para completar y conservar

El modelo y número de serie se encuentran en la parte inferior de la caja del motor de la aspiradora.

Para su control personal, anote los números **COMPLETOS** del modelo y de serie en los espacios suministrados y conserve esta información.

El modelo de la aspiradora es _____

y el número de serie es _____

Se sugiere que adjunte el recibo de compra al presente manual. Para acceder a los servicios en garantía se puede requerir la verificación de la fecha de compra de su producto Hoover®.

Medidas importantes de seguridad

Al utilizar un artefacto eléctrico, se deben seguir estrictamente las medidas básicas de seguridad, que incluyen las siguientes:

LEA TODAS LAS INSTRUCCIONES ANTES DE UTILIZAR ESTE ARTEFACTO.

ADVERTENCIA: Para reducir el riesgo de incendio, descargas eléctricas o lesiones:

- Es necesaria una supervisión estricta cuando se utiliza cualquier artefacto eléctrico cerca de los niños. No permita que la aspiradora sea usada como un juguete.
- No utilice la aspiradora para recoger nada que esté encendido o humeando, por ejemplo cigarrillos, fósforos o cenizas calientes.
- No utilice la aspiradora para recoger sustancias inflamables o combustibles como la gasolina o el polvillo fino de madera. No utilice el artefacto en superficies donde se puedan encontrar estas sustancias.
- Evite recoger objetos duros o filosos con la aspiradora. Los mismos pueden dañar la aspiradora y el filtro.
- No utilice la aspiradora si el recipiente colector, el filtro y el separador no están instalados. Limpie el recipiente colector, el filtro y el separador luego de aspirar cualquier resto de comida.
- Preste atención adicional cuando limpie en las escaleras.
- No coloque ningún objeto en las aberturas de la aspiradora. No la utilice si alguna de sus aberturas se encuentra obstruida; manténgala libre de polvo, hilos, cabellos y cualquier cosa que pueda reducir la corriente de aire.
- Mantener el cabello, las prendas holgadas, los dedos y todas las partes del cuerpo alejados de las aberturas y las partes móviles.
- No la desenchufe tirando del cable. Para desenchufarla, tome el enchufe, no el cable. Nunca manipule los enchufes con las manos mojadas.
- Use el cable como asa. No tire del cable ni lleve el producto por el cable. No cierre una puerta sobre el cable ni tire de éste alrededor de bordes o esquinas filosos. No haga funcionar el electrodoméstico sobre el cable. Aleje el cable de las superficies con calor.
- No se recomienda el uso de prolongaciones.
- No use la aspiradora con el enchufe o el cable en mal estado. Si el artefacto no funciona como debiera o si se ha caído, dañado, dejado en la intemperie, o sumergido en agua, llévelo a un centro de servicio técnico o a un centro autorizado de servicio técnico de Hoover.
- Utilice la aspiradora sólo para los fines específicos que se detallan en las instrucciones. Sólo utilice accesorios recomendados por la empresa Hoover. Otros pueden causar riesgos.

ADVERTENCIA: Este producto contiene sustancias químicas que el estado de California considera cancerígenas. Por favor lave sus manos después del uso.

Conserve estas instrucciones

Preguntas o consultas

La empresa Hoover desea aclarar rápidamente cualquier duda sobre la aspiradora o consulta sobre su uso. Lea la lista que acompaña el producto para saber cuál es el **centro de servicio técnico** de su localidad. Busque en las Páginas amarillas "Aspiradoras — Artículos para el hogar" para encontrar el **representante autorizado de servicio técnico de Hoover (Depósito)** más cercano a su domicilio. O llame al:

1-800-944-9200 y recibirá información en forma automatizada sobre la ubicación de los representantes autorizados de servicio (sólo para los EE. UU.).

O también:

Visite nuestro sitio Web **www.hoover.com** para encontrar el centro de servicio más cercano a su domicilio (haga clic en el botón "Atención al cliente")

O además:

Llame al **1-330-499-9499** para hablar con un representante del Centro de atención al consumidor de Hoover.

1. Ensamblado

Contenido de la caja

1-1 Saque la aspiradora de la caja. Quite y deseche los materiales de embalaje.

- A. Aspiradora portátil
- B. Cable
- C. Escurreidor
- D. Boquilla para hendiduras
- E. Bolsa colector

Este limpiador es para uso doméstico. No es apto para uso comercial.

Descripción

- 1-2 1. Boquilla multiuso**
- 2. Recipiente colector**
- 3. Pestillo del recipiente colector**
- 4. Tecla ENCENDIDO/APAGADO**
- 5. Asa**

2. Modo de uso

Para ponerla en funcionamiento, enchufe la aspiradora a un tomacorriente de 12 V y presione la tecla ENCENDIDO/APAGADO. Suelte la tecla para apagarla.

Accesorios de limpieza

Conectando los accesorios de limpieza a la boquilla multiuso resulta sencillo realizar las siguientes tareas:

2-1 Boquilla para hendiduras: (A) puede utilizarse para aspirar partículas húmedas o secas en espacios reducidos, esquinas o rebordes.

Escurreidor: (B) puede utilizarse en superficies duras para aspirar **líquidos** y ayudar a secar superficies húmedas.

2-2 Coloque cualquiera de los dos accesorios en la aspiradora presionándolos con firmeza dentro de boquilla. Quite el accesorio tirándolo hacia afuera.

Aspiración de partículas sólidas

2-3 Utilice la aspiradora para quitar polvo, partículas y suciedad. Vacíe el recipiente colector antes de aspirar líquidos o partículas húmedas.

Aspiración de líquidos y partículas húmedas

2-4 Use esta aspiradora para recoger líquidos y partículas húmedas o una combinación de ambas. Mantenga el extremo de la boquilla hacia abajo después de aspirar líquidos para evitar derrames.

2-5 El recipiente colector contendrá aproximadamente 237 cm³ de líquido. Para verificar el nivel de líquido, sostenga la aspiradora con la boquilla hacia abajo. Cuando el líquido se encuentre cerca del tubo (C), vacíe el recipiente.

Limpieza de derrames

La aspiradora de líquidos y partículas sólidas puede ser muy efectiva a la hora de limpiar derrames si se siguen los siguientes pasos:

EN ALFOMBRAS

1. Aspire **inmediatamente** todo lo que pueda.
2. En el caso de **derrames aceitosos**, aplique en el área un champú para alfombras de baja espuma, siguiendo las instrucciones del envase. Aspire el champú y los residuos del derrame. Continúe con el procedimiento que figura a continuación para derrames solubles en agua.

Para **derrames solubles en agua**, humedezca la superficie utilizando un rociador con agua fría limpia. Evite saturar la alfombra.

3. Frote para humedecer el pelo de la alfombra.

4. Aspire el agua y los residuos del derrame.

5. Si fuera necesario, repita el procedimiento pero no más de **cuatro** veces para evitar saturar la alfombra.

6. Cubra el área con varias capas de toallas de papel blanco o una toalla de algodón. Pise las toallas repetidas veces para absorber la humedad de la alfombra.

7. Cepille el pelo de la alfombra.

EN TAPIZADOS

1. Aspire **inmediatamente** todo lo que pueda.

2. Siga las instrucciones del fabricante para la limpieza de las manchas sobre los tapizados, utilizando la aspiradora cuando fuera posible.

NOTA: No trate de aspirar un producto a base de solventes con esta aspiradora.

3. Mantenimiento

Familiarícese con estas tareas de mantenimiento y conserve este manual en un lugar accesible donde pueda consultarlo cuando lo necesite. El uso y cuidado adecuados de la aspiradora le asegurarán una vida útil eficaz y prolongada.

Vaciado del recipiente colector

3-1 Desenchufe la aspiradora del tomacorriente de 12 V. El polvo, el líquido y las partículas húmedas recogidas por la aspiradora se encuentran depositados en el recipiente colector. **Vacíe este recipiente después de cada uso.**

Sostenga la aspiradora en posición vertical, como se muestra en la figura. Sostenga la parte del colector. Presione el pestillo y extraiga del recipiente la parte del motor y el asa.

3-2 Con el recipiente colector en una mano, tome las nervaduras centrales del filtro con la otra y extraiga el conjunto de filtro y separador.

Vacíe el recipiente colector.

Si no ha terminado de aspirar, sacuda las partículas del conjunto de filtro y separador y vuelva a colocarlo en el recipiente.

3-3 Ensamble nuevamente la aspiradora trabando la saliente de la parte inferior de la sección del motor y el asa con la abertura del fondo del recipiente.

Gire las secciones para unir las, asegurándose de que el pestillo esté ajustado y seguro.

Continuación →

Continúe utilizando su aspiradora. Si nota una disminución en el rendimiento, consulte el cuadro de problemas al final de este libro.

Una vez que ha terminado de usar la aspiradora, siga las siguientes instrucciones de limpieza antes de guardarla.

Limpieza de la aspiradora Road Rat™

3-4 Desenchufe la aspiradora del tomacorriente de 12 V.

Nota: No es recomendable lavar ningún accesorio de este producto en un lavavajillas.

Para quitar el filtro (B) del separador (C), levante una esquina y luego tire de los bordes del filtro hasta separarlo.

Elimine cualquier residuo. Lave y seque el separador si fuera necesario.

3-5 Elimine cualquier residuo del filtro golpeando ligeramente el borde en una superficie dura o pasándole un cepillo de cerdas suaves.

Si el filtro está muy sucio o mojado, lávelo con agua jabonosa tibia, usando un cepillo si fuera necesario. Enjuague el jabón del filtro.

Nota: Asegúrese de limpiar todos los componentes sucios luego de aspirar restos de comida.

Seque el filtro con una toalla. Seque cuidadosamente antes de colocar el filtro en la aspiradora.

Si fuera necesario, lave y seque el recipiente colector antes de volver a ensamblar la aspiradora.

3-6 Alinee el marco del filtro con el del separador y presione los bordes para unirlos.

3-7 Coloque el conjunto de filtro y separador dentro del recipiente colector.

Si estuviera sucio, limpie la sección del motor y asa con un paño humedecido.

No sumerja en agua.

3-8 Vuelva a unir el conjunto del recipiente colector al motor según se muestra.

Lubricación

Los rodamientos del motor se encuentran siempre lubricados. Si se le agregan lubricantes pueden dañarse.

Por lo tanto, no lubrique los rodamientos del motor.

4. Solución de problemas

Si ocurre un problema pequeño, a menudo puede resolverse fácilmente si se detecta la causa del problema utilizando la siguiente lista de comprobación.

Problema: La aspiradora no funciona

Causa posible

Solución posible

- **El aparato no está bien enchufado**
- *Enchufe bien el aparato*
- **No requiere voltaje para aspirar.**
- *Controle la caja de interruptores y fusibles del vehículo.*
- *Controle el fusible de la aspiradora ubicado dentro del enchufe.*
- **Fusible / interruptor averiado**
- *Reemplace el fusible del vehículo, reinicie el interruptor.*
- *Reemplace el fusible de la aspiradora por uno de quemado lento tipo FST de 10 amperes / fusible de 250.*

Problema: La aspiradora no aspira

Causa posible

Solución posible

- **El recipiente colector está lleno**
- *Vacíe el recipiente*
- **Obstrucción en la boquilla o en los accesorios**
- *Vacíe el recipiente y limpie el filtro. Seque el filtro con un trapo*

Problema: La aspiradora pierde polvo o líquido

Causa posible

Solución posible

- **El recipiente colector está lleno**
- *Vacíe el recipiente*

Servicio

Para obtener servicio técnico autorizado de HOOVER y repuestos originales, localice el centro de servicio técnico o el **representante autorizado de servicio técnico de Hoover (Depósito)** más cercano de la siguiente forma:

- Buscando en las páginas amarillas como "Aspiradoras – Artículos para el hogar".
- Recurriendo a la lista de centros de servicio técnico que acompaña la aspiradora.
- Llamando al **1-800-944-9200** para recibir información en forma automatizada sobre la ubicación de los representantes autorizados de servicio técnico (sólo para los EE. UU.).
- Visitando la sección Atención al cliente de la empresa Hoover en su sitio Web **www.hoover.com**

Por favor no envíe su aspiradora a The Hoover Company en North Canton para su reparación. Esto sólo causara demoras.

Si requiere asistencia adicional, contacte a:

The Hoover Company
Centro de atención al consumidor
North Canton, Ohio 44720
Teléfono: 1-330-499-9499

En Canadá, contacte a:
Hoover Canada
Burlington, Ontario L7R 4A8
Teléfono: 1-800-263-6376

Identifique la aspiradora en todo momento por el número de modelo **completo** cuando solicite información o encargue repuestos. (El número de modelo aparece en el medio de la parte posterior del cuerpo de la aspiradora.)

Garantía completa por un Año

(uso doméstico)

Su artefacto HOOVER® está garantizado para uso domestico normal de acuerdo con las especificaciones detalladas en el manual. Esta garantía cubre cualquier tipo de defecto original tanto en el material como en la fabricación por el período de un año completo a partir de la fecha de compra. Provee además de manera gratuita, todo el trabajo y los repuestos necesarios para que el artefacto se encuentre en condiciones óptimas de funcionamiento mientras la garantía tenga vigencia. Esta garantía tiene validez si el artefacto fue adquirido en los Estados Unidos, incluso sus territorios y posesiones, en Canadá o en una base militar estadounidense. Los artefactos adquiridos fuera de los lugares arriba mencionados se encuentran cubiertos por una garantía de un año limitada, que cubre los costos de los repuestos solamente. Esta garantía no tiene validez si se le da uso comercial al artefacto o si se alquila.

Los servicios cubiertos por la garantía solo pueden obtenerse presentando el artefacto en uno de los siguientes representantes autorizado de servicio. Se requerirá el comprobante de la compra antes de proveerse el servicio.

1. Centros de servicio técnico de Hoover
2. Representantes autorizados de servicio técnico de Hoover (Depósitos)

Para obtener información en forma automatizada sobre los centros de servicios autorizados en los Estados Unidos, llame al 1-800-944-9200.

Visite la pagina Web de The Hoover Company en www.hoover.com

La presente garantía no cubre servicios de búsqueda, entrega o visitas domiciliarias; sin embargo, si envía su artefacto por correo al centro de servicio técnico, Hoover cubrirá la mitad de los costos de envío de ida y vuelta.

Si bien esta garantía otorga derechos legales específicos, usted puede además tener otros derechos que varían de un estado a otro.

Si requiere mayor información o tiene alguna duda con respecto a esta garantía o a la disponibilidad de centros de servicio técnico autorizados, por favor escriba o llame a:
Centro de atención al consumidor
The Hoover Company
101 East Maple St.
North Canton, Ohio 44720
Teléfono: (330) 499-9499

En Canadá, contacte a:
Hoover Canada
Burlington, Ontario L7R 4A8
Teléfono: 1-800-263-6376

HOOVER®

Road Rat™

Aspirateur pour
matières sèches
et humides

Étudiez ce manuel
avant d'utiliser
l'aspirateur.

Mode d'emploi
Français → p. 12-15

Table des matières

Consignes importantes de sécurité	12
Montage	13
Contenu de l'emballage	13
Description	13
Utilisation	
Accessoires de nettoyage	13
Aspirer des débris secs	13
Aspirer des débris liquides et humides	13
Entretien	
Vider le réceptacle collecteur	13
Nettoyer votre aspirateur Road Rat™	14
Lubrification	14
En cas de problème	14
Service	14
Garantie	15



© 1987, 1990, 2004
The Hoover Company

Merci d'avoir choisi un produit HOOVER®.

Cet aspirateur a été inspecté et emballé soigneusement avant d'être expédié de l'usine. Si vous avez besoin d'aide durant le montage ou l'utilisation, appelez le numéro

1-800-944-9200 pour un renvoi automatique vers des centres de service agréés (États-Unis uniquement) ou

Consultez notre site sur **www.hoover.com** pour trouver le centre de service le plus proche de chez vous (cliquez sur le bouton « Service Clientèle ») ou appelez le numéro

1-330-499-9499 pour contacter un représentant de notre Centre de Réponse à la Clientèle.

VEUILLEZ NE PAS RENVOYER CE PRODUIT AU MAGASIN.

À remplir et à conserver

Le modèle et le numéro de série sont indiqués sous le fond du logement du moteur de l'aspirateur.

Pour vos archives personnelles, veuillez inscrire le modèle et le numéro de série COMPLETS dans les espaces prévus et veuillez conserver ces renseignements.

Votre aspirateur est le modèle _____
et possède le numéro de série _____

Il est conseillé de joindre votre ticket de caisse à ce mode d'emploi.

Une vérification de la date d'achat peut être demandée pour le service de garantie de votre produit Hoover®.

Consignes importantes de sécurité !

Lorsque vous utilisez un appareil électrique, des précautions élémentaires doivent toujours être respectées, notamment :

LISEZ TOUTES LES INSTRUCTIONS AVANT D'UTILISER CET APPAREIL.

- AVERTISSEMENT** : Pour limiter le risque d'incendie, de décharge électrique ou de blessure :
- Une surveillance rapprochée est nécessaire lorsqu'un appareil est utilisé par des enfants ou à proximité de ceux-ci. Un aspirateur ne doit pas être utilisé comme un jouet.
 - N'utilisez pas l'aspirateur pour aspirer une matière qui brûle ou qui fume, par exemple des cigarettes, des allumettes ou des cendres chaudes.
 - N'utilisez pas l'aspirateur pour aspirer des produits inflammables ou combustibles, comme de l'essence ou de la sciure de bois. N'utilisez pas l'appareil dans des endroits où ces produits peuvent être présents.
 - Évitez d'aspirer des objets durs et pointus avec l'aspirateur. Ceux-ci peuvent endommager l'aspirateur et le filtre.
 - N'utilisez pas l'aspirateur sans réceptacle collecteur, filtre ni séparateur installés. Nettoyez le réceptacle collecteur, le filtre et le séparateur après avoir aspiré des denrées périssables.
 - Soyez extrêmement prudent lorsque vous nettoyez des escaliers.
 - Ne placez aucun objet dans les ouvertures de l'aspirateur. N'utilisez pas l'appareil avec une ouverture bouchée ; tenez-le à l'écart des poussières, fibres, cheveux et de tout ce qui pourrait réduire le flux d'air.
 - Tenir les cheveux, les vêtements amples, les doigts et toute autre partie du corps loin de toute ouverture ou pièce en mouvement.
 - Ne débranchez pas l'appareil en tirant sur le cordon. Pour le débrancher, tenez la fiche et non le cordon. Ne manipulez jamais la poignée avec les mains mouillées.
 - Ne pas tirer sur le cordon ou l'utiliser pour transporter l'appareil, ne pas utiliser le cordon comme une poignée et éviter de frotter le cordon sur des bords ou des coins aigus. Ne pas passer l'appareil en marche sur le cordon. Tenir le cordon loin des surfaces chauffantes.
 - L'utilisation d'une allonge électrique n'est pas recommandée.
 - N'utilisez pas un aspirateur avec un cordon ou une fiche endommagé. Si l'appareil ne fonctionne pas comme il devrait ou s'il est tombé, a été endommagé, laissé à l'extérieur ou est tombé dans l'eau, portez-le dans un Centre de service Usine Hoover ou chez un revendeur de Service Garantie Hoover agréé.
 - Utilisez exclusivement l'aspirateur pour son usage prévu, tel que décrit dans les instructions. Utilisez uniquement les accessoires recommandés par Hoover ; d'autres accessoires peuvent représenter un danger.

AVERTISSEMENT : Ce produit contient des substances chimiques, connues dans l'État de Californie, pour provoquer un cancer. Veuillez vous laver les mains après manipulation.

Conservez ces instructions !

Questions ou problèmes ?

La compagnie Hoover souhaite résoudre rapidement tout problème concernant votre aspirateur ou répondre aux questions concernant son utilisation. Cherchez sur la liste fournie avec l'appareil votre **Centre de service Usine Hoover** ou dans les Pages Jaunes à la rubrique « Aspirateurs – Domestiques » pour connaître le revendeur de **Service Garantie Hoover agréé (Dépôt)** ou appelez le numéro :

1-800-944-9200 pour un renvoi automatique vers un centre de service agréé (États-Unis uniquement)

OU

Visitez notre site sur **www.hoover.com** pour trouver le centre de service le plus proche de chez vous (cliquez sur le bouton « Service Clientèle »)

OU

Appelez le numéro **1-330-499-9499** pour contacter un représentant du Centre de réponse à la clientèle Hoover.

1. Montage

Contenu de l'emballage

1-1 Déballiez l'aspirateur de sa boîte. Retirez et jetez les emballages en carton.

- A. Aspirateur manuel
- B. Cordon
- C. Raclette
- D. Suceur plat
- E. Sac de rangement

Cet aspirateur est conçu pour une utilisation résidentielle et non commerciale.

Description

- 1-2** 1. Embout multi-usage
- 2. Réceptacle collecteur
- 3. Verrou du réceptacle collecteur
- 4. Interrupteur MARCHÉ/ARRÊT
- 5. Poignée

2. Utilisation

Branchez l'aspirateur dans une prise 12V et appuyez sur l'interrupteur MARCHÉ/ARRÊT pour le faire fonctionner. Relâchez l'interrupteur pour arrêter l'aspirateur.

Accessoires de nettoyage

Les accessoires de nettoyage ajoutés à l'embout multi-usage permettent d'accomplir les tâches suivantes :

2-1 **Suceur plat : (A)** peut être utilisé pour aspirer des débris secs ou humides dans des endroits confinés, des coins ou le long de bords.

Raclette : (B) peut être utilisée sur des surfaces dures, pour aspirer des liquides et pour faciliter le séchage de la surface.

2-2 Fixez l'un des accessoires à l'aspirateur en le poussant fermement dans l'embout. Retirez l'accessoire en le tirant bien droit.

Aspirer des débris secs

2-3 Utilisez l'aspirateur pour éliminer de la poussière, des débris et de la saleté. Videz le réceptacle collecteur avant d'aspirer des débris liquides ou humides.

Aspirer des débris liquides et humides

2-4 Utilisez cet aspirateur pour aspirer des débris liquides ou humides, ou une combinaison des deux. Pour éviter de renverser le contenu, maintenez l'extrémité de l'embout vers le bas, après avoir aspiré des débris humides.

2-5 Le réceptacle collecteur peut accueillir environ 225 mL de liquide. Pour contrôler le niveau de liquide, maintenez l'aspirateur avec l'embout vers le bas ; lorsque le liquide est près de l'extrémité du tube (C), videz le réceptacle.

Nettoyage de flaques

Votre aspirateur pour débris secs et humides peut être très efficace pour nettoyer des produits renversés, si vous utilisez les procédures suivantes :

SUR LA MOQUETTE

1. Aspirez **immédiatement** autant de liquide que possible.
2. Pour des **produits huileux**, faites agir un peu de détergent peu moussant pour tapis dans la zone, selon les indications mentionnées sur l'emballage. Aspirez le détergent et le résidu de produit ; poursuivez la procédure des produits solubles dans l'eau.

Pour les **produits renversés solubles dans l'eau**, humidifiez la zone avec un pulvérisateur d'eau froide et propre. Veillez à ne pas imbiber la moquette.

3. Faites agir l'eau dans la moquette.
4. Aspirez l'eau et les résidus de produit.
5. Si nécessaire, répétez la procédure, mais pas plus de **quatre** fois, pour éviter d'imbiber la moquette.
6. Couvrez la zone avec plusieurs couches de papier essuie-tout ou une serviette en éponge. Marchez plusieurs fois sur les serviettes pour éponger la moquette.
7. Brossez la moquette.

SUR UN REVÊTEMENT DE SIÈGE

1. Aspirez **immédiatement** autant de produit que possible.
2. Suivez les instructions du fabricant pour le nettoyage du revêtement de siège, en utilisant au maximum votre aspirateur.

REMARQUE : N'essayez pas d'aspirer un produit à base de solvant avec cet aspirateur.

3. Entretien

Familiarisez-vous avec ces tâches d'entretien et conservez ce mode d'emploi en lieu sûr, où vous pouvez le consulter en cas de besoin. Une utilisation et un entretien corrects de votre aspirateur garantiront une efficacité de nettoyage à long terme.

Vider le réceptacle collecteur

3-1 Débranchez l'aspirateur de la prise 12V. La saleté, les liquides et les débris humides aspirés par votre aspirateur sont déposés dans le réceptacle collecteur. **Videz le réceptacle après chaque utilisation.**

Maintenez l'aspirateur en position verticale, comme illustré. Tenez la section du réceptacle ; enfoncez le verrou et retirez du réceptacle la section moteur/poignée de l'aspirateur.

3-2 Avec le réceptacle collecteur en main, tenez les nervures centrales du filtre et sortez le système de filtre/séparateur.

Videz le réceptacle collecteur.

Si vous n'avez pas terminé votre opération de nettoyage, faites sortir tous les débris du système filtre/séparateur en le secouant, et remettez-le en place dans le réceptacle.

3-3 Remontez l'aspirateur en accrochant les parties saillantes en bas de la section moteur/poignée dans les ouvertures en bas du réceptacle.

Suite →

Faites pivoter les sections ensemble, en vous assurant que le verrou est engagé.

Continuez à utiliser votre aspirateur. Si vous remarquez une baisse des performances, reportez-vous au tableau des problèmes, à la fin de ce manuel.

Si vous avez terminé d'utiliser l'aspirateur, passez aux instructions de nettoyage suivantes avant de ranger votre aspirateur.

Nettoyer votre aspirateur Road Rat™

3-4 Débranchez l'aspirateur de la prise 12V.

Remarque : Il n'est pas recommandé de laver des composants de cet appareil au lave-vaisselle.

Pour retirer le filtre (B) du séparateur (C), soulevez un coin, puis écartez les bords du filtre du séparateur.

Retirez des débris éventuels ; si nécessaire, nettoyez et séchez le séparateur.

3-5 Retirez tous les débris du filtre en tapotant le contour du filtre sur une surface dure ou en brossant le filtre avec une brosse douce.

Si le filtre est très sale ou humide, lavez-le dans de l'eau chaude savonneuse, en utilisant si nécessaire une brosse. Rincez pour enlever le savon du filtre.

Remarque : Veillez à nettoyer tous les composants sales après avoir aspiré des denrées périssables.

Séchez le filtre en l'épongeant avec une serviette ; séchez le filtre minutieusement avant de le placer dans l'aspirateur.

Si nécessaire, lavez et séchez le réceptacle collecteur avant assemblage.

3-6 Alignez le cadre du filtre avec le cadre du séparateur et appuyez les bords les uns contre les autres.

3-7 Remettez le système filtre/séparateur dans le réceptacle collecteur.

Si elle est sale, essuyez la section moteur/poignée avec un chiffon humide. **Ne la plongez pas dans l'eau.**

3-8 Rattachez le système de réceptacle au moteur comme illustré.

Lubrification

Les roulements du moteur sont lubrifiés en permanence. L'ajout de lubrifiant peut provoquer des dégâts.

Par conséquent, ne lubrifiez pas les roulements.

4. Si vous rencontrez un problème

Si un problème mineur se produit, il peut être très facilement résolu lorsque la cause se trouve dans la liste ci-dessous.

Problème : L'aspirateur ne fonctionne pas

Cause possible

Solution possible

- **L'appareil n'est pas branché correctement**
- *Branchez-le correctement*
- **L'aspirateur n'est pas sous tension.**
- *Vérifier le fusible ou le disjoncteur du véhicule.*
- *Vérifier le fusible de l'aspirateur, logé dans la fiche.*
- **Fusible grillé/disjoncteur déclenché.**
- *Remplacer le fusible du véhicule/retourner le disjoncteur à sa position initiale.*
- *Remplacer le fusible de l'aspirateur par un fusible à retardement de 10A/250 de type FST.*

Problème : L'aspirateur n'aspire pas

Cause possible

Solution possible

- **Réceptacle collecteur plein**
- *Videz le réceptacle*
- **Embout ou accessoire bouché**
- *Videz le réceptacle et nettoyez le filtre ; séchez le filtre en l'épongeant*

Problème : De la saleté ou un liquide s'échappe de l'aspirateur

Cause possible

Solution possible

- **Réceptacle collecteur trop rempli**
- *Videz le réceptacle*

Service après-vente

Pour obtenir un service après-vente agréé HOOVER et des pièces d'origine HOOVER, contactez le **Centre de service Usine Hoover ou le revendeur de Service Garantie Hoover agréé (Dépôt) le plus proche en :**

- consultant les Pages Jaunes à la rubrique « Aspirateurs – Domestiques » OU
- en consultant la liste de Centres de service Usine, fournie avec cet aspirateur OU
- en appelant le numéro **1-800-944-9200** pour un renvoi automatique vers des centres de service agréés (États-Unis uniquement) OU
- en consultant la section Service Clientèle de la Compagnie Hoover sur le site **www.hoover.com**

Veuillez ne pas envoyer votre aspirateur en réparation chez The Hoover Company à North Canton ; ceci n'occasionnera que des retards.

Si une assistance supplémentaire est nécessaire, contactez :

Le Centre de Réponse à la Clientèle Hoover Company
North Canton, Ohio 44720
Téléphone : 1-330-499-9499

Au Canada, contactez :
Hoover Canada
Burlington, Ontario L7R 4A8
Téléphone : 1-800-263-6376

Identifiez toujours votre aspirateur par le numéro **complet** de modèle, lorsque vous demandez des renseignements ou que vous commandez des pièces. (Le numéro de modèle apparaît au centre à l'arrière du corps de l'aspirateur).

Garantie complète d'un an

(Usage domestique)

Votre appareil HOOVER® est garanti pour un usage domestique normal conformément au mode d'emploi, pour tous défauts de matériel et de façon, pendant une période d'un an, à partir de la date d'achat. Cette garantie vous fournit gratuitement toutes les pièces et la main d'œuvre nécessaires pour remettre cet appareil en état de marche correct, durant la période de garantie. Cette garantie s'applique lorsque l'appareil est acheté aux États-Unis, y compris ses territoires et possessions, ou au Canada ou à partir d'un Échange Militaire Américain. Les appareils achetés ailleurs sont couverts par une garantie limitée d'un an qui ne couvre que le prix des pièces. Cette garantie ne s'applique pas si l'appareil est utilisé dans un but commercial ou de location.

Le service de garantie ne peut être obtenu qu'en présentant l'appareil auprès d'un des centres de service de garantie agréés suivants. La preuve d'achat sera exigée avant exécution du service après-vente.

1. Centres de service Usine Hoover
2. revendeurs de Service Garantie Hoover agréés (Dépôt)

Pour un renvoi automatique vers des centres de service agréés aux États Unis, téléphonez au numéro 1-800-944-9200 OU

visitez le site The Hoover Company sur www.hoover.com

Cette garantie ne couvre pas le transport, la livraison ou les appels à domicile ; cependant, si vous expédiez votre appareil par courrier vers un Centre de service Usine Hoover pour obtenir un service de garantie, le transport sera payé dans un sens.

Cette garantie vous donne des droits légaux spécifiques, mais vous pouvez également avoir d'autres droits qui varient d'un État à un autre.

Si une assistance supplémentaire est nécessaire ou si vous avez des questions concernant cette garantie ou la disponibilité des centres de service de garantie, écrivez ou téléphonez à :
Centre de réponse à la Clientèle
The Hoover Company
101 East Maple St.
North Canton, Ohio 44720
Téléphone : (330) 499-9499

Au Canada, contactez :
Hoover Canada
Burlington, Ontario L7R 4A8
Téléphone : 1-800-263-6376.



HOOVER y  son marcas registradas

HOOVER et  sont des marques déposées

HOOVER and  are registered trademarks.