

**ACOUSTIC
CHORUS**

AC-90

**Owner's Manual
Bedienungsanleitung
Guide d'utilisation
Manuale dell'utente
Manual del usuario
Manual do proprietário
Gebruikershandleiding**

Thank you, and congratulations on your choice of the Roland AC-90 Acoustic Chorus.

Before using this unit, carefully read the sections entitled:




- **IMPORTANT SAFETY INSTRUCTIONS (page 2)**
- **USING THE UNIT SAFELY (page 3–4)**
- **IMPORTANT NOTES (page 5)**

These sections provide important information concerning the proper operation of the unit. Additionally, in order to feel assured that you have gained a good grasp of every feature provided by your new unit, Owner's manual should be read in its entirety. The manual should be saved and kept on hand as a convenient reference.

Copyright © 2007 ROLAND CORPORATION

All rights reserved. No part of this publication may be reproduced in any form without the written permission of ROLAND CORPORATION.

WARNING: To reduce the risk of fire or electric shock, do not expose this apparatus to rain or moisture.

  
ATTENTION: RISQUE DE CHOC ELECTRIQUE NE PAS OUVRIR
CAUTION: TO REDUCE THE RISK OF ELECTRIC SHOCK, DO NOT REMOVE COVER (OR BACK). NO USER-SERVICEABLE PARTS INSIDE. REFER SERVICING TO QUALIFIED SERVICE PERSONNEL.



The lightning flash with arrowhead symbol, within an equilateral triangle, is intended to alert the user to the presence of uninsulated "dangerous voltage" within the product's enclosure that may be of sufficient magnitude to constitute a risk of electric shock to persons.



The exclamation point within an equilateral triangle is intended to alert the user to the presence of important operating and maintenance (servicing) instructions in the literature accompanying the product.

INSTRUCTIONS PERTAINING TO A RISK OF FIRE, ELECTRIC SHOCK, OR INJURY TO PERSONS.

IMPORTANT SAFETY INSTRUCTIONS

SAVE THESE INSTRUCTIONS

WARNING - When using electric products, basic precautions should always be followed, including the following:

1. Read these instructions.
2. Keep these instructions.
3. Heed all warnings.
4. Follow all instructions.
5. Do not use this apparatus near water.
6. Clean only with a dry cloth.
7. Do not block any of the ventilation openings. Install in accordance with the manufacturers instructions.
8. Do not install near any heat sources such as radiators, heat registers, stoves, or other apparatus (including amplifiers) that produce heat.
9. Do not defeat the safety purpose of the polarized or grounding-type plug. A polarized plug has two blades with one wider than the other. A grounding type plug has two blades and a third grounding prong. The wide blade or the third prong are provided for your safety. If the provided plug does not fit into your outlet, consult an electrician for replacement of the obsolete outlet.
10. Protect the power cord from being walked on or pinched particularly at plugs, convenience receptacles, and the point where they exit from the apparatus.
11. Only use attachments/accessories specified by the manufacturer.
12. Use only with the cart, stand, tripod, bracket, or table specified by the manufacturer, or sold with the apparatus. When a cart is used, use caution when moving the cart/apparatus combination to avoid injury from tip-over.
13. Unplug this apparatus during lightning storms or when unused for long periods of time.
14. Refer all servicing to qualified service personnel. Servicing is required when the apparatus has been damaged in any way, such as power-supply cord or plug is damaged, liquid has been spilled or objects have fallen into the apparatus, the apparatus has been exposed to rain or moisture, does not operate normally, or has been dropped.



For the U.K.

IMPORTANT: THE WIRES IN THIS MAINS LEAD ARE COLOURED IN ACCORDANCE WITH THE FOLLOWING CODE.

BLUE: NEUTRAL
BROWN: LIVE

As the colours of the wires in the mains lead of this apparatus may not correspond with the coloured markings identifying the terminals in your plug, proceed as follows:

The wire which is coloured BLUE must be connected to the terminal which is marked with the letter N or coloured BLACK.

The wire which is coloured BROWN must be connected to the terminal which is marked with the letter L or coloured RED.

Under no circumstances must either of the above wires be connected to the earth terminal of a three pin plug.

USING THE UNIT SAFELY

INSTRUCTIONS FOR THE PREVENTION OF FIRE, ELECTRIC SHOCK, OR INJURY TO PERSONS

About ⚠ WARNING and ⚠ CAUTION Notices

⚠ WARNING	Used for instructions intended to alert the user to the risk of death or severe injury should the unit be used improperly.
⚠ CAUTION	Used for instructions intended to alert the user to the risk of injury or material damage should the unit be used improperly. * Material damage refers to damage or other adverse effects caused with respect to the home and all its furnishings, as well to domestic animals or pets.

About the Symbols

	The ⚠ symbol alerts the user to important instructions or warnings. The specific meaning of the symbol is determined by the design contained within the triangle. In the case of the symbol at left, it is used for general cautions, warnings, or alerts to danger.
	The ⓧ symbol alerts the user to items that must never be carried out (are forbidden). The specific thing that must not be done is indicated by the design contained within the circle. In the case of the symbol at left, it means that the unit must never be disassembled.
	The ● symbol alerts the user to things that must be carried out. The specific thing that must be done is indicated by the design contained within the circle. In the case of the symbol at left, it means that the power-cord plug must be unplugged from the outlet.

ALWAYS OBSERVE THE FOLLOWING




⚠ WARNING

- Before using this unit, make sure to read the instructions below, and the Owner's Manual.
- Do not open or perform any internal modifications on the unit.
- Do not attempt to repair the unit, or replace parts within it (except when this manual provides specific instructions directing you to do so). Refer all servicing to your retailer, the nearest Roland Service Center, or an authorized Roland distributor, as listed on the "Information" page.
- Never use or store the unit in places that are:
 - Subject to temperature extremes (e.g., direct sunlight in an enclosed vehicle, near a heating duct, on top of heat-generating equipment); or are
 - Damp (e.g., baths, washrooms, on wet floors); or are
 - Humid; or are
 - Exposed to rain; or are
 - Dusty; or are
 - Subject to high levels of vibration.
- The unit should be connected to a power supply only of the type described in the operating instructions, or as marked on the rear side of unit.
- Do not excessively twist or bend the power cord, nor place heavy objects on it. Doing so can damage the cord, producing severed elements and short circuits. Damaged cords are fire and shock hazards!











⚠ WARNING

- This unit, either alone or in combination with an amplifier and headphones or speakers, may be capable of producing sound levels that could cause permanent hearing loss. Do not operate for a long period of time at a high volume level, or at a level that is uncomfortable. If you experience any hearing loss or ringing in the ears, you should immediately stop using the unit, and consult an audiologist.
- Do not allow any objects (e.g., flammable material, coins, pins); or liquids of any kind (water, soft drinks, etc.) to penetrate the unit.
- Immediately turn the power off, remove the power cord from the outlet, and request servicing by your retailer, the nearest Roland Service Center, or an authorized Roland distributor, as listed on the "Information" page when:
 - The power-supply cord or the plug has been damaged; or
 - If smoke or unusual odor occurs
 - Objects have fallen into, or liquid has been spilled onto the unit; or
 - The unit has been exposed to rain (or otherwise has become wet); or
 - The unit does not appear to operate normally or exhibits a marked change in performance.
- In households with small children, an adult should provide supervision until the child is capable of following all the rules essential for the safe operation of the unit.
- Protect the unit from strong impact. (Do not drop it!)

⚠ WARNING

- Do not force the unit's power-supply cord to share an outlet with an unreasonable number of other devices. Be especially careful when using extension cords—the total power used by all devices you have connected to the extension cord's outlet must never exceed the power rating (watts/amperes) for the extension cord. Excessive loads can cause the insulation on the cord to heat up and eventually melt through. 
- Before using the unit in a foreign country, consult with your retailer, the nearest Roland Service Center, or an authorized Roland distributor, as listed on the "Information" page. 
- Do not put anything that contains water (e.g., flower vases) on this unit. Also, avoid the use of insecticides, perfumes, alcohol, nail polish, spray cans, etc., near the unit. Swiftly wipe away any liquid that spills on the unit using a dry, soft cloth. 

⚠ CAUTION

- The unit should be located so that its location or position does not interfere with its proper ventilation. 
- Always grasp only the plug on the power-supply cord when plugging into, or unplugging from an outlet. 
- At regular intervals, you should unplug the power plug and clean it by using a dry cloth to wipe all dust and other accumulations away from its prongs. Also, disconnect the power plug from the power outlet whenever the unit is to remain unused for an extended period of time. Any accumulation of dust between the power plug and the power outlet can result in poor insulation and lead to fire. 
- Try to prevent cords and cables from becoming entangled. Also, all cords and cables should be placed so they are out of the reach of children. 
- Never climb on top of, nor place heavy objects on the unit. 
- Never handle the power cord or its plug with wet hands when plugging into, or unplugging from, an outlet. 
- Before moving the unit, disconnect the power plug from the outlet, and pull out all cords from external devices. 
- Before cleaning the unit, turn off the power and unplug the power cord from the outlet. 
- Whenever you suspect the possibility of lightning in your area, pull the plug on the power cord out of the outlet. 
- Always turn the phantom power off when connecting any device other than condenser microphones that require phantom power. You risk causing damage if you mistakenly supply phantom power to dynamic microphones, audio playback devices, or other devices that don't require such power. Be sure to check the specifications of any microphone you intend to use by referring to the manual that came with it. 

(This instrument's phantom power: 48 V DC, 10 mA Max)

IMPORTANT NOTES

In addition to the items listed under “IMPORTANT SAFETY INSTRUCTIONS” and “USING THE UNIT SAFELY” on pages 2 and 4, please read and observe the following:

Power Supply

- Do not connect this unit to same electrical outlet that is being used by an electrical appliance that is controlled by an inverter (such as a refrigerator, washing machine, microwave oven, or air conditioner), or that contains a motor. Depending on the way in which the electrical appliance is used, power supply noise may cause this unit to malfunction or may produce audible noise. If it is not practical to use a separate electrical outlet, connect a power supply noise filter between this unit and the electrical outlet.
- Before connecting this unit to other devices, turn off the power to all units. This will help prevent malfunctions and/or damage to speakers or other devices.
- Although the LEDs are switched off when the POWER switch is switched off, this does not mean that the unit has been completely disconnected from the source of power. If you need to turn off the power completely, first turn off the POWER switch, then unplug the power cord from the power outlet. For this reason, the outlet into which you choose to connect the power cord’s plug should be one that is within easy reach and readily accessible.

Placement

- Using the unit near power amplifiers (or other equipment containing large power transformers) may induce hum. To alleviate the problem, change the orientation of this unit; or move it farther away from the source of interference.
- This device may interfere with radio and television reception. Do not use this device in the vicinity of such receivers.
- Noise may be produced if wireless communications devices, such as cell phones, are operated in the vicinity of this unit. Such noise could occur when receiving or initiating a call, or while conversing. Should you experience such problems, you should relocate such wireless devices so they are at a greater distance from this unit, or switch them off.
- Do not expose the unit to direct sunlight, place it near devices that radiate heat, leave it inside an enclosed vehicle, or otherwise subject it to temperature extremes. Also, do not allow lighting devices that normally are used while their light source is very close to the unit (such as a piano light), or powerful spotlights to shine upon the same area of the unit for extended periods of time. Excessive heat can deform or discolor the unit.
- When moved from one location to another where the temperature and/or humidity is very different, water droplets (condensation) may form inside the unit. Damage or malfunction may result if you attempt to use the unit in this condition. Therefore, before using the unit, you must allow it to stand for several hours, until the condensation has completely evaporated.
- Do not allow rubber, vinyl, or similar materials to remain on the unit for long periods of time. Such objects can discolor or otherwise harmfully affect the finish.
- Do not paste stickers, decals, or the like to this instrument. Peeling such matter off the instrument may damage the exterior finish.
- Depending on the material and temperature of the surface on which you place the unit, its rubber feet may discolor or mar the surface. You can place a piece of felt or cloth under the rubber feet to prevent this from happening. If you do so, please make sure that the unit will not slip or move accidentally.

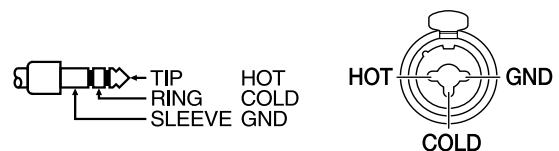
- Do not allow objects to remain on top of the unit while it is in operation.
- Do not sit or lean on top of the unit.

Maintenance

- For everyday cleaning wipe the unit with a soft, dry cloth or one that has been slightly dampened with water. To remove stubborn dirt, use a cloth impregnated with a mild, non-abrasive detergent. Afterwards, be sure to wipe the unit thoroughly with a soft, dry cloth.
- Never use benzine, thinners, alcohol or solvents of any kind, to avoid the possibility of discoloration and/or deformation.

Additional Precautions

- Use a reasonable amount of care when using the unit’s buttons, sliders, or other controls; and when using its jacks and connectors. Rough handling can lead to malfunctions.
- When connecting / disconnecting all cables, grasp the connector itself—never pull on the cable. This way you will avoid causing shorts, or damage to the cable’s internal elements.
- A small amount of heat will radiate from the unit during normal operation.
- To avoid disturbing your neighbors, try to keep the unit’s volume at reasonable levels. You may prefer to use headphones, so you do not need to be concerned about those around you (especially when it is late at night).
- When you need to transport the unit, package it in the box (including padding) that it came in, if possible. Otherwise, you will need to use equivalent packaging materials.
- Some connection cables contain resistors. Do not use cables that incorporate resistors for connecting to this unit. The use of such cables can cause the sound level to be extremely low, or impossible to hear. For information on cable specifications, contact the manufacturer of the cable.
- To prevent malfunction and/or damage to speakers or other devices, always turn down the volume, and turn off the power on all devices before making any connections.
- This instrument is equipped with balanced XLR/TRS type jacks. Wiring diagrams for these jacks are shown below. Make connections after first checking the wiring diagrams of other equipment you intend to connect.



- Once the connections have been completed (p. 11), turn on power to your various devices in the order specified. By turning on devices in the wrong order, you risk causing malfunction and/or damage to speakers and other devices.

When powering up:

Turn on the power to the AC-90 **last**.

When powering down:

Turn off the power to the AC-90 **first**.

- Wrap the AC cord around the cord hook when transporting or storing the unit.

Contents

USING THE UNIT SAFELY	3
IMPORTANT NOTES	5
Contents.....	6

English

Main Features	7
Names of Things and What They Do	8
Control Panel.....	8
Rear Panel.....	12
Example of Using Two Channels Combined... 14	
How to Use the Folding Stand.....	15
Using a Speaker Stand	16

Deutsch

Hauptmerkmale	17
Bezeichnungen und Funktionen der Bedienelemente	18
Bedienfeld	18
Rückseite.....	22
Beispiel für die kombinierte Verwendung zweier Kanäle	24
Verwendung des ausklappbaren Bügels.....	25
Verwenden eines Lautsprecherstativs.....	26

Français

Caractéristiques principales	27
Noms et fonctions des éléments	28
Panneau de commande	28
Panneau arrière.....	32
Exemple d'utilisation de deux canaux ensemble.....	34
Utilisation du pied pliant.....	35
Utilisation d'un pied pour haut-parleur	36

Italiano

Caratteristiche principali	37
Denominazione e utilizzo delle funzioni	38
Pannello di controllo	38
Pannello posteriore	42
Esempio di utilizzo di due canali combinati ... 44	
Modalità di utilizzo del supporto pieghevole .45	
Utilizzo di un supporto casse.....	46

Español

Principales características	47
Nombres de componentes y sus funciones.....	48
Panel de control	48
Panel trasero	52
Ejemplo de uso de dos canales combinados ... 54	
Cómo utilizar el soporte plegable	55
Utilización de un soporte de altavoz	56

Português

Principais características	57
Nomes das partes e suas funções	58
Painel de controle	58
Painel traseiro.....	62
Exemplo de uso de dois canais combinados... 64	
Como utilizar o suporte dobrável	65
Utilizando um suporte para alto-falante	66

Nederlands

Belangrijkste kenmerken.....	67
Namen van onderdelen en hun functies	68
Voorpaneel	68
Achterpaneel	72
Voorbeeld van gecombineerd gebruik van twee kanalen.....	74
De vouwstandaard gebruiken	75
Een luidsprekerstandaard gebruiken	76

Block Diagram	77
How to Use the Carrying Case.....	77
Specifications	78

Main Features

The AC-90 is a high-performance monitor amp developed exclusively for use with acoustic instruments. It is capable of faithfully expressing all the harmonic richness of an acoustic instrument's sound.

Compact, High-Performance Stereo Amp

- The finely tuned design of the cabinet is meant to enhance the sound of acoustic instruments. Within this cabinet, there are two 8 inch woofers, two tweeters, and a 45 W + 45 W stereo amp—all of which were newly designed just for the AC-90. As a result, the unit is capable of delivering a more natural, acoustic instrument sound across a broad range of frequencies.
- Thanks to a power amp that was designed to be as light as possible, and the use of new materials for the woofers, an overall reduction in the weight of the unit has been achieved.

Features Two Independent Channels, GUITAR and MIC/LINE

- Each channel includes a 3-band equalizer.
- GUITAR channel handles both piezo and magnetic pickups.
- The MIC/LINE channel offers phantom power, produced by highly reliable, dedicated 48 V output phantom circuitry.
- Using the MIC/LINE channel for LINE input allows you to connect guitars with magnetic pickups. You can also use a piezo pickup (GUITAR channel) and a magnetic pickup (MIC/LINE channel) at the same time, and mix (blend) the sounds together.

High-Quality Digital Effects

- Three kinds of stereo chorus effects are provided. There is the spatially synthesized "SPACE" chorus, the "RICH" chorus (which is divided into frequency bands), and the "WIDE" chorus (which is also divided into frequency bands while offering even greater expansiveness).
- Includes stereo reverb developed especially for acoustic instruments. This allows you to add a sense of spaciousness and natural body to the sound.
- Equipped with delay effects that can produce sound with a tonal quality that is soft and tuned specifically for acoustic instruments.
- An optional foot switch can also be used to turn the effects on and off.

Anti-Feedback Suppresses Feedback

- Anti-feedback features two ways to detect the feedback point. You can use the "Manual settings," or you can use the "Auto settings," which provide for the automatic detection of the feedback point.
- You can connect an optional foot switch and use your foot to operate this feature.

Mute Function

- The provided Mute switch makes it easy for you to mute the sounds for the AC-90's own speakers as well as the sounds from LINE OUT. By using the Mute function, you can plug in and out noiselessly at the guitar. Furthermore, when you have a tuner connected to TUNER OUT, the Mute function lets you tune your instrument without outputting any sound.
- You can connect an optional foot switch and use your foot to turn this on and off.

External Input Jacks (AUX IN)

- Includes external input jacks, allowing you to connect a CD player, backing machine, or other device in stereo.
- These include both RCA phono jacks and 1/4" phone jacks, making it possible to connect just about any kind of device.

Multiple Output Connectors

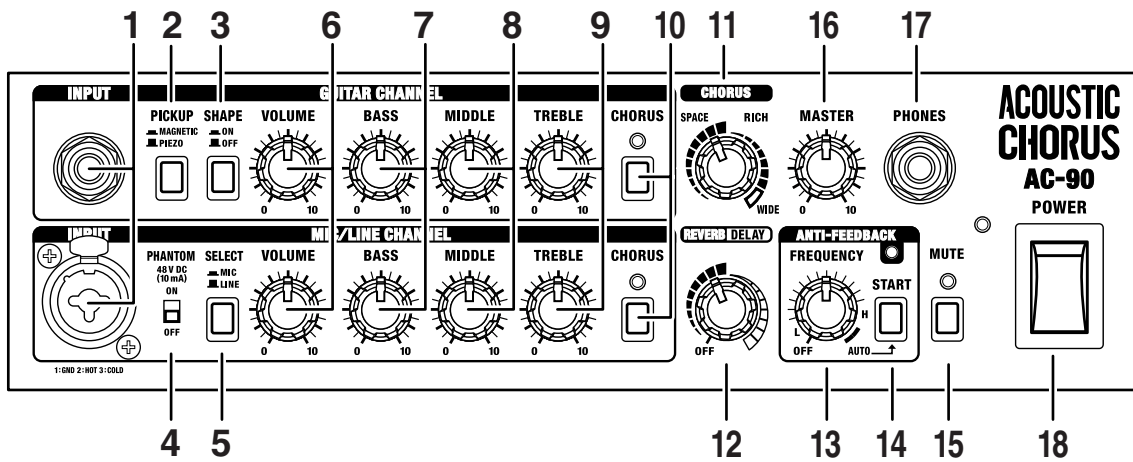
- Features DI Out, which allow you to directly output the signals input from connected instruments and mics. You can also connect a tuner. TRS balanced output is supported.
- Line outs feature 1/4" phone mono-output jacks in addition to XLR connectors for stereo output. You can use a single AC-90 for all applications.
- It also features a Subwoofer Out. Connecting a powered subwoofer allows you to play with an even punchier, more powerful low end.
- The amp also provides a headphones jack, which you can use when playing during nighttime hours and when making sound checks.

Convenient Placement Features

- Equipped with a "folding stand," which allows you to change the angle of the amp when using it for monitoring purposes.
- Includes a "speaker stand adapter," which allows you to attach the AC-90 to a speaker stand. This makes using the AC-90 easier when you are performing standing up, and allows you to use the amp as a simple PA.
- Also included is a carrying case for greater portability.

Names of Things and What They Do

Control Panel



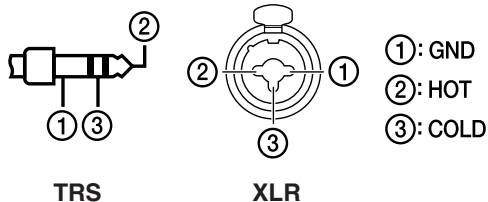
1. INPUT

(GUITAR CHANNEL)

Connect guitars here.

(MIC/LINE CHANNEL)

Connect mics and line-level devices here. You can also connect guitars with pickups equipped with preamps. This handles balanced input, so you can connect 1/4" phone TRS jacks and XLR-type connectors.



You can use the two channels in combination. Refer to "Example of Using Two Channels Combined" (p. 14).

- * Feedback could be produced depending on the location of microphones relative to speakers. This can be remedied by:
 - Changing the orientation of the microphone(s).
 - Relocating microphone(s) at a greater distance from speakers.
 - Lowering volume levels.

2. PICKUP Button

This switches the input circuitry for either piezo or magnetic pickups, according to the type of pickup on the connected guitar. Press down the button for magnetic pickups.

- * Set this to "MAGNETIC" if your guitar has an active pickup equipped with a preamp.

3. SHAPE Button

Setting this to ON modifies the midrange to create a bright tone suitable for strumming chords.

This emphasizes brushing sounds, allowing you to strum with a more edgy feeling.

4. PHANTOM Switch

This turns the phantom power on and off.

Set this to "ON" when connecting mics that require phantom power (condenser mic, etc.).

Set this to "OFF" when connecting mics that do not require phantom power or other devices.

NOTE

- Use the following sequence when connecting mics that require phantom power:
 1. Turn the PHANTOM switch off.
 2. Connect the mic.
 3. Turn the PHANTOM switch on.
- Supplying phantom power to mics that do not require it or supplying it to other devices may cause such equipment to malfunction. Always be sure to turn the switch off before connecting.
- * To protect the circuitry, all output is muted momentarily after the PHANTOM switch is turned on or off.
- * Phantom power is supplied only to the XLR connectors for the MIC/LINE channel INPUT.
- * Noise may be produced if connectors are connected or disconnected while the phantom power is turned on.

MEMO Phantom Power

Because they have a comparatively wider range and better sound quality than dynamic mics, condenser mics are often used for miking acoustic guitars. However, they require a power source to operate. Although some condenser mics run off batteries placed within the mic housing, in many cases a type of power supply known as “phantom power” is required. This power supply uses the existing mic cable to feed power.

The AC-90’s phantom power is output at a constant 48 V, so it conforms to professional specifications required at recording studios.

5. SELECT Button

This switches the input level to match that of the connected device (mic or line).

You can connect guitars with magnetic pickups when LINE is selected with the SELECT button.

* *Note that the volume is increased if the switch is set to “MIC” when you have a line-level device connected.*

6. VOLUME Knobs

(GUITAR CHANNEL)

Adjusts the volume of the GUITAR channel.

* *To accommodate the lower output of piezo pickups, the volume level when the VOLUME knob is between the 7 and 10 positions is set somewhat higher when the PICKUP button is set to PIEZO in comparison with the MAGNETIC setting.*

(MIC/LINE CHANNEL)

Adjusts the volume of the MIC/LINE channel.

* *When using the AC-90 with the GUITAR channel and MIC/LINE channel mixed, adjust the volume balance between the two channels with the VOLUME knob.*

7. BASS Knobs

Adjust the level of the low-frequency range.

8. MIDDLE Knobs

Adjust the level of the midrange.

9. TREBLE Knobs

Adjust the level of the high-frequency range.

MEMO

The tone of an acoustic instrument can vary immensely from one instrument to the next. The kind of sound required also varies according to how an instrument is being used in a particular ensemble. Actively use the BASS, MIDDLE, and TREBLE knobs to adjust the tone to suit the instrument you are using and the conditions in which it is being used.

(Example)

- When using the AC-90 with the speaker stand attached, you may want to turn up the BASS knob so the lower range is perceived better.
- If the sound seems too harsh, such as immediately after changing strings, you may want to turn down the TREBLE knob to cut back on the high frequencies.

10. CHORUS Buttons

Switch chorus on and off.

When on, the indicator is lit.

MEMO

You can use a foot switch (the optional BOSS FS-5U) to switch chorus on and off. Turning chorus on and off with the foot switch works on both channels.

11. CHORUS Knob

Turn this knob to select among the three types of chorus (SPACE, RICH, and WIDE).

You can adjust the amount of effect applied by changing the position of the knob.

- * *This is enabled when the CHORUS button is in the ON position.*
- * *The markings indicating the SPACE and RICH positions are approximate. Listen to the sound to confirm the effect as you make adjustments.*

SPACE

This is a specially synthesized chorus. With specially synthesized chorus, a method available only in stereo, the chorus effect is created by taking the sound from the right speaker (from which the effect sound is output), and the sound from the left speaker (which outputs the direct sound), and then mixing them in the actual space. This creates a greater lateral spread than that produced when the sounds are mixed electronically, providing a more natural sense of breadth.

Names of Things and What They Do

RICH

This is a stereo chorus that is divided into three frequency ranges.

Here, the effect is separated into three bands, low-frequency, midrange, and high-frequency, and by applying the most suitable amount of chorus effect in each range, it provides a sense of fullness and breadth that is perfectly suited to the acoustic guitar.

The low end is firmly in the center, and sound spreads out more and more as the sound rises from the midrange up through the higher frequencies.

WIDE

While also relying on the division of sound into separate bands, this chorus offers even greater expansiveness than RICH.

The sound image spreads beyond the AC-90's speakers, producing an effect that seems to envelope the listener in sound.

12. REVERB/DELAY Knob

You can adjust this knob to switch between the reverb and delay effects.

You can adjust the amount of effect applied by changing the position of the knob.

- * Turn the knob to "OFF" if you are not using the reverb or delay effect.
- * The markings indicating the reverb and delay positions are approximate. Listen to the sound to confirm the effect as you make adjustments.

REVERB

This stereo reverb, developed especially for acoustic instruments, gives a sense of spaciousness and natural sonic quality.

Turn the knob to adjust the volume of the reverb effect.

DELAY

This delay, developed especially for acoustic instruments, adds soft reflections to the original sound.

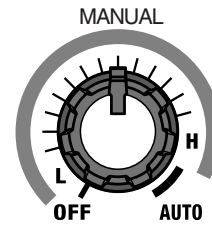
Turn the knob to change the delay time.

- * You can use a foot switch (the optional BOSS FS-5U) to switch the reverb and delay on and off.

13. FREQUENCY Knob

This selects the frequency at which the anti-feedback function operates.

Also, the position of the knob determines whether Auto or Manual settings are selected.



- * Turn the knob to "OFF" if you are not using anti-feedback.

14. START Button

This is used for Auto settings (p. 11). Pressing the button performs automatic detection of feedback-whine frequencies. The indicators show the operating status of the automatic detection function.

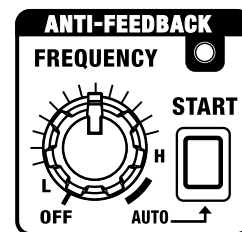
Standby: Flashes slowly

During Detection: Flashes rapidly

After Detection: Remains lit

- * Holding down the START button for one second or longer returns the unit to standby for automatic detection.

How to Use ANTI-FEEDBACK



Anti-feedback is a function that controls feedback that arises between the guitar or mic and the amp.

The feedback is suppressed by attenuating the frequency at which the feedback occurs.

- * This is not designed to work with respect to the high-frequency feedback that can occur when using microphones.

Anti-feedback can be used in two different ways; you can make use of either the "Auto settings" or the "Manual settings."

- * Use either when feedback whine occurs.

MEMO Feedback

This is a phenomenon whereby signals output from the speakers are picked up again by the mic or pickup, and the sound is further amplified and output from the speakers, resulting in an unpleasant oscillating sound.

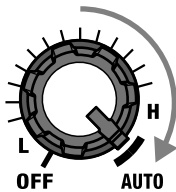
- * If the anti-feedback alone does not control the feedback, adjust your settings, for example by lowering the volume or cutting the low frequencies.
- * To prevent feedback during a performance, we recommend making the anti-feedback setting before the performance.

Setting the Feedback Point Automatically

This automatically detects the frequency at which feedback occurs and suppresses feedback.

* Use in conditions where feedback occurs.

1. Cause feedback whine to occur.
2. Turn the FREQUENCY knob to the "AUTO" position.



The ANTI-FEEDBACK indicator flashes slowly, and automatic detection goes into standby.

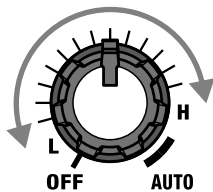
3. Press the START button.

Automatic detection of the feedback point starts. The indicator flashes rapidly when detection is in progress, and when the feedback point is found, the indicator lights steadily. If no feedback point is detected, the indicator flashes slowly, and the automatic detection function returns to standby.

4. Press the START button once more to conduct the automatic detection again.

Setting the Feedback Point Manually

1. Cause feedback whine to occur.
2. Turn the knob, moving through the range of L through H (the ANTI-FEEDBACK indicator lights up) to search for the frequency at which the feedback is to be suppressed.



Turning the knob clockwise suppresses progressively more treble feedback, and turning it counterclockwise suppresses progressively more bass feedback.

MEMO

You can use a foot switch (the optional BOSS FS-5U, FS-6) to run automatic detection of the feedback frequency or to turn the anti-feedback function on and off.

HINT

You can use anti-feedback even when feedback is not a problem. For example, you can use it to remove undesirable resonance in the low to midrange, as well as correct other problems with the sound quality.

15. MUTE Button

This switches the Mute function on and off.

When you press the button, the MUTE indicator flashes, muting is turned on, and the speaker output and sounds from SUB WOOFER OUT and LINE OUT are muted.

With the mute function activated, you do not need to turn down the VOLUME knob or MASTER knob to mute the noise when plugging into, or unplugging from your guitar.

* Sounds from the DI OUT/TUNER OUT and PHONES jacks are not muted.

HINT

By connecting a tuner (optional) to DI OUT/TUNER OUT and then pressing the MUTE button, you can tune your instrument without the sound being output from the speakers.

MEMO

You can use a foot switch (optional BOSS FS-5U or FS-6) to switch muting on and off. (p. 13)

16. MASTER Knob

Adjusts the overall volume level.

* LINE OUT cannot be adjusted.

17. PHONES Jack

Headphones are connected here. No sounds are output from the speakers or from SUB WOOFER OUT when headphones are connected.

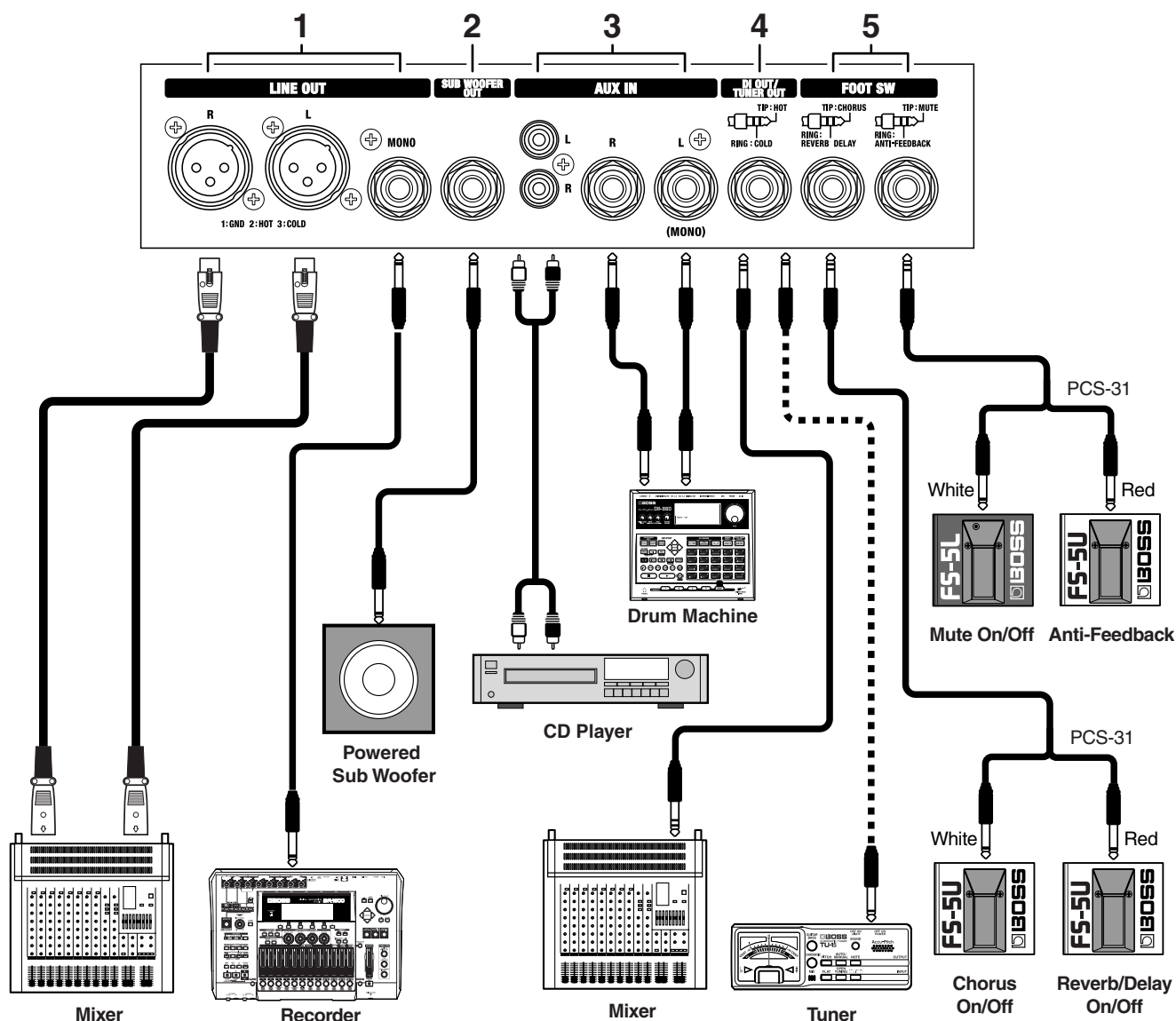
18. POWER Switch

This turns the AC-90's power on and off.

The POWER indicator lights up when the power is on.

- * If you need to turn off the power completely, first turn off the POWER switch, then unplug the power cord from the power outlet. Refer to **Power Supply** (p. 5)
- * Due to a circuitry protection feature, this unit requires a few moments after it has been turned on before it is ready for normal operation.
- * Always make sure to have the volume level turned down before switching on power. Even with the volume all the way down, you may still hear some sound when the power is switched on, but this is normal, and does not indicate a malfunction.

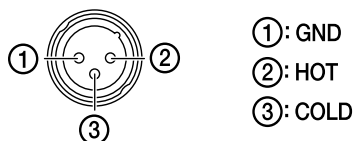
Rear Panel



* When connection cables with resistors are used, the volume level of equipment connected to the inputs may be low. If this happens, use connection cables that do not contain resistors.

1. LINE OUT Jacks

You can connect a mixer, recording device, or other device here. The output level is +4 dBu. Included here are XLR connectors (L/R: stereo output) and a 1/4" phone jack (mono output).



- * You cannot adjust the volume for LINE OUT with the MASTER knob.
- * The chorus effects are designed so they exhibit the greatest effectiveness when you use the unit's built-in speakers. Effectiveness may differ when LINE OUT is used instead of the built-in speakers.

2. SUB WOOFER OUT Jack

You can connect a powered subwoofer to play back sounds with an even punchier, more powerful low end. The volume is adjusted with the MASTER knob.

3. AUX IN Jacks

You can connect a CD player, drum machine, or other device and play back sounds in stereo. Both RCA phono jacks and 1/4" phone jacks are provided. When connected to only the left 1/4" phone jack, playback is in mono.

Although the input from AUX IN is output from the speakers, PHONES, and SUB WOOFER OUT, it is not output from LINE OUT. The volume is adjusted with the MASTER knob, and muting on/off for these sounds is controlled with

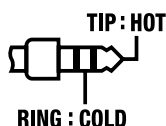
the MUTE button.

If devices are connected to both the RCA phono jacks and the 1/4" phone jacks, the two inputs are mixed.

4. DI OUT/TUNER OUT Jack

The direct sound of the device or instrument connected to the GUITAR or MIC/LINE channel is output here. This is a 1/4" phone TRS jack with balanced output.

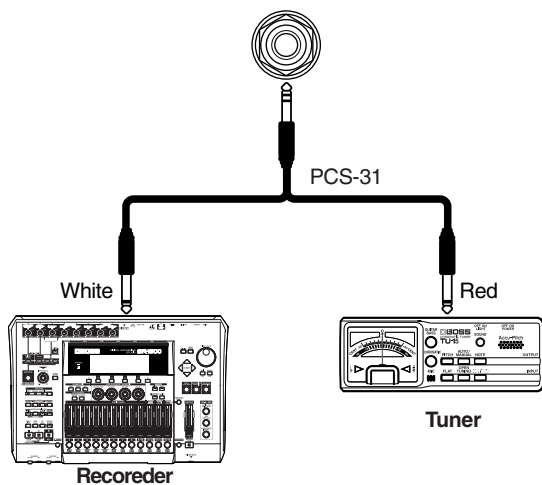
You can also use this jack to connect a tuner.



* If balanced output is not required, use a 1/4" phone (mono) plug to connect to this jack.

HINT

If balanced output is not required, you can use the special connection cable (the optional PCS-31) to use the DI OUT and TUNER OUT simultaneously.



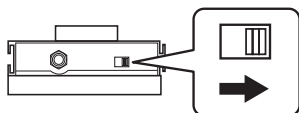
NOTE

A phase-inverted signal is output from the COLD side (the red side of the PCS-31). Connect the recording device to the HOT side (the white side of the PCS-31)

5. FOOT SW Jacks

The AC-90 accepts the BOSS FS-5L (latch type), BOSS FS-5U (momentary type), and BOSS FS-6 foot switch pedals.

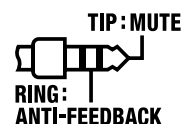
* Set the polarity switch as shown below.



(MUTE, ANTI-FEEDBACK)

Connecting a foot switch pedal (optional BOSS FS-5L, FS-5U, or FS-6) using a connection cable (the optional PCS-31) makes it possible to use a latch-type foot switch (the FS-5L or FS-6) to switch muting on and off, or to use a momentary-type foot switch (the FS-5U or FS-6) to control the anti-feedback feature.

* For information on the settings for the FS-6, refer to the owner's manual for the FS-6.



When a 1/4" phone (mono) plug is used to connect only one foot switch, only the Mute on/off function is enabled. In such cases, you should use a latch-type foot switch pedal (such as the BOSS FS-5L)

* The MUTE button should be set to off when a foot switch is connected for muting.

You cannot switch the muting off by pressing the foot switch when the MUTE button is on (when the MUTE indicator is lit).

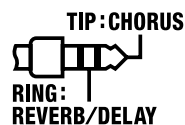
* When using an FS-5U (momentary type) to switch muting on and off, the muting is switched on only while the switch is held down.

For anti-feedback, a foot switch will function as follows:

- When the FREQUENCY knob is positioned in the range from L to H, the switch turns the anti-feedback function on and off.
- When the FREQUENCY knob is positioned at AUTO, the switch functions as the START switch for the automatic detection. Holding the foot switch down for one second or longer returns the automatic detection function to standby mode.

(CHORUS, DELAY/REVERB)

Using a special connection cable (the optional PCS-31) to connect two foot switches (the optional BOSS FS-5U), you can use one FS-5U to switch the chorus on and off, and use the other FS-5U to switch the delay or reverb on and off.



When a 1/4" phone (mono) plug is used to connect only one foot switch, only the chorus on/off function is enabled.

* The chorus on/off function works on both channels.

* You cannot switch the chorus on and off by pressing the foot switch when the CHORUS button is off.

Example of Using Two Channels Combined

When Using a Mic and a Pickup

GUITAR CHANNEL:

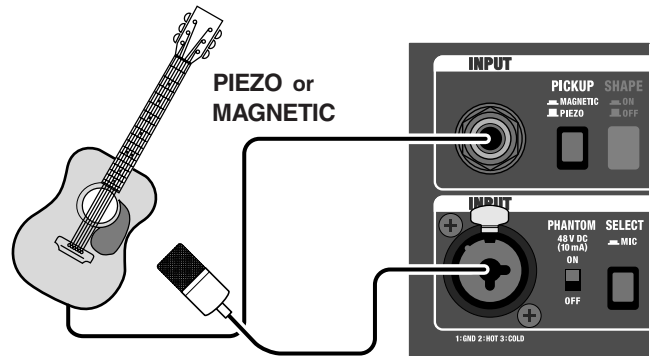
Piezo or Magnetic Pickup

MIC/LINE CHANNEL:

Condenser or Dynamic mic (SELECT button = MIC)

This allows you to blend the fat midrange of the pickup with the mic's delicate high end.

Set the PHANTOM switch to ON if using a condenser mic.



Condenser mic or Dynamic mic

When Using Two Guitars

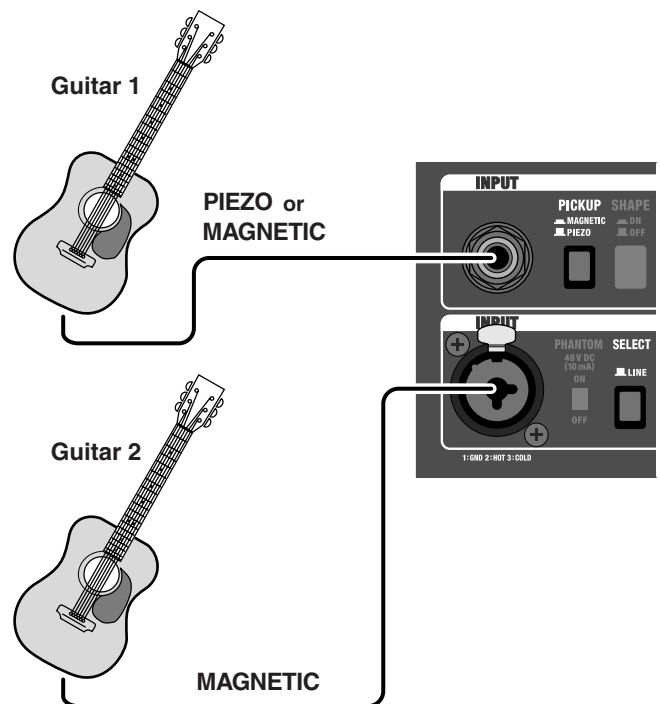
GUITAR CHANNEL:

Guitar 1 Piezo or Magnetic Pickup

MIC/LINE CHANNEL:

Guitar 2 Magnetic Pickup (SELECT button = LINE)

You can switch guitars without having to readjust the volume and tone.



When Using One Guitar with Two Types of Pickups

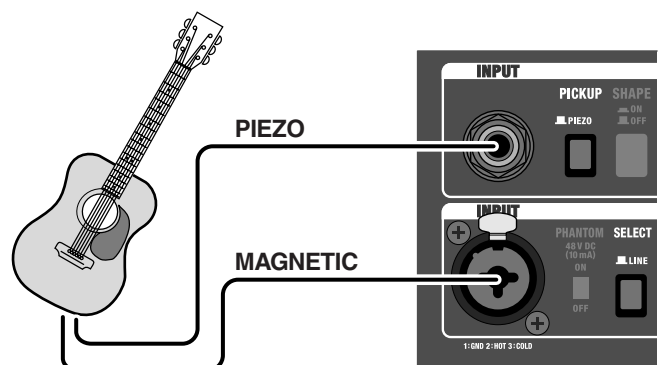
GUITAR CHANNEL:

Piezo Pickup (PICKUP button = PIEZO)

MIC/LINE CHANNEL:

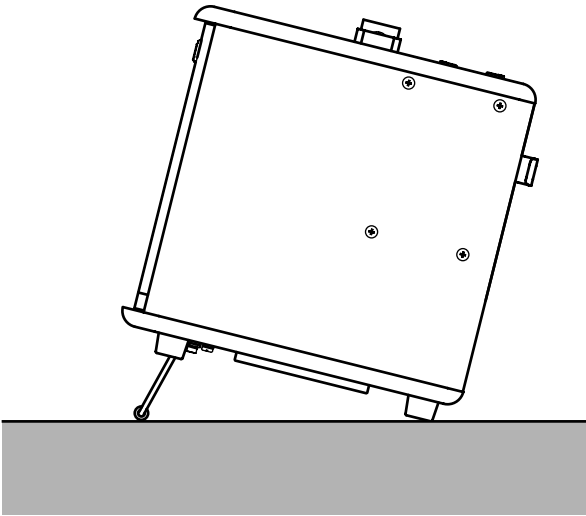
Magnetic Pickup (SELECT button = LINE)

You can balance the volume levels using each channel's VOLUME knob, and adjust the tone for each pickup to attain the optimal sound with the equalizer (BASS/MIDDLE/TREBLE) knobs.



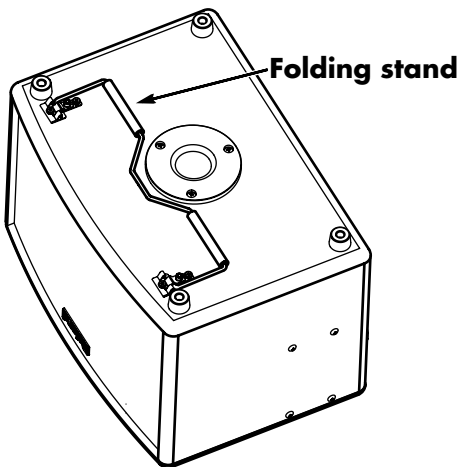
How to Use the Folding Stand

When using the AC-90 on floors, or in other low-lying positions, then setting up and using the folding stand can make it easier to hear the sound from the speakers.



NOTE

- When using the folding stand, always be sure to place it so the AC-90 remains level.
- When not using the folding stand, fold it up.



! WARNING

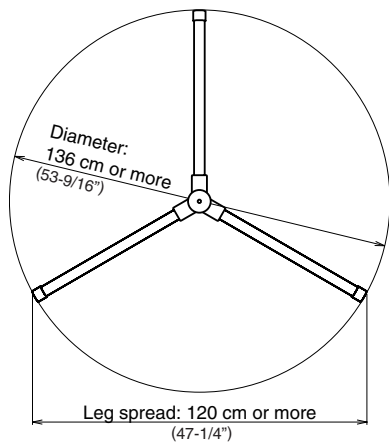
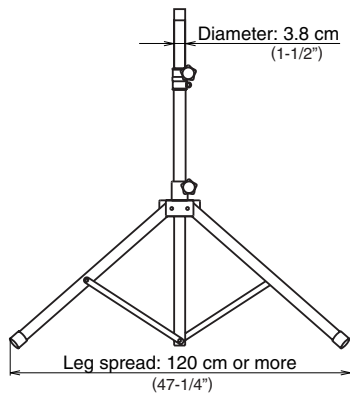
- Never lift up and carry the AC-90 by holding the folding stand.
- Never place any objects on top of the AC-90 when using the folding stand. Also, never sit or lean on the folding stand.
- When folding the folding stand, be careful not to pinch your fingers.

Using a Speaker Stand

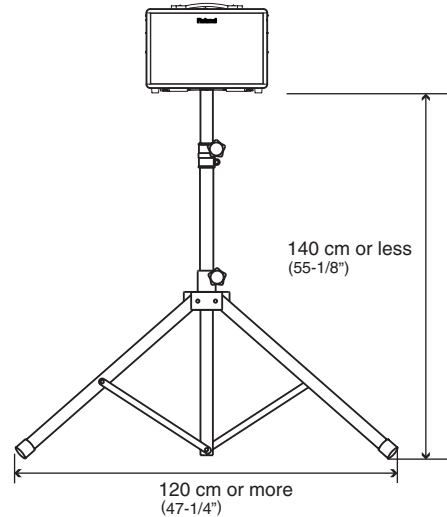
By using a speaker stand, you can mount the AC-90 at the optimal height for use as a monitor speaker or simple PA device.

WARNING

- The AC-90 is designed to be used only with speaker stands whose dimensions meet the specifications described below.
Do not use it with a speaker stand that does not meet the following specifications.



- Before use, adjust the speaker stand to a height of 140 cm (55-1/8") or less and a leg spread of 120 cm (47-1/4") or more, as shown in the figure below.



- Using a speaker stand that does not meet the specifications at left or that is adjusted to a height over 140 cm (55-1/8"), or a leg spread of less than 120 cm (47-1/4") may result in damage to equipment or injury due to the stand tipping over.
- When using the AC-90 with a speaker stand, the speaker stand must be carefully placed so it is level and sure to remain stable.
- Cables connected to the AC-90 should be given enough slack to prevent accidents that might result from someone tripping over them.
- To prevent accidents due to falls, do not place any object on the AC-90 when it's mounted on a speaker stand.
- Always have at least one other person assist you when mounting the AC-90 on a speaker stand, or when adjusting the height of the stand while the AC-90 remains mounted on it.

Hauptmerkmale

Der AC-90 ist ein speziell zur Verwendung mit akustischen Instrumenten entwickelter Hochleistungs-Monitorverstärker. Er ist in der Lage, den gesamten harmonischen Klangreichtum eines akustischen Instruments originalgetreu auszudrücken.

Kompakter Hochleistungs-Stereoverstärker

- Das fein abgestimmte Gehäusedesign ist dazu ausgelegt, den Klang akustischer Instrumente zu bereichern. In diesem Gehäuse befinden sich zwei 20-cm-Woofer, zwei Tweeter und ein 2 x 45 W-Stereoverstärker – die alle speziell für den AC-90 neu entwickelt wurden. Als Resultat ist das Gerät in der Lage, in einem breiten Frequenzspektrum einen natürlicheren Akustikinstrumentenklang zu erzeugen.
- Durch den so leicht wie möglich konstruierten Aktivverstärker und den Einsatz neuer Materialien für die Woofer wurde eine Verringerung des Gesamtgewichts des Geräts erreicht.

Zwei unabhängige Kanäle: GUITAR und MIC/LINE

- Zu jedem Kanal gehört ein 3-Band-Equalizer.
- Der GUITAR-Kanal kann sowohl für piezoelektrische als auch magnetische Tonabnehmer verwendet werden.
- Der MIC/LINE-Kanal bietet eine Phantomspeisung, die durch eine äußerst zuverlässige, dezidierte Phantomspeisungsschaltung mit einer Ausgangsspannung von 48 V erzeugt wird.
- Mit Hilfe des MIC/LINE-Kanals für LINE-Eingänge können Sie Gitarren mit magnetischen Tonabnehmern anschließen. Sie können auch einen piezoelektrischen (GUITAR-Kanal) und einen magnetischen Tonabnehmer (MIC/LINE-Kanal) gleichzeitig verwenden und die Klänge zusammenmischen.

Hochwertige Digitaleffekte

- Es stehen drei Arten von Stereo-Choruseffekten zur Verfügung. Dies sind der räumlich synthetisierte Chorus-Effekt „SPACE“, der Chorus-Effekt „RICH“ (der in Frequenzbänder unterteilt ist) und der Chorus-Effekt „WIDE“ (der ebenfalls in Frequenzbänder unterteilt ist, dabei aber eine noch größere Tragweite bietet).
- Speziell für akustische Instrumente entwickelter Stereo-Halleffekt (Reverb). Dieser ermöglicht Ihnen, dem Klang Raumwirkung und natürliche Substanz zu verleihen.
- Echoeffekte (Delay), die Klänge mit einer weichen und speziell auf akustische Instrumente abgestimmten Tonqualität erzeugen können.
- Ein optionaler Fußschalter zum Ein- und Ausschalten der Effekte verwendet werden.

Anti-Feedback-Funktion unterdrückt Rückkopplungen

- Die Anti-Feedback-Funktion bietet zwei Erkennungsarten für den Rückkopplungspunkt. Sie können die „Manual Settings“ (manuellen Einstellungen) verwenden, oder Sie können die „Auto Settings“ (automatischen Einstellungen) nutzen, mit denen der Rückkopplungspunkt automatisch erkannt wird.
- Sie können einen optionalen Fußschalter anschließen und diese Funktion mit dem Fuß steuern.

Stummschaltungsfunktion (Mute)

- Der Mute-Schalter macht es Ihnen leicht, den Klang der eigenen Lautsprecher des AC-90 sowie den Klang über LINE OUT stumm zu schalten. Mit Hilfe der Mute-Funktion können Sie die Gitarre geräuschlos anschließen und trennen. Außerdem können Sie, wenn Sie an TUNER OUT ein Stimmgerät anschließen, Ihr Instrument mit der Mute-Funktion stimmen, ohne dass Ton ausgegeben wird.
- Sie können einen optionalen Fußschalter anschließen und diese Funktion mit dem Fuß ein- und ausschalten.

Externe Eingangsbuchsen (AUX IN)

- Der Verstärker besitzt externe Eingangsbuchsen, an die Sie Stereosignale von einem CD-Spieler, einer Begleitungsmaschine oder einem anderen Gerät anschließen können.
- Die Eingänge verfügen sowohl über Cinch-Buchsen als auch 6,3-mm-Klinkenbuchsen, sodass praktisch jedes beliebige Gerät angeschlossen werden kann.

Mehrere Ausgangsanschlüsse

- Über den Ausgang DI OUT werden die von angeschlossenen Instrumenten und Mikrofonen eingehenden Signale direkt ausgegeben. Zudem können Sie ein Stimmgerät anschließen. Die Ausgabe über symmetrische Klinkenbuchsen wird unterstützt.
- Zu den Line-Ausgängen gehören neben den XLR-Anschlüssen für den Stereo-Ausgang auch 6,3-mm-Mono-Ausgangsbuchsen. Sie können einen einzigen AC-90 für alle Zwecke einsetzen.
- Zusätzlich besitzt der Verstärker einen Subwoofer-Ausgang. Wenn Sie einen Aktiv-Subwoofer anschließen, können Sie mit einem noch kraftvolleren, stärkeren unteren Frequenzbereich spielen.
- Der Verstärker ist darüber hinaus mit einer Kopfhörerbuchse ausgestattet, die Sie zum Spielen während der Nacht oder für Soundchecks nutzen können.

Praktische Aufstellmöglichkeiten

- Der Verstärker besitzt einen ausklappbaren Bügel, durch den der Winkel des Verstärkers bei Verwendung als Monitor verstellt werden kann.
- Mit dem Lautsprecherstativ-Adapter können Sie den AC-90 auf einem Lautsprecherstativ aufstellen. Dies erleichtert Ihnen die Verwendung des AC-90 bei Auftritten im Stehen und ermöglicht Ihnen, den Verstärker als einfache PA-Anlage zu verwenden.
- Im Lieferumfang ist auch ein Tragekoffer enthalten, damit das Gerät besser transportiert werden kann.

English

Deutsch

Français

Italiano

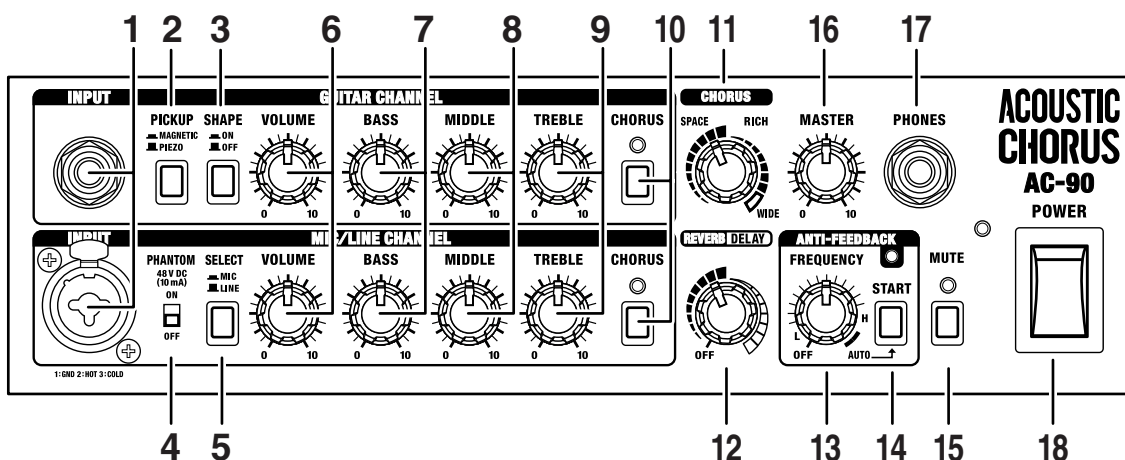
Español

Português

Nederlands

Bezeichnungen und Funktionen der Bedienelemente

Bedienfeld



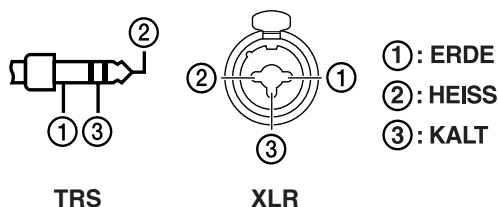
1. INPUT (Eingänge) (GUITAR CHANNEL)

Schließen Sie hier Gitarren an.

(MIC/LINE CHANNEL)

Schließen Sie hier Mikrofone und Geräte mit Line-Pegel an. Sie können auch Gitarren anschließen, deren Tonabnehmer Vorverstärker besitzen.

Es werden symmetrische Eingänge verwendet, sodass Sie 6,3-mm-Klinken- und XLR-Stecker anschließen können.



TIPP

Sie können die beiden Kanäle in Kombination verwenden. Siehe hierzu „Beispiel für die kombinierte Verwendung zweier Kanäle“ (S. 24).

* Je nach dem Aufstellort von Mikrofonen im Verhältnis zu den Lautsprechern könnten Rückkopplungen erzeugt werden. Dies können Sie beheben, indem Sie:

- Die Richtung des Mikrofons/der Mikrofone ändern.
- Das Mikrofon/die Mikrofone in größerer Entfernung von den Lautsprechern aufstellen.
- Die Lautstärkepegel herunterregeln.

2. Taste PICKUP (Tonabnehmer)

Hiermit schalten Sie die Eingangsschaltungen entweder für piezoelektrische oder für magnetische Tonabnehmer um, je nachdem, welche Tonabnehmerart die angeschlossene Gitarre besitzt. Drücken Sie die Taste für magnetische Tonabnehmer.

* Bringen Sie die Taste in die Stellung „MAGNETIC“, wenn Ihre Gitarre einen Aktivtonabnehmer mit Vorverstärker besitzt.

3. Taste SHAPE (Form)

Wenn Sie diese Taste einschalten (ON), wird der mittlere Frequenzbereich so modifiziert, dass ein strahlender Klang erzeugt wird, der sich zum Schlagen von Akkorden eignet. Dies betont die Saitenanschlagsklänge, so dass Sie die Saiten mit schärferen Ausdruck anschlagen können.

4. Schalter PHANTOM

Schaltet die Phantomspeisung ein und aus.

Schalten Sie diesen Schalter ein (ON), wenn Sie Mikrofone anschließen, die eine Phantomspeisung benötigen (Kondensatormikrofon usw.).

Schalten Sie ihn aus (OFF), wenn Sie Mikrofone, die keine Phantomspeisung benötigen, oder andere Geräte anschließen.

HINWEIS

- Gehen Sie in folgender Reihenfolge vor, wenn Sie Mikrofone anschließen, die eine Phantomspeisung benötigen:
 1. Schalten Sie den PHANTOM-Schalter aus.
 2. Schließen Sie das Mikrofon an.
 3. Schalten Sie den PHANTOM-Schalter ein.
- Wenn Mikrofone, die keine Phantomspeisung benötigen, oder andere Geräte mit eingeschalteter Phantomspeisung betrieben werden, kann dies zu Fehlfunktionen der Mikrofone bzw. Geräte führen. Achten Sie immer darauf, den Schalter auszuschalten, bevor Sie den Anschluss vornehmen.
- * Um die Schaltungen zu schützen, werden alle Ausgänge nach dem Ein- oder Ausschalten des PHANTOM-Schalters vorübergehend stumm geschaltet.
- * Die Phantomspeisung erfolgt nur über die XLR-Anschlüsse für den Eingang des MIC/LINE-Kanals.
- * Wenn Anschlüsse bei eingeschalteter Phantomspeisung vorgenommen oder getrennt werden, kann es zu Störgeräuschen kommen.

NOTIZ Phantomspeisung

Da sie verglichen mit dynamischen Mikrofonen ein breiteres Frequenzspektrum und eine bessere Klangqualität besitzen, werden für akustische Gitarren häufig Kondensatormikrofone verwendet. Für ihren Betrieb wird jedoch eine Stromquelle benötigt. Einige Kondensatormikrofone arbeiten zwar mit Batterien, die sich im Mikrofongehäuse befinden, doch in vielen Fällen wird die als „Phantomspeisung“ bezeichnete Art der Stromversorgung benötigt. Diese Stromversorgung nutzt das vorhandene Mikrofonkabel, um das Mikrofon mit Strom zu versorgen.

Die Phantomspeisung des AC-90 besitzt eine konstante Spannung von 48 V und entspricht somit den in Aufnahmestudios erforderlichen professionellen Spezifikationen.

5. Taste SELECT (Auswahl)

Schaltet den Eingangspegel passend für das angeschlossene Gerät um (Mikrofon oder Line-Pegel-Gerät).

Wenn mit der SELECT-Taste die Einstellung LINE ausgewählt wird, können Sie Gitarren mit magnetischen Tonabnehmern anschließen.

* Beachten Sie, dass die Lautstärke zunimmt, wenn der Schalter auf „MIC“ gestellt wird, während ein Gerät mit Line-Pegel-Ausgang angeschlossen ist.

6. Regler VOLUME (Lautstärke)

(GUITAR CHANNEL)

Reguliert die Lautstärke des GUITAR-Kanals.

* Um dem geringeren Ausgangspegel von piezoelektrischen Tonabnehmern Rechnung zu tragen, ist der Lautstärkepegel, wenn sich der VOLUME-Regler zwischen den Stellungen 7 und 10 befindet, bei auf PIEZO gestellter PICKUP-Taste verglichen mit der MAGNETIC-Einstellung etwas höher.

(MIC/LINE CHANNEL)

Reguliert die Lautstärke des MIC/LINE-Kanals.

* Wenn Sie den AC-90 mit gemischtem GUITAR- und MIC/LINE-Kanal verwenden, stellen Sie mit dem VOLUME-Regler die Lautstärkebalance zwischen den beiden Kanälen ein.

7. Regler BASS

Regeln den Pegel des tiefen Frequenzbereichs.

8. Regler MIDDLE (Mitten)

Regeln den Pegel des mittleren Frequenzbereichs.

9. Regler TREBLE (Höhen)

Regeln den Pegel des hohen Frequenzbereichs.

NOTIZ

Die Klangfarbe akustischer Instrumente kann von einem Instrument zum nächsten enorm variieren. Die gewünschte Art des Klangs variiert ebenfalls je nachdem, wie ein Instrument in einem bestimmten Ensemble eingesetzt wird. Verwenden Sie aktiv die Regler BASS, MIDDLE und TREBLE, um die Klangfarbe so einzustellen, dass sie zu dem von Ihnen verwendeten Instrument und den Umständen passt, in denen es verwendet wird.

(Beispiel)

- Wenn Sie den AC-90 mit Lautsprecherstativ aufgestellt verwenden, möchten Sie vielleicht den BASS-Regler hochdrehen, damit der Tiefenbereich besser wahrgenommen wird.
- Wenn der Klang zu scharf wirkt, beispielsweise unmittelbar nach dem Wechseln der Saiten, möchten Sie vielleicht den TREBLE-Regler herunterdrehen, um die hohen Frequenzen zu dämpfen.

10. Tasten CHORUS

Schalten den Chorus-Effekt ein und aus.

Wenn er eingeschaltet ist, leuchtet die Anzeigelampe.

NOTIZ

Sie können den Chorus-Effekt mit einem Fußschalter (dem optionalen BOSS FS-5U) ein- und ausschalten. Das Ein- und Ausschalten des Chorus-Effekts mit dem Fußschalter funktioniert auf beiden Kanälen.

11. Regler CHORUS

Drehen Sie diesen Regler, um unter den drei Typen des Chorus-Effekts zu wählen (SPACE, RICH und WIDE).

Durch Verstellen des Reglers können Sie einstellen, mit welcher Intensität der Effekt angewendet wird.

- * Diese Funktion ist aktiviert, wenn sich die CHORUS-Taste in der Stellung ON befindet.
- * Die Stellungsmarkierungen der Effektarten SPACE und RICH sind Näherungsangaben. Hören Sie sich den Klang an, während Sie die Einstellungen vornehmen, um die Effektwirkung zu überprüfen.

SPACE (Raum)

Dies ist ein räumlich synthetisierter Chorus-Effekt. Beim räumlich synthetisierten Chorus-Effekt, einer nur in Stereo verfügbaren Methode, wird der Chorus-Effekt erzeugt, indem der Klang vom rechten Lautsprecher (von dem der Effektklang ausgeht) und der Klang vom linken Lautsprecher (der den direkten Klang ausgibt) im tatsächlichen Raum gemischt werden. Dadurch entsteht eine größere seitliche Streuung, als wenn die Klänge elektronisch gemischt werden, was einen natürlicheren Eindruck von Breite hervorruft.

RICH (Voll)

Dies ist ein in drei Frequenzbereiche unterteilter Stereo-Chorus-Effekt.

Hier ist der Effekt in drei Bänder getrennt, tiefe, mittlere und hohe Frequenzen, und die Anwendung der am besten geeigneten Intensität des Chorus-Effekts in jedem Bereich erzeugt einen Eindruck von Klangfülle und -breite, der perfekt zur akustischen Gitarre passt.

Der untere Frequenzbereich befindet sich stabil in der Mitte, und der Klang breitet sich mehr und mehr aus, während der Klang vom mittleren Bereich in die höheren Frequenzen hinaufsteigt.

WIDE (Breit)

Dieser Chorus-Effekt stützt sich ebenfalls auf die Unterteilung des Klangs in getrennte Frequenzbänder, bietet aber ein noch größeres Ausdehnungsvermögen als RICH.

Das Klangbild breitet sich über die Lautsprecher des AC-90 hinaus aus und erzeugt einen Effekt, der den Zuhörer in den Klang einzuhüllen scheint.

12. Regler REVERB/DELAY (Hall/Echo)

Durch Verstellen dieses Reglers können Sie zwischen dem Hall- und dem Echo-Effekt umschalten.

Durch Verstellen des Reglers können Sie einstellen, mit welcher Intensität der Effekt angewendet wird.

- * Drehen Sie den Regler auf „OFF“ (Aus), wenn Sie den Hall- oder Echo-Effekt nicht verwenden möchten.
- * Die Stellungsmarkierungen der Typen REVERB und DELAY sind Näherungsangaben. Hören Sie sich den Klang an, während Sie die Einstellungen vornehmen, um die Effektwirkung zu überprüfen.

REVERB (Hall)

Dieser speziell für akustische Instrumente entwickelte Stereo-Halleffekt erzeugt den Eindruck von Räumlichkeit und natürlicher Klangqualität.

Drehen Sie den Regler, um die Lautstärke des Hall-Effekts einzustellen.

DELAY (Echo)

Dieser speziell für akustische Instrumente entwickelte Echo-Effekt fügt dem ursprünglichen Klang weiche Reflexionen hinzu.

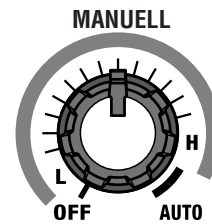
Drehen Sie den Regler, um die Verzögerungszeit zu ändern.

- * Sie können den Hall- und den Echo-Effekt mit einem Fußschalter (dem optionalen BOSS FS-5U) ein- und ausschalten.

13. Regler FREQUENCY (Frequenz)

Wählt die Frequenz aus, bei der die Anti-Feedback-Funktion arbeitet.

Außerdem bestimmt die Stellung des Reglers, ob die automatischen oder die manuellen Einstellungen ausgewählt sind.



- * Drehen Sie den Regler auf „OFF“ (Aus), wenn Sie den Anti-Feedback-Effekt nicht verwenden möchten.

14. Taste START

Wird für Auto-Einstellungen verwendet (S. 21). Beim Drücken der Taste wird die automatische Erkennung pfeifender Rückkopplungsfrequenzen durchgeführt.

Die Anzeigeleuchten zeigen den Betriebszustand der automatischen Erkennungsfunktion an.

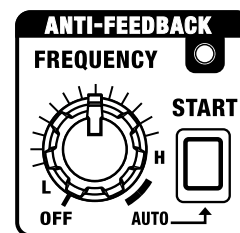
Bereitschaftszustand: Langsames Blinken

Während der Erkennung: Schnelles Blinken

Nach der Erkennung: Dauerhaftes Leuchten

- * Wenn die START-Taste mindestens eine Sekunde lang gedrückt wird, kehrt das Gerät in den Bereitschaftszustand für die automatische Erkennung zurück.

Verwendung der ANTI-FEEDBACK-Funktion



Mit der Anti-Feedback-Funktion werden Rückkopplungen eingedämmt, die zwischen Gitarre bzw. Mikrofon und dem Verstärker entstehen.

Die Rückkopplung wird unterdrückt, indem die Frequenz, bei der sie auftritt, abgeschwächt wird.

- * Diese Funktion ist nicht für die Unterdrückung von Hochfrequenz-Rückkopplungen ausgelegt, die beim Verwenden von Mikrofonen auftreten können.

Die Anti-Feedback-Funktion kann auf zwei verschiedene Arten verwendet werden; Sie können entweder die automatischen Einstellungen oder die manuellen Einstellungen nutzen.

- * Verwenden Sie eine dieser Einstellungsarten, wenn pfeifende Rückkopplungen auftreten.

NOTIZ Rückkopplung

Dies ist ein Phänomen, bei dem von den Lautsprechern ausgegebene Signale wieder vom Mikrofon oder Tonabnehmer aufgenommen werden und der Klang weiter verstärkt und von den Lautsprechern ausgegeben wird, was zu einem unangenehmen oszillierenden Klang führt.

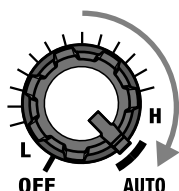
- * Wenn die Anti-Feedback-Funktion allein die Rückkopplung nicht eindämmt, passen Sie Ihre Einstellungen an, in dem Sie beispielsweise die Lautstärke verringern oder die tiefen Frequenzen reduzieren.
- * Um Rückkopplungen bei einem Auftritt zu verhindern, empfehlen wir Ihnen, die Anti-Feedback-Einstellung vor dem Auftritt vorzunehmen.

Automatisches Einstellen des Rückkopplungspunkts

Dadurch wird die Frequenz, bei eine Rückkopplung auftritt, automatisch erkannt und die Rückkopplung unterdrückt.

* *Verwenden Sie diese Funktion beim Auftreten von Rückkopplungen.*

1. Erzeugen Sie eine pfeifende Rückkopplung.
2. Drehen Sie den FREQUENCY-Regler auf die Stellung „AUTO“.



Die ANTI-FEEDBACK-Anzeigeleuchte blinkt langsam, und die automatische Erkennung geht in den Bereitschaftszustand.

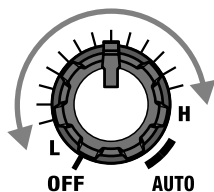
3. Drücken Sie die START-Taste.

Die automatische Erkennung des Rückkopplungspunkts beginnt. Die Leuchte blinkt rasch, während die Erkennung fortschreitet, und wenn der Rückkopplungspunkt gefunden ist, leuchtet sie stetig. Wenn kein Rückkopplungspunkt erkannt wird, blinkt die Leuchte langsam, und die automatische Erkennungsfunktion kehrt in den Bereitschaftszustand zurück.

4. Drücken Sie noch einmal die START-Taste, um die automatische Erkennung erneut durchzuführen.

Manuelles Einstellen des Rückkopplungspunkts

1. Erzeugen Sie eine pfeifende Rückkopplung.
2. Drehen Sie den Regler, so dass Sie sich durch den Bereich von L (tief) bis H (hoch) bewegen (die ANTI-FEEDBACK-Anzeigeleuchte leuchtet auf), um nach der Frequenz zu suchen, bei der die Rückkopplung unterdrückt werden soll.



Durch Drehen des Reglers im Uhrzeigersinn werden fortschreitend mehr Höhenrückkopplungen unterdrückt, durch Drehen gegen den Uhrzeigersinn fortschreitend mehr Bassrückkopplungen.

NOTIZ

Sie können einen Fußschalter (den optionalen BOSS FS-5U) benutzen, um die automatische Erkennung der Rückkopplungsfrequenz durchzuführen oder die Anti-Feedback-Funktion ein- und auszuschalten.

TIPP

Sie können die Anti-Feedback-Funktion auch dann verwenden, wenn Rückkopplungen kein Problem darstellen. Beispielsweise können Sie sie verwenden, um unerwünschte Resonanzen im unteren bis mittleren Frequenzbereich zu unterdrücken sowie um andere Probleme mit der Klangqualität zu beheben.

15. Taste MUTE (Stummschaltung)

Schaltet die Mute-Funktion ein und aus.

Wenn Sie die Taste drücken, blinkt die MUTE-Anzeigeleuchte, die Stummschaltung wird aktiviert, und der Lautsprecherausgang sowie die Klangausgabe über SUB WOOFER OUT und LINE OUT werden stumm geschaltet.

Bei aktivierter Mute-Funktion brauchen Sie den VOLUME-Regler oder MASTER-Regler nicht herunterzudrehen, um Störgeräusche beim Ein- oder Ausstecken Ihrer Gitarre stumm zu schalten.

* *Die Klangausgabe über die Buchsen DI OUT/TUNER OUT und PHONES wird nicht stumm geschaltet.*

TIPP

Wenn Sie ein Stimmgerät (optional) an die Buchse DI OUT/TUNER OUT anschließen und dann die MUTE-Taste drücken, können Sie Ihr Instrument stimmen, ohne dass der Klang von den Lautsprechern ausgegeben wird.

NOTIZ

Sie können die Stummschaltung mit einem Fußschalter (dem optionalen BOSS FS-5U) aktivieren und aufheben (S. 23).

16. Regler MASTER (Gesamtlautstärke)

Reguliert den Gesamtlautstärkepegel.

* *LINE OUT kann nicht eingestellt werden.*

17. Buchse PHONES (Kopfhörer)

Hier kann ein Kopfhörer angeschlossen werden. Über die Lautsprechern und den Ausgang SUB WOOFER OUT wird kein Klang ausgegeben, wenn ein Kopfhörer angeschlossen ist.

18. Schalter POWER (Netzschalter)

Schaltet den AC-90 ein und aus.

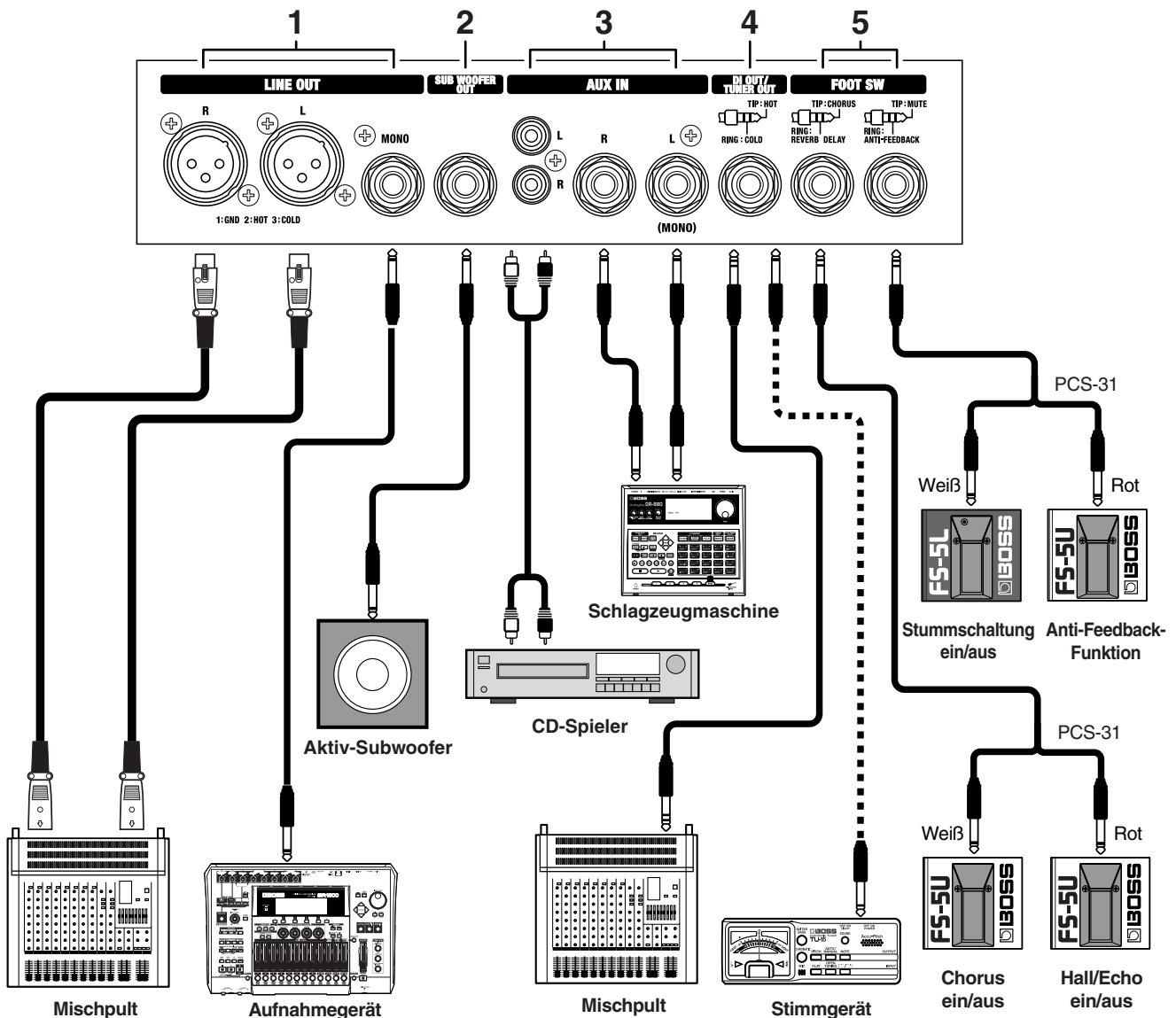
Die POWER-Anzeige leuchtet, wenn das Gerät eingeschaltet ist.

* *Wenn Sie die Stromversorgung vollständig unterbrechen müssen, schalten Sie erst den POWER-Schalter aus und ziehen Sie dann das Netzkabel aus der Steckdose. Siehe **Power Supply** (S. 5).*

* *Aufgrund einer Schaltungsschutzfunktion dauert es nach dem Einschalten einen Moment, bis dieses Gerät für den normalen Betrieb bereit ist.*

* *Achten Sie immer darauf, die Lautstärke herunterzuregulieren, bevor Sie das Gerät einschalten. Auch bei vollständig heruntergeregelter Lautstärke hören Sie beim Einschalten möglicherweise einen Klang, aber das ist normal und stellt keine Fehlfunktion dar.*

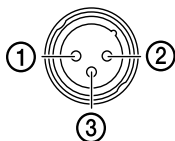
Rückseite



* Wenn Verbindungskabel mit Widerständen verwendet werden, kann es sein, dass der Lautstärkepegel der an die Eingänge angeschlossenen Geräte niedrig ist. Sollte dies eintreten, verwenden Sie Verbindungskabel, die keine Widerstände enthalten.

1. Buchsen LINE OUT

Hier können Sie ein Mischpult, ein Aufnahmegerät oder ein anderes Gerät anschließen. Der Ausgangspegel beträgt +4 dBu. Hier befinden sich XLR-Anschlüsse (L/R: Stereoausgang) und eine 6,3-mm-Klinkenbuchse (Monoausgang).



- ①: ERDE
- ②: HEISS
- ③: KALT

* Die Lautstärke für LINE OUT können Sie nicht mit dem MASTER-Regler einstellen.

* Die Chorus-Effekte sind so konzipiert, dass sie die größte Wirkung zeigen, wenn Sie die eingebauten Lautsprecher des Geräts verwenden. Die Wirkung kann abweichen, wenn LINE OUT anstelle der eingebauten Lautsprecher verwendet wird.

2. Buchse SUB WOOFER OUT

Hier können Sie einen Aktiv-Subwoofer anschließen, um Klänge mit einem noch kraftvolleren, stärkeren unteren Frequenzbereich wiederzugeben.

Die Lautstärke wird mit dem MASTER-Regler eingestellt.

3. Buchsen AUX IN

Hier können Sie einen CD-Player, eine Schlagzeugmaschine oder ein anderes Gerät anschließen und deren Klänge in Stereo wiedergeben. Es stehen sowohl Cinch-Buchsen als auch 6,3-mm-Klinkenbuchsen zur Verfügung. Wird ein Gerät nur an die linke 6,3-mm-Klinkenbuchse angeschlossen, erfolgt die Wiedergabe in Mono.

Das Eingangssignal über AUX IN wird von den Lautsprechern sowie über PHONES und SUB WOOFER OUT ausgegeben, nicht aber über LINE OUT. Die Lautstärke wird mit dem MASTER-Regler eingestellt, und die

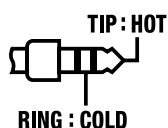
Stummschaltung für diese Klänge wird mit der MUTE-Taste aktiviert/aufgehoben.

Wenn Geräte sowohl an die Cinch-Buchsen als auch an die 6,3-mm-Klinkenbuchsen angeschlossen sind, werden die beiden Eingangssignale gemischt.

4. Buchse DI OUT/TUNER OUT

Über diese Buchse wird der Direktklang des Geräts oder Instruments ausgegeben, das an den GUITAR- oder MIC/ LINE-Kanal angeschlossen ist. Dies ist eine 6,3-mm-Klinkenbuchse mit symmetrischem Ausgang.

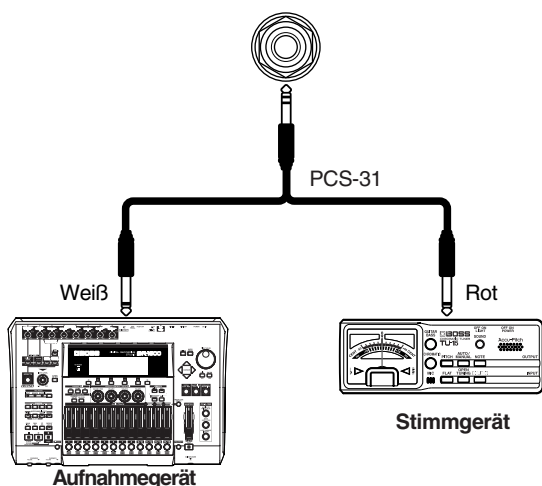
An diese Buchse können Sie auch ein Stimmgerät anschließen.



- * Wenn kein symmetrischer Ausgang benötigt wird, nehmen Sie den Anschluss über diese Buchse mit einem 6,3-mm-Klinkenstecker (Mono) vor.

TIPP

Wenn kein symmetrischer Ausgang benötigt wird, können Sie das Spezialverbindungskabel (das optionale PCS-31) verwenden, um die Buchsen DI OUT und TUNER OUT gleichzeitig zu nutzen.



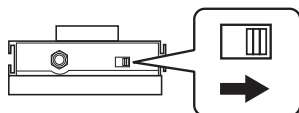
HINWEIS

Von der KALTEN Seite (der roten Seite des PCS-31) wird ein Signal mit umgekehrter Phase ausgegeben. Schließen Sie das Aufnahmegerät an die HEISSE Seite an (die weiße Seite des PCS-31).

5. Buchsen FOOT SW (Fußschalter)

An den AC-90 können die Fußschalterpedale BOSS FS-5L (rastender Schalter), BOSS FS-5U (Taster) und BOSS FS-6 angeschlossen werden.

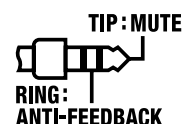
- * Stellen Sie den Polaritätsschalter wie nachstehend gezeigt ein.



(MUTE, ANTI-FEEDBACK)

Durch Anschließen eines Fußschalterpedals (optionales BOSS FS-5L, FS-5U oder FS-6) über ein Verbindungskabel (das optionale PCS-31) wird es möglich, einen rastenden Fußschalter (den FS-5L oder FS-6) zum Aktivieren und Aufheben der Stummschaltung zu verwenden oder einen Tastfußschalter (den FS-5U oder FS-6) zum Steuern der Anti-Feedback-Funktion zu verwenden.

- * Informationen zu den Einstellungen für den FS-6 finden Sie in der Bedienungsanleitung für den FS-6.



Wenn eine 6,3-mm-Klinkenbuchse (Mono) verwendet wird, um nur einen Fußschalter anzuschließen, ist nur die Mute-Ein/ Aus-Funktion aktiviert. In solchen Fällen sollten Sie ein rastendes Fußschalterpedal benutzen (beispielsweise das BOSS FS-5L).

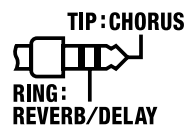
- * Die MUTE-Taste muss ausgeschaltet sein, wenn für die Stummschaltung ein Fußschalter angeschlossen ist. Sie können die Stummschaltung nicht durch Betätigen des Fußschalters aufheben, wenn die MUTE-Taste eingeschaltet ist (wenn die MUTE-Anzeige leuchtet).
- * Wenn ein FS-5U (Taster) zum Aktivieren und Aufheben der Stummschaltung verwendet wird, wird die Stummschaltung nur bei gedrückt gehaltenem Schalter aktiviert.

Für die Anti-Feedback-Funktion fungiert ein Fußschalter folgendermaßen:

- Wenn der FREQUENCY-Regler auf den Bereich zwischen L bis H eingestellt ist, schaltet der Schalter die Anti-Feedback-Funktion ein und aus.
- Wenn der FREQUENCY-Schalter auf AUTO steht, fungiert der Schalter als START-Schalter für die automatische Erkennung. Wenn der Fußschalter mindestens eine Sekunde lang gedrückt wird, kehrt das Gerät in den Bereitschaftszustand für die automatische Erkennungsfunktion zurück.

(CHORUS, DELAY/REVERB)

Wenn Sie ein Spezialverbindungskabel (das optionale PCS-31) zum Anschließen von zwei Fußschaltern verwenden (BOSS FS-5U, optional), können Sie mit einem FS-5U den Chorus-Effekt ein- und ausschalten und mit dem anderen FS-5U den Hall- bzw. Echo-Effekt ein- und ausschalten.



Wenn eine 6,3-mm-Klinkenbuchse (Mono) verwendet wird, um nur einen Fußschalter anzuschließen, ist nur die Chorus-Ein/ Aus-Funktion aktiviert.

- * Die Chorus-Ein/Aus-Funktion wirkt auf beide Kanäle.
- * Sie können den Chorus-Effekt nicht durch Betätigen des Fußschalters ein- und ausschalten, wenn die CHORUS-Taste ausgeschaltet ist.

Beispiel für die kombinierte Verwendung zweier Kanäle

Wenn ein Mikrofon und ein Tonabnehmer verwendet werden

GUITAR CHANNEL:

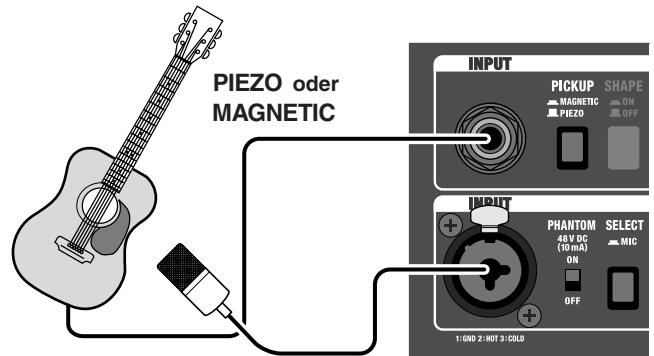
Piezoelektrischer oder magnetischer Tonabnehmer

MIC/LINE CHANNEL:

Kondensator- oder dynamisches Mikrofon (SELECT-Taste = MIC)

Dies ermöglicht Ihnen, den fetten Mittenbereich des Tonabnehmers mit dem zarten hohen Frequenzbereich des Mikrofons zu mischen.

Schalten Sie den PHANTOM-Schalter ein (ON), wenn Sie ein Kondensatormikrofon verwenden.



Kondensatormikrofon oder dynamisches Mikrofon

Bei Verwendung von zwei Gitarren

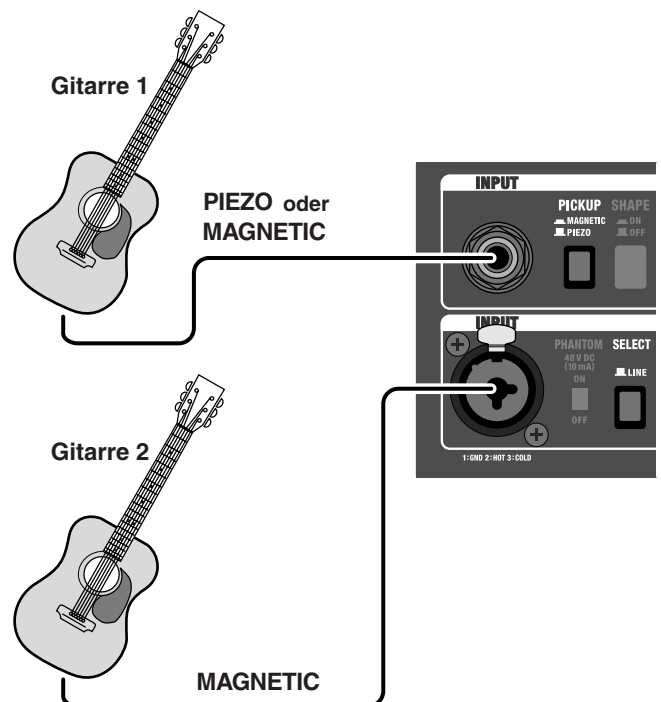
GUITAR CHANNEL:

Gitarre 1 Piezoelektrischer oder magnetischer Tonabnehmer

MIC/LINE CHANNEL:

Gitarre 2 Magnetischer Tonabnehmer (SELECT-Taste = LINE)

Sie können die Gitarren wechseln, ohne Lautstärke und Klangfarbe neu einstellen zu müssen.



Bei Verwendung einer Gitarre mit zwei Tonabnehmertypen

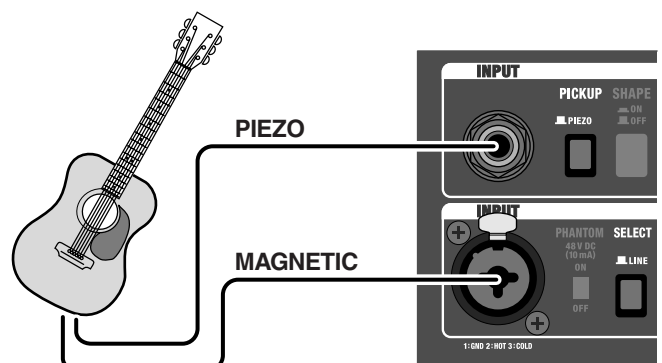
GUITAR CHANNEL:

Piezoelektrischer Tonabnehmer (PICKUP-Taste = PIEZO)

MIC/LINE CHANNEL:

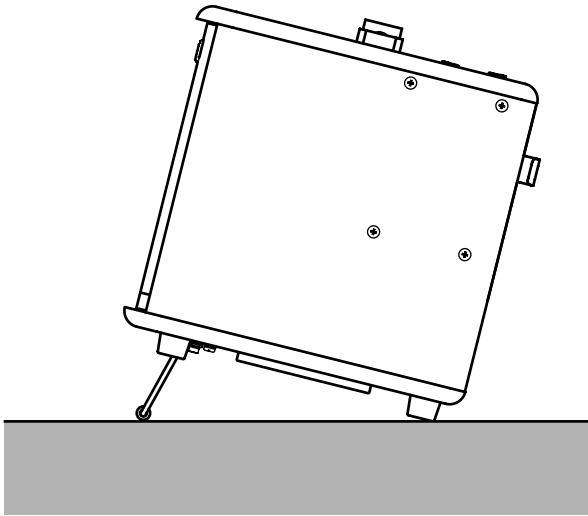
Magnetischer Tonabnehmer (SELECT-Taste = LINE)

Sie können die Lautstärkebalance mit den VOLUME-Reglern der einzelnen Kanäle einstellen und die Klangfarbe jedes Tonabnehmers mit den Equalizer-Reglern (BASS/MIDDLE/TREBLE) einstellen, um den optimalen Klang zu erreichen.



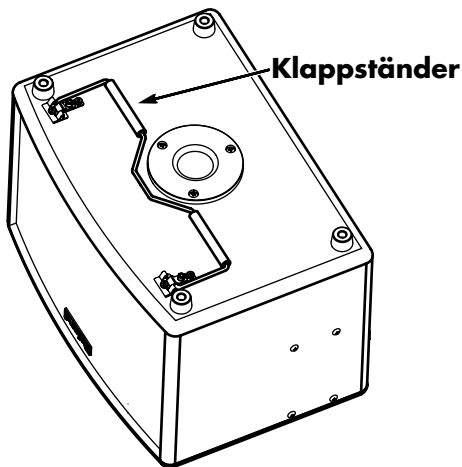
Verwendung des ausklappbaren Bügels

Wenn der AC-90 ebenerdig oder an anderen niedrigen Positionen verwendet wird, kann der Klang von den Lautsprechern durch Ausklappen des Bügels leichter hörbar gemacht werden.



HINWEIS

- Wenn Sie den Bügel benutzen, achten Sie immer darauf, ihn so zu platzieren, dass der AC-90 weiterhin einen sicheren Stand hat.
- Wenn Sie den Bügel nicht verwenden, klappen Sie ihn ein.



⚠ VORSICHT

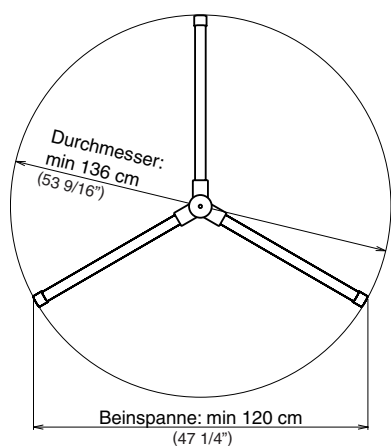
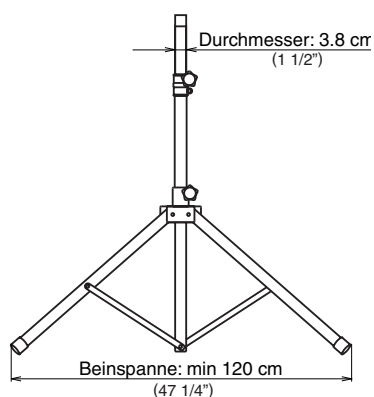
- Heben und tragen Sie den AC-90 nie am Bügel.
- Legen Sie nie Gegenstände auf den AC-90, wenn Sie den Bügel verwenden. Setzen oder lehnen Sie sich auch nie auf den Bügel.
- Achten Sie beim Einklappen des Bügels darauf, sich nicht die Finger einzuklemmen.

Verwenden eines Lautsprecherstativs

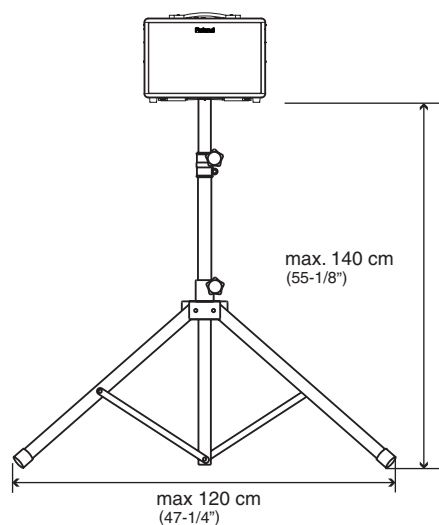
Durch Verwenden eines Lautsprecherstativs können Sie den AC-90 auf optimaler Höhe anbringen, um ihn als Monitorlautsprecher oder einfache PA-Anlage zu nutzen.

! VORSICHT

- Der AC-90 ist nur zur Verwendung mit Lautsprecherstativen konzipiert, deren Abmessungen den nachstehend beschriebenen Spezifikationen entsprechen.
Verwenden Sie ihn nicht mit einem Lautsprecherstativ, das den folgenden Spezifikationen nicht entspricht.



- Stellen Sie das Lautsprecherstativ, bevor Sie es verwenden, auf eine Höhe von maximal 140 cm (55 1/8 Zoll) und eine Beinspanne von mindestens 120 cm (47 1/4 Zoll) ein (siehe nachstehende Abbildung).



- Bei Verwendung eines Lautsprecherstativs, das nicht den links nebenstehenden Spezifikationen entspricht oder das auf eine Höhe von über 140 cm (55 1/8 Zoll) oder auf eine Beinspanne von weniger als 120 cm (47 1/4 Zoll) eingestellt ist, kann es durch ein Umkippen des Stativs zu Beschädigungen an Geräten oder zu Verletzungen kommen.
- Wenn der AC-90 mit einem Lautsprecherstativ verwendet wird, muss das Lautsprecherstativ sorgfältig so platziert werden, dass es gerade und zuverlässig stabil steht.
- An den AC-90 angeschlossene Kabel sollten lose genug verlegt sein, um Unfälle zu verhindern, die dadurch entstehen könnten, dass jemand über sie stolpert.
- Um Unfälle durch Stürze zu verhindern, legen oder stellen Sie keine Gegenstände auf den AC-90, wenn er auf einem Lautsprecherstativ montiert ist.
- Lassen Sie sich immer von mindestens einer weiteren Person helfen, wenn Sie den AC-90 auf einem Lautsprecherstativ montieren, oder wenn Sie die Höhe des Stativs verstellen, während der AC-90 darauf montiert bleibt.

Caractéristiques principales

L'amplificateur AC-90 est un appareil très performant conçu exclusivement pour des instruments acoustiques. Il est capable d'exprimer avec fidélité toute la richesse harmonique du son d'un instrument acoustique.

Amplificateur stéréo compact hautes performances

- Le caisson finement dessiné est conçu pour améliorer le son des instruments acoustiques. Il contient deux haut-parleurs de graves de 20 cm, deux haut-parleurs d'aigus et un amplificateur stéréo 45 W + 45 W. Tous ces éléments ont été élaborés expressément pour l'amplificateur AC-90. Par conséquent, l'appareil est capable de fournir un son instrumental acoustique plus naturel sur une large bande de fréquences.
- Grâce à un amplificateur de puissance conçu pour être le plus léger possible et à l'utilisation de nouveaux matériaux pour les haut-parleurs de graves, le poids de l'appareil a diminué.

Deux canaux indépendants : GUITAR et MIC/LINE

- Chaque canal comporte un égaliseur 3 bandes.
- Le canal GUITAR gère à la fois les pickups piézo et les pickups magnétiques.
- Le canal MIC/LINE fournit une alimentation fantôme produite par un circuit fantôme dédié très fiable d'une puissance de sortie de 48 V.
- Le canal MIC/LINE pour l'entrée LINE vous permet de connecter des guitares avec pickups magnétiques. Vous pouvez également utiliser simultanément un pickup piézo (canal GUITAR) et un pickup magnétique (canal MIC/LINE) et mixer les sons ensemble.

Effets numériques haute qualité

- Trois sortes d'effets chorus stéréo sont possibles. Chorus « SPACE » synthétisé dans l'espace, chorus « RICH » (divisé en bandes de fréquences) et chorus « WIDE » (également divisé en bandes de fréquences tout en offrant plus de souplesse).
- Réverbération stéréo développée spécialement pour les instruments acoustiques. Elle vous permet d'ajouter de l'amplitude et une touche de naturel au son.
- Effets « delay » (retard) pouvant produire un son doux spécifiquement élaboré pour les instruments acoustiques.
- Une pédale disponible en option permet également d'activer et de désactiver les effets.

Fonction anti-feedback

- L'anti-feedback offre deux possibilités de détecter le point de feedback. Vous disposez de paramètres manuels et de paramètres automatiques, lesquels servent à la détection automatique du point de feedback.
- Vous pouvez connecter une pédale en option et activer cette fonction avec le pied.

Fonction MUTE (mode Silencieux)

- Le bouton MUTE simplifie la désactivation des sons des haut-parleurs de l'amplificateur AC-90 et de la sortie LINE OUT. Grâce à cette fonction, vous pouvez brancher et débrancher votre guitare sans bruit. De plus, lorsqu'un tuner est relié à la prise TUNER OUT, la fonction MUTE vous permet d'accorder votre instrument en silence.
- Vous pouvez connecter une pédale en option et activer cette fonction avec le pied.

Prises d'entrée externes (AUX IN)

- Prises d'entrée externes permettant de connecter un lecteur CD, un appareil auxiliaire ou tout autre dispositif stéréo.
- Prises phono RCA et jacks 1/4" permettant de connecter tout type d'appareil.

Plusieurs connecteurs de sortie

- Sortie DI qui vous permet d'émettre directement des signaux à partir d'instruments et de micros connectés. Vous pouvez également y relier un tuner. Sortie symétrique TRS prise en charge.
- Parmi les prises de sortie : prises de sortie mono 1/4" en plus de connecteurs XLR pour sortie stéréo. Il est possible d'utiliser un seul amplificateur AC-90 pour toutes les applications.
- Une prise pour caisson de basse est également présente. Un caisson de basse sous tension permet d'obtenir un son grave plus puissant, plus incisif.
- L'amplificateur est également doté d'une prise casque, utile pour jouer la nuit et pour contrôler le son.

Fonctions de positionnement pratiques

- Son pied pliant vous permet de changer l'angle de l'amplificateur lors de contrôles.
- Un adaptateur permet de relier l'amplificateur AC-90 à un pied pour haut-parleur. L'amplificateur AC-90 est ainsi plus facile à utiliser lorsque vous jouez debout et vous pouvez l'utiliser comme simple préamplificateur.
- L'amplificateur est livré avec une housse de transport.

English

Deutsch

Français

Italiano

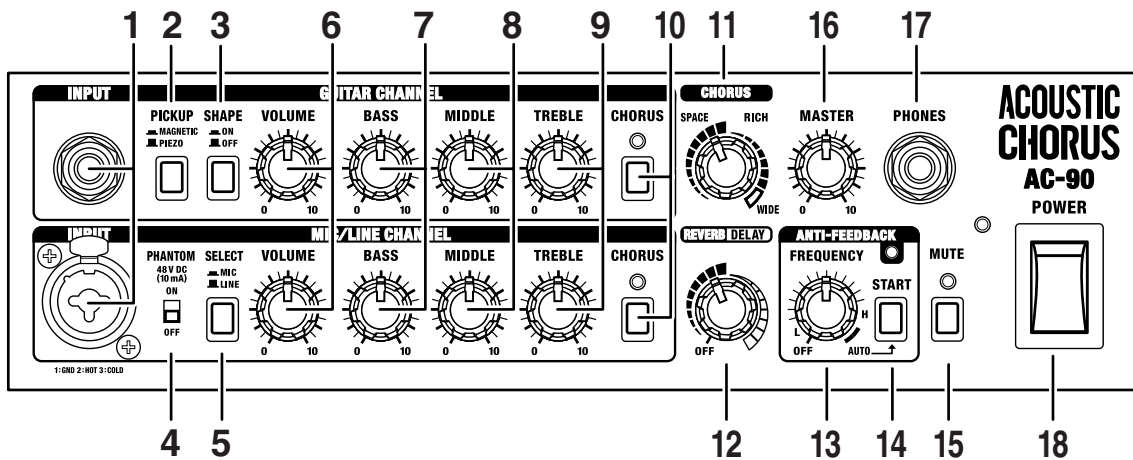
Español

Português

Nederlands

Noms et fonctions des éléments

Panneau de commande



1. INPUT

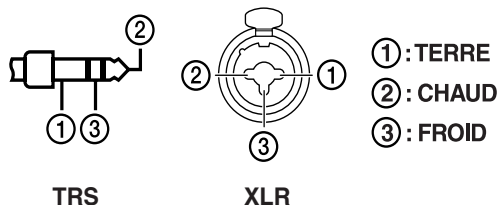
(GUITAR CHANNEL)

Connectez les guitares ici.

(MIC/LINE CHANNEL)

Connectez les micros et appareils de niveau ligne ici. Vous pouvez également connecter des guitares avec pickups équipés de préamplificateurs.

Gère l'entrée symétrique, ce qui vous permet de connecter des prises TRS 1/4" et des connecteurs XLR.



CONSEIL

Vous pouvez utiliser les deux canaux ensemble.

Voir la section « Exemple d'utilisation de deux canaux ensemble » (p. 34).

* Selon l'emplacement des microphones par rapport aux haut-parleurs, un effet de feedback peut être généré. Pour y remédier :

- Changez l'orientation des microphones.
- Éloignez les microphones des haut-parleurs.
- Baissez le volume.

2. Bouton PICKUP

Ce bouton permet de commuter entre un pickup piézo et un pickup magnétique, selon le type de pickup dont dispose la guitare connectée. Appuyez sur le bouton pour les pickups magnétiques.

* Choisissez « MAGNETIC » si votre guitare dispose d'un pickup actif équipé d'un préamplificateur.

3. Bouton SHAPE

Sur la position ON, ce bouton modifie les fréquences moyennes pour créer un son clair, adapté aux raclements de cordes.

Accentue les sons « effleurés » et vous permet de gratter vos cordes plus nerveusement.

4. Interrupteur PHANTOM

Active ou désactive l'alimentation fantôme.

Placez l'interrupteur en position ON lorsque vous connectez des micros qui nécessitent une alimentation fantôme (micros électrostatiques, etc.).

Placez l'interrupteur en position OFF lorsque vous connectez des micros qui ne nécessitent pas d'alimentation fantôme ou d'autres appareils.

REMARQUE

- Pour connecter des micros qui nécessitent une alimentation fantôme, procédez comme suit :

1. Placez l'interrupteur PHANTOM sur OFF.

2. Connectez le micro.

3. Placez l'interrupteur PHANTOM sur ON.

- Si vous fournissez une alimentation fantôme à des micros ou des appareils qui n'en ont pas besoin, ils risquent de ne pas fonctionner correctement. Veillez à toujours positionner l'interrupteur sur OFF avant de connecter un appareil.

* Pour protéger le circuit électrique, toutes les sorties passent momentanément en mode Silencieux lorsque l'interrupteur PHANTOM est manipulé (ON ou OFF).

* L'alimentation fantôme est fournie uniquement aux connecteurs XLR pour l'entrée du canal MIC/LINE.

* Du son pourra être produit si des connecteurs sont connectés ou déconnectés pendant que l'alimentation fantôme est activée.

MÉMO Alimentation fantôme

En raison d'une qualité sonore supérieure et d'une plage de fréquences plus étendue par rapport aux micros dynamiques, les micros électrostatiques sont souvent utilisés pour les guitares acoustiques. Cependant, leur utilisation exige une source d'alimentation. Bien que certains micros électrostatiques fonctionnent sur une batterie placée dans le boîtier, une alimentation fantôme est souvent nécessaire. Ce type d'alimentation utilise le câble existant du microphone pour fonctionner.

La sortie de l'alimentation fantôme de l'amplificateur AC-90 est constante à 48 V. Elle est ainsi en conformité avec les normes professionnelles requises dans les studios d'enregistrement.

5. Bouton SELECT

Permet de sélectionner le niveau d'entrée en fonction de l'appareil connecté (MIC ou LINE).

Vous pouvez connecter des guitares avec des pickups magnétiques lorsque le bouton SELECT est sur la position LINE.

* *Le volume augmente si le bouton est placé sur MIC lorsqu'un appareil de niveau ligne est connecté.*

6. Boutons VOLUME

(GUITAR CHANNEL)

Permet de régler le volume du canal GUITAR.

* *Pour s'adapter à la faible sortie des pickups piézo, le niveau du volume, lorsque le bouton VOLUME se trouve entre 7 et 10, doit être légèrement supérieur si le bouton PICKUP est placé sur PIEZO au lieu de MAGNETIC.*

(MIC/LINE CHANNEL)

Permet de régler le volume du canal MIC/LINE.

* *Si vous utilisez à la fois le canal GUITAR et le canal MIC/LINE de l'amplificateur AC-90, réglez le volume sur une position intermédiaire entre les deux canaux à l'aide du bouton VOLUME.*

7. Boutons BASS

Permettent de régler le niveau de la bande de basses fréquences.

8. Boutons MIDDLE

Permettent de régler le niveau de la bande de moyennes fréquences.

9. Boutons TREBLE

Permettent de régler le niveau de la bande de hautes fréquences.

MÉMO

La tonalité d'un instrument acoustique peut varier considérablement d'un instrument à un autre. Le type de son nécessaire varie également en fonction de la façon dont l'instrument est utilisé dans un ensemble donné. Tournez les boutons BASS, MIDDLE et TREBLE pour parvenir au réglage adéquat pour la tonalité de votre instrument en fonction des conditions d'utilisation.

(Exemple)

- Si vous utilisez l'amplificateur AC-90 avec le pied pour haut-parleur connecté, tournez le bouton BASS pour augmenter le réglage afin de rendre plus audibles les fréquences les plus basses.
- Si le son semble trop dur, par exemple juste après chaque changement de corde, vous pouvez tourner le bouton TREBLE pour diminuer le réglage et réduire ainsi les hautes fréquences.

10. Boutons CHORUS

Permettent d'activer et de désactiver l'effet de chorus.

Lorsque cette fonction est activée, le voyant est allumé.

MÉMO

Vous pouvez utiliser une pédale (BOSS FS-5U disponible en option) pour activer et désactiver cette fonction. Vous pouvez activer et désactiver cette fonction avec le pied sur les deux canaux.

11. Bouton CHORUS

Tournez ce bouton pour sélectionner l'un des trois types de chorus (SPACE, RICH et WIDE).

Vous pouvez moduler l'effet produit en tournant le bouton.

- * *Pour cela, le bouton CHORUS doit être sur la position ON.*
- * *Les indications des positions SPACE et RICH sont approximatives. Au cours des réglages, fiez-vous à votre écoute pour juger de l'effet produit.*

SPACE

Chorus synthétisé dans l'espace. Grâce à cette méthode disponible en stéréo uniquement, l'effet de chorus est créé en prenant le son provenant du haut-parleur droit et le son provenant du haut-parleur gauche, puis en les mélangeant dans l'espace. On obtient un son plus large et plus naturel que celui produit en mélangeant les sons électroniquement.

RICH

Chorus stéréo divisé en trois bandes de fréquences.

L'effet est séparé en trois bandes (basses, moyennes et hautes fréquences). Il est appliqué selon des proportions appropriées pour chaque bande pour aboutir à une largeur et une plénitude sonores parfaitement adaptées à la guitare acoustique.

Les graves se trouvent au centre et le son se propage de plus en plus au fur et à mesure que le volume s'élève, des basses fréquences vers les fréquences plus élevées.

WIDE

Tout en reposant sur la division du son en bandes distinctes, ce chorus est plus étendu que le chorus RICH.

Le son se propage au-delà des haut-parleurs de l'amplificateur AC-90, produisant un effet qui semble envelopper l'auditeur.

12. Bouton REVERB/DELAY

Ce bouton permet de commuter entre les effets de réverbération et de retard.

Vous pouvez moduler l'effet produit en tournant le bouton.

- * Positionnez ce bouton sur OFF si vous n'utilisez pas les effets de réverbération et de retard.
- * Les indications des positions REVERB et DELAY sont approximatives. Au cours des réglages, fiez-vous à votre écoute pour juger de l'effet produit.

REVERB

Cette réverbération stéréo réservée aux instruments acoustiques produit un effet d'espace et une qualité sonore naturelle.

Tournez le bouton pour régler le volume de réverbération.

DELAY

L'effet de retard, développé spécifiquement pour les instruments acoustiques, ajoute de la douceur au son d'origine.

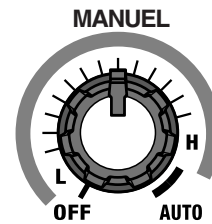
Tournez le bouton pour régler le retard.

- * Vous pouvez utiliser une pédale (BOSS FS-5U disponible en option) pour activer et désactiver ces effets.

13. Bouton FREQUENCY

Permet de sélectionner la fréquence du fonctionnement de la fonction anti-feedback.

La position du bouton détermine si cette fonction est réglée en mode Auto ou Manuel.



- * Positionnez ce bouton sur OFF si vous n'utilisez pas l'anti-feedback.

14. Bouton START

Permet de sélectionner le mode Auto (p. 31). Si vous appuyez sur ce bouton, les feedbacks sonores seront automatiquement détectés.

Les voyants indiquent l'état de fonctionnement de la fonction de détection automatique.

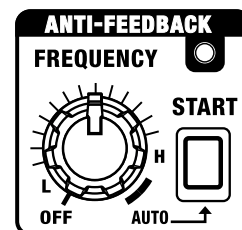
Veille : Le voyant clignote lentement.

Détection en cours : Le voyant clignote rapidement.

Après détection : Le voyant reste allumé.

- * Si vous maintenez le bouton START enfoncé pendant une seconde ou plus, la fonction de détection automatique repasse en veille.

Utilisation de l'ANTI-FEEDBACK



Le système anti-feedback contrôle le retour sonore qui peut se produire entre la guitare ou le micro et l'amplificateur.

Le feedback est supprimé grâce à l'atténuation de la fréquence à laquelle il se produit.

- * Ce système ne s'adresse pas au feedback haute fréquence qui se produit avec les microphones.

L'anti-feedback peut s'utiliser en mode Auto ou en mode Manuel.

- * Utilisez l'un ou l'autre en cas de retour sonore.

MÉMO Feedback (retour sonore)

Ce phénomène se produit lorsque des signaux sont émis par les haut-parleurs et repris par un micro ou un pickup, le son est ensuite amplifié et de nouveau émis par les haut-parleurs. Il en résulte un son oscillant très désagréable.

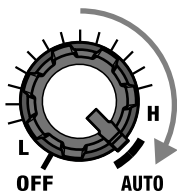
- * Si l'anti-feedback seul ne permet pas de contrôler le retour sonore, réglez les paramètres en diminuant, par exemple, le volume ou les basses fréquences.
- * Pour empêcher tout feedback au cours d'une session, il est conseillé d'activer le système anti-feedback avant de jouer.

Détection automatique du point de feedback

La fréquence à laquelle se produit le feedback est automatiquement détectée et le feedback est supprimé.

* À utiliser lorsqu'un feedback est susceptible de se produire.

1. Provoquez un feedback.
2. Tournez le bouton FREQUENCY jusqu'à la position « AUTO ».



Le voyant ANTI-FEEDBACK clignote lentement et la détection automatique se met en veille.

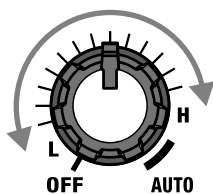
3. Appuyez sur le bouton START.

La détection automatique du point de feedback commence. Le voyant clignote rapidement lorsque la détection est en cours, puis il reste allumé lorsque le point de feedback est détecté. Si aucun point de feedback n'est détecté, le voyant clignote lentement et la détection automatique repasse en veille.

4. Appuyez sur le bouton START une nouvelle fois pour relancer la détection automatique.

Détection manuelle du point de feedback

1. Provoquez un feedback.
2. Tournez le bouton de L vers H (le voyant ANTI-FEEDBACK s'allume) pour rechercher la fréquence à laquelle le feedback doit être supprimé.



Le fait de tourner le bouton dans le sens des aiguilles d'une montre supprime progressivement le feedback des aigus, le tourner dans le sens inverse supprime progressivement le feedback des graves.



Vous pouvez utiliser une pédale (BOSS FS-5U disponible en option) pour lancer la détection automatique de la fréquence du feedback ou pour activer et désactiver le système anti-feedback.



Vous pouvez utiliser l'anti-feedback même si vous n'avez pas problème de feedback. Par exemple, vous pouvez l'utiliser pour supprimer une résonance gênante dans les basses à moyennes fréquences, et pour corriger d'autres problèmes de qualité sonore.

15. Bouton MUTE

Active ou désactive le mode Silencieux.

Lorsque vous appuyez sur ce bouton, le voyant MUTE clignote, le mode Silencieux est activé, la sortie haut-parleur est coupée de même que les sorties SUB WOOFER OUT et LINE OUT.

Lorsque le mode Silencieux (MUTE) est activé, il n'est pas nécessaire de baisser le volume (boutons VOLUME ou MASTER) pour couper le son lorsque vous connectez ou déconnectez votre guitare.

* Le son provenant des prises DI OUT/TUNER OUT et PHONES n'est pas coupé.



Si vous connectez un tuner (en option) sur la prise DI OUT/TUNER OUT et que vous appuyez sur le bouton MUTE, vous pouvez accorder votre instrument sans qu'aucun son ne soit émis par les haut-parleurs.



Vous pouvez utiliser une pédale (BOSS FS-5U disponible en option) pour activer et désactiver le mode Silencieux. (p. 33)

16. Bouton MASTER

Permet de régler le volume général.

* LINE OUT ne se règle pas.

17. Prise PHONES

Connectez un casque ici. Aucun son n'est émis par les haut-parleurs ou SUB WOOFER OUT lorsqu'un casque est connecté.

18. Interrupteur POWER

Permet de mettre l'amplificateur AC-90 sous tension ou hors tension.

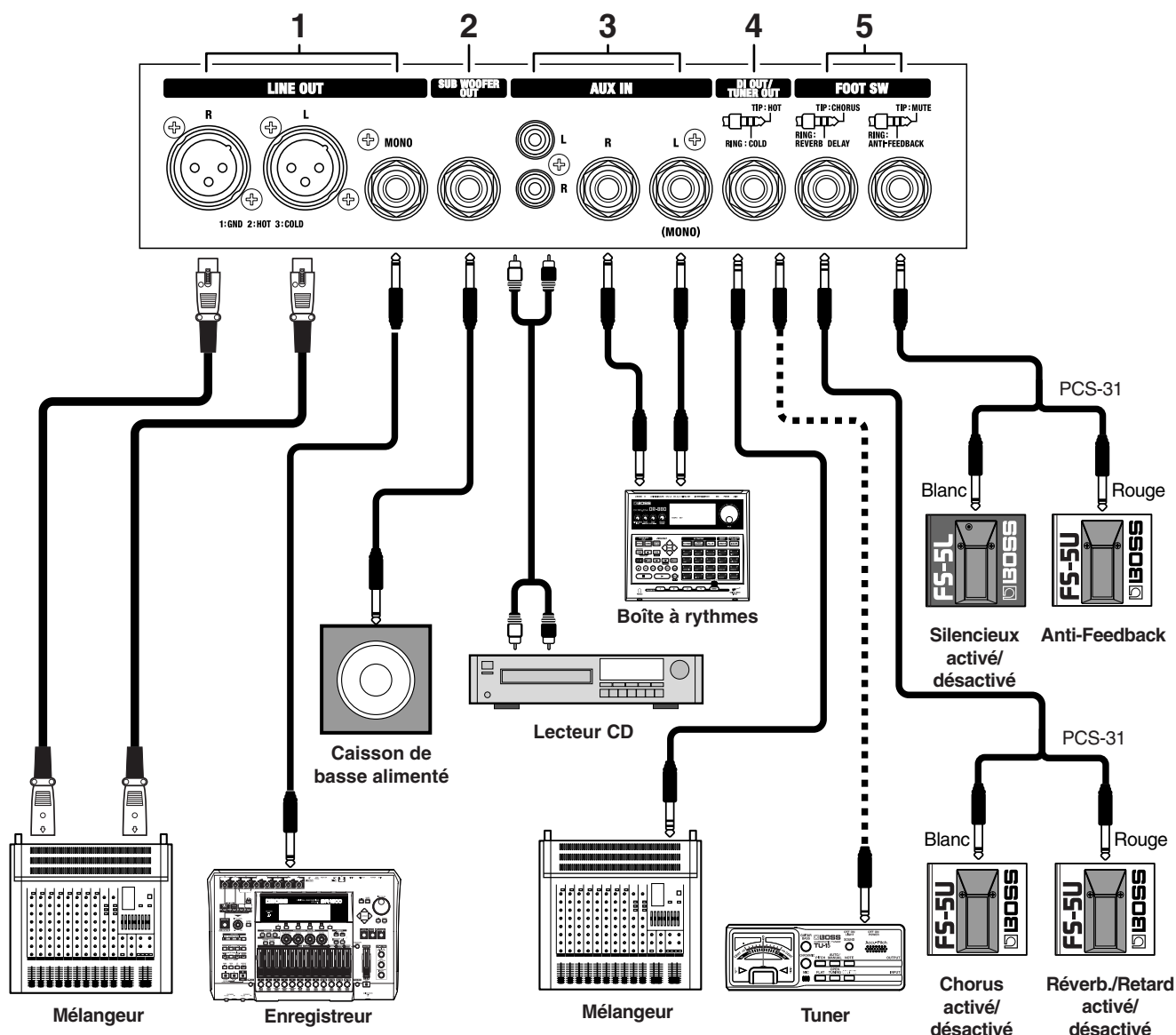
Le voyant d'alimentation s'allume lorsque l'amplificateur est sous tension.

* Si vous devez mettre l'appareil hors tension, appuyez d'abord sur l'interrupteur POWER, puis débranchez le cordon d'alimentation de la prise de courant. Voir **Power Supply** (p. 5)

* En raison d'une fonction de protection du circuit, il est nécessaire d'attendre quelques instants après la mise sous tension de l'appareil pour pouvoir utiliser ce dernier.

* Assurez-vous toujours que le volume est réglé au minimum avant de mettre l'amplificateur sous tension. Même si le volume est réglé au minimum, il est possible que vous entendiez un son lors de la mise sous tension de l'appareil. C'est normal et cela n'indique pas de dysfonctionnement.

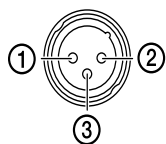
Panneau arrière



* L'utilisation de câbles de connexion avec résistances peut diminuer le volume des appareils connectés. Dans ce cas, utilisez des câbles de connexion sans résistance.

1. Prises LINE OUT

Vous pouvez connecter un mélangeur, un enregistreur ou tout autre appareil ici. Le niveau de sortie est de +4 dBu. Des connecteurs XLR (L/R : sortie stéréo) et une prise 1/4" (sortie mono) sont fournis ici.



- ① : TERRE
- ② : CHAUD
- ③ : FROID

* Vous ne pouvez pas régler le volume de LINE OUT à l'aide du bouton MASTER.

* Les effets de chorus sont conçus de manière optimale pour l'utilisation des haut-parleurs intégrés. Leur efficacité peut varier si la prise LINE OUT est utilisée à la place des haut-parleurs intégrés.

2. Prise SUB WOOFER OUT

Vous pouvez connecter un caisson de basse sous tension pour obtenir un son grave plus puissant, plus incisif. Réglez le volume à l'aide du bouton MASTER.

3. Prises AUX IN

Vous pouvez connecter un lecteur CD, une boîte à rythmes ou tout autre appareil et reproduire des sons en stéréo. Des prises RCA et 1/4" sont fournies. Si vous êtes connecté à la prise 1/4" de gauche, le son sortira en mono.

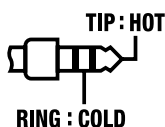
Bien que l'entrée AUX IN soit émise par les haut-parleurs, PHONES et SUB WOOFER OUT, elle ne provient pas de LINE OUT. Réglez le volume à l'aide du bouton MASTER. L'activation et la désactivation du mode Silencieux pour ces sons se font à l'aide du bouton MUTE.

Si des appareils sont connectés aux prises RCA et 1/4", les deux entrées sont mixées.

4. Prise DI OUT/TUNER OUT

Le son direct de l'appareil ou de l'instrument connecté au canal GUITAR ou MIC/LINE sort ici. Il s'agit d'une prise TRS 1/4" avec sortie symétrique.

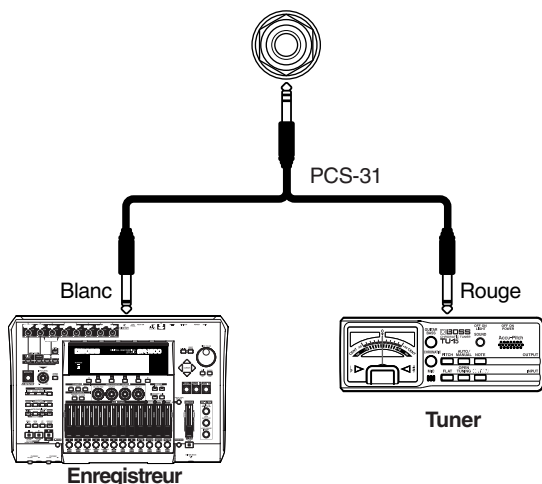
Vous pouvez également y relier un tuner.



* Si vous n'avez pas besoin d'une sortie symétrique, utilisez une prise 1/4" (mono) pour vous connecter à cette prise.



Si vous n'avez pas besoin d'une sortie symétrique, vous pouvez utiliser le câble de connexion spécial (PCS-31 en option) pour utiliser simultanément DI OUT et TUNER OUT.



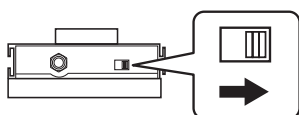
REMARQUE

Un signal à phase inverse est émis du côté COLD (FROID) (côté rouge de PCS-31). Connectez l'enregistreur au côté HOT (CHAUD) (côté blanc de PCS-31)

5. Prises FOOT SW

L'amplificateur AC-90 accepte les modèles de pédale BOSS FS-5L (type à verrouillage), BOSS FS-5U (type fugitif) et BOSS FS-6.

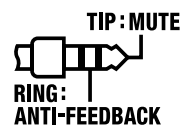
* Réglez la polarité comme indiqué ci-dessous.



(MUTE, ANTI-FEEDBACK)

Si vous connectez une pédale (modèles BOSS FS-5L, FS-5U ou FS-6 disponibles en option) à l'aide d'un câble de connexion (PCS-31 en option), vous pouvez choisir une pédale type à verrouillage (FS-5L ou FS-6) pour activer/désactiver le mode Silencieux ou une pédale type fugitif (FS-5U ou FS-6) pour contrôler le système anti-feedback.

* Pour plus d'informations sur les réglages de la pédale FS-6, consultez le guide d'utilisation de la pédale.



Lorsque vous utilisez une prise 1/4" (mono) pour connecter une seule pédale, seule la fonction d'activation et de désactivation du mode Silencieux est activée. Il est alors préférable d'utiliser une pédale type verrouillage (telle que BOSS FS-5L)

* Le bouton MUTE doit être en position désactivée lorsqu'une pédale est connectée pour le mode Silencieux.

Vous ne pouvez pas désactiver le mode Silencieux en appuyant sur la pédale lorsque le bouton MUTE est en position activée (voyant MUTE allumé).

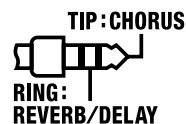
* Lorsque vous utilisez une pédale FS-5U (type fugitif) pour activer/désactiver le mode Silencieux, ce mode n'est activé que lorsque vous maintenez la pédale abaissée.

Concernant le système anti-feedback, le fonctionnement d'une pédale est le suivant :

- Lorsque le bouton FREQUENCY est placé dans la plage L à H, la pédale active ou désactive la fonction anti-feedback.
- Lorsque le bouton FREQUENCY est positionné sur AUTO, la pédale fonctionne comme le bouton START pour la détection automatique. Si vous maintenez la pédale abaissée pendant une seconde ou plus, la fonction de détection automatique repasse en veille.

(CHORUS, DELAY/REVERB)

À l'aide d'un câble de connexion spécial (PCS-31 en option) permettant de relier deux pédales (BOSS FS-5U en option), vous pouvez utiliser une pédale FS-5U pour activer ou désactiver la fonction chorus et une autre pédale FS-5U pour activer ou désactiver la fonction delay/reverb.



Lorsque vous utilisez une prise 1/4" (mono) pour connecter une seule pédale, seule la fonction d'activation et de désactivation de l'effet chorus est activée.

* La fonction d'activation et de désactivation de l'effet chorus est effective sur les deux canaux.

* Vous ne pouvez pas activer ni désactiver l'effet chorus en appuyant sur la pédale lorsque le bouton CHORUS est en position désactivée.

Exemple d'utilisation de deux canaux ensemble

Avec un micro et un pickup

GUITAR CHANNEL :

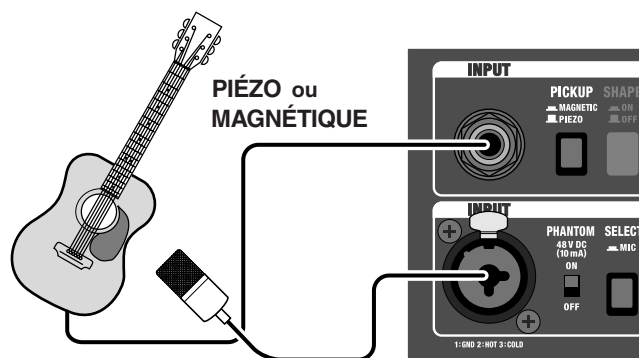
Pickup piézo ou magnétique

MIC/LINE CHANNEL :

Micro électrostatique ou dynamique (bouton SELECT = MIC)

Permet de mélanger les moyennes fréquences du pickup avec les aigus délicats du micro.

Positionnez le bouton PHANTOM sur ON si vous utilisez un micro électrostatique.



Avec deux guitares

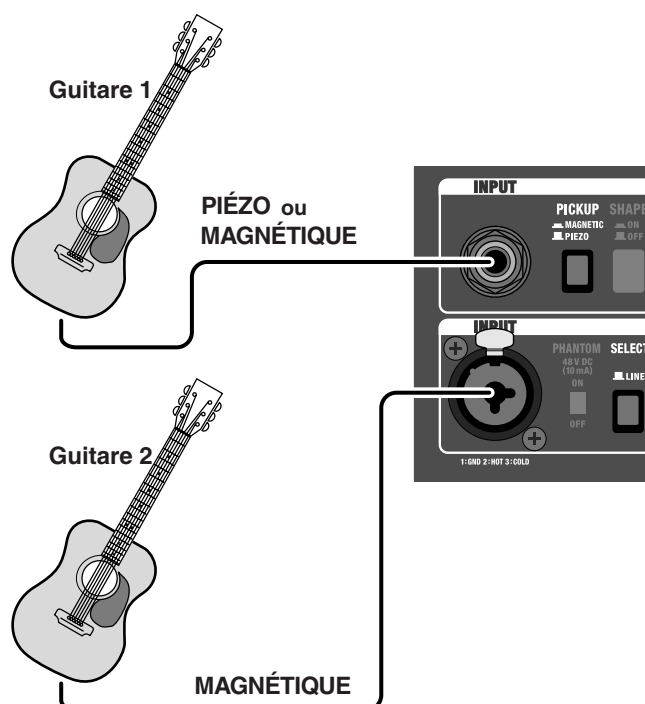
GUITAR CHANNEL :

Guitare 1 Pickup piézo ou magnétique

MIC/LINE CHANNEL :

Guitare 2 Pickup magnétique (bouton SELECT = LINE)

Vous pouvez passer d'une guitare à une autre sans avoir besoin de régler le volume et la tonalité.



Avec une guitare et deux types de pickup

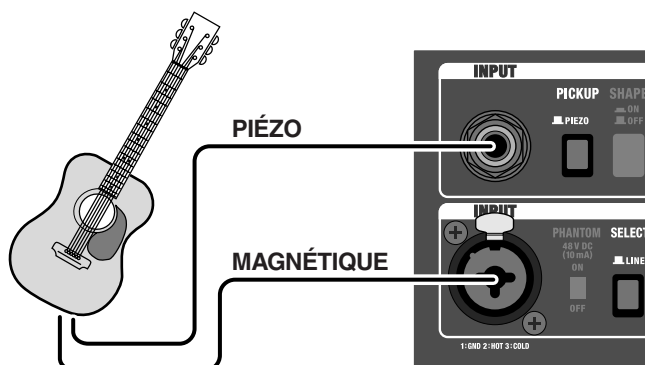
GUITAR CHANNEL :

Pickup piézo (bouton PICKUP = PIEZO)

MIC/LINE CHANNEL :

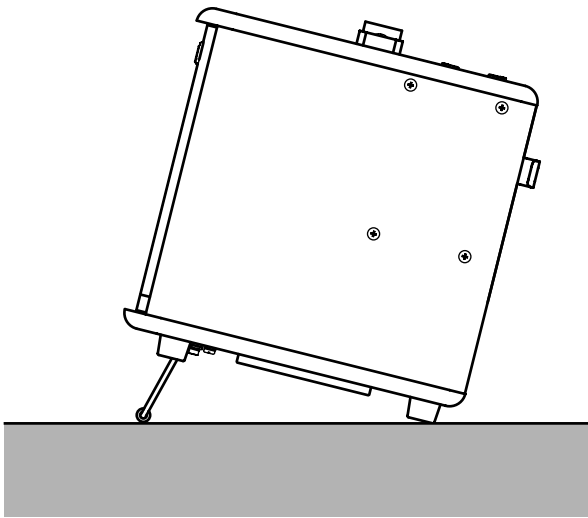
Pickup magnétique (bouton SELECT = LINE)

Vous pouvez régler les niveaux du volume à l'aide des boutons VOLUME de chaque canal et régler la tonalité pour chaque pickup afin d'obtenir un son optimal avec les boutons de l'égalisateur (BASS/MIDDLE/TREBLE).



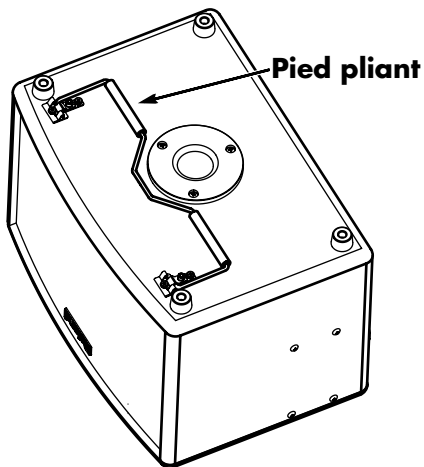
Utilisation du pied pliant

Lorsque vous placez l'amplificateur AC-90 sur le sol ou sur une surface basse, le pied pliant permet de mieux percevoir les sons provenant des haut-parleurs.



REMARQUE

- Lorsque vous utilisez le pied pliant, veillez à toujours le placer de sorte que l'amplificateur reste horizontal.
- Lorsque vous n'utilisez pas le pied, pliez-le.



⚠ AVERTISSEMENT

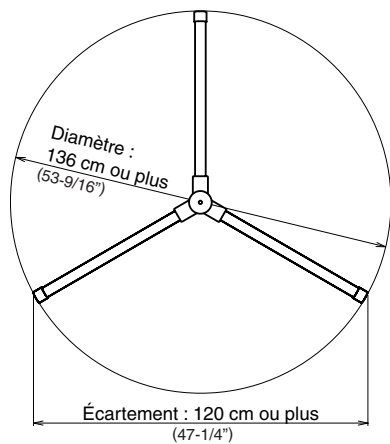
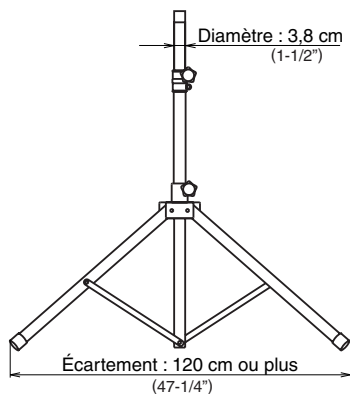
- Ne soulevez et ne transportez jamais l'amplificateur AC-90 en le maintenant par le pied.
- Ne placez jamais rien sur l'amplificateur AC-90 lorsque vous utilisez le pied pliant. De même, ne vous asseyez jamais sur le pied pliant et ne prenez pas appui dessus.
- Lorsque vous pliez le pied, prenez garde de ne pas vous pincer les doigts.

Utilisation d'un pied pour haut-parleur

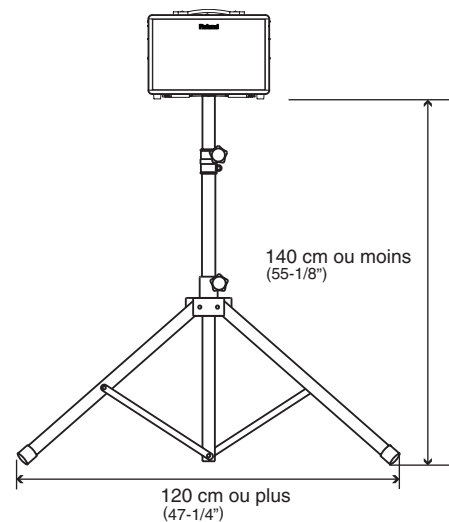
L'utilisation d'un pied pour haut-parleur permet de monter l'amplificateur AC-90 à une hauteur optimale pour l'utiliser comme haut-parleur de contrôle ou comme simple préamplificateur.

AVERTISSEMENT

- L'amplificateur AC-90 doit être utilisé exclusivement avec un pied pour haut-parleur dont les dimensions figurent ci-après.
Ne l'utilisez pas avec un pied pour haut-parleur qui ne correspond pas à ces critères.



- Avant toute utilisation, réglez le pied pour haut-parleur à une hauteur de 140 cm ou moins avec un écartement des pieds de 120 cm ou plus, comme illustré ci-dessous.



- Si vous utilisez un pied dont les dimensions ne sont pas conformes à ces spécifications, s'il est réglé à plus de 140 cm ou si l'écartement de ses pieds est inférieur à 120 cm, vous risquez d'endommager votre équipement ou de vous blesser.
- Si vous utiliser l'amplificateur AC-90 avec un pied pour haut-parleur, ce dernier doit être horizontal et stable.
- Laissez du mou aux câbles connectés à l'amplificateur AC-90 afin d'éviter tout accident pouvant survenir si une personne trébuche dessus.
- Afin d'éviter tout chute, ne placez aucun objet sur l'amplificateur AC-90 lorsqu'il est monté sur un pied.
- Faites-vous toujours aider d'au moins une personne pour monter l'amplificateur AC-90 sur un pied pour haut-parleur ou pour régler la hauteur du pied tout en laissant l'amplificateur monté.

Caratteristiche principali

AC-90 è un amplificatore monitor ad alte prestazioni sviluppato esclusivamente per l'utilizzo con strumenti acustici. È in grado di esprimere fedelmente tutta la ricchezza armonica del suono di uno strumento acustico.

Amplificatore stereo ad alte prestazioni, compatto

- Il design finemente armonizzato della scatola è progettato per migliorare il suono degli strumenti acustici. All'interno della scatola, sono presenti due woofer di 20 cm, due tweeter e un amplificatore stereo 45 W + 45 W, il tutto progettato in modo innovativo per AC-90. Il risultato è un'unità in grado di emettere un suono di uno strumento acustico più naturale su una vasta gamma di frequenze.
- Grazie a un potente amplificatore progettato per essere il più leggero possibile e l'utilizzo di nuovi materiali per i woofer, si è ottenuta una riduzione complessiva del peso dell'unità.

Dispone di due canali indipendenti, GUITAR e MIC/LINE

- Ogni canale include un equalizzatore e 3 bande.
- Il canale GUITAR gestisce trasduttori magnetici e piezo.
- Il canale MIC/LINE offre potenza virtuale, prodotta da un circuito virtuale di uscita a 48 V dedicato estremamente affidabile.
- L'utilizzo del canale MIC/LINE per ingresso LINE consente di collegare le chitarre con trasduttori magnetici. È inoltre possibile utilizzare un trasduttore piezo (canale GUITAR) e un trasduttore magnetico (canale MIC/LINE) contemporaneamente e mixare (fondere) i suoni.

Effetti digitali di alta qualità

- Sono forniti tre tipi di effetti coro stereo. È disponibile l'effetto coro "SPACE" sintetizzato a livello spaziale, quello "RICH" (diviso in bande di frequenza) e quello "WIDE" (anch'esso diviso in bande di frequenza garantendo allo stesso tempo una maggiore espansività).
- Include effetto reverb stereo sviluppato specificatamente per strumenti acustici. Questo consente di aggiungere un senso di spaziosità e di corpo naturale al suono.
- Dotato di effetti delay che possono produrre suono con una qualità tonale delicata e armonizzata specificatamente per strumenti acustici.
- Per accendere e spegnere gli effetti è inoltre possibile utilizzare un interruttore a pedale opzionale.

La funzione Anti-Feedback elimina il feedback

- La funzione Anti-Feedback dispone di due modi per rilevare il punto di feedback. È possibile utilizzare le impostazioni manuali o quelle automatiche; queste ultime forniscono la rilevazione automatica del punto di feedback.
- È possibile collegare un interruttore a pedale opzionale e utilizzare il piede per attivare questa funzione.

Funzione Mute

- L'interruttore fornito Mute consente di disattivare facilmente sia i suoni per le casse di AC-90 che i suoni provenienti dall'uscita LINE OUT. Mediante la funzione Mute, è possibile collegare e scollegare la chitarra senza rumore. Inoltre, quando si dispone di un sintonizzatore collegato all'uscita TUNER OUT, la funzione Mute consente di sintonizzare lo strumento senza emettere suoni.
- È possibile collegare un interruttore a pedale opzionale e utilizzare il piede per attivare e disattivare questa funzione.

Jack di ingresso esterni (AUX IN)

- Dotato di jack di ingresso esterni, che consentono di collegare un lettore CD, Jam Station o altri dispositivi in stereo.
- Questi includono jack sia fono RCA che phone da 1/4", rendendo possibile collegare praticamente ogni tipo di dispositivo.

Connettori di uscita multipli

- Dispone di uscita DI Out, che consente di emettere direttamente l'ingresso dei segnali da strumenti collegati e microfoni. È inoltre possibile collegare un sintonizzatore. Uscita bilanciata TRS supportata.
- Le uscite LINE OUT dispongono di jack di uscita mono phone da 1/4" in aggiunta a connettori XLR per uscita stereo. È possibile utilizzare un unico AC-90 per tutte le applicazioni.
- Dispone inoltre di un'uscita Subwoofer Out. Il collegamento di un subwoofer con alimentazione consente di suonare con un low end ancora più potente e incisivo.
- L'amplificatore fornisce inoltre un jack cuffie, che è possibile utilizzare quando si suona durante le ore notturne e quando si eseguono controlli del suono.

Caratteristiche di posizionamento comode

- Dotato di un "supporto pieghevole" che consente di modificare l'angolazione dell'amplificatore quando quest'ultimo viene utilizzato per monitoraggio.
- Include un "adattatore di supporto casse" che consente di collegare AC-90 a un supporto casse. Questo rende l'utilizzo di AC-90 più agevole quando si suona in piedi e consente di utilizzare l'amplificatore come un semplice sistema di amplificazione.
- È inoltre inclusa una custodia per il trasporto per una maggiore maneggevolezza.

English

Deutsch

Français

Italiano

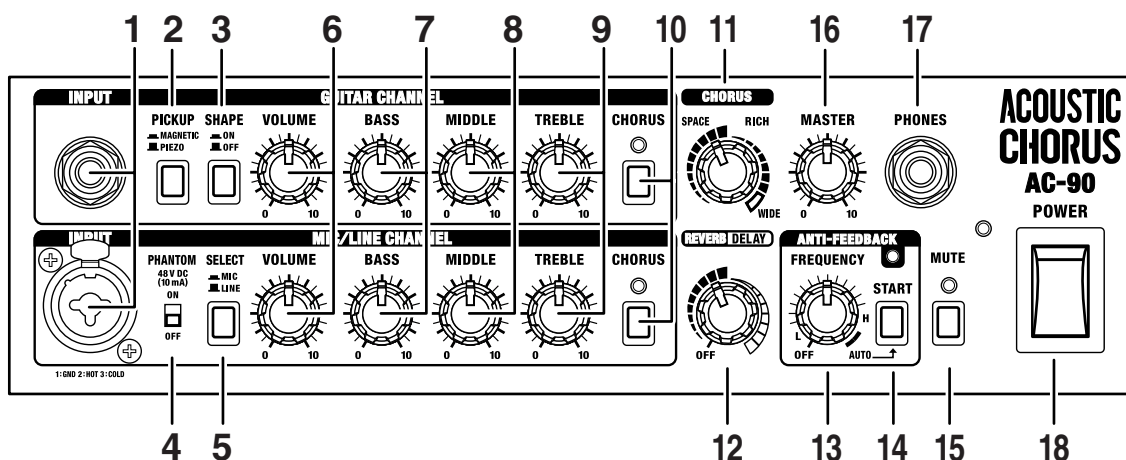
Español

Português

Nederlands

Denominazione e utilizzo delle funzioni

Pannello di controllo



1. INPUT

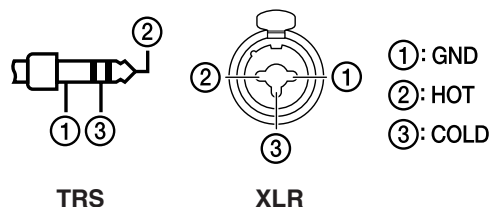
(CANALE GUITAR)

Collegare qui le chitarre.

(CANALE MIC/LINE)

Collegare qui microfoni e dispositivi a livello del segnale di linea. È inoltre possibile collegare le chitarre con trasduttori dotati di preamplificatori.

Questo gestisce l'ingresso bilanciato, in modo da poter collegare jack TRS phone da 1/4" e connettori di tipo XLR.



SUGGERIMENTO

È possibile utilizzare i due canali in combinazione. Consultare "Esempio di utilizzo di due canali combinati" (p. 44).

* È possibile che venga generato feedback a seconda della posizione dei microfoni in relazione alle casse. È possibile porre rimedio nei seguenti modi:

- Modificando l'orientamento dei microfoni.
- Riposizionando i microfoni a una distanza maggiore dalle casse.
- Abbassando i livelli di volume.

2. Pulsante PICKUP

Questo pulsante converte il circuito di ingresso per trasduttori magnetici o piezo, in base al tipo di trasduttore sulla chitarra collegata. Per trasduttori magnetici premere il pulsante verso il basso.

* Impostare questa funzione su "MAGNETIC" se la chitarra dispone di un trasduttore attivo dotato di un preamplificatore.

3. Pulsante SHAPE

Se si imposta questa funzione su ON, si modifica l'intervallo di media frequenza per creare un tono intenso adatto per corde strumming.

Questo accentua i suoni brushing e consente di suonare con una sensazione più tagliente.

4. Interruttore PHANTOM

Questo interruttore accende e spegne la potenza virtuale. Impostare questa funzione su "ON" quando si collegano microfoni che richiedono potenza virtuale (microfono a condensatore e così via).

Impostare questa funzione su "OFF" quando si collegano microfoni che non richiedono potenza virtuale o altri dispositivi.

NOTA

- Utilizzare la sequenza seguente quando si collegano microfoni che richiedono potenza virtuale:
 1. Spegnerne l'interruttore PHANTOM.
 2. Collegare il microfono.
 3. Accendere l'interruttore PHANTOM.
- Se si fornisce potenza virtuale a microfoni che non la richiedono o ad altri dispositivi può provocare il malfunzionamento di tale apparecchiatura. Assicurarsi sempre di spegnere l'interruttore prima di effettuare il collegamento.
- * Per proteggere il circuito, dopo lo spegnimento o l'accensione dell'interruttore PHANTOM tutte le emissioni di suono sono momentaneamente disattivate.
- * La potenza virtuale viene fornita solo a connettori XLR per l'ingresso del canale MIC/LINE.
- * È possibile che venga prodotto del rumore se i connettori sono collegati o scollegati all'accensione della potenza virtuale.

PROMEMORIA Potenza virtuale

Poiché dispongono di una gamma comparativamente più ampia e di una qualità del suono migliore rispetto ai microfoni dinamici, i microfoni a condensatore vengono spesso utilizzati per amplificare le chitarre acustiche. Tuttavia, il funzionamento di tali microfoni richiede un'alimentazione. Sebbene alcuni microfoni a condensatore vengono alimentati da batterie collocate all'interno dell'alloggiamento del microfono, in molti casi è necessario un tipo di alimentazione denominata "potenza virtuale". Questa alimentazione utilizza il cavo del microfono esistente per fornire la corrente.

La potenza virtuale di AC-90 è emessa a 48 V costanti ed è quindi conforme alle specifiche professionali richieste negli studi di registrazione.

5. Pulsante SELECT

Questo pulsante converte il livello di ingresso in modo da farlo corrispondere a quello del dispositivo collegato (microfono o linea).

È possibile collegare chitarre con trasduttori magnetici quando LINE è selezionato con il pulsante SELECT.

- * *Notare che il volume aumenta se l'interruttore è impostato su "MIC" quando si dispone di un dispositivo a livello del segnale di linea collegato.*

6. Manopole VOLUME

(CANALE GUITAR)

Regola il volume del canale GUITAR.

- * *Per adattare l'uscita più bassa di trasduttori piezo, il livello del volume se la manopola VOLUME è tra le posizioni 7 e 10 è alquanto superiore quando il pulsante PICKUP è impostato su PIEZO rispetto a quando è impostato su MAGNETIC.*

(CANALE MIC/LINE)

Regola il volume del canale MIC/LINE.

- * *Quando si utilizza AC-90 con il canale GUITAR e il canale MIC/LINE mixati, regolare il bilanciamento del volume tra i due canali con la manopola VOLUME.*

7. Manopole BASS

Regolare il livello dell'intervallo di bassa frequenza.

8. Manopole MIDDLE

Regolare il livello dell'intervallo di media frequenza.

9. Manopole TREBLE

Regolare il livello dell'intervallo di alta frequenza.

PROMEMORIA

Il tono di uno strumento acustico può variare notevolmente da uno strumento all'altro. Anche il tipo di suono richiesto varia in base alla modalità di utilizzo dello strumento in un ensemble particolare. Utilizzare attivamente le manopole BASS, MIDDLE e TREBLE per regolare il tono in modo da adattarlo allo strumento che si sta utilizzando e alle condizioni in cui viene utilizzato.

(Esempio)

- Quando si utilizza AC-90 con il supporto casse collegato, è possibile girare verso l'alto la manopola BASS in modo che l'intervallo di bassa frequenza venga percepito meglio.
- Se il suono sembra troppo aspro, ad esempio subito dopo aver cambiato le corde, è possibile girare verso il basso la manopola TREBLE per diminuire le frequenze alte.

10. Pulsanti CHORUS

Accendere e spegnere l'effetto coro.

Quando è acceso, l'indicatore è illuminato.

PROMEMORIA

Per accendere e spegnere l'effetto coro, è possibile utilizzare un interruttore a pedale (BOSS FS-5U opzionale). L'accensione e lo spegnimento dell'effetto coro con l'interruttore a pedale funziona su entrambi i canali.

11. Manopola CHORUS

Girare questa manopola per selezionare tre tipi di effetto coro (SPACE, RICH e WIDE).

È possibile regolare la quantità di effetto applicato modificando la posizione della manopola.

- * *Questa funzione è attivata quando il pulsante CHORUS è nella posizione ON.*
- * *I segni che indicano le posizioni SPACE e RICH sono approssimativi. Per confermare l'effetto durante la regolazione, ascoltare il suono.*

SPACE

Si tratta di un effetto coro sintetizzato a livello spaziale. L'effetto coro sintetizzato a livello spaziale, un metodo disponibile solo in stereo, viene creato prendendo il suono proveniente dalla cassa destra (da cui viene emesso il suono dell'effetto) e quello proveniente dalla cassa sinistra (che emette il suono diretto) per poi mixarli nello spazio effettivo. In tal modo si crea una diffusione laterale maggiore rispetto a quella prodotta quando i suoni vengono mixati elettronicamente, fornendo una sensazione più naturale di ampiezza.

RICH

Si tratta di un effetto coro stereo diviso in tre intervalli di frequenza.

In questo caso, l'effetto è separato in tre bande, bassa frequenza, intervallo di media frequenza e alta frequenza e, applicando la quantità più adatta di effetto coro in ciascun intervallo, fornisce una sensazione di pienezza e ampiezza ideale per la chitarra acustica.

Il low end è saldo nel centro e il suono si diffonde sempre di più mentre il suono sale dall'intervallo di media frequenza alle frequenze più alte.

WIDE

Anche questo effetto coro si basa sulla divisione del suono in bande separate, ma offre un'espansività perfino maggiore rispetto all'effetto coro RICH.

L'immagine del suono si diffonde oltre le casse di AC-90, producendo un effetto che sembra avvolgere l'ascoltatore nel suono.

12. Manopola REVERB/DELAY

È possibile regolare questa manopola per passare dall'effetto reverb a quello delay.

È possibile regolare la quantità di effetto applicato modificando la posizione della manopola.

* Se non si utilizza l'effetto reverb o delay, girare la manopola su "OFF".

* I segni che indicano le posizioni reverb e delay sono approssimativi. Per confermare l'effetto durante la regolazione, ascoltare il suono.

REVERB

Questo effetto reverb stereo, sviluppato specificatamente per strumenti acustici, conferisce una sensazione di spaziosità e qualità sonora naturale.

Girare la manopola per regolare il volume dell'effetto reverb.

DELAY

Questo effetto delay, sviluppato specificatamente per strumenti acustici, aggiunge riverberi delicati al suono originale.

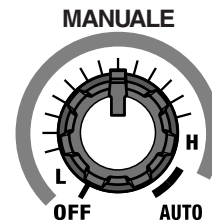
Girare la manopola per modificare il tempo di ritardo.

* Per accendere e spegnere gli effetti reverb e delay, è possibile utilizzare un interruttore a pedale (BOSS FS-5U opzionale).

13. Manopola FREQUENCY

Con questa manopola si seleziona la frequenza su cui opera la funzione anti-feedback.

Inoltre, la posizione della manopola determina se sono selezionate le impostazioni automatiche o manuali.



* Se non si utilizza la funzione anti-feedback, girare la manopola su "OFF".

14. Pulsante START

È utilizzato per le impostazioni automatiche (p. 41).

La pressione del pulsante consente di eseguire il rilevamento automatico delle frequenze del sibilo del feedback.

Gli indicatori mostrano lo stato operativo della funzione di rilevamento automatico.

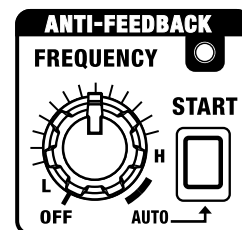
Standby: lampeggia lentamente

Durante il rilevamento: lampeggia rapidamente

Dopo il rilevamento: rimane accesa

* Se si tiene premuto il pulsante START per uno o più secondi, l'unità torna in standby per il rilevamento automatico.

Modalità di utilizzo della funzione ANTI-FEEDBACK



Anti-feedback è una funzione che controlla il feedback prodotto tra la chitarra o il microfono e l'amplificatore.

Il feedback viene eliminato attenuando la frequenza su cui si verifica.

* Questa funzione non è progettata per il funzionamento in riferimento al feedback ad alta frequenza che può verificarsi quando si utilizzano microfoni.

La funzione anti-feedback può essere impiegata in due modi diversi: è possibile utilizzare le impostazioni automatiche o quelle manuali.

* Utilizzare uno dei due tipi di impostazioni quando si verifica il sibilo del feedback.

PROMEMORIA Feedback

È un fenomeno a causa del quale i segnali emessi dalle casse vengono ripresi dal microfono o dal trasduttore e il suono viene ulteriormente amplificato ed emesso dalle casse, provocando uno spiacevole suono oscillante.

* Se l'anti-feedback non è sufficiente a controllare il feedback, regolare le impostazioni, ad esempio abbassando il volume o eliminando le basse frequenze.

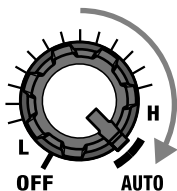
* Per evitare la produzione di feedback durante un'esecuzione, si consiglia di impostare la funzione anti-feedback prima dell'esecuzione.

Impostazione automatica del punto di feedback

Questa funzione rileva automaticamente la frequenza su cui si verifica il feedback e lo elimina.

* Utilizzare in condizioni in cui si verifica il feedback.

1. Provocare l'emissione del sibilo del feedback.
2. Girare la manopola FREQUENCY sulla posizione "AUTO".



L'indicatore ANTI-FEEDBACK lampeggia lentamente e il rilevamento automatico va in standby.

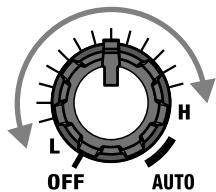
3. Premere il pulsante START.

Viene avviato il rilevamento automatico del punto di feedback. L'indicatore lampeggia rapidamente in fase di rilevamento e, quando il punto di feedback viene trovato, si illumina in modo permanente. Se non viene rilevato alcun punto di feedback, l'indicatore lampeggia lentamente e la funzione di rilevamento automatico torna in standby.

4. Premere il pulsante START una seconda volta per condurre nuovamente il rilevamento automatico.

Impostazione manuale del punto di feedback

1. Provocare l'emissione del sibilo del feedback.
2. Girare la manopola, spostandola tra l'intervallo L e H (l'indicatore ANTI-FEEDBACK si illumina) per cercare la frequenza su cui è necessario eliminare il feedback.



Se si gira la manopola in senso orario, si elimina progressivamente più feedback treble; se si gira in senso antiorario, si elimina progressivamente più feedback bass.

PROMEMORIA

Per eseguire il rilevamento automatico della frequenza di feedback o per accendere o spegnere la funzione anti-feedback, è possibile utilizzare l'interruttore a pedale (BOSS FS-5U, FS-6 opzionali).

SUGGERIMENTO

È possibile utilizzare la funzione anti-feedback anche quando la produzione di feedback non è problematica. Ad esempio, è possibile utilizzare tale funzione per eliminare risonanze indesiderate nell'intervallo di frequenza da bassa a media, nonché correggere altri problemi relativi alla qualità del suono.

15. Pulsante MUTE

Questo pulsante accende e spegne la funzione Mute.

Quando si preme il pulsante, l'indicatore MUTE lampeggia, la funzione Mute è attivata e i suoni e l'uscita delle casse dalle uscite SUB WOOFER OUT e LINE OUT sono disattivati.

Con la funzione Mute attivata, non è necessario girare verso il basso la manopola VOLUME o MASTER per eliminare il rumore al momento del collegamento o dello scollegamento della chitarra.

* I suoni provenienti dall'uscita DI OUT/TUNER OUT e dai jack PHONES non sono disattivati.

SUGGERIMENTO

Se si collega un sintonizzatore (opzionale) all'uscita DI OUT/TUNER OUT e si preme il pulsante MUTE, è possibile sintonizzare lo strumento senza che il suono venga emesso dalle casse.

PROMEMORIA

Per attivare e disattivare la funzione Mute, è possibile utilizzare un interruttore a pedale (BOSS FS-5U o FS-6 opzionale). (p. 43)

16. Manopola MASTER

Regola il livello del volume complessivo.

* Non è possibile regolare l'uscita LINE OUT.

17. Jack PHONES

Le cuffie si collegano qui. Quando le cuffie sono collegate, non viene emesso alcun suono dalle casse o dall'uscita SUB WOOFER OUT.

18. Interruttore POWER

Questo interruttore accende e spegne AC-90.

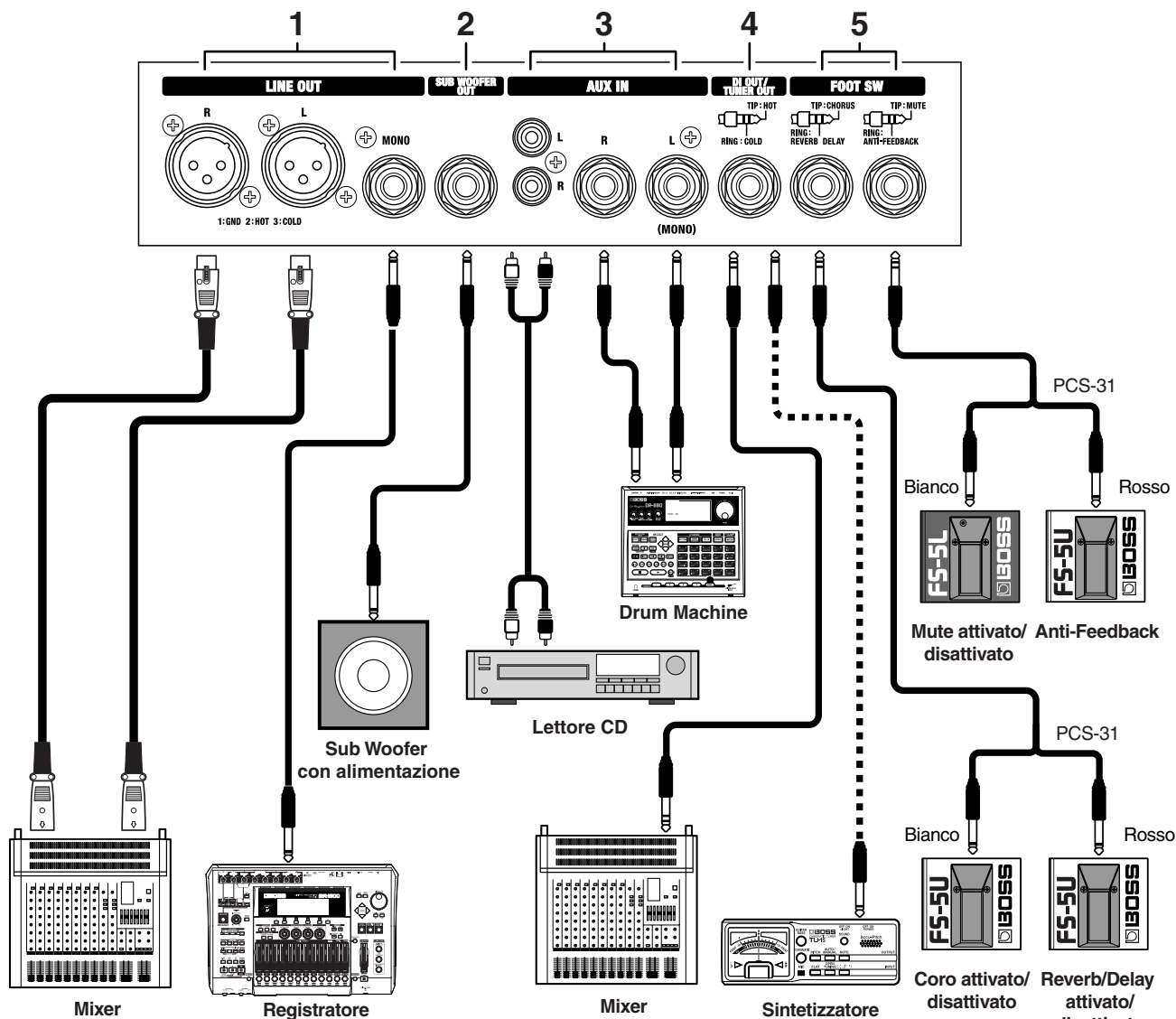
L'indicatore POWER si illumina quando l'impianto è acceso.

* Se è necessario spegnere completamente l'impianto, spegnere prima l'interruttore POWER, quindi scollegare il cavo dell'alimentazione dalla presa di corrente. Consultare **Power Supply** (p. 5)

* A causa di una funzione di protezione del circuito, l'unità è pronta per il normale funzionamento dopo alcuni secondi dall'accensione.

* Assicurarsi sempre di abbassare il livello del volume prima di accendere l'impianto. Anche con il volume al minimo è possibile udire dei suoni al momento dell'accensione, ma questo è normale e non indica un malfunzionamento.

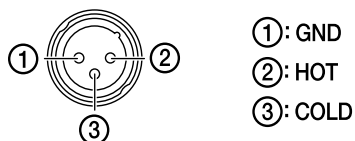
Pannello posteriore



* Quando si utilizzano cavi di collegamento con resistenze, il livello del volume dell'apparecchiatura collegata agli ingressi potrebbe essere basso. In tal caso, utilizzare cavi di collegamento che non contengano resistenze.

1. Jack LINE OUT

È possibile collegare qui un mixer, un dispositivo di registrazione o altri dispositivi. Il livello di uscita è +4 dBu. Inclusi qui sono i connettori XLR (L/R: uscita stereo) e un jack phone 1/4" (uscita mono).



* Non è possibile regolare il volume per l'uscita LINE OUT con la manopola MASTER.

* Gli effetti coro sono progettati in modo da produrre la maggiore efficacia quando si utilizzano le casse incorporate dell'unità. L'efficacia può variare quando si utilizza l'uscita LINE OUT anziché le casse incorporate.

2. Jack SUB WOOFER OUT

È possibile collegare un subwoofer con alimentazione per riprodurre suoni con un low end ancora più potente e incisivo. Il volume è regolato con la manopola MASTER.

3. Jack AUX IN

È possibile collegare un lettore CD, una drum machine o un altro dispositivo e riprodurre suoni in stereo. Sono forniti sia i jack fono RCA che quelli phone da 1/4". Quando si effettua il collegamento solo al jack phone da 1/4" sinistro, la riproduzione è in mono.

Anche se l'ingresso da AUX IN è emesso dalle casse, da PHONES e da SUB WOOFER OUT, non viene emesso da LINE OUT. Il volume è regolato con la manopola MASTER.

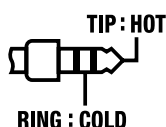
e l'attivazione/disattivazione della funzione Mute per questi suoni è controllata con il pulsante MUTE.

Se i dispositivi sono collegati sia ai jack phono RCA che a quelli phone da 1/4", i due ingressi vengono mixati.

4. Jack DI OUT/TUNER OUT

Il suono diretto del dispositivo o dello strumento collegato al canale GUITAR o MIC/LINE viene emesso qui. Si tratta di un jack TRS phone da 1/4" con uscita bilanciata.

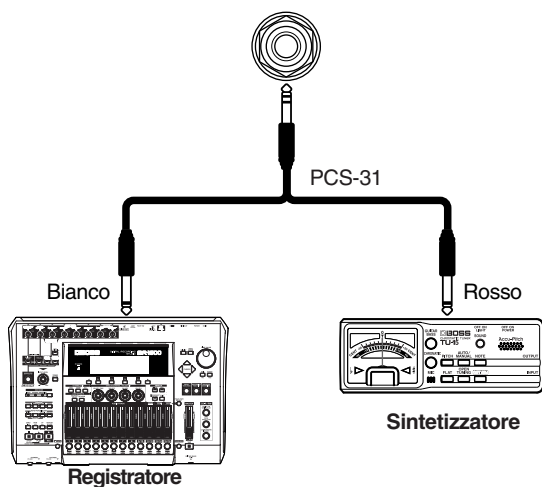
È inoltre possibile utilizzare questo jack per collegare un sintetizzatore.



* Se l'uscita bilanciata non è necessaria, utilizzare una spina (mono) phone da 1/4" per effettuare il collegamento a questo jack.

SUGGERIMENTO

Se l'uscita bilanciata non è necessaria, è possibile utilizzare il cavo di collegamento speciale (PCS-31 opzionale) per utilizzare DI OUT e TUNER OUT simultaneamente.



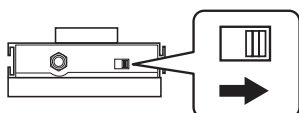
NOTA

Un segnale a fasi invertite viene emesso dal lato COLD (lato rosso di PCS-31). Collegare il dispositivo di registrazione al lato HOT (lato bianco di PCS-31)

5. Jack FOOT SW

AC-90 è compatibile con interruttori a pedale BOSS FS-5L (tipo latch), BOSS FS-5U (tipo momentaneo) e BOSS FS-6.

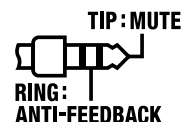
* Impostare l'interruttore della polarità come illustrato di seguito.



(MUTE, ANTI-FEEDBACK)

Il collegamento di un interruttore a pedale (BOSS FS-5L, FS-5U o FS-6 opzionale) mediante un cavo di collegamento (PCS-31 opzionale) rende possibile l'utilizzo di un interruttore a pedale di tipo latch (FS-5L o FS-6) per attivare o disattivare la funzione Mute o per utilizzare un interruttore a pedale di tipo momentaneo (FS-5U o FS-6) per controllare la funzione anti-feedback.

* Per informazioni sulle impostazioni per FS-6, consultare il relativo manuale dell'utente.



Quando una spina (mono) phone da 1/4" viene utilizzata per collegare un unico interruttore a pedale, viene abilitata solo l'attivazione/disattivazione della funzione Mute. In tal caso, è necessario utilizzare un interruttore a pedale di tipo latch (ad esempio BOSS FS-5L)

* Quando un interruttore a pedale viene collegato per la funzione Mute, il pulsante MUTE deve essere impostato su OFF. Non è possibile disattivare la funzione Mute premendo l'interruttore a pedale quando il pulsante MUTE è acceso (quando l'indicatore MUTE è illuminato).

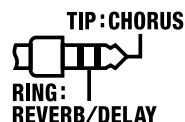
* Quando si utilizza un FS-5U (tipo momentaneo) per attivare e disattivare la funzione Mute, tale funzione è accesa solo mentre l'interruttore viene premuto verso il basso.

Per anti-feedback, un interruttore a pedale funziona come illustrato di seguito:

- Quando la manopola FREQUENCY è posizionata nell'intervallo da L a H, l'interruttore attiva e disattiva la funzione anti-feedback.
- Quando la manopola FREQUENCY è posizionata su AUTO, l'interruttore funziona come l'interruttore START per il rilevamento automatico. Se si tiene premuto l'interruttore a pedale verso il basso per uno o più secondi, la funzione di rilevamento automatico torna in modalità di standby.

(CHORUS, DELAY/REVERB)

Se si utilizza un cavo di collegamento speciale (PCS-31 opzionale) per collegare due interruttori a pedale (BOSS FS-5U opzionale), è possibile utilizzare un FS-5U per attivare e disattivare l'effetto coro e l'altro FS-5U per attivare e disattivare gli effetti delay o reverb.



Quando una spina (mono) phone da 1/4" viene utilizzata per collegare un unico interruttore a pedale, viene abilitata solo l'attivazione/disattivazione dell'effetto coro.

- * La funzione di attivazione/disattivazione dell'effetto coro funziona su entrambi i canali.
- * Non è possibile attivare e disattivare l'effetto coro premendo l'interruttore a pedale quando il pulsante CHORUS è nella posizione OFF.

Esempio di utilizzo di due canali combinati

Quando si utilizza un microfono e un trasduttore

CANALE GUITAR:

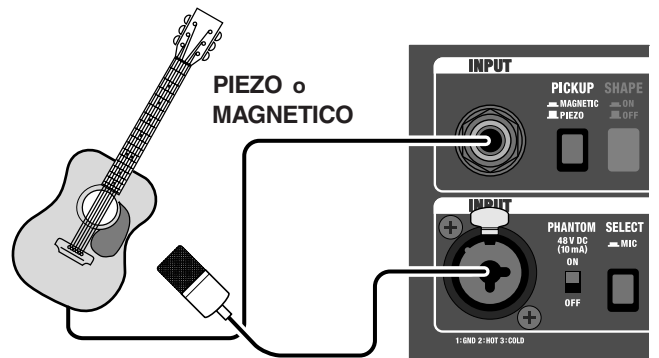
Trasduttore magnetico o piezo

CANALE MIC/LINE:

Microfono dinamico o a condensatore (pulsante SELECT = MIC)

In tal modo è possibile fondere il ricco intervallo di media frequenza del trasduttore con l'high end delicato del microfono.

Se si utilizza un microfono a condensatore, impostare l'interruttore PHANTOM su ON.



Microfono a condensatore o dinamico

Quando si utilizzano due chitarre

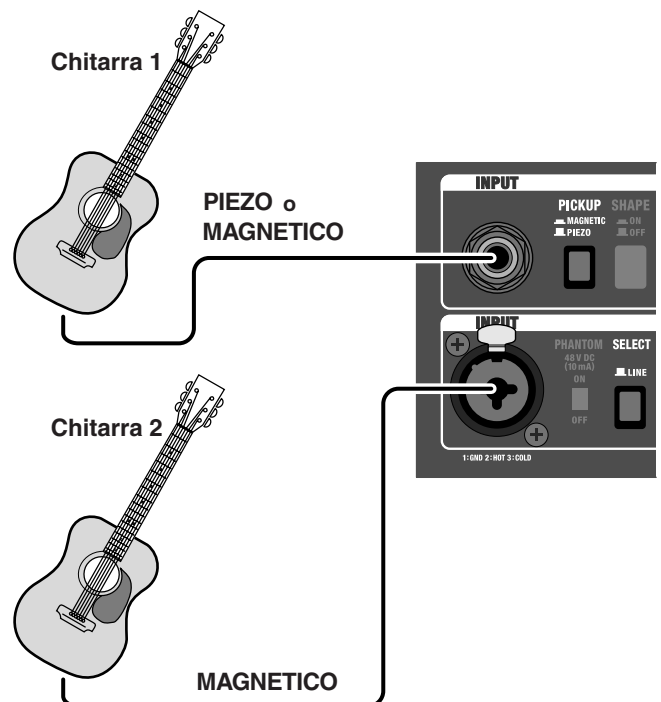
CANALE GUITAR:

Chitarra 1 Trasduttore piezo o magnetico

CANALE MIC/LINE:

Chitarra 2 Trasduttore magnetico (pulsante SELECT = LINE)

È possibile scambiare le chitarre senza dover regolare nuovamente il volume e il tono.



Quando si utilizza una chitarra con due tipi di trasduttori

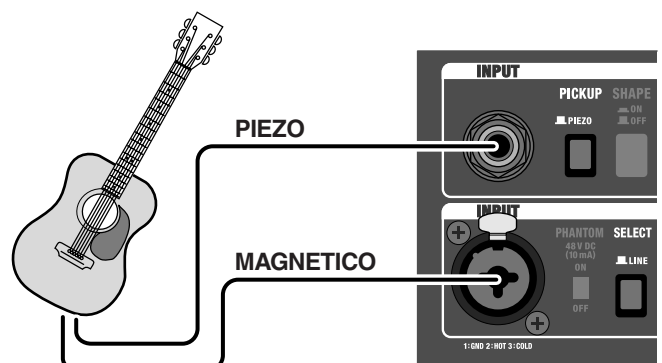
CANALE GUITAR:

PiezoPickup (pulsante PICKUP = PIEZO)

CANALE MIC/LINE:

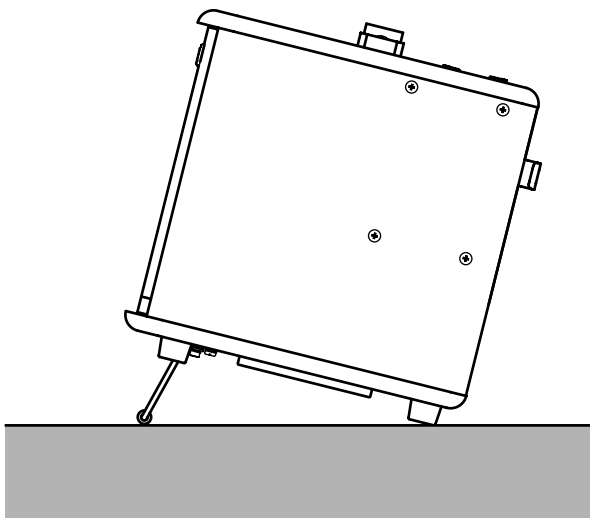
Trasduttore magnetico (pulsante SELECT = LINE)

È possibile bilanciare i livelli del volume mediante la manopola VOLUME di ciascun canale e regolare il tono per ogni trasduttore per ottenere il suono ottimale con le manopole dell'equalizzatore (BASS/MIDDLE/TREBLE).



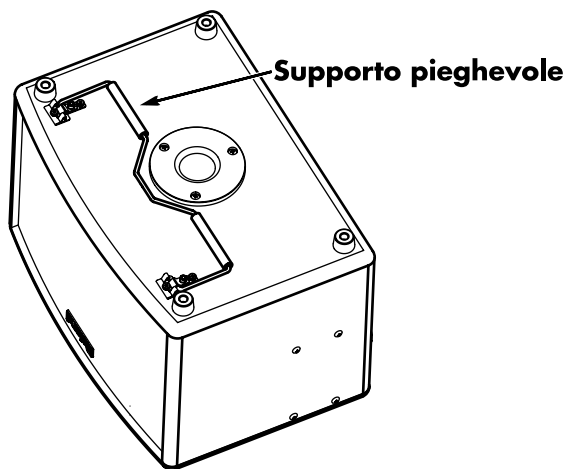
Modalità di utilizzo del supporto pieghevole

Quando si utilizza AC-90 su pavimento o in altre posizioni basse, l'installazione e l'utilizzo del supporto pieghevole può facilitare l'ascolto del suono dalle casse.



NOTA

- Quando si utilizza il supporto pieghevole, assicurarsi sempre di posizionarlo in modo che AC-90 rimanga stabile.
- Quando non si utilizza il supporto pieghevole, ripiegarlo.



⚠ ATTENZIONE

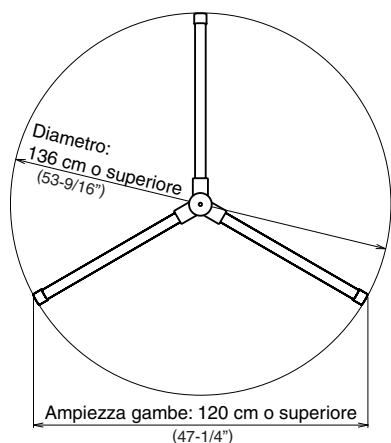
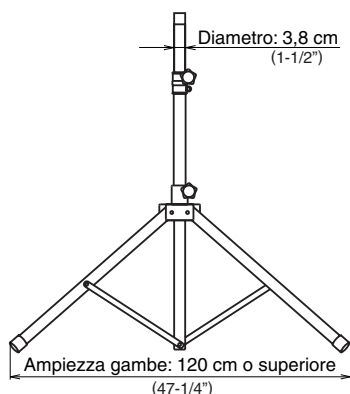
- Mai sollevare e trasportare AC-90 dal supporto pieghevole.
- Mai posizionare oggetti di alcun tipo sulla parte superiore di AC-90 quando si utilizza il supporto pieghevole. Inoltre, mai sedersi o appoggiarsi sul supporto pieghevole.
- Quando si piega il supporto pieghevole, attenzione a non lesionarsi le dita.

Utilizzo di un supporto casse

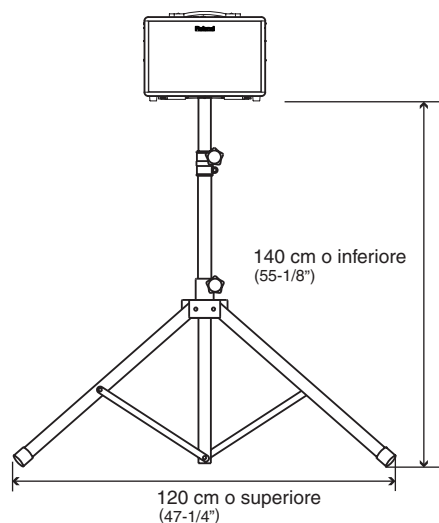
Mediante un supporto casse, è possibile montare AC-90 all'altezza ottimale per l'utilizzo come cassa monitor o come semplice sistema di amplificazione.

ATTENZIONE

- AC-90 è progettato per essere utilizzato esclusivamente con supporti casse le cui dimensioni soddisfano le specifiche descritte di seguito.
Non utilizzarlo con un supporto casse che non soddisfa le seguenti specifiche.



- Prima dell'utilizzo, regolare il supporto casse a un'altezza di 140 cm (55-1/8") o inferiore e con un'ampiezza delle gambe di 120 cm (47-1/4") o superiore, come illustrato nella figura seguente.



- L'utilizzo di un supporto casse che non soddisfa le specifiche sulla sinistra o che è regolato a un'altezza superiore a 140 cm (55-1/8") o con un'ampiezza delle gambe inferiore a 120 cm (47-1/4") può provocare il rovesciamento del supporto e quindi danneggiare l'apparecchiatura o provocare lesioni.
- Quando si utilizza AC-90 con un supporto casse, quest'ultimo deve essere posizionato con cautela assicurandosi che sia stabile e che rimanga saldo.
- I cavi collegati ad AC-90 devono essere lasciati lenti per evitare che qualcuno inciampi provocando incidenti.
- Per evitare incidenti dovuti a cadute, non posizionare alcun tipo di oggetto su AC-90 quando quest'ultimo è montato su un supporto casse.
- Durante il montaggio di AC-90 su un supporto casse o quando si regola l'altezza del supporto con AC-90 montato su di esso, assicurarsi di avere sempre a disposizione almeno una persona per assistenza.

Principales características

El AC-90 es un amplificador de monitor de alto rendimiento desarrollado exclusivamente para instrumentos acústicos. Es capaz de reproducir fielmente toda la riqueza armónica del sonido de los instrumentos acústicos.

Amplificador estereofónico compacto de alto rendimiento

- El diseño perfectamente afinado de la caja tiene por objeto realzar el sonido de los instrumentos acústicos. Dentro de esta caja hay dos altavoces de graves de 20 cm, dos altavoces de agudos y un amplificador estereofónico de 45 W + 45 W. Todos estos componentes de reciente desarrollo han sido diseñados exclusivamente para el AC-90. En consecuencia, la unidad puede reproducir un sonido de instrumentos acústicos más natural en una amplia gama de frecuencias.
- En el diseño del amplificador de potencia no sólo se ha primado la ligereza, sino que se han utilizado nuevos materiales en los altavoces, logrando así reducir el peso de la unidad.

Incorpora dos canales independientes, GUITAR y MIC/LINE

- Cada canal incorpora un ecualizador de 3 bandas.
- El canal GUITAR regula tanto la pastilla magnética como la piezoeléctrica.
- El canal MIC/LINE ofrece potencia fantasma, generada por un circuito fantasma dedicado de 48 V de salida.
- Utilizando el canal MIC/LINE para la entrada LINE es posible conectar guitarras con pastillas magnéticas. También puede utilizar simultáneamente una pasilla piezoeléctrica (canal GUITAR) y una pastilla magnética (canal MIC/LINE), mezclando ambos sonidos.

Efectos digitales de alta calidad

- El equipo permite obtener tres tipos de efectos corales estereofónicos. Se trata de los efectos corales "SPACE" sintetizado espacialmente, "RICH" (dividido en bandas de frecuencia) y "WIDE" (también dividido en bandas de frecuencia, aunque ofrece una mayor expansividad).
- Incluye reverberación estereofónica especialmente desarrollada para instrumentos acústicos. Esto permite aportar un espectro de amplitud y naturalidad al sonido.
- Equipado con efectos de retardo que pueden generar sonidos de calidad tonal suave, afinados específicamente para instrumentos acústicos.
- También incorpora un pedal opcional para activar y desactivar los efectos.

Eliminación de acoples

- La función de eliminación de acoples incluye dos métodos para detectar el punto de acople. Puede utilizarse la opción MANUAL, o bien la opción AUTO, que detecta automáticamente el punto de acople.
- Es posible conectar un pedal opcional y utilizarlo para accionar esta función.

Función de silenciador

- El interruptor de silenciador incorporado facilita el silencio de los sonidos de los propios altavoces del AC-90, así como de los sonidos de LINE OUT. Esta función posibilita conectar y desconectar la guitarra sin ruidos. Asimismo, si se tiene conectado un afinador a la salida TUNER OUT, la función de silenciador permite afinar el instrumento sin salida de sonido.
- Es posible conectar un pedal opcional y utilizarlo para activar y desactivar esta función.

Conectores de salida externos (AUX IN)

- Incluye conectores de salida externos que permiten conectar un reproductor de CD, un equipo de refuerzo u otro dispositivo estéreo.
- Incluyen conectores estereofónicos RCA y telefónicos de 1/4", que posibilitan la conexión a prácticamente cualquier tipo de dispositivo.

Múltiples conectores de salida

- Con salida DI Out, que permite la salida directa de las señales procedentes de los instrumentos y micrófonos conectados. También puede conectarse un afinador. Admite salida de TRS balanceada.
- Salidas de línea con conectores de salida monoaurales de 1/4", además de los conectores XLR para salida estéreo. Se puede utilizar un único AC-90 para todas las aplicaciones.
- También incluye una salida de subaltavoz de graves. La conexión de un subaltavoz de graves alimentado eléctricamente permite obtener unos graves más potentes.
- El amplificador incorpora también conector de auriculares, que puede utilizarse para tocar durante la noche y al realizar comprobaciones de sonido.

Colocación adecuada

- Equipado con un "soporte plegable", que permite cambiar el ángulo del amplificador al utilizarlo para monitorización.
- Incluye un "adaptador de soporte de altavoz", que posibilita conectar el AC-90 al soporte de un altavoz. Esto simplifica la utilización del AC-90 cuando se está interpretando de pie, y posibilita utilizarlo como un PA sencillo.
- Incluye asimismo un maletín de transporte para facilitar su desplazamiento.

English

Deutsch

Français

Italiano

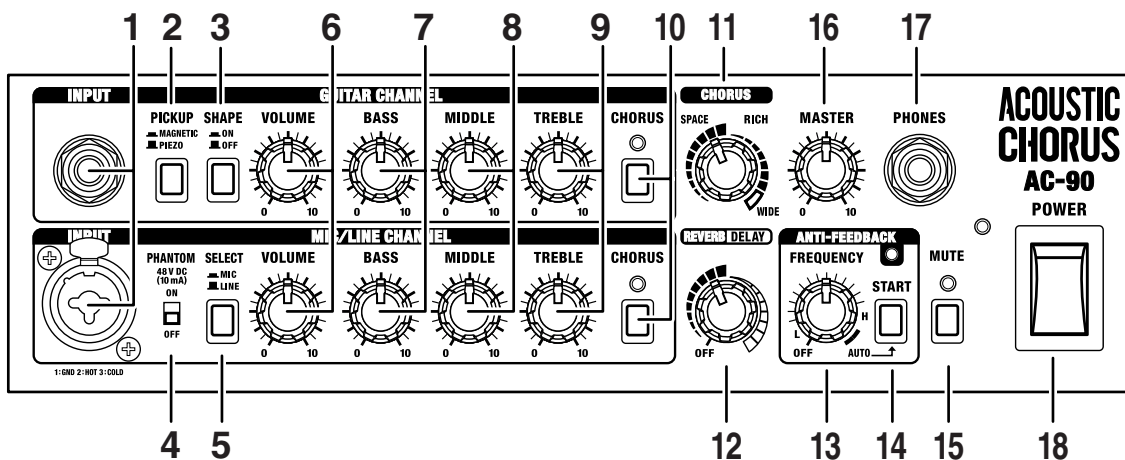
Español

Português

Nederlands

Nombres de componentes y sus funciones

Panel de control



1. INPUT

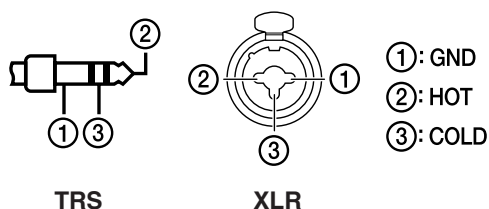
(GUITAR CHANNEL)

Aquí se conectan las guitarras

(MIC/LINE CHANNEL)

Aquí se conectan los micrófonos y dispositivos de nivel de línea. También pueden conectarse las guitarras con pastillas equipadas con preamplificadores.

Esto controla la entrada balanceada, por lo que es posible conectar conectores telefónicos TRS de 1/4" y conectores tipo XLR.



SUGERENCIA

Los dos canales pueden utilizarse combinadamente. Consulte "Ejemplo de uso de dos canales combinados" (p. 54).

- * Pueden producirse acoples, en función de la ubicación de los micrófonos con respecto a los altavoces. Esto puede remediarse:
 - Cambiando la orientación de los micrófonos.
 - Cambiando la posición de los micrófonos y situándolos a mayor distancia de los altavoces.
 - Bajando los niveles de volumen.

2. Botón PICKUP

Este mando conmuta los circuitos de entrada para pastillas piezoeléctricas o magnéticas, en función del tipo de pastilla de la guitarra conectada. Para pastillas magnéticas, pulse el botón.

- * Sitúelo en "MAGNETIC" si la guitarra tiene una pastilla activa equipada con preamplificador.

3. Botón SHAPE

Sitúe este mando en ON para modificar la gama media y generar un tono brillante adecuado para acordes de rasgado.

Esto enfatiza los sonidos progresivos, permitiendo rasguear de manera más acentuada.

4. Interruptor PHANTOM

Activa y desactiva la potencia fantasma.

Sitúelo en "ON" cuando conecte micrófonos que requieran potencia fantasma (micrófono condensador, etc.).

Sitúelo en "OFF" al conectar micrófonos que no requieran potencia fantasma u otros dispositivos.

NOTA

- Efectúe la siguiente secuencia al conectar micrófonos que requieran potencia fantasma:
 1. Sitúe el interruptor PHANTOM en la posición OFF.
 2. Conecte el micrófono.
 3. Sitúe el interruptor PHANTOM en la posición ON.
- La conexión de potencia fantasma a micrófonos que no la necesiten o a otros dispositivos pueden provocar desperfectos en estos equipos. Asegúrese de situar siempre este interruptor en OFF antes de conectar.
- * Para proteger los circuitos, todas las salidas quedarán en silencio momentáneamente al situar el interruptor PHANTOM en la posición ON u OFF.
- * La potencia fantasma se suministra solamente a los conectores XLR de la entrada del canal MIC/LINE.
- * Pueden generarse ruidos si los conectores se conectan o desconectan al conectar (ON) la alimentación fantasma.

APUNTE Potencia fantasma

Debido a la gama relativamente amplia y a la calidad de sonido mejor que la de los micrófonos dinámicos, los micrófonos de condensador suelen utilizarse para conectarlos a guitarras acústicas. No obstante, para funcionar requieren una fuente de alimentación. Aunque algunos micrófonos de condensador funcionan con baterías instaladas en sus alojamientos, en muchos casos se requiere una fuente de alimentación denominada "potencia fantasma". Esta fuente de alimentación utiliza el cable del micrófono para suministrar electricidad.

La potencia fantasma del AC-90 sale a 48 V constantes, por lo que se ajusta a las especificaciones profesionales de los estudios de grabación.

5. Botón SELECT

Este botón alterna el nivel de entrada para ajustarlo al del dispositivo conectado (micrófono o línea).

Con el botón SELECT es posible conectar guitarras con pastillas magnéticas al seleccionar LINE.

- * *Tenga en cuenta que el volumen se incrementará si el botón se sitúa en "MIC" cuando hay un dispositivo de nivel de línea conectado.*

6. Mandos VOLUME

(GUITAR CHANNEL)

Permite ajustar el volumen del canal GUITAR.

- * *Para ajustar la salida inferior de las pastillas piezoeléctricas, cuando el mando VOLUME se sitúa entre las posiciones 7 y 10 el nivel de volumen será un tanto mayor si el botón PICKUP se ajusta en PIEZO en comparación a cuando se ajusta en MAGNETIC.*

(MIC/LINE CHANNEL)

Permite ajustar el volumen del canal MIC/LINE.

- * *Si se utiliza el AC-90 con los canales GUITAR y MIC/LINE mezclados, ajuste el balance de volumen entre ambos canales con el mando VOLUME.*

7. Mandos BASS

Permiten ajustar el nivel la gama de bajas frecuencias.

8. Mandos MIDDLE

Permiten ajustar el nivel de la gama media.

9. Mandos TREBLE

Permiten ajustar el nivel la gama de altas frecuencias.

APUNTE

El tono de un instrumento acústico puede variar enormemente entre un instrumento y otro. También el tipo de sonido requerido varía en función de cómo se utilice un instrumento en una combinación específica. Utilice los mandos BASS, MIDDLE y TREBLE para ajustar el tono al instrumento que esté utilizando y según las condiciones de uso.

(Ejemplo)

- Si se utiliza el AC-90 con el altavoz conectado, lo más conveniente es situar el mando BASS en un ajuste alto para que se perciba mejor la gama baja.
- Si el sonido parece demasiado áspero (como, por ejemplo, inmediatamente después de cambiar cuerdas), lo más conveniente es situar el mando TREBLE en un ajuste bajo para recortar las altas frecuencias.

10. Botones CHORUS

Activan y desactivan los efectos corales.

Cuando están activados, se iluminará el testigo.

APUNTE

Puede utilizar un pedal (el BOSS FS-5U opcional) para activar y desactivar los efectos corales. El accionamiento de este pedal actúa sobre ambos canales.

11. Mando CHORUS

Gire este mando para seleccionar entre tres tipos de efectos corales (SPACE, RICH y WIDE).

Es posible ajustar la magnitud del efecto aplicado cambiando la posición del mando.

- * *Esto se consigue cuando el botón CHORUS se sitúa en la posición ON.*
- * *Las marcas que indican las posiciones SPACE y RICH son aproximadas. Escuche el sonido para verificar el efecto mientras realiza los ajustes.*

SPACE

Es un efecto coral espacialmente sintetizado. En este efecto, un método disponible solamente en estéreo, se crea un efecto coral tomando el sonido del altavoz derecho (desde el cual sale el sonido del mismo) y del altavoz izquierdo (desde el cual sale el sonido directo), y se los mezcla en el espacio. Así se obtiene una mayor distribución lateral que la producida cuando los sonidos se mezclan electrónicamente, que se caracteriza por una mayor naturalidad.

RICH

Es un efecto coral estereofónico dividido en tres gamas de frecuencia.

En este caso, el efecto se separa en tres bandas: baja frecuencia, frecuencia media y alta frecuencia. Aplicando la magnitud de efecto coral más adecuada para cada gama, se genera una sensación de plenitud y amplitud perfectamente adecuada para la guitarra acústica.

El extremo inferior se sitúa firmemente en el centro, y sonido se extiende a medida que pasa de la gama de frecuencias medias a las altas frecuencias.

WIDE

Además de basarse en la división del sonido en bandas separadas, este efecto coral ofrece una mayor expansividad que RICH.

El sonido se difunde más allá de los altavoces del AC-90, generando un efecto que parece envolver al quien escucha.

12. Mando REVERB/DELAY

Este mando puede ajustarse para alternar entre los efectos de reverberación y de retardo.

Es posible ajustar la magnitud del efecto aplicado cambiando la posición del mando.

* Sitúe el mando en la posición "OFF" si no va a utilizar el efecto de reverberación o de retardo.

* Las marcas que indican las posiciones REVERB y DELAY son aproximadas. Escuche el sonido para verificar el efecto mientras realiza los ajustes.

REVERB

Esta reverberación estereofónica, desarrollada especialmente para instrumentos acústicos, da una sensación de espaciosidad y de calidad natural.

Gire el mando para ajustar el volumen del efecto de reverberación.

DELAY

Este retardo, desarrollado especialmente para instrumentos acústicos, aporta reflejos suaves al sonido original.

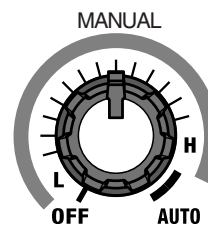
Gire el mando para cambiar el tiempo de retardo.

* Puede utilizar un pedal (el BOSS FS-5U opcional) para activar y desactivar los efectos de reverberación y retardo.

13. Mando FREQUENCY

Este mando permite seleccionar la frecuencia de accionamiento de la función de eliminación de acoples.

Además, la posición del mando determina si se han seleccionado las opciones AUTO o MANUAL.



* Sitúe el mando en la posición "OFF" si no utiliza la función de eliminación de acoples.

14. Botón START

Se utiliza para la configuración de Auto (p. 51). Al pulsar el botón se efectúa una detección automática de las distorsiones de frecuencia.

Los indicadores muestran el estado de actividad de la función de detección automática.

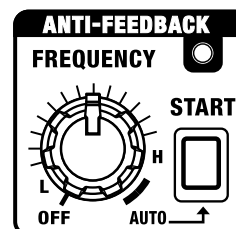
En reposo: parpadea lentamente

Durante la detección: parpadea rápidamente

Después de la detección: permanece iluminado

* Si se mantiene pulsado el botón START durante más de un segundo, la unidad volverá a la posición de reposo, preparada para la detección automática.

Cómo utilizar ANTI-FEEDBACK



ANTI-FEEDBACK es una función que controla los acoples que se producen entre la guitarra o micrófono y el amplificador.

Los acoples se suprimen atenuando la frecuencia en que se producen.

* No está prevista para funcionar con acoples de alta frecuencia que pueden producirse al utilizar micrófonos.

ANTI-FEEDBACK puede utilizarse de dos maneras distintas: empleando los ajustes de AUTO o los ajustes de MANUAL.

* Utilízela cuando se produzca una distorsión de acoples.

APUNTE Acople

Es un fenómeno en que la salida de señales de los altavoces es recogida nuevamente por el micrófono o la pastilla, amplificándose el sonido y la salida de los altavoces y produciéndose un sonido desagradable y oscilante.

* Si con la función de eliminación de acoples sola no se controlan los acoples, ajuste otros parámetros. Por ejemplo, baje el volumen o corte las bajas frecuencias.

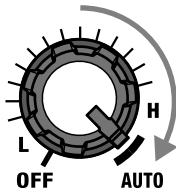
* Para evitar los acoples durante la interpretación, recomendamos ajustarlos previamente.

Ajuste automático del punto de acople

Esta función detecta automáticamente la frecuencia en que se producen los acoples y los suprime.

* *Utilícelo en condiciones en que se producen acoples.*

1. Haga que se genere una distorsión de acoples.
2. Gire el mando FREQUENCY a la posición "AUTO".



El indicador ANTI-FEEDBACK parpadeará lentamente, y la detección automática pasará al modo de espera.

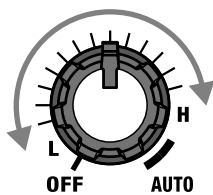
3. Pulse el botón START.

De este modo se iniciará la detección automática del punto de acople. El indicador parpadeará rápidamente mientras la detección esté en curso. Una vez detectado el punto de acople, el indicador quedará continuamente iluminado. Si no se detecta el punto de acople, el indicador parpadeará lentamente, y la función de detección automática volverá a la situación de espera.

4. Vuelva a pulsar el botón START para reiniciar la detección automática.

Ajuste manual del punto de acople

1. Haga que se genere una distorsión de acoples.
2. Gire el mando, moviéndolo desde L hasta H (el indicador ANTI-FEEDBACK se iluminará) para buscar la frecuencia en la que se suprimen los acoples.



Girando el mando hacia la derecha se suprimen progresivamente más acoples de agudos, y girándolo hacia la izquierda se suprimen progresivamente más acoples de bajos.

APUNTE

Puede utilizar un pedal (el BOSS FS-5U, FS-6 opcional) para realizar una detección automática de la frecuencia de acople o para activar y desactivar la función.

SUGERENCIA

Esta función puede utilizarse incluso si los acoples no son un problema. Por ejemplo, puede utilizarla para eliminar las resonancias indeseables de frecuencias bajas a medias, así como para corregir otros problemas de calidad del sonido.

15. Botón MUTE

Este botón activa y desactiva a función MUTE.

Al pulsar el botón, el indicador MUTE parpadeará, el silenciador se activará, silenciándose la salida del altavoz y los sonidos procedentes de SUB WOOFER OUT y de LINE OUT.

Con la función MUTE activada, no es necesario bajar los mandos VOLUME o MASTER para silenciar el sonido al conectar o desconectar la guitarra.

* *Los sonidos de los conectores DI OUT/TUNER OUT y PHONES no se silencian.*

SUGERENCIA

Si conecta un afinador (opcional) a DI OUT/TUNER OUT y, a continuación, pulsa el botón MUTE, podrá afinar el instrumento sin que se produzca salida de sonido desde los altavoces.

APUNTE

Puede utilizar un pedal (el BOSS FS-5U ó FS-6 opcional) para activar y desactivar el silenciador. (p. 53)

16. Mando MASTER

Permite ajustar el nivel general de sonido.

* *LINE OUT no puede ajustarse.*

17. Conector PHONES

Aquí se conectan los auriculares. Cuando los auriculares estén conectados, no habrá salida de sonido desde los altavoces ni desde SUB WOOFER OUT.

18. Interruptor POWER

Permite encender y apagar el AC-90.

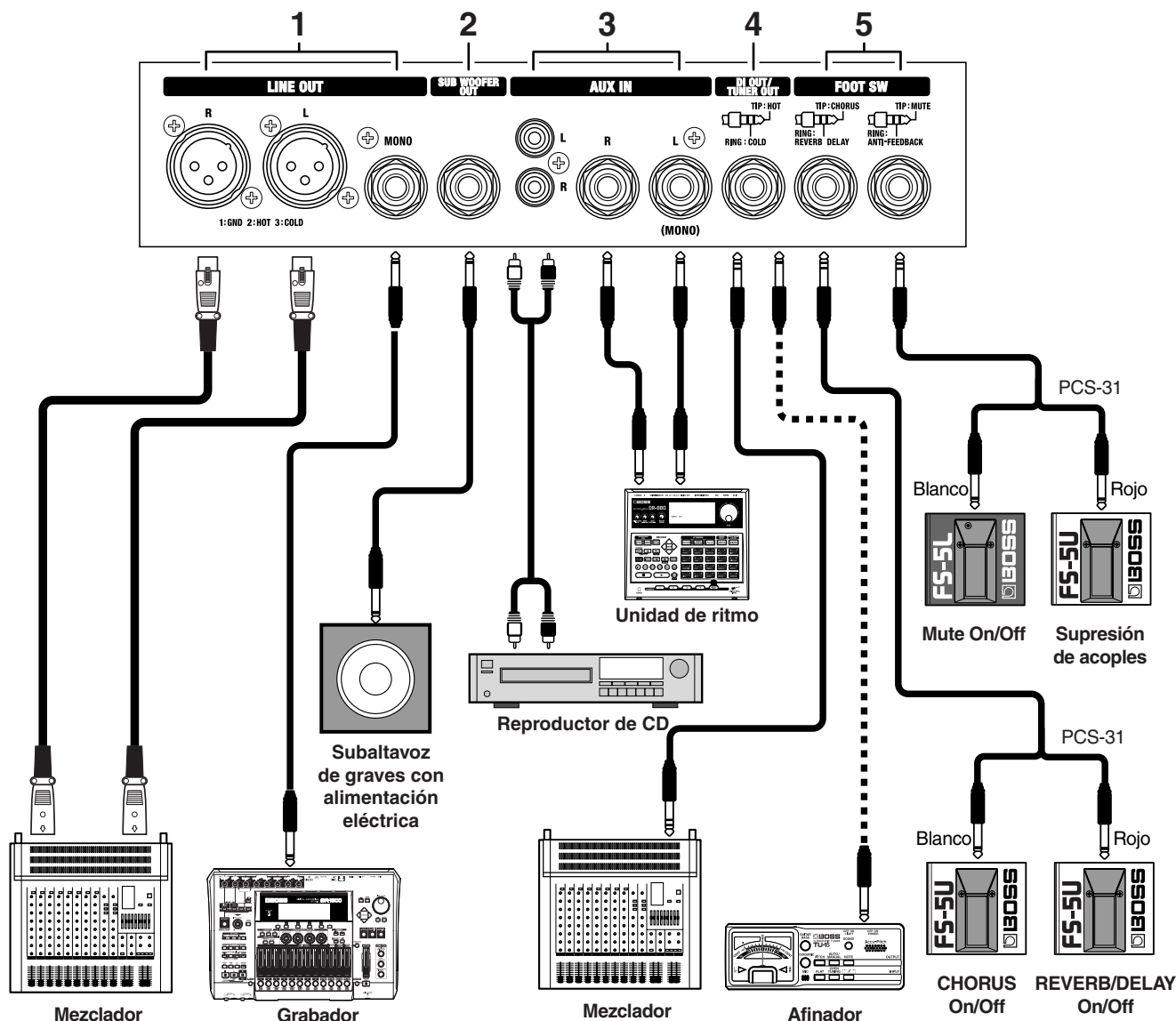
Cuando el equipo está encendido, el indicador POWER se mantendrá iluminado.

* *Si necesita apagar el equipo completamente, primero sitúe en OFF el interruptor POWER y, a continuación, desenchufe el cable de la toma de corriente. Consulte **Power Supply** (p. 5)*

* *Debido a la función de protección de circuitos, esta unidad tarda unos instantes desde que se enciende hasta estar preparada para el funcionamiento normal.*

* *Asegúrese siempre de bajar el nivel del volumen antes de apagar el equipo. Incluso con el volumen totalmente bajado oirá algún sonido al apagar el equipo, aunque se trata de algo normal y no de un desperfecto.*

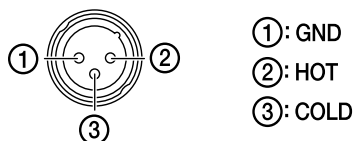
Panel trasero



* Si se utilizan cables de conexión con resistencias, el nivel del volumen del equipo conectado a las entradas puede ser bajo. En tal caso, utilice cables de conexión sin resistencias.

1. Conectores LINE OUT

Aquí puede conectar un mezclador, un dispositivo de grabación o de otro tipo. El nivel de salida es de +4 dBu. Se incluyen conectores XLR (L/R: salida estéreo) y un conector de 1/4" (salida monoaural).



* No es posible ajustar el volumen de LINE OUT con el mando MASTER.

* Los efectos corales están diseñados para alcanzar su máxima eficacia cuando se utilizan los altavoces incorporados de la unidad. La efectividad puede ser diferente si se utiliza LINE OUT en lugar de los altavoces integrados.

2. Conector SUB WOOFER OUT

Es posible conectar un subaltavoz de bajos con alimentación propia para reproducir sonidos de baja frecuencia más impactantes y potentes.

El volumen se ajusta con el mando MASTER.

3. Conectores AUX IN

Puede conectar un reproductor de CD, una unidad de ritmo u otro dispositivo para reproducir sonidos en estéreo.

Se incluyen conectores de RCA y de 1/4". Si conecta solamente al conector de 1/4" izquierdo, la reproducción será monoaural.

Aunque la entrada de AUX IN sale de los altavoces, de PHONES y de SUB WOOFER OUT, no sale desde LINE OUT. El volumen se ajusta con el mando MASTER,

y la activación/desactivación del silenciamiento de estos sonidos se controla con el botón MUTE.

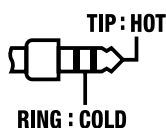
Si los dispositivos se conectan tanto a los conectores RCA y 1/4", las dos salidas se mezclarán.

4. Conector DI OUT/TUNER OUT

Esta es la salida del sonido directo del dispositivo o instrumento conectado al canal GUITAR o MIC/LINE.

Es un conector TRS de 1/4" con salida balanceada.

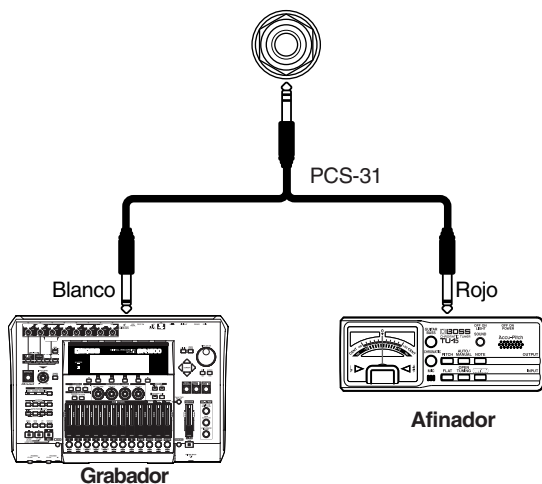
También puede utilizarlo para la conexión de un afinador.



* Si no necesita salida balanceada, conecte este conector a un enchufe de 1/4" (monoaural).

SUGERENCIA

Si no necesita una salida balanceada, puede utilizar el cable especial de conexión (el PCS-31 opcional) para utilizar DI OUT y TUNER OUT simultáneamente.



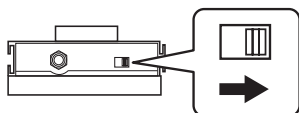
NOTA

Desde el lado COLD sale una señal de fase invertida (el extremo rojo del PCS-31). Conecte el dispositivo de grabación al lado HOT (el extremo blanco del PCS-31)

5. Conectores FOOT SW

El AC-90 admite pedales BOSS FS-5L (tipo pestillo), BOSS FS-5U (tipo momentáneo) y BOSS FS-6.

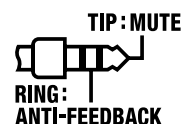
* Consulte la polaridad del conector en el siguiente diagrama.



(MUTE, ANTI-FEEDBACK)

La conexión de un pedal (el BOSS FS-5L, FS-5U o FS-6 opcional) con un cable de conexión (el PCS-31 opcional) posibilita utilizar el interruptor de pedal (FS-5L ó FS-6) para activar o desactivar la función MUTE, o bien para utilizar un interruptor de pedal momentáneo (FS-5U o FS-6) para controlar la función ANTI-FEEDBACK.

* Consulte información acerca de la configuración de FS-6 en el manual del usuario del FS-6.



Si se utiliza un enchufe de 1/4" (monoaural) para conectar un solo pedal, solamente activará o desactivará la función MUTE. Para tales casos, utilice un pedal de pestillo (como el BOSS FS-5L)

* El botón MUTE debe situarse en OFF si se conecta un pedal para silenciar. No es posible silenciar el sonido pisando el pedal cuando el botón MUTE está en ON (cuando el indicador MUTE está iluminado).

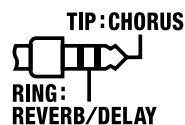
* Si se utiliza un pedal FS-5U (momentáneo) para activar y desactivar el silenciador, esta función se activará solamente cuando el interruptor esté pulsado.

Para eliminación de acoples, el pedal funciona de la siguiente manera:

- Si el mando FREQUENCY se sitúa en cualquier punto entre L y H, el dispositivo activará y desactivará la función de eliminación de acoples.
- Si el mando FREQUENCY se sitúa en la posición AUTO, el interruptor funcionará como el interruptor START para detección automática. Si se mantiene pisado el pedal durante un segundo o más, la función de detección automática volverá al modo en espera.

(CHORUS, DELAY/REVERB)

Utilizando un cable de conexión especial (el PCS-31 opcional) para conectar dos pedales (el BOSS FS-5U opcional), podrá utilizar un FS-5U para activar y desactivar los efectos corales, y el otro FS-5U para activar y desactivar el retardo o la reverberación.



Si se utiliza un enchufe de 1/4" (monoaural) para conectar un solo pedal, solamente activará o desactivará la función de efectos corales.

* La función de activación y desactivación de efectos corales funciona en ambos canales.

* No es posible activar y desactivar la función de efectos corales pisando el pedal si el botón CHORUS está en la posición OFF.

Ejemplo de uso de dos canales combinados

Si se utiliza un micrófono y una pastilla

GUITAR CHANNEL:

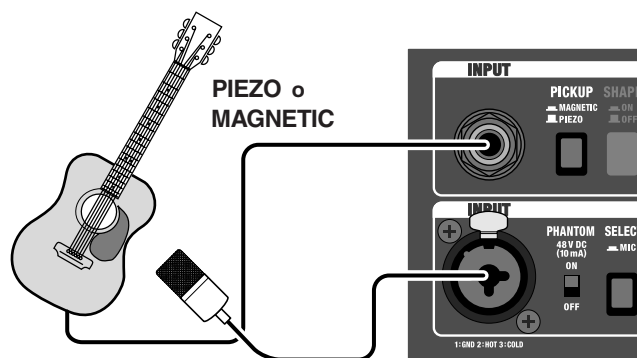
Pastilla piezoeléctrica o magnética

MIC/LINE CHANNEL:

Micrófono de condensador o dinámico (botón SELECT = MIC)

Esto permite combinar las frecuencias medidas de la pastilla con las delicadas frecuencias altas del micrófono.

Sitúe el interruptor PHANTOM en la posición ON si utiliza un micrófono de condensador.



Micrófono de condensador o dinámico

Si se utilizan dos guitarras

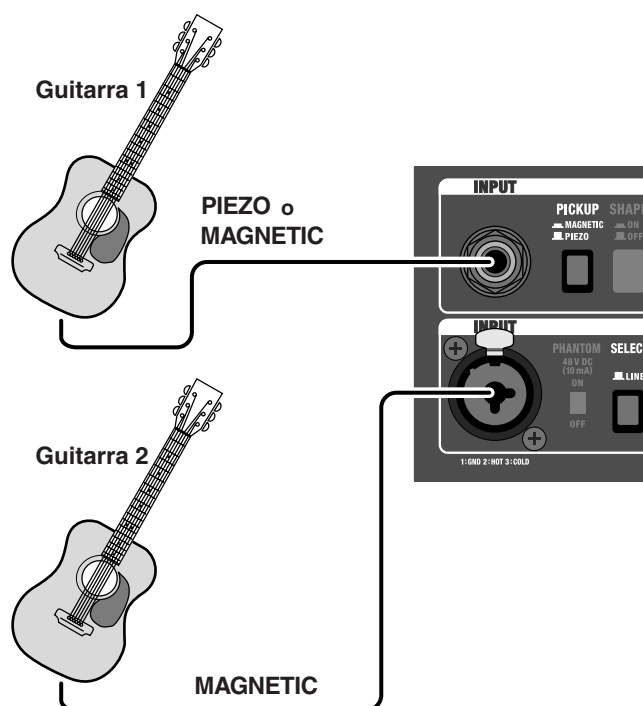
GUITAR CHANNEL:

Guitarra 1 Pastilla piezoeléctrica o magnética

MIC/LINE CHANNEL:

Guitarra 2 Pastilla magnética (botón SELECT = LINE)

Puede alternar entre las guitarras sin necesidad de reajustar el volumen y el tono.



Si se utiliza una guitarra con dos tipos de pastillas

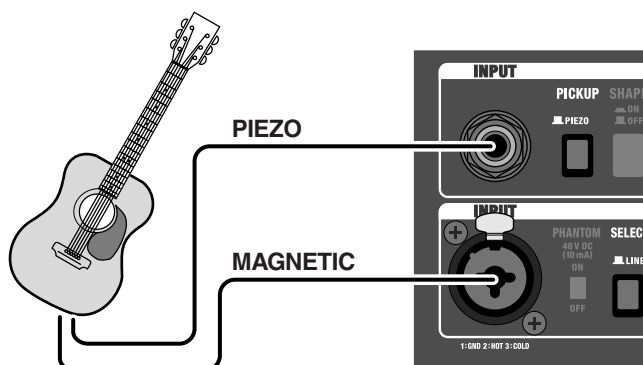
GUITAR CHANNEL:

Pastilla piezoeléctrica (botón PICKUP = PIEZO)

MIC/LINE CHANNEL:

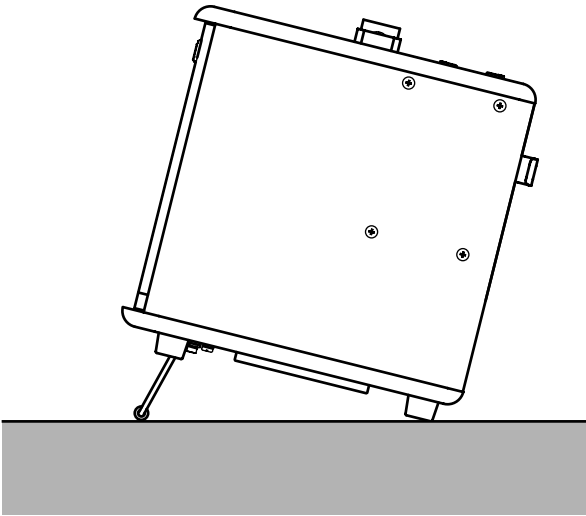
Pastilla magnética (botón SELECT = LINE)

Se pueden balancear los niveles de volumen utilizando el mando VOLUME de cada canal, y ajustar el tono de cada pastilla para obtener el sonido óptimo con los mandos del ecualizador (BASS/MIDDLE/TREBLE).



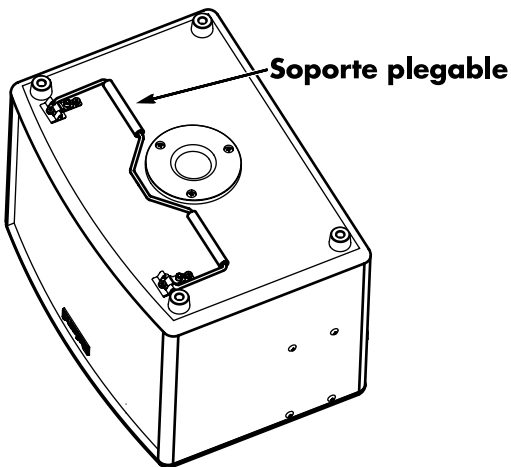
Cómo utilizar el soporte plegable

Si coloca el AC-90 sobre el suelo o en posiciones bajas, ajuste el soporte plegable para facilitar la salida de sonido desde los altavoces.



NOTA

- Al utilizar el soporte plegable, asegúrese de ubicarlo de tal modo que el AC-90 se mantenga nivelado.
- Cuando no lo utilice, pliéguelo.



⚠ ADVERTENCIA

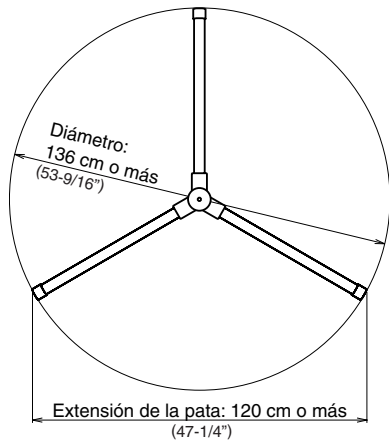
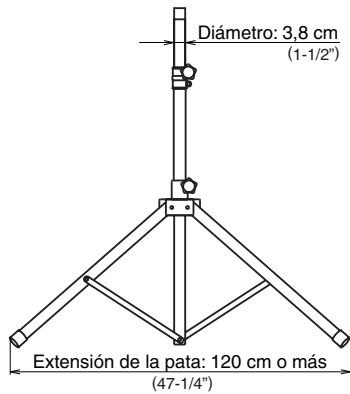
- Nunca levante y transporte el AC-90 tomándolo por el soporte plegable.
- Nunca coloque ningún objeto sobre el AC-90 cuando esté utilizando el soporte plegable. Tampoco se siente ni se apoye sobre el soporte.
- Al plegar el soporte plegable, tenga cuidado de no pillarse los dedos.

Utilización de un soporte de altavoz

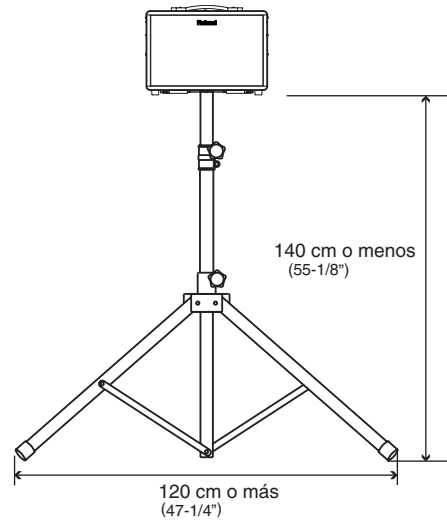
Utilizando un soporte de altavoz podrá montar el AC-90 en una posición óptima para utilizarlo como altavoz monitor o dispositivo PA.

⚠️ ADVERTENCIA

- El AC-90 está diseñado para ser utilizado solamente con soportes cuyas dimensiones se ajusten a las especificaciones indicadas a continuación. No utilice un soporte que no se ajuste a las siguientes especificaciones.



- Antes de utilizarlo, ajuste el soporte del altavoz a una altura máxima de 140 cm (55-1/8"), extendiendo una pata 120 cm (47-1/4") o más, como indica la siguiente figura.



- El uso de un soporte que no se ajuste a las especificaciones indicadas a la izquierda, o ajustado a una altura superior de 140 cm (55-1/8"), o bien extendiendo la pata menos de 120 cm (47-1/4"), puede dañar el equipo o provocar lesiones como consecuencia de la caída del soporte.
- Cuando utilice el AC-90 con un soporte, éste debe colocarse cuidadosamente de modo que quede nivelado y permanezca estable.
- Los cables conectados al AC-90 deben tener suficiente holgura como para evitar los accidentes que podrían producirse si alguien tropieza con ellos.
- Para evitar accidentes como consecuencia de caídas, no coloque ningún objeto sobre el AC-90 cuando esté montado sobre un soporte de altavoz.
- Las operaciones de montaje del soporte del altavoz del AC-90 y de ajuste de la altura del mismo deben realizarla al menos dos personas.

Principais características

O AC-90 é um amplificador monitor de alto desempenho desenvolvido exclusivamente para uso com instrumentos acústicos. É capaz de reproduzir fielmente toda a riqueza harmônica do som de um instrumento acústico.

Amplificador estéreo compacto e de alto desempenho

- O design finamente elaborado deste gabinete foi projetado para otimizar o som dos instrumentos acústicos. Dentro do gabinete, há dois woofers de 20 cm, dois tweeters e um amplificador estéreo de 45 W + 45 W — tudo isso recentemente projetado especialmente para o AC-90. Como resultado, a unidade é capaz de produzir um som de instrumento acústico mais natural, através de uma ampla faixa de frequências.
- Graças ao amplificador de potência projetado para ser o mais leve possível e ao uso de novos materiais para os woofers, uma redução considerável no peso da unidade foi alcançada.

Apresenta dois canais independentes, GUITAR e MIC/LINE

- Equipado com equalizador de três bandas por canal.
- O canal GUITAR permite a escolha entre captadores piezo e magnético.
- O canal MIC/LINE oferece o recurso “Phantom Power”, produzido por um conjunto de circuitos Phantom altamente seguros e dedicados, com saída de 48 V.
- A utilização do canal MIC/LINE para entrada LINE permite que você conecte violões com captadores magnéticos. É possível também utilizar um captador piezo (canal GUITAR) e um captador magnético (canal MIC/LINE) ao mesmo tempo e mixar (misturar) os sons.

Efeitos digitais de alta qualidade

- O AC-90 oferece três tipos de stereo chorus. O “SPACE” chorus com sintetização espacial, o “RICH” chorus (que é dividido em bandas de frequência) e o “WIDE” chorus (também dividido em bandas de frequência e capaz de oferecer uma expansibilidade ainda maior).
- Este modelo inclui um reverb estéreo especialmente desenvolvido para instrumentos acústicos. Com isso, é possível deixar o som naturalmente encorpado, adicionando um toque de amplidão.
- É equipado com efeitos de delay capazes de produzir um som de qualidade tonal agradável e especificamente afinada com os instrumentos acústicos.
- Um pedal opcional pode ser também usado para ativar e desativar os efeitos.

Controle anti-feedback para eliminar feedbacks

- O controle anti-feedback apresenta duas maneiras de detectar o ponto de feedback. Você poderá utilizar os “Manual settings” ou os “Auto settings”, que executam a localização automática do ponto de feedback.
- É possível conectar um pedal opcional e utilizar o pé para controlar esse recurso.

Função Mute

- A chave Mute que acompanha o AC-90 facilita o controle de volume dos sons enviados aos seus próprios alto-falantes, bem como dos sons enviados à saída LINE OUT. Utilizando a função Mute, você poderá conectar e desconectar o/a violão/guitarra sem fazer barulho. Além disso, quando um afinador é conectado ao TUNER OUT, a função Mute permite que você faça uma afinação silenciosa do seu instrumento.
- É possível conectar um pedal opcional e utilizar o pé para ativar e desativar essa função.

Plugues de entrada externos (AUX IN)

- Inclui plugues de entrada externos, possibilitando conectar um CD player, aparelhos de retorno ou outro dispositivo em estéreo.
- Estas incluem entradas para cabos RCA e cabos de 1/4”, o que torna possível a conexão de praticamente qualquer tipo de aparelho.

Conectores de saída múltiplos

- Apresenta o DI Out, que permite enviar diretamente os sinais recebidos de instrumentos e microfones conectados. Você poderá conectar também um afinador. Suporta saída balanceada por TRS.
- As saídas de linha apresentam plugues de saída mono de 1/4”, além dos conectores XLR para saída em estéreo. Você poderá usar um único AC-90 para todas as aplicações.
- Ele oferece também uma saída para subwoofer. A conexão de um subwoofer amplificado permite que você toque com mais punch e graves mais poderosos.
- O amplificador oferece também entrada para fones de ouvido, que poderão ser usados quando se está tocando à noite ou durante as passagens de som.

Convenientes recursos de instalação

- Equipado com um “suporte flexível”, que permite mudar o ângulo do amplificador quando este for usado como monitor de retorno.
- Inclui um “adaptador de estante para falantes”, que permite encaixar o AC-90 em uma estante para alto-falantes. Isso torna mais fácil usar o AC-90 quando estiver tocando em pé, e você poderá usar o amplificador como um PA simples.
- Acompanha também um estojo de transporte para maior portabilidade.

English

Deutsch

Français

Italiano

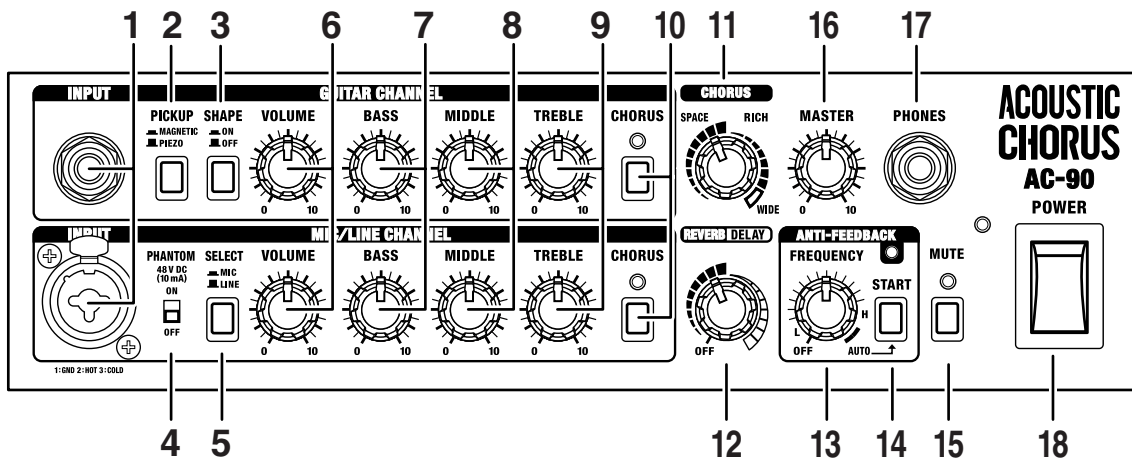
Español

Português

Nederlands

Nomes das partes e suas funções

Painel de controle



1. INPUT

(GUITAR CHANNEL)

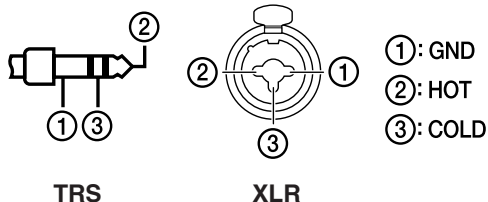
Conecte os violões/guitarras aqui.

(MIC/LINE CHANNEL)

Conecte os microfones e aparelhos em nível de linha aqui.

É possível também conectar violões/guitarras com captadores equipados com pré-amplificadores.

Isso proporciona entradas de som equilibradas, o que permite conectar cabos TRS de 1/4" e conectores do tipo XLR.



DICA

É possível utilizar os dois canais combinados.

Consulte "Exemplo de uso dos dois canais combinados" (p. 64).

* Dependendo da posição dos microfones em relação aos alto-falantes, poderão surgir feedbacks. Isso pode ser solucionado:

- Alterando-se a direção do(s) microfone(s).
- Reposicionado o(s) microfone(s) para uma distância maior em relação aos alto-falantes.
- Diminuindo os níveis de volume.

2. Botão PICKUP

Alterna os circuitos de entrada para captadores piezo ou magnético, de acordo com o tipo de captador do violão conectado. Para captador magnético, pressione o botão para baixo.

* Ajuste para "MAGNETIC" se seu violão tem um captador ativo equipado com pré-amplificador.

3. Botão SHAPE

O ajuste deste botão em ON modificará o alcance médio, criando um som brilhante, adequado para acordes dedilhados.

Isso realçará os sons palhetados, permitindo que você execute o dedilhado com aquela sensação de pegada.

4. Chave PHANTOM

Liga e desliga o recurso phantom power.

Ajuste em "ON" quando estiver conectando microfones que requerem o recurso phantom power (microfones condensadores etc.).

Ajuste em "OFF" quando estiver conectando microfones que não requerem o recurso phantom power ou outros aparelhos.

OBSERVAÇÃO

- Siga esta seqüência quando estiver conectando microfones que requerem phantom power:

1. Desligue a chave PHANTOM.

2. Conecte o microfone.

3. Ligue a chave PHANTOM.

- A ativação do phantom power para microfones que não necessitam desse recurso ou para outros aparelhos poderá fazer com que tais equipamentos não funcionem corretamente. Assegure-se sempre de desligar a chave antes de conectar.

* Para proteger os circuitos, toda saída de som é momentaneamente desligada após a chave PHANTOM ser ligada ou desligada.

* O recurso phantom power é fornecido apenas para os conectores XLR para ENTRADA de canal MIC/LINE.

* A introdução ou retirada de conectores enquanto o recurso phantom power está ativado poderá produzir barulho.

MEMO Phantom Power

Devido ao seu alcance comparativamente maior e à qualidade de som superior em relação aos microfones dinâmicos, geralmente são usados microfones condensadores para a captação de violões acústicos. Contudo, estes requerem uma fonte de alimentação para que funcionem. Visto que muitos microfones condensadores esgotam as baterias alojadas no seu compartimento de suporte, em muitos casos um tipo de fonte de alimentação conhecida como “phantom power” se faz necessária. Essa fonte de alimentação utiliza o próprio cabo de força do microfone.

A energia phantom power do AC-90 é emitida a 48 V constantes, atendendo, assim, às especificações profissionais exigidas nos estúdios de gravação.

5. Botão SELECT

Altera o nível de entrada para que este se ajuste ao nível do dispositivo conectado (microfone ou linha).

É possível conectar violões/guitarras com captadores magnéticos quando LINE for selecionado com o botão SELECT.

* *Observe que o volume aumenta se a chave for ajustada em “MIC” caso você tenha um aparelho em nível de linha conectado.*

6. Botões VOLUME

(GUITAR CHANNEL)

Ajusta o volume do canal GUITAR.

* *Para ajustar a saída mais grave dos captadores piezo, quando o botão VOLUME situa-se entre as posições 7 e 10, o nível de volume é levemente maior que o do ajuste MAGNETIC quando o botão PICKUP é ajustado para PIEZO.*

(MIC/LINE CHANNEL)

Ajusta o volume do canal MIC/LINE.

* *Quando estiver usando o AC-90 com o canal GUITAR e o canal MIC/LINE misturados, ajuste o balanço de volume entre os dois canais girando o botão VOLUME.*

7. Botões BASS

Ajustam o nível das faixas de baixa frequência.

8. Botões MIDDLE

Ajustam o nível dos médios.

9. Botões TREBLE

Ajustam o nível das faixas de alta frequência.

MEMO

A qualidade de som de um instrumento acústico varia muito de um instrumento para outro. O tipo de som requerido varia igualmente de acordo com a forma como o instrumento está sendo usado em determinado conjunto. Use sempre os botões BASS, MIDDLE e TREBLE para ajustar a qualidade do som às características do seu instrumento, bem como às condições em que ele está sendo usado.

(Exemplo)

- Quando estiver usando o AC-90 encaixado em uma estante para alto-falantes, é recomendável que se aumente o volume do botão BASS; assim você poderá sentir melhor os graves.
- Se o som parece irritante, principalmente logo depois de trocar as cordas, é recomendável que se diminua o volume do botão TREBLE para reduzir as frequências altas.

10. Botões CHORUS

Ligam e desligam o chorus.

Quando ligado, o indicador acende.

MEMO

É possível usar um pedal (o opcional BOSS FS-5U) para ligar e desligar o chorus. A ativação e a desativação do chorus utilizando o pedal funcionam nos dois canais.

11. Botão CHORUS

Gire esse botão para selecionar um dos três tipos de chorus (SPACE, RICH e WIDE).

Você poderá ajustar a intensidade de efeito aplicada mudando a posição do botão.

- * *Isso é permitido quando o botão CHORUS está na posição ON.*
- * *As marcações indicando as posições SPACE e RICH são aproximadas. Ouça o som e confirme o efeito à medida que executa os ajustes.*

SPACE

Refere-se a um tipo de chorus com sintetização espacial. No modelo com sintetização espacial, um método disponível apenas em estéreo, o efeito de chorus é criado juntando-se o som do alto-falante direito (a partir do qual o efeito de som é emitido) e do alto-falante esquerdo (que emite o som direto) e misturando-os no espaço real. Isso gera uma projeção lateral muito maior do que aquela produzida quando os sons são misturados eletronicamente, proporcionando, assim, uma sensação de amplidão muito mais natural.

RICH

Refere-se a um chorus estéreo dividido em três faixas de frequência.

Aqui, o efeito é dividido em três bandas: baixa frequência, alcance médio e alta frequência; com a aplicação de um volume de efeito de chorus mais adequado a cada faixa, a sensação resultante é de preenchimento e amplidão, perfeita para o violão acústico.

Os subgraves encontram-se situados bem no centro, e o som se espalha cada vez mais, à medida que as faixas médias passam para as frequências altas.

WIDE

Apesar de recorrer à divisão do som em bandas distintas, esse efeito de chorus oferece uma expansividade ainda maior que a do RICH.

A imagem do som se projeta para além dos alto-falantes do AC-90, produzindo um efeito que parece cercar o ouvinte de som.

12. Botão REVERB/DELAY

Você poderá ajustar esse botão para alternar entre os efeitos reverb e delay.

Você poderá ajustar a intensidade de efeito aplicada mudando a posição do botão.

* Gire o botão para "OFF" se não estiver usando o efeito de reverb ou de delay.

* As marcações indicando as posições reverb e delay são aproximadas. Ouça o som e confirme o efeito à medida que executa os ajustes.

REVERB

Esse reverb estéreo, desenvolvido especialmente para instrumentos acústicos, proporciona uma sensação de amplidão e de qualidade sonora natural.

Gire o botão para ajustar o volume do efeito de reverb.

DELAY

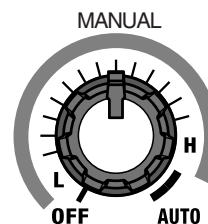
Esse delay, desenvolvido especialmente para instrumentos acústicos, acrescenta reflexos suaves ao som original.

Gire o botão para alterar a duração do delay.

* É possível usar um pedal (o opcional BOSS FS-5U) para ligar e desligar o reverb.

13. Botão FREQUENCY

Seleciona a frequência na qual a função Anti-feedback opera. Igualmente, a posição do botão determina se os ajustes Auto ou Manual foram selecionados.



* Gire o botão para "OFF" se não estiver usando o controle Anti-feedback.

14. Botão START

Usado para os ajustes Auto (p. 61). Pressione o botão para executar a detecção automática das frequências que provocam feedbacks.

Os indicadores mostram o status operacional da função de detecção automática.

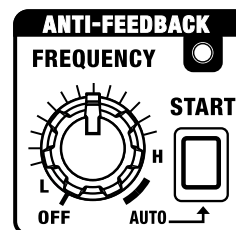
Modo de espera: Pisca lentamente

Durante a detecção: Pisca rapidamente

Após a detecção: Permanece aceso

* Mantenha o botão START pressionado por um segundo ou mais para fazer com que a unidade volte à posição de espera e execute a detecção automática.

Como usar o ANTI-FEEDBACK



O Anti-feedback é uma função que controla o feedback gerado entre o/a violão/guitarra ou microfone e o amplificador.

O feedback é eliminado atenuando-se a frequência em que o feedback ocorre.

* Esse recurso não foi projetado para trabalhar com o feedback gerado por altas frequências que pode ocorrer quando se usam microfones.

O anti-feedback pode ser usado de dois modos diferentes; você pode usar tanto os "Auto settings" quanto os "Manual settings."

* Use qualquer um dos dois quando ocorrerem feedbacks.

MEMO Feedback

Refere-se a um fenômeno pelo qual os sinais emitidos dos alto-falantes são captados por um microfone ou captador, e o som é posteriormente amplificado e emitido dos alto-falantes, resultando em um som oscilante indesejável.

* Se o anti-feedback por si só não controlar o feedback, modifique os seus ajustes, por exemplo, diminuindo o volume ou cortando as frequências baixas.

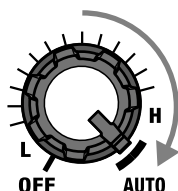
* Para evitar o feedback durante uma apresentação, recomendamos que o anti-feedback seja ajustado antes da apresentação.

Ajustando o ponto de feedback automaticamente

Esse controle detecta a frequência em que ocorre o feedback e o elimina.

* Utilize nas condições em que ocorra o feedback.

1. Provoque o feedback.
2. Gire o botão FREQUENCY para a posição "AUTO".



O indicador ANTI-FEEDBACK pisca lentamente, e a detecção automática entra no modo de espera.

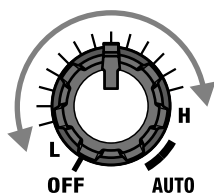
3. Pressione o botão START.

A detecção automática do ponto de feedback é iniciada. O indicador pisca rapidamente quando a detecção está em andamento e, quando o ponto de feedback é encontrado, o indicador permanece aceso ininterruptamente. Se não for encontrado nenhum ponto de feedback, o indicador pisca lentamente, e a função de detecção automática retorna ao modo de espera.

4. Pressione o botão START mais uma vez para realizar a detecção automática novamente.

Ajustando o ponto de feedback manualmente

1. Provoque o feedback.
2. Gire o botão, movendo-se dentro da faixa de L a H (o indicador ANTI-FEEDBACK é aceso) para encontrar a frequência na qual o feedback deverá ser eliminado.



Gire o botão no sentido horário para eliminar progressivamente o feedback mais agudo e no sentido anti-horário para eliminar progressivamente o feedback mais grave.

MEMO

Você pode usar um pedal (os opcionais BOSS FS-5U, FS-6) para executar a detecção automática da frequência de feedback ou para ligar e desligar a função Anti-feedback.

DICA

Você pode usar o anti-feedback mesmo quando o feedback não for um problema. Por exemplo, você poderá usá-lo para remover ressonâncias indesejáveis na faixa dos graves aos médios, bem como para corrigir outros problemas com a qualidade do som.

15. Botão MUTE

Liga e desliga a função Mute.

Quando você pressiona o botão, o indicador MUTE pisca, a função Mute é ativada, e a saída de alto-falantes e os sons emitidos de SUB WOOFER OUT e LINE OUT são desligados. Com a função Mute ativada, não é preciso diminuir o volume girando o botão VOLUME ou o botão MASTER para eliminar o ruído quando o violão/guitarra está sendo plugado ou desplugado.

* Os sons emitidos pelos plugues DI OUT/TUNER OUT e PHONES não são desligados.

DICA

É possível afinar seu instrumento, sem que haja emissão de som dos alto-falantes, conectando um afinador (opcional) à saída DI OUT/TUNER OUT e pressionando o botão MUTE.

MEMO

É possível usar um pedal (o opcional BOSS FS-5U ou o FS-6) para ligar e desligar a função Mute. (p. 63)

16. Botão MASTER

Ajusta o nível geral de volume.

* Não é possível ajustar o LINE OUT.

17. Plugue PHONES

Os fones de ouvido são conectados aqui. Nenhum som será emitido dos alto-falantes ou de SUB WOOFER OUT quando os fones de ouvido estiverem conectados.

18. Chave POWER

Liga e desliga o AC-90.

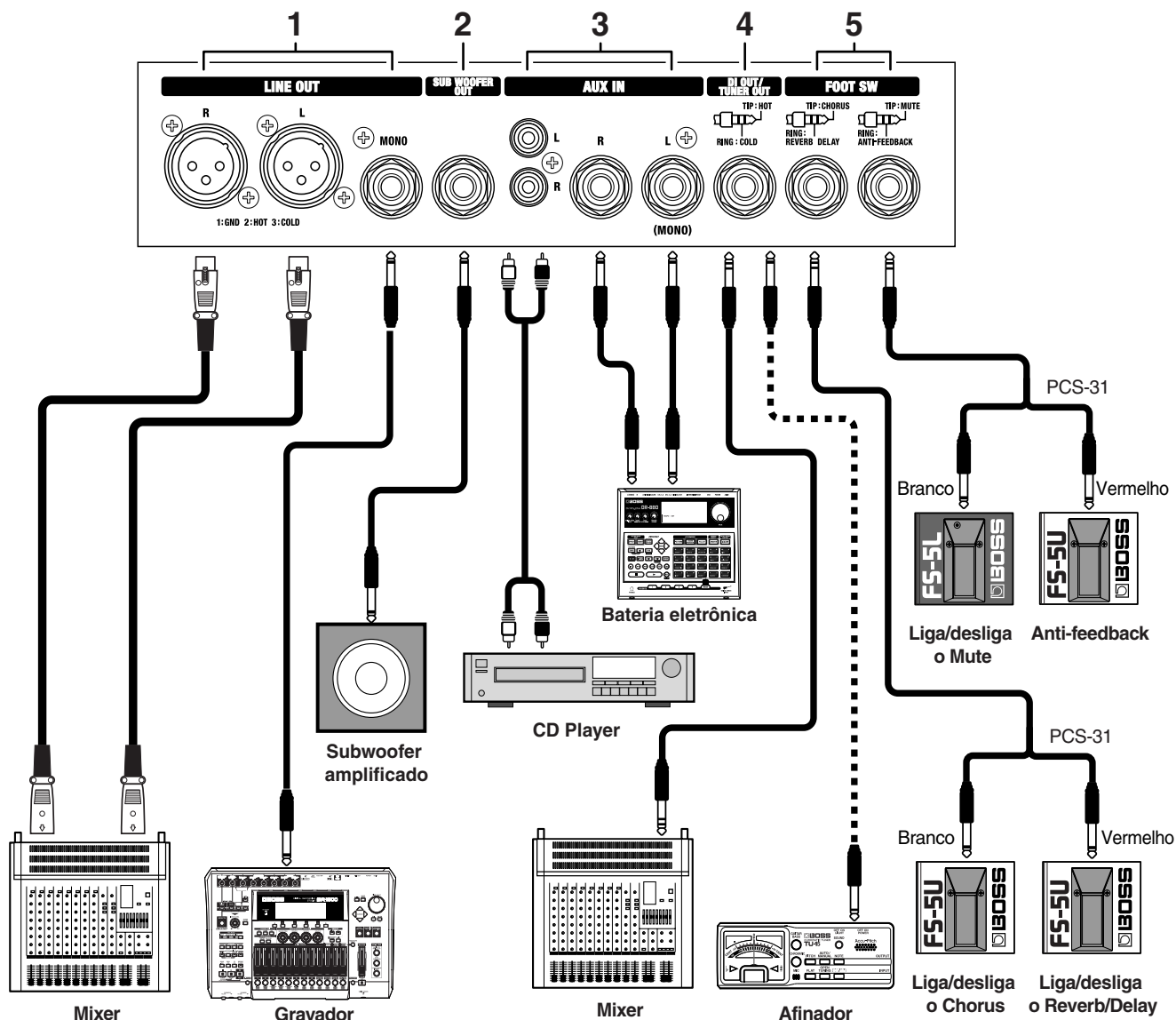
O indicador POWER acende quando a energia está ligada.

* Se você precisar desligar a energia completamente, primeiro desligue a chave POWER e, em seguida, desconecte o cabo da tomada. Consulte **Power Supply** (p. 5)

* Devido a um recurso de proteção de circuitos, esta unidade, após ter sido ligada, requer um pouco de tempo para ficar pronta para funcionamento normal.

* Assegure-se sempre de diminuir o nível de volume antes de ligar a energia. Mesmo quando o volume for totalmente diminuído, você poderá ouvir ainda algum som ao ligar a força, porém isso é normal e não indica um mau funcionamento.

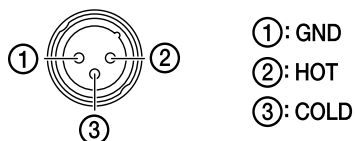
Painel traseiro



* Quando forem usados cabos de conexão com resistores, o nível de volume do equipamento conectado às entradas deverá ser baixo. Se isso acontecer, use cabos de conexão que não tenham resistores.

1. Plugues LINE OUT

É possível conectar aqui um mixer, um equipamento de gravação ou outro aparelho. O nível de saída é +4 dBu. Incluídos aqui temos conectores XLR (L/R: saída estéreo) e um plugue de 1/4" (saída mono).



* Não é possível ajustar o volume de LINE OUT com o botão MASTER.

* Os efeitos de chorus foram criados para projetar o máximo de efetividade quando você usa os alto-falantes integrados da unidade. Essa efetividade poderá variar quando LINE OUT for usada no lugar dos alto-falantes integrados.

2. Plugue SUB WOOFER OUT

É possível conectar um subwoofer amplificado para reproduzir sons com mais punch e graves mais poderosos. O volume é ajustado com o botão MASTER.

3. Plugues AUX IN

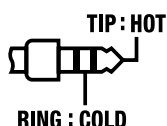
É possível conectar um CD player, uma bateria eletrônica ou outro aparelho e reproduzir sons em estéreo. São fornecidos plugues RCA e de 1/4". Quando conectado apenas ao plugue de 1/4" esquerdo, a reprodução será em mono. Embora a entrada a partir de AUX IN seja emitida pelos alto-falantes, PHONES e SUB WOOFER OUT, ela não será emitida a partir de LINE OUT. O volume é ajustado com o botão MASTER, e a ativação/desativação da função Mute para esses sons é controlada com o botão MUTE.

Se forem conectados aparelhos em ambos os plugues RCA e de 1/4", as duas saídas serão misturadas.

4. Plugue DI OUT/TUNER OUT

O som direto do aparelho ou instrumento conectado ao canal GUITAR ou MIC/LINE é emitido daqui. Este é um plugue TRS de 1/4" com saída balanceada.

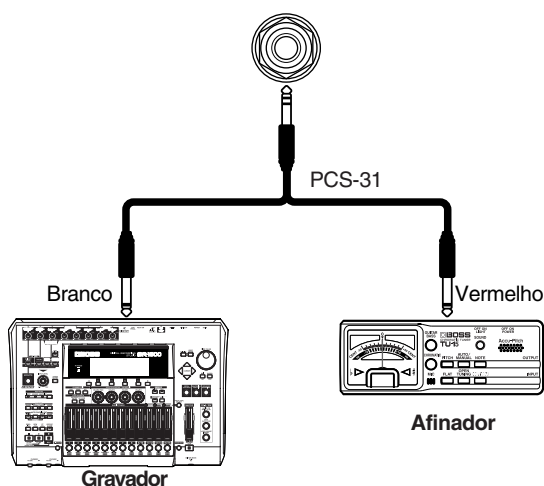
Esse plugue também poderá ser usado para conectar um afinador.



* Se não for necessária uma saída balanceada, utilize um plugue de 1/4" (mono) para conectar-se aqui.

DICA

Se não for necessária uma saída balanceada, é possível usar um cabo de conexão especial (o opcional PCS-31) para usar o DI OUT e o TUNER OUT simultaneamente.



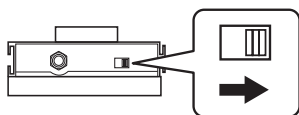
OBSERVAÇÃO

Um sinal de fase invertido é emitido do lado COLD (o lado vermelho do PCS-31). Conecte o aparelho de gravação no lado HOT (o lado branco do PCS-31)

5. Plugues FOOT SW

O AC-90 aceita os pedais BOSS FS-5L (tipo trava), BOSS FS-5U (tipo momentâneo) e BOSS FS-6.

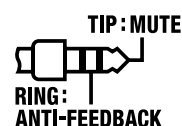
* Ajuste a chave de polaridade conforme demonstrado a seguir.



(MUTE, ANTI-FEEDBACK)

A conexão de um pedal (opcionais BOSS FS-5L, FS-5U ou FS-6) usando um cabo de conexão (o opcional PCS-31) possibilitará o uso de um pedal tipo trava (o FS-5L ou o FS-6) para ligar e desligar a função Mute ou o uso de um pedal do tipo momentâneo (o FS-5U ou o FS-6) para controlar o recurso anti-feedback.

* Para obter mais informações sobre os ajustes do FS-6, consulte o manual do proprietário do FS-6.



Quando for usado um plugue de 1/4" (mono) para conectar um único pedal, apenas a função liga/desliga do Mute será permitida. Nesses casos, você deverá usar um pedal do tipo trava (como o BOSS FS-5L)

* O botão MUTE deverá ser ajustado em off quando for conectado um pedal para controlar a função Mute. Não é possível desligar a função Mute pressionado o pedal quando o botão MUTE estiver ligado (quando o indicador MUTE estiver aceso).

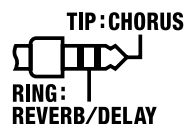
* Ao usar um pedal FS-5U (tipo momentâneo) para ativar e desativar a função Mute, está será ativada apenas enquanto a chave for mantida para baixo.

Para o anti-feedback, o pedal funcionará da seguinte maneira:

- Quando o botão FREQUENCY é posicionado na faixa de L a H, o pedal liga e desliga a função anti-feedback.
- Quando o botão FREQUENCY é posicionado em AUTO, a chave desempenha a mesma função da chave START para detecção automática. Manter o pedal pressionado por um segundo ou mais fará com que a função de detecção automática retorne ao modo de espera.

(CHORUS, DELAY/REVERB)

Ao utilizar um cabo de conexão especial (o opcional PCS-31) para conectar dois pedais (o opcional BOSS FS-5U), será possível usar o FS-5U para ligar e desligar o chorus e outro FS-5U para ligar e desligar o reverb.



Quando for usado um plugue de 1/4" (mono) para conectar um único pedal, apenas a função liga/desliga do chorus será permitida.

* A função liga/desliga do chorus funciona em ambos os canais.

* Não é possível ligar e desligar o chorus pressionando o pedal quando o botão CHORUS está desligado.

Exemplo de uso de dois canais combinados

Quando estiver usando um microfone e um captador

GUITAR CHANNEL:

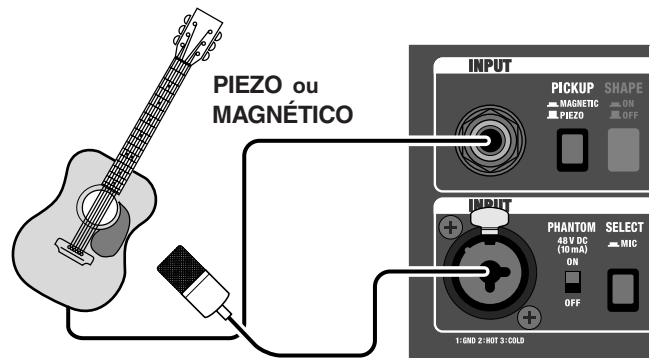
Captador piezo ou magnético

MIC/LINE CHANNEL:

Microfone condensador ou dinâmico (botão SELECT = MIC)

Isso permite misturar os médios pesados do captador com os agudos leves do microfone.

Ajuste a chave PHANTOM em ON se estiver usando um microfone condensador.



Microfone condensador ou Microfone dinâmico

Quando estiver usando dois violões/ guitarras

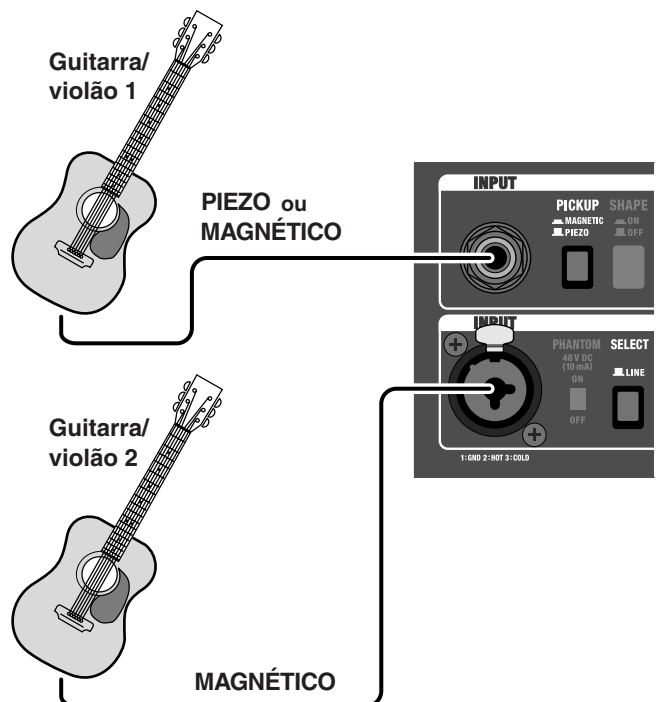
GUITAR CHANNEL:

Guitar 1 Captador piezo ou magnético

MIC/LINE CHANNEL:

Violão/guitarra 2 Captador magnético (botão SELECT = LINE)

É possível alternar entre os/as violões/guitarras sem ter de reajustar o volume e o tom.



Quando estiver usando um/uma violão/ guitarra com dois tipos de captadores

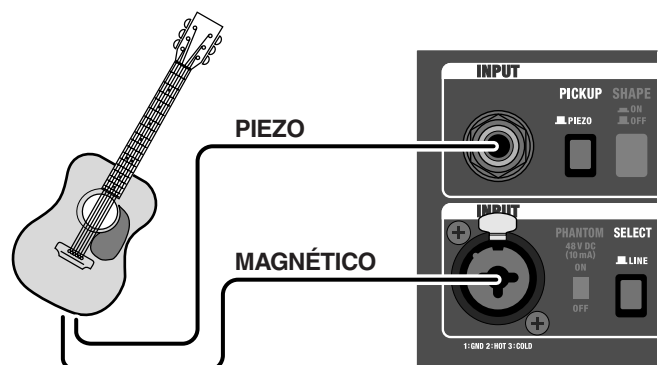
GUITAR CHANNEL:

Captador piezo (botão PICKUP = PIEZO)

MIC/LINE CHANNEL:

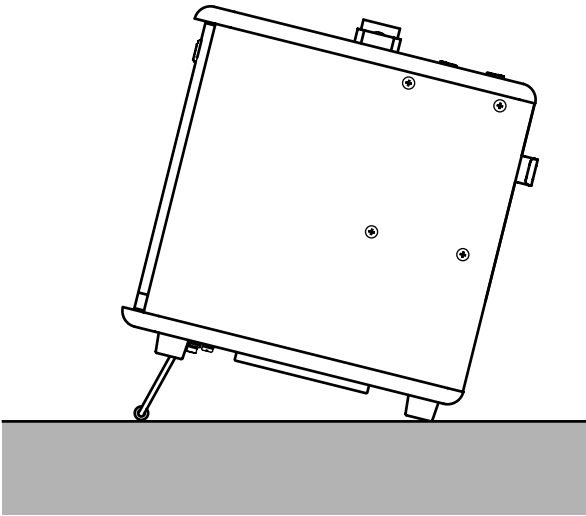
Captador magnético (botão SELECT = LINE)

É possível equilibrar os níveis de volume usando cada um dos botões VOLUME do canal e ajustar o tom para cada captador a fim de obter o som ideal com os botões do equalizador (BASS/MIDDLE/TREBLE).



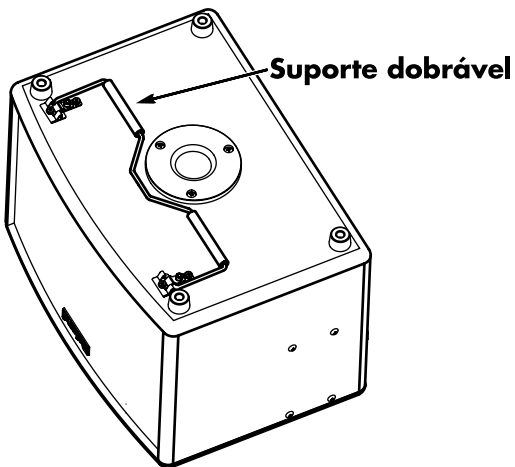
Como utilizar o suporte dobrável

Quando estiver usando o AC-90 no chão ou em outras posições mais inclinadas, o ajuste e a utilização do suporte dobrável poderão facilitar ainda mais a audição do som proveniente dos alto-falantes.



OBSERVAÇÃO

- Quando estiver usando o suporte dobrável, assegure-se sempre de posicioná-lo de tal forma a manter o equilíbrio do AC-90.
- Quando não estiver usando o suporte dobrável, mantenha-o fechado.



ADVERTÊNCIA

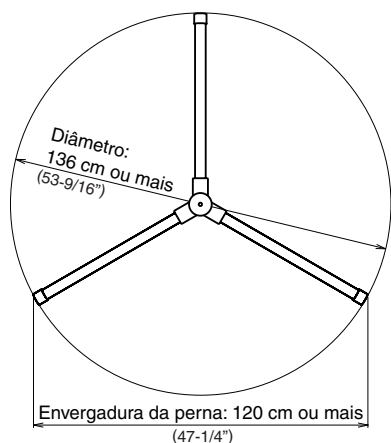
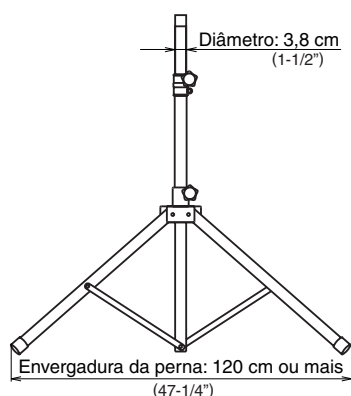
- Jamais levante ou transporte o AC-90 segurando-o pelo suporte dobrável.
- Jamais coloque qualquer objeto sobre o AC-90 quando estiver usando o suporte dobrável. E jamais se sente ou apóie-se sobre o suporte dobrável.
- Quando fechar o suporte dobrável, tenha cuidado para não apertar os dedos.

Utilizando um suporte para alto-falante

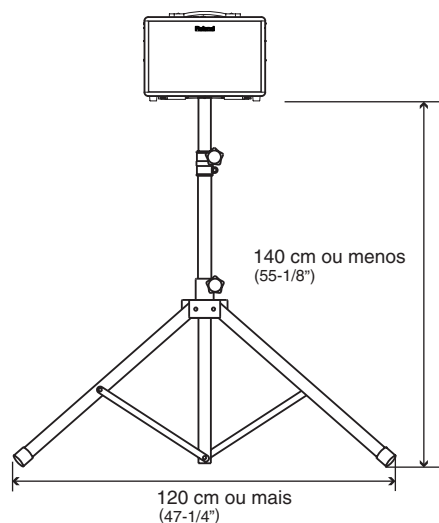
Com a utilização de um suporte para alto-falantes, é possível montar o AC-90 a uma altura ideal para ser usado como alto-falante de retorno ou aparelho de PA simples.

⚠️ ADVERTÊNCIA

- O AC-90 foi elaborado para ser usado apenas com suportes para alto-falantes cujas dimensões atendem às especificações descritas a seguir. Não use o AC-90 com um suporte para alto-falantes que não atenda às referidas especificações.



- Antes de usar, ajuste o suporte para alto-falantes a uma altura de 140 cm (55-1/8") ou menos e a uma envergadura da perna de 120 cm (47-1/4") ou mais, conforme demonstrado na figura a seguir.



- O uso de um suporte para alto-falantes que não atenda às especificações à esquerda ou que esteja ajustado a uma altura acima de 140 cm (55-1/8") ou a uma envergadura de perna inferior a 120 cm (47-1/4") poderá resultar em danos ao equipamento ou avarias devido ao tombamento do suporte.
- Quando estiver usando o AC-90 com um suporte para alto-falantes, este deverá ser cuidadosamente posicionado de forma a manter seu equilíbrio e garantir que permanecerá firme.
- Os cabos conectados ao AC-90 deverão ter uma folga suficiente para evitar que alguém os pise e venha a sofrer algum acidente.
- Para evitar acidentes causados por quedas, não coloque qualquer objeto sobre o AC-90 quando este for montado sobre um suporte para alto-falantes.
- Tenha sempre mais alguém para ajudá-lo quando estiver montando o AC-90 sobre um suporte para alto-falantes ou quando estiver ajustando a altura com o AC-90 montado sobre o suporte.

Belangrijkste kenmerken

De AC-90 is een krachtige monitorversterker die speciaal is ontwikkeld voor gebruik met akoestische instrumenten. Hij geeft de harmonische rijkheid van het geluid, kenmerkend voor akoestische instrumenten, volledig weer.

Compacte, krachtige stereoversterker

- Het verfijnde ontwerp van de behuizing is bedoeld om het geluid van akoestische instrumenten te verbeteren. Binnen in de behuizing bevinden zich twee woofers van 20 cm, twee tweeters en een stereoversterker van 45 W + 45 W - allemaal speciaal ontworpen voor de AC-90. Daardoor kan het toestel een meer natuurlijk akoestisch geluid produceren over een breder frequentiebereik.
- Dankzij een eindversterker die werd ontworpen om zo licht mogelijk te zijn en het gebruik van nieuwe materialen voor de woofers, is het gewicht van het toestel aanzienlijk minder.

Twee onafhankelijke kanalen, GUITAR en MIC/LINE

- Elk kanaal bevat een 3-bands equalizer.
- Het GUITAR-kanaal hanteert zowel piëzo-elementen als magnetische elementen.
- Het MIC/LINE-kanaal werkt met fantoomvoeding, geproduceerd door het uiterst betrouwbare schakelsysteem voor 48 V fantoomvoeding.
- Dankzij het MIC/LINE-kanaal voor LINE-invoer kunt u een gitaar met magnetische elementen aansluiten. U kunt ook de piëzo-elementen (GUITAR-kanaal) en magnetische elementen (MIC/LINE-kanaal) van een gitaar tegelijkertijd gebruiken en de geluiden mengen.

Digitale effecten van hoge kwaliteit

- Er zijn drie soorten stereo-choruseffecten voorzien: "SPACE", waarbij de chorus ruimtelijk is samengesteld, "RICH" (dat wordt opgedeeld in frequentiebanden) en "WIDE" (dat ook wordt opgedeeld in frequentiebanden en een nog groter gevoel van breedte geeft).
- Voorziet stereoweerkaatsing, speciaal ontwikkeld voor akoestische instrumenten, wat een verhoogd gevoel van ruimtelijkheid en een voller geluid geeft.
- Uitgerust met vertragingseffecten die een zachter geluid produceren en die speciaal zijn ontwikkeld voor akoestische instrumenten.
- U kunt een optionele voetschakelaar gebruiken om de effecten in en uit te schakelen.

Anti-feedback onderdrukt rondzingen

- Anti-feedback biedt twee manieren om het feedbackpunt te vinden: "Handmatige instellingen" of "Automatische instellingen", dat wordt gebruikt voor het automatisch opsporen van het feedbackpunt.
- U kunt een optionele voetschakelaar aansluiten en deze functie met uw voet bedienen.

Functie Mute

- Met de bijgeleverde Mute-schakelaar kunt u zowel het geluid van de luidsprekers van de AC-90 als het geluid van LINE OUT op een eenvoudige manier dempen. Met behulp van de functie Mute kunt u de gitaar geluidloos in- en uitpluggen. Wanneer u bovendien een stemapparaat hebt aangesloten op TUNER OUT, kunt u met deze functie uw instrument stemmen zonder geluid te maken.
- U kunt een optionele voetschakelaar aansluiten en deze functie met uw voet in- en uitschakelen.

Externe ingangen (AUX IN)

- Uitgerust met externe ingangen, waarop u een cd-speler, begeleidingsapparaat of ander toestel in stereo kunt aansluiten.
- Het toestel is voorzien van tulpstekkers en 1/4"-stekkers, waardoor u ongeveer elk soort toestel kunt aansluiten.

Meerdere uitgangen

- Via de DI OUT-aansluiting kunt u de signalen van aangesloten instrumenten en microfoons rechtstreeks weergeven. U kunt ook een stemapparaat aansluiten. Gebalanceerde TRS-uitvoer wordt ondersteund.
- De lijnuitgangen bestaan uit 1/4" mono-uitgangen en XLR-aansluitingen voor stereo-uitvoer. U kunt één AC-90 gebruiken voor alle toepassingen.
- Het toestel is ook voorzien van een subwooferuitgang. Door een versterkte subwoofer aan te sluiten kunt u een nog pittiger geluid produceren met een krachtigere laag.
- De versterker beschikt bovendien over een hoofdtelefoonaansluiting, die u kunt gebruiken voor spelen 's nachts en geluidstesten.

Handige opstelling

- Het toestel heeft een "vouwstandaard", waarmee u de hoek van de versterker kunt wijzigen om bijvoorbeeld mee te luisteren.
- Het bevat bovendien een "luidsprekerstandaard-adapter", waarmee u de AC-90 aan een luidsprekerstandaard kunt bevestigen. Hierdoor kunt u de AC-90 gemakkelijker gebruiken wanneer u staand speelt of kunt u hem gebruiken als een eenvoudige PA.
- Een draagtas wordt bijgeleverd om het vervoer te vergemakkelijken.

English

Deutsch

Français

Italiano

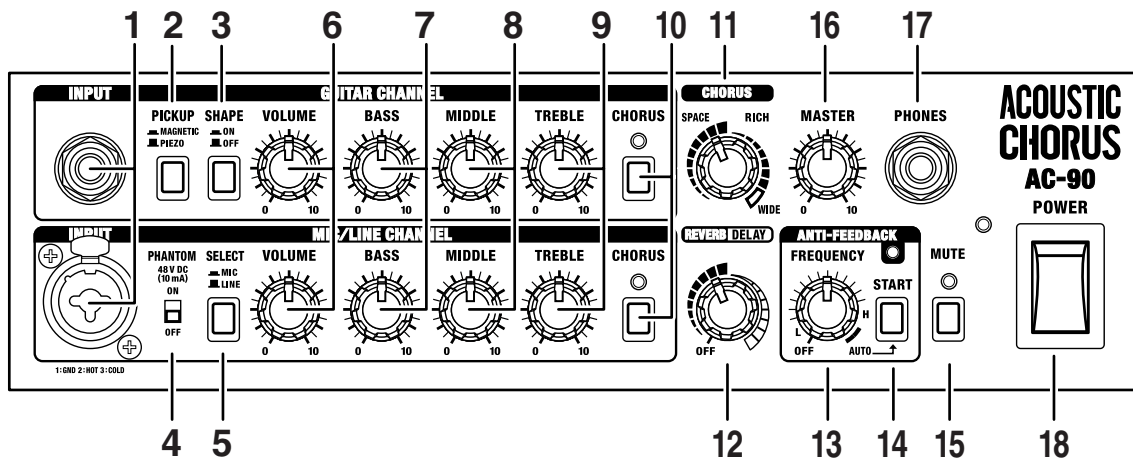
Español

Português

Nederlands

Namen van onderdelen en hun functies

Voorpaneel



1. INPUT

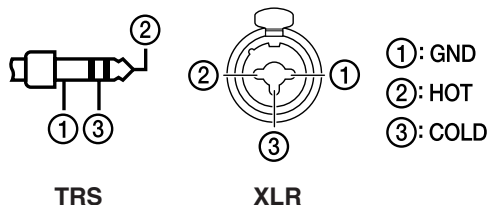
(GUITAR-KANAAL)

Sluit hier de gitaren aan.

(MIC/LINE-KANAAL)

Sluit hier uw microfoons en lijnniveau-apparaten aan. U kunt ook gitaren met elementen voorzien van voorversterkers aansluiten.

Dit is een gebalanceerde invoer, zodat u 1/4" TRS-aansluitingen en XLR-aansluitingen kunt maken.



TIP

U kunt de twee kanalen in combinatie gebruiken. Raadpleeg "Voorbeeld van gecombineerd gebruik van twee kanalen" (p. 74)

* Er kan feedback optreden, afhankelijk van de plaats van de microfoons in verhouding tot de luidsprekers. Dit kan als volgt worden opgelost:

- Wijzig de richting van de microfoon(s).
- Plaats de microfoon(s) op een grotere afstand van de luidsprekers.
- Verlaag het volume.

2. PICKUP-knop

Deze knop schakelt de invoerstroom voor piëzo-elementen of magnetische elementen, afhankelijk van de elementen van de aangesloten gitaar. Druk de knop in voor magnetische elementen.

* Zet deze knop op "MAGNETIC" als uw gitaar een actief element met voorversterker heeft.

3. SHAPE-knop

Als u deze knop op ON zet, wijzigt het middenbereik zodat u heldere tonen krijgt, geschikt om akkoorden aan te slaan.

Deze functie legt de nadruk op strijkende geluiden, waardoor u met een scherper gevoel slaggitaar kunt spelen.

4. PHANTOM-schakelaar

Deze schakelt de fantoomvoeding in en uit.

Zet deze schakelaar op "ON" wanneer u microfoons aansluit die fantoomvoeding gebruiken (condensatormicrofoon, enz.)

Zet deze schakelaar op "OFF" wanneer u microfoons of andere toestellen die geen fantoomvoeding gebruiken aansluit.

OPMERKING

- Houd de onderstaande volgorde aan wanneer u microfoons aansluit die fantoomvoeding gebruiken:
 1. Zet de PHANTOM-schakelaar uit.
 2. Sluit de microfoon aan.
 3. Zet de PHANTOM-schakelaar aan.
- Fantoomvoeding voorzien voor microfoons die dat niet nodig hebben of voor andere toestellen kan defecten veroorzaken. Zet de schakelaar altijd uit voordat u een microfoon of toestel aansluit.
- * Om de stroomkring te beschermen, wordt het geluid van alle apparaten tijdelijk gedempt nadat de PHANTOM-schakelaar wordt in- of uitgeschakeld.
- * Er wordt alleen fantoomvoeding voorzien voor de XLR-aansluitingen van de INPUT van het MIC/LIN-kanaal.
- * Er kan een geluid worden geproduceerd bij het maken of loskoppelen van aansluitingen wanneer de fantoomvoeding is ingeschakeld.

MEMO Fantoomvoeding

Omdat condensatormicrofoons een betrekkelijk groter bereik en betere geluidskwaliteit hebben dan dynamische microfoons, worden ze vaak gebruikt om het geluid van akoestische gitaren weer te geven. Ze hebben echter stroomtoevoer nodig om te werken. Hoewel sommige condensatormicrofoons op batterijen werken, die zich in de microfoonbehuizing bevinden, hebben ze vaak een extra stroomtoevoer nodig, bekend als fantoomvoeding. Deze stroomtoevoer gebruikt de bestaande microfoonkabel om stroom te geven.

De fantoomvoeding van de AC-90 bedraagt constant 48 V en voldoet dus aan de professionele specificaties vereist in opnamestudio's.

5. SELECT-knop

Deze knop wijzigt het invoerniveau zodat het overeenkomt met dat van het aangesloten toestel (mic of line).

U kunt gitaren met magnetische elementen aansluiten wanneer LINE is geselecteerd met de SELECT-knop.

- * *Het volume neemt toe wanneer de schakelaar op "MIC" staat als u een lijnniveau-apparaat hebt aangesloten.*

6. VOLUME-regelaars

(GUITAR-KANAAL)

Wijzigt het volume van het GUITAR-kanaal.

- * *Om de lagere uitvoer van piezo-elementen aan te passen, moet het volumenniveau, wanneer de VOLUME-regelaar tussen 7 en 10 is ingesteld, iets hoger worden gezet wanneer de PICKUP-knop op PIEZO staat, in tegenstelling tot wanneer deze op MAGNETIC staat.*

(MIC/LINE-KANAAL)

Wijzigt het volume van het MIC/LINE-kanaal.

- * *Wanneer u de AC-90 gebruikt met het GUITAR-kanaal en het MIC/LINE-kanaal gemengd, kunt u met de VOLUME-regelaar de volumebalans tussen de twee kanalen aanpassen.*

7. BASS-regelaars

Wijzigt het niveau van het lage-frequentiebereik.

8. MIDDLE-regelaars

Wijzigt het niveau van van het middenbereik.

9. TREBLE-regelaars

Wijzigt het niveau van het hoge-frequentiebereik.

MEMO

De toon van akoestische instrumenten kan enorm verschillen van één instrument tot een ander. Het benodigde geluid verschilt ook naargelang de manier waarop een instrument wordt gebruikt in een bepaald samenspel. Gebruik de BASS-, MIDDLE- en TREBLE-regelaars om de toon aan te passen zodat die past bij het instrument dat u gebruikt en de omstandigheden.

(Voorbeeld)

- Wanneer de AC-90 is bevestigd aan de luidsprekerstandaard, kunt u de BASS-regelaar omhoog draaien, zodat de lage frequenties beter worden weergegeven.
- Als het geluid te scherp klinkt, bijvoorbeeld na het vervangen van de snaren, kunt u de TREBLE-regelaar omlaag draaien om de hoge frequenties te beperken.

10. CHORUS-knoppen

Met deze knop kunt u de chorus in- en uitschakelen.

Wanneer deze functie is ingeschakeld, brandt het lampje.

MEMO

U kunt een voetschakelaar (de optionele BOSS FS-5U) gebruiken om de chorus in en uit te schakelen. De chorus in- en uitschakelen met de voetschakelaar werkt voor beide kanalen.

11. CHORUS-regelaar

Gebruik deze regelaar om te wisselen tussen de drie soorten chorus (SPACE, RICH en WIDE).

U kunt de hoeveelheid effect die wordt toegepast aanpassen door de positie van de regelaar te wijzigen.

- * *Dit is mogelijk wanneer de CHORUS-knop op ON is ingesteld.*
- * *De aanduidingen die de posities SPACE en RICH aanduiden zijn bij benadering. Luister naar het geluid om het effect te controleren terwijl u aanpassingen maakt.*

SPACE

Deze chorus is ruimtelijk samengesteld. Bij een ruimtelijk samengestelde chorus, een methode die alleen in stereo kan worden gebruikt, wordt het choruseffect gecreëerd door het geluid van de rechter luidspreker (waarmee het effectgeluid wordt weergegeven) en het geluid van de linker luidspreker (die het rechtstreekse geluid weergeeft) ruimtelijk te mixen. Dit zorgt voor een grotere spreiding dan wanneer de geluiden elektronisch worden gemixt, wat een meer natuurlijk gevoel van breedte geeft.

RICH

Dit is een stereochoorus dat is ingedeeld in drie frequentiebereiken.

Het effect wordt hier verdeeld over drie banden: lage frequentie, middenbereik en hoge frequentie. Door de meest geschikte hoeveelheid choruseffect voor elk bereik toe te passen, geeft het een gevoel van volledigheid en breedte, wat uiterst geschikt is voor de akoestische gitaar.

Het lage bereik is stevig in het centrum gesitueerd en het geluid verspreid zich meer en meer wanneer het stijgt van het middenbereik naar de hogere frequenties.

WIDE

Deze chorus is ook gebaseerd op de verdeling van het geluid over aparte banden, maar geeft een nog grotere breedte dan RICH.

Het geluidsbeeld verspreidt zich verder dan de luidsprekers van de AC-90 en produceert zo een effect dat de luisteraar als het ware in het geluid plaatst.

12. REVERB/DELAY-regelaar

U kunt deze regelaar gebruiken om te wisselen tussen weergalm en vertraging.

U kunt de hoeveelheid effect die wordt toegepast aanpassen door de positie van de regelaar te wijzigen.

* Zet de regelaar op "OFF" als u geen weergalm of vertraging wilt gebruiken.

* De aanduidingen die de posities van weergalm en vertraging aanduiden zijn bij benadering. Luister naar het geluid om het effect te controleren terwijl u aanpassingen maakt.

REVERB

Deze stereo-weergalm, speciaal ontwikkeld voor akoestische instrumenten, geeft een gevoel van ruimtelijkheid en een natuurlijke sonische kwaliteit.

Draai met de regelaar om het volume van de weergalm aan te passen.

DELAY

Deze vertraging, speciaal ontwikkeld voor akoestische instrumenten, voegt zachte weerkaatsingen toe aan het originele geluid.

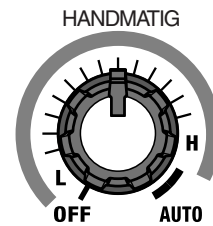
Draai met de regelaar om de vertragingstijd te wijzigen.

* U kunt een voetschakelaar (de optionele BOSS FS-5U) gebruiken om de weergalm en vertraging in en uit te schakelen.

13. FREQUENCY-regelaar

Met deze knop selecteert u de frequentie waarmee de anti-feedbackfunctie werkt.

De positie van de regelaar bepaalt bovendien of de automatische of handmatige instellingen geselecteerd zijn.



* Zet de regelaar op "OFF" als u geen anti-feedback gebruikt.

14. START-knop

Deze wordt gebruikt voor de automatische instellingen (p. 71). Door op de knop te drukken worden de frequenties van feedbackgeluiden automatisch gedetecteerd.

De lampjes geven de werkingsstatus van de automatische detectiefunctie weer.

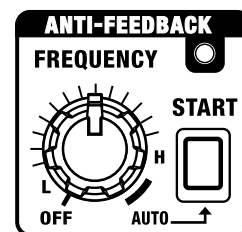
Stand-by: knippert langzaam

Tijdens detectie: knippert snel

Na detectie: blijft branden

* Als u de START-knop gedurende één seconde of langer ingedrukt houdt, keert het toestel terug naar de stand-bystand voor automatische detectie.

ANTI-FEEDBACK gebruiken



Anti-feedback is een functie die de feedback regelt die ontstaat tussen de gitaar of microfoon en de versterker.

De feedback wordt onderdrukt door de frequentie waarop die ontstaat te verminderen.

* Deze functie is niet ontwikkeld om te werken met hoge-frequentiefeedback, die kan ontstaan bij het gebruik van microfoons.

Anti-feedback kan op twee verschillende manieren worden gebruikt: "Automatische instellingen" of "Handmatige instellingen".

* U kunt beide gebruiken wanneer er feedbackgeluiden worden weergegeven.

MEMO Feedback

Dit is een verschijnsel waarbij signalen weergegeven via de luidsprekers opnieuw worden opgevangen door de microfoon of een element. Het geluid wordt dan verder versterkt en weergegeven via de luidsprekers, wat resulteert in een vervelend oscillerend geluid.

* Als de anti-feedback alleen de feedback niet kan regelen, pas dan uw instellingen aan, bijvoorbeeld door het volume te verlagen of lage frequenties te beperken.

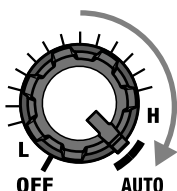
* Om feedback te voorkomen tijdens een optreden, raden we aan om de anti-feedbackfunctie in te stellen voor het optreden.

Het feedbackpunt automatisch instellen

Hiermee detecteert u automatisch de frequentie waarop de feedback optreedt en wordt feedback onderdrukt.

* Gebruik dit wanneer feedback optreedt.

1. Zorg ervoor dat feedbackgeluiden ontstaan.
2. Draai de FREQUENCY-regelaar naar de positie "AUTO".



Het ANTI-FEEDBACK-lampje knippert langzaam en de automatische detectiefunctie schakelt over naar de stand-bystand.

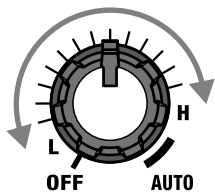
3. Druk op de START-knop.

De automatische detectie van het feedbackpunt start. Het lampje knippert snel wanneer de detectie wordt uitgevoerd. Wanneer het feedbackpunt is gevonden, blijft het lampje branden. Als er geen feedbackpunt wordt gedetecteerd, knippert het lampje traag en schakelt de automatische detectiefunctie over naar de stand-bystand.

4. Druk opnieuw op de START-knop om de automatische detectie opnieuw uit te voeren.

Het feedbackpunt handmatig instellen

1. Zorg ervoor dat feedbackgeluiden ontstaan.
2. Draai de regelaar van L naar H (het ANTI-FEEDBACK-lampje licht op) om te zoeken naar de frequentie waarop de feedback moet worden onderdrukt.



Door de regelaar rechtsonder te draaien, wordt meer treble-feedback onderdrukt; door de regelaar linksom te draaien wordt meer bass-feedback onderdrukt.

MEMO

U kunt een voetschakelaar (de optionele BOSS FS-5U, FS-6) gebruiken om de automatische detectie van de feedbackfrequentie uit te voeren of om de anti-feedbackfunctie in en uit te schakelen.

TIP

U kunt anti-feedback zelfs gebruiken wanneer feedback geen probleem is. U kunt het bijvoorbeeld gebruiken om ongewenste resonantie in het lage bereik tot middenbereik te verwijderen en om andere problemen met de geluidskwaliteit op te lossen.

15. MUTE-knop

Deze schakelt de functie Mute in en uit.

Wanneer u op de knop drukt, knippert het MUTE-lampje en wordt de functie ingeschakeld. De luidsprekeruitvoer en geluiden van SUB WOOFER OUT en LINE OUT worden gedempt.

Wanneer de functie Mute is ingeschakeld, hoeft u de VOLUME-regelaar of de MASTER-regelaar niet omlaag te draaien om het geluid te dempen bij het inpluggen of uitpluggen van uw gitaar.

* Geluiden van de DI OUT/TUNER OUT- en PHONES-aansluitingen worden niet gedempt.

TIP

Als u een stemapparaat (optioneel) aansluit op DI OUT/TUNER OUT en vervolgens op de MUTE-knop drukt, kunt u uw instrument stemmen zonder dat het geluid wordt weergegeven via de luidsprekers.

MEMO

U kunt een voetschakelaar (de optionele BOSS FS-5U of FS-6) gebruiken om de functie Mute in en uit te schakelen. (p. 73)

16. MASTER-regelaar

Past het algemene volumeniveau aan.

* LINE OUT kan niet worden aangepast.

17. PHONES-aansluiting

Hier kunt u een hoofdtelefoon aansluiten. Er wordt geen geluid weergegeven via de luidsprekers of SUB WOOFER OUT wanneer een hoofdtelefoon is aangesloten.

18. POWER-schakelaar

Deze schakelt de AC-90 in en uit.

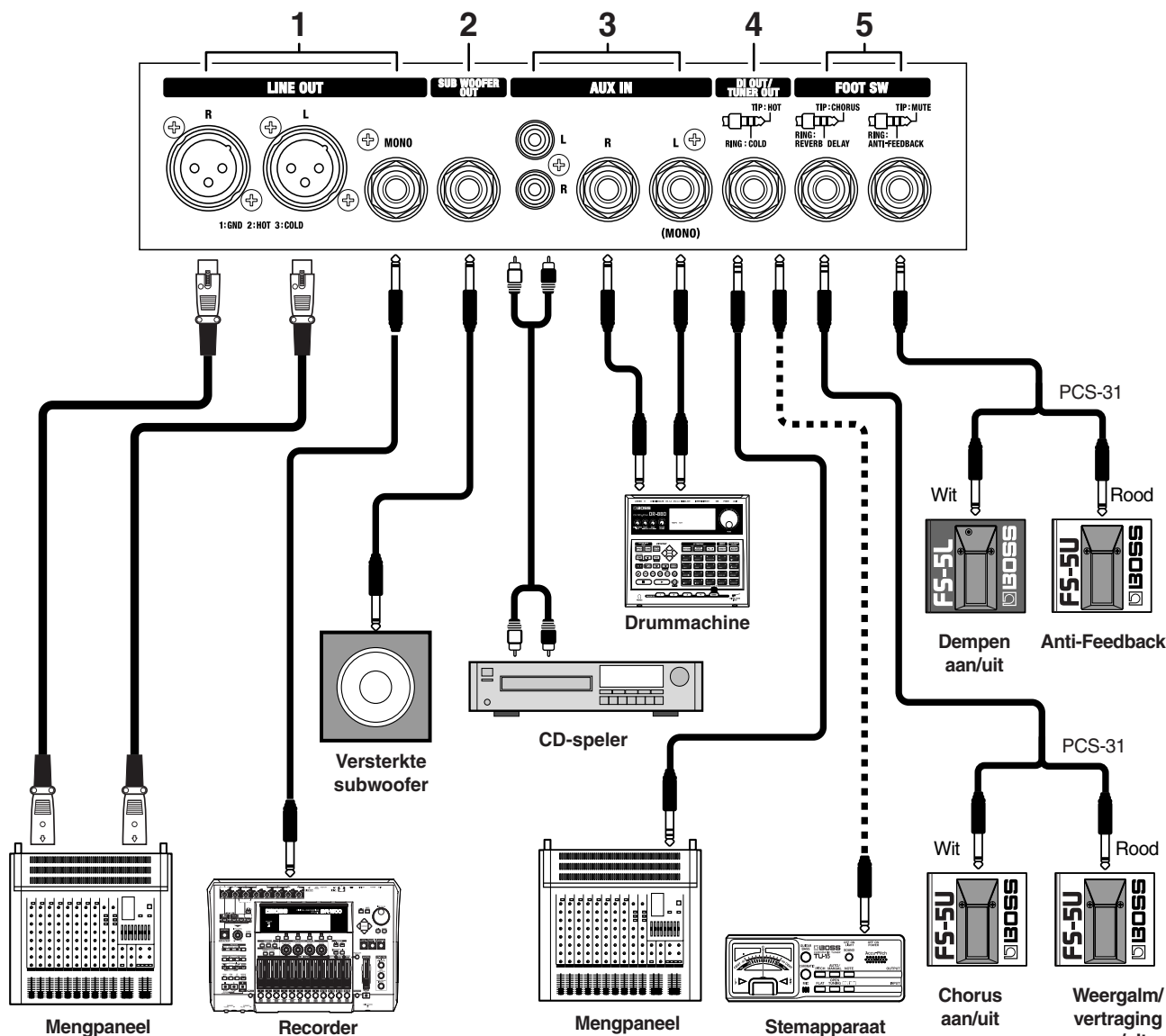
Het POWER-lampje licht op wanneer het toestel is ingeschakeld.

* Als u het toestel volledig wilt uitschakelen, dient u eerst de POWER-schakelaar uit te zetten en vervolgens het netsnoer uit het stopcontact te trekken. Raadpleeg **Power Supply** (p. 5)

* Om het stroomcircuit te beschermen, duurt het even voordat u het toestel normaal kunt gebruiken nadat u het hebt ingeschakeld.

* Zorg er altijd voor dat het volume lager is gezet voordat u het toestel inschakelt. Zelfs als het volume volledig op nul staat, kunt u nog geluid horen wanneer u het toestel inschakelt. Dit is normaal en wijst niet op een defect.

Achterpaneel

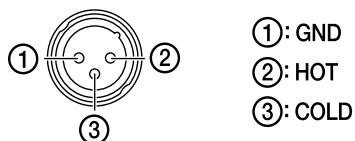


* Wanneer verbindingkabels met weerstanden worden gebruikt, kan het volumeniveau van de apparaten aangesloten op de ingangen laag zijn. Gebruik in dat geval verbindingkabels zonder weerstanden.

1. LINE OUT-aansluitingen

U kunt hier een mengpaneel, opnameapparatuur of ander apparaat aansluiten. Het uitvoerniveau is +4 dBu.

U vindt hier XLR-aansluitingen (L/R: stereo-uitvoer) en een 1/4"-stekker (mono-uitvoer).



* U kunt het volume van LINE OUT niet aanpassen met de MASTER-regelaar.

* De choruseffecten zijn zo ontworpen dat ze zo doeltreffend mogelijk zijn wanneer u de ingebouwde luidsprekers van het toestel gebruikt. De doeltreffendheid kan verschillen wanneer u LINE OUT gebruikt in plaats van de ingebouwde luidsprekers.

2. SUB WOOFER OUT-aansluiting

U kunt een versterkte subwoofer aansluiten om geluiden weer te geven met nog krachtigere, sterkere lagere frequenties.

Het volume kan worden aangepast met de MASTER-regelaar.

3. AUX IN-aansluitingen

U kunt een cd-speler, drummachine of ander toestel aansluiten en het geluid in stereo weergeven. Zowel tulpstekkers als 1/4"-stekkers zijn voorzien. Bij aansluiting op alleen de linker 1/4"-stekker, gebeurt de weergave in mono.

Hoewel de invoer van AUX IN wordt uitgevoerd via de luidsprekers, PHONES en SUB WOOFER OUT, wordt deze niet uitgevoerd via LINE OUT. Het volume kan worden aangepast met de MASTER-regelaar en het dempen van deze

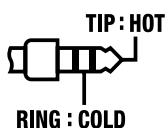
geluiden wordt geregeld met de MUTE-knop.

Als er toestellen zijn aangesloten op zowel de tulpstekkers als de 1/4"-stekkers, worden de twee invoeren gemengd.

4. DI OUT/TUNER OUT-aansluiting

Het rechtstreekse geluid van het toestel of instrument dat is aangesloten op het GUITAR of MIC/LINE-kanaal wordt hier uitgevoerd. Dit is een 1/4" TRS-aansluiting met gebalanceerde uitvoer.

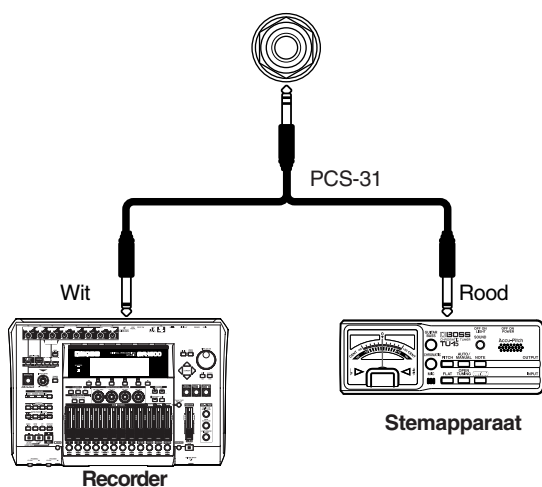
U kunt deze aansluiting ook gebruiken om een stemapparaat aan te sluiten.



* Als er geen gebalanceerde uitvoer nodig is, gebruik dan een 1/4"-stekker (mono) om verbinding te maken met deze aansluiting.

TIP

Als gebalanceerde uitvoer niet nodig is, kunt u de speciale verbindingkabel (de optionele PCS-31) gebruiken om DI OUT en TUNER OUT tegelijk te gebruiken.



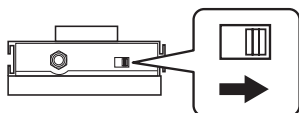
OPMERKING

Een signaal met fase-omkering wordt uitgevoerd via de COLD-zijde (het rode uiteinde van de PCS-31). Sluit het opnameapparaat aan op de HOT-zijde (het witte uiteinde van de PCS-31).

5. FOOT SW-aansluitingen

U kunt op de AC-90 voetpedalen van het type BOSS FS-5L (latch-type), BOSS FS-5U (momentary-type) en BOSS FS-6 gebruiken.

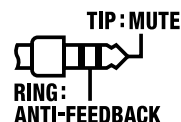
* Stel de polariteitsschakelaar in zoals hieronder afgebeeld.



(MUTE, ANTI-FEEDBACK)

Door een voetpedaal (de optionele BOSS FS-5L, FS-5U of FS-6) aan te sluiten met behulp van een verbindingkabel (de optionele PCS-31), kunt u een voetschakelaar van het latch-type (de FS-5L of FS-6) gebruiken om het dempen in en uit te schakelen, of een voetschakelaar van het momentary-type (de FS-5U of FS-6) om de anti-feedbackfunctie te bedienen.

* Raadpleeg de gebruikershandleiding van de FS-6 voor meer informatie over de instellingen voor de FS-6.



Wanneer slechts één voetschakelaar is aangesloten op een 1/4"-stekker (mono), kunt u alleen de functie Mute in- en uitschakelen. In zulke gevallen dient u een voetpedaal van het latch-type te gebruiken (zoals de BOSS FS-5L).

* De MUTE-knop moet zijn uitgeschakeld wanneer een voetschakelaar wordt aangesloten voor dempen. U kunt het dempen niet uitschakelen door op de voetschakelaar te duwen wanneer de MUTE-knop is ingeschakeld (wanneer het MUTE-lampje brandt).

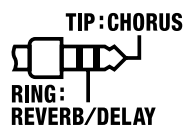
* Wanneer u een FS-5U (momentary-type) gebruikt om het dempen in en uit te schakelen, wordt het dempen alleen ingeschakeld wanneer de schakelaar ingedrukt wordt gehouden.

Voor anti-feedback werkt een voetschakelaar als volgt:

- Wanneer de FREQUENCY-regelaar zich tussen L en H bevindt, schakelt de schakelaar de anti-feedbackfunctie in en uit.
- Wanneer de FREQUENCY-regelaar op AUTO staat, doet de schakelaar dienst als de START-schakelaar voor automatische detectie. Als u de voetschakelaar gedurende één seconde of langer ingedrukt houdt, keert de automatische detectiefunctie terug naar de stand-bystand.

(CHORUS, DELAY/REVERB)

Met behulp van een speciale verbindingkabel (de optionele PCS-31) om twee voetschakelaars aan te sluiten (de optionele BOSS FS-5U), kunt u één FS-5U gebruiken om de chorus in en uit te schakelen, en de andere FS-5U om vertraging of weergalm in en uit te schakelen.



Wanneer slechts één voetschakelaar is aangesloten op een 1/4"-stekker (mono), kunt u alleen de chorus in- en uitschakelen.

* De chorus in-/uitschakelen werkt voor beide kanalen.

* U kunt de chorus niet in- en uitschakelen door op de voetschakelaar te drukken wanneer de CHORUS-knop is uitgeschakeld.

Voorbeeld van gecombineerd gebruik van twee kanalen

Gebruik van een microfoon en een element

GUITAR-KANAAL:

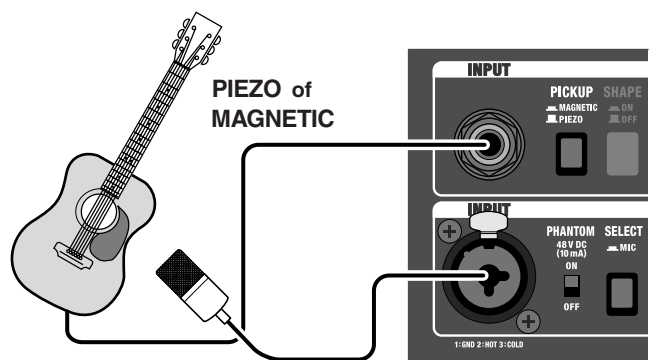
Piëzo-element of magnetisch element

MIC/LINE-KANAAL:

Condensatormicrofoon of dynamische microfoon
(SELECT-knop = MIC)

Hiermee kunt u het rijke middenbereik van het element mengen met het delicate hoge bereik van de microfoon.

Zet de PHANTOM-schakelaar op ON als u een condensatormicrofoon gebruikt.



Condensatormicrofoon of dynamische microfoon

Gebruik van twee gitaren

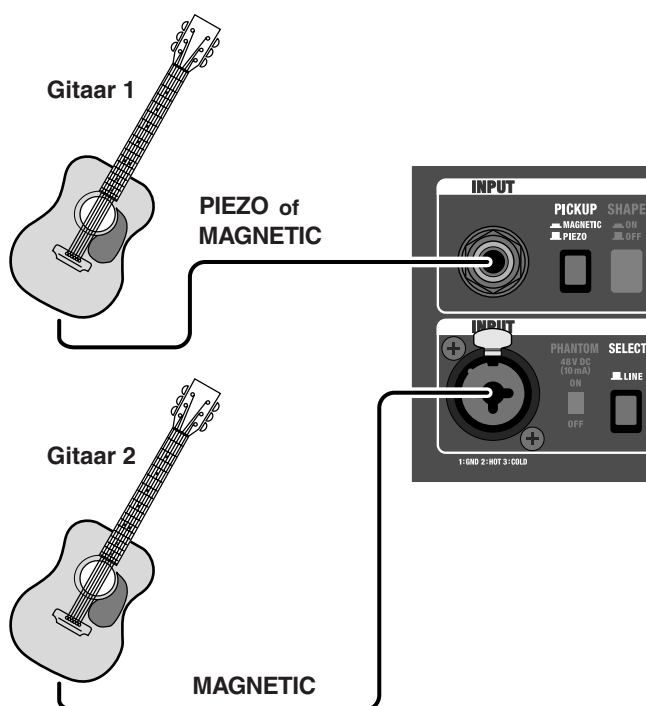
GUITAR-KANAAL:

Gitaar 1 Piëzo-element of magnetisch element

MIC/LINE-KANAAL:

Gitaar 2 Magnetisch element (SELECT-knop = LINE)

U kunt wisselen tussen de gitaren zonder dat u het volume en de toon hoeft aan te passen.



Gebruik van één gitaar met twee soorten elementen

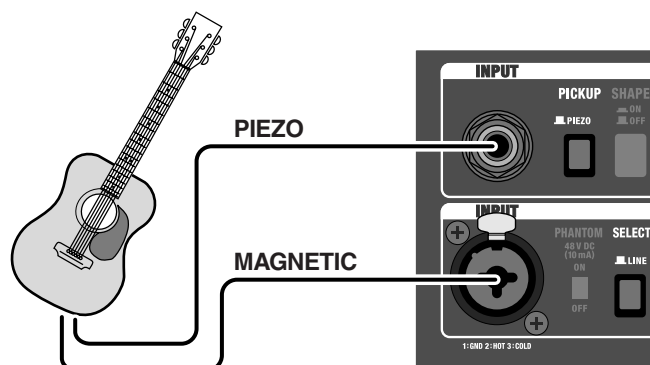
GUITAR-KANAAL:

Piëzo-element (PICKUP-knop = PIEZO)

MIC/LINE-KANAAL:

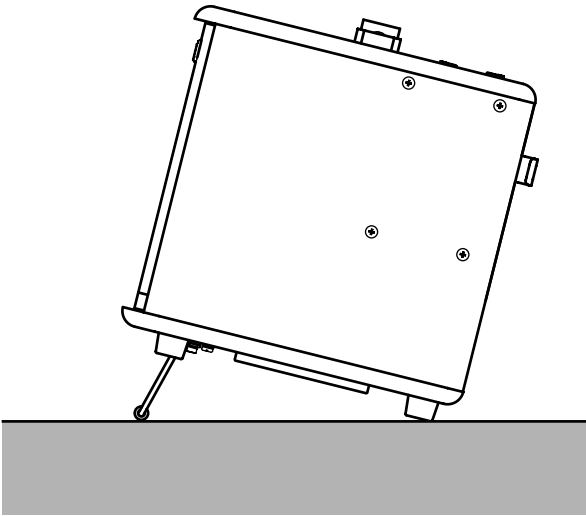
Magnetisch element (SELECT-knop = LINE)

U kunt de volumenniveaus uitbalanceren met de VOLUME-regelaar van elk kanaal en de toon van elk element aanpassen met de equalizerregelaars (BASS/MIDDLE/TREBLE) voor een optimaal geluid.



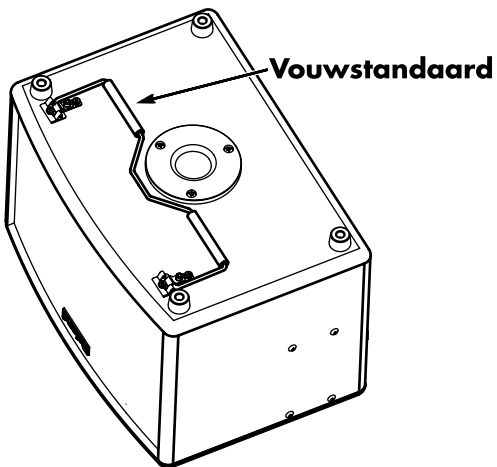
De vouwstandaard gebruiken

Wanneer de AC-90 op de grond staat of wordt gebruikt in andere lage posities, kan het opstellen van de vouwstandaard ervoor zorgen dat u het geluid van de luidsprekers beter hoort.



OPMERKING

- Zorg er bij gebruik van de vouwstandaard altijd voor dat de AC-90 horizontaal staat.
- Vouw de vouwstandaard op wanneer u hem niet gebruikt.



! WAARSCHUWING

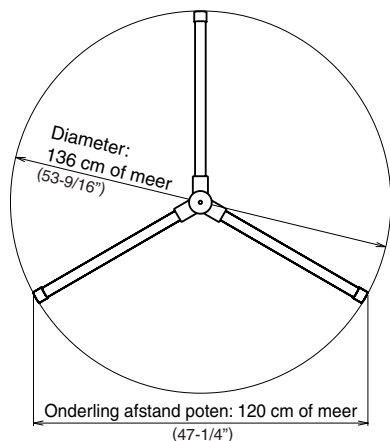
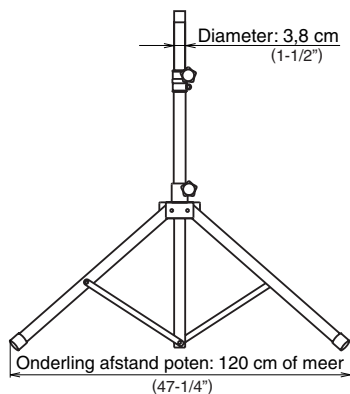
- Til de AC-90 nooit op en verplaats hem niet door de vouwstandaard vast te nemen.
- Plaats nooit voorwerpen op de AC-90 wanneer u de vouwstandaard gebruikt. Ga nooit op de vouwstandaard zitten en leun er niet op.
- Let bij het opvouwen van de vouwstandaard op dat uw vingers niet geklemd raken.

Een luidsprekerstandaard gebruiken

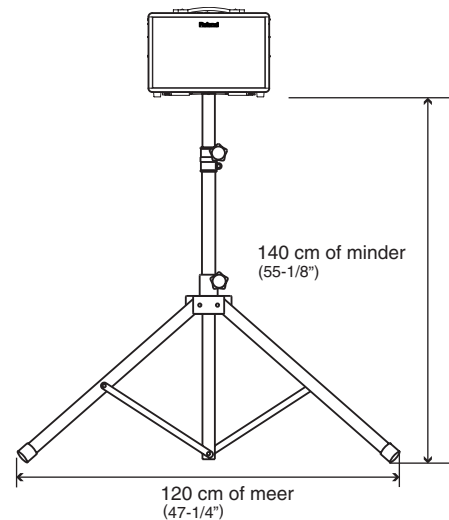
Met behulp van een luidsprekerstandaard kunt u de AC-90 op de meest geschikte hoogte installeren voor gebruik als een monitorluidspreker of een eenvoudig PA-toestel.

⚠ WAARSCHUWING

- De AC-90 kan alleen worden gebruikt met luidsprekerstandaards waarvan de afmetingen overeenkomen met de specificaties hieronder. Gebruik hem niet met een luidsprekerstandaard die niet voldoet aan de volgende specificaties.

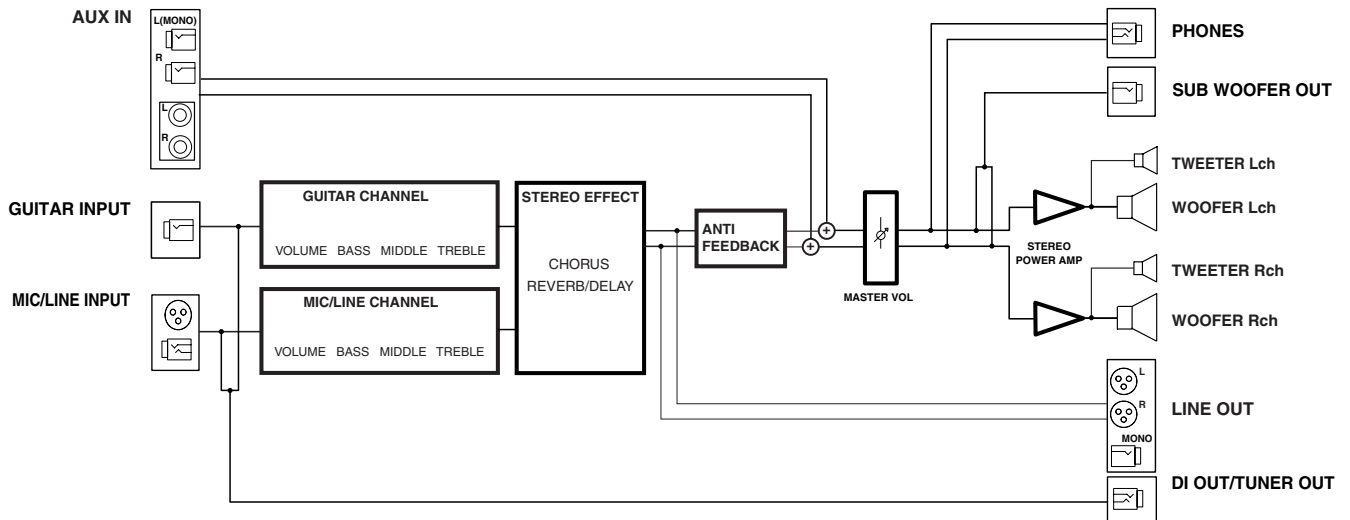


- Stel voor het gebruik de hoogte van de standaard in op 140 cm of minder en plaats de poten 120 cm of meer uit elkaar, zoals in de onderstaande afbeelding.



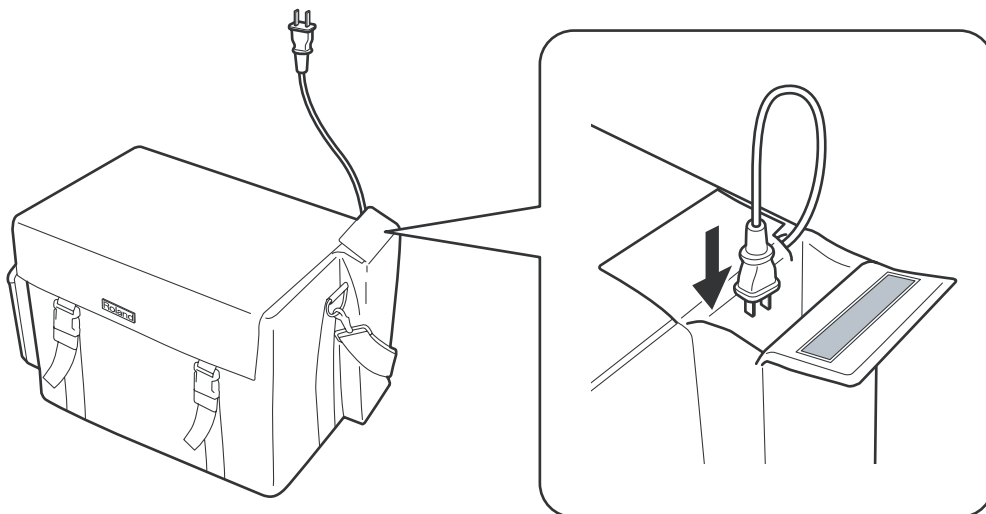
- Wanneer u een luidsprekerstandaard gebruikt die niet voldoet aan de specificaties, die op een hoogte van meer dan 140 cm wordt ingesteld of waarvan de poten minder dan 120 cm uit elkaar staan, kan dat uw apparatuur beschadigen of letsel veroorzaken doordat de standaard omvalt.
- Wanneer u de AC-90 gebruikt met een luidsprekerstandaard, moet u ervoor zorgen dat de standaard horizontaal wordt geplaatst en stabiel staat.
- De kabels aangesloten op de AC-90 moeten voldoende los hangen om ongevallen doordat iemand erover struikelt te voorkomen.
- Om ongevallen ten gevolge van vallen te voorkomen, mag u geen voorwerpen op de AC-90 plaatsen wanneer deze op een luidsprekerstandaard is geïnstalleerd.
- Roep altijd de hulp in van ten minste één andere persoon wanneer u de AC-90 op een luidsprekerstandaard installeert of wanneer u de hoogte van de standaard aanpast terwijl de AC-90 erop is gemonteerd.

Block Diagram



How to Use the Carrying Case

When you store the AC-90 in the carrying case, put the plug of the AC cord in the side pocket.



Specifications

Rated Power Output

45W + 45W

Nominal Input Level (1 kHz)

GUITAR Channel: -10 dBu

MIC/LINE Channel: -50 / -10 dBu

AUX IN: -10 dBu

Nominal Output Level (1 kHz)

DI/TUNER OUT: +4 dBu

LINE OUT: +4 dBu

SUB WOOFER OUT: +4 dBu

* $0\text{ dBu} = 0.775\text{ Vrms}$

Speakers

Woofer 20 cm (8 inches) x 2

Tweeter 8 cm x 5 cm (3 inches x 2 inches) x 2

Controls

(GUITAR Channel)

PICKUP Switch (PIEZO/MAGNETIC)

SHAPE Switch

VOLUME Knob

Equalizer Knobs (BASS, MIDDLE, TREBLE)

CHORUS Switch

(MIC/LINE Channel)

PHANTOM Switch

SELECT Switch (MIC/LINE)

VOLUME Knob

Equalizer Knobs (BASS, MIDDLE, TREBLE)

CHORUS Switch

CHORUS Knob

REVERB/DELAY Knob

(ANTI-FEEDBACK)

FREQUENCY Knob

START Button

MUTE Switch

MASTER Knob

POWER Switch

Indicator

CHORUS (GUITAR Channel, MIC/LINE Channel)

ANTI-FEEDBACK

MUTE

POWER

Connectors

GUITAR Channel Input Jack (1/4" phone type)

MIC/LINE Input Jack (XLR type, 1/4" phone type)

AUX IN Jacks (RCA phono type, 1/4" phone type)

DI/TUNER OUT Jack (1/4" TRS phone type)

LINE OUT Jacks (XLR type, 1/4" phone type)

SUB WOOFER OUT Jack (1/4" phone type)

PHONES Jack (1/4" TRS phone type)

FOOT SWITCH Jack (1/4" TRS phone type)

Power Supply

AC 117 V, AC 230 V, AC 240 V (50/60 Hz)

Power Consumption

30 W

Dimensions

464 (W) x 303 (D) x 326 (H) mm

18-5/16 (W) x 11-15/16 (D) x 12-7/8 (H) inches

Weight

11.7 kg

25 lbs 13 oz

Accessory

Carrying Case

Owner's Manual

Options

Foot Switch: BOSS FS-5L (Mute On/Off), BOSS FS-5U, FS-6

Connection Cable: PCS-31

* *In the interest of product improvement, the specifications and/or appearance of this unit are subject to change without prior notice.*

For EU Countries



- UK** This symbol indicates that in EU countries, this product must be collected separately from household waste, as defined in each region. Products bearing this symbol must not be discarded together with household waste.
- DE** Dieses Symbol bedeutet, dass dieses Produkt in EU-Ländern getrennt vom Hausmüll gesammelt werden muss gemäß den regionalen Bestimmungen. Mit diesem Symbol gekennzeichnete Produkte dürfen nicht zusammen mit den Hausmüll entsorgt werden.
- FR** Ce symbole indique que dans les pays de l'Union européenne, ce produit doit être collecté séparément des ordures ménagères selon les directives en vigueur dans chacun de ces pays. Les produits portant ce symbole ne doivent pas être mis au rebut avec les ordures ménagères.
- IT** Questo simbolo indica che nei paesi della Comunità europea questo prodotto deve essere smaltito separatamente dai normali rifiuti domestici, secondo la legislazione in vigore in ciascun paese. I prodotti che riportano questo simbolo non devono essere smaltiti insieme ai rifiuti domestici. Ai sensi dell'art. 13 del D.Lgs. 25 luglio 2005 n. 151.
- ES** Este símbolo indica que en los países de la Unión Europea este producto debe recogerse aparte de los residuos domésticos, tal como está regulado en cada zona. Los productos con este símbolo no se deben depositar con los residuos domésticos.
- PT** Este símbolo indica que nos países da UE, a recolha deste produto deverá ser feita separadamente do lixo doméstico, de acordo com os regulamentos de cada região. Os produtos que apresentem este símbolo não deverão ser eliminados juntamente com o lixo doméstico.
- NL** Dit symbool geeft aan dat in landen van de EU dit product gescheiden van huishoudelijk afval moet worden aangeboden, zoals bepaald per gemeente of regio. Producten die van dit symbool zijn voorzien, mogen niet samen met huishoudelijk afval worden verwijderd.
- DK** Dette symbol angiver, at i EU-lande skal dette produkt opsamlles adskilt fra husholdningsaffald, som defineret i hver enkelt region. Produkter med dette symbol må ikke smides ud sammen med husholdningsaffald.
- NO** Dette symbolet indikerer at produktet må behandles som spesialavfall i EU-land, iht. til retningslinjer for den enkelte regionen, og ikke kastes sammen med vanlig husholdningsavfall. Produkter som er merket med dette symbolet, må ikke kastes sammen med vanlig husholdningsavfall.

- SE** Symbolen anger att i EU-länder måste den här produkten kasserats separat från hushållsavfall, i enlighet med varje regions bestämmelser. Produkter med den här symbolen får inte kasserats tillsammans med hushållsavfall.
- FI** Tämä merkintä ilmaisee, että tuote on EU-maissa kerättävä erillään kotitalousjätteistä kunkin alueen voimassa olevien määräysten mukaisesti. Tällä merkinnällä varustettuja tuotteita ei saa hävittää kotitalousjätteiden mukana.
- HU** Ez a szimbólum azt jelenti, hogy az Európai Unióban ezt a terméket a háztartási hulladéktól elkülönítve, az adott régióban érvényes szabályozás szerint kell gyűjteni. Az ezzel a szimbóllal ellátott termékeket nem szabad a háztartási hulladék közé dobni.
- PL** Symbol oznacza, że zgodnie z regulacjami w odpowiednim regionie, w krajach UE produktu nie należy wyrzucać z odpadami domowymi. Produktów opatrzonych tym symbolem nie można utylizować razem z odpadami domowymi.
- CZ** Tento symbol udává, že v zemích EU musí být tento výrobek sbírán odděleně od domácího odpadu, jak je určeno pro každý region. Výrobky nesoucí tento symbol se nesmí vyhazovat spolu s domácím odpadem.
- SK** Tento symbol vyjadruje, že v krajinách EÚ sa musí zber tohto produktu vykonávať oddelene od domového odpadu, podľa nariadení platných v konkrétnej krajine. Produkty s týmto symbolom sa nesmú vyhazovať spolu s domovým odpadom.
- EE** See sümbol näitab, et EL-i maades tuleb see toode olemprügist eraldi koguda, nii nagu on iga piirkonnas määratletud. Selle sümboliga märgitud tooteid ei tohi ära visata koos olmeprügiga.
- LT** Šis simbolis rodo, kad ES šalyse šis produktas turi būti surenkamas atskirai nuo buitinių atliekų, kaip nustatyta kiekviename regione. Šiuo simboliu paženklinoti produktai neturi būti išmetami kartu su buitiniemis atliekomis.
- LV** Šis simbols norāda, ka ES valstīs šo produktu jāievāc atsevišķi no mājsaimniecības atkritumiem, kā noteikts katrā reģionā. Produkts ar šo simbolu nedrīkst izmest kopā ar mājsaimniecības atkritumiem.
- SI** Ta simbol označuje, da je treba proizvod v državah EU zbirati ločeno od gospodinskih odpadkov, tako kot je določeno v vsaki regiji. Proizvoda s tem znakom ni dovoljeno odlagati skupaj z gospodinskimi odpadki.
- GR** Βχφς φπ υζμνππλ δζλυνει η φπ υφπτ χουετ φζτ ΕΕ, φπ ρεπγην βχφς ρεζρει ηβ υηλλεζεφβη οεησειυφβ η βη φβ ηπκνβκβ βρσεζμμβφβ, υεμννβη με φζ ημννευεβ φζτ κννε ρεπννφτ. φβ ρεπννφβ ρηκ ηεπην βχφς φπ υεμνππλ δεν ρεζρει ηβ βρσεζρφφνφβη μβζη με φβ ηπκνβκβ βρσεζμμβφβ.

For EU Countries



This product complies with the requirements of European Directives EMC 89/336/EEC and LVD 73/23/EEC.

For the USA

FEDERAL COMMUNICATIONS COMMISSION RADIO FREQUENCY INTERFERENCE STATEMENT

This equipment has been tested and found to comply with the limits for a Class B digital device, pursuant to Part 15 of the FCC Rules. These limits are designed to provide reasonable protection against harmful interference in a residential installation. This equipment generates, uses, and can radiate radio frequency energy and, if not installed and used in accordance with the instructions, may cause harmful interference to radio communications. However, there is no guarantee that interference will not occur in a particular installation. If this equipment does cause harmful interference to radio or television reception, which can be determined by turning the equipment off and on, the user is encouraged to try to correct the interference by one or more of the following measures:

- Reorient or relocate the receiving antenna.
- Increase the separation between the equipment and receiver.
- Connect the equipment into an outlet on a circuit different from that to which the receiver is connected.
- Consult the dealer or an experienced radio/TV technician for help.

This device complies with Part 15 of the FCC Rules. Operation is subject to the following two conditions:

- (1) This device may not cause harmful interference, and
- (2) This device must accept any interference received, including interference that may cause undesired operation.

Unauthorized changes or modification to this system can void the users authority to operate this equipment. This equipment requires shielded interface cables in order to meet FCC class B Limit.

For Canada

NOTICE

This Class B digital apparatus meets all requirements of the Canadian Interference-Causing Equipment Regulations.

AVIS

Cet appareil numérique de la classe B respecte toutes les exigences du Règlement sur le matériel brouilleur du Canada.

