

**CONTENTS**

1	INTRODUCTION .....	3
2	IMPORTANT SAFETY INSTRUCTION.....	5
3	DESCRIPTION AND USE OF THE CONTROL .....	11
3.1	Upper panel .....	11
3.2	Setting the washing program and switching it on and off.....	12
3.2.1	Switching on .....	15
3.2.2	Selecting and starting the program.....	16
3.2.3	End of program.....	16
3.2.4	Interrupting a program.....	16
3.2.5	Changing the current program .....	16
3.2.6	Canceling the current program .....	17
3.2.7	Options .....	17
3.2.8	Switching off .....	19
3.3	Additional functions.....	19
3.3.1	Adjusting the water softener .....	19
4	ENERGY SAVING AND ENVIRONMENTAL RESPECT .....	21
4.1	Reducing the consumption of detergent and respecting the environment.	21
5	REMOVING THE DISHES.....	22
6	TROUBLESHOOTING .....	23
7	INSTALLATION AND HOOK-UP .....	25
8	OPERATING INSTRUCTIONS .....	27
8.1	Using the water softening system.....	28

8.2	Using the rinse-aid and detergent dispensers.....	30
8.2.1	Adding the rinse-aid .....	31
8.2.2	Adjusting the rinse-aid dispenser system.....	31
8.2.3	Adding the detergent .....	32
8.3	General warnings and recommendations .....	34
8.4	Using the racks .....	36
8.4.1	Lower rack.....	37
8.4.2	Cutlery basket.....	39
8.4.3	Upper rack.....	40
9	CLEANING AND USER-MAINTENANCE .....	43
9.1	General warnings and recommendations .....	43
9.2	Cleaning the water intake filter.....	44
9.3	Cleaning the spray arms.....	44
9.4	Cleaning the filter unit .....	46
9.5	General warnings and recommendations for correct maintenance.....	47
9.6	Troubleshooting minor problems .....	48
10	TECHNICAL DATA .....	50

## 1 INTRODUCTION

*Thank you for choosing one of Fagor's products. To use this dishwasher correctly and safely, please read this manual carefully. The manual is divided into sections giving you a step-by-step guide to all your appliance's functions. The text is easy to understand and is complete with detailed illustrations. This user-friendly manual will provide answers to all your questions of the use of the dishwasher. Before using this dishwasher, carefully read chapter 2 "Important safety instruction".*

*For any other information about use and maintenance of the dishwasher, read the enclosed general manual carefully.*

***This manual comprises the following sections:***

*INTRODUCTION: general information about the manual.*

*WARNINGS: a list of warnings concerning safety and use of the dishwasher.*




*INSTALLATION INSTRUCTIONS: for the **qualified technician** who must carry out the installation, hook-up and testing of the appliance.*

*USER INSTRUCTIONS: instructions on using the dishwasher programs and information about all the dishwasher functions.*

**Nomenclature of figures and tables:**

The progressive number of each figure is shown in the bottom right-hand corner of the relative box. An example of a progressive number is "Fig. 4-01", where the first number (4) indicates the section to which the figure belongs, while the second number (01) indicates the progressive number of the figure in section 4 (Fig. 4-01 is the first figure in section 4). The tables are numbered in the same way, bearing in mind that "Table" is used instead of "Fig." (e.g.: Table 4-01 is the first table in section 4). If a table occupies more than one page, a letter is added after the progressive number (e.g.: "Table 4-01a", Table 4-01b").

**Symbols used in this manual** (see table 1-01)

	<b>DANGER.</b> This symbol highlights information and warnings which, if not observed, may compromise personal safety or damage to appliance.
	<b>DANGER OF ELECTROCUTION.</b> This symbol highlights information and warnings of an electrical nature which, if not observed, may compromise personal safety or damage to appliance.
	This symbol highlights general information and warnings.
Table 1-01	

## 2 IMPORTANT SAFETY INSTRUCTION

*(Save this instructions)*



**THIS MANUAL FORMS AN INTEGRAL PART OF THE APPLIANCE:** IT MUST ALWAYS BE KEPT INTACT TOGETHER WITH THE DISHWASHER (INCLUDING THE "INSTALLATION" AND "DESCRIPTION OF CONTROLS" MANUALS, IF ATTACHED). BEFORE USING THE APPLIANCE, CAREFULLY READ ALL THE INSTRUCTIONS CONTAINED IN THIS MANUAL. INSTALLATION MUST BE PERFORMED BY A QUALIFIED TECHNICIAN, IN COMPLIANCE WITH THE REGULATIONS IN FORCE. THIS APPLIANCE IS INTENDED FOR DOMESTIC USE, AND COMPLIES WITH THE DIRECTIVES CURRENTLY IN FORCE, INCLUDING THE PREVENTION AND ELIMINATION OF RADIO FREQUENCY INTERFERENCE. THE APPLIANCE IS DESIGNED FOR THE FOLLOWING PURPOSE: **WASHING AND DRYING OF DISHES;** ANY OTHER USE SHALL BE CONSIDERED IMPROPER. **THE MANUFACTURER DECLINES ALL RESPONSIBILITY FOR USES OTHER THAN THOSE DESCRIBED ABOVE.**



THE NAME PLATE FEATURING THE TECHNICAL DATA, SERIAL NUMBER AND MARKINGS IS VISIBLY POSITIONED ON THE INNER EDGE OF THE DOOR. **THE NAME PLATE MUST NEVER BE REMOVED.**



THIS APPLIANCE IS NOT SUITABLE FOR USE ON BOATS, CARAVANS OR THE LIKE. DISHWASHERS CERTIFIED FOR DOMESTIC USE ARE NOT SUITABLE FOR AUTHORISED FOOD FACTORIES.



CHECK THAT THE VOLTAGE, FREQUENCY AND PROTECTION OF THE DOMESTIC MAINS POWER SUPPLY MATCH THE RATINGS ON THE NAME PLATE OF THE APPLIANCE.



DO NOT LEAVE DISCARDED PACKAGING MATERIALS UNSUPERVISED WITHIN THE HOME. SEPARATE THE VARIOUS PACKAGING MATERIALS AND TAKE THEM TO THE NEAREST SORTED WASTE COLLECTION CENTRE. KEEP CHILDREN, PHYSICALLY AND/OR MENTALLY IMPAIRED ADULTS, AND ANIMALS AWAY FROM PACKAGING WASTE; DANGER OF SUFFOCATION.



*BEFORE PROCEEDING WITH INSTALLATION, DISCONNECT THE MAINS POWER SUPPLY FROM THE WORK AREA.*



*DO NOT USE EXTENSION CORDS, ADAPTORS OR SHUNT CONNECTIONS IN ORDER TO AVOID THE POSSIBILITY OF OVERHEATING OR BURNING OR PRODUCING A FIRE HAZARD.*



*DURING INSTALLATION, TAKE CARE NOT TO INJURE YOURSELF ON THE SHARP EDGES OF THE APPLIANCE; WEAR SAFETY GLOVES.*



*THE APPLIANCE MUST BE PROVIDED WITH AN EARTH CONNECTION IN ACCORDANCE WITH THE ELECTRICAL SAFETY REGULATIONS IN FORCE. IF IN DOUBT, HAVE THE SYSTEM CHECKED BY A QUALIFIED ELECTRICIAN (SEE ALSO THE WARNINGS INDICATED IN CHAPTER 7).*

**THE MANUFACTURER DECLINES ALL RESPONSIBILITY FOR DAMAGE TO PERSONS OR PROPERTY RESULTING FROM THE FAILURE TO EARTH THE APPLIANCE OR FROM A DEFECTIVE EARTH CONNECTION.**



*ALWAYS SWITCH OFF THE DISHWASHER AFTER EACH USE TO AVOID WASTING ELECTRICITY.*



*IN THE EVENT OF A FAULT, DISCONNECT THE DISHWASHER FROM THE ELECTRICAL POWER SUPPLY AND SHUT OFF THE WATER TAP.*



*DO NOT USE APPLIANCES WHICH HAVE BEEN DAMAGED DURING TRANSIT! IF IN DOUBT, CONSULT YOUR DEALER. THE APPLIANCE MUST BE INSTALLED AND CONNECTED IN ACCORDANCE WITH THE INSTRUCTIONS PROVIDED BY THE MANUFACTURER OR BY A QUALIFIED TECHNICIAN.*



*ONLY USE DETERGENTS SPECIALLY FORMULATED FOR DISHWASHERS. DO NOT USE DETERGENTS FORMULATED FOR WASHING DISHES BY HAND.*

*ONLY USE RINSE-AID SPECIALLY FORMULATED FOR DOMESTIC DISHWASHERS.*



*DO NOT INHALE OR SWALLOW DETERGENT AS THIS MAY CAUSE BURNS AND/OR PERMANENT DAMAGE TO THE NOSE, MOUTH AND THROAT, AND EVEN LEAD TO SUFFOCATION; KEEP DETERGENT AWAY FROM YOUR EYES. IF ONE OF THE ABOVE SITUATIONS OCCURS, SEEK MEDICAL ASSISTANCE IMMEDIATELY. TO PREVENT CHILDREN FROM COMING INTO CONTACT WITH DETERGENT, FILL THE DISHWASHER JUST BEFORE STARTING THE WASH PROGRAM AND THEN KEEP THE DETERGENT OUT OF THE REACH OF CHILDREN.*



*THIS DISHWASHER MUST BE USED BY ADULTS. USE BY PERSONS WITH REDUCED MENTAL AND/OR PHYSICAL CAPABILITIES IS ONLY PERMITTED UNDER THE SUPERVISION OF A PERSON RESPONSIBLE FOR THEIR SAFETY. DO NOT ALLOW CHILDREN TO APPROACH AND/OR PLAY IN OR ON THE DISHWASHER. THE APPLIANCE MAY CONTAIN RESIDUES OF DETERGENT WHICH CAN CAUSE PERMANENT DAMAGE TO THE EYES, MOUTH AND THROAT, AS WELL AS POSSIBLE DEATH BY SUFFOCATION; IF THE ABOVE OCCURS, SEEK MEDICAL ASSISTANCE IMMEDIATELY. BEWARE; IT IS POSSIBLE FOR CHILDREN TO GET TRAPPED INSIDE THE DISHWASHER!*



*DO NOT INTRODUCE SOLVENTS SUCH AS ALCOHOL OR TURPENTINE WHICH MAY CAUSE AN EXPLOSION.*



*DO NOT POUR POWDER AND/OR LIQUID DETERGENT INTO THE RINSE-AID CONTAINER AS THIS WILL DAMAGE THE CONTAINER. DO NOT POUR POWDER AND/OR LIQUID DETERGENT INTO THE WASTER SOFTENER TANK AS THIS WILL DAMAGE THE TANK. DO NOT USE INDUSTRIAL DETERGENTS AS THIS MAY DAMAGE THE APPLIANCE AND/OR TRIGGER VIOLENT CHEMICAL REACTIONS (E.G. EXPLOSIVE GAS).*



DO NOT LOAD DISHES THAT ARE SOILED WITH ASH, WAX OR PAINTS.



DO NOT INTRODUCE ITEMS IN HEAT-SENSITIVE PLASTIC, SUCH AS DISPOSABLE CUTLERY OR PLATES, AS THESE MAY BECOME DEFORMED. DO NOT WASH OBJECTS IN PLASTIC UNLESS THEY ARE MARKED "DISHWASHER PROOF" OR THE LIKE. FOR UNMARKED OBJECTS, FOLLOW THE INSTRUCTIONS OF THE MANUFACTURER; IF NO INFORMATION IS AVAILABLE, DO NOT WASH THESE OBJECTS IN THE DISHWASHER.



DO NOT INTRODUCE ANIMALS INTO THE DISHWASHER.



WHEN OPENING THE DISHWASHER DOOR DURING A CYCLE THERE IS A RISK OF SCALDING DUE TO THE HEAT CONTAINED INSIDE. DO NOT STAND IN OF THE STEAM THAT RISES FROM THE APPLIANCE AND DO NOT TOUCH THE COMPONENTS INSIDE.

WAIT 20 MINUTES AFTER THE END OF THE WASHING CYCLE OR AFTER INTERRUPTING IT BEFORE REMOVING THE DISHES TO ALLOW THEM TO DRY.



IN CERTAIN SITUATIONS, HYDROGEN MAY BE GENERATED INSIDE A HOT WATER SYSTEM THAT HAS NOT BEEN USED FOR OVER TWO WEEKS. **HYDROGEN IS AN EXPLOSIVE GAS.** IF THE HOT WATER SYSTEM HAS NOT BEEN USED FOR TWO WEEKS OR MORE, OPEN ALL THE HOT WATER TAPS AND ALLOW THE WATER TO RUN FOR A FEW MINUTES BEFORE USING THE DISHWASHER. THIS WILL DISCHARGE ANY HYDROGEN BUILDUPS. **AS THIS GAS IS FLAMMABLE, DO NOT SMOKE OR USE NAKED FLAMES WHILE PERFORMING THIS OPERATION.**



**LEANING OR SITTING ON THE DISHWASHER DOOR WHEN OPEN MAY CAUSE THE APPLIANCE TO OVERTURN, PUTTING PEOPLE AT RISK. NEVER LEAVE THE DISHWASHER DOOR OPEN; PEOPLE MIGHT TRIP OVER IT.**

DO NOT LEAN AGAINST OR STAND ON THE DISHWASHER RACKS.





*DO NOT DRINK THE WATER RESIDUES WHICH MAY BE PRESENT INSIDE THE DISHES OR DISHWASHER.*



*KNIVES OR OTHER SHARP-ENDED COOKING UTENSILS MUST BE PLACED IN THE CUTLERY BASKET BLADE-DOWN, OR LAID HORIZONTAL IN THE UPPER RACK. TAKE CARE NOT TO CUT YOURSELF AND ENSURE THAT THEY DO NOT PROJECT FROM THE RACK.*

*POSITION SHARP/POINTED OBJECTS SO AS TO PREVENT THEM FROM DAMAGING THE DOOR GASKETS.*



*DO NOT OPERATE THE DISHWASHER UNLESS ALL THE OUTER PANELS HAVE BEEN POSITIONED CORRECTLY.*



*DO NOT TAMPER WITH THE DISHWASHER CONTROLS.*



**AQUASTOP MODELS;** THE AQUASTOP DEVICE PREVENTS FLOODING IN THE EVENT OF A WATER LEAK. WHEN THE AQUASTOP DEVICE IS TRIPPED (THE ERROR IS INDICATED ON THE DISPLAY), CALL IN A QUALIFIED TECHNICIAN TO IDENTIFY AND REPAIR THE PROBLEM. IN MODELS EQUIPPED WITH THE AQUASTOP DEVICE, THERE IS A SOLENOID VALVE INSIDE THE WATER INTAKE HOSE. **DO NOT CUT THE HOSE AND DO NOT ALLOW THE SOLENOID VALVE TO DROP INTO THE WATER.** IN THE EVENT OF DAMAGE TO THE WATER INTAKE HOSE, DISCONNECT THE APPLIANCE FROM THE ELECTRICAL POWER SUPPLY AND FROM THE WATER SUPPLY.

*IMMEDIATELY AFTER INSTALLING THE DISHWASHER, PERFORM A QUICK TEST OF THE APPLIANCE (SEE "INSTALLATION" MANUAL). IF THE DISHWASHER FAILS TO OPERATE CORRECTLY, DISCONNECT IT FROM THE ELECTRICAL POWER SUPPLY AND CALL THE NEAREST TECHNICAL SERVICE CENTRE. **DO NOT ATTEMPT TO REPAIR THE APPLIANCE.***



*THE DISHWASHER MEETS ALL THE REQUIREMENTS SET OUT BY THE REGULATIONS IN FORCE CONCERNING SAFETY AND ELECTRICAL EQUIPMENT. ANY TECHNICAL CHECKS SHOULD BE CONDUCTED EXCLUSIVELY BY A TRAINED AND AUTHORIZED*

**TECHNICIAN: REPAIRS CARRIED OUT BY UNAUTHORIZED PERSONS WILL INVALIDATE THE WARRANTY, AS WELL AS POSE A POTENTIAL HAZARD TO THE USER.**




*BEFORE CLEANING OR SERVICING THE APPLIANCE, REMOVE THE PLUG OR TURN OFF THE MULTI-POLE SWITCH.*



*REMOVE THE WASHING COMPARTMENT DOOR AND DISCONNECT THE MAINS POWER SUPPLY WHEN REMOVING THE OLD DISHWASHER FOR MAINTENANCE OR DISPOSAL.*



*THE SYMBOL  ON THE PRODUCT, OR ON THE DOCUMENTS ACCOMPANYING THE PRODUCT, INDICATES THAT THIS APPLIANCE MAY NOT BE TREATED AS HOUSEHOLD WASTE. INSTEAD IT SHALL BE HANDED OVER TO THE APPLICABLE COLLECTION POINT FOR THE RECYCLING OF ELECTRICAL AND ELECTRONIC EQUIPMENT. DISPOSAL MUST BE CARRIED OUT IN ACCORDANCE WITH LOCAL ENVIRONMENTAL REGULATIONS FOR WASTE DISPOSAL. FOR MORE DETAILED INFORMATION ABOUT TREATMENT, RECOVERY AND RECYCLING OF THIS PRODUCT, PLEASE CONTACT YOUR LOCAL CITY OFFICE, YOUR HOUSEHOLD WASTE DISPOSAL SERVICE OR THE SHOP WHERE YOU PURCHASED THE PRODUCT.*



*BY ENSURING THIS PRODUCT IS DISPOSED OF CORRECTLY, YOU WILL HELP PREVENT POTENTIAL NEGATIVE CONSEQUENCES FOR THE ENVIRONMENT AND HUMAN HEALTH.*



**THE MANUFACTURER DECLINES ALL RESPONSIBILITY FOR DAMAGE TO PERSONS, ANIMALS OR PROPERTY RESULTING FROM FAILURE TO OBSERVE THE ABOVE PRECAUTIONS, FROM TAMPERING WITH EVEN A SINGLE COMPONENT OF THE APPLIANCE, OR FROM THE USE OF UNORIGINAL SPARE PARTS.**

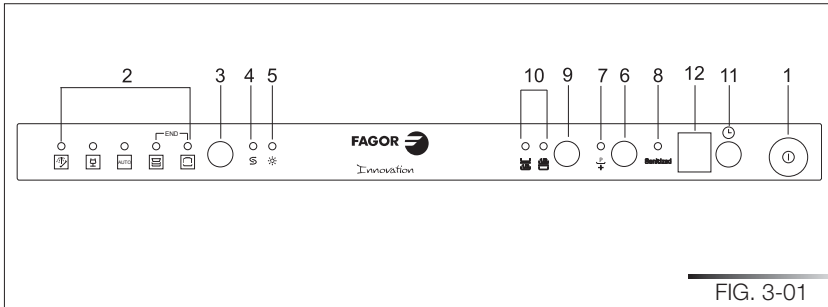
**IF IN DOUBT ABOUT THE CONTENTS OF THIS MANUAL, CONTACT THE TECHNICAL ASSISTANCE CENTER.**

## 3 DESCRIPTION AND USE OF THE CONTROLS

### 3.1 Upper panel

All the dishwasher controls are grouped on the upper panel (see fig. 3-01). The dishwasher can only be switched on, programmed, switched off, etc. with the door open.

A brief description (see table 3-01) of the various controls on the upper panel is provided on the table below.

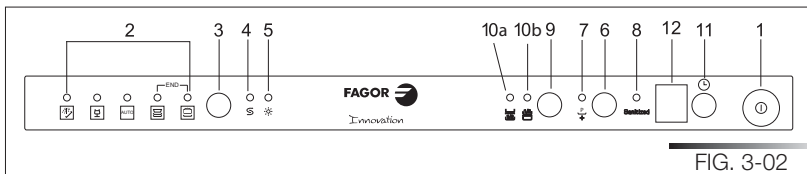


1	<b>On/off button</b> Press to power the appliance.
2	<b>Program indicator lights</b> These show which program is selected and whether there are any troubleshootings (error messages).
3	<b>Program selection button</b> Press in sequence to select the required program.
4	<b>Add salt indicator light</b> Shows the appliance has run out of salt.
5	<b>Add rinse aid</b> Shows the appliance has run out of rinse aid.
6	<b>Supplementary program button</b> Press to select one of the five supplementary programs (see table 3-02b).
7	<b>Supplementary program indicator light</b> Shows that one of the five supplementary programs will be run (see table 3-02b).
8	<b>Sanitation indicator light</b> Shows that the function is active.
9	<b>Half-load wash button</b> Press to select the half-load wash option.
10	<b>Half-load indicator lights</b> One of the lights shines to show that the half-load wash function has been selected in the upper or lower rack.
11	<b>Program delay button</b> Press to delay the start of the program up to 9 hours.
12	<b>Information display</b> (start delay, adjusting water softener)

Table 3-01

## 3.2 *Setting the washing program and switching it on and off*

The dishwasher is equipped with a control panel (see fig. 3-02) which is used to program the appliance and switch it on and off.



To select the most suitable program to wash the dishes, consult the following table which specifies the most appropriate type of washing sequence depending on the kind of dishes and how dirty they are (see tables 3-02a and 3-02b).






STANDARD PROGRAMS NUMBER AND SYMBOL			DISHES AND CUTLERY	PROGRAM SEQUENCE	TIME	CONSUMPTION	
					MINUTES (2)	WATER (1)	ENERGY kWh (2)
1		DISH WARMING	Pans and dishes to rinse and dry	Rinse at 69°C (156.2°F) Dry.	50 min.	3.9 l 1.03 gal.	0.64
2		CRYSTAL	Moderately dirty	Wash at 45°C (113°F) Cold rinse. Rinse at 69°C (156.2°F) Dry.	70 min.	10.8 l 2.85 gal.	0.6
3		AUTO SUPER WASH  ETL SANITATION LISTED	Moderately dirty, including dried-on residue	Cold pre-wash (depends on the type of dirt) Wash at 65°C (149°F). Cold rinse. Hot rinse at 70°C (158°F). Dry.	115-130 min.	11-15 l 2.91- 3.96 gal.	1-1.2
4		NORMAL	Moderately dirty	Cold pre-wash. Wash at 55°C (131°F). Cold rinse. Rinse at 68°C (154.4°F). Dry.	112 min.	14.8 l 3.91 gal.	0.8
5		EXTREME WASH  ETL SANITATION LISTED	Very dirty pans and dishes, including dried-on residue	Pre-wash at 45°C (113°F). Wash at 70°C (158°F) 2 cold rinses Rinse at 70°C (158°F) Dry.	122 min.	18.3 l 4.83 gal.	1.12

Table. 3-02a

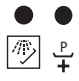
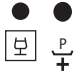


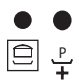
	SUPPLEMENTARY PROGRAMS NUMBER AND SYMBOL	DISHES AND CUTLERY	PROGRAM SEQUENCE	TIME	CONSUMPTION		
				MINUTES (2)	WATER (1)	ENERGY kWh (2)	
6		RINSE	Pans and dishes waiting to be washed	Cold pre-wash	16 min.	3.9 l 1.03 gal.	0.03
7		SHORT	Slightly dirty	Wash at 38°C (136.40°F) Cold rinse. Rinse at 58°C (136.4°F).	37 min.	10.6 l 2.8 gal.	0.38
8		AUTO DELICATE	Wash immediately after use	Cold pre-wash (depends on the type of dirt) Wash at 55°C (131°F). Cold rinse. Hot rinse at 69°C (156.2°F). Dry.	105-120 min.	11-15 l 2.91-3.96 gal.	0.8-1
9		ECONOMY	Wash immediately after use	Wash at 55°C (131°F). Cold rinse. Rinse at 69°C (156.2°F). Dry.	123 min.	11,9 l 3.14 gal.	0.9
10		HEAVY WASH	Moderately dirty pans and dishes, including dried-on residue	Wash at 70°C (158°F) 2 cold rinses. Rinse at 70°C (158°F) Dry.	102 min.	15.1 l 3.99 gal.	1.0

Table. 3-02b

(1) Average water consumption with the softener set to level 0 (zero).

Any other setting will increase water consumption to 2.5 l (0.66 gal.) / cycles with setting 5.

(2) The cycle times listed in the use and care manual are based on normal soil loads and 49°C (120°F) incoming water and will vary based on your actual conditions.

- Only "AUTO SUPER WASH" and "EXTREME WASH" programs conforms to NSF std 184 and are certified by INTERTEK with the ETL SANITATION LISTED.

- When the "Sanitized" light shines it means that the dishwasher and its contents have been sanitized according to the requirements of the National Sanitation Foundation (NSF).

- When the "AUTO PROGRAMS" are selected, the dishwasher recognizes the type of dirt and automatically adjusts the washing parameters as appropriate.

**Only** run the soak program with half loads.

To run programs **6, 7, 8, 9, 10** (see table 3-02b), select the required standard program (see programs **1, 2, 3, 4, 5** in table 3-02a) and then press the **supplementary program button** (ref. 6 fig. 3-02).

After using the above tables to choose the most suitable washing cycle, program the appliance.



*Before starting a washing program, make sure that:*

- The water supply tap is **open**.
- **There is regenerating salt** in the water softener **tank**.
- **The correct amount of detergent** has been added to the **dispenser** (to add detergent, see the instructions in the general manual).
- The spray arms are able to rotate **freely** and without obstruction.
- The racks have been **correctly loaded**
- The dishwasher door is **securely closed**.

### 3.2.1 Switching on

Press the on/off button (ref. 1 fig. 3-02) to start the dishwasher. Then wait for one of the **program indicator lights** to turn on (ref. 2 fig. 3-02).

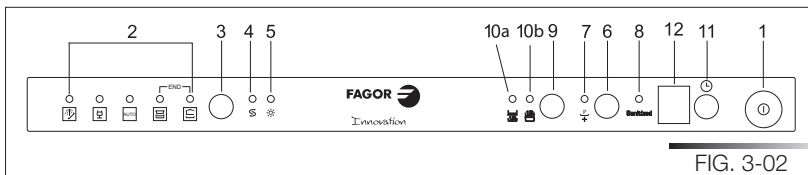


FIG. 3-02

### 3.2.2 *Selecting and starting the program*

- Press the **program selection button** (ref. 3 fig. 3-02) several times until the indicator light corresponding to the required program turns on (ref. 2 fig. 3-02);
- if required, press the relative buttons to select any complementary functions (e.g.: “half-load”, “program delay”; see para 3.2.7 “options”);
- close the door; the program will start after about **2 seconds** and the relative indicator light will flash throughout the cycle (program running signal).



*If the door of the dishwasher has not been closed or has been incorrectly closed, the washing cycle will not begin.*

#### **SUPPLEMENTARY PROGRAMS**

The supplementary program button (ref. 6 fig. 3-02) adds **five extra programs** to the ones that can be directly selected with the program selection button.

Press the supplementary program button (the indicator light turns on) **after** selecting the “main” program (see 1, 2, 3, 4, 5 in table. 3-02a).

As the function **is memorized**, press the button again (the indicator light turns off) if you wish to run one of the 5 main programs for the next cycle.

### 3.2.3 *End of program*

The end of the program is signaled by a short beep. Additionally the indicator light of the standard and supplementary programs (marked “end”) flash.

### 3.2.4 *Interrupting a program*

To interrupt the current program simply open the door of the dishwasher; to restart the program, simply close the door again. The program restarts from where it was interrupted.

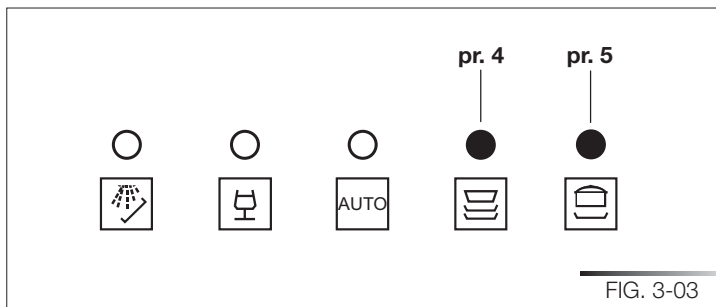
### 3.2.5 *Changing the current program*

To change the current program, simply open the door of the dishwasher and select the new program. Close the door to run the new program automatically.



## 3.2.6 Canceling the current program

- To cancel the current program, open the door and press and hold down the **program selection** button (ref. 3 fig. 3-02) for a few seconds until the indicator lights of the fourth and fifth programs turn on (ref. pr. 4, pr. 5 fig. 3-03).
- Close the door again.
- After about 1 minute, the dishwasher terminates the cycle and the indicator lights of the fourth and fifth programs (ref. pr. 4, pr. 5 fig. 3-03) start flashing.



## 3.2.7 Options

### HALF-LOAD

This option is particularly suitable for reduced loads and saves on water and electricity.

Before selecting the half-load program, open the dishwasher door and choose the required washing program (see para 3.2 “Setting the washing program and switching it on and off”).

The half-load wash cycle can be selected in two different ways using the **half-load wash** button (ref. 9 fig. 3-02):

- press the button **once** to select washing in the **upper rack**. This is confirmed by the appropriate indicator light (ref. 10a fig. 3-02);
- press the button **twice** to select washing in the **lower rack**. This is confirmed by the appropriate indicator light (ref. 10b fig. 3-02);
- press the button **three times** to return to the standard **full load** condition (washing in both racks, both indicator lights off).

When washing with just the **lower rack** is selected, **the cutlery basket can be separated and just half** used.

**PROGRAM DELAY****(available for all programs except soak)**

The “**Program delay**” function delays the beginning of the washing program up to 9 hours from the moment in which programming takes place. This makes it possible to use the dishwasher at a certain time of day.

Before programming a delay, open the door of the dishwasher, select the required washing program (see para 3.2 “Setting the washing program and switching it on and off”). Select the day by pressing the **Program delay** button (ref. 11 fig. 3-02); each time you press the button, the display increases the delay by **1 hour** before the appliances starts.

## 3.2.8 Switching off

At the end of the program, the dishwasher sounds a short beep and the **indicator lights of the fourth and fifth program** (ref. pr. 4, pr. 5 fig. 3-04) flash. Turn off the appliance by opening the door and pressing the **on/off button** (ref. 1 fig. 3-02).

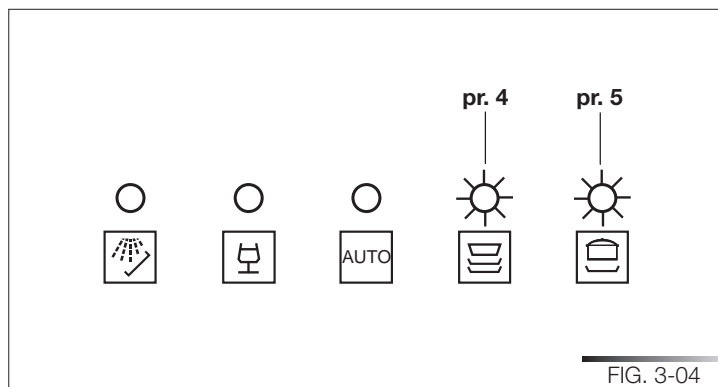


FIG. 3-04

## 3.3 Additional functions

### 3.3.1 Adjusting the water softener



**N.B.:** a different washing program from soak must be used to make the following adjustment.

Press and hold down the **program delay** button (ref. 11 fig. 3-05) until the preset value appears followed by a dot (normally **3.**). Release the button and then press it again and again until the required value is displayed, as indicated in the table (see table. 3-03).

The 6 possible adjustment levels will appear in this sequence:

**3., 4., 5., 0., 1., 2..**

When the required value appears on the display, release the button; after **5 seconds** the appliance automatically reverts to the program delay and the adjustment is set to the chosen value.



**N.B.:** the display indicates the water hardness adjustment and the program delay. **A dot (.) after the number means that the water hardness adjustment is being displayed. If no dot (.) appears, the program delay is being displayed.**



FIG. 3-05

**Water hardness table** (see table. 3-03)

WATER HARDNESS			SETTING
German degrees (°D)	French degrees (°F)	American degrees grains/galls	
0 - 4	0 - 7	0 - 4.5	0.
5 - 15	8 - 25	4.6 - 14.5	1.
16 - 23	26 - 40	14.6 - 23.5	2.
24 - 31	41 - 60	23.6 - 35	3.
32 - 47	61 - 80	35.1 - 46.5	4.
48 - 58	81 - 100	46.6 - 58.5	5.

Table 3-03

Contact your local water board for information on the hardness of your water supply.



*If it is necessary to open the door during the washing cycle, the program will be interrupted, the relative indicator light will continue to flash and a beep will indicate that the cycle has not terminated. Wait for about **1 minute** before closing the door and continuing with the program. When the door closes, the program will start from where it was interrupted. This operation should be performed **only if necessary** as it could cause irregular program performance.*

## **4 ENERGY SAVING AND ENVIRONMENTAL RESPECT**

- **Always** try to run the dishwasher **fully loaded**.
- Do not wash the dishes under a running tap.
- Use the **most suitable** washing program for each type of load.
- Do not pre-rinse.
- If available, connect the dishwasher to a hot water system with a temperature of up to 60°C (140°F).
- When possible, **skip the drying cycle** by opening the door after washing: the air and the residue heat will dry the dishes to perfection.

### **4.1 Reducing the consumption of detergent and respecting the environment**

The phosphates contained in dishwasher detergents are harmful to the environment. To avoid using excessive amounts of detergent and to save on electricity:

- **Separate** the more delicate items from those that are more resistant to aggressive detergents and high temperatures;
- **Do not pour** the detergent directly onto the dishes.

## 5 REMOVING THE DISHES



*At the end of the washing program, wait at least **20 minute** before removing the dishes in order to allow them to cool. To prevent any water droplets on the upper rack from falling onto the dishes in the lower rack, **empty the lower rack** first and then the upper one.*

## 6 TROUBLESHOOTING

The dishwasher can signal a number of malfunctions by turning on various indicator lights, as described below (see following table):








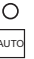

















	FAULT					DESCRIPTION
E1						<b>Acquastop failure</b> The anti-flooding system has tripped (only for models fitted with this feature). Activates in case of water leaks. Contact the technical assistance center.
E2						<b>Safety level</b> The system limiting the water level in the dishwasher has tripped. Interrupt the current program. Switch off the dishwasher, switch it back on again, program a new cycle and press start. If the problem persists, contact the technical assistance center.
E3						<b>Water heating malfunction</b> The water is not heated or is incorrectly heated. Repeat the washing program; if the problem persists, contact the technical assistance center.
E4						<b>Water temperature monitoring malfunction</b> Interrupt the current program. Switch off the dishwasher, switch it back on again, program a new cycle and press start. If the problem persists, contact the technical assistance center.
E5						<b>Water intake malfunction</b> The appliance does not take in water or does so incorrectly. Make sure the water connections are correct, that the water supply tap is open and that the filter is not clogged. If the problem persists, contact the technical assistance center.

Table 6-01a




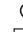




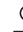




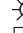






FAULT		DESCRIPTION
E6	    	<b>Water pump-out malfunction</b> The appliance does not pump out the water or does so incorrectly. Make sure the drain hose is not kinked or crushed and that the siphon and filters are not clogged. If the problem persists, contact the technical assistance center.
E7	    	<b>Turbine flow-regulator malfunction</b> The appliance is unable to precisely measure the quantity of incoming water. Interrupt the current program and switch off the dishwasher. Switch it back on again, program a new cycle and press start. If the problem persists, contact the technical assistance center.
E8	    	<b>Alternate washing system malfunction</b> Interrupt the current program and switch off the dishwasher. Switch it back on again, program a new cycle and press start. If the problem persists, contact the technical assistance center.
E9	    	<b>Water intake system malfunction</b> Contact the technical assistance center.

Table 6-01b

 Light off

 Light on

 Light flashing

If an alarm situation occurs, the dishwasher interrupts the current program and signals the fault.

- Alarms **E1, E2, E3, E4, E8, E9** immediately terminate the current program.
- Alarms **E5, E6** interrupt the current program and, after the problem has been eliminated, resume the cycle.
- Alarm **E7** is displayed at the end of the cycle which, however, is completed given that it does not jeopardize the operation of the dishwasher.

To “reset” an alarm:

- open or close the door, or switch the appliance on and back off again. At this point, the dishwasher can be programmed again.



*If the fault persists, contact the Authorized Technical Assistance Center.*



## 7 INSTALLATION AND HOOK-UP

**To install and hook up this appliance, consult the attached installation manual.**

Bear in mind the following warnings when installing and hooking up the dishwasher.



*DURING INSTALLATION, TAKE CARE NOT TO INJURE YOURSELF ON THE SHARP EDGES OF THE APPLIANCE; WEAR SAFETY GLOVES.*



**INSTALLATION, REPAIRS AND SERVICING MUST BE PERFORMED BY QUALIFIED AND AUTHORIZED TECHNICIANS.** WORK CARRIED OUT BY UNAUTHORIZED PERSONS MAY GENERATE HAZARDS, AS WELL AS INVALIDATING THE WARRANTY. INSTALLATION MUST BE PERFORMED IN COMPLIANCE WITH ALL THE DIRECTIVES IN FORCE IN THE COUNTRY OF INSTALLATION AND, IF THESE DO NOT EXIST: IN THE UNITED STATES THE NATIONAL ELECTRIC CODE; IN CANADA THE CANADIAN ELECTRIC CODE C22.1 - LATEST EDITION/PROVINCIAL AND MUNICIPAL CODES AND/OR LOCAL CODES.



*BUILDING-IN A DISHWASHER UNDERNEATH A CERAMIC HOB IS **ABSOLUTELY FORBIDDEN**. A DISHWASHER CAN BE BUILT-IN UNDERNEATH A CONVENTIONAL HOB PROVIDED THERE IS **NO BREAK** IN THE KITCHEN WORKTOP, AND THE DISHWASHER AND HOB ARE **INSTALLED AND SECURED CORRECTLY**, SO THAT **NO HAZARDS ARE GENERATED**.*



**PREVENTING THE RISK OF CLOGGING OR DAMAGE:** IF THE WATER PIPE IS NEW OR HAS NOT BEEN USED FOR A LONG TIME, BEFORE CONNECTING TO THE WATER SUPPLY CHECK THAT THE WATER IS CLEAR AND FREE OF IMPURITIES, TO PREVENT DAMAGE TO THE APPLIANCE. **THE DISHWASHER MUST ALWAYS BE CONNECTED TO THE WATER SYSTEM WITH NEW HOSES; OLD OR USED HOSES MUST NEVER BE RE-USED.**



*CHECK THAT THE VOLTAGE AND THE FREQUENCY OF THE MAINS MATCH THE RATINGS ON THE NAME PLATE OF THE APPLIANCE POSITIONED ON THE INNER EDGE OF THE DOOR.*



**IN THE EVENT OF DAMAGE TO THE SUPPLY CORD, HAVE IT REPLACED BY THE MANUFACTURER OR AN AUTHORIZED TECHNICAL SERVICE CENTER.**

*THIS APPLIANCE MUST BE EARTHED. IN CASE OF A MALFUNCTION, THE EARTH REDUCES THE RISK OF ELECTROCUTION BY PROVIDING THE ELECTRICAL CURRENT WITH AN ALTERNATIVE, LESS RESISTANT PATH.*



*BEFORE MAKING ELECTRICAL CONNECTIONS, DISCONNECT THE MAINS POWER SUPPLY FROM THE WORK AREA.*



*CHECK THAT THE MAINS SUPPLY WHEN INSTALLING COMPLIES WITH THE REGULATIONS IN FORCE IN THE COUNTRY OF USE, AND THAT IT IS CORRECTLY EARTHED.*



*THIS APPLIANCE IS FITTED WITH A SUPPLY CORD CONTAINING AN EARTH WIRE AND PLUG. FIT THE PLUG INTO A SUITABLE SOCKET, INSTALLED AND EARTHED IN COMPLIANCE WITH THE LAWS IN FORCE IN THE COUNTRY OF INSTALLATION.*



*AN INCORRECTLY CONNECTED EARTH WIRE MAY CAUSE OF ELECTROCUTION. IF IN DOUBT AS TO THE CORRECT EARTHING OF THE APPLIANCE, CALL A QUALIFIED ELECTRICIAN OR THE TECHNICAL ASSISTANCE CENTER. DO NOT CHANGE THE PLUG ATTACHED TO THE APPLIANCE. IF THE PLUG IS NOT SUITABLE FOR THE SOCKET, CALL A QUALIFIED ELECTRICIAN TO FIT A SUITABLE PLUG.*



*IN THE EVENT OF DAMAGE TO THE SUPPLY CORD, HAVE IT REPLACED BY THE MANUFACTURER OR AN AUTHORIZED TECHNICAL SERVICE CENTER IN ORDER TO AVOID ANY RISK.*



*DO NOT USE EXTENSION CORDS, ADAPTORS OR SHUNT CONNECTIONS IN ORDER TO AVOID THE POSSIBILITY OF OVERHEATING OR BURNING, OR PRODUCING FIRE HAZARD.*

## 8 OPERATING INSTRUCTIONS



*BEFORE USING THE APPLIANCE, MAKE SURE YOU HAVE READ AND UNDERSTOOD ALL THE WARNINGS IN CHAPTER 2, "IMPORTANT SAFETY INSTRUCTIONS".*

Once the dishwasher has been correctly installed, prepare for use as follows:

- adjust the water softening system;
- add the regenerating salt;
- add the rinse-aid and detergent.

## 8.1 Using the water softening system

The amount of scale contained in the water (water hardness index) can cause whitish staining on the dry dishes, which tend to become dull over time. The dishwasher is equipped with an automatic softening system which uses a special regenerating salt to reduce the hardness of the water. The dishwasher is factory set for water hardness level 3 (average hardness **41-60°dF – 24-31°dH / 23.6-35 gpg**). When using water of medium hardness, the regenerating salt container should be refilled after approximately **20 washing cycles**. The salt container can hold approximately **1.7 Kg (3.75 lb)** of salt in grains. Some models are equipped with an optical no-salt indicator. In these models, the cap of the salt container contains a green float which descends as the salt concentration in the water drops. When the green float can no longer be seen, the container must be topped up with regenerating salt. The container is situated at the bottom of the dishwasher. After removing the lower rack, unscrew the salt container cap (ref. A fig. 8-01) by turning it counter clockwise and pour in the salt using the funnel (ref. A fig. 8-02) supplied with the dishwasher. Before replacing the cap (ref. A fig. 8-01), remove any salt residues from around the opening.

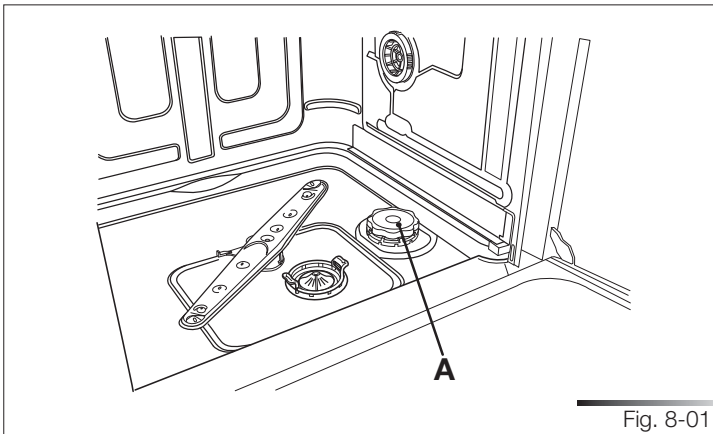


Fig. 8-01

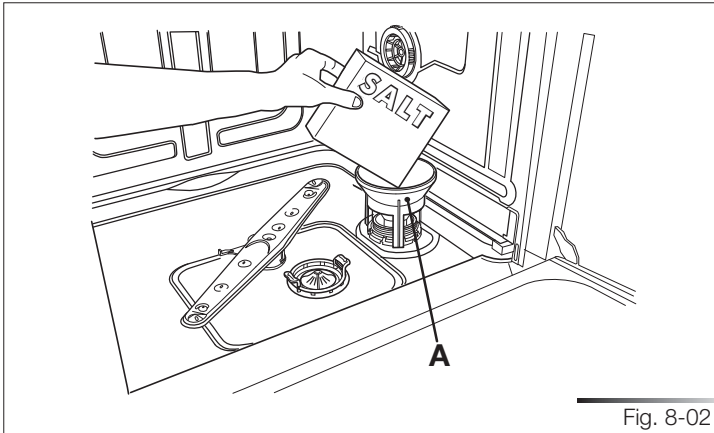


Fig. 8-02

- When using the dishwasher for the first time, in addition to the salt it is also necessary to add **one liter of water** to the container.
- Each time the salt container is refilled, make sure that **the cap (ref. A fig. 8-01) is securely closed**. The mixture of water and detergent must never penetrate the salt container, as this would compromise the operation of the regeneration system. In the event of this occurring, the warranty will be invalidated.
- Only use regenerating salt specially formulated for domestic dishwashers. If using salt tablets, **do not fill the container completely**.
- **Do not use table salt** as it contains insoluble substances which, over time, may damage the water softening system.
- When necessary, refill the regenerating salt container **before starting the washing program**. This way, the excess saline solution will be immediately removed by the water; the prolonged presence of salt water inside the tank may lead to corrosion.



**BE CAREFUL NOT TO CONFUSE THE SALT AND DETERGENT PACKAGES; ADDING DETERGENT TO THE SALT CONTAINER WILL DAMAGE THE WATER SOFTENING SYSTEM.**

## 8.2 Using the rinse-aid and detergent dispensers

The detergent and rinse aid dispensers are situated on the inner part of the door: the **detergent dispenser** (ref. A fig. 8-03) is on the left, and the **rinse-aid dispenser** (ref. B fig. 8-03) is on the right.

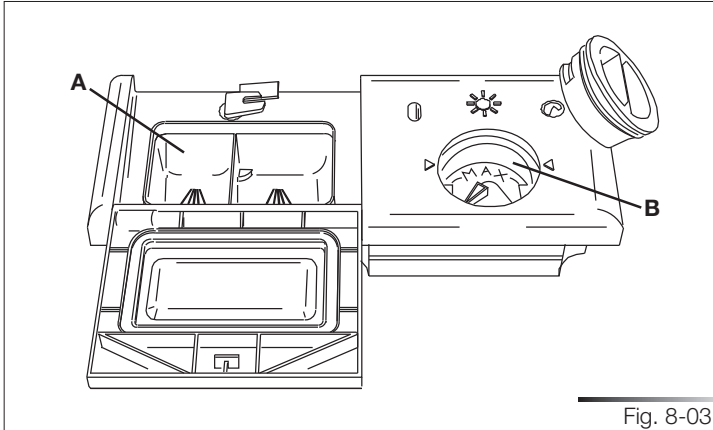


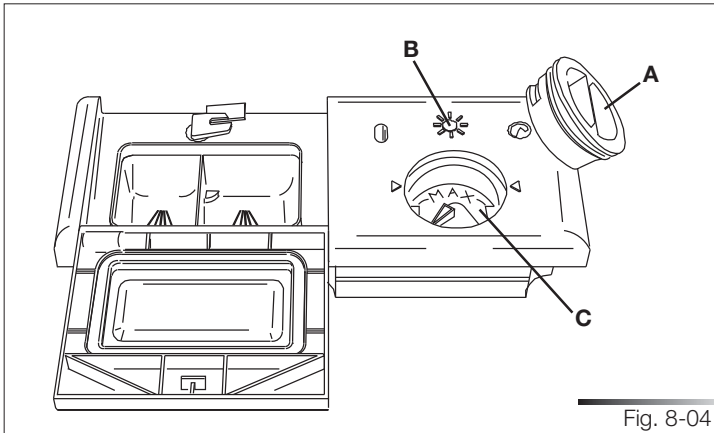
Fig. 8-03



*WITH THE EXCEPTION OF THE **SOAK** PROGRAM, BEFORE EVERY WASH CYCLE IT IS NECESSARY TO ADD THE REQUIRED AMOUNT OF DETERGENT TO THE **DETERGENT DISPENSER**. THE RINSE AID, ON THE OTHER HAND, SHOULD ONLY BE ADDED AS REQUIRED.*

## 8.2.1 Adding the rinse-aid

The rinse aid helps the dishes dry faster and prevents the formation of scale deposits and staining; it is automatically added to the water during the final rinse cycle, from the container situated on the inner side of the door.



To add rinse aid:

- Open the door.
- Rotate the container cap (ref. A fig. 8-04) counter clockwise by  $\frac{1}{4}$  of a turn and remove it.
- Add the rinse aid until the container is full (approximately 4.7 oz). The optical level indicator (ref. B fig. 8-04), on the side of the cap should be completely obscured. Refill the rinse aid when the optical level indicator becomes clear again, or when the rinse aid warning light illuminates (see para “Description and use of controls”).
- Replace the cover (ref. A fig. 8-04) by turning it in a clockwise direction until it is fully closed.
- Use a cloth to remove any spillage of rinse aid which might lead to the formation of excess foam.

## 8.2.2 Adjusting the rinse-aid dispenser setting

The rinse-aid dispenser can be set to one of 6 different levels. The dishwasher is factory set for medium water hardness (selector set to “3”). To change the setting, turn the dispenser selector (ref. C fig. 8-04) to the desired position: the amount of rinse-aid dispensed is proportional to the position of this selector. The minimum amount of rinse-aid (selector turned to “1”) is approximately 0.033 oz and the maximum amount (selector turned to “6”) is approximately 0.2 oz.

- To adjust the rinse aid setting, rotate the dispenser cap (ref. A fig. 8-04) a quarter turn in an counter clockwise direction and remove it.
- Then use a screwdriver to rotate the rinse aid selector to the desired position.
- Replace the cover (ref. A fig. 8-04) by turning it in a clockwise direction until it is fully closed.
- The amount of rinse aid must be increased if the washed dishes appear dull or feature circular stains.
- If, on the other hand, the dishes are sticky or have white streaks, it is necessary to reduce the rinse aid setting.

### 8.2.3 Adding the detergent



*DO NOT INHALE OR SWALLOW DETERGENT AS THIS MAY CAUSE BURNS AND/OR PERMANENT DAMAGE TO THE NOSE, MOUTH AND THROAT, AND EVEN LEAD TO SUFFOCATION; KEEP DETERGENT AWAY FROM YOUR EYES. IF ONE OF THE ABOVE SITUATIONS OCCURS, SEEK MEDICAL ASSISTANCE IMMEDIATELY. PREVENT CHILDREN FROM COMING INTO CONTACT WITH DETERGENT; KEEP THEM AWAY FROM THE DISHWASHER WHEN THE DOOR IS OPEN AS IT MAY CONTAIN DETERGENT RESIDUES. FILL THE DISHWASHER JUST BEFORE STARTING THE WASHING CYCLE AND THEN KEEP THE DETERGENT OUT OF THE REACH OF CHILDREN.*

To open the detergent dispenser cover, lightly press the relative button (ref. A fig. 8-05). Add the detergent and close the cover carefully, pushing down on the arrow (ref. B fig. 8-05). During the washing cycle, the dispenser will be opened automatically.

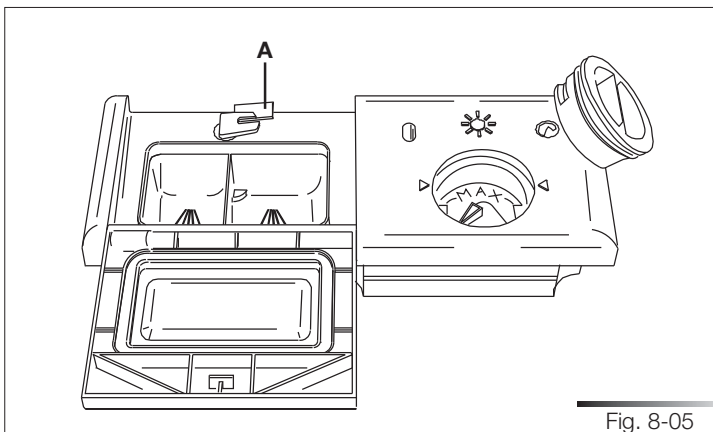


Fig. 8-05



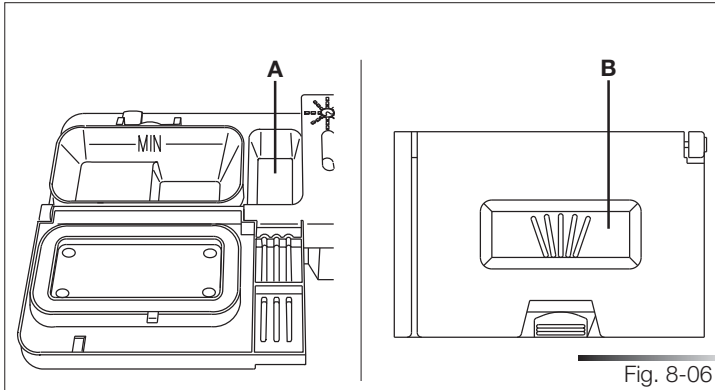


Fig. 8-06

- When a program with hot prewash is selected (see table 3-02a), extra detergent must be placed in the cavity (ref. A or B fig. 8-06, depending on models).
- **Only** use dishwasher-specific detergents. For optimal washing results it is important to use a good quality detergent.
- The detergent packs must be sealed and stored in a dry place to prevent the formation of lumps which may negatively affect washing results. Once opened the detergent packs should not be kept for too long, otherwise the detergent loses its effectiveness.
- Do not use detergents formulated for washing dishes by hand, because they produce a great deal of foam and may negatively affect the operation of the dishwasher.
- Add the correct amount of detergent. An insufficient amount of detergent will result in a partial removal of dirt from the dishes, whereas an excessive amount is wasteful and does not improve the washing results.
- The market offers liquid and powder detergents with differing chemical compositions, which may contain **phosphates**, or be phosphate-free but contain **natural enzymes**.
- Detergents containing **phosphates** are more effective against grease and starch at **temperatures above 60°C (140°F)**.
- Enzyme detergents, on the other hand, are also effective at lower temperatures (**from 40 to 55°C / from 104 to 131°F**) and are more easily biodegradable. With enzyme detergents it is possible to obtain at low temperatures comparable results to those which can only be achieved at **65°C (149°F)** using traditional detergents. For the safeguarding of the environment we recommend the use of **phosphates and chlorine-free** detergents.

- When using detergent tabs, place them in the cutlery basket. The dispenser has been designed for powder or liquid detergent. As the cap does not open completely during the washing cycle, tabs are not fully released (and dissolved). This could generate the following problems:
  - insufficient detergent released during the cycle and poor washing results;
  - the detergent is compacted in the dispenser and is released during the final rinse cycle.



*THE INTRODUCTION OF DETERGENT INTO THE RINSE AID DISPENSER, EVEN IN LIQUID FORM, WILL DAMAGE THE DISHWASHER.*

### 8.3 **General warnings and recommendations**

Before using the dishwasher for the first time, it is advisable to read the following recommendations concerning dish types to be washed and their loading. There are generally no constraints on the washing of domestic dishes, but in certain cases it is necessary to take their characteristics into account. Before loading the dishes into the racks it is necessary to:

- remove coarse food remains: e.g. bones, fish-bones, etc. which may clog the filter or damage the wash pump;
- soak any pots or pans with burnt-on food remains on the bottom to facilitate removal, then load them into the LOWER RACK.

Use the “**½ load wash**” option (if available) for washing small amounts of dishes; it saves water and electricity. When using this function, **only load the rack selected for the ½ load wash**; the other rack must remain empty. There is no need to pre-wash the dishes under running water before loading them into the racks since this only wastes water. **Correct loading of the dishes helps ensure optimal washing results.**

#### **WARNING!**

- make sure that the dishes are securely in place so that they cannot tip over or obstruct the rotation of the spray arms during the washing cycle;
- do not place very small objects in the racks as these could fall and obstruct the spray arms or the wash pump;
- containers such as cups, bowls, glasses and pots should always be loaded with the opening facing downwards and with any cavities at an angle, to allow the water to drain out;
- do not stack dishes or place them in such a way that they cover one other;
- do not place glasses too close together because they may knock against each other and break, or there might be staining at the point where they touch.

**MAKE SURE** that the items being washed are dishwasher-safe.

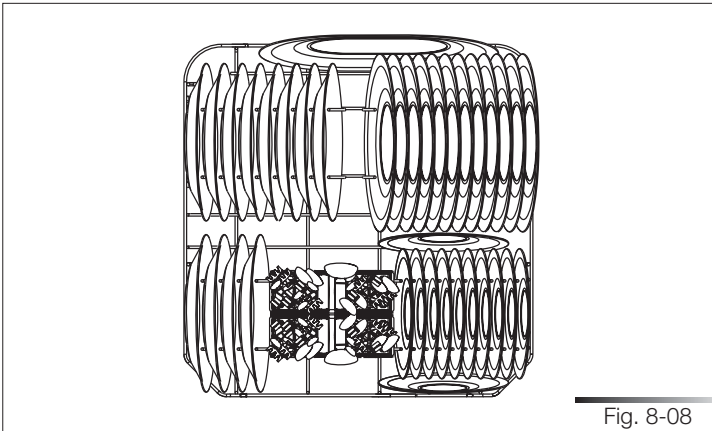
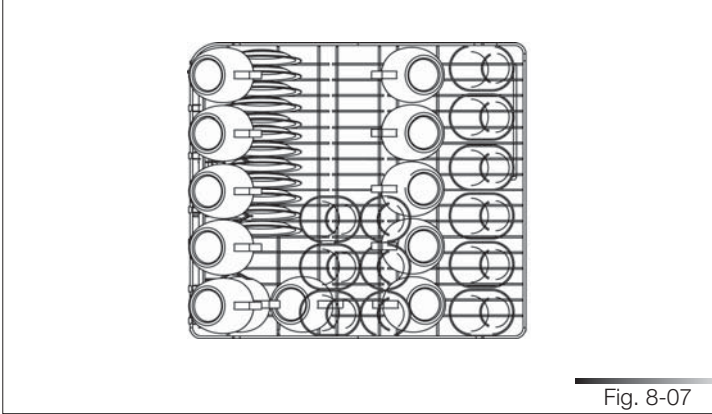
**Items that are not dishwasher-safe:**

- **Wooden dishes, pots or pans:** these may be damaged by the high washing temperatures.
- **Handcrafted items:** these are rarely suitable for washing in a dishwasher. The relatively high water temperatures and the detergents used may damage them.
- **Lightweight objects:** place lightweight objects in the upper rack where the water pressure is lower.
- **Dishes and objects in copper, tin, zinc or brass:** these tend to stain.
- **Aluminum dishes:** items made from anodized aluminum may lose their color.
- **Silverware:** silver items may stain.
- **Glass and crystal:** in general, glass and crystal objects can be washed in the dishwasher. However, certain types of glass and crystal may become dull and lose their clearness after many washings. Therefore, for these items we recommend using the least aggressive program available (see para “Description and use of the controls”).
- **Decorated items:** the decorated objects available on the market are generally able to withstand washing in the dishwasher, although the colors may fade after a great many washes. If in doubt as to the fastness of the colors, it is advisable to wash just a few items at a time for approximately one month.

## 8.4 Using the racks

The dishwasher has a capacity of **12 place-settings**, including serving dishes.

Examples of loading 12 place-settings in the upper rack (see fig. 8-07) and in the lower rack (see fig. 8-08) are shown below.

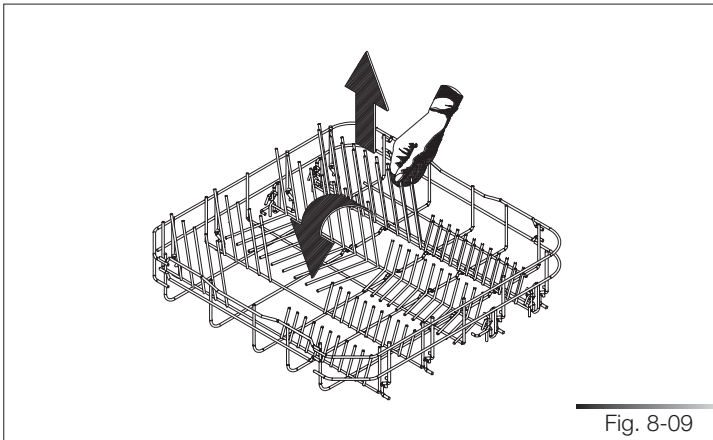


## 8.4.1 Lower rack

The lower rack receives the full force of the lower spray arm, and should therefore be used for the “toughest” items with a heavier degree of soiling.

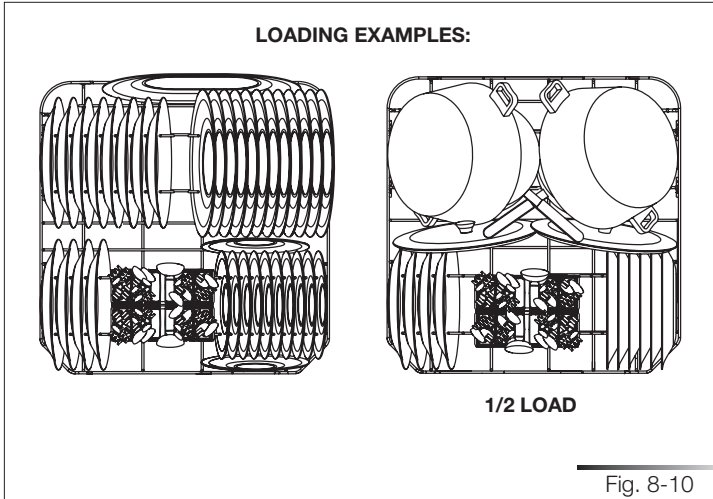
All types and combinations of loads are permitted, provided that the dishes, pots and pans are arranged with all the soiled surfaces exposed to the water jets coming from the bottom.

To make the most of the space inside the rack when loading large items, is equipped with tip-up supports for plates (see fig. 8-09).



**Loading the lower rack** (see fig. 8-10)

Carefully load flat plates, soup plates, dessert and serving dishes, positioning them vertically. Pots, pans and their covers must be loaded upside down. When loading soup plates and dessert bowls, be sure to leave a gap between them.



## 8.4.2 Cutlery basket (see fig. 8-11)

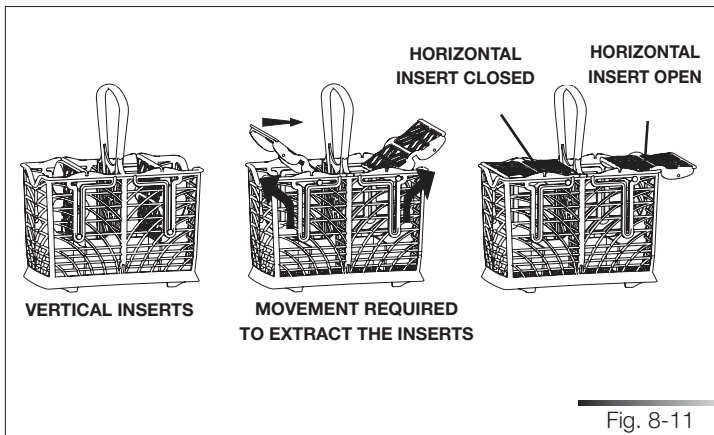
The cutlery basket can be removed to simplify unloading.

Arrange the cutlery in an orderly manner inside the basket, **with the handles pointing downwards and taking care not to injure yourself with the knife blades**. The basket is suitable for all types of cutlery, except those long enough to interfere with the upper spray arm.

Place **long items** (ladles, wooden spoons and cooking knives) that may interfere with the spray arm in the **upper rack making sure that knife tips do not protrude**.

The dishwasher is complete with two cutlery baskets, which means that one of them can be removed, freeing space in the bottom rack, if there is not much cutlery to be washed, or if a ½ load program is being used (on models with this function).

The baskets feature an exclusive system of independent sliding tip-up supports, offering a choice of combinations to allow optimum use of the space available.



### 8.4.3 Upper rack (see fig. 8-12)

It is recommended to load the upper rack with small or medium-sized items such as glasses, small plates, tea or coffee cups, shallow bowls and light objects made from heat resistant plastic.

If the upper rack is used in the lowermost position, it can also be loaded with serving dishes, provided they are only slightly soiled.

The top rack is fitted, on the left, with two plastic racks which can be raised to make room for tall glasses, such as stem glasses.

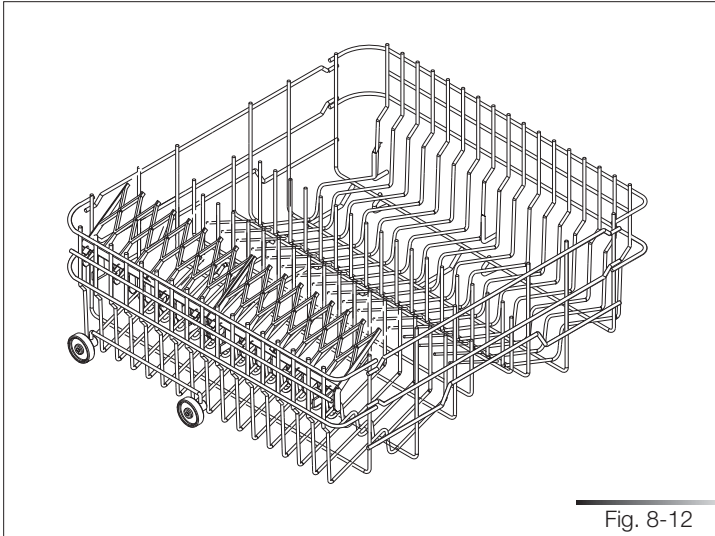
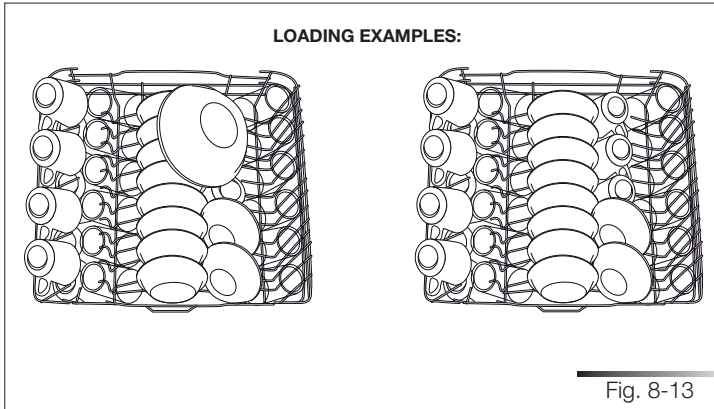


Fig. 8-12



## ***Loading the upper rack*** (see fig. 8-13)

Load plates facing forward; cups, bowls etc. must always be facing downwards. The left-hand side of the rack can be loaded with two layers of cups and glasses. The center can be filled with plates and side-plates, fitted upright into the supports provided.



The upper rack can be set in three different positions on both sides. The rack must be level on both sides.

To raise the rack (ref. A fig. 8-14), lift it with the two handles (e.g.: ref. B fig. 8-14) to the first or second catch depending on the height required. To lower it (ref. C fig. 8-14), pull up the two release levers (e.g.: ref. D fig. 8-14). This is also possible with the rack loaded, but in this case when lowering the rack it should be held steady with one hand to avoid knocking the dishes.

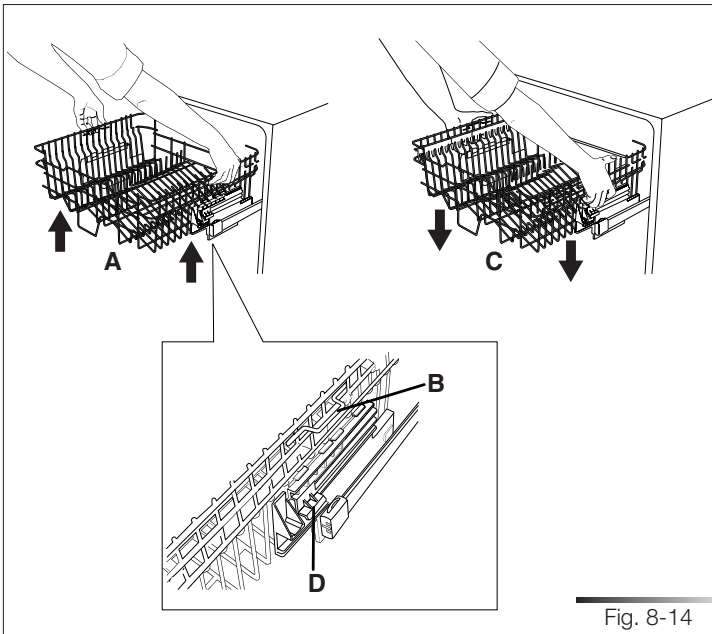


Fig. 8-14

## 9 **CLEANING AND USER-MAINTENANCE**



**BEFORE CARRYING OUT ANY WORK, ALWAYS DISCONNECT THE APPLIANCE FROM THE ELECTRICAL POWER SUPPLY.**

### 9.1 **General warnings and recommendation**



**NEVER USE ABRASIVE AND/OR CORROSIVE DETERGENTS TO CLEAN THE APPLIANCE.**

Clean the outer surfaces and door-lining of the dishwasher regularly using a soft cloth moistened with a neutral detergent (not abrasive and/or corrosive) suitable for painted surfaces. Clean the door gaskets with a damp sponge. Periodically (once or twice a year) it is advisable to clean the tank and gaskets, using a soft cloth and water to remove any deposits.

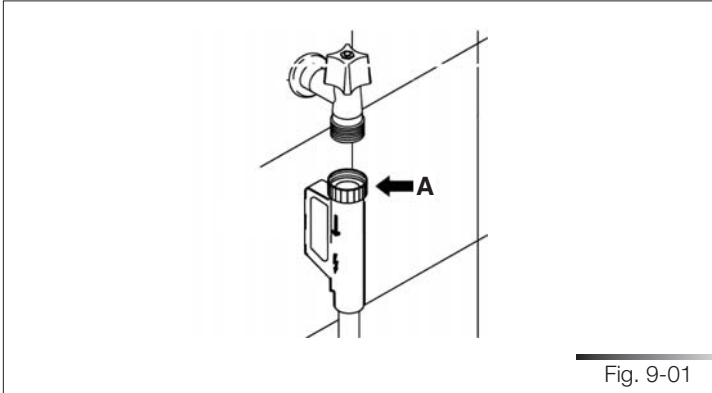
Do not clean the controls with too much water as this may leak onto the electronic components and damage them.

After cleaning, dry the appliance with a soft, lint-free cloth.

If stainless steel surfaces are preset, clean them with a non-abrasive product specific for stainless steel. To prevent stains, a nebulizer may also be used, though sparingly and at a moderate pressure.

## 9.2 *Cleaning the water intake filter*

Clean the water inlet filter at regular intervals. After closing the delivery tap, unscrew the ring nut (ref. A fig. 9-01) on the water inlet pipe (using a pair of pliers, if necessary) and delicately clean the filter, removing deposits or impurities. Then firmly fix the pipe by tightening the ring nut (ref. A fig. 9-01) (use a pair of pliers, if necessary).

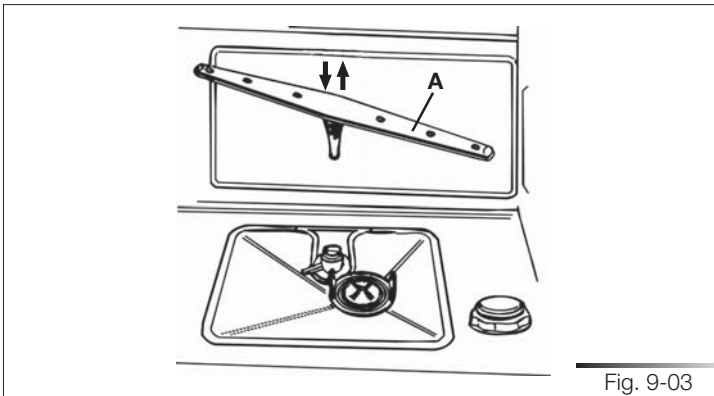
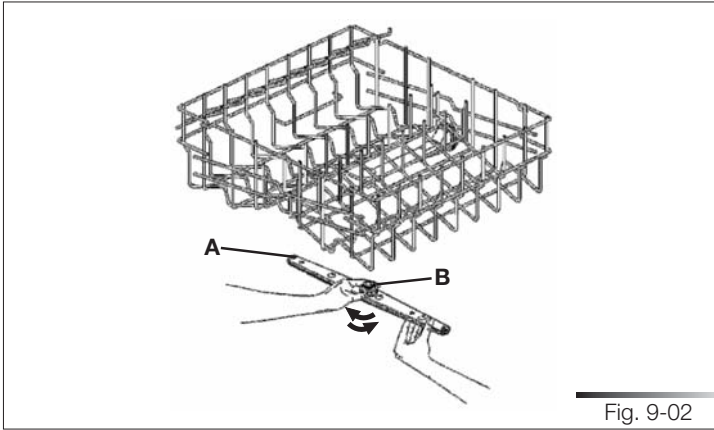


## 9.3 *Cleaning the spray arms*

The spray arms can be easily removed for periodic cleaning of the nozzles, to prevent possible clogging. Wash them under running water (at room temperature) and carefully replace them in their seats, **checking that their rotary movement is in no way impeded**; if this is not the case, make sure they have been mounted properly.

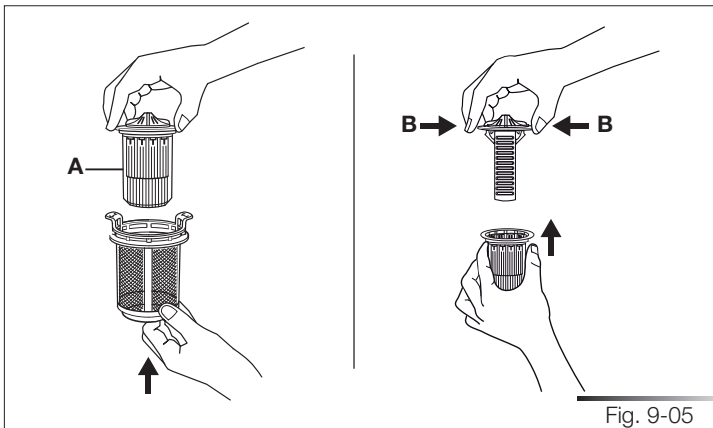
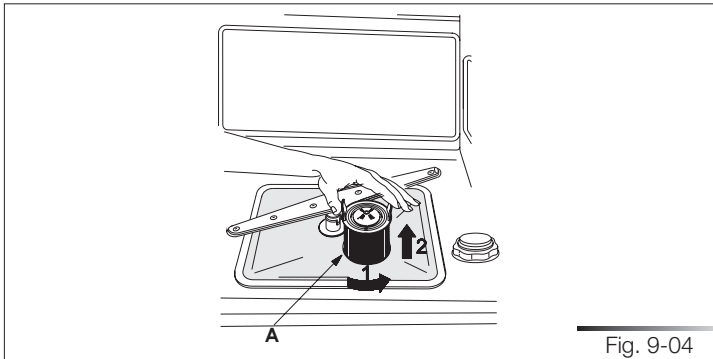
### **Removing the spray arms**

- To remove the **upper** spray arm (ref. A fig. 9-02), unscrew the locking ring (ref. B fig. 9-02) by turning it clockwise. After cleaning, remount the spray arm in its seat and tighten the locking ring by turning it anti-clockwise.
- To remove the lower spray arm (ref. A fig. 9-03), simply lift it up, pulling by the central part (see fig. 9-03). Then remount the lower spray arm into its seat and push it down slightly until it click into place (see fig. 9-03).



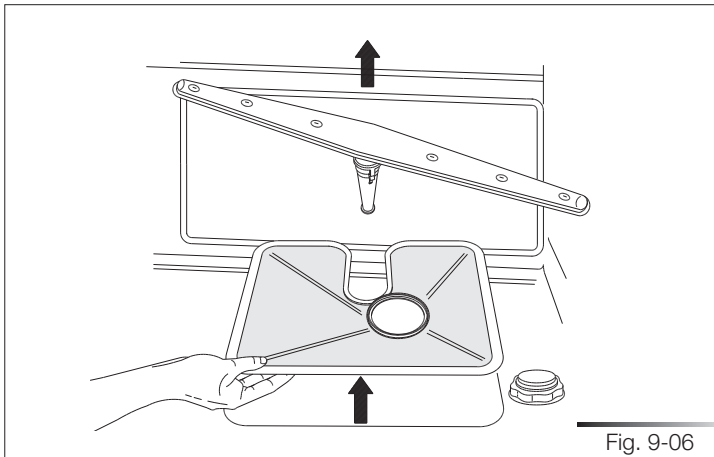
## 9.4 Cleaning the filter unit

- Periodically inspect the filter unit (ref. A fig. 9-04) and, if necessary, clean it under running water (at room temperature), using a stiff brush. To remove the filter, grip the tabs, turn counter clockwise and lift upwards;
- push the center filter (ref. A fig. 9-05) from the underside to remove it from the micro-filter;
- separate the two parts which make up the plastic center filter by pressing the body of the filter in the zone shown by the arrows (ref. B fig. 9-05);
- remove the center filter by lifting it upwards.
- after cleaning, remount the filter unit, joining the two parts comprising the centre filter by pushing slightly until they click into place; insert the centre filter into the micro-filter (see fig. 9-05). Reposition the filter unit (ref. A fig. 9-04) into its seat, turning it clockwise until it locks.



## 9.5 *General warnings and recommendations for correct maintenance*

- Clean the filters **under running water** (at room temperature) using a stiff brush.
- **When removing the filter**, take care that there are no food residues on it. If any residues fall into the washing pit (ref. A fig. 9-06), they might block hydraulic components or foul the spray arm nozzles.
- It is essential to **thoroughly clean the filters** according to the above instructions: the dishwasher cannot function if the filters are clogged.
- **Carefully replace** the filters in their seats, to avoid damaging the wash pump.



### ***Prolonged non-use recommendations***

- Run the soak program **twice** in succession.
- **Unplug the power** cord from the socket.
- Leave **the door slightly open** in order to prevent the formation of unpleasant odors inside the washing tank.
- **Fill the rinse-aid dispenser.**
- **Shut off the water supply tap.**

### ***Before starting the dishwasher after prolonged non-use***

- Check that there are no deposits of sludge or rust inside the water pipe: if there are, allow the water to run from the water supply tap for a few minutes.
- **Plug the power cord** back into the socket.
- **Reconnect the water intake hose and open the tap again.**

## **9.6 Troubleshooting minor problems**

In some cases it is possible to remedy minor problems by referring to the following instructions:

### ***If the program fails to start, check that:***

- the dishwasher is connected to the electrical power supply;
- there is no power failure;
- the water tap is open;
- the dishwasher door is properly closed.

### ***If water remains inside the dishwasher, check that:***

- the drain hose is not kinked
- the drain siphon is not obstructed;
- the dishwasher filters are not clogged.

### ***If the dishes do not come out clean, check that:***

- the correct amount of detergent has been added;
- there is regenerating salt inside the special container;
- the dishes are being loaded correctly;
- the selected program is suitable for the dish types and their degree of soil;
- all the filters are clean and positioned correctly;
- the spray arm nozzles are not obstructed;
- there is no object obstructing the rotation of the spray arms.



***If the dishes fail to dry or remain dull, check that:***

- there is rinse aid inside the special container;
- the rinse-aid dispenser setting is correct;
- the detergent used is of good quality and has not lost its effectiveness (due to incorrect storage, for example, the box was left open without brackets).

***If the dishes show signs of streaking, staining, etc., check that:***

- the rinse aid dispenser setting is not too high.

***If there are visible traces of rust inside the tank:***

- the tank is made of steel, and therefore any rust marks are due to external elements (fragments of rust from the water pipes, pots, cutlery, etc.). Special products are commercially available to remove such marks.
- check that the amount of detergent being used is correct. Certain detergents can be more corrosive than others.
- check that the cap of the salt container is securely closed, and that the water softening setting is correct.



*IF AFTER PERFORMING THE ABOVE TROUBLESHOOTING INSTRUCTIONS THE PROBLEM PERSISTS, CALL THE NEAREST TECHNICAL ASSISTANCE CENTER.*

***WARNING: ANY OPERATIONS PERFORMED ON THE APPLIANCE BY AN UNAUTHORIZED PERSON ARE NOT COVERED BY THE WARRANTY AND SHALL BE PAID FOR BY THE USER.***

**10 TECHNICAL DATA** (SEE TABLE 10-01)

<b>Width</b>	59.7 cm ÷ 59.9 cm (23-1/2" ÷ 23-37/64")
<b>Depth measured flush with the outer edge of the control panel</b>	55 cm (21-21/32")
<b>Height</b>	from 86 cm to 91 cm (from 33-55/64" to 35-53/64")
<b>Capacity</b>	12 standard place-settings
<b>Water supply pressure</b>	min. 7 - max. 130 PSI (min. 0.5 – max. 9 bar)
<b>Electrical characteristics</b>	See rating plate
Table 10-01	

**SOMMAIRE**

1	INTRODUCTION .....	3
2	AVERTISSEMENT SUR LA SÉCURITÉ ET L'UTILISATION .....	5
3	DESCRIPTION ET UTILISATION DES COMMANDES .....	12
3.2	Sélection du programme de lavage, mise en marche et arrêt .....	13
3.2.1	Mise en marche .....	16
3.2.2	Sélection et démarrage du programme .....	17
3.2.3	Fin du programme.....	17
3.2.4	Interruption d'un programme.....	17
3.2.5	Sélection d'un autre programme .....	17
3.2.6	Annulation du programme en cours d'exécution .....	18
3.2.7	Options.....	18
3.2.8	Arrêt .....	20
3.3	Fonctions supplémentaires.....	20
3.3.1	Réglage de l'adoucisseur .....	20
4	POUR ÉCONOMISER DE L'ÉNERGIE ET RESPECTER L'ENVIRONNEMENT .....	22
4.1	Pour réduire les consommations de produit de lavage et respecter l'environnement .....	22
5	VIDER LE LAVE-VAISSELLE.....	23
6	GUIDE DE DÉPANNAGE .....	24
7	INSTRUCTIONS POUR L'INSTALLATION ET LA POSE .....	26
8	INSTRUCTION POUR L'UTILISATION.....	29
8.1	Utilisation de l'adoucisseur d'eau .....	30

8.2	Utilisation du distributeur de produit de lavage et du doseur de liquide de rinçage.....	32
8.2.1	Ajout du liquide de rinçage.....	33
8.2.2	Réglage du dosage du liquide de rinçage.....	33
8.2.3	Chargement du produit de lavage.....	34
8.3	Avertissements et conseils généraux.....	36
8.4	Utilisation des paniers.....	38
8.4.1	Panier inférieur.....	39
8.4.2	Panier à couverts.....	41
8.4.3	Panier supérieur.....	42
9	INSTRUCTIONS POUR LE NETTOYAGE ET L'ENTRETIEN.....	45
9.1	Avertissements et conseils généraux.....	45
9.2	Nettoyage du filtre d'arrivée d'eau.....	46
9.3	Nettoyage des bras de lavage.....	46
9.4	Nettoyage du groupe filtrant.....	48
9.5	Instructions et conseils pour un entretien correct.....	49
9.6	Élimination de petits inconvénients.....	50
10	DONNÉES TECHNIQUES (VOIR TAB. 10-01).....	52

## 1 INTRODUCTION

*Nous vous remercions d'avoir choisi l'un de nos produits. Pour connaître les conditions les plus appropriées pour une utilisation correcte et sûre de votre lave-vaisselle, lisez attentivement les instructions de ce manuel. Les paragraphes sont proposés de façon à faire connaître progressivement toutes les fonctions de l'appareil ; les textes sont facilement compréhensibles et sont illustrés par des images détaillées. Ce manuel, d'une consultation facile, est conçu pour offrir des réponses aux questions qui peuvent surgir lors de l'utilisation du lave-vaisselle.*

*Avant d'utiliser le lave-vaisselle, lisez avec attention ce qui est reporté au chapitre 2 "Avertissements pour la sécurité et l'utilisation". Pour toute autre information concernant l'utilisation et l'entretien du lave-vaisselle, lisez attentivement le manuel général ci-joint.*

### **Le manuel comprend les sections suivantes :**

*INTRODUCTION : cette section contient des informations générales concernant le manuel.*

*AVERTISSEMENTS : cette section contient une série d'avertissements concernant la sécurité et l'utilisation du lave-vaisselle.*




*INSTRUCTIONS POUR L'INSTALLATEUR : elles sont destinées au **technicien qualifié** qui doit effectuer l'installation, la mise en service et l'essai de l'appareil.*

*INSTRUCTIONS POUR L'UTILISATEUR : cette section contient des conseils utiles sur l'utilisation des paniers, bras de lavage, réservoirs et filtres.*

### **Nomenclature des figures et des tableaux :**

*l'encadré qui contient les figures reporte, en bas sur la droite, la numérotation progressive de celles-ci. Un exemple de numérotation est "Fig. 4-01", où le premier chiffre (4) correspond au chapitre d'appartenance de la figure, tandis que le deuxième chiffre (01) correspond au numéro progressif de la figure au sein du chapitre 4 (dans l'exemple, la Fig. 4-01 correspond à la première figure du chapitre 4). La numérotation des tableaux suit le même principe avec, au lieu de "Fig.", la notation "Tab." (par ex. Tab. 4-01 correspond au premier tableau du chapitre 4). Si un même tableau occupe plusieurs pages, une lettre est ajoutée après le chiffre progressif (par ex. "Tab. 4-01a", Tab. 4-01b").*

**Symboles utilisés dans ce manuel** (voir tab. 1-01)

	<b>DANGER.</b> Ce symbole indique des informations et avertissements qui doivent impérativement être respectés pour ne pas compromettre la sécurité des personnes ou endommager l'appareil.
	<b>DANGER ÉLECTRIQUE.</b> Ce symbole indique des informations et avertissements concernant les circuits électriques qui doivent impérativement être respectés pour ne pas compromettre la sécurité des personnes ou endommager l'appareil.
	Ce symbole indique des informations et avertissements de caractère général.
Tab. 1-01	

## 2 AVERTISSEMENTS SUR LA SÉCURITÉ ET L'UTILISATION (Conserver ces instructions)



**CE MANUEL FAIT PARTIE INTÉGRANTE DE L'APPAREIL** : IL DOIT ÊTRE CONSERVÉ INTACT ET ACCOMPAGNER LE LAVE-VAISSELLE (AVEC LES ÉVENTUELS MANUELS ANNEXÉS "INSTALLATION" ET "DESCRIPTION DES COMMANDES"). AVANT L'UTILISATION, NOUS CONSEILLONS DE LIRE AVEC ATTENTION TOUTES LES INDICATIONS CONTENUES DANS LE MANUEL. L'INSTALLATION DOIT ÊTRE EFFECTUÉE PAR DU PERSONNEL QUALIFIÉ, CONFORMÉMENT AUX NORMES EN VIGUEUR. CET APPAREIL EST PRÉVU POUR UNE UTILISATION DE TYPE DOMESTIQUE ET RÉPOND AUX DIRECTIVES ACTUELLEMENT EN VIGUEUR, Y COMPRIS EN CE QUI CONCERNE LA PRÉVENTION ET L'ÉLIMINATION DES PERTURBATIONS ÉLECTROMAGNÉTIQUES. L'APPAREIL EST FABRIQUÉ POUR EXÉCUTER LA FONCTION SUIVANTE : **LAVAGE ET SÉCHAGE DE LA VAISSELLE** ; TOUTE AUTRE UTILISATION DOIT ÊTRE CONSIDÉRÉE COMME INCORRECTE.

**LE FABRICANT DÉCLINE TOUTE RESPONSABILITÉ POUR UNE UTILISATION AUTRE QUE DE CELLES INDIQUÉES.**



LA PLAQUE D'IDENTIFICATION, AVEC LES DONNÉES TECHNIQUES, LE NUMÉRO MATRICULE ET LE MARQUAGE, EST POSITIONNÉE DE FAÇON VISIBLE SUR LE BORD INTERNE DE LA PORTE DU LAVE-VAISSELLE.

**LA PLAQUE D'IDENTIFICATION NE DOIT JAMAIS ÊTRE ENLEVÉE.**



L'APPAREIL N'EST PAS ADAPTÉ POUR UNE UTILISATION MARITIME OU MOBILE COMME, PAR EXEMPLE, SUR DES CAMPING-CARS OU BATEAUX. LES LAVE-VAISSELLE CERTIFIÉS POUR UN USAGE DOMESTIQUE NE SONT PAS DESTINÉS AUX ÉTABLISSEMENTS ALIMENTAIRES AUTORISÉS.



CONTRÔLER QUE LA TENSION, LA FRÉQUENCE ET LA SENSIBILITÉ DE PROTECTION DE L'INSTALLATION ÉLECTRIQUE GÉNÉRALE CORRESPONDENT AUX INDICATIONS REPORTÉES SUR LA PLAQUE D'IDENTIFICATION DE L'APPAREIL.



NE PAS LAISSER DES RÉSIDUS D'EMBALLAGE SANS SURVEILLANCE DANS L'HABITATION. SÉPARER LES DIFFÉRENTS MATÉRIEAUX DE L'EMBALLAGE À JETER ET LES APPORTER DANS LE CENTRE DE COLLECTE SÉLECTIVE LE PLUS PROCHE. LES RÉSIDUS D'EMBALLAGE NE DOIVENT PAS ÊTRE LAISSÉS À LA PORTÉE DES ENFANTS, DE PERSONNES AYANT DES CAPACITÉS PHYSIQUES ET/OU MENTALES RÉDUITES OU DES ANIMAUX AFIN D'ÉVITER LE RISQUE D'ASPHYXIE.



AVANT DE PROCÉDER À L'INSTALLATION, COUPER L'ALIMENTATION ÉLECTRIQUE DANS LA ZONE DE POSITIONNEMENT.



NE PAS UTILISER DES PROLONGATEURS, ADAPTATEURS OU DÉRIVATEURS, CAR ILS PEUVENT PROVOQUER DES SURCHAUFFES OU S'ENFLAMMER EN ENTRAÎNANT DES RISQUES D'INCENDIE.



PENDANT L'INSTALLATION, FAIRE ATTENTION AUX BORDS TRANCHANTS SUR LE LAVE-VAISSELLE ; POUR ÉVITER DE SE BLESSER, METTRE DES GANTS DE SÉCURITÉ.



LA MISE À LA TERRE CONFORMÉMENT AUX MODALITÉS PRÉVUES PAR LES NORMES DE SÉCURITÉ DE L'INSTALLATION ÉLECTRIQUE EST OBLIGATOIRE. EN CAS DE DOUTE, FAIRE CONTRÔLER L'INSTALLATION PAR UN ÉLECTRICIEN QUALIFIÉ (VOIR ÉGALEMENT LES AVERTISSEMENTS REPORTÉS DANS LE CHAPITRE 7).

**LE FABRICANT DÉCLINE TOUTE RESPONSABILITÉ POUR LES ÉVENTUELS DOMMAGES AUX PERSONNES OU AUX CHOSES DÉRIVANT D'UNE MISE À LA TERRE NON EXÉCUTÉE OU DÉFECTUEUSE.**



APRÈS CHAQUE UTILISATION, METTRE HORS TENSION LE LAVE-VAISSELLE POUR ÉVITER UNE DISPERSION D'ÉNERGIE ÉLECTRIQUE.





*EN CAS D'ANOMALIES DE FONCTIONNEMENT, DÉBRANCHER LE LAVE-VAISSELLE DU RÉSEAU ÉLECTRIQUE ET FERMER LE ROBINET D'EAU.*



*NE PAS UTILISER DES APPAREILS ENDOMMAGÉS PAR LE TRANSPORT ! EN CAS DE DOUTE, CONSULTER LE REVENDEUR. L'APPAREIL DOIT ÊTRE INSTALLÉ ET BRANCHÉ CONFORMÉMENT AUX INSTRUCTIONS FOURNIES PAR LE FABRICANT OU PAR DU PERSONNEL QUALIFIÉ.*



*UTILISER UNIQUEMENT DES PRODUITS DE LAVAGE DÉCLARÉS ADAPTÉS POUR L'USAGE DANS LES LAVE-VAISSELLE. NE PAS UTILISER DES PRODUITS DE LAVAGE POUR LE LAVAGE À LA MAIN. UTILISER UNIQUEMENT DU LIQUIDE DE RINÇAGE POUR LAVE-VAISSELLE DOMESTIQUES.*



*NE PAS INHALER NI INGÉRER LE PRODUIT DE LAVAGE ; IL PEUT PROVOQUER DES BRÛLURES ET/OU DES LÉSIONS IRRÉPARABLES AU NEZ, À LA BOUCHE ET À LA GORGE ET MÊME PROVOQUER L'ASPHYXIE ; ÉVITER QUE LE PRODUIT DE LAVAGE ENTRE EN CONTACT AVEC LES YEUX. SI LES SITUATIONS SUSMENTIONNÉES SE PRODUISENT, FAIRE IMMÉDIATEMENT APPEL À UN MÉDECIN.*

*AFIN D'ÉVITER QUE LES ENFANTS ENTRENT EN CONTACT AVEC LES PRODUITS DE LAVAGE, CHARGER CEUX-CI JUSTE AVANT DE DÉMARRER LE PROGRAMME DE LAVAGE, PUIS LES RANGER HORS DE LEUR PORTÉE.*



*LE LAVE-VAISSELLE DOIT ÊTRE UTILISÉ PAR DES ADULTES. SON UTILISATION PAR DES PERSONNES AVEC DES CAPACITÉS PHYSIQUES ET/OU MENTALES RÉDUITES N'EST ADMISE QUE SOUS LA SUPERVISION D'UN RESPONSABLE POUR LEUR SÉCURITÉ. POUR ÉLIMINER LE RISQUE DE DOMMAGES AUX PERSONNES, NE PAS PERMETTRE AUX ENFANTS DE S'APPROCHER DU LAVE-VAISSELLE ET/OU DE JOUER AVEC OU SUR CELUI-CI. DES RÉSIDUS DE PRODUIT DE LAVAGE PEUVENT RESTER À L'INTÉRIEUR DU LAVE-VAISSELLE ET PROVOQUER DES LÉSIONS IRRÉPARABLES AUX YEUX, À LA BOUCHE ET À LA GORGE ET MÊME PRO-*

*VOQUER L'ASPHYXIE ; SI LES SITUATIONS SUSMENTIONNÉES SE PRODUISENT, FAIRE IMMÉDIATEMENT APPEL À UN MÉDECIN.*

*FAIRE ATTENTION : IL EXISTE LE RISQUE QUE LES ENFANTS S'ENFERMENT À L'INTÉRIEUR DU LAVE-VAISSELLE !*



*NE PAS INTRODUIRE DE SOLVANTS COMME DE L'ALCOOL OU DE LA TÉRÉBENTHINE, CAR ILS PEUVENT PROVOQUER DES EXPLOSIONS.*



*NE PAS VERSER DU PRODUIT DE LAVAGE EN POUDRE ET/OU LIQUIDE DANS LE RÉSERVOIR DU LIQUIDE DE RINÇAGE, CAR CELUI-CI PEUT S'ENDOMMAGER.*

*NE PAS VERSER DU PRODUIT DE LAVAGE EN POUDRE ET/OU LIQUIDE DANS LE RÉSERVOIR DE L'ADOUCCISSEUR, CAR CELUI-CI PEUT S'ENDOMMAGER.*

*NE PAS UTILISER DES PRODUITS DE LAVAGE POUR USAGE INDUSTRIEL ; ILS PEUVENT ENDOMMAGER LES MATÉRIAUX QUI CONSTITUENT L'APPAREIL ET PROVOQUER DES RÉACTIONS CHIMIQUES VIOLENTES (PAR EX. GAZ EXPLOSIF).*



*NE PAS INTRODUIRE DE LA VAISSELLE TACHÉE DE CENDRES, DE CIRE OU DE PEINTURE / VERNIS.*



*NE PAS INTRODUIRE DANS L'APPAREIL DE LA VAISSELLE EN PLASTIQUE SENSIBLE AUX TEMPÉRATURES ÉLEVÉES COMME, PAR EXEMPLE, DES COUVERTS OU RÉCIPIENTS JETABLES, CAR ILS PEUVENT SE DÉFORMER. NE PAS LAVER DES OBJETS EN PLASTIQUE S'ILS NE REPORTENT PAS L'INSCRIPTION "LAVABLE AU LAVE-VAISSELLE" OU UNE INDICATION SIMILAIRE. EN CAS D'OBJETS NON MARQUÉS, CONTRÔLER LES INDICATIONS DU FABRICANT ; EN CAS D'ABSENCE D'INFORMATIONS, NE PAS LAVER CES OBJETS DANS LE LAVE-VAISSELLE.*



*NE PAS INTRODUIRE D'ANIMAUX DANS LE LAVE-VAISSELLE.*



SI L'ON OUVRE LA PORTE DU LAVE-VAISSELLE PENDANT LE FONCTIONNEMENT, IL EXISTE LE RISQUE DE BRÛLURES À CAUSE DE LA CHALEUR PRÉSENTE À L'INTÉRIEUR DE L'APPAREIL ; NE PAS S'EXPOSER À LA VAPEUR QUI SORT DU LAVE-VAISSELLE ET NE PAS TOUCHER LES COMPOSANTS QUI SE TROUVENT À L'INTÉRIEUR.

UNE FOIS LE PROGRAMME DE LAVAGE TERMINÉ OU APRÈS QU'IL A ÉTÉ INTERROMPU, ATTENDRE AU MOINS 20 MINUTES AVANT DE VIDER LE LAVE-VAISSELLE, AFIN QUE LA VAISSELLE AIT LE TEMPS DE REFROIDIR.



DANS CERTAINES SITUATIONS, DE L'HYDROGÈNE PEUT SE FORMER DANS UN SYSTÈME FONCTIONNANT AVEC DE L'EAU CHAUDE QUAND IL N'EST PAS UTILISÉ PENDANT PLUS DE DEUX SEMAINES. **L'HYDROGÈNE EST UN GAZ EXPLOSIF.** SI LE SYSTÈME À EAU CHAUDE N'A PAS ÉTÉ UTILISÉ PENDANT DEUX SEMAINES OU PLUS, AVANT D'UTILISER LE LAVE-VAISSELLE, IL FAUT OUVRIR TOUS LES ROBINETS DE L'EAU CHAUDE ET LAISSER L'EAU COULER PENDANT QUELQUES MINUTES. CELA PERMET L'ÉLIMINATION DES ÉVENTUELLES ACCUMULATIONS D'HYDROGÈNE. **CE GAZ ÉTANT INFLAMMABLE, NE PAS FUMER NI UTILISER DES FLAMMES NUES PENDANT CETTE OPÉRATION.**



**SI L'ON S'APPUIE SUR LA PORTE OUVERTE DU LAVE-VAISSELLE OU QUE L'ON MONTE DESSUS, LE LAVE-VAISSELLE PEUT SE RENVERSER, AVEC LES RISQUES CONSÉQUENTS POUR LES PERSONNES. NE PAS LAISSER LA PORTE DU LAVE-VAISSELLE OUVERTE, CAR ON PEUT LA HEURTER.** NE PAS S'APPUYER SUR LES PANIERS DU LAVE-VAISSELLE OU MONTER DESSUS.



NE PAS BOIRE L'EAU QUI EST ÉVENTUELLEMENT RESTÉE DANS LA VAISSELLE OU DANS LE LAVE-VAISSELLE.



LES COUTEAUX ET LES AUTRES USTENSILES DE CUISINE AVEC DES POINTES TRANCHANTES DOIVENT ÊTRE PLACÉS DANS LE PANIER À COUVERTS AVEC LES POINTES TOURNÉES VERS LE BAS OU EN POSITION HORIZONTALE DANS LE PANIER SUPÉRIEUR, EN VEILLANT À NE PAS SE BLESSER ET À CE QU'ILS NE

DÉPASSENT PAS, DE FAÇON À ÉVITER LE RISQUE DE SE COUPER.

POSITIONNER LES OBJETS TRANCHANTS/POINTUS DE FAÇON À ÉVITER QU'ILS ENDOMMAGENT LES JOINTS DE LA PORTE.



NE PAS METTRE EN MARCHÉ LE LAVE-VAISSELLE SI LES PANNEAUX QUI LE FERMENT NE SONT PAS TOUS POSITIONNÉS CORRECTEMENT.



NE PAS MODIFIER LES COMMANDES DU LAVE-VAISSELLE.



**MODÈLES DOTÉS D'AQUASTOP** : L'AQUASTOP EST UN DISPOSITIF QUI EMPÊCHE LE DÉBORDEMENT EN CAS DE FUITES D'EAU. APRÈS L'INTERVENTION DE L'AQUASTOP (SIGNALÉE PAR L'AFFICHAGE DE L'ERREUR CORRESPONDANTE SUR L'AFFICHEUR), IL FAUT CONTACTER UN TECHNICIEN QUALIFIÉ POUR QU'IL TROUVE CE QUI EST À L'ORIGINE DE LA PANNE ET EFFECTUE LA RÉPARATION. DANS LES MODÈLES DOTÉS D'AQUASTOP, LE TUYAU D'ALIMENTATION EN EAU CONTIENT UNE ÉLECTROVALVE. **NE PAS COUPER LE TUYAU ET NE PAS LAISSER TOMBER L'ÉLECTROVALVE DANS L'EAU.** SI LE TUYAU D'ALIMENTATION EN EAU EST ENDOMMAGÉ, DÉBRANCHER L'APPAREIL DU RÉSEAU HYDRIQUE ET ÉLECTRIQUE.

IMMÉDIATEMENT APRÈS L'INSTALLATION, EFFECTUER UN BREF ESSAI DE L'APPAREIL (VOIR MAN. "INSTALLATION"). EN CAS DE DÉFAUT DE FONCTIONNEMENT, DÉBRANCHER L'APPAREIL DU RÉSEAU ÉLECTRIQUE ET CONTACTER LE CENTRE SAV LE PLUS PROCHE. **NE PAS ESSAYER DE RÉPARER L'APPAREIL.**



LE LAVE-VAISSELLE SATISFAIT TOUTES LES EXIGENCES PRESCRITES PAR LES NORMES DE SÉCURITÉ EN VIGUEUR CONCERNANT LES APPAREILS ÉLECTRIQUES. LES ÉVENTUELS CONTRÔLES TECHNIQUES DOIVENT ÊTRE EFFECTUÉS PAR DU PERSONNEL SPÉCIALISÉ ET AUTORISÉ : **LES RÉPARATIONS EFFECTUÉES PAR DU PERSONNEL NON AUTORISÉ COMPORTENT NON SEULEMENT L'ANNULATION DE LA GARANTIE, MAIS PEUVENT ÉGALEMENT ÊTRE UNE SOURCE DE RISQUE POUR L'UTILISATEUR.**




*POUR LE NETTOYAGE ET L'ENTRETIEN DE L'APPAREIL : AVANT D'EFFECTUER L'ENTRETIEN DE L'APPAREIL, DÉBRANCHER LA FICHE OU COUPER L'ALIMENTATION AU MOYEN DU DISPOSITIF D'INTERRUPTION OMNIPOLAIRE.*



*IL FAUT ENLEVER LA PORTE DE LA CUVE DE LAVAGE ET COUPER L'ALIMENTATION ÉLECTRIQUE À L'APPAREIL QUAND ON DÉPOSE UN ANCIEN LAVE-VAISSELLE POUR DES RÉPARATIONS OU POUR LE REMPLACEMENT DÉFINITIF.*



LE SYMBOLE  PRÉSENT SUR L'APPAREIL OU SUR LA DOCUMENTATION QUI L'ACCOMPAGNE INDIQUE QUE CE PRODUIT NE PEUT EN AUCUN CAS ÊTRE TRAITÉ COMME DÉCHET MÉNAGER. IL DOIT PAR CONSÉQUENT ÊTRE REMIS À UN CENTRE DE COLLECTE DES DÉCHETS CHARGÉ DU RECYCLAGE DES ÉQUIPEMENTS ÉLECTRIQUES ET ÉLECTRONIQUES. POUR LA MISE AU REBUT, RESPECTER LES NORMES RELATIVES À L'ÉLIMINATION DES DÉCHETS EN VIGUEUR DANS LE PAYS D'INSTALLATION. POUR OBTENIR DE PLUS AMPLES DÉTAILS AU SUJET DU TRAITEMENT, DE LA RÉCUPÉRATION ET DU RECYCLAGE DE CET APPAREIL, S'ADRESSER AU BUREAU COMPÉTENT DE LA COMMUNE, À LA SOCIÉTÉ DE COLLECTE DES DÉCHETS OU DIRECTEMENT AU REVENDEUR.



*EN PROCÉDANT CORRECTEMENT À LA MISE AU REBUT DE CET APPAREIL, ON CONTRIBUE À ÉVITER TOUTE CONSÉQUENCE NUISIBLE POUR L'ENVIRONNEMENT ET LA SANTÉ DE L'HOMME.*



**LE FABRICANT DÉCLINE TOUTE RESPONSABILITÉ POUR LES DOMMAGES AUX PERSONNES, AUX CHOSES ET AUX ANIMAUX PROVOQUÉS PAR L'INOBSERVANCE DES PRESCRIPTIONS SUSMENTIONNÉES OU DÉRIVANT DE LA MODIFICATION ABUSIVE, NE SERAIT-CE QUE D'UNE SEULE PARTIE, DE L'APPAREIL ET DE L'UTILISATION DE PIÈCES DE RECHANGE NON D'ORIGINE.  
EN CAS DE DOUTES SUR LE CONTENU DU MANUEL, CONTACTER LE SERVICE APRÈS-VENTE.**

### 3 DESCRIPTION ET UTILISATION DES COMMANDES

#### 3.1 Bandeau de commande

Les commandes et les contrôles du lave-vaisselle sont réunis sur le bandeau de commande supérieur (voir fig. 3-01). Toutes les opérations de mise en marche, programmation, arrêt, etc. doivent être exécutées avec la porte ouverte. Une brève description (voir tab. 3-01) des différentes commandes disponibles depuis le bandeau de commande est reportée ci-après.

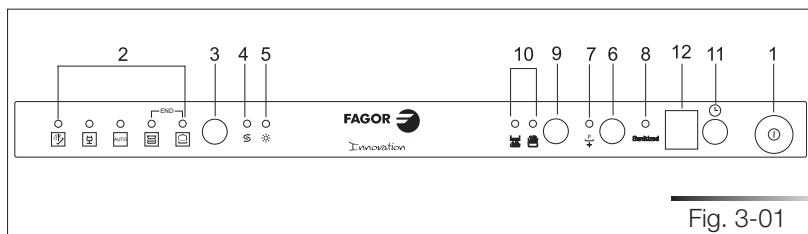


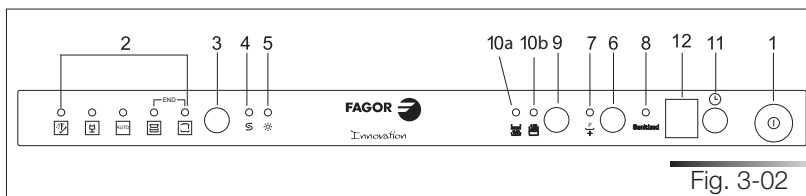
Fig. 3-01

1	<b>Touche marche/arrêt</b> Quand on appuie sur cette touche, on met l'appareil sous tension.
2	<b>Voyants programme sélectionné</b> Le voyant allumé indique le programme sélectionné ; il est également utilisé pour signaler d'éventuelles pannes (Guide de dépannage).
3	<b>Touche sélection programmes</b> En appuyant sur cette touche, on peut sélectionner le programme désiré parmi ceux qui sont proposés en séquence.
4	<b>Voyant absence sel</b> Quand il est allumé, le voyant signale l'absence de sel dans le réservoir prévu à cet effet.
5	<b>Voyant absence liquide de rinçage</b> Quand il est allumé, le voyant signale l'absence de liquide de rinçage dans le réservoir prévu à cet effet.
6	<b>Touche programmes supplémentaires</b> En appuyant sur cette touche, on peut sélectionner l'un des cinq programmes supplémentaires (voir tableau 3-02b).
7	<b>Voyants programmes supplémentaires</b> Le voyant allumé indique que c'est l'un des cinq programmes supplémentaires (voir tableau 3-02b) qui sera exécuté.
8	<b>Voyant désinfection</b> Quand il est allumé, ce voyant indique que la fonction correspondante a été activée.
9	<b>Touche demi-charge</b> Quand on appuie sur cette touche, on sélectionne l'option lavage demi-charge.
10	<b>Voyants demi-charge</b> Quand l'un des deux voyants est allumé, il indique que le lavage demi-charge a été sélectionné pour le panier supérieur ou inférieur.
11	<b>Touche départ différé</b> En appuyant sur cette touche, on peut différer le démarrage du programme d'un temps allant jusqu'à 9 heures.
12	<b>Afficheur d'informations</b>






Tab. 3-01

## 3.2 Sélection du programme de lavage, mise en marche et arrêt

Le lave-vaisselle est doté d'un bandeau de commande (voir fig. 3-02) au moyen duquel il est possible d'effectuer toutes les opérations de mise en marche, programmation et arrêt.



Pour sélectionner le programme le plus adapté à la vaisselle à laver, se référer au tableau reporté ci-après : il indique le type de lavage le plus approprié également en fonction du type de vaisselle et du degré de saleté (voir tab. 3-02a, 3-02b).

NUMÉRO PROGRAMMES STANDARD ET SYMBOLE		VAISSELLE ET COUVERTS	EXÉCUTION PROGRAMME	DURÉE	CONSUMMATION	
				MINUTES (2)	EAU (1)	ENERGY kWh (2)
1	 ● CHAUFFE-ASSIETTES	Casseroles et vaisselle à rincer et sécher	Rinçage à 69°C (156,2 °F). Séchage.	50'	3,9 l 1,03 gal.	0,64
2	 ● VERRES	Vaisselle normalement sale	Lavage à 45°C (113°F). Rinçage à froid. Rinçage à 69°C (156,2°F). Séchage.	70'	10,8 l 2,85 gal.	0,6
3	 ● AUTO LAVAGE SUPER AUTO ETL SANITATION LISTED	Vaisselle normalement sale, y compris avec des résidus secs	Prélavage à froid (En fonction du type de salissures) Lavage à 65°C (149°F). Rinçage à froid. Rinçage à chaud à 70°C (158 °F). Séchage.	115'-130'	11-15 l 2,91-3,96 gal	1-1,2
4	 ● NORMAL	Vaisselle normalement sale	Prélavage à froid. Lavage à 55°C (131°F). Rinçage à froid. Rinçage à 68°C (154,4°F). Séchage.	112'	14,8 l 3,91 gal.	0,8
5	 ● LAVAGE SUPER INTENSIF ETL SANITATION LISTED	Vaisselle et casseroles très sales, y compris avec des résidus secs	Prélavage à 45°C (113°F). Lavage à 70°C (158°F). 2 rinçages à froid Rinçage à 70°C (158°F). Séchage.	122'	18,3 l 4,83 gal.	1,12

Tab. 3-02a



NUMÉRO PROGRAMMES SUPPLÉMENTAIRES ET SYMBOLE	VAISSELLE ET COUVERTS	EXÉCUTION PROGRAMME	DURÉE	CONSUMMATION		
			MINUTES (2)	EAU (1)	ENERGY kWh (2)	
6 	RINÇAGE	Casseroles et vaisselle en attente du lavage	Prélavage à froid.	16'	3,9 l 1,03 gal.	0,03
7 	BREF	Vaisselle peu sale	Lavage à 38°C (136,4°F). Rinçage à froid. Rinçage à 58°C (136,4°F).	37'	10,6 l 2,8 gal.	0,38
8 	DÉLICAT AUTO	Lavage immédiat après l'utilisation	Prélavage à froid (En fonction du type de salissures) Lavage à 55°C (131°F) Rinçage à froid. Rinçage à chaud à 69°C (156,2 °F). Séchage.	105'-120'	11-15 l 2,91- 3,96 gal.	0,8-1
9 	ÉCONOMIE	Lavage immédiat après l'utilisation	Lavage à 55°C (131°F). Rinçage à froid. Rinçage à 69°C (156,2°F). Séchage.	123'	11,9 l 3,14 gal.	0,9
10 	LAVAGE INTENSIF	Casseroles et vaisselle normalement sales, y compris avec des résidus secs	Lavage à 70°C (158°F). 2 rinçages à froid. Rinçage à 70°C (158°F). Séchage.	102'	15,1 l 3,99 gal.	1,0

Tab. 3-02b

(1) Consommation d'eau moyenne avec l'adoucisseur réglé sur le niveau 0 (zéro).

Toutes les autres sélections font augmenter la consommation d'eau jusqu'à un maximum de 2,5 l (0,66 gal.) / cycle en cas de sélection du niveau 5.

(2) Les durées des cycles indiquées sur le manuel d'utilisation et entretien sont calculées pour le lave-vaisselle chargé normalement et pour une température de l'eau en entrée de 49°C (120°F). Elles peuvent varier en fonction des conditions réelles.

- Seuls les programmes « LAVAGE SUPER AUTO » et « LAVAGE SUPER INTENSIF » sont conformes à la norme NSF 184 et sont certifiés par INTERTEK avec le label ETL SANITATION LISTED.

- L'allumage du voyant « Sanitized » signifie que le lave-vaisselle et la vaisselle qui vient d'être lavée ont été désinfectés conformément aux exigences de la National Sanitation Foundation (NSF).

- Quand on sélectionne les programmes « AUTO », le lave-vaisselle reconnaît le type de salissures et adapte en conséquence les paramètres de lavage de façon automatique.

Effectuer le trempage **uniquement** en demi-charge.

Pour exécuter les programmes **6, 7, 8, 9, 10** (voir tab. 3-02b), il faut appuyer sur la **touche programmes supplémentaires** (réf. 6 fig. 3-02) après avoir sélectionné le programme standard souhaité (voir programmes **1, 2, 3, 4, 5** sur tab. 3-02a).

Après avoir choisi le programme de lavage le plus adapté en se référant aux tableaux prévus à cet effet, procéder à la programmation du lave-vaisselle.



*Avant de démarrer un programme de lavage, vérifier que :*

- le robinet de l'eau auquel le lave-vaisselle est raccordé est **ouvert** ;
- il y a du **sel régénérant** dans le **réservoir** de l'adoucisseur (pour l'ajout du sel, voir les instructions sur le manuel général) ;
- le **distributeur** contient une **dose adéquate de produit de lavage** (pour l'ajout du produit de lavage, voir les instructions sur le manuel général) ;
- les bras de lavage tournent **librement** et sans obstacles ;
- les paniers ont été **chargés correctement** (voir les instructions sur le manuel général) ;
- la porte du lave-vaisselle est **fermée correctement**.

### 3.2.1 Mise en marche

Quand on appuie sur la touche marche/arrêt (réf. 1 fig. 3-02), on met le lave-vaisselle sous tension. Il faut ensuite attendre l'allumage de l'un des **voyants programmes** (réf. 2 fig. 3-02).

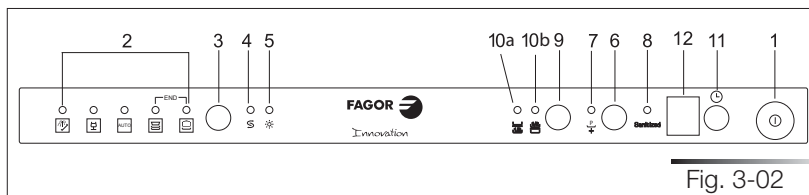


Fig. 3-02

### 3.2.2 Sélection et démarrage du programme

- Appuyer sur la touche **sélection programmes** (réf. 3 fig. 3-02) le nombre de fois qu'il faut pour que le voyant correspondant au programme souhaité s'allume (réf. 2 fig. 3-02).
- Sélectionner éventuellement les options souhaitées (par ex. : "sélection demi-charge", "départ différé" ; voir paragr. 3.2.7 "options") à l'aide des touches prévues à cet effet.
- Fermer la porte ; après environ **2 secondes**, le programme démarre. Le **voyant** correspondant (signalisation de programme en cours) clignote pendant son exécution.



*Si l'on ne referme pas la porte du lave-vaisselle ou qu'on ne la ferme pas correctement, le cycle de lavage ne démarre pas.*

### PROGRAMMES SUPPLÉMENTAIRES

La touche programmes supplémentaires (réf. 6 fig. 3-02) permet d'obtenir **cinq autres programmes** en plus de ceux que l'on peut sélectionner directement à l'aide de la touche sélection programmes.

Il faut appuyer sur cette touche (le voyant s'allume) **après** que l'on a sélectionné le programme "principal" (voir 1, 2, 3, 4, 5 sur tab. 3-02a).

La fonction **reste mémorisée** ; c'est pourquoi il faut appuyer de nouveau sur la touche programmes supplémentaires (le voyant s'éteint) si l'on veut effectuer l'un des 5 programmes principaux au cycle successif.

### 3.2.3 Fin du programme

La fin du programme est signalée par un bref signal acoustique et par les voyants des programmes normal et fort (indiquées avec "end") qui clignotent.

### 3.2.4 Interruption d'un programme

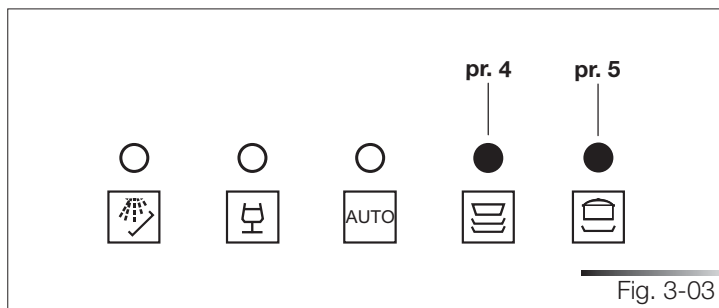
Pour interrompre un programme en cours d'exécution, il suffit d'ouvrir la porte du lave-vaisselle ; pour continuer l'exécution du programme, il suffit de refermer la porte. Le programme reprend du point où il avait été interrompu.

### 3.2.5 Sélection d'un autre programme

Pour modifier un programme en cours, il suffit d'ouvrir la porte du lave-vaisselle et de sélectionner le nouveau programme. Quand on ferme de nouveau la porte, le lave-vaisselle exécute automatiquement le nouveau programme.

### 3.2.6 Annulation du programme en cours d'exécution

- Pour annuler le programme en cours, il faut, après avoir ouvert la porte, appuyer sur la touche de **sélection programmes** (réf. 3 fig. 3-02) et la maintenir appuyée pendant quelques secondes jusqu'à ce que les voyants du quatrième et du cinquième programme s'allument en même temps (réf. pr.4, pr.5 fig. 3-03).
- Refermer la porte.
- Après environ 1 minute, le lave-vaisselle se porte à la fin du cycle et les voyants du quatrième et du cinquième programme (réf. pr.4, pr.5 fig. 3-03) commencent à clignoter.



### 3.2.7 Options

#### SÉLECTION DE L'OPTION DEMI-CHARGE

Cette fonction est spécialement indiquée en cas de charges réduites, elle permet de réaliser une économie d'eau et d'énergie électrique.

Avant de sélectionner le lavage demi-charge, ouvrir la porte du lave-vaisselle et sélectionner le programme de lavage souhaité (voir paragr. 3.2 "Sélection de programme de lavage, mise en marche et arrêt"). La sélection du lavage demi-charge s'effectue au moyen de la touche **demi-charge** (réf. 9 fig. 3-02) selon deux options différentes :

- en appuyant **une fois** sur la touche, on sélectionne le lavage sur le **panier supérieur** ; cela est confirmé par l'allumage du voyant correspondant (réf. 10a fig. 3-02) ;
- en appuyant **deux fois** sur la touche, on sélectionne le lavage sur le **panier inférieur** ; cela est confirmé par l'allumage du voyant correspondant (réf. 10b fig. 3-02) ;
- en appuyant **trois fois** sur la touche, on revient à la condition normale de **pleine charge** (lavage sur les deux paniers, les deux voyants sont éteints).

Quand on sélectionne le lavage uniquement dans le **panier inférieur**, on peut **séparer le panier à couverts** et n'en utiliser que la moitié.

## DÉPART DIFFÉRÉ

### (disponible pour tous les programmes, sauf trempage)

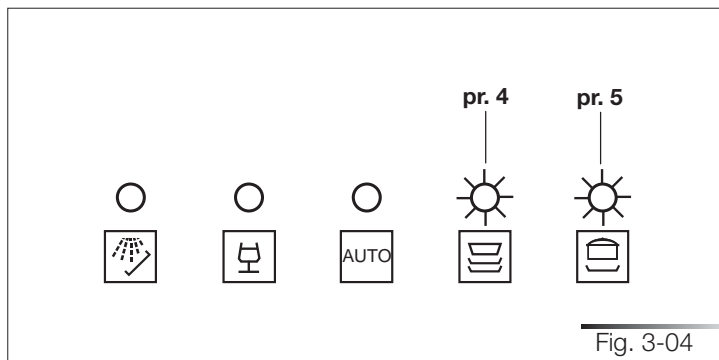
La fonction “**Départ différé**” permet de sélectionner un temps de retard pour le démarrage du programme de lavage allant jusqu’à 9 heures à compter du moment où la programmation est effectuée. Cela permet de faire fonctionner le lave-vaisselle à l’heure souhaitée.

Avant de sélectionner le **départ différé**, ouvrir la porte du lave-vaisselle et sélectionner le programme de lavage souhaité (voir paragr. 3.2 “Sélection du programme de lavage, mise en marche et arrêt”). La sélection du temps de retard s’effectue en appuyant sur la touche Départ différé (réf. 11 fig. 3-02) ; quand on appuie plusieurs fois sur la touche, l’afficheur visualise en séquence les temps de retard pour le démarrage du programme, à partir de **1 heure**.

### 3.2.8 Arrêt

À la fin du programme, le lave-vaisselle émet un bref signal acoustique et les **voyants du quatrième et du cinquième programme** (réf. pr.4, pr.5 fig. 3-04) clignotent.

Pour arrêter l'appareil, ouvrir la porte et appuyer sur la touche **marche/arrêt** (réf. 1 fig. 3-02).



## 3.3 Fonctions supplémentaires

### 3.3.1 Réglage de l'adoucisseur



**REMARQUE :** pour effectuer ce réglage, il faut sélectionner un programme de lavage autre que le trempage.

Appuyer sur la touche **départ différé** (réf. 11 fig. 3-05) et la maintenir appuyée jusqu'à ce que la valeur réglée précédemment apparaisse, suivie d'un point (normalement, **3.**). Relâcher la touche, puis appuyer de nouveau dessus le nombre de fois qu'il faut pour afficher la valeur désirée, à choisir en se référant au tableau (voir tab. 3-03).

Les **6** niveaux de réglage possibles s'affichent dans la séquence suivante :

**3., 4., 5., 0., 1., 2..**

Relâcher la touche quand l'afficheur visualise la valeur désirée ; **5 secondes** après, l'appareil revient automatiquement à la sélection du départ différé tandis que la valeur de réglage sélectionnée est mémorisée.



**REMARQUE :** l'afficheur indique le réglage de la dureté de l'eau et le départ différé. **Le point (.) après le chiffre indique que la valeur affichée se réfère à la dureté de l'eau. S'il n'y a pas de point (.), cela signifie qu'elle se réfère au départ différé.**

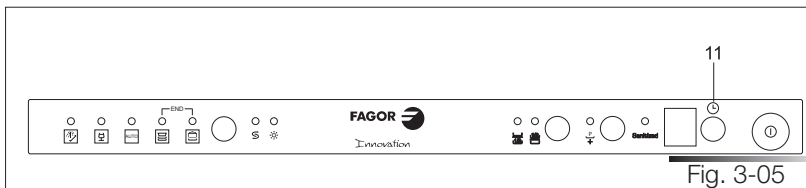


Fig. 3-05

## Tableau de la dureté de l'eau (voir tab. 3-03)

DURETÉ DE L'EAU			RÉGLAGE
Degrés Allemands (°D)	Degrés Français (°F)	Degrés USA grains/galls	
0 - 4	0 - 7	0 - 4,5	0.
5 - 15	8 - 25	4,6 - 14,5	1.
16 - 23	26 - 40	14,6 - 23,5	2.
24 - 31	41 - 60	23,6 - 35	3.
32 - 47	61 - 80	35,1 - 46,5	4.
48 - 58	81 - 100	46,6 - 58,5	5.

Tab. 3-03

Demander les informations relatives au degré de dureté de l'eau à la société de distribution de l'eau.



Si l'on ouvre la porte au cours de la phase de lavage, le programme est interrompu, tandis que le voyant correspondant continue à clignoter et qu'un signal acoustique avertit que le cycle n'est pas terminé. Avant de fermer la porte pour faire redémarrer le programme, il faut attendre environ **1 minute**. Quand on ferme la porte, le programme reprend du point où il avait été interrompu. N'effectuer cette opération **que si elle est vraiment nécessaire**, car elle peut provoquer des anomalies dans l'exécution du programme.

## 4 **POUR ÉCONOMISER DE L'ÉNERGIE ET RESPECTER L'ENVIRONNEMENT**

- Essayer de **toujours** utiliser le lave-vaisselle en **pleine charge**.
- Ne pas rincer au préalable la vaisselle à l'eau courante.
- Utiliser le programme de lavage **le plus approprié** à chaque type de charge.
- Ne pas effectuer de rinçages préliminaires.
- Lorsque cela est possible, raccorder le lave-vaisselle à une installation d'eau chaude jusqu'à 60°C (140°F).
- Lorsque cela est possible, **exclure le séchage** en laissant la porte entrouverte à la fin du lavage ; l'air et la chaleur résiduelle sécheront parfaitement la vaisselle.

### 4.1 **Pour réduire les consommations de produit de lavage et respecter l'environnement**

Les phosphates présents dans le produit de lavage pour lave-vaisselle constituent un problème du point de vue écologique. Pour éviter une consommation excessive de produit de lavage, mais aussi d'énergie électrique, il est conseillé :

- **de séparer la vaisselle** plus délicate de la vaisselle plus résistante aux produits de lavage agressifs et aux températures élevées ;
- **de ne pas verser** le produit de lavage directement sur la vaisselle.










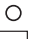




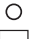










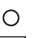

## 5 VIDER LE LAVE-VAISSELLE



*Une fois le programme de lavage terminé, attendre au moins **20 minutes** avant de vider le lave-vaisselle, afin que la vaisselle ait le temps de refroidir. Pour éviter que les éventuelles gouttes d'eau restées dans le panier supérieur tombent sur la vaisselle qui se trouve encore dans le panier inférieur, **il est conseillé** de vider d'abord le panier inférieur et ensuite le panier supérieur.*

## 6 GUIDE DE DÉPANNAGE

Le lave-vaisselle est en mesure de signaler une série d'anomalies de fonctionnement à travers l'allumage simultané de plusieurs voyants, selon les modalités indiquées dans le tableau reporté ci-après :

ANOMALIE		DESCRIPTION
E1	    	<p><b>Problème aquastop</b> Intervention du système anti-débordement (uniquement pour les modèles qui en sont équipés). L'Aquastop intervient en cas de fuites d'eau. S'adresser au service après-vente.</p>
E2	    	<p><b>Niveau de sécurité</b> Intervention du système qui limite le niveau d'eau dans le lave-vaisselle. Interrompt le programme en cours, arrêter le lave-vaisselle. Remettre sous tension le lave-vaisselle, le programmer de nouveau et démarrer le cycle de lavage. Si le problème persiste, s'adresser au service après-vente.</p>
E3	    	<p><b>Anomalie chauffage de l'eau</b> Le chauffage de l'eau n'est pas effectué ou est effectué d'une façon anormale. Exécuter de nouveau le programme de lavage ; si le problème persiste, s'adresser au service après-vente.</p>
E4	    	<p><b>Anomalie détection température de l'eau.</b> Interrompt le programme en cours, arrêter le lave-vaisselle. Remettre sous tension le lave-vaisselle, le programmer de nouveau et démarrer le cycle de lavage. Si le problème persiste, s'adresser au service après-vente.</p>
E5	    	<p><b>Anomalie arrivée de l'eau</b> L'arrivée de l'eau dans le lave-vaisselle ne s'effectue pas ou s'effectue d'une façon anormale. Contrôler que les raccords hydrauliques sont corrects, que le robinet d'arrivée de l'eau est ouvert et que le filtre n'est pas obstrué. Si le problème persiste, s'adresser au service après-vente.</p>

Tab. 6-01a

ANOMALIE		DESCRIPTION
E6		<p><b>Anomalie vidange</b> La vidange n'est pas exécutée ou est exécutée d'une façon anormale. Contrôler que le tuyau d'évacuation n'est pas plié ou étranglé et que le siphon ou les filtres ne sont pas obstrués. Si le problème persiste, s'adresser au service après-vente.</p>
E7		<p><b>Anomalie petite turbine</b> La quantité d'eau chargée n'est pas mesurée de façon précise. Interrompre le programme en cours, arrêter le lave-vaisselle. Remettre sous tension le lave-vaisselle, le programmer de nouveau et démarrer le cycle de lavage. Si le problème persiste, s'adresser au service après-vente.</p>
E8		<p><b>Anomalie système de lavage alterné.</b> Interrompre le programme en cours, arrêter le lave-vaisselle. Remettre sous tension le lave-vaisselle, le programmer de nouveau et démarrer le cycle de lavage. Si le problème persiste, s'adresser au service après-vente.</p>
E9		<p><b>Anomalie système d'arrivée de l'eau.</b> S'adresser au service après-vente.</p>

Tab. 6-01b

○ Voyant éteint

● Voyant allumé

☀ Voyant clignotant

Quand une situation d'alarme se produit, le lave-vaisselle interrompt le programme en cours en signalant l'anomalie.

- Les alarmes **E1, E2, E3, E4, E8, E9** provoquent la fin immédiate du programme en cours.
- Les alarmes **E5, E6** interrompent le programme en cours ; le programme reprend quand le problème à l'origine de l'interruption a été résolu.
- L'alarme **E7** est visualisée à la fin du cycle, celui-ci n'est pas interrompu car le fonctionnement du lave-vaisselle n'est pas compromis.

Pour réinitialiser une alarme, il faut :

- ouvrir et fermer la porte ou arrêter et remettre sous tension le lave-vaisselle. À ce point, il est possible de reprogrammer le lave-vaisselle.



*Si l'anomalie persiste, appeler le Centre d'Assistance Technique agréé.*

## 7 INSTRUCTIONS POUR L'INSTALLATION ET LA POSE

Pour le détail des opérations à exécuter pour l'installation et la pose, consulter le manuel d'installation ci-joint.

Nous reportons ci-après quelques avertissements à respecter lors des phases d'installation et pose du lave-vaisselle.



PENDANT L'INSTALLATION, FAIRE ATTENTION AUX BORDS TRANCHANTS SUR LE LAVE-VAISSELLE ; POUR ÉVITER DE SE BLESSER, METTRE DES GANTS DE SÉCURITÉ.



**L'INSTALLATION ET LES INTERVENTIONS DE RÉPARATION OU ASSISTANCE DOIVENT ÊTRE EXÉCUTÉES PAR DU PERSONNEL TECHNIQUE QUALIFIÉ ET AUTORISÉ.** LES INTERVENTIONS EXÉCUTÉES PAR DU PERSONNEL NON AUTORISÉ PEUVENT ÊTRE DANGEREUSES ET, DE PLUS, COMPORTENT LA PERTE DE LA GARANTIE. L'INSTALLATION DOIT ÊTRE EXÉCUTÉE CONFORMÉMENT AUX DIRECTIVES DU PAYS D'INSTALLATION DU LAVE-VAISSELLE ET, À DÉFAUT DE CELLES-CI : AUX ÉTATS-UNIS, LE NATIONAL ELECTRIC CODE ; AU CANADA, LE CANADIAN ELECTRIC CODE C22.1 - LATEST EDITION/PROVINCIAL AND MUNICIPAL CODES AND/OR LOCAL CODES.



IL EST **FORMELLEMENT INTERDIT** D'ENCASTRER LE LAVE-VAISSELLE SOUS UNE TABLE DE CUISSON EN VITROCÉRAMIQUE. IL EST POSSIBLE D'ENCASTRER LE LAVE-VAISSELLE SOUS UNE TABLE DE CUISSON TRADITIONNELLE À CONDITION QUE LE PLAN DE TRAVAIL DE LA CUISINE SOIT **CONTINU** ET QUE LE LAVE-VAISSELLE ET LA TABLE DE CUISSON SOIENT **MONTÉS ET FIXÉS CORRECTEMENT**, DE FAÇON À **N'ENTRAÎNER AUCUN RISQUE**.



**PRÉVENIR LES RISQUES D'ENGORGEMENT OU DE DOMMAGE** : SI LA TUYAUTERIE DE L'EAU EST NEUVE OU QU'ELLE EST RESTÉE INACTIVE PENDANT LONGTEMPS, AVANT DE PROCÉDER AU RACCORDEMENT AU RÉSEAU DE DISTRIBUTION D'EAU, S'ASSURER QUE L'EAU QUI SORT EST CLAIRE ET SANS IMPURETÉS AFIN D'ÉVITER D'ENDOMMAGER L'APPAREIL. **POUR LE RACCORDEMENT DU LAVE-VAISSELLE AU RÉSEAU HYDRIQUE, UTILISER EXCLUSIVEMENT DES TUYAUX NEUFS ; NE PAS RÉUTILISER DE VIEUX TUYAUX OU DES TUYAUX USÉS.**



CONTRÔLER QUE LES VALEURS DE TENSION ET DE FRÉQUENCE DE RÉSEAU CORRESPONDENT À CELLES REPORTÉES SUR LA PLAQUE D'IDENTIFICATION DE L'APPAREIL, PLACÉE SUR LE BORD INTERNE DE LA PORTE.



**SI LE CORDON D'ALIMENTATION EST ENDOMMAGÉ**, LE FAIRE REMPLACER PAR LE FABRICANT OU PAR UN CENTRE SAV AGRÉÉ.

L'INSTALLATION DE CET APPAREIL ÉLECTROMÉNAGER DOIT PRÉVOIR SA MISE À LA TERRE. EN CAS DE PANNES, LA MISE À LA TERRE LIMITE LE RISQUE D'ÉLECTRISATION, EN FOURNISSENT UN PARCOURS DE MOINDRE RÉSISTANCE AU COURANT ÉLECTRIQUE.



AVANT DE PROCÉDER À L'EXÉCUTION DU BRANCHEMENT ÉLECTRIQUE, COUPER L'ALIMENTATION ÉLECTRIQUE DANS LA ZONE DE POSITIONNEMENT.



CONTRÔLER QUE L'INSTALLATION ÉLECTRIQUE DU LIEU D'INSTALLATION EST CONFORME AUX LOIS EN VIGUEUR DANS LE PAYS D'UTILISATION DE L'APPAREIL ET QU'ELLE EST DOTÉE DE MISE À LA TERRE.



CET APPAREIL ÉLECTROMÉNAGER EST MUNI D'UN CORDON D'ALIMENTATION DOTÉ DE CONDUCTEUR ET FICHE POUR LA MISE À LA TERRE. LA FICHE DOIT ÊTRE INSÉRÉE DANS UNE PRISE ADAPTÉE, INSTALLÉE ET BRANCHÉE À LA TERRE CONFORMÉMENT AUX LOIS EN VIGUEUR DANS LE PAYS D'INSTALLATION.



LE BRANCHEMENT INCORRECT DU CONDUCTEUR DE TERRE DE L'APPAREIL ÉLECTROMÉNAGER PEUT ENTRAÎNER DES RISQUES D'ÉLECTRISATION. EN CAS DE DOUTES SUR LA MISE À LA TERRE CORRECTE DE L'APPAREIL, CONTACTER UN ÉLECTRICIEN QUALIFIÉ OU LE PERSONNEL DU SERVICE APRÈS-VENTE. NE PAS MODIFIER LA FICHE FOURNIE AVEC L'APPAREIL ÉLECTROMÉNAGER. SI LA FICHE N'EST PAS ADAPTÉE À LA PRISE, S'ADRESSER À UN ÉLECTRICIEN QUALIFIÉ POUR FAIRE INSTALLER UNE PRISE ADAPTÉE.



*LE REMPLACEMENT DU CORDON D'ALIMENTATION DOIT ÊTRE EFFECTUÉ PAR LE FABRICANT OU PAR UN CENTRE SAV AGRÉÉ AFIN D'ÉVITER TOUT RISQUE.*



*NE PAS UTILISER DES PROLONGATEURS, ADAPTATEURS OU DÉRIVATEURS, CAR ILS PEUVENT PROVOQUER DES SURCHAUFFES EN ENTRAÎNANT DES RISQUES D'INCENDIE.*

## 8 INSTRUCTION POUR L'UTILISATION



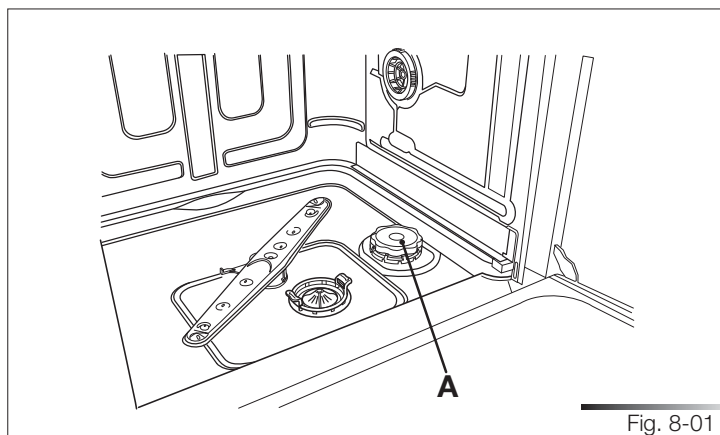
*AVANT D'UTILISER L'APPAREIL, S'ASSURER D'AVOIR LU ET COMPRIS TOUS LES AVERTISSEMENTS REPORTÉS DANS LE CHAPITRE 2 "AVERTISSEMENTS SUR LA SÉCURITÉ ET L'UTILISATION".*

Après avoir installé correctement le lave-vaisselle, le mettre en service en effectuant les opérations suivantes :

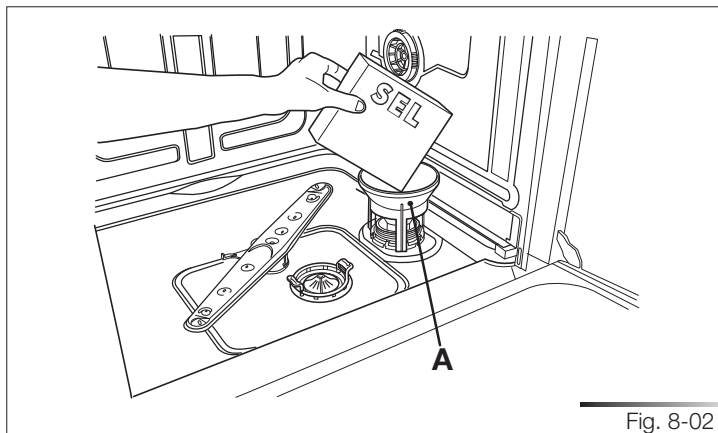
- régler l'adoucisseur d'eau ;
- remplir de sel régénérant ;
- remplir de liquide de rinçage et charger le produit de lavage.

## 8.1 Utilisation de l'adoucisseur d'eau

La quantité de calcaire contenu dans l'eau (indice de dureté de l'eau) est responsable des taches blanchâtres sur la vaisselle sèche qui, avec le temps, a tendance à devenir opaque. Le lave-vaisselle est équipé d'un adoucisseur automatique qui, en utilisant du sel régénérant spécifique, neutralise le calcaire. Le lave-vaisselle est réglé à l'usine pour une dureté de niveau 3 (dureté moyenne **41-60°dF - 24-31°dH / 23,6-35 gpg**). En utilisant de l'eau d'une dureté moyenne, il faut remettre du sel environ tous les **20 lavages**. Le réservoir de l'adoucisseur a une capacité d'environ **1,7 kg (3,75 lb)** de sel en grains. Certains modèles sont dotés d'un indicateur optique du niveau du sel. Dans ces modèles, le bouchon du réservoir à sel contient un flotteur de couleur verte qui descend lorsque la concentration de sel dans l'eau diminue. Lorsque le flotteur vert n'est plus visible depuis le bouchon transparent, il faut ajouter le sel régénérant. Le réservoir est situé sur le fond du lave-vaisselle. Après avoir extrait le panier inférieur, enlever le bouchon (réf. A fig. 8-01) du réservoir en le dévissant dans le sens inverse des aiguilles d'une montre, puis verser le sel en utilisant l'entonnoir (réf. A fig. 8-02) fourni avec le lave-vaisselle. Avant de revisser le bouchon (réf. A fig. 8-01), éliminer les éventuels résidus de sel près de l'ouverture du goulot.







- Lors de la première utilisation du lave-vaisselle, il faut également verser, en plus du sel, **un litre d'eau**.
- Après chaque remplissage du réservoir, s'assurer que **le bouchon (réf. A fig. 8-01) est fermé correctement**. Le mélange d'eau et produit de lavage ne doit pas pénétrer dans le réservoir à sel car cela compromet le fonctionnement du système de régénération. De plus, cela entraîne la perte de la garantie.
- N'utiliser que du sel régénérant spécifique pour lave-vaisselle domestiques. Si l'on utilise du sel en pastilles, **ne pas remplir complètement** le réservoir.
- **Ne pas utiliser du sel alimentaire** car il contient des substances non solubles qui, avec le temps, peuvent compromettre le fonctionnement de l'adoucisseur.
- Quand cela est nécessaire, effectuer l'opération de chargement du sel **juste avant de démarrer le programme de lavage** ; la solution saline en excès sera ainsi éliminée par l'eau ; un contact prolongé de l'eau salée avec l'intérieur de la cuve de lavage peut provoquer des phénomènes de corrosion.



**FAIRE ATTENTION À NE PAS CONFONDRE LE SEL ET LE PRODUIT DE LAVAGE : L'INTRODUCTION DE PRODUIT DE LAVAGE DANS LE RÉSERVOIR À SEL ENDOMMAGE L'ADOUCISSEUR.**

## 8.2 Utilisation du distributeur de produit de lavage et du doseur de liquide de rinçage

Le distributeur de produit de lavage et le doseur du liquide de rinçage se trouvent du côté interne de la porte : le **distributeur à gauche** (réf. A fig. 8-03) et le **doseur à droite** (réf. B fig. 8-03).

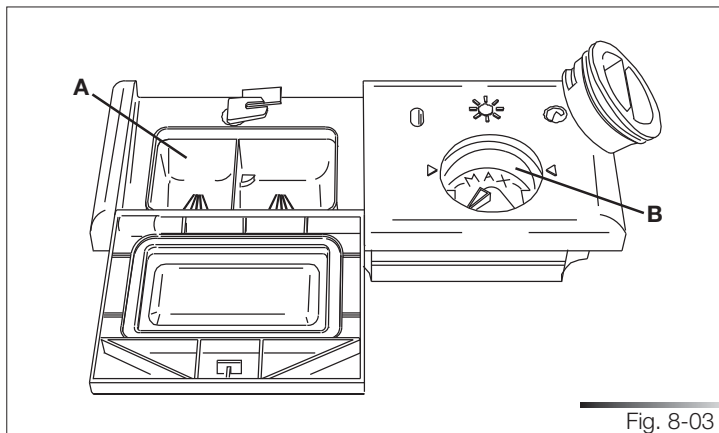


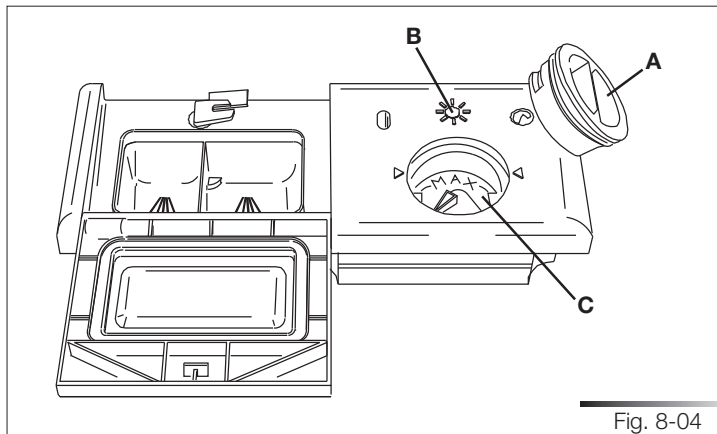
Fig. 8-03



À L'EXCEPTION DU PROGRAMME **TREMPAGE**, IL FAUT INTRODUIRE DANS LE **DISTRIBUTEUR** LA DOSE ADÉQUATE DE PRODUIT DE LAVAGE AVANT CHAQUE LAVAGE. LE LIQUIDE DE RINÇAGE DOIT EN REVANCHE ÊTRE AJOUTÉ UNIQUEMENT QUAND CELA EST NÉCESSAIRE.

### 8.2.1 Ajout du liquide de rinçage

Le liquide de rinçage accélère le séchage de la vaisselle et évite la formation de taches et de dépôts de calcaire ; il est automatiquement ajouté à l'eau au cours du dernier rinçage depuis le réservoir qui se trouve sur le côté intérieur de la porte.



Pour ajouter le liquide de rinçage :

- ouvrir la porte du lave-vaisselle ;
- dévisser le bouchon (réf. A fig. 8-04) du réservoir de  $\frac{1}{4}$  de tour dans le sens inverse des aiguilles d'une montre et l'enlever ;
- verser le liquide de rinçage jusqu'à remplir le réservoir (140 ml environ) ; l'indicateur optique (réf. B fig. 8-04) situé à côté du bouchon doit s'obscurcir complètement ; rajouter du liquide de rinçage quand l'indicateur optique devient clair ou que le symbole qui signale l'absence de liquide de rinçage s'allume sur l'afficheur (voir paragr. "Description et utilisation des commandes"). Remettre le bouchon (réf. A fig. 8-04) et le visser dans le sens des aiguilles d'une montre jusqu'à le fermer complètement.
- À l'aide d'un chiffon, nettoyer le liquide de rinçage qui a éventuellement débordé car il peut produire de la mousse.

### 8.2.2 Réglage du dosage du liquide de rinçage

Le dosage du liquide de rinçage peut être réglé sur 6 niveaux. À l'usine, le lave-vaisselle est réglé sur le niveau moyen (indicateur du sélecteur positionné sur "3"). Pour régler le dosage, tourner le sélecteur (réf. C fig. 8-04) situé à l'intérieur du doseur sur la position souhaitée. La dose sera proportionnelle à la position du sélecteur : la dose minimum de liquide de rinçage (indicateur du sélecteur positionné sur "1 ") est d'environ 1 ml, tandis que la dose maximum (indicateur du sélecteur positionné sur "6") est d'environ 6 ml.

- Pour accéder au réglage du doseur, il faut tourner le bouchon du réservoir (réf. A fig. 8-04) du réservoir de  $\frac{1}{4}$  de tour dans le sens inverse des aiguilles d'une montre et l'enlever.
- Ensuite, à l'aide d'un tournevis, tourner le sélecteur du dosage sur la position désirée.
- Remettre le bouchon (réf. A fig. 8-04) et le visser dans le sens des aiguilles d'une montre jusqu'à le fermer complètement.
- La dose de liquide de rinçage doit être augmentée quand la vaisselle est opaque ou qu'elle présente des taches circulaires.
- Si, en revanche, la vaisselle est collante ou qu'elle présente des rayures blanchâtres, il faut réduire la dose de liquide de rinçage.

### 8.2.3 Chargement du produit de lavage



*NE PAS INHALER NI INGÉRER LE PRODUIT DE LAVAGE ; IL PEUT PROVOQUER DES BRÛLURES ET/OU DES LÉSIONS IRRÉPARABLES AU NEZ, À LA BOUCHE ET À LA GORGE ET MÊME PROVOQUER L'ASPHYXIE ; ÉVITER QUE LE PRODUIT DE LAVAGE ENTRE EN CONTACT AVEC LES YEUX. SI LES SITUATIONS SUSMENTIONNÉES SE PRODUISENT, FAIRE IMMÉDIATEMENT APPEL À UN MÉDECIN.*

*IL FAUT ÉVITER QUE LES ENFANTS PUISSENT ENTRER EN CONTACT AVEC LE PRODUIT DE LAVAGE ; LES TENIR À L'ÉCART DU LAVE-VAISSELLE OUVERT CAR IL PEUT CONTENIR DES RÉSIDUS DE PRODUIT DE LAVAGE. CHARGER LE PRODUIT DE LAVAGE JUSTE AVANT DE DÉMARRER LE PROGRAMME DE LAVAGE, PUIS LE RANGER HORS DE LEUR PORTÉE.*

Pour ouvrir le couvercle du distributeur de produit de lavage, appuyer légèrement sur le bouton prévu à cet effet (réf. A fig. 8-05). Remplir le distributeur de produit de lavage et fermer correctement le couvercle. Le couvercle du distributeur s'ouvre automatiquement durant le lavage.

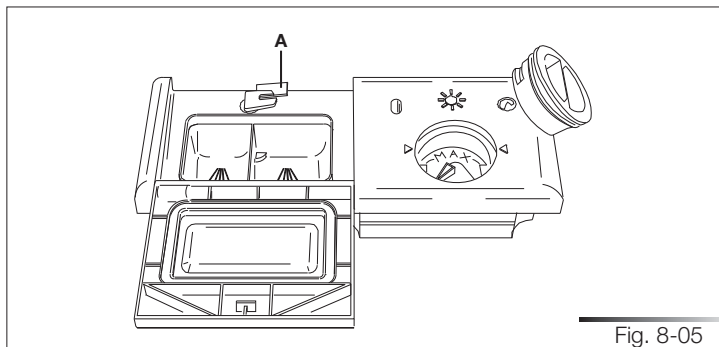
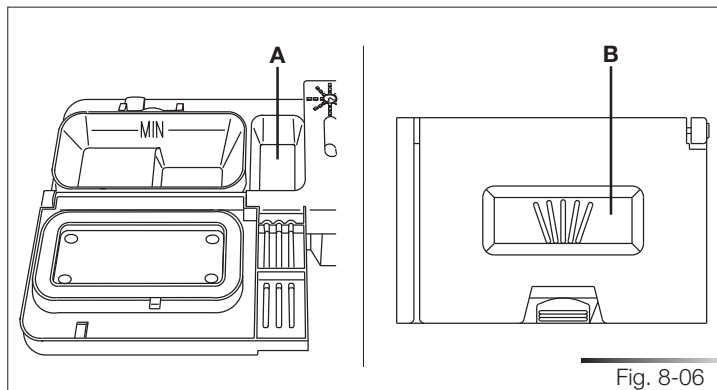


Fig. 8-05



- Quand on sélectionne un programme avec le pré-lavage à chaud (lire le tableau 3-02a), ajouter une quantité supplémentaire de produit de lavage dans la cavité (réf. A ou B fig. 8-06, selon les modèles).
- **N'utiliser que** des produits de lavage spécifiques pour lave-vaisselle. L'emploi de produits de lavage de bonne qualité est important pour obtenir d'excellents résultats de lavage.
- Ranger les emballages de produit de lavage bien fermés dans un endroit sec afin d'éviter la formation de grumeaux qui compromettraient les résultats de lavage. Après leur ouverture, les produits ne doivent pas être gardés trop longtemps car le produit de lavage perd de son efficacité.
- Ne pas utiliser de produits de lavage pour laver la vaisselle à la main, car ils produisent beaucoup de mousse et peuvent compromettre le fonctionnement du lave-vaisselle.
- Doser correctement la quantité de produit de lavage, car une quantité insuffisante provoque une élimination incomplète de la saleté, tandis qu'une quantité excessive n'augmente pas l'efficacité du lavage et ne constitue qu'un gaspillage.
- Dans le commerce, il existe des produits de lavage liquides et en poudre qui se différencient par leur composition chimique : ils peuvent soit contenir des **phosphates** soit en être dépourvus mais contenir des **enzymes naturelles**.
- Les produits de lavage avec **phosphates** exercent une action plus efficace sur les graisses et sur les amidés **au-delà de 60°C (140°F)**.
- Les produits de lavage enzymatiques exercent en revanche leur force nettoyante également aux basses températures (**de 40 à 55°C / de 104 à 131°F**) et sont plus facilement biodégradables. Ces produits de lavage permettent d'atteindre, à de basses températures, les mêmes résultats de lavage que l'on ne pourrait obtenir qu'avec des programmes à **65°C (149°F)**.

Pour la protection de l'environnement, nous recommandons l'emploi de produits de lavage **sans phosphates ni chlore**.

- Quand on utilise du produit de lavage en pastilles, celles-ci devraient être placées dans le panier à couverts. Le distributeur est conçu pour l'emploi de produit de lavage en poudre ou liquide et le couvercle ne s'ouvre pas complètement pendant le cycle de lavage ; ainsi, la pastille peut ne pas se dissoudre complètement. Cela peut déterminer :
  - une quantité insuffisante de produit de lavage relâché pendant le cycle avec des résultats de lavage médiocres ;
  - l'accumulation du produit de lavage dans le distributeur et son relâchement pendant le cycle de rinçage final.



*L'INTRODUCTION DE PRODUIT DE LAVAGE, MÊME LIQUIDE, DANS LE RÉSERVOIR DU LIQUIDE DE RINÇAGE ENDOMMAGE LE LAVE-VAISSELLE.*

### 8.3 Avertissements et conseils généraux

Avant de procéder au premier lavage avec le lave-vaisselle, il est conseillé de lire les paragraphes suivants concernant la nature de la vaisselle à laver et son positionnement dans les paniers. Il n'existe généralement pas de limites quant au lavage de la vaisselle d'usage domestique, mais dans certains cas il faut tenir compte de ses caractéristiques. Avant de mettre la vaisselle dans les paniers, il faut :

- éliminer les restes de nourriture les plus gros, comme les os ou les arêtes, qui pourraient non seulement engorger le filtre, mais aussi endommager la pompe de lavage ;
- faire tremper les casseroles ou les poêles qui présentent sur leur fond des résidus de nourriture brûlée afin que ces derniers se détachent plus facilement ; les placer ensuite dans le PANIER INFÉRIEUR.

Utiliser l'option "**demi-charge**" (si présente) pour laver de petites quantités de vaisselle ; elle permet de réaliser une économie d'eau et d'énergie électrique. Dans ce cas, **charger uniquement le panier sélectionné pour le lavage demi-charge**, l'autre panier doit rester vide. Effectuer un pré-lavage de la vaisselle sous l'eau courante avant de la charger dans les paniers est un inutile gaspillage d'eau. **Une disposition correcte de la vaisselle assure de bons résultats de lavage.**

#### ATTENTION!

- S'assurer que la vaisselle est positionnée de manière stable, qu'elle ne peut pas se renverser et qu'elle n'entrave pas la rotation des bras de lavage durant le fonctionnement ;

- ne pas introduire de petits objets dans les paniers ; en tombant, ils peuvent bloquer les bras de lavage ou la pompe de lavage ;
- les récipients tels que les tasses, les bols, les verres et les casseroles doivent toujours être disposés avec l'ouverture vers le bas et, si possible, avec les cavités inclinées pour permettre l'écoulement de l'eau (par ex. le pied concave de certains verres) ;
- ne pas disposer les articles de vaisselle les uns dans les autres ou de sorte qu'ils se couvrent réciproquement ;
- ne pas disposer les verres trop près les uns des autres car, en se touchant, ils peuvent se casser ou rester tachés.

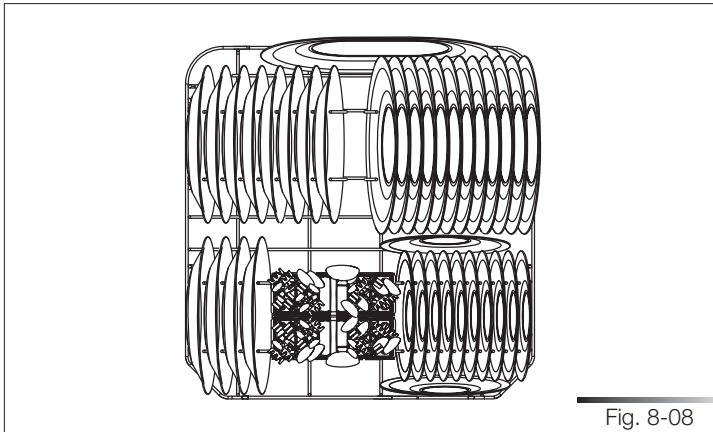
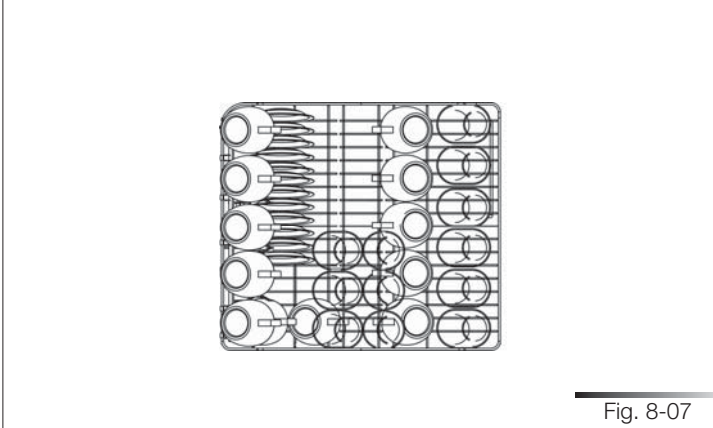
## **S'ASSURER que la vaisselle est adaptée au lavage en lave-vaisselle.**

### **Nous reportons ci-après une liste de vaisselle non adaptée au lavage en lave-vaisselle.**

- **Casseroles et vaisselle en bois** : elles peuvent s'abîmer à cause des températures de lavage élevées.
- **Objets d'artisanat** : ils peuvent rarement être lavés dans un lave-vaisselle. Les températures relativement élevées de l'eau et les produits de lavage utilisés peuvent les endommager.
- **Objets légers** : les objets légers doivent être lavés dans le panier supérieur, où la pression de l'eau est plus faible.
- **Vaisselle et objets en cuivre, étain, zinc et laiton** : ils tendent à se tacher.
- **Vaisselle en aluminium** : la vaisselle en aluminium anodisé peut se décolorer.
- **Argenterie** : la vaisselle en argent peut se tacher.
- **Verre et cristal** : en général, les objets en verre et en cristal peuvent être lavés dans un lave-vaisselle. Cependant, il existe certains types de verre et de cristal qui deviennent opaques et qui perdent leur transparence après un certain nombre de lavages ; pour ce type de matériaux, nous conseillons de toujours utiliser le programme le moins agressif du tableau des programmes (voir le paragr. "Description et utilisation des commandes").
- **Vaisselle avec des décorations** : les objets décorés que l'on trouve dans le commerce ont généralement une bonne résistance aux lavages dans les lave-vaisselle, même s'il peut arriver que leurs couleurs pâlissent après des lavages fréquents. En cas de doute sur la résistance des couleurs, il est conseillé de laver peu de pièces à la fois pendant environ un mois.

## 8.4 Utilisation des paniers

Le lave-vaisselle a une capacité de **12 couverts**, y compris la vaisselle de service. Nous reportons ci-après des exemples pour le chargement des 12 couverts sur le panier supérieur (voir fig. 8-07) et sur le panier inférieur (voir fig. 8-08).





## 8.4.1 Panier inférieur

Le panier inférieur reçoit l'action du bras de lavage inférieur à l'intensité maximale et doit donc contenir la vaisselle la plus "difficile" et la plus sale.

Toutes les combinaisons et variétés de chargement sont permises à condition que l'on prenne soin de disposer la vaisselle, les casseroles et les poêles de façon à ce que toutes les surfaces soient exposées aux jets d'eau provenant du bas.

Pour exploiter au maximum l'espace dans le panier lorsque l'on charge de la vaisselle de grandes dimensions, sont dotés de supports pour assiettes rabattables (voir fig. 8-09).

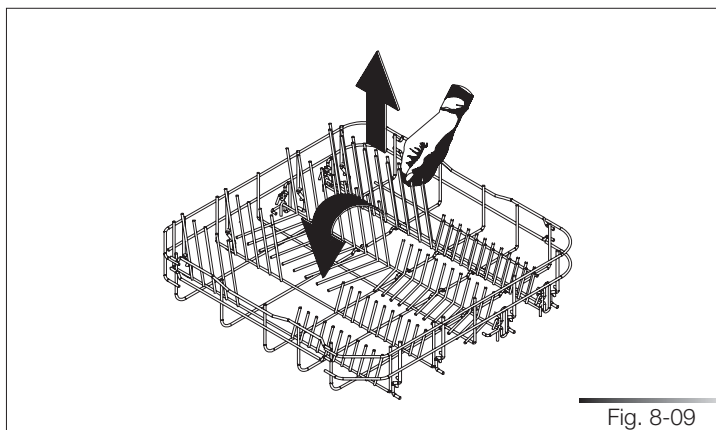
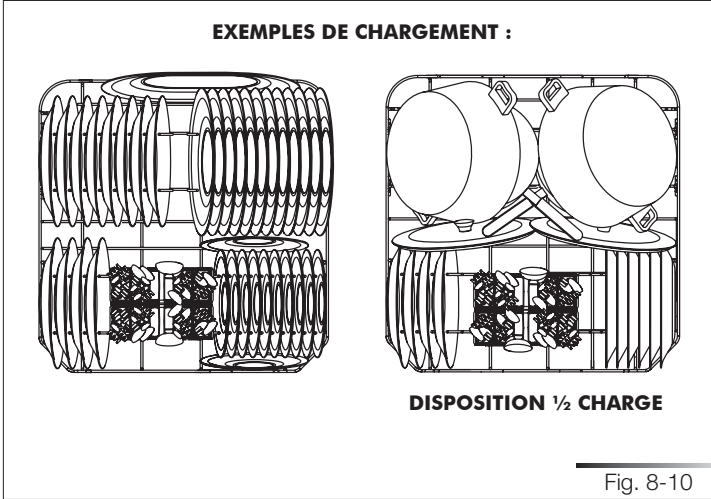


Fig. 8-09

**Chargement du panier inférieur** (voir fig. 8-10)

Disposer soigneusement et verticalement les assiettes plates, creuses, à dessert et les plats. Les casseroles, les poêles et leurs couvercles doivent être tournés vers le bas. Disposer les assiettes creuses et à dessert en ayant toujours soin de laisser un espace entre elles.



### 8.4.2 Panier à couverts (voir fig. 8-11)

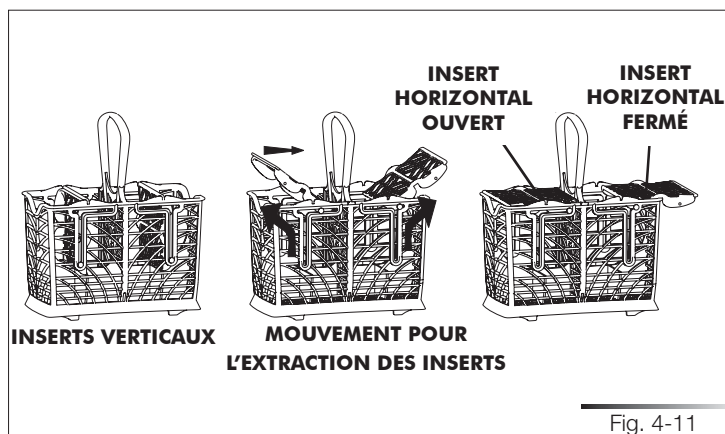
Le panier à couverts amovible facilite le prélèvement des couverts.

Les couverts doivent être disposés dans le panier à couverts de façon homogène, **avec les pointes dirigées vers le bas et en veillant à ne pas se blesser avec les lames des couteaux**. Le panier est destiné à contenir toutes sortes de couverts, à l'exception des couverts ayant une longueur qui pourrait empêcher la rotation du bras de lavage supérieur.

Les **couverts longs** (louches, cuillers en bois, couteaux de cuisine) qui peuvent interférer avec le bras de lavage supérieur doivent être placés dans le **panier supérieur, en veillant à ce que la pointe des couteaux ne dépasse pas du panier**.

Le lave-vaisselle est équipé de deux paniers à couverts, cette solution permet d'en enlever un en libérant de l'espace dans le panier inférieur quand les couverts sont peu nombreux ou que l'on a choisi le programme demi-charge (sur les modèles qui ont cette fonction).

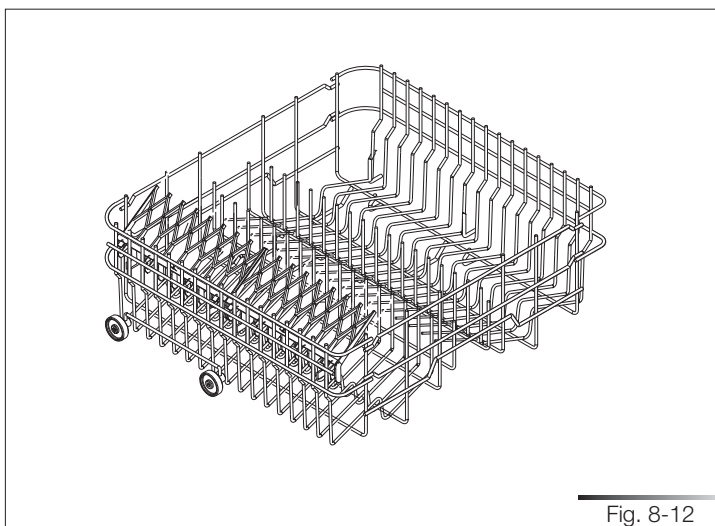
Les paniers à couverts sont dotés d'un système exclusif avec des inserts rabattables indépendants qui permettent une série de combinaisons utiles pour utiliser au mieux l'espace disponible.



### 8.4.3 Panier supérieur (voir fig. 8-12)

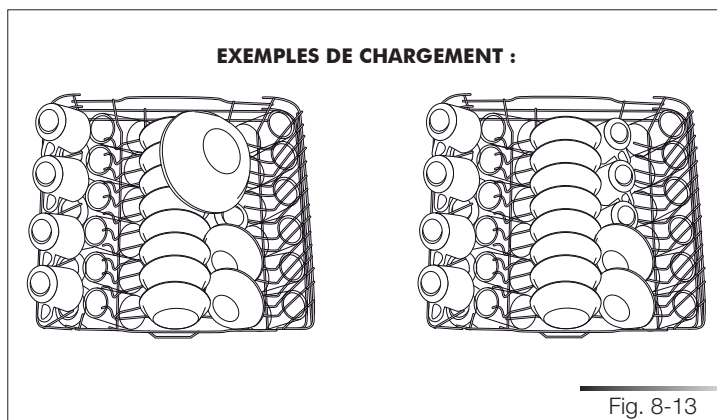
Il est conseillé de charger le panier supérieur avec de la petite vaisselle ou de la vaisselle d'une grandeur moyenne, comme des verres, des petites assiettes, des tasses à café ou à thé, des bols et des objets légers en plastique résistant à la chaleur.

Si le panier supérieur est utilisé dans la position la plus basse, on peut également y charger des plats à condition qu'ils ne soient pas trop sales. Le panier supérieur est doté, sur la gauche, de deux grilles en plastique rabattables pour laisser la place à des verres hauts (par ex. des verres à pied).



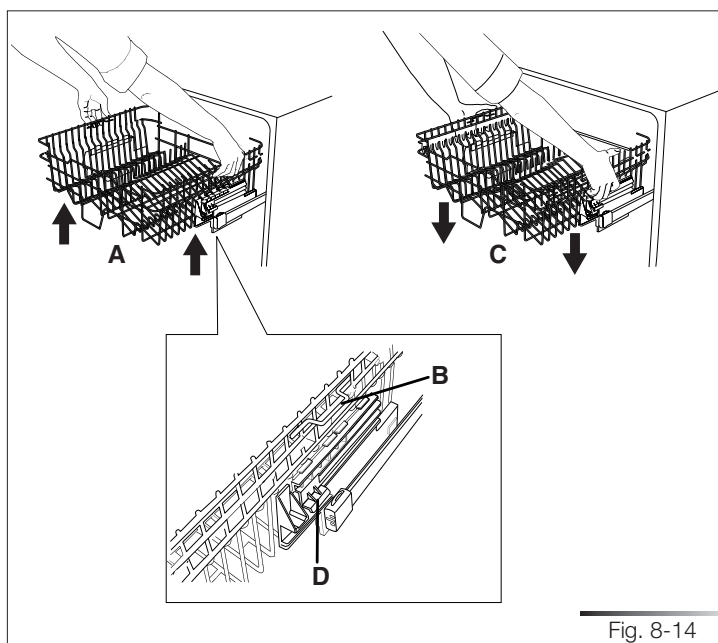
## **Chargement du panier supérieur** (voir fig. 8-13)

Mettre les assiettes tournées vers l'avant ; les tasses et les récipients creux doivent être placés avec l'ouverture orientée vers le bas. Le côté gauche du panier peut être chargé avec les tasses et les verres disposés sur deux niveaux. Au centre, on peut enfiler les assiettes et les soucoupes verticalement, dans les supports prévus à cet effet.



Le panier supérieur peut être réglé sur trois positions différentes des deux côtés. Le panier doit être au même niveau des deux côtés.

Pour relever le panier (réf. A fig. 8-14), le soulever en le tirant par les deux poignées prévues à cet effet (ex. réf. B fig. 8-14) jusqu'au premier ou deuxième dé clic, selon la hauteur désirée. Pour le baisser (réf. C fig. 8-14), il faut en revanche tirer vers le haut les deux leviers de déblocage (ex. réf. D fig. 8-14). Ces opérations peuvent également être effectuées avec le panier chargé ; dans ce cas, quand on le baisse, il est préférable de le retenir avec une main pour éviter que la vaisselle subisse des chocs.



## **9 INSTRUCTIONS POUR LE NETTOYAGE ET L'ENTRETIEN**



**AVANT TOUTE INTERVENTION, IL FAUT COUPER L'ALIMENTATION ÉLECTRIQUE À L'APPAREIL.**

### **9.1 Avertissements et conseils généraux**



**ÉVITER IMPÉRATIVEMENT DE NETTOYER L'APPAREIL AVEC DES PRODUITS DE LAVAGE ABRASIFS ET/OU CORROSIFS.**

Les surfaces extérieures et la contre-porte du lave-vaisselle doivent être nettoyées périodiquement à l'aide d'un chiffon doux et propre, humidifié avec un nettoyant neutre normal (non abrasif et/ou corrosif) pour surfaces peintes. Les joints d'étanchéité de la porte devront être nettoyés avec une éponge humide. Il est conseillé de nettoyer périodiquement (une ou deux fois par an) la cuve et les joints pour éliminer la saleté qui peut se déposer en utilisant un chiffon doux et de l'eau. Éviter d'utiliser trop d'eau pour nettoyer les commandes ; l'eau peut pénétrer dans la partie électronique et endommager les composants. Une fois le nettoyage terminé, essuyer l'appareil avec un chiffon doux qui ne peluche pas.

Si l'appareil présente des surfaces en acier inox, elles peuvent être nettoyées avec un produit, non abrasif, spécifique pour l'acier inoxydable. Pour éviter la formation d'auroles, on peut également utiliser un vaporisateur, à utiliser cependant avec parcimonie et avec des pressions modérées.

## 9.2 Nettoyage du filtre d'arrivée d'eau

Le filtre d'arrivée d'eau doit être nettoyé périodiquement. Après avoir fermé le robinet d'eau, dévisser la bague (réf. A fig. 9-01) du tuyau d'arrivée d'eau (utiliser une pince, si nécessaire), puis nettoyer délicatement le filtre en éliminant les dépôts et les impuretés. Une fois cette opération terminée, fixer fermement le tuyau en vissant la bague de serrage prévue à cet effet (réf. A fig. 9-01) (utiliser une pince, si nécessaire).

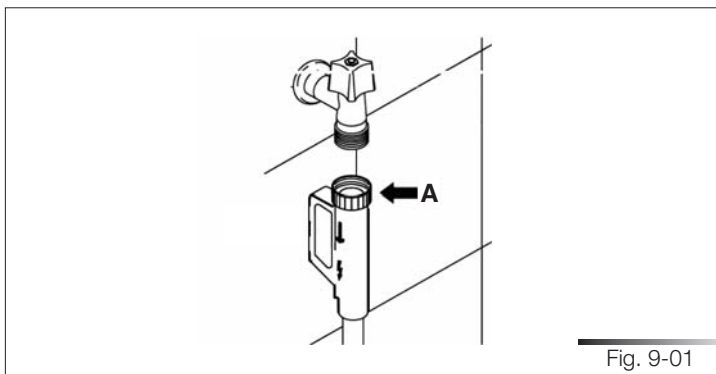


Fig. 9-01

## 9.3 Nettoyage des bras de lavage

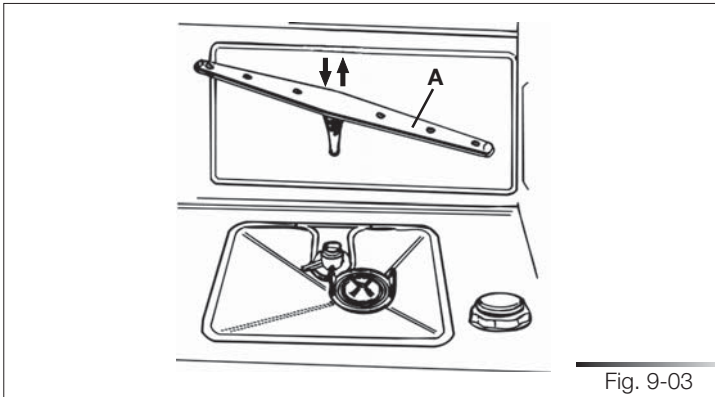
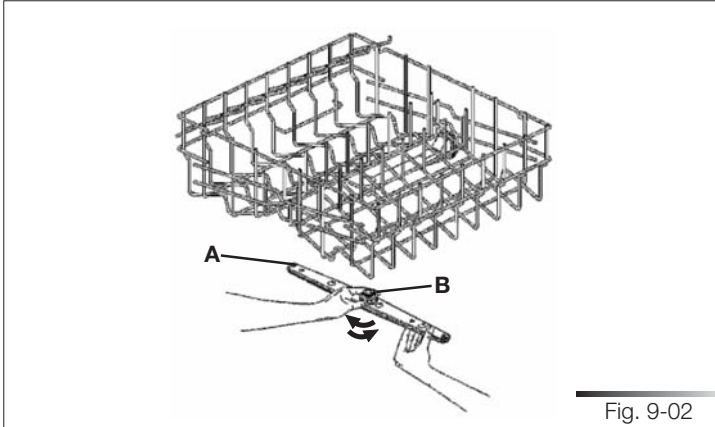
Les bras de lavage peuvent être facilement démontés pour permettre le nettoyage périodique des orifices afin d'éviter qu'ils se bouchent. Les laver sous un jet d'eau (à température ambiante) et les réintroduire avec précaution dans leurs sièges.

**S'assurer qu'ils tournent librement** ; en cas contraire, contrôler qu'ils ont été montés correctement.

### Démontage des bras de lavage

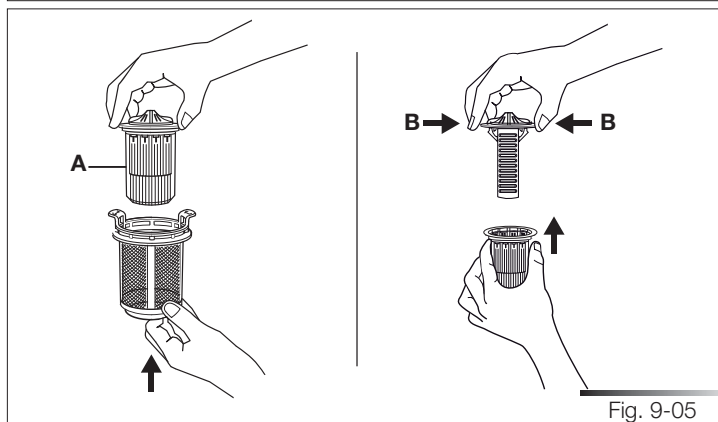
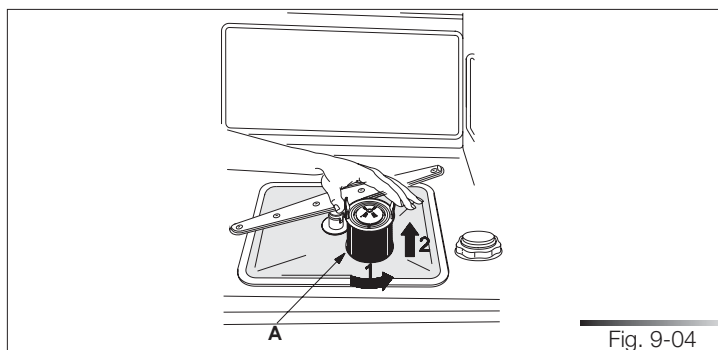
- Pour démonter le bras de lavage **supérieur** (réf. A fig. 9-02), il faut dévisser la bague de retenue (réf. B fig. 9-02) en la tournant dans le sens des aiguilles d'une montre. Une fois le nettoyage exécuté, remonter le bras de lavage dans son siège, puis visser la bague de retenue en la tournant dans le sens inverse des aiguilles d'une montre.
- Pour démonter le bras de lavage **inférieur** (réf. A fig. 9-03), il suffit de le tirer vers le haut, en le saisissant dans la partie centrale (voir fig. 9-03). Une fois le nettoyage exécuté, remonter le bras de lavage orbital en le positionnant dans son siège et en exerçant une légère pression, de façon à l'encastrer sur le bras de lavage inférieur. Ensuite, remonter le bras de lavage inférieur en le positionnant dans son siège et en exerçant une légère pression vers le bas, de façon à l'encastrer (voir fig. 9-03).





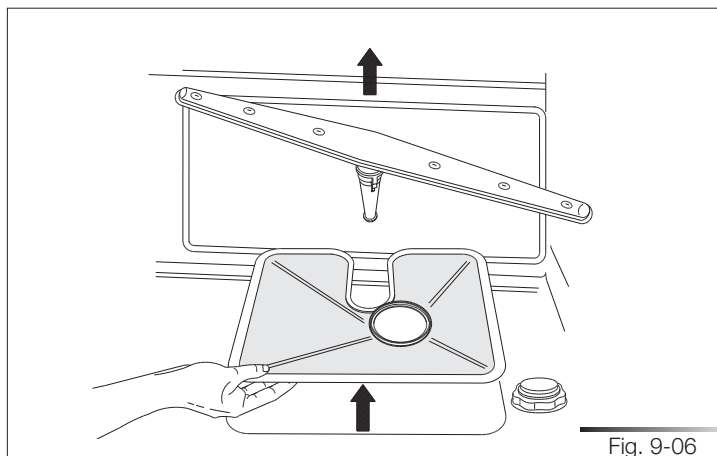
## 9.4 Nettoyage du groupe filtrant

- Il est conseillé de contrôler périodiquement le groupe filtrant (réf. A fig. 9-04) et, si nécessaire, de le nettoyer sous l'eau courante (à température ambiante) en utilisant une brosse dure. Pour l'enlever, il faut saisir les languettes, tourner dans le sens inverse des aiguilles d'une montre et tirer vers le haut ;
- pousser depuis le dessous le filtre central (réf. A fig. 9-05) pour l'extraire du microfiltre ;
- séparer les deux pièces qui constituent le filtre central en appuyant sur le corps du filtre dans la zone indiquée par les flèches estampillées (réf. B fig. 9-05) ;
- retirer le filtre central en le soulevant.
- Une fois le nettoyage exécuté, remonter le groupe filtrant après avoir assemblé les deux pièces du filtre central en exerçant une légère pression de façon à ce qu'elles s'encastrent ; introduire le filtre central à l'intérieur du microfiltre (voir fig. 9-05). Repositionner le groupe filtrant (réf. A fig. 9-04) dans son siège en le tournant dans le sens des aiguilles d'une montre pour le bloquer.



## 9.5 Instructions et conseils pour un entretien correct

- Les filtres doivent être nettoyés à l'**eau courante** (à température ambiante) avec une brosse dure.
- Il faut contrôler qu'il n'y a pas de résidus alimentaires sur le filtre **lorsqu'on le retire**. Ces résidus, en tombant dans la vidange (réf. A fig. 9-06) pourraient bloquer certains composants hydrauliques ou obstruer les orifices des bras de lavage.
- Il est indispensable de **nettoyer avec soin les filtres**, conformément aux indications susmentionnées : le lave-vaisselle ne peut pas fonctionner si les filtres sont encrassés.
- **Remettre correctement les filtres** dans leur siège afin d'éviter d'endommager la pompe de lavage.



### **Si le lave-vaisselle reste inutilisé pendant longtemps**

- Effectuer le programme de trempage **deux fois** de suite.
- **Débrancher la fiche** de la prise de courant.
- Laisser la porte **légèrement ouverte**, de façon à empêcher la formation de mauvaises odeurs à l'intérieur de la cuve de lavage.
- **Remplir le doseur** de liquide de rinçage.
- **Fermer le robinet d'eau.**

### ***Avant de réutiliser le lave-vaisselle après un arrêt prolongé***

- Contrôler qu'il n'y a pas de **dépôts de boue ou de rouille** dans la tuyauterie d'arrivée ; si tel est le cas, laisser couler l'eau du robinet d'alimentation jusqu'à ce que l'eau qui sort soit claire.
- **Rebrancher la fiche** dans la prise de courant.
- **Raccorder le tuyau flexible d'alimentation en eau et rouvrir le robinet.**

## ***9.6 Élimination de petits inconvénients***

Il est possible d'éliminer personnellement certains inconvénients en se référant aux instructions suivantes :

### ***Si le programme ne démarre pas, contrôler que :***

- le lave-vaisselle est branché au réseau électrique ;
- la distribution d'énergie électrique n'est pas coupée ;
- le robinet d'eau est ouvert ;
- la porte du lave-vaisselle est fermée correctement.

### ***Si de l'eau stagne dans le lave-vaisselle, contrôler que :***

- le tuyau d'évacuation n'est pas étranglé ;
- le siphon de vidange n'est pas bouché ;
- les filtres du lave-vaisselle ne sont pas encrassés.

### ***Si la vaisselle n'est pas propre, contrôler que :***

- le produit de lavage a été introduit en quantité suffisante ;
- il y a du sel régénérant dans le réservoir spécifique ;
- la vaisselle a été disposée correctement ;
- le programme sélectionné est approprié au type et au degré de saleté de la vaisselle ;
- tous les filtres sont propres et correctement insérés dans leurs sièges ;
- les orifices de sortie de l'eau des bras de lavage ne sont pas bouchés ;
- aucun objet n'a bloqué la rotation des bras de lavage.

### ***Si la vaisselle ne sèche pas ou reste opaque, contrôler que :***

- il y a du liquide de rinçage dans le réservoir spécifique ;
- le réglage de la distribution du liquide de rinçage est correct ;
- le produit de lavage utilisé est de bonne qualité et qu'il n'a pas perdu ses caractéristiques (par exemple à cause d'une conservation incorrecte avec l'emballage ouvert).

***Si la vaisselle présente des rayures, des taches...contrôler que :***

- le réglage du dosage du liquide de rinçage n'est pas excessif.

***Si des traces de rouille sont visibles dans la cuve :***

- la cuve est en acier inox résistant à la corrosion, les éventuelles taches de rouille sont donc dues à des éléments externes (traces de rouille provenant de conduites de l'eau, de casseroles, de couverts, etc.). Pour éliminer ces taches, il existe dans le commerce des produits spécifiques.
- Contrôler que les doses de produit de lavage utilisées sont correctes. Certains produits de lavage peuvent être plus corrosifs que d'autres.
- Contrôler que le bouchon du réservoir à sel est fermé correctement et que le réglage de l'adoucisseur d'eau est correct.



*SI LES ANOMALIES DE FONCTIONNEMENT PERSISTENT MÊME APRÈS L'APPLICATION DES INSTRUCTIONS SUSMENTIONNÉES, IL FAUT CONTACTER LE CENTRE SAV AGRÉÉ LE PLUS PROCHE.*

***ATTENTION : LES INTERVENTIONS EFFECTUÉES PAR DU PERSONNEL NON AUTORISÉ NE SONT PAS COUVERTES PAR LA GARANTIE ET SONT DONC À LA CHARGE DE L'USAGER.***

**10 DONNÉES TECHNIQUES** (VOIR TAB. 10-01)

<b>Largeur</b>	59,7 cm ÷ 59,9 cm (23-1/2" ÷ 23-37/64")
<b>Profondeur mesurée au profil extérieur du bandeau de commande</b>	55 cm (21-21/32")
<b>Hauteur</b>	de 86 cm à 91 cm (de 33-55/64" à 35-53/64")
<b>Capacité</b>	12 couverts standards
<b>Pression eau d'alimentation</b>	min.7 - max. 130 PSI (min. 0,5 – max. 9 bar)
<b>Données électriques</b>	Voir plaque des caractéristiques
Tab. 10-01	

**SUMARIO**

1	INTRODUCCIÓN.....	3
2	ADVERTENCIAS PARA LA SEGURIDAD Y EL USO .....	5
3	DESCRIPCIÓN DE LOS MANDOS .....	12
3.1	Panel superior .....	12
3.2	Configuración del programa de lavado, encendido y apagado .....	13
3.2.1	Encendido.....	16
3.2.2	Selección e inicio del programa.....	17
3.2.3	Fin del programa.....	17
3.2.4	Interrupción de un programa.....	17
3.2.5	Cambio del programa en ejecución.....	17
3.2.6	Borrado del programa en ejecución.....	18
3.2.7	Opciones .....	18
3.2.8	Apagado.....	20
3.3	Funciones suplementarias.....	20
3.3.1	Regulación del descalcificador .....	20
4	CÓMO AHORRAR ENERGÍA Y RESPETAR EL MEDIO AMBIENTE .....	22
4.1	Cómo reducir el consumo de detergente y respetar el medio ambiente....	22
5	EXTRACCIÓN DE LA VAJILLA .....	23
6	REMEDIOS PARA EVENTUALES ANOMALÍAS DE FUNCIONAMIENTO ...	24
7	INSTRUCCIONES PARA LA INSTALACIÓN Y LA PUESTA EN OBRA.....	26

8	INSTRUCCIONES PARA EL USO .....	29
8.1	Uso del descalcificador de agua.....	30
8.2	Uso del dispensador de abrillantador y detergente .....	32
8.2.1	Adición del abrillantador para el aclarado .....	33
8.2.2	Regulación de la dosificación del abrillantador .....	33
8.2.3	Carga del detergente .....	34
8.3	Advertencias y consejos generales .....	36
8.4	Uso de los cestos .....	38
8.4.1	Cesto inferior .....	39
8.4.2	Cesto para cubiertos .....	41
8.4.3	Cesto superior .....	42
9	INSTRUCCIONES PARA LA LIMPIEZA Y EL MANTENIMIENTO .....	45
9.1	Advertencias y consejos generales .....	45
9.2	Limpieza del filtro de entrada del agua .....	46
9.3	Limpieza de las toberas de rociado .....	46
9.4	Limpieza del grupo filtrante .....	48
9.5	Advertencias y consejos para el correcto mantenimiento.....	49
9.6	Eliminación de pequeños inconvenientes .....	50
10	CARACTERÍSTICAS TÉCNICAS .....	52



## 1 INTRODUCCIÓN

*Le agradecemos su confianza al elegir uno de nuestros productos. Con el fin de conocer las condiciones más adecuadas para un uso correcto y seguro de su lavavajillas, lea atentamente las instrucciones que figuran en este manual. Los varios apartados se presentan de manera que se pueda avanzar paso a paso en el conocimiento de todas las funciones del aparato. Los textos son de fácil comprensión y están ilustrados con imágenes detalladas. Este manual, de fácil consulta, dará cumplida respuesta a todas las cuestiones que puedan surgir con respecto al uso del lavavajillas.*

*Antes de utilizar el lavavajillas, lea con cuidado el capítulo 2 “Advertencias para la seguridad y el uso”.*

*Para cualquier otra información sobre el uso y el mantenimiento del lavavajillas, lea con cuidado el manual general adjunto.*

### **El manual está compuesto por las siguientes secciones:**

*INTRODUCCIÓN: contiene información general sobre el manual.*

*ADVERTENCIAS: se indica una serie de advertencias sobre la seguridad y el uso del lavavajillas.*




*INSTRUCCIONES PARA EL INSTALADOR: están destinadas al **técnico competente** que deberá llevar a cabo la instalación, la puesta en servicio y el control del aparato.*

*INSTRUCCIONES PARA EL USUARIO: se ofrecen útiles consejos para la utilización de cestos, toberas de rociado, recipientes y filtros.*

### **Nomenclatura de las figuras y las tablas:**

*en el cuadro que contiene las figuras se indica, en la parte inferior derecha, su numeración progresiva. Un ejemplo de numeración puede ser “Fig. 4-01”, donde la primera cifra (4) corresponde al capítulo al cual pertenece la figura, mientras que la segunda cifra (01) corresponde al número progresivo de la figura en el capítulo 4 (en el ejemplo la Fig. 4-01 corresponde a la primera figura del capítulo 4). La numeración de las tablas se gestiona del mismo modo, teniendo en cuenta que, en lugar de “Fig.”, se utiliza la abreviatura “Tab.” (p.ej. Tab. 4-01, que corresponde a la primera tabla del capítulo 4). En caso de que la tabla ocupe diferentes páginas, se añadirá una letra después de la cifra progresiva (p.ej. “Tab. 4-01a” y Tab. 4-01b”).*

**Símbolos utilizados en este manual** (véase la tab. 1-01)

	<b>PELIGRO.</b> Este símbolo se refiere a información y advertencias cuyo incumplimiento puede perjudicar la seguridad de las personas o dañar el aparato.
	<b>PELIGRO ELÉCTRICO.</b> Este símbolo se refiere a información y advertencias de tipo eléctrico cuyo incumplimiento puede perjudicar la seguridad de las personas o dañar el aparato.
	Este símbolo se refiere a información y advertencias generales.
Tab. 1-01	

## 2 ADVERTENCIAS PARA LA SEGURIDAD Y EL USO (CONSERVAR ESTAS INSTRUCCIONES)



**ESTE MANUAL ES UNA PARTE INTEGRANTE DEL APARATO:** SE DEBERÁ CONSERVAR SIEMPRE EN BUENAS CONDICIONES DE INTEGRIDAD JUNTO AL LAVAVAJILLAS (INCLUYENDO LOS EVENTUALES MANUALES DE “INSTALACIÓN” Y “DESCRIPCIÓN DE LOS MANDOS” ADJUNTOS). ANTES DEL USO, LE ACONSEJAMOS LEA DETENIDAMENTE TODAS LAS INDICACIONES CONTENIDAS EN EL MISMO. LA INSTALACIÓN SE DEBERÁ ASIGNAR A PERSONAS COMPETENTES, EN EL RESPETO DE LAS NORMAS VIGENTES. ESTE APARATO SE HA REALIZADO PARA EL USO DOMÉSTICO CON ARREGLO A LAS DIRECTIVAS ACTUALMENTE EN VIGOR, INCLUYENDO LA PREVENCIÓN Y LA ELIMINACIÓN DE LAS PERTURBACIONES RADIO. EL APARATO SE HA REALIZADO PARA LLEVAR A CABO LA SIGUIENTE FUNCIÓN: **LAVADO Y SECADO DE VAJILLA**; CUALQUIER OTRO TIPO DE USO SE DEBE CONSIDERAR IMPROPIO. **EL FABRICANTE RECHAZA CUALQUIER RESPONSABILIDAD EN CASO DE EMPLEO DEL APARATO PARA TAREAS QUE NO SEAN LAS INDICADAS EN LAS PRESCRIPCIONES DE USO.**



LA PLACA DE IDENTIFICACIÓN, CON LAS CARACTERÍSTICAS TÉCNICAS, EL NÚMERO DE MATRÍCULA Y LA MARCA, ESTÁ SITUADA EN UNA POSICIÓN BIEN VISIBLE EN EL BORDE INTERIOR DE LA PUERTA DEL LAVAVAJILLAS.  
**LA PLACA DE IDENTIFICACIÓN NO SE DEBERÁ ELIMINAR POR NINGUNA RAZÓN.**



EL APARATO NO ES ADECUADO PARA EL USO MARÍTIMO O MÓVIL COMO POR EJEMPLO EN CARAVANAS O BARCOS. LOS LAVAVAJILLAS CERTIFICADOS PARA EL USO DOMÉSTICO NO ESTÁN DESTINADOS A LOS ESTABLECIMIENTOS ALIMENTARIOS AUTORIZADOS.



VERIFICAR QUE LA TENSIÓN, LA FRECUENCIA Y LA PROTECCIÓN DE LA INSTALACIÓN ELÉCTRICA DE LA CASA CORRESPONDAN A LAS INDICACIONES PRESENTES EN LA PLACA DE IDENTIFICACIÓN DEL APARATO.



NO ABANDONE EVENTUALES RESIDUOS DE EMBALAJE EN EL AMBIENTE DOMÉSTICO. SEPARÉ LOS DISTINTOS MATERIALES DE DESPERDICIO DEL EMBALAJE Y ENTRÉGUELOS AL CENTRO DE RECOLECCIÓN SELECTIVA DE RESIDUOS MÁS CERCANO. LOS RESIDUOS DEL EMBALAJE NO DEBEN QUEDAR AL ALCANCE DE LOS NIÑOS, DE PERSONAS CON CAPACIDADES FÍSICAS Y/O MENTALES REDUCIDAS O DE ANIMALES; EXISTE EL PELIGRO DE SOFOCACIÓN.



ANTES DE REALIZAR LA INSTALACIÓN DESCONECTA LA ALIMENTACIÓN ELÉCTRICA DEL ÁREA DE TRABAJO.



NO UTILICE PROLONGADORES, ADAPTADORES O DERIVADORES YA QUE PODRÍAN PROVOCAR RECALENTAMIENTOS, O QUEMADURAS, CON EL CONSIGUIENTE PELIGRO DE INCENDIO.



DURANTE LA INSTALACIÓN TENGA CUIDADO CON LOS BORDES CORTANTES PRESENTES EN EL LAVAVAJILLAS, PARA EVITAR HERIDAS; LLEVE GANTES DE SEGURIDAD.



ES OBLIGATORIO EFECTUAR LA CONEXIÓN DE TIERRA CON ARREGLO A LAS INDICACIONES SUMINISTRADAS POR LAS NORMAS DE SEGURIDAD DE LA INSTALACIÓN ELÉCTRICA. EN CASO DE DUDAS HAGA CONTROLAR LA INSTALACIÓN POR UN ELECTRICISTA COMPETENTE (VÉANSE TAMBIÉN LAS ADVERTENCIAS DEL CAPÍTULO 7).

**EL FABRICANTE NO SE ASUME NINGUNA RESPONSABILIDAD EN CASO DE DAÑOS A OBJETOS O PERSONAS PROVOCADOS POR LA FALTA DE CONEXIÓN O POR LA CONEXIÓN DEFECTUOSA DE LA LÍNEA DE TIERRA.**



CUANDO TERMINE DE USAR EL APARATO, APAGUE EL LAVAVAJILLAS PARA EVITAR LA DISPERSIÓN DE ENERGÍA ELÉCTRICA.



EN CASO DE FUNCIONAMIENTO ANÓMALO DESCONECTE EL LAVAVAJILLAS DE LA RED ELÉCTRICA Y CIERRE LA LLAVE DEL AGUA.



*¡NO UTILICE APARATOS QUE HAYAN SUFRIDO DAÑOS DURANTE EL TRANSPORTE! EN CASO DE DUDAS PÓNGASE EN CONTACTO CON EL VENDEDOR. EL APARATO SE DEBERÁ INSTALAR Y CONECTAR SEGÚN LAS INSTRUCCIONES SUMINISTRADAS POR EL FABRICANTE Y POR PERSONAL COMPETENTE.*



*UTILICE SOLAMENTE DETERGENTES DECLARADOS ADECUADOS PARA EL USO EN LAVAVAJILLAS. NO UTILICE DETERGENTES PARA EL LAVADO A MANO. UTILICE EXCLUSIVAMENTE ABRILLANTADOR PARA LAVAVAJILLAS DOMÉSTICOS.*



*NO INHALE NI TRAGUE EL DETERGENTE; EL DETERGENTE PUEDE CAUSAR QUEMADURAS Y/O DAÑOS IRREPARABLES A LA NARIZ, LA BOCA Y LA GARGANTA E INCLUSO LA SOFOCACIÓN; ASEGÚRESE DE QUE EL DETERGENTE NO ENTRE EN CONTACTO CON LOS OJOS. DE PRODUCIRSE LAS SITUACIONES QUE SE ACABA DE INDICAR, DIRÍJASE PRONTAMENTE A UN MÉDICO. PARA EVITAR QUE LOS NIÑOS ENTREN EN CONTACTO CON LOS DETERGENTES, CARGUE LOS DETERGENTES INMEDIATAMENTE ANTES DE INICIAR EL PROGRAMA DE TRABAJO, LUEGO MANTÉNGALOS LEJOS DEL ALCANCE DE LOS NIÑOS.*



*EL LAVAVAJILLAS DEBE SER UTILIZADO POR PERSONAS ADULTAS. SU USO POR PARTE DE PERSONAS CON CAPACIDADES FÍSICAS Y/O MENTALES REDUCIDAS ESTÁ PERMITIDO SÓLO BAJO LA SUPERVISIÓN DE UN RESPONSABLE DE SU SEGURIDAD.*

*PARA ELIMINAR EL RIESGO DE DAÑOS A LAS PERSONAS, NO PERMITA A LOS NIÑOS ACERCARSE AL LAVAVAJILLAS Y/O JUGAR CON O SOBRE EL MISMO. EN EL INTERIOR DEL LAVAVAJILLAS PODRÍAN QUEDAR RESIDUOS DE DETERGENTE QUE PUEDEN CAUSAR DAÑOS IRREPARABLES A LA VISTA, LA BOCA Y LA GARGANTA E INCLUSO LA SOFOCACIÓN; DE PRODUCIRSE LOS PROBLEMAS QUE SE ACABA DE INDICAR, DIRÍJASE PRONTAMENTE A UN MÉDICO.*

*PRESTE ATENCIÓN: EXISTE EL PELIGRO DE QUE LOS NIÑOS SE PUEDAN CERRAR DENTRO DEL LAVAVAJILLAS!*



*NO INTRODUZCA SOLVENTES COMO ALCOHOL O TREMENTINA QUE PUEDEN PROVOCAR LA EXPLOSIÓN DEL APARATO.*



NO VIERTA EL DETERGENTE EN POLVO Y/O LÍQUIDO EN EL COMPARTIMENTO DEL ABRILLANTADOR YA QUE LO DAÑARÍA. NO VIERTA EL DETERGENTE EN POLVO Y/O LÍQUIDO EN EL DEPÓSITO DEL DESCALCIFICADOR YA QUE LO DAÑARÍA. NO UTILICE DETERGENTES PARA EL USO INDUSTRIAL; EXISTE EL RIESGO DE DAÑAR LOS MATERIALES QUE CONSTITUYEN EL APARATO Y EL PELIGRO DE REACCIONES QUÍMICAS VIOLENTAS (P.EJ. GAS EXPLOSIVO).



NO PONGA EN EL APARATO VAJILLA QUE PRESENTE RESIDUOS DE CENIZA, CERA O PINTURA.



NO PONGA EN EL APARATO VAJILLA DE PLÁSTICO SENSIBLE A LAS ALTAS TEMPERATURAS COMO POR EJEMPLO CUBIERTOS O RECIPIENTES DESECHABLES, YA QUE PODRÍAN DEFORMARSE. NO LAVE OBJETOS DE PLÁSTICO SI NO ESTÁN PROVISTOS DE LA ETIQUETA "LAVABLE EN EL LAVAVAJILLAS" U OTRA SIMILAR. PARA LOS OBJETOS QUE NO LLEVAN ESTA MARCA CONTROLE LAS INDICACIONES DEL PRODUCTOR; DE NO TENER INFORMACIÓN, NO LAVE ESTOS OBJETOS EN EL LAVAVAJILLAS.



NO PONGA ANIMALES EN EL LAVAVAJILLAS.



DURANTE EL FUNCIONAMIENTO, CUANDO SE ABRE LA PUERTA DEL LAVAVAJILLAS, EXISTE EL PELIGRO DE QUEMADURAS CAUSADAS POR EL CALOR PRESENTE EN SU INTERIOR; NO SE EXPONGA AL VAPOR QUE EL LAVAVAJILLAS EMANA Y NO TOQUE LOS COMPONENTES PRESENTES EN SU INTERIOR. AL FINAL DEL PROGRAMA DE LAVADO, O EN CASO DE INTERRUPCIÓN, ESPERE POR LO MENOS 20 MINUTOS ANTES DE EXTRAIGA LA VAJILLA PARA EVITAR QUE SE ENFRÍE.



EN ALGUNAS SITUACIONES, EN UN SISTEMA DE AGUA CALIENTE QUE NO SE HAYA UTILIZADO DURANTE MÁS DE DOS SEMANAS, ES POSIBLE QUE SE PRODUZCA GAS HIDRÓGENO. **EL HIDRÓGENO ES UN GAS EXPLOSIVO.** SI EL SISTEMA DE AGUA CALIENTE NO SE HA UTILIZADO DURANTE DOS SEMANAS O UN PERIODO MÁS LARGO, ANTES DE USAR EL LAVAVAJILLAS ES NECESARIO ABRIR TODAS LAS LLAVES DEL AGUA CALIENTE Y

DEJAR CORRER EL AGUA POR ALGUNOS MINUTOS. DE ESTE MODO SE PERMITIRÁ LA ELIMINACIÓN DE POSIBLES ACUMULACIONES DE HIDRÓGENO. **COMO ESTE GAS ES INFLAMABLE, NO FUME NI UTILICE LLAMAS ABIERTAS DURANTE ESTE PERIODO.**



**NO SE APOYE NI SUBA A LA PUERTA ABIERTA DEL LAVAVAJILLAS YA QUE EL APARATO SE PODRÍA VOLCAR PROVOCANDO SITUACIONES PELIGROSAS PARA LAS PERSONAS. NO DEJE LA PUERTA DEL LAVAVAJILLAS ABIERTA YA QUE SE PODRÍA TROPEZAR CON ELLA. NO SE APOYE NI SUBA A LOS CESTOS DEL LAVAVAJILLAS.**



NO TOME EVENTUALES RESIDUOS DE AGUA PRESENTES EN LA VAJILLA O EN EL LAVAVAJILLAS.



LOS CUCHILLOS Y LOS OTROS UTENSILIOS DE COCINA DE PUNTAS CORTANTES DEBEN COLOCARSE EN EL CESTO PARA CUBIERTOS CON LAS PUNTAS DIRIGIDAS HACIA ABAJO O BIEN EN POSICIÓN HORIZONTAL EN EL CESTO SUPERIOR, PRESTANDO ATENCIÓN A NO SUFRIR HERIDAS Y A QUE NO SOBRESALGAN DEL CESTO, EVITANDO ASÍ HERIDAS DE CORTE. SITÚE LOS OBJETOS CORTANTES/PUNTIAGUDOS DE TAL FORMA QUE SE EVITE DAÑAR LAS JUNTAS DE LA PUERTA.



NO PONGA EN FUNCIONAMIENTO EL LAVAVAJILLAS SI TODOS LOS PANELES QUE LA CUBREN NO ESTÁN SITUADOS CORRECTAMENTE.



NO ALTERE LOS MANDOS DEL LAVAVAJILLAS.



**MODELOS PROVISTOS DE AGUASTOP;** AGUASTOP ES UN DISPOSITIVO QUE IMPIDE EVENTUALES INUNDACIONES EN CASO DE PÉRDIDAS DE AGUA. EN CASO DE ACCIONAMIENTO DEL DISPOSITIVO AGUASTOP (INDICADO POR LA VISUALIZACIÓN DEL ERROR CORRESPONDIENTE EN EL DISPLAY) ES NECESARIO DIRIGIRSE A UN TÉCNICO COMPETENTE PARA QUE DETECTE Y RESUELVLA LA AVERÍA. EN LOS MODELOS DOTADOS DE AGUASTOP EL TUBO DE ALIMENTACIÓN DEL AGUA CONTIENE UNA ELECTROVÁLVULA. **NO CORTE EL TUBO Y NO DEJE**

**CAER LA ELECTROVÁLVULA EN EL AGUA.** EN CASO DE QUE SE PERJUDIQUE EL TUBO DE ALIMENTACIÓN DEL AGUA, DESCONECTE EL APARATO DE LA RED HÍDRICA Y ELÉCTRICA. TERMINADA LA INSTALACIÓN, LLEVE A CABO ALGUNAS PRUEBAS DEL APARATO (VÉASE EL MAN. "INSTALACIÓN"). EN CASO DE QUE EL APARATO NO FUNCIONE, DESCONECTELO DE LA RED ELÉCTRICA Y DIRÍJASE AL CENTRO DE ASISTENCIA TÉCNICA MÁS CERCANO. **NO TRATE DE REPARAR EL APARATO POR SU CUENTA.**



EL LAVAVAJILLAS HA SIDO FABRICADO CON ARREGLO A TODOS LOS REQUISITOS PREVISTOS POR LAS NORMAS DE SEGURIDAD VIGENTES EN MATERIA DE APARATOS ELÉCTRICOS. EVENTUALES CONTROLES TÉCNICOS SE DEBERÁN ASIGNAR A PERSONAL EXPERTO Y AUTORIZADO: **LAS REPARACIONES REALIZADAS POR PERSONAS NO COMPETENTES HARÁN DECAER LAS CONDICIONES DE GARANTÍA Y PUEDEN CONVERTIRSE EN UNA FUENTE DE POTENCIAL PELIGRO PARA EL USUARIO.**




EN CASO DE LIMPIEZA Y MANTENIMIENTO DEL APARATO: ANTES DE EFECTUAR EL MANTENIMIENTO DEL APARATO, DESCONECTE EL ENCHUFE O BIEN DESCONECTE LA TENSIÓN MEDIANTE EL DISPOSITIVO DE INTERRUPCIÓN OMNIPOLAR.



QUITE LA PUERTA DEL VANO DE LAVADO Y DESCONECTE LA ALIMENTACIÓN ELÉCTRICA CUANDO DESMONTE EL VIEJO LAVAVAJILLAS PARA FINES DE ASISTENCIA O SUSTITUCIÓN DEFINITIVA.



EL SÍMBOLO  EN EL PRODUCTO O EN LOS DOCUMENTOS QUE SE INCLUYEN CON EL PRODUCTO, INDICA QUE NO SE PUEDE TRATAR COMO RESIDUO DOMÉSTICO. ES NECESARIO ENTREGARLO EN UN PUNTO DE RECOGIDA PARA RECICLAR APARATOS ELÉCTRICOS Y ELECTRÓNICOS. DESÉCHELO CON ARREGLO A LAS NORMAS MEDIOAMBIENTALES PARA LA ELIMINACIÓN DE RESIDUOS. PARA OBTENER INFORMACIÓN MÁS DETALLADA SOBRE EL TRATAMIENTO, LA RECUPERACIÓN Y EL RECICLAJE DE ESTE PRODUCTO, PÓNGASE EN CONTACTO CON LA OFICINA LOCAL ESPECÍFICA, EL SERVICIO DE ELIMINACIÓN DE RESIDUOS DOMÉSTICOS O LA TIENDA DONDE ADQUIRIÓ EL PRODUCTO.





*ASEGURÁNDOSE DE QUE ESTE PRODUCTO SE ELIMINE DE MODO CORRECTO, EL USUARIO CONTRIBUYE A PREVENIR LAS POTENCIALES CONSECUENCIAS NEGATIVAS PARA EL MEDIO AMBIENTE Y LA SALUD.*



***EL FABRICANTE NO SE ASUME NINGUNA RESPONSABILIDAD EN CASO DE DAÑOS SUFRIDOS POR PERSONAS, COSAS Y ANIMALES, PROVOCADOS POR EL INCUMPLIMIENTO DE LAS PRESCRIPCIONES CITADAS O DEBIDOS A LA VIOLACIÓN DE ALGUNA PIEZA DEL APARATO O AL EMPLEO DE REPUESTOS NO ORIGINALES.***

***EN CASO DE DUDAS SOBRE LO DESCRITO EN ESTE MANUAL, PÓNGASE EN CONTACTO CON EL SERVICIO DE ASISTENCIA TÉCNICA.***

### 3 DESCRIPCIÓN DE LOS MANDOS

#### 3.1 Panel superior

Todos los mandos y los dispositivos de control del lavavajillas están situados en el panel superior (véase la fig. 3-01). Las operaciones de encendido, programación, apagado, etc. se pueden ejecutar solamente con la puerta abierta. A continuación se describen brevemente (véase la tab. 3-01) los diferentes mandos presentes en el panel superior.

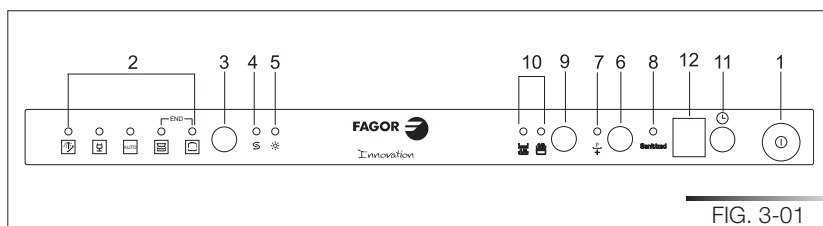


FIG. 3-01

1	<b>Tasto de encendido/apagado</b> Pulsando este pulsador se pone el aparato bajo tensión.
2	<b>Pilotos de programa seleccionado</b> El piloto encendido indica el programa seleccionado y la presencia de eventuales averías.
3	<b>Pulsador de selección programas</b> Pulsando este pulsador en secuencia es posible seleccionar el programa deseado.
4	<b>Piloto de falta de sal</b> El piloto encendido indica que no hay sal en el aparato.
5	<b>Piloto de falta de abrillantador</b> El piloto encendido indica que no hay abrillantador en el aparato.
6	<b>Pulsador de programas suplementarios</b> Pulsando este pulsador es posible obtener uno de los cinco programas suplementarios (véase la tabla 3-02b).
7	<b>Piloto de programas suplementarios</b> El piloto encendido indica que se ejecutará uno de los cinco programas suplementarios (véase la tabla 3-02b).
8	<b>Piloto de esterilización</b> El piloto encendido indica que la función está activada.
9	<b>Pulsador de media carga</b> Pulsando este pulsador se selecciona la opción de lavado a media carga.
10	<b>Pilotos de media carga</b> Uno de los pilotos encendido indica que se ha seleccionado el lavado a media carga en el cesto superior o inferior.
11	<b>Pulsador de retraso del programa</b> Pulsando este pulsador es posible retrasar el inicio del programa de hasta 9 horas.
12	<b>Display de informaciones</b>

Tab. 3-01

## 3.2 Configuración del programa de lavado, encendido y apagado

El lavavajillas cuenta con un panel de mandos (véase la fig. 3-02) que permite llevar a cabo todas las operaciones de encendido, programación y apagado.

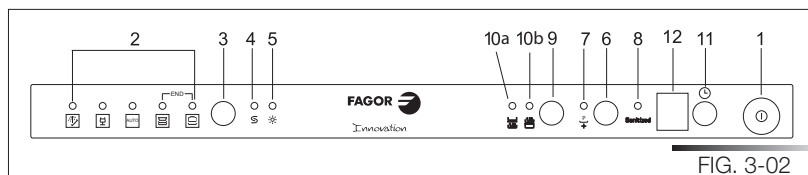





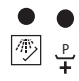
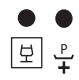
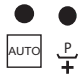

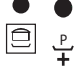


FIG. 3-02

Para seleccionar el programa más adecuado para la vajilla que se debe lavar utilice la tabla representada a continuación, donde se indica el lavado más adecuado, teniendo en cuenta también el tipo de vajilla y el grado de suciedad (véanse las tab. 3-02a y 3-02b).

PROGRAMA STANDARD NÚMERO Y SÍMBOLO		CARGA DE VAJILLA Y CUBIERTOS	SECUENCIA PROGRAMA	DURACIÓN	CONSUMO		
				MINUTOS (2)	AGUA (1)	ENERGY kWh (2)	
1		CALENTAMIENTO VAJILLAS	Ollas y vajilla que se deben aclarar y secar	Aclarado a 69°C (156,2°F). Secado.	50'	3,9 litros 1,03 gal.	0,64
2		CRISTALES	Vajilla con suciedad normal	Lavado a 45°C (113°F). Aclarado en frío. Aclarado a 69°C (156,2°F). Secado.	70'	10,8 litros 2,85 gal.	0,6
3		LAVADO SUPER AUTO ETL SANITATION LISTED	Vajilla con suciedad normal, también con residuos secos	Prelavado en frío (Según el tipo de suciedad) Lavado a 65°C (149°F). Aclarado en frío. Aclarado en calor a 70°C (158°F). Secado.	115'-130'	11-15 litros 2,91 3,96 gal	1-1,2
4		NORMALE	Vajilla con suciedad normal	Prelavado en frío. Lavado a 55°C (131°F). Aclarado en frío. Aclarado a 68°C (154,4°F). Secado.	112'	14,8 litros 3,91 gal.	0,8
5		LAVADO EXTREMO ETL SANITATION LISTED	Ollas y vajilla muy sucias, también con residuos secos	Prelavado a 45°C (113°F). Lavado a 70°C (158°F). 2 aclarados en frío. Aclarado a 70°C (158°F). Secado.	122'	18,3 litros 4,83 gal.	1,12

Tab. 3-02a

PROGRAMA SUPLEMENTARIOS NÚMERO Y SÍMBOLO		CARGA DE VAJILLA Y CUBIERTOS	SECUENCIA PROGRAMA	DURACIÓN	CONSUMO		
				MINUTOS (2)	AGUA (1)	ENERGY kWh (2)	
6		ACLARADO	Ollas y vajilla a la espera de un nuevo lavado	Prelavado en frío.	16'	3,9 litros 1,03 gal.	0,03
7		BREVE	Vajilla poco sucia	Lavado a 38°C (136,40°F). Aclarado en frío. Aclarado a 58°C (136,4°F).	37'	10,6 litros. 2,8 gal.	0,38
8		DELICADO AUTO	Vajilla lavada inmediatamente después del uso	Prelavado en frío (Según el tipo de suciedad) Lavado a 55°C (131°F). Aclarado en frío. Aclarado en calor a 69°C (156,2°F). Secado.	105'-120'	11-15 litros 2,91-3,96 gal.	0,8-1
9		ECONOMY	Vajilla lavada inmediatamente después del uso	Lavado a 55°C (131°F). Aclarado en frío. Aclarado a 69°C (156,2°F). Secado.	123'	11,9 litros 3,14 gal.	0,9
10		LAVADO INTENSO	Ollas y vajilla con suciedad normal, también con residuos secos	Lavado a 70°C (158°F). 2 aclarados en frío. Aclarado a 70°C (158°F). Secado.	102'	15,1 litros 3,99 gal.	1,0

Tab. 3-02b

(1) Consumo hídrico medio con un nivel de suavizante programado en 0 (cero).

Cualquier otra programación hará aumentar el consumo hídrico hasta 2,5 l (0,66 gal.) / ciclo en caso de programación del nivel 5.

(2) Las duraciones de los ciclos que se indican en el manual de uso y mantenimiento se calculan sobre las cargas ordinarias y una temperatura del agua en entrada de 49°C (120°F), pero cambiarán según las condiciones reales.

- Sólo los programas "LAVADO SUPER AUTO" y "LAVADO EXTREMO" son conformes al estándar NSF 184 y están certificados por INTERTEK con la expresión ETL SANITATION LISTED.

- Cuando está activo el led "Sanitized" significa que el contenido del lavavajillas y el lavavajillas se han higienizado de conformidad con los requisitos de la National Sanitation Foundation (NSF).

- En los casos de selección de los "AUTO PROGRAMAS" el lavavajillas reconoce el tipo de suciedad presente y regula los parámetros de lavado de forma apropiada y en automático .

Lleve a cabo el ciclo de remojo **únicamente** cuando la carga sea parcial. Para ejecutar los programas **6,7,8,9 y 10** (véase la tab. 3-02b) es necesario pulsar, tras haber seleccionado el programa estándar correspondiente (véanse los programas **1, 2, 3, 4 y 5** en la tab. 3-02a), el **pulsador de programas suplementarios** (ref. 6 fig. 3-02).

Una vez que haya identificado el programa de lavado más adecuado mediante las tablas indicadas, realice la programación del lavavajillas.

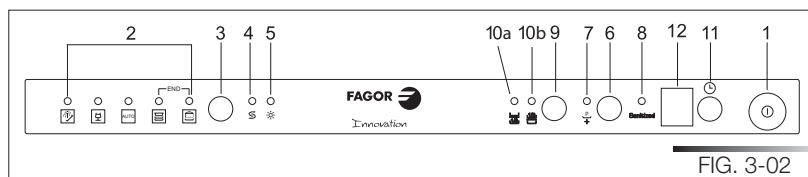


*Antes de activar un programa de lavado, controle que:*

- La llave del agua a la cual está conectado el lavavajillas esté **abierta**.
- En el **depósito** del descalcificador **haya sal regeneradora** (para la adición de la sal véanse las instrucciones en el manual general).
- En el **dispensador** se haya colocado **la cantidad adecuada de detergente** (para la adición del detergente véanse las instrucciones en el manual general).
- Las toberas de rociado giren libremente sin ningún atasco.
- Los cestos estén **cargados correctamente** (véanse las instrucciones en el manual general).
- La puerta del lavavajillas **esté cerrada correctamente**.

### 3.2.1 Encendido

Pulsando el pulsador de encendido/apagado (ref. 1 fig. 3-02) el lavavajillas se enciende. Luego, espere a que uno de los **pilotos de programas se enciende** (ref. 2 fig. 3-02).



### 3.2.2 Selección e inicio del programa

- Pulse varias veces el pulsador de **selección de programas** (ref. 3 fig. 3-02) hasta que el piloto correspondiente al programa deseado se encienda (ref. 2 fig. 3-02);
- utilice los pulsadores correspondientes para seleccionar las funciones complementarias deseadas (p.ej. “Selección del lavado a media carga” y “Retraso del programa”; véase el apdo. 3.2.7 “Opciones”);
- cierre la puerta; después de aproximadamente **2 segundos** comenzará el programa y durante su ejecución el **piloto correspondiente** (señal de programa en ejecución) **parpadeará**.



*Si la puerta del lavavajillas está abierta o mal cerrada, no podrá comenzar el ciclo de lavado.*

### PROGRAMAS SUPLEMENTARIOS

El pulsador para programas suplementarios (ref. 6 fig. 3-02) permite obtener **cinco programas más**, además de los que se pueden seleccionar directamente mediante el pulsador de selección programas.

El pulsador se debe pulsar (el piloto se enciende) **después de** haber seleccionado el programa “principal” (véanse 1, 2, 3, 4 y 5 en la tab. 3-02a).

La función **permanece memorizada y**, por lo tanto, será necesario pulsar nuevamente el pulsador (el piloto se apaga) si en el ciclo siguiente se desea ejecutar uno de los 5 programas principales.

### 3.2.3 Fin del programa

El fin del programa se indica con una breve señal acústica y, además, el piloto de los programas normal y fuerte (que se indican con “end”) parpadearán.

### 3.2.4 Interrupción de un programa

Para interrumpir un programa en ejecución es suficiente abrir la puerta del lavavajillas; para permitir la prosecución del programa es suficiente cerrar la puerta. El programa empezará a funcionar desde el punto en que se había interrumpido.

### 3.2.5 Cambio del programa en ejecución

Para modificar un programa en ejecución es suficiente abrir la puerta del lavavajillas y seleccionar el nuevo programa. Al cerrar nuevamente la puerta, el lavavajillas ejecuta automáticamente el nuevo programa.

### 3.2.6 Borrado del programa en ejecución

- Para anular el programa en ejecución es necesario, tras haber abierto la puerta, pulsar y mantener pulsado por algunos segundos el pulsador de **selección de programas** (ref. 3 fig. 3-02) hasta que los pilotos del cuarto y quinto programa se enciendan simultáneamente (ref. pr. 4 y pr. 5 fig. 3-03).
- Cierre la puerta.
- Después de aproximadamente 1 minuto el lavavajillas alcanza el fin del ciclo; los pilotos del cuarto y quinto programa (ref. pr. 4 y pr. 5 fig. 3-03) empiezan a parpadear.

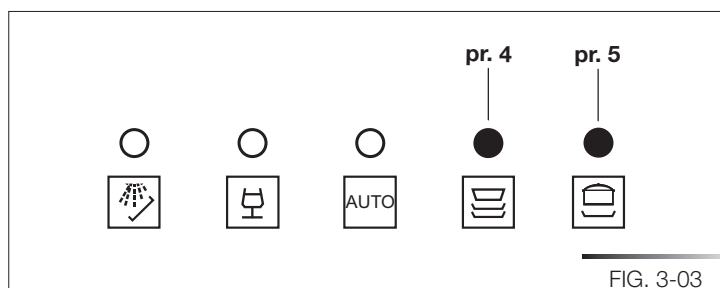


FIG. 3-03

### 3.2.7 Opciones

#### SELECCIÓN DEL LAVADO A MEDIA CARGA

Esta función es ideal para las cargas reducidas y permite ahorrar agua y energía eléctrica.

Antes de seleccionar el lavado a media carga, abra la puerta del lavavajillas y seleccione el programa de lavado deseado (véase el apdo. 3.2 “Configuración del programa de lavado, encendido y apagado”).

La selección del lavado a media carga se gestiona mediante el pulsador de media carga (ref. 9 fig. 3-02) con dos opciones:

- pulsando el pulsador por **primera vez** se selecciona el lavado en el **cesto superior**, que se confirma mediante el encendido del piloto correspondiente (ref. 10a fig. 3-02);
- pulsando el pulsador por **segunda vez** se selecciona el lavado en el **cesto inferior**, que se confirma mediante el encendido del piloto correspondiente (ref. 10b fig. 3-02);
- pulsando el pulsador por **tercera vez** se vuelve a la condición normal de **plena carga** (lavado en ambos cestos con ambos pilotos apagados).

Cuando se selecciona el lavado solamente en el **cesto inferior** es posible **separar el cesto para cubiertos** utilizando **solamente la mitad**.



## **RETRASO DEL PROGRAMA**

### **(disponible en todos los programas, excluyendo el remojo)**

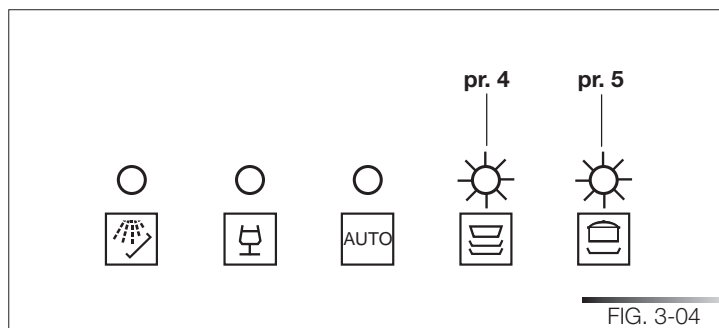
La función “**Retraso del programa**” permite programar el retraso del inicio del programa de lavado hasta **9 horas** desde el momento en que se efectúa la programación. De esta manera podrá hacer funcionar el lavavajillas en los horarios que le resulten más convenientes.

Antes de programar el retraso del programa, abra la puerta del lavavajillas y seleccione el programa de lavado deseado (véase el apdo. 3.2 “Configuración del programa de lavado, encendido y apagado”). La selección del retraso se realiza pulsando el pulsador de **Retraso del programa** (ref. 11 fig. 3-02); pulsando repetidas veces el pulsador, en el display se visualizará el retraso deseado para poner en marcha el aparato, a partir de **1 hora**.

### 3.2.8 Apagado

Al final del programa el lavavajillas emite una breve señal acústica y, además, los **pilotos del cuarto y quinto programa** (ref. pr. 4 y pr. 5 fig. 3-04) parpadean.

El apagado del aparato se obtiene abriendo la puerta y pulsando el pulsador de **encendido/apagado** (ref. 1 fig. 3-02).



## 3.3 Funciones suplementarias

### 3.3.1 Regulación del descalcificador



**NOTA:** para realizar la siguiente regulación es necesario que el programa de lavado sea diferente al de remojo.

Pulse y mantenga pulsado el pulsador de **retraso del programa** (ref. 12 fig. 3-05) hasta que aparezca el valor predefinido, seguido del punto (en general **3.**). Suelte el pulsador, luego vuelva a pulsarlo repetidas veces para visualizar el valor deseado, según la tabla (véase la tab. 3-03).

Los **6** niveles de regulación posibles aparecerán en esta secuencia:

**3., 4., 5., 0., 1., 2..**

Cuando en el display aparezca el valor deseado, suelte el pulsador; después de **5 segundos** se vuelve automáticamente a la programación del retraso del programa y la regulación corresponderá al valor elegido.



**NOTA:** el display indica la regulación de la dureza del agua y el retraso del programa. **El punto (.) después del número indica que se está visualizando la regulación de la dureza del agua. Si el punto (.) no aparece, significa que se está visualizando el retraso del programa.**

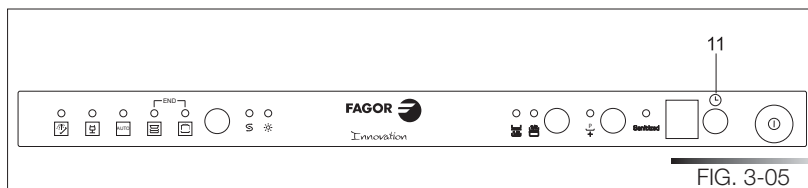


FIG. 3-05

## Tabla de dureza del agua (véase la tab. 3-03)

DUREZA DEL AGUA			REGULACIÓN
Grados alemanes (°D)	Grados franceses (°F)	Grados estadounidenses grains/galls	
0 - 4	0 - 7	0 - 4,5	0.
5 - 15	8 - 25	4,6 - 14,5	1.
16 - 23	26 - 40	14,6 - 23,5	2.
24 - 31	41 - 60	23,6 - 35	3.
32 - 47	61 - 80	35,1 - 46,5	4.
48 - 58	81 - 100	46,6 - 58,5	5.

Tab. 3-03

Solicite las informaciones relativas a la dureza del agua a la empresa hídrica de distribución.



En caso de que fuera necesario abrir la puerta durante la fase de lavado, el programa será interrumpido, el piloto correspondiente seguirá parpadeando y una señal acústica avisará que el ciclo no está finalizado. Será necesario esperar por lo menos **1 minuto** antes de cerrar la puerta para reiniciar el programa. Al cerrar la puerta, el programa empezará a funcionar desde el punto en que se había interrumpido. Se aconseja realizar esta operación **solamente si es necesario**, ya que podría causar irregularidades en el desarrollo del programa.

## 4 **CÓMO AHORRAR ENERGÍA Y RESPETAR EL MEDIO AMBIENTE**

- Trate de utilizar **siempre** el lavavajillas **a plena carga**.
- No lave la vajilla bajo el agua corriente.
- Utilizar el programa de lavado **más adecuado** para el tipo de carga.
- No enjuague previamente la vajilla.
- Si fuese posible, empalme el lavavajillas a una instalación de agua caliente hasta 60°C (140°F).
- Si fuese posible, **deshabilite el secado** dejando la puerta abierta al final del lavado: el aire y el calor residual secarán la vajilla a la perfección.

### 4.1 **Cómo reducir el consumo de detergente y respetar el medio ambiente**

Eventuales fosfatos presentes en los detergentes para lavavajillas representan un problema grave para la ecología. A fin de evitar consumos excesivos de detergentes, e incluso de energía eléctrica, aconsejamos:

- **Diferenciar la vajilla**, separando la más delicada de la más resistente a los detergentes agresivos y a las altas temperaturas;
- **No volcar** el detergente directamente sobre la vajilla.





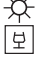





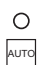









## 5 EXTRACCIÓN DE LA VAJILLA






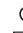


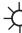








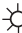


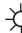

Al final del programa de lavado, espere por lo menos **20 minutos** antes de sacar la vajilla, para dejar que se enfríe. Para evitar que eventuales gotas de agua del cesto superior caigan sobre la vajilla del cesto inferior, le **aconsejamos vacíe** primero el cesto inferior y luego el superior.

## 6 REMEDIOS PARA EVENTUALES ANOMALÍAS DE FUNCIONAMIENTO




El lavavajillas está en condiciones de señalar una serie de funcionamientos anómalos mediante el encendido simultáneo de diferentes pilotos con el siguiente significado (véase la tabla representada a continuación):

ANOMALÍA		DESCRIPCIÓN
E1	    	<p><b>Avería aguastop</b> Se ha activado el sistema antidesbordamiento. Se activa en caso de pérdidas de agua. Es necesario ponerse en contacto con el servicio técnico de asistencia clientes.</p>
E2	    	<p><b>Nivel de seguridad</b> Se ha activado el sistema que limita el nivel de agua en el lavavajillas. Interrumpa el programa en ejecución y apague el lavavajillas. Encienda y programe nuevamente el lavavajillas y active el ciclo de lavado. Si el problema persiste, se ponga en contacto con el servicio técnico de asistencia clientes.</p>
E3	    	<p><b>Anomalía en calentamiento agua</b> No se obtiene el calentamiento del agua o se efectúa de modo anómalo. Active nuevamente el programa de lavado; si el problema persiste, se ponga en contacto con el servicio técnico de asistencia clientes.</p>
E4	    	<p><b>Anomalía en detección temperatura agua</b> Interrumpa el programa en ejecución y apague el lavavajillas. Encienda y programe nuevamente el lavavajillas y active el ciclo de lavado. Si el problema persiste, se ponga en contacto con el servicio técnico de asistencia clientes.</p>
E5	    	<p><b>Anomalía en carga de agua</b> No se obtiene la carga del agua o se verifica de modo anómalo. Controle que las conexiones hidráulicas se hayan efectuado correctamente, que el grifo de entrada del agua esté abierto y que el filtro no esté obstruido. Si el problema persiste, se ponga en contacto con el servicio técnico de asistencia clientes.</p>

Tab. 6-01a

ANOMALÍA		DESCRIPCIÓN
E6	    	<b>Anomalia en descarga del agua</b> No se obtiene la descarga del agua o se verifica de modo anómalo. Controle que el tubo de descarga no esté doblado o aplastado y que el sifón o los filtros no estén obstruidos. Si el problema persiste, se ponga en contacto con el servicio técnico de asistencia clientes.
E7	    	<b>Anomalia en la turbina</b> La cantidad de agua cargada no se mide de modo preciso. Interrumpa el programa en ejecución y apague el lavavajillas. Encienda y programe nuevamente el lavavajillas y active el ciclo de lavado. Si el problema persiste, se ponga en contacto con el servicio técnico de asistencia clientes.
E8	    	<b>Anomalia en el sistema de lavado alternado</b> Interrumpa el programa en ejecución y apague el lavavajillas. Encienda y programe nuevamente el lavavajillas y active el ciclo de lavado. Si el problema persiste, se ponga en contacto con el servicio técnico de asistencia clientes.
E9	    	<b>Anomalia en el sistema de carga del agua</b> Es necesario contactarse con el servicio técnico de asistencia clientes.

Tab. 6-01b

 **Piloto apagado**     
  **Piloto encendido**     
  **Piloto parpadeante**

En caso de que se produzca una situación de alarma, el lavavajillas interrumpe el programa en ejecución señalando la anomalía.

- Las alarmas **E1, E2, E3, E4, E8 y E9** provocan la finalización inmediata del programa en ejecución.
- Las alarmas **E5 y E6** interrumpen el programa en ejecución y, una vez resuelta la causa, reanudan la ejecución del programa.
- La alarma **E7** se visualiza al final del ciclo, que de todos modos es llevado a cabo dado que no se perjudica el funcionamiento del lavavajillas.

Para desactivar una alarma proceda de la siguiente manera:

- abra y vuelva a cerrar la puerta o bien apague y vuelva a encender el aparato. Luego podrá programar nuevamente el lavavajillas.



*En caso de que no logre resolver esta anomalía, recurra al Centro de Asistencia Técnica autorizado.*

## 7 INSTRUCCIONES PARA LA INSTALACIÓN Y LA PUESTA EN OBRA

Para realizar las operaciones de instalación y puesta en obra, véase el manual de instalación adjunto.

A continuación se dan algunas advertencias que se deben seguir durante la fase de instalación y puesta en obra del lavavajillas.



*DURANTE LA INSTALACIÓN TENGA CUIDADO CON LOS BORDES CORTANTES PRESENTES EN EL LAVAVAJILLAS, PARA EVITAR HERIDAS; LLEVE GANTES DE SEGURIDAD.*



**LA INSTALACIÓN Y LAS INTERVENCIONES DE REPARACIÓN O ASISTENCIA DEBEN SER REALIZADAS POR PERSONAL TÉCNICO COMPETENTE Y AUTORIZADO.** LAS INTERVENCIONES REALIZADAS POR PERSONAL NO COMPETENTE PUEDEN SER PELIGROSAS E INVALIDAN LA GARANTÍA. LA INSTALACIÓN DEBE RESPETAR TODAS LAS DIRECTIVAS DEL PAÍS DONDE SE INSTALA EL LAVAVAJILLAS Y, EN CASO DE QUE FALTEN: EN ESTADOS UNIDOS EL NATIONAL ELECTRIC CODE; EN CANADÁ EL CANADIAN ELECTRIC CODE C22.1 - LATEST EDITION/PROVINCIAL AND MUNICIPAL CODES AND/OR LOCAL CODES.



ESTÁ **ABSOLUTAMENTE PROHIBIDO** EMPOTRAR EL LAVAVAJILLAS DEBAJO DE UNA ENCIMERA DE VITROCERÁMICA. ES POSIBLE EMPOTRAR EL LAVAVAJILLAS DEBAJO DE UNA ENCIMERA TRADICIONAL A CONDICIÓN DE QUE LA SUPERFICIE DE TRABAJO DE LA COCINA SEA **CONTINUA** Y EL LAVAVAJILLAS Y LA ENCIMERA ESTÉN **INSTALADOS Y FIJADOS CORRECTAMENTE**, DE TAL MODO QUE **NO PUEDAN ENGENDRAR UNA SITUACIÓN DE PELIGRO.**



**PREVENGA EVENTUALES RIESGOS DE OBSTRUCCIÓN O AVERÍAS:** SI LA TUBERÍA DEL AGUA FUESE NUEVA O QUEDARA INUTILIZADA POR MUCHO TIEMPO, ANTES DE CONECTAR EL APARATO A LA RED DE DISTRIBUCIÓN DEL AGUA, CONTROLE QUE EL AGUA SALGA BIEN LIMPIA Y SIN IMPUREZAS PARA EVITAR QUE SE VERIFIQUEN DESPERFECTOS EN EL APARATO. **PARA LA CONEXIÓN DEL LAVAVAJILLAS A LA RED DE DISTRIBUCIÓN DEL AGUA, SÍRVASE EXCLUSIVAMENTE DE TUBOS NUEVOS; NUNCA VUELVA A UTILIZAR TUBOS VIEJOS O USADOS.**





CONTROLE QUE LOS VALORES DE TENSION Y FRECUENCIA DE RED CORRESPONDAN A LOS QUE SE INDICAN EN LA PLACA DE IDENTIFICACIÓN DEL APARATO. ESTA PLACA ESTÁ FIJADA EN EL BORDE INTERIOR DE LA PUERTA.



**EN CASO DE DAÑARSE EL CABLE DE ALIMENTACIÓN, DEBERÁ SER SUSTITUIDO POR EL FABRICANTE O POR UN CENTRO DE ASISTENCIA AUTORIZADO.**

LA INSTALACIÓN DE ESTE ELECTRODOMÉSTICO DEBE INCLUIR LA PUESTA A TIERRA. EN CASO DE ANOMALÍA, LA PUESTA A TIERRA REDUCIRÁ EL RIESGO DE ELECTROCUCIÓN, OFRECIENDO UN RECORRIDO DE MENOR RESISTENCIA A LA CORRIENTE ELÉCTRICA.



ANTES DE REALIZAR LA CONEXIÓN ELÉCTRICA, DESCONECTE LA ALIMENTACIÓN ELÉCTRICA DEL ÁREA DE TRABAJO.



VERIFIQUE QUE LA INSTALACIÓN ELÉCTRICA DEL LUGAR DE INSTALACIÓN SEA CONFORME A LOS REQUISITOS DE LA LEY EN VIGOR PREVISTOS EN EL PAÍS DE UTILIZACIÓN DEL APARATO Y QUE ESTÉ DOTADA DE UNA PUESTA A TIERRA APROPIADA.



ESTE ELECTRODOMÉSTICO ESTÁ EQUIPADO CON UN CABLE DOTADO DE CONDUCTOR Y ENCHUFE PARA LA PUESTA A TIERRA. EL ENCHUFE SE DEBE INTRODUCIR EN UNA TOMA ADECUADA, INSTALADA Y CONECTADA A TIERRA CON ARREGLO A LAS LEYES VIGENTES EN EL PAÍS DE INSTALACIÓN.



LAS CONEXIONES INAPROPIADAS DEL CONDUCTOR PARA LA PUESTA A TIERRA DEL ELECTRODOMÉSTICO PUEDEN PROVOCAR RIESGOS DE ELECTROCUCIÓN. EN CASO DE DUDAS SOBRE LA PUESTA A TIERRA CORRECTA DEL APARATO, PÓNGASE EN CONTACTO CON UN ELECTRICISTA COMPETENTE O UN ENCARGADO DE LA ASISTENCIA TÉCNICA. NO MODIFIQUE EL ENCHUFE QUE FORMA PARTE DEL EQUIPO BASE DEL ELECTRODOMÉSTICO. SI EL ENCHUFE NO ES ADECUADO PARA LA TOMA DE CORRIENTE, PÓNGASE EN CONTACTO CON UN ELECTRICISTA COMPETENTE PARA HACER INSTALAR UNA TOMA ADECUADA.



*LA SUSTITUCIÓN DEL CABLE DE ALIMENTACIÓN DEBE SER EFECTUADA POR EL FABRICANTE O POR UN CENTRO DE ASISTENCIA AUTORIZADO A FIN DE PREVENIR TODO POSIBLE RIESGO.*



*NO UTILICE PROLONGADORES, ADAPTADORES O DERIVADORES YA QUE PODRÍAN PROVOCAR RECALENTAMIENTOS CON EL CONSIGUIENTE PELIGRO DE INCENDIO.*

## 8 INSTRUCCIONES PARA EL USO



*ANTES DE UTILIZAR EL APARATO, ASEGÚRESE DE HABER LEÍDO Y COMPRENDIDO TODAS LAS ADVERTENCIAS PRESENTES EN EL CAPÍTULO 2 "ADVERTENCIAS PARA LA SEGURIDAD Y EL USO".*

Una vez instalado correctamente el lavavajillas, lleve a cabo las siguientes operaciones para que pueda funcionar correctamente:

- regule el descalcificador de agua;
- coloque la sal regeneradora;
- coloque el abrillantador y el detergente.

## 8.1 Uso del descalcificador de agua

La cantidad de caliza contenida en el agua (índice de dureza del agua) es responsable de las manchas blancas en la vajilla seca que, con el tiempo, tiende a ponerse opaca. El lavavajillas se suministra con un descalcificador automático que, utilizando sal regeneradora específica, elimina eventuales sustancias endurecedoras presentes en el agua. El lavavajillas se suministra con una regulación de fábrica equivalente al nivel 3 del índice de dureza (dureza media **41-60°dF – 24-31°dH / 23,6-35 gpg**). Utilizando agua de dureza media, deberá volver a colocar la sal regeneradora cada **20 lavados** aproximadamente. El depósito del descalcificador tiene una capacidad de aprox. **1,7 kg (3,75 lb)** de sal gruesa. Algunos modelos están equipados con un indicador óptico de falta de sal. En estos modelos, el tapón del compartimiento sal contiene un flotador de color verde que baja al reducirse la concentración de sal en el agua. Cuando el indicador verde deja de estar visible se debe añadir sal. El depósito se encuentra en el fondo del lavavajillas. Tras haber sacado el cesto inferior, quite el tapón (ref. A fig. 8-01) del depósito girándolo en sentido antihorario y coloque la sal utilizando el embudo (ref. A fig. 8-02) que forma parte del equipo base del lavavajillas. Antes de volver a enroscar el tapón (ref. A fig. 8-01) elimine los eventuales residuos de sal que se encuentren cerca de la abertura del depósito.

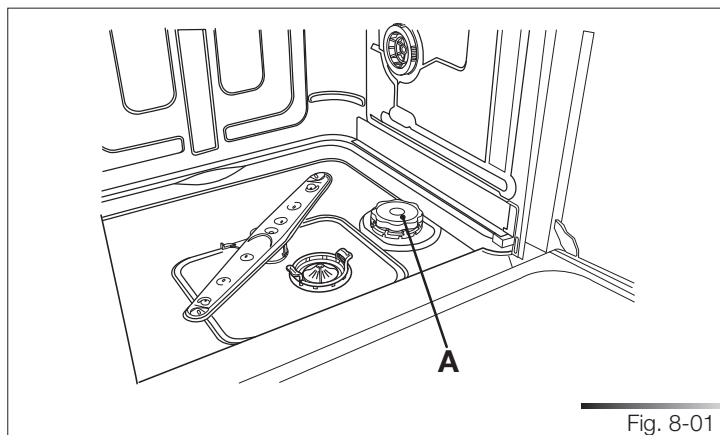
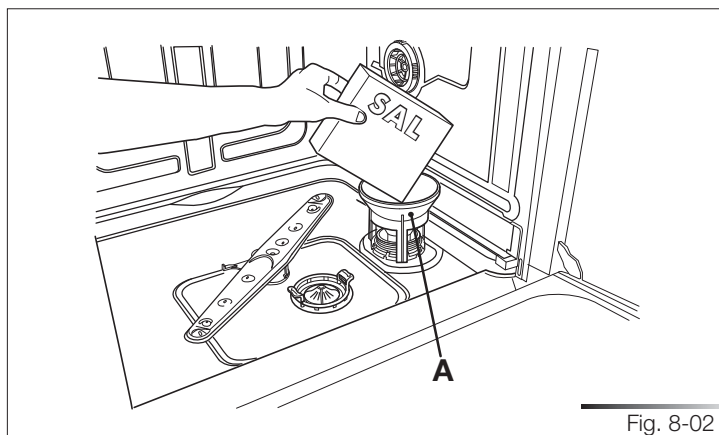


Fig. 8-01



- Cuando utilice el lavavajillas por primera vez, además de la sal, deberá colocar en el mismo depósito también **un litro de agua**.
- Todas las veces que rellene el depósito de sal, controle que **el tapón (ref. A fig. 8-01) esté cerrado correctamente**. La mezcla de agua y detergente no debe penetrar en el depósito de la sal para no perjudicar el funcionamiento de la instalación de regeneración. En este caso la garantía perdería su validez.
- Utilice exclusivamente sal regeneradora para lavavajillas domésticos. En caso de que utilice sal en pastillas, **no llene completamente** el depósito.
- **No utilice sal para alimentos**, porque contiene sustancias no solubles que, con el tiempo, pueden perjudicar la instalación de descalcificación.
- Cuando sea necesario, lleve a cabo la operación de llenado de la sal **antes de iniciar el programa de lavado**; de esta manera, la solución salina excedente será eliminada inmediatamente por el agua; la permanencia prolongada del agua salada dentro de la cuba de lavado puede dar lugar a fenómenos de corrosión.



**PRESTE ATENCIÓN EN NO CONFUNDIR LOS ENVASES DE LA SAL CON LOS DE DETERGENTE: LA INTRODUCCIÓN DE DETERGENTE EN EL DEPÓSITO DE LA SALE PERJUDICA EL DESCALCIFICADOR.**

## 8.2 *Uso del dispensador de abrillantador y detergente*

El dispensador de detergente y el dosificador de abrillantador están situados en la parte interior de la puerta: a la izquierda se encuentra el **dispensador** (ref. A fig. 8-03) y a la derecha el **dosificador** (ref. B fig. 8-03).

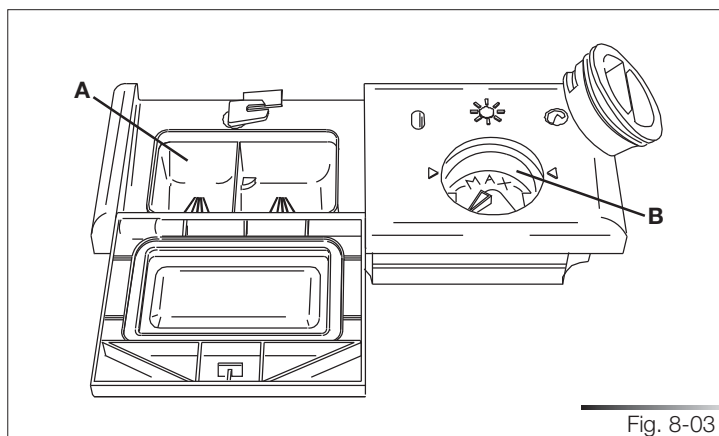


Fig. 8-03



*EXCLUYENDO EL PROGRAMA DE **REMOJO**, ANTES DE CADA LAVADO SE DEBERÁ COLOCAR EN EL **DISPENSADOR** LA DOSIS ADECUADA DE DETERGENTE. EL ABRILLANTADOR PARA EL ACLARADO, EN CAMBIO, SE DEBERÁ AÑADIR ÚNICAMENTE SEGÚN LAS EXIGENCIAS.*

## 8.2.1 Adición del abrillantador para el aclarado

El abrillantador acelera el secado de la vajilla y previene la formación de manchas y depósitos calcáreos; la máquina añade el producto de forma automática al agua durante el último aclarado, tomándolo del depósito correspondiente, situado en la parte interior de la puerta.

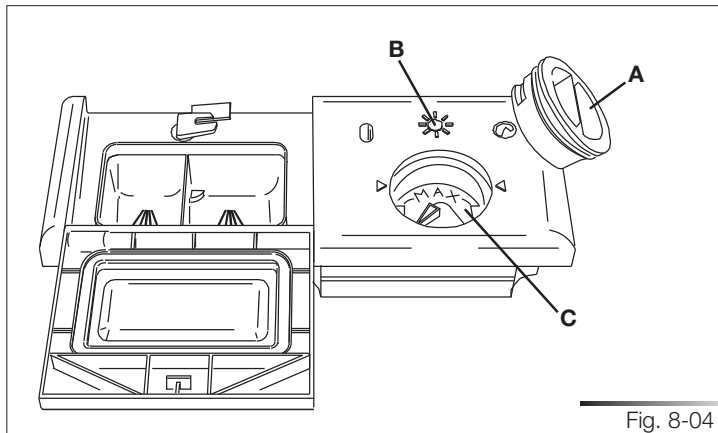


Fig. 8-04

Para agregar el abrillantador:

- Abra la puerta del lavavajillas.
- Gire el tapón (ref. A fig. 8-04) del depósito dándole  $\frac{1}{4}$  de vuelta en sentido antihorario y retírelo de su lugar.
- Coloque el abrillantador hasta llenar el compartimento (140 ml aprox). El indicador óptico (ref. B fig. 8-04), situado al lado del tapón se debe oscurecer completamente. Agregue nuevamente el abrillantador cuando el indicador óptico se ponga claro o cuando se ilumine el piloto que señala la falta de abrillantador, situado en el display (véase el man. “descripción de los mandos”).
- Vuelva a situar el tapón (ref. A fig. 8-04) y gírelo en sentido horario hasta cerrarlo completamente.
- Elimine con un paño eventuales residuos de abrillantador, ya que podrían provocar espuma.

## 8.2.2 Regulación de la dosificación del abrillantador

La dosificación del abrillantador se puede programar en 6 niveles. El lavavajillas se suministra con la regulación media (indicador del selector situado en “3”) programada en fábrica. Para regular la dosificación gire el selector (ref. C fig. 8-04), presente en el dosificador, hasta alcanzar la posición necesaria; la dosis será proporcional a la posición del selector. Preste atención a que la dosis

mínima de abrillantador (indicador del selector situado en “1”) sea 1 ml aprox. y la dosis máxima de abrillantador (indicador del selector situado en “6”) sea 6 ml aprox.

- Para regular la dosificación gire el tapón del depósito (ref. A fig. 8-04) dándole  $\frac{1}{4}$  de vuelta en sentido antihorario y retírelo de su lugar.
- Luego gire con un destornillador el selector de dosificación hasta alcanzar la posición deseada.
- Vuelva a situar el tapón (ref. A fig. 8-04) girándolo en sentido horario hasta cerrarlo completamente.
- Aumente la cantidad de abrillantador cuando la vajilla lavada resulte opaca o presente manchas circulares.
- Reduzca la cantidad de abrillantador cuando la vajilla resulte pegajosa o presente manchas blancas estriadas.

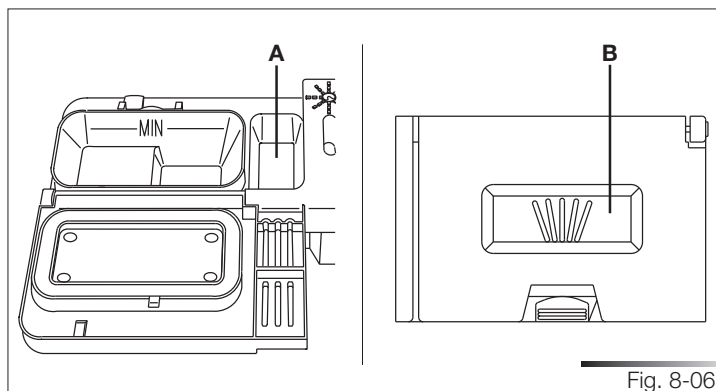
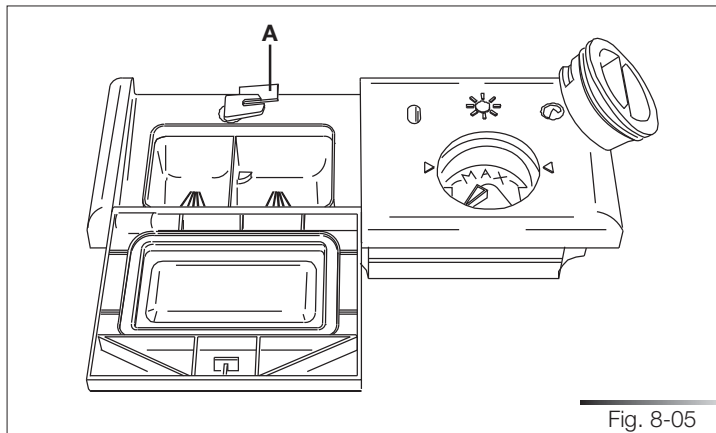
### 8.2.3 **Carga del detergente**



*NO INHALE NI TRAGUE EL DETERGENTE; EL DETERGENTE PUEDE CAUSAR QUEMADURAS Y/O DAÑOS IRREPARABLES A LA NARIZ, LA BOCA Y LA GARGANTA E INCLUSO LA SOFOCACIÓN; ASEGÚRESE DE QUE EL DETERGENTE NO ENTRE EN CONTACTO CON LOS OJOS. DE PRODUCIRSE LAS SITUACIONES QUE SE ACABA DE INDICAR, DIRÍJASE PRONTAMENTE A UN MÉDICO. IMPIDA A LOS NIÑOS ENTRAR EN CONTACTO CON EL DETERGENTE; MANTÉNGALOS LEJOS DEL LAVAVAJILLAS ABIERTO YA QUE PODRÍAN QUEDAR RESIDUOS DE DETERGENTE. AGREGUE EL DETERGENTE INMEDIATAMENTE ANTES DE INICIAR EL PROCEDIMIENTO DE LAVADO Y LUEGO MANTÉNGALO LEJOS DEL ALCANCE DE LOS NIÑOS.*

Para abrir la tapa del dispensador de detergente pulse levemente el pulsador correspondiente (ref. A fig. 8-05). Coloque el detergente y vuelva a cerrar la tapa con cuidado (ref. B fig. 8-05). Durante el lavado el dispensador se abrirá automáticamente.





- Cuando se selecciona un programa con prelavado caliente (véase la tabla 3-02a), se deberá introducir una cantidad adicional de detergente en la cubeta (ref. A o B fig. 8-06, según los modelos).
- Utilice **exclusivamente** detergentes específicos para lavavajillas. El uso de detergentes de buena calidad es importante para conseguir excelentes resultados de lavado.
- Guarde los envases de detergente bien cerrados y en lugar seco para evitar que se formen grumos que comprometerían los resultados de lavado. Una vez abiertos los envases, trate de no conservarlos por mucho tiempo ya que el detergente suele perder eficacia.
- No use detergentes para lavar los platos a mano ya que producen mucha espuma y pueden perjudicar el funcionamiento del lavavajillas.

- Coloque la dosis correcta de detergente. Una cantidad insuficiente elimina la suciedad de forma parcial mientras que una cantidad excesiva no aumenta la eficacia de lavado pero representa un desperdicio inútil de producto.
- El mercado ofrece detergentes líquidos y en polvo que se diferencian por su composición química: algunos contienen **fosfatos**, otros no pero están provistos de **enzimas naturales**.
- Los detergentes que contienen **fosfatos** eliminan con mayor eficacia las grasas y el almidón **a más de 60°C (140°F)**.
- Los detergentes que contienen enzimas, en cambio, ejercen su poder de limpieza incluso a baja temperatura (**entre 40 y 55°C / entre 104 y 131°F**) y son fácilmente biodegradables. Estos detergentes permiten alcanzar, a baja temperatura, los mismos resultados de lavado que sólo se podrían obtener con los programas de **65°C (149°F)**. Para el respeto al medio ambiente aconsejamos el uso de detergentes **sin fosfatos y sin cloro**.
- Cuando se utiliza el detergente en pastillas, las tabletas se deben situar en el cesto para cubiertos. El dispensador está concebido para utilizar detergente en polvo o líquido y la tapa no se abre completamente durante el ciclo de lavado. Por lo tanto, la tableta no se disuelve completamente. Esto podría provocar lo siguiente:
  - cantidad insuficiente de detergente disuelto durante el ciclo con escasos resultados de lavado;
  - el detergente se compacta en el dispensador y se disuelve durante el ciclo de aclarado final.



*LA INTRODUCCIÓN DE DETERGENTE, INCLUSO LÍQUIDO, EN EL DEPÓSITO DEL ABRILLANTADOR PERJUDICA EL LAVAVAJILLAS.*

### 8.3 Advertencias y consejos generales

Antes de realizar el primer lavado con el lavavajillas, lea detenidamente las siguientes sugerencias sobre el tipo de vajilla a lavar y la forma de colocarla dentro de la máquina. Por lo general no existen límites para el lavado de la vajilla de uso doméstico pero en algunos casos es oportuno tener en cuenta las características de la misma. Antes de colocar la vajilla en los cestos es necesario:

- eliminar los residuos más grandes de comida, como huesos y espinas que podrían obstruir el filtro y provocar daños en la bomba de lavado;
- poner en remojo las cacerolas o los sartenes que tengan residuos quemados de comida en el fondo para que se despeguen sin dificultad, luego colocarlos en el CESTO INFERIOR.

Utilizando la opción **“lavado a ½ carga”** (si está presente) para lavar cantidades reducidas de vajilla se obtendrá un ahorro de agua y energía eléctrica. En este caso se deberá **cargar solamente el cesto correspondiente al**

**lavado a ½ carga**, mientras que el otro cesto deberá permanecer vacío. El lavado previo de la vajilla bajo el agua corriente, antes de colocarla en los cestos, representa un desperdicio inútil de agua. **La correcta colocación de la vajilla asegurará buenos resultados de lavado.**

## ¡ATENCIÓN!

- Asegúrese de que la vajilla esté bien firme, no se pueda volcar y deje girar libremente las toberas de rociado durante el funcionamiento;
- no ponga objetos muy pequeños en los cestos que, al caer, podrían bloquear las toberas de rociado o la bomba de lavado;
- los recipientes como tazas, tazones, vasos y cacerolas se deberán colocar siempre con la abertura hacia abajo y, si es posible, con las cavidades (p.ej. la base de apoyo cóncava de algunos vasos) en posición oblicua para que el agua pueda escurrir;
- no coloque la vajilla una dentro de otra o de manera que se cubra entre sí;
- no coloque los vasos pegados uno con otro ya que, estando en contacto, se podrían romper o quedar manchados.

**ASEGÚRESE de que la vajilla sea adecuada para el lavado en el lavavajillas.**

**En la lista siguiente se indica la vajilla que no se puede lavar en el lavavajillas.**

- **Cacerolas y vajilla de madera:** se pueden arruinar a causa de las altas temperaturas de lavado.
- **Objetos artesanales:** por lo general no se pueden lavar en el lavavajillas. Las altas temperaturas del agua y los detergentes pueden arruinarlos.
- **Objetos livianos:** los objetos livianos se deben lavar en el cesto superior donde la presión del agua es menor.
- **Vajilla y objetos de cobre, estaño, cinc y latón:** tienden a mancharse.
- **Vajilla de aluminio:** la vajilla de aluminio anodizado puede perder el color.
- **Plata:** la vajilla de plata se puede manchar.
- **Vidrio y cristal:** por lo general los objetos de vidrio y cristal se pueden lavar en el lavavajillas. Sin embargo, existen algunos tipos de vidrio y de cristal que, después de muchos lavados, se suelen poner opacos y perder transparencia; para estos materiales, aconsejamos siempre el programa menos agresivo entre los presentados en la tabla de programas (véase el capítulo “Descripción y uso de los mandos”).
- **Vajilla con decoraciones:** los objetos decorados que se encuentran actualmente a la venta suelen tener un buen nivel de resistencia al lavado en el lavavajillas. A pesar de ello, es posible que, después de lavados frecuentes, los colores pierdan vivacidad poniéndose pálidos. Si tuviese alguna duda sobre la resistencia de los colores, lave pocas piezas a la vez por un mes aproximadamente.

## 8.4 *Uso de los cestos*

El lavavajillas tiene una capacidad de **12 cubiertos**, incluyendo la vajilla de servir. A continuación se dan algunos ejemplos para la carga de los 12 cubiertos en el cesto superior (véase la fig. 8-07) y en el cesto inferior (véase la fig. 8-08).

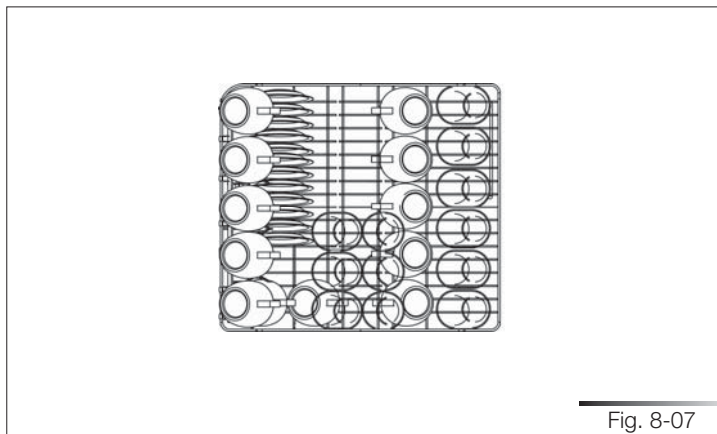


Fig. 8-07

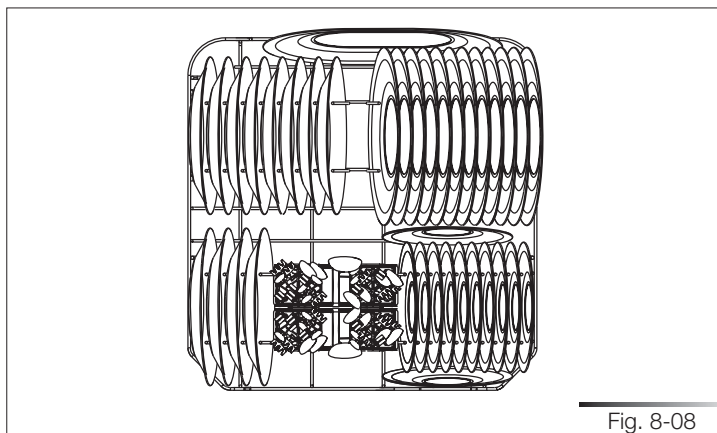


Fig. 8-08

## 8.4.1 Cesto inferior

El cesto inferior recibe la acción de la tobera de rociado inferior a la máxima intensidad, por lo tanto se deberá destinar a la vajilla más sucia y “difícil” de lavar.

Están permitidas todas las combinaciones y variedades en la carga de la vajilla sucia, teniendo siempre cuidado de colocarla, junto a cacerolas y sartenes, de manera que todas las superficies sucias estén expuestas a los chorros de agua procedentes desde abajo.

Para aprovechar al máximo el espacio dentro del cesto, en caso de vajilla de gran tamaño, cuentan con soportes para platos basculantes (véase la fig. 8-09).

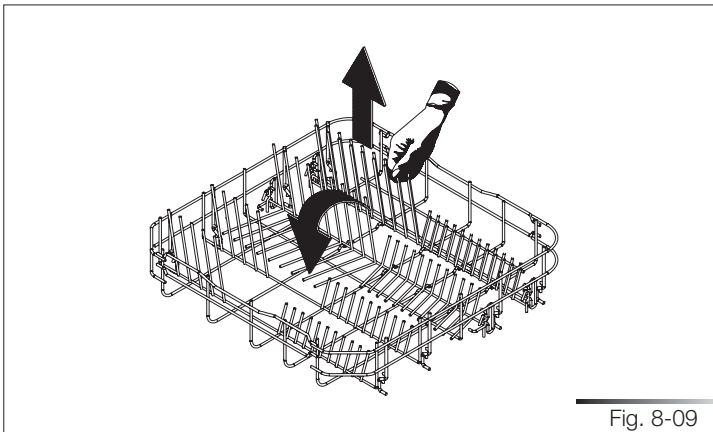
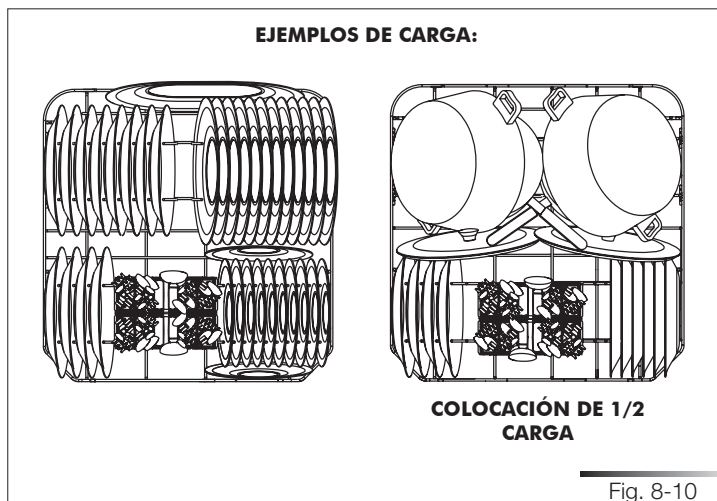


Fig. 8-09

**Cómo se carga el cesto inferior** (véase la fig. 8-10)

Coloque con cuidado y en posición vertical los platos llanos, hondos, de postre y de servir. Las cacerolas, las ollas y sus tapas se deben colocar boca abajo. Coloque los platos hondos y los de postre teniendo cuidado de que quede siempre espacio entre los mismos.



## 8.4.2 Cesto para cubiertos (véase la fig. 8-11)

El cesto para cubiertos amovible facilita la descarga de los cubiertos. Coloque los cubiertos dentro del cesto de manera uniforme, **con las puntas dirigidas hacia abajo y teniendo especial cuidado de no herirse con las hojas de los cuchillos**. Este cesto está destinado a cubiertos de todo tipo, excluyendo los que, por ser demasiado largos, lleguen a tocar la tobera de rociado superior.

Los **cubiertos largos** (cucharones, cucharas de madera y cuchillos de cocina), que podrían tocar la tobera de rociado superior, se deben colocar **en el cesto superior, teniendo cuidado de que la punta de las cuchillas no sobresalga del cesto**.

El lavavajillas está provisto de dos cestos para cubiertos, solución que permite retirar uno de ellos, dejando así espacio libre en el cesto inferior, para el caso de que los cubiertos a lavar sean pocos o en caso de utilizarse un programa de media carga.

Los cestos están equipados con un exclusivo sistema con elementos abatibles corredizos independientes uno de otro, que permiten efectuar una serie de combinaciones útiles para aprovechar de la mejor forma el espacio disponible.

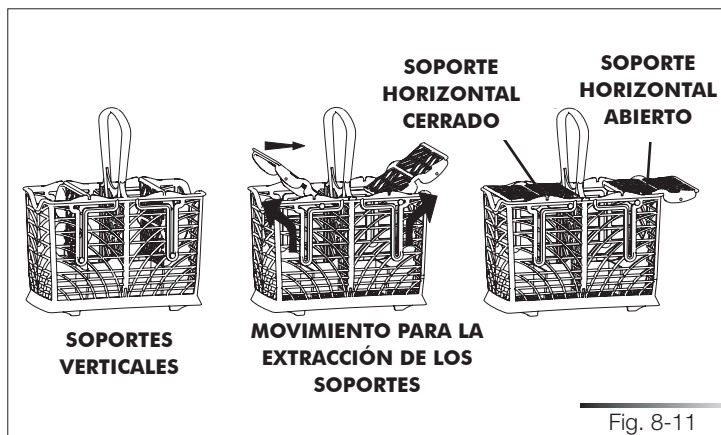


Fig. 8-11

### 8.4.3 Cesto superior (véase la fig. 8-12)

Se aconseja cargar el cesto superior con vajilla de tamaño pequeño o medio, por ejemplo vasos, platos pequeños, tacitas de café o tazas de té, tazones que no sean muy hondos y objetos livianos de plástico pero que sean resistentes al calor.

En caso de que utilice el cesto superior en la posición más baja, recuerde que lo podrá llenar incluso con platos de servir siempre que no estén muy sucios. El cesto superior está equipado (a la izquierda) con dos rejillas de plástico que se pueden levantar para dejar espacio a vasos altos (por ejemplo las copas).

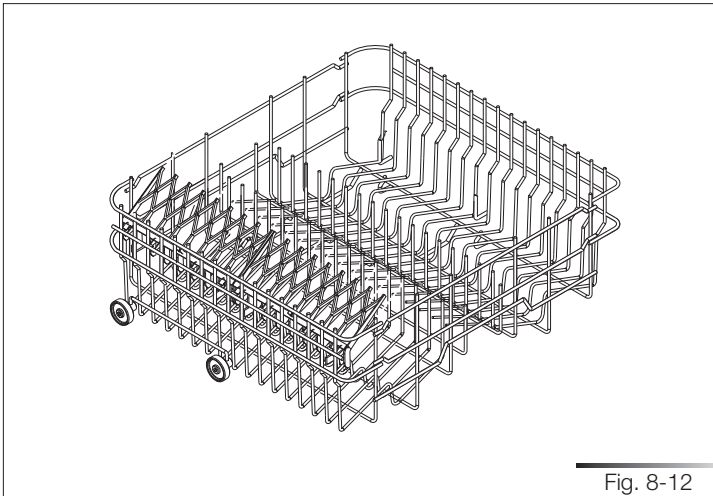
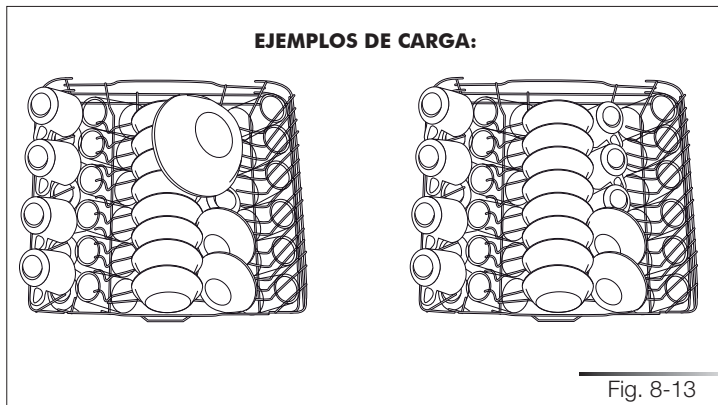


Fig. 8-12



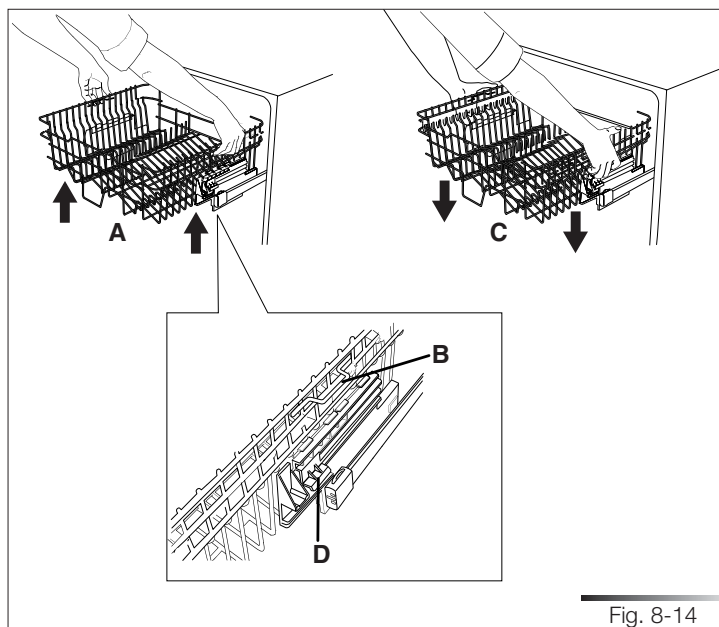
## ***Cómo se carga el cesto superior*** (véase la fig. 8-13)

Coloque los platos orientados hacia adelante; las tazas y los recipientes cóncavos se deberán colocar siempre con la abertura orientada hacia abajo. El lado izquierdo del cesto se podrá cargar con tazas y vasos dispuestos en dos pisos. En el centro se pueden colocar platos y platillos insertándolos verticalmente en los soportes correspondientes.



El cesto superior se puede regular en tres diferentes posiciones por ambos lados. Los lados del cesto deben estar a la misma altura.

Para alzar el cesto (ref. A fig. 8-14) elévelo mediante las dos asas correspondientes (p.ej. ref. B fig. 8-14), hasta el primero o segundo disparo según la altura deseada; para bajarlo (ref. C fig. 8-14) es necesario tirar hacia arriba de las dos palancas de desbloqueo (p.ej. ref. D fig. 8-14). Estas operaciones son posibles incluso con el cesto cargado; en este caso, al bajarlo es preferible retenerlo con una mano para evitar que se golpee la vajilla.



## **9 INSTRUCCIONES PARA LA LIMPIEZA Y EL MANTENIMIENTO**



**ANTES DE CADA OPERACIÓN DESCONECTE LA ALIMENTACIÓN ELÉCTRICA DEL APARATO**

### **9.1 Advertencias y consejos generales**



**EVITE ABSOLUTAMENTE EL USO DE DETERGENTES ABRASIVOS Y/O CORROSIVOS PARA LIMPIAR EL APARATO.**

Las superficies exteriores y la puerta del lavavajillas se deberán limpiar periódicamente con un paño suave y limpio, humedecido con un detergente neutro común (no abrasivo y/o corrosivo) para superficies pintadas. Las juntas de sellado de la puerta se deberán limpiar con una esponja humedecida en agua. Periódicamente (una o dos veces por año) limpie la cuba y las juntas eliminando eventuales residuos de suciedad con un paño suave y un poco de agua.

No utilice una cantidad excesiva de agua para limpiar los mandos, ya que podría alcanzar la parte electrónica y dañar los componentes.

Al final de la limpieza, seque el aparato utilizando un paño suave del cual no se desprendan fibras.

Las eventuales superficies de acero inoxidable del aparato se pueden limpiar con un producto no abrasivo y específico para el acero inoxidable.

Para evitar cercos también se puede utilizar un vaporizador, pero sin exagerar y a presión moderada.

## 9.2 Limpieza del filtro de entrada del agua

El filtro de entrada del agua necesita una limpieza periódica. Tras haber cerrado la llave de suministro, desenrosque la virola (ref. A fig. 9-01) del tubo de carga del agua (utilice una pinza, si es necesario) y limpie delicadamente el filtro eliminando los depósitos o las impurezas. Al finalizar la operación, fije firmemente el tubo, enroscando la virola de fijación correspondiente (ref. A fig. 9-01) (utilice una pinza, si es necesario).

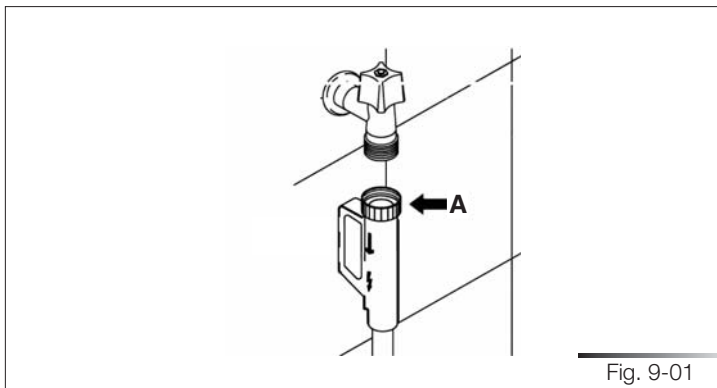


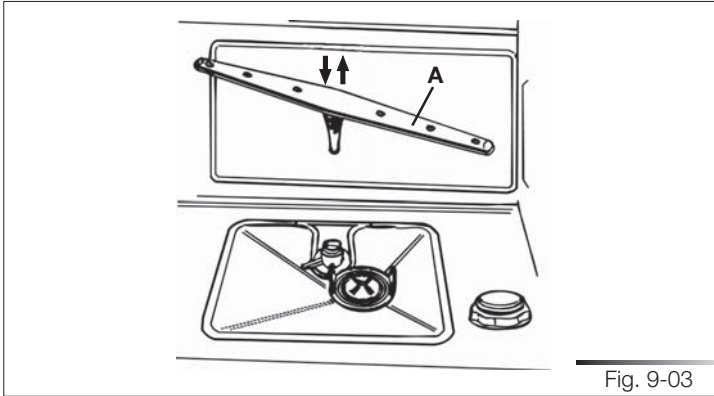
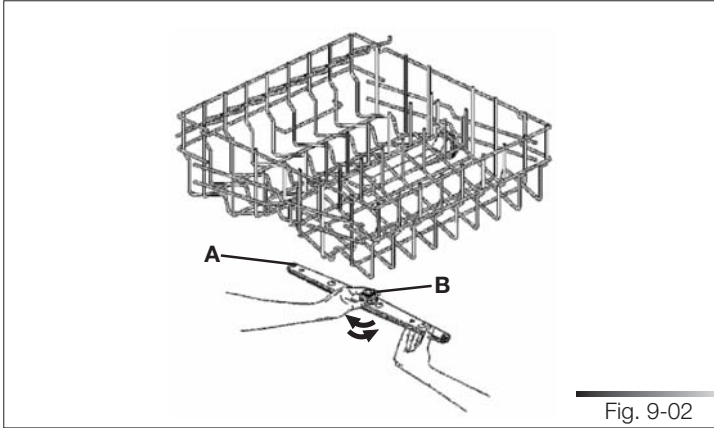
Fig. 9-01

## 9.3 Limpieza de las toberas de rociado

Las toberas de rociado se pueden retirar sin ninguna dificultad para realizar la limpieza periódica de los inyectores y prevenir eventuales atascos. Lávelas bajo un chorro de agua (a temperatura ambiente) y vuelva a colocarlas con cuidado en su lugar, **controlando que su movimiento circular no sufra ninguna obstrucción**; de no ser así, compruebe que estén colocadas correctamente.

### Desmontaje de las toberas de rociado

- Para retirar la tobera de rociado **superior** (ref. A fig. 9-02) desenrosque la virola de retención (ref. B fig. 9-02) en sentido horario. Una vez efectuada la limpieza, vuelva a instalar la tobera de rociado situándola en su lugar y enroscando la virola de retención en sentido antihorario.
- Para retirar la tobera de rociado **inferior** (ref. A fig. 9-03) se deberá simplemente levantar hacia arriba, tirando de la parte central (véase la fig. 9-03). Una vez efectuada la limpieza, vuelva a instalar la tobera de rociado orbital situándola en su lugar y ejerciendo una ligera presión para permitir el encaje con la tobera de rociado inferior. Luego vuelva a instalar la tobera de rociado inferior situándola en su lugar y ejerciendo una ligera presión hacia abajo para permitir el encaje (véase la fig. 9-03).



## 9.4 Limpieza del grupo filtrante

- Controle periódicamente el grupo filtrante (ref. A fig. 9-04) y, si fuese necesario, límpielo bajo el agua corriente (a temperatura ambiente), utilizando un cepillo duro. Para sacarlo de su lugar, tome entre los dedos las lengüetas, gire en sentido antihorario y levante tirando hacia arriba;
- empuje desde abajo el filtro central (ref. A fig. 9-05) para separarlo del microfiltro;
- separe las dos partes que componen el filtro central de plástico empujando el cuerpo del filtro hacia la zona indicada por las flechas presentes en el mismo (ref. B fig. 9-05);
- retire el filtro central levantándolo;
- una vez efectuada la limpieza vuelva a instalar el grupo filtrante, uniendo las dos partes que componen el filtro central ejerciendo una ligera presión para permitir el encaje; introduzca el filtro central en el interior del microfiltro (véase la fig. 9-05). Vuelva a instalar el grupo filtrante (ref. A fig. 9-04) en su lugar, girándolo en sentido horario para permitir su bloqueo.

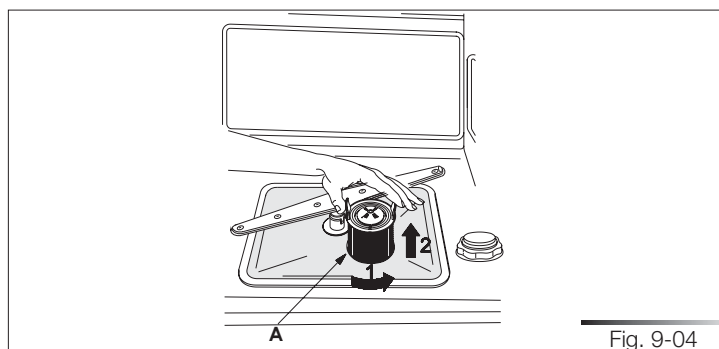


Fig. 9-04

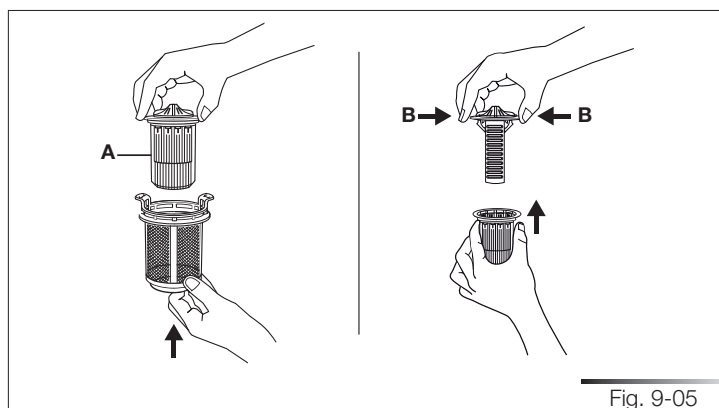
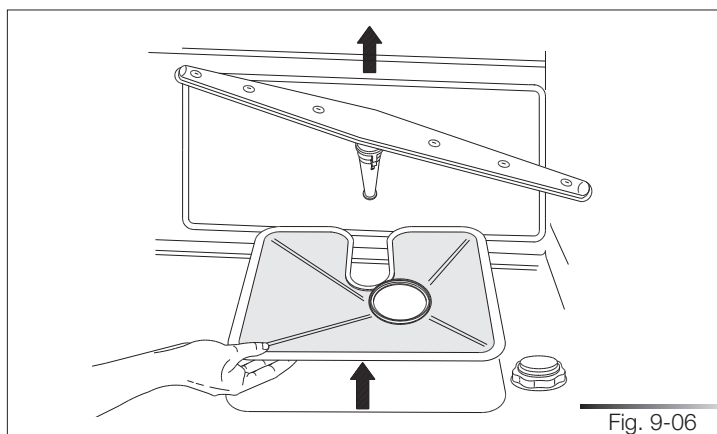


Fig. 9-05

## 9.5 Advertencias y consejos para el correcto mantenimiento

- Los filtros se deben limpiar **bajo el agua corriente** (a temperatura ambiente) con un cepillo duro.
- **Al retirar el filtro** se deberá controlar que en el mismo no hayan quedado residuos de alimentos. Posibles residuos, cayendo en el desagüe (ref. A fig. 9-06), podrían bloquear algunos componentes hidráulicos u obstruir los inyectores de las toberas de rociado.
- Es indispensable que la **limpieza de los filtros se lleve a cabo atentamente**, según las indicaciones recién indicadas: el lavavajillas no puede funcionar con los filtros atascados.
- **Vuelva a colocar los filtros** en su lugar con **mucho cuidado** a fin de evitar daños en la bomba de lavado.



### ***Si el lavavajillas permanece inutilizado por mucho tiempo***

- Lleve a cabo el programa de remojo **dos veces** consecutivas.
- **Desconecte la clavija** de la toma de corriente.
- Deje **la puerta ligeramente abierta** para evitar que se formen malos olores en la cuba de lavado.
- **Llene el dosificador con el abrillantador** para el aclarado.
- **Cierre la llave del agua.**

### ***Antes de volver a utilizar el lavavajillas después de mucho tiempo de inutilización***

- Controle que en la tubería **no se hayan depositado sedimentos de lodo o herrumbre**. En este caso, deje correr el agua desde la llave de alimentación hasta que salga limpia.
- **Vuelva a conectar la clavija** a la toma de corriente.
- **Empalme nuevamente el tubo flexible de alimentación del agua y vuelva a abrir la llave.**

## **9.6 Eliminación de pequeños inconvenientes**

En algunos casos podrá eliminar personalmente algunos pequeños inconvenientes con la ayuda de las siguientes instrucciones:

### ***Cuando el programa no se active, controle que:***

- el lavavajillas esté conectado a la red eléctrica;
- el suministro de energía eléctrica no esté cortado;
- la llave del agua esté abierta;
- la puerta del lavavajillas esté cerrada correctamente.

### ***Cuando el lavavajillas esté lleno de agua estancada, controle que:***

- el tubo de descarga no esté doblado;
- el sifón de descarga no esté obstruido;
- los filtros del lavavajillas no estén obstruidos.

### ***Si la vajilla no queda limpia, controle que:***

- haya colocado el detergente y en la cantidad adecuada;
- haya sal regeneradora en el depósito correspondiente;
- a vajilla esté colocada correctamente;
- el programa seleccionado sea adecuado para el tipo y el grado de suciedad de la vajilla;
- todos los filtros estén limpios y colocados correctamente en su lugar;
- los orificios de salida del agua de las toberas de rociado no estén obstruidos;
- algún objeto no bloquee la rotación de las toberas de rociado.

### ***Cuando la vajilla no se seque o quede opaca, controle que:***

- haya abrillantador en el compartimento correspondiente;
- el suministro de abrillantador esté regulado correctamente;



- el detergente utilizado sea de buena calidad y no haya perdido sus características (por ejemplo, porque el envase ha quedado abierto y no se ha conservado correctamente).

***Cuando la vajilla presente manchas estriadas o manchas en general... controle que:***

- la regulación de la dosis de abrillantador no sea excesiva.

***Cuando la cuba de lavado presente manchas de herrumbre:***

- recuerde que la cuba es de acero, por lo tanto eventuales manchas de herrumbre se deben atribuir a elementos exteriores (pedacitos de herrumbre de las tuberías del agua, de cacerolas, cubiertos, etc.). Para eliminar estas manchas existen algunos productos específicos.
- Controle que la cantidad de detergente sea adecuada, ya que algunos detergentes pueden ser más corrosivos que otros.
- Controle que el tapón del depósito de sal esté bien cerrado y que la regulación del descalcificador se haya efectuado correctamente.



*EN CASO DE QUE, A PESAR DE LAS INSTRUCCIONES ANTEDICHAS, NO HUBIESE LOGRADO ELIMINAR LAS ANOMALÍAS DE FUNCIONAMIENTO DE LA MÁQUINA, RECURRA AL CENTRO DE ASISTENCIA TÉCNICA AUTORIZADO MÁS CERCANO.*

***ATENCIÓN: LAS OPERACIONES REALIZADAS EN EL APARATO POR PERSONAS NO AUTORIZADAS NO ESTÁN CUBIERTAS POR LA GARANTÍA Y ESTÁN A CARGO DEL USUARIO.***

**10 CARACTERÍSTICAS TÉCNICAS** (VÉASE LA TAB. 10-01)

<b>Anchura</b>	59,7 cm ÷ 59,9 cm (23-1/2" ÷ 23-37/64")
<b>Espesor medido al ras exterior del panel de mandos</b>	55 cm (21-21/32")
<b>Altura</b>	de 86 cm a 91 cm (de 33-55/64" a 35-53/64")
<b>Capacidad</b>	12 cubiertos estándar
<b>Presión del agua de alimentación</b>	min.7 - max. 130 PSI (min. 0,5 – max. 9 bar)
<b>Características eléctricas</b>	Véase la placa de características
Tab. 10-01	