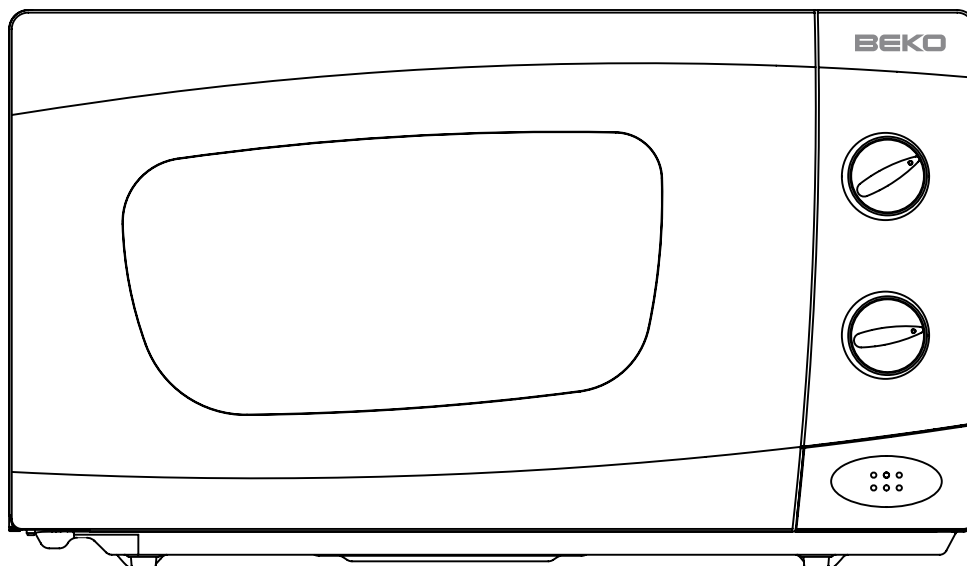


BEKO

20 Litre Manual Microwave Owner's Instruction Manual

MWC 2010 MW
MWC 2010 MS

Read the Instructions carefully and Keep for Future Reference



IMPORTANT SAFETY INSTRUCTIONS
READ CAREFULLY AND KEEP FOR FUTURE REFERENCE

- **WARNING:** when the appliance is operated in the combination mode, children should only use the oven under adult supervision due to the temperatures generated;
- **WARNING:** if the door or door seals are damaged, the oven must not be operated until it has been repaired by a competent person;
- **WARNING:** it is hazardous for anyone other than a competent person to carry out any service or repair operation that involves the removal of a cover which gives protection against exposure to microwave energy;
- **WARNING:** liquids and other foods must not be heated in sealed containers since they are liable to explode
- **WARNING:** Only allow children to use the oven without supervision when adequate instructions have been given so that the child is able to use the oven in a safe way and understands the hazards of improper use;
- only use utensils that are suitable for use in microwave ovens
- when heating food in plastic or paper containers, keep an eye on the oven due to the possibility of ignition;
- if smoke is observed, switch off or unplug the appliance and keep the door closed in order to stifle any flames;
- microwave heating of beverages can result in delayed eruptive boiling, therefore care must be taken when handling the container;
- the contents of feeding bottles and baby food jars shall be stirred or shaken and the temperature checked before consumption, in order to avoid burns;
- eggs in their shell and whole hard-boiled eggs should not be heated in microwave ovens since they may explode, even after microwave heating has ended;

- the oven should be cleaned regularly and any food deposits removed;
- failure to maintain the oven in a clean condition could lead to deterioration of the surface that could adversely affect the life of the appliance and possibly result in a hazardous situation;

- if the supply cord is damaged, it must be replaced by the manufacturer, its service agent or similarly qualified persons in order to avoid a hazard.

- The temperature of accessible surfaces may be high when the appliance is operating.

SPECIFICATIONS

Power consumption:	230V~50Hz, 1080W
Output:	700W
Grill heater:	800W
Operating Frequency:	2,450MHz
Outside Dimensions:	458mm(W) X 375mm(D) X 296mm(H)
Oven Cavity Dimensions:	320mm(W) X 288mm(D) X 183mm(H)
Oven Capacity:	20 litres
Uncrated Weight:	Approx. 13kg

BEFORE YOU CALL FOR SERVICE

1. If the oven will not perform at all, the display does not appear or the display disappears:
 - a) Check to ensure that the oven is plugged in securely. If it is not, remove the plug from the outlet, wait 10 seconds and plug it in again securely.
 - b) Check the premises for a blown circuit fuse or a tripped main circuit breaker. If these seem to be operating properly, test the outlet with another appliance.
2. If the microwave power does not function:
 - a) Check to see whether the timer is set.
 - b) Check to make sure that the door is securely closed to engage the safety interlocks. Otherwise, the microwave energy will not flow into the oven.

IF NONE OF THE ABOVE RECTIFIES THE SITUATION, THEN CONTACT THE AUTHORIZED SERVICE AGENT.

Note:

The appliance is for household use for heating food and beverages using electromagnetic energy and for indoor use only.

RADIO INTERFERENCE

Microwave oven may cause interference to your radio, TV, or similar equipment. When interference occurs, it may be eliminated or reduced by the following procedures.

- a. Clean the door and sealing surface of the oven.
- b. Place the radio, TV, etc. as far away from your microwave oven as possible.
- c. Use a properly installed antenna for your radio, TV, etc. to get a strong signal reception.

INSTALLATION

1. Make sure all the packing materials are removed from the inside of the door.
2. Inspect the oven after unpacking for any visual damage such as:
 - Misaligned Door
 - Damaged Door
 - Dents or Holes in Door Window and Screen
 - Dents in CavityIf any of the above are visible, DO NOT use the oven.
3. This Microwave Oven weighs 13 kg and must be placed on a horizontal surface strong enough to support this weight.
4. The oven must be placed away from high temperature and steam.
5. DO NOT place anything on top of the oven.
6. Keep the oven at least 8 cm away from both sidewalls and 10 cm away from rear wall to ensure the correct ventilation.
7. DO NOT remove the turn -table drive shaft.
8. As with any appliance, close supervision is necessary when used by children.

WARNING-THIS APPLIANCE MUST BE EARTHED.

1. The plug socket should be within easy reach of the power cord
2. This oven requires 1.1 KVA for its input. Consultation with service engineer is suggested when installing the oven.

CAUTION: This oven is protected internally by a 250V, 8 Amp Fuse.

IMPORTANT

The wires in this mains lead are coloured in accordance with the following code:

Green-and-yellow	: Earth
Blue	: Neutral
Brown	: Live

As the colours of the wires in the mains leads of the appliance may not correspond with the coloured markings identifying the terminals in your plug, proceed as follows:

The wire which is coloured green-and-yellow must be connected to the terminal in the plug which is marked with the letter E or by the earth symbol \perp coloured green or green-and-yellow.

The wire which is coloured blue must be connected to the terminal which is marked with the letter N or coloured black.

The wire which is coloured brown must be connected to the terminal which is marked with the letter L or coloured red.

IMPORTANT SAFETY INSTRUCTIONS

- WARNING: When the appliance is operated in the combination mode, children should only use the oven under adult supervision due to the temperatures generated; (Only for the model with grill function)
- WARNING: If the door or door seals are damaged, the oven must not be operated until it has been repaired by a competent person;
- WARNING: It is hazardous for anyone other than a competent person to carry out any service or repair operation that involves the removal of a cover which gives protection against exposure to microwave energy;
- WARNING: liquids and other foods must not be heated in sealed containers since they are liable to explode.
- WARNING: Only allow children to use the oven without supervision when adequate instructions have been given so that the child is able to use the oven in a safe way and understands the hazards of improper use;
- The oven must have sufficient air flow.Keep 10 cm space at back;15 cm at both sides and 30cms from top of the oven.Don't remove oven's feet, do not block air events of the oven.
- Only use utensils that are suitable for use in microwave ovens.
- When heating food in plastic or paper containers, keep an eye on the oven due to the possibility of ignition;
- If smoke is observed, switch off or unplug the appliance and keep the door closed in order to stifle any flames;
- Microwave heating of beverages can result in delayed eruptive boiling, therefore care must be taken when handling the container;
- The contents of feeding bottles and baby food jars shall be stirred or shaken and the temperature checked before consumption, in order to avoid burns;
- Eggs in their shell and whole hard-boiled eggs should not be heated in microwave ovens since they may explode, even after microwave heating has ended;
- When cleaning surfaces of door, door seal, cavity of the oven, use only mild, nonabrasive soaps, or detergents applied with a sponge or soft cloth.
- The oven should be cleaned regularly and any food deposits removed;
- Failure to maintain the oven in a clean condition could lead to deterioration of the surface that could adversely affect the life of the appliance and possibly result in a hazardous situation;
- If the supply cord is damaged, it must be replaced by the manufacturer, its service agent or similarly qualified persons in order to avoid a hazard.

SAFETY INSTRUCTIONS FOR GENERAL USE

Listed below are, as with all appliances, certain rules to follow and safeguards to assure top performance from this oven:

1. Always have the glass tray, roller arms, coupling and roller track in place when operating the oven.
2. Do not use the oven for any reason other than food preparation, such as for drying clothes, paper, or any other nonfood items, or for sterilizing purposes.
3. Do not operate the oven when empty. This could damage the oven.
4. Do not use the oven cavity for any type of storage,such a papers, cookbooks, etc.
- 5.Do not cook any food surrounded by a membrane,such as egg yolks,potatoes,chicken livers,etc without first being pierced several times with a fork.

6. Do not insert any object into the openings on the outer case.
7. Do not at any time remove parts from the oven such as the feet, coupling, screws, etc.

8. Do not cook food directly on the glass tray. Place food in/on proper cooking utensil before placing in the oven.

9. IMPORTANT-COOKWARE NOT TO USE IN YOUR MICROWAVE OVEN

Do not use metal pans or dishes with metal handles.

Do not use anything with metal trim.

Do not use paper covered wire twist-ties on plastic bags.

Do not use melamine dishes as they contain a material which will absorb microwave energy. This may cause the dishes to crack or char and will slow down the cooking speed.

Do not use Centura Tableware. The glaze is not suitable for microwave use. Corelle Livingware closed handle cups should not be used.

Do not cook in a container with a restricted opening, such as a pop bottle or salad oil bottle, as they may explode if heated in a microwave oven.

Do not use conventional meat or candy thermometers. There are the thermometers available specifically for microwave cooking. These may be used.

10. Microwave utensils should be used only in accordance with manufacturer's instructions.

11. Do not attempt to deep-fry foods in this oven.

12. Please remember that a microwave oven only heats the liquid in a container rather than the container itself. Therefore, even though the lid of a container is not hot to the touch when

removed from the oven, please remember that the food/liquid inside will be releasing the same amount of steam and/or spitting when the lid is removed as in conventional cooking.

13. Always test the temperature of cooked food yourself especially if you are heating or cooking food/liquid for babies. It is advisable never to consume food/liquid straight from the oven but allow it to stand for a few minutes and stir food/liquid to distribute heat evenly.

14. Food containing a mixture of fat and water, e.g. stock, should stand for 30-60 seconds in the oven after it has been turned off. This is to allow the mixture to settle and to prevent bubbling when a spoon is placed in the food/liquid or a stock cube is added.

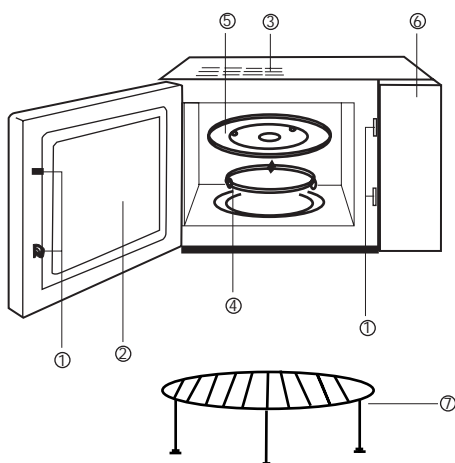
15. When preparing/cooking food/liquid and remember that there are certain foods, e.g. Christmas puddings, jam and mincemeat, which heat up very quickly. When heating or cooking foods with a high fat or sugar content do not use plastic containers.

16. Cooking utensil may become hot because of heat transferred from the heated food. This is especially true if plastic wrap has been covering the top and handles of the utensil. Potholders may be needed to handle the utensil.

17. To reduce the risk of fire in the oven cavity:

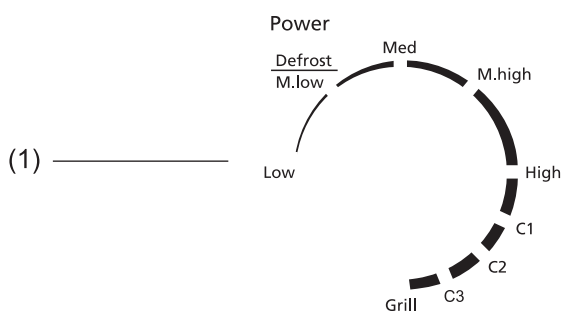
- (a) Do not overcook food. Carefully attend microwave oven if paper, plastic, or other combustible materials are placed inside the oven to facilitate cooking.
- (b) Remove wire twist-ties from bags before placing bag in oven.
- (c) If materials inside the oven should ignite, keep oven door closed, turn the oven off at the wall switch, or shut off power at the fuse or circuit breaker panel.

FEATURE DIAGRAM



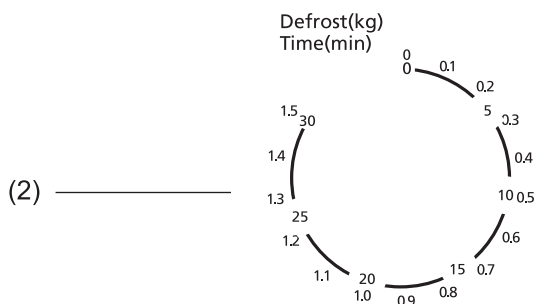
- (1) Door Safety Lock System
- (2) Oven Window
- (3) Oven Air Vent
- (4) Roller Ring
- (5) Glass Tray
- (6) Control Panel
- (7) Grill rack

CONTROL PANEL



(1) Power Select Control

(2) Timer-0-30 Minutes



Defrost: 36% Power Output

Low: 17% Power Output

M.Low: 36% Power Output

Med: 55% Power Output

M.High: 77% Power Output

High: 100% Power Output

Grill: 100% Grill Power Output

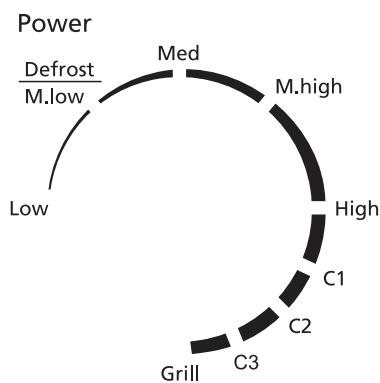
C1: 17% Power Output+83% Grill Power Output

C2: 28% Power Output+72% Grill Power Output

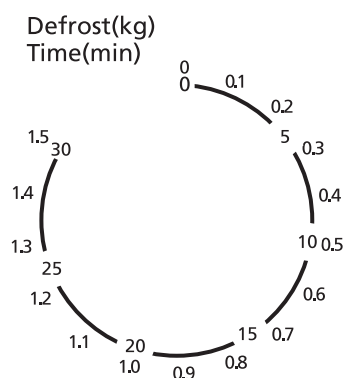
C3: 40% Power Output+60% Grill Power Output

Operation Instruction

To set a cooking program: Put the food onto the glass turntable in the oven and close the door.



Turn Power Control knob to correct required power level.



Select correct cooking time by using timer.

Note: Oven will start cooking food once the timer is turned.

If you need cooking time for less than 5 minutes, turn timer past 5 minutes and then return to correct timing.

ALWAYS RETURN TIMER BACK TO ZERO position when food is removed from oven but the set cooking time has not completed.

STOP OVEN: Turn timer to Zero position. If the door of oven is opened during cooking, the microwave oven will automatically stop working, the cooking will continue after closing the door. If the remaining cooking time is not required, return timer back to Zero position before closing the door.

CARE OF YOUR MICROWAVE OVEN

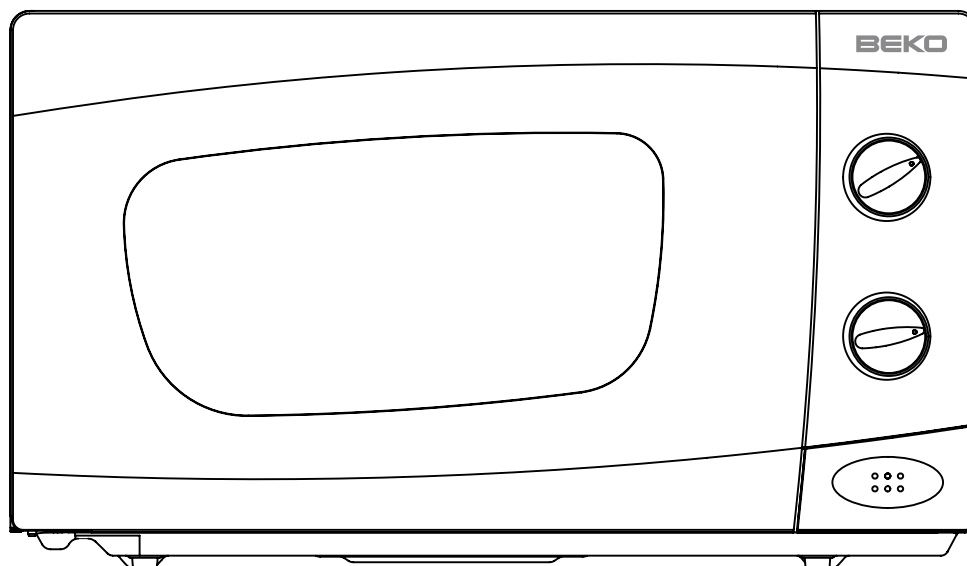
1. Turn the oven off and remove the power plug from the wall socket before cleaning.
2. Keep the inside of the oven clean. When food splatters or spilled liquids adhere to oven walls, wipe with a damp cloth.
The use of harsh detergent or abrasives is not recommended.
3. The outside oven surface should be cleaned with a damp cloth. To prevent damage to the operating parts inside the oven, water should not be allowed to seep into the ventilation openings.
4. Do not allow the Control Panel to become wet.
Clean with a soft, damp cloth, Do not use detergents, abrasives or spray-on cleaners on the control Panel.
5. If steam accumulates inside or around the outside of the oven door, wipe with a soft cloth. This may occur when the microwave oven is operated under high humidity conditions and in no way indicates malfunction of the unit.
6. It is occasionally necessary to remove the glass tray for cleaning. Wash the tray in warm sudsy water or in a dishwasher.
7. The roller ring and oven cavity floor should be cleaned regularly to avoid excessive noise. Simply wipe the bottom surface of the oven with mild detergent, water or window cleaner and dry. The roller ring may be washed in mild sudsy water or dish washer. Cooking vapour collect during repeated use but in no way affect the bottom surface or roller ring wheels. When removing the roller ring from cavity floor for cleaning, be sure to replace it in the proper position.
8. Remove odors from your oven by combining a cup of water with the juice and skin of one lemon in a deep microwaveable bowl. Microwave for 5 minutes, wipe thoroughly and dry with a soft cloth.
9. When it becomes necessary to replace the oven light, please consult a dealer to have it replaced.

BEKO

Микроволновая печь с ручным
управлением, 20 литров
Руководство пользователя по
эксплуатации

MWC 2010 MW
MWC 2010 MS

Внимательно прочтите руководство и сохраните для
последующего использования в справочных целях.



ВАЖНЫЕ УКАЗАНИЯ ПО ТЕХНИКЕ БЕЗОПАСНОСТИ. ВНИМАТЕЛЬНО ПРОЧТИТЕ И СОХРАНИТЕ ДЛЯ ПОСЛЕДУЮЩЕГО ИСПОЛЬЗОВАНИЯ В СПРАВОЧНЫХ ЦЕЛЯХ.

- ВНИМАНИЕ! Когда печь работает в комбинированном режиме, дети должны пользоваться печью только под присмотром взрослых из-за высокой температуры.
- ВНИМАНИЕ! В случае повреждения дверцы или ее уплотнений, включение печи недопустимо до тех пор, пока не будет произведен ее ремонт компетентным специалистом.
- ВНИМАНИЕ! Выполнение кем-либо, помимо обученного персонала, ремонта, требующего снятия кожухов защиты от микроволнового излучения, опасно.
- ВНИМАНИЕ! Жидкости и иные пищевые продукты не следует разогревать в герметичных емкостях, поскольку они могут взорваться.
- ВНИМАНИЕ! Разрешайте детям пользоваться печью только под наблюдением взрослых, после проведения соответствующего инструктажа, если ребенок способен ею пользоваться и осознает опасность несчастных случаев вследствие ненадлежащей эксплуатации.
- Пользуйтесь только посудой, пригодной для использования в микроволновых печах.
- При разогреве продуктов в пластмассовых или бумажных контейнерах, постоянно наблюдайте за печью в связи с возможностью воспламенения.
- При обнаружении дыма выключите печь или выньте вилку из розетки и оставьте дверцу закрытой для тушения пламени.
- Разогревание в микроволновой печи напитков может привести к задержанному во времени вскипанию, поэтому следует соблюдать осторожность при обращении с емкостями.
- Во избежание ожогов, бутылочки и баночки с детским питанием перед употреблением в пищу следует встряхнуть или перемешать содержимое, а также проверить температуру.
- Яйца в скорлупе и сваренные вкрутую не следует разогревать в микроволновой печи, так как они могут взорваться даже после окончания разогрева с помощью микроволн.
- Печь следует регулярно чистить и удалять остатки пищи.
- Невыполнение требований по поддержанию печи в чистоте может привести к повреждению поверхности, что может отрицательно повлиять на срок службы электроприбора и создать опасную ситуацию.
- Во избежание несчастных случаев при повреждении шнура питания, его замену должен осуществлять производитель, его представитель по сервису или лицо, имеющее аналогичную квалификацию.
- Во избежание несчастных случаев при повреждении шнура питания

ТЕХНИЧЕСКИЕ ХАРАКТЕРИСТИКИ

Потребляемая мощность:	230 В ~ 50 Гц, 1080 Вт
Выходная мощность:	700 Вт
Мощность гриля:	800 Вт
Рабочая частота:	2450 МГц
Наружные размеры:	458 мм (Ш) X 375 мм (Г) X 296 мм (В)
Размеры внутренней части печи:	320 мм (Ш) X 288 мм (Г) X 183 мм (В)
Внутренний объем печи:	20 литров
Вес без упаковки:	приблизительно 13 кг

ПРЕЖДЕ, ЧЕМ ОБРАТИТЬСЯ В СЛУЖБУ СЕРВИСА

1. Если печь не работает, дисплей не появляется или дисплей исчез:
 - а) Проверьте надежность подсоединения печи к сети электропитания. Если причина не в этом, выньте вилку из розетки, подождите 10 секунд и вставьте ее обратно.
 - б) Проверьте, не произошло ли перегорание плавкого предохранителя или размыкание сетевого автомата. Если в их работе не замечено неполадок, проверьте розетку, включив в нее другой электроприбор.
2. Если микроволновая мощность не функционирует:
 - а) Проверьте, не включен ли таймер.
 - б) Проверьте, надежно ли закрыта дверца с включением системы защитной фиксации дверцы. В противном случае энергия микроволн не будет распространяться в печи.
3. Для обеспечения надлежащей вентиляции оставляйте свободное расстояние не менее 8 см от боковых поверхностей и 10 см от задней стенки.

ЕСЛИ С ПОМОЩЬЮ УКАЗАННЫХ ДЕЙСТВИЙ ИСПРАВИТЬ ПОЛОЖЕНИЕ НЕ УДАЕТСЯ, ОБРАТИТЕСЬ К БЛИЖАЙШЕМУ ПРЕДСТАВИТЕЛЮ АВТОРИЗОВАННОЙ СЕРВИСНОЙ СЛУЖБЫ.

Примечание:

Печь предназначена для бытового использования с целью разогрева пищи и напитков с использованием энергии электромагнитного излучения, и только для использования в помещениях.

ЭЛЕКТРОМАГНИТНЫЕ ПОМЕХИ

При эксплуатации микроволновой печи могут создаваться помехи для вашего радиоприемника, телевизора и иных подобных устройств. При наличии помех, их можно снизить или устранить путем принятия следующих мер:

- а) Очистите дверцу и поверхности уплотнения дверцы печи.
- б) Установите радиоприемник, телевизор и т.п. как можно дальше от микроволновой печи.
- в) Для обеспечения надежного приема сигнала используйте правильно установленную антенну для радиоприемника, телевизора и т.п.

**ВНИМАНИЕ! ДАННЫЙ ПРИБОР ДОЛЖЕН БЫТЬ
ЗАЗЕМЛЕН.**

1. Шнур питания должен легко доставать до электророзетки
2. Данной печи на входе требуется 1,1 кВт*А. При установке печи рекомендуется проконсультироваться с инженером по сервису.

ВНИМАНИЕ: Эта печь защищена внутренним предохранителем на 250 В, 8А.

ВАЖНАЯ ИНФОРМАЦИЯ

Провода сетевого шнура имеют цвет в соответствии со следующей кодировкой:

Зеленый-желтый	: Заземление
Голубой	: Нейтраль
Коричневый	: Под напряжением

Поскольку разноцветные провода сетевого шнура прибора могут не соответствовать цветной маркировке клемм в вашей штепсельной вилке, действуйте следующим образом:

Провод заземления зеленого-желтого цвета должен подсоединяться к клемме, маркированной буквой E или символом заземления \perp зеленого или зеленого-желтого цвета.

Провод голубого цвета должен подсоединяться к клемме, маркированной буквой N, или черного цвета.

Провод коричневого цвета должен подсоединяться к клемме, маркированной буквой L, или красного цвета.

ВАЖНЫЕ ПРАВИЛА ТЕХНИКИ БЕЗОПАСНОСТИ

- ВНИМАНИЕ! Когда печь работает в комбинированном режиме, дети должны пользоваться печью только под присмотром взрослых из-за высокой температуры (только для моделей с функцией гриля).
- ВНИМАНИЕ! В случае повреждения дверцы или ее уплотнений, включение печи недопустимо до тех пор, пока не будет произведен ее ремонт компетентным специалистом.
- ВНИМАНИЕ! Выполнение кем-либо, помимо обученного персонала, ремонта, требующего снятия кожухов защиты от микроволнового излучения, опасно.
- ВНИМАНИЕ! Жидкости и иные пищевые продукты не следует разогревать в герметичных емкостях, поскольку они могут взорваться.
- ВНИМАНИЕ! Разрешайте детям пользоваться печью только под наблюдением взрослых, после проведения соответствующего инструктажа, если ребенок способен ею пользоваться и осознает опасность несчастных случаев вследствие ненадлежащей эксплуатации.
- Печи необходим достаточный поток воздуха для вентиляции. Обеспечьте свободное пространство на 10 см сзади; 15 см с обеих сторон и 30 см над поверхностью печи. Не снимайте ножки печи, не блокируйте вентиляционные отверстия печи.
- Пользуйтесь только посудой, пригодной для использования в микроволновых печах.
- При разогреве продуктов в пластмассовых или бумажных контейнерах, постоянно наблюдайте за печью в связи с возможностью воспламенения.
- При обнаружении дыма выключите печь или выньте вилку из розетки и оставьте дверцу закрытой для тушения пламени.
- Разогревание в микроволновой печи напитков может привести к задержанному во времени вскипанию, поэтому следует соблюдать осторожность при обращении с емкостями.
- Во избежание ожогов, бутылочки и баночки с детским питанием перед употреблением в пищу следует встряхнуть или перемешать содержимое, а также проверить температуру.
- Яйца в скорлупе и сваренные вкрутую не следует разогревать в микроволновой печи, так как они могут взорваться даже после окончания разогрева с помощью микроволн.
- При чистке поверхностей дверцы, уплотнений дверцы и внутренней полости печи пользуйтесь только мягким, не содержащим абразива мылом, или моющими средствами, наносимыми губкой или мягкой тканью.
- Печь следует регулярно чистить и удалять остатки пищи.
- Невыполнение требований по поддержанию печи в чистоте может привести к повреждению поверхности, что может отрицательно повлиять на срок службы электроприбора и создать опасную ситуацию.
- Во избежание несчастных случаев при повреждении шнура питания, его замену должен осуществлять производитель, его представитель по сервису или лицо, имеющее аналогичную квалификацию.

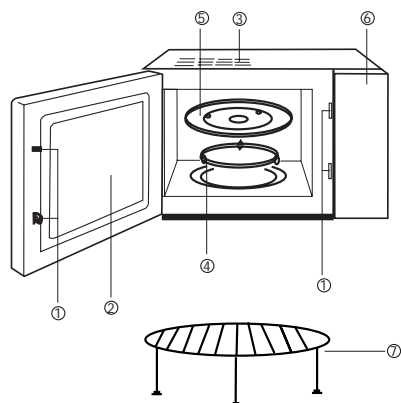
ОБЩИЕ МЕРЫ ПРЕДОСТОРОЖНОСТИ ПРИ ПОЛЬЗОВАНИИ

Ниже перечислены некоторые правила и меры предосторожности по обращению с электроприборами, которые следует соблюдать для обеспечения высокой производительности данной печи:

1. При эксплуатации печи всегда должны быть установлены на своих местах стеклянный поддон, роликовая подставка, муфта и роликовая дорожка.
2. Не используйте печь в каких-либо иных целях, кроме приготовления пищи, например, для сушки одежды, бумаги или иных непищевых предметов, а также для стерилизации.
3. Не включайте печь, когда в ней нет продуктов. Это может привести к повреждению печи.
4. Не используйте внутреннюю полость печи для хранения чего-либо, например, бумаг, поваренных книг и т.п.
5. Не разогревайте пищу, покрытую пленкой, например, яичных желтков, картофеля, куриной печени, не проткнув предварительно несколько раз вилкой.

6. Не вставляйте никаких предметов в отверстия наружного корпуса.
7. Не снимайте с печи никаких деталей, таких как ножки, муфта, винты и т.п.
8. Не готовьте пищу непосредственно на стеклянном поддоне. Положите продукты в/на соответствующую посуду для приготовления, прежде чем поместить ее в печь.
9. **ВАЖНО! КУХОННЫЕ ПРИНАДЛЕЖНОСТИ, КОТОРЫЕ НЕЛЬЗЯ ИСПОЛЬЗОВАТЬ В МИКРОВОЛНОВОЙ ПЕЧИ**
 Не пользуйтесь металлическими кастрюлями или посудой с металлическими ручками. Не пользуйтесь посудой с металлической отделкой. Не используйте покрытые бумагой проволочки для закрутки пластиковых пакетов. Не пользуйтесь меламиновой посудой, т.к. она содержит материал, поглощающий энергию микроволнового излучения. Это может вызвать растрескивание или обугливание посуды, а также замедлить скорость приготовления пищи.
 Не пользуйтесь столовой посудой Centura. Глазурь не предназначена для использования в микроволновой печи. Нельзя использовать закрытые чашки Corelle Livingware с ручкой. Не готовьте пищу в контейнерах с небольшим отверстием, таких как откупоривающиеся бутылки или бутылки из-под масла для заправки салатов, при их разогреве в микроволновой печи они могут взорваться. Не используйте обычные термометры для продуктов или сладостей. Имеются специальные термометры для приготовления в микроволновых печах. Ими можно пользоваться.
10. Посуду для микроволновых печей следует использовать только в соответствии с инструкциями производителя.
11. Не пытайтесь жарить продукты во фритюре в этой печи.
12. Помните, что микроволновая печь разогревает только жидкость в контейнере, а не сам контейнер.

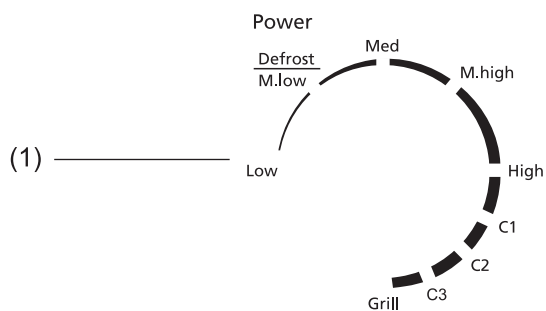
ФУНКЦИОНАЛЬНАЯ СХЕМА



- Поэтому, даже если крышка контейнера не является горячей на ощупь при извлечении из печи, помните, что при снятии крышки сосуда содержащаяся внутри пища/жидкость выпустит такое же количество пара и/или брызг, как и при обычном приготовлении.
13. Обязательно сами попробуйте температуру приготовленной пищи, особенно если вы разогреваете или готовите пищу/жидкую пищу для детей. Рекомендуется никогда не употреблять пищу/жидкость сразу после печи, а дать ей постоять несколько минут и перемешать пищу/жидкость, для равномерного распределения тепла.
 14. Пища, содержащая смесь жира с водой, например, бульон, должна постоять в печи 30-60 секунд после ее выключения. Это позволит смеси отстояться и предотвратить кипение при погружении ложки в пищу/жидкость, или при добавлении бульонного кубика.
 15. При приготовлении пищи/жидкой пищи помните, что некоторые продукты, например, рождественские пудинги, джем и сладкие начинки нагреваются очень быстро. При разогреве или приготовлении пищи с высоким содержанием жира или сахара не пользуйтесь пластмассовыми контейнерами.
 16. Посуда для приготовления продуктов может стать горячей от тепла, отдаваемого нагретой пищей. Это особенно касается посуды, верх и ручки которой покрыты пластиком. Для обращения с посудой могут потребоваться тканевые салфетки.
 17. Для снижения риска возгорания внутри печи:
 - а) Не превышайте время приготовления пищи. Внимательно наблюдайте за микроволновой печью, если внутрь помещены бумага, пластик или иные воспламеняющиеся материалы для облегчения приготовления.
 - б) Перед помещением в печь удаляйте проволочные закрутки с пакетов.
 - в) Если материалы в печи воспламенились, не открывайте дверцу печи, выключите печь из стенной розетки, либо выключите питание на панели предохранителя или автоматического выключателя.

- (1) Система защитной фиксации дверцы
- (2) Окно печи
- (3) Воздушная вентиляция печи
- (4) Кольцевая подставка на роликах
- (5) Стеклянный поддон
- (6) Панель управления
- (7) Решетка гриля

ПАНЕЛЬ УПРАВЛЕНИЯ



(1) Ручка регулятор мощности

(2) Таймер 0-30 минут

Low (Низкая): уровень мощности 17%

M.Low (Средняя низкая): уровень мощности 33%

Med (Средняя): уровень мощности 55%

M.High (Средняя высокая): уровень мощности 77%

High (Высокая): уровень мощности 100%

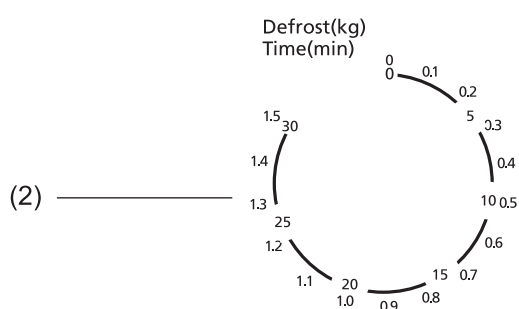
Defrost (Размораживание) : уровень мощности 36%

Гриль: Уровень мощности гриля 100%

C1: Уровень мощности 17% + уровень мощности гриля 83%

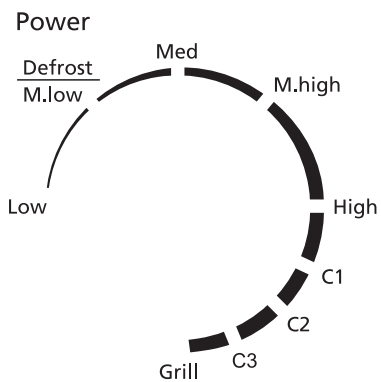
C2: Уровень мощности 28% + уровень мощности гриля 72%

C3: Уровень мощности 40% + уровень мощности гриля 60%

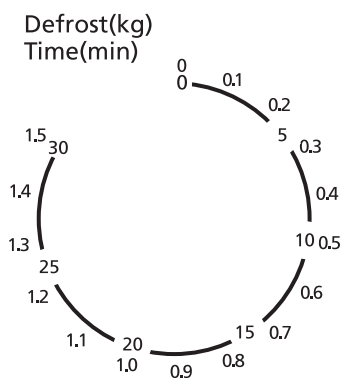


Инструкция по эксплуатации

Для настройки программы приготовления: Поместите продукты на стеклянный поднос в печь и закройте дверцу.



Установите ручку-регулятор мощности на нужный уровень мощности.



С помощью таймера установите нужное время приготовления.

Примечание: После включения таймера печь начнет процесс приготовления.

Если вам нужно время приготовления менее 5 минут, поверните таймер на последние 5 минут, и затем верните на правильное время.

ВСЕГДА ВОЗВРАЩАЙТЕ ТАЙМЕР ОБРАТНО В НУЛЕВОЕ ПОЛОЖЕНИЕ, если продукты извлечены из печи до окончания заданного времени приготовления.

ВЫКЛЮЧЕНИЕ ПЕЧИ: Поверните таймер в нулевое положение. Если открыть дверцу печи во время приготовления, микроволновая печь автоматически прекратит работу, и продолжит приготовление после закрытия дверцы. Если оставшееся время не требуется, поверните таймер обратно в нулевое положение, прежде чем закрыть дверцу.

УХОД ЗА МИКРОВОЛНОВОЙ ПЕЧЬЮ

1. Перед чисткой выключите печь и извлеките вилку из розетки.
2. Содержите в чистоте внутреннее пространство печи. При попадании на стенки печи брызг пищи или жидкости протрите стенки влажной тканью. Не рекомендуется использовать жесткие моющие или абразивные средства.
3. Внешнюю поверхность печи следует протирать влажной тканью. Для предотвращения повреждения рабочих частей печи не допускайте протекания воды через вентиляционные отверстия.
4. Панель управления не должна быть влажной. Протирайте ее мягкой влажной тканью. Для чистки панели управления не используйте моющие, абразивные средства или чистящие средства в аэрозольной упаковке.
5. При накапливании в дверце печи или вокруг нее пара, протрите дверцу мягкой тканью. Это может произойти, если микроволновая печь работает в условиях высокой влажности, и ни в коем случае не указывает на неисправность печи.
6. Периодически необходимо извлекать стеклянный поддон для очистки. Промывайте поддон в теплой мыльной воде или в посудомоечной машине.
7. Роликовую подставку и дно внутренней полости печи следует регулярно очищать, чтобы избежать излишнего шума. Просто протрите нижнюю поверхность печи, используя мягкое моющее средство, воду или средство для очистки стекол, и вытрите насухо. Роликовую подставку можно промыть в мыльной воде или в посудомоечной машине. При постоянном использовании образуется пар, но он никак не влияет на нижнюю поверхность или на колесики роликовой подставки. При снятии кольца на роликах с нижней поверхности печи для чистки проследите, чтобы оно было установлено на место в правильном положении.
8. Удаляйте запахи из печи, поместив в нее в глубокую посуду стакан воды с соком и кожурой лимона. Включите микроволновую печь на 5 минут, затем тщательно протрите поверхность насухо мягкой тканью.
9. При необходимости заменить подсветку печи обратитесь к дилеру.

BEKO

Notice d'utilisation

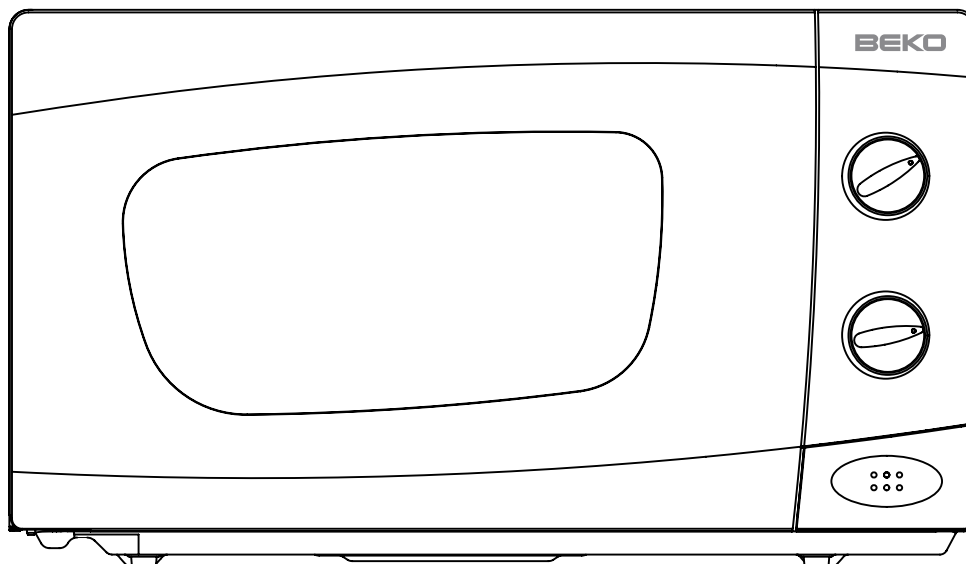
Manual de instrucciones

MWC 2010 MW

MWC 2010 MS

Four Micro-ondes mécanique 20L

Horno microondas 20l



Veillez lire attentivement ces instructions avant d'utiliser votre four à micro-ondes et conservez précieusement ce manuel pour référence ultérieure.

CONSERVEZ CES INSTRUCTIONS

Mise en garde

Cet appareil est un four à micro-ondes qui doit être installé et manipulé avec soins, compte tenu de son fonctionnement par électricité, de l'émission d'ondes invisibles.

Nous insistons sur la nécessité **ABSOLUE** de lire et suivre les conseils de sécurité suivants avant installation ou la première utilisation et de garder pour de futures utilisations ce document.

**CONSERVER CETTE NOTICE
ATTENTION**

RAYONNEMENT DE MICRO ONDES
NE PAS S'EXPOSER AU RAYONNEMENT DU GENERATEUR
DE MICRO-ONDES OU AUTRES PARTIES
CONDUISANT L'ENERGIE

Cet appareil est uniquement destiné à une utilisation domestique.
Le produit doit être installé en respectant les règles nationales d'installation.

DEBALLAGE DU FOUR

Après avoir déballé votre appareil, examinez-le avec soin pour savoir s'il n'a pas subi de dommages visibles durant le transport. **Si l'appareil a subi des dommages visibles comme une déformation de la porte, ne pas l'utiliser mais appeler un technicien du service après vente.**

ATTENTION :

Vous ne devez pas retirer le couvercle en mica de couleur marron clair qui est vissé dans la cavité du four afin de protéger le magnétron.

Ne pas oublier d'enlever toutes les protections situées à l'intérieur du four.

- ✧ Retirez tous les emballages et les accessoires.
- ✧ Inspectez le four afin de repérer tout dommage, tel que des déformations ou une porte cassée. N'installez pas l'appareil s'il est endommagé.
- ✧ **Attention, les dommages éventuels dus au transport doivent être signalés au revendeur dans les 24 heures suivant la livraison.**
- ✧ Retirez le film de protection situé sur le capot.

IMPORTANT

IL EST ABSOLUMENT INTERDIT DE REMPLACER VOUS MEME LE CABLE D'ALIMENTATION. SI CELUI-CI EST ENDOMMAGE, IL DOIT ETRE REMPLACE PAR LE SERVICE APRES-VENTE DE VOTRE MAGASIN REVENDEUR, LE FABRICANT, SON SERVICE APRES-VENTE OU UNE PERSONNE DE QUALIFICATION SIMILAIRE AFIN D'EVITER UN DANGER.

SI VOTRE APPAREIL TOMBE, FAITES LE EXAMINER PAR UN PROFESSIONNEL AVANT DE LE REMETTRE SOUS TENSION. DES DOMMAGES INTERNES PEUVENT REPRESENTER UN RISQUE D'ACCIDENT.

POUR TOUT PROBLEME OU TOUTE REPARATION, MERCI DE BIEN VOULOIR CONTACTER LE SERVICE APRES-VENTE DE VOTRE MAGASIN REVENDEUR, LE FABRICANT, SON SERVICE APRES-VENTE OU UNE PERSONNE DE QUALIFICATION SIMILAIRE AFIN D'EVITER TOUT DANGER.

PRECAUTIONS A PRENDRE POUR EVITER UNE EXPOSITION DANGEREUSE AUX MICRO-ONDES

* INSTRUCTIONS DE SECURITE IMPORTANTES A LIRE ATTENTIVEMENT ET A GARDER POUR DE FUTURES UTILISATIONS

- 1- Ne pas chercher à faire fonctionner le four lorsque sa porte est ouverte. Il est essentiel de ne pas annuler ou apporter des modifications aux dispositifs de verrouillage.
- 2- Ne mettre aucun objet entre la façade du four et la porte, éviter la formation de dépôt de salissure, d'aliments ou de produits de nettoyage sur les surfaces d'étanchéité de la fermeture.
- 3- Ne pas faire fonctionner le four s'il est endommagé.

Lorsque le four est inutilisé veiller à ce que la porte soit toujours fermée pour éviter toute déformation des pièces suivantes :

- Porte
 - Gonds et loquets de fermeture
 - Joint et surfaces d'étanchéité
- 4- Ce four ne doit pas être réglé ou réparé par une autre personne qu'un personnel qualifié du service après-vente.
 - 5- **Mise en garde : si la porte ou le joint de porte est endommagé, le four ne doit pas être utilisé avant d'avoir été remis en état par une personne compétente. Toute intervention ou réparation sur le four doit être effectuée exclusivement par un technicien qualifié – service après-vente – de votre magasin revendeur.**
 - 6- **Mise en garde : Il est dangereux pour toute personne de procéder à des opérations de maintenance ou de réparation qui nécessitent le retrait du couvercle de protection du générateur d'émission d'énergie micro-ondes.**

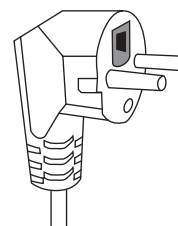
VOTRE SECURITE

MISE A LA TERRE

Ce four à micro-ondes doit être branché sur une prise de terre. Cet appareil est équipé d'une prise de terre électrique. Il doit être branché sur une prise murale correctement installée et reliée à la terre par un dispositif de sécurité normalisé.

ATTENTION : Une mauvaise utilisation de la prise de terre peut entraîner le risque de choc électrique.

En cas de court-circuit, la mise à la terre réduit le risque de choc électrique en permettant au courant d'être évacué par le fil de terre



Notes : En cas de questions concernant la prise de terre ou le branchement électrique, veuillez consulter un personnel qualifié.

Si une rallonge est nécessaire, utilisez exclusivement une rallonge à trois fils équipée d'une fiche tripolaire de mise à la terre et une prise femelle à trois fentes adaptée à la fiche de l'appareil.

PRECAUTIONS DE SECURITE

* USTENSILES :

- Utiliser des récipients en verre ou céramique.
- Pour des temps de cuisson courts, des récipients en plastique ou carton peuvent être utilisés, ainsi que des plats surgelés sous films plastiques, sous réserve que ces films aient été percés avec une fourchette au préalable pour permettre à la vapeur de s'échapper.
- Un plat brunisseur peut être également mis au micro-onde. Se référer aux instructions du fabricant. Une mauvaise utilisation du plat brunisseur risque de casser le plateau tournant.
- **Avant l'utilisation, vérifier que les ustensiles sont appropriés à un usage dans un four à micro-ondes ;** Tout ustensile métallique est à proscrire. En effet, les objets métalliques provoquent des étincelles ou flash qui peuvent conduire à de sérieux dommages sur votre appareil. Egalement, ne pas mettre les aliments dans des boîtes ou sous film aluminium.
- Ne pas utiliser de récipients en bois, ils pourraient se consumer.
- Ne pas utiliser de vaisselle en métal, fonte ou en faïence ayant des parties même minimales en métal (y compris argent ou or), votre appareil tomberait en panne.
- **Mise en garde : Il ne faut pas chauffer les liquides ou autres aliments dans des récipients hermétiques car ils risqueraient d'exploser ;**
- **Lorsque des aliments sont chauffés dans des récipients en matière plastique ou en papier, surveiller le four fréquemment afin d'éviter les risques d'inflammation.**
- Ne pas ranger d'ustensiles de cuisine ni de papier dans ce four.

* CUISSON :

- Le plateau tournant et son support à roulettes doivent être dans le four pendant la cuisson. Placez le plat sur le plateau tournant et manipulez-le avec précaution pour éviter de le casser.
- Prendre soin de bien centrer le plat au milieu du plateau en verre pour éviter qu'il ne vienne cogner contre les parois ou la porte.
- Percer avec une fourchette la pelure des pommes de terre, pommes et tout autre fruit ou légume recouvert d'une pelure, avant de les cuire.
- **Les œufs dans leur coquille et les œufs durs entiers ne doivent pas être cuits dans un four à micro-ondes car ils risquent d'exploser, même après la fin de cuisson.**
- Ne pas faire de friture dans votre four.
- Ne pas chauffer dans le four des liquides corrosifs ou produits chimiques.
- Ne pas laisser trop longtemps de petites portions de nourriture nécessitant peu de temps de cuisson, elles seront soit trop cuites, soit brûlées.
- **Mise en garde : n'autoriser les enfants à utiliser le four sans surveillance que si des instructions appropriées leur ont été données, leur permettant d'utiliser le four de façon sûre et de comprendre les dangers d'une utilisation incorrecte.**
- Ne pas utiliser ce four quand celui-ci est sale ou en présence d'eau condensée sur les parois. Essuyez et laissez sécher avant utilisation.
- Ne pas faire fonctionner le four si le plateau tournant ne marche pas ou sans ce plateau en verre.

* RISQUES D'INCENDIE :

- Ne pas faire cuire un aliment dans une serviette, même si cela vous est recommandé dans une recette de cuisson.
- Ne pas utiliser de papier journal ou de serviettes en papier pour la cuisson.
- Ne pas faire sécher de vêtements dans un four à micro-ondes.
- **Si de la fumée apparaît, arrêter ou débrancher le four et garder la porte fermée pour étouffer les flammes éventuelles.**
- N'utiliser pas le four à micro-ondes à vide. Tout fonctionnement du four sans aliment à l'intérieur ou avec des aliments à très faible taux d'humidité peut déclencher un feu, la carbonisation ou des étincelles à l'intérieur du four.
- Ne couvrez pas et n'obstruez pas les ouvertures d'aération de votre four.
- Ne mettez pas le four près de l'eau, près de l'évier de la cuisine, dans une cave humide ou à proximité d'une piscine.
- Ne plongez pas le cordon ou la fiche de cet appareil dans l'eau.
- Eloignez le cordon de toute surface chaude

* ATTENTION AUX BRULURES :

- **Le chauffage de boissons par micro-ondes peut provoquer un jaillissement brusque et différé de liquide en ébullition, aussi des précautions doivent elles être prises lorsqu'on manipule le récipient .**
- **Le contenu des biberons et des pots d'aliments pour bébés doit être remué ou agité et la température doit être vérifiée avant consommation, afin d'éviter les brûlures.**
- La porte du four, la fenêtre et le plateau peuvent également être très chauds.

- Veuillez surveiller les aliments dans le four à micro-ondes, afin d'éviter que celui-ci ne prenne feu en raison d'une cuisson excessive d'un aliment.

Attention : La température de la porte, de la surface extérieure et de toutes surfaces accessibles peut être élevée lorsque l'appareil fonctionne.

- NETTOYAGE :

Le four doit être nettoyé régulièrement et tout dépôt de nourriture doit être enlevé.

Si l'appareil n'est pas maintenu dans un bon état de propreté, sa surface pourrait se dégrader et affecter de façon inexorable la durée de vie de l'appareil et conduire à une situation dangereuse.

- Assurez-vous toujours que votre four est bien arrêté avant de le nettoyer en enlevant la prise de courant.
- Garder la cavité interne du four toujours propre et sèche, en la nettoyant régulièrement avec un chiffon doux. Ne pas utiliser d'éléments abrasifs car vous risquez de rayer ou d'endommager la peinture.
- **Les éclaboussures sur la face intérieure de la porte, ainsi que sur les joints de porte et les parties adjacentes doivent être nettoyées quotidiennement avec de l'eau chaude savonneuse.** Rincer et sécher avec soin. Il est préférable d'entretenir les parties métalliques de la porte avec un chiffon humide. Ne pas utiliser de brosse, d'éponge à récurer ou de chiffon abrasif.
- **En cas de détérioration des joints de porte ou des parties adjacentes, le four ne devra pas fonctionner jusqu'à sa remise en état par un technicien qualifié du Service après-vente.**
- **Ne jamais verser d'eau dans le four ou tout autre liquide susceptible d'endommager en particulier le moteur d'entraînement du plateau en verre.**
- L'extérieur du four est en métal peint. Nettoyez-le avec un chiffon humidifié d'eau chaude savonneuse. Rincer et sécher avec un chiffon doux. Ne pas mettre d'eau dans les bouches de ventilation situées sur l'appareil, sur les cotés ou à l'arrière.

- * EN CAS DE PANNE :

En cas de problème, s'assurer que :

1. La prise de courant est bien correctement enfoncée et alimentée par le courant du secteur (fusible en état), ce qui est vérifiable par le branchement d'un autre appareil en état de marche.
2. La porte de votre four est correctement fermée.
3. Que rien ne bloque la rotation du plateau tournant.
4. Vérifiez que le panneau de commande est correctement programmé et que la minuterie est réglée.

SI AUCUNE DES ACTIONS CI-DESSUS NE RESOUT LE PROBLEME, CONTACTEZ UN TECHNICIEN QUALIFIE. N'ESSAYEZ PAS DE REGLER OU DE REPARER VOUS-MEME LE FOUR.

* REPARATION :

- Si votre four ne fonctionne pas correctement, contacter un spécialiste pour toute intervention. En aucun cas, le dos ou toute autre pièce du four à micro-ondes ne devra être démontée, sauf par un technicien qualifié du service après-vente, pour effectuer l'entretien ou les réparations.
- Il est interdit de remplacer le câble d'alimentation vous même, s'il est endommagé, il doit être remplacé, impérativement, par un service qualifié compétent (service après-vente du fabricant ou du revendeur, ou électricien qualifié et agréé pour ce type de réparation).

Mise en garde : il est dangereux pour quiconque autre qu'une personne qualifiée d'effectuer une opération de maintenance ou une réparation qui nécessite le retrait d'un couvercle protégeant contre l'exposition à l'énergie des micro-ondes.

- Afin de prévenir tout danger, il est impératif, en cas de problème, de s'adresser au service après-vente du fabricant ou du revendeur, ou à un électricien qualifié et agréé pour ce type de réparation. Dans tous les cas de figures, l'appareil doit être retourné à une personne qualifiée.

NE JAMAIS OUVRIR LE CAPOT

NE PAS FAIRE FONCTIONNER CET APPAREIL SANS RIEN A L'INTERIEUR DE LA CAVITE

**CE FOUR A MICRO ONDES N'EST DESTINE QU'A L'USAGE DOMESTIQUE
IL NE DEVRA PAS ETRE UTILISE DANS UN BUT PROFESSIONNEL,
COMMERCIAL OU INDUSTRIEL.**

**N'AUTORISER LES ENFANTS A UTILISER LE FOUR SANS SURVEILLANCE
QUE SI DES INSTRUCTIONS APPROPRIEES LEUR ONT ETE DONNEES LEUR
PERMETTANT D'UTILISER LE FOUR DE FACON SURE ET DE COMPRENDRE
LES DANGERS D'UNE UTILISATION INCORRECTE.**

Cet appareil est un appareil de Groupe 2 car il produit intentionnellement de l'énergie à fréquence radioélectrique pour le traitement de la matière et il est destiné à être utilisé dans un local domestique ou un établissement raccordé directement au réseau de distribution d'électricité à basse tension alimentant des bâtiments à usage domestique.

INTERFERENCES RADIO

Le fonctionnement du four à micro-ondes peut provoquer des interférences avec votre radio, votre téléviseur ou tout autre équipement similaire.
Pour réduire ou supprimer les interférences éventuelles, prenez les mesures suivantes :

Nettoyez la porte et la surface d'étanchéité du four.
Réorientez l'antenne réceptrice de la radio ou du téléviseur.
Déplacez le four à micro-ondes par rapport au récepteur.
Eloignez le four à micro-ondes du récepteur.
Branchez le four à micro-ondes sur une autre prise pour que le four à micro-ondes et le récepteur utilisent des circuits différents.

Cet appareil est un four à micro-ondes qui doit être installé et manipulé avec soins, compte tenu de son fonctionnement par électricité, de l'émission d'ondes invisibles.

Nous insistons sur la nécessité ABSOLUE de lire et suivre les conseils de sécurité suivants avant l'installation ou la première utilisation du four.

CONSERVER CETTE NOTICE
ATTENTION
RAYONNEMENT DE MICRO-ONDES
NE PAS S'EXPOSER AU RAYONNEMENT DU GENERATEUR DE MICRO-ONDES OU
AUTRES PARTIES CONDUISANT L'ENERGIE

MIEUX CONNAITRE SON APPAREIL

Modèle	MWC 2000 MW
Alimentation	230V~ 50Hz
Puissance assignée Micro-ondes	1080W
Puissance restituée Micro-ondes	700 W
Puissance du grill	800 W
Capacité	20l
Diamètre plateau tournant	Ø 245 mm
Dimensions extérieures (LxHxP)	458X375X296 mm
Poids net	13 kg
Fréquence	2450 MHz

INSTALLER VOTRE FOUR

PIECES ET ACCESSOIRES DU FOUR

↪ Retirez le four et tous ses accessoires du carton.

↪ Votre four est livré avec les accessoires suivants :

- o 1 Plateau en verre
- o 1 Anneau du plateau tournant
- o 1 Manuel d'utilisation

A Thermostat et minuterie

B Fixation pour plateau tournant

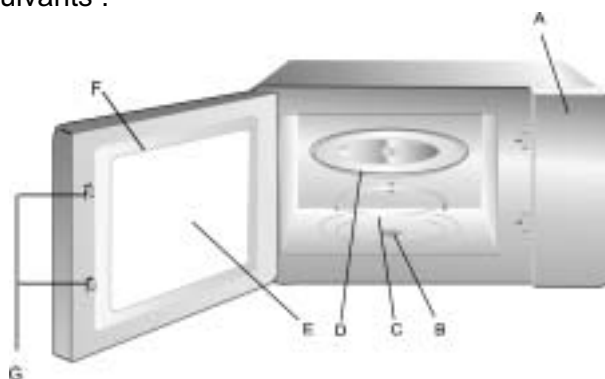
C Anneau de plateau

D Plateau de verre

E Vitre d'observation

F Porte

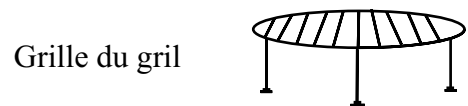
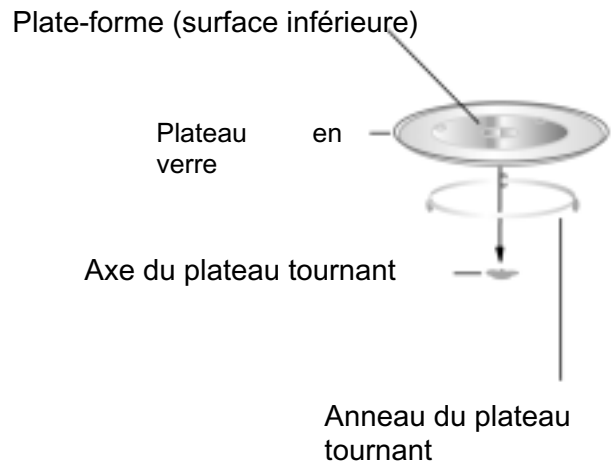
G Fermeture sécurisée de la porte



Si la porte est ouverte en cours de fonctionnement du four, le four est mis hors tension.

LE PLATEAU TOURNANT

- ✦ Ne placez jamais le plateau en verre à l'envers. Il ne doit jamais être encombré.
- ✦ Vous devez toujours utiliser le plateau en verre et l'anneau du plateau tournant pendant la cuisson.
- ✦ Placez toujours les aliments et les récipients sur le plateau en verre pour la cuisson.
- ✦ Si le plateau en verre ou l'anneau du plateau tournant est fêlé ou cassé, veuillez contacter le magasin d'entretien agréé le plus proche de chez vous.

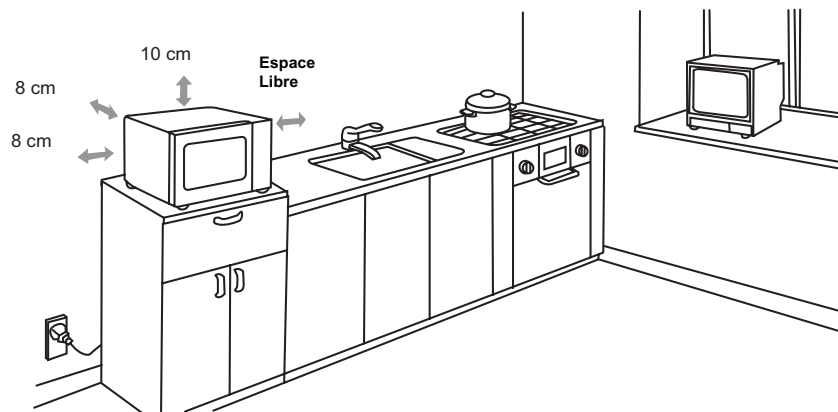


- 1- Placer le four sur une surface plate. Laisser environ 20 à 30 cm au-dessus de l'appareil, et 10 cm sur les cotés et à l'arrière, pour permettre une bonne ventilation. Assurez-vous qu'il n'y a rien qui obstrue les bouches de ventilation sur les cotés, le dessus et à l'arrière de l'appareil. Eviter de placer le four près de tout autre appareil générant une source de chaleur. Ne pas installer ce four à l'air libre ni dans des locaux très humides ou excessivement chauds. Ne pas encastrer ce four.
Il est également recommandé de ne pas placer ce four près d'un poste radio ou de télévision, le champ magnétique du four pouvant créer des interférences et parasites.
- 2- Enlever tout emballage à l'intérieur du four. Retirez le film de protection situé sur le capot.
- 3- Avant d'utiliser le four, nettoyer l'intérieur avec un chiffon humide.
- 4- Vérifiez que la tension de votre alimentation électrique correspond à celle indiquée sur votre four, avant de le brancher. (230 V ~50 Hz équipée d'une terre).
- 5- Ne rien poser sur le couvercle du four à micro-ondes

ATTENTION :

Vous ne devez pas retirer le couvercle en mica de couleur marron clair qui est vissé dans la cavité du four afin de protéger le magnétron.

- ↪ Choisissez une surface plane donnant un espace libre suffisant pour les ouvertures d'aérations.



- ↪ Maintenez un espace d'au moins 8 cm autour des parois latérales du four, 10 cm pour la paroi arrière, afin d'assurer une ventilation correcte.
- ↪ Branchez votre four dans une prise électrique standard. Assurez-vous que la tension et la fréquence soient les mêmes que celles indiquées sur l'étiquette du four.

AVERTISSEMENT : N'installez pas votre four sur une table de cuisson ou un appareil produisant de la chaleur. Votre four risque d'être endommagé et la garantie ne s'applique pas dans ce cas.

UTILISATION

ATTENTION, avant de faire cuire des produits, faite un test sur le micro-onde en faisant chauffer pendant 30 secondes un verre d'eau en puissance maximale

- ↪ **Placer un verre d'eau dans l'appareil, sur le plateau en verre et fermer la porte.**
- ↪ **Mettez le micro-onde en puissance maximale (voir détail cuisson micro-onde paragraphe 3) et la minuterie sur une demi-minute.**
- ↪ **La lampe interne s'allume alors, le plateau se met à tourner, et les ondes internes réchauffent alors le verre d'eau pendant 30 secondes.**
- ↪ **En fin de cuisson, l'eau doit être chaude.**

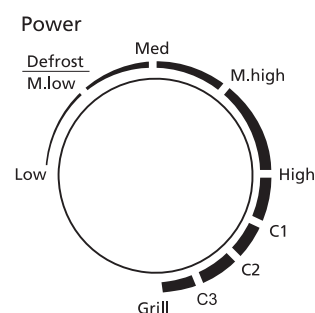
Si Le four ne fonctionne pas, n'essayez pas de réparer vous-même cet appareil, mais retourner le au service après-vente du magasin ou vous l'avez acheté.

1. Puissance du four

Vous pouvez choisir la puissance du four grâce au sélecteur de puissance (N°3 schéma du four) qui vous permettra d'établir :

- l'énergie consommée,
- le degré de cuisson,
- la décongélation.

Il y a 5 degrés de puissance :

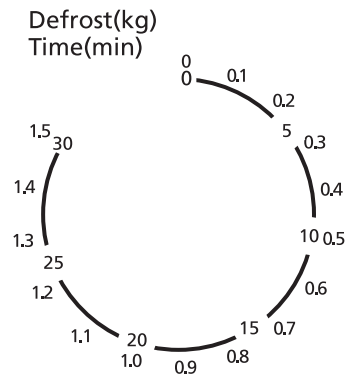


Low	17%	Low : conserve les plats au chaud et permet de faire monter les préparations à la levure
M. Low	33%	M. Low Décongélation et mijotage des viandes entre autres
Med	55%	Med : cuisson lente des plats, potées, ragoûts, civets et pour les viandes moins tendres
M. High	77%	M. High : cuisson pain, pâtisseries, permet de rôtir et sert pour réchauffer rapidement des plats individuels
High	100%	High : cuissons de base, pour cuire les viandes tendres, les volailles, pour le réchauffage rapide des plats.
Gril	100% de puissance délivrée par le gril	
C1	17% de puissance délivrée + 83% par le gril	
C2	28% de puissance délivrée + 72 % par le gril	
C3	40% de puissance délivrée + 60 % par le gril	

2. Minuterie

La minuterie est de 30 minutes avec une échelle élargie de 0 à 10 minutes.

La seconde indication qui apparaît permet de choisir le temps de décongélation nécessaire en fonction du poids en Kg (**vous référez au paragraphe décongélation**).



3. Cuisson

- ✧ Branchez votre four dans une prise secteur – avec mise à la terre ;
- ✧ Ouvrir la porte en appuyant sur le bouton d'ouverture,
- ✧ Placez le plat avec les aliments sur le plateau tournant. Distribuer la nourriture de manière homogène dans le plat afin de permettre une cuisson uniforme.
- ✧ Fermez la porte. Si la porte n'est pas correctement fermée, le four ne se mettra pas en marche
- ✧ Sélectionnez la puissance.
- ✧ Placez la minuterie sur le temps choisi. Commencez par tourner le bouton au temps maximum pour revenir ensuite sur le temps désiré.
- ✧ Le plateau se met à tourner avec émission des ondes à l'intérieur du four.
- ✧ Une fois le temps de cuisson écoulé, la minuterie se met sur 0 et vous pouvez ouvrir la porte.

Il est possible d'ouvrir la porte pendant la cuisson. La minuterie s'arrêtera automatiquement et le four ne produira plus d'ondes. Lorsque la porte est refermée la cuisson reprend jusqu'à la fin du temps de cuisson indiqué sur la minuterie.

TABLE DE CUISSON

Aliments	Couverture	Niveau	Temps moyen
Boeuf (500g) Boeuf haché (500g) Boeuf de Viande (500g) Hamburgers (500g) Hachis de viande (500g) Boeuf braisé Eau 250 ml Rôti Bleu Saignant A point Steaks	Couvercle ou Papier sulfurisé Papier sulfurisé Papier sulfurisé Scellofrais Couvercle Papier sulfurisé Papier sulfurisé	Haute Haute Haute Haute Basse Moyenne Moyenne Moyenne Haute	5-7 minutes 10-12 minutes 5-7 minutes 16-22 minutes 21-27 minutes/450gr 7-8 minutes/450gr 8-9 minutes/450gr 11-13 minutes/450gr 2-4 minutes/450gr
PORC Bacon 250g Saucisses Côtes de porc Rôti de porc Bas de côtes Rôti dans le Jambon Précuit Cru Tranches de Jambon cru 750g à 1kg Jambonneau 750g à 1kg	Serviette papier Papier sulfurisé Papier sulfurisé Papier sulfurisé Papier sulfurisé Scellofrais Papier sulfurisé Scellofrais	Haute Haute Haute Haute Haute Basse Basse Moyenne Basse	45sec-1minute/tranche 2-4 minutes 11-13 minutes/450gr 12-14 minutes/450gr 8-10 minutes/450gr 12-15 minutes/450gr 14-19 minutes/450gr 18-26 minutes/450gr 25-30 minutes
MOUTON Rôti Épaule/gigot	Papier sulfurisé	Moyenne	9-11 minutes/450gr
VEAU Rôti dans l'épaule Côtelettes Veau/Mouton 3 à 4 pieces	Papier sulfurisé ou Scellofrais Papier sulfurisé	Moyenne Haute	10-11 minutes/450gr 9-11 minutes/450gr

TABLE DE CUISSON

Aliments	Couverture	Niveau	Temps moyen
LEGUMES Légumes (1 à 2 livres) (60ml d'eau) Pommes de terre -cuites -bouillies (240ml d'eau) 2 Epis de Mais - Frais dans leur enveloppe - Congelés	Couvercle Du Scellofrais Couvercle Scellofrais Scellofrais	Haute Haute Haute Haute Haute	9-16 minutes 9-12 minutes 16-20 minutes 7-8 minutes/450gr 6-9 minutes/450gr
RIZ , PATES ET CEREALES Macaronis (250g) 3/4 litre d'eau Spaghetti (500g) 1.5-2 litre d'eau Pates aux oeufs (250g) 3/4-litre d'eau 250ml Riz longs grains 1/2-3/4 litre d'eau 250ml Riz ordinaire 1/2 litre d'eau	Couvercle /scellofrais Scellofrais Couvercle /Scellofrais Couvercle /Scellofrais Couvercle /Scellofrais	Haute Haute Haute Haute Haute	17-20 minutes 20-26 minutes 15-20 minutes 18-25 minutes 18-20 minutes

250ml Riz minute 1/2 litre litre d'eau	Couvercle /Scellofrais	Haute	3-6 minutes
250ml Riz Brun (complet) 3/4litre d'eau	Couvercle /Scellofrais	Haute	30-35 minutes
250ml Riz minute 1/4 litre litre d'eau		Haute	2-3 minutes
125ml Porridge normal 1/4 litre d'eau		Haute	3-5 minutes
125ml Cornflakes 1/2 litre d'eau		Haute	3-4 minutes
GATEAUX Gâteaux au beurre Ou au chocolat Plat rond 22cm Couronne		Haute	6-8 minutes
Petits gâteaux (6 pieces)		Haute	6-7 minutes
Cookies (en barre 20cm)		Haute	3-4 minutes
Dans un plat carré		Haute	5-8 minutes
SOUPES 250ml à base d'eau		Haute	2-3 minutes
250ml à base de lait		Haute	2-3 minutes

4. Décongélation

Le programme permet une décongélation uniforme. Ce programme peut être également utilisé pour une cuisson plus lente des aliments. Les soupes, ragoûts et autre sauces peuvent cuire en programme décongélation.

Placez les aliments dans le four à micro-ondes,

- ✧ Positionnez le bouton de sélection de puissance sur DECONGELATION,
- ✧ Fermer la porte
- ✧ Réglez la minuterie sur le temps désiré suivant le poids du produit à décongeler.
- ✧ Le micro-onde se met en route.
- ✧ **Suivre ensuite la même procédure que pour la cuisson en mode micro-onde.**

POIDS	TEMPS
0.2kg	3 minutes
0.4kg	6 minutes
0.6kg	9 minutes
0.8kg	10 minutes
1.0kg	15 minutes

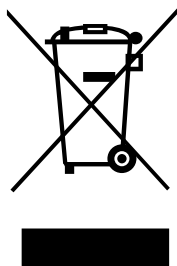
DEPANNAGE

ATTENTION

Afin de prévenir tout danger, il est impératif, en cas de problème, de s'adresser au service après-vente du fabricant ou du revendeur, ou à un électricien qualifié et agréé pour ce type de réparation. Dans tous les cas de figures, l'appareil doit être retourné à un professionnel qualifié.

Normal	
Four à micro-ondes interférant avec la réception de votre téléviseur	La réception des téléviseurs et postes de radio peut être brouillée lorsque le four à micro-ondes fonctionne. Cette interférence est similaire à celle que génèrent les petits appareils électriques comme les mixers, les aspirateurs et les ventilateurs électriques. Ceci est normal.
Lumière du four faible	Au cours d'une cuisson aux micro-ondes à faible puissance, la lumière du four peut baisser d'intensité. Ceci est normal.
Accumulation de vapeur sur la porte, de l'air chaud s'échappe des ouvertures d'aération	Pendant la cuisson, de la vapeur se dégage des aliments. Celle-ci est principalement évacuée par les trous d'aération mais une faible quantité s'accumule sur les surfaces froides comme la porte du four. Ceci est normal.
Four utilisé accidentellement sans aliment à l'intérieur.	L'utilisation du four à vide ne l'endommagera pas si elle est de courte durée. Mais ceci n'est pas recommandé.

Problème	Cause possible	Solution
Le four ne fonctionne pas	(1) Le cordon d'alimentation n'est pas correctement branché.	Débranchez l'appareil, attendez 10 secondes, puis rebranchez-le.
	(2) Problème avec la prise électrique.	Essayez la prise secteur en y branchant d'autres appareils électriques.
Le four ne chauffe pas	(3) La porte est mal fermée.	Fermez bien la porte.
Le plateau tournant en verre fait du bruit lorsque le four à micro-ondes est en marche	(4) La surface d'appui des roulettes de l'anneau du plateau et/ou le fond du four sont sales.	Vous référer au paragraphe Nettoyage de votre four à micro-ondes" pour nettoyer les surfaces sales.



Ce logo apposé sur le produit signifie qu'il s'agit d'un appareil dont le traitement en tant que déchet rentre dans le cadre de la directive 2002/96/CE du 27 janvier 2003, relative aux déchets d'équipements électriques et électroniques (DEEE).

- La présence de substances dangereuses dans les équipements électriques et électroniques peut avoir des effets potentiels sur l'environnement et la santé humaine dans le cycle de retraitement de ce produit.

- Ainsi, lors de la fin de vie de cet appareil, celui-ci ne doit pas être débarrassé avec les déchets municipaux non triés.

- En tant que consommateur final, votre rôle est primordial dans le cycle de réutilisation, de recyclage et les autres formes de valorisation de cet équipement électrique et électronique. Des systèmes de reprise et de collecte sont mis à votre disposition par les collectivités locales (déchetteries) et les distributeurs.

- Vous avez l'obligation d'utiliser les systèmes de collecte sélective mise à votre disposition.

Cet appareil est conforme aux directives CE relatives à la suppression des interférences radio et à la sécurité à basse tension et satisfait les exigences actuelles en matière de sécurité.

Sous réserve de modifications techniques.

Conditions de garantie :

Ce produit est garanti pour une période de 2 ans à partir de la date d'achat*, contre toute défaillance résultant d'un vice de fabrication ou de matériau. Cette garantie ne couvre pas les vices ou les dommages résultant d'une mauvaise installation, d'une utilisation incorrecte, ou de l'usure normale du produit.

(* : sur présentation du ticket de caisse dans tous les magasins boulanger)



Naudojimosi instrukcija

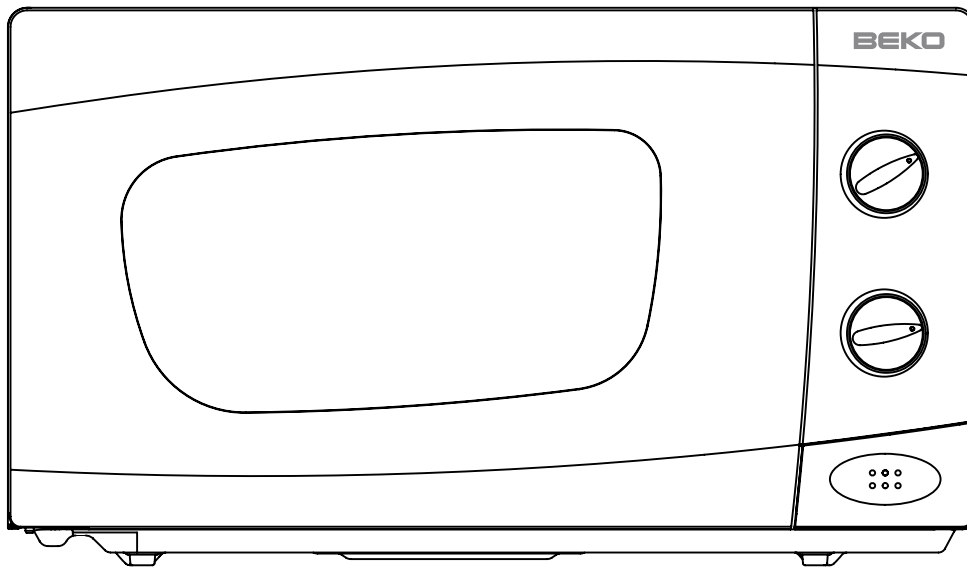
BEKO

Mikrobangų krosnelė

MWC 2010 MW

MWC 2010 MS

Ši instrukcija skirta šiam mikrobangų krosnelės modeliui



1. Prieš pradėdami naudotis mikrobangų krosnele **ATIDŽIAI PERSKAITYKITE** šią instrukciją. Ją išsaugokite, jei kiltų kokių klausimų ateityje.
2. Žemiau įrašykite **SERIAL NO.**, kurį rasite ant galinės mikrobangų krosnelės sienelės. Ši informacija gali būti reikalinga ateityje.

SVARBIOS SAUGUMO NUORODOS

ĮSPĖJIMAS: Kai prietaisas veikia kombinuotu režimu, vaikai gali naudotis krosnele tik su tėvų priežiūra dėl sukeltos temperatūros;

ĮSPĖJIMAS: Jei pažeistos durelės arba durelių guma, krosnele naudotis negalima, kol kvalifikuotas meistras nepataisys.

ĮSPĖJIMAS: Mikrobanginės negali remontuoti nekvalifikuotas asmuo, jei reikia nuimti dangtį, kuris apsaugo nuo mikrobangų. Nekvalifikuotiems asmenims pavojinga remontuoti krosnelę.

ĮSPĖJIMAS: Skysčių ir kito maisto negalima šildyti hermetiškuose indeliuose, nes jie gali sprogti.

ĮSPĖJIMAS: Jei krosnele naudojasi vaikai, pirma jiems išaiškinkite naudojimosi etapus, saugumo nurodymus bei pavojus (sprogimo galimybę). Tik tada vaikai gali naudotis krosnele be priežiūros.

- Naudokite tik tuos indus, kuriuos galima naudoti mikrobangų krosnelėje.
- Kai maistą šildote plastikiniuose ar popieriniuose induose, atidžiai prižiūrėkite krosnelę, kad neužsidegtų.
- Jei susikaupė garų, išjunkite prietaisą arba ištraukite laidą iš elektros lizdo, o dureles laikykite uždarytas, kad nuslopintumėte bet kokias galimas liepsnas.
- Skysčiai, šildomi mikrobangų krosnelėje gali užvirti, todėl reikia būti atsargiems, jei skysčius šildote uždarame inde.
- Kūdikių buteliukus ir maistą reikia pakratyti arba išplakti, o temperatūrą patikrinti prieš pat vartojimą, kad išvengtumėte nusideginimų.
- Negalima šildyti kiaušinių su lukštu ir net kietai išvirtų kiaušinių mikrobangų krosnelėje, nes jie gali sprogti, net ir tada kai jau kaitinimas baigiasi.
- Krosnelę valykite reguliariai, o maisto likučius pašalinkite.
- Neprižiūrint švaros mikrobangų krosnelės viduje arba išorėje, gali nusidėvėti paviršius, ir tai neigiamai įtakoja krosnelės tarnavimo laiką ir gali tapti sprogimo pavojaus priežastimi.
- Jei pažeistas elektros laidas, jį turi pakeisti kvalifikuotas meistras, kad išvengtumėte pavojaus.
- Buitiniam prietaisui veikiant, jo išoriniai paviršiai gali labai įkaisti.

ATSARGOS PRIEMONĖS, KAD MIKROBANGŲ ENERGIJA NEPATEKTŲ Į IŠORĘ

- (a) Nejunkite mikrobangų krosnelės, kai atidarytos jos durelės, tai gali būti mikrobangų energijos patekimo į išorę priežastis.
 - (b) Nieko nedėkite tarp krosnelės priekinio paviršiaus ir durelių, taip pat žiūrėkite, kad ant vidinių sienelių nesikauptų maisto ir valiklių nuosėdos.
 - (c) Nesinaudokite apgadinta mikrobangų krosnele. Ypač svarbu, kad gerai užsidarytų mikrobangų krosnelės durelės ir kad nebūtų sugadinta:
 - ① Durelės (sulankstytos),
 - ② Vyriai ir skląščiai (sulaužyti ar atsilaisvinę),
 - ③ Durelių tarpinės ir tarpinių paviršiai.
- Mikrobangų krosnelę leidžiama remontuoti tik kvalifikuotiems specialistams.

TECHNINIAI DUOMENYS

Elektros energijos suvartojimas:

Elektros energijos suvartojimas:

Galingumas:	230V~50Hz, 1080W
Grilio galingumas:	700 W (mikrobangos)
Darbinis dažnis:	800 W
Krosnelės išmatavimai:	2450MHz
Vidaus ertmės išmatavimai:	296mm(H)×458mm(W)×375mm(D)
Krosnelės tūris:	183mm(H)×320mm(W)×228mm(D)
Neto svoris:	20 litrų
	Apie 13 kg

PRIEŠ IŠKVIESDAMI MEISTRA

1. Jei krosnelė visiškai neveikia, o displėjus nepasirodo:

- A) Pažiūrėkite, ar kištukas gerai įjungtas į elektros tinklo lizdą. Ištraukite kištuką iš elektros tinklo lizdo ir po 10 sekundžių vėl jį gerai įkiškite.
- B) Patikrinkite, ar nesugedęs elektros įvado saugiklis arba suveikęs automatinis išjungėjas, ar neišjungtas bendras elektros grandinės pertraukiklis. Jei atrodo, kad viskas tvarkoje, patikrinkite elektros tinklo lizdą, įjunkdami kitą prietaisą.

2. Jeigu mikrobangų krosnelė neveikia:

- A) Pažiūrėkite, ar valdymo skydelyje teisingai nustatyta programa ir laikmatis.
- B) Įsitikinkite, ar durelės gerai užsidaro. Priešingu atveju mikrobangų krosnelė neveiks, nes suveiks apsaugos sistema.

JEI KROSNELĖ VIS TIEK NEVEIKIA, KREIPKITĖS Į KVALIFIKUOTĄ MEISTRĄ. NEBANDYKITE TAISYTI KROSNELĖS PATYS.

Pastaba:

Šis prietaisas skirtas tik naudojimui namuose maisto ir gėrimų šildymui elektromagnetinėmis bangomis.

Radijo trikdžiai:

Mikrobangų krosnelė gali įtakoti radijo, televizoriaus ar panašių prietaisų veikimą. Jei atsirandą trukdžių, juos galima pašalinti ar bent jau sumažinti taip:

- a. Išvalykite prietaiso dureles ir sandarinimo gumas.
- b. Radiją, televizorių ar kitus prietaisus padėkite kuo toliau nuo mikrobangų krosnelės.

Radijui ir televizoriui naudokite tik teisingai prijungtą anteną, kad būtų tvirtas signalas.

INSTALIAVIMAS

1. Įsitikinkite, kad nuėmėte visas pakavimo medžiagas. Atidžiai apžiūrėkite krosnelę po išpakavimo, pažiūrėkite ar nėra akivaizdžiai matomų pažeidimų, tokių kaip: sulankstytos durelės, pažeistos durelės,
2. Įdubimai ir skylės durelių stikle ir ekrane, įdubimai. Jei nors vienas iš šių pažeidimų akivaizdus, nesinaudokite krosnele.
3. Ši mikrobangų krosnelė sveria 13 kg ir turi būti padėta ant horizontalaus paviršiaus, kuris išlaikytų tokį svorį.
4. Krosnelė turi būti padėta kuo toliau nuo aukštos temperatūros ir garų.
5. Nieko nedėkite ant krosnelės viršaus.
6. Nesinaudokite krosnele be stiklinio padėklo, be žiedo su ratukais ar kai jie nėra savo vietoje ant ašies.
7. Siekiant užtikrinti tinkamą ventiliaciją, tarp orkaitės ir virtuvės baldų reikia palikti bent 8 cm tarpus šonuose ir 10 cm tarpą nuo galinės sienelės.

Kaip ir su kitais prietaisais, prižiūrėkite vaikus, kai jie naudojami krosnele.

DĖMESIO – ŠIS PRIETAISAS TURI BŪTI ĮŽEMINTAS

1. Elektros laidas turi lengvai pasiekti elektros lizdą.
2. Šiai krosnelei reikia 1,1 KVA (kilovoltamperų). Pasitarkite su kvalifikuotais meistras, jei nežino kaip prijungti krosnelę.

ĮSPĖJIMAS: Ši krosnelė pritaikyta 250 V, 8 A srovei.

SVARBU

Laidų pagrindiniame kabelyje spalvų reikšmės:
Green and Yellow (Žalia ir geltona) = EARTH- ĮŽEMINIMO laidas
Blue (mėlyna) = NEUTRAL - NEUTRALUS laidas
Brown (Ruda) = LIVE - FAZINIS laidas

Kai laidų spalvos prietaise neatitinka kištuko spalvų, elkitės taip:

- Laidas, kuris pažymėtas Žaliai ir geltonai turi būti prijungtas į kištuką, kuris pažymėtas raide E arba įžeminimo simboliu \perp , žalios ir geltonos spalvos.
- Laidas, kuris pažymėtas mėlynai, turi būti prijungtas prie pažymėto N raide arba juodos spalvos.
- Laidas, kuris pažymėtas rudai, turi būti prijungtas prie pažymėto raide L arba raudonos spalvos.

SVARBIOS SAUGUMO NUORODOS

ĮSPĖJIMAS: Kai prietaisas veikia kombinuotu režimu, vaikai gali naudotis krosnele tik su tėvų priežiūra dėl sukeltos temperatūros (tik tiems modeliams, turintiems grilio funkciją);

ĮSPĖJIMAS: Jei pažeistos durelės arba durelių guma, krosnele naudotis negalima, kol kvalifikuotas meistras nepataisys.

ĮSPĖJIMAS: Mikrobanginės negali remontuoti nekvalifikuotas asmuo, jei reikia nuimti dangtį, kuris apsaugo nuo mikrobangų. Nekvalifikuotiems asmenims pavojinga remontuoti krosnelę.

ĮSPĖJIMAS: Skysčių ir kito maisto negalima šildyti hermetiškuose indeliuose, nes jie gali sprogti.

ĮSPĖJIMAS: Jei krosnele naudojasi vaikai, pirma jiems išaiškinkite naudojimosi etapus, saugumo nurodymus bei pavojus (sprogimo galimybę). Tik tada vaikai gali naudotis krosnele be priežiūros.

Aplink krosnelę turi laisvai cirkuliuoti oras. Galinėje pusėje turi būti 10 cm tarpas, abejose pusėse po 15 cm ir 30 cm iš viršaus. Nenuimkite krosnelės kojelių, neužblokuokite oro įleidimo angų.

- Naudokite tik tuos indus, kuriuos galima naudoti mikrobangų krosnelėje.
- Kai maistą šildote plastikiniuose ar popieriniuose induose, atidžiai prižiūrėkite krosnelę, kad neužsidegtų.
- Jei susikaupė garų, išjunkite prietaisą arba ištraukite laidą iš elektros lizdo, o dureles laikykite uždarytas, kad nuslopintumėte bet kokias galimas liepsnas.
- Skysčiai, šildomi mikrobangų krosnelėje gali užvirti, todėl reikia būti atsargiems, jei skysčius šildote uždarame inde.
- Kūdikių buteliukus ir maistą reikia pakratyti arba išplakti, o temperatūrą patikrinti prieš pat vartojimą, kad išvengtumėte nusideginimų.
- Negalima šildyti kiaušinių su lukštu ir net kietai išvirtų kiaušinių mikrobangų krosnelėje, nes jie gali sprogti, net ir tada kai jau kaitinimas baigiasi.
- Krosnelę valykite reguliariai, o maisto likučius pašalinkite.
 - Neprižiūrint švaros mikrobangų krosnelės viduje arba išorėje, gali nusidėvėti paviršius, ir tai neigiamai įtakoja krosnelės tarnavimo laiką ir gali tapti sprogimo pavojaus priežastimi.
- Jei pažeistas elektros laidas, jį turi pakeisti kvalifikuotas meistras, kad išvengtumėte pavojaus.

Saugos nuorodos bendram naudojimui

Žemiau išvardintos nuorodos, daugeliui prietaisų būdingos taisyklės ir saugumo nurodymai:

1. Visada krosnelę naudokite tik su stikliniu padėklu, ratukų alkūne ir sujungimais ir ratukų padėklu.
2. Krosnelę naudokite tik maisto ruošimui ar šildymui, nenaudokite jos drabužių, popierių ar kitų ne maisto produktų džiovimui bei sterilizacijos tikslais.
3. Nejunkite tuščios mikrobangų krosnelės. Taip ji gali būti sugadinta.
4. Nenaudokite krosnelės vidaus popieriaus, knygų ar kitų daiktų laikymui.
5. Prieš šildant subadykite vaisių ir daržovių storą odą, pavyzdžiui, nepjaustyti bulvių, moliūgų, obuolių ir kaštonų.
6. Nekiškite jokių daiktų į išorės korpuso angas.
7. Niekada nenuiminkite mikrobangų krosnelės dalių, tokių kaip kojelės, sujungimai, varžtai ir pan.
8. Nešildykite maisto tiesiogiai ant stiklinio padėklo. Maistą įdėkite į tinkamą indą ir tik tada šildykite.
9. **SVARBU. VIRTUVĖS REIKMENYS, KURIŲ NEGALIMA NAUDOTI MIKROBANGŲ KROSNELĖJE:**
 - Negalima naudoti metalinių puodų ar indų metalinėmis rankenomis.
 - Nenaudokite nieko su metalo apdaila.
 - Nenaudokite popierium uždengtų vielinių ar virvelėmis surištų plastiko krepšelių.

- Nenaudokite melamino indų, kurie pagaminti iš mikrobangų energiją sugeriančios medžiagos. Taip indai suskiltų ar apdegtų, o tai sulėtintų gaminimo greitį.
- Nenaudokite stalo įrankių mikrobanginėje. Glazūruoti indai taip pat netinka naudoti mikrobanginėje. Negalima naudoti ir uždengtų puodelių.
- Nešildykite indų, kurie atidaromi labai siaurai, tokių kaip buteliai, aliejaus buteliai, nes jie gali sprogti, jei būtų šildomi mikrobangų krosnelėje.
- Nenaudokite šaldytos mėsos arba įprasto termometro. Mikrobanginėms krosnelėms yra specialūs termometrai. Juos galima naudoti.

10. Mikrobangų krosnelės reikmenys turi būti naudojami tik pagal gamintojo nurodymus.

11. Nebandykite mikrobanginėje virti maisto riebaluose.

12. Prašome įsidėmėti, kad krosnelė šildo tik skystį inde labiau nei patį indą. Todėl net jei indo dangtis nėra karštas, kai indą išimate iš krosnelės, atsiminkite, kad maistas ar gėrimai skleidžia tokį pat garų kiekį ir/arba išpurškia garus, kai nuimate dangtį taip, kaip gaminant/šildant tradiciniu būdu.

13. Visada patikrinkite pagaminto maisto ar gėrimų temperatūrą, ypač jei gaminate kūdikiams. Rekomenduojama niekada nevalgyti ką tik iš krosnelės išimto maisto/ gėrimų, reikia palaukti kelias minutes ir pamaišyti maistą/ gėrimus, kad karštis pasiskirstytų vienodai.

14. Maistas, kuriame yra ir vandens, ir riebalų (pvz.: sultinys), turėtų pastovėti 30-60 sekundžių mikrobangų krosnelėje, kai ji jau bus išjungta. Taip leidžiama susiformuoti mišiniui ir apsaugoti nuo burbuliavimo, jei būtų įdedamas šaukštas ar sultinio kubelis į maistą/gėrimą.

15. Kai ruošiate/ gaminate maistą/ gėrimus, prisiminkite, kad tai gali būti tam tikras maistas (pvz.: Kalėdinis pudingas, uogienė ir džiovinti vaisiai), kuris įkaista labai greitai. Kai šildote labai riebus ar daug cukraus turintį maistą, nešildykite jo plastikiniuose induose.

16. Virtuviniai įrankiai gali tapti karšti nuo pašildyto maisto perduoto karščio. Tai ypač nutinka, kai rankenos, įrankiai ir viršutinė dalis padengta plėvele. Todėl gali reikėti puodkelnės.

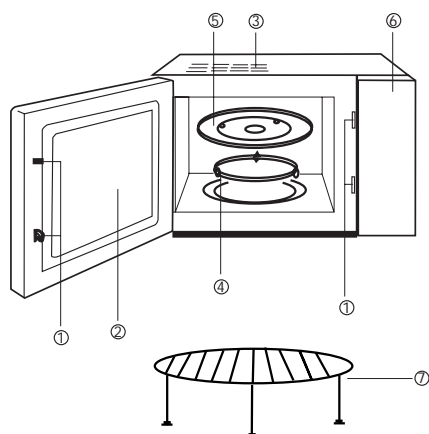
17. Kad sumažintumėte ugnies riziką mikrobanginės viduje:

a. Neperkaitinkite maisto. Atidžiai prižiūrėkite krosnelę, jei viduje įdėjote popierinius, plastiko ar kitos degios medžiagos indus.

b. Nuimkite šniūrelius apvyniotus ant maišelių prieš dėdami juos į mikrobanginę krosnelę.

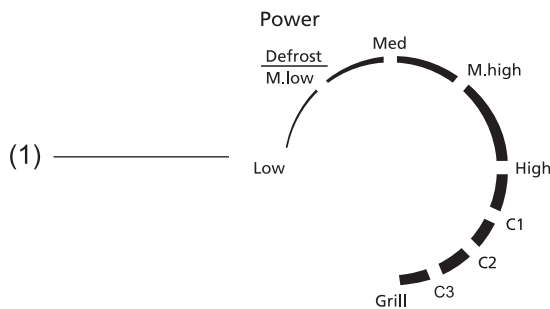
c. Jei mikrobanginės viduje esančios medžiagos gali užsidegti, mikrobanginės dureles laikykite uždarytas, išjunkite prietaisą ištraukdami laidą iš elektros lizdo arba nutraukite elektros tiekimą.

PRIETAISO DALYS



1. Durelių apsauginių blokatorių sistema.
2. Durelių langas.
3. Ventiliacinė anga.
4. Žiedas.
5. Stiklinis padėklas.
6. Valdymo skydelis.
7. Grilio grotelės.

VALDYMO SKYDELIS



(1) Galios pasirinkimo rankenėlė

(2) Laikmatis 0-30 minutėms

Žema: 17 % galingumas

Vid. Žema: 33 % galingumas

Vidutinė: 55 % galingumas

Vid. Aukšta: 77 % galingumas

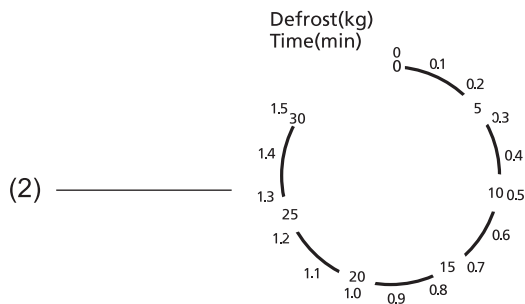
Atitirpinimas: 36 % galingumas

Grilis: %100 Grilio galingumas

C1: %17 Galingumas + %83 Grilio galingumas

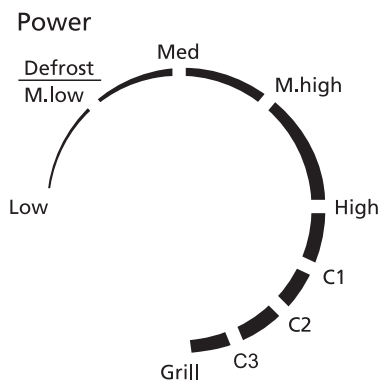
C2: %28 Galingumas + %72 Grilio galingumas

C3: %40 Galingumas + %60 Grilio galingumas

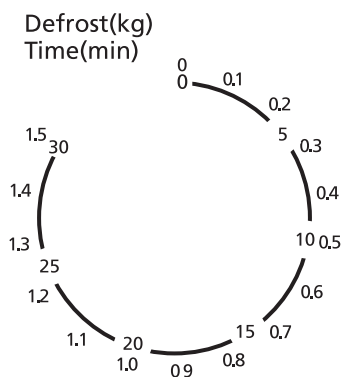


VALDYMO NUORODOS

Norėdami nustatyti gaminimo programą: padėkite maistą ant padėklo ir uždarykite dureles.



Galingumo rankenėlę pasukite į reikiamą lygį.



Laikmačiu pasirinkite reikiamą gaminimo laiką

Atsiminkite: Mikrobangų krosnelė pradės gaminti maistą kai tik pasuksite laikmatį.

Jei reikia nustatyti laiką mažiau nei 5 minutėms, laikmatį nustatykite ilgiau nei 5 minutėms ir tada gražinkite rankenėlę į reikiamą laiką.

Visada gražinkite laikmatį atgal į 0, kai tik maistą išimate iš krosnelės, jei nustatytas laikas dar nesibaigė.

Mikrobangų krosnelės sustabdymas: laikmatį nustatykite ties 0. jei gaminimo metu atidaromos durelės, mikrobangų krosnelė automatiškai nustos veikusi, o gaminimas tęsis toliau po to, kai tik uždarysite dureles. Jei likęs gaminimo laikas jau nereikalingas, pasukite laikmatį ties 0, prieš uždarant dureles.

Mikrobangų krosnelės priežiūra

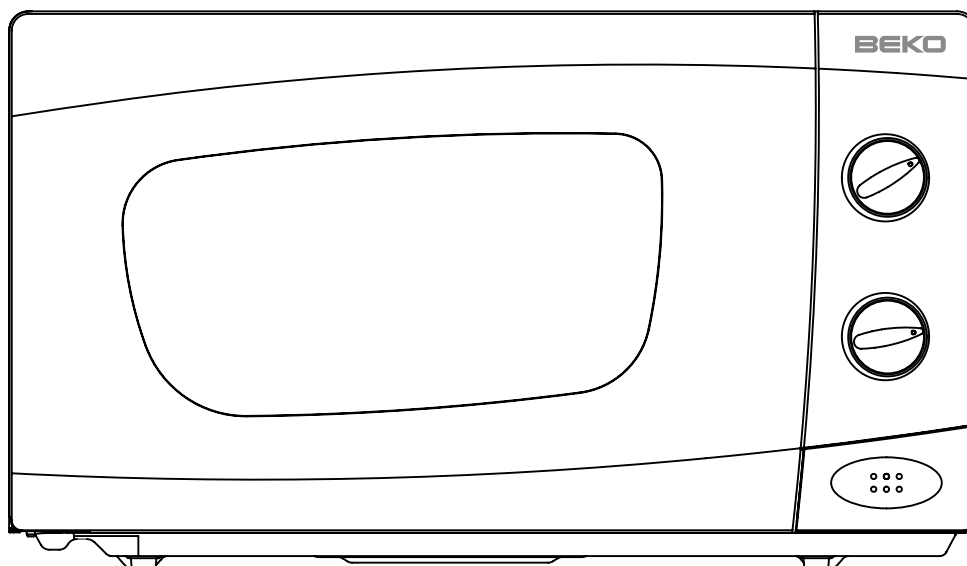
1. Prieš valydami krosnelę išjunkite ją ir ištraukite iš elektros tinklo lizdo kištuką.
2. Krosnelės viduje turi būti švaru. Jei maistas aptaškė sienelės ar ištekėjo ir pridegė skysčiai, išvalykite juos drėgnu skudurėliu. Esant dideliems nešvarumams, galima naudoti švelnią valymo priemonę. Stenkitės nenaudoti purškiamų ir kitokių stiprių valiklių, kadangi jie gali pakenkti durų paviršiui.
3. Krosnelę iš išorės reikia valyti drėgnu skudurėliu. Kad nesugadintumėte krosnelės detalių vanduo neturi patekti į ventiliacines angas. Galima naudoti švelnią valymo priemonę.
4. Draudžiama sušlapinti valdymo skydelį. Valykite jį minkštu, drėgnu skudurėliu. Valydami valdymo skydelį palikite dureles atviras, kad krosnelės netyčia neįjungtumėte.
5. Jei krosnelė naudojama labai drėgnoje patalpoje, jos viduje arba ant durelių išorės gali kauptis garai. Tai normalu, nuvalykite juos minkštu skudurėliu.
6. Retkarčiais reikia nuimti ir išvalyti stiklinį padėklą. Išplaukite padėklą muiliname vandenyje arba indų plovimo mašinoje.
7. Krosnelės vidaus apačia ir žiedas su ratukais turi būti nuolat valomi, kad nekeltų triukšmo. Tam naudokite švelnią valymo priemonę. Žiedą su ratukais galima išplauti muiliname vandenyje ar su indų plovikliu. Išėmę žiedą su ratukais iš krosnelės vidaus po to jį gražinkite tinkamai į jo vietą.
8. Jei norite pašalinti iš mikrobangų krosnelės kvapus, į gilų dubenį pripilkite vandens, įdėkite citriną su žievelėmis, įstatykite į mikrobangų krosnelę ir įjunkite mikrobangų režimą 5 minutėms. Po to viską gerai išvalykite ir nusauskite.
9. Kai reikės pakeisti lempuotę, kreipkitės į kvalifikuotą meistrą.

BEKO

Microondas 20 litros Manual de instruções

MWC 2010 MW
MWC 2010 MS

Leia atentamente as instruções e guarde-as para futuras consultas



QUADRO TÉCNICO

Consumo de energia:	230V~50Hz, 1080W
Saída:	700W
Alimentação do grelhador:	800W
Frequência de funcionamento:	2,450MHz
Dimensões externas: mm (Altura)	458mm(Largura) x 375 mm(Profundidade) x 296
Dimensões capacidade forno: mm (Altura)	320mm(Largura) x 288 mm(Profundidade) x 183
Capacidade do forno:	20 litros
Peso:	Aprox. 13Kg

ANTES DE CHAMAR O SERVIÇO TÉCNICO

1.- Se o forno não funcionar, o visualizador não aparecer ou desaparecer:

- a) Certifique-se de que o forno está correctamente ligado à corrente. Se assim não for, retire a ficha da tomada, espere 10 segundos e volte a ligá-la de forma segura.
- b) Certifique-se de que o circuito não está fundido ou de que não se disparou um interruptor do circuito principal. Se funcionar correctamente verifique a tomada com outro aparelho.

2.- Se o aparelho não funcionar:

- a) Verifique se o temporizador está programado.
- b) Verifique se a porta está fechada correctamente para que os dispositivos eléctricos possam fazer contacto. Caso contrário, a energia do microondas não flui pelo forno.

SE NENHUMA DAS SITUAÇÕES REFERIDAS CORRIGIR A SITUAÇÃO, CONTACTE O AGENTE DE SERVIÇO AUTORIZADO

Nota:

O aparelho destina-se ao uso doméstico para aquecer alimentos e bebidas utilizando energia electromagnética e só para uso em interiores.

INTERFERÊNCIAS DE RÁDIO

O microondas pode provocar interferências com o rádio, televisão ou aparelho semelhante. Quando houver este tipo de interferências, pode eliminá-las ou reduzi-las seguindo as seguintes indicações:

- a.- Limpe a porta e a superfície do marco do forno.
- b.- Coloque o rádio, televisão, etc., o mais longe possível do forno microondas.
- c.- Utilize uma antena instalada correctamente para o rádio, televisão, etc., para conseguir uma recepção de sinal mais forte.

INSTALAÇÃO

- 1.- Verifique se retirou todo o material da embalagem do interior.
- 2.- Inspeccione o forno depois de desembalar para detectar algum anomalia tal como:

Porta desalinhada.
Porta danificada.
Golpes ou orifícios na janela da porta e visor.
Golpes na cavidade.
Se verificar alguma destas anomalias, NÃO UTILIZE o forno.
- 3.- Este forno microondas pesa 13kg e deve ser colocado numa superfície horizontal suficientemente resistente para suportar o seu peso.
- 4.- O forno deve ser colocado longe de fontes de temperatura alta e humidade.
- 5.- NÃO coloque nada na parte de cima do forno.
- 6.- Mantenha o forno, no mínimo, a 8 cm pelos dois lados e 10 cm de distância da parte de trás para garantir uma ventilação correcta.
- 7.- NÃO retire o eixo motor do prato giratório.
- 8.- Como em qualquer aparelho, quando for utilizado por crianças deverá ser sob vigilância de adultos.

AVISO – ESTE APARELHO DEVE SER LIGADO À TERRA

- 1.- A tomada deve estar perto do cabo da potência.
- 2.- Este forno precisa de 1.1 KVA para a sua entrada. É aconselhável consultar o serviço técnico ao instalar o forno.

ADVERTÊNCIA: Este forno está protegido internamente com um fusível de 8Amp, 250V.

IMPORTANTE

Os fios desta ligação da rede eléctrica têm as cores em conformidade com o seguinte código.

Verde e amarelo: terra

Azul: neutro

Castanho: condutor

No caso de que as cores dos fios da ligação à rede eléctrica do aparelho não corresponderem com as marcas de cores que identificam os pólos na tomada, siga as seguintes indicações:

O fio verde e amarelo deve estar ligado ao pólo da ficha que está marcado com a letra E ou com o símbolo de terra ⚡ verde do verde e amarelo.

O fio que é azul deve estar ligado ao pólo que está marcado com a letra N ou o preto.

O fio que é castanho deve estar ligado ao pólo que está marcado com a letra L ou o vermelho.

NORMAS IMPORTANTES DE SEGURANÇA

- ADVERTÊNCIA: Quando o aparelho estiver a trabalhar em modo combinado, as crianças só devem utilizá-lo sob a vigilância de um adulto devido à temperatura criada; (só para o modelo com a função de grill).

- ADVERTÊNCIA: Se a porta ou os fechos herméticos da mesma tiverem danos, não se deve utilizar o forno excepto se este tiver sido reparado por uma pessoa qualificada.

- ADVERTÊNCIA: É perigoso para qualquer pessoa que não esteja qualificada realizar um serviço de reparação que implique retirar a tampa que protege o forno da exposição à energia de microondas.

- ADVERTÊNCIA: Não devem ser aquecidos alimentos nem líquidos em recipientes fechados visto que podem correr o risco de explodir.

- ADVERTÊNCIA: As crianças não devem utilizar o forno sem a vigilância de adultos excepto se tiverem recebido instruções pertinentes para poderem utilizar o forno de forma segura, compreendendo os riscos de uma utilização incorrecta.

- O forno deve ter suficiente ventilação. Mantenha uma distância de 10 cm na parte de trás; 15 cm dos dois lados e 30 cm na parte de cima. Não retire os pés do forno, não bloqueie as saídas de ar do forno.

- Utilize unicamente os utensílios adequados para fornos microondas.

- Quando aquecer comida em recipientes de plástico ou papel, tenha atenção ao forno devido ao risco de ignição.

- Se observar fumo, retire a ficha da tomada e mantenha a porta fechada para poder abafar qualquer chama.

- Ao aquecer bebidas com o microondas pode provocar uma ebulição depois de apagar o forno, portanto, deve ter cuidado ao manusear o recipiente.

- Os conteúdos de jarros e biberões devem ser retirados ou agitados e deve comprovar a temperatura antes de consumir, para evitar queimaduras.

- Não cozinhe ovos com casca e cozidos nos fornos microondas visto que poderiam explodir, inclusivé depois de ter acabado o aquecimento no microondas.

- Ao limpar as superfícies da porta, fecho hermético da porta, cavidade do forno, utilize apenas detergentes suaves, não abrasivos ou detergentes aplicados com uma esponja ou pano macio.

- O forno deve ser limpo regularmente e deve retirar qualquer resto de comida.

- Se não mantiver o forno em condições higiénicas, irá ajudar à deterioração da superfície que poderia afectar negativamente a vida útil do aparelho e provocar uma situação de risco.

- Se o cabo de alimentação da corrente estiver danificado, deve ser substituído pelo fabricante, pelo agente de serviço ou pessoas igualmente qualificadas para evitar riscos para a saúde.

INSTRUÇÕES DE SEGURANÇA PARA USO GERAL

A seguir referimos, como em todos os aparelhos, algumas normas que devem ser seguidas e medidas para garantir o máximo rendimento deste forno:

1.- O prato de vidro, rodas e pista de rotação devem estar correctamente posicionados quando o forno estiver a trabalhar.

2.- Não utilize o forno para usos à parte da preparação de alimentos, tais como secar roupa, papel ou qualquer outro artigo que não seja alimento ou para esterilizar.

3.- Não ponha o forno a trabalhar quando estiver vazio. Isto poderia provocar danos no forno.

4.- Não utilize a cavidade do forno para guardar coisas, tais como papéis, livros de cozinha, etc.

5.- Não cozinhe nenhum alimento revestido por uma membrana, tais como gemas de ovo, batatas, fígados de galinha, etc., sem primeiro ter feito furos várias vezes com um garfo.

6.- Não meta nenhum objecto nas aberturas da estrutura externa.

7.- Não retire nenhuma peça do forno, tal como os pés, ligações, parafusos, etc.

8.- Não cozinhe a comida directamente na bandeja de vidro. Coloque a comida num recipiente de cozinhar adequado antes de o introduzir no forno.

9.- IMPORTANTE – RECIPIENTES QUE NÃO DEVEM SER UTILIZADOS NO FORNO MICROONDAS

Não utilize recipientes metálicos ou pratos com asas de metal.

Não utilize nada com bordos metálicos.

Não utilize fechos metálicos revestidos com papel nos sacos de plástico.

Não utilize pratos de melamina porque contêm um material que absorve a energia de microondas. Isto pode fazer com que os pratos fiquem rachados ou queimados e reduz a velocidade da cozedura.

Não cozinhe num recipiente com uma abertura restringida tal como garrafas de plástico ou garrafas de óleo ou azeite porque podem explodir se forem aquecidos no forno microondas.

Não utilize termómetros convencionais ou cristalizados. Existem termómetros disponíveis especificamente para cozinhar com microondas. Estes podem ser utilizados.

10.- Só devem ser utilizados recipientes de microondas de acordo com as instruções do fabricante.

11.- Não tente fritar alimentos em muito óleo ou azeite neste forno.

12.- Lembre-se de que um forno microondas aquece o líquido de um recipiente mais que o próprio recipiente. Por isso, embora a tampa de um recipiente não esteja quente ao retirá-lo do forno, lembre-se que o alimento/líquido dentro vai emitir a mesma quantidade de vapor e/ou saltará ao retirar a tampa como numa panela convencional.

13.- Verifique sempre a temperatura da comida cozinhada, especialmente se estiver a aquecer ou a cozinhar alimentos/líquidos para bebés. É aconselhável não consumir o alimento/líquido directamente do forno. Deve deixá-lo repousar uns minutos e mexer o alimento/líquido para distribuir uniformemente o calor.

14.- Os alimentos que contêm uma mistura de gordura e água, por ex. carne de vaca, devem permanecer 30 a 60 segundos no forno depois de o ter apagado. Isto serve para permitir que a mistura se sedimente e para evitar a ebulição ao colocar uma colher no alimento/líquido ou ao adicionar um troço de carne.

15 Ao preparar/cozinhar o alimento/líquido lembre-se de que existem determinados alimentos, por ex., marmelada, que aquecem rapidamente. Ao aquecer ou cozinhar alimentos com um alto valor de gordura ou açúcar não utilize recipientes de plástico.

16.- É possível que os recipientes de cozinha se aqueçam devido à transferência de calor do alimento aquecido. Isto é especialmente certo se o revestimento de plástico tiver estado a tapar a parte de cima e as asas do recipiente. Serão precisas umas pegas de cozinha para pegar no recipiente.

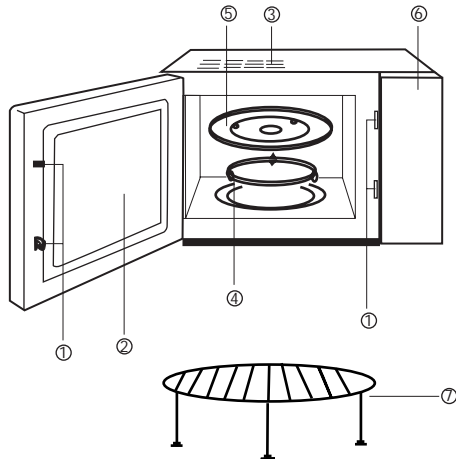
17.- Para reduzir o risco de fogo na cavidade do forno:

a) Não aqueça demasiado o alimento. Preste especial atenção ao forno microondas se tiver colocado papel, plástico ou outros materiais combustíveis no interior do forno para facilitar a cozedura.

b) Retire os fechos metálicos das bolsas antes de colocar a bolsa no forno.

c) Se os materiais dentro do forno se incendiarem, mantenha a porta do forno fechada, retire a ficha do forno da parede, ou desligue a corrente eléctrica do fusível ou no painel do automático.

DIAGRAMA

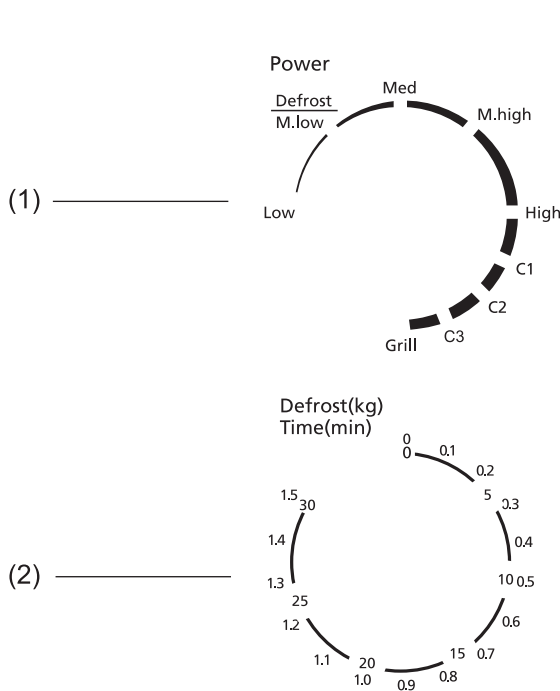


- (1) Sistema de cierre de seguridad de la puerta
- (2) Ventana del horno
- (3) Ventilación del horno
- (4) Rodillo
- (5) Plato giratorio de cristal
- (6) Panel de control
- (7) Armação do grelhador

PAINEL DE CONTROLO

Defrost/Descongelação

Timer/Temporizador



- (1) Seleccionador potencia
- (2) Temporizador-0-30 Minutos

Low/Baja: 17% Potencia de salida

M.Low/Media baja: 33% Potencia de salida

Med/Media: 55% Potencia de salida

M.Hgh/ Media alta: 77% Potencia de salida

High/Alta: 100% Potencia de salida

Defrost(*/)Descongelar: 36% Potencia de salida

Grelhador: %100 Saída da alimentação do grelhador

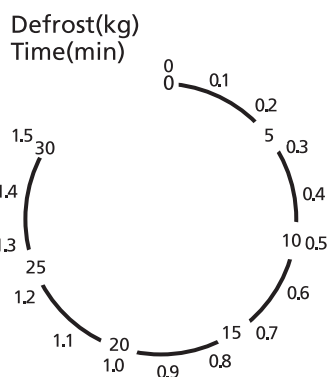
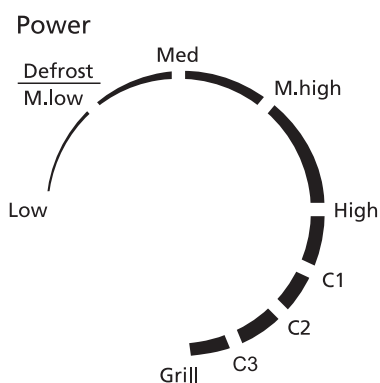
C1: %17 Saída de alimentação + %83 Saída de
alimentação do grelhador

C2: %28 Saída de alimentação + %72 Saída de
alimentação do grelhador

C3: %40 Saída de alimentação + %60 Saída de
alimentação do grelhador

Instruções de funcionamento

Para estabelecer um programa de cozedura: coloque o recipiente da comida no girapratos de vidro no forno e feche a porta



Rode o comando de controlo de potência. para seleccionar o nível de energia adequado

Seleccione o tempo de cozedura correcto com o temporizador (timer)

Nota: o forno vai começar a cozinhar o alimento assim que rodar o temporizador.

Se precisar de um tempo de cozedura inferior a 5 minutos, gire o temporizador passados 5 minutos e depois gire até ao tempo adequado.

VOLTE SEMPRE A POSICIONAR O TEMPORIZADOR A ZERO quando o alimento for retirado do forno e o tempo programado de cozedura tiver acabado.

PARAGEM DO FORNO: Rode o temporizador até à posição Zero. Se a porta do forno for aberta durante a cozedura, o microondas deixa de trabalhar automaticamente, a cozedura continua depois de fechar a porta. Se o tempo restante de cozedura não for necessário, gire novamente o temporizador até à posição Zero antes de fechar a porta.

MANUTENÇÃO DO MICROONDAS

- 1.- Desligue o forno e retire a ficha da tomada da parede.
- 2.- Mantenha o interior do forno limpo. Quando a comida salpicar ou os líquidos se entornarem e sujarem as paredes do forno, limpe com um pano húmido.
Não é aconselhável utilizar detergentes fortes ou abrasivos.
- 3.- A superfície exterior deve ser limpa com um pano húmido. Para evitar provocar danos nas peças de funcionamento do interior do forno, não deve filtrar água nos orifícios de ventilação.
4. Não deixe que o painel de controlo se molhe. Limpe-o com um pano macio húmido. Não utilize detergentes, produtos de limpeza abrasivos ou pulverizadores no Painel de controlo.
Ao limpar o painel de controlo, deixe a porta aberta para evitar que o forno se ligue acidentalmente.
- 5.- Se o vapor se acumular no interior ou na parte exterior da porta do forno, limpe-o com um pano macio. Isto pode acontecer quando se põe o forno microondas a funcionar

em condições de muita humidade mas isso não indica de nenhuma forma um mau funcionamento do aparelho.

6.- Deve retirar o prato giratório de vidro de vez em quando para o lavar. Lave o prato giratório com água quente e sabão ou na máquina de lavar louça.

7.- As rodas e o chão do forno devem ser limpos regularmente para evitar um ruído excessivo. Limpe a superfície inferior do forno com detergente suave. As rodas podem ser limpas com água e sabão ou na máquina de lavar louça. Os vapores de cozedura acumulam-se com o uso repetido, mas não afectam de nenhuma maneira a superfície da parte inferior ou as rodas. Ao retirar as rodas da cavidade do chão para o limpar, instale-as novamente na sua posição correcta.

8.- Elimine os cheiros do forno misturando água e o sumo ou casca de um limão num recipiente profundo de microondas, coloque-o no microondas durante 5 minutos. Limpe profundamente e seque com um pano macio.

9.- Quando for necessário voltar a colocar a luz do forno, consulte o seu distribuidor para que a coloque.