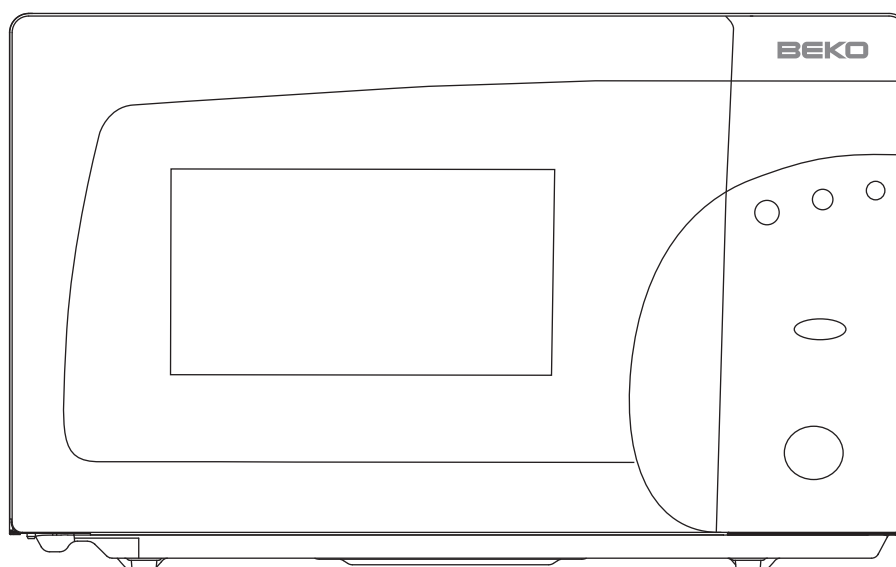


BEKO

20 Litre Electronic Microwave Owner's Instruction Manual

MWF 2010 EW
MWF 2010 ES

Read the Instructions carefully and Keep for Future Reference



IMPORTANT SAFETY INSTRUCTIONS
READ CAREFULLY AND KEEP FOR FUTURE REFERENCE

- **WARNING:** when the appliance is operated in the combination mode, children should only use the oven under adult supervision due to the temperatures generated;
- **WARNING:** if the door or door seals are damaged, the oven must not be operated until it has been repaired by a competent person;
- **WARNING:** it is hazardous for anyone other than a competent person to carry out any service or repair operation that involves the removal of a cover which gives protection against exposure to microwave energy;
- **WARNING:** liquids and other foods must not be heated in sealed containers since they are liable to explode
- **WARNING:** Only allow children to use the oven without supervision when adequate instructions have been given so that the child is able to use the oven in a safe way and understands the hazards of improper use;
- only use utensils that are suitable for use in microwave ovens
- when heating food in plastic or paper containers, keep an eye on the oven due to the possibility of ignition;
- if smoke is observed, switch off or unplug the appliance and keep the door closed in order to stifle any flames;
- microwave heating of beverages can result in delayed eruptive boiling, therefore care must be taken when handling the container;
- the contents of feeding bottles and baby food jars shall be stirred or shaken and the temperature checked before consumption, in order to avoid burns;
- eggs in their shell and whole hard-boiled eggs should not be heated in microwave ovens since they may explode, even after microwave heating has ended;

- the oven should be cleaned regularly and any food deposits removed;
- failure to maintain the oven in a clean condition could lead to deterioration of the surface that could adversely affect the life of the appliance and possibly result in a hazardous situation;

- if the supply cord is damaged, it must be replaced by the manufacturer, its service agent or similarly qualified persons in order to avoid a hazard.

- The temperature of accessible surfaces may be high when the appliance is operating.

SPECIFICATIONS

| | |
|-------------------------|--------------------------------|
| Power consumption: | 230V~50Hz, 1280W |
| Output: | 800W |
| Grill Heater: | 1100W |
| Operating Frequency: | 2,450MHz |
| Outside Dimensions: | 470mm(W) X 397mm(D) X 282mm(H) |
| Oven Cavity Dimensions: | 315mm(W) X 330mm(D) X 195mm(H) |
| Oven Capacity: | 20litres |
| Uncrated Weight: | Approx. 13.5kg |

BEFORE YOU CALL FOR SERVICE

1. If the oven will not perform at all, the display does not appear or the display disappears:
 - a) Check to ensure that the oven is plugged in securely. If it is not, remove the plug from the outlet, wait 10 seconds and plug it in again securely.
 - b) Check the premises for a blown circuit fuse or a tripped main circuit breaker. If these seem to be operating properly, test the outlet with another appliance.
2. If the microwave power does not function:
 - a) Check to see whether the timer is set.
 - b) Check to make sure that the door is securely closed to engage the safety interlocks. Otherwise, the microwave energy will not flow into the oven.

IF NONE OF THE ABOVE RECTIFIES THE SITUATION, THEN CONTACT THE AUTHORIZED SERVICE AGENT.

Note:

The appliance is for household use for heating food and beverages using electromagnetic energy and for indoor use only.

RADIO INTERFERENCE

Microwave oven may cause interference to your radio, TV, or similar equipment. When interference occurs, it may be eliminated or reduced by the following procedures.

- a. Clean the door and sealing surface of the oven.
- b. Place the radio, TV, etc. as far away from your microwave oven as possible.
- c. Use a properly installed antenna for your radio, TV, etc. to get a strong signal reception.

INSTALLATION

1. Make sure all the packing materials are removed from the inside of the door.
2. Inspect the oven after unpacking for any visual damage such as:
 - Misaligned Door
 - Damaged Door
 - Dents or Holes in Door Window and Screen
 - Dents in CavityIf any of the above are visible, DO NOT use the oven.
3. This Microwave Oven weighs 13.5 kg and must be placed on a horizontal surface strong enough to support this weight.
4. The oven must be placed away from high temperature and steam.
5. DO NOT place anything on top of the oven.
6. DO NOT remove the turn -table drive shaft.
7. As with any appliance, close supervision is necessary when used by children.

WARNING-THIS APPLIANCE MUST BE EARTHED.

1. The plug socket should be within easy reach of the power cord
2. This oven requires 1.3 KVA for its input. Consultation with service engineer is suggested when installing the oven.

CAUTION: This oven is protected internally by ac 250V, 10 Amp Fuse.

IMPORTANT

The wires in this mains lead are coloured in accordance with the following code:

| | |
|------------------|-----------|
| Green-and-yellow | : Earth |
| Blue | : Neutral |
| Brown | : Live |

As the colours of the wires in the mains leads of the appliance may not correspond with the coloured markings identifying the terminals in your plug, proceed as follows:

The wire which is coloured green-and-yellow must be connected to the terminal in the plug which is marked with the letter E or by the earth symbol \perp coloured green or green-and-yellow.

The wire which is coloured blue must be connected to the terminal which is marked with the letter N or coloured black.

The wire which is coloured brown must be connected to the terminal which is marked with the letter L or coloured red.

IMPORTANT SAFETY INSTRUCTIONS

- WARNING: When the appliance is operated in the combination mode, children should only use the oven under adult supervision due to the temperatures generated; (Only for the model with grill function)
- WARNING: If the door or door seals are damaged, the oven must not be operated until it has been repaired by a competent person;
- WARNING: It is hazardous for anyone other than a competent person to carry out any service or repair operation that involves the removal of a cover which gives protection against exposure to microwave energy;
- WARNING: liquids and other foods must not be heated in sealed containers since they are liable to explode.
- WARNING: Only allow children to use the oven without supervision when adequate instructions have been given so that the child is able to use the oven in a safe way and understands the hazards of improper use;
- The oven must have sufficient air flow.Keep 10 cm space at back;15 cm at both sides and 30cms from top of the oven.Don't remove oven's feet, do not block air events of the oven.
- Only use utensils that are suitable for use in microwave ovens.
- When heating food in plastic or paper containers, keep an eye on the oven due to the possibility of ignition;
- If smoke is observed, switch off or unplug the appliance and keep the door closed in order to stifle any flames;
- Microwave heating of beverages can result in delayed eruptive boiling, therefore care must be taken when handling the container;
- The contents of feeding bottles and baby food jars shall be stirred or shaken and the temperature checked before consumption, in order to avoid burns;
- Eggs in their shell and whole hard-boiled eggs should not be heated in microwave ovens since they may explode, even after microwave heating has ended;
- When cleaning surfaces of door, door seal, cavity of the oven, use only mild, nonabrasive soaps, or detergents applied with a sponge or soft cloth.
- The oven should be cleaned regularly and any food deposits removed;
- Failure to maintain the oven in a clean condition could lead to deterioration of the surface that could adversely affect the life of the appliance and possibly result in a hazardous situation;
- If the supply cord is damaged, it must be replaced by the manufacturer, its service agent or similarly qualified persons in order to avoid a hazard.

SAFETY INSTRUCTIONS FOR GENERAL USE

Listed below are, as with all appliances, certain rules to follow and safeguards to assure top performance from this oven:

1. Always have the glass tray, roller arms, coupling and roller track in place when operating the oven.
2. Do not use the oven for any reason other than food preparation, such as for drying clothes, paper, or any other nonfood items, or for sterilizing purposes.
3. Do not operate the oven when empty. This could damage the oven.
4. Do not use the oven cavity for any type of storage,such a papers, cookbooks, etc.
- 5.Do not cook any food surrounded by a membrane,such as egg yolks,potatoes,chicken livers,etc without first being pierced several times with a fork.

6. Do not insert any object into the openings on the outer case.
7. Do not at any time remove parts from the oven such as the feet, coupling, screws, etc.
8. Do not cook food directly on the glass tray. Place food in/on proper cooking utensil before placing in the oven.

9. IMPORTANT-COOKWARE NOT TO USE IN YOUR MICROWAVE OVEN

Do not use metal pans or dishes with metal handles.

Do not use anything with metal trim.

Do not use paper covered wire twist-ties on plastic bags.

Do not use melamine dishes as they contain a material which will absorb microwave energy. This may cause the dishes to crack or char and will slow down the cooking speed.

Do not use Centura Tableware. The glaze is not suitable for microwave use. Corelle Livingware closed handle cups should not be used.

Do not cook in a container with a restricted opening, such as a pop bottle or salad oil bottle, as they may explode if heated in a microwave oven.

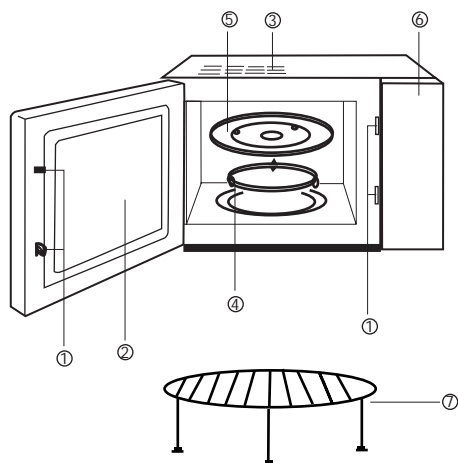
Do not use conventional meat or candy thermometers. There are the thermometers available specifically for microwave cooking. These may be used.

10. Microwave utensils should be used only in accordance with manufacturer's instructions.
11. Do not attempt to deep-fry foods in this oven.
12. Please remember that a microwave oven only heats the liquid in a container rather than the container itself. Therefore, even though the lid of a container is not hot to the touch when

removed from the oven, please remember that the food/liquid inside will be releasing the same amount of steam and/or spitting when the lid is removed as in conventional cooking.

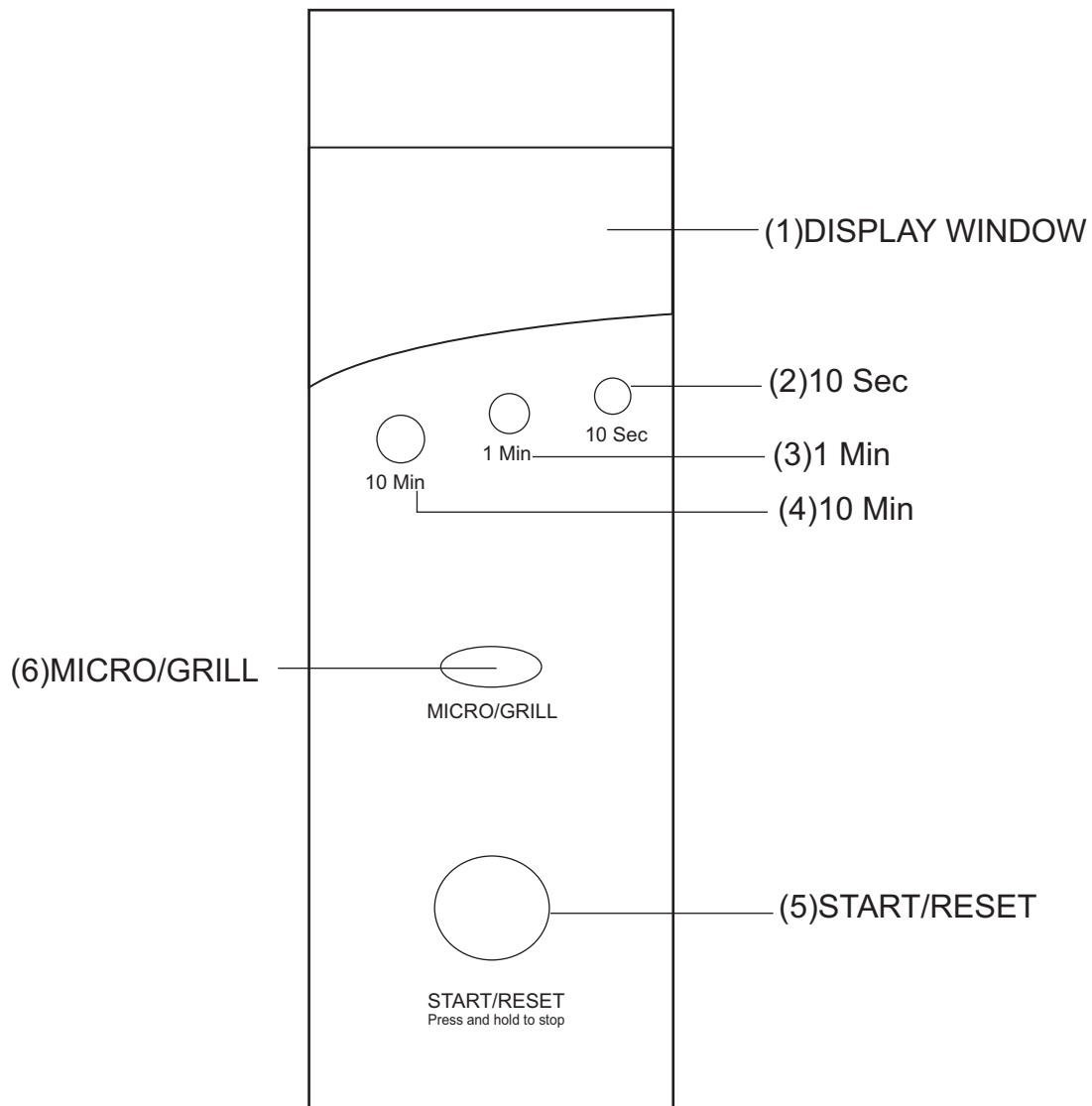
13. Always test the temperature of cooked food yourself especially if you are heating or cooking food/liquid for babies. It is advisable never to consume food/liquid straight from the oven but allow it to stand for a few minutes and stir food/liquid to distribute heat evenly.
14. Food containing a mixture of fat and water, e.g. stock, should stand for 30-60 seconds in the oven after it has been turned off. This is to allow the mixture to settle and to prevent bubbling when a spoon is placed in the food/liquid or a stock cube is added.
15. When preparing/cooking food/liquid and remember that there are certain foods, e.g. Christmas puddings, jam and mincemeat, which heat up very quickly. When heating or cooking foods with a high fat or sugar content do not use plastic containers.
16. Cooking utensil may become hot because of heat transferred from the heated food. This is especially true if plastic wrap has been covering the top and handles of the utensil. Potholders may be needed to handle the utensil.
17. To reduce the risk of fire in the oven cavity:
 - (a) Do not overcook food. Carefully attend microwave oven if paper, plastic, or other combustible materials are placed inside the oven to facilitate cooking.
 - (b) Remove wire twist-ties from bags before placing bag in oven.
 - (c) If materials inside the oven should ignite, keep oven door closed, turn the oven off at the wall switch, or shut off power at the fuse or circuit breaker panel.

FEATURE DIAGRAM



- (1) Door Safety Lock System
- (2) Oven Window
- (3) Oven Air Vent
- (4) Roller Ring
- (5) Glass Tray
- (6) Control Panel
- (7) Grill rack

CONTROL PANEL



OPERATION INSTRUCTION

1. SIMPLE COOKING

You only need press "START/RESET" to start cooking for 1 min with 100% microwave power. Each press means increasing one minute cooking time, the maximum time is 30 min. After cooking finished you will sound five beeps for remind.

Press and hold the "Start/Reset" for 2 seconds to stop.

2.MICROWAVE COOKING

(A) Fast cooking method

(For example: Select 100% power to cook foods for 5 minutes.)

- a) Set the time "5:00"
- b) Press "START/RESET" button

(B) Control by hand

(For example: Select 70% power to cook foods for 10 minutes)

- a) Press "MICRO/GRILL" button to select 70% power.
- b) Press time button to set cooking time "10:00"
- c) Press "START/RESET" button.

You can press "MICRO/GRILL" button to select power.

| Step | Display | Micro power |
|------|---------|-------------|
| 1 | P10 | 100% |
| 2 | P7 | 70% |
| 3 | P5 | 50% |
| 4 | P3 | 30% |
| 5 | P1 | 10% |

3.AUTO DEFROST FUNCTION

You need to press "1Min" (1.0kg) and "10Sec" (0.1kg) according to the weight of the food.The oven can select defrosting program and auto start defrosting.

For example: defrost 0.4kg frozen foods

- 1) Press "MICRO/GRILL" to choose defrost function, display "DEF".
- 2) Set weight "0.4kg" by pressing "1Min" and "10Sec" buttons.
- 3).Press "START/RESET" button.

Remark: the maximum weight is 2kgs.

4.GRILL/COMBINATION COOKING FUNCTION

This function has four modes, you can choose the favourite mode by pressing the "MICRO/GRILL" button.

(The maximum time is 60 minutes)

Mode 1: 85% grill power, display "G-1".

Mode 2: 50% grill power, display "G-2".

Mode 3: Combination cook I (55% micro+45% grill) display "C-1".

Mode 4: Combination cooking II (30% microwave+ 70% grill) display "C-2".

In grill operation (exclusive combination grill), the procedure will pause automatically and sound two beeps to remind you to turn over the food at the half of cooking time. Close the oven door after you turn over the food, then press "START/RESET", cooking will continue; If you do not want to turn over the food, the oven will continue cooking automatically after one minute pause.

5.START AND RESET

1) Open door status

Press "START/RESET" button to cancel setting or cooking program.

2) Close door status

Press "START/RESET" button to start cooking after setting cooking program.

Press "START/RESET" button to continue cooking when the cooking is in pause status.

Press "START/RESET" button to stop working when the microwave oven is operating.

6.CHILDREN SAFETY LOCK

To activate the Child Lock, press "1Min" and "10Sec" buttons at the same time for 2 seconds.After that press any button is useless. If press "1Min" and "10Sec" button at the same time for 2 seconds again it will unlock this function.

CARE OF YOUR MICROWAVE OVEN

1.Turn the oven off and remove the power plug from the wall socket before cleaning.

2.Keep the inside of the oven clean.When food splatters or spilled liquids adhere to oven walls,wipe with a damp cloth.The use of harsh detergent or abrasives is not recommended.

3.The outside oven surface should be cleaned with a damp cloth.To prevent damage to the operating parts inside the oven,water should not be allowed to seep into the ventilation openings.

4.Do not allow the Control Panel to become wet. Clean with a soft, damp cloth, Do not use detergents, abrasives or spray-on cleaners on the control Panel.

5.If steam accumulates inside or around the outside of the oven door, wipe with a soft cloth.This may occur when the microwave oven is operated under high humidity conditions and in no way indicates malfunction of the unit.

6.It is occasionally necessary to remove the glass tray for cleaning.Wash the tray in warm sudsy water or in a dishwasher.

7.The roller ring and oven cavity floor should be cleaned regularly to avoid excessive noise.Simply wipe the bottom surface of the oven with mild detergent,water or window cleaner and dry.The roller ring may be washed in mild sudsy water or dish washer.Cooking vapour collect during repeated use but in no way affect the bottom surface or roller ring wheels.

When removing the roller ring from cavity floor for cleaning,be sure to replace it in the proper position.

8.Remove odors from your oven by combining a cup of water with the juice and skin of one lemon in a deep microwaveable bowl. Microwave for 5 minutes,wipe thoroughly and dry with a soft cloth.

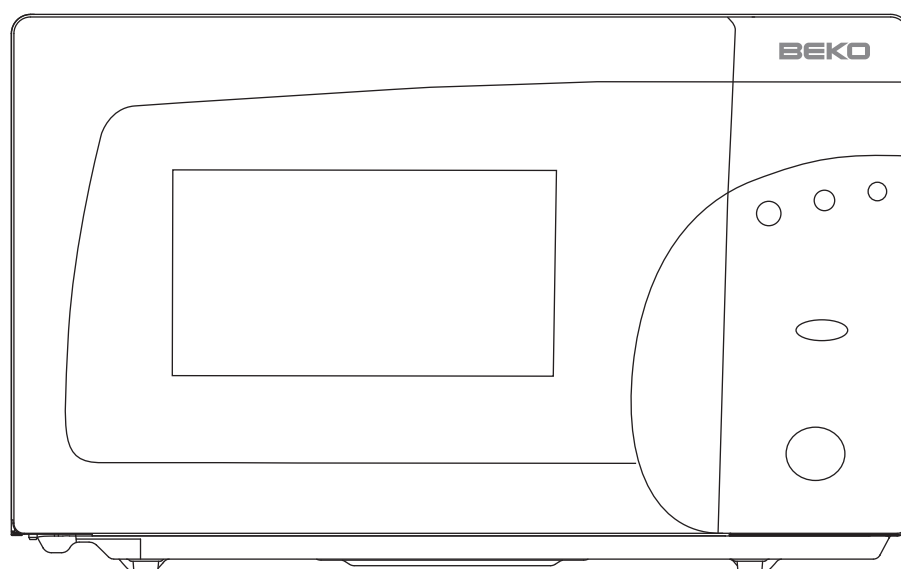
9.When it becomes necessary to replace the oven light,please consult a dealer to have it replaced.

BEKO

Руководство пользователя по
эксплуатации электронной микроволновой
печи с объемом 20 литров

MWF 2010 EW
MWF 2010 ES

Внимательно прочтите руководство и сохраните для
последующего использования в справочных целях.



ТЕХНИЧЕСКИЕ ХАРАКТЕРИСТИКИ

| | |
|--------------------------------|--------------------------------------|
| Потребляемая мощность: | 230 В ~ 50 Гц, 1 280 Вт |
| Выходная мощность: | 800 Вт |
| Нагревательный элемент гриля: | 1 100 Вт |
| Рабочая частота: | 2 450 МГц |
| Наружные размеры: | 470 мм (Ш) X 397 мм (Г) X 282 мм (В) |
| Размеры внутренней части печи: | 315 мм (Ш) X 330 мм (Г) X 195 мм (В) |
| Внутренний объем печи: | 20 литров |
| Вес без упаковки: | приблизительно 13,5 кг |

ПРЕЖДЕ ЧЕМ ОБРАТИТЬСЯ В СЕРВИСНУЮ СЛУЖБУ

1. Если печь не работает, дисплей не появляется или исчезает:

- а) Проверьте надежность подсоединения печи к сети электропитания. Если причина не в этом, выньте вилку из розетки, подождите 10 секунд и вставьте ее обратно.
- б) Проверьте, не произошло ли перегорание плавкого предохранителя или размыкание сетевого автомата. Если в их работе не замечено неполадок, проверьте розетку, включив в нее другой электроприбор.

2. Если микроволновая мощность не функционирует:

- а) Проверьте, не включен ли таймер.
- б) Проверьте, надежно ли закрыта дверца с включением системы защитной фиксации дверцы. В противном случае энергия микроволн не будет распространяться в печи.

ЕСЛИ С ПОМОЩЬЮ УКАЗАННЫХ ДЕЙСТВИЙ ИСПРАВИТЬ ПОЛОЖЕНИЕ НЕ УДАЕТСЯ, ОБРАТИТЕСЬ К БЛИЖАЙШЕМУ ПРЕДСТАВИТЕЛЮ АВТОРИЗОВАННОЙ СЕРВИСНОЙ СЛУЖБЫ.

Примечание

Печь предназначена для бытового использования с целью разогрева пищи и напитков с использованием энергии электромагнитного излучения и только для использования в помещениях.

ЭЛЕКТРОМАГНИТНЫЕ ПОМЕХИ

При эксплуатации микроволновой печи могут создаваться помехи для вашего радиоприемника, телевизора и иных подобных устройств. При наличии помех их можно уменьшить или устранить путем принятия следующих мер:

- а) Очистите дверцу и поверхности уплотнения дверцы печи.
- б) Установите радиоприемник, телевизор и т.п. как можно дальше от микроволновой печи.
- в) Для обеспечения надежного приема сигнала используйте правильно установленную антенну для радиоприемника, телевизора и т.п.

УСТАНОВКА

1. Убедитесь, что из внутренней полости удалены все упаковочные материалы.
2. После распаковки осмотрите печь на предмет визуального обнаружения следующих повреждений:

Смещение дверцы

Повреждение дверцы

Вмятины или отверстия в окне дверцы и на экране

Вмятины во внутренней полости

НЕ ПОЛЬЗУЙТЕСЬ печью, если видны вышеуказанные повреждения.

3. Данная микроволновая печь весит 13,5 кг. Ее следует устанавливать на достаточно прочную горизонтальную поверхность, способную выдерживать такой вес.
4. Печь следует устанавливать на удалении от источников тепла и пара.
5. НЕ СТАВЬТЕ никаких предметов на поверхность печи.
6. Для обеспечения надлежащей вентиляции оставляйте свободное расстояние не менее 8 см от боковых поверхностей и 10 см от задней стенки.
7. НЕ СНИМАЙТЕ вал привода вращающейся подставки.
8. Как и любой электроприбор, печь требует внимательного наблюдения за ней, когда она используется детьми.

ВНИМАНИЕ! ДАННЫЙ ПРИБОР ДОЛЖЕН БЫТЬ ЗАЗЕМЛЕН.

1. Шнур питания должен легко доставать до электрической розетки.
2. Для данной печи на входе требуется мощность 1,3 кВт*А. При установке печи рекомендуется проконсультироваться с инженером по сервису.

ВНИМАНИЕ! Эта печь защищена внутренним предохранителем на 250 В, 10 А.

ВАЖНАЯ ИНФОРМАЦИЯ

Провода сетевого шнура имеют цвет в соответствии со следующей кодировкой:

| | |
|---------------|-------------------|
| Зелено-желтый | : Заземление |
| Голубой | : Нейтраль |
| Коричневый | : Под напряжением |

Поскольку разноцветные провода сетевого шнура прибора могут не соответствовать цветной маркировке клемм в вашей штепсельной вилке, действуйте следующим образом:

Провод заземления зелено-желтого цвета должен подсоединяться к клемме, маркированной буквой E или символом заземления — зеленого или зелено-желтого цвета.

Провод голубого цвета должен подсоединяться к клемме, маркированной буквой N или черного цвета.

Провод коричневого цвета должен подсоединяться к клемме, маркированной буквой L или красного цвета.

ВАЖНЫЕ ПРАВИЛА ТЕХНИКИ БЕЗОПАСНОСТИ

- **ВНИМАНИЕ!** Когда печь работает в комбинированном режиме, дети должны пользоваться ею только под присмотром взрослых из-за высокой температуры (только для моделей с функцией гриля).
- **ВНИМАНИЕ!** В случае повреждения дверцы или ее уплотнений включение печи недопустимо до тех пор, пока ее ремонт не будет произведен компетентным специалистом.
- **ВНИМАНИЕ!** Выполнение кем-либо, помимо обученного персонала, ремонта, требующего снятия кожухов защиты от микроволнового излучения, опасно.
- **ВНИМАНИЕ!** Жидкости и прочие пищевые продукты не следует разогревать в герметичных емкостях, поскольку они могут взорваться.
- **ВНИМАНИЕ!** Разрешайте детям пользоваться печью только под наблюдением взрослых, после проведения соответствующего инструктажа, чтобы ребенок мог безопасно ею пользоваться и осознавал опасность несчастных случаев вследствие ненадлежащей эксплуатации.
- Печи необходим достаточный поток воздуха для вентиляции. Обеспечьте свободное пространство на 10 см сзади, 15 см с обеих сторон и 30 см над поверхностью печи. Не снимайте ножки печи, не блокируйте вентиляционные отверстия печи.
- Пользуйтесь только посудой, пригодной для использования в микроволновых печах.
- При разогреве продуктов в пластмассовых или бумажных контейнерах постоянно наблюдайте за печью в связи с возможностью воспламенения.
- При обнаружении дыма выключите печь или выньте вилку из розетки и оставьте дверцу закрытой для тушения пламени.
- Разогревание в микроволновой печи напитков может привести к их вскипанию с задержкой во времени, поэтому следует соблюдать осторожность при обращении с емкостями.
- Во избежание ожогов бутылочки и баночки с детским питанием перед употреблением в пищу следует встряхнуть или перемешать содержимое, а также проверить температуру.
- Яйца в скорлупе и сваренные вкрутую не следует разогревать в микроволновой печи, так как они могут взорваться даже после окончания разогрева из-за энергии микроволн.
- При чистке поверхностей дверцы, уплотнений дверцы и внутренней полости печи пользуйтесь только мягким, не содержащим абразива мылом или моющими средствами, наносящимися губкой или мягкой тканью.
- Печь следует регулярно чистить и удалять остатки пищи.
- Невыполнение требований по поддержанию печи в чистоте может привести к повреждению поверхности, что может отрицательно повлиять на срок службы электроприбора и создать опасную ситуацию.
- Во избежание несчастных случаев при повреждении шнура питания его замену должен осуществлять производитель, его представитель по сервису или лицо, имеющее аналогичную квалификацию.

ОБЩИЕ МЕРЫ ПРЕДОСТОРОЖНОСТИ ПРИ ПОЛЬЗОВАНИИ

Ниже перечислены некоторые правила и меры предосторожности по обращению с электроприборами, которые следует соблюдать для обеспечения высокой производительности данной печи:

1. При эксплуатации печи стеклянный поддон, роликовая подставка, муфта и роликовая дорожка всегда должны находиться на своих местах.
2. Не используйте печь в каких-либо иных целях, кроме приготовления пищи, например, для сушки одежды, бумаги или иных непищевых предметов, а также для стерилизации.
3. Не включайте печь, когда в ней нет продуктов. Это может привести к повреждению печи. Не используйте внутреннюю полость печи для хранения чего-либо, например, бумаг, поваренных книг и т.п.
5. Не разогревайте пищу, покрытую пленкой, например, яичные желтки, картофель, куриную печень, не проткнув их предварительно несколько раз вилкой.
6. Не вставляйте никаких предметов в отверстия наружного корпуса.
7. Не снимайте с печи детали, такие как ножки, муфта, винты и т.п.
8. Не готовьте пищу непосредственно на стеклянном поддоне. Положите продукты в/на соответствующую посуду для приготовления, прежде чем поместить ее в печь.
9. **ВАЖНО! КУХОННЫЕ ПРИНАДЛЕЖНОСТИ, КОТОРЫЕ НЕЛЬЗЯ ИСПОЛЬЗОВАТЬ В МИКРОВОЛНОВОЙ ПЕЧИ**

Не пользуйтесь металлическими кастрюлями или посудой с металлическими ручками. Не пользуйтесь посудой с металлической отделкой.

Не используйте покрытые бумагой проволочки для закрутки пластиковых пакетов. Не пользуйтесь меламиновой посудой, т.к. она содержит материал, поглощающий энергию микроволнового излучения. Это может вызвать растрескивание или обугливание посуды, а также замедлить скорость приготовления пищи.

Не пользуйтесь столовой посудой Centura. Глазурированная посуда не предназначена для использования в микроволновой печи. Нельзя использовать закрытые чашки Corelle Livingware с ручкой.

Не готовьте пищу в контейнерах с небольшим отверстием, таких как откупоривающиеся бутылки или бутылки из-под масла для заправки салатов, при разогреве в микроволновой печи они могут взорваться.

Не используйте обычные термометры для продуктов или сладостей. Имеются специальные термометры для приготовления в микроволновых печах. Ими можно пользоваться.

10. Посуду для микроволновых печей следует использовать только в соответствии с инструкциями производителя.

11. Не пытайтесь жарить продукты во фритюре в этой печи.

12. Помните, что микроволновая печь разогревает только жидкость в контейнере, а не сам контейнер.

Поэтому, даже если крышка контейнера не является горячей на ощупь при извлечении из печи, помните, что при снятии крышки сосуда содержащаяся внутри пища/жидкость выпустит такое же количество пара и/или брызг, как и при обычном приготовлении.

13. Обязательно сами проверьте температуру приготовленной пищи, особенно, если вы разогреваете или готовите пищу/жидкую пищу для детей. Настоятельно не рекомендуется употреблять пищу/жидкость сразу после обработки в печи, а дать ей постоять несколько минут и перемешать пищу/жидкость для равномерного распределения тепла.

14. Пища, содержащая смесь жира с водой, например, бульон, должна постоять в печи 30-60 секунд после ее выключения. Это позволит смеси отстояться и предотвратить кипение при погружении ложки в пищу/жидкость или при добавлении бульонного кубика.

15. При приготовлении пищи/жидкой пищи помните, что некоторые продукты, например, рождественские пудинги, джем и сладкие начинки нагреваются очень быстро. При разогреве или приготовлении пищи с высоким содержанием жира или сахара не пользуйтесь пластмассовыми контейнерами.

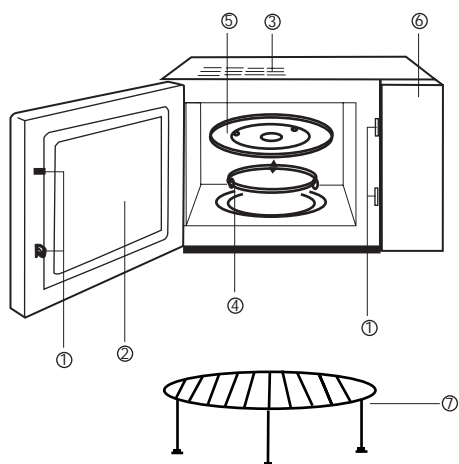
16. Посуда для приготовления продуктов может стать горячей от тепла, передающегося от нагретой пищи. Особенно это касается посуды, верх и ручки которой покрыты пластиком. Для обращения с посудой могут потребоваться тканевые салфетки.

17. Для снижения риска возгорания внутри печи:

(а) Не превышайте время приготовления пищи. Внимательно наблюдайте за микроволновой печью, если внутрь помещены бумага, пластик или иные воспламеняющиеся материалы для облегчения приготовления. (б) Перед помещением в печь удаляйте проволочные закрутки с пакетов.

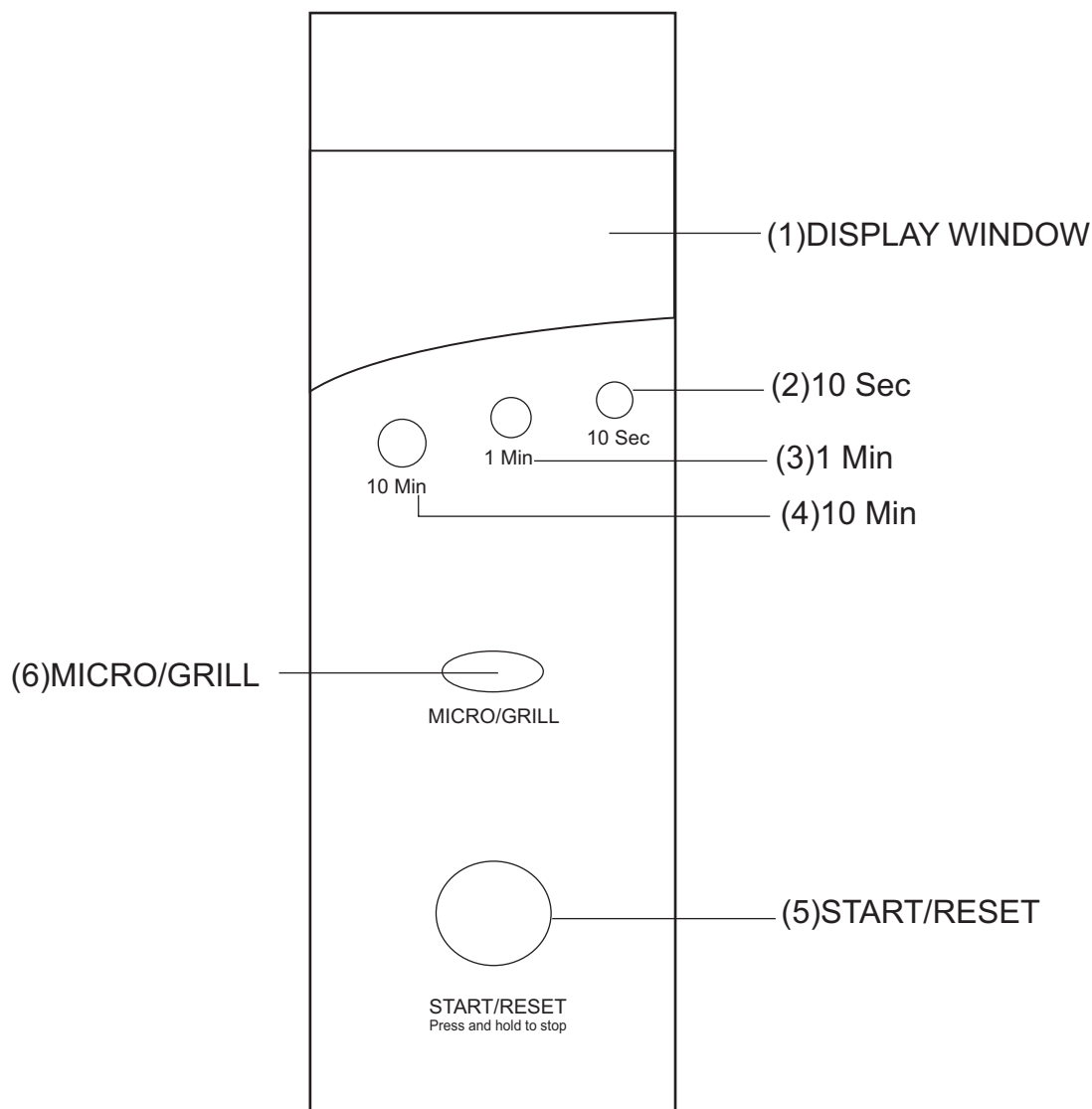
(в) Если материалы в печи воспламенились, не открывайте дверцу печи, выключите печь из стенной розетки либо выключите питание на панели предохранителя или автоматического выключателя.

ФУНКЦИОНАЛЬНАЯ СХЕМА



- (1) Система защитной фиксации дверцы
- (2) Окно дверцы печи
- (3) Воздушная вентиляция печи
- (4) Кольцевая подставка на роликах
- (5) Стеклоподдон
- (6) Панель управления
- (7) Решетка гриля

ПАНЕЛЬ УПРАВЛЕНИЯ



ИНСТРУКЦИЯ ПО ЭКСПЛУАТАЦИИ

1. ОБЫЧНОЕ ПРИГОТОВЛЕНИЕ

Вам следует только нажать кнопку «START/RESET» (ПУСК/СБРОС) для начала приготовления в течение 1 мин. с микроволновой мощностью 100%. При каждом нажатии время приготовления увеличивается на 1 минуту, максимальное время составляет 30 минут. По окончании приготовления вы услышите пять напоминающих звуковых сигналов.

Для выключения нажмите и удерживайте нажатой кнопку «Start/Reset» (Пуск/Сброс) в течение 2 секунд.

2. ПРИГОТОВЛЕНИЕ С ИСПОЛЬЗОВАНИЕМ МИКРОВОЛНОВОЙ ЭНЕРГИИ

(А) Способ быстрого приготовления

(Например: выбрать мощность 100% для приготовления продуктов в течение 5 минут.)

- а) Установите время «5:00»
- б) Нажмите кнопку «START/RESET».

(Б). Ручное управление

(Например: выбрать мощность 70% для приготовления продуктов в течение 10 минут.)

- а) Нажмите кнопку «MICRO/GRILL» для выбора мощности 70%.
- б) Нажмите кнопку времени для установки времени приготовления «10:00».
- в) Нажмите кнопку «START/RESET».

Для выбора мощности вы можете нажать кнопку «MICRO/GRILL».

| Действие | Дисплей | Микроволновая мощность |
|----------|---------|------------------------|
| 1 | P10 | 100% |
| 2 | P7 | 70% |
| 3 | P5 | 50% |
| 4 | P3 | 30% |
| 5 | P1 | 10% |

3. ФУНКЦИЯ АВТОМАТИЧЕСКОГО РАЗМОРАЖИВАНИЯ

Вам следует нажимать кнопки «1 Min» (1,0 кг) и «10 Sec» (0,1 кг), в зависимости от веса продуктов. Печь может выбрать программу размораживания и начать автоматическое размораживание.

Например: разморозить 0,4 кг замороженных продуктов

- 1) Нажмите кнопку «MICRO/GRILL» для выбора функции размораживания и отображения «DEF».
- 2) Установите вес «0,4 кг» нажатием кнопок «1 Min» и «10 Sec».
- 3) Нажмите кнопку «START/RESET».

Примечание: максимальный вес составляет 2 кг.

4. ФУНКЦИЯ ГРИЛЯ/КОМБИНИРОВАННОГО ПРИГОТОВЛЕНИЯ

Эта функция имеет четыре режима, вы можете выбрать нужный режим нажатием кнопки «MICRO/GRILL». (Максимальное время составляет 60 минут.)

Режим 1: мощность гриля 85%, на дисплее отображается «G-1».

Режим 2: мощность гриля 50%, на дисплее отображается «G-2».

Режим 3: комбинированный режим приготовления I (55% микроволновая мощность + 45% мощность гриля), на дисплее отображается «C-1».

Режим 4: комбинированный режим приготовления II (30% микроволновая мощность + 70% мощность гриля), на дисплее отображается «C-2».

При работе гриля (исключительно в комбинированном режиме гриля) процесс автоматически приостанавливается, и два звуковых сигнала напоминают вам о необходимости перевернуть продукты после половины времени приготовления. Перевернув продукты, закройте дверцу печи, затем нажмите кнопку «START/RESET», приготовление продолжится. Если вы не хотите переворачивать продукты, печь автоматически продолжит приготовление после минутной паузы.

5. ПУСК И СБРОС

1) При открытой дверце

Нажмите кнопку «START/RESET» для отмены настройки или программы приготовления.

2) При закрытой дверце

Нажмите кнопку «START/RESET» для начала приготовления после настройки программы приготовления.

Нажмите кнопку «START/RESET» для продолжения приготовления, если приготовление приостановлено.

Нажмите кнопку «START/RESET» для прекращения работы, если микроволновая печь работает.

6. БЛОКИРОВКА ОТ ДЕТЕЙ

Для активации функции блокировки от детей одновременно нажмите в течение 2 секунд кнопки «1 Min» и «10 Sec». После этого нажимайте любую нужную кнопку. Если одновременно нажать в течение 2 секунд кнопки «1 Min» и «10 Sec», эта функция будет разблокирована.

УХОД ЗА МИКРОВОЛНОВОЙ ПЕЧЬЮ

1. Перед чисткой выключите печь и извлеките вилку из розетки.
2. Содержите в чистоте внутреннее пространство печи. При попадании на стенки печи брызг пищи или жидкости протрите стенки влажной тканью. Не рекомендуется использовать жесткие моющие или абразивные средства.
3. Внешнюю поверхность печи следует протирать влажной тканью. Для предотвращения повреждения рабочих частей печи не допускайте протекания воды через вентиляционные отверстия.
4. Панель управления не должна быть влажной. Протирайте ее мягкой влажной тканью. Для чистки панели управления не используйте моющие, абразивные средства или чистящие средства в аэрозольной упаковке.
5. При накапливании в дверце печи или вокруг нее пара протрите дверцу мягкой тканью. Это может произойти, если микроволновая печь работает в условиях высокой влажности, и ни в коем случае не указывает на неисправность печи.
6. Периодически необходимо извлекать стеклянный поддон для чистки. Промывайте поддон в теплой мыльной воде или в посудомоечной машине.
7. Роликовую подставку и дно внутренней полости печи следует регулярно очищать, чтобы избежать излишнего шума. Просто протрите нижнюю поверхность печи, используя мягкое моющее средство, воду или средство для очистки стекол, и вытрите насухо. Роликовую подставку можно промыть в мыльной воде или в посудомоечной машине. При постоянном использовании образуется пар, но он никак не влияет на нижнюю поверхность или на колесики роликовой подставки.

При снятии роликовой подставки с нижней поверхности печи для чистки проследите, чтобы она была установлена на место в правильном положении.

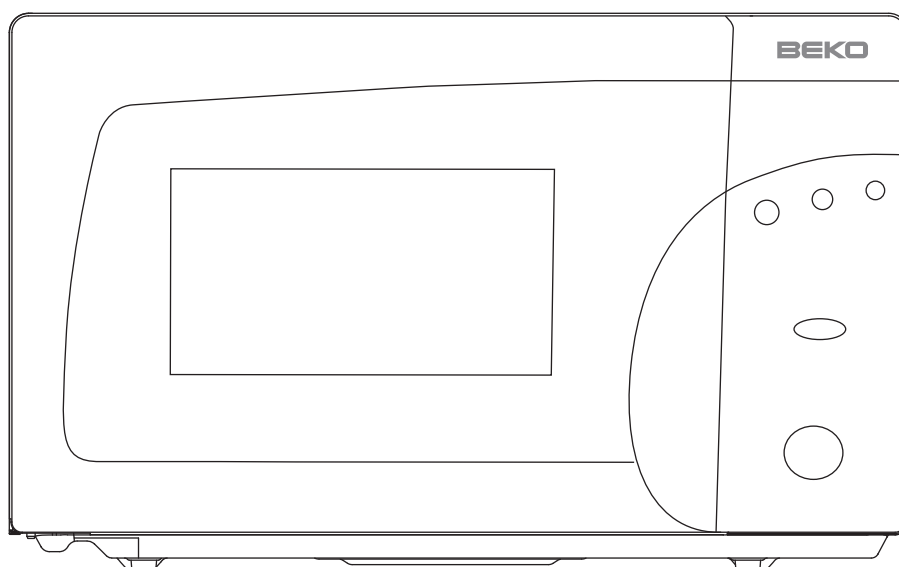
8. Удаляйте запахи из печи, поместив в нее стакан воды с соком и кожурой лимона, находящийся в глубокой посуде для микроволновой печи. Включите микроволновую печь на 5 минут, затем тщательно вытрите поверхность насухо мягкой тканью.
9. При необходимости заменить подсветку печи обратитесь к дилеру.

BEKO

Four à Micro-ondes numérique 20 litres
Notice d'utilisation

MWF 2010 EW
MWF 2010 ES

Lire attentivement cette Notice d'utilisation et la conserver pour de postérieures consultations.



CARACTÉRISTIQUES TECHNIQUES 20 LITRES.

| | |
|------------------------------|---|
| Consommation d'énergie: | 230V-50Hz, 1.280 W |
| Sortie: | 800W |
| Gril : | 1.100W |
| Fréquence de fonctionnement: | 2,450MHz |
| Dimensions hors tout: | 470 mm (Largeur) x 397 mm (Profondeur) x 282 mm (Hauteur) |
| Dimensions capacité four: | 315 mm (Largeur) x 330 mm (Profondeur) x 195 mm (Hauteur) |
| Poids net: | Environ 13,5 Kg |

AVANT DE TÉLÉPHONER AU SERVICE TECHNIQUE

1.- Si le four ne marche pas, si le visuel n'apparaît pas ou disparaît :

a) Vérifier que le four est bien branché au réseau électrique. Pour ce faire, retirer la fiche de la prise de courant, attendre 10 secondes et brancher à nouveau la fiche dans la prise.

b) Vérifier que le circuit n'est pas grillé ou qu'un interrupteur du circuit principal n'a pas sauté. Si ce n'est pas le cas, vérifier la prise de courant avec un autre appareil.

2.- Si l'appareil ne fonctionne pas :

a) Vérifier que le temporisateur est programmé.

b) Vérifier que la porte est bien fermée, afin que les dispositifs électriques puissent faire contact. Si la porte est mal fermée, l'énergie du four à micro-ondes n'arrivera pas à l'intérieur du four.

SI MALGRÉ TOUT CE QUI PRÉCÈDE, VOUS N'ARRIVEZ PAS À CORRIGER LE PROBLÈME, ADRESSEZ-VOUS AU SERVICE TECHNIQUE AGRÉÉ.

Remarque:

Cet appareil a été conçu pour un usage domestique, pour réchauffer des aliments et des boissons en utilisant de l'énergie électromagnétique et uniquement en espaces intérieurs.

INTERFÉRENCES RADIO

Le four à micro-ondes peut être la cause d'interférences avec la réception radio, télévision ou autre équipement similaire. Ces interférences, si elles se produisent, peuvent être éliminées comme suit :

- a.- Nettoyer la porte et le cadre du four.
- b.- Situer la radio, télévision, etc., le plus loin possible du four à micro-ondes.
- c.- Installer une antenne de radio, télévision, etc., pour augmenter le signal de réception.

MISE EN PLACE DE L'APPAREIL

- 1.- Veiller à bien retirer tout le matériau d'emballage de l'intérieur du four.
- 2.- Vérifier, après avoir déballé le four, qu'il ne présente aucun dommage, tel que notamment :
 - Porte mal alignée.
 - Porte endommagée.
 - Bosselures ou orifices sur la vitre de la porte et de l'écran.
 - Bosselures à l'intérieur de la cavité.Si vous observez une anomalie quelconque, N'UTILISEZ PAS le four.
- 3.- Ce four à micro-ondes pèse 13,5 Kg. Veiller à le positionner sur une surface plane suffisamment résistante pour supporter son poids.
- 4.- Veiller à installer le four éloigné de sources de chaleur et à l'abri de l'humidité.
- 5.- NE RIEN déposer sur le four.
- 6.- Veiller à laisser un espace d'au moins 8 cm de distance de chaque côté et de 10 cm à l'arrière de l'appareil, afin de permettre à l'air de circuler librement autour de l'appareil.
- 7.- NE PAS retirer l'axe moteur du plateau tournant.
- 8.- Ne pas laisser les enfants utiliser l'appareil sans surveillance.

MISE EN GARDE – CET APPAREIL DOIT ÊTRE RELIÉ À LA TERRE

- 1.- La prise de courant doit se trouver près du cordon de puissance.
- 2.- Ce four exige 1,3 KVA d'entrée. Il est recommandé de consulter le Service Technique avant d'installer le four.

REMARQUE: Ce four est protégé intérieurement par un fusible de 10Amp, 250V.

IMPORTANT


Les fils de raccordement au secteur électrique présentent les couleurs suivantes :

Vert et jaune: terre

Bleu: neutre

Marron: conducteur

Si les couleurs des fils de raccordement au réseau électrique de l'appareil ne correspondent pas au code de couleur mentionné ci-dessus, procéder comme suit :

Le fil vert et jaune doit être relié au pôle de la prise marqué de la lettre E ou du symbole de terre  du fil vert et jaune.

Le fil bleu doit être relié au pôle marqué de la lettre N ou de couleur noire.

Le fil marron doit être relié au pôle marqué de la lettre L ou de couleur rouge.

CONSEILS DE SÉCURITÉ

- ATTENTION: Lorsque l'appareil fonctionne en mode combiné, ne pas laisser les enfants l'utiliser sans surveillance, car la température générée sera très élevée.

- ATTENTION: Si la porte ou les verrouillages hermétiques de la porte sont endommagés, ne pas utiliser le four. Le faire réparer par un professionnel dûment qualifié.

- ATTENTION: Seul un professionnel dûment qualifié peut procéder à une réparation impliquant le retrait de la garniture qui protège de l'exposition à l'énergie micro-ondes.

- ATTENTION: Ne pas réchauffer d'aliments ni de liquides dans des récipients clos, car ils risquent d'exploser.

- ATTENTION: Veiller à ne pas laisser les enfants utiliser le four sans surveillance, à moins de leur avoir donné les instructions pertinentes, afin qu'ils puissent utiliser le four en toute sécurité et en étant donc parfaitement conscients des risques d'une utilisation incorrecte.

- Laisser un espace de 10 cm à l'arrière, de 15 cm de chaque côté et de 30 cm au-dessus du four, pour permettre à l'air chaud de s'échapper. Ne pas démonter les pieds du four, et ne pas obstruer les sorties d'air.

- Utiliser uniquement des ustensiles aptes pour fours à micro-ondes.

- Si vous réchauffez des aliments dans des récipients en plastique ou en papier, soyez très attentif, car ils risquent de prendre feu.

- Si vous observez de la fumée à l'intérieur du four, débranchez la prise du secteur et laissez la porte fermée, jusqu'à l'extinction des flammes.
- Réchauffer des boissons dans le four à micro-ondes peut provoquer leur ébullition même après avoir éteint le four. Veiller par conséquent à manipuler le récipient avec précaution.
- Remuer ou agiter le contenu des pots et biberons et vérifier leur température avant leur consommation, afin d'éviter les brûlures.
- Ne jamais cuire dans le four à micro-ondes des œufs dans leur coque, car ils risquent d'exploser, même la cuisson une fois achevée.
- Pour nettoyer la porte, le verrouillage hermétique de la porte et la cavité du four, utiliser uniquement des détergents doux, non-abrasifs, et les appliquer à l'aide d'une éponge ou d'un chiffon doux.
- Nettoyer fréquemment le four et éliminer tout reste de nourriture.
- Ne pas maintenir le four en bonnes conditions hygiéniques entraînera une détérioration de la surface qui pourra affecter négativement la durée de vie de l'appareil et provoquer une situation de risque.
- Si le cordon de raccordement électrique est endommagé, le faire remplacer par le fabricant, le Service Technique ou un professionnel dûment qualifié, afin d'éviter tout risque pour la santé.

NORMES FONDAMENTALES DE SÉCURITÉ

Veiller à respecter, comme dans tous les appareils, les normes et mesures recommandées, afin d'assurer la meilleure performance de votre four :

- 1.- Veiller à bien mettre en place le plateau tournant et les rouleaux, avant de mettre le four en fonctionnement.
- 2.- Ne pas destiner le four à un usage autre que la préparation de nourriture. Ne pas l'utiliser donc pour faire sécher du linge, du papier ou un produit autre qu'une denrée ou pour stériliser.
- 3.- Ne pas faire fonctionner le four à vide, pour éviter de l'endommager.
- 4.- Ne pas utiliser le four comme rangement, pour y stocker des papiers, livres de cuisine, etc.
- 5.- Ne pas y faire cuire des aliments recouverts d'une membrane, tels que jaune d'œuf, pommes de terre, foie de volaille, etc., sans les avoir percés au préalable à plusieurs endroits avec une fourchette.
- 6.- Ne pas insérer d'objets dans les ouvertures d'aération de l'enceinte.

7.- Ne jamais démonter les pièces du four, telles que pieds, raccords, boulons, etc.

8.- Ne pas faire cuire la nourriture directement sur le plateau en verre. Déposer les aliments dans un récipient apte pour micro-ondes avant de l'introduire dans le four.

9.- IMPORTANT – RÉCIPIENTS À NE JAMAIS UTILISER DANS LE FOUR À MICRO-ONDES

Ne jamais utiliser de récipients métalliques ni de plats aux poignées en métal.

Ne jamais utiliser de récipients aux bords ou ornements métalliques.

Ne jamais utiliser de sacs en plastique aux fermetures métalliques recouvertes de papier. Ne pas utiliser de plats en mélamine, car ils contiennent un matériau absorbant l'énergie micro-ondes, qui risque de fissurer ou de carboniser les plats et de réduire la vitesse de cuisson.

Ne pas utiliser de récipients "Centura Tableware". Le verre n'est pas apte pour micro-ondes.

Ne pas utiliser non plus de tasses en "Corelle Livingware" à anse fermée.

Ne pas faire cuire la nourriture dans des récipients aux bords peu évasés, tels que bouteilles en plastique ou bouteilles d'huile pour salade, qui risquent d'exploser dans le four à micro-ondes.

Ne jamais utiliser de thermomètres à viande conventionnels ni en cristal. Il existe des thermomètres spécifiquement conçus pour le four à micro-ondes.

10.- Utiliser des récipients aptes pour micro-ondes et respecter dans tous les cas les instructions du fabricant.

11.- Ne jamais tenter de faire de la friture dans le four.

12.- N'oubliez jamais que dans le four à micro-ondes le liquide d'un récipient chauffe davantage que le récipient lui-même. Par conséquent, même si le couvercle d'un récipient n'est pas chaud en le sortant du four, l'aliment ou liquide qu'il contient émettra la même quantité de vapeur et/ou éclaboussera de la même manière que lors de la cuisson traditionnelle, une fois le couvercle enlevé.

13.- Vérifiez toujours vous-même la température des aliments, tout spécialement si vous réchauffez ou cuisinez des aliments ou des liquides pour bébés. Il est conseillé de ne pas consommer l'aliment ou le liquide directement sorti du four, mais de le laisser reposer quelques minutes dans le four et de remuer l'aliment ou le liquide, afin de répartir uniformément la chaleur.

14.- Veiller à laisser reposer dans le four, pendant 30 à 60 secondes après la fin de la cuisson, les aliments contenant un mélange de graisse et d'eau, comme par exemple les viandes bovines. En effet, il suffit d'introduire dans le mélange une cuillère ou un aliment quelconque pour provoquer leur ébullition.

15. Lors de la préparation/cuisson de l'aliment ou du liquide, n'oubliez pas que certains aliments, comme par exemple les puddings, la confiture et la viande hachée, montent

très rapidement en température. Ne pas utiliser de récipients en plastique pour réchauffer ou cuire des aliments à haute teneur en graisse ou sucre.

16.- Il est probable que les récipients de cuisine se réchauffent également. En particulier lorsque le couvercle en plastique recouvre le haut et les poignées du récipient. Il faudra, dans ce cas, utiliser des gants de cuisine pour manipuler le récipient.

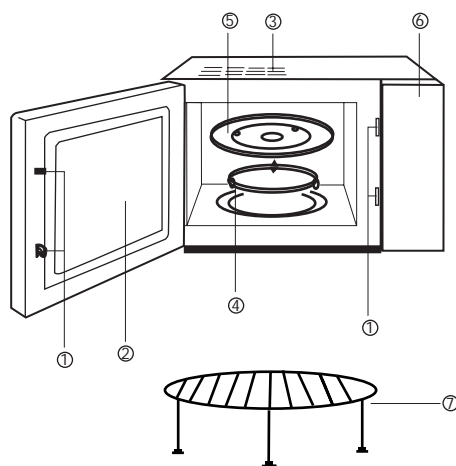
17.- Pour éviter que la cavité du four ne prenne feu :

a) Ne pas cuire excessivement l'aliment. Surveillez tout spécialement le four à micro-ondes si vous avez introduit du papier, du plastique ou un autre matériau combustible à l'intérieur du four pour faciliter la cuisson.

b) Retirer les fermetures métalliques des sacs, avant d'introduire ces derniers dans le four.

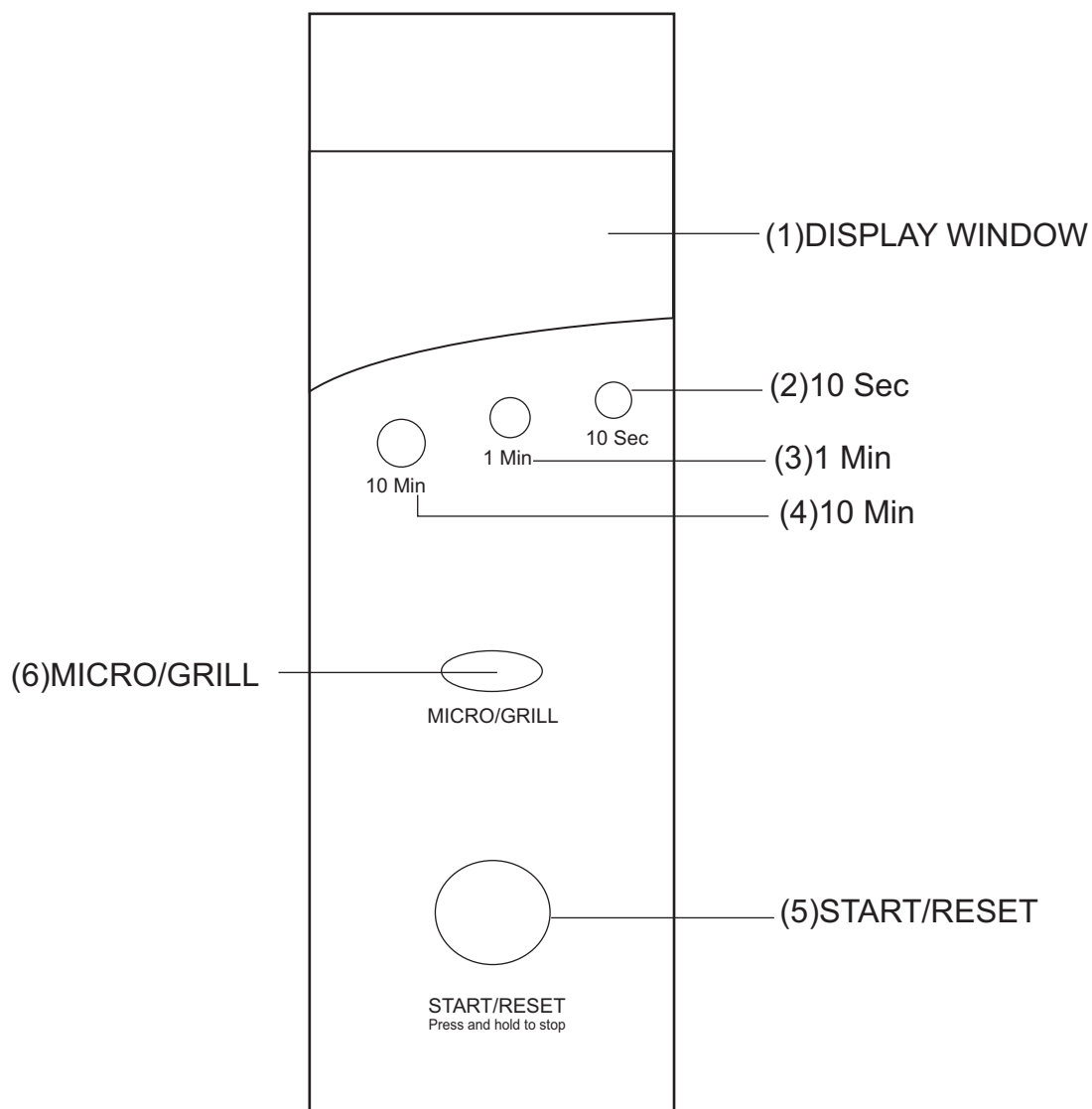
c) Si les matériaux à l'intérieur du four prennent feu, laissez la porte du four fermée, débranchez la prise de courant ou débranchez le courant électrique du fusible ou du panneau automatique du secteur.

DIAGRAMME



- (1) Système de verrouillage de sécurité de la porte
- (2) Vitre du four
- (3) Ventilation du four
- (4) Rouleau
- (5) Plateau en verre
- (6) Panneau de commandes
- (7) Grille

PANNEAU DE COMMANDES



MODE D'EMPLOI

1.- FONCTION MICRO-ONDES BASIQUE

Appuyer sur la touche « START/RESET » pour faire démarrer la cuisson durant une minute à 100% de puissance. Chaque fois que l'on appuie à nouveau sur la

touche, le temps de cuisson augmente d'une minute. Temps maximum : 30 minutes. Une fois la cuisson achevée, l'appareil émettra 5 bips sonores d'avertissement fin de cuisson.

Appuyer sur la touche « START/RESET » et la maintenir enfoncée pendant 2 secondes pour arrêter le four.

2.-FONCTION MICRO-ONDES

(A) Méthode de cuisson rapide.

(Par exemple: régler la puissance à 100% pour cuire des aliments pendant 5 minutes)

- a) Programmer le temps à "5:00".
- b) Appuyer sur la touche "START/RESET" .

(B) Commande manuelle

(Par exemple: régler la puissance à 70% pour cuire des aliments pendant 10 minutes)

- a) Appuyer sur la touche "Micro/Gril" pour régler la puissance à 70%.
- b) Appuyer sur le temporisateur pour programmer le temps de cuisson à "10:00".
- c) Appuyer sur la touche "START/RESET"

Vous pouvez appuyer sur la touche « Micro/Gril » pour régler la puissance.

| Étape | Visualisation | Puissance micro-ondes |
|-------|---------------|-----------------------|
| 1 | P10 | 100% |
| 2 | P7 | 70% |
| 3 | P5 | 50% |
| 4 | P3 | 30% |
| 5 | P1 | 10% |

3.- DÉCONGÉLATION

Appuyer sur "1 Min" (1.0 Kg) et "10 Sec" (0.1 Kg) en fonction du poids de l'aliment. Le four peut alors sélectionner le programme et faire démarrer la décongélation.

Par exemple: Pour décongeler 0.4 Kg d'aliments surgelés

- 1) Appuyez sur la touche "Micro/Gril" pour sélectionner la fonction décongélation. Le visuel affichera "DEF".
- 2) Programmez le poids "0.4 Kg" en appuyant sur les touches "1 Min" et "10 Sec".
- 3) Appuyez sur la touche "START/RESET" .

Remarque: Poids maximum 2 Kg.

4.- FONCTION COMBINÉE MICRO-ONDES + GRIL

Cette fonction offre quatre modes de cuisson. Pour sélectionner le mode souhaité, appuyer sur la touche "Micro/Gril". (Temps maximum 60 minutes).

- Mode 1: 85% puissance gril. Le visuel affichera "G-1".
Mode 2: 50% puissance gril. Le visuel affichera "G-2".
Mode 3: cuisson combinée I (55% micro + 45% gril). Le visuel affichera "C-1".
Mode 4: cuisson combinée II (30% micro-ondes + 70% gril). Le visuel affichera "C-2".

En fonction gril (exclusivement en combiné gril), l'appareil s'éteint automatiquement une fois la moitié du temps de cuisson programmé écoulée et fait retentir deux bips sonores, pour avertir qu'il convient de retourner l'aliment dans le récipient. Fermer la porte du four après avoir retourné l'aliment et appuyer ensuite sur la touche "START/RESET" pour poursuivre la cuisson. Si vous ne souhaitez pas retourner l'aliment, le four poursuivra la cuisson automatiquement après une minute de pause.

5.- MARCHE ET RESET

1) Porte ouverte

Appuyer sur la touche "START/RESET" pour annuler le programme de cuisson.

2) Porte fermée

Appuyer sur la touche "START/RESET" pour faire démarrer la cuisson, après avoir sélectionné le programme de cuisson.

Appuyer sur la touche "START/RESET" pour poursuivre la cuisson après une pause.

Appuyer sur la touche "START/RESET" pour arrêter le four.

6.- VERROUILLAGE DE SÉCURITÉ ENFANTS

Pour activer le verrouillage de sécurité enfants, appuyer à la fois sur les touches "1 Min" et "10 Sec" pendant 2 secondes. Ces deux touches sont ainsi bloquées. Pour activer à nouveau la fonction de ces deux touches, appuyer à la fois sur les touches "1 Min" et "10 Sec" pendant 2 secondes.

ENTRETIEN DU FOUR À MICRO-ONDES

- 1.- Éteindre le four et débrancher la fiche de la prise de courant.
- 2.- Veiller à maintenir le four toujours propre. En cas d'éclaboussement de nourriture ou d'écoulement de liquides, éliminer avec soin tout reste adhérent aux parois du four avec un chiffon humide. Ne pas utiliser de détergents abrasifs.
- 3.- Nettoyer l'extérieur du four avec un chiffon humide. Pour éviter d'endommager les pièces de l'intérieur du four, veiller à éviter toute filtration d'eau à travers les orifices de ventilation.
4. Veiller à ne pas mouiller le Panneau de Commandes. Le nettoyer avec un chiffon doux humide. Ne pas utiliser de détergents, ni de produits abrasifs, ni de pulvérisateurs sur le Panneau de Commandes.
- 5.- En cas de buée accumulée à l'intérieur du four ou sur l'extérieur de la porte, nettoyer l'appareil avec un chiffon doux. L'apparition de buée indique que le four a été utilisé dans des conditions d'humidité élevées, mais n'implique nullement un mauvais fonctionnement de l'appareil.

6.- De temps en temps, retirer le plateau tournant et le nettoyer. Le laver à l'eau chaude savonneuse ou en lave-vaisselle.

7.- Nettoyer fréquemment le rouleau et la sole du four, afin de minimiser les bruits. Nettoyer la sole du four avec un détergent doux et la sécher. Le rouleau peut être lavé à l'eau savonneuse ou en lave-vaisselle. L'apparition de buées n'affecte nullement la sole ni le rouleau.
Après avoir retiré le rouleau pour le nettoyer, veiller à bien le remettre en place correctement.

8.- Pour éliminer les odeurs du four, mélangez dans un récipient profond une tasse d'eau et le jus et l'écorce d'un citron. Déposez-le dans le four à micro-ondes et faites fonctionner ce dernier pendant 5 minutes. Nettoyez à fond et essuyez avec un chiffon doux.

9.- Pour remplacer l'ampoule du four, s'adresser au Distributeur Officiel.

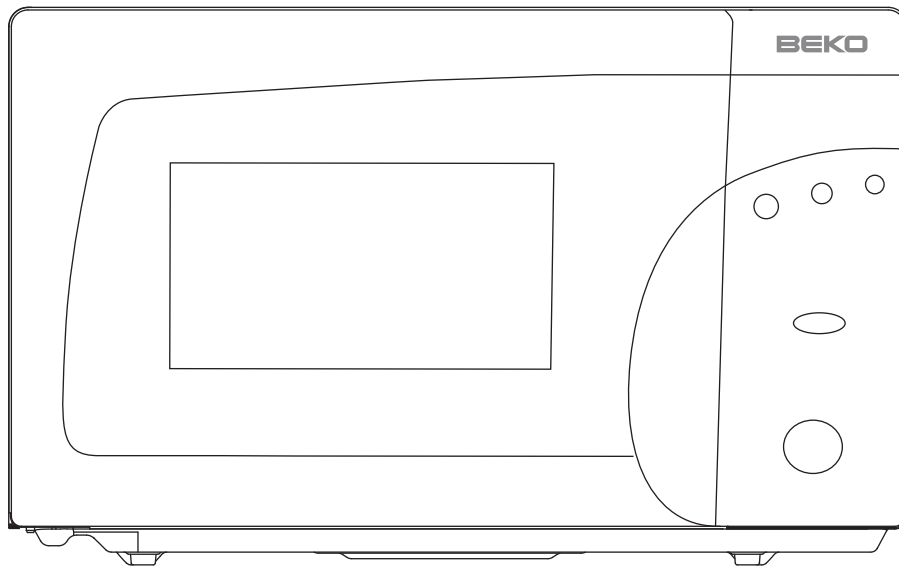
Naudojimosi instrukcija

BEKO

Mikrobangų krosnelė

MWF 2010 EW
MWF 2010 ES

Ši instrukcija skirta šiam mikrobangų krosnelės modeliui



1. Prieš pradėdami naudotis mikrobangų krosnele **ATIDŽIAI PERSKAITYKITE** šią instrukciją. Ją išsaugokite, jei kiltų kokių klausimų ateityje.
2. Žemiau įrašykite **SERIAL NO.**, kurį rasite ant galinės mikrobangų krosnelės sienelės. Ši informacija gali būti reikalinga ateityje.

TECHNINIAI DUOMENYS

| | |
|----------------------------------|---------------------------------------|
| Elektros energijos suvartojimas: | 230V~50Hz, 1280W |
| Galingumas: | 800W (mikrobangos) 1100 W (grilis) |
| Darbinis dažnis: | 2450MHz |
| Krosnelės išmatavimai: | 282mm(H)×470mm(W)×397mm(D) |
| Vidaus ertmės išmatavimai: | 195mm(H)×315mm(W)×330mm(D) |
| Krosnelės tūris: | 20 litrų |
| Neto svoris: | Apie 13,5 kg |

ATSARGOS PRIEMONĖS, KAD MIKROBANGŲ ENERGIJA NEPATEKTŲ Į IŠORĘ

- (a) Nejunkite mikrobangų krosnelės, kai atidarytos jos durelės, tai gali būti mikrobangų energijos patekimo į išorę priežastis.
- (b) Nieko nedėkite tarp krosnelės priekinio paviršiaus ir durelių, taip pat žiūrėkite, kad ant vidinių sienelių nesikauptų maisto ir valiklių nuosėdos.
- (c) Nesinaudokite apgadinta mikrobangų krosnele. Ypač svarbu, kad gerai užsidarytų mikrobangų krosnelės durelės ir kad nebūtų sugadinta:

- ① Durelės (sulankstytos),
- ② Vyriai ir skląščiai (sulaužyti ar atsilaisvinę),
- ③ Durelių tarpinės ir tarpinių paviršiai.

Mikrobangų krosnelę leidžiama remontuoti tik kvalifikuotiems specialistams.

PRIEŠ IŠKVIESDAMI MEISTRĄ

1. Jei krosnelė visiškai neveikia, o displėjus nepasirodo:

A) Pažiūrėkite, ar kištukas gerai įjungtas į elektros tinklo lizdą. Ištraukite kištuką iš elektros tinklo lizdo ir po 10 sekundžių vėl jį gerai įkiškite.

B) Patikrinkite, ar nesugedęs elektros įvado saugiklis arba suveikęs automatinis išjungėjas, ar neišjungtas bendras elektros grandinės pertraukiklis. Jei atrodo, kad viskas tvarkoje, patikrinkite elektros tinklo lizdą, įjunkdami kitą prietaisą.

2. Jeigu mikrobangų krosnelė neveikia:

A) Pažiūrėkite, ar valdymo skydelyje teisingai nustatyta programa ir laikmatis.

D) Įsitinkite, ar durelės gerai užsidaro. Priešingu atveju mikrobangų krosnelė neveiks, nes suveiks apsaugos sistema.

JEI KROSNELĖ VIS TIEK NEVEIKIA, KREIPKITĖS Į KVALIFIKUOTĄ MEISTRĄ. NEBANDYKITE TAISYTI KROSNELĖS PATYS.

Pastaba:

Šis prietaisas skirtas tik naudojimui namuose maisto ir gėrimų šildymui elektromagnetinėmis bangomis.

Radijo trikdžiai:

Mikrobangų krosnelė gali įtakoti radijo, televizoriaus ar panašių prietaisų veikimą. Jei atsirandą trukdžiai, juos galima pašalinti ar bent jau sumažinti taip:

- a. Išvalykite prietaiso dureles ir sandarinimo gumas.
- b. Radiją, televizorių ar kitus prietaisus padėkite kuo toliau nuo mikrobangų krosnelės.
- c. Radijui ir televizoriui naudokite tik teisingai prijungtą anteną, kad būtų tvirtas signalas.

INSTALIAVIMAS

1. Įsitinkite, kad nuėmėte visas pakavimo medžiagas.
2. Atidžiai apžiūrėkite krosnelę po išpakavimo, pažiūrėkite ar nėra akivaizdžiai matomų pažeidimų, tokių kaip: sulankstytos durelės, pažeistos durelės, įdubimai ir skylės durelių stikle ir ekrane, įdubimai. Jei nors vienas iš šių pažeidimų akivaizdus, nesinaudokite krosnele.
3. Ši mikrobangų krosnelė sveria 13,5 kg ir turi būti padėta ant horizontalaus paviršiaus, kuris išlaikytų tokį svorį.
4. Krosnelė turi būti padėta kuo toliau nuo aukštos temperatūros ir garų.
5. Nieko nedėkite ant krosnelės viršaus.
6. Krosnelę statykite mažiausiais 8 cm atstumu nuo šoninių sienų ir 10 cm atstumu nuo galinės sienos, kad užtikrintumėte tinkamą ventilaciją.
7. Nesinaudokite krosnele be stiklinio padėklo, be žiedo su ratukais ar kai jie nėra savo vietoje ant ašies.

Kaip ir su kitais prietaisais, prižiūrėkite vaikus, kai jie naudojami krosnele.

DĖMESIO – ŠIS PRIETAISAS TURI BŪTI ĮŽEMINTAS

1. Elektros laidas turi lengvai pasiekti elektros lizdą.
2. Šiai krosnelei reikia 1,3 KVA (kilovoltamperų). Pasitarkite su kvalifikuotais meistrais, jei nežino kaip prijungti krosnelę.

ĮSPĖJIMAS: Ši krosnelė pritaikyta 250 V, 10 A srovei.

SVARBU

Laidų pagrindiniame kabelyje spalvų reikšmės:

Green and Yellow (Žalia ir geltona) = EARTH- ĮŽEMINIMO laidas
Blue (mėlyna) = NEUTRAL - NEUTRALUS laidas
Brown (Ruda) = LIVE - FAZINIS laidas

Kai laidų spalvos prietaise neatitinka kištuko spalvų, elkitės taip:

- Laidas, kuris pažymėtas Žaliai ir geltonai turi būti prijungtas į kištuką, kuris pažymėtas raide E arba įžeminimo simboliu, žalios ir geltonos spalvos.
- Laidas, kuris pažymėtas mėlynai, turi būti prijungtas prie pažymėto N raide arba juodos spalvos.
- Laidas, kuris pažymėtas rudai, turi būti prijungtas prie pažymėto raide L arba raudonos spalvos.

SVARBIOUS SAUGUMO NUORODOS

ĮSPĖJIMAS: Kai prietaisas veikia kombinuotu režimu, vaikai gali naudotis krosnele tik su tėvų priežiūra dėl sukeltos temperatūros (tik tiems modeliams, turintiems grilio funkciją);

ĮSPĖJIMAS: Jei pažeistos durelės arba durelių guma, krosnele naudotis negalima, kol kvalifikuotas meistras nepataisys.

ĮSPĖJIMAS: Mikrobanginės negali remontuoti nekvalifikuotas asmuo, jei reikia nuimti dangtį, kuris apsaugo nuo mikrobangų. Nekvalifikuotiems asmenims pavojinga remontuoti krosnelę.

ĮSPĖJIMAS: Skysčių ir kito maisto negalima šildyti hermetiškuose indeliuose, nes jie gali sprogti.

ĮSPĖJIMAS: Jei krosnele naudojasi vaikai, pirma jiems išaiškinkite naudojimosi etapus, saugumo nurodymus bei pavojus (sprogimo galimybę). Tik tada vaikai gali naudotis krosnele be priežiūros.

- Aplink krosnelę turi laisvai cirkuliuoti oras. Galinėje pusėje turi būti 10 cm tarpas, abejose pusėse po 15 cm ir 30 cm iš viršaus. Nenuimkite krosnelės kojelių, neužblokuokite oro įleidimo angų.
- Naudokite tik tuos indus, kuriuos galima naudoti mikrobangų krosnelėje.
- Kai maistą šildote plastikiniuose ar popieriniuose induose, atidžiai prižiūrėkite krosnelę, kad neužsidegtų.

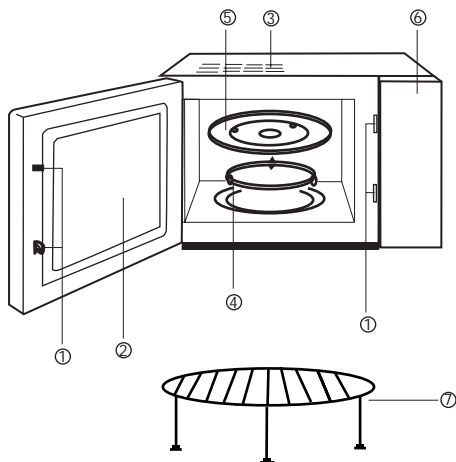
- Jei susikauptų garų, išjunkite prietaisą arba ištraukite laidą iš elektros lizdo, o dureles laikykite uždarytas, kad nuslopintumėte bet kokias galimas liepsnas.
- Skysčiai, šildomi mikrobangų krosnelėje gali užvirti, todėl reikia būti atsargiems, jei skysčius šildote uždarame inde.
- Kūdikių buteliukus ir maistą reikia pakratyti arba išplakti, o temperatūrą patikrinti prieš pat vartojimą, kad išvengtumėte nusideginimų.
- Negalima šildyti kiaušinių su lukštu ir net kietai išvirtų kiaušinių mikrobangų krosnelėje, nes jie gali sprogti, net ir tada kai jau kaitinimas baigiasi.
- Prietaiso paviršiu, dureles, gumas, vidų valykite tik švelnia kempine ar skudurėliu pamirkyta nešveičiamuose milteliuose o švelniame muile.
- Krosnelę valykite reguliariai, o maisto likučius pašalinkite.
- Neprižiūrint švaros mikrobangų krosnelės viduje arba išorėje, gali nusidėvėti paviršius, ir tai neigiamai įtakoja krosnelės tarnavimo laiką ir gali tapti sproginimo pavojaus priežastimi.

Saugos nuorodos bendram naudojimui

Žemiau išvardintos nuorodos, daugeliui prietaisų būdingos taisyklės ir saugumo nurodymai:

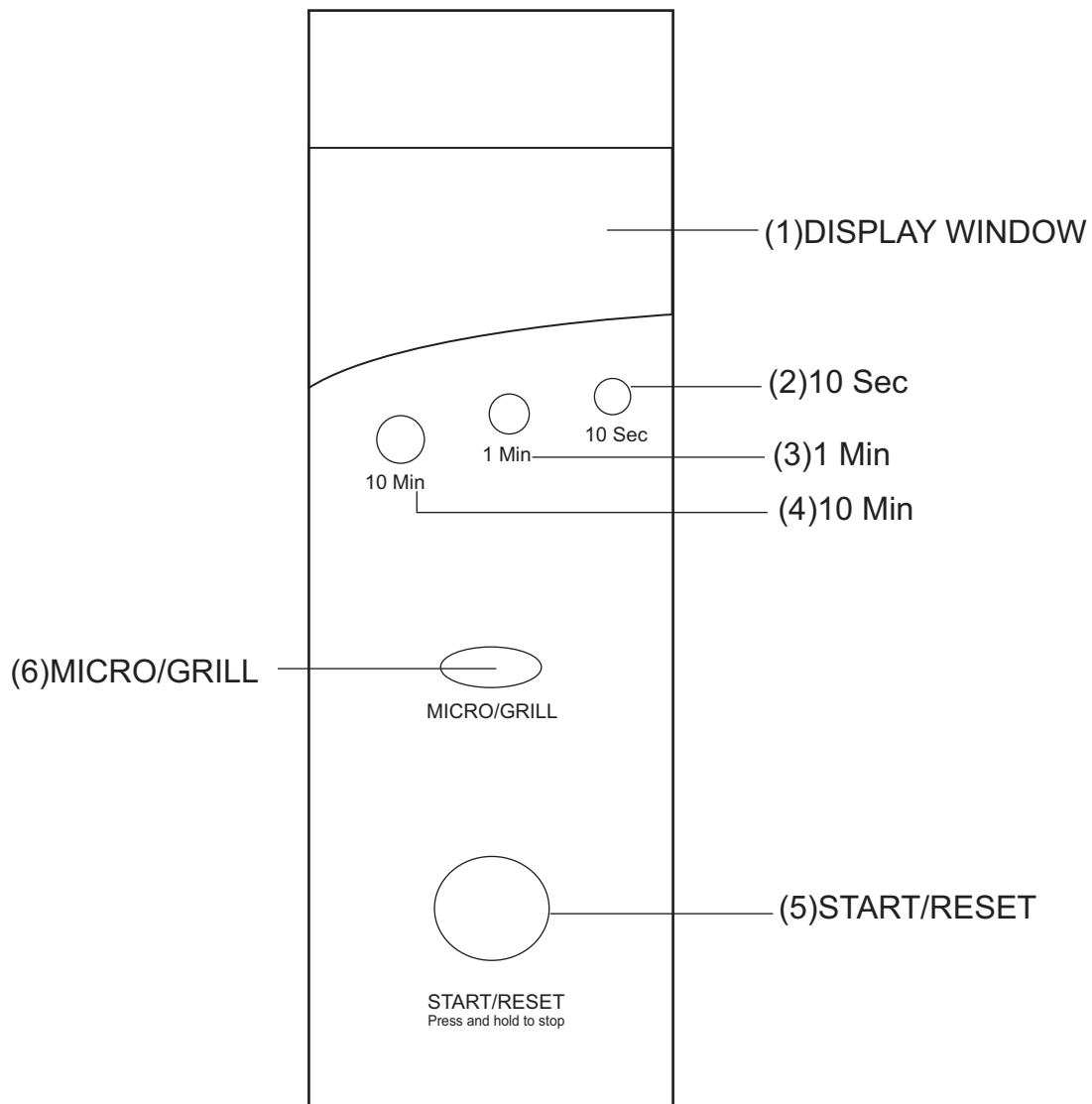
1. Visada krosnelę naudokite tik su stikliniu padėklu, ratukų alkūne ir sujungimais ir ratukų padėklu.
2. Krosnelę naudokite tik maisto ruošimui ar šildymui, nenaudokite jos drabužių, popierių ar kitų ne maisto produktų džiovinimui bei sterilizacijos tikslais.
3. Nejunkite tuščios mikrobangų krosnelės. Taip ji gali būti sugadinta.
4. Nenaudokite krosnelės vidaus popieriaus, knygų ar kitų daiktų laikymui.
5. Prieš šildant subadykite vaisių ir daržovių storą odą, pavyzdžiui, nepjaustyti bulvių, moliūgų, obuolių ir kaštonų.
6. Nekiškite jokių daiktų į išorės korpuso angas.
7. Niekada nenuiminkite mikrobangų krosnelės dalių, tokių kaip kojelės, sujungimai, varžtai ir pan.
8. Nešildykite maisto tiesiogiai ant stiklinio padėklo. Maistą įdėkite į tinkamą indą ir tik tada šildykite.
9. SVARBU. VIRTUVĖS REIKMENYS, KURIŲ NEGALIMA NAUDOTI MIKROBANGŲ KROSNELĖJE:
 - Negalima naudoti metalinių puodų ar indų metalinėmis rankenomis.
 - Nenaudokite nieko su metalo apdaila.
 - Nenaudokite popierium uždengtų vielinių ar virvelėmis surišių plastiko krepšelių.
 - Nenaudokite melaminio indų, kurie pagaminti iš mikrobangų energiją sugeriančios medžiagos. Taip indai suskiltų ar apdegtų, o tai sulėtintų gaminimo greitį.
 - Nenaudokite stalo įrankių mikrobanginėje. Glazūruoti indai taip pat netinka naudoti mikrobanginėje. Negalima naudoti ir uždengtų puodelių.
 - Nešildykite indų, kurie atidaromi labai siaurai, tokių kaip buteliai, aliejaus buteliai, nes jie gali sprogti, jei būtų šildomi mikrobangų krosnelėje.
 - Nenaudokite šaldytos mėsos arba įprasto termometro. Mikrobanginėms krosnelėms yra specialūs termometrai. Juos galima naudoti.
10. Mikrobangų krosnelės reikmenys turi būti naudojami tik pagal gamintojo nurodymus.
11. Nebandykite mikrobanginėje virti maisto riebaluose.
12. Prašome įsidėmėti, kad krosnelė šildo tik skystį inde labiau nei patį indą. Todėl net jei indo dangtis nėra karštas, kai indą išimate iš krosnelės, atsiminkite, kad maistas ar gėrimai skleidžia tokį pat garų kiekį ir/arba išpurškia garus, kai nuimate dangtį taip, kaip gaminant/šildant tradiciniu būdu.
13. Visada patikrinkite pagaminto maisto ar gėrimų temperatūrą, ypač jei gaminate kūdikiams. Rekomenduojama niekada nevalgyti ką tik iš krosnelės išimto maisto/ gėrimų, reikia palaukti kelias minutes ir pamaišyti maistą/ gėrimus, kad karštis pasiskirstytų vienodai.
14. Maistas, kuriame yra ir vandens, ir riebalų (pvz.: sultinys), turėtų pastovėti 30-60 sekundžių mikrobangų krosnelėje, kai ji jau bus išjungta. Taip leidžiama susiformuoti mišiniui ir apsaugoti nuo burbuliavimo, jei būtų įdedamas šaukštas ar sultinio kubelis į maistą/gėrimą.
15. Kai ruošiate/ gaminate maistą/ gėrimus, prisiminkite, kad tai gali būti tam tikras maistas (pvz.: Kalėdinis pudingas, uogienė ir džiovinti vaisiai), kuris įkaista labai greitai. Kai šildote labai riebių ar daug cukraus turintį maistą, nešildykite jo plastikiniuose induose.
16. Virtuviniai įrankiai gali tapti karšti nuo pašildyto maisto perduoto karščio. Tai ypač nutinka, kai rankenos, įrankiai ir viršutinė dalis padengta plėvele. Todėl gali reikėti puodkelnės.
17. Kad sumažintumėte ugnies riziką mikrobanginės viduje:
 - a. Neperkaitinkite maisto. Atidžiai prižiūrėkite krosnelę, jei viduje įdėjote popierinius, plastiko ar kitos degios medžiagos indus.
 - b. Nuimkite šniūrelius apvyniotus ant maišelių prieš dėdami juos į mikrobanginę krosnelę.
 - c. Jei mikrobanginės viduje esančios medžiagos gali užsidegti, mikrobanginės dureles laikykite uždarytas, išjunkite prietaisą ištraukdami laidą iš elektros lizdo arba nutraukite elektros tiekimą.

PRIETAISO DALYS



1. Durelių apsauginių blokatorių sistema.
2. Durelių langas.
3. Ventiliacinė anga.
4. Žiedas.
5. Stiklinis padėklas.
6. Valdymo skydelis.
7. Grilio grotelės.

VALDYMO SKYDELIS



(1) DISPLAY WINDOW

(2) 10 Sec

(3) 1 Min

(4) 10 Min

(6) MICRO/GRILL

(5) START/RESET

VALDYMO NUORODOS

1. PAPRASTAS GAMINIMAS/ PAŠILDYMAS

Tiesiog paspauskite „Pradžios/ Nustatymų“ mygtuką, kad pradėtų šildyti 1 minutę 100 % mikrobangų galia. Kiekvienas paspaudimas padidina gaminimo/šildymo laiką 30 minučių. Po to, kai baigsis nustatytas laikas, išgirsite 5 pypsėjimo garsus, primenančius apie baigtą gaminimą. Norėdami sustabdyti, paspauskite ir 2 sekundes palaikykite „Pradžios/ Nustatymų“ mygtuką.

2. GAMINIMAS MIKROBANGOMIS

(A) Greitasis gaminimo režimas. (pvz.: pasirinkite 100 % galią ir šildykite maistą 5 minutes)

- a) Nustatykite laiką 5:00
- b) Paspauskite „Pradžios/ Nustatymų“ mygtuką

(B) Rankinis valdymas. (pvz.: pasirinkite 70 % galią ir šildykite maistą 10 minutes)

- a) Paspauskite „Mikrobangos/ Grilis“ mygtuką, pasirinkdami 70 % galią.
- b) Paspauskite laiko mygtuką, kad nustatytumėte laiką 10:00
- c) Nustatykite „Pradžios/ Nustatymai“ mygtuką.

Galite paspausti „Mikrobangos/ Grilis“ mygtuką, kad pasirinktumėte galią.

| Žingsnelis | Displėjus | Mikrobangų galia |
|------------|-----------|------------------|
| 1 | P10 | 100 % |
| 2 | P7 | 70 % |
| 3 | P5 | 50 % |
| 4 | P3 | 30 % |
| 5 | P1 | 10 % |

3. AUTOMATINIO ATITIRPINIMO FUNKCIJA

Reikia paspausti priklausomai nuo maisto svorio „1Min“ (1,0 kg) ir „10Sec“ (0,1 kg) mygtukus, kol pasirinksite tinkamą svorį. Mikrobangų krosnelė gali pasirinkti atitirpinimo programą ir automatiškai pradėti atitirpinimą. Pvz.: atitirpinant 0,4 kg užšaldyto maisto:

- 1) Paspauskite „Mikrobangos/ Grilis“, kad pasirinktumėte atitirpinimo funkciją „DEF“.
- 2) Nustatykite 0,4 kg svorį, spausdami „1Min“ ir „10Sec“ mygtukus.
- 3) Nustatykite „Pradžios/ Nustatymų“ mygtuką.

Atsiminkite: maksimalus svoris yra 2 kg.

4. GRILIO FUNKCIJA

Ši funkcija turi 4 režimus, reikiamą režimą pasirinksite paspaudę „Mikrobangos/ grilis“ mygtuką. (Maksimalus laikas yra 60 minučių).

Režimas 1: 85 % grilio galia, displėjus „G-1“.

Režimas 2: 50 % grilio galia, displėjus „G-2“.

Režimas 3: Kombinuotas gaminimas I (55 % mikrobangų + 45 % grilio galia), displėjus „C-1“.

Režimas 4: Kombinuotas gaminimas II (30 % mikrobangų + 70 % grilio galia), displėjus „C-2“.

Nustačius grilio funkciją, automatiškai programa bus sustabdoma, kai tik įpusės laikas ir 2 kartus supypsės, primenant kad reikia apversti maistą ant kitos pusės. Po to kai apversite maistą, uždarykite dureles, tada paspauskite „Pradžios/ Nustatymų“ mygtuką, atitirpinimas tęsis toliau. Jei nenorite maisto apversti ant kitos pusės, mikrobanginė tęs atitirpinimą automatiškai po 1 minutės.

5. PRADŽIA IR NUSTATYMAI

- 1) Atidarytų durelių padėtis. Paspauskite „Pradžios/ Nustatymų“ mygtuką, atšaukdami nustatymus ar gaminimo programą.
- 2) Uždarytų durelių padėtis
Paspauskite „Pradžios/ Nustatymų“ mygtuką, pradėdami gaminti po nustatytos gaminimo programos.

Paspauskite „Pradžios/ Nustatymų“ mygtuką, pratęsdami gaminimą, kai gaminimas yra padėtyje „Pauzė“.

Paspauskite „Pradžios/ Nustatymų“ mygtuką, sustabdydami gaminimą, kai mikrobanginė veikia.

6. APSAUGA NUO VAIKŲ

Norėdami aktyvuoti Apsaugą nuo vaikų, paspauskite ir 2 sekundes palaikykite „1Min“ ir „10Sec“ mygtukus tuo pačiu metu. Po to paspauskite bet kokį nereikalingą mygtuką. Jei dar kartą paspausite ir 2 sekundes palaikysite „1Min“ ir „10Sec“ mygtukus tuo pačiu metu, taip bus atšaukiama apsauga nuo vaikų.

Mikrobangų krosnelės priežiūra

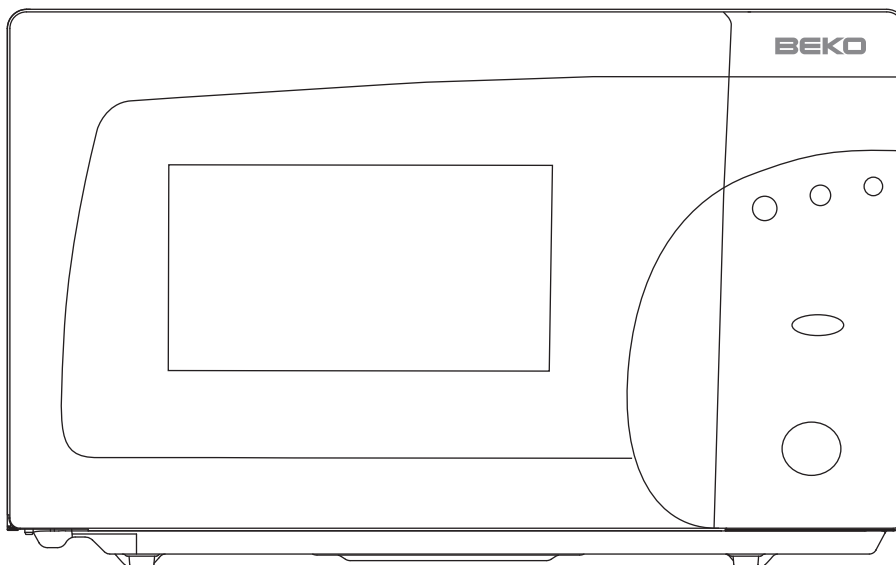
1. Prieš valydami krosnelę išjunkite ją ir ištraukite iš elektros tinklo lizdo kištuką.
2. Krosnelės viduje turi būti švaru. Jei maistas aptaškė sienelės ar ištekėjo ir pridegė skysčiai, išvalykite juos drėgnu skudurėliu. Esant dideliems nešvarumams, galima naudoti švelnią valymo priemonę. Stenkitės nenaudoti purškiamų ir kitokių stiprių valiklių, kadangi jie gali pakenkti durų paviršiui.
3. Krosnelę iš išorės reikia valyti drėgnu skudurėliu. Kad nesugadintumėte krosnelės detalių vanduo neturi patekti į ventiliacines angas. Galima naudoti švelnią valymo priemonę.
4. Draudžiama sušlapinti valdymo skydelį. Valykite jį minkštu, drėgnu skudurėliu. Valydami valdymo skydelį palikite dureles atviras, kad krosnelės netyčia neįjungtumėte.
5. Jei krosnelė naudojama labai drėgnoje patalpoje, jos viduje arba ant durelių išorės gali kauptis garai. Tai normalu, nuvalykite juos minkštu skudurėliu.
6. Retkarčiais reikia nuimti ir išvalyti stiklinį padėklą. Išplaukite padėklą muiliname vandenyje arba indų plovimo mašinoje.
7. Krosnelės vidaus apačia ir žiedas su ratukais turi būti nuolat valomi, kad nekeltų triukšmo. Tam naudokite švelnią valymo priemonę. Žiedą su ratukais galima išplauti muiliname vandenyje ar su indų plovikliu. Išėmę žiedą su ratukais iš krosnelės vidaus po to jį gražinkite tinkamai į jo vietą.
8. Jei norite pašalinti iš mikrobangų krosnelės kvapus, į gilų dubenį pripilkite vandens, įdėkite citriną su žievelėmis, įstatykite į mikrobangų krosnelę ir įjunkite mikrobangų režimą 5 minutėms. Po to viską gerai išvalykite ir nusausinkite.
9. Kai reikės pakeisti lempuotę, kreipkitės į kvalifikuotą meistrą.

BEKO

Microondas 20 litros Manual de instruções

MWF 2010 EW
MWF 2010 ES

Leia atentamente as instruções e guarde-as para futuras consultas



ESPECIFICAÇÕES 20L.

| | |
|----------------------------------|--|
| Alimentação eléctrica e consumo: | 230V-50Hz, 1.280 W |
| Potência microondas: | 800 W |
| Potência Grill | 1.100 W |
| Frequência: | 2,450 MHz |
| Dimensões externas: | 470 mm (largura) x 397 mm (profundidade) x 282 mm (altura) |
| Dimensões internas do forno: | 315mm (largura) x 330 mm (profundidade) x 195 mm (altura) |
| Peso líquido: | Aprox. 13,5 Kg |

ANTES DE CONTACTAR COM O SERVIÇO TÉCNICO:

1.- Se o forno microondas não funciona, ou se no display não surge qualquer mensagem:

a) Verifique a correcta ligação do microondas. Caso não o estar, desligue-o, aguarde 10 segundos e volte a ligá-lo de forma segura.

b) Verifique se se encontra fundido qualquer fusível do circuito, ou se se desligou qualquer interruptor pertencente ao circuito principal. Se não encontrar qualquer anomalia, verifique se a tomada de corrente da parede funciona com outro aparelho.

2.- Se o forno microondas não se activar:

a) Verifique se o temporizador se encontra programado.

b) Verifique se a porta do microondas se encontra bem fechada (em caso afirmativo os encravamentos de segurança permitirão o contacto eléctrico; em caso negativo, não será possível a activação do microondas).

SE VERIFICADOS OS PONTOS ACIMA PERSISTIR O PROBLEMA, CONTACTE COM O SERVIÇO DE ATENDIMENTO TÉCNICO AUTORIZADO.

Nota:

Este aparelho foi desenhado para um uso doméstico (aquecer alimentos e bebidas mediante energia electromagnética) apenas em interiores.

INTERFERÊNCIAS EM OUTROS APARELHOS

Eventualmente, o forno microondas pode gerar interferências em aparelhos de rádio, televisão, ou outros similares. Se isto acontecer, pode eliminar as interferências seguindo os seguintes passos:

- a.- Limpe a porta e as superfícies da junta da mesma.
- b.- Não coloque aparelhos de rádio, televisão, etc. perto do forno microondas.
- c.- Utilize uma antena correctamente instalada para obter na sua TV ou rádio uma recepção de sinais mais intensa.

INSTALAÇÃO

- 1.- Retire do interior do forno microondas qualquer material de empacotado.
- 2.- Uma vez retirada a embalagem, inspeccione visualmente o microondas e verifique se há:

Furos ou mossas na janela da porta ou no display.

Porta desajustada.

Porta danificada.

Mossas no recinto interior.

Se observar qualquer das danificações acima, NÃO UTILIZE o forno.

- 3.- Este forno microondas pesa 13,5 kg e deve ser colocado numa superfície horizontal suficientemente resistente para suportar o peso referido.
- 4.- Não colocar o forno microondas perto de fontes de altas temperaturas ou de vapores.
- 5.- NUNCA coloque qualquer objecto na superfície superior do forno.
- 6.- Respeite, como mínimo, 8 cm de distância entre os móveis adjacentes e ambos os lados do microondas, e 10 cm entre a parede e a parte posterior do microondas, de forma a obter uma correcta ventilação do mesmo.
- 7.- NÃO retire o eixo central do prato giratório.
- 8.- Como com qualquer outro electrodoméstico, o microondas apenas deverá ser utilizado por crianças sob a supervisão de um adulto.

NOTA – ESTE APARELHO DEVE SER LIGADO À TERRA

- 1.- A tomada de electricidade deverá estar próxima do cabo principal.
- 2.- Este forno requer uma alimentação eléctrica de 1.3 KVA. Aconselhamos consultar o serviço técnico ao instalar o forno.

AVISO: este forno conta com um fusível interno de 10Amp e 250V de protecção.

IMPORTANTE

Os fios condutores do cabo principal têm as seguintes cores e funções.

Verde e amarelo: terra

Azul: neutro

Castanho: “fase”

Se as cores dos fios do cabo principal não coincidem com as cores de identificação dos pólos na tomada de electricidade, siga os seguintes passos:

O condutor verde e amarelo deve ser ligado ao terminal da tomada marcado com a letra E ou com o símbolo de terra \perp de cor verde do verde e amarelo.

O condutor azul deve ser ligado ao terminal marcado com a letra N ou de cor preta.

O condutor castanho deve ser ligado ao terminal marcado com a letra L ou de cor vermelha.

NORMAS IMPORTANTES SOBRE SEGURANÇA

- IMPORTANTE: Se o aparelho está a funcionar em "modo combinado" (microondas + grill, se aplicável), dada a temperatura alcançada, apenas deverá ser utilizado por crianças sob a supervisão de um adulto.

- IMPORTANTE: Se a porta do aparelho ou as juntas da mesma estiverem danificadas, não utilize o forno, que deverá ser reparado por pessoal técnico qualificado.

- IMPORTANTE: A realização de tarefas de manutenção ou reparação por pessoas não especializadas iria implicar risco para as mesmas, especialmente se for retirada a cobertura que protege contra a exposição às micro-ondas.

- IMPORTANTE: Não aquecer excessivamente alimentos sólidos nem líquidos em recipientes selados: poderiam rebentar.

- IMPORTANTE: O microondas apenas deverá ser utilizado por crianças sob a supervisão de um adulto ou por crianças que receberam adequadas instruções sobre a utilização do aparelho e sobre os riscos de um uso incorrecto.

- O forno deve estar correctamente ventilado. Respeite, como mínimo, 10 cm de espaço livre na parte posterior, 15 cm em ambos os lados, e 30 cm na parte superior. Não retirar os pés do aparelho nem bloquear as saídas de ar do microondas.

- Utilize apenas utensílios adequados para fornos microondas.

- Ao aquecer alimentos em recipientes plásticos ou de papel, preste especial atenção: risco de combustão.

- Se observar fumo, desligue o microondas com o botão correspondente e em seguida interrompa a alimentação eléctrica; mantenha fechada a porta do microondas de forma a evitar a propagação de uma eventual fonte de chama.

- O aquecimento de bebidas no microondas pode gerar uma ebulição mesmo com o forno já inactivo: preste atenção portanto ao pegar no recipiente.
- Agitar o conteúdo de frascos e biberões e verificar a temperatura antes do consumo: risco de queimaduras.
- Não cozinhar ovos na casca: uma vez retirada a casca, perfure bem a gema (caso contrário, o ovo poderia rebentar mesmo com o forno já inactivo).
- Para limpar as diferentes superfícies da porta, a junta da mesma, o recinto interior, etc. utilize apenas sabões ou detergentes suaves, não abrasivos, aplicados com uma esponja ou pano suave.
- Limpar com regularidade o exterior e interior do microondas, e retirar qualquer resto de comida.
- Não manter o microondas em condições de higiene implicaria a deterioração do acabamento do mesmo, que por sua vez iria reduzir a vida de funcionamento, além de implicar situações de risco.
- Se estiver danificado o cabo principal, deverá ser substituído pelo serviço técnico do fabricante, por um agente comercial do mesmo, ou por pessoal técnico especializado: evite assim qualquer risco desnecessário.

GENERALIDADES SOBRE SEGURANÇA

Para obter a melhor performance no funcionamento do microondas, observe as seguintes normas:

- 1.- A bandeja de vidro, base giratória e pista de rolamento devem estar correctamente colocadas antes de utilizar o microondas.
- 2.- Nunca utilizar o microondas para usos que não sejam a preparação de alimentos (nunca para esterilizar, para secar roupa ou papel nem qualquer outro objecto que não seja um alimento).
- 3.- Nunca pôr em funcionamento o microondas se se encontra vazio: o aparelho poderia ficar danificado.
- 4.- Nunca utilizar o recinto interior para guardar objectos (papéis, nem livros de cozinha, etc.).
- 5.- Para cozinhar alimentos cobertos por uma membrana (gemas de ovos, batatas, fígado de frango, etc.), primeiro devem ser perfurados várias vezes com um garfo.
- 6.- Não inserir qualquer objecto nas aberturas da carcaça externa.
- 7.- Nunca retirar qualquer peça do forno (pés, acoplamentos, parafusos, etc.).

8.- Não cozinhar directamente na bandeja de vidro: coloque sobre a mesma um recipiente adequado para microondas e onde ter previamente introduzido os alimentos.

9.- IMPORTANTE: RECIPIENTES NÃO ADEQUADOS PARA MICROONDAS

Não utilize caçarolas metálicas nem pratos com asas ou cabos em metal.

Não utilize qualquer objecto que tiver rebordos metálicos.

Não utilize sacos plásticos que tiverem fechos metálicos cobertos de papel.

Não utilize pratos de melamina, já que contém um material que iria absorver a energia do microondas e os pratos poderiam fender ou ficar carbonizados, além de aumentar o tempo de cozedura.

Não utilize "Centura Tableware". O cristal não é um material adequado para uso em microondas.

As chávenas "Corelle Livingware" de asa fechada não devem ser utilizadas.

Não utilize recipientes com abertura estreita, tais como garrafas plásticas ou garrafas de óleo para saladas: poderiam rebentar ao aquecer no microondas.

Não utilizar termómetros de carne convencionais nem termómetros para guloseimas. Apenas podem ser utilizados termómetros específicos para cozinhar com microondas.

10.- Se tiver qualquer dúvida, consulte os recipientes recomendados pelo fabricante do microondas.

11.- Não tente fritar alimentos com óleo abundante neste microondas.

12.- Lembre-se que nos fornos microondas os líquidos dos recipientes sempre alcançam uma temperatura superior ao do próprio recipiente. Portanto, mesmo se a tampa de um recipiente não se encontrar quente ao toque uma vez fora do microondas, o alimento sólido ou líquido irá emitir vapor e/ou salpicar tal como se cozinhado num fogão.

13.- Antes de consumir os alimentos, verifique a temperatura dos mesmos, especialmente se aquece ou cozinha alimentos sólidos ou líquidos para bebés. Aconselhamos não consumir nunca o alimento sólido ou líquido assim que retirado do microondas: deixe-o repousar uns minutos e em seguida mexa-o para distribuir o calor uniformemente.

14.- Os alimentos que contêm uma mistura de gordura e água (por exemplo, caldo) deverão ficar entre 30 e 60 segundos no microondas já desactivado: assim a mistura irá se assentar, evitando a eventual ebulição ao colocar uma colher no alimento ou líquido, ou ao introduzir um cubo de caldo.

15. - Ao preparar ou cozinhar alimentos sólidos/líquidos, lembre-se que há alimentos (por exemplo pudim de Natal, compota ou doces cítricos) que aquecem rapidamente. Ao aquecer ou cozinhar alimentos de alto teor em gordura ou açúcar, não utilize recipientes plásticos.

16.- Os recipientes para microondas poderão ficar quentes devido à transferência de calor proveniente do alimento já quente, especialmente se foi cozinhado bem coberto. Utilize portanto luvas de cozinha para pegar no recipiente.

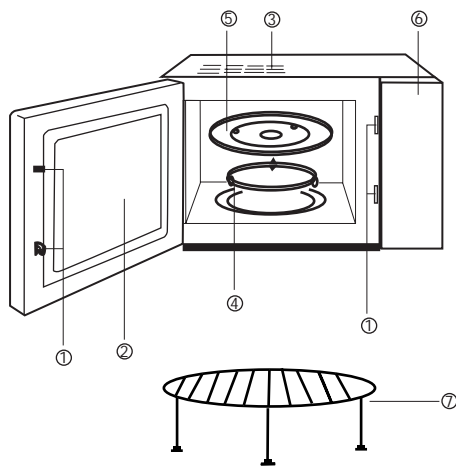
17.- Para reduzir o risco de fogo no recinto interior do forno:

a) Não cozinhe excessivamente os alimentos. Preste especial atenção se para facilitar a cozedura colocou papel, plástico ou outros materiais combustíveis no interior do microondas.

b) Antes de colocar qualquer saco no microondas, retire os fechos metálicos do mesmo.

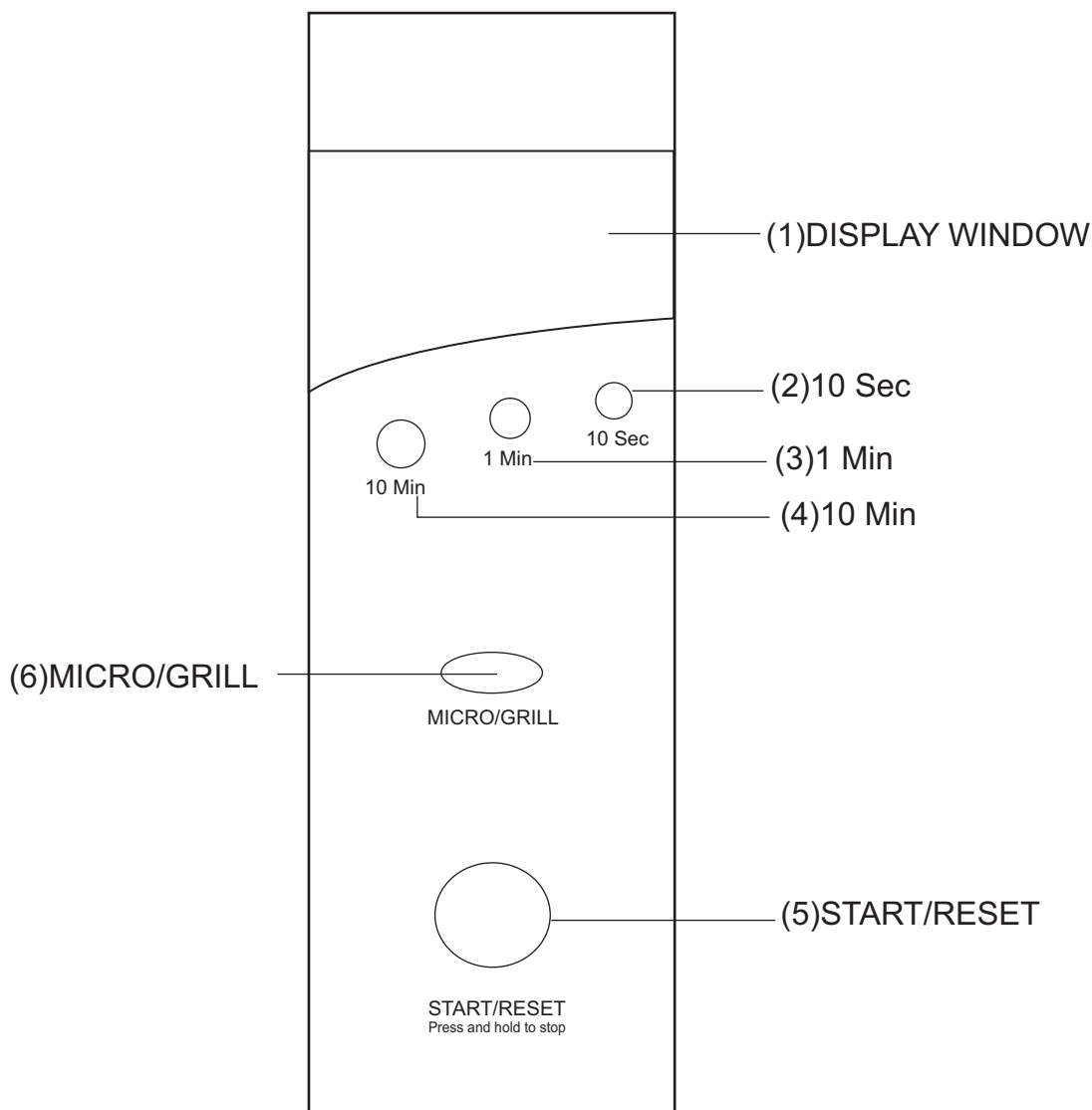
c) Se os materiais acendem no interior do microondas, mantenha fechada a porta do aparelho, desligue o forno, ou desligue a alimentação eléctrica através do quadro eléctrico onde se encontrar o fusível ou o interruptor automático.

DIAGRAMA



- (1) Sistema de fecho de segurança da porta
- (2) Janela do forno
- (3) Ventilação do forno
- (4) Base giratória
- (5) Bandeja de vidro
- (6) Painel de controlo
- (7) Grelha

PAINEL DE CONTROLO



INSTRUÇÕES DE FUNCIONAMENTO

1.- FUNÇÃO BÁSICA DO MICROONDAS

Só precisa de premir o botão “START/RESET” para começar a cozinhar durante um minuto com 100% de energia de microondas. Sempre que premir este botão aumenta um minuto o tempo de cozedura. O tempo máximo é de 30 minutos. Depois de terminar a cozedura ouvirá cinco apitos como aviso.

Prima e mantenha premido o botão “START/RESET” durante 2 segundos para o parar.

2.-FUNÇÃO MICROONDAS

(A) Método de cozedura rápida.

(Por exemplo: seleccione a potência de 100% para cozinhar alimentos durante 5 minutos)

- a) Programe o tempo para “5:00”.
- b) Prima o botão de “START/RESET” .

(B) Controlo manual

(Por exemplo: seleccione a potência de 70% para cozinhar alimentos durante 10 minutos)

- a) Prima o botão “Micro/Grill” para seleccionar 70% de energia.
- b) Prima o temporizador para programar o tempo de cozedura para “10:00”.
- c) Prima o botão de “START/RESET” .

Pode premir o botão de Micro/Grill” para seleccionar a potência.

| Passo | Visualização | Energia do microondas |
|-------|--------------|-----------------------|
| 1 | P10 | 100% |
| 2 | P7 | 70% |
| 3 | P5 | 50% |
| 4 | P3 | 30% |
| 5 | P1 | 10% |

3.- DESCONGELAÇÃO

Deve premir “1 Min” (1,0 kg) e “10 Sec” (0,1 kg) de acordo com o peso do alimento. O forno pode seleccionar o programa de descongelação e autoiniciar a descongelação.

Por exemplo: descongelar 0,4 kg de alimentos congelados

- 1) Prima o botão “Micro/Grill” para seleccionar a função de descongelação, aparece “DEF” no visor.
- 2) Programe o peso “0,4 kg” premindo os botões “1 Min” e “10 Sec”.
- 3) Prima o botão “START/RESET” .

Observação: o peso máximo é de 2 kg.

4.- FUNÇÃO COMBINADA MICROONDAS + GRILL

Esta função tem quatro modos, pode seleccionar o modo preferido premindo o botão “Micro/Grill”. (O tempo máximo é de 60 minutos).

Modo 1: 85% potência grill, aparece “G-1” no visor.

Modo 2: 50% potência grill, aparece “G-2” no visor.

Modo 3: cozedura combinada I (55% microondas + 45% grill), aparece “C-1” no visor

Modo 4: cozedura combinada II (30% microondas + 70% grill), aparece “C-2” no visor

Ao funcionar o grill (exclusivo grill combinação), o procedimento pára automaticamente e ouvem-se dois apitos para avisar que tem que dar a volta ao alimento na metade do tempo de cozedura. Feche a porta do forno depois de dar a volta ao alimento, depois prima o botão "START/RESET" e a cozedura continua. Se não quiser dar a volta ao alimento, o forno vai continuar a cozinhar automaticamente depois de um minuto de pausa.

5.- INÍCIO E REPOSIÇÃO

1) Porta aberta

Prima o botão "START/RESET" para cancelar o ajuste do programa de cozedura.

2) Porta fechada

Prima o botão "START/RESET" para começar a cozinhar depois de ajustar o programa de cozedura.

Prima o botão "START/RESET" para continuar a cozinhar quando estiver em pausa.

Prima o botão "START/RESET" para parar quando o forno microondas estiver a funcionar.

6.- FECHO DE SEGURANÇA PARA AS CRIANÇAS

Para activar o fecho de segurança para crianças, prima os botões "1 Min" e "10 Sec" simultaneamente durante 2 segundos. Depois disto, os botões ficam inutilizados. Desactivará esta função se premir novamente "1 Min" e "10 Sec" simultaneamente durante 2 segundos.

CUIDADO DO MICROONDAS

1.- Se deseja deslocar o aparelho, primeiro desligue-o com o painel frontal e em seguida retire a ficha da tomada.

2.- Mantenha limpo o interior do microondas. Para limpar os derramamentos de líquidos ou restos de salpicaduras colados nas paredes interiores, utilize um pano húmido (evite utilizar detergentes fortes ou abrasivos).

3.- Limpe as superfícies exteriores com um pano húmido. Para não danificar os componentes interiores de funcionamento do microondas, evite qualquer acesso de água através dos orifícios de ventilação.

4. O Painel de Controlo não admite o contacto com água. Limpe-o com um pano suave humedecido e não utilize sprays, nem detergentes ou produtos de limpeza abrasivos.

5.- Se houver vapor acumulado no interior ou no exterior da porta do microondas, retire-o com um pano suave (pode acontecer em condições de alta humidade ambiente, mas não implica qualquer falha no funcionamento do aparelho).

6.- Quando for necessário limpe a bandeja giratória de vidro: retire-a do microondas e lave-a em água quente com sabão, detergente, ou introduza-a na máquina de lavar louça.

7.- Para evitar ruído excessivo, limpe regularmente a base giratória e a pista de rolamento: simplesmente, limpe a base do recinto interior do microondas com detergente suave, água, ou um produto de limpeza de vidros, e em seguida seque-a. A base giratória, uma vez retirada do microondas, pode ser lavada em água com sabão ou na máquina de lavar louça. Os vapores das cozeduras acumulam-se com o tempo, mas

não supõem qualquer danificação nas superfícies interiores nem nas rodas de deslocação da base giratória.

Ao retirar da pista de rolamento a base giratória para as limpar, certifique-se de voltar a colocá-la correctamente.

8.- Para eliminar os cheiros do microondas, num recipiente profundo para microondas deite uma chávena de água e o sumo e a casca de um limão. Introduza e aqueça o recipiente no microondas durante 5 minutos. Limpe minuciosamente e em seguida seque com um pano suave.

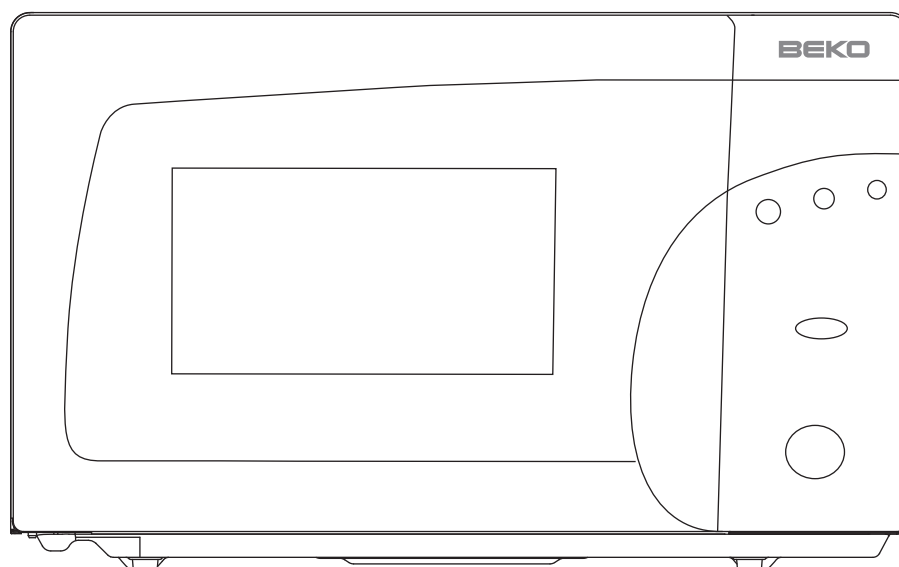
9.- Quando for necessário substituir a lâmpada interior do microondas, contacte com o seu distribuidor.

BEKO

20-litrowa Elektroniczna Kuchnia Mikrofalowa Instrukcja Obsługi

MWF 2010 EW MWF 2010 ES

Prosimy uważnie przeczytać tę Instrukcję i zachować ją do wglądu na przyszłość



**WAŻNE INSTRUKCJE ZACHOWANIA
BEZPIECZEŃSTWA PROSIMY UWAZNIE PRZECZYTAĆ I
ZACHOWAC DO WGLĄDU NA PRZYSZŁOŚĆ**

- **UWAGA:** gdy urządzenie to pracuje w trybie włączonym dzieci powinny go używać wyłącznie pod nadzorem dorosłych ze względu na wytwarzającą się przy pracy urządzenia wysoką temperaturę
- **UWAGA:** jeśli uszkodzone są drzwiczki lub ich uszczelka, nie wolno używać kuchenki do czasu jej naprawy przez kompetentną osobę
- **UWAGA:** wykonywanie jakichkolwiek prac serwisowych i napraw przy zdjętej pokrywie zabezpieczającej przed oddziaływaniem energii mikrofalowej przez kogokolwiek innego niż osoba kompetentna jest niebezpieczne
- **UWAGA:** płynów i innej żywności nie wolno ogrzewać w szczelnie zamkniętych naczyniach, ponieważ mogą wybuchnąć
- **UWAGA:** Dzieciom można pozwolić na używanie kuchenki bez nadzoru gdy udzielono im odpowiednich instrukcji, tak aby mogły używać jej w bezpieczny sposób i zrozumieć zagrożenia wynikające z nieprawidłowego użytkowania;
- używaj tylko naczyń i przyborów kuchennych odpowiednich do stosowania w kuchenkach mikrofalowych
- ogrzewając żywność w pojemnikach plastikowych lub papierowych zwracaj uwagę na kuchenkę, ponieważ mogą się one zapalić;
- jeśli zauważysz dym, wyłącz lub odłącz kuchenkę od zasilania i nie otwieraj drzwiczek, aby stłumić ogień;
- podgrzewanie w kuchence mikrofalowej napojów może spowodować ich opóźnione zagotowanie i wybuch, a więc wyjmując taki pojemnik należy zachować ostrożność;
aby uniknąć oparzenia zawartość butelek do karmienia niemowląt i słoików z potrawami dla dzieci należy zmieszać lub wstrząsnąć oraz sprawdzić ich temperaturę przed spożyciem;
- jaj w skorupkach oraz całych jaj gotowanych na twardo nie należy podgrzewać w kuchence mikrofalowej, ponieważ mogą wybuchnąć, nawet po zakończeniu podgrzewania w kuchence;
- kuchenkę należy regularnie czyścić i usuwać z niej wszelkie osady żywności;
- zaniedbanie utrzymania kuchenki w czystości może prowadzić do pogorszenia jakości powierzchni, co może niekorzystnie wpływać na okres jej przydatności do użytkowania i powodować niebezpieczne sytuacje;
- W razie uszkodzenia przewodu zasilającego, aby uniknąć zagrożenia, wymienić go musi wykwalifikowana osoba, najlepiej z autoryzowanego serwisu.
- W trakcie pracy tego urządzenia jego dostępne powierzchnie mogą nagrzewać się do wysokich temperatur.

DANE TECHNICZNE

| | |
|---------------------------------|--|
| Zasilanie | 230V~50Hz,1280W |
| Moc wyjściowa | 800W |
| Grzałka grilla | 1100 W |
| Częstotliwość robocza: | 2 450MHz |
| Wymiary zewnętrzne: | 470mm(Szer.) X 397mm(Głęb.) X 282mm(Wys.) |
| Wymiary komory kuchenki: | 315mm(Szer.) X 330mm(Głęb.) X 195mm(Wys.) |
| Pojemność kuchenki | 20 litrów |
| Waga bez opakowania: | ok. 13.5kg |
| Poziom hałasu | 60 dBa |

ZANIM WEZWIESZ SERWIS

1. Jeśli kuchenka zupełnie nie działa, wyświetlacz się nie zapala lub nic nie pokazuje:
 - a) Sprawdź, czy kuchenka jest prawidłowo włączona do gniazdka zasilającego. Jeśli nie jest, wyjmij wtyczkę z gniazdka, odczekaj 10 sekund i ponownie prawidłowo wsadź ją do gniazdka.
 - b) Sprawdź, czy w mieszkaniu nie wyłączył się bezpiecznik albo główny wyłącznik zasilania. Jeśli wydają się w porządku, sprawdź, czy gniazdko działa włączając do niego inne urządzenie elektryczne.
2. Jeśli nie działa zasilanie kuchenki:
 - a) Sprawdź, czy nastawiony jest czasomierz.
 - b) Sprawdź, czy drzwiczki są zamknięte wystarczająco dokładnie, aby zamknęły się blokady bezpieczeństwa. W przeciwnym razie energia mikrofalowa nie będzie przepływać do kuchenki.

JEŚLI ŻADNA Z POWYŻSZYCH CZYNNOŚCI NIE USUWA PROBLEMU, WÓWCZAS SKONTAKTUJ SIĘ Z AUTORYZOWANYM PUNKTEM SERWISOWYM

Uwaga:

Urządzenie niniejsze służy do użytku w gospodarstwie domowym do podgrzewania żywności i napojów przy użyciu energii elektromagnetycznej i tylko do użytku we wnętrzach.

ZAKŁÓCENIA FAL RADIOWYCH

Kuchenki mikrofalowe mogą powodować zakłócenia działania odbiorników radiowych, telewizorów i podobnych urządzeń. W takim przypadku zakłócenia można wyeliminować lub ograniczyć następującymi zabiegami:

- a. Oczyszczyć powierzchnię drzwiczek i uszczelek kuchenki.
- b. Ustawić radio, telewizor, itp. tak daleko od kuchenki, jak to możliwe.
- c. Użyć prawidłowo zainstalowanej anteny do radia, telewizora, itp. aby wzmocnić podawany do nich sygnał radiowy.

INSTALACJA

1. Upewnij się, że z wnętrza drzwiczek wyjęto wszelkie materiały opakowaniowe.
2. Po rozpakowaniu starannie obejrzyj kuchenkę, aby sprawdzić czy nie uległa żadnemu z następujących uszkodzeń:
 - Zwichrowanie drzwiczek
 - Uszkodzenie drzwiczek
 - Zagłębienia lub dziury w okienku drzwiczek i ekranie
 - Zagłębienia w komorzeJeśli widać jakiegokolwiek z powyższych uszkodzeń, NIE uruchamiaj kuchenki.
3. Kuchenka waży ok. 13.5 kg i należy ją ustawić na poziomej płaszczyźnie wystarczająco wytrzymałej, aby ją unieść.
4. Kuchenkę należy umieścić z dala od źródeł wysokiej temperatury i pary.
5. NIE stawiaj niczego na kuchence.
6. NIE wyjmuj wałka napędu płyty obrotowej.
7. Jak przy każdym urządzeniu, ścisły nadzór jest konieczny, gdy używają go dzieci.

UWAGA: URZĄDZENIE TO MUSI BYĆ UZIEMIONE/

1. Przewód zasilający powinien swobodnie sięgać do gniazdka zasilającego.
2. Kuchenka ta wymaga zasilania mocą 1,3 kW, przy jej instalowaniu zaleca się konsultację z technikiem serwisowym.


UWAGA: Kuchenka ta jest wewnętrznie zabezpieczona bezpiecznikiem 250V, 10A.

UWAGA!

Żyłę przewodu zasilającego oznaczone są według następującego kodu barwnego:

| | |
|----------------|----------|
| Zielono-żółty: | : Ziemia |
| Niebieski | : Zero |
| Brazowy | : Faza |

Ponieważ barwy żył w przewodzie zasilającym mogą nie odpowiadać barwnym oznaczeniom końcówek we wtyczce, należy postępować, jak następuje:

Żyła oznaczona na zielono-żółto musi być przyłączona do końcówki we wtyczce oznaczonej literą E lub symbolem  w barwach zielonej i zielono-żółtej.

Żyła oznaczona na niebiesko musi być przyłączona do końcówki oznaczonej literą N lub barwą czarną.

Żyła oznaczona na brązowo musi być przyłączona do końcówki oznaczonej literą L lub barwą czerwoną.

WAŻNE WSKAZÓWKI ZACHOWANIA BEZPIECZEŃSTWA

UWAGA: Gdy urządzenie to pracuje w trybie włączonym dzieci powinny go używać wyłącznie pod nadzorem dorosłych ze względu na wytwarzającą się przy tym wysoką temperaturę

UWAGA: jeśli uszkodzone są drzwiczki lub ich uszczelka, nie wolno używać kuchenki do czasu jej naprawy przez kompetentną osobę

UWAGA: Wykonywanie jakichkolwiek prac serwisowych i napraw przy zdjętej pokrywie zabezpieczającej przed oddziaływaniem energii mikrofalowej przez kogokolwiek innego niż osoba kompetentna jest niebezpieczne

UWAGA: Nie zdejmuj samodzielnie obudowy kuchenki.

UWAGA: podczas naprawy kuchenka musi zostać odłączona od zasilania elektrycznego.

UWAGA: Płynów i innej żywności nie wolno ogrzewać w szczelnie zamkniętych naczyniach, ponieważ mogą wybuchnąć

UWAGA: Dzieciom można pozwolić na używanie kuchenki bez nadzoru gdy udzielono im odpowiednich instrukcji, tak aby mogły używać jej w bezpieczny sposób i zrozumieć zagrożenia wynikające z nieprawidłowego użytkowania;

- Kuchenka musi być umieszczona w dostatecznym obiegu powietrza. Należy zachować 10 cm odstęp z tyłu, 15 cm po obu bokach i 30 cm z przodu kuchenki. Nie zdejmuj nóżek kuchenki, nie blokuj otworów wentylacyjnych.

- Używaj tylko naczyń i przyborów kuchennych odpowiednich do stosowania w kuchenkach mikrofalowych.

- Ogrzewając żywność w pojemnikach plastikowych lub papierowych zwracaj uwagę na kuchenkę, ponieważ mogą się one zapalić;

- Jeśli zauważysz dym, wyłącz lub odłącz kuchenkę od zasilania i nie otwieraj drzwiczek, aby stłumić ogień;

- Podgrzewanie w kuchence mikrofalowej napojów może spowodować ich opóźnione zagotowanie i wybuch, a więc wyjmując taki pojemnik należy zachować ostrożność;

- Aby uniknąć oparzenia zawartość butelek do karmienia niemowląt i słoików z potrawami dla dzieci należy zamieszać lub wstrząsnąć oraz sprawdzić ich temperaturę przed spożyciem;

- Jaj w skorupkach oraz całych jaj gotowanych na twardo nie należy podgrzewać w kuchence mikrofalowej ponieważ mogą wybuchnąć, nawet po zakończeniu podgrzewania w kuchence;

- Do czyszczenia powierzchni drzwiczek, uszczelki w drzwiczkach i komory kuchenki używaj wyłącznie łagodnego, gładkiego mydła lub detergentów nakładanych gąbką lub miękką ściereczką.

- Kuchenkę należy regularnie czyścić i usuwać z niej wszelkie osady żywności;

- Zaniedbanie utrzymania kuchenki w czystości może prowadzić do pogorszenia jakości powierzchni, co może niekorzystnie wpływać na okres jej przydatności do użytkowania i powodować niebezpieczne sytuacje;

- W razie uszkodzenia przewodu zasilającego, aby uniknąć zagrożenia wymienić go musi wykwalifikowana osoba, najlepiej z autoryzowanego serwisu.

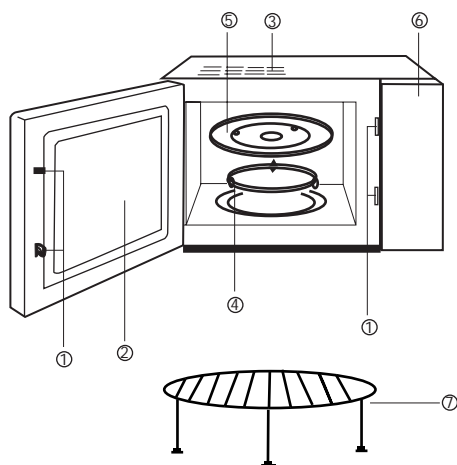
INSTRUKCJE ZACHOWANIA BEZPIECZEŃSTWA OGÓLNEGO ZASTOSOWANIA

Poniżej podano pewne dotyczące wszystkich urządzeń elektronicznych reguły i środki ostrożności zapewniające najwyższą funkcjonalność tej kuchenki:

1. Używaj kuchenki tylko wtedy, gdy na swoich miejscach są tacka szklana, ramiona rolek, złączka i bieżnik rolki.
2. Nie używaj kuchenki w żadnym celu innym niż przygotowanie potraw, takim jak suszenie odzieży, papieru ani żadnych innych przedmiotów nieżywnościowych, ani do celów sterylizacji.
3. Nie uruchamiaj kuchenki pustej. Może to ją uszkodzić.
4. Nie używaj komory kuchenki jako schowka na papiery, książki kuchenne itp.
5. Nie podgrzewaj żadnej żywności otoczonej powłoką, takiej jak żółtka jaj, ziemniaki, wątróbki drobiowe itp. bez uprzedniego kilkakrotnego nakłucia powłoki widelcem.

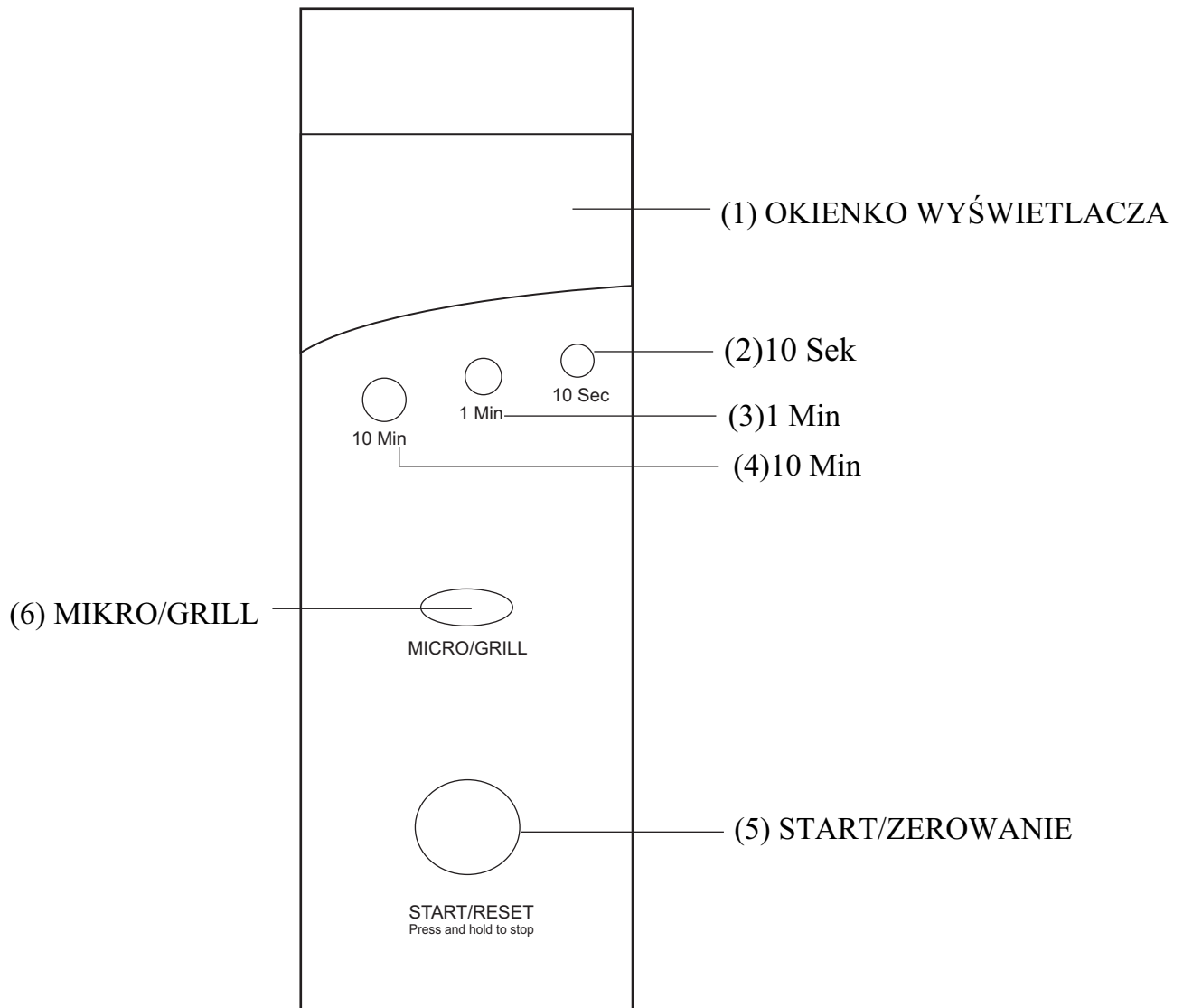
6. Nie wkładaj żadnych przedmiotów w otwory obudowy zewnętrznej.
7. Nigdy nie zdejmuj z kuchenki żadnych jej części takich jak nóżki, złączki, śrubki itp.
8. Nie podgrzewaj potraw bezpośrednio na tacce szklanej. Umieść żywność na lub w odpowiednim naczyniu kuchennym przed włożeniem do kuchenki.
9. **UWAGA – NIE UŻYWAJ W KUCHENCE NACZYŃ DO GOTOWANIA**
 Nie używaj metalowych garnków ani naczyń z metalowymi uchwytami.
 Nie używaj niczego z metalowymi wykończeniami.
 Nie używaj obleczonych papierem drucianych zacisków na torebki plastikowe.
 Nie używaj naczyń melaminowych, ponieważ zawierają materiał pochłaniający energię mikrofalową. Może to spowodować pęknięcie lub zwęglanie naczyń i spowolni gotowanie.
 Nie używaj naczyń stołowych firmy Centura. Ich szkliwo nie nadaje się do użytku w kuchenkach mikrofalowych. Nie należy używać kubków Corelle Livingware z zamkniętymi uchwytami.
 Nie gotuj w pojemnikach całkowicie zamkniętych, takich jak butelki zamykana na kapsle lub butelki do oleju sałatkowego, ponieważ jeśli ogrzeje się je w kuchenke mikrofalowej mogą wybuchnąć.
 Nie używaj konwencjonalnych termometrów kuchennych. Do nabycia są termometry specjalnie do użytku w kuchenkach mikrofalowych. Tych można używać.
10. Naczynia i przybory kuchenne należy używać wyłącznie zgodnie z instrukcjami ich wytwórców.
11. Nie próbuj smażyć na głębokim oleju w tej kuchenke.
12. Prosimy pamiętać, że kuchenka mikrofalowa ogrzewa płyn w pojemniku, a nie pojemnik. A zatem, nawet jeśli pokrywka pojemnika nie jest gorąca i można jej dotykać po wyjęciu z kuchenki, prosimy pamiętać, że z potrawy /pływu w jego wnętrzu uwolni się tyle samo pary i rozprysków, jak przy gotowaniu konwencjonalnym.
13. Zawsze sam sprawdzaj temperatury gotowanej potrawy, zwłaszcza jeśli gotujesz potrawę/płyn dla dzieci. Zaleca się nie spożywać potraw/płynów prosto z kuchenki, a raczej odstawić je na kilka minut oraz wymieszać je/wstrząsnąć aby równomiernie rozprzodzić ciepło.
14. Potrawy zawierające mieszaninę tłuszczu i wody, np. bulion, należy pozostawić na 30-60 sekund w kuchenke po jej wyłączeniu. Chodzi o to, aby mieszanina mogła ustać i aby zapobiec powstawaniu pęcherzyków, gdy włoży się do niej łyżkę lub doda kostkę bulionową.
15. Przygotowując/gotując potrawy/pływy pamiętaj, że są pewne potrawy, np. pudding bożonarodzeniowy, dżem lub mięso mielone, które podgrzewają się bardzo szybko. Nie używaj pojemników plastikowych do podgrzewania ani gotowania potraw o znacznej zawartości tłuszczu lub cukru.
16. Naczynia i przybory kuchenne mogą się bardzo nagrzewać od ciepła przechodzącego od podgrzewanej potrawy. Dzieje się tak zwłaszcza jeśli wierzch i uchwyty naczyń owinięte są folią plastikową. Do przenoszenia naczyń mogą być potrzebne uchwyty do garnków,
17. Aby ograniczyć zagrożenie ogniem w komorze kuchenki:
 - (a) Nie przygotuj potraw. Ostrożnie obchodź się z kuchenką, jeśli dla ułatwienia gotowania do jej wnętrza włożono papier, plastik, lub inny materiał łatwopalny.
 - (b) Przed włożeniem do kuchenki zdejmij pętelki druciane z torebek.
 - (c) Jeśli zapali się jakiś materiał wewnątrz kuchenki, nie otwieraj jej drzwiczek, wyłącz kuchenkę z gniazdka lub odłącz zasilanie na tablicy z bezpiecznikami lub głównym wyłącznikiem zasilania.

SCHEMAT FUNKCJI



- (1) System blokady bezpieczeństwa drzwiczek
- (2) Okienko kuchenki
- (3) Otwór wentylacyjny kuchenki
- (4) Pierścień rolki
- (5) Tacka szklana
- (6) Panel sterowania
- (7) Półka grilla

PANEL STEROWANIA



INSTRUKCJA OBSŁUGI

1. ZWYKŁE GOTOWANIE

Aby uruchomić gotowanie przez 1 min. przy 100% mocy kuchenki wystarczy nacisnąć „START/RESET”. Za każdym przyciśnięciem zwiększa się czas gotowania o jedną minutę, maksimum to 30 minut. Po zakończeniu gotowania odezwie się brzęczyk, aby o tym przypomnieć.

Aby zatrzymać kuchenkę naciśnij „Start/Reset” i przytrzymaj przez 2 sekundy.

2. GOTOWANIE MIKROFALOWE

(A) Metoda gotowania szybkiego

(Na przykład: Wybierz 100% mocy aby gotować potrawę przez 5 minut.)

- a) Nastaw czas na „5:00”.
- b) Naciśnij przycisk „START/RESET”

(B) Kontrola ręczna

(Na przykład: Wybierz 70% mocy aby gotować potrawę przez 10 minut.)

- a) Aby wybrać 70% mocy naciśnij przycisk „MICRO/GRILL”.
- b) Naciśnij przycisk czasu aby nastawić czas gotowania „10:10”.
- c) Naciśnij przycisk „START/RESET”

Aby wybrać moc możesz nacisnąć przycisk „MICRO/GRILL”.

| Krok | Wyświetlacz | Moc mikrofalowa |
|------|-------------|-----------------|
| 1 | P10 | 100% |
| 2 | P7 | 70% |
| 3 | P5 | 50% |
| 4 | P3 | 30% |
| 5 | P1 | 10% |

Funkcje gotowania przełącza się przyciskiem micro-grill.

3. FUNKCJA AUTOMATYCZNEGO ROZMRAŻANIA

Trzeba naciskać „1Min” (1,0kg) oraz „10Sec” (0.1 kg) stosownie do wagi potrawy. Kuchenka sama wybierze program rozmrażania i automatycznie go uruchomi.

(Na przykład: rozmrażanie 0.4kg mrożonej żywności)

- 1) Naciśnij "MICRO/GRILL" aby wybrać funkcję rozmrażania, wyświetli się „DEF”.
- 2) Nastaw wagę „0,4kg” naciskając przyciski „1Min” oraz „10Sec”.

Naciśnij przycisk „START/RESET”.

Uwaga: Maksymalna waga to 2kg.

4. FUNKCJA GOTOWANIA ŁĄCZONEGO Z GRILLEM

Funkcja ta zawiera cztery tryby, można wybrać ulubiony tryb naciskając przycisk ‘MICRO/GRILL’.

(Czas maksymalny to 60 minut)

Tryb 1: 85% mocy grilla, wyświetlacz „G-1”.

Tryb 2: 50% mocy grilla, wyświetlacz „G-2”.

Tryb 3: Gotowanie łączone I (55% mikro +45 grill) wyświetlacz „C-1”.

Tryb 4: Gotowanie łączone II (30% kuchenka mikrofalowa + 70% grill) wyświetlacz ”C-2”.

Przy pracy grilla (bez kuchenki) procedura automatycznie się przerwie i odezwą się dwa brzęczyki, aby przypomnieć, że trzeba obrócić potrawę na drugą stronę po upływie połowy czasu gotowania. Zamknij drzwiczki kuchenki po obróceniu potrawy na drugą stronę, następnie naciśnij „START/RESET”, gotowanie będzie kontynuowane. Jeśli nie chcesz obracać potrawy, kuchenka będzie kontynuować automatycznie po upływie jednej minuty.

5. START I ZEROWANIE

1) Status z otwartymi drzwiczkami

Naciśnij przycisk „START/RESET” aby skasować nastawienia lub program gotowania.

2) Status z zamkniętymi drzwiczkami.

Naciśnij przycisk „START/RESET” aby rozpocząć gotowanie po nastawieniu programu gotowania.

Naciśnij przycisk „START/RESET” aby kontynuować gotowanie, gdy gotowania jest w stanie pauzy.

Naciśnij przycisk ‘START/RESET’ aby zatrzymać kuchenkę, gdy pracuje.

6. BLOKADA DOSTĘPU DZIECI

Aby uruchomić blokadę dostępu dla dzieci równocześnie naciśnij przez 2 sekundy przyciski „1Min” oraz „10sec”. Po tym naciśnięciu jakiegokolwiek przycisku nie powoduje żadnych skutków. Jeśli ponownie równocześnie naciśniesz przez 2 sekundy przyciski „1min” oraz „10Sec”, funkcja blokady zostanie wyłączona.

KONSERWACJA KUCHENKI

1. Przed czyszczeniem wyłącz kuchenkę i wyjmij wtyczkę zasilającą z gniazdka w ścianie.
2. Utrzymuj wnętrze kuchenki w czystości. Gdy rozpryski potraw lub rozbryzgi płynów przylgną do ścianek kuchenki, oczyść je wilgotną ściereczką. Nie jest zalecane używanie szorstkich detergentów ani proszków czyszczących.
3. Zewnętrzne powierzchnie kuchenki należy myć wilgotną ściereczką. Aby zapobiec uszkodzeniu części roboczych wewnątrz kuchenki nie wolno dopuszczać do przenikania wilgoci otwarciami wentylacyjnymi.
4. Nie dopuszczaj do wilgoci na panelu sterowania. Czyść go miękką, wilgotną ściereczką. Do czyszczenia panelu sterowania nie używaj detergentów, szorstkich proszków czyszczących, ani środków czyszczących rozpylanych rozpylaczem.
5. Jeśli wewnątrz lub na zewnątrz wokół drzwiczek kuchenki zbiera się para, wytrzyj ją miękką ściereczką. Może to się zdarzyć, gdy kuchenki używa się w warunkach znacznej wilgotności i w żadnym razie nie oznacza zakłócenia w funkcjonowaniu urządzenia.
6. Co jakiś czas trzeba wyjąć tackę szklaną do czyszczenia. Tackę myje się w ciepłej wodzie z mydlinami albo w zmywarce do naczyń.
7. Pierścień rolki i podłogę komora kuchenki należy czyścić regularnie aby uniknąć nadmiernego hałasu. Wystarczy wytrzeć dolną powierzchnię kuchenki wodą z łagodnym detergentem lub środkiem do czyszczenia szyb oraz wysuszyć. Pierścień rolki można umyć w wodzie z łagodnymi mydlinami lub zmywarce do naczyń.
Przy wyjmowaniu pierścienia rolki z podłogi komory do czyszczenia należy pamiętać, aby wsadzić go z powrotem na jego miejsce.
8. Zapachy kuchenki usuwa się przy pomocy szklanki wody z sokiem i skórką z jednej cytryny w głębokiej czarce nadającej się do użytku w kuchence mikrofalowej. Podgrzewaj wodę przez 5 minut. Starannie wytrzyj i osusz miękką ściereczką.
9. Gdy trzeba będzie wymienić lampkę w kuchence skonsultuj się z autoryzowanym serwisem w sprawie jej wymiany.

UWAGA!

To urządzenie jest oznaczone zgodnie z Dyrektywą Europejską 2002/96/WE oraz polską Ustawą o zużytych sprzęcie elektrycznym i elektronicznym symbolem przekreślonego kontenera na odpady.



Takie oznakowanie informuje, że sprzęt ten, po okresie jego użytkowania nie może być umieszczany łącznie z innymi odpadami pochodzącymi z gospodarstwa domowego.

Użytkownik jest zobowiązany do oddania urządzenia do jednego z punktów prowadzących zbiórkę zużytego sprzętu elektrycznego i elektronicznego. Prowadzący zbieranie, w tym lokalne punkty zbiórki, sklepy oraz

gminne jednostki, tworzą odpowiedni system umożliwiający oddanie tego sprzętu.

Właściwe postępowanie ze zużytym sprzętem elektrycznym i elektronicznym przyczynia się do uniknięcia szkodliwych dla zdrowia ludzi i środowiska naturalnego konsekwencji, wynikających z obecności składników niebezpiecznych oraz niewłaściwego składowania i przetwarzania takiego sprzętu.

Przed przekazaniem urządzenia na składowisko odpadów gabarytowych należy wyjąć wtyczkę z gniazda, odciąć kabel zasilający i uszkodzić zamek drzwi. Zapobiegnie to możliwym obrażeniom ciała dzieci mogących bawić się zużytym sprzętem.

Odzysk opakowania

Ostrzeżenie!

Nie należy trzymać opakowań w zasięgu dzieci. Zabawa ze złożonymi kartonami lub arkuszami plastikowymi niesie ze sobą niebezpieczeństwo uduszenia się dziecka.

Urządzenie to zostało zapakowane w sposób wystarczający na czas transportu. Wszystkie materiały pakunkowe zostały wyprodukowane zgodnie z przepisami ochrony środowiska i dlatego mogą być poddane odzyskowi. Prosimy o pomoc w ochronie środowiska naturalnego przez umożliwienie ponownego uzdatniania odpadów wszędzie tam, gdzie jest to możliwe.

Wyprodukowano w Chinach

Importer: Beko S.A.

Ul. Cybernetyki 7, 02-677 Warszawa,

www.beko.com.pl

