

Instructions for use

WASHING MACHINE

GB

GB

English,1

FR

Français,13

IT

Italiano,25

GR

Ελληνικά,37

PL

Polski,49

HU

Magyar,61

TR

Türkçe,73

FMD 823

Contents

Installation, 2-3

Unpacking and levelling
Connecting the electricity and water supplies
The first wash cycle
Technical data

Care and maintenance, 4

Cutting off the water or electricity supply
Cleaning the washing machine
Cleaning the detergent dispenser drawer
Caring for the door and drum of your appliance
Cleaning the pump
Checking the water inlet hose

Precautions and tips, 5

General safety
Disposal
Opening the porthole door manually

Description of the washing machine, 6-7

Control panel
Display

Running a wash cycle, 8

Wash cycles and functions, 9

Table of wash cycles
Wash functions

Detergents and laundry, 10

Detergent dispenser drawer
Preparing the laundry
Special wash cycles
Load balancing system

Troubleshooting, 11

Service, 12

 **Hotpoint**

ARISTON

Installation

GB

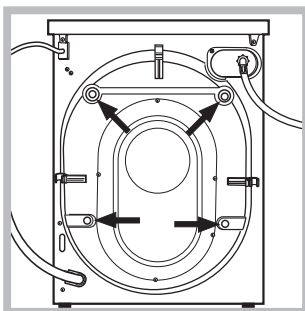
! This instruction manual should be kept in a safe place for future reference. If the washing machine is sold, transferred or moved, make sure that the instruction manual remains with the machine so that the new owner is able to familiarise himself/herself with its operation and features.

! Read these instructions carefully: they contain vital information relating to the safe installation and operation of the appliance.

Unpacking and levelling

Unpacking

1. Remove the washing machine from its packaging.
2. Make sure that the washing machine has not been damaged during the transportation process. If it has been damaged, contact the retailer and do not proceed any further with the installation process.

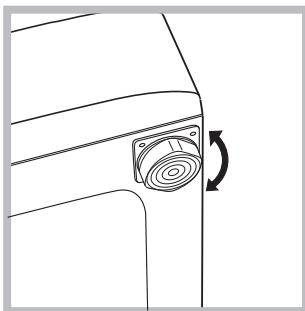


3. Remove the 4 protective screws (used during transportation) and the rubber washer with the corresponding spacer, located on the rear part of the appliance (see figure).

4. Close off the holes using the plastic plugs provided.
5. Keep all the parts in a safe place: you will need them again if the washing machine needs to be moved to another location.

! Packaging materials should not be used as toys for children.

Levelling

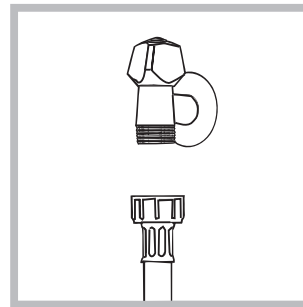


1. Install the washing machine on a flat sturdy floor, without resting it up against walls, furniture cabinets or anything else.
2. If the floor is not perfectly level, compensate for any unevenness by tightening or loosening the adjustable front feet (see figure); the angle of inclination, measured in relation to the worktop, must not exceed 2°.

Levelling the machine correctly will provide it with stability, help to avoid vibrations and excessive noise and prevent it from shifting while it is operating. If it is placed on carpet or a rug, adjust the feet in such a way as to allow a sufficient ventilation space underneath the washing machine.

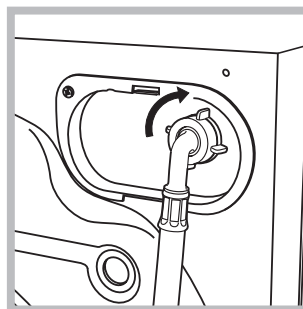
Connecting the electricity and water supplies

Connecting the water inlet hose



1. Connect the inlet hose by screwing it to a cold water tap using a 3/4 gas threaded connection (see figure).

Before performing the connection, allow the water to run freely until it is perfectly clear.



2. Connect the inlet hose to the washing machine by screwing it onto the corresponding water inlet of the appliance, which is situated on the top right-hand side of the rear part of the appliance (see figure).

3. Make sure that the hose is not folded over or bent.

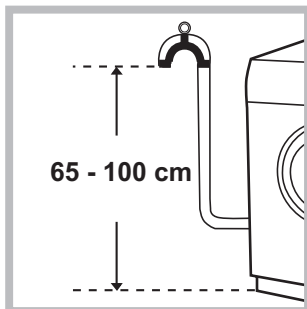
! The water pressure at the tap must fall within the range of values indicated in the Technical data table (see next page).

! If the inlet hose is not long enough, contact a specialised shop or an authorised technician.

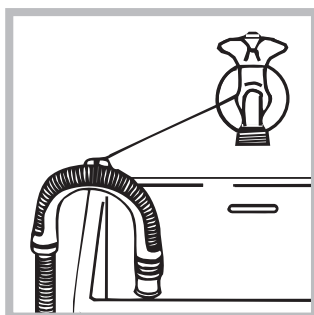
! Never use second-hand hoses.

! Use the ones supplied with the machine.

Connecting the drain hose



Connect the drain hose, without bending it, to a drain duct or a wall drain situated between 65 and 100 cm from the floor;



alternatively, placed it over the edge of a basin, sink or tub, fastening the duct supplied to the tap (see *figure*). The free end of the hose should not be underwater.

! We advise against the use of hose extensions; if it is absolutely necessary, the extension must have the same diameter as the original hose and must not exceed 150 cm in length.

Electrical connections

Before plugging the appliance into the electricity socket, make sure that:

- the socket is earthed and complies with all applicable laws;
- the socket is able to withstand the maximum power load of the appliance as indicated in the Technical data table (see *opposite*);
- the power supply voltage falls within the values indicated in the Technical data table (see *opposite*);
- the socket is compatible with the plug of the washing machine. If this is not the case, replace the socket or the plug.

! The washing machine must not be installed outdoors, even in covered areas. It is extremely dangerous to leave the appliance exposed to rain, storms and other weather conditions.

! When the washing machine has been installed, the electricity socket must remain within easy reach.



- ! Do not use extension cords or multiple sockets.
- ! The cable should not be bent or compressed.
- ! The power supply cable must only be replaced by authorised technicians.

Warning! The company shall not be held responsible in the event that these standards are not observed.

The first wash cycle

Once the appliance has been installed, and before you use it for the first time, run a wash cycle with detergent and no laundry, using wash cycle number "Auto Clean" (see "Cleaning the washing machine").

Technical data

Model	FMD 823
Dimensions	width 59.5 cm height 85 cm depth 60.5 cm
Capacity	from 1 to 8 kg
Electrical connections	please refer to the technical data plate fixed to the machine
Water connections	maximum pressure 1 MPa (10 bar) minimum pressure 0.05 MPa (0.5 bar) drum capacity 62 litres
Spin speed	up to 1200 rotations per minute
Test wash cycles in accordance with directives 1061/2010 1015/2010	programme 2 (60°) (1st press of the button); Cotton Standard 60°. programme 2 (40°) (2nd press of the button); Cotton Standard 40°.
 	This appliance conforms to the following EC Directives: - 2004/108/EC (Electromagnetic Compatibility) - 2006/95/EC (Low Voltage) - 2012/19/EU

Care and maintenance

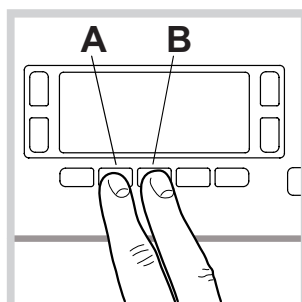
GB

Cutting off the water and electricity supplies

- Turn off the water tap after every wash cycle. This will limit wear on the hydraulic system inside the washing machine and help to prevent leaks.
- Unplug the washing machine when cleaning it and during all maintenance work.

Cleaning the washing machine

- The outer parts and rubber components of the appliance can be cleaned using a soft cloth soaked in lukewarm soapy water. Do not use solvents or abrasives.
- The washing machine has a “Auto Clean” programme for its internal parts that **must be run with no load in the drum**.

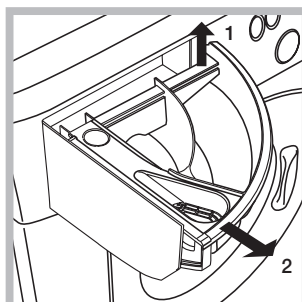


To help the wash cycle you may want to use either the detergent (i.e. a quantity 10% the quantity specified for lightly-soiled garments) or special additives to clean the washing machine. We recommend running a cleaning

programme every 40 wash cycles.

To start the programme press buttons **A** and **B** simultaneously for 5 seconds (see figure). The programme will start automatically and will run for about 70 minutes. To stop the cycle press the START/PAUSE button.

Cleaning the detergent dispenser drawer



Remove the dispenser by raising it and pulling it out (see figure). Wash it under running water; this operation should be repeated frequently.

Caring for the door and drum of your appliance

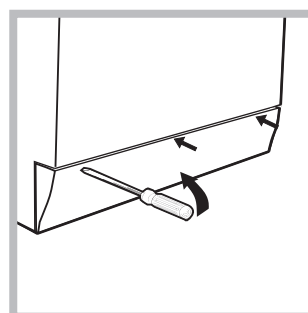
- Always leave the porthole door ajar in order to prevent unpleasant odours from forming.

Cleaning the pump

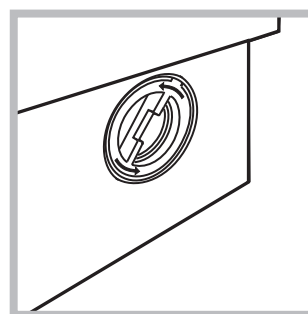
The washing machine is fitted with a self-cleaning pump which does not require any maintenance. Sometimes, small items (such as coins or buttons) may fall into the pre-chamber which protects the pump, situated in its bottom part.

! Make sure the wash cycle has finished and unplug the appliance.

To access the pre-chamber:



1. using a screwdriver, remove the cover panel on the lower front part of the washing machine (see figure);



2. unscrew the lid by rotating it anti-clockwise (see figure): a little water may trickle out. This is perfectly normal;

3. clean the inside thoroughly;
4. screw the lid back on;
5. reposition the panel, making sure the hooks are securely in place before you push it onto the appliance.

Checking the water inlet hose

Check the inlet hose at least once a year. If there are any cracks, it should be replaced immediately: during the wash cycles, water pressure is very strong and a cracked hose could easily split open.

! Never use second-hand hoses.

! This washing machine was designed and constructed in accordance with international safety regulations. The following information is provided for safety reasons and must therefore be read carefully.

General safety

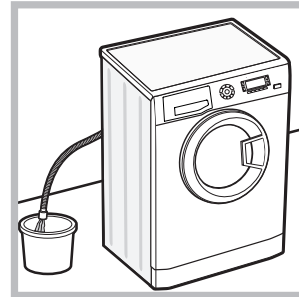
- This appliance was designed for domestic use only.
- This appliance can be used by children aged from 8 years and above and persons with reduced physical, sensory or mental capabilities or lack of experience and knowledge if they have been given supervision or instruction concerning use of the appliance in a safe way and understand the hazards involved. Children shall not play with the appliance. Cleaning and user maintenance shall not be made by children without supervision.
- Do not touch the machine when barefoot or with wet or damp hands or feet.
- Do not pull on the power supply cable when unplugging the appliance from the electricity socket. Hold the plug and pull.
- Do not open the detergent dispenser drawer while the machine is in operation.
- Do not touch the drained water as it may reach extremely high temperatures.
- Never force the porthole door. This could damage the safety lock mechanism designed to prevent accidental opening.
- If the appliance breaks down, do not under any circumstances access the internal mechanisms in an attempt to repair it yourself.
- Always keep children well away from the appliance while it is operating.
- The door can become quite hot during the wash cycle.
- If the appliance has to be moved, work in a group of two or three people and handle it with the utmost care. Never try to do this alone, because the appliance is very heavy.
- Before loading laundry into the washing machine, make sure the drum is empty.

Disposal

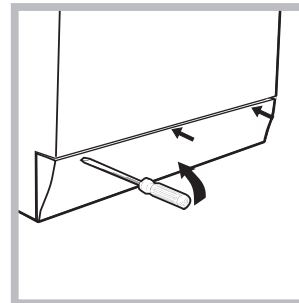
- Disposing of the packaging materials: observe local regulations so that the packaging may be re-used.
- The European Directive 2012/19/EU on Waste Electrical and Electronic Equipment, requires that old household electrical appliances must not be disposed of in the normal unsorted municipal waste stream. Old appliances must be collected separately in order to optimise the recovery and recycling of the materials they contain and reduce the impact on human health and the environment. The crossed out "wheeled bin" symbol on the product reminds you of your obligation, that when you dispose of the appliance it must be separately collected. Consumers should contact their local authority or retailer for information concerning the correct disposal of their old appliance.

Opening the porthole door manually

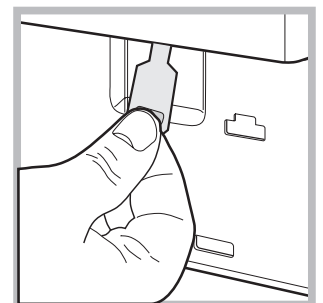
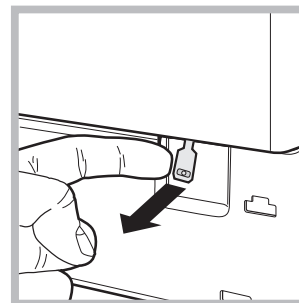
In the event that it is not possible to open the porthole door due to a powercut, and if you wish to remove the laundry, proceed as follows:



1. remove the plug from the electrical socket.
2. make sure the water level inside the machine is lower than the door opening; if it is not, remove excess water using the drain hose, collecting it in a bucket as indicated in the figure.



3. using a screwdriver, remove the cover panel on the lower front part of the washing machine (see figure).



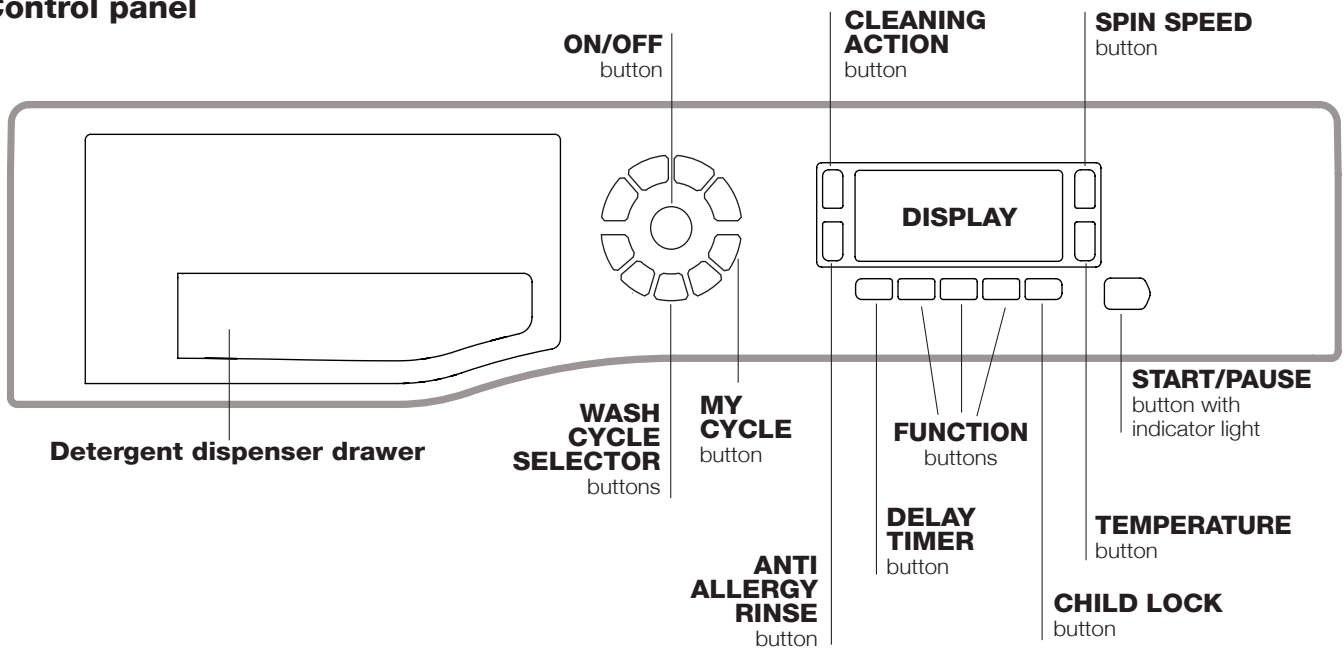
4. pull outwards using the tab as indicated in the figure, until the plastic tie-rod is freed from its stop position; pull downwards and open the door at the same time.

5. reposition the panel, making sure the hooks are securely in place before you push it onto the appliance.

Description of the washing machine

GB

Control panel



Detergent dispenser drawer: used to dispense detergents and washing additives (see “Detergents and laundry”).

ON/OFF button ⏻: press this briefly to switch the machine on or off. The START/PAUSE indicator light, which flashes slowly in a green colour shows that the machine is switched on. To switch off the washing machine during the wash cycle, press and hold the button for approximately 3 seconds; if the button is pressed briefly or accidentally the machine will not switch off. If the machine is switched off during a wash cycle, this wash cycle will be cancelled.

WASH CYCLE SELECTOR buttons: used to set the desired wash cycle (see “Table of wash cycles”).

MY CYCLE button: press and hold the button to store a cycle with your own set of preferences in the memory of the machine. To recall a previously stored cycle, press the MY CYCLE button.

FUNCTION buttons: press the button to select the desired function. The corresponding indicator light on the display will switch on.

CLEANING ACTION button 🌧️: to select the desired wash intensity.

ANTI ALLERGY RINSE button 🛡️: press to select the desired rinse type.

SPIN button 🌀: press to reduce or completely exclude the spin cycle - the value is indicated on the display.

TEMPERATURE button 🌡️: press to decrease the temperature: the value will be shown on the display.

CHILD LOCK button 🔒: to activate the control panel lock, press and hold the button for approximately 2 seconds. When the symbol 🔒 is illuminated, the control panel is locked (apart from the ON/OFF button). This means it is possible to prevent wash cycles from being modified accidentally, especially where there are children in the home. To deactivate the control panel lock, press and hold the button for approximately 2 seconds.

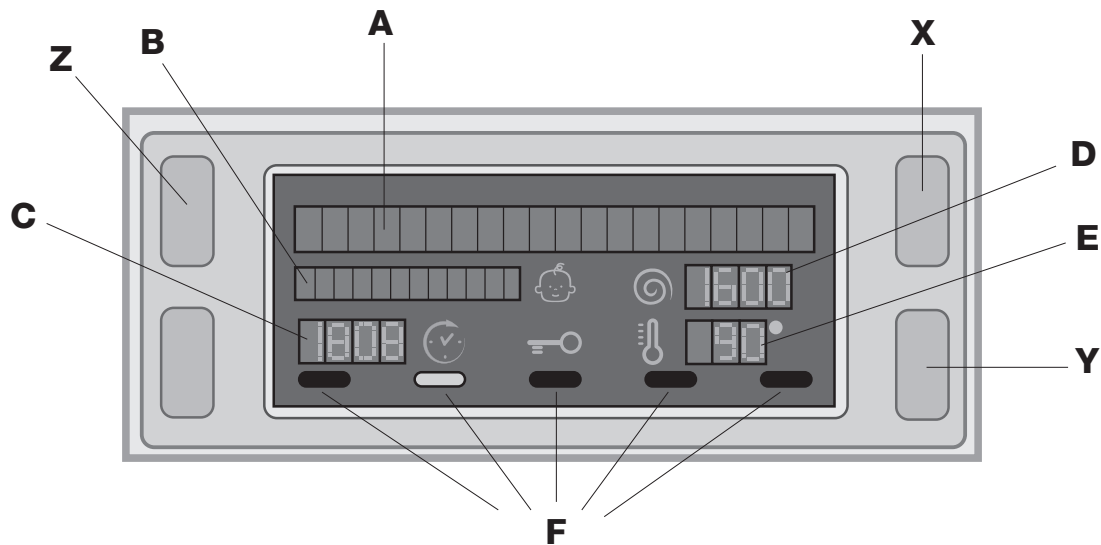
DELAY TIMER button 🕒: press to set a delayed start time for the selected wash cycle. The delay time will be shown on the display.

START/PAUSE button with indicator light: when the green indicator light flashes slowly, press the button to start a wash cycle. Once the cycle has started the indicator light will remain lit in a fixed manner. To pause the wash cycle, press the button again; the indicator light will flash in an orange colour. If the symbol ⏸️ is not illuminated, the door may be opened. To start the wash cycle from the point at which it was interrupted, press the button again.

Standby mode

This washing machine, in compliance with new energy saving regulations, is fitted with an automatic standby system which is enabled after about 30 minutes if no activity is detected. Press the ON-OFF button briefly and wait for the machine to start up again.

Display



The display is useful when programming the machine and provides a great deal of information.

The two upper strings **A** and **B** provide details of the wash cycle selected, the wash cycle phase in progress and all information relating to the progress status of the wash cycle.

String **C** shows the time remaining until the end of the wash cycle in progress and, if a DELAYED START has been set, the time remaining until the start of the selected wash cycle.

String **D** shows the maximum spin speed value (this depends on the selected wash cycle); if the wash cycle does not include a spin cycle, the string remains unused.

String **E** shows the maximum temperature value which may be selected (this depends on the wash cycle used); if the temperature of the wash cycle cannot be modified, the string remains unused.

Indicator lights **F** correspond to the functions and light up when the selected function is compatible with the set wash cycle.

Door locked symbol

If the symbol is lit, this indicates that the washing machine door is blocked to prevent it from being opened accidentally. To prevent any damage from occurring, wait for the symbol to switch itself off before opening the appliance door.

N.B.: if the DELAYE TIMER function has been activated, the door cannot be opened; pauses the machine by pressing the START/PAUSE button if you wish to open it.


! The first time the machine is switched on, you will be asked to select the language and the display will automatically show the language selection menu.

To select the desired language press the **X** and **Y** buttons; to confirm the selection press the **Z** button.

To change the language switch off the machine and press buttons **X**, **Y**, **Z** **simultaneously** until an alarm is heard: the language-selection menu will be displayed again.


Running a wash cycle


GB

1. **SWITCH THE MACHINE ON.** Press the On/Off button ; the text POWER ON will appear on the display and the START/PAUSE indicator light will flash slowly in a green colour.
2. **LOAD THE LAUNDRY.** Open the porthole door. Load the laundry, making sure you do not exceed the maximum load value indicated in the table of programmes on the following page.
3. **MEASURE OUT THE DETERGENT.** Open the detergent dispenser drawer and pour the detergent into the relevant compartments as described in “Detergents and laundry”.
4. **CLOSE THE DOOR.**
5. **SELECT THE WASH CYCLE.** Press one of the WASH CYCLE SELECTOR buttons to select the required wash cycle; the name of the wash cycle will appear on the display. A temperature and spin speed is set for each wash cycle; these may be adjusted. The duration of the cycle will appear on the display.
6. **CUSTOMISE THE WASH CYCLE.** Use the relevant buttons:

Modifying the temperature and/or spin speed.


The machine automatically selects the maximum temperature and spin speed set for the selected wash cycle; these values cannot therefore be increased.

The temperature can be decreased by pressing the  button, until the cold wash “OFF” setting is reached.


The spin speed may be progressively reduced by pressing the  button, until it is completely excluded (the “OFF” setting). If these buttons are pressed again, the maximum values are restored.


! Exception: if the 2 (60°) (1st press of the button) programme is selected, the temperature can be increased up to a value of 90°C.

Setting a delayed start.

To set a delayed start for the selected programme, press the corresponding button repeatedly until the required delay period has been reached. When this option is enabled, the  symbol lights up on the display. To remove the delayed start function press the button until the text “OFF” appears on the display.

Set the desired wash intensity.

Option  makes it possible to optimise washing based on the level of soil in the fabrics and on desired wash cycle intensity.

Select the wash programme: the cycle will be automatically set to “Normal” as optimised for garments with an average level of soil (this setting is not applicable to the “Wool” cycle, which is automatically set to “Delicate”). For heavily-soiled garments press button  until the “Super Wash” level is reached. This level ensures a high-performance wash due to a larger quantity of water used in the initial phase of the cycle and due to increased drum rotation. It is useful when removing the most stubborn stains.


It can be used **with** or **without** bleach. If you wish to bleach the items insert the additional compartment (4) into compartment 1. When pouring the bleach, be careful not to exceed the “max” level marked on the central pivot (see figure pag. 10).

For lightly-soiled garments or a more delicate treatment

of the fabrics, press button  until the “Delicate” level is reached.

The cycle will reduce the drum rotation to ensure washing results are perfect for delicate garments.

Set the rinse type.

Option  makes it possible to select the desired rinse type for sensitive skin. Press the button once for the “Extra Rinse” level, which makes it possible to select an additional rinse after the standard cycle rinse and remove all traces of detergent. Press the button again for the “Sensitive Skin” level, which makes it possible to select two additional rinses to the standard cycle rinses; it is recommended for very sensitive skin. When the button is pressed for the third time, the “Anti allergy Rinse” level is set, thus allowing the selection of 3 rinses in addition to the standard cycle’s rinses. The option - started with cycles at a temperature of 40°C - makes it possible to remove major allergens such as pollen, cat and dog hair. With cycles at a temperature higher than 40° a very good level of antiallergic protection is achieved. Press the button again to go back to the “Normal Rinse” rinse type. If the current adjustment can be neither set nor changed, the display will show “Not allowed”.


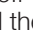
Modifying the cycle settings.

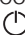
- Press the button to enable the function; the indicator light corresponding to the button will switch on.
- Press the button again to disable the function; the indicator light will switch off.

! If the selected function is not compatible with the programmed wash cycle, the indicator light will flash and the function will not be activated.

! If the selected function is not compatible with another function which has been selected previously, the indicator light corresponding to the first function selected will flash and only the second function will be activated; the indicator light corresponding to the enabled function will remain lit.





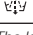
! The functions may affect the recommended load value and/or the duration of the cycle.

7. **START THE PROGRAMME.** Press the START/PAUSE button. The corresponding indicator light will become green, remaining lit in a fixed manner, and the door will be locked (the DOOR LOCKED symbol will be on). During the wash cycle, the name of the phase in progress will appear on the display. To change a wash cycle while it is in progress, pause the washing machine using the START/PAUSE button (the START/PAUSE indicator light will flash slowly in an orange colour); then select the desired cycle and press the START/PAUSE button again. To open the door while a cycle is in progress, press the START/PAUSE button; if the DOOR LOCKED  symbol is switched off the door may be opened. Press the START/PAUSE button again to restart the wash cycle from the point at which it was interrupted.
8. **THE END OF THE WASH CYCLE.** This will be indicated by the text “END OF CYCLE” on the display; when the DOOR LOCKED  symbol switches off the door may be opened. Open the door, unload the laundry and switch off the machine.

! If you wish to cancel a cycle which has already begun, press and hold the  button. The cycle will be stopped and the machine will switch off.

Wash cycles and functions

Table of wash cycles

Wash cycles	Description of the wash cycle	Max. temp. (°C)	Max. speed (rpm)	Detergents				Max. load (kg)	Residual dampness %	Energy consumption kWh	Total water lt	Cycle duration
				Prewash	Wash	Bleach	Fabric softener					
CLEAN Plus												
1	Anti Stain (1st press of the button)	40°	1200	●	●	-	●	5	-	-	-	180'
1	Anti Stain Quick (2nd press of the button)	40°	1200	-	●	-	●	4,5	-	-	-	60'
2	 Standard Cotton 60° (1st press of the button) (1): heavily soiled whites and delicate colours.	60° (Max. 90°)	1200	● (3)	●	●	●	8	53	1,04	55	215'
2	 Standard Cotton 40° (2nd press of the button) (2): lightly soiled whites and delicate colours.	40°	1200	-	●	●	●	8	53	0,87	81	185'
2	Standard Cotton 20° (3rd press of the button): lightly soiled whites and delicate colours.	20°	1200	-	●	●	●	8	-	-	-	175'
3	Synthetics (Synths Resistant) (1st press of the button): heavily soiled resistant colours.	60°	800	●	●	●	●	4,5	46	1,03	60	115'
3	Synthetics (Synths Resistant) (1st press of the button) (4): lightly soiled resistant colours.	40°	800	●	●	●	●	4,5	46	0,56	60	100'
3	Synthetics (Synths Delicate) (2nd press of the button): lightly soiled delicate colours.	40°	800	●	●	●	●	4,5	-	-	-	75'
SPECIALS												
4	Fast Wash 30' : to refresh lightly soiled garments quickly (not suitable for wool, silk and clothes which require washing by hand).	30°	800	-	●	-	●	3	71	0,20	38	30'
M	My Cycle (Memory): allows for any wash cycle to be stored.											
6	Bed & Bath : washes bathroom laundry and bedlinen.	60°	1200	●	●	-	●	8	-	-	-	140'
EXTRA CARE												
7	Wool (Woolmark Platinum): for wool, cashmere, etc.	40°	800	-	●	-	●	2	-	-	-	85'
8	Delicates	30°	0	-	●	-	●	1	-	-	-	80'
	Spin (1st press of the button)	-	1200	-	-	-	-	8	-	-	-	16'
	Rinse (2nd press of the button)	-	1200	-	-	-	●	8	-	-	-	36'
	Pump out (3rd press of the button)	-	0	-	-	-	-	8	-	-	-	2'

The length of cycle shown on the display or in this booklet is an estimation only and is calculated assuming standard working conditions. The actual duration can vary according to factors such as water temperature and pressure, the amount of detergent used, the amount and type of load inserted, load balancing and any wash options selected.

1) Test wash cycle in compliance with directive 1061/2010: set wash cycle "2" 60°C (1st press of the button).

This cycle is designed for cotton loads with a normal soil level and is the most efficient in terms of both electricity and water consumption; it should be used for garments which can be washed at 60°C. The actual washing temperature may differ from the indicated value.

2) Test wash cycle in compliance with directive 1061/2010: set wash cycle "2" 40°C (2nd press of the button).

This cycle is designed for cotton loads with a normal soil level and is the most efficient in terms of both electricity and water consumption; it should be used for garments which can be washed at 40°C. The actual washing temperature may differ from the indicated value.

3) At 60 °C the "Prewash" function cannot be selected.

For all Test Institutes:

2) Long wash cycle for cottons: set wash cycle "2" 40°C (2nd press of the button).

4) Long wash cycle for synthetics: set wash cycle "3" 60°C (1st press of the button); temperature of 40°C (press TEMPERATURE button).


Wash functions

Prewash

If this function is selected, the pre-wash cycle will run; this is useful for removing stubborn stains.

N.B.: put the detergent in the relevant compartment.

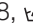
! It cannot be used in conjunction with wash cycles

"Anti Stain Quick", 2 (60°) (1st press of the button), 2 (2nd press of the button), 2 (3rd press of the button), 4, 7, 8, .

Easy Iron

By selecting this function, the wash and spin cycles will be modified in order to reduce the formation of creases.


At the end of the cycle the washing machine will perform slow rotations of the drum; the "Easy Iron" and START/PAUSE indicator lights will flash (orange) and the text "END OF CYCLE" will appear on the display. To end the cycle, press the START/PAUSE button or the "Easy Iron" button.

! It cannot be used with the 1, 4, 7, 8, .

Eco Wash

The Eco Wash function saves energy by not heating the water used to wash your laundry – an advantage both to the environment and to your energy bill. Instead, intensified wash action and water optimisation ensure great wash results in the same average time of a standard cycle.

For the best washing results we recommend the usage of a liquid detergent.

! It cannot be used with the 1, 2 (3rd press of the button), 6, 7, 8, .

Detergents and laundry

GB

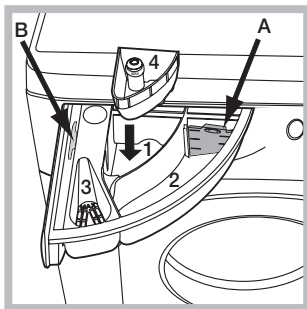
Detergent dispenser drawer

Good washing results also depend on the correct dose of detergent: adding too much detergent will not necessarily result in a more efficient wash, and may in fact cause a build up on the inside of your appliance and contribute to environmental pollution.

! Use powder detergent for white cotton garments, for pre-washing, and for washing at temperatures over 60°C.

! Follow the instructions given on the detergent packaging.

! Do not use hand washing detergents because these create too much foam.



Open the detergent dispenser drawer and pour in the detergent or washing additive, as follows.

compartment 1: Pre-wash detergent (powder)

Before pouring in the detergent, make sure that extra

compartment 4 has been removed.

compartment 2: Detergent for the wash cycle (powder or liquid)

If liquid detergent is used, it is recommended that the removable plastic partition **A** (supplied) be used for proper dosage.

If powder detergent is used, place the partition into slot **B**.

compartment 3: Additives (fabric softeners, etc.)

The fabric softener should not overflow the grid.

extra compartment 4: Bleach

Preparing the laundry

- Divide the laundry according to:
 - the type of fabric/the symbol on the label
 - the colours: separate coloured garments from whites.
- Empty all garment pockets and check the buttons.
- Do not exceed the listed values, which refer to the weight of the laundry when dry: see "Table of wash cycles".

How much does your laundry weigh?

- 1 sheet 400-500 g
- 1 pillow case 150-200 g
- 1 tablecloth 400-500 g
- 1 bathrobe 900-1200 g
- 1 towel 150-250 g

Special wash cycles

Anti Stain: this programme is suitable to heavily-soiled garments with resistant colours. It ensures a washing class that is higher than the standard class (A class). When running the programme, do not mix garments of different colours. We recommend the use of powder detergent. Pre-treatment with special additives is recommended if there are obstinate stains.

Anti Stain Quick: this programme is ideal for washing the most difficult daily stains in 1 hour. It is ideal for mixed fabrics and coloured garments, caring for your clothes as it washes.

Standard Cotton 20°: ideal for lightly soiled cotton loads. The effective performance levels achieved at cold temperatures, which are comparable to washing at 40°, are guaranteed by a mechanical action which operates at varying speed, with repeated and frequent peaks.


Bed & Bath: use programme **6** to wash bed linen and towels in one single cycle: it optimises softener performance and helps you save time and energy. We recommend the use of powder detergent.

Wool: the wool wash cycle of this machine has been approved by The Woolmark Company for the washing of wool garments labelled as "hand wash" provided that the products are washed according to the instructions on the garment label and those issued by the manufacturer of this washing machine (M1127)



In UK, Eire, Hong Kong and India the Woolmark trade mark is a Certification trade mark.

Delicates: use programme **8** to wash very delicate garments with decorative features, such as diamantes and sequins.

To wash **silk** garments and **curtains** select the cycle **8** and set the "Delicate" level from option .

We recommend turning the garments inside out before washing and placing small items into the special bag for washing delicates. Use liquid detergent on delicate garments for best results.

Load balancing system

Before every spin cycle, to avoid excessive vibrations and to distribute the load in a uniform manner, the drum rotates continuously at a speed which is slightly greater than the washing rotation speed. If, after several attempts, the load is not balanced correctly, the machine spins at a reduced spin speed. If the load is excessively unbalanced, the washing machine performs the distribution process instead of spinning. To encourage improved load distribution and balance, we recommend small and large garments are mixed in the load.

Your washing machine could fail to work. Before contacting the Technical Assistance Centre (see "Assistance"), make sure that the problem cannot be solved easily using the following list.

Problem:

Possible causes / Solutions:

The washing machine does not switch on.

- The appliance is not plugged into the socket fully, or is not making contact.
- There is no power in the house.

The wash cycle does not start.

- The washing machine door is not closed properly.
- The ON/OFF button has not been pressed.
- The START/PAUSE button has not been pressed.
- The water tap has not been opened.
- A delayed start has been set (see "Running a wash cycle").

The washing machine does not take in water (the text "NO WATER, CHECK SUPPLY" appears on the display).

- The water inlet hose is not connected to the tap.
- The hose is bent.
- The water tap has not been opened.
- There is no water supply in the house.
- The pressure is too low.
- The START/PAUSE button has not been pressed.

The washing machine continuously takes in and drains water.

- The drain hose is not fitted at a height between 65 and 100 cm from the floor (see "Installation").
- The free end of the hose is under water (see "Installation").
- The wall drainage system is not fitted with a breather pipe.

If the problem persists even after these checks, turn off the water tap, switch the appliance off and contact the Assistance Service. If the dwelling is on one of the upper floors of a building, there may be problems relating to water drainage, causing the washing machine to fill with water and drain continuously. Special anti-draining valves are available in shops and help to avoid this inconvenience.

The washing machine does not drain or spin.

- The wash cycle does not include draining: some wash cycles require the drain phase to be started manually (see "Wash cycles and functions").
- The EASY IRON function has been activated: To complete the wash cycle, press the START/PAUSE button (see "Wash cycles and functions").
- The drain hose is bent (see "Installation").
- The drainage duct is clogged.

The washing machine vibrates a lot during the spin cycle.

- The drum was not unlocked correctly during installation (see "Installation").
- The washing machine is not level (see "Installation").
- The washing machine is trapped between cabinets and walls (see "Installation").

The washing machine leaks.

- The water inlet hose is not screwed on properly (see "Installation").
- The detergent dispenser drawer is blocked (for cleaning instructions, see "Care and maintenance").
- The drain hose is not fixed properly (see "Installation").

The machine is locked and the display flashes, indicating an error code (e.g. F-01, F-..).

- Switch off the machine and unplug it, wait for approximately 1 minute and then switch it back on again.
If the problem persists, contact the Technical Assistance Service.

There is too much foam.

- The detergent is not suitable for machine washing (it should display the text "for washing machines" or "hand and machine wash", or the like).
- Too much detergent was used.

Service

GB

Before calling for Assistance:

- Check whether you can solve the problem alone (see "Troubleshooting");
- Restart the programme to check whether the problem has been solved;
- If this is not the case, contact an authorised Technical Assistance Centre using the telephone number provided on the guarantee certificate.

! Always request the assistance of authorised technicians.

Have the following information to hand:

- the type of problem;
- the appliance model (Mod.);
- the serial number (S/N).

This information can be found on the data plate applied to the rear of the washing machine, and can also be found on the front of the appliance by opening the door.

COMMISSION DELEGATED REGULATION (EU) No 1061/2010

Brand	HOTPOINT/ARISTON
Model	FMD 823MB EU.C
Rated capacity in kg of cotton	8.0
Energy efficiency class on a scale from A+++ (low consumption) to G (high consumption)	A+++
Energy consumption per year in kWh ¹⁾	193.0
Energy consumption of the standard 60 °C cotton programme at full load in kWh ²⁾	1.044
Energy consumption of the standard 60 °C cotton programme at partial load in kWh ²⁾	0.715
Energy consumption of the standard 40 °C cotton programme at partial load in kWh ²⁾	0.644
Power consumption of the off-mode in W	0.5
Power consumption of the left-on mode in W	8.0
Water consumption per year in litres ³⁾	11594
Spin-drying efficacy class on a scale from G (minimum efficacy) to A (maximum efficacy)	B
Maximum spin speed attained ⁴⁾	1200
Remaining moisture content ⁵⁾	53%
Programme time of the "standard 60 °C cotton" at full load in minutes	215
Programme time of the "standard 60 °C cotton" at partial load in minutes	155
Programme time of the "standard 40°C cotton" at partial load in minutes	145
Duration of the left-on mode in minutes	30
Noise in dB(A) re 1 pW washing ⁶⁾	53
Noise in dB(A) re 1 pW spinning ⁶⁾	79
Built-in model	

¹⁾ The "standard 60°C cotton" at full and partial load and the "standard 40°C cotton" at partial load are the standard washing programmes to which the information in the label and the fiche relates. Standard 60°C cotton and standard 40°C cotton are suitable to clean normally soiled cotton laundry and are the most efficient programmes in terms of combined energy and water consumption. Partial load is half the rated load.

²⁾ Based on 220 standard washing cycles for cotton programmes at 60°C and 40°C at full and partial load, and the consumption of the low-power modes. Actual energy consumption will depend on how the appliance is used.

³⁾ Based on 220 standard washing cycles for cotton programmes at 60°C and 40°C at full and partial load. Actual water consumption will depend on how the appliance is used.

⁴⁾ For the standard 60 °C at full and partial load or the 40°C at partial whichever is lower.

⁵⁾ Attained for 60 °C cotton at full and partial load or the 40°C at partial whichever is higher.

⁶⁾ Based on washing and spinning phases for the standard 60°C cotton programme at full load.

FR

Français

FMD 823

Sommaire

Installation, 14-15

Déballage et mise à niveau
Raccordements eau et électricité
Premier cycle de lavage
Caractéristiques techniques

Entretien et soin, 16

Coupure de l'arrivée d'eau et du courant
Nettoyage du lave-linge
Nettoyage du tiroir à produits lessiviels.
Entretien du hublot et du tambour
Nettoyage de la pompe
Contrôle du tuyau d'arrivée de l'eau

Précautions et conseils, 17

Sécurité générale
Mise au rebut
Ouverture manuelle de la porte hublot

Description du lave-linge, 18-19

Bandeau de commandes
Écran

Comment faire un cycle de lavage, 20

Programmes et fonctions, 21

Tableau des programmes
Fonctions de lavage

Produits lessiviels et linge, 22

Tiroir à produits lessiviels
Triage du linge
Programmes spéciaux
Système d'équilibrage de la charge

Anomalies et remèdes, 23

Assistance, 24

Installation

FR

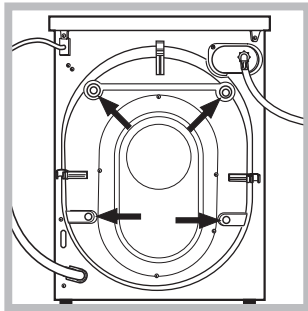
! Conserver ce mode d'emploi pour pouvoir le consulter à tout moment. En cas de vente, de cession ou de déménagement, veiller à ce qu'il suive toujours le lave-linge pour que son nouveau propriétaire soit informé sur son mode de fonctionnement et puisse profiter des conseils correspondants.

! Lire attentivement les instructions: elles fournissent des conseils importants sur l'installation, l'utilisation et la sécurité de l'appareil.

Déballage et mise à niveau

Déballage

1. Déballer le lave-linge.
2. Contrôler que le lave-linge n'a pas été endommagé pendant le transport. S'il est abîmé, ne pas le raccorder et contacter le vendeur.



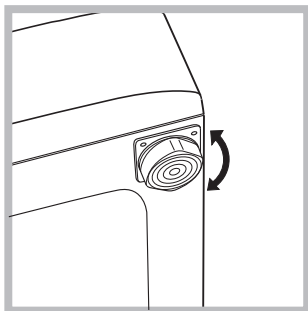
3. Enlever les 4 vis de protection servant au transport, le caoutchouc et la cale, placés dans la partie arrière (voir figure).

4. Boucher les trous à l'aide des bouchons plastique fournis.
5. Conserver toutes ces pièces: il faudra les remonter en cas de transport du lave-linge.

! Les pièces d'emballage ne sont pas des jouets pour enfants.

Mise à niveau

1. Installer le lave-linge sur un sol plat et rigide, sans l'appuyer contre des murs, des meubles ou autre.

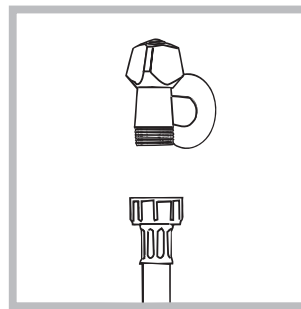


2. Si le sol n'est pas parfaitement horizontal, visser ou dévisser les pieds de réglage avant (voir figure) pour niveler l'appareil; son angle d'inclinaison, mesuré sur le plan de travail, ne doit pas dépasser 2°.

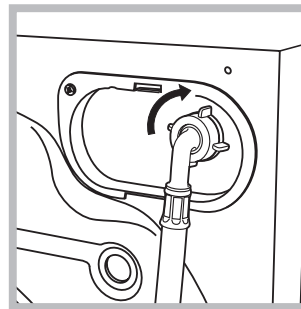
Une bonne mise à niveau garantit la stabilité de l'appareil et évite qu'il y ait des vibrations, du bruit et des déplacements en cours de fonctionnement. Si la machine est posée sur de la moquette ou un tapis, régler les pieds de manière à ce qu'il y ait suffisamment d'espace pour assurer une bonne ventilation.

Raccordements eau et électricité

Raccordement du tuyau d'arrivée de l'eau



1. Reliez le tuyau d'alimentation en le vissant à un robinet d'eau froide à embout fileté 3/4 gaz (voir figure). Faire couler l'eau jusqu'à ce qu'elle soit limpide et sans impuretés avant de raccorder.



2. Raccorder le tuyau d'arrivée de l'eau au lave-linge en le vissant à la prise d'eau prévue, dans la partie arrière en haut à droite (voir figure).

3. Attention à ce que le tuyau ne soit pas plié ou écrasé.

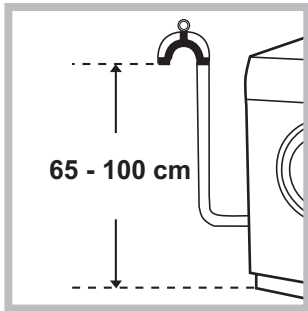
! La pression de l'eau doit être comprise entre les valeurs indiquées dans le tableau des Caractéristiques techniques (voir page ci-contre).

! Si la longueur du tuyau d'alimentation ne suffit pas, s'adresser à un magasin spécialisé ou à un technicien agréé.

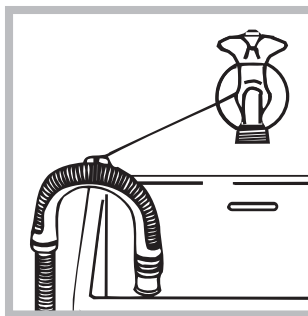
! N'utiliser que des tuyaux neufs.

! Utiliser ceux qui sont fournis avec l'appareil.

Raccordement du tuyau de vidange



Raccorder le tuyau d'évacuation, sans le plier, à un conduit d'évacuation ou à une évacuation murale placés à une distance du sol comprise entre 65 et 100 cm ;



ou bien l'accrocher à un évier ou à une baignoire, dans ce cas, fixer le support en plastique fourni avec l'appareil au robinet (voir figure). L'extrémité libre du tuyau d'évacuation ne doit pas être plongée dans l'eau.

! L'utilisation d'un tuyau de rallonge est absolument déconseillée mais si on ne peut faire autrement, il faut absolument qu'il ait le même diamètre que le tuyau original et sa longueur ne doit pas dépasser 150 cm.

Raccordement électrique

Avant de brancher la fiche dans la prise de courant, s'assurer que :

- la prise est bien reliée à la terre et est conforme aux réglementations en vigueur;
- la prise est bien apte à supporter la puissance maximale de l'appareil indiquée dans le tableau des Caractéristiques techniques (voir ci-contre);
- la tension d'alimentation est bien comprise entre les valeurs figurant dans le tableau des Caractéristiques techniques (voir ci-contre);
- la prise est bien compatible avec la fiche du lave-linge. Autrement, remplacer la prise ou la fiche.

! Le lave-linge ne doit pas être installé dehors, même à l'abri, car il est très dangereux de le laisser exposé à la pluie et aux orages.

! Après installation du lave-linge, la prise de courant doit être facilement accessible.

! N'utiliser ni rallonges ni prises multiples.

- ! Le câble ne doit être ni plié ni trop écrasé.
- ! Le câble d'alimentation ne doit être remplacé que par des techniciens agréés.

Attention! Nous déclinons toute responsabilité en cas de non-respect des normes énumérées ci-dessus.

Premier cycle de lavage

Avant la première mise en service de l'appareil, effectuer un cycle de lavage avec un produit lessiviel mais sans linge et sélectionner le programme «Auto nettoyage» (voir «Nettoyage du lave-linge»).

Caractéristiques techniques

Modèle	FMD 823
Dimensions	largeur 59,5 cm hauteur 85 cm profondeur 60,5 cm
Capacité	de 1 à 8 kg
Raccorde-ments élec-triques	Voir la plaque signalétique appliquée sur la machine
Raccor-dements hydrauliques	pression maximale 1 MPa (10 bar) pression minimale 0,05 MPa (0,5 bar) capacité du tambour 62 litres
Vitesse d'essorage	jusqu'à 1200 tours minute
Programmes de contrôle selon les directives 1061/2010 1015/2010	programme 2 (60°) (1° pression de la touche); Coton standard 60°C. programme 2 (40°) (2° pression de la touche); Coton standard 40°C.



Cet appareil est conforme aux Directives Communautaires suivantes:
- 2004/108/CE (Compatibilité électromagnétique)
- 2012/19/EU
- 2006/95/CE (Basse Tension)

Entretien et soin

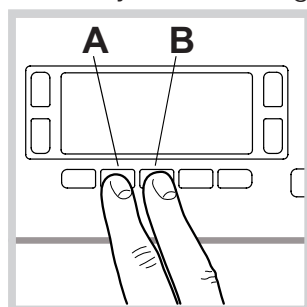
FR

Coupure de l'arrivée d'eau et du courant

- Fermer le robinet de l'eau après chaque lavage. Cela réduit l'usure de l'installation hydraulique du lave-linge et évite tout danger de fuites.
- Débrancher la fiche de la prise de courant lors de tout nettoyage du lave-linge et pendant tous les travaux d'entretien.

Nettoyage du lave-linge

- Pour nettoyer l'extérieur et les parties en caoutchouc, utiliser un chiffon imbibé d'eau tiède et de savon. N'utiliser ni solvants ni abrasifs.
- Ce lave-linge est équipé d'un programme «Auto nettoyage» des parties internes qui doit être effectué **tambour complètement vide**. La lessive (dans une quantité égale à 10% de celle conseillée pour du linge peu sale) ou les additifs spéciaux pour le nettoyage du lave-linge, pourront être utilisés comme adjuvants dans le programme de lavage. Il est conseillé d'effectuer le programme de nettoyage tous les 40 cycles de lavage.



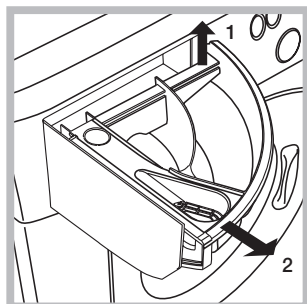
Pour activer le programme, appuyer simultanément sur les touches **A** et **B** pendant 5 secondes (voir figure).

Le programme démarrera automatiquement et durera environ 70 minutes.

Pour stopper le cycle,

appuyer sur la touche START/PAUSE.

Nettoyage du tiroir à produits lessiviels.



Soulever le tiroir et le tirer vers soi pour le sortir de son logement (voir figure).

Le laver à l'eau courante; effectuer cette opération assez souvent.

Entretien du hublot et du tambour

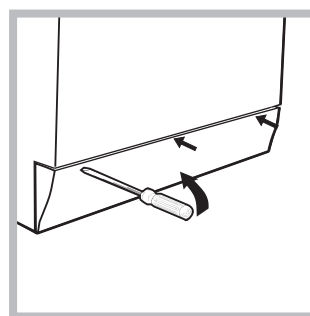
- Il faut toujours laisser le hublot entrouvert pour éviter la formation de mauvaises odeurs.

Nettoyage de la pompe

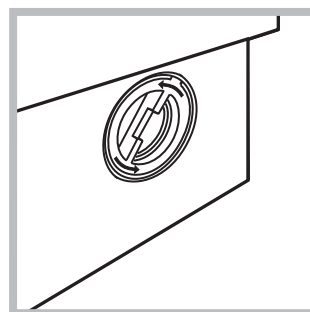
Le lave-linge est équipé d'une pompe auto-nettoyante qui n'exige aucune opération d'entretien. Il peut toutefois arriver que de menus objets (pièces de monnaie, boutons) tombent dans la préchambre qui protège la pompe, placée en bas de cette dernière.

! S'assurer que le cycle de lavage est bien terminé et débrancher la fiche.

Pour accéder à cette préchambre:



1. démonter le panneau situé à l'avant du lave-linge à l'aide d'un tournevis (voir figure);



2. dévisser le couvercle en le tournant dans le sens inverse des aiguilles d'une montre (voir figure); il est normal qu'un peu d'eau s'écoule;

3. nettoyer soigneusement l'intérieur;
4. revisser le couvercle;
5. remonter le panneau en veillant à bien enfiler les crochets dans les fentes prévues avant de le pousser contre l'appareil.

Contrôle du tuyau d'arrivée de l'eau

Contrôler le tuyau d'alimentation au moins une fois par an. Procéder à son remplacement en cas de craquements et de fissures: car les fortes pressions subies pendant le lavage pourraient provoquer des cassures.

! N'utiliser que des tuyaux neufs.

! Ce lave-linge a été conçu et fabriqué conformément aux normes internationales de sécurité. Ces consignes sont fournies pour des raisons de sécurité, il faut les lire attentivement.

Sécurité générale

- Cet appareil est conçu pour un usage domestique.
- Cet appareil peut être utilisé par les enfants à partir de 8 ans et par les personnes dont les capacités physiques, sensorielles ou mentales sont réduites ou qui ne disposent pas des connaissances suffisantes, à condition qu'ils soient encadrés ou aient été formés de façon appropriée pour l'utilisation de l'appareil de façon sûre et en comprenant les dangers qui y sont liés. Les enfants ne doivent pas jouer avec l'appareil. L'entretien et le nettoyage ne doivent pas être effectués par les enfants sans surveillance.
- Ne jamais toucher l'appareil si l'on est pieds nus et si les mains sont mouillées ou humides.
- Ne jamais tirer sur le câble pour débrancher la fiche de la prise de courant.
- Ne pas ouvrir le tiroir à produits lessiviels si la machine est branchée.
- Ne pas toucher à l'eau de vidange, elle peut atteindre des températures très élevées.
- Ne pas forcer pour ouvrir le hublot: le verrouillage de sécurité qui protège contre les ouvertures accidentelles pourrait s'endommager.
- En cas de panne, éviter à tout prix d'accéder aux mécanismes internes pour tenter une réparation.
- Veiller à ce que les enfants ne s'approchent pas de l'appareil pendant son fonctionnement.
- Pendant le lavage, le hublot a tendance à se réchauffer.
- Deux ou trois personnes sont nécessaires pour déplacer l'appareil avec toutes les précautions nécessaires. Ne jamais le déplacer tout seul car il est très lourd.
- Avant d'introduire le linge, s'assurer que le tambour est bien vide.

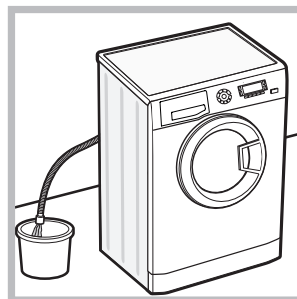
Mise au rebut

- Mise au rebut du matériel d'emballage: se conformer aux réglementations locales de manière à ce que les emballages puissent être recyclés.
- La Directive Européenne 2012/19/EU sur les Déchets des Equipements Electriques et Electroniques, exige que les appareils ménagers usagés ne soient pas jetés dans le flux normal des déchets municipaux. Les appareils usagés doivent être collectés séparément afin d'optimiser le taux de récupération et le recyclage des matériaux qui les composent et réduire l'impact sur la santé humaine et l'environnement. Le symbole de la "poubelle barrée" est apposée sur tous les produits pour rappeler

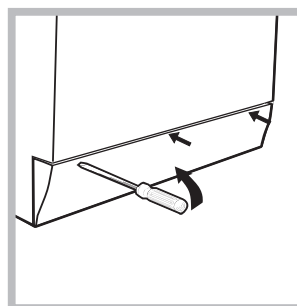
les obligations de collecte séparée. Les consommateurs devront contacter les autorités locales ou leur revendeur concernant la démarche à suivre pour l'enlèvement de leur vieil appareil.

Ouverture manuelle du hublot

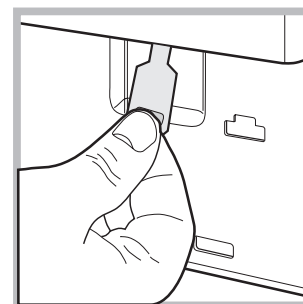
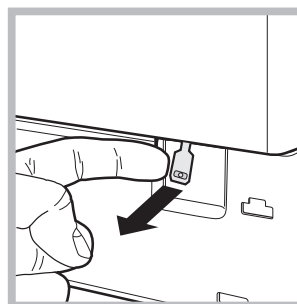
A défaut de pouvoir ouvrir la porte hublot à cause d'une panne de courant pour étendre le linge, procéder comme suit :



1. débrancher la fiche de la prise de courant.
2. s'assurer que le niveau de l'eau à l'intérieur de l'appareil se trouve bien au-dessous de l'ouverture du hublot, si ce n'est pas le cas vider l'eau en excès à travers le tuyau de vidange dans un seau comme illustré voir figure.



3. démonter le panneau situé à l'avant du lave-linge à l'aide d'un tournevis (voir figure).



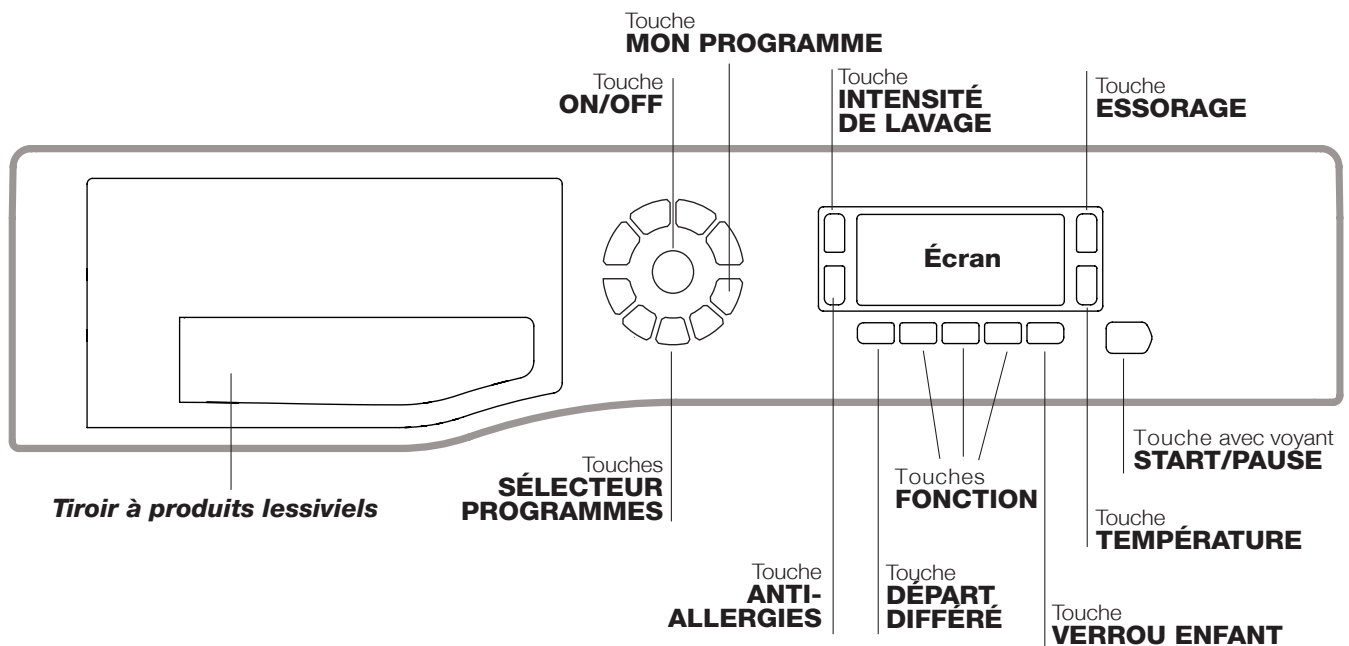
4. se servir de la languette indiquée, tirer vers soi jusqu'à ce que le tirant en plastique se dégage de son cran d'arrêt; tirer ensuite vers le bas et ouvrir l'hublot en même temps.

5. remonter le panneau en veillant à bien enfiler les crochets dans les fentes prévues avant de le pousser contre l'appareil.


Description du lave-linge

FR

Bandeau de commandes



Tiroir à produits lessiviels: pour charger les produits lessiviels et les additifs (voir "Produits lessiviels et linge").

Touche **ON/OFF** : appuyer brièvement sur la touche pour allumer ou éteindre l'appareil. Le voyant vert START/PAUSE clignotant lentement indique que la machine est allumée. Pour éteindre le lave-linge en cours de lavage, appuyer sur la touche pendant au moins 3 secondes de suite ; une pression brève ou accidentelle n'entraîne pas l'arrêt de l'appareil. L'arrêt de l'appareil pendant un lavage annule le lavage en cours.


Touches **SÉLECTEUR PROGRAMMES:** pour sélectionner le programme désiré (voir "Tableau des programmes").

Touche **MON PROGRAMME:** maintenir la touche enfoncée pour mémoriser un cycle et les personnalisations préférées. Pour retourner à un cycle précédemment mémorisé, appuyer sur la touche MON PROGRAMME.

Touches **FONCTION:** appuyer sur la touche pour sélectionner la fonction désirée. Le voyant correspondant s'affiche à l'écran.


Touche **INTENSITÉ DE LAVAGE** : appuyer pour sélectionner l'intensité de lavage désirée.

Touche **ANTI-ALLERGIES** : appuyer pour sélectionner le type de rinçage désiré.

Touche **ESSORAGE** : appuyer sur cette touche pour diminuer la vitesse de l'essorage ou pour le supprimer complètement - la valeur correspondante s'affiche à l'écran.

Touche **TEMPÉRATURE** : appuyer pour diminuer la température : la valeur correspondante est affichée à l'écran.

Touche **VERROU ENFANT:** pour **activer** le verrouillage des commandes, garder la touche enfoncée pendant environ 2 secondes. Le symbole  allumé indique que le bandeau de commandes est verrouillé (exception faite de la touche ON/OFF). Ceci permet d'éviter toute modification involontaire des programmes, surtout s'il y a des enfants à la maison. Pour **désactiver** le verrouillage des commandes, garder la touche enfoncée pendant environ 2 secondes.

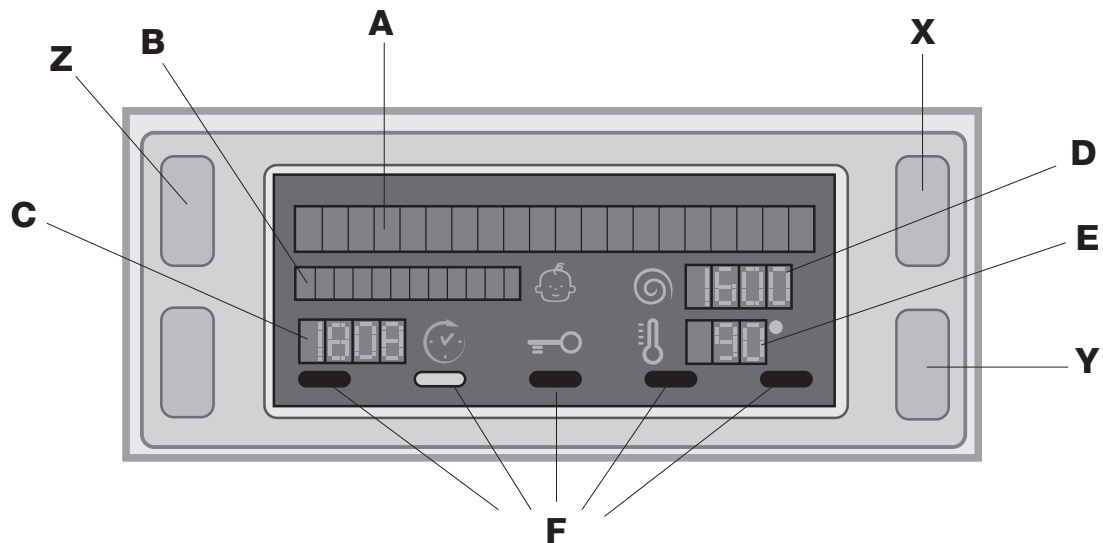
Touche **DÉPART DIFFÉRÉ** : appuyer sur cette touche pour sélectionner un départ différé pour le programme choisi. Le retard est affiché à l'écran.

Touche avec voyant **START/PAUSE** : quand le voyant vert clignote lentement, appuyer sur la touche pour démarrer un lavage. Une fois le cycle lancé, le voyant passe à l'allumage fixe. Pour activer une pause de lavage, appuyer à nouveau sur la touche ; le voyant passe à l'orange et se met à clignoter. Si le symbole  n'est pas allumé, il est possible d'ouvrir le hublot. Pour faire redémarrer le lavage exactement à l'endroit de l'arrêt, appuyer une nouvelle fois sur la touche.

Stand-by

Ce lave-linge, conformément aux nouvelles normes en vigueur dans le domaine de l'économie d'énergie, est équipé d'un système d'extinction automatique (veille) activé après 30 minutes environ d'inutilisation. Appuyez brièvement sur la touche ON/OFF et attendre que la machine soit réactivée.

Écran



L'écran est utile pour programmer la machine et fournit de multiples renseignements.

Les deux chaînes supérieures **A** et **B** affichent : le programme de lavage sélectionné, la phase de lavage en cours et toutes les indications relatives au déroulement du programme.

La chaîne **C** affiche le temps restant à la fin du cycle de lavage en cours et si un DÉPART DIFFÉRÉ a été sélectionné, le temps restant avant le démarrage du programme sélectionné.

La chaîne **D** affiche la valeur maximum de la vitesse d'essorage que la machine peut effectuer en fonction du programme sélectionné ; si le programme ne prévoit pas d'essorage, la chaîne reste éteinte.

La chaîne **E** affiche la valeur maximale de la température qui peut être sélectionnée en fonction du programme choisi ; si le programme ne prévoit pas la sélection de la température, la chaîne reste éteinte.

Les voyants **F** correspondent aux fonctions et s'allument quand la fonction programmée est compatible avec le programme sélectionné.

Symbole **verrouillage hublot**

Le symbole allumé indique que le hublot est verrouillé pour éviter toute ouverture accidentelle. Pour éviter d'abîmer l'appareil, attendre que le symbole s'éteigne avant d'ouvrir le hublot.

N.B.: si la fonction DÉPART DIFFÉRÉ est active, le hublot reste verrouillé, pour l'ouvrir mettre la machine en pause en appuyant sur la touche START/PAUSE .


! À la première mise en service, un message s'affiche demandant de sélectionner la langue et l'écran entre automatiquement dans le menu de sélection de la langue.

Pour choisir la langue désirée, appuyer sur les touches **X** et **Y**; pour confirmer la sélection, appuyer sur la touche **Z**.



Pour changer de langue, éteindre l'appareil, appuyer **simultanément** sur les touches **X**, **Y** et **Z** jusqu'au signal sonore, le menu de sélection de la langue s'affichera à nouveau

Comment faire un cycle de lavage

FR

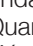
1. **METTRE L'APPAREIL SOUS TENSION.** Appuyer sur la touche , l'inscription BONJOUR s'affiche à l'écran ; le voyant de START/PAUSE passe au vert et clignote lentement.
2. **CHARGER LE LINGE.** Ouvrir la porte hublot. Charger le linge en faisant attention à ne pas dépasser la quantité indiquée dans le tableau des programmes de la page suivante.
3. **DOSER LE PRODUIT LESSIVIEL.** Sortir le tiroir et placer le produit lessiviel dans les bacs correspondants comme indiqué au paragraphe "Detersifs et linge".
4. **FERMER LE HUBLOT.**
5. **CHOISIR LE PROGRAMME.** Appuyer sur l'une des touches du SÉLECTEUR PROGRAMMES pour sélectionner le programme désiré ; le nom du programme est affiché à l'écran avec attribution d'une température et d'une vitesse d'essorage qui peuvent être modifiées. La durée du cycle s'affiche sur l'écran.
6. **PERSONNALISER LE CYCLE DE LAVAGE.** Appuyer sur les touches correspondantes :

Modifier la température et/ou la vitesse d'essorage.


L'appareil sélectionne automatiquement la température et la vitesse d'essorage maximales prévues pour le programme sélectionné qui ne peuvent par conséquent pas être augmentées. Par pression sur la touche  on peut diminuer progressivement la température de lavage jusqu'à un lavage à froid "OFF". Par pression sur la touche  on peut diminuer progressivement la vitesse d'essorage jusqu'à sa suppression totale "OFF". Une autre pression sur les touches ramènera les valeurs aux maximales prévues.


! Exception: lors de la sélection du programme 2 (60°C) (1^{re} pression de la touche) la température peut être augmentée jusqu'à 90°.

Sélectionner un départ différé.


Pour programmer le départ différé d'un programme sélectionné, appuyer sur la touche correspondante jusqu'à ce que le retard désiré soit atteint. Quand cette option est active, le symbole  s'affiche à l'écran. Pour annuler le départ différé, appuyer sur la touche jusqu'à ce que l'inscription OFF s'affiche à l'écran.

Programmer l'intensité de lavage désirée.

L'option  permet d'optimiser le lavage selon le degré de salissure des tissus et l'intensité de lavage désirée. Sélectionner le programme de lavage, le cycle se place automatiquement sur le niveau «Normal» optimisé pour du linge moyennement sale, (cette sélection n'est pas acceptée pour le cycle «Laine», qui se règle automatiquement sur le niveau «Délicat»).

Pour du linge très sale, appuyer sur la touche  jusqu'à ce que le niveau «Super Lavage» soit atteint. Ce niveau permet d'obtenir un lavage très performant car l'utilisation d'une plus grande quantité d'eau au cours de la phase initiale du cycle et un brassage mécanique plus intense permettent d'éliminer les taches les plus difficiles; possibilité d'utilisation avec ou sans eau de Javel.

Pour traiter le linge avec de l'eau de Javel, ajouter le bac supplémentaire 4 fourni avec l'appareil à l'intérieur du bac 1. Au moment de verser l'eau de Javel, attention à ne pas dépasser le niveau «max» indiqué sur le pivot central (voir figure page 22).

Pour du linge peu sale ou pour un traitement plus délicat des tissus, appuyer sur la touche  jusqu'à ce que le niveau «Délicat» soit atteint. Ce cycle réduira le brassage mécanique pour assurer des résultats de lavage parfaits du linge délicat.

Programmer le type de rinçage.

L'option  permet de sélectionner le type de rinçage désiré pour un maximum de protection des peaux sensibles. Une première pression sur la touche programme le niveau «Extra Rinçage» qui permet d'ajouter un rinçage supplémentaire à ceux normalement prévus par le cycle de manière à éliminer toute trace de lessive. Une deuxième pression sur la touche programme le niveau «Peaux sensibles» qui permet d'ajouter deux rinçages supplémentaires à ceux normalement prévus par le cycle, il est conseillé pour les peaux extrêmement sensibles. Une troisième pression sur la touche programme le niveau «Anti-allergies», qui permet d'ajouter 3 rinçages supplémentaires à ceux normalement prévus par le cycle. Cette option activée avec les cycles à une température de 40° permet de supprimer les principaux allergènes tels que les poils de chat, de chien et les pollens. Un excellent niveau de protection hypoallergénique est obtenu avec les cycles à une température supérieure à 40°. Appuyer une nouvelle fois pour retourner au type de rinçage «Rinçage Normal». S'il n'est pas possible de sélectionner ou de modifier le réglage existant, le message «INACTIF» s'affiche.

Modifier les caractéristiques du cycle.

- Appuyer sur la touche pour activer la fonction; le voyant correspondant à la touche s'allume.
- Appuyer de nouveau sur la touche pour désactiver la fonction ; le voyant s'éteint.

! Si la fonction sélectionnée est incompatible avec le programme sélectionné, le voyant se met à clignoter et la fonction n'est pas activée.

! Si la fonction sélectionnée est incompatible avec une autre fonction précédemment sélectionnée, le voyant correspondant à la première fonction se met à clignoter et seule la deuxième fonction est activée alors que le voyant de la fonction activée s'allume.

! Les fonctions permettent de modifier le chargement conseillé et/ou la durée du cycle de lavage.

7. **DEMARRER LE PROGRAMME.** Appuyer sur la touche START/PAUSE . Le voyant correspondant s'allume en vert fixe et le hublot est verrouillé (symbole HUBLOT VERROUILLÉ  allumé). Pendant le lavage, le nom de la phase en cours s'affiche à l'écran. Pour modifier un programme lorsqu'un cycle est en cours, **mettre le lave-linge en pause** en appuyant sur la touche START/PAUSE (le voyant START/PAUSE passe à l'orange et clignote lentement) ; sélectionner le cycle désiré et appuyer de nouveau sur la touche START/PAUSE . Pour ouvrir la porte tandis qu'un cycle est en cours, appuyer sur la touche START/PAUSE ; si le symbole HUBLOT VERROUILLÉ  est éteint, on peut ouvrir le hublot. Pour faire redémarrer le programme exactement à l'endroit de l'arrêt, appuyer une nouvelle fois sur la touche START/PAUSE .
8. **FIN DU PROGRAMME.** Elle est signalée par l'inscription "FIN DE CYCLE" qui s'affiche à l'écran; quand le symbole HUBLOT VERROUILLÉ  s'éteint, on peut ouvrir le hublot. Ouvrir le hublot, vider le lave-linge et éteindre l'appareil.


! Une pression prolongée sur la touche  permet d'annuler un cycle déjà lancé. Le cycle est interrompu et la machine s'éteint.

Tableau des programmes

Programmes	Description du Programme	Temp. maxi. (°C)	Vitesse maxi (tours/minute)	Produits lessiviels				Charge maxi (kg)	Humidité résiduelle %	Consommation d'énergie kWh	Eau totale lt	Durée cycle
				Prélavage	Lavage	Javel	Assouplissant					
CLEAN Plus												
1	Anti-taches (1° pression de la touche)	40°	1200	●	●	-	●	5	-	-	-	180'
1	Anti-taches Rapide (2° pression de la touche)	40°	1200	-	●	-	●	4,5	-	-	-	60'
2	Coton Standard 60° (1) (1° pression de la touche): blancs et couleurs résistantes très sales.	60° (Max. 90°)	1200	● (3)	●	●	●	8	53	1,04	55	215'
2	Coton Standard 40° (2) (2° pression de la touche): blancs et couleurs délicates peu sales.	40°	1200	-	●	●	●	8	53	0,87	81	185'
2	Coton Standard 20° (3° pression de la touche): blancs et couleurs délicates peu sales.	20°	1200	-	●	●	●	8	-	-	-	175'
3	Synthétique Intensif (1° pression de la touche): couleurs résistantes très sales.	60°	800	●	●	●	●	4,5	46	1,03	60	115'
3	Synthétique Intensif (4) (1° pression de la touche): couleurs résistantes très sales.	40°	800	●	●	●	●	4,5	46	0,56	60	100'
3	Synthétique Delicat (2° pression de la touche): couleurs résistantes peu sales.	40°	800	●	●	●	●	4,5	-	-	-	75'
SPECIALS												
4	Mix 30' (Rapide 30'): pour rafraîchir rapidement du linge peu sale (ne convient pas pour la laine, la soie et le linge à laver à la main).	30°	800	-	●	-	●	3	71	0,20	38	30'
M	Mon Programme (Memo): permet de mémoriser un cycle de lavage quelconque.											
6	Lit&Bain: pour le linge de lit et le linge de toilette.	60°	1200	●	●	-	●	8	-	-	-	140'
EXTRA CARE												
7	Laine (Woolmark Platinum): pour laine, cachemire, etc.	40°	800	-	●	-	●	2	-	-	-	85'
8	Délicat (Ultra délicat)	30°	0	-	●	-	●	1	-	-	-	80'
	Essorage (1° pression de la touche).	-	1200	-	-	-	-	8	-	-	-	16'
	Rinçage (2° pression de la touche).	-	1200	-	-	-	●	8	-	-	-	36'
	Vidange (3° pression de la touche).	-	0	-	-	-	-	8	-	-	-	2'

La durée du cycle indiquée sur l'écran ou dans la notice représente une estimation calculée dans des conditions standard. Le temps effectif peut varier en fonction de nombreux facteurs tels que : température et pression de l'eau en entrée, température ambiante, quantité de lessive, quantité et type de charge, équilibrage de la charge, options supplémentaires sélectionnées.

1) Programme de contrôle selon la directive 1061/2010: sélectionner le programme 2 à 60°C (1° pression de la touche).

Ce cycle convient au lavage d'une charge de coton normalement sale et c'est le plus performant en termes de consommation d'eau et d'énergie, l'utiliser pour du linge lavable à 60°C. La température effective de lavage peut différer de la température indiquée.

2) Programme de contrôle selon la directive 1061/2010: sélectionner le programme 2 à 40°C (2° pression de la touche).

Ce cycle convient au lavage d'une charge de coton normalement sale et c'est le plus performant en termes de consommation d'eau et d'énergie, l'utiliser pour du linge lavable à 40°C. La température effective de lavage peut différer de la température indiquée.

3) À 60 °C la fonction "Prélavage" ne peut pas être sélectionnée.

Pour tous les instituts qui effectuent ces tests :

2) Programme coton long : sélectionner le programme 2 à 40°C (2° pression de la touche).

4) Programme Synthétique long : sélectionner le programme 3 à 60°C (1° pression de la touche); température de 40°C (appuyer sur la touche TEMPÉRATURE).

Fonctions de lavage

Prélavage

Cette fonction permet d'effectuer un prélavage, très utile pour enlever les taches plus tenaces.

N.B.: Ajouter le produit lessiviel dans le bac prévu.

! Elle n'est pas activable sur les programmes "Anti-taches Rapide", 2 (60°) (1° pression de la touche), 2 (2° pression de la touche), 2 (3° pression de la touche), 4, 7, 8, .

Repassage facile

En cas de sélection de cette fonction, le lavage et l'essorage seront dûment modifiés pour réduire la formation de plis. À la fin du cycle de lavage, le lave-linge fait tourner le tambour lentement; le voyant de la fonction REPASSAGE FACILE et celui de START/PAUSE se mettent à clignoter (orange), l'inscription "FIN DE CYCLE" s'affiche à l'écran. Pour compléter le cycle, il faut appuyer sur la

touche START/PAUSE ou sur la touche REPASSAGE FACILE.

! Cette option n'est pas activable avec les programmes 1, 4, 7, 8, .

Lavage a Froid

La fonction Lavage a Froid permet d'économiser l'énergie puisque l'eau utilisée pour la lessive n'est pas réchauffée : un plus pour l'environnement et pour votre facture d'électricité. L'action renforcée et l'optimisation de la consommation de l'eau garantissent d'excellents résultats pour une durée moyenne identique à celle d'un cycle standard. Pour de meilleurs résultats en matière de lavage, utilisez une lessive liquide.

! Cette fonction n'est pas activable avec les programmes 1, 2 (3° pression de la touche), 6, 7, 8, .

Produits lessiviels et linge

FR

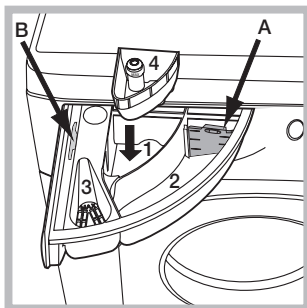
Tiroir à produits lessiviels

Un bon résultat de lavage dépend aussi d'un bon dosage de produit lessiviel: un excès de lessive ne lave pas mieux, il incruste l'intérieur du lave-linge et pollue l'environnement.

! Utiliser des lessives en poudre pour du linge en coton blanc et en cas de pré-lavage et de lavages à une température supérieure à 60°C.

! Respecter les indications figurant sur le paquet de lessive.

! Ne pas utiliser de lessives pour lavage à la main, elles moussent trop.



Sortir le tiroir à produits lessiviels et verser la lessive ou l'additif comme suit.

bac 1: Lessive pré-lavage (en poudre)

Avant d'introduire la lessive, s'assurer que le bac supplémentaire 4 n'est pas présent.

bac 2: Lessive lavage (en poudre ou liquide)

En cas d'utilisation de lessive liquide, nous conseillons d'introduire le séparateur A fourni avec le lave-linge pour mieux déterminer la dose correcte.

En cas d'utilisation de lessive en poudre, placer le séparateur dans le bac B.

bac 3: Additifs (assouplissant, etc.)

L'assouplissant ne doit pas déborder de la grille.

bac supplémentaire 4: Produit javélinisé

Triage du linge

- Trier correctement le linge d'après:
 - le type de textile / le symbole sur l'étiquette.
 - les couleurs: séparer le linge coloré du blanc.
- Vider les poches et contrôler les boutons.
- Ne pas dépasser les valeurs indiquées correspondant au poids de linge sec : voir "Tableau des programmes".

Combien pèse le linge ?

- 1 drap 400-500 g
- 1 taie d'oreiller 150-200 g
- 1 nappe 400-500 g
- 1 peignoir 900-1200 g
- 1 serviette éponge 150-250 g

Programmes spéciaux

Anti-taches: ce programme est idéal pour le lavage de linge très sale, aux couleurs résistantes. Il assure une classe de lavage supérieure à la classe standard (classe A). Ce programme ne permet pas de mélanger du linge de couleurs différentes. Nous conseillons d'utiliser de la lessive en poudre. En cas de taches tenaces, nous conseillons un prétraitement avec des additifs spéciaux.

Anti-taches Rapide: ce programme été conçu pour laver les vêtements aux taches les plus coriaces en une heure. Pour le linge coloré en fibre mixte, en garantissant un respect maximum de ce dernier.

Coton Standard 20°: idéal pour des charges de linge sale en coton. Les bonnes performances, même à froid, comparables à celles d'un lavage à 40°, sont assurées grâce à une action mécanique qui brasse en variant la vitesse et avec des pics répétés et rapprochés.

Lit&Bain : pour laver le linge de toilette et de lit en un seul cycle, utiliser le programme 6 qui optimise l'utilisation de l'assouplissant et permet de faire des économies de temps et d'électricité. Nous conseillons d'utiliser de la lessive en poudre.

Laine: le cycle de lavage « Laine » de ce lave-linge a été approuvé par la société Woolmark Company pour le lavage d'articles en laine classés comme « lavables à la main », à condition que le lavage soit effectué conformément aux instructions indiquées sur l'étiquette du vêtement et aux indications fournies par le fabricant de ce lave-linge. (M1127)



Délicat: utiliser le programme 8 pour le lavage d'articles particulièrement délicats avec applications de strass ou de paillettes.

Pour le lavage d'articles en soie et de rideaux, sélectionner le cycle 8 et programmer le niveau «Délicat» de l'option

Il est recommandé de mettre le linge à l'envers avant le lavage et d'introduire les articles plus petits dans le sachet prévu pour le lavage des articles délicats.

Pour obtenir de meilleurs résultats, nous conseillons d'utiliser de la lessive liquide spéciale textiles délicats.

Système d'équilibrage de la charge

Avant tout essorage, pour éviter toute vibration excessive et répartir le linge de façon uniforme, le lave-linge fait tourner le tambour à une vitesse légèrement supérieure à la vitesse de lavage. Si au bout de plusieurs tentatives, la charge n'est toujours pas correctement équilibrée, l'appareil procède à un essorage à une vitesse inférieure à la vitesse normalement prévue. En cas de déséquilibre excessif, le lave-linge préfère procéder à la répartition du linge plutôt qu'à son essorage. Pour une meilleure répartition de la charge et un bon équilibrage, nous conseillons de mélanger de grandes et petites pièces de linge.

Il peut arriver que le lave-linge ne fonctionne pas bien. Avant d'appeler le Service de dépannage (voir "Assistance"), contrôler s'il ne s'agit pas par hasard d'un problème facile à résoudre à l'aide de la liste suivante.

Anomalies:

Causes / Solutions possibles:

Le lave-linge ne s'allume pas.

- La fiche n'est pas branchée dans la prise de courant ou mal branchée.
- Il y a une panne de courant.

Le cycle de lavage ne démarre pas.

- Le hublot n'est pas bien fermé.
- La touche ON/OFF n'a pas été enfoncée.
- La touche START/PAUSE n'a pas été enfoncée.
- Le robinet de l'eau n'est pas ouvert.
- Un départ différé a été sélectionné (voir "Comment faire un cycle de lavage").

Il n'y a pas d'arrivée d'eau (le message "Pas d'eau, ouvrir robinet" s'affiche à l'écran).

- Le tuyau d'arrivée de l'eau n'est pas raccordé au robinet.
- Le tuyau est plié.
- Le robinet de l'eau n'est pas ouvert.
- Il y a une coupure d'eau.
- La pression n'est pas suffisante.
- La touche START/PAUSE n'a pas été enfoncée.

Le lave-linge prend l'eau et vidange continuellement.

- Le tuyau de vidange n'est pas installé à une distance du sol comprise entre 65 et 100 cm (voir "Installation").
- L'extrémité du tuyau de vidange est plongée dans l'eau (voir "Installation").
- L'évacuation murale n'a pas d'évent.

Si après ces vérifications, le problème persiste, fermer le robinet de l'eau, éteindre la machine et appeler le service Assistance. Si l'appartement est situé en étage dans un immeuble, il peut y avoir des phénomènes de siphonnage qui font que le lave-linge prend et évacue l'eau continuellement. Pour supprimer cet inconvénient, on trouve dans le commerce des soupapes spéciales anti-siphonnage.

Le lave-linge ne vidange pas et n'essore pas.

- Le programme ne prévoit pas de vidange: pour certains programmes, il faut la faire partir manuellement ("Programmes et fonctions").
- La fonction REPASSAGE FACILE est activée: pour compléter le programme, appuyer sur la touche START/PAUSE ("Programmes et fonctions").
- Le tuyau de vidange est plié (voir "Installation").
- La conduite d'évacuation est bouchée.

Le lave-linge vibre beaucoup pendant l'essorage.

- Le tambour n'a pas été débloqué comme il faut lors de l'installation du lave-linge (voir "Installation").
- Le lave-linge n'est pas posé à plat (voir "Installation").
- Le lave-linge est coincé entre des meubles et le mur (voir "Installation").

Le lave-linge a des fuites.

- Le tuyau d'arrivée de l'eau n'est pas bien vissé (voir "Installation").
- Le tiroir à produits lessiviels est bouché (pour le nettoyer voir "Entretien et soin").
- Le tuyau de vidange n'est pas bien fixé (voir "Installation").

L'appareil est bloqué, l'écran clignote et affiche un code d'anomalie (par ex. : F-01, F-...).

- Eteindre l'appareil et débrancher la fiche de la prise de courant, attendre 1 minute environ avant de rallumer.
Si l'anomalie persiste, appeler le service d'assistance.

Il y a un excès de mousse.

- Le produit de lavage utilisé n'est pas une lessive spéciale machine (il faut qu'il y ait l'inscription "pour lave-linge", "main et machine", ou autre semblable).
- La quantité utilisée est excessive.

Assistance

FR

Avant d'appeler le service après-vente:

- Vérifier si on ne peut pas résoudre l'anomalie par ses propres moyens (voir "Anomalies et Remèdes");
- Remettre le programme en marche pour contrôler si l'inconvénient a disparu;
- Autrement, contacter le Centre d'Assistance technique agréé au numéro de téléphone indiqué sur le certificat de garantie.

! Ne jamais s'adresser à des techniciens non agréés.

Communiquer:

- le type de panne;
- le modèle de l'appareil (Mod.);
- son numéro de série (S/N).

Ces informations se trouvent sur la plaque signalétique apposée à l'arrière du lave-linge et à l'avant quand on ouvre la porte hublot.

RÈGLEMENT DÉLÉGUÉ (UE) N ° 1061/2010 DE LA COMMISSION

Marque	HOTPOINT/ARISTON
Modèle	FMD 823MB EU.C
Capacité nominale en kg de coton	8.0
Classe énergétique sur une échelle de A+++ (faible consommation) à G (consommation élevée)	A+++
Consommation d'énergie par année en kWh ¹⁾	193.0
Consommation d'énergie d'un programme coton standard à 60°C et à pleine charge en kWh ²⁾	1.044
Consommation d'énergie d'un programme coton standard à 60°C et à demi-charge en kWh ²⁾	0.715
Consommation d'énergie d'un programme coton standard à 40°C et à demi-charge en kWh ²⁾	0.644
Consommation d'énergie en mode "off" en W	0.5
Consommation d'énergie en mode "on" en W	8.0
Consommation d'eau par an en litres ³⁾	11594
Classe d'efficacité d'essorage sur une échelle de G (efficacité minimum) à A (efficacité maximum)	B
Vitesse d'essorage maximum ⁴⁾	1200
Taux d'humidité résiduelle (en %) ⁵⁾	53%
Durée du « programme coton standard à 60°C » à pleine charge en minutes	215
Durée du « programme coton standard à 60°C » à demi-charge en minutes	155
Durée du « programme coton standard à 40°C » à demi-charge en minutes	145
Durée du mode laissé en marche en minutes	30
Émissions acoustiques dans l'air, exprimées en dB(A) re 1 pW en phase de lavage ⁶⁾	53
Émissions acoustiques dans l'air, exprimées en dB(A) re 1 pW en phase d'essorage ⁶⁾	79
Encastrable	

¹⁾ Le programme "coton standard 60°C" pleine et demi-charge et le programme "coton standard 40°C" demi-charge sont les programmes de lavage standard auxquels se rapportent les informations qui figurent sur l'étiquette et sur la fiche. Ils conviennent pour laver du linge en coton normalement sale, et il s'agit des programmes les plus efficaces en termes de consommation combinée d'eau et d'énergie. La demi-charge correspond à la moitié de la charge nominale.

²⁾ Sur la base de 220 cycles de lavage standard pour les programmes coton à 60°C et à 40°C à pleine et à demi-charge, et de la consommation des modes à faible puissance. La consommation réelle d'énergie dépend des conditions d'utilisation de l'appareil.

³⁾ Sur la base de 220 cycles de lavage standard pour les programmes coton à 60°C et à 40°C à pleine et à demi-charge. La consommation réelle d'eau dépend des conditions d'utilisation de l'appareil.

⁴⁾ Pour le programme standard à 60°C à pleine ou demi-charge, ou le programme standard à 40°C à demi-charge, la valeur la plus faible des deux étant retenue.

⁵⁾ Atteint avec le programme coton à 60°C à pleine et demi-charge, ou le programme coton à 40°C à demi-charge, la valeur la plus élevée des deux étant retenue.

⁶⁾ Sur la base des phases de lavage et d'essorage pour le programme coton standard à 60°C à pleine charge.

IT

Italiano

FMD 823

Sommario

IT

Installazione, 26-27

Disimballo e livellamento
Collegamenti idraulici ed elettrici
Primo ciclo di lavaggio
Dati tecnici

Manutenzione e cura, 28

Escludere acqua e corrente elettrica
Pulire la lavabiancheria
Pulire il cassetto dei detersivi
Curare oblò e cestello
Pulire la pompa
Controllare il tubo di alimentazione dell'acqua

Precauzioni e consigli, 29

Sicurezza generale
Smaltimento
Apertura manuale della porta oblò

Descrizione della lavabiancheria, 30-31

Pannello di controllo
Display

Come effettuare un ciclo di lavaggio, 32

Programmi e funzioni, 33

Tabella dei programmi
Funzioni di lavaggio

Detersivi e biancheria, 34

Cassetto dei detersivi
Preparare la biancheria
Programmi particolari
Sistema bilanciamento del carico

Anomalie e rimedi, 35

Assistenza, 36

Assistenza Attiva 7 giorni su 7

Installazione

IT

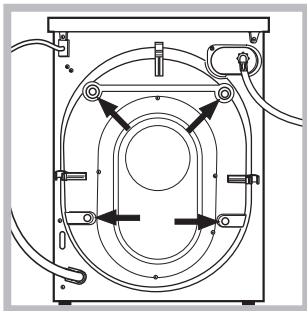
! È importante conservare questo libretto per poterlo consultare in ogni momento. In caso di vendita, di cessione o di trasloco, assicurarsi che resti insieme alla lavabiancheria per informare il nuovo proprietario sul funzionamento e sui relativi avvertimenti.

! Leggere attentamente le istruzioni: ci sono importanti informazioni sull'installazione, sull'uso e sulla sicurezza.

Disimballo e livellamento

Disimballo

1. Disimballare la lavabiancheria.
2. Controllare che la lavabiancheria non abbia subito danni nel trasporto. Se fosse danneggiata non collegarla e contattare il rivenditore.



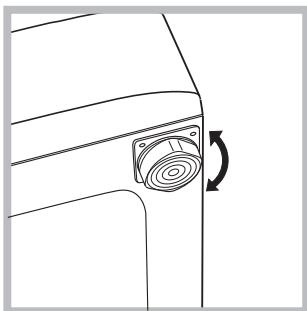
3. Rimuovere le 4 viti di protezione per il trasporto e il gommino con il relativo distanziale, posti nella parte posteriore (vedi figura).

4. Chiudere i fori con i tappi di plastica in dotazione.
5. Conservare tutti i pezzi: qualora la lavabiancheria debba essere trasportata, dovranno essere rimontati.

! Gli imballaggi non sono giocattoli per bambini.

Livellamento

1. Installare la lavabiancheria su un pavimento piano e rigido, senza appoggiarla a muri, mobili o altro.

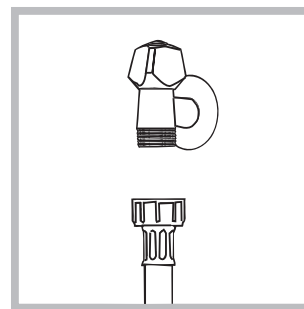


2. Se il pavimento non fosse perfettamente orizzontale, compensare le irregolarità svitando o avvitando i piedini anteriori (vedi figura); l'angolo di inclinazione, misurato sul piano di lavoro, non deve superare i 2°.

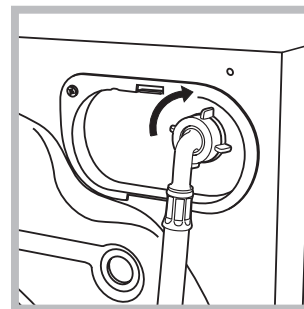
Un accurato livellamento dà stabilità alla macchina ed evita vibrazioni, rumori e spostamenti durante il funzionamento. In caso di moquette o di un tappeto, regolare i piedini in modo da conservare sotto la lavabiancheria uno spazio sufficiente per la ventilazione.

Collegamenti idraulici ed elettrici

Collegamento del tubo di alimentazione dell'acqua



1. Collegare il tubo di alimentazione avvitandolo a un rubinetto d'acqua fredda con bocca filettata da 3/4 gas (vedi figura). Prima di allacciare, far scorrere l'acqua finché non sia limpida.



2. Collegare il tubo di alimentazione alla lavabiancheria avvitandolo all'apposita presa d'acqua, nella parte posteriore in alto a destra (vedi figura).

3. Fare attenzione che nel tubo non ci siano né pieghe né strozzature.

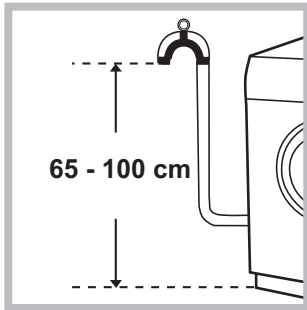
! La pressione idrica del rubinetto deve essere compresa nei valori della tabella Dati tecnici (vedi pagina a fianco).

! Se la lunghezza del tubo di alimentazione non fosse sufficiente, rivolgersi a un negozio specializzato o a un tecnico autorizzato.

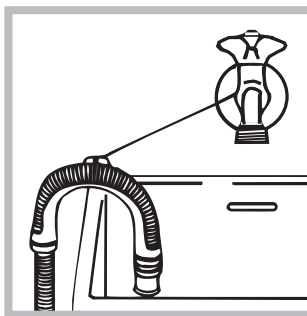
! Non utilizzare mai tubi già usati.

! Utilizzare quelli in dotazione alla macchina.

Collegamento del tubo di scarico



Collegare il tubo di scarico, senza piegarlo, a una conduttura di scarico o a uno scarico a muro posti tra 65 e 100 cm da terra;



oppure appoggiarlo al bordo di un lavandino o di una vasca, legando la guida in dotazione al rubinetto (vedi figura). L'estremità libera del tubo di scarico non deve rimanere immersa nell'acqua.

! È sconsigliato usare tubi di prolunga; se indispensabile, la prolunga deve avere lo stesso diametro del tubo originale e non superare i 150 cm.

Collegamento elettrico

Prima di inserire la spina nella presa della corrente, accertarsi che:

- la presa abbia la messa a terra e sia a norma di legge;
- la presa sia in grado di sopportare il carico massimo di potenza della macchina, indicato nella tabella Dati tecnici (vedi a fianco);
- la tensione di alimentazione sia compresa nei valori indicati nella tabella Dati tecnici (vedi a fianco);
- la presa sia compatibile con la spina della lavabiancheria. In caso contrario sostituire la presa o la spina.

! La lavabiancheria non va installata all'aperto, nemmeno se lo spazio è riparato, perché è molto pericoloso lasciarla esposta a pioggia e temporali.

! A lavabiancheria installata, la presa della corrente deve essere facilmente raggiungibile.

! Non usare prolunghe e multiple.

! Il cavo non deve subire piegature o compressioni.

! Il cavo di alimentazione deve essere sostituito solo da tecnici autorizzati.

Attenzione! L'azienda declina ogni responsabilità qualora queste norme non vengano rispettate.

Primo ciclo di lavaggio

Dopo l'installazione, prima dell'uso, effettuare un ciclo di lavaggio con detersivo e senza biancheria impostando il programma "Auto Pulizia" (vedi "Pulire la lavabiancheria").

Dati tecnici

Modello FMD 823

Dimensioni larghezza cm 59,5
altezza cm 85
profondità cm 60,5

Capacità da 1 a 8 kg

Collegamenti elettrici vedi la targhetta caratteristiche tecniche applicata sulla macchina

Collegamenti idrici pressione massima 1 MPa (10 bar)
pressione minima 0,05 MPa (0,5 bar)
capacità del cesto 62 litri

Velocità di centrifuga sino a 1200 giri al minuto

Programmi di controllo secondo la direttiva 1061/2010 1015/2010 programma 2 (60°C) (1° pressione del tasto); Cotone Standard 60°C.
programma 2 (40°C) (2° pressione del tasto); Cotone Standard 40°C.



Questa apparecchiatura è conforme alle seguenti Direttive Comunitarie:
- 2004/108/CE (Compatibilità Elettromagnetica)
- 2012/19/EU
- 2006/95/CE (Bassa Tensione)

Manutenzione e cura

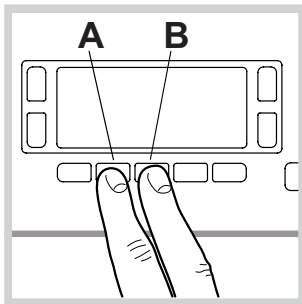
IT

Escludere acqua e corrente elettrica

- Chiudere il rubinetto dell'acqua dopo ogni lavaggio. Si limita così l'usura dell'impianto idraulico della lavabiancheria e si elimina il pericolo di perdite.
- Staccare la spina della corrente quando si pulisce la lavabiancheria e durante i lavori di manutenzione.

Pulire la lavabiancheria

- La parte esterna e le parti in gomma possono essere puliti con un panno imbevuto di acqua tiepida e sapone. Non usare solventi o abrasivi.
- La lavabiancheria è dotata di un programma di "Auto Pulizia" delle parti interne che deve essere effettuato **senza alcun tipo di carico nel cesto**.

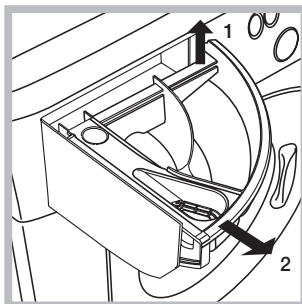


Il detersivo (nella quantità pari al 10% di quella consigliata per capi poco sporchi) o additivi specifici per la pulizia della lavabiancheria, potranno essere utilizzati come coadiuvanti nel programma di lavaggio. Si consiglia di effettuare il programma di pulizia

ogni 40 cicli di lavaggio.

Per attivare il programma premere contemporaneamente il tasto **A** e **B** per 5 sec. (vedi figura). Il programma partirà automaticamente ed avrà una durata di circa 70 minuti. Per fermare il ciclo premere il tasto START/PAUSE.

Pulire il cassetto dei detersivi



Sfilare il cassetto sollevandolo e tirandolo verso l'esterno (vedi figura).

Lavarlo sotto l'acqua corrente; questa pulizia va effettuata frequentemente.

Curare oblò e cestello

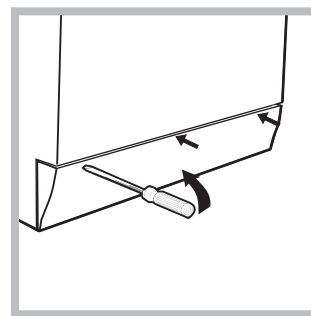
- Lasciare sempre socchiuso l'oblò per evitare che si formino cattivi odori.

Pulire la pompa

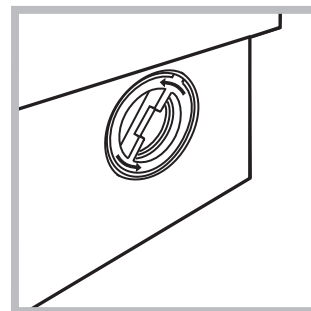
La macchina è dotata di una pompa autopulente che non ha bisogno di manutenzione. Può però succedere che piccoli oggetti (monete, bottoni) cadano nella precamera che protegge la pompa, situata nella parte inferiore di essa.

! Assicurarsi che il ciclo di lavaggio sia terminato e staccare la spina.

Per accedere alla precamera:



1. rimuovere il pannello di copertura sul lato anteriore della macchina con l'aiuto di un giravite (vedi figura);



2. svitare il coperchio ruotandolo in senso antiorario (vedi figura): è normale che fuoriesca un po' d'acqua;

3. pulire accuratamente l'interno;
4. riavvitare il coperchio;
5. rimontare il pannello assicurandosi, prima di spingerlo verso la macchina, di aver inserito i ganci nelle apposite asole.

Controllare il tubo di alimentazione dell'acqua

Controllare il tubo di alimentazione almeno una volta all'anno. Se presenta screpolature e fessure va sostituito: durante i lavaggi le forti pressioni potrebbero provocare improvvise spaccature.

! Non utilizzare mai tubi già usati.

! La lavabiancheria è stata progettata e costruita in conformità alle norme internazionali di sicurezza. Queste avvertenze sono fornite per ragioni di sicurezza e devono essere lette attentamente.

Sicurezza generale

- Questo apparecchio è stato concepito esclusivamente per un uso di tipo domestico.
- Questo apparecchio può essere usato da bambini da 8 anni in su e da persone con capacità fisiche, sensoriali o mentali ridotte o con esperienza e conoscenze insufficienti se sono supervisionati o se hanno ricevuto adeguata formazione in merito all'uso dell'apparecchio in modo sicuro e capendo i pericoli connessi. I bambini non devono giocare con l'apparecchio. Manutenzione e pulizia non devono essere effettuati dai bambini senza supervisione.
- Non toccare la macchina a piedi nudi o con le mani o i piedi bagnati o umidi.
- Non staccare la spina dalla presa della corrente tirando il cavo, bensì afferrando la spina.
- Non aprire il cassetto dei detersivi mentre la macchina è in funzione.
- Non toccare l'acqua di scarico, che può raggiungere temperature elevate.
- Non forzare in nessun caso l'oblò: potrebbe danneggiarsi il meccanismo di sicurezza che protegge da aperture accidentali.
- In caso di guasto, in nessun caso accedere ai meccanismi interni per tentare una riparazione.
- Controllare sempre che i bambini non si avvicinino alla macchina in funzione.
- Durante il lavaggio l'oblò tende a scaldarsi.
- Se dev'essere spostata, lavorare in due o tre persone con la massima attenzione. Mai da soli perché la macchina è molto pesante.
- Prima di introdurre la biancheria controlla che il cestello sia vuoto.

Smaltimento

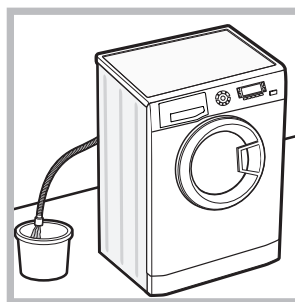
- Smaltimento del materiale di imballaggio: attenersi alle norme locali, così gli imballaggi potranno essere riutilizzati.
- La direttiva Europea 2012/19/EU sui rifiuti di apparecchiature elettriche ed elettroniche, prevede che gli elettrodomestici non debbano essere smaltiti nel normale flusso dei rifiuti solidi urbani. Gli apparecchi dismessi devono essere raccolti separatamente per ottimizzare il tasso di recupero e riciclaggio dei materiali che li compongono ed impedire potenziali danni per la salute e l'ambiente.

Il simbolo del cestino barrato è riportato su tutti i prodotti per ricordare gli obblighi di raccolta separata.

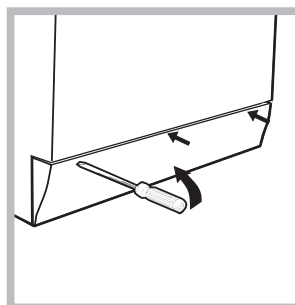
Per ulteriori informazioni, sulla corretta dismissione degli elettrodomestici, i detentori potranno rivolgersi al servizio pubblico preposto o ai rivenditori.

Apertura manuale della porta oblò

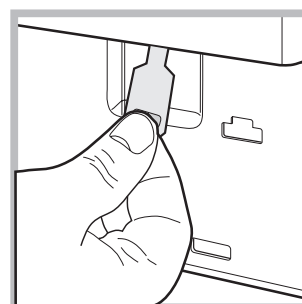
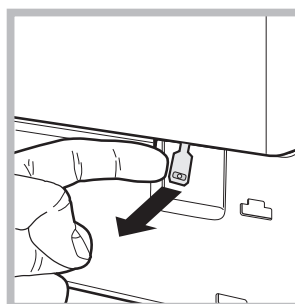
Nel caso non sia possibile aprire la porta oblò a causa della mancanza di energia elettrica e volete stendere il bucato, procedere come segue:



1. togliere la spina dalla presa di corrente.
2. verificare che il livello dell'acqua all'interno della macchina sia inferiore rispetto all'apertura dell'oblò; in caso contrario togliere l'acqua in eccedenza attraverso il tubo di scarico raccogliendola in un secchio come indicato in figura.



3. rimuovere il pannello di copertura sul lato anteriore della lavabiancheria con l'ausilio di un giravite (vedi figura).



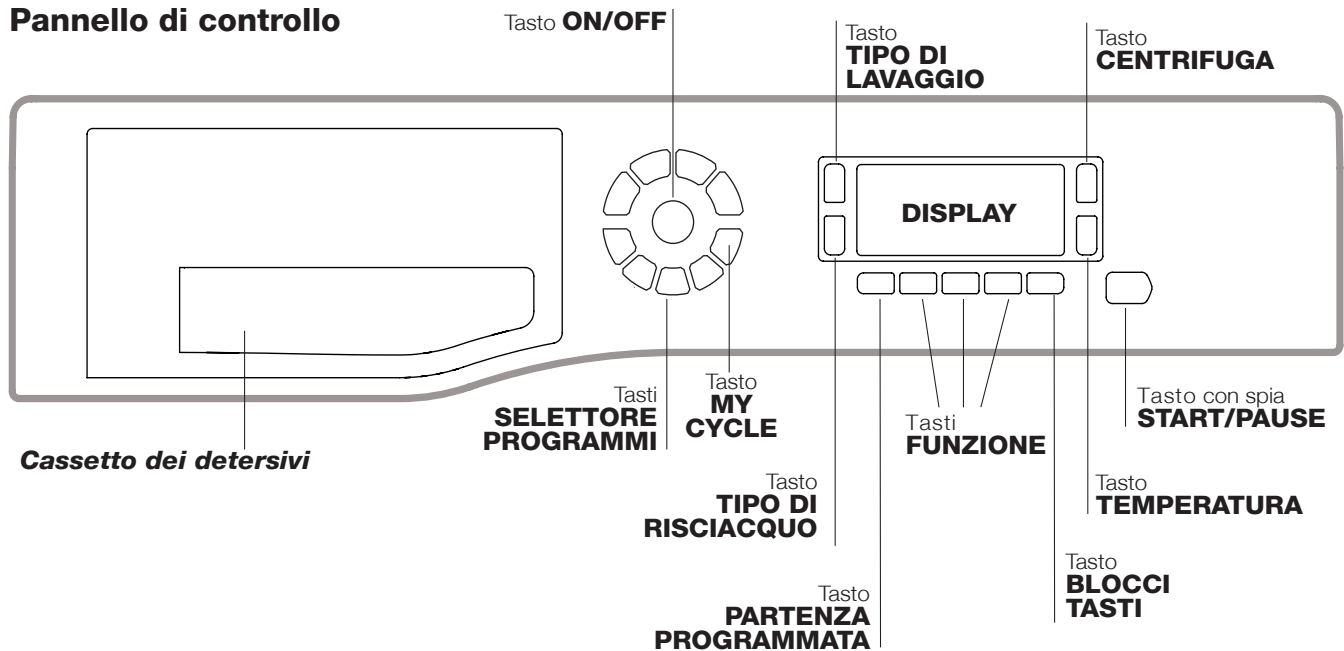
4. utilizzando la linguetta indicata in figura tirare verso l'esterno fino a liberare il tirante in plastica dal fermo; tirarlo successivamente verso il basso e contemporaneamente aprire la porta.

5. rimontare il pannello assicurandosi, prima di spingerlo verso la macchina, di aver inserito i ganci nelle apposite asole.


Descrizione della lavabiancheria

IT

Pannello di controllo



Cassetto dei detersivi: per caricare detersivi e additivi (vedi "Detersivi e biancheria").

Tasto ON/OFF : premere brevemente il tasto per accendere o spegnere la macchina. La spia START/PAUSE che lampeggia lentamente di colore verde indica che la macchina è accesa. Per spegnere la lavabiancheria durante il lavaggio è necessario tenere premuto il tasto più a lungo, circa 3 sec.; una pressione breve o accidentale non permetterà lo spegnimento della macchina.

Lo spegnimento della macchina durante un lavaggio in corso annulla il lavaggio stesso.

Tasti SELETTORE PROGRAMMI: per impostare il programma desiderato (vedi "Tabella dei programmi").

Tasto MY CYCLE: tenere premuto il tasto per memorizzare un ciclo e le proprie personalizzazioni preferite. Per richiamare un ciclo precedentemente memorizzato premere il tasto MY CYCLE.



Tasti FUNZIONE: premere il tasto per selezionare la funzione desiderata. Sul display si illuminerà la spia relativa.

Tasto TIPO DI LAVAGGIO : premere per selezionare l'intensità di lavaggio desiderata.

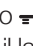
Tasto TIPO DI RISCIAQUO : premere per selezionare il tipo di risciacquo desiderato.

Tasto CENTRIFUGA : premere per ridurre o escludere del tutto la centrifuga; il valore viene indicato nel display.

Tasto TEMPERATURA : premere per ridurre la temperatura; il valore viene indicato nel display.

Tasto BLOCCO TASTI : per attivare il blocco del pannello di controllo, tenere premuto il tasto per circa 2 secondi. Il simbolo  acceso indica che il pannello di controllo è bloccato (ad eccezione del tasto ON/OFF). In questo modo si impediscono modifiche accidentali dei programmi, soprattutto se in casa ci sono dei bambini. Per disattivare il blocco del pannello di controllo, tenere premuto il tasto per circa 2 secondi.

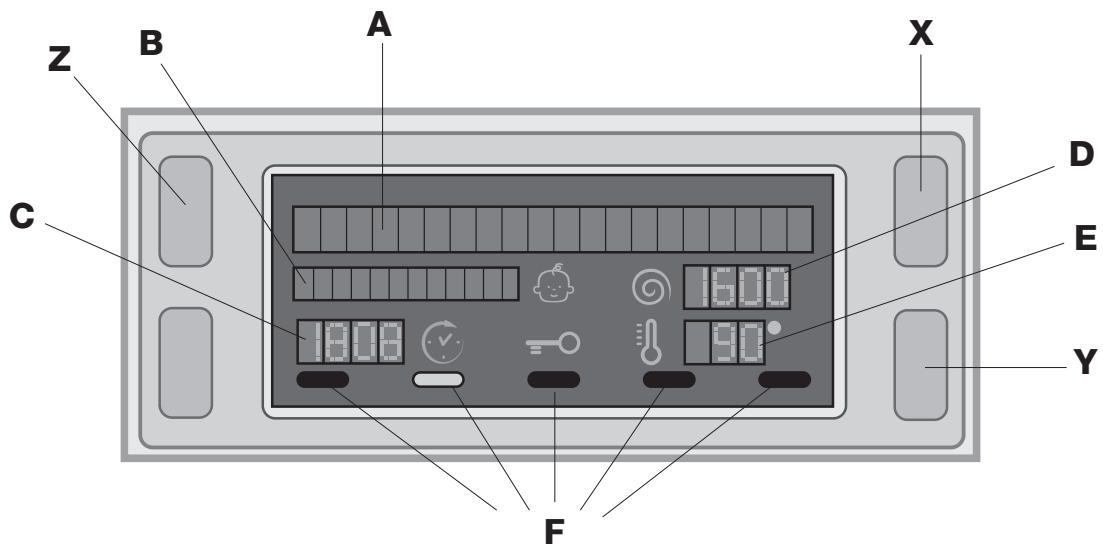
Tasto PARTENZA RITARDATA : premere per impostare una partenza ritardata del programma prescelto; il ritardo viene indicato nel display.

Tasto con spia START/PAUSE: quando la spia verde lampeggia lentamente, premere il tasto per avviare un lavaggio. A ciclo avviato la spia diventa fissa. Per mettere in pausa il lavaggio, premere nuovamente il tasto; la spia lampeggerà con colore arancione. Se il simbolo  non è illuminato, si potrà aprire l'oblò. Per far ripartire il lavaggio dal punto in cui è stato interrotto, premere nuovamente il tasto.

Modalità di stand by

Questa lavatrice, in conformità alle nuove normative legate al risparmio energetico, è dotata di un sistema di autospegnimento (stand by) che entra in funzione dopo circa 30 minuti nel caso di non utilizzo. Premere brevemente il tasto ON/OFF e attendere che la macchina si riattivi.

Display



Il display è utile per programmare la macchina e fornisce molteplici informazioni.

Nelle due stringhe superiori **A** e **B** vengono visualizzati il programma di lavaggio selezionato, la fase di lavaggio in corso e tutte le indicazioni relative allo stato d'avanzamento del programma.

Nella stringa **C** viene visualizzato il tempo residuo alla fine del ciclo di lavaggio in corso e nel caso fosse stata impostata una PARTENZA RITARDATA, il tempo mancante all'avvio del programma selezionato.

Nell'area **D** viene visualizzato il valore massimo della velocità della centrifuga che la macchina può effettuare in base al programma impostato; se il programma non prevede la centrifuga l'area resta spenta.

Nell'area **E** viene visualizzato il valore massimo della temperatura che si può selezionare in base al programma impostato; se il programma non prevede l'impostazione della temperatura l'area resta spenta.

Le spie **F** sono relative alle funzioni e si accendono quando la funzione selezionata è compatibile con il programma impostato.

Simbolo **Oblò bloccato**

Il simbolo acceso indica che l'oblò è bloccato per impedire aperture accidentali. Per evitare danni è necessario attendere che il simbolo si spenga prima di aprire l'oblò.


N.B.: se è attiva la funzione PARTENZA RITARDATA l'oblò non si può aprire, per aprirlo mettere la macchina in pausa premendo il tasto START/PAUSE.



! Alla prima accensione verrà richiesto di selezionare la lingua ed il display entrerà automaticamente nel menu di selezione lingua. Per scegliere la lingua desiderata premere i tasti **X** e **Y**, per confermare la scelta premere il tasto **Z**.

Se si vuole cambiare lingua, spegnere la macchina, premere **contemporaneamente** i tasti **X**, **Y**, **Z** fino a sentire un segnale acustico, verrà visualizzato di nuovo il menu di selezione lingua.

Come effettuare un ciclo di lavaggio


IT

1. **ACCENDERE LA MACCHINA.** Premere il tasto , sul display comparirà la scritta "ACCENSIONE IN CORSO"; la spia START/PAUSE lampeggerà lentamente di colore verde.
2. **CARICARE LA BIANCHERIA.** Aprire la porta oblò. Caricare la biancheria facendo attenzione a non superare la quantità di carico indicata nella tabella programmi della pagina seguente.
3. **DOSARE IL DETERSIVO.** Estrarre il cassetto e versare il detersivo nelle apposite vaschette come spiegato in "Detersivi e biancheria".
4. **CHIUDERE L'OBLO'.**
5. **SCEGLIERE IL PROGRAMMA.** Premere uno dei tasti del SELETTORE PROGRAMMI per selezionare il programma desiderato; il nome del programma comparirà sul display; ad esso è associata una temperatura e una velocità di centrifuga che possono essere modificate. Sul display comparirà la durata del ciclo.
6. **PERSONALIZZARE IL CICLO DI LAVAGGIO.** Agire sugli appositi tasti:


Modificare la temperatura e/o la centrifuga. La macchina seleziona automaticamente la temperatura e la centrifuga massime previste per il programma impostato e non possono pertanto essere aumentate. Premendo il tasto  si riduce progressivamente la temperatura sino al lavaggio a freddo "OFF". Premendo il tasto  si riduce progressivamente la centrifuga sino alla sua esclusione "OFF". Un'ulteriore pressione dei tasti riporterà i valori al massimo consentito per il ciclo selezionato.

! Eccezione: selezionando il programma 2 (60°C) (1° pressione del tasto) la temperatura può essere portata sino a 90°.


Impostare una partenza ritardata.


Per impostare la partenza ritardata del programma prescelto, premere il tasto relativo fino a raggiungere il tempo di ritardo desiderato. Quando tale opzione è attiva, sul display si illumina il simbolo . Per rimuovere la partenza ritardata premere il tasto fino a che sul display compare la scritta "OFF".

Impostare l'intensità di lavaggio desiderata.

L'opzione  permette di ottimizzare il lavaggio in base al grado di sporco dei tessuti e all'intensità di lavaggio desiderata.


Selezionare il programma di lavaggio, il ciclo viene impostato automaticamente sul livello "Normale", ottimizzato per capi mediamente sporchi, (impostazione non valida per il ciclo "Lana", che si imposta automaticamente sul livello "Delicato").

Per capi molto sporchi premere il tasto  fino al raggiungimento del livello "Lavaggio Intensivo". Questo livello garantisce un lavaggio di alte prestazioni grazie all'utilizzo di una maggiore quantità di acqua nella fase iniziale del ciclo ed una maggiore movimentazione meccanica, ed è utile per eliminare le macchie più resistenti. Può essere utilizzato **con** o **senza** candeggina. Se si desidera effettuare il candeggio inserire la vaschetta aggiuntiva 4, in dotazione, nella vaschetta 1. Nel dosare la candeggina non superare il livello "max" indicato sul perno centrale (vedi figura a pag. 34).

Per capi poco sporchi o per un trattamento più delicato dei tessuti, premere il tasto  fino al raggiungimento del livello "Delicato".

Il ciclo ridurrà la movimentazione meccanica per garantire risultati di lavaggio perfetti per i capi delicati.

Impostare il tipo di risciacquo.

L'opzione  consente di selezionare il tipo di risciacquo desiderato per la massima cura delle pelli sensibili. Alla prima pressione del tasto viene impostato il livello "Extra risciacquo" che permette di selezionare un risciacquo aggiuntivo a quelli standard del ciclo, per eliminare tutte le tracce di detergente. Alla seconda pressione del tasto viene impostato il livello "Pelli Sensibili" che permette di selezionare due risciacqui aggiuntivi a quelli standard del ciclo ed è consigliato per le pelli più sensibili. Alla terza pressione del tasto viene impostato il livello "Anti Allergico" che permette di selezionare 3 risciacqui aggiuntivi a quelli standard del ciclo. L'opzione attivata con cicli a temperatura di 40° permette di rimuovere i principali allergeni come peli di gatto e cane e pollini, con cicli a temperatura superiore a 40° si raggiunge un ottimo livello di protezione antiallergica. Premere nuovamente il tasto per tornare al tipo di risciacquo "Risciacquo Normale". Se non è possibile impostare o modificare la regolazione esistente, sul display verrà visualizzato "Non permesso".




Modificare le caratteristiche del ciclo.

- Premere il tasto per attivare la funzione; la spia corrispondente al pulsante si accenderà.
- Premere nuovamente il tasto per disattivare la funzione; la spia si spegnerà.

! Se la funzione selezionata non è compatibile con il programma impostato, la spia lampeggerà e la funzione non verrà attivata.

! Se la funzione selezionata non è compatibile con un'altra precedentemente impostata, la spia relativa alla prima funzione selezionata lampeggerà e verrà attivata solo la seconda, la spia della funzione attivata si illuminerà.

! Le funzioni possono variare il carico raccomandato e/o la durata del ciclo.

7. **AVVIARE IL PROGRAMMA.** Premere il tasto START/PAUSE. La spia relativa si illuminerà di colore verde fisso e l'oblò si bloccherà (simbolo OBLO'BLOCCATO  acceso). Durante il lavaggio, sul display comparirà il nome della fase in corso. Per cambiare un programma mentre un ciclo è in corso, **mettere la lavabiancheria in pausa** premendo il tasto START/PAUSE (la spia START/PAUSE lampeggerà lentamente di colore arancione); selezionare quindi il ciclo desiderato e premere nuovamente il tasto START/PAUSE. Per aprire la porta mentre un ciclo è in corso premere il tasto START/PAUSE; se il simbolo OBLO'BLOCCATO  è spenta sarà possibile aprire l'oblò. Premere nuovamente il tasto START/PAUSE per far ripartire il programma dal punto in cui era stato interrotto.
8. **FINE DEL PROGRAMMA.** Viene indicata dalla scritta "FINE CICLO" sul display, quando il simbolo OBLO'BLOCCATO  si spegnerà sarà possibile aprire l'oblò. Aprire l'oblò, scaricare la biancheria e spegnere la macchina.


! Se si desidera annullare un ciclo già avviato, premere a lungo il tasto . Il ciclo verrà interrotto e la macchina si spegnerà.

Tabella dei programmi

Programmi	Descrizione del Programma	Temp. max. (°C)	Velocità max. (giri al minuto)	Detersivi				Carico max. (Kg)	Umidità residua %	Consumo energia kWh	Acqua totale lt	Durata ciclo
				Prelavaggio	Lavaggio	Candeggina	Ammorbidente					
CLEAN Plus												
1	Antimacchia (1° pressione del tasto)	40°	1200	●	●	-	●	5	-	-	-	180'
1	Antimacchia Rapido (2° pressione del tasto)	40°	1200	-	●	-	●	4,5	-	-	-	60'
2	Cotone Standard 60° (1) (1° pressione del tasto): bianchi e colorati resistenti molto sporchi.	60° (Max. 90°)	1200	● (3)	●	●	●	8	53	1,04	55	215'
2	Cotone Standard 40° (2) (2° pressione del tasto): bianchi e colorati delicati poco sporchi.	40°	1200	-	●	●	●	8	53	0,87	81	185'
2	Cotone Standard 20° (3° pressione del tasto): bianchi e colorati delicati poco sporchi.	20°	1200	-	●	●	●	8	-	-	-	175'
3	Sintetici Resistenti (1° pressione del tasto): colori resistenti molto sporchi.	60°	800	●	●	●	●	4,5	46	1,03	60	115'
3	Sintetici Resistenti (4) (1° pressione del tasto): colori resistenti poco sporchi.	40°	800	●	●	●	●	4,5	46	0,56	60	100'
3	Sintetici Delicati (2° pressione del tasto): colori resistenti poco sporchi.	40°	800	●	●	●	●	4,5	-	-	-	75'
SPECIALS												
4	Rapido 30': per rinfrescare rapidamente capi poco sporchi (non indicato per lana, seta e capi da lavare a mano).	30°	800	-	●	-	●	3	71	0,20	38	30'
M	My Cycle (Memo): permette di memorizzare un qualsiasi ciclo di lavaggio.											
6	Biancheria 7 giorni: per biancheria da letto e da bagno.	60°	1200	●	●	-	●	8	-	-	-	140'
EXTRA CARE												
7	Woolmark Platinum (Lana): per lana, cachemire, ecc.	40°	800	-	●	-	●	2	-	-	-	85'
8	Delicati	30°	0	-	●	-	●	1	-	-	-	80'
	Centrifuga (1° pressione del tasto).	-	1200	-	-	-	-	8	-	-	-	16'
	Risciacquo (2° pressione del tasto).	-	1200	-	-	-	●	8	-	-	-	36'
	Scarico (3° pressione del tasto).	-	0	-	-	-	-	8	-	-	-	2'

La durata del ciclo indicata sul display o sul libretto è una stima calcolata in base a condizioni standard. Il tempo effettivo può variare in base a numerosi fattori quali la temperatura e la pressione dell'acqua in ingresso, la temperatura ambiente, la quantità di detersivo, la quantità ed il tipo di carico, il bilanciamento del carico, le opzioni aggiuntive selezionate.

1) Programma di controllo secondo la direttiva 1061/2010: impostare il programma 2 a 60°C (1° pressione del tasto).

Questo ciclo è adatto per pulire un carico di cotone normalmente sporco ed è il più efficiente in termini di consumo combinato di energia e di acqua, da usare su capi lavabili a 60 °C. La temperatura effettiva di lavaggio può differire da quella indicata.

2) Programma di controllo secondo la direttiva 1061/2010: impostare il programma 2 a 40°C (2° pressione del tasto).

Questo ciclo è adatto per pulire un carico di cotone normalmente sporco ed è il più efficiente in termini di consumo combinato di energia e di acqua, da usare su capi lavabili a 40°C. La temperatura effettiva di lavaggio può differire da quella indicata.

3) Alla temperatura di 60° la funzione "Prelavaggio" non può essere attivata.

Per tutti Test Institutes:

2) Programma cotone lungo: impostare il programma 2 a 40°C (2° pressione del tasto).

4) Programma sintetico lungo: impostare il programma 3 a 60°C (1° pressione del tasto); temperatura di 40°C (premere il tasto TEMPERATURA).

Funzioni di lavaggio

Prelavaggio

Selezionando questa funzione si effettua il prelavaggio, utile per rimuovere macchie ostinate.

N.B.: Aggiungere il detersivo nell'apposito scomparto.

! Non è attivabile sui programmi "Anti macchia Rapido",

2 (60°) (1° pressione del tasto), 2 (2° pressione del tasto),

2 (3° pressione del tasto), 4, 7, 8, .

Stira facile

Selezionando questa funzione, il lavaggio e la centrifuga saranno opportunamente modificati per ridurre la formazione di pieghe.

Al termine del ciclo la lavabiancheria effettuerà delle lente rotazioni del cestello; la spia della funzione STIRA FACILE lampeggerà e la scritta "FINE CICLO" apparirà su display.

Per terminare il ciclo si dovrà premere il tasto START/PAUSE o il tasto STIRA FACILE.

! Non è attivabile sui programmi 1, 4, 7, 8, .

Eco wash

La funzione Eco Wash contribuisce al risparmio energetico non riscaldando l'acqua utilizzata per lavare il bucato – un vantaggio sia per l'ambiente, sia per la bolletta elettrica. Infatti, l'azione rafforzata e il consumo ottimizzato dell'acqua garantiscono ottimi risultati nella stessa durata media di un ciclo standard.

Per ottenere i migliori risultati di lavaggio, si consiglia l'uso di un detersivo liquido.

! Non è attivabile sui programmi 1, 2 (3° pressione del tasto), 6, 7, 8, .

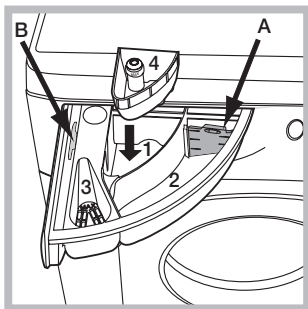
Detersivi e biancheria

IT

Cassetto dei detersivi

Il buon risultato del lavaggio dipende anche dal corretto dosaggio del detersivo: eccedendo non si lava in modo più efficace e si contribuisce a incrostare le parti interne della lavabiancheria e a inquinare l'ambiente.

- ! Usare detersivi in polvere per capi in cotone bianchi e per il prelavaggio e per lavaggi con temperatura superiore a 60°C.
- ! Seguire le indicazioni riportate sulla confezione di detersivo.
- ! Non usare detersivi per il lavaggio a mano, perché formano troppa schiuma.



Estrarre il cassetto dei detersivi e inserire il detersivo o l'additivo come segue.

vaschetta 1: Detersivo per prelavaggio (in polvere)

Prima di versare il detersivo verificare che non sia inserita la vaschetta aggiuntiva 4.

vaschetta 2: Detersivo per lavaggio (in polvere o liquido)

Nel caso di utilizzo di detersivo liquido si consiglia di utilizzare la paratina **A** in dotazione per un corretto dosaggio. Per l'utilizzo del detersivo in polvere riporre la paratina nella cavità **B**.

vaschetta 3: Additivi (ammorbidente, ecc.)

L'ammorbidente non deve fuoriuscire dalla griglia.

vaschetta aggiuntiva 4: Candeggina

Preparare la biancheria

- Suddividere la biancheria secondo:
 - il tipo di tessuto / il simbolo sull'etichetta.
 - i colori: separare i capi colorati da quelli bianchi.
- Vuotare le tasche e controllare i bottoni.
- Non superare i valori indicati, riferiti al peso della biancheria asciutta: vedi "Tabella dei programmi".

Quanto pesa la biancheria?

- 1 lenzuolo 400-500 gr.
- 1 federa 150-200 gr.
- 1 tovaglia 400-500 gr.
- 1 accappatoio 900-1200 gr.
- 1 asciugamano 150-250 gr.

Programmi speciali

Antimacchia: il programma è adatto al lavaggio di capi molto sporchi, con colori resistenti. Il programma garantisce una classe di lavaggio superiore alla classe standard (classe A). Non eseguire il programma mescolando capi di colore diverso. Si consiglia l'utilizzo di detersivo in polvere. Per macchie ostinate è consigliato il pretrattamento con additivi specifici.

Anti macchia Rapido: Il programma è studiato per lavare i capi con macchie giornaliere anche più ostinate in un'ora. Adatto a capi colorati di fibra mista, garantendone il massimo rispetto.

Cotone Standard 20°: ideale per carichi in cotone sporchi. Le buone performance anche a freddo, compatibili con un lavaggio a 40°, sono garantite da un'azione meccanica che lavora con variazione di velocità a picchi ripetuti e ravvicinati

Biancheria da bagno e da letto: per lavare la biancheria da bagno e da letto in un unico ciclo, utilizzare il programma **6** che ottimizza l'uso dell'ammorbidente e ti consente di risparmiare tempo ed energia. Si consiglia l'utilizzo di detersivo in polvere.

Lana: il ciclo di lavaggio "Lana" di questa lavatrice è stato approvato dalla Woolmark Company per il lavaggio di capi di lana classificati come "lavabili a mano", purché il lavaggio venga eseguito nel rispetto delle istruzioni riportate sull'etichetta dell'indumento e delle indicazioni fornite dal produttore di questa lavatrice. (M1127)



Delicati: utilizzare il programma **8** per il lavaggio dei capi molto delicati, che presentano applicazioni quali strass o paillettes.

Per il lavaggio dei capi in **seta** e **tende**, selezionare il ciclo **8** ed impostare il livello "Delicato" dell'opzione . Si raccomanda di rovesciare i capi prima del lavaggio e di inserire gli indumenti piccoli nell'apposito sacchetto per il lavaggio dei capi delicati.

Per risultati migliori si raccomanda l'utilizzo del detersivo liquido per capi delicati.

Sistema bilanciamento del carico

Prima di ogni centrifuga, per evitare vibrazioni eccessive e per distribuire il carico in modo uniforme, il cestello effettua delle rotazioni ad una velocità leggermente superiore a quella del lavaggio. Se al termine di ripetuti tentativi il carico non fosse ancora correttamente bilanciato la macchina effettua la centrifuga ad una velocità inferiore a quella prevista.

In presenza di eccessivo sbilanciamento la lavabiancheria effettua la distribuzione anziché la centrifuga. Per favorire una migliore distribuzione del carico e il suo corretto bilanciamento si consiglia di mescolare capi grandi e piccoli.

Può accadere che la lavabiancheria non funzioni. Prima di telefonare all'Assistenza (vedi "Assistenza"), controllare che non si tratti di un problema facilmente risolvibile aiutandosi con il seguente elenco.

Anomalie:

La lavabiancheria non si accende.

Il ciclo di lavaggio non inizia.

La lavabiancheria non carica acqua (nel display apparirà la scritta "Manca l'acqua, apri il rubinetto").

La lavabiancheria carica e scarica acqua di continuo.

La lavabiancheria non scarica o non centrifuga.

La lavabiancheria vibra molto durante la centrifuga.

La lavabiancheria perde acqua.

La macchina è bloccata, il display lampeggia e segnala un codice di anomalia (es.: F-01, F-...).

Si forma troppa schiuma.

Possibili cause / Soluzione:

- La spina non è inserita nella presa della corrente, o non abbastanza da fare contatto.
- In casa non c'è corrente.

- L'oblò non è ben chiuso.
- Il tasto ON/OFF non è stato premuto.
- Il tasto START/PAUSE non è stato premuto.
- Il rubinetto dell'acqua non è aperto.
- Si è impostato un ritardo sull'ora di avvio (PARTENZA RITARDATA, vedi "Come effettuare un ciclo di lavaggio").

- Il tubo di alimentazione dell'acqua non è collegato al rubinetto.
- Il tubo è piegato.
- Il rubinetto dell'acqua non è aperto.
- In casa manca l'acqua.
- Non c'è sufficiente pressione.
- Il tasto START/PAUSE non è stato premuto.

- Il tubo di scarico non è installato fra 65 e 100 cm da terra (vedi "Installazione").
- L'estremità del tubo di scarico è immersa nell'acqua (vedi "Installazione").
- Lo scarico a muro non ha lo sfiato d'aria.

Se dopo queste verifiche il problema non si risolve, chiudere il rubinetto dell'acqua, spegnere la lavabiancheria e chiamare l'Assistenza. Se l'abitazione si trova agli ultimi piani di un edificio, è possibile che si verifichino fenomeni di sifonaggio, per cui la lavabiancheria carica e scarica acqua di continuo. Per eliminare l'inconveniente sono disponibili in commercio apposite valvole anti-sifonaggio.

- Il programma non prevede lo scarico: con alcuni programmi occorre avviarlo manualmente.
- È attiva la funzione STIRA FACILE: per completare il programma premere il tasto START/PAUSE ("Programmi e funzioni").
- Il tubo di scarico è piegato (vedi "Installazione").
- La condotta di scarico è ostruita.

- Il cestello, al momento dell'installazione, non è stato sbloccato correttamente (vedi "Installazione").
- La lavabiancheria non è in piano (vedi "Installazione").
- La lavabiancheria è stretta tra mobili e muro (vedi "Installazione").

- Il tubo di alimentazione dell'acqua non è ben avvitato (vedi "Installazione").
- Il cassetto dei detersivi è intasato (per pulirlo vedi "Manutenzione e cura").
- Il tubo di scarico non è fissato bene (vedi "Installazione").

- Spegnere la macchina e togliere la spina dalla presa, attendere circa 1 minuto quindi riaccenderla.
Se l'anomalia persiste, chiamare l'Assistenza.

- Il detersivo non è specifico per lavabiancheria (deve esserci la dicitura "per lavatrice", "a mano e in lavatrice", o simili).
- Il dosaggio è stato eccessivo.

Assistenza

IT

Prima di contattare l'Assistenza:

- Verificare se l'anomalia può essere risolta da soli (vedi "Anomalie e rimedi");
- Riavviare il programma per controllare se l'inconveniente è stato ovviato;
- In caso negativo, contattare il Numero Unico 199.199.199*.

! Non ricorrere mai a tecnici non autorizzati.

Comunicare:

- il tipo di anomalia;
- il modello della macchina (Mod.);
- il numero di serie (S/N);

Queste informazioni si trovano sulla targhetta applicata nella parte posteriore della lavabiancheria e nella parte anteriore aprendo l'oblò.

Assistenza Attiva 7 giorni su 7



In caso di necessità d'intervento chiamare il Numero Unico Nazionale 199.199.199*.

Un operatore sarà a completa disposizione per fissare un appuntamento con il Centro Assistenza Tecnico Autorizzato più vicino al luogo da cui si chiama.

È attivo 7 giorni su 7, sabato e domenica compresi, e non lascia mai inascoltata una richiesta.

* Al costo di 14,25 centesimi di Euro al minuto (iva inclusa) dal Lun. al Ven. dalle 08:00 alle 18:30, il Sab. dalle 08:00 alle 13:00 e di 5,58 centesimi di Euro al minuto (iva inclusa) dal Lun. al Ven. dalle 18:30 alle 08:00, il Sab. dalle 13:00 alle 08:00 e i giorni festivi, per chi chiama da telefono fisso.

Per chi chiama da radiomobile le tariffe sono legate al piano tariffario dell'operatore telefonico utilizzato.

Le suddette tariffe potrebbero essere soggette a variazione da parte dell'operatore telefonico; per maggiori informazioni consultare il sito www.hotpoint-ariston.it.

FICHE TECNICA - REGOLAMENTO DELEGATO (UE) N. 1061/2010 DELLA COMMISSIONE

Marchio	HOTPOINT/ARISTON
Modello	FMD 823MB EU.C
Capacità in kg di cotone	8.0
Classe di efficienza energetica su una scala da A+++ (basso consumo) a G (alto consumo)	A+++
Consumo annuo di energia in kWh ¹⁾	193.0
Consumo di energia del programma cotone standard a 60°C a pieno carico in kWh ²⁾	1.044
Consumo di energia del programma cotone standard a 60° carico parziale in kWh ²⁾	0.715
Consumo di energia del programma cotone standard a 40° a carico parziale in kWh ²⁾	0.644
Consumo di potenza in modo spento in W	0,5
Consumo di potenza in modo lasciato acceso in W	8.0
Consumo di acqua in litri/anno ³⁾	11594
Classe di efficacia di centrifuga su una scala da G (efficacia minima) ad A (efficacia massima)	B
Velocità massima di centrifuga raggiunta ⁴⁾	1200
Umidità residua ⁵⁾	53%
Durata del programma cotone standard a 60°C a pieno carico in minuti	215
Durata del programma cotone standard a 60°C a carico parziale in minuti	155
Durata del programma cotone standard a 40°C a carico parziale in minuti	145
Durata del modo lasciato acceso in minuti	30
Rumore in dB(A) re 1 pW in lavaggio ⁶⁾	53
Rumore in dB(A) re 1 pW in centrifuga ⁶⁾	79
Modello da incasso	

¹⁾ Basato su 220 cicli di lavaggio cotone standard a 60°C e a 40°C a carico pieno e parziale e sul consumo nei modi di spento e lasciato acceso. Il consumo effettivo dipende dalla modalità di utilizzo della lavabiancheria.

²⁾ Il "cotone standard a 60°C" a carico pieno e parziale ed il "cotone standard a 40°C" a carico parziale sono i programmi di lavaggio standard ai quali fanno riferimento le informazioni sull'etichetta e sulla scheda, questi programmi sono adatti per lavare cotone normalmente sporco e sono i programmi più efficienti in termini di consumo combinato di energia e acqua. Il carico parziale è la metà del carico nominale.

³⁾ Basato su 220 cicli di lavaggio cotone standard a 60°C e a 40°C a carico pieno e parziale. Il consumo effettivo dipende dalla modalità di utilizzo dell'apparecchio.

⁴⁾ Valore minimo fra il programma cotone standard 60°C a pieno e metà carico e il cotone standard 40°C a metà carico.

⁵⁾ Valore massimo fra il programma cotone standard 60°C a pieno e metà carico e il cotone standard 40°C a metà carico.

⁶⁾ Misurato sul programma cotone standard a 60°C pieno carico.

GR

Ελληνικά

FMD 823

Περιεχόμενα

Εγκατάσταση, 38-39

Αποσυσκευασία και οριζοντίωση
Υδραυλικές και ηλεκτρικές συνδέσεις
Πρώτος κύκλος πλυσίματος
Τεχνικά στοιχεία

Συντήρηση και φροντίδα, 40

Αποκλεισμός νερού και ηλεκτρικού ρεύματος
Καθαρισμός του πλυντηρίου
Καθαρισμός του συρταριού απορρυπαντικών
Φροντίδα της πόρτας και του κάδου
Καθαρισμός της αντλίας
Έλεγχος του σωλήνα τροφοδοσίας του νερού

Προφυλάξεις και συμβουλές, 41

Γενική ασφάλεια
Διάθεση
Χειρονακτικό άνοιγμα της πόρτας

Περιγραφή του πλυντηρίου, 42-43

Πίνακας ελέγχου
Οθόνη

Πως διενεργείται ένας κύκλος πλυσίματος, 44

Προγράμματα και λειτουργίες, 45

Πίνακας των Προγραμμάτων
Λειτουργίες πλυσίματος

Απορρυπαντικά και μπουγάδα, 46

Θήκη απορρυπαντικών
Προετοιμασία της μπουγάδας
Ειδικά προγράμματα
Σύστημα ισοστάθμισης του φορτίου

Ανωμαλίες και λύσεις, 47

Υποστήριξη, 48

Εγκατάσταση

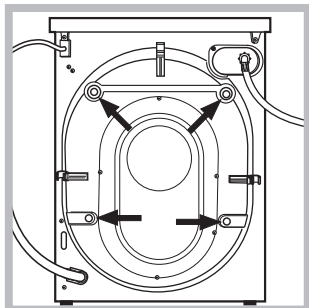
GR

! Είναι σημαντικό να διατηρήσετε το εγχειρίδιο αυτό για να μπορείτε να το συμβουλευέστε οποιαδήποτε στιγμή. Σε περίπτωση πώλησης, παραχώρησης ή μετακόμισης, βεβαιωθείτε ότι παραμένει μαζί με το πλυντήριο για να πληροφορεί τον νέο ιδιοκτήτη για τη λειτουργία και τις σχετικές προειδοποιήσεις.

! Διαβάστε προσεκτικά τις οδηγίες: υπάρχουν σημαντικές πληροφορίες για την εγκατάσταση, τη χρήση και την ασφάλεια.

Αποσυσκευασία και οριζόντιωση

Αποσυσκευασία



1. Αποσυσκευάστε το πλυντήριο.
2. Ελέγξτε αν το πλυντήριο έχει υποστεί ζημιές κατά τη μεταφορά. Αν έχει υποστεί ζημιές μην το συνδέετε και επικοινωνήστε με τον μεταπωλητή.

3. Αφαιρέστε τις 4 βίδες προστασίας για τη μεταφορά και το λαστιχάκι με το σχετικό διαχωριστικό, που βρίσκονται στο πίσω μέρος (βλέπε εικόνα).

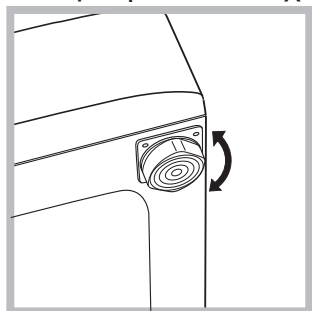
4. Κλείστε τις οπές με τα πλαστικά πώματα που σας παρέχονται.

5. Διατηρείστε και τα τρία τεμάχια: αν το πλυντήριο χρειαστεί να μεταφερθεί, θα πρέπει να ξαναμονταριστούν.

! Οι συσκευασίες δεν είναι παιχνίδια για μικρά παιδιά.

Ευθυγράμμιση

1. Εγκαταστήστε το πλυντήριο σε ένα δάπεδο επίπεδο και ανθεκτικό, χωρίς να το ακουμπήσετε σε τοίχους, έπιπλα ή άλλο.



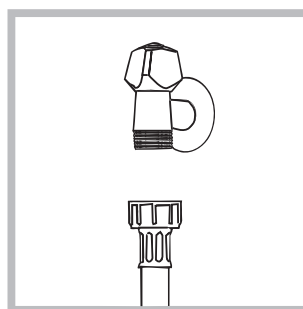
2. Αν το δάπεδο δεν είναι απόλυτα οριζοντιωμένο, αντισταθμίστε τις ανωμαλίες βιδώνοντας ή ξεβιδώνοντας τα πρόσθια ποδαράκια (βλέπε εικόνα). Η γωνία κλίσης, μετρημένη στην

επιφάνεια εργασίας, δεν πρέπει να ξεπερνάει τις 2°.

Μια φροντισμένη οριζόντιωση προσδίδει σταθερότητα στη μηχανή και αποσοβεί δονήσεις, θορύβους και μετατοπίσεις κατά τη λειτουργία. Σε περίπτωση μοκέτας ή τάπητα, ρυθμίστε τα ποδαράκια έτσι ώστε να υφίσταται κάτω από το πλυντήριο αρκετός χώρος για τον αερισμό.

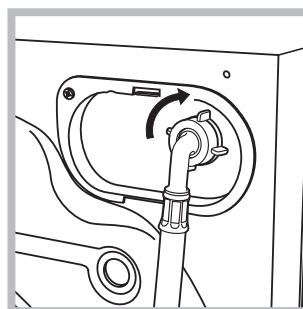
Υδραυλικές και ηλεκτρικές συνδέσεις

Σύνδεση του σωλήνα τροφοδοσίας του νερού



διαυγές.

1. Συνδέστε το σωλήνα τροφοδοσίας βιδώνοντάς τον σε ένα κρουνό κρύου νερού με στόμιο σπειρώματος 3/4 gas (βλέπε εικόνα). Πριν τη σύνδεση, αφήστε να τρέξει το νερό μέχρι να γίνει



2. Συνδέστε το σωλήνα τροφοδοσίας στο πλυντήριο βιδώνοντάς τον στην αντίστοιχη είσοδο νερού, στο πίσω μέρος επάνω δεξιά (βλέπε εικόνα).

3. Προσέξτε ώστε στο σωλήνα να μην υπάρχουν ούτε πτυχώσεις, ούτε στενώσεις.

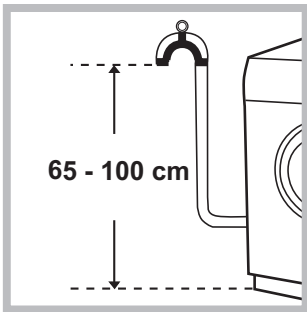
! Η πίεση νερού του κρουνού πρέπει να κυμαίνεται μεταξύ των τιμών του πίνακα Τεχνικά στοιχεία (βλέπε σελίδα δίπλα).

! Αν το μήκος του σωλήνα τροφοδοσίας δεν επαρκεί, απευθυνθείτε σε ένα ειδικευμένο κατάστημα ή σε εξουσιοδοτημένο τεχνικό.

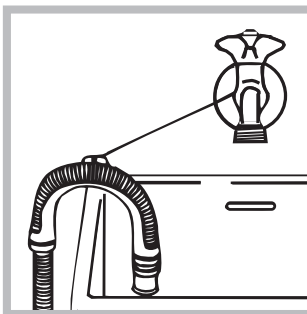
! Μη χρησιμοποιείτε ποτέ χρησιμοποιημένους σωλήνες.

! Χρησιμοποιείτε εκείνους που σας παρέχονται με τη μηχανή.

Σύνδεση του σωλήνα αδειάσματος



Συνδέστε το σωλήνα αδειάσματος, χωρίς να τον διπλώσετε, σε μια σωλήνωση αδειάσματος ή σε μια παροχέτευση επιτοίχια σε ύψος από το έδαφος μεταξύ 65 και 100 cm.



Ή στηρίξτε τον στο χείλος ενός νιπτήρα ή μιας λεκάνης, δένοντας τον οδηγό που σας παρέχεται στον κρουνό (βλέπε εικόνα). Το ελεύθερο άκρο του σωλήνα

αδειάσματος δεν πρέπει να παραμένει βυθισμένο στο νερό.

! Δεν συνιστάται η χρήση προεκτάσεων σωλήνων. Αν απαιτείται, η προέκταση πρέπει να έχει την ίδια διάμετρο του αρχικού σωλήνα και να μην ξεπερνάει τα 150 cm.

Ηλεκτρική σύνδεση

Πριν εισάγετε το βύσμα στην ηλεκτρική πρίζα, βεβαιωθείτε ότι:

- η πρίζα διαθέτει γείωση και τηρεί τις εκ του νόμου προδιαγραφές.
- Η πρίζα να είναι σε θέση να υποφέρει το μέγιστο φορτίο ισχύος της μηχανής, που αναφέρεται στον πίνακα Τεχνικών στοιχείων (βλέπε δίπλα).
- Η τάση τροφοδοσίας να κυμαίνεται μεταξύ των τιμών που αναφέρονται στον πίνακα Τεχνικών στοιχείων (βλέπε δίπλα).
- Η πρίζα να είναι συμβατή με το βύσμα του πλυντηρίου. Σε αντίθετη περίπτωση, αντικαταστήστε την πρίζα ή το βύσμα.

! Το πλυντήριο δεν εγκαθίσταται σε ανοιχτό χώρο, ακόμη και αν ο χώρος είναι καλυμμένος, διότι είναι πολύ επικίνδυνο να το αφήνετε εκτεθειμένο σε βροχή και κακοκαιρία.

! Με την εγκατάσταση του πλυντηρίου, η πρίζα ρεύματος πρέπει να είναι εύκολα προσβάσιμη.

! Μη χρησιμοποιείτε προεκτάσεις και πολύπριζα.



! Το καλώδιο δεν πρέπει να φέρει πτυχές ή να είναι συμπιεσμένο.

! Το καλώδιο τροφοδοσίας πρέπει να αντικαθίσταται μόνο από εξουσιοδοτημένους τεχνικούς.

Προσοχή! Η επιχείρηση αποποιείται κάθε ευθύνης σε περίπτωση που δεν τηρούνται αυτοί οι κανόνες.

Πρώτος κύκλος πλυσίματος

Μετά την εγκατάσταση, πριν τη χρήση, διενεργήστε ένα κύκλο πλυσίματος με απορρυπαντικό και χωρίς ρούχα θέτοντας το πρόγραμμα ΑΥΤΟ-ΚΑΘΑΡΙΣΜΟΣ (βλέπε «Καθαρισμός του πλυντηρίου»).

Τεχνικά στοιχεία	
Μοντέλο	FMD 823
Διαστάσεις	πλάτος cm 59,5 ύψος cm 85 βάθος cm 60,5
Χωρητικότητα	από 1 έως 8 kg
Ηλεκτρικές συνδέσεις	Βλέπε την πινακίδα χαρακτηριστικών επί της μηχανής
Συνδέσεις νερού	μέγιστη πίεση 1 MPa (10 bar) Ελάχιστη πίεση 0,05 MPa (0,5 bar) χωρητικότητα του κάδου 62 λίτρα
Ταχύτητα στυψίματος	μέχρι 1200 στροφές το λεπτό
Προγράμματα ελέγχου σύμφωνα με τις οδηγίες 1061/2010 και 1015/2010	πρόγραμμα 2 (60°) (1° πάτημα του κουμπού); ΚΑΝΟΝΙΚΟ ΒΑΜΒΑΚΕΡΑ 60°C; πρόγραμμα 2 (40°) (2° πάτημα του κουμπού); ΚΑΝΟΝΙΚΟ ΒΑΜΒΑΚΕΡΑ 40°C.
	Η συσκευή αυτή είναι σύμφωνη με τις ακόλουθες Κοινοτικές Οδηγίες: - 2004/108/CE (Ηλεκτρομαγνητική Συμβατότητα) - 2012/19/EU - 2006/95/CE (Χαμηλή Τάση)
	

Συντήρηση και φροντίδα

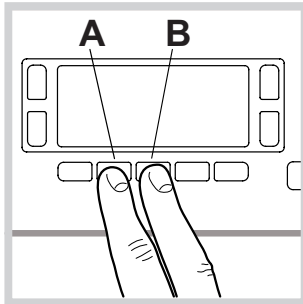
GR

Αποκλεισμός νερού και ηλεκτρικού ρεύματος

- Κλείνετε τον κρουνό του νερού μετά από κάθε πλύσιμο. Έτσι περιορίζεται η φθορά της υδραυλικής εγκατάστασης του πλυντηρίου και αποσοβείται ο κίνδυνος απωλειών.
- Να βγάζετε το βύσμα από το ρεύμα όταν καθαρίζετε το μηχάνημα και κατά τις εργασίες συντήρησης.

Καθαρισμός του πλυντηρίου

- Το εξωτερικό μέρος και τα λαστιχένια μέρη μπορούν να καθαρίζονται με ένα πανί βρεγμένο με χλιαρό νερό και σαπούνι. Μη χρησιμοποιείτε διαλύτες ή αποξυστικά.
- Το πλυντήριο διαθέτει ένα πρόγραμμα ΑΥΤΟ-ΚΑΘΑΡΙΣΜΟΣ των εσωτερικών μερών που πρέπει να διενεργείται **χωρίς κανένα τύπο φορτίου στον κάδο**.



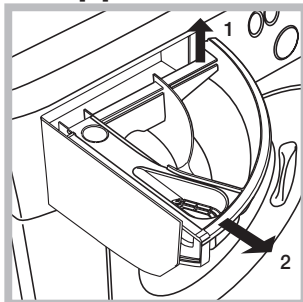
Το απορρυπαντικό (σε ποσότητα ίση με το 10% της προτεινόμενης για ρούχα λίγο λερωμένα) ή πρόσθετα ειδικά για τον καθαρισμό του πλυντηρίου, μπορούν να χρησιμοποιηθούν ως ενισχυτικά

στο πρόγραμμα πλύσης. Συνιστάται να διενεργείτε το πρόγραμμα καθαρισμού κάθε 40 κύκλους πλυσίματος.

Για την ενεργοποίηση του προγράμματος πατήστε ταυτόχρονα τα κουμπιά **A** και **B** για 5 δευτερόλεπτα (βλέπε *Εικόνα*).

Το πρόγραμμα θα ξεκινήσει αυτόματα και θα έχει διάρκεια περίπου 70 λεπτών. Για να σταματήσετε τον κύκλο πατήστε το κουμπί **START/PAUSE**.

Καθαρισμός του συρταριού απορρυπαντικών



Τραβήξτε το συρτάρι ανασηκώνοντάς το και τραβώντας το προς τα έξω (βλέπε *εικόνα*).

Πλένετέ το κάτω από τρεχούμενο νερό. Ο καθαρισμός αυτός διενεργείται συχνά.

Φροντίδα της πόρτας και του κάδου

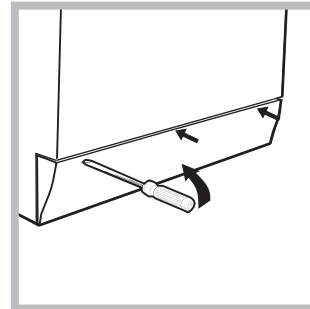
- Να αφήνετε πάντα μισόκλειστη την πόρτα για να μην παράγονται δυσοσμίες.

Καθαρισμός της αντλίας

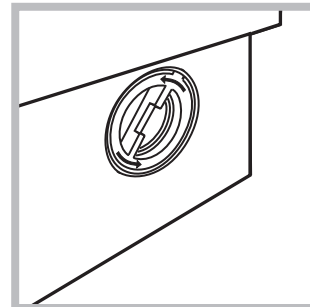
Το πλυντήριο διαθέτει μια αντλία αυτοκαθαριζόμενη που δεν χρειάζεται συντήρηση. Μπορεί, όμως, να τύχει να πέσουν μικρά αντικείμενα (κέρματα, κουμπιά) στον προθάλαμο που προστατεύει την αντλία, που βρίσκεται στο κάτω μέρος αυτής.

! Βεβαιωθείτε ότι ο κύκλος πλυσίματος έχει τελειώσει και βγάλτε το βύσμα.

Για να έχετε πρόσβαση στον προθάλαμο:



1. αφαιρέστε το ταμπλό κάλυψης στο πρόσθιο πλευρό του πλυντηρίου με τη βοήθεια ενός κατσαβιδιού (βλέπε *εικόνα*).



2. Ξεβιδώστε το καπάκι στρέφοντάς το αριστερόστροφα (βλέπε *εικόνα*): είναι φυσικό να βγαίνει λίγο νερό.

3. καθαρίστε επιμελώς το εσωτερικό.
4. ξαναβιδώστε το καπάκι.
5. ξαναμοντάρετε το πάνελ όντας σίγουροι, πριν το σπρώξετε προς τη μηχανή, ότι έχετε εισάγει τα γαντζάκια στις αντίστοιχες εσοχές.

Έλεγχος του σωλήνα τροφοδοσίας του νερού

Ελέγχετε το σωλήνα τροφοδοσίας τουλάχιστον μια φορά ετησίως. Αν παρουσιάζει σκασίματα και σχισμές αντικαθίσταται: κατά τα πλυσίματα οι ισχυρές πιέσεις θα μπορούσαν να προκαλέσουν αναπάντεχα σπασίματα.

! Μη χρησιμοποιείτε ποτέ χρησιμοποιημένους σωλήνες.

! Το πλυντήριο σχεδιάστηκε και κατασκευάστηκε σύμφωνα με τους διεθνείς κανόνες ασφαλείας. Αυτές οι προειδοποιήσεις παρέχονται για λόγους ασφαλείας και πρέπει να διαβάζονται προσεκτικά.

Γενική ασφάλεια

- Η συσκευή αυτή μπορεί να χρησιμοποιηθεί από παιδιά άνω των 8 ετών και από άτομα με μειωμένες φυσικές, αισθητηριακές ή νοητικές ικανότητες ή με εμπειρία και γνώσεις ανεπαρκείς, αν επιτηρούνται ή αν έχουν δεχτεί κατάλληλη εκπαίδευση σχετικά με τη χρήση της συσκευής με τρόπο ασφαλής και κατανοώντας τους σχετικούς κινδύνους. Τα παιδιά δεν πρέπει να παίζουν με τη συσκευή. Συντήρηση και καθαρισμός δεν πρέπει να διενεργούνται από παιδιά χωρίς επιτήρηση.
- Η συσκευή αυτή σχεδιάστηκε αποκλειστικά για οικιακή χρήση.
- Μην αγγίζετε το μηχάνημα με γυμνά πόδια ή με τα χέρια ή τα πόδια βρεγμένα.
- Μην βγάζετε το βύσμα από την ηλεκτρική πρίζα τραβώντας το καλώδιο, αλλά να πιάνετε την πρίζα.
- Μην ανοίγετε το συρτάκι απορρυπαντικών ενώ το μηχάνημα είναι σε λειτουργία.
- Μην αγγίζετε το νερό αδειάσματος, αφού μπορεί να φτάσει σε υψηλές θερμοκρασίες.
- Μην ζορίζετε σε καμία περίπτωση την πόρτα: θα μπορούσε να χαλαρώσει ο μηχανισμός ασφαλείας που προστατεύει από τυχαία ανοίγματα.
- Σε περίπτωση βλάβης, σε καμία περίπτωση να μην επεμβαίνετε στους εσωτερικούς μηχανισμούς προσπαθώντας να την επισκευάσετε.
- Να ελέγχετε πάντα τα παιδιά να μην πλησιάζουν στο μηχάνημα σε λειτουργία.
- Κατά το πλύσιμο η πόρτα τείνει να θερμαίνεται.
- Αν πρέπει να μετατοπιστεί, συνεργαστείτε δύο ή τρία άτομα με τη μέγιστη προσοχή. Ποτέ μόνοι σας γιατί το μηχάνημα είναι πολύ βαρύ.
- Πριν εισάγετε τη μπουγάδα ελέγξτε αν ο κάδος είναι άδειος.

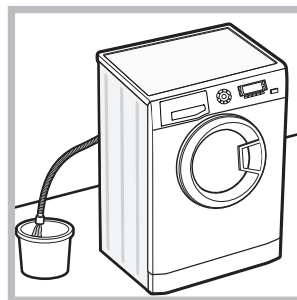
Διάθεση

- Διάθεση του υλικού συσκευασίας: τηρείτε τους τοπικούς κανονισμούς, ώστε οι συσκευασίες να μπορούν να επαναχρησιμοποιηθούν.
- Η ευρωπαϊκή οδηγία 2012/19/EU για τα Απόβλητα Ηλεκτρικού και Ηλεκτρονικού Εξοπλισμού, απαιτεί ότι οι παλαιές οικιακές ηλεκτρικές συσκευές δεν πρέπει να αποβάλλονται μαζί με τα υπόλοιπα απόβλητα του δημοτικού δικτύου. Οι παλαιές συσκευές πρέπει να συλλεχθούν χωριστά προκειμένου να βελτιστοποιηθούν η αποκατάσταση και η ανακύκλωση των υλικών που περιέχουν και με σκοπό τη μείωση των βλαβερών επιπτώσεων στην ανθρώπινη υγεία και το περιβάλλον. Το σύμβολο με το διεγραμμένο "δοχείο αποβλήτων" στο προϊόν υπενθυμίζει σε σας την υποχρέωσή σας, πως όταν επιθυμείτε να πετάξετε τη συσκευή, πρέπει να συλλεχθεί χωριστά.

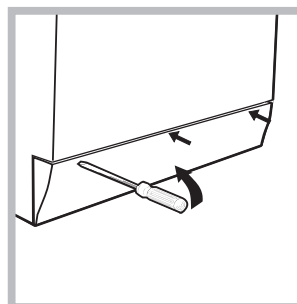
Οι καταναλωτές θα πρέπει να απευθύνονται στις τοπικές αρχές ή στα καταστήματα λιανικής για πληροφορίες που αφορούν τη σωστή διάθεση των παλαιών ηλεκτρικών συσκευών.

Χειρονακτικό άνοιγμα της πόρτας

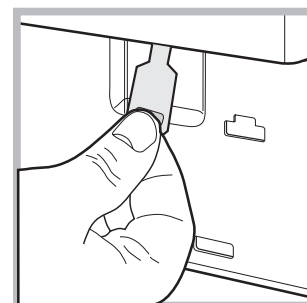
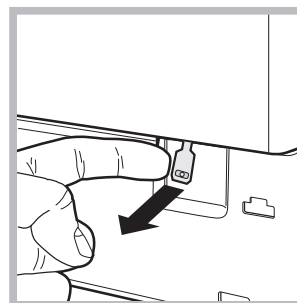
Στην περίπτωση αδυναμίας ανοίγματος της πόρτας εξ αιτίας απουσίας ηλεκτρικής ενέργειας ενώ θέλετε να απλώσετε την μπουγάδα, προχωρήστε ως ακολούθως:



1. βγάλτε το βύσμα από την ηλεκτρική πρίζα.
2. βεβαιωθείτε ότι η στάθμη του νερού στο εσωτερικό της μηχανής είναι χαμηλότερη σε σχέση με το άνοιγμα της πόρτας. Σε αντίθετη περίπτωση αφαιρέστε το σε περίσσεια νερό μέσω του σωλήνα αδειάσματος συλλέγοντάς το σε ένα κουβά όπως φαίνεται στην *εικόνα*.



3. αφαιρέστε το ταμπλό κάλυψης στο πρόσθιο πλευρό του πλυντηρίου με τη βοήθεια ενός κατσαβιδιού (*βλέπε εικόνα*).



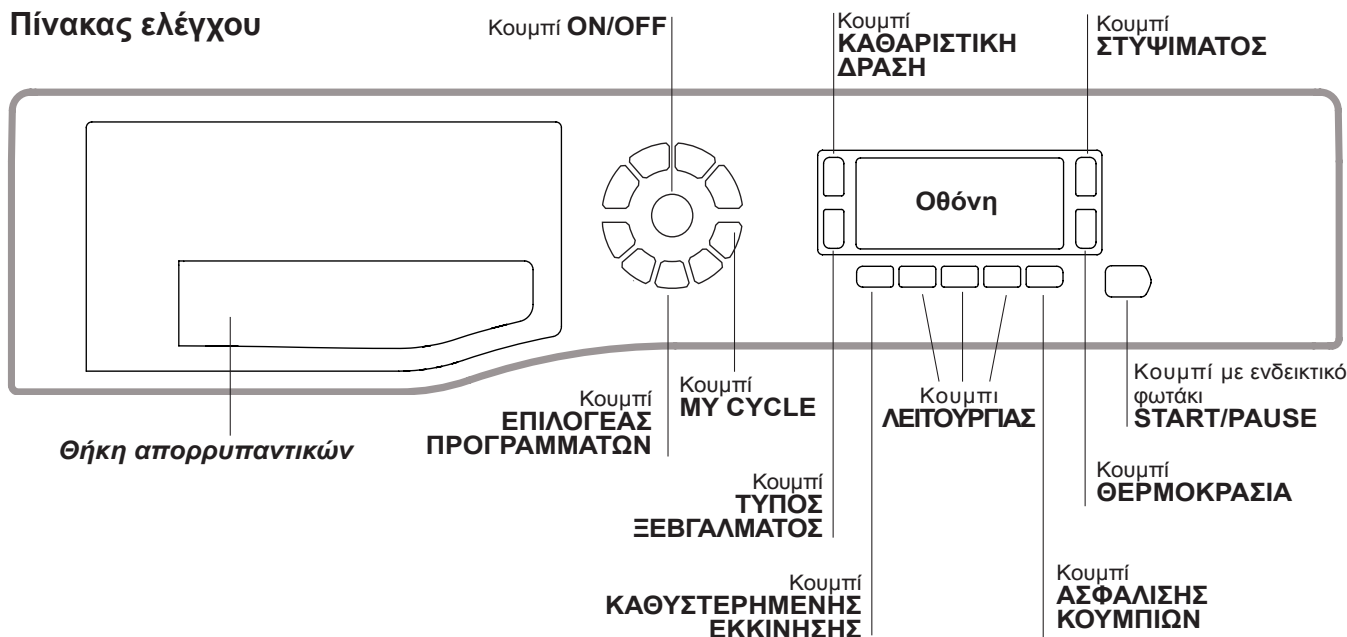
4. χρησιμοποιώντας τη γλωσσίσσα που φαίνεται στην *εικόνα* τραβήξτε προς τα έξω μέχρι να ελευθερώσετε το πλαστικό από το στοπ. Τραβήξτε το ακολούθως προς τα κάτω και ταυτόχρονα ανοίξτε την πόρτα.

5. ξαναμοντάρετε το πάνελ όντας σίγουροι, πριν το σπρώξετε προς τη μηχανή, ότι έχετε εισάγει τα γαντζάκια στις αντίστοιχες εσοχές.


Περιγραφή του πλυντηρίου

GR

Πίνακας ελέγχου




Θήκη απορρυπαντικών: για την προσθήκη απορρυπαντικών και πρόσθετων (βλέπε «Απορρυπαντικά και μπουγάδα»).

Κουμπί ON/OFF : πιέστε για λίγο το κουμπί για να ανάψετε ή να σβήσετε το πλυντήριο. Το ενδεικτικό φωτάκι START/PAUSE πράσινου χρώματος που αναβοσβήνει αργά δείχνει ότι το πλυντήριο είναι αναμμένη. Για να σβήσετε το πλυντήριο κατά το πλύσιμο πρέπει να κρατάτε πατημένο το κουμπί πιο πολύ, περίπου 3 sec. Στιγμιαίο ή τυχαίο πάτημα δεν επιτρέπει το σβήσιμο του πλυντηρίου. Το σβήσιμο του πλυντηρίου κατά το πλύσιμο σε εξέλιξη ακυρώνει το ίδιο το πλύσιμο


Κουμπί ΕΠΙΛΟΓΕΑΣ ΠΡΟΓΡΑΜΜΑΤΩΝ: Για να θέσετε το επιθυμητό πρόγραμμα (βλέπε τον «Πίνακα των Προγραμμάτων»).

Κουμπί MY CYCLE: κρατήστε πατημένο το κουμπί για την αποθήκευση ενός κύκλου και των προσωπικών σας προτιμήσεων. Για την ανάκληση ενός κύκλου που αποθηκεύτηκε προηγουμένως πατήστε το κουμπί MY CYCLE.



Κουμπί ΛΕΙΤΟΥΡΓΙΑΣ: πιέστε το πλήκτρο για να επιλέξετε την επιθυμητή λειτουργία. Στην οθόνη θα φωτιστεί το σχετικό ενδεικτικό φωτάκι.


Κουμπί ΚΑΘΑΡΙΣΤΙΚΗ ΔΡΑΣΗ : πιέστε για να επιλέξετε την επιθυμητή ένταση πλυσίματος.


Κουμπί ΤΥΠΟΣ ΞΕΒΓΑΛΜΑΤΟΣ : πιέστε για να επιλέξετε τον επιθυμητό τύπο ξεβγάλματος.

Κουμπί ΣΤΥΨΙΜΑΤΟΣ : πιέστε για να μειώσετε ή να αποκλείσετε τελείως το στύψιμο – η τιμή φαίνεται στην οθόνη.

Κουμπί ΘΕΡΜΟΚΡΑΣΙΑ : Πατήστε για να μειώσετε τη θερμοκρασία: η τιμή εμφανίζεται στην οθόνη.

Κουμπί ΑΣΦΑΛΙΣΗΣ ΚΟΥΜΠΙΩΝ : Για την ενεργοποίηση του μπλοκ του πίνακα ελέγχου, κρατήστε πατημένο το κουμπί για περίπου 2 δευτερόλεπτα. Το αναμμένο  σύμβολο δείχνει ότι ο πίνακας ελέγχου είναι ασφαλισμένος. Με τον τρόπο αυτόν παρεμποδίζονται τυχαίες τροποποιήσεις των προγραμμάτων, κυρίως αν στο σπίτι υπάρχουν παιδιά (πλην του κουμπιού ON/OFF). Για την απενεργοποίηση του κλειδώματος του πίνακα ελέγχου, κρατήστε πατημένο το κουμπί για περίπου 2 δευτερόλεπτα.

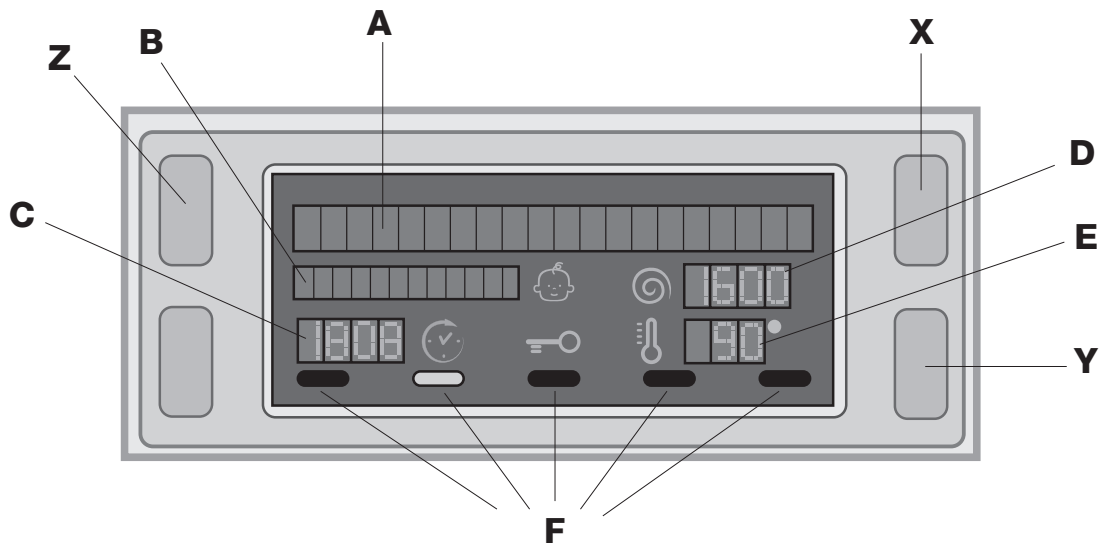
Κουμπί ΚΑΘΥΣΤΕΡΗΜΕΝΗΣ ΕΚΚΙΝΗΣΗΣ : Πατήστε για να θέσετε μια εκκίνηση με υστέρηση του προεπιλεγμένου προγράμματος. Η υστέρηση εμφανίζεται στην οθόνη.

Κουμπί με ενδεικτικό φωτάκι START/PAUSE: όταν το πράσινο ενδεικτικό φωτάκι αναβοσβήνει αργά, πατήστε το κουμπί για την εκκίνηση πλυσίματος. Με την εκκίνηση του κύκλου το ενδεικτικό φωτάκι σταθεροποιείται. Για να θέσετε μια παύση στο πλύσιμο, πατήστε εκ νέου το κουμπί. Το ενδεικτικό φωτάκι θα αναβοσβήνει με πορτοκαλί χρώμα. Αν το σύμβολο  δεν είναι φωτισμένο, μπορείτε να ανοίξετε την πόρτα. Για να ξεκινήσει πάλι το πλύσιμο από το σημείο διακοπής, πατήστε εκ νέου το κουμπί.

Τρόπος stand by

Το πλυντήριο αυτό, σύμφωνα με τις νέες διατάξεις για την εξοικονόμηση ενέργειας, διαθέτει ένα σύστημα αυτόματου σβήσιματος (stand by) που τίθεται σε λειτουργία εντός περίπου 30 λεπτών στην περίπτωση μη χρήσης. Πιέστε στιγμιαία το κουμπί ON/OFF και περιμένετε να ενεργοποιηθεί εκ νέου η μηχανή.

Οθόνη



Η οθόνη είναι χρήσιμη για τον προγραμματισμό της μηχανής του πλυντηρίου και παρέχει πολλαπλές πληροφορίες.

Στις δύο επάνω γραμμές **A** και **B** απεικονίζονται το επιλεγμένο πρόγραμμα πλυσίματος, η φάση πλυσίματος σε εξέλιξη και όλες οι υποδείξεις οι σχετικές με την κατάσταση προώθησης του προγράμματος.

Στη γραμμή **C** απεικονίζεται ο υπολειπόμενος χρόνος για το τέλος του κύκλου πλυσίματος σε εξέλιξη και στην περίπτωση που τεθεί μια ΚΑΘΥΣΤΕΡΗΜΕΝΗ ΕΚΚΙΝΗΣΗ, ο υπολειπόμενος χρόνος για την εκκίνηση του επιλεγμένου προγράμματος.

Στη γραμμή **D** απεικονίζεται η μέγιστη τιμή της ταχύτητας στύψιματος που μπορεί να διενεργήσει το πλυντήριο με βάση το επιλεγμένο πρόγραμμα. Αν το πρόγραμμα δεν προβλέπει το στύψιμο, η γραμμή παραμένει σβηστή.

Στη γραμμή **E** απεικονίζεται η μέγιστη τιμή της θερμοκρασία που μπορεί να επιλεγεί με βάση το τεθέν πρόγραμμα. Αν το πρόγραμμα δεν προβλέπει τη ρύθμιση της θερμοκρασίας, η γραμμή παραμένει σβηστή.

Τα ενδεικτικά φωτάκια **F** σχετίζονται με τις λειτουργίες και ανάβουν όταν η επιλεγμένη λειτουργία είναι συμβατή με το τεθέν πρόγραμμα.

Σύμβολο ασφαλισμένη Πόρτας


Το αναμμένο σύμβολο δείχνει ότι η πόρτα είναι ασφαλισμένη για την παρεμπόδιση τυχαίων ανοιγμάτων. Για την αποφυγή ζημιών πρέπει να περιμένετε να σβήσει το σύμβολο πριν ανοίξετε την πόρτα.

ΣΗΜΕΙΩΣΗ: αν είναι ενεργή η λειτουργία ΚΑΘΥΣΤΕΡΗΜΕΝΗ ΕΚΚΙΝΗΣΗ η πόρτα δεν μπορεί να ανοίξει, για να την ανοίξετε θέστε τη μηχανή σε παύση πιέζοντας το κουμπί START/PAUSE.

! Στο πρώτο άναμμα θα ζητηθεί η επιλογή της γλώσσας και η οθόνη θα μπει αυτόματα στο μενού επιλογής γλώσσας. Για να επιλέξετε την επιθυμητή γλώσσα πιέστε τα κουμπιά **X** και **Y**, για να επιβεβαιώσετε την επιλογή πιέστε το κουμπί **Z**. Αν θέλετε να αλλάξετε γλώσσα, σβήστε τη συσκευή, πατήστε ταυτόχρονα τα κουμπιά **X**, **Y**, **Z** μέχρι να ακούσετε ένα ηχητικό σήμα, θα εμφανιστεί εκ νέου το μενού επιλογής γλώσσας.



Πως διενεργείται ένας κύκλος πλυσίματος

GR

- 1. ΑΝΑΨΤΕ ΤΟ ΠΛΥΝΤΗΡΙΟ.** Πατήστε το κουμπί , στην οθόνη θα εμφανιστεί η ένδειξη ΕΚΚΙΝΗΣΗ. Το ενδεικτικό φωτάκι START/PAUSE θα αναβοσβήνει αργά με πράσινο χρώμα.
- 2. ΦΟΡΤΩΣΗ ΡΟΥΧΩΝ.** Ανοίξτε την πόρτα. Φορτώστε τα ρούχα, προσέχοντας να μην ξεπεράσετε την ποσότητα φορτίου που υποδεικνύεται στον πίνακα προγραμμάτων της επόμενης σελίδας.
- 3. ΔΟΣΟΛΟΓΙΑ ΤΟΥ ΑΠΟΡΡΥΠΑΝΤΙΚΟΥ.** Βγάλτε το συρτάρι και χύστε το απορρυπαντικό στις αντίστοιχες λεκανίτσες όπως εξηγείται στο “Απορρυπαντικά και μπουγάδα”.
- 4. ΚΛΕΙΣΤΕ ΤΗΝ ΠΟΡΤΑ.**
- 5. ΕΠΙΛΕΞΤΕ ΤΟ ΠΡΟΓΡΑΜΜΑ.** Στρέψτε ένα από τα κουμπιά του ΕΠΙΛΟΓΕΑΣ ΠΡΟΓΡΑΜΜΑΤΩΝ για να επιλέξετε το επιθυμητό πρόγραμμα. Το όνομα του προγράμματος θα εμφανιστεί στην οθόνη και σε αυτό αντιστοιχίζεται μια θερμοκρασία και μια ταχύτητα στύψιματος που μπορούν να τροποποιηθούν. Στην οθόνη θα εμφανιστεί η διάρκεια του κύκλου.



6. ΕΞΑΤΟΜΙΚΕΥΣΗ ΤΟΥ ΚΥΚΛΟΥ ΠΛΥΣΙΜΑΤΟΣ.

Ενεργήστε στα αντίστοιχα κουμπιά:

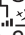
Τροποποιήστε τη θερμοκρασία ή/και το στύψιμο. Η μηχανή επιλέγει αυτόματα τη μέγιστη θερμοκρασία και στύψιμο για το τεθέν πρόγραμμα και συνεπώς δεν μπορούν να αυξηθούν. Πατώντας το κουμπί  μειώνεται προοδευτικά η θερμοκρασία μέχρι το πλύσιμο σε κρύο νερό “OFF”. Πατώντας το κουμπί  μειώνεται προοδευτικά το στύψιμο μέχρι τον αποκλεισμό του “OFF”. Περαιτέρω πάτημα των κουμπιών επαναφέρει τις τιμές στις μέγιστες προβλεπόμενες.


! Εξάιρεση: επιλέγοντας το πρόγραμμα 2 (60°C) (1^ο πάτημα του κουμπιού) η θερμοκρασία μπορεί να αυξηθεί μέχρι 90°.

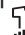
Θέστε μια εκκίνηση με υστέρηση.

Για να θέσετε την εκκίνηση με υστέρηση του προεπιλεγμένου προγράμματος, πατήστε το σχετικό κουμπί μέχρι να επιτευχθεί ο χρόνος της επιθυμητής υστέρησης. Όταν η δυνατότητα αυτή είναι ενεργή, στην οθόνη φωτίζεται το σύμβολο . Για να απαλείψετε την εκκίνηση με υστέρηση πατήστε το κουμπί  μέχρις ότου εμφανιστεί στην οθόνη η ένδειξη OFF.

Θέστε την επιθυμητή ένταση πλυσίματος.


Η δυνατότητα  επιτρέπει τη βελτιστοποίηση του πλυσίματος με βάση τον βαθμό λερώματος των υφασμάτων και την επιθυμητή ένταση πλυσίματος. Επιλέξτε το πρόγραμμα πλυσίματος, ο κύκλος τίθεται αυτόματα στο επίπεδο “ΚΑΝΟΝΙΚΟ”, βελτιστοποιημένο για ρούχα μετρίως λερωμένα, (αυτή η ρύθμιση δεν ενδείκνυται για τον κύκλο “Μάλλινα”, που τίθεται αυτόματα στο επίπεδο “ΑΠΑΛΟ”).

Για ρούχα πολύ λερωμένα πατήστε το κουμπί  μέχρι την επίτευξη του επιπέδου “ΕΝΤΑΤΙΚΟ”. Το επίπεδο αυτό εξασφαλίζει ένα πλύσιμο υψηλών επιδόσεων χάρη στη χρησιμοποίηση μεγαλύτερης ποσότητας νερού στην αρχική φάση του κύκλου και στη μεγαλύτερη μηχανική κίνηση, και είναι χρήσιμο για την απομάκρυνση των πλέον ανθεκτικών λεκέδων. Μπορεί να χρησιμοποιείται με ή χωρίς λευκαντικό; Αν επιθυμείτε να κάνετε λεύκανση εισάγετε την πρόσθετη λεκανίτσα 4, που σας παρέχεται, στη λεκανίτσα 1. Στη δοσολογία του λευκαντικού μην ξεπεράσετε τη στάθμη «max» που υποδεικνύεται στον κεντρικό πείρο (βλέπε εικόνα της σελ. 46).

Για ρούχα λίγο λερωμένα ή για μια πιο ευαίσθητη μεταχείριση των υφασμάτων, πατήστε το κουμπί  μέχρι την επίτευξη του επιπέδου “ΑΠΑΛΟ”. Ο κύκλος

θα μειώσει τη μηχανική κίνηση εξασφαλίζοντας τέλεια αποτελέσματα πλυσίματος για ευαίσθητα υφάσματα.

Θέστε τον τύπο ξεβγάλματος.

Η δυνατότητα  επιτρέπει την επιλογή του επιθυμητού τύπου ξεβγάλματος για τη μέγιστη φροντίδα των ευαίσθητων επιδερμίδων. Με το πρώτο πάτημα του κουμπιού τίθεται το επίπεδο “ΕΝΤΟΝΟ ΞΕΒΓΑΛΜΑ” που επιτρέπει την επιλογή ενός πρόσθετου ξεβγάλματος με εκείνα τα σπάνια του κύκλου, για την απομάκρυνση όλων των ιχνών του απορρυπαντικού. Στο δεύτερο πάτημα του κουμπιού τίθεται το επίπεδο “ΕΥΑΙΣΘΗΤΗ ΕΠΙΔΕΡΜΙΔΑ” που επιτρέπει την επιλογή δύο πρόσθετων ξεβγαλμάτων με εκείνα τα σπάνια του κύκλου και συνιστάται για τις πιο ευαίσθητες επιδερμίδες. Στο τρίτο πάτημα του κουμπιού καταχωρείται το επίπεδο “ΥΠΟ-ΑΛΛΕΡΓΙΚΟ” που επιτρέπει την επιλογή 3 πρόσθετων ξεβγαλμάτων πλέον εκείνων των σπάνια του κύκλου. Η ενεργοποιημένη δυνατότητα με κύκλους σε θερμοκρασία 40° επιτρέπει την απομάκρυνση των κυριότερων αλλεργιογόνων όπως τρίχες γάτας και γύρη, με κύκλους σε θερμοκρασία μεγαλύτερη των 40° επιτυγχάνεται ένα εξαιρετικό επίπεδο αντιαλλεργικής προστασίας. Πατήστε πάλι το κουμπί για να επιστρέψετε στον τύπο ξεβγάλματος “ΚΑΝΟΝΙΚΟ ΞΕΒΓΑΛΜΑ”. Αν δεν είναι δυνατό να θέσετε ή να τροποποιήσετε την υπέρχουσα ρύθμιση, στην οθόνη θα εμφανιστεί η ένδειξη “ΑΝΕΝΕΡΓΗ”.

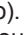
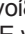

Τροποποίηση των χαρακτηριστικών του κύκλου.

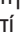
- Πατήστε το κουμπί για την ενεργοποίηση της λειτουργίας. Το ενδεικτικό φωτάκι του αντίστοιχου κουμπιού θα ανάψει.
- Πατήστε εκ νέου το κουμπί για την απενεργοποίηση της λειτουργίας. Το ενδεικτικό φωτάκι θα σβήσει.

! Αν η επιλεγμένη λειτουργία δεν είναι συμβατή με το τεθέν πρόγραμμα το ενδεικτικό φωτάκι θα αναβοσβήνει και η λειτουργία δεν θα ενεργοποιηθεί.

! Αν η επιλεγμένη λειτουργία δεν είναι συμβατή με μια άλλη που επελέγη προηγουμένως, το σχετικό φωτάκι της πρώτης επιλεγμένης λειτουργίας θα αναβοσβήνει και θα ενεργοποιηθεί μόνο η δεύτερη, το ενδεικτικό φωτάκι της ενεργοποιηθείσας λειτουργίας θα φωτιστεί.

! Οι λειτουργίες μπορεί να τροποποιούν το προτεινόμενο φορτίο ή/και τη διάρκεια του κύκλου.

- 7. ΕΚΚΙΝΗΣΗ ΤΟΥ ΠΡΟΓΡΑΜΜΑΤΟΣ.** Πατήστε το κουμπί START/PAUSE. Το σχετικό ενδεικτικό φωτάκι θα φωτιστεί πράσινο σταθερό και η πόρτα θα μπλοκάρει (σύμβολο ΑΣΦΑΛΙΣΜΕΝΗΣ ΠΟΡΤΑΣ  αναμμένο). Κατά το πλύσιμο, στην οθόνη θα εμφανιστεί το όνομα της σε εξέλιξη φάσης. Για να αλλάξετε ένα πρόγραμμα ενώ είναι σε εξέλιξη ένας κύκλος, θέστε το πλυντήριο σε παύση πιέζοντας το κουμπί START/PAUSE (το ενδεικτικό φωτάκι START/PAUSE θα αναβοσβήνει αργά με πορτοκαλί χρώμα). Κατόπιν επιλέξτε τον επιθυμητό κύκλο και πατήστε εκ νέου το κουμπί START/PAUSE. Για να ανοίξετε την πόρτα όσο ένας κύκλος είναι σε εξέλιξη πατήστε το κουμπί START/PAUSE. Αν το σύμβολο ΑΣΦΑΛΙΣΜΕΝΗΣ ΠΟΡΤΑΣ  είναι σβηστό μπορείτε να ανοίξετε την πόρτα. Πατήστε εκ νέου το κουμπί START/PAUSE για να ξεκινήσει πάλι το πρόγραμμα από το σημείο διακοπής.
- 8. ΤΕΛΟΣ ΤΟΥ ΠΡΟΓΡΑΜΜΑΤΟΣ.** Επισημαίνεται με την ένδειξη “ΤΕΛΟΣ ΚΥΚΛΟΥ” στην οθόνη, όταν το σύμβολο ΑΣΦΑΛΙΣΜΕΝΗΣ ΠΟΡΤΑΣ  σβήσει μπορείτε να ανοίξετε την πόρτα. Ανοίξτε την πόρτα, αδειάστε τα ρούχα και σβήστε τη μηχανή.

! Αν επιθυμείτε να ακυρώσετε έναν ήδη τεθέντα κύκλο, πατήστε επί μακρόν το κουμπί . Ο κύκλος θα διακοπεί και η μηχανή θα σβήσει.

Πίνακας των Προγραμμάτων

Προγράμματα	Περιγραφή του Προγράμματος	Μέγιστη θερμοκρασία (°C)	Μέγιστη ταχύτητα (στροφές ανά λεπτό)	Απορρυπαντικά				Μέγιστο φορτίο (kg)	Υπολειπόμενη υγρασία %	Κατανάλωση ενέργειας kWh	Συνολικό νερό lt	Διάρκεια κύκλου
				Πρόπλυση	Πλύσιμο	Λευκαντική	Μαλακτική					
CLEAN Plus												
1	ΔΥΣΚΟΛΟΙ ΛΕΚΕΔΕΣ (1° πάτημα του κουμπιού)	40°	1200	●	●	-	●	5	-	-	-	180'
1	ΔΥΣΚΟΛΟΙ ΛΕΚΕΔΕΣ ΓΡΗΓΟΡΟ (ΔΥΣΚ.ΛΕΚΕΔΕΣ ΓΡΗΓΟΡΟ) (2° πάτημα του κουμπιού)	40°	1200	-	●	-	●	4,5	-	-	-	60'
2	60° ΚΑΝΟΝΙΚΟ ΒΑΜΒΑΚΕΡΑ 60° (1° πάτημα του κουμπιού) (1): Λευκά και χρωματιστά ανθεκτικά, πολύ λερωμένα.	60° (Max. 90°)	1200	● (3)	●	●	●	8	53	1,04	55	215'
2	40° ΚΑΝΟΝΙΚΟ ΒΑΜΒΑΚΕΡΑ 40° (2° πάτημα του κουμπιού) (2): Χρωματιστά ανθεκτικά, λίγο λερωμένα.	40°	1200	-	●	●	●	8	53	0,87	81	185'
2	ΚΑΝΟΝΙΚΟ ΒΑΜΒΑΚΕΡΑ 20° (3° πάτημα του κουμπιού): Χρωματιστά ανθεκτικά, λίγο λερωμένα.	20°	1200	-	●	●	●	8	-	-	-	175'
3	ΑΝΘΕΚΤ. ΣΥΝΘΕΤΙΚΑ (1° πάτημα του κουμπιού): Χρωματιστά ανθεκτικά, πολύ λερωμένα.	60°	800	●	●	●	●	4,5	46	1,03	60	115'
3	ΑΝΘΕΚΤ. ΣΥΝΘΕΤΙΚΑ (4) (1° πάτημα του κουμπιού): Χρωματιστά ανθεκτικά, λίγο λερωμένα.	40°	800	●	●	●	●	4,5	46	0,56	60	100'
3	ΕΥΑΙΣΘ. ΣΥΝΘΕΤΙΚΑ (2° πάτημα του κουμπιού): Χρωματιστά ανθεκτικά, λίγο λερωμένα.	40°	800	●	●	●	●	4,5	-	-	-	75'
SPECIALS												
4	ΓΡΗΓΟΡΗ ΠΛΥΣΗ 30': Για το γρήγορο φρεσκάρισμα ρούχων ελαφρά λερωμένων (δεν ενδείκνυται για μάλλινα, μεταξωτά και ρούχα που πλένονται στο χέρι).	30°	800	-	●	-	●	3	71	0,20	38	30'
M	MY CYCLE (ΜΝΗΜΗ): Επιτρέπει την αποθήκευση οποιουδήποτε τύπου πλυσίματος.											
6	ΣΕΝΤΟΝΙΑ+ΠΕΤΣΕΤΕΣ: Για ασηπρόρουχα κρεβατιού και μπάνιου.	60°	1200	●	●	-	●	8	-	-	-	140'
EXTRA CARE												
7	ΦΡΟΝΤΙΔΑ ΜΑΛΛΙΝΑ (ΜΑΛΛΙΝΑ): Για μάλλινα, cachemire, κλπ.	40°	800	-	●	-	●	2	-	-	-	85'
8	ΕΥΑΙΣΘΗΤΑ	30°	0	-	●	-	●	1	-	-	-	80'
☺	ΣΤΥΨΙΜΟ (1° πάτημα του κουμπιού).	-	1200	-	-	-	-	8	-	-	-	16'
☺	ΞΕΒΓΑΛΜΑ (2° πάτημα του κουμπιού).	-	1200	-	-	-	●	8	-	-	-	36'
☺	ΑΠΟΧΕΤΕΥΣΗ ΝΕΡΟΥ (3° πάτημα του κουμπιού).	-	0	-	-	-	-	8	-	-	-	2'

Η διάρκεια του κύκλου που φαίνεται στην οθόνη ή στο εγχειρίδιο αποτελεί μια εκτίμηση υπολογισμένη με βάση τις σπάνιες συνθήκες. Ο πραγματικός χρόνος μπορεί να ποικίλει με βάση πολυάριθμους παράγοντες όπως θερμοκρασία και πίεση του εισερχόμενου νερού, θερμοκρασία περιβάλλοντος, ποσότητα απορρυπαντικού, ποσότητα και τύπος φορτίου, ισοστάθμιση του φορτίου, πρόσθετες επιλεγμένες δυνατότητες.

- 1) Πρόγραμμα ελέγχου σύμφωνα με την προδιαγραφή 1061/2010: θέστε το πρόγραμμα "2" 60°C (1° πάτημα του κουμπιού). Ο κύκλος αυτός είναι κατάλληλος για τον καθαρισμό φορτίου βαμβακερών με συνηθισμένη βρωμιά και είναι ο πλέον αποτελεσματικός σε όρους κατανάλωσης ενέργειας και νερού, προς χρήση σε ρούχα πλενόμενα στους 60 °C. Η πραγματική θερμοκρασία πλυσίματος μπορεί να διαφέρει από την υποδεικνυόμενη.
- 2) Πρόγραμμα ελέγχου σύμφωνα με την προδιαγραφή 1061/2010: θέστε το πρόγραμμα "2" 40°C (2° πάτημα του κουμπιού). Ο κύκλος αυτός είναι κατάλληλος για τον καθαρισμό φορτίου βαμβακερών με συνηθισμένη βρωμιά και είναι ο πλέον αποτελεσματικός σε όρους κατανάλωσης ενέργειας και νερού, προς χρήση σε ρούχα πλενόμενα στους 40 °C. Η πραγματική θερμοκρασία πλυσίματος μπορεί να διαφέρει από την υποδεικνυόμενη.
- 3) Στη θερμοκρασία των 60 °C η λειτουργία "Πρόπλυση" δεν μπορεί να είναι ενεργή.

Για όλα τα Test Institutes:

- 2) Πρόγραμμα βαμβακερών μακρύ: θέστε το πρόγραμμα "2" 40°C (2° πάτημα του κουμπιού).
- 4) Πρόγραμμα ΣΥΝΘΕΤΙΚΑ μακρύ: θέστε τη θερμοκρασία "3" στους 60°C (1° πάτημα του κουμπιού). Θερμοκρασία στους 40°C (πατήστε το κουμπί ΘΕΡΜΟΚΡΑΣΙΑ).

Λειτουργίες πλυσίματος

☺/P Πρόπλυση

Επιλέγοντας τη λειτουργία αυτή διενεργείται η πρόπλυση, χρήσιμη για την απομάκρυνση δύσκολων λεκέδων.

ΠΑΡΑΤΗΡΗΣΗ: Προσθέστε το απορρυπαντικό στο αντίστοιχο διαμέρισμα.

! Δεν είναι διαθέσιμη στα προγράμματα "ΔΥΣΚΟΛΟΙ ΛΕΚΕΔΕΣ ΓΡΗΓΟΡΟ", 2 (60°) (1° πάτημα του κουμπιού), 2 (2° πάτημα του κουμπιού), 2 (3° πάτημα του κουμπιού), 4, 7, 8, ☺.

☺ Εύκολο Σιδέρωμα

Επιλέγοντας τη λειτουργία αυτή, το πλύσιμο και το στύψιμο θα τροποποιηθούν κατάλληλα για τη μείωση σχηματισμού τσαλακωμάτων.

Στο τέλος του κύκλου πλύσης θα γίνουν αργές περιστροφές του κάδου. Το ενδεικτικό φωτάκι της λειτουργίας ΕΥΚΟΛΟ ΣΙΔΕΡΩΜΑ θα αναβοσβήνουν και η ένδειξη «ΤΕΛΟΣ ΚΥΚΛΟΥ» θα εμφανίζεται στη οθόνη. Για το πέρας του κύκλου πρέπει να πατήσετε το κουμπί START/PAUSE ή το κουμπί ΕΥΚΟΛΟ ΣΙΔΕΡΩΜΑ.

! Δεν ενεργοποιείται στα προγράμματα 1, 4, 7, 8, ☺.

☺ Eco wash

Η λειτουργία Eco Wash συμβάλλει στην εξοικονόμηση ενέργειας μη θερμαίνοντας το νερό που χρησιμοποιείται στο πλύσιμο της μπουγάδας – ένα πλεονέκτημα τόσο για το περιβάλλον όσο και για τον λογαριασμό του ηλεκτρικού. Πράγματι, η ενισχυμένη δράση και η βελτιστοποιημένη κατανάλωση εγγυώνται βέλτιστα αποτελέσματα στην ίδια μέση διάρκεια ενός σπάντα πλυσίματος, συστήνεται η χρήση ενός υγρού απορρυπαντικού.

! Δεν είναι ενεργό στα προγράμματα 1, 2 (3° πάτημα του κουμπιού), 6, 7, 8, ☺.

Απορρυπαντικά και μπουγάδα

GR

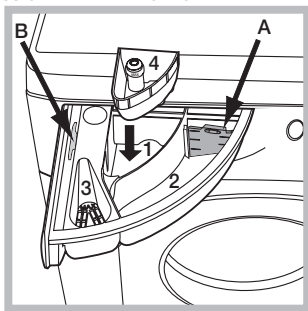
Θήκη απορρυπαντικών

Το καλό αποτέλεσμα του πλυσίματος εξαρτάται επίσης και από τη σωστή δοσολογία του απορρυπαντικού: υπερβάλλοντας δεν πλένουμε αποτελεσματικότερα και συντελούμε στη δημιουργία κρούστας στα εσωτερικά μέρη του πλυντηρίου και στη μόλυνση του περιβάλλοντος.

! Να χρησιμοποιείτε απορρυπαντικά σε σκόνη για ρούχα λευκά βαμβακερά και για την πρόπλυση και για πλυσίματα σε θερμοκρασία μεγαλύτερη των 60°C.

! Ακολουθήστε τις υποδείξεις που αναγράφονται στη συσκευασία του απορρυπαντικού.

! Μη χρησιμοποιείτε απορρυπαντικά για πλύσιμο στο χέρι, διότι παράγουν πολύ αφρό.



Βγάλτε τη θήκη απορρυπαντικών και εισάγετε το απορρυπαντικό ή το πρόσθετο ως εξής.

θήκη 1: Απορρυπαντικό για πρόπλυση (σε σκόνη)

Πριν χύσετε το απορρυπαντικό ελέγξτε αν έχει εισαχθεί η πρόσθετη λεκανίτσα 4.

θήκη 2: Απορρυπαντικό για πλύσιμο (σε σκόνη ή υγρό)

Σε περίπτωση χρήσης υγρού απορρυπαντικού, συστήνεται να χρησιμοποιείτε το δοσομετρητή **A** που σας παρέχεται για σωστή δοσολογία.

Για τη χρησιμοποίηση του απορρυπαντικού σε σκόνη αποθέστε το δοσομετρητή στην κοιλότητα **B**.

θήκη 3: Πρόσθετα (μαλακτικό, κλπ.)

θήκη πρόσθετη 4: Λευκαντικό

Προετοιμασία της μπουγάδας

- Χωρίστε τη μπουγάδα ανάλογα:
 - με το είδος του υφάσματος/ το σύμβολο της ετικέτας.
 - τα χρώματα: χωρίστε τα χρωματιστά ρούχα από τα λευκά.
 - Εκκενώστε τις τσέπες και ελέγξτε τα κουμπιά.
 - Μην ξεπερνάτε τις υποδεικνυόμενες τιμές στον "Πίνακα Προγραμμάτων" σε σχέση με το βάρος της στεγνής μπουγάδας.

Πόσο ζυγίζει η μπουγάδα;

- 1 σεντόνι 400-500 gr.
- 1 μαξιλαροθήκη 150-200 gr.
- 1 τραπεζομάντιλο 400-500 gr.
- 1 μπουρνούζι 900-1.200 gr.
- 1 πετσέτα 150-250 gr.

Ειδικά προγράμματα

ΔΥΣΚΟΛΟΙ ΛΕΚΕΔΕΣ: το πρόγραμμα είναι κατάλληλο για το πλύσιμο ρούχων πολύ λερωμένων, με χρώματα ανθεκτικά. Το πρόγραμμα εγγυάται μια κλάση πλυσίματος ανώτερη της κλάσης σάνταρ (κλάση A). Μην εκτελείτε το πρόγραμμα αναμιγνύοντας ρούχα διαφορετικού χρώματος. Συνιστάται η χρήση απορρυπαντικού σε σκόνη. Για λεκέδες δύσκολους συνιστάται η προκαταρκτική περιποίηση με ειδικά πρόσθετα.

ΔΥΣΚΟΛΟΙ ΛΕΚΕΔΕΣ ΓΡΗΓΟΡΟ: το πρόγραμμα σχεδιάστηκε για να πλένει σε μια ώρα τα ρούχα ακόμα και με επίμονους καθημερινούς λεκέδες. Κατάλληλο για ρούχα χρωματιστά με ανάμικτες ίνες, εξασφαλίζοντας τη μέγιστη φιλικότητα στις ίνες.

ΚΑΝΟΝΙΚΟ ΒΑΜΒΑΚΕΡΑ 20°: ιδανικό για φορτία λερωμένων βαμβακερών. Οι καλές επιδόσεις και σε χαμηλή θερμοκρασία, συγκρίσιμες με ένα πλύσιμο στους 40°, εξασφαλίζονται από μια μηχανική δράση που λειτουργεί με μεταβολή ταχύτητας σε επαναλαμβανόμενες και κοντινές αυξομειώσεις.

ΣΕΝΤΟΝΙΑ+ΠΕΤΣΕΤΕΣ: για να πλύνετε τα ασπρόρουχα μπάνιου και ύπνου σε ένα μοναδικό κύκλο, χρησιμοποιήστε το πρόγραμμα **6** που βελτιστοποιεί τη χρήση του μαλακτικού και επιτρέπει εξοικονόμηση χρόνου και ενέργειας. Συνιστάται η χρήση απορρυπαντικού σε σκόνη.

ΜΑΛΛΙΝΑ: Ο κύκλος πλυσίματος "Μάλλινα" αυτού του πλυντηρίου εγκρίθηκε από την Woolmark Company για το πλύσιμο μάλλινων ρούχων που ταξινομούνται ως "πλενόμενα στο χέρι", αρκεί το πλύσιμο να εκτελείται σύμφωνα με τις οδηγίες της ετικέτας του ενδύματος και τις υποδείξεις του κατασκευαστή του πλυντηρίου αυτού. (M1127)



ΕΥΑΙΣΘΗΤΑ: χρησιμοποιήστε το πρόγραμμα **8** για το πλύσιμο ρούχων πολύ ευαίσθητων που φέρουν πρόσθετα όπως στρας ή παγέτες.

Για το πλύσιμο **μεταξωτών** ρούχων και **κουρτινών**, επιλέξτε τον κύκλο **8** και θέστε το επίπεδο "ΑΠΑΛΟ" της δυνατότητας

Συνιστάται να γυρίζετε από την ανάποδη τα ρούχα πριν το πλύσιμο και να βάζετε τα μικρά ρούχα στο ειδικό σακίδιο για το πλύσιμο των ευαίσθητων ρούχων. Για καλύτερα αποτελέσματα συνιστάται η χρήση υγρού απορρυπαντικού για ευαίσθητα ρούχα.

Σύστημα ισοστάθμισης του φορτίου

Πριν από κάθε στύψιμο, για να αποφύγετε δονήσεις υπερβολικές και για να κατανείμμε ομοιόμορφα το φορτίο, ο κάδος διενεργεί περιστροφές σε μια ταχύτητα ελαφρά ανώτερη εκείνης του πλυσίματος. Αν στο τέλος των διαδοχικών προσπαθειών το φορτίο δεν έχει ακόμη εξισορροπηθεί σωστά η μηχανή διενεργεί το στύψιμο σε μια ταχύτητα χαμηλότερη της προβλεπόμενης. Παρουσία υπερβολικής αστάθειας, το πλυντήριο διενεργεί την κατανομή αντί του στυψίματος. Για να ευνοηθεί καλύτερη κατανομή του φορτίου και της σωστής εξισορρόπησης συνιστάται η ανάμιξη ρούχων μεγάλων και μικρών διαστάσεων.

Μπορεί να συμβεί το πλυντήριο να μη λειτουργεί. Πριν τηλεφωνήσετε στην Υποστήριξη (βλέπε “Υποστήριξη”), ελέγξτε αν δεν πρόκειται για πρόβλημα που επιλύεται εύκολα με τη βοήθεια του ακόλουθου καταλόγου.

Ανωμαλίες:

Το πλυντήριο δεν ανάβει.

Ο κύκλος πλυσίματος δεν ξεκινάει.

Το πλυντήριο δεν φορτώνει νερό (Στην οθόνη θα εμφανιστεί η ένδειξη “ΑΠΟΥΣΙΑ ΝΕΡΟΥ, ΑΝΟΙΞΤΕ ΤΗΝ ΠΑΡΟΧΗ”).

Το πλυντήριο φορτώνει και αδειάζει νερό συνεχώς.

Το πλυντήριο δεν φορτώνει ή δεν στύβει.

Το πλυντήριο δονείται πολύ κατά το στύψιμο.

Το πλυντήριο χάνει νερό.

Η μηχανή είναι ασφαλισμένη, η οθόνη αναβοσβήνει και επισημαίνει έναν κωδικό ανωμαλίας (π.χ.: F-01, F-..).

Σχηματίζεται πολύς αφρός.

Δυνατά αίτια / Λύση:

- Το βύσμα δεν έχει εισαχθεί στην ηλεκτρική πρίζα ή τουλάχιστον όχι αρκετά για να κάνει επαφή.
- Στο σπίτι δεν υπάρχει ρεύμα.

- Η πόρτα δεν κλείνει καλά.
- Το κουμπί ON/OFF δεν πατήθηκε.
- Το κουμπί START/PAUSE δεν πατήθηκε.
- Η βρύση του νερού δεν είναι ανοιχτή.
- Τέθηκε μια καθυστέρηση στον χρόνο εκκίνησης (βλέπε «Πως διενεργείται ένας κύκλος πλυσίματος»).

- Ο σωλήνας τροφοδοσίας του νερού δεν είναι συνδεδεμένος στον κρουνό.
- Ο σωλήνας είναι διπλωμένος.
- Η βρύση του νερού δεν είναι ανοιχτή.
- Στο σπίτι λείπει το νερό.
- Δεν υπάρχει αρκετή πίεση.
- Το κουμπί START/PAUSE δεν πατήθηκε.

- Ο σωλήνας αδειάσματος δεν έχει εγκατασταθεί μεταξύ 65 και 100 cm από το έδαφος (βλέπε «Εγκατάσταση»).
- Το άκρο του σωλήνα αδειάσματος είναι βυθισμένο στο νερό (βλέπε «Εγκατάσταση»).
- Το επιτοίχιο άδειασμα δεν έχει απαέρωση.

Αν μετά από αυτούς τους ελέγχους το πρόβλημα δεν λύνεται, κλείστε τη βρύση του νερού, σβήστε το πλυντήριο και καλέστε την υποστήριξη. Αν η κατοικία βρίσκεται στους τελευταίους ορόφους ενός κτιρίου, μπορεί να διαπιστωθούν φαινόμενα σιφωνισμού, οπότε το πλυντήριο φορτώνει και αδειάζει νερό συνεχώς. Για την αντιμετώπιση του προβλήματος διατίθενται στο εμπόριο κατάλληλες βαλβίδες αντι-σιφωνισμού.

- Το πρόγραμμα δεν προβλέπει το άδειασμα: με ορισμένα προγράμματα πρέπει να το εκκινήσετε χειρονακτικά (βλέπε “Προγράμματα και λειτουργίες”).
- Είναι ενεργή η λειτουργία ΕΥΚΟΛΟ ΣΙΔΕΡΩΜΑ: για την ολοκλήρωση του προγράμματος πιάστε το κουμπί START/PAUSE («Προγράμματα και λειτουργίες»).
- Ο σωλήνας αδειάσματος είναι διπλωμένος (βλέπε «Εγκατάσταση»).
- Ο αγωγός εκκένωσης είναι βουλωμένος.

- Ο κάδος, τη στιγμή της εγκατάστασης, δεν ξεμπλόκαρε σωστά (βλέπε «Εγκατάσταση»).
- Το πλυντήριο δεν είναι οριζοντιωμένο (βλέπε «Εγκατάσταση»).
- Το πλυντήριο είναι πολύ στενά μεταξύ τοίχου και επίπλων (βλέπε «Εγκατάσταση»).

- Ο σωλήνας τροφοδοσίας του νερού δεν είναι καλά βιδωμένος (βλέπε «Εγκατάσταση»).
- Η θήκη των απορρυπαντικών είναι βουλωμένη (για να την καθαρίσετε βλέπε “Συντήρηση και φροντίδα”).
- Ο σωλήνας αδειάσματος δεν έχει στερεωθεί καλά (βλέπε «Εγκατάσταση»).

- Σβήστε τη μηχανή και βγάλτε το βύσμα από την πρίζα, περιμένετε περίπου 1 λεπτό μετά ξαναάψτε τη.

Αν η ανωμαλία επιμένει, καλέστε την Υποστήριξη.

- Το απορρυπαντικό δεν είναι ειδικό για πλυντήριο (πρέπει να υπάρχει η ένδειξη “για πλυντήριο”, “για πλύσιμο στο χέρι και στο πλυντήριο”, ή παρόμοια).
- Η δόσολογία υπήρξε υπερβολική.

Υποστήριξη

GR

Πριν επικοινωνήσετε με την Υποστήριξη:

- Ελέγξτε αν η ανωμαλία μπορείτε να την αντιμετωπίσετε μόνοι σας (βλέπε "Ανωμαλίες και λύσεις");
- Επανεκκινήστε το πρόγραμμα για να ελέγξετε αν το πρόβλημα αντιμετωπίστηκε;
- Σε αρνητική περίπτωση, επικοινωνήστε με την εξουσιοδοτημένη Τεχνική Υποστήριξη στον τηλεφωνικό αριθμό που υπάρχει στο πιστοποιητικό εγγύησης.

! Μην καταφεύγετε ποτέ σε μη εξουσιοδοτημένους τεχνικούς.

Γνωστοποιήστε:

- το είδος της ανωμαλίας;
- το μοντέλο του μηχανήματος (Mod.);
- τον αριθμό σειράς (S/N).

Οι πληροφορίες αυτές βρίσκονται στην ταμπελίτσα που υπάρχει στο πίσω μέρος του πλυντηρίου και στο πρόσθιο μέρος ανοίγοντας την πόρτα.

ΚΑΤ' ΕΞΟΥΣΙΟΔΟΤΗΣΗ ΚΑΝΟΝΙΣΜΟΣ (ΕΕ) αριθ. 1061/2010 ΤΗΣ ΕΠΙΤΡΟΠΗΣ

Εμπορικό σήμα	HOTPOINT/ARISTON
Μοντέλο	FMD 823MB EU.C
Όνομαστική χωρητικότητα βαμβακερών σε κιλά	8.0
Κλάση ενεργειακής απόδοσης σε κλίμακα από A+++ (χαμηλή κατανάλωση) έως G (υψηλή κατανάλωση)	A+++
Κατανάλωση ενέργειας ετησίως σε kWh ¹⁾	193.0
Κατανάλωση ενέργειας του κανονικού προγράμματος βαμβακερών 60 °C με πλήρες φορτίο σε kWh ²⁾	1.044
Κατανάλωση ενέργειας του κανονικού προγράμματος βαμβακερών 60 °C με μερικό φορτίο σε kWh ²⁾	0.715
Ενεργειακή κατανάλωση του κανονικού προγράμματος βαμβακερών 40 °C με μερικό φορτίο σε kWh ²⁾	0.644
Κατανάλωση ισχύος της λειτουργίας απενεργοποίησης σε kWh	0.5
Κατανάλωση ισχύος της λειτουργίας αναμονής σε kWh	8.0
Κατανάλωση νερού ετησίως σε λίτρα ³⁾	11594
Κλάση απόδοσης περιστροφής-στεγνώματος σε κλίμακα από G (ελάχιστη απόδοση) έως A (μέγιστη απόδοση)	B
Μέγιστη ταχύτητα περιστροφής ⁴⁾	1200
Υπολειπόμενη περιεκτικότητα υγρασίας ⁵⁾	53%
Χρόνος προγράμματος του "κανονικού προγράμματος βαμβακερών 60 °C" με πλήρες φορτίο σε λεπτά.	215
Χρόνος προγράμματος του "κανονικού προγράμματος βαμβακερών 60 °C" με μερικό φορτίο σε λεπτά.	155
Χρόνος προγράμματος του "κανονικού προγράμματος βαμβακερών 40°C" με πλήρες φορτίο σε λεπτά.	145
Χρόνος προγράμματος του "κανονικού προγράμματος βαμβακερών 40°C" με μερικό φορτίο σε λεπτά.	30
Διάρκεια της λειτουργίας αναμονής σε λεπτά ⁶⁾	53
Εκπομπές αερόφερτου θορύβου dB(A) Re 1 pW ⁶⁾	79
Εντοιχισμένο μοντέλο	

¹⁾ βασίζεται σε 220 κανονικούς κύκλους πλυσίματος για προγράμματα βαμβακερών στους 60°C και 40°C με πλήρες και μερικό φορτίο, και την κατανάλωση των λειτουργιών χαμηλής ισχύος. Η πραγματική κατανάλωση ενέργειας θα εξαρτάται από τη χρήση της συσκευής.

²⁾ Αυτά είναι τα πρότυπα με τα οποία σχετίζονται όλες οι πληροφορίες της επικέτας και του δελτίου, είναι κατάλληλα για το καθάρισμα φυσιολογικά λερωμένων βαμβακερών ρούχων και είναι τα αποδοτικότερα προγράμματα όσον αφορά το συνδυασμό κατανάλωσης ενέργειας και νερού. **Το μερικό φορτίο είναι το μισό της ονομαστικής χωρητικότητας."

³⁾ βασίζεται σε 220 κανονικούς κύκλους πλυσίματος για προγράμματα βαμβακερών στους 60°C και 40°C με πλήρες και μερικό φορτίο. Η πραγματική κατανάλωση νερού θα εξαρτάται από τη χρήση της συσκευής.

⁴⁾ Για τον κανονικό κύκλο στους 60 °C με πλήρες και μερικό φορτίο ή 40°C με μερικό φορτίο, όποιο είναι χαμηλότερο

⁵⁾ Εππιγυχνάνεται για το πρόγραμμα βαμβακερών στους 60 °C με πλήρες και μερικό φορτίο ή 40°C με μερικό φορτίο, όποιο είναι υψηλότερο

⁶⁾ Εάν το πλυντήριο του σπιτιού σας είναι εξοπλισμένο με σύστημα διαχείρισης ενέργειας.

PL

Polski

FMD 823

Spis treści

Instalacja, 50-51

Rozpakowanie i wypoziomowanie
Podłączenia hydrauliczne i elektryczne
Pierwszy cykl prania
Dane techniczne

Utrzymanie i konserwacja, 52

Odłączenie wody i prądu elektrycznego
Czyszczenie pralki
Czyszczenie szufladki na środki piorące
Konserwacja okrągłych drzwiczek i bębna
Czyszczenie pompy
Kontrola przewodu doprowadzającego wodę

Zalecenia i środki ostrożności, 53

Ogólne zasady bezpieczeństwa
Utylizacja
Ręczne otwieranie okrągłych drzwiczek

Opis pralki, 54-55

Panel sterowania
Wyświetlacz

W jaki sposób wykonać cykl prania, 56

Programy i funkcje, 57

Tabela programów
Funkcje prania

Środki piorące i bielizna, 58

Szufladka na środki piorące
Przygotowanie bielizny
Programy specjalne
System równoważenia ładunku

Nieprawidłowości w działaniu i sposoby ich usuwania, 59

Serwis Techniczny, 60

Instalacja

PL

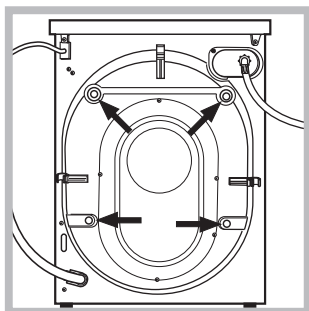
! Należy zachować niniejszą książeczkę, aby móc z niej skorzystać w każdej chwili. W przypadku sprzedaży, odstąpienia lub przeniesienia pralki w inne miejsce należy zadbać o przekazanie instrukcji wraz z nią, aby nowy właściciel mógł się zapoznać z działaniem urządzenia i z dotyczącymi go ostrzeżeniami.

! Należy uważnie przeczytać instrukcję obsługi: zawiera ona ważne informacje dotyczące instalacji oraz właściwego i bezpiecznego użytkowania pralki.

Rozpakowanie i wypoziomowanie

Rozpakowanie

1. Rozpakować pralkę.
2. Sprawdzić, czy nie doznała ona uszkodzeń w czasie transportu. W przypadku stwierdzenia uszkodzeń, nie podłączać pralki i skontaktować się ze sprzedawcą.



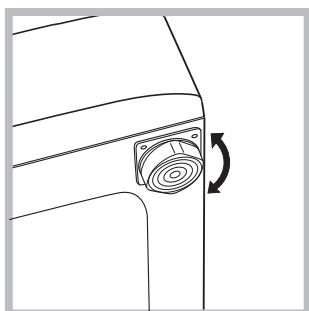
3. Odkręcić 4 śruby zabezpieczające urządzenie na czas transportu oraz zdjąć gumowy element z podkładką, znajdujący się w tylnej części pralki (patrz rysunek).

4. Zatkać otwory przy pomocy plastikowych zaślepek, znajdujących się w wyposażeniu urządzenia.

5. Zachować wszystkie części: w razie konieczności przewiezienia pralki w inne miejsce, powinny one zostać ponownie zamontowane.

! Części opakowania nie są zabawkami dla dzieci.

Poziomowanie



1. Ustawić pralkę na płaskiej i twardej podłodze, nie opierając jej o ściany, meble itp.

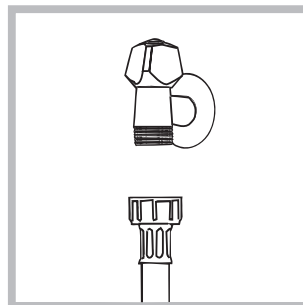
2. Jeśli podłoga nie jest idealnie pozioma, należy skompensować nierówności,

odkręcając lub dokręcając przednie nóżki (patrz rysunek); kąt nachylenia, zmierzony na górnym blacie pralki, nie powinien przekraczać 2°.

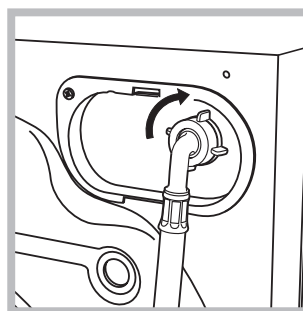
Staranne wypoziomowanie pralki zapewnia jej stabilność i zapobiega wibracjom, hałasowi oraz przesuwaniu się urządzenia w czasie pracy. W przypadku ustawienia na dywanie lub wykładzinie dywanowej, należy tak wyregulować nóżki, aby pod pralką pozostawała wolna przestrzeń niezbędna dla wentylacji.

Podłączenia hydrauliczne i elektryczne

Podłączenie przewodu doprowadzającego wodę



1. Podłączyć przewód zasilający poprzez przykręcenie go do zaworu zimnej wody z końcówką gwintowaną (patrz rysunek): Przed podłączeniem spuszczać wodę do momentu, aż stanie się ona całkowicie przezroczysta.



2. Podłączyć do urządzenia przewód doprowadzający wodę, przykręcając go do odpowiedniego przyłącza wody, znajdującego się w tylnej części pralki, z prawej strony u góry (patrz rysunek).

3. Zwrócić uwagę, aby przewód nie był pozaginany ani przygnieciony.

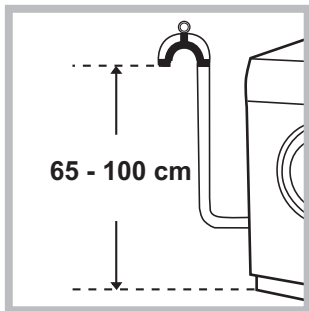
! Ciśnienie wody w kurku powinno mieścić się w przedziale podanym w tabeli Danych technicznych (patrz strona obok).

! Jeśli długość przewodu doprowadzającego wodę jest niewystarczająca, należy zwrócić się do specjalistycznego sklepu lub do autoryzowanego technika.

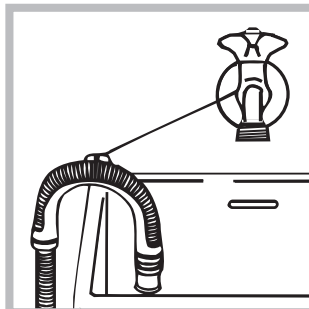
! Nigdy nie instalować przewodów, które były już używane.

! Stosować przewody znajdujące się w wyposażeniu urządzenia.

Podłączenie przewodu odpływowego



Podłączyć przewód odpływowy, nie zginając go, do rury ściekowej lub do otworu odpływowego w ścianie, które powinny się znajdować na wysokości od 65 do 100 cm od podłogi; albo oprzeć go na brzegu zlewu lub wanny, przymocowując do kranu prowadnik, znajdujący się w wyposażeniu pralki (patrz rysunek). Wolny koniec przewodu odpływowego nie powinien być zanurzony w wodzie.



! Odradza się używanie rur przedłużających; jednak jeśli jest to konieczne, przedłużacz powinien mieć taki sam przekrój, jak oryginalna rura, a jego długość nie powinna przekraczać 150 cm.

Podłączenie elektryczne

Przed włożeniem wtyczki do gniazdka elektrycznego należy się upewnić, czy:

- gniazdko posiada uziemienie i jest zgodne z obowiązującymi przepisami;
- gniazdko jest w stanie wytrzymać maksymalne obciążenie mocy urządzenia, wskazane w tabeli Danych technicznych (patrz obok);
- napięcie zasilania mieści się w wartościach wskazanych w tabeli Danych technicznych (patrz obok);
- gniazdko pasuje do wtyczki pralki. W przeciwnym razie należy wymienić gniazdko lub wtyczkę.

! Nie należy instalować pralki na otwartym powietrzu, nawet w osłoniętym miejscu, gdyż wystawienie urządzenia na działanie deszczu i burz jest bardzo niebezpieczne.

! Po zainstalowaniu pralki gniazdko elektryczne powinno być łatwo dostępne.

! Nie używać przedłużaczy ani rozgałęźników.

! Kabel nie powinien być pozginany ani przegniewiony.

! Przewód zasilania elektrycznego może być wymieniany wyłącznie przez autoryzowanych techników.

Uwaga! Producent nie ponosi żadnej odpowiedzialności, jeśli powyższe zasady nie będą przestrzegane.

Pierwszy cykl prania

Po zainstalowaniu pralki, przed przystąpieniem do jej użytkowania, należy wykonać jeden cykl prania ze środkiem piorącym, ale bez wsadu, nastawiając program samoczyszcze (patrz "Czyszczenie pralki").

Dane techniczne	
Model	FMD 823
Wymiary	szerokość cm 59,5 wysokość cm 85 głębokość cm 60,5
Pojemność	od 1 do 8 kg
Dane prądu elektrycznego	dane techniczne umieszczone są na tabliczce na maszynie
Dane sieci wodociągowej	Maksymalne ciśnienie 1 MPa (10 barów) ciśnienie minimalne 0,05 MPa (0,5 barów) pojemność bębna 62 litrów
Szybkość wirowania	do 1200 obrotów na minutę
Programy testowe zgodnie z dyrektywami 1061/2010 i 1015/2010	Program 2 (60°) (1. naciśnięcie przycisku); Bawełna Standardowy 60°C. Program 2 (40°) (2. naciśnięcie przycisku); Bawełna Standardowy 40°C.
	Urządzenie to zostało wyprodukowane zgodnie z następującymi przepisami CE: - 2004/108/CE (o Kompatybilności Elektromagnetycznej) - 2012/19/EU - 2006/95/CE (o Niskim Napięciu)

Utrzymanie i konserwacja

PL

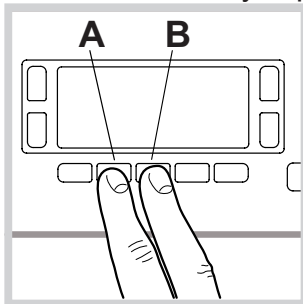
Odlączenie wody i prądu elektrycznego

- Zamknąć kurek dopływu wody po każdym praniu. W ten sposób zmniejsza się zużycie instalacji hydraulicznej pralki oraz eliminuje się niebezpieczeństwo wycieków.
- Przed przystąpieniem do czyszczenia pralki oraz do czynności konserwacyjnych wyjąć wtyczkę z gniazdka.

Czyszczenie pralki

- Obudowę zewnętrzną i gumowe części pralki można myć ściereczką zmoczoną w letniej wodzie z mydłem. Nie stosować rozpuszczalników ani ściernych środków czyszczących.
- Pralka jest wyposażona w program samoczyszcze części wewnętrznych, który należy przeprowadzać **nie wprowadzając niczego do kosza pralki**.

Środek piorący (w ilości równej 10% ilości zalecanej dla lekko zabrudzonej odzieży) lub dodatki przeznaczone specjalnie do czyszczenia pralek, mogą zostać użyte jako środki pomocnicze podczas programu czyszczenia. Zaleca się przeprowadzanie programu czyszczenia co 40 cykli prania.

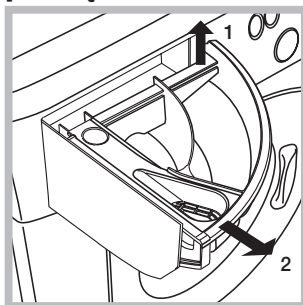


W celu uruchomienia programu, należy nacisnąć przycisk **A** przez 5 sek. (zob. rysunek).

Program rozpocznie się automatycznie i będzie trwał około 70 minut. W celu zakończenia cyklu,

należy nacisnąć przycisk START/PAUSE.

Czyszczenie szufladki na środki piorące



Wysunąć szufladkę, unosząc ją lekko ku górze i wyciągając na zewnątrz (patrz rysunek).

Wypłukać szufladkę pod bieżącą wodą. Czynność tę należy wykonywać stosunkowo często.

Konserwacja okrągłych drzwiczek i bębna

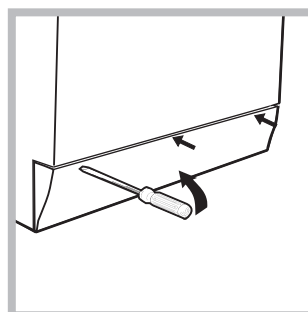
- Drzwiczki pralki należy zawsze pozostawiać uchylone, aby zapobiec tworzeniu się nieprzyjemnych zapachów.

Czyszczenie pompy

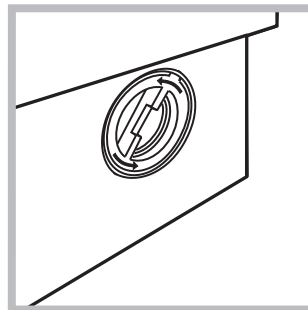
Pralka wyposażona jest w pompę samoczyszczącą, która nie wymaga zabiegów konserwacyjnych. Może się jednak zdarzyć, że drobne przedmioty (monety, guziki) wpadną do komory wstępnej zabezpieczającej pompę, która znajduje się w jej dolnej części.

! Należy się upewnić, że cykl prania został zakończony i wyjąć wtyczkę z gniazdka.

Aby dostać się do komory wstępnej:



1. zdjąć panel pokrywy z przedniej strony pralki przy pomocy śrubokrętu (patrz rysunek);



2. odkręcić pokrywę, obracając ją w kierunku przeciwnym do ruchu wskazówek zegara (patrz rysunek): wypłynięcie niewielkiej ilości wody jest normalnym zjawiskiem;

3. dokładnie wyczyścić wnętrze;
4. ponownie przykręcić pokrywę;
5. ponownie założyć panel upewniwszy się, przed dociśnięciem go do maszyny, czy zatrzaski zostały umieszczone w odpowiednich otworach.

Kontrola przewodu doprowadzającego wodę

Przynajmniej raz w roku należy sprawdzić przewód doprowadzający wodę. Jeśli widoczne są na nim pęknięcia i rysy, należy go wymienić: w trakcie prania duże ciśnienie może bowiem spowodować jego nagłe zerwanie.

! Nigdy nie instalować już używanych przewodów.

! Pralka została zaprojektowana i wyprodukowana zgodnie z międzynarodowymi normami bezpieczeństwa. Niniejsze ostrzeżenia zostały tu zamieszczone ze względów bezpieczeństwa i należy je uważnie przeczytać.

Ogólne zasady bezpieczeństwa

- Urządzenie to zostało zaprojektowane wyłącznie do użytkowania w warunkach domowych.
- Z niniejszego urządzenia mogą korzystać dzieci powyżej 8 roku życia i osoby o ograniczonych zdolnościach fizycznych, zmysłowych bądź umysłowych, jak również osoby nieposiadające doświadczenia lub znajomości urządzenia, jeśli znajdują się one pod nadzorem innych osób lub jeśli zostały pouczone na temat bezpiecznego sposobu użycia urządzenia oraz zdają sobie sprawę ze związanych z nim zagrożeń. Dzieci nie powinny bawić się urządzeniem. Prace związane z czyszczeniem i konserwacją nie mogą być wykonywane przez dzieci, jeśli nie są one nadzorowane.
- Nie dotykać pralki stojąc przy niej boso lub mając mokre lub wilgotne ręce albo stopy.
- Nie wyjmować wtyczki z gniazdka ciągnąc za kabel, należy trzymać za wtyczkę.
- W trakcie pracy maszyny nie otwierać szufladki na środki piorące.
- Nie dotykać odprowadzanej wody, gdyż może ona być bardzo gorąca.
- W żadnym wypadku nie otwierać na siłę drzwiczek pralki: grozi to uszkodzeniem mechanizmu zabezpieczającego drzwiczki przed przypadkowym otwarciem.
- W razie wystąpienia usterki nie należy w żadnym wypadku ingerować w wewnętrzne części pralki z zamiarem samodzielnego dokonania naprawy.
- Zawsze uważać, aby dzieci nie zbliżyły się do pracującej pralki.
- W czasie prania drzwiczki pralki nagrzewają się.
- Jeśli trzeba przenieść pralkę w inne miejsce, należy to robić bardzo ostrożnie, w dwie lub trzy osoby. Nigdy nie należy samodzielnie przenosić urządzenia, gdyż jest ono bardzo ciężkie.
- Przed włożeniem bielizny sprawdzić, czy bęben jest pusty.

Utylizacja

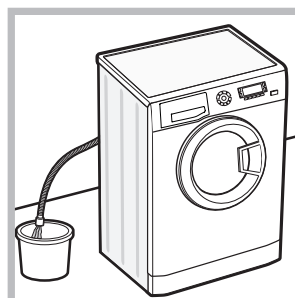
- Utylizacja opakowania: stosować się do lokalnych przepisów, dzięki temu opakowanie będzie mogło zostać ponownie wykorzystane.
- Dyrektywa europejska 2012/19/EU dotycząca odpadów urządzeń elektrycznych i elektronicznych przewiduje, że elektryczne urządzenia gospodarstwa domowego nie powinny być utylizowane w normalnym ciągu utylizacji stałych odpadów miejskich. Stare urządzenia powinny być zbierane oddzielnie, aby zoptymalizować stopień odzysku i recykulacji materiałów, z których są one zbudowane, oraz aby zapobiec potencjalnym szkodom dla zdrowia i środowiska. Symbol przekreślonego kosza jest umieszczony na wszystkich

produktach w celu przypominania o obowiązku ich segregacji.

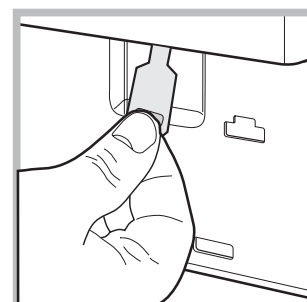
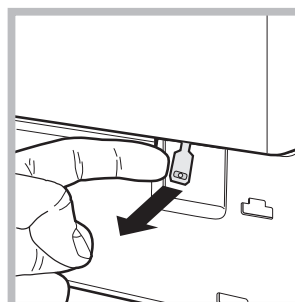
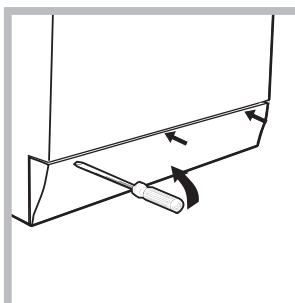
Właściciele urządzeń gospodarstwa domowego mogą uzyskać dodatkowe informacje dotyczące ich prawidłowej utylizacji, zwracając się do odpowiednich służb publicznych lub do sprzedawców tych urządzeń.

Ręczne otwieranie okrągłych drzwiczek

Jeśli z powodu przerwy w dostawie energii elektrycznej nie jest możliwe otwarcie okrągłych drzwiczek, w celu wyjęcia i rozwieszenia prania należy wykonać następujące czynności:



1. wyjąć wtyczkę z gniazdka elektrycznego.
2. sprawdzić, czy poziom wody wewnątrz maszyny znajduje się poniżej poziomu otwarcia drzwiczek; w przeciwnym wypadku usunąć nadmiar wody przez przewód odpływowy, zbierając ją do wiaderka w sposób wskazany na *rysunku*.
3. zdjąć panel pokrywy z przedniej strony pralki przy pomocy śrubokrętu (*patrz rysunek*).

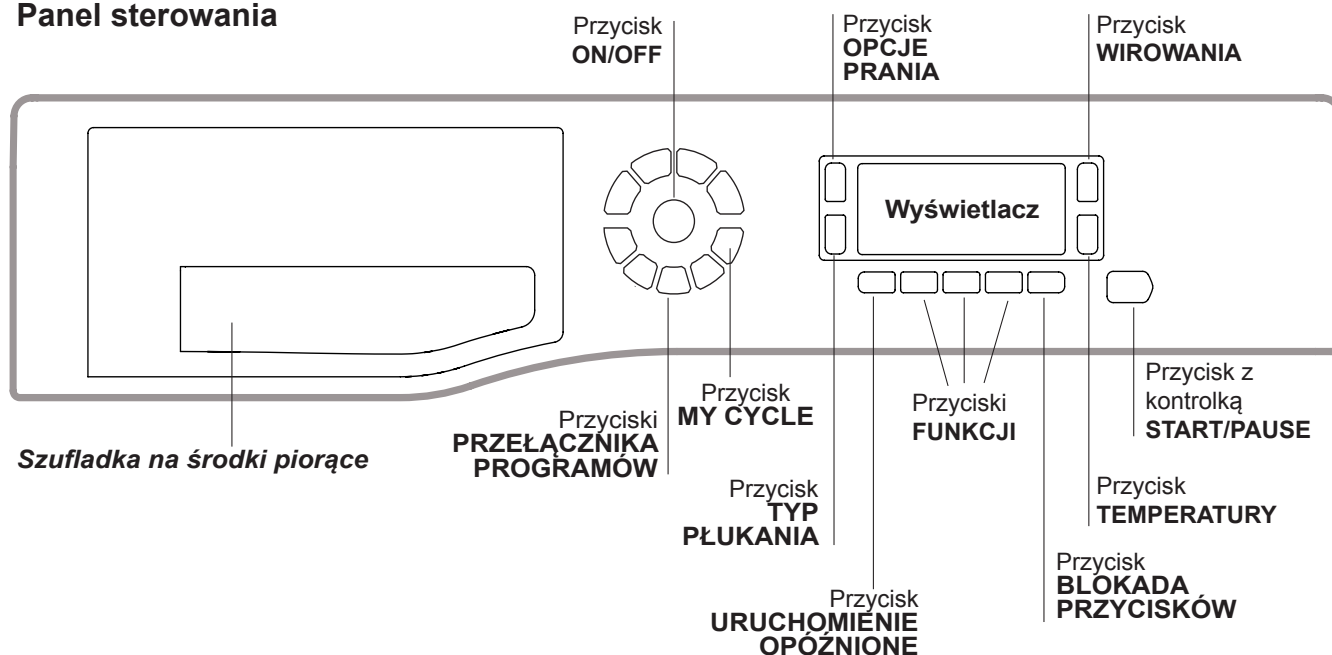


4. pociągnąć na zewnątrz klapkę wskazaną na rysunku, aż do wyzwolenia się z zacisku plastikowego zaczepu; następnie pociągnąć go w dół i równocześnie otworzyć drzwiczki.
5. ponownie założyć panel upewniwszy się, przed dociśnięciem go do maszyny, czy zatrzaski zostały umieszczone w odpowiednich otworach.


Opis pralki

PL

Panel sterowania




Szufladka na środki piorące: do dozowania środków piorących i dodatków (patrz „Środki piorące i bielizna”).

Przycisk **ON/OFF** : naciśnięcie przycisku w celu włączenia lub wyłączenia maszyny. Kontrolka START/PAUSE, która pulsuje powoli w kolorze zielonym wskazuje, że maszyna jest włączona. W celu wyłączenia pralki podczas prania konieczne jest dłuższe przytrzymanie naciśniętego przycisku, przez około 3 sek.; krótkie lub przypadkowe naciśnięcie nie wystarczy do wyłączenia maszyny. Wyłączenie maszyny podczas trwającego prania anuluje program prania.


Przyciski **PRZEŁĄCZNIKA PROGRAMÓW**: w celu wybrania potrzebnego programu (patrz „Tabela programów”).

Przycisk **MY CYCLE**: przytrzymanie naciśniętego przycisku w celu zapisania w pamięci cyklu oraz własnych preferowanych personalizacji. W celu przywołania cyklu zapisanego uprzednio należy naciśnąć przycisk MY CYCLE.



Przyciski **FUNKCJI**: naciśnięcie przycisku w celu wybrania potrzebnej funkcji. Na wyświetlaczu zaświeci się odpowiednia kontrolka.


Przycisk **OPCJE PRANIA** : naciśnięcie w celu wybrania żądanego stopnia intensywności prania.


Przycisk **TYP PŁUKANIA** : naciśnięcie w celu wybrania żądanego rodzaju płukania.

Przycisk **WIROWANIA** : naciśnięcie w celu zmniejszenia lub całkowitego wyłączenia wirówki – wartość ukazana zostanie na wyświetlaczu.

Przycisk **TEMPERATURY** : naciśnięcie w celu zmniejszenia temperatury: wartość zostaje wyświetlona na ekranie.

Przycisk **BLOKADA PRZYCISKÓW** : w celu uruchomienia lub wyłączenia blokady panelu sterowania należy przytrzymać naciśnięty przycisk przez około 2 sekundy. Podświetlony symbol  wskazuje, że panel sterowania został zablokowany (z wyjątkiem przycisku ON/OFF). W ten sposób uniemożliwia się dokonywanie przypadkowych zmian w programach, zwłaszcza, jeśli w domu obecne są dzieci. W celu wyłączenia blokady panelu sterowania należy przytrzymać naciśnięty przycisk przez około 2 sekundy.

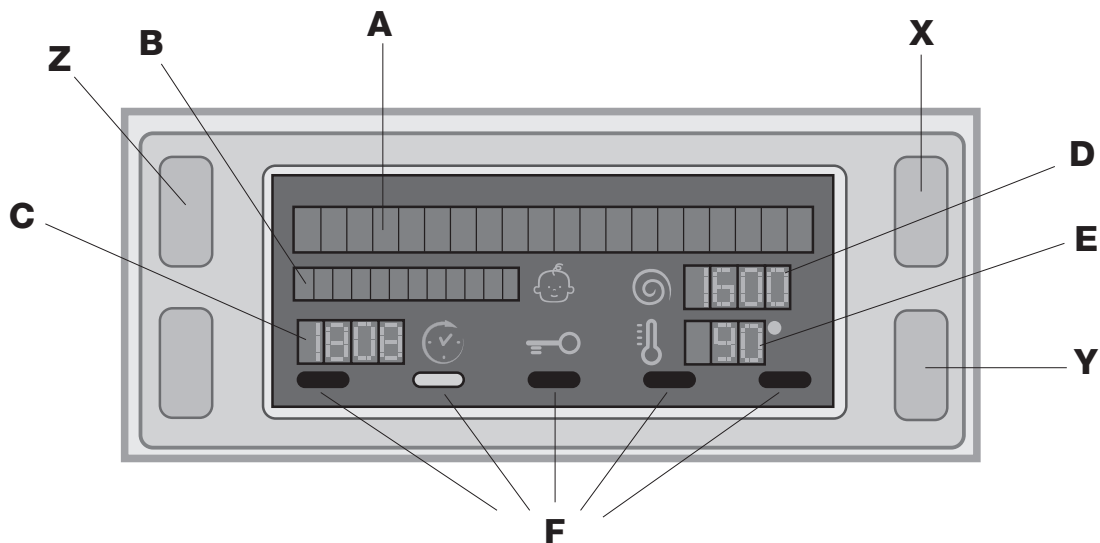
Przycisk **URUCHOMIENIE OPÓZNIONE** : naciśnięcie w celu ustawienia opóźnionego uruchomienia wybranego programu. Opóźnienie wyświetlone zostanie na ekranie.

Przycisk z kontrolką **START/PAUSE**: kiedy zielona kontrolka pulsuje powoli, naciśnięcie przycisku w celu uruchomienia prania. Po uruchomieniu cyklu kontrolka świeci w sposób ciągły. W celu wybrania pauzy w praniu należy naciśnąć ponownie przycisk, kontrolka zacznie pulsować w kolorze pomarańczowym. Jeśli symbol  nie świeci się, można otworzyć drzwiczki. W celu ponownego uruchomienia prania od miejsca, w którym zostało przerwane, należy ponownie naciśnąć przycisk.

Funkcja stand by

Pralka ta, w myśl nowych norm europejskich związanych z oszczędnością elektryczną, posiada system auto wyłączenia (stand by), który włącza się po 30 minutach nie użytkowania. Ponownie lekko wcisnąć przycisk ON/OFF i poczekać, aż pralka ponownie włączy się.

Wyświetlacz



Wyświetlacz potrzebny jest w celu programowania maszyny i dostarcza wielu informacji.

W obu wierszach górnych **A** i **B** wyświetlane są: wybrany program prania, faza prania bieżącego oraz wszelkie wskazania związane ze stanem zaawansowania programu.

W wierszu **C** wyświetlany jest czas pozostały do końca cyklu prania bieżącego oraz, jeśli zaprogramowano URUCHOMIENIE OPÓŹNIONE, czas brakujący do uruchomienia wybranego programu.

W wierszu **D** wyświetlana jest maksymalna wartość szybkości wirówki, jaką maszyna może uzyskać w przypadku wybranego programu; jeśli program nie przewiduje wirowania wiersz pozostaje wygaszony.

W wierszu **E** wyświetlana jest maksymalna wartość temperatury, jaką można wybrać w przypadku wybranego programu, jeśli program nie przewiduje ustawiania temperatury, wiersz pozostaje wygaszony.

Kontrolki **F** związane są z funkcjami i włączają się, kiedy wybrana funkcja zgodna jest z wybranym programem.

Symbol **zablokowanych drzwiczek**

Zapalony symbol oznacza, że okrągłe drzwiczki pralki są zablokowane, aby zapobiec przypadkowemu ich otwarciu. Aby uniknąć uszkodzenia pralki, należy odczekać, aż symbol ten zgaśnie, zanim przystąpi się do otwierania drzwiczek pralki.

Uwaga: jeśli aktywna jest funkcja URUCHOMIENIE OPÓŹNIONE drzwiczek nie można otworzyć. W celu ich otwarcia należy ustawić maszynę w pauzie poprzez naciśnięcie przycisku START/PAUSE.


! Podczas pierwszego uruchomienia wymagane będzie dokonanie wyboru języka a wyświetlacz ustawi się automatycznie na menu wyboru języka.

W celu wybraniażądanego języka naciśnąć przyciski **X** i **Y**, dla potwierdzenia wyboru naciśnąć przycisk **Z**.

Aby zmienić język, należy wyłączyć urządzenie, naciśnąć równocześnie przyciski **X**, **Y**, **Z**, aż do usłyszenia sygnału dźwiękowego, wyświetli się menu wyboru języka.

W jaki sposób wykonać cykl prania

PL

1. **WŁĄCZENIE MASZYNY.** Nacisnąć przycisk , na wyświetlaczu pojawi się napis WŁĄCZENIE, kontrolka START/PAUSE zacznie powoli pulsować w kolorze zielonym.

2. **WKŁADANIE BIELIZNY.** Otworzyć szklane drzwiczki. Włożyć bieliznę uważając, aby nie przekroczyć wielkości wsadu wskazanej w tabeli programów na następnej stronie.



3. **DOZOWANIE ŚRODKA PIORĄCEGO.** Wysunąć szufladkę i wsypać detergent do odpowiednich komór w sposób wyjaśniony w „Środki piorące i bielizna”.

4. **ZAMKNAĆ DRZWICZKI.**

5. **WYBÓR PROGRAMU.** Nacisnąć jeden z przycisków PRZEŁĄCZNIKA PROGRAMÓW w celu wybrania potrzebnego programu, nazwa programu pojawi się na wyświetlaczu; z nim powiązana jest temperatura oraz prędkość wirowania, które mogą zostać zmienione. Na wyświetlaczu pojawi się czas trwania cyklu.


6. **PERSONALIZACJA CYKLU PRANIA.**

Przy pomocy odpowiednich przycisków:


Zmienić temperaturę i/lub wirówkę. Maszyna wybierze automatycznie temperaturę oraz wirówkę maksymalne przewidziane dla danego programu, dlatego nie mogą one być zwiększane. Poprzez naciskanie przycisku  stopniowo zmniejsza się temperaturę aż do prania w zimnej wodzie „OFF”. Naciskając przycisk  stopniowo zmniejsza się wirówkę aż do jej wyłączenia „OFF”. Dodatkowe naciśnięcie przycisków przywróci maksymalne wartości przewidywane.

! Wyjątek: wybierając program 2 60° (1. naciśnięcie przycisku) temperaturę można podnieść aż do 90°.


Ustawienie opóźnionego rozpoczęcia.

W celu ustawienia opóźnionego rozpoczęcia wybranego programu należy naciskać odpowiedni przycisk aż do osiągnięcia żadanego czasu opóźnienia. Kiedy opcja ta jest aktywna, na wyświetlaczu pojawia się symbol . W celu usunięcia opóźnionego uruchomienia należy naciskać przycisk aż do pojawienia się napisu „OFF”.


Ustawić żądany stopień intensywności prania.

Opcja  umożliwia optymalizację prania w zależności od stopnia zabrudzenia tkanin oraz żądanej intensywności prania.


Wybrać program prania, cykl zostanie automatycznie ustawiony na poziomie „NORMALNY”, przeznaczonym dla średnio zabrudzonej odzieży, (ustawienie to nie stosuje się dla cyklu „Wełna”, który ustawia się automatycznie na poziomie „DELIKATNE”).

W przypadku silnie zabrudzonej odzieży, należy nacisnąć przycisk  aż do przejścia do poziomu „SUPER PRANIE”. Poziom ten gwarantuje wysokiej jakości pranie, dzięki użyciu większej ilości wody w początkowej fazie cyklu i intensywniejszym ruchom mechanicznym służy do usuwania najoporniejszych plam. Może być używany z wybielaczem i bez niego.

Jeśli chce się przeprowadzić wybielanie, należy włożyć dodatkową szufladkę 4, znajdującą się w wyposażeniu, do szufladki 1. Nie przekraczać poziomu „max” wybielacza w płynie, podanej na środkowym wskaźniku (zobacz rysunek na str. 58).

W przypadku lekko zabrudzonej odzieży lub w celu delikatnego obchodzenia się z tkaninami, należy nacisnąć przycisk  aż do przejścia do poziomu „DELIKATNE”. Cykl zredukuje ruchy mechaniczne, aby zagwarantować doskonały efekt prania delikatnej odzieży.

Ustawić rodzaj płukania.

Opcja  umożliwia wybranie rodzaju płukania przeznaczonego do jak największej ochrony delikatnej skóry. Po pierwszym naciśnięciu przycisku, zostaje ustawiony poziom „EXTRA PŁUKANIE”, który pozwala wybrać dodatkowe płukanie, oprócz standardowego, w celu usunięcia wszelkich pozostałości detergentu. Po drugim naciśnięciu przycisku, zostaje ustawiony poziom „WRAŻLIWA SKÓRA”, który pozwala wybrać dwa dodatkowe płukania, oprócz standardowego, w celu jak najlepszej ochrony delikatnej skóry. Naciskając po raz trzeci na przycisk ustawia się poziom „ANTYALERGICZNE”, który umożliwia wybranie 3 dodatkowych płukań oprócz tych, które przewiduje dany cykl. Aktywacja opcji w cyklach o temperaturze 40° umożliwia usunięcie głównych alergenów, takich jak kocia i psia sierść oraz pyłki; w cyklach o temperaturze powyżej 40° osiąga się bardzo dobry poziom ochrony przeciwalergicznego. Nacisnąć ponownie przycisk, aby powrócić do „PŁUKANIE STANDARDOWE” rodzaju płukania. Jeśli któreś z ustawień lub zmiana ustawienia nie jest możliwe, na wyświetlaczu pojawi się napis „ZABLOKOWANE”.



Zmiana charakterystyki cyklu.

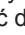
- Naciskać przycisk w celu uruchomienia funkcji; zaświeci się kontrolka odpowiadająca przyciskowi.
- Nacisnąć ponownie przycisk w celu wyłączenia funkcji, kontrolka zgaśnie.

! Jeśli wybrana funkcja nie jest zgodna z wybranym programem, kontrolka będzie pulsować, a funkcja nie zostanie uruchomiona.

! Jeśli wybrana funkcja nie jest zgodna z inną, ustawioną uprzednio, kontrolka odpowiadająca pierwszej funkcji będzie pulsowała i uruchomiona zostanie jedynie druga funkcja a kontrolka uruchomionej funkcji zaświeci się.

! Funkcje mogą zmieniać zalecane obciążenie i/lub czas trwania cyklu.

7. **URUCHOMIENIE PROGRAMU.** Nacisnąć przycisk START/PAUSE. Odpowiednia kontrolka zaświeci się kolorem zielonym i drzwiczki zostaną zablokowane (symbol ZABLOKOWANYCH DRZWICZEK  świeci się). Podczas prania na wyświetlaczu pojawi się nazwa bieżącej fazy. W celu zmiany programu w czasie trwania cyklu należy ustawić pralkę w pauzie naciskając przycisk START/PAUSE (kontrolka START/PAUSE zacznie powoli pulsować w kolorze pomarańczowym); następnie wybrać potrzebny cykl i ponownie nacisnąć przycisk START/PAUSE. W celu otwarcia drzwiczek w trakcie wykonywania cyklu należy nacisnąć przycisk START/PAUSE; jeśli symbol ZABLOKOWANYCH DRZWICZEK  jest wyłączony możliwe będzie otwarcie drzwiczek Nacisnąć ponownie przycisk START/PAUSE, aby uruchomić program od punktu, w którym został przerwany.

8. **KONIEC PROGRAMU.** Wskazywany jest napisem „KONIEC CYKLU” na wyświetlaczu, kiedy symbol ZABLOKOWANYCH DRZWICZEK  wyłączy się, możliwe będzie otwarcie drzwiczek. Otworzyć drzwiczki, wyciągnąć bieliznę i wyłączyć maszynę.

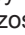
! Jeśli zamierza się anulować uruchomiony już cykl, przytrzymać dłużej naciśnięty przycisk . Cykl zostanie przerwany i maszyna wyłączy się.

Tabela programów

Programy	Opis programu	Temp. max. (°C)	Prędkość max (obrotów na minutę)	Środki piorące				Ładunek max (kg)	Wilgotno re-sztkowa %	Zużycie energii kWh	Woda łącznie lt	Czas trwania cyklu
				Pranie wstępne	Pranie	Wybielacz	Środek zmiękczący					
CLEAN Plus												
1	ODPLAMIANIE (1° naciśnięcie przycisku).	40°	1200	●	●	-	●	5	-	-	-	180'
1	SZYBKE ODPLAMIANIE (2° naciśnięcie przycisku).	40°	1200	-	●	-	●	4,5	-	-	-	60'
2	BAWELNA STANDARDOWY 60° (1° naciśnięcie przycisku). (1): tkaniny białe i kolorowe, wytrzymałe, mocno zabrudzone.	60° (Max. 90°)	1200	● (3)	●	●	●	8	53	1,04	55	215'
2	BAWELNA STANDARDOWY 40° (2° naciśnięcie przycisku). (2): tkaniny kolorowe, wytrzymałe, lekko zabrudzone.	40°	1200	-	●	●	●	8	53	0,87	81	185'
2	BAWELNA STANDARDOWY 20° (3° naciśnięcie przycisku): tkaniny kolorowe, wytrzymałe, lekko zabrudzone.	20°	1200	-	●	●	●	8	-	-	-	175'
3	SYNTETYCZNE (SYNTETY. INTENSYWNY) (1° naciśnięcie przycisku): tkaniny kolorowe, wytrzymałe, mocno zabrudzone.	60°	800	●	●	●	●	4,5	46	1,03	60	115'
3	SYNTETYCZNE (SYNTETY. INTENSYWNY) (4) (1° naciśnięcie przycisku): tkaniny kolorowe, wytrzymałe, lekko zabrudzone.	40°	800	●	●	●	●	4,5	46	0,56	60	100'
3	SYNTETYCZNE (SYNTETY. DELIKATNE) (2° naciśnięcie przycisku): tkaniny kolorowe, wytrzymałe, lekko zabrudzone.	40°	800	●	●	●	●	4,5	-	-	-	75'
SPECIALS												
4	SZYBKE PRANIE 30' : w celu szybkiego odświeżenia lekko zabrudzonych tkanin (nie wskazany dla wełny, jedwabiu i tkanin przeznaczonych do prania ręcznego).	30°	800	-	●	-	●	3	71	0,20	38	30'
M	MY CYCLE (PAMIEĆ) : pozwala na zmemoryzowanie każdego typu prania.											
6	POŚCIEL I RĘCZNIKI : do bielizny pościelowej i kąpielowej.	60°	1200	●	●	-	●	8	-	-	-	140'
EXTRA CARE												
7	WEŁNA (Woolmark Platinum) : do wełny, kaszmiru, itp.	40°	800	-	●	-	●	2	-	-	-	85'
8	DELIKATNE	30°	0	-	●	-	●	1	-	-	-	80'
	WIROWANIE (1° naciśnięcie przycisku).	-	1200	-	-	-	-	8	-	-	-	16'
	PLUKANIE (2° naciśnięcie przycisku).	-	1200	-	-	-	●	8	-	-	-	36'
	ODPROWADZANIE WODY (3° naciśnięcie przycisku).	-	0	-	-	-	-	8	-	-	-	2'

Czas trwania cyklu wskazany na wyświetlaczu lub w instrukcji jest czasem oszacowanym dla standardowych warunków. Rzeczywisty czas trwania cyklu może się zmieniać w zależności od wielu czynników, takich jak temperatura i ciśnienie wody na wlocie, temperatura otoczenia, ilość detergentu, ilość i rodzaj pranej odzieży, wyważenie ładunku, wybrane opcje dodatkowe.

1) Program sterowania zgodny z normą 1061/2010: ustawić program "2" 60°C (1. naciśnięcie przycisku).

Ten cykl jest odpowiedni do prania średnio zabrudzonej odzieży bawełnianej i jest najbardziej wydajnym cyklem pod względem łącznego zużycia energii elektrycznej i wody; należy go używać do odzieży przeznaczonej do prania w 60°C. Rzeczywista temperatura prania może się różnić od podanej.

2) Program sterowania zgodny z normą 1061/2010: ustawić program "2" 40°C (2. naciśnięcie przycisku).

Ten cykl jest odpowiedni do prania średnio zabrudzonej odzieży bawełnianej i jest najbardziej wydajnym cyklem pod względem łącznego zużycia energii elektrycznej i wody; należy go używać do odzieży przeznaczonej do prania w 40°C. Rzeczywista temperatura prania może się różnić od podanej.

3) W temperaturze 60°C nie można włączyć funkcji "Pranie wstępne".

Dla wszystkich Test Institutes:

2) Program bawełna, długi: ustawić program "2" 40°C (2. naciśnięcie przycisku).

4) Program tkaniny syntetyczne długi: ustawić program "3" 60°C (1. naciśnięcie przycisku) z temperaturą 40°C (nacisnąć przycisk TEMPERATURA).

Funkcje prania

Pranie Wstępne

W przypadku wyboru tej funkcji zostanie wykonane pranie wstępne, które ułatwia usunięcie uporczywych plam. **N.B.** Należy umieścić środek piorący w odpowiedniej przegródce.

! Funkcja ta nie jest dostępna w przypadku programów "SZYBKE ODPLAMIANIE", 2 (60°) (1. naciśnięcie przycisku), 2 (2. naciśnięcie przycisku), 2 (3. naciśnięcie przycisku), 4, 7, 8, .

Łatwe prasowanie

Po wybraniu tej funkcji, pranie oraz wirówka zostaną odpowiednio zmienione w celu ograniczenia powstawania zgnieceń. Po zakończeniu cyklu pralka wykona powolne obroty bębna, kontrolka funkcji ŁATWE PRASOWANIE zaświeci się, a kontrolka START/PAUSE będzie pulsowała powoli w kolorze pomarańczowym. W celu zakończenia cyklu należy nacisnąć przycisk START/PAUSE lub przycisk ŁATWE PRASOWANIE.

! Nie można go uruchomić w programach 1, 4, 7, 8, .

Eco wash

Funkcja Eco Wash umożliwia oszczędności pod względem zużywanej energii, nie podgrzewając wody używanej do prania, co niesie za sobą korzyści zarówno dla środowiska naturalnego, jak i dla rachunku za prąd. Wzmocniona siła działania i zoptymalizowane zużycie wody gwarantują doskonałe rezultaty przy długości cyklu takiej samej, jak w przypadku cyklu standard. Aby uzyskać jak najlepsze rezultaty, zalecamy korzystać z płynu do prania.

! Nie można jej uruchomić w programach 1, 2 (3. naciśnięcie przycisku), 6, 7, 8, .

Środki piorące i bielizna

PL

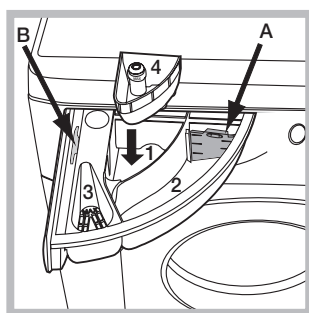
Szufladka na środki piorące

Dobry rezultat prania zależy również od prawidłowego dozowania środka piorącego: użycie jego nadmiernej ilości nie poprawia skuteczności prania, lecz przyczynia się do powstawania nalotów na wewnętrznych częściach pralki i do zanieczyszczania środowiska.

! Środki piorące w proszku należy stosować do tkanin z białej bawełny i do prania wstępного oraz do prania w temperaturze przekraczającej 60°C.

! Należy stosować się do zaleceń podanych na opakowaniu środka piorącego.

! Nie stosować środków do prania ręcznego, ponieważ tworzą one za dużo piany.



Wysunąć szufladkę i umieścić w niej środek piorący lub dodatkowy w następujący sposób.

Przegródka 1: Środek piorący do prania wstępnego (w proszku)

Przed wsypaniem środka piorącego należy sprawdzić, czy nie jest włożony dodatkowy pojemnik 4.

Przegródka 2: Środek piorący do prania zasadniczego (w proszku lub w płynie)

W przypadku stosowania środka piorącego w płynie, zaleca się użycie ścianki **A** dostarczonej na wyposażeniu, która ułatwia prawidłowe dozowanie. W celu użycia środka piorącego w proszku, należy wsunąć ściankę w zgłębienie **B**.

Przegródka 3: Środki dodatkowe (zmiękczające, itp.)

Środek zmiękczający nie powinien wypływać poza kratkę.

dodatkowy pojemnik 4: Wybielacz

Przygotowanie bielizny

- Podzielić bieliznę do prania według:
 - rodzaju tkaniny / symbolu na etykiecie.
 - kolorów: oddzielić tkaniny kolorowe od białych.
- Opróżnić kieszenie i sprawdzić guziki.
- Nie przekraczać wskazanego ciężaru suchej bielizny: patrz „Tabela programów”.

Ile waży bielizna?

- 1 prześcieradło 400-500 gr.
- 1 poszewka 150-200 gr.
- 1 obrus 400-500 gr.
- 1 szlafrok 900-1.200 gr.
- 1 ręcznik 150-250 gr.

Programy specjalne

ODPLAMIANIE: program odpowiedni do prania silnie zabrudzonej odzieży o trwałych kolorach. Program gwarantuje klasę prania wyższą od standardowej (klasa A). Nie używać programu, gdy miesza się odzież w różnych kolorach. Zalecamy stosowanie środka piorącego w proszku. W przypadku szczególnie opornych plam, zalecamy wcześniej zastosowanie specjalnych dodatków.

SZYBKE ODPLAMIANIE: program został opracowany do prania w jedną godzinę bielizny zabrudzonej codziennymi plamami, nawet najbardziej uporczywymi. Odpowiedni do tkanin kolorowych z włókien mieszanych, gwarantuje ich maksymalną ochronę.

BAWEŁNA STANDARDOWY 20°: idealny do zabrudzonej bielizny bawełnianej. Dobre wyniki prania w zimnej wodzie, porównywalne z praniem w 40°, są gwarantowane dzięki działaniu mechanicznemu, wykonywanemu ze zmienną prędkością, której maksymalne wartości powtarzają się w krótkich odstępach czasu.

POŚCIEL I RĘCZNIKI: w celu wyprania bielizny kąpielowej i pościelowej w jednym cyklu, należy użyć programu **6**, który optymalizuje zużycie środka piorącego i pozwala oszczędzać czas i pieniądze. Zalecamy stosowanie środka piorącego w proszku.

Wełna: cykl prania „Wełna” niniejszej pralki został zatwierdzony przez Woolmark Company jako odpowiedni do prania odzieży wełnianej i przeznaczonej do prania ręcznego, pod warunkiem, że pranie jest przeprowadzane zgodnie z instrukcjami podanymi na etykiecie ubrania oraz ze wskazówkami dostarczonymi przez producenta pralki. (M1127)



DELIKATNE: używać programu **8** do prania bardzo delikatnej odzieży, ozdobionej cekinami lub koralikami.

Do prania **jedwabiu** i **zasłon**, należy wybrać cykl **8** i ustawić poziom „DELIKATNE” opcji

Zalecamy wywrócenie ubrań na lewą stronę i włożenie małych części odzieży do woreczka przeznaczonego specjalnie do prania delikatnych ubrań.

Dla osiągnięcia najlepszych efektów, zalecamy stosowanie środka piorącego w płynie do tkanin delikatnych.

System równoważenia ładunku

Przed każdym wirowaniem, aby uniknąć nadmiernych drgań oraz jednorodnie rozłożyć wsad, bęben wykonuje obroty z prędkością nieco większą niż podczas prania. Jeśli pomimo kolejnych prób wsad nie zostanie równomiernie rozłożony, maszyna wykona wirowanie z prędkością mniejszą od przewidzianej. W przypadku nadmiernego niezrównoważenia pralka wykona rozłożenie wsadu zamiast wirowania. Aby zapewnić lepsze rozłożenie wsadu oraz jego właściwe zrównoważenie, zaleca się wymieszanie dużych i małych sztuk bielizny.

Nieprawidłowości w działaniu i sposoby ich usuwania

Może się zdarzyć, że pralka nie działa. Przed wezwaniem Serwisu Technicznego (*patrz „Serwis Techniczny”*) należy sprawdzić, czy problemu nie da się łatwo rozwiązać przy pomocy poniższego wykazu.

Nieprawidłowości w działaniu: **Możliwe przyczyny / Rozwiązania:**

Pralka nie włącza się.

- Wtyczka nie jest włączona do gniazdka lub jest wsunięta za słabo, tak że nie ma styku.
- W domu nastąpiła przerwa w dostawie prądu.

Cykl prania nie rozpoczyna się.

- Drzwiczki pralki nie są dobrze zamknięte.
- Nie został wciśnięty przycisk ON/OFF.
- Nie został wciśnięty przycisk START/PAUSE.
- Kurek dopływu wody jest zamknięty.
- Zostało nastawione opóźnienie startu (*patrz “W jaki sposób wykonać cykl prania”*).

Pralka nie pobiera wody (na wyświetlaczu pojawi się napis „BRAK WODY, SPRAWDŹ DOPLÝW WODY”).

- Przewód doprowadzający wodę nie jest podłączony do kurka.
- Przewód jest zgięty.
- Kurek dopływu wody jest zamknięty.
- W domu nastąpiła przerwa w dostawie wody.
- Ciśnienie wody nie jest wystarczające.
- Nie został wciśnięty przycisk START/PAUSE.

Pralka cały czas pobiera i odprowadza wodę.

- Przewód odpływowy nie został zainstalowany na wysokości między 65 a 100 cm od podłogi (*patrz „Instalacja”*).
 - Końcówka przewodu odpływowego jest zanurzona w wodzie (*patrz „Instalacja”*).
 - Otwór odpływowy w ścianie nie posiada odpowietrznika.
- Jeśli po sprawdzeniu tych możliwości problem nie zostanie rozwiązany, należy zamknąć kurek dopływu wody, wyłączyć pralkę i wezwać Serwis Techniczny. Jeśli mieszkanie znajduje się na najwyższych piętrach budynku, może wystąpić efekt syfonu, w wyniku którego pralka cały czas pobiera i odprowadza wodę. W celu wyeliminowania tej niedogodności należy zakupić specjalny zawór, zapobiegający powstawaniu efektu syfonu.

Pralka nie odprowadza wody i nie odwirowuje prania.

- Program nie przewiduje odprowadzania wody: w przypadku niektórych programów należy uruchomić je ręcznie (*patrz „Programy i funkcje”*).
- Włączona jest funkcja ŁATWE PRASOWANIE: aby zakończyć program, należy nacisnąć przycisk START/PAUSE (*„Programy i funkcje”*).
- Przewód odpływowy jest zgięty (*patrz „Instalacja”*).
- Instalacja odpływowa jest zatkana.

Pralka mocno wibruje w fazie wirowania.

- Podczas instalacji pralki bęben nie został prawidłowo odblokowany (*patrz „Instalacja”*).
- Pralka nie jest właściwie wypoziomowana (*patrz „Instalacja”*).
- Pralka, zainstalowana pomiędzy meblami a ścianą, ma za mało miejsca (*patrz „Instalacja”*).

Z pralki wycieka woda.

- Przewód doprowadzający wodę nie jest dobrze przykręcony (*patrz „Instalacja”*).
- Szufladka na środki piorące jest zatkana (w celu jej oczyszczenia *patrz „Utrzymanie i konserwacja”*).
- Przewód odpływowy nie jest dobrze zamocowany (*patrz „Instalacja”*).

Maszyna jest zablokowana, wyświetlacz pulsuje i sygnalizuje kod anomalii (np.: F-01, F-..).

- Wyłączyć maszynę i wyjąć wtyczkę z gniazdka, odczekać około 1 minuty, następnie włączyć ją ponownie.
Jeśli problem nie ustępuje, należy wezwać Serwis Techniczny.

Tworzy się zbyt duża ilość piany.

- Środek piorący nie jest odpowiedni do pralek automatycznych (na opakowaniu musi być umieszczony napis: „do pralek”, „do prania ręcznego i w pralce” lub podobny).
- Użyto za dużo środka piorącego.

Serwis Techniczny

PL

Przed skontaktowaniem się z Serwisem Technicznym:

- Sprawdzić, czy problemu nie można rozwiązać samodzielnie (*patrz, „Nieprawidłowości w działaniu i sposoby ich usuwania”*);
- Ponownie uruchomić program i sprawdzić, czy problem nie zniknął;
- Jeśli nie, zwrócić się do autoryzowanego Serwisu Technicznego, dzwoniąc pod numer podany w karcie gwarancyjnej.

! Nigdy nie wzywać nieautoryzowanych techników.

Należy podać:

- rodzaj nieprawidłowości;
- model maszyny (Mod.);
- numer seryjny (S/N).

Informacje te znajdują się na tabliczce umieszczonej w tylnej części pralki oraz widocznej z przodu po otwarciu drzwiczek.

ROZPORZĄDZENIE DELEGOWANE KOMISJI (UE) NR 1061/2010

Nazwa dostawcy	HOTPOINT/ARISTON
Nazwa modelu	FMD 823MB EU.C
Pojemność znamionowa w kg	8.0
Klasa efektywności energetycznej w skali od A+++ (niskie zużycie) do G (wysokie zużycie)	A+++
Roczne zużycie energii w kWh rocznie ¹⁾	193.0
Zużycie energii w przypadku standardowego programu prania tkanin bawełnianych w 60 °C przy pełnym załadunku ²⁾	1.044
Zużycie energii w przypadku standardowego programu prania tkanin bawełnianych w 60 °C przy częściowym załadunku ²⁾	0.715
Zużycie energii w przypadku standardowego programu prania tkanin bawełnianych w 40 °C przy częściowym załadunku ²⁾	0.644
Zużycie energii w trybie wyłączenia	0.5
Zużycie energii w trybie czuwania	8.0
Roczne zużycie wody w litrach ³⁾	11594
Klasa efektywności wirowania w skali od A (najwyższa efektywność) do G (najniższa efektywność)	B
Maksymalna szybkość wirowania ⁴⁾	1200
Uzyskana wilgotność ⁵⁾	53%
Czas w min standardowego programu prania tkanin bawełnianych w 60 °C przy pełnym załadunku.	215
Czas w min standardowego programu prania tkanin bawełnianych w 60 °C przy częściowym załadunku.	155
Czas w min standardowego programu prania tkanin bawełnianych w 40 °C przy częściowym załadunku.	145
Czas trwania trybu czuwania	30
Poziom emitowanego hałasu podczas prania w dB(A) ⁶⁾	53
Poziom emitowanego hałasu podczas wirowania w dB(A) ⁶⁾	79
Model przeznaczony do zabudowy	

¹⁾ Standardowy program prania tkanin bawełnianych w 60 °C i „standardowy program prania tkanin bawełnianych w 40 °C” stanowią standardowe programy prania, do których odnoszą się informacje na etykiecie i w karcie, że są one odpowiednie do prania tkanin bawełnianych normalnie zabrudzonych oraz że są najbardziej efektywnymi programami pod względem łącznego zużycia energii i wody. Częściowy załadunek jest połową pełnego załadunku znamionowego.

²⁾ Na podstawie 220 standardowych cykli prania w przypadku programów prania tkanin bawełnianych w 60 °C i 40 °C przy pełnym i częściowym załadunku oraz zużycie w trybach niskiego zużycia energii. Rzeczywiste zużycie energii zależy od sposobu użytkowania urządzenia.

³⁾ Na podstawie 220 standardowych cykli prania w przypadku programów prania tkanin bawełnianych w 60 °C i 40 °C przy pełnym i częściowym załadunku. Rzeczywiste zużycie wody zależy od sposobu użytkowania urządzenia.

⁴⁾ W przypadku standardowego programu prania tkanin bawełnianych w 60 °C przy pełnym załadunku oraz standardowego programu prania tkanin bawełnianych w 40 °C przy częściowym załadunku, w zależności od tego, która z tych wartości jest niższa,

⁵⁾ W przypadku standardowego programu prania tkanin bawełnianych w 60 °C przy pełnym załadunku lub standardowego programu prania tkanin bawełnianych w 40 °C przy częściowym załadunku, w zależności od tego, która z tych wartości jest wyższa;

⁶⁾ Na podstawie hałasu powstającego podczas faz prania i wirowania, w przypadku standardowego programu prania tkanin bawełnianych w 60 °C.

HU

Magyar

FMD 823

Összefoglalás

HU

Üzembe helyezés, 62–63

Kicsomagolás és vízszintbe állítás
Víz- és elektromos csatlakozás
Első mosási ciklus
Műszaki adatok

Karbantartás és ápolás, 64

A víz elzárása és az elektromos áram kikapcsolása
A mosógép tisztítása
A mosószer-adagoló fiók tisztítása
Az ajtó és a forgódob ápolása
A szivattyú tisztítása
A vízbevezető cső ellenőrzése

Óvintézkedések és tanácsok, 65

Általános biztonság
Hulladékelhelyezés
Az ajtó kézi nyitása

A mosógép leírása, 66-67

Kezelőpanel
Kijelző

A mosási ciklusok végrehajtása, 68

Programok és funkciók, 69

Programtáblázat
Mosási funkciók

Mosószerek és mosandók, 70

Mosószer-adagoló fiók
A mosandó ruhák előkészítése
Különleges programok
A bepakolt ruhák kiegyensúlyozására szolgáló rendszer

Rendellenességek és elhárításuk, 71

Szerviz, 72

Üzembe helyezés

HU

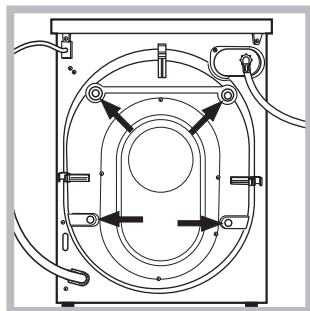
! Fontos, hogy megőrizze ezt a kézikönyvet, hogy mindig kéznél legyen. Ha a mosógépet eladná, átadná vagy másnál helyezné el, gondoskodjon arról, hogy e kézikönyv a mosógéppel együtt maradjon, hogy az új tulajdonos is megismerhesse a készülék funkcióit és az ezekre vonatkozó figyelmeztetéseket.

! Figyelmesen olvassa el az utasításokat: fontos információkat tartalmaznak az üzembe helyezésről, a használatról és a biztonságról.

Kicsomagolás és vízszintbe állítás

Kicsomagolás

1. Csomagolja ki a mosógépet.
2. Ellenőrizze, hogy a mosógép nem sérült-e meg a szállítás során. Ha a gépen sérülést talál, ne csatlakoztassa, és forduljon a viszonteladóhoz.

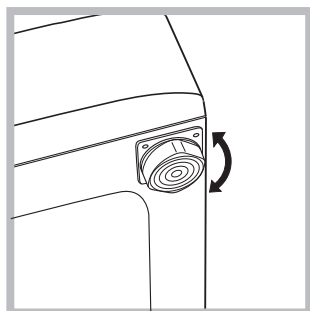


3. Csavarozza ki a gép hátsó részén található, a szállításához szükséges 4 védőcsavart, és távolítsa el a gumibakot (lásd ábra).

4. Zárja le a furatokat a mellékelt műanyag dugókkal.
5. Minden darabot őrizzen meg: ha a mosógépet szállítani kell, előtte ezeket vissza kell szerelni.

! A csomagolóanyag nem gyermekjáték!

Vízszintbe állítás



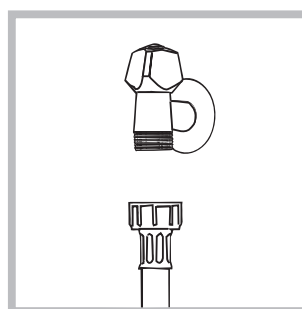
1. A mosógépet sík és kemény padlóra állítsa, úgy, hogy ne érjen falhoz, bútorhoz vagy mászhoz.
2. Ha a padló nem tökéletesen vízszintes, azt az első lábak

be-, illetve kicsavarásával kompenzálhatja (lásd ábra). A gép felső burkolatán mért dőlés nem haladhatja meg a 2°-ot.

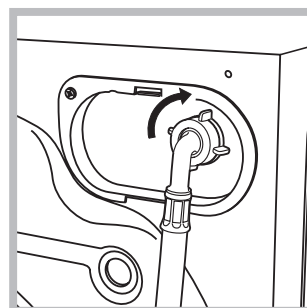
A pontos vízszintezés biztosítja a gép stabilitását, így az a működés során nem fog rezegni, zajt okozni, illetve elmozdulni. Szőnyegpadló vagy szőnyeg esetén a lábakat úgy állítsa be, hogy a mosógép alatt elegendő hely maradjon a szellőzésre.

Víz- és elektromos csatlakozás

Vízbevezető cső csatlakoztatása



1. A vízbevezető cső csatlakoztatásához csavarozza fel a csövet egy 3/4"-os külső menettel rendelkező hidegvíz csapra (lásd ábra). A csatlakoztatás előtt eressze meg a csapot addig, amíg a víz teljesen átlátszóvá nem válik.



2. A vízbevezető cső csatlakoztatásához csavarozza a csövet a mosógép hátoldalán jobbra fent található vízbemeneti csonkra (lásd ábra)!

3. Ügyeljen arra, hogy a csövön ne legyen törés vagy szűkület!

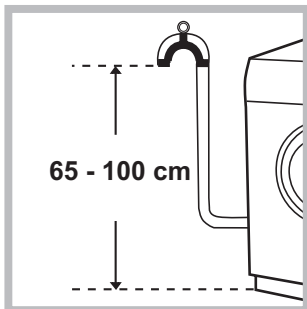
! A csap víznyomásának a műszaki adatok táblázatában szereplő határértékek között kell lennie (lásd a szemben lévő oldalt).

! Amennyiben a vízbevezető cső nem elég hosszú, forduljon szaküzlethez vagy engedéllyel rendelkező szakemberhez.

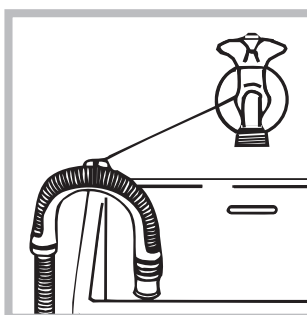
! Soha ne használjon korábban már használt csöveket.

! Használja a készülékhez mellékelteket.

A leeresztőcső csatlakoztatása



Csatlakoztassa a leeresztőcsövet a lefolyóhoz vagy a padlótól 65 és 100 cm közötti magasságban lévő fali szifonhoz anélkül, hogy megtörné;



illetve akassza a mosdó vagy a kád szélére úgy, hogy a mellékelt csővezető ívet a csaphoz erősíti (lásd ábra). A leeresztőcső szabad végének nem szabad vízbe merülnie.

! Toldások használata nem javasolt. Amennyiben feltétlenül szükséges, a toldás átmérője egyezzen meg az eredeti csőével és semmiképpen se legyen 150 cm-nél hosszabb.

Elektromos csatlakoztatás

Mielőtt a csatlakozódugót az aljzatba dugná, bizonyosodjon meg arról, hogy:

- az aljzat földelése megfelel a törvény által előírtak;
- az aljzat képes elviselni a készülék műszaki adatait tartalmazó táblázatban megadott maximális teljesítményfelvételt (lásd szemben);
- a hálózat feszültsége a műszaki adatokat tartalmazó táblázatban szereplő értékek közé esik (lásd szemben);
- az aljzat kompatibilis a mosógép csatlakozódugójával. Ellenkező esetben cserélje ki az aljzatot vagy a csatlakozódugót!

! A mosógép nem állítható fel nyílt téren, még akkor sem, ha tető van fölötte, mivel nagyon veszélyes, ha a gép esőnek vagy zivataroknak van kitéve.

! A csatlakozódugónak a mosógép üzembe helyezett állapotában is könnyen elérhető helyen kell lennie.

! Ne használjon hosszabbítót vagy elosztót.

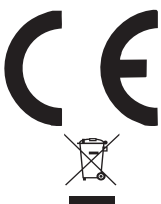
! A kábel ne legyen se megtörve, se összenyomva.

! A tápkábelt csak engedéllyel rendelkező szakember cserélheti.

Figyelem! A fenti előírások figyelmen kívül hagyása esetén a gyártó elhárít minden felelősséget.

Első mosási ciklus

Üzembe helyezés után – mielőtt a mosógépet használni kezdené – mosószerral, mosandó ruha nélkül futtassa le a gépöblítés mosási programot (lásd "A mosógép tisztítása").

Műszaki adatok	
Modell	FMD 823
Méret	szélesség 59,5 cm magasság 85 cm mélység 60,5 cm
Ruhatöltet:	1-től 8 kg-ig
Elektromos csatlakozás	lásd a készüléken található, műszaki jellemzőket tartalmazó adattáblát!
Vízcsatlakozások	maximális nyomás 1 MPa (10 bar) minimális nyomás 0,05 MPa (0,5 bar) dob úrtartalma 62 lite
Centrifuga fordulatszám	1200 fordulat/perc-ig
Az 1061/2010 és 1015/2010 rendeletek szerinti vizsgálati programok	2 (60°)-as program (nyomja meg 1-szer a gombot); NORMÁL PAMUT 60°. 2 (40°)-as program (nyomja meg 2-szer a gombot); NORMÁL PAMUT 40°.
	Ez a berendezés megfelel a következő Uniói Előírásoknak: - 2004/108/CE (Elektromágneses összeférhetőség) - 2012/19/EU - 2006/95/CE (Alacsony feszültség)

Karbantartás és ápolás

HU

A víz elzárása és az elektromos áram kikapcsolása

- Minden mosás után zárja el a vízcsapot. Így kíméli a mosógép vízrendszerét és megszünteti a vízszivárgás kockázatát.
- A mosógép tisztításakor, illetve karbantatásakor húzza ki a hálózati csatlakozódugót az aljzatból.

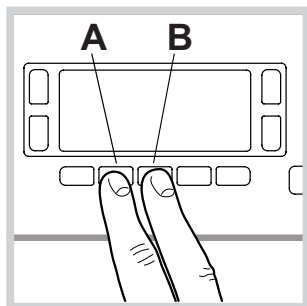
A mosógép tisztítása

- A külső részeket és a gumirészeket langyos, szappanos vizes ronggyal tisztíthatja. Ne használjon oldószert vagy súrolószert!
- A mosógép a belső részegységek tisztítása érdekében gépöblítés programmal rendelkezik, melyet a **dob üres állapotában** kell végrehajtani.

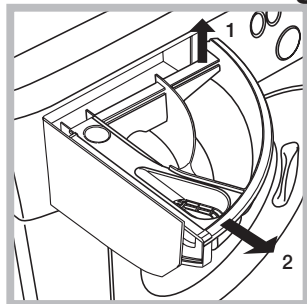
A mosószer (az enyhén szennyezett ruhadarabokhoz javasolt mennyiség 10%-ának megfelelő mennyiség) vagy a mosógéptisztító különleges adalékanyag a mosási program segédanyagaként használható. A tisztítási programot 40 mosási ciklusonként tanácsos lefuttatni.

A program bekapcsolásához nyomja meg egyidejűleg 5 másodpercig az **A** és **B** gombot (lásd ábra).

A program automatikusan elindul, és nagyjából 70 percig tart. A ciklus leállításához nyomja meg az **START/PAUSE** gombot.



A mosószer-adagoló fiók tisztítása



A fiók felemelésével és kifelé húzásával vegye ki a fiókot (lásd ábra).

Folyó víz alatt mossa ki! Ezt a tisztítást gyakran el kell végezni.

Az ajtó és a forgódob ápolása

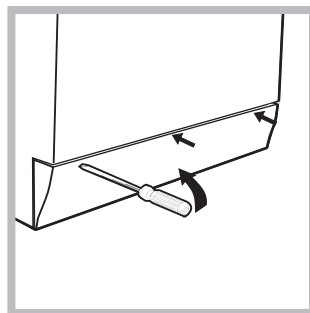
- Az ajtót hagyja mindig részre nyitva, nehogy rossz szagok keletkezzenek.

A szivattyú tisztítása

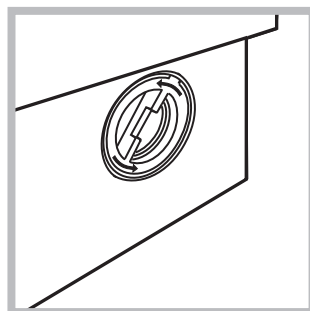
A mosógép öntisztító szivattyúval van felszerelve, melynek nincs szüksége tisztítási és karbantartási műveletekre. Előfordulhat azonban, hogy apró tárgyak (aprópénz, gomb) esnek a szivattyú alsó részén található szivattyúvédő előkamrába.

! Győződjön meg róla, hogy a mosóprogram véget ért, és húzza ki a hálózati csatlakozót.

Az előkamrához való hozzáférés érdekében tegye a következőket:



1. Egy csavarhúzó segítségével távolítsa el a burkolópanelt a készülék elejéről (lásd ábra);



2. Órairánnyal elmentésesen forgatva csavarja le a fedelet (lásd ábra). Természetes, hogy egy kevés víz kifolyik;

3. Gondosan tisztítsa ki az üreg belsejét;
4. Csavarja vissza a fedelet;
5. Szerelje vissza a panelt – mielőtt a gép felé nyomná, győződjön meg arról, hogy a horgok a hozzájuk tartozó furatokba illeszkednek.

A vízbevezető cső ellenőrzése

Évente legalább egyszer ellenőrizze a vízbevezető csövet. Ha repedezett vagy hasadozott, ki kell cserélni – a mosás során a nagy nyomás hirtelen szakadást okozhat.

! Soha ne használjon korábban már használt csöveket.

! A mosógép a nemzetközi biztonsági szabványoknak megfelelően lett tervezve és gyártva. Ezeket a figyelemztetéseket biztonsági okokból írjuk le, kérjük, olvassa el őket figyelmesen!

Általános biztonság

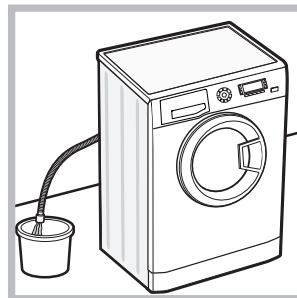
- Ez a készüléket háztartási használatra lett tervezve.
- Ezt a készüléket a 8 éves kort betöltött gyermekek, valamint a testileg, érzékszervileg vagy szellemileg korlátozott, nem hozzáértő, illetve a terméket nem ismerő személyek csak megfelelő felügyelet mellett, vagy a készülék biztonságos használatával kapcsolatos alapvető utasítások és a kapcsolódó veszélyek ismeretében használhatják. A gyerekek nem játszhatnak a készülékkel. A karbantartási és tisztítási munkálatokat felügyelet nélkül hagyott gyerekek nem végezhetik.
- Ne érjen a géphez mezítláb, illetve vizes vagy nedves kézzel vagy lábbal!
- A csatlakozódugót az aljzatból ne a kábelnél, hanem a csatlakozónál fogva húzza ki!
- Működés közben ne nyissa ki a mosószer-adagoló fiókot.
- Ne nyúljon a leeresztett vízbe, mert forró lehet!
- Semmiképpen ne feszegesse az ajtót: megsérülhet a véletlen nyitást megakadályozó biztonsági retesz.
- Hiba esetén semmiképpen se nyúljon a gép belső részeihez, és ne próbálja megjavítani!
- Mindig ügyeljen arra, hogy gyermekek ne mehessenek a működő gép közelébe.
- A mosás során az ajtó meleg lehet.
- Amennyiben a gépet át kell helyezni, az áthelyezést két vagy három személy végezze, maximális odafigyeléssel. Soha ne próbálja egyedül elmozdítani, mert a készülék nagyon nehéz.
- A mosandó berakása előtt ellenőrizze, hogy a forgódob üres-e.

Hulladékelhelyezés

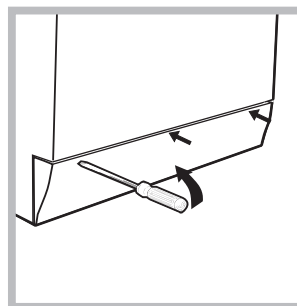
- A csomagolóanyag megsemmisítése: tartsa be a helyi előírásokat, így a csomagolás újrahasznosítható.
- Az elektromos készülékek megsemmisítéséről szóló európai direktíva 2012/19/EU előírja, hogy a régi háztartási gépeket nem szabad a normál nem szelektív hulladékgyűjtési folyamat során összegyűjteni. A régi gépeket szelektíven kell összegyűjteni, hogy optimalizálni lehessen a bennük lévő anyagok újrahasznosítását és csökkenteni lehessen az emberi egészségre és környezetre gyakorolt hatásukat. Az áthúzott "szemeteskuka" jele emlékezteti Önt arra, hogy kötelessége ezeket a termékeket szelektíven összegyűjteni. A fogyasztóknak a helyi hatóságot vagy kereskedőt kell felkeresniük a régi háztartási gépek helyes elhelyezését illetően.

Az ajtó kézi nyitása

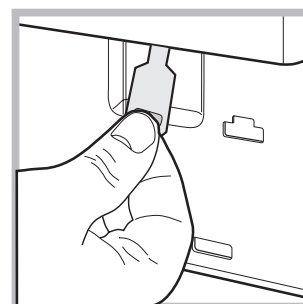
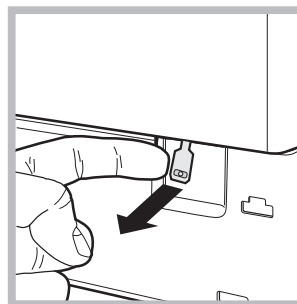
Amennyiben ki akarja teregetni a mosott ruhaneműt, de áramhiány miatt nem tudja kinyitni a mosógép ajtaját, tegye a következőket:



1. Húzza ki a dugót a konnektorból.
2. Győződjön meg arról, hogy a készülékben maradt víz szintje az ajtószint alatt van – ellenkező esetben eressze le a fölösleges vizet a leeresztőcsövön keresztül egy vödörbe, ahogy azt az ábra is mutatja.



3. Egy csavarhúzó segítségével távolítsa el a burkolópanelt a mosógép elejéről (lásd ábra).



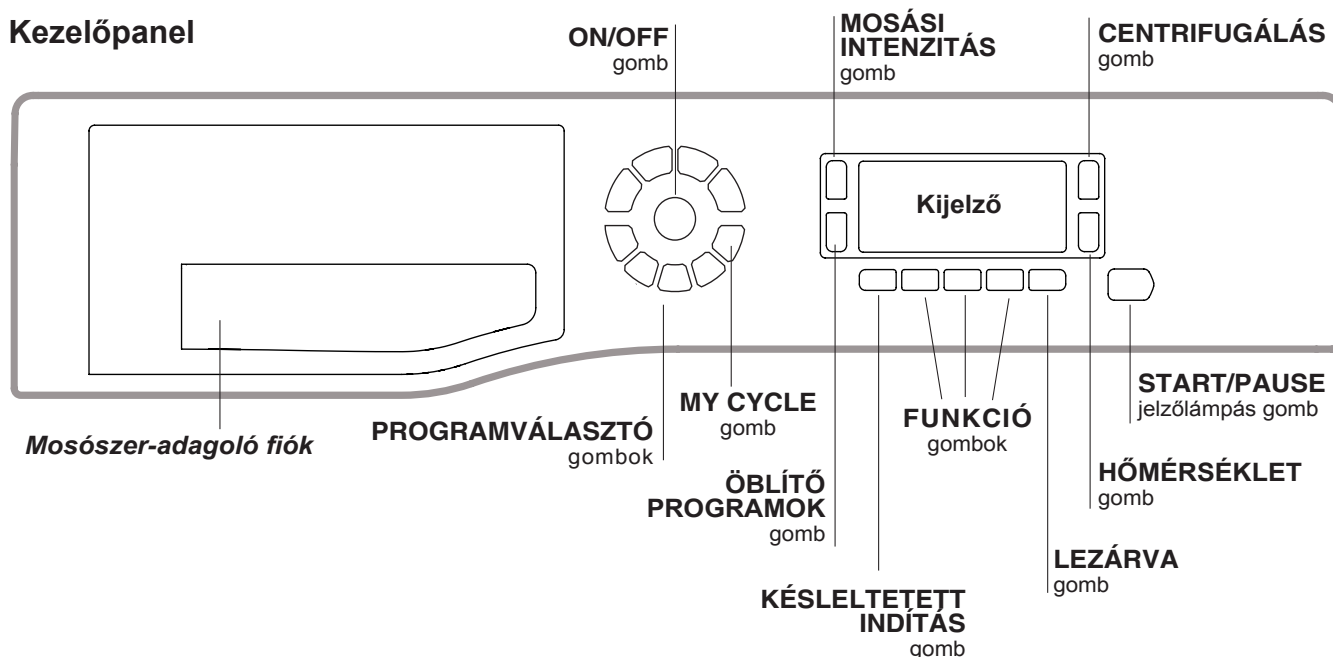
4. Az ábrán látható fűlecske kihúzásával szabadítsa ki a műanyag húzókat; húzogassa lefelé, és ezzel egyidejűleg nyissa ki az ajtót.

5. Szerelje vissza a panelt – mielőtt a gép felé nyomná, győződjön meg arról, hogy a horgok a hozzájuk tartozó furatokba illeszkednek.


A mosógép leírása

HU

Kezelőpanel



Mosószer-adagoló fiók: a mosószerek és adalékanyagok betöltésére szolgál (lásd „Mosószerek és mosandók”).

ON/OFF gomb : a készülék be-, vagy kikapcsolásához nyomja meg röviden ezt a gombot. Amennyiben az START/PAUSE lámpa zöld fénnel lassan villog, a készülék be van kapcsolva. A mosógép mosás közben történő leállításához hosszan, kb. 3 másodpercig tartsa lenyomva a nyomógombot – a gomb rövid, vagy véletlen megnyomása nem kapcsolja le a készüléket. A mosógép mosás közben történő leállítása magát a mosás programot is törli. A kívánt programot újból be kell állítani.

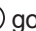
PROGRAMVÁLASZTÓ gombok: a kívánt program beállítására szolgálnak (lásd „Programtáblázat”).


MY CYCLE gomb: az egyéni igényeknek megfelelően beállított program tárolásához tartsa lenyomva ezt a gombot. A korábban eltárolt programokat a MEMÓRIA gomb megnyomásával lehet előhívni.



FUNKCIÓ gombok: a kívánt funkció kiválasztásához nyomja meg ezt a gombot. A kijelzőn világít a megfelelő jelzőlámpa.


MOSÁSI INTENZITÁS  gomb: A kívánt mosási intenzitás kiválasztására szolgál.

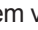
ÖBLÍTŐ PROGRAMOK  gomb: A kívánt öblítéstípus kiválasztására szolgál.

CENTRIFUGÁLÁS  gomb: a centrifugálás sebességének csökkentéséhez, vagy annak teljes kikapcsolásához nyomja meg ezt a gombot – az érték megjelenik a kijelzőn.

HŐMÉRSÉKLET  gomb: A hőmérséklet csökkentéséhez nyomja meg ezt a gombot – az érték megjelenik a kijelzőn.

LEZÁRVA  gomb: a kezelőpanel letiltásához nagyjából 2 másodpercig tartsa lenyomva ezt a gombot. Ha a szimbólum  világít, az azt jelenti, hogy a gyerekzár aktiválva van (a ON/OFF gomb kivételével). Ez a funkció megakadályozza a programok véletlen átállítását, főképp, ha gyerekek is vannak a lakásban. A kezelőpanel letiltásának kikapcsolásához nagyjából 2 másodpercig tartsa lenyomva ezt a gombot.

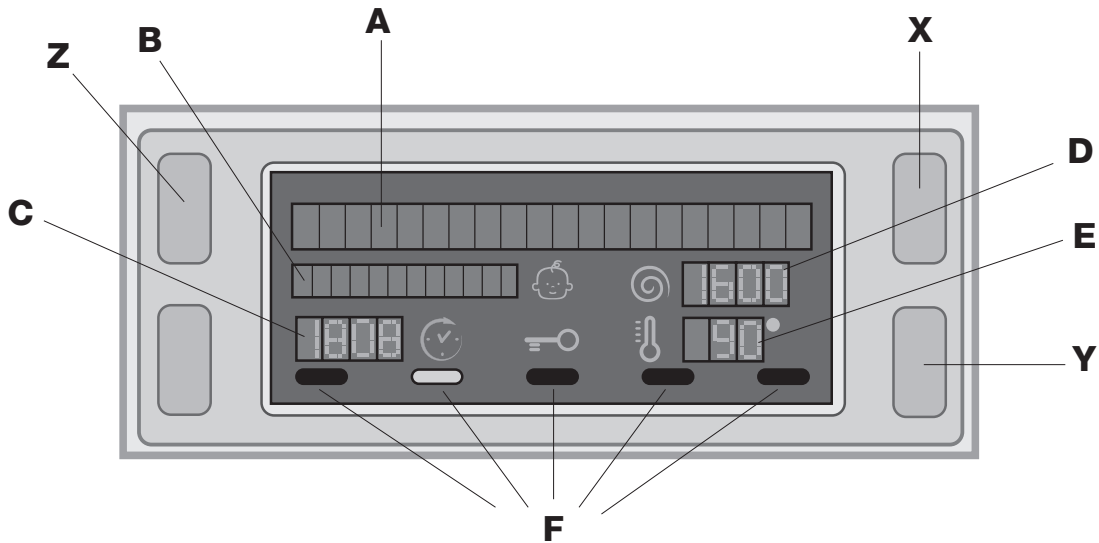
KÉSLELTETETT INDÍTÁS  gomb: a kiválasztott program késleltetett elindításához nyomja meg ezt a gombot. A késleltetés értéke megjelenik a kijelzőn.

START/PAUSE jelzőlámpás gomb: ha a zöld jelzőlámpa lassan villog, a mosás indításához nyomja meg ezt a gombot. A ciklus elindításával a jelzőlámpa állandó fénnel kezd világítani. A mosás szüneteltetéséhez ismételtlen nyomja meg ezt a gombot; a jelzőlámpa narancssárga fénnel kezd el villogni. Amennyiben a  szimbólum nem világít, az ajtót ki lehet nyitni. A mosásnak a megszakítás időpontjától való folytatásához nyomja meg ismét ezt a gombot.

Készenléti üzemmód

Ez a mosógép - az energiatakarékosságra vonatkozó legújabb előírásoknak megfelelően - automatikus kikapcsolási (készenléti) rendszerrel van ellátva, mely a használat 30 percnyi szüneteltetése esetén bekapcsol. Nyomja meg röviden a ON/OFF gombot, és várjon, amíg a készülék újrabekecsol.

Kijelző



A kijelző a készülék programozásához nyújt segítséget, és számos információt szolgáltat.

A felső **A** és **B** feliratmező a kiválasztott mosási programot, a folyamatban lévő mosási fázist és az összes, a program előrehaladásával kapcsolatos információt jeleníti meg.

A **C** feliratmező a folyamatban lévő mosási ciklus végéig hátralévő maradékidőt, illetve KÉSLELTETETT INDÍTÁS beállítása esetén a kiválasztott program elindulásáig hátralévő időt jeleníti meg.

A **D** feliratmező a beállított programhoz választható centrifugasebesség maximális értékét jeleníti meg – amennyiben a program nem tartalmaz centrifugálást, a feliratmező üres marad.

Az **E** feliratmező a beállított programhoz választható hőmérséklet maximális értékét jeleníti meg – amennyiben a programhoz nem kell beállítani a hőmérsékletet, a feliratmező üres marad.

Az **F** jelzőlámpák a funkciókhoz tartoznak, és akkor kapcsolnak be, ha a kiválasztott funkció kompatibilis a beállított programmal.

Ajtózár szimbólum

A világító jelzőlámpa azt jelenti, hogy az ajtó a véletlen kinyitás megakadályozása érdekében be van zárva. A károk elkerülése érdekében az ajtó kinyitása előtt meg kell várni, hogy a jelzőlámpa kialudjon.





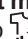

Megjegyzés: Amennyiben a KÉSLELTETETT INDÍTÁS funkció be van kapcsolva, az ajtót nem lehet kinyitni. Az ajtó kinyitásához az START/PAUSE gomb megnyomásával szüneteltesse le a készülék működését.


! Az első bekapcsoláskor a készülék kérni fogja a nyelv kiválasztását, és a kijelző automatikusan belép a nyelvválasztás menübe.

A kívánt nyelv kiválasztásához nyomja meg a **X** és a **Y** gombokat, a kiválasztás jóváhagyásához pedig a **Z** gombot. Amennyiben módosítani szeretné a nyelvet, kapcsolja ki a készüléket, és tartsa egyszerre lenyomva az **X**, **Y**, **Z** gombokat a hangjelzésig. A kijelzőn újra megjelenik a nyelvválasztás menü.

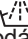
A mosási ciklusok végrehajtása

HU

- 1. A KÉSZÜLÉK BEKAPCSOLÁSA.** Nyomja meg a  gombot – a kijelzőn megjelenik az PROGRAM FOLYAMATBAN felirat, az START/PAUSE lámpa pedig lassan, zöld fényel villogni kezd.
- 2. A MOSANDÓ RUHÁK BEPAKOLÁSA.** Nyissa ki az ajtót! Tegye be a mosandó ruhákat, ügyelve arra, hogy ne lépje túl a következő oldalon található programtáblázatban feltüntetett ruhatöltet-mennyiséget.
- 3. A MOSÓSZER ADAGOLÁSA.** Vegye ki a fiókot, és a „Mosószerek és mosandók” fejezetben leírtak szerint öntse a mosószert a megfelelő tégelybe.
- 4. CSUKJA BE AZ AJTÓT.**
- 5. A PROGRAM KIVÁLASZTÁSA.** A kívánt program kiválasztásához nyomja meg az egyik PROGRAMVÁLASZTÓ gombot – a program neve megjelenik a kijelzőn. Mindegyik programhoz tartozik egy hőmérséklet és egy centrifugasebesség, melyek megváltoztatható értékek. A kijelzőn megjelenik a ciklusidő.
- 6. A MOSÁSI CIKLUS EGYÉNI BEÁLLÍTÁSAI.** Használja a megfelelő gombokat:
A hőmérséklet és/vagy a centrifugasebesség megváltoztatása. A készülék automatikusan kiválasztja az elindított programhoz tartozó legmagasabb hőmérsékletet és centrifugasebességet. Ezen értékek további növelése nem lehetséges. A  gomb nyomogatásával a hőmérséklet fokozatosan csökkenthető egészen a hidegmosásig „OFF”. A  gomb nyomogatásával a centrifugasebesség fokozatosan csökkenthető egészen annak kikapcsolásáig „OFF”. A gomb legalsó értéken történő megnyomásával visszatérhet a maximális értékekhez.
! Kivétel: a „2” 60°C (nyomja meg 1-szer a gombot) program kiválasztása esetén a hőmérséklet egészen 90°C-ig növelhető.
Késleltetett indítás beállítása.
A kiválasztott program késleltetett indításához nyomogassa a megfelelő gombot addig, míg a késleltetés kívánt értékét el nem éri. Ha a funkció be van kapcsolva, a kijelzőn világít a  szimbólum. A késleltetett indítás törléséhez nyomogassa a gombot mindaddig, míg a kijelzőn meg nem jelenik az OFF felirat.
A kívánt mosási intenzitás beállítása.
Az opció  a mosásnak az anyagok szennyezettségétől és a kívánt mosási intenzitástól függő optimalizálására szolgál.
Válassza ki a mosási programot, mire a rendszer ciklust automatikusan a közepesen szennyezett ruhadarabokra optimalizált „NORMÁL” szintre állítja be – a beállítás nem érvényes a „Gyapjú” ciklusra, melynél a rendszer a ciklust automatikusan a „KÉNYES” szintre állítja).
Erősen szennyezett ruhadarabok esetén nyomogassa a  gombot addig, amíg a kívánt „SUPER MOSÁS” szintet el nem éri. Ez a szint, a ciklus kezdetén felhasznált nagy mennyiségű víznek és a nagyobb mechanikai átmozgatásnak köszönhetően nagy mosóhatást biztosít, ezért alkalmas a makacs szennyeződések eltávolítására. Használható **fehérítőszerrel vagy anélkül**. Ha fehéríteni szeretne, tegye be a mellékelt, 4-es berakható rekeszt az 1-es rekeszbe. A fehérítőszer betöltése közben vigyázzon arra, hogy az a központi csapon jelzett „max” szintet ne lépje túl (lásd 70. oldali ábra).
Enyhén szennyezett ruhadarabok esetén vagy ha a szövetek kíméletesebb kezelésére van szükség,

nyomogassa a  gombot addig, amíg a kívánt „KÉNYES” szintet el nem éri. A ciklus a kényes anyagok tökéletes mosási eredménye érdekében lecsökkenti a mechanikus mozgatás mértékét.

Az öblítéstípus beállítása.

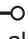


Az opció  az érzékeny bőrről való maximális gondoskodást biztosító öblítéstípus kiválasztására szolgál. A gomb első megnyomásakor a ciklust a rendszer „EXTRA ÖBLÍTÉS” szintre állítja, mely a ciklus normál öblítéséhez egy további öblítést tesz hozzá, hogy a mosószert minden nyoma el legyen távolítva. A gomb második megnyomásakor a ciklust a rendszer „ÉRZÉKENY BŐR” szintre állítja, mely a ciklus normál öblítéséhez két további öblítést tesz hozzá, ezért használata az érzékenyebb bőrrel rendelkezők számára javasolt. A gomb harmadik megnyomására beállítja az „ANTIALLERGÉN” szintet, mely lehetővé teszi 3 kiegészítő öblítés hozzáadását a hagyományos ciklushoz. A 40°C-os ciklusokkal aktivált opció lehetővé teszi a legfőbb allergének, pl. macska- és kutyaszőrök és pollenek eltávolítását, a 40°C-nál magasabb hőmérsékletű ciklusokkal pedig optimális antiallergén védelmi szint biztosítható. A „NORMÁL ÖBLÍTÉS” öblítéstípushoz való visszatéréshez nyomja meg újból a gombot. Ha nem lehet beállítani vagy módosítani a meglévő beállítást, a kijelzőn a „NEM ELÉRHETŐ” szöveg jelenik meg.


A program tulajdonságainak módosítása.

- A funkció bekapcsolásához nyomja meg ezt a gombot – a gombon található jelzőlámpa világít.
 - A funkció kikapcsolásához ismételten nyomja meg a gombot – a lámpa kialszik.
- ! Ha a kiválasztott funkció a beállított programmal nem kompatibilis, a jelzőlámpa villogni kezd, és a funkció nem lesz bekapcsolva.**

! Ha a kiválasztott funkció egy korábban beállított programmal nem kompatibilis, az elsőként kiválasztott funkció lámpája villogni kezd, és csak a második funkció lesz bekapcsolva, a bekapcsolt funkció lámpája folyamatosan világít.

! A funkciók megváltoztathatják az ajánlott ruhatöltet-mennyiséget és/vagy a ciklusidőt.

- 7. A PROGRAM INDÍTÁSA.** Nyomja meg az START/PAUSE gombot. A megfelelő jelzőlámpa állandó zöld fényel világítani kezd, és az ajtózár bekapcsol (az  AJTÓZÁR szimbólum világítani kezd). A mosás ideje alatt a kijelzőn a folyamatban lévő mosási fázis neve látható. A program menet közben történő megváltoztatásához az START/PAUSE gomb megnyomásával szüneteltesse le a készülék működését – az START/PAUSE lámpa narancssárga fényel lassan villogni kezd. Ezután válassza ki a kívánt programot, és nyomja meg újból az START/PAUSE gombot. Az ajtó menet közbeni kinyitásához nyomja meg az START/PAUSE gombot – ha az  AJTÓZÁR szimbólum kialudt, kinyithatja az ajtót. A mosásnak a megszakítás időpontjától való folytatásához nyomja meg ismét az START/PAUSE gombot.
- 8. A PROGRAM VÉGE.** Ezt a kijelzőn megjelenő „CIKLUS VÉGE” felirat jelzi. Ha az AJTÓZÁR  szimbólum kialszik, ki lehet nyitni az ajtót. Nyissa ki az ajtót, szedje ki a mosott ruhákat, és kapcsolja ki a készüléket.

! Amennyiben nullázni szeretne egy már elindított programot, tartsa hosszan lenyomva a  gombot. A program megszakad, és a készülék kikapcsol.

Programtáblázat

Programok	Szimbólum Programleírás	Max. hőm (°C)	Max. sebesség (ford./perc)	Mosószerek és adalékok				Max. töltet (kg)	Maradék nedves-ségtartalom %	Energiafogyasztás kWh	Összes víz lt	Progr-amiód
				Előmosás	Mosás	Fehérítőszer	Öblítő					
CLEAN Plus												
1	FOLTELTÁVOLÍTÁS (nyomja meg 1-szer a gombot)	40°	1200	●	●	-	●	5	-	-	-	180'
1	FOLTELTÁVOLÍTÓ GYORS (nyomja meg 2-szer a gombot)	40°	1200	-	●	-	●	4,5	-	-	-	60'
2	NORMÁL PAMUT 60° (1) (nyomja meg 1-szer a gombot): erősen szennyezett fehér és magasabb hőmérsékleten mosható színes ruhák.	60° (Max. 90°)	1200	● (3)	●	●	●	8	53	1,04	55	215'
2	NORMÁL PAMUT 40° (2) (nyomja meg 2-szer a gombot): erősen szennyezett kényes fehér és színes ruhák.	40°	1200	-	●	●	●	8	53	0,87	81	185'
2	NORMÁL PAMUT 20° (nyomja meg 3-szer a gombot): erősen szennyezett kényes fehér és színes ruhák.	20°	1200	-	●	●	●	8	-	-	-	175'
3	SZINETIKUS/ELLENÁLLÓ (SZINETIK./ELLENÁLLÓ) (nyomja meg 1-szer a gombot): erősen szennyezett, magasabb hőmérsékleten mosható színes ruhák.	60°	800	●	●	●	●	4,5	46	1,03	60	115'
3	SZINETIKUS/ELLENÁLLÓ (4) (nyomja meg 1-szer a gombot): enyhén szennyezett, magasabb hőmérsékleten mosható színes ruhák.	40°	800	●	●	●	●	4,5	46	0,56	60	100'
3	SZINETIKUS/KÉNYES (nyomja meg 2-szer a gombot): enyhén szennyezett, magasabb hőmérsékleten mosható színes ruhák.	40°	800	●	●	●	●	4,5	-	-	-	75'
SPECIALS												
4	GYORSMOSÁS 30°: Az enyhén szennyezett ruhadarabok gyors átöblítésére (nem javasolt gyapjú, selyem és kézzel mosandó ruhaneműkhöz).	30°	800	-	●	-	●	3	71	0,20	38	30'
M	MY CYCLE (MEMÓRIA): bármilyen mosási típus memorizálását engedélyezi.											
6	7 NAP FEHÉRNEMŰ: ágyneműkhöz és törölközőkhöz.	60°	1200	●	●	-	●	8	-	-	-	140'
EXTRA CARE												
7	GYAPJÚ (WOOLMARK PLATINUM): gyapjú, kasmír stb. ruhaneműk mosásához.	40°	800	-	●	-	●	2	-	-	-	85'
8	KÉNYES RUHÁK	30°	0	-	●	-	●	1	-	-	-	80'
	CENTRIFUGA (nyomja meg 1-szer a gombot)	-	1200	-	-	-	-	8	-	-	-	16'
	ÖBLÍTÉS (nyomja meg 2-szer a gombot)	-	1200	-	-	-	●	8	-	-	-	36'
	SZIVATTYÚZÁS (nyomja meg 3-szer a gombot)	-	0	-	-	-	-	8	-	-	-	2'

A kijelzőn megjelenő vagy a kézikönyvben feltüntetett ciklusidők szokásos körülmények alapján becsült értékek. A tényleges időt számos tényező befolyásolhatja – pl. a bemeneti víznyomás, a környezeti hőmérséklet, a mosószert mennyisége, a ruhatöltet mennyisége és típusa, a ruhatöltet kiegyensúlyozása, a kiválasztott további opciók.

1) 1061/2010 szabvány szerinti vezérlőprogramok: a 2 program 60°C (nyomja meg 1-szer a gombot).

Ez a ciklus egy adag, nem különösebben koszos pamut ruhadarabok mosására alkalmas, és ez a leghatékonyabb a víz- és energiafogyasztás szempontjából is. 60°C-on mosható termékekhez. A mosás tényleges hőmérséklete eltérhet a megjelölt értéktől.

2) 1061/2010 szabvány szerinti vezérlőprogramok: a 2 program 40°C (nyomja meg 2-szer a gombot).

Ez a ciklus egy adag, nem különösebben koszos pamut ruhadarabok mosására alkalmas, és ez a leghatékonyabb a víz- és energiafogyasztás szempontjából is. 40°C-on mosható termékekhez. A mosás tényleges hőmérséklete eltérhet a megjelölt értéktől.

3) 60°C-os hőmérsékleten az "Előmosás" funkció nem elérhető.

A vizsgálószervek számára:

2) Hosszú pamut program: a 2 program 40°C (nyomja meg 2-szer a gombot).

4) Hosszú műszálás program: A 3 program 60 °C-ra állításához nyomja meg 1-szer a gombot; a 40 °C-ra állításhoz nyomja meg a HŐMÉRSÉKLET gombot.

Mosási funkciók

Előmosás

Ha ezt a funkciót kiválasztja, a készülék előmosást is fog végezni, mely makacs foltok eltávolítása esetén hasznos.

Megjegyzés: Töltse a mosószert a megfelelő rekeszbe.

! Nem kapcsolható be a "FOLTELTÁVOLÍTÓ GYORS", 2 (60°) (nyomja meg 1-szer a gombot), 2 (nyomja meg 2-szer a gombot), 2 (nyomja meg 3-szer a gombot), 4, 7, 8, programoknál.

Vasaláskönyvités

Ez a funkció a gyűrődések keletkezésének csökkentése érdekében a megfelelő időben módosítja a mosási beállításokat és a centrifugasebességet. A VASALÁSKÖNYVITÉS lámpa fénnel villogni kezd, a kijelzőn pedig megjelenik a „CIKLUS VÉGE” felirat. A program befejezéséhez nyomja meg az START/PAUSE gombot vagy a VASALÁSKÖNYVITÉS gombot.

! Ez a funkció nem használható a 1, 4, 7, 8, programoknál.

Eco wash

Az Eco Wash funkció a mosandó ruhák mosóvizének fel nem melegítésével energiát takarít meg – ez előnyös mind a környezet, mind a villanyszámla szempontjából. Valóban, a fokozott teljesítmény és az optimalizált vízfogyasztás kitűnő eredményt biztosít normál ciklus átlagos időtartama alatt. A legjobb mosási eredmény elérése érdekében folyékony mosószert használatát javasoljuk.

! Nem kapcsolható be a 1, 2 (nyomja meg 3-szer a gombot), 6, 7, 8, programoknál.

Mosószerek és mosandók

HU

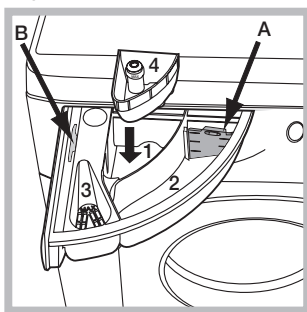
Mosószertartó fiók

A mosás eredményessége függ a mosószertartó fiók elhelyezésétől is: ha túl sokat adagol belőle, a mosás nem lesz hatékonyabb, de hozzájárul ahhoz, hogy lerakódás képződjön a mosógépben, valamint a környezetet is jobban szennyezi.

! Fehér színű pamut ruhadarabokhoz, előmosáshoz és 60 °C-nál magasabb hőmérsékleten történő mosásokhoz mosóport használjon.

! Kövesse a mosópor csomagolásán feltüntetett utasításokat.

! Ne használjon kézi mosószert, mert túlzottan sok hab képződik.



Húzza ki a mosószertartó fiókot, és a következők szerint tegye bele a mosószert, illetve az adalékot.

1-es rekesz: Mosószert előmosáshoz (por)

A mosószert betöltése előtt győződjön meg arról, hogy a 4-es berakható rekesz nincs ebben a rekeszben.

2-es rekesz: Mosószert mosáshoz (por vagy folyadék)

Ha folyékony mosószert használ, a megfelelő adagolás érdekében tanácsos az **A** elválasztólapot használni. Ha mosóport használ, tegye az elválasztólapot a **B** térbe.

3-as rekesz: Adalékok (öblítők stb.)

Az öblítő ne érjen a rács fölé.

4-es berakható rekesz: Fehérítőszer

A mosandó ruhák előkészítése

- Osztályozza a mosandókat a következők szerint:
 - Szövet típusa / címkén lévő szimbólum.
 - Színek Válogassa külön a színes és fehér ruhákat.
- Ürítse ki a zsebeket, és vizsgálja meg a gombokat.
- Ne lépje túl a mosandók száraz súlyára vonatkozóan megadott értékeket:
- Ne lépje túl a mosandók száraz súlyára vonatkozóan megadott értékeket: lásd "Programtáblázat".

Milyen nehezek a mosandó ruhák?

- 1 lepedő: 400–500 g
- 1 párnahuzat: 150–200 g
- 1 asztalterítő: 400–500 g
- 1 fürdőköpeny: 900–1200 g
- 1 törölköző: 150–250 g

Különleges programok

FOLTELTÁVOLÍTÁS: A program az ellenálló színnel rendelkező, erősen szennyezett ruhadarabok mosására szolgál. A program a normálnál jobb (A osztályú) mosóhatást biztosít. Ne mosson együtt különböző színű ruhadarabokat. Folyékony mosószert használatát javasoljuk. Makacs szennyeződések esetén tanácsos különleges adalékkal előkezelni a szövetet.

FOLTELTÁVOLÍTÓ GYORS: Az programot a legmáskacsabb mindennapi foltokkal szennyezett ruhadarabok egy óra alatti mosására tervezték. Alkalmos kevertszálas színes ruhadarabok mosására és maximálisan kíméletes tisztítást biztosít.


NORMÁL PAMUT 20°: – Ideális a szennyezett pamut töltetekhez. A 40 C-os mosáshoz mérhető, akár hideg mosás mellett is elérhető jó teljesítményt egy rendszeres időközönként ismétlődő sebességcsúcsokkal jellemezhető, változó sebességű mechanikus mozgás biztosítja.

7 NAP FEHÉRNEMŰ: Az ágyneműk és törölközők egyetlen ciklus alatti mosáshoz használja a **6** programot. Ez a program optimalizálja az öblítőszer adagolását, valamint időt és energiát takarít meg önnek. Folyékony mosószert használatát javasoljuk.

GYAPJÚ: Ennek a mosógépnek a "gyapjú" mosási ciklusát a Woolmark Company engedélyezte "kézzel mosható" gyapjú ruhaneműk mosáshoz, amennyiben a mosást a ruhanemű címkéjén feltüntetett és a mosógép gyártója által előírt útmutatásoknak megfelelően hajtja végre. (M1127)



KÉNYES RUHÁK: A nagyon kényes – pl. flitterekkel, csillogókkal ellátott – anyagok mosáshoz használja a **8** programot.

A **selyem** ruhadarabokhoz és **függönyökhöz** válassza a **8** ciklust, és állítsa a  opcióban a szintet „KÉNYES” értékre. A mosás előtt tanácsos kifordítani a ruhadarabokat, és a kisebb holmikát a kényes anyagok mosására szolgáló megfelelő mosózsákba rakni.

A jobb mosási eredmény érdekében kényes anyagokhoz való folyékony mosószert használatát javasoljuk.

A bepakolt ruhák kiegyensúlyozására szolgáló rendszer

A túlzott zajhatás megelőzésére, valamint a mosandók egyenletes eloszlása érdekében a forgódob a centrifugafázis előtt a mosási centrifugasebességnél kicsit nagyobb sebességre kapcsol. Amennyiben a töltet kiegyensúlyozására irányuló próbálkozások nem vezetnek eredményre, a készülék az elméleti centrifugasebességnél lassabb centrifugálásra kapcsol. Jelentős kiegyensúlyozatlanság esetén a mosógép, centrifugálás előtt megpróbálja a töltetet megfelelően elosztatni. A töltet megfelelő eloszlásának biztosítása érdekében ajánlatos a nagy ruhaneműket a kicsikkel összekeverni.

Előfordulhat, hogy a mosógép nem működik. Mielőtt felhívna a szervizt (lásd „Szerviz”), ellenőrizze, hogy nem olyan problémáról van-e szó, amely a következő lista segítségével egyszerűen megoldható!

Rendellenességek:

A mosógép nem kapcsol be.

Lehetséges okok / megoldás:

- A hálózati csatlakozódugó nincs bedugva az aljzatba, vagy nem eléggé ahhoz, hogy jól érintkezzen.
- Nincs áram a lakásban.

A mosási ciklus nem indul el.

- A mosógép ajtaja nincs jól bezárva.
- Nem nyomta meg a ON/OFF gombot.
- Nem nyomta meg az START/PAUSE gombot.
- A vízcsap nincs nyitva.
- Az indítás időjelzőjén késleltetés lett beállítva – késleltetésidőzítő (lásd „A mosási ciklusok végrehajtása”).

A mosógép nem kap vizet (a kijelzőn megjelenik a “VÍZHIÁNY, ELLENŐRIZZE!” felirat).

- A vízbevezető cső nincs csatlakoztatva a csaphoz.
- A cső meg van törve.
- A vízcsap nincs nyitva.
- A lakásban nincs víz.
- Nincs elegendő nyomás.
- Nem nyomta meg az START/PAUSE gombot.

A mosógép folytonosan szívja, és üríti a vizet.

- A leeresztőcső nem a padlószinttől 65 és 100 cm közötti magasságban van felszerelve (lásd „Üzembe helyezés”).
- A leeresztőcső vége vízbe merül (lásd „Üzembe helyezés”).
- A fali szifonnak nincs szellőzése.

Ha ezen vizsgálatok után a probléma nem oldódik meg, zárja el a vízcsapot, kapcsolja ki a mosógépet, és hívja ki a szervizszolgálatot. Ha a lakás egy épület legfelsőbb emeleteinek egyikén található, lehetséges, hogy a csatornaszellőző eltömődésének jelensége (szivornyahatás) lépett fel, ezért a mosógép folytonosan szívja, és leereszti a vizet. E kellemetlenség elkerülésére a kereskedelmi forgalomban rendelkezésre állnak csatornaszellőző-szelepek.

A mosógép nem üríti le a vizet, vagy nem centrifugál.

- A program nem ereszti le a vizet: néhány programnál a vizet kézzel kell leereszteni (lásd „Programok és funkciók”).
- A VASALÁSKÖNNYÍTÉS funkció be lett kapcsolva – a program befejezéséhez nyomja meg az START/PAUSE gombot (lásd „Programok és funkciók”).
- A leeresztőcső meg van törve (lásd „Üzembe helyezés”).
- A lefolyó el van dugulva.

A mosógép nagyon rázkódik a centrifugálás alatt.

- Az üzembe helyezéskor a forgódob rögzítése nem lett eltávolítva (lásd „Üzembe helyezés”).
- A készülék nincs vízszintben (lásd „Üzembe helyezés”).
- A mosógép bútorok és falak közé van szorítva (lásd „Üzembe helyezés”).

A mosógépből elfolyik a víz.

- A vízbevezető cső nincs jól felcsavarva (lásd „Üzembe helyezés”).
- A mosószer-adagoló fiók eltömődött (tisztításához lásd „Karbantartás és ápolás”).
- A leeresztőcső nincs szorosan rögzítve (lásd „Üzembe helyezés”).

A készülék lezár – a kijelző villogni kezd, és a hiba kódját mutatja (pl.: F-01, F-...).

- Kapcsolja ki a készüléket, és húzza ki a dugót a konnektorból, várjon körülbelül 1 percet, majd indítsa újra!
Ha a hiba továbbra is fennáll, forduljon a szervizhez!

Sok hab képződik.

- A mosószer nem mosógépekhez való (kell, hogy szerepeljen rajta, hogy „gépi”, „kézi vagy gépi mosáshoz”, vagy hasonló).
- Túl sok mosószert használt.

Mielőtt a szervizhez fordulna:

- Győződjön meg arról, hogy a hibát nem tudja saját maga is elhárítani (lásd „Rendellenességek és elhárításuk”);
- Indítsa újra a programot, hogy lássa, elhárította-e a hibát;
- Ellenkező esetben forduljon az engedéllyel rendelkező szakszervizhez a garanciajegyen található telefonszámon.

! Soha ne forduljon engedéllyel nem rendelkező szerelőhöz!

Közölje:

- a meghibásodás jellegét;
- a mosógép típusát (Mod.);
- a gyártási számot (S/N).

Ezek az adatok a mosógép hátoldalán, illetve az elülső oldalon az ajtó belsején elhelyezett adattáblán találhatóak.

A BIZOTTSÁG 1061/2010/EU FELHATALMAZÁSON ALAPULÓ RENDELETE

Márka	HOTPOINT/ARISTON
Típusazonosító	FMD 823MB EU.C
Előírt kapacitás a pamut kg-jában kifejezve.	8.0
Energihatékonysági osztály A+++ (alacsony fogyasztás) osztálytól G (magas fogyasztás) osztályig.	A+++
Éves energiafogyasztás kWh/év-ben kifejezve. ¹⁾	193.0
A normál 60 °C-os pamutprogram teljes töltet melletti energiafogyasztása kWh-ban. ²⁾	1.044
A normál 60 °C-os pamutprogram részleges töltet melletti energiafogyasztása kWh-ban. ²⁾	0.715
A normál 40 °C-os pamutprogram részleges töltet melletti energiafogyasztása kWh-ban. ²⁾	0.644
Energiafogyasztás kikapcsolt üzemmódban W-ban.	0.5
Energiafogyasztás bekapcsolva hagyott üzemmódban W-ban.	8.0
Éves vízfogyasztás literben. ³⁾	11594
Centrifugálási hatékonysági osztály G osztálytól (alacsony hatékonyság) A osztályig (magas hatékonyság).	B
Maximálisan elérhető centrifugálási sebesség. ⁴⁾	1200
Megmaradó nedvességtartalom. ⁵⁾	53%
Programidő a teljes töltetű „normál 60 °C-os pamutprogramon” percben kifejezve és percre kerekítve.	215
Programidő a részleges töltetű „normál 60 °C-os pamutprogramon” percben kifejezve és percre kerekítve.	155
Programidő a részleges töltetű „normál 40 °C-os pamutprogramon” percben kifejezve és percre kerekítve.	145
A bekapcsolva hagyott üzemmód időtartama.	30
Zajkibocsátás dB(A)-ben kifejezve 1 pW hangteljesítményre vonatkoztatva mosás esetén. ⁶⁾	53
Zajkibocsátás dB(A)-ben kifejezve 1 pW vonatkoztatva centrifugálás esetén. ⁶⁾	79
Beépíthető modell.	

¹⁾ A „normál 60 °C-os pamutprogram” teljes és részleges töltet mellett és a „normál 40 °C-os pamutprogram” részleges töltet mellett az a normál mosási program, amelyre a címkén és az adatlapon található tájékoztatás vonatkozik. E programok alkalmasak az átlagosan szennyezett pamut ruhanemű mosására, illetve hogy az energia- és vízfogyasztás szempontjából együtt ezek a leghatékonyabb programok. A részleges töltet a felét jelenti az előírt töltetnek.

²⁾ A 60 °C-os és 40 °C-os pamutprogram esetében teljes és részleges töltet mellett 220 normál mosási cikluson és az alacsony villamosenergia-fogyasztású üzemmódokon alapul. A tényleges energiafogyasztás a készülék üzemeltetési módjától függ.

³⁾ A 60 °C-os és 40 °C-os pamutprogram esetében teljes és részleges töltet mellett 220 normál mosási cikluson alapul. A tényleges vízfogyasztás a készülék üzemeltetési módjától függ.

⁴⁾ A normál 60 °C-os pamutprogram esetén teljes és részleges töltet mellett vagy a normál 40 °C-os pamutprogram esetén részleges töltet mellett elért legnagyobb centrifugálási sebesség attól függően, hogy melyik az alacsonyabb.

⁵⁾ A normál 60 °C-os pamutprogram esetén teljes és részleges töltet mellett vagy normál 40 °C-os pamutprogram esetén részleges töltet mellett elért maradék nedvességtartalom attól függően, hogy melyik a nagyobb.

⁶⁾ A normál 60 °C-os pamutprogram mosási és centrifugálási fázisa esetében teljes töltet mellett

TR

Türkçe,1

FMD 823

İçindekiler

Montaj, 74-75

Ambalajın çıkartılması ve seviye ayarı getirilmesi
Su ve elektrik bağlantıları
İlk yıkama
Teknik veriler

Bakım ve özen, 76

Su ve elektrik kesilmesi
Çamaşır makinesinin temizlenmesi
Deterjan haznesinin temizlenmesi
Kapak ve hazne bakımı
Pompanın temizlenmesi
Su besleme hortumunun kontrol edilmesi

Önlemler ve öneriler, 77

Genel güvenlik uyarıları
Atıkların tasfiye edilmesi
Cam kapağın açılması

Çamaşır makinesinin tanımı, 78-79

Kontrol paneli
Ekran

Bir yıkama devri nasıl yapılır, 80

Programlar ve işlevler, 81

Program tablosu
Yıkama işlevleri

Deterjan ve çamaşır, 82

Deterjan haznesi
Çamaşırın hazırlanması
Özel programlar
Yük dengeleme sistemi

Arızalar ve onarımlar, 83

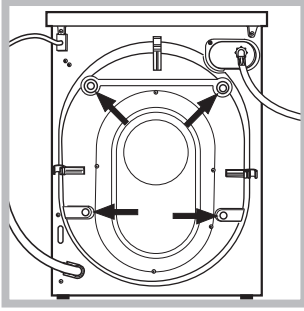
Teknik Servis, 84

! Bu kitapçığı gerektiği her an danışabilmeniz için özenle saklayınız. Çamaşır makinesinin satılması, devri veya nakli durumlarında da, yeni sahibinin faydalanabilmesi için bu kılavuz makineyle beraber saklanmalıdır. ! Talimatları dikkatlice okuyunuz; montaj, kullanım ve güvenliğe ilişkin önemli bilgiler içermektedir.

Ambalajın çıkartılması ve aynı seviyeye getirilmesi

Ambalajdan çıkartılması

1. Çamaşır makinesinin ambalajdan çıkartılması.
2. Çamaşır makinesinin taşıma esnasında hasar görmemiş olduğunu kontrol ediniz. Hasar görmüş ise monte etmeyiniz. Satıcıya başvurunuz.

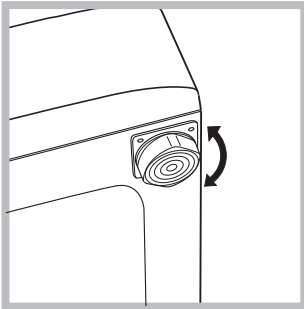


3. Taşıma sırasında arka tarafta bulunan 4 adet koruyucu vidayı ve ara parçasıyla birlikte buradaki lastiği de çıkartınız (bakınız şekil).

4. Delikleri ambalajda bulacağınız plastik kapaklarla kapayınız.
5. Tüm parçaları muhafaza ediniz: çamaşır makinesinin nakli gerektiği takdirde takılmaları gerekmektedir. ! Ambalajlar çocuk oyuncağı değildir.

Cihazın aynı seviyeye getirilmesi

1. çamaşır makinesini düz ve sert bir zemine yerleştiriniz, duvar veya mobilyalara dayamayınız.



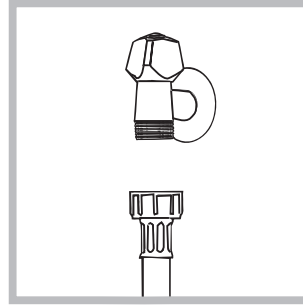
2. Yerleştirilecek zemin tam düz değilse çamaşır makinesinin vidalı ön ayaklarını sıkarak veya gevşeterek dengeyi sağlayınız (bkz. şekil); eğim açısı, makinenin üst tezgahına göre 2° den fazla

olmamalıdır.

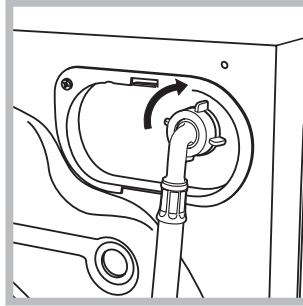
Sağlıklı bir dengeleme, çamaşır makinesine sağlam bir duruş kazandıracak gibi, çalışması esnasındaki sarsıntı, gürültü ve hareketlilikleri de önleyecektir. Zeminde moket veya halı olması halinde, ayarı makinenin altında havalandırma olabilecek şekilde yapınız .

Su ve elektrik bağlantıları

Su besleme hortumunun takılması



1. Tedarik borusunu 3/4 gaz vidalı bağlantı kullanarak bir soğuk su musluğuna bağlayınız (bkz. şekil). Bağlantıyı yapmadan önce, suyu berraklaşana kadar akıtınız.



2. Su besleme hortumunu arka kısmının üst sağ köşesinde bulunan su girişine vidalayarak makineye bağlayınız (bkz. şekil).

3. Hortumda katlanma ve ezilme olmamasına dikkat ediniz.

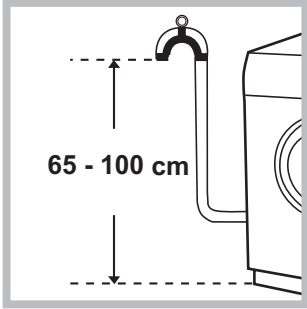
! Musluğun su basıncının Teknik Veriler tabelasında belirtildiği gibi olması gerekir (bkz. yan sayfa).

! Besleme hortumunun boyu yetersizse yetkili bir satıcı mağaza veya teknisyene başvurunuz.

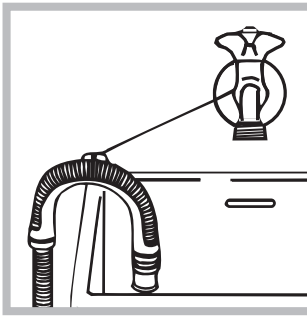
! Kesinlikle daha önceden kullanılmış hortum kullanmayınız.

! Makine ile birlikte verilen hortumları kullanınız.

Tahliye hortumunun bağlanması



Tahliye hortumunu bükmeden zemin-den 65 ila 100 cm yukarıda yer alan pis su borusuna veya duvar tahliyesine bağlayın;



Buna alternatif olarak, makine ile birlikte verilen pis su borusunu musluğa (şekle bakınız) bağlayarak lavabo veya küvetin kenarına yerleştirin. Hortumun serbest kalan ucu suya daldırılmamalıdır.

! Hortum eklerinin kullanımı önermiyoruz; kesinlikle gerekliyse ek hortum orijinal hortum ile aynı çapta olmalı ve uzunluğu 150 cm. aşmamalıdır.

Elektrik bağlantıları

Cihazı elektrik prizine takmadan önce, aşağıdakilerden emin olun:

- Prizin topraklandığından ve ilgili mevzuata uygun olduğundan;
- Prizin teknik veri tablosunda gösterilmekte olan maksimum cihaz elektrik yüküne dayanıp dayanamayacağından (*teknik veri tablosuna bakınız*);
- Güç kaynağı voltajının teknik veri tablosunda gösterilen değerlere uygun olup olmadığından (*teknik veri tablosuna bakınız*);
- Elektrik prizinin çamaşır makinesinin fişi ile uyumlu olup olmadığından emin olun. Muhafazalı değilse, priz veya fişi değiştirin.

! Çamaşır makinesi kapalı alan olsa bile, evin dışına yerleştirilmemelidir. Cihazın yağmur, fırtına ve diğer hava koşullarına maruz bırakılması son derece tehlikelidir.

! Çamaşır makinesi yerleştirildiğinde, elektrik prizi kolay ulaşılabilir bir durumda olmalıdır.

! Uzatma kablosu veya çoklu priz kullanmayın.

! Kablo bükülmemeli veya sıkıştırılmamalıdır.


! Güç kablosu ve fişi sadece yetkili teknisyenler tarafından değiştirilmelidir.

Uyarı! Bu standartlara uyulmaması durumunda sirket sorumlu tutulamaz.

İlk yıkama

İlk kullanımdan önce programlar tablosundaki "Kendi kendini temizleme" Programı kullanarak çamaşır olmadan deterjanla bir yıkama yapın ("Çamaşır makinesinin temizlenmesi" bakınız).

Teknik bilgiler

Model	FMD 823
Ölçüler	genişlik 59,5 cm yükseklik 85 cm derinlik 60,5 cm
Kapasite	1 - 8 kg
Elektrik bağlantıları	makine üstünde takılı olan teknik veriler plakasına bakınız.
Su bağlantıları	max. su basıncı 1 MPa (10 bar) min. su basıncı 0,05 MPa (0,5 bar) tambur kapasitesi 62 litre
Sıkma hızı	maksimum dakikada 1200 devire kadar
1061/2010 ve 1015/2010 sayılı direktiflere göre kontrol programları	Program 2 (60°) (tuşa 1 kez basınız); Pamuklu Standart 60°C. Program 2 (40°) (tuşa 2 kez basınız); Pamuklu Standart 40°C.
	Bu makina aşağıda belirtilen AB normlarına uygundur: - 2004/108/CE (Elektromanyetik Uyum) - 2012/19/EU - 2006/95/CE (Alçak gerilim)

Bakım ve onarım

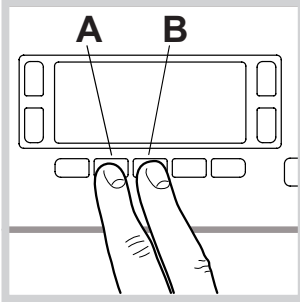
TR

Su ve elektrik kesilmesi

- Su musluğunu her yıkamadan sonra kapatınız. Böylece çamaşır makinesinin su tesisatının eskimesi engellenir, su kaçağı tehlikesi ortadan kalkar.
- Bakım ve temizlik işlemleri esnasında çamaşır makinesinin fişini çekiniz.

Çamaşır makinesinin temizlenmesi

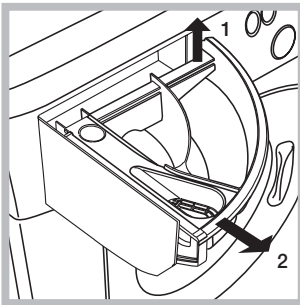
- Dış gövde ve plastik aksam ılık su ve sabunla ıslatılmış bir bez vasıtasıyla temizlenebilir. Çözücü ve aşındırıcı maddeler kullanmayınız.
- Çamaşır makinesinde tambur boşken çalıştırılması gereken "Kendi kendini temizleme" programı bulunmaktadır. Deterjan (az kirli çamaşırlar için tavsiye edilen miktarın %10'u kadar) veya çamaşır makinesinin temizliği için kullanılan özel katkı maddeleri, yıkama programında yardımcı olarak kullanılabilir. 40 yıkamada bir "Kendi kendini temizleme" programını çalıştırmanız önerilir.



Programı devreye sokmak için 5 saniye boyunca **A** ve **B** tuşlarına aynı anda basınız (*bakınız Şekil*). Program, otomatik olarak başlayacak ve yaklaşık 70 dakika sürecektir. Devreyi durdurmak için

START/PAUSE tuşuna basınız.

Deterjan haznesinin temizlenmesi



Hazneyi kaldırarak, dışarıya doğru çekmek suretiyle çıkartınız (*bkz. şekil*). Akar su altında yıkayınız, bu çekmeceğin temizliği sık sık yapılmalıdır.

Kapak ve hazne bakımı

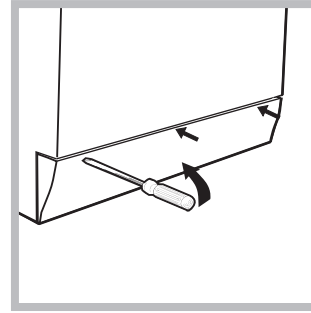
- Kötü kokuların oluşmasını engellemek için kapağı daima aralık bırakınız.

Pompanın temizlenmesi

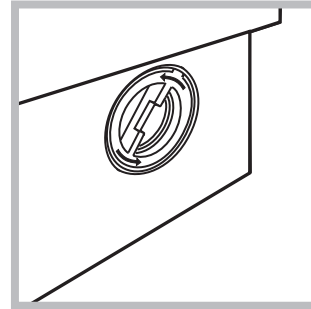
Çamaşır makinesinin pompası kendini temizleyen bir özelliğe sahip olup, ayrıca temizlik gerektirmez. Ancak, bazı küçük cisimler (madeni para, düğme) pompanın alt kısmındaki koruyucu bölmeye düşebilirler.

! Yıkama devresinin bitmiş olup olmadığını kontrol ediniz ve fişini çekiniz.

Pompa koruyucu bölgesine erişebilmek için:



1. çamaşır makinesinin ön kapama panelini, bir tornavida vasıtasıyla çıkartınız (*bkz. şekil*);



2. makine kapağını saatin ters yönünde çevirerek sökünüz (*bkz. şekil*). bir miktar su gelmesi normaldir;

3. içini dikkatlice temizleyiniz;
4. kapağı vidalayınız;
5. paneli takarken, tam yerleştirmeden evvel, kancaların yuvalara gelip gelmediğini kontrol ediniz.

Su besleme hortumunun kontrol edilmesi

Su besleme hortumunu, en azından senede bir defa kontrol ediniz. Yarık veya çatlaklar varsa değiştiriniz: yıkama esnasındaki yüksek basınçlar ani patlamalara yol açabilirler.

! Kesinlikle daha önceden kullanılmış hortum kullanmayınız.

! Çamaşır makinesi uluslararası güvenlik standartlarına uygun olarak projelendirilmiş ve üretilmiştir. Bu uyarılar güvenlik amaçlı olup dikkatlice okunmalıdır.

Genel güvenlik uyarıları

- Makine meskenlerde kullanılmak üzere tasarlanmış olup profesyonel kullanım amaçlı değildir.
- Bu cihaz, eğer gözetim altında bulunuyorlar ise veya güvenli şekilde ve ilişkin tehlikeler göz önünde bulundurularak, cihazın kullanımı hakkında uygun eğitim almışlar ise, 8 yaşından büyük çocuklar ve fiziksel, duyuşsal veya mental kapasitelerden yoksun veya yetersiz tecrübe ve bilgiye sahip kişiler tarafından kullanılabilir. Çocuklar, cihaz ile oynamamalıdır. Bakım ve temizlik işlemleri, denetimsiz çocuklar tarafından gerçekleştirilmemelidir.
- Çamaşır makinesi yalnızca yetişkin kişiler tarafından ve kullanma talimatına uygun olarak kullanılmalıdır.
- Cihaza ayaklarınız çıplakken yada elleriniz veya ayaklarınız ıslak yada nemliyken dokunmayınız.
- Fişi prizden çekerken kablosundan değil fişin kendisinden tutarak çekiniz.
- Makine çalışırken deterjan haznesini açmayınız.
- Tahliye suyuna el sürmeyiniz, yüksek ısıda olabilir.
- Kapağı, hiçbir şekilde zorlamayınız: istenmedik açılımlara karşı olan güvenlik mekanizması arıza yapabilir.
- Arıza halinde onarmak amacıyla iç mekanizmaları kurcalamayınız.
- Çocukların çalışır vaziyetteki makineye yaklaşmalarına mani olunuz.
- Çalışma esnasında kapak ısınabilir.
- Taşınması gerektiğinde, bu işlemin, iki veya üç kişi tarafından, azami dikkatle yapılması gerekir. Kesinlikle tek başınıza yapmayınız, çünkü makine çok ağırdır.
- Çamaşırıları yerleştirmeden evvel, sepetin boş olduğundan emin olunuz.

Atıkların tasfiye edilmesi

- Ambalaj malzemelerinin tasfiye edilmesi: yerel yasalara uyunuz, bu şekilde ambalajların geri dönüşümü mümkün olur.
- Elektrik ve elektronik cihazların atıklarını değerlendirme 2012/19/EU sayılı Avrupa Konseyi direktifinde; beyaz eşyaların kentsel katı atık genel yöntemi ile tasfiye edilmemesi öngörülmüştür. Kullanılmayan cihazların, madde geri kazanım ve geri dönüşüm oranını en yüksek seviyeye yükseltmek, çevre ve insan sağlığına olası zararları engellemek için ayrı ayrı toplanması gerekir. Tüm ürünlerin üzerinde; ayrı toplama hükümlerini hatırlatmak amacıyla üstünde çarpı işareti olan sepet sembolü verilmiştir.

Cihazların tasfiye edilmesi konusunda daha geniş bilgi almak için cihaz sahiplerinin mevcut müşteri hizmetine veya satış noktalarına başvurulması gerekir.

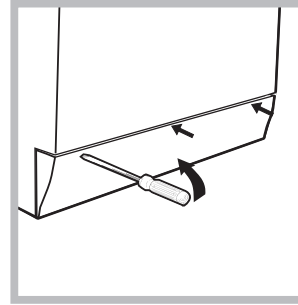
- Atık Elektrikli ve Elektronik Eşyaların (AEEE) Kontrolü Yönetmeliği.
- AEEE Yönetmeliğine uygundur.

Cam kapağın açılması

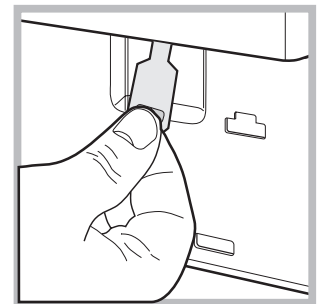
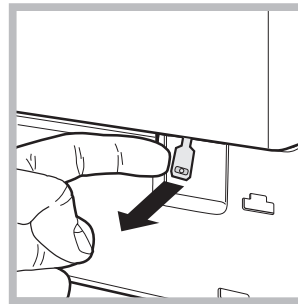
Elektrik kesildiğinde makine kapağını açmadığınız zaman çamaşırıları çıkarıp asmak istediğinizde aşağıdaki gibi yapınız:



1. fişi prizden çekiniz.
2. makinenin içindeki su seviyesinin makine kapağından daha alçak olmasını sağlayınız, aksi takdirde A şeklinde gösterildiği gibi bir kapta toplanacak şekilde boşaltma hortumu vasıtasıyla içindeki suyu gideriniz.



3. çamaşır makinesinin ön panelini, bir tornavida vasıtasıyla, çıkartınız (bkz. şekil).



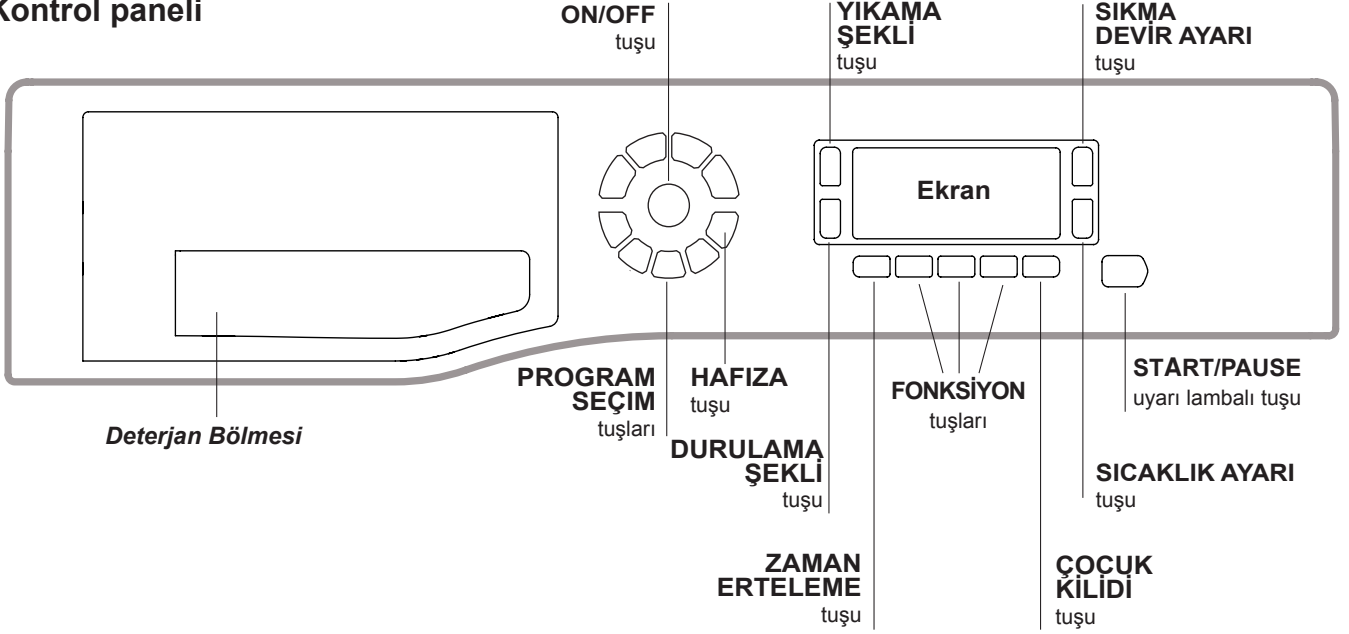
4. şekilde gösterilen dilciğinden tutarak blokajından çıkıncaya kadar dışarıya doğru çekiniz; aynı anda a°ağı doğru çekerek kapıyı açınız.

5. paneli takarken, tam yerleştirmeden evvel, kancaların yuvalara gelip gelmediğini kontrol ediniz.


Çamaşır makinesinin tanımı

TR

Kontrol paneli



Deterjan Bölmesi: ve diğer katkıları koyunuz (“Deterjanlar bölümüne” bakınız).


ON/OFF tuşu : makineyi açmak ya da kapatmak için bu tuşa kısa süreli basınız. Yeşil renkte yanıp sönen START/PAUSE uyarı lambası makinenin açık olduğunu gösterir. Makineyi çalışır vaziyetteyken kapatmak için tuşu daha uzun, yaklaşık 3 saniye, basılı tutmanız gerekir; hafifçe ya da yanlışlıkla basıldığında makine kapanmaz. Makinenin çalışır vaziyetteyken kapatılması devrede olan yıkama programını iptal eder.


PROGRAM SEÇİM tuşları: istenilen programı ayarlamak için (bkz. Program tablosu).


HAFIZA tuşu: bir devir ve en çok kullanılan kişisel ayarları kaydetmek için tuşa basılı tutunuz. Daha önce kaydedilmiş olan bir devir seçmek için HAFIZA tuşuna basınız.


FONKSİYON tuşları: İstenilen işlevi seçmek için mode tuşuna basarak ayarlayınız. Ekranda ilgili uyarı lambası yanacaktır.


YIKAMA ŞEKLİ tuşu : arzu edilen yıkama yoğunluğunu seçmek için bu tuşa basınız

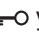
DURULAMA ŞEKLİ tuşu : arzu edilen durulama tipini seçmek için bu tuşa basınız.

SIKMA DEVİR AYARI tuşu : santrifüjü azaltmak ya da devre dışı bırakmak için basınız – değeri ekranda görüntülenir.

SICAKLIK AYARI tuşu : sıcaklık derecesini azaltmak için basınız: seçilen değer ekranda belirtilir.

ÇOCUK KİLİDİ tuşu: kontrol paneli etkin haline getirmek için tuşu yaklaşık 2 saniye basılı tutmanız gerekir. Sembol  açık ise; kontrol panelinin kilitletiğini gösterir (ON/OFF tuşu hariç). Böylece özellikle çocuklarınız varsa programın yanlışlıkla değiştirilmesi engellenir. kontrol panelini etkisiz haline getirmek için tuşu yaklaşık 2 saniye basılı tutmanız gerekir.

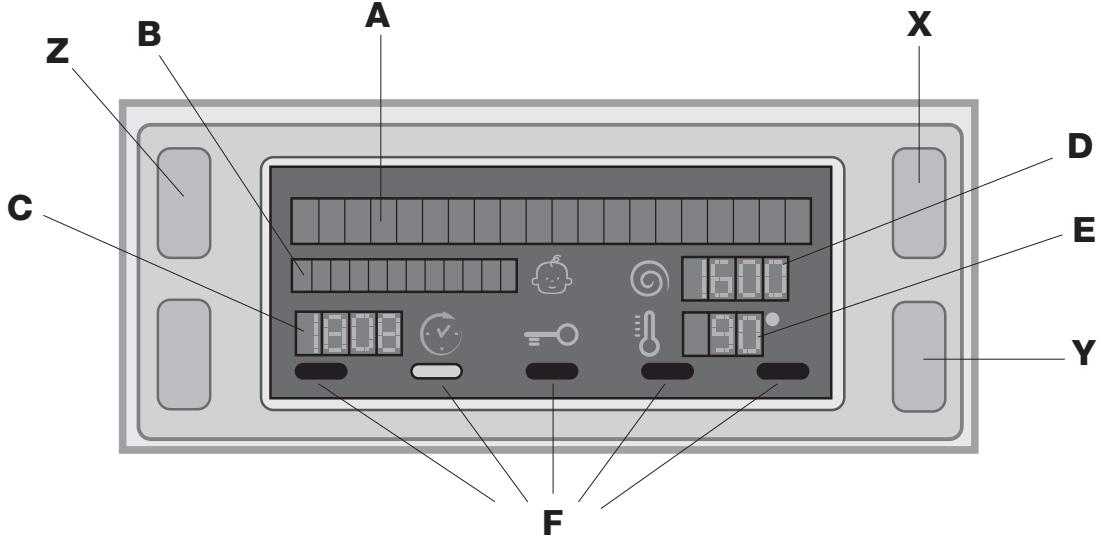
ZAMAN ERTELEME tuşu : seçilen programı geciktirmeli çalıştırmak için basınız. Gecikme ekranda belirtilecektir.

START/PAUSE uyarı lambalı tuşu: yeşil lamba yavaşça yanıp sönünce istediğiniz yıkama programını başlatmak için tuşa basınız. Yıkama programı başladıktan sonra uyarı lambası yanık kalır. Seçilen bir programın bekleme-ye alınması için aynı tuşa tekrar basınız; uyarı lambası turuncu renkte yanıp sönecektir. Sembol  yanık değilse makine kapağı açılabilir. Yıkama programının kaldığı yerden devam etmesi için aynı tuşa tekrar basınız.

Bekleme modu

Yeni enerji tasarrufu düzenlemeleri ile uyumlu bu çamaşır makinesine herhangi bir faaliyet algılanmadığında 30 dakika içinde devreye sokulan otomatik bekleme sistemi yerleştirilmiştir ON/OFF düğmesine bir süre basın ve makinenin tekrar çalışmasını bekleyin.

Ekran



Makineyi programlamak için yararlı bir gereç olmasının yanı sıra ekranda değişik bilgiler verilmektedir.

Üsteki **A** ve **B** satırlarında seçilen yıkama programı, programın hangi devrede olduğu ve program takip ile gereken tüm bilgiler verilir.

C satırında programın bitmesine ne kadar süre kaldığı ve ZAMAN ERTELEME ayarlandıysa yıkamanın başlamasına ne kadar süre kaldığı görüntülenir.

D satırı ise ayarlanan programa göre santrifüjün maksimum hız değeri görüntüler. Eğer santrifüj seçili değilse satır sönük kalır.

E satırı ise ayarlanan programa göre santrifüjün maksimum ısı değerini görüntülenir. Eğer ısı ayarı programda mevcut değilse bu satır sönük kalır.

F uyarı lambaları işlevler ile ilgili olup seçili işlev ayarlanan programa uygunsa yanar.

KAPAK KILITLI sembolü

Işıklı göstergenin yanıyor olması kapağın, istenmeyen açılmaları karşı, kapalı olduğunu gösterir. Herhangi bir arızaya yol açmamak için ışıklı göstergenin sönmesini beklemek gerekir.

Not: Makine çalışırken ZAMAN ERTELEME etkin ise makine kapağı açılmaz, kapağı açabilmek için START/PAUSE tuşuna basarak makineyi beklemeye alınız.


! İlk çalıştırıldığında dil seçimi istenecektir ve ekran otomatik olarak "Dil seçimi" menüsüne girecektir.

İstenilen dili seçmek için **X** ve **Y** tuşlarına basınız. Onaylamak için **Z** tuşuna basınız.



Dil değiştirilmek istenir ise sesli bir sinyal duyana kadar aynı anda **X**, **Y**, **Z** tuşlarına basınız, yeniden dil seçim menüsü görüntülenecektir.

Bir yıkama devri nasıl yapılır


TR

- 1. MAKİNENİN ÇALIŞTIRILMASI.**  tuşuna bastıktan sonra ekranda AÇMA yazısı görüntülenecek ve START/PAUSE uyarı lambası yeşil renkte yanıp sönmeye başlayacaktır.
- 2. MAKİNANIN DOLDURULMASI.** Kapağı açınız. Sonraki sayfada bulunan program tabelasında belirtilen yük miktarını geçmeyecek şekilde tamburu çamaşırlarınızla doldurunuz.
- 3. DETERJAN KONULMASI.** Deterjan haznesini açınız ve deterjanı “Deterjan ve çamaşır” bölümünde açıklandığı gibi koyunuz.
- 4. MAKİNE KAPAĞININ KAPATILMASI.**
- 5. PROGRAMIN SEÇİLMESİ.** İstenilen programı seçmek için PROGRAM SEÇİM tuşlarından birine basınız. Programın ismi ekranda görüntülenecektir, seçilen programa bağlı değiştirilemeyecek sıcaklık derecesi ve sıkma devir hızı vardır. Ekranda program süresi görüntülenecektir.
- 6. YIKAMA DEVRİNİN KİŞİSEL AYARLARINI** mevcut olan tuşları kullanarak yapınız:

Sıcaklık derecesi ve/ya santrifjün değiştirilmesi.


Seçilen programa göre makine sıcaklık derecesi ve sıkma devrini otomatik olarak ayarlar, bu yüzden bu değerler değiştirilemez.  tuşuna basıldığında OFF soğuk yıkama programındaki sıcaklık derecesine ulaşıncaya kadar sıcaklık derecesi düşer.  düğmesine basıldığında OFF devreden çıkıncaya kadar sıkma devri gittikçe azalır. Tuşlara bir daha basıldığında fabrika değerlerine dönecektir.

ZAMAN ERTELEME uyarı.


Seçilmiş olan programın gecikmeli başlamasını ayarlamak için istenilen gecikme süresi ayarlanıncaya kadar tuşa basınız. Bu opsiyon açık olduğunda ekranda  sembolü görüntülenecektir. Gecikmeli başlatmayı iptal etmek için ekranda OFF yazısı görüntüleninceye kadar tuşa basınız.

! İstisna: 2 (60°C) (tuşa 1 kez basınız) programı seçildiğinde sıcaklık derecesi 90°C ye kadar yükseltilebilir.


Arzu edilen yıkama yoğunluğunu ayarlayınız.

 opsiyonu, çamaşırların kirlilik derecesine göre ve arzu edilen yıkama yoğunluğunda yıkama işlemini en uygun hale getirmemize olanak tanır.

Yıkama programını seçiniz, yıkama devri aynı derecede kirliliğe sahip olan çamaşırlar için en uygun olan “NORMAL” seviyede otomatik olarak ayarlanır, (otomatik olarak “NARİN” seviyede ayarlanan “Yünlüler” için geçerli olmayan ayar).


Çok kirliliğe sahip çamaşırlar için cihaz “SÜPER YIKAMA” seviyeye ulaşana kadar  tuşuna basınız. Bu seviye, yıkama programının başlangıç aşamasında daha çok su ve daha fazla mekanik hareket kullanılması sayesinde yüksek verimde yıkama performansı sağlamaktadır ve en inatçı lekeleri bile ortadan kaldırmaya elverişlidir. Çamaşır suyu ile ya da çamaşır suyu olmadan kullanılabilir.

Eğer beyazlatma işlemi gerçekleştirilmek istenir ise makine ile birlikte verilen ilave hazneyi 4, hazne 1 içine koyunuz. Çamaşır suyu dozajını ayarlarken orta seviyede gösterilen “max” seviyeyi geçmeyiniz (bakınız şekil syf. 82).

Az kirliliğe sahip çamaşırlar veya en hassas kumaşlar için “NARİN” seviyesine ulaşana kadar  tuşuna basınız.

Hassas çamaşırlar için kusursuz yıkama sonuçlarını garanti etmek için mekanik hareket azaltılacaktır.

Durulama tipini seçiniz.

Opsiyonu  , hassas ciltlere maksimum özen için arzu edilen durulama tipini seçmemize olanak tanır. Tuşa ilk basışta, tüm deterjan izlerini ortadan kaldırmak için standart durulamaya ilave yeni bir durulama seçmemize olanak tanıyan “EKSTRA DURULAMA” seviyesi ayarlanır. Tuşa ikinci basışta, standart durulamaya ilave iki durulama seçmemize olanak tanıyan ve hassas ciltler için tavsiye edilen “HASSAS CİTLER İÇİN” seviyesi ayarlanır. Düğmeye üçüncü kez basıldığında, “ANTI ALERJİ DURULAMA” seviyesi ayarlanır ve böylece standart devir durulamalarına 3 durulama seçiminin daha eklenmesi mümkün olur. Seçenek - 40°C sıcaklıktaki devirlerle başlayan - polen, kedi ve köpek kılı gibi alerji yapan maddelerin temizlenmesini mümkün kılar. 40°den daha yüksek sıcaklıklardaki devirlerde, üst düzey antialerjik koruma elde edilir. “NORMAL DURULAMA” durulama tipine geri dönmek için tuşa yeniden basınız. Eğer ayarlamak veya mevcut olan ayarı değiştirmek mümkün değil ise ekranın üzerinde “İZİN VERLİYOR” yazısı görüntülenecektir.



Yıkama özelliklerinin değiştirilmesi.


- Fonksiyonu çalıştırmak için tuşa basınız; ilgili uyarı lambası yanacaktır.
- İşlevi kapatmak için aynı tuşa tekrar basınız; ilgili uyarı lambası sönecektir.

! Seçilen işlem yürütülen programla uyumlu olmadığı takdirde, uyarı lambası yanıp sönecek ve işlem başlamayacaktır.

! Seçilen fonksiyon ayarlanmış olan programla uyumlu olmadığı takdirde, ilk işlemlerle ilgili uyarı lambası yanıp sönecek ve etkinleştirilmiş işlev yanıp sönmeye sona erecektir.

! Fonksiyonlar önerilen yük seviyesi ve yıkama süresini değiştirebilirler.

- 7. PROGRAMIN ÇALIŞTIRILMASI.** START/PAUSE tuşuna basınız. İlgili uyarı lambası yeşil renkte sabit yanacak ve makinenin kapağı kilitlenecektir (MAKİNE KAPAĞI KILITLI  uyarı lambası açıktır). Yıkama süresince ekranda seçilmiş olan program safhasının ismi görüntülenir. Devrede olan bir programı değiştirmek için START/PAUSE tuşuna basarak çamaşır makinesini beklemeye alınız (START/PAUSE uyarı lambası turuncu renkte yavaşça yanmaya başlayacaktır), istenilen programı seçiniz ve START/PAUSE tuşuna tekrar basınız. Yıkama esnasında makine kapağını açmak için START/PAUSE düğmesine basınız; MAKİNE KAPAĞI KILITLI  sembolü kapalı ise, kapak açılacaktır. Yıkama programının kaldığı yerden devam etmesi için START/PAUSE/DURDUR tuşuna tekrar basınız.
- 8. PROGRAMIN BITMESİ.** “PROGRAM SONU” yazısıyla belirtilir. MAKİNE KAPAĞI KILITLI  uyarı lambası kapağın açılabilir hale geldiğini belirtmek için söner. Makine kapağını açtıktan sonra çamaşırları boşaltıp makineyi kapatınız.

! Devrede olan bir programı iptal etmek için  tuşunu uzun süre basılı tutunuz. Program bitirilecek ve makine kapanacaktır.

Program tablosu

Programlar	Program açıklaması	Maks. Isı derecesi (°C)	Maks Hız (Dakika devir)	Deterjan ve katkı maddeleri				Maks yük (Kg)	Kalan nem %	Enerji tüketimi kWh	Toplam su lt	Devir süresi
				Ön yıkama	Yıkama	Çamaşır suyu	Yumuşatıcı					
CLEAN Plus												
1	LEKE ÇIKARMA (tuşa 1 kez basınız)	40°	1200	●	●	-	●	5	-	-	-	180'
1	HIZLI LEKE ÇIKARMA (tuşa 2 kez basınız)	40°	1200	-	●	-	●	4,5	-	-	-	60'
2	60°C PAMUKLU STANDART 60° (STANDART PAMUKLU) (tuşa 1 kez basınız) (1): çok kirli dayanıklı beyaz ve renkliler.	60° (Max. 90°)	1200	● (3)	●	●	●	8	53	1,04	55	215'
2	40°C PAMUKLU STANDART 40° (STANDART PAMUKLU) (tuşa 2 kez basınız) (2): az kirli beyazlar ve nazik renkliler.	40°	1200	-	●	●	●	8	53	0,87	81	185'
2	PAMUKLU STANDART 20° (STANDART PAMUKLU) (tuşa 3 kez basınız): az kirli beyazlar ve nazik renkliler.	20°	1200	-	●	●	●	8	-	-	-	175'
3	SENTETİKLER (DAYANIKLI SENTETİKLER) (tuşa 1 kez basınız): çok kirli dayanıklı renkli çamaşırlar.	60°	800	●	●	●	●	4,5	46	1,03	60	115'
3	SENTETİKLER (DAYANIKLI SENTETİKLER) (4) (tuşa 1 kez basınız): az kirli dayanıklı renkli çamaşırlar.	40°	800	●	●	●	●	4,5	46	0,56	60	100'
3	SENTETİKLER (HASSAS SENTETİKLER) (tuşa 2 kez basınız): az kirli dayanıklı renkli çamaşırlar.	40°	800	●	●	●	●	4,5	-	-	-	75'
SPECIALS												
4	HIZLI YIKAMA : az kirli çamaşırları kısa sürede yıkamak üzere kullanılır (yünlü, ipeklili, ve elde yıkanacak çamaşırlara uygun değildir).	30°	800	-	●	-	●	3	71	0,20	38	30'
M	HAFIZA : herhangi bir yıkama tipini hafızaya almayı sağlar.											
6	NEVRESİMLER (NEVRESİM TAKIMLARI)	60°	1200	●	●	-	●	8	-	-	-	140'
EXTRA CARE												
7	YÜNLÜLER (Woolmark Platinum): yün ve kaşmir için kullanılır.	40°	800	-	●	-	●	2	-	-	-	85'
8	NARİNLER (HASSAS ÇAMAŞIRLAR)	30°	0	-	●	-	●	1	-	-	-	80'
☺	SIKMA (tuşa 1 kez basınız)	-	1200	-	-	-	-	8	-	-	-	16'
☺	DURULAMA (tuşa 2 kez basınız)	-	1200	-	-	-	●	8	-	-	-	36'
☺	SU BOŞALTIMA (tuşa 3 kez basınız)	-	0	-	-	-	-	8	-	-	-	2'

Ekran veya kitapçık üzerinde gösterilen devre süresi, standart şartlara göre hesaplanmış tahmini bir süredir. Geçerli olan süre, girişteki sıcaklık derecesi ve suyun basıncı, ortam sıcaklığı, deterjan miktarı, yük miktarı ve tipi, yükün dengesi, seçilen ilave seçenekler gibi sayısız faktörlere göre değişiklik gösterebilmektedir.

- 1061/2010 düzenlemesine uygun test yıkama çevrimi: 60°C sıcaklıkta yıkama çevrimi "2" 60°C yi seçin (tuşa 1 kez basınız). Bu devre, orta kirlilikteki pamuklu çamaşırları temizlemek için uygundur ve 60°C'de yıkanabilir çamaşırlar üzerinde kullanılacak, kombine enerji ve su tüketimi açısından en etkili devredir. Geçerli olan yıkama sıcaklık derecesi, belirtilen sıcaklık derecesinden farklı olabilir.
- 1061/2010 düzenlemesine uygun test yıkama çevrimi: 40°C sıcaklıkta yıkama çevrimi "2" 40°C yi seçin (tuşa 2 kez basınız). Bu devre, orta kirlilikteki pamuklu çamaşırları temizlemek için uygundur ve 40°C'de yıkanabilir çamaşırlar üzerinde kullanılacak, kombine enerji ve su tüketimi açısından en etkili devredir. Geçerli olan yıkama sıcaklık derecesi, belirtilen sıcaklık derecesinden farklı olabilir.
- 60 °C sıcaklıkta "Ön Yıkama" fonksiyonu etkinleştirilemez.

Bütün Test merkezleri için:

- 2) Pamuklular için kısa yıkama çevrimi: 40°C sıcaklıkta yıkama çevrimi "2" 40°C yi seçin (tuşa 2 kez basınız).
- 4) Sentetik için uzun yıkama çevrimi: "3" programını 60°C'ye ayarlayınız (tuşa 1 kez basınız); sıcaklık derecesi 40°C (SICAKLIK AYARI tuşuna basınız).

Yıkama işlevleri

Ön Yıkama

Bu işlev seçildiğinde en dayanıklı lekeleri çıkarmak için kullanılan ön yıkama gerçekleştirilir

Not: Mevcut olan hazneye deterjan koyunuz.

! Sonraki programlarda uygulanamaz: HIZLI LEKE

ÇIKARMA, 2 (60°) (tuşa 1 kez basınız), 2 (tuşa 2 kez basınız), 2 (tuşa 3 kez basınız), 4, 7, 8, ☺.

Kolay Ütüleme

Bu işlev seçildiğinde kırışıkları önleyecek şekilde yıkama ve sıkma devrinin özellikleri değiştirilecektir.

Devrin sonunda, çamaşır makinesi tamburu yavaş bir şekilde dönecek; KOLAY ÜTÜLEME ve START/PAUSE göstergesi ışıkları yanacak (turuncu) ve ekranda "PROGRAM SONU" yazısı görünecektir. Devri bitirmek için, START/PAUSE düğmesine veya KOLAY ÜTÜLEME düğmesine basın.

! Sonraki programlarda uygulanamaz: 1, 4, 7, 8, ☺.

Eko Yıkama

Eko Yıkama fonksiyonu, hem çevre hem de elektrikli giriş için bir avantaj olan - çamaşırları yıkamak için kullanılan suyu ısıtmadan enerji tasarrufuna katkıda bulunmaktadır. Aslına bakılırsa, güçlendirilmiş etki ve en iyi şekilde kullanılan su tüketimi ortalama standart bir devre süresinde mükemmel sonuçların elde edilmesini garanti etmektedir. Daha iyi yıkama sonuçları elde etmek için, sıvı deterjan kullanımı tavsiye edilmektedir.

! Sonraki programlarda uygulanamaz: 1, 2 (tuşa 3 kez basınız), 6, 7, 8, ☺.

Deterjanlar ve amaşır

TR

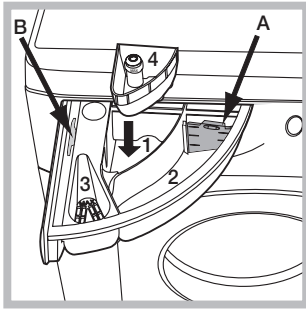
Deterjan haznesi

Yıkamanın iyi sonuç vermesi doğru dozda deterjan kullanılmasına da bağılıdır: aşırı deterjan kullanmak suretiyle daha temiz amaşır elde edilemeyeceğı gibi makinenin aksamına zarar verilerek, evre kirliliğine sebebiyet verilir.

! Beyaz pamuklu amaşır, ön yıkama ve 60°C'den yüksek sıcaklık derecesi ile yıkamalar için toz deterjan kullanınız.

! Deterjan ambalajı üzerinde aktarılan bilgileri takip ediniz.

! Elde yıkama deterjanları kullanmayınız, ünkü aşırı köpük yaparlar.



Deterjan haznesini açınız ve deterjan ile katkı maddelerini aşağıdaki şekilde koyunuz.

Bölüm 1: Ön yıkama deterjanı (toz)

Deterjanı dökmeden önce, ilave bölme 4'ün çıkarıldığından emin olun.

Bölüm 2: Yıkama deterjanı (toz veya sıvı)

Sıvı deterjan kullanılması halinde doğru doz ayarlaması için makinede gösterilen **A** kademesini kullanmanız önerilir. Toz deterjan ile yıkamalarda **B** kademesini kullanınız.

Bölüm 3: Katkı maddeleri (yumuşatıcı vs.)

Yumuşatıcı ızgaranın dışına taşmamalıdır.

ilave bölme 4: amaşır suyu

amaşır hazırlanması

- amaşırını aşağıdaki gibi ayırınız:
 - kumaş tipi / etiketteki işaret.
 - renkler: renkli amaşırını beyazlardan ayırınız.
- Ceplerini boşaltınız ve düğmeleri kontrol ediniz.
- Kurulama sırasında amaşırın ağırlığını gösteren "Programlar Tablosu"ndaki değerleri aşmayın.

amaşırının ağırlığı nedir?

- 1 arşaf 400-500 gr.
- 1 yastık kılıfı 150-200 gr.
- 1 masa örtüsü 400-500 gr.
- 1 bornoz 900-1.200 gr.
- 1 havlu 150-250 gr.

Özel programlar

LEKE IKARMA: program, renkleri solmayan ve çok kirlili amaşırın yıkanması için uygundur. Program, standart sınıftan yüksek bir yıkama sınıfını garanti eder (A sınıfı). Farklı renkteki amaşırını bu programda yıkamayınız. Toz deterjan kullanılması ve inatçı lekeler için özel katkı maddeleri ile ön yıkama yapmanız önerilir.

HIZLI LEKE IKARMA: bu program en zorlu günlük lekeleri 1 saat içerisinde temizlemek için idealdir. Karma kumaşlar ve renkli giysiler için idealdir, yıkama sırasında amaşırınıza özen gösterir..


PAMUKLU STANDART 20°C: kirlili pamuklu amaşır için idealdir. 40°de bir yıkama ile mukayese edilebilen, soğuk suda da etkili olan performanslar, yinelenen ve karşılaştırılan en yüksek hız varyasyonu ile alışan mekanik bir hareket ile sağlanır.

NEVRESİMLER: tek yıkama performansı ile havlu ve yatak arşafını yıkamak için yumuşatıcı kullanımını en uygun hale getiren, zaman ve enerji tasarrufu yapmanızı sağlayan **6** programını kullanınız. Toz deterjan kullanılması önerilir.

YÜNLÜLER: bu makinenin yünli yıkama devri The Woolmark Company tarafından ürünler giysi etiketinde yer alan ve bu amaşır makinesinin üreticisi tarafından verilen talimatlara göre yıkandıkları taktirde "elde yıkama" olarak etiketlenen yün giysilerin yıkanması için onaylanmıştır. (M1127)



NARİNLER: taşlı veya pullu giysiler gibi çok hassas amaşırını yıkamak için **8** programını kullanınız.

İpekli kumaşları ve perdeleri yıkamak için programı **8** seçiniz ve  opsiyonunun "NARİN" seviyesini ayarlayınız.

amaşırını yıkamadan önce ters çevirmeniz ve küçük parçaları hassas amaşırın yıkanması için kullanılan özel torba içerisine koymanız önerilir.

Daha iyi sonuçlar elde etmek için hassas amaşırına özel sıvı deterjanın kullanılması önerilir.

Yük dengeleme sistemi

Aşırı titremenin engellenmesi ve yükün düzenli dağılması için her sıkma devrinden önce iç sepet normal yıkama hızından biraz daha hızlı döner. Farklı şekillerde amaşırını makineye doldurduktan sonra yük dengeli hale gelmediyse makine daha yavaş bir sıkma devrini uygular. Yük çok dengesiz ise amaşır makinesi sıkma devrini gerçekleştirilmeden amaşırını dağıtır. Yükün daha iyi yerleştirilmesi ve dengeli olması için küçük giysilerle büyük giysileri karıştırınız.

Çamaşır makinesi çalışmıyor olabilir. Teknik Servise başvurmadan önce (*Teknik Servis bölümüne bakınız*) aşağıdaki liste yardımıyla kolay çözülebilecek bir problem olup olmadığını kontrol ediniz.

Arızalar:

Olası nedenler / Çözümler:

Çamaşır makinesi çalışmıyor.

- Fiş prize takılı değil veya tam temas etmiyor.
- Evde elektrik yok.

Yıkama işlemi başlamıyor.

- Makinanın kapağı tam kapanmamış.
- ON/OFF düğmesine basılmamış.
- START/PAUSE düğmesine basılmamış.
- Su musluğu açık değil.
- ZAMAN ERTELEMEda bir gecikme süresi ayarlanmış.

**Çamaşır makinesi su almıyor (Ekran-
da “SU BAĞLANTISI YOK” yazısı
görüntülenecektir).**

- Su besleme hortumu musluğa takılı değil.
- Hortum bükülmüş.
- Su musluğu açık değil.
- Evde su kesik.
- Basınç yetersiz.
- START/PAUSE düğmesine basılmamış.

**Çamaşır makinesi devamlı su alıp
veriyor.**

- Tahliye hortumu yerden 65 ile 100 cm arasında yerleştirilmemiş (*bkz. “Montaj”*).
- Tahliye hortumunun başı suya girmiş (*bkz. “Montaj”*).
- Duvardaki tahliyenin hava boşluğu yok.

Bu kontrollerden sonra olumlu sonuç alınamazsa, musluğu ve kapatıp, çamaşır makinesini durdurarak Servise haber veriniz. Daire, binanın üst katlarındaysa, sifon olayı meydana gelerek çamaşır makinesi devamlı su alıp, veriyor olabilir. Bu sorunun çözümü için piyasada sifon önleyici valfler satılmaktadır.

**Çamaşır makinesi su boşaltmıyor
veya santrifüj yapmıyor.**

- Program su boşaltmayı öngörmüyor: bazı programlarda su boşaltma işlemini elle müdahale ederek başlatmak gerekir (*bkz. “Programlar ve işlevler”*).
- KOLAY ÜTÜLEME işlevi devrede: programı tamamlamak için START/PAUSE düğmesine basınız (*“Programlar ve işlevler”*).
- Tahliye hortumu bükülmüş (*bkz. “Montaj”*).
- Tahliye kanalı tıkalı.

**Çamaşır makinesi santrifüj esnasında
aşırı sarsılıyor.**

- Hazne, çamaşır makinesinin montajı esnasında düzgün çözülmemiş (*bkz. “Montaj”*).
- Çamaşır makinesinin bulunduğu zemin düz değil (*bkz. “Montaj”*).
- Çamaşır makinesi mobilyalarla duvar arasında sıkışmış (*bkz. “Montaj”*).

Çamaşır makinesi su kaçırıyor.

- Su giriş hortumu tam sıkılmamış (*bkz. “Montaj”*).
- Deterjan haznesi tıkanmış (temizlemek için *bkz. “Bakım ve özen”*).
- Tahliye hortumu düzgün takılmamış (*bkz. “Montaj”*).

**MAKİNE KİLİTLİ, ekran yanıp sönerken bir
arıza oluştuğunu gösterir (ör. F-01, F-..).**

- Makineyi kapatınız, prizden fişi çekiniz ve 1 dakika sonra tekrar açınız. Arıza çözülmüyorsa Teknik Servisine başvurunuz.

Aşırı köpük oluşuyor.

- Deterjan çamaşır makinesi için uygun değil (“çamaşır makinesi için”, elde yıkama ve çamaşır makinesi için” veya benzer ibareler olmalıdır).
- Aşırı doz kullanıldı.

Servise başvurmadan önce:

- Servise başvurmadan çözülebilecek bir arıza olup olmadığını kontrol ediniz ("Arızalar ve onarımlar" bölümüne bakınız);
- Programı tekrar başlatarak, sorunun çözümlü çözümediğini görünüz;
- Aksi takdirde, garanti belgesinde belirtilen telefon numaralarından teknik servisi arayınız.

! Kesinlikle, yetkili olmayan tamircilere müracaat etmeyiniz.

Şunları bildiriniz:

- arıza tipini;
- cihazın modeli (Mod.);
- seri numarası (S/N).

Bu bilgiler, çamaşır makinesinin arkasındaki plakada bulunurlar.

Cihazın ömrü 10 yıldır.

Tüm Türkiye'de; Yetkili Teknik Servis, Orijinal Yedek Parça, Bakım Ürünlerimiz ve Garanti ile ilgili bilgi için:

☎ 0 212 444 50 10

Ürün Verileri

Marka	HOTPOINT/ARISTON
Model	FMD 823MB EU.C
Kg cinsinden pamuklu kapasitesi	8.0
A+++ (düşük tüketim)'den G (yüksek tüketim)'e Enerji verimlilik sınıfı	A+++
kWh cinsinden yıllık enerji tüketimi ¹⁾	193.0
Tam yükte standart 60 °C pamuklu programın kWh olarak enerji tüketimi ²⁾	1.044
Kısmi yükte standart 60 °C pamuklu programın kWh olarak enerji tüketimi ²⁾	0.715
Kısmi yükte standart 40 °C pamuklu programın kWh olarak enerji tüketimi ²⁾	0.644
W olarak off-mode'un güç tüketimi	0.5
W olarak left-on mode'un güç tüketimi	8.0
Litre olarak yıllık su tüketimi ³⁾	11594
G (minimum verimlilik)'den A (maksimum verimlilik)'ya santrifüjli kurutma verimliliği	B
Elde edilen maksimum devir hızı ⁴⁾	1200
Kalan nem içeriği ⁵⁾	53%
Tam yükte "standart 60 °C pamuklu programı"nın dakika olarak program süresi.	215
Kısmi yükte "standart 60 °C pamuklu programı"nın dakika olarak program süresi.	155
Kısmi yükte "standart 40 °C pamuklu programı"nın dakika olarak program süresi.	145
Dakika cinsinden left-on modunun süresi	30
Yıkamada dB(A) re 1 pW cinsinden gürültü ⁶⁾	53
Sıkma dB(A) re 1 pW cinsinden gürültü ⁶⁾	79
Ankastre model	

¹⁾ Tam yükte ve kısmi yükte "standart 60°C pamuklu" ve kısmi yükte "standart 40°C pamuklu" programları, etiketteki ve fişteki bilginin ilişkili olduğu yıkama programlarıdır. Standart 60°C pamuklu ve standart 40°C pamuklu programları, normal kirdeki pamuklu çamaşırları yıkamak için uygundur ve kombine enerji ve su tüketimi açısından en etkili programlardır. Kısmi yük, nominal yükün yarısıdır.

²⁾ 60°C ve 40°C'de tam yük ve kısmi yük ile pamuklu programlarda yapılmış 220 adet standart yıkamaya dayanarak kWh cinsinden yıllık enerji tüketimi, ve düşük-güç modlarının tüketimi. Gerçek enerji tüketimi cihazın nasıl kullanıldığına göre değişecektir.

³⁾ 60°C ve 40°C'de tam yük ve kısmi yük ile pamuklu programlarda yapılmış 220 adet standart yıkamaya dayanarak kWh cinsinden yıllık enerji tüketimi. Gerçek enerji tüketimi cihazın nasıl kullanıldığına göre değişecektir.

⁴⁾ Tam yük ve kısmi yükte standart 60 °C ya da kısmi yükte 40 °C için , hangisi daha düşüktür.

⁵⁾ Tam yük ve kısmi yükte standart 60 °C ya da kısmi yükte 40 °C için elde edilen, hangisi daha yüksektir.

⁶⁾ Tam yükte 60 °C pamuklu program için yıkama ve sıkma evrelerine dayanarak.

İthalatçı Firma:
Indesit Company Beyaz Eşya PAZARLAMA A.Ş.
Balmumcu Cad. Karahasan Sok.
No: 11, 34349 – Balmumcu Beşiktaş – İstanbul
Tel: (0212) 355 53 00

Üretici Firma:
Indesit Company Spa
Viale Aristide Merloni, 47
60044 Fabriano Italy
Tel: +39 0732 66 11

Indesit Company Spa
Viale Aristide Merloni, 47
60044 Fabriano (AN)
Italy
www.hotpoint.eu