

GB**English, 1****I**

Italiano, 11

F

Français, 21

D

Deutsch, 31

E

Español, 41

P

Português, 51

NL

Nederlands, 61

A

Arabic, 80

IS70C

Contents

Installation, 2

- Door reversal instructions
- Where to put your dryer
- Ventilation
- Water drain
- Electrical connection
- Before you start using your dryer

Dryer description, 3

- To open the door
- The features
- Control panel

Start and programmes, 4

- Choosing a programme

Laundry, 5-6

- Sorting your laundry
- Wash care labels
- Special clothing items
- Drying times

Warnings and Suggestions, 7

- General safety
- Disposal
- Saving energy and respecting the environment

Maintenance and Care, 8

- Switching off the electricity
- Cleaning the filter after each cycle
- Empty the water container after wash cycle
- Check the drum after each cycle
- Cleaning the condenser unit
- Cleaning the dryer

Troubleshooting, 9

Service, 10

- Spare parts

GB

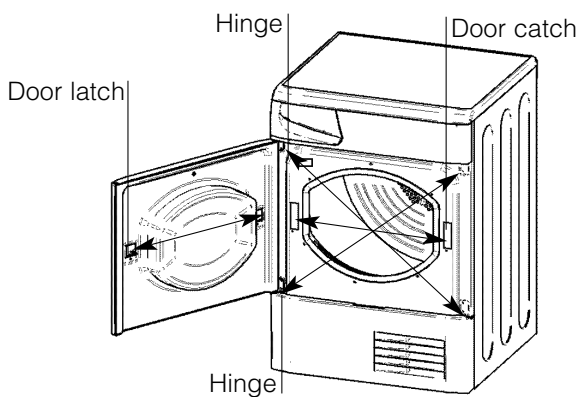
Installation

GB

! Keep this instruction booklet on hand in order to refer to it when necessary. Take it with you when you move, and should you sell this appliance or pass it on to another party, make sure that this booklet is supplied along with the dryer so that the new owner may be informed about warnings and suggestions on how the dryer works.

! Read these instructions carefully; the following pages contain important information on installation and suggestions on how the appliance works.

Door Reversal Instructions



The door of your dryer is reversible and can easily be changed. Exchange diagonally hinge brackets and blanking screws. Exchange door latch and catch with their opposite blanking plates (*see diagram above*).

Where to put your dryer

- Place your dryer at a distance from gas ranges, stoves, heaters, or cook tops because flames can damage the appliance.
- If you are going to install the appliance under a work counter, be sure to leave a 10mm space between the top and any other objects on or above the machine and a 15mm space between the sides and lateral furnishings or walls. This is to ensure proper air circulation. Make sure that the back vents are not obstructed.

Ventilation

When the dryer is in use, there has to be adequate ventilation. Make sure you put your dryer in an environment that is not damp and has proper air circulation throughout. Airflow around the dryer is essential to condense the water produced during the washing, the dryer will not operate efficiently in an enclosed space or cupboard.

! If using the dryer in a small or cold room some condensation could be experienced.

Water drain

If your dryer is installed next to a drain the water can be plumbed into this drain. This does away with the need to empty the water container. Simply remove the top hose from its top fitting at the rear of the dryer and plumb the hose provided to the drain.

Electrical connections

Make sure of the following before you insert the plug into the the electrical socket:

- The socket must be grounded.
- The socket must be able to sustain the machines maximum power, which is indicated on the rating label (*see Dryer Description*).
- Power voltage must be within the values indicated on the rating label (*see Dryer Description*).
- The socket must be compatible with the dryers plug. Should this not be the case, replace the plug or the socket.

! The dryer must not be installed outdoors, even if the space is sheltered. It can be very dangerous if it is exposed to rain or storms.

! Once installed, the dryers electrical wire and plug must be within easy reach.

! Do not use extension cords.

! The power cord must not be bent or squashed.

! The power cord supplied should be checked periodically and replaced by a cord specially prepared for this dryer and fitted only by authorised technicians (*see Service*). New or longer power cords are supplied at an extra charge by authorised dealers.

! The manufacturer denies any responsibility should any of these rules not be followed.

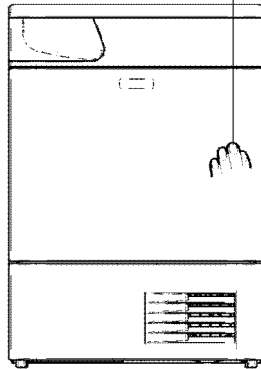
! If in doubt about any of the above consult a qualified electrician.

Before you start using your dryer

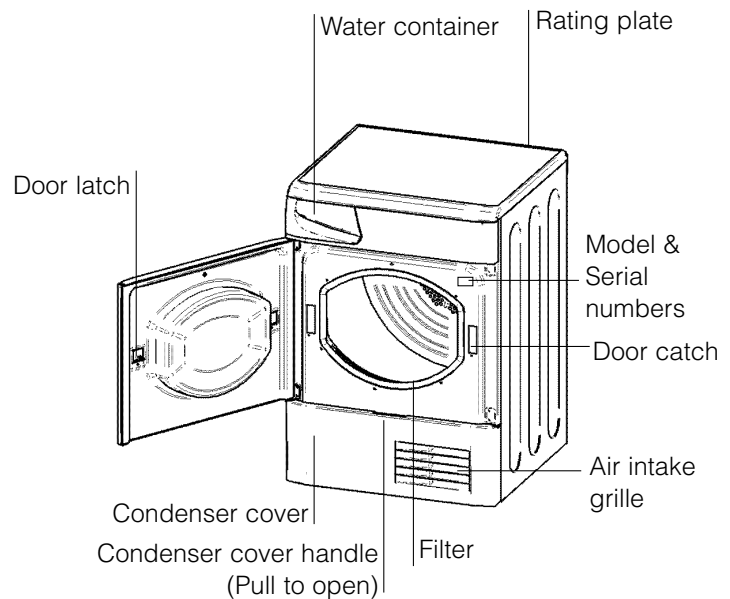
Once you have installed your dryer and before you use it, clean the inside of the drum to remove any dust that could have accumulated during transport.

To open the door

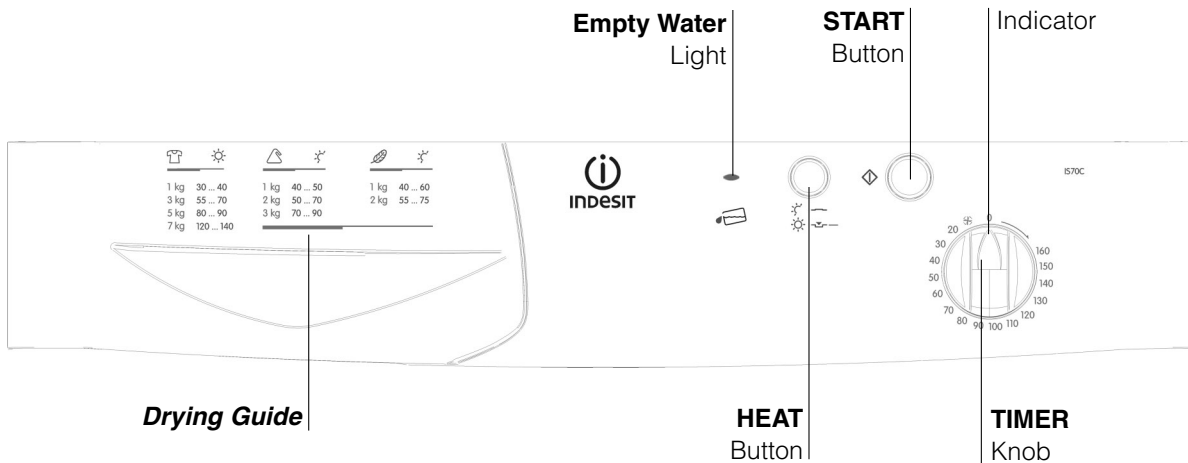
Press and release the front panel in position shown



The features



Control panel



The **START** button begins drying a selected programme (see *Start and Programmes*).

The **HEAT** button selects drying temperature (see *Start and Programmes*).

IN: HIGH heat
OUT: LOW heat

The **Drying Guide** allows you to consult a user friendly table of fabric types and load capacities.

- Cottons
- Synthetics
- or Acrylics and other delicates

The **Empty Water** indicator light signals that the water container is full and must be emptied. The light will take a few seconds to go out after replacing the empty water container, the dryer must be running for this to happen.

The **TIMER** knob sets a drying time. Rotate it clockwise, **never counter-clockwise**, until the indicator is pointing to the drying time you want to select (see *Start and Programmes*).

GB

Installation

Description

Start and Programmes

Laundry

Warnings and Suggestions

Maintenance and Care

Troubleshooting

Service

Start and Programmes

GB

Choosing a programme

1. Plug the dryer into the electrical socket.
2. Sort your laundry according to fabric type (*see Laundry*).
3. Open the door make sure the filter is clean and in place and the water container is empty and in place (*see Maintenance*).
4. Load the machine and make sure items are not in the way of the door seal. Close the door.
5. Choose the drying time by checking the Drying Guide table for the type of fabric you are drying (*see Laundry*).
 - Set the temperature with the HEAT button.
 - Select a drying time by rotating the TIMER knob clockwise.
6. Press the START button to begin.
During the drying programme, you can check on your laundry and take out items that are dry while others continue drying. When you close the door again, press the START button in order to resume drying.
7. About 10 minutes before the programme is completed, it enters the final COOL TUMBLE phase (fabrics are cooled), which should always be allowed to complete.
8. Open the door, take the laundry out, clean the filter and replace it. Empty the water container and replace it (*see Maintenance*).
9. Unplug the dryer.

Sorting your laundry

- Check symbols on clothing labels to make sure that the articles can be tumble dried.
- Sort laundry by fabric type.
- Empty pockets and check buttons.
- Close zippers and hooks and tie loose belts and strings.
- Wring out each item in order to eliminate as much excess water as possible.

! Do not load dripping wet clothes into the dryer.

Maximum load size

Do not load more than maximum capacity.

These numbers refer to dry weight:

Natural fibres: 7kg max (15lb)

Synthetic fibres: 3kg max (6.6lb)

! DO NOT overload the dryer as this could result in reduced drying performance.





Typical load

Clothes			
Blouse	Cotton	150g	5oz
	Other	100g	3oz
Dress	Cotton	500g	1lb 2oz
	Other	350g	12oz
Jeans		700g	1lb 6oz
10 nappies		1000g	2lb 3oz
Shirt	Cotton	300g	10oz
	Other	200g	7oz
T-Shirt		125g	4oz
Household Items			
Duvet cover (Double)	Cotton	1500g	3lb 5oz
	Other	1000g	2lb3oz
Large Tablecloth		700g	1lb 6oz
Small Tablecloth		250g	9oz
Tea Towel		100g	3oz
Bath Towel		700g	1lb 6oz
Hand Towel		350g	12oz
Double Sheet		500g	1lb 2oz
Single Sheet		350g	12oz


At the end of a drying cycle, cottons could still be damp if you grouped cottons and synthetics together. If this happens simply give them an additional short period of drying.

Wash Care Labels

Look at the labels on your garments, especially when tumble drying for the first time. The following symbols are the most common:

-  May be tumble dried
-  Do **not** tumble dry
-  Tumble dry at high heat setting
-  Tumble dry at low heat setting

Items not suitable for tumble drying

- Articles that containing rubber or rubber-like materials or plastic film (pillows, cushions, or PVC rainwear), any other flammable articles or objects that contain flammable substances (towels soiled with hair spray).
- Glass fibres (certain types of draperies)
- Items which have been dry cleaned
- Items with the ITCL Code  (*see Special clothing items*). These can be cleaned with special at-home dry cleaning products. Follow instructions carefully.
- Large bulky items (quilts, sleeping bags, pillows, cushions, large bedspreads etc). These expand when drying and would prevent airflow through the dryer.

GB

Installation

Description

Start and Programmes

Laundry

Warnings and Suggestions

Maintenance and Care

Troubleshooting

Service

Laundry

GB

Special clothing items







Blankets and Bedspreads: acrylic items (Acilan, Courtelle, Orion, Dralon) **must be dried** with special care on LOW heat setting. Avoid drying for a long period of time.

Pleated or creased garments: read the manufacturer's drying instructions on the garment.

Starched articles: do not dry these with non-starched items. Make sure that as much of the starch solution is removed from the load as possible before placing it in the dryer. Do not over-dry: the starch will become powdery and leave your clothing limp, which defeats the purpose of starch.

Drying times

The table below presents APPROXIMATE drying times in minutes. Weights refer to dry garments:

Cottons 						
High (full) Heat 						
Drying times 800-1000rpm in washing machine						
		Half Load				Full Load
1kg	2kg	3kg	4kg	5kg	6kg	7kg
30-40	40-55	55-70	70-80	80-90	95-120	120-140
Synthetics 						
Low (gentle) Heat 						
Drying times on reduced spin in washing machine						
	Half Load		Full Load			
1kg	2kg		3kg			
40-50	50-70		70-90			
Acrylics 						
Low (gentle) Heat 						
Drying times on reduced spin in washing machine						
Half Load			Full Load			
1kg			2kg			
40-60			55-75			

Times are approximate and can vary depending upon:

- Amount of water retained in clothes after spin cycle: towels and delicates retain a lot of water.
- Fabrics: items that are the same type of fabric but different textures and thicknesses may not have the same drying time.
- Quantity of laundry: single items or small loads may take longer to dry.
- Dryness: If you are going to iron some of your clothes, they can be taken out while still a bit damp. Others can be left longer if you need them to be completely dry.
- Heat setting.
- Room temperature: if the room where the dryer is located is cold, it will take longer for the dryer to dry your clothes.
- Bulk: some bulky items can be tumble dried with care. We suggest that you remove these items several times, shake them out, and return them to the dryer until finished.

! Do not over-dry your clothes.

All fabrics contain a little natural moisture, which keeps them soft and fluffy.

! The appliance has been designed and built according to international safety standards. These warnings are given for safety reasons and must be read carefully.

CE This appliance conforms to the following EEC Directives:
 - 72/23/EEC and 93/68/EEC (Low Voltage Equipment)
 - 89/336/EEC, 92/31/EEC and 93/68/EEC (Electromagnetic Compatibility)

General safety

- This tumble dryer has been designed for home, and not professional use.
- This dryer must be used by adults, and the instructions in this booklet should be followed carefully.
- Do not touch the appliance while barefoot or with wet hands or feet.
- Unplug the machine by pulling on the plug, not the cord.
- Children must not be in proximity of the dryer when in use. After using the dryer, turn it off and unplug it. Keep the door closed to make sure that children do not use it as a toy.
- The appliance must be installed correctly and have proper ventilation. The air intake at the front of the dryer and rear vent behind the dryer should never be obstructed (*see Installation*).
- Never use the dryer on carpeting where the pile height would prevent air from entering the dryer from the base.
- Check to see if the dryer is empty before loading it.
-  The back of the dryer could become very hot. Never touch it while in use.
- Do not use the dryer unless the filter, water container and condenser are securely in place (*see Maintenance*).
- Do not use liquid fabric softeners in the dryer, add it to the final rinse of your wash.
- Do not overload the dryer (*see Laundry* for maximum loads).
- Do not load items that are dripping wet.
- Tumble dry items only if they have been washed with detergent and water, rinsed and been through the spin cycle. It is a fire hazard to dry items that HAVE NOT been washed with water.
- Carefully check all instructions on clothing labels (*see Laundry*).
- Do not dry garments that have been treated with chemical products.

- Never dry articles that are contaminated with flammable substances (petrol, oil, paint, hair spray, creams, cooking fat or oils).
- Do not tumble dry rubber, foam rubber, plastic, plastic foam, nappy pants or liners, polythene or paper.
- Do not tumble dry large, very bulky items.
- Do not tumble dry acrylic fibres at high temperatures.
- Complete each programme with its Cool Tumble Phase.
- Do not turn off the dryer when there are still warm items inside.
- Clean the filter after each use (*see Maintenance*).
- Empty the water container after each use (*see Maintenance*).
- Clean the condenser unit after regular intervals (*see Maintenance*).
- Do not allow lint to collect around the dryer.
- Never climb on top of the dryer. It could result in damage.
- Always follow electrical standards and requirements (*see Installation*).
- Always buy original spare parts and accessories (*see Service*).

Disposal

- Disposing of the packaging material: follow local regulations, so the packaging can be recycled.
- Disposal of your old dryer: cut the power cord and remove the door before disposing of an old dryer.

Saving energy and respecting the environment

- Wring out items to eliminate excess water before tumble drying (if you use a washing machine first, select a high spin cycle). Doing this will save time and energy during drying.
- Always dry full loads - you save energy: single items or small loads take longer to dry.
- Clean the filter after each use to contain energy consumption costs (*see Maintenance*).

GB
Installation
Description
Start and Programmes
Laundry
Warnings and Suggestions
Maintenance and Care
Troubleshooting
Service

Maintenance and Care

GB

Switching off the electricity

! Unplug your dryer when not using it, when cleaning it and during all maintenance operations.

Clean the filter after each cycle

The filter is an important part of your dryer: it accumulates lint and fluff that is formed while drying. When finished drying, clean the filter by rinsing it under running water or with your vacuum cleaner. Should the filter become clogged up, the airflow inside the dryer will be seriously compromised: drying times lengthen and you will consume more energy. It may also damage your dryer.

The filter is found in front of the dryer trim (*see diagram*).

Removing the filter:

1. Pull the plastic grip of the filter upwards (*see diagram*).
2. Clean the filter and replace it correctly.
Ensure the filter is fully located flush into the tumble dryer trim.

! Do not use the dryer without replacing the filter.

Empty the water container after each cycle

Pull the container out of the dryer and empty it into a sink or other suitable drain.
Replace the water container securely.

Check the drum after each cycle

Turn the drum manually in order to remove small items (handkerchiefs) that could have been left behind.

Cleaning the condenser unit

Periodically (every month) remove the condenser unit and clean any build up of fluff from between the plates by rinsing it under the tap with cold water. This should be done with cold water from the rear of the condenser.

Removing the condenser:

1. Unplug the dryer and open the door.
2. Pull open the condenser cover (*see diagram*).
Release the three catches by turning 90° counter-clockwise then pull on the grip and remove from the dryer.
3. Clean the surface of the seals and replace, making sure that the catches have been secured.

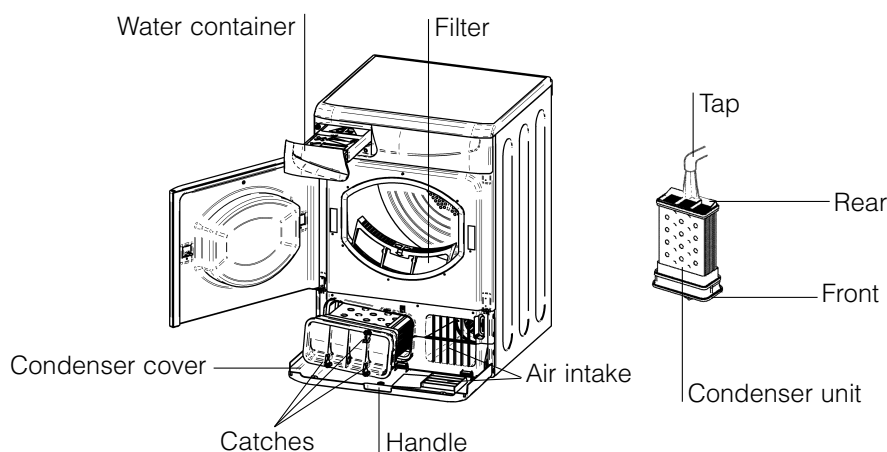
Cleaning the dryer

- External parts in metal or plastic and rubber parts can be cleaned with a damp cloth.
- Periodically (every 6 months) vacuum the front air intake grille and vents at the rear of the dryer, to remove any build up of fluff, lint or dust. Also to remove accumulation of fluff from the front of the condenser and filter areas, clean occasionally with a vacuum cleaner.

! Do not use solvents or abrasives.

! Your dryer uses special bearing components which do not need lubrication.

! Have your dryer checked regularly by authorised technicians to ensure electrical and mechanical safety (*see Service*).



One day your dryer seems not to be working. Before you call your Service Centre (*see Service*), go through the following troubleshooting suggestions:

Problem:

Possible causes / Solution:

The tumble dryer won't start.

- The plug is not plugged into the socket, or not making contact.
- There has been a power failure.
- The fuse has blown. Try to plug another appliance into the socket.
- You are using an extension cord? Try to plug the dryer's power cord directly into the socket.
- The door is not closed securely?
- The TIMER knob has not been set properly (*see Start and Programmes*).
- The START button has not been pressed (*see Start and Programmes*).

Its taking a long time to dry.

- The filter has not been cleaned (*see Maintenance*).
- The temperature setting is not ideal for the type of fabric you are drying (*see Start and Programmes, and see Laundry*).
- The water container needs emptying? The empty water light is on? (*see Maintenance*).
- The condenser needs cleaning? (*see Maintenance*).
- The correct drying time has not been selected for the load (*see Laundry*).
- The air intake grille or rear vents are obstructed (*see Installation, and see Maintenance*).
- The items were too wet (*see Laundry*).
- The dryer was overloaded (*see Laundry*).

GB
Installation
Description
Start and Programmes
Laundry
Warnings and Suggestions
Maintenance and Care
Troubleshooting
Service

Before calling the Service Centre:

- Use the troubleshooting guide to see if you can solve the problem yourself (*see Troubleshooting*).
- If not, turn off the dryer and call the Service Centre closest to you.

What to tell the Service Centre:

- name, address and post code.
- telephone number.
- the type of problem.
- the date of purchase.
- the appliance model (Mod.).
- the serial number (S/N).

This information can be found on the data label inside the door of the machine.

Spare Parts

This dryer is a complex machine. Repairing it yourself or having a non-authorized person try to repair it could cause harm to one or more persons, could damage the machine and could invalidate the spare parts warranty.

Call an authorised technician if you experience problems while using the machine.

The spare parts have been designed exclusively for this appliance and not for other uses.

GB

English, 1

I**Italiano, 11****F**

Français, 21

D

Deutsch, 31

E

Español, 41

P

Português, 51

NL

Nederlands, 61

A

Arabic, 80

IS70C

Indice

Installazione, 12

- Istruzioni per invertire la posizione dello sportello
- Dove installare l'asciugatrice
- Aerazione
- Tubo di scarico dell'acqua
- Collegamento elettrico
- Informazioni preliminari

Descrizione del prodotto, 13

- Per aprire lo sportello
- Caratteristiche
- Pannello di controllo

Avvio e programmi, 14

- Scelta del programma

Bucato, 15-16

- Controllo del bucato
- Etichette con le istruzioni per il lavaggio
- Tessuti particolari
- Tempi di asciugatura

Avvertenze e suggerimenti, 17

- Sicurezza
- Smaltimento
- Risparmio energetico e rispetto dell'ambiente

Cura e manutenzione, 18

- Scollegamento dell'apparecchio dalla rete elettrica
- Pulizia del filtro al termine di ogni ciclo
- Svuotare il recipiente di raccolta dell'acqua dopo ogni ciclo
- Controllo del cestello al termine di ogni ciclo
- Pulizia dell'unità di condensazione
- Pulizia dell'asciugatrice

Ricerca guasti, 19

Assistenza, 20

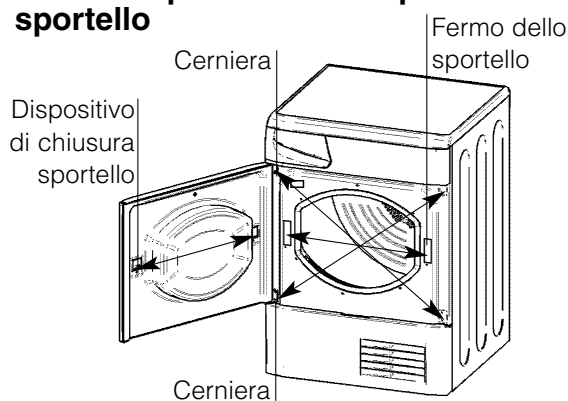
- Ricambi

Installazione

! Tenere a portata di mano il presente libretto, così da poterlo consultare facilmente ad ogni evenienza. Tenere il libretto sempre vicino all'asciugatrice; nel caso in cui l'apparecchio venga venduto o ceduto ad altre persone, ricordarsi di consegnare loro questo libretto, così da permettere anche ai nuovi possessori di conoscere le avvertenze e i suggerimenti sull'utilizzo dell'asciugatrice.

! Leggere attentamente queste istruzioni: le pagine che seguono contengono importanti informazioni sull'installazione e utili suggerimenti sul funzionamento dell'elettrodomestico.

Istruzioni per invertire la posizione dello sportello



Lo sportello dell'asciugatrice è reversibile ed è facile da cambiare. Spostare diagonalmente le staffe delle cerniere e le viti di chiusura. Invertire il dispositivo di chiusura ed il fermo dello sportello con le piastre di chiusura del lato opposto (*vedere lo schema qui sopra*).

Dove installare l'asciugatrice

- Le fiamme possono danneggiare l'asciugatrice che deve pertanto essere installata lontano da cucine a gas, stufe, termosifoni o piani di cottura.
- Se l'elettrodomestico verrà installato sotto un banco da lavoro, è necessario lasciare uno spazio vuoto di almeno 10 mm sopra il pannello superiore dell'elettrodomestico; i pannelli laterali dovranno invece avere uno spazio libero intorno di almeno 15 mm. In questo modo sarà garantita la circolazione dell'aria. Controllare che le prese d'aria del pannello posteriore non siano ostruite.

Aerazione

È importante che l'ambiente in cui si utilizza l'asciugatrice sia sufficientemente aerato. Assicurarsi inoltre che l'ambiente in cui viene installata l'asciugatrice non sia umido e che vi sia un adeguato ricambio di aria. Garantire un adeguato flusso d'aria intorno all'asciugatrice in modo da permettere che l'acqua prodotta durante il lavaggio si condensi; l'asciugatrice non funzionerà correttamente se posizionata in uno spazio chiuso o all'interno di un mobile.

! Se l'asciugatrice viene utilizzata in una stanza piccola o fredda è possibile che si generi un po' di condensa.

Tubo di scarico dell'acqua

Se l'asciugatrice viene collocata vicino ad un tubo di scarico, è possibile far defluire l'acqua al suo interno. In questo modo si evita di dover svuotare il recipiente di raccolta dell'acqua. È sufficiente rimuovere il tubo flessibile superiore dalla sua sede sul retro dell'asciugatrice e collegare il flessibile in dotazione al tubo di scarico.

Collegamento elettrico

Prima di inserire la spina nella presa elettrica, verificare che:

- la presa sia dotata di messa a terra
- la presa sia in grado di supportare la potenza massima prevista per l'asciugatrice, così come indicata sull'etichetta che riporta le prestazioni di esercizio (*vedere la sezione Descrizione del prodotto*)
- la tensione di alimentazione sia compresa nei valori indicati dall'etichetta che riporta le prestazioni di esercizio (*vedere la sezione Descrizione del prodotto*)
- la presa sia compatibile con il tipo di spina dell'asciugatrice. In caso contrario, sostituire la spina o la presa.

! L'asciugatrice non può essere installata in ambienti all'aperto, anche se riparati. Può essere molto pericoloso esporre questo elettrodomestico alla pioggia o a un temporale.

! Dopo l'installazione dell'elettrodomestico, il cavo e la spina elettrica devono rimanere a portata di mano.

! Non utilizzare prolunghie.

! Il cavo elettrico non deve essere tagliato né calpestato.

! Controllare regolarmente il cavo elettrico e, se necessario, farlo sostituire solo da tecnici qualificati che installeranno un altro cavo specifico per questo elettrodomestico (*vedere la sezione Assistenza*).

Presso i rivenditori autorizzati è possibile acquistare cavi di ricambio e cavi più lunghi di quelli montati in fabbrica.

! Il produttore declina ogni responsabilità nei casi in cui le presenti regole non vengano rispettate.

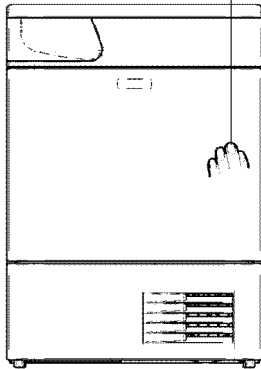
! Se si nutrono dei dubbi a riguardo, consultare un elettricista.

Informazioni preliminari

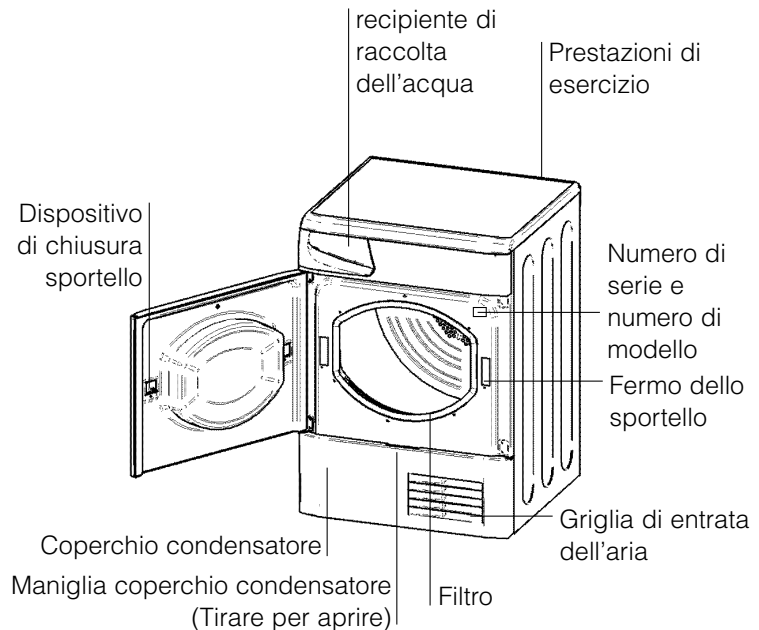
Una volta installata l'asciugatrice, prima di metterla in funzione, pulire l'interno del cestello, così da rimuovere lo sporco che può essersi accumulato durante il trasporto.

Per aprire lo sportello

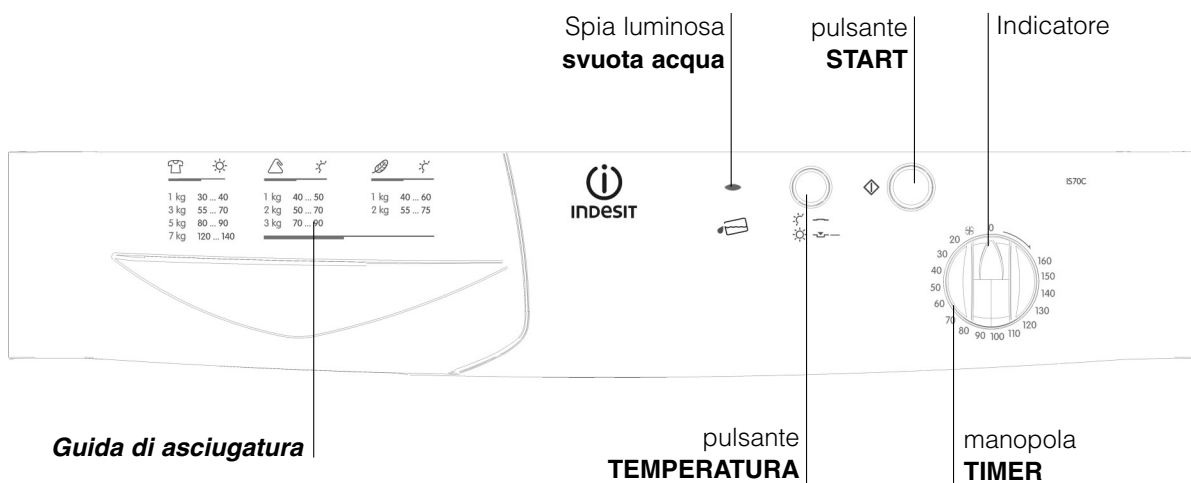
Premere e rilasciare il pannello frontale nella posizione indicata



Caratteristiche



Pannello di controllo



Il pulsante **START** avvia il programma di asciugatura selezionato (*vedere la sezione Avvio e programmi*).

Il pulsante **TEMPERATURA** consente di selezionare la temperatura di asciugatura (*vedere la sezione Avvio e programmi*).

DENTRO: temperatura ALTA.
FUORI: temperatura BASSA.

La **Guida di asciugatura** è una tabella di facile comprensione che indica il rapporto tra i tipi di tessuto e le capacità di carico.

- Cotone
- Sintetici
- o Acrilici e altri delicati

Spia luminoso **Svuota acqua** segnala che il recipiente di raccolta dell'acqua è pieno e deve essere svuotato.

L'indicatore si spegnerà alcuni secondi dopo aver riposizionato il recipiente vuoto; perché ciò sia possibile l'asciugatrice deve essere in funzione.

La manopola **TIMER** imposta il tempo di asciugatura: Ruotare la manopola in senso orario, **mai in senso antiorario**, fino a quando l'indicatore segnala il tempo di asciugatura desiderato (*vedere la sezione Avvio e programmi*).

—
Installazione
Descrizione
Avvio e programmi
Bucato
Avvertenze e suggerimenti
Cura e manutenzione
Ricerca guasti
Assistenza

Avvio e programmi

Scelta del programma

1. Inserire la spina dell'asciugatrice nella presa di alimentazione elettrica.
2. Selezionare il bucato in base al tipo di tessuto (*vedere la sezione Bucato*).
3. Premere lo sportello per aprirlo e controllare la corretta posizione e la pulizia del filtro ed accertarsi che il recipiente di raccolta dell'acqua sia vuoto e posizionato correttamente (*vedere la sezione Manutenzione*).
4. Caricare l'elettrodomestico, facendo attenzione ad evitare che qualche indumento possa fraporsi tra lo sportello e la relativa guarnizione. Chiudere lo sportello.
5. Scegliere il tempo di asciugatura controllando le indicazioni date per il tipo di tessuti che dovete asciugare nella relativa Guida di asciugatura (*vedere la sezione Bucato*).
 - Impostare la temperatura mediante il pulsante TEMPERATURA.
 - Selezionare il tempo di asciugatura, ruotando in senso orario la manopola TIMER.
6. Premere il pulsante START per avviare il programma.
Durante il funzionamento, è possibile aprire lo sportello per estrarre i capi che nel frattempo si sono asciugati e lasciare asciugare gli altri. Dopo aver richiuso lo sportello, è necessario ripremere il pulsante START, per mettere nuovamente in funzione l'asciugatrice.
7. Circa 10 minuti prima della fine del programma, viene attivata la fase di asciugatura finale ad aria fredda, che consente di raffreddare i tessuti: si consiglia di non estrarre il bucato prima del completamento di questa fase.
8. Aprire lo sportello, estrarre il bucato, pulire il filtro e metterlo nuovamente in posizione. Svuotare il recipiente di raccolta dell'acqua e rimetterlo al suo posto (*vedere la sezione Manutenzione*).
9. Scollegare l'asciugatrice dalla rete elettrica.

Controllo del bucato

- Controllare i simboli riportati sulle etichette dei vari capi, per verificare se l'indumento può essere introdotto nell'asciugatrice.
- Distinguere il bucato in base al tipo di tessuto.
- Svuotare la tasche e controllare i bottoni.
- Chiudere le lampo e i ganci e allacciare senza stringere cinture e lacci.
- Strizzare gli indumenti per eliminare la maggior quantità di acqua possibile.

! Non caricare l'asciugatrice con capi totalmente pieni d'acqua.

Dimensioni massimi di carico

Non caricare il cestello oltre la capacità massima. I seguenti valori si riferiscono al peso degli indumenti asciutti:

Fibre naturali: massimo 7 kg

Fibre sintetiche: massimo 3 kg

! NON sovraccaricare l'asciugatrice perché ciò ridurrà l'efficienza dell'elettrodomestico.


Carico tipo

Indumenti		
Camicetta	Cotone	150 g
	Altro	100 g
Abito	Cotone	500 g
	Altro	350 g
Jeans		700 g
10 pannolini		1000 g
Camicia	Cotone	300 g
	Altro	200 g
T-Shirt		125 g
Biancheria da casa		
Coperta (Matrimoniale)	Cotone	1500 g
	Altro	1000 g
Tovaglia grande		700 g
Tovaglia piccola		250 g
Straccio da cucina		100 g
Telo da bagno		700 g
Asciugamano		350 g
Lenzuolo matrimoniale		500 g
Lenzuolo singolo		350 g


Se si mischiano i capi in tessuto sintetico con capi in cotone, questi ultimi potrebbero risultare ancora bagnati al termine del ciclo di asciugatura. In questo caso, avviare un ulteriore breve ciclo di asciugatura.


Etichette con le istruzioni per il lavaggio

Controllare con attenzione le etichette degli indumenti, specialmente se si tratta della prima volta che si introduce il capo in un'asciugatrice. Di seguito sono riportati i simboli più comuni:


 Può essere inserito nell'asciugatrice

 **Non** inserire nell'asciugatrice

 Asciugare ad alta temperatura

 Asciugare a bassa temperatura

Indumenti non adatti al trattamento di asciugatura

- Capi che contengono parti in gomma o materiali simili, membrane di plastica (cuscini, imbottiture o impermeabili in PVC) e ogni tipo di tessuto infiammabile o che contenga sostanze infiammabili (asciugamani sporche di lacca).
- Fibre di vetro (alcuni tipi di tendaggi)
- Indumenti completamente asciutti
- Tessuti contrassegnati con il simbolo  (*vedere la sezione Tessuti particolari*), che possono essere puliti con prodotti speciali di pulizia domestica. Seguire attentamente le istruzioni.
- Elementi troppo voluminosi (piumoni, sacchi a pelo, cuscini, imbottiture, copriletti e così via), che si espandono durante l'asciugatura ed impediscono così all'aria di circolare nell'asciugatrice.

I

Installazione

Descrizione

Avvio e programmi

Bucato

Avvertenze e suggerimenti

Cura e manutenzione

Ricerca guasti

Assistenza

Bucato

Tessuti particolari







Coperte e copriletti: tessuti in acrilico (Acilan, Courtelle, Orion, Dralon) **devono essere asciugati** con estrema cura a temperatura BASSA. Non impostare mai tempi di asciugatura lunghi.

Indumenti con pieghe o plissettati: leggere le istruzioni di asciugatura fornite dal produttore.

Capi inamidati: non mischiare questi capi con altri capi non inamidati. Rimuovere la maggiore quantità possibile della soluzione iniziale prima di inserire i capi nell'asciugatrice. Non asciugare questi capi per troppo tempo: l'amido diverrebbe polvere lasciando gli abiti troppo morbidi e venendo meno la sua stessa funzione.

Tempi di asciugatura

La tabella riportata di seguito indica i tempi APPROSSIMATIVI di asciugatura espressi in minuti. I valori si riferiscono ad indumenti asciutti:

Cotone 						
Alta temperatura 						
Tempi di asciugatura dopo lavaggi in lavatrici da 800-1.000 giri al minuto						
		Mezzo carico				Pieno carico
1kg	2kg	3kg	4kg	5kg	6kg	7kg
30-40	40-55	55-70	70-80	80-90	95-120	120-140
Sintetici 						
Bassa temperatura 						
Tempi di asciugatura dopo lavaggi in lavatrici a velocità inferiori						
	Mezzo carico		Pieno carico			
1kg	2kg		3kg			
40-50	50-70		70-90			
Acrilico 						
Bassa temperatura 						
Tempi di asciugatura dopo lavaggi in lavatrici a velocità inferiori						
Mezzo carico			Pieno carico			
1kg			2kg			
40-60			55-75			

I tempi sono approssimativi e possono variare in base a:

- Quantità di acqua trattenuta dai capi dopo la centrifuga: le asciugamani e in genere i capi delicati trattengono molta acqua.
- Tessuto: i capi dello stesso tessuto, ma con trama e spessore differente, avranno sicuramente tempi di asciugatura diversi.
- Quantità di bucato: capi singoli e piccoli carichi, impiegano più tempo ad asciugarsi.
- Asciugatura: se i capi devono essere stirati, è consigliabile estrarli dall'asciugatrice quando sono ancora umidi. I capi che devono essere completamente asciutti, possono invece essere lasciati più a lungo.
- Temperatura impostata.
- Temperatura della stanza: più è bassa la temperatura della stanza in cui si trova l'asciugatrice, più tempo sarà necessario per l'asciugatura degli indumenti.
- Volume: alcuni capi voluminosi richiedono particolare cura nel processo di asciugatura. È consigliabile rimuovere questi capi, scuoterli e inserirli nuovamente nell'asciugatrice: questa operazione deve essere ripetuta diverse volte durante il ciclo di asciugatura.


! Non asciugare troppo gli indumenti. L'umidità naturale contenuta nei tessuti serve a conservarne la morbidezza e la vaporosità.

! Questo elettrodomestico è stato progettato e realizzato rispettando gli standard di sicurezza internazionale. Le presenti avvertenze vengono fornite per ragioni di sicurezza ed è importante leggerle con attenzione.

CE L'elettrodomestico è conforme alle seguenti direttive CEE:

-72/23/CEE e 93/68/CEE sui dispositivi a bassa tensione
-89/336/CEE, 92/31/CEE e 93/68/CEE sulla compatibilità elettromagnetica

Sicurezza

- Questa asciugatrice è stata progettata per uso domestico e non professionale.
- L'asciugatrice deve essere utilizzata da persone adulte, che dovranno rispettare scrupolosamente le indicazioni fornite dal presente libretto di istruzioni.
- Non toccare l'elettrodomestico quando si è a piedi nudi né con le mani o i piedi bagnati.
- Per scollegare l'elettrodomestico dalla rete di alimentazione, bisogna tirare la spina: mai il cavo.
- Non lasciare avvicinare i bambini all'elettrodomestico in funzione. Dopo l'uso, spegnere l'asciugatrice e scollegarla dalla rete di alimentazione. Tenere lo sportello chiuso, per evitare che i bambini possano utilizzare l'asciugatrice come un gioco.
- L'elettrodomestico deve essere installato correttamente e deve avere un'adeguata aerazione. È importante non ostruire mai la presa d'aria sulla parte frontale dell'asciugatrice e lo sfiato sul retro (*vedere la sezione Installazione*).
- Non utilizzare l'asciugatrice sulla moquette, nel caso in cui l'altezza del pelo sia tale da impedire l'ingresso dell'aria attraverso la base dell'asciugatrice.
- Verificare che l'asciugatrice sia vuota prima di iniziare a caricarla.
-  La parte posteriore dell'asciugatrice può diventare molto calda. Evitare assolutamente di toccarla durante il funzionamento dell'elettrodomestico.
- Non utilizzare l'asciugatrice se il filtro, il recipiente di raccolta dell'acqua ed il condensatore non sono posizionati correttamente (*vedere la sezione Manutenzione*).
- Non utilizzare ammorbidente liquido per i tessuti nell'asciugatrice; aggiungerlo all'ultimo risciacquo del ciclo di lavaggio.
- Non sovraccaricare l'asciugatrice (*vedere la sezione Bucato* per i vari limiti di carico).
- Non inserire capi completamente bagnati.
- Prima di essere caricati nell'asciugatrice, i capi devono essere lavati con acqua e sapone, risciacquati e infine centrifugati. L'asciugatura di capi che NON siano stati precedentemente lavati con acqua, determina il pericolo di incendio.

- Seguire sempre con attenzione tutte le istruzioni riportate sulle etichette per il lavaggio dei capi (*vedere la sezione Bucato*).
- Non caricare nell'asciugatrice capi precedentemente trattati con prodotti chimici.
- Non introdurre mai indumenti che siano venuti a contatto con sostanze infiammabili (petrolio, olio, vernice, lacca, creme, oli o grassi da cucina).
- Non introdurre nell'asciugatrice gomma, gommapiuma, plastica, plastica espansa, pannolini o fodere per pannolini, polietilene o carta.
- Non introdurre nell'asciugatrice capi troppo voluminosi.
- Non asciugare fibre acriliche ad alte temperature.
- Completare ogni programma con la relativa fase di Asciugatura a freddo.
- Non spegnere l'asciugatrice se vi sono ancora capi caldi all'interno.
- Pulizia del filtro dopo ogni utilizzo (*vedere la sezione Manutenzione*).
- Svuotare il recipiente di raccolta dell'acqua dopo ogni utilizzo (*vedere la sezione Manutenzione*).
- Pulire regolarmente l'unità di condensazione (*vedere la sezione Manutenzione*).
- Evitare l'accumulo di laniccio intorno all'asciugatrice.
- Non salire sul pannello superiore dell'elettrodomestico, perché in questo modo si potrebbe danneggiare gravemente l'asciugatrice.
- Rispettare sempre gli standard e le caratteristiche elettriche (*vedere la sezione Installazione*).
- Acquistare solo accessori e parti di ricambio originali (*vedere la sezione Assistenza*).

Smaltimento

- Smaltimento del materiale di imballaggio: seguire le normative locali in tema di smaltimento, così da permettere di riciclare l'imballaggio.
- Smaltimento dell'asciugatrice: prima di smaltire un'asciugatrice usurata, tagliare il cavo di alimentazione e smontare lo sportello.

Risparmio energetico e rispetto dell'ambiente

- Strizzare bene i capi per rimuovere tutta l'acqua possibile prima di introdurli nell'asciugatrice (se si utilizza una lavatrice, impostare un ciclo di centrifuga). In questo modo si risparmieranno tempo ed energia durante l'asciugatura.
- Ogni volta che si utilizza l'asciugatrice a pieno carico, si risparmia energia: capi singoli e piccoli carichi, impiegano più tempo ad asciugarsi.
- Pulire il filtro alla fine di ogni ciclo di asciugatura così da contenere i costi connessi al consumo energetico (*vedere la sezione Manutenzione*).

	1
Installazione	
Descrizione	
Avvio e programmi	
Bucato	
Avvertenze e suggerimenti	
Cura e manutenzione	
Ricerca guasti	
Assistenza	

Cura e manutenzione

Scollegamento dell'apparecchio dalla rete elettrica

! L'asciugatrice deve essere sempre scollegata quando non è in funzione, durante le operazioni di pulizia e durante qualsiasi operazione di manutenzione.

Pulizia del filtro dopo ogni ciclo

Il filtro è un componente fondamentale dell'asciugatrice: la sua funzione è quella di raccogliere il laniccio e i nugoli che si formano durante l'asciugatura. Al termine di ogni ciclo di asciugatura, è quindi importante pulire a fondo il filtro, sciacquandolo sotto l'acqua corrente o pulendolo con l'aspirapolvere. Se il filtro si intasa, il flusso dell'aria all'interno sarà gravemente compromesso: i tempi di asciugatura si allungheranno e così si consumerà molta più energia. Potrebbero anche verificarsi danni all'asciugatrice.

Il filtro si trova vicino alla guarnizione (*vedere a figura*).

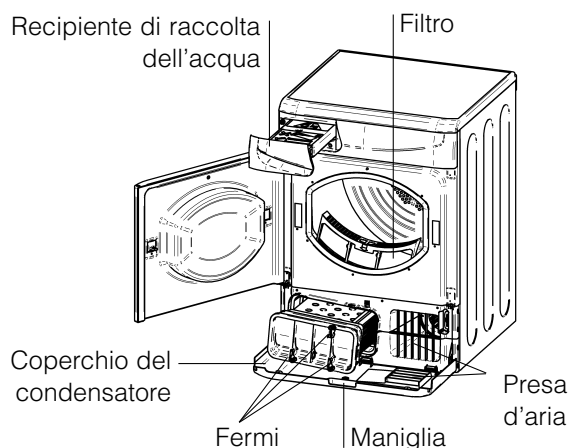
Rimozione del filtro:

1. Tirare verso l'alto il manico in plastica del filtro (*vedere a figura*).
2. Pulire il filtro e riposizionarlo correttamente. Assicurarsi che il filtro sia inserito fino in fondo nel relativo alloggiamento dell'asciugatrice.

! Non utilizzare l'asciugatrice se il filtro non è stato riposizionato.

Svuotare il recipiente di raccolta dell'acqua dopo ogni ciclo

Estrarre il recipiente dall'asciugatrice e svuotarlo in un lavandino o in un altro scarico adatto, quindi riposizionarlo correttamente.



Controllo del cestello al termine di ogni ciclo

Ruotare il cestello manualmente per rimuovere i piccoli capi (fazzoletti) che potrebbero essere rimasti all'interno dell'asciugatrice.

Pulizia dell'unità di condensazione

Rimuovere periodicamente (ogni mese) l'unità di condensazione e rimuovere l'eventuale lanugine formatasi tra le piastre sciacquandola sotto il rubinetto con acqua fredda, sul lato posteriore del condensatore.

Come rimuovere il condensatore:

1. Scollegare l'asciugatrice dalla rete elettrica e aprire lo sportello.
2. Aprire il coperchio del condensatore (*vedere schema*). Sbloccare i tre fermi ruotandoli a 90° in senso antiorario, quindi estrarre il condensatore dall'asciugatrice agendo sull'impugnatura.
3. Pulire la superficie delle guarnizioni di tenuta e riposizionare l'unità accertandosi che i fermi siano stati bloccati.

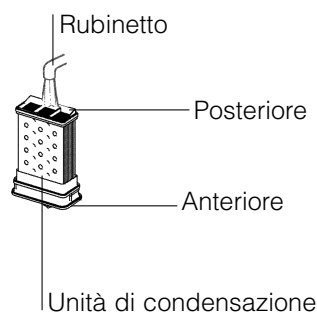
Pulizia

- Le parti esterne in metallo e plastica e le parti in gomma possono essere pulite con un panno umido.
- Periodicamente (ogni 6 mesi) aspirare la griglia della presa d'aria frontale e gli sfiati sul retro dell'asciugatrice per rimuovere ogni eventuale formazione di lanugine, fili o polvere. Inoltre per rimuovere accumuli di lanugine dalla parte frontale del condensatore e dalle aree dei filtri, pulire di tanto in tanto con un'aspirapolvere.

! Non usare solventi o abrasivi.

! L'asciugatrice utilizza dei componenti a sfera che non necessitano di lubrificazione.

! Far controllare regolarmente l'asciugatrice da personale tecnico qualificato per la sicurezza delle parti elettriche e meccaniche (*vedere la sezione Assistenza*).



Potrebbe accadere che l'asciugatrice sembri fuori uso. Prima di contattare il centro di assistenza (*vedere la sezione Assistenza*), analizzare i seguenti suggerimenti per la risoluzione dei problemi:

Problema:

Possibili cause / Soluzioni:

L'asciugatrice non si accende.

- La spina potrebbe non essere inserita oppure potrebbe non riuscire a fare contatto.
- Potrebbe essersi verificata una mancanza di corrente.
- Il fusibile potrebbe essersi bruciato. Provare a collegare un altro elettrodomestico alla stessa presa.
- Se si utilizza una prolunga, provare a inserire la spina dell'asciugatrice direttamente nella presa.
- Lo sportello potrebbe non essere chiuso correttamente.
- La manopola TIMER potrebbe non essere stata impostata correttamente (*vedere la sezione Avvio e programmi*).
- Potrebbe non essere stato premuto il pulsante START (*vedere la sezione Avvio e programmi*).

L'asciugatura impiega troppo tempo.

- Il filtro potrebbe non essere stato pulito correttamente (*vedere la sezione Manutenzione*).
- La temperatura impostata potrebbe non essere adatta al tipo di tessuto da asciugare (*vedere la sezione Avvio e programmi, e la sezione Bucato*).
- Potrebbe essere necessario svuotare il recipiente di raccolta dell'acqua? Controllare se spia luminosa svuota acqua è acceso? (*vedere la sezione Manutenzione*).
- Il condensatore ha bisogno di essere pulito? (*vedere la sezione Manutenzione*).
- Potrebbe non essere stato selezionato il tempo di asciugatura corretto per il tipo di carico (*vedere la sezione Bucato*).
- La griglia della presa d'aria o gli sfiati sul retro potrebbero essere ostruiti (*vedere la sezione Installazione, e la sezione Manutenzione*).
- Gli indumenti erano forse troppo bagnati (*vedere la sezione Bucato*).
- L'asciugatrice potrebbe essere sovraccarica (*vedere la sezione Bucato*).

	I
Installazione	
Descrizione	
Avvio e programmi	
Bucato	
Avvertenze e suggerimenti	
Cura e manutenzione	
Ricerca guasti	
Assistenza	

Prima di chiamare il centro di assistenza:

- Provare a risolvere il problema in modo autonomo servendosi dei consigli della sezione *Risoluzione dei problemi*.
- In caso contrario, spegnere l'asciugatrice e chiamare il più vicino centro di assistenza.

Notizie da comunicare al centro di assistenza:

- nome, indirizzo e codice postale
- numero di telefono
- tipo di problema verificatosi
- data di acquisto
- modello dell'apparecchio (Mod.)
- numero di serie (S/N)

Queste informazioni sono riportate sull'etichetta dei dati posta all'interno dello sportello dell'asciugatrice.

Ricambi

L'asciugatrice è un elettrodomestico complesso: tentare di ripararlo da soli o farlo riparare da persone non qualificate, oltre a poter provocare lesioni, potrebbe anche danneggiare in modo grave l'apparecchio e invalidare la garanzia sulle parti di ricambio. Contattare sempre un tecnico qualificato nel caso in cui si verifichi un malfunzionamento dell'asciugatrice. Ogni ricambio è stato progettato specificamente per quest'asciugatrice.

Notice d'utilisation et installation

SÈCHE-LINGE

F

GB

English, 1

I

Italiano, 11

F

Français, 21

D

Deutsch, 31

E

Español, 41

P

Português, 51

NL

Nederlands, 61

A

Arabic, 80

IS70C

Table des Matières

Installation, 22

Instructions d'inversion de la porte
Où installer votre sèche-linge
Ventilation
Vidange de l'eau
Connexions électrique
Avant de commencer à utiliser votre sèche-linge

Description du sèche-linge, 23

Pour ouvrir la porte
Caractéristiques
Panneau de commandes

Démarrage et programmes, 24

Choisir un programme

Linge, 25-26

Trier votre linge
Étiquettes d'entretien
Vêtements spéciaux
Temps de séchage

Avertissements et Suggestions, 27

Sécurité générale
Élimination
Économiser de l'énergie et respecter l'environnement

Entretien et Nettoyage, 28

Éteindre l'électricité
Nettoyer le filtre après chaque cycle
Videz le réservoir d'eau après chaque cycle
Vérifier le tambour après chaque cycle
Nettoyage du groupe condenseur
Nettoyer le sèche-linge

Que faire en cas de panne, 29

Service Après-vente, 30

Pièces de rechange

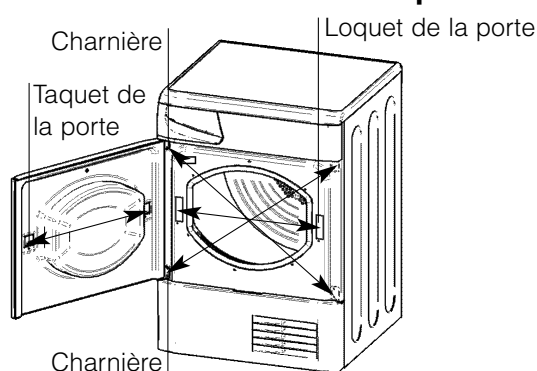
Installation

F

! Conservez cette notice d'utilisation et d'installation à portée de main de manière à pouvoir vous y référer si nécessaire. Emmenez-la avec vous si vous déménagez, et, si vous vendez cet appareil ou que vous le donnez à un tiers, faites en sorte que cette notice accompagne le sèche-linge de manière à ce que le nouveau propriétaire soit informé des avertissements et suggestions concernant le fonctionnement de ce sèche-linge.

! Lisez attentivement ce mode d'emploi; les pages suivantes contiennent des informations importantes concernant l'installation et des suggestions relatives au fonctionnement de cet appareil.

Instructions d'inversion de la porte



La porte de votre sèche-linge est réversible et les charnières peuvent être facilement changées de côté. Echangez diagonalement les supports de charnières et les vis d'obturation. Echangez le taquet de la porte et le loquet avec leur plaque d'obturation opposée (voir schéma ci-dessus)

Où installer votre sèche-linge

- Placez votre sèche-linge à une certaine distance des cuisinières, fourneaux, radiateurs, ou plaques de cuisson à gaz, car les flammes peuvent endommager cet appareil.
- Si vous installez cet appareil sous un plan de travail, faites en sorte de laisser un espace de 10 mm entre le dessus de l'appareil et tout autre objet sur ou au-dessus de la machine, et un espace de 15 mm entre les côtés et les éléments d'ameublement ou les murs latéraux. Ceci a pour objectif d'assurer une ventilation convenable. Assurez-vous que les orifices de ventilation situés à l'arrière ne soient pas obstrués.

Ventilation

Lorsque le sèche-linge est en marche, une aération adéquate est nécessaire. Faites en sorte d'installer votre sèche-linge dans un environnement qui n'est pas humide et qui est doté d'une bonne circulation d'air dans toute la pièce. La circulation d'air autour du sèche-linge est essentielle pour condenser l'eau produite au cours du lavage, le sèche-linge ne fonctionnera pas efficacement dans un espace clos ou dans un placard.

! Si l'on utilise le sèche-linge dans une pièce froide ou petite, on rencontrera un certain degré de condensation.

Vidange de l'eau

Si votre sèche-linge est installé à proximité d'une évacuation, l'eau peut être vidangée dans ce tuyau. Cela évite de vider le réservoir d'eau. Il suffit de retirer le tuyau flexible supérieur de son raccord supérieur à l'arrière du sèche-linge et de raccorder le tuyau fourni au tuyau d'évacuation.

Connexions électriques

Assurez-vous des points suivants avant de brancher la fiche de l'appareil dans la prise de courant:

- La prise de courant doit être reliée à la terre.
- La prise de courant doit pouvoir supporter la puissance maximale de la machine, qui est indiquée sur la plaque signalétique de l'appareil (voir la *Description du Sèche-linge*).
- La tension électrique doit appartenir à la gamme de valeurs indiquée sur la plaque signalétique de l'appareil (voir la *Description du Sèche-linge*).
- La prise de courant doit être compatible avec la fiche du sèche-linge. Si ce n'est pas le cas, remplacez la fiche ou la prise de courant.

! Le sèche-linge ne doit pas être utilisé à l'extérieur, même si l'espace en question est abrité. Cela peut être dangereux si l'appareil est exposé à la pluie ou à des orages.

! Une fois installés, le cordon d'alimentation et la fiche du sèche-linge doivent être d'accès facile.

! N'utilisez pas de rallonges.

! Le cordon d'alimentation ne doit pas être courbé ou écrasé.

! Le cordon d'alimentation électrique doit être vérifié périodiquement et remplacé par un cordon préparé spécialement pour ce sèche-linge, et installé uniquement par des électriciens agréés (voir *Service Après-vente*). Des cordons d'alimentation neufs ou plus longs sont fournis par les revendeurs agréés contre un supplément.

! Le fabricant rejette toute responsabilité en cas de non-respect de toutes ou partie de ces règles.

! En cas de doute au sujet des points précédents, consultez un électricien qualifié.

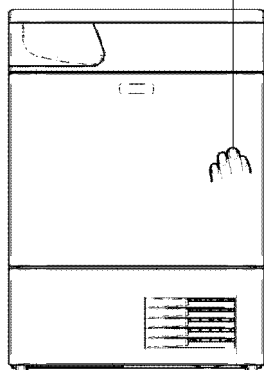
Avant de commencer à utiliser votre sèche-linge

Une fois que vous avez installé votre sèche-linge, et avant de l'utiliser, nettoyez l'intérieur du tambour pour retirer les poussières qui pourraient s'y être accumulées durant le transport.

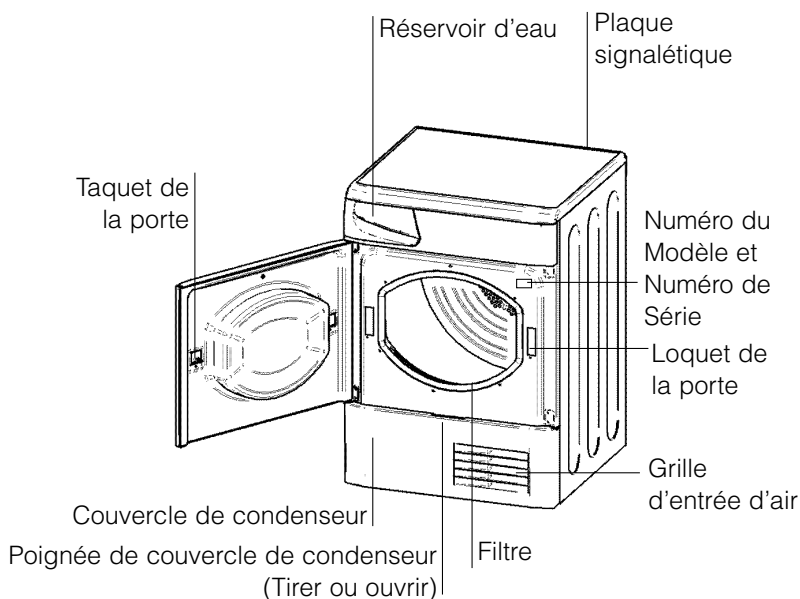
Description du sèche-linge

Pour ouvrir la porte

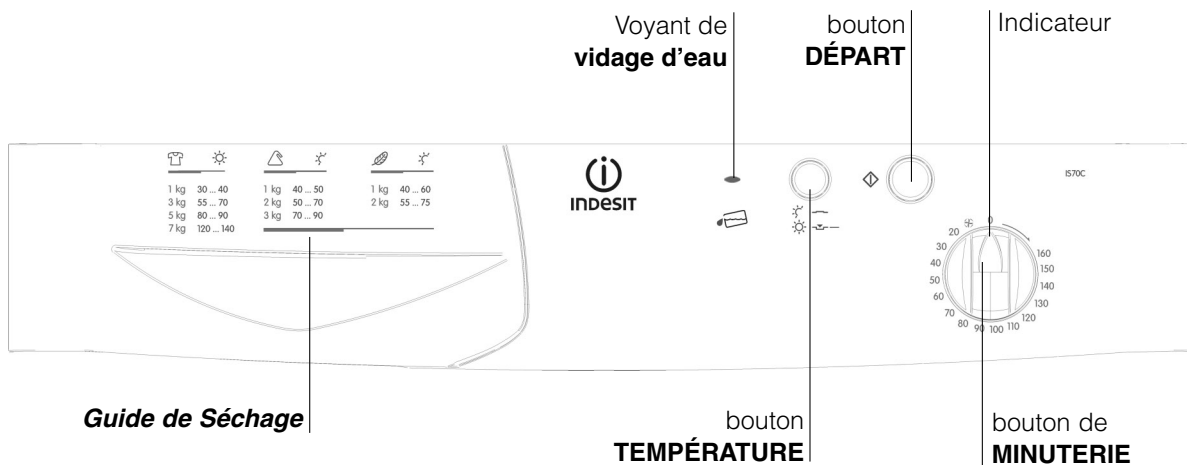
Appuyez et relâchez le panneau avant dans la position indiquée




Caractéristiques



Panneau de commandes








Le bouton **DÉPART**  commence le séchage selon un programme sélectionné (voir *Démarrage et Programmes*).

Le bouton **TEMPÉRATURE** sélectionne la température de séchage (voir *Démarrage et Programmes*).

Bouton RENTRÉ: température ÉLEVÉE 
Bouton SORTI: température DOUCE 

Le **Guide de Séchage** vous permet de consulter un tableau d'utilisation facile contenant les types de tissus et les capacités de charges.

-  Cotons
-  Synthétiques
-  ou  Acryliques et autres tissus délicats

Le voyant de **vidage d'eau**  signale que le réservoir d'eau est plein et doit être vidé. Le témoin mettra quelques secondes avant de s'éteindre après avoir remplacé le réservoir d'eau vide, et pour cela le sèche-linge doit fonctionner.

Le bouton de **MINUTERIE** règle le temps de séchage: le tourner dans le sens horaire, **jamais anti-horaire**, jusqu'à ce que l'indicateur pointe sur la durée de séchage que vous désirez (voir *Démarrage et Programmes*).

F

Installation

Description

Démarrage et Programmes

Linge

Avertissements et Suggestions

Entretien et Nettoyage

Que faire en cas de panne

Service Après-vente

Démarrage et Programmes

F

Choisir un programme

1. Branchez la fiche du sèche-linge dans la prise électrique.
2. Triez votre linge en fonction du type de textiles (*voir Linge*).
3. Ouvrez la porte et en assurant-vous que le filtre soit propre et en place et le réservoir d'eau est vide et en place (*voir Entretien*).
4. Chargez la machine et assurez-vous que des articles ne bloquent pas le joint de la porte. Fermez la porte.
5. Choisissez le temps de séchage en vérifiant le tableau de Guide de Séchage pour le type de tissu que vous séchez (*voir Linge*).
 - Réglez la température avec le bouton TEMPÉRATURE.
 - Sélectionnez un programme de séchage en tournant le bouton de MINUTERIE dans le sens des aiguilles d'une montre.
6. Appuyez sur le bouton DÉPART pour commencer. En cours de programme de séchage, vous pouvez vérifier votre linge et sortir les articles qui sont secs pendant que les autres continuent à sécher. Lorsque vous refermez la porte, appuyez sur le bouton DÉPART afin de continuer le séchage.
7. 10 minutes environ avant que le programme ne soit terminé, celui-ci entre dans la phase finale de REFROIDISSEMENT (les textiles sont refroidis), que vous devez toujours laisser se terminer.
8. Ouvrez la porte, sortez votre linge, nettoyez le filtre et remettez-le en place. Videz le réservoir d'eau et remplacez-le (*voir Entretien*).
9. Débranchez le sèche-linge.

Trier votre linge

- Vérifiez les symboles sur les étiquettes des vêtements pour vous assurer que les articles peuvent être passés au sèche-linge.
- Triez votre linge par type de textile.
- Videz les poches et vérifiez les boutons.
- Fermez les fermetures Éclair et les crochets et attachez les ceintures et les cordons.
- Essorez chaque article de manière à éliminer autant d'eau que possible.

! Ne chargez pas de vêtements mouillés qui dégouttent dans le sèche-linge.

Taille maximale de la charge

Ne chargez pas plus que la capacité maximale. Les chiffres suivants font référence au poids sec :

Fibres naturelles : 7 kg max.

Fibres synthétiques : 3 kg max

! NE surchargez PAS le sèche-linge car cela pourrait réduire ses performances de séchage.

Charge typique





Vêtements		
Chemisier	en coton	150 g
	Autre	100 g
Robe	en coton	500 g
	Autre	350 g
Jeans		700 g
10 couches lavables		1000 g
Chemise	en coton	300 g
	Autre	200 g
T-Shirt		125 g

Linge de maison		
Housse de couette (Double)	en coton	1500 g
	Autre	1000 g
Grande nappe		700 g
Petite nappe		250 g
Torchon		100 g
Drap de bain		700 g
Serviette éponge		350 g
Draps doubles		500 g
Draps 1 personne		350 g


À la fin d'un cycle de séchage, il se peut que les cotons soient toujours humides si vous les avez regroupés avec les synthétiques. Si cela se produit, faites-leur simplement subir une petite période de séchage supplémentaire.

Étiquettes d'Entretien

Regardez les étiquettes sur vos vêtements, en particulier lorsque vous les séchez pour la première fois au sèche-linge. Les symboles suivants sont les plus courants:

-  Séchage en machine
-  **Pas** de séchage en machine
-  Séchage à température normale
-  Séchage à basse température

Articles ne convenant pas au séchage en machine

- Les articles qui contiennent du caoutchouc ou des matériaux similaires au caoutchouc ou ceux qui contiennent un film plastique (oreillers, coussins, ou vêtements de pluie en PVC), tous autres articles ou objets inflammables ou contenant des substances inflammables (serviettes éponge imprégnées de laque à cheveux).
- Fibres de verre (certains types de tentures)
- Articles qui ont été nettoyés à sec
- Articles portant le Code ITCL  (*voir Vêtements spéciaux*). Ces derniers peuvent être nettoyés avec des produits spéciaux de nettoyage à sec à domicile. Suivez attentivement le mode d'emploi.
- Les gros articles volumineux (couettes, sacs de couchage, oreillers, coussins, grands dessus de lits etc.). Ceux-ci augmentent de volume lorsqu'ils séchent et cela empêcherait l'air de circuler à travers le sèche-linge.

Installation	Démarrage et programmes	Linge	Avertissements et Suggestions	Entretien et Nettoyage	Que faire en cas de panne	Service Après-Vente
--------------	-------------------------	-------	-------------------------------	------------------------	---------------------------	---------------------

Linge

F

Vêtements spéciaux







Les Couvertures et Dessus de lits : articles en acrylique (Acilan, Courtelle, Orion, Dralon) **doivent être séchés** avec des précautions particulières, à BASSE température. Évitez de les sécher pendant une durée prolongée.

Vêtements plissés ou froissés : lisez les instructions de séchage du fabricant figurant sur le vêtement.

Articles amidonnés : ne séchez pas ces derniers avec des articles non amidonnés. Faites en sorte de retirer autant de solution d'amidonage que possible de la charge avant de placer celle-ci dans le sèche-linge. Ne séchez pas de façon excessive : l'amidon pourrait devenir poudreux et laisser vos vêtements sans tenue, ce qui irait à l'encontre du but recherché.

Temps de séchage

Le tableau ci-dessous présente les temps de séchage APPROXIMATIFS en minutes. Les poids font référence aux vêtements secs :

Cotons 						
Température Élevée (normale) 						
Temps de séchage après 800-1000trs/mn dans la machine à laver						
		Demi-charge				Charge complète
1kg	2kg	3kg	4kg	5kg	6kg	7kg
30-40	40-55	55-70	70-80	80-90	95-120	120-140
Synthétiques 						
Basse température (température douce) 						
Temps de séchage après essorage réduit dans la machine à laver						
	Demi-charge		Charge complète			
1kg	2kg		3kg			
40-50	50-70		70-90			
Acryliques 						
Basse température (température douce) 						
Temps de séchage après essorage réduit dans la machine à laver						
Demi-charge			Charge complète			
1kg			2kg			
40-60			55-75			


Ces temps sont approximatifs et peuvent varier en fonction des paramètres suivants :

- La quantité d'eau retenue dans les vêtements après le cycle d'essorage : les serviettes éponge et les textiles délicats retiennent une quantité importante d'eau.
 - Les textiles : des articles qui sont constitué par le même type de textile mais qui ont des textures et des épaisseurs différentes peuvent ne pas avoir le même temps de séchage.
 - La quantité de linge : les articles uniques ou les petites charges peuvent prendre plus longtemps à sécher.
 - La sécheresse : Si vous avez l'intention de repasser certains de vos vêtements, vous pouvez les sortir de la machine alors qu'ils sont encore un peu humides. Les autres vêtements peuvent y rester plus longtemps si vous voulez qu'ils en sortent entièrement secs.
 - Le réglage de la température.
 - La température ambiante : si la pièce dans laquelle le sèche-linge est installé est froide, cela prendra plus longtemps à l'appareil pour sécher vos vêtements.
 - Le volume : certains articles volumineux peuvent être séchés en machine avec quelques précautions. Nous vous suggérons de retirer plusieurs fois ces articles de la machine, de les secouer et de les remettre dans le sèche-linge jusqu'à ce que celui-ci ait terminé de les sécher.
- !** Ne séchez pas excessivement vos vêtements. Tous les issus contiennent une certaine quantité d'humidité naturelle, ce qui les rend doux et gonflants.

! Cet appareil a été conçu et construit conformément à des normes de sécurité internationales. Ces avertissements sont donnés pour des raisons de sécurité et doivent être lus attentivement.

CE Cet appareil est conforme aux Directives Européennes suivantes:
-72/23/EEC et 93/68/EEC (Équipement Basse Tension)
-89/336/EEC, 92/31/EEC et 93/68/EEC (Compatibilité Électromagnétique)

Sécurité Générale

- Ce sèche-linge a été conçu pour un usage domestique, et non professionnel.
- Ce sèche-linge doit être utilisé par des adultes, et le mode d'emploi contenu dans cette notice doit être bien respecté.
- Ne touchez pas cet appareil lorsque vous êtes pieds nus ou avec des mains ou des pieds humides.
- Débranchez cette machine en tirant sur la fiche et non sur le cordon.
- Les enfants ne doivent pas se trouver à proximité du sèche-linge lorsque celui-ci est en marche. Après avoir utilisé ce sèche-linge, éteignez-le et débranchez-le. Tenez la porte fermée pour assurer que les enfants ne jouent pas avec.
- Cet appareil doit être installé correctement et avoir une ventilation convenable. L'arrivée d'air sur le devant du sèche-linge et l'évent derrière le sèche-linge ne doivent jamais être obstrués (*voir Installation*).
- N'utilisez jamais le sèche-linge sur de la moquette où la hauteur des poils empêcherait l'air d'entrer dans la sèche-linge à partir de la base.
- Vérifiez que le sèche-linge est bien vide avant de le charger.
-  L'arrière du sèche-linge peut devenir très chaud. Ne le touchez jamais en cours d'utilisation.
- N'utilisez pas le sèche-linge si le filtre, le réservoir d'eau et le condenseur ne sont pas bien en place (*voir Entretien*).
- N'utilisez pas de liquide assouplissant pour le linge dans le sèche-linge ; ajoutez-le au rinçage final de votre lavage.
- Ne surchargez pas le sèche-linge (*voir Linge* pour les charges maximales).
- Ne chargez pas d'articles qui dégouttent d'eau.
- Ne séchez que des articles qui ont été lavés avec de l'eau et un détergent, rincés et essorés. Le fait de sécher des articles qui N'ONT PAS été lavés avec de l'eau constitue un danger d'incendie.
- Vérifiez avec soin toutes les instructions sur les étiquettes des vêtements (*voir Linge*).
- Ne séchez pas des vêtements qui ont été traités avec des produits chimiques.

- Ne séchez jamais des articles qui ont été contaminés avec des substances inflammables (essence, pétrole, peinture, laque à cheveux, crèmes, matières grasses ou huiles de cuisson).
- Ne séchez pas du caoutchouc sec, du caoutchouc mousse, du plastique, de la mousse plastique, des couches culottes ou des doublures pour couches lavables, du polyéthylène ou du papier.
- Ne séchez pas d'articles de grande taille, très volumineux.
- Ne séchez pas de fibres acryliques à hautes températures.
- Terminez chaque programme avec sa Phase de Refroidissement.
- N'éteignez pas le sèche-linge s'il contient encore des articles chauds.
- Nettoyez le filtre après chaque utilisation (*voir Entretien*).
- Videz le réservoir d'eau après chaque utilisation (*voir Entretien*).
- Nettoyez le groupe condenseur à intervalles réguliers (*voir Entretien*).
- Ne laissez pas s'accumuler de peluches autour du sèche-linge.
- Ne montez jamais sur le sèche-linge. Cela pourrait l'endommager.
- Respectez toujours les normes et exigences électriques (*voir Installation*).
- Achetez toujours des pièces de rechange et accessoires d'origine (*voir Service Après-vente*).

Élimination

- Élimination du matériau d'emballage: respectez les réglementations locales, de manière à ce que l'emballage puisse être recyclé.
- Élimination de votre ancien sèche-linge: coupez le cordon d'alimentation et retirez la porte avant de jeter un vieux sèche-linge.

Économiser de l'énergie et respecter l'environnement

- Essorez les articles pour éliminer l'eau en excès avant de les passer au sèche-linge (si vous utilisez une machine à laver, sélectionnez un cycle d'essorage à grande vitesse). Ceci vous permettra d'économiser du temps et de l'énergie durant le séchage.
- Séchez toujours des charges complètes – vous économiserez de l'énergie : les articles uniques ou les petites charges prennent plus longtemps à sécher.
- Nettoyez le filtre après chaque utilisation pour limiter les coûts de consommation d'énergie (*voir Entretien*).

L
Installation
Description
Démarrage et programmes
Linge
Avertissements et Suggestions
Entretien et Nettoyage
Que faire en cas de panne
Service Après-vente

Entretien et Nettoyage

F

Éteignez l'électricité

! Débranchez votre sèche-linge lorsque vous ne l'utilisez pas, lorsque vous le nettoyez et durant toutes les opérations d'entretien.

Nettoyez le filtre après chaque cycle

Le filtre est une pièce importante de votre sèche-linge: il accumule des peluches qui se forment durant le séchage. Des petits objets peuvent aussi être piégés dans le filtre. Par conséquent, une fois le séchage terminé, nettoyez le filtre en le rinçant sous l'eau courante ou avec votre aspirateur. Si le filtre devient bloqué, le flux d'air à l'intérieur du sèche-linge est sérieusement compromis : les temps de séchage sont allongés et vous consommez davantage d'énergie. Cela peut aussi endommager votre sèche-linge.

Le filtre se trouve devant la garniture du sèche-linge (voir le diagramme).

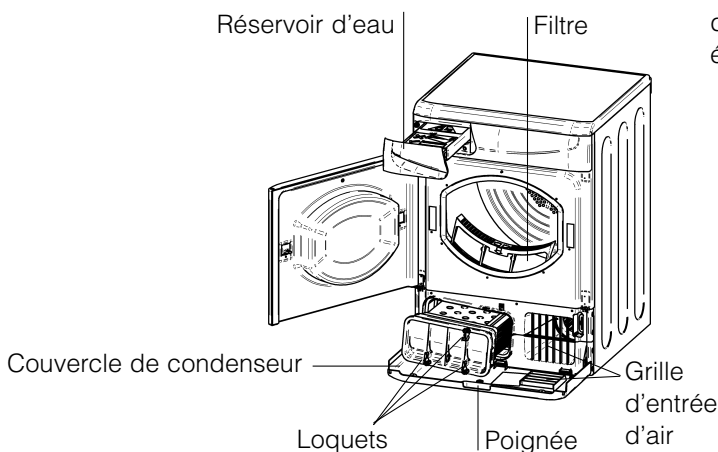
Pour retirer le filtre :

1. Tirez la poignée en plastique du filtre vers le haut (voir le diagramme).
2. Nettoyez le filtre et remettez-le correctement en place. Assurez-vous que le filtre soit bien inséré à fond dans la garniture du sèche-linge.

! N'utilisez pas le sèche-linge sans avoir remis le filtre en place.

Videz le réservoir d'eau après chaque cycle

Faites sortir le réservoir du sèche-linge et videz-le dans un évier ou autre évacuation appropriée. Remettez le réservoir d'eau bien en place.



Vérifiez le tambour après chaque cycle

Tournez le tambour à la main afin de retirer les petits articles (mouchoirs) qui pourraient y avoir été oubliés.

Nettoyage du groupe condenseur

Périodiquement (chaque mois) retirez le groupe condenseur et nettoyez toute accumulation de peluche entre les plaques en le rinçant sous le robinet à l'eau froide. Ceci devrait être effectué avec l'eau froide de l'arrière du condenseur.

Pour retirer du groupe condenseur :

1. Débranchez le sèche-linge et ouvrez la porte.
2. Tirez sur le couvercle du condenseur pour l'ouvrir (voir schéma). Dégagez les trois loquets en tournant à 90° dans le sens anti-horaire puis tirez sur la poignée et retirez-le du sèche-linge.
3. Nettoyez la surface des joints d'étanchéité et remplacez-les, en vous assurant que les loquets ont été bien bloqués.

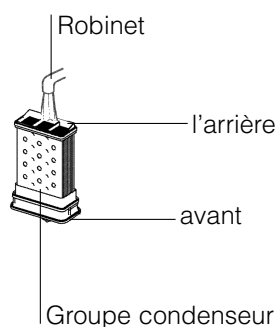
Nettoyage

- Les parties externes en métal ou en plastique et les pièces en caoutchouc peuvent être nettoyées avec un chiffon humide.
- Périodiquement (tous les 6 mois), aspirez la grille d'entrée d'air de devant, ainsi que les événements à l'arrière du sèche-linge pour retirer toute accumulation de peluche ou poussière. En outre, pour retirer l'accumulation de peluche de l'avant du condenseur et de la zone du filtre, nettoyez occasionnellement avec un aspirateur.

! N'utilisez pas de solvants ou d'abrasifs.

! Votre sèche-linge utilise des roulements spéciaux qui n'ont pas besoin d'être lubrifiés.

! Faites vérifier régulièrement votre sèche-linge par des techniciens agréés pour assurer une sécurité électrique et mécanique (voir Service d'Entretien).



Votre sèche-linge semble ne pas fonctionner. Avant d'appeler votre Centre de Service d'Entretien (*voir Service d'Entretien*), passez en revue les suggestions de dépannage suivantes :

Problème :

Causes possibles / Solution :

Le sèche-linge ne démarre pas.

- La fiche n'est pas branchée dans la prise de courant, ou ne fait pas contact.
- Il y a eu une coupure de courant.
- Le fusible a sauté. Essayez de brancher un autre appareil dans la prise électrique.
- Utilisez-vous une rallonge? Essayez de brancher le cordon d'alimentation du sèche-linge directement dans la prise.
- La porte n'est pas bien fermée?
- Le bouton de MINUTERIE n'a pas été convenablement réglé (*voir Démarrage et Programmes*).
- Le bouton DÉPART n'est pas enfoncé (*voir Démarrage et Programmes*).

L'appareil met longtemps à sécher.

- Le filtre n'a pas été nettoyé (*voir Entretien*).
- La température choisie n'est pas idéale pour le type de textile que vous séchez (*voir Démarrage et Programmes, et voir Linge*).
- Le réservoir d'eau a besoin d'être vidé ? Le Voyant de **vidage d'eau** est-il allumé ? (*voir Entretien*).
- Le condenseur a-t-il besoin d'être nettoyé ? (*voir Entretien*).
- La durée de séchage correcte n'a pas été sélectionnée pour la charge (*voir Linge*).
- La grille d'entrée d'air ou les entrées d'air à l'arrière sont obstrués (*voir Installation, et voir Entretien*).
- Les articles étaient trop mouillés (*voir Linge*).
- Le sèche-linge était surchargé (*voir Linge*).

F
Installation
Description
Démarrage et programmes
Linge
Avertissements et suggestions
Entretien et Nettoyage
Que faire en cas de panne
Service Après-Vente

Service Après-Vente

F

Avant d'appeler le Centre de Service Après-Vente :

- Utilisez le guide de dépannage pour voir si vous pouvez résoudre le problème vous-même (*voir Que faire en cas de panne*).
- Si non, éteignez le sèche-linge et appelez le Centre de Service Après-Vente le plus proche.

Quelles informations donner au Centre de Service Après-Vente :

- Vos nom, adresse et code postal.
- Votre numéro de téléphone.
- Le type de problème.
- La date d'achat.
- Le modèle de l'appareil (Mod.).
- Le numéro de série (S/N).

Vous trouverez ces informations sur la fiche signalétique située à l'intérieur de la porte de la machine.

Pièces de Rechange

Ce sèche-linge est une machine complexe. Le réparer vous-même ou essayer de le faire réparer par une personne non agréée pourrait entraîner des dommages corporels pour une ou plusieurs personnes, cela pourrait endommager la machine et cela pourrait rendre invalide la garantie des pièces de rechange.

Appelez un technicien agréé si vous avez des problèmes lors de l'utilisation de ce sèche-linge.

Les pièces de rechange ont été conçues exclusivement pour cet appareil et pour aucune autre utilisation.

GB

English, 1

I

Italiano, 11

F

Français, 21

D**Deutsch, 31****E**

Español, 41

P

Português, 51

NL

Nederlands, 61

A

Arabic, 80

IS70C

Inhaltsverzeichnis

Installierung, 32

- Wechseln des Türanschlages
- Aufstellung Ihres Wäschetrockners
- Belüftung
- Wasserabfluss
- Stromanschluss
- Vor der Inbetriebsetzung Ihres Wäschetrockners

Beschreibung Ihres Wäschetrockners, 33

- Tür öffnen
- Aufbau
- Bedienblende

Start und Programme, 34

- Programmauswahl

Gewebeart, 35-36

- Tipps zum Sortieren Ihrer Wäsche
- Pflegeetiketten
- Artikel, bei denen besondere Sorgfalt erforderlich ist
- Trocknungszeiten

Warnhinweise und Empfehlungen, 37

- Allgemeine Sicherheitshinweise
- Entsorgung
- Energiesparender Betrieb und Umweltschutz

Wartung und Pflege, 38

- Stromversorgung abschalten
- Filter nach jedem Zyklus reinigen
- Wasserbehälter nach jedem Zyklus leeren
- Trommelinspektion nach jedem Zyklus
- Kondensatoreinheit reinigen
- Reinigung

Fehlersuche, 39

Kundendienst, 40

- Ersatzteile

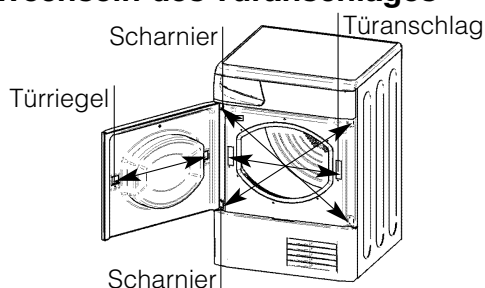
Installierung

D

! Bewahren Sie diese Bedienungsanleitung an einem sicheren Ort auf, um sie bei Bedarf als Bezug verwenden zu können. Nehmen Sie sie bei einem Umzug mit und stellen Sie bei einem Verkauf oder der Weitergabe an eine andere Person sicher, dass diese Bedienungsanleitung zusammen mit dem Wäschetrockner abgegeben wird, damit sich der neue Eigentümer ausreichend über die Bedienung und mögliche Vorsichtsmaßnahmen bei der Verwendung des Wäschetrockners informieren kann.

! Lesen Sie diese Bedienungsanleitung sorgfältig durch. Die nachfolgenden Seiten enthalten wichtige Informationen zur Installierung und Funktionsweise dieses Gerätes.

Wechseln des Türanschlages



Der Türanschlag des Wäschetrockners lässt sich einfach wechseln. Dazu muss ein diagonaler Austausch der Scharnierhalterungen und Abdeckschrauben vorgenommen werden. Den Türriegel und Anschlag mit den gegenüberliegenden Verschlussstreifen austauschen (*siehe Abbildung oben*).

Aufstellung des Wäschetrockners

- Den Wäschetrockner so aufstellen, dass ausreichend Abstand zu Gasherden, Öfen, Heizungen oder Kochplatten vorhanden ist, da das Geräte beschädigt werden könnte.
- Wird der Wäschetrockner untergebaut, muss zwischen der Geräteoberseite und der Arbeitsplatte (auch andere Gegenstände) ein Mindestabstand von 10mm eingehalten werden. Um die Luftzirkulation zu gewährleisten muss ferner zwischen den Seitenwänden des Gerätes und den angrenzenden Möbelschränken oder Wänden ein Mindestabstand von 15mm berücksichtigt werden. Außerdem muss darauf geachtet werden, dass die hinten an der Geräterückseite befindlichen Entlüftungsvorrichtungen nicht blockiert werden.

Belüftung

Während des Betriebs des Wäschetrockners muss eine ausreichende Belüftung sichergestellt werden. Es muss sichergestellt werden, dass der Wäschetrockner in einem Raum mit nicht zu hoher Luftfeuchtigkeit und ausreichender Luftzirkulation aufgestellt wird. Eine ausreichende Luftströmung um den Trockner ist

unerlässlich, um eine Kondensation des Wassers, das während des Waschens entstanden ist, zu ermöglichen. In engem Raum oder einem Schrank ist kein effizienter Betrieb des Trockners möglich.

! Wenn der Trockner in einem kleinen oder kalten Raum verwendet wird, kann es zu Kondensatansammlungen kommen.

Wasserabfluss

Wenn Ihr Trockner neben einem Abfluss installiert ist, kann das Wasser in diesen Abfluss geleitet werden. Dadurch wird ein Leeren des Wasserbehälters vermieden. Den oberen Schlauch einfach von der oberen Armatur hinten am Trockner abziehen und den gelieferten Schlauch am Abfluss anschließen.

Stromanschluss

Stellen Sie folgende Punkte sicher, bevor Sie die Maschine an die Steckdose anschließen:

- Die Steckdose muss geerdet sein.
- Die Steckdose muss die maximale Leistungsaufnahme gemäß Typenschild abgesichert sein (*siehe Beschreibung Ihres Wäschetrockners*).
- Die Netzspannung muss die dem Typenschild entsprechen (*siehe Beschreibung Ihres Wäschetrockners*).
- Die Steckdose muss mit dem Stecker des Wäschetrockners kompatibel sein. Sollte dies nicht der Fall sein, muss entweder der Stecker oder die Steckdose ausgetauscht werden.

! Der Wäschetrockner darf nicht im Freien installiert werden, selbst wenn der entsprechende Bereich geschützt ist. Ein Wäschetrockner stellt eine ernsthafte Gefahr dar, wenn er Regen oder starken Winden ausgesetzt wird.

! Nach der Installierung müssen sich Kabel und Stecker des Wäschetrockners leicht erreichen lassen können.

! Kein Verlängerungskabel verwenden.

! Das Stromkabel darf keine Biege- oder Quetschstellen aufweisen.

! Das Stromkabel der Gerätes muss regelmäßig überprüft werden. Ein Austausch dieses darf nur von einem konzessionierten Elektroinstallateur vorgenommen werden (*siehe Kundendienst*). Neue oder längere Stromkabel sind von konzessionierten Service - Partnern erhältlich.

! Der Hersteller übernimmt keinerlei Haftung, sollten diese Regeln nicht genau beachtet werden.

! Sollten sie sich über einen der obigen Punkte nicht ganz im klaren sein, dann ziehen sie bitte einen qualifizierten Elektriker zu Rate.

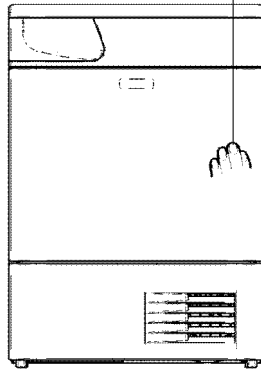
Vor der Inbetriebsetzung Ihres Wäschetrockners

Nach der Installierung des Wäschetrockners und vor dessen Verwendung muss die Innenfläche der Trommel gesäubert werden, um Staub, der sich während des Transports angesammelt haben könnte, zu entfernen.

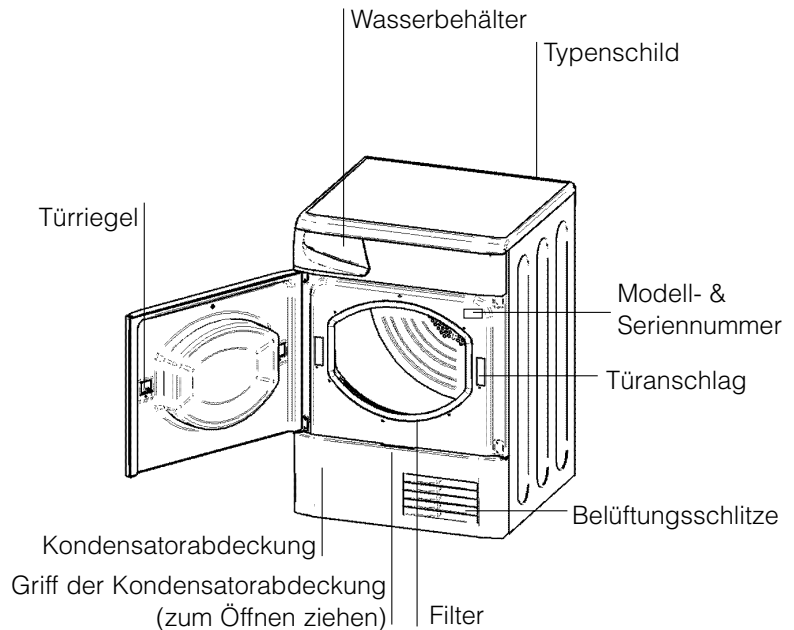
Beschreibung Ihres Wäschetrockners

Tür öffnen

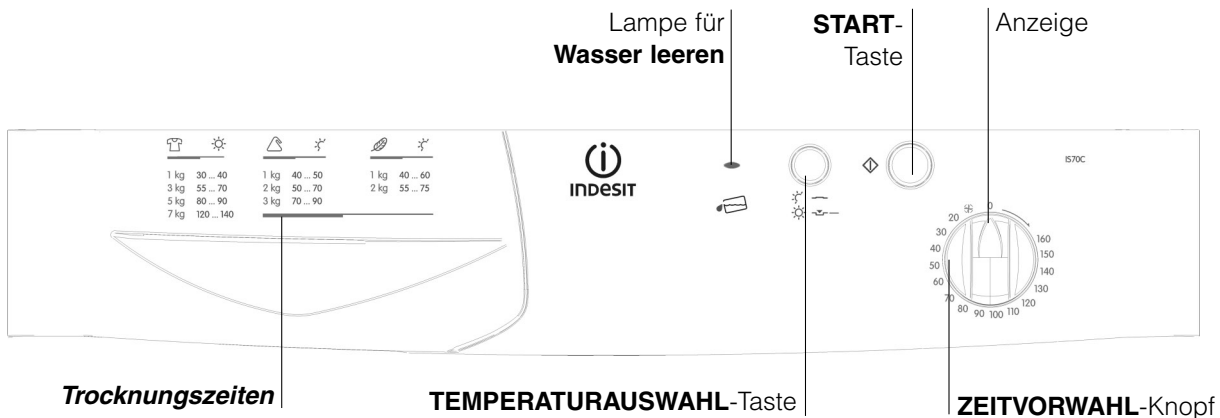
Die Frontplatte in der gezeigten Position drücken und loslassen



Aufbau



Bedienblende



Mit der **START**-Taste wird das ausgewählte Programm gestartet (*siehe Start und Programme*).

Mit der **TEMPERATURAUSWAHL**-Taste wird die beim Trocknen der Wäsche verwendete Temperatur ausgewählt (*siehe Start und Programme*).

EINGEDRÜCKT: HOHE Temperatur
NICHT EINGEDRÜCKT: NIEDRIGE Temperatur

Unter „**Trocknungszeiten**“ werden Informationen über Gewebearten und Ladekapazitäten in einem benutzerfreundlichen Tabellenformat bereitgestellt.

- Baumwolle
- Synthetik
- oder Acrylfasern und andere empfindliche Fasern

Die Lampe für **Wasser leeren** gibt an, dass der Wasserbehälter voll ist und geleert werden muss. Diese Lampe bleibt ein paar Sekunden eingeschaltet, nachdem der leere Wasserbehälter wieder eingesetzt wird. Dazu muss der Trockner in Betrieb sein.

Mit dem **ZEITVORWAHL**-Knopf wird die Trocknungszeit eingestellt: Dieser Knopf muss so weit im Uhrzeigersinn gedreht werden, bis die gewünschte Trocknungszeit angezeigt wird, (**den Knopf niemals gegen den Uhrzeigersinn drehen**) (*siehe Start und Programme*).

D

Installation

Beschreibung

Start und Programme

Gewebeart

Warnhinweise und Empfehlungen

Wartung und Pflege

Fehlersuche

Kundendienst

Start und Programme

D

Programmauswahl

1. Den Wäschetrockner an die Steckdose anschließen.
2. Die Wäsche je nach Gewebeart sortieren (*siehe Gewebeart*).
3. Die Tür öffnen und sicherstellen, dass der Filter sauber ist und korrekt eingesetzt wurde und der Wasserbehälter leer und korrekt positioniert ist (*siehe Wartung*).
4. Die Maschine beladen und dabei sicherstellen, dass keine Wäschestücke zu nah an der Türdichtung sind. Die Tür schließen.
5. Das geeignete Trocknungszeit auswählen. Beziehen Sie dazu auf die Tabelle mit den für die verschiedenen Stoffarten empfohlenen Trocknungszeiten (*siehe Gewebeart*).
 - Die Temperatur mit der TEMPERATURAUSWAHL-Taste einstellen.
 - Durch Drehen des ZEITVORWAHL-Knopfs im Uhrzeigersinn die gewünschte Trocknungszeit auswählen.
6. Die START-Taste zur Inbetriebsetzung des Wäschetrockners drücken. Während eines Trocknungszyklus kann die Wäsche überprüft und einzelne Wäschestücke, die schon trocken sind, entnommen werden. In diesem Fall muss nach dem Schließen der Tür zum Fortsetzen des Zyklus erneut die START-Taste gedrückt werden.
7. Ca. 10 Minuten vor Ende eines Programms beginnt die ABKÜHL-Phase (Wäsche wird abgekühlt). Diese Phase sollte immer vollständig ausgeführt werden.
8. Nun können Sie die Tür öffnen, die Wäsche herausnehmen, den Filter säubern und wieder einsetzen. Den Wasserbehälter leeren und wieder einsetzen (*siehe Wartung*).
9. Den Netzstecker aus der Steckdose ziehen.

Tipps zum Sortieren Ihrer Wäsche

- Symbole auf den Etiketten überprüfen, um sicherstellen zu können, dass die entsprechenden Wäschestücke trocknergeeignet sind.
- Die Wäsche nach Gewebearten sortieren.
- Taschen leeren und Knöpfe überprüfen.
- Reißverschlüsse und Haken schließen und lose Gürtel und längere Schnüre zusammenbinden.
- Jedes Wäschestück auswringen, um schon im Voraus möglichst viel Wasser zu entfernen.

! Keine tropfend nasse Wäsche in den Trockner legen.

Maximale Beladungskapazität

Die maximale Beladungskapazität sollte nicht überschritten werden. Die nachfolgenden Gewichte beziehen sich auf Trockenwäsche.

Naturfasern: max. 7 kg

Kunststofffasern: max. 3 kg

! Den Trockner NICHT überladen, da dies die Trocknungsleistung beeinträchtigt.

Typische Ladung


Kleidungsstücke		
Bluse aus	Baumwolle	150 g
	Andere	100 g
Kleid aus	Baumwolle	500 g
	Andere	350 g
Jeans		700 g
10 Windeln		1000 g
Hemd aus	Baumwolle	300 g
	Andere	200 g
T-Shirt		125 g

Haushaltswaren		
Bettüberzug aus (für Doppelbett)	Baumwolle	1500 g
	Andere	1000 g
Große Tischdecke		700 g
Kleine Tischdecke		250 g
Geschirrtuch		100 g
Badetuch		700 g
Handtuch		350 g
Bettlaken – Doppelbett		500 g
Bettlaken – Einzelbett		350 g

Am Ende eines Trocknungszyklus kann Wäsche aus Baumwolle noch feucht sein, falls Artikel aus Baumwolle und Synthetik zusammen in den Trockner gelegt wurden. In diesem Fall kann die Wäsche einfach noch etwas mehr in der Maschine getrocknet werden.

Pflegeetiketten

Prüfen Sie die Etiketten an Ihren Kleidungsstücken, insbesondere dann, wenn für ein bestimmtes Kleidungsstück das erste Mal im Trockner verwendet wird. Typische Symbole sind:


 Kann im Wäschetrockner getrocknet werden

 **Nicht** geeignet für Wäschetrockner

 Bei hoher Temperatur im Wäschetrockner trocknen

 Bei niedriger Temperatur im Wäschetrockner trocknen

Artikel, die sich nicht für den Wäschetrockner eignen

- Artikel, die Gummi oder gummiähnliche Materialien enthalten oder einen Kunststoffüberzug umfassen (Kissen oder PVC-Regenkleidung), andere leicht entzündbare Artikel oder Gegenstände, die leicht entzündbare Substanzen enthalten (wie zum Beispiel ein Handtuch, auf dem sich etwas Haarspray befindet).
- Glasfasern (z.B. manche Vorhangarten)
- Wäschestücke, die chemisch gereinigt wurden
- Mit dem ITCL Code gekennzeichnete Wäschestücke  (*siehe Artikel, bei denen besondere Sorgfalt erforderlich ist*). Solche Artikel können mit speziellen Produkten zu Hause chemisch gereinigt werden. In diesem Fall die Gebrauchsanweisung genau befolgen.
- Große und sperrige Artikel (Federbetten, Schlafsäcke, Kissen, große Tagesdecken usw.). Diese dehnen sich beim Trocknen aus und würden dadurch eine ausreichende Luftzirkulation im Trockner verhindern.

D
Installierung
Beschreibung
Start und Programme
Gewebeart
Warnhinweise und Empfehlungen
Wartung und Pflege
Fehlersuche
Kundendienst

Gewebeart

D

Artikel, bei denen besondere Sorgfalt erforderlich ist







Decken und Bettüberwürfe: Artikel aus Acrylfasern (Acilan, Courtelle, Orion, Dralon) **müssen** vorsichtig bei NIEDRIGER Temperatur getrocknet werden. Außerdem dürfen solche Artikel nicht zu lange getrocknet werden.

Kleidungsstücke mit Falten oder plissierte Kleidungsstücke: Die am Artikel angegebenen Trocknungsanweisungen des Herstellers beachten.

Gestärkte Kleidungsstücke: Solche Artikel nicht zusammen mit nicht gestärkten Wäschestücken trocknen. Sicherstellen, dass möglichst viel der Stärkelösung entfernt wurde, bevor die Artikel in den Trockner gelegt werden. Die Wäsche nicht zu sehr trocknen: die Stärke wird sonst zu Pulver und macht die entsprechenden Kleidungsstücke schlaff, was dem eigentlichen Zweck der Stärke entgegenwirkt.

Trocknungszeiten

In der nachfolgenden Tabelle werden UNGEFÄHRE Trocknungszeiten in Minuten angegeben. Die Gewichtsangaben beziehen sich dabei auf trockene Wäsche:

Baumwollartikel  Hohe (volle) Temperatur 						
Trocknungszeiten - bei einem Schleudern mit 800-1000 Umdrehungen pro Minute in der Waschmaschine						
		Halbe Ladung				Volle Ladung
1kg	2kg	3kg	4kg	5kg	6kg	7kg
30-40	40-55	55-70	70-80	80-90	95-120	120-140
Synthetikartikel  Niedrige (weniger gewebestrapazierende) Temperatur 						
Trocknungszeiten - bei reduziertem Schleudern in der Waschmaschine						
	Halbe Ladung				Volle Ladung	
1kg	2kg				3kg	
40-50	50-70				70-90	
Acrylfasern  Niedrige (weniger gewebestrapazierende) Temperatur 						
Trocknungszeiten - bei reduziertem Schleudern in der Waschmaschine						
Halbe Ladung			Volle Ladung			
1kg			2kg			
40-60			55-75			

Hierbei handelt es sich nur um ungefähre Zeitangaben, die von folgenden Faktoren abhängen können:

- Menge des nach dem Schleudergang in der Wäsche zurückbleibenden Wassers. In Handtüchern und Feinwäsche bleibt zum Beispiel mehr Wasser zurück.
- Stoffbeschaffenheit: Artikel aus derselben Qualität jedoch mit anderer Beschaffenheit oder Dicke können länger oder kürzer zum Trocknen brauchen.
- Menge: Einzelne Wäschestücke oder kleine Ladungen können unter Umständen länger zum Trocknen brauchen.
- Trockenheit: Wenn die Wäsche später gebügelt werden soll, kann sie in einem noch leicht feuchten Zustand aus dem Trockner genommen werden. Andere Wäschestücke können so lange im Trockner bleiben, bis sie vollkommen trocken sind.
- Temperatureinstellung.
- Raumtemperatur: Wenn sich der Trockner in einem kalten Raum befindet, dauert es länger, bis die Wäsche trocken ist.
- Sperrige Artikel: Der Trockner kann auch für sperrige Artikel verwendet werden. Dabei empfiehlt es sich jedoch, diese mehrmals aus dem Trockner zu nehmen und kräftig zu schütteln, bevor der Trocknungszyklus fortgesetzt wird.

! Wäsche niemals übermäßig trocknen.
Alle Gewebe enthalten eine geringe Menge an natürlicher Feuchtigkeit, wodurch sie weich und flauschig bleiben.

Warnhinweise und Empfehlungen

! Diese Maschine wurde gemäß internationaler Sicherheitsnormen entworfen und hergestellt. Die Warnhinweise dienen dazu, eine sichere Verwendung Ihres Trockners zu gewährleisten. Bitte lesen Sie diese sorgfältig durch.

CE Diese Maschine erfüllt folgende EG-Direktiven:
 -72/23/EG und 93/68/EG
 (Niederspannungsausrüstung)
 -89/336/EG, 92/31/EG und 93/68/EG
 (Elektromagnetische Störfreiheit)

Allgemeine Sicherheitshinweise

- Dieser Wäschetrockner ist nur für den Privatgebrauch vorgesehen.
- Dieser Trockner darf nur von einem Erwachsenen verwendet werden. Die in dieser Bedienungsanleitung gemachten Angaben müssen genau beachtet werden.
- Die Maschine nicht mit nassen Händen oder Füßen berühren.
- Netzstecker nur per Hand von der Steckdose trennen und nicht am Netzkabel ziehen.
- Kinder dürfen sich während des Betriebs des Trockners nicht in dessen Nähe aufhalten. Nach der Verwendung des Trockners, diesen ausschalten und den Netzstecker herausziehen. Die Tür nicht offen lassen, damit der Trockner von Kindern nicht als Spielzeug verwendet werden kann.
- Die Maschine muss korrekt installiert werden und über ausreichend Belüftung verfügen. Der vorne am Trockner befindliche Lufteinlass und die hinten am Trockner befindliche Entlüftungsvorrichtung dürfen niemals auf irgendeine Weise behindert oder blockiert werden (*siehe Installation*).
- Den Trockner niemals auf einen Teppichboden stellen, bei dem die Florhöhe verhindern würde, dass Luft von unten in den Trockner einströmen kann.
- Vor dem Beladen sicherstellen, dass der Trockner leer ist.
-  Die Rückseite des Trockners kann sehr heiß werden. Deshalb diesen Bereich während des Betriebs nicht berühren.
- Den Wäschetrockner nur verwenden, wenn Filter, Wasserbehälter und Kondensator sicher und korrekt angebracht sind (*siehe Wartung*).
- Im Trockner keinen flüssigen Weichspüler verwenden; diesen beim letzten Spülgang Ihrer Waschmaschine hinzufügen.
- Die maximale Ladekapazität des Trockners niemals überschreiten (*siehe Gewebeart*).
- Nicht tropfend nasse Artikel in den Trockner legen.
- Nur solche Artikel in den Trockner legen, die mit Waschmittel und Wasser gewaschen und danach gründlich gespült und geschleudert wurden. Artikel, die NICHT mit Wasser gewaschen wurden, stellen ein Brandrisiko dar.

- Alle an den Pflegeetiketten gemachten Anweisungen genau durchlesen (*siehe Gewebeart*).
- Keine Wäsche trocknen, die mit Chemikalien behandelt wurde.
- Niemals Artikel trocknen, die mit leicht entzündbaren Substanzen kontaminiert wurden (dazu gehört Benzin, Öl, Lack, Haarspray, Cremes, Speisefett oder Öle).
- Keine Artikel aus Gummi, Schaumgummi, Plastik, Schaumkunststoff, PE, Papier, Windelhöschen oder -einlagen im Wäschetrockner trocknen.
- Den Trockner nicht für große und übermäßig sperrige Artikel verwenden.
- Acrylfasern nicht bei hoher Temperatur trocknen.
- Jedes Programm mit einer Abkühlphase beenden.
- Den Trockner nicht ausschalten, während die Artikel darin noch warm sind.
- Den Filter nach jeder Verwendung reinigen (*siehe Wartung*).
- Den Wasserbehälter nach jeder Verwendung leeren (*siehe Wartung*).
- Die Kondensatoreinheit in regelmäßigen Abständen reinigen (*siehe Wartung*).
- Die Ansammlung von Flusen im Trockner verhindern.
- Niemals auf den Trockner steigen. Dies kann zu einer Beschädigung führen.
- Immer die für die Stromversorgung geltenden Normen und Anforderungen erfüllen (*siehe Installation*).
- Nur originale Ersatzteile und Zubehör verwenden (*siehe Kundendienst*).

Entsorgung

- Entsorgung des Verpackungsmaterials: Befolgen Sie örtliche Vorschriften, damit das Verpackungsmaterial recycelt werden kann.
- Entsorgung eines nicht mehr verwendeten Trockners: Vor der Entsorgung eines alten Trockners das Stromkabel abschneiden und die Tür entfernen.

Energiesparender Betrieb und Umweltschutz

- Wäsche auswringen, um überschüssiges Wasser vor dem Beladen in den Trockner zu entfernen (wird zuerst eine Waschmaschine verwendet, einen Zyklus mit hoher Schleuderschleuderzahl auswählen). Dadurch kann während des Trocknens nicht nur Zeit, sondern auch wertvolle Energie gespart werden.
- Um Energie sparen zu können, die Maschine möglichst immer vollladen. Einzelne Artikel oder kleinere Ladungen brauchen länger zum Trocknen.
- Den Filter nach jeder Verwendung reinigen, um die Energieverbrauchskosten möglichst gering halten zu können (*siehe Wartung*).

D
Installation
Beschreibung
Start und Programme
Gewebeart
Warnhinweise und Empfehlungen
Wartung und Pflege
Fehlersuche
Kundendienst

Wartung und Pflege

D

Stromversorgung abschalten

! Den Trockner bei Nichtverwendung, während der Reinigung und allen Wartungsarbeiten vom Stromnetz trennen.

Filter nach jedem Zyklus reinigen

Der Filter stellt einen wichtigen Bestandteil Ihres Trockners dar: Er nimmt Flusen und Fasern auf, die sich während des Trocknens ansammeln. Außerdem können kleine Gegenstände am Filter hängen bleiben. Deshalb muss der Filter nach jedem Zyklus gereinigt werden. Dazu den Filter unter laufendes Wasser halten oder mit einem Staubsauger reinigen. Wenn der Filter verstopft ist, wird sich dies in großem Maße auf die Luftzirkulation im Trockner auswirken. Dies bedeutet längere Trocknungszeiten und einen höheren Energieverbrauch. Außerdem kann dies auch zu einer Beschädigung des Trockners führen.

Der Filter befindet sich vor der Trocknerverkleidung (*siehe Diagramm*).

Filter herausnehmen:

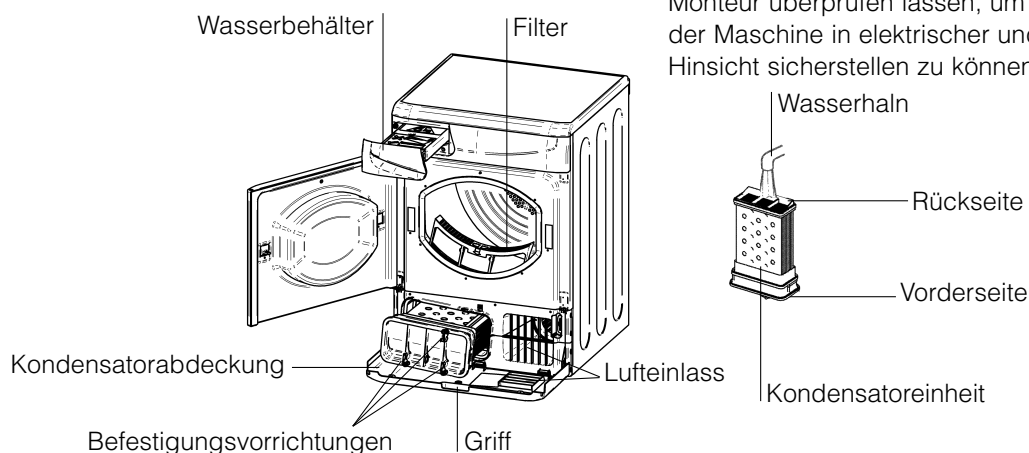
1. Den Plastikgriff des Filters nach oben ziehen (*siehe Diagramm*).
2. Den Filter reinigen und wieder korrekt einsetzen. Dabei sicherstellen, dass der Filter vollständig bündig in der Trocknerverkleidung platziert ist.

! Den Trockner nicht ohne eingebauten Filter verwenden.

Wasserbehälter nach jedem Zyklus leeren

Den Behälter aus dem Trockner ziehen und das Wasser in eine Spüle oder einen anderen geeigneten Abfluss gießen.

Den Wasserbehälter wieder sicher anbringen.



Trommelinspektion nach jedem Zyklus

Die Trommel mit der Hand drehen, um kleine Artikel, die im Trockner zurückgeblieben sein können (wie zum Beispiel Taschentücher) zu entfernen.

Kondensatoreinheit reinigen

Die Kondensatoreinheit regelmäßig (einmal im Monat) ausbauen und Flusenansammlungen zwischen den Platten entfernen, indem die Einheit unter kaltem Wasser abgespült wird. Während des Ausspülens sollte die Rückseite der Kondensatoreinheit nach oben zeigen. Kondensator ausbauen:

1. Den Netzstecker aus der Steckdose ziehen und die Tür öffnen.
2. Die Kondensatorabdeckung durch Ziehen öffnen (*siehe Abbildung*). Die beiden Befestigungsvorrichtungen durch Drehen um 90° gegen den Uhrzeigersinn lösen, dann am Griff ziehen und den Kondensator vom Trockner ausbauen.
3. Die Oberfläche der Dichtungen reinigen und die Einheit wieder einsetzen. Dabei darauf achten, dass die Befestigungsvorrichtungen sicher angebracht sind.

Reinigung

- Externe Teile aus Metall oder Kunststoff sowie Gummitteile können mit einem feuchten Tuch gereinigt werden.
- Das vordere Lufteinlassgitter und die Entlüftungsvorrichtungen hinten am Trockner regelmäßig (alle 6 Monate) mit einem Staubsauger reinigen, um jegliche Ansammlungen von Fasern, Flusen oder Staub zu entfernen. Außerdem müssen die Filterbereiche und die Vorderseite des Kondensators gelegentlich mit einem Staubsauger gereinigt werden, um Flusenansammlungen zu entfernen.

! Keine Lösungs- oder Scheuermittel verwenden.

! Die in Ihrem Trockner befindlichen Lagerkomponenten müssen nicht geschmiert werden.

! Den Trockner regelmäßig von einem zugelassenen Monteur überprüfen lassen, um einen sicheren Betrieb der Maschine in elektrischer und mechanischer Hinsicht sicherstellen zu können (*siehe Kundendienst*).

Bei einer Gerätestörung bitte zunächst folgende, mögliche Ursachen überprüfen, bevor Sie sich an unseren autorisierten Kundendienst wenden:

Problem:

Mögliche Ursache / Lösung:

Trockner startet nicht.

- Der Netzstecker ist nicht eingesteckt oder es ist kein richtiger Kontakt zwischen Netzstecker und der Steckdose vorhanden.
- Stromausfall.
- Durchgebrannte Sicherung. Schließen Sie ein anderes Gerät an die Steckdose an.
- Wird ein Verlängerungskabel verwendet? Versuchen Sie, das Stromkabel des Trockners direkt an die Steckdose anzuschließen.
- Ist die Tür nicht richtig zu?
- Der ZEITVORWAHL-Knopf wurde nicht richtig eingestellt (*siehe Start und Programme*).
- Die START-Taste wurde nicht gedrückt (*siehe Start und Programme*).

Wäsche trocknet nur langsam.

- Der Filter wurde nicht gereinigt (*siehe Wartung*).
- Die Temperatureinstellung eignet sich nicht für die zu trocknende Gewebeat (*siehe Start und Programme, und siehe Gewebeat*).
- Muss der Wasserbehälter geleert werden? Ist die Lampe für „Wasser leeren“ eingeschaltet? (*siehe Wartung*).
- Muss der Kondensator gereinigt werden? (*siehe Wartung*).
- Es wurde nicht die für die Ladung korrekte Trocknungszeit ausgewählt (*siehe Gewebeat*).
- Lufteinlassgitter oder hintere Entlüftungsvorrichtungen sind blockiert (*siehe Installation, und siehe Wartung*).
- Die Wäsche war zu nass (*siehe Gewebeat*).
- Der Trockner wurde überladen (*siehe Gewebeat*).

D

Installation

Beschreibung

Start und Programme

Gewebeat

Warnhinweise und Empfehlungen

Wartung und Pflege

Fehlersuche

Kundendienst

Bevor Sie den autorisierten Kundendienst anrufen:

- Versuchen Sie, mit Hilfe der Fehlersuchtafel das Problem selbst zu lösen (*siehe Fehlersuche*).
- Falls Sie das Problem nicht selbst lösen können, schalten Sie den Trockner aus und rufen Sie den Kundendienst in Ihrer Nähe an.

Vom Kundendienst benötigte Information:

- Name, Adresse und Postleitzahl
- Telefonnummer
- Kurze Beschreibung des Problems
- Kaufdatum
- Trocknermodell (Mod.)
- Seriennummer (S/N)

Diese Informationen können Sie dem Typenschild an der Türinnenseite der Maschine entnehmen.

Ersatzteile

Wenn Sie versuchen, den Trockner selbst zu reparieren oder von einer nicht dafür autorisierten Person reparieren zu lassen, kann dies zu Verletzungen und einer Beschädigung des Gerätes sowie zum Erliegen der Herstellergewährleistung führen. Wenden Sie sich bei Störungen ausschließlich an einen autorisierten Vertragskundendienst. Die Ersatzteile wurden ausschließlich für dieses Gerät entwickelt und sollten nicht für andere Zwecke verwendet werden.

GB

English, 1

I

Italiano, 11

F

Français, 21

D

Deutsch, 31

E**Español, 41****P**

Português, 51

NL

Nederlands, 61

A

Arabic, 80

IS70C

Índice de materias

Instalación, 42

Instrucciones para invertir la puerta
Dónde instalar la secadora
Ventilación
Evacuación del agua
Conexiones eléctrica
Antes de empezar a utilizar la secadora

Descripción de la secadora, 43

Para abrir la puerta
Características
El panel de control

Comienzo y programas, 44

Seleccionar un programa

La colada, 45-46

Clasificar la colada
Etiquetas de recomendaciones durante el lavado de la ropa
Prendas especiales
Tiempos de secado

Advertencias y recomendaciones, 47

Seguridad general
Disposición
Ahorro energético y respeto del medio ambiente

Mantenimiento y cuidados, 48

Desconectar la electricidad
Limpiar el filtro después de cada ciclo
Vaciar el recipiente de agua después de cada ciclo
Comprobar el tambor después de cada ciclo
Limpiar la unidad del condensador
Limpiar la secadora

Resolución de problemas, 49

Servicio, 50

Piezas de repuesto

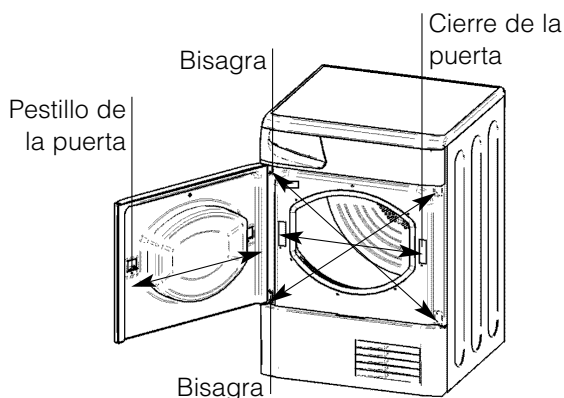
Instalación

E

¡Guarde este manual de instrucciones a mano a fin de consultarlo cuando sea necesario. Llévelo con usted cuando se traslade, y, si vendiera este electrodoméstico o si lo pasa a terceros compruebe que este manual se incluya con la secadora de forma que el nuevo propietario quede informado acerca de las advertencias y recomendaciones, además del funcionamiento de la secadora.

¡Lea estas instrucciones detenidamente; las páginas que aparecen a continuación contienen información importante sobre la instalación, además de recomendaciones sobre el funcionamiento del electrodoméstico.

Instrucciones para invertir la puerta



La puerta de la secadora es reversible y puede cambiarse con suma facilidad. Cambie diagonalmente los soportes con bisagras y los tornillos de sujeción. Cambie el pestillo de la puerta con las placas de sujeción contrarias (véase el diagrama a continuación).

Dónde instalar la secadora

- Instale la secadora lejos de estufas, calentadores o cocinas, ya que las llamas pueden dañar el electrodoméstico.
- Si va a instalar el electrodoméstico debajo de una encimera, asegúrese de dejar un espacio de 10 mm entre la parte superior y cualquier otro objeto que vaya encima o sobre la máquina y un espacio de 15 mm entre los costados y el mobiliario lateral o paredes. Esto asegura la correcta circulación de aire. Asegúrese que los respiraderos traseros no estén obstruidos.

Ventilación

Cuando la secadora está en uso, debe haber una ventilación adecuada. Asegúrese que coloca la secadora en un lugar que no tenga humedad y con una circulación de aire adecuada. El flujo de aire alrededor de la secadora es esencial para condensar el agua producida durante el lavado, la secadora no funcionará eficazmente en un espacio cerrado armario.

! Si utiliza la secadora en un cuarto pequeño o frío podría experimentarse condensación.

Evacuación del agua

Si la secadora está instalada cerca de un desagüe, el agua puede drenarse en este desagüe. Esto evita la necesidad de vaciar el recipiente de agua. No tiene más que separar la manguera superior de su ajuste superior en la parte trasera de la secadora e instalar la manguera que se incluye en el desagüe.

Conexiones eléctricas

Compruebe lo siguiente antes de introducir el enchufe en la toma eléctrica:

- El enchufe debe llevar conexión a tierra.
- El enchufe debe tener la capacidad suficiente para soportar la máxima potencia de los electrodomésticos, lo que se indica en la matrícula (véase *Descripción de la secadora*).
- El voltaje de potencia debe encontrarse dentro de los valores indicados en la matrícula (véase *Descripción de la secadora*).
- La toma debe ser compatible con el enchufe de la secadora. Si este no es el caso, cambie el enchufe o la toma.

! La secadora no debe instalarse en el exterior, incluso si el espacio destinado a estos efectos está resguardado. Puede ser muy peligroso si está expuesta a la lluvia o tormentas.

! Una vez instalada, el cable eléctrico y el enchufe de la secadora deben estar al alcance de la mano.

! No utilice cables alargadores.

! El cable de alimentación no debe estar ni doblado ni torcido.

! Debe comprobarse periódicamente el cable de la fuente de alimentación y cambiarse con un cable especialmente preparado para esta secadora e instalarse únicamente por técnicos autorizados (véase *Servicio*). Los cables de alimentación nuevos o más largos pueden adquirirse adicionalmente de distribuidores autorizados.

! El fabricante declina toda responsabilidad en caso de no seguirse alguna de estas normas.

! En caso de cualquier duda consulte con un electricista cualificado.

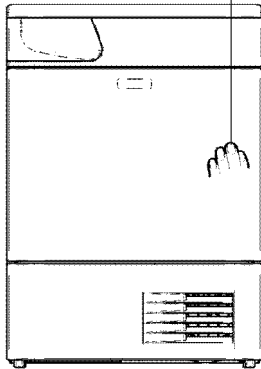
Antes de empezar a utilizar la secadora

Una vez haya instalado la secadora y antes de utilizarla, limpie el interior del tambor para retirar el polvo que haya podido acumularse durante el transporte.

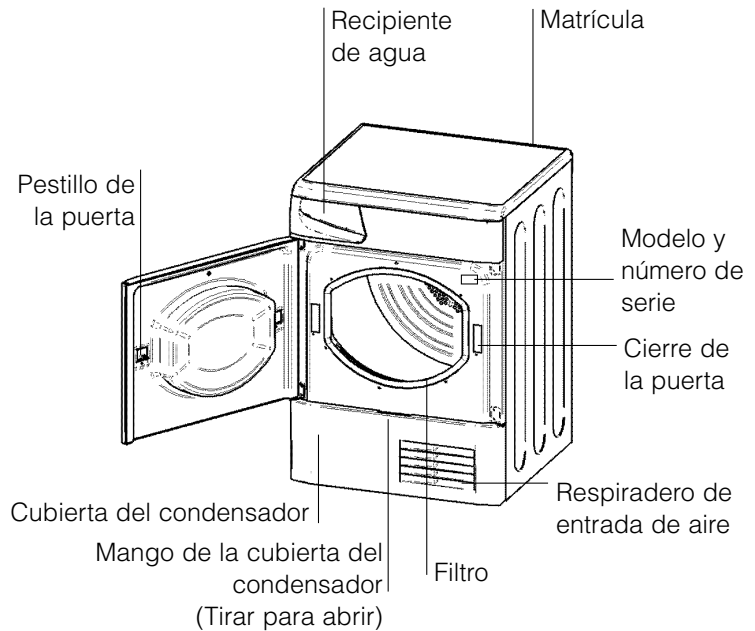
Descripción de la secadora

Para abrir la puerta

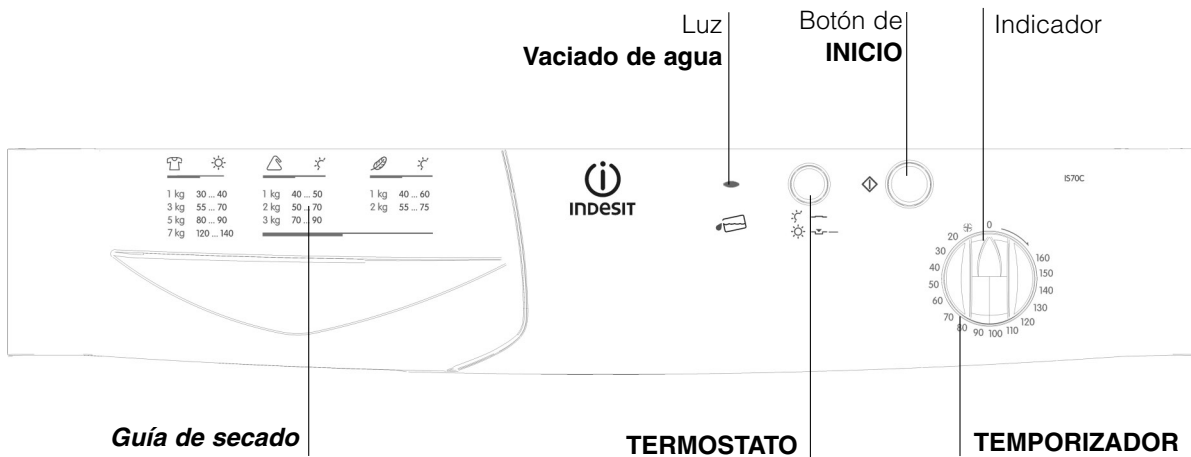
Pulse y suelte el panel delantero en la posición indicada





Características







Panel de control




El botón de **INICIO**  comienza a secar un programa seleccionado (véase *Comienzo y Programas*).

El **TERMOSTATO** selecciona la temperatura de secado (véase *Comienzo y Programas*).
 DENTRO: MUCHO calor 
 FUERA: POCO calor 

La **Guía de secado** le permite consultar una tabla fácil de usar de tipos de tejido y capacidades de carga.

-  Algodón
-  Sintéticos
-  o  Acrílicos y otros tejidos delicados

El indicador de **Vaciado de agua**  indica que el recipiente de agua está lleno y debe vaciarse. La luz tardará unos segundos en apagarse después de reemplazar el recipiente de agua vacío, la secadora debe estar funcionando para que suceda esto.

El **TEMPORIZADOR** establece el tiempo de secado: Hágalo girar hacia la derecha, **nunca hacia la izquierda**, hasta que el indicador señale el tiempo de secado que desea (véase *Comienzo y Programas*).

III
Instalación
Descripción
Comienzo y programas
La colada
Advertencias y recomendaciones
Mantenimiento y cuidados
Resolución de problemas
Servicio

Comienzo y Programas

E

Seleccionar un programa

1. Enchufar la secadora a la toma eléctrica.
2. Clasifique la colada según la clase de tejido (*véase La colada*).
3. Abra la puerta y asegúrese que el filtro está limpio y en posición y que el recipiente de agua está vacío e instalado (*véase Mantenimiento*).
4. Cargue la máquina y asegúrese que no haya ninguna prenda atrapada en el cierre de la puerta. Cierre la puerta.
5. Seleccione el tiempo de secado consultando la tabla de Guía de secado para el tipo de tejido que está secando (*véase La colada*).
 - Ajuste la temperatura con el TERMOSTATO.
 - Seleccione un tiempo de secado, girando el TEMPORIZADOR hacia la derecha.
6. Pulse el botón de INICIO para empezar. Durante el programa de secado, usted puede comprobar la colada y sacar las prendas que ya se han secado mientras el resto continúa secándose. Cuando vuelva a cerrar la puerta, pulse el botón de INICIO a fin de Empezar a secar de nuevo.
7. Aproximadamente 10 minutos antes de que finalice el programa, la secadora realiza una secuencia de SECADO EN FRÍO (los tejidos se enfrían), que siempre debe dejarse que termine.
8. Abra la puerta, saque la ropa, limpie el filtro y vuelva a colocarlo. Vacíe el recipiente de agua y vuelva a instalarlo (*véase Mantenimiento*).
9. Desenchufe la secadora.

Clasificar la colada

- Compruebe los símbolos en las etiquetas de la ropa a fin de asegurar que los artículos pueden secarse con calor.
 - Clasificar la colada por tipo de tejido.
 - Vaciar los bolsillos y comprobar los botones.
 - Cerrar las cremalleras y los corchetes y atar los cinturones y cordones sueltos.
 - Escurra las prendas a fin de eliminar la mayor cantidad de agua como sea posible.
- ¡ No meter ropas muy mojadas en la secadora.

Tamaño máximo de la carga

No cargue más que la capacidad máxima. Estos números se refieren al peso de la ropa en seco:

Fibras naturales: 7 kg máx.

Fibras sintéticas: 3 kg máx.

¡ NO cargar demasiado la secadora ya que esto podría dar como resultado un rendimiento de secado reducido.

Carga típica

Ropa		
Blusa	de algodón	150 g
	Otro	100 g
Vestido	de algodón	500 g
	Otro	350 g
Vaqueros		700 g
10 pañales		1000 g
Camisa	de algodón	300 g
	Otro	200 g
Camiseta		125 g

Artículos domésticos		
Funda de duvet (Doble)	de algodón	1500 g
	Otro	1000 g
Mantel grande		700 g
Mantel pequeño		250 g
Paño de cocina		100 g
Toalla de baño		700 g
Toalla de mano		350 g
Sábana doble		500 g
Sábana individual		350 g

Al final de un ciclo de secado, es posible que las prendas de algodón estén todavía húmedas si agrupó algodones y sintéticos juntos. Si sucediese esto, dele un tiempo corto de secado.

Etiquetas de recomendaciones durante el lavado de la ropa

Lea siempre las etiquetas de la prenda, especialmente cuando se sequen con calor por primera vez. Los símbolos que aparecen a continuación son los más comunes:

- Puede secarse con calor
- No secar con calor
- Secar con calor a una temperatura alta
- Secar con calor a una temperatura baja

Artículos que no son aptos para secarse con calor

- Artículos que contienen goma o materiales similares a la goma o películas plásticas (almohadas, cojines, o prendas impermeables de PVC), cualquier otro artículo inflamable u objetos que contengan sustancias inflamables (toallas manchadas de laca para el cabello).
- Fibras de vidrio (ciertos tipos de cortinas)
- Artículos que se han limpiado en seco
- Artículos con el código ITCL (*véase Prendas especiales*). Éstas pueden limpiarse en casa con productos especiales de limpieza en seco para usar en casa. Siga las instrucciones cuidadosamente.
- Artículos grandes y voluminosos (edredones, sacos de dormir, almohadas, cojines, sobrecamas grandes, etc). Éstos se agrandan cuando se están secando y evitarán el flujo de aire por la secadora.

III
Instalación
Descripción
Comienzo y programas
La colada
Advertencias y recomendaciones
Mantenimiento y cuidados
Resolución de problemas
Servicio

La colada

E

Prendas especiales


Mantas y sobrecamas: Los artículos acrílicos (Acilan, Courtelle, Orion, Dralón) **deben secarse** teniendo especial cuidado y en ajuste POCO calor. Evite secarlos durante mucho tiempo.

Prendas plisadas o arrugadas: lea las instrucciones de secado del fabricante incluidas con la prenda.

Artículos almidonados: no seque estos artículos con otras prendas no almidonadas. Asegúrese que se retira la mayor cantidad posible de la solución de almidón de la carga antes de introducir las prendas en la secadora. No secar demasiado: El almidón puede tener una apariencia polvorienta y dejar la ropa sin vida, lo que hace inútil utilizar almidón.

Tiempos de secado

La tabla que aparece a continuación ofrece tiempos de secado APROXIMADOS en minutos. Los pesos se refieren a prendas secas:

Algodones 						
Mucho (máximo) calor 						
Tiempos de secado a 800-1000 rpm en la lavadora						
		Media carga				Carga entera
1kg	2kg	3kg	4kg	5kg	6kg	7kg
30-40	40-55	55-70	70-80	80-90	95-120	120-140
Sintéticos 						
Poco (suave) calor 						
Tiempos de secado con centrifugado reducido en la lavadora						
		Media carga				Carga entera
1 kg		2 kg				3 kg
40-50		50-70				70-90
Acrílicos 						
Poco (suave) calor 						
Tiempos de secado con centrifugado reducido en la lavadora						
		Media carga				Carga entera
1 kg						2 kg
40-60						55-75

Los tiempos son aproximados y pueden variar dependiendo de:

- La cantidad de agua retenida en la ropa después del ciclo de centrifugado: las toallas y las prendas delicadas retienen mucha agua.
- Tejidos: las prendas del mismo tejido pero con diferente textura y espesor es posible que no tengan los mismos tiempos de secado.
- Cantidad de colada: las prendas sencillas o las cargas pequeñas pueden tardar más tiempo en secarse.
- Sequedad: Si va a planchar algunas de las prendas, puede sacarlas mientras están un poco húmedas. Otras pueden dejarse más tiempo si necesita que se sequen completamente.
- Ajuste de calor.
- Temperatura de la habitación: Si la habitación en la que se ha instalado la secadora es fría, la secadora tardará más tiempo en secar la ropa.
- Volumen: algunos artículos voluminosos pueden secarse con calor teniendo cuidado. Sugerimos que saque estos artículos varias veces, los sacuda y los vuelva a meter en la secadora hasta que finalice el programa.

! No seque la ropa en exceso. Todos los tejidos contienen una cantidad pequeña de humedad natural, lo que los mantiene suaves y huecos.


¡ El electrodoméstico ha sido diseñado y fabricado según las normas internacionales de seguridad. Estas advertencias se ofrecen por razones de seguridad y deben leerse detenidamente.



Este electrodoméstico cumple las siguientes directivas de la CEE:

- 72/23/CEE y 93/68/CEE (Equipos de bajo voltaje)
- 89/336/CEE, 92/31/CEE y 93/68/CEE (Compatibilidad electromagnética)

Seguridad general

- Esta secadora ha sido diseñada para uso doméstico y no profesional.
- Esta secadora debe ser utilizada por personas adultas, y deben seguirse las instrucciones ofrecidas en este manual detenidamente.
- No tocar el electrodoméstico con los pies descalzos o con las manos o pies mojados.
- Desenchufar la máquina tirando del enchufe, no del cable.
- Los niños no deben encontrarse cerca de la secadora mientras se está utilizando. Después de utilizar la secadora, desenchúfela. Mantenga la puerta cerrada a fin de asegurar que los niños no puedan utilizarla como un juguete.
- El electrodoméstico debe instalarse correctamente y disponer de la ventilación adecuada. La entrada de aire en la parte delantera de la secadora y el respiradero trasero, detrás de la secadora, nunca deben estar obstruidos (*véase Instalación*).
- Nunca utilice la secadora sobre alfombras en las que la altura del pelo evitaría que el aire se introdujera en la secadora por la base.
- Compruebe que la secadora esté vacía antes de cargar la colada.
-  La parte de atrás de la secadora puede estar muy caliente. Nunca la toque mientras está funcionando.
- No utilice la secadora a menos que el filtro, el recipiente de agua y el condensador estén correctamente instalados (*véase Mantenimiento*).
- No utilice suavizante en la secadora; añada el suavizante al último aclarado de la lavadora.
- No cargue la secadora demasiado (*véase La colada* para las cargas máximas).
- No cargue prendas que estén muy mojadas.
- Seque las prendas únicamente si se han lavado con detergente y agua, se han aclarado y centrifugado. Existe el peligro de incendio si se secan artículos que NO se han lavado con agua.
- Compruebe detenidamente todas las instrucciones que se ofrecen en las etiquetas de las prendas (*véase La colada*).

- No seque prendas que hayan sido tratadas con productos químicos.
- Nunca seque artículos contaminados con sustancias inflamables (gasolina, aceite, pintura, laca para el cabello, cremas, grasa o aceites de cocina).
- No seque artículos de goma, goma espuma, plástico, espuma plástica, braguitas o forros de pañales, polietileno o papel.
- No seque artículos grandes o muy voluminosos.
- No seque fibras acrílicas a altas temperaturas.
- Complete todos los programas con la fase de secado en frío.
- No desconecte la secadora cuando los artículos en su interior están todavía calientes.
- Limpie el filtro cada vez que use la secadora (*véase Mantenimiento*).
- Vacíe el recipiente de agua después de cada uso (*véase Mantenimiento*).
- Limpie la unidad del condensador después de intervalos periódicos (*véase Mantenimiento*).
- No permita que se acumulen pelusas cerca de la secadora.
- Nunca suba encima de la secadora ya que podría ocasionar daños.
- Siga siempre las normas y los requerimientos eléctricos (*véase Instalación*).
- Compre siempre piezas de repuesto y accesorios originales (*véase Servicio*).

Disposición

- Desechar el material de embalaje: siga las normativas locales, de forma que el embalaje pueda reciclarse.
- Deshacerse de la secadora vieja: corte el cable de alimentación y separe la puerta antes de deshacerse de cualquier secadora vieja.

Ahorro energético y respeto del medio ambiente

- Escurrir las prendas para eliminar el exceso de agua antes de secar con calor (si utiliza una lavadora primero, seleccione un ciclo de centrifugado alto). Hacer esto ahorrará tiempo y energía durante el secado.
- Seque siempre cargas completas – de esta forma ahorrará energía: una sola prenda o las cargas pequeñas tardan más tiempo en secarse.
- Limpie el filtro cada vez que utilice la secadora a fin de reducir el gasto energético (*véase Mantenimiento*).

III
Instalación
Descripción
Comienzo y programas
La colada
Advertencias y recomendaciones
Mantenimiento y cuidados
Resolución de problemas
Servicio

Mantenimiento y cuidados

E

Desconectar la electricidad

¡ Desenchufe la secadora mientras no la esté utilizando, cuando la limpie y durante los trabajos de mantenimiento.

Limpiar el filtro después de cada ciclo

El filtro es una pieza importante de la secadora: acumula las pelusas y los hilos que se forman mientras se seca la ropa. Las prendas pequeñas también pueden quedar atrapadas en el filtro. Cuando termine de secar, por lo tanto, limpie el filtro aclarándolo debajo del grifo o con la aspiradora. Si el filtro se obstruye, el flujo de aire en el interior de la secadora se verá seriamente afectado: los tiempos de secado se alargarán y consumirá más energía. Asimismo, podría ocasionar daños a la secadora.

El filtro se encuentra delante del remate de la secadora (véase el diagrama).

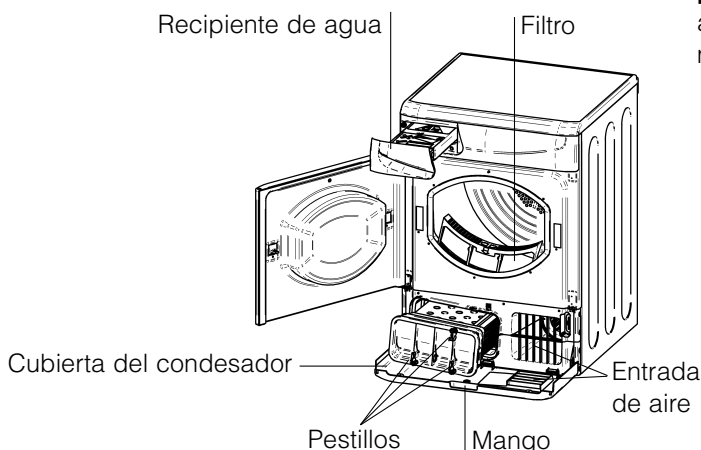
Quitar el filtro:

1. Tire del asa de plástico del filtro hacia arriba (véase el diagrama).
2. Limpie el filtro y vuélvalo a colocar correctamente. Asegúrese que el filtro se ha colocado completamente a ras con el remate de la secadora.

¡ No utilice la secadora sin haber colocado el filtro.

Vaciar el recipiente de agua después de cada ciclo

Extraiga el recipiente de la secadora y vacíelo en un fregadero u otro desagüe apropiado. Vuelva a colocar correctamente el recipiente de agua.



Comprobar el tambor después de cada ciclo

Girar el tambor manualmente para retirar las prendas pequeñas (pañuelos) que pudieran dejarse atrás.

Limpiar la unidad del condensador

Periódicamente (cada mes) retire la unidad del condensador y limpie la acumulación de pelusas de entre las placas, aclarándolo debajo del grifo de agua fría. Esto debe hacerse con agua fría desde la parte trasera del condensador.

Quitar el condensador:

1. Desenchufe la secadora y abra la puerta.
2. Abra la cubierta del condensador (véase el diagrama). Suelte los tres pestillos haciéndolos girar 90° grados hacia la derecha y tirando del mango para separarlo de la secadora.
3. Limpie la superficie de los cierres y vuélvalo a instalar, asegurándose que los cierres estén seguros.

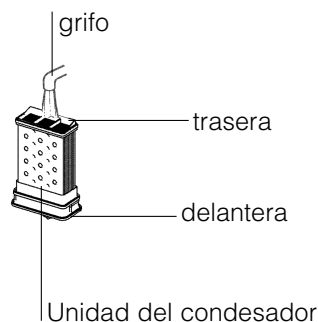
Limpieza

- Las piezas externas de metal, plástico o goma pueden limpiarse con un paño húmedo.
- De forma periódica (cada 6 meses) se recomienda pasar el aspirador por la entrada de aire frontal y de ventilación trasera para eliminar cualquier acumulación de pelusa o polvo. También es aconsejable pasar el aspirador en la parte delantera donde se ubica el condensador y los filtros para eliminar cualquier acumulación de pelusas.

¡ No utilice disolventes ni abrasivos.

¡ La secadora utiliza cojinetes de componentes especiales que no necesitan lubricarse.

¡ Revise la secadora periódicamente por técnicos autorizados a fin de asegurar la seguridad eléctrica y mecánica de la misma (véase Servicio).



Si un día la secadora deja de funcionar. Antes de llamar al Centro de Servicio Técnico (*véase Servicio*), realice las siguientes comprobaciones:

Problema:

La secadora no se pone en marcha.

Posibles causas / Solución:

- El enchufe no está enchufado en la toma, o no hace contacto.
- Ha habido un fallo de potencia.
- El fusible se ha fundido. Pruebe a enchufar otro electrodoméstico en la toma.
- ¿Está utilizando un cable alargador? Pruebe enchufar el cable de alimentación directamente en la toma.
- ¿Está la puerta bien cerrada?
- El TEMPORIZADOR no se ha ajustado correctamente (*véase Comienzo y Programas*).
- No se ha pulsado el botón de INICIO (*véase Comienzo y Programas*).

Tarda mucho tiempo en secar.

- No se ha limpiado el filtro (*véase Mantenimiento*).
- El ajuste de temperatura no es ideal para el tipo de tejido que está secando (*véase Comienzo y Programas, y véase La colada*).
- ¿Necesita vaciar el recipiente de agua? ¿Está encendida la luz de vaciado de agua? (*véase Mantenimiento*).
- ¿Necesita limpiar el condensador? (*véase Mantenimiento*).
- No se ha seleccionado el tiempo de secado correcto para la carga (*véase La colada*).
- La rejilla de la entrada de aire o los respiraderos traseros están obstruidos (*véase Instalación, y véase Maintenance*).
- Las prendas no estaban mojadas (*véase La colada*).
- La secadora está demasiado cargada (*véase La colada*).

III
Instalación
Descripción
Comienzo y programas
La colada
Advertencias y recomendaciones
Mantenimiento y cuidados
Resolución de problemas
Servicio

Antes de llamar al centro de servicio técnico:

- Utilice la guía de resolución de problemas para ver si puede resolver el problema usted mismo (*véase Resolución de problemas*).
- Si no es así, desconecte la secadora y llame al Centro de servicio técnico más cercano.

Qué información debe facilitar al centro de servicio técnico:

- nombre, dirección y código postal.
- número de teléfono.
- el problema.
- la fecha de compra.
- el modelo del electrodoméstico (Mod.).
- el número de serie (N/S).

Esta información puede encontrarse en la placa identificativa en el interior de la puerta de la máquina.

Piezas de repuesto

Esta secadora es una máquina compleja. Si intenta repararla usted mismo o una persona no autorizada puede ocasionar daños a la secadora, además de invalidar la garantía de piezas de repuesto. Llame a un técnico autorizado si experimenta algún problema cuando utilice la máquina. Las piezas de repuesto han sido exclusivamente diseñadas para este electrodoméstico y no para ningún otro uso.

Folheto de instruções

MÁQUINA DE SECAR ROUPA

P

GB

English, 1

I

Italiano, 11

F

Français, 21

D

Deutsch, 31

E

Español, 41

P

Português, 51

NL

Nederlands, 61

A

Arabic, 80

IS70C

Índice

Instalação, 52

Instruções de inversão da porta
Onde colocar a sua máquina de secar roupa
Ventilação
Drenagem da água
Ligação eléctricas
Antes de iniciar a utilização da sua máquina de secar roupa

Descrição da máquina, 53

Para abrir a porta
Características
Painel de controlo

Arranque e programas, 54

Escolher um programa

Roupa, 55-56

Escolher a sua roupa
Etiquetas de cuidado na lavagem
Peças delicadas
Tempos de secagem

Avisos e Sugestões, 57

Segurança geral
Eliminação
Poupança de energia e respeito pelo ambiente

Manutenção e cuidado, 58

Desligar a electricidade
Limpar o filtro depois de cada ciclo
Esvazie o recipiente de água após cada ciclo
Verificar o tambor depois de cada ciclo
Limpar a unidade do condensador
Limpar a máquina

Resolução de problemas, 59

Reparações, 60

Peças sobressalentes

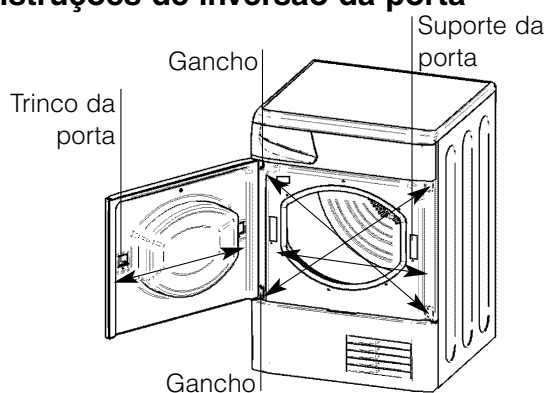
Instalação

P

! Tenha este folheto de instruções à mão para consultá-lo sempre que necessário. Leve-o consigo se mudar de casa e, caso venda este aparelho, passe o folheto ao novo proprietário, de modo a certificar-se de que este folheto permanece com o equipamento e de que o novo proprietário pode estar informado acerca dos avisos e sugestões sobre o respectivo funcionamento.

! Leia cuidadosamente as instruções; as páginas que se seguem contêm informações importantes acerca da instalação, bem como sugestões sobre o funcionamento da máquina.

Instruções de inversão da porta



A porta da sua secadora é reversível e pode mudar-se facilmente. Mude o suportes de trinco na diagonal e os parafusos. Mude o trinco da porta e fechadura com as placas de paragem opostas (*ver diagrama acima*).

Onde colocar a sua máquina

- Instale a sua máquina a alguma distância de ligações de gás, fogões, aquecedores e placas de cozinha, uma vez que as chamas podem danificar o aparelho.
- Se pretende instalar o aparelho por baixo de uma bancada ou de um balcão, não se esqueça de deixar um espaço de 10 mm entre a bancada e quaisquer objectos ou acima do tampo da máquina e um espaço de 15 mm entre as partes laterais da máquina e mobiliário ou paredes. Assegura assim a correcta circulação do ar. Certifique-se de que as ventilações posteriores não ficam obstruídas.

Ventilação

Quando a secadora estiver em utilização, tem de existir uma ventilação adequada. Certifique-se de que coloca a sua máquina num ambiente que não seja húmido e de que existe uma ventilação adequada. O fluxo de ar em torno da secadora é essencial para condensar a água produzida durante a lavagem; a secadora não funciona em perfeitas condições se encerrada no espaço fechado ou armário.

! Se utilizar a secadora numa sala pequena e fria, pode gerar-se alguma condensação.

Drenagem da água

Se a sua secadora estiver instalada junto a um ponto de canalização, a água pode ser canalizada para este sistema. Isto afasta a necessidade de esvaziar o recipiente de água. Basta remover a mangueira superior do seu encaixe superior, no painel traseiro da secadora e ligar a mangueira fornecida para a drenagem.

Ligações eléctricas

Certifique-se do seguinte antes de introduzir a ficha numa tomada de corrente eléctrica:

- A tomada tem de ter ligação à terra.
- A tomada deve ter capacidade para sustentar a potência máxima de máquinas, que está indicada na chapa de classificação (*ver Descrição da máquina de secar*).
- A tensão deve encontrar-se dentro dos valores indicados na chapa de classificação (*ver Descrição da máquina de secar*).
- A tomada deve ser compatível com a ficha da máquina. Se não for este o caso, substitua a ficha ou a tomada.

! A secadora não deve ser instalada ao ar livre, mesmo que seja num espaço abrigado. Pode ser extremamente perigosa a exposição à chuva ou tempestades.

! Depois de instalada, a cablagem eléctrica e ficha da máquina deve estar facilmente alcançável.

! Não utilize cabos de extensão.

! O cabo de alimentação não deve ser dobrado ou pisado.

! O fio de alimentação eléctrica deve ser verificado periodicamente e substituído por um fio preparado especialmente para esta secadora, apenas por técnicos autorizados (*ver Reparções*). Fios de alimentação novos ou mais longos são fornecidos sem custos adicionais por representantes autorizados.

! O fabricante recusa qualquer responsabilidade caso estas regras não seja seguidas.

! Se tiver dúvidas sobre o mencionado acima consulte um electricista qualificado.

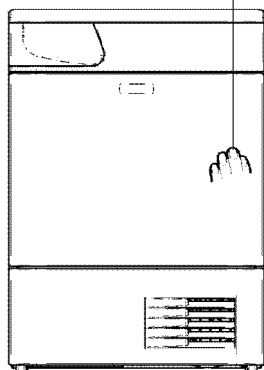
Antes de iniciar a utilização da sua máquina de secar roupa

Depois de instalar a sua máquina e antes de iniciar a sua utilização, limpe o interior do tambor para remover qualquer pó que se tenha acumulado durante o transporte.

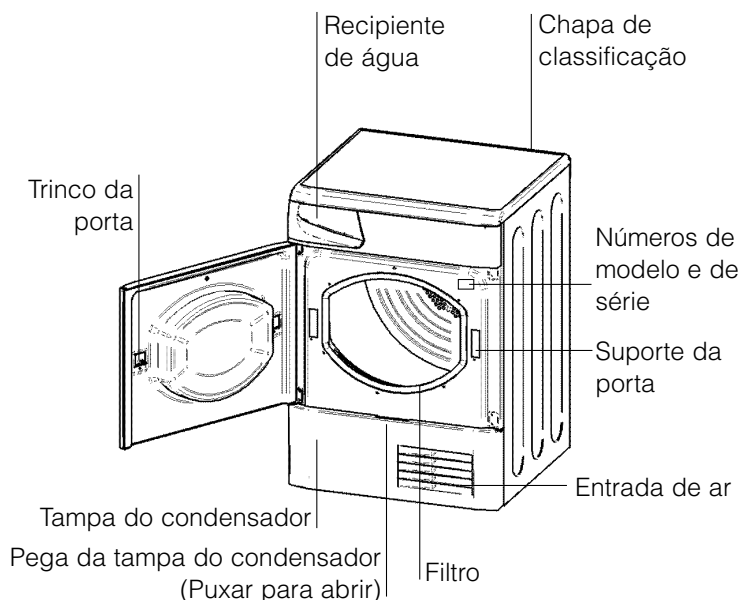
Descrição da máquina de secar

Para abrir a porta

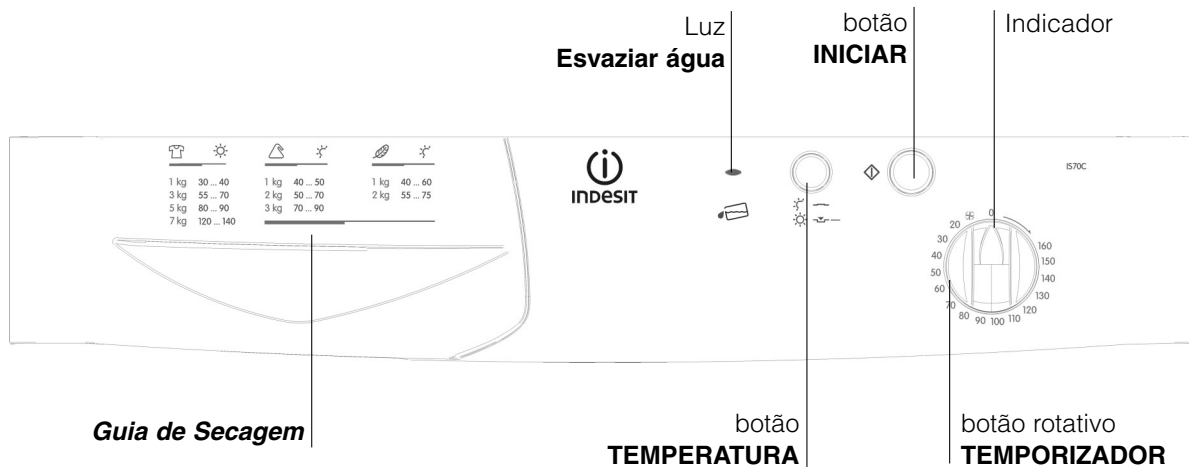
Pressione e liberte o painel frontal na posição apresentada



Características



Painel de controlo



O botão **INICIAR** inicia a secagem num programa seleccionado (ver *Arranque e Programas*).

O botão **TEMPERATURA** selecciona a temperatura de secagem (ver *Arranque e Programas*).
 PARA DENTRO: Temperatura ELEVADA
 PARA FORA: Temperatura BAIXA

O **Guia de Secagem** permite a consulta de uma tabela de utilização fácil, com a descrição dos tipos de tecidos e as capacidades de carga.

- Algodão
- Sintéticos
- ou Acrílicos e outras peças delicadas

A luz indicadora **Esvaziar água** indica que o recipiente de água está cheio e deve ser esvaziado. A luz demora alguns segundos a apagar-se depois de colocar novamente o recipiente de água vazio e, para que a luz se apague, a secadora deve estar em funcionamento.

O botão **TEMPORIZADOR** define um tempo de secagem: rode-o da esquerda para a direita e **nunca da direita para a esquerda**, até que o indicador esteja a apontar para o tempo que pretende seleccionar (ver *Arranque e Programas*).

1

Instalação

Descrição

Arranque e programas

Roupa

Avisos e sugestões

Manutenção e cuidado

Resolução de problemas

Reparações

Arranque e Programas

P

Escolher um programa

1. Ligue a secadora a uma tomada de corrente eléctrica.
2. Escolha a sua roupa de acordo com o tipo de tecido (*ver Roupa*).
3. Abra a porta e certifique-se de que o filtro está limpo e bem colocado e de que o recipiente da água está vazio e na respectiva posição (*ver Manutenção*).
4. Carregue a máquina e certifique-se de que nenhuma peça fica presa no fecho da porta. Feche a porta.
5. Escolha o tempo de secagem, consultando a tabela do Guia de Secagem para verificar o tipo de material que está a secar (*ver Roupa*).
 - Defina a temperatura com o botão TEMPERATURA.
 - Selecciona um tempo de secagem, rodando o botão TEMPORIZADOR da esquerda para a direita.
6. Pressione o botão INICIAR para começar. Durante o programa de secagem, pode verificar a sua roupa e retirar peças que já estejam secas enquanto as restantes continuam a secar. Quando fechar novamente a porta, prima o botão INICIAR de modo a retomar a secagem.
7. Cerca de 10 minutos antes do programa estar concluído, entra na fase de ROTAÇÃO A FRIO (os tecidos são arrefecidos), que deve ser sempre concluída.
8. Abra a porta, retire a roupa, limpe o filtro e coloque-o novamente. Esvazie o recipiente de água e coloque-o novamente (*ver Manutenção*).
9. Desligue a secadora.

Escolher a sua roupa

- Consulte os símbolos nas etiquetas das roupas, de modo a certificar-se de que os artigos podem ser utilizados na secadora.
- Escolha a roupa por tipo de tecido.
- Esvazie os bolsos e verifique os botões.
- Feche os fechos de correr e desaperte cintos e correias.
- Torça cada peça de modo a eliminar o máximo de água possível.

! Não carregue peças a pingar na secadora.

Carga máxima

Não carregue mais do que a capacidade máxima.

Estes números referem-se ao peso em seco:

Fibras naturais: 7 kg máx.

Fibras sintéticas: 3 kg máx.

! NÃO sobrecarregue a máquina, uma vez que pode resultar num desempenho de secagem reduzido.

Carga típica





Roupas		
Blusa	de algodão	150 g
	Outros	100 g
Vestido	de algodão	500 g
	Outros	350 g
Calças de ganga		700 g
10 fraldas		1000 g
Camisa	de algodão	300 g
	Outros	200 g
T-Shirt		125 g

Peças domésticas		
Capa de edredão em (Duplo)	algodão	1500 g
	Outros	1000 g
Toalha de mesa grande		700 g
Toalha de mesa pequena		250 g
Pano de cozinha		100 g
Toalhão de banho		700 g
Toalha de rosto		350 g
Lençol de banho		500 g
Lençol (solteiro)		350 g


No fim de um ciclo de secagem, os algodões ainda devem estar húmidos caso tenha agrupado algodões e sintéticos. Se isto acontecer, basta aplicar mais um breve período de secagem.

Etiquetas de cuidado na lavagem

Observe as etiquetas nas suas peças de roupa, especialmente se está a utilizar a secadora pela primeira vez. Os símbolos que se seguem são os mais comuns:

-  Pode ser seco na máquina
-  **Não** pode ser seco na máquina
-  Seque com a temperatura máxima
-  Seque com a temperatura mínima

Peças não adequadas para secagem na máquina

- Artigos que contenham borracha ou materiais tipo borracha ou películas de plástico (almofadas ou material em PVC), quaisquer artigos inflamáveis ou objectos que contenham substâncias inflamáveis (toalhas vaporizadas com laca de cabelo).
- Fibras de vidro (alguns tipos de reposteiros)
- Artigos que tenham sido limpos a seco
- Itens com o código ITCL  (*ver Peças delicadas*). Podem ser limpos com produtos de limpeza a seco domésticos. Siga as instruções cuidadosamente.
- Peças volumosas (colchas, sacos-cama, almofadas, cobertas grandes, etc). Estes artigos expandem-se e podem impedir o fluxo de ar no interior da secadora.

1

Instalação

Descrição

Arranque e programas

Roupa

Avisos e Sugestões

Manutenção e cuidado

Resolução de problemas

Reparações

Roupa

P

Peças delicadas


Cobertores e cobertas de cama: artigos em acrílico (Acilan, Courtelle, Orion, Dralon) **devem ser secos** com especial cuidado com um TEMPERATURA BAIXA. Evite secar por um longo período de tempo.

Peças pregueadas ou enrugadas: leia as instruções de secagem do fabricante da peça.

Artigos com goma: não seque estes artigos com peças sem goma. Certifique-se de que retira o máximo da solução de goma da carga antes de colocá-la na secadora. Não seque em demasiado: a goma transforma-se em pó e deixa a sua roupa mole, eliminando o propósito da goma.

Tempos de secagem

O quadro que se segue apresenta os tempos de secagem APROXIMADOS em minutos. Os pesos referem-se a artigos secos:

Algodões 						
Temperatura Máxima 						
Tempos de secagem de 800-1000rpm na máquina de lavar						
		Metade da carga				Carga completa
1kg	2kg	3kg	4kg	5kg	6kg	7kg
30-40	40-55	55-70	70-80	80-90	95-120	120-140
Sintéticos 						
Temperatura Baixa (suave) 						
Tempos de secagem em centrifugação reduzida na máquina de lavar						
		Metade da carga				Carga completa
1kg		2kg				3kg
40-50		50-70				70-90
Acrílicos 						
Temperatura Baixa (suave) 						
Tempos de secagem em centrifugação reduzida na máquina de lavar						
		Metade da carga				Carga completa
1kg						2kg
40-60						55-75

Estes tempos são aproximados e podem variar dependendo de:


- Quantidade de água mantida nas roupas após o ciclo de centrifugação: as toalhas e peças delicadas retêm muita água.
- Tecidos: artigos que sejam do mesmo tipo de tecido, mas que sejam de texturas e espessuras diferentes poderão não ter o mesmo tempo de secagem.
- Quantidade de roupa: artigos únicos ou pequenas cargas podem demorar mais tempo a secar.
- Secagem: Se pretender engomar algumas das suas roupas, podem ser retiradas da máquina ainda um pouco húmidas. As restantes poderão ficar mais tempo, se precisar delas completamente secas.
- Definição de temperatura.
- Temperatura ambiente: se o espaço em que a máquina está instalada estiver frio, poderá demorar mais tempo a secar as suas roupas.
- Volumes: alguns artigos mais volumosos devem ser secos na máquina com cuidado. Sugerimos que remova estes artigos várias vezes, sacuda-os e volte a colocá-los na máquina até que estejam completamente secos.

! Não seque em demasiado as suas roupas. Todos os tecidos contêm um pouco de humidade natural, que os mantêm suaves e macios.

! O equipamento foi concebido e construído de acordo com normas de segurança internacionais. Estes avisos são apresentados por razões de segurança e devem ser lidos cuidadosamente.

CE Este equipamento está em conformidade com as seguintes directivas da UE:
 - 72/23/EEC e 93/68/EEC (Equipamento de Baixa Tensão)
 - 89/336/EEC, 92/31/EEC e 93/68/EEC (Compatibilidade Electromagnética)

Segurança Geral

- Esta secadora foi concebida para utilização doméstica e não utilização profissional.
- Esta secadora deve utilizada por adultos e as instruções deste folheto devem ser seguidas cuidadosamente.
- Não toque no equipamento com os pés descalços, nem com as mãos ou pés molhados.
- Desligue a máquina retirando a ficha e não puxando o fio.
- As crianças não devem aproximar-se da secadora durante a sua utilização. Depois da utilização da secadora, desligue-a no botão e da corrente eléctrica. Mantenha a porta fechada de modo que as crianças não utilizem a máquina como um brinquedo.
- O aparelho deve ser instalado correctamente com a ventilação adequada. A entrada de ar no painel frontal e a ventilação posterior por trás da secadora nunca devem estar obstruídos (*ver Instalação*).
- Nunca utilize a secadora em carpetes, cuja altura impeça o ar de entrar na secadora a partir da base.
- Verifique se a secadora está vazia antes de carregá-la.
-  O painel traseiro da secadora pode ficar muito quente. Nunca toque neste painel durante a utilização.
- Não utilize a secadora sem que o filtro, o recipiente de água e o condensador estejam seguramente afixados nas respectivas posições (*ver Manutenção*).
- Não utilize amaciador líquido na sua máquina de secar; adicione-o ao enxaguamento final da sua máquina de lavar.
- Não sobrecarregue a secadora (*ver Roupa* para além das cargas máximas).
- Não carregue peças que estejam a pingar.
- Seque apenas artigos que tenham sido lavados com água e detergente, enxaguados e centrifugados. Existe um risco de incêndio se secar peças que NÃO tenham sido lavadas com água.
- Verifique cuidadosamente todas as instruções nas etiquetas das roupas (*ver Roupa*).
- Não seque peças de vestuário que tenham sido tratadas com produtos químicos.

- Nunca seque artigos que tenham sido contaminados com substâncias inflamáveis (petróleo, óleo, tinta, laca de cabelo, cremes, gordura de cozinha, etc.).
- Não seque borracha, espuma, plástico, fraldas descartáveis, políteno ou papel.
- Não seque artigos grandes e muito volumosos.
- Não seque fibras acrílicas a altas temperaturas.
- Complete cada programa com a respectiva Fase de rotação a frio.
- Não desligue a máquina quando ainda existirem artigos quentes no interior.
- Limpe o filtro após cada utilização (*ver Manutenção*).
- Esvazie o recipiente de água e coloque-o novamente (*ver Manutenção*).
- Limpe a unidade do condensador após intervalos regulares (*ver Manutenção*).
- Não permita a acumulação de resíduos na secadora.
- Nunca suba para cima da secadora. Pode resultar em ferimentos.
- Siga sempre as normas e requisitos eléctricos (*ver Instalação*).
- Compre sempre peças sobressalentes e acessórios originais (*ver Reparação*).

Eliminação

- Eliminação do material da embalagem: siga os regulamentos locais, de modo que a embalagem possa ser reciclada.
- Eliminação da sua velha máquina de secar: corte o fio de alimentação e retire a porta antes de eliminar a sua máquina de secar antiga.

Poupar energia e respeitar o ambiente

- Torça as peças de vestuário para eliminar o excesso de água antes de colocá-las na máquina de secar (se primeiro utilizar uma máquina de lavar, seleccione um ciclo de centrifugação elevado). Ao fazer isto, poupa tempo e energia durante a secagem.
- Seque sempre com cargas completas – assim, poupa energia: artigos únicos ou pequenas cargas podem demorar mais tempo a secar.
- Limpe o filtro após cada utilização para cortar nos custos de consumo de energia (*ver Manutenção*).

P

Instalação

Descrição

Arranque e programas

Roupa

Avisos e Sugestões

Manutenção e cuidado

Resolução de problemas

Reparações

Manutenção e Cuidado

P

Desligar a electricidade

! Desligue a secadora quando não estiver em utilização, durante tarefas de limpeza e durante todas as operações de manutenção.

Limpar o filtro depois de cada ciclo

O filtro é uma parte importante da sua secadora: acumula restos de fibras e resíduos que se formam durante a secagem. Pequenos objectos também podem ficar presos no filtro. Assim, após a secagem, limpe o filtro, lavando-o debaixo de água corrente ou limpe com o seu aspirador. Caso o filtro fique entupido, o fluxo de ar no interior da secadora fica seriamente comprometido: os tempos de secagem prolongam-se e consome mais energia. Também pode danificar a sua secadora.

O filtro encontra-se na grelha frontal da secadora (*ver diagrama*).

Remoção do filtro:

1. Puxe a pega de plástico do filtro para cima (*ver diagrama*).
2. Limpe o filtro e coloque-o novamente correctamente.
Certifique-se de que o filtro está completamente encaixado na grelha da máquina.

! Não utilize a máquina sem colocar novamente o filtro..

Esvazie o recipiente de água após cada ciclo

Puxe o recipiente para fora da secadora e esvazie-o num local adequado.

Coloque novamente o recipiente de água de forma segura.

Verificar o tambor depois de cada ciclo

Rode o tambor manualmente, de modo a remover pequenos objectos (lenços) que podem ter ficado na máquina.

Limpar a unidade do condensador

Periodicamente (todos os meses), retire a unidade do condensador e limpe qualquer acumulação de algodão que se encontre entre as placas, enxaguando por baixo de água corrente fria. Este procedimento deve ser concluído com água fria a partir da parte traseira do condensador.

Remoção do condensador:

1. Desligue a secadora e abra a porta.
2. Abra a tampa do condensador (*ver diagrama*).
Solte os três suportes, rodando-os da direita para a esquerda a 90° e, em seguida, puxando a pega para removê-los da secadora.
3. Limpe a superfície dos vedantes e coloque novamente, certificando-se de que os suportes estão bem fixos.

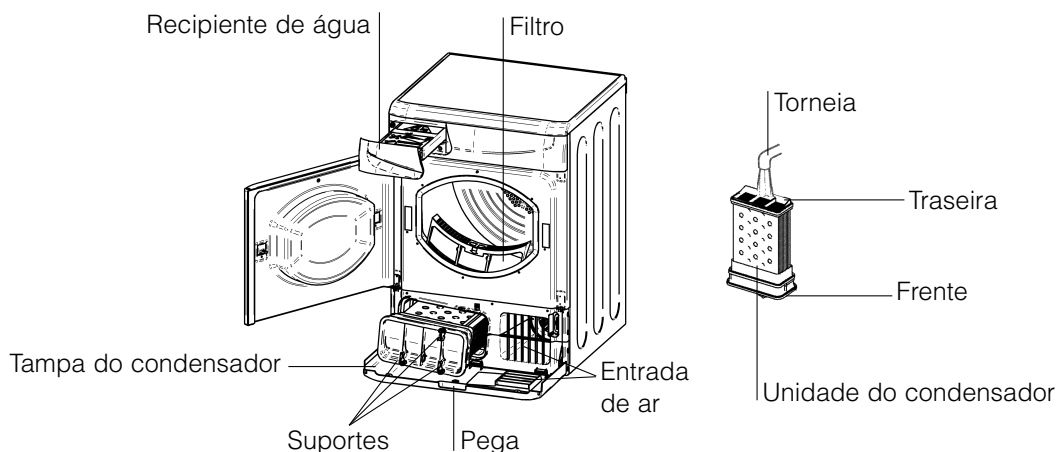
Limpeza

- As partes externas de metal ou em plástico e borracha podem ser limpas com um pano húmido.
- Periodicamente (de 6 em 6 meses), aspire a grelha da entrada de ar frontal e as ventilações da parte posterior da secadora para retirar qualquer acumulação de algodão, linho ou pó. Remova também a acumulação de algodão da parte frontal do condensador e áreas dos filtros e limpe ocasionalmente com um aspirador.

! Não utilize solventes nem produtos abrasivos.

! A sua secadora utiliza componentes de rolamentos especiais que não necessitam de lubrificação.

! Verifique a sua secadora regularmente por técnicos autorizados, de modo a certificar-se da segurança eléctrica e mecânica (*ver Reparação*).



Um dia a sua máquina parece não querer funcionar. Antes de contactar o seu Centro de Serviços (*ver Reparação*), analise as seguintes sugestões de resolução de problemas:

Problema:

Causas possíveis / Solução:

A secadora não inicia.

- A ficha não está ligada à tomada, ou não está a fazer contacto.
- Ocorreu uma falha de energia.
- Há um fusível queimado. Experimente ligar outro aparelho à tomada.
- Está a utilizar um cabo de extensão? Experimente ligar o fio de alimentação da secadora directamente à tomada.
- A porta está bem fechada?
- O botão TEMPORIZADOR não foi posicionado correctamente (*ver Arranque e Programas*).
- O botão INICIAR não foi posicionado correctamente (*ver Arranque e Programas*).

Demora muito tempo a secar

- O filtro não foi limpo (*ver Manutenção*).
- A definição de temperatura não é ideal para o tipo de tecido que está a secar (*ver Arranque e Programas, e ver Roupa*).
- O recipiente de água tem de ser esvaziado? A luz de esvaziar água está acesa? (*ver Manutenção*).
- O condensador tem de ser limpo? (*ver Manutenção*).
- O tempo de secagem correcto não foi seleccionado para a carga (*ver Roupa*).
- A grelha de entrada de ar ou as grelhas traseiras estão obstruídas (*ver Instalação, e ver Manutenção*).
- As peças estavam demasiado molhadas (*ver Roupa*).
- A secadora foi sobrecarregada (*ver Roupa*).

2
Instalação
Descrição
Arranque e programas
Roupa
Avisos e sugestões
Manutenção e cuidado
Resolução de problemas
Reparações

Antes de contactar o Centro de Serviços:

- Utilize o guia de resolução de problemas para ver se consegue resolver o problema (*ver Resolução de problemas*).
- Caso contrário, desligue a secadora e contacte o Centro de Serviço mais próximo.

O que dizer ao Centro de Serviço:

- nome, morada e código postal.
- número de telefone.
- o tipo de problema.
- a data de compra.
- o modelo do aparelho (Mod.).
- o número de série (S/N).

Estas informações podem ser encontradas na etiqueta de dados, no interior da porta da máquina.

Peças sobressalentes

Esta secadora é uma máquina complexa. Repará-la sozinha ou através de um técnico não autorizado pode provocar danos a uma ou mais pessoas, pode danificar a máquina e pode invalidar a garantia das peças sobressalentes. Contacte um técnico autorizado se tiver problemas durante a utilização da máquina. As peças sobressalentes foram concebidas exclusivamente para este equipamento e não se destinam a outras utilizações.

GB

English, 1

I

Italiano, 11

F

Français, 21

D

Deutsch, 31

E

Español, 41

P

Português, 51

NL**Nederlands, 61****A**

Arabic, 80

IS70C

Inhoud

Installatie, 62

Het omdraaien van de deur
Het plaatsen van de droogautomaat
Ventilatie
Waterafvoer
Elektrische aansluitingen
Voor het eerste gebruik van de droger

Beschrijving van de droogautomaat, 63

Het openen van de deur
Kenmerken
Bedieningspaneel

Start en programma's, 64

Een programma kiezen

Wasgoed, 65-66

Het wasgoed sorteren
Droogsymbolen
Speciaal wasgoed
Droogtijden

Veiligheidsinstructies en waarschuwingen, 67

Algemene veiligheid
Afdanken van het apparaat
Energiebesparing en respect voor het milieu

Reiniging en onderhoud, 68

Haal de stekker uit het stopcontact
Reinig het pluizenfilter na elk gebruik
Leeg de waterbak na elk gebruik
Controleer de trommel na elk gebruik
Her reinigen van de condenseenheid
Het reinigen van de droger

Problemen oplossen, 69

Technische dienst, 70

Reserveonderdelen

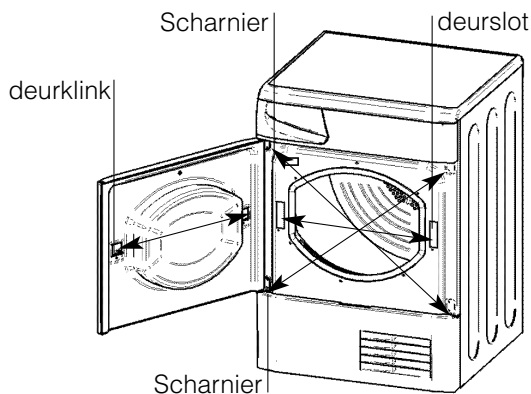
Installatie

NL

! Bewaar deze gebruiksaanwijzing zodat u haar indien nodig kunt raadplegen. Neem de gebruiksaanwijzing mee als u verhuist en mocht u dit apparaat verkopen of aan iemand anders geven, geef dit boekje er dan bij, zodat de volgende eigenaar ook kennis kan nemen van de veiligheidsvoorschriften en aanbevelingen voor gebruik.

! Lees de instructies aandachtig door; op de volgende bladzijden vindt u belangrijke informatie over de installatie en aanbevelingen voor het gebruik van het apparaat.

Het omdraaien van de deur



Het is eenvoudig om de deur van uw droger om te draaien. Verplaats de scharnieren en afdekschroeven diagonaal, zoals op de tekening aangegeven. Verwissel het deurklink en het deurslot met de afdekschroeven van de andere kant van de deur (*zie tekening*).

Het plaatsen van de droogautomaat

- Plaats de droogautomaat op voldoende afstand van uw gasfornuis, kachel, verwarming of gasstel; vlammen kunnen schade toebrengen aan het apparaat.
- Als u het apparaat onder een werkblad wilt plaatsen, zorg er dan voor dat er tussen de onderkant van het werkblad en eventuele andere voorwerpen op of boven de machine een spleet van 10 mm zit en laat minstens 15 mm ruimte vrij tussen de zijanten van de machine en zijwanden of muren. Zo kan er voldoende lucht circuleren. Zorg dat er niets voor de afvoeropeningen aan de achterkant zit.

Ventilatie

Als de droger in gebruik is, dient er voldoende ventilatie te zijn. Plaats de droger niet in een vochtige ruimte en zorg ervoor dat er voldoende lucht kan circuleren. Om het water wat tijdens het wassen gebruikt wordt te laten condenseren, is het zeer belangrijk dat er voldoende luchtstroom is rondom de droger. In een afgesloten ruimte of kast werkt de droger niet efficiënt.

! Als de droger in een kleine of koude ruimte geplaatst wordt, kan er condensatie plaatsvinden.

Waterafvoer

Als de droger naast een afvoer geplaatst wordt, kan deze voor het water gebruikt worden. U hoeft de waterbak dan niet te legen. Verwijder hiertoe de bovenste slang van de achterkant van de droger en sluit de slang aan op de afvoer.

Elektrische aansluitingen

Controleer de volgende punten voor u de stekker in het stopcontact steekt.

- Het stopcontact moet geaard zijn.
- Het stopcontact moet geschikt zijn voor de maximale stroom van het apparaat; deze wordt aangegeven op het typeplaatje (*zie Beschrijving van de droogautomaat*).
- Het voltage moet zich binnen de waarden bevinden die op het typeplaatje zijn vermeld (*zie Beschrijving van de droogautomaat*).
- Het stopcontact moet geschikt zijn voor de stekker van de droogautomaat. Als dit niet het geval is, dient de stekker of het stopcontact te worden vervangen.

! De droger mag niet buiten geplaatst worden, zelfs niet als de plaats overdekt is. Het is zeer gevaarlijk om het apparaat aan regen of storm bloot te stellen.

! De stroomkabel en de stekker moeten zich na de installatie binnen handbereik bevinden.

! Gebruik geen verlengsnoeren.

! De stroomkabel mag niet worden gebogen of platgedrukt.

! De stroomkabel dient periodiek gecontroleerd te worden en mag alleen door erkende vakmensen worden vervangen door een kabel die geschikt is voor deze droger (*zie Technische dienst*). Nieuwe of langere stroomkabels zijn tegen extra kosten verkrijgbaar bij erkende dealers.

! De fabrikant stelt zich niet aansprakelijk als deze regels niet worden nageleefd.

! Als u niet zeker bent over de hierbovenvermelde informatie raden wij u aan contact op te nemen met een bevoegd elektricien.

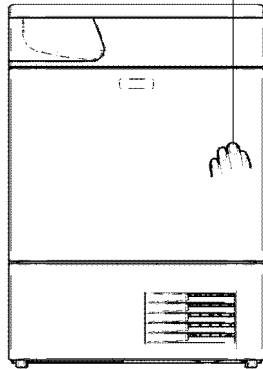
Voor het eerste gebruik

Na het installeren van de droger en voor het eerste gebruik dient de binnenkant van de trommel te worden schoongemaakt om eventueel stof dat door het transport is ontstaan te verwijderen.

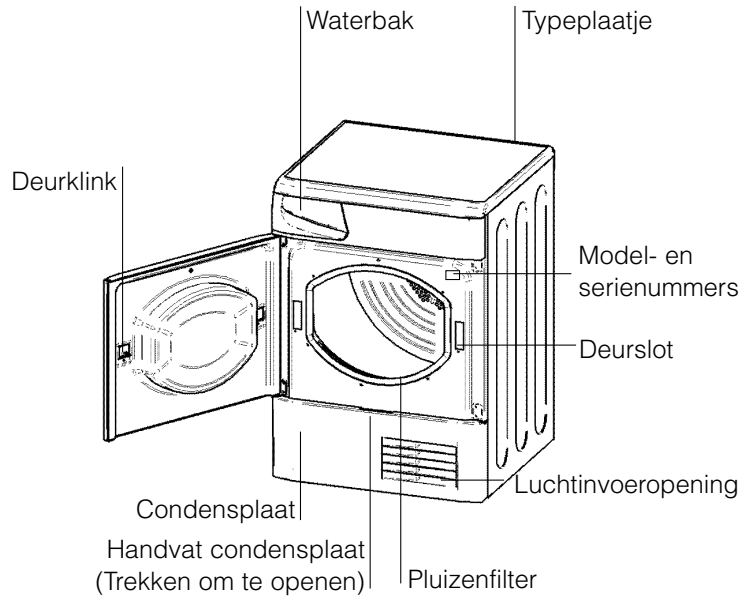
Beschrijving van de droogautomaat

Het openen van de deur

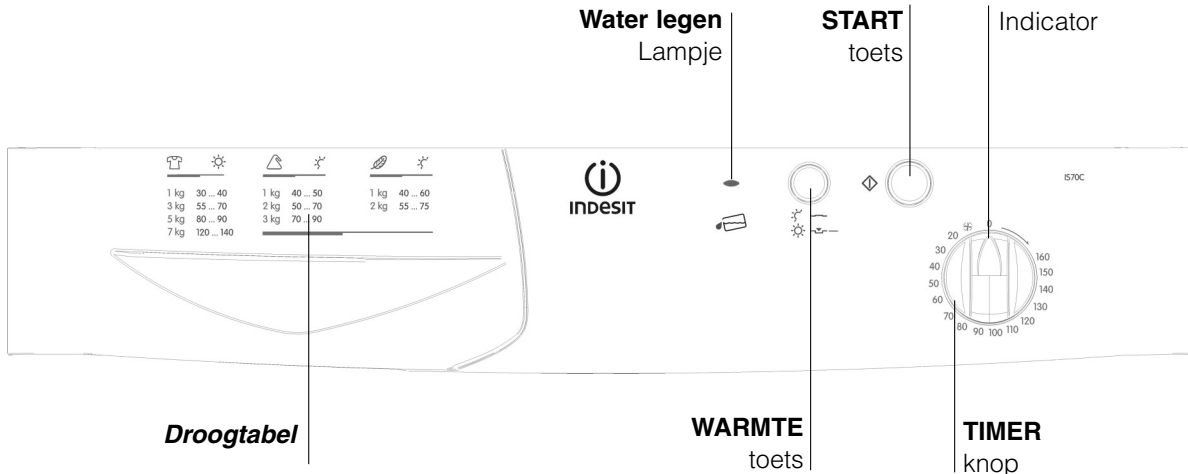
Druk op de aangegeven plaats op het voorpaneel en laat los



Kenmerken



Bedieningspaneel



Als u de **START** toets indrukt, begint de droogautomaat met het geselecteerde programma (zie *Start en programma's*).

Met de **WARMTE** toets regelt u de droogtemperatuur (zie *Start en programma's*).

INGEDRUKT: HOGE TEMPERATUUR

NIET INGEDRUKT: LAGE TEMPERATUUR

In de gebruiksvriendelijke **Drogotabel** vindt u stofsoorten en beladingscapaciteiten.

Katoen

Synthetisch materiaal

of Acryl en andere delicate stoffen

Het lampje **Water legen** geeft aan dat de waterbak vol is en geleegd moet worden. Na het terugplaatsen van de lege waterbak duurt het een paar seconden voor het lampje uit gaat. De droger moet hiervoor aan staan.

Met de **TIMER** knop stelt u de de droogtijd in: draai de knop met de klok mee, **nooit tegen de klok in**, tot de indicator de gewenste droogtijd aanwijst (zie *Start en programma's*).

NL

Installatie

Beschrijving

Start en programma's

Wasgoed

Veiligheidsinstructies en Waarschuwingen

Reiniging en onderhoud

Problemen oplossen

Technische dienst

Start en programma's

NL

Een programma kiezen

1. Steek de stekker van de droogtrommel in het stopcontact.
2. Sorteert het wasgoed op stofsoort (*zie Wasgoed*).
3. Doe de deur open en zorg ervoor dat het pluizenfilter schoon is en op zijn plaats zit en dat de waterbak leeg is en op zijn plaats zit (*zie Reiniging en Onderhoud*).
4. Vul de droogtrommel en zorg ervoor dat er geen wasgoed tussen de deur zit. Sluit de deur.
5. Bepaal de droogtijd met behulp van de droogtabel. De droogtijd is afhankelijk van het soort stof dat u droogt (*zie Wasgoed*).
 - Regel de temperatuur met de WARMTE toets.
 - Selecteer de droogtijd door de TIMER knop met de klok mee te draaien.
6. Druk op de START toets om het drogen te beginnen. Tijdens het droogprogramma kunt u het wasgoed controleren en was die al droog is eruit halen terwijl u de rest van de was verder droogt in de machine. Sluit de deur weer en druk op de START toets om verder te gaan met drogen.
7. Ongeveer 10 minuten voor het einde van het programma start de KOUDE-LUCHTFASE (het wasgoed wordt afgekoeld). Deze fase moet altijd worden doorlopen.
8. Doe de deur open, haal het wasgoed uit de droger, reinig het pluizenfilter en plaats deze terug in de houder. Leeg de waterbak en plaats hem terug in de droger (*zie Reiniging en Onderhoud*).
9. Haal de stekker uit het stopcontact.

Het wasgoed sorteren

- Controleer de droogsymbolen om te zien of de artikelen in de droogtrommel gedroogd kunnen worden.
- Sorteert het wasgoed per stofsoort.
- Leeg de zakken en controleer de knopen.
- Sluit ritsen en haakjes en bind losse riemen en ceinturen vast.
- Wring elk artikel uit om zoveel mogelijk water kwijt te raken.

! Doe geen druipnatte kleding in de droogautomaat.

Maximale belading

Overschrijd de maximale beladingscapaciteit niet.

Deze aantallen verwijzen naar droog gewicht:

Natuurlijke vezels: max. 7 kg

Synthetische vezels: max. 3 kg

! Doe NIET te veel wasgoed in de droger; dit kan het droogresultaat beïnvloeden.

Normale belading

Kleding		
Blouse	Katoen	150 g
	Anders	100 g
Jurk	Katoen	500 g
	Anders	350 g
Spijkerbroek		700 g
10 luiers		1000 g
Overhemd	Katoen	300 g
	Anders	200 g
T-Shirt		125 g

Huishoudelijke artikelen		
Dekbedovertrek (Tweepersoons)	Katoen	1500 g
	Anders	1000 g
Groot tafellaken		700 g
Klein tafellaken		250 g
Theedoek		100 g
Badlaken		700 g
Handdoek		350 g
Tweepersoonslaken		500 g
Eenpersoonslaken		350 g


Aan het einde van de droogcyclus kan katoen nog vochtig zijn als het samen met synthetische stoffen is gedroogd. Als dit gebeurt, laat het katoenen wasgoed dan nog een korte periode drogen.

Droogsymbolen

Controleer de labels in uw kleding, vooral als u ze voor het eerst droogt. De volgende symbolen worden het meest gebruikt.

-  Drogen in de droogtrommel
-  **Niet** drogen in de droogtrommel
-  Droog op hoge stand
-  Droog op lage stand

Artikelen die niet geschikt zijn voor de droogtrommel

- Artikelen die rubber, rubberachtig materiaal of plastic film bevatten (kussens of regenkleding met PVC) of andere vlambare artikelen of artikelen die vlambare stoffen bevatten (bijv. handdoeken met haarspray erop).
- Glasvezel (bepaalde soorten gordijnen)
- Artikelen die chemisch gereinigd zijn
- Artikelen met code  (*zie Speciaal wasgoed*). Deze kunt u reinigen met speciale producten voor chemisch reinigen met de droogautomaat. Volg de instructies nauwkeurig op.
- Grote, dikke voorwerpen (quilts, slaapzakken, kussens, grote dekbedden etc). Deze zetten uit bij het drogen en zouden de circulatie van lucht in de droger belemmeren.

NL
Installatie
Beschrijving
Start en programma's
Wasgoed
Veiligheidsinstructies en waarschuwingen
Reiniging en onderhoud
Problemen oplossen
Technische dienst

Wasgoed

NL

Speciaal wasgoed







Dekens en spreien: artikelen van acryl (Acilan, Courtelle, Orion, Dralen) moeten voorzichtig gedroogd worden op LAGE. Droog ze niet te lang.

Geplooide of rimpelde kleding: controleer de droogsymbolen in de kleding.

Artikelen die met stijfsel zijn behandeld: droog deze niet samen met artikelen die niet met stijfsel zijn behandeld. Zorg ervoor dat zoveel mogelijk stijfsel is opgelost voor u het wasgoed in de droger doet. Niet te lang drogen: anders wordt het stijfsel poederachtig en wordt uw kleding slap, wat het effect van het stijfsel teniet doet.

Droogtijden

De onderstaande tabel geeft een RICHTLIJN van de droogtijden in minuten. De gewichten verwijzen naar droge kleding:

Katoen 						
HOGE TEMPERATUUR 						
Droogtijden bij centrifugetoerental van 800-1000 omw/min.						
		Halve lading				Hele lading
1kg	2kg	3kg	4kg	5kg	6kg	7kg
30-40	40-55	55-70	70-80	80-90	95-120	120-140
Synthetisch materiaal 						
LAGE TEMPERATUUR 						
Droogtijden bij minder snelle centrifuge						
		Halve lading		Hele lading		
1kg		2kg		3kg		
40-50		50-70		70-90		
Acryl 						
LAGE TEMPERATUUR 						
Droogtijden bij minder snelle centrifuge						
		Halve lading		Hele lading		
1kg				2kg		
40-60				55-75		

Deze tijden zijn richtlijnen en zijn afhankelijk van:

- Hoeveelheid water die zich na het centrifugeren nog in de kleding bevindt: handdoeken en fijne kleding houden veel water vast.
- Stof: artikelen van dezelfde soort stof maar met verschillende textuur en dikte hebben mogelijk niet dezelfde droogtijden.
- Hoeveelheid wasgoed: een kleine hoeveelheid wasgoed of slechts een enkel kledingstuk heeft vaak een langere droogtijd.
- Droogheid: als u kleding strijkt, kunt u het uit de droogtrommel halen als het nog een beetje vochtig is. Ander wasgoed kunt u in de droger laten tot het helemaal droog is.
- Ingestelde warmte.
- Kamertemperatuur: als het koud is in de kamer waar de droger staat, duurt het langer voor uw kleding droog is.
- Grote hoeveelheden: bepaalde dikke artikelen kunnen voorzichtig in de droogautomaat gedroogd worden. We raden u aan deze artikelen regelmatig uit de droogtrommel te halen, ze uit te schudden en terug in de droger te doen tot ze droog zijn.

! Droog uw kleding niet te lang. Alle stoffen bevatten een klein beetje natuurlijk vocht wat ze zacht en soepel houdt.

! Het apparaat voldoet aan internationale veiligheidsvoorschriften. Deze waarschuwingen worden om veiligheidsredenen gegeven en dienen aandachtig te worden doorgelezen.

CE Dit apparaat voldoet aan de volgende EEC richtlijnen:

- 72/23/EEC en 93/68/EEC (Richtlijn voor Lage Voltages)
- 89/336/EEC, 92/31/EEC en 93/68/EEC (Electromagnetische compatibiliteit)

Algemene veiligheidsinstructies

- Deze droogautomaat is ontworpen voor huishoudelijk gebruik en niet voor professioneel gebruik.
- Deze droogautomaat dient door volwassenen te worden gebruikt en de instructies in deze gebruiksaanwijzing dienen nauwkeurig te worden opgevolgd.
- Raak het apparaat niet aan als u geen schoeisel draagt of natte handen of voeten hebt.
- Wanneer u de stekker uit het stopcontact haalt, moet u altijd aan de stekker te trekken, nooit aan het snoer.
- Houd kinderen tijdens het drogen uit de buurt van het apparaat. Zet het apparaat na gebruik uit en haal de stekker uit het stopcontact. Houd de deur gesloten om te voorkomen dat kinderen het apparaat als speelgoed gebruiken.
- Het apparaat moet correct geïnstalleerd worden en voldoende geventileerd zijn. De luchtinvoeropeningen aan de voor- en achterkant van de droger mogen nooit worden afgedekt (*zie Installatie*).
- Plaats de droger niet op tapijt als de poolhoogte de luchtstroom onder het apparaat belemmert.
- Controleer voor het vullen altijd eerst of de droogautomaat leeg is.
-  De achterkant van de droger kan zeer heet worden. U mag deze dan ook nooit aanraken aan als de machine aanstaat.
- Gebruik de droger alleen als de filter, de waterbak en de condensplaat veilig op hun plaats zitten (*zie Reiniging en Onderhoud*).
- Gebruik geen vloeibare wasverzachter in de droogautomaat; giet vloeibare wasverzachter in uw wasmachine vóór de spoelbeurt.
- Overschrijd de maximale beladingscapaciteit niet (*zie Wasgoed*).
- Doe geen artikelen in de droger die druipnat zijn.
- Droog alleen artikelen in de droogautomaat die gewassen zijn met wasmiddel en water en die vervolgens zijn afgespoeld en gecentrifugeerd. Het drogen van artikelen die NIET met water zijn gewassen kan brandgevaar opleveren.

- Controleer de textielbehandelingssymbolen zorgvuldig (*zie Wasgoed*).
- Droog geen kleding die behandeld is met chemische middelen.
- Droog nooit artikelen die vervuild zijn door brandbare substanties (benzine, olie, verf, haarspray, crèmes, kookvet, of olie).
- Droog geen rubber, schuimrubber, plastic, schuimplastic, luierbroekjes of inlegdoekjes, polytheen of papier in de droger.
- Droog geen grote, zeer dikke artikelen in de droger.
- Droog geen acrylvezel op hoge temperaturen.
- Laat na elk programma de koude-luchtfase doorlopen.
- Zet de droogtrommel niet uit als er nog warm wasgoed in zit.
- Reinig het pluizenfilter na elk gebruik (*zie Reiniging en Onderhoud*).
- Leeg de waterbak na elk gebruik (*zie Reiniging en Onderhoud*).
- Reinig de condenseenheid regelmatig (*zie Reiniging en Onderhoud*).
- Zorg dat er geen pluis ophoopt rondom de droger.
- Klim nooit op de droger. Dit kan schade tot gevolg hebben.
- Houd u altijd aan de elektrische vereisten (*zie Installatie*).
- Koop altijd originele reserveonderdelen en toebehoren (*zie Technische dienst*).

Afdanken van het apparaat

- Verpakkingsmateriaal: houd u aan de regels die gelden voor uw gemeente, zodat het verpakkingsmateriaal gerecycled kan worden.
- Afdanken van uw oude droger: snijd de stroomkabel eraf en verwijder de deur voordat u een oude droger afdankt.

Energiebesparing en respect voor het milieu

- Wring het wasgoed altijd eerst uit voor u het in de droger doet (als u het wasgoed in een wasmachine wast, centrifugeer het wasgoed dan op een hoog toerental). Dit bespaart tijd en energie tijdens het drogen.
- Droog altijd hele ladingen - dit bespaart energie: kleine ladingen of slechts een enkel kledingstuk hebben vaak een langere droogtijd.
- Reinig het pluizenfilter na elk gebruik om de kosten van energieverbruik te beperken (*zie Reiniging en Onderhoud*).

I

Installatie

Beschrijving

Start en programma's

Wasgoed

Veiligheidsinstructies en waarschuwingen

Reiniging en onderhoud

Problemen oplossen

Technische dienst

Reiniging en onderhoud

NL

Haal de stekker uit het stopcontact

! Haal de stekker uit het stopcontact als u het apparaat niet gebruikt, tijdens het schoonmaken ervan en tijdens elk onderhoud.

Reinig het pluizenfilter na elk gebruik

Het pluizenfilter is een belangrijk onderdeel van uw droger: het verzamelt pluus en stof dat ontstaat tijdens het drogen. Daarnaast kunnen ook kleine voorwerpen in het pluizenfilter terecht komen. Reinig het pluizenfilter daarom na het drogen door hem af te spoelen onder stromend water of met uw stofzuiger. Als het pluizenfilter verstopt raakt, wordt de luchtstroom in de droger ernstig gehinderd: droogtijden worden langer en u verbruikt meer energie. Het kan uw droger ook schade toebrengen.

Het pluizenfilter bevindt zich in de deuropening van de droger (*zie diagram*).

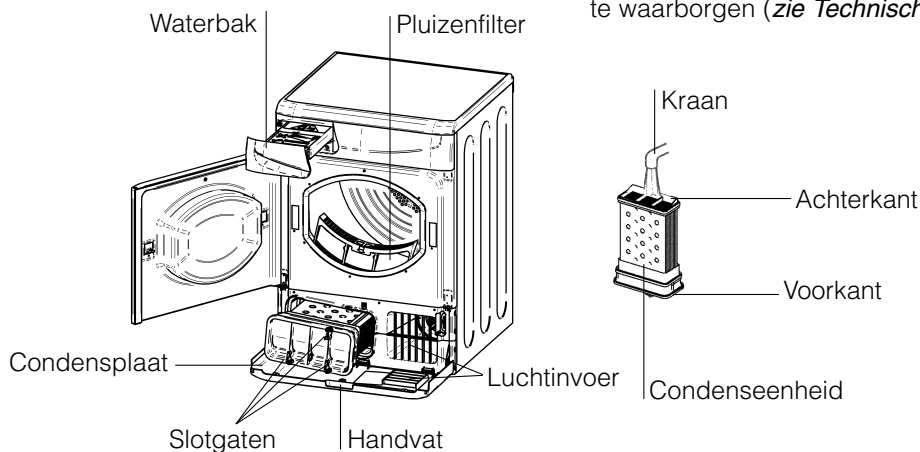
Het pluizenfilter verwijderen:

1. Trek het plastic handvat van het pluizenfilter naar boven (*zie diagram*).
2. Reinig het pluizenfilter en plaats het correct terug. Zorg ervoor dat het filter helemaal naar beneden in de houder wordt geschoven.

! Gebruik de droger niet zonder het pluizenfilter terug te plaatsen.

Leeg de waterbak na elk gebruik

Haal de bak uit de droger en giet het water weg in de gootsteen of andere waterafvoer. Plaats de bak terug in de droger.



Controleer de trommel na elk gebruik

Draai de droogtrommel met de hand rond om klein wasgoed (zakdoeken) uit de droger te halen dat anders in de trommel zou kunnen achterblijven.

Het reinigen van de condenseenheid

Haal de condenseenheid regelmatig (een keer per maand) uit de droger en verwijder het stof door de eenheid onder de kraan af te spoelen met koud water. Doe dit met koud water en richt de achterkant van de condenser naar de waterstraal.

De condenser verwijderen:

1. Haal de stekker uit het stopcontact en doe de deur open.
2. Verwijder de condensplaat door de drie slotgaten 90° tegen de klok in te draaien en daarna aan het handvat te trekken (*zie tekening*).
3. Reinig het oppervlak van de afdekrubbers en plaats de eenheid terug in de droger. Zorg ervoor dat de slotgaten goed vast zitten.

Het reinigen van de droger

- Externe onderdelen van metaal of plastic en rubber onderdelen kunnen worden schoongemaakt met een vochtige doek.
- Verwijder stof en pluus regelmatig (elke 6 maanden) van het rooster aan de voorkant en de luchtafvoeropeningen aan de achterkant met de stofzuiger. Stofzuig ook af en toe de voorkant van de condenser en rondom het pluizenfilter.

! Gebruik geen oplosmiddelen of schuurmiddelen.

! Uw droger gebruikt speciale lagercomponenten die niet gesmeerd hoeven te worden.

! Laat uw droger regelmatig controleren door erkende vakmensen om elektrische en mechanische veiligheid te waarborgen (*zie Technische dienst*).

Mocht u problemen ondervinden met uw droger controleer dan eerst het volgende voor u de technische dienst belt (*zie Technische dienst*):

Probleem:

Mogelijke oorzaken / Oplossing

Droger start niet.

- De stekker zit niet in het stopcontact of maakt geen contact.
- Er is een stroomstoring geweest.
- De stop is gesprongen. Steek de stekker van een ander apparaat in het stopcontact.
- Gebruikt u een verlengsnoer? Probeer de stekker van de droger rechtstreeks in het stopcontact te steken.
- Is de deur niet helemaal afgesloten?
- De **TIMER** knop is niet helemaal juist ingesteld (*zie Start en programma's*).
- De **START** toets is niet ingedrukt (*zie Start en programma's*).

Het duurt lang voor het wasgoed droog is.

- Het pluizenfilter is niet gereinigd (*zie Reiniging en Onderhoud*).
- De temperatuurinstelling is niet ideaal voor het soort stof dat u droogt (*zie Start en programma's en zie Wasgoed*).
- Dient de waterbak geleegd te worden? Brand het lampje Water legen? (*zie Reiniging en Onderhoud*).
- Dient de condenser te worden schoongemaakt? (*zie Reiniging en Onderhoud*).
- U hebt niet de juiste droogtijd ingesteld (*zie Wasgoed*).
- Het Luchtinvoeropening of de afvoeropeningen zijn afgedekt (*zie Installatie en zie Reiniging en Onderhoud*).
- Het wasgoed is te nat (*zie Wasgoed*).
- De droger is te vol (*zie Wasgoed*).

NL

Installatie

Beschrijving

Start en programma's

Wasgoed

Veiligheidsinstructies en Waarschuwingen

Reiniging en onderhoud

Problemen oplossen

Technische dienst

Technische dienst

NL

Voor u de technische dienst belt:

- gebruik de tabel van het onderdeel problemen oplossen om te zien of u het probleem zelf kunt verhelpen (*zie Problemen oplossen*).
- Zo niet, zet de droger uit en bel de dichtstbijzijnde technische dienst.

Informatie die de technische dienst nodig heeft:

- uw naam, adres en postcode.
- uw telefoonnummer.
- het soort probleem.
- de datum van aankoop.
- het model van het apparaat (Mod.).
- het serienummer (S/N).

Deze informatie vindt u op het etiket aan de binnenkant van de deur van de machine

Reserveonderdelen

Deze droger is een gecompliceerd apparaat. Pogingen dit apparaat zelf te repareren of onderhoud door hiervoor niet erkende personen kan letsel toebrengen aan een of meerdere personen, kan schade toebrengen aan de machine en kan de garantie op reserveonderdelen doen vervallen. Bel een erkende vakman als u problemen ondervindt bij het gebruik van deze machine. De reserveonderdelen zijn speciaal voor dit apparaat ontworpen en zijn niet geschikt voor enig ander gebruik.

قبل الاتصال بمركز الخدمة:

راجع دليل تصليح الأعطال لترى إذا كان بإمكانك حل المشاكل بنفسك (راجع تصليح الأعطال).
إذا لم تستطع ذلك، أوقف النشافة واطلب مركز الخدمة الأقرب إليك.

ما ستقوله إلى مركز الخدمة:

الاسم، العنوان والرقم الرمزي.

رقم الهاتف.

نوع المشكلة.

تاريخ الشراء.

موديل النشافة الذي يشار إليه بالرمز (Mod.)

الرقم المتسلسل الذي يشار إليه بالرمز (S/N)

يمكنك أن تجد هذه المعلومات على لوحة المعلومات الموجودة داخل باب النشافة.

قطع الغيار

هذه النشافة ماكينة معقدة. إن تصليح النشافة من جانبك أو محاولة تصليحها من جانب شخص آخر غير معتمد قد يعود بالضرر على شخص أو أكثر، وقد يعود بالضرر على النشافة نفسها وقد يجعلك تفقد حقلك في ضمان قطع الغيار. إتصل بفني معتمد إذا واجهت مشاكل أثناء استخدام النشافة. إن قطع الغيار مصممة حصرياً لهذه النشافة وليس لأية استخدامات أخرى.

قد يحدث يوماً أن تجد النشافة تبدو كأنها لا تعمل. قبل أن تتصل بمركز الخدمة (راجع الخدمة) ، تابع اقتراحات تصليح الأعطال التالية:

المشكلة:

النشافة القلابة لا تعمل

- #### الأسباب المحتملة / الحل:
- القابس غير موضوع في المقبس، أو أنه لا يوجد توصيل للكهرباء.
 - الكهرباء مقطوعة
 - الفيوز احترق. حاول أن تضع قابساً آخر في المقبس.
 - هل تستعمل حبلأ كهربائياً؟ حاول أن تضع قابس الكهرباء في المقبس مباشرة.
 - الباب ليس مغلقاً بإحكام
 - مقبض التوقيت لم يوضع بشكل ملائم (راجع الابتداء والبرامج).
 - زر الابتداء ليس مضغوطاً بشكل كافٍ (راجع الابتداء والبرامج).

النشافة تأخذ وقتاً طويلاً للتنشيف

- الفيلتر لم ينظف (راجع الصيانة).
- وضع الحرارة الذي تم اختياره ليس مثالياً لنوع القماش الذي يتم تشيفه (راجع الابتداء والبرامج، وراجع كذلك الغسيل).
- حاوية الماء تحتاج إلى تفرغ؟ ضوء تفرغ الماء في وضع تشغيل؟ (راجع الصيانة).
- المكثف يحتاج إلى تنظيف (راجع الصيانة).
- وقت التنشيف الصحيح لم يتم اختياره للكمية المراد تحميلها (راجع الغسيل).
- شبكة مدخل الهواء أو الفتحات الخارجية مسدودة (راجع التركيب وراجع أيضاً الصيانة).
- الغسيل كان رطباً أكثر مما ينبغي (راجع الغسيل).
- النشافة فيها حمولة أكثر من اللازم (راجع الغسيل).

الصيانة والعناية

A

إيقاف التيار الكهربائي

! إنزع قابس الكهرباء عندما لا تكون النشافة في حالة تشغيل، وكذلك عند تنظيفها وخلال كافة عمليات الصيانة.

نظّف الفيلتر بعد كل جولة

الفيلتر قطعة هامة في النشافة: فيه تتجمع الفضلات القطنية والوبريات التي تتكون أثناء عملية التنشيف. عند الانتهاء من التنشيف، نظّف الفيلتر بشطفه بالماء الحار أو بالهواء بواسطة المكنسة الكهربائية. وإذا أصبح الفيلتر مسدوداً بالكامل، فإن مجرى الهواء داخل النشافة سيصبح مضغوطاً بشكل غير مريح: ولهذا فإن وقت التنشيف سيطول، وستستهلك النشافة طاقة أكثر. فضلاً عن أن هذا من شأنه أن يعود على النشافة نفسها بالضرر.

الفيلتر موجود أمام واجهة النشافة (راجع الشكل).

نزع الفيلتر:

1. إسحب مقبض الفيلتر البلاستيكي إلى أعلى (راجع الشكل).

2. نظّف الفيلتر وأعدّه إلى مكانه بشكل سليم. تأكد من وضع الفيلتر في مكانه المحدد داخل النشافة القلابية.

! لا تستخدم النشافة بدون إعادة الفيلتر إلى مكانه.

أفرغ حاوية الماء بعد كل جولة تنشيف

اسحب حاوية الماء من النشافة وأفرغها في مغسلة أو في مكان تصريف مناسب آخر.

أعد حاوية الماء إلى مكانها بشكل سليم.

افحص الحوض بعد كل جولة

أدر الحوض يدوياً لكي تزيل أية أصناف صغيرة (محارم) تكون قد بقيت في النشافة.

تنظيف وحدة التكثيف

فكّ وحدة التكثيف بشكل دوري (كل شهر) ونظف أية ترسبات أو بقايا وبرية بين الصفائح بشطفها تحت الحنفية بالماء البارد.

ويجب أن تتم عملية التنظيف باستخدام الماء البارد من خلف وحدة التكثيف.

فكّ وحدة التكثيف:

1. اسحب قاييس النشافة وافتح الباب.

2. اسحب غطاء المكثف وافتحه (راجع الشكل).

حل اللقّاطات الثلاث بالتدوير 90 درجة مّؤوية بعكس اتجاه دوران الساعة ثم اسحب المقبض وأخرجه من النشافة.

3. نظّف أسطح حلقات الشد وأعدّها إلى مكانها، وتأكد من أن اللقّاطات قد تم تركيبها بشكل صحيح.

تنظيف النشافة

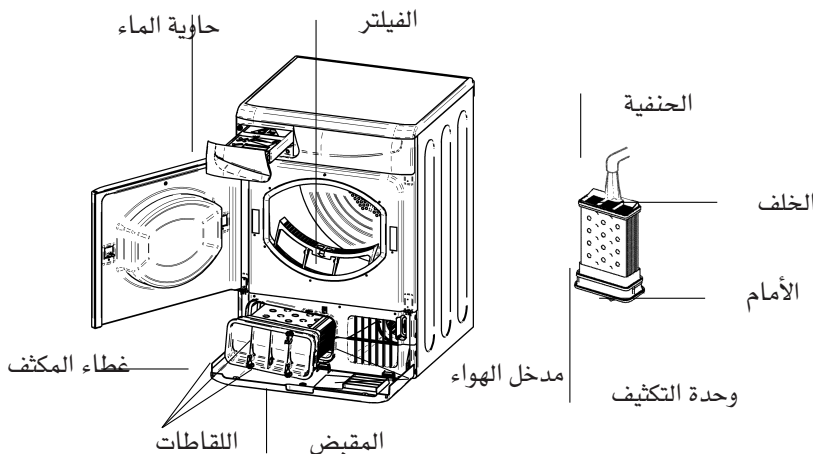
• القطع الخارجية، المعدنية منها أو البلاستيكية، يمكنك تنظيفها بقطعة قماش رطبة.

• افحص شبكة دخول الهواء الأمامية وفتحات التهوية الخلفية للنشافة بشكل دوري (كل 6 أشهر)، لكي تزيل أي تراكم فضلات قطنية أو وبرية، وإزالة هذه التراكمات إن وجدت.

! لا تستعمل المحاليل أو أدوات الكشط.

! النشافة تستخدم بيرينغات من نوع خاص لا تحتاج إلى تزييت.

! ينبغي فحص النشافة بشكل دوري من قبل فنيين معتمدين لضمان السلامة الكهربائية أو الميكانيكية (راجع الخدمة)



- راجع بدقة كافة التعليمات الخاصة بعلامات أصناف الأقمشة (راجع الغسيل).
- لا تنشف الملابس المعالجة بمواد كيميائية.
- إيّاك أن تنشف الألبسة الملوثة بمواد قابلة للاشتعال (البترول، الزيت، الدهان، سبراي الشعر، الكريما، سمن أو زيوت الطبخ).
- لا تستخدم النشافة القلابة لتنشيف المطاط، المطاط الرغوي، البلاستيك، البلاستيك الرغوي، البنطلونات أو البطانات الوبرية، البوليثين أو الورق.
- لا تستخدم النشافة القلابة لتنشيف الأصناف الكبيرة والضخمة.
- لا تستخدم النشافة القلابة لتنشيف الأقمشة الأكريليكية على درجات حرارة عالية.
- أكمل كل برنامج من برامج التنشيف بـ «مرحلة التقليل البارد» الخاصة به.
- لا توقف تشغيل النشافة إذا كانت ما زالت هناك أصناف دافئة في داخلها.
- نظّف الفيلتر بعد كل مرة تستخدم فيها النشافة (راجع الصيانة).
- أفرغ حاوية الماء بعد كل استعمال (راجع الصيانة).
- نظف وحدة التكثيف في فترات منتظمة (راجع الصيانة).
- لا تدع الفضلات الكتانية والقطنية تتجمع حول النشافة.
- إيّاك أن تصعد فوق النشافة. لأن ذلك قد يصيبها بالضرر.
- استخدم النشافة دائماً حسب المقاييس والمتطلبات الكهربائية (راجع التركيب)
- دائماً اِشترِ قطع الغيار والإكسسوارات الأصلية (راجع الخدمة)

التخلص من التلفيات

- التخلص من مواد التغليف: اتّبع الإجراءات المحلية، بحيث يتم إعادة تدوير مواد التغليف.
- التخلص من النشافة القديمة: اقطع حبل الطاقة وانزع الباب قبل التخلص من النشافة القديمة.

توفير الطاقة والمحافظة علي البيئة

- أعصر الأصناف المغسولة للتخلص من الماء الزائد فيها قبل تشغيل النشافة القلابة (إذا كنت تستعمل غسالة أولاً، اختر واحدة عالية سرعة التدوير). إن هذا سيوفر الوقت والطاقة خلال عملية التنشيف.
- يجب دائماً تنشيف الحمولة كاملة - فبهذه الطريقة توفر الطاقة: لأن تشغيل النشافة لتنشيف قطع منفردة وحمولة صغيرة يأخذ وقتاً أطول في التنشيف.
- نظّف الفيلتر بعد كل استخدام لتخفيف نفقات استهلاك الطاقة (راجع الصيانة)

لهذه النشافة مصممة ومصنوعة وفقاً لمفاهيم السلامة العالمية. وهذه التحذيرات مقدمة لأسباب تتعلق بالسلامة ويجب قراءتها بدقة.

CE
هذه النشافة تتوافق مع تعليمات السوق الأوروبية المشتركة (س أ م):
23/72- س أ م، و86/93/ س أ م (الأجهزة منخفضة الفولتية)
336/89- س أ م، و31/92/ س أ م و68/93/ س أ م (التوافق الكهرومغناطيسي)

السلامة العامة

- هذه النشافة القلابة مصممة للاستخدام المنزلي، وليس للاستخدام المهني.
- هذه النشافة يجب استخدامها من قبل الأشخاص الراشدين، كما يجب اتّباع التعليمات الواردة في هذا الكتيّب بدقة.
- لا تلمس الفسالة وأنت حافي القدمين أو إذا كانت يداك أو قدمك مبللتين.
- أوقف التيار الكهربائي عن النشافة بسحب قابس الكهرباء وليس الحبل الكهربائي.
- يجب ألا يتواجد الأطفال في محيط النشافة أثناء عملها. بعد استخدام النشافة، يجب وقف تشغيلها وسحب قابسها. حافظ على باب النشافة مغلقاً للتأكد من أن الأطفال سوف لن يستخدموها كلعبة.
- يجب تركيب النشافة بشكل سليم وتوفير التهوية الملائمة لها. يجب عدم عرقلة دخول الهواء من فتحات التهوية الأمامية الموجودة في واجهة النشافة والخلفية الموجودة خلفها (راجع التركيب).
- لا تستخدم النشافة على السجاد، حيث أن ارتفاع السجاد يمنع دخول الهواء إلى النشافة من جهة قاعدتها.
- تأكد من أن النشافة خالية قبل تحميلها.
- قد يصبح ظهر النشافة حاراً جداً. برجاء عدم لمسه أثناء استخدام النشافة.
- لا تستخدم النشافة حتى تتأكد من تركيب الفيلتر، حاوية الماء والمكثف، كل في مكانه وبشكل سليم (راجع الصيانة).
- لا تستخدم منعّات الأقمشة أو قطع التنشيف في النشافة.
- لا تملأ النشافة بأكثر من الحمولة القصوى المقررة لها (راجع الغسيل لمعرفة الحد الأقصى من الحمولة).
- لا تضع في النشافة الملابس التي تكون لا تزال تقطر ماء.
- لا تستخدم في النشافة القلابة إلا الأصناف التي تم غسلها بالماء ومواد التنظيف وتم شطفها ومرّت بمرحلة التدوير. كما أن تنشيف الأصناف التي لم يتم غسلها بالماء يعرّض النشافة لخطر اشتعال حريق فيها.



ملابس من أقمشة خاصة

إن عدد مرات التنشيف تقريبي، وقد يتغير بناءً على:

كمية الماء التي تحتفظ بها الملابس بعد جولة التدوير: المناشف والملابس الناعمة تحتفظ بماء كثير.

المنسوجات: الأصناف التي تكون مصنوعة من نفس النسيج ولكن بتركيب وكثافة مختلفين قد لا تكون تحتاج إلى نفس الوقت في التنشيف.

كمية الغسيل: الملابس المنفردة أو الحمولة الصغيرة قد تأخذ وقتاً أطول في التنشيف.

النشافة: إذا كنت ستقوم بكيّ بعض ملابسك، يمكنك أن تأخذ هذه الملابس وهي ما زالت رطبة إلى حد ما. أما الملابس الأخرى فيمكنك تركها لفترة أطول، إذا كنت تريدها أن تنشف بالكامل.

وضع الحرارة

حرارة الغرفة: إذا كانت حرارة الغرفة الموضوعة فيها النشافة باردة، فإن النشافة ستأخذ وقتاً أطول لتنشيف الملابس.

الحجم الكبير: بعض الأصناف ذات الأحجام الكبيرة يمكنك تنشيفها بالتقليب بعناية. نقتراح عليك إخراج هذه الأصناف عدة مرات، أن تفضها، وأن تعيدها إلى النشافة حتى تنتهي من عملية التنشيف.

! لا تجفف الملابس أكثر مما ينبغي.

كافة الأقمشة تحتوي على قليل من الرطوبة، تجعلها تظل ناعمة ومنتفخة.

الحرايات والشراشف: الأصناف الأكريليكية (أسيلان، كورتيل، أوريون، درالون) يجب تنشيفها بعناية خاصة في وضع الحرارة المنخفضة. تجنّب لتنشيف لفترة طويلة من الوقت.

الملابس المطوية أو المجدّدة: اقرأ تعليمات الجهة الصانعة بالنسبة لتنشيف البدلات.

الملابس المنشأة: لا تنشّف هذه الملابس مع الملابس غير المنشأة. إحرص على التخلّص من أكبر قدر ممكن من محلول الابتداء من الغسيل قبل وضعه داخل النشافة. لا تنشّف الغسيل أكثر من اللازم: لأن النشاء سيتحوّل إلى مادة شبيهة بالبودرة ويجعل ملابسك متعرجة، مما يفقد الهدف من استخدام النشاء.





عدد مرات التنشيف

توضّح القائمة أدناه عدد مرات التنشيف التقريبي في الدقيقة. الأوزان تشير إلى الملابس وهي جافة:

القطنيات	
الحرارة المرتفعة (بالكامل) ☀️	
عدد مرات التنشيف 800-1000 دورة في الدقيقة في الغسالة.	
الحمولة كاملة	نصف الحمولة
1 كلغ	2 كلغ
3 كلغ	4 كلغ
5 كلغ	6 كلغ
7 كلغ	
40-30	55-40
70-55	80-70
90-80	120-95
140-120	
القطن الصناعي ☹️	
حرارة منخفضة (خفيفة) ☁️	
عدد مرات التنشيف في الدوران المخفض في الغسالة.	
الحمولة كاملة	نصف الحمولة
1 كلغ	2 كلغ
3 كلغ	
50-40	70-50
90-70	
الملابس الأكريليكية Ⓐ	
حرارة منخفضة (خفيفة) ☁️	
عدد مرات التنشيف في الدوران المخفض في الغسالة.	
الحمولة كاملة	نصف الحمولة
1 كلغ	2 كلغ
60-40	75-55

علامات العناية بالغسيل

أنظر إلى العلامات الموجودة على ملابسك، خصوصاً عندما ستضعها في النشافة القلابة لأول مرة. وفي ما يلي الرموز الأكثر شيوعاً على علامات الملابس:


-  يمكنك تشييفها بالتقليب.
-  لا تشييفها بالتقليب.
-  يجب أن يكون التشييف بالتقليب في وضع الحرارة المرتفعة.
-  يجب أن يكون التشييف بالتقليب في وضع الحرارة المنخفضة.

أصناف لا يناسبها التشييف بالتقليب

الملابس التي يدخل في صنعها المطاط أو المواد المشابهة للمطاط أو رقائق البلاستيك (المخدرات، التكايات أو الملابس الشتوية التي يدخل في صنعها مادة PVC)، أية ملابس أخرى قابلة للاشتعال أو الملابس التي تحتوي على مواد قابلة للاشتعال (المناشف التي تحتوي على سبراي للشعر).

الألياف الزجاجية (بعض أنواع الأخواخ)

الملابس التي تعرّضت للتنظيف على الناشف (دراي كليند)

الملابس التي تحمل الرمز  (راجع أصناف الأقمشة الخاصة). هذه الأصناف يمكنك تنظيفها بمستحضرات تنظيف على الناشف في المنزل. يجب اتباع التعليمات بدقة.

الأصناف الكبيرة (اللحف، حقائب النوم، المخدرات، التكايات، الفرشات الكبيرة الخ...)، هذه الأصناف تتمدد عند تشييفها وقد تتسبب في منع تدفق الهواء إلى داخل النشافة.

تصنيف الغسيل

راجع الرموز الموجودة على علامات الملابس للتأكد من أن الملابس يمكن تشييفها بواسطة التقليب.

صنّف الغسيل حسب نوع القماش.

أفرغ جيوب الملابس وتأكد من الأزرار.

أغلق السحابات والشناكل واربط الأحزمة والأشرطة غير المشدودة.

أدخل كل صنف بعد عصره من أجل التخلص من أكبر قدر من الماء.

! لا تضع الملابس المبللة التي تقطر ماء في النشافة.

الحد الأقصى للتحميل

لا تضع في النشافة أكثر من القدرة الاستيعابية القصوى المقررة لها. هذه الأرقام تشير إلى وزن الحمولة وهي جافة.

المنسوجات الطبيعية: 7 كغ كحد أقصى (15 رطلاً)
المنسوجات الصناعية: 3 كغ كحد أقصى (6,6 أرطال)

! لا تضع في النشافة أكثر من حمولتها المقررة لها، لأن هذا يؤدي إلى تخفيض مستوى التشييف.

الحمولة النموذجية

الملابس	الحمولة	الوزن	الرمز
بلوزات	قطنية	150 غ	5 أونصة
أخرى		100 غ	3 أونصة
فساتين	قطنية	500 غ	2 أونصة
أخرى		350 غ	12 أونصة
جينزات		700 غ	6 أونصة
10 قوط		1000 غ	2 رطل 3 أونصة
قمصان	قطنية	300 غ	10 أونصات
أخرى		200 غ	7 أونصات
تي - شيرت		125 غ	4 أونصات

أغراض منزلية	الحمولة	الوزن	الرمز
غطاء	قطن	1500 غ	3 أرطال 5 أونصات
أخرى (ثنائي)		1000 غ	3 رطلان 3 أونصات
شرشف طاولة كبير		700 غ	6 أونصات
شرشف طاولة صغير		250 غ	9 أونصات
منشفة شاي		100 غ	3 أونصات
منشفة حمام		700 غ	6 أونصات
منشفة يد		350 غ	12 أونصة
شرشف مزدوج		500 غ	2 رطل 2 أونصة
شرشف مفرد		350 غ	12 أونصة

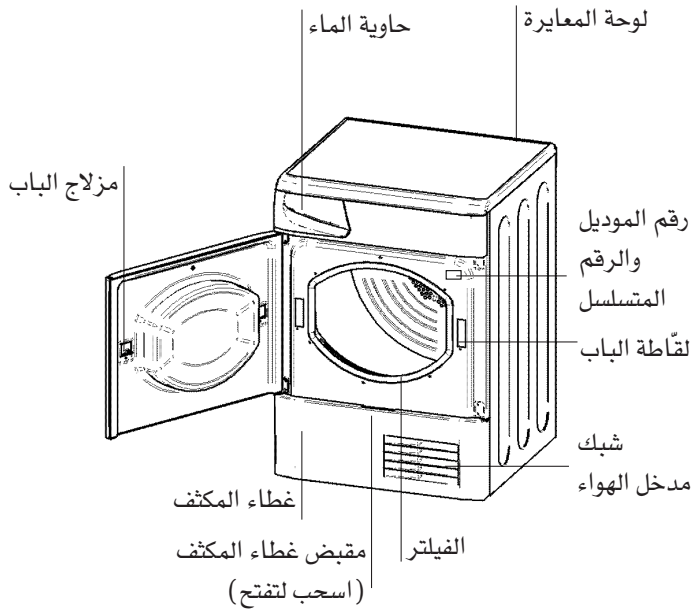
في نهاية دورة التشييف، من الممكن أن تظل القطنيات رطبة إذا كنت قد صنفت القطنيات والقطن الصناعي مع بعضها. فإذا حدث ذلك، ينبغي إعطاء هذه الملابس فترة إضافية في التشييف.

اختيار البرنامج

1. ضع قابس النشافة في المقبس الكهربائي.
2. افرز الغسيل حسب نوع القماش (راجع الغسيل).
3. افتح الباب وتأكد من أن الفيلتر نظيف وموضوع في المكان المناسب وأن حاوية الماء فارغة وفي مكانها كذلك (راجع الصيانة).
4. ضع الغسيل في النشافة وتأكد من أن الغسيل لا يعيق إغلاق الباب. أغلق الباب.
5. اختر وقت التنشيف بالعودة إلى جدول دليل التنشيف لتحديد التعامل مع نوع القماش الذي ستقوم بتنشيفه. (راجع الغسيل).
 - حدّد درجة الحرارة بواسطة زر الحرارة.
 - اختر وقت التنشيف بتدوير كعبرة التنشيف باتجاه دوران الساعة.
6. اضغط زر الابتداء لبدء التنشيف.

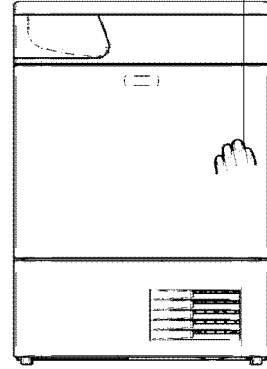
خلال برنامج التنشيف، يمكنك متابعة الغسيل وسحب الألبسة التي تكون قد تم تنشيفها، في حين يستمر تنشيف الأصناف الأخرى. عندما تقفل باب النشافة من جديد، اضغط زر الابتداء لكي تستأنف عملية التنشيف.
7. قبل اكتمال البرنامج بحوالي 10 دقائق، يدخل البرنامج مرحلة التقليل البارد (حيث يتم تبريد الأقمشة) التي يجب الانتظار عليها حتى تكتمل تماماً.
8. افتح الباب واسحب الغسيل ونظف الفيلتر وأعدّه إلى مكانه. أفرغ حاوية الماء وأعدّها إلى مكانها (راجع الصيانة).
9. اسحب قابس النشافة.

المميزات

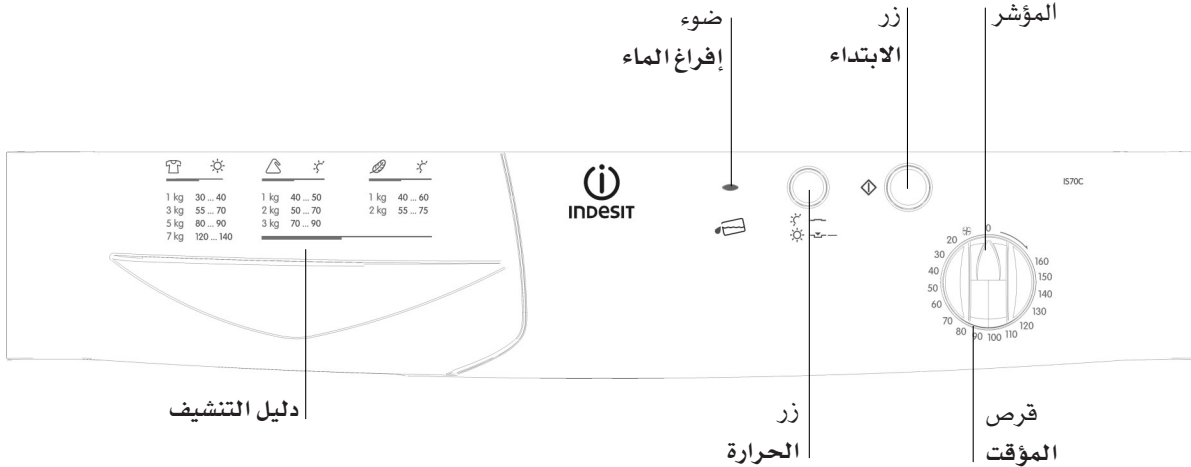


لفتح الباب

اضغط على الواجهة الأمامية وافتحها بالشكل المشار إليه



لوحة التحكم



يشير ضوء مؤشر إفراغ الماء إلى أن حاوية الماء أصبحت ممتلئة ويجب إفراغها.

وسياخذ الضوء بضع ثوانٍ بعد إعادة تركيب حاوية الماء الفارغة، ويجب أن تكون النشافة في حالة تشغيل لكي يحصل ذلك.

إن قرص التوقيت تحدد وقت التنشيف المطلوب. أدر القرص باتجاه حركة دوران الساعة، لاتديرها بالاتجاه المعاكس مطلقا، حتى يشير المؤشر إلى وقت التنشيف الذي تريد اختياره (راجع الإبتداء والبرامج).

إن زر الإبتداء يبدأ التنشيف وفق برنامج تشيف تم اختياره (راجع الإبتداء والبرامج).

إن زر الحرارة يختار درجة حرارة التنشيف (راجع الإبتداء والبرامج).

الداخل: حرارة مرتفعة

الخارج: حرارة منخفضة

إن دليل التنشيف يتيح لك الاطلاع على جدول المستخدم لمعرفة أنواع القماش وقدرات التحميل.

القطنيات

الأقمشة الصناعية

أو A أو الأقمشة الأكريليكية والحساسة الأخرى

تصريف الماء

إذا كانت النشافة موضوعة قرب مصرف ماء (بالوعة)، فإنه يمكنك تصريف الماء إلى هذا المصرف. وبهذا فإنك لا تحتاج إلى تفريغ حاوية الماء الموجودة في النشافة. وما عليك سوى أن تنزع الخرطوم العلوي الموجود في مؤخرة النشافة ومد الأنبوب المرفق إلى النشافة.

التوصيلات الكهربائية

قبل وضع القابس في المقبس الكهربائي، تأكد من الأمور التالية:

- يجب أن يكون المقبس موصولاً بالأرض
- يجب أن يكون المقبس قادراً على تحمل الطاقة القصوى للنشافة، المشار إليها في جدول القدرة الحصانية للنشافة (أنظر وصف النشافة).
- يجب أن تكون فولتية القوة (الكهرباء) بحدود القيم المشار إليها في جدول القدرة الحصانية للنشافة (أنظر وصف النشافة)
- يجب أن يكون المقبس متوافقاً مع قابس النشافة. وإذا لم يكن كذلك، يجب تغيير قابس النشافة أو المقبس.

! يجب عدم وضع النشافة خارج المنزل، حتى ولو كان المكان مسقوفاً. لأن الأمر سيكون في غاية الخطورة حيث أن النشافة ستكون معرضة للمطر أو العواصف.

! فور تركيب النشافة، يجب أن يكون الوصول إلى سلك النشافة الكهربائي وقابسها سهلاً.

! يجب أن لا يكون سلك الكهرباء مطويماً أو ملتويماً.

! يجب فحص سلك الكهرباء المرفق مع النشافة بشكل دوري واستبداله بأخر مصنوع خصيصاً لهذه النشافة وأن يقوم بتركيبه فنيون معتمدون (أنظر الخدمة). تتوفر الأسلاك الكهربائية الجديدة أو الأطول لدى الباعة المعتمدين مقابل رسوم إضافية.

! الشركة الصانعة لا تتحمل أية مسؤولية في حالة عدم الالتزام بأي من هذه الأحكام.

! إذا كنت غير متأكد من أي من النقاط الواردة أعلاه، يمكنك مراجعة كهربائي مؤهل.

قبل البدء باستخدام النشافة

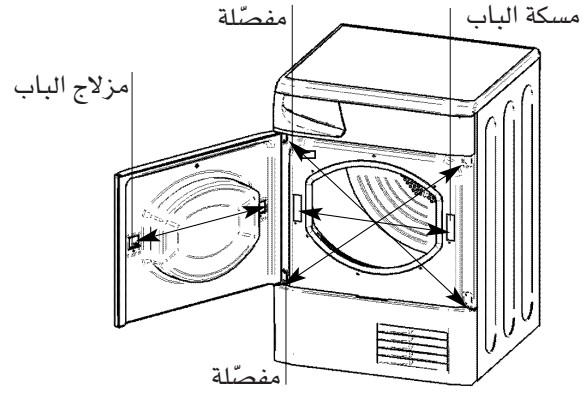
بعد الانتهاء من تركيب النشافة وقبل استعمالها، نظّف حوض النشافة لإزالة أي غبار أو أتربة قد تكون تجمعت فيه خلال عملية النقل.

! احتفظ بكتيب التعليمات في متناول يدك لكي تعود إليه عند الضرورة. وخذ معك عندما تنتقل إلى منزل آخر. وإذا بعث هذه النشافة أو أعطيتها إلى طرف آخر، تأكد من أنك تعطيه هذا الدليل مع النشافة لكي يكون المالك الجديد على معرفة تامة بالمحاذير والاقتراحات المتعلقة بتشغيل النشافة.

! اقرأ هذه التعليمات بدقة؛ فالصفحات التالية تحتوي على معلومات هامة تتعلق بتركيب النشافة واقتراحات حول كيفية تشغيلها.

تعليمات نقل الباب إلى الجهة المعاكسة

إن باب النشافة قابل للنقل إلى الجهة المعاكسة ويمكنك تبديل جهته بسهولة. بدل قاعدة ارتكاز المفصلات وبراعي التغطية بشكل



قطري. بدل مزلاج الباب ومسكته بصفائح التغطية المقابلة لها (راجع الشكل أعلاه).

أين تضع النشافة

- ضع النشافة بعيداً عن أنابيب الغاز والموافد والسخانات ورؤوس الطباخت، لأن اللهب يؤدي إلى تلف النشافة.
- إذا كنت ستضع النشافة تحت أية طاولة عمل، تأكد من ترك فراغ بعمق 10 ملم بين أعلى النشافة وبين أية أجسام أخرى تضعها عليها أو فوقها، وترك فراغ كذلك بعمق 15 ملم بين جوانب النشافة وبين الجدران أو غيرها مما سيكون قريباً من النشافة. وهذا سيضمن تدوير الهواء في منطقة النشافة بشكل لائق. تأكد من أن فتحات التهوية الخلفية للنشافة غير مسدودة.

التهوية

عندما تكون النشافة في وضع استعمال، يجب أن تتوفر لها التهوية المناسبة. تأكد من أنك تضع النشافة في مكان غير رطب ويتم توزيع الهواء فيه بشكل مناسب. ومن الضروري أن يكون هناك مجرى هواء حول النشافة لتكثيف الماء الناتج عن عملية الغسيل، كما أن النشافة لن تعمل بكفاءة في جو مغلق وداخل خزانة.

! إذا كنت تستعمل النشافة داخل غرفة صغيرة أو باردة، فإنه ستكون هناك عملية تكثيف.

المحتويات

التركيب، 79

تعليمات نقل الباب إلى الجهة المعاكسة

المكان الملائم لوضع النشافة

التهوية

تصريف الماء

توصيل الكهرباء

قبل البدء باستعمال النشافة

وصف النشافة، 78

الواجهة

الخلف

لوحة التحكم

الابتداء والبرامج، 77

اختيار البرنامج

الغسيل، 75-76

تصنيف الغسيل

علامات العناية بالغسيل

ملابس من أقمشة خاصة

عدد مرّات التنشيف

تحذيرات واقتراحات، 74

السلامة العامة

التخلص من التلفيات

توفير الطاقة والمحافظة على البيئة

الصيانة والعناية، 73

فصل التيار الكهربائي

تنظيف الفيلتر بعد كل جولة

أفرغ حاوية الماء بعد كل جولة تنشيف

فحص الحوض بعد كل جولة

تنظيف وحدة التكثيف

تنظيف النشافة

تصليح الأعطال، 72

الخدمة، 71

قطع الغيار

F

Français, 21

I

Italiano, 11

GB

English, 1

P

Português, 51

E

Español, 41

D

Deutsch, 31

A

العربية، 80 Nederlands, 61

NL

IS70C