

SHARP®

**OPERATION MANUAL
BEDIENUNGSANLEITUNG
MODE D'EMPLOI
GEBRUIKSAANWISNING
MANUALE DI ISTRUZIONI
ANUAL DE MANEJO
GEBRUIKSAANWIJZING
ANUAL DE OPERAÇÃO**

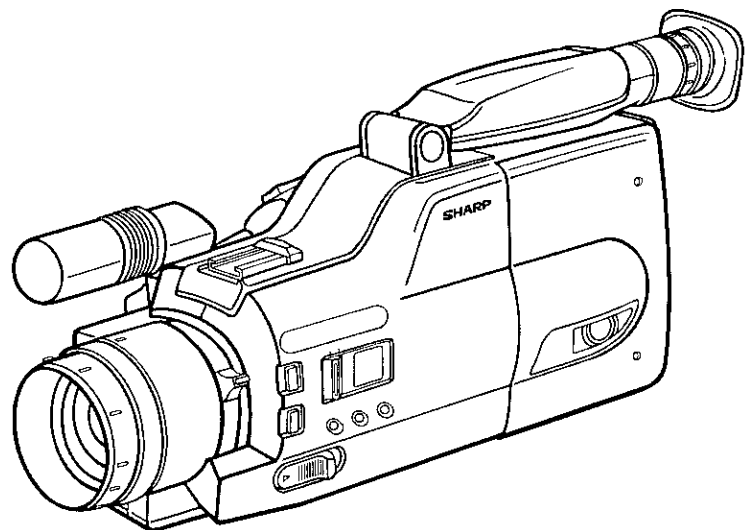
- Before using this Camcorder, read page 2.
- Vor der Verwendung des Camcorders die Seite 2 lesen.
- Avant d'employer cet appareil, veuillez lire la page 2 de ce mode d'emploi.
- Läs sidan 2 innan denna kamera-bandspelare används.
- Prima di usare questo camcorder, leggete pag. 2.
- Lea la página 2 antes de utilizar esta videograbadora.
- Alvorens deze gebruiksaanwijzing door te lozen, zie eerst bladzijde 2.
- Antes de usar esta Videocâmera, leia a página 2.

Zoom 12
New HS (High-speed) mechanism

VHS CAMCORDER
PAL

HQ HIGH QUALITY

**MODEL
VL-C780S**



This apparatus complies with the requirements of EN 55014, 02:1987.

Dieses Gerät stimmt mit den Bedingungen der EN 55014, 02:1987 überein.

Cet appareil répond aux spécifications de la EN 55014, 02:1987.

Dit apparaat voldoet aan de vereiste EN 55014, 02:1987.

Apparatet opfylder kravene i EN 55014, 02:1987.

Questo apparecchio è stato prodotto in conformità alle EN 55014, 02:1987.

Este aparato cumple las especificaciones de la EN 55014, 02:1987.

Este aparelho responde às especificações da EN 55014, 02:1987.

Αύτή η συσκευή τηρεί τις προδιαγραφές της EN 55014, 02:1987.

OPERATION MANUAL

ENGLISH

WARNING:

**TO PREVENT SHOCK HAZARD,
DO NOT EXPOSE THIS APPLI-
ANCE TO RAIN OR MOISTURE.**

This equipment should be used with DC 9.6V
⎓ only or recommended AC adaptor.

CAUTION:

To prevent electric shocks and fire hazards, do
NOT use any other power source.

CAUTION:

To prevent shock, do not open the cabinet. No user
serviceable parts inside. Refer servicing to qualified
dealer or service centre.

Congratulations on a Wise Decision!

With so many brands available, the choice was difficult. But after enjoying the top quality and high performance of this Sharp Camcorder, you'll know you were right.

The purchase of this Camcorder will further enhance your enjoyment of television viewing. Before operating, please read this operation manual to get the most out of your Sharp Camcorder. Also, please save it for future reference, since it will be useful if you have any trouble during operation.

FEATURES

- 1** 12× NEW ZOOM SYSTEM
- 2** Full Auto Camera Recording System
— Automatic Focus, Iris, and White Balance
- 3** 1/10,000, 1/2,000, 1/500, 1/100 of a sec. variable range, high speed shutter.
- 4** Ultra low light recording down to 3 lux (with Gain-up function)
- 5** Intelligent Auto Iris for shooting backlit subjects
- 6** Flying erase head and camera search
- 7** Self timer for Camera Recording
- 8** 3-way power source with AC, battery, and car battery

Important

Audio-visual material may consist of copyrighted works which must not be recorded without the authority of the owner of the copyright. Please refer to relevant laws in your country.

Power Supply

This unit can be operated by connecting it to either the AC adaptor, battery pack or optional car battery cord. The AC adaptor incorporates the AUTO VOLTAGE (AC 110-240V, 50/60Hz) function.

CONTENTS

FEATURES	1	LCD DISPLAY AND	
PRECAUTIONS	2	VIEWFINDER INFORMATION	20
MAJOR OPERATING COMPONENTS AND		AUTO DATE/TIME FUNCTION	21
THEIR FUNCTIONS	4	ASSEMBLE RECORDING	22
PREPARATIONS	7	REPLACING THE BATTERY PACK	
INSTALLING THE LITHIUM BATTERY	7	WHILE RECORDING	22
SETTING THE DATE/TIME	7	AUTO POWER OFF	22
ATTACHING AND DETACHING		PAUSE REMOTE CONTROL	
THE BATTERY PACK	8	(OPTIONAL ACCESSORY)	22
ATTACHING THE SHOULDER STRAP	8	PLAYBACK	23
INSERTING AND REMOVING A CASSETTE	9	PLAYBACK IN THE VIEWFINDER	23
ADJUSTING THE GRIP STRAP	9	TRACKING ADJUSTMENT	23
USE OF AN EXTERNAL MICROPHONE	10	FORWARD/REVERSE SEARCH AND STILL	24
USING THE ELECTRONIC VIEWFINDER	10	COUNTER MEMORY FEATURE	25
POWER SUPPLY SYSTEM	11	CONNECTION TO TV	26
USING THE AC ADAPTOR/ BATTERY CHARGER	11	CONNECTION TO TV WITH AV TERMINALS ...	27
CHARGING THE BATTERY PACK	12	RECORDING TO ANOTHER VCR	28
USING THE CAR BATTERY ADAPTOR/ CHARGER (OPTIONAL ACCESSORY)	12	EDIT CONTROL	28
USING THE BATTERY PACK	13	USING THE CASSETTE ADAPTOR (OPTIONAL ACCESSORY)	29
CAMERA RECORDING	14	ADVANCED OPERATION	31
CAMERA RECORDING	14	MANUAL FOCUS	31
FULL AUTO SYSTEM	16	WHITE BALANCE	31
REC REVIEW	17	BACKLIGHT COMPENSATION	32
POWER ZOOM		GAIN-UP	32
(WIDE/TELEPHOTO CONTROL)	17	SELF TIMER RECORDING	32
USING THE ZOOM SELECT BUTTON	18	HIGH SPEED SHUTTER	33
LAP TIME FUNCTION	19	MACRO SHOTS	34
		FADE IN & OUT	34
		LIGHTING	35
		BEFORE REQUESTING SERVICE	36
		SPECIFICATIONS	37

PRECAUTIONS

READ THE SAFETY AND OPERATING INSTRUCTIONS before operating this Camcorder. FOLLOW INSTRUCTIONS AND HEED ALL WARNINGS on this Camcorder and in this manual.

DEW FORMATION

What is "dew formation?"

When you pour cold beer into a glass, dew forms on the glass. This clinging of water drops is called dew formation.

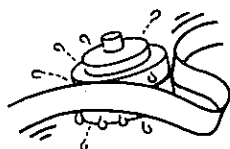


When dew forms in your Camcorder.

Dew will gradually form on the head drum of your Camcorder and make the video tape stick to the head. This causes damage both to the head and the tape. When dew formation occurs, recording and playback may not function properly.

Dew is likely to form in the following circumstances:

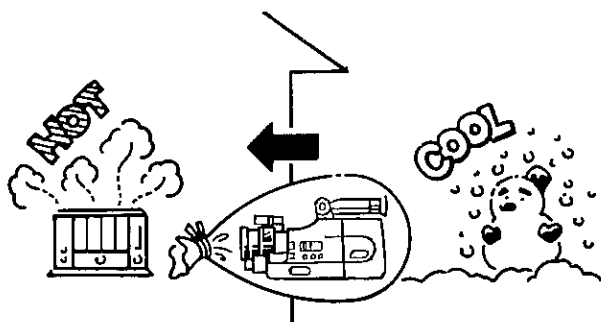
- When moving the Camcorder from a cold place to a warm place.
- When placing the Camcorder in a cold room which is then heated rapidly.
- When moving the Camcorder outdoors from an air conditioned room.
- When placing the Camcorder in the direct path of air blowing from an air conditioner.
- And when placing the Camcorder in a humid room.



How to prevent trouble due to dew formation.

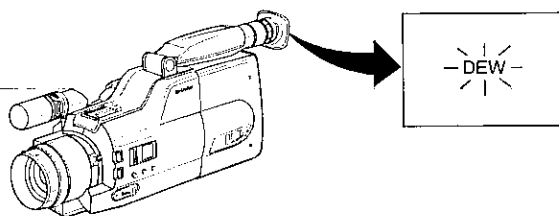
When using the Camcorder in a place where dew formation is likely to occur, allow the Camcorder and the video tape to acclimatize to the surroundings for about one hour.

For example, when bringing the Camcorder indoors after skiing, first put it in a plastic bag and allow it to adapt to room conditions for some period of time.



- ① Make sure there is enough air in the plastic bag containing the Camcorder.
- ② Remove the bag when the air temperature inside it reaches the temperature of the surroundings.

"Dew" warning feature



When dew forms on the head drum, the dew warning indicator appears on the viewfinder.

After ten seconds, the power will automatically turn off.

Notes

- When "DEW" appears, eject the video tape and leave it out for several hours to adapt it to the surroundings.
- Since dew forms gradually, it may take 10 to 15 minutes before "DEW" appears on the display.
- To use the Camcorder again, turn the power on after waiting for several hours and make sure that "DEW" has disappeared.

Before actual recording, be sure to test record, checking that both the picture and the sound are being recorded properly. The picture can be easily checked by using "REC REVIEW".

How to continually maintain good recording.

If used in a variety of places, eventually your Camcorder may not function properly due to accumulation of dirt on the head drum. Please pay special attention to the following points when using your Camcorder.

- ① Dew formation on the head drum.
- ② The video tape becomes worn:
Using a damaged or soiled video tape may also soil the head drum, causing the picture to be blurred or nothing to be recorded on the video tape. Do not use such a video tape.
- ③ Using the Camcorder in a humid or a dusty place:
Use in extremely humid or dusty places may cause damage to your Camcorder.

When the video heads are dirty.

Using the Camcorder when the video head is dirty may cause the head to clog, producing noise on the recorded image or preventing the image from being recorded at all.

Under such circumstances, contact the nearest SHARP service centre or your dealer for further advice.

For safety, strictly observe the following

- Do not open the case.
- Take care to avoid flammables or other liquids and metal objects from entering the unit. Should this happen, switch the power off and have the Camcorder checked by qualified personnel.
- Do not disassemble or attempt to modify the unit.
- Do not operate the Camcorder during lightning storms. Unplug power cables of any connected equipment.

Avoid using the Camcorder under the following conditions

- Places of extreme humidity or excessive dust.
- Near electrical appliances generating strong magnetic fields (fluorescent lights, televisions, speakers).
- Steamy or sooty places such as near a cooking stove.
- Excessive mechanical shock or vibration.
- Extremely hot locations such as near heating.
- Wet locations, such as near swimming pools, bathtubs and the like.

Do not expose the Camcorder to extremely high or low temperatures for long periods

- Never leave this Camcorder in direct sunlight, in a closed car during summer or near a heater — this will most likely deform the exterior and damage the internal parts of the Camcorder.
- Do not store the Camcorder in places over 60°C.
- Do not use the Camcorder in places over 40°C.
- Do not use the Camcorder in places below 0°C.
- Do not use the Camcorder in humid places over 80% RH.

Store the Camcorder in a location that stays between -20°C and 60°C.

Take extra care when recording outdoors

- Do not drop or allow it to strike any hard or rough surface. Protect from damage during transportation.
- Prevent the Camcorder from getting wet.
- At the beach, keep away from salt water or spray and prevent sand from entering the Camcorder.
- Avoid aiming the lens at extremely bright objects like the sun or other strong lights.
- **Do not direct the viewfinder eyepiece at the sun.**
- Stop using the Camcorder during lightning storms.

BEFORE DISCONNECTING A POWER SOURCE, ALWAYS SLIDE THE OPERATE SWITCH TO OFF — THE OPERATE INDICATOR WILL GO OUT.

Handling the Camcorder

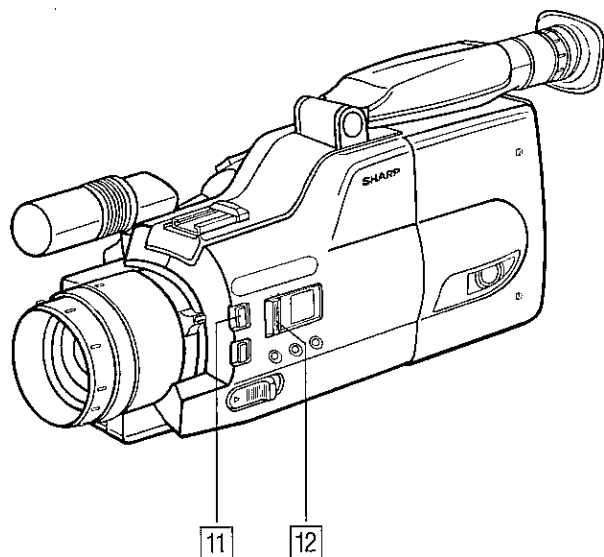
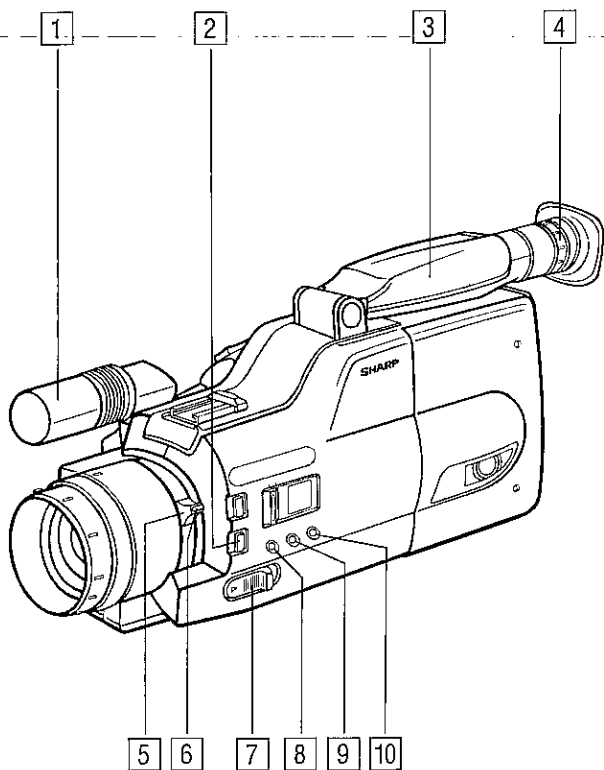
- Protect the microphone from damage.
- Keep the Camcorder horizontal during use, otherwise the tape may become slack and be damaged.
- **Do not carry the Camcorder by the viewfinder. Loop the strap over your arm — should the Camcorder accidentally slip out of your hand, you will avoid damaging it.**
- Cap the lens after use. Remember to switch the power off.
- Do not touch the focus ring while using Autofocus.
- Before attaching any filter to the lens, switch to manual focus or switch the power off and remove the lens hood.

Cleaning the Camcorder

- Detach the battery pack or disconnect the power before cleaning the Camcorder.
- Remove dust with a soft cloth. Use a soft cloth moistened with mild detergent to remove persistent dirt.
- Do not use strong cleaning agents such as PETROL, thinner or alcohol — they may damage the exterior.
- Keep the lens and viewfinder clean. Clean the lens by first blowing it free of dust, then gently wipe it with a soft brush or lens cleaning paper moistened with lens cleaning fluid.

MAJOR OPERATING COMPONENTS AND THEIR FUNCTIONS

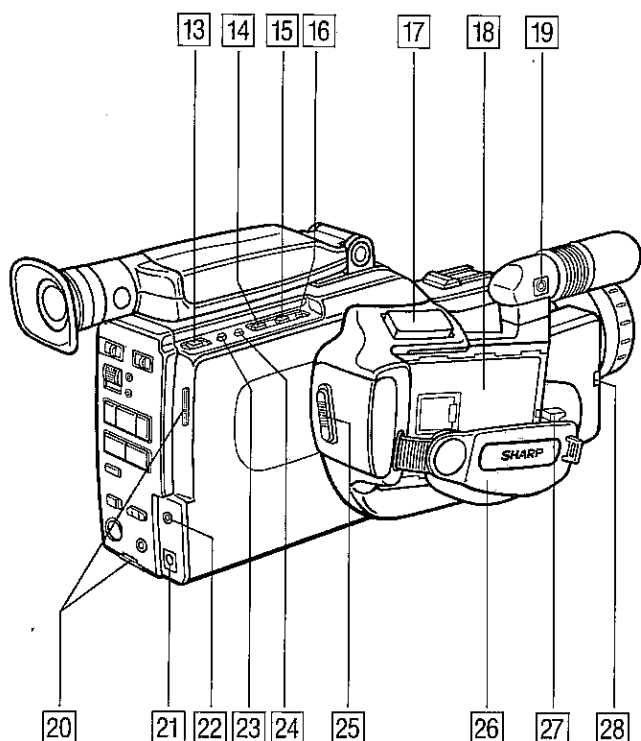
FRONT VIEW



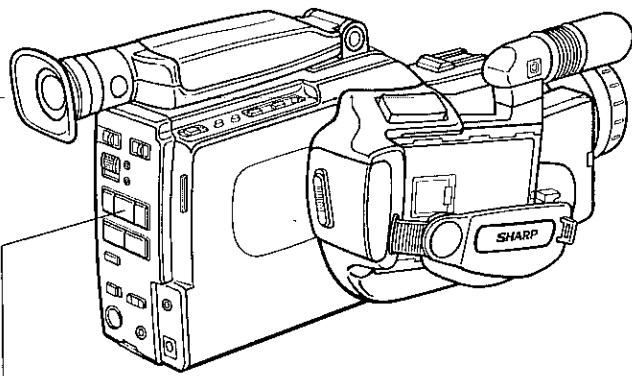
For details on the use of each control, refer to the page indicated in the brackets.

- 1 **Microphone**
- 2 **BLC (Back Light Compensation)/GAIN-UP button**
If the subject is darker than the background, the recorded subject may appear too dark and undefined. If this is the case, push this button for "BLC". When "LIGHT" is displayed in the viewfinder, the gain-up mode is engaged and the screen becomes brighter when this button is pressed.
- 3 **Electronic Viewfinder/Monitor**
Displays the photographic subject. Also functions as a convenient black-and-white monitor for playback of recorded material.
- 4 **Diopter adjustment**
Use this control to adjust the viewfinder focus to your eyesight.
- 5 **Zoom lever**
Use this lever to manually zoom in and out on your subject.
- 6 **Macro button**
Use this control for shooting subjects positioned less than 1m from the Camcorder. (Autofocus does not function at this distance.) Press the MACRO button continuously while moving the Zoom lever to the "MACRO" position for focusing.
- 7 **ZOOM SELECT button [18]**
Use this button to instantly magnify (or reduce) the framed area in the viewfinder by 1.5 times.
- 8 **AUTO/MANUAL FOCUS Select button**
Set to "AUTO", the Camcorder will automatically focus on the subject even if it is moving. (Remember to use the macro focus feature to focus on subjects less than 1,1m away.)
If, however, Autofocus does not function because of the prevailing shooting conditions, set this switch to "MANUAL" and focus manually.
- 9 **WHITE BALANCE button [31]**
Use this button to lock the white balance.
- 10 **SHUTTER SPEED Select button [33]**
For a clear image replay of high speed motion in still mode (or slow mode with a regular VHS VCR).
- 11 **FADE IN/OUT button [34]**
- 12 **FULL AUTO switch [16]**

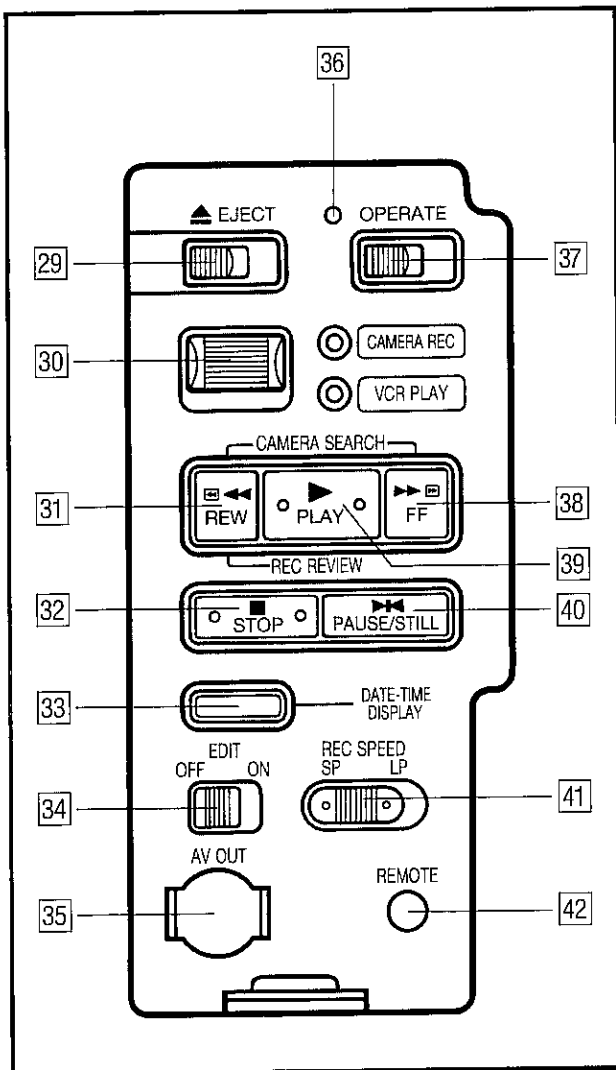
REAR VIEW



- 13 Sub REC START/STOP button**
Press to start recording. Recording will be paused if pressed during the recording mode. Use when recording from a low angle.
- 14 TRACKING ◀ control button [23]
DATE/TIME SET button [7]**
- 15 TRACKING ▶ control button [23]
DATE/TIME SELECT button [7]**
- 16 DATE/TIME INITIAL button [7]**
- 17 Power Zoom Wide/Telephoto control button**
Maximum telephoto with T (Tele) depressed (this is also called "zoom-in" or "zoom-up"). Maximum wide angle with W (Wide) depressed (this is also called "zoom-out" or "zoom-down"). You can vary the speed of the zoom from 6 seconds to 20 seconds by the degree of finger pressure on the Zoom buttons.
- 18 Battery Pack Compartment**
- 19 External microphone jack**
- 20 Eyelet tabs**
Pull the shoulder strap through these eyelet tabs and adjust the length of the strap with the buckle.
- 21 DC input jack**
- 22 Earphone jack**
For plugging in an accessory earphone to monitor the sound during recording and playback.
- 23 COUNTER/COUNTER MEMORY/LAP TIME button**
Used to select among Counter, Counter Memory, and Lap Time modes being indicated in the viewfinder.
- 24 COUNTER/LAP TIME RESET button**
Used to reset the Counter and Lap Time being indicated in the viewfinder.
- 25 REC START/STOP button**
Press to start recording. Recording will be paused if pressed during the recording mode.
- 26 Grip Strap**
- 27 Battery release lever**
Used to detach the battery pack.
- 28 SELF TIMER button/Talent Tally indicator**
The Talent Tally indicator will light up when the Camcorder begins recording, enabling the subject to determine whether the unit is recording or not. The SELF-TIMER button and Talent Tally indicator share the same function. When the button is pressed in the REC Pause mode, the indicator will blink for 10 seconds before the Self-timer starts recording.



CONTROL PANEL



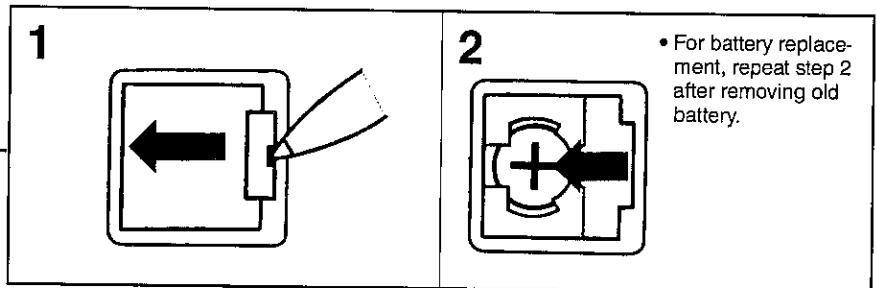
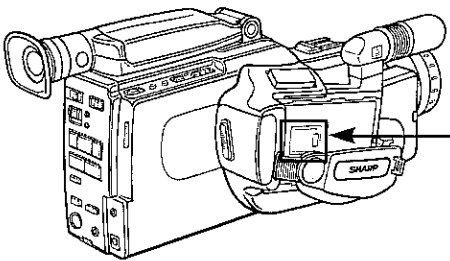
- 29 EJECT button**
Used to insert or remove the **VHS** cassette.
- 30 CAMERA REC/VCR PLAY switch**
When the Camcorder is recording, set this switch to the CAMERA REC position. (The Camcorder will then automatically go into REC PAUSE mode.) When using the Camcorder as a VCR, set this switch to VCR PLAY.
(In this case, if in the REC PAUSE mode, the Camcorder will switch to Still mode; if recording, it will switch to Stop mode.)
- 31 CAMERA SEARCH [◀◀] button [17]
REW/Reverse Search button [24]
REC REVIEW button [17]**
- 32 STOP button**
- 33 DATE-TIME DISPLAY button**
Used to display either the date/time or date in a picture being recorded.
- 34 EDIT switch**
Picture quality inevitably deteriorates each time you dub from the Camcorder to a VCR. Slide the EDIT switch on to minimize deterioration of picture quality. Use this while you edit your videos.
- 35 AV output terminal**
- 36 OPERATE indicator**
- 37 OPERATE on/off switch**
Turns power on and off.
- 38 CAMERA SEARCH [▶▶] button [17]
FF/Forward Search button [24]**
- 39 PLAY button**
Press for playback.
CAMERA SEARCH [▶] button [17]
- 40 PAUSE/STILL button**
Use to view a still picture during playback.
- 41 REC SPEED LP/SP Select button**
Used to set recording to the LP (Long Play) or SP (Standard Play) mode. Recording time in the respective modes is as follows (VHS-C tape EC-30):
LP mode 60 min.
SP mode 30 min.
- 42 Pause Remote Control jack**
For plugging in the Pause Remote Control VR-20ME (optional) to operate the Camcorder from a distance.

PREPARATIONS

INSTALLING THE LITHIUM BATTERY

1 Open the lithium battery compartment cover with a pointed object.

2 Insert the battery with the "+" side out. Close the lithium battery compartment cover.



• For battery replacement, repeat step 2 after removing old battery.

Warning:

- Dispose of used battery promptly. Keep away from children. Do not disassemble and do not dispose of in fire.
- The battery used in this device may present a fire or chemical burn hazard if mistreated. Do not recharge, disassemble, heat above 100°C or incinerate. Replace battery with type CR2025 of SONY ENERGYTEC, FUJI ELECTROCHEMICAL or MATSUSHITA ELECTRIC only. Use of another battery may present a risk of fire or explosion.

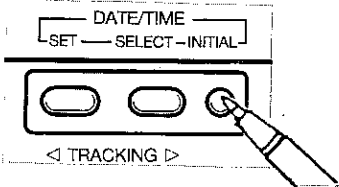
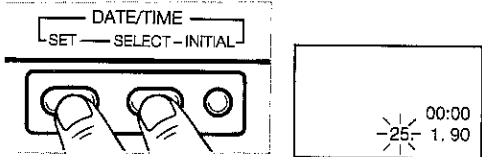
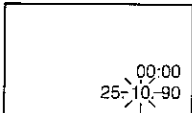
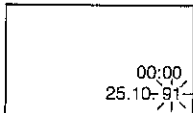
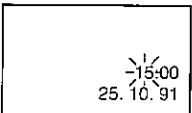
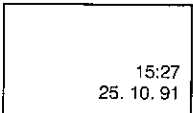
Notes

- This lithium battery is available at a local electronic appliance shop or audio/video shop.
- Disconnect the power source (AC adaptor, battery pack, etc.) before replacing the battery.
- The battery life is approximately one year but it differs depending on the ambient temperature and the condition of the lithium battery.
- When the lithium battery runs out, the clock may be extremely inaccurate, or the clock setting mode may be engaged. When this occurs, replace the lithium battery as soon as possible. Reset the date and time after replacing the battery.
- Do not short-circuit the battery by holding the electrodes with metallic objects such as tweezers, as doing so will deteriorate the battery quality.

SETTING THE DATE/TIME

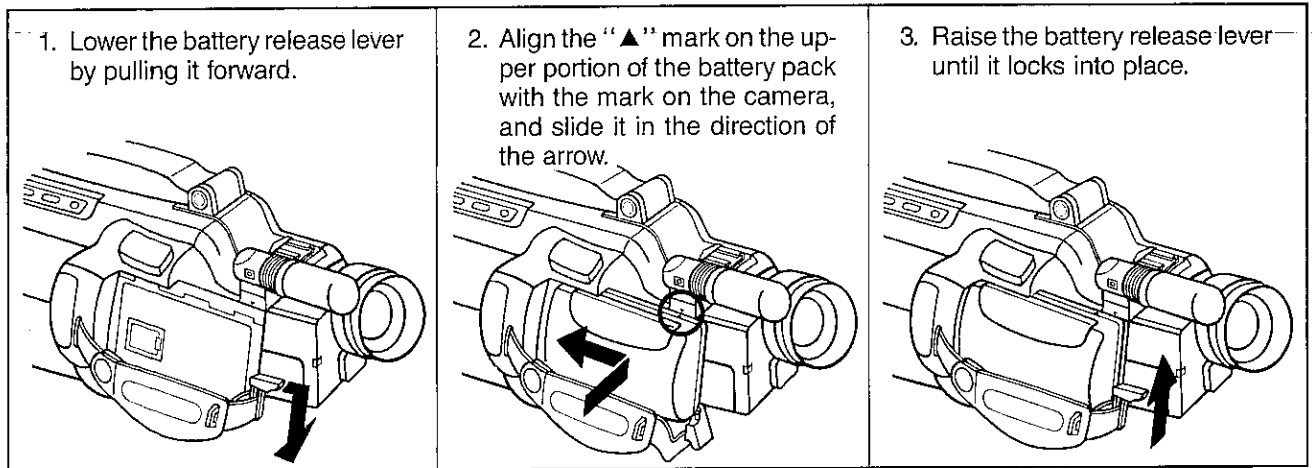
The auto date/time function features a date and time in the viewfinder which can be recorded as a handy reference. Follow the instructions below to set the current date and time.

Example: Setting the date to 25th Oct. 1991 and time to 15:27.

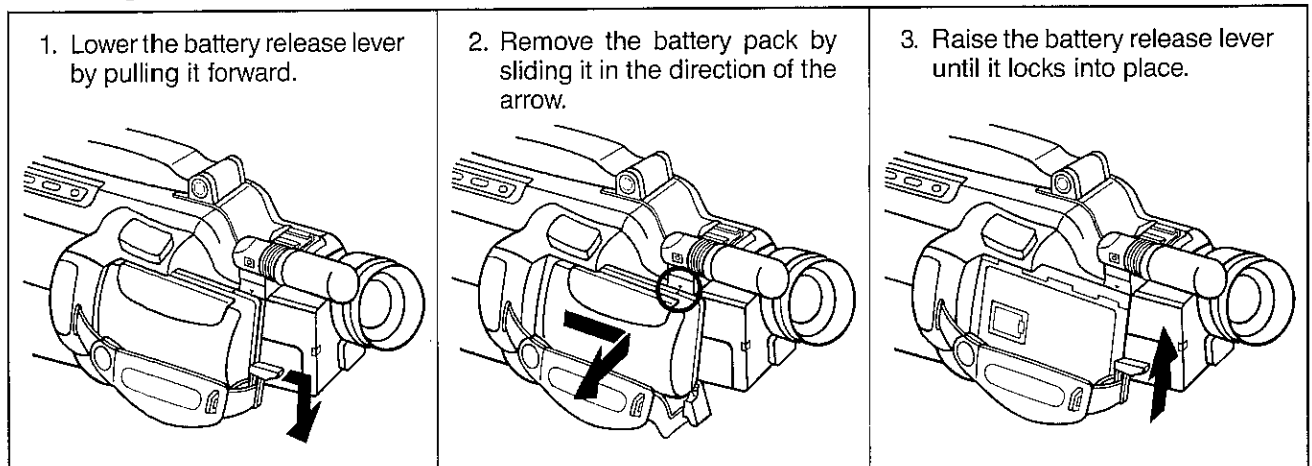
<p>1 Install the date/time lithium battery.</p>	<p>2 Connect a battery pack or power source. Slide the OPERATE switch on. Press the DATE-TIME DISPLAY button.</p>
<p>3 Press the INITIAL button using a dull-pointed object such as a ball point pen.</p> 	<p>4 The day will flash. Press the SELECT button to select the day. When the correct day appears, press the SET button.</p> 
<p>5 The month will flash. Press the SELECT button to select the month. When the correct month appears, press the SET button.</p> 	<p>6 The year will flash. Press the SELECT button to select the year. When the correct year appears, press the SET button.</p> 
<p>7 The hour will flash. Press the SELECT button to select the hour. When the correct hour appears, press the SET button.</p> 	<p>8 The minutes will flash. Press the SELECT button to select the minutes. When the correct time appears, press the SET button.</p> 

ATTACHING AND DETACHING THE BATTERY PACK

Attaching the Battery Pack

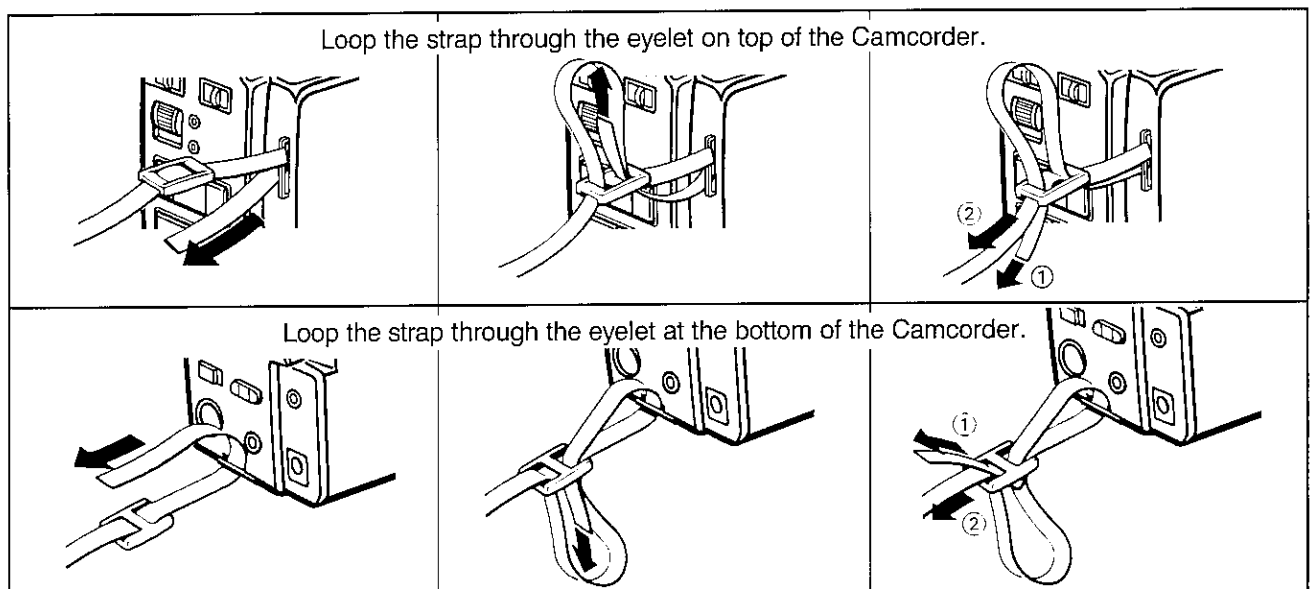


Detaching the Battery Pack



Note The battery pack is uncharged when shipped and must be charged before use.

ATTACHING THE SHOULDER STRAP



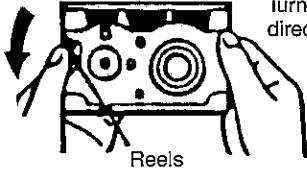
Note Before using the Camcorder, make sure that the shoulder strap is fastened tightly enough, and that no slack exists.

INSERTING AND REMOVING A CASSETTE

Inserting a cassette

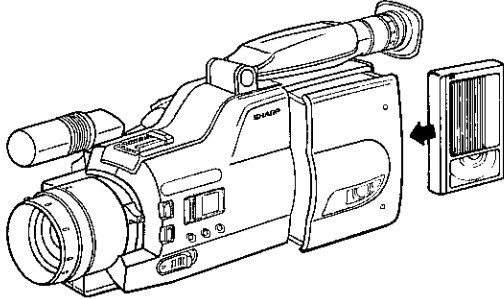
- 1 Press the EJECT button to open the cassette compartment. Insert a **VHS** cassette with the transparent window facing you and the arrow facing out. **Remove tape slack before inserting the cassette.**

Remove
tape slack



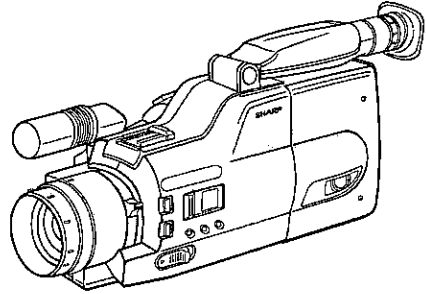
Turn the reel in the
direction of the arrow.

- 2 Press "PUSH" to close the compartment door.



Removing a cassette

- 1 Press the EJECT button. The cassette compartment will open. Remove the cassette.
- 2 Close the compartment door.



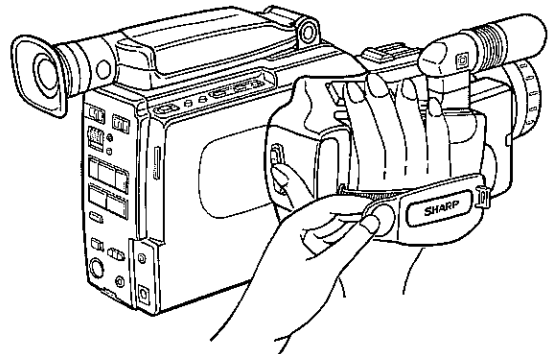
Note

Press on the "PUSH" mark
to close slowly and correctly.

Note The cassette may be ejected simply by pressing the EJECT button. There is no need to slide the OPERATE button to off before you press the EJECT button.
The cassette cannot be ejected while recording. Go to REC PAUSE mode and press the EJECT button.

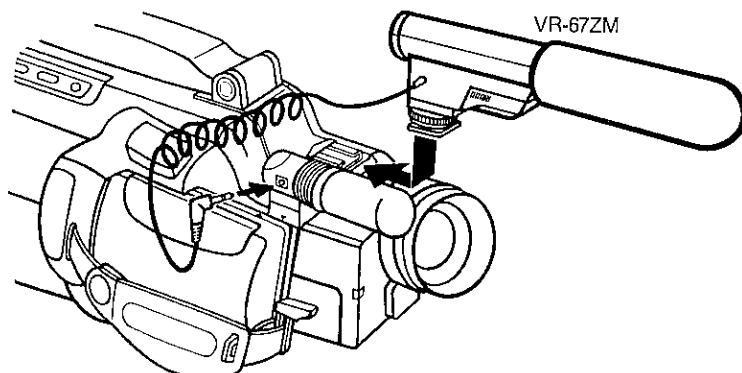
ADJUSTING THE GRIP STRAP

Separate the strap to expand the loop, then pass your hand through the loop and grasp the hand grip. Adjust the length of the strap so your hand is secure but comfortable and refasten the strap.



USE OF AN EXTERNAL MICROPHONE

The built-in microphone picks up sounds equally from all directions (omni-directional). By using an optional VR-67ZM microphone, you can enjoy more effective audio recording.



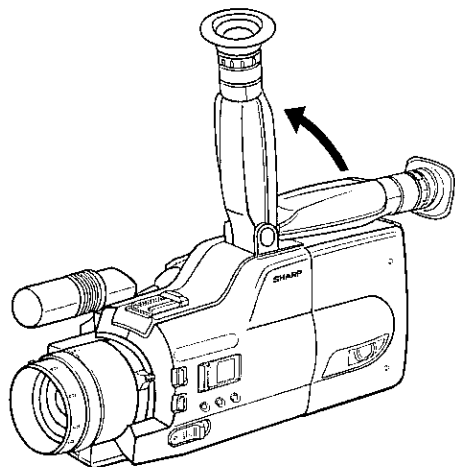
VR-67ZM

Attaches directly to the Camcorder. This microphone is a highly sensitive 4-times zoom microphone able to collect even distant sounds clearly.

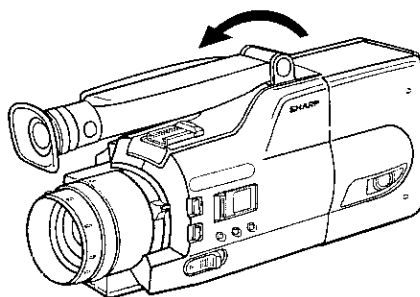
USING THE ELECTRONIC VIEWFINDER

ADJUSTING THE VIEWFINDER POSITION

The viewfinder can be tilted up for low-angle shot.

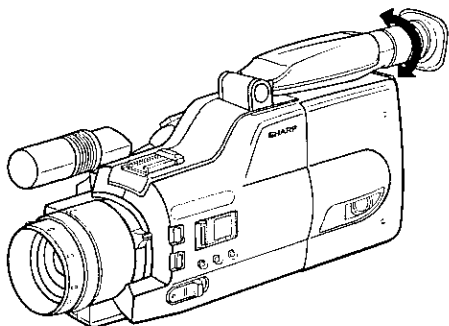


In order to protect the viewfinder while traveling or when the camera is not being used, lay it forward as in the diagram.



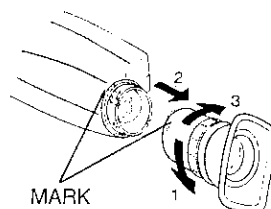
EYEPiece ADJUSTMENT

The Camcorder comes with a diopter adjustment control. Move this control clockwise or counter-clockwise to adjust the eyepiece to your eyesight. As individuals differ in eyesight, adjust the eyepiece so that the characters inside the viewfinder can be seen clearly when used for the first time or by anybody else.



When cleaning dust particles from the interior of the viewfinder, remove the eyepiece, as shown below, and clean with a long, thin object, such as a cotton swab. To remove the eyepiece, first turn it in direction ①, then pull in direction ②.

When reattaching, align the marks on the body and the eyepiece as shown, and then turn the eyepiece 45° in direction ③.

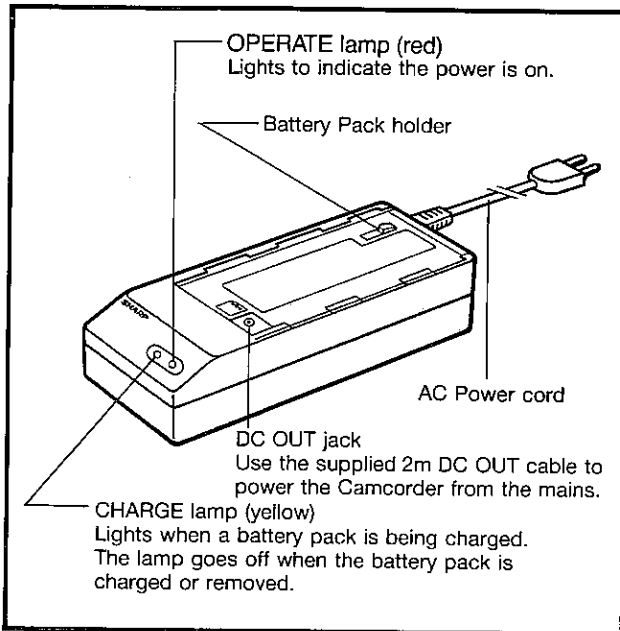


Note Power must be supplied to the Camcorder for this adjustment.

POWER SUPPLY SYSTEM

For portable and outdoor use, the supplied BT-75 battery pack is ideal. Indoors, the supplied AA-75S AC Adaptor/Battery Charger and 2m DC OUT cable will be more useful. For extended outdoor use, the optional VR-P75CH Car Battery Adaptor/Charger may come in handy in remote locations.

Using the AC Adaptor/Battery Charger



Note

The optional SHARP VR-P75CH Car Battery Adaptor/Charger is like the AA-75S, but operates from a car battery.

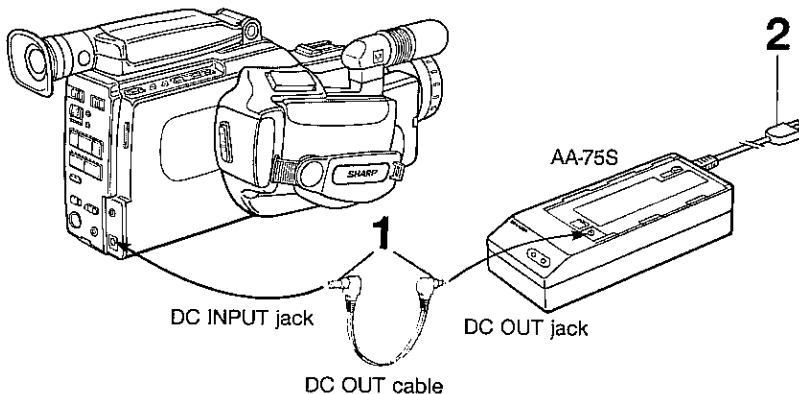
Precautions:

- The AC Adaptor/Battery Charger, if used near a radio, may cause interference.
- Prevent flammables, liquids or metal objects from entering the unit.
- The AA-75S is a sealed unit. Do not attempt to open or modify it.
- Do not damage or drop the unit or subject it to vibrations.
- Do not leave the unit in direct sunlight.
- Avoid using the unit in humid or extremely hot places.

USING THE AC ADAPTOR/BATTERY CHARGER

Use the supplied AA-75S AC Adaptor/Battery Charger and DC OUT cable.

- 1** Connect the DC OUT cable to the AC Adaptor and Camcorder.
- 2** Insert the AC plug into a wall outlet. The OPERATE lamp on the AC Adaptor will light.

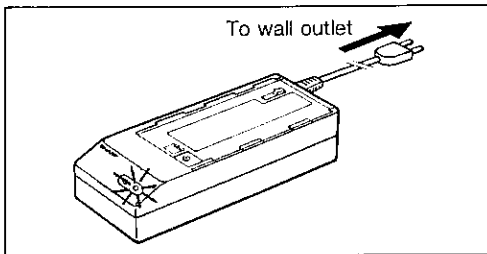


Note The AA-75S AC Adaptor/Battery Charger will not supply power to the Camcorder through the DC OUT cable while charging a battery pack.

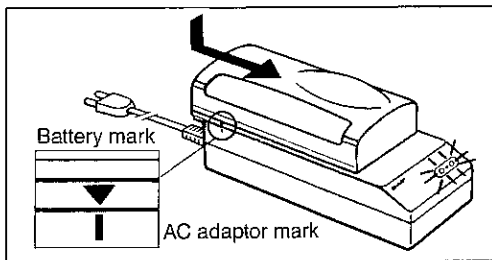
CHARGING THE BATTERY PACK

Use the supplied AA-75S AC Adaptor/Battery Charger. Outdoors, you can use the optional SHARP VR-P75CH Car Battery Adaptor/Charger.

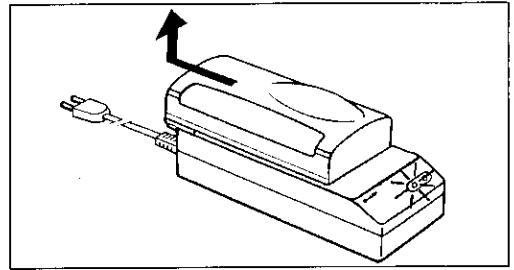
- 1 Insert the AC plug in a wall outlet. The OPERATE lamp will light.



- 2 Align the ▼ mark on the side of the battery pack with the I mark on the charger and guide the battery pack into the groove. Slide the battery pack forward until it locks in place. The CHARGE lamp will light.



- 3 When the battery pack is charged the CHARGE lamp will go off. Pull out the AC plug from the wall outlet and remove the battery pack by sliding it back.



Note

Normally the battery pack and charger are warm after charging.

**CHARGING TIME of BT-75: 60 min.
CHARGING TIME of BT-76: 80 min.**

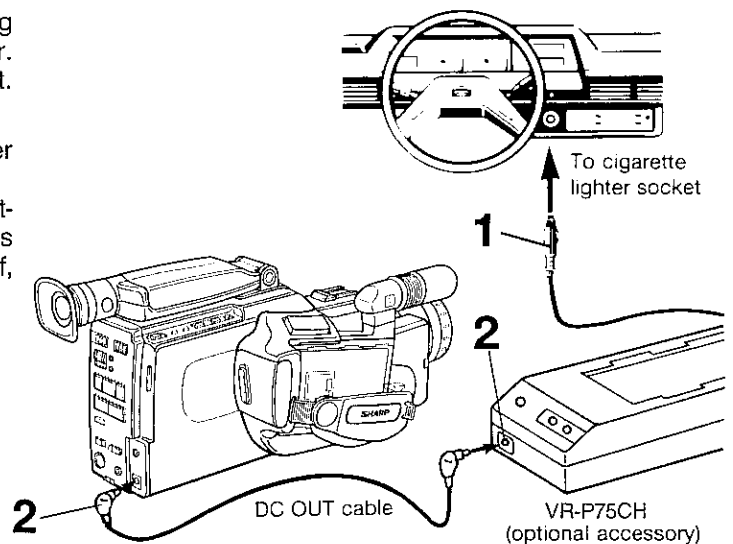
Note

The charging time depends on the ambient temperature and the condition of the battery pack.

USING THE CAR BATTERY ADAPTOR/CHARGER (OPTIONAL ACCESSORY)

To charge the battery pack or power the Camcorder in a car, use the optional SHARP VR-P75CH Car Battery Charger.

- 1 Start the car engine and leave it idling while using the Car Battery Charger. Insert the plug into the car cigarette socket. The OPERATE lamp will light.
- 2 Connect the DC OUT cable to supply power to the Camcorder. The CHARGE lamp will be lit while the battery pack is charging. When charging is completed, the CHARGE lamp will go off, and the DONE lamp will light.



Note

The VR-P75CH Car Battery Adaptor/Charger will not supply power to the Camcorder through the DC OUT cable while charging a battery pack.

Caution:

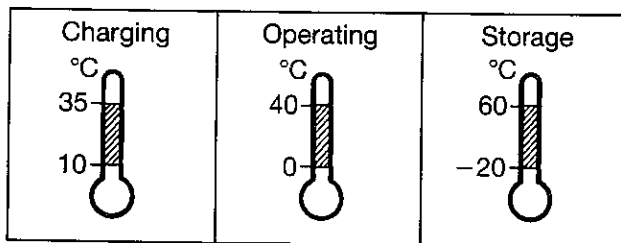
The VR-P75CH Car Battery Charger can only be used with 12V or 24V negative-ground cars. Do not use with 12V or 24V positive-ground cars. Check the car operation manual or consult your car dealer.

USING THE BATTERY PACK

The BT-75 is a nickel-cadmium battery and has the following characteristics.

Recharging normally takes one hour at a room temperature of 20°C. The lower the temperature, the longer the recharging time.

Temperature Range



To avoid hazard:

- Do not burn the battery pack.
- Do not short circuit the terminals.
- Do not disassemble or modify it.
- Use only recommended SHARP chargers: AC Adaptor/Battery Charger AA-75S or Car Battery Adaptor/Charger VR-P75CH.

To prevent damage and prolong battery life:

- Do not damage or drop the unit or subject it to mechanical vibration.
- Avoid repeated charging without discharge of the battery pack.

The battery pack has a limited life; when it begins to deliver less recording time per charge, purchase a replacement.

Note

The battery pack is normally warm after charging or use.

RECORDING TIME of BT-75: approx. 60min.
RECORDING TIME of BT-76: approx. 80min.

The recording time of a fully charged battery pack is influenced by the amount of recording and standby time, use of the zoom lens and other factors.

Spare battery packs are available from your SHARP dealer. Have spare battery packs on hand, otherwise you may miss important video opportunities.

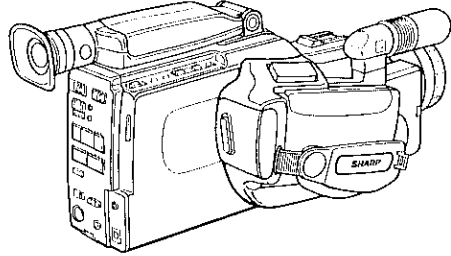
Nickel-cadmium batteries are best when maintained under the following conditions:

1. Full charging takes place between 10°C and 35°C. Charging takes longer at lower temperatures and charging may be incomplete at higher temperatures.
2. Store battery packs in a cool dry place. Long exposure to high temperatures increases battery discharge and reduces battery life.
3. Total battery discharge may naturally occur during long storage. Discharge batteries before storing them — this extends battery life.
4. Detach batteries from Camcorder or charger after use, otherwise battery discharge may continue.

CAMERA RECORDING

CAMERA RECORDING

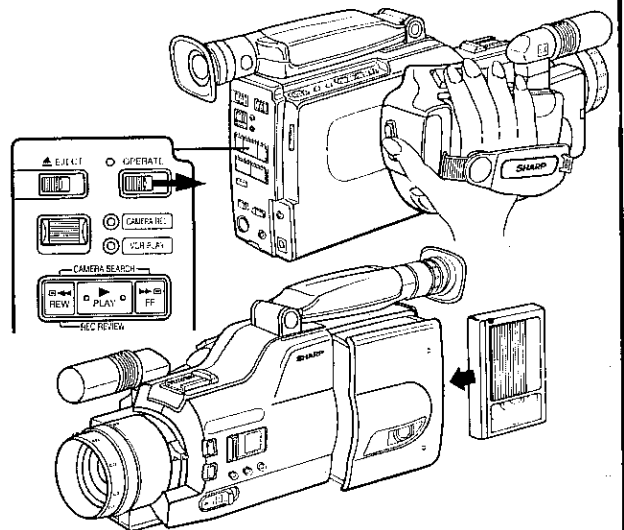
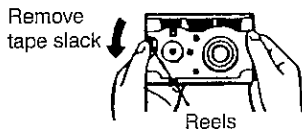
- 1** Attach the recharged battery pack. (See page 8.) However, use the supplied AC adaptor for indoor camera recording or an optional Sharp car battery adaptor/charger for recording in a car.



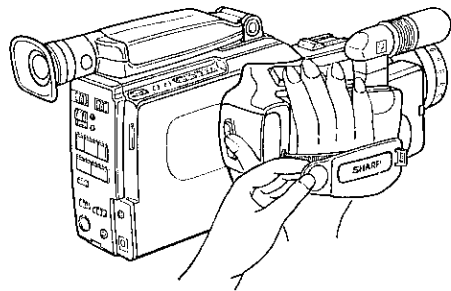
- 2** Slide the OPERATE switch on — the operate indicator will light. Press the EJECT button and open the cassette holder. Insert a **VHS** video cassette with its tab intact and with its window facing outward. Press on the "PUSH" mark to close the compartment door.

Caution:

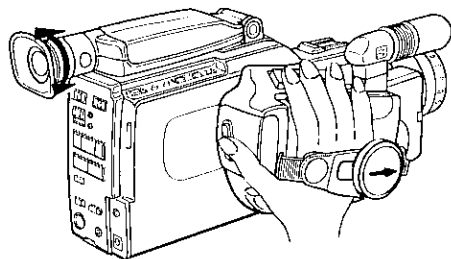
Before inserting the video cassette, be sure to check that the tape is not slack. If there is tape slack, turn the reel in the direction of the arrow.



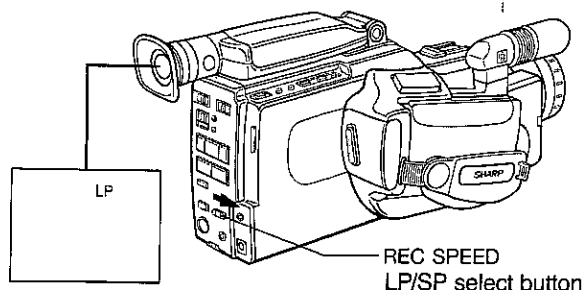
- 3** Position your hand properly to allow your fingers to press the REC START/STOP button and Power Zoom button. Then adjust the grip strap to suit your hand.



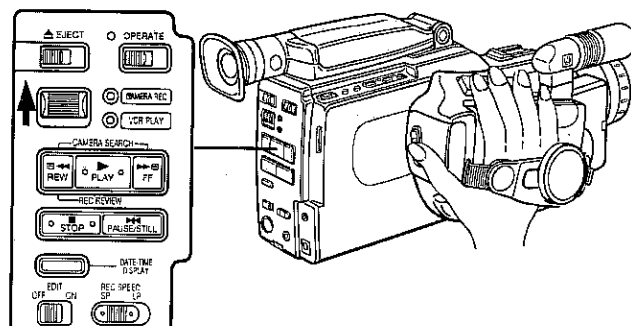
- 4** Remove the lens cap and secure it to the grip band. Then aim the camera at a solid colour subject (the sky or a white wall) and adjust the diopter adjustment so the display in the viewfinder becomes clear.



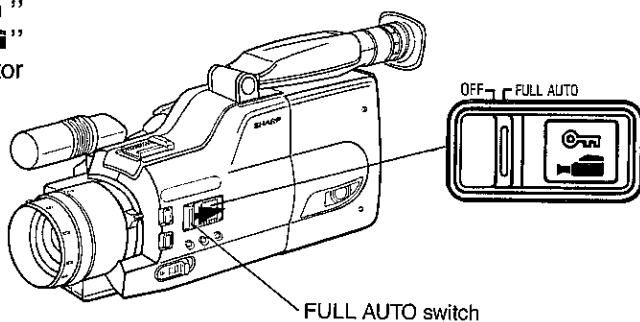
- 5** Press the REC Speed LP/SP select button and set the recording time. This causes the selected recording mode to appear in the viewfinder. Recording time on the **VHS** tape EC-30 is as follows.
- SP mode: 30 minutes
 - LP mode: 60 minutes



- 6** Set the CAMERA REC/VCR PLAY switch to "CAMERA REC" position.



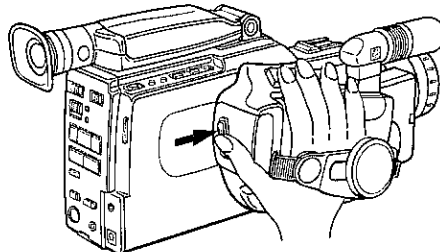
- 7** Set the FULL AUTO switch to "FULL AUTO" position. Make certain that the "▶" and "⊗" marks appear in the LCD display. If the "▶" and "⊗" marks are flashing, an alarm indicator will appear in the viewfinder. (See page 20.)



- 8** Press the REC START/STOP button. While recording, "▶▶▶▶" in the viewfinder moves in sequence from left to right.

Note

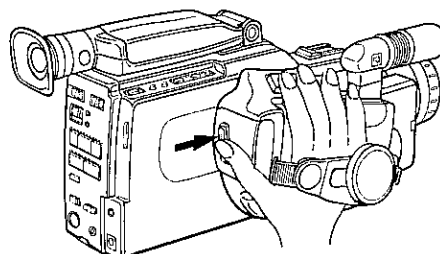
If recording for an extended period of time, the handgrip may become hot. However, this does not indicate malfunction.



- 9** When you wish to finish recording, press the REC START/STOP button once again.

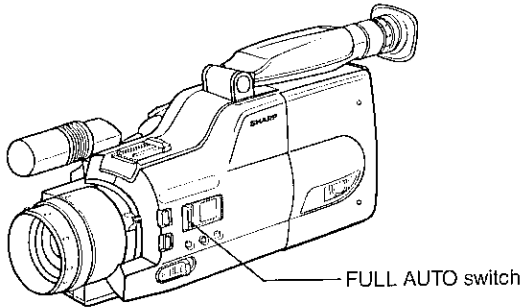
Note

If the Camcorder is in the REC PAUSE mode for more than 5 minutes, it will switch itself off. To restart recording just slide the OPERATE switch to ON.

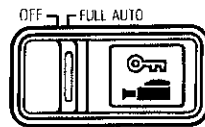


FULL AUTO SYSTEM

Setting the FULL AUTO switch to "FULL AUTO" position sets the Focus and White Balance to the AUTO modes and the shutter speed to STANDARD mode. This makes it possible for anyone to make accurate Camcorder recordings. When the FULL AUTO switch is set to the "FULL AUTO" position, the FULL AUTO mark "▶■" and "⊕" mark normally appear on the LCD display. However, if the "▶■" and "⊕" start flashing, other alarm indicators may appear in the viewfinder. These indicators mean that camera recording is not possible for some reason, such as if a cassette with its tab removed has been loaded into the Camcorder.



FULL AUTO switch



Camera recording is possible in the FULL AUTO mode when the ▶■ mark and ⊕ mark appear.



When any alarm indicator appears in the viewfinder follow the alarm immediately. (See page 20.)

AUTO FOCUS

Autofocus lets you concentrate on creating great videos, knowing they will be perfectly focused.

In the FULL AUTO position, the focus is continuously adjusted to maintain the best focus. There is a small area in the centre of the viewfinder which detects the subject distance and sets the focus. Try and keep the subject in the middle of the viewfinder.

Note

The autofocus may not be able to focus on a subject in the following situations. Manually focus the lens to obtain the correct focus.

Cautions:

- Do not touch the focus ring while the autofocus mechanism is operating.
- If the lens is dirty or obscured, accurate focusing may be difficult. Keep these clean at all times. If they become dirty, clean with a soft tissue and use lens cleaning fluid to clean the lens. Should condensation occur, dry by wiping with a soft cloth or wait until the condensation evaporates.
- When recording subjects that change rapidly, such as when zooming rapidly from wide-angle to telephoto, panning quickly from a distant scene to one nearby, etc., it sometimes takes a few seconds before the subject is in focus.

 Subject too dark.	 Lack of contrast, ie. snow scene.	 Scene includes objects at uniform distance apart.	 Light reflects off the subject.
 Two subjects at different distances overlap in the same scene.	 Subject extends from foreground into background.	 Fast-moving subject.	 Background is too bright.
 Subject has fine, repeated patterns.	 Subjects at different distances appear in the center of the viewfinder at the same time.	 Subject has horizontal stripes.	 Subject is skewed.
 Subject is being shot through a dirty or wet window.	 High-speed electronic shutter being used under fluorescent lighting.	Note We recommend that you start recording after focusing on a subject.	

AUTO WHITE BALANCE

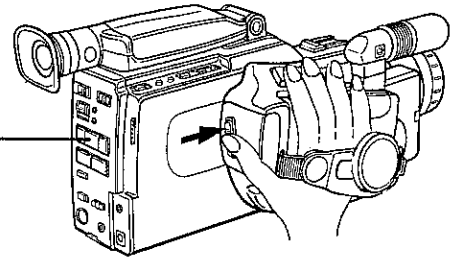
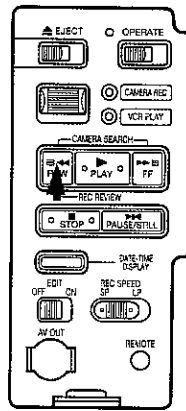
Your Camcorder is equipped with automatic white balance which ensures good colour in your videos. Correct colour balance is important for accurate colour reproduction.

The white balance is automatically adjusted to compensate for any changes in the colour temperature of the light.

REC REVIEW

While recording, press the REC START/STOP button to REC PAUSE ("----" will light in the viewfinder), and very briefly press the REC REVIEW button.

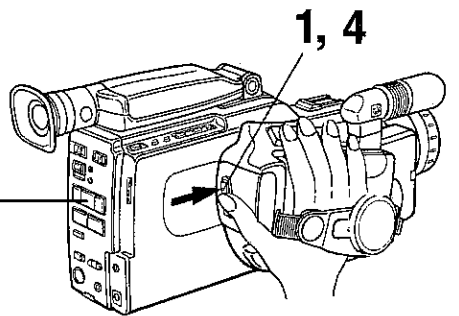
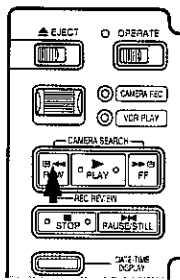
About the last 2 seconds of the recording are rewound and played back. The Camcorder is then ready to continue recording. If you hold down the REC REVIEW button, the CAMERA SEARCH function will be engaged.



CAMERA SEARCH

If, while recording, you have mistakenly recorded something you don't want, you can search for the location of the unnecessary portion while still in the CAMERA REC position.

- 1 Press the REC START/STOP button to pause the recording.
- 2 While looking into the viewfinder, continue pressing the CAMERA SEARCH button to search for the location you wish to record over. The recorded picture appears in the viewfinder.
- 3 When the portion you wish to record over appears, release the CAMERA SEARCH button. (The REC PAUSE mode will resume after a 1 second long still frame has appeared.)
- 4 Press the REC START/STOP button to record over the unwanted section.



AN EXPLANATION OF BUTTON OPERATIONS

If you hold down the "▶▶" button, images can be replayed in order at 3 times regular speed. (There will be no sound.)
 If you hold down the "▶" button, images can be replayed in order at regular speed. (With sound)
 If you hold down the "◀◀" button, images can be replayed in reverse order at 3 times regular speed. (There will be no sound.)

Note If the Camcorder is in the LP mode, playback speed becomes 7 times regular speed.

POWER ZOOM (WIDE/TELEPHOTO CONTROL)

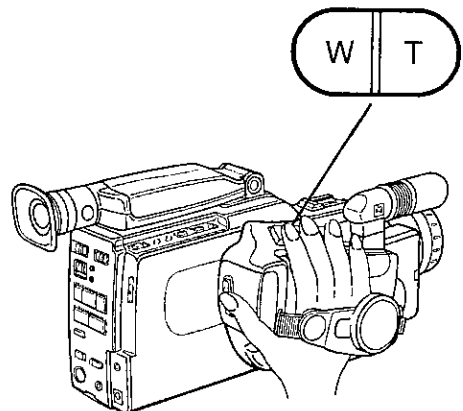
One of the best features of this Camcorder is the variable speed power zoom.

Press the power zoom buttons to zoom in and out on a subject. The pressure of your finger tips controls the zoom speed.

The zooming speed is controlled by your finger pressure, so the harder you press, the faster the zoom speed.

Press the power zoom buttons firmly to rapidly zoom in or out in 6 seconds, or press the power zoom buttons lightly to slowly zoom in or out in 20 seconds.

T(ele) brings things closer to you, while W(ide) makes things appear further away.



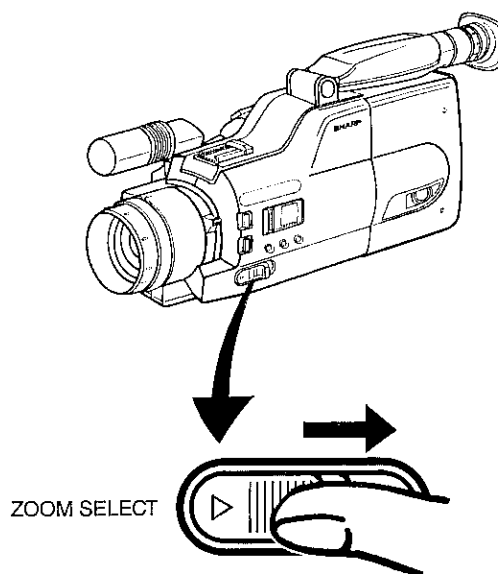
USING THE ZOOM SELECT BUTTON

This Camcorder is equipped with a 1.5 times extender function. Enlarge or reduce the image in the viewfinder instantly, for an entirely new kind of zoom effect. For example, when an interesting scene appears in the viewfinder, press the ZOOM SELECT button, and the image will be instantly enlarged 1.5 times.

(Display in viewfinder)

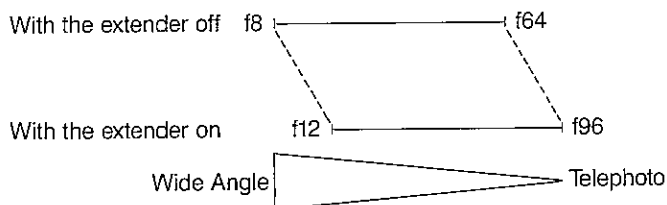
Extender function off		Extender function on
	Enlarge →	
	← Reduce	
(Example) Standard	→ × 1.5	← 1.5 ×

Before the 1.5 times extender function is engaged, the viewfinder displays a square frame over the image. Locate the subject within the frame, press the ZOOM SELECT button and the image of the subject fills the viewfinder. In this example, the lens is set to standard magnification. Pressing the ZOOM SELECT button will make the frame in the viewfinder disappear and enlarge the image 1.5 times. Pressing the ZOOM SELECT button a second time returns the image to standard magnification (the frame reappears in the viewfinder).



Note

Relationship between zoom and extender operation.



The range of the variable zoom changes in the above way, according to the extender setting.

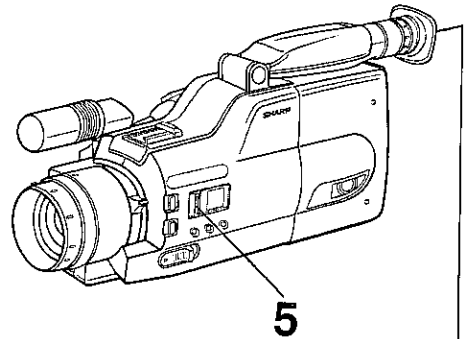
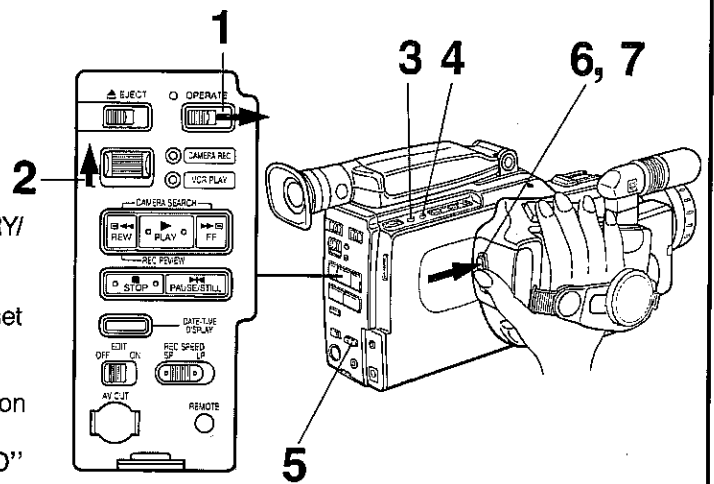
LAP TIME FUNCTION

This Camcorder has a LAP TIME function which counts the approximate recording time.

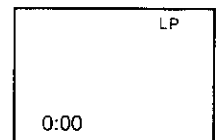
- 1** Slide the OPERATE switch to on.
- 2** Slide the CAMERA REC/VCR PLAY switch to "CAMERA REC". The Camcorder will automatically switch to the REC PAUSE mode.
- 3** Press the COUNTER/COUNTER MEMORY/LAP TIME button and select LAP TIME.
- 4** Press the RESET button. (LAP TIME will reset to "0:00".)
- 5** Press the REC SPEED LP/SP select button to set the recording speed. Set the FULL AUTO switch to "FULL AUTO" position.
- 6** Press the REC START/STOP button (LAP TIME starts).
- 7** To stop recording, press the REC START/STOP button again (LAP TIME stops).

Notes

- With the Lap Time mode you can know the approximate time of the recording. The counter's maximum time is "99:99" (99 min. 99 sec.).
- The LAP TIME counter counts only during recording. (The LAP TIME mode is activated even if there is no display in the viewfinder.)
- When the tape is ejected, the LAP TIME counter is automatically reset to "0:00".
- Even if you press the COUNTER/COUNTER MEMORY/LAP TIME button during playback, the LAP TIME will not be displayed. (In this case only the COUNTER will be displayed.)



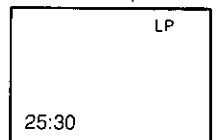
Viewfinder indicator



Start








Stop



LCD DISPLAY AND VIEWFINDER INFORMATION



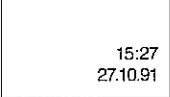
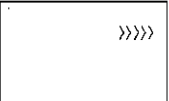
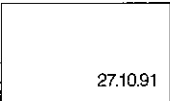
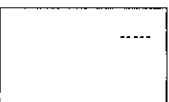
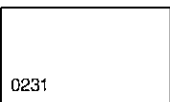
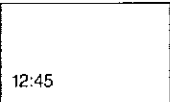
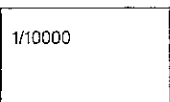
The Camcorder provides information needed for camera recording on the LCD display and in the viewfinder.

ALARM INDICATORS

	<p>1) DEW Condensation on tape drum. The power will cut off in a few minutes. Wait several hours before resuming use. (See page 2.) (At this time, the OPERATE indicator also blinks.)</p>		<p>4) Video cassette alarm Recording cannot be carried out because the video cassette has its tab removed or no video cassette is loaded. Load a video cassette with its tab intact.</p>
	<p>2) Battery and alarm The battery is too low. The power will be cut off in a few seconds. Replace the battery pack.</p>		<p>5) Tape-end alarm The tape will come to its end in about 3 minutes. Prepare a new video cassette with an intact tab.</p>
<p>LIGHT</p>	<p>3) LIGHT There is not enough light to make a good recording. Add supplementary lighting or move to a brighter location.</p>	<p>TAPE END</p>	<p>The tape has come to its end. Replace it with a new one with an intact tab.</p>
			<p>6) Heads need cleaning The heads need cleaning. Call for service.</p>

Note When the above indicators appear, the FULL AUTO mark  and the  mark blink simultaneously.

CONVENIENCE INDICATORS

<p>OFF  FULL AUTO</p> 	<p>1) FULL AUTO indicator The FULL AUTO indicator appears when the FULL AUTO switch is set to "FULL AUTO" position. This makes the Camcorder capable of proper camera recording.</p>	 <p>15:27 27.10.91</p>	<p>4) Date/Time This unit is equipped with an AUTO DATE/TIME function. The DATE-TIME display button is pressed to set the display to either the date/time or date. The set display can be recorded on the tape along with the picture.</p>
 <p>>>>></p>	<p>2) Recording indicator When the REC START/STOP button is pressed and recording begins, ">>>>" appears, moving in sequence from left to right.</p>	 <p>27.10.91</p>	<p>5) Tape counter Continues to function even when the indicator is not shown in the viewfinder. The numbers in the tape counter continue to change as the tape travels. If the Counter memory is engaged, "M" appears to the left of the tape counter indicator.</p>
 <p>-----</p>	<p>When the REC START/STOP button is pressed again, the Camcorder changes to REC PAUSE, and "-----" will appear.</p>	 <p>0231</p>	<p>6) Lap time counter The lap time is displayed in minutes and seconds during recording. (See page 19.)</p>
<p>SP</p>	<p>3) Recording mode Recording at the speed shown. "SP": Recording at the standard play speed. "LP": Recording at the long-play speed.</p>	 <p>12:45</p>	<p>7) High Speed Shutter Recording When the SHUTTER SPEED button is pressed, the shutter speed changes as follows.</p> <p>1/100 : 1/100 sec. 1/500 : 1/500 sec. 1/2000 : 1/2000 sec. 1/10000 : 1/10000 sec. No display: Standard mode (1/50 sec.)</p>
<p>LP</p>		 <p>1/10000</p>	

CONVENIENCE INDICATORS

M/F	8) Manual Focus The manual focus mode is engaged. "M/F" appears when the AUTO/MANUAL FOCUS button is pressed.	*LIGHT*	10) Gain-up The gain-up mode is engaged. "*LIGHT*" appears when the BLC/GAIN-UP button is pressed while "LIGHT" is displayed.
W/B	9) White Balance Lock The white balance lock mode is engaged. "W/B" appears when the WHITE BALANCE button is pressed.	FADER	11) FADE The fade stand-by mode is engaged. When the REC START/STOP button is pressed, Fade in or Fade out is obtained.

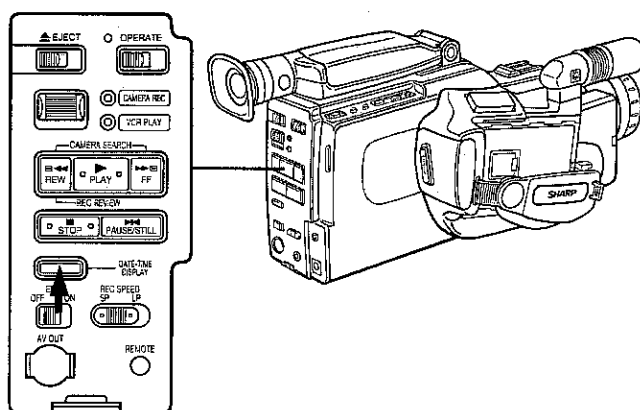
Note If you use a TV as a monitor, only the date or time appear in the viewfinder.

AUTO DATE/TIME FUNCTION

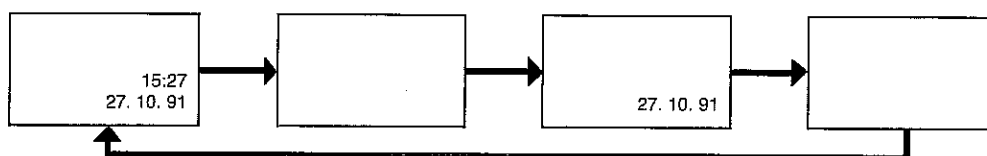
The auto date/time function features a date and time which can be recorded as a handy reference. Follow the procedures outlined below for recording the date or date/time along with the subject.

Note

If the date and time are not set, the DATE-TIME DISPLAY button will not function. (See page 7.)



- 1** Connect to a power source and slide the OPERATE switch to on. Slide the CAMERA REC/VCR PLAY switch to "CAMERA REC" and the Camcorder will change to REC PAUSE.
- 2** Press the DATE-TIME DISPLAY button. Either the date or date/time will be displayed in the viewfinder. Pressing this button changes the display in the viewfinder as follows, and either the date or date/time can be set.

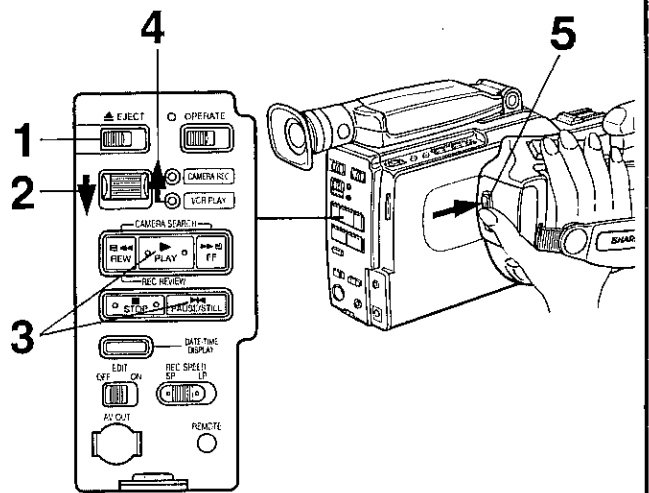


- 3** Press the REC START/STOP button. The date or date/time displayed in the viewfinder will be recorded along with the subject.

ASSEMBLE RECORDING

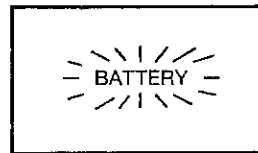
To record on a partially recorded tape or produce an assembly recording:

- 1** Slide the EJECT button and insert a cassette with its tab in place.
- 2** Slide the CAMERA REC/VCR PLAY switch to "VCR PLAY".
- 3** Press the PLAY button and use the FF or REW button to quickly locate the exact point, then press the PAUSE/STILL button.
- 4** Slide the CAMERA REC/VCR PLAY switch from "VCR PLAY" to "CAMERA REC".
- 5** Press the REC START/STOP button.



REPLACING THE BATTERY PACK WHILE RECORDING

1. If BATTERY is blinking in the viewfinder while recording, press the REC START/STOP button to stop recording, then slide the OPERATE switch off.
2. Replace the battery pack with a charged one.
3. Slide the OPERATE switch on. "-----" will be displayed in the viewfinder.
4. Press the REC START/STOP button to continue recording from the same place as before.



Note

Make sure the power is off — the OPERATE indicator should be off — before removing the battery pack.

AUTO POWER OFF

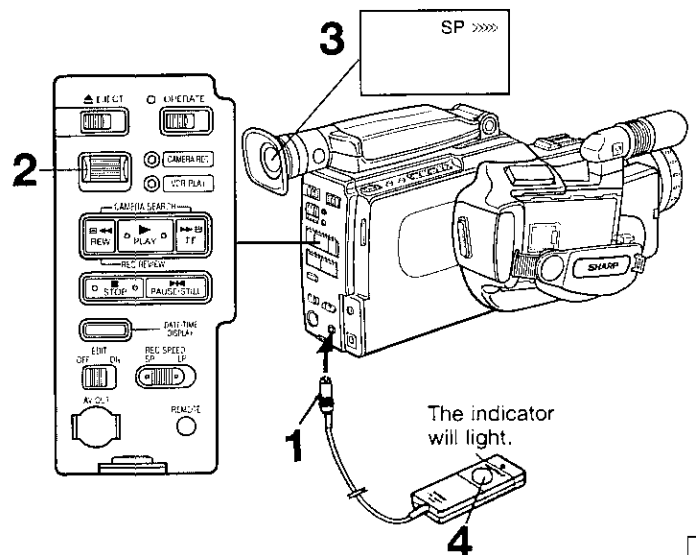
To protect the tape and conserve battery power, the Camcorder releases the tape tension and switches itself off when in REC PAUSE mode ("-----" displayed in viewfinder) for more than 5 minutes.

Power Supply	CAMERA REC/ VCR PLAY position	Operation About 5 min.
Battery/AC	CAMERA REC	REC PAUSE → POWER off

PAUSE REMOTE CONTROL (OPTIONAL ACCESSORY)

Use the optional 5m VR-20ME Pause Remote Control cable to pause while recording at a distance. It operates like the PAUSE/STILL button.

- 1** Plug the Pause Remote Control cable into the REMOTE jack.
- 2** Slide the CAMERA REC/VCR PLAY switch to "CAMERA REC".
- 3** Check that "-----" is displayed in the viewfinder.
- 4** To start recording, press the REC/PAUSE button on the Pause Remote Control. The indicator in the viewfinder will move in sequence from left to right. Press the button again to pause.



PLAYBACK

The VL-C780S can playback VHS-C cassettes you have recorded. They can be played back on the viewfinder or a TV.

PLAYBACK IN THE VIEWFINDER

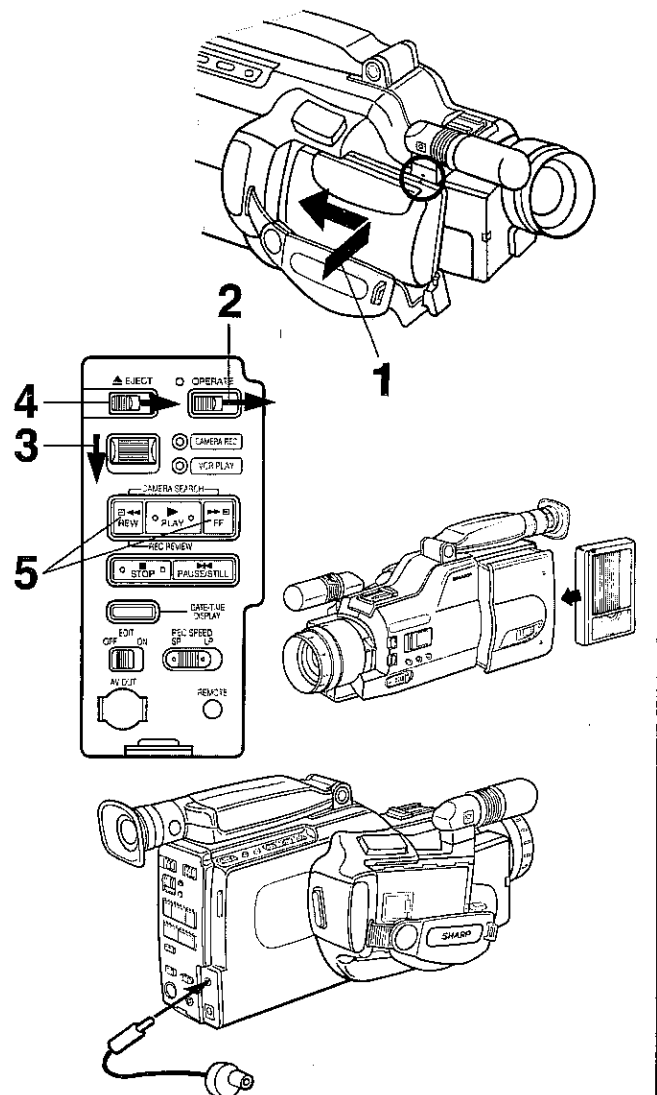
- 1 Attach a Battery Pack or use the AC Adaptor/ Battery Charger.
- 2 Slide the OPERATE switch on — the OPERATE indicator will light.
- 3 Slide the CAMERA REC/VCR PLAY switch to the "VCR PLAY" position.
- 4 Press the EJECT button and insert a video cassette.
- 5 Cue the tape to the scene you want to watch by pressing the FF or the REW button. Then press the PLAY button and playback starts.

Note

Remove any tape slack first.

Note

If you also want to listen to the sound of your recording, attach earphones (not supplied) to the EAR jack.



Note

The LP/SP select button may be in either mode. The recording speed is automatically sensed and the tape is played back at the correct speed.

TRACKING ADJUSTMENT

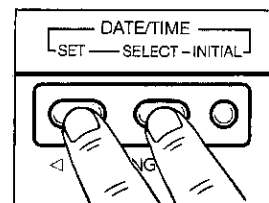
If noise bars are visible or if the picture is noisy, adjust the TRACKING control. Press either of the TRACKING buttons to reduce the picture noise. After playback, press both of the TRACKING buttons at the same time to return the tracking to the centre position.



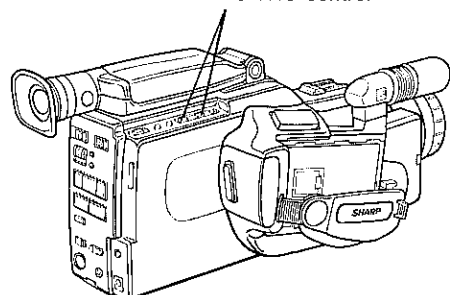
Visual "Noise"



Clear



TRACKING control



FORWARD/REVERSE SEARCH AND STILL

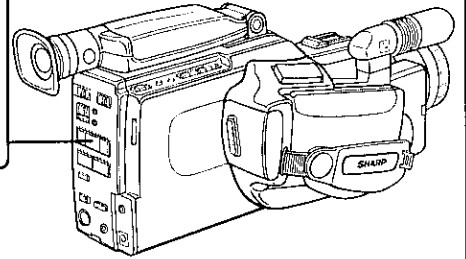
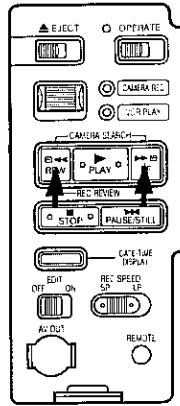
To quickly locate a point on a recorded tape, use the Forward and Reverse Search buttons.

Forward Search

Press the FF(▶▶) button during playback. This speeds playback up to 3 times faster than normal for an SP recorded tape and 7 times faster for an LP recorded tape.

Reverse Search

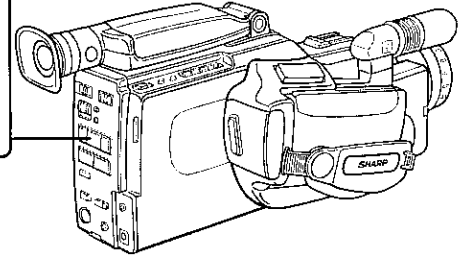
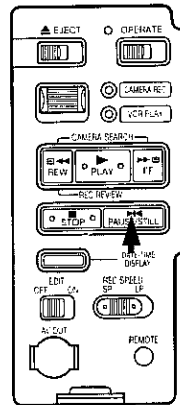
Press the REW(◀◀) button during playback. This speeds up reverse playback to 3 times faster than normal for an SP recorded tape and 7 times faster for an LP recorded tape.



Note There may be some picture noise during Forward/Reverse Search. This is normal. If the TV picture rolls vertically, adjust the TV vertical hold control. The picture may go monochrome during Forward/Reverse Search on a recorded tape. This is normal. Audio will not be heard.

Still

Press the PAUSE/STILL button during playback to still the picture. To resume playback, press the PAUSE/STILL button again.



Note

If the TV picture rolls vertically, adjust the TV vertical hold control.

To protect the tape, the Camcorder releases the tape tension and resumes STOP mode when left longer than 5 minutes in STILL mode during playback.

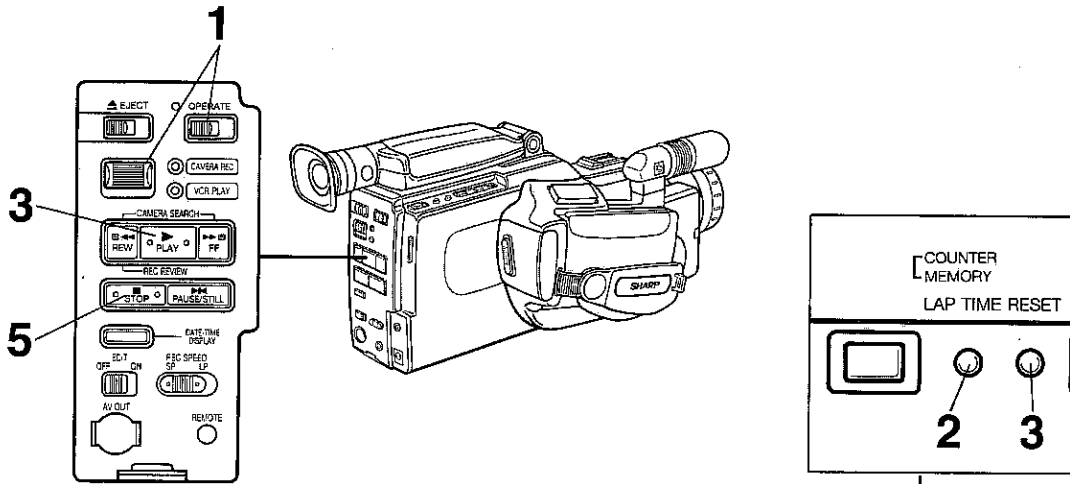
About 5 min.

STILL → STOP

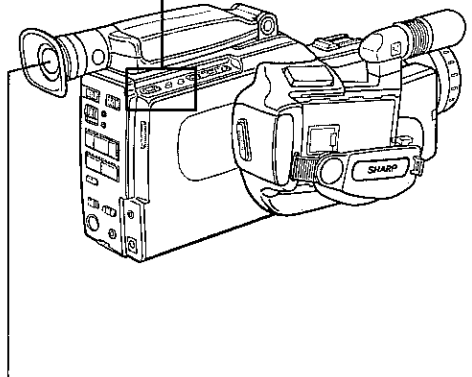
COUNTER MEMORY FEATURE

The 4-digit display acts as a handy reference to help you locate specific scenes. Use the tape counter memory to quickly return to a favourite scene.

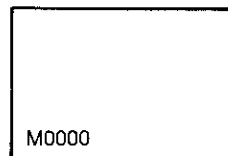
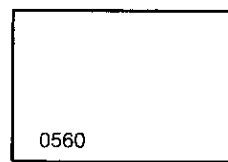
When the memory is on, the tape stops when the counter reads "M0000" during FF and REW.



- 1** Slide the OPERATE switch to on. Set the CAMERA REC/VCR PLAY switch to "VCR PLAY".
- 2** Press the COUNTER/COUNTER MEMORY/LAP TIME button to display the tape counter in the viewfinder.
- 3** Press the PLAY button to start playback. (When the Camcorder is in STILL mode, press the STILL button).
- 4** Press the RESET and COUNTER/COUNTER MEMORY/LAP TIME button at the beginning of the scene.
- 5** Press STOP at the end of the scene and then press the REW button. The tape will rewind to roughly "0000" and tape travel will stop.



Viewfinder indicator



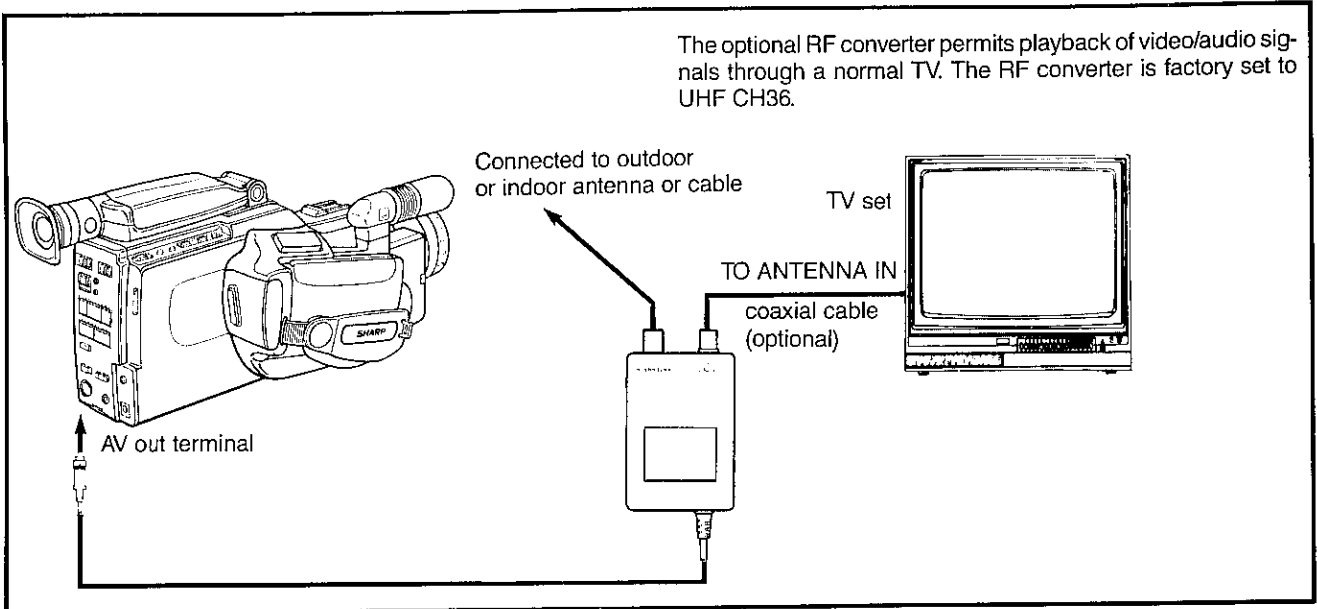
Notes

- The numbers in the counter will not change smoothly while fast forwarding or rewinding. However, this is not an indication of trouble.
- The tape counter will show "0000" and "M" will appear.
- If the COUNTER/COUNTER MEMORY/LAP TIME button is pressed once more, the counter display will disappear and the memory feature will not function. (During the CAMERA REC mode, it is also possible to switch on the LAP TIME counter by pressing the COUNTER/COUNTER MEMORY/LAP TIME button.)
- Tape travel will also stop at roughly "0000" when the tape is fast forwarded.
- Counter memory feature works only when the CAMERA REC/VCR PLAY switch is in the "VCR PLAY" position.

CONNECTION TO TV

To playback tapes recorded with your Camcorder on your TV, connect the optional RF Converter between your TV and the Camcorder.

Connection to normal TV.

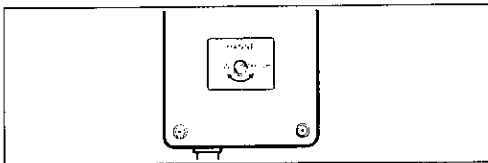


TV PLAYBACK

Tune the TV to the same channel as the RF converter (UHF CH30 ~ 39) and press the PLAY button.

To resume normal TV operation, slide the OPERATE switch off on the Camcorder or unplug the RF Converter cable from the Camcorder.

- 1 The channel adjuster on the optional RF converter is set to CH36. If CH36 is used in your area, set it to a different channel (see Note).



- 2 Set the TV tuner to the same channel.
- 3 Unplug the antenna cable from the TV and plug it into the ANTENNA IN terminal on the RF converter.
- 4 Plug the optional 75-ohm coaxial cable into the RF OUT terminal on the RF converter and the 75-ohm coaxial antenna terminal on the TV.
- 5 Plug the RF converter cable into the AV out terminal on the Camcorder.
- 6 Slide the CAMERA REC/VCR PLAY switch to the "VCR PLAY" position and slide the OPERATE switch on.
- 7 Press the EJECT button and insert a video cassette, with the cassette window facing outward. Press the PLAY button.

Precautions

- Use the optional RF converter only with the Camcorder.
- The RF converter is a sealed unit. Do not attempt to open or modify it. Do not damage or drop the unit or subject it to mechanical vibration.
- Unplug the RF converter during lightning storms.

OPERATION

Viewing a video cassette being played back with the VL-C780S:

To view video cassettes or to monitor the recording, set the TV channel selector to the channel corresponding to the RF output channel.

Viewing television programmes:

Slide the OPERATE switch to off or unplug the RF converter cable from the Camcorder.

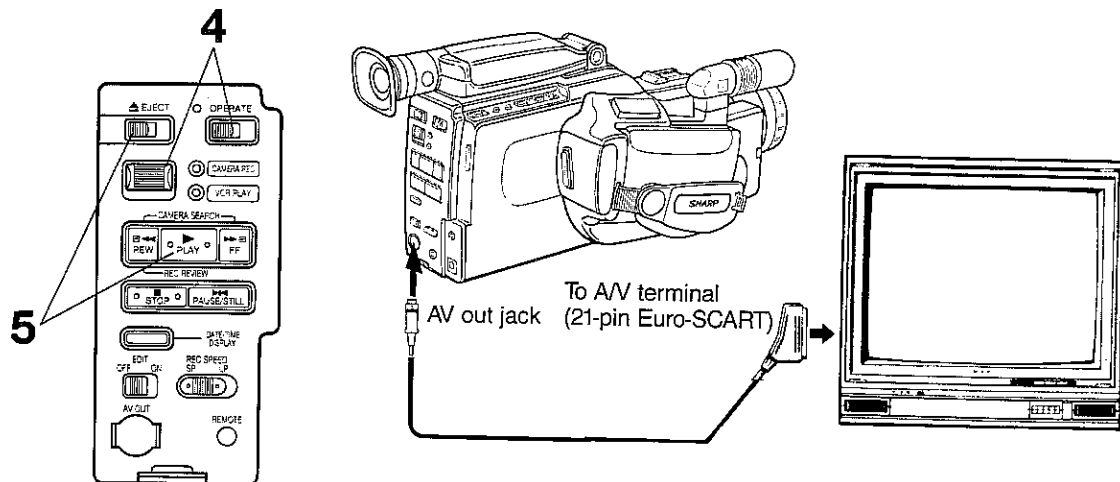
Note

If UHF channel 36 is an active broadcast channel in your area, any nonbroadcast channel from UHF channels 30 to 39 can be selected for viewing the Camcorder's output on TV.

Adjust the RF Converter Output Channel adjuster to any of those channels (UHF30-39), and tune your TV to the same one.

CONNECTION TO TV WITH A/V TERMINALS

- 1** Plug the supplied A/V OUTPUT cable with 21-pin Euro-SCART into the AV OUT terminal on the Camcorder.
- 2** Plug the 21-pin A/V OUTPUT cable connector into the A/V terminal (21-pin Euro-SCART) on the TV.
- 3** Tune the TV to the VIDEO or A/V channel.
- 4** Slide the OPERATE switch to on.
Slide the CAMERA REC/VCR PLAY switch to the "VCR PLAY" position.
- 5** Press the EJECT button and insert a video cassette. Press the PLAY button.



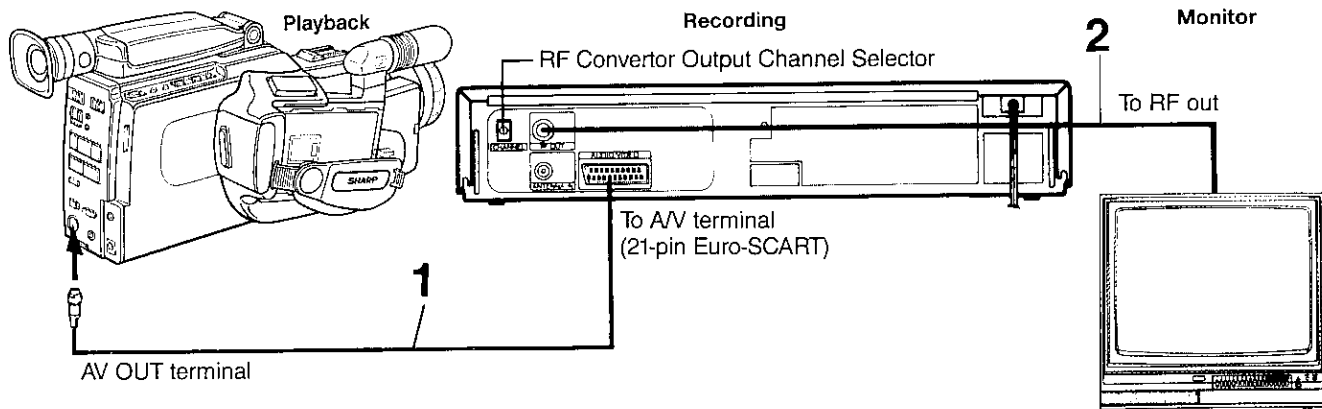
TV Playback

Tune the TV to the VIDEO or A/V channel and press the PLAY button.

To resume normal TV operation, tune the TV to another channel.

RECORDING TO ANOTHER VCR

Your SHARP Camcorder can be connected as the playback source deck for dubbing and editing a tape with another VCR. Unnecessary scenes can be removed, the overall length shortened, scenes moved and rearranged, and other effects added to make your tapes more effective and enjoyable.



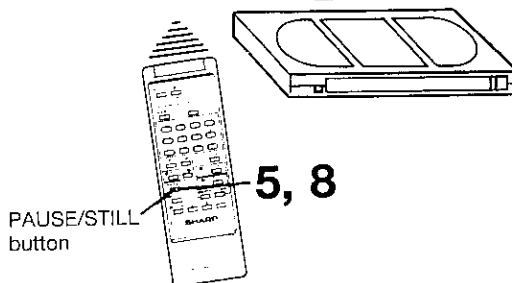
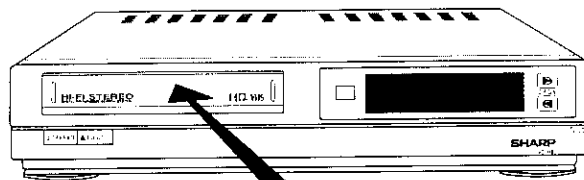
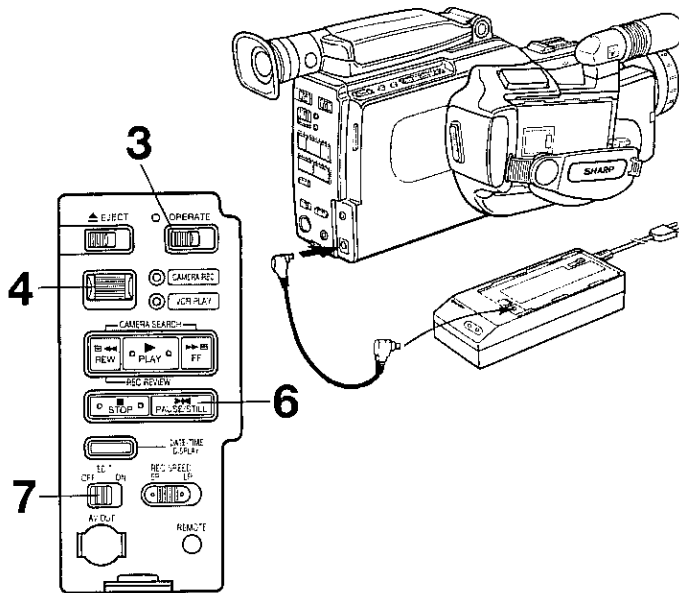
- 1** Plug the AV OUTPUT cable into the AV OUT terminal on the rear of the Camcorder. Plug the 21-pin AV OUTPUT connector into the AV terminal on the rear of the VCR.
- 2** Monitor recording on a TV connected to the VCR.
- 3** Connect a power source to the Camcorder and slide the OPERATE switch to ON. Now turn on the VCR too.
- 4** Slide the Camcorder CAMERA REC/VCR PLAY switch to "VCR PLAY" and insert a recorded tape.
- 5** Insert a cassette tape with erasure protection tab intact into the VCR and put it into REC PAUSE mode.
- 6** Locate the scene to be copied from your Camcorder and press the PAUSE/STILL button.
- 7** Slide the EDIT switch to ON.
- 8** Press the PAUSE/STILL button on your Camcorder and on the VCR to begin playback and dubbing.

Note

Picture quality inevitably deteriorates with each copy. The standard tape speed (SP) mode is therefore recommended when dubbing a tape.

EDIT CONTROL

Picture quality inevitably deteriorates each time you dub from the Camcorder to a VCR. Slide the EDIT switch on to minimize deterioration of picture quality. Use this while you edit your videos.



Note

- Normally, the EDIT switch should be off.

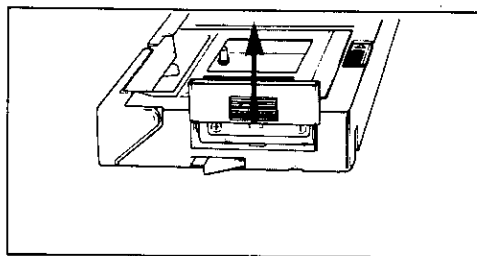
USING THE CASSETTE ADAPTOR (OPTIONAL ACCESSORY)

The VHS compact video cassettes recorded with the VL-C780S can be played back with a standard VHS machine by using the optional VR-72CA Cassette Adaptor.

(A compact video cassette installed in the cassette adaptor is fully compatible with a standard VHS machine for both recording and playback.)

Inserting the Battery into the Cassette Adaptor
The VR-72CA Cassette Adaptor is battery operated by one Type R6 (AA) battery

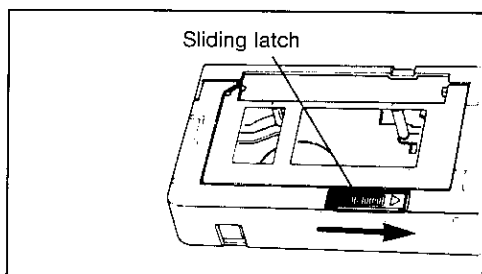
Remove the battery cover by sliding it up. Install one Type R6 (AA) battery and reattach the cover.



Inserting a Compact Video Cassette into the Cassette Adaptor.

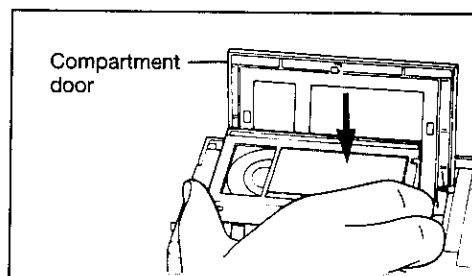
If there is slack in the video tape when inserting the compact cassette into the adaptor, the tape may become damaged. Take up slack in the tape.

- 1** Push the sliding latch in the direction of the arrow to open the door.



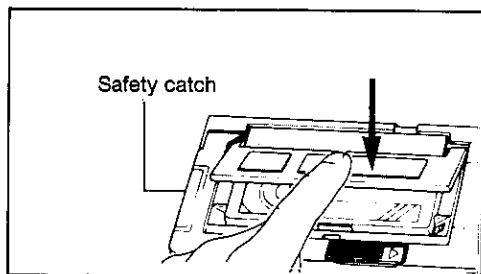
- The compartment door opens.

- 2** Insert the cassette as illustrated.



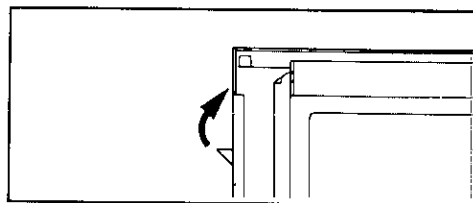
- Be sure to insert it squarely, not tilted.
- Be sure there is no slack in the tape.
- Do not touch the tape when inserting a compact cassette into the cassette adaptor.

- 3** Close the compartment door.



- The tape will be threaded automatically.

- 4** The safety catch will retract. This indicates that the tape threading is completed.

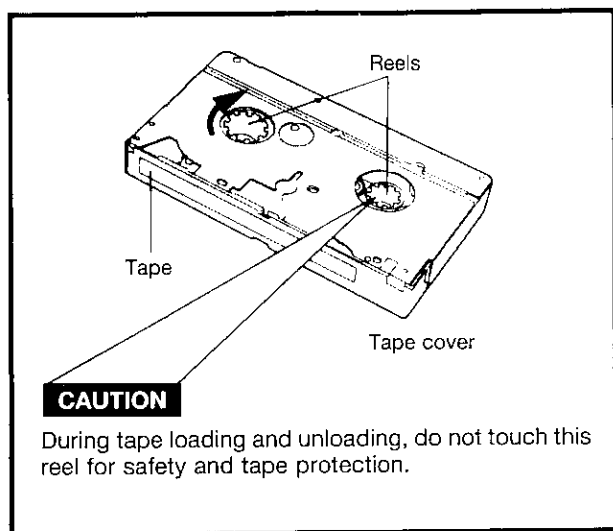


Caution:
During tape loading and unloading, do not touch the cassette's reels for safety and tape protection.

Caution:

Check the tape condition after inserting the cassette and tape loading is completed:

1. Check to see if there is any tape slack.
(Do not open the tape cover.)
2. If there is tape slack, remove it by turning the reel in the direction of the arrow.



Playing Back the Tape

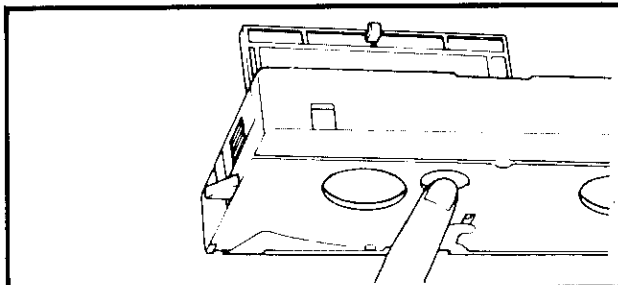
1. Load the cassette adaptor into a VHS deck in the same way as you would load a regular VHS tape.
2. Operate the VHS deck as usual.
 - Note that playback special effects can be performed using the VHS deck.
 - If noise bars appear, adjust the tracking of the playback deck. Be sure to reset the tracking control to its normal position when you have finished playing back compact VHS tapes.
 - Consult the VCR's operation manual for operation instructions.

Notes

- During special effects playback (slow motion, still frame, etc.) the picture may vibrate or noise bars may appear on the screen.
- The protruding safety catch indicates that loading of the tape has not been completed. In this condition, NEVER attempt to load the cassette adaptor into a VCR, as this could damage both.
- Do not load and unload the cassette adaptor into a VCR repeatedly without allowing the tape to run. This will slacken the tape and thereby damage it.
- The cassette adaptor cannot be loaded upside down.
- After use, remove the cassette from the adaptor.

Removing the Compact Video Cassette

Slide the latch to open the door, then push up on the cassette to remove it, pushing on the cassette with your finger through the hole in the bottom of the adaptor.

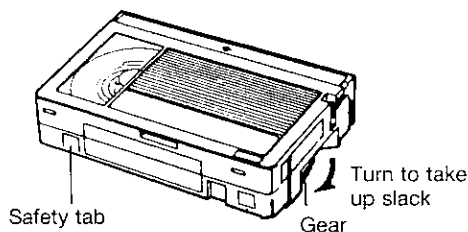


Notes

- This cassette adaptor is precision-manufactured. Avoid violent vibrations or shocks. Do not drop or disassemble or modify it, otherwise malfunctions may result.
- When placing the cassette adaptor into its case, slide the cassette adaptor into the case, safety catch end first.

Video Cassettes

- The VL-C780S employs only compact video cassettes carrying the **VHS** mark.
- Recording onto prerecorded tapes automatically erases the previously recorded video and audio signals.
- An inverted cassette cannot be inserted.
- Do not load and unload the cassette repeatedly without allowing the tape to run at all. This will slacken the tape and thereby damage it.
- Make certain before loading the cassette that the tape is not slackened. If there is any slack, turn the gear on the cassette in the direction of the arrow to take up slack.
- The cassette is equipped with a safety tab to prevent accidental erasure. When the tab is removed, recording is impossible. If you wish to record on a cassette whose tab has been removed, use adhesive tape to reseal the slot.
- To avoid excessive exposure to dust and fingerprints, do not open the front tape cover.



Storage of Cassettes

- Avoid exposing the cassettes to direct sunlight. Keep them away from heaters.
- Avoid storing the cassettes in humid or dusty places.
- Do not drop the cassettes. Do not expose them to violent vibrations or shocks.
- Do not expose the cassettes to strong magnetic fields (near a motor, transformer or magnet).
- Place the cassettes in cassette cases and position them vertically.

ADVANCED OPERATION

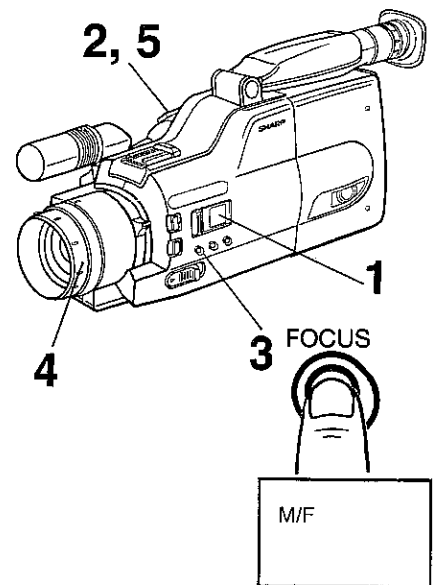
MANUAL FOCUS

In the following cases, it may be difficult to use the Autofocus, so you might want to focus the lens yourself.

1. When the object is not in the middle of the scene.
2. When you want the background or the front of the scene blurred.
3. When you want to have the beginning of the scene out-of-focus.

USING THE MANUAL FOCUS

- 1 Turn off the FULL AUTO switch.
- 2 Press T to zoom in on your subject.
- 3 Press the FOCUS button to select MANUAL FOCUS.
- 4 Turn the focus ring until the subject is focused.
- 5 Lightly press W and zoom out to compose the scene.



In the manual focus mode, "M/F" is displayed in the viewfinder.

WHITE BALANCE

White balance ensures that all the colours in a scene are correctly reproduced. In the auto mode, white balance is adjusted automatically.

Using the White Balance Lock mode

Colour shift may occur when a solid coloured object is recorded, so that the viewfinder is filled with one colour, eg., when a close up of solid coloured paper is taken. The Auto White Balance mode is locked into place to avoid a colour shift in such situations. Follow the procedure described below to lock the Auto White Balance mode.

(1) When Quick Action is required.

Zoom out all the way on a subject that is not one solid colour. Under this condition, the proper white balance will be set automatically.

Press the WHITE BALANCE button to lock the white balance setting. "WB" appears in the viewfinder. Colour shift can be avoided when the white balance is locked even when recording a close up of a solid coloured subject.

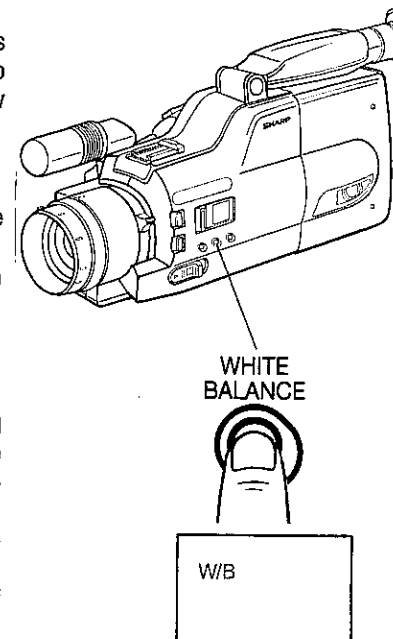
(2) When a very accurate white balance setting is required.

Focus on a white piece of paper so that the viewfinder is filled with it and keep focusing for about 2 seconds. Then the proper white balance will be set automatically. Turn off the FULL AUTO switch, and press the WHITE BALANCE button to lock the white balance setting. "WB" appears in the viewfinder.

To disengage the White Balance Lock mode, press the WHITE BALANCE button, or slide the FULL AUTO switch to FULL AUTO mode to return to the Auto White Balance mode. The colour temperature of a light source varies. For instance, the colour temperature of sunlight will vary depending on the weather and time of day. Reset the White Balance Lock if the colour temperature changes.

Notes

- If power to the Camcorder is interrupted during White Balance Lock, if or the Camcorder is switched to the VCR mode, White Balance Lock will be canceled.
- Even through the White Balance Lock mode is on, the White Balance is not perfectly locked. Therefore the White Balance compensation function can adjust to small variations in colour temperature, giving your recordings more natural colour.



In the White Balance Lock mode, "WB" is displayed in the upper left of the viewfinder. (If the White Balance Lock mode is disengaged, the display disappears.)

Under the following conditions Auto White Balance may not function correctly.

- When mixing natural and artificial light. Beware of window scenes containing a mixture of artificial and natural light. Likewise all lighting should have the same colour temperature.
- When using special effects lighting.
- When recording a subject against a background with an intense hue.
- When there is insufficient light.
- When the colour temperature of a scene changes too rapidly or there is too much contrast.
- When the object is a solid colour.

BACKLIGHT COMPENSATION

The Auto Iris in this Camcorder uses a new light measuring system to automatically control bleaching and adjust to backlit subjects. However, if the background is too bright and the subject appears dark, press the BLC/GAIN-UP button to prevent the subject from appearing dark on the recording.

Note

The Camcorder will automatically return to the AUTO IRIS mode after you release the BLC/GAIN-UP button.

GAIN-UP

"LIGHT" is displayed in the viewfinder when recording a dark subject. If the BLC/GAIN-UP button is pressed, the scene becomes brighter.

"* LIGHT *" is displayed in the viewfinder to indicate that the gain-up mode is engaged.

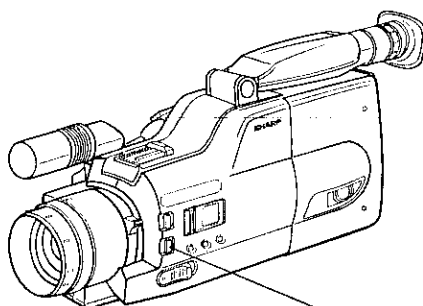
When the subject becomes brighter, "* LIGHT *" disappears.

However, memory of the gain-up mode remains.

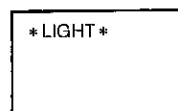
In order to disengage the gain-up mode completely, press the BLC/GAIN-UP button while "* LIGHT *" is displayed in the viewfinder.

Note

- In the gain-up mode, there will be more picture noise.
- If power is interrupted or the Camcorder is switched to the playback mode, the Gain-up mode will be canceled.

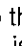


BLC/GAIN-UP



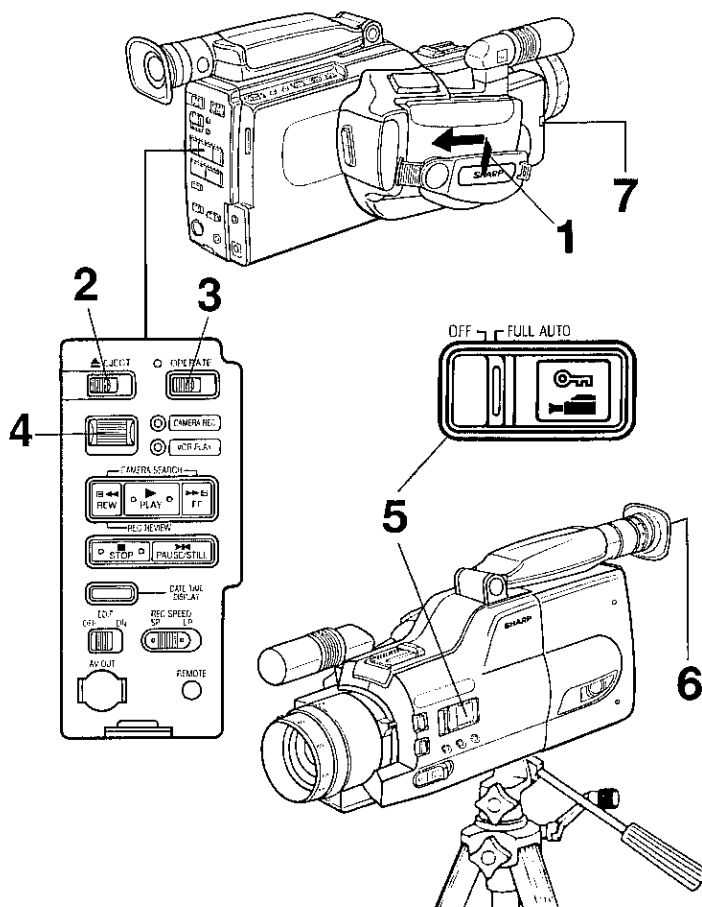
If the gain-up mode is engaged, "* LIGHT *" is displayed in the viewfinder.

SELF TIMER RECORDING

- 1 Attach the battery pack.
- 2 Press the EJECT button and open the cassette holder. Insert a video cassette with its tab intact with its window facing outward. Press the corner of the cassette holder marked "PUSH" until it clicks into place.
- 3 Mount this Camcorder on a stable tripod designed for video use, then slide the OPERATE switch on.
- 4 Set the CAMERA REC/VCR PLAY switch to the "CAMERA REC" position.
- 5 Set the FULL AUTO switch to the "FULL AUTO" position, and check that  is displayed in the LCD.
- 6 Pointing the Camcorder at the subject, press the Power Zoom button and adjust the angle of view.
- 7 Press the SELF TIMER button. The talent tally indicator flashes for 10 seconds, then the Camcorder will record for 20 seconds, then change to REC PAUSE mode. If you wish to record for an extended time, press the SELF TIMER button twice in succession.

Note

If you press the SELF TIMER button three times, the SELF TIMER is cancelled.



HIGH SPEED SHUTTER

Use the HIGH SPEED SHUTTER (1/10,000, 1/2,000, 1/500, 1/100 sec.) mode when recording fast moving objects like sports (tennis, golf, etc.). When you playback the scene on a 4-head VCR, the playback picture will be clear even in the STILL and SLOW modes.

USING THE HIGH SPEED SHUTTER

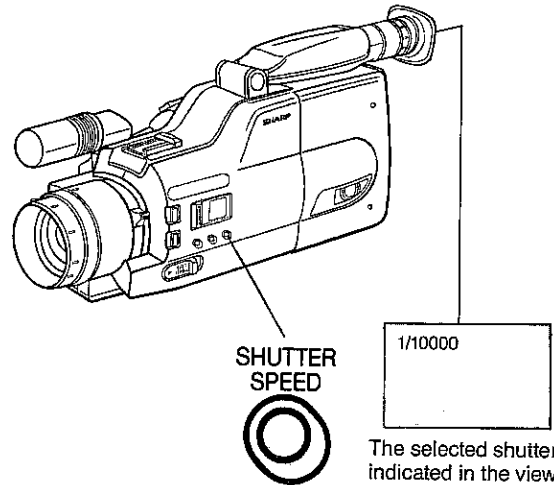
- 1 While in the REC PAUSE mode, turn off the FULL AUTO switch, and press the SHUTTER SPEED select button. Select the shutter speed desired. Shutter speeds change in the following order: 1/10,000 sec., 1/2,000 sec., 1/500 sec., 1/100 sec., standard (1/50 sec.), and back to 1/10,000 sec.
- 2 Press the REC START/STOP button to start recording as normal. Since the High Speed Shutter is faster than normal, it requires more light. Use the High Speed Shutter in appropriate light (minimum required lighting is listed below.)
 - 1/10,000 sec.: 3,000 lux
 - 1/2,000 sec.: 600 lux
 - 1/500 sec.: 150 lux
 - 1/100 sec.: 30 lux
 It is recommended to use the High Speed Shutter outdoors or with extra light.

Notes

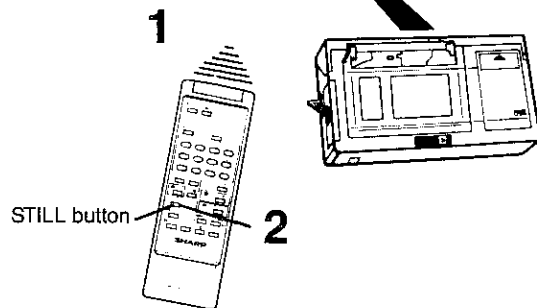
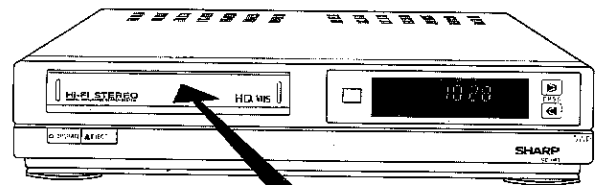
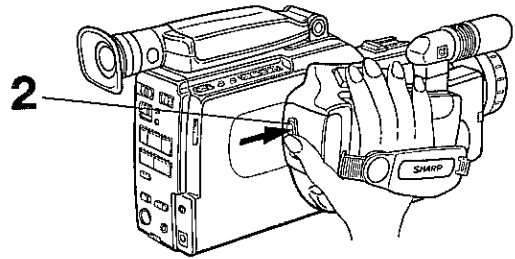
- Avoid using High Speed Shutter under fluorescent lighting as this will cause flickering in the picture.
- Recording with shutter speeds higher than 1/50 sec. (standard) tends to darken the picture. Record in bright locations when using other shutter speeds.

PLAYBACK OF SCENES RECORDED WITH THE HIGH SPEED SHUTTER MODE

- 1 Place the recorded tape into the optional VHS cassette adaptor and then into a VHS 4-head video cassette recorder.
- 2 When watching scenes taken with the HIGH SPEED SHUTTER you can enjoy blur-free recordings even during STILL and SLOW mode playback.



The selected shutter speed is indicated in the viewfinder.



STILL button

MACRO SHOTS

Small plants, insects, even photos in the family album can be recorded using Macro and enlarged to fill the screen. You can also use Macro to record titles for your videos.

Normally the lens can only focus on subjects that are more than 1m away from the front of the Camcorder.

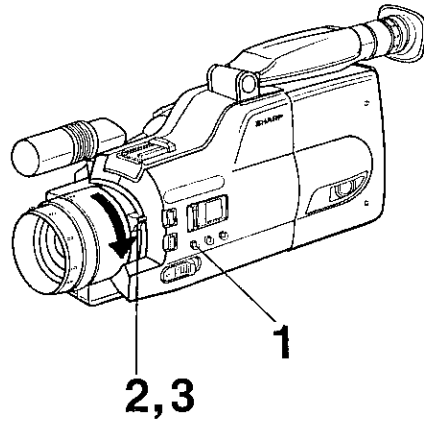
By setting the lens to Macro, you can manually focus on any subject within the macro range, 8mm-100cm, right up to the front of the lens.

Mount the Camcorder on a steady tripod as the smallest movement is magnified when shooting macro subjects.

- 1** Set the FOCUS button to MANUAL.
- 2** Hold the MACRO button down and turn and lock the zoom lever in the MACRO position.
- 3** Focus by slowly turning the zoom lever.

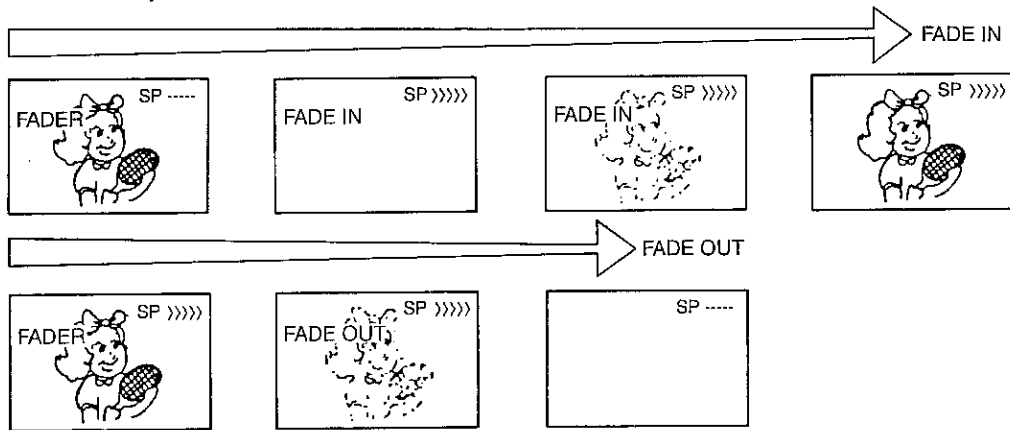
Notes

- Turn the zoom lever back to the normal focus range when you have finished with Macro.
- When recording a solid coloured object such as a flower petal, the colour may shift. In this event, use the white balance lock mode. (See page 31.)



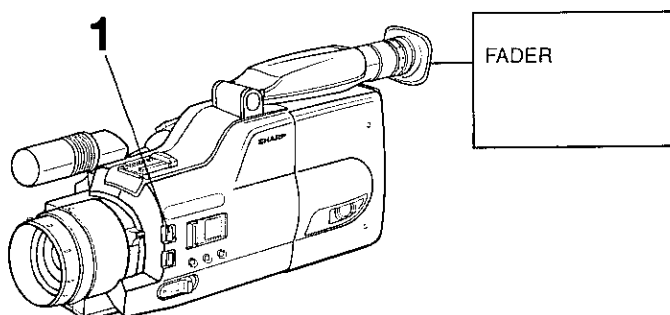
FADE IN & OUT

With this Camcorder you can enjoy the special effect of fading in and out of the scenes in your recordings.



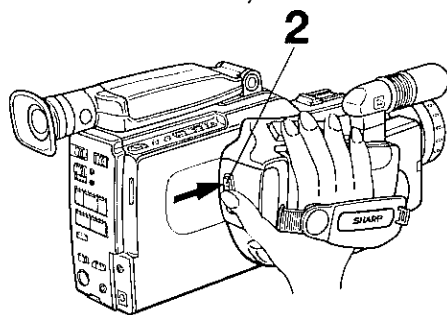
FADE IN

- 1** With REC PAUSE on, press the FADE IN/OUT button. The viewfinder will display "FADER".
- 2** Press the REC START/STOP button to start recording. The viewfinder will turn black, and then gradually focus on the subject. ("FADE IN" will appear in the viewfinder.)



FADE OUT

- 1** While recording, press the FADE IN/OUT button. The viewfinder will display "FADER".
- 2** Press the REC START/STOP button. The viewfinder will slowly turn black creating a fade-out of the scene. ("FADE OUT" will appear in the viewfinder. If you select the REC PAUSE mode, the FADE will be cancelled.)



LIGHTING

LIGHTING

For clear good-quality pictures you will need between 500 and 100,000 lux — you can record in less light, however the picture quality may suffer. Adequate lighting is also essential for correct white balance.

Brightness	Situation
100,000 (Lux)	Blue sky Clear day at noon (100,000) Clear day at 10am (65,000)
10,000	Clear day at 3pm (35,000) Cloudy day at noon (32,000) Cloudy day at 10am (25,000)
1,000	Cloudy day, one hour after sunrise (2,000) Clear day, one hour before sunset (1,000) Fluorescent light near window (1,000)
	Factory floor (700-800) Sales counter in department store (500-700) Bowling alley (500) Library (400-500) Office with fluorescent lighting (400-500) Fluorescent desk lamp (400) Flashlight at 1m (250)
100	Shop stairway (100)
10	During intermission at movie theatre (15-35) Cigarette lighter at 30cm (15-20) Candles on birthday cake at 20cm (10-15)
	Candlelight

Colour Temperature	Situation	Colour	White Balance Range
10,000 (°K)	Clear day	Blue	
9,000	Colour TV		
8,000	Cloudy day		
7,000	Rainy day		
6,500	Daylight fluorescent light		
6,000	Camera flashbulb		
5,500			
5,000	Blue photolamp	White	
4,500	White fluorescent light		
3,500	Off-white fluorescent light Tungsten photolamp		
3,200	Halogen lamp		A U T O
2,800	Tungsten lamp Iodine lamp	Yellow	
2,500	Acetylene lamp Kerosene lamp		
2,000	Candlelight	Red	

Notes

- These are approximations.
- For more precise colour balance — check the picture on a colour monitor and adjust the white balance until the colour is natural.
- Auto White Balance should normally be used in the colour temperature range shown above. However it will satisfactorily operate from 2500°K up to 8000°K, but the picture may become redder or bluer, respectively.

Video Lighting

Lighting is one of the most important areas in home videos. Also one of the most overlooked. Good lighting can often mean the difference between a great picture and a poor quality one. And lighting is essential for correct white balance.

In most outdoor situations natural lighting is adequate for home videos. Indoors the situation becomes more complicated. Artificial lighting is required and tungsten (or quartz) lamps provide the most natural of artificial light sources, while providing a constant colour temperature over a long life.

Good lighting is difficult to achieve and there are many problems to catch the unwary. Simply mounting one light on or several lights either side of the camcorder will only make your subject look flat and two-dimensional. To make a subject more interesting, use the lighting to model your subject and to add or create emphasis in a scene.

BEFORE REQUESTING SERVICE

Before calling for servicing, please check the following troubleshooting table.

SYMPTOM		POSSIBLE CAUSE	SUGGESTED SOLUTION
• Power	• No power	• Safety devices are functioning.	• Disconnect the AC adaptor cord, and then plug it into the wall socket again.
		• The battery pack is not charged.	• Charge the battery pack sufficiently.
		• The power source unit is not correctly connected.	• Connect the power source unit correctly.
	• Power switches off soon after coming on.	• Depleted battery pack.	• Use a fully charged battery pack.
		• Dew in Camcorder.	• Wait until dew disappears.
• Recording.	• Power on but no image in viewfinder.	• Lens cap on.	• Remove the lens cap.
	• Can't record	• Recording prevention tab broken off from cassette. • CAMERA REC/VCR PLAY switch is set to "VCR PLAY".	• Cover the tab hole with adhesive tape or insert a cassette with its recording prevention tab intact. • Slide the CAMERA REC/VCR PLAY switch to "CAMERA REC".
	• Poor colour	• TV not properly adjusted.	• Adjust the TV.
		• Poor lighting.	• Apply additional lighting or correct colour temperature of lighting.
	• Fuzzy picture	• Dust or other foreign matter on lens.	• Clean the lens.
		• Not properly focused.	• Adjust the focus.
• Camera picture is too dark	• The SHUTTER SPEED select button is set to HIGH SPEED SHUTTER MODE.	• Set the SHUTTER SPEED select button to "STANDARD".	
• Playback	• No image appears.	• Improperly connected to TV.	• Reconnect properly.
		• The TV is not tuned to the RF converter's output channel (UHF30-39)	• Tune the TV to the RF converter's output channel (UHF30-39)
		• TV's TV/VIDEO switch is not at TV position (if the TV is equipped with AV input terminal)	• Set TV's TV/VIDEO switch to TV position.
	• Playback is in black and white when the Camcorder is connected to TV.	• Tracking not properly adjusted.	• Adjust the tracking.
	• Video noise in image.	• Old or worn tape.	• Use a new tape.
	• Broken image	• Insufficient battery capacity.	• Recharge the battery pack.
• Cassette can't be inserted.	• Cassette is not right side up or is backwards. • Another cassette is in the unit.	• Check cassette positioning and reinsert. • Press the EJECT button and remove.	
• No tape movement in fast forward mode.	• Tape is already completely wound.	• Rewind to desired point.	
• No tape movement in rewind mode.	• Tape is already completely rewound.	• Fast forward to desired point.	

Note This unit is equipped with a microprocessor. Its performance could be adversely affected by external noise or interference. If this were to happen, turn off the power, and unplug this unit from the power source.

SPECIFICATIONS

Format	VHS standard
Power source	DC 9.6V \dots
Power consumption	8.5W
Signal system	PAL-type colour signal
Recording system	Luminance: FM recording Colour: Converted sub-carrier direct recording Conforms to VHS standard
Cassette	VHS-C cassette
Tape speed (SP)	23.39 mm/sec
(LP)	11.69 mm/sec
Recording time Max. (SP)	30 minutes (with EC-30 cassette)
(LP)	60 minutes (with EC-30 cassette)
VIDEO Output	1.0 Vp-p, 75 ohms, unbalanced (via AV out connector)
S/N ratio	46 dB (with Rohde & Schwarz noise meter)
AUDIO Output	- 8 dBs, 1k-ohm (via AV out connector)
Microphone input	- 65 dBs, high impedance, unbalanced
Pickup	1/2" -format CCD
Minimum required illumination	3 lux (at F 1.6, with Gain up)
Lens	F1.6, f=8-64 mm/F2.4, f=12-96 mm, 8 \times power zoom lens with built-in extender function, auto iris control and macro position, filter diameter 46 mm.
Viewfinder	Electronic viewfinder with 0.7" black/white CRT
Colour temperature compensation	Auto white balance with white balance lock
Operating temperature	0°C to 40°C
Operating humidity	35%~80%
Storage temperature	- 20°C to 60°C
Weight	1.2 kg (with viewfinder)
Dimensions	126(W) \times 151(H) \times 322(D) mm (incl. viewfinder)

AC power adaptor/Battery charger specifications

Power requirement	AC 110V — 240V, ~50/60Hz
Rated output voltage	DC 9.6V \dots
Rated output current	1.3A
Charging system	Constant current, peak detection, timer controlled
Dimensions	70(W) \times 43(H) \times 154(D) mm
Weight	Approx. 380g

SUPPLIED ACCESSORIES

Standard battery pack (BT-75)	Shoulder strap
AC power adaptor/battery charger (AA-75S)	DC output cable
AV output cable (21-pin Euro-SCART)	Lithium battery

OPTIONAL ACCESSORIES

Standard battery pack (BT-75)	Battery pack for extended use (BT-76)	RF converter (VR-S10RF)
Car battery adaptor/charger (VR-P75CH)	VHS cassette adaptor (VR-72CA)	Pause remote control (VR-20ME)
Zoom microphone (VR-67ZM)		

Design and specifications are subject to change without notice.

BEDIENUNGSANLEITUNG

DEUTSCH

WARNUNG:

**SETZEN SIE DIESES GERÄT NICHT
REGEN ODER FEUCHTIGKEIT AUS,
UM ELEKTRISCHE SCHLÄGE ZU
VERMEIDEN.**

Dieses Gerät darf nur mit 9,6 V Gleichstrom
oder dem empfohlenen Netzadapter betrieben
werden.

VORSICHT:

Verwenden Sie **NIEMALS** andere
Spannungsversorgungs-Quellen, um elektri-
sche Schläge und Feuer zu vermeiden.

VORSICHT:

Nicht das Gehäuse öffnen, um elektrische Schläge
zu vermeiden. Im Inneren befinden sich keine Teile,
die vom Benutzer repariert werden können. Wenden
Sie sich für Reparaturen an Ihren Fachhändler oder
eine Kundendienststelle.

Herzlichen Glückwunsch zu diesem Kauf!

Eine schwere Wahl bei den vielfältigen Angeboten auf dem Markt. Aber die Top-Qualität und hohe Leistungsfähigkeit dieses Camcorders von Sharp wird die Richtigkeit Ihrer Entscheidung bestätigen.

Durch den Kauf dieses Camcorders wird sich auch Ihr Fernsehvergnügen erhöhen. Bitte lesen Sie diese Bedienungsanleitung vor Inbetriebnahme des Camcorders durch. Heben Sie die Bedienungsanleitung gut auf, um auch später noch nachschlagen zu können.

MERKMALE

- 1 Neues 12-fach Zoomsystem
- 2 Vollautomatisches Aufnahmesystem
— Automatische Fokussierung, Blende und Weißbalance
- 3 Variabler Schnellverschluss mit 1/10.000, 1/2.000, 1/500, 1/100 Sek.
- 4 Aufnahme bei besonders geringem Licht bis 3 Lux (mit Verstärkungsfunktion)
- 5 Intelligente automatische Blende für Gegenlichtaufnahmen
- 6 Rotierender Löschkopf und Kamerasuchlauf
- 7 Selbsttimer für Kameraaufnahmen
- 8 3-Wege-Stromversorgung mit Wechselstrom, Batterie und Autobatterie

Wichtig

Audio-visuelles Material kann Urheberrechte umfassen, die ohne Genehmigung des Eigentümers dieser Urheberrechte nicht aufgenommen werden dürfen. Siehe die entsprechenden nationalen Gesetze.

Spannungsversorgung

Dieses Gerät kann durch Anschluß an den Netzadapter, die Akkubatterie oder das Autobatteriekabel betrieben werden. Der Netzadapter ist mit einer AUTOMATISCHEN SPANNUNGSWÄHLER-FUNKTION (Netz 110—240 V, 50/60 Hz) ausgestattet.

INHALT

MERKMALE	1	AUTOMATISCHE DATUM/ZEIT-FUNKTION	21
ZUR BEACHTUNG	2	ASSEMBLE-AUFNAHME	22
BEZEICHNUNGEN DER TEILE UND IHRE FUNKTIONEN	4	AUSWECHSELN DER AKKUBATTERIE WÄHREND DER AUFNAHME	22
VORBEREITUNGEN	7	AUSSCHALT-AUTOMATIK	22
EINSETZEN DER LITHIUMBATTERIE	7	PAUSE-FERNBEDIENUNG (SONDERZUBEHÖR)	22
EINSTELLEN VON DATUM/UHRZEIT	7	WIEDERGABE	23
ANBRINGEN UND ABNEHMEN DER AKKUBATTERIE	8	WIEDERGABE AUF SUCHERBILDSCHIRM	23
ANBRINGEN DES TRÄGEGURTES	8	SPURLAGEN-EINSTELLUNG	23
EINSETZEN UND ENTNEHMEN EINER CASSETTE	9	VORWÄRTS-/RÜCKWÄRTS-BILDSUCHLAUF UND STANDBILD	24
EINSTELLEN DES GRIFFBANDES	9	ZÄHLWERKSPEICHERFUNKTION	25
VERWENDUNG EINES EXTERNEN MIKROFONS	10	ANSCHLUSS AN FERNSEHER	26
VERWENDUNG DES ELEKTRONISCHEN SUCHERS	10	ANSCHLUSS AN EINEN FERNSEHER MIT A/V-BUCHSEN	27
STROMVERSORGUNGSSYSTEM	11	AUFNAHME AUF ANDEREN VIDEORECORDER	28
VERWENDUNG DES NETZTEILS/ BATTERIELADEGERÄTES	11	EDIT-SCHALTER	28
AUFLADEN DER AKKUBATTERIE	12	VERWENDUNG DES CASSETTENADAPTERS (SONDERZUBEHÖR)	29
VERWENDUNG DES AUTOBATTERIEADAPTERS/ LADEGERÄTES (SONDERZUBEHÖR)	12	FORTGESCHRITTENE VERWENDUNG	31
VERWENDUNG DER AKKUBATTERIE	13	MANUELLE SCHARFEINSTELLUNG	31
KAMERAUFNAHME	14	WEISSBALANCE	31
KAMERAUFNAHME	14	GEGENLICHT-KOMPENSATION	32
VOLLAUTOMATISCHES SYSTEM	16	VERSTÄRKUNGSFUNKTION	32
AUFNAHME-RÜCKSCHAU	17	AUFNAHME MIT SELBSTAUSLÖSER	32
MOTORZOOM (WEITWINKEL/TELE-REGELUNG)	17	SCHNELLVERSCHLUSS	33
VERWENDUNG DER ZOOM-WAHLTASTE	18	MAKROAUFNAHME	34
ZEITZÄHLWERK	19	EIN- UND AUSBLENDEN	34
FLÜSSIGKRISTALLDISPLAY UND SUCHERANZEIGEN	20	BELEUCHTUNG	35
		STÖRUNGEN	36
		TECHNISCHE DATEN	37

ZUR BEACHTUNG

LESEN SIE DIE SICHERHEITS- UND BEDIENUNGSANWEISUNGEN vor Inbetriebnahme dieses Camcorders. BEACHTEN SIE DIE ANWEISUNGEN UND WARNUNGEN am Camcorder und in dieser Bedienungsanleitung.

KONDENSWASSERBILDUNG

Was ist "Kondenswasserbildung"?

Wenn kaltes Bier in ein Glas gegossen wird, formen sich Tropfen auf dem Glas. Diese Bildung von Wassertropfen wird Kondenswasserbildung genannt.

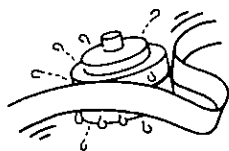


Bei Bildung von Kondenswasser im Camcorder.

Bei Bildung von Kondenswasser auf der Kopftrommel des Camcorders haftet das Videoband am Kopf. Dies kann zu einer Beschädigung des Kopfes und des Bandes führen. Bei Bildung von Kondenswasser funktionieren Aufnahme und Wiedergabe nicht richtig.

Kondenswasser bildet sich unter den folgenden Bedingungen:

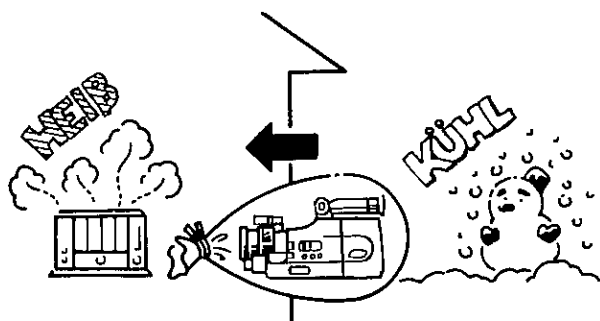
- Wenn der Camcorder von einem kalten an einen warmen Ort gebracht wird.
- Wenn der Camcorder in einen kalten Raum gelegt wird, der dann schnell aufgeheizt wird.
- Wenn der Camcorder aus einem klimatisierten Raum nach draußen gebracht wird.
- Wenn der Camcorder in den direkten Luftstrom einer Klimaanlage gelegt wird.
- Wenn der Camcorder in einen Raum mit hoher Luftfeuchtigkeit gelegt wird.



Verhinderung von Fehlbetrieb durch Kondenswasserbildung.

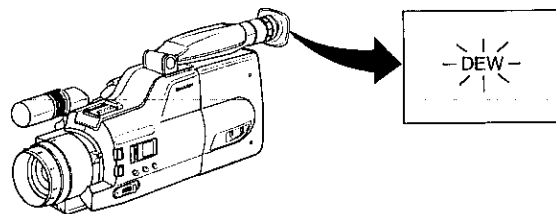
Bei Verwendung des Camcorders an Orten, an denen sich Kondenswasser bilden kann, sollten der Camcorder und das Videoband für etwa eine Stunde zur Temperaturanpassung nicht verwendet werden.

- Wenn der Camcorder von einem kalten zu einem warmen Platz gebracht wird, beispielsweise im Winter, legen Sie den Camcorder in einen abgeschlossenen Plastikbeutel, bis sich der Camcorder an die Raumtemperatur angepaßt hat, um Kondensation zu vermeiden.



- ① Sicherstellen, daß genügend Luft in der Kunststoffüte mit dem Camcorder ist.
- ② Den Camcorder aus der Tüte entfernen, wenn die Lufttemperatur in der Tüte die Umgebungstemperatur erreicht.

"DEW"-Warnanzeige



Bei der Bildung von Kondenswasser auf der Kopftrommel leuchtet die DEW-Warnanzeige auf dem Flüssigkristalldisplay auf.

Die Stromversorgung schaltet sich nach 10 Sekunden automatisch ab.

Hinweise

- Bei der Anzeige von DEW das Videoband entnehmen und mehrere Stunden zur Anpassung an die Umgebungstemperatur liegen lassen.
- Da sich Kondenswasser langsam bildet, kann die Anzeige DEW auf dem Display erst nach 10 bis 15 Minuten erscheinen.
- Zur weiteren Verwendung des Camcorders nach mehreren Stunden die Stromversorgung einschalten und sicherstellen, daß die DEW-Anzeige erloschen ist.

Vor der Aufnahme eine Testaufnahme durchführen und sowohl das aufgenommene Bild als auch den Ton überprüfen. Das Bild kann einfach unter Verwendung von "REC REVIEW" geprüft werden.

Zur Sicherstellung von guten Aufnahmen.

Falls der Camcorder an verschiedenen Orten verwendet wird, kann es vorkommen, daß er durch Verschmutzungen der Kopftrommel nicht richtig funktioniert. Die folgenden Punkte sollten bei der Verwendung des Camcorders beachtet werden.

- ① Bildung von Kondenswasser auf der Kopftrommel.
- ② Das Videoband ist verbraucht:
Die Verwendung eines beschädigten oder verbrauchten Videobandes kann ebenfalls die Kopftrommel verschmutzen und ein schlechtes Bild oder keine Aufnahme auf dem Videoband zur Folge haben. Solche Videobänder nicht verwenden.
- ③ Verwendung des Camcorders an einem feuchten oder staubigen Ort:
Die Verwendung des Camcorders an einem feuchten oder staubigen Ort kann zu Beschädigungen führen.

Bei Verschmutzung des Videokopfes.

Bei Verwendung des Camcorders mit verschmutzten Videoköpfen können die Aufnahmen verrauscht oder kein Bild auf dem Band aufgenommen werden.

Wenden Sie sich unter solchen Bedingungen an den nächsten SHARP-Wartungsdienst oder Ihren Händler für weitere Anweisungen.

Aus Sicherheitsgründen müssen die folgenden Punkte beachtet werden:

- Nicht das Gehäuse öffnen.
- Darauf achten, daß keine entflammbaren oder andere Flüssigkeiten und keine Metallgegenstände in dieses Gerät eindringen. Sollte dies vorkommen, das Gerät ausschalten und vom Kundendienst überprüfen lassen.
- Niemals das Gerät zerlegen oder verändern.
- Den Camcorder nicht bei Gewittern verwenden. Die Netzkabel von angeschlossenen Geräten aus der Steckdose ziehen.

Den Camcorder nicht unter den folgenden Bedingungen verwenden:

- Bei hoher Feuchtigkeit oder starkem Staub.
- In der Nähe von elektrischen Geräten, die starke Magnetfelder erzeugen (Leuchtstoffröhren, Fernseher, Lautsprecher).
- An Plätzen mit Dampf oder Rauch, wie in der Nähe eines Kochherdes.
- Bei starken Erschütterungen oder Vibrationen.
- An heißen Plätzen, wie in der Nähe einer Heizung.
- An nassen Plätzen, wie in der Nähe von Schwimmbecken, Badewannen und dergleichen.

Den Camcorder nicht für längere Zeit sehr hohen oder sehr niedrigen Temperaturen aussetzen.

- Niemals diesen Camcorder direkter Sonnenbestrahlung aussetzen oder im geschlossenen Auto im Sommer oder nahe einer Heizung lassen, weil dadurch das Gehäuse verformt und die internen Teile des Camcorders beschädigt werden können.
- Den Camcorder nicht an Plätzen über 60°C lagern.
- Den Camcorder nicht an Plätzen über 40°C verwenden.
- Den Camcorder nicht an Plätzen unter 0°C verwenden.
- Den Camcorder nicht an Plätzen über 80% relative Feuchtigkeit verwenden.
Den Camcorder an Plätzen zwischen -20°C und 60°C lagern.

Zur Beachtung bei Außenaufnahmen

- Den Camcorder nicht fallenlassen oder damit gegen harte Gegenstände stoßen. Vor Schäden beim Transport schützen.
- Darauf achten, daß der Camcorder nicht naß wird.
- Am Strand von Salzwasser oder Spritzern fernhalten und darauf achten, daß kein Sand in den Camcorder gerät.
- Das Objektiv nicht auf die Sonne oder andere sehr starke Lichtquellen richten.
- **Das Sucherokular nicht auf die Sonne richten.**
- Den Camcorder nicht bei Gewittern verwenden.

VOR ABTRENNEN DER STROMVERSORGUNG IMMER DEN OPERATE-SCHALTER AUSSCHALTEN, SO DASS DIE OPERATE-ANZEIGE ERLISCHT.

Umgang mit dem Camcorder

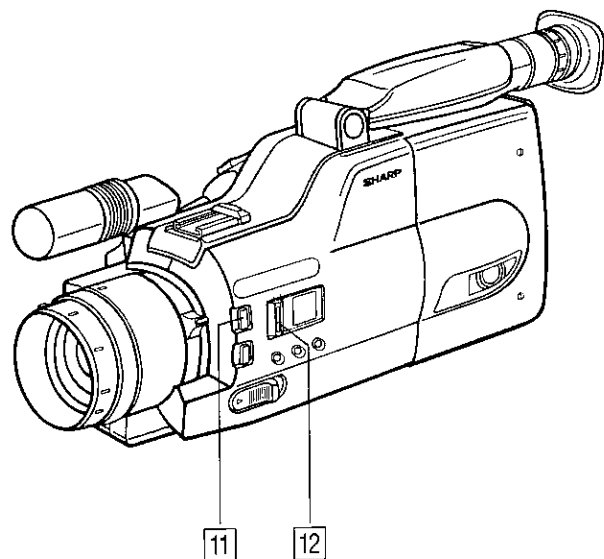
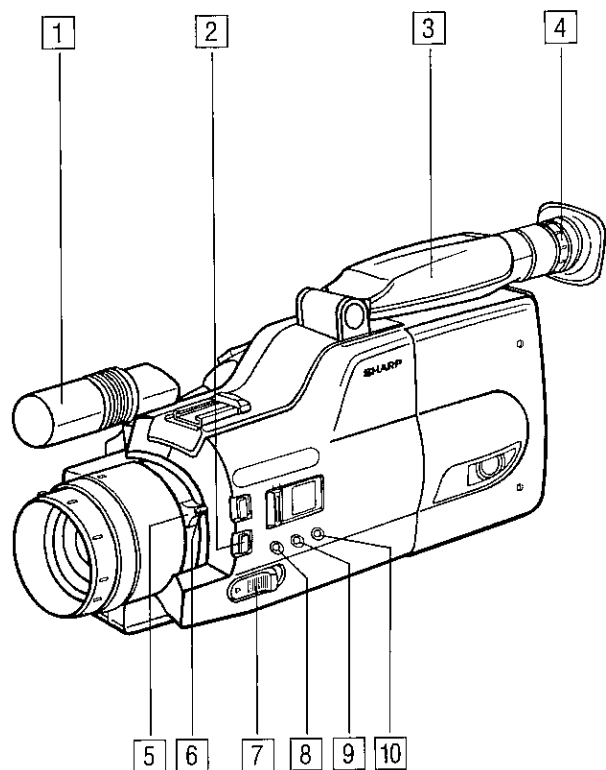
- Das Mikrofon vor Beschädigung schützen.
- Den Camcorder bei der Verwendung waagrecht halten, weil sonst das Band locker und dadurch beschädigt werden kann.
- **Den Camcorder nicht am Sucher tragen. Den Trage-riemen um den Arm legen, so daß der Camcorder nicht beschädigt werden kann, wenn er versehentlich aus der Hand rutscht.**
- Nach der Verwendung die Objektivkappe anbringen und die Stromversorgung ausschalten.
- Bei Autofokus-Betrieb nicht den Schärferring berühren.
- Vor Anbringen eines Filters an das Objektiv auf manuelle Scharfeinstellung umschalten oder die Stromversorgung ausschalten und die Objektiv-Kappe abnehmen.

Reinigung des Camcorders

- Vor Reinigung des Camcorders die Akkubatterie abnehmen oder das Spannungskabel abtrennen.
- Staub mit einem weichen Tuch entfernen. Bei hartnäckiger Verschmutzung ein weiches Tuch mit einem milden Reinigungsmittel befeuchten.
- Keine aggressiven Reinigungsmittel wie Benzin, Farbverdünner oder Alkohol verwenden, weil dadurch das Gehäuse beschädigt werden kann.
- Objektiv und Sucher immer sauber halten. Zum Reinigen des Objektivs zuerst den Staub wegblasen und dann vorsichtig mit einem weichen Pinsel oder Objektiv-Reinigungspapier, das mit Objektiv-Reinigungsflüssigkeit angefeuchtet wurde, wischen.

BEZEICHNUNGEN DER TEILE UND IHRE FUNKTIONEN

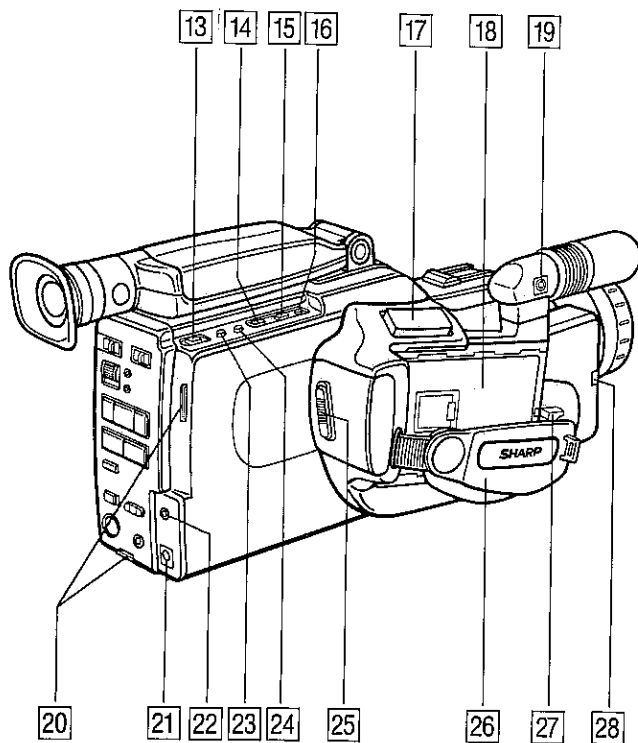
VORDERANSICHT



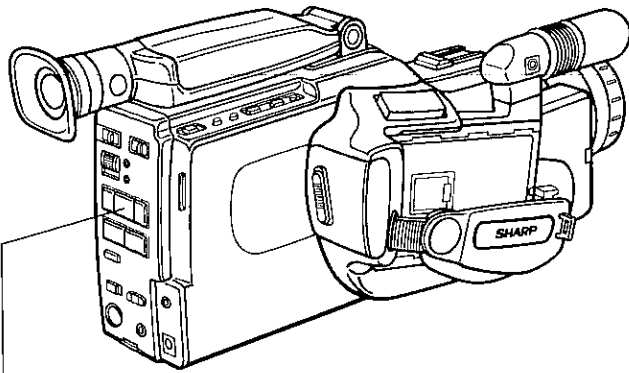
Für Hinweise zur Verwendung der Bedienelemente auf den in Klammern angegebenen Seiten nachsehen.

- 1 **Mikrofon**
- 2 **Gegenlicht-Kompensation/Verstärkungsfunktions-Taste (BLC/GAIN-UP)**
Wenn das Motiv dunkler als der Hintergrund ist, kann es bei der Aufnahme als zu dunkel und undeutlich erscheinen. In diesem Fall die Taste für "BLC" drücken. Bei der Anzeige von "LIGHT" im Sucher ist die Verstärkungsfunktion eingestellt und das Bild wird heller, wenn diese Taste gedrückt wird.
- 3 **Elektronischer Sucher/Monitor**
Auf dem Sucher erscheint das Aufnahmemotiv. Der Sucher kann außerdem als Schwarz/Weiß-Monitor für die Wiedergabe der Aufnahme verwendet werden.
- 4 **Dioptrien-Einstellung**
Dieser Regler dient zur Einstellung des Suchers auf die individuelle Sehkraft.
- 5 **Zoomhebel**
Dieser Hebel dient zum manuellen Ein- und Auszoomen des Motivs.
- 6 **Makrotaste**
Diese Taste wird bei der Aufnahme von Motiven verwendet, die weniger als 1 Meter vom Camcorder entfernt sind. (Der Autofokus funktioniert bei dieser Entfernung nicht.) Die MACRO-Taste gedrückt halten und den Zoomhebel zur Scharfeinstellung auf die "MACRO"-Position bewegen.
- 7 **Zoomwahl-Taste (ZOOM SELECT) [18]**
Diese Taste kann zur sofortigen Vergrößerung (oder Verkleinerung) des umrahmten Bereiches im Sucher um das 1,5fache verwendet werden.
- 8 **Wahltaste für automatische/manuelle Scharfeinstellung (AUTO/MANUAL FOCUS)**
Bei Einstellung auf "AUTO" stellt sich der Camcorder automatisch selbst auf sich bewegende Motive scharf. (Bei Motiven, die weniger als 1,1 Meter entfernt sind, sollte die Makro-Funktion verwendet werden.) Falls jedoch aufgrund der Aufnahmebedingungen der Autofokus nicht funktioniert, wird dieser Schalter auf "MANUAL" gestellt und die Scharfeinstellung von Hand durchgeführt.
- 9 **Weißbalance-Taste (WHITE BALANCE) [31]**
Mit dieser Taste die Weißbalance einstellen.
- 10 **Schnellverschluss-Wahltaste (SHUTTER SPEED) [33]**
Für eine klare Wiedergabe von Bewegungen mit hoher Geschwindigkeit in der Standbild-Betriebsart (oder Zeitlupen-Betriebsart mit einem normalen VHS-Videorecorder).
- 11 **Ein/Ausblend-Taste (FADE IN/OUT) [34]**
- 12 **Schalter für vollautomatische Einstellungen (FULL AUTO) [16]**

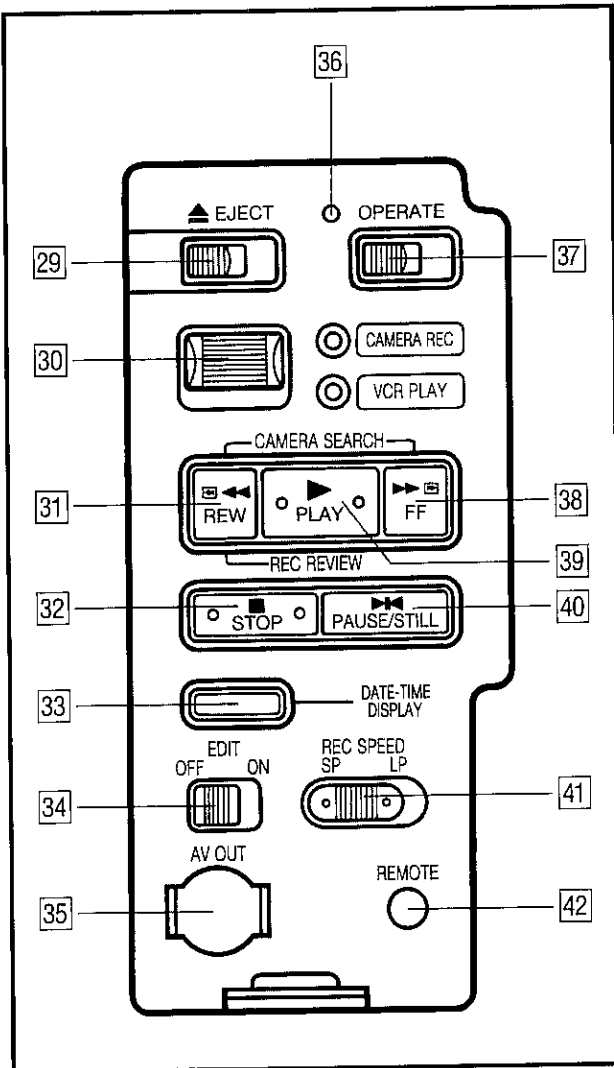
RÜCKANSICHT



- 13** **Zusätzliche Aufnahme-Start/Stopp-Taste (REC START/STOP)**
 Zum Starten der Aufnahme drücken. Durch Drücken während der Aufnahme wird auf Aufnahmepause geschaltet. Diese Taste bei Aufnahmen aus einem niedrigen Winkel verwenden.
- 14** **Spurlagenregelungs-Taste (TRACKING ◀) [23]**
Datum/Zeiteinstellungs-Taste (DATE/TIME SET) [7]
- 15** **Spurlagenregelungs-Taste (TRACKING ▶) [23]**
Datum/Zeitwahl-Taste (DATE/TIME SELECT) [7]
- 16** **Datum/Zeiteingabe-Taste (DATE/TIME INITIAL) [7]**
- 17** **Weitwinkel/Telezoom-Taste**
 Maximale Telefunktion wird durch Drücken von T (Tele) erreicht (dieser Vorgang wird "einzoomen" oder "aufzoomen" genannt). Maximale Weitwinkelfunktion wird durch Drücken von W (Weitwinkel) erreicht (dieser Vorgang wird "auszoomen" oder "abzoomen" genannt). Die Zoomgeschwindigkeit kann von 6 Sekunden bis 20 Sekunden durch Änderung des Fingerdrucks auf die Zoom-Taste geändert werden.
- 18** **Batteriefach**
- 19** **Anschluß für externes Mikrofon**
- 20** **Ösen für den Trageriemen**
 Den Trageriemen durch diese Ösen ziehen und die Länge des Riemens mit der Schnalle einstellen.
- 21** **Gleichstrom-Eingangsbuchse**
- 22** **Kopfhörerbuchse**
 Ein getrennt erhältlicher Kopfhörer kann zum Mithören des Tons während der Aufnahme und Wiedergabe angeschlossen werden.
- 23** **Zählwerk/Zählwerkspeicher/Zeitzählwerk-Taste (COUNTER/COUNTER MEMORY/LAP TIME)**
 Mit dieser Taste kann zwischen den Betriebsarten für Zählwerk, Zählwerkspeicher und Zeitzählwerk gewählt werden, die im Sucher angezeigt werden.
- 24** **Zählwerk/Zeitzählwerk-Rückstelltaste (COUNTER/LAP TIME RESET)**
 Mit dieser Taste wird das im Sucher angezeigte Zählwerk bzw. Zeitzählwerk zurückgestellt.
- 25** **Aufnahme-Start/Stopp-Taste (REC START/STOP)**
 Zum Starten der Aufnahme drücken. Durch Drücken während der Aufnahme wird auf Aufnahmepause geschaltet.
- 26** **Griffband**
- 27** **Batteriefreigabe-Hebel**
 Diesen Hebel zum Abnehmen der Akkubatterie drücken.
- 28** **Selbstausslöser-Taste/Aufnahmesignalanzeige (SELF TIMER)**
 Die Aufnahmesignalanzeige leuchtet während der Aufnahme auf und zeigt den Darstellern an, ob der Camcorder aufnimmt oder nicht. Die SELF-TIMER-Taste und die Aufnahmesignalanzeige haben die gleiche Funktion. Beim Drücken dieser Taste in der Aufnahmepause-Betriebsart blinkt die Anzeige für 10 Sekunden, dann beginnt die Aufnahme mit dem Selbstausslöser.



BEDIENTELD



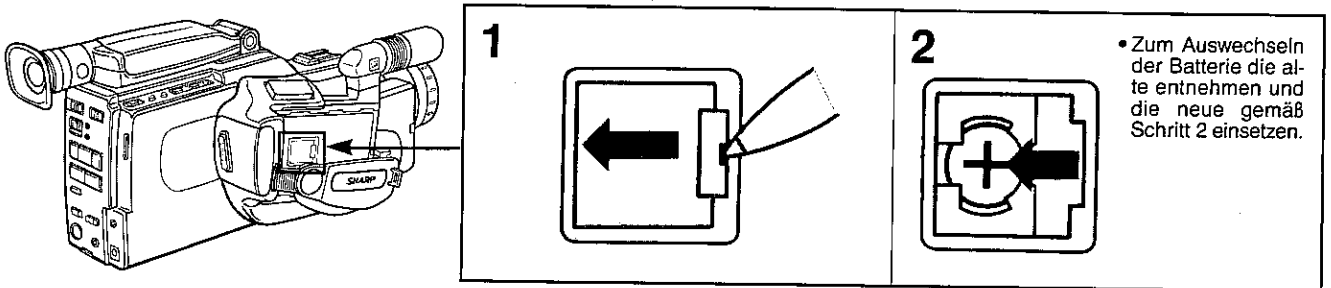
- 29 Auswurfaste (EJECT)**
Diese Taste zum Einsetzen und Entnehmen der **VHS**-Cassette verwenden.
- 30 Kameraaufnahme/Videorecorderwiedergabe-Schalter (CAMERA REC/VCR PLAY)**
Für Aufnahmen mit dem Camcorder diesen Schalter auf die CAMERA REC-Position einstellen. (Der Camcorder schaltet automatisch auf Aufnahme-pause-Betriebsart.) Bei Verwendung des Camcorders als Videorecorder diesen Schalter auf die VCR PLAY-Position einstellen. (Bei Einstellung in die Aufnahme-pause-Betriebsart schaltet der Camcorder auf die Standbild-Betriebsart; bei Aufnahmen schaltet er in die Stopp-Betriebsart.)
- 31 Kamerasuchlauf-Taste (CAMERA SEARCH | ◀◀) [17] Rücklauf/Rückwärtssuchlauf-Taste (REW) [24] Aufnahme-Rückschautaste (REC REVIEW) [17]**
- 32 Stoptaste (STOP)**
- 33 Datum/Zeit-Anzeigetaste (DATE-TIME DISPLAY)**
Mit dieser Taste kann entweder Datum/Zeit oder das Datum in eine Aufnahme eingeblendet werden.
- 34 Editerschalter (EDIT)**
Beim Überspielen von einem Camcorder auf einen Videorecorder verschlechtert sich die Bildqualität. Den EDIT-Schalter einschalten, um die Verschlechterung der Bildqualität gering zu halten. Diesen Schalter beim Editieren von Videobändern verwenden.
- 35 AV-Ausgangsbuchse**
- 36 Betriebsanzeige (OPERATE)**
- 37 Ein/Aus-Schalter (OPERATE)**
Mit diesem Schalter wird die Stromversorgung ein- und ausgeschaltet.
- 38 Kamerasuchlauf-Taste (CAMERA SEARCH ▶▶) [17] Vorlauf/Vorwärtssuchlauf-Taste (FF) [24]**
- 39 Wiedergabetaste (PLAY)**
Zur Wiedergabe drücken.
Kamerasuchlauf-Taste (CAMERA SEARCH ▶) [17]
- 40 Pause/Standbild-Taste (PAUSE/STILL)**
Diese Taste dient zur Betrachtung eines Standbildes während der Wiedergabe.
- 41 Aufnahmegeschwindigkeit-LP/SP-Wahltaste (REC SPEED LP/SP)**
Mit dieser Wahl-taste wird die Aufnahmegeschwindigkeit auf LP (Langspiel) oder SP (Standardspiel) eingestellt. Die Aufnahmezeiten in den entsprechenden Betriebsarten sind wie folgt (VHS-C Cassette EC-30):
LP-Betriebsart 60 Minuten
SP-Betriebsart 30 Minuten
- 42 Pause-Fernbedienungsbuchse**
Zum Anschließen der Pause-Fernbedienung VR-20ME (Sonderzubehör), um den Camcorder aus der Entfernung zu bedienen.

VORBEREITUNGEN

EINSETZEN DER LITHIUMBATTERIE

1 Öffnen Sie das Batteriefach mit einem spitzen Gegenstand.

2 Setzen Sie die Batterie mit der Seite " + " nach außenweisend ein und schließen das Batteriefach.



• Zum Auswechseln der Batterie die alte entnehmen und die neue gemäß Schritt 2 einsetzen.

Zur Beachtung

- Die Batterie gleich wegwerfen. Von Kindern fernhalten. Nicht öffnen und nicht ins Feuer werfen.
- Bei falscher Behandlung kann die in diesem Gerät verwendete Batterie die Gefahr eines Feuers oder chemischer Verbrennungen bilden. Nicht wiederaufladen, öffnen, über 100°C erhitzen oder veraschen. Verwenden Sie nur eine neue Batterie der Marke CR2025 von SONY ENERGYTEC, FUJI ELECTROCHEMICAL oder MATSUSHITA ELECTRIC. Die Verwendung einer anderen Batterie kann zu Feuer- oder Explosionsgefahr führen.

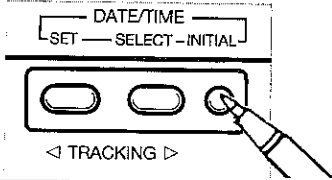
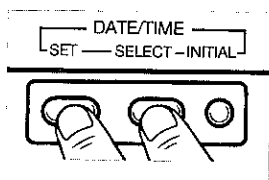
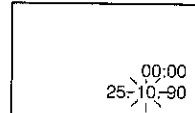
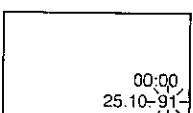
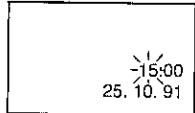
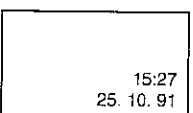
Hinweise

- Diese Lithiumbatterie erhalten Sie im Elektro- oder Audio/Video-Geschäft.
- Trennen Sie vor Auswechseln der Batterie die Stromversorgung (Netzadapter, Akkubatterie usw.) ab.
- Die Lebensdauer der Batterie beträgt etwa ein Jahr, ist aber von der Umgebungstemperatur und den Einsatzbedingungen abhängig.
- Wenn sich die Lithiumbatterie entlädt, funktioniert die Uhr möglicherweise sehr ungenau, oder die Uhreinstell-Betriebsart wird aktiviert. In diesem Fall sollte die Lithiumbatterie so schnell wie möglich ausgewechselt werden.
- Achten Sie darauf, daß die Batterie nicht durch Halten der Elektroden mit metallischen Gegenständen wie einer Pinzette kurzgeschlossen wird, weil dadurch die Qualität der Batterie beeinträchtigt wird.

EINSTELLEN VON DATUM/UHRZEIT

Mit der automatischen Datum/Zeit-Funktion kann das Datum und die Zeit als Referenz aufgenommen werden. Den folgenden Anleitungen zur Einstellung von Datum und Zeit folgen.

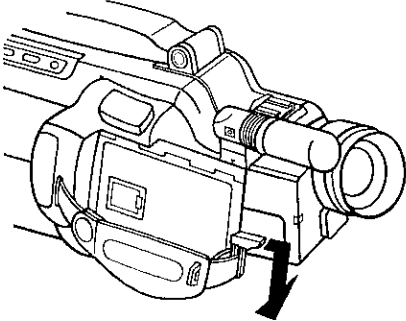
Beispiel: Einstellung des Datums auf 25. Oktober 1991 und der Zeit auf 15:27

<p>1 Setzen Sie die Lithiumbatterie für die Datum/Zeit-Funktion ein.</p>	<p>2 Schließen Sie eine Akkubatterie oder das Netzteil an. Schalten Sie den OPERATE-Schalter ein. Drücken Sie die DATE-TIME DISPLAY-Taste.</p>
<p>3 Drücken Sie den INITIAL-Knopf mit einem Gegenstand mit abgerundeter Spitze, zum Beispiel einem Kugelschreiber.</p> 	<p>4 Die Tag-Position blinkt. Drücken Sie SELECT, um den Tag zu wählen. Wenn der richtige Tag erscheint, drücken Sie SET.</p> 
<p>5 Die Monat-Position blinkt. Drücken Sie SELECT, um den Monat zu wählen. Wenn der richtige Monat erscheint, drücken Sie SET.</p> 	<p>6 Die Jahr-Position blinkt. Drücken Sie SELECT, um das Jahr zu wählen. Wenn das richtige Jahr erscheint, drücken Sie SET.</p> 
<p>7 Die Stunden-Position blinkt. Drücken Sie SELECT, um die Stunde zu wählen. Wenn die richtige Stunde erscheint, drücken Sie SET.</p> 	<p>8 Die Minuten-Position blinkt. Drücken Sie SELECT, um die Minute zu wählen. Wenn die richtige Minute erscheint, drücken Sie SET.</p> 

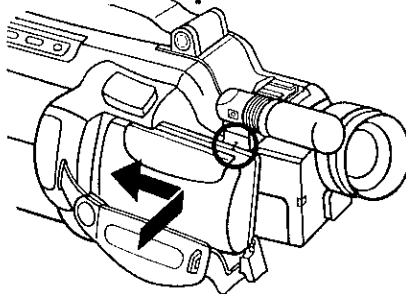
ANBRINGEN UND ABNEHMEN DER AKKUBATTERIE

Anbringen der Akkubatterie

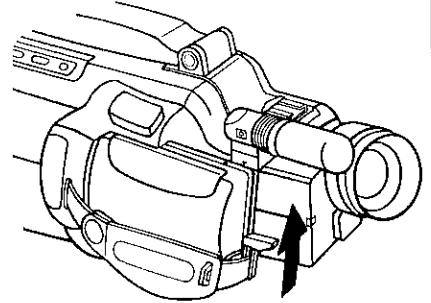
1. Den Batteriefreigabe-Hebel nach unten drücken.



2. Die Markierung "▲" auf dem oberen Teil der Batterie mit der Markierung auf der Kamera angleichen und dann die Batterie in Pfeilrichtung schieben.

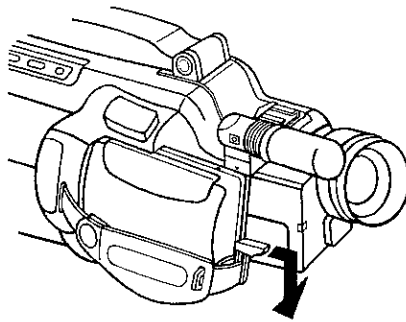


3. Den Batteriefreigabe-Hebel bis zum Einrasten anheben.

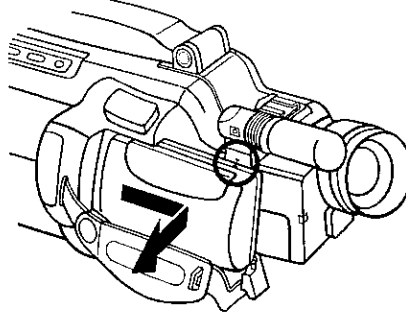


Abnehmen der Akkubatterie

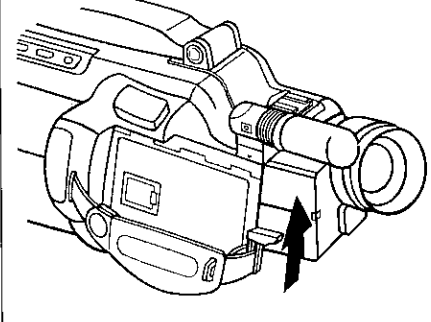
1. Den Batteriefreigabe-Hebel nach unten drücken.



2. Die Batterie durch Schieben in Pfeilrichtung abnehmen.



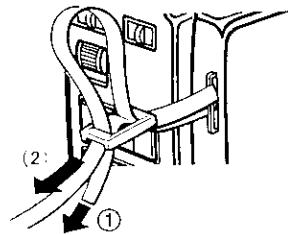
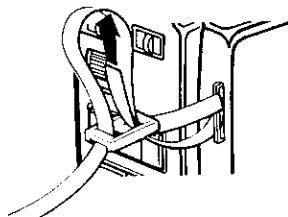
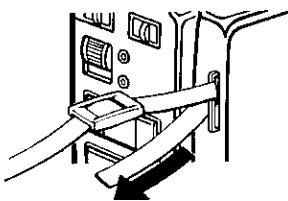
3. Den Batteriefreigabe-Hebel bis zum Einrasten anheben.



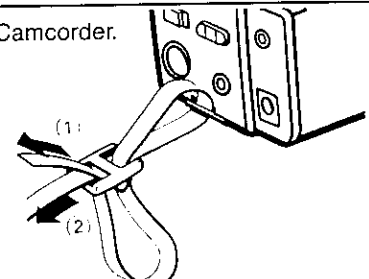
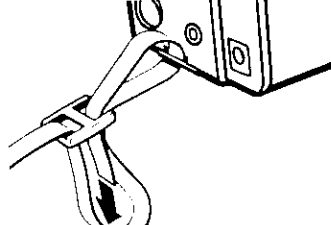
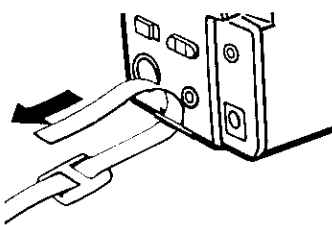
Hinweis Die Batterie ist bei Auslieferung ab Werk nicht geladen und muß vor Gebrauch aufgeladen werden.

ANBRINGEN DES TRAGEGURTES

Führen Sie den Trageriemen durch die Öse oben auf dem Camcorder.



Führen Sie den Trageriemen durch die Öse unten am Camcorder.



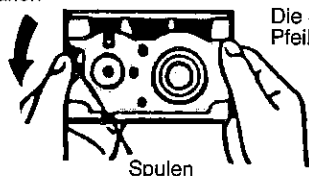
Hinweis Stellen Sie vor Verwendung des Camcorders sicher, daß der Trageriemen fest angebracht ist.

EINSETZEN UND ENTNEHMEN EINER CASSETTE

Einsetzen einer Cassette

- 1 Drücken Sie die EJECT-Taste, um das Cassettenfach zu öffnen. Setzen Sie eine **VHS** Cassette mit dem Klarsichtfenster nach vorne und dem Pfeil nach außen weisend ein. **Straffen Sie das Band vor Einsetzen der Cassette.**

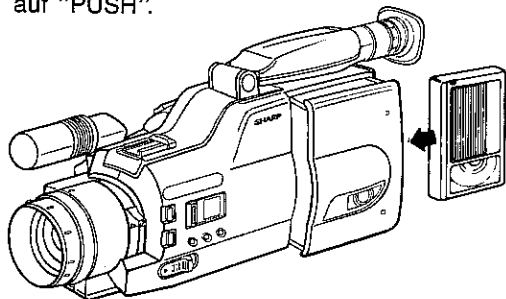
Das Band straffen



Die Spulen in Pfeilrichtung drehen.

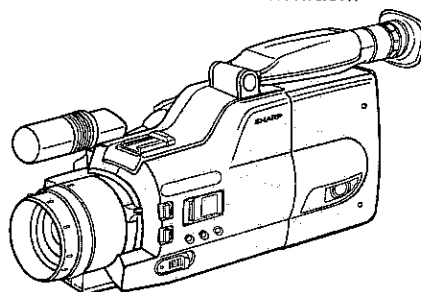
Spulen

- 2 Drücken Sie zum Schließen des Cassettenfaches auf "PUSH".



Entnehmen der Cassette

- 1 Drücken Sie die EJECT-Taste. Das Cassettenfach öffnet sich, so daß die Cassette entnommen werden kann.
- 2 Schließen Sie das Cassettenfach.



Hinweis

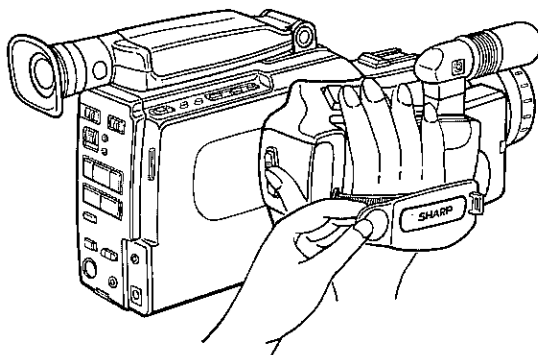
Zum langsamen und richtigen Schließen auf "PUSH" drücken.

Hinweis

Die Cassette kann einfach durch das Drücken der EJECT-Taste entnommen werden. Es ist nicht erforderlich, die OPERATE-Taste auf OFF zu stellen, bevor die EJECT-Taste gedrückt wird. Die Cassette kann während der Aufnahme nicht entnommen werden. Auf Aufnahmepause schalten und dann die EJECT-Taste drücken.

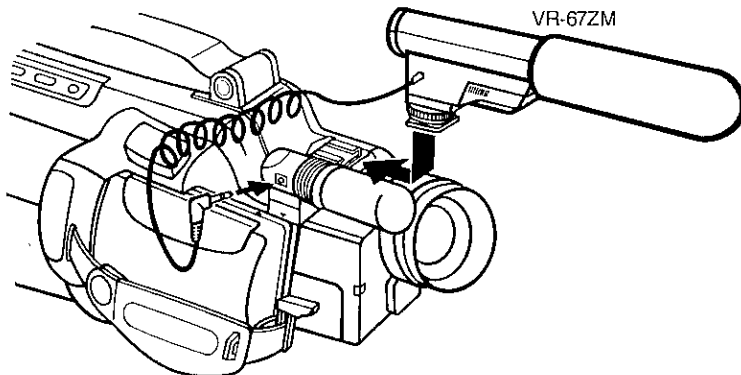
EINSTELLUNG DES GRIFFBANDES

Lösen Sie das Griffband und weiten es. Führen Sie dann Ihre Hand durch das Griffband und fassen den Griff. Stellen Sie die Länge des Griffbandes so ein, daß es sicher aber komfortabel über Ihrer Hand liegt.



VERWENDUNG EINES EXTERNEN MIKROFONS

Das eingebaute Mikrofon nimmt den Ton aus allen Richtungen gleich auf (omnidirektional). Bei Verwendung des zusätzlichen Mikrofons VR-67ZM können bessere Audioaufnahmen durchgeführt werden.



VR-67ZM

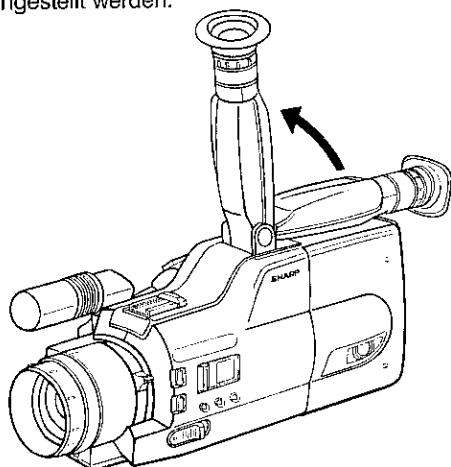
Wird direkt am Camcorder angebracht.

Dieses Mikrofon ist ein hochempfindliches 4fach Zoom-Mikrofon, mit dem auch aus der Entfernung aufgenommen werden kann.

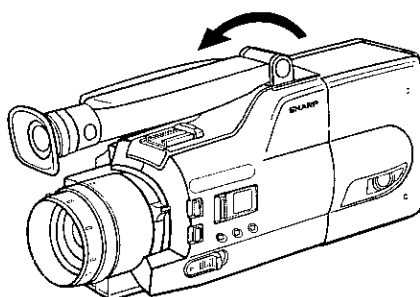
VERWENDUNG DES ELEKTRONISCHEN SUCHERS

EINSTELLUNG DER SUCHERPOSITION

Der Sucher kann für Aufnahmen aus einem niedrigen Winkel hochgestellt werden.

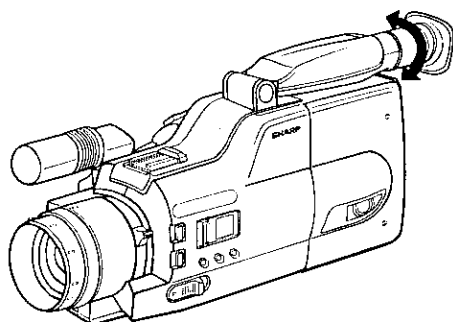


Zum Schutz des Suchers während des Transports oder wenn die Kamera nicht verwendet wird, sollte er wie in der Abbildung gezeigt nach vorn geklappt werden.



EINSTELLUNG DES SUCHEROKULARS

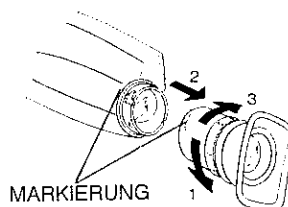
Der Camcorder ist mit einem Diopter-Einstellregler ausgestattet. Drehen Sie diesen Regler im oder entgegen dem Uhrzeigersinn, um das Okular auf Ihre Sehkraft einzustellen. Da sich die Sehkraft bei verschiedenen Personen unterscheidet, sollte das Okular vor der Verwendung so eingestellt werden, daß die Zeichen auf dem Sucher deutlich erkennbar sind.



Beim Entfernen von Staub aus dem Inneren des Suchers das Sucherokular wie unten gezeigt entfernen und mit einem langen, dünnen Gegenstand, z.B. einem Baumwolltupfer, reinigen.

Zur Entfernung des Sucherokulars dies zuerst in Richtung (1) drehen und dann in Richtung (2) ziehen.

Beim Wiederanbringen die Markierungen auf dem Sucher und dem Sucherokular wie gezeigt angleichen und dann das Sucherokular 45° in Richtung (3) drehen.

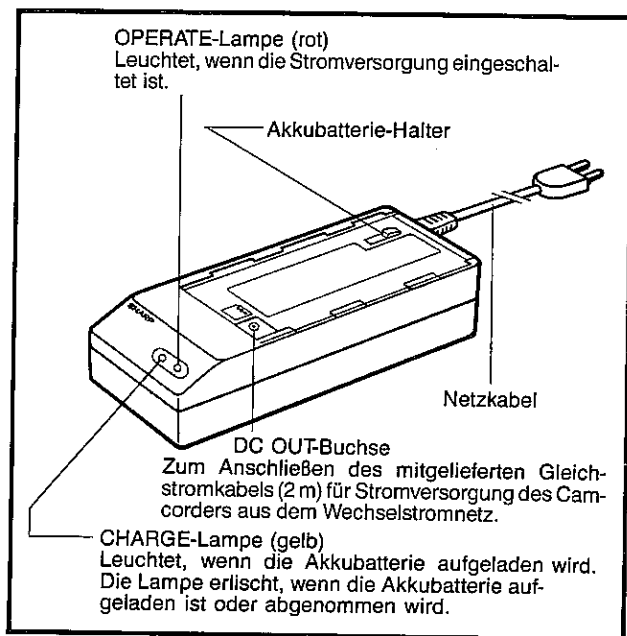


Hinweis Für diese Einstellung muß der Camcorder mit Strom versorgt werden.

STROMVERSORGUNGSSYSTEM

Zum Mitnehmen und Zur Verwendung im Freien dient die mitgelieferte Akkubatterie BT-75. Wenn eine Netzsteckdose erreichbar ist, sollte das mitgelieferte Netzteil/Batterieladegerät AA-75S und Gleichstromkabel von 2 m Länge verwendet werden. Für längeren Einsatz im Freien ist das Autobatterieadapter/Ladegerät VR-P75CH (Sonderzubehör) zu empfehlen.

Verwendung des Netzadapters/Batterieladegerätes



Hinweis

Das Autobatterieadapter/Ladegerät SHARP VR-P75CH (Sonderzubehör) entspricht dem AA-75S, wird aber aus einer Autobatterie betrieben.

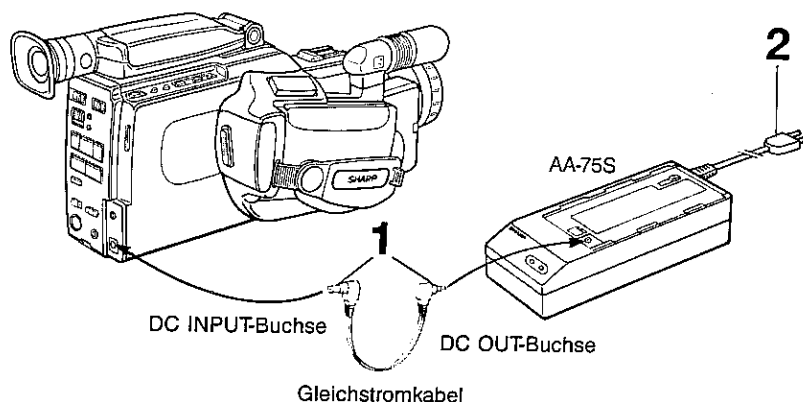
Zur Beachtung:

- Bei Verwendung in der Nähe eines Radios kann das Netzteil/Ladegerät Interferenzstörungen verursachen.
- Achten Sie darauf, daß keine Flüssigkeiten, entflammare oder metallische Gegenstände in das Gerät eindringen.
- Das AA-75S ist versiegelt. Versuchen Sie nicht, es zu öffnen oder zu verändern.
- Lassen Sie das Gerät nicht fallen oder setzen es Stößen oder Vibrationen aus.
- Setzen Sie das Gerät nicht direkter Sonnenbestrahlung aus.
- Verwenden Sie das Gerät nicht an feuchten oder sehr heißen Plätzen.

VERWENDUNG DES NETZTEILS/BATTERIELADEGERÄTES

Verwenden Sie das Netzteil/Ladegerät AA-75S mit dem Gleichstromkabel (beide mitgeliefert).

- 1** Schließen Sie das Gleichstromkabel an das Netzteil und an den Camcorder an.
- 2** Verbinden Sie den Netzstecker mit einer Netzsteckdose. Die OPERATE-Lampe des Netzteils leuchtet.



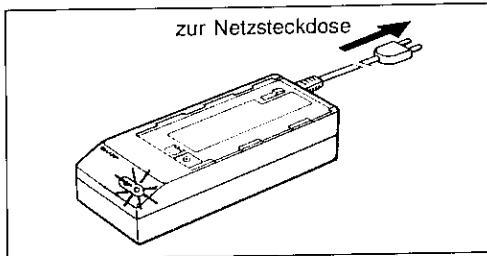
Hinweis

Beim Aufladen einer Akkubatterie liefert das Netzteil/Ladegerät AA-75S keine Spannung zum Camcorder.

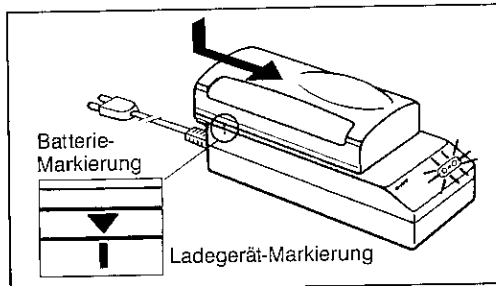
AUFLADEN DER AKKUBATTERIE

Zum Aufladen dient das mitgelieferte Netzteil/Ladegerät AA-75S oder das als Sonderzubehör erhältliche Autobatterieadapter/Ladegerät SHARP VR-P75CH.

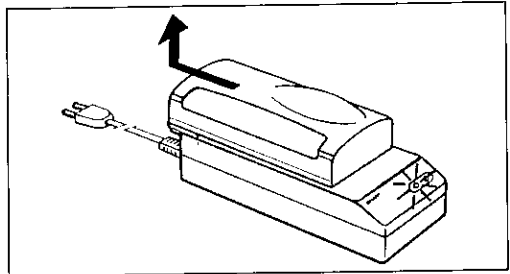
- 1** Schließen Sie den Netzstecker an eine Netzsteckdose an. Die OPERATE-Lampe leuchtet.



- 2** Die Markierung ▼ auf der Seite der Batterie mit der Markierung I auf dem Ladegerät angleichen und die Batterie in die Rille einsetzen. Die Batterie bis zum Einrasten nach vorn schieben. Die CHARGE-Lampe leuchtet auf.



- 3** Die CHARGE-Lampe erlischt, wenn die Akkubatterie aufgeladen ist. Ziehen Sie das Netzkabel aus der Netzsteckdose und nehmen die Akkubatterie durch Zurückschieben ab.



Hinweis

Beim Aufladen erwärmen sich Akkubatterie und Ladegerät.

AUFLADEZEIT DER BT-75: 60 Minuten
AUFLADEZEIT DER BT-76: 80 Minuten

Hinweis

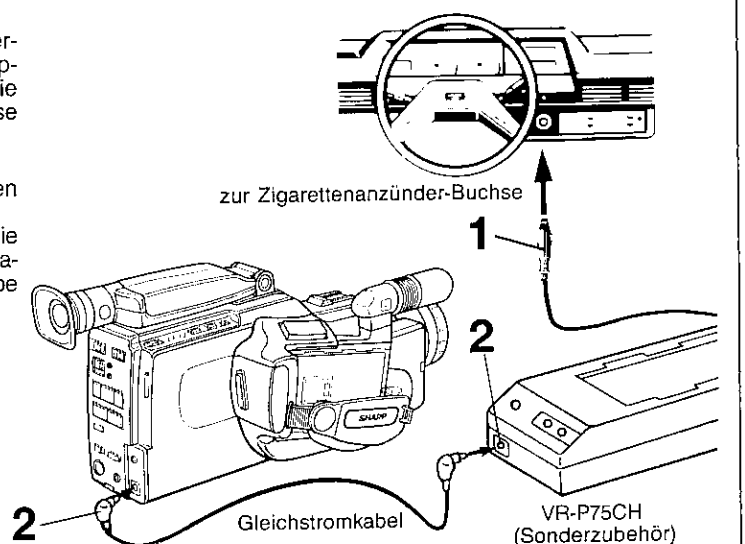
Die Aufladezeit ist abhängig von der Umgebungstemperatur und dem Zustand der Akkubatterie.

VERWENDUNG DES AUTOBATTERIEADAPTERS/LADEGERÄTES (SONDERZUBEHÖR)

Aus der Autobatterie kann mit dem optionalen Autobatterieadapter/Ladegerät SHARP VR-P75CH die Akkubatterie aufgeladen oder der Camcorder mit Strom versorgt werden.

- 1** Starten Sie den Motor und lassen ihn im Leerlauf laufen, während das Autobatterieadapter/Ladegerät verwendet wird. Schließen Sie den Stecker an die Zigarettenanzünder-Buchse an. Die OPERATE-Lampe leuchtet.

- 2** Schließen Sie das Gleichstromkabel an, um den Camcorder mit Strom zu versorgen. Die CHARGE-Lampe leuchtet auf, solange die Akkubatterie aufgeladen wird. Wenn das Aufladen beendet ist, erlischt die CHARGE-Lampe und die DONE-Lampe leuchtet auf.



Hinweis

Beim Aufladen einer Akkubatterie liefert das Autobatterieadapter/Ladegerät VR-P75CH über das Gleichstromkabel keine Spannung zum Camcorder.

Zur Beachtung:

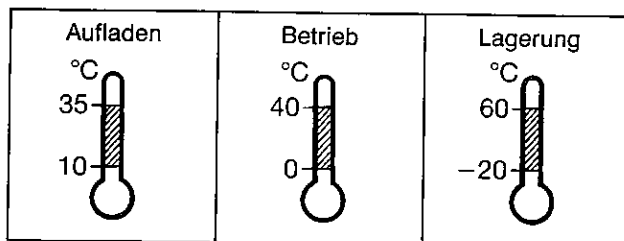
Das Autobatterieadapter/Ladegerät VR-P75CH kann nur mit Fahrzeugen mit 12- oder 24-V-Batterie und negativer Masse verwendet werden.

Das Gerät darf nicht bei Fahrzeugen mit positiver Masse verwendet werden. Sehen Sie in der Betriebsanleitung des Fahrzeuges nach oder fragen Sie Ihren Autohändler.

VERWENDUNG DER AKKUBATTERIE

Die BT-75 ist eine Nickel-Cadmium-Batterie mit den folgenden Eigenschaften. Bei einer Raumtemperatur von 20°C dauert der Aufladevorgang normalerweise eine Stunde. Je niedriger die Temperatur, desto länger dauert das Aufladen.

Temperaturbereich



Vermeidung von Gefahr:

- Die Akkubatterie nicht ins Feuer werfen.
- Die Kontakte nicht kurzschließen.
- Die Akkubatterie nicht zerlegen oder modifizieren.
- Nur die von SHARP empfohlenen Ladegeräte verwenden: Netzteil/Batterieladegerät AA-75S oder Autobatterieadapter/Ladegerät VR-P75CH.

Verhinderung von Beschädigungen und Verlängerung der Batterie-Lebensdauer:

- Die Akkubatterie nicht fallenlassen oder Stößen oder Vibrationen aussetzen.
- Wiederholtes Aufladen ohne Verwendung der Akkubatterie vermeiden.

- Die Lebensdauer dieser Akkubatterie ist begrenzt. Wenn die Aufnahmezeit pro Aufladung kürzer wird, sollte eine neue Akkubatterie erworben werden.

Der Umwelt zuliebe!

Batterien dürfen nicht mit den Siedlungsabfällen entsorgt werden, sondern verlangen Sonderbehandlung.

Hinweis

Bei der Aufladung und Verwendung erwärmt sich die Akkubatterie.

AUFNAHMEZEIT DER BT-75: ca. 60 Minuten
AUFNAHMEZEIT DER BT-76: ca. 80 Minuten

Die Aufnahmezeit einer voll aufgeladenen Akkubatterie ist abhängig von dem Verhältnis zwischen Aufnahme- und Bereitschaftszeit, von der Verwendung des Zoomobjektivs und anderen Faktoren. Reserve-Akkubatterien erhalten Sie bei Ihrem SHARP-Fachhändler. Sie sollten immer Reserve-Akkubatterien bereithalten, um keine wichtigen Momente zu verpassen.

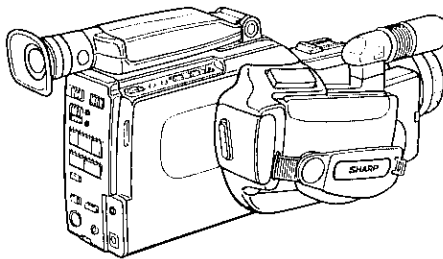
Beachten Sie beim Umgang mit Nickel-Cadmium-Batterien die folgenden Punkte:

1. Volle Aufladung erfolgt zwischen 10°C und 35°C. Bei niedrigeren Temperaturen dauert der Ladevorgang länger, bei höheren Temperaturen erfolgt eventuell keine vollständige Aufladung.
2. Lagern Sie Akkubatterien an einem kühlen und trockenen Platz. Hohe Temperaturen über längere Zeit beschleunigen die Entladung und reduzieren die Batterie-Lebensdauer.
3. Bei langer Lagerung entladen sich Akkubatterien auf natürliche Weise. Entladen Sie Akkubatterien vor der Lagerung, dadurch wird die Lebensdauer verlängert.
4. Nehmen Sie die Batterie nach der Verwendung vom Camcorder oder Ladegerät ab, weil sich sonst die Entladung eventuell fortsetzt.

KAMERAUFNAHME

KAMERAUFNAHME

- 1** Bringen Sie die aufgeladene Akkubatterie an (siehe Seite 8). Wenn eine Netzsteckdose in der Nähe ist, verwenden Sie den mitgelieferten Netzadapter. Stromversorgung aus der Autobatterie ist mit dem als Sonderzubehör erhältlichen Autobatterieadapter/Ladegerät möglich.

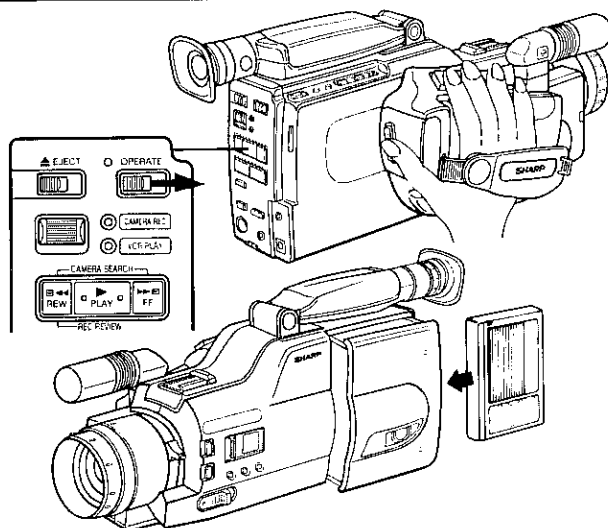
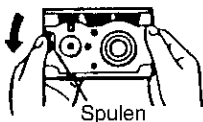


- 2** Den OPERATE-Schalter einschalten; die Betriebsanzeige leuchtet auf. Die EJECT-Taste drücken und den Cassettenhalter öffnen. Eine VHS-Cassette mit intakter Löschschutzkappe und dem Klarsichtfenster nach außen weisend einsetzen. Zum Schließen des Cassettenfachs auf "PUSH" drücken.

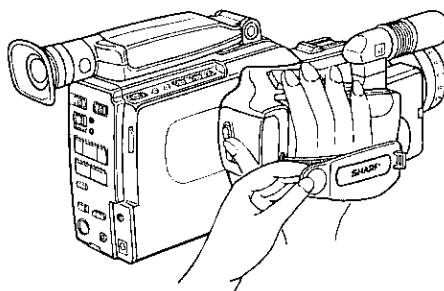
Vorsicht:

Vor dem Einsetzen der Videocassette sicherstellen, daß das Band nicht lose ist. Bei losem Band die Spule in Pfeilrichtung drehen.

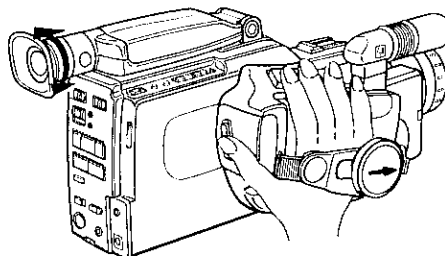
Das Band straffen



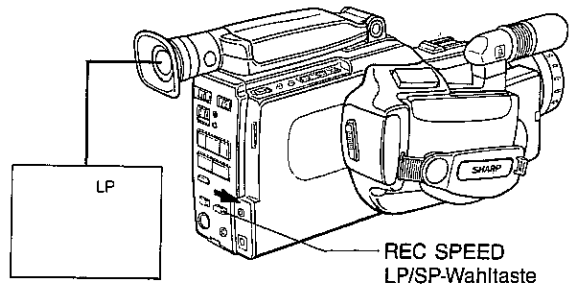
- 3** Fassen Sie den Camcorder so, daß Sie die REC START/STOP-Taste und die Motorzoomtaste gut betätigen können. Stellen Sie dann das Griffband entsprechend Ihrer Hand ein.



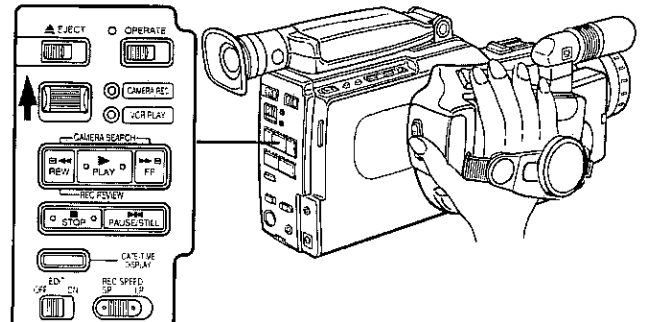
- 4** Nehmen Sie die Objektivkappe ab und befestigen sie sie am Griffband. Richten Sie dann die Kamera auf eine einfarbige Fläche (den Himmel oder eine weiße Wand) und stellen die Dioptrie so ein, daß die Anzeige im Sucher deutlich wird.



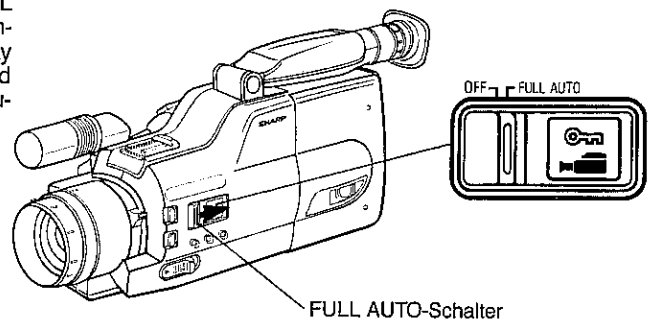
- 5** Drücken Sie die REC SPEED LP/SP-Wahltaste und stellen Sie die Aufnahmezeit ein. Die gewählte Aufnahme-Betriebsart wird im Sucher angezeigt. Die Aufnahmezeiten einer **VHS-C** Cassette EC-30 sind wie folgt.
 LP-Betriebsart 60 Minuten
 SP-Betriebsart 30 Minuten



- 6** Stellen Sie den VCR PLAY/CAMERA REC-Schalter auf "CAMERA REC".



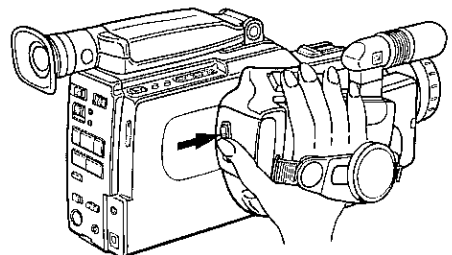
- 7** Stellen Sie den FULL AUTO-Schalter auf die "FULL AUTO"-Position ein. Sicherstellen, daß die Markierungen "▶" und "⊙" auf dem Flüssigkristalldisplay angezeigt werden. Falls die Markierungen "▶" und "⊙" blinken, erscheint eine Alarmanzeige im Sucher. (Siehe Seite 20.)



- 8** Drücken Sie die REC START/STOP-Taste. Während der Aufnahme bewegt sich " >>>> " im Sucher von links nach rechts.

Hinweis

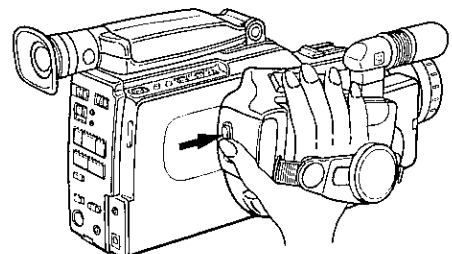
Bei Aufnahme über längere Zeit kann die Handgrifffläche heiß werden. Dies ist jedoch keine Fehlfunktion.



- 9** Drücken Sie zum Beenden der Aufnahme erneut die REC START/STOP-Taste.

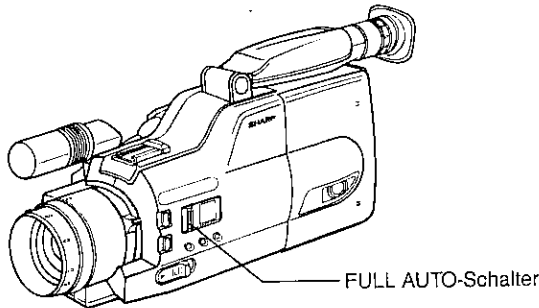
Hinweis

Falls der Camcorder für mehr als 5 Minuten in der Aufnahmepause-Betriebsart belassen wird, schaltet er sich selbst ab. Schieben Sie für den Wiederbeginn einer Aufnahme den OPERATE-Schalter auf ON.

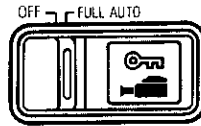



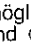
VOLLAUTOMATISCHES SYSTEM

Durch Einstellen des FULL AUTO-Schalters auf die Position "FULL AUTO" wird der Fokus und die Weißbalance auf die AUTO-Betriebsart und die Verschußgeschwindigkeit auf die Standard-Betriebsart eingestellt. Dadurch kann jedermann mit dem Camcorder hervorragende Aufnahmen machen. Wenn der FULL AUTO-Schalter auf die Position "FULL AUTO" eingestellt ist, erscheinen normalerweise das FULL AUTO-Symbol  und das -Symbol auf dem Flüssigkristalldisplay. Wenn die Symbole  und  blinken, können auch andere Alarmanzeigen erscheinen. Diese Anzeigen bedeuten, daß aus bestimmten Gründen keine Kameraaufnahmen möglich sind, z.B. wenn eine Videocassette mit entfernter Löschschutzzunge eingesetzt wurde.



FULL AUTO-Schalter



Kameraaufnahmen in der FULL AUTO-Betriebsart sind möglich, wenn die Symbole  und  erscheinen.



Wenn im Sucher eine Alarmanzeige erscheint, muß der Alarm sofort überprüft werden. (Siehe Seite 20.)

AUFOFOKUS

Dank der automatischen Scharfeinstellung (Autofokus) können Sie sich ganz auf den kreativen Teil der Aufnahme konzentrieren.

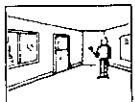

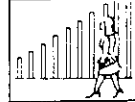
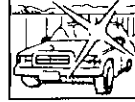

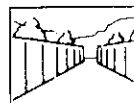




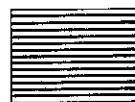


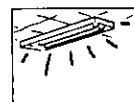
Bei der Einstellung "FULL AUTO" wird die Bildscharfe ständig nachgeregelt, um jederzeit optimal scharfe Aufnahmen zu erzielen. In der Mitte des Suchers befindet sich der Scharfeinstellbereich, in dem die Entfernung zum Aufnahmegegenstand für die Scharfeinstellung erfaßt wird. Daher sollte sich das Hauptmotiv immer in der Mitte des Suchers befinden.

Hinweis

In den folgenden Situationen ist es möglich, daß der Autofokus die automatische Scharfeinstellung nicht durchführen kann. In diesem Fall muß die Schärfe manuell eingestellt werden.

Zur Beachtung:

- Während des Autofokus-Betriebs nicht den Schärferring berühren.
- Wenn das Objektiv verschmutzt ist, kann eine präzise Scharfeinstellung schwierig werden. Das Objektiv daher immer sauber halten. Bei Verschmutzung mit weichem Papier und Objektiv-Reinigungsflüssigkeit säubern. Beim Auftreten von Kondensation mit einem weichen Tuch trockenreiben oder warten bis das Kondenswasser verdampft.
- Bei der Aufnahme von Gegenständen, die sich schnell bewegen, z.B. beim schnellen Zoomen von einer Weitwinklereinstellung auf eine Teleeinstellung, bei einem Schwenk von einer entfernten Szenerie auf eine in der Nähe usw., kann die Einstellung des Objektivs einige Sekunden benötigen.

 Motiv zu dunkel.	 Zu wenig Kontrast, z.B. bei Schneefall	 Motiv enthält Gegenstände in gleichen Abständen.	 Licht reflektiert auf dem Motiv.
 Zwei Gegenstände in unterschiedlichen Entfernungen überschneiden sich.	 Motiv erstreckt sich vom Vordergrund bis in den Hintergrund.	 Motiv bewegt sich schnell.	 Der Hintergrund ist zu hell.
 Motiv hat feine, sich wiederholende Muster.	 Motive in unterschiedlichen Entfernungen erscheinen in der Mitte des Bildes.	 Motiv hat horizontale Streifen.	 Motiv ist schräg.
 Motiv wird durch ein schmutziges oder nasses Fenster aufgenommen.	 Elektronischer Schnellverschluss wird bei Leuchtstoffröhren-Beleuchtung verwendet.	Hinweis Es wird empfohlen, mit der Aufnahme zu beginnen, nachdem das Objektiv auf den Gegenstand scharf eingestellt wurde.	

AUTOMATISCHE WEISSBALANCE

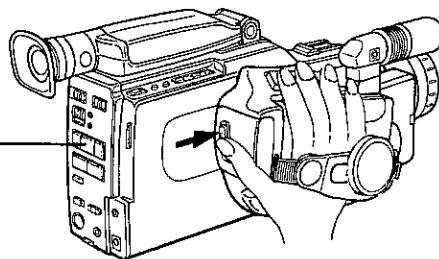
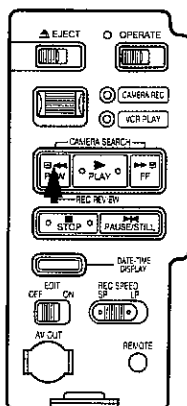
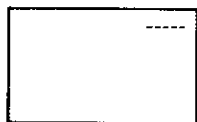
Der Camcorder ist mit einer Funktion für automatische Weißbalance ausgestattet, die für gute Farben Ihrer Aufnahmen sorgt. Die richtige Farbbalance ist wichtig für akkurate Farb-reproduktion.

Die Weißbalance wird bei Änderungen der Farbtemperatur des Umgebungslichts automatisch nachgeregelt.

AUFNAHME-RÜCKSCHAU

Während der Aufnahme die REC START/STOP-Taste auf Aufnahmepause einstellen ("-----" leuchtet auf dem Sucher) und dann kurz die REC REVIEW-Taste drücken.

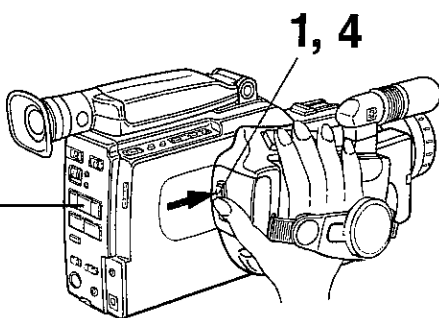
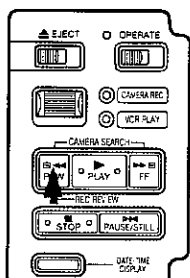
Die letzten 2 Sekunden der Aufnahme werden zurückgespult und wiedergegeben. Anschließend ist der Camcorder zur Fortsetzung der Aufnahme bereit. Beim Gedrückthalten der REC REVIEW-Taste wird der Kamerasuchlauf aktiviert.



KAMERASUCHLAUF

Wenn während der Aufnahme versehentlich ein unerwünschter Teil aufgenommen wurde, kann dieser Teil in der Kameraaufnahme-Betriebsart aufgesucht werden.

- 1 Die REC START/STOP-Taste drücken, um auf Pause zu schalten.
- 2 Beim Betrachten des Bildes im Sucher die CAMERA SEARCH-Taste drücken, um den Teil zu suchen, der überspielt werden soll. Das Aufnahmebild erscheint im Sucher.
- 3 Die CAMERA SEARCH-Taste loslassen, wenn der zu überspielende Teil erscheint. (Nach einer Sekunde Standbild wird wieder die Aufnahmepause-Betriebsart eingestellt.)
- 4 Zum Überspielen unerwünschter Teile die REC START/STOP-Taste drücken.



ERKLÄRUNG DER TASTENBEDIENUNG

Wenn die Taste "▶▶" gedrückt gehalten wird, können Bilder im Vorlauf mit dem dreifachen der normalen Geschwindigkeit abgespielt werden. (Der Ton wird nicht wiedergegeben.)

Wenn die Taste "▶" gedrückt gehalten wird, können Bilder im Vorlauf mit normaler Geschwindigkeit abgespielt werden. (Mit Ton.)

Wenn die Taste "◀◀" gedrückt gehalten wird, können Bilder in Rücklauf mit dem dreifachen der normalen Geschwindigkeit abgespielt werden. (Der Ton wird nicht wiedergegeben.)

Hinweis Wenn sich der Camcorder in der LP-Betriebsart befindet, erfolgt die Wiedergabe mit der siebenfachen Geschwindigkeit.

MOTORZOOM (WEITWINKEL/TELE-REGELUNG)

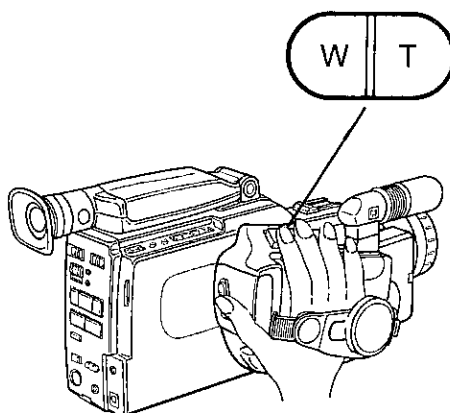
Eines der herausragenden Merkmale dieses Camcorders ist der veränderbare Motorzoom.

Durch Drücken der Motorzoom-Tasten können Sie auf die Aufnahmeszene hin zoomen oder davon weg zoomen. Die Zoomgeschwindigkeit wird dabei durch den Druck auf die Tasten geregelt.

Die Zoomgeschwindigkeit ist um so höher, je stärker Sie auf die Motorzoom-Tasten drücken.

Durch starkes Drücken der Motorzoom-Tasten erfolgt ein schnelles Zoomen inn 6 Sekunden, bei leichtem Druck der Motorzoom-Tasten dauert der Zoomvorgang 20 Sekunden.

Durch Betätigung der Taste T (Tele) kommen Sie näher an die Aufnahmeszene, mit der Taste W (Weitwinkel) entfernen Sie sich von ihr.



VERWENDUNG DER ZOOM-WAHLTASTE

Dieser Camcorder ist mit einer 1,5fachen Erweiterungsfunktion ausgestattet. Das Bild im Sucher kann dadurch sofort für vollständig neue Zoomeffekte vergrößert oder verkleinert werden. Wenn z.B. eine interessante Szene im Sucher erscheint, wird beim Drücken der ZOOM SELECT-Taste das Bild sofort 1,5fach vergrößert.

(Darstellung im Sucher)

Erweiterungsfunktion
ausgeschaltet



(Beispiel) Standard

Erweiterungsfunktion
eingeschaltet

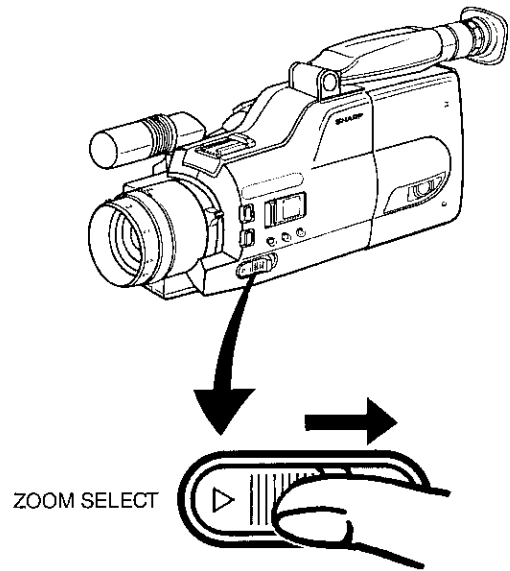


1,5x

Vergrößern
←
Verkleinern

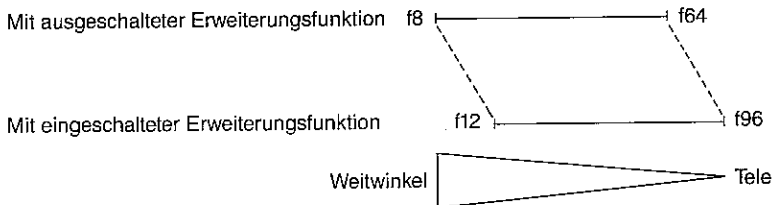
x 1,5
←
x 1,5

Vor dem Einschalten der 1,5fachen Erweiterungsfunktion wird im Sucher ein eckiger Rahmen über dem Bild angezeigt. Das Motiv innerhalb des Rahmens aufsuchen und die ZOOM SELECT-Taste drücken. Das Bild des Motivs füllt jetzt den Sucher ganz aus. In diesem Beispiel ist das Objektiv auf eine normale Vergrößerung eingestellt. Durch das Drücken der ZOOM SELECT-Taste verschwindet der Rahmen im Sucher und das Bild wird 1,5fach vergrößert. Durch nochmaliges Drücken der ZOOM SELECT-Taste wird der Sucher wieder auf normale Vergrößerung eingestellt (der Rahmen wird wieder im Sucher angezeigt).



Hinweis

Abhängigkeit zwischen Zoom und Erweiterungsfunktion.

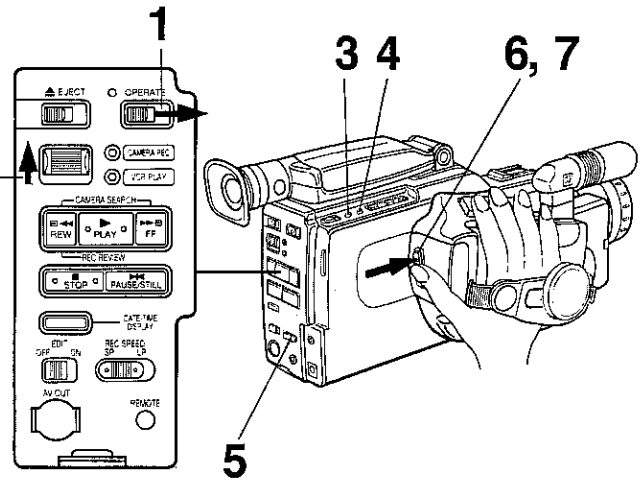


Der Bereich des variablen Zooms ändert sich wie oben gezeigt entsprechend den Einstellungen der Erweiterungsfunktion.

ZEITZÄHLWERK

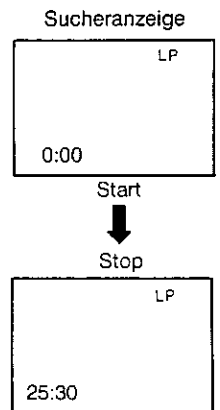
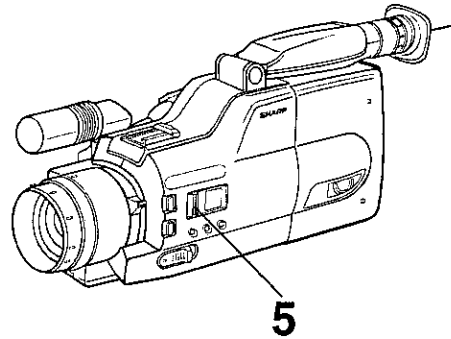
Dieser Camcorder verfügt über eine LAP TIME-Funktion, die die ungefähre Aufnahmezeit mißt.

- 1 Schalten Sie den OPERATE-Schalter ein.
- 2 Schieben Sie den CAMERA REC/VCR PLAY-Schalter auf "CAMERA REC", dann schaltet der Camcorder automatisch auf Aufnahmepause.
- 3 Drücken Sie die COUNTER/COUNTER MEMORY/LAP TIME-Taste und wählen Sie LAP TIME.
- 4 Drücken Sie die RESET-Taste. (Dann wird LAP TIME auf "0:00" zurückgestellt.)
- 5 Drücken Sie die REC SPEED-Taste, um die Aufnahmegeschwindigkeit zu wählen. Den FULL AUTO-Schalter auf "FULL AUTO" einstellen.
- 6 Drücken Sie die REC START/STOP-Taste (LAP TIME startet).
- 7 Zum Beenden der Aufnahme drücken Sie die REC START/STOP-Taste erneut (LAP TIME stoppt).



Hinweise

- In der Zeitzählwerk-Betriebsart können Sie die ungefähre Aufnahmezeit messen. Die maximale Anzeige des Zeitzählwerks ist "99:99" (99 Min. 99 Sek.).
- Das Zeitzählwerk mißt die Zeit nur während der Aufnahme. (Die LAP TIME-Betriebsart ist auch dann aktiviert, wenn keine Anzeige auf dem Sucher erscheint.)
- Wenn die Cassette entnommen wird, wird das LAP TIME-Zählwerk automatisch auf "0:00" zurückgestellt.
- Durch Drücken der COUNTER/COUNTER MEMORY/LAP TIME-Taste während der Wiedergabe wird LAP TIME nicht angezeigt. (In diesem Fall wird nur COUNTER angezeigt.)



FLÜSSIGKRISTALLDISPLAY UND SUCHERANZEIGEN

Der Camcorder verfügt über Anzeigen für die Kameraaufnahme auf dem Flüssigkristalldisplay und auf dem Sucher.

ALARMANZEIGEN

	<p>1) KONDENSATION Kondensation auf der Kopftrommel. Die Stromversorgung wird in wenigen Minuten ausgeschaltet. Vor der erneuten Verwendung einige Stunden warten. (Siehe Seite 2.) (In diesem Fall blinkt auch die Betriebsanzeige.)</p>		<p>4) Videocassetten-Alarm Aufnahme ist nicht möglich, weil die Löschschutzzunge der Videocassette nicht intakt ist oder keine Videocassette eingesetzt wurde. Eine Videocassette mit intakter Löschschutzzunge einsetzen.</p>
	<p>2) Batterie-Alarm Die Batteriespannung ist zu niedrig. Die Stromversorgung wird in wenigen Sekunden ausgeschaltet. Die Akkubatterie austauschen.</p>		<p>5) Bandende-Alarm Das Bandende wird in etwa 3 Minuten erreicht. Daher eine neue Videocassette mit intakter Löschschutzzunge bereithalten.</p>
	<p>3) LICHT Die Beleuchtung ist für eine gute Aufnahme unzureichend. Für zusätzliche Beleuchtung sorgen oder zu einer helleren Stelle gehen.</p>		<p>Das Bandende wurde erreicht. Eine neue Videocassette mit intakter Löschschutzzunge einsetzen.</p>
			<p>6) Reinigung der Köpfe Die Köpfe müssen gereinigt werden. Den Kundendienst benachrichtigen.</p>

Hinweis Wenn die obigen Anzeigen erscheinen, blinken die Symbole FULL AUTO  und  gleichzeitig.

PRAKTISCHE ANZEIGEN

	<p>1) FULL AUTO-Anzeige Die FULL AUTO-Anzeige erscheint, wenn die FULL AUTO-Taste auf "FULL AUTO" eingestellt wurde. Dies zeigt an, daß der Camcorder bereit für Kameraaufnahmen ist.</p>		<p>4) Datum und Zeit Dieses Gerät ist mit einer automatischen Funktion für Datum und Zeit (AUTO DATE/TIME) ausgestattet. Durch Drücken der DATE-TIME-Anzeigetaste wird Datum/Zeit oder das Datum auf dem Display angezeigt. Die eingestellte Anzeige wird dann zusammen mit dem Bild aufgenommen.</p>
	<p>2) Aufnahme-Anzeige Wenn die REC START/STOP-Taste gedrückt wird und die Aufnahme beginnt, erscheint ">>>>" und bewegt sich von links nach rechts.</p>		
	<p>Wenn die REC START/STOP-Taste erneut gedrückt wird, schaltet der Camcorder auf Aufnahmepause und "-----" erscheint.</p>		<p>5) Bandzählwerk Das Bandzählwerk läuft auch weiter, wenn es nicht auf dem Sucher angezeigt wird. Der Wert des Bandzählers verändert sich entsprechend dem Bandlauf. Wenn der Zählerspeicher aktiviert ist, erscheint "M" auf der linken Seite der Bandzählwerk-Anzeige.</p>
	<p>3) Aufnahmebetriebsart Die Aufnahme erfolgt mit der angezeigten Geschwindigkeit. "SP": Aufnahme mit Standardspiel-Geschwindigkeit. "LP": Aufnahme mit Langspiel-Geschwindigkeit.</p>		<p>6) Zeitzählwerk Die abgelaufene Aufnahmezeit wird während der Aufnahme in Minuten und Sekunden angezeigt. (Siehe Seite 19.)</p>
			<p>7) Schnellverschuß-Aufnahme Durch Drücken der SHUTTER SPEED-Taste ändert sich die Verschußgeschwindigkeit folgendermaßen: 1/100 : 1/100 Sek. 1/500 : 1/500 Sek. 1/2000 : 1/2000 Sek. 1/10.000 : 1/10.000 Sek. Keine Anzeige: Normalgeschwindigkeit (1/50 Sek.)</p>

PRAKTISCHE ANZEIGEN

M/F	8) Manuelle Scharfeinstellung Die manuelle Scharfeinstellung ist aktiviert. "M/F" erscheint, wenn die AUTO/MANUAL FOCUS-Taste gedrückt wird.	* LIGHT *	10) Verstärkung Die Verstärkungsbetriebsart ist aktiviert. "* LIGHT *" erscheint, wenn die BLC/GAIN-UP-Taste gedrückt wird, während "LIGHT" angezeigt wird.
WB	9) Weißbalance-Einstellung Die Weißbalance-Einstellung ist aktiviert. "WB" erscheint, wenn die WHITE BALANCE-Taste gedrückt wird.	FADER	11) Ein- und Ausblendung Die Ein- bzw. Ausblendung ist aktiviert. Beim Drücken der REC START/STOP-Taste erfolgt Ein- bzw. Ausblendung der Aufnahme.

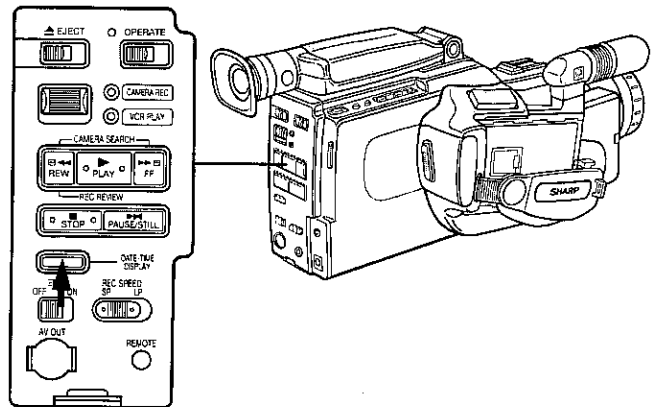
Hinweis Bei Verwendung eines Fernsehgerätes als Monitor erscheint nur das Datum bzw. die Zeit im Sucher.

AUTOMATISCHE DATUM/ZEIT-FUNKTION

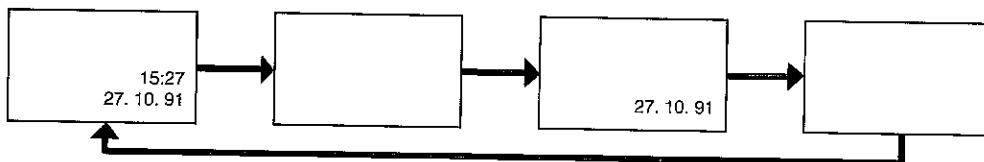
Die automatische Datum/Zeit-Funktion ermöglicht die Einblendung von Datum oder Datum/Zeit in die Aufnahme. Führen Sie dafür die folgende Bedienung aus.

Hinweis

Wenn Datum und Uhrzeit nicht eingestellt wurde, funktioniert die DATE/TIME DISPLAY-Taste nicht (siehe Seite 7).



- 1 Schließen Sie eine Stromquelle an und schalten den OPERATE-Schalter ein. Stellen Sie den CAMERA REC/VCR PLAY-Schalter auf "CAMERA REC", dann schaltet der Camcorder auf Aufnahmepause.
- 2 Drücken Sie die DATE-TIME DISPLAY-Taste. Dann wird entweder Datum oder Datum/Zeit auf dem Sucher angezeigt. Durch Drücken dieser Taste wird die Anzeige auf dem Sucher wie folgt verändert, entweder Datum oder Datum/Zeit kann eingestellt werden.

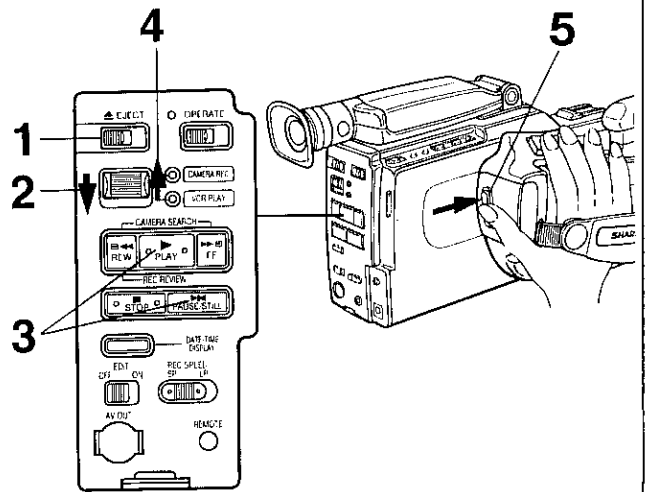


- 3 Drücken Sie die REC START/STOP-Taste. Die Anzeige von Datum oder Datum/Zeit auf dem Sucher wird zusammen mit dem Motiv aufgenommen.

ASSEMBLE-AUFNAHME

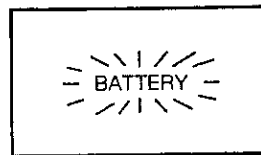
Diese Funktion dient zur Fortsetzung der Aufnahme auf einem bereits teilweise bespielten Band oder zum Aneinanderfügen mehrerer Aufnahmen.

- 1 Die EJECT-Taste schieben und eine Cassette mit inaktiver Löschschutzzunge einsetzen.
- 2 Den CAMERA REC/VCR PLAY-Schalter auf "VCR PLAY" stellen.
- 3 Die PLAY-Taste drücken und mit der FF- oder REW-Taste die genaue Bandstelle suchen. Dann die PAUSE/STILL-Taste drücken.
- 4 Den CAMERA REC/VCR PLAY-Schalter von "VCR PLAY" auf "CAMERA REC" stellen.
- 5 Die REC START/STOP-Taste drücken.



AUSWECHSELN DER AKKUBATTERIE WÄHREND DER AUFNAHME

1. Wenn während der Aufnahme BATTERY im Sucher blinkt, drücken Sie die REC START/STOP-Taste, um die Aufnahme zu stoppen, und schalten dann den OPERATE-Schalter aus.
2. Tauschen Sie die Akkubatterie gegen eine aufgeladene aus.
3. Schalten Sie den OPERATE-Schalter ein. Im Sucher wird "-----" angezeigt.
4. Durch Drücken der REC START/STOP-Taste wird die Aufnahme von der gleichen Bandstelle fortgesetzt.



Hinweis

Stellen Sie sicher, daß der OPERATE-Schalter ausgeschaltet ist. Die OPERATE-Anzeige darf bei Abnehmen der Akkubatterie nicht leuchten.

AUSSCHALT-AUTOMATIK

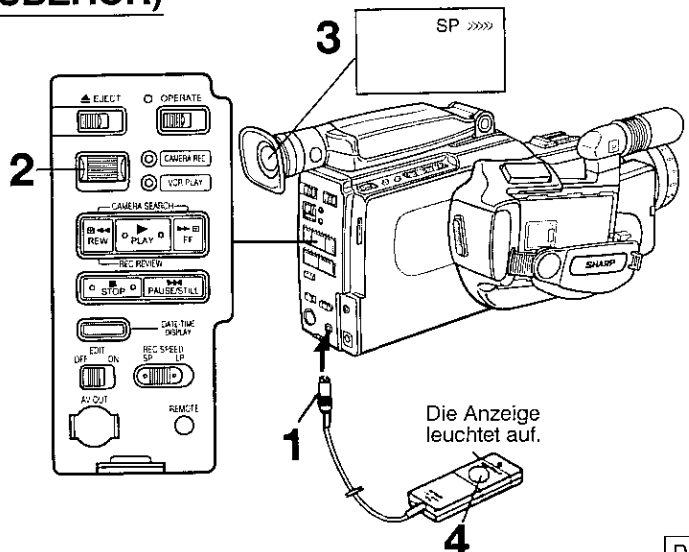
Zum Schutz des Bandes und zum Schonen der Akkubatterie verringert der Camcorder die Bandspannung und schaltet sich selbsttätig aus, wenn er länger als 5 Minuten auf Aufnahmepause ("-----" wird auf dem Sucher angezeigt) geschaltet ist.

Stromversorgung	Einstellung von CAMERA REC/ VCR PLAY	Betrieb etwa 5 Min.
Akkubatterie/Netz	CAMERA REC	Aufnahmepause → Ausschaltung

PAUSE-FERNBEDIENUNG (SONDERZUBEHÖR)

Mit dem optionalen Pause-Fernbedienungskabel VR-20ME von 5 m Länge können Sie während der Aufnahme aus der Entfernung auf Pause schalten. Die Funktion ist die gleiche wie die der PAUSE/STILL-Taste.

- 1 Schließen Sie das Pause-Fernbedienungskabel an die REMOTE-Buchse an.
- 2 Stellen Sie den CAMERA REC/VCR PLAY-Schalter auf "CAMERA REC".
- 3 Stellen Sie sicher, daß "-----" auf dem Sucher angezeigt wird.
- 4 Zum Starten der Aufnahme drücken Sie die REC/PAUSE-Taste der Pause-Fernbedienung. Die Anzeige auf dem Sucher bewegt sich von links nach rechts. Drücken Sie die Taste erneut für Pause.



WIEDERGABE

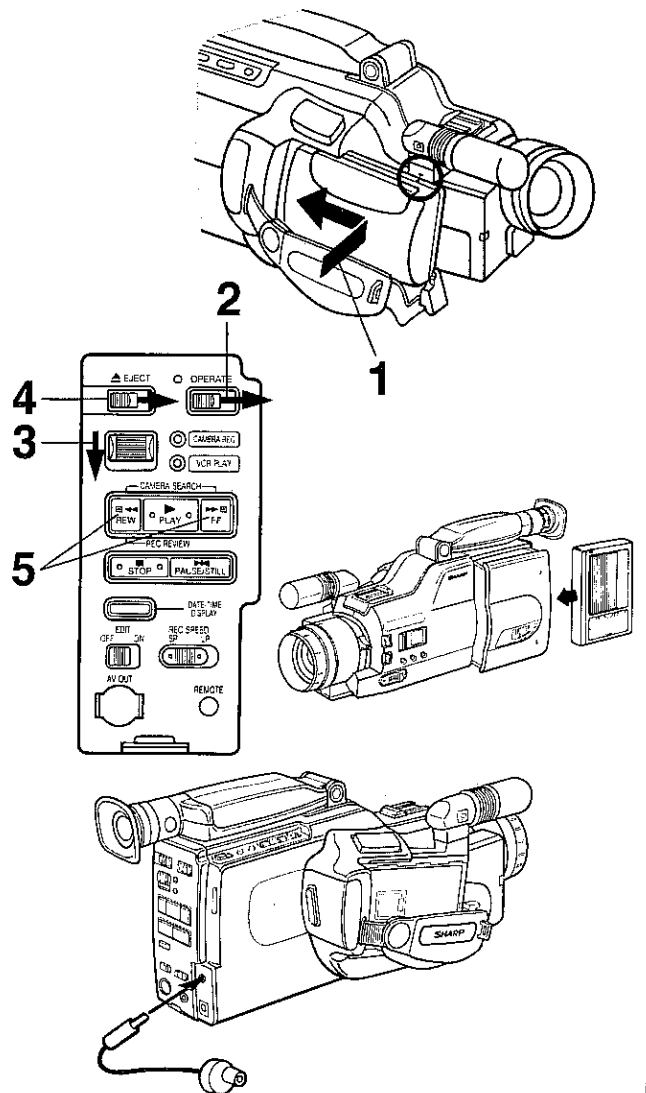
Der VL-C780S kann die von Ihnen aufgenommenen VHS-C Cassetten wiedergeben. Die Wiedergabe kann auf dem Sucher oder einem Fernseher erfolgen.

WIEDERGABE AUF SUCHERBILDSCHIRM

- 1 Bringen Sie eine Akkubatterie an oder verwenden Sie das Netzteil.
- 2 Schalten Sie den OPERATE-Schalter ein, dann leuchtet die OPERATE-Anzeige.
- 3 Stellen Sie den CAMERA REC/VCR PLAY-Schalter auf "VCR PLAY".
- 4 Drücken Sie die EJECT-Taste und setzen eine Cassette ein.
Hinweis
Straffen Sie vorher das Band.
- 5 Den zu sehen gewünschten Bandabschnitt durch Drücken der FF- oder REW-Taste aufsuchen. Dann die PLAY-Taste drücken; die Wiedergabe beginnt.

Hinweis

Zum Hören des Tons schließen Sie einen Ohrhörer (nicht mitgeliefert) an die EAR-Buchse an.

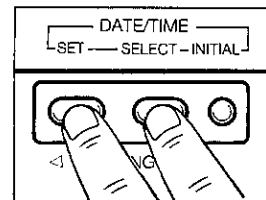


Hinweis

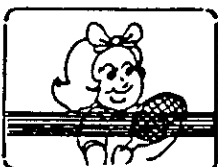
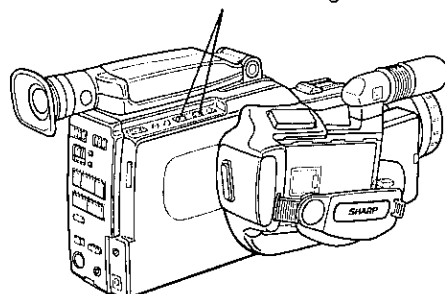
Die LP/SP-Wahltaste kann beliebig eingestellt sein. Die Aufnahmegeschwindigkeit wird automatisch erkannt, und das Band wird mit der richtigen Geschwindigkeit wiedergegeben.

SPURLAGEN-EINSTELLUNG

Wenn Störstreifen auftreten oder das Bild anderweitig gestört ist, kann die Spurlage eingestellt werden. Eine der TRACKING-Tasten drücken, um die Bildstörung zu reduzieren. Nach der Wiedergabe müssen die beiden TRACKING-Tasten gleichzeitig gedrückt werden, um die mittlere Spurlage wieder einzustellen.



TRACKING-Regler



Störzeilen



Störungsfreies Bild

VORWÄRTS-/RÜCKWÄRTS-BILDSUCHLAUF UND STANDBILD

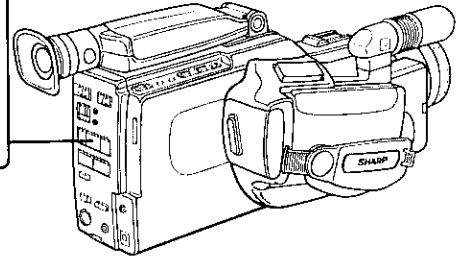
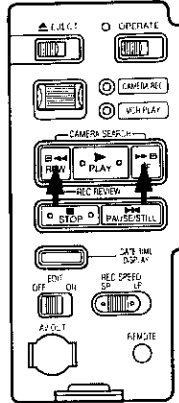
Die Vorwärts- und Rückwärts-Bildsuchlauf-Tasten dienen zum schnellen Finden von Bandabschnitten.

Vorwärts-Bildsuchlauf

Drücken Sie während der Wiedergabe die FF-Taste (▶▶). Dann erfolgt die Wiedergabe bei SP-Aufnahmen mit der 3-fachen und bei LP-Aufnahmen mit der 7-fachen Normalgeschwindigkeit.

Rückwärts-Bildsuchlauf

Drücken Sie während der Wiedergabe die REW-Taste (◀◀). Dann erfolgt die Wiedergabe in Rückwärtsrichtung bei SP-Aufnahmen mit der 3-fachen und bei LP-Aufnahmen mit der 7-fachen Normalgeschwindigkeit.

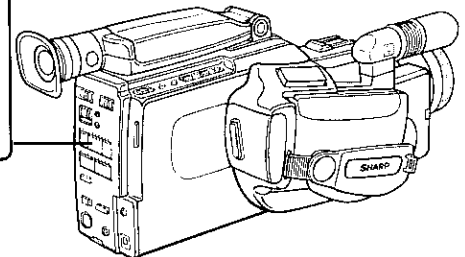
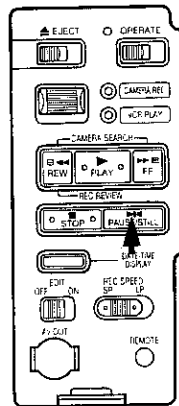


Hinweis

Während Vorwärts- bzw. Rückwärtssuchlauf können geringfügige Bildstörungen auftreten. Dies ist jedoch normal. Falls das Fernsehbild vertikal wandert, stellen Sie den Vertikal-Bildfangregler des Fernsehers ein. Bei einer bespielten Cassette kann das Bild während Vorwärts- bzw. Rückwärtssuchlauf schwarz/weiß werden. Dies ist jedoch normal. Der Ton wird nicht wiedergegeben.

Standbild

Zur Wiedergabe eines Standbildes die PAUSE/STILL-Taste drücken. Zum Fortsetzen der Wiedergabe die PAUSE/STILL-Taste erneut drücken.



Hinweis

Falls das Fernsehbild vertikal wandert, stellen Sie den Vertikal-Bildfangregler des Fernsehers ein. Zum Schutz des Bandes verringert der Camcorder die Bandspannung und schaltet auf Stop, wenn das Standbild während der Wiedergabe länger als 5 Minuten andauert.

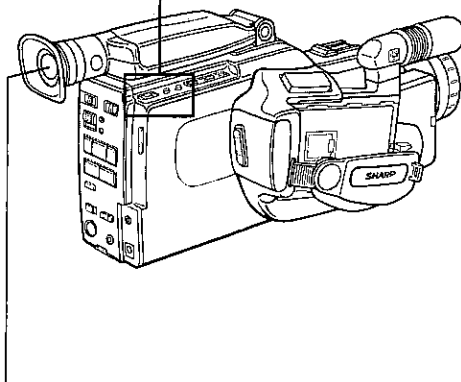
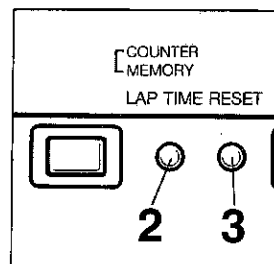
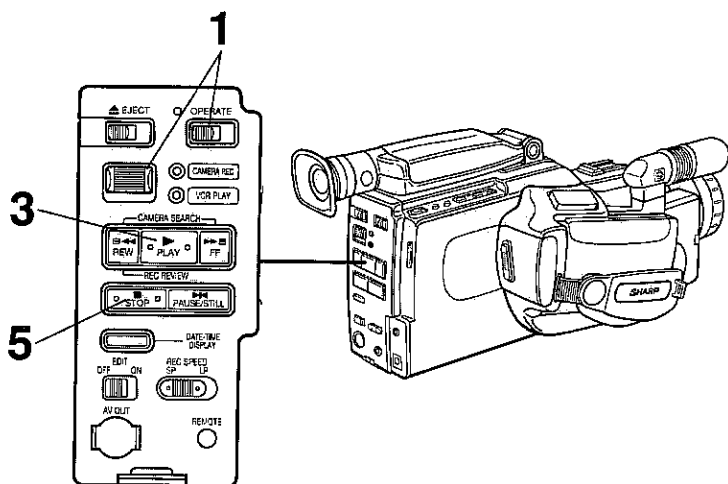
Etwa 5 Min.

Standbild → Stop

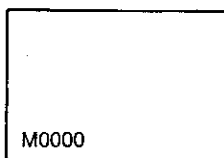
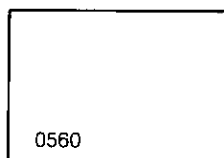
ZÄHLWERKSPEICHERFUNKTION

Das vierstellige Bandzählwerk ist praktisch zum Finden von Bandabschnitten, wenn Sie sich bei der Aufnahme die Bandzählwerk-Position notieren.

Wenn die Zählwerkspeicher-Funktion eingeschaltet ist, stoppt das Band bei Schnellvorlauf und Rückspulen bei der Bandzählwerk-Position "M0000".



Sucheranzeige



- 1** Schalten Sie den OPERATE-Schalter ein. Stellen Sie den CAMERA REC/VCR PLAY-Schalter auf "VCR PLAY".
- 2** Drücken Sie die COUNTER/COUNTER MEMORY/LAP TIME-Taste, um das Bandzählwerk auf dem Sucher abzurufen.
- 3** Drücken Sie die PLAY-Taste, um die Wiedergabe zu starten.
(Wenn der Camcorder auf Standbild geschaltet ist, drücken Sie die STILL-Taste.)
- 4** Drücken Sie die RESET- und die COUNTER/COUNTER MEMORY/LAP TIME-Taste am Anfang der Szene.
- 5** Drücken Sie am Ende der Szene die STOP-Taste und dann die REW-Taste. Das Band wird zur ungefähren Zählwerk-Position "0000" zurückgespult, dort stoppt der Bandtransport.

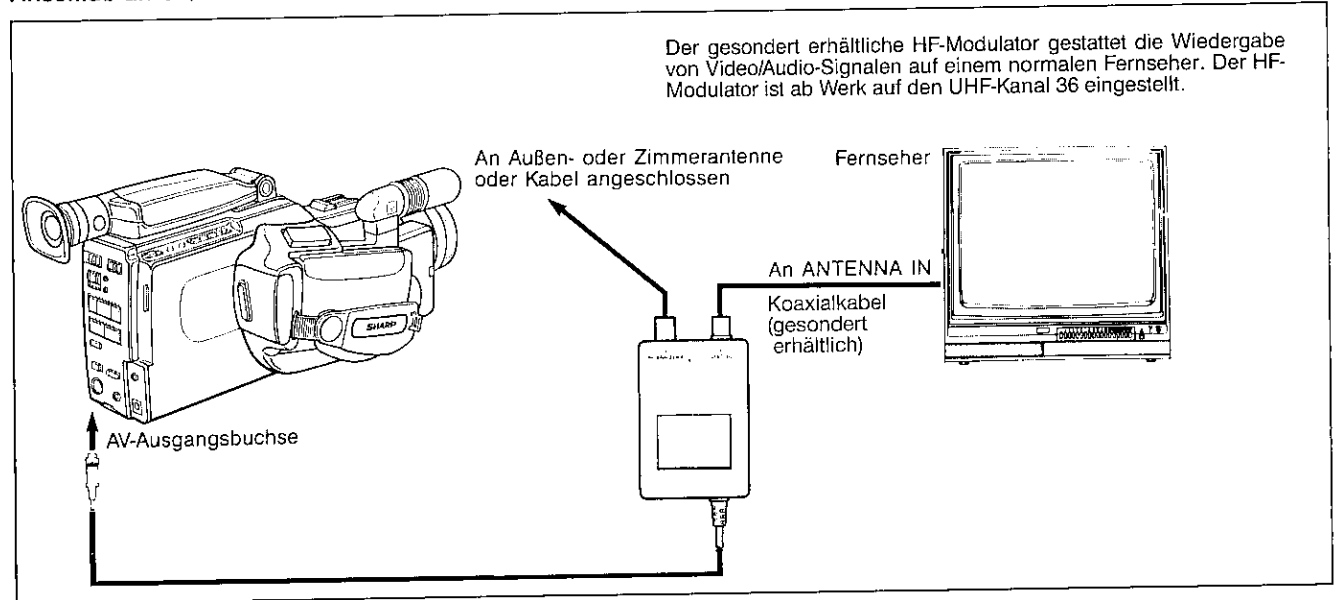
Hinweise

- Bei Schnellvorlauf und Rückspulen verändert sich die Zählwerk-Anzeige nicht gleichförmig. Dies ist jedoch kein Anzeichen einer Störung.
- Auf dem Bandzählwerk wird "0000" angezeigt, und "M" erscheint.
- Wird die COUNTER/COUNTER MEMORY/LAP TIME-Taste erneut gedrückt, erlöscht die Zählwerkanzeige und die Speicherfunktion funktioniert nicht.
(Während der CAMERA REC-Betriebsart kann das LAP TIME-Zählwerk durch Drücken der COUNTER/COUNTER MEMORY/LAP TIME-Taste eingeschaltet werden.)
- Der Bandtransport stoppt auch ungefähr bei "0000", wenn das Band schnellvorgespult wird.
- Die Zählwerkspeicherfunktion arbeitet nur, wenn der CAMERA REC/VCR PLAY-Schalter auf "VCR PLAY" eingestellt ist.

ANSCHLUSS AN FERNSEHER

Zur Wiedergabe von bespielten Cassetten mit dem Camcorder auf einem Fernseher den gesondert erhältlichen HF-Modulator zwischen dem Fernseher und dem Camcorder anschließen.

Anschluß an einen normalen Fernseher



WIEDERGABE AUF FERNSEHER

Stellen Sie den Fernseher auf den gleichen Kanal wie der HF-Modulator (UHF-Kanal 30 – 39) und drücken Sie die PLAY-Taste. Für normalen Fernsehempfang schalten Sie den OPERATE-Schalter des Camcorders aus oder trennen das HF-Modulator-Kabel vom Camcorder ab.

Zur Beachtung

- Verwenden Sie den mitgelieferten HF-Modulator nur mit dem Camcorder.
- Der HF-Modulator ist versiegelt. Versuchen Sie nicht, ihn zu öffnen oder zu verändern. Das Gerät nicht fallenlassen oder starken Erschütterungen aussetzen.
- Trennen Sie den HF-Modulator bei Gewittern ab.

VERWENDUNG

Ansehen von Videocassetten, die auf dem VL-C780S wiedergegeben werden:

Zum Ansehen von Videocassetten oder zum Überwachen der Aufnahme stellen Sie den Kanalwähler des Fernsehers auf den Kanal entsprechend dem Ausgangskanal des HF-Modulators.

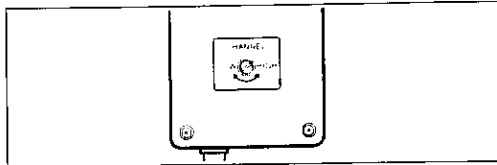
Ansehen von Fernsehsendungen:
Schalten Sie den OPERATE-Schalter aus, oder trennen Sie das HF-Modulator-Kabel vom Camcorder ab.

Hinweis

Wenn der UHF-Kanal 36 in Ihrem Empfangsgebiet mit einem Sender belegt ist, kann jeder nicht belegte UHF-Kanal zwischen 30 und 39 für die Camcorder-Wiedergabe auf dem Fernseher verwendet werden.

Stellen Sie den Ausgangskanalwähler des HF-Modulators auf einen dieser Kanäle (UHF-Kanal 30 – 39) ein, und stimmen Sie den Fernseher auf den gleichen Kanal ab.

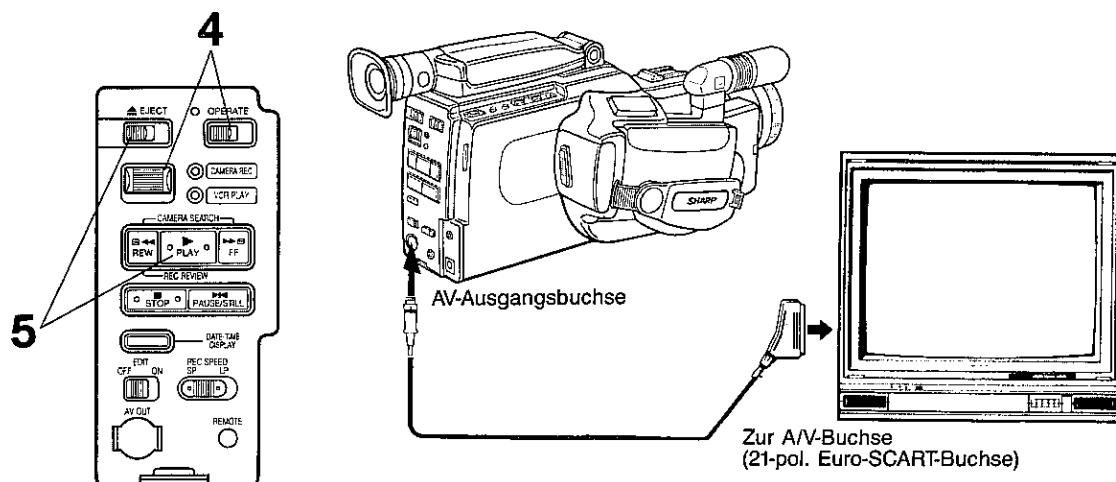
- 1 Der Kanalwahlschalter des gesondert erhältlichen HF-Modulators ist auf Kanal 36 eingestellt. Falls Kanal 36 in Ihrem Empfangsgebiet belegt ist, einen anderen Kanal einstellen (siehe Hinweis).



- 2 Stellen Sie den Fernseher auf den gleichen Kanal.
- 3 Trennen Sie das Antennenkabel vom Fernseher ab und schließen Sie es an die ANTENNA IN-Buchse des HF-Modulators an.
- 4 Schließen Sie das gesondert erhältliche 75-Ohm-Koaxialkabel an die RF-OUT Buchse des HF-Modulators und an die 75-Ohm-Koaxial-Antennenbuchse des Fernsehers an.
- 5 Schließen Sie das HF-Modulator-Kabel an die AV-Ausgangsbuchse des Camcorders an.
- 6 Stellen Sie den CAMERA REC/VCR PLAY-Schalter auf "VCR PLAY" und schalten Sie den OPERATE-Schalter ein.
- 7 Drücken Sie die EJECT-Taste und setzen Sie eine Videocassette mit dem Klarsichtfenster nach außen weisend ein. Drücken Sie die PLAY-Taste.

ANSCHLUSS AN EINEN FERNSEHER MIT A/V-BUCHSEN

- 1** Schließen Sie das mitgelieferte A/V OUTPUT-Kabel mit 21-pol. Euro-SCART-Stecker an die AV OUT-Buchse des Camcorders an.
- 2** Schließen Sie den Stecker des 21-pol. A/V OUTPUT-Kabels an die A/V-Buchse (21-pol. Euro-SCART-Buchse) des Fernsehers an.
- 3** Schalten Sie den Fernseher auf den VIDEO- oder A/V-Kanal.
- 4** Schalten Sie den OPERATE-Schalter ein.
Stellen Sie den CAMERA REC/VCR PLAY-Schalter auf "VCR PLAY".
- 5** Drücken Sie die EJECT-Taste und setzen eine Videocassette ein. Drücken Sie die PLAY-Taste.

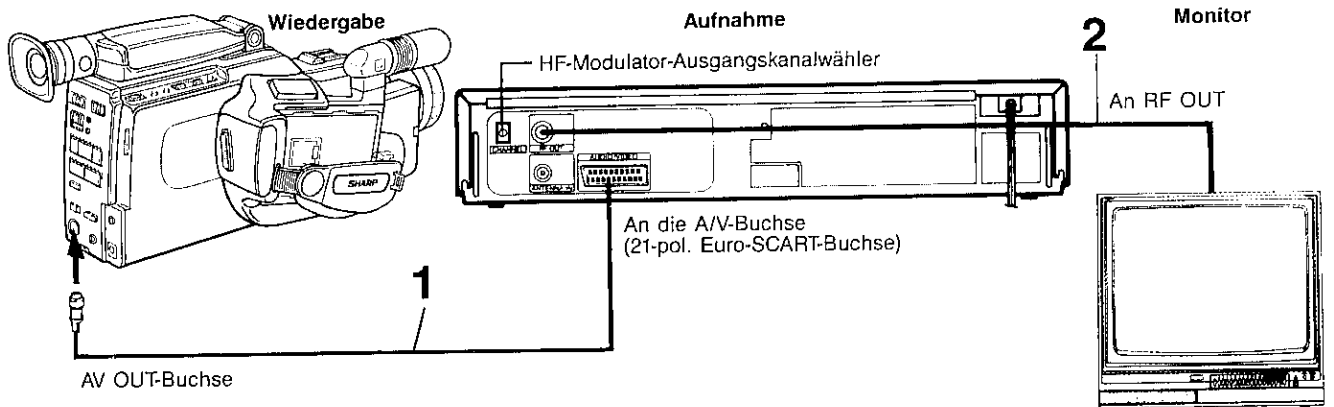


Fernseher-Wiedergabe

Schalten Sie den Fernseher auf den VIDEO- oder A/V-Kanal und drücken die PLAY-Taste.
Für normalen Fernsehempfang schalten Sie den Fernseher auf einen anderen Kanal.

AUFNAHME AUF EINEN ANDEREN VIDEORECORDER

Der SHARP Camcorder kann für Kopieren und Editieren von Cassetten als Wiedergabequelle an einen anderen Videorecorder angeschlossen werden. Nicht benötigte Szenen können ausgelassen werden, die Gesamtlänge kann verkürzt werden, Szenen können versetzt und anders angeordnet werden, und andere Effekte können hinzugefügt werden, um die Aufnahmen interessanter zu machen.



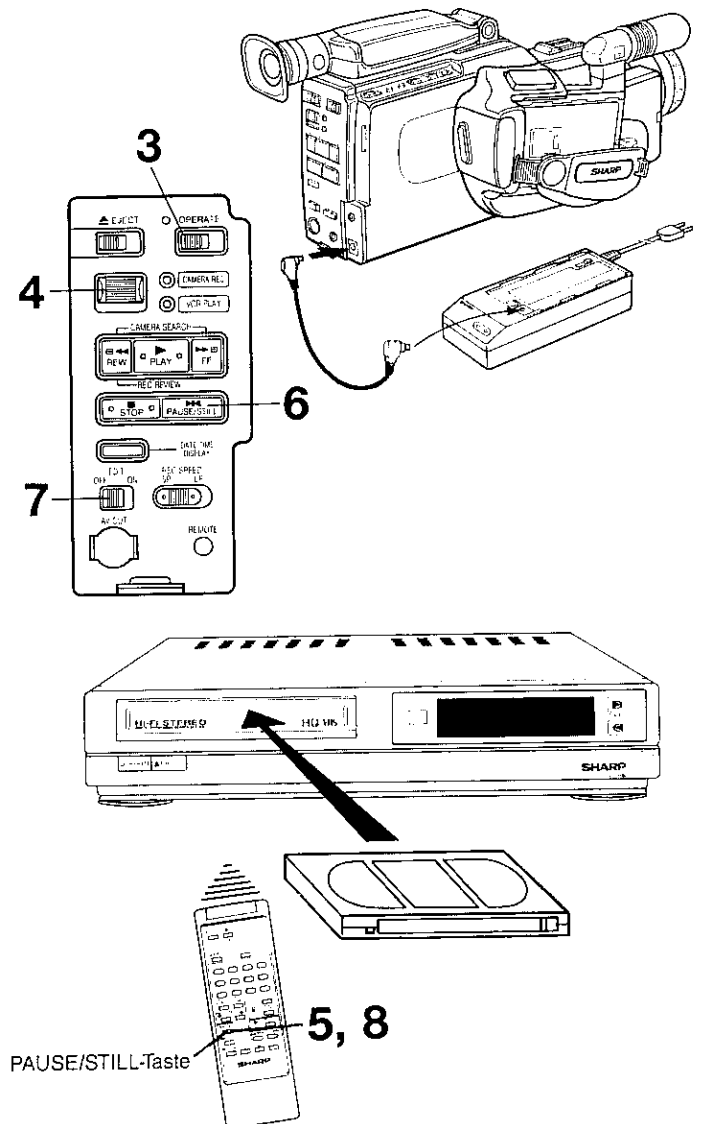
- 1** Schließen Sie das A/V OUTPUT-Kabel an die AV OUT-Buchse an der Rückseite des Camcorders an. Schließen Sie den 21-pol. A/V OUTPUT-Stecker an die A/V-Buchse an der Rückseite des Videorecorders an.
- 2** Die Aufnahme kann auf einem Fernseher überwacht werden, der am Videorecorder angeschlossen ist.
- 3** Schließen Sie eine Stromquelle an den Camcorder an, und schalten Sie den OPERATE-Schalter ein, Schalten Sie auch den Videorecorder ein.
- 4** Stellen Sie den CAMERA REC/VCR PLAY-Schalter des Camcorders auf "VCR PLAY", und setzen Sie eine bespielte Cassette ein.
- 5** Setzen Sie eine Cassette mit intakter Löschschutzzunge in den Videorecorder ein, und schalten Sie ihn auf Aufnahmepause.
- 6** Suchen Sie die Szene, die vom Camcorder kopiert werden soll, und drücken Sie die PAUSE/STILL-Taste.
- 7** Stellen Sie den EDIT-Schalter ein.
- 8** Drücken Sie die PAUSE/STILL-Taste am Camcorder und am Videorecorder, um die Wiedergabe und das Kopieren zu starten.

Hinweis

Bei jedem Kopiervorgang verschlechtert sich die Bildqualität unvermeidbar. Daher wird zum Kopieren einer Cassette die Standard-Bandgeschwindigkeit (SP) empfohlen.

EDIT-SCHALTER

Bei jedem Kopieren vom Camcorder auf einen Videorecorder ist eine Verschlechterung der Bildqualität unvermeidbar. Schalten Sie den EDIT-Schalter ein, um die Verschlechterung der Bildqualität minimal zu halten. Verwenden Sie diesen Schalter beim Editieren Ihrer Videoaufnahmen.



Hinweis

- Normalerweise sollte der EDIT-Schalter ausgeschaltet sein.

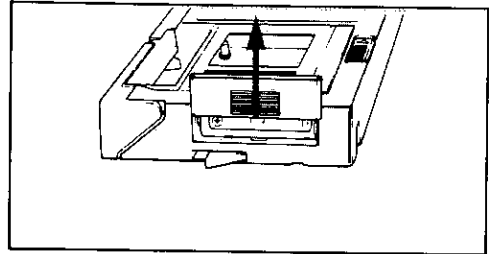
VERWENDUNG DES CASSETTENADAPTERS (SONDERZUBEHÖR)

Die mit dem VL-C780S aufgenommenen VHS-Kompaktcassetten können unter Verwendung des gesondert erhältlichen Cassetten-Adapters VR-72CA auf einem Standard-VHS-Videorecorder wiedergegeben werden.

(Eine im Cassetten-Adapter eingesetzte Compact-Cassette ist für Aufnahme und Wiedergabe voll kompatibel mit einem Standard-VHS-Videorecorder.)

Einsetzen der Batterie in den Cassetten-Adapter
Der VR-72CA Cassetten-Adapter wird durch eine Batterie vom Typ R6 (AA) betrieben.

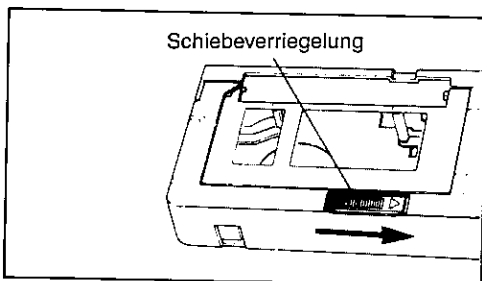
Den Batteriefachdeckel durch Schieben nach oben entfernen. Eine Batterie vom Typ R6 (AA) einlegen und den Deckel wieder anbringen.



Einsetzen einer Compact-Cassette in den Cassetten-Adapter

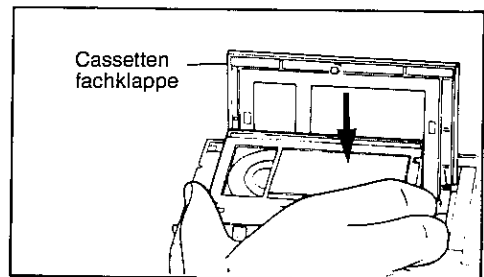
Wenn das Band beim Einsetzen der Compact-Cassette in den Cassetten-Adapter lose ist, kann das Band beschädigt werden. Daher das Band straffen.

- 1** Die Schiebeverriegelung in Pfeilrichtung schieben, um die Klappe zu öffnen.



- Die Cassettenfachklappe öffnet sich.

- 2** Die Cassette wie abgebildet einsetzen.



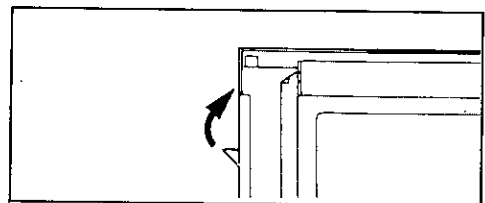
- Die Cassette gerade, nicht geneigt einsetzen.
- Vorher das Band straffen.
- Beim Einsetzen der Compact-Cassette in den Cassetten-Adapter nicht das Band berühren.

- 3** Die Cassettenfachklappe schließen.



- Das Band wird automatisch eingezogen.

- 4** Die Sicherheitsklinke wird zurückgezogen. Dies kennzeichnet, daß das Einziehen des Bandes beendet ist.



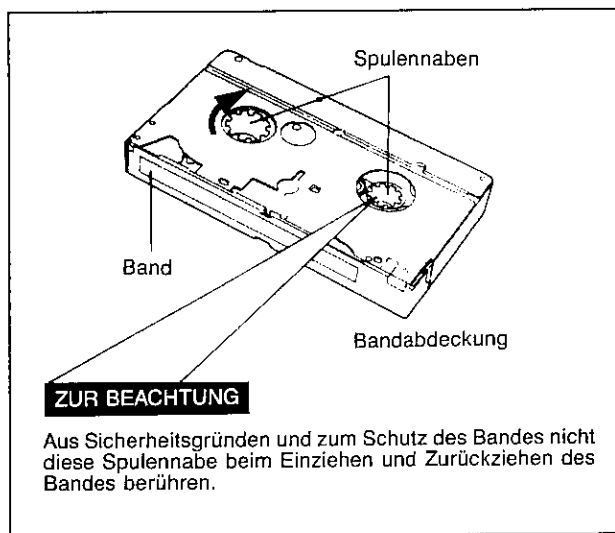
Zur Beachtung:

Aus Sicherheitsgründen und zum Schutz des Bandes nicht die Spulennaben der Cassette beim Einziehen und Zurückziehen des Bandes berühren.

Zur Beachtung:

Nach Einsetzen der Cassette und Einziehen des Bandes den Zustand des Bandes überprüfen.

1. Prüfen, ob das Band lose ist. (Nicht die Bandabdeckung öffnen.)
2. Wenn das Band lose ist, es durch Drehen der Spulennabe in Pfeilrichtung straffen.



Wiedergabe

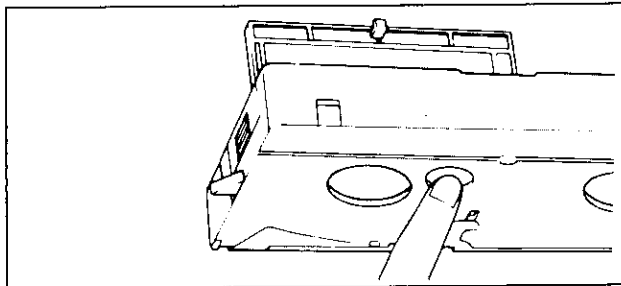
1. Den Cassetten-Adapter auf die gleiche Weise wie eine normale VHS-Cassette in den VHS-Videorecorder einsetzen.
2. Den VHS-Videorecorder normal bedienen.
 - Die Wiedergabe von Spezialeffekten ist mit dem VHS-Videorecorder möglich.
 - Wenn Störzeilen erscheinen, die Spurlage des Wiedergabe-Videorecorders einstellen. Nach der Wiedergabe der VHS-Compact-Cassette den Spurlagenregler wieder zurück auf die normale Position stellen.
 - Für die Bedienung siehe die Bedienungsanleitung des Videorecorders.

Hinweise

- Bei Spezialeffekt-Wiedergabe (Zeitlupe, Standbild usw.) kann das Bild vibrieren oder können Störzeilen auf dem Bildschirm erscheinen.
- Die hervorstehende Sicherheitsklinke bedeutet, daß das Einziehen des Bandes noch nicht beendet ist. In diesem Zustand NIEMALS versuchen, den Cassetten-Adapter in den Videorecorder einzusetzen, weil dadurch beide beschädigt werden können.
- Nicht wiederholt den Cassetten-Adapter in den Videorecorder einsetzen und daraus entnehmen, ohne daß das Band läuft, weil dadurch das Band lose wird und beschädigt werden kann.
- Der Cassetten-Adapter kann nicht mit der Unterseite nach oben eingesetzt werden.
- Nach der Verwendung die Cassette aus dem Adapter entnehmen.

Entnehmen der Compact-Cassette

Die Cassettenfachklappe durch Schieben der Verriegelung öffnen und dann mit dem Finger durch die Öffnung im Boden des Adapters die Cassette herausdrücken.

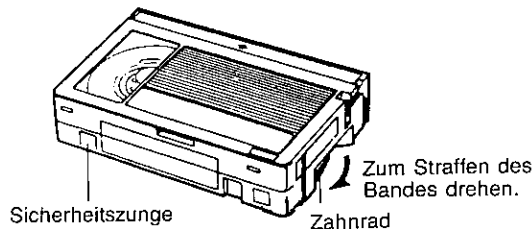


Hinweise

- Dieser Cassetten-Adapter ist präzisionsgefertigt und darf daher keinen starken Vibrationen und Stößen ausgesetzt werden. Er darf nicht fallengelassen oder zerlegt werden, weil sonst Fehlfunktionen auftreten können.
- Den Cassetten-Adapter immer mit der Seite mit der Sicherheitsklinke zuerst in seinen Behälter einsetzen.

Videocassetten

- Nur Compact-Videocassetten mit der Kennzeichnung **VHS** können im VL-C780S verwendet werden.
- Durch Aufnahme auf bereits bespielte Cassetten wird die vorige Aufnahme, Bild sowie Ton, automatisch gelöscht.
- Die Cassetten können nicht umgekehrt eingesetzt werden.
- Nicht die Cassetten wiederholt einsetzen und entnehmen, ohne daß das Band läuft, weil dadurch das Band lose wird und beschädigt werden kann.
- Vor Einsetzen der Cassette sicherstellen, daß das Band nicht lose ist. Falls es lose ist, zum Straffen das Zahnrad an der Cassette in Pfeilrichtung drehen.
- Die Cassetten sind mit einer Sicherheitszunge zur Verhinderung von versehentlichem Löschen ausgestattet. Wenn die Zunge entfernt ist, ist Aufnahme nicht möglich. Zur Aufnahme auf einer Cassette, deren Sicherheitszunge entfernt wurde, die Öffnung der Sicherheitszunge mit Klebeband verschließen.
- Die Band-Abdeckung an der Cassetten-Vorderkante nicht öffnen, um das Band vor Staub und Fingerabdrücken zu schützen.



Aufbewahrung von Cassetten

- Die Cassetten nicht direkter Sonnenbestrahlung aussetzen. Von Hitzequellen fernhalten.
- Die Cassetten nicht an feuchten oder staubigen Plätzen aufbewahren.
- Die Cassetten nicht fallenlassen und nicht starken Vibrationen oder Stößen aussetzen.
- Die Cassetten nicht stark magnetischen Feldern (in der Nähe von Motoren, Transformatoren oder Magneten) aussetzen.
- Die Cassetten in ihren Behältern aufbewahren und senkrecht stellen.

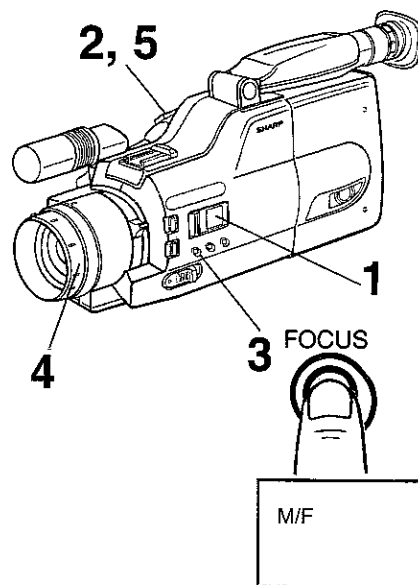
MANUELLE SCHARFEINSTELLUNG

In den folgenden Fällen kann die Verwendung des Autofokus schwierig sein, so daß die Scharfeinstellung von Hand durchgeführt werden sollte:

1. Wenn sich das Hauptmotiv nicht in der Mitte des Bildes befindet.
2. Wenn der Hintergrund oder der Vordergrund unscharf sein soll.
3. Wenn der Anfang einer Szene unscharf sein soll.

Scharfeinstellung des Objektivs von Hand:

- 1 Schalten Sie den FULL AUTO-Schalter aus.
- 2 Drücken Sie T, um auf das Motiv zu zoomen.
- 3 Drücken Sie die FOCUS-Taste, um MANUAL FOCUS zu wählen.
- 4 Drehen Sie den Schärferring, bis das Motiv scharf eingestellt ist.
- 5 Drücken Sie leicht auf W, bis das Motiv die gewünschte Größe hat.



Bei der manuellen Scharfeinstellung wird "M/F" im Sucher angezeigt.

WEISSBALANCE

Der Weißbalance-Abgleich sorgt dafür, daß alle Farben richtig reproduziert werden. In der automatischen Betriebsart wird die Weißbalance automatisch abgeglichen.

Verwendung der Weißbalance-Einstellungsbetriebsart

Farbverschiebungen können bei der Aufnahme von Motiven mit kräftigen Farben auftreten, so daß der Sucher nur eine Farbe zeigt, z.B. wenn eine Nahaufnahme von farbigem Papier gemacht wird. Die automatische Weißbalance-Betriebsart wird eingeschaltet, um Farbverschiebungen in solchen Situationen zu vermeiden. Zur Einstellung der automatischen Weißbalance-Betriebsart folgendermaßen vorgehen.

(1) Wenn ein schnelles Vorgehen notwendig ist.

Bei einem Motiv mit verschiedenen Farben vollständig auszoomen. Unter diesen Bedingungen wird die richtige Weißbalance automatisch eingestellt.

Die WHITE BALANCE-Taste zur Einstellung der Weißbalance drücken. "W/B" wird im Sucher angezeigt. Farbverschiebungen können vermieden werden, wenn die Weißbalance selbst bei Nahaufnahme eines Motivs mit kräftigen Farben eingestellt wird.

(2) Wenn eine sehr genaue Einstellung der Weißbalance notwendig ist.

Die Kamera für ca. zwei Sekunden auf ein weißes Stück Papier richten, so daß der Sucher dadurch ausgefüllt ist. Die richtige Weißbalance wird dann automatisch eingestellt. Den FULL AUTO-Schalter ausschalten und die WHITE BALANCE-Taste zur Einstellung der Weißbalance drücken. "W/B" wird im Sucher angezeigt.

Zum Abschalten der Weißbalance-Einstellungsbetriebsart die WHITE BALANCE-Taste drücken oder den FULL AUTO-Schalter auf die FULL AUTO-Betriebsart zum Rückstellen auf die automatische Weißbalance-Betriebsart einstellen.

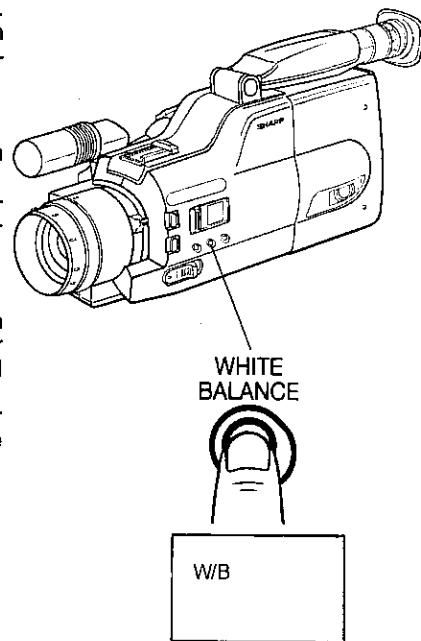
• Die Farbtemperatur von Lichtquellen ist unterschiedlich. Z.B. ist die Farbtemperatur von Sonnenlicht abhängig vom Wetter und von der Tageszeit. Die Weißbalance-Einstellung erneut vornehmen, wenn eine Änderung der Farbtemperatur festgestellt werden kann.

Hinweise

- Die Weißbalance-Einstellung wird deaktiviert, falls die Stromversorgung des Camcorders während der Weißbalance-Einstellung unterbrochen oder der Camcorder auf die Videorecorder-Betriebsart eingestellt wird.
- Selbst bei eingeschalteter Weißbalance-Einstellungsbetriebsart kann es vorkommen, daß die Weißbalance nicht genau eingestellt ist. Die Weißbalance-Kompensationsfunktion kann auf kleine Veränderungen in der Farbtemperatur reagieren und den Aufnahmen eine natürlichere Farbe geben.

Unter den folgenden Bedingungen funktioniert die automatische Weißbalance eventuell nicht einwandfrei:

- Wenn natürliches und künstliches Licht gemischt ist. Dies kann am Fenster vorkommen, wo gleichzeitig natürliches und künstliches Licht vorhanden ist. Sämtliche Beleuchtungskörper sollten die gleiche Farbtemperatur aufweisen.
- Bei speziellen Beleuchtungseffekten.
- Bei Aufnahme eines Motivs gegen einen Hintergrund mit einem intensiven Farbton.
- Bei unzureichender Beleuchtung.
- Wenn die Farbtemperatur der Aufnahmeszene sich zu schnell ändert oder wenn zu viel Kontrast vorhanden ist.
- Wenn das Motiv eine kräftige Farbe aufweist.



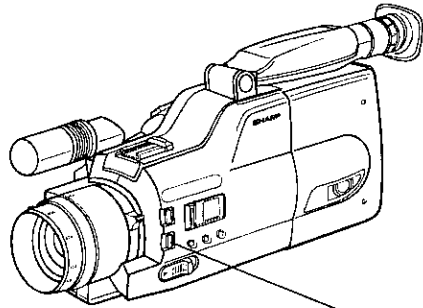
Bei der Weißbalance-Einstellung wird "W/B" oben links im Sucher angezeigt. (Wenn die Weißbalance-Einstellungsbetriebsart deaktiviert wird, erlöscht die Anzeige.)

GEGENLICHT-KOMPENSATION

Die automatische Blende dieses Camcorder verwendet ein neuartiges Lichtmeßsystem, das automatisch ein Verbleichen verhindert und die Einstellung auf Motive mit Hintergrundbeleuchtung vornimmt. Die BLC/GAIN UP-Taste drücken, damit eine Aufnahme von dunklen Motiven verhindert wird, wenn der Hintergrund zu hell ist und das Motiv dunkel erscheint.

Hinweis

Der Camcorder geht automatisch auf die automatische Blendenbetriebsart zurück, wenn die BLC/GAIN-UP-Taste losgelassen wird.



BLC/GAIN-UP

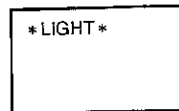


VERSTÄRKUNGSFUNKTION

Bei der Aufnahme eines dunklen Gegenstandes wird im Sucher "LIGHT" angezeigt. Beim Drücken der BLC/GAIN-UP-Taste wird die Szene heller.

"* LIGHT *" wird im Sucher angezeigt, wenn die Verstärkungsfunktion aktiviert ist.

Wenn der Gegenstand heller wird, verschwindet "* LIGHT *". Die Verstärkungsfunktion bleibt aber weiterhin aktiviert. Zum vollständigen Abschalten der Verstärkungsfunktion wird die BLC/GAIN-UP-Taste gedrückt, während "* LIGHT *" im Sucher angezeigt wird.

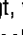


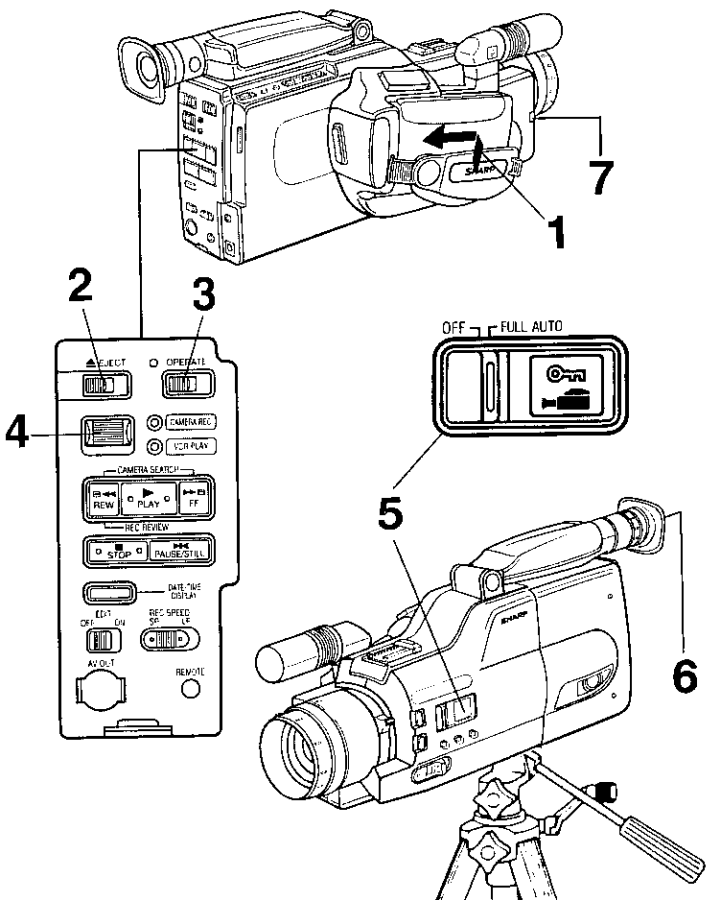
Wenn die Verstärkungsfunktion aktiviert ist, erscheint "* LIGHT *" im Sucher.

Hinweise

- In der Verstärkungs-Betriebsart treten häufiger Bildstörungen auf.
- Die Verstärkungsfunktion wird deaktiviert, wenn die Stromversorgung unterbrochen wird oder der Camcorder in die Wiedergabe-Betriebsart gestellt wird.

AUFNAHME MIT SELBSTAUSLÖSER

- 1 Bringen Sie die Akkubatterie an.
- 2 Drücken Sie die EJECT-Taste, um den Cassettenhalter zu öffnen. Setzen Sie eine Videocassette mit intakter Löschsprünge und mit dem Klarsichtfenster nach außen weisend ein. Drücken Sie gegen die Ecke des Cassettenhalters mit der Kennzeichnung "PUSH", bis der Cassettenhalter einrastet.
- 3 Befestigen Sie den Camcorder an ein stabiles Stativ, das für Video-Einsatz vorgesehen ist, und schalten dann den OPERATE-Schalter ein.
- 4 Stellen Sie den CAMERA REC/VCR PLAY-Schalter auf "CAMERA REC".
- 5 Stellen Sie den FULL AUTO-Schalter auf "FULL AUTO" und stellen Sie sicher, daß  auf dem Flüssigkristalldisplay angezeigt wird.
- 6 Richten Sie den Camcorder auf das Motiv und drücken Sie die Motorzoomtaste, um den Bildwinkel einzustellen.
- 7 Drücken Sie die SELF TIMER-Taste. Die Warnsignalanzeige blinkt für 10 Sekunden, dann führt der Camcorder eine Aufnahme von 20 Sekunden durch und schaltet anschließend auf Aufnahmepause. Wenn Sie längere Zeit aufnehmen möchten, drücken Sie die SELF TIMER-Taste zweimal nacheinander.



Hinweis

Durch dreimaliges Drücken der SELF TIMER-Taste wird der Selbstauslöser deaktiviert.

SCHNELLVERSCHLUSS

Verwenden Sie die Schnellverschuß-Betriebsart (1/10.000, 1/2000, 1/500 und 1/100 Sek.) zur Aufnahme von sich schnell bewegenden Motiven, z.B. beim Sport (Tennis, Golf usw.). Bei der Wiedergabe solcher Aufnahmen auf einem Videorecorder mit 4 Köpfen wird dann auch bei Standbild und Zeitlupe ein klares Bild wiedergegeben.

VERWENDUNG DER SCHNELLVERSCHLUSS-FUNKTION

1 In der Aufnahmepause-Betriebsart wird der FULL AUTO-Schalter ausgeschaltet und die SHUTTER SPEED-Wahltaste gedrückt. Wählen Sie die gewünschte Verschußgeschwindigkeit. Die Verschußgeschwindigkeit ändert sich in der folgenden Reihenfolge: 1/10.000 Sek., 1/2000 Sek., 1/500 Sek., 1/100 Sek., Normal (1/50 Sek.), und wieder zurück zu 1/10.000 Sek.

2 Drücken Sie die REC START/STOP-Taste, um die Aufnahme normal zu starten. Da der Schnellverschuß schneller als normal ist, wird mehr Licht benötigt. Daher sollte die Schnellverschuß-Funktion nur bei guten Beleuchtungsverhältnissen verwendet werden. (Die Minimalwerte sind im folgenden angegeben.)

1/10.000 Sek.: 3000 Lux

1/2000 Sek.: 600 Lux

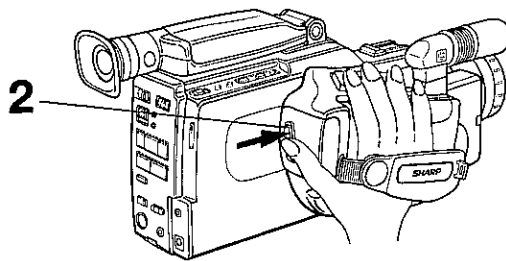
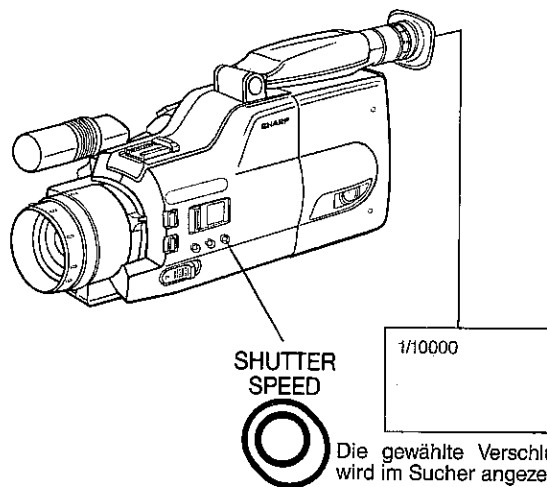
1/500 Sek.: 150 Lux

1/100 Sek.: 30 Lux

Es wird empfohlen, die Schnellverschuß-Betriebsart bei Aufnahmen im Freien oder mit zusätzlichen Beleuchtungsquellen zu verwenden.

Hinweise

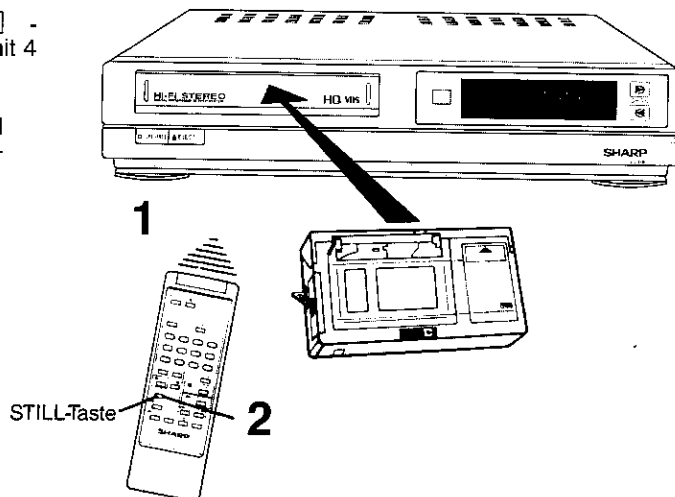
- Verwenden Sie die Schnellverschuß-Funktion nicht bei Leuchtstoffröhren-Beleuchtung, da es zum Auftreten von Flimmern im Bild kommen kann.
- Bei Aufnahme mit höheren Verschußgeschwindigkeiten als 1/50 Sek. (normal) kommt es zur Verdunkelung der Bilder. Bei Verwendung der anderen Verschußgeschwindigkeiten unbedingt auf gute Beleuchtung achten.



WIEDERGABE VON AUFNAHMEN MIT DER SCHNELLVERSCHLUSS-FUNKTION

1 Die bespielte Cassette in den zusätzlichen **VHS** - Cassetten-Adapter in einen **VHS** -Videorecorder mit 4 Köpfen einsetzen.

2 Die Wiedergabe von Aufnahmen in der HIGH SPEED SHUTTER-Betriebsart ist auch bei Standbild und Zeitlupe störungsfrei.



MAKROAUFNAHME

Kleine Pflanzen, Insekten, selbst Fotos aus dem Familienalbum können mit der Makro-Funktion bildschirmfüllend aufgenommen werden. Mit der Makro-Funktion können Sie ausserdem Titel für Ihre Videoproduktionen einfügen.

Normalerweise kann das Objektiv nur auf Gegenstände scharfeinstellen, die weiter als 1 m von der Vorderseite des Camcorders entfernt sind.

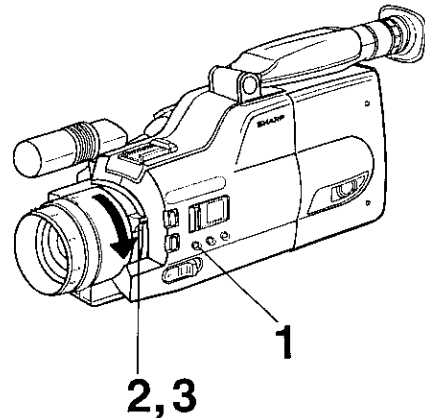
Durch Einstellung des Objektivs auf die Makro-Position können Sie auf jeden Gegenstand innerhalb des Makrobereiches von 8 mm—100 cm vor dem Objektiv scharf einstellen.

Bei Makroaufnahme sollte der Camcorder auf ein stabiles Stativ montiert werden, weil sonst die kleinste Bewegung verstärkt wird.

- 1** Stellen Sie die FOCUS-Taste auf MANUAL.
- 2** Halten Sie die MACRO-Taste gedrückt und drehen den Zoomhebel in die MACRO-Position.
- 3** Führen Sie die Scharfeinstellung durch langsames Drehen des Zoomhebels durch.

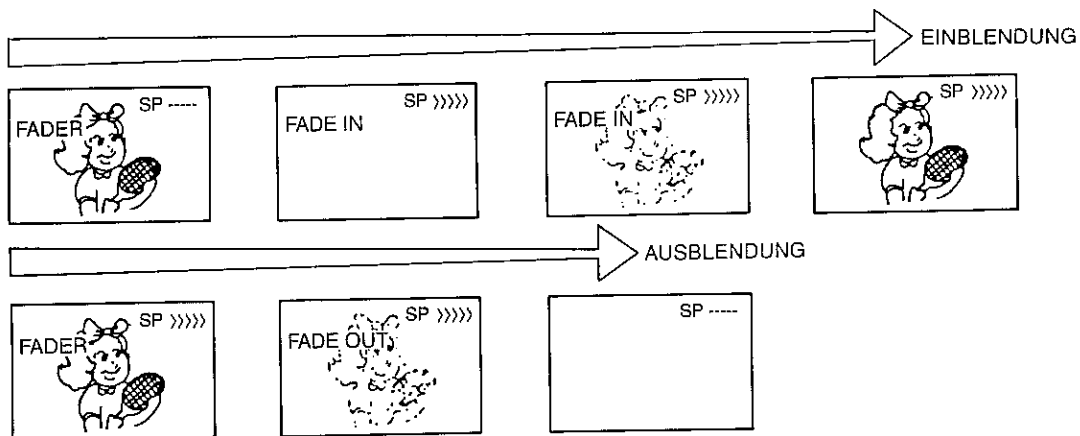
Hinweise

- Stellen Sie den Zoomhebel nach der Makroaufnahme zurück in den normalen Schärfbereich.
- Bei Aufnahmen von Gegenständen mit kräftigen Farben, z.B. Blütenblättern, kann sich die Farbe verändern. In diesem Fall die Weißbalance-Einstellungsbetriebsart verwenden. (Siehe Seite 31.)



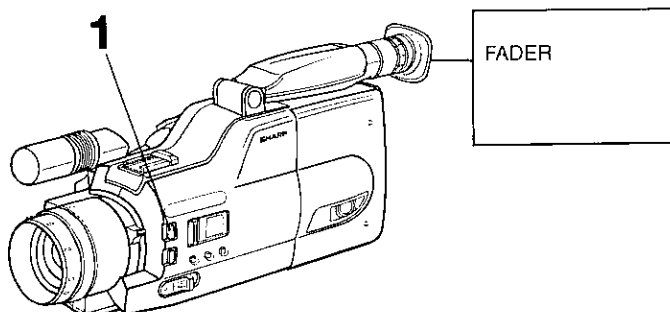
EIN- UND AUSBLENDEN

Mit diesem Camcorder können Sie zu Beginn der Aufnahme einblenden und am Ende der Aufnahme ausblenden.



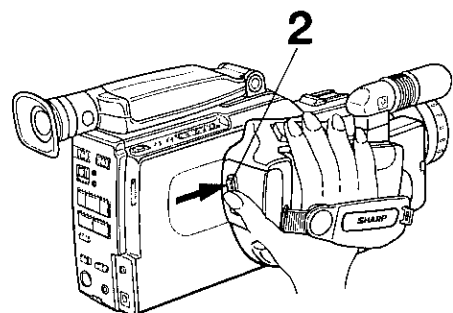
EINBLENDUNG

- 1** Während einer Aufnahmepause die FADE IN/OUT-Taste drücken. Auf dem Sucher erscheint "FADER".
- 2** Zum Beginn der Aufnahme die REC START/STOP-Taste drücken. Der Sucherbildschirm wird schwarz, dann wird das Motiv langsam eingeblendet. (Auf dem Sucher erscheint "FADE IN".)



AUSBLENDUNG

- 1** Während der Aufnahme die FADE IN/OUT-Taste drücken. Auf dem Sucher erscheint "FADER".
- 2** Die REC START/STOP-Taste drücken. Das Motiv wird langsam ausgeblendet, bis der Sucherbildschirm zuletzt schwarz wird. (Auf dem Sucher erscheint "FADE OUT". Bei Einstellung auf Aufnahmepause wird die FADE-Funktion deaktiviert.)



BELEUCHTUNG

Für Aufnahmen guter Qualität ist eine Lichtstärke zwischen 500 und 100.000 Lux erforderlich. Sie können auch bei weniger Licht aufnehmen, dann kann jedoch die Bildqualität beeinträchtigt sein. Ausreichende Beleuchtung ist außerdem wichtig für richtige Weißbalance.

Helligkeit	Situation
100.000 Lux	blauer Himmel klarer Tag, Mittag (100.000) klarer Tag, 10 Uhr Vormittag (65.000)
10.000	klarer Tag, 3 Uhr Nachmittag (35.000) bewölkter Tag, Mittag (32.000) bewölkter Tag, 10 Uhr Vormittag (25.000)
1000	bewölkter Tag, eine Stunde nach Sonnenaufgang (2000) klarer Tag, eine Stunde vor Sonnenuntergang (1000) Leuchtstoffröhren-Beleuchtung in Fensternähe (1000) Fabriketage (700-800) Verkaufstisch in Warenhaus (500-700) Bowlingbahn (500) Bibliothek (400-500) Büro mit Leuchtstoffröhren-Beleuchtung (400-500) Leuchtstoffröhren-Tischlampe (400) Blitzlicht in 1 m Entfernung (250)
100	Treppe in Geschäft (100)
10	Pause in Kinosaal (15-35) Feuerzeug in 30 cm Entfernung (15-20) Kerzen auf Geburtstagskuchen in 20 cm Entfernung (10-15) Kerzenlicht

Farbtemperatur	Situation	Farbe	Weißbalance-Bereich
10.000 (°K)	klarer Tag	blau	
9000	Farbfernseher		
8000	bewölkter Tag		
7000	regnerischer Tag		
6500	Tageslicht-Leuchtstoffröhre		
6000	Kamera-Blitzbirne		
5500			
5000	Blau-Fotoleuchte	weiß	
4500	weiße Leuchtstoffröhre		
3500	nicht weiße Leuchtstoffröhre Wolfram-Fotoleuchte		
3200	Halogenlampe		A U T O
2800	Wolframlampe Jodlampe	gelb	
2500	Azetylenlampe Kerosinlampe		
2000	Kerzenlicht	rot	

Hinweise

- Die obigen Angaben sind Näherungswerte.
- Zur Erzielung einer präziseren Farbbalance stellen Sie die Weißbalance anhand des Bildes auf einem Farbmonitor so ein, daß die Farben natürlich sind.

- Die automatische Weißbalance sollte normalerweise im oben angeführten Farbtemperaturbereich verwendet werden. Sie arbeitet jedoch befriedigend zwischen 2500°K und 8000°K, aber das Bild kann etwas rötlich oder bläulich werden.

Video-Beleuchtung

Beleuchtung ist eines der wichtigsten Punkte bei Videoproduktionen. Gute Beleuchtung macht oft den Unterschied zwischen einem guten und schlechten Videofilm aus. Außerdem ist Beleuchtung unerlässlich für richtige Weißbalance.

Im Freien ist die natürliche Beleuchtung in der Regel adäquat für Videoaufnahme. In geschlossenen Räumen ist die Situation komplizierter. Dann ist künstliche Beleuchtung erforderlich. Wolframlampen (oder Quarzlampen) sind die natürlichsten der künstlichen Lichtquellen, sie bieten eine konstante Farbtemperatur über eine lange Lebensdauer.

Gute Beleuchtung ist schwierig, und Anfänger werden von vielen Problemen überrascht. Durch Anbringung einer oder mehrerer Lampen an der Seite des Camcorders erscheint das Motiv flach und zweidimensional. Versuchen Sie, durch Beleuchtung das Motiv zu modellieren und Teile davon hervorzuheben.

STÖRUNGEN

Bitte gehen Sie bei einer Störung die folgende Tabelle durch, bevor Sie sich an den Kundendienst wenden.

	SYMPTOM	MÖGLICHE URSACHE	VORGESCHLAGENE MASSNAHME
• Stromversorgung	• Kein Strom	• Schutzfunktion wurde aktiviert.	• Das Netzadapter-Kabel abtrennen und dann wieder an die Netzsteckdose anschließen.
		• Die Akkubatterie ist nicht aufgeladen.	• Die Akkubatterie ausreichend aufladen.
		• Die Stromquelle ist nicht richtig angeschlossen.	• Die Stromquelle richtig anschließen.
	• Bald nach dem Einschalten wird wieder ausgeschaltet.	• Die Akkubatterie ist entladen.	• Eine voll aufgeladene Akkubatterie verwenden.
		• Kondensation im Camcorder	• Warten, bis die Feuchtigkeit verfliegt.
• Aufnahme	• Eingeschaltet, aber kein Bild auf Sucher	• Objektivkappe ist aufgesetzt.	• Die Objektivkappe abnehmen.
	• Aufnahme nicht möglich	• Löschschtzunge wurde von der Cassette entfernt. • Der CAMERA REC/VCR PLAY-Schalter ist auf "VCR PLAY" eingestellt.	• Die Öffnung der entfernten Löschschtzunge mit Klebeband abdecken oder eine Cassette mit intakter Löschschtzunge einsetzen. • Den CAMERA REC/VCR PLAY-Schalter auf "CAMERA REC" stellen.
	• Schlechte Farben	• Fernseher ist nicht richtig eingestellt.	• Den Fernseher einstellen.
		• Unzureichende Beleuchtung	• Für zusätzliche Beleuchtung oder Beleuchtung mit richtiger Farbtemperatur sorgen.
	• Verschwommenes Bild	• Staub oder andere Fremdkörper befinden sich auf dem Objektiv.	• Das Objektiv reinigen.
		• Nicht richtig fokussiert.	• Richtig scharf einstellen.
• Kamerabild ist zu dunkel	• Die SHUTTER SPEED-Wahltaste ist auf SCHNELLVERSCHLUSS-Betriebsart eingestellt.	• Die SHUTTER SPEED-Wahltaste auf "STANDARD" stellen.	
• Wiedergabe	• Es erscheint kein Bild.	• Falsch an Fernseher angeschlossen.	• Richtig anschließen.
		• Der Fernseher ist nicht auf den Ausgangskanal des HF-Modulators (UHF, 30-39) eingestellt.	• Den Fernseher auf den Ausgangskanal des HF-Modulators (UHF 30-39) abstimmen.
		• Der TV/VIDEO-Schalter des Fernsehers ist nicht auf TV eingestellt (wenn der Fernseher mit einer AV-Eingangsbuchse ausgestattet ist).	• Den TV/VIDEO-Wahlschalter des Fernsehers auf TV stellen.
	• Wiedergabe erfolgt in schwarz/weiß, wenn der Camcorder am Fernseher angeschlossen ist.	• Die Spurlage ist nicht richtig eingestellt.	• Die Spurlage einstellen.
	• Störungen im Bild	• Band ist alt oder abgenutzt.	• Eine neue Cassette verwenden.
	• Unvollständiges Bild	• Unzureichende Batteriekapazität.	• Die Akkubatterie aufladen.
• Cassette kann nicht eingesetzt werden.	• Cassette ist nicht richtig ausgerichtet. • Im Gerät befindet sich bereits eine Cassette.	• Die Cassette richtig einsetzen. • Die EJECT-Taste drücken und die Cassette entnehmen.	
• Kein Bandtransport bei Schnellvorlauf	• Band ist bereits vollständig vorgespult.	• Zum gewünschten Punkt zurückspulen.	
• Kein Bandtransport bei Rückspulen	• Band ist bereits vollständig zurückgespult.	• Zum gewünschten Punkt schnellvorspulen.	

Hinweis

Dieses Gerät ist mit einem Mikroprozessor ausgestattet, der durch externe Störungen oder Interferenzen beeinträchtigt werden kann. Sollte dies vorkommen, schalten Sie die Stromversorgung aus und trennen Sie dieses Gerät von der Stromquelle ab.

TECHNISCHE DATEN

Format
Stromversorgung
Leistungsaufnahme
Signalsystem
Aufnahmesystem

Cassette
Bandgeschwindigkeit (SP)
(LP)
Max. Aufnahmezeit (SP)
(LP)

VIDEO Ausgang
Störspannungsabstand
AUDIO Ausgang
Mikrofoneingang
Aufnahmelement
Minimale Beleuchtung
Objektiv

Sucher
Farbtemperaturkompensation
Betriebstemperatur
Betriebsfeuchtigkeit
Lagertemperatur
Gewicht
Abmessungen

NETZADAPTER/BATTERIELADEGERÄT TECHNISCHE DATEN

Stromversorgung
Nenn-Ausgangsspannung
Nenn-Ausgangsstrom
Ladesystem
Abmessungen
Gewicht

MITGELIEFERTES ZUBEHÖR

Standard-Akkubatterie (BT-75)
Netzadapter/Batterieladegerät (AA-75S)
A/V-Ausgangskabel (21-pol. Euro-SCART)

SONDERZUBEHÖR

Standard-Akkubatterie (BT-75)
Autobatterieadapter/Ladegerät (VR-P75CH)
Zoom-Mikrofon (VR-67ZM)

Technische Änderungen vorbehalten.

VHS Standard
Gleichstrom 9,6 V
8,5 W
PAL Farbsignal
Luminanz: FM-Aufnahme
Farbe: Umgewandelte Hilfsträger-Direktaufnahme
Entspricht VHS-Standard
VHS-C Cassette
23,39 mm/s
11,69 mm/s
30 Minuten (mit EC-30 Cassette)
60 Minuten (mit EC-30 Cassette)
1,0 Vs-s, 75 Ohm, unsymmetrisch (über AV Ausgangsanschluß)
46 dB (mit Rohde & Schwarz Störspannungsmesser)
- 8 dBs, 1 kOhm (über AV Ausgangsanschluß)
- 65 dBs, hochohmig, unsymmetrisch
1/2 Zoll CCD
3 Lux (bei F1.6 mit Verstärkerfunktion)
F1.6, f=8 ~ 64 mm/F2.4, f=12 ~ 96 mm, 8fach Motorzoomobjektiv mit eingebauter Erweiterungsfunktion, automatischer Blendenregelung und Makro-Position, Filterdurchmesser 46 mm.
Elektronischer Sucher mit 0,7 Zoll Schwarz/Weiß-Bildröhre
Automatische Weißbalance mit Weißbalance-Feststellung
0°C bis +40°C
35% ~ 80%
- 20°C bis 60°C
1,2 kg (mit Sucher)
126(B) x 151(H) x 322(T) mm (mit Sucher)

Netz 110 ~ 240 V ~ 50/60 Hz
Gleichstrom 9,6 V
1,3 A
Konstantstrom, Spitzenerkennung, schaltuhrgesteuert
70(B) x 43(H) x 154(T) mm
ca. 380 g

Trageriemen
Gleichstrom-Ausgangskabel
Lithiumbatterie

Akkubatterie für verlängerten Gebrauch (BT-76) HF-Modulator (VR-S10RF)
VHS-Cassetten-Adapter (VR-72CA) Pause-Fernbedienung (VR-20ME)

MODE D'EMPLOI

FRANÇAIS

ATTENTION:

POUR EVITER LES CHOCS ELECTRIQUES, TENIR CET APPAREIL A L'ABRI DE LA PLUIE ET DE L'HUMIDITE.

Cet appareil ne doit être alimenté qu'à partir d'une tension continue de 9,6V ou par l'intermédiaire de l'adaptateur fourni.

ATTENTION:

Pour éviter les chocs électriques et les risques d'incendie, **NE PAS RACCORDER CET APPAREIL** à une source de tension autre que celles indiquées dans ce manuel.

ATTENTION:

Pour éviter les chocs électriques, ne pas ouvrir le boîtier. L'appareil ne contient aucune pièce que l'utilisateur puisse réparer. Les réparations doivent être effectuées par le revendeur ou un service d'entretien agréé.

Félicitations pour avoir fait le bon choix!

Avec tant de produits disponibles sur le marché, le choix ne pouvait qu'être difficile. En peu de temps vous apprécierez la qualité et les performances de ce caméscope et, votre plaisir de chasseur d'images décuplé, vous ne douterez plus d'avoir fait le meilleur choix.

Si impatient que vous soyez d'étréner votre acquisition, prenez le temps de lire ce mode d'emploi. Cette lecture vous aidera à tirer le meilleur parti de cet appareil. Conservez ce document pour vous y reporter, par la suite, en cas de besoin.

Particularités

- 1 NOUVEL OBJECTIF A FOCAL VARIABLE $\times 12$
- 2 Commande entièrement automatique de l'enregistrement
— Mise au point, diaphragme et équilibrage du blanc
- 3 Obturateur électronique ultra-rapide au 1/10.000, 1/2.000, 1/500, 1/100 de seconde
- 4 Eclairage minimal très réduit (3 lux, avec gain maximal)
- 5 Diaphragme automatique bien adapté à la prise de vues en contre-jour
- 6 Tête d'effacement au vol et recherche vidéo
- 7 Retardateur de prise de vues
- 8 Trois possibilités d'alimentation: secteur, batterie et batterie auto

Important

Le matériel audio-visuel peut comporter des œuvres faisant l'objet de droits d'auteur qui ne peuvent être enregistrées sans l'autorisation du possesseur du droit d'auteur. Veuillez vous référer aux réglementations nationales en vigueur.

Alimentation

Cet appareil peut être alimenté par la batterie ou par l'intermédiaire de l'adaptateur CA ou du cordon de liaison à la batterie auto. L'adaptateur CA est prévu pour fonctionner sans réglage sur toute tension comprise entre 110 et 240 V (50/60 Hz).

TABLE DES MATIERES

Particularités	1	Raccord d'enregistrement.....	22
Précautions d'emploi.....	2	Remplacement de la batterie pendant un enregistrement.....	22
Les parties principales et leur rôle	4	Mise hors tension automatique.....	22
Mise en place et réglage des accessoires	7	Télécommande de pause (accessoire en option)	22
Pose de la pile au lithium	7	Lecture	23
Réglage de la date et de l'heure	7	Lecture dans le viseur	23
Pose et dépose de la batterie.....	8	Réglage de l'alignement.....	23
Mise en place de la bandoulière	8	Recherche amont et aval et arrêt sur image	24
Mise en place et retrait d'une cassette.....	9	Mémoire du compteur	25
Réglage de la lanterne de maintien.....	9	Raccordement à un téléviseur.....	26
Emploi d'un microphone auxiliaire	10	Raccordement à un téléviseur muni d'une prise Péritel	27
Viseur électronique.....	10	Enregistrement avec un magnétoscope	28
Alimentations	11	Edition	28
Emploi de l'adaptateur CA/chargeur de batterie	11	Emploi de l'adaptateur de cassette (accessoire en option)	29
Charge de la batterie.....	12	Dispositifs utiles à l'enregistrement	31
Emploi de l'adaptateur pour batterie auto/chargeur (accessoire en option)	12	Mise au point manuelle	31
Utilisation de la batterie	13	Équilibrage du blanc	31
Prises de vues	14	Correction de contre-jour	32
Enregistrement des prises de vues.....	14	Augmentation du gain	32
Fonctionnement automatique	16	Enregistrement avec le retardateur	32
Visionnement d'un enregistrement	17	Obturateur à grande vitesse.....	33
Focale variable motorisée (Grand angle/ téléobjectif)	17	Prise de vues macro	34
Commande de changement rapide de focale	18	Ouverture et fermeture en fondu	34
Temps écoulé	19	Eclairage	35
Indications apparaissant dans le viseur et sur l'affichage à cristaux liquides	20	Avant de faire appel à un technicien	36
Enregistrement automatique de la date et de l'heure.....	21	Fiche technique.....	37

Précautions d'emploi

VEUILLEZ LIRE ATTENTIVEMENT LES INSTRUCTIONS RELATIVES A LA SECURITE ET AUX CONDITIONS D'EMPLOI avant de mettre cet appareil en service. RESPECTEZ LES INSTRUCTIONS ET PRETEZ ATTENTION AUX AVERTISSEMENTS qui se trouvent sur l'appareil ou dans ce manuel.

CONDENSATION

Qu'est-ce que la condensation?

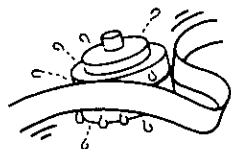
Lorsque vous versez de la bière froide dans un verre, des gouttes se forment à la surface extérieure. Ces gouttelettes se créent par condensation.



Lorsque de la condensation se forme dans le caméscope.

La condensation se forme sur le tambour porte-têtes et tend à freiner le défilement de la bande, ce qui peut l'endommager tout autant que les têtes elles-mêmes. Dès que de la condensation s'est formée, l'enregistrement comme la lecture peuvent être difficiles. De la condensation peut se former dans les cas suivants:

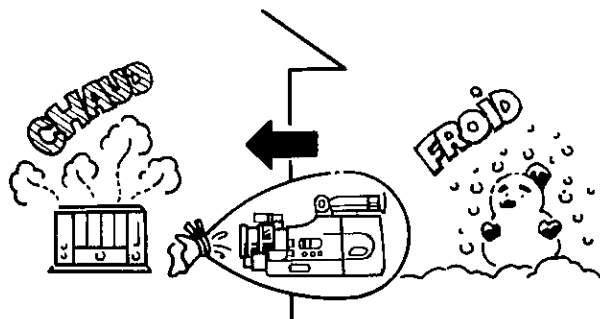
- Le caméscope est transporté d'un endroit froid vers un endroit chaud.
- Le caméscope est dans une pièce froide et l'on chauffe rapidement cette pièce.
- Le caméscope est transporté à l'extérieur après avoir séjourné dans une pièce climatisée.
- Le caméscope est placé dans le courant d'air d'un climatiseur.
- Le caméscope se trouve dans une pièce humide.



Comment éviter la formation de condensation.

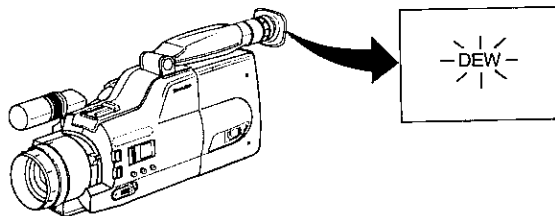
Si vous souhaitez employer le caméscope dans un lieu où de la condensation a toutes les chances de se former, vous devez patienter (environ une heure) le temps nécessaire pour qu'il soit à la température ambiante.

Par exemple, avant de rentrer à l'hôtel après une journée de ski, placez le caméscope dans un sac en matière plastique et attendez environ une heure avant de l'employer.



- (1) Veillez à ne pas chasser l'air hors du sac en matière plastique.
- (2) Retirez le sac lorsque la température de l'air qu'il contient est la même que celle de l'air ambiant.

Alarme de condensation



Lorsque de la condensation se forme à l'intérieur du caméscope, une alarme s'affiche sur l'écran à cristaux liquides. Après une dizaine de secondes, l'alimentation de l'appareil est automatiquement interrompue.

Remarques

- Lorsque l'indication DEW s'affiche, éjectez la cassette et attendez plusieurs heures avant de l'employer.
- Etant donné que la condensation peut se former lentement, l'indication DEW peut n'apparaître que 10 à 15 minutes après le début du phénomène.
- Mettez le caméscope sous tension et attendez plusieurs heures avant de l'employer. Assurez-vous alors que l'indication DEW est éteinte.

Avant de procéder à un enregistrement, vérifiez le bon fonctionnement de l'appareil en effectuant une courte prise de vue que vous visionnerez grâce à la fonction prévue à cet effet.

Pour obtenir des enregistrements de bonne qualité.

Si vous employez souvent le caméscope à l'extérieur, de la poussière peut s'accumuler sur le tambour porte-têtes. Pensez tout particulièrement aux points suivants.

- (1) De la condensation peut se former sur le tambour porte-têtes.
- (2) La bande vidéo est usagée.
L'emploi d'une bande usagée ou de mauvaise qualité peut encrasser le tambour porte-têtes, entraînant un enregistrement flou, ou même, interdisant tout enregistrement. N'employez que des bandes en bon état et de bonne qualité.
- (3) Vous employez le caméscope dans un endroit humide ou poussiéreux.
L'emploi du caméscope dans un endroit très humide ou très poussiéreux peut l'endommager.

Lorsque les têtes vidéo sont sales.

Lorsque les têtes vidéo sont sales, l'enregistrement peut être flou, parasité, voire impossible. Dans ce cas, prenez contact avec un centre d'entretien agréé par SHARP où des conseils utiles vous seront donnés.

Pour des raisons de sécurité, observez strictement les consignes suivantes:

- N'ouvrez pas le coffret.
- Veillez à ce qu'aucun produit inflammable, aucun liquide, aucun objet métallique ne pénètre dans l'appareil. Si cela devait se produire, mettez l'appareil hors tension et apportez-le à un revendeur compétent.
- Ne démontez pas l'appareil, ne tentez pas de le modifier.
- N'utilisez pas l'appareil pendant un orage. Débranchez les cordons d'alimentation de tous les appareils raccordés.

Évitez d'employer le caméscope dans les conditions suivantes:

- Lorsque l'atmosphère est très humide ou très poussiéreuse.
- A proximité d'appareils électriques produisant des champs électromagnétiques puissants (éclairage fluorescent, téléviseur, haut-parleur).
- Lorsque l'atmosphère contient vapeur ou fumée en excès, par exemple, au voisinage d'une cuisinière.
- Lorsqu'il peut être soumis à des chocs ou à des vibrations mécaniques importantes.
- Lorsqu'il peut être soumis à une température excessive, par exemple, au voisinage d'un appareil de chauffage.
- En présence d'eau, par exemple, près d'une piscine ou d'une baignoire.

N'exposez pas le caméscope à des températures très élevées ou très basses pendant une longue période de temps.

- Ne laissez pas le caméscope dans un véhicule fermé, en été, ou dans la lumière directe du soleil ou près d'une source de chaleur importante car cela peut endommager sérieusement le boîtier ou les organes internes.
- Ne rangez pas le caméscope dans un endroit où la température dépasse 60°C.
- N'employez pas le caméscope lorsque la température ambiante dépasse 40°C.
- N'employez pas le caméscope lorsque la température ambiante est inférieure à 0°C.
- N'employez pas le caméscope lorsque l'humidité relative ambiante dépasse 80%.
- Conservez le caméscope dans un endroit où la température reste comprise entre -20°C et 60°C.

Prenez des précautions supplémentaires lors des enregistrements en extérieur

- Ne laissez pas tomber le caméscope et évitez qu'il ne frotte sur une surface dure ou rugueuse. Protégez-le pendant le transport.
- Évitez de mouiller le caméscope.
- A la plage, évitez l'eau de mer et les aérosols et veillez à ce que le sable ne pénètre pas dans le caméscope.
- Ne dirigez pas l'objectif vers le soleil ou les éclairages violents.
- **Ne dirigez pas l'oculaire du viseur vers le soleil.**
- N'employez pas le caméscope pendant les orages.

AVANT DE DEBRANCHER LA SOURCE D'ALIMENTATION, VEILLEZ À METTRE LE CAMÉSCOPE HORS TENSION AU MOYEN DE L'INTERRUPTEUR GÉNÉRAL (LE TÉMOIN D'ALIMENTATION EST ALORS ÉTEINT).

Manipulation du caméscope

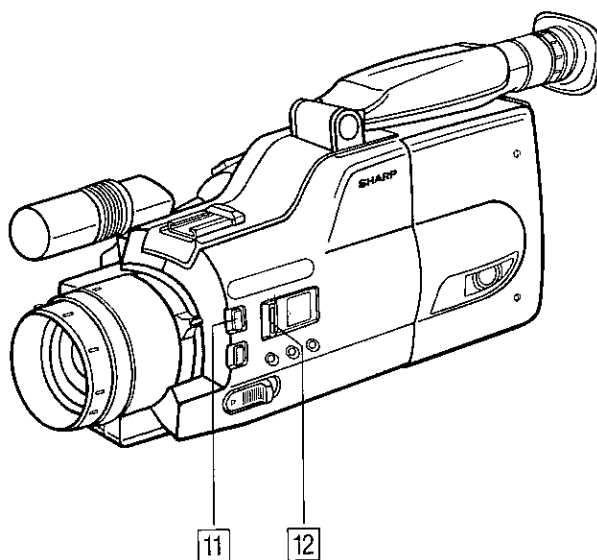
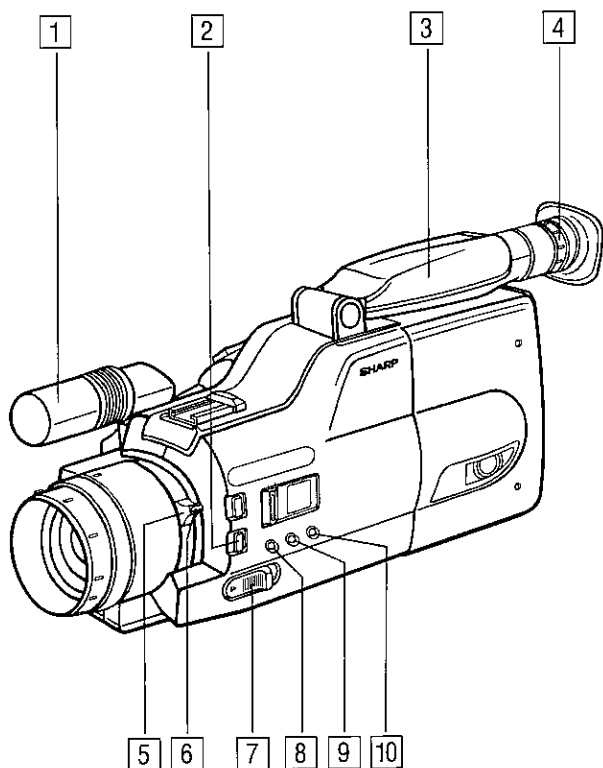
- Veillez à ne pas endommager le microphone.
- Gardez le caméscope horizontal pendant son emploi. Dans le cas contraire, la bande pourrait ne pas s'enrouler correctement ou être endommagée.
- **Ne portez pas le caméscope en le tenant par le viseur. Enroulez la lanière autour de votre bras de sorte que le caméscope soit retenu si vous veniez à le lâcher.**
- Remplacez le capuchon sur l'objectif après utilisation du caméscope et n'oubliez pas de le mettre hors tension.
- Ne touchez pas à la bague de mise au point automatique pendant sa rotation.
- Avant de placer un filtre sur l'objectif, passez en mode de mise au point manuelle ou mettez le caméscope hors tension.

Nettoyage du caméscope

- Retirez la batterie ou débranchez l'alimentation avant de nettoyer le caméscope.
- Essuyez la poussière avec un chiffon doux. Utilisez un chiffon humecté d'un détergent neutre pour retirer les taches tenaces.
- N'utilisez aucun produit de nettoyage agressif comme l'essence, l'alcool ou les diluants pour peinture. Ces produits peuvent endommager le boîtier.
- Veillez à ce que l'objectif et le viseur demeurent propres. Vous nettoierez l'objectif au moyen d'une poire et d'un pinceau très souple ou d'un papier spécial humecté d'une solution de nettoyage pour les verres optiques.

Les parties principales et leur rôle

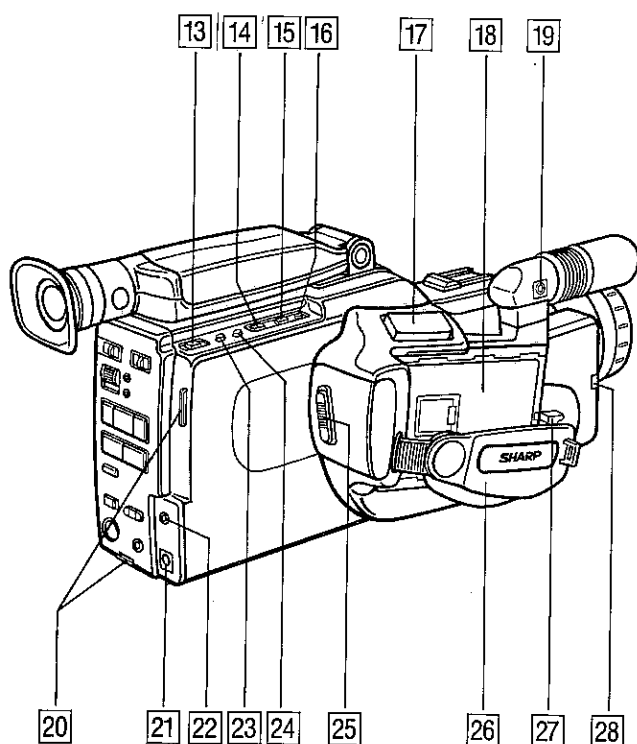
Vue de trois quarts avant



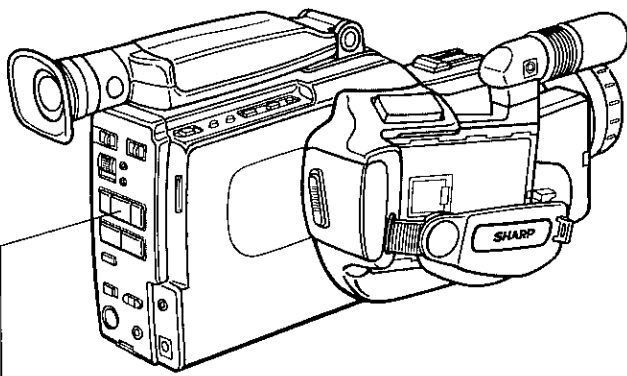
Pour de plus amples détails sur le rôle de chaque commande, veuillez vous reporter à la page indiquée entre crochets.

- 1 **Microphone**
- 2 **Commande de correction de contre-jour et de gain (BLC/GAIN-UP)**
Si le sujet est plus sombre que l'arrière-plan, il peut apparaître mal défini ou trop obscur lors de la lecture de l'enregistrement. Ce défaut d'éclairage peut être corrigé en appuyant sur cette commande. Lorsque l'indication LIGHT est affichée par le viseur, le gain d'amplification est augmenté et l'écran s'éclaircit dès que vous appuyez sur cette commande.
- 3 **Viseur électronique/moniteur**
Il présente le sujet photographique et sert de moniteur noir et blanc pour le visionnement de l'enregistrement.
- 4 **Bague de réglage de l'oculaire**
Elle vous permet d'adapter l'oculaire à votre acuité visuelle.
- 5 **Levier de réglage de la focale**
Déplacez ce levier pour effectuer des prises de vues vers gros plan ou plan général.
- 6 **Commande de prise de vues macro**
Elle permet de réaliser des prises de vues d'un sujet situé à moins de 1 mètre du caméscope. (A cette distance la mise au point automatique n'est pas possible.) Pour effectuer la mise au point, déplacez le levier de réglage de la focale tout en maintenant la pression d'un doigt sur cette commande.
- 7 **Commande de changement rapide de focale (JET ZOOM) [18]**
Elle vous donne le moyen d'agrandir (ou de réduire) instantanément la surface filmée. (Le rapport est égal à 1,5.)
- 8 **Sélecteur de mise au point automatique ou manuelle (FOCUS)**
En automatique le caméscope effectue de lui-même la mise au point sur le sujet, même si celui-ci se déplace. (N'oubliez pas qu'en deçà de 1,1 mètre vous devez employer la mise au point macro.)
Si, en raison des conditions de tournage, la mise au point automatique ne vous donne pas satisfaction, appuyez sur ce sélecteur afin de choisir la mise au point manuelle.
- 9 **Commande d'équilibrage du blanc (WHITE BALANCE) [31]**
Elle vous donne le moyen de verrouiller l'équilibrage du blanc.
- 10 **Sélecteur de vitesse d'obturation (SHUTTER SPEED) [33]**
Grâce à l'obturation à grande vitesse vous obtiendrez des images très nettes au cours d'un ralenti ou d'un arrêt sur image (avec un magnéscope VHS standard).
- 11 **Commande d'ouverture et de fermeture en fondu (FADE IN/OUT) [34]**
- 12 **Commande de fonctionnement automatique [16]**

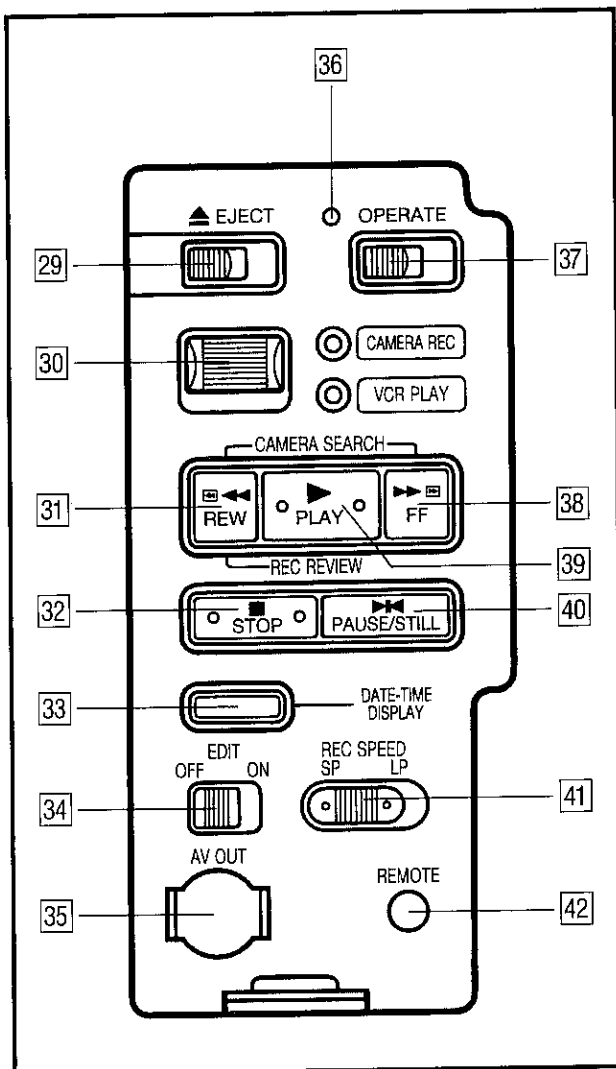
Vue de trois quarts arrière



- 13** **Commande auxiliaire d'enregistrement**
Appuyez sur cette touche pour commander l'enregistrement. Une nouvelle pression sur cette touche interrompt l'enregistrement.
Vous emploieriez de préférence cette touche pour des prises de vues en contre-plongée.
- 14** **Touche de réglage de l'alignement ◀ [23]**
(Touche de réglage date/heure) [7]
- 15** **Touche de réglage de l'alignement ▶ [23]**
(Touche de réglage date/heure) [7]
- 16** **Touche de réglage date/heure** [7]
- 17** **Commande de la focale motorisée (grand angle/téléobjectif)**
En appuyant sur T (Téléobjectif) vous passez en prise de vues vers gros plan. En appuyant sur W (Grand angle) vous passez en prise de vues vers plan général.
La pression que vous exercez sur ce bouton modifie le temps nécessaire (6 à 20 secondes) pour passer d'un gros plan à un plan général (et inversement).
- 18** **Compartiment de la batterie**
- 19** **Prise pour microphone auxiliaire**
- 20** **Œillets pour la bandoulière**
Fixez les extrémités de la bandoulière à ces œillets et réglez sa longueur au moyen de la boucle.
- 21** **Prise d'entrée pour alimentation continue (DC-IN)**
- 22** **Prise pour écouteur (EARPHONE)**
Vous brancherez sur cette prise un écouteur qui vous permettra le contrôle du signal enregistré (lecture et enregistrement).
- 23** **Sélecteur compteur/mémoire du compteur/temps écoulé**
Il vous permet de choisir la nature de l'information donnée par le viseur.
- 24** **Touche de remise à zéro du compteur/temps écoulé**
Elle vous donne la possibilité de remettre à zéro la valeur du compteur et celle du temps écoulé qui sont affichées par le viseur.
- 25** **Commande d'enregistrement**
Appuyez sur cette touche pour commander l'enregistrement. Une nouvelle pression sur cette touche interrompt l'enregistrement.
- 26** **Lanière de maintien**
- 27** **Levier de libération de la batterie**
En agissant sur ce levier vous séparez le caméscope et la batterie.
- 28** **Commande du retardateur et témoin de prise de vues**
Le témoin de prise de vues s'éclaire dès que l'enregistrement commence, indiquant de cette manière au sujet filmé, le fonctionnement du caméscope. La touche du retardateur et le témoin de prise de vues sont physiquement regroupées. Lorsque cette touche est enfoncée pendant une pause d'enregistrement, le témoin clignote une dizaine de secondes avant que le retardateur ne commande l'enregistrement.



Panneau de commande



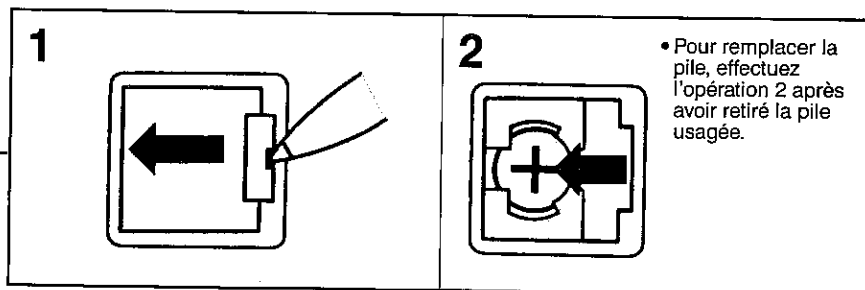
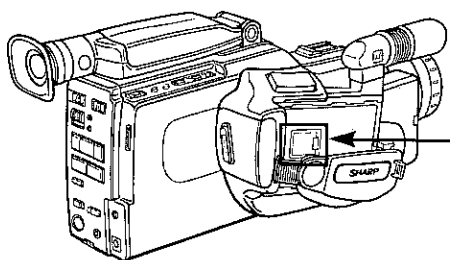
- 29 Touche d'éjection (EJECT)**
Pour la mise en place et l'éjection d'une cassette **VHS**.
- 30 Sélecteur caméra/magnétoscope (CAMERA REC/VCR PLAY)**
Au cours d'une prise de vues, placez ce sélecteur sur la position CAMERA REC de manière que le caméscope vienne en attente d'enregistrement dès que vous provoquez une interruption.
Si vous désirez employer le caméscope comme un magnétoscope, placez ce sélecteur sur la position VCR PLAY. (Deux cas se présentent alors: si le caméscope est en attente d'enregistrement il passe en arrêt sur image; si le caméscope est en cours d'enregistrement, l'enregistrement cesse.)
- 31 Commande de recherche vidéo (CAMERA SEARCH [◀▶]) [17]**
Commande de réembobinage (REW) [24]
Commande de visionnement d'enregistrement (REC REVIEW) [17]
- 32 Touche d'arrêt (STOP)**
- 33 Commutateur d'affichage date/heure (DATE/TIME DISPLAY)**
Il vous permet de choisir l'enregistrement de la date et de l'heure, ou de la date seule, pendant une prise de vues.
- 34 Interrupteur d'édition (EDIT)**
La qualité de l'image se dégrade inévitablement chaque fois que vous effectuez une copie du caméscope vers un magnétoscope. Placez cet interrupteur sur la position ON pour mettre en service des circuits de correction lorsque vous désirez procéder à l'édition des prises de vues.
- 35 Prise de sortie son/vidéo (AV OUT)**
- 36 Témoin d'alimentation**
- 37 Interrupteur général (OPERATE)**
Pour la mise sous tension et hors tension du caméscope.
- 38 Commande de recherche vidéo (CAMERA SEARCH [▶▶]) [17]**
Commande d'avance rapide (FF) [24]
- 39 Touche de lecture (PLAY)**
Pour commander la lecture de l'enregistrement.
- 40 Commande de pause/arrêt sur image (PAUSE/STILL)**
Pour commander l'arrêt sur image pendant la lecture d'un enregistrement.
- 41 Sélecteur de vitesse d'enregistrement (REC SPEED LP/SP)**
Vous l'emploierez pour choisir la vitesse d'enregistrement lente (LP) ou standard (SP). Les durées d'enregistrement correspondantes sont, avec une cassette VHS-C EC-30:
LP 60 minutes
SP 30 minutes
- 42 Prise de télécommande de pause (REMOTE)**
Vous brancherez sur cette prise le câble de télécommande de pause VR-20ME (en option).

Mise en place et réglage des accessoires

Pose de la pile au lithium

1 Ouvrez le couvercle du logement de la pile à l'aide d'un objet pointu.

2 Placez la pile de sorte que le pôle + soit dirigé vers l'extérieur puis refermez le couvercle.



• Pour remplacer la pile, effectuez l'opération 2 après avoir retiré la pile usagée.

Attention:

- Jetez la pile usagée (mais pas dans un feu) sans essayer de l'ouvrir. Veillez à ce qu'elle soit hors de portée des enfants.
- La pile utilisée dans cet appareil peut prendre feu ou provoquer des brûlures chimiques si elle est manipulée sans discernement. Ne tentez pas de la recharger, ne la démontez pas, ne la chauffez pas à plus de 100°C et ne l'incinerez pas. Remplacez-la par une pile au lithium CR2025 fabriquée par une des sociétés suivantes: SONY ENERGYTEC, FUJI ELECTROCHEMICAL ou MATSUSHITA ELECTRIC. L'utilisation d'une autre pile peut provoquer un début d'incendie ou une explosion.

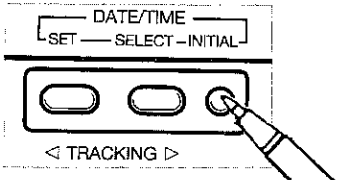
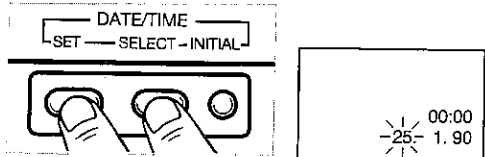
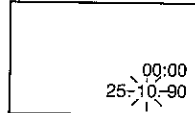
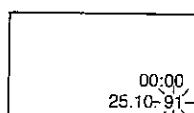
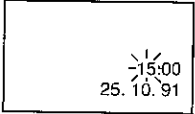
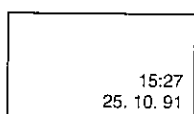
Remarques

- Les piles au lithium sont disponibles chez les revendeurs d'appareils électroniques ou d'appareils audiovisuels.
- Débranchez la source d'alimentation (adaptateur CA, batterie, etc.) avant de remplacer la pile.
- La durée de vie de la pile est d'une année environ mais elle est fonction de la température ambiante et des conditions d'utilisation.
- Lorsque la pile est usagée, l'horloge peut indiquer une date et une heure erronées. Si cela se produit, remplacer la pile au lithium dès que possible.
- Ne court-circuitez pas la pile en la saisissant avec un outil métallique (par exemple des pinces) car cela réduirait sa durée de vie.

Réglage de la date et de l'heure

La date et l'heure indiquées dans le viseur peuvent être enregistrées. Suivez les instructions fournies ci-dessous pour le réglage de la date et de l'heure.

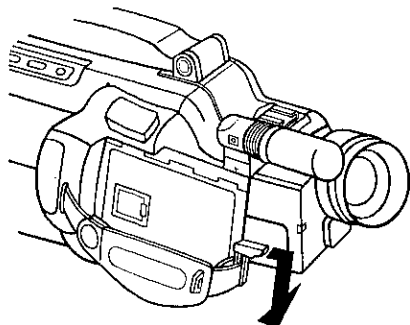
Exemple de réglage: date: 25 octobre 1991; heure: 15 heures 27

<p>1 Mettez en place la pile au lithium.</p>	<p>2 Reliez le caméscope à une source d'alimentation (batterie ou autre). Mettez le caméscope sous tension. Appuyez sur le commutateur d'affichage date/heure (DATE-TIME DISPLAY).</p>
<p>3 Appuyez sur le bouton INITIAL au moyen d'un objet pointu tel qu'un stylo à bille.</p> 	<p>4 Le jour du mois clignote. Appuyez sur SELECT pour choisir l'indication correcte puis sur SET.</p> 
<p>5 Le numéro du mois clignote. Appuyez sur SELECT pour choisir l'indication correcte puis sur SET.</p> 	<p>6 Les deux derniers chiffres de l'année clignent. Appuyez sur SELECT pour choisir l'indication correcte puis sur SET.</p> 
<p>7 Les chiffres des heures clignent. Appuyez sur SELECT pour choisir l'indication correcte puis sur SET.</p> 	<p>8 Les chiffres des minutes clignent. Appuyez sur SELECT pour choisir l'indication correcte puis sur SET.</p> 

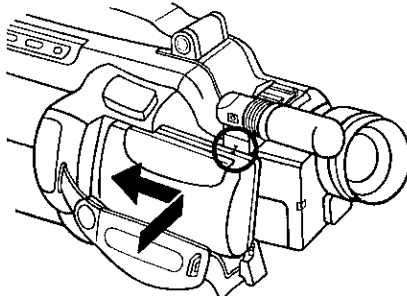
Pose et dépose de la batterie

Pose de la batterie

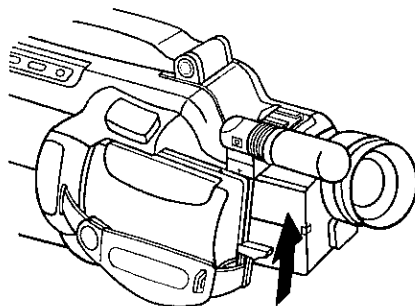
1. Abaissez le levier de libération de la batterie.



2. Alignez le repère ▲ placé à la partie supérieure de la batterie et celui que porte le caméscope puis poussez doucement la batterie dans le sens de la flèche.

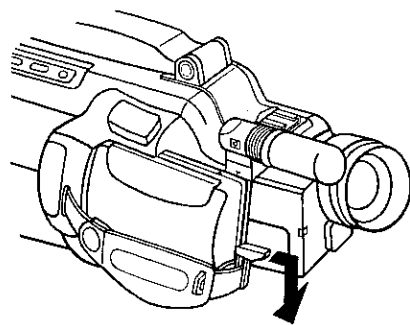


3. Ramenez le levier de libération de la batterie dans sa position d'origine.

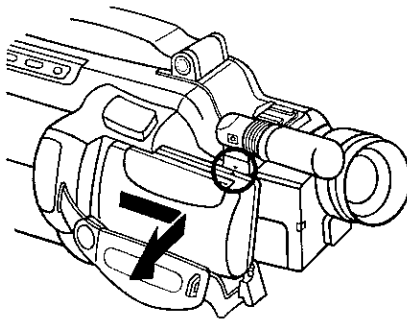


Dépose de la batterie

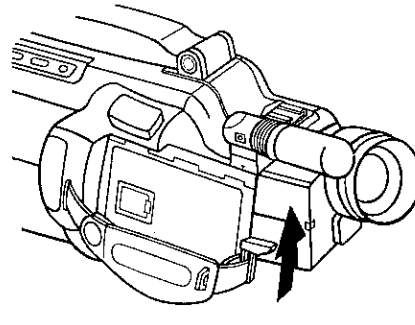
1. Abaissez le levier de libération de la batterie.



2. Dégagez la batterie en la tirant dans le sens de la flèche.



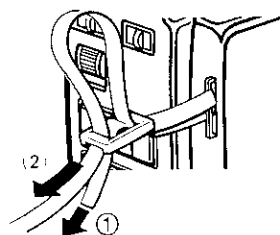
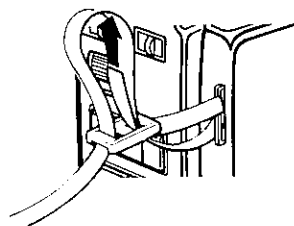
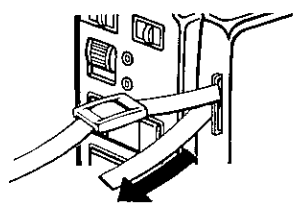
3. Ramenez le levier de libération de la batterie dans sa position d'origine.



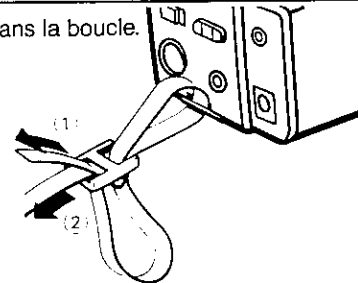
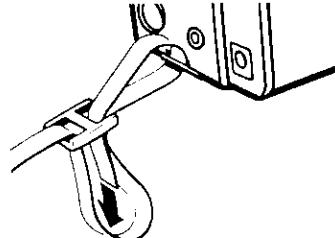
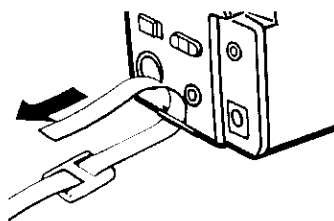
Remarque La batterie vous est fournie non chargée. Il vous appartient de procéder à sa charge.

Mise en place de la bandoulière

Introduisez une extrémité de la bandoulière dans l'œillet supérieur puis dans la boucle.



Introduisez l'autre extrémité de la bandoulière dans l'œillet inférieur puis dans la boucle.



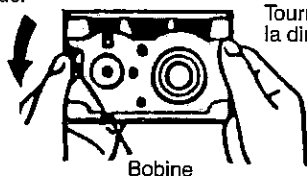
Remarque Assurez-vous que la bandoulière est correctement fixée avant d'employer le caméscope.

Mise en place et retrait d'une cassette

Mise en place

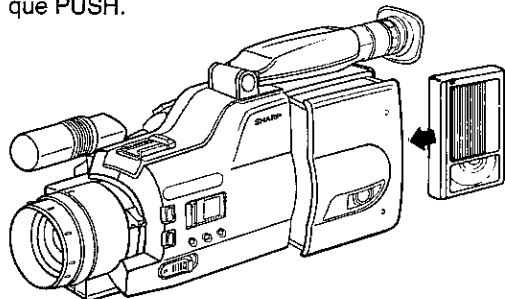
- 1 Appuyez sur le bouton d'éjection pour ouvrir le volet. Introduisez une cassette **VHS** de manière que la fenêtre soit dirigée vers vous et la flèche portée par la cassette vers l'extérieur. **N'oubliez pas de retendre la bande avant d'introduire la cassette.**

Retendez la bande.



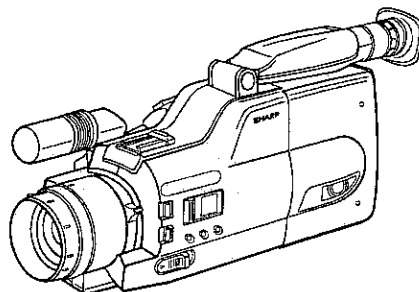
Tournez la bobine dans la direction de la flèche.

- 2 Refermez le volet en appuyant à l'emplacement marqué PUSH.



Retrait d'une cassette

- 1 Appuyez sur le bouton d'éjection pour ouvrir le volet. Retirez la cassette.
- 2 Refermez le volet.



Remarque

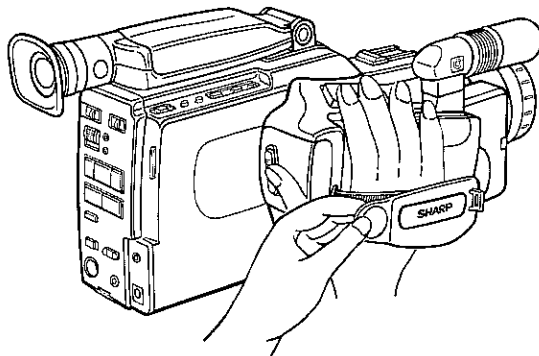
Appuyez doucement à l'emplacement marqué PUSH pour obtenir la fermeture parfaite du volet.

Remarque

La cassette peut être éjectée en appuyant simplement sur la touche d'éjection (EJECT) et, pour cela, il n'est pas nécessaire de placer le caméscope hors tension au moyen de l'interrupteur général (OPERATE). La cassette ne peut pas être éjectée au cours d'un enregistrement. Il faut tout d'abord mettre l'appareil en attente d'enregistrement avant de manœuvrer la touche d'éjection (EJECT).

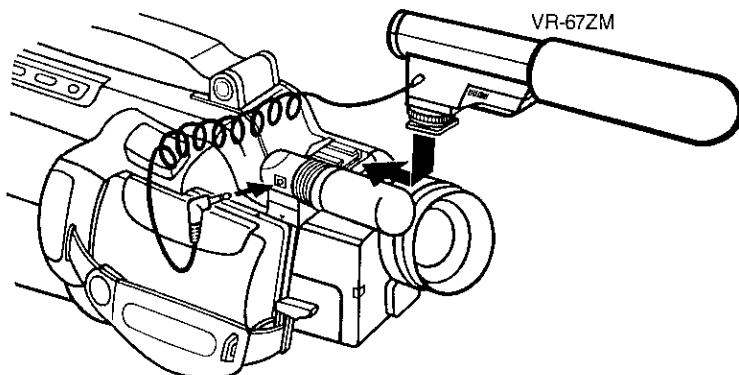
Réglage de la lanière de maintien

Allongez la boucle formée par la lanière, saisissez la poignée puis réglez la longueur de la boucle pour que votre main soit maintenue sans être serrée.



Emploi d'un microphone auxiliaire

Le caméscope est pourvu d'un microphone omnidirectionnel. Pour certaines prises de son, vous aurez intérêt à employer le microphone VR-67ZM (en option) qui est plus directif.



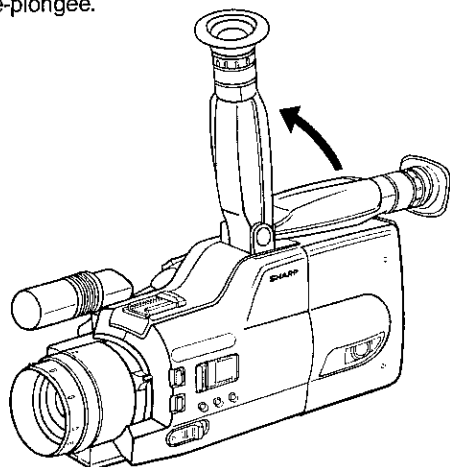
VR-67ZM

Il se fixe directement au porte-accessoire du caméscope. C'est un microphone très sensible autorisant de très bonnes prises de son à distance.

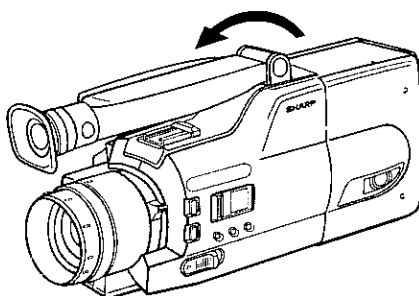
Viseur électronique

Réglage de la position du viseur électronique

Le viseur pivote afin de faciliter les prises de vues en contre-plongée.

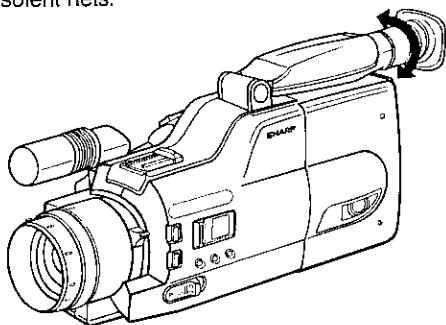


Pour le transport du caméscope, vous placerez le viseur dans la position illustrée afin de le protéger.

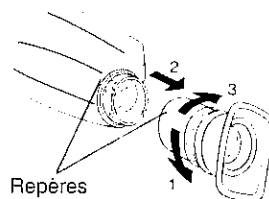


Réglage de l'oculaire

L'oculaire peut être adapté à votre acuité visuelle. Pour cela vous tournerez la bague dans le sens des aiguilles d'une montre ou le sens inverse jusqu'à ce que les caractères affichés soient nets.



Pour nettoyer le viseur, déposez l'oculaire comme le montre l'illustration ci-dessous et utilisez un coton-tige. Pour déposer l'oculaire, tournez la bague dans la direction (1) puis tirez-le à vous dans la direction (2). Pour reposer l'oculaire, alignez les repères puis tournez-le de 45 degrés dans la direction (3).

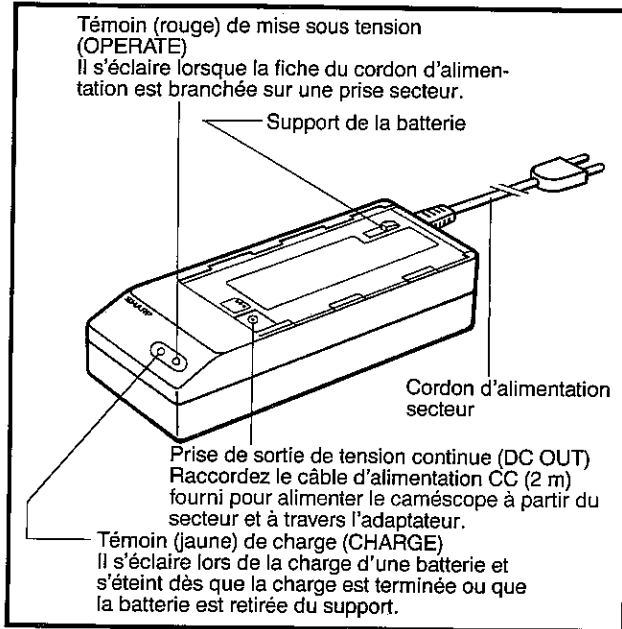


Remarque Pour ce réglage, l'appareil doit être alimenté.

Alimentations

Pour les prises de vues en extérieur vous emploierez la batterie BT-75 ou, le cas échéant, l'adaptateur pour batterie auto/chargeur VR-P75CH. A l'intérieur, l'adaptateur CA/chargeur de batterie (AA-75S) et le câble fournis (2 m) seront vraisemblablement plus commodes.

Emploi de l'adaptateur CA/chargeur de batterie



Remarque

L'adaptateur VR-P75CH (en option) est identique à l'adaptateur illustré ci-contre à ceci près qu'il est alimenté à partir d'une batterie auto.

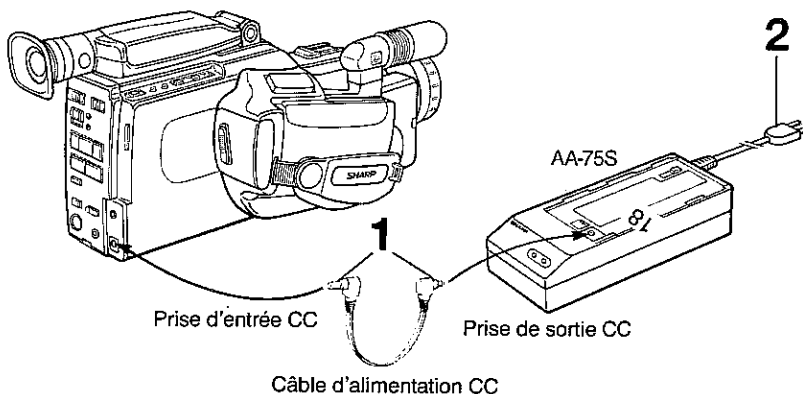
Précautions:

- L'adaptateur CA/chargeur de batterie peut perturber le fonctionnement d'un poste de radio s'il en est placé trop près.
- Evitez que les produits inflammables, les liquides ou des objets métalliques ne pénètrent dans l'adaptateur.
- Le boîtier de l'adaptateur CA/chargeur de batterie AA-75S est scellé. Ne tentez pas de l'ouvrir.
- Evitez les chocs et les vibrations.
- Ne laissez pas l'adaptateur dans la lumière directe du soleil.
- Evitez d'employer l'adaptateur dans un endroit humide ou très chaud.

Emploi de l'adaptateur CA/chargeur de batterie

L'adaptateur CA/chargeur de batterie AA-75S doit être employé avec le câble fourni.

- 1 Reliez le caméscope à la prise de sortie de tension continue (DC OUT) de l'adaptateur au moyen du câble fourni.
- 2 Branchez la fiche du cordon d'alimentation de l'adaptateur dans une prise secteur. Le témoin d'alimentation (OPERATE) s'éclaire.

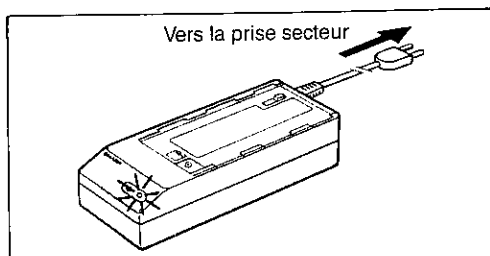


Remarque L'adaptateur CA/chargeur de batterie AA-75S ne peut pas alimenter le caméscope à travers le câble d'alimentation CC pendant la charge d'une batterie.

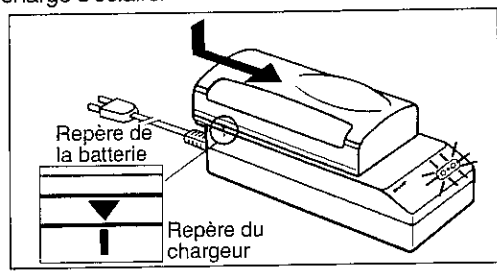
Charge de la batterie

La charge de la batterie s'obtient à l'aide de l'adaptateur AA-75S fourni. A l'extérieur, utilisez l'adaptateur fonctionnant sur batterie de voiture/chargeur VR-P75CH (en option).

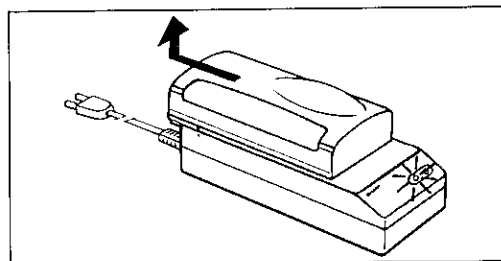
- 1 Branchez la fiche du cordon d'alimentation dans une prise secteur. Le témoin de mise sous tension (OPERATE) s'éclaire.



- 2 Alignez le repère de la batterie ▼ et celui du chargeur ■ puis engagez la batterie dans la rainure. Poussez doucement sur la batterie jusqu'à ce qu'elle soit parfaitement en place. Le témoin de charge s'éclaire.



- 3 Le témoin de charge s'éteint lorsque la batterie est chargée. Débranchez la fiche du cordon d'alimentation et retirez la batterie en la faisant glisser dans la direction de la flèche.



Remarque

Il est normal que la batterie et le chargeur soit chauds à la fin de la charge.

Durée de la charge de la batterie BT-75: 60 minutes
Durée de la charge de la batterie BT-76: 80 minutes

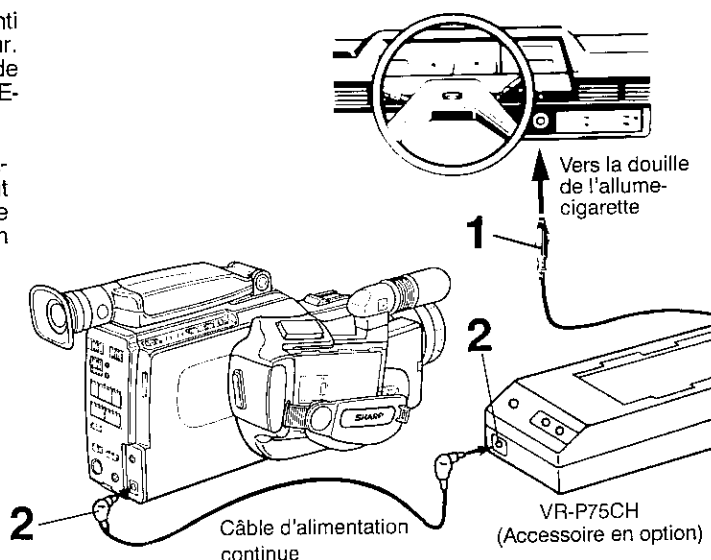
Remarque

La durée de la charge dépend de la température ambiante et de l'état de la batterie.

Emploi de l'adaptateur pour batterie auto/chargeur (accessoire en option)

Vous emploierez l'adaptateur pour batterie auto/chargeur VR-P75CH pour alimenter le caméscope ou recharger la batterie à partir de la batterie d'un véhicule.

- 1 Démarrez le moteur et laissez-le tourner au ralenti lorsque vous désirez employer cet adaptateur. Branchez la fiche du cordon dans la douille de l'allume-cigarette. Le témoin d'alimentation (OPERATE) s'éclaire.
- 2 Reliez le câble d'alimentation continue au caméscope. Le témoin de charge s'éclaire pendant la charge de la batterie et s'éteint lorsque cette opération est terminée. A ce moment-là, le témoin DONE s'éclaire.



Remarque

L'adaptateur pour batterie auto/chargeur VR-P75CH ne peut pas alimenter le caméscope à travers le câble d'alimentation continue pendant la charge d'une batterie.

Attention:

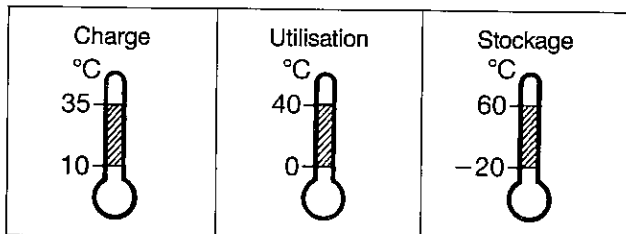
L'adaptateur ne doit être employé que sur un véhicule dont le pôle négatif (-) de la batterie 12 ou 24 Volts est à la masse. Ne l'employez pas si le pôle positif (+) de la batterie est à la masse. En cas de doute, consultez le manuel du véhicule ou un concessionnaire.

Utilisation de la batterie

La batterie nickel-cadmium BT-75 présente les caractéristiques indiquées ci-dessous.

A la température ambiante de 20°C, la charge est normalement obtenue en une heure. La durée de charge augmente lorsque la température est plus basse.

Gammes de température



Pour éviter tout accident:

- N'exposez pas la batterie à la flamme.
- Ne court-circuitiez pas les bornes de la batterie.
- Ne démontez pas la batterie.
- N'employez que les chargeurs conseillés par Sharp: adaptateur CA/chargeur de batterie AA-75S ou adaptateur pour batterie auto/chargeur VR-P75CH.

Pour éviter d'endommager la batterie et pour en prolonger la durée de vie:

- Ne laissez pas tomber la batterie, ne la soumettez pas à des chocs ou des vibrations mécaniques.
- Evitez les recharges répétées sans décharge.

La batterie a une durée de vie limitée; dès qu'elle ne permet plus d'obtenir la durée normale d'enregistrement après une charge, faites l'acquisition d'une batterie neuve.

Pensez à votre environnement!

Ne pas jeter les piles avec les ordures ménagères, exige un traitement spécial.

Remarque:

Il est normal que la batterie soit chaude à la fin de la charge ou d'une période d'utilisation.

Durée d'enregistrement possible avec la batterie BT-75: environ 60 minutes
Durée d'enregistrement possible avec la batterie BT-76: environ 80 minutes

La durée d'enregistrement possible avec une batterie BT-75 dépend de l'importance relative des pauses et des prises de vues proprement dites, de l'emploi que vous faites de la focale variable et d'autres facteurs.

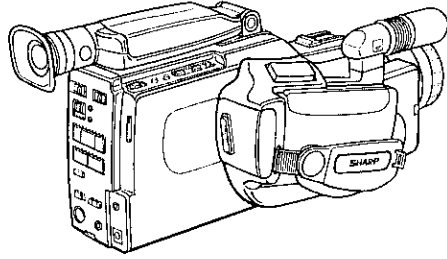
Vous pouvez vous procurer une batterie neuve identique auprès d'un revendeur Sharp. Ayez toujours une batterie de rechange à portée de la main; dans le cas contraire vous courez le risque de manquer des occasions uniques.

Les batteries au nickel-cadmium donnent les meilleurs résultats lorsqu'elles sont utilisées dans les conditions suivantes:

1. La charge complète est effectuée entre 10°C et 35°C. Le temps requis pour la charge augmente lorsque la température diminue; par ailleurs, la charge peut être incomplète si la température est trop élevée.
2. Conservez la batterie dans un endroit sec et frais. Une exposition prolongée à des températures élevées provoque la décharge de la batterie et réduit sa durée de vie.
3. La batterie se décharge naturellement pendant le stockage. Déchargez la batterie avant de la ranger, cela augmente sa durée de vie.
4. Retirez la batterie du caméscope dès que vous avez terminé une séance de prises de vues. Cela évite que la batterie ne continue de se décharger.

Enregistrement des prises de vues

- 1** Fixez une batterie chargée sur le caméscope. (Reportez-vous page 8.) Dans le cas où vous employez l'adaptateur CA ou l'adaptateur pour batterie auto, il n'est pas nécessaire de placer une batterie sur le caméscope.

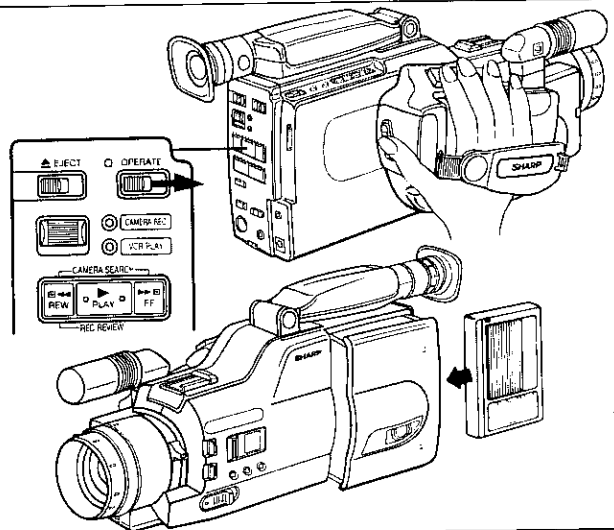
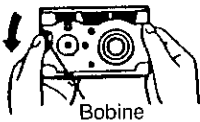


- 2** Mettez le caméscope sous tension au moyen de l'interrupteur général (OPERATE). Le témoin associé s'éclaire. Manœuvrez le bouton d'éjection pour ouvrir le volet du compartiment de la cassette. Introduisez une cassette VHS dont la languette de protection est intacte, la fenêtre étant dirigée vers vous. Appuyez doucement à l'emplacement marqué PUSH pour refermer le volet.

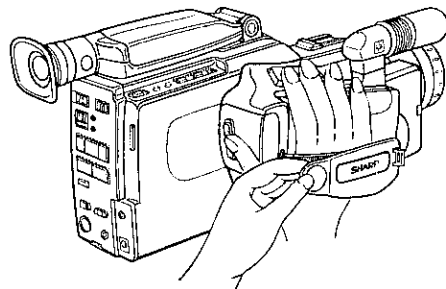
Attention:

Avant d'introduire la cassette, prenez soin de retendre la bande en tournant la bobine dans la direction de la flèche.

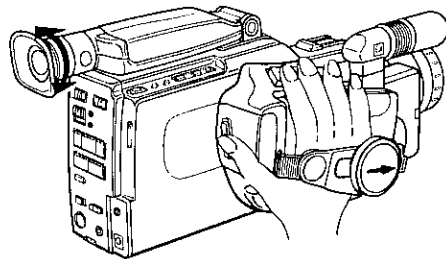
Retendez la bande



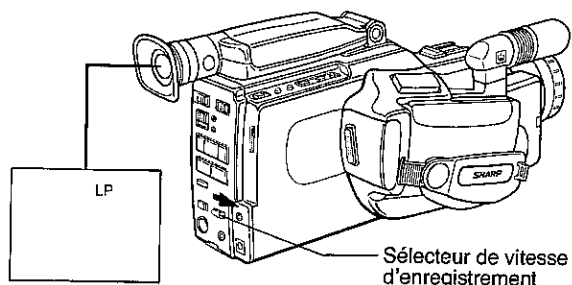
- 3** Passez votre main entre la lanière et la poignée et assurez-vous que vos doigts peuvent appuyer sur la commande d'enregistrement et sur la commande du moteur de l'objectif. Reprenez, éventuellement, le réglage de la lanière.



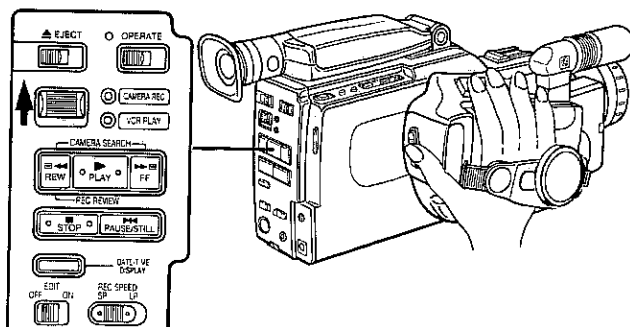
- 4** Retirez le capuchon de l'objectif et attachez-le à la lanière. Dirigez le caméscope vers un mur blanc ou vers le ciel et réglez l'oculaire pour que les informations fournies par le viseur soient nettes.



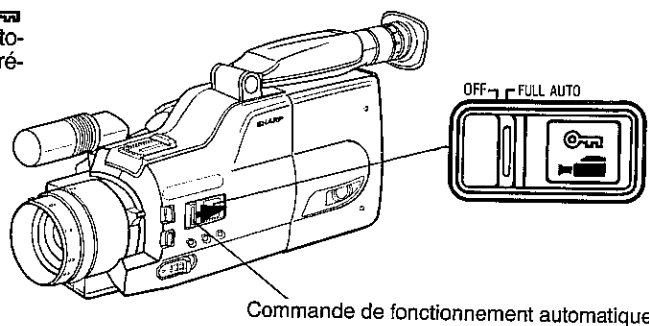
- 5** Choisissez la vitesse d'enregistrement à l'aide du sélecteur (REC SPEED SP/LP) prévu à cet effet. Cette vitesse est indiquée par le viseur. Avec une cassette **VHS** EC-30, les durées d'enregistrement sont:
 SP 30 minutes
 LP 60 minutes



- 6** Placez le sélecteur caméra/magnétoscope (CAMERA REC/VCR PLAY) sur la position CAMERA REC.



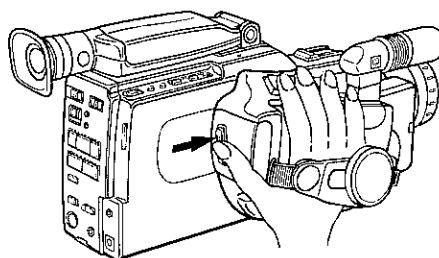
- 7** Appuyez sur la commande de fonctionnement automatique. Assurez-vous que les pictogrammes et sont affichés sur l'écran à cristaux liquides. Si ces pictogrammes clignotent, une indication d'alarme est présente dans le viseur. (Reportez-vous page 20.)



- 8** Appuyez sur la commande d'enregistrement. Dès que l'enregistrement commence des flèches >>>> apparaissent dans le viseur et se déplacent de la gauche vers la droite.

Remarque:

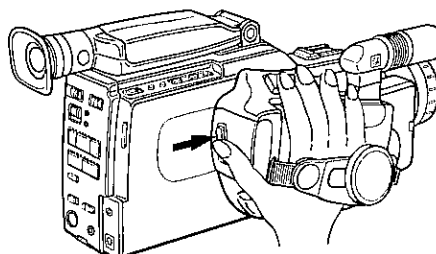
La poignée peut être chaude après un enregistrement de longue durée. Cela ne traduit pas un défaut de fonctionnement.



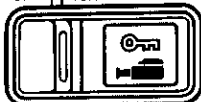
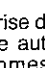
- 9** Appuyez à nouveau sur cette commande pour arrêter l'enregistrement.

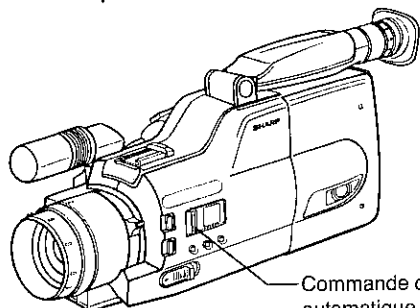
Remarque:

Le caméscope se met de lui-même hors tension après cinq minutes en attente d'enregistrement. Sa remise sous tension s'obtient à l'aide de l'interrupteur général (OPERATE).

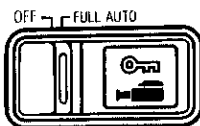


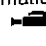
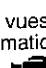
Fonctionnement automatique

En plaçant la commande de fonctionnement automatique sur la position FULL AUTO, la mise au point et l'équilibrage du blanc sont effectués automatiquement et la vitesse d'obturation est la vitesse standard. Le pictogramme  qui représente ce mode de fonctionnement, et le pictogramme  doivent être affichés sur l'écran à cristaux liquides. Il peut arriver, toutefois, que ces pictogrammes clignotent, vous signalant ainsi qu'une indication d'alarme est présente dans le viseur. Une indication de ce type signifie que l'enregistrement est impossible pour une raison précise, telle que l'absence de languette de protection sur la cassette que contient le caméscope.



Commande de fonctionnement automatique



La prise de vues est possible (en mode automatique) si les pictogrammes  et  sont affichés.



Si une indication d'alarme est présente dans le viseur, recherchez-en immédiatement la cause. (Reportez-vous page 20.)

Mise au point automatique

Le dispositif de mise au point automatique vous permet de porter toute votre attention sur le sujet à filmer tout en sachant que la mise au point sera parfaite.

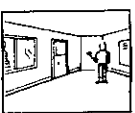

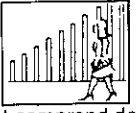
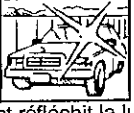

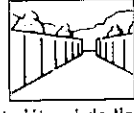







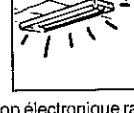
Sur la position FULL AUTO, la mise au point est effectuée en permanence sur la partie du sujet située à l'intérieur d'une petite zone qui est au centre du viseur. Il est donc souhaitable de conserver le sujet au centre du viseur.

Remarque

La mise au point automatique peut être impossible dans les cas évoqués ci-dessous. Vous devez alors procéder à une mise au point manuelle.

Précautions

- Ne touchez pas à la bague de mise au point lorsque le mécanisme de mise au point fonctionne.
- Si l'objectif est sale ou partiellement occulté, la mise au point automatique peut être impossible. Vous l'essuieriez à l'aide d'un papier humecté d'un produit de nettoyage pour verres optiques. Si de la condensation s'est formée sur l'objectif du caméscope, vous utiliserez un linge doux ou vous attendrez qu'elle ait disparu.
- Si vous filmez un sujet se déplaçant à vive allure ou si vous passez rapidement d'un plan général à un plan rapproché, quelques secondes peuvent être nécessaires pour obtenir une mise au point parfaite.

 Le sujet est trop sombre.	 La scène manque de contraste (ex. paysage enneigé)	 Le sujet comprend des objets placés à intervalle régulier.	 Le sujet réfléchit la lumière.
 Deux sujets à des distances différentes se chevauchent.	 Le sujet s'étend de l'avant-plan à l'arrière-plan.	 Le sujet se déplace rapidement.	 L'arrière plan est trop lumineux.
 Le sujet présente un motif régulier.	 Deux sujets à des distances différentes sont au centre de l'image.	 Le sujet est rayé horizontalement.	 Le sujet n'est pas clairement défini.
 Le sujet est filmé à travers une vitre sale ou couverte de buée.	 L'obturation électronique rapide est utilisée avec un éclairage fluorescent.	Remarque Nous vous conseillons de ne commencer l'enregistrement qu'après avoir effectué la mise au point sur le sujet.	

Équilibrage automatique du blanc

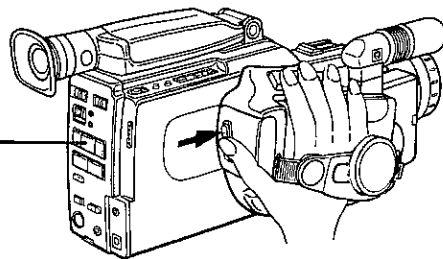
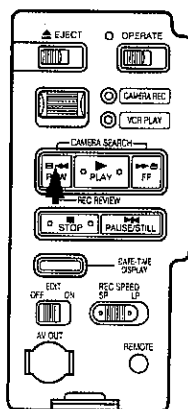
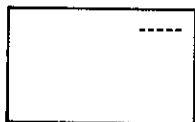
Ce caméscope est pourvu d'un dispositif d'équilibrage automatique du blanc afin que les couleurs de vos enregistrements soient aussi naturelles que possible.

Grâce à l'équilibrage automatique du blanc, les variations de la température de couleur de la lumière sont compensées.

Visionnement d'un enregistrement

Pendant un enregistrement, appuyez sur la commande d'enregistrement pour provoquer une pause (l'indication ----- s'affiche dans le viseur) puis, brièvement, sur la commande de visionnement (REC REVIEW).

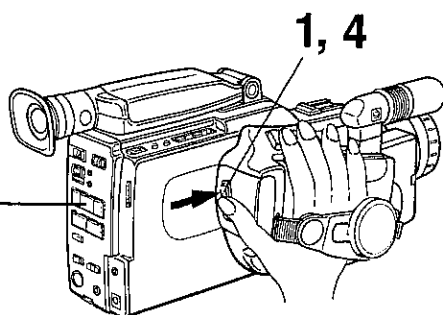
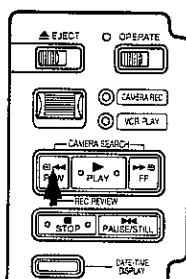
La bande est réembobinée sur une longueur correspondant à environ deux secondes d'enregistrement qui sont lues avant que le caméscope ne soit à nouveau prêt à enregistrer. Si vous maintenez la pression sur la commande de visionnement vous provoquez une recherche vidéo.



Recherche vidéo

Le sélecteur caméscope/magnétoscope (CAMERA REC/VCR PLAY) étant sur la position CAMERA REC, vous pouvez malgré tout procéder à une recherche vidéo afin de localiser le début d'une scène que vous souhaitez effacer.

- 1 Appuyez sur la commande d'enregistrement pour interrompre la prise de vues.
- 2 Maintenez la pression d'un doigt sur la commande de recherche vidéo (CAMERA SEARCH) et observez l'image apparaissant dans le viseur.
- 3 Lorsque le début de la scène recherchée apparaît dans le viseur, relâchez la commande de recherche vidéo (CAMERA SEARCH). (Après un arrêt sur image d'une durée égale à 1 seconde, le caméscope est à nouveau en attente d'enregistrement.)
- 4 Appuyez sur la commande d'enregistrement pour reprendre les prises de vues.



Rôle des commandes

Si vous maintenez la pression d'un doigt sur la touche , les images défilent, dans l'ordre, à la vitesse triple de la vitesse normale. (Le son est interrompu.)
 Si vous maintenez la pression d'un doigt sur la touche , les images défilent, dans l'ordre, à la vitesse normale. (Le son n'est pas interrompu.)
 Si vous maintenez la pression d'un doigt sur la touche , les images défilent, dans l'ordre inverse, à la vitesse triple de la vitesse normale. (Le son est interrompu.)

Remarque Si le caméscope est réglé pour la vitesse d'enregistrement lente (LP), la vitesse de lecture est 7 fois supérieure à la vitesse normale.

Focale variable motorisée (Grand angle/Téléobjectif)

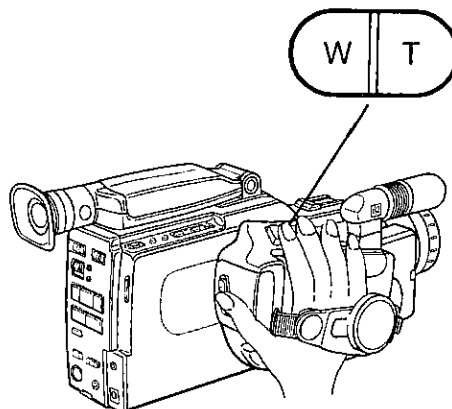
Une des caractéristiques les plus remarquables de ce caméscope, c'est son objectif à focale variable motorisée.

En appuyant sur les touches de commande de l'objectif vous pouvez effectuer une prise de vues en zoom vers gros plan ou vers plan général.

La vitesse à laquelle l'objectif est entraîné est fonction de la pression que vous exercez sur les touches. Plus la pression est importante, plus la vitesse est rapide.

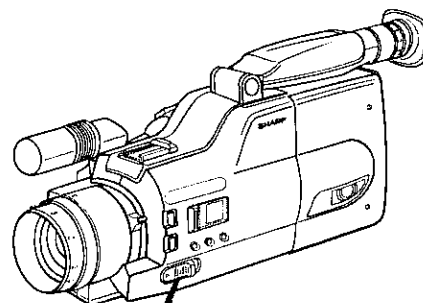
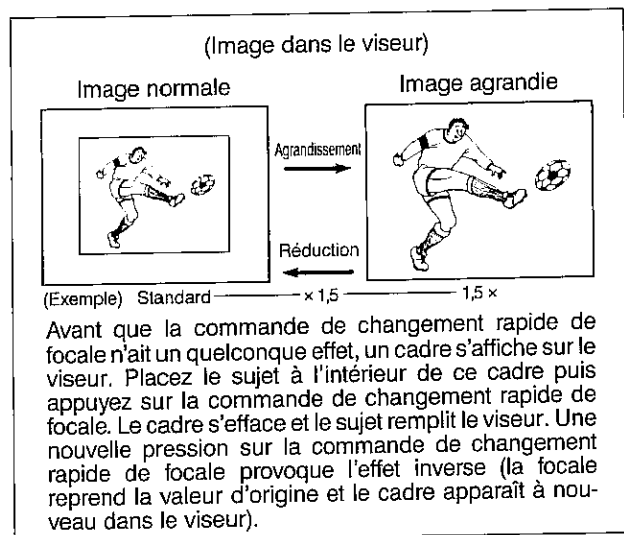
Une forte pression permet de passer de grand angle à téléobjectif (ou vice versa) en 6 secondes; une faible pression, en 20 secondes.

Le téléobjectif (T) vous donne l'impression que le sujet se rapproche, le grand angle (W) qu'il s'éloigne.



Commande de changement rapide de focale

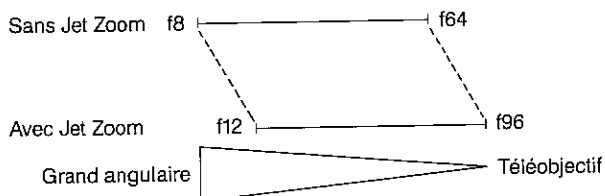
Ce caméscope est pourvu d'une commande permettant l'agrandissement ou la réduction instantanés de l'image présente dans le viseur (rapport 1,5). Vous emploierez cette possibilité lorsque se présente une scène intéressante.



Commande de changement rapide de focale

Remarque

Relation entre la focale variable et le Jet Zoom

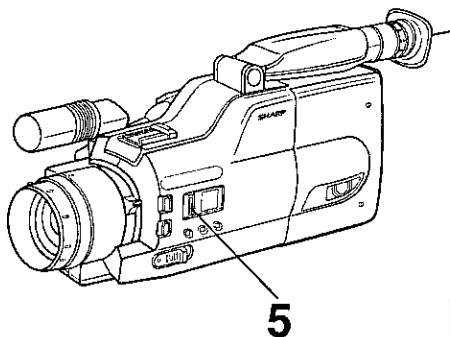
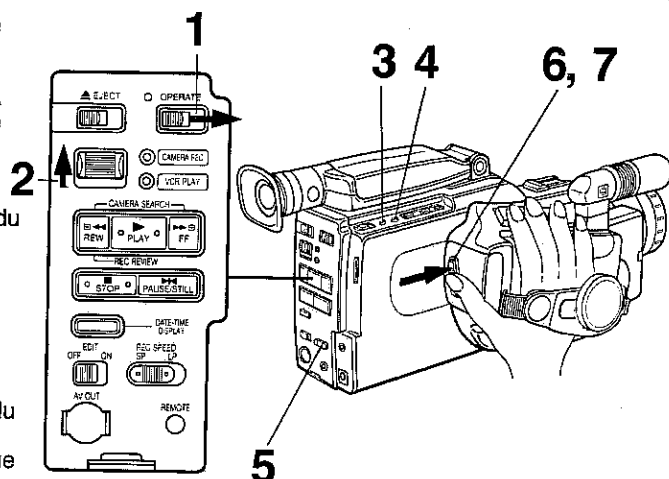


Les variations de la focale sont indiquées ci-dessus.

Temps écoulé

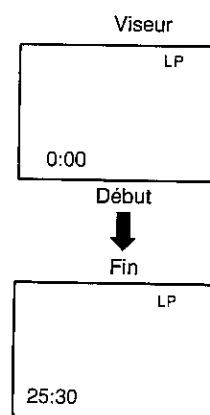
Cette fonction vous permet de connaître approximativement le temps écoulé depuis le début de l'enregistrement.

- 1 Mettez le caméscope sous tension au moyen de l'interrupteur général (OPERATE).
- 2 Placez le sélecteur caméra/magnétoscope (CAMERA REC/VCR PLAY) sur la position CAMERA REC. Le caméscope vient automatiquement en attente d'enregistrement.
- 3 Choisissez la mesure du temps écoulé au moyen du sélecteur prévu à cet effet.
- 4 Appuyez sur la touche de remise à zéro compteur/temps écoulé. Le temps écoulé est alors 0:00.
- 5 Choisissez la vitesse d'enregistrement au moyen du sélecteur (REC SPEED LP/SP) prévu à cet effet. Placez la commande de fonctionnement automatique sur la position FULL AUTO.
- 6 Appuyez sur la commande d'enregistrement. Le décompte du temps écoulé commence.
- 7 Pour interrompre l'enregistrement, appuyez une nouvelle fois sur cette commande. Le décompte du temps écoulé s'arrête.



Remarques

- Le compteur de temps écoulé vous donne une indication approximative de la durée de l'enregistrement. L'indication maximale du compteur est 99:99 (99 minutes 99 secondes).
- Le compteur de temps écoulé ne s'incrémente que pendant l'enregistrement et fonctionne même si aucune indication n'est fournie par le viseur.
- Lorsque la cassette est retirée, le compteur est remis à zéro.
- Même si, pendant la lecture, vous agissez sur le sélecteur compteur/mémoire du compteur/temps écoulé, le temps écoulé ne sera pas affiché. (Dans ce cas, seule la valeur du compteur de bande est indiquée.)



Indications apparaissant dans le viseur et sur l'affichage à cristaux liquides

Le caméscope fournit, dans le viseur et sur l'affichage, des indications utiles aux prises de vues.

Indications d'alarme

	<p>1) DEW De la condensation s'est formée sur le tambour du caméscope. L'alimentation sera coupée dans quelques secondes. Attendez plusieurs heures avant d'employer le caméscope. (Reportez-vous page 2.) (Dans ce cas, le témoin d'alimentation clignote également.)</p>		<p>4) TAPE La cassette mise en place est dépourvue de languette de protection ou encore, aucune cassette ne se trouve dans le caméscope. La prise de vues est impossible. Introduisez une cassette portant la languette de protection.</p>
	<p>2) BATTERY La batterie est insuffisamment chargée. L'alimentation sera coupée dans quelques secondes. Remplacez la batterie.</p>		<p>5) TAPE END La fin de la bande sera atteinte dans 3 minutes environ. Préparez une nouvelle cassette portant la languette de protection.</p>
LIGHT	<p>3) LIGHT L'éclairage est insuffisant pour permettre un bon enregistrement. Augmentez l'éclairage ou changez d'emplacement.</p>	TAPE END	<p>La fin de la bande est atteinte. Introduisez une nouvelle cassette portant la languette de protection.</p>
			<p>6) Nettoyage des têtes Les têtes doivent être nettoyées. Prenez contact avec le revendeur.</p>

Remarque Si l'une de ces alarmes s'affiche, les pictogrammes et clignotent.

Indications pratiques relatives au fonctionnement

<p>OFF → FULL AUTO</p>	<p>1) Fonctionnement automatique Le pictogramme associé au fonctionnement automatique s'affiche lorsque la commande est sur la position FULL AUTO. L'enregistrement des prises de vues est alors possible.</p>		<p>4) Date et heure Le commutateur d'affichage date/heure (DATE-TIME DISPLAY) permet de choisir soit l'affichage de l'heure et de la date soit l'affichage de la date. L'indication affichée est enregistrée sur la bande en même temps que l'image.</p>
<p>>>>></p> <p>-----</p>	<p>2) Enregistrement Lorsque vous appuyez sur la commande d'enregistrement, l'indication >>>> apparaît et se déplace de la gauche vers la droite. Lorsque vous appuyez une seconde fois sur cette commande, le caméscope vient en attente d'enregistrement. L'indication ----- s'affiche alors.</p>		<p>5) Compteur Le compteur fonctionne que sa valeur soit ou non affichée par le viseur. L'indication fournie est fonction du défilement de la bande. Si vous employez la mémoire du compteur, la lettre M s'affiche à gauche de la valeur du compteur.</p>
SP	<p>3) Vitesse d'enregistrement L'enregistrement est effectué à la vitesse indiquée: SP: enregistrement à la vitesse standard LP: enregistrement à la vitesse lente</p>		<p>6) Temps écoulé Le temps écoulé s'affiche en minutes et secondes. (Reportez-vous page 19.)</p>
LP			<p>7) Obturateur à grande vitesse Chaque pression sur la commande de l'obturateur à grande vitesse, modifie l'indication affichée: 1/100 : 1/100 de seconde 1/500 : 1/500 de seconde 1/2000 : 1/2000 de seconde 1/10.000 : 1/10000 de seconde Aucune : 1/50 de seconde (vitesse indication standard)</p>

Indications pratiques relatives au fonctionnement

M/F	8) M/F Cette indication s'affiche lorsque vous choisissez la mise au point manuelle grâce au sélecteur prévu à cet effet.	* LIGHT *	10) * LIGHT * Cette indication s'affiche lorsque vous appuyez sur la commande de correction de contre-jour et de gain alors que l'indication LIGHT est présente dans le viseur.
WB	9) WB Cette indication s'affiche lorsque vous verrouillez l'équilibrage du blanc grâce au sélecteur prévu à cet effet.	FADER	11) FADER Cette indication s'affiche lorsque le caméscope est prêt pour effectuer un fondu à l'ouverture ou à la fermeture. Ce fondu est réalisé au moment où vous appuyez sur la commande d'enregistrement.

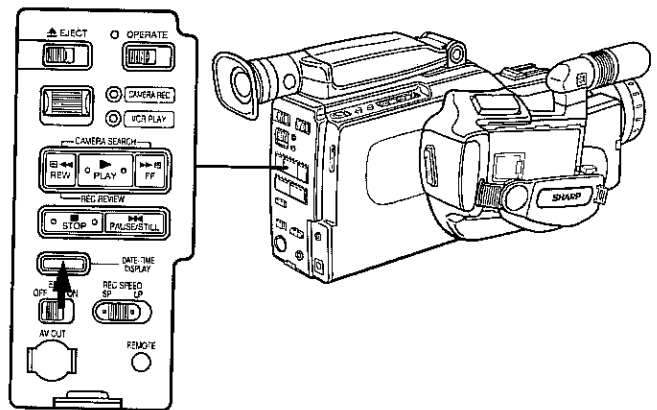
Remarque Si vous faites usage d'un moniteur de télévision, seule la date, ou l'heure, s'affiche sur le viseur.

Enregistrement automatique de la date et de l'heure

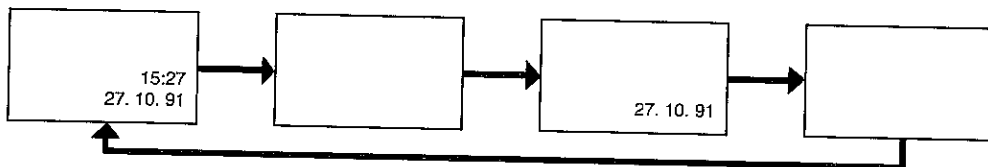
La date et l'heure peuvent être enregistrées, au cours des prises de vues, en procédant comme il est indiqué ci-dessous.

Remarque

Si la date et l'heure ne sont pas réglées, le commutateur d'affichage date/heure (DATE-TIME DISPLAY) ne fonctionne pas. (Reportez-vous page 7.)



- 1 Mettez en place une batterie ou reliez le caméscope à une source d'alimentation. Mettez le caméscope sous tension au moyen de l'interrupteur général (OPERATE) et placez le sélecteur caméra/magnétoscope (CAMERA REC/VCR PLAY) sur la position CAMERA REC. Le caméscope vient en attente d'enregistrement.
- 2 Appuyez sur le commutateur d'affichage date/heure (DATE-TIME DISPLAY). La date ou la date et l'heure apparaissent dans le viseur. A chaque pression sur ce commutateur, l'indication change selon la séquence suivante:

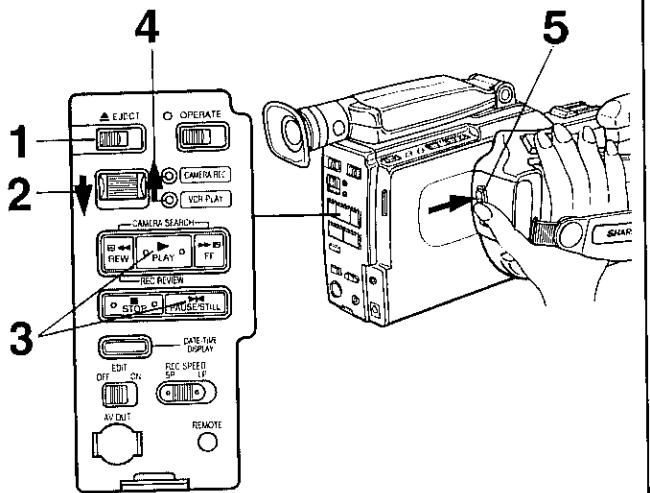


- 3 Appuyez sur la commande d'enregistrement. La date ou la date et l'heure seront enregistrées en même temps que le sujet.

Raccord d'enregistrement

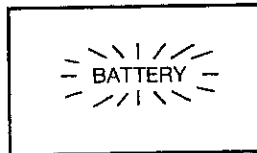
Pour raccorder un nouvel enregistrement à un enregistrement existant sur la bande, vous procéderez comme suit:

- 1 Manœuvrez la touche d'éjection (EJECT) et introduisez une cassette munie de la languette de protection.
- 2 Placez le sélecteur caméra/magnétoscope (CAMERA REC/VCR PLAY) sur la position VCR PLAY.
- 3 Appuyez sur la touche de lecture (PLAY) et sur les commandes de recherche vidéo amont ou aval (REW ou FF) pour localiser l'image à partir de laquelle doit commencer le nouvel enregistrement.
- 4 Remplacez le sélecteur caméra/magnétoscope (CAMERA REC/VCR PLAY) sur la position CAMERA REC.
- 5 Appuyez sur la commande d'enregistrement.



Remplacement de la batterie pendant un enregistrement

1. Si l'indication BATTERY clignote dans le viseur tandis que vous enregistrez, appuyez sur la commande d'enregistrement pour interrompre l'enregistrement et mettez le caméscope hors tension au moyen de l'interrupteur général (OPERATE).
2. Remplacez la batterie par une autre parfaitement chargée.
3. Mettez le caméscope sous tension. L'indication ----- apparaît dans le viseur.
4. Appuyez sur la commande d'enregistrement pour reprendre l'enregistrement là où vous l'avez interrompu.



Remarque

Assurez-vous que le témoin d'alimentation (OPERATE) est éteint avant de retirer la batterie.

Mise hors tension automatique

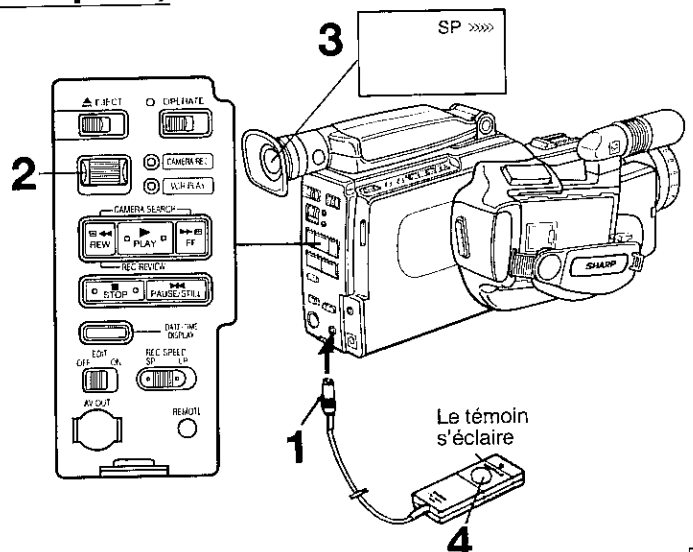
Afin de protéger la bande et d'économiser l'énergie de la batterie, la bande est libérée et le caméscope se met de lui-même hors tension après cinq minutes d'attente d'enregistrement (l'indication ----- est présente dans le viseur).

Alimentation	Position du sélecteur caméra/magnétoscope (CAMERA REC/VCR PLAY)	Après 5 mn d'attente
Batterie/CA	CAMERA REC	Attente → Mise hors tension

Télécommande de pause (accessoire en option)

La pause du caméscope peut être télécommandée à partir du boîtier VR-20ME muni d'un câble de 5 m. Le fonctionnement est identique à celui de la commande de pause/arrêt sur image (PAUSE/STILL).

- 1 Branchez la fiche du câble dans la prise de télécommande (REMOTE).
- 2 Placez le sélecteur caméra/magnétoscope (CAMERA REC/VCR PLAY) sur la position CAMERA REC.
- 3 Assurez-vous que l'indication ----- est présente dans le viseur.
- 4 Pour enregistrer, appuyez sur la touche REC/PAUSE du boîtier de télécommande. L'indication défile de la droite vers la gauche. Pour interrompre l'enregistrement, appuyez une nouvelle fois sur cette touche.



Le caméscope VL-C780S est conçu pour permettre la lecture des cassettes VHS-C. L'image peut être fournie par le viseur ou par un téléviseur.

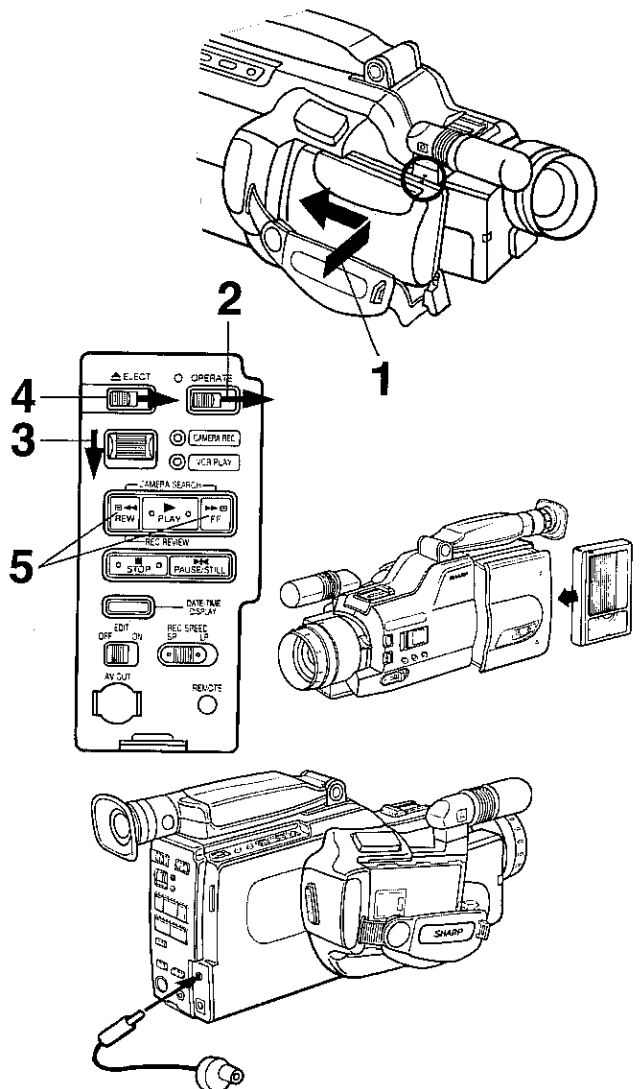
Lecture dans le viseur

- 1 Mettez en place une batterie ou raccordez le caméscope à l'adaptateur CA/chargeur de batterie.
- 2 Mettez le caméscope sous tension au moyen de l'interrupteur général (OPERATE). Le témoin associé s'éclaire.
- 3 Placez le sélecteur caméra/magnétoscope (CAMERA REC/VCR PLAY) sur la position VCR PLAY.
- 4 Manœuvrez le bouton d'éjection (EJECT) et introduisez une cassette munie de la languette de protection.

Remarque

Le cas échéant, retendez la bande.

- 5 Localisez la scène que vous désirez regarder au moyen des commandes de recherche vidéo amont ou aval (REW ou FF) puis appuyez sur la touche de lecture (PLAY).



Remarque

Si vous souhaitez entendre l'enregistrement réalisé sur la piste son, branchez un écouteur sur la prise prévue à cet effet (EARPHONE).

Remarque

La position du sélecteur de vitesse d'enregistrement (REC SPEED LP/SP) est indifférente. La vitesse d'enregistrement est automatiquement détectée lors de la lecture.

Réglage de l'alignement

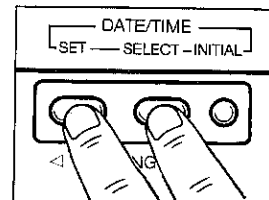
Si des barres parasites apparaissent, agissez sur l'une ou l'autre touche de réglage de l'alignement. Après lecture de l'enregistrement, appuyez en même temps sur les deux touches de manière à obtenir le réglage par défaut.



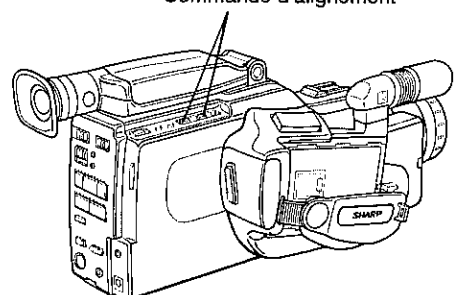
Image "bruitée"



Image normale




Commande d'alignement




Recherche amont et aval et arrêt sur image

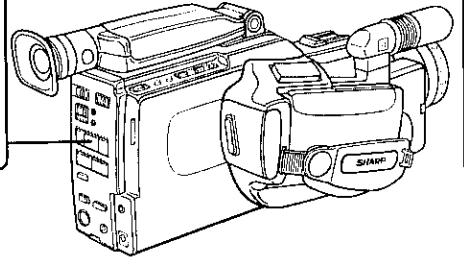
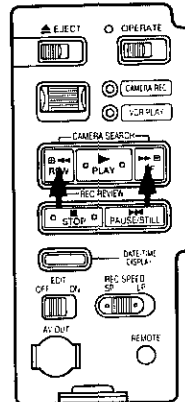
Les commandes de recherche amont et aval permettent de localiser rapidement une scène.

Recherche aval

Appuyez sur la commande de recherche aval (FF ) pendant la lecture. La vitesse de défilement de la bande est alors trois fois plus grande que la vitesse standard (SP) ou sept fois plus grande que la vitesse lente (LP).


Recherche amont

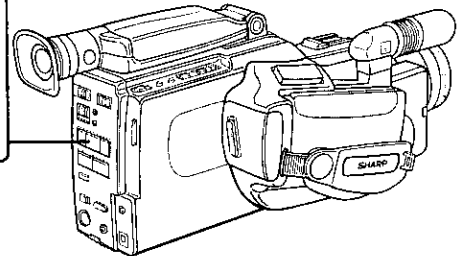
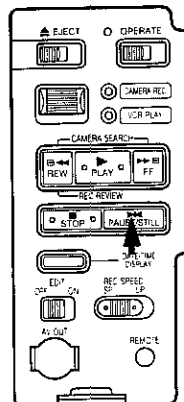
Appuyez sur la commande de recherche amont (REW ) pendant la lecture. La vitesse de défilement de la bande est alors trois fois plus grande que la vitesse standard (SP) ou sept fois plus grande que la vitesse lente (LP).



Remarque Pendant une recherche vidéo, l'image peut être légèrement brouillée. Cela ne traduit pas un défaut de fonctionnement. Réglez

Arrêt sur image

Appuyez sur la commande de pause/arrêt sur image (PAUSE/STILL ) pendant la lecture pour figer l'image. Appuyez une nouvelle fois sur cette touche pour reprendre la lecture normale.



Remarque

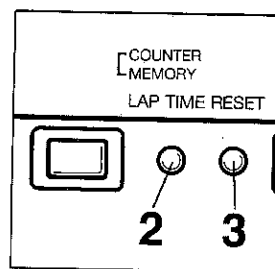
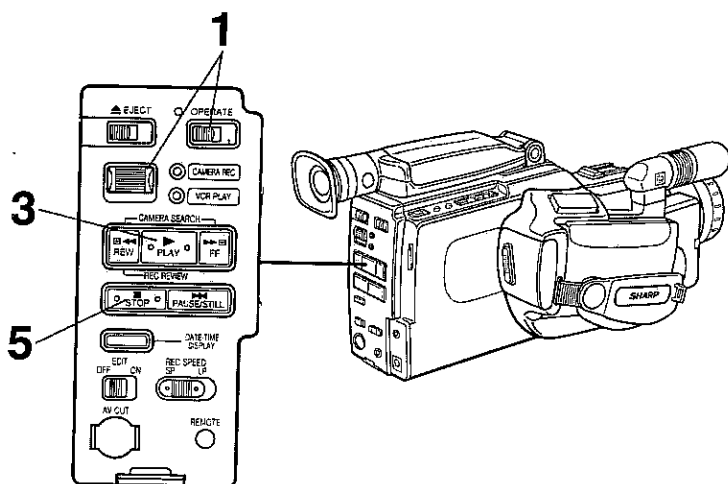
Réglez la commande de balayage vertical du téléviseur si l'image défile verticalement. Afin de protéger la bande, le caméscope la libère et se met de lui-même hors fonctionnement après cinq minutes d'arrêt sur image.

Après environ 5 mn

Arrêt sur image → Arrêt

Mémoire du compteur

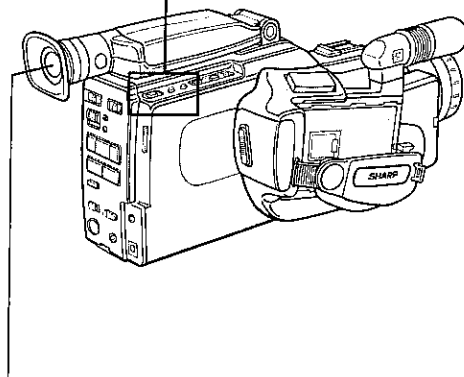
Ce caméscope possède une mémoire du compteur pour la localisation rapide d'une scène. Lorsque cette fonction est en service, le défilement de la bande est arrêté, pendant une recherche amont ou aval, dès que la valeur du compteur est égale à M0000.



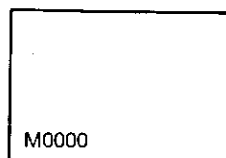
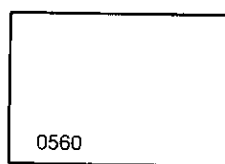
- 1** Mettez le caméscope sous tension au moyen de l'interrupteur général (OPERATE) et placez le sélecteur caméra/magnétoscope (CAMERA REC/VCR PLAY) sur la position VCR PLAY.
- 2** Appuyez sur le sélecteur compteur/mémoire du compteur/temps écoulé pour faire afficher la valeur du compteur sur le viseur.
- 3** Appuyez sur la touche de lecture (PLAY). (Si le caméscope est en arrêt sur image appuyez sur la commande d'arrêt sur image (PAUSE/STILL).)
- 4** Au moment voulu, appuyez sur la commande de remise à zéro (RESET) et sur le sélecteur compteur/mémoire du compteur/temps écoulé.
- 5** A la fin de la scène, appuyez sur la touche d'arrêt (STOP) puis sur la commande de réembobinage (REW). La bande est réembobinée jusqu'à ce que le compteur indique 0000.

Remarques

- Les nombres affichés pendant le réembobinage ou l'avance rapide changent d'une manière quelque peu irrégulière; cela ne traduit pas un défaut de fonctionnement.
- La lettre M apparaît lorsque le compteur atteint 0000.
- Si vous appuyez une seconde fois sur le sélecteur compteur/mémoire du compteur/temps écoulé, la valeur du compteur s'efface et la mémoire n'est plus en service. (Au cours d'une prise de vues, il est possible d'obtenir l'indication du temps écoulé en appuyant sur ce sélecteur.)
- Pendant une avance rapide, le défilement de la bande s'arrête lorsque le compteur indique à peu près 0000.
- La fonction de mémoire du compteur ne peut être employée que si le sélecteur caméra/magnétoscope est sur la position VCR PLAY.



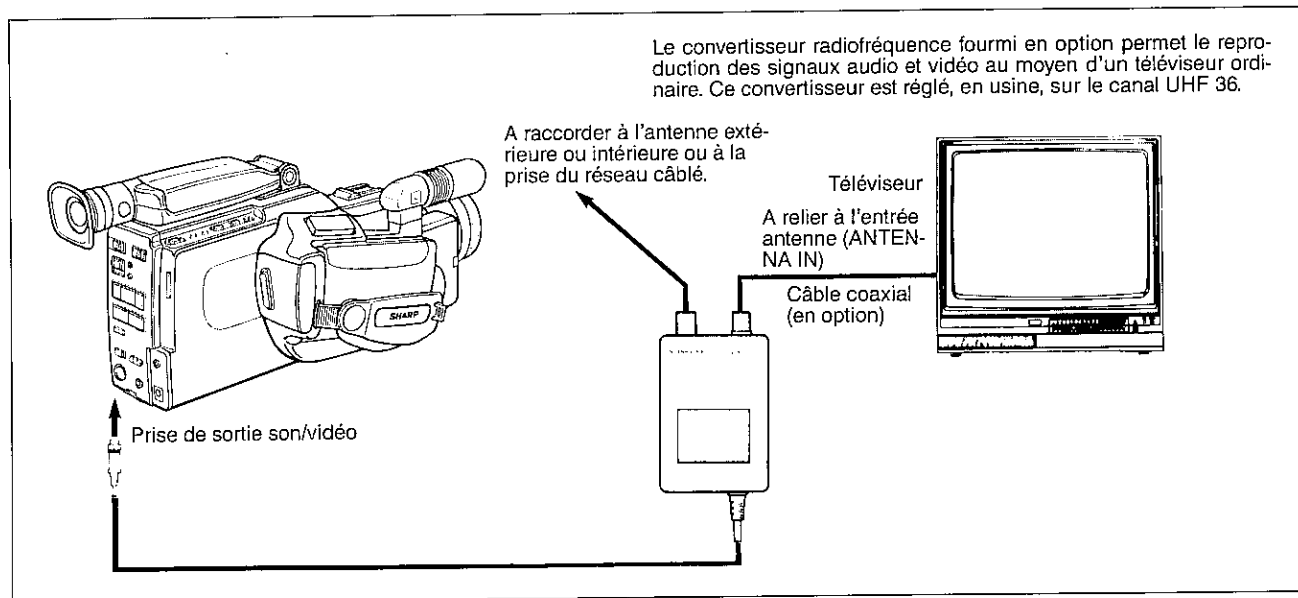
Indication fournie par le viseur



Raccordement à un téléviseur

Pour regarder, sur un téléviseur, les enregistrements effectués avec le caméscope, branchez le convertisseur radiofréquence (en option) entre les deux appareils.

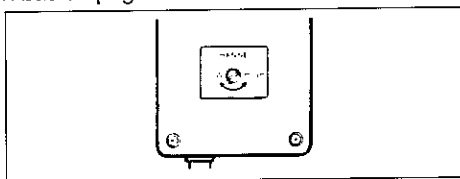
Raccordement à un téléviseur ordinaire



Lecture

Réglez le téléviseur sur le même canal que celui du convertisseur (UHF 30 à 39) puis appuyez sur la touche de lecture (PLAY). Pour revenir en mode de fonctionnement normal du téléviseur, mettez le caméscope hors tension au moyen de l'interrupteur général (OPERATE) ou débranchez la fiche qui relie le convertisseur au caméscope.

- 1 Le sélecteur de canal du convertisseur (en option) est réglé sur le canal 36. Si ce canal est utilisé pour des émissions, procédez à un réglage sur un autre canal. Reportez-vous aux indications fournies en bas de page.



- 2 Réglez le syntoniseur du téléviseur sur le même canal.
- 3 Débranchez le câble d'antenne relié au téléviseur et branchez-le sur la prise d'entrée antenne (ANTENNA IN) du convertisseur.
- 4 Branchez le câble coaxial (75 Ohms) fourni en option entre la prise de sortie du convertisseur (RF OUT) et la prise coaxiale d'entrée antenne du téléviseur.
- 5 Reliez le convertisseur à la prise de sortie son/vidéo du caméscope.
- 6 Placez le sélecteur caméra/magnétoscope (CAMERA REC/VCR PLAY) sur la position VCR PLAY et mettez le caméscope sous tension au moyen de l'interrupteur général (OPERATE).
- 7 Manœuvrez le bouton d'éjection (EJECT) et introduisez une cassette, la fenêtre tournée vers vous. Appuyez sur la touche de lecture (PLAY).

Précautions

- N'utilisez le convertisseur (en option) qu'avec le caméscope.
- Le boîtier du convertisseur est scellé. Ne tentez pas de l'ouvrir. Évitez les chocs et les vibrations qui pourraient endommager le convertisseur.
- Débranchez le convertisseur pendant un orage.

Fonctionnement

Pour lire une cassette placée dans le caméscope :
Pour lire une cassette ou surveiller un enregistrement, réglez le téléviseur sur le même canal que le convertisseur.

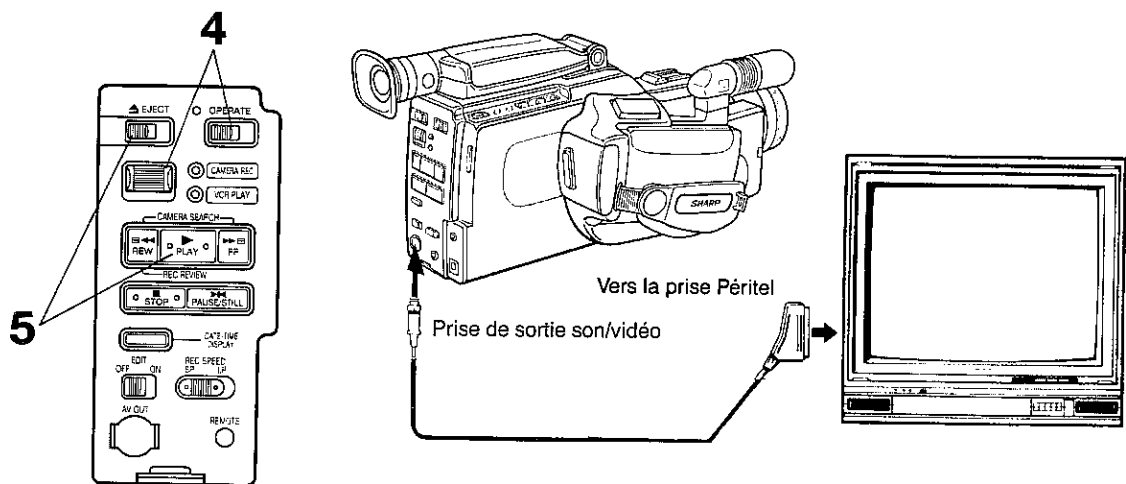
Pour regarder un programme télévisé :
Mettez le caméscope hors tension au moyen de l'interrupteur général (OPERATE) ou débranchez la fiche qui relie le convertisseur au caméscope.

Remarque

Si le canal UHF 36 est utilisé dans votre région pour la diffusion d'émissions, choisissez un autre canal UHF (30 à 39) de manière à faire apparaître, sur le téléviseur, l'image provenant du caméscope. Vous pouvez régler le convertisseur sur un quelconque des canaux UHF 30 à 39 au moyen du sélecteur prévu à cet effet. Veillez à régler le téléviseur sur le même canal.

Raccordement à un téléviseur muni d'une prise Périitel

- 1 Branchez la fiche du câble de liaison fourni sur la prise de sortie son/vidéo du caméscope.
- 2 Branchez le connecteur de ce câble sur la prise Périitel du téléviseur.
- 3 Réglez le téléviseur sur le canal vidéo ou AV.
- 4 Mettez le caméscope sous tension au moyen de l'interrupteur général (OPERATE) et placez le sélecteur caméra/magnétoscope (CAMERA REC/VCR PLAY) sur la position VCR PLAY.
- 5 Manœuvrez le bouton d'éjection (EJECT) et introduisez une cassette. Appuyez sur la touche de lecture (PLAY).

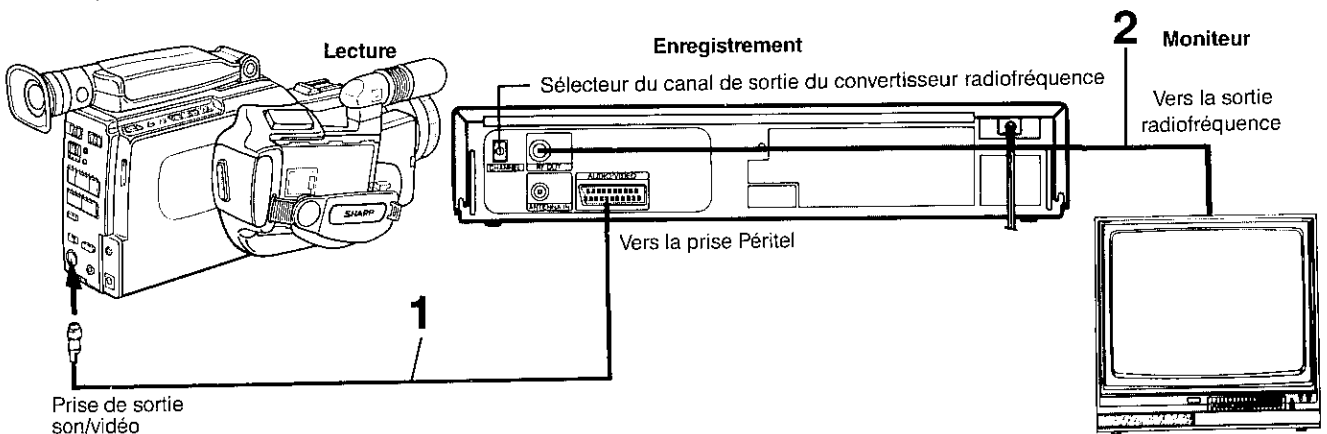


Lecture

Réglez le téléviseur sur le canal vidéo ou AV puis appuyez sur la touche de lecture (sur le caméscope). Pour revenir en mode de fonctionnement normal du téléviseur, réglez-le sur un autre canal.

Enregistrement avec un magnéscope

Ce caméscope peut être relié à un magnéscope en vue de recopie ou d'édition. Les scènes inutiles peuvent être supprimées, d'autres peuvent être déplacées et des effets peuvent être introduits dans les enregistrements afin de les rendre plus attrayants.



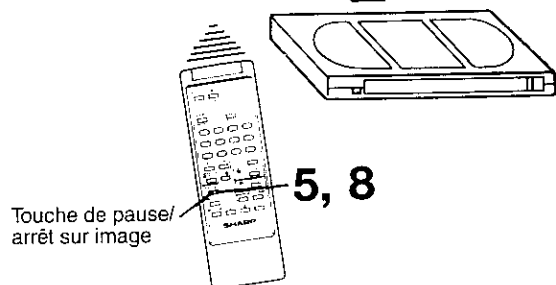
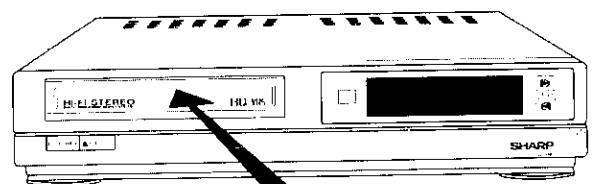
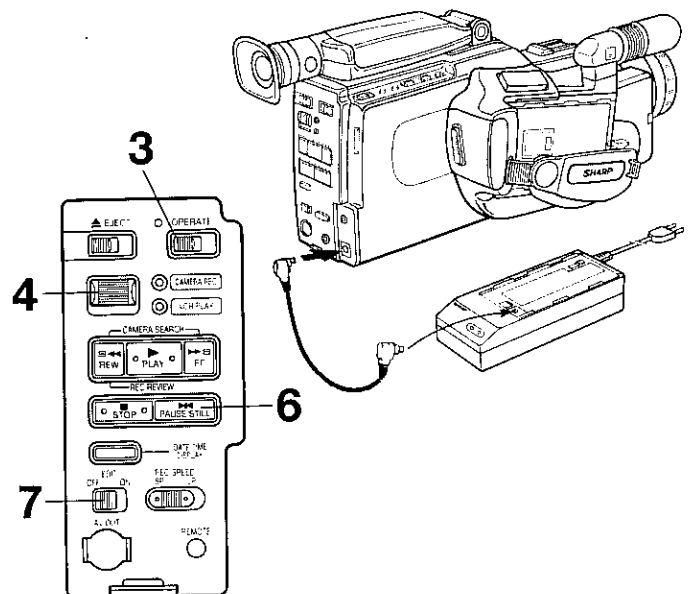
- 1** Branchez le câble de liaison son/vidéo au caméscope et le connecteur de ce câble sur la prise Péritel du magnéscope.
- 2** Contrôlez l'enregistrement sur un moniteur relié au magnéscope.
- 3** Reliez le caméscope à une source d'alimentation et mettez le caméscope sous tension au moyen de l'interrupteur général (OPERATE). Maintenant le magnéscope peut également être mis sous tension.
- 4** Placez le sélecteur caméra/magnéscope (CAMERA REC/VCR PLAY) sur la position VCR PLAY et introduisez une cassette enregistrée.
- 5** Placez une cassette vierge munie de la languette de protection dans le magnéscope qui doit être en attente d'enregistrement.
- 6** Recherchez la scène à copier sur la cassette contenue dans le caméscope et appuyez sur la commande de pause/arrêt sur image (PAUSE/STILL).
- 7** Placez l'interrupteur d'édition (EDIT) sur la position ON.
- 8** Appuyez sur la commande de pause/arrêt sur image (PAUSE/STILL) du caméscope et du magnéscope pour commencer la lecture et la recopie.

Remarque

Il y a nécessairement une perte de qualité d'image lors d'une copie. En conséquence, la vitesse standard d'enregistrement (SP) doit être préférée à toute autre.

Edition

La qualité de l'image se dégrade inévitablement chaque fois que vous effectuez une copie du caméscope vers un magnéscope. Agissez sur l'interrupteur d'édition (EDIT) pour mettre en service les circuits de correction et réduire autant que possible la perte de qualité de l'image. Vous emploierez cet interrupteur lors de l'édition de vos enregistrements.



Touche de pause/arrêt sur image

Remarque

Vous ne devez agir sur l'interrupteur d'édition que pour effectuer une copie.

Emploi de l'adaptateur de cassette (accessoire en option)

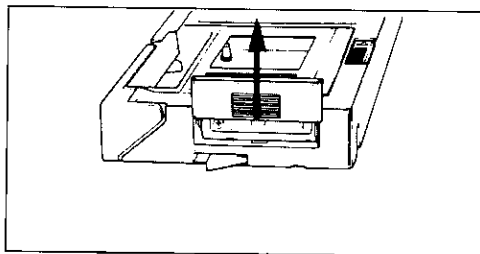
Les cassettes VHS compactes enregistrées sur votre VL-C780S peuvent être lues sur un magnétoscope VHS standard sous réserve d'employer l'adaptateur VR-72CA.

(Dès qu'une cassette compacte est placée dans l'adaptateur, elle est entièrement compatible avec un appareil VHS standard.)

Mise en place de la pile

L'adaptateur VR-72CA est alimenté par une pile R6 (AA).

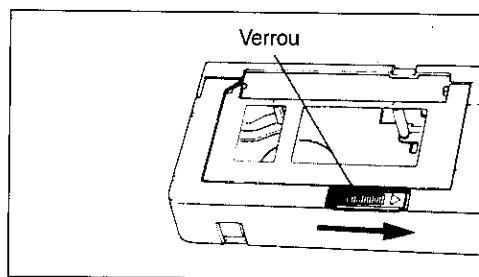
Soulevez le couvercle du logement de la pile, introduisez une pile R6 (AA) neuve puis refermez le couvercle.



Mise en place d'une cassette compacte dans l'adaptateur

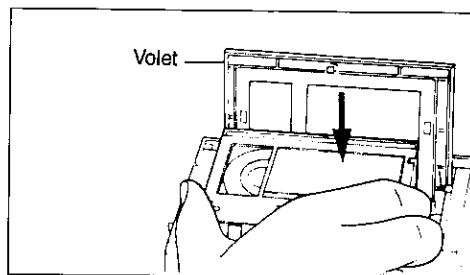
Si la bande est détendue au moment où vous introduisez la cassette dans l'adaptateur, la bande peut être endommagée. Il vous faut donc retendre la bande avant de procéder à ce qui suit.

- 1** Poussez le verrou dans le sens de la flèche pour ouvrir le volet de l'adaptateur.



- Le volet s'ouvre.

- 2** Introduisez une cassette comme le montre l'illustration.



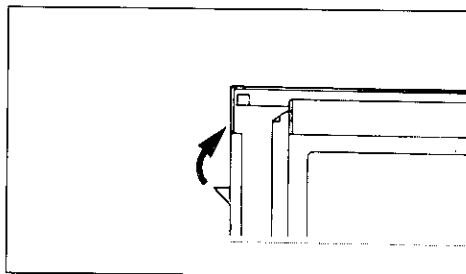
- Veillez à introduire la cassette sans l'incliner.
- Assurez-vous que la bande n'est pas détendue.
- Ne touchez pas à la bande.

- 3** Fermez le volet



- La bande est automatiquement réembobinée.

- 4** Le cran de sûreté se rétracte, indiquant ainsi que le réembobinage est terminé.

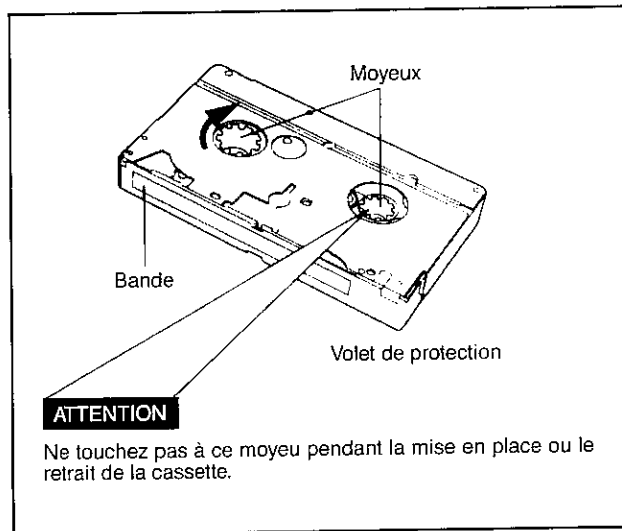


- Attention:**
Ne touchez pas aux moyeux des bobines pendant la mise en place ou le retrait de la cassette.

Attention:

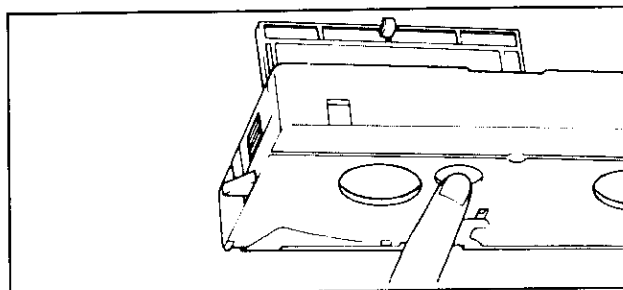
Vérifiez l'état de la bande après l'introduction de la cassette et le réembobinage.

1. Assurez-vous que la bande n'est détendue. (N'ouvrez pas le volet de protection.)
2. Si la bande est détendue, tournez le moyeu dans le sens de la flèche.



Retrait d'une cassette compacte

Poussez sur le verrou pour ouvrir le volet puis sur la cassette pour la dégager, comme le montre l'illustration.



Remarques

- L'adaptateur est fabriqué avec précision. Evitez les chocs et les vibrations. Ne le laissez pas tomber, ne le démontez pas, ne tentez pas de le modifier.
- Lorsque vous remplacez l'adaptateur dans son boîtier, veillez à l'introduire par le côté portant le cran de sûreté.

Cassettes vidéo

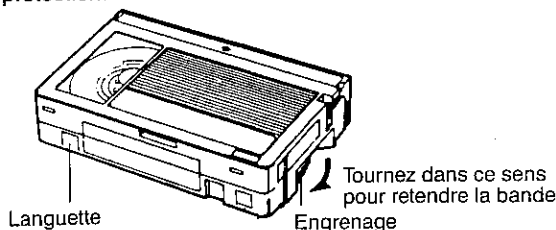
- Le caméscope VL-C780S ne peut employer que des cassettes vidéo portant le sigle **VHS**.
- L'enregistrement efface tous les signaux (son et vidéo) précédents inscrits sur la bande.
- Il n'est pas possible d'introduire une cassette à l'envers.
- N'introduisez pas et ne retirez pas une cassette à plusieurs reprises sans que la bande ait défilé. Cela détend la bande et peut l'endommager.
- Avant d'introduire une cassette, assurez-vous que la bande n'est pas détendue. Le cas échéant, retendez la bande en tournant l'engrenage dans le sens de la flèche.
- Une cassette vidéo comporte une languette dont l'absence protège les enregistrements contre un effacement accidentel. Si vous désirez enregistrer sur une cassette dépourvue de languette, recouvrez le trou mis à découvert par la rupture de la languette à l'aide d'un morceau de ruban adhésif.
- Afin d'éviter que la bande ne soit exposée aux poussières ou marquée par des empreintes digitales, n'ouvrez pas le volet de protection.

Lecture d'une cassette

1. Introduisez l'adaptateur contenant la cassette dans un magnéscope VHS comme vous le feriez pour une cassette ordinaire.
2. Le fonctionnement du magnéscope est inchangé.
 - Les effets spéciaux sont possibles comme avec une cassette ordinaire.
 - Si des barres de bruit apparaissent, agissez sur la commande d'alignement. Veillez à replacer cette commande sur la position normale après lecture d'une cassette compacte.
 - Reportez-vous au mode d'emploi qui vous a été remis avec le magnéscope.

Remarques

- Au cours des effets spéciaux (ralenti, arrêt sur image, etc.), des barres de bruit peuvent apparaître ou encore, l'image peut être animée de tremblements.
- Le cran de sûreté indique, lorsque'il fait saillie, que le réembobinage la bande n'est pas terminé. N'INTRODUISEZ JAMAIS un adaptateur de cassette dans cet état dans le magnéscope car vous pourriez endommager le magnéscope et l'adaptateur.
- N'introduisez pas et ne retirez pas l'adaptateur à plusieurs reprises sans que la bande ait défilé. Cela détend la bande et peut l'endommager.
- L'adaptateur ne peut pas être mis en place à l'envers.
- Lorsque vous avez terminé la lecture, retirez la cassette de l'adaptateur.



Conservation des cassettes

- Evitez la lumière directe du soleil et la chaleur des radiateurs.
- Evitez la poussière et l'humidité.
- Ne laissez pas tomber les cassettes; ne les soumettez pas à des chocs ou des vibrations mécaniques importants.
- Evitez la proximité des sources de champ magnétiques (moteur, transformateur, enceintes acoustiques, etc.)
- Remplacez les cassettes dans leurs boîtiers et rangez-les verticalement.

Dispositifs utiles à l'enregistrement

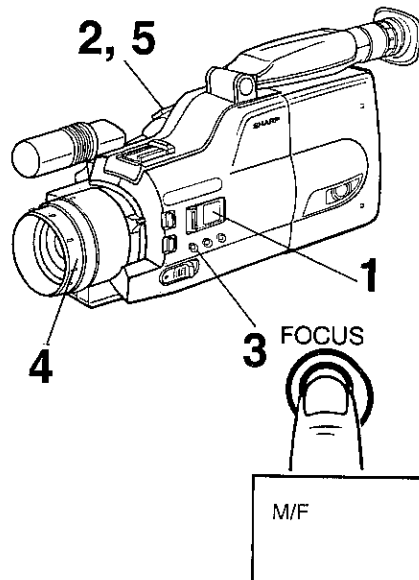
Mise au point manuelle

Dans les cas énumérés ci-dessous, la mise au point automatique peut s'avérer difficile et vous devrez donc effectuer vous-même certains réglages.

1. Le sujet n'est pas au centre de l'image.
2. Vous souhaitez que le premier plan ou l'arrière plan soit flou.
3. Vous désirez débiter la prise de vues par un plan flou.

Mise au point manuelle

- 1 Placez la commande de fonctionnement automatique sur la position OFF.
- 2 Appuyez sur la touche T pour venir en gros plan sur le sujet.
- 3 Choisissez la mise au point manuelle au moyen du sélecteur (FOCUS) prévu à cet effet.
- 4 Tournez la bague de mise au point jusqu'à ce que l'image du sujet soit nette.
- 5 Appuyez légèrement sur la touche W pour venir en plan général et composer la scène.



Lorsque la mise au point manuelle est possible, l'indication M/F est affichée sur le viseur.

Équilibrage du blanc

L'équilibrage du blanc est nécessaire pour obtenir une bonne reproduction de toutes les couleurs. Cela est réalisé sans intervention de votre part lorsque le caméscope est en mode de fonctionnement automatique.

Verrouillage de l'équilibrage du blanc

Un décalage des couleurs se produit lorsque vous filmez un objet ayant une couleur unie et de manière telle qu'il remplisse le viseur, c'est-à-dire, le plus souvent, lorsque vous effectuez un gros plan. Ce caméscope est pourvu d'un dispositif de verrouillage de l'équilibrage du blanc afin d'empêcher ce phénomène. Procédez comme il est dit ci-dessous pour obtenir ce verrouillage.

(1) Lorsqu'une action rapide de votre part est nécessaire

Réglez la focale variable pour une prise de vues en plan général et visez un sujet composé de diverses couleurs. L'équilibrage du blanc est automatiquement et correctement réalisé.

Appuyez sur le sélecteur d'équilibrage du blanc (WHITE BALANCE). L'indication W/B s'affiche sur le viseur, ce qui signifie que l'équilibrage réalisé sera conservé même si vous effectuez une prise de vues d'un sujet rapproché et de couleur unie.

(2) Lorsque vous désirez un équilibrage du blanc très précis

Visez une feuille de papier blanc, réglez la focale variable de manière que l'image de la feuille remplisse tout le viseur, effectuez la mise au point et patientez environ 2 secondes. L'équilibrage du blanc est automatiquement et correctement réalisé. Placez la commande de fonctionnement automatique (FULL AUTO) sur la position OFF puis appuyez sur le sélecteur d'équilibrage du blanc (WHITE BALANCE) pour verrouiller le réglage effectué. L'indication W/B s'affiche sur le viseur.

• Pour annuler le précédent réglage, appuyez sur le sélecteur d'équilibrage du blanc (WHITE BALANCE) ou placez la commande de fonctionnement automatique (FULL AUTO) sur la position FULL AUTO.

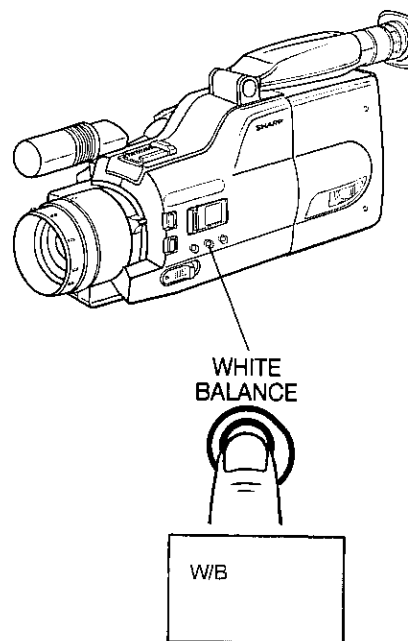
• La température de couleur de la source lumineuse peut varier (c'est notamment le cas de la température de couleur du soleil au cours de la journée). En ce cas, un nouveau réglage est nécessaire.

Remarque

- Le verrouillage de l'équilibrage du blanc est annulé lorsque le caméscope est mis hors tension ou réglé pour se comporter comme un magnétoscope.
- Le verrouillage de l'équilibrage du blanc n'est pas total et les faibles variations de température de couleur sont prises en compte de manière que les enregistrements soient aussi bons que possible.

Il peut arriver que l'équilibrage automatique du blanc ne fonctionne pas correctement dans les cas suivants:

- L'éclairage est composite (naturel et artificiel). Pensez-y lors des prises de vues près d'une fenêtre. Il est préférable que l'éclairage provienne de sources ayant la même température de couleur.
- Vous avez composé certains effets spéciaux d'éclairage.
- Le sujet est en contre-jour.
- L'éclairage est insuffisant.
- La température de couleur varie rapidement ou encore, les contrastes de lumière sont trop prononcés.
- Le sujet est de couleur unie.



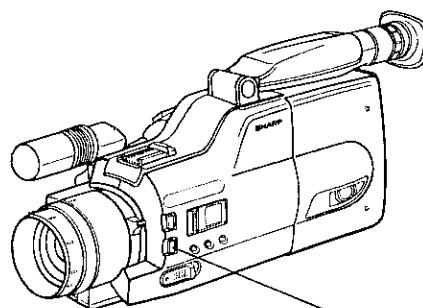
Lorsque l'équilibrage du blanc est verrouillé, l'indication W/B est affichée à la partie supérieure gauche du viseur. (Cette indication s'efface si le verrouillage est libéré.)

Correction de contre-jour

Le diaphragme automatique de ce caméscope fait appel à un dispositif photométrique pour éviter le blanchiment et obtenir le réglage optimal lorsque le sujet est en contre-jour. Toutefois, si l'arrière-plan est trop lumineux et si le sujet est sombre, vous devez employer la commande de correction de contre-jour et de gain (BLC/GAIN-UP) pour réaliser un bon enregistrement.

Remarque

Dès que vous relâchez la pression sur cette commande, le réglage du diaphragme est à nouveau obtenu automatiquement.



BLC/GAIN-UP



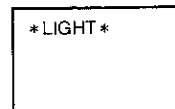
Gain d'amplification

L'indication LIGHT s'affiche sur le viseur si le sujet est sombre. En appuyant sur la commande de correction de contre-jour et de gain (BLC/GAIN-UP) vous pouvez corriger ce défaut. L'indication *LIGHT* s'affiche alors sur le viseur.

Lorsque le sujet devient plus lumineux, l'indication *LIGHT* s'efface mais le gain maximal est toujours employé pour les prises de vues. Pour obtenir à nouveau le gain normal d'amplification, appuyez sur la commande de correction de contre-jour et de gain (BLC/GAIN-UP) tandis que l'indication *LIGHT* est affichée par le viseur.

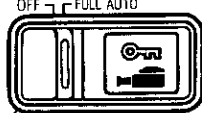
Remarques

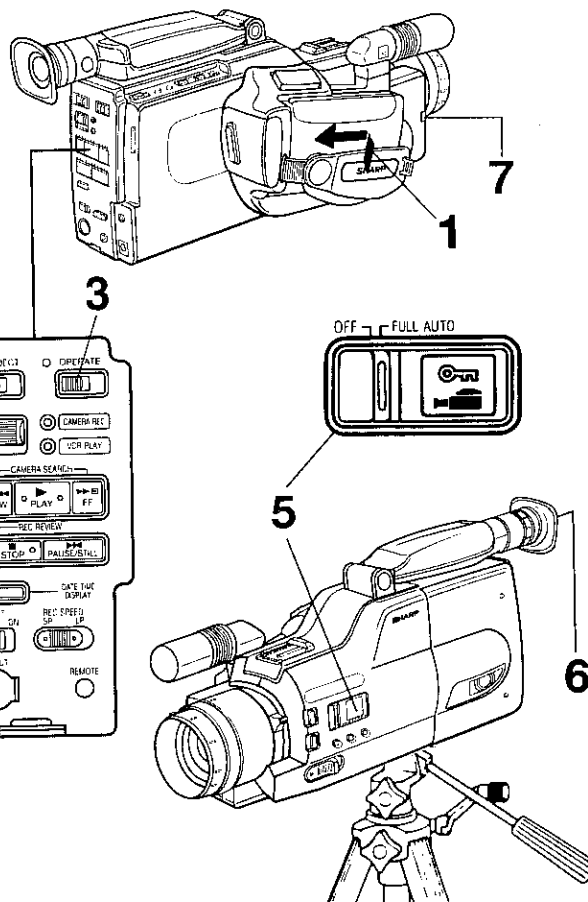
- Le bruit vidéo est sensiblement plus élevé lorsque le gain est augmenté.
- Le gain retrouve sa valeur normale si le caméscope est mis hors tension ou utilisé pour la lecture d'un enregistrement.



L'indication *LIGHT* s'affiche lorsque le gain est maximal.

Enregistrement avec le retardateur

- Mettez en place une batterie.
- Manœuvrez le bouton d'éjection (EJECT) et introduisez une cassette munie de la languette de protection. Refermez le volet du compartiment à cassette en appuyant sur l'emplacement marqué PUSH.
- Fixez le caméscope sur un trépied stable et conçu pour les caméras vidéo, puis mettez le caméscope sous tension au moyen de l'interrupteur général (OPERATE).
- Placez le sélecteur caméra/magnétoscope (CAMERA REC/VCR PLAY) sur la position CAMERA REC.
- Placez la commande de fonctionnement automatique sur la position FULL AUTO et assurez-vous que le pictogramme  est affiché sur l'écran à cristaux liquides.
- Dirigez le caméscope vers le sujet et composez le plan.
- Appuyez sur la commande du retardateur. Le témoin de prise de vues clignote pendant une dizaine de secondes à la suite desquelles le caméscope procède à un enregistrement d'une vingtaine de secondes avant de passer en attente. Si vous souhaitez enregistrer pendant une période plus longue, appuyez deux fois sur la commande du retardateur.



Remarque

Si vous appuyez trois fois sur la commande du retardateur, celui-ci est mis hors service.

Obturbateur à grande vitesse

Vous emploierez l'obturateur à grande vitesse (1/10.000, 1/2.000, 1/500, 1/100 de seconde) pour l'enregistrement d'un sujet se déplaçant rapidement. Lors de la lecture sur un magnétoscope pourvu de quatre têtes, ces images sont d'une grande netteté, y compris pendant un arrêt sur image ou un ralenti.

Emploi de l'obturateur à grande vitesse

1 Le caméscope étant en attente d'enregistrement, placez la commande de fonctionnement automatique sur la position OFF et appuyez sur la commande de l'obturateur à grande vitesse (SHUTTER SPEED). A chaque pression sur cette commande, la vitesse d'obturation est modifiée selon la séquence suivante: 1/10.000, 1/2.000, 1/500, 1/100, 1/50 (standard) et à nouveau 1/10.000.

2 Employez la commande d'enregistrement comme à l'accoutumée.

La durée d'ouverture du diaphragme étant plus faible, la prise de vues avec l'obturateur à grande vitesse exige plus de lumière. Les éclaircissements minimum sont données ci-dessous.

1/10.000: 3.000 lux

1/2.000: 600 lux

1/500: 150 lux

1/100: 30 lux

Nous vous conseillons de réserver les très grandes vitesses d'obturation aux prises de vues en extérieur, ou de prévoir un éclairage d'appoint.

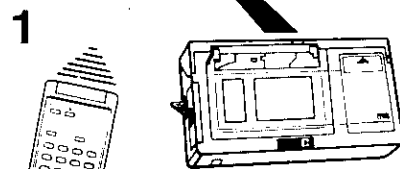
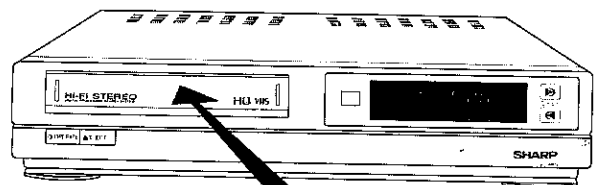
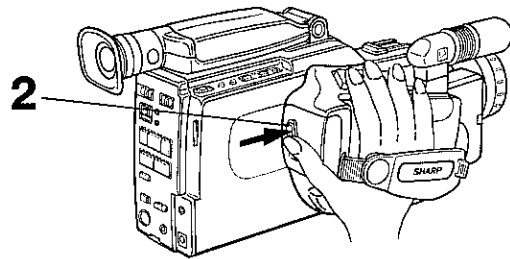
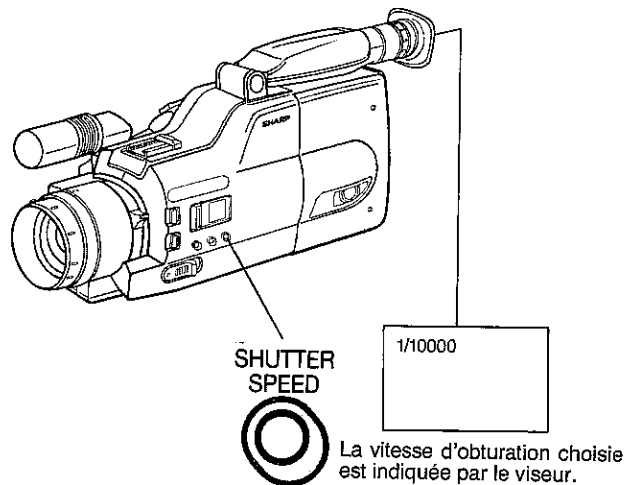
Remarques

- Évitez l'emploi de l'obturation à grande vitesse avec un éclairage fluorescent car cela entraîne un tremblement de l'image.
- Une vitesse d'obturation supérieure à 1/50 assombrit l'image. Pour des vitesses autres que celle-ci, la scène doit être brillamment éclairée.

Lecture des enregistrements effectués avec l'obturateur à grande vitesse

1 Placez la cassette enregistrée dans l'adaptateur **VHS** en option et ce dernier dans un magnétoscope **VHS** à quatre têtes.

2 Les images prises avec l'obturateur à grande vitesse sont d'une netteté remarquable même pendant un arrêt sur image ou un ralenti.



Touche d'arrêt sur image (STILL)



Prise de vues macro

Il est possible de faire des gros plans sur de petites plantes, des insectes et même des photos d'un album de famille en utilisant la position macro pour laquelle le sujet occupe la totalité du viseur. Il est également possible d'employer cette position pour enregistrer des titres.

Normalement l'objectif ne permet pas de faire la mise au point sur un sujet se trouvant à moins de 1 mètre du caméscope.

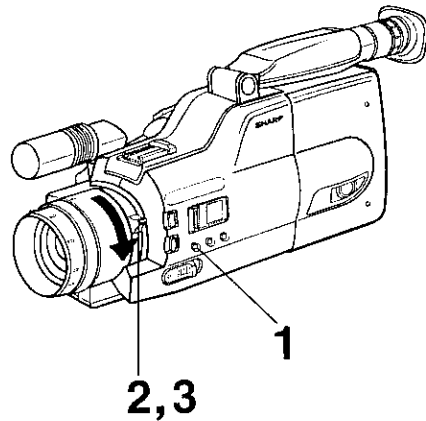
Avec la position macro, la mise au point peut être obtenue sur un sujet placé à une distance comprise entre 8 mm et 100 cm de la face avant de l'objectif.

Les moindres mouvements étant amplifiés lors de la prise de vues macro, montez le caméscope sur un trépied stable.

- 1** Choisissez la mise au point au moyen du sélecteur prévu à cet effet (FOCUS).
- 2** Maintenez la pression sur la commande de prise de vues macro et amenez le levier de changement de focale sur la position macro.
- 3** Effectuez la mise au point en déplaçant lentement le levier.

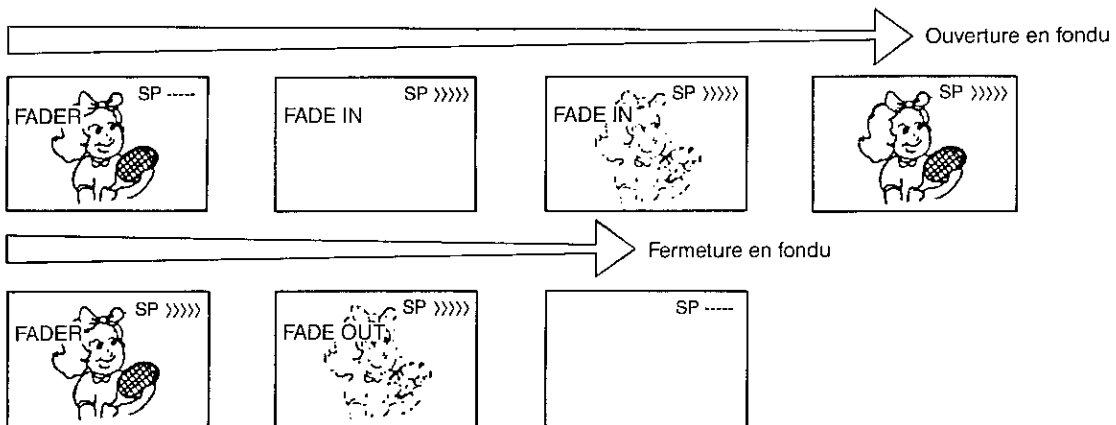
Remarques

- Remplacez le levier dans sa position normale lorsque la prise de vues est terminée.
- Un décalage de couleur peut se produire au cours de la prise de vues d'un sujet ayant une couleur unie (par exemple, un pétale de fleur). Pour éviter ce phénomène, procédez au verrouillage de l'équilibrage du blanc. (Reportez-vous page 31.)



Ouverture et fermeture en fondu

Ce caméscope est pourvu d'une commande d'ouverture et de fermeture en fondu.

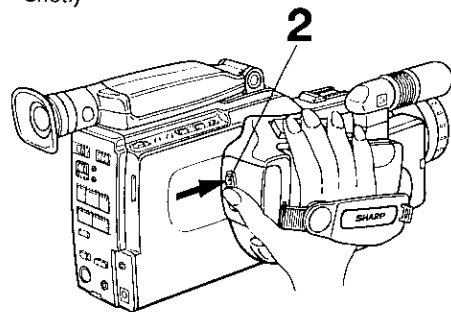
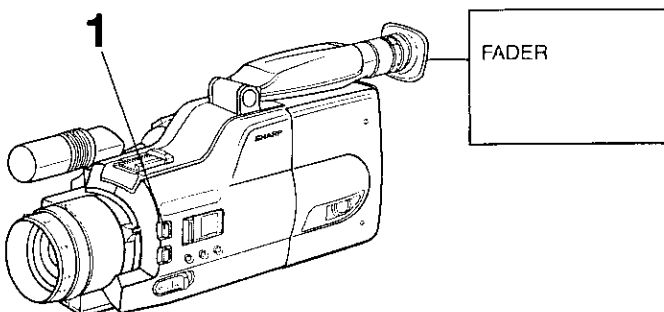


Ouverture en fondu

- 1** Le caméscope étant en attente d'enregistrement, appuyez sur la commande d'ouverture et de fermeture en fondu (FADE IN/OUT). L'indication FADER s'affiche sur le viseur.
- 2** Appuyez sur la commande d'enregistrement. Le viseur devient noir puis l'image nette du sujet apparaît peu à peu. L'indication FADE IN s'affiche sur le viseur.

Fermeture en fondu

- 1** Au cours d'une prise de vues, appuyez sur la commande d'ouverture ou de fermeture en fondu (FADE IN/OUT). L'indication FADER s'affiche sur le viseur.
- 2** Appuyez sur la commande d'enregistrement. Peu à peu le viseur devient noir. L'indication FADE OUT s'affiche sur le viseur. (Si vous réglez le caméscope en attente d'enregistrement, la commande de fondu devient sans effet.)



Eclairage

Pour obtenir des images claires et de bonne qualité il vous faut un éclairage de 500 à 100.000 lux — bien entendu vous pouvez enregistrer avec moins de lumière, mais la qualité des images s'en ressentira. Un éclairage adéquat est également essentiel pour un bon équilibre du blanc.

Eclairage (en lux)	Situation	Température de couleur	Situation	Couleur	Plage de fonctionnement de l'équilibrage du blanc							
100.000	Ciel bleu Temps clair, vers midi (100.000) Temps clair, vers 10 heures du matin (65.000)	10.000°K	Temps clair	Bleu	A U T O							
10.000	Temps clair, vers 3 heures de l'après-midi (35.000) Temps couvert, vers midi (32.000) Temps couvert, vers 10 heures du matin (25.000)	9.000 8.000	Téléviseur couleur Temps couvert	A U T O								
1.000	Temps clair, une heure après le lever du soleil (2.000) Temps clair, une heure avant le coucher du soleil (1.000) Eclairage fluorescent près d'une fenêtre (1.000)	7.000 6.500	Jour de pluie Eclairage fluorescent type lumière du jour			A U T O						
100	A l'intérieur d'une usine (700 à 800) Étalage d'un grand magasin (500 à 700) Salle de bowling (500) Bibliothèque (400 à 500) Bureaux éclairés en lumière fluorescente (400 à 500) Lampe de bureau fluorescente (400) Lampe torche à 1 m (250)	6.000 5.500	Flash d'appareil photo Lampe photo bleue				A U T O					
10	Volée d'escalier d'un magasin (100)	5.000 4.500	Eclairage fluorescent blanc cassé Lampe photo au tungstène					A U T O				
	Salle de cinéma pendant un entracte (15 à 35) Briquet à 30 cm (15 à 20) Bougies d'un gâteau d'anniversaire à 20 cm (10 à 15)	3.200 2.800	Lampe halogène Lampe au tungstène Lampe à iode						A U T O			
	Bougie	2.500 2.000	Lampe à acétylène Lampe au kérosène Bougie							A U T O		
											A U T O	
												A U T O
					A U T O							
				A U T O								
						A U T O						
							A U T O					

Remarques

- Ces valeurs sont fournies à titre purement indicatif.
- La meilleure façon d'obtenir des couleurs très naturelles consiste à contrôler l'image sur un téléviseur couleur et à régler l'équilibrage du blanc.
- L'équilibrage automatique du blanc doit s'employer pour des températures de couleur comprises dans la gamme ci-dessus. Cependant, il peut s'employer d'une manière satisfaisante pour des températures comprises entre 2500°K et 8000°K bien que l'image ait alors tendance à devenir respectivement plus rouge ou plus bleue.

Eclairage pour les prises de vues vidéo

L'éclairage est l'un des éléments importants de la prise de vues vidéo. C'est également l'un des plus difficiles à maîtriser. Un bon éclairage est essentiel pour un équilibre correct du blanc et fait toute la différence entre une image excellente et une image médiocre.

Pour la majorité des prises de vues en extérieur, l'éclairage naturel est bien adapté. Pour les prises de vues en intérieur, la situation se complique car un éclairage artificiel devient nécessaire. Les lampes au tungstène (ou à quartz) fournissent une lumière assez naturelle et présentent l'avantage de donner une température de couleur constante au cours du temps.

Un bon éclairage demande quelque expérience et de nombreux problèmes se posent aux débutants. Prenez soin de ne pas aplatir le sujet par des lampes placées de part et d'autre du caméscope; tentez d'utiliser l'éclairage pour modeler le sujet ou pour donner du relief à une scène. Bonne chance!

Avant de faire appel à un technicien

Si vous constatez une anomalie de fonctionnement, procédez aux vérifications ci-dessous avant de faire appel aux services d'un technicien.

Symptômes		Causes probables	Remèdes
• Alimentation	• Absence d'alimentation	• Les dispositifs de sécurité fonctionnent.	• Débranchez la fiche de l'adaptateur CA/chargeur de batterie puis branchez-la à nouveau dans la prise secteur.
		• La batterie est déchargée	• Rechargez la batterie.
	• Le caméscope se met hors tension peu de temps après la mise sous tension	• Le caméscope n'est pas correctement relié à l'alimentation.	• Reliez correctement le caméscope à l'alimentation.
		• La batterie est déchargée	• Utilisez une batterie parfaitement chargée.
		• De la condensation s'est formée dans le caméscope	• Attendez que la condensation ait disparu.
		• Le capuchon recouvre l'objectif.	• Retirez le capuchon.
• Enregistrement	• Alimentation normale mais absence d'image.	• La languette de protection a été ôtée.	• Recouvrez le trou avec un morceau de ruban adhésif ou employez une cassette munie de la languette de protection.
	• L'enregistrement est impossible.	• Le sélecteur caméra/magnétoscope (CAMERA REC/VCR PLAY) est sur la position VCR PLAY	• Placez le sélecteur caméra/magnétoscope (CAMERA REC/VCR PLAY) sur la position CAMERA REC.
	• Les couleurs sont médiocres	• Le téléviseur n'est pas correctement réglé.	• Réglez le téléviseur.
		• L'éclairage est insuffisant.	• Augmentez l'éclairage ou corrigez sa température de couleur.
	• L'image est floue	• L'objectif est poussiéreux.	• Nettoyez l'objectif.
	• La mise au point est incorrecte	• Réglez la mise au point.	
	• L'image fournie par le viseur est trop sombre.	• L'obturation choisie est trop rapide.	• Choisissez l'obturation normale (STANDARD) au moyen du sélecteur prévu à cet effet (SHUTTER SPEED).
• Lecture	• Absence d'image.	• Le raccordement avec le téléviseur est incorrect.	• Vérifiez les raccordements.
		• Le téléviseur n'est pas réglé sur le canal de sortie du convertisseur radiofréquence (UHF 30 à 39)	• Réglez le téléviseur sur le canal de sortie du convertisseur radiofréquence (UHF 30 à 39).
		• Le sélecteur TV/VIDEO du téléviseur n'est pas sur la position TV (cela dans le cas où le téléviseur est muni d'une prise d'entrée AV).	• Placez le sélecteur TV/VIDEO sur la position TV.
	• La lecture s'effectue en noir et blanc lorsque le caméscope est relié à un téléviseur.	• L'alignement n'est pas correctement réglé.	• Réglez l'alignement.
	• L'image est parasitée.	• Le ruban est usagé.	• Employez une cassette neuve.
	• L'image est déchirée.	• La batterie est insuffisamment chargée.	• Rechargez la batterie.
• La cassette ne peut pas être mise en place.	• La cassette n'est pas présentée correctement. • Une cassette est déjà dans le caméscope.	• Introduisez la cassette dans le sens voulu. • Manœuvrez le bouton d'éjection (EJECT) et retirez la cassette.	
• L'avance rapide de la bande est impossible.	• La fin de la bande est atteinte.	• Réembobinez la bande jusqu'à la scène que vous souhaitez regarder.	
• Le réembobinage de la bande est impossible.	• La bande est déjà complètement réembobinée.	• Faites défiler la bande jusqu'à la scène que vous souhaitez regarder.	

Remarques

Ce caméscope est pourvu d'un microprocesseur dont le fonctionnement peut être perturbé par du bruit ou des interférences électriques. Dans un tel cas, mettez le caméscope hors tension et débranchez-le de la source d'alimentation.

Fiche technique

Format	Standard VHS	
Alimentation	9,6 Volts ~	
Consommation	8,5 Watts	
Signal vidéo	PAL (couleur)	
Dispositif d'enregistrement	Luminance: enregistrement FM Couleur: enregistrement direct de la sous-porteuse chroma convertie conformément au format VHS	
Cassette	VHS-C	
Vitesse de défilement (SP)	23,39 mm/s	
(LP)	11,69 mm/s	
Durée maximale d'enregistrement/lecture (SP)	30 mn (avec une cassette EC-30)	
(LP)	60 mn (avec une cassette EC-30)	
Niveau de sortie vidéo	1,0 V _{c-c} , composite, sur 75 Ohms (par l'intermédiaire de la prise de sortie)	
Rapport S/B vidéo	46 dB (selon mesureur de bruit Rhode & Schwartz)	
Niveau de sortie audio	-8 dBs, 1 kOhm (par l'intermédiaire de la prise de sortie)	
Niveau d'entrée microphone	-65 dBs, haute impédance, asymétrique	
Capteur d'image	1/2", CCD	
Eclairage minimum	3 lux (à F/1,6, avec gain maximal)	
Objectif	F/1,6, f=8 — 64 mm/F2,4, f=12 — 96 mm, focale variable ×8 commande automatique du diaphragme, position macro, diamètre pour les filtres 46 mm	
Viseur	Ecran cathodique 0,7 pouce noir et blanc	
Correction de la température de couleur	Equilibrage automatique du blanc avec verrouillage du réglage	
Température de fonctionnement	0°C à 40°C	
Humidité relative	35% — 80%	
Température de stockage	-20°C ~ 60°C	
Poids	1,2 kg (avec le viseur)	
Dimensions	126 (L) × 151 (H) × 322 (P) mm (y compris le viseur)	
Adaptateur CA/chargeur de batterie		
Alimentation	110 — 240 V, ~50/60 Hz	
Tension nominale de sortie	9,6 Volts ~ CC	
Courant nominal de sortie	1,3 A	
Dispositif de charge	Courant constant, maximum, minuterie	
Dimensions	70 (L) × 43 (H) × 154 (P) mm	
Poids (approx.)	380 g	
Accessoires fournis		
Batterie standard (BT-75)		
Adaptateur CA/chargeur de batterie (AA-75S)	Bandoulière	
Câble de liaison audio/vidéo avec connecteur	Câble	
Péritel	Pile au lithium	
Accessoires en option		
Batterie standard (BT-75)	Batterie de grande autonomie (BT-76)	Convertisseur radiofréquence (VR-S10RF)
Adaptateur pour batterie auto/chargeur (VR-P75CH)	Adaptateur de cassette (VR-72CA)	Télécommande de pause (VR-20ME)
Microphone directif (VR-67ZM)		

La conception et les caractéristiques peuvent être modifiée sans préavis.

BRUKSANVISNING

SVENSKA

VARNING:

**UTSÄTT INTE APPARATEN FÖR
REGN OCH FUKT FÖR ATT UND-
VIKA BRAND OCH ELEKTRISKT
ÖVERSLAG.**

Denna apparat får endast användas med 9,6V
eller rekommenderad nättillsats.

OBSERVERA:

För att undvika elektriskt överslag och brand får
den **INTE** anslutas till någon annan strömkälla.

OBSERVERA:

Fara för elektrisk stöt. Öppna inte höljet! Det finns
inga delar inuti apparaten som konsumenten kan
åtgärda. Överlämna alla reparationer till kvalificerad
personal.

Gratulerar till ett klokt val!

Ett svårt val då det finns så många olika märken att välja mellan. Men efter att ha provat kvaliteten och de fina egenskaperna hos Sharps Camcorder kommer du inse att valet var det rätta.

Inköpet av denna kamerabandspelare kommer öka nöjet med TV. Läs noga dessa anvisningar för att få det mesta ur Sharps Camcorder innan den börjar användas. Spar också detta häfte för framtida referens om det skulle uppstå några problem.

EGENSKAPER

- 1** NYTT ZOOMSYSTEM × 12
- 2** Helautomatiskt kamerainspelningssystem
— Automatisk inställning av bildskärpa, bländare och vitbalans
- 3** Många slutartider: 1/10.000, 1/2.000, 1/500, 1/100 sek
- 4** Kan spela in med så liten beslysning som 3 lux (med ljusförstärkning)
- 5** Självreglerande bländare för motiv i motljus
- 6** Flygande raderhuvud och inspelningskontroll
- 7** Självutlösare för kamerainspelning
- 8** 3-vägs strömförsörjning; nät, batteri eller bilström

Viktigt

Inspelningar får endast göras för eget bruk för att inte bryta mot lagen om upphovsrätt. Se gällande lag i det land där kamerabandspelaren används.

Strömförsörjning

Denna kamerabandspelare kan drivas med nätström via en nättillsats, ett batteripaket eller en bilbatterisladd som är extra tillbehör. På nättillsatsen finns en spänningsväxlare (110-240 V, 50/60 Hz).

INNEHÅLL

EGENSKAPER	1	BYTE AV BATTERIPAKET UNDER	
SÄKERHETSFORESKRIFTER	2	INSPELNING	22
FUNKTIONSBESKRIVNING	4	AUTOMATISK AVSTÄNGNING	22
FÖRBEREDELSE	7	FJÄRRSTYRD PAUS (EXTRA TILLBEHÖR)	22
ILÄGGNING AV LITIUMBATTERI	7	AVSPELNING	23
INSTÄLLNING AV DATUM/TID	7	AVSPELNING I SÖKAREN	23
MONTERING/DEMONTERING		BILDJUSTERING	23
AV BATTERIPAKET	8	BILDSÖKNING OCH STILLBILD	24
FASTSÄTTNING AV AXELREM	8	BANDRÅKNEVERKETS MINNE	25
ILÄGGNING/UTTAGNING AV KASSETT	9	ANSLUTNING TILL EN TV	26
JUSTERING AV HANDREM	9	ANSLUTNING TILL TV MED AV-KONTAKTER	27
YTTRE MIKROFONS ANVÄNDNING	10	KOPIERING MED EN ANNAN	
SÖKARENS ANVÄNDNING	10	VIDEOBANDSPELARE	28
STRÖMFÖRSÖRJNING	11	REDIGERINGSKONTROLL	28
NÄTTILLSATS/BATTERILADDARE	11	KASSETTADAPTERNS ANVÄNDNING	
LADDNING AV BATTERIPAKET	12	(EXTRA TILLBEHÖR)	29
BILBATTERIADAPTER/LADDARE	12	AVANCERAD ANVÄNDNING	31
BATTERIPAKETS ANVÄNDNING	13	MANUELL FOKUSERING	31
KAMERAINSPELNING	14	VITABLANS	31
HELAUTOMATISKT SYSTEM	16	MOTLJUSKOMPENSATION	32
INSPELNINGSKONTROLL	17	LJUSFÖRSTÄRKNING	32
MOTORZOOM (VIDVINKEL/TELE)	17	INSPELNING MED SJÄLVUTLÖSARE	32
SNABBZOOM	18	HÖGHASTIGHETSSLUTARE	33
TIDMÄTNINGSFUNKTION	19	NÄRBILDINSPELNING	34
INDIKERINGAR I LCD-PANEL OCH SÖKARE	20	UT/TINTONING	34
AUTO-DATE FUNKTION	21	BELYSNING	35
SKARVLÖS INSPELNING	22	FELSÖKNING	36
		TEKNISKA DATA	37

SÄKERHETSFÖRESKRIFTER

LÄS DESSA FÖRESKRIFTER innan kamerabandspelaren används.
FÖLJ ANVISNINGARNA OCH ALLA VARNINGAR på kamerabandspelaren och i detta häfte.

KONDENS

Vad är fukt kondens?

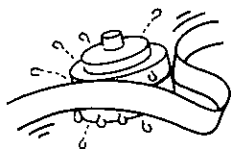
Om man håller kallt öl i ett glas, bildas vattendroppar på glasets utsida. Dessa vattendroppar kallas kondens.



Vid kondens i kamerabandspelaren

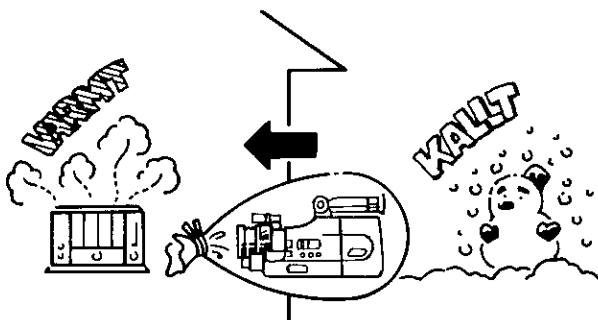
Med kondens på bildtrumman fastnar bandet vilket skadar såväl bildhuvudet som bandet. Vid kondens kan inspelningar och avspelningar inte göras på rätt sätt. Kondens kan uppstå i följande fall:

- När apparaten flyttas från ett kallt till ett varmt ställe.
- När apparaten är i ett kallt rum som uppvärms mycket snabbt.
- När apparaten tas ut i varma klimat från ett luftkonditionerat rum.
- När apparaten får ligga vid luftuttaget från en luftkonditioneringsanläggning.
- När apparaten förvaras på ett mycket fuktigt ställe.



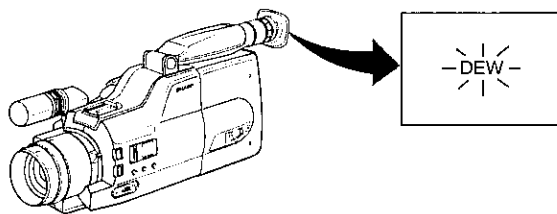
Hur fukt kondens undviks.

Vänta med att använda apparaten i en timma, då kondens lätt kan bildas, så att den antar omgivande lufttemperatur. Om man t.ex. efter en skidtur tar apparaten inomhus kan man stoppa den i en plastpåse och därefter låta den ligga ett tag för att anpassa sig till rumstemperaturen.



- ① Se till att det är gott om luft i plastpåsen med apparaten.
- ② Ta ut apparaten från påsen när luften i den har samma temperatur som i rummet.

Fuktvarnare



Om kondens bildas på bildtrumman, kommer en fuktindikering upp i sökaren som varning. Strömmen frånkopplas automatiskt efter tio sekunder.

Obs!

- Vid indikeringen "DEW" ska kassetten tas ut. Låt den ligga i flera timmar så att den antar omgivande temperatur.
- Då kondens bildas succesivt kan det ta 10 till 15 minuter innan "DEW" visas i teckenfönstret.
- Tillkoppla strömmen igen och låt apparaten ligga i flera timmar. Använd den inte förrän "DEW" har försvunnit.

Innan du börjar spela in, bör en provinspelning göras så att för att kontrollera att både bild och ljud spelas in på rätt sätt. Bilden kan enkelt kontrolleras med REC/REVIEW tangenten.

Hur man alltid får fina inspelningar

Kamerabandspelaren kanske slutar fungera bra om den används i påfrestande miljöer så att smuts samlas på bildtrumman.

Ge därför akt på följande:

- ① Fukt kondens
Skadade och smutsiga videoband förstör bildtrumman vilket gör bilderna suddiga eller i värsta fall att ingenting spelas in på bandet. Använd inte sådana videoband.
- ② Slitet bildhuvud:
Hög fukt och mycket damm kan skada kamerabandspelaren.

Igensatta bildhuvuden

Användning med smutsig bildtrumma gör att bildhuvudena täpps igen vilket medför störningar i bilden eller att ingenting alls spelas in.

Ta detta fall kontakt med närmaste servicebyrå för SHARP eller återförsäljaren.

Observera noga följande för säkerhetens skull.

- Öppna inte höljet
- Eldfarliga ämnen, vätskor och metallföremål får inte komma in i kamerabandspelaren. Stäng genast av den och låt kvalificerad personal undersöka den om detta skulle inträffa.
- Apparaten får inte plockas isär eller modifieras.
- Använd inte kamerabandspelaren under åskväder. Koppla dessutom från strömförande kablar till alla anslutna komponenter.

Undvik att använda kamerabandspelaren under följande omständigheter

- På mycket fuktiga och dammiga ställen.
- Nära elapparater som avger stark magnetism (lysrör, TV-mottagare, högtalare).
- Rökiga och sotiga ställen som nära en spis.
- Där det förekommer starka vibrationer eller stötar.
- På mycket varma ställen som nära en kamin.
- På våta ställen som nära en simbassäng eller ett badkar.

Utsätt inte kamerabandspelaren för mycket hög eller låg temperatur under lång tid

- Låt aldrig kamerabandspelaren ligga i starkt solsken, i en bil med stängda rutor parkerad i solen på sommaren eller nära element. Detta gör att höljet deformeras och de inre delarna skadas.
- Förvara den inte på ställen över 60 grader.
- Använd den inte på ställen över 40 grader.
- Använd den inte på ställen under 0 grader.
- Använd den inte på ställen där fuktigheten överstiger 80% (RH).
- Förvara den på ställen där temperaturen är mellan -20 och +60 grader.

Var extra noga vid inspelning utomhus

- Tappa inte kamerabandspelaren och skydda den mot slag mot hårda föremål. Skydda den noga vid transport.
- Se till att kamerabandspelaren inte blir våt.
- Se till att vatten, stänk och sand inte kommer in i kamerabandspelaren vid användning på stranden.
- Undvik att rikta objektivet mot ljusstarka föremål som solen eller spot-ljus.
- **Rikta inte sökarens okular mot solen.**
- Sluta använda kamerabandspelaren under åskväder.

FÖRE FRÄNKOPPLING AV STRÖMKÄLLAN SKA ALLTID STRÖMSTÄLLAREN (OPERATE) STÄLLAS I OFF-LÄGE — DRIFTLAMPAN SLOCKNAR.

Kamerabandspelarens handhavande

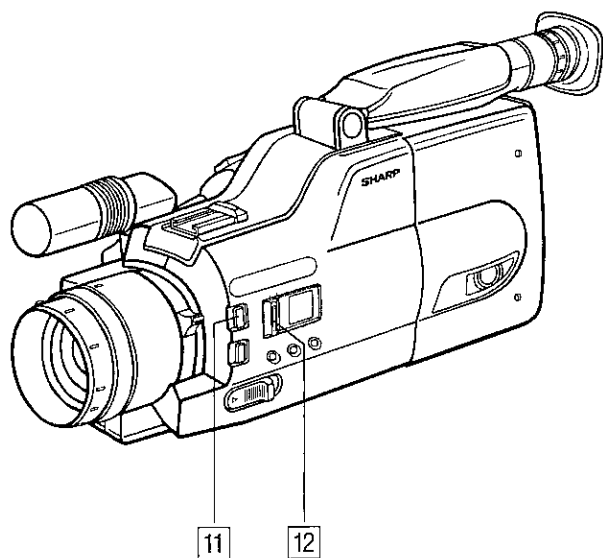
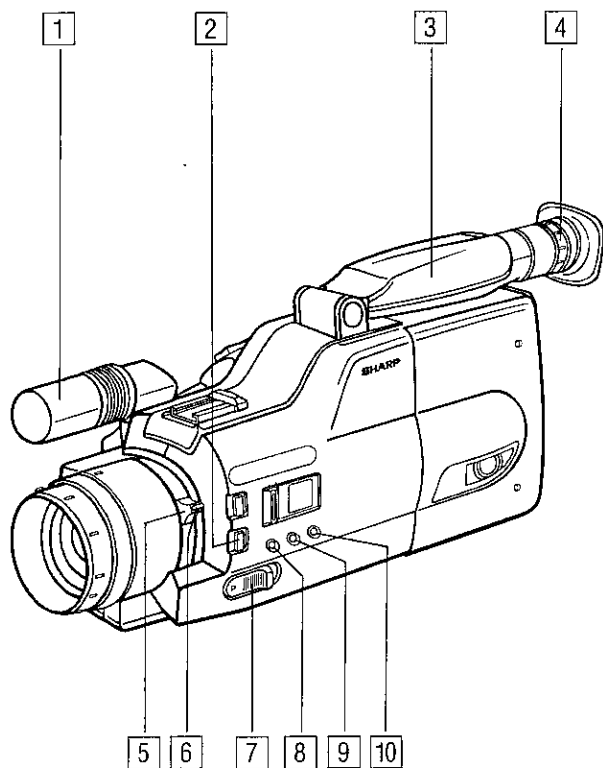
- Skydda mikrofonen från skada.
- Håll kamerabandspelaren rakt vid användning, annars kan bandet bli slakt och skadas.
- **Bär inte kamerabandspelaren i sökaren. Stoppa in handen i remöglan så att du inte tappar kamerabandspelaren i marken så att den skadas.**
- Sätt på objektivlocket efter avslutad användning. Glöm inte stänga av strömmen.
- Rör inte fokuseringsringen under användning med automatisk inställning av bildskärpan.
- Före montering av filter på objektivet ska man ställa in manuell bildskärpa, koppla från strömmen och ta bort objektivskyddet.

Kamerabandspelarens rengöring

- Ta av batteripaketet eller koppla bort nätanslutning innan apparaten rengörs.
- Ta bort damm med en mjuk tygbit. Använd en mjuk duk, fuktad i mildt rengöringsmedel, för att avlägsna envisa fläckar.
- Använd aldrig starka rengöringsmedel som bensin, thinner eller sprit — de kan skada ytfinishen.
- Håll alltid linsen på objektiv och sökare rena. Objektivlinsen ska rengöras med en blåspensel eller en mjuk duk fuktad med speciellt linsmedel.

FUNKTIONSBESKRIVNING

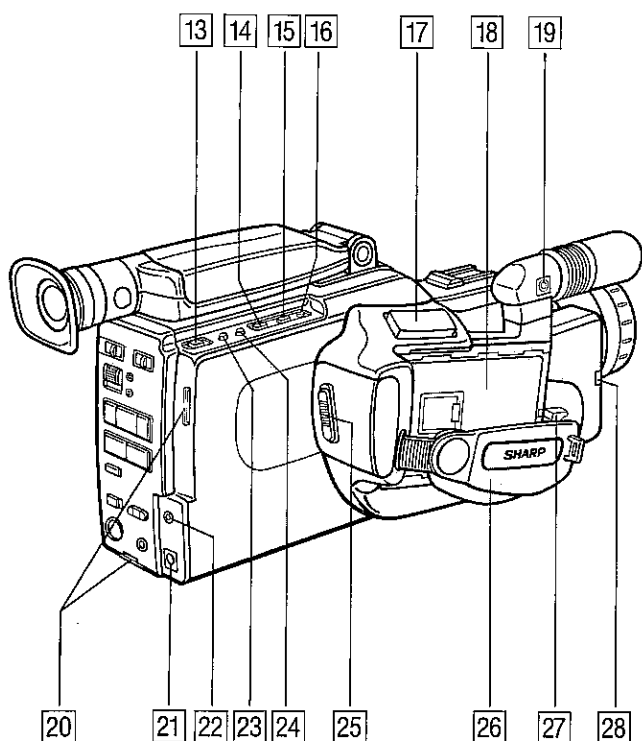
SEDD FRAMMIFRÅN



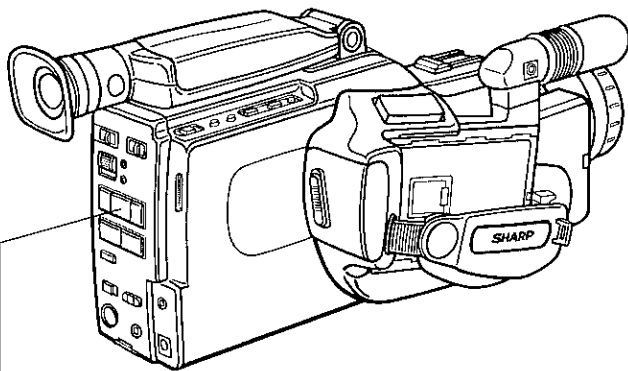
Se närmare beskrivning om de olika reglagens användning på sidan som finns angiven inom klammrarna.

- 1 **Mikrofon**
- 2 **Knapp för motljuskompensation (BLC)/ljusförstärkning (GAIN-UP)**
Om motivet är mörkare än bakgrunden blir det underexponerat och otydligt vid avspelingen. Tryck i så fall in denna knapp för motljuskompensation "BLC". När "LIGHT" lyser i sökaren, ställs ljusförstärkningsfunktionen in och sökarskärmen blir ljusare med ett tryck på denna knapp.
- 3 **Elektronisk sökare/monitor**
Här syns motivet som kan spelas in. Det går också att kontrollera inspelningen genom att spela av bilderna i svartvitt.
- 4 **Diopterinställning**
Används för att reglera skärpan i sökaren för att passa din synskärpa.
- 5 **Zoomspak**
Används för att zooma in och ut motivet manuellt.
- 6 **Makroknapp**
Trycks in för inspelning av motiv på ett avstånd under 1 m från objektivet. (Den automatiska fokuseringen saknar verkan på detta korta avstånd.) Håll MACRO intryckt medan zoomspaken förs till läget "MACRO" för att ställa in skärpan.
- 7 **Zoomväljare (ZOOM SELECT) [18]**
Trycks in för att snabbt förstora (eller förminska) motivet inom ramen i sökaren 1,5 gånger.
- 8 **Fokuseringsväljare (AUTO/MANUAL FOCUS)**
I läge "AUTO" ställer kamerabandspelaren in bildskärpan automatiskt, även om motivet är i rörelse. (Använd makroläget för fokusering av motiv inom 1,1 meters avstånd.)
Använd läge "MANUAL" så att du kan ställa in bildskärpan manuellt om det inte är lämpligt att använda den automatiska fokuseringsfunktionen pga inspelningsförhållandena.
- 9 **Vitbalansväljare (WHITE BALANCE) [31]**
Trycks in för att låsa vitbalansen.
- 10 **Slutarhastighetsväljare (SHUTTER SPEED) [33]**
Använd kortare slutare för att få skarpa stillbilder (eller slow-motion med en vanlig VHS-bandspelare) vid avspeling med snabbt rörliga motiv.
- 11 **In/uttoningsknapp (FADE IN/OUT) [34]**
- 12 **Omkopplare för helautomatik (FULL AUTO) [16]**

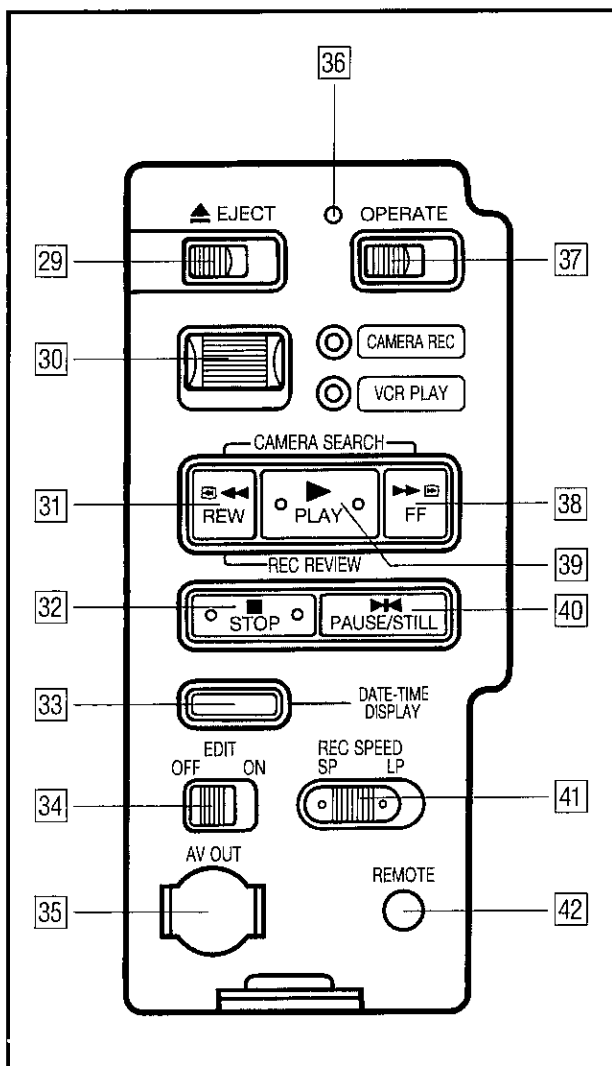
SEDD BAKIFRÅN






- 13 Sekundär start/stopptangent (SUB REC START/STOP)**
Trycks in för start av inspelning. Inspelningen avbryts tillfälligt om den trycks in under inspelning. Används för inspelning i låga vinklar.
- 14 Bildjusteringsknapp (◀ TRACKING) [23]**
Inställningknapp för datum/tid (DATE/TIME SET) [7]
- 15 Bildjusteringsknapp (TRACKING ▶) [23]**
Väljarknapp för datum/tid (DATE/TIME SELECT) [7]
- 16 Klockans startknapp (DATE/TIME INITIAL) [7]**
- 17 Zoomkontroll**
Tryck in T-sidan (för telefoto) på knappen (kallas också inzoomning). Tryck W-sidan (för vidvinkel) på knappen (kallas också utzoomning). Den motordrivna zoomens hastighet kan varieras från 6 till 20 sekunder genom hur hårt man trycker på zoomkontrollen.
- 18 Batterifack**
- 19 Mikrofonuttag**
- 20 Remöglor**
Dra axelremmen genom dessa öglor och justera längden med remspännnet.
- 21 Likströmsintag (DC IN)**
- 22 Uttag för hörsnäcka**
För anslutning av hörsnäckan vid kontroll av ljudet under inspelning och avspelning.
- 23 Knapp för räkneverk/räkneverks minne/tidmätning (COUNTER/COUNTER MEMORY/LAP TIME)**
Används för val av visning av räkneverk, räkneverksminne och tidmätning i sökaren.
- 24 Nollställningsknapp för räkneverk/tidmätning (COUNTER/LAP TIME RESET)**
Används för att nollställa räkneverket och tidmätningen i sökaren.
- 25 Start/stopptangent (REC START/STOP)**
Trycks in för att starta inspelning. Tryck igen för tillfälligt avbrott i inspelningen.
- 26 Handrem**
- 27 Batterifrigörare**
Används för att ta bort batteripaketet.
- 28 Självutlösarknapp/inspelningslampa (SELF TIMER)**
Lampan tänds när kamerabandspelaren börjar inspelning som upplysning för motivet om inspelning pågår eller ej. Självutlösarknappen och inspelningslampan delar funktion. Tryck in knappen efter det inspelnings pausläge ställts in och lampan börjar blinka 10 sekunder innan inspelning börjar.



KONTROLLPANEL

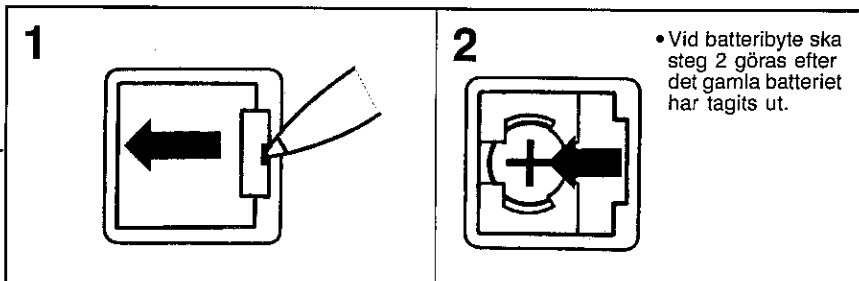
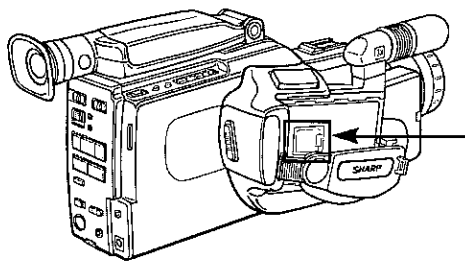


- 29 Kassettfacksöppnare (EJECT)**
Används vid isättning och urtagning av kassett **VHS**.
- 30 Omkopplare för kamerainspelning/bandavspelning (CAMERA REC/VCR PLAY)**
Ställ i läget "CAMERA REC" vid inspelning med kamerabandspelaren. (Kamerabandspelaren ställs automatiskt i inspelnings pausläge.)
Ställs i läge "VCR PLAY" när kamerabandspelaren används som en videobandspelare.
(Om inspelnings pausläge är inställt, ställs kamerabandspelaren i stillbildsläget, och om inspelning pågår, ställs den i stoppläget.)
- 31 Kamerasökningstangent (CAMERA SEARCH ) [17]**
Återspolningstangent/bildsökning bakåt (REW) [24]
Inspelningskontrolltangent (REC REVIEW) [17]
- 32 Stopptangent (STOP)**
- 33 Visningsväljare (DATE-TIME DISPLAY)**
Används för att välja om datum och tid eller bara datum ska spelas in på bilden.
- 34 Redigeringsomkopplare (EDIT)**
Vid kopiering av band mellan kamerabandspelaren och en videobandspelare försämras oundvikligen bildkvaliteten. Denna försämring kan minskas genom att trycka in denna knapp. Den används vid redigering av dina inspelningar.
- 35 AV-utgång**
- 36 Driftindikator (OPERATE)**
- 37 Strömställare (OPERATE)**
För till- och frånkoppling av strömmen.
- 38 Kamerasökningstangent (CAMERA SEARCH ) [17]**
Framspolningstangent/bildsökning framåt (FF) [24]
- 39 Avspelningstangent (PLAY)**
Trycks in för avspelning.
Kamerasökningstangent (CAMERA SEARCH ) [17]
- 40 Paus/stillbildstangent (PAUSE/STILL)**
Används vid avspelning för att få en stillbild.
- 41 Hastighetsväljare (REC SPEED LP/SP)**
Används för inställning av bandets hastighet vid inspelningen i läge LP (Long Play) eller SP (Standard Play). Det ger följande inspelningstider (med VHS-C kassett EC-30):
LP-läge 60 min.
SP-läge 30 min.
- 42 Uttag för fjärrstyrd paus**
För anslutning av fjärpauskontrollern VR-20ME (extra tillbehör) när kamerabandspelaren ska styras på avstånd.

ILÄGGNING AV LITIUMBATTERI

1 Öppna facket för litiumbatteriet med något spetsigt föremål.

2 Lägg i batteriet med plussidan (+) vänd utåt. Stäng locket till batterifacket.



Varning:

- Förbrukat litiumbatteri ska kastas bort enligt lokala förordningar. Ta inte isär det och kasta det inte i öppen eld. Om det svalt, kontakta läkare omedelbart. Låt inte småbarn leka med det!
- Behandlas detta batteri felaktigt uppstår risk för brand eller kemisk reaktion. Det får inte laddas, plockas isär, upphettas över 100 grader eller brännas upp. Nytt batteri måste vara av modell CR2025 av typen SONY ENERGYTEC, FUJI ELECTROCHEMICAL eller MATSUSHITA ELECTRIC. Annat sorts batteri kan innebära risk för brand eller explosion.

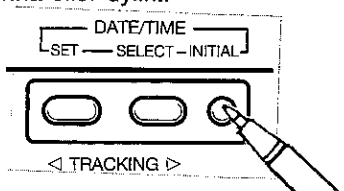
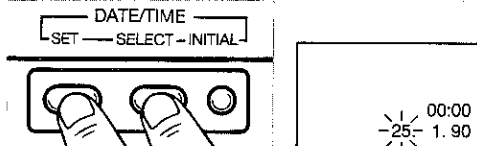
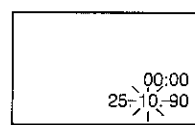
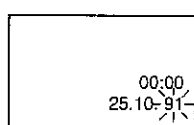
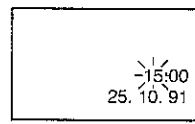
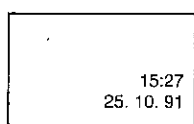
Anm.

- Litiumbatteri kan anskaffas i den välsorterade el- eller radiohandeln.
- Koppla bort strömkällan (nättilsats, batteripaket osv) före batteribyte.
- Batteriets användningstid är omkring ett år, men det beror på den omgivande temperaturen och batteriets tillstånd.
- När litiumbatteriet tar slut blir klockan mycket opålitlig eller funktionen för tidsinställning kopplas in av sig självt. Byt litiumbatteri snarast möjligt när detta händer. Både datum och tid måste ställas in igen efter batteribytet.
- Korslut inte batteriet genom att hålla det på bägge sidor med metallföremål som en pincett, eftersom det nedsätter dess förmåga.

INSTÄLLNING AV DATUM/TID

Funktionen för datum/tid gör att inspelnings datum och tidpunkt kan inregistreras på bandet och även visas i sökaren som en pratisk referens. Rätt datum och tid ställs in enligt anvisningarna nedan.

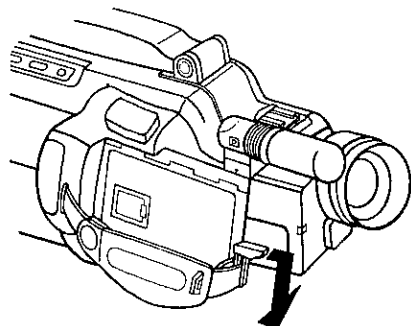
Exempel: Inställning av 25 oktober 1991, kl. 15:27.

<p>1 Sätt i litiumbatterier för datum/tid.</p>	<p>2 Anslut en strömkälla till kamerabandspelaren. Skjut strömställaren (OPERATE) för att sätta på strömmen. Tryck DATE-TIME DISPLAY knappen.</p>
<p>3 Tryck in knappen INITIAL (nollställning) med en kulspetspenna eller dylikt.</p> 	<p>4 Först blinkar siffran för dag. Tryck på valknappen (SELECT) för att ställa in rätt dag. Tryck in inställningsknappen (SET) när rätt dag anges.</p> 
<p>5 Nu börjar siffran för månad att blinka. Tryck på SELECT för att ställa in rätt månad. Tryck på SET när rätt månad anges.</p> 	<p>6 Nu börjar siffran för år att blinka. Tryck på SELECT för att ställa in rätt år. Tryck på SET när rätt år anges.</p> 
<p>7 Nu börjar siffran för timme att blinka. Tryck på SELECT för att ställa in rätt timtid. Tryck på SET när rätt timtid anges.</p> 	<p>8 Nu börjar siffran för minut att blinka. Tryck på SELECT för att ställa in rätt minuttid. Tryck på SET när rätt minuttid anges.</p> 

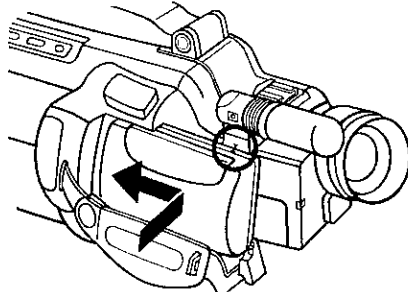
MONTERING/DEMONTERING AV BATTERIPAKET

Montering

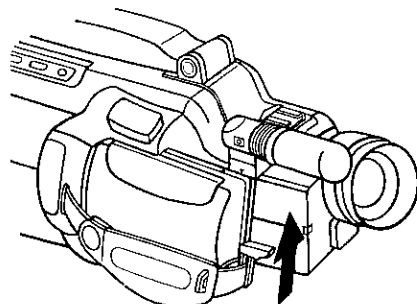
1. Fäll ned batterifrigöraren genom att skjuta den framåt.



2. Sätt märket "▲" på batteripaketets överdel mitt emot det på kamerabandspelaren och skjut fast det i den riktning som pilen på bilden visar.

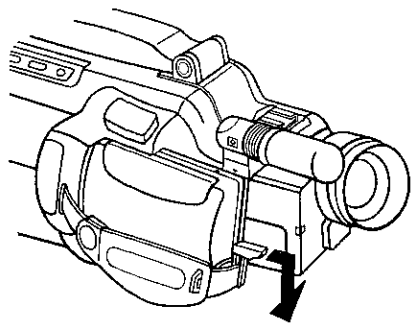


3. Fäll upp batterifrigöraren till låst läge.

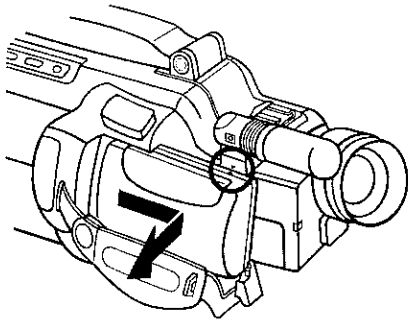


Demontering

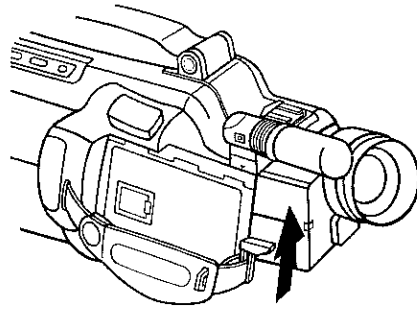
1. Fäll ned batterifrigöraren genom att skjuta den framåt.



2. Ta bort batteripaketet genom att skjuta det i den riktning som pilen på bilden visar.



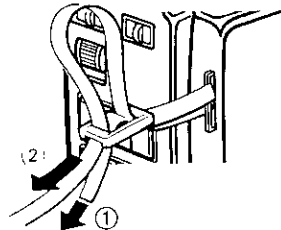
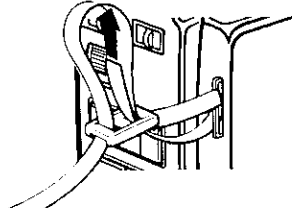
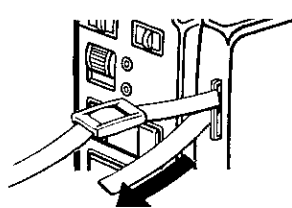
3. Fäll upp batterifrigöraren till låst läge.



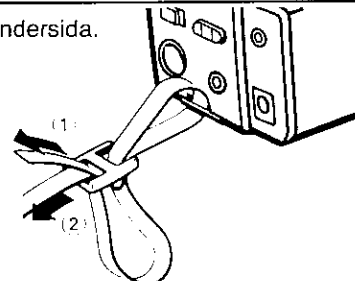
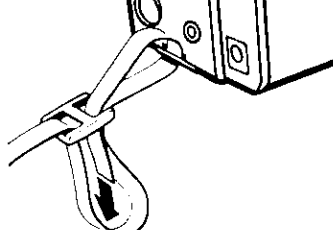
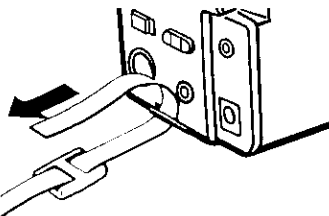
Anm. Batteripaketet är oladdat vid leveransen och måste laddas före användning.

FASTSÄTTNING AV AXELREM

Dra remmen genom öglan på kamerabandspelarens ovansida.



Dra remmen genom öglan på kamerabandspelarens undersida.

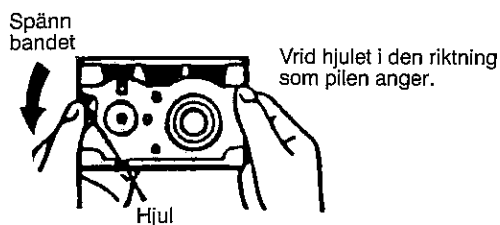


Anm. Se till att axelremmen sitter fast ordentligt före användning av kamerabandspelaren.

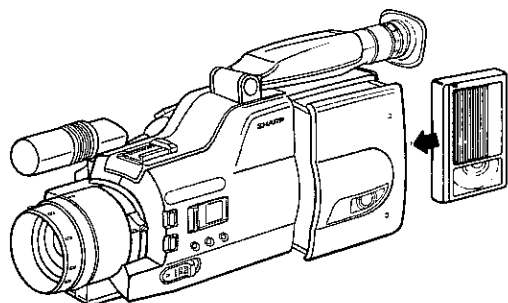
ILÄGGNING/UTTAGNING AV KASSETT

Iläggning

- 1 Tryck på EJECT tangenten så att kassettfacket öppnas. Sätt i en **VHS** kassett med fönstret och pilen riktad mot dig. **Spänn bandet innan kassetten sätts i.**

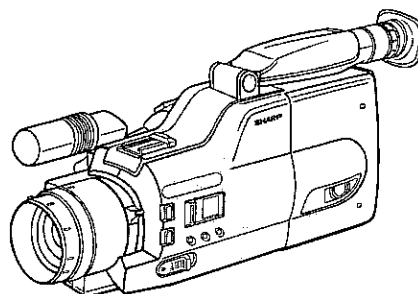


- 2 Tryck på "PUSH" för att stänga facket.



Uttagning

- 1 Tryck på EJECT tangenten. Kassettfacket öppnas. Ta ut kassetten.
- 2 Stäng facket.



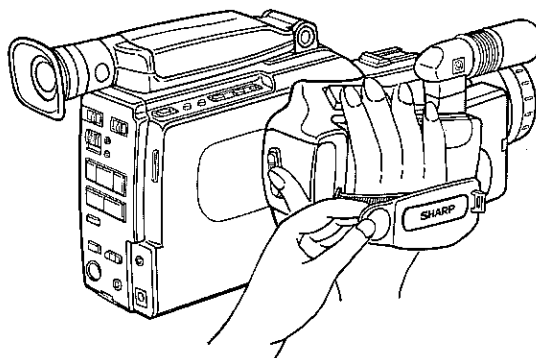
Anm.

Tryck på markeringen "PUSH" för att stänga facket långsamt och ordentligt.

Anm. Kassetten kan tas ut efter EJECT tangenten tryckts in. Strömställaren (OPERATE) behöver inte röras. Kassetten kan inte tas ut under inspelning. Ställ in inspelnings pausläge och tryck på EJECT tangenten.

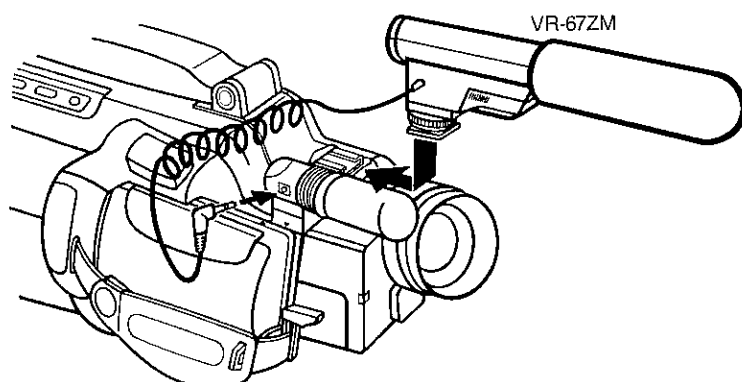
JUSTERING AV HANDREM

Öppna kardborrslåset och stick in handen och fatta tag om greppet. Dra därefter åt remmen stadigt över handen.



YTTRE MIKROFONS ANVÄNDNING

Den inbyggda mikrofonen fångar upp ljud lika från alla håll (mikrofon utan riktverkan). Genom att använda den extra tillkommande mikrofonen VR-67ZM kan man erhålla en effektivare inspelning av ljud.



VR-67ZM

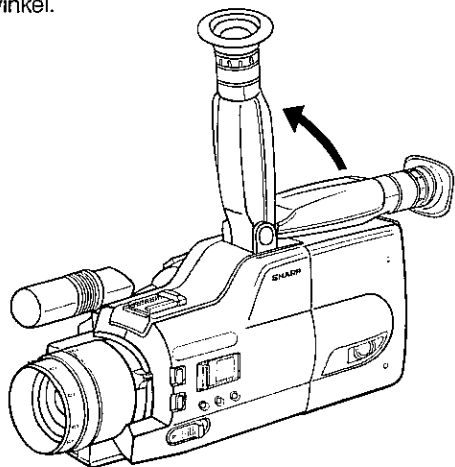
Monteras direkt på kamerabandspelaren.

Detta är en mycket känslig mikrofon av (4 ggr) zoomtyp som klart kan fånga upp mycket avlägsna ljud.

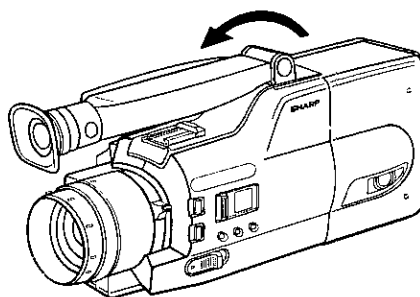
SÖKARENS ANVÄNDNING

INSTÄLLNING AV SÖKARENS LÄGE

Sökarens vinkel kan ställas in för att passa inspelningar i låg vinkel.

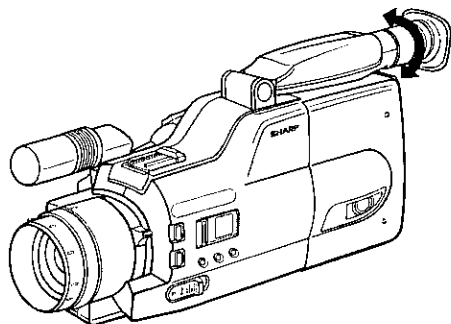


Sökaren ska fällas ned som bilden visar som skydd vid transport eller förvaring.



INSTÄLLNING AV OKULARET

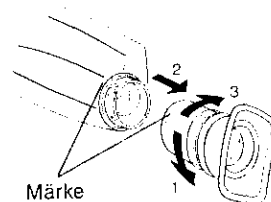
Denna kamerabandspelare har en diopterinställning vars kontroll kan vridas medurs eller moturs för att passa användarens synskärpa. Gör denna inställning innan inspelning påbörjas så att bilden kan ses klart i sökaren.



Vid rengöring i sökarens inre ska okularet tas bort som bilden nedan visar. Ta därefter bort damm och partiklar med en bomullstopp.

Vid borttagning ska okularet vridas i den riktning som pilen vid 1 på bilden visar och därefter dras ut 2.

Sätt märkena på sökaren och okularet mitt emot varandra vid återmonteringen och vrid därefter okularet 45° i den riktning som pil 3 visar.

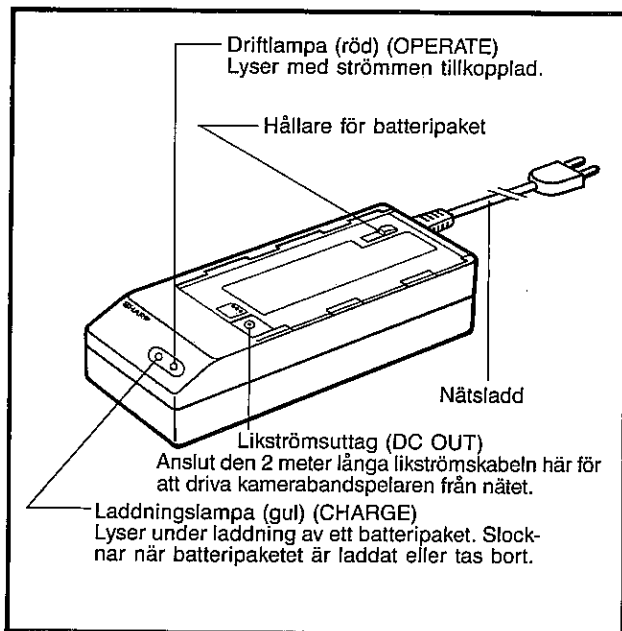


Anm. Apparaten måste vara strömförsörd vid denna inställning.

STRÖMFÖRSÖRJNING

Det medföljande batteripaketet BT-75 är idealiskt vid användning utomhus för större bärbarhet. Inomhus passar den medföljande nättillsatsen/batteriladdaren AA-75S bäst tillsammans med den 2 meter långa likströmskabeln. Vid långa inspelningar utomhus kan det vara praktiskt att använda extra tillbehör som bilbatteriadapter/laddare VR-P75CH.

Nättillsats/batteriladdare



Anm.

SHARP VR-P75CH bilbatteriadapter/laddare, som är ett extra tillbehör, liknar AA-75S, men drivs av en bils elsystem.

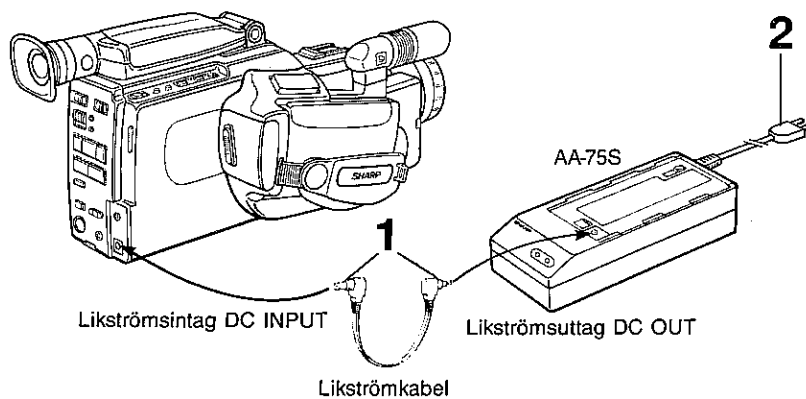
Obs!

- Störningar kan uppkomma om nättillsatsen/batteriladdaren används nära en radio.
- Se till att eldfarliga ämnen, vätskor eller metallföremål inte kommer in i apparaten.
- Höljet på AA-75S är tätförslutande. Den får inte öppnas eller modifieras.
- Utsätt den inte för stötar, slag eller vibrationer.
- Låt den inte ligga i starkt solsken.
- Undvik använda den på mycket fuktiga eller varma platser.

NÄTTILLSATS/BATTERILADDARE

Använd den medföljande nättillsatsen/batteriladdaren AA-75S och likströmskabeln.

- 1 Anslut likströmskabeln till uttaget DC OUT på nättillsatsen och till DC INPUT på kamerabandspelaren.
- 2 Skjut in stickkontakten i ett vägguttag. Driftlampan börjar lysa.

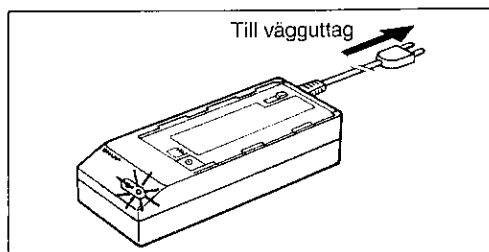


Anm. Nättillsatsen/batteriladdaren AA-75S kan inte strömförsörja kamerabandspelaren under batteriladdning.

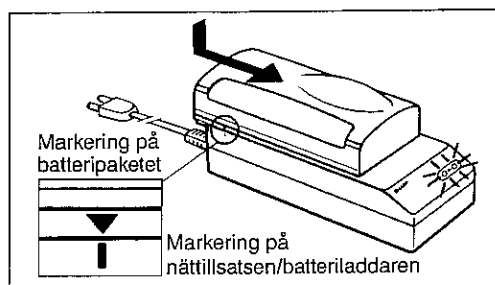
LADDNING AV BATTERIPAKET

Använd nättillsatsen/batteriladdaren AA-75S inomhus. Utomhus kan bilbatteriadaptern/laddaren VR-P75CH användas.

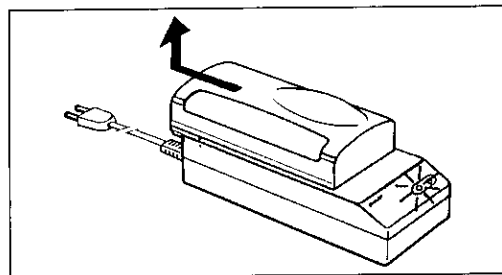
- 1 Skjut in stickkontakten i ett vägguttag. Driftlampan börjar lysa.



- 2 Placera markeringen ▼ på batteripaketets sida mitt emot markeringen ■ på laddaren och skjut in batteriet i spåret. Skjut batteripaketet framåt tills det låses fast. Laddningslampan (CHARGE) börjar lysa.



- 3 Laddningslampan slocknar när batteripaketet är fulladdat. Dra ut stickkontakten från vägguttaget och ta bort batteriet genom att dra det bakåt.



Anm.

Batteripaketet är normalt varmt efter laddning.

**LADDNINGSTID MED BT-75 — 60 min.
LADDNINGSTID MED BT-76 — 80 min.**

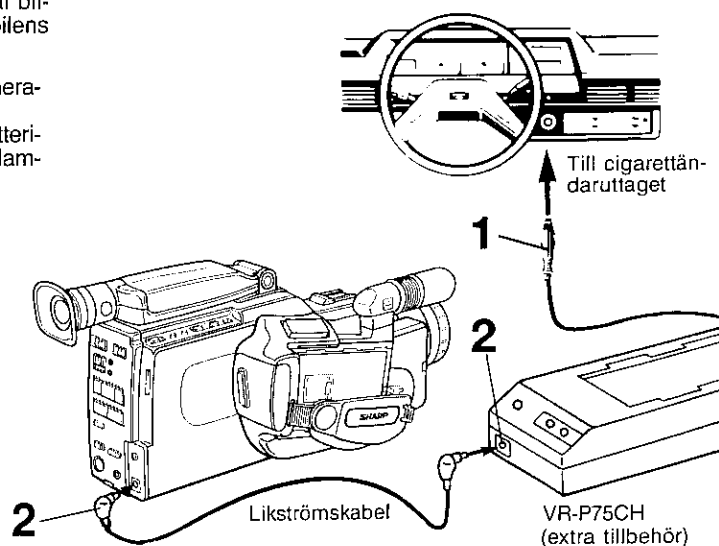
Anm.

Laddningstiden beror på den omgivande temperaturen och batteripaketets tillstånd.

BILBATTERIADAPTER/LADDARE

Det går att ladda batteripaketet eller strömförsörja kamerabandspelaren med en bils elsystem via bilbatteriadaptern/laddaren VR-P75CH, som är ett extra tillbehör.

- 1 Starta bilmotorn och låt den gå på tomgång när bilbatteriadaptern används. Skjut in dess plugg i bilens cigarettändaruttag. Driftlampan börjar lysa.
- 2 Anslut likströmskabeln (DC OUT) så att kamerabandspelaren strömförsörs. Laddningslampan (CHARGE) lyser medan batteripaket laddas. Efter avslutad laddning slocknar lampan CHARGE och lampan DONE tänds.



Anm.

Bilbatteriadaptern/laddaren VR-P75CH kan inte strömförsörja kamerabandspelaren via likströmskabeln under batteriladdning.

Obs!

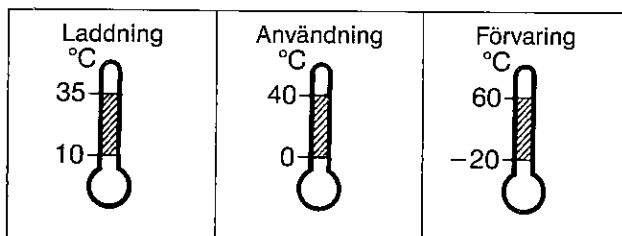
Bilbatteriadaptern/laddaren VR-P75CH får endast användas med bilar vars elsystem är 12V eller 24V med negativ jordning. Använd den inte med 12V eller 24V positiv jordning. Kontrollera i bilhandboken eller fråga bilförsäljaren.

BATTERIPAKETS ANVÄNDNING

BT-75 är ett nickelkadiumbatteri med följande egenskaper:

Laddning tar ungefär en timme i rumstemperatur (20 grader). Ju lägre temperatur, desto längre laddningstid.

Temperaturområden



Det får inte:

- brännas,
- kortslutas,
- plockas isär eller modifieras,
- laddas med annat än av SHARP rekommenderad apparat: nättillsats/batteriladdare AA-75S eller bilbatteriadapter/laddare VR-P75CH.

För att undvika skada och för längre användning:

- Utsätt det inte för slag, stötar eller vibrationer.
- Ladda det inte upprepade gånger utan att det har fått ladda ur.

Det har en begränsad livslängd och ett nytt bör anskaffas när användningstiden börjar bli allt kortare.

Anm.

Batteripaketet är normalt varmt efter laddning och användning.

INSPELNINGSTID MED BT-75 — ca 60 min.
INSPELNINGSTID MED BT-76 — ca 80 min.

Inspelningstidens längd med ett fullt laddat batteripaket beror på olika förhållanden som inspelning, inspelningsavbrott, användning av zoomen m m.

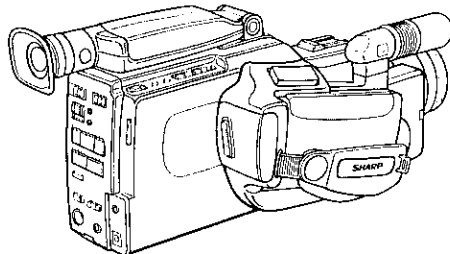
Reservbatteri kan anskaffas hos en SHARP-handlare. Det är alltid bra att ha ett sådant till hands, eftersom man annars kan missa de där viktiga inspelningstillfällena.

Nickelkadiumbatterier har följande egenskaper.

1. De fulladdas i en temperatur mellan 10 och 35 grader. Laddningen tar längre tid vid lägre temperaturer för att bli ofullständig i hög temperatur.
2. Förvara batteripaket på ett svalt och torrt ställe. Det laddas ur och livslängden förkortas om det utsätts för hög värme under en längre tid.
3. Batteripaket laddas ur under en längre tids förvaring. Ladda ur batteriet före långtidsförvaring — det ökar dess livslängd.
4. Ta bort batteripaketet från kamerabandsspelaren eller laddaren efter avslutad användning, eftersom annars urladdning kan fortsätta.

TILLVÄGAGÅNGSSÄTT

- 1** Sätt fast ett laddat batteripaket. (Se sidan 8.) Det går också att använda nättillsatsen vid inspelningar inomhus eller Sharps biladapter/laddare, som är ett extra tillbehör, med en bils elsystem.

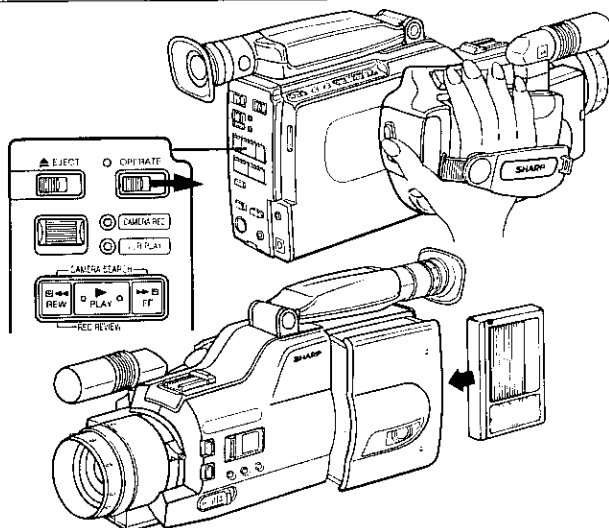


- 2** Koppla till strömmen med OPERATE och driftlampan tänds. Tryck in EJECT för att öppna kassettfacket. Sätt i en VHS kassett med kvarsittande raderflik och fönstret vänt utåt. Tryck på "PUSH" för att stänga facket.

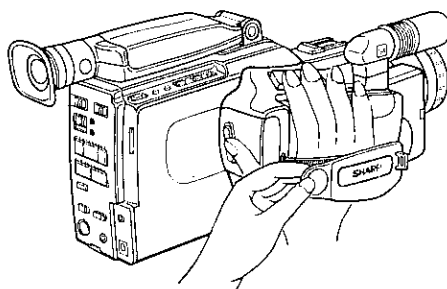
Obs!

Se till att bandet inte är slakt innan kassetten sätts i. Vrid hjulet i den riktning som pilen på bilden visar för att spänna bandet.

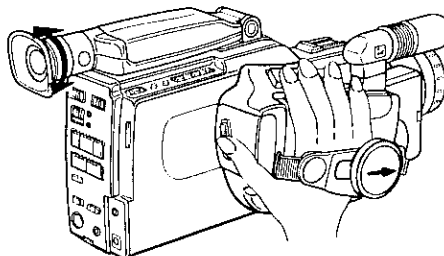
Spänn
bandet.



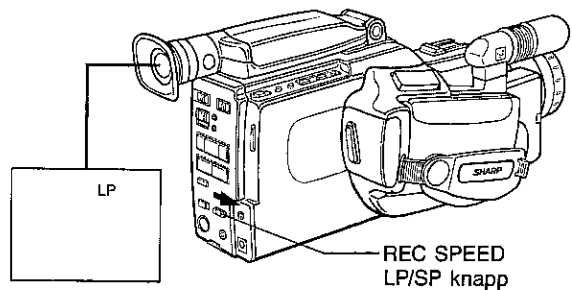
- 3** Håll kameran rätt så att du når inspelnings start/stoppknapp (REC START/STOP) och zoom-knappen. Justera därefter handremmen.



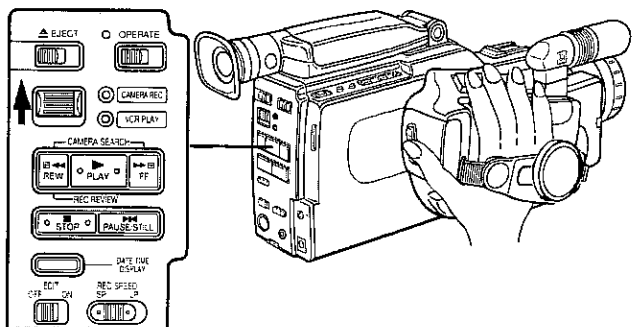
- 4** Ta bort objektivlocket och sätt fast det på handremmen. Rikta kameran mot ett enfärgat föremål (himlen eller en vit vägg) och ställ in synskärpan så att indikeringarna i sökaren syns klart.



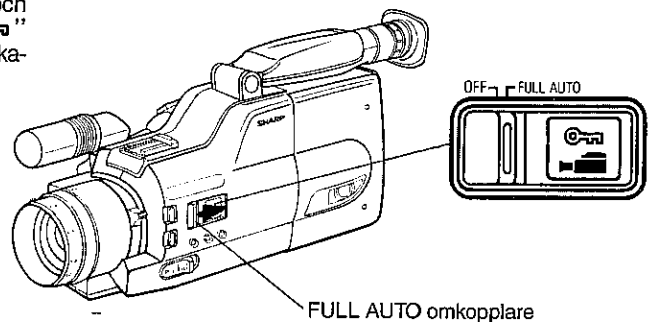
- 5** Välj inspelningshastighet med knappen REC SPEED LP/SP. Vald hastighet visas i sökaren. Med en **VHS** kassett typ EC-30 erhålls följande inspelningstider:
 SP-läge: 30 minuter
 LP-läge: 60 minuter



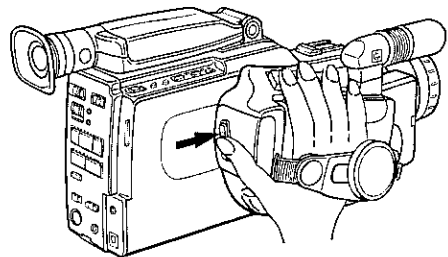
- 6** Sätt VCR PLAY/CAMERA REC i läge "CAMERA REC".



- 7** Ställ omkopplaren för helautomatik (FULL AUTO) i läge "FULL AUTO". Se efter att indikeringarna "▶▶▶▶" och "Ⓜ" visas i LCD-panelen. Om "▶▶▶▶" och "Ⓜ" blinkar, kommer det upp en varningsindikering i sökaren. (Se sid 20.)



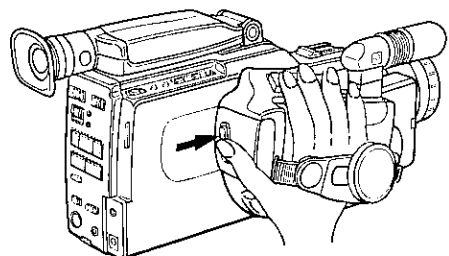
- 8** Tryck in start/stoppknappen. Under inspelning visas den rörliga markeringen "▶▶▶▶" i sökaren.



Anm:
 Vid långa inspelningssekvenser kan handtaget bli varmt. Detta är normalt och inget tecken på något fel.

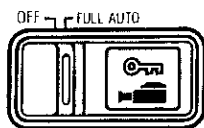
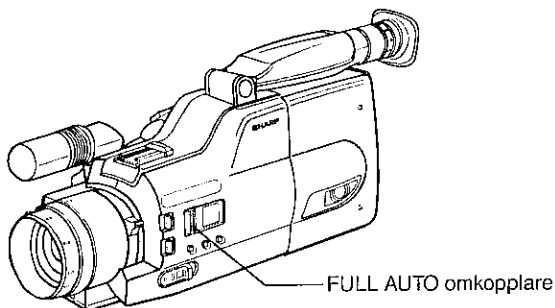
- 9** Avbryt inspelningen genom att trycka på start/stoppknappen igen.

Anm:
 Med inspelningspausläget inställt i över 5 minuter kommer strömmen frånkopplas automatiskt. Sätt OPERATE i läge "ON" vid fortsatt användning.



HELAUTOMATISKT SYSTEM

När omkopplaren för helautomatik (FULL AUTO) är i läge "FULL AUTO", ställs funktionerna för automatisk inställning av bildskärpan och vitbalansen in medan slutaren ställs in på normal hastighet. Det gör kamerabandspelaren enkel att använda med goda inspelningsresultat. När FULL AUTO omkopplaren ställs i läget "FULL AUTO", visas normaltindikeringarna för helautomatik "☐" och "☐" i LCD-panelen. Men om "☐" och "☐" börjar blinka, kan andra varningsindikeringar också visa sig i sökaren. Det betyder att det inte går att spela in av någon anledning, t ex kassetten i kamerabandspelaren saknar raderflik.



Kamerainspelning är möjlig med helautomatik när indikeringarna "☐" och "☐" syns.



När någon varningsindikering anges i sökaren, ska varningen genast åtgärdas. (Se sid 20.)

AUTO-FOKUS

Denna funktion ställer automatiskt in avståndet så att alla bilder blir skarpa.

Med kamerabandspelarens inställd för helautomatik regleras avståndsställningen oavbrutet för optimal bildskärpa. Avståndet till motivet mäts inom en liten del i sökaren. Försök därför att alltid hålla huvudmotivet i sökarens mitt.

Obs!

- Fokuseringen får inte röras vid användning av automatiskt inställning av bildskärpan.
- Om objektivet försättslinn är smutsigt eller blockerat kan korrekt avståndsställning bli omöjlig. Håll den alltid rena med en mjuk duk och rengöringsvätska. Eventuell kondens kan torkas bort med en torr, mjuk duk eller också väntar man tills den dunstat bort.
- Kom ihåg att det tar en stund innan bildskärpan ställs in vid snabba övergångar av motiv på olika avstånd som när det snabbt zoomas in och ut, vid panoreringar osv.

Anm.

Mekanismen för avståndsställningen har svårigheter att verka under nedanstående villkor. Ställ in bildskärpan för hand i dessa fall.

 Motivet underexponerat	 Brist på kontrast, i snö t ex.	 Två motiv på olika avstånd i bilden.	 Motivet reflekterar ljus.
 Flera motiv på samma avstånd, men skilda från varandra.	 Motivet sträcker ut sig mot bakgrunden.	 Snabbt rörliga motiv.	 För ljus bakgrund.
 Motivet har många tunna streck.	 Motiv på olika avstånd i bilden.	 Motivet har vågräta linjer.	 Motivet är snett.
 Motivet befinner sig bakom ett smutsigt eller vått fönster.	 Höghastighetslutare vid belysning från lysrör.	Anm. Börja inte inspelning förrän bildskärpan är inställd.	

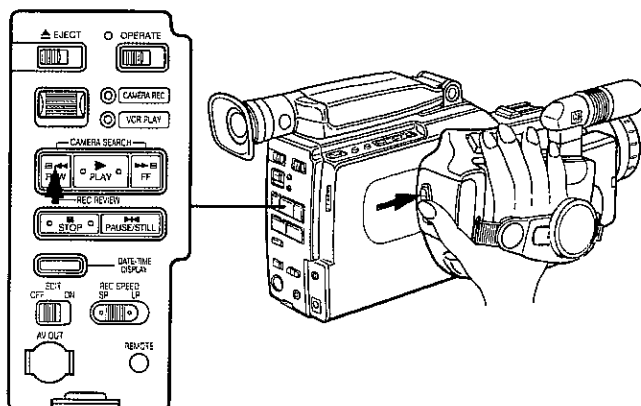
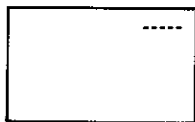
VITBALANS

Denna kamerabandspelare har en funktion för automatisk inställning av vitbalansen som är till för att säkra goda färgbilder.

Vitbalansen ställs in automatiskt och kompenserar förändringar i något som kallas ljusets färgtemperatur.

INSPELNINGSKONTROLL

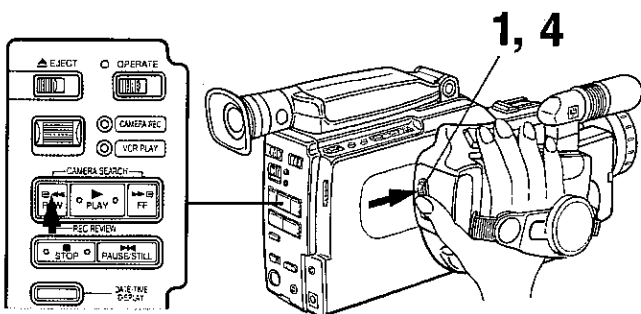
Avbryt inspelningen med start/stoptangenten för att ställa in inspelnings pausläge (indikeringen "-----" syns i sökaren). Gör sedan ett kort tryck på REC REVIEW knappen. De 2 sista sekunderna av inspelningen ungefär återspolas för att sedan avspelas. Därefter är kamerabandspelaren klar för fortsatt inspelning. Om REC REVIEW knappen hålls intryckt, ställs funktionen "kamasökning" in.



KAMERASÖKNING

Om du skulle av misstag har spelat in något på bandet som egentligen inte skulle med, används denna funktion för att enkelt leta upp var på bandet den överflödiga inspelningen finns medan kameran fortfarande är i inspelningsläget.

- 1 Tryck på start/stoptangenten för att temporärt avbryta inspelningen.
- 2 Titta i sökaren och tryck in en av tangenterna under CAMERA SEARCH för att söka upp början på det avsnitt du vill göra en nyinspelning på. De inspelade bilderna återges i sökaren.
- 3 Släpp tangenten när bandet nått önskat ställe. (Inspelnings pausläge ställs åter in efter det en 1 sekund lång stillbild har visat sig.)
- 4 Tryck på start/stoptangenten för att starta nyinspelning över det gamla avsnittet på bandet.



TANGENTÖVERSIKT

Genom att hålla tangenten "▶▶" intryckt spelas bilderna upp i 3 gånger den reguljära hastigheten. (Inget ljud återges.)

Om du håller tangenten "▶" intryckt kan bilderna spelas upp i normal hastighet. (Med ljud)

Hålls "◀◀" tangenten intryckt återges bilderna baklänges 3 gånger så snabbt som vanligt. (Inget ljud kan höras.)

Anm. Bilderna avspelas i 7 gånger normal hastighet med kamerabandspelaren inställd i LP-läget.

MOTORZOOM (VIDVINKEL/TELE)

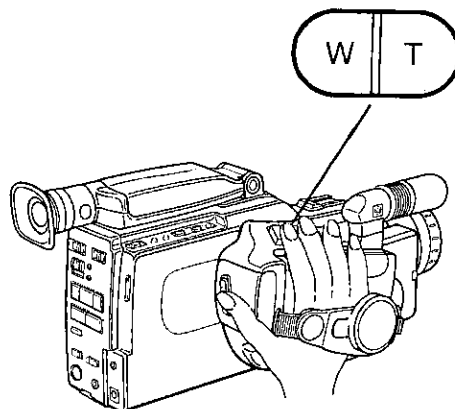
En av denna kamerabandspelares största fördelar är den motordrivna zoomen med varierbar hastighet.

Tryck på zoomknappen för att zooma in eller ut. Hastigheten avgörs med hur hårt du trycker in knappen.

Zoomens hastighet bestäms av trycket på zoomknappen. Ju hårdare man trycker, desto snabbare zoomas motivet in eller ut.

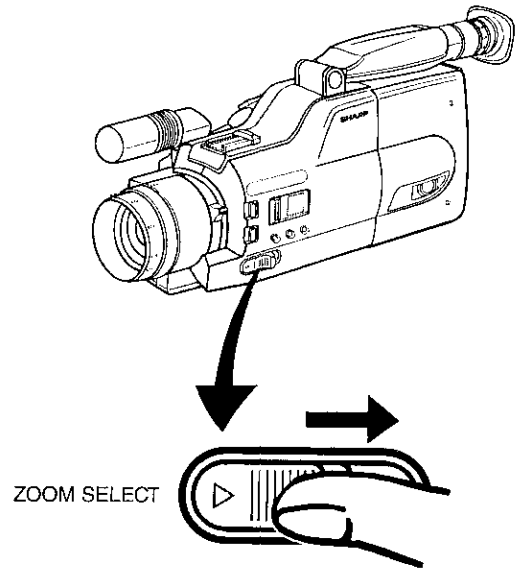
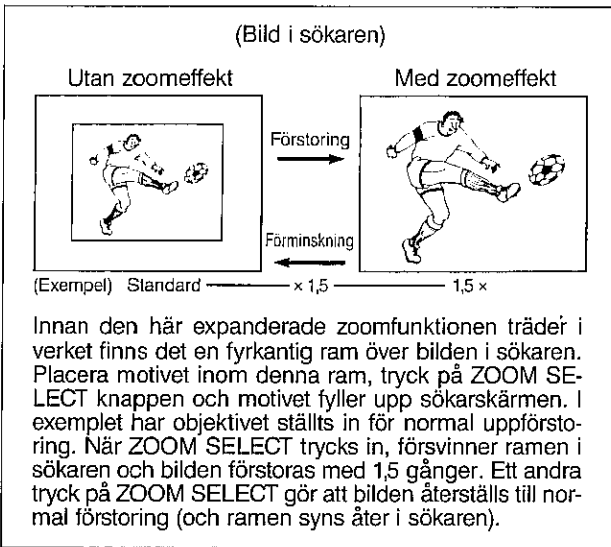
Ett hårt tryck på zoomknappen gör att motivet zoomas in eller ut på 6 sekunder. Ett lätt tryck gör att det zoomas in eller ut på 20 sekunder.

"T" (för telefoto) gör att motivet ser ut att komma närmare medan "W" (för vidvinkel) gör att motivet ser ut att avlägsnas.



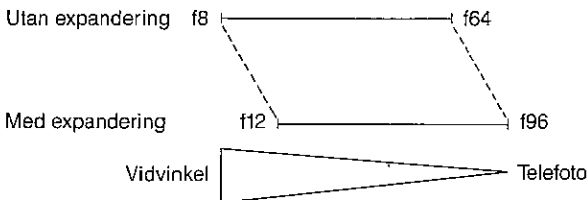
SNABBZOOM

Denna kamerabandspelare är utrustad med en 1,5 gånger expanderad zoomfunktion. Den används för att ögonblickligen förstora eller förminska bilden i sökaren och ger en helt ny sorts zoomeffekt. Om t ex en intressant scen uppenbarar sig i sökaren, trycker man på ZOOM SELECT knappen och bilden förstoras omedelbart 1,5 gånger.



Anm.

Förhållandet mellan zoom och expanderad funktion.

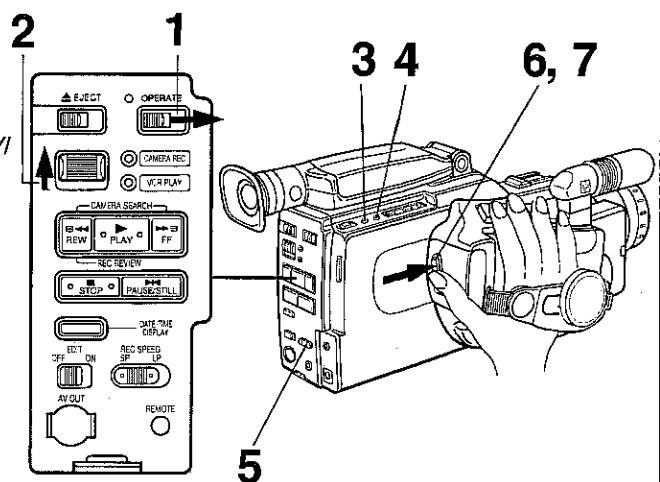


Det inställbara zoomområdet ändras på ovan angivna sätt enligt den expanderade zoomfunktionen.

TIDMÄTNINGSFUNKTION

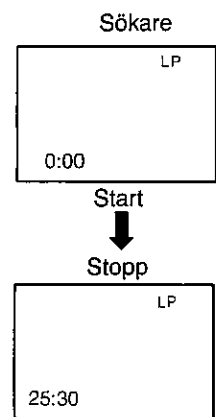
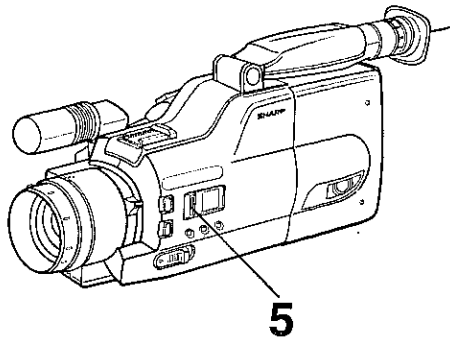
Denna funktion är till för att räkna ut den ungefärliga inspelningstiden.

- 1 Tillkoppla strömmen med OPERATE.
- 2 Sätt CAMERA REC/VCR PLAY i läge "CAMERA REC". Inspelnings pausläge ställs in automatiskt.
- 3 Tryck på knappen COUNTER/COUNTER MEMORY/LAP TIME för att välja tidmätning.
- 4 Tryck in nollställningsknappen (RESET). (Tiden ställs in på "0:00")
- 5 Tryck på REC SPEED LP/SP för att välja inspelningshastighet. Ställ in FULL AUTO omkopplaren på "FULL AUTO".
- 6 Tryck in start/stoppknappen (tidmätningen börjar).
- 7 Avbryt inspelningen med start/stoppknappen (tidmätningen stannar).



Anm.



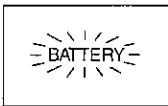

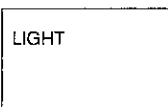
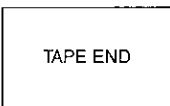
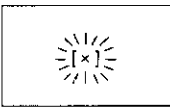
- Med denna funktion kan man på ett ungefär mäta tiden på en inspelning. Längsta mätbara tid är "99:99" (99 min. 99 sek.).
- Den gäller endast vid inspelning. (Funktionen aktiveras även om indikeringar saknas i sökaren.)
- Vid kassetttuttag återställs tidsräkneverket automatiskt till "0:00".
- Om COUNTER/COUNTER MEMORY/LAP TIME trycks in under avspelning visas inte LAP TIME. (Bara räkneverket (COUNTER) visas.)



INDIKERINGAR I LCD-PANEL OCH SÖKARE

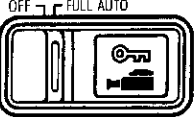
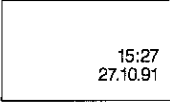
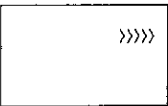
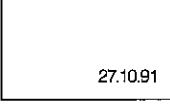
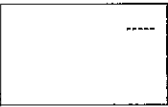
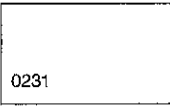
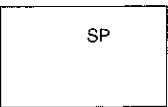
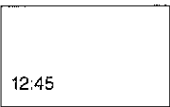
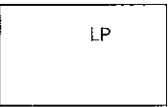
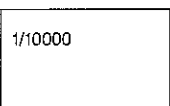
Kamerabandspelaren ger en mängd information för kamerainspelning i både LCD-panelen och i sökaren.

VARNINGSIKIKERINGAR

	<p>1) Kondens Fuktkondens på bandtrumman. Strömmen bryts inom några minuter. Vänta i flera timmar innan användning påbörjas. (Se sidan 2.) (Också driftindikatorn (OPERATE) blinkar i det här fallet.)</p>		<p>4) Videokassett Ingen inspelning kan göras då raderfliken på videokassetten är bortbruten eller ingen videokassett har satts i. Sätt i en kassett med kvarsittande raderflik.</p>
	<p>2) Batteri Batterispänningen är för låg. Strömmen bryts inom några sekunder. Byt batteripaket.</p>		<p>5) Bandslut Bandet tar slut om ca 3 minuter. Gör klar en ny videokassett med kvarsittande raderflik.</p>
	<p>3) Belysning Befintligt ljus inte tillräckligt för bra inspelningsresultat. Tillsätt extraljus eller byt till ljusare inspelningsplats.</p>		<p>Bandet är slut. Byt till ny videokassett med kvarsittande raderflik.</p>
			<p>6) Smutsigt bildhuvud Bildhuvudet måste göras rent. Uppsök en serviceverkstad.</p>

Anm. När någon av ovanstående indikeringar anges, blinkar samtidigt indikeringarna " " och " " för helautomatik.

INFORMATIONSIKIKERINGAR

	<p>1) Helautomatik Visas efter omkopplaren FULL AUTO ställs i läget "FULL AUTO". Det betyder att kamerabandspelaren kan göra normala inspelningar.</p>		<p>4) Datum/tid Denna kamerabandspelare har en s k AUTO-DATE/TIME funktion. Ett tryck på knappen DATE-TIME DISPLAY gör att man kan välja om datum och tid eller bara datum ska visa sig i sökaren. Visade uppgifter kan spelas in på bandet med bilden.</p>
	<p>2) Inspelning Ett tryck på start/stopptangenten gör att inspelning börjar vilket visas av " >>>> " som rör sig från vänster till höger.</p>		
	<p>Nästa tryck på start/stopptangenten gör att kamerabandspelaren ställs i inspelningspausläge och "-----" visas.</p>		<p>5) Bandräkneverk Räkneverket fungerar alltid, oavsett det anges eller ej. Siffrorna slår om med bandtransporten. Om räkneverksminnet har kopplats in, syns "M" till vänster om siffrorna i räkneverket.</p>
	<p>3) Inspelningshastighet Vald bandhastighet visas. "SP": Inspelning med standardhastighet. "LP": Inspelning med långspels-hastighet.</p>		<p>6) Tidmätning En inspelningssekvens kan mätas i minuter och sekunder. (Se sidan 19.)</p>
			<p>7) Höghastighetsslutare Tryck in SHUTTER SPEED knappen för att välja mellan nedan angivna slutartider. 1/100 : 1/100 sek 1/500 : 1/500 sek 1/2000 : 1/2000 sek 1/10.000 : 1/10000 sek Ingen indikering: Normalislutare (1/50 sek)</p>

INFORMATIONSIKIKERINGAR

M/F	8) Manuell fokusering Denna funktion är inställd. Det anges med "M/F" och väljs genom att trycka på knappen AUTO/MANUAL FOCUS.	* LIGHT *	10) Ljusförstärkning Funktionen inkopplad, vilket anges av att "* LIGHT *" tänds efter det BLC/GAIN-UP knappen trycks in medan indikering "LIGHT" lyser.
W/B	9) Vitbalanslås Denna funktion anges med "WB" efter ett tryck på WHITE BALANCE knappen.	FADER	11) Ut/intoning Fadringsfunktion är inkopplad. Bilden tonas in eller ut efter det start/stopptangenten trycks in.

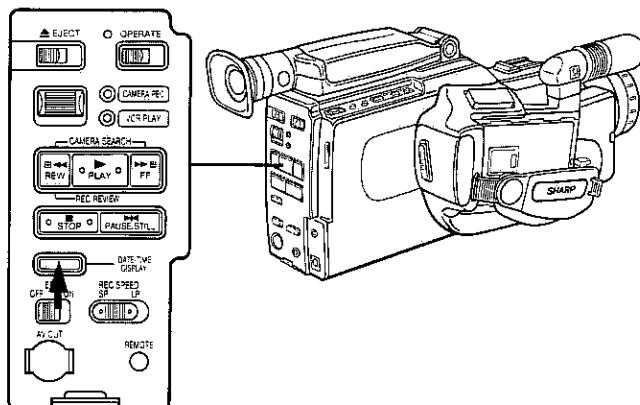
Anm. Endast datum eller tid visas om en TV används som monitor.

AUTO-DATE FUNKTION

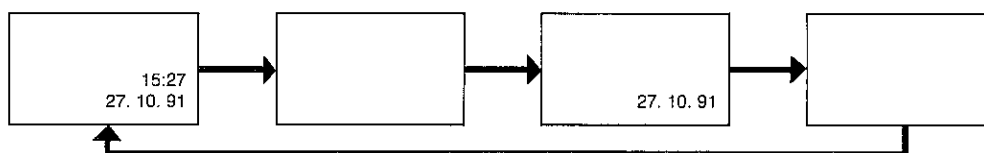
Denna funktion gör att datum och tid för inspelningen kan registreras på bandet som referens. Följ beskrivningen nedan för att få med både datum och tid eller bara datum.

Anm.

Om datum och tid inte är inställda saknar DATE-TIME DISPLAY knappen verkan. (Se sidan 7.)



- 1 Anslut en strömkälla och tillkoppla strömmen med OPERATE. Sätt CAMERA REC/VCR PLAY i läge "CAMERA REC" och kamerabandspelaren ställs i inspelnings pausläge.
- 2 Tryck på DATE-TIME DISPLAY. Antingen visas dagens datum eller både datum och tiden i sökaren. Genom att trycka in denna knapp ändras angivningen på följande sätt.

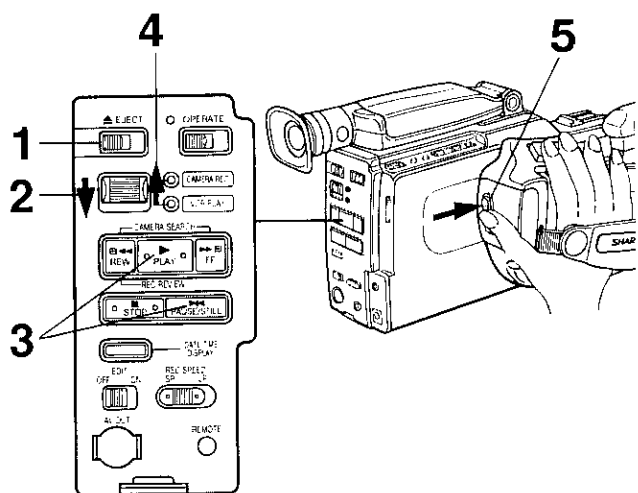


- 3 Tryck in start/stopknappen. Datumet eller datum/tid som syns i sökaren spelas in med motivet på bandet.

SKARVLÖS INSPELNING

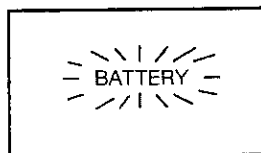
Denna funktion används för att börja spela in på ett band som redan tidigare delvis spelats in.

- 1 Tryck på EJECT och sätt i en kassett med raderfliken kvar.
- 2 Sätt CAMERA REC/VCR PLAY i läge "VCR PLAY".
- 3 Tryck på avspelnings tangenten (PLAY) och använd bildsökning för att leta upp exakt var den nya inspelningen ska påbörjas. Tryck då in PAUSE/STILL tangenten.
- 4 Skjut CAMERA REC/VCR PLAY från läge "VCR PLAY" till "CAMERA REC".
- 5 Tryck in start/stoppknappen.



BYTE AV BATTERIPAKET UNDER INSPELNING

1. Om indikeringen BATTERY börjar blinka under pågående inspelning, ska man trycka på start/stoppknappen för att avbryta inspelning. Sätt sedan OPERATE så att strömmen stängs av.
2. Byt till ett fulladdat batteripaket.
3. Sätt OPERATE för att tillkoppla strömmen. Indikeringen "-----" visas i sökaren.
4. Tryck på start/stoppknappen för att fortsätta inspelning från samma ställe som förut på bandet.



Anm.

Kom ihåg att koppla från strömmen — driftlampan ska vara släckt — innan batteripaketet tas bort.

AUTOMATISK AVSTÄNGNING

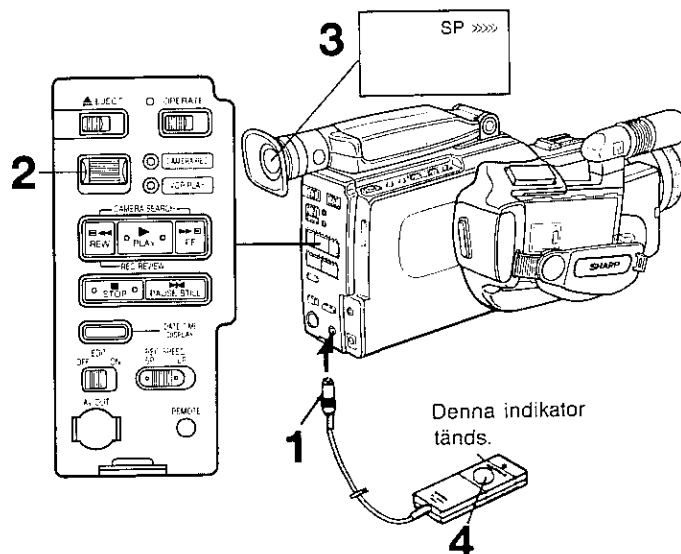
Kamerabandspelaren frikopplar bandet i avsikt att skydda bandet från skada och kopplar också från strömmen för att spara på batteriet om apparaten har varit inställd i inspelnings pausläge ("-----" står still i sökaren) i mer än fem minuter.

Strömkälla	CAMERA REC/VCR PLAY omkopplarens läge	Funktion 5 min.
Batteri/nät	CAMERA REC	Inspelningspaus → Strömmen från

FJÄRRSTYRD PAUS

Använd den 5 m långa fjärrpauskabeln VR-20ME, som är ett extra tillbehör, för tillfälliga avbrott i inspelning på avstånd från kamerabandsspelaren. Den har samma funktion som PAUSE/STILL tangenten.

- 1 Skjut in fjärrpauskabelns plugg i kontakten REMOTE.
- 2 Sätt CAMERA REC/VCR PLAY i läge "CAMERA REC".
- 3 Kontrollera att indikeringen "-----" visas i sökaren.
- 4 Starta inspelningen genom att trycka in tangenten för inspelning/paus (REC/PAUSE) på fjärrkontrollen och en indikatorlampa börjar röra sig från vänster till höger. Tryck på samma tangent en gång till för tillfälliga avbrott i inspelningen.



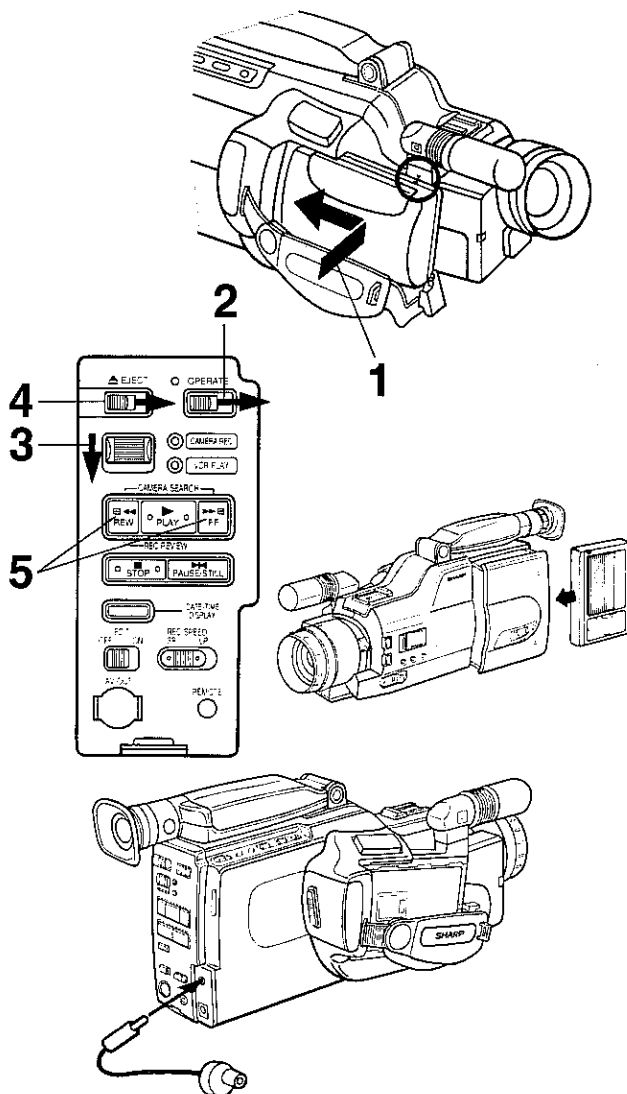
VL-C780S kan också spela av VHS-C kassetter som spelats in. De kan spelas av i sökaren eller på en TV-mottagare.

AVSPELNING I SÖKAREN

- 1 Sätt fast ett batteripaket eller anslut nättillsatsen.
- 2 Tillkoppla strömmen med OPERATE — driftlampan börjar lysa.
- 3 Sätt CAMERA REC/VCR PLAY i läge "VCR PLAY".
- 4 Tryck på EJECT för att sätta i en kassett.
Anm.
Spänn bandet först!
- 5 Snabbspola bandet till det ställe som ska återges med hjälp av snabbspolningstangenterna FF eller REW. Tryck sedan in PLAY tangenten varvid avspelning startar.

Anm.

Skjut in hörsnäckans plugg (medlevereras ej) i kontakten EAR för att höra ljudet.



Anm.

LP/SP väljarens läge är valfritt. Korrekt avspelningshastighet ställs in automatiskt.

BILDJUSTERING

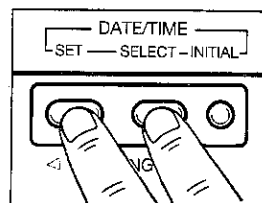
Om störningsränder syns i bilden eller det förekommer mycket "brus", kan det avlägsnas med bildjusteringskontrollen (TRACKING). Tryck på endera av TRACKING knapparna för att minimera störningarna. Ställ tillbaka funktionen i normalläget efter avslutad avspelning genom att trycka in bägge TRACKING knapparna samtidigt.



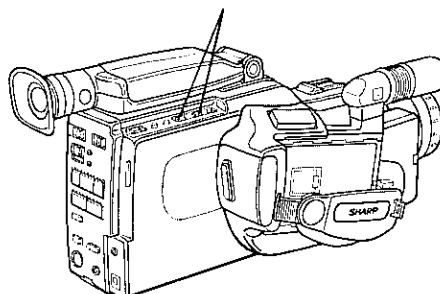
"Brusband"



Ren bild



TRACKING kontroll



BILDSÖKNING OCH STILLBILD

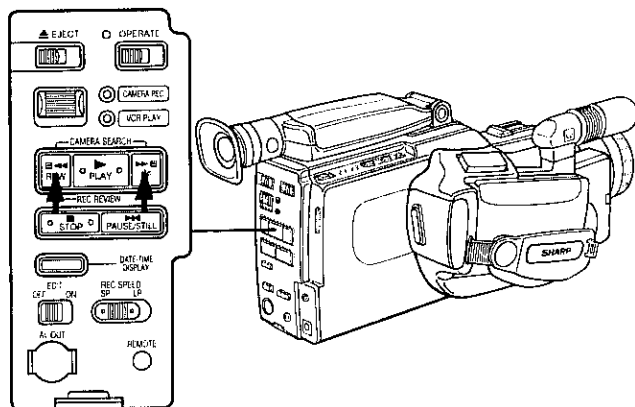
Använd snabbspolningstangenterna för att snabbt lokalisera ett visst avsnitt på bandet.

Bildsökning framåt

Tryck in framspolningstangenten FF (▶▶) under avspelning. Bilderna visas i 3 gånger den normala hastigheten för SP-inspelade band och 7 gånger snabbare för LP-inspelade band.

Bildsökning bakåt

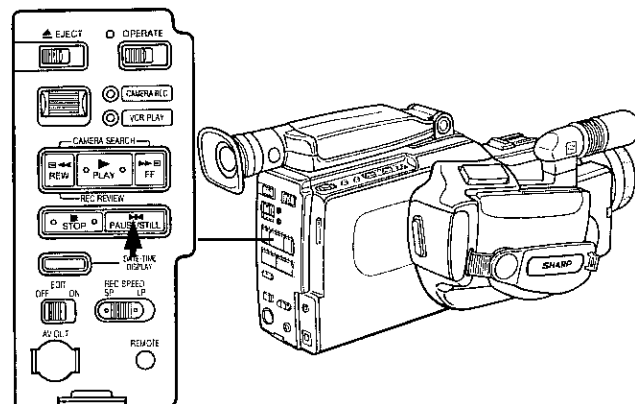
Tryck in återspolningstangenten REW (◀◀) under avspelning. Bilderna visas i 3 gånger den normala hastigheten för SP-inspelade band och 7 gånger snabbare för LP-inspelade band.



Anm. Störningar kan förekomma i bilden under bildsökning åt endera håll. Detta är normalt. Om bilden på TV-skärmen skulle rulla, regleras detta med TV-apparatens vertikalhållarkontroll. Färgbilder kan även återges i svart-vitt under bildsökning. Också detta är normalt. Inget ljud återges.

Stillbild

Tryck på tangenten PAUSE/STILL under avspelning för att erhålla en stillbild. Tryck igen på PAUSE/STILL för att fortsätta avspelning.



Anm.

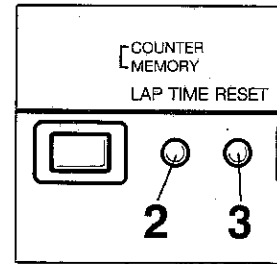
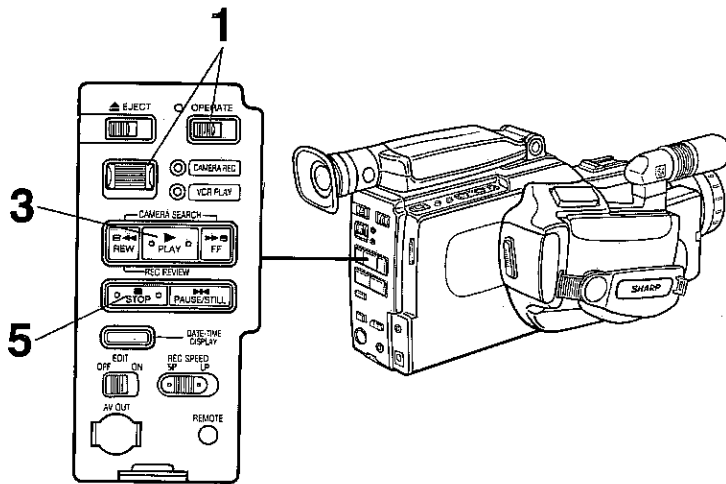
Om bilden på TV-skärmen skulle rulla, reglera detta med TV-apparatens vertikalhållarkontroll. Kamerabandspelaren kopplar automatiskt bort stillbildsläget och avspelning upptas på nytt efter fem minuter för att skydda bandet från skada.

Ca 5 min.

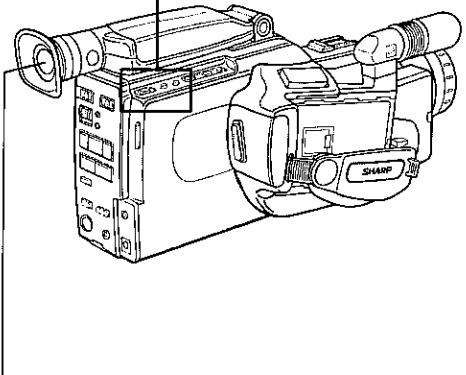
STILL → STOP

BANDRÄKNEVERKETS MINNE

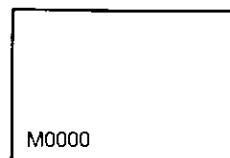
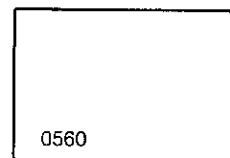
Det 4-siffriga räkneverket kan användas som en praktisk referens när man ska leta upp olika avsnitt på bandet. När minnesfunktionen är inställd stannar bandet när räkneverket visar "M0000" vid såväl framspolning som återspolning av bandet.



- 1** Tillkoppla strömmen med OPERATE. Sätt CAMERA REC/VCR PLAY i läge "VCR PLAY".
- 2** Tryck på COUNTER/COUNTER MEMORY/LAP TIME knappen så att bandräkneverket anges i sökaren.
- 3** Tryck på PLAY för att starta avspelning. (Med kamerabandspelaren i stillbildsläget ska PAUSE/STILL tryckas in.)
- 4** Tryck på COUNTER/COUNTER MEMORY/LAP TIME i början på det önskade avsnittet.
- 5** Tryck in STOP tangenten i slutet på avsnittet ifråga och sedan REW. Bandet återspolas för att stanna när räkneverket visar "0000".



Indikering i sökaren



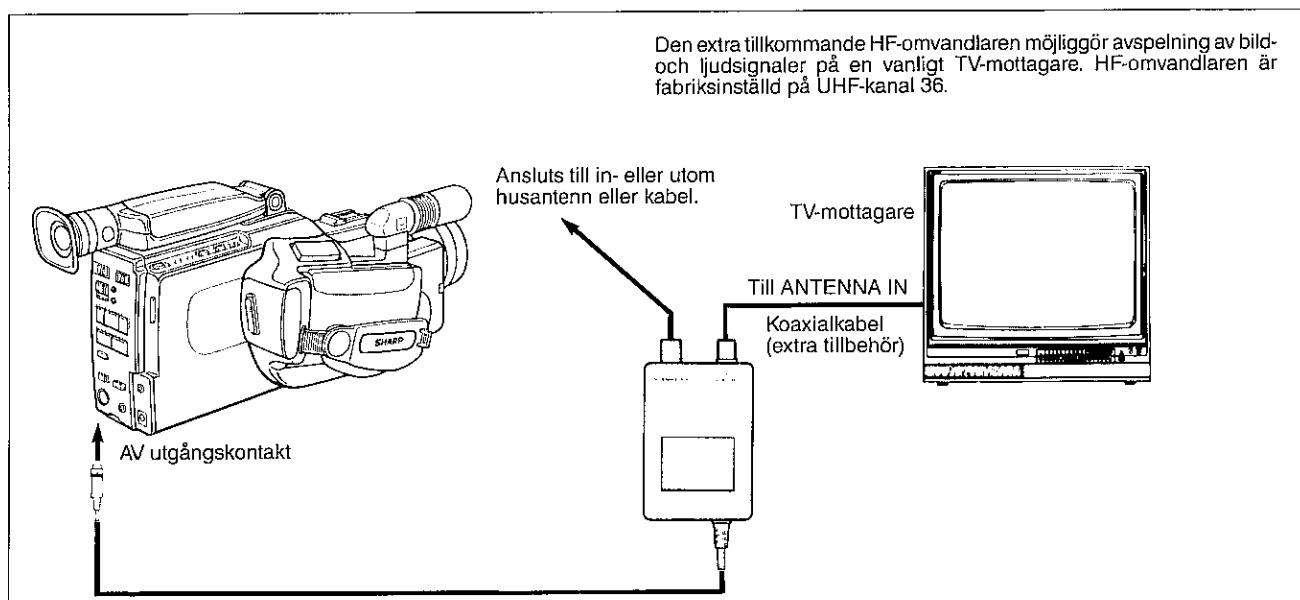
Anm.

- Siffrorna i räkneverket slår inte om i jämn takt vid bandets snabbspolning. Detta är dock normalt.
- Räkneverket visar "0000" med ett "M".
- Om COUNTER/COUNTER MEMORY/LAP TIME trycks in igen, försvinner angivning av räkneverk och minnesfunktionen gäller inte längre. (Vid kamerainspelning kan tidmätarfunktionen ställas in med COUNTER/COUNTER MEMORY/LAP TIME knappen.)
- Bandet stannar ungefär i positionen "0000" vid snabbspolning framåt.
- Minnesfunktionen kan endast användas när CAMERA REC/VCR PLAY är i läge "VCR PLAY".

ANSLUTNING TILL EN TV

Inspelningar med kamerabandspelaren kan spelas av på en TV-mottagare. För detta måste den extra tillkommande HF-omvandlaren anslutas mellan TVn och kamerabandspelaren.

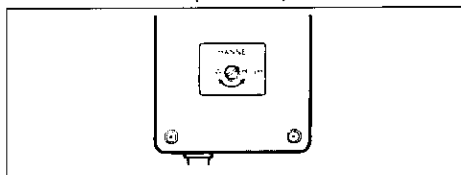
Anslutning till en vanlig TV



AVSPELNING PÅ TV

Ställ in TVn på samma kanal som HF-omvandlaren (UHF-kanal 30 — 39) och tryck in PLAY tangenten. För att återgå till normal TV-mottagning ska man stänga av strömmen till kamerabandspelaren (med OPERATE) eller koppla från HF-omvandlaren.

- 1 Kanalväljaren på den extra tillkommande HF-omvandlaren är inställd på kanal 36. Om kanal 36 är upptagen av reguljära sändningar ska en annan kanal ställas in (se Anm.)



- 2 Ställ in TVn på samma kanal.
- 3 Lösgör antennkabeln från TVn och anslut den till kontakten ANTENNA IN på HF-omvandlaren.
- 4 Anslut den extra tillkommande 75 ohms koaxialkabeln till kontakten RF OUT på HF-omvandlaren och antennkontakten av typen 75 ohm på TVn.
- 5 Anslut till sist HF-omvandlarkabeln till AV utgångskontakten på kamerabandspelaren.
- 6 Sätt CAMERA REC/VCR PLAY i läge "VCR PLAY" och tillkoppla strömmen med OPERATE.
- 7 Tryck på EJECT och sätt i en kassett med fönstret vänt utåt. Tryck in PLAY.

Obs!

- Använd endast den extra tillkommande HF-omvandlaren med kamerabandspelaren.
- HF-omvandlarens hölje är tättslutande. Den får inte öppnas eller modifieras. Utsätt den inte för stötar, slag eller vibrationer.
- Koppla från HF-omvandlaren vid åskväder.

ANVÄNDNING

Återgivning av videokassett med VL-C780S:

Vid avspelning eller kontroll av inspelning ska TVns kanalväljare ställas in på den kanal som motsvarar HF-utgångskanalen.

Återgivning av TV-program

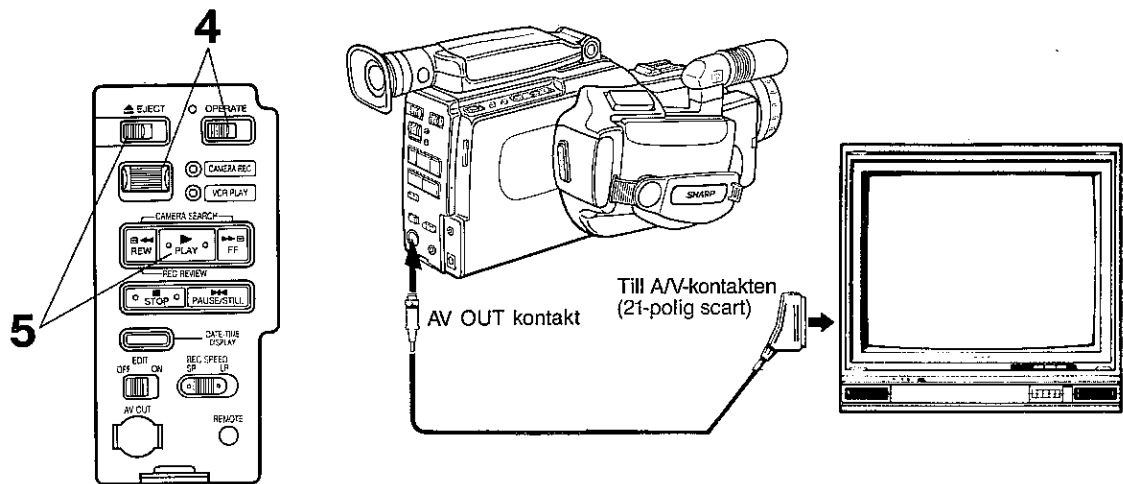
Koppla från strömmen till kamerabandspelaren med OPERATE eller frånkoppla HF-omvandlaren.

Anm.

Om UHF-kanal 36 är upptagen av reguljära sändningar måste en annan kanal mellan 30 och 39 ställas in för att kunna återge videokassetter på TVn med kamerabandspelaren. Ställ om HF-utgångskanalen (UHF 30-39) och ställ in TVn på samma kanal.

ANSLUTNING TILL TV MED AV-KONTAKTER

- 1** Anslut den medföljande A/V OUTPUT kabeln med 21-polig scartkontakt till kamerabandspelarens kontakt AV OUT.
- 2** Skjut in kabelns 21-poliga kontaktdon i TVns A/V-kontakt (21-polig scart).
- 3** Ställ in TVn på video- eller A/V-kanalen.
- 4** Tillkoppla strömmen med OPERATE. Sätt CAMERA REC/VCR PLAY i läge "VCR PLAY".
- 5** Tryck på EJECT och sätt i en kassett med fönstret vänt utåt. Tryck in PLAY.

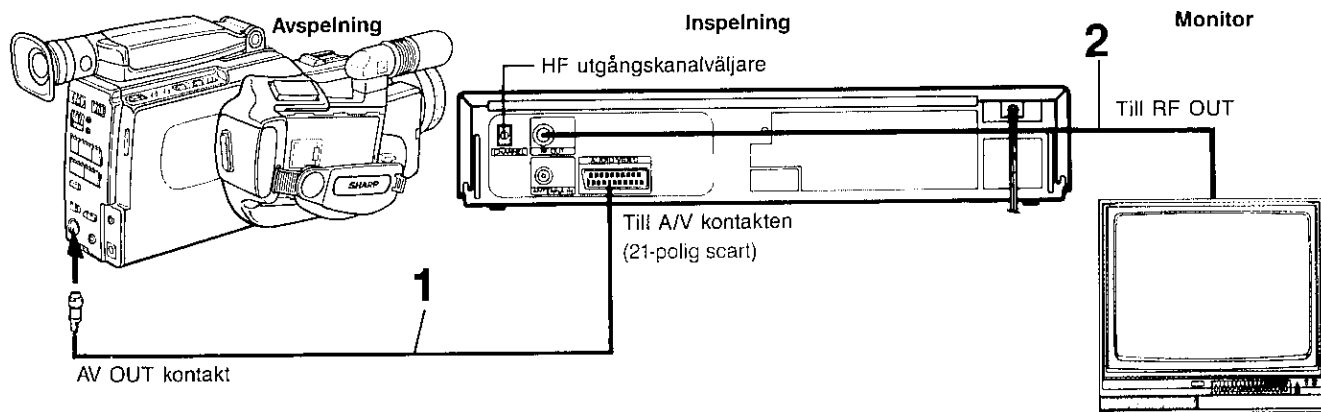


Avspelning på TVn

Ställ in TVn på video- eller A/V-kanalen och tryck PLAY tangenten.
Ställ in TVn på en annan kanal för vanlig användning med TV-mottagaren.

KOPIERING MED EN ANNAN VIDEOBANDSPELARE

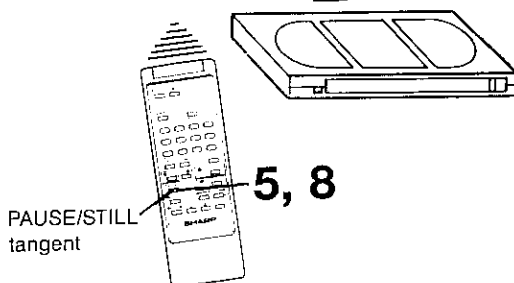
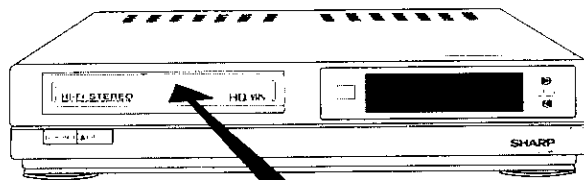
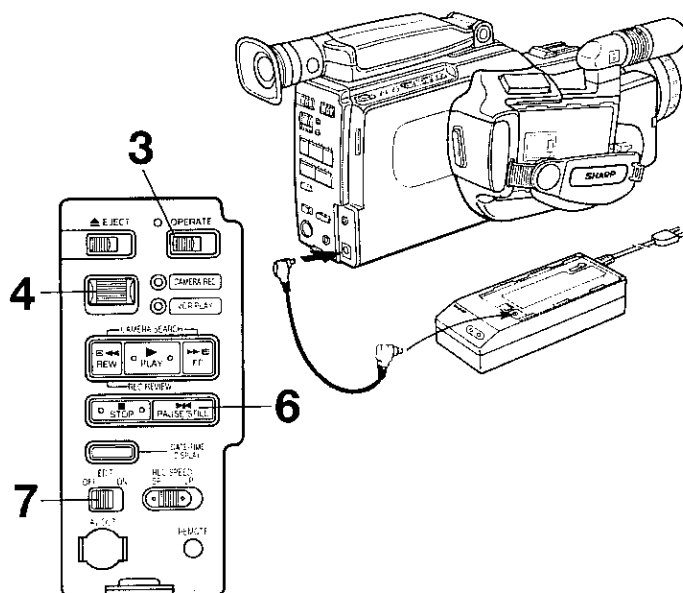
SHARPs kamerabandspelare kan anslutas till en annan videobandspelare för kopiering och redigering av egna videofilmer. Det går på detta sätt att "klippa bort" scener, förkorta inspelningar och flytta avsnitt samt lägga in andra effekter för att förhöja filmernas värde.



- 1** Anslut A/V OUTPUT kabeln till kamerabandspelarens kontakt AV OUT. Skjut in kabelns 21-poliga kontaktdon i A/V-kontakten på videobandspelarens baksida.
- 2** Övervaka inspelningen på TV:n ansluten till videobandspelaren.
- 3** Anslut en strömkälla till kamerabandspelaren och tillkoppla strömmen med OPERATE.
- 4** Sätt CAMERA REC/VCR PLAY i läge "VCR PLAY" och lägg i en inspelad kassett.
- 5** Sätt i en kassett med intakt raderflik i videobandspelaren som därefter ställs i inspelnings pausläge.
- 6** Leta upp avsnittet på bandet som ska kopieras och tryck på kamerabandspelarens STILL/PAUSE tangent.
- 7** Sätt redigeringsomkopplaren (EDIT) i tilläge.
- 8** Tryck in PAUSE/STILL på både kamerabandspelaren och videobandspelaren varvid kopiering startar.

Anm.

Bildkvaliteten blir alltid sämre vid varje kopiering. Detta kan motverkas i någon grad genom att använda standardhastighet (SP) vid kopieringen.



PAUSE/STILL tangent

REDIGERINGSKONTROLL

Bildkvaliteten blir obönhörligen sämre vid varje kopiering. Sätt därför EDIT i tilläge för att minimera försämringen. Används endast vid redigering av egna videoinspelningar.

Anm.

- Normalt ska EDIT vara i frånläge.

KASSETTADAPTERNS ANVÄNDNING (EXTRA TILLBEHÖR)

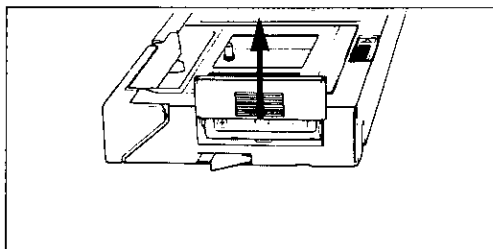
VHS kompakta videokassetter som spelats in med VL-C780S kan avspelas med en VHS bandspelare av bordsmodell tillsammans med den extra tillkommande kassettheadaptern VR-72CA.

(En kompaktkassett installerad i kassettheadaptern är helt användbar med en standard VHS-bandspelare för både inspelning och avspelning.)

Isättning av batteri i kassettheadaptern.

Kassettheadaptern VR-72CA drivs av ett batteri av typen R6 (AA).

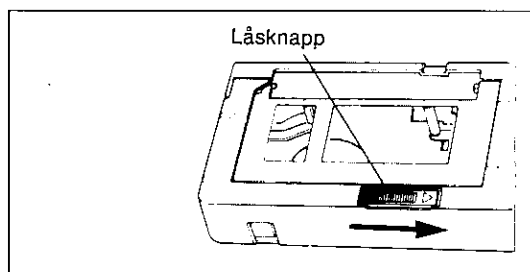
Ta bort batterilocket genom att skjuta det uppåt. Sätt i ett batteri och sätt tillbaka locket.



Isättning av kompaktkassett i kassettheadaptern

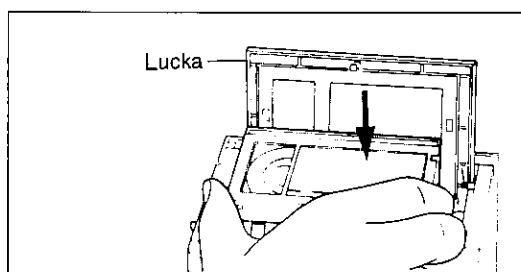
Bandet kan skadas om det är slakt vid kompaktkassetterns isättning. Spänn därför först bandet.

- 1** Skjut på låsknappen i pilens riktning för att öppna luckan.



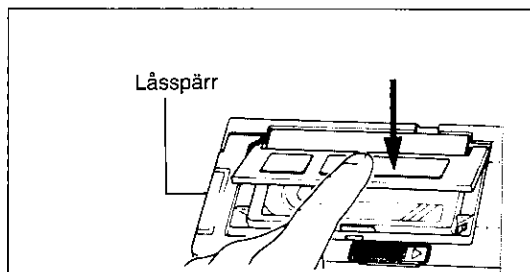
- Kassettluckan öppnas.

- 2** Sätt i kassetten som bilden visar.



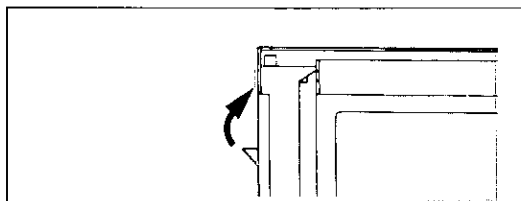
- Sätt i rakt och inte snett.
- Spänn bandet.
- Vidrör inte bandet under isättningen.

- 3** Stäng kassettluckan.



- Bandet matas fram automatiskt.

- 4** Låsspärren dras in automatiskt. Detta visar att bandet matats fram ordentligt.

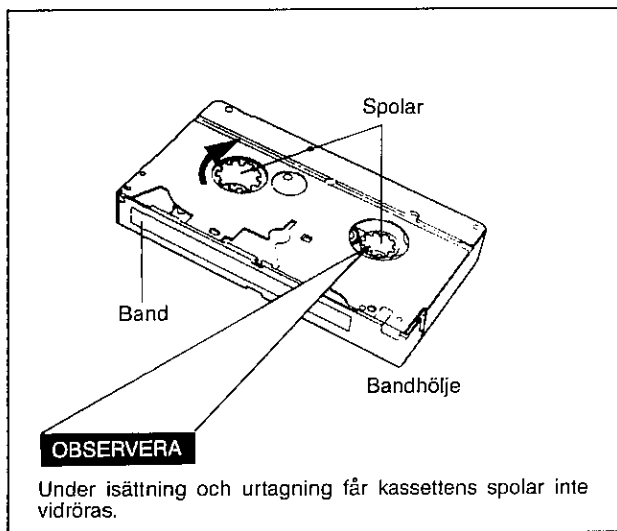


Obs!
Under isättning och urtagning får kassetterns spolar inte vidröras.

Obs!

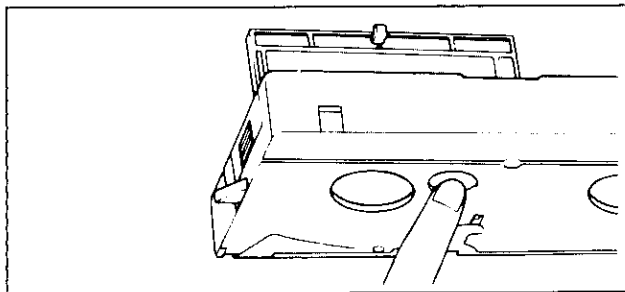
Kontrollera bandet efter kassettsens isättning att det är korrekt frammatat:

1. Se efter om bandet är spänt. (Öppna inte bandhöljet!)
2. Slaka band spänts genom att vrida på spolen i pilens riktning.



Urtagning av kompaktkassett från kassettdaptern

Skjut låsknappen för att öppna luckan och tryck sedan kassetten uppåt med fingret genom hålet på adapterns undersida för att ta ut kassetten.

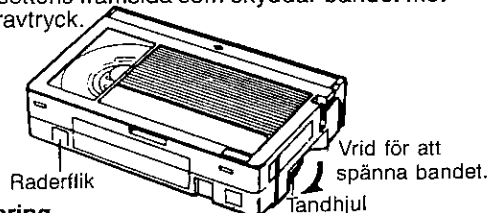


Anm.

- Denna kassettdapter är precisionstillverkad. Undvik kraftiga vibrationer eller stötar. Den får inte tappas, plockas isär eller modifieras vid risk för felfunktion.
- Sätt tillbaka kassettdaptern i sitt fodral med spärrsidan först.

Videokassetter

- VL-C780S kan endast användas med kompakt kassett märkt: **VHS**
- Inspelning på redan inspelade band raderar automatiskt den tidigare inspelningen av ljud och bild.
- Felvänd kassett kan inte sättas i.
- Sätt inte i och ta inte ur kassettdaptern upprepade gånger utan att bandet transporteras. Bandet slaknar och kan skadas.
- Se till före kassettsens isättning att bandet är spänt. Vrid tandhjulet i pilens riktning för att späna det.
- Kassetten har en raderflik som bortbruten gör att bandet inte kan raderas. Sätt en bit tejp över hålet för nyinspelning på kassett som saknar denna flik.
- Öppna inte kassettsens framsida som skyddar bandet mot dam och fingeravtryck.



Kassetters förvaring

- Undvik utsätta kassetterna för starkt solsken. Håll dem på avstånd från hög värme.
- Förvara inte kassetterna på fuktiga och dammiga ställen.
- Tappa inte kassetterna. Utsätt dem inte för kraftiga vibrationer eller slag.
- Utsätt inte kassetterna för stark magnetism (nära elmotor, transformator eller magnet).
- Sätt alltid tillbaka kassetterna i sina fodral och ställ dem upprätt.

Bandavspelning

1. Sätt kassettdaptern i en videobandspelare av VHS-typ på samma sätt som vanliga VHS kassetter.
2. Använd VHS-bandspelaren som vanligt.
 - Speciella avspelningseffekter på VHS-bandspelaren kan användas.
 - Brusband i bilden tas bort med videobandspelarens TRACKING kontroll. Se till att ställa tillbaka kontrollen till normalläget efter avslutad spelning med VHS kompaktkassetten.
 - Se videobandspelarens bruksanvisning.

Anm.

- Vid användning av specialeffekter (långsam avspelning, stillbild osv.) kan bilden vibrera eller störningsstreck uppträda på skärmen.
- Utslående låsspärr visar att bandet inte matats fram ordentligt. Försök ALDRIG att sätta kassettdaptern i bandspelaren om så är fallet, eftersom båda kan skadas.
- Sätt inte i och ta inte ur kassettdaptern upprepade gånger utan att bandet transporteras. Bandet slaknar och kan skadas.
- Kassettdaptern kan inte sättas i felvänd.
- Ta ut kassett från adaptern efter avslutad användning.

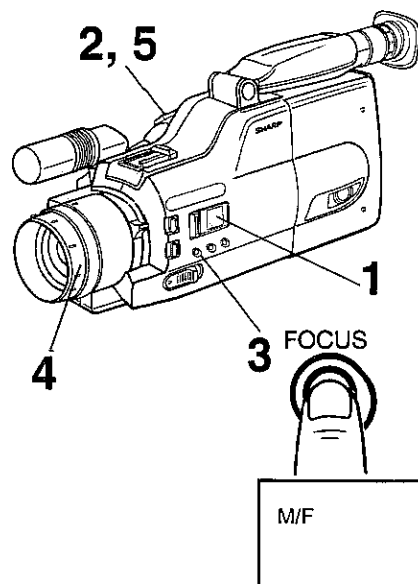
MANUELL FOKUSERING

I följande fall kan det vara svårt för den automatiska avståndinställningen att fokusera motivet och det kan då vara lämpligt att göra det för egen hand.

1. När motivet inte befinner sig i mitten på bilden.
2. När man vill att fonden eller förgrunden ska vara otydlig.
3. När motivet ska vara ur fokus i början på en scen.

TILLVÄGAGÅNGSSÄTT

- 1 Koppla från FULL AUTO.
- 2 Tryck zoomknappen "T" för att zooma in föremålet.
- 3 Tryck på fokuseringsväljaren (AUTO/MANUAL FOCUS) för att välja "MANUAL FOCUS".
- 4 Vrid fokusringen så att motivet i sökaren blir skarp.
- 5 Komponera eventuellt om bilden genom att trycka lätt på zoomknappen "W".



Indikeringen "M/F" visas i sökaren med funktionen för manuell fokusering inställd.

VITABLANS

Denna funktion är till för att säkra att de inspelade bilderna återges med rätta färger vid avspelningen. Vitbalansen ställs normalt in automatiskt.

Vitbalanslås

Färgskiftningar kan inträffa om ett enfärgat motiv spelas in så att sökaren är fylld med bara en färg, t ex vid inzoomning av ett enfärgat pappersark. Med hjälp av vitbalanslåset slipper man färgskiftningar i dylika fall. Koppla in detta lås genom att göra nedanstående åtgärder.

(1) Snabbinställning

Zooma ut ett motiv med flera färger så långt det går. I det här fallet ställs den rätta vitbalansen in automatiskt. Tryck på vitbalansknappen (WHITE BALANCE) för att låsa denna inställning. Indikeringen "W/B" kommer upp i sökaren. Så länge vitbalansen är låst kan man undvika färgskiftningar i inspelningen när man zoomar in motivet och det bara har en färg.

(2) Precisionsinställning

Fokusera objektivet på ett vitt pappersark så att hela sökaren fylls upp av det under minst 2 sekunder. Korrekt vitbalans ställs in automatiskt. Koppla bort helautomatiken med FULL AUTO och tryck på WHITE BALANCE för att låsa denna inställning. Indikeringen "W/B" kommer upp i sökaren. Koppla bort vitbalanslåset genom att trycka på WHITE BALANCE igen eller genom att sätta FULL AUTO omkopplaren på "FULL AUTO" för att återgå till automatisk vitbalansinställning.

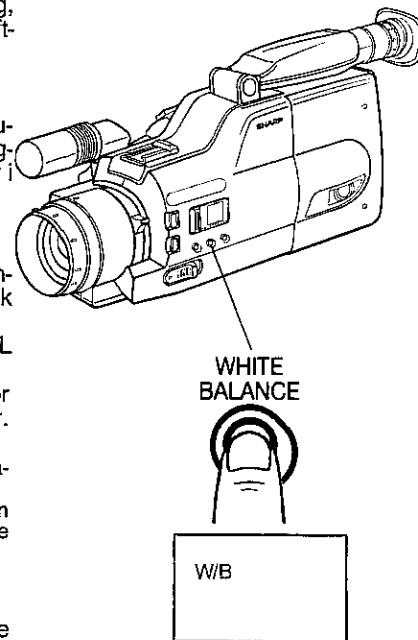
• Färgtemperaturen för olika ljuskällor varierar. Lägg märke till att t ex solens färgtemperatur beror på väderleken och dagens tid. Vitbalanslåset måste därför ställas om för olika färgtemperaturer.

Anm.

- Vitbalanslåset kopplas bort om strömmen till kamerabandspelaren kopplas från eller om kamerabandspelaren ställs om till bandspelarfunktion (VCR).
- Även om vitbalans låsfunktion är inkopplad blir vitbalansen inte perfekt inställd. Kompensationen gäller endast små variationer i färgtemperaturen, men ger det inspelade materialet en naturligare färg.

Den automatiska vitbalansen fungerar inte under följande villkor.

- Vid blandning av naturligt och artificiellt ljus. Undvik inspelningsställen nära ett fönster med både rumsbelysning och solsken. Kom också ihåg att alla lampor bör ha samma färgtemperatur vid användning av artificiellt ljus.
- Vid användning av belysning med specialeffekter.
- Vid inspelning när bakgrunden har starka färger.
- Vid otillräckligt ljus.
- Vid snabba växlingar i färgtemperaturen eller då kraftiga kontraster finns.
- Vid inspelning av enfärgade motiv.



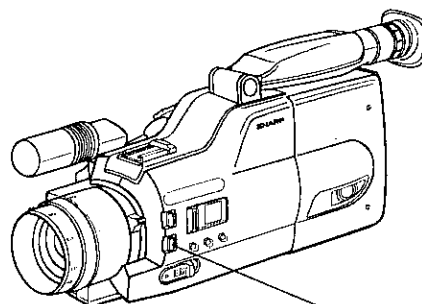
Indikeringen "W/B" visas upp i sökarens vänstra hörn med funktionen för vitbalanslås inställd. (Indikeringen försvinner när funktionen kopplas bort.)

MOTLJUSKOMPENSATION

Den automatisk bländaren i denna kamerabandspelare har ett nytt ljusmätningssystem som automatiskt styr bländaren efter rådande ljusförhållanden. Men när motivet lysas upp bakifrån och ser mörkt ut på sökarskärmen, kan man trycka in ljusförstärkningsknappen (BLC/GAIN-UP) så att motivet framträder klart vid bandets avspelning.

Anm.

Kamerabandspelaren ställs tillbaka för automatisk bländarinställning efter det BLC/GAIN-UP knappen trycks in igen.



BLC/GAIN-UP



LJUSFÖRSTÄRKNING

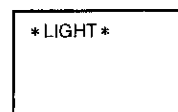
Indikeringen "LIGHT" visas i sökaren vid inspelning av ett mörkt motiv. Det blir ljusare om BLC/GAIN-UP knappen trycks in. Indikeringen "* LIGHT *" visas i sökaren när ljusförstärkningsfunktionen är inkopplad.

När motivet blir ljusare, försvinner "* LIGHT *".

Kamerabandspelaren är dock fortfarande inställd på ljusförstärkningsfunktionen. För att koppla bort funktionen trycks BLC/GAIN-UP knappen in medan "* LIGHT *" anges.

Anm.

- I ljusförstärkningsfunktionen ökar bildstörningarna.
- Ljusförstärkningsfunktionen kopplas bort om strömmen fränkopplas eller kamerabandspelaren ställs in för avspelning.



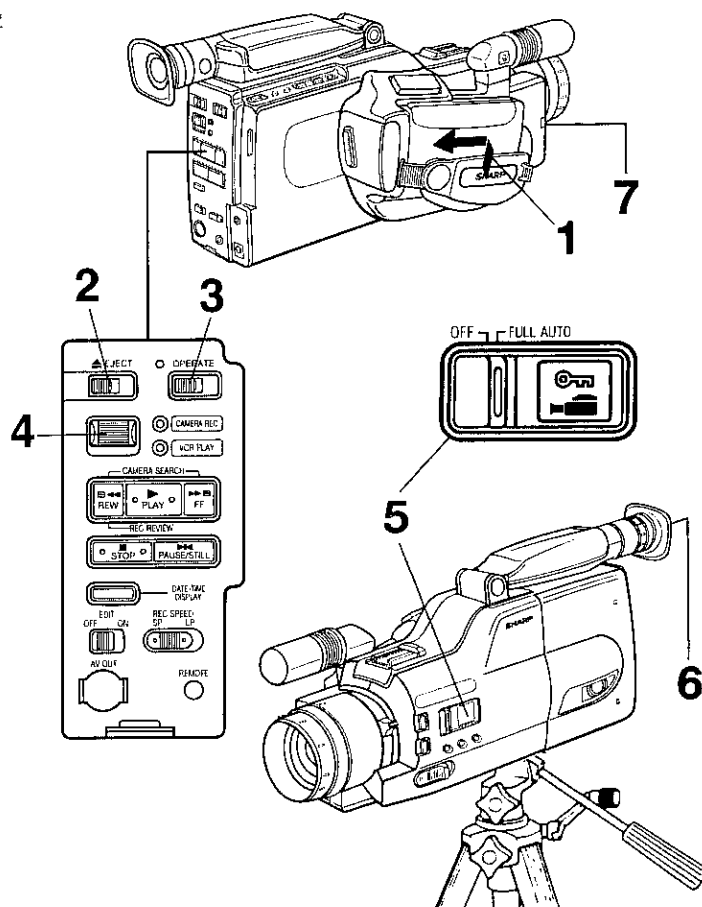
Indikeringen "* LIGHT *" visas i sökaren när ljusförstärkningsfunktionen är inkopplad.

INSPELNING MED SJÄLVUTLÖSARE

- 1 Sätt fast batteripaketet.
- 2 Tryck på EJECT för att öppna kassetthållaren. Sätt i en kassett med kvarsittande raderflik och med fönstret vänt utåt. Stäng kassetthållaren genom att trycka på märkningen "PUSH" tills den låses.
- 3 Montera kamerabandspelaren på ett stadigt stativ för videobruk och tillkoppla därefter strömmen med OPERATE.
- 4 Sätt VCR PLAY/CAMERA REC i läge "CAMERA REC".
- 5 Sätt FULL AUTO omkopplaren i läge "FULL AUTO" och kontrollera att indikeringen "CAMERA" visas på LCD-panelen.
- 6 Rikta kamerabandspelaren mot motivet och komponera bilden med zoomkontrollen.
- 7 Tryck in självutlösarknappen (SELF TIMER). Inspelning görs i 20 sekunder varefter inspelnings pausläge ställs in. För längre inspelning ska SELF TIMER tryckas in två gånger.

Anm.

Om SELF TIMER trycks in tre gånger kopplas funktionen bort.



HÖGHASTIGHETSSLUTARE

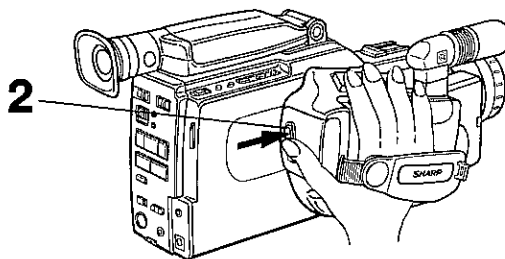
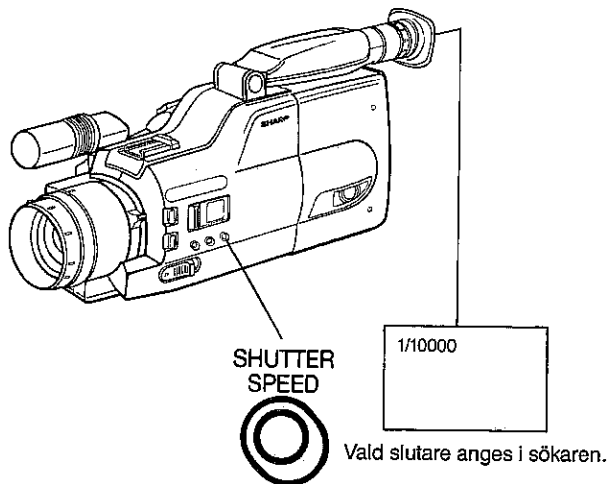
Använd korta slutartider (1/10.000, 1/2.000, 1/500 och 1/100 sek) vid inspelning av snabba motiv som idrotter (tennis, golf osv). Dessa scener kan därefter återges med en videobandspelare som har 4 bildhuvuden med ännu klarare bilder i funktionerna för stillbild och långsam avspeling.

TILLVÄGAGÅNGSSÄTT

- 1 Tryck slutarhastighetsväljaren (SHUTTER SPEED) med inspelnings pausläge inställt och FULL AUTO bortkopplad. Välj önskad slutare genom att trycka in knappen och tiderna visas i sökaren i förjande ordning: 1/10.000 sek, 1/2.000 sek, 1/500 sek, 1/100 sek, standard (1/50 sek) och därefter tillbaka till 1/10.000 sek igen osv.
- 2 Tryck på start/stopptangenten för att börja inspelning som vanligt.
Vid inspelning med hög slutarhastighet krävs bättre belysning än normalt. Lägsta ljusstyrka för resp slutare anges nedan:
1/10.000 sek: 3.000 lux
1/2.000 sek: 600 lux
1/500 sek: 150 lux
1/100 sek: 30 lux

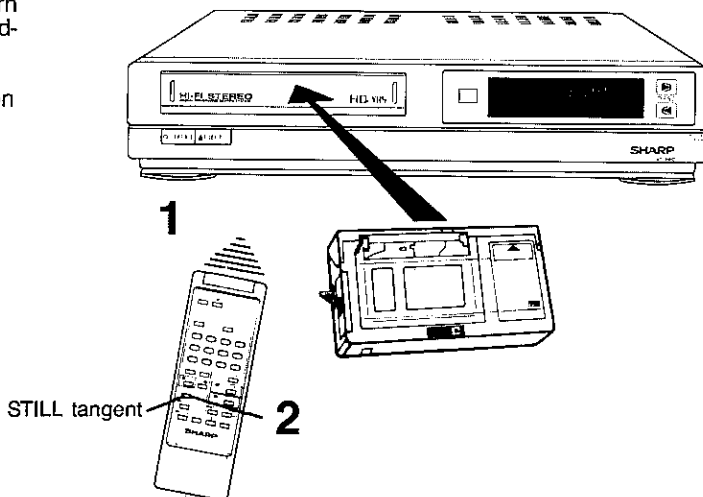
Anm.

- Undvik använda höga slutarhastigheter i ljus från lysrör eftersom det orsakar flimrande bilder.
- Inspelningar med slutare kortare än 1/50 sek (standard) gör att bilden mörknar. Spela in på platser med starkt ljus när andra slutarhastigheter ska användas.



AVSPELNING AV AVSNITT SOM SPELATS IN MED HÖGHASTIGHETSSLUTARE

- 1 Sätt kassett i den extra tillkommande kassettadaptorn **VHS** som sätts i en **VHS** videobandspelare med 4 bildhuvuden.
- 2 Avspela dessa scener med stillbild eller slow-motion som ger klara och skarpa bilder.



NÄRBILDINSPELNING

Små växter, insekter och även fotografier i familjealbumet kan spelas in med makrofunktionen för att förstoras och fylla hela TV-skärmen. Makrofunktionen kan också användas för att göra titlar till de egna inspelningarna.

Normalt kan objektivet bara fokusera motiv på högst 1 meters avstånd.

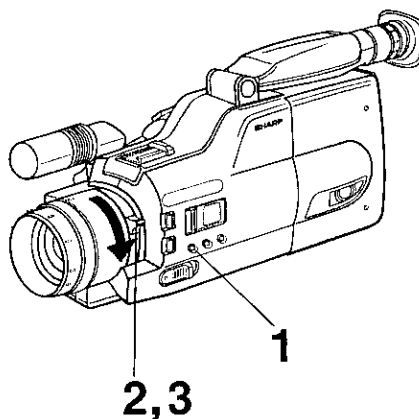
Men genom att ställa in objektivet i makroläget går bildskärpan att ställas in manuellt inom området 8 mm – 100 cm.

Montera kamerabandspelaren på ett stadigt stativ, eftersom minsta rörelse förstoras vid makroinspelning.

- 1 Sätt FOCUS knappen i läge "MANUAL".
- 2 Håll MACRO knappen intryckt medan zoomringen vrids in till det gröna området och låses.
- 3 Ställ in bildskärpan genom att långsamt vrida zoomspaken.

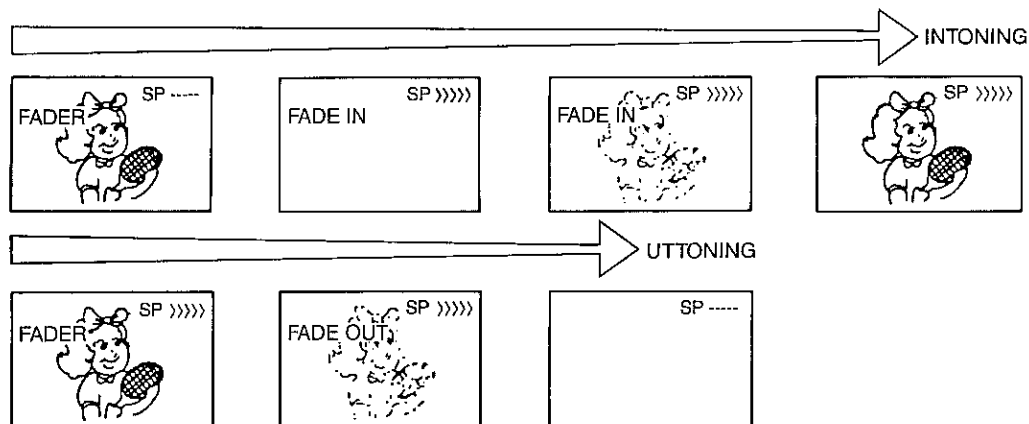
Anm.

- Vrid zoomspaken till det normala fokuseringsområdet efter avslutad närbildinspelning.
- Vid inspelning av enfärgade motiv som en blomma, kan det förekomma färgskiftningar. Använd i så fall vitbalansläset. (Se sid 31.)



UT/INTONING

Med denna kamerabandspelare kan motiv tonas in och ut vid inspelning.

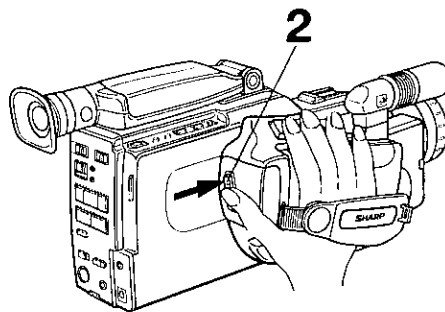
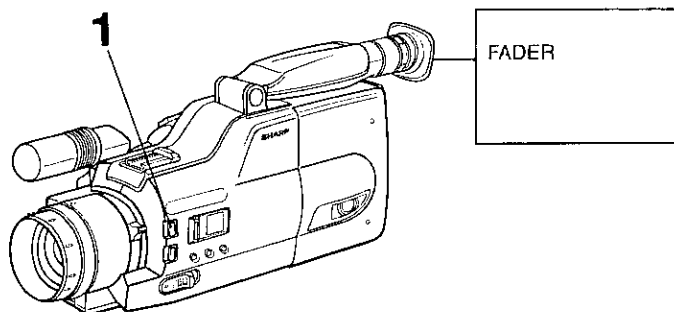


INTONING

- 1 Tryck på in/uttoningsknappen (FADE IN/OUT) med kamerabandspelaren inställd i inspelnings pausläge. Indikeringen "FADER" visas i sökaren.
- 2 Tryck på start/stopptangenten för att starta inspelning. Sökaren blir helt svart varefter motivet långsamt fokuseras. (Indikeringen "FADE IN" visas i sökaren.)

UTTONING

- 1 Tryck på FADE IN/OUT knappen. Indikeringen "FADER" visas i sökaren.
- 2 Tryck in start/stopptangenten. Sökaren blir långsamt svart så att scenen tonas ut. (Indikeringen "FADE OUT" visas i sökaren. Funktionen kopplas bort vid inställning av inspelnings pausläge.)



BELYSNING

För att få en bra kvalitet på bilderna behövs ett ljus på mellan 500 och 100.000 lux. Det går att spela in i svagare ljus, men det ger negativ inverkan på bilderna. Tillräcklig belysning är också viktig för korrekt vitbalans.

Ljusstyrka	Situation	Färgtemperatur	Situation	Färg	Vitbalansområde
100.000 (lux)	Blå himmel	10.000 (°K)	Molnfri dag	Blå	A U T O
	Molnfri dag vid middagstid (100.000)	9.000	Färg-TV		
10.000	Molnfri dag kl 10:00 (65.000)	8.000	Molnig dag		
	Molnfri dag kl 15:00 (35.000)	7.000	Regnig dag		
	Molnig dag vid middagstid (32.000)	6.500	Dagsljuslampor		
1.000	Molnig dag kl 10:00 (25.000)	6.000	Kamerablixt		
	Molnig dag, en timme efter soluppgång (2.000)	5.500			
	Molnfri dag, en timme före solnedgång (1.000)	5.000	Blå fotolampa	Vit	
	Lysrör, nära ett fönster (1.000)	4.500	Vitt lysrör		
	Fabrik (700-800)	3.500	Mattat lysrör		
	Varuhus (500-700)	3.200	Volframlampa för fotoändamål		
	Bowlinghall (500)	2.800	Halogenlampa		
	Bibliotek (400-500)	2.500	Volframlampa	Gul	
	Kontor med lysrör (400-500)		Iodinlampa		
	Bordslampa av lysrörstyp (400)		Acetylenlampa		
100	Ficklampa på 1 m avstånd (250)		Fotogenlampa		
	Trappa i varuhus (100)	2.000	Stearinljus	Röd	
10	Biografsalong under paus (15-35)				
	Cigarettändare på 30 cm avstånd (15-20)				
	Tårtljus 20 cm avstånd (10-15)				
	Stearinljus				

Anm.

- Ovanstående är ungefärliga värden.
- För exaktare färgbalans kan man kontrollera bilden på en färg-TV och ställa in vitbalansen tills färgerna blir naturliga.

- Den automatiska vitbalansinställningen ska normalt användas inom den färgtemperatur som anges i tabellen ovan. Det går dock att göra inspelningar i färgtemperaturer under 2500°K och över 8000°K, men bilderna blir i dessa ytterområden födaktiga resp. blåionade.

Inspelningsbelysning

Belysningen är en av de viktigaste faktorerna vid videoinspelningar. Det är också det som oftast glöms bort. Bra belysning kan innebära skillnaden mellan en fin bild och en dålig. Ljuset är också mycket viktigt för vitbalansen.

I de flesta situationer utomhus är det naturliga ljuset tillräckligt för videoinspelningar för hemmabruk. Inomhus kan det bli lite svårare. Artificiellt ljus krävs, varvid volframlampor (eller kvartslampor) avger det mest naturliga ljuset. De har dessutom en konstant färgtemperatur och lång användningstid.

God belysning är svårt att åstadkomma och det finns många problem som kan sätta krokben för den oförsiktige. Om man bara monterar en eller ett par ljusstarka fotolampor ovanpå eller vid sidan om kamerabandspelaren, kommer motivet att "plattas till" med ett förstärkt tvådimensionellt utseende. Ställ upp extraljuset så att motivet framträder bättre och dina inspelningar blir intressantare.

FELSÖKNING

Se nedanstående tabell innan kamerabandspelaren lämnas in för service.

SYMPTOM		MÖJLIG ORSAK	FÖRESLAGEN ÅTGÄRD
• Ström	• Ingen ström	• Skyddsanordningen aktiverad	• Dra ut nättillsatsens stickkontakt och skjut in den igen i vägguttaget.
		• Batteripaketet inte laddat	• Ladda batteripaketet ordentligt.
		• Strömkällan felaktigt ansluten	• Anslut till strömkällan ordentligt.
	• Strömmen kopplas från strax efter tillkoppling.	• Batteripaketet slut	• Använd ett fulladdat batteripaket.
		• Kondens i kamerabandspelaren	• Vänta tills fukten försvinner.
• Inspelning	• Strömmen tillkopplad med ingen bild i sökaren.	• Objektivlocket påsatt	• Ta bort locket.
	• Ingen inspelning.	• Raderfliken bortbruten • CAMERA REC/VCR PLAY i läge "VCR PLAY"	• Sätt en bit tejp över hålet eller byt till kassett med raderflik. • Sätt i läge "CAMERA REC".
	• Dåliga färger	• TVn ej korrekt inställd • Dålig belysning	• Ställ in TVn. • Tillsätt ljus eller byt ljuskälla till rätt färgtemperatur.
	• Oskarp bild	• Damm eller främmande partiklar på objektivets försättslins. • Bildskärpan fel inställd	• Rengör objektivet. • Ställ in fokus.
	• Bilden mörk	• För hög slutarhastighet har valts.	• Välj läge "STANDARD".
• Avspelning	• Ingen bild	• Felansluten till TVn	• Gör om anslutningen.
		• TVn inte inställd på HF-omvandlarens kanal (UHF30-39)	• Ställ in TVn på rätt kanal.
		• TVns TV/VIDEO omkopplare inte i läge "TV" (om TVn har en AV-kontakt).	• Ställ den i läge "TV".
	• Bilden svartvit när kamerabandspelaren är ansluten till en TV.	• Dålig bildjustering	• Ställ in med TRACKING.
	• Störningar i bilden	• Gammalt eller slitet band	• Byt till nytt kassettband.
• Inspelningsavbrott	• Otillräcklig batterispänning	• Ladda batteripaketet.	
• Kassetten kan inte sättas i.	• Kassetten felvänd • Kassetten redan isatt	• Sätt i kassetten rättvänd. • Tryck EJECT och ta ut.	
• Bandet kan inte framspolas.	• Bandet spolat till slutet.	• Återspola bandet till önskat ställe.	
• Bandet kan inte återspolas.	• Bandet spolat till början.	• Framspola bandet till önskat ställe.	

Anm. Denna kamerabandspelare styrs av en mikrodator. Yttre elektrisk störning kan hindra den från att fungera ordentligt. Koppla i så fall från strömkällan (batteripaket, nättillsats osv) och anslut igen.

TEKNISKA DATA

Format	VHS standard
Strömart	--- 9,6 V
Effektförbrukning	8,5 W
Signalsystem	PAL färgsignaler
Inspelningssystem	Luminans: FM-inspelning
	Färg: Omvandlad underbäravåg för direktinspelning VHS
Kassett	VHS-C
Bandhastighet (SP)	23,39 mm/sek
(LP)	11,69 mm/sek
Max. inspelningstid (SP)	30 min (med EC-30 kassett)
(LP)	60 min (med EC-30 kassett)
VIDEO Utgång	1,0 Vtt, 75 ohm, obalanserad (via AV utgång)
Störavstånd	46 dB (Rhode & Schwartz brusmätning)
AUDIO Utgång	-8 dBs, 1 kohm (via AV utgång)
Mikrofoningång	-65 dBs, högimpedativ, obalanserad
Bildanordning	0,5", CCD
Min. belysning	3 lux (vid F-stopp 1,6 med ljusförstärkning)
Objektiv	F-stopp 1,6, f=8-64 mm/F2,4, f=12-96 mm, 8 x motorzoom med inbyggd expansionsfunktion, automatisk bländarinställning och makroläge, filterdiameter: 46 mm
Sökare	Elektronisk, 0,7", svartvit skärm
Färgtemperaturkompensation	Automatisk vitbalans med låsning
Arbetstemperatur	0 — 40 grader
Arbetsfuktighet	35% — 80%
Förvaringstemperatur	-20 — +60 grader
Vikt	1,2 kg (inkl. sökare)
Mått (B x H x D)	126 x 151 x 322 mm (inkl. sökare)
Nättilsats/batteriladdare	
Strömart	~ 110 — 240 V, 50/60 Hz
Nominell utspänning	--- 9,6 V
Nominell utström	1,3 A
Laddsystem	Konstant ström, toppavkänning, tidsstyrd
Mått (B x H x D)	70 x 43 x 154 mm
Vikt	Ca 380 g
MEDLEVERERADE TILLBEHÖR	
Standard batteripaket (BT-75)	Axelrem
Nättilsats/batteriladdare (AA-75S)	Likströmskabel
A/V utgångskabel (21-polig scart)	Litiumbatteri
EXTRA UTRUSTNING	
Standard batteripaket (BT-75)	Batteripaket med utsträckt användningstid (BT-76)
Bilbatteriadapter/laddare (VR-P75CH)	HF-omvandlare (VR-S10RF)
Zoommikrofon (VR-67ZM)	VHS kassettheadapter (VR-72CA)
	Fjärrpauskontroll (VR-20ME)

Rätten till ändringar förbehålls.

MANUALE DI ISTRUZIONI

ITALIANO

AVVERTENZA:

**PER EVITARE FOLGORAZIONI, NON
ESPORRE QUESTO APPARECCHIO
A PIOGGIA OD UMIDITÀ.**

L'apparecchio deve essere usato solo con corrente continua a 9,6V --- o con un adattatore raccomandato.

ATTENZIONE:

Per evitare folgorazioni o incendi, **NON** usate altre fonti di energia.

ATTENZIONE:

Per evitare folgorazioni, non aprite l'unità. Essa non contiene alcuna parte di utilità per il cliente. Affidare ogni riparazione ad un rivenditore autorizzato o ad un centro di servizio.

Ci congratuliamo con voi per la vostra scelta!

Con così tanti prodotti disponibili, la scelta era certamente difficile. Ma quando vi renderete conto dell'alta qualità e delle ottime prestazioni di questo camcorder SHARP, saprete di aver scelto bene.

L'acquisto di questo camcorder aumenterà grandemente anche il vostro piacere di guardare la televisione. Prima di usarlo, leggete completamente questo manuale di istruzioni per poterne ottenere le prestazioni migliori. Conservate poi il manuale in un posto sicuro per eventuali riferimenti futuri in caso di un dubbio su una procedura d'utilizzo.

CARATTERISTICHE

- 1 Nuovo sistema Zoom a 12 ingrandimenti (12 ×)
- 2 Sistema di registrazione della telecamera completamente automatico
— Messa a fuoco, diaframma e bilanciamento del bianco automatici
- 3 Otturatore elettronico ad alta velocità, a gamma variabile, regolabile su 1/10.000, 1/2.000, 1/500 ed 1/100 di secondo.
- 4 Registrazione con luminosità veramente minima, di appena 3 lux (per mezzo della funzione di guadagno)
- 5 Diaframma automatico "intelligente", per la ripresa di soggetti illuminati da dietro
- 6 Testina volante per la cancellazione e ricerca della telecamera
- 7 Autoscatto per la registrazione con la telecamera
- 8 Tre diverse possibilità di alimentazione: a corrente alternata, a batteria normale, o a batteria d'auto

Importante

I materiali audiovisivi potrebbero essere protetti da diritti d'autore, il che significa che non possono essere registrati senza l'autorizzazione del possessore dei diritti d'autore. Riferitevi alle leggi in vigore.

Alimentazione

Questo apparecchio può funzionare con l'adattatore c.a., il pacco batteria o il cavo per la batteria dell'auto opzionale. L'adattatore c.a. è dotato della funzione di selezione automatica della tensione (c.a. 110-240V, 50/60 Hz).

INDICE

CARATTERISTICHE	1	INFORMAZIONI DEL QUADRANTE E DEL MIRINO ...	20
PRECAUZIONI	2	FUNZIONE AUTOMATICA DELLA DATA/ORA	21
NOME DELLE PARTI E LORO FUNZIONI	4	REGISTRAZIONE DI GIUNZIONE	22
PREPARATIVI	7	SOSTITUZIONE DEL PACCO BATTERIA	
INSTALLAZIONE DELLA BATTERIA AL LITIO	7	DURANTE LA REGISTRAZIONE	22
REGOLAZIONE DELLA DATA/ORA	7	SPEGNIMENTO AUTOMATICO	22
MODO DI ATTACCARE E STACCARE IL PACCO		COMANDO A DISTANZA DI PAUSA (OPZIONALE)	22
BATTERIA	8	RIPRODUZIONE	23
MODO DI ATTACCARE LA CINGHIA DI		RIPRODUZIONE NEL MIRINO	23
TRASPORTO A SPALLA	8	REGOLAZIONE DELL'ALLINEAMENTO	23
INSERIMENTO ED ESTRAZIONE DELLA		RICERCA IN AVANTI/INDIETRO E FERMO	
VIDEOCASSETTA	9	IMMAGINE	24
REGOLAZIONE DEL CINTURINO		FUNZIONE DI MEMORIA DEL CONTATORE	25
DELL'IMPUGNATURA	9	COLLEGAMENTO AL TELEVISORE	26
USO DI UN MICROFONO ESTERNO	10	COLLEGAMENTO AD UN TELEVISORE	
USO DEL MIRINO ELETTRONICO	10	DOTATO DEI TERMINALI A/V	27
SISTEMA D'ALIMENTAZIONE	11	REGISTRAZIONE CON UN ALTRO VCR	28
USO DELL'ADATTATORE C.A./CARICABATTERIA	11	CONTROLLO DI MONTAGGIO	28
RICARICA DEL PACCO BATTERIA	12	USO DELL'ADATTATORE PER VIDEOCASSETTE	
USO DELL'ADATTATORE BATTERIA DELL'AUTO/		(OPZIONALE)	29
CARICABATTERIA (OPZIONALE)	12	FUNZIONAMENTO AVANZATO	31
USO DEL PACCO BATTERIA	13	MESSA A FUOCO MANUALE	31
REGISTRAZIONE CON LA TELECAMERA	14	BILANCIAMENTO DEL BIANCO	31
REGISTRAZIONE CON LA TELECAMERA	14	COMPENSAZIONE LUCE DI FONDO	32
SISTEMA COMPLETAMENTE AUTOMATICO	16	GUADAGNO ("GAIN UP")	32
RIPASSO DELLA REGISTRAZIONE	17	REGISTRAZIONE CON TEMPORIZZATORE	
ZOOM ELETTRICO (CONTROLLO		AUTOMATICO	32
GRANDANGOLARE/TELEFOTO)	17	ALTA VELOCITA' DI OTTURAZIONE	33
USO DEL TASTO DI SELEZIONE	18	RIPRESE MACRO	34
FUNZIONE DEL CONTAGIRI	19	DISSOLVENZA IN APERTURA E CHIUSURA	34
		ILLUMINAZIONE	35
		PRIMA DI CHIAMARE IL TECNICO	36
		DATI TECNICI	37

PRECAUZIONI

Prima di far funzionare il camcorder LEGGETE LE ISTRUZIONI SULLA SICUREZZA E L'USO. SEGUITE LE ISTRUZIONI ED OSSERVATE SCRUPOLOSAMENTE TUTTI GLI AVVERTIMENTI del camcorder e di questo manuale.

Formazione di condensa

Cosa è la condensa?

Quando versate ad esempio della birra fredda in un bicchiere, sul bicchiere si condensa del vapore acqueo. Questo fenomeno viene definito come formazione di condensa.

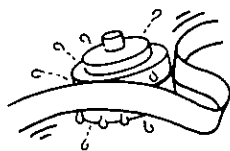


Quando si forma la condensa?

La condensa si forma sul tamburo della testina del camcorder e fa sì che il nastro aderisca alla testina stessa. Questa causa danni sia alla testina che al nastro. Quando la condensa si forma, sia la registrazione che la riproduzione hanno luogo irregolarmente.

La condensa si forma con facilità nelle seguenti circostanze:

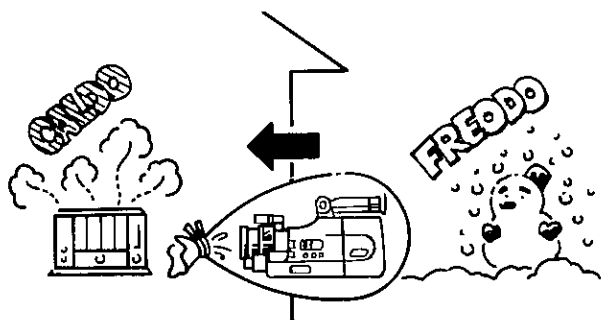
- Quando il camcorder viene spostato da un luogo freddo ad uno caldo.
- Quando il camcorder si trova in una stanza che viene riscaldata rapidamente.
- Quando portate il camcorder all'esterno da una stanza con l'aria condizionata.
- Quando il camcorder si trova direttamente sul percorso del getto d'aria di un condizionatore d'aria.
- Quando il camcorder si trova in una stanza umida.



Come evitare danni dovuti alla formazione di condensa

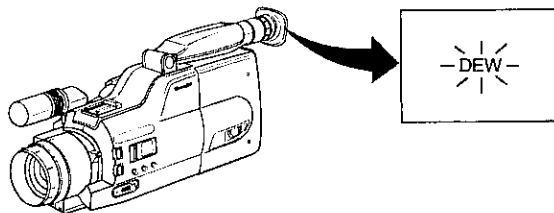
Se usate il camcorder in un luogo dove ritenete si possa formare della condensa, permettete al camcorder ed al nastro video di acclimatarsi per circa un'ora.

Per esempio, se portate il camcorder all'interno dopo aver sciolto, mettetelo prima in un sacchetto di plastica chiuso perché si porti a temperatura ambiente.



- (1) Controllate che il sacchetto che contiene il camcorder contenga aria sufficiente.
- (2) Togliete il sacchetto quando la temperatura interna raggiunge la temperatura ambiente.

Caratteristica di indicazione di condensa



Quando sul tamburo della testina si forma della condensa, l'indicatore di condensa si illumina sul quadrante. Dopo 10 secondi, l'unità si spegne automaticamente.

Nota

- Quando l'indicatore DEW appare, estraete la cassetta video e lasciatela riposare per qualche ora sino a che si riporta alla normalità.
- Dato che la condensa si forma gradualmente, prima che l'indicazione DEW appaia sul display potrebbero trascorrere 10 — 15 minuti.
- Per utilizzare di nuovo il camcorder, accendetelo ed attendete qualche ora, controllando poi che l'indicazione DEW sia scomparsa.

Prima della registrazione vera e propria, fate sempre una registrazione di prova, controllando che sia il suono che l'immagine siano registrati correttamente. L'immagine è facilmente controllabile grazie alla caratteristica "REC REVIEW".

Come ottenere sempre ottime registrazioni

Se viene utilizzato spesso in luoghi differenti il camcorder potrebbe avere problemi dovuti all'accumulo di sporco sulla testina. Quando usate il camcorder, fate attenzione in particolare ai seguenti punti.

- (1) Evitate la formazione di condensa sul tamburo della testina.
- (2) I nastri video si consumano. Utilizzando nastri vecchi o consumati potreste sporcare la testina, facendo deteriorare la qualità dell'immagine o rendendo impossibile la registrazione. Non usate simili nastri.
- (3) Usando il camcorder in un luogo umido o polveroso lo potreste danneggiare.

Quando le testine video si sporcano

Se usate il camcorder quando la testina video è sporca potreste far sì che essa si intasi, facendo deteriorare l'immagine sullo schermo o rendendo impossibile la registrazione.

In tali casi, consultate il più vicino centro di assistenza SHARP.

Per motivi di sicurezza, osservate attentamente quanto segue.

- Non aprite il mobile del camcorder.
- Fate attenzione che nell'apparecchio non penetrino liquidi od oggetti di metallo. In tale eventualità, spegnete immediatamente il camcorder e fatelo esaminare da un tecnico.
- Non cercate di smontare o di modificare l'apparecchio.
- Non fate funzionare il camcorder durante un temporale. Staccate allora tutti i cavi d'alimentazione dei componenti collegati.

Evitate di usare il camcorder nei luoghi seguenti:

- Molto umidi o polverosi.
- Vicino ad apparecchi elettrici che generano forti campi magnetici (luci a fluorescenza, televisore, diffusori).
- Dove ci sono fumi oleosi o vapore, come in una cucina.
- Dove potrebbe subire urti o vibrazioni eccessive.
- Molto caldi, come vicino a fonti di calore.
- Molto bagnati, come ad esempio vicino a piscine o vasche da bagno.

Non esponete a lungo il camcorder a temperature estreme

- Non lasciatelo mai esposto al sole, nell'auto chiusa d'estate o vicino ad un riscaldatore, perché ciò potrebbe causare la deformazione del suo involucro o guasti interni.
- Non conservate il camcorder in luoghi dove la temperatura superi i 60°C.
- Non usate il camcorder in luoghi dove la temperatura sia inferiore a 0° o superiore a 40°C, o dove l'umidità superi l'80%.
- Conservate il camcorder dove la temperatura sia compresa entro i -20°C e i 60°C.

Fate particolarmente attenzione durante le riprese all'esterno

- Non fate cadere il camcorder e state attenti che non sbatta contro superfici dure o ruvide. Proteggetelo durante il trasporto.
- State attenti che il camcorder non si bagni.
- Sulla spiaggia, proteggetelo dall'acqua salata, dagli spray e dalla sabbia.
- Non puntate l'obiettivo su fonti di luce estremamente forti, come il sole o i riflettori.
- **Non esponete l'oculare del mirino alla luce del sole.**
- Smettete di usare il camcorder se scoppia un temporale.

PRIMA DI STACCARE UNA FONTE D'ALIMENTAZIONE SPEGNERE SEMPRE L'INTERRUTTORE DI FUNZIONAMENTO (OPERATE). L'INDICATORE DI FUNZIONAMENTO (OPERATE) SI DEVE SPEGNERE.

Come maneggiare il camcorder

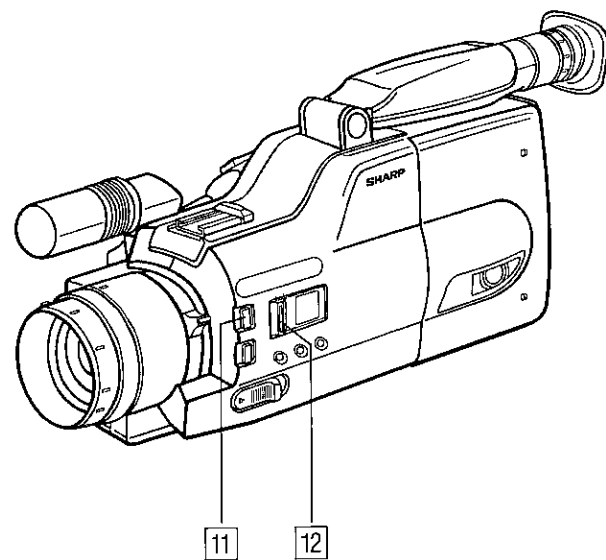
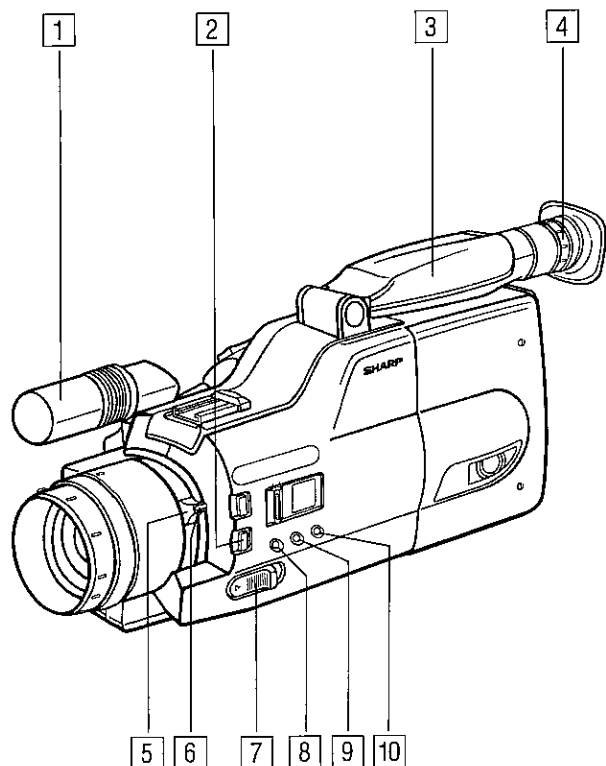
- Fate attenzione a che il microfono non subisca danni.
- Mantenete il camcorder orizzontale durante l'uso, perché altrimenti il nastro della videocassetta potrebbe allentarsi danneggiandosi.
- **Non sorreggete il camcorder tenendolo per il mirino. Avvolgetene la cinghia sul braccio per fare in modo che, se vi sfugge di mano, non cada per terra.**
- Rimettete sempre il coperchio sull'obiettivo dopo l'uso. Ricordatevi anche di spegnere l'apparecchio.
- Non spostate l'anello di messa a fuoco quando usate il modo di messa a fuoco manuale.
- Prima di attaccare un filtro all'obiettivo, selezionate il modo di messa a fuoco manuale o spegnete l'apparecchio e togliete il cappuccio dell'obiettivo.

Pulizia del camcorder

- Prima di pulire il camcorder, staccate il pacco batteria o interrompete la corrente.
- Togliete la polvere con un panno morbido. Inumidite il panno morbido con una soluzione detergente leggera per togliere le macchie ostinate.
- Non usate detergenti molto forti, come benzina o alcol, perché possono rovinare la rifinitura.
- Mantenere puliti l'obiettivo ed il mirino. Pulite l'obiettivo soffiando prima via la polvere e strofinandolo delicatamente con uno spazzolino morbido o una carta di pulizia inumidita con un liquido di pulizia per obiettivi.

NOME DELLE PARTI E LORO FUNZIONI

VEDUTA FRONTALE

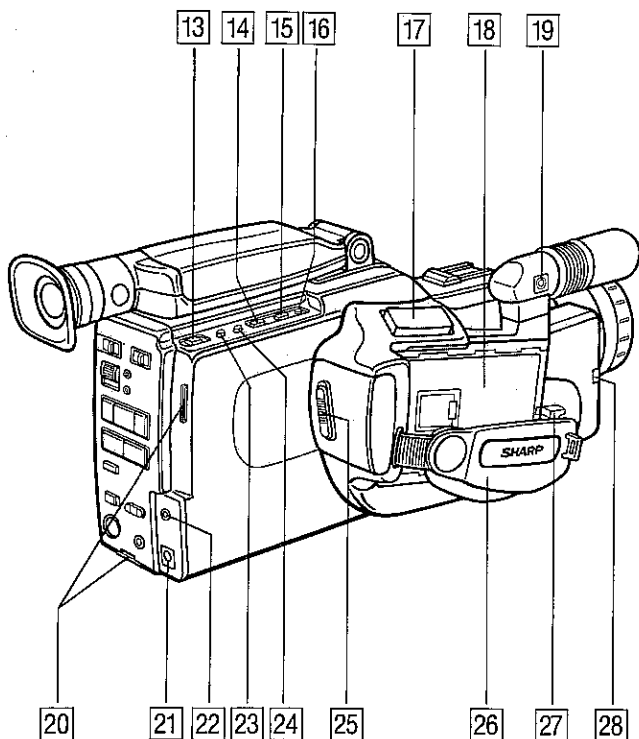


VEDUTA ANTERIORE

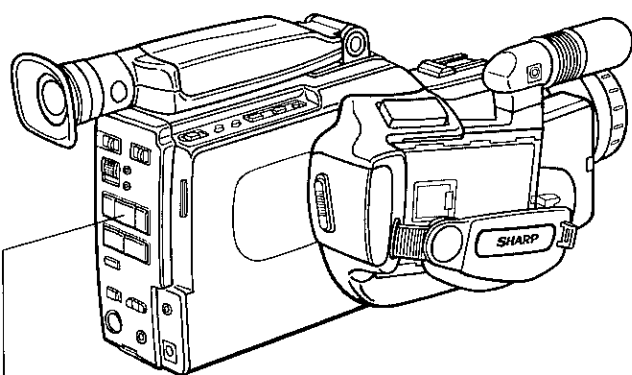
Per dettagli sull'uso di ciascun comando, vedere alla pagina indicata fra parentesi.

- 1 **Microfono**
- 2 **Tasto BLC (compensazione del controluce) e GAIN-UP (guadagno)**
Se il soggetto è più scuro del sottofondo, nella registrazione può apparire troppo scuro, o indefinito. In tali occasioni, nel mirino compare l'indicazione "LIGHT". Premendo qui il tasto BLC si attiva la modalità di guadagno, e lo schermo diviene più chiaro.
- 3 **Mirino elettronico e monitor**
Visualizza il soggetto da fotografare. Funziona anche da comodo monitor in bianco e nero, per la riproduzione di materiale registrato.
- 4 **Regolazione della diottria**
Usare questo comando per adeguare la messa a fuoco del mirino alla situazione della propria vista.
- 5 **Leva dello zoom**
Usare questa leva per manovrare lo zoom a mano.
- 6 **Tasto per riprese macro**
Questo comando viene utilizzato per la ripresa di soggetti che si trovano a meno di 1 m. di distanza dal Camcorder. A questa distanza, la messa a fuoco automatica non funziona. Per la messa a fuoco tenere premuto il tasto MACRO mentre si sposta la leva dello zoom verso la posizione "MACRO".
- 7 **Tasto di selezione dello zoom (ZOOM SELECT) [18]**
Questo tasto consente di amplificare (o ridurre) immediatamente di 1,5 volte l'area del fotogramma, come vista nel mirino.
- 8 **Commutatore per messa a fuoco automatica o manuale (AUTO/MANUAL FOCUS)**
Disponendo questo commutatore su "AUTO", il Camcorder si mette automaticamente a fuoco sul soggetto, anche se questo è in movimento. Ricordare che per la messa a fuoco su soggetti che si trovano a meno di 1,1m. di distanza, è necessario usare il sistema di focalizzazione macro.
Nel caso in cui la messa a fuoco automatica non funzioni, a causa delle particolari condizioni di ripresa, porre questo commutatore su "MANUAL" e procedere manualmente alla messa a fuoco.
- 9 **Tasto per il bilanciamento del bianco (WHITE BALANCE) [31]**
Tasto da usare per bloccare il bilanciamento del bianco.
- 10 **Selettore di velocità otturazione (SHUTTER SPEED) [33]**
Per poter ottenere una immagine chiara e nitida durante la riproduzione in fermo immagine (o al rallentatore se con un normale videoregistratore VHS) di un movimento veloce.
- 11 **Tasto per la dissolvenza in ingresso ed in uscita (FADE IN/OUT) [34]**
- 12 **Interruttore per automatizzazione completa (FULL AUTO) [16]**

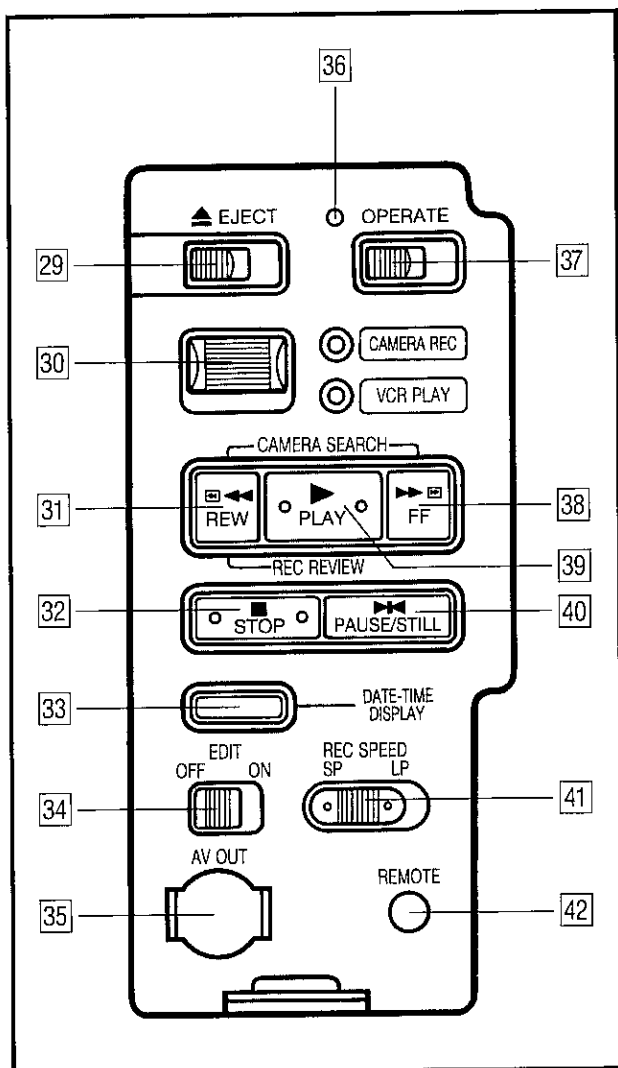
VEDUTA POSTERIORE



- 13** **Tasto ausiliario di avvio/arresto della registrazione (REC START/STOP)**
Premere per avviare la registrazione. Premendolo di nuovo durante la registrazione l'apparecchio entra in modalità di pausa.
Da usare per riprese da angoli bassi.
- 14** **Tasto di comando dell'allineamento (TRACKING ◀) [23]**
Tasto di regolazione della data e dell'ora (DATE/TIME SET) [7]
- 15** **Tasto di comando dell'allineamento (TRACKING ▶) [23]**
Tasto di regolazione della data e dell'ora (DATE/TIME SET) [7]
- 16** **Tasto di regolazione iniziale della data e dell'ora (DATE/TIME INITIAL) [7]**
- 17** **Tasto di comando dello zoom automatico, da grandangolare a teleobiettivo**
La massima distanza per il teleobiettivo si ottiene tenendo premuto il lato "T" (Teleobiettivo) del tasto. Questa operazione viene chiamata anche "zoomata di avvicinamento" o "messa in primo piano". La massima apertura dell'obiettivo si ottiene invece continuando a tenere premuto il lato "W" (Grandangolare) del tasto.
L'operazione viene anche chiamata "zoomata di allontanamento" o "di uscita".
La velocità dello zoom può essere variata da 6 a 20 secondi, a seconda della forza di pressione esercitata dalle dita sul tasto dello zoom.
- 18** **Vano del pacco batteria**
- 19** **Presca per un microfono esterno**
- 20** **Occhielli**
Infilare la cinghia di trasporto a spalla negli occhielli, e regolarne la lunghezza con le apposite fibbie.
- 21** **Presca di ingresso di alimentazione a corrente continua**
- 22** **Presca per la cuffia**
Per il collegamento della cuffia in dotazione per il controllo del suono nel corso della registrazione e della riproduzione.
- 23** **Tasto del contanastro, memoria del contanastro e tempo parziale (COUNTER/COUNTER MEMORY/LAP TIME)**
Serve per la commutazione fra le modalità del contanastro, della memoria del contanastro e della misurazione di un tempo parziale, tutte voci indicate nel mirino.
- 24** **Tasto di riassetto del contanastro e del tempo parziale (COUNTER/LAP TIME RESET)**
Da usare per riassetto la lettura del contanastro ed il tempo parziale misurato, indicati nel mirino.
- 25** **Tasto per l'avvio e l'arresto della registrazione (REC START/STOP)**
Premere per avviare la registrazione. Premendo il tasto nel corso della registrazione, questa viene momentaneamente interrotta.
- 26** **Cinturino dell'impugnatura**
- 27** **Leva di sgancio della batteria (BATTERY)**
Da usare per staccare il pacco batteria.
- 28** **Tasto dell'autoscatto (SELF TIMER) ed indicazione di ripresa**
L'indicazione di ripresa si accende quando il Camcorder inizia la registrazione, consentendo così al soggetto (in autoripresa) di sapere se l'apparecchio sta riprendendo o no. Il tasto per l'autoscatto (autoripresa) e l'indicazione di ripresa in atto condividono quindi la stessa funzione. Se si preme questo tasto durante la pausa della registrazione, l'indicazione lampeggia per 10 secondi prima che l'autoscatto dia inizio alla ripresa.



PANNELLO DEI COMANDI

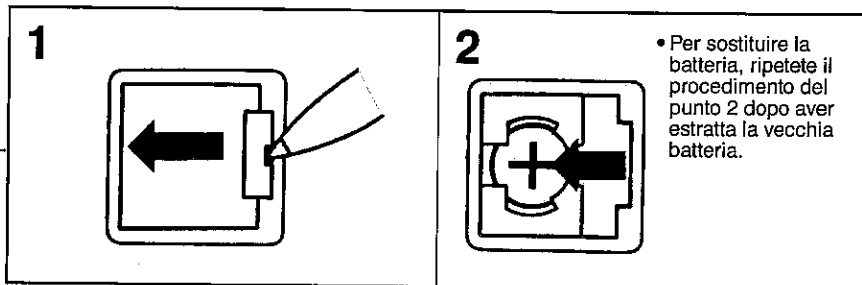
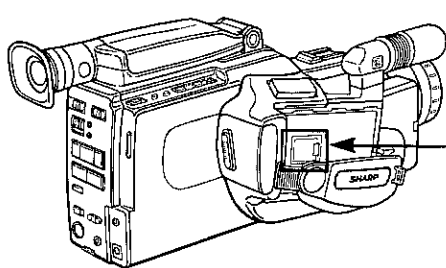


- 29** **Tasto di espulsione (EJECT)**
Per poter caricare o estrarre la cassetta **VHS**.
- 30** **Interruttore di registrazione per la telecamera o di riproduzione per il videoregistratore (CAMERA REC/VCR PLAY)**
Con il Camcorder in fase di registrazione, ponendo questo interruttore su CAMERA REC, si fa entrare il Camcorder automaticamente in modalità di pausa di registrazione. Se, invece, il Camcorder sta venendo utilizzato come videoregistratore, disporre questo interruttore su VCR PLAY. In questo caso, se ci si trova in modalità di pausa della registrazione, il Camcorder passa al fermo immagine, mentre se in fase di registrazione passa alla modalità di arresto.
- 31** **Tasto per la ricerca (CAMERA SEARCH, [◀◀]) [17]**
Tasto per il riavvolgimento (REW) e la ricerca all'inverso [24]
Tasto per il ripasso della registrazione (REC REVIEW) [17]
- 32** **Tasto di arresto (STOP)**
- 33** **Tasto di visualizzazione della data e dell'ora (DATE/TIME DISPLAY)**
Per visualizzare la data e l'ora, o solo la data, nell'immagine che si sta riprendendo.
- 34** **Interruttore per il montaggio (EDIT)**
La qualità dell'immagine inevitabilmente si deteriora ogni volta che si fa un riversamento dal Camcorder su di un videoregistratore. Per minimizzare il deterioramento della qualità dell'immagine attivare il tasto EDIT. Questa funzione si rivela particolarmente utile per il montaggio di nastri.
- 35** **Terminale di uscita AV**
- 36** **Indicazione di attivazione (OPERATE)**
- 37** **Interruttore di attivazione e disattivazione (OPERATE)**
Serve ad accendere e spegnere l'apparecchio.
- 38** **Tasto per la ricerca della telecamera (CAMERA SEARCH, [▶▶]) [17]**
Tasto per avanzamento veloce (FF) e ricerca in avanti [24]
- 39** **Tasto per la riproduzione (PLAY)**
Premere per iniziare la riproduzione.
- Tasto per la ricerca della telecamera (CAMERA SEARCH, [▶]) [17]**
- 40** **Tasto per la pausa ed il fermo immagine (PAUSE/STILL)**
Per poter visionare una immagine ferma nel corso della riproduzione.
- 41** **Selettore della velocità di registrazione LP o SP (REC SPEED LP/SP)**
Per predisporre la registrazione sulla modalità LP (Long Play) o SP (Standard Play). I rispettivi tempi di registrazione (con nastro VHS-C, tipo EC-30), sono:
Modalità LP..... 60 min.
Modalità SP..... 30 min.
- 42** **Presenza per il controllo a distanza della pausa**
Per il collegamento con il dispositivo di comando a distanza della pausa (VR-20ME, opzionale), che consente di far funzionare il Camcorder da una certa distanza.

INSTALLAZIONE DELLA BATTERIA AL LITIO

1 Aprite il coperchio dello scomparto della batteria al litio con un oggetto appuntito.

2 Inserite la batteria col lato "+" rivolto verso l'esterno. Chiudete il coperchio dello scomparto.



• Per sostituire la batteria, ripetete il procedimento del punto 2 dopo aver estratta la vecchia batteria.

Attenzione:

- Gettate subito via la batteria vecchia. Fate attenzione che non venga trovata dai bambini. Non smontatela e non gettatela nel fuoco.
- La batteria usata in questo apparecchio potrebbe causare pericoli di incendio o di ustioni se non viene usata correttamente. Non dovette assolutamente ricaricarla, smontarla, riscaldarla oltre i 100°C o bruciarla. Sostituirla soltanto con una batteria CR2025 SONY ENERGYTEC, FUJI ELECTROCHEMICAL o MATSUSHITA ELECTRIC. L'uso di batterie di tipo diverso può causare pericoli d'incendio o esplosione.

Note

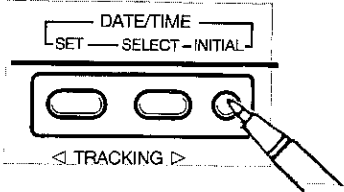
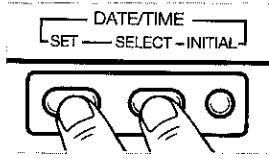
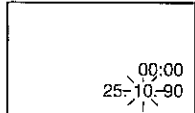
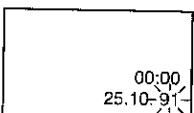
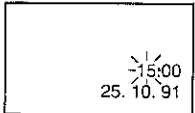
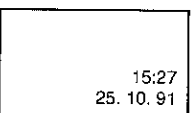
- Le batterie al litio sono disponibili nei negozi di apparecchi elettrici e di componenti audio/video.
- Staccate sempre la fonte d'alimentazione (adattatore c.a., pacco batteria, ecc.) prima di sostituire la batteria.
- La durata della batteria è di un anno circa, ma ciò dipende dalla temperatura ambiente e dalle condizioni della batteria stessa.
- Quando la batteria è vicina all'esaurimento le indicazioni dell'orologio possono divenire estremamente inaccurate, o può inserirsi automaticamente la modalità di predisposizione dell'ora. In questo caso è necessario procedere al più presto alla sostituzione della batteria. Dopo la sostituzione, data e ora devono essere ripredisposte.
- Non cortocircuitate la batteria toccandone gli elettrodi con oggetti metallici, come una pinza, perché altrimenti le sue prestazioni si deteriorano.

REGOLAZIONE DELLA DATA/ORA

La funzione di data e ora dispone delle indicazioni della data e dell'ora, che possono essere visualizzate nel mirino per

servire da comodo riferimento. Per la predisposizione atternersi alle seguenti istruzioni.

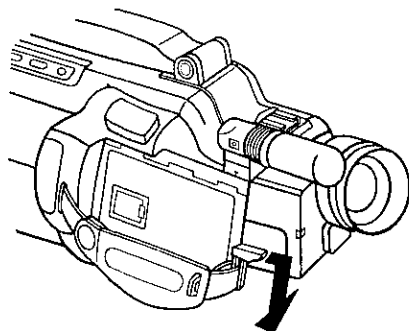
Esempio: Regolazione della data per il 25 ottobre 1991 e dell'ora sulle 15:27.

<p>1 Installate la batteria al litio della data/ora.</p>	<p>2 Collegate il pacco batteria o un'altra fonte d'alimentazione. Spingete l'interruttore OPERATE. Premete il tasto DATE-TIME DISPLAY.</p>
<p>3 Premete il pulsante INITIAL con un oggetto appuntito, come una biro o una matita.</p> 	<p>4 Il giorno lampeggia. Premete il pulsante SELECT per selezionare il giorno. Quando appare il giorno corretto, premete il pulsante SET.</p> 
<p>5 Il mese lampeggia. Premete il pulsante SELECT per selezionare il mese. Quando appare il mese corretto, premete il pulsante SET.</p> 	<p>6 L'anno lampeggia. Premete il pulsante SELECT per selezionare l'anno. Quando appare l'anno corretto, premete il pulsante SET.</p> 
<p>7 L'ora lampeggia. Premete il pulsante SELECT per selezionare l'ora. Quando appare l'ora corretta, premete il pulsante SET.</p> 	<p>8 I minuti lampeggiano. Premete il pulsante SELECT per selezionare i minuti. Quando appaiono i minuti corretti, premete il pulsante SET.</p> 

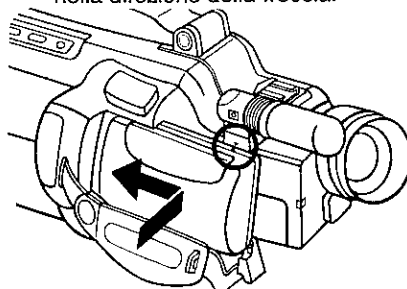
USO DEL MIRINO ELETTRONICO

Inserimento del pacco batteria

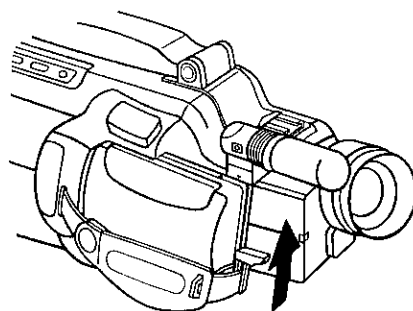
1. Tirare in avanti ed abbassare la leva di sgancio della batteria.



2. Allineare il contrassegno "▲" che si trova sulla parte superiore del pacco della batteria con il contrassegno che si trova sulla telecamera, e far scorrere il pacco stesso nella direzione della freccia.

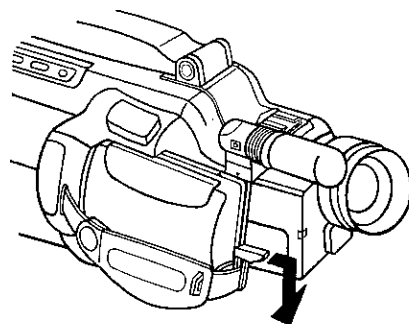


3. Sollevare la leva di sgancio della batteria sino a quando si blocca in posizione.

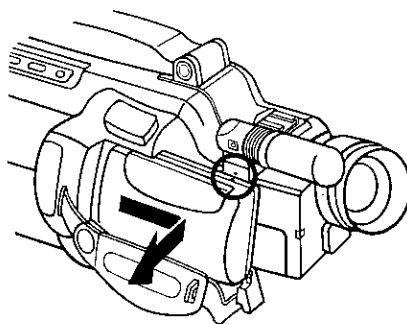


Distacco del pacco batteria

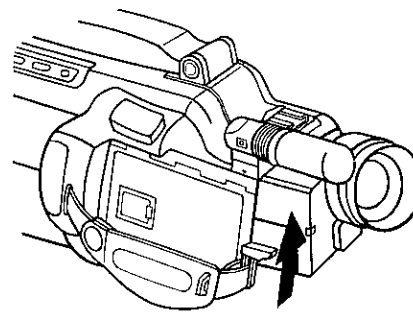
1. Tirare in avanti ed abbassare la leva di sgancio della batteria.



2. Togliere il pacco della batteria facendolo scorrere nella direzione della freccia.



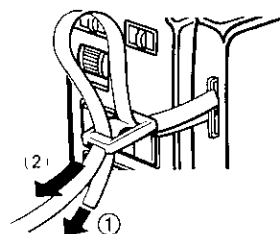
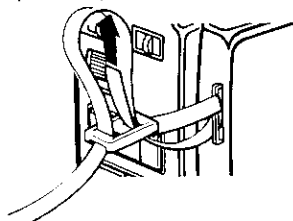
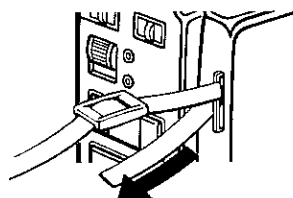
3. Sollevare la leva di sgancio della batteria sino a quando si blocca in posizione.



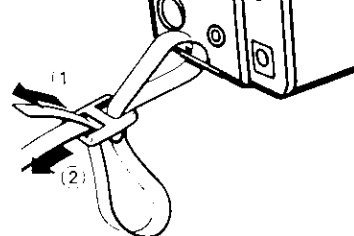
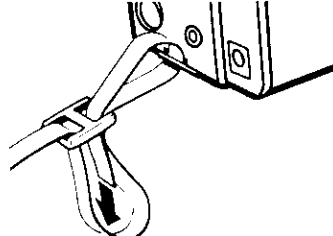
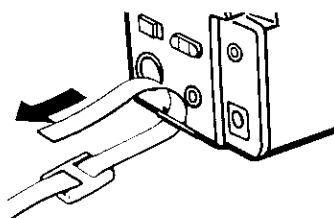
Nota Il pacco batteria non è stato caricato per la consegna, e deve quindi essere caricato prima dell'uso.

MODO DI ATTACCARE LA CINGHIA DI TRASPORTO A SPALLA

Infilate la cinghia nell'occhiello sulla parte superiore del camcorder fissandola come mostrato in figura.



Infilate l'altra estremità della cinghia nell'occhiello sulla parte inferiore del camcorder fissandola come mostrato.



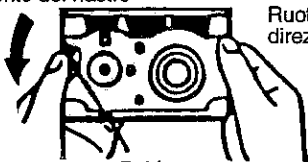
Nota Prima di usare il camcorder, assicuratevi che la cinghia di trasporto a spalla sia fissata saldamente senza pericolo che si stacchi.

INSERIMENTO ED ESTRAZIONE DELLA VIDEOCASSETTA

Inserimento della videocassetta

- 1 Premete il tasto EJECT per aprire l'alloggiamento della videocassetta. Inserite una videocassetta **VHS** con la finestrella trasparente rivolta verso di voi e con la freccia rivolta verso l'esterno. **Correggete l'allentamento del nastro prima di inserire la videocassetta.**

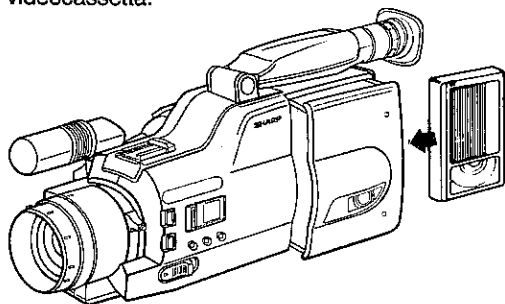
Eliminare l'eventuale allentamento del nastro



Bobine

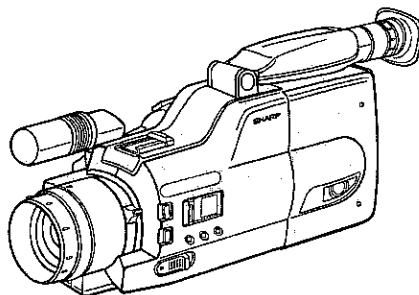
Ruotare la bobina nella direzione della freccia.

- 2 Premete "PUSH" per chiudere l'alloggiamento della videocassetta.



Rimozione della videocassetta

- 1 Premete il tasto EJECT. L'alloggiamento della videocassetta si apre. Togliete la videocassetta.
- 2 Chiudete l'alloggiamento della videocassetta.



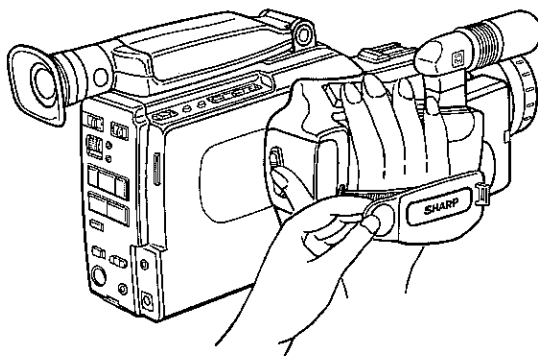
Nota

Per richiudere in modo corretto premere dolcemente sull'indicazione "PUSH".

Nota La videocassetta può essere espulsa premendo semplicemente il tasto EJECT. Non è necessario spingere l'interruttore OPERATE prima di premere il tasto EJECT.
La videocassetta non può essere espulsa durante la registrazione. Disponete il camcorder nel modo di pausa di registrazione e premete il tasto EJECT.

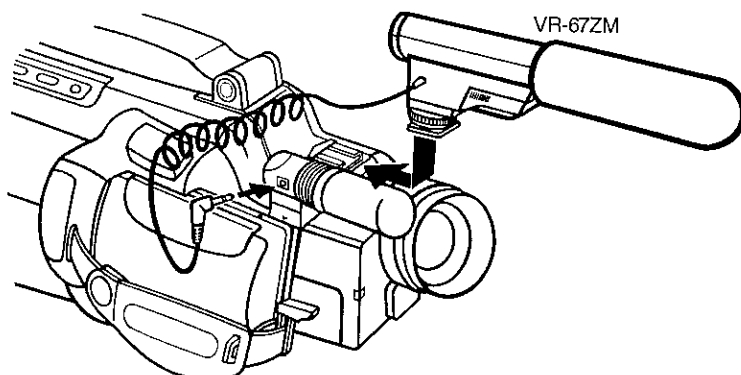
REGOLAZIONE DEL CINTURINO DELL'IMPUGNATURA

Aprire il cinturino per allungarlo, richiudetelo e infilatevi la mano afferrando l'impugnatura. Regolate la lunghezza del cinturino in modo che la mano possa tenere saldamente e comodamente il camcorder.



USO DI UN MICROFONO ESTERNO

Il microfono incorporato percepisce i suoni in modo uniforme da qualsiasi direzione (onni-direzionale). Utilizzando il microfono opzionale VR-67ZM è possibile realizzare una registrazione audio più efficiente.



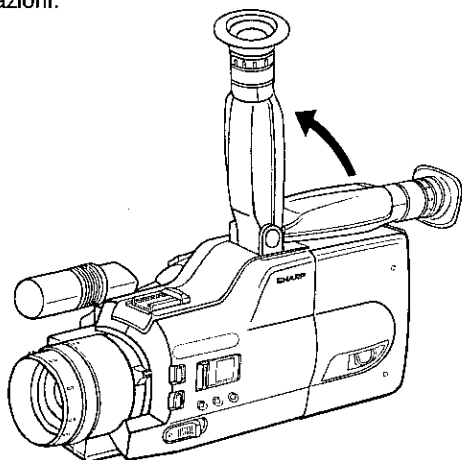
VR-67ZM

Si collega direttamente al Camcorder. Si tratta di un microfono altamente sensibile, a zoom quadruplo, capace di raccogliere in modo chiaro anche suoni molto lontani.

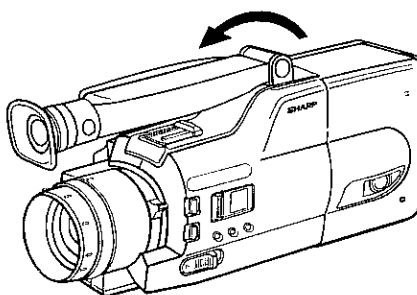
USO DEL MIRINO ELETTRONICO

REGOLAZIONE DELLA POSIZIONE DEL MIRINO

Il mirino può essere sollevato in caso di riprese da basse angolazioni.

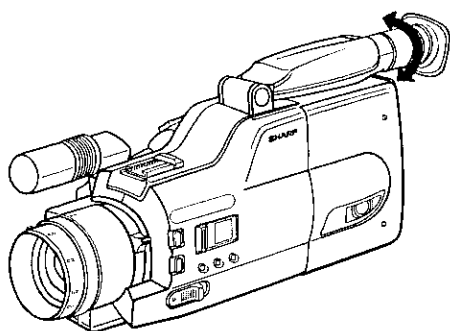


Allo scopo di proteggere il mirino durante il trasporto, o quando la telecamera non viene utilizzata, piegarlo completamente in avanti, come indicato in figura.



REGOLAZIONE DELL'OCULARE

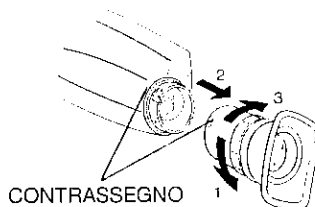
Il camcorder possiede il controllo della diottria. Girate il controllo in senso orario o antiorario per regolare l'oculare secondo la vostra vista. Essendo la vista di ciascuno diversa, regolate l'oculare in modo da vedere chiaramente i caratteri sul mirino usando il camcorder per la prima volta o dopo che è stato usato da altri.



Per togliere eventuali particelle di polvere dall'interno del mirino, togliere il poggiaocchio, come indicato in figura, e procedere alla pulizia per mezzo di un oggetto lungo quale, ad esempio, un bastoncino con un batuffolo di cotone.

Per togliere il poggiaocchi, ruotarlo prima nella direzione (1) e tirarlo poi nella direzione (2).

Per rimontarlo, allineate i contrassegni che si trovano sul corpo e sul poggiaocchi, come indicato, e ruotate poi il poggiaocchi di 45° nella direzione (3).

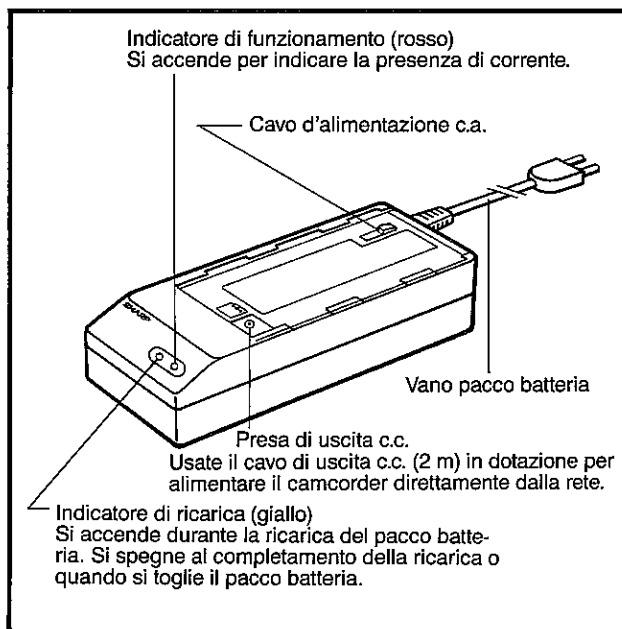


Nota Per poter effettuare questa regolazione il camcorder deve essere acceso.

SISTEMA D'ALIMENTAZIONE

Il pacco batteria BT-75 è ideale per l'uso del camcorder in esterni. L'adattatore c.a./caricabatteria AA-75S e il cavo di uscita c.c. (DC OUT) di 2 m sono più indicati per l'uso all'interno. Per l'uso prolungato in esterni si consiglia l'adattatore batteria dell'auto/caricabatteria VR-P75CH.

Uso dell'adattatore c.a./caricabatteria



Nota

L'adattatore batteria dell'auto/caricabatteria VR-P75CH SHARP opzionale è come l'AA-75S, ma funziona con la batteria dell'auto.

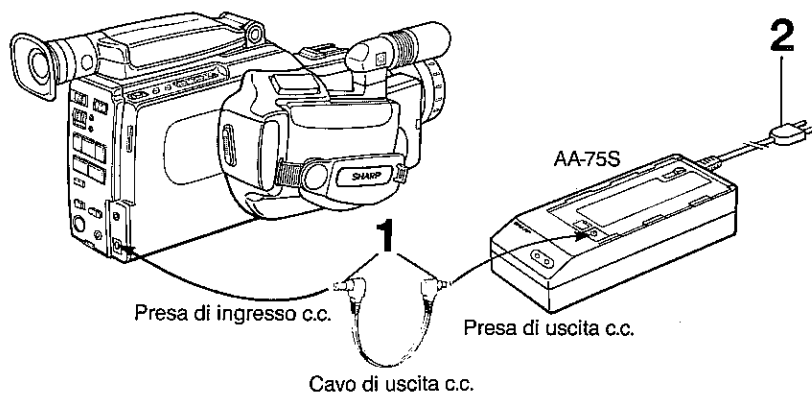
Precauzioni:

- Se si usa l'adattatore c.a./caricabatteria vicino alla radio, potrebbe causare interferenze.
- Fate attenzione che liquidi e oggetti metallici non penetrino all'interno.
- L'AA-75S è sigillato. Non cercate di aprirlo o di modificarlo.
- Non fatelo cadere e non sottoponetelo a forti vibrazioni.
- Non lasciatelo al sole.
- Non usatelo in luoghi estremamente umidi o caldi.

USO DELL'ADATTATORE C.A./CARICABATTERIA

Usate l'adattatore c.a./caricabatteria AA-75S e il cavo di uscita c.c. in dotazione.

- 1 Collegare il cavo di uscita c.c. all'adattatore c.a. e al camcorder.
- 2 Inserire la spina c.a. in una presa di rete. L'indicatore di funzionamento dell'adattatore c.a. si accende.

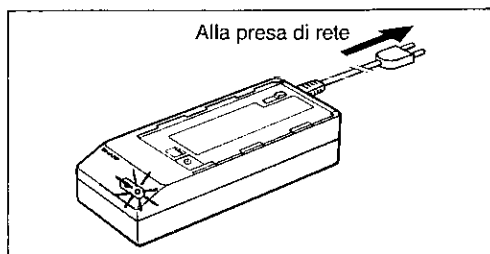


Nota L'adattatore c.a./caricabatteria AA-75S non alimenta la corrente al camcorder attraverso il cavo di uscita c.c. durante la ricarica del pacco batteria.

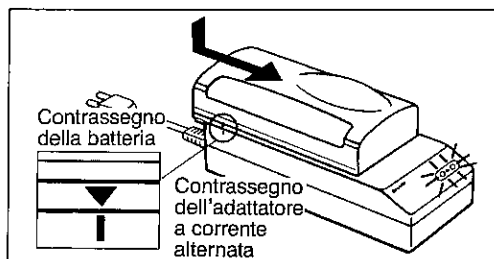
RICARICA DEL PACCO BATTERIA

Usate l'adattatore c.a./caricabatteria AA-75S in dotazione. In esterni potete usare l'adattatore batteria dell'auto/caricabatteria VR-P75CH SHARP opzionale.

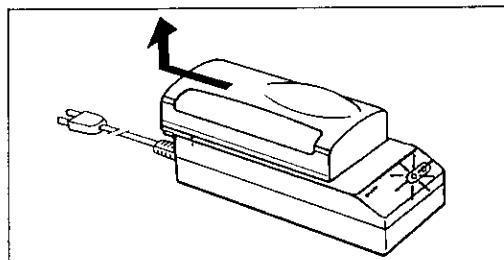
- 1** Inserite la spina c.a. in una presa di rete. L'indicatore OPERATE si accende.



- 2** Allineare il contrassegno ▼ che si trova sul lato del pacco batteria con il contrassegno ■ che si trova sul caricabatteria, ed inserire il pacco nella scanalatura. Far poi scorrere il pacco batteria in avanti sino a quando si blocca in posizione. La lampadina CHARGE si accende.



- 3** Quando il pacco batteria si è caricato, l'indicatore di ricarica si spegne. Staccate la spina c.a. dalla presa di rete e togliete il pacco batteria spingendolo fuori.



Nota

Il pacco batteria e il caricatore sono normalmente caldi dopo la ricarica.

TEMPO DI CARICA del BT-75: 60 min.
TEMPO DI CARICA del BT-76: 80 min.

Nota

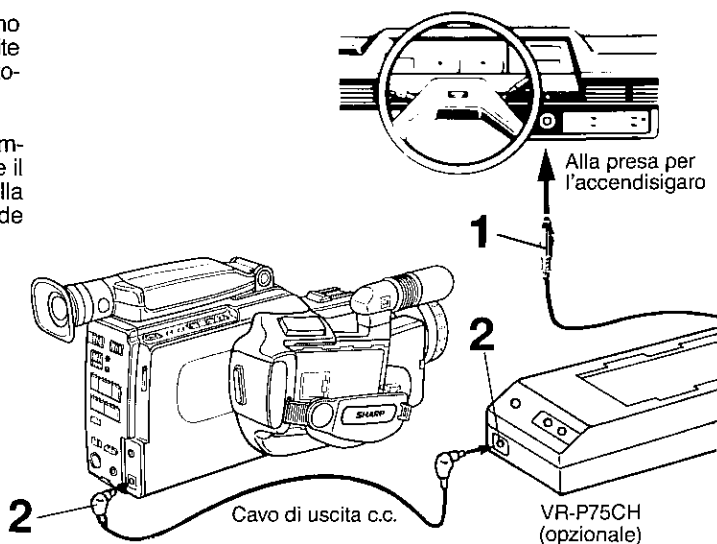
Il tempo di ricarica dipende dalla temperatura ambiente e dalle condizioni del pacco batteria.

USO DELL'ADATTATORE BATTERIA DELL'AUTO/CARICABATTERIA (OPZIONALE)

Per ricaricare il pacco batteria o per alimentare il camcorder nell'auto, usate l'adattatore batteria dell'auto/caricabatteria VR-P75CH SHARP opzionale.

- 1** Avviate il motore e lasciatelo girare al minimo durante l'uso del caricabatteria dell'auto. Inserite la spina nella presa dell'accendisigaro. L'indicatore OPERATE si accende.

- 2** Collegare il cavo DC OUT per alimentare il Camcorder. La spia CHARGE rimane accesa mentre il pacco batteria è in corso di ricarica. Al termine della ricarica, la spia CHARGE si spegne, e si accende invece la spia DONE ("terminato").



Nota

L'adattatore batteria dell'auto/caricabatteria VR-P75CH non alimenta la corrente al camcorder attraverso il cavo di uscita c.c. durante la ricarica del pacco batteria.

Attenzione:

L'adattatore batteria dell'auto/caricabatteria VR-P75CH può essere usato soltanto con le automobili funzionanti a 12V o 24V a massa negativa.

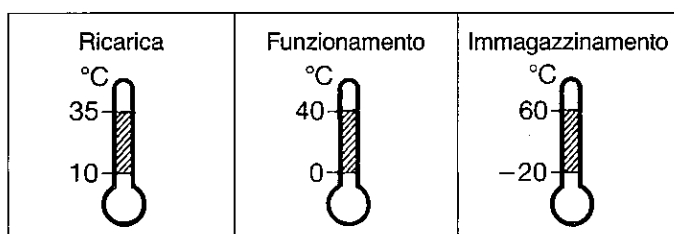
Non usatelo con le automobili funzionanti a 12V o 24V a massa positiva. Riferitevi al manuale di istruzioni dell'auto o rivolgetevi al suo rivenditore.

USO DEL PACCO BATTERIA

Il pacco batteria BT-75 è al nichel-cadmio e possiede le caratteristiche seguenti.

La ricarica normale richiede un'ora alla temperatura ambiente di 20°C. Alle temperature più basse è necessario un tempo di ricarica più lungo.

Gamma di temperatura



Per evitare potenziali pericoli:

- Non bruciate il pacco batteria.
- Non cortocircuitatene i terminali.
- Non smontatelo e non modificalo.
- Usate soltanto i caricabatteria SHARP raccomandati: Adattatore c.a./caricabatteria AA-75S o adattatore batteria dell'auto/caricabatteria VR-P75CH.

Per evitare danni e prolungare la vita del pacco batteria:

- Non fatelo cadere e non sottoponetelo a forti vibrazioni.
- Evitate di ricaricarlo ripetutamente quando non è scarico.

Il pacco batteria ha una vita limitata e deve essere sostituito quando il tempo utile per ricarica si riduce notevolmente.

Nota

Il pacco batteria è normalmente caldo dopo la ricarica o l'uso.

TEMPO DI REGISTRAZIONE del BT-75: circa 60 min.
TEMPO DI REGISTRAZIONE del BT-76: circa 80 min.

Il tempo di registrazione di un pacco batteria completamente carico è influenzato dalla durata combinata del tempo di registrazione e di pausa di registrazione, dall'uso dello zoom e da altri fattori.

Dal vostro rivenditore SHARP potete trovare dei pacchi batteria di ricambio. E' sempre meglio avere sottomano dei pacchi batteria di ricambio per non perdere eventuali occasioni di ripresa importanti.

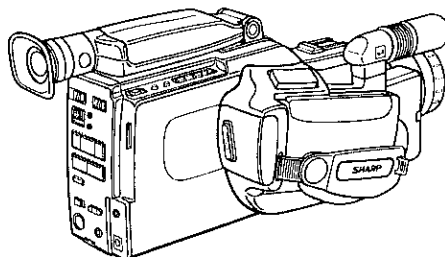
Le manutenzione ottimale delle batterie al nichel-cadmio è possibile nelle condizioni seguenti:

1. La ricarica va effettuata entro una gamma di temperatura dai 10°C ai 35°C. La ricarica richiede più tempo a temperature inferiori e potrebbe essere incompleta a quelle superiori.
2. Conservate i pacchi batteria in luoghi freschi e asciutti. La lunga esposizione alle alte temperature ne aumenta le perdite e riduce la vita.
3. Durante un lungo immagazzinamento potrebbe verificarsi il naturale scaricarsi completo del pacco batteria. Per prolungarne la vita, scaricate sempre i pacchi batteria prima dell'immagazzinamento.
4. Togliete il pacco batteria dal camcorder o dal caricatore dopo l'uso, perché altrimenti continua a scaricarsi.

REGISTRAZIONE CON LA TELECAMERA

REGISTRAZIONE CON LA TELECAMERA

- 1** Attaccate un pacco batteria ricaricato. (Vedete a pag. 8) Usate però l'adattatore c.a. in dotazione per la registrazione con la telecamera in interni, o l'adattatore batteria dell'auto/caricabatteria SHARP opzionale per la registrazione all'interno dell'auto.

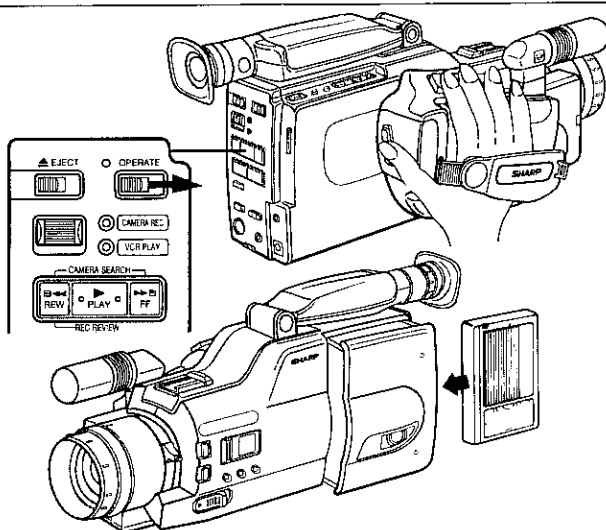
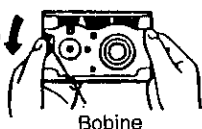


- 2** Attivare l'apparecchio facendo scorrere il tasto OPERATE. La relativa indicazione si accende. Premere il tasto EJECT per aprire il vano portacassette. Inserirvi una videocassetta VHS con la linguetta di protezione intatta, e con l'apertura rivolta verso l'esterno. Per chiudere il portello del vano, premere sull'indicazione "PUSH".

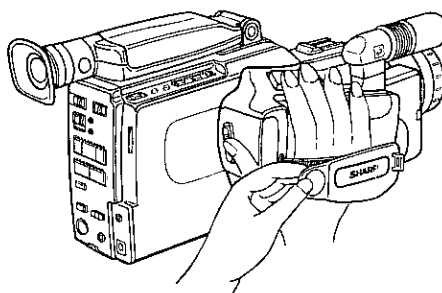
Avvertenza:

Prima di inserire la videocassetta, verificare che il nastro non sia allentato. Se del caso, ruotare la bobina nella direzione della freccia.

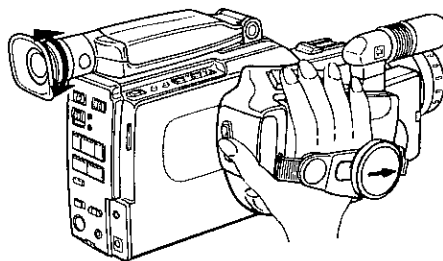
Togliere l'allentamento del nastro



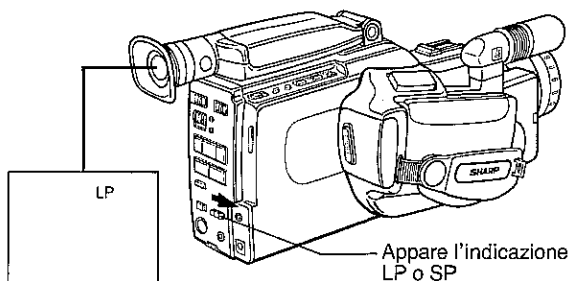
- 3** Posizionate correttamente la mano in modo che le dita possano raggiungere comodamente i tasti REC START/STOP e di controllo zoom elettrico. Regolate quindi il cinturino secondo la mano.



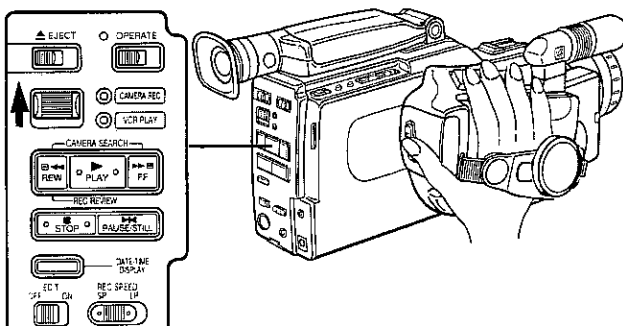
- 4** Togliete il cappuccio dell'obiettivo e attaccatelo al cinturino. Puntate poi la telecamera su un soggetto con un colore ben definito (il cielo azzurro o una parete bianca) e regolate il controllo della diottria in modo che l'esposizione del mirino sia nitida.



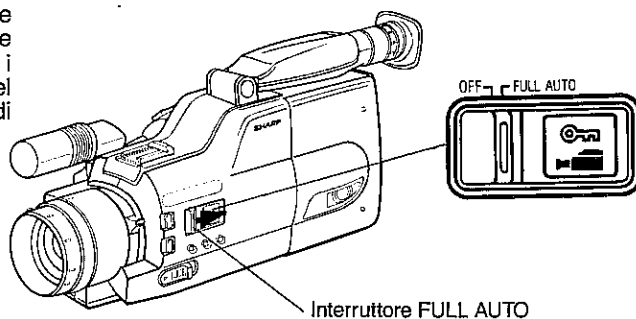
- 5** Agire sul selettore della velocità di registrazione LP/SP per designare la velocità desiderata, che apparirà indicata nel mirino. Il tempo di registrazione, nel caso di un nastro VHS del tipo EC-30 è il seguente:
 Modalità SP: 30 min.
 Modalità LP: 60 min.



- 6** Posizionate l'interruttore CAMERA REC/VCR PLAY su "CAMERA REC".



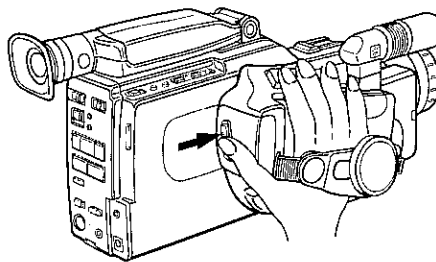
- 7** Disporre l'interruttore FULL AUTO sulla posizione "FULL AUTO". Verificare che i contrassegni "▶▶▶▶" e "⊙" appaiano sul quadrante delle indicazioni. Se i due contrassegni "▶▶▶▶" e "⊙" lampeggiano, nel mirino compare una indicazione di avvertimento (vedi pag. 20).



- 8** Premete il tasto REC START/STOP. Durante la registrazione, l'indicazione "▶▶▶▶" sul mirino si muove in sequenza da sinistra a destra.

Nota:

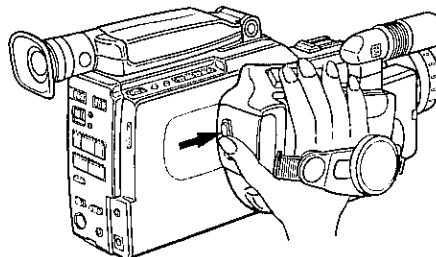
Registrando per un lungo periodo di tempo, l'impugnatura potrebbe diventare molto calda. Questo però non indica un difetto.



- 9** Quando desiderate finire di registrare premete di nuovo il tasto REC START/STOP.

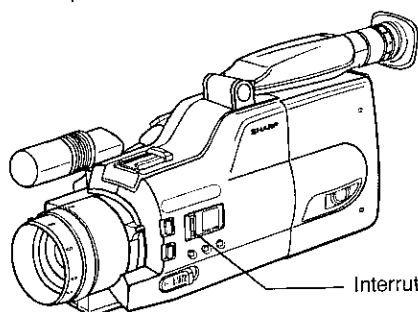
Nota:

Se si lascia il camcorder nel modo di pausa di registrazione per oltre 5 minuti, esso si spegne automaticamente. Per continuare la registrazione spingete semplicemente l'interruttore OPERATE.

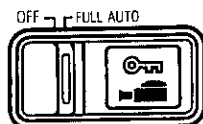


SISTEMA COMPLETAMENTE AUTOMATICO

Portando l'interruttore FULL AUTO sulla posizione "FULL AUTO" si dispongono la messa a fuoco ed il bilanciamento del bianco nella modalità automatica (AUTO), e la velocità dell'otturatore sulla modalità STANDARD. Ciò consente così a chiunque di poter effettuare delle registrazioni con Camcorder molto accurate. Con l'interruttore FULL AUTO sulla posizione "FULL AUTO", i due contrassegni di predisposizione completamente automatica, "☐" e "☉" devono essere presenti sul quadrante a cristalli liquidi. Se queste due indicazioni si mettono a lampeggiare, verificare se nel mirino si è accesa una qualche indicazione che avverte della presenza di ostacoli (quali, ad esempio, il caricamento di una cassetta senza linguetta protettiva) che impediscono l'effettuazione delle riprese con la telecamera.



Interruttore FULL AUTO



La registrazione tramite telecamera è possibile, nella modalità FULL AUTO, quando sono presenti i due contrassegni ☐ e ☉.



Se nel mirino appare una qualsiasi indicazione di avvertimento o di allarme, attenersi alle istruzioni del caso (vedi pag. 20).

MESSA A FUOCO AUTOMATICA

La funzione di messa a fuoco automatica permette di concentrarsi sulla creazione di riprese di qualità, sapendo già che le riprese saranno certamente a fuoco.

Nella posizione FULL AUTO, la messa a fuoco viene continuamente regolata, onde mantenerla sempre al miglior livello. Vi è una piccola zona al centro del mirino che individua la distanza del soggetto e provvede alla messa a fuoco. Cercare quindi di mantenere il soggetto, per quanto possibile, al centro del mirino.

Nota

La messa a fuoco automatica su un soggetto che si trova in una delle seguenti condizioni può non essere possibile. In tal caso procedere alla messa a fuoco manuale per ottenere il valore corretto.

Avvertenze:

- Non toccare l'anello di messa a fuoco mentre il meccanismo di messa a fuoco automatica è in funzione.
- Se l'obiettivo è sporco o oscurato, una messa a fuoco accurata può essere difficile. Mantenerlo quindi sempre pulito, strofinandolo con un tessuto morbido, inumidito in un liquido apposito per la pulizia. In caso di condensazione, asciugare l'obiettivo strofinandolo con un panno morbido, o attendere sino a quando la condensazione è evaporata.
- Durante la ripresa di soggetti che cambiano rapidamente, come nel caso di zoomate veloci dal grandangolo al teleobiettivo, o una rapida carrellata da una scena distante ad una vicina, alle volte occorrono alcuni secondi prima che il soggetto venga messo perfettamente a fuoco.

 Soggetto troppo scuro.	 Mancanza di contrasto, come sulla neve.	 Nella scena ci sono oggetti distanziati uniformemente.	 Luce riflessa dal soggetto.
 Due soggetti alla stessa distanza che si sovrappongono.	 Soggetto che si estende dal primo piano in lontananza.	 Soggetto in rapido movimento.	 Lo sfondo è troppo luminoso.
 Il soggetto presenta dei disegni ripetuti, molto fini.	 Al centro del mirino si sovrappongono dei soggetti a diverse distanze.	 Il soggetto ha delle linee orizzontali.	 Il soggetto è in posizione obliqua.
 Il soggetto viene ripreso attraverso una finestra sporca, o bagnata.	 L'otturatore elettronico ad alta velocità viene utilizzato sotto la luce fluorescente.	Nota Si consiglia di iniziare la ripresa dopo aver terminato la messa a fuoco.	

BILANCIAMENTO AUTOMATICO DEL BIANCO

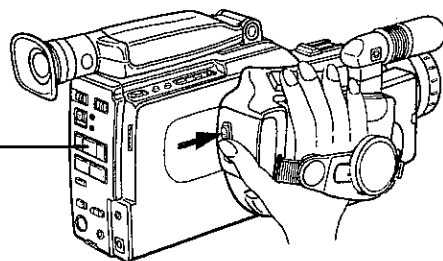
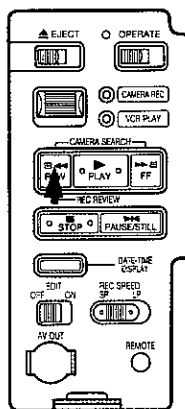
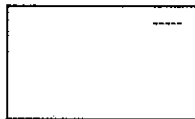
Questo camcorder è dotato del modo di bilanciamento automatico del bianco, che assicura videoregistrazioni a colori di ottima qualità. Il corretto bilanciamento del bianco è molto importante per la resa accurata del colore.

Il bilanciamento del bianco si regola automaticamente in modo da compensare qualsiasi variazione di temperatura di colore della luce.

RIPASSO DELLA REGISTRAZIONE

Nel corso della registrazione premere il tasto REC START/STOP per passare alla pausa della registrazione (nel mirino compare l'indicazione "-----"), e premere poi rapidamente il tasto REC REVIEW.

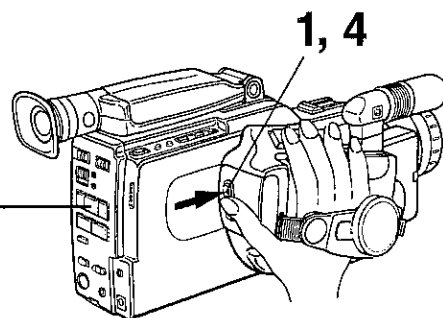
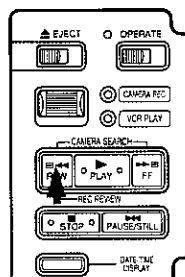
Gli ultimi 2 secondi della registrazione effettuata vengono riavvolti e riprodotti. Il Camcorder è così pronto a continuare la ripresa. Se si tiene premuto il tasto REC REVIEW viene attivata la funzione di ricerca CAMERA SEARCH.



RICERCA DELLA TELECAMERA

Se, nel corso della registrazione, si è erroneamente ripreso qualcosa che non si desidera, si può procedere alla ricerca della porzione non desiderata mentre si è ancora nella posizione di registrazione (CAMERA REC).

- 1 Premere il tasto REC START/STOP per passare alla pausa della registrazione.
- 2 Guardando nel mirino, continuare a tenere premuto il tasto CAMERA SEARCH per ricercare il punto dal quale si vuole rifare la ripresa. Le immagini registrate vengono riprodotte nel mirino.
- 3 Quando appare la porzione di ripresa sulla quale si vuole effettuare una nuova ripresa, lasciar andare il tasto CAMERA SEARCH. Si ritorna così alla modalità REC PAUSE dopo che sul mirino è rimasta visualizzata una immagine ferma per circa 1 secondo.
- 4 Per ripetere la registrazione sulla zona non desiderata, premere poi il tasto REC START/STOP.



SPIEGAZIONE DEL FUNZIONAMENTO DEI TASTI

Tenendo premuto il tasto "▶▶", le immagini vengono riprodotte nell'ordine, ad una velocità di circa 3 volte quella normale (non si percepisce alcun suono).

Tenendo premuto il tasto "▶", le immagini vengono riprodotte nell'ordine, alla velocità normale (l'audio è percepibile).

Tenendo premuto il tasto "◀◀", le immagini vengono riprodotte in senso inverso, a circa 3 volte la velocità normale (non si percepisce alcun suono).

Nota Se il Camcorder è in modalità LP, la velocità di riproduzione è di 7 volte la normale velocità di avanzamento.

ZOOM ELETTRICO (CONTROLLO GRANDANGOLARE/TELEFOTO)

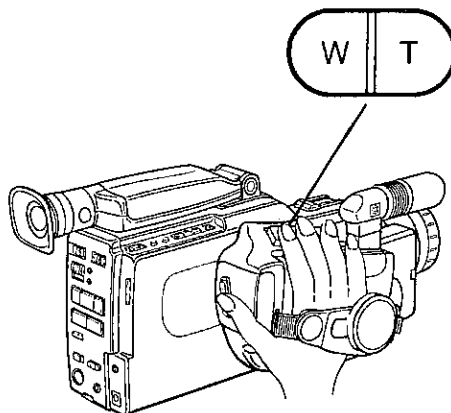
Una delle caratteristiche migliori di questo camcorder consiste nello zoom elettrico a velocità variabile.

Premete i tasti zoom per la zumata di avvicinamento o di allontanamento dal soggetto. La velocità di zumata è controllata dalla pressione esercitata dalla punta delle dita.

La velocità di zumata è controllata dalla pressione esercitata dalla punta delle dita, per cui essa aumenta con l'aumento della pressione.

Premere con decisione il tasto dello zoom automatico per zoomare, in avvicinamento o in allontanamento, entro 6 secondi. Per zoomate più lente, di circa 20 secondi, premere dolcemente lo stesso tasto.

La posizione T (telefoto) avvicina il soggetto, mentre quella W (grandangolare) lo fa apparire più lontano.



USO DEL TASTO DI SELEZIONE DELLO ZOOM

Questo Camcorder è dotato di una funzione di estensione di 1,5 volte, che consente di ingrandire o ridurre l'immagine nel mirino in modo istantaneo, per un completamente nuovo effetto zoom. Ad esempio, non appena una scena particolarmente interessante appare nel mirino, premere il tasto ZOOM SELECT, e l'immagine risulterà immediatamente ingrandita di 1,5 volte.

(Indicazioni del mirino)

Funzione dell'estensore disattivata



(Es.) Standard

Funzione dell'estensore attivata

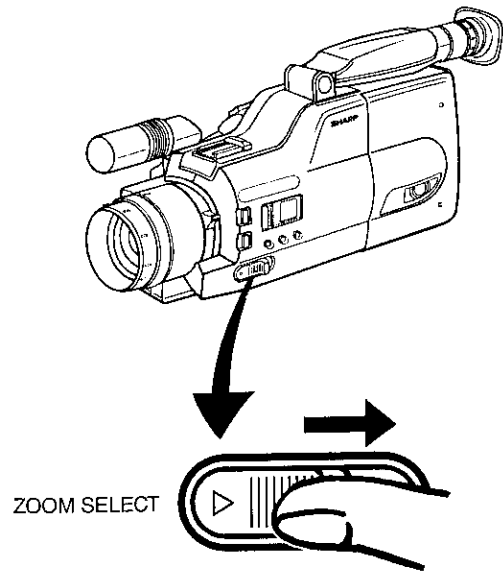


1,5 x

Ingrandimento →
 ← Riduzione

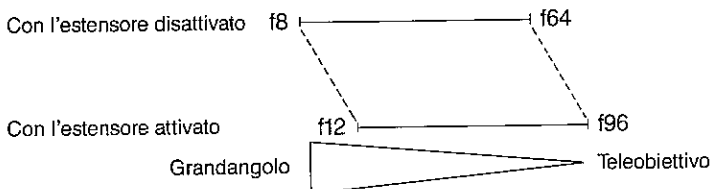
Standard — x 1,5 — 1,5 x

Prima di attivare la funzione di estensione di 1,5 volte, si osserva che nel mirino vi è un riquadro intorno all'immagine. Localizzare entro questo riquadro la zona dell'immagine che si vuole ingrandire e premere il tasto ZOOM SELECT. L'immagine così scelta riempirà completamente lo spazio del mirino. Nell'esempio qui sopra riportato l'obiettivo è stato predisposto su un ingrandimento standard. Premendo il tasto ZOOM SELECT si fa scomparire dal mirino il riquadro e si ingrandisce l'immagine ivi contenuta di 1,5 volte. Premendo una seconda volta il tasto ZOOM SELECT si ritorna all'immagine ad ingrandimento standard (ed il riquadro compare di nuovo nel mirino).



Nota

Relazione fra lo zoom ed il funzionamento dell'estensore.

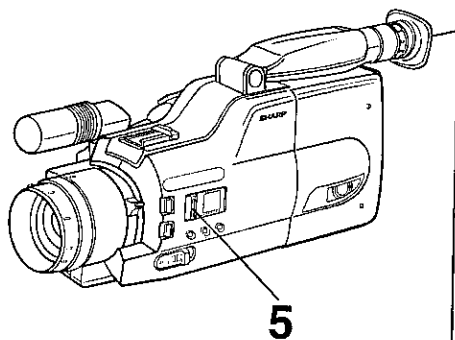
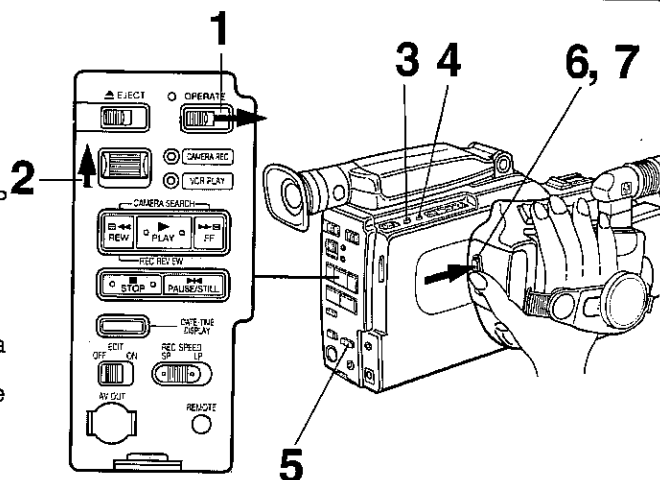


La gamma dello zoom variabile cambia come sopradescritto, a seconda della predisposizione dell'estensore.

FUNZIONE DEL CONTAGIRI

Questo camcorder possiede la funzione del contagiri, che conta il tempo di registrazione approssimativo.

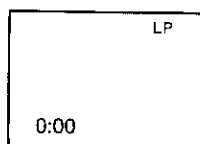
- 1 Spingete l'interruttore OPERATE.
- 2 Posizionate l'interruttore CAMERA REC/VCR PLAY su "CAMERA REC". Il camcorder si dispone automaticamente nel modo di pausa di registrazione.
- 3 Agire sul tasto COUNTER/COUNTER MEMORY/LAP TIME per selezionare LAP TIME.
- 4 Premete il tasto RESET. (Il contagiri torna a indicare "0:00".)
- 5 Selezionare la velocità di registrazione desiderata agendo sul selettore REC SPEED LP/SP. Disporre l'interruttore FULL AUTO sulla posizione "FULL AUTO".
- 6 Premete il tasto REC START/STOP (il contagiri comincia a segnare).
- 7 Per interrompere la registrazione premete di nuovo il tasto REC START/STOP (il contagiri si ferma).



Nota

- Col modo del contagiri potete conoscere il tempo di registrazione approssimativo. L'indicazione massima è "99:99" (99 minuti e 99 secondi).
- Il contatore LAP TIME funziona solamente durante la registrazione. La modalità del LAP TIME viene attivata anche se non vi sono indicazioni nel mirino.
- Quando si espelle la videocassetta il contagiri torna automaticamente all'indicazione "0:00".
- Anche se si preme il tasto COUNTER/COUNTER MEMORY/LAP TIME durante la riproduzione, il contagiri non appare. (In questo caso appare soltanto il contatore.)

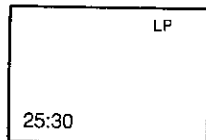
Indicatore del mirino



Partenza



Arresto



INDICAZIONI DEL QUADRANTE A CRISTAL LIQUIDI ED INFORMAZIONI RIPORTATE NEL MIRINO

Il Camcorder fornisce le informazioni necessarie per la ripresa tramite telecamera, sul quadrante a cristalli liquidi dell'apparecchio, e sullo schermo del mirino.

INDICAZIONI DI AVVERTIMENTO

	1) CONDENSA Condensazione sul tamburo della testina. L'apparecchio si spegnerà automaticamente nel giro di qualche minuto. Prima di poterne riprendere l'uso è necessario attendere diverse ore (vedi pag. 2). (In questa condizione anche l'indicazione OPERATE lampeggia).		4) Avvertenza per la videocassetta La registrazione non è possibile perchè la videocassetta inserita è senza la linguetta protettiva, oppure perchè non vi sono videocassette inserite nell'apparecchio. Inserire una videocassetta con la linguetta intatta.
	2) Batteria esaurita La batteria è troppo debole. L'apparecchio si spegnerà nel giro di pochi secondi. Sostituire il pacco batteria.		5) Nastro a fine corsa Il nastro sta per giungere a fine corsa nel giro di circa 3 minuti. preparare una nuova videocassetta con la linguetta di protezione intatta.
LIGHT	3) LUCE Non vi è luce sufficiente per una buona registrazione. Aggiungere illuminazione supplementare, o spostarsi in un'altra zona.	TAPE END	Il nastro è giunto alla fine. Sostituirlo con uno nuovo la cui linguetta protettiva sia intatta.
			6) Le testine devono essere ripulite Le testine necessitano di una adeguata pulizia. Rivolgersi ad un centro di servizio.

Nota Quando sul quadrante compaiono le indicazioni qui sopra riportate, i contrassegni FULL AUTO e lampeggiano contemporaneamente.

INDICAZIONI DI COMODITÀ

OFF FULL AUTO 	1) Indicazione FULL AUTO L'indicazione FULL AUTO compare quando l'interruttore FULL AUTO viene portato sulla posizione "FULL AUTO". In questo modo il Camcorder è in grado di effettuare la registrazione in modo appropriato.	15:27 27.10.91	4) Data e ora Questo apparecchio è dotato di una funzione AUTO DATE/TIME. Agendo sul tasto DATE/TIME si può visualizzare nel mirino la data e l'ora, o solamente la data. Queste indicazioni vengono registrate insieme alle riprese che vengono effettuate.
>>>>	2) Indicazione di registrazione Premendo il tasto REC START/STOP si dà inizio alla registrazione, e sul quadrante compare il segno ">>>>", in spostamento continuo da sinistra verso destra.	27.10.91	5) Contanastro Continua a funzionare anche se nel mirino non compare nessuna indicazione in proposito. I numeri del contanastro continuano a cambiare mano a mano che il nastro si sposta. Se è stata inserita la memoria del contanastro, l'indicazione "M" compare nel mirino sulla sinistra della cifra in movimento.
-----	Premendo di nuovo il tasto REC START/STOP il Camcorder passa alla modalità di pausa della registrazione e viene visualizzata l'indicazione "-----".	0231	6) Contatempo progressivo Il tempo trascorso viene visualizzato in minuti e secondi nel corso della registrazione (vedi pag. 19).
SP	3) Modalità di registrazione Registrazione effettuata alla velocità indicata. "SP": registrazione alla velocità standard. "LP": registrazione alla velocità long-play.	12:45	7) Registrazione con otturatore ad alta velocità Ad ogni pressione successiva del tasto SHUTTER SPEED la velocità dell'otturatore cambia nel modo seguente: 1/100 : 1/100 di secondo 1/500 : 1/500 di sec. 1/2000 : 1/2.000 di sec. 1/10.000 : 1/10.000 di sec. nessuna : velocità standard indicazione' (1/50 di sec.)
LP		1/10000	

Nota L'indicazione appare solamente se l'interruttore CAMERA REC/VCR PLAY si trova sulla posizione "CAMERA REC".

INDICAZIONI DI COMODITÀ

M/F	8) Messa a fuoco manuale È attivata la messa a fuoco manuale. Compare l'indicazione "M/F" quando è stato premuto il tasto AUTO/MANUAL FOCUS.	* LIGHT *	10) Guadagno (Gain-up) È inserita la modalità di guadagno. Compare l'indicazione "* LIGHT *" quando il tasto BLC/GAIN-UP viene premuto mentre è visualizzata l'indicazione "LIGHT".
W/B	9) Bloccaggio del bilanciamento del bianco La modalità di bilanciamento del bianco è bloccata. Compare l'indicazione "W/B" quando è stato premuto il tasto WHITE BALANCE.	FADER	11) DISSOLVENZA È inserita la modalità di attesa per la dissolvenza. Premendo poi il tasto REC START/STOP viene attivata la dissolvenza in ingresso o in uscita.

Nota Se si utilizza un apparecchio TV come monitor, sul mirino compare solamente l'indicazione della data o dell'ora.

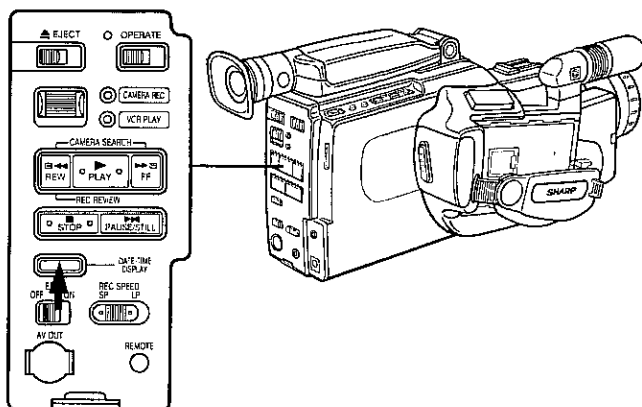
FUNZIONE AUTOMATICA DELLA DATA/ORA

La funzione automatica della data/ora permette di registrare la data e l'ora per un comodo riferimento.

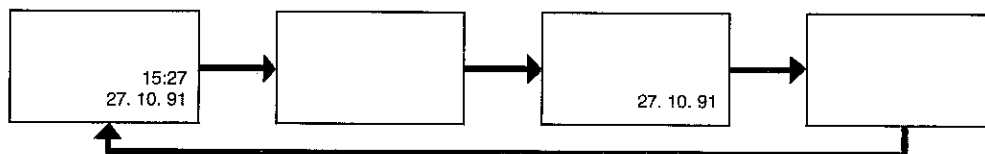
Seguite la procedura indicata sotto per registrare la data o la data-ora con le immagini.

Nota

Se non si sono regolare la data e l'ora, il tasto DATE-TIME DISPLAY non funziona. (Vedete a pag. 7.)



- 1 Collegare la fonte d'alimentazione e spingere l'interruttore OPERATE. Posizionare l'interruttore CAMERA REC/VCR PLAY su "CAMERA REC" per disporre il camcorder nel modo di pausa di registrazione.
- 2 Premete il tasto DATE-TIME DISPLAY. Sul mirino appare la data o la data-ora. Premendo questo tasto si cambia l'indicazione sul mirino nel modo seguente, ciò che permette di regolare la data o la data-ora.

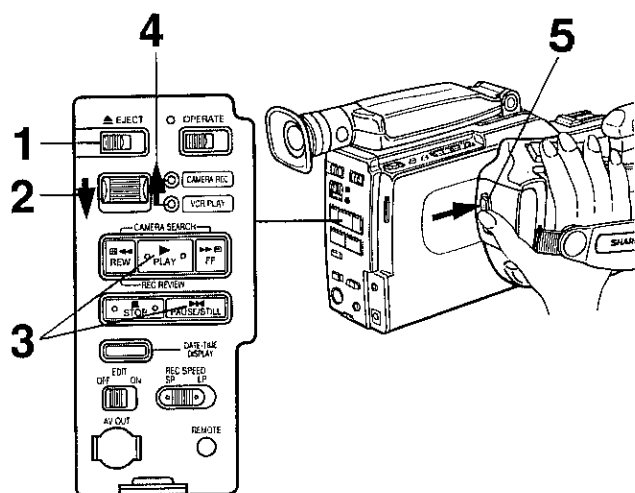


- 3 Premete il tasto REC START/STOP. La data o la data-ora mostrata nel mirino viene registrata con le immagini.

REGISTRAZIONE DI GIUNZIONE

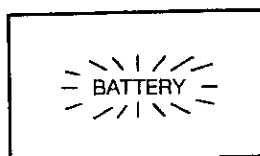
Per registrare un nastro parzialmente registrato o per effettuare giunzioni procedete nel modo seguente:

- 1 Fate scorrere il nastro e inserite una videocassetta con la linguetta di protezione intatta.
- 2 Posizionate l'interruttore CAMERA REC/VCR PLAY su "VCR PLAY".
- 3 Premete il tasto PLAY, usate il tasto FF o REW per trovare rapidamente il punto preciso sul nastro e premete il tasto PAUSE/STILL.
- 4 Spostate l'interruttore CAMERA REC/VCR PLAY dalla posizione "VCR PLAY" a quella "CAMERA REC".
- 5 Premete il tasto REC START/STOP.



SOSTITUZIONE DEL PACCO BATTERIA DURANTE LA REGISTRAZIONE

1. Se l'indicazione BATTERY lampeggia sul mirino durante la registrazione, premete il tasto REC START/STOP per interrompere la registrazione e spingete poi l'interruttore OPERATE.
2. Sostituite il pacco batteria con un altro ricaricato.
3. Fate scorrere l'interruttore OPERATE. Sul mirino appare l'indicazione "-----".
4. Per continuare la registrazione dal punto in cui è stata interrotta premete il tasto REC START/STOP.



Nota

Prima di staccare il pacco batteria assicuratevi di avere spento il camcorder e che l'indicatore OPERATE non sia acceso.

SPEGNIMENTO AUTOMATICO

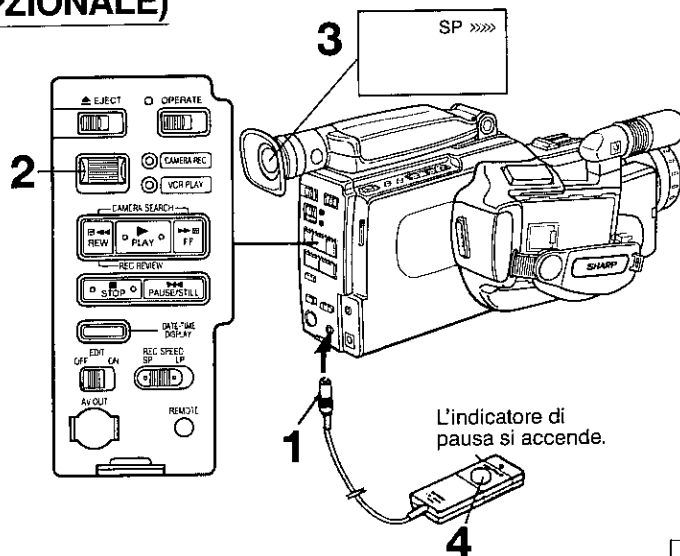
Per proteggere le testine e risparmiare corrente, il camcorder allenta la tensione del nastro e si spegne quando rimane nel modo di pausa di registrazione per più di 5 minuti (il mirino mostra l'indicazione "-----").

Alimentazione	Posizione dell'interruttore CAMERA REC/VCR PLAY	Funzionamento 5 minuti circa
Pacco batteria/c.a.	CAMERA REC	Pausa di registrazione → Spegnimento

COMANDO A DISTANZA DI PAUSA (OPZIONALE)

Usate il cavo di comando a distanza di pausa VR-20ME di 5 m (opzionale) durante la registrazione a distanza. Esso funziona come il tasto PAUSE/STILL.

- 1 Collegate il cavo di comando a distanza di pausa alla presa REMOTE.
- 2 Posizionate l'interruttore CAMERA REC/VCR PLAY su "CAMERA REC".
- 3 Assicuratevi che il mirino mostri l'indicazione "-----".
- 4 Per cominciare la registrazione, premete il tasto REC/PAUSE del comando a distanza di pausa. L'indicazione nel mirino si sposta in sequenza da sinistra a destra. Premete di nuovo il tasto per disporre il camcorder nel modo di pausa.



RIPRODUZIONE

Il VL-C780S può riprodurre le videocassette VHS-C che ha registrato.
Le immagini possono essere riprodotte nel mirino o su uno schermo TV.

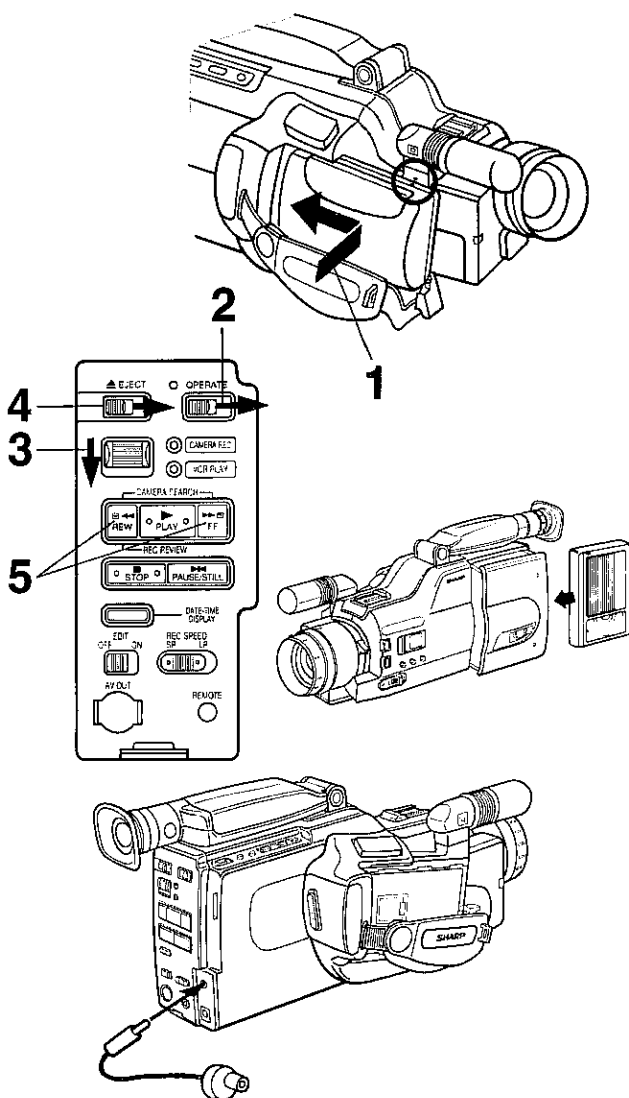
RIPRODUZIONE NEL MIRINO

- 1** Attaccate il pacco batteria o usate l'adattatore c.a./caricabatteria.
- 2** Far scorrere l'interruttore OPERATE. L'indicatore di funzionamento OPERATE si accende.
- 3** Posizionate l'interruttore CAMERA REC/VCR PLAY su "VCR PLAY".
- 4** Premete il tasto EJECT e inserite la videocassetta.

Nota

Correggete prima l'allentamento del nastro, se necessario.

- 5** Trovate la scena del nastro che desiderate guardare premendo il tasto FF o REW. Premete poi il tasto PLAY. Premendo poi il tasto PLAY la riproduzione ha inizio.



Nota

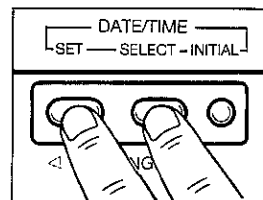
Se desiderate anche ascoltare il sonoro della registrazione, attaccate l'auricolare (non fornito) alla presa EAR.

Nota

Il selettore di velocità registrazione LP/SP può essere regolato su uno qualsiasi dei due modi. La velocità di registrazione viene avvertita automaticamente e la riproduzione del nastro avviene alla velocità corretta.

REGOLAZIONE DELL'ALLINEAMENTO

Se si notano delle barre di rumore, o se l'immagine appare disturbata, regolare il comando di allineamento TRACKING. Agire opportunamente sui due tasti TRACKING per ridurre il "rumore" visivo. Al termine della riproduzione, premere contemporaneamente i due tasti TRACKING per riportare la funzione di allineamento alla posizione centrale normale.



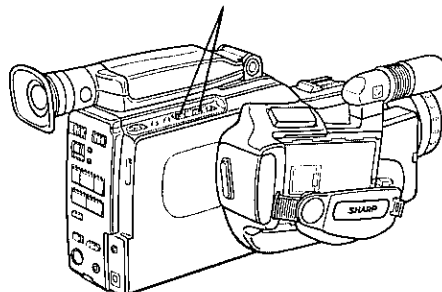
Controllo TRACKING



"Rumore" visivo



Immagine corretta



RICERCA IN AVANTI/INDIETRO E FERMO IMMAGINE

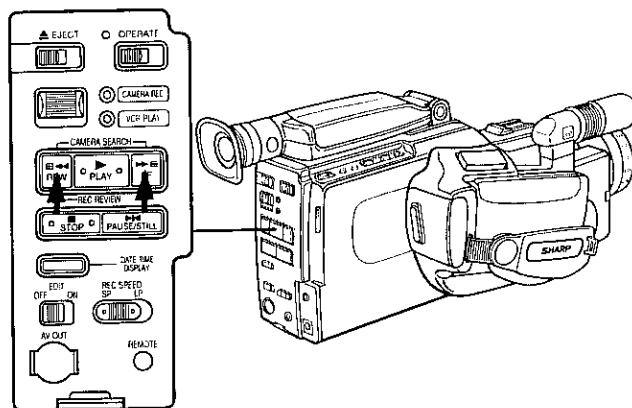
Per trovare velocemente un punto di un nastro registrato usate i tasti di ricerca in avanti o all'indietro.

Ricerca in avanti

Premete il tasto FF (▶▶) durante la riproduzione. Ciò accelera la riproduzione di 3 volte rispetto alla velocità normale con le registrazioni SP, e di 7 volte con le registrazioni LP.

Ricerca all'indietro

Premete il tasto REW (◀◀) durante la riproduzione. Ciò accelera la riproduzione all'indietro di 3 volte rispetto alla velocità normale con le registrazioni SP, e di 7 volte con le registrazioni LP.

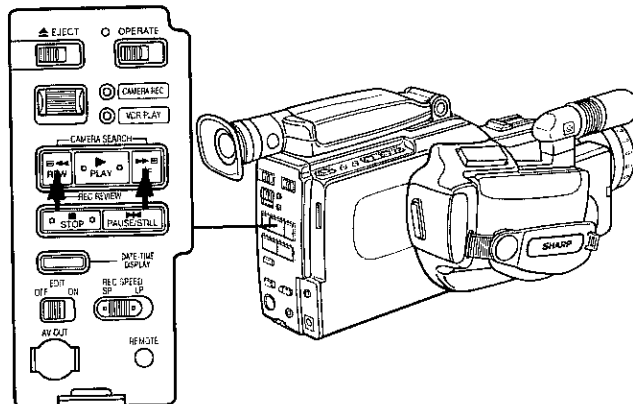


Nota

Nel corso della ricerca in avanti o all'indietro le immagini possono risultare disturbate da strisce di rumore. Si tratta di un fenomeno normale. Se le immagini TV scorrono verticalmente, regolare il comando di tenuta verticale del televisore. Nel corso della ricerca in avanti o all'indietro su di un nastro già registrato può capitare che l'immagine venga riprodotta in bianco e nero. Anche questo fenomeno è normale. Notare che durante queste operazioni l'audio non è percepibile.

Fermo immagine

Per fermare l'immagine sullo schermo premere il tasto PAUSE/STILL nel corso della riproduzione. Per riprendere poi la riproduzione, premere di nuovo lo stesso tasto PAUSE/STILL.



Nota

Se le immagini scorrono verticalmente, regolate il controllo di tenuta verticale del televisore. Per proteggere il nastro, il camcorder ne allenta la tensione e si dispone nel modo di arresto se il modo di fermo immagine dura più di 5 minuti.

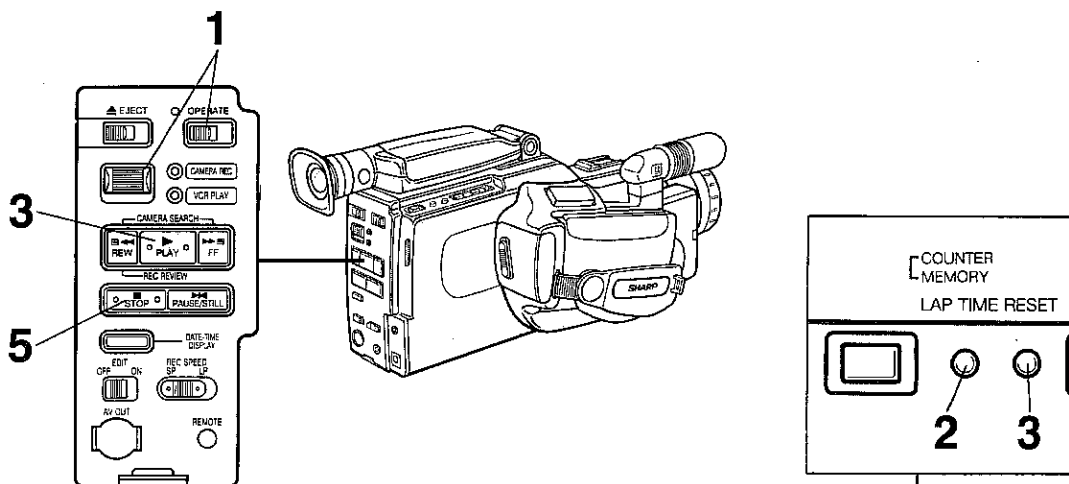
5 minuti circa

FERMO IMMAGINE → ARRESTO

FUNZIONE DI MEMORIA DEL CONTATORE

Il contatore a 4 cifre del camcorder è molto comodo per ritrovare le scene desiderate. Usate la memoria del contatore del nastro per ritrovarle facilmente.

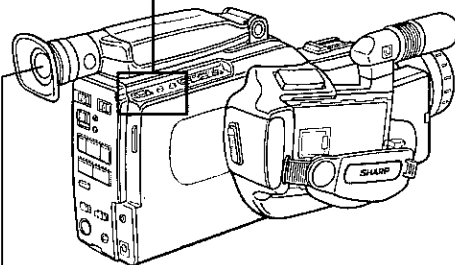
Quando la memoria è attivata, il nastro si arresta all'indicazione "M0000" del contatore durante il modo di avanti veloce e di riavvolgimento.



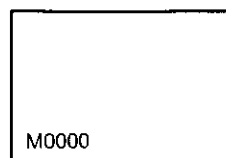
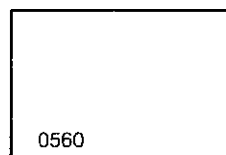
- 1** Far scorrere l'interruttore OPERATE. Posizionate l'interruttore CAMERA REC/VCR PLAY su "VCR PLAY".
- 2** Per visualizzare il contanastro nel mirino agire sul tasto COUNTER/COUNTER MEMORY/LAP TIME.
- 3** Premete il tasto PLAY per cominciare la riproduzione. (Se il camcorder si trova nel modo di fermo immagine premete il tasto STILL.)
- 4** All'inizio della scena premete i tasti RESET e COUNTER/ COUNTER MEMORY/LAP TIME.
- 5** Alla fine della scena premete il tasto STOP e poi quello REW. Il nastro si riavvolge all'incirca sull'indicazione "0000" e poi si ferma.

Note

- I numeri del contatore non cambiano uniformemente durante l'avanzamento veloce o il riavvolgimento del nastro. Questo non è però un difetto.
- Il contanastro mostra l'indicazione "0000" e la lettera "M".
- Se si preme ancora una volta il tasto COUNTER/COUNTER MEMORY/LAP TIME, l'esposizione del contatore scompare e la memoria del contatore non funziona. (Durante il modo di registrazione con la telecamera è anche possibile passare all'indicazione LAP TIME premendo il tasto COUNTER/COUNTER MEMORY/LAP TIME.)
- Il trasporto del nastro si arresta all'incirca sull'indicazione "0000" quando si fa avanzare velocemente il nastro.
- La memoria del contatore funziona soltanto quando l'interruttore CAMERA REC/VCR PLAY si trova sulla posizione "VCR PLAY".



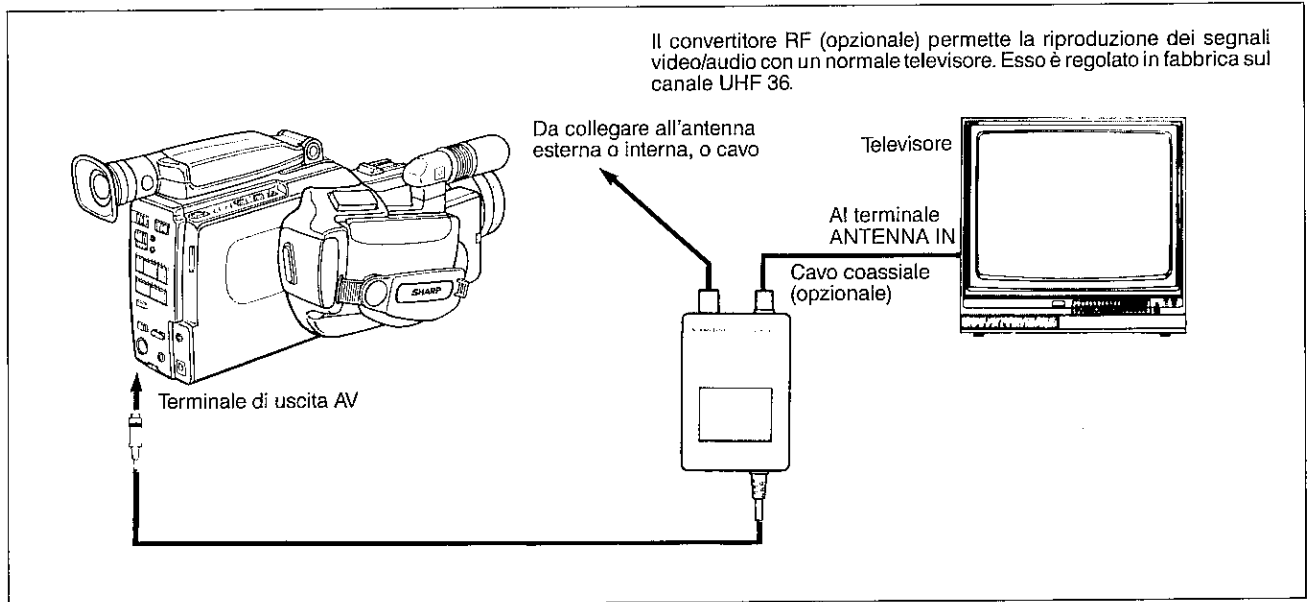
Indicazione sul mirino



COLLEGAMENTO AL TELEVISORE

Per la riproduzione delle immagini dei nastri registrati col camcorder sullo schermo TV, collegate il convertitore RF (opzionale) al televisore e al camcorder.

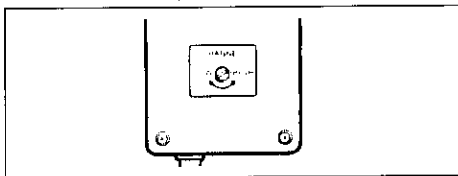
Collegamento ad un televisore normale



Riproduzione col televisore

Sintonizzate il televisore sullo stesso canale del convertitore RF (UHF CH30-39) e premete il tasto PLAY. Per continuare col funzionamento normale del televisore, spingete l'interruttore OPERATE del camcorder o staccate il cavo del convertitore RF dal camcorder.

- 1 Il registro dei canali del convertitore RF (opzionale) è regolato sul canale 36. Se esso è occupato nella zona d'uso dell'apparecchio, regolatelo su un canale diverso (vedete la nota).



- 2 Sintonizzate il televisore sullo stesso canale.
- 3 Staccate il cavo dell'antenna dal televisore e collegatelo al terminale ANTENNA IN del convertitore RF.
- 4 Collegaste il cavo coassiale da 75 ohm (opzionale) al terminale RF OUT del convertitore RF e al terminale per cavo coassiale da 75 ohm del televisore.
- 5 Collegate il cavo del convertitore RF al terminale di uscita AV del camcorder.
- 6 Posizionate l'interruttore CAMERA REC/VCR PLAY su "VCR PLAY" e spingete l'interruttore OPERATE.
- 7 Premete il tasto EJECT e inserite la videocassetta con la sua finestrella rivolta verso l'esterno. Premete il tasto PLAY.

Precauzioni

- Usate il convertitore RF opzionale soltanto con questo camcorder.
- Il convertitore RF è sigillato. Non cercate di aprirlo o di modificarlo. Non fatelo cadere e non sottoponetelo a forti vibrazioni.
- Staccate il convertitore RF durante i temporali.

FUNZIONAMENTO

Per guardare le videocassette riprodotte con il VL-C780S: Per guardare le videocassette o per controllare la registrazione, regolate il selettore dei canali TV del televisore sul canale di uscita RF.

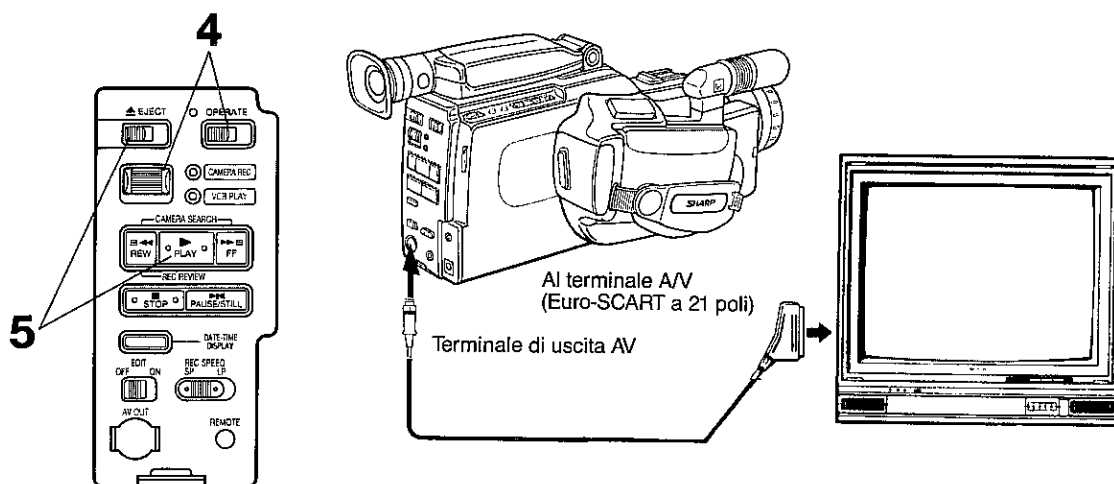
Per guardare i programmi TV: Spingete l'interruttore OPERATE per spegnere il camcorder o staccate il cavo del convertitore RF dal camcorder.

Nota

Se il canale UHF 36 è occupato da una emittente, selezionate un canale UHF qualsiasi da 30 a 39 libero per guardare l'uscita VCR del camcorder sullo schermo TV. Regolate il registro del canale di uscita del convertitore RF su uno qualsiasi di essi (UHF 30-39) e sintonizzate il televisore sullo stesso canale.

COLLEGAMENTO AD UN TELEVISORE DOTATO DEI TERMINALI A/V

- 1** Collegate il cavo di uscita A/V con connettore Euro-SCART a 21 poli fornito al terminale AV OUT del camcorder.
- 2** Collegate il connettore del cavo di uscita A/V a 21 poli al terminale A/V (Euro-SCART a 21 poli) del televisore.
- 3** Sintonizzate il televisore sul canale video o A/V.
- 4** Far scorrere l'interruttore OPERATE.
Posizionate l'interruttore CAMERA REC/VCR PLAY su "VCR PLAY".
- 5** Premete il tasto EJECT e inserite la videocassetta.
Premete il tasto PLAY.



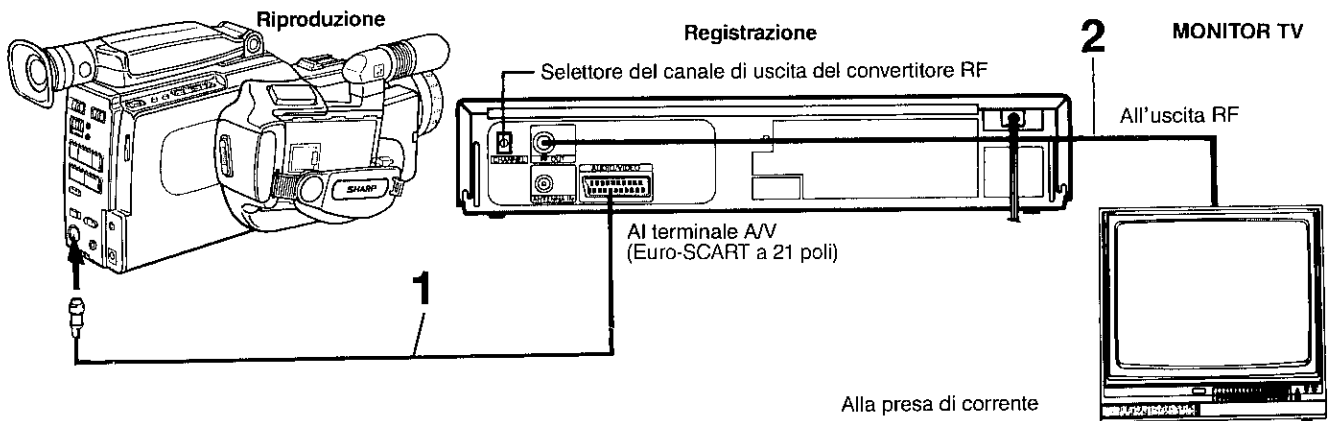
Riproduzione col televisore

Sintonizzate il televisore sul canale video o A/V e premete il tasto PLAY.

Per continuare col funzionamento normale del televisore sintonizzatelo su un altro canale.

REGISTRAZIONE CON UN ALTRO VCR

Questo camcorder SHARP può essere collegato come componente di riproduzione per la copia e il montaggio dei nastri con un altro VCR. Le scene inutili possono essere eliminate, la lunghezza totale ridotta, le scene spostate e disposte in ordine diverso e si possono aggiungere altri effetti per un uso più razionale e piacevole dei nastri.



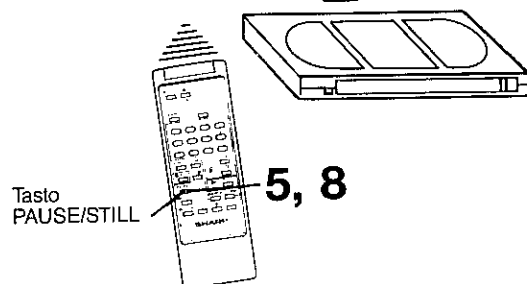
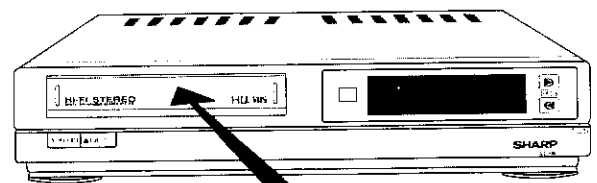
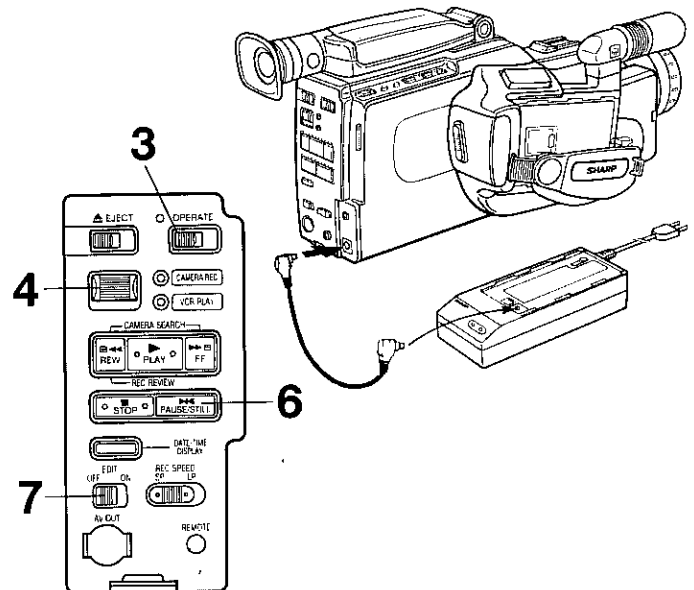
- 1** Collegate il cavo di uscita A/V al terminale AV OUT del camcorder. Collegate il connettore OUTPUT A/V a 21 poli al terminale A/V sul pannello posteriore del VCR.
- 2** Controllate la registrazione sullo schermo TV collegato al VCR.
- 3** Collegate una fonte d'alimentazione al camcorder e spingete l'interruttore OPERATE. Accendete a questo punto anche il VCR.
- 4** Posizionate l'interruttore CAMERA REC/VCR PLAY su "VCR PLAY" e inserite la videocassetta.
- 5** Inserite nel VCR una videocassetta con la linguetta di protezione intatta e disponetelo nel modo di attesa di registrazione.
- 6** Trovate la scena da copiare dal camcorder e premete il tasto PAUSE/STILL.
- 7** Posizionate l'interruttore EDIT su "ON".
- 8** Premete il tasto PAUSE/STILL del camcorder e del VCR per cominciare la riproduzione e la copia.

Nota

La qualità delle immagini si deteriora inevitabilmente con ogni copia. Per il riversamento del nastro si raccomanda perciò di usare la velocità standard (SP).

CONTROLLO DI MONTAGGIO

La qualità delle immagini si deteriora inevitabilmente ogni volta che si effettua la copia dal camcorder al VCR. Posizionate l'interruttore EDIT su "ON" per minimizzare il deterioramento della qualità delle immagini. Usate questa posizione per il montaggio dei nastri.



Nota

- Lasciate normalmente l'interruttore EDIT sulla posizione "OFF".

USO DELL'ADATTATORE PER VIDEOCASSETTE (OPZIONALE)

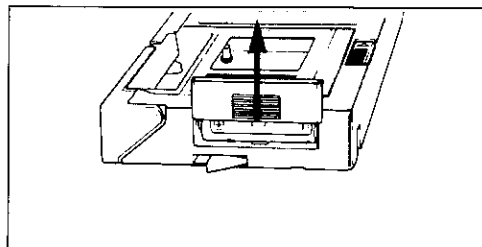
Le videocassette compatte VHS registrate con il VL-C780S possono essere riprodotte con i videoregistratori VHS standard usando l'adattatore per videocassette VR-72CA (opzionale).

(La videocassetta compatta installata nell'adattatore è completamente compatibile con i videoregistratori VHS standard sia per la registrazione sia per la riproduzione.)

Inserzione delle batterie nell'adattatore di cassetta

L'adattatore di cassetta VR-72CA viene alimentato da una batteria di formato R6 (AA).

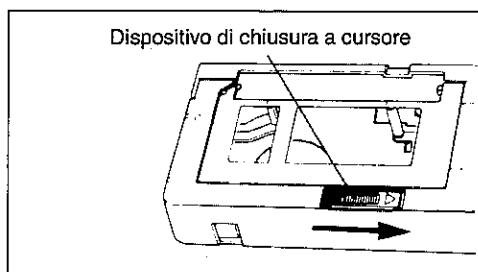
Togliete il coperchio della batteria facendolo scivolare. Installate una batteria di tipo R6 (AA) e riapplicate il coperchio.



Inserimento della videocassetta compatta nell'adattatore

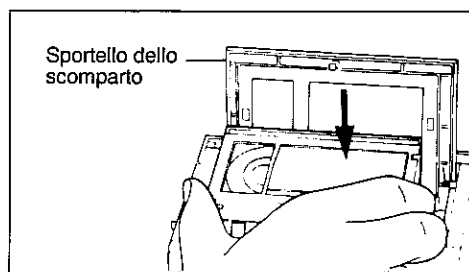
Se il nastro della videocassetta è allentato quando la si inserisce nell'adattatore, lo si potrebbe danneggiare. Correggete sempre l'allentamento del nastro.

- 1** Spingete il dispositivo di chiusura a cursore nella direzione della freccia per aprire lo sportello.



- Lo sportello dello scomparto si apre.

- 2** Inserite la videocassetta come mostrato in figura.



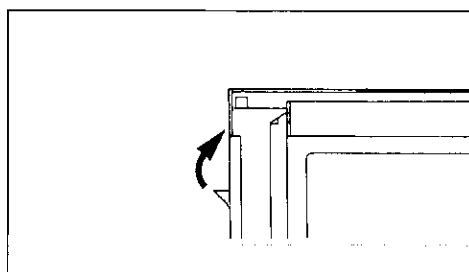
- Inserite la videocassetta dritta, non inclinata.
- Assicuratevi che il nastro non sia allentato.
- Non toccate il nastro inserendo la videocassetta nell'adattatore.

- 3** Chiudete lo sportello dello scomparto.



- Il nastro viene messo automaticamente in posizione.

- 4** Il fermo di sicurezza rientra nell'adattatore. Ciò indica che il nastro è posizionato correttamente.



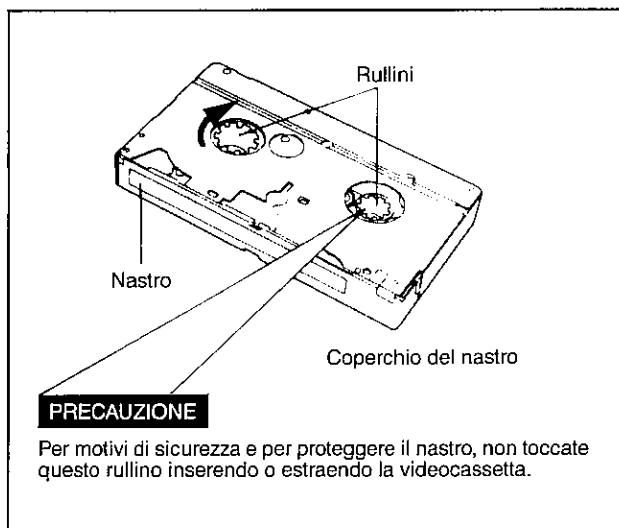
Precauzione:

Per motivi di sicurezza e per proteggere il nastro, non toccate i rullini della videocassetta inserendola o estraendola.

Precauzione:

Controllate la condizione del nastro al completamento dell'inserimento della videocassetta e del caricamento del nastro:

1. Assicuratevi che il nastro non sia allentato.
(Non aprite il coperchio del nastro.)
2. Se il nastro è allentato, correggete l'allentamento girando il rullino nella direzione della freccia.



Riproduzione del nastro

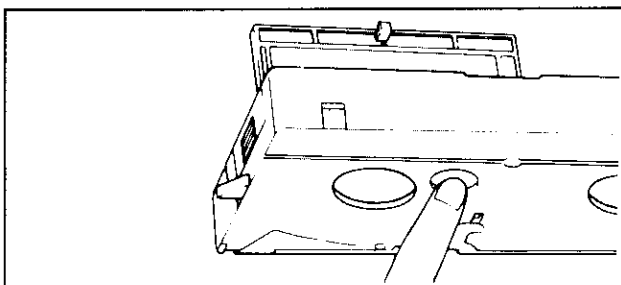
1. Caricate l'adattatore della videocassetta in un VCR VHS allo stesso modo di una videocassetta normale.
2. Fate funzionare il VCR VHS nel modo solito.
 - Tenete presente che con il VCR VHS potete effettuare la riproduzione con gli effetti speciali.
 - Se appaiono strisce di rumore, regolate il controllo di allineamento del VCR. Rimettete poi il controllo di allineamento sulla sua posizione normale alla fine della riproduzione della videocassetta compatta.
 - Per il funzionamento del VCR riferitevi al suo manuale di istruzioni.

Note

- Durante la riproduzione con gli effetti speciali (rallentatore, fermo immagine, ecc.) le immagini sullo schermo potrebbero vibrare o contenere strisce di rumore.
- Quando il fermo di sicurezza sporge in fuori, vuol dire che il caricamento del nastro non è completo. Non cercate assolutamente di caricare l'adattatore della videocassetta nel VCR in queste condizioni, perché potreste danneggiare sia il nastro sia l'adattatore.
- Non inserite ed estraete ripetutamente l'adattatore della videocassetta nel VCR senza far scorrere il nastro, perché potrebbe allentarsi danneggiandosi.
- L'adattatore non può essere inserito alla rovescia.
- Togliete la videocassetta dall'adattatore dopo l'uso.

Rimozione della videocassetta compatta

Spingete il dispositivo di chiusura a cursore per aprire lo sportello, infilare il dito nel foro sulla parte inferiore dell'adattatore e spingete in su la videocassetta per toglierla.

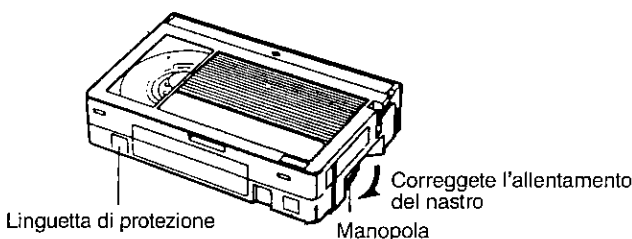


Note

- L'adattatore della videocassetta è fabbricato con grande precisione. Fate attenzione che non subisca colpi o forti vibrazioni. Non fatelo cadere e non cercate di smontarlo o di modificarlo, perché altrimenti potrebbe danneggiarsi.
- Riponendo l'adattatore nella sua custodia, inseritene per prima l'estremità con il fermo di sicurezza.

Videocassette

- Il VL-C780S utilizza esclusivamente le videocassette contrassegnate dal marchio **VHS**.
- Registrando una videocassetta preregistrata si cancellano automaticamente i segnali video e audio registrati precedentemente.
- La videocassetta non può essere inserita capovolta.
- Non inserite ed estraete ripetutamente la videocassetta senza far scorrere il nastro, perché potrebbe allentarsi danneggiandosi.
- Prima di caricare la videocassetta assicuratevi che il nastro non sia allentato. Se il nastro è allentato, girate la manopola della videocassetta nella direzione della freccia per correggerne l'allentamento.
- Le videocassette sono dotate di una linguetta di protezione per la prevenzione delle cancellazioni accidentali. Quando si spezza la linguetta, la registrazione non è più possibile. Se desiderate registrare una videocassetta senza la linguetta, coprite il foro della linguetta con del nastro adesivo.
- Per evitare che il nastro si impolveri o di sporcarlo con le impronte digitali, non aprite il coperchio frontale del nastro.



Conservazione delle videocassette

- Non lasciate le videocassette esposte al sole o vicino a riscaldatori.
- Non conservate le videocassette in luoghi umidi o polverosi.
- Non fate cadere le videocassette. Evitate che subiscano colpi o vibrazioni eccessive.
- Non esponete le videocassette a forti campi magnetici (lasciandole vicino a motori, trasformatori, calamite, ecc.).
- Rimettete sempre le videocassette nelle loro custodie dopo l'uso conservandole verticalmente.

FUNZIONAMENTO AVANZATO

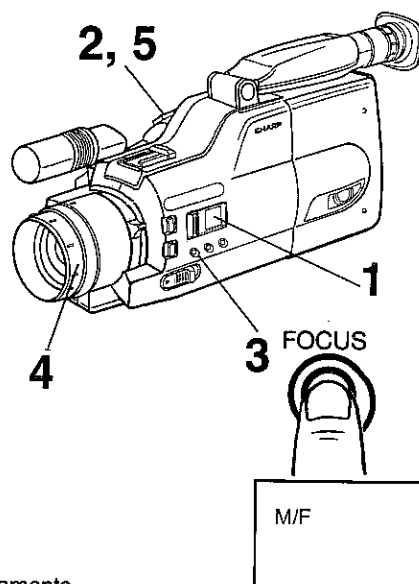
MESSA A FUOCO MANUALE

Nei casi seguenti potrebbe essere difficile usare il modo di messa a fuoco manuale ed è meglio che regolate voi stessi la messa a fuoco.

1. Se il soggetto non è al centro della scena.
2. Se desiderate che il fondo o il primo piano siano fuori fuoco.
3. Se desiderate che la scena sia all'inizio sfocata.

USO DELLA MESSA A FUOCO MANUALE

- 1 Spegnerne l'interruttore FULL AUTO.
- 2 Premete T per avvicinare il soggetto.
- 3 Premete il tasto FOCUS per selezionare il modo di messa a fuoco manuale.
- 4 Girate l'anello di messa a fuoco finché il soggetto è a fuoco.
- 5 Premete leggermente W per allontanare il soggetto e comporre l'inquadratura.



Nella modalità di messa a fuoco manuale, nel mirino compare l'indicazione "M/F".

BILANCIAMENTO DEL BIANCO

Il bilanciamento del bianco garantisce che tutti i colori della scena siano riprodotti correttamente. Nella modalità automatica, il bilanciamento del bianco viene regolato automaticamente.

Uso della modalità di bloccaggio del bilanciamento del bianco

Dei cambiamenti di colori possono verificarsi quando si riprende nella sua interezza un oggetto di un solo colore. In casi di questo genere (come ad esempio se si riprende un primo piano di un foglio di carta colorata, in tinta unita) il mirino si "riempie" di questo colore. La funzione di bloccaggio del bilanciamento automatico del bianco serve ad evitare trasferimenti di colore in situazioni di questo genere. Per procedere al bloccaggio seguire la procedura descritta qui di seguito.

(1) Quando è necessaria una azione rapida

Zoomare allontanandosi completamente da un soggetto che non sia di un colore unico. In questa condizione, il corretto bilanciamento del bianco viene predisposto in modo automatico. Premere il tasto WHITE BALANCE per bloccare la predisposizione del bilanciamento del bianco. Nel mirino compare l'indicazione "WB". Col bilanciamento del bianco così bloccato sarà possibile evitare trasferimenti di colore dovuti a riprese concentrate su soggetti a colore unico.

(2) Quando è necessaria una predisposizione del bilanciamento del bianco assai accurata

Mettere a fuoco su di un pezzo di carta bianca, in modo da "riempire" l'obiettivo, e mantenere questa posizione per circa 2 secondi. Il corretto bilanciamento del bianco si dispone così automaticamente. Spegnerne l'interruttore "FULL AUTO", e premere il tasto WHITE BALANCE per bloccare il valore stabilito per il bilanciamento del bianco. Nel mirino compare l'indicazione "WB".

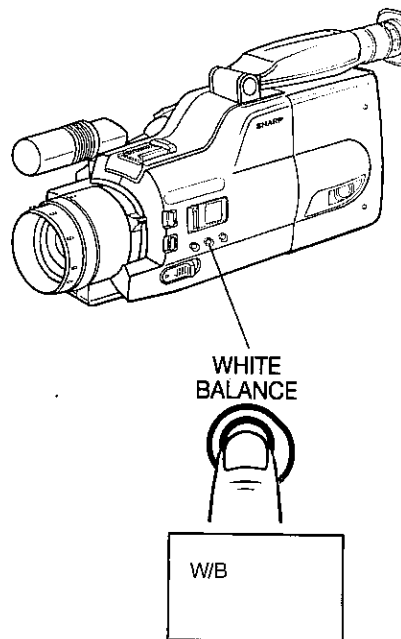
- Per disinserire la modalità di bloccaggio del bilanciamento del bianco premere il tasto WHITE BALANCE, o spostare l'interruttore FULL AUTO su "FULL AUTO" per ritornare alla modalità di bilanciamento automatico.
- La temperatura del colore di una sorgente luminosa varia. Nel caso del sole, ad esempio, essa può variare a seconda delle condizioni del tempo, e dell'ora della giornata. In tali casi è necessario ripredisporre il bloccaggio del bilanciamento del bianco.

Nota • Se si interrompe l'alimentazione del Camcorder mentre si sta regolando il bilanciamento del bianco, o se il Camcorder viene commutato alla modalità di videoregistratore, il bloccaggio del bilanciamento del bianco viene cancellato.

- Anche se la modalità di bloccaggio del bilanciamento del bianco è attivata, la funzione stessa non è bloccata in modo completo e totale. La funzione di compensazione del bilanciamento del bianco si adegua a minime variazioni della temperatura del colore, dando così alle riprese un colore più naturale.

Nelle seguenti condizioni, il bilanciamento automatico del bianco potrebbe non funzionare in modo corretto.

- Quando si mescolano luce naturale e luce artificiale. fare particolarmente attenzione nelle scene vicino a finestre, dove luce naturale e luce artificiale risultano mescolate. Per questo motivo, le luci utilizzate devono tutte avere la stessa temperatura di colore.
- Quando si usa una illuminazione particolare per effetti speciali.
- Quando si riprende un soggetto sullo sfondo di una tinta particolarmente intensa.
- Se l'illuminazione è insufficiente.
- Se la temperatura del colore di una scena cambia troppo rapidamente, o se il contrasto è eccessivo.
- Quando il soggetto è di un colore unico.



Nella modalità di bloccaggio del bilanciamento del bianco, nella zona superiore sinistra del mirino compare l'indicazione "WB". A bloccaggio disattivato l'indicazione scompare.

COMPENSAZIONE DELLA LUCE DELLO SFONDO

Il diaframma automatico di questo Camcorder utilizza un nuovo sistema di misurazione della luce, per controllare automaticamente lo sbianchimento, e per regolarsi opportunamente su soggetti illuminati da dietro. Tuttavia, se lo sfondo è troppo luminoso ed il soggetto appare invece scuro, premere il tasto BLC/GAIN-UP per evitare che il soggetto appaia poi scuro anche sulla registrazione.

Nota

Il Camcorder ritorna automaticamente alla modalità AUTO IRIS non appena si rilascia il tasto BLC/GAIN-UP.

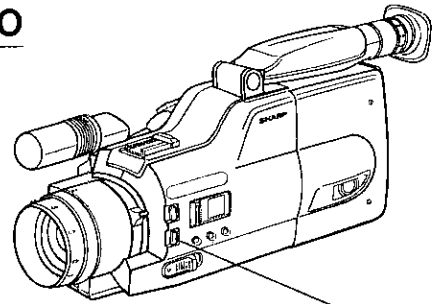
GUADAGNO (GAIN-UP)

Quando si riprende un soggetto scuro, nel mirino compare l'indicazione "LIGHT". Premendo il tasto BLC/GAIN-UP la scena diviene più luminosa. L'indicazione "* LIGHT *" appare nel mirino a significare che è attivata la modalità di guadagno.

Se il soggetto diviene più luminoso l'indicazione "* LIGHT *" scompare, ma l'apparecchio conserva la memoria della modalità di guadagno. Per disattivare completamente la modalità di guadagno, premere il tasto BLC/GAIN-UP mentre nel mirino è visualizzata l'indicazione "* LIGHT *".

Note

- Nella modalità di guadagno, i disturbi e le interferenze sulle immagini aumentano.
- Se si interrompe l'alimentazione, o se il Camcorder viene spostato sulla modalità di riproduzione, la modalità di guadagno viene cancellata.



BLC/GAIN-UP



* LIGHT *

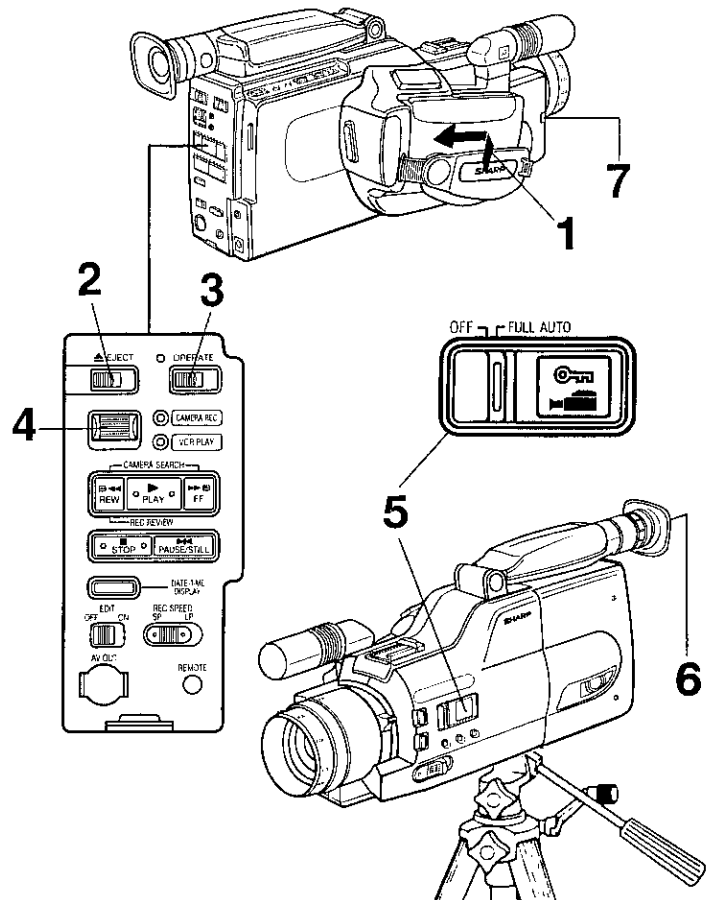
Con la modalità di guadagno inserita, nel mirino compare l'indicazione "* LIGHT *".

REGISTRAZIONE CON TEMPORIZZATORE AUTOMATICO

- 1 Attaccate il pacco batteria.
- 2 Premete il tasto EJECT per aprire l'alloggiamento della videocassetta. Inserite una videocassetta con la linguetta di protezione intatta e con la sua finestrella rivolta verso l'esterno.
- 3 Montate il camcorder su un treppiede per telecamere solido e spingete l'interruttore OPERATE.
- 4 Posizionate l'interruttore CAMERA REC/VCR PLAY su "CAMERA REC".
- 5 Disporre l'interruttore FULL AUTO sulla posizione "FULL AUTO", e verificare che sul quadrante compaia il contrassegno "CAMERA REC".
- 6 Puntate il camcorder sul soggetto, premete il tasto zoom elettrico e regolate l'inquadratura.
- 7 Premete il tasto SELF TIMER. L'indicatore di ripresa lampeggia per 10 secondi, dopo di che il camcorder registra per 20 secondi disponendosi poi nel modo di pausa di registrazione. Se desiderate registrare più a lungo premete due volte di seguito il tasto SELF TIMER.

Nota

Se si preme il tasto SELF TIMER tre volte di seguito, il temporizzatore automatico si disattiva.

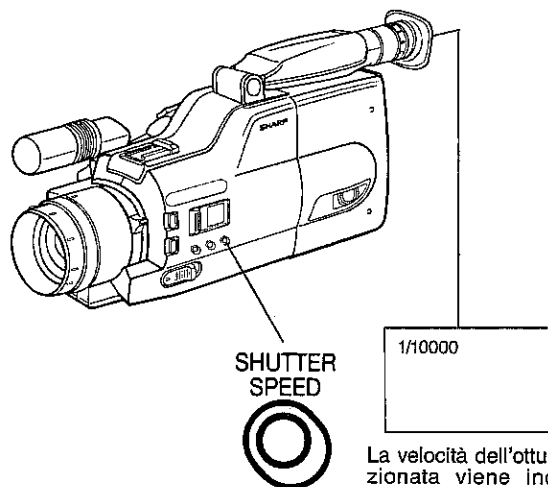


OTTURATORE AD ALTA VELOCITÀ

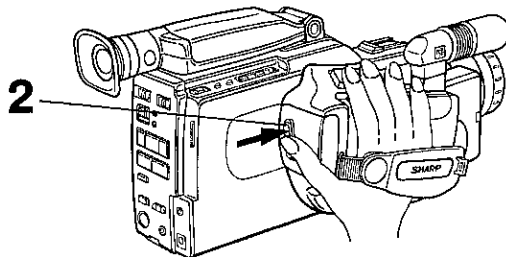
Utilizzare la modalità di otturatore ad alta velocità (HIGH SPEED SHUTTER, 1/10.000, 1/2.000, 1/500, e 1/100 di secondo) quando si riprendono soggetti in movimento molto rapido, come può facilmente capitare durante gare sportive. Quando si riproduce poi la scena su di un videoregistratore a 4 testine, l'immagine riprodotta sarà chiara e nitida anche nel fermo immagine o al rallentatore.

USO DELL'OTTURATORE AD ALTA VELOCITÀ

- 1** Nella modalità di pausa della registrazione, spegnere l'interruttore FULL AUTO, e agire sul selettore SHUTTER SPEED per scegliere la velocità desiderata. Ad ogni successiva pressione del tasto le velocità indicate cambiano nell'ordine seguente: 1/10.000 di sec., 1/2.000 di sec., 1/500 di sec., 1/100 di sec., standard (1/50 di sec.), e poi di nuovo da 1/10.000 di secondo.
- 2** Premere poi il tasto REC START/STOP per iniziare le riprese come in modo normale. La maggiore velocità dell'otturatore richiede ovviamente una maggiore illuminazione. Usare pertanto la funzione con luce appropriata, i cui valori minimi, per ogni posizione dell'otturatore, sono dati qui di seguito:
1/10.000 di sec.: 3.000 lux
1/2.000 di sec.: 600 lux
1/500 di sec.: 150 lux
1/100 di sec.: 30 lux
Si consiglia quindi di utilizzare l'otturatore ad alta velocità in esterni, o con illuminazione addizionale.



La velocità dell'otturatore selezionata viene indicata nel mirino.

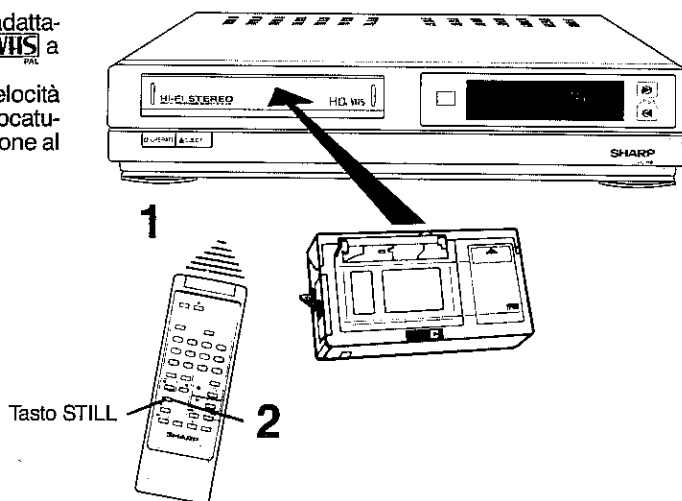


Note

- Evitare l'uso dell'otturatore ad alta velocità sotto luce fluorescente, perchè ciò causa sfarfallamenti dell'immagine.
- Riprendendo con velocità dell'otturatore superiori a 1/50 di sec. (velocità standard), l'immagine tende a scurirsi. Effettuare quindi le riprese in luoghi ben illuminati quando si usano velocità diverse da quella standard.

RIPRODUZIONE DELLE SCENE REGISTRATE COL MODO DI ALTA VELOCITA' DI OTTURAZIONE

- 1** Inserite la videocassetta registrata, all'interno dell'adattatore e poi per videocassette VHS, e poi in un VCR VHS a 4 testine.
- 2** Guardando le scene registrate col modo di alta velocità d'otturazione si ottengono delle immagini senza sfocature anche nei modi di fermo immagine e di riproduzione al rallentatore.



RIPRESE MACRO

Usando la funzione macro potete riprendere piccole piante, insetti ed anche le fotografie dell'album di famiglia ingrandendoli in modo che riempiano lo schermo. Potete usare la funzione macro anche per la registrazione dei titoli dei programmi della videocassetta.

Normalmente, l'obiettivo può mettere a fuoco soltanto i soggetti a più di 1 m di distanza davanti al camcorder.

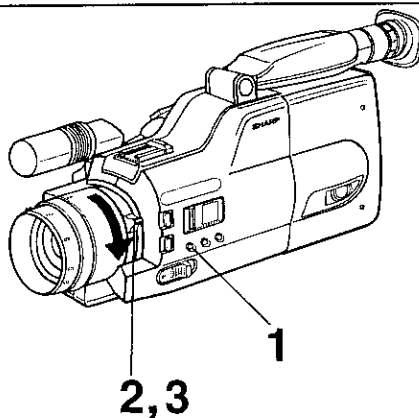
Regolando l'obiettivo sulla posizione macro potete mettere a fuoco manualmente qualsiasi soggetto entro la gamma macro, compresa dagli 8 mm a 100 cm, direttamente davanti all'obiettivo.

Montate il camcorder su un treppiede solido, perché il minimo movimento viene ingrandito durante la ripresa macro.

- 1** Posizionate il tasto FOCUS su "MANUAL".
- 2** Mantenete premuto il tasto MACRO e girate la leva dello zoom sulla posizione "MACRO" bloccandola.
- 3** Mettete a fuoco lentamente il soggetto girando la leva dello zoom.

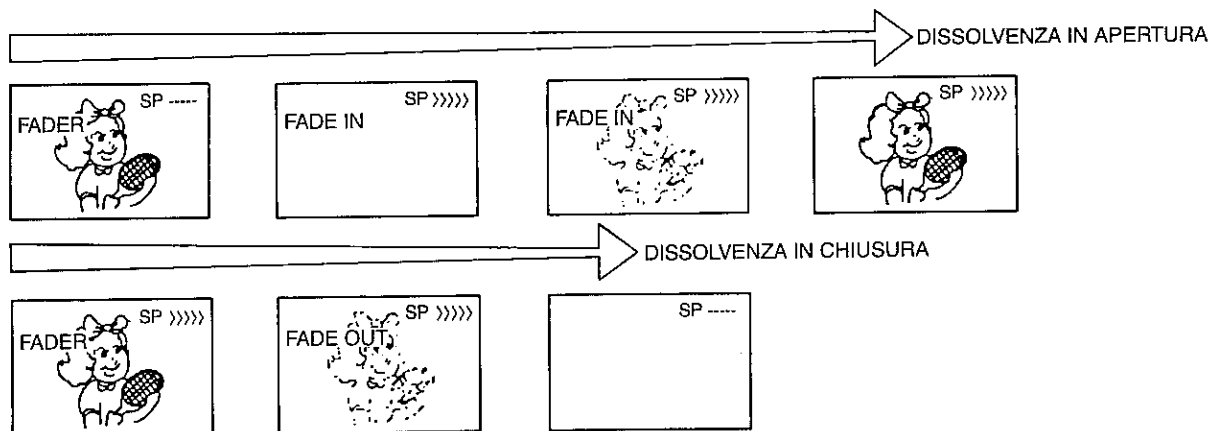
Note

- Girate indietro la leva dello zoom sulla gamma di messa a fuoco normale quando avete finito di usare la funzione macro.
- Quando si riprendono soggetti in tinta unita quali petali di fiori, il colore potrebbe alterarsi. In tal caso, far uso della modalità di bloccaggio del bilanciamento del bianco (vedi pag. 31).



DISSOLVENZA IN APERTURA E CHIUSURA

Con questo camcorder potete usare gli effetti speciali di dissolvenza in apertura e in chiusura delle scene registrate.

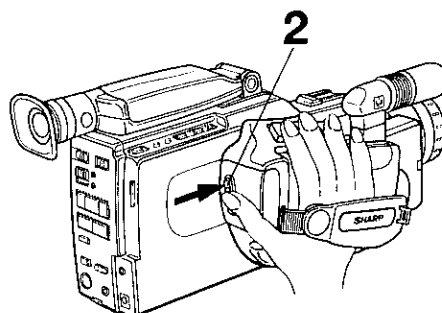
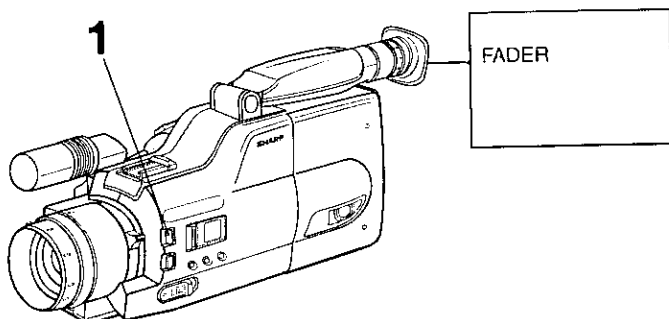


DISSOLVENZA IN INGRESSO

- 1** In posizione di pausa della registrazione, premere il tasto FADE IN/OUT. Nel mirino compare l'indicazione "FADER".
- 2** Premere il tasto REC START/STOP per avviare la ripresa. Il mirino diviene nero e poco alla volta si mette a fuoco sul soggetto (compare l'indicazione "FADE IN").

DISSOLVENZA IN USCITA

- 1** Durante la ripresa premere il tasto FADE IN/OUT. Nel mirino compare l'indicazione "FADER".
- 2** Premere il tasto REC START/STOP. Il mirino si annerisce poco alla volta, creando l'effetto di dissolvenza in uscita dalla scena. Nel mirino compare l'indicazione "FADE OUT". Se si passa alla modalità di pausa della registrazione (REC PAUSE) la funzione della dissolvenza viene cancellata.



ILLUMINAZIONE

Per ottenere delle immagini nitide di buona qualità è necessaria un'illuminazione di 500-100.000 lux. La ripresa con una illuminazione inferiore è pur sempre possibile, ma la qualità delle immagini scade. L'illuminazione adeguata è indispensabile per il corretto bilanciamento del bianco.

Luminosità	Condizione	Temperatura di colore	Condizione	Colore	Gamma di bilanciamento del bianco		
100.000 (lux)	Cielo azzurro	10.000 (°K)	Cielo sereno	Azzurro	A U T O		
	Cielo sereno a mezzogiorno (100.000) Cielo sereno alle 10 AM (65.000)	9.000	TV a colori	Bianco			
10.000	Cielo sereno alle 3 PM (35.000) Cielo nuvoloso a mezzogiorno (32.000) Cielo nuvoloso alle 10 AM (25.000)	8.000	Cielo nuvoloso				
	1.000	Cielo sereno un'ora dopo l'alba (2.000) Cielo sereno un'ora prima del tramonto (1.000) Luce a fluorescenza vicino ad una finestra (1.000)	7.000			Pioggia	
		100	Interno di una fabbrica (700-800) Interno di un grande magazzino (500-700) Pista da bowling (500) Biblioteca (400-500) Ufficio con lampade a fluorescenza (400-500) Lampada a fluorescenza da tavolo (400) Pila elettrica a 1 m di distanza (250)			6.500	Lampada a fluorescenza di giorno
10	Scalinata di un negozio (100)		6.000			Flash della fotocamera	
	Durante l'intervallo al cinema (15-35) Accendisigaro a 30 cm di distanza (15-20) Candele su torta di compleanno a 20 cm di distanza (10-15)		5.500			Lampada fotografica blu	Giallo
			5.000			Lampada a fluorescenza bianca	
Luce di candela	4.500	Lampada a fluorescenza non bianca Lampada fotografica al tungsteno	Rosso				
	3.500	Lampada alogena					
	3.200	Lampada al tungsteno Lampada allo iodio					
	2.800	Lampada ad acetilene Lampada al cherosene					
	2.500	Luce di candela					
	2.000						

Note

- Queste indicazioni sono approssimative.
- Per un bilanciamento del bianco più preciso controllate le immagini su un monitor TV e regolate il bilanciamento del bianco finché il colore diventa naturale.
- Usate normalmente il modo di bilanciamento del bianco automatico per la gamma della temperatura di colore indicata sopra. Si possono ottenere dei buoni risultati nella gamma da 2.500°K a 8.000°K, ma le immagini potrebbero prendere una tonalità rispettivamente rossastra e bluastra.

Illuminazione

L'illuminazione è il fattore critico per le videoregistrazioni. Ed anche quello più sottovalutato. L'illuminazione è spesso ciò che fa la differenza tra le buone immagini di una registrazione e quelle scarse. Essa è inoltre necessaria al corretto bilanciamento del bianco.

La luce naturale è adeguata nella maggior parte delle condizioni di ripresa in esterni. Ma è all'interno che le cose si complicano. E' allora necessaria una illuminazione artificiale. Le lampade al tungsteno (o al quarzo) producono la luce più "naturale" delle sorgenti di luce artificiale, con in più i vantaggi di una temperatura di colore costante e di una lunga vita.

E' difficile ottenere una buona illuminazione, e ci sono molti problemi che possono capitare a chi non sta attento. Per esempio, se si sistema una luce unica, oppure diverse luci, ad entrambi i lati del camcorder si rende il soggetto piatto e bidimensionale. Per renderlo più interessante, provate ad usare la luce per modellarlo e per aggiungere o creare punti d'enfasi nella scena.

PRIMA DI CHIAMARE IL TECNICO

Prima di chiamare il tecnico per la riparazione controllate le varie voci di questa tabella.

SINTOMO		CAUSA PROBABILE	RIMEDIO CONSIGLIATO
• Alimentazione	• Manca la corrente.	• I dispositivi di sicurezza si sono attivati.	• Staccate il cavo dell'adattatore c.a. e ricollegatelo alla presa di rete.
		• Il pacco batteria non è stato caricato.	• Caricate sufficientemente il pacco batteria.
	• Il camcorder si spegne subito dopo essersi acceso.	• La fonte d'alimentazione non è collegata correttamente.	• Collegare correttamente la fonte d'alimentazione.
		• Il pacco batteria è scarico.	• Usate un pacco batteria completamente carico.
• Registrazione	• Il camcorder si accende ma non si vedono le immagini sul mirino.	• Condensa all'interno del camcorder.	• Aspettate che la condensa si dissolva.
		• Il cappuccio è montato sull'obiettivo.	• Togliete il cappuccio dall'obiettivo.
	• La registrazione non è possibile.	• La linguetta di protezione della videocassetta è spezzata.	• Coprite il foro della linguetta con del nastro adesivo o usate una videocassetta con la linguetta di protezione intatta.
		• L'interruttore CAMERA REC/VCR PLAY è posizionato su "VCR PLAY".	• Posizionate l'interruttore CAMERA REC/VCR PLAY su "CAMERA REC".
	• Il colore è scarso.	• Il televisore non è regolato correttamente.	• Regolate il televisore.
		• L'illuminazione è insufficiente.	• Usate luci supplementari o correggete la temperatura dell'illuminazione.
	• Le immagini sono sfocate.	• L'obiettivo è impolverato o sporco.	• Pulite l'obiettivo.
		• La messa a fuoco non è corretta.	• Regolate la messa a fuoco.
• Le immagini sono troppo scure.	• Il selettore SHUTTER SPEED è disposto su un valore dell'otturatore ad alta velocità.	• Posizionare il selettore SHUTTER SPEED su "STANDARD".	
• Riproduzione	• Non ci sono le immagini.	• Il televisore non è collegato correttamente.	• Collegatelo correttamente.
		• Il televisore non è sintonizzato sul canale di uscita del convertitore RF (UHF 30 — 39).	• Sintonizzate il televisore sul canale di uscita del convertitore RF (UHF 30 — 39).
		• Il selettore TV/VIDEO del televisore non è posizionato correttamente (se il televisore possiede il terminale di ingresso AV).	• Posizionate il selettore TV/VIDEO del televisore su "TV".
	• La riproduzione è in bianco e nero quando il camcorder è collegato al televisore.	• L'allineamento non è regolato correttamente.	• Regolate l'allineamento.
	• Strisce di rumore sulle immagini.	• Il nastro è vecchio o usurato.	• Usate un altro nastro.
	• Le immagini sono spezzate.	• Il pacco batteria è debole.	• Ricaricate il pacco batteria.
• Non è possibile inserire la videocassetta.	• La videocassetta è capovolta o rovesciata. • Nel camcorder c'è un'altra videocassetta.	• Controllate il posizionamento della videocassetta e ricaricatela. • Premete il tasto EJECT e toglietela.	
• Il nastro non scorre nel modo di avanti veloce.	• Il nastro è completamente avvolto.	• Riavvolgete il nastro fino al punto desiderato.	
• Il nastro non scorre nel modo di riavvolgimento.	• Il nastro è completamente riavvolto.	• Fate avanzare il nastro fino al punto desiderato.	

Nota Questo camcorder possiede un microprocessore le cui prestazioni potrebbero deteriorarsi se ci sono rumori esterni o interferenze. In tal caso, spernetelo e staccate la fonte d'alimentazione.

DATI TECNICI

Formato	VHS standard	
Alimentazione	C.c. 9,6V ~	
Consumo	8,5W	
Sistema del segnale	PAL a colori	
Sistema di registrazione	Luminanza; Registrazione FM Colore; Registrazione diretta della sottoportante convertita Conforme allo standard VHS	
Videocassetta	VHS-C compatta	
Velocità del nastro (SP)	23,39 mm/sec	
(LP)	11,69 mm/sec	
Tempo massimo di registrazione (SP)	30 min (con videocassetta EC-30)	
(LP)	60 min (con videocassetta EC-30)	
Uscita VIDEO	1,0 Vp-p, 75 ohm, non bilanciata (con connettore di uscita AV)	
Rapporto segnale/rumore	46 dB (con misuratore di rumore Rohde & Schwartz)	
Uscita AUDIO	-8 dB, 1 kohm (via connettore di uscita AV)	
Ingresso del microfono	-65 dB, alta impedenza, non bilanciato	
Pickup	1/2", a circuiti accoppiati a carica (CCD)	
Illuminazione minima utile	3 lux (con F1,6 e guadagno inserito)	
Obiettivo	Obiettivo F1,6, con f=8-64/F2,4, f=12~96 mm, e zoom automatico 8x, con funzione di estensore incorporata, controllo automatico del diaframma e posizione macro, diametro del filtro 46 mm.	
Mirino	Elettronico con schermo in bianco/nero di 0,7"	
Compensazione della temperatura del colore	Bilanciamento automatico del bianco, con possibilità di bloccaggio del valore ottenuto.	
Temperatura d'esercizio	0°C-40°C	
Umidità permessa	35%-80%	
Temperatura d'immagazzinamento	-20°C ~ 60°C	
Peso	1,2 kg (con mirino)	
Dimensioni (L x A x P)	126 x 151 x 322 mm (con mirino)	
DATI TECNICI adattatore c.a./caricabatteria		
Alimentazione	C.a. 110-240V, ~50/60 Hz	
Tensione di uscita nominale	C.c. 9,6V ~	
Corrente di uscita nominale	1,3A	
Sistema di ricarica	A corrente costante, rivelazione di picco, controllata da timer	
Dimensioni (L x A x P)	70 x 43 x 154 mm	
Peso	380 g circa	
ACCESSORI IN DOTAZIONE		
Pacco batteria standard (BT-75)	Cinghia di trasporto a spalla	
Adattatore c.a./caricabatteria (AA-75S)	Cavo di uscita c.c.	
Cavo di uscita A/V (Euro-SCART a 21 poli)	Batteria al litio	
ACCESSORI OPZIONALI		
Pacco batteria standard (BT-75)	Pacco batteria per uso prolungato (BT-76)	Convertitore RF (VR-S10RF)
Adattatore batteria dell'auto/caricabatteria (VR-P75CH)	Adattatore per videocassette VHS (VR-72CA)	Comando a distanza di pausa (VR-20ME)
Microfono zoom (VR-67ZM)		

Il disegno e i dati tecnici sono soggetti a modifiche senza preavviso.

MANUAL DE MANEJO

ESPAÑOL

ADVERTENCIA:

PARA EVITAR SACUDIDAS ELECTRICAS, NO EXPONGA ESTE APARATO A LA LLUVIA NI A LA HUMEDAD.

Este equipo debe usarse únicamente con 9,6V de CC o con el adaptador de CA recomendado.

PRECAUCION:

Para evitar choques eléctricos y peligro de incendios, NO use ninguna otra fuente de alimentación.

PRECAUCION:

Para evitar sacudidas, no abra el mueble. En el interior no hay partes que deba atender el usuario. Ponga el servicio en manos de su concesionario o centro de servicio calificado.

¡Enhorabuena por una sabia decisión!

Con tantas marcas disponibles en el mercado, la decisión no fue fácil. Pero, cada vez que disfrute de la calidad insuperable y rendimiento sin par de esta videocámara Sharp, comprenderá que tomó la decisión correcta.

Esta videocámara realizará el placer de mirar televisión. Antes de usarla, lea atentamente este manual de instrucciones para sacar el máximo provecho de su videocámara Sharp, y después guárdelo para que le sirva como referencia en caso de tener dificultades de manejo en el futuro.

CARACTERISTICAS

- 1 NUEVO SISTEMA DE ZOOM 12 x
- 2 Sistema de grabación con cámara totalmente automática
— Enfoque, iris y balance del blanco automáticos
- 3 Obturador de alta velocidad de 1/10.000, 1/2.000, 1/500, 1/100 de seg.
- 4 Grabación con iluminación ultrabaja de 3 lux (con función de ganancia)
- 5 Iris automático inteligente para filmar objetos con luz de fondo
- 6 Cabeza de borrado bolante y búsqueda con cámara
- 7 Autotemporizador para grabación con cámara
- 8 Fuente de alimentación triple: corriente alterna, pila y batería de automóvil

Importante

El material audiovisual suele consistir en trabajos protegidos por las leyes de la propiedad intelectual, y no puede reproducirse sin autorización del titular de los derechos de autor. Por favor, tenga a bien consultar las leyes correspondientes a su país.

Fuente de alimentación

Este aparato funciona al conectarlo al adaptador de CA, a la caja de las pilas, o al cable opcional para la batería del automóvil. El adaptador de CA trae incorporada una función de voltaje automático (CA, 110-240 V, 50/60 Hz).

INDICE

CARACTERISTICAS	1	FUNCION AUTOMATICA DE LA FECHA/HORA	21
PRECAUCIONES	2	GRABACION CON MONTAJE	22
COMPONENTES PRINCIPALES Y SUS FUNCIONES	4	CAMBIO DE LA CAJA DE LAS PILAS DURANTE LA GRABACION	22
PREPARATIVOS	7	DESCONEXION AUTOMATICA	22
INSTALACION DE LA PILA DE LITIO	7	MANDO A DISTANCIA (ACCESORIO OPCIONAL)	22
PUESTA DE LA FECHA/HORA	7	REPRODUCCION	23
INSTALACION Y DESMONTAJE DE LA CAJA DE LAS PILAS	8	REPRODUCCION EN EL VISOR	23
INSTALACION DE LA BANDA PARA EL HOMBRO ..	8	AJUSTE DEL SEGUIMIENTO	23
CARGA Y EXPULSION DEL CASETE	9	BUSQUEDA EN AVANCE/RETROCESO E IMAGEN FIJA	24
AJUSTE DE LA BANDA DE LA EMPUÑADURA DE MANO	9	MEMORIA DEL CONTADOR	25
EMPLEO DE UN MICROFONO EXTERIOR	10	CONEXION A UN TELEVISOR	26
EMPLEO DEL VISOR ELECTRONICO	10	CONEXION AL TELEVISOR CON LOS TERMINALES A/V	27
SISTEMA DE ALIMENTACION	11	GRABACION EN OTRO VIDEO	28
EMPLEO DEL ADAPTADOR DE CA/CARGADOR DE PILAS	11	CONTROL DE EDICION	28
CARGA DE LA CAJA DE LAS PILAS	12	EMPLEO DEL ADAPTADOR DE CASETE (ACCESORIO OPCIONAL)	29
EMPLEO DEL ADAPTADOR/CARGADOR PARA BATERIA DEL AUTOMOVIL (ACCESORIO OPCIONAL)	12	FUNCIONES AVANZADAS	31
EMPLEO DE LA CAJA DE LAS PILAS	13	ENFOQUE MANUAL	31
GRABACION CON LA CAMARA	14	BALANCE DEL BLANCO	31
GRABACION CON LA CAMARA	14	COMPENSACION DE CONTRALUZ	32
SISTEMA TOTALMENTE AUTOMATICO	16	GANANCIA	32
REVISION DE LA GRABACION	17	GRABACION CON EL AUTOTEMPORIZADOR ..	32
OBJETIVO ZOOM MOTORIZADO (CONTROL DEL TELEOBJETIVO Y GRANANGULAR)	17	OBTURADOR DE ALTA VELOCIDAD	33
UTILIZACION DEL BOTON DE SELECCION DEL ZOOM	18	MACROTOMAS	34
FUNCION DE CONTROL DEL TIEMPO DE GRABACION	19	RECOBRAMIENTO Y DESVANECIMIENTO GRADUAL DE LA NITIDEZ DE LA IMAGEN	34
INFORMACION EN EL VISUALIZADOR DE CRISTAL LIQUIDO Y DEL VISOR	20	ILUMINACION	35
		ANTES DE LLAMAR AL SERVICIO TECNICO	36
		ESPECIFICACIONES	37

PRECAUCIONES

LEA LAS INSTRUCCIONES DE SEGURIDAD Y FUNCIONAMIENTO antes de utilizar esta videocámara. SIGA TODAS LAS INSTRUCCIONES Y RESPETE TODAS LAS ADVERTENCIAS escritas sobre la videocámara y en el manual.

FORMACION DE CONDENSACION

¿Qué es la "formación de condensación"?

Cuando usted pone cerveza fresca en un vaso se forman en él gotas de agua. Esta formación de gotas de agua recibe el nombre de formación de condensación.

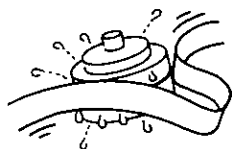


Cuando se forma condensación en la videocámara:

La condensación se formará poco a poco en el tambor de la cabeza de su videocámara y hará que la cinta se pegue a la cabeza. Si ocurre esto se estropea la cinta y la cabeza. Cuando se forme condensación, la grabación y la reproducción no funcionarán correctamente.

La condensación tiende a formarse bajo las circunstancias siguientes:

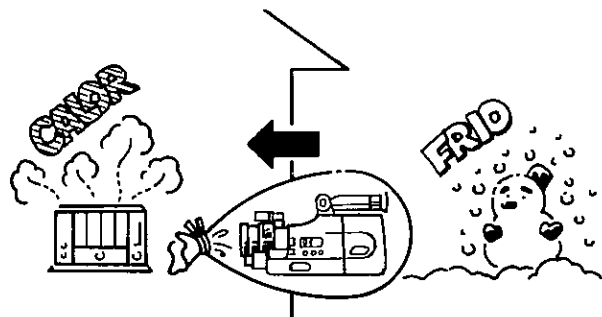
- Cuando pase la videocámara de un lugar frío a otro caliente.
- Cuando ponga la videocámara en una habitación fría que luego se caliente rápidamente.
- Cuando pase la videocámara de una habitación con acondicionador de aire encendido al exterior.
- Cuando exponga la videocámara al aire frío expulsado por un acondicionador de aire.
- Y cuando ponga la videocámara en una habitación húmeda.



Cómo evitar los problemas debidos a la formación de condensación

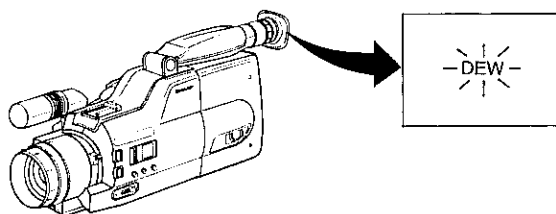
Cuando utilice la videocámara en un lugar donde pueda producirse la formación de condensación deje que la videocámara y la cinta se aclimaten a la temperatura ambiental durante una hora aproximadamente.

Por ejemplo, cuando introduzca la videocámara en interiores después de haberla utilizado en la nieve, póngala primero en una bolsa de plástico y deje que se adapte a la temperatura de la habitación durante algún tiempo.



- ① Asegúrese de que la bolsa de plástico donde metió la videocámara tenga suficiente aire.
- ② Saque la videocámara de la bolsa cuando la temperatura del aire de la bolsa sea igual a la del ambiente.

Característica de aviso de condensación



Cuando se forme condensación en el tambor de la cabeza, el indicador de aviso de condensación aparece en el visor.

Después de transcurridos diez segundos, la alimentación se apaga automáticamente.

Notas

- Cuando aparezca "DEW", saque la cinta de video y déjela en el exterior hasta que se adapte a la temperatura del ambiente.
- Como la condensación se forma poco a poco, la marca "DEW" quizá tarde en aparecer en el visualizador entre 10 y 15 minutos.
- Para utilizar de nuevo la videocámara, encienda la alimentación después de esperar varias horas y asegúrese de que desaparezca la marca "DEW".

Antes de empezar a grabar haga una prueba de grabación para comprobar si la imagen y el sonido se graban correctamente. La imagen podrá comprobarse fácilmente utilizando el botón "REC REVIEW".

Cómo mantener de forma continua una buena grabación

Si utiliza la videocámara en muchos lugares distintos, ésta quizá deje de funcionar correctamente debido a la acumulación de suciedad en el tambor de la cabeza. Ponga mucha atención en los puntos siguientes cuando utilice su videocámara.

- ① Formación de condensación en el tambor de la cabeza.
- ② Desgaste de la cinta de video:
Al utilizar una cinta de video estropeada o sucia también puede ensuciarse el tambor de la cabeza, haciendo que la imagen quede borrosa o no pueda grabarse nada en la cinta de video. No utilice cintas en estas condiciones.
- ③ Utilización de la videocámara en un lugar húmedo o con polvo:
Su videocámara puede estropearse si la utiliza en lugares húmedos o con mucho polvo.

Cuando las cabezas de video estén sucias

La utilización de la videocámara con su cabeza de video sucia puede ser la causa de que se traben la cabeza, produciendo ruidos en la imagen grabada o evitando que ésta pueda grabarse en absoluto.

Bajo tal circunstancia, póngase en contacto con su concesionario o centro de servicio SHARP más cercano.

Por su seguridad, observe estrictamente lo siguiente.

- No abra la caja.
- Evite que entren en el aparato objetos metálicos, o inflamables u otros líquidos. Si esto ocurriera, desconecte el aparato y haga verificar el equipo por personal cualificado.
- No desarme ni intente modificar el aparato.
- No utilice la videocámara durante las tormentas eléctricas. Desenchufe los cables de alimentación de todos los equipos conectados.

Evite utilizar la videocámara en las siguientes condiciones.

- En lugares con mucha humedad o polvo.
- Cerca de aparatos eléctricos que generen campos magnéticos intensos (lámparas fluorescentes, televisores, altavoces).
- En lugares con mucho vapor u hollín, por ejemplo, cerca de un horno de cocina.
- En situaciones que puedan producir golpes mecánicos o vibraciones excesivas.
- En lugares extremadamente calientes tales como los cercanos a un radiador.
- En lugares húmedos como, por ejemplo, cerca de piscinas o bañeras.

No exponga la videocámara a temperaturas extremadamente altas o bajas durante periodos prolongados.

- Nunca deje esta videocámara bajo los rayos directos del sol, en un automóvil cerrado durante el verano o cerca de un radiador —muy probablemente esto deformará el exterior de la videocámara y dañará las piezas internas.
- No guarde la videocámara en lugares con temperaturas superiores a 60°C.
- No utilice la videocámara en lugares con temperaturas superiores a 40°C.
- No utilice la videocámara en lugares con temperaturas inferiores a 0°C.
- No utilice la videocámara en lugares con humedad relativa superior al 80% RH.
- Guarde la videocámara en lugares con temperaturas comprendidas entre -20°C y 60°C.

Tenga mucho cuidado cuando grabe al aire libre.

- No deje caer la videocámara ni permita que se golpee contra superficies duras o ásperas. Protéjala especialmente durante el transporte.
- Impida que se moje.
- En la playa, mantenga la videocámara alejada del agua de mar y no la salpique agua, y evite que le entre arena.
- Evite enfocar el objetivo sobre objetos extremadamente brillantes tales como el sol y otras fuentes intensas de luz.
- **No dirija el ocular del visor hacia el sol.**
- No utilice la videocámara durante las tormentas eléctricas.

ANTES DE DESCONECTAR UNA FUENTE DE ALIMENTACION, DESLICE SIEMPRE EL INTERRUPTOR "OPERATE" PARA DESCONECTAR LA CAMARA — EL INDICADOR "OPERATE" SE APAGARA.

Forma de tratar la videocámara

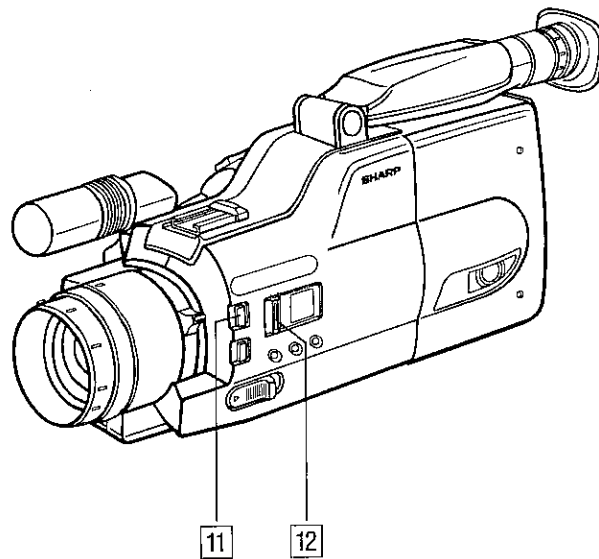
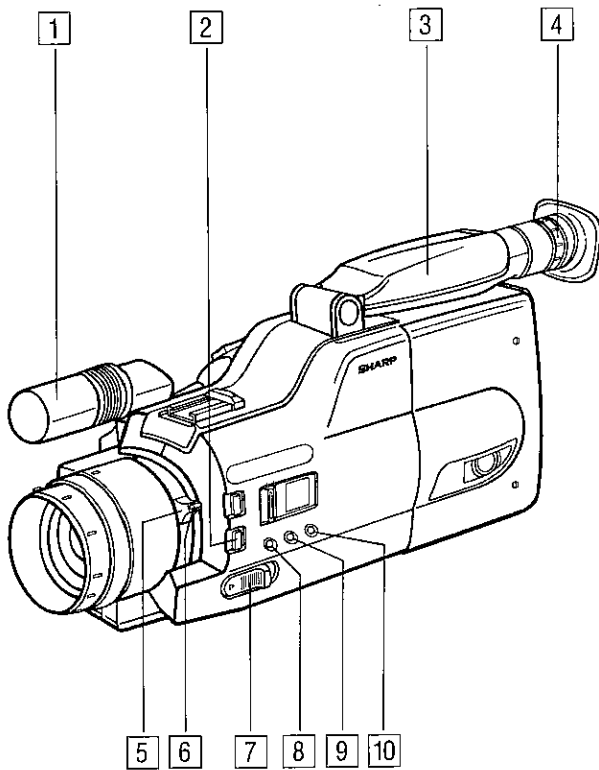
- Proteja el micrófono para que no se dañe.
- Durante el uso, mantenga la videocámara en posición horizontal, porque de lo contrario la cinta se puede aflojar y dañar.
- **No transporte la videocámara sosteniéndola por el visor. Enrolle la correa de transporte sobre su brazo — en caso de que la videocámara se deslice accidentalmente de su mano, no se dañará.**
- Cubra el objetivo con la tapa después del uso. Recuerde desconectar la alimentación.
- No toque el anillo de enfoque mientras utiliza el enfoque automático.
- Antes de poner cualquier filtro en el objetivo, conmute a enfoque manual o apague la videocámara y sáquele la tapa del objetivo.

Limpeza de la videocámara

- Saque la caja de las pilas o desconecte la alimentación antes de limpiar la videocámara.
- Elimine el polvo con un paño suave. Utilice un paño humedecido con detergente suave para quitar la suciedad persistente.
- No use agentes de limpieza fuertes, tales como disolventes, bencina o alcohol, pues podrían dañar el exterior.
- Mantenga limpio el objetivo y el visor. Limpie el objetivo soplando primero para eliminar el polvo y luego límpielo con un cepillo suave o con papel limpiador de lentes humedecido en un fluido limpiador de objetivos.

COMPONENTES PRINCIPALES Y SUS FUNCIONES

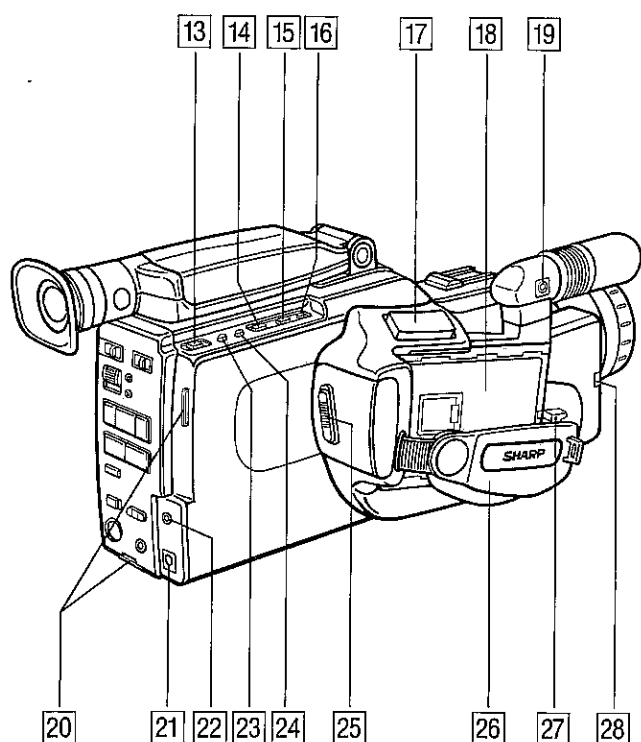
VISTA DELANTERA



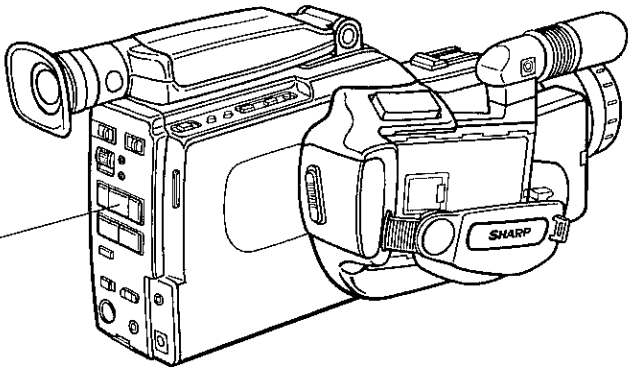
Para obtener más detalles sobre el empleo de cada control, consulte la página indicada entre corchetes.

- 1 **Micrófono**
- 2 **Botón BLC (compensación de contraluz)/GAIN-UP**
Si el objeto está más oscuro que el fondo, el objeto grabado parecerá más oscuro y quedará mal definido. En este caso, pulse este botón hacia "BLC". Cuando se visualice "LIGHT" en el visor, la modalidad de ganancia se activa y la pantalla queda más brillante pulsando este botón.
- 3 **Visor electrónico/monitor**
Visualiza el objeto. Funciona también como un conveniente monitor en blanco y negro para reproducir el material grabado.
- 4 **Ajuste de dioptrías**
Utilice este control para ajustar el enfoque del visor a su grado de vista.
- 5 **Palanca del zoom**
Utilice esta palanca para acercar o alejar manualmente el objeto.
- 6 **Botón macro**
Utilice este control para filmar sujetos que se encuentren a menos de 1 m de la videocámara. (El enfoque automático no funciona a esta distancia.) Pulse continuamente el botón MACRO mientras mueve la palanca del zoom hasta la posición "MACRO" para enfocar.
- 7 **Botón ZOOM SELECT [18]**
Utilice este botón par aumentar instantáneamente (o reducir) 1,5 veces el área que queda dentro del cuadro del visor.
- 8 **Botón selector AUTO/MANUAL FOCUS**
Póngalo en "AUTO" y la videocámara enfocará automáticamente el objeto incluso cuando éste esté moviéndose. (Recuerde utilizar la característica de enfoque macro en objetos situados a menos de 1,1 metro.) Sin embargo, si el enfoque automático no funciona debido a las condiciones de filmación existentes, ponga este botón en la posición "MANUAL" y enfoque manualmente.
- 9 **Botón WHITE BALANCE [31]**
Utilice este botón para bloquear el balance del blanco.
- 10 **Botón selector SHUTTER SPEED [33]**
Para reproducir una imagen clara de un movimiento a alta velocidad en la modalidad de imagen fija (o en la modalidad de baja velocidad con un vídeo VHS normal).
- 11 **Botón FADE IN/OUT [34]**
- 12 **Conmutador FULL AUTO [16]**

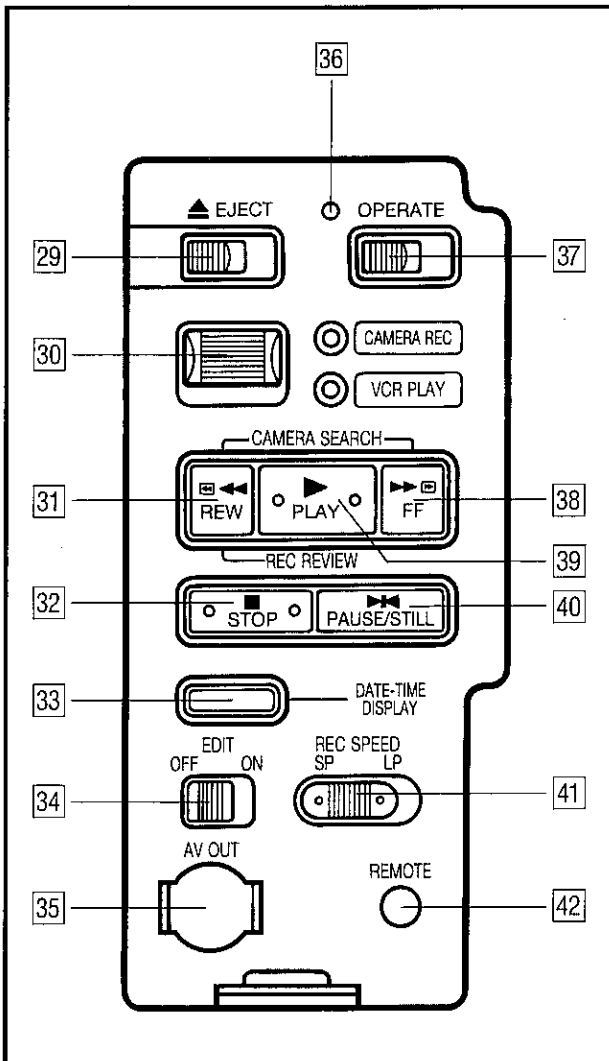
VISTA TRASERA



- 13 Botón Sub REC START/STOP**
Púlselo para comenzar la grabación. La grabación hará una pausa si lo pulsa durante la modalidad de grabación. Utilícelo cuando grabe desde ángulo bajo.
- 14 Botón de control TRACKING ◀ [23]**
Botón DATE/TIME SET [7]
- 15 Botón de control TRACKING ▶ [23]**
Botón DATE/TIME SELECT [7]
- 16 Botón DATE/TIME INITIAL [7]**
- 17 Botón de control del granangular/teleobjetivo del zoom motorizado**
El teleobjetivo máximo se logra pulsando T (teleobjetivo) (a esto se le llama también "zoom-in" o "zoom-up"). El granangular máximo se logra pulsando W (granangular) (a esto se le llama también "zoom-out" o "zoom-down"). La velocidad del zoom puede cambiarse entre 6 y 20 segundos según el grado de la presión ejercida con su dedo sobre los botones del zoom.
- 18 Compartimiento de la caja de las pilas**
- 19 Enchufe para micrófono exterior**
- 20 Ojales**
Pase la correa para el hombro por estos ojales y ajuste su longitud con la hebilla.
- 21 Enchufe de entrada de CC**
- 22 Enchufe de auriculares**
Para enchufar los auriculares y comprobar el sonido durante la grabación y la reproducción.
- 23 Botón COUNTER/COUNTER MEMORY/LAP TIME**
Se utiliza para seleccionar la modalidad del contador, memoria del contador y tiempo de grabación indicados en el visor.
- 24 Botón COUNTER/LAP TIME RESET**
Se utiliza para reposicionar el contador y el tiempo de grabación indicados en el visor.
- 25 Botón REC START/STOP**
Púlselo para comenzar la grabación. La grabación hará una pausa si lo pulsa durante la modalidad de grabación.
- 26 Correa de empuñadura**
- 27 Palanca de las pilas**
Utilícela para desmontar la caja de las pilas.
- 28 Botón SELF TIMER/indicador "Talent Tally"**
El indicador Talent Tally se encenderá cuando la videocámara comience a grabar, para que el sujeto pueda saber si el aparato está grabando o no. El botón SELF TIMER y el indicador Talent Tally cumplen la misma función. Cuando se pulse el botón en la modalidad REC PAUSE, el indicador destellará durante 10 segundos antes de que el autotemporizador dé comienzo a la grabación.



PANEL DE CONTROL

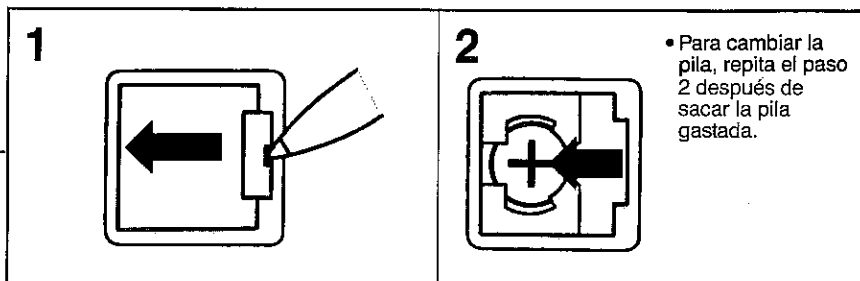
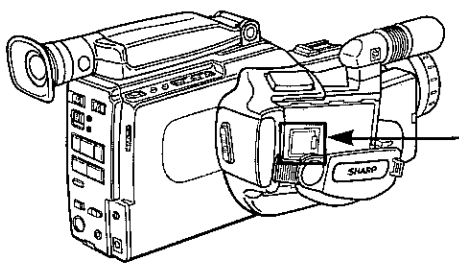


- 29 Botón EJECT**
Se utiliza para insertar o quitar el casete **VHS**.
- 30 Conmutador CAMERA REC/VCR PLAY**
Cuando la videocámara está grabando, ponga este conmutador en la posición CAMERA REC. (La videocámara entrará automáticamente en la modalidad REC PAUSE.) Cuando utilice la videocámara como video, ponga este conmutador en VCR PLAY. (En este caso, si está en la modalidad REC PAUSE, entrará en la modalidad de imagen fija; si está grabando, entrará en la modalidad de parada.)
- 31 Botón CAMERA SEARCH (◀◀) [17]**
Botón REW/búsqueda de video en retroceso [24]
Botón REC REVIEW [17]
- 32 Botón STOP**
- 33 Botón DATE-TIME DISPLAY**
Se utiliza para que se visualice ya sea la fecha y la hora o la fecha en la imagen que está siendo grabada.
- 34 Conmutador EDIT**
La calidad de la imagen se deteriora cada vez que copia desde la videocámara a un video. Deslice el conmutador EDIT hasta la posición de conexión para que la calidad de la imagen se deteriore lo menos posible. Utilice esta función mientras edita sus videos.
- 35 Terminal de salida de AV**
- 36 Indicador OPERATE**
- 37 Conmutador de conexión/desconexión OPERATE**
Conecta y desconecta la videocámara.
- 38 Botón CAMERA SEARCH (▶▶) [17]**
Botón FF/búsqueda en avance [24]
- 39 Botón PLAY**
Púlselo para reproducir.
Botón CAMERA SEARCH (▶) [17]
- 40 Botón PAUSE/STILL**
Utilícelo para ver una imagen fija durante la reproducción.
- 41 Botón selector REC SPEED LP/SP**
Utilícelo para grabar en la modalidad LP (larga duración) o SP (reproducción estándar). El tiempo de grabación en cada una de estas modalidades es el siguiente (cinta VHS-C EC-30):
Modalidad LP 60 min.
Modalidad SP 30 min.
- 42 Enchufe del mando a distancia**
Para enchufar el mando a distancia VR-20ME (opcional, que permite manejar la videocámara a distancia).

INSTALACION DE LA PILA DE LITIO

1 Abra la tapa del portapila de la pila de litio con un objeto puntiagudo.

2 Meta la pila con el lado "+" hacia afuera. Cierre la tapa del portapila.



• Para cambiar la pila, repita el paso 2 después de sacar la pila gastada.

Advertencia:

• Tire de inmediato las pilas gastadas. Manténgalas fuera del alcance de los niños. No las desmonte ni las arroje al fuego.

• La pila utilizada en este dispositivo puede provocar incendios o quemaduras químicas si no se la trata con corrección. No la recargue, no la desarme, no la caliente por encima de 100°C, no la arroje al fuego. Cambie la pila por otra de tipo CR2025, únicamente, fabricada por SONY ENERGYTEC, FUJI ELECTROCHEMICAL o MATSUSHITA ELECTRIC. El empleo de otro tipo de pilas constituye un riesgo de incendio o explosión.

Notas

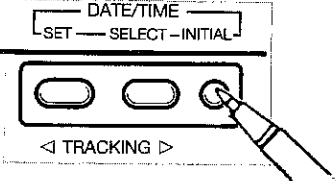
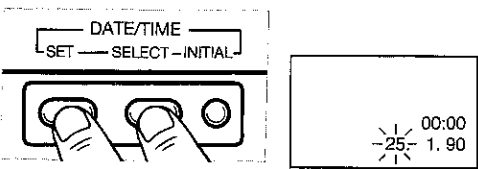
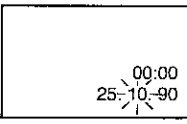
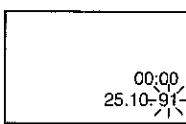
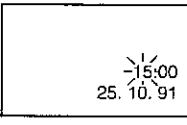
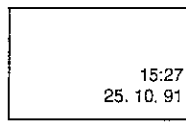
- Esta pila de litio puede comprarse en tiendas de artículos electrónicos o en tiendas de audio y video.
- Desconecte la fuente de alimentación (adaptador de CA, caja de pilas, etc.) antes de cambiar la pila.
- La vida útil de la pila es de aproximadamente un año, pero varía según la temperatura ambiente y otras condiciones de la pila.
- Cuando se agote la pila de litio, las indicaciones de la hora del reloj no serán correctas, o quizá se active el modo de puesta en hora del reloj. En este caso, cambie la pila de litio lo antes posible. Vuelva a poner la fecha y la hora después de cambiar la pila.
- No ponga en cortocircuito la pila sosteniendo los electrodos con objetos metálicos tales como pinzas o tenacillas, porque se deterioraría la calidad de la pila.

PUESTA DE LA FECHA/HORA

La función automática de la fecha/hora permite grabar la fecha/hora en el visor para que le sirva así de práctica referen-

cia. Siga las instrucciones que se mencionan a continuación para poner la fecha y hora actuales.

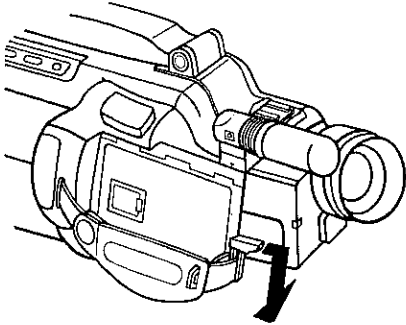
Ejemplo: Para poner la fecha 25 de octubre de 1991 y la hora 15:27.

<p>1 Instale la pila de litio de la fecha/hora.</p>	<p>2 Conecte la caja de las pilas o la fuente de alimentación. Deslice el conmutador OPERATE para conectarlo. Pulse el botón DATE-TIME DISPLAY.</p>
<p>3 Pulse el botón INITIAL utilizando un objeto de punta relativamente gruesa, tal como un bolígrafo.</p> 	<p>4 El día destellará. Pulse el botón SELECT para seleccionar el día. Cuando se visualice el día correcto, pulse el botón SET.</p> 
<p>5 El mes destellará. Pulse el botón SELECT para seleccionar el mes. Cuando se visualice el mes correcto, pulse el botón SET.</p> 	<p>6 El año destellará. Pulse el botón SELECT para seleccionar el año. Cuando se visualice el año correcto, pulse el botón SET.</p> 
<p>7 Los números de la hora destellarán. Pulse el botón SELECT para seleccionar la hora. Cuando se visualice la hora correcta, pulse el botón SET.</p> 	<p>8 Los minutos destellarán. Pulse el botón SELECT para seleccionar los minutos. Cuando se visualice la hora correcta, pulse el botón SET.</p> 

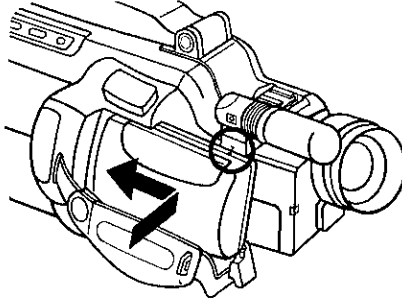
INSTALACION Y DESMONTAJE DE LA CAJA DE LAS PILAS

Instalación de la caja de las pilas

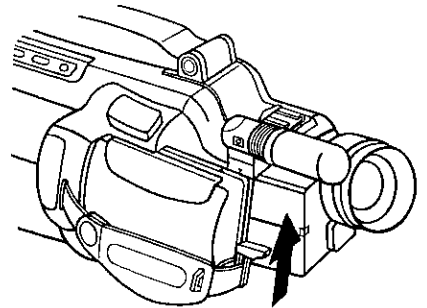
1. Baje la palanca para soltar la caja de las pilas tirando de ella hacia adelante.



2. Haga coincidir la marca "▲" de la parte superior de la caja de las pilas con la marca de la cámara, y deslice la caja de las pilas en la dirección de la flecha.

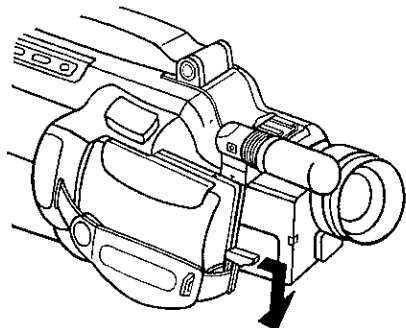


3. Levante la palanca para soltar la caja de las pilas hasta que quede bloqueada.

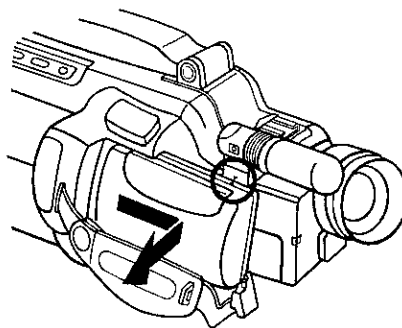


Extracción de la caja de las pilas

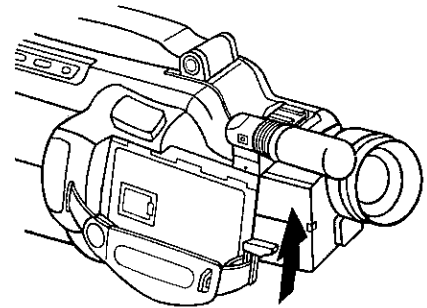
1. Baje la palanca para soltar la caja de las pilas tirando de ella hacia adelante.



2. Quite la caja de las pilas deslizando en la dirección de la flecha.



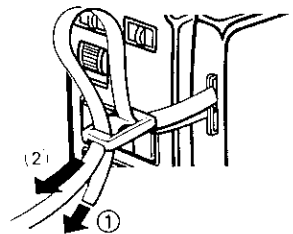
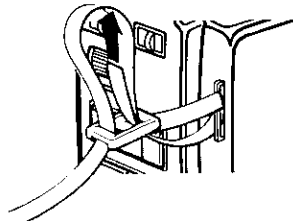
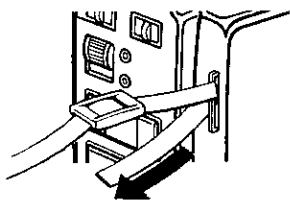
3. Levante la palanca para soltar la caja de las pilas hasta que quede bloqueada.



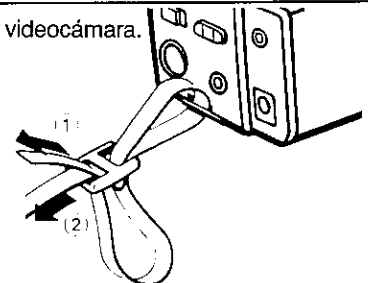
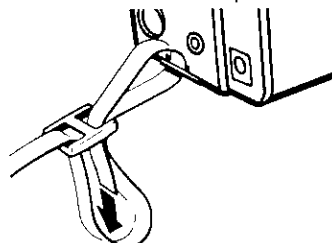
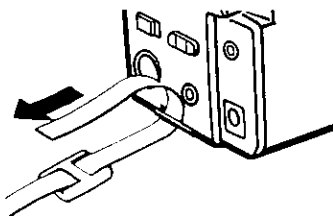
Nota La caja de las pilas está descargada cuando sale de fábrica y por lo tanto debe cargarse antes de utilizarla.

INSTALACION DE LA BANDA PARA EL HOMBRO

Haga pasar la banda a través del ojal para la banda situado en la parte superior de la videocámara.



Haga pasar la banda a través del ojal para la banda situado en la parte inferior de la videocámara.

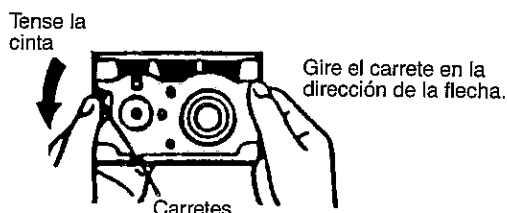


Nota Antes de usar la videocámara, asegúrese de que la banda para el hombro esté bien ajustada y sin partes flojas.

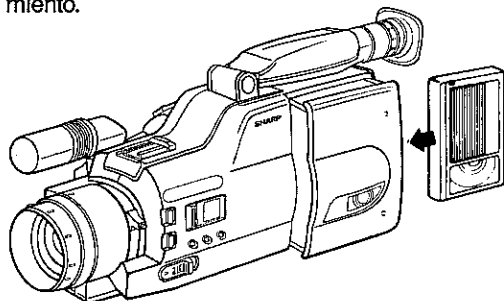
CARGA Y EXPULSION DEL CASETE

Carga del casete

- 1 Pulse el botón EJECT para abrir el portacasete. Meta un casete **VHS-C** con la ventana transparente orientada hacia usted, y la flecha orientada hacia afuera. Elimine las partes flojas de la cinta para que ésta quede tensa antes de insertar el casete.

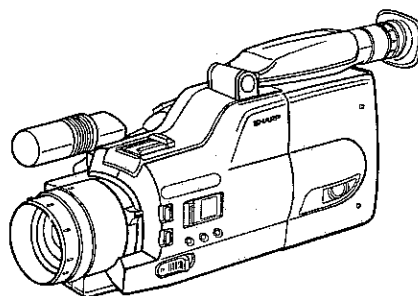


- 2 Pulse "PUSH" para cerrar la puerta del compartimiento.



Expulsión de un casete

- 1 Pulse el botón EJECT. Se abrirá el portacasete. Saque el casete.
- 2 Cierre la puerta del portacasete.



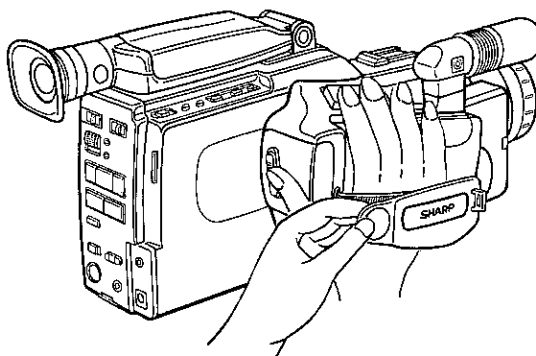
Nota

Pulse sobre la marca "PUSH" para cerrar lenta y correctamente.

Nota El casete puede expulsarse pulsando simplemente el botón EJECT. No hay necesidad de deslizar el botón OPERATE a la posición de desconexión antes de pulsar el botón EJECT. El casete no puede expulsarse durante la grabación. Entre primero en la modalidad REC PAUSE y pulse el botón EJECT.

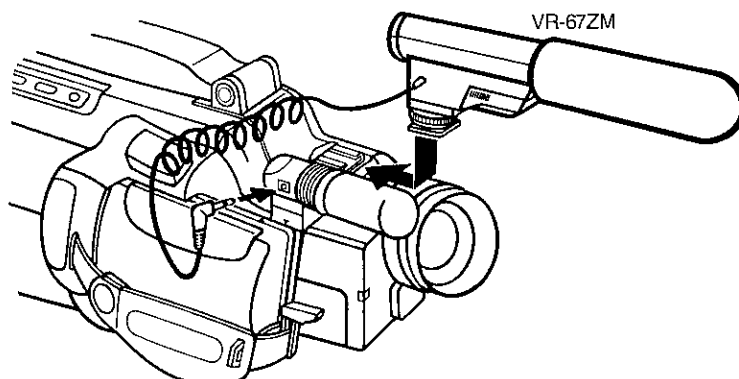
AJUSTE DE LA BANDA DE LA EMPUÑADURA DE MANO

Separe la banda para extender el lazo, luego pase su mano a través del lazo y tome la empuñadura de mano. Ajuste la longitud de la banda de modo que su mano esté segura pero a la vez cómoda y vuelva a ajustar la banda.



EMPLEO DE UN MICROFONO EXTERIOR

El micrófono exterior capta los sonidos de todas las direcciones de igual forma (es omnidireccional). Utilizando un micrófono exterior opcional VR-67ZM, usted podrá gozar de una grabación de audio mucho más real.



VR-67ZM

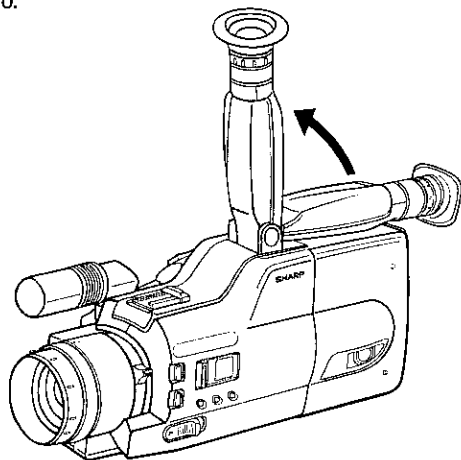
Se coloca directamente en la videocámara.

Este micrófono es un micrófono tipo zoom capaz de captar claramente sonidos distantes.

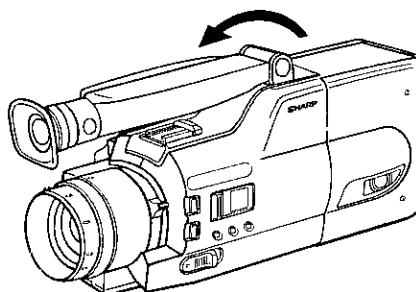
EMPLEO DEL VISOR ELECTRONICO

AJUSTE DE POSICION DEL VISOR

El visor puede inclinarse hacia arriba para filmar con ángulo bajo.

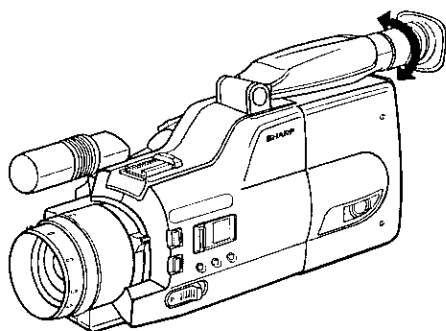


Para proteger el visor cuando viaja, o cuando no utiliza la videocámara, póngalo hacia adelante como se muestra en la ilustración.



AJUSTE DEL OCULAR

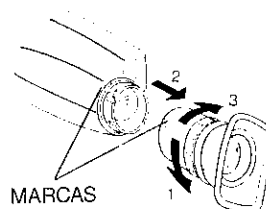
La videocámara viene equipada con un control de ajuste de dioptrías. Mueva este control en sentido horario o antihorario para ajustar el ocular a su visión. Dado que las personas difieren en su capacidad visual, ajuste el ocular de modo que los caracteres del interior del visor se vean claramente al usar el equipo.



Cuando limpie las partículas de polvo que haya en el interior del visor, quite el ocular tal como se muestra en el dibujo de abajo y limpie con un objeto largo y delgado como, por ejemplo, un palillo de algodón.

Para quitar el ocular, gírelo primero en el sentido ① y sáquelo en el sentido ②.

Cuando lo vuelva a poner, haga coincidir las marcas en el cuerpo de la cámara y en el ocular tal como se muestra, y gire luego el ocular 45° en el sentido ③.

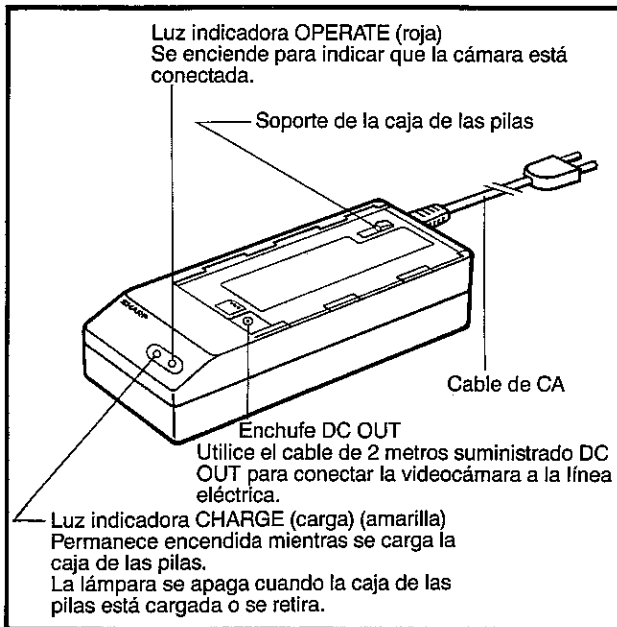


Nota Para este ajuste debe suministrarse energía a la videocámara.

SISTEMA DE ALIMENTACION

Para transportar la videocámara y utilizarla en exteriores, la caja de pilas BT-75 suministrada es ideal. En interiores, es más conveniente el adaptador de CA/cargador de pilas AA-75S y el cable de salida de 2 metros para CC, DC OUT. Para el uso prolongado en exteriores, puede ser muy conveniente utilizar, en lugares remotos, el adaptador/cargador opcional para batería de automóviles VR-P75CH.

Empleo del adaptador de CA/Cargador de pilas



Nota

El adaptador/cargador opcional para batería de automóvil VR-P75CH is similar al AA-75S, pero funciona utilizando la batería de un automóvil.

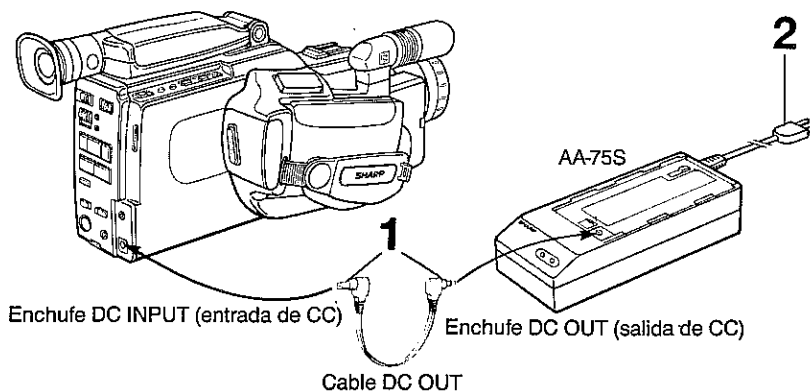
Precauciones:

- El adaptador de CA/cargador de pilas puede causar interferencias si se utiliza cerca de una radio.
- Impida que productos inflamables, líquidos y objetos metálicos entren en el aparato.
- El AA-75S es una unidad sellada. No intente abrirlo ni modificarlo.
- No dañe ni deje caer la unidad, ni la sujete a vibraciones.
- No deje la unidad bajo los rayos directos del sol.
- Evite usar la unidad en lugares húmedos o extremadamente calientes.

EMPLEO DEL ADAPTADOR DE CA/CARGADOR DE PILAS

Utilice el adaptador de CA/cargador de pilas AA-75S y el cable DC OUT (suministrados).

- 1 Conecte el cable DC OUT al adaptador de CA y a la videocámara.
- 2 Conecte el enchufe de CA a un tomacorriente. Se encenderá la luz indicadora OPERATE del adaptador de CA.

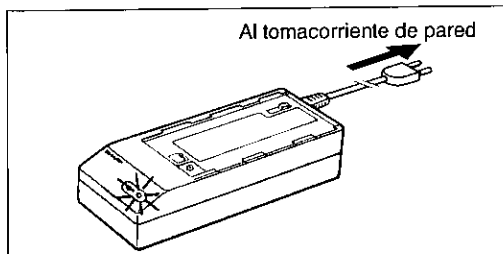


Nota El adaptador de CA/Cargador de pilas AA-75S no suministra energía a la videocámara a través del cable DC OUT mientras se está cargando la caja de pilas.

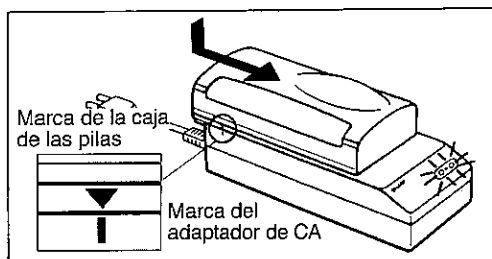
CARGA DE LA CAJA DE LAS PILAS

Use el adaptador de CA/cargador de pilas suministrado AA-75S. En exteriores puede utilizar el cargador/adaptador opcional para batería de automóviles SHARP VR-P75CH.

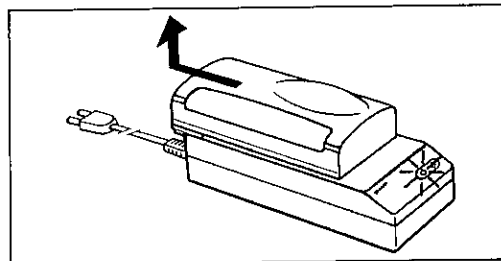
- 1** Meta el enchufe de CA en un tomacorriente. Se encenderá la luz indicadora OPERATE.



- 2** Haga coincidir la marca ▼ situada a un lado de la caja de las pilas con la marca I del cargador, y guíe la caja de las pilas hacia el interior de la ranura. Deslice la caja de las pilas hacia adelante hasta que quede trabada en su lugar. La lámpara CHARGE se encenderá.



- 3** Cuando la caja de las pilas termina de cargarse se apaga la luz indicadora CHARGE. Desconecte el enchufe de CA del tomacorriente y saque la caja de las pilas deslizando hacia atrás.



Nota

Normalmente la caja de las pilas y el cargador estarán calientes después de la carga.

TIEMPO DE CARGA DE LA BT-75: 60 min.
TIEMPO DE CARGA DE LA BT-76: 80 min.

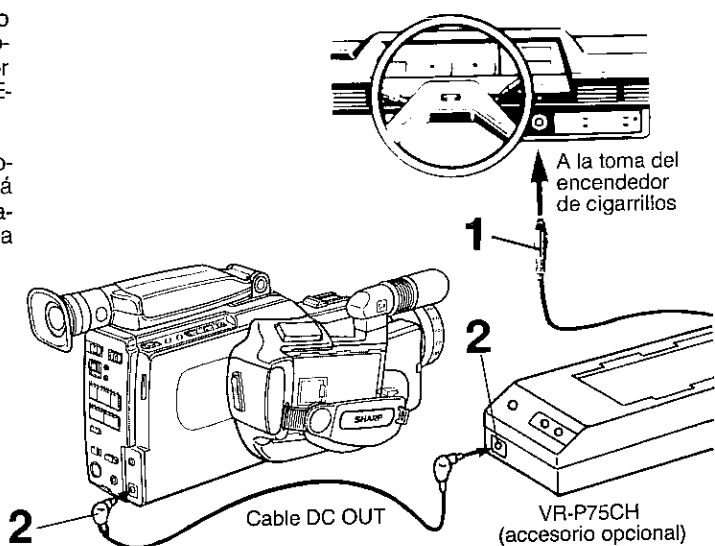
Nota

El tiempo de carga depende de la temperatura ambiente y de las condiciones de la caja de las pilas.

EMPLEO DEL ADAPTADOR/CARGADOR PARA BATERIA DEL AUTOMOVIL (ACCESORIO OPCIONAL)

Para cargar la caja de las pilas o para alimentar la videocámara en un automóvil, utilice el cargador opcional SHARP VR-P75CH, que se conecta a la batería del automóvil.

- 1** Ponga en marcha el motor y déjelo funcionando mientras usa el cargador para la batería del automóvil. Meta el enchufe en la toma del encendedor de cigarrillos del automóvil. La luz indicadora OPERATE se iluminará.
- 2** Conecte el cable DC OUT para alimentar la videocámara. La lámpara CHARGE se encenderá mientras se carga la caja de pilas. Al finalizar la carga, la lámpara CHARGE se apagará y la lámpara DONE se encenderá.



Nota

El cargador/adaptador para la batería del automóvil VR-P75CH no puede alimentar a la videocámara a través del cable DC OUT mientras se carga la caja de las pilas.

Precaución:

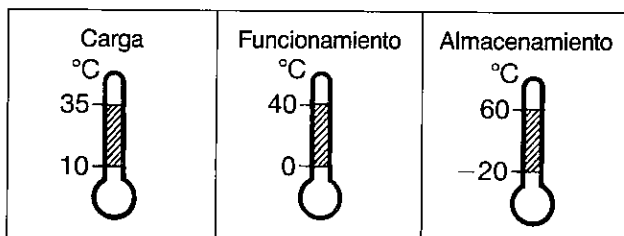
El cargador para la batería del automóvil VR-P75CH sólo se puede utilizar en coches con puesta a tierra negativa de 12 V ó 24 V. No lo utilice en automóviles con puesta a tierra positiva de 12 V ó 24 V. Consulte el manual de instrucciones del automóvil o póngase en contacto con su concesionario de automóviles.

EMPLEO DE LA CAJA DE LAS PILAS

La BT-75 es una pila de níquel-cadmio que tiene las siguientes características.

La recarga dura una hora a la temperatura ambiente de 20°C. Cuanto menor sea la temperatura, mayor será el tiempo de recarga.

Gamas de temperatura



Para evitar riesgos:

- No queme la caja de las pilas.
- No ponga en cortocircuito los terminales.
- No la desmonte ni modifique.
- Use solamente los cargadores recomendados por SHARP:
Adaptador de CA/cargador de pilas AA-75S o adaptador/cargador para la batería del automóvil VR-P75CH.

Para evitar daños y prolongar la duración de las pilas:

- No dañe ni deje caer la unidad, ni la sujete a vibraciones mecánicas.
- Evite la carga repetitiva de la caja de las pilas sin que ésta se descargue previamente.

La caja de las pilas tiene una duración limitada; cuando comience a tener un tiempo de grabación menor por cada carga, compre otra caja de repuesto.

Nota

La caja de las pilas normalmente estará caliente después de cargarla o usarla.

TIEMPO DE GRABACION DE LA BT-75: Unos 60 min.
TIEMPO DE GRABACION DE LA BT-76: Unos 80 min.

El tiempo de grabación de una caja de pilas totalmente cargada depende del tiempo de grabación y del tiempo de espera, del uso del objetivo zoom, así como de otros factores.

Su distribuidor SHARP puede ofrecerle cajas de pilas de repuesto. Tenga siempre a mano cajas de pilas de repuesto para no perder oportunidades de grabación interesantes.

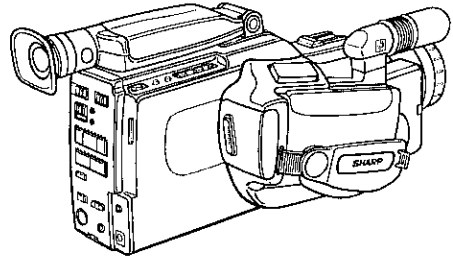
Las pilas de níquel-cadmio brindan un rendimiento óptimo cuando se conservan en las siguientes condiciones:

1. La carga completa se realiza a temperaturas comprendidas entre 10°C y 35°C. La carga durará más a temperaturas menores que las indicadas, y puede ocurrir que no se complete a temperaturas mayores.
2. Guarde la caja de las pilas en un lugar frío y seco. La exposición durante largo tiempo a altas temperaturas acelera el proceso de descarga de las pilas y reduce su duración.
3. La descarga total de las pilas puede ocurrir si se guarda la caja durante mucho tiempo. Descargue las pilas antes de guardarlas — esto prolongará su vida útil.
4. Saque las pilas de la videocámara o del cargador después de usarlas, pues de lo contrario prodría continuar la descarga de las pilas.

GRABACION CON LA CAMARA

GRABACION CON LA CAMARA

- 1** Instale la caja de pilas recargada. (Vea la página 8.) Emplee el adaptador de CA suministrado para grabar con la cámara en interiores o el adaptador/cargador opcional Sharp para la batería del automóvil para grabar en un automóvil.

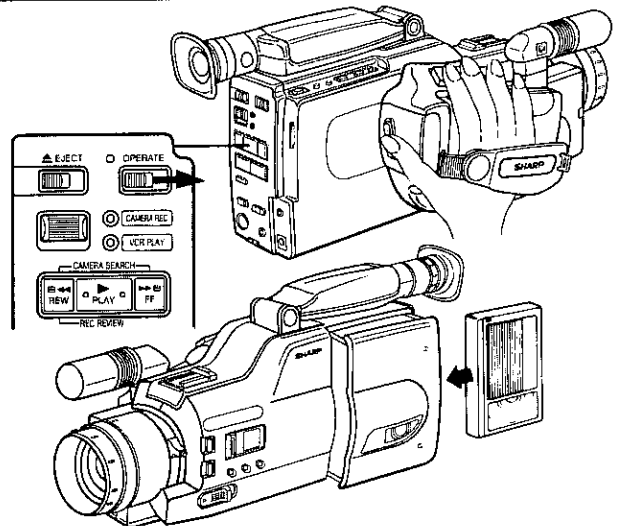
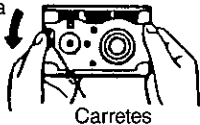


- 2** Deslice el conmutador OPERATE hasta la posición de conexión — el indicador OPERATE se iluminará. Pulse el botón EJECT y abra el portacasete. Inserte un videocasete **VHS** con su lengüeta de protección intacta y su ventana orientada hacia afuera. Pulse la marca "PUSH" para cerrar la puerta del compartimiento.

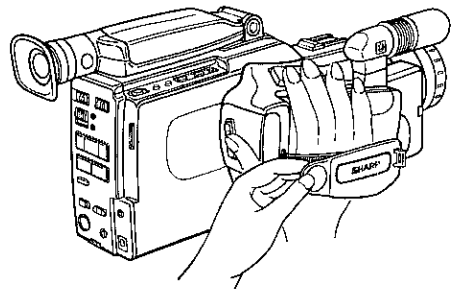
Precaución:

Antes de meter el videocasete, verifique que no quede la cinta floja. Si la cinta está floja, gire el carrete en la dirección de la flecha.

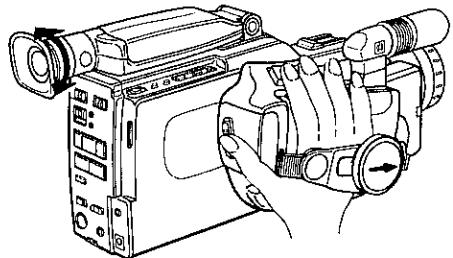
Tense la cinta



- 3** Coloque su mano correctamente para que los dedos puedan pulsar el botón REC START/STOP y el botón del zoom motorizado. Luego ajuste la banda de la empuñadura para que se adapte a su mano.

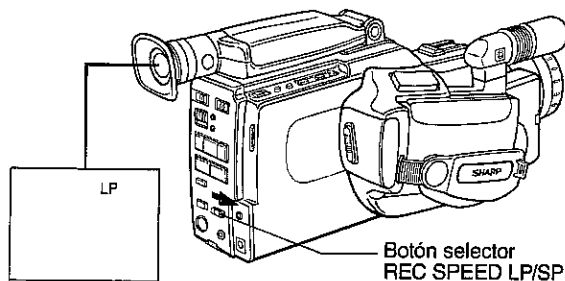


- 4** Saque la tapa del objetivo y fijela a la banda de la empuñadura. Luego dirija la cámara hacia un objeto de color de un solo tono (el cielo o una pared blanca) y regule el ajuste de dioptrías, de modo que el visualizador del visor quede claro.

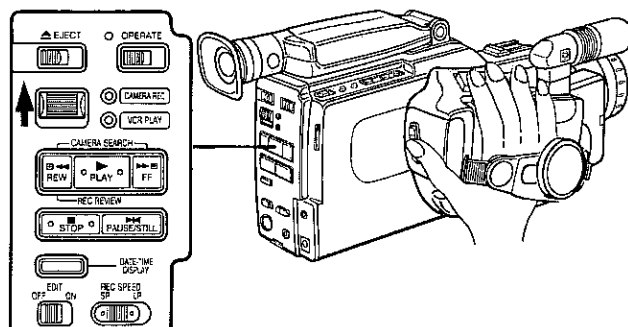


- 5** Pulse el botón selector REC SPEED LP/SP y ponga el tiempo de grabación. Esto hará que la modalidad de grabación seleccionada aparezca en el visor. El tiempo de grabación de una cinta **VHS** EC-30 es el siguiente:

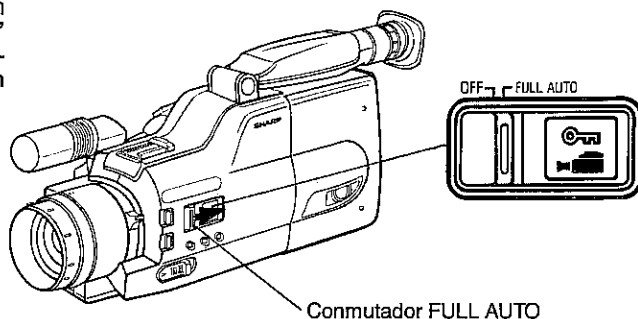
Modalidad SP: 30 minutos
 Modalidad LP: 60 minutos



- 6** Ponga el conmutador CAMERA REC/VCR PLAY en la posición "CAMERA REC".

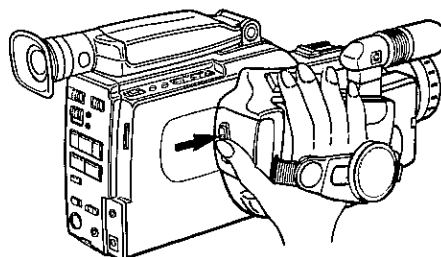


- 7** Ponga el conmutador FULL AUTO en la posición "FULL AUTO". Verifique si las marcas "▶" y "⊙" aparecen en el visualizador de cristal líquido. Si las marcas "▶" y "⊙" destellan, en el visor aparecerá un indicador de alarma. (Vea la página 20.)



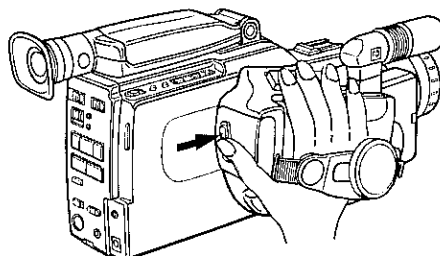
- 8** Pulse el botón REC START/STOP. Durante la grabación, la marca "▶" se mueve en el visor secuencialmente de izquierda a derecha.

Nota:
 Si graba durante un período prolongado, la empuñadura de mano puede calentarse, pero esto no indica ningún problema de funcionamiento.



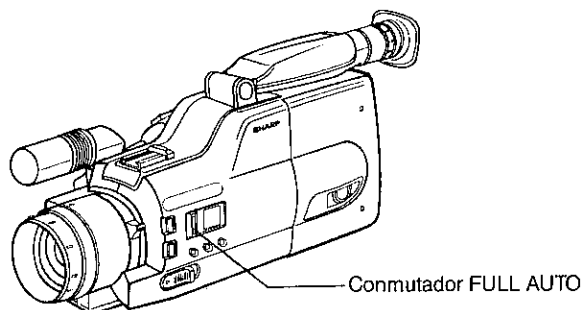
- 9** Cuando termine de grabar, pulse de nuevo el botón REC START/STOP.

Nota:
 Si la videocámara permanece en la modalidad REC PAUSE durante más de 5 minutos, se desconectará automáticamente. Para volver a comenzar a grabar, deslice el conmutador OPERATE a la posición de encendido (ON):

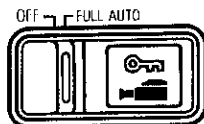


SISTEMA TOTALMENTE AUTOMATICO

Poniendo el conmutador FULL AUTO en la posición "FULL AUTO", el enfoque y el balance del blanco se ponen en la modalidad STANDARD. Esto hace posible que cualquiera pueda hacer grabaciones de calidad y precisión en la videocámara. Cuando el conmutador FULL AUTO se ponga en la posición "FULL AUTO", la marca FULL AUTO y las marcas " " y " " aparecerán normalmente en el visualizador de cristal líquido. Sin embargo, si las marcas " " y " " empiezan a destellar, en el visor quizá aparezcan otros indicadores de alarma. Estos indicadores indican que no es posible grabar por alguna razón como por ejemplo, el haber introducido en la videocámara una casete sin lengüeta de protección.



Conmutador FULL AUTO



La grabación con cámara no es posible en la modalidad FULL AUTO cuando aparezcan las marcas " " y " " .



Cuando aparezca en el visor un indicador de alarma cualquiera, tome las medidas necesarias inmediatamente. (Vea la página 20.)

ENFOQUE AUTOMATICO

El enfoque automático deja que usted se concentre en la creación de videos de calidad, sabiendo que quedarán perfectamente enfocados.

En la posición FULL AUTO, el enfoque se ajusta continuamente para mantener el mejor enfoque. En el centro del visor hay una pequeña área que detecta la distancia al sujeto y ajusta el enfoque. Trate de mantener el sujeto en el centro del visor.

Nota

Puede ocurrir que el enfoque automático no pueda enfocar al objeto en las siguientes situaciones. En estos casos, enfoque manualmente el objetivo para obtener el enfoque correcto.

Precauciones:

- No toque el anillo de enfoque mientras esté funcionando el mecanismo de enfoque automático.
- Si el objetivo está sucio o se oscurece puede ser difícil enfocar con precisión. Manténgalo siempre limpio. Si se ensucia, límpielo con una gasa suave y utilice líquido limpiador de objetivos. De producirse condensación, séquela con un paño suave o espere a que se evapore.
- Cuando grabe objetos que cambian rápidamente, como por ejemplo, cuando cambie de granangular a telefoto, o cuando haga tomas panorámicas de un lugar distante a otro cercano, etc., pasarán unos pocos segundos antes de que el objeto quede enfocado.

 Objeto demasiado oscuro.	 Falta de contraste; por ejemplo, escenas en la nieve.	 La escena incluye objetos separados entre sí por distancias uniformes.	 La luz se refleja en el objeto.
 Dos objetos situados a distancias distintas se superponen en la misma escena.	 El objeto se extiende desde el primer plano hacia planos posteriores.	 El objeto se mueve rápidamente.	 La contraluz es demasiado brillante.
 El objeto tiene patrones repetidos y finos.	 Sujetos a distancias distintas se superponen en el centro.	 El objeto tiene bandas horizontales.	 El objeto está torcido.
 El objeto está siendo filmado a través de una ventana sucia o mojada.	 El obturador electrónico de alta velocidad está siendo utilizado con luz fluorescente.	Nota Le recomendamos empezar a grabar una vez enfocado un objeto.	

BALANCE AUTOMATICO DEL BLANCO

Su videocámara está equipada con un dispositivo de balance automático del blanco que garantiza colores de calidad a sus videos. El balance correcto del color es importante para la reproducción precisa de las tonalidades.

El balance del blanco se ajusta automáticamente para compensar todo tipo de cambios en la temperatura de color de la luz.

REVISION DE LA GRABACION

Pulse el botón REC START/STOP mientras graba para ponerlo en REC PAUSE ("-----" se encenderá en el visor), y pulse brevemente el botón REC REVIEW.

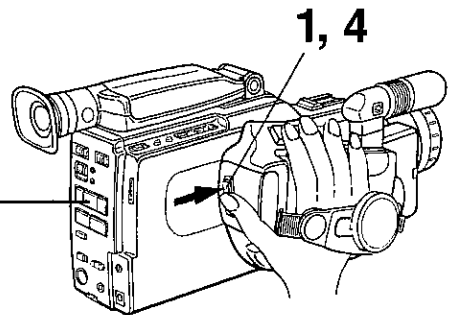
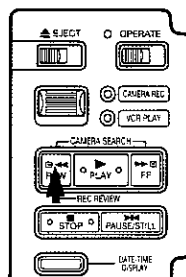
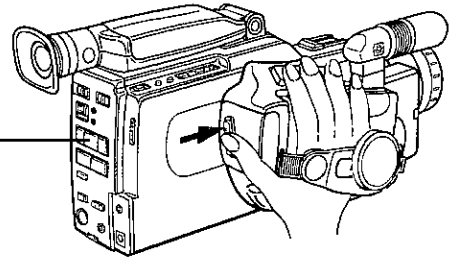
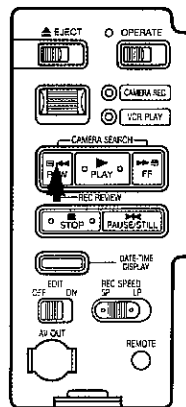
Los 2 últimos segundos, aproximadamente, de la grabación se rebobinan y se reproducen. La videocámara queda lista para continuar grabando. Si mantiene pulsado el botón REC REVIEW se activará la función CAMERA SEARCH.



BUSQUEDA CON CAMARA

Si ha grabado algo que no desea, usted podrá buscar esa grabación a pesar de estar aún en la posición CAMERA REC.

- 1 Pulse el botón REC START/STOP para hacer una pausa en la grabación.
- 2 Mientras observa el visor, continúe pulsando el botón CAMERA SEARCH para buscar el punto donde desea volver a grabar. La imagen grabada aparece en el visor.
- 3 Cuando aparezca la parte sobre la que desea grabar, deje de pulsar el botón CAMERA SEARCH. (La modalidad REC PAUSE se reanuda una vez que haya aparecido un cuadro fijo de 1 segundo de duración.)
- 4 Pulse el botón REC START/STOP para grabar sobre la parte que no se desea.



EXPLICACION DE LAS OPERACIONES DE LOS BOTONES

Manteniendo pulsado el botón "▶▶", las imágenes podrán reproducirse en avance a una velocidad 3 veces superior a la normal. (No se oirá sonido.)

Manteniendo pulsado el botón "▶", las imágenes podrán reproducirse en orden a la velocidad normal. (Con sonido)

Manteniendo pulsado el botón "◀◀", las imágenes podrán reproducirse en retroceso a una velocidad 3 veces superior a la normal. (No se oirá sonido.)

Nota Si la videocámara está en la modalidad LP, la velocidad de reproducción es 7 veces superior a la normal.

OBJETIVO ZOOM MOTORIZADO (CONTROL DEL TELEOBJETIVO Y GRANANGULAR)

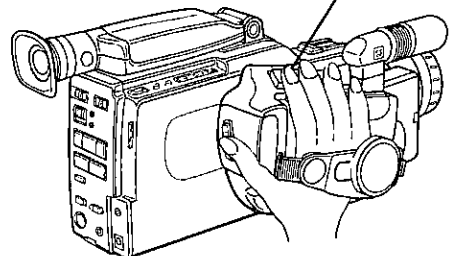
Una de las características más sobresalientes de esta videocámara es su zoom motorizado de velocidad variable.

Pulse los botones del zoom motorizado para acercar y alejar el plano del sujeto con el zoom. La presión que ejerce la punta de sus dedos controla la velocidad del zoom.

La velocidad del zoom se controla por la presión del dedo. A mayor presión, mayor es la velocidad del zoom.

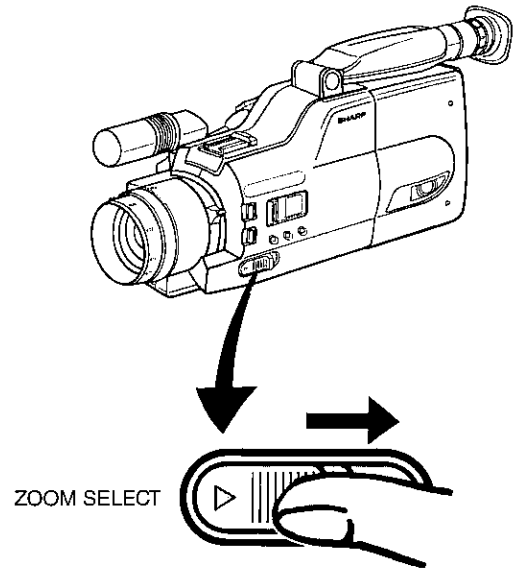
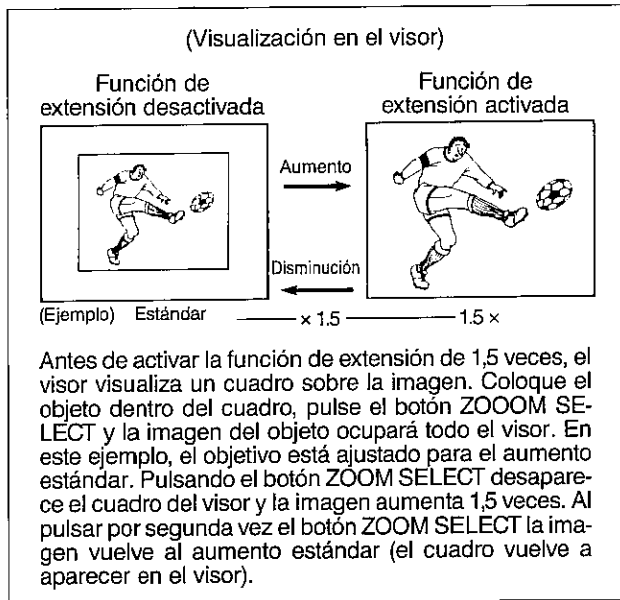
Pulse los botones del zoom motorizado con mayor intensidad para acercar o alejar rápidamente el objeto en 6 segundos, o pulse suavemente los botones del zoom motorizado para acercar o alejar lentamente el objeto en 20 segundos.

T (Teleobjetivo) acerca hacia usted los objetos, mientras que W (granangular) hace que los objetos se vean en la lejanía.



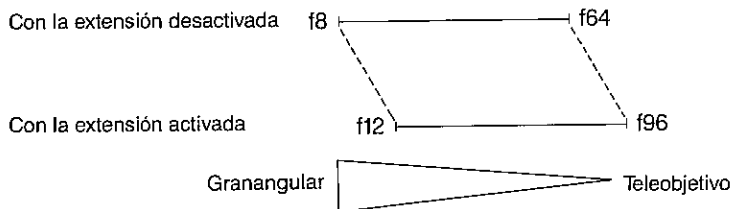
UTILIZACION DEL BOTON DE SELECCION DE ZOOM

Esta videocámara está equipada con una función de extensión de 1,5 veces. Aumente o reduzca la imagen del visor instantáneamente obteniendo un efecto zoom completamente nuevo. Por ejemplo, cuando aparezca en el visor una escena interesante, pulse el botón ZOOM SELECT y la imagen aumentará instantáneamente 1,5 veces.



Nota

Relación entre el zoom y la operación de extensión.

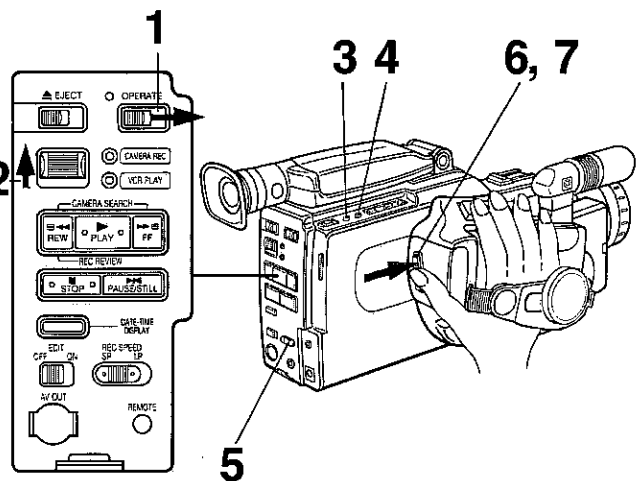


El margen de zoom variable cambia de la forma indicada arriba, según la fijación de la extensión.

FUNCION DE CONTROL DEL TIEMPO DE GRABACION

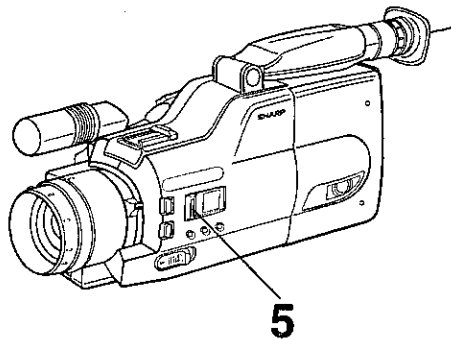
Esta videocámara trae incorporada una función LAP TIME que cuenta el tiempo aproximado de grabación.

- 1 Deslice el conmutador OPERATE hacia ON.
- 2 Deslice el conmutador CAMERA REC/VCR PLAY hacia "CAMERA REC". La videocámara se conmutará automáticamente a la modalidad REC PAUSE.
- 3 Pulse el botón COUNTER/COUNTER MEMORY/LAP TIME y seleccione LAP TIME.
- 4 Pulse el botón RESET. (LAP TIME se reposicionará a "0:00".)
- 5 Pulse el botón selector REC SPEED LP/SP para ajustar la velocidad de grabación. Ponga el conmutador FULL AUTO en la posición "FULL AUTO".
- 6 Pulse el botón REC START/STOP (Comienza LAP TIME.)
- 7 Para detener la grabación, pulse de nuevo el botón REC START/STOP (LAP TIME se detiene).

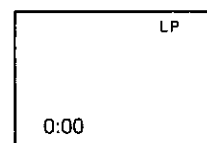


Nota

- Con la modalidad LAP TIME se puede conocer el tiempo aproximado de grabación. El tiempo máximo del contador es "99:99" (99 min. 99 seg.).
- El contador LAP TIME cuenta solamente durante la grabación. (La modalidad LAP TIME se activa incluso cuando no haya visualización en el visor.)
- Cuando se expulsa la cinta, el contador LAP TIME se reposiciona automáticamente a "0:00".
- Aunque durante la reproducción pulse el botón COUNTER/COUNTER MEMORY/LAP TIME, no se visualizará el LAP TIME. (En este caso sólo se visualizará el COUNTER.)



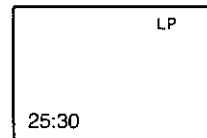
Indicador del visor



Comienzo






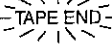
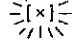
Parada





INFORMACION EN EL VISUALIZADOR DE CRISTAL LIQUIDO Y EN EL VISOR

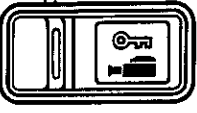
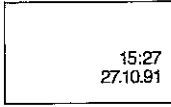
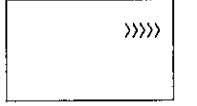
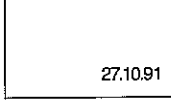
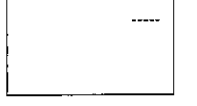
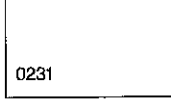
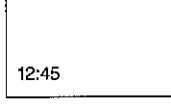
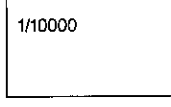
La videocámara provee la información necesaria para grabar en el visualizador de cristal líquido y en el visor.

INDICADORES DE ALARMA

	<p>1) Condensación Condensación sobre el tambor de la cinta. La alimentación se desconectará en unos pocos minutos. Espere varias horas antes de continuar utilizando la videocámara. (Vea la página 2.) (En este caso, el indicador OPERATE destella también.)</p>		<p>4) Alarma de videocasete No se puede grabar porque no ha introducido un casete o porque la lengüeta de protección está rota. Cargue un casete con la lengüeta de protección intacta.</p>
	<p>2) Pila y alarma La pila está demasiado gastada. La alimentación se desconectará en pocos segundos. Cambie la caja de pilas.</p>		<p>5) Alarma de final de cinta La cinta llegará a su final en unos 3 minutos. Prepare un nuevo videocasete con la lengüeta de protección intacta.</p>
<p>LIGHT</p>	<p>3) Luz La luz no es suficiente para grabar bien. Agregue iluminación suplementaria o trasládese a un lugar mejor iluminado.</p>	<p>TAPE END</p>	<p>La cinta ha llegado a su final. Cámbiela por otra nueva con lengüeta de protección intacta.</p>
			<p>6) Las cabezas necesitan limpieza Las cabezas necesitan limpieza. Llame al centro de servicio.</p>

Nota Cuando aparecen los indicadores de arriba, la marca FULL AUTO  y la marca  destellan simultáneamente.

INDICADORES CONVENIENTES

<p>OFF <input type="checkbox"/> FULL AUTO</p> 	<p>1) Indicador FULL AUTO El indicador FULL AUTO aparece cuando el conmutador FULL AUTO se pone en la posición "FULL AUTO". La videograbadora se pone en condiciones de grabar correctamente.</p>	 <p>15:27 27.10.91</p>	<p>4) Fecha/hora Este aparato está equipado con la función AUTO DATE/TIME. El botón de visualización DATE/TIME se pulsa para para fijar el visualizador de la fecha y la hora o de la hora solamente. La visualización ajustada puede grabarse en la cinta junto con la imagen.</p>										
 <p>>>>></p>	<p>2) Indicador de grabación Cuando se pulsa el botón REC START/STOP y comienza la grabación, la marca ">>>>" aparece, moviéndose en orden de izquierda a derecha.</p>	 <p>27.10.91</p>	<p>5) Contador de cinta Continuará funcionando incluso cuando los indicadores no aparezca en el visor. Los números del contador de cinta continúan cambiando a medida que la cinta se mueve. Si está activada la memoria del contador, "M" aparece a la izquierda del indicador del contador de cinta.</p>										
 <p>----</p>	<p>Quando se pulsa de nuevo el botón REC START/STOP, la videocámara cambia a REC PAUSE y aparecerá "----".</p> <p>Nota Este indicador aparece solamente cuando el conmutador CAMERA REC/VCR PLAY está en la posición "CAMERA REC".</p>	 <p>0231</p>	<p>6) Contador del tiempo de grabación El tiempo de grabación se visualiza en minutos y en segundos durante la grabación. (Vea la página 19.)</p>										
<p>SP</p>	<p>3) Modalidad de grabación Grabando a la velocidad que se muestra. "SP": Grabación a la velocidad de reproducción estándar. "LP": Grabación a la velocidad de larga duración.</p>	 <p>12:45</p>	<p>7) Grabación con el obturador de alta velocidad Cuando pulse el botón SHUTTER SPEED, la velocidad del obturador cambia de la forma siguiente:</p> <table border="0"> <tr> <td>1/100</td> <td>: 1/100 de seg.</td> </tr> <tr> <td>1/500</td> <td>: 1/500 de seg.</td> </tr> <tr> <td>1/2000</td> <td>: 1/2000 de seg.</td> </tr> <tr> <td>1/10.000</td> <td>: 1/10000 de seg.</td> </tr> <tr> <td colspan="2">No visualización: Modo estándar (1/50 de seg.)</td> </tr> </table>	1/100	: 1/100 de seg.	1/500	: 1/500 de seg.	1/2000	: 1/2000 de seg.	1/10.000	: 1/10000 de seg.	No visualización: Modo estándar (1/50 de seg.)	
1/100	: 1/100 de seg.												
1/500	: 1/500 de seg.												
1/2000	: 1/2000 de seg.												
1/10.000	: 1/10000 de seg.												
No visualización: Modo estándar (1/50 de seg.)													
<p>LP</p>		 <p>1/10000</p>											

INDICADORES CONVENIENTES

M/F	8) Enfoque manual La modalidad de enfoque manual se activa. "M/F" aparece cuando se pulsa el botón AUTO/MANUAL FOCUS.	*LIGHT*	10) Ganancia La modalidad de ganancia se activa. "*LIGHT*" aparece cuando se pulsa el botón BLC/GAIN-UP mientras se visualiza "LIGHT".
W/B	9) Bloqueo del balance del blanco La modalidad del balance del blanco se activa. "W/B" aparece cuando se pulsa el botón WHITE BALANCE.	FADER	11) Recobramiento/desvanecimiento gradual de la imagen La modalidad de espera de recobramiento/desvanecimiento se activa. Cuando pulse el botón REC START/STOP, se obtiene el recobramiento/desvanecimiento gradual de las imágenes.

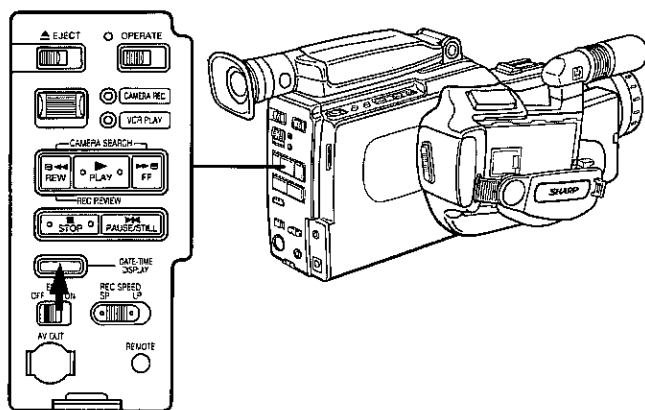
Nota Si utiliza un TV como monitor, sólo la fecha o la hora aparece en el visor.

FUNCION AUTOMATICA DE LA FECHA/HORA

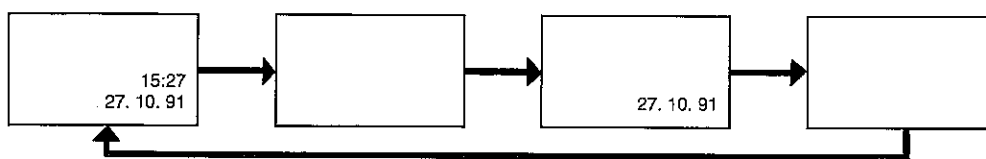
La función automática de la fecha/hora permite grabar la fecha y hora para que le sirvan como referencia en el futuro. Siga los procedimientos explicados a continuación para grabar la fecha o la fecha y hora junto con los materiales grabados.

Nota

Si la fecha y hora no están puestas, el botón DATE/TIME DISPLAY no funcionará. (Vea la página 7.)



- 1** Conecte una fuente de alimentación y lleve el conmutador OPERATE a la posición de conexión. Deslice el conmutador CAMERA REC/VCR PLAY a "CAMERA REC" y la videocámara cambiará a REC PAUSE.
- 2** Pulse el botón DATE-TIME DISPLAY. En el visor se visualizará la fecha o la fecha y hora. Al pulsarse este botón la indicación del visor cambia de la forma siguiente, y se puede poner la fecha o la fecha/hora.

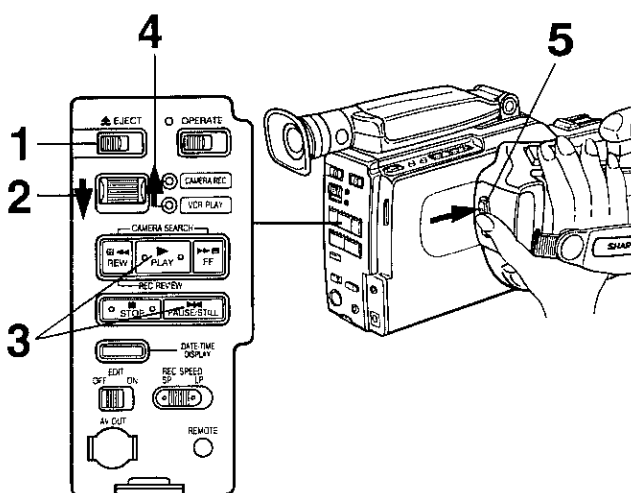


- 3** Pulse el botón REC START/STOP. La fecha o la fecha/hora indicada en el visor se grabará junto con el objeto.

GRABACION CON MONTAJE

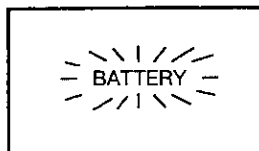
Para grabar en una cinta parcialmente grabada o para producir una grabación con montaje:

- 1 Deslice el botón EJECT y meta un casete con la lengüeta de protección colocada.
- 2 Lleve el conmutador CAMERA REC/VCR PLAY a "VCR PLAY".
- 3 Pulse el botón PLAY y emplee el botón FF o el REW para encontrar rápidamente el punto exacto. Pulse el botón PAUSE/STILL.
- 4 Deslice el conmutador CAMERA REC/VCR PLAY desde "VCR PLAY" a "CAMERA REC".
- 5 Pulse el botón REC START/STOP.



CAMBIO DE LA CAJA DE LAS PILAS DURANTE LA GRABACION

1. Si el indicador BATTERY parpadea en el visor durante la grabación, pulse el botón REC START/STOP para detener la grabación, y luego lleve el conmutador OPERATE a la posición de desconexión.
2. Cambie la caja de las pilas por otra cargada.
3. Lleve el conmutador OPERATE a la posición de conexión. En el visor se visualizará "-----".
4. Pulse el botón REC START/STOP para continuar grabando desde el mismo punto que antes.



Nota

Asegúrese de que la alimentación está desconectada — el indicador OPERATE debe estar apagado — antes de sacar la caja de las pilas.

DESCONEXION AUTOMATICA

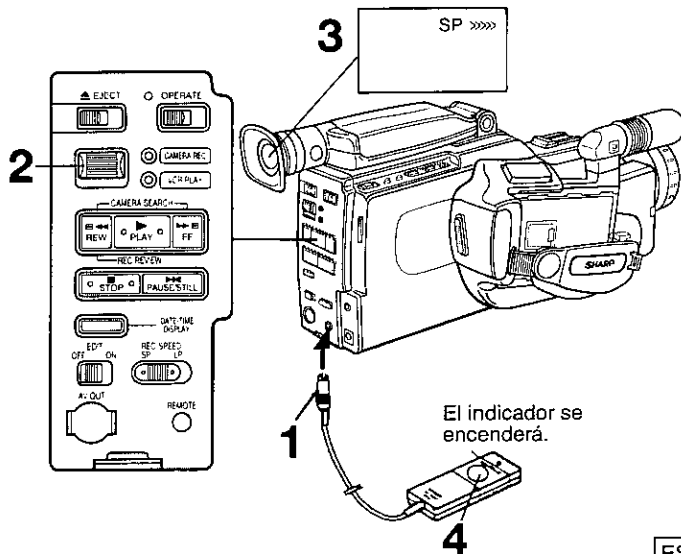
Para proteger la cinta y ahorrar energía de las pilas, la videocámara libera la tensión de la cinta y se apaga automáticamente cuando permanece en la modalidad REC PAUSE (se visualiza "-----" en el visor) durante más de 5 minutos.

Fuente de alimentación	Posición CAMERA REC/VCR PLAY	Funcionamiento Aprox. 5 min.
Pila/CA	CAMERA REC	REC PAUSE → Desconexión

MANDO A DISTANCIA (ACCESORIO OPCIONAL)

Utilice el cable opcional de 5 m para el mando a distancia, VR-20ME, a fin de hacer pausas durante las grabaciones a distancia. Funciona como el botón PAUSE/STILL.

- 1 Enchufe el cable del mando a distancia en el enchufe REMOTE.
- 2 Deslice el conmutador CAMERA REC/VCR PLAY a la posición "CAMERA REC".
- 3 Verifique que en el visor se visualice "-----".
- 4 Para comenzar a grabar, pulse el botón REC/PAUSE del mando de pausa a distancia. El indicador del visor se moverá en secuencia de izquierda a derecha. Pulse de nuevo el botón para hacer una pausa.



El indicador se encenderá.

REPRODUCCION

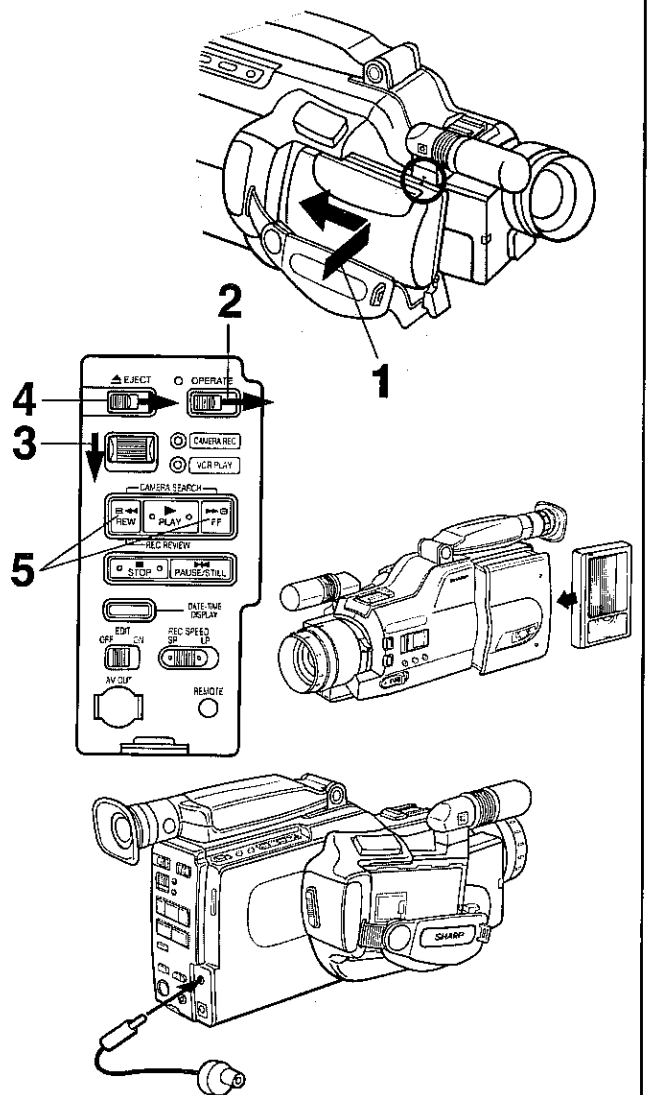
El VL-C780S puede reproducir los casetes VHS-C que usted grabó. Se pueden reproducir tanto en el visor como en un televisor.

REPRODUCCION EN EL VISOR

- 1 Instale la caja de las pilas o use el adaptador de CA/ cargador de pilas.
- 2 Deslice el conmutador OPERATE a la posición de conexión — el indicador OPERATE se encenderá.
- 3 Deslice el conmutador CAMERA REC/VCR PLAY a la posición "VCR PLAY".
- 4 Pulse el botón EJECT y meta un videocasete.
Nota
Primero elimine las partes flojas de la cinta.
- 5 Lleve la cinta a la escena que quiera ver, pulsando los botones FF o REW. Luego pulse el botón PLAY y comienza la reproducción.

Nota

Si también desea escuchar el sonido de su grabación, instale auriculares (no suministrados) en el enchufe de los auriculares.



Nota

El botón selector LP/SP puede estar en cualquier modalidad. La velocidad de grabación se detecta automáticamente y la cinta se reproduce a la velocidad correspondiente.

AJUSTE DEL SEGUIMIENTO

Si se ven barras de ruidos o la imagen es borrosa, ajuste el control TRACKING. Pulse uno cualquiera de los botones TRACKING para reducir el ruido de la imagen. Después de la reproducción, pulse ambos botones TRACKING al mismo tiempo para poner el control TRACKING en la posición central.

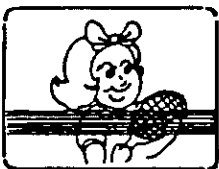
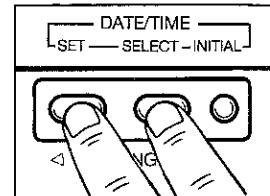


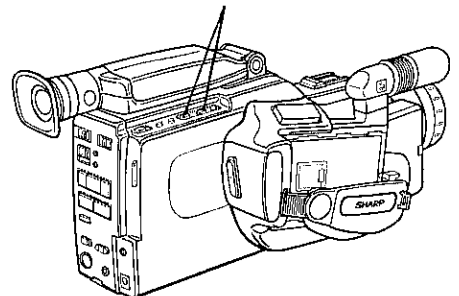
Imagen con ruido



Imagen clara



Control TRACKING



BUSQUEDA EN AVANCE/RETROCESO E IMAGEN FIJA

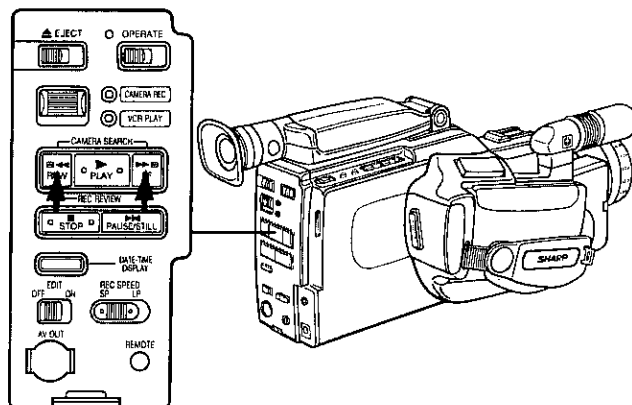
Para encontrar rápidamente un punto en una cinta grabada, use los botones de búsqueda en avance y retroceso.

Búsqueda en avance

Pulse el botón FF (▶▶) durante la reproducción. La reproducción alcanza una velocidad hasta 3 veces más rápida que la normal para una cinta grabada en SP y hasta 7 veces más rápida que la normal para una cinta grabada en LP.

Búsqueda en retroceso

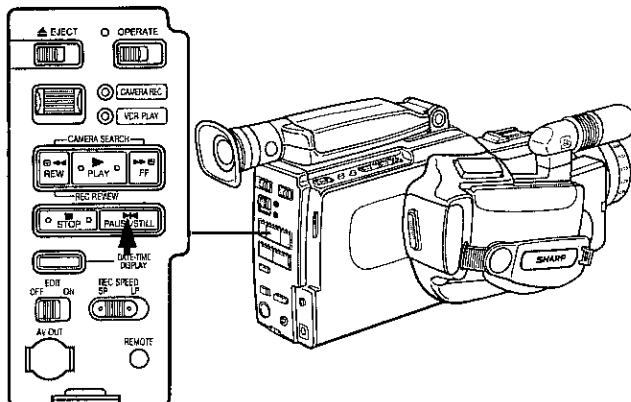
Pulse el botón REW (◀◀) durante la reproducción. La reproducción alcanza una velocidad hasta 3 veces más rápida que la normal para una cinta grabada en SP y hasta 7 veces más rápida que la normal para una cinta grabada en LP.



Nota Puede haber un poco de ruido de la imagen durante la búsqueda en avance/retroceso. Esto es normal. Si la imagen de la televisión se mueve verticalmente, ajuste el control de estabilización vertical del televisor. La imagen puede volverse monocroma durante la búsqueda en avance/retroceso en una cinta grabada. Esto es normal. El sonido no se oye.

Imagen fija

Pulse el botón PAUSE/STILL durante la reproducción para obtener una imagen fija. Para reanudar la reproducción, pulse de nuevo el botón PAUSE/STILL.



Nota

Si la imagen del televisor se mueve verticalmente, ajuste el control de estabilización vertical del televisor. Para proteger la cinta, la videocámara libera la tensión de la cinta y continúa con la modalidad STOP cuando se deja en la modalidad STILL durante más de 5 minutos durante la reproducción.

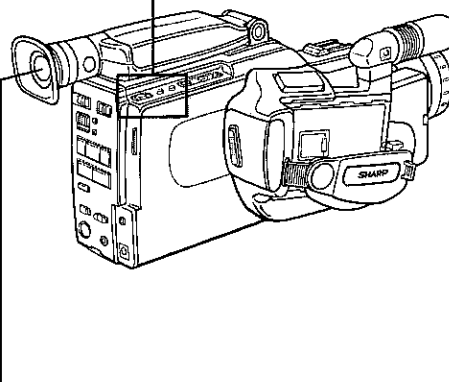
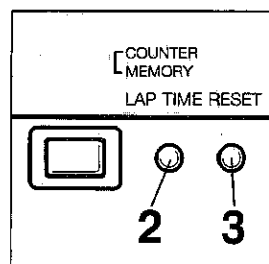
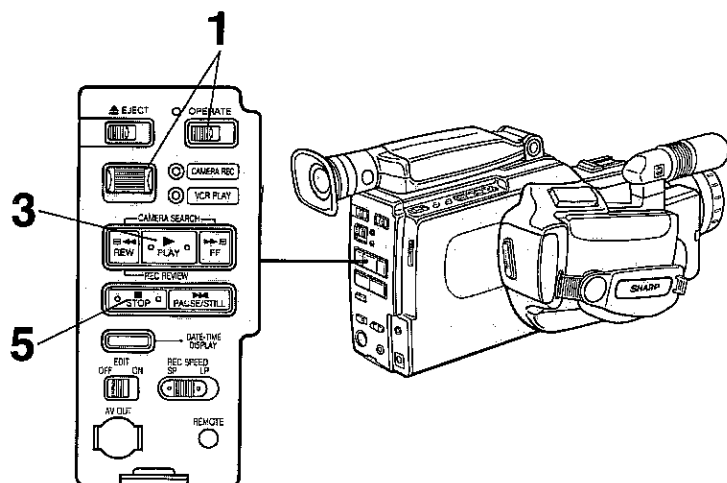
Aprox. 5 min.

STILL → STOP

MEMORIA DEL CONTADOR

El visualizador de 4 dígitos funciona como una práctica referencia para ayudarle a localizar escenas determinadas. Utilice la memoria del contador de cinta para volver rápidamente a una escena favorita.

Cuando la memoria está activada, la cinta se detiene cuando el contador llega a "M0000" durante FF y REW.

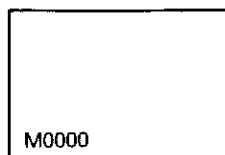
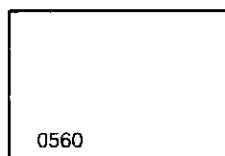


- 1** Lleve el conmutador OPERATE a la posición de encendido. Ponga el conmutador CAMERA REC/VCR PLAY en "VCR PLAY".
- 2** Pulse el botón COUNTER/COUNTER MEMORY/LAP TIME para visualizar el contador de cinta en el visor.
- 3** Pulse el botón PLAY para comenzar la reproducción. (Cuando la videocámara está en la modalidad STILL, pulse el botón STILL.)
- 4** Pulse el botón RESET y el COUNTER/COUNTER MEMORY/LAP TIME al comienzo de la escena.
- 5** Pulse STOP al final de la escena y luego pulse el botón REW. La cinta se rebobinará hasta "0000" aproximadamente y se detendrá el movimiento de la cinta.

Nota

- Los números del contador no cambiarán lentamente durante el avance y rebobinado rápidos. Sin embargo, esto no indica problema alguno.
- El contador de cinta mostrará "0000" y aparecerá "M".
- Si se pulsa una vez más el botón COUNTER/COUNTER MEMORY/LAP TIME, el visualizador del contador desaparecerá y no funcionará la memoria. (Durante la modalidad CAMERA REC, es también posible conmutar el contador LAP TIME pulsando el botón COUNTER/COUNTER MEMORY/LAP TIME.)
- El movimiento de la cinta se detendrá en "0000" aproximadamente cuando la cinta avanza rápidamente.
- La memoria del contador funciona solamente cuando el conmutador CAMERA REC/VCR PLAY está en la posición "VCR PLAY".

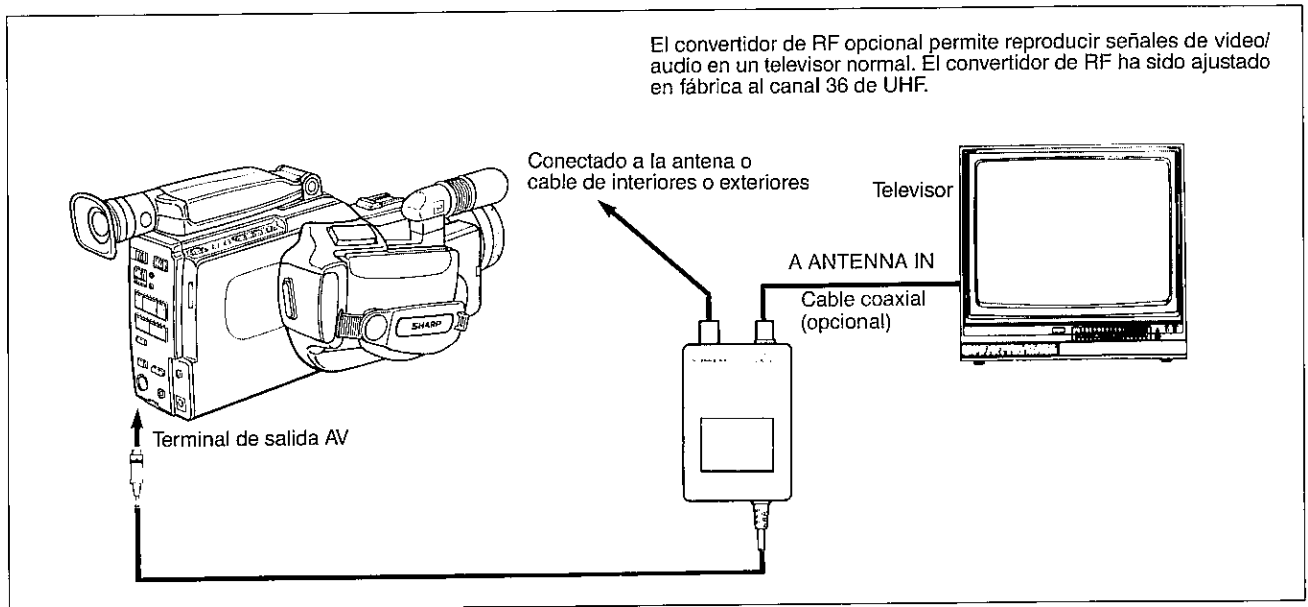
Indicador del visor



CONEXION A UN TELEVISOR

Para reproducir en un televisor cintas grabadas con su videocámara, conecte el convertidor de RF opcional entre su televisor y la videocámara.

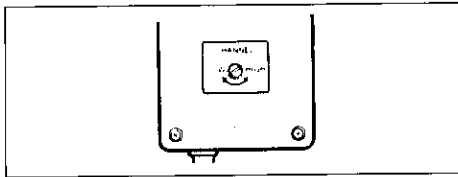
Conexión a un televisor.



REPRODUCCION EN UN TELEVISOR

Sintonice el televisor al mismo canal que el convertidor de RF (canales 30-39) y pulse el botón PLAY. Para continuar con el uso normal del televisor, deslice el conmutador OPERATE hacia la posición de desconexión o desenchufe el cable del convertidor de RF de la videocámara.

- 1 El ajustador de canales del convertidor de RF opcional está ajustado al canal 36. Si el canal 36 es un canal activo en su área, póngalo en un canal distinto (vea la Nota).



- 2 Sintonice el televisor al mismo canal.
- 3 Desenchufe el cable de la antena del televisor y enchúfelo en el terminal ANTENNA IN del convertidor de RF.
- 4 Enchufe el cable coaxial de 75 ohmios opcional en el terminal RF OUT del convertidor de RF y en el terminal de antena coaxial de 75 ohmios del televisor.
- 5 Enchufe el cable del convertidor de RF en el terminal de salida AV de la videocámara.
- 6 Deslice el conmutador CAMERA REC/VCR PLAY hasta la posición "VCR PLAY" y ponga el conmutador OPERATE en la posición de encendido.
- 7 Pulse el botón EJECT y meta un videocasete con su ventana orientada hacia afuera. Pulse el botón PLAY.

Precauciones

- Use el convertidor de RF opcional solamente con la cámara grabadora.
- El convertidor de RF es una unidad sellada. No intente abrirlo ni modificarlo. No dañe ni deje caer el aparato, y no lo sujete a vibraciones mecánicas.
- Desenchufe el convertidor de RF durante las tormentas eléctricas.

MANEJO

Para ver videocasetes que se reproducen en el VL-C780S. Para ver videocasetes o para verificar la grabación, ponga el selector del canal del televisor en el canal correspondiente al canal de salida de RF.

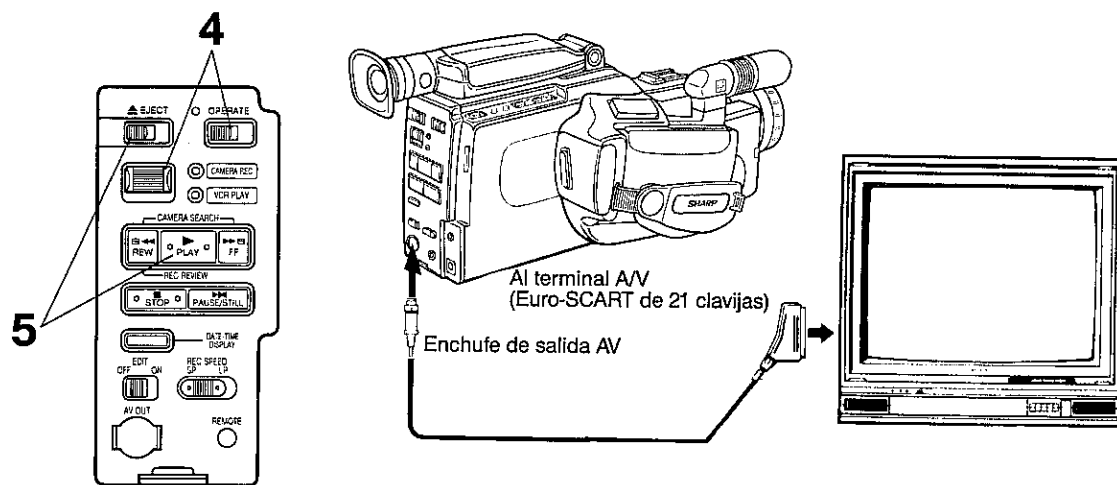
Para ver programas de televisión: Deslice el conmutador OPERATE a la posición OFF, o desenchufe de la videocámara el cable del convertidor de RF.

Nota

Si el canal 36 de UHF es un canal de transmisión activo en su área, para ver la salida de la videocámara en el televisor puede seleccionar cualquier canal de UHF comprendido entre el 30 y el 39 que no transmita. Regule el ajustador del canal de salida del convertidor de RF a cualquiera de aquellos canales (UHF 30-39), y luego sintonice su televisor al mismo canal.

CONEXION AL TELEVISOR CON LOS TERMINALES A/V

- 1** Enchufe el cable suministrado A/V OUTPUT de 21 clavijas Euro-SCART en el terminal AV OUT de la videocámara.
- 2** Enchufe el conector del cable A/V OUTPUT de 21 clavijas en el terminal A/V (Euro-SCART de 21 clavijas) del televisor.
- 3** Sintonice el televisor al canal de VIDEO o A/V.
- 4** Deslice el conmutador OPERATE hasta la posición ON.
Deslice el conmutador CAMERA REC/VCR PLAY hasta la posición "VCR PLAY".
- 5** Pulse el botón EJECT y meta un videocasete. Pulse el botón PLAY.

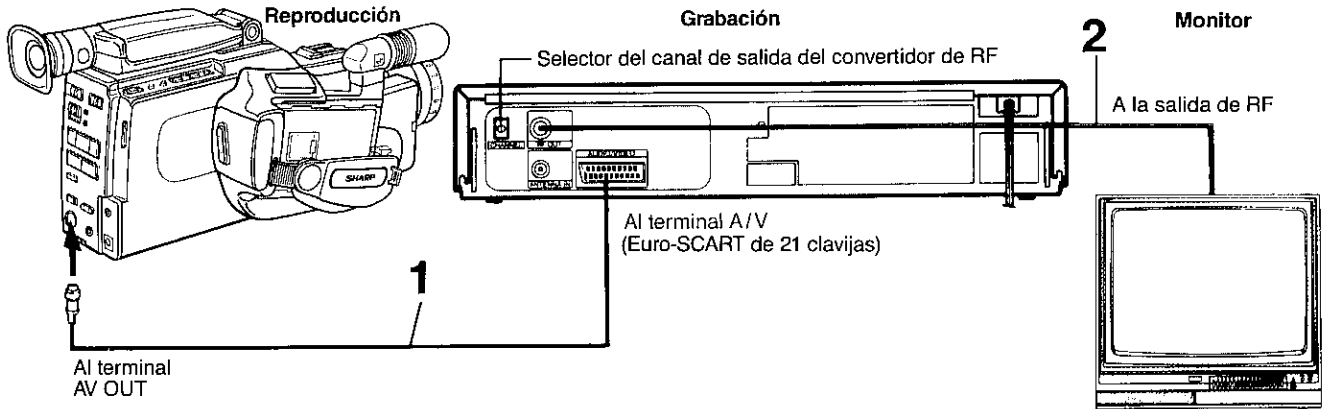


Reproducción en un televisor

Sintonice con el televisor el canal de VIDEO o A/V y pulse el botón PLAY.
Para continuar con el uso normal del televisor, sintonicelo a otro canal.

GRABACION EN OTRO VIDEO

Su videocámara SHARP puede conectarse como platina de reproducción para copiar y editar una cinta con otro vídeo. Las escenas innecesarias pueden eliminarse y acortarse la duración total del vídeo; las escenas pueden cambiarse y colocarse en otro lugar; y pueden agregarse nuevos efectos para hacer sus cintas más efectivas y agradables.



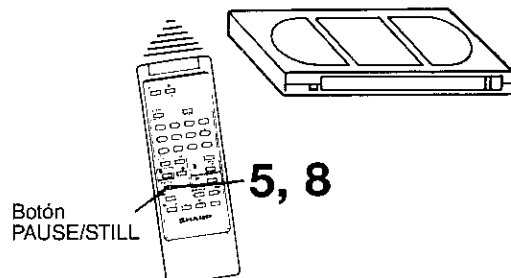
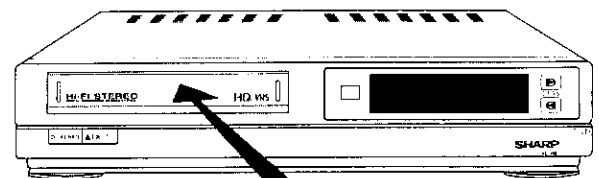
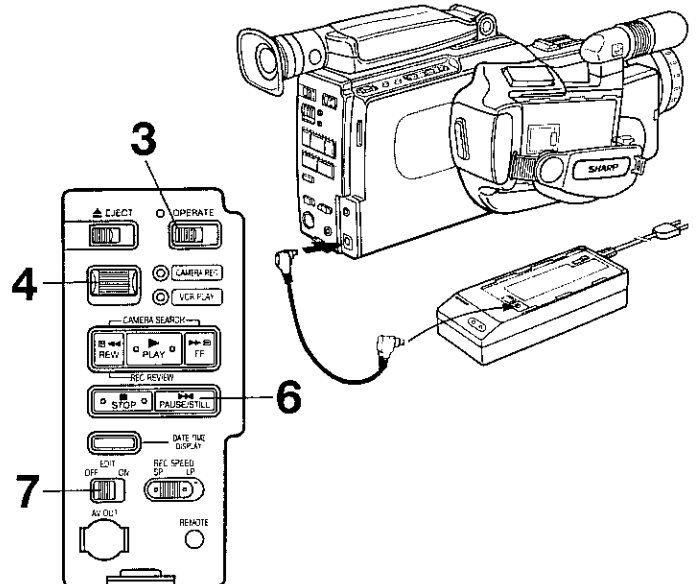
- 1** Enchufe el cable A/V OUTPUT en el terminal AV OUT situado en la parte posterior de la videocámara. Enchufe el conector de 21 clavijas A/V OUTPUT al terminal A/V de la parte posterior del vídeo.
- 2** Verifique la grabación en un televisor conectado al vídeo.
- 3** Conecte una fuente de alimentación a la videocámara y deslice el conmutador OPERATE hasta la posición ON. Encienda ahora el vídeo también.
- 4** Deslice el conmutador CAMERA REC/VCR PLAY de la videocámara hasta "VCR PLAY" y meta una cinta grabada.
- 5** Ponga en el vídeo una cinta casete con la lengüeta de protección intacta y ponga el vídeo en la modalidad REC PAUSE.
- 6** Ubique la escena que quiera copiar de su videocámara y pulse el botón PAUSE/STILL.
- 7** Deslice el conmutador EDIT a la posición de conexión.
- 8** Pulse el botón PAUSE/STILL de su videocámara y del vídeo para comenzar a reproducir y grabar.

Nota

La calidad de la imagen se deteriora con cada copia. Por esta razón, se recomienda utilizar la modalidad de velocidad estándar de la cinta (SP) para copiar una cinta.

CONTROL DE EDICION

La calidad de la imagen se deteriora cada vez que copia desde la videocámara a un vídeo. Deslice el conmutador EDIT para conectarlo y minimizar el deterioro de la calidad de la imagen. Utilícelo mientras edita sus vídeos.



Nota

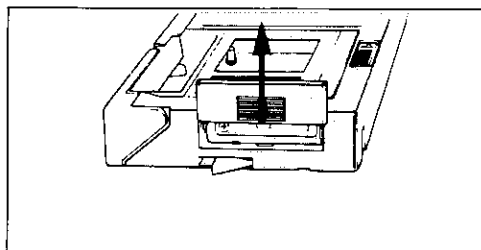
- Normalmente, el conmutador EDIT debe estar desconectado.

EMPLEO DEL ADAPTADOR DE CASETE (ACCESORIO OPCIONAL)

Los casetes compactos de vídeo VHS grabados con la VL-C780S se pueden reproducir en un vídeo VHS estándar utilizando el adaptador de casete VR-72CA opcional. (Un casete de vídeo compacto instalado en el adaptador de casete es totalmente compatible con un vídeo VHS estándar, tanto para grabar como para reproducir.)

Forma de colocar la pila en el adaptador de casete
El adaptador de casete VR-72CA funciona con una pila tipo R6 (AA).

Quite la tapa de la pila deslizando hacia arriba. Instale una pila tipo R6 (AA) y vuelva a poner la tapa.



Cómo meter un videocasete compacto en el adaptador de casete

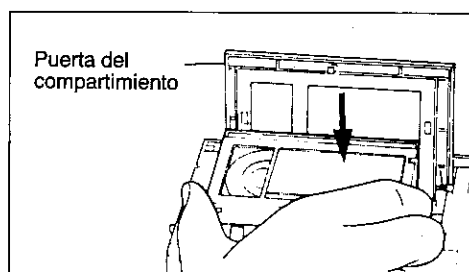
Si la cinta de vídeo está floja al meter el casete compacto en el adaptador, la cinta se puede dañar. Ajuste las partes flojas de la cinta.

- 1** Empuje el pestillo deslizante en la dirección de la flecha para abrir la puerta.



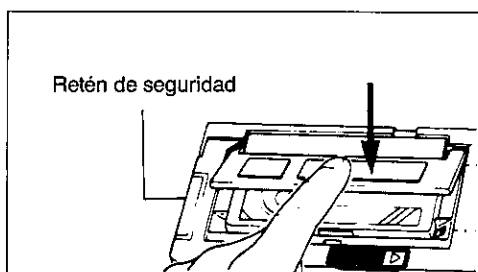
- Se abre la puerta del compartimento.

- 2** Meta el casete como se muestra en la figura.



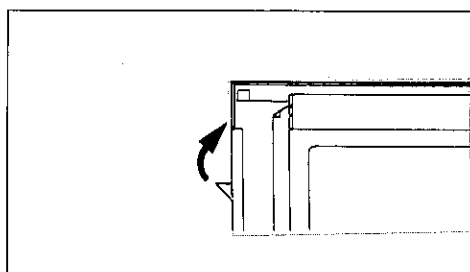
- Asegúrese de meterlo en escuadra y sin inclinarlo.
- Asegúrese de que no haya partes flojas de la cinta.
- No toque la cinta mientras inserta el casete compacto en el adaptador de casete.

- 3** Cierre la puerta del compartimento.



- La cinta se cargará automáticamente.

- 4** El retén de seguridad se retirará. Esto indica que se completó la carga de la cinta.



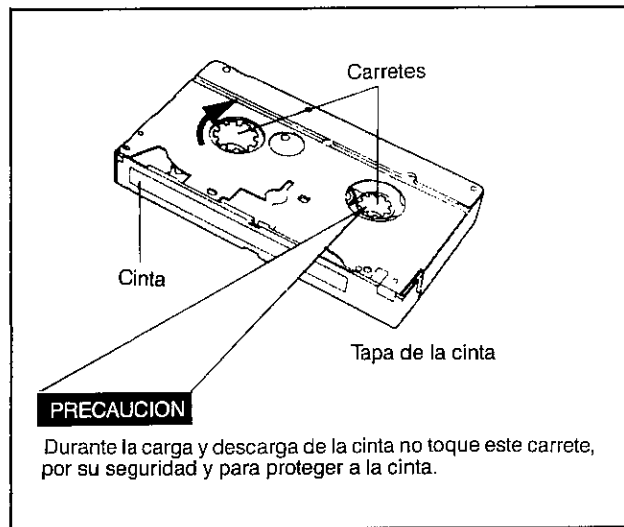
Precaución:

Durante la carga y descarga de la cinta no toque los carretes de la cinta, tanto por su seguridad como para proteger la cinta.

Precauciones:

Compruebe la condición de la cinta después de meter el casete y completar la carga de la cinta:

1. Compruebe que no haya partes flojas de la cinta. (No abra la tapa de la cinta.)
2. Si hay partes flojas de la cinta, elimínelas haciendo girar el carrete en la dirección de la flecha.



REPRODUCCION DE LA CINTA

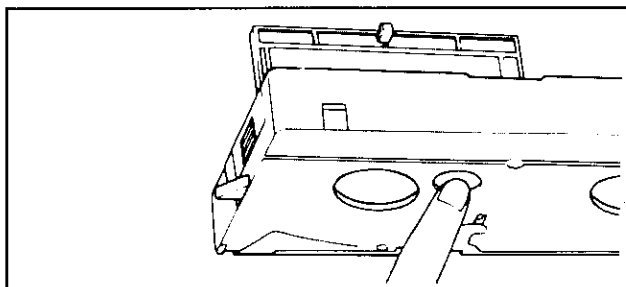
1. Cargue el adaptador de casete en una platina VHS de la misma forma en que cargaría una cinta VHS común.
2. Haga funcionar la platina VHS como de costumbre.
 - Note que al usar la platina VHS se pueden realizar efectos especiales de reproducción.
 - Si aparecen barras de ruido, ajuste el seguimiento de la platina de reproducción. Asegúrese de reposicionar el control de seguimiento a su posición normal cuando haya terminado de reproducir cintas VHS compactas.
 - Consulte el manual de instrucciones del VCR para conocer su manejo.

Notas

- Durante la reproducción con efectos especiales (movimiento lento, cuadros fijos, etc.) la imagen puede vibrar o pueden aparecer barras de ruido en la pantalla.
- El retén saliente de seguridad indica que no se completó la carga de la cinta. En esta condición, NUNCA intente cargar el adaptador de casete en un video porque ambos podrían dañarse.
- No cargue ni descargue repetidamente el adaptador de casete en un video sin hacer que la cinta corra. Esto aflojaría la cinta, dañándola.
- El adaptador de casete no se puede cargar en posición invertida.
- Después de utilizarlo, saque el casete del adaptador.

Forma de sacar el casete compacto de video

Deslice el pestillo para abrir la puerta; luego ejerza presión hacia arriba sobre el casete para sacarlo haciendo pasar un dedo por el orificio ubicado en la parte inferior del adaptador.

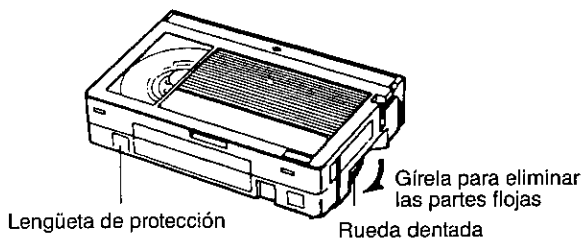


Notas

- Este adaptador de casete está fabricado con precisión. Evite las vibraciones o sacudidas violentas. No lo deje caer; no lo desarme ni modifique pues podrían producirse fallos de funcionamiento.
- Al guardar el adaptador de casete en su estuche, meta primero el extremo del adaptador de casete en que está instalado el retén de seguridad.

Casetes de video

- La VL-C780S emplea solamente casetes compactos de video que lleven la marca **VHS**.
- Al grabar en cintas ya grabadas se borra automáticamente el video y las señales de audio previamente grabadas.
- No se puede insertar un casete invertido.
- No cargue ni descargue repetidamente el casete sin dejar que la cinta se mueva por lo menos un poco. Esto aflojaría la cinta, dañándola.
- Asegúrese de que la cinta no está floja antes de cargarla. Si hay partes flojas, haga girar la rueda dentada del casete en la dirección de la flecha para eliminar las partes flojas.
- El casete está equipado con una lengüeta de protección para evitar borrados accidentales. Al quitar la lengüeta es imposible grabar. Si usted desea grabar en un casete con la lengüeta eliminada, use cinta adhesiva para volver a sellar la abertura.
- Para evitar una exposición excesiva al polvo y a las huellas digitales, no abra la tapa delantera de la cinta.



Almacenamiento de los casetes

- Evite exponer los casetes a la luz solar directa. Manténgalos alejados de radiadores.
- Evite guardar los casetes en lugares húmedos o con mucho polvo.
- No deje caer los casetes. No los exponga a vibraciones o sacudidas violentas.
- No exponga los casetes a campos magnéticos fuertes (cerca de motores, transformadores o imanes).
- Ponga los casetes en sus estuches y déjelos en posición vertical.

FUNCIONES AVANZADAS

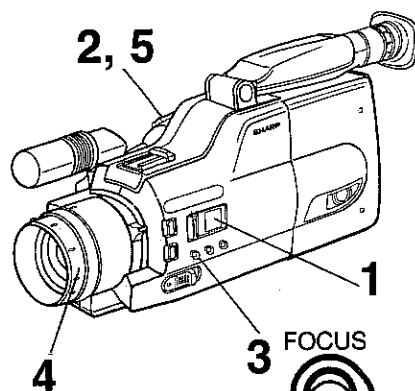
ENFOQUE MANUAL

En los casos siguientes puede resultar difícil usar el enfoque automático, de modo que usted mismo querrá enfocar el objetivo.

1. Cuando el objeto no esté en el centro de la escena.
2. Cuando quiera lograr que el fondo de la escena, o el primer plano, resulte borroso.
3. Cuando quiera que el comienzo de una escena esté fuera de foco.

EMPLEO DEL ENFOQUE MANUAL

- 1 Desconecte el conmutador FULL AUTO.
- 2 Pulse T para acercar el sujeto con el zoom.
- 3 Pulse el botón FOCUS para seleccionar MANUAL FOCUS.
- 4 Haga girar el anillo de enfoque hasta que el sujeto esté enfocado.
- 5 Pulse suavemente W y haga alejar el plano con el zoom para componer la escena.



BALANCE DEL BLANCO

El balance del blanco asegura que todos los colores de una escena se reproduzcan correctamente. En la modalidad automática, el balance del blanco se ajusta automáticamente.

Utilización de la modalidad de bloqueo del balance del blanco

Cuando se grabe un objeto con un color intenso puede producirse un cambio del color, por ejemplo, cuando el visor quede lleno con un color al tomar un primer plano de un papel con un color intenso. La modalidad de balance del color blanco automática se bloquea para evitar que un color cambie en tales ocasiones. Siga el procedimiento descrito abajo para bloquear la modalidad del balance del color blanco.

(1) Cuando se necesita una acción rápida

“zoom out” un objeto que no sea de un color intenso. Bajo esta condición, el balance del color blanco se ajustará automáticamente.

Pulse el botón WHITE BALANCE para bloquear el ajuste del balance del blanco. “W/B” aparece en el visor. El cambio de color puede evitarse cuando el balance del blanco está bloqueado incluso cuando grabe un primer plano de un objeto con un color intenso.

(2) Cuando sea necesario un ajuste preciso del balance del blanco.

Enfoque un panel blanco para que el visor quede lleno de esa imagen y luego siga enfocando durante 2 segundos. El balance del blanco apropiado se ajustará automáticamente. Desconecte el conmutador FULL AUTO y presione el botón WHITE BALANCE para bloquear el ajuste del blanco. “W/B” aparece en el visor.

Para desactivar el modo de bloqueo del balance del blanco, pulse el botón WHITE BALANCE o deslice el conmutador FULL AUTO hacia el modo FULL AUTO para volver al modo automático del balance del blanco.

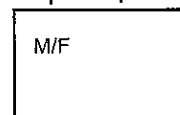
- La temperatura de color de un fuente de luz cambia. Por ejemplo, la temperatura de color de la luz del sol cambiará según el tiempo y la hora del día. Reponga el bloqueo del equilibrio del blanco si cambia la temperatura del color.

Notas

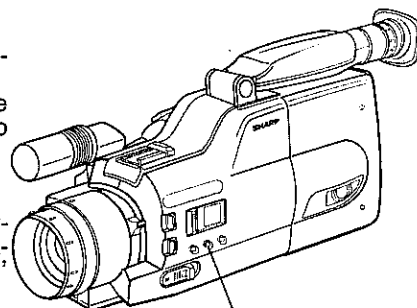
- Si se desconecta la alimentación de la videocámara mientras se hace el bloqueo del balance del blanco, o si la videocámara se conmuta a la modalidad del VCR, el bloqueo del blanco se cancelará.
- A pesar de estar activado el modo de bloqueo del balance del blanco, el balance del blanco no queda perfectamente bloqueado. La función de compensación del balance del blanco puede ajustarse a pequeñas variaciones en la temperatura del color, dando a sus grabaciones un color más natural.

El balance automático del color blanco no funcionará correctamente bajo las condiciones siguientes:

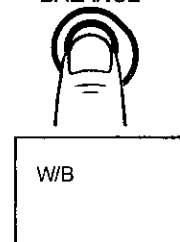
- Al mezclar luz natural y artificial. Tenga cuidado con las escenas de ventanas que contienen luz artificial y natural mezcladas. Asimismo, toda la iluminación debe tener la misma temperatura de color.
- Al utilizar efectos especiales de iluminación.
- Al grabar un objeto con un contrafondo de tonalidad intensa.
- Cuando falta luz.
- Cuando la temperatura de color de una escena cambia rápidamente o hay demasiado contraste.
- Cuando el objeto es de un color intenso.



En la modalidad de enfoque manual, “M/F” se visualiza en el visor.



WHITE
BALANCE



En la modalidad de bloqueo del balance del blanco, “W/B” se visualiza en la parte superior izquierda del visor. (Si se desactiva la modalidad de bloqueo del balance del blanco, la visualización desaparece.)

COMPENSACION DE CONTRALUZ

El iris automático de esta videocámara utiliza un nuevo sistema de medición de luz para controlar automáticamente la pérdida de color y ajustar los objetos con contraluz. Sin embargo, si la contraluz es demasiado intensa y el objeto aparece oscuro, pulse el botón BLC/GAIN-UP para evitar que el objeto aparezca oscuro en la grabación.

Nota

La videocámara volverá automáticamente a la modalidad AUTO IRIS después de dejar de presionar el botón BLC/GAIN-UP.

GANANCIA

"LIGHT" se visualiza en el visor cuando graba un objeto oscuro. Si pulsa el botón BLC/GAIN-UP, la escena se hace más brillante.

"* LIGHT *" se visualiza en el visor para indicar que la modalidad de ganancia está activada.

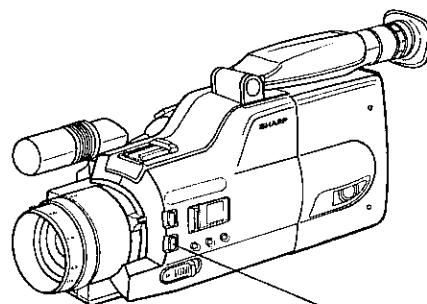
Cuando el objeto se haga más brillante, "* LIGHT *" desaparecerá.

Sin embargo, la memoria de la modalidad de ganancia permanece.

Para desactivar completamente la modalidad de ganancia, pulse el botón BLC/GAIN-UP mientras se visualiza "* LIGHT *" en el visor.

Nota

- En la modalidad de ganancia aparecerán más ruidos de imagen.
- El modo de ganancia se cancelará si se desconecta la alimentación o la videograbadora se pone en el modo de reproducción.




BLC/GAIN-UP



* LIGHT *

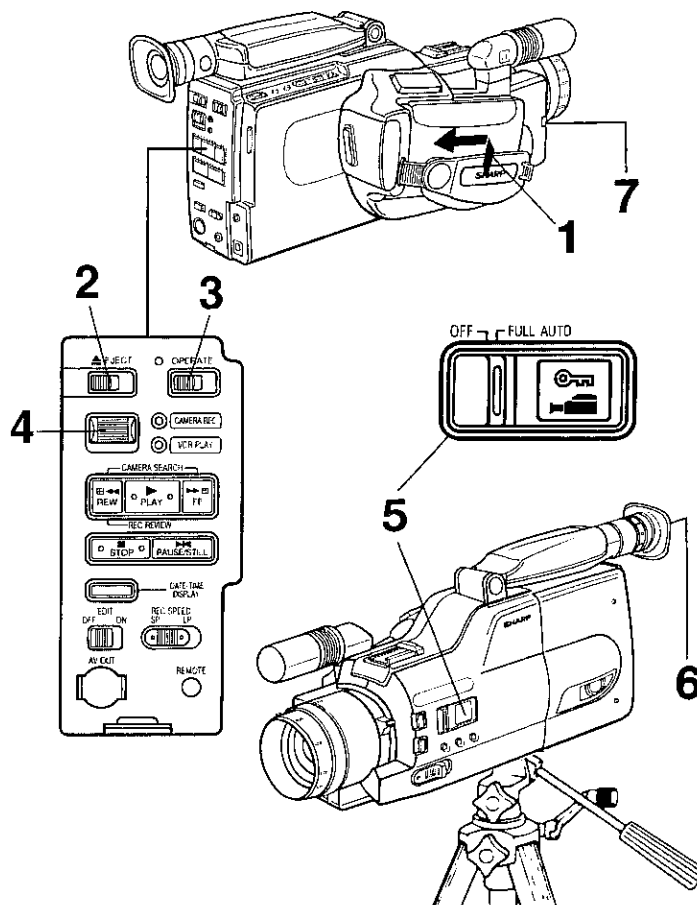
Estando activada la modalidad de ganancia, "* LIGHT *" se visualiza en el visor.

GRABACION CON EL AUTOTEMPORIZADOR

- 1 Instale la caja de las pilas.
- 2 Pulse el botón EJECT y abra el portacasete. Meta un videocasete con su lengüeta de protección intacta y la ventana orientada hacia afuera. Haga presión sobre el ángulo del soporte del casete marcado "PUSH" hasta que quede en su lugar produciendo un ruido seco.
- 3 Monte la videocámara sobre un trípode estable diseñado para ser utilizado con video, y luego deslice el conmutador OPERATE hacia la posición ON.
- 4 Ponga el conmutador CAMERA REC/VCR PLAY en la posición "CAMERA REC".
- 5 Ponga el conmutador FULL AUTO en la posición "FULL AUTO" y verifique si  se visualiza en el visualizador de cristal líquido.
- 6 Mientras orienta la videocámara hacia el sujeto, pulse el botón del zoom motorizado y ajuste el ángulo de visión.
- 7 Pulse el botón SELF TIMER. El indicador Talent Tally destella durante 10 segundos, luego la videocámara grabará durante 20 segundos y se pondrá en la modalidad REC PAUSE. Si desea grabar durante más tiempo, pulse el botón SELF TIMER dos veces sucesivas.

Nota

Si pulsa el botón SELF TIMER tres veces, se desconecta el SELF TIMER.



OBTURADOR DE ALTA VELOCIDAD

Utilice la modalidad HIGH SPEED SHUTTER (1/10.000, 1/2.000, 1/500, 1/100 de seg.) cuando grabe objetos en rápido movimiento como por ejemplo deportes (tenis, golf, etc.). Cuando reproduzca las cintas en un video de 4 cabezas, la imagen de reproducción no quedará clara incluso en las modalidades STILL y SLOW.

UTILIZACION DEL OBTURADOR DE ALTA VELOCIDAD

1 Estando en la modalidad REC PAUSE, desconecte el conmutador FULL AUTO y presione el botón selector SHUTTER SPEED. Seleccione la velocidad deseada. Las velocidades del obturador cambian en el orden siguiente: 1/10.000 de seg., 1/2.000 de seg., 1/500 de seg., 1/100 de seg., velocidad estándar (1/50 de seg.) y vuelta a 1/10.000 de seg.

2 Pulse el botón REC START/STOP para iniciar la grabación normal. El obturador de alta velocidad es más rápido que el normal y, por lo tanto, necesita más luz. Utilice el obturador de alta velocidad en lugares bien iluminados. La iluminación mínima necesaria se indica a continuación:

1/10.000 de seg.: 3.000 lux

1/2.000 de seg.: 600 lux

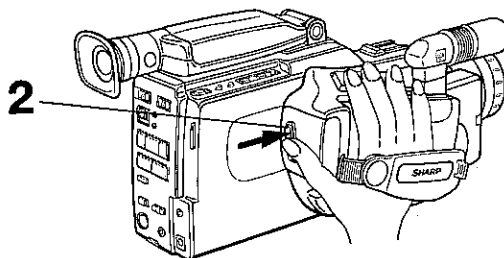
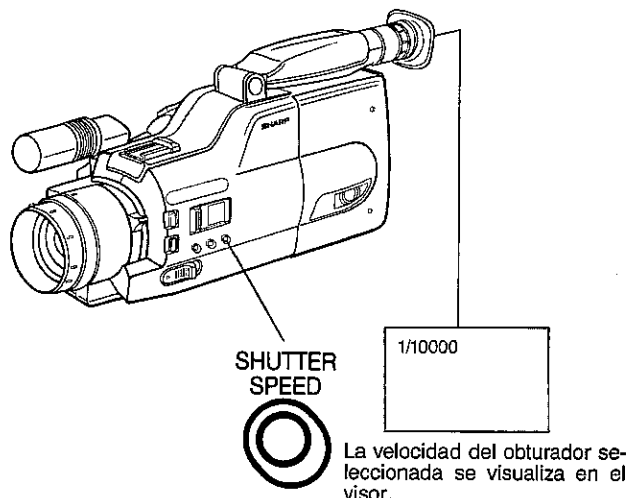
1/500 de seg.: 150 lux

1/100 de seg.: 30 lux

Se recomienda utilizar el obturador de alta velocidad en exteriores o con luz extra.

Nota

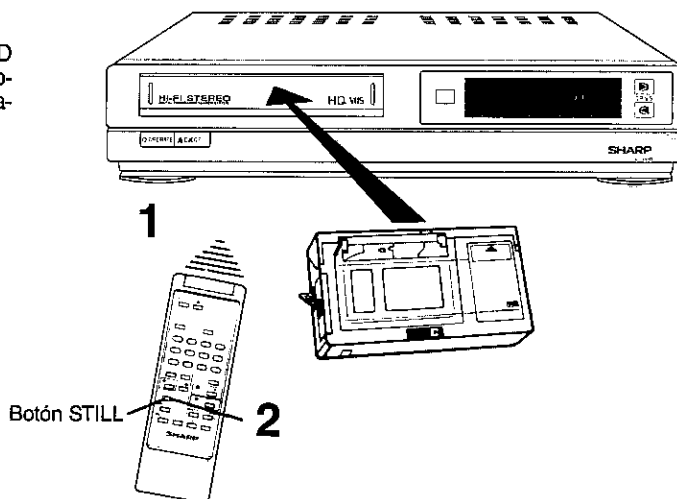
- Evite utilizar el obturador de alta velocidad bajo luces fluorescentes porque la imagen parpadeará.
- La grabación con velocidades del obturador superiores a 1/50 (velocidad estándar) tiende a producir unas imágenes oscuras. Grabe en lugares bien iluminados cuando utilice otras velocidades del obturador.



REPRODUCCION DE ESCENAS GRABADAS EN LA MODALIDAD DEL OBTURADOR DE ALTA VELOCIDAD

1 Ponga la cinta grabada en el adaptador de casete **VHS** opcional y luego en un VCR **VHS** de 4 cabezas.

2 Cuando mire las escenas grabadas con el HIGH SPEED SHUTTER, podrá disfrutar de imágenes libres de borrosidad incluso durante la reproducción en las modalidades STILL y SLOW.



Botón STILL

MACROTOMAS

Usando la función macro se pueden filmar pequeñas plantas, insectos, fotos del álbum familiar ampliadas, etc., de modo que llenen completamente la pantalla. También puede usar la función macro para grabar títulos para sus videos.

Normalmente el objetivo sólo se pueden enfocar sobre sujetos que estén alejados más de 1 m desde el frente de la cámara grabadora.

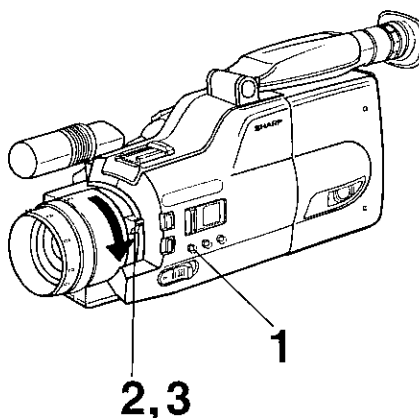
Poniendo el objetivo en macro, se pueden enfocar manualmente cualquier sujeto situado en el margen del macro, de 8 mm a 100 cm, exactamente delante del objetivo de la cámara.

Monte la cámara grabadora sobre un trípode estable, ya que aun los movimientos más pequeños se magnifican al tomar vistas de los sujetos con la función macro.

- 1** Ponga el botón FOCUS en MANUAL.
- 2** Mantenga pulsado el botón MACRO y gire la palanca del macro, trabándola en la posición MACRO.
- 3** Enfoque haciendo girar lentamente la palanca del zoom.

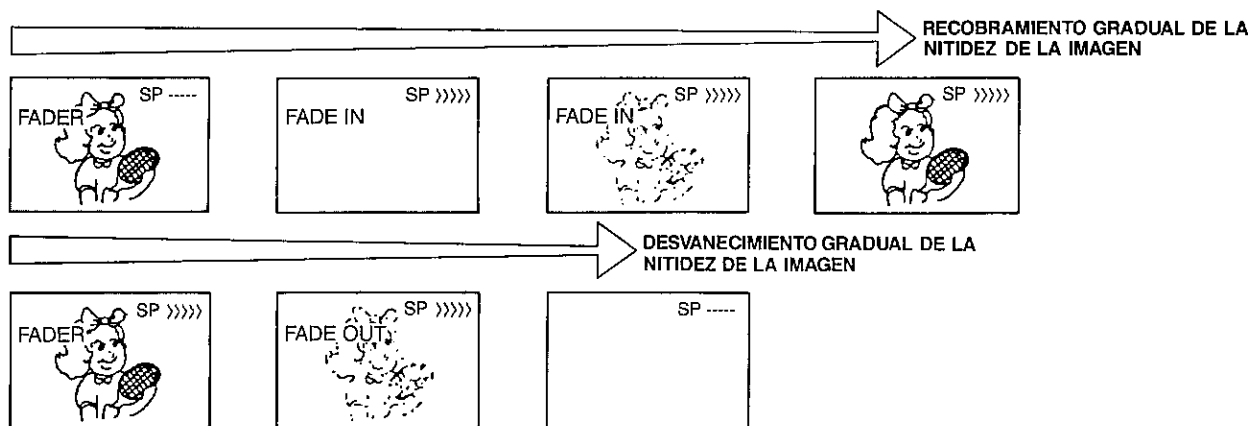
Nota

- Cuando grabe un objeto de color intenso, como por ejemplo los pétalos de una flor, el color podría cambiar. En este caso, utilice la modalidad de bloqueo del blanco. (Vea la página 31.)



RECOBRAMIENTO Y DESVANECIMIENTO GRADUAL DE LA NITIDEZ DE LA IMAGEN

Con esta videocámara usted puede disfrutar de los efectos especiales de recobramiento y desvanecimiento gradual de la nitidez de las imágenes grabadas.

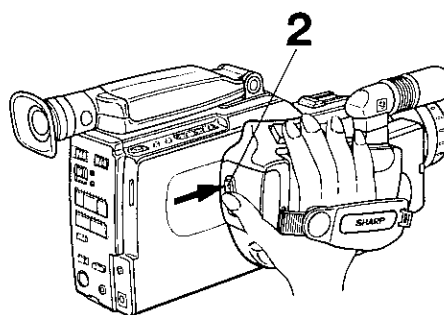
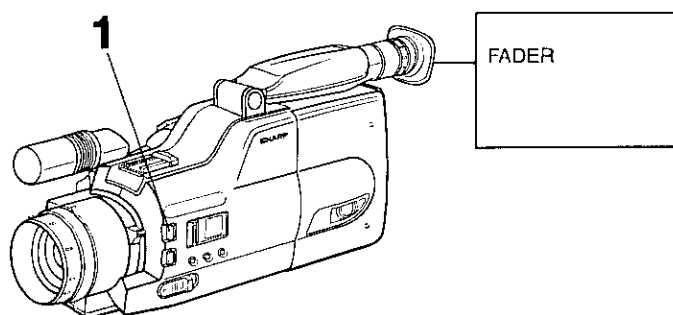


RECOBRAMIENTO GRADUAL DE LA NITIDEZ DE LA IMAGEN

- 1** Estando activada la modalidad REC PAUSE, pulse el botón FADE IN/OUT. El visor mostrará "FADER".
- 2** Pulse el botón REC START/STOP para comenzar a grabar. El visor se tornará negro y luego enfocará el sujeto gradualmente. ("FADE IN" aparecerá en el visor.)

DESVANECIMIENTO GRADUAL DE LA NITIDEZ DE LA IMAGEN

- 1** Mientras graba, pulse el botón FADE IN/OUT. El visor mostrará "FADER".
- 2** Pulse el botón REC START/STOP. El visor se tornará negro gradualmente desvaneciéndose la imagen. ("FADE OUT" aparecerá en el visor. Si selecciona la modalidad REC PAUSE, FADER se cancelará.)



ILUMINACION

Para obtener imágenes de buena calidad necesitará entre 500 y 100.000 lux; se puede grabar con menor iluminación, pero la calidad de la imagen puede deteriorarse. La iluminación adecuada es también esencial para un balance del blanco correcto.

Brillo	Situación	Temperatura de color	Situación	Color	Gama del balance del blanco		
100.000 (lux)	Cielo azul	10.000 (°K)	Día claro	Azul	A U T O		
	Día claro al mediodía (100.000) Día claro a las 10 am (65.000)	9.000	Televisor en colores				
10.000	Día claro a las 3 pm (35.000) Día nublado al mediodía (32.000) Día nublado a las 10 am (25.000)	8.000	Día nublado	Blanco			
	1.000	Día nublado, 1 hora después de la salida del sol (2.000) Día claro, 1 hora antes de la puesta del sol (1.000) Luz fluorescente cerca de una ventana (1.000)	7.000			Día lluvioso	
		Interior de una fábrica (700-800) Mostrador de venta de una tienda (500-700) Recinto de bowling (500) Bolera (500) Oficina con iluminación fluorescente (400-500) Lámpara fluorescente de escritorio (400) Luz de destello a 1 m (250)	6.500			Luz fluorescente de día	
100	Escalera de una tienda (100)	6.000	Lámpara de flash de una cámara			Amarillo	
		5.500					
10	Durante el intervalo de un cine/teatro (15-35) Encendedor de cigarrillos a 30 cm (15-20) Velas de una torta de cumpleaños a 20 cm (10-15) Luz de una vela	5.000	Lámpara fotográfica azul				Rojo
		4.500	Luz fluorescente blanca				
		3.500	Luz fluorescente no blanca Lámpara fotográfica de tungsteno				
		3.200	Lámpara halógena				
		2.800	Lámpara de tungsteno Lámpara de yodo				
		2.500	Lámpara de acetileno Lámpara de keroseno				
		2.000	Luz de una vela				

Notas

- Estos datos son aproximados.
- Para obtener un balance del color más preciso, compruebe la imagen en un monitor en colores y ajuste el balance del blanco hasta que el color sea natural.
- El balance automático del blanco debe usarse normalmente en la gama de temperaturas del color que se muestra arriba. Sin embargo, entre 2500°K y 8000°K funcionará satisfactoriamente, pero la imagen se puede tornar más roja o azul, respectivamente.

Iluminación del video

La iluminación es uno de los aspectos más importantes de los videos hogareños. Y también es uno de los más descuidados. Una buena iluminación equivale a menudo a trazar la diferencia entre una gran película y una película pobre. Y la iluminación es esencial para obtener un balance del blanco correcto.

En la mayoría de las escenas de exteriores, la iluminación natural es adecuada para los videos hogareños. En recintos cerrados el problema es más complicado. Se requiere iluminación artificial y las lámparas de tungsteno (o cuarzo) suministran las fuentes de luz artificial más parecidas a la luz natural, al mismo tiempo que proveen una temperatura de color constante durante mucho tiempo.

La buena iluminación es difícil de lograr, y hay muchos problemas de los cuales debe precaverse. Instalando simplemente una luz sobre la videocámara, o varias luces sobre los lados de la misma, sólo logrará que el sujeto aparezca plano y en dos dimensiones. Para que el sujeto luzca más interesante, use la iluminación para modelar su sujeto y para dar énfasis a una escena dada.

ANTES DE LLAMAR AL SERVICIO TECNICO

Antes de llamar al servicio técnico, tenga a bien realizar las comprobaciones sugeridas en la siguiente tabla de determinación de averías.

SINTOMA		CAUSA POSIBLE	SOLUCION SUGERIDA
• Energía	• No hay energía	• Están funcionando los dispositivos de seguridad.	• Desconecte el cable del adaptador de CA, y luego enchúfelo de nuevo en el tomacorriente.
		• No está cargada la caja de las pilas.	• Cargue suficientemente la caja de las pilas.
		• La unidad de la fuente de alimentación no está bien conectada	• Conecte la unidad de la fuente de alimentación correctamente.
	• La alimentación se desconecta poco después de conectarse.	• Caja de las pilas agotada.	• Utilice una caja de pilas completamente cargada.
		• Condensación en la videocámara.	• Espere hasta que desaparezca la condensación.
• Grabación	• Hay energía, pero no se ven imágenes en el visor.	• La tapa del objetivo está puesta.	• Quite la tapa del objetivo.
	• No se puede grabar.	• La lengüeta de prevención de la grabación del casete está rota. • El conmutador CAMERA REC/VCR PLAY está puesto en "VCR PLAY".	• Tape con cinta adhesiva el orificio de la lengüeta o inserte un casete con su lengüeta de prevención de la grabación intacta. • Deslice el conmutador CAMERA REC/VCR PLAY a "CAMERA REC".
	• La calidad del color es pobre	• El TV no está bien regulado. • Iluminación pobre.	• Regule el TV. • Aplique iluminación adicional o iluminación con la temperatura de color correcta.
	• Imagen borrosa	• Hay polvo u otras materias extrañas sobre el objetivo. • No está bien enfocada.	• Limpie el objetivo. • Ajuste el enfoque.
	• La imagen de la cámara es demasiado oscura.	• El botón selector SHUTTER SPEED está en HIGH SPEED SHUTTER MODE.	• Ponga el botón selector SHUTTER SPEED en "STANDARD".
• Reproducción	• No aparece ninguna imagen.	• Mala conexión al TV.	• Vuelva a conectarlo bien.
		• El conmutador TV/VIDEO del TV no está sintonizado a la salida del convertidor de RF (UHF 30 — 39).	• Sintonice el TV al canal de salida del convertidor de RF (UHF 30 — 39).
		• El conmutador TV/VIDEO del TV no está en la posición TV (si el TV viene equipado con un terminal de entrada AV).	• Ponga el conmutador TV/VIDEO del televisor en la posición TV.
	• Reproduce en blanco y negro cuando la videocámara está conectada al televisor.	• El seguimiento no está bien ajustado.	• Ajuste el seguimiento.
	• Hay ruido de video en la imagen.	• Cinta vieja o gastada.	• Use una cinta nueva.
	• Imagen partida	• Insuficiente capacidad de las pilas.	• Recargue la caja de las pilas.
• No puede insertarse el casete.	• El casete no tiene su parte superior orientada hacia arriba, o está invertido. • Hay otro casete en el aparato.	• Verifique la posición del casete y vuelva a insertarlo. • Pulse el botón EJECT y sáquelo.	
• La cinta no se mueve en la modalidad de avance rápido.	• La cinta ya está completamente bobinada.	• Rebobine hasta el punto deseado.	
• La cinta no se mueve en la modalidad de rebobinado.	• La cinta ya está completamente rebobinada.	• Avance rápidamente hasta el punto deseado.	

Nota

Esta videocámara viene equipada con un microprocesador. Su rendimiento puede verse afectado por ruido o interferencias externas. Si esto ocurriera, desconecte la alimentación, y desenchufe la alimentación de la fuente de energía.

ESPECIFICACIONES

Formato	VHS estándar
Fuente de alimentación	CC 9,6V ---
Potencia	8,5W
Sistema de señal	Señales de color tipo PAL
Sistema de grabación	Iluminancia: Grabación FM Color: Grabación directa por conversión de la subportadora. Responde al estándar VHS
Casete	Casete VHS-C
Velocidad de la cinta (SP)	23,39 mm/seg
(LP)	11,69 mm/seg
Máximo tiempo de grabación (SP)	30 minutos (con casete EC-30)
(LP)	60 minutos (con casete EC-30)
VIDEO Salida	1,0 Vp-p, 75 ohmios, desequilibrada (vía conector de salida AV)
Relación S/R	46 dB (con medidor de ruido Rohde & Schwartz)
AUDIO Salida	- 8 dB, 1 Kohmio (vía conector de salida AV)
Entrada del micrófono	- 65 dB, alta impedancia, desequilibrada
Toma	1/2" -formato CCD
Iluminación mínima requerida	3 lux (a F1,6, con ganancia)
Objetivo	F1,6, f=8-64 mm/F2,4, f=12-96 mm, 8 x objetivo zoom motorizado con función de expansión incorporada, control automático del iris y posición macro, diámetro de filtro de 46 mm.
Visor	Visor electrónico con CRT blanco y negro de 0,7"
Compensación de temperatura de color	Balance automático del blanco con bloqueo de balance del blanco
Temperatura de funcionamiento	0°C a +40°C
Humedad de funcionamiento	35% — 80%
Temperatura de almacenamiento	-20°C a 60°C
Peso	1,2 Kg (con visor)
Dimensiones	126 (An) x 151 (Al) x 322 (Prof) mm (incluyendo el visor)

Especificaciones del adaptador de CA/cargador de pilas

Alimentación requerida	AC 110V — 240V, ~50/60 Hz
Tensión de salida nominal	CC 9,6V ---
Corriente de salida nominal	1,3A
Sistema de carga	Corriente constante, detección de picos, controlado por temporizador
Dimensiones	70 (An) x 43 (Al) x 154 (Prof) mm
Peso	Aprox. 380 g.

ACCESORIOS SUMINISTRADOS

Caja de pilas estándar (BT-75)	Banda para el hombro
Adaptador de CA/cargador de pilas (AA-75S)	Cable de salida de cc
Cable de salida A/V	Pila de litio
(conector Euro-SCART de 21 clavijas)	

ACCESORIOS OPCIONALES

Caja de pilas estándar (BT-75)	Caja de pilas para uso prolongado (BT-76)	Convertidor de RF (VR-S10RF)
Adaptador/cargador para baterías de automóviles (VR-P75CH)	Adaptador de casete VHS (VR-72CA)	Mando de pausa a distancia (VR-20ME)
Micrófono tipo zoom (VR-67ZM)		

El diseño y las especificaciones están sujetos a cambios sin previo aviso.

GEBRUIKSAANWIJZING

NEDERLANDS

WAARSCHUWING:

OM EEN GEVAARLIJKE ELEKTRISCHE SCHOK TE VOORKOMEN MAG HET APPARAAT NIET AAN REGEN OF VOCHTIGHEID WORDEN BLOOTGESTELD.

Dit apparaat mag uitsluitend op 9,6V gelijkstroom of de aanbevolen netadapter gebruikt worden.

LET OP:

Om brand of een gevaarlijke elektrische schok te voorkomen mag **NOOIT** een andere stroombron gebruikt worden.

LET OP:

Open nooit de behuizing daar dit kan resulteren in een elektrische schok. In het inwendige zijn geen onderdelen die door de gebruiker gerepareerd kunnen worden. Laat alle service-werkzaamheden over aan een erkende dealer of service-centrum.

Gefeliciteerd met uw verstandige besluit!

Met de keuze uit zoveel verschillende merken zal het nemen van een besluit niet gemakkelijk zijn geweest. Maar genietende van de topkwaliteit en de uitstekende werking van deze Sharp Camcorder weet u dat uw besluit het juiste was.

Met de aankoop van deze Sharp Camcorder beschikt u over de mogelijkheid uw kijkplezier aanzienlijk uit te breiden. Alvorens de Sharp in gebruik te nemen, verdient het aanbeveling de gebruiksaanwijzing aandachtig door te lezen zodat u het apparaat korrekt bedient en een optimale prestatie kunt verwachten. Bewaar de gebruiksaanwijzing voor het geval u in de toekomst verdere informatie betreffende het apparaat wenst.

KENMERKEN

- 1 Vernieuwd 12 x zoomsysteem
- 2 Volautomatisch camera-opnamesysteem
— Automatisch scherpstellen en diafragmeren, en automatische instelling van de witbalans
- 3 High-speed variabel sluitmechanisme met sluitertijden van 1/10.000, 1/2000, 1/500, 1/100 sek.
- 4 Opname mogelijk bij zeer geringe verlichting van zelfs 3 lux (met functie voor verhoogde gevoeligheid)
- 5 Intelligent automatisch diafragmasysteem voor het maken van tegenlicht-opnamen
- 6 Vliegende wiskop en opnamepauze-zoeksysteem
- 7 Zelfontspanner voor opname
- 8 Drieweg voedingsbron voor werking op het lichtnet, de camera-accu en auto-accu.

Belangrijk

Op Audio-Visueel materiaal kunnen auteursrechten rusten. Het ongeoorloofd opnemen van dergelijk materiaal houdt inbreuk op de auteursrechten in. Neem alle wettelijke bepalingen hieromtrent in acht.

Voeding

Voor de voeding van dit apparaat kan de netadapter, accu of een los verkrijgbaar auto-accu snoer gebruikt worden. De netadapter is voorzien van een automatische spanningskiezer (110-240 V, 50/60 Hz wisselstroom).

INHOUDSOPGAVE

KENMERKEN.....	1	MONTEREN VAN BEELDEN.....	22
VOORZORGSMAATREGELEN.....	2	VERVANGEN VAN DE ACCU TIJDENS HET	
DE BELANGRIJKSTE COMPONENTEN EN HUN		OPNEMEN.....	22
FUNKTIE.....	4	AUTOMATISCHE UITSCHAKELFUNKTIE.....	22
VOORBEREIDINGEN.....	7	PAUZE-AFSTANDSBEDIENING	
INZETTEN VAN DE LITHIUM BATTERIJ.....	7	(LOS VERKRIJGBAAR).....	22
INSTELLEN VAN DE DATUM/TIJD.....	7	WEERGEVEN.....	23
MONTEREN EN AFNEMEN VAN DE ACCU.....	8	WEERGEVEN IN DE ZOEKER.....	23
MONTEREN VAN DE SCHOUDERBAND.....	8	SPORINGSREGELING.....	23
PLAATSEN EN UITNEMEN VAN EEN CASSETTE.....	9	VOORWAARTS/TERUGWAARTS ZOEKEN EN	
BIJSTELLEN VAN DE GREEPBAND.....	9	STILBEELD.....	24
GEBRUIK VAN EEN EXTERNE MIKROFOON.....	10	BANDTELLERGEHEUGEN.....	25
GEBRUIK VAN DE ELEKTRONISCHE ZOEKER.....	10	AANSLUITING OP DE TV.....	26
VOEDINGSSYSTEEM.....	11	AANSLUITEN OP EEN TV VOORZIEN VAN	
GEBRUIK VAN DE NETADAPTER/ACCULADER.....	11	EEN AV-AANSLUITING.....	27
OPLADEN VAN DE ACCU.....	12	KOPIEREN OP EEN ANDERE VIDEORECORDER.....	28
GEBRUIK VAN DE AUTO-ACCU ADAPTER/LADER		MONTAGE.....	28
(OPTIONEEL).....	12	GEBRUIK VAN DE CASSETTE-ADAPTER	
GEBRUIK VAN DE ACCU.....	13	(OPTIONEEL).....	29
OPNEMEN MET DE CAMERA.....	14	KREATIEVE FUNKTIES.....	31
OPNEMEN MET DE CAMERA.....	14	MET DE HAND SCHERPSTELLEN.....	31
VOLAUTOMATISCH SYSTEEM.....	16	WITBALANS.....	31
REC-REVIEW FUNKTIE.....	17	TEGENLICHTKOMPENSATIE.....	32
ELEKTRISCHE ZOOMLENS		EXTRA LICHTGEVOELIGHEID.....	32
(GROOTHOEK/TELELENS INSTELLING).....	17	OPNEMEN MET DE ZELFONTPANNER.....	32
GEBRUIK VAN DE ZOOMKEUZETOETS.....	18	HIGH-SPEED SLUITER.....	33
VERSTREKEN TIJDFUNKTIE.....	19	MAKRO-OPNAMEN.....	34
LCD DISPLAY EN INFORMATIE IN DE ZOEKER.....	20	INFADEN & UITFADEN.....	34
AUTOMATISCHE INDIKATIE VAN DATUM/TIJD.....	21	VERLICHTING.....	35
		VERHELPEN VAN STORINGEN.....	36
		TECHNISCHE GEGEVENS.....	37

VOORZORGSMAATREGELEN

LEES DE VEILIGHEIDS- EN BEDIENINGSVOORSCHRIFTEN ZORGVULDIG DOOR ALVORENS DE CAMCORDER IN GEBRUIK TE NEMEN. VOLG DE IN DEZE GEBRUIKSAANWIJZING GEGEVEN INSTRUCTIES NAUWKEURIG OP EN NEEM ALLE WAARSCHUWINGEN IN ACHT.

KONDENSFORMING

Wat is "kondensvorming"?

Indien u koud bier in een glas schenkt, zal er kondens ontstaan op de buitenkant van het glas. Dit fenomeen noemen we kondensvorming.

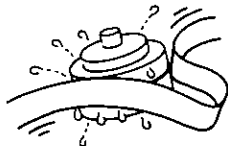


Indien er kondensvorming optreedt in uw camcorder.

Eventueel aanwezige kondens zal langzaam neerslaan op de videokop van uw camcorder en er voor zorgen dat de videoband aan de kop zal blijven kleven. Dit zal zowel de kop als de band beschadigen. In geval van kondensvorming zullen de opname- en weergavefuncties mogelijk niet goed functioneren.

Er bestaat een grote kans op kondensvorming in de volgende situaties:

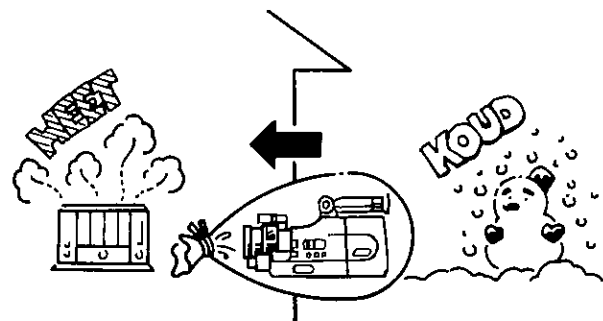
- Indien de camcorder van een koude in een warme omgeving wordt gebracht.
- Indien de camcorder zich bevindt in een koude ruimte die plotseling wordt opgewarmd.
- Indien de camcorder vanuit een ruimte met airconditioning mee naar buiten wordt genomen.
- Indien de camcorder in de directe luchtstroom van een airconditioner wordt geplaatst.
- Indien een de camcorder in een zeer vochtige ruimte wordt geplaatst.



Hoe problemen door kondensvorming te voorkomen.

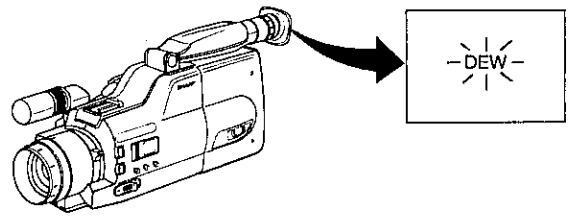
Indien de camcorder wordt gebruikt in een omgeving waar een grote kans tot kondensvorming bestaat, dient u het toestel als wel de videocassette eerst ongeveer een uur de tijd te geven om zich aan te passen aan de omgeving.

Bijvoorbeeld, indien u de camcorder na het skieën mee naar binnen neemt, dient u het toestel eerst in een plastic zak te stoppen en het vervolgens gedurende enige tijd op kamertemperatuur te laten komen.



- ① Zorg ervoor dat er genoeg lucht zit in de plastic zak met de camcorder.
- ② Verwijder de zak zodra de lucht binnenin dezelfde temperatuur als de omgeving heeft bereikt.

"Kondens" waarschuwingsindicator



Indien er zich kondens bevindt op de videokop, zal de kondenswaarschuwingsindicator verschijnen in het LCD displayscherm. Vervolgens zal het toestel na 10 seconden automatisch uitschakelen.

Opmerkingen

- Indien "DEW" getoond wordt, dient u de videoband uit het toestel te nemen en deze gedurende enige uren apart te houden om zich aan de omgeving aan te passen.
- Sinds kondens zich geleidelijk vormt, zal het 10 tot 15 minuten duren totdat de "DEW" aanduiding op de display verschijnt.
- Na enige uren kunt u de camcorder opnieuw aanschakelen en gebruiken mits de "DEW" kondenswaarschuwing van de display is verdwenen.

Alvorens met opnemen te beginnen dient u eerst een testopname te maken om te controleren dat zowel het beeld als het geluid goed wordt opgenomen. Het beeld kan op eenvoudige wijze gecontroleerd worden door gebruik te maken van de "REC REVIEW" functie.

Hoe te zorgen voor een kontinu goede opnamekwaliteit.

Indien uw camcorder wordt gebruikt in velerlei uiteenlopende omstandigheden kan het voorkomen dat de werking van het toestel achteruit gaat tengevolge van verontreiniging op de videokop. Tijdens gebruik van de camcorder dient u daarom in het bijzonder aandacht aan de volgende punten te besteden.

- ① Kondensvorming op de videokop.
- ② Slijtage van de videoband:
Gebruik van een versleten of vervuilde videoband kan de videokop beschadigen. Hierdoor kan het beeld onscherp worden of opname zelfs geheel onmogelijk zijn. Een dergelijke band dient niet gebruikt te worden.
- ③ Gebruik van de camcorder in een stoffige of vochtige omgeving:
Gebruik in een zeer stoffige of vochtige omgeving kan schade toebrengen aan uw camcorder.

Indien de videokop verontreinigd is.

Gebruik van de camcorder met een verontreinigde videokop kan de kop doen verstopen waardoor storing in het opgenomen beeld ontstaat, of opname zelfs geheel onmogelijk kan zijn. In een dergelijk geval dient u contact op te nemen met het dichtstbijzijnde SHARP onderhoudscentrum of uw dealer.

Voor een veilig gebruik

- Maak de behuizing niet open.
- Let erop dat geen ontvlambare of andere vloeistoffen, of metalen voorwerpen in het inwendige terechtkomen. Mocht dit toch gebeuren, schakel de camcorder dan uit en laat het apparaat door een vakman nakijken.
- Probeer nooit zelf het apparaat te demonteren of er wijzigingen in aan te brengen.
- Gebruik de camcorder niet bij onweer. Maak in dit geval de netsnoeren van alle aangesloten apparatuur los van het lichtnet.

Vermijd het gebruik van de camcorder op de volgende plaatsen

- Op plaatsen met extreme vochtigheid of erg veel stof.
- In de buurt van elektrische apparatuur die een sterk magnetisch veld opwekt (TL-lampen, televisies, luidsprekers).
- In de buurt van kookapparatuur of andere plaatsen waar erg vette lucht is.
- Op plaatsen waar de camcorder blootgesteld staat aan sterke schokken of trillingen.
- Bij warmtebronnen zoals kachels of verwarming.
- Op plaatsen waar het apparaat nat kan worden zoals bij een zwembad of in de badkamer.

Stel camcorder niet gedurende langere tijd aan erg hoge of lage temperaturen bloot.

- Laat de camcorder niet langere tijd in direct zonlicht of in de buurt van een warmtebron liggen en laat hem ook niet in de zomer in de auto achter waarvan de raampjes gesloten zijn. Dit om vervorming van de behuizing of beschadiging van de inwendige onderdelen te voorkomen.
- Berg de camcorder niet op plaatsen op waar de temperatuur hoger dan 60°C, of lager dan -20°C is.
- Gebruik de camcorder niet bij temperaturen hoger dan 40°C.
- Gebruik de camcorder niet bij temperaturen lager dan 0°C.
- Gebruik de camcorder niet op plaatsen met een vochtigheid hoger dan 80% RH.
- Berg de camcorder op een plaats op met een temperatuur tussen -20°C en 60°C.

Wees extra voorzichtig tijdens buitenopnamen.

- Let erop dat u de camcorder niet laat vallen of ergens tegenaan stoot. Bescherm het apparaat tijdens vervoer tegen eventuele beschadigingen.
- Zorg ervoor dat de camcorder niet nat wordt.
- Bij gebruik aan het strand dient u de camcorder uit de buurt te houden van zeewater en zonnebrandsprays en te voorkomen dat zand in het apparaat raakt.
- Richt de lens niet op extreem heldere objecten zoals de zon of een sterke lamp.
- **Richt het zoekeroculair niet op de zon.**
- Gebruik de camcorder niet bij onweer.

ALVORENS DE CAMCORDER VAN EEN STROOMBRON WORDT LOSGEKOPPELD, DIENT U DE OPERATESCHAKELAAR OP UIT TE SCHUIVEN. DE BIJBEHORENDE OPERATE-INDIKATOR ZAL DAN UITGAAN.

Behandeling van de camcorder

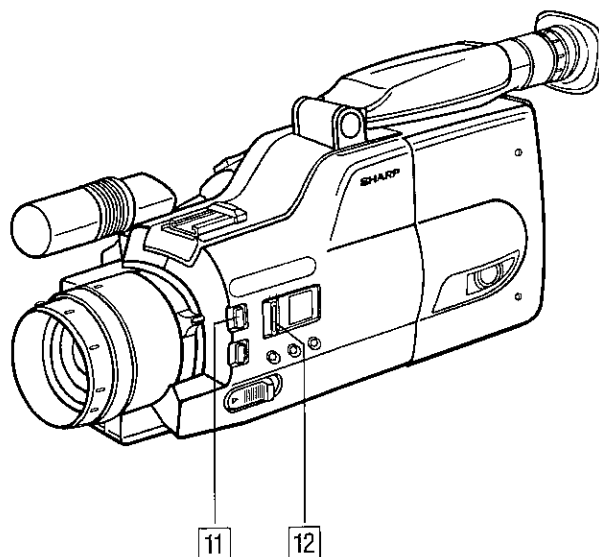
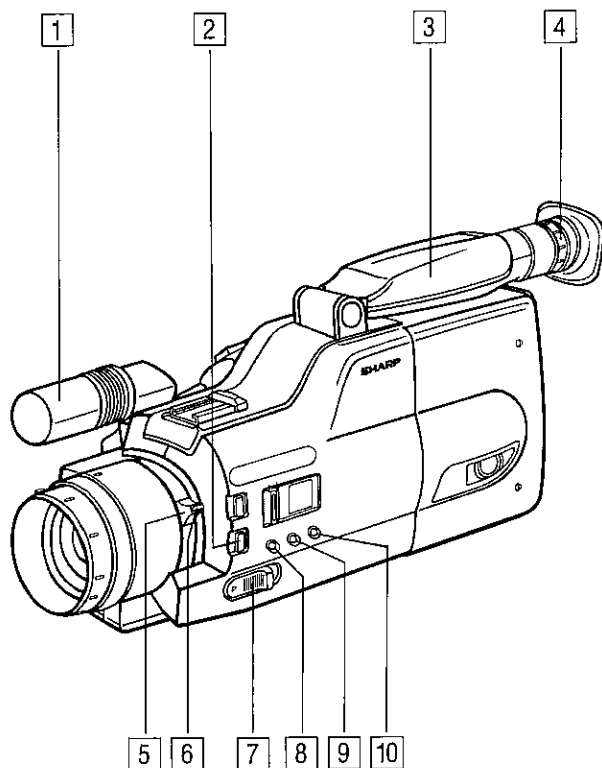
- Zorg dat de mikrofoon niet beschadigd.
- Houd de camcorder tijdens gebruik horizontaal daar er anders een lus in de band kan komen wat tot beschadigingen kan leiden.
- **Draag de camcorder niet door hem bij de zoeker vast te pakken. Steek uw arm door de riem zodat de camcorder niet beschadigd wordt wanneer deze per ongeluk uit uw hand glijdt.**
- Zet na gebruik de lensdop op de lens. Vergeet niet om de camcorder uit te schakelen.
- Raak de scherpstelling niet aan als de automatische scherpstelregeling geactiveerd is.
- Alvorens een filter op de lens te zetten dient u over te schakelen op handmatige scherpstelling of moet het apparaat worden uitgeschakeld.

Reinigen van de camcorder

- Maak de accu los of trek de stekker uit het stopcontact alvorens de camcorder te reinigen.
- Verwijder eventueel stof met een zacht doekje. Bevochtig het doekje met een milde zeepoplossing voor het verwijderen van hardnekkig vuil.
- Gebruik geen sterke chemische middelen zoals benzine, ververdunner of alcohol aangezien deze de afwerking kunnen aantasten.
- Zorg dat de lens en zoeker altijd schoon zijn. Reinig de lens door deze eerst stofvrij te blazen en vervolgens met een zacht borsteltje of en vervolgens met een zacht borsteltje of een lensreinigingspapiertje, bevochtigd met wat lensreinigingsvloeistof, schoon te maken.

DE BELANGRIJKSTE KOMPONENTEN EN HUN FUNKTIE

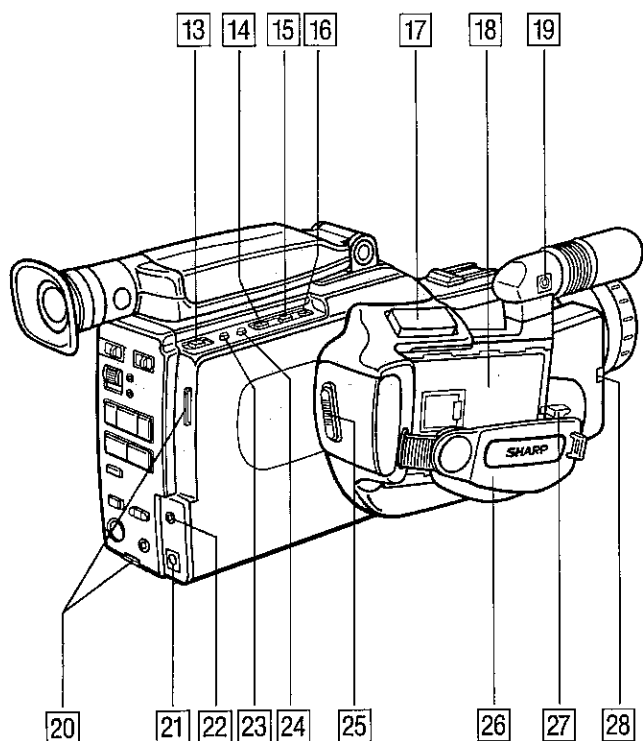
VOORAANZICHT



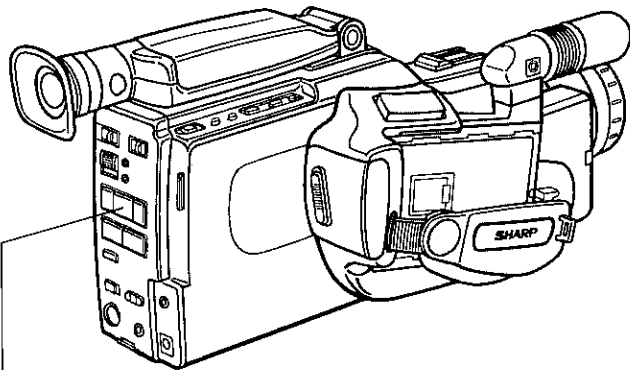
Raadpleeg de tussen haakjes aangegeven bladzijde voor nadere informatie aangaande de desbetreffende toets of regelaar.

- 1 Mikrofoon**
- 2 Toets voor tegenlichtcompensatie/verhoogde lichtgevoeligheid (BLC/GAIN-UP)**
Bij het filmen van een onderwerp tegen een lichte achtergrond zal het onderwerp er op de band mogelijk te donker of niet goed omlijnd uitzien. Dit kan echter worden voorkomen door alvorens de opname op de "BLC" tegenlichtcompensatietoets te drukken. Als "LIGHT" in het zoekerbeeld wordt getoond, is de de functie voor verhoogde lichtgevoeligheid bijgesteld en zal het beeld helderder worden als u op deze toets drukt.
- 3 Elektronische zoeker/monitor**
Toont het te filmen beeld. Functioneert tevens als een normaal zwart/wit scherm voor het weergeven en bekijken van reeds opgenomen materiaal.
- 4 Dioptrieregelaar**
Met deze regelaar kunt u de zoeker instellen op uw eigen gezichtsvermogen.
- 5 Zoomhendel**
Gebruik deze hendel om met de hand in en uit te zoomen.
- 6 Makrotoets**
Druk op deze toets voor het filmen van een onderwerp dat zich minder dan 1 meter van de camcorder bevindt. (Automatische scherpstelling is hierbij niet mogelijk.) Houd de MACRO-toets continu ingedrukt terwijl u de zoomhendel in de "MACRO" stand voor scherpstelling brengt.
- 7 Zoomkeuzetoets (ZOOM SELECT) [18]**
Met deze toets kan het omlijnde gebied in het zoekerbeeld onmiddellijk 1,5 maal worden vergroot of verkleind.
- 8 Keuzetoets automatische/handmatige scherpstelling (AUTO/MANUAL FOCUS)**
Met deze toets in de "AUTO" stand zal de camcorder automatisch op het onderwerp scherpstellen zelfs als het beweegt.
(Gebruik echter de makro-scherpstelstand voor het scherpstellen op een onderwerp binnen een bereik van 1,1 meter.) Zet de keuzetoets echter in de "MANUAL" stand indien de omstandigheden waaronder u de opname maakt een goed functioneren van het autofocusstelsel in de weg staan.
- 9 Witbalanstoets (WHITE BALANCE) [31]**
Gebruik deze toets om de instelling van de witbalans te vergrendelen.
- 10 Sluitersnelheidskeuzetoets (SHUTTER SPEED) [33]**
Maakt het mogelijk om opnamen van snel bewegende onderwerpen scherp weer te geven in de stilbeeldfunctie (of slow-motion functie met een normale VHS videorecorder).
- 11 Toets voor in-/uitfaden (FADE IN/OUT)[34]**
- 12 Schakelaar voor volautomatische bediening (FULL AUTO) [16]**

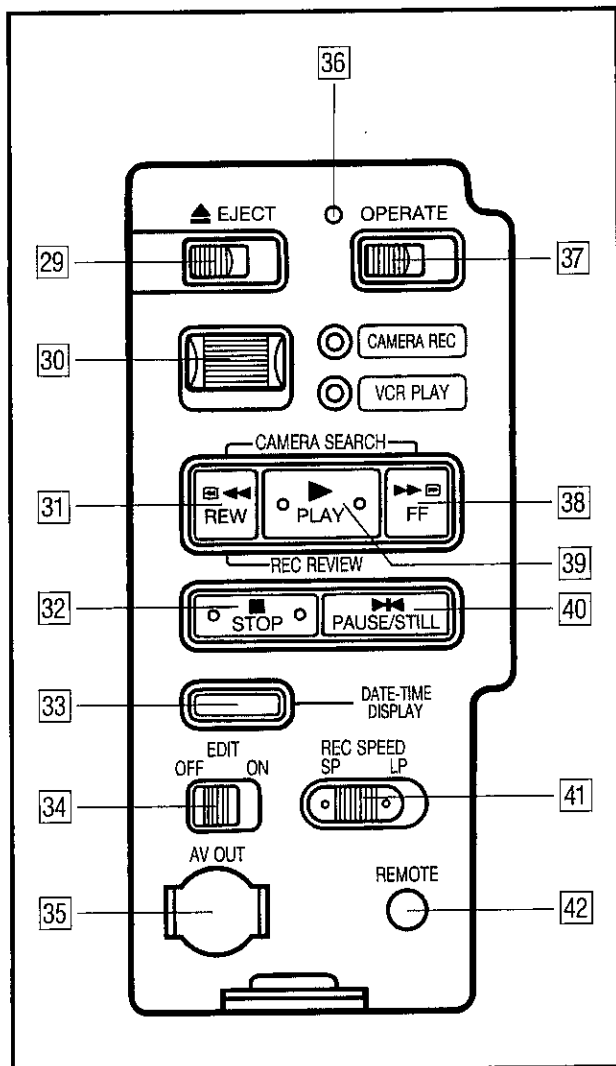
ACHTERAANZICHT



- 13 Extra opname start/stop-toets (REC START/STOP)**
Druk op deze toets om de opname te starten. De opname wordt op pauze gesteld indien ingedrukt tijdens het opnemen. Deze toets is in het bijzonder erg handig bij het filmen vanuit een laag perspectief.
- 14 Spring ◀ regeltoets (TRACKING) [23]**
Insteltoets datum/tijd (DATE/TIME SET) [7]
- 15 Spring ▶ regeltoets (TRACKING) [23]**
Keuzetoets datum/tijd (DATE/TIME SELECT) [7]
- 16 Datum/tijd basistoets (DATE/TIME INITIAL) [7]**
- 17 Groothoek/telelens zoomtoets**
De maximale telelensinstelling wordt verkregen door op T (Tele) te drukken ("inzoomen"). De maximale groothoeklensstand ontstaat door op W (Wide) te drukken ("uitzoomen").
De zoomsnelheid kan worden gevarieerd binnen een bereik van 6 tot 20 seconden door de kracht waarmee u op de zoomtoetsen indrukt.
- 18 Accuvak**
- 19 Aansluiting voor een externe microfoon.**
- 20 Aanhaakogjes schouderriem**
Trek de schouderriem door deze oogjes en stel de lengte bij m.b.v. de gesp.
- 21 Gelijkstroomingangs aansluiting (DC)**
- 22 Oortelefoonaansluiting**
Sluit hier een oortelefoon aan voor het meeluisteren naar het geluid tijdens opname of weergave.
- 23 Toets voor bandteller/bandtellergeheugen/verstreken tijd (COUNTER/COUNTER MEMORY/LAP TIME)**
Voor het schakelen tussen de in het zoekerbeeld zichtbare indicaties van de bandteller, het bandtellergeheugen en de verstreken tijd.
- 24 Terugsteltoets aanduidingen bandteller/verstreken tijd (COUNTER/LAP TIME RESET)**
Voor het terug op nul stellen van de zoekerbeeldaanduidingen van de bandteller en verstreken tijd.
- 25 Opname start/stop-toets (REC START/STOP)**
Druk op deze toets om de opname te starten. De opname wordt op pauze gesteld indien ingedrukt tijdens een opname.
- 26 Greepband**
- 27 Accu-ontkoppelingshendel**
Voor het loskoppelen van de accu.
- 28 Zelfontspannertoets/Opname-indikator (SELF TIMER)**
De opname-indikator licht op zodra een opname wordt gestart zodat de gefilmde personen kunnen zien of de camcorder opneemt of niet. Voor het maken van een opname met de zelfontspanner drukt u op de SELF TIMER-toets terwijl het toestel in de opnamepauzefunctie is geschakeld. De opname-indikator zal nu 10 seconden knipperen en vervolgens start de zelfontspanner de opname.



BEDIENINGSPANEEL

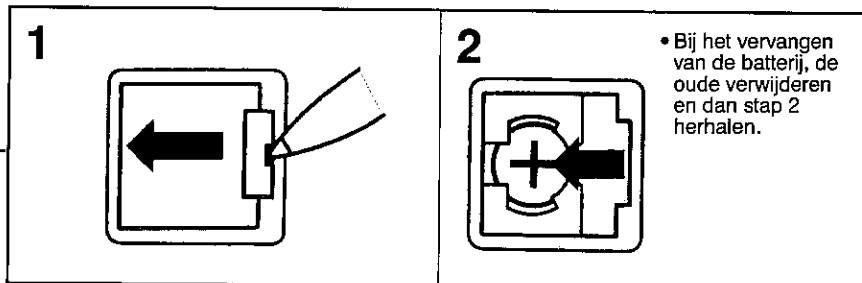
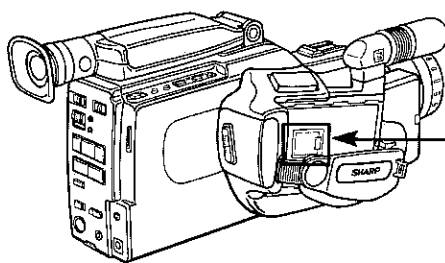


- 29** **Cassette-uitwerptoets (EJECT)**
Voor het plaatsen en verwijderen van de **VHS-C** cassette.
- 30** **Keuzeschakelaar camera-opname/videorecorder-weergave (CAMERA REC/VCR PLAY)**
Zet deze schakelaar in de CAMERA REC stand tijdens het maken van opnamen met de camcorder. (De camcorder schakelt dan automatisch in de opnamepauzefunctie.) Zet de schakelaar op VCR PLAY tijdens het gebruik van de camcorder als een videorecorder. (Indien de camcorder in dit laatste geval in de opnamepauzefunctie staat gesteld, zal automatisch de stilbeeldfunctie worden ingeschakeld; indien het gebeurt tijdens opname wordt de stopfunctie ingeschakeld.)
- 31** **Opnamepauze-zoektoets (◀◀) [17]**
Terugspoel-/terugzoektoets (REW) [24]
Opname terugkijkttoets (REC REVIEW) [17]
- 32** **Stoptoets (STOP)**
- 33** **Datum/tijd displaykeuzetoets (DATE-TIME DISPLAY)**
Met deze toets kunt u een aanduiding van de datum/tijd of alleen de datum instellen om met het beeld opgenomen te worden.
- 34** **Montageschakelaar (EDIT)**
Vermindering van de beeldkwaliteit is onvermijdelijk bij het kopiëren van de camcorder op een videorecorder (montage). Door de EDIT-schakelaar tijdens montage in de "ON" stand te schuiven wordt dit verlies in beeldkwaliteit echter tot een minimum beperkt.
- 35** **Audio/video-uitgangsaansluiting (AV OUT)**
- 36** **Aan/uit-indikator (OPERATE)**
- 37** **Aan/uit-schakelaar (OPERATE)**
Voor het aan- en uitschakelen van de camcorder.
- 38** **Opnamepauze-zoektoets (▶▶) [17]**
Doorspoel-/doorzoektoets (FF) [24]
- 39** **Weergavetoets (PLAY)**
Druk op deze toets voor weergave van de videocassette.
- Opnamepauze-zoektoets (▶) [17]**
- 40** **Pauze-/stilbeeldtoets (PAUSE/STILL)**
Druk tijdens weergave op deze toets om het beeld stil te zetten.
- 41** **LP/SP opnamesnelheidkeuzetoets (REC SPEED SP/LP)**
Voor het kiezen van de LP (langspeel) of SP (normaal) opnamesnelheid. De opnametijd in de beide functies is als volgt (EC-30 VHS-C cassette):
LP functie 60 min.
SP functie 30 min.
- 42** **Pauze-afstandsbedieningsaansluiting**
Sluit hier de VR-20ME pauze-afstandsbediening (los verkrijgbaar) aan voor bediening van de camcorder op afstand.

INZETTEN VAN DE LITHIUM BATTERIJ

1 Open het dekseltje van de houder voor de lithium batterij met een puntig voorwerp.

2 Plaats de batterij met de "+" kant naar buiten gericht in de houder. Sluit het dekseltje van de batterijhouder.



• Bij het vervangen van de batterij, de oude verwijderen en dan stap 2 herhalen.

Waarschuwing:

- Bij het vervangen van de batterij moet de lege batterij onmiddellijk worden weggegooid. Houd de batterij uit de buurt van kinderen. Probeer de batterij niet te demonteren en gooi hem nooit in het vuur.
- Als de batterij verkeerd behandeld wordt, kan dit resulteren in brand of verwondingen als gevolg van chemische reacties. Probeer de batterij nooit op te laden, te demonteren, boven 100°C te verwarmen of te verbranden. Vervang de batterij uitsluitend door een CR2025 batterij van SONY ENERGYTEC, FUJI ELECTROCHEMICAL of MATSUSHITA ELECTRIC. Het gebruik van een andere batterij kan resulteren in brand of een ontploffing.

Opmerkingen

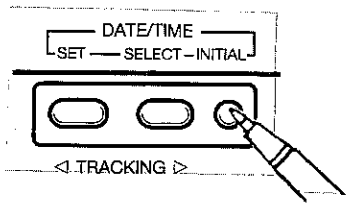
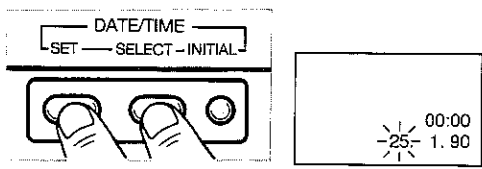
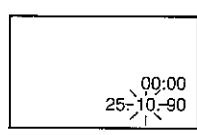
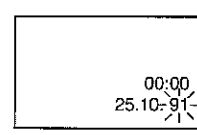
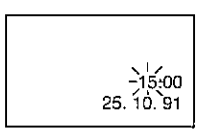
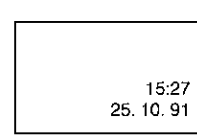
- Deze lithium batterij is verkrijgbaar in uw plaatselijke elektronika-zaak of audio/video-winkel.
- Koppel het apparaat los van de stroombron (accu, auto-accu, enz.) alvorens de batterij te vervangen.
- De batterij heeft een gemiddelde levensduur van een jaar. Afhankelijk van de omgevingstemperatuur en de conditie van de lithium batterij kan de levensduur echter een weinig verschillen.
- Als de lithium batterij uitgeput raakt, zal de klok zeer ongelijk lopen of de klokinstelfunctie niet juist functioneren. U dient de de lithium batterij zo snel mogelijk te vervangen.
- Veroorzaak geen kortsluiting in de batterij door de elektroden met een metalen voorwerp zoals een pincet aan te raken. Dit zal de kwaliteit van de batterij nadelig beïnvloeden.

INSTELLEN VAN DE DATUM/TIJD

De automatische datum/tijd functie beschikt over een datum/tijd indicatie die in de zoeker opgenomen kan worden als

handig geheugensteuntje. Volg onderstaande aanwijzingen voor het instellen van de huidige datum en tijd.

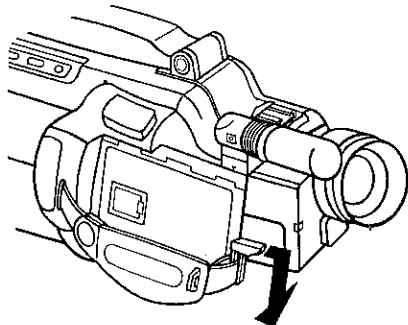
Voorbeeld: Instellen van de datum op 25 oktober, 1991 en de tijd op 15:27 's middags.

<p>1 Plaats de lithium batterij voor de datum/tijd.</p>	<p>2 Sluit de camcorder aan op een accu of andere stroombron. Schuif de OPERATE-schakelaar op aan. Druk op de DATE-TIME DISPLAY toets.</p>
<p>3 Druk met een botte balpenpunt of iets dergelijks op de INITIAL-toets.</p> 	<p>4 De dag-indikatie begint te knipperen. Druk op de SELECT-toets om de dag in te stellen. Druk op de SET-toets wanneer de juiste dag aangegeven wordt.</p> 
<p>5 De maand-indikatie begint te knipperen. Druk op de SELECT-toets om de maand in te stellen. Druk op de SET-toets wanneer de juiste maand aangegeven wordt.</p> 	<p>6 De jaar-indikatie begint te knipperen. Druk op de SELECT-toets om het jaar in te stellen. Druk op de SET-toets wanneer het juiste jaar aangegeven wordt.</p> 
<p>7 De uren-indikatie begint te knipperen. Druk op de SELECT-toets om het uur in te stellen. Druk op de SET-toets wanneer het juiste uur aangegeven wordt.</p> 	<p>8 De minuten-indikatie begint te knipperen. Druk op de SELECT-toets om de minuten in te stellen. Druk op de SET-toets wanneer het juiste aantal minuten aangegeven wordt.</p> 

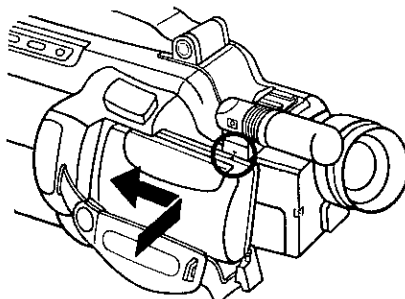
MONTEREN EN AFNEMEN VAN DE ACCU

Monteren van de accu

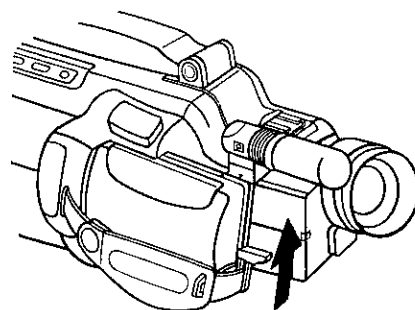
1. Breng de accu-ontkoppelingshendel omlaag door deze naar voren te trekken.



2. Breng het "▲" merkteken bovenop de accu in lijn met het merkteken op de camera en schuif het in de richting van de pijl.

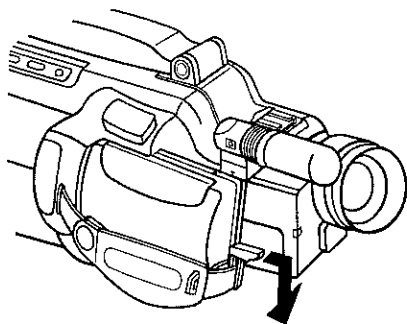


3. Breng de accu-ontkoppelingshendel omhoog totdat deze weer op z'n plaats vastklikt.

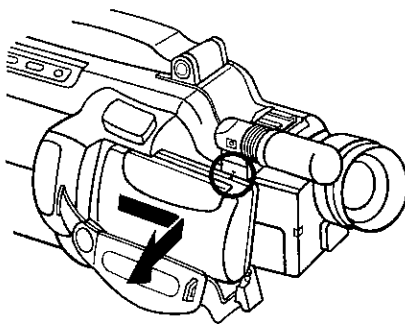


Afnemen van de accu

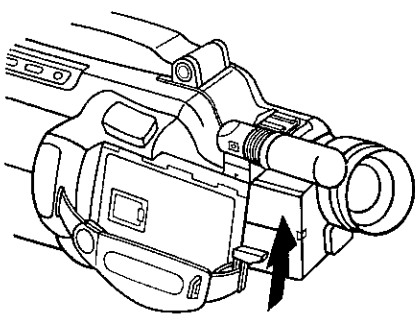
1. Breng de accu-ontkoppelingshendel omlaag door deze naar voren te trekken.



2. Verwijder de accu door deze in de richting van de pijl los te schuiven.



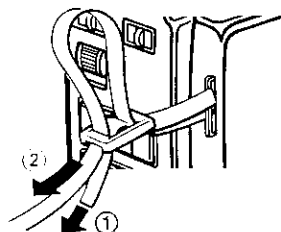
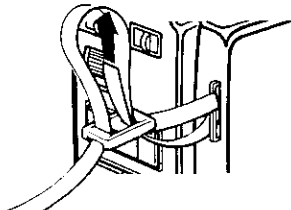
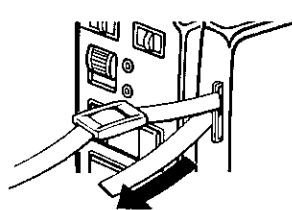
3. Breng de accu-ontkoppelingshendel omhoog totdat deze weer op z'n plaats vastklikt.



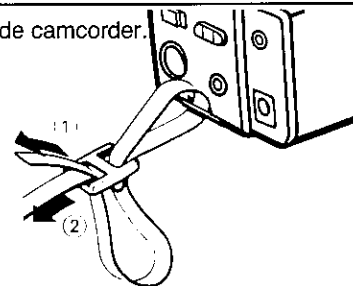
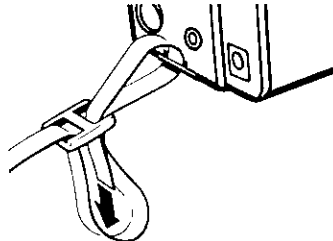
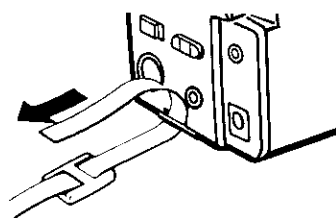
Opmerking De accu verlaat de fabriek in ongeladen toestand en dient alvorens gebruik eerst geladen te worden.

MONTEREN VAN DE SCHOUDERBAND

Steek de schouderriem door het oogje bovenop de camcorder.



Haal de schouderriem vervolgens door het oogje aan de onderkant van de camcorder.



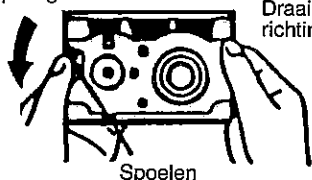
Opmerking Zorg er alvorens de camcorder in gebruik te nemen voor dat de schouderband strak genoeg is en er geen lussen in zitten.

PLAATSEN EN UITNEMEN VAN EEN CASSETTE

Plaatsen van een cassette

- 1 Druk op de EJECT-toets om de cassettehouder te openen. Steek een **VHS** cassette in met het transparante venster naar u toe en de pijl naar buiten. **Trek de band strak aan** alvorens de cassette in te leggen.

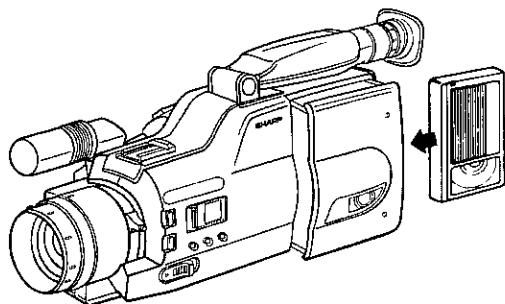
Verwijder
bandspeling



Draai de spoel in de
richting van de pijl.

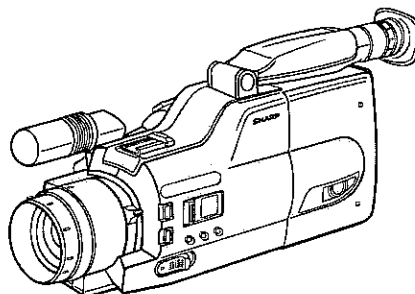
Spoelen

- 2 Druk op "PUSH" om de klep van de houder te sluiten.



Uitnemen van een cassette

- 1 Druk op de EJECT-toets. De cassettehouder gaat open. Hierna kan de cassette uitgenomen worden.
- 2 Sluit de klep van de houder daarna.



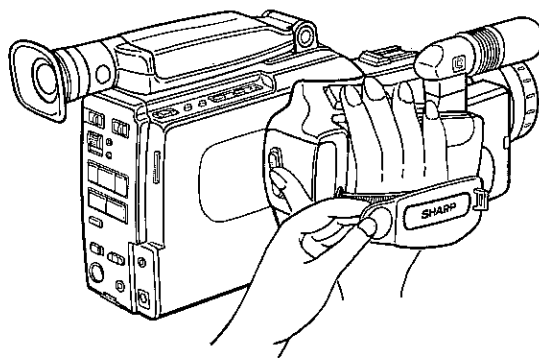
Opmerking

Druk rustig en gelijkmatig op "PUSH" om de houder te sluiten.

Opmerking Door eenvoudigweg op de EJECT toets te drukken kan de cassette uit het apparaat genomen worden. Het is niet nodig de OPERATE schakelaar eerst op uit te zetten voordat u op de EJECT toets drukt. De cassette kan niet uitgeworpen worden tijdens opnemen. Schakel eerst in de REC PAUSE stand en druk vervolgens op de EJECT toets.

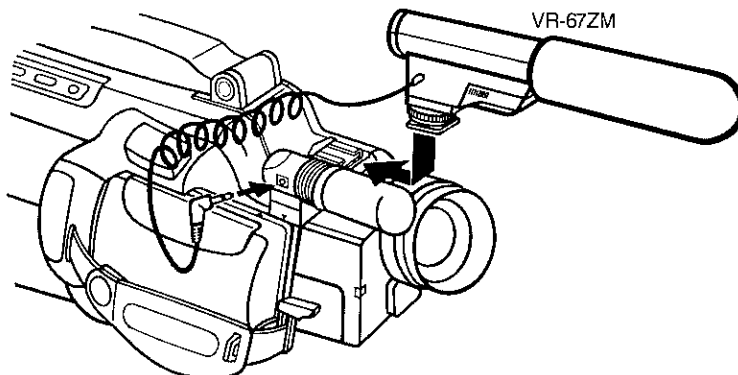
BIJSTELLEN VAN DE GREEPBAND

Maak de strip los zodat de riem wijder wordt. Steek uw hand door de riem en stel de lengte van de strip zo af dat uw hand stevig in de riem zit maar toch comfortabel past. Maak de strip hierna goed vast.



GEbruik VAN EEN EXTERNE MIKROFOON

De ingebouwde mikrofoon is niet richtingsgevoelig en registreert geluid ongeacht van welke richting het komt. Door echter gebruik te maken van de los verkrijgbare VR-67ZM mikrofoon kunt u meer doelgerichte en effectievere audio-opnamen maken.



VR-67ZM

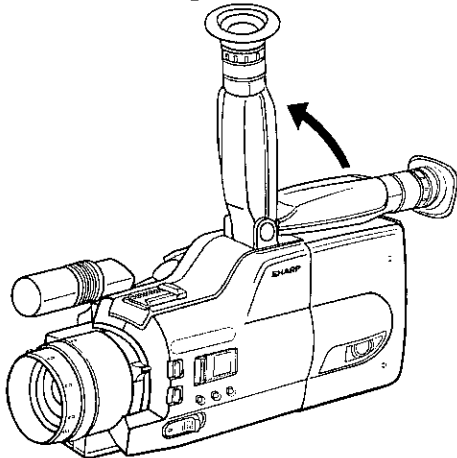
Kan direkt op de camcorder worden aangesloten.

Deze mikrofoon is een uiterst gevoelige 4-voudige zoommikrofoon waarmee zelfs geluiden van veraf verrassend helder worden geregistreerd.

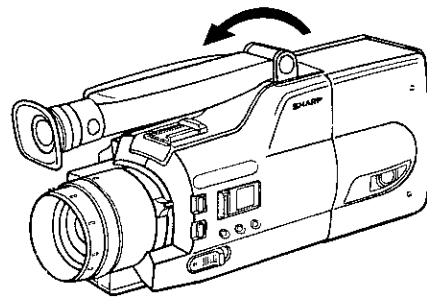
GEbruik VAN DE ELEKTRONISCHE ZOEKER

BIJSTELLEN VAN DE ZOEKERSTAND

De zoeker kan omhoog worden geklappt voor het maken van opnamen vanuit een laag camerastandpunt.

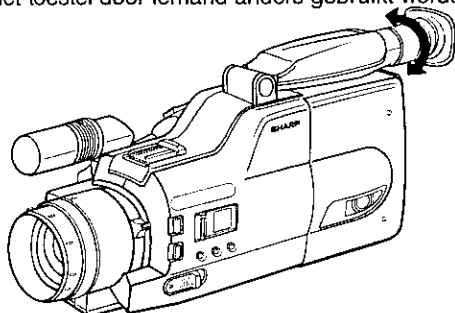


Klap de zoeker als afgebeeld geheel naar voren om schade aan de zoeker tijdens vervoer of opbergen te voorkomen.



AFSTELLEN VAN HET OCULAIR

De camcorder is voorzien van een dioptrie-regelaar. Draai deze regelaar naar links of rechts tot het dioptrie op uw gezichtsvermogen afgesteld is. Daar iedereen een verschillend gezichtsvermogen heeft, is het aan te bevelen het oogstuk zodanig bij te stellen dat de karakters in de zoeker duidelijk te zien zijn bij gebruik voor de eerste maal of wanneer het toestel door iemand anders gebruikt wordt.

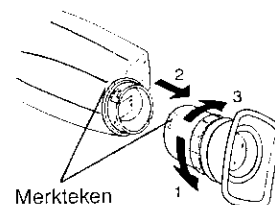


Stof op het binnengedeelte van de zoeker moet met iets langs, duns en schoons, als bijvoorbeeld een wattestokje, worden verwijderd.

Maak het oculair los van de body van de camcorder op de hieronder aangegeven wijze:

Draai het oculair eerst in de richting van pijl ① en trek het daarna naar voren (pijl ②).

Zet de tekens op de body van de camcorder en het oculair op een lijn en draai het oculair 45° in de richting van pijl ③ om het oculair weer te bevestigen.

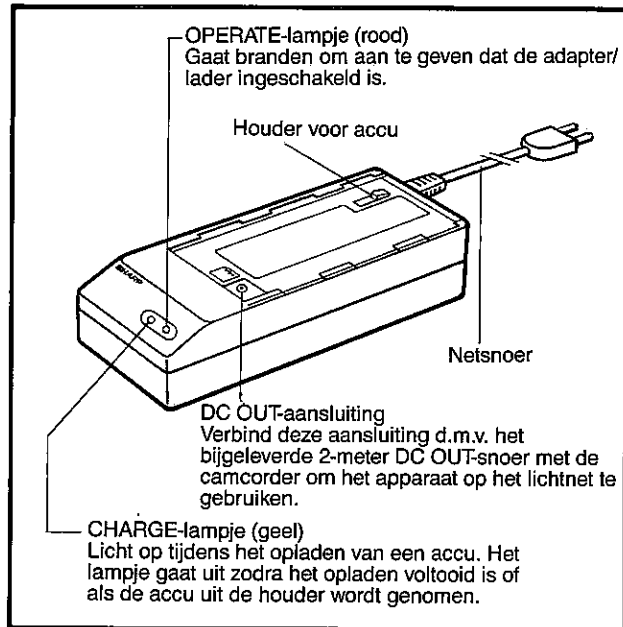


Opmerking De Camcorder dient van spanning voorzien te worden tijdens het maken van deze aanpassing.

VOEDINGSSYSTEEM

De bijgeleverde BT-75 accu is ideaal bij gebruik van de camcorder buitenshuis. Bij het maken van binnenopnamen kan beter de bijgeleverde AA-75S netadapter/acculader of het 2-meter lange DC OUT-snoer gebruikt worden. Voor langdurig gebruik buitenshuis is er de los verkrijgbare VR-P75CH auto-accu adapter/lader.

Gebruik van de netadapter/acculader



Opmerking

De los verkrijgbare SHARP VR-P75CH auto-accu adapter/lader is ongeveer hetzelfde als de AA-75S, alleen werkt deze op een auto-accu.

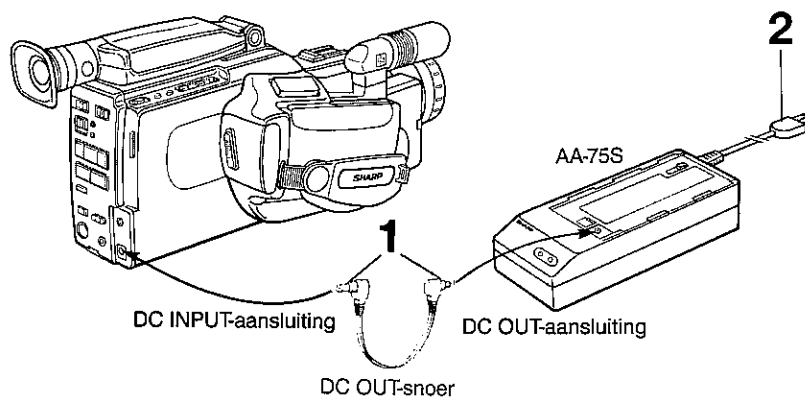
Voorzorgsmaatregelen

- Als de netadapter/acculader in de buurt van een radio gebruikt wordt, kan dit storing in de ontvangst veroorzaken.
- Let erop dat geen brandbare stoffen, vloeistoffen of metalen voorwerpen in het apparaat terecht komen.
- De AA-75S is volkomen afgedicht. Probeer het apparaat niet te openen of er wijzigingen in aan te brengen.
- Zorg dat u het apparaat niet laat vallen, aan sterke schokken blootstelt of op een andere manier beschadigt.
- Laat het apparaat niet in de zon liggen.
- Vermijd het gebruik van het apparaat op extreem vochtige of warme plaatsen.

GEBRUIK VAN DE NETADAPTER/ACCULADER

Gebruik de bijgeleverde AA-75S netadapter/acculader en het DC OUT-snoer.

- 1 Sluit het DC OUT-snoer op de netadapter en camcorder aan.
- 2 Steek de stekker in het stopcontact. Het OPERATE-lampje van de netadapter gaat branden.

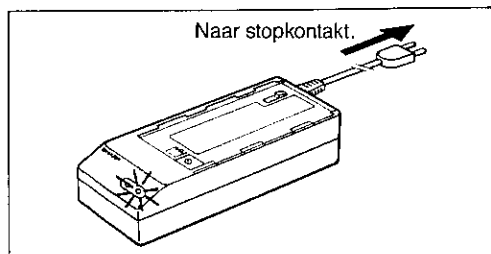


Opmerking De AA-75S netadapter/acculader geeft tijdens opladen van een accu geen spanning af aan de camcorder via het DC OUT-snoer.

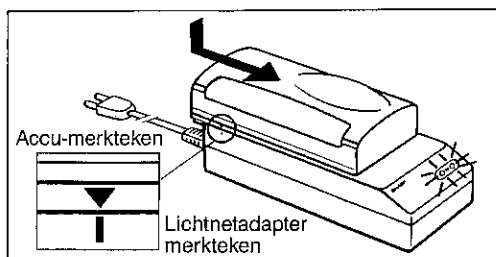
OPLADEN VAN DE ACCU

Gebruik hiervoor de AA-75S netadapter/acculader. Buitenshuis is de optionele SHARP VR-P75CH auto-accu adapter/lader ideaal.

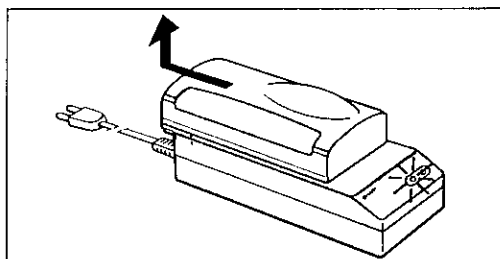
- 1 Steek de stekker in het stopcontact. Het OPERATE-lampje gaat branden.



- 2 Breng het ▼ merkteken op de zijkant van de accu in lijn met het ■ merkteken van het laadtoestel en schuif de accu in de groef totdat hij vastklikt. Het CHARGE-lampje zal nu oplichten.



- 3 Zodra de accu volledig opgeladen is, zal het CHARGE-lampje uitgaan. Trek hierna de stekker uit het stopcontact en schuif de accu terug om hem los te maken van de adapter.



Opmerking

Na het opladen zijn de accu en de lader gewoonlijk warm.

**LAADTIJD van BT-75: 60 min.
LAADTIJD van BT-76: 80 min.**

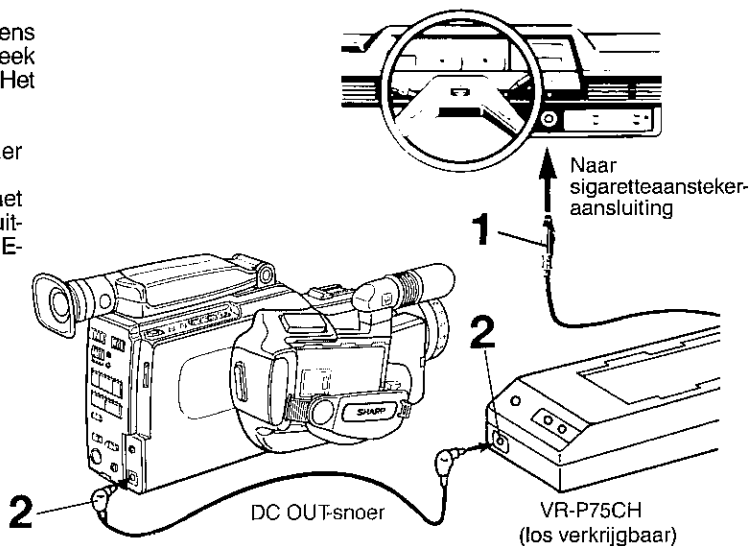
Opmerking

De oplaadtijd verschilt afhankelijk van de omgevingstemperatuur en de conditie van de accu.

GEBRUIK VAN DE AUTO-ACCU ADAPTER/LADER (OPTIONEEL)

Gebruik de los verkrijgbare SHARP VR-P75CH auto-accu adapter/lader om de camcorder op de auto-accu te gebruiken of om de accu van de camcorder m.b.v. de auto-accu op te laden.

- 1 Start de motor en laat deze stationair lopen tijdens het gebruik van de auto-accu adapter/lader. Steek de plug in de sigaretteteaansteker-aansluiting. Het OPERATE-lampje zal nu oplichten.
- 2 Sluit het DC OUT-snoer aan om de camcorder van spanning te voorzien. Het CHARGE-lampje licht op gedurende het laden van de accu. Het Charge-lampje zal uitgaan zodra het opladen voltooid is en het DONE-lampje licht nu op.



Opmerking

De VR-P75CH auto-accu adapter/lader geeft tijdens opladen van een accu geen spanning af aan de camcorder via het DC OUT-snoer.

Let op:

De VR-P75CH auto-accu adapter/lader kan uitsluitend gebruikt worden met 12 V of 24 V negatief-geaarde auto-accu's.

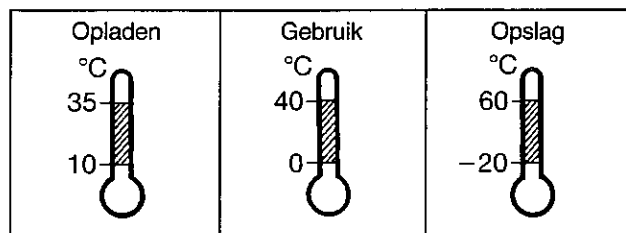
Gebruik de adapter/lader niet met 12 V of 24 V positief-geaarde auto-accu's. Zie de handleiding van uw auto of raadpleeg uw auto-dealer voor de vereiste informatie.

GEBRUIK VAN DE ACCU

De BT-75 is een nikkelcadmium accu. Hieronder volgen de diverse eigenschappen van deze accu.

Bij een kamertemperatuur van 20°C duurt het opladen van de accu een uur. Hoe lager de temperatuur, des te langer het opladen duurt.

Temperatuurbereik



Ter voorkoming van een gevaarlijke situatie:

- De accu nooit in vuur gooien.
- De aansluitpunten van de accu nooit kortsluiten.
- De accu nooit demonteren of er wijzigingen in aanbrengen.
- Uitsluitend de aanbevolen SHARP acculaders gebruiken: netadapter/acculader AA-75S en auto-accu adapter/lader VR-P75CH.

Om beschadigingen te voorkomen en een lange levensduur te garanderen:

- De accu niet laten vallen en hem ook niet blootstellen aan sterke schokken of trillingen.
- De accu niet herhaaldelijk opladen wanneer deze in het geheel niet gebruikt is.

De accu heeft een beperkte levensduur. Wanneer de opnametijd met een volledig opgeladen accu aanzienlijk korter wordt, verdient het aanbeveling een nieuwe accu aan te schaffen.

Opmerking

Na het opladen of gebruik is de accu gewoonlijk warm.

OPNAMETIJD met BT-75: circa 60 min.
OPNAMETIJD met BT-76: circa 80 min.

De beschikbare opnametijd bij gebruik van een volledig opgeladen accu wordt mede bepaald door de standbytijd (wacht-toestand voor opname), het gebruik van de zoomlens en andere factoren.

Reserve accu's zijn verkrijgbaar bij uw SHARP dealer. Het verdient aanbeveling een aantal reserve accu's aan te schaffen zodat u geen belangrijke video-momenten hoeft te missen.

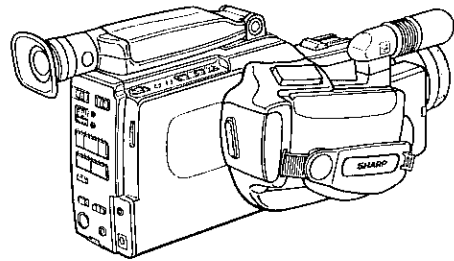
Neem de volgende punten in acht om een optimale prestatie van uw nikkelcadmium accu te verkrijgen:

1. Laad de accu op bij een temperatuur tussen 10°C en 35°C. Bij lagere temperaturen duurt het opladen langer en bij hogere temperaturen is het mogelijk dat de accu niet volledig opgeladen wordt.
2. Berg de accu op een koele en droge plaats op. Bij langdurige blootstelling aan hoge temperaturen zal de accu snel leeg raken en dit verkort eveneens de levensduur van de accu.
3. Wanneer de accu langere tijd niet gebruikt wordt, is het mogelijk dat deze volledig uitgeput raakt. Het verdient aanbeveling de accu te ontladen alvorens hem voor langere tijd op te bergen. Dit verlengt de levensduur van de accu.
4. Maak de accu na gebruik los van de camcorder of lader. Dit om ontlading van de accu te voorkomen.

OPNEMEN MET DE CAMERA

OPNEMEN MET DE CAMERA

- 1** Bevestig de oplaadbare accu (zie pagina 8). Gebruik voor opnemen binnen echter de bijgeleverde net-adapter of voor opnemen buitenshuis de optionele Sharp auto-accu adapter/lader.

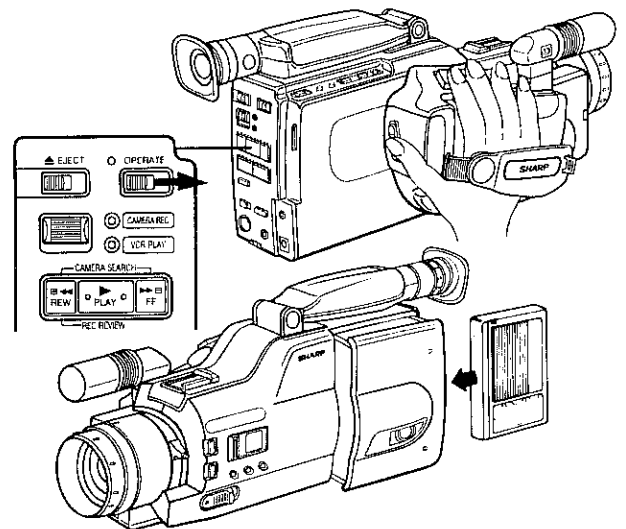


- 2** Schakel de camcorder aan met de OPERATE-schakelaar — de bijbehorende indicator zal oplichten. Druk op de EJECT-toets en open de cassettehouder. Plaats een **VHS** cassette waarvan het wispreventielipje nog op z'n plaats zit met het venster naar buiten toe. Druk op het "PUSH" merkteken om de cassettehouder te sluiten.

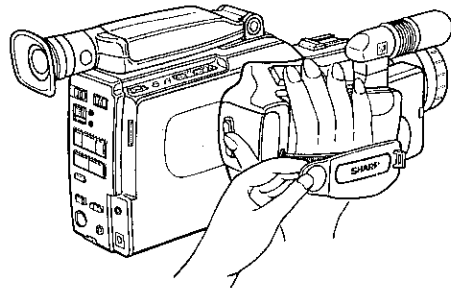
Let op:

Kontroleer alvorens een cassette in het toestel te plaatsen of de videoband goed strak is aangetrokken. Indien de band niet strak zit, draait u de spoel in de richting van de pijl.

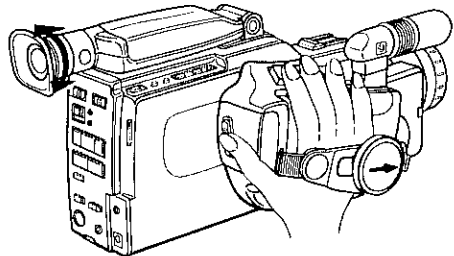
Verwijder
bandspeling



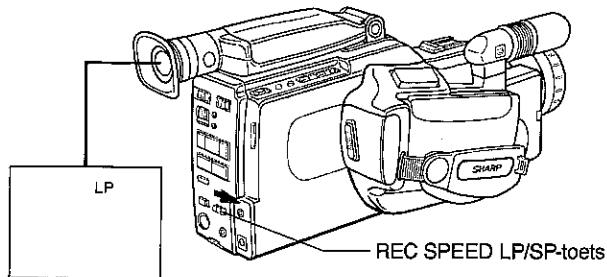
- 3** Plaats uw hand zodanig dat u met de vingers de REC START/STOP-toets en elektrische zoomtoets kunt bedienen. Stel dan de greepband bij voor uw hand.



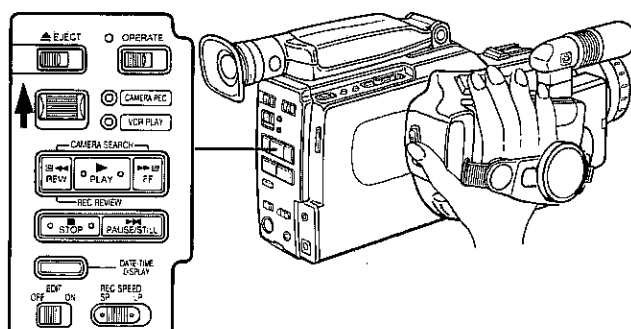
- 4** Verwijder de lensdop en maak deze aan de greepband vast. Richt de camera dan op een solide kleurenvormwerp (de lucht of een witte muur) en stel het dioptrie in zodat de display in de zoeker helder wordt.



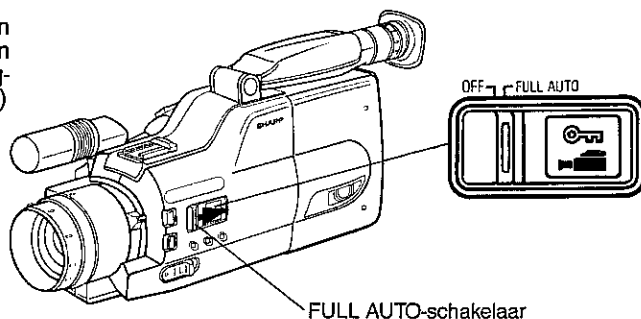
- 5** Druk op de REC SPEED LP/SP-keuzetoets om de opnametijd in te stellen. De ingestelde opnamefunctie wordt nu in het zoekerbeeld aangegeven. De opnametijd bij gebruik van een EC-30 **VHS** cassette is als volgt:
 LP functie 60 min.
 SP functie 30 min.



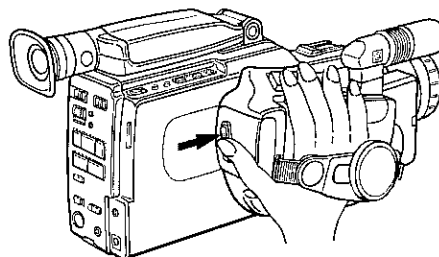
- 6** Zet de VCR PLAY/CAMERA REC-schakelaar in de "CAMERA REC" stand.



- 7** Zet de FULL AUTO-schakelaar in de "FULL AUTO" stand. Controleer of de "▶" en "⊙" symbolen in de LCD-display verschijnen. Indien de "▶" en "⊙" symbolen knipperen, zal er een waarschuwing-sindikator in het zoekerbeeld verschijnen. (Zie blz. 20.)

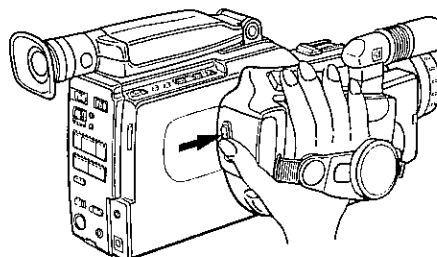


- 8** Druk op de REC START/STOP-toets. Tijdens het opnemen beweegt de "▶▶▶▶" indicatie van links naar rechts.



Opmerking:
 Als voor langere tijd opgenomen wordt, kan de handgreep warm worden. Dit duidt echter niet op een defect.

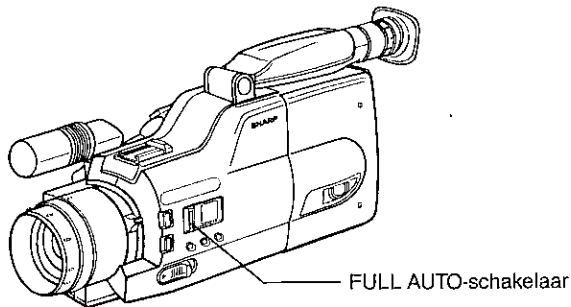
- 9** Druk nogmaals op de REC START/STOP-toets nadat u klaar bent met opnemen.



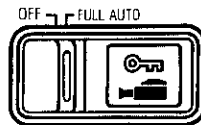
Opmerking:
 De Camcorder schakelt zichzelf automatisch uit na meer dan 5 minuten in de REC PAUSE stand. Zet de OPERATE schakelaar op ON om opnieuw te beginnen met opnemen.

VOLAUTOMATISCH SYSTEEM

Indien u de FULL AUTO-schakelaar in de "FULL AUTO" stand zet, zal de scherpstelling en witbalans automatisch worden geregeld en tevens de standaard sluitersnelheid worden ingesteld. In deze volautomatische stand kan elke gebruiker moeiteloos succesvolle opnamen maken. Als de FULL AUTO-schakelaar in de "FULL AUTO" stand wordt gezet, zullen de "■" en "☉" symbolen oplichten in de LCD-display. Indien de "■" en "☉" symbolen echter beginnen te knipperen, kunnen er tevens andere waarschuwingsindicaties in het zoekerbeeld verschijnen. Deze indicatoren duiden erop dat opname niet mogelijk is om de één of andere reden zoals b.v. als er een cassette zonder wispreventielijpe in de camcorder is geplaatst.



FULL AUTO-schakelaar



Volautomatische opname is mogelijk als de ■ en ☉ symbolen verschijnen.



Zodra er een waarschuwingsindicatie in het zoekerbeeld verschijnt, dient u onmiddellijk de waarschuwing op te volgen. (Zie blz. 20.)

AUTOMATISCHE SCHERPSTELLING

Dankzij het automatische scherpstelsysteem (auto focus) kunt u al uw aandacht richten op de beeldcompositie zonder dat u zich daarbij zorgen hoeft te maken over de scherpstelling.

Als de camera op volautomatische bediening is geschakeld, zal de scherpstelling automatisch continu optimaal worden gesteld. Een klein gebied in het midden van het zoekerbeeld meet de afstand tot het onderwerp en regelt de scherpstelling overeenkomstig bij. Probeer daarom om het hoofdonderwerp van uw opname in het midden van het zoekerbeeld te houden.

Opmerking

Het autofocussysteem zal in de volgende gevallen de scherpstelling niet kunnen regelen. Stel de lens in een dergelijk geval met de hand scherp.

Let op:

- Raak de scherpstelling niet aan als het automatische scherpstelsysteem in bedrijf is.
- Goede automatische scherpstelling is erg moeilijk met een vuile lens. Houd de lens daarom altijd goed schoon. Indien nodig kan deze worden gereinigd met een zacht stukje tissuepapier en speciale reinigingsvloeistof i.g.v. de lens. Indien de lens beslagen is, dient u deze droog te vegen met een zacht doekje of te wachten totdat de condens is verdampt.
- Bij het opnemen van snel wisselende onderwerpen, zoals met het snel inzoomen van groothoek naar telelens, snel veranderen van een onderwerp op grote afstand naar dichtbij, etc. kan het soms een enkele seconden duren eer op het onderwerp is scherpgesteld.

 Onderwerp is te donker.	 Er is te weinig contrast in de scène, bijvoorbeeld in de sneeuw.	 In de scène zijn voorwerpen (b.v. lijnen) die precies op dezelfde afstand van elkaar verwijderd zijn.	 Het onderwerp reflecteert licht.
 Twee onderwerpen die zich op verschillende afstand bevinden overlappen elkaar in dezelfde scène.	 Het onderwerp loopt van de voorgrond naar de achtergrond door.	 Bij een snel bewegend onderwerp.	 Achtergrond is te licht.
 Het onderwerp bevat fijne, regelmatige patronen.	 Voorwerpen op verschillende afstand in het midden van het zoekerbeeld.	 Het onderwerp bevat horizontale strepen.	 Schuin of hellend onderwerp.
 Het onderwerp wordt gefilmd door een vuil of nat venster.	 De extra snelle elektronische sluitersnelheid wordt gebruikt bij TL-verlichting.	Opmerking Het wordt aanbevolen alvorens de opname te starten, eerst op het onderwerp scherp te stellen.	

AUTOMATISCHE WITBALANS

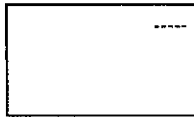
Uw camcorder is uitgerust met een automatische witbalansregeling. Hiermee wordt de witbalans automatisch optimaal ingesteld waardoor steeds een nauwkeurige reproductie in de kleuren verkregen wordt.

De witbalans wordt automatisch bijgesteld om te compenseren voor eventuele veranderingen in de kleurtemperatuur van het licht.

TERUGSPELEN VAN EEN OPNAME

Druk tijdens opname op de REC START/STOP-toets om het toestel in de opnamepauzefunctie te schakelen ("-----" licht op in het zoekerbeeld) en druk vervolgens even kort op de REC REVIEW-toets.

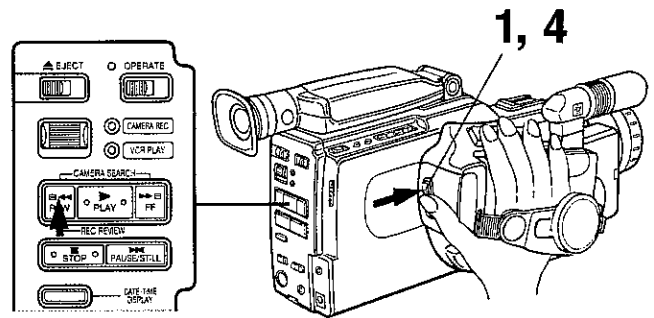
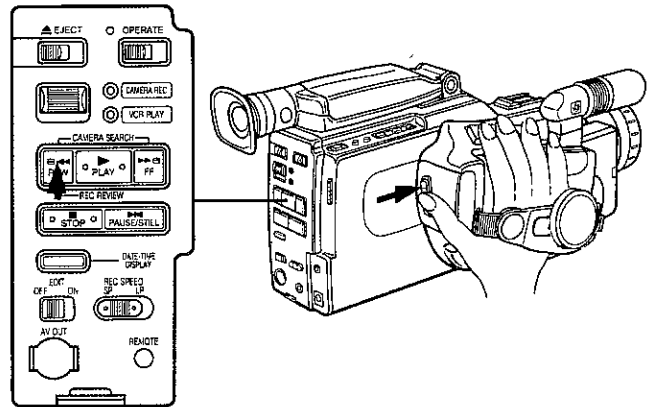
Circa de laatste 2 seconden van de opname worden teruggespeeld en in het zoekerbeeld weergegeven. Hierna is de camcorder weer klaar voor een volgende opname. Indien u de REC REVIEW-toets blijft indrukken, zal de opnamepauzezoekfunctie in werking worden gesteld.



ZOEKEN TIJDENS OPNAMEPAUZE

Indien u tijdens opname per ongeluk een ongewenste scène heeft vastgelegd, kunt u deze opzoeken terwijl de camera nog steeds in de opnamestand is geschakeld.

- 1 Druk op de REC START/STOP-toets om de opname op pauze te schakelen.
- 2 Terwijl u het beeld volgt in het zoekerbeeld drukt u op de CAMERA SEARCH-toets totdat de scène waar u opnieuw overheen wenst op te nemen is gevonden. Het zoekerbeeld toont het opgenomen beeld.
- 3 Laat de CAMERA SEARCH-toets los zodra het beginpunt van het ongewenste fragment verschijnt. (De opnamepauzefunctie wordt ingeschakeld nadat voor 1 seconde een stilbeeld is weergegeven.)
- 4 Druk op de REC START/STOP-toets om de nieuwe opname te starten.



UITLEG VAN DE WERKING VAN DE TOETSEN

Indien u de "▶▶" toets ingedrukt houdt, zullen de beelden 3 maal versneld in normale weergaverichting worden getoond. (Er zal geen geluidswaergave zijn.) Indien u de "▶" toets ingedrukt houdt, zullen de beelden op normale snelheid in de normale weergaverichting worden getoond. (Met geluidswaergave.) Indien u de "◀◀" toets ingedrukt houdt, zullen de beelden 3 maal versneld in terugwaartse richting worden getoond. (Er zal geen geluidswaergave zijn.)

Opmerking Indien de camcorder in de LP opnamesnelheid is geschakeld, zal de waergave 7 maal versneld plaatsvinden.

ELEKTRISCHE ZOOMLENS (GROOTHOEK/TELELENS INSTELLING)

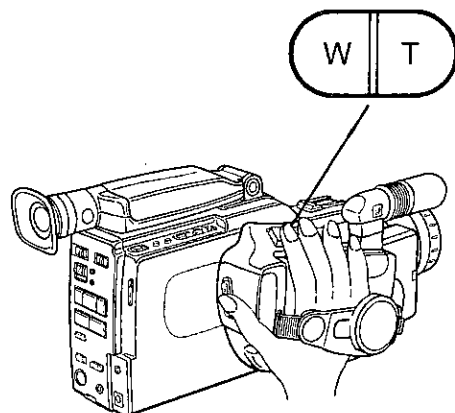
Een van de sterkste eigenschappen van deze Camcorder is de variabele elektrische zoomlens met regelbare snelheid.

Het in- en uitzoomen geschiedt met behulp van de zoomtoetsen. De druk van uw vinger op de toetsen bepaalt de zoomsnelheid.

Dit betekent dat wanneer harder op de toets gedrukt wordt, de lens sneller zal in- of uitzoomen.

Druk hard op de elektrische zoomtoetsen voor het snel, in 6 seconden in- of uitzoomen, en druk lichtjes op deze toetsen voor het langzaam, in 20 seconden zoomen.

Bij drukken op T (tele) komt het onderwerp dichters naar u toe en bij drukken op W (groothoek) verwijdert het onderwerp zich.



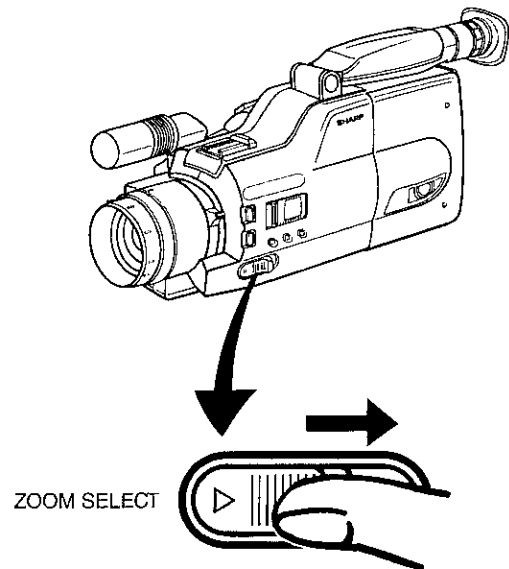
GEBRUIK VAN DE ZOOMKEUZETOETS (ZOOM SELECT)

Deze camcorder is uitgerust met een zeer praktische "druk-op-toets" vergrootfunctie waarmee u op elk gewenst moment een onderwerp onmiddellijk 1,5 maal kunt vergroten en vervolgens weer verkleinen. Indien bijvoorbeeld een interessante scène in het zoekerbeeld verschijnt, kunt u deze zodoende met een enkele druk op de ZOOM SELECT-toets direkt dichterbij halen door hem 1,5 maal te vergroten.

(Zoekerbeeld)

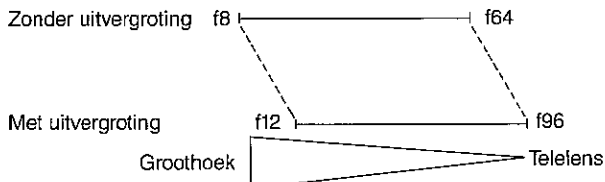
Vergrotingsfunctie uitgeschakeld		Vergrotingsfunctie ingeschakeld
	Vergroten → ← Verkleinen	
(Voorbeeld) Standaard	x 1,5	1,5 x

Alvorens de 1,5 maal vergrotingsfunctie in werking wordt gesteld, zal er een vierkante omlijning in het zoekerbeeld te zien zijn. Breng het uit te vergroten onderwerp binnen de omlijning en druk op ZOOM SELECT-toets. De omlijning verdwijnt en het beeld dat voorheen binnen de omlijning lag zal nu het gehele zoekerbeeld vullen en is 1,5 maal vergroot. Door hierna nogmaals op de ZOOM SELECT-toets te drukken, zal het beeld weer in het standaard formaat worden teruggebracht (de omlijning verschijnt nu weer in het zoekerbeeld).



Opmerking

Verband tussen het functioneren van de zoom en uitvergrootfunctie.

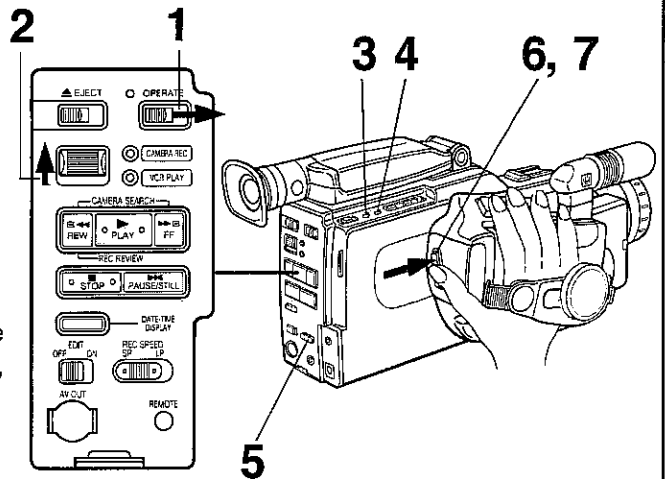


Het bereik van de variabele zoom verandert als hierboven aangegeven, afhankelijk van de instelling van de uitvergroter.

VERSTREKEN TIJDFUNKTIE

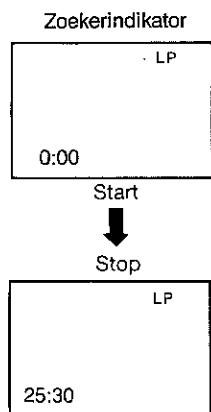
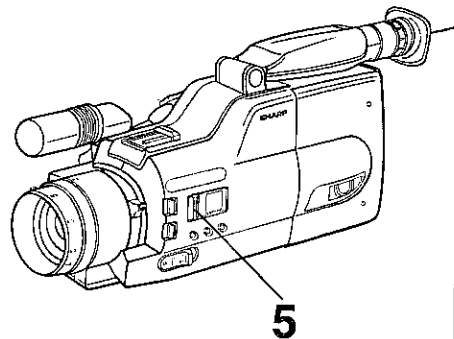
Deze camcorder heeft een verstreken tijdfunctie (LAP TIME) die de geschatte opnametijd bijhoudt.

- 1 Schuif de OPERATE-schakelaar op aan.
- 2 Schuif de CAMERA REC/VCR PLAY-schakelaar op "CAMERA REC". De camcorder schakelt automatisch over naar de opnamepauzefunctie.
- 3 Druk op de COUNTER/COUNTER MEMORY/LAP TIME-toets en kies de indicatie van de verstreken tijd.
- 4 Druk op de RESET-toets. (De verstreken tijd wordt teruggezet op "0:00".)
- 5 Druk op de REC SPEED SP/LP-keuzetoets en kies de opnamesnelheid. Zet de FULL AUTO-schakelaar in de "FULL AUTO" stand.
- 6 Druk op de REC START/STOP-toets (de verstreken tijdteller begint te lopen).
- 7 Druk nogmaals op de REC START/STOP-toets om het opnemen te stoppen (de verstreken tijd stopt).



Opmerking

- m.b.v. de verstreken tijdfunctie kunt u de geschatte opnametijd nagaan. De maximale tijdaanduiding van de teller is "99:99" (99 min. 99 sek.).
- De "LAP TIME" teller van de verstreken tijd telt alleen tijdens opname. (De teller funktioneert tevens als deze niet in het zoekerbild wordt getoond.)
- De verstreken tijdteller wordt automatisch teruggesteld op "0:00" wanneer een cassette wordt uitgeworpen.
- De verstreken tijd wordt niet aangegeven als de COUNTER/COUNTER MEMORY/LAP TIME-toets ingedrukt wordt tijdens weergave. (In dit geval wordt enkel de bandteller (COUNTER) aangegeven.)



LCD-DISPLAY EN INFORMATIE IN DE ZOEKER

Deze camcorder toont de voor opname benodigde informatie zowel in de LCD-display als in het zoekerbeeld.

WAARSCHUWINGSINDIKATIES

	1) KONDENS Kondens op de koptrommel. De spanning zal na enkele minuten worden afgesneden. Wacht een paar uur alvorens het gebruik te vervolgen. (Zie blz. 2) (De OPERATE-indikator zal tevens knipperen.)		4) Videocassettewaarschuwing Opname is niet mogelijk omdat er geen videocassette is geplaatst of een cassette zonder wispreventielipje. Plaats een cassette met het lipje nog op z'n plaats.
	2) Accu uitgeput waarschuwing De accu is vrijwel uitgeput. De spanning zal na enkele seconden worden afgesneden. Vervang de accu.		5) Bandeindewaarschuwing De band loopt in circa drie minuten ten einde. Plaats een nieuwe cassette waarvan het wispreventielipje nog op z'n plaats zit.
LIGHT	3) LICHT Er is onvoldoende licht voor het maken van een goede opname. Voeg meer verlichting toe of maak de opname in een helderdere omgeving.	TAPE END	De cassetteband is aan het einde gekomen. Vervang de cassette voor een nieuwe waarvan het wispreventielipje nog op z'n plaats zit.
			6) De koppen dienen te worden gereinigd De koppen dienen te worden gereinigd. Raadpleeg een vakman.

Opmerking Als de bovenstaande indicaties verschijnen, zullen de en symbolen van het volautomatische bedieningssysteem gelijk-tijdig knipperen.

HANDIGE INDIKATIES

	1) Volautomatische bediening De indicatie voor volautomatische bediening verschijnt zodra de FULL AUTO-schakelaar in de "FULL AUTO" stand wordt gezet. Succesvolle opnamen met de camcorder liggen nu binnen ieders bereik.		4) Datum/Tijd Dit toestel is uitgerust met een automatische indikatiefunctie voor datum en tijd. Met de DATE-TIME DISPLAY-toets kan worden geschakeld tussen aanduiding van datum/tijd of alleen de datum. De indicatie kan samen met het beeld op de band worden opgenomen.
>>>>	2) Opname Nadat de opname is gestart met de REC START/STOP-toets zal dit worden aangegeven door een van links naar rechts bewegende ">>>>" indicatie.		5) Bandteller De bandteller funktioneert zelfs als deze niet in het zoekerbeeld wordt getoond. De telleraanduiding verandert continu zolang de band loopt. Als het bandtellergeheugen is bijgeschakeld, verschijnt "M" links van de aanduiding van de bandteller.
-----	Indien hierna nogmaals op de REC START/STOP-toets wordt gedrukt, zal de camcorder in de opnamepauzefunctie schakelen en "-----" verschijnen.		6) Verstreken tijdteller Tijdens opname wordt de verstreken tijd getoond in minuten en seconden. (Zie blz. 19.)
SP	3) Opnamesnelheid Opname vindt plaats in de aangegeven snelheid. "SP": Opname in de standaard snelheid. "LP": Opname in de langspeelsnelheid.		7) Opname met de High-Speed sluiters Met het drukken op de SHUTTER SPEED-toets zal de sluitersnelheid als volgt veranderen. 1/100 : 1/100 sek. 1/500 : 1/500 sek. 1/2000 : 1/2000 sek. 1/10.000 : 1/10.000 sek. Geen indicatie: Standaard snelheid (1/50 sek.)
LP			

HANDIGE INDIKATIES

M/F	8) Handmatige scherpstelling De functie voor handmatige scherpstelling is ingeschakeld. "M/F" verschijnt zodra op de AUTO/MANUAL FOCUS-toets wordt gedrukt.	* LIGHT *	10) Verhoogde lichtgevoeligheid De functie voor verhoogde lichtgevoeligheid is ingesteld. "* LIGHT *" verschijnt zodra op de BLC/GAIN-UP-toets wordt gedrukt terwijl "LIGHT" wordt getoond.
WB	9) Witbalansvergrendeling De vergrendelingsfunctie voor de witbalans is ingesteld. "WB" verschijnt zodra op de WHITE BALANCE-toets wordt gedrukt.	FADER	11) Fade Het "fade-effect" is standby gesteld. Een "fade-in" of "fade-out" effect wordt in de opname aangebracht zodra u op de REC START/STOP-toets drukt.

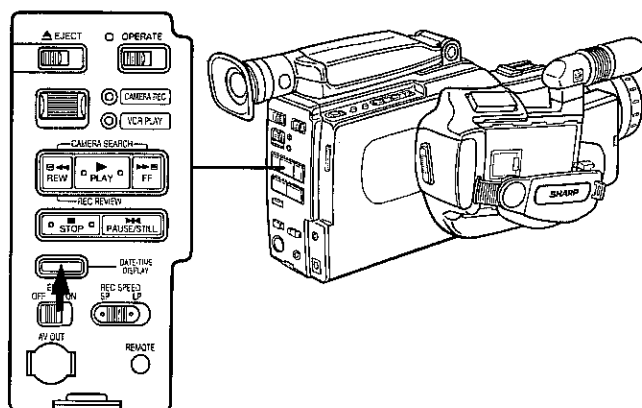
Opmerking Indien u een TV als monitor gebruikt, zal alleen de datum of tijd in het zoekerbeeld verschijnen.

AUTOMATISCHE INDIKATIE VAN DATUM/TIJD

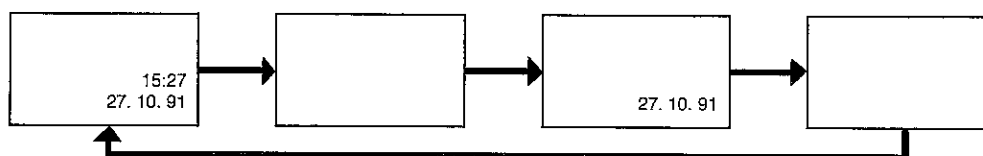
De datum/tijd kan opgenomen worden zodat u steeds weet wanneer de diverse opnamen gemaakt werden. Volg onderstaande aanwijzingen op voor het opnemen van de huidige datum/tijd samen met het beeld.

Opmerking

De DATE/TIME DISPLAY-toets werkt niet als de datum en tijd niet ingesteld zijn. (Zie pagina 7.)



- 1 Maak de aansluiting op een voedingsbron en schuif de OPERATE-schakelaar op aan. Zet de CAMERA REC/VCR PLAY-schakelaar op "CAMERA REC" en de opnamepauzefunctie van de camcorder wordt ingeschakeld.
- 2 Druk op de DATE/TIME DISPLAY-toets. De datum of de datum/tijd wordt in de zoeker aangegeven. Door op deze toets te drukken geeft de display in de zoeker het volgende aan en kan ofwel de datum of de datum/tijd worden ingesteld.

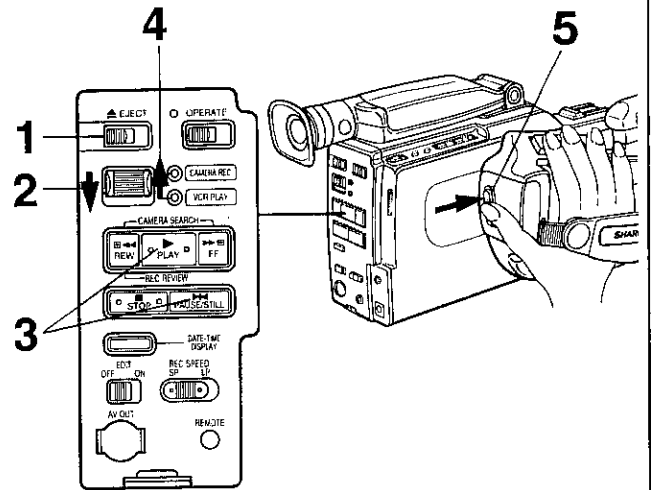


- 3 Druk op de REC START/STOP-toets. De datum of datum/tijd in de zoeker wordt samen met het object opgenomen.

MONTEREN VAN BEELDEN

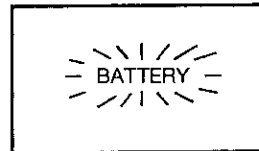
Opnemen op een gedeeltelijk opgenomen cassette of om beelden aaneen te monteren:

- 1 Verschuif de EJECT-toets en plaats een cassette met het wispreventielipje intact.
- 2 Zet de CAMERA REC/VCR PLAY-schakelaar op "VCR PLAY".
- 3 Druk op de PLAY-toets en gebruik de FF of REW-toets voor het snel opzoeken van het punt waar de opname moet beginnen. Druk bij dit punt op de PAUSE/STILL-toets.
- 4 Zet de CAMERA REC/VCR PLAY-schakelaar van "VCR PLAY" op "CAMERA REC".
- 5 Druk op de REC START/STOP-toets.



VERVANGEN VAN DE ACCU TIJDENS HET OPNEMEN

1. Begint tijdens het opnemen de BATTERY-indikatie in de zoeker te knipperen, druk dan op de REC START/STOP-toets om het opnemen te stoppen en schuif de OPERATE-schakelaar op OFF.
2. Vervang de lege accu door een opgeladen accu.
3. Schuif hierna de OPERATE-schakelaar op ON. de "-----" indicatie zal nu in de zoeker verschijnen.
4. Druk op REC START/STOP-toets om het opnemen vanaf het punt waar het onderbroken werd te hervatten.



Opmerking

Zorg ervoor de spanning uit te zetten (de OPERATE-schakelaar dient op OFF te staan) alvorens de accu te verwijderen.

AUTOMATISCHE UITSCHAKELFUNKTIE

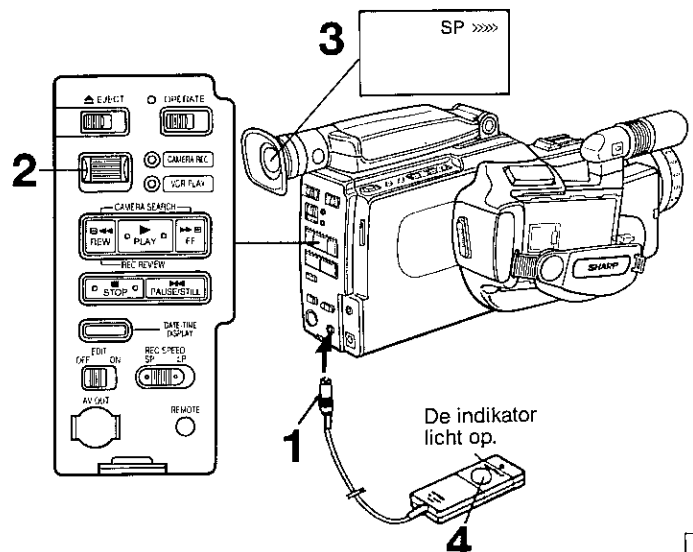
Om schade aan de band en verspilling van accu-energie te voorkomen, zal de camcorder automatisch worden uitgeschakeld wanneer de opnamepauzefunctie (de "-----" indicatie wordt aangegeven in de zoeker) langer dan 5 minuten ingeschakeld blijft.

Voeding	CAMERA REC / VCR PLAY stand	Na ongeveer 5 min.
Accu/lichtnet	CAMERA REC	Opnamepauze → spanning uit

PAUZE-AFSTANDSBEDIENING (LOS VERKRIJGBAAR)

Gebruik de los verkrijgbare VR-20ME pauze-afstandsbediening met 5-meter kabel om de pauzefunctie op afstand te bedienen. deze afstandsbediening heeft dezelfde functie als de PAUSE/STILL-toets.

- 1 Sluit de kabel van de pauze-afstandsbediening op de REMOTE-aansluiting aan.
- 2 Zet de CAMERA REC/VCR PLAY-schakelaar op "CAMERA REC".
- 3 Controleer dat de "-----" indicatie in de zoeker aangegeven wordt.
- 4 Druk op de REC/PAUSE-toets van de afstandsbediening zodra u wilt beginnen met opnemen. De indicator in de zoeker gaat dan van links naar rechts lopen. Druk nogmaals op de toets om de camcorder in de pauzestand te zetten.



De met de VL-C780S opgenomen VHS-C cassettes kunt u weergeven in de zoeker van het apparaat zelf of op een TV.

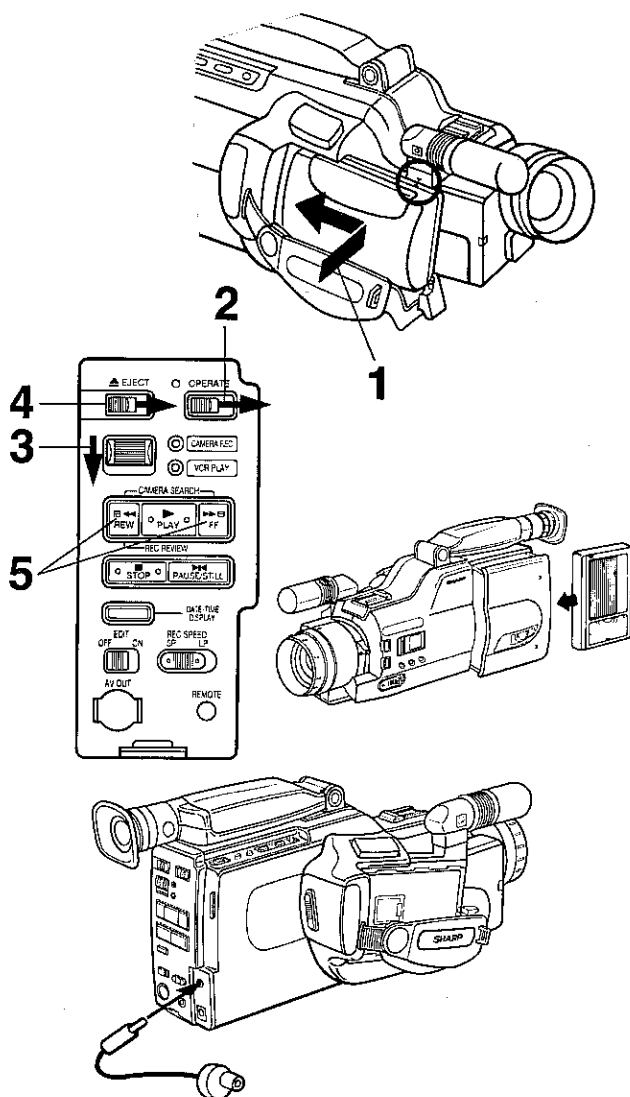
WEERGEVEN IN DE ZOEKER

- 1 Bevestig een accu of gebruik de netadapter/acculader.
- 2 Zet de OPERATE-schakelaar op aan — de OPERATE-indikator gaat branden.
- 3 Zet de CAMERA REC/VCR PLAY-schakelaar in de "VCR PLAY" stand.
- 4 Druk op de EJECT-toets en plaats een cassette.

Opmerking

Trek een eventuele lus in de band strak.

- 5 Spoor met de FF of REW-toets de scène op die u wilt zien. Druk daarna op de PLAY-toets en weergave start.



Opmerking

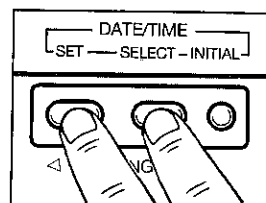
Sluit een oortelefoon (niet bijgeleverd) aan op de EAR-aansluiting om te luisteren naar het opgenomen geluid.

Opmerking

De LP/SP-keuzetoets mag in beide standen staan. De opnamesnelheid wordt automatisch gesignaleerd en de band weergegeven met de juiste snelheid.

SPORINGSREGELING

Stel de TRACKING-regelaar bij als er sprake is van sneeuwstrepen of storing. Druk op één van de TRACKING-toetsen voor het verminderen van de storing. Druk na weergave tegelijkertijd op beide TRACKING-toetsen om deze weer in de middenstand te stellen.



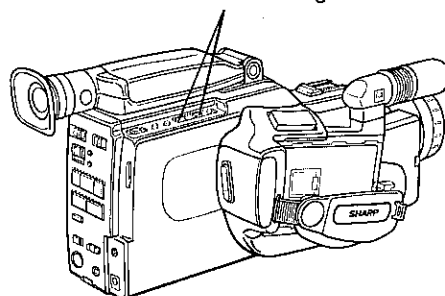
TRACKING-regelaar



Storing



Helder



VOORWAARTS/TERUGWAARTS ZOEKEN EN STILBEELD

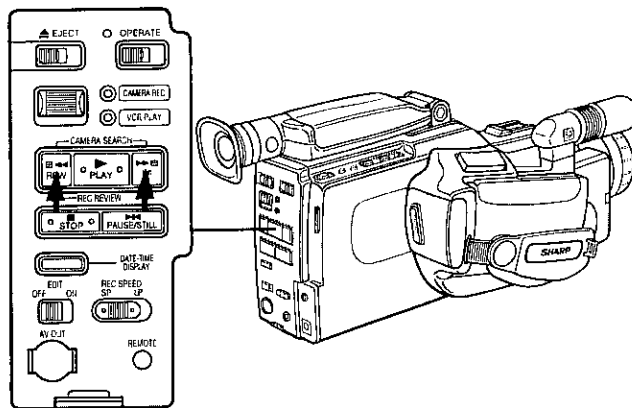
Met de vooruit/terugzoektoetsen kan snel een gewenst punt op de band worden opgezocht. Bij gebruik van de toetsen (voor vooruit/terugzoeken) zullen de korresponderende indicators oplichten.

Vooruitzoeken

Druk tijdens weergeven op de FF (▶) toets. De band wordt nu 3 maal versneld afgespeeld (bij een SP-opgenomen cassette) of 7 maal versneld (bij een LP-opgenomen cassette).

Terugzoeken

Druk tijdens weergeven op de REW (◀) toets. De band wordt nu 3 maal versneld in terugwaartse richting afgespeeld (bij een SP-opgenomen cassette) of 7 maal versneld (bij een LP-opgenomen cassette).

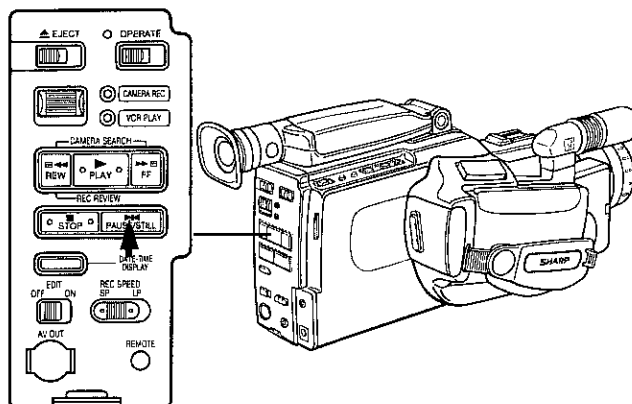


Opmerking

Tijdens voorwaarts/terugwaarts beeldzoeken kan er enige beeldruis zichtbaar zijn. Dit is normaal. Indien het beeld op het TV-scherm rolt in verticale richting kunt u dit bijstellen met de vertikaalregelaar van het TV-toestel. Tijdens voorwaarts/terugwaarts beeldzoeken op een reeds opgenomen cassette kan het beeld in zwart/wit veranderen. Dit is normaal. Tijdens deze bediening is er geen geluidsweggeve.

Stilbeeld

Druk op de PAUSE/STILL-toets om het weergavebeeld stil te zetten. Druk nogmaals op PAUSE/STILL-toets om de weergave te hervatten.



Opmerking

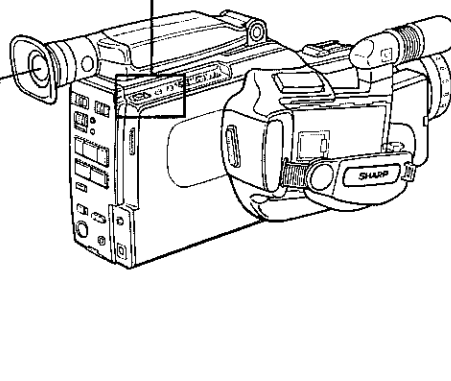
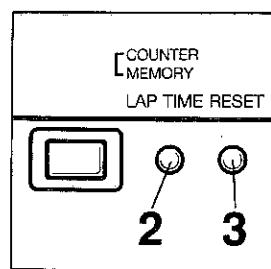
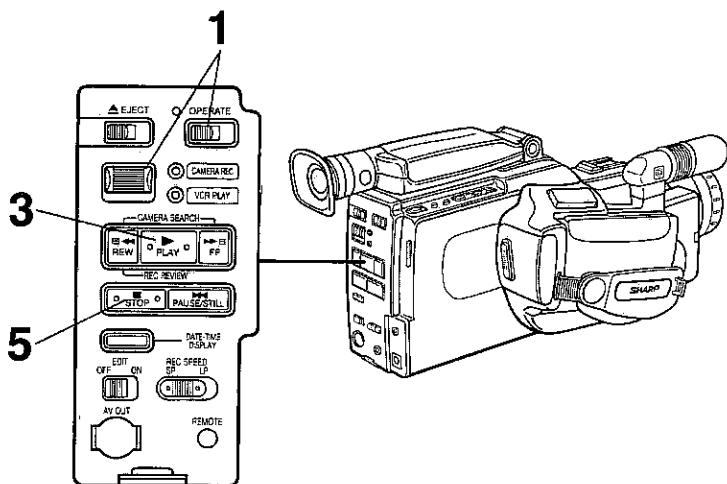
Als het beeld vertikaal over het scherm rolt, dient de vertikaalregelaar van de TV te worden bijgesteld. Om beschadiging van de band te voorkomen zal de camcorder automatisch de spanning op de band opheffen en het normale weergeven hervatten zodra het apparaat langer dan 5 minuten in de stilstand-beeld stand staat.

Ca. 5 min.

Stilbeeld → Stopfunctie

BANDTELLERGEHEUGEN

Aan de hand van de 4-cijferige bandteller kan snel een gewenste scène worden opgezocht. Gebruik het bandteller-geheugen om snel naar een bepaald punt op de band terug te keren. Bij ingeschakelde geheugenfunctie zal de band automatisch stoppen zodra de teller tijdens vooruit- of terugspoelen de "M0000" stand bereikt.

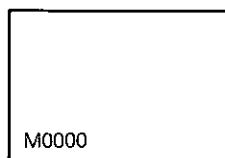
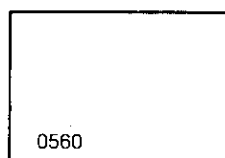


- 1** Schuif de OPERATE-schakelaar op aan. Zet de CAMERA REC/VCR PLAY-schakelaar op "VCR PLAY".
- 2** Druk op de COUNTER/COUNTER MEMORY/LAP TIME-toets om de bandteller in het zoekerbeeld te tonen.
- 3** Druk op de PLAY-toets om met weergeven te beginnen. (Mocht de stilbeeldfunctie van de camcorder ingeschakeld staan, druk dan op de STILL-toets.)
- 4** Druk bij het begin van de scène waarna u naderhand terug wilt gaan op de RESET en COUNTER/COUNTER MEMORY/LAP TIME-toets.
- 5** Druk op de STOP-toets om te stoppen met weergeven. Druk hierna op de REW-toets. De band wordt nu automatisch teruggespoeld tot het punt waar de teller "0000" aangeeft waarna het bandtransport gestopt wordt.

Opmerking

- De nummers in de teller zullen niet altijd soepel doorlopen tijdens vooruit- of terugspoelen. Dit duidt echter niet op een defect.
- De bandteller toont "0000" waarna "M" aangegeven wordt.
- Als de COUNTER/COUNTER MEMORY/LAP TIME-toets nogmaals ingedrukt wordt, verdwijnt de tellerdisplay en werkt de geheugenfunctie niet. (Tijdens de CAMERA REC stand is het ook mogelijk de verstreken tijdteller in te schakelen door op de COUNTER/COUNTER MEMORY/LAP TIME-toets te drukken.)
- Het bandtransport stopt ook bij ca. "0000" wanneer de band vooruit gespoeld wordt.
- De bandtellergeheugenfunctie werkt alleen wanneer de CAMERA REC/VCR PLAY-schakelaar in de "VCR PLAY" stand staat.

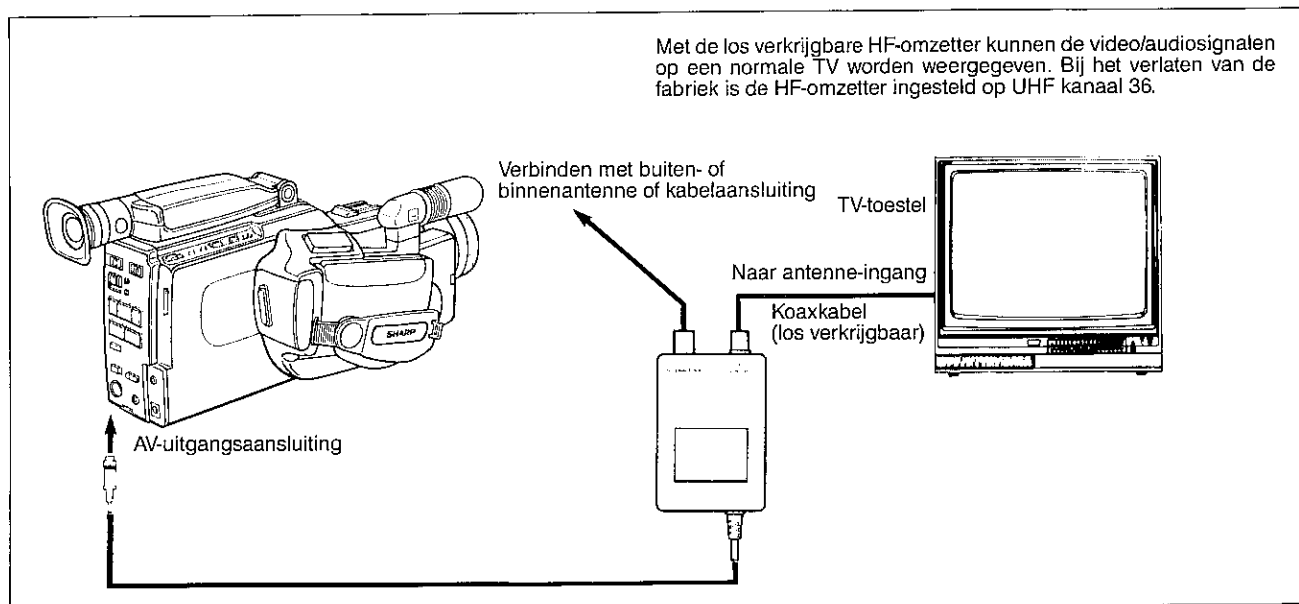
Indicatie in de zoeker



AANSLUITING OP DE TV

Sluit de los verkrijgbare HF-omzetter op de TV en de camcorder aan om cassettes opgenomen met de camcorder op de TV weer te geven.

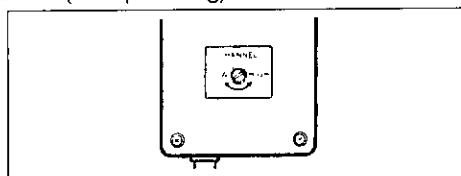
Aansluiten op een normale TV



Weergeven op de TV

Stem de TV op hetzelfde kanaal af als de HF-omzetter (UHF-kanaal 30-39) en druk op de PLAY-toets. Om weer normaal TV te kijken dient de OPERATE-schakelaar van de camcorder op uit te worden gezet of de kabel van de HF-omzetter te worden losgemaakt van de camcorder.

- 1 De kanaal-instelschroef van de los verkrijgbare HF-omzetter is op kanaal 36 gezet. Wordt kanaal 36 in uw woonplaats gebruikt, kies dan een ander kanaal (zie Opmerking).



- 2 Zet de kanaalkiezer van de TV op hetzelfde kanaal.
- 3 Maak de antennekabel van de TV los en sluit de kabel op de ANTENNA IN aansluiting van de HF-omzetter aan.
- 4 Sluit de los verkrijgbare 75-Ohm koaxkabel op de RF OUT-aansluiting van de HF-omzetter en op de 75-Ohm koaxantenne-aansluiting van de TV aan.
- 5 Sluit de kabel van de HF-omzetter aan op de AV uitgangsaansluiting van de camcorder.
- 6 Zet de CAMERA REC/VCR PLAY-schakelaar in de "VCR PLAY" stand en zet de OPERATE-schakelaar op aan.
- 7 Druk op de EJECT-toets en plaats een cassette met het venster naar buiten. Druk vervolgens op de PLAY-toets.

Let op

- Gebruik de los verkrijgbare HF-omzetter uitsluitend met deze camcorder.
- De HF-omzetter is volkomen afgedicht. Probeer het apparaat niet te openen of er wijzigingen in aan te brengen. Stel het apparaat niet bloot aan sterke schokken, trillingen en voorkom eventuele andere beschadigingen.
- Maak de HF-omzetter bij bliksem los.

BEDIENING

Kijken naar een videocassette die wordt afgespeeld met de VL-C780S.

Om te kijken naar videocassettes of om te kijken naar het beeld dat wordt opgenomen, dient u de kanaalkiezer van de TV op het kanaal in te stellen dat correspondeert met het HF-uitgangskanaal.

Kijken naar televisieprogramma's:

Schuif de OPERATE-schakelaar op uit of maak de HF-omzetterkabel los van de camcorder.

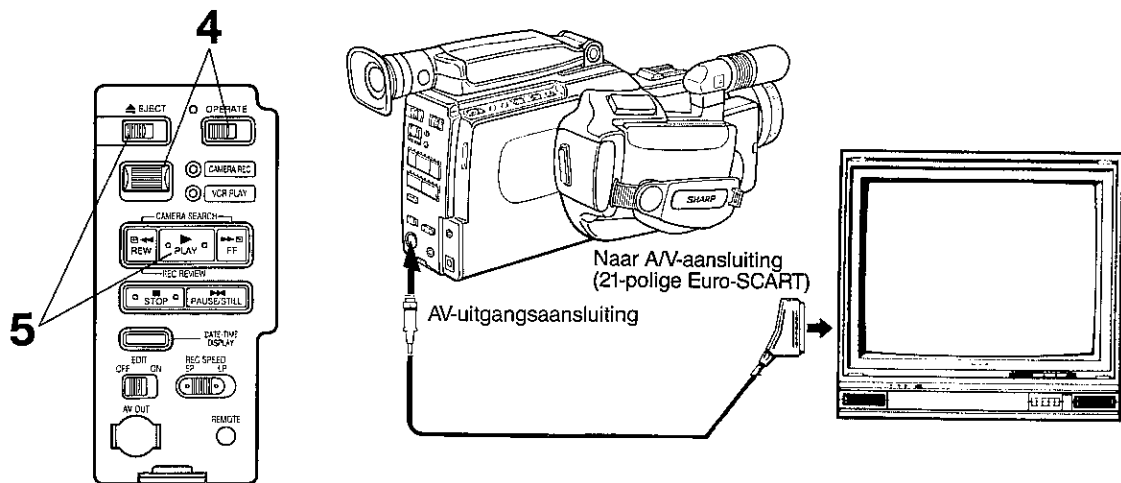
Opmerking

Als UHF-kanaal 36 in uw woonplaats een actief kanaal is, kan een ongebruikt UHF-kanaal 30-39 gekozen worden om de signalen van de camcorder op TV te zien.

Zet de uitgangskanaal-instelschroef van de HF-omzetter op een van de beschikbare kanalen (UHF 30-39) en stem de TV op hetzelfde kanaal af.

AANSLUITEN OP EEN TV VOORZIEN VAN EEN A/V-AANSLUITING

- 1 Sluit de bijgeleverde A/V OUTPUT-kabel (21-polige Euro-SCART) op de AV-uitgang van de camcorder aan.
- 2 Sluit de A/V OUTPUT-kabel op de A/V-aansluiting (21-polige Euro-SCART) van de TV aan.
- 3 Stem de TV op het VIDEO of A/V-kanaal af.
- 4 Schuif de OPERATE-schakelaar op aan.
Zet de CAMERA REC/VCR PLAY-schakelaar in de "VCR PLAY" stand.
- 5 Druk op de EJECT-toets en plaats een cassette met het venster naar buiten. Druk vervolgens op de PLAY-toets.

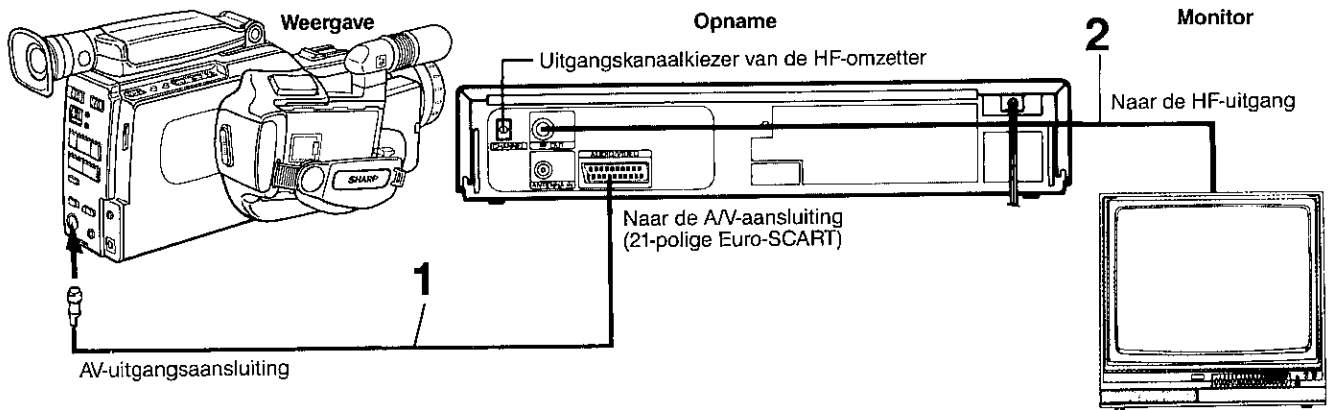


Weergeven op de TV

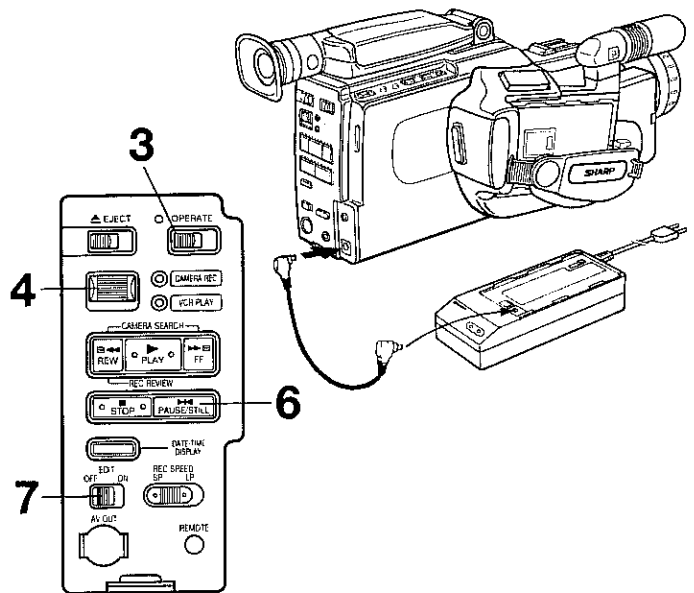
Stem de TV op het VIDEO of A/V-kanaal af en druk op de PLAY-toets.
Om weer normaal te kijken, hoeft u slechts het gewenste kanaal in te stellen.

KOPIEREN OP EEN ANDERE VIDEORECORDER

De SHARP camcorder kan aangesloten op een andere videorecorder als weergavebron voor kopiëren en monteren van een cassette. Onnodige scènes kunnen uitgeknipt worden, de algehele lengte gekort, scènes in andere volgorde gezet en andere effecten worden toegevoegd om de band effectiever en nog leuker te maken.



- 1** Sluit de A/V OUTPUT-kabel op de AV-uitgang aan de achterkant van de camcorder aan. Steek de 21-PIN A/V OUTPUT-stekker in de A/V-aansluiting aan de achterkant van de videorecorder.
- 2** Bekijk de opname op een op de videorecorder aangesloten TV.
- 3** Sluit een stroombron aan op de camcorder en schuif de OPERATE-schakelaar op aan. Schakel nu de videorecorder ook aan.
- 4** Zet de CAMERA REC/VCR PLAY-schakelaar van de camcorder op "VCR PLAY" en zet een voorbespeelde cassette in.
- 5** Plaats een cassette met intact wispreventielipje in de videorecorder en schakel de opnamepauzefunctie daarvan in.
- 6** Zoek de van de camcorder te kopiëren scène op en druk op de PAUSE/STILL-toets.
- 7** Zet de EDIT-schakelaar op aan.
- 8** Druk op de PAUSE/STILL-toets van de camcorder en van de videorecorder om weergave en kopiëren te beginnen.

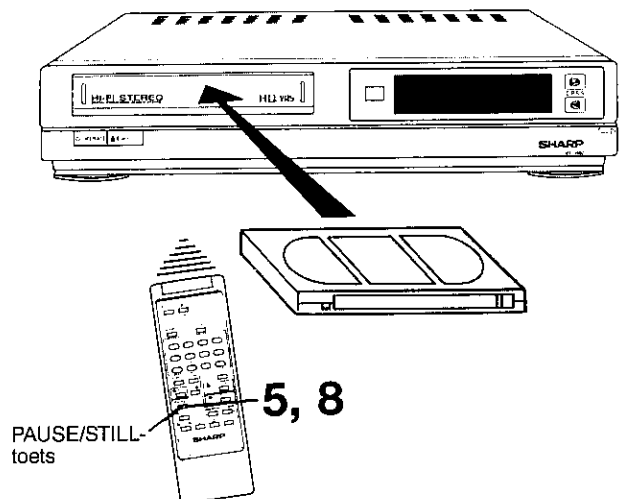


Opmerking

Het is onvermijdelijk dat de beeldkwaliteit achteruit gaat elke keer dat een kopie gemaakt wordt. Het wordt daarom aanbevolen de standaard (SP) opnamesnelheid te gebruiken bij het kopiëren van een cassette.

MONTAGE

De beeldkwaliteit verslechtert bij elke maal dat gekopieerd wordt van de camcorder naar de videorecorder. Zet de EDIT-schakelaar op ON om verslechtering van de beeldkwaliteit zoveel mogelijk te beperken. Gebruik dit bij het monteren van uw video-opnamen.



Opmerking

- Gewoonlijk moet de EDIT-schakelaar uit staan.

GEBRUIK VAN DE CASSETTE-ADAPTER (OPTIONEEL)

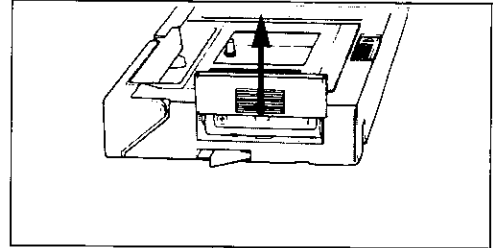
VHS compact-videocassettes opgenomen met de VL-C780S kunnen met behulp van de los verkrijgbare VR-72CA cassette-adapter op elke standaard VHS-videorecorder worden afgespeeld.

(Een compact-videocassette geplaatst in de cassette-adapter kan met elke standaard VHS-machine gebruikt worden voor opname of weergave.)

Plaatsen van de batterij in de cassette-adapter

De VR-72CA cassette-adapter werkt op een R6 (AA) formaat batterij.

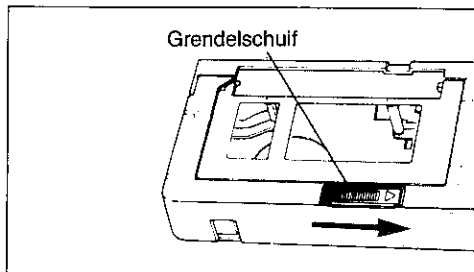
Verwijder het batterijdeksel door het omhoog te schuiven. Steek een R6 (AA) formaat batterij in de houder en breng het deksel weer aan.



Plaatsen van de compact-videocassette in de cassette-adapter

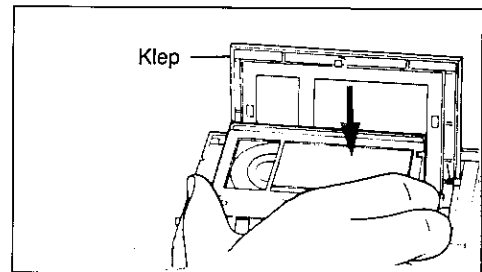
Als er een lus in de band is kan de band beschadigd worden. Trek daarom een eventuele lus strak alvorens de compact-videocassette in de cassette-adapter te steken.

- 1** Open de klep door de grendelschuif in de richting van de pijl te duwen.



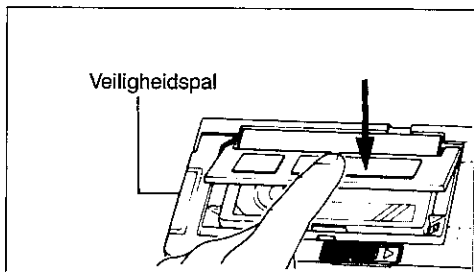
- De klep gaat open.

- 2** Steek de cassette op de afgebeelde wijze in de cassette-adapter.



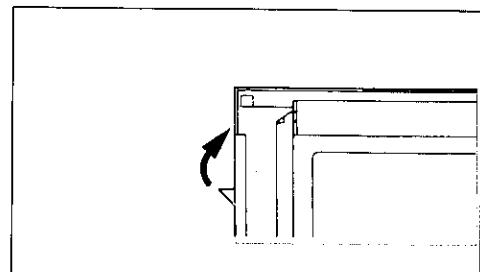
- Houd de cassette bij het plaatsen horizontaal, dus niet onder een hoek.
- Let erop dat er geen lus in de band is.
- Raak de band niet aan bij het plaatsen van de cassette in de cassette-adapter.

- 3** Sluit de klep van de cassette-adapter.



- De band wordt automatisch ingeregen.

- 4** Zodra de band volledig is ingeregen, zal de veiligheidspal vanzelf ingetrokken worden.

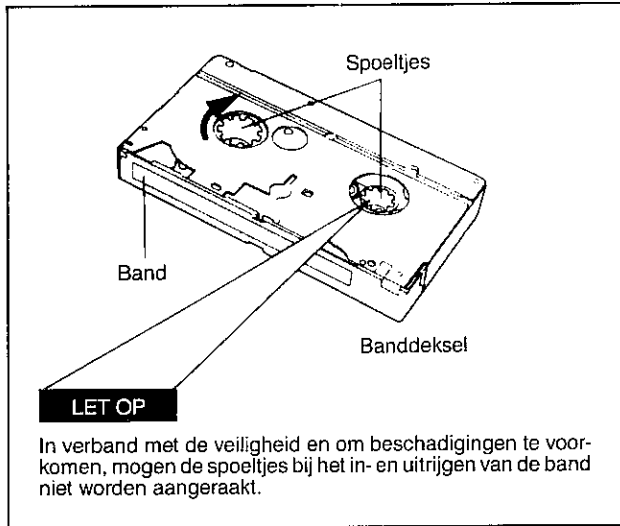


Let op:
In verband met de veiligheid en om beschadigingen te voorkomen, mogen de spoeltjes bij het in- en uitrijgen van de band niet worden aangeraakt.

Let op:

Na het plaatsen van de cassette en het inrijgen van de band dient u het volgende te doen:

1. Controleer of er geen lus in de band is. (Het banddeksel mag niet geopend worden.)
2. Mocht er een lus in de band zijn, trek deze dan strak door het spoeltje in de richting van de pijl te draaien.



Weergeven van de cassette

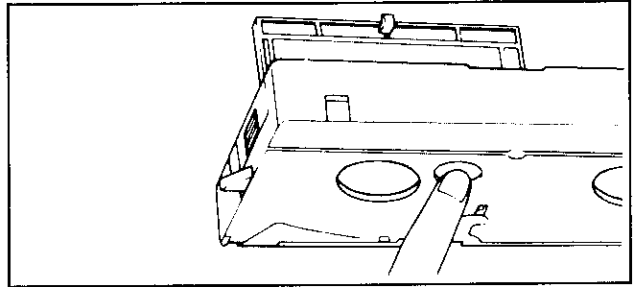
1. Steek de cassette-adapter in een VHS-deck. Dit gebeurt op dezelfde wijze als het plaatsen van een normale VHS-cassette.
2. Bedien het VHS-deck op de gebruikelijke wijze.
 - De speciale weergavefuncties van het deck kunnen normaal gebruikt worden.
 - Zijn er strepen in het beeld, draai dan aan de spoorregelaar van het deck. Vergeet na het weergeven niet om de spoorregelaar weer terug te zetten in de normale stand.
 - Raadpleeg de gebruiksaanwijzing van het videodeck voor verdere details betreffende de bediening.

Opmerkingen

- Bij gebruik van de speciale weergavefunctie (vertraagd weergeven, stilstaand beeld, etc.) is het mogelijk dat het beeld trilt of dat er storingsstrepen in het beeld zijn.
- Als de veiligheidspal uitsteekt, betekent dit dat de band niet volledig ingeregeng is. Probeer **NOOIT** om de cassette-adapter in deze conditie in de videorecorder te steken daar dit zowel de recorder als de adapter kan beschadigen.
- Herhaaldelijk in de recorder plaatsen en uitnemen van de cassette-adapter zonder dat de band loopt kan resulteren in bandlussen. Dit kan leiden tot beschadiging van de band.
- De cassette-adapter kan niet ondersteboven in de videorecorder gestoken worden.
- Neem de cassette na gebruik uit de adapter.

Uitnemen van de compact-videocassette

Open de klep door de grendelschuij te verzetten. Duw met uw vinger via de opening in de onderkant van de adapter op de cassette zodat deze omhoogkomt en uitgenomen kan worden.

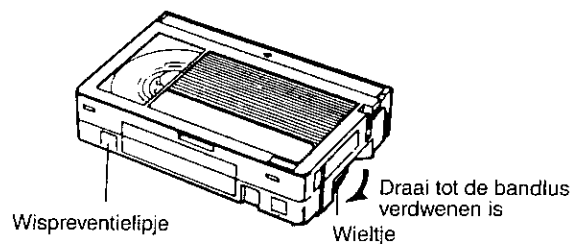


Opmerkingen

- Aangezien de cassette-adapter precisie-vervaardigd is, mag deze niet aan sterke schokken of trillingen worden blootgesteld. Laat de cassette-adapter ook niet vallen en probeer hem niet te openen of er wijzigingen in aan te brengen daar dit kan resulteren in storing.
- Bij het opbergen van de cassette-adapter in de doos dient de cassette-adapter met de veiligheidspal naar voren naar binnen te worden gestoken.

Videocassettes

- Met de VL-C780S kunnen uitsluitend compact-video-cassettes voorzien van het **VHS** teken gebruikt worden.
- Bij het maken van een nieuwe opname worden de voorheen op de band opgenomen video- en audiosignalen automatisch gewist.
- De cassette kan niet ondersteboven worden geplaatst.
- Herhaaldelijk plaatsen en uitnemen van de cassette zonder dat de band loopt kan resulteren in bandlussen. Dit kan leiden tot beschadiging van de band.
- Kontroleer dat er geen lus in de band is alvorens de cassette in het apparaat te steken. Is er een lus in de band, draai het wielje van de cassette dan in de richting van de pijl tot de lus verdwenen is.
- De cassette is voorzien van een wispreventielipje om abusievelijk wissen van het opgenomen materiaal te voorkomen. Als het lipje uitgedbroken is kan er geen opname op de cassette worden gemaakt. Wilt u een cassette waarvan het lipje uitgedbroken is weer geschikt maken voor opnemen, plak dan een stukje tape over de ontstane uitsparing.
- Om overmatig blootstellen aan stof en vingervlekken te voorkomen, mag het banddeksel aan- de voorzijde niet geopend worden.



Behandeling van cassettes

- Stel de cassettes niet bloot aan direct zonlicht en houd ze uit de buurt van warmtebronnen.
- Berg de cassettes niet op erg vochtige of stoffige plaatsen op.
- Laat de cassettes niet vallen. Stel de cassettes niet bloot aan schokken of trillingen.
- Stel de cassettes niet bloot aan magnetische velden (in de buurt van een motor, transformator of magneet).
- Berg de cassettes na gebruik op in de cassettedoosjes en zet deze vertikaal.

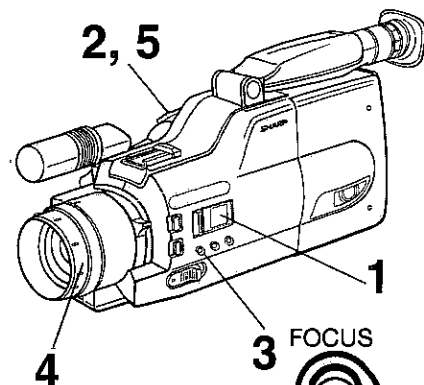
MET DE HAND SCHERPSTELLEN

In de volgende gevallen kan het moeilijk zijn automatisch scherp te stellen zodat u de lens zelf wilt scherpstellen.

1. Wanneer het onderwerp zich niet in het midden van het beeld bevindt.
2. Wanneer u de achtergrond of voorgrond van de scène onscherp wilt hebben.
3. Wanneer u het begin van de scène onscherp wilt hebben.

SCHERPSTELLEN MET DE HAND

- 1 Schakel de automatische bediening uit met de FULL AUTO-toets.
- 2 Druk op T om in te zoomen op het onderwerp.
- 3 Druk op de FOCUS-toets om MANUAL FOCUS in te stellen.
- 4 Draai aan de scherpstelring tot er op het onderwerp is scherpgesteld.
- 5 Druk lichtjes op W en zoom uit tot de scène naar wens is uitgekaderd.



WITBALANS

Witbalans zorgt ervoor dat alle kleuren op de juiste wijze worden geregistreerd. De witbalans wordt automatisch ingesteld als de camera in de volautomatische bedieningsfunctie is geschakeld.

Vergrendelen van de witbalansinstelling

Een verschuiving in de kleurregistratie kan ontstaan tijdens het filmen van een egaal gekleurd voorwerp waarbij het gehele zoekerbeeld is gevuld met één kleur (bijvoorbeeld i.g.v. een close-up van een gekleurd vel papier). In een dergelijk geval kan de automatische witbalansfunctie worden vergrendeld om een verschuiving van de kleur te voorkomen. Volg hiervoor de onderstaande procedure.

(1) Snelle instelling.

Zoom geheel uit op een onderwerp dat niet bestaat uit één egale kleur. De juiste witbalans wordt nu automatisch ingesteld. Druk op de WHITE BALANCE-toets om de instelling van de witbalans te vergrendelen. "W/B" zal in het zoekerbeeld verschijnen. Bij het maken van een close-up van een egaal gekleurd onderwerp zal de kleur nu niet verschuiven doordat de witbalans is vergrendeld.

(2) Zo precies mogelijk instelling.

Richt de camera geheel beeldvullend gedurende minimaal 2 seconden op een wit vel papier. De juiste witbalans zal nu automatisch worden ingesteld. Schakel de FULL AUTO-schakelaar uit, en druk op de WHITE BALANCE-toets om de witbalans te vergrendelen. "W/B" verschijnt in het zoekerbeeld. De vergrendeling van de witbalans kan worden opgeheven door op de WHITE BALANCE-toets te drukken of door de FULL AUTO-schakelaar in de "FULL AUTO" stand te schuiven zodat de automatische witbalansfunctie weer wordt geactiveerd.

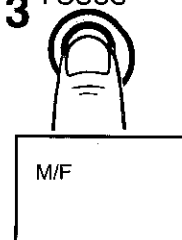
• De kleurtemperatuur van een lichtbron varieert. Zo zal de kleurtemperatuur van de zon variëren afhankelijk van het weer en het tijdstip. Stel de witbalansvergrendeling opnieuw in als de kleurtemperatuur verandert.

Opmerkingen

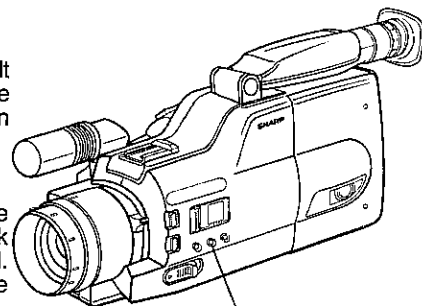
- De vergrendeling van de witbalans wordt automatisch opgeheven als de spanning van de camcorder wordt onderbroken of als de camcorder in de videorecorderfunctie (VCR PLAY) wordt geschakeld.
- Zelfs als de witbalansvergrendelingsfunctie is ingesteld, is de witbalans niet geheel vastgelegd. De witbalansfunctie past zich nog aan kleine variaties in kleurtemperatuur aan, voor het verkrijgen van opnamen met nog natuurlijkere kleuren.

Onder de volgende omstandigheden kan het zijn dat de automatische witbalans niet goed functioneert.

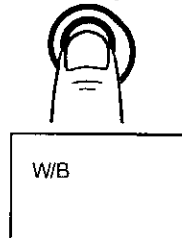
- Bij opnamen waarbij daglicht en kunstlicht gemengd worden. Dit is vaak het geval als u in de buurt van een raam opneemt. Let erop dat alle lichtbronnen ongeveer dezelfde kleurtemperatuur hebben.
- Bij gebruik van speciale effectverlichting.
- Bij het opnemen van een onderwerp tegen een achtergrond met sterke kleurschakeringen.
- Als er onvoldoende licht is.
- Als de kleurtemperatuur van de scène erg snel wisselt of als het contrast te groot is.
- Als het onderwerp slechts één egale kleur heeft.



Tijdens handmatige scherpstelling verschijnt "M/F" in het zoekerbeeld.



WHITE BALANCE



Tijdens vergrendeling van de witbalans verschijnt "W/B" linksboven in het zoekerbeeld. (De indicatie verdwijnt zodra de vergrendeling wordt opgeheven.)

TEGENLICHTKOMPENSATIE (BLC)

De automatische diafragma-regeling van deze camcorder gebruikt een geavanceerd lichtmetingsysteem dat automatisch overbelichting voorkomt en de belichting bijregelt indien het onderwerp een sterke lichtbron in de achtergrond heeft. Indien de achtergrond echter te helder is en het onderwerp er daardoor donker uitziet, kunt u op BLC/GAIN-UP-toets drukken om te voorkomen dat het onderwerp te donker in de opname wordt vastgelegd.

Opmerking

De camcorder zal automatisch terugschakelen in automatische diafragma-regeling nadat u de BLC/GAIN-UP-toets ontkoppelt.

EXTRA LICHTGEVOELIGHEID (GAIN-UP)

Tijdens het opnemen van een donker onderwerp zal "LIGHT" in het zoekerbeeld worden getoond. Indien u in een dergelijke situatie op de BLC/GAIN-UP-toets drukt, zal de lichtgevoeligheid toenemen en de scène helderder worden.

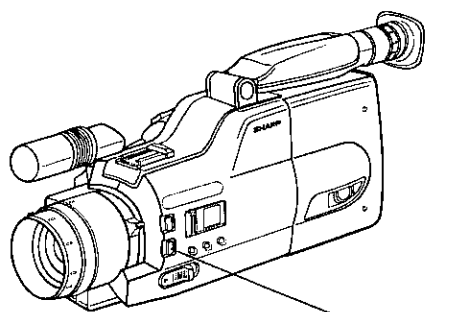
"* LIGHT *" zal nu in het zoekerbeeld verschijnen om aan te geven dat functie voor extra lichtgevoeligheid is ingesteld.

De "* LIGHT *" aanduiding verdwijnt zodra het onderwerp lichter wordt. De camcorder onthoudt echter dat de functie voor extra lichtgevoeligheid is bijgesteld.

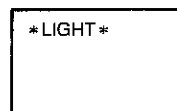
Om de "gain-up" functie daarom geheel uit te schakelen dient u nogmaals op de BLC/GAIN-UP-toets te drukken terwijl "* LIGHT *" wordt getoond in het zoekerbeeld.

Opmerking

- Opnamen gemaakt met verhoogde lichtgevoeligheid zullen meer beeldruis bevatten.
- De verhoogde lichtgevoeligheid wordt automatisch opgeheven als de spanning van de camcorder wordt onderbroken of als de camcorder in de videorecorderfunctie (VCR PLAY) wordt geschakeld.

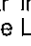


BLC/GAIN-UP



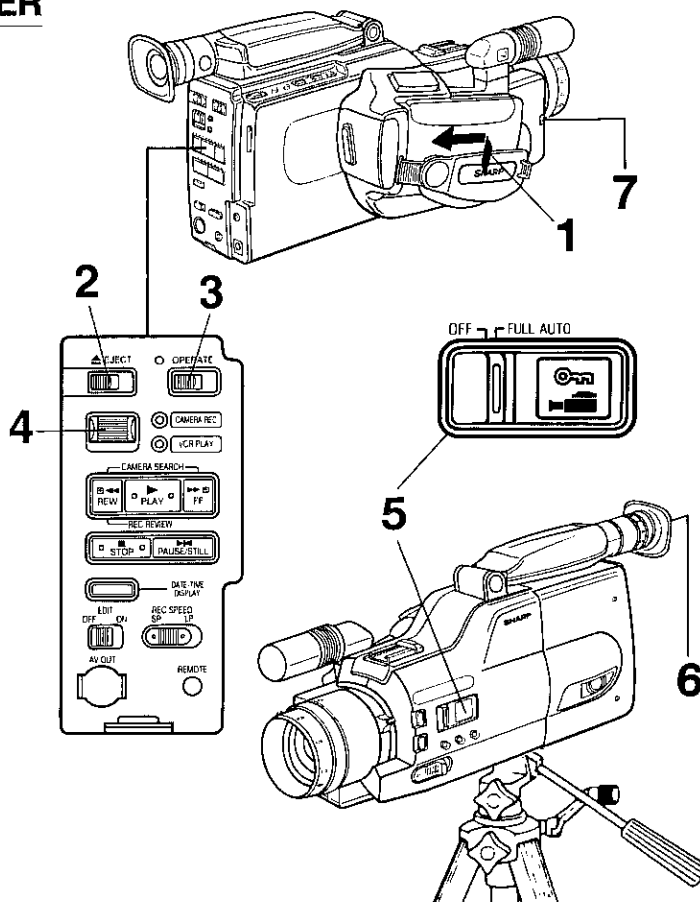
"* LIGHT *" verschijnt in het zoekerbeeld als de camera in de functie voor verhoogde lichtgevoeligheid is geschakeld.

OPNEMEN MET DE ZELFONTSPANNER

- 1 Monteer de accu.
- 2 Druk op de EJECT-toets en open de cassettehouder. Plaats een cassette met een intact wispreventielijpje en het venster naar buiten. Druk op de hoek van de cassettehouder die aangeduid wordt met "PUSH" totdat hij op zijn plaats vastklikt.
- 3 Monteer de camcorder op een stabiel statief die speciaal voor gebruik met videocamera's gemaakt is. Schuif daarna de OPERATE-schakelaar op aan.
- 4 Zet de CAMERA REC/VCR PLAY-schakelaar in de CAMERA REC stand.
- 5 Zet de FULL AUTO-schakelaar in de "FULL AUTO" stand en controleer of  in de LCD-display verschijnt.
- 6 Druk op de elektrische zoomtoets terwijl u op het onderwerp richt en stel de kijkhoek bij.
- 7 Druk op de SELF TIMER-toets. De controle-indicator knippert voor 10 seconden, waarna de camcorder voor 20 seconden zal opnemen. Daarna wordt de opnamepauzefunctie ingeschakeld. Druk tweemaal achter elkaar op de SELF TIMER-toets om voor langere tijd op te nemen.

Opmerking

De zelfontspanner wordt uitgeschakeld als drie maal op de SELF TIMER-toets gedrukt wordt.



HIGH-SPEED SLUITER

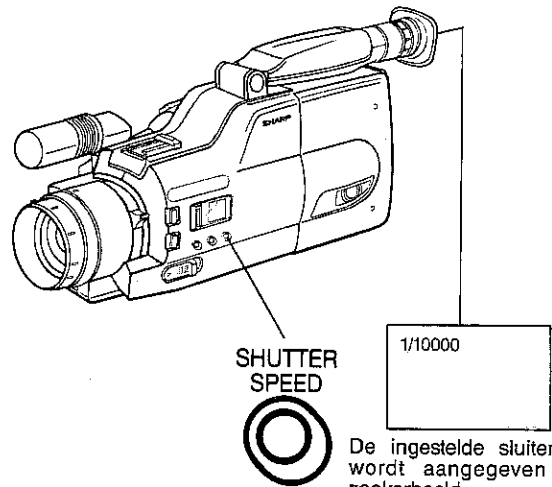
Gebruik de HIGH SPEED sluitersfunctie (1/10.000, 1/2000, 1/500 en 1/100 sek.) voor het maken van snel bewegende actie-opnamen zoals van een sport (voetbal, tennis, enz.). Op deze wijze gemaakte opnamen zullen bij weergave op een 4-koppen videorecorder zelfs in de stilbeeld of slow-motion stand scherpe beelden opleveren.

GEBRUIK VAN DE HIGH-SPEED SLUITER

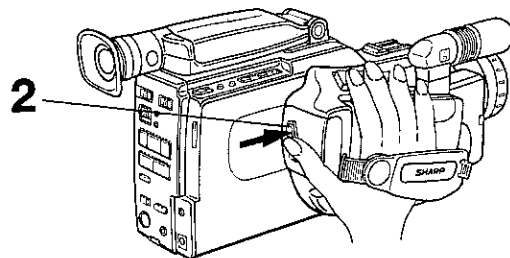
- 1 Tijdens de opnamepauzefunctie schakelt u eerst de FULL AUTO-schakelaar uit en drukt u vervolgens op de SHUTTER SPEED-keuzetoets. Kies de gewenste sluitertijd. De sluitertijden worden aangeboden in navolgende volgorde: 1/10.000 sek., 1/2.000 sek., 1/500 sek., 1/100 sek., standaard (1/50 sek.), en wederom 1/10.000 sek.
- 2 Druk als gebruikelijk op de REC START/STOP-toets om de opname te starten. Daar de High-Speed sluitertijd korter is dan normaal, is er meer licht vereist. Gebruik de High-Speed sluitersfunctie daarom alleen als er voldoende licht beschikbaar is (de minimale lichtsterkte wordt hieronder aangegeven.)
1/10.000 sek.: 3000 lux
1/2000 sek.: 600 lux
1/500 sek.: 150 lux
1/100 sek.: 30 lux
Het wordt aanbevolen om de High-Speed sluitersfunctie alleen buitenshuis of met extra licht te gebruiken.

Opmerkingen

- Vermijd gebruik van de High-Speed sluitersfunctie bij TL-verlichting aangezien dit zal resulteren in flikkeren in het beeld.
- Opnamen met sluitersnelheden korter dan 1/50 sek. (standaard) zullen het beeld donkerder maken. Gebruik deze sluitersnelheden daarom alleen in heldere omstandigheden.

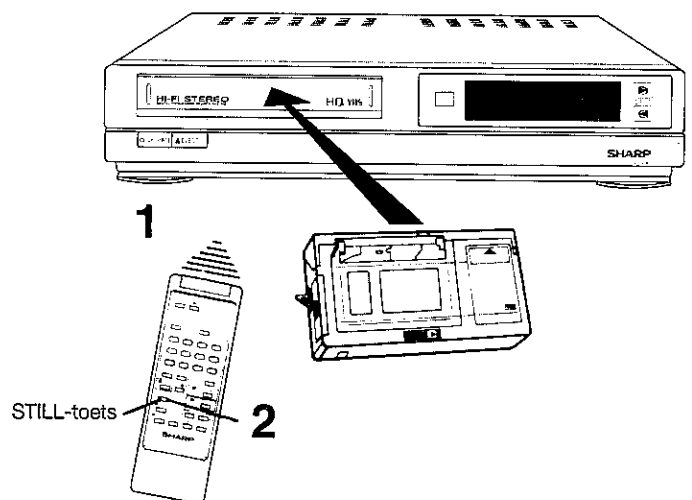


De ingestelde sluitersnelheid wordt aangegeven in het zoekerbild.



WEERGAVE VAN OPNAMEN GEMAAKT MET DE HIGH-SPEED SLUITERFUNKTIE

- 1 Plaats de voorbespeelde cassette in een los verkrijgbare VHS cassette-adapter, en plaats deze vervolgens in de 4-koppen videocassette recorder.
- 2 Tijdens bekijken van scènes opgenomen met de High-Speed sluitersfunctie kunt u zelfs tijdens een stilbeeld en langzaam lopend beeld van beelden zonder waas genieten.



MAKRO-OPNAMEN

Met behulp van de makrofunctie kunnen kleine voorwerpen zoals bloemen, insekten en zelfs foto's uit uw familie-album beeldvullend worden opgenomen. De makrofunctie kan ook gebruikt worden voor het opnemen van titels van uw video-opnamen.

Gewoonlijk kan de lens slechts scherpstellen op onderwerpen die zich niet dichters dan 1 m van de voorzijde van de camcorder bevinden.

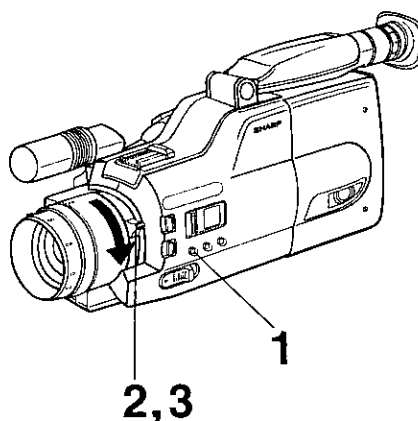
Door de lens op makro te zetten kunt u met de hand op ieder onderwerp in het makrobereik 8 mm - 100 cm) scherpstellen. Dit wil zeggen tot praktisch vlak voor de lens.

Plaats de camcorder op een stevig statief aangezien bij makro-opnamen de kleinste beweging reeds storend is.

- 1** Zet de FOCUS-toets op MANUAL.
- 2** Houd de MACRO-toets ingedrukt en draai de zoomhendel totdat deze in de MACRO stand vastklikt.
- 3** Stel scherp door langzaam aan de zoomhendel te draaien.

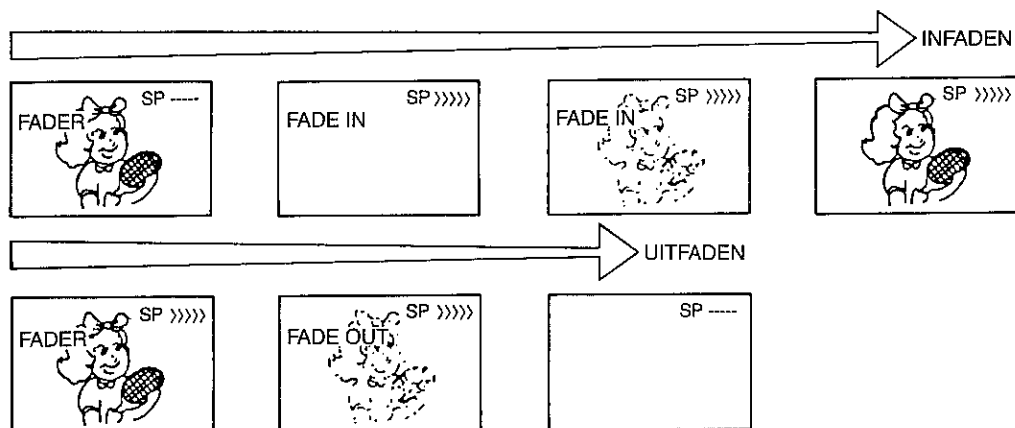
Opmerking

- Zet na het maken van de makro-opname de zoomhendel terug in het normale scherpstelbereik.
- Tijdens het opnemen van een egaal gekleurd onderwerp zoals de kelk van een bloem kan de kleurregistratie mogelijk inkorrekt zijn. Gebruik in dat geval de vergrendelingsfunctie voor de witbalans. (Zie blz. 31).



INFADEN & UITFADEN

Met deze camcorder kunt u gebruik maken van het speciale effect van infaden en uitfaden van scènes bij het maken van opnamen.

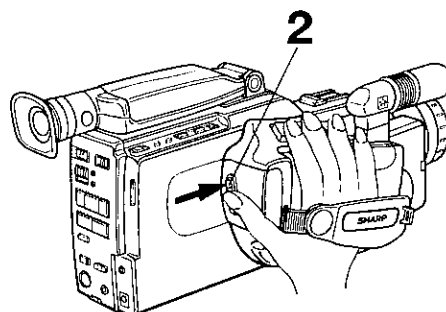
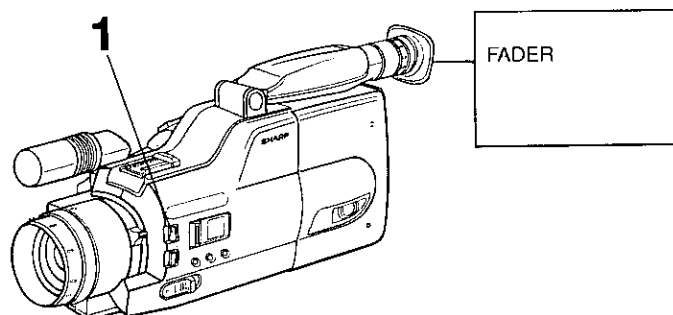


INFADEN

- 1** Druk op de FADE IN/OUT-toets terwijl het toestel op opnamepauze is geschakeld. Het zoekerbeeld zal "FADER" tonen.
- 2** Druk op de REC START/STOP-toets om de opname te starten. Het zoekerbeeld wordt eerste geheel donker en het beeld komt vervolgens langzaam op. ("FADE-IN" verschijnt in het zoekerbeeld.)

UITFADEN

- 1** Druk tijdens opname op de FADE IN/OUT-toets. Het zoekerbeeld zal "FADER" tonen.
- 2** Druk op de REC START/STOP-toets. Het zoekerbeeld wordt donker en een fade-out effect wordt op de band vastgelegd. ("FADE-OUT" verschijnt in het zoekerbeeld. De faderfunctie wordt uitgeschakeld als u overschakelt in de opnamepauzefunctie.)



VERLICHTING

Voor een goede beeldkwaliteit heeft u ongeveer 500 tot 100.000 lux nodig. Opnemen bij minder licht is mogelijk, maar dit kan ten koste gaan van de kwaliteit. Voldoende verlichting is ook van belang voor een juiste witbalans.

Lichtsterkte	Situatie	Kleuren-temperatuur	Situatie	Kleur	Witbalans-bereik
100.000 (lux)	Helderblauwe lucht	10.000 (°K)	Heldere dag	Blauw	A U T O
	Zonlicht, middaguur (100.000)	9.000	Kleuren-TV		
	Zonlicht, 10 uur 's morgens (65.000)	8.000	Bewolkte dag		
10.000	Zonlicht, 3 uur 's middags (35.000)	7.000	Regenachtige dag		
	Bewolkt, middaguur (32.000)	6.500	Daglicht TL-lamp		
	Bewolkt, 10 uur 's morgens (25.000)	6.000	Flitslicht van camera		
1.000	Bewolkt, 1 uur na zonsopgang (2.000)	5.500			
	Helder weer, 1 uur voor zonsondergang (1.000)	5.000	Blauwe fotolamp	Wit	
	TL-lamp bij raam (1.000)	4.500	Witte TL-lamp		
	Fabrieksruimte (700-800)	3.500	Gebroken-wit TL-lamp		
	In warenhuis (500-700)		Wolframgloeilamp voor fotogebruik		
	Kegelbaan (500)	3.200	Halogeenlamp		
	Bibliotheek (400-500)	2.800	Wolframgloeilamp	Geel	
	TL-verlicht kantoor (400-500)		Joodlamp		
	TL-bureaulamp (400)	2.500	Acetyleenlamp		
	Flitslicht op 1 m afstand (250)	2.000	Petroleumlamp		
100	Trappenhuis in winkel (100)		Kaarslicht	Rood	
10	Tijdens pauze in bioscoop (15-35)				
	Sigaretteaansteker op 30 cm afstand (15-20)				
	Kaarsjes op verjaardagstaart, 20 cm afstand (10-15)				
	Kaarslicht				

Opmerkingen

- Bovenstaande waarden zijn bij benadering.
- Voor een nauwkeurige kleurbalans: het beeld op een kleurenmonitor controleren en de witbalans bijstellen totdat de kleuren natuurgetrouw zijn.
- Gewoonlijk dient de automatische witbalansregeling te worden gebruikt in het hierboven aangegeven kleurtemperatuurbereik. Het systeem zal echter nog naar bevrediging werken van 2500°K tot 8000°K alhoewel het beeld dan respectievelijk een weinig rood of blauw kan worden.

Videoverlichting

Alhoewel de verlichting één van de belangrijkste aspecten is bij het maken van video-opnamen binnenshuis, wordt hier over het algemeen weinig aandacht aan besteed. Een goede verlichting betekent vaak het verschil tussen een fraai beeld of een beeld van inferieure kwaliteit. Daarnaast is de verlichting van belang voor een korrekte witbalans.

Bij het filmen buitenshuis is het natuurlijk licht meestal voldoende. Binnenshuis wordt de situatie echter een stuk moeilijker aangezien er vaak kunstlicht dient te worden gebruikt. Wolfram (of kwarts) gloeilampen zijn in dit geval het meest geschikt daar ze een natuurlijke verlichting geven en voor lange tijd een konstante kleurtemperatuur behouden.

Een optimale verlichting is niet altijd gemakkelijk te verwezenlijken en fouten hierbij worden maar al te snel gemaakt. Door eenvoudigweg links en rechts van de camcorder één of meerdere lampen op te stellen verliest uw onderwerp perspectief waardoor het resultaat tamelijk oninteressant is. Het verdient daarom aanbeveling een weinig met de verlichting te experimenteren tot uw onderwerp de gewenste nadruk verkregen heeft.

VERHELPE VAN STORINGEN

Ga de volgende storingslijst na alvorens het toestel voor reparatie weg te brengen.

SYMPTOOM		MOGELIJKE OORZAAK	MOGELIJKE OPLOSSING
• Spanning	• Geen spanning	• De veiligheidsmechanismen zijn in werking.	• Maak het netadaptersnoer los en steek deze daarna opnieuw in het stopcontact.
		• De accu is niet opgeladen.	• Laad de accu voldoende op.
		• De voedingsbron is niet juist aangesloten.	• Sluit de stroombron op de juiste wijze aan.
	• De spanning wordt uitgeschakeld zodra deze ingeschakeld wordt.	• Uitgeputte accu. • Kondens in de camcorder.	• Gebruik een volledig opgeladen accu. • Wacht totdat de condensatie verdwijnt.
• Opnemen	• De spanning is ingeschakeld maar er is geen beeld te zien in de zoeker.	• De lenskap is op de lens.	• Neem de lenskap af.
	• Opnemen is niet mogelijk.	• Het opnamepreventielipje is uitgebroken. • De CAMERA REC/VCR PLAY-schakelaar staat op "VCR PLAY".	• Dek de uitsparing af met plakband of plaats een cassette waarvan het wispreventielipje intact is. • Schuif de CAMERA REC/VCR-schakelaar op "CAMERA REC".
	• De ware kleuren verschillen van de kleuren in de opname.	• De TV is niet goed ingesteld.	• Stel de TV in.
		• Slechte verlichting.	• Voeg verlichting toe of corrigeer de kleurtemperatuur van de verlichting.
	• Wazig beeld	• Stof of ander vreemd materiaal op de lens.	• Reinig de lens.
		• Niet goed scherpgesteld.	• Stel scherp.
• Het beeld is te donker	• De SHUTTER SPEED-keuzetoets is in de High-Speed sluitersfunctie geschakeld.	• Zet de SHUTTER SPEED-keuzetoets op "STANDARD".	
• Weergeven	• Er is geen beeld te zien	• De aansluiting op de TV is niet in orde.	• Breng de aansluiting op de juiste wijze tot stand.
		• De TV is niet afgestemd op het uitgangskanaal (UHF 30-39) van de HF-omzetter.	• Stel de TV af op het uitgangskanaal (30-39) van de HF-omzetter.
		• De TV/VIDEO-schakelaar staat niet in de TV stand (als de TV uitgevoerd is met een AV-ingangsaansluiting).	• Zet de TV/VIDEO-schakelaar op TV.
	• De weergave is in zwart/wit wanneer de camcorder op de TV aangesloten is.	• De TRACKING-regelaar is niet goed ingesteld.	• Stel de TRACKING-regelaar bij.
	• Slecht beeld	• Oude of versleten cassette.	• Gebruik een nieuwe cassette.
	• Onderbroken beeld	• Onvoldoende accuvermogen.	• Laad de accu op.
• Geen cassette kan worden geplaatst.	• De cassette wordt niet rechtop of met de voorkant achter ingezet. • Er is reeds een cassette in het toestel geplaatst.	• Controleer de plaatsing van de cassette en plaats hem opnieuw. • Druk op de EJECT-toets en neem de cassette uit.	
• De band loopt niet tijdens vooruitspoelen.	• De band is reeds volledig opgespoeld.	• Terugwinden tot het gewenste punt.	
• De band loopt niet tijdens terugspoelen.	• De band is reeds volledig teruggespoeld.	• Vooruitspoelen tot het gewenste punt.	

Opmerking

De camcorder is een mikrokomputer-gestuurd apparaat. Bij externe elektrische storing of interferentie is het mogelijk dat de mikrokomputer niet goed werkt.

Mocht dit het geval zijn, koppel dan de stroombron los.

TECHNISCHE GEGEVENS

Formaat	VHS-standaard	
Voeding	9,6 V ~: gelijkstroom	
Opgenomen vermogen	8,5 W	
Signaalsysteem	PAL-kleursignalen	
Opnamesysteem	Luminantie: FM-opname	
	Kleur: omgezette hulpdraaggolf direkt opnamesysteem	
	Voldoet aan VHS standaard	
Cassette	VHS-C cassette	
Bandsnelheid (SP)	23,39 mm/sek.	
(LP)	11,69 mm/sek.	
Max. opnameduur (SP)	30 minuten met EC-30	
(LP)	60 minuten met EC-30	
VIDEO-uitgang	1,0 Vp-p, 75 Ohm asymmetrisch (via AV-uitgang)	
Signaal-tot-ruis verhouding	46 dB (met Rhode & Schwartz ruismeter)	
AUDIO-uitgang	-8 dB, 1 kOhm (via AV-uitgang)	
Mikrofooningang	-65 dB, hoge impedantie, asymmetrisch	
Beeldopnemer	1/2"-formaat CCD	
Minimaal vereiste vrlighting	3 lux (bij F1,6 met verhoogde lichtgevoeligheid)	
Lens	F1,6, f=8-64 mm/F2,4, f=12-96 mm, 8 x elektrische zoomlens met ingebouwde vergrootfunctie, automatische diafragma-regeling en makrostand. Filterdiameter 46 mm.	
Zoeker	Elektronische zoeker met 0,7" zwart/wit CRT	
Kleurtemperatuurcompensatie	Automatische witbalans met witbalansvergrendeling	
Bedrijfstemperatuur	0°C tot +40°C	
Bedrijfsvochtigheid	35% — 80%	
Opslagtemperatuur	-20°C tot 60°C	
Gewicht	1,2 kg (inkl. zoeker)	
Afmetingen	126 (B) x 151 (H) x 322 (D) mm (inkl. zoeker)	
Netadapter/akkulader technische gegevens		
Voeding	110-240 V, 50/60 Hz wisselstroom	
Nominale uitgangsspanning	9,6 V ~: gelijkspanning	
Nominale uitgangsstroom	1,3 A	
Laadsysteem	Konstante stroom, piek-detectie, timer-gestuurd	
Afmetingen	70 (D) x 43 (H) x 154 (D) mm	
Gewicht	Ca. 380 g	
BIJGELEVERDE TOEBEHOREN		
Standaard accu (BT-75)	Schouderriem	
Netadapter/acculader (AA-75S)	Gelijkstroom uitgangskabel	
A/V-uitgangskabel (21-polige Euro-SCART)	Lithium batterij	
LOS VERKRIJGBARE TOEBEHOREN		
Standaard accu (BT-75)	Extra vermogen accu (BT-76)	HF-omzetter (VR-S10RF)
Auto-accu adapter/lader (VR-P75CH)	VHS cassette-adapter (VR-72CA)	Pauze-afstandsbediening (VR-20ME)
Zoommikrofoon (VR-67ZM)		

Wijzigingen in ontwerp en technische gegevens voorbehouden.

MANUAL DE OPERAÇÃO

PORTUGUÊS

ADVERTÊNCIA:

PARA EVITAR CHOQUES ELÉTRICOS, NÃO EXPONHA ESTE APARELHO À CHUVA OU À UMIDADE.

Este equipamento deve ser utilizado unicamente com 9,6V DC $\overline{\text{---}}$ ou com o Adaptador AC recomendado.

PRECAUÇÃO:

Para evitar choques elétricos e fogo, NÃO use nenhuma outra fonte de energia.

PRECAUÇÃO:

Para evitar choques, não abra o aparelho. Nenhuma parte interna é passível de consertos pelo usuário. Para consertos, procure o seu revendedor especializado ou um centro de serviços qualificado.

Congratulações pela Sábia Decisão!

Com tantas marcas à disposição no mercado, a escolha deve ter sido difícil. Mas depois de desfrutar a insuperável qualidade e o desempenho sem par desta Videocâmara da Sharp, você terá a certeza que tomou a decisão correta.

A compra desta Videocâmara irá aumentar mais ainda o seu prazer ao assistir a televisão. Antes de usá-la, leia atentamente este manual de operação para conseguir o máximo de desempenho desta Videocâmara Sharp. Além disso, procure guardá-lo para uma consulta futura, pois ele poderá ser útil caso você venha a ter alguma dificuldade ao manejá-la.

CARACTERÍSTICAS

- 1 Novo sistema zoom de 12 x
- 2 Sistema de gravação totalmente automático
— Foco, Íris e Balanço de Branco Automáticos
- 3 Obturador de alta velocidade com intervalo variável de 1/10000, 1/2000, 1/500 e 1/100
- 4 Gravações sob condições de iluminação extremas, abaixo de 3 lux (com a função de ganho)
- 5 Íris automático inteligente para filmagens de objetos em contra-luz
- 6 Cabeçote especial para cortes e comandos de busca
- 7 Auto-timer para gravações com a câmera
- 8 3 vias de suprimento de força, através de corrente alternada, bateria e bateria do carro

Importante

Materiais áudio-visuais podem consistir de trabalhos protegidos pela lei de direitos autorais, os quais não devem ser gravados sem a autorização expressa do proprietário dos mesmos. Por favor consulte as leis em questão no seu país.

Suprimento de Força

Este aparelho pode ser operado conectando-o ao adaptador AC, à caixa de baterias ou ao opcional cabo à bateria do carro. O adaptador AC tem embutido a função de VOLTAGEM AUTOMÁTICA (AC 110-240V, 50/60 Hz).

ÍNDICE

CARACTERÍSTICAS	1	GRAVAÇÃO COM MONTAGEM	22
PRECAUCÕES	2	TROCA DA BATERIA DURANTE GRAVAÇÕES	22
PRINCIPAIS COMPONENTES E SUAS FUNÇÕES	4	DESLIGAMENTO AUTOMÁTICO	22
PREPARAÇÃO	7	CONTROLE REMOTO PARA PAUSA (ACESSÓRIO OPCIONAL)	22
INSTALAÇÃO DA BATERIA DE LÍTIO	7	REPRODUÇÃO	23
AJUSTE DA DATA/HORÁRIO	7	REPRODUÇÃO NO VISOR	23
COLOCAÇÃO E REMOÇÃO DA BATERIA	8	AJUSTE DO TRACKING	23
COLOCAÇÃO DA ALÇA DE OMBRO	8	BUSCA EM AVANÇO/RETROCESSO E IMAGEM FIXA	24
INSERÇÃO E REMOÇÃO DE FITA	9	MEMÓRIA DO CONTADOR	25
AJUSTE DA CINTA DA ALÇA DE MÃO	9	CONEXÃO A UMA TV	26
USO DO MICROFONE EXTERNO	10	CONEXÃO A UMA TV COM TERMINAIS A/V	27
USO DO VISOR ELETRÔNICO	10	GRAVAÇÃO DE OUTRO VIDEOCASSETE	28
SISTEMA DE SUPRIMENTO DE FORÇA	11	CONTROLE DE EDIÇÃO	28
USO DO ADAPTADOR CA/CARREGADOR DE BATERIA	11	USO DO ADAPTADOR DA FITA (ACESSÓRIO OPCIONAL)	29
CARGA DA BATERIA	12	OPERAÇÕES AVANÇADAS	31
USO DO ADAPTADOR/CARREGADOR (ACESSÓRIO OPCIONAL) À BATERIA DO CARRO	12	FOCO MANUAL	31
USO DA BATERIA	13	BALANÇO DE BRANCO	31
GRAVAÇÃO COM A CÂMERA	14	COMPENSAÇÃO PARA CONTRA-LUZ	32
GRAVAÇÃO COM A CÂMERA	14	GANHO	32
SISTEMA TOTALMENTE AUTOMÁTICO	16	GRAVAÇÃO COM AUTO-TIMER	32
REVISÃO DA GRAVAÇÃO	17	OBTURADOR DE ALTA VELOCIDADE	33
ZOOM MOTORIZADAS (CONTROLE GRANDE ANGULAR/TELEOBJETIVA) ...	17	FILMAGENS EM MACRO	34
USO DO BOTÃO ZOOM SELECT	18	CORTE & ABERTURA GRADUAIS	34
FUNÇÃO CONTROLE DE TEMPO DECORRIDO	19	ILUMINAÇÃO	35
INFORMAÇÕES DO VISOR E DO MOSTRADOR LCD	20	ANTES DE CHAMAR A MANUTENÇÃO	36
FUNÇÃO DATA/HORÁRIO AUTOMÁTICOS	21	ESPECIFICAÇÕES	37

PRECAUÇÕES

LEIA AS INSTRUÇÕES DE SEGURANÇA E DE OPERAÇÃO antes de usar esta Videocâmara. SIGA AS INSTRUÇÕES E TODAS AS ADVERTÊNCIAS na Videocâmara e deste manual.

FORMAÇÃO DE UMIDADE

O que é "formação de umidade"

Quando você coloca cerveja gelada em um copo, se formam gotículas de umidade na superfície do copo. Este tipo de acúmulo de gotas d'água é chamado formação de umidade.

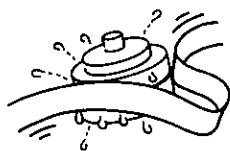


Quando ocorrer formação de umidade na Videocâmara.

A umidade irá formar-se gradualmente sobre o cilindro do cabeçote da sua Videocâmara e fará a fita grudar no cabeçote. Isto irá estragar tanto a fita quanto o cabeçote. Quando ocorrer formação de umidade, a reprodução e a gravação poderão não funcionar satisfatoriamente.

Poderá ocorrer formação de umidade nas seguintes circunstâncias:

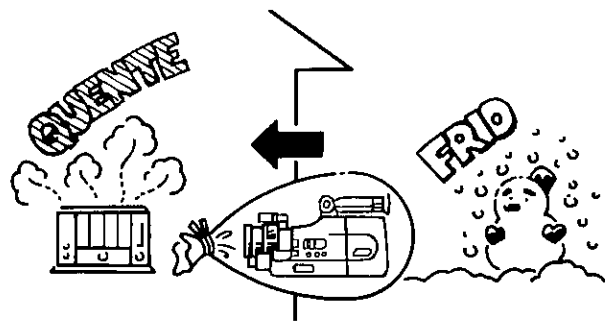
- Quando a Videocâmara for transportada de um lugar frio para um lugar mais quente.
- Quando a Videocâmara for deixada em um lugar frio, e este for então aquecido rapidamente.
- Quando a Videocâmara for levada ao ar livre de um local com ar condicionado.
- Quando a Videocâmara for exposta diretamente ao ar que estiver saindo do condicionador de ar.
- Quando a Videocâmara for deixada em lugar úmido.



Como prevenir problemas devido à formação de umidade.

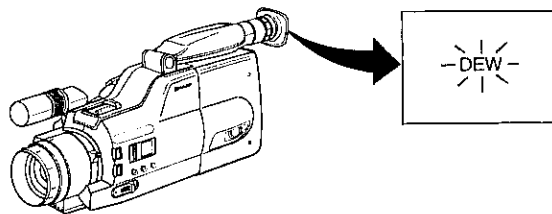
Quando for usar a Videocâmara em um local em que for provável a formação de umidade, procure deixar a Videocâmara e as fitas de vídeo para aclimatarem-se ao ambiente por mais ou menos uma hora.

Por exemplo, quando for trazer a Videocâmara para dentro após esquiar, coloque-a antes em um saco plástico e espere que se adapte às condições ambientes por algum tempo.



- ① Certifique-se que há ar suficiente no saco plástico a ser usado para se colocar a Videocâmara.
- ② Retire o saco plástico quando a temperatura do ar dentro do saco plástico se igualar à temperatura ambiente.

Dispositivo de aviso de "Umidade"



Quando houver formação de umidade sobre o cilindro do cabeçote, o indicador de aviso de umidade aparecerá no mostrador LCD. Após 10 segundos, a força será automaticamente desligada.

Obs

- Quando aparecer "DEW", retire a fita de vídeo ou deixe-a fora por algumas horas para se aclimatar ao ambiente.
- Desde que a umidade se forma gradualmente, poderão passar-se 10 a 15 minutos antes que "DEW" apareça no mostrador.
- Para utilizar a Videocâmara novamente, ligue-a após ter esperado algumas horas, e certifique-se que o sinal "DEW" desapareceu.

Antes de começar a gravação de fato, certifique-se de testar o equipamento, verificando se ambos, a imagem e o som estão sendo gravados satisfatoriamente. A imagem pode ser facilmente testada usando-se o "REC REVIEW".

Como preservar continuamente boas condições de gravação

Se for usada em uma diversidade de locais, sua Videocâmara poderá começar a não funcionar bem, devido ao acúmulo de sujeira no cilindro do cabeçote. Por favor, ao usar sua Videocâmara, preste especial atenção nos seguintes pontos:

- ① Formação de umidade no cilindro do cabeçote.
- ② Fitas de vídeo gastas:
O uso de uma fita de vídeo danificada ou suja poderá sujar também o cilindro do cabeçote, o que poderá resultar em gravações de imagens borradas ou em fitas de vídeo sem nada gravado. Evite utilizar tais fitas de vídeo.
- ③ Uso da Videocâmara em locais úmidos ou empoeirados:
O uso desta Videocâmara em locais extremamente úmidos ou empoeirados poderá danificar o aparelho.

Quando os vídeo-cabeçotes ficarem sujos.

Usar a Videocâmara quando os vídeo-cabeçotes estiverem sujos poderá obstruir os cabeçotes, o que resultará em imagens gravadas cheias de chuviscos, ou então no impedimento, por completo, da gravação.

Em tais circunstâncias, procure um centro de serviços ou um revendedor SHARP mais próximo para maiores explicações.

Para sua segurança, observe estritamente o seguinte

- Não remova a caixa externa do aparelho ou do adaptador CA/carregador de bateria. Tocar em partes internas destes aparelhos poderá resultar em choques elétricas.
- Procure evitar que objetos metálicos e líquidos inflamáveis desligue o aparelho e leve-o para ser examinado por pessoal qualificado.
- Não desmonte ou tente modificar o aparelho.
- Não utilize a Videocâmara durante instabilidades elétricas. Desconecte os cabos de suprimento de força de todo o equipamento.

Evite usar a Videocâmara sob as seguintes condições

- Locais com umidade excessiva ou muita poeira.
- Próximo a aparelhos elétricos que gerem campos magnéticos intensos (lâmpadas fluorescentes, televisores, auto-falantes).
- Locais com muito vapor ou fuligem tal como próximo a fornos de cozinha.
- Sob choques mecânicos ou vibrações excessivas.
- Locais muito quentes tal como próximo a um aquecedor.
- Locais muito úmidos, como próximo a piscinas, banheiras e coisas afins.

Não exponha a Videocâmara a temperaturas muito altas ou muito baixas por longos períodos de tempo.

- Jamais deixe esta Videocâmara sob luz solar direta, dentro de um carro fechado durante o verão, ou próximo a um aquecedor — isto provavelmente irá deformar a caixa externa e causar danos a partes internas da Videocâmara.
 - Não guarde a Videocâmara em locais com temperaturas acima de 60°C.
 - Não use a Videocâmara em locais com temperaturas acima de 40°C.
 - Não use a Videocâmara em locais com temperaturas abaixo de 0°C.
 - Não use a Videocâmara em locais com umidade acima de 80%.
- Guarde a Videocâmara em um local onde a temperatura esteja entre -20°C e 60°C.

Tenha cuidados especiais durante filmagens ao ar livre

- Evite deixá-la cair ou bater em qualquer superfície dura ou áspera. Proteja-a contra estragos principalmente durante o transporte.
- Não deixe que a Videocâmara se molhe.
- Na praia, mantenha-a protegida da água do mar e da brisa marinha, e evite deixar entrar areia na Videocâmara.
- Evite mirar as lentes para objetos muito brilhantes, tais como sol ou outras luzes muito fortes.
- **Não direcione a ocular do visor para o sol.**
- Não use a Videocâmara durante instabilidades elétricas.

ANTES DE DESCONECTAR A TOMADA DE FORÇA,, PROCURE SEMPRE DESLIGAR O INTERRUPTOR DE OPERAÇÃO — A INDICAÇÃO DE OPERAÇÃO SE APAGARÁ.

Manuseio da Videocâmara

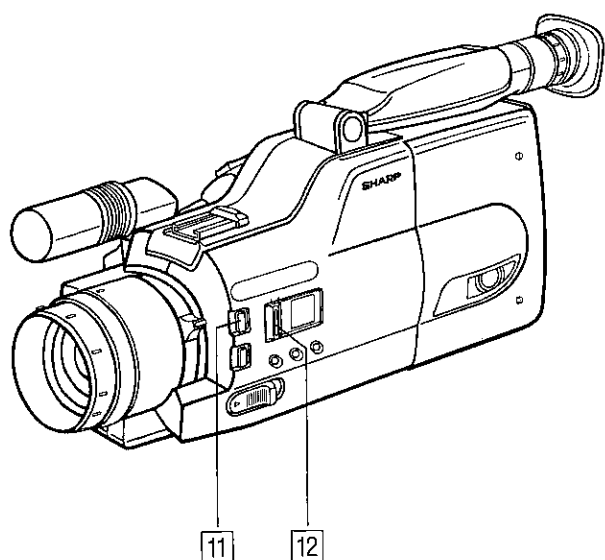
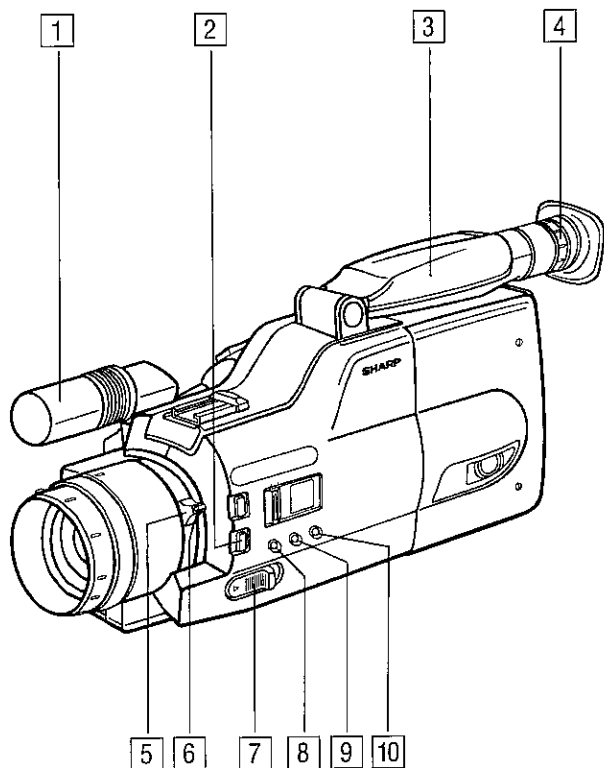
- Proteja o microfone contra danos.
- Mantenha a Videocâmara na horizontal durante o uso, caso contrário a fita poderá se afrouxar e acabar se danificando.
- **Não carregue a Videocâmara pelo visor. Procure sempre enrolar a alça no seu braço — assim, no caso da Videocâmara acidentalmente soltar-se da sua mão, você evitará que caia e se estrague.**
- Cubra as lentes após o uso. Não se esqueça de desligá-la.
- Procure não tocar no anel de focagem quando estiver usando o foco automático.
- Antes de colocar qualquer filtro nas lentes, mude para o foco manual ou desligue o aparelho e só então remova o protetor das lentes.

Limpeza da Videocâmara

- Retire a bateria ou desconecte a força antes de limpar a Videocâmara.
- Remova a poeira com um pano macio. Use um pano macio umedecido com um detergente suave para remover as sujeiras mais persistentes.
- Não use produtos de limpeza fortes tais como benzina, thinner ou álcool — eles podem estragar a parte externa do aparelho.
- Mantenha as lentes e visor sempre limpos. Limpe as lentes primeiro soprando a poeira, e então limpe-as com um pincel macio ou um papel para limpeza embebido com uma solução para limpeza de lentes.

PRINCIPAIS COMPONENTES DE OPERAÇÃO E SUAS FUNÇÕES

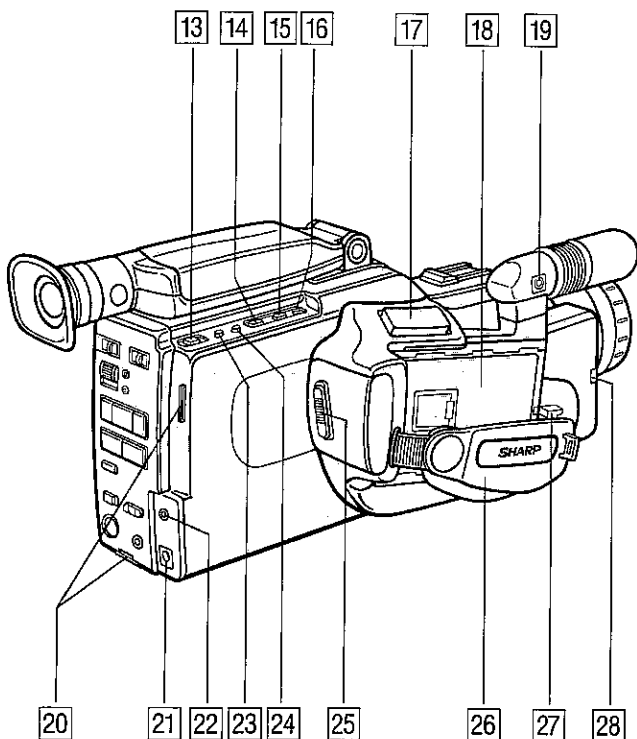
VISTA FRONTAL



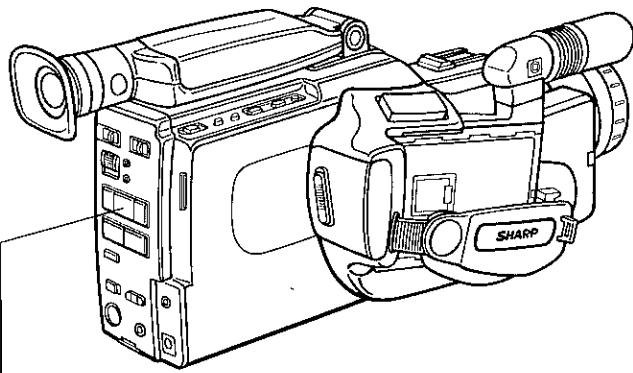
Para maiores detalhes sobre o uso de cada controle, veja a página indicada entre parênteses.

- 1 **Microfone**
- 2 **Botão BLC (Compensação para Contra-Luz)/GAIN-UP**
Caso o objeto esteja mais escuro que o fundo, ele aparecerá escuro e indefinido na imagem. Nestes casos, pressione o botão para "BLC". Quando "LIGHT" aparecer no visor, o visor ficará mais claro que o normal, indicando que o modo de ganho está em funcionamento.
- 3 **Visor Eletrônico/Monitor**
Mostra o que está sendo filmado. Também funciona como um monitor preto-e-branco para reproduções do material gravado.
- 4 **Ajuste de Dioptria**
Use este controle para focar o visor de acordo com a sua capacidade visual.
- 5 **Alavanca da Zoom**
Use esta alavanca para aproximar ou afastar manualmente os objetos sendo filmados.
- 6 **Botão Macro**
Use este controle para filmar objetos posicionados a menos de um metro da Videocâmera. (O foco automático não funciona a esta distância.) Mantenha pressionado o botão MACRO para mover a alavanca da Zoom para o intervalo de foco em macro.
- 7 **Botão ZOOM SELECT [18]**
Use este botão para aumentar (ou reduzir) instantaneamente a área enquadrada no visor, em 1,5 vezes.
- 8 **Botão Seletor AUTO/MANUAL FOCUS**
Se ajustado em "AUTO", a Videocâmera irá focar automaticamente o objeto da filmagem, mesmo em movimento. (Lembre-se de usar a focagem em macro para filmar objetos a distâncias inferiores a 1,1 metro.) Entretanto, caso o foco automático não funcione a contento devido às condições de filmagem, ajuste o seletor para "MANUAL" e foque manualmente.
- 9 **Botão WHITE BALANCE [31]**
Use este botão para travar o balanço de branco.
- 10 **Botão Seletor SHUTTER SPEED [33]**
Use-o para conseguir imagens fixas nítidas durante reproduções de filmagens de objetos em movimento rápido (ou belas imagens em câmera lenta com um VIDEOCASSETE VHS comum).
- 11 **Botão FADE IN/OUT [34]**
- 12 **Chave FULL AUTO [16]**

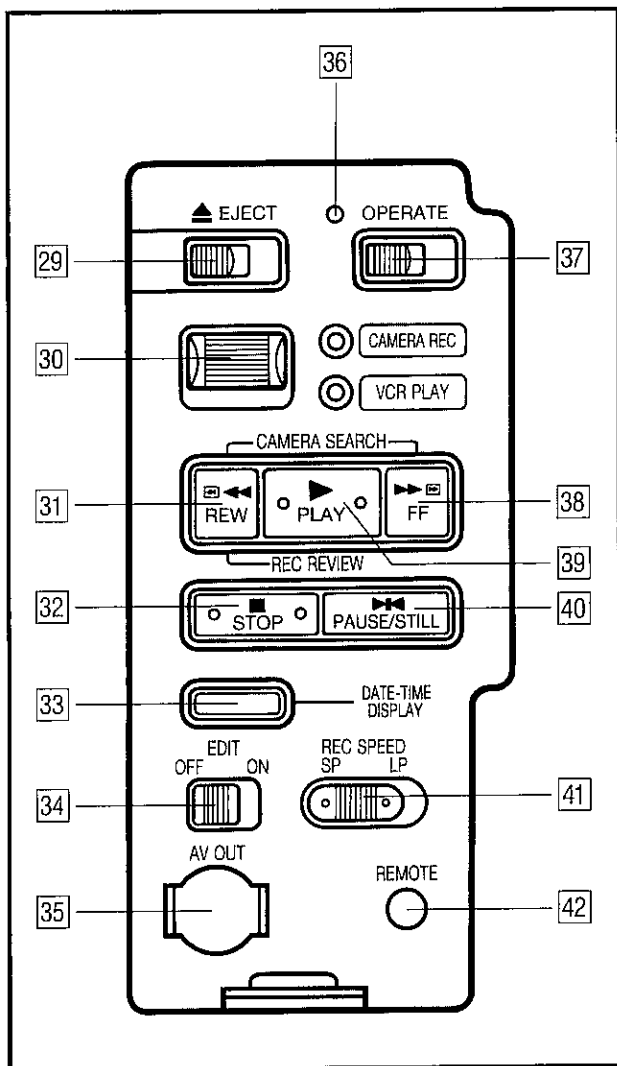
VISTA POSTERIOR



- 13 Botão Sub REC START/STOP**
Pressione-o para começar a gravar. Se pressionado durante a gravação, a gravação será interrompida. Use quando estiver filmando em ângulos baixos.
- 14 Botão Controle do TRACKING ◀ [23]**
Botão DATE/TIME SET [7]
- 15 Botão Controle do TRACKING ▶ [23]**
Botão DATE/TIME SELECT [7]
- 16 Botão DATE/TIME INITIAL [7]**
- 17 Botão Controle da Zoom Grande Angular/Teleobjetiva Motorizada**
Aproximação máxima com T (Tele) pressionado (também chamado de "zoom-in" ou "zoom-up"). Panorâmica máxima com W (G. Angular) pressionado (também chamado de "zoom-out" ou "zoom-down"). Pode-se variar a velocidade da zoom de 6 segundos até 20 segundos, de acordo com a pressão do dedo sobre os botões da zoom.
- 18 Compartimento da Bateria**
- 19 Entrada para Microfone Externo**
- 20 Presilhas**
Passe a alça de ombro nestas presilhas e ajuste o comprimento da alça com a fivela.
- 21 Entrada de Corrente Contínua (CC)**
- 22 Entrada do Fone de Ouvido**
Para conectar um fone de ouvido, o que possibilita acompanhar o som durante gravações ou reproduções.
- 23 Botão COUNTER/COUNTER MEMORY/LAP TIME**
Use para escolher entre os modos Contador, Memória do Contador e Tempo Decorrido, exibidos no visor.
- 24 Botão COUNTER/LAP TIME RESET**
Use para zerar o Contador e o Tempo Decorrido exibidos no visor.
- 25 Botão REC START/STOP**
Pressione-o para começar a gravar. Para parar, pressione-o novamente durante a gravação.
- 26 Alça de Mão**
- 27 Alavanca de Soltar a Bateria**
Usado para desprender a bateria.
- 28 Botão SELF TIMER/Indicador de Gravação**
O Indicador de Gravação acender-se-á quando a Videocâmera estiver gravando, permitindo assim, a quem estiver sendo filmado, saber se o aparelho está ou não gravando. O Auto-Timer e o Indicador de Gravação compartilham o mesmo indicador. Quando o botão for pressionado durante as pausas na gravação, o indicador irá piscar por 10 segundos até que a gravação pelo Auto-Timer tenha início.



PAINEL DE CONTROLE



29 Botão EJECT
Usado para colocar ou retirar a fita **VHS**.

30 Comutador CAMERA REC/VCR PLAY
Quando for usar esta Videocâmara para gravar, coloque o comutador na posição CAMERA REC. (A Videocâmara irá colocar-se automaticamente no modo REC PAUSE.) Quando for usar o aparelho como um Videocassete, ajuste o comutador para VCR PLAY. (Neste caso, se estiver no modo REC PAUSE, a Videocâmara irá se colocar no modo STILL; se estiver gravando, irá se colocar no modo STOP.)

31 Botão CAMERA SEARCH [◀◀] [17]
Botão REW/Reverse Search [24]
Botão REC REVIEW [17]

32 Botão STOP

33 Botão DATE/TIME DISPLAY
Usado para colocar a data/hora ou somente data na imagem que está sendo gravada.

34 Chave EDIT
Cada vez que se copia gravações da Videocâmara para um Videocassete, perde-se em qualidade de imagem. Com a chave de edição ligada, a deteriorização da qualidade das imagens poderá ser minimizada. Use-a quando for editar seus vídeos.

35 Terminal de Saída Áudio/Vídeo

36 Indicador OPERATE

37 Chave Liga/Desliga OPERATE
Liga e desliga a entrada de força.

38 Botão CAMERA SEARCH [▶▶] [17]
Botão FF/Forward Search [24]

39 Botão PLAY
Pressione para reproduções.

Botão CAMERA SEARCH [▶] [17]

40 Botão PAUSE/STILL
Use para produzir imagens fixas durante reproduções.

41 Botão REC SPEED LP/SP
Use para ajustar a gravação no modo LP (longo) ou SP (normal). Os tempos de gravação dos mesmos (com uma fita VHS-C EC-30) são:
— modo LP..... 60 min.
— modo SP 30 min.

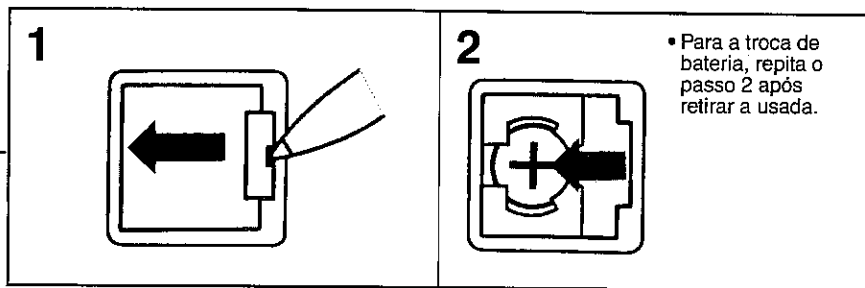
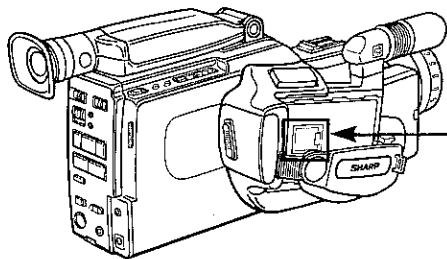
42 Entrada do Controle Remoto para Pausa.
Para conectar o Controle Remoto para Pausa VR-20ME (opcional), para operar a Videocâmara à distância.

PREPARATIVOS

INSTALAÇÃO DA BATERIA DE LÍTIO

1 Abra a tampa do compartimento da bateria de lítio com um objeto pontiagudo.

2 Coloque a bateria com o lado “+” para fora. Feche a tampa do compartimento da bateria de lítio.



• Para a troca de bateria, repita o passo 2 após retirar a usada.

Advertência:

- Desfaça-se logo das baterias usadas. Mantenha-as longe das crianças. Não desmonte-as ou coloque-as no fogo.
- A bateria usada neste dispositivo pode provocar incêndios ou queimaduras químicas caso sejam manuseadas de forma incorreta. Não tente recarregá-las, desmontá-las, aquecê-las acima dos 100°C ou incinerá-las. Para trocá-las, use apenas baterias do tipo CR2025 da SONY ENERGYTEC, FUJI ELECTROCHEMICAL ou MATSUSHITA ELECTRIC. O uso de outro tipo de bateria pode apresentar riscos de fogo ou explosões.

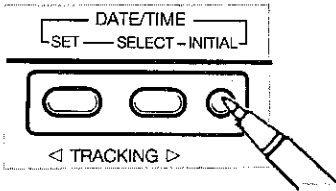
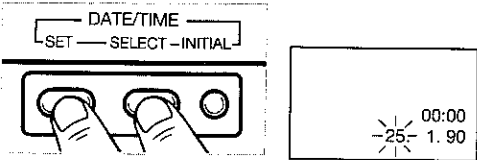
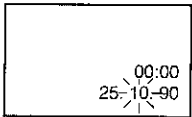
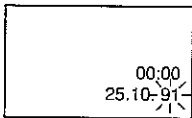
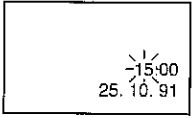
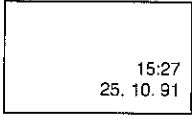
Obs

- Esta bateria de lítio pode ser encontrada em lojas de materiais eletrônicos ou em lojas de equipamentos áudio-visuais.
- Desconecte as fontes de tomada de força (Adaptador AC, baterias, etc.) antes de trocar a bateria.
- A vida útil da bateria é de aproximadamente um ano, mas varia dependendo da temperatura ambiente e das condições da bateria.
- Quando a bateria de lítio estiver acabando, o relógio poderá ficar extremamente impreciso, ou então entrar no modo de ajuste. Quando tais problemas ocorrerem, procure trocar a bateria de lítio ou quando antes. Reajuste a data e o horário após trocar a bateria.
- Não submeta a bateria a curto-circuitos segurando-a pelos eletrodos com objetos metálicos tais como uma pinça, pois isso poderá deteriorar a qualidade da mesma.

AJUSTE DA DATA/HORÁRIO

A função data/horário automáticos inclui a característica destes poderem ser gravados, atuando como uma prática referência. Siga as instruções abaixo para acertar a data e o horário.

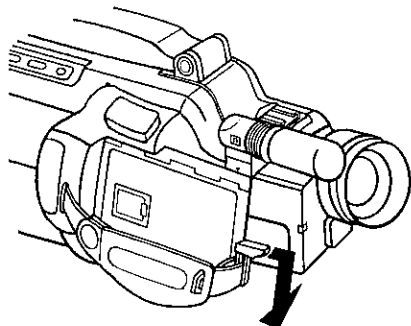
Exemplo: Ajuste da data para 25 de Outubro de 1991, e o horário para 15:27.

<p>1 Coloque a bateria de lítio para data/horário.</p>	<p>2 Conecte a caixa de baterias ou outra fonte de força. Ligue o comutador OPERATE. Pressione o botão DATE-TIME DISPLAY.</p>
<p>3 Pressione o botão INITIAL usando um objeto de ponta arredondada como uma caneta esferográfica.</p> 	<p>4 O dia começará a piscar. Pressione o botão SELECT para escolher o dia. Quando o dia correto aparecer, pressione o botão SET.</p> 
<p>5 O mês começará a piscar. Pressione o botão SELECT para escolher o mês. Quando o mês correto aparecer, pressione o botão SET.</p> 	<p>6 O ano começará a piscar. Pressione o botão SELECT para escolher o ano. Quando o ano correto aparecer, pressione o botão SET.</p> 
<p>7 A hora começará a piscar. Pressione o botão SELECT para escolher a hora. Quando a hora correta aparecer, pressione o botão SET.</p> 	<p>8 Os minutos começarão a piscar. Pressione o botão SELECT para escolher os minutos. Quando o horário correto aparecer, pressione o botão SET.</p> 

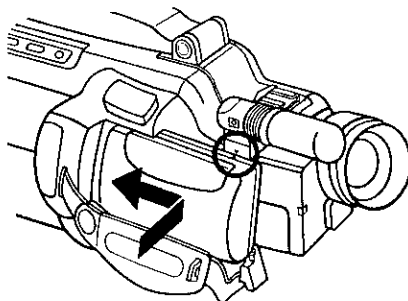
COLOCAÇÃO E REMOÇÃO DA BATERIA

Colocação da Bateria

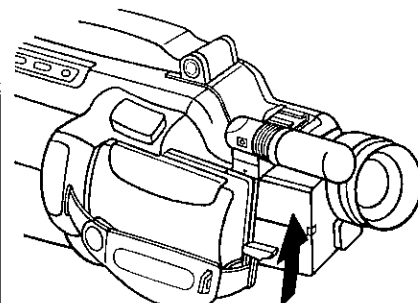
1. Abaixe a alavanca de soltar a bateria empurrando-a para frente.



2. Alinhe a marca "▲" da porção superior da bateria com a marca do aparelho, e deslize-a na direção da seta.

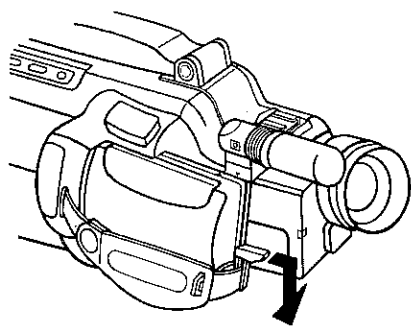


3. Levante a alavanca de soltar a bateria até que a mesma se trave apropriadamente.

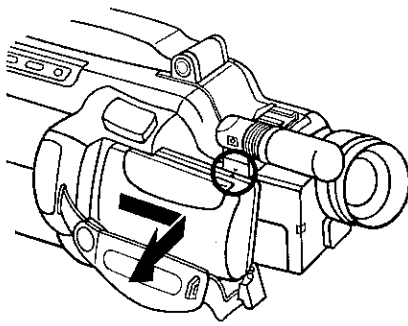


Remoção da Bateria

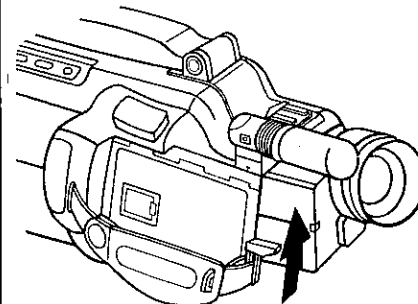
1. Abaixe a alavanca de soltar a bateria empurrando-a para frente.



2. Retire a bateria deslizando-a conforme a seta do desenho abaixo.



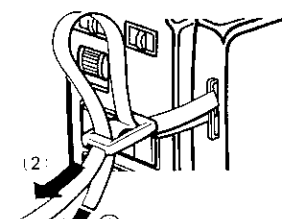
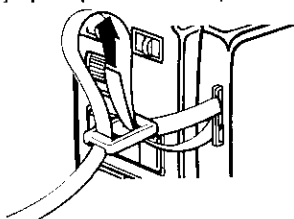
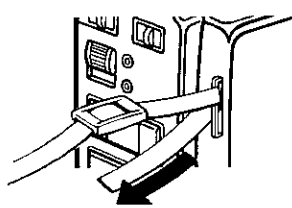
3. Levante a alavanca de soltar a bateria até que a mesma se trave apropriadamente.



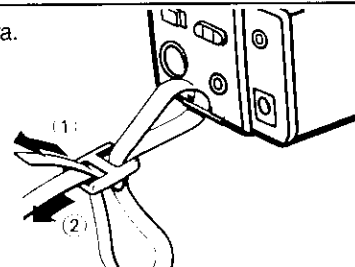
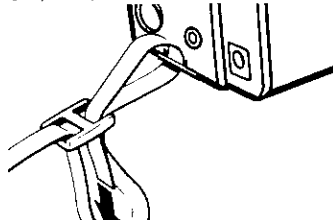
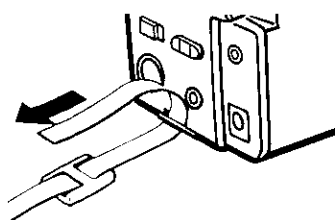
Obs A bateria vem descarregada, de modo que é necessário carregá-la antes de usá-la.

COLOCAÇÃO DA ALÇA DE OMBRO

Passa a alça pela presilha no topo da Videocâmera.



Passa a alça pela presilha na base da Videocâmera.



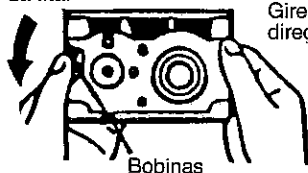
Obs Antes de usar a Videocâmera, assegure-se que a alça de ombro está bem ajustada e sem partes frouxas.

INSERÇÃO E REMOÇÃO DA FITA

Inserção da fita

- 1 Pressione o botão EJECT para abrir o compartimento da fita. Coloque uma fita **VHS** (PAL) com a janela transparente voltada em sua direção, e com a seta voltada para fora. **Elimine qualquer porção frouxa da fita antes de colocá-la.**

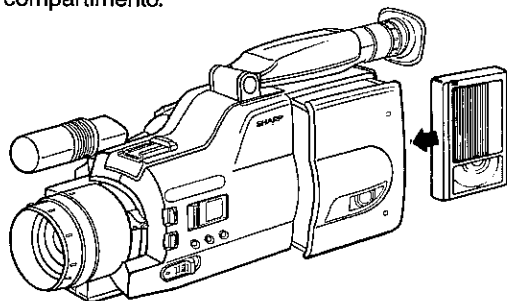
Elimine as folgas da fita.



Gire a bobina na direção da seta.

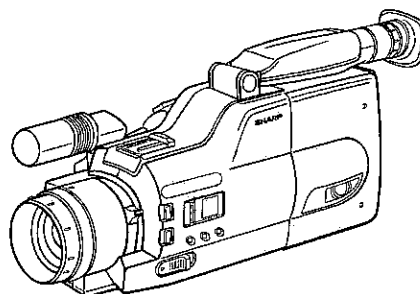
Bobinas

- 2 Pressione "PUSH" para fechar a porta do compartimento.



Remoção da Fita

- 1 Pressione o botões EJECT. O compartimento da fita se abrirá. Retire a fita.
- 2 Feche a porta do compartimento.



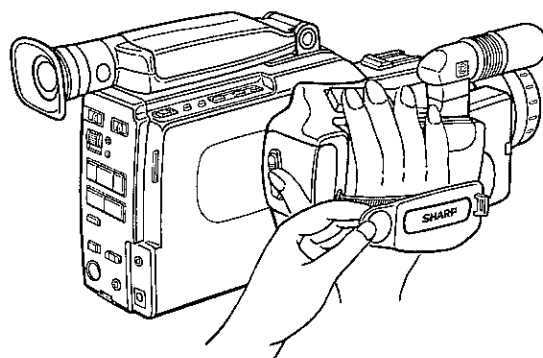
Obs

Pressione sobre a marca "PUSH" para fechar devagar e corretamente.

Obs A fita pode ser retirada simplesmente pressionando-se o botão EJECT. Não há necessidade de desligar o botão OPERATE antes de se pressionar o botão EJECT.
A fita não poderá ser retirada durante as gravações. Mude para o modo REC PAUSE e pressione o botão EJECT.

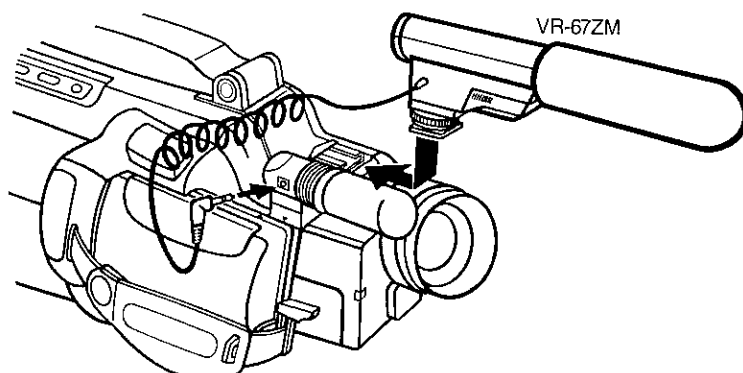
AJUSTE DA CINTA DA ALÇA DE MÃO

Separe a cinta para afrouxá-la, e então coloque a sua mão por dentro e aperte a alça de mão. Ajuste o comprimento da cinta de modo para que sua mão fique firme mas confortável, e então prenda a cinta.



USO DE UM MICROFONE EXTERNO

O microfone embutido coleta sons igualmente de todas as direções (omni-direcional). Usando um microfone opcional VR-67ZM, você poderá desfrutar gravações com áudio mais reais.



VR-67ZM

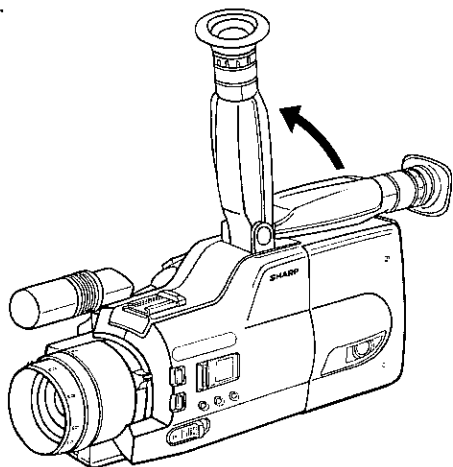
Conecta-se diretamente na Videocâmara.

Este é um microfone altamente sensível com magnificação de 4X, capaz de receber claramente mesmo sons distantes.

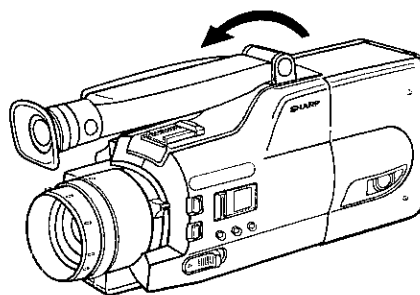
USO DO VISOR ELETRÔNICO

AJUSTE DA POSIÇÃO DO VISOR

O visor pode ser levantado para filmagens em ângulos baixos.

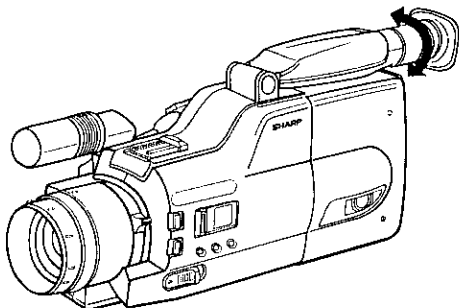


Para proteção do visor durante o transporte ou quando a Videocâmara não está sendo utilizada, aconselha-se deitar o visor para frente conforme o mostra o desenho abaixo.



AJUSTE DA OCULAR

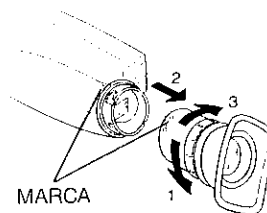
A videocâmara possui um controle de ajuste de dioptria. Mova este controle no sentido horário ou anti-horário para ajustar a ocular à sua vista. Dado que as pessoas diferem em sua capacidade visual, ajuste a ocular de modo que os caracteres do visor possam ser vistos claramente, quando for usá-la pela primeira vez ou quando uma outra pessoa a tenha usado.



Quando for limpar a poeira de dentro do visor, remova a ocular conforme a figura abaixo, e utilize um objeto longo, como um cotonete.

Para remover a ocular, gire-a primeiro no sentido ①, e depois puxe-a no sentido ②.

Para recolocá-la, alinhe as marcas do corpo e da ocular conforme mostrado na figura, e então gire a ocular em 45° no sentido ③.

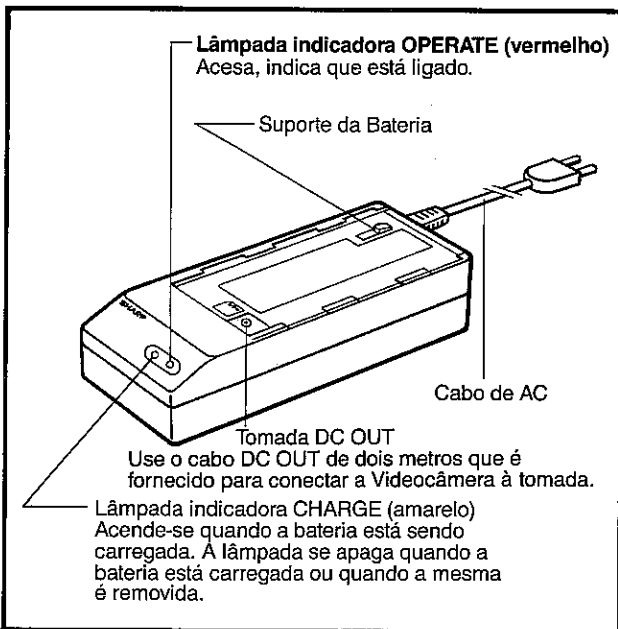


Obs É necessário suprir-se força à videocâmara para que o ajuste possa ser feito.

SISTEMA DE SUPRIMENTO DE FORÇA

Para transportar a Videocâmara e usá-la ao ar livre, a bateria BF75 fornecida é ideal. Em ambientes interiores, o Adaptador AC/Carregador de Bateria AA-75S e o cabo DC OUT de 2 metros, ambos fornecidos, são mais indicados. Para usos externos mais prolongados, o opcional Adaptador/Carregador à Bateria do Carro VR-P75CH é uma alternativa a mais em locais remotos.

Uso do Adaptador AC/Carregador de Bateria



Obs

O Adaptador/Carregador à Bateria do Carro SHARP VR-P75CH, opcional, é similar ao AA-75S, mas funciona com a bateria do carro.

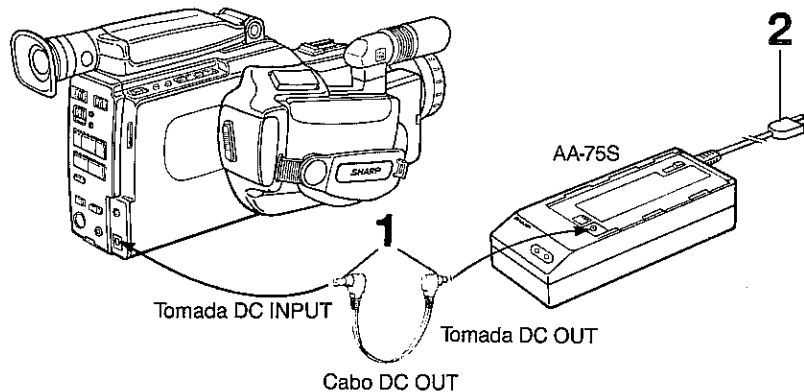
Precauções:

- O Adaptador AC/Carregador de Baterias, se usado próximo a um rádio, pode causar interferências.
- Procure evitar que produtos inflamáveis, líquidos ou objetos metálicos entrem no aparelho.
- O AA-75S é uma unidade lacrada. Não tente abri-lo ou modificá-lo.
- Evite danificar ou deixar cair o aparelho, ou submetê-lo a vibrações.
- Não exponha o aparelho à luz solar direta.
- Evite usar o aparelho em locais úmidos ou muito quentes.

USO DO ADAPTADOR AC/CARREGADOR DE BATERIAS

Utilize o Adaptador AC/Carregador de Baterias AA-75S fornecido e o cabo DC OUT.

- 1** Conecte o cabo DC OUT ao Adaptador AC e à Videocâmara.
- 2** Conecte a tomada AC à tomada da parede. A lâmpada OPERATE do Adaptador AC se acenderá.

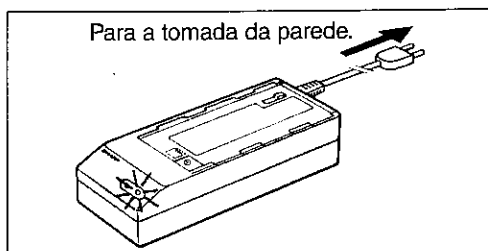


Obs O Adaptador AC/Carregador de Baterias não fornecerá força à Videocâmara através do cabo DC OUT enquanto estiver carregando a bateria.

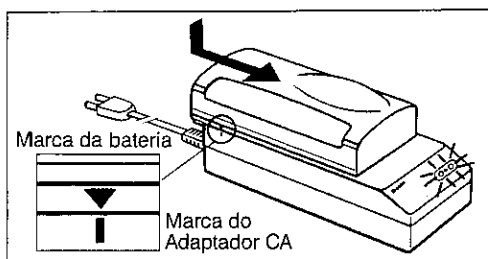
CARGA DA BATERIA

Use o Adaptador AC/Carregador de Baterias AA-75S, fornecido. Em tomadas externas, você pode usar o Adaptador/Carregador à Bateria do Carro VR-P75CH SHARP, opcional.

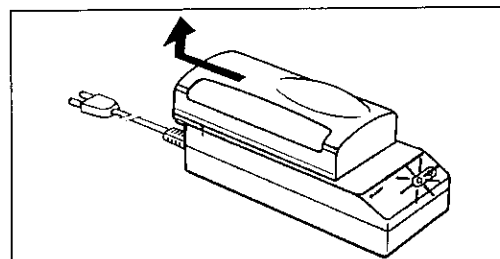
- 1** Conecte a tomada AC na tomada da parede. A lâmpada OPERATE se acenderá.



- 2** Alinhe a marca "▼" da lateral da bateria com a marca do carregador e guie a bateria para dentro do encaixe. Empure a bateria para dentro até que a mesma se prenda corretamente. A lâmpada "CHARGE" acender-se-á.



- 3** Quando a bateria estiver carregada, a lâmpada CHARGE se apagará. Desconecte a tomada AC da tomada da parede e remova a bateria deslizando-a para trás.



Obs

Normalmente, a bateria e o carregador ficarão mornos após a operação de carregamento.

**TEMPO DE CARREGAMENTO da BT-75: 60 min.
TEMPO DE CARREGAMENTO da BT-76: 80 min.**

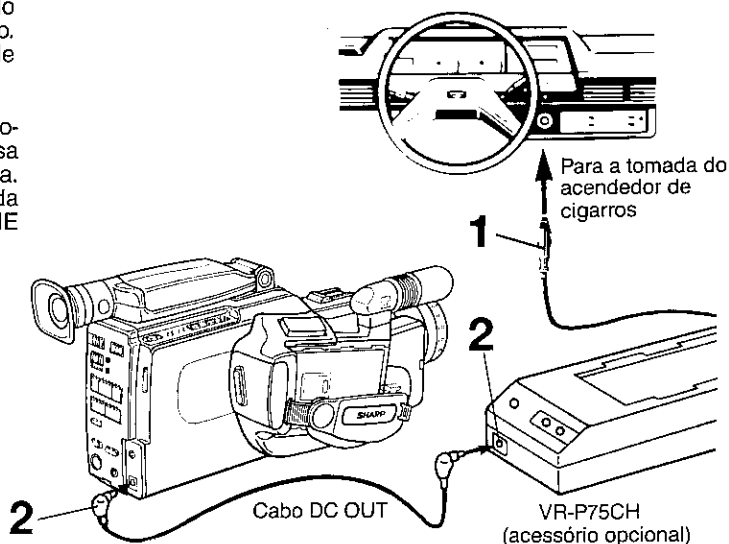
Obs

O tempo de carregamento depende da temperatura ambiente e das condições da bateria.

USO DO ADAPTADOR/CARREGADOR À BATERIA DO CARRO (ACESSÓRIO OPCIONAL)

Para carregar a bateria ou para suprir força à Videocâmera em um carro, use o opcional Carregador à bateria do carro SHARP VR-P75CH.

- 1** Ligue o motor do carro e mantenha-o funcionando durante o uso do Carregador à Bateria do Carro. Conecte a tomada à entrada do acendedor de cigarros. A lâmpada OPERATE se acenderá.
- 2** Conecte o cabo DC OUT para suprir força à Videocâmera. A lâmpada CHARGE permanecerá acesa enquanto a bateria estiver sendo carregada. Quando a carga for completada, a lâmpada CHARGE se apagará e a lâmpada DONE acender-se-á.



Obs

O Adaptador/Carregador à Bateria do Carro VR-P75CH não suprirá força à Videocâmera através do cabo DC OUT enquanto estiver carregando a bateria.

Precauções:

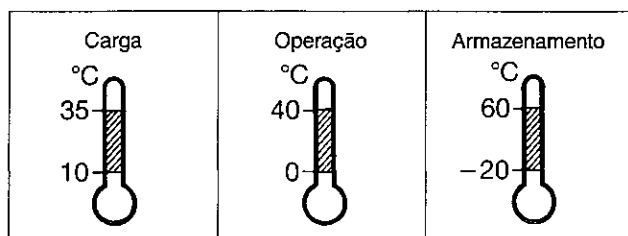
O Carregador à Bateria do Carro VR-P75CH só pode ser usado em carros com terra-negativa 12V ou 24V. Não o utilize em carros com terra-positiva 12V ou 24V. Verifique no manual de operação do carro ou consulte uma rede autorizada.

USO DA BATERIA

A BT-75 é uma bateria de níquel-cádmio e tem as seguintes características.

A recarga normalmente leva cerca de uma hora a uma temperatura ambiente de 20°C. Quanto mais baixa a temperatura, maior o tempo para recarga.

Intervalo de Temperatura



Para evitar riscos:

- Não incinere a bateria.
- Não coloque os terminais em curto-circuito.
- Não a desmonte ou modifique.
- Use apenas carregadores recomendados pela SHARP: Adaptador AC/Carregador de Baterias AA-75S ou o Adaptador/Carregador à Bateria do Carro VR-P75CH.

Para prevenir estragos e prolongar a vida útil da bateria:

- Evite danificar ou derrubar a bateria ou submetê-la a vibrações mecânicas.
- Evite carregá-la repetidamente sem que esteja descarregada.

Desde que a bateria tem vida útil limitada, quando a mesma começar a durar menos tempo a cada carga é sinal que está na hora de substituí-la por uma nova.

Obs

A bateria normalmente fica morna após ser carregada ou usada.

TEMPO DE GRAVAÇÃO COM A BT-75: aprox. 60 min.
TEMPO DE GRAVAÇÃO COM A BT-76: aprox. 80 min.

O tempo de gravação com uma bateria completamente carregada é influenciado pelo total de gravações e tempo de espera, uso da lente zoom e outros fatores.

Baterias de reserva podem ser encontradas no seu revendedor SHARP. Procure sempre ter uma bateria de reserva à mão, caso contrário você poderá perder oportunidades incríveis de filmagem.

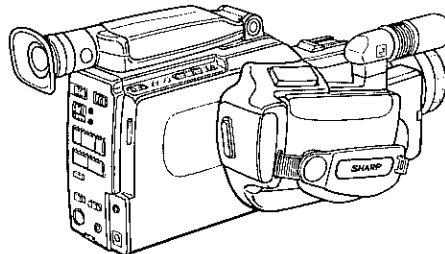
Baterias de níquel-cádmio rendem mais se mantidas sob as seguintes condições:

1. Carregamento completo ocorre entre 10°C e 35°C. A operação leva mais tempo sob temperaturas mais baixas e, sob temperaturas mais altas, a carga pode ficar incompleta.
2. Guarde as baterias em locais frios e secos. Exposições longas a temperaturas altas aumentam a descarga da bateria e reduzem sua vida útil.
3. A descarga total das baterias poderá ocorrer naturalmente durante armazenamentos prolongados. Descarregue as baterias antes de guardá-las — isto aumenta a vida útil das mesmas.
4. Após o uso, retire as baterias da Videocâmara ou do carregador, caso contrário a bateria continuará se descarregando.

GRAVAÇÃO COM A CÂMERA

GRAVAÇÃO COM A CÂMERA

- 1** Coloque uma bateria recarregada. (Veja página 8.) Porém, procure usar o adaptador AC fornecido para gravações em interiores com a câmera, ou o opcional adaptador/carregador à bateria do carro da Sharp para gravações em um carro.

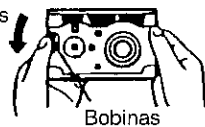


- 2** Ligue o chave OPERATE — o indicador de operação acender-se-á. Pressione o botão EJECT e abra o compartimento da fita. Coloque uma fita de vídeo com a presilha intacta e com a janela voltada para fora. Pressione sobre a marca "PUSH" para fechar a porta do compartimento.

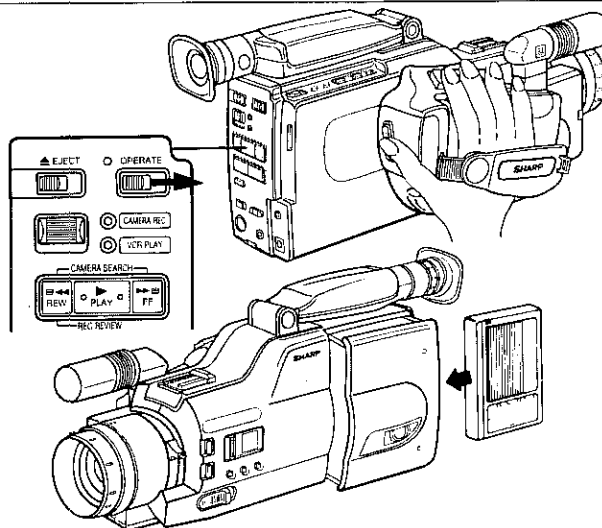
Precauções:

Antes de colocar a fita de vídeo, assegure-se que não existam folgas na fita. Caso existam, gire a bobina na direção da seta conforme figura abaixo.

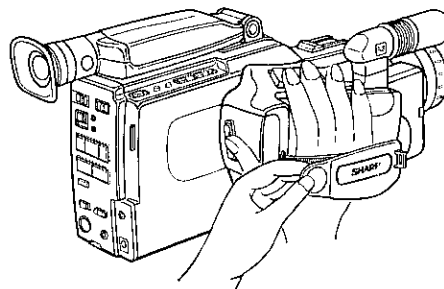
Elimine as folgas



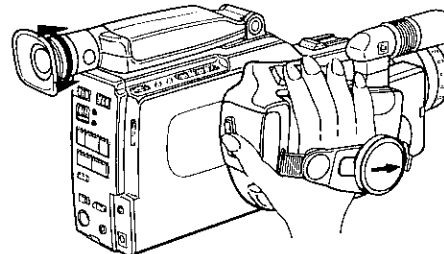
Bobinas



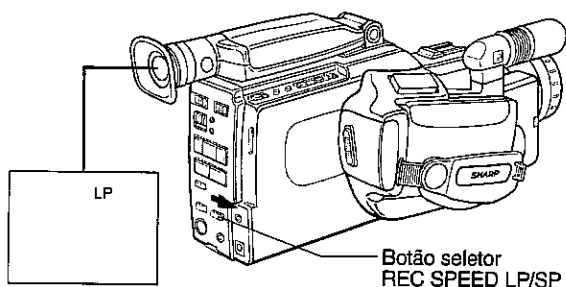
- 3** Posicione sua mão apropriadamente para que você consiga pressionar o botão REC START/STOP e o botão da Zoom Motorizada. Então ajuste a cinta da alça de mão para adequá-la à sua mão.



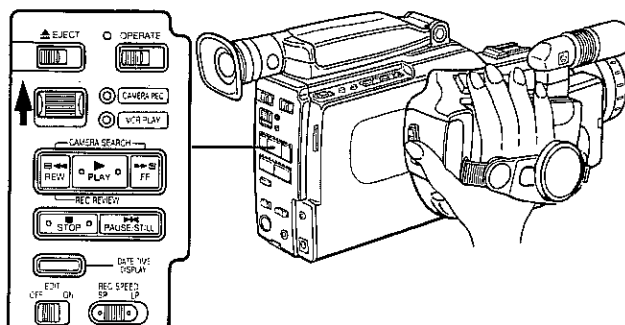
- 4** Remova a tampa da lente e prenda-a na cinta da alça. Então mire a câmera para algo com uma cor de um só tom (o céu ou uma parede branca) e execute o ajuste da dioptria, pois assim o mostrador do visor ficará claro.



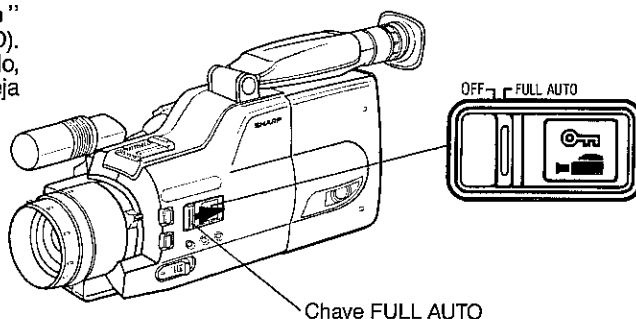
- 5** Pressione o botão REC SPEED LP/SP e escolha o tempo de gravação adequado. A velocidade escolhida será exibida no visor. Os tempos de gravação com a fita **VHS EC-30** são:
 Modo SP: 30 minutos
 Modo LP: 60 minutos



- 6** Ajuste o comutador CAMERA REC/VCR PLAY para a posição "CAMERA REC".



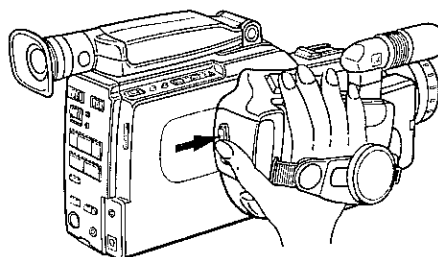
- 7** Ajuste a chave FULL AUTO para a posição "FULL AUTO". Certifique-se que as marcas "▶" e "⊙" estão exibidas no mostrador de cristal líquido (LCD). Caso as marcas "▶" e "⊙" estejam piscando, uma indicação de alarme aparecerá no visor. (Veja página 20.)



- 8** Pressione o botão REC START/STOP. Enquanto estiver gravando, "▶▶▶▶" no visor ficará se movendo em sequência, da esquerda para a direita.

Observação:

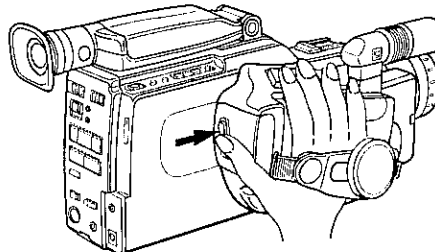
Quando de gravações por um longo período de tempo, a alça de mão poderá ficar um pouco quente. Porém, isto não indica nenhum problema de mal funcionamento.



- 9** Quando você quiser parar a gravação, pressione o botão REC START/STOP mais uma vez.

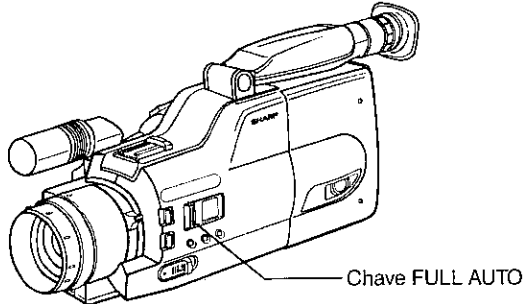
Observação:

Se a Videocâmara for deixada no modo REC PAUSE por mais de 5 minutos, ela irá se desligar automaticamente. Para retomar a gravação, basta colocar o comutador OPERATE para ON.

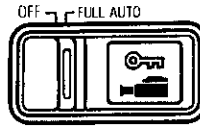


SISTEMA TOTALMENTE AUTOMÁTICO

Colocando a chave FULL AUTO na posição "FULL AUTO", o Foco e o Balanço de Branco serão ajustados para o modo automático (AUTO) e a velocidade do obturador para o modo normal (STANDARD). Isto permite que qualquer pessoa possa fazer filmagens perfeitas com a Videocâmara. Quando a chave FULL AUTO estiver colocada na posição "FULL AUTO", as marcas "☐" e "⊗" normalmente aparecerão no mostrador de cristal líquido (LCD). Entretanto, se as marcas "☐" e "⊗" começarem a piscar, indicações de alarme aparecerão no visor. Estas indicações de alarme significam que a gravação com a Videocâmara não pode ser realizada, por razões como, por exemplo, a inserção de uma fita com as presilhas removidas.



Chave FULL AUTO



Gravações com a Videocâmara são possíveis no modo totalmente automático quando as marcas "☐" e "⊗" estiverem exibidas.



Quando qualquer indicação de alarme aparecer no visor, siga imediatamente as instruções de alarme. (Veja página 20.)

FOCO AUTOMÁTICO

O foco automático permite que você se concentre na criação dos seus vídeos, sabendo que eles estarão sempre perfeitamente focados.

Na posição FULL AUTO, o foco é continuamente ajustado para manter sempre o melhor foco. No centro do visor há uma pequena área que detecta a distância ao objeto e ajusta o foco. Procure manter sempre o objeto da filmagem no centro do visor.

Obs

O foco automático poderá não ser capaz de focar um objeto nas condições descritas abaixo. Nestes casos, use o foco manual para obter uma focagem correta.

Precauções:

- Procure não tocar no anel de focagem quando o mecanismo de foco automático estiver em operação.
- Se as lentes estiverem sujas ou turvas, será difícil conseguir-se uma focagem perfeita. Procure mantê-las sempre limpas. Caso estejam sujas, limpe-as usando um pano macio e uma solução especial para limpeza de lentes. Caso ocorra condensação, seque-as com um pano macio, ou então espere até que a umidade se evapore.
- Quando as cenas da filmagem forem mudadas rapidamente, como em casos de aproximações rápidas feitas rapidamente, da grande angular à tele-objetiva, ou em casos de mudanças rápidas de um objeto distante para um próximo, etc., levar-se-á algum tempo até que a cena fique em foco.

Objeto muito escuro.	Falta de contraste, por exemplo, em cenas na neve.	Cenas incluindo objetos separados entre si por distâncias uniformes.	Luz se refletindo no objeto.
Dois objetos sobrepostos situados a distâncias diferentes em uma mesma cena.	O objeto se estende do primeiro plano até planos posteriores.	Objetos se movendo rapidamente.	Fundo claro demais.
O objeto tem um padrão fino e repetido.	Objetos a distâncias diferentes estão presentes no centro da imagem.	O objeto possui faixas horizontais.	Objetos inclinados.
		Obs Recomendamos que se inicie a filmagem depois de focar o objeto.	
A filmagem está sendo feita através de uma janela suja ou úmida.	Obturador eletrônico de alta velocidade sendo usado sob iluminação fluorescente.		

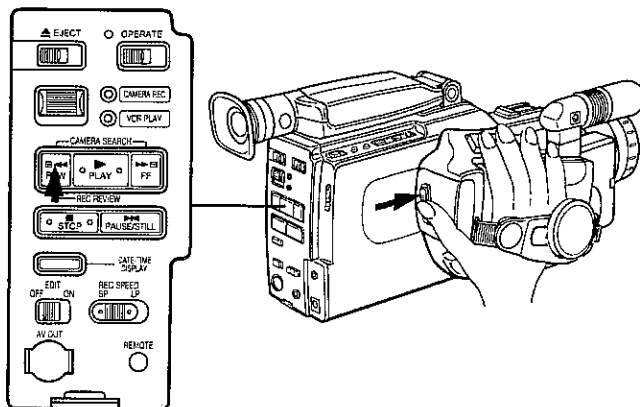
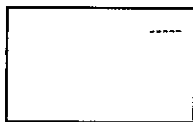
BALANÇO DE BRANCO AUTOMÁTICO

A sua Videocâmara está equipada com um balanço de branco automático que garante a qualidade das cores dos seus vídeos. Um balanço de cores correto é importante para a reprodução precisa das tonalidades.

O balanço de branco se ajusta automaticamente para compensar qualquer mudança na temperatura de cor da luz.

REVISÃO DA GRAVAÇÃO

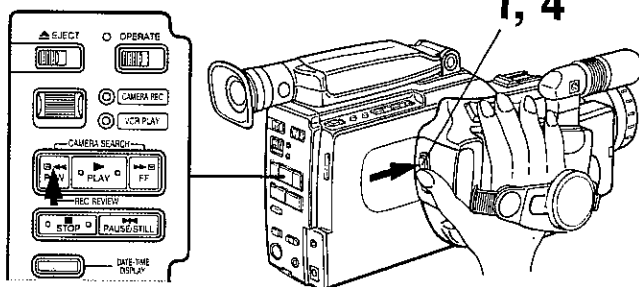
Durante a gravação, pressione o botão REC START/STOP para interromper a gravação ("-----" aparecerá no visor), e pressione brevemente o botão REC REVIEW. Aproximadamente os 2 últimos segundos da gravação serão rebobinados e reproduzidos. A Videocâmara estará então pronta para continuar a gravação. Caso você mantenha pressionado o botão REC REVIEW, a função CAMERA SEARCH entrará em funcionamento.



BUSCA

Caso você tenha gravado, por engano, algo que não gostou, você poderá procurar pela porção que gostaria de apagar mesmo mantendo-se na posição de gravação com a câmara.

- 1 Pressione o botão REC START/STOP para interromper a gravação.
- 2 Olhando no visor, mantenha pressionado o botão CAMERA SEARCH para procurar pela porção que gostaria de regravar. A imagem gravada aparecerá no visor.
- 3 Quando a porção que você gostaria de regravar aparecer, solte o botão CAMERA SEARCH. (O aparelho voltará para o modo REC PAUSE um segundo após o quadro ter aparecido.)
- 4 Pressione o botão REC START/STOP para gravar por sobre a porção indesejada.



EXPLICAÇÕES SOBRE OPERAÇÕES DOS BOTÕES

Se o botão "▶▶" for mantido pressionado, as imagens serão reproduzidas na devida ordem a uma velocidade 3 vezes mais rápida que a normal. (Não haverá reprodução da parte sonora.)
 Se o botão "▶" for mantido pressionado, as imagens serão reproduzidas na devida ordem na velocidade normal (Com a parte sonora.)
 Se o botão "◀◀" for mantido pressionado, as imagens serão reproduzidas na ordem inversa a uma velocidade 3 vezes mais rápida que a normal. (Não haverá reprodução da parte sonora.)

Obs Se a Videocâmara estiver no modo LP, a velocidade de reprodução será 7 vezes mais rápida que a normal.

ZOOM MOTORIZADA (CONTROLE GRANDE ANGULAR/TELEOBJETIVA)

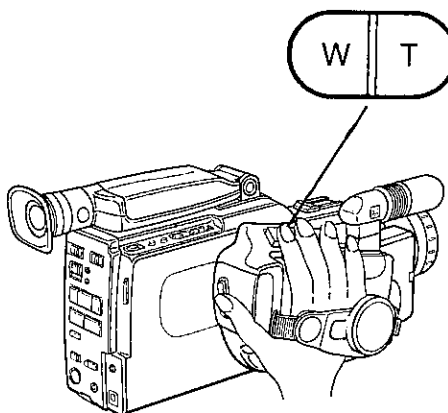
Uma das melhores características desta Videocâmara é a sua lente zoom motorizada, com velocidade variável.

Pressione os botões da zoom motorizada para aproximar ou afastar o objeto. A pressão do seu dedo controlará a velocidade da zoom.

A velocidade da zoom é controlada pela pressão dos seus dedos, de modo que quanto mais forte você pressionar, mais rápida será a velocidade da zoom.

Pressione firme os botões da zoom motorizada para aproximar ou afastar o objeto em 6 segundos, ou pressione levemente os botões da zoom motorizada para aproximar ou afastar em 20 segundos.

T(ele) aproxima os objetos, enquanto que W(ide) faz com que os objetos pareçam estar mais distantes.




USO DO BOTÃO ZOOM SELECT

Esta Videocâmara está equipada com uma função de ampliação de 1,5 vezes. Aumenta ou reduz a imagem no visor instantaneamente, proporcionando um tipo totalmente novo de efeito zoom. Por exemplo, quando uma cena interessante aparecer no visor, pressione o botão ZOOM SELECT, e a imagem será ampliada instantaneamente em 1,5 vezes.


(Como se vê no visor)

Amplificador desligado



(Exemplo) Normal

Amplificador ligado

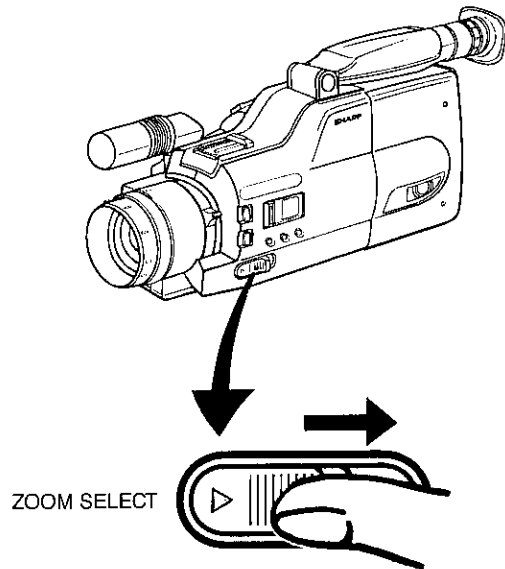


1,5 x

→ Ampliado
← Reduzido

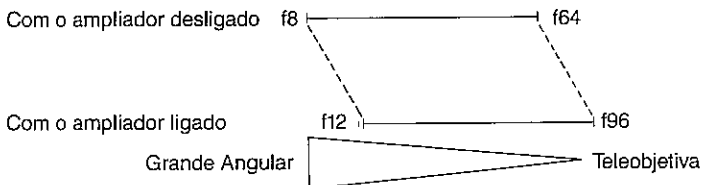
← × 1,5
→ 1,5 ×

Antes do amplificador de 1,5 aumentos entrar em funcionamento, um quadro aparecerá sobre a imagem no visor. Enquadre o objeto, pressione o botão ZOOM SELECT e a imagem do objeto preencherá o visor. Neste exemplo, as lentes estão ajustadas para aumento normal. Pressionando-se o botão ZOOM SELECT, o quadro desaparecerá do visor e a imagem se ampliará em 1,5 vezes. Ao se pressionar mais uma vez o botão ZOOM SELECT, a imagem retornará à magnificação normal (o quadro reaparecerá no visor).



Obs

Relacionamento entre a zoom e o amplificador.

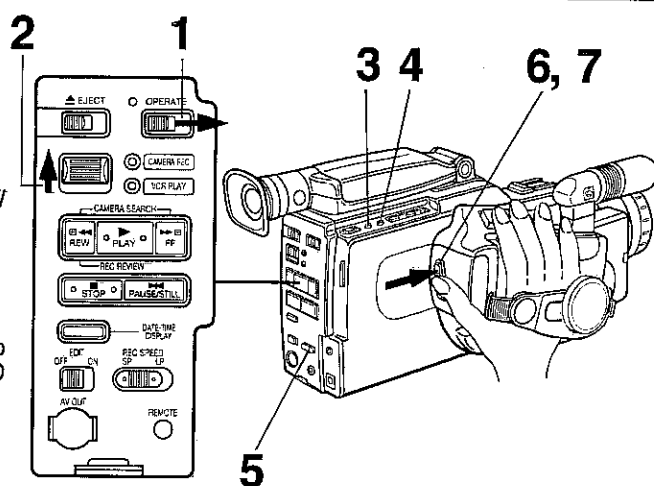


O intervalo da zoom variável muda conforme mostrado acima, de acordo com a operação do amplificador.

FUNÇÃO CONTROLE DE TEMPO DECORRIDO

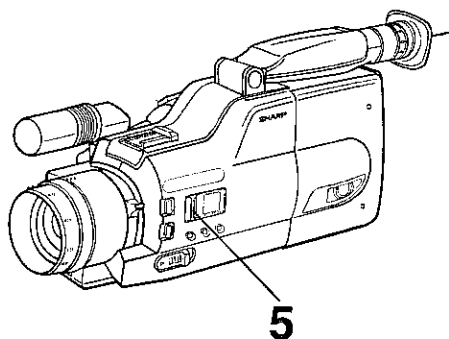
Esta Videocâmara está equipada com a função de controle de tempo decorrido, a qual mede aproximadamente o tempo de gravação.

- 1** Ligue o comutador OPERATE.
- 2** Coloque o comutador CAMERA REC/VCR PLAY para "CAMERA REC". A Videocâmara irá automaticamente se colocar no modo REC PAUSE.
- 3** Pressione o botão COUNTER/COUNTER MEMORY/LAP TIME e escolha LAP TIME.
- 4** Pressione o botão RESET. (A contagem será reajustada para "0:00".)
- 5** Pressione o botão REC SPEED LP/SP e ajuste o velocidade de gravação. Coloque o chave FULL AUTO para a posição "FULL AUTO".
- 6** Pressione o botão REC START/STOP (A contagem será iniciada.)
- 7** Para interromper a gravação, pressione novamente o botão REC START/STOP. (A contagem será interrompida.)

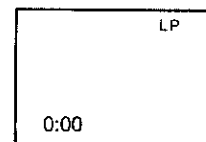


Obs

- Com o modo LAP TIME, você pode ter uma idéia do tempo de gravação. O tempo máximo que o contador pode marcar é "99:99" (99 min. 99seg.).
- O contador do Tempo Decorrido (LAP TIME) opera apenas durante as gravações. (A função LAP TIME está em operação mesmo que não haja nenhuma indicação no visor.)
- Quando se expulsa a fita, o contador do LAP TIME é automaticamente reajustado para "0:00".
- Mesmo que você pressione o botão COUNTER/COUNTER MEMORY/LAP TIME durante as reproduções, o tempo decorrido não será exibido. (neste caso apenas o contador será exibido.)



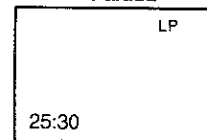
Indicador do visor



Começo





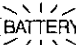




Parada



INFORMAÇÕES DO VISOR E DO MOSTRADOR LCD

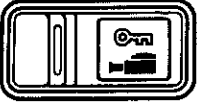
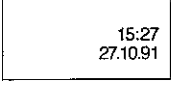
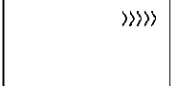
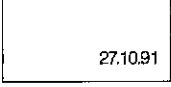

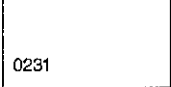
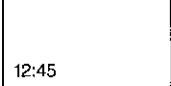
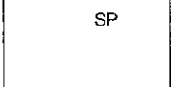
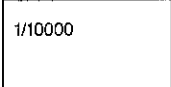
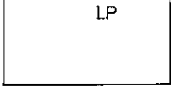
A Videocâmara fornece as informações necessárias para as filmagens no mostrador de cristal líquido (LCD) e no visor.

INDICADORES DE ALARME

	<p>1) CONDENSAÇÃO Condensação sobre o tambor da fita. A força será cortada em poucos minutos. Espere algumas horas antes de usá-la novamente. (Veja página 2.) (Ao mesmo tempo, o indicador OPERATE estará piscando.)</p>		<p>4) Alarme de fita A gravação não pode ser executada porque a fita está com a presilha removida, ou não se colocou a fita de vídeo no aparelho. Coloque uma fita de vídeo com a presilha intacta.</p>
	<p>2) Bateria e alarme A bateria está muito fraca. A força será cortada em poucos segundos. Troque a bateria.</p>		<p>5) Alarme de fim de fita A fita acabará dentro de aproximadamente 3 minutos. Prepare uma nova fita de vídeo com a presilha intacta.</p>
	<p>3) ILUMINAÇÃO Não há luz suficiente para se fazer uma boa gravação. Utilize iluminação suplementar ou mude para um lugar com mais luz.</p>		<p>A fita chegou ao fim. Troque-a por uma nova com a presilha intacta.</p>
			<p>6) Cabeçote precisa de limpeza Os cabeçotes necessitam de limpeza. Procure por serviço especializado.</p>

Obs Quando os indicadores relacionados acima aparecerem, as marcas " " e " " de operações totalmente automáticas (FULL AUTO) piscarão simultaneamente.

INDICADORES PRÁTICOS

	<p>1) Indicador FULL AUTO O indicador "FULL AUTO" aparece quando a chave FULL AUTO está ajustado na posição "FULL AUTO". Isto indica que a Videocâmara está em condições apropriadas para gravações.</p>		<p>4) Data/Hora Este aparelho está equipado com a função AUTO DATE/TIME. Pressiona-se o botão de exibição DATE-TIME para exibir a data/hora ou a data. A forma de exibição escolhida pode ser gravada na fita juntamente com a imagem.</p>										
	<p>2) Indicador de gravação Quando o botão REC START/STOP for pressionado e a gravação tiver início, ">>>>" aparecerá movendo-se em sequência, da esquerda para a direita.</p>												
	<p>Quando o botão REC START/STOP for pressionado novamente, a Videocâmara passará para o modo REC PAUSE e "-----" aparecerá.</p>		<p>5) Contador de fita Este contador estará em funcionamento contínuo mesmo que não esteja exibido no visor. Os números no contador de fita mudarão continuamente conforme o movimento da fita. Se a Memória do contador estiver ligada, "M" aparecerá à esquerda do indicador do contador de fita.</p>										
<p>Obs Este indicador aparece apenas quando o comutador CAMERA REC/VCR PLAY estiver na posição "CAMERA REC".</p>			<p>6) Tempo decorrido O tempo decorrido de gravação é exibido em minutos e segundos durante a gravação. (Veja página 19.)</p>										
	<p>3) Modo de gravação Gravação conforme velocidade exibida. "SP": Gravação em velocidade normal. "LP": Gravação em velocidade longa.</p>		<p>7) Gravação com o Obturador de Alta Velocidade Quando o botão SHUTTER SPEED for pressionado, a velocidade do obturador muda conforme a tabela abaixo:</p> <table border="0"> <tr> <td>1/100</td> <td>: 1/100 seg.</td> </tr> <tr> <td>1/500</td> <td>: 1/500 seg.</td> </tr> <tr> <td>1/2000</td> <td>: 1/2000 seg.</td> </tr> <tr> <td>1/10.000</td> <td>: 1/10000 seg.</td> </tr> <tr> <td colspan="2">Nada exibido: Velocidade normal (1/50 seg.)</td> </tr> </table>	1/100	: 1/100 seg.	1/500	: 1/500 seg.	1/2000	: 1/2000 seg.	1/10.000	: 1/10000 seg.	Nada exibido: Velocidade normal (1/50 seg.)	
1/100	: 1/100 seg.												
1/500	: 1/500 seg.												
1/2000	: 1/2000 seg.												
1/10.000	: 1/10000 seg.												
Nada exibido: Velocidade normal (1/50 seg.)													
													

INDICADORES PRÁTICOS

M/F	8) Foco Manual O aparelho está ajustado para focagem manual. Quando o botão AUTO/MANUAL FOCUS for pressionado, aparecerá "M/F".	* LIGHT *	10) Ganho O modo de ganho está em funcionamento. A indicação "* LIGHT *" aparecerá quando o botão BLC/GAIN-UP for pressionado enquanto "LIGHT" estiver exibido.
WB	9) Balanço de Branco Travado O balanço de branco travado está em funcionamento. Quando o botão WHITE BALANCE for pressionado, aparecerá "WB".	FADER	11) CORTE/ABERTURA GRADUAL O função Corte/Abertura gradual está em operação. Quando o botão REC START/STOP for pressionado, obter-se-á Abertura ou Corte Gradual.

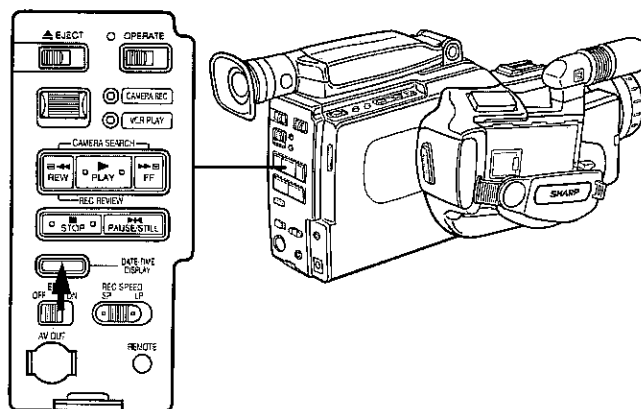
Obs Se uma TV for utilizada como monitor, apenas a data ou o horário aparecerão no visor.

FUNÇÃO DATA/HORÁRIO AUTOMÁTICOS

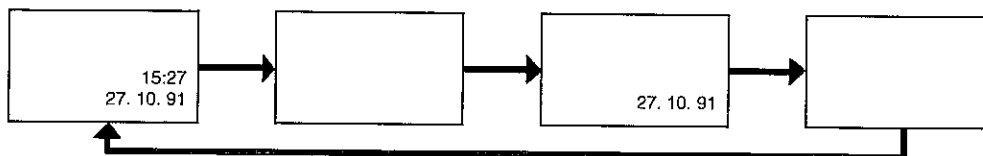
A função data/horário automáticos permite a gravação da data e do horário como uma prática referência. Siga as instruções indicadas abaixo para gravar a data ou a data/horário juntamente com as imagens.

Obs

Se a data e o horário não estiverem ajustados, o botão DATE-TIME DISPLAY não funcionará. (Veja página 7.)



- 1 Conecte a uma fonte de força e ligue o comutador OPERATE. Coloque o comutador CAMERA REC/VCR PLAY para "CAMERA REC" e a Videocâmbio se colocará em REC PAUSE.
- 2 Pressione o botão DATE-TIME DISPLAY. A data ou a data/horário será exibida no visor. Pressionando-se este botão, pode-se ajustar para a exibição da data ou da data/horário, e o mostrador do visor muda da seguinte forma.

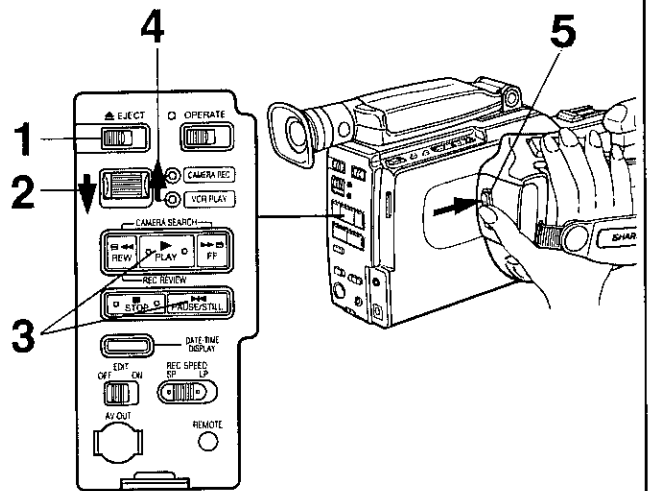


- 3 Pressione o botão REC START/STOP. A data ou a data/horário exibida no visor será gravada juntamente com as imagens filmadas.

GRAVAÇÃO COM MONTAGEM

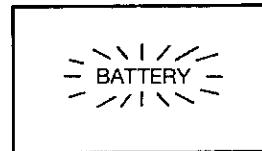
Para gravar em uma fita parcialmente gravada ou para produzir uma gravação com montagem:

- 1** Faça deslizar o botão EJECT e coloque uma fita que esteja com a presilha intacta.
- 2** Coloque o comutador CAMERA REC/VCR PLAY em "VCR PLAY".
- 3** Pressione o botão PLAY e use o botão FF ou o REW para localizar rapidamente o ponto exato, e então pressione o botão PAUSE/STILL.
- 4** Mude o comutador CAMERA REC/VCR PLAY de "VCR PLAY" para "CAMERA REC".
- 5** Pressione o botão REC START/STOP.



TROCA DA BATERIA DURANTE GRAVAÇÕES

1. Caso a indicação BATTERY comece a piscar no visor durante uma gravação, pressione o botão REC START/STOP para interromper a gravação, e desligue o comutador OPERATE.
2. Troque a bateria por uma carregada.
3. Ligue o comutador OPERATE. "-----" será exibido no visor.
4. Pressione o botão REC START/STOP para continuar a gravar do mesmo ponto que antes.



Obs

Certifique-se que o aparelho está desligado. O indicador OPERATE deve estar apagado antes de se trocar a bateria

DESLIGAMENTO AUTOMÁTICO

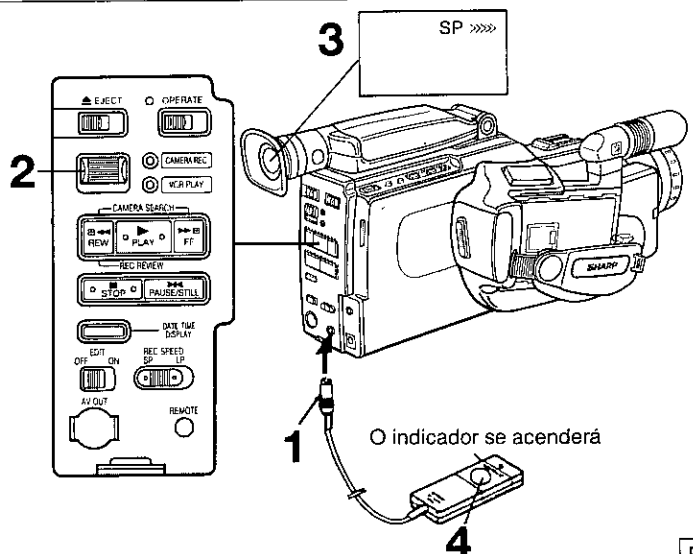
Para proteger a fita e economizar bateria, a Videocâmara solta a tensão da fita e desliga-se automaticamente quando permanecer no modo REC PAUSE ("-----" exibido no visor) por mais de 5 minutos.

Suprimento de força	Posição CAMERA REC/VCR PLAY	Operação por aproximadamente 5 min.
Bateria/AC	CAMERA REC	REC PAUSE → desliga

CONTROLE REMOTO PARA PAUSA (ACESSÓRIO OPCIONAL)

Use o cabo de 5m VR-20ME do opcional Controle Remoto para Pausa para fazer pausas durante as gravações à distância. Ele funciona como o botão PAUSE/STILL.

- 1** Enfie o cabo do Controle Remoto para Pausa na tomada REMOTE.
- 2** Coloque o comutador CAMERA REC/VCR PLAY para "CAMERA REC".
- 3** Verifique se "-----" está exibido no visor.
- 4** Para iniciar a gravação, pressione o botão REC/PAUSE no Controle Remoto para Pausa. O indicador do visor irá mover-se em sequência, da esquerda para a direita. Pressione novamente o mesmo botão para fazer uma pausa.

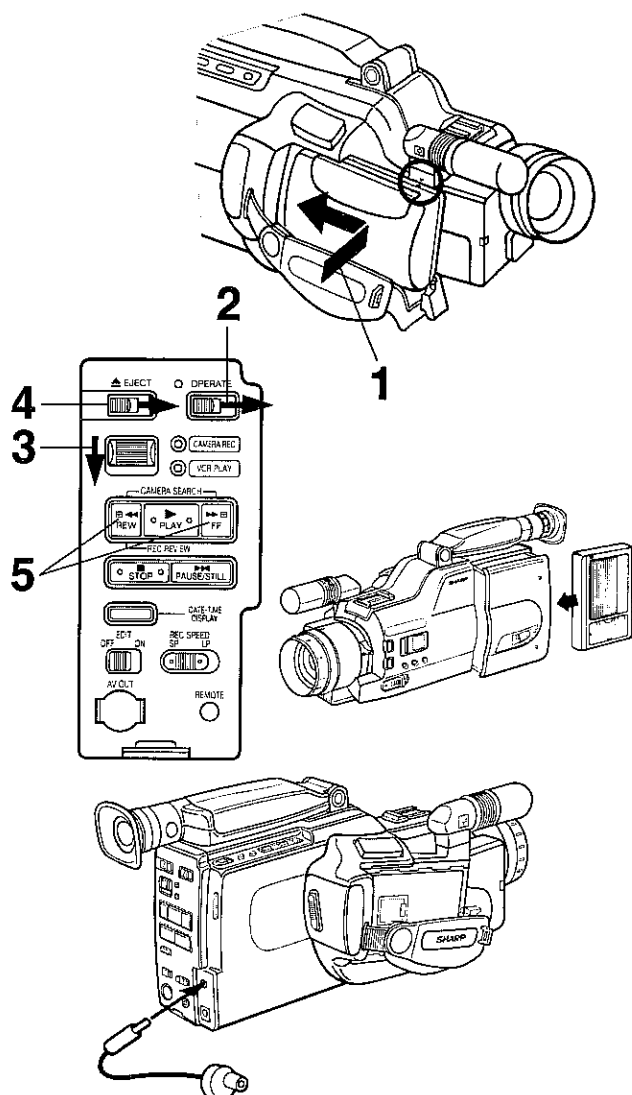


REPRODUÇÃO

A VL-C780S pode reproduzir fitas VHS-C que você tenha gravado. Elas podem ser reproduzidas no próprio visor ou em uma TV.

REPRODUÇÃO NO VISOR

- 1** Instale a Bateria ou use o Adaptador AC/Carregador de Baterias.
- 2** Ligue o comutador OPERATE — o indicador OPERATE se acenderá.
- 3** Coloque o comutador CAMERA REC/VCR PLAY na posição "VCR PLAY".
- 4** Pressione o botão EJECT e coloque uma fita de vídeo.
Obs
Primeiro elimine qualquer folga na fita.
- 5** Avance ou volte a fita até a cena que você quer assistir pressionando o botão FF ou REW. Depois, pressione o botão PLAY, e a reprodução terá início.



Obs

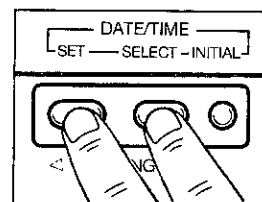
Se você quiser ouvir a parte sonora da sua gravação, coloque fones de ouvido (não fornecidos) na tomada EAR.

Obs

O botão seletor LP/SP poderá estar em qualquer modo. A velocidade de gravação é automaticamente detectada e a fita reproduzida na velocidade correta.

AJUSTE DO TRACKING

Se aparecerem barras de interferência ou a imagem estiver com chuviscos, ajuste o controle do TRACKING. Pressione um dos botões do TRACKING para reduzir as interferências da imagem. Após a reprodução, pressione ambos os botões do TRACKING ao mesmo tempo para voltar o tracking para a posição central.



Controle do TRACKING

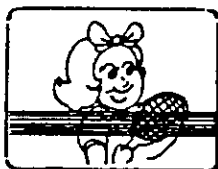
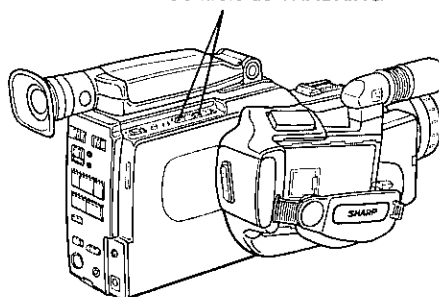


Imagem com Interferência




Imagem Nítida



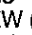
BUSCA EM AVANÇO/RETROCESSO E IMAGEM FIXA

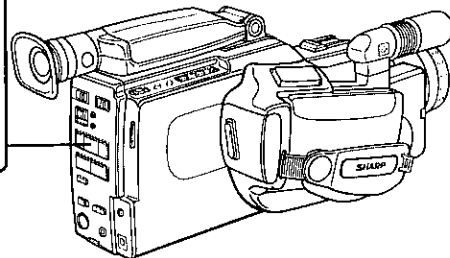
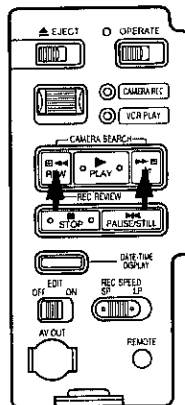
Para localizar rapidamente um ponto de uma fita gravada, use os botões de Busca em Avanço e em Retrocesso. Os respectivos indicadores se acenderão (durante Buscas em Avanço/Retrocesso).

Busca em Avanço

Pressione o botão FF () durante a reprodução. Isto fará com que a reprodução seja executada a uma velocidade 3 vezes mais rápida que a normal para uma fita gravada em SP, e 7 vezes mais rápida para uma fita gravada em LP.

Busca em Retrocesso

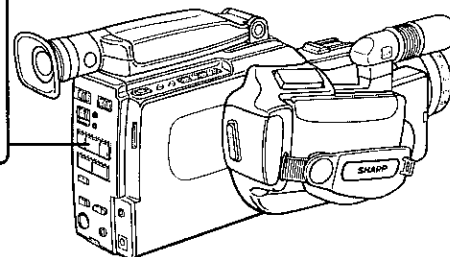
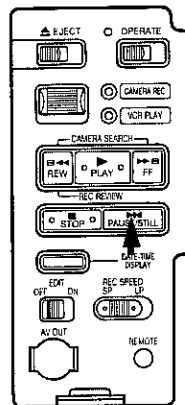
Pressione o botão REW () durante a reprodução. Isto fará com que a fita seja reproduzida no modo reverso a uma velocidade 3 vezes mais rápida que a normal para uma fita gravada em SP, e 7 vezes mais rápida para uma fita gravada em LP.



Obs Poderá haver interferência na imagem durante as Buscas em Avanço/Retrocesso. Isto é normal. Se a imagem da TV rolar verticalmente, ajuste o controle de estabilização vertical da TV. A imagem poderá ficar monocromática durante as Buscas em Avanço/Retrocesso em fitas pré-gravadas. Isto é normal. Não se ouvirá a porção de áudio.

IMAGEM FIXA

Pressione o botão PAUSE/STILL durante a reprodução para congelar a imagem. Para voltar à reprodução normal, pressione novamente o botão PAUSE/STILL.



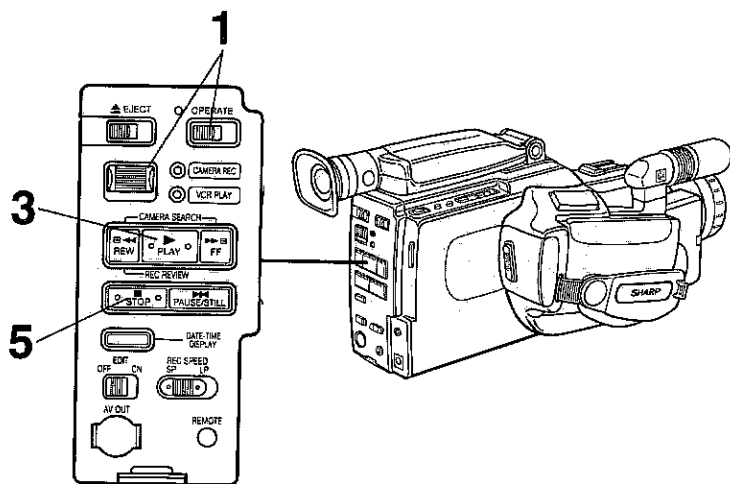
Obs Se a imagem de TV rolar verticalmente, ajuste o controle de estabilização vertical da TV. Para proteger a fita, a Videocâmara soltará a tensão da fita e se colocará no modo STOP quando for mantida por mais de 5 minutos no modo STILL durante a reprodução.

Aproximadamente 5 min.

STILL → STOP

MEMÓRIA DO CONTADOR

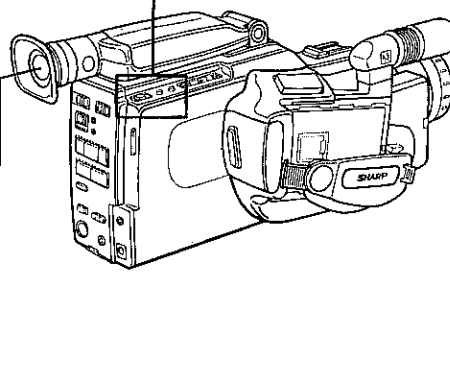
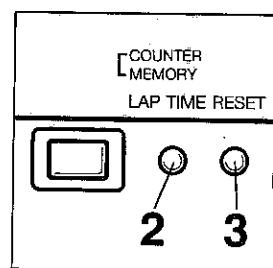
O mostrador de 4 dígitos atua como uma referência prática para ajudá-lo a localizar cenas específicas. Use a memória do contador de fita para retornar rapidamente às suas cenas favoritas. Quando a memória estiver ativada, a fita irá parar quando o contador chegar a "M0000", durante FF ou REW.



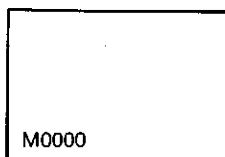
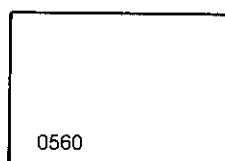
- 1** Ligue o comutador OPERATE. Coloque o comutador CÂMERA REC/VCR PLAY em "VCR PLAY".
- 2** Pressione o botão COUNTER/COUNTER MEMORY/LAP TIME para exibir o contador de fita no visor.
- 3** Pressione o botão PLAY para começar a reprodução. (Quando a Videocâmera estiver no modo STILL, pressione o botão STILL).
- 4** Pressione o botão RESET e o COUNTER/COUNTER MEMORY/LAP TIME no início da cena.
- 5** Pressione STOP ao final da cena e então pressione o botão REW. A fita será rebobinada para aproximadamente "0000" e o movimento da fita cessará.

Obs

- Os números no contador não mudarão gradualmente durante avanço ou retrocesso rápidos. Porém, isto não é uma indicação de problema no aparelho.
- O contador da fita exibirá "0000" e aparecerá "M".
- Se o botão COUNTER/COUNTER MEMORY/LAP TIME for pressionado uma vez mais, o mostrador do contador desaparecerá e a função de memória não funcionará. (Durante o modo CAMERA REC, pode-se acionar o contador LAP TIME pressionando-se o botão COUNTER/COUNTER MEMORY/LAP TIME.)
- A fita irá também parar aproximadamente em "0000" quando for avançada rapidamente.
- A memória do contador só funcionará quando o comutador CAMERA REC/VCR PLAY estiver na posição "VCR PLAY".



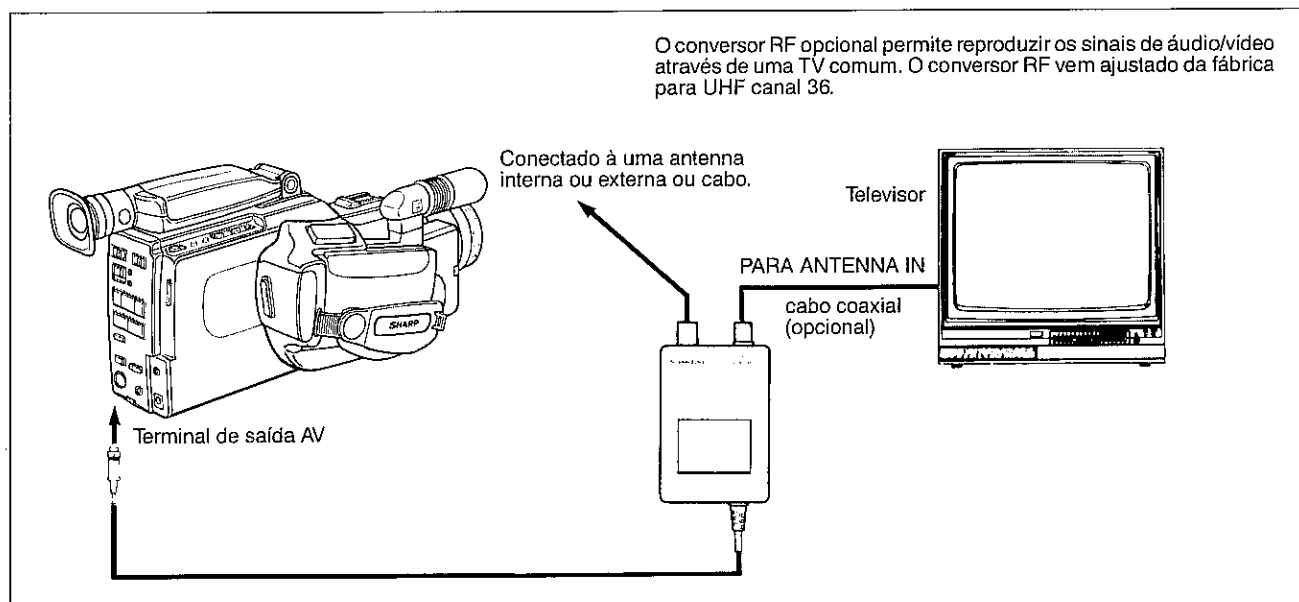
Indicador do visor



CONEXÃO A UMA TV

Para reproduzir fitas gravadas com a sua Videocâmara na sua TV, conecte o Conversor RF, que é opcional, entre a sua TV e a Videocâmara.

Conexão a uma TV comum.

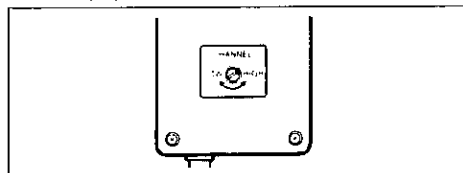


REPRODUÇÃO NA TV

Sintonize a TV no mesmo canal do conversor RF (UHF CH30 - 39) e pressione o botão PLAY.

Para retornar com as operações normais da TV, desligue o comutador OPERATE da Videocâmara ou desconecte o cabo do Conversor RF da Videocâmara.

- 1 O regulador do canal do conversor RF opcional está ajustado para o canal 36. Se o canal 36 já está em uso na sua região, regule para um canal diferente (veja Observação).



- 2 Ajuste o sintonizador da TV para o mesmo canal.
- 3 Desconecte o cabo da antena da TV e conecte-o no terminal ANTENNA IN do conversor RF.
- 4 Conecte o cabo coaxial de 75-ohm, que é opcional, no terminal RF OUT do conversor RF e o terminal para antena do cabo coaxial de 75-ohm na TV.
- 5 Conecte o cabo do conversor RF no terminal de saída AV da Videocâmara.
- 6 Coloque o comutador CAMERA REC/VCR PLAY na posição "VCR PLAY" e ligue o comutador OPERATE.
- 7 Pressione o botão EJECT e coloque uma fita de vídeo, com a janela da fita para o lado de fora. Pressione o botão PLAY.

Precauções

- Us o conversor RF opcional apenas com a Videocâmara.
- O conversor RF é uma unidade selada. Não tente abri-lo ou modificá-lo. Não danifique ou derrube o aparelho ou submeta-o a vibrações mecânicas.
- Desconecte o conversor RF durante instabilidades elétricas.

OPERAÇÃO

Para assistir uma fita de vídeo sendo reproduzida com a VL-C780S.

Para assistir as fitas de vídeo ou para monitorar as gravações, ajuste o seletor do canal de TV para o canal correspondente ao canal de saída RF.

Para assistir os programas da televisão: Desligue o comutador OPERATE ou desconecte o cabo do conversor RF da Videocâmara.

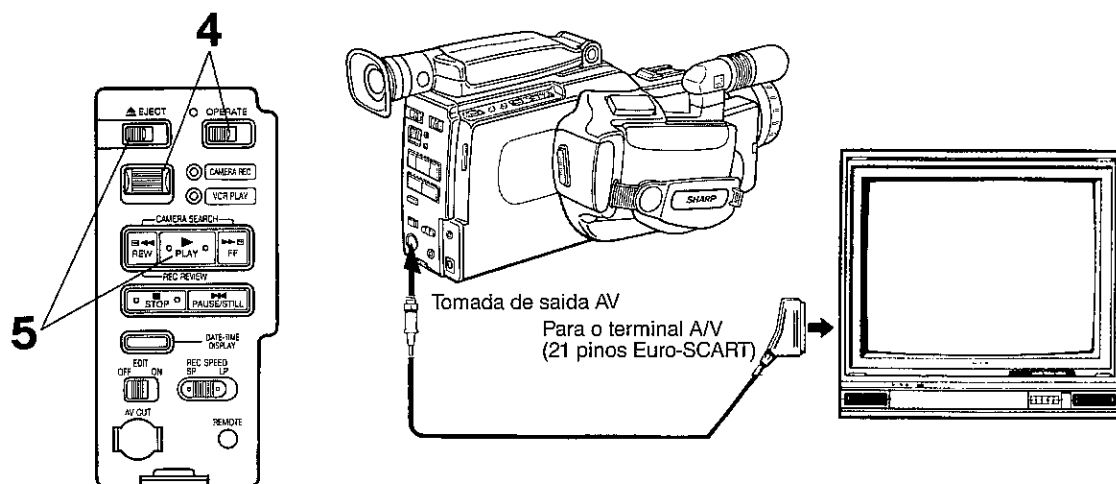
Obs

Se o canal 36 UHF estiver em transmissão na sua região, qualquer um entre os canais 30 a 39 UHF que não estiver em transmissão pode ser usado para receber os sinais transmitidos pela Videocâmara à TV.

Ajuste o regulador do Canal de Saída do Conversor RF para qualquer um daqueles canais (UHF 30-39), e sintonize a sua TV no mesmo canal.

CONEXÃO A UMA TV COM TERMINAIS AV

- 1** Conecte o cabo A/V OUTPUT de 21 pinos Euro-SCART, fornecido, no terminal AV OUT da Videocâmara.
- 2** Introduza o conector do cabo A/V OUTPUT de 21 pinos no terminal A/V (21 pinos Euro-SCART) da TV.
- 3** Sintonize a TV no canal de VIDEO ou no canal A/V.
- 4** Ligue o comutador OPERATE.
Coloque o comutador CAMERA REC/VCR PLAY na posição "VCR PLAY".
- 5** Pressione o botão EJECT e coloque uma fita de vídeo.
Pressione o botão PLAY.

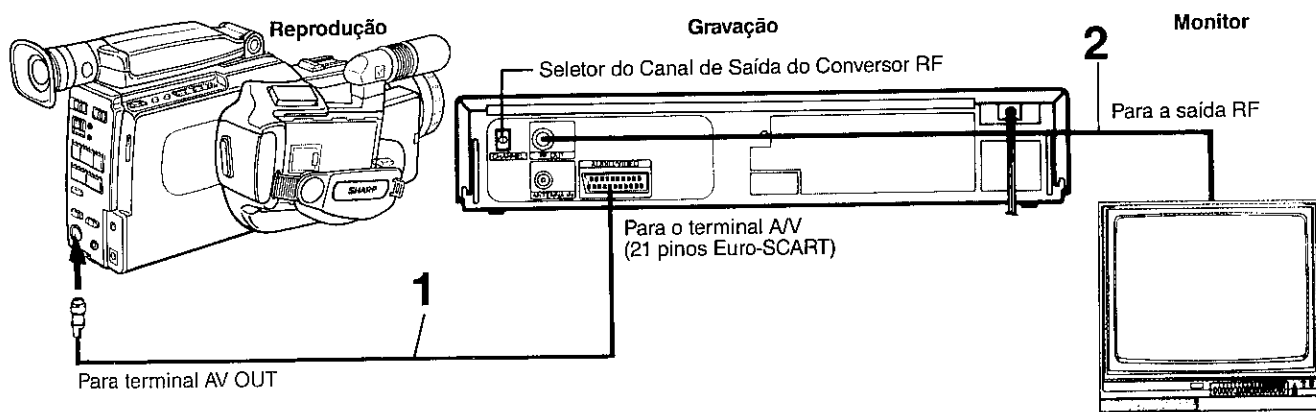


Reprodução na TV

Sintonize a TV no canal VIDEO ou no canal A/V e pressione o botão PLAY.
Para retornar à operação normal da TV, sintonize qualquer outro canal.

GRAVAÇÃO DE OUTRO VIDEOCASSETE

Sua Videocâmara SHARP pode ser conectada como um aparelho de reprodução para copiar e editar uma fita com um outro VIDEOCASSETE. Cenas desnecessárias podem ser retiradas, pode-se diminuir o tempo total da gravação, cenas podem ser transferidas e novos arranjos podem ser feitos, e muitos outros efeitos podem ser introduzidos para tornar suas fitas mais interessantes e divertidas.



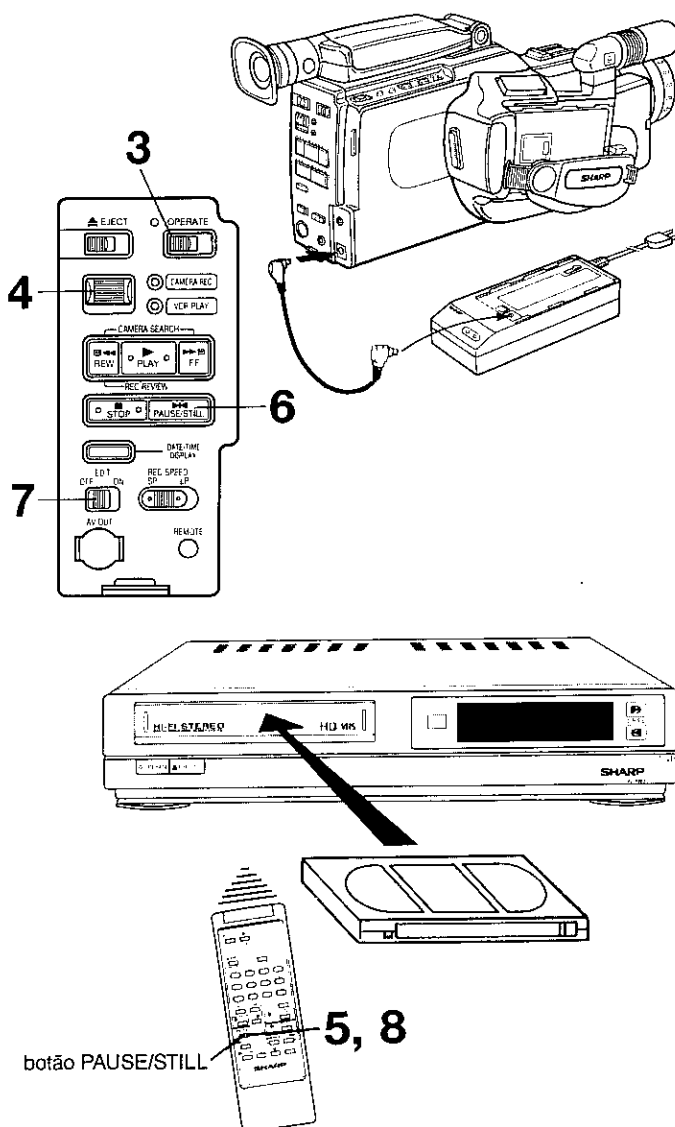
- 1** Conecte o cabo A/V OUTPUT no terminal AV OUT na parte posterior da Videocâmara. Introduza o conector A/V OUTPUT de 21 pinos no terminal A/V da parte posterior do seu VIDEOCASSETE.
- 2** Monitore a gravação na TV conectada ao VIDEOCASSETE.
- 3** Conecte a fonte de energia à Videocâmara e coloque o comutador OPERATE para ON. Ligue também o VIDEOCASSETE.
- 4** Coloque o comutador CAMERA REC/VCR PLAY em "VCR PLAY" e insira uma fita de vídeo gravada.
- 5** Coloque uma fita de vídeo com a presilha de proteção intacta no VIDEOCASSETE e coloque-o no modo REC PAUSE.
- 6** Localize a cena a ser copiada da sua Videocâmara e pressione o botão PAUSE/STILL.
- 7** Coloque o comutador EDIT em ON.
- 8** Pressione o botão PAUSE/STILL da sua Videocâmara e do seu VIDEOCASSETE para começar a reproduzir e a copiar.

Obs

A qualidade da imagem inevitavelmente se deteriora a cada cópia. Por isso recomenda-se utilizar a velocidade de fita normal (SP) quando for copiar uma fita.

CONTROLE DE EDIÇÃO

A qualidade de imagem inevitavelmente se deteriora toda vez que você copiar uma fita da Videocâmara para um VIDEOCASSETE. Ligue o comutador EDIT para minimizar a deterioração da qualidade da imagem. Utilize-o sempre que for editar seus vídeos.



Obs

Normalmente, o comutador EDIT deve estar desligado.

USO DO ADAPTADOR DE FITA (ACESSÓRIO OPCIONAL)

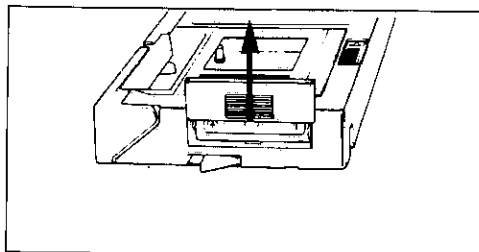
As fitas compactas de vídeo VHS gravadas com a VL-C780S podem ser reproduzidas em um VIDEOCASSETTE VHS comum com a utilização do Adaptador de Fita VR-72CA, opcional.

(Uma fita compacta de vídeo instalada com o adaptador de fita é totalmente compatível com um aparelho VHS comum tanto para gravações como para reproduções.)

Colocação da bateria no Adaptador de Fita.

O Adaptador de Fita VR-72CA funciona com uma bateria tipo R6(AA).

Remova a tampa da bateria puxando-a para cima. Instale uma bateria tipo R6(AA) e recoloque a tampa.



Colocação de Uma Fita de Vídeo Compacta no Adaptador de Fita.

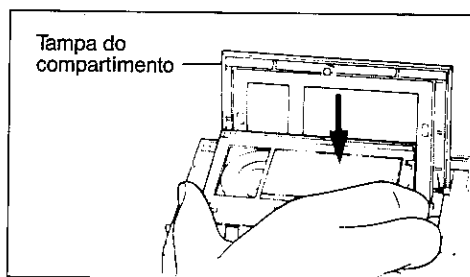
Caso haja folga na fita quando se inserir uma fita de vídeo compacta no adaptador, a fita poderá se danificar. Elimine qualquer folga da fita.

- 1** Empurre o fecho deslizante na direção da seta para abrir a tampa.



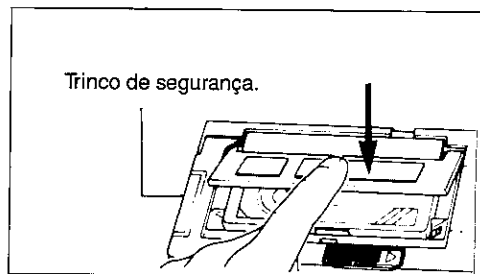
- A tampa do compartimento se abre.

- 2** Coloque a fita como mostra a figura.



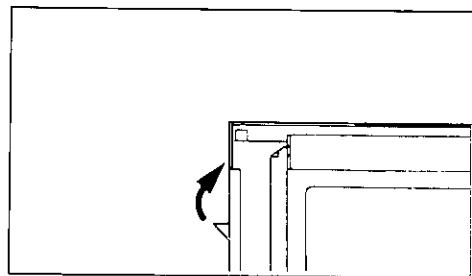
- Certifique-se de inseri-la corretamente, sem incliná-la.
- Certifique-se que não existem folgas na fita.
- Não toque na fita quando for inserir uma fita de vídeo compacta no adaptador de fita.

- 3** Feche a tampa do compartimento.



- A fita será carregada automaticamente.

- 4** O trinco de segurança se retrairá. Isto indica que o carregamento da fita foi completado.



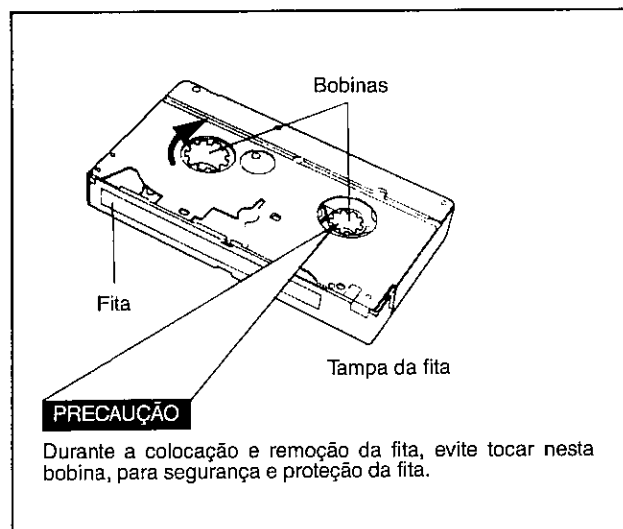
Precaução:

Durante a colocação ou remoção da fita, evite tocar nas bobinas da fita, para segurança e proteção da fita.

Precaução:

Verifique a condição da fita e se o carregamento da fita foi completado, após inserir a mesma.

1. Veja se não há nenhuma folga na fita. (Não abra a tampa da fita.)
2. Caso haja folga na fita, elimine-a girando a bobina na direção da seta.



Reprodução da Fita

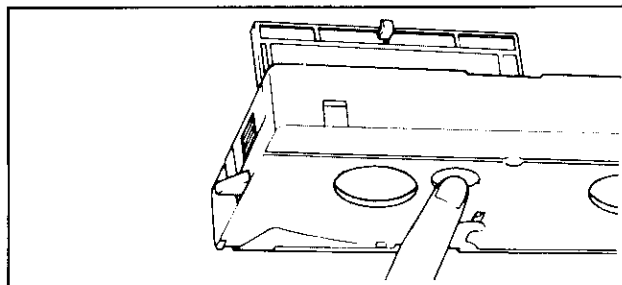
1. Coloque o adaptador de fita em um VIDEOCASSETE da mesma forma que você colocaria uma fita VHS comum.
2. Opere o VIDEOCASSETE como sempre.
 - Observe que os efeitos especiais podem ser executados quando se usa um aparelho de VIDEOCASSETE.
 - Caso apareçam barras de interferência, ajuste o controle de tracking do aparelho. Não se esqueça de retorná-lo à posição normal quando você terminar de reproduzir suas fitas de vídeo compactas.
 - Consulte o manual de operação do VIDEOCASSETE para operá-lo.

Obs

- Durante reproduções com efeitos especiais (câmera lenta, imagem fixa, etc.) a imagem poderá vibrar ou poderão aparecer barras de interferência na tela.
- O trinco de segurança em saliência indica que o carregamento da fita não foi completado. Nestas condições, JAMAIS tente colocar o adaptador de fita no VIDEOCASSETE, pois isto poderá danificar ambos os aparelhos.
- Evite colocar e retirar seguidamente o adaptador de fita no VIDEOCASSETE, sem que se faça a fita correr. Isto poderá afrouxar a fita e, conseqüentemente, danificá-la.
- O adaptador de fita não pode ser colocado na posição invertida.
- Após usá-lo, retire a fita do adaptador.

Remoção da Fita de Vídeo Compacta.

Deslize o fecho para abrir a tampa e empurre a fita para cima para retirá-la, empurrando-a com seu dedo através do orifício na base do adaptador.

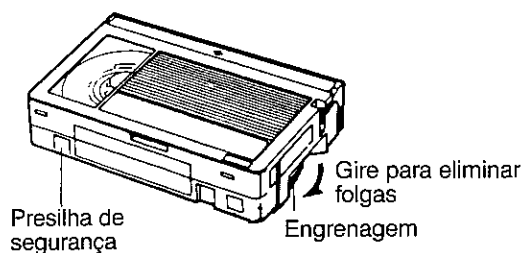


Obs

- Este adaptador de fita é fabricado com precisão. Evite vibrações ou choques violentos. Não o derrube, desmonte ou modifique, não o derrube, desmonte ou modifique, caso contrário poderão ocorrer problemas no funcionamento.
- Quando for guardar o adaptador de fita no estojo, coloque o adaptador com cuidado, com o lado do trinco de segurança voltado para dentro.

Fitas de Vídeo

- A VL-C780S utiliza apenas fitas de vídeo compactas que têm a marca **VHS**.
- A gravação sobre uma fita já gravada resulta na desgravação dos sinais de áudio e vídeo previamente gravados.
- Não é possível introduzir uma fita na posição invertida.
- Evite colocar e retirar repetidamente a fita sem fazê-la correr. Isto irá afrouxar a fita e, conseqüentemente, danificá-la.
- Certifique-se, antes de carregar a fita, que a mesma não esteja frouxa. Se existir qualquer folga, gire a engrenagem na direção da seta para eliminar a folga.
- A fita vem equipada com uma presilha de segurança para prevenir desgravações acidentais. Quando a presilha está removida, é impossível gravá-la. Se você quiser gravar em uma fita que teve a sua presilha removida, use fita adesiva para tapar o orifício.
- Para evitar exposições excessivas à poeira e a impressões digitais, não abra a tampa frontal da fita.



Armazenagem das Fitas

- Evite expor as fitas à luz solar direta. Mantenha-as longe de aquecedores.
- Evite guardar as fitas em locais úmidos ou empoeirados.
- Não derrube as fitas. Não as exponha a vibrações ou choques violentos.
- Não exponha as fitas a campos magnéticos muito fortes (próximo a um motor, transformador ou ímã).
- Coloque as fitas em estojos apropriados e procure posicioná-las na vertical.

OPERAÇÕES AVANÇADAS

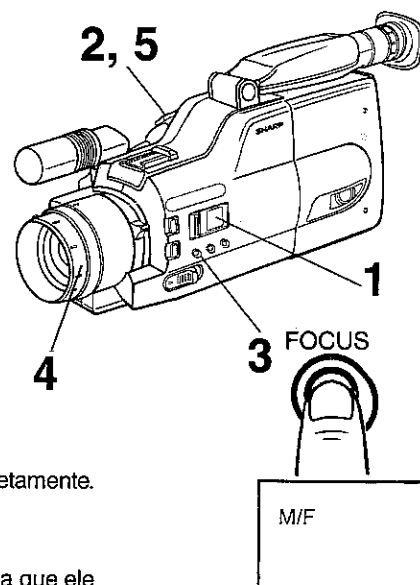
FOCO MANUAL

Nos casos citados abaixo, o uso do Foco Automático pode se tornar difícil, de modo que você mesmo irá querer acertar o foco.

1. Quando o objeto não está no centro da cena.
2. Quando você quiser desfocar o fundo ou o plano frontal da cena.
3. Quando você quiser começar uma cena com a imagem desfocada.

USO DO FOCO MANUAL

- 1 Desligue a chave FULL AUTO.
- 2 Pressione T para aproximar o seu objeto.
- 3 Pressione o botão FOCUS para colocar em MANUAL FOCUS.
- 4 Gire o anel de focagem até que o objeto fique em foco.
- 5 Pressione levemente W e afaste o objeto para compôr a cena.



No modo de focagem manual, "M/F" será exibido no visor.

BALANÇO DE BRANCO

O Balanço de Branco assegura que todas as cores de uma cena serão reproduzidas corretamente. No modo auto, o Balanço de Branco é ajustado automaticamente.

Uso do Balanço de Branco Travado

Alterações na cor poderão ocorrer quando um objeto de uma cor só for filmado de forma que ele preencha todo o campo do visor, por exemplo, quando se filmar um papel colorido de uma cor só. Nestes casos, trava-se o Balanço de Branco para evitar alterações na coloração. Siga os procedimentos descritos abaixo para travar o Balanço de Branco.

(1) Quando se requer uma ação rápida

Coloque em grande angular máxima um objeto que não seja colorido de uma cor só. Nestas condições, o Balanço de Branco apropriado será ajustado automaticamente. Pressione o botão WHITE BALANCE para travar o ajuste do Balanço de Branco. "W/B" aparecerá no visor. Alterações na cor podem ser evitadas quando o Balanço de Branco está travado, mesmo filmando-se um objeto colorido de uma cor só, de perto.

(2) Quando se requer um Balanço de Branco extremamente preciso.

Foque um pedaço de papel branco de modo que o visor fique completamente preenchido com o mesmo, e mantenha focado por aproximadamente 2 segundos. O Balanço de Branco apropriado será ajustado automaticamente. Desligue a chave FULL AUTO e pressione o botão WHITE BALANCE para travar o ajuste do Balanço de Branco. "W/B" aparecerá no visor.

• Para destravar o Balanço de Branco, pressione o botão WHITE BALANCE, ou então coloque a chave FULL AUTO na posição FULL AUTO para retornar ao modo Balanço de Branco automático.

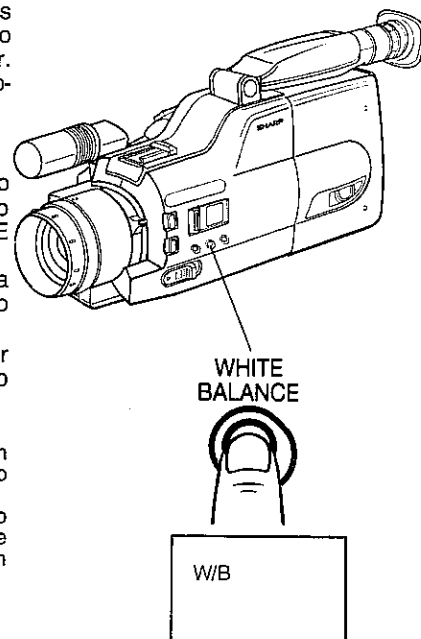
• A temperatura de cor da fonte de luz costuma sofrer variações. Por exemplo, a temperatura de cor da luz do sol varia dependendo das condições climáticas e da hora do dia. Desative a Trava do Balanço de Branco caso a temperatura de cor sofra variações.

Obs

- Se a força da Videocâmara for interrompida quando a Trava do Balanço de Branco estiver em funcionamento, ou se a Videocâmara for colocada no modo VCR, a Trava do Balanço de Branco será desativada.
- Mesmo quando a Trava Balanço de Branco estiver em funcionamento, o Balanço de Branco não estará completamente travado. A função de compensação do Balanço de Branco será capaz de ajustar-se a pequenas variações na temperatura da cor, fazendo com que as suas filmagens fiquem com cores ainda mais naturais.

Sob as seguintes condições, o Balanço de Branco pode não funcionar corretamente.

- Quando há uma mistura de luz natural e artificial. Tenha cuidado com cenas contendo misturas de luz artificial e natural. Da mesma forma, toda a iluminação deve ter uma mesma temperatura de cor.
- Quando se estiver usando efeitos especiais de iluminação.
- Quando se estiver filmando um objeto contra um fundo de tonalidade forte.
- Quando a iluminação for insuficiente.
- Quando a temperatura de cor de uma cena mudar muito rápido, ou quando houver contrastes muito fortes.
- Quando o objeto for colorido de uma cor só.



No modo Balanço de Branco Travado, "W/B" será exibido na porção superior esquerda do visor. (Caso a Trava do Balanço de Branco seja desativada, a indicação desaparecerá.)

COMPENSAÇÃO PARA CONTRA-LUZ

A íris automática desta Videocâmara utiliza um novo sistema de medição para controlar automaticamente a abertura e o ajuste para objetos em contra-luz. Entretanto, se o fundo estiver muito claro e o objeto ficar escuro, pressione o botão BLC/GAIN-UP para prevenir que o objeto apareça escuro demais na imagem.

Obs

A Videocâmara voltará automaticamente para o modo AUTO IRIS depois que o botão BLC/GAIN-UP for solto.

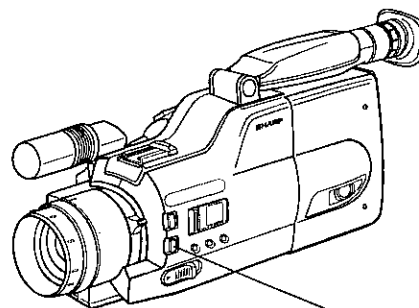
GANHO

Quando um objeto escuro estiver sendo filmado, "LIGHT" aparecerá no visor. A cena ficará mais clara se o botão BLC/GAIN-UP for pressionado. Para indicar que o modo de Ganho está em funcionamento, "* LIGHT *" aparecerá no visor.

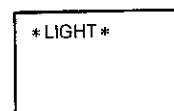
Quando o objeto ficar mais claro, "* LIGHT *" desaparecerá. Entretanto, a memória da função de Ganho permanecerá. Para desativar o modo de Ganho completamente, pressione o botão BLC/GAIN-UP quando "* LIGHT *" estiver exibido no visor.

Obs

- No modo de Ganho, a imagem ficará com mais chuviscos.
- Se a força for interrompida ou se a Videocâmara for passada para o modo de reprodução, o modo de Ganho será cancelado.




BLC/GAIN-UP



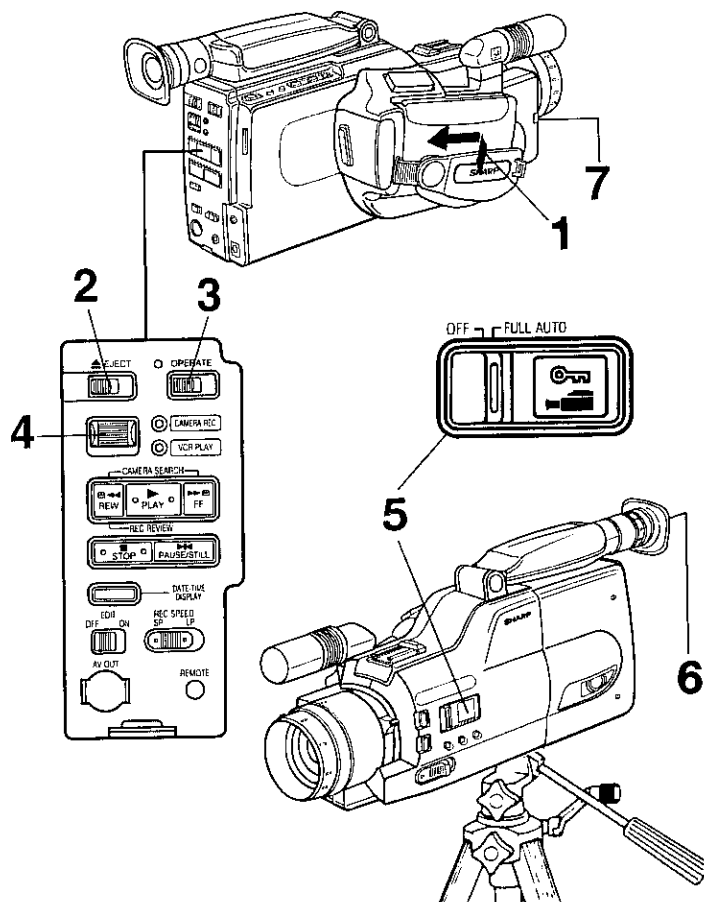
Se o modo de Ganho estiver em funcionamento, "* LIGHT *" será exibido no visor.

GRAVAÇÃO COM O AUTO-TIMER

- 1 Instale a bateria.
- 2 Pressione o botão EJECT e abra o compartimento da fita. Introduza uma fita de vídeo com a presilha intacta e com a janela voltada para fora. Pressione o compartimento da fita no local em que está escrito "PUSH" até ouvir um "click".
- 3 Monte esta Videocâmara sobre um tripé estável, projetada para uso com videocâmeras, e ligue o botão OPERATE.
- 4 Ajuste o comutador CAMERA REC/VCR PLAY na posição "CAMERA REC".
- 5 Coloque a chave FULL AUTO na posição "FULL AUTO", e verifique se  está exibido no mostrador de cristal líquido (LCD).
- 6 Mire a Videocâmara para o objeto, pressione o botão da Zoom de Potência, e ajuste o ângulo de visão.
- 7 Pressione o botão SELF TIMER. O indicador Talent Tally piscará por 10 segundos. Logo a seguir a Videocâmara gravará por 20 segundos e então passará para o modo REC PAUSE. Se você quiser gravar por mais tempo, pressione o botão SELF TIMER duas vezes seguidas.

Obs

Se você pressionar o botão SELF TIMER três vezes, o AUTO-TIMER se desligará.



OBTURADOR DE ALTA VELOCIDADE

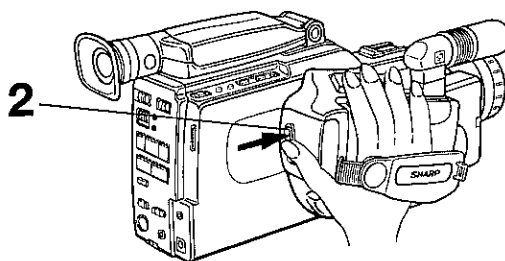
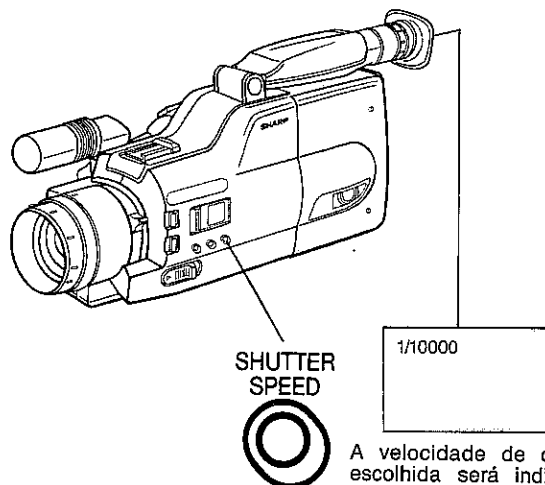
Utilize o modo HIGH SPEED SHUTTER (1/10.000, 1/2.000, 1/500, 1/100 seg.) quando estiver filmando objetos se movendo rapidamente, como em cenas de esportes (tênis, golfe, etc.). Quando estas cenas forem reproduzidas em um VÍDEOCASSETE com 4 vídeo-cabeçotes, a imagem reproduzida ficará ainda mais nítida mesmo nos modos Imagem Fixa e Câmera Lenta.

USO DO OBTURADOR DE ALTA VELOCIDADE

- 1 Estando no modo REC PAUSE, desligue a chave FULL AUTO e pressione o botão seletor SHUTTER SPEED. Escolha a velocidade do obturador desejado. As velocidades mudarão na seguinte ordem: 1/10.000 seg., 1/2.000 seg., 1/500 seg., 1/100 seg., normal (1/50 seg.), e retornará para 1/10.000 seg.
- 2 Pressione o botão REC START/STOP para começar a gravar como sempre. Desde que o Obturador de Alta Velocidade é mais rápido que o normal, ele requer mais luz. Use o Obturador de Alta Velocidade sob condições apropriadas de iluminação (a iluminação mínima requerida está relacionada abaixo.)
 1/10.000 seg.: 3.000 lux
 1/2.000 seg.: 600 lux
 1/500 seg.: 150 lux
 1/100 seg.: 30 lux
 Recomenda-se utilizar o Obturador de Alta Velocidade em cenas externas ou com iluminação extra.

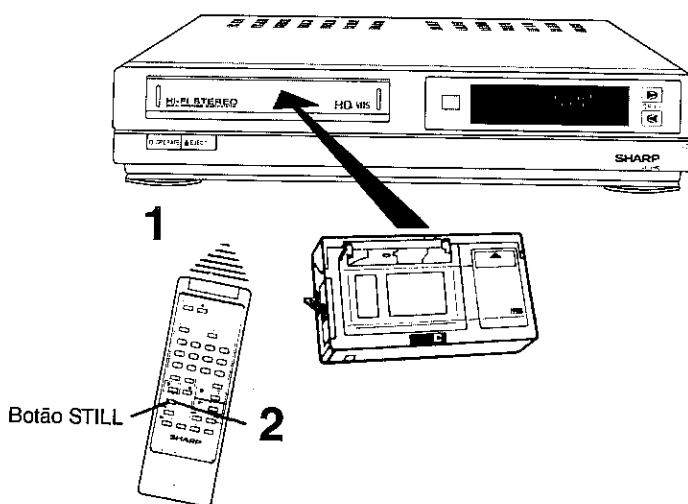
Obs

- Evite usar o Obturador de Alta Velocidade sob iluminação fluorescente, pois as imagens ficarão trêmulas.
- Gravações com velocidades de obturador maiores que 1/50 seg. (normal) tendem a produzir imagens mais escuras. Procure gravar em locais claros quando for utilizar velocidades maiores que a normal.



REPRODUÇÃO DE CENAS GRAVADAS COM O OBTURADOR DE ALTA VELOCIDADE

- 1 Coloque a fita gravada dentro do adaptador de fita VHS opcional, e este dentro de um VÍDEOCASSETE com 4 vídeo-cabeçotes.
- 2 Quando estiver assistindo cenas filmadas com o OBTURADOR DE ALTA VELOCIDADE, você poderá desfrutar das gravações sem embaçamento, mesmo durante os modos de reprodução STILL e SLOW.



FILMAGENS EM MACRO

Pequenas plantas, insetos, e mesmo fotos em álbum de família podem ser gravados ajustando-se a lente para Macro, aumentando-os para que preencham a tela toda. Você pode ainda usar a Macro para gravar os títulos dos seus vídeos.

Normalmente as lentes podem focar apenas objetos que estejam a mais de 1m de distância da frente da Videocâmara.

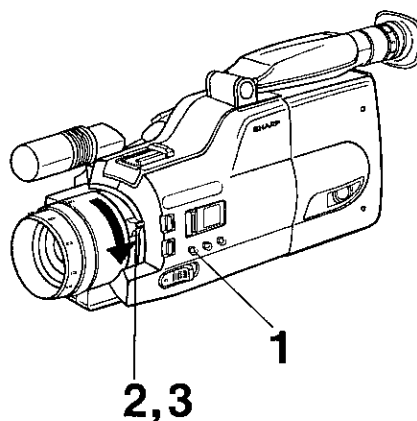
Ajustando a lente para Macro, você pode focar manualmente qualquer objeto dentro do intervalo da macro, 8mm — 100cm, bem diante da lente.

Monte a Videocâmara sobre um tripé firme pois com o uso da função macro, mesmo os menores movimentos serão magnificados e ficarão perceptíveis.

- 1** Coloque o botão FOCUS em MANUAL.
- 2** Mantenha pressionado o botão MACRO e gire e trave a alavanca da zoom na posição MACRO.
- 3** Focalize girando lentamente a alavanca da zoom.

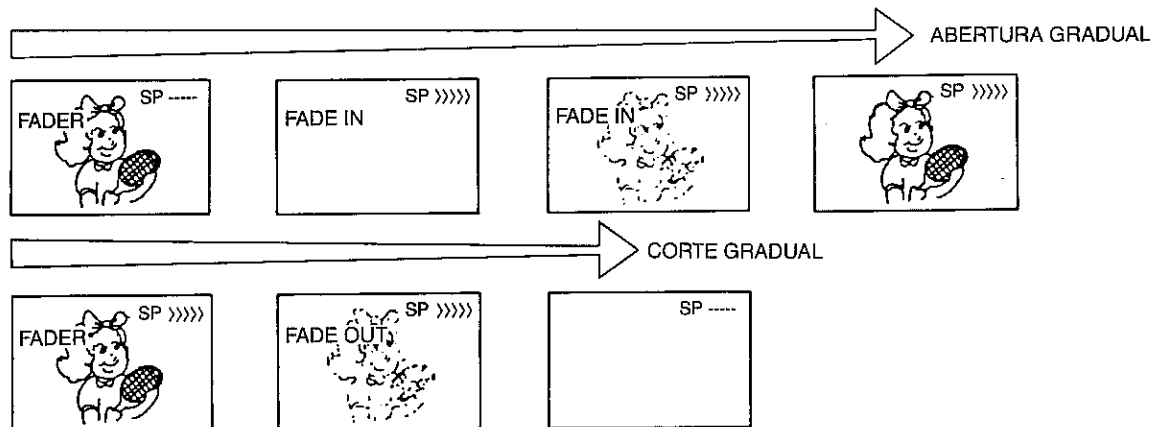
Obs

- Volte a alavanca da zoom para o intervalo de foco normal quando você terminar de filmar em Macro.
- Quando for filmar um objeto colorido de uma cor só, tal como uma pétala de flor, a cor poderá ficar alterada. Neste caso, use o modo balanço de branco travado. (Veja página 31.)



CORTE & ABERTURA GRADUAIS

Com esta Videocâmara você pode desfrutar os efeitos especiais de abertura gradual e corte gradual nas cenas das suas filmagens.

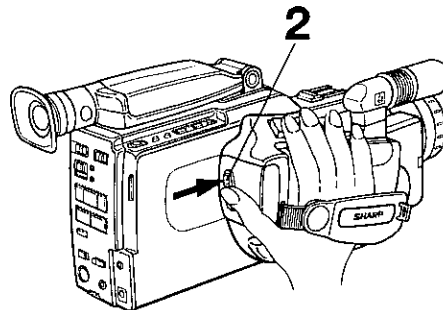
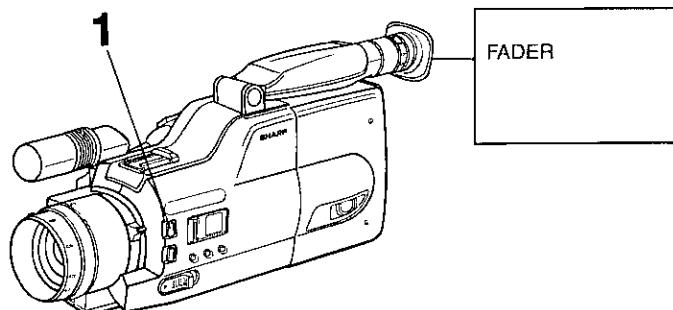


ABERTURA GRADUAL

- 1** Com o REC PAUSE acionado, pressione o botão FADE IN/OUT. No visor aparecerá "FADER".
- 2** Pressione o botão REC START/STOP para começar a gravação. O visor ficará preto e então gradualmente focará o objeto. ("FADE IN" aparecerá no visor.)

CORTE GRADUAL

- 1** Enquanto estiver gravando, pressione o botão FADE IN/OUT. No visor aparecerá "FADER".
- 2** Pressione o botão REC START/STOP. O visor lentamente irá ficando preto, fazendo um corte gradual da cena. ("FADE OUT" aparecerá no visor. Se você colocar no modo REC PAUSE, FADE será cancelado.)



ILUMINAÇÃO

Para obter imagens claras e de boa qualidade, você necessitará de 500 a 100.000 lux — você poderá gravar com menos luz, mas perderá em qualidade de imagem. Uma iluminação adequada também é importante para um balanço de branco correto.

Clareza	Situação	Temperatura de cor	Situação	Cor	Intervalo de Balanço de Branco
100.000 (Lux)	Céu azul Dia claro ao meio dia (100.000) Dia claro às 10 da manhã (65.000)	10.000 (°K)	Dia claro	Azul	A U T O
10.000	Dia claro às 3 da tarde (35.000) Dia nublado ao meio dia (32.000) Dia nublado às 10 da manhã (25.000)	9.000	TV a cores		
		8.000	Dia nublado		
1.000	Dia nublado, uma hora após o sol nascer (2.000) Dia claro, uma hora antes do sol nascer (1.000) Luz fluorescente, perto da janela (1.000)	7.000	Dia chuvoso	Branca	
		6.500	Luz fluorescente tipo luz do dia		
100	Interior de uma fábrica (700-800) Balcão de uma loja de departamentos (500-700) Pista de boliche (500) Biblioteca (400-500) Escritório com luz fluorescente (400-500) Lâmpada fluorescente de mesa (400) Luz de flash a 1m (250)	6.000	Lâmpada de flash de uma câmera		
		5.500			
		5.000	Lâmpada fotográfica azul		
		4.500	Luz fluorescente branca		
		3.500	Luz fluorescente não-branca Lâmpada fotográfica de tungstênio		
		3.200	Lâmpada de halogênio		
		2.800	Lâmpada de tungstênio Lâmpada de iodo	Amarela	
		2.500	Lâmpada de acetileno		
10	Durante intervalos em um cinema (15-35) Isqueiro de cigarros a 30cm (15-20) Velas em um bolo de aniversário (10-15) Luz de velas	2.000	Lâmpada de querosene Luz de velas	Vermelha	

Obs

- Estes dados são aproximados.
- Para um balanço de cores mais preciso, verifique a imagem em um monitor colorido e ajuste o balanço de branco até que as cores fiquem naturais.

- O Balanço de Branco Automático deve normalmente ser usado no intervalo de temperatura relacionado acima. Entretanto, entre 2500°K até 8000°K operará satisfatoriamente, mas a imagem poderá ficar avermelhada ou azulada, respectivamente.

Iluminação de Vídeo

A iluminação é um dos mais importantes fatores em vídeos caseiros. Também um dos mais esquecidos. Uma boa iluminação pode freqüentemente ser a razão da diferença entre uma boa imagem e uma imagem de baixa qualidade. E a iluminação é essencial para um balanço de branco correto.

Na maioria das tomadas externas, a luz natural é ideal para os vídeos caseiros. Tomadas internas ficam mais complicadas. Requer-se iluminação artificial, e nestes casos, lâmpadas de tungstênio (ou quartzo) fornecem a iluminação mais natural entre as fontes de luz artificiais, ao mesmo tempo que fornecem uma temperatura de cor constante e são duráveis.

É difícil conseguir-se uma boa iluminação, e existem muitos problemas dos quais se precaver. Instalando-se simplesmente uma luz sobre a Videocâmera, ou várias luzes ao seu redor irá apenas fazer com que o objeto fique plano e bi-dimencional. Para tornar o objeto mais interessante, use a iluminação para modelar o objeto, e para adicionar ou dar mais ênfase à cena.

ANTES DE CHAMAR A MANUTENÇÃO

Antes de chamar o serviço técnico, verifique os problemas de gravação nesta tabela:

SINTOMA		POSSÍVEL CAUSA	SOLUÇÃO SUGERIDA
• Força	• Não liga.	• Dispositivos de segurança estão funcionando.	• Desconecte o cabo do adaptador AC, e conecte-o novamente na tomada da parede.
		• A bateria não está carregada.	• Carregue a bateria suficientemente.
		• A unidade fonte de energia não está conectada corretamente.	• Conecte unidade fonte de força corretamente.
	• A força se desliga logo após ser ligada.	• Bateria fraca.	• Utilize uma bateria com carga total.
		• Condensação na Videocâmara.	• Espere a condensação desaparecer.
• Gravação	• Aparelho ligado mas nenhuma imagem no visor.	• Lente com a tampa.	• Retire a tampa da lente.
	• Não grava.	• Fita cassete sem a presilha de prevenção. • Comutador CAMERA REC/VCR PLAY está em "VCR PLAY".	• Cubra o orifício deixado pela presilha com fita adesiva ou coloque uma fita com a presilha de prevenção intacta. • Mude o comutador CAMERA REC/VCR PLAY para "CAMERA REC".
	• Cor ruim	• A TV não está devidamente ajustada.	• Ajuste a TV.
		• Iluminação ruim.	• Coloque iluminação adicional ou corrija a temperatura de cor da iluminação.
	• Imagem borrada	• Poeira ou outros materiais estranhos sobre a lente.	• Limpe as lentes.
		• Foco desajustado.	• Ajuste o foco.
• Imagem da câmera muito escura	• O botão seletor SHUTTER SPEED está ajustado no modo OBTURADOR DE ALTA VELOCIDADE.	• Ajuste o botão seletor SHUTTER SPEED para "STANDARD".	
• Reprodução	• Não aparece nenhuma imagem.	• Conexão à TV de forma errada.	• Reconecte de forma correta.
		• A TV não está sintonizada no canal de saída do conversor RF (UHF 30-39).	• Sintonize a TV no canal de saída do conversor RF (UHF 30-39).
		• O comutador TV/VIDEO da TV não está na posição TV (se a TV é equipada com um terminal de entrada AV).	• Ajuste o comutador TV/VIDEO da TV para a posição TV.
	• Reprodução em preto-e-branco quando a Videocâmara está conectada à TV.	• Tracking desajustado.	• Ajuste o tracking.
	• Interferências na imagem.	• Fita velha ou gasta.	• Use uma fita nova.
	• Imagem quebrada.	• Capacidade da bateria insuficiente.	• Recarregue a caixa de baterias.
• A fita não entra.	• A fita não está com o lado correto para cima ou está de trás para frente. • Há outra fita dentro.	• Verifique a posição da fita e tente de novo. • Pressione o botão EJECT e retire-a.	
• A fita não se move no modo de avanço rápido.	• A fita chegou ao fim.	• Rebobine a fita ao ponto desejado.	
• A fita não se move no modo retrocesso.	• A fita já está totalmente rebobinada.	• Avance rápido ao ponto desejado.	

Obs Este aparelho está equipado com um microprocessador. Seu desempenho pode ser afetado por ruídos ou interferências externas. Caso isto venha a ocorrer, desligue o aparelho e desconecte-o da tomada de força.

ESPECIFICAÇÕES

Formato	VHS padrão	
Voltagem	9,6V DC ---	
Consumo	8,5W	
Sistema de Sinal	Sinais de cores tipo PAL	
Sistema de gravação	Luminância: gravação FM Cor: gravação direta por conversão da sub-portadora Compatível com VHS padrão	
Fita	Fita VHS-C	
Velocidade de fita (SP)	23,39 mm/seg.	
(LP)	11,69 mm/seg.	
Tempo máx. gravação (SP)	30 minutos (com a fita EC-30)	
(LP)	60 minutos (com a fita EC-30)	
VÍDEO Saída	1,0 Vp-p, 75 ohms, não balanceado (via conector de saída AV)	
Razão S/N	46 dB (com o medidor de ruídos Rhode & Schwartz)	
ÁUDIO Saída	- 8 dBs, 1k-ohm (via conector de saída AV)	
Entrada do microfone	- 65 dBs, alta impedância, não balanceado	
Sensor	1/2" -formato CCD	
Iluminação mínima requerida	3 lux (com F 1.6, com Ganho)	
Lentes	lentes zoom motorizadas de 8 aumentos, F/1.6, f=8-64 mm/F2.4, f=12-96 mm, com função de ampliação, controle automático da íris e posição macro embutidas, diâmetro de filtro de 46 mm.	
Visor	Visor eletrônico de 0.7" preto/branco CRT	
Compensação da temperatura da cor	Balanço de Branco Automático com Trava do Balanço de Branco.	
Temperatura de operação	0°C a 40°C	
Umidade de operação	35% — 80%	
Temperatura de armazenagem	- 20°C a 60°C	
Peso	1,2 Kg (com o visor)	
Dimensões	126(L) × 151(A) × 322(P) mm (incl. visor)	
Especificações do adaptador AC/Carregador de baterias		
Voltagem requerida	110V — 240V AC, ~50/60Hz	
Voltagem nominal de saída	9,6V DC ---	
Corrente nominal de saída	1,3A	
Sistema de carga	Corrente constante, detecção de pico, controlado por timer	
Dimensões	70(L) × 43(A) × 154(P) mm	
Peso	Aprox. 380g	
ACESSÓRIOS FORNECIDOS		
Bateria padrão (BT-75)	Alça de ombro	
Adaptador AC/carregador de baterias (AA-75S)	Cabo de saída DC	
Cabo de saída A/V (21 pinos Euro-SCART)	Bateria de lítio	
ACESSÓRIOS OPCIONAIS		
Bateria padrão (BT-75)	Bateria para uso prolongado (BT-76)	Conversor RF (VR-S10RF)
Adaptador/carregador à	Adaptador de fita VHS (VR-72CA)	Controle Remoto para pausa
bateria do carro (VR-P75CH)		(VR-20ME)
Microfone zoom (VR-67ZM)		

O design e as especificações estão sujeitos a mudanças sem aviso prévio.

SHARP CORPORATION

Osaka, Japan

Printed in Japan
In Japan gedruckt
Imprimé au Japon
Trykt i Japan
Stampato in Giappone
Impreso en Japón
Gedruckt in Japan
Impresso no Japão
TINSL0014TAZZ
T7429-A