

AEG



BS12C (IQ), LL1230, L1215

**Instructions for use
Gebruiksaanleitung
Instruction d'utilisation
Istruzioni d'uso
Instrucciones de uso
Instruções de serviço
Gebruiksaanwijzing
Brugsanvisning
Bruksanvisning
Käyttöohje
Οδηγίες χρήσεως
Kullanım kılavuzu
Návod k používání**

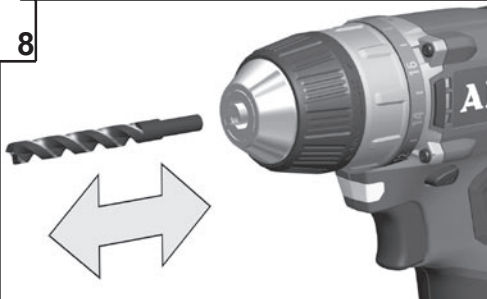
**Návod na používanie
Instrukcja obsługi
Kezelési útmutató
Navodilo za uporabo
Upute o upotrebi
Lietošanas pamācība
Naudojimo instrukcija
Kasutamisujuhend
Инструкция по использованию
Упътване за експлоатация
Instrucțiuni de utilizare
Упатство за употреба
使用指南**

Technical Data, safety instructions, Specified Conditions of Use, EC-Declaration of Conformity, Batteries, Characteristics, Maintenance,	Please read and save these instructions!	ENGLISH	14
Technische Daten, Sicherheitshinweise, Bestimmungsgemäße Verwendung, CE-Konformitätserklärung, Akkus, Merkmale, Wartung, Symbole	Bitte lesen und aufbewahren!	DEUTSCH	16
Caractéristiques techniques, Instructions de sécurité, Utilisation conforme aux prescriptions, Déclaration CE de Conformité, Accus, Description, Entretien, Symboles	Prière de lire et de conserver!	FRANÇAIS	18
Dati tecnici, Norme di sicurezza, Utilizzo conforme, Dichiarazione di Conformità CE, Batterie, Breve Indicazione, Manutenzione, Simboli	Si prega di leggere le istruzioni e di conservarle!	ITALIANO	20
Datos técnicos, Instrucciones de seguridad, Aplicación de acuerdo a la finalidad, Declaración de Conformidad CE, Batería, Señalización, Mantenimiento, Símbolos	Lea y conserve estas instrucciones por favor!	ESPAÑOL	22
Características técnicas, Instruções de segurança, Utilização autorizada, Declaração de Conformidade CE, Acumulador, Características, Manutenção, Símbolo	Por favor leia e conserve em seu poder!	PORTUGUES	24
Technische gegevens, Veiligheidsadviezen, Voorgeschreven gebruik van het systeem, EC-Konformiteitsverklaring, Akku, Kenmerken, Onderhoud, Symbolen	Lees en let goed op deze adviezen!	NEDERLANDS	26
Tekniske data, Sikkerhedshenvisninger, Tiltænkt formål, CE-Konformitetserklæring, Batteri, Beskrivelse, Vedligeholdelse, Symboler	Vær venlig at læse og opbevare!	DANSK	28
Tekniske data, Spesielle sikkerhetshenvisninger, Formålmessig bruk, CE-Samsvarserklæring, Batterier, Kjennetegn, Vedlikehold, Symboler	Vennligst les og oppbevar!	NORSK	30
Tekniska data, Säkerhetsutrustning, Använd maskinen Enligt anvisningarna, CE-Försäkran, Batterier, Kännemärke, Skötsel, Symboler	Var god läs och tag tillvara dessa instruktioner!	SVENSKA	32
Tekniset arvot, Turvallisuusohjeet, Tarkoituksenmukainen käyttö, Todistus CE-standardinmukaisuudesta, Akku, Ominaisuudet, Huolto, Symbolit	Lue ja säilytö!	SUOMI	34
Τεχνικά στοιχεία, Ειδικά υποδείξεις ασφαλείας, Χρήση σύμφωνα με το σκοπο προορισμού, Δήλωση πιστοποίησης εκ, Μπαταρίες, Χαρακτηριστικά, Συντήρηση, Σύμβολα	Παρακαλώ διαβάστε τις και φυλάξτε τις!	ΕΛΛΗΝΙΚΑ	36
Teknik veriler, Güvenliğinizi için talimatlar, Kullanım, CE uygunluk beyanince, Akü, Özellikler, Bakım, Semboller	Lütfen okuyun ve saklayın	TÜRKÇE	38
Technická data, Speciální bezpečnostní upozornění, Oblast využití, Ce-prohlášení o shodě, Akumulátory, Upozornění, Údržba, Symboly	Po přečtení uschovejte	ČESKY	40
Technické údaje, Speciálne bezpečnostné pokyny, Použitie podľa predpisov, CE-Vyhlasenie konformity, Akumulátory, Znaky, Údržba, Symboly	Prosim prečítat a uschovať!	SLOVENSKY	42
Dane techniczne, Specjalne zalecenia dotyczace bezpieczerstwa, Uzytkowanie zgodnie z przeznaczeniem, Swiadectwo zgodnosci ce, Bateria akumulatorowe, Wlasnosci, Gwarancja, Symbole	Prosimy o uwazne przeczytanie i przestrzeganie zalecen zamie szczorych w tej instrukcji.	POLSKI	44
Műszaki adatok, Különleges biztonsági tudnivalók, Rendeltetésszerű használat, Ce-azonossági nyilatkozat, Akkuk, Jellegzetességek, Karbantartás, Szimbólumok	Olvassa el és őrizze meg	MAGYAR	46
Tehnični podatki, Specialni varnostni napotki, Uporaba v skladu z namembnostjo, Ce-izjava o konformnosti, Akumulatorji, Značilnosti, Vzdrževanje, Simboli	Prosimo preberite in shranite!	SLOVENSKO	48
Tehnički podaci, Specijalne sigurnosne upute, Propisna upotreba, CE-Izjava konformnosti, Baterije, Obilježja, Održavanje, Simboli	Molimo pročitati i sačuvati	HRVATSKI	50
Tehniskie dati, Speciālie drošības noteikumi, Noteikumiem atbilstošs izmantojums, Atbilstība CE normām, Akumulātori, Pazīmes, Apkope, Simboli	Pielikums lietošanas pamācībai	LATVISKI	52
Tehniniai duomenys, Ypatingos saugumo nuorodos, Naudojimas pagal paskirtį, CE Atitikties pareiškimas, Akumulatoriai, Požymiai, Techninis aptarnavimas, Simboliai	Prašome perskaityti ir neišmesti!	LIETUVIŠKAI	54
Tehnilised andmed, Spetsiaalsed turvajuhised, Kasutamise vastavalt otstarbele, EÜ Vastavusavaldus, Akud, Tunnused, Hooldus, Sümbolid	Palun lugege läbi ja hoidke alal!	EESTI	56
Технические данные, Рекомендации по технике безопасности, Использование, Аккумулятор, Характеристики, Обслуживание, Символы	Пожалуйста, прочтите и сохраните настоящую инструкцию	РУССКИЙ	58
Технически данни, Специални указания за безопасност, Използване по предназначение, CE-Декларация за съответствие, Аккумулятори, Характеристики, Поддръжка, Символи	Моля прочетете и запазете!	БЪЛГАРСКИ	60
Date tehnice, Instrucțiuni de securitate, Condiții de utilizare specificate, Declarație de conformitate, Alimentare de la rețea, Caracteristici, Intretinere, Simboluri	Va rugăm citiți și păstrați aceste instrucțiuni	ROMÂNIA	62
Технички Податоци, Упатство За Употреба, Специфицирани Услови На Употреба, Еу-декларација За Сообразност, Батерии, Карактеристики, Одржување, Символи	Ве молиме прочитајте го и чувајте го ова упатство!	МАКЕДОНСКИ	64
技术数据, 特殊安全指示, 正确地使用机器, 欧洲安全规定说明, 蓄电池, 特点, 维修, 符号	请详细阅读并妥善保存!	中文	66

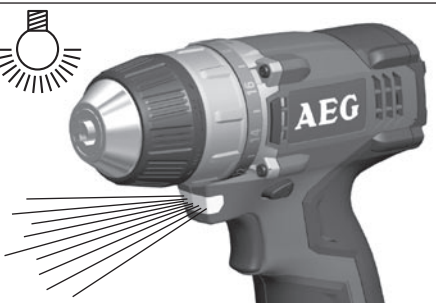
12



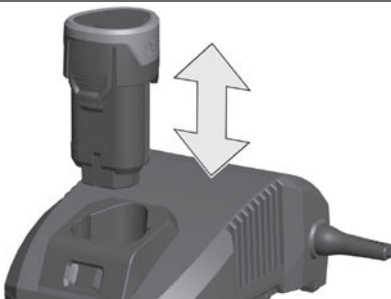
8



10



6

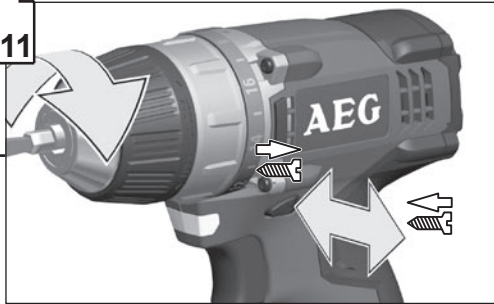


Remove the battery pack before starting any work on the machine.
 Vor allen Arbeiten an der Maschine den Wechselakku herausnehmen.
 Avant tous travaux sur la machine retirer l'acco interchangeable.
 Prima di iniziare togliere la batteria dalla macchina.
 Retire la batería antes de comenzar cualquier trabajo en la máquina.
 Antes de efectuar cualquier intervención en a máquina retirar o bloco acumulador.

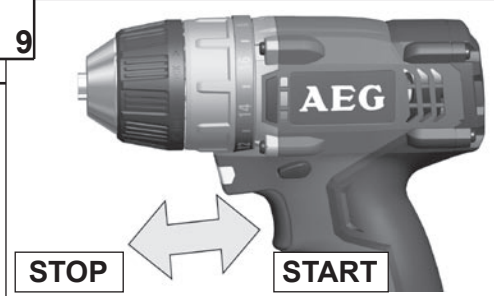
Voor alle werkzaamheden aan de machine de akku verwijderen.
 Ved arbejdet inden i maskinen, bør batteriet tages ud.
 Ta ut vekslebatteriet før du arbeider på maskinen.
 Drag ur batteripaket innan arbete utföres på maskinen.
 Tarkista pistotulppa ja verkkojohto mahdollisilta vaurioilta. Viat saa korjata vain alan erikoismies.
 Πριν από κάθε εργασία στη μηχανή αφαιρέστε την ανταλλακτική μπαταρία.
 Aletin kändinde bir çalışma yapmadan önce kartuş aküyü çıkarm.
 Před zahájením veškerých prací na vrtacím šroubováku vjmout výměnný akumulátor.

Pred každou pracou na stroji výměnný akumulátor vytiahnuť.
 Przed przystąpieniem do jakichkolwiek prac na elektronarzędziu należy wyjąć wkładkę akumulatorkową.
 Karbantartás, javítás, tisztítás, stb. előtt az akkumulátort ki kell venni a készülékből.
 Pred deli na stroju izvilcite izmenljivi akumulator.
 Prije svih radova na stroju izvaditi bateriju za zamjenu.
 Pirms mašīnai veikt jebkāda veida apkopes darbus, ir jāņem vērā akumulatorus.
 Prieš atlikdami bet kokius darbus įrenginyje, išimkite keičiamą akumuliatorių.
 Enne kõiki töid masina kallal võtke vahetatav aku välja.
 Выньте аккумулятор из машины перед проведением с ней каких-либо манипуляций.
 Преди започване на каквито е да е работи по машината извадете акумулатора.
 Înderpartați acumulatorul înainte de începerea lucrului pe mașina.
 Отстранете а батеријата пред да започнете да ја користите машината.
 在机器上进行任何维护工作之前，先拿出蓄电池。

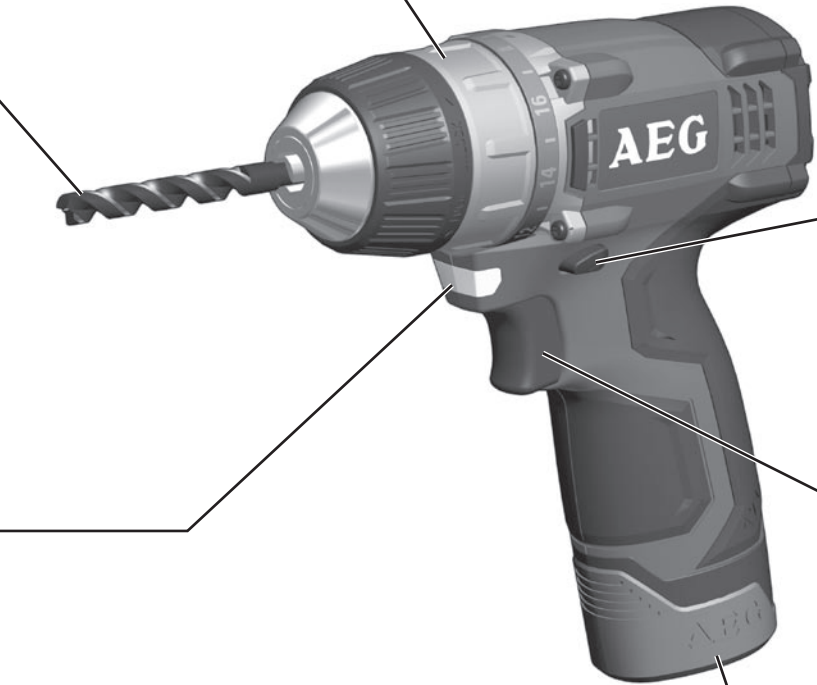
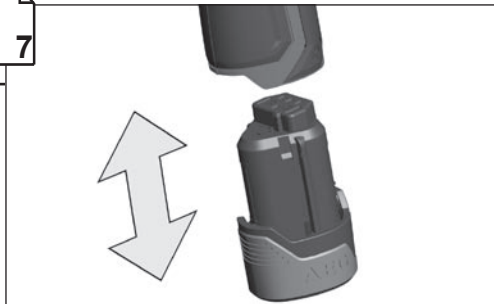
11

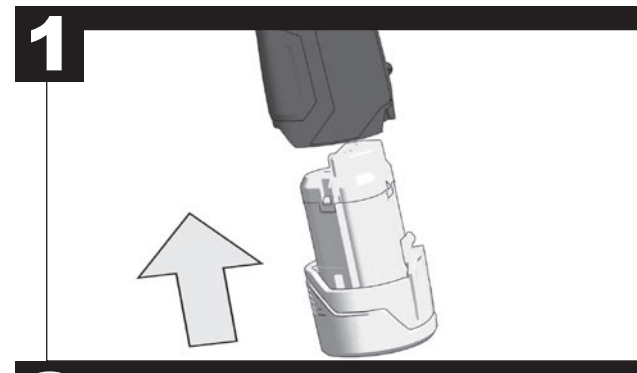
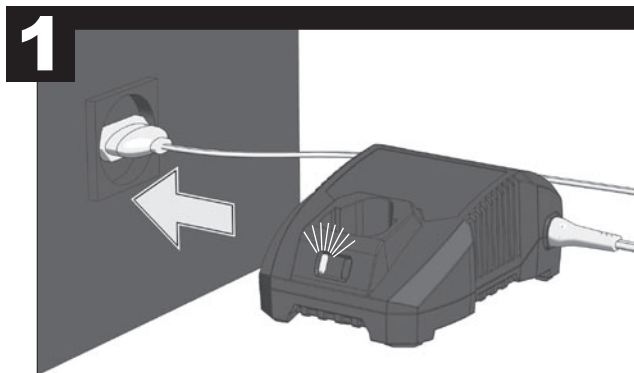
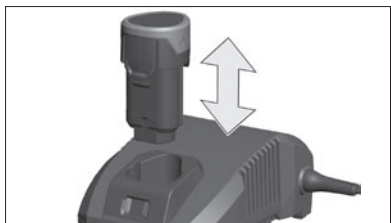


9



7





Remove the battery pack before starting any work on the machine.
Vor allen Arbeiten an der Maschine den Wechselakku herausnehmen
Avant tous travaux sur la machine retirer l'acco interchangeable.

Prima di iniziare togliere la batteria dalla macchina.
Retire la batería antes de comenzar cualquier trabajo en la máquina.

Antes de efectuar cualquier intervención na máquina retirar o bloco acumulador.

Voor alle werkzaamheden aan de machine de akku verwijderen.

Ved arbejde inden i maskinen, bør batteriet tages ud.

Ta ut vekselbatteriet før du arbeider på maskinen
Drag ur batteripaket innan arbete utföres på maskinen.

Tarkista pistotulppa ja verkkojohto mahdollisilta vauriolta. Viat saa korjata vain alan erikoismies.
Πριν από κάθε εργασία στη μηχανή αφαιρείτε τη ανταλλακτική μπαταρία.

Aletin kendingde bir çalışma yapmadan önce kartuş aküyü çıkarm.

Před zahájením veškerých prací na vrtacím šroubováku vyjmout výměnný akumulátor.

Pred každou pracou na stroji výměnný akumulátor vytiahnuť.

Przed przystąpieniem do jakichkolwiek prac na elektronarzędziu należy wyjąć wkładkę akumulatorową.

Karbantartás, javítás, tisztítás, stb. előtt az akkumulátort ki kell venni a készülékből.

Pred deli na stroju izvlcite izmenljivi akumulator.

Prije svih radova na stroju izvaditi bateriju za zamjenu.

Pirms mašīnai veikt jebkāda veida apkopes darbus, ir jāizņem arī akumulātors.

Prieš atlikdami bet kokius darbus įrenginyje, išimkite keičiamą akumuliatorių.

Enne kõiki töid masina kallal võtke vahetatav aku välja.

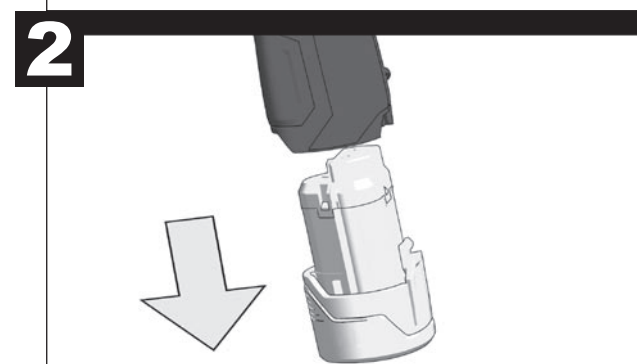
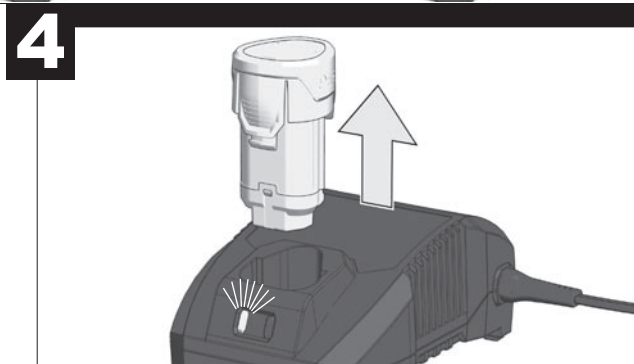
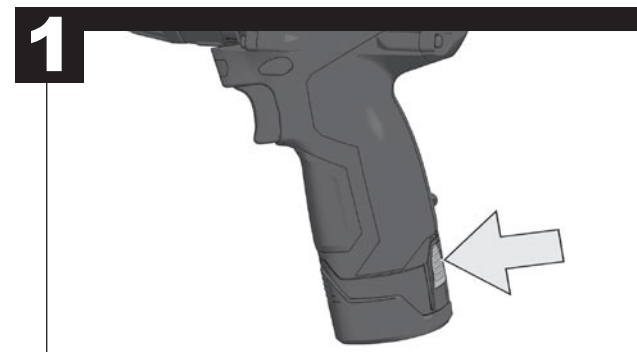
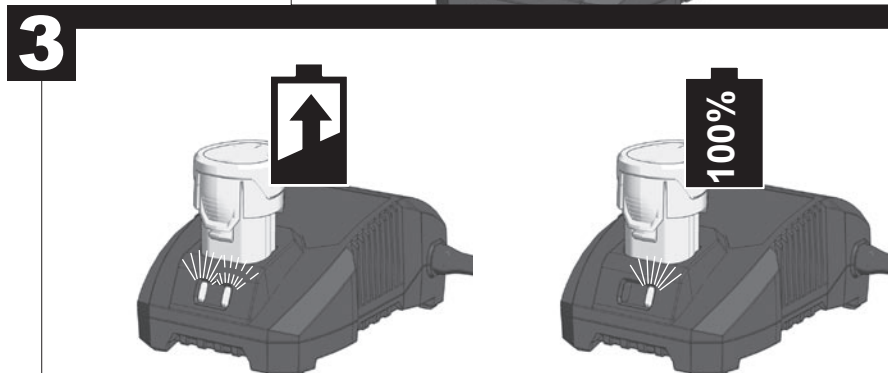
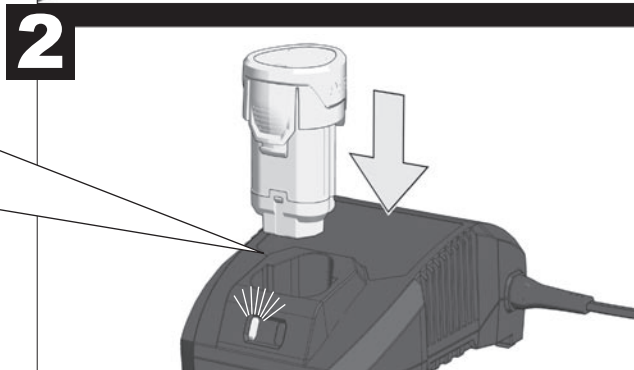
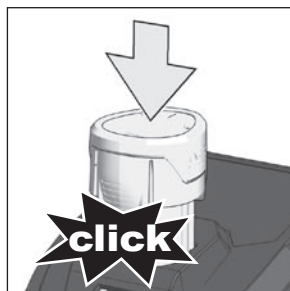
Выньте аккумулятор из машины перед проведением с ней каких-либо манипуляций.

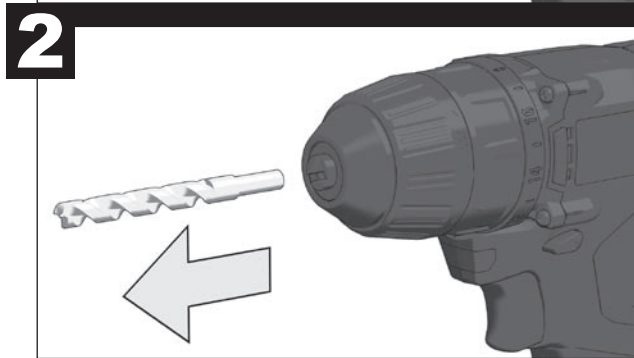
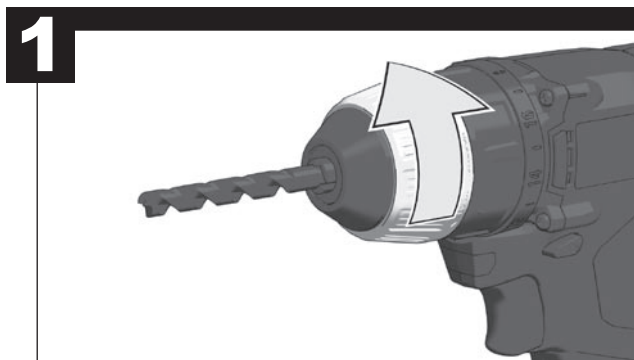
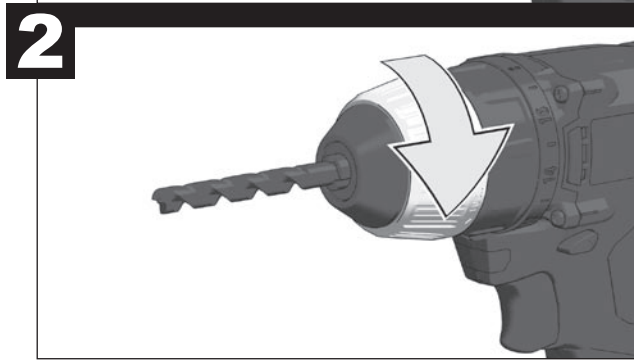
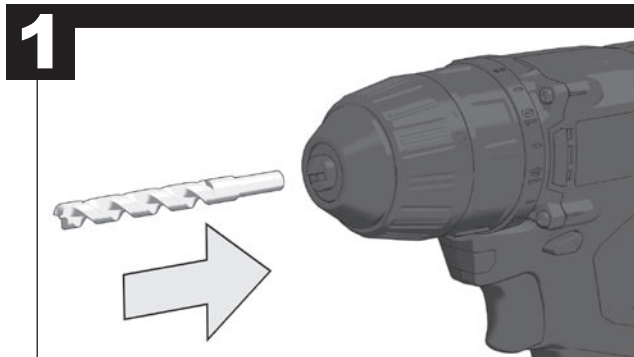
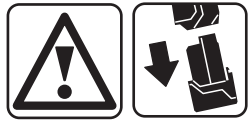
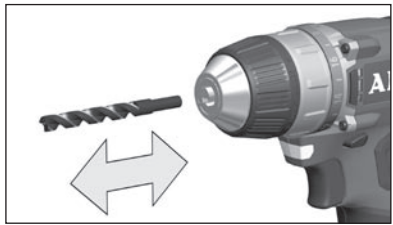
Преди започване на каквито е да е работи по машината извадете акумулатора.

Scoateți acumulatorul înainte de a începe orice intervenție pe mașină.

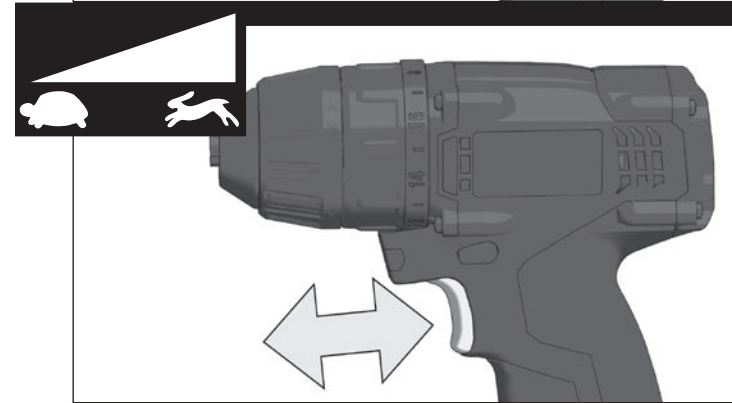
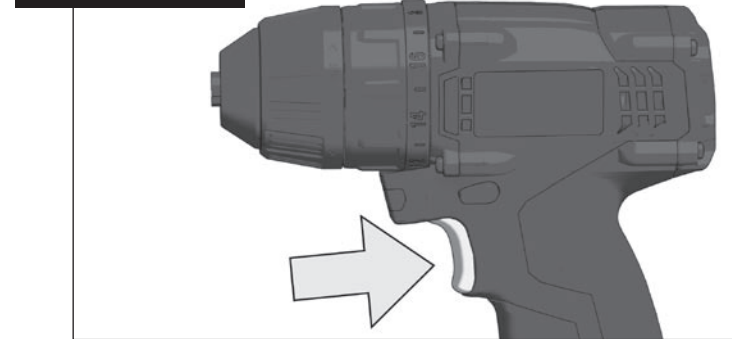
Отстранете ја батеријата пред да започнете да ја користите машината.

在机器上进行任何维护工作之前，先拿出蓄电池。

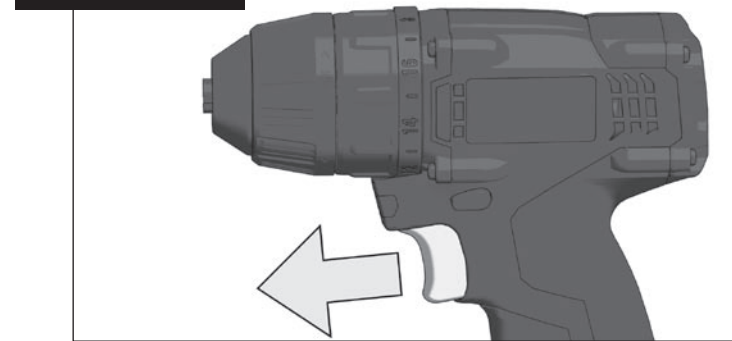


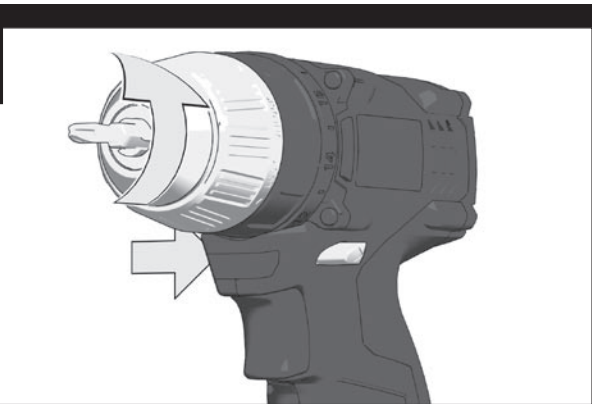
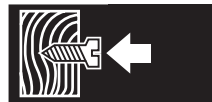
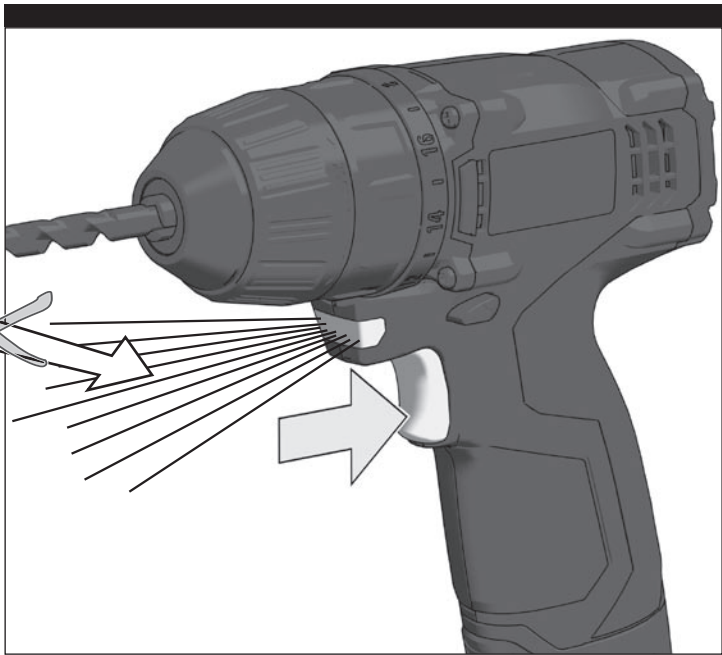
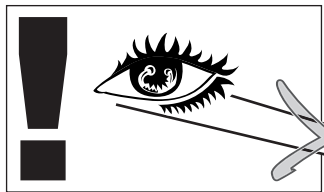
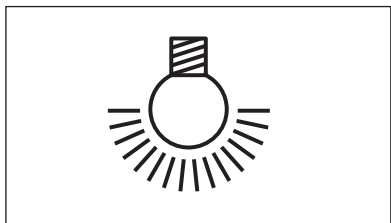


START

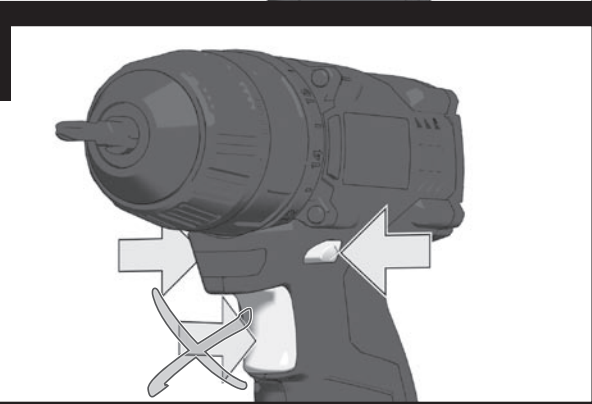


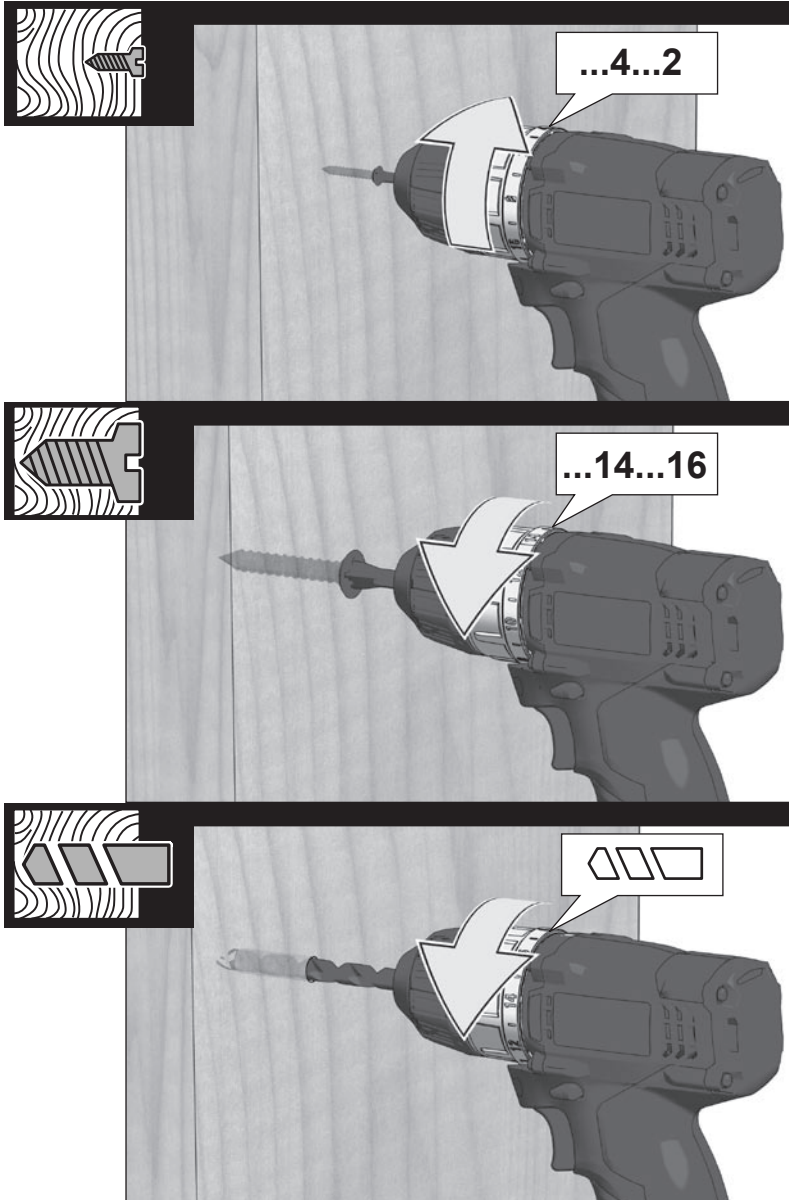
STOP





LOCK





TECHNICAL DATA **BS12C (IQ)** **LL1230**

Drilling capacity in steel.....	10 mm
Drilling capacity in wood.....	20 mm
Wood screws (without pre-drilling).....	6 mm
No-load speed.....	0-575 min ⁻¹
Torque	
Low torque max.*1.....	9.3 Nm
High torque max.*1.....	18.5 Nm
Static jamming moment.....	15 Nm
Screwing capacity with one fully charged battery (1,5 Ah) : *2	
5x60 Soft wood.....	141
6x80 Soft wood.....	37
Battery voltage.....	12 V
Weight with battery.....	1.1 kg

Noise/vibration information
 Measured values determined according to EN 60 745.
 Typically, the A-weighted noise levels of the tool are:
 Sound pressure level (K=3 dB(A))..... 64 dB (A)
 The noise level when working can exceed 85 dB (A).

Wear ear protectors!
 Total vibration values (vector sum in the three axes) determined according to EN 60745.
 Vibration emission value a_h..... < 2.5 m/s²
 Uncertainty K..... 1.5 m/s²

Voltage range.....	12 V
Quick charge current.....	3.0 A
Maintaining charge.....	max. 500 mA
Battery charging time Li-Ion 1,5 Ah.....	ca. 30 min *3
Weight without cable.....	466 g

*1 Measured according to AEG norm N 877318
 *2 The values stated are reference values. Actual values might differ, depending on the material and quality of the screws.
 *3 80%

WARNING
 The vibration emission level given in this information sheet has been measured in accordance with a standardised test given in EN 60745 and may be used to compare one tool with another. It may be used for a preliminary assessment of exposure. The declared vibration emission level represents the main applications of the tool. However if the tool is used for different applications, with different accessories or poorly maintained, the vibration emission may differ. This may significantly increase the exposure level over the total working period.
 An estimation of the level of exposure to vibration should also take into account the times when the tool is switched off or when it is running but not actually doing the job. This may significantly reduce the exposure level over the total working period. Identify additional safety measures to protect the operator from the effects of vibration such as: maintain the tool and the accessories, keep the hands warm, organisation of work patterns.

WARNING! Read all safety warnings and all instructions, including those given in the accompanying brochure. Failure to follow the warnings and instructions may result in electric shock, fire and/or serious injury.
Save all warnings and instructions for future reference.

SAFETY INSTRUCTIONS

Wear ear protectors. Exposure to noise can cause hearing loss. Sawdust and splinters must not be removed while the machine is running.
 When working in walls ceiling, or floor, take care to avoid electric cables and gas or waterpipes.
 Remove the battery pack before starting any work on the machine.
 Do not dispose of used battery packs in the household refuse or by burning them. AEG Distributors offer to retrieve old batteries to protect our environment.
 Do not store the battery pack together with metal objects (short circuit risk).
 Use only System PCLS chargers for charging System PCLS battery packs. Do not use battery packs from other systems.
 Battery acid may leak from damaged batteries under extreme load or extreme temperatures. In case of contact with battery acid wash it off immediately with soap and water. In case of eye contact rinse thoroughly for at least 10 minutes and immediately seek medical attention.

The following battery packs can be charged with this charger:

voltage	battery	rating (of storage battery)	No. of battery cells
12 V	L1215	<=1,5 Ah	3

Do not try to charge non-chargeable batteries with this charger.
 No metal parts must be allowed to enter the battery section of the charger (short circuit risk).
 Never break open battery packs and chargers and store only in dry rooms. Keep dry at all times.
 Do not touch the tool with conducting objects.
 Never charge a damaged battery pack. Replace by a new one.
 Before use check machine, cable, and plug for any damages or material fatigue. Repairs should only be carried out by authorised Service Agents.
 This appliance is not intended for use by persons (including children) with limited physical, sensory or mental capabilities or insufficient experience and/or knowledge unless they are supervised by a person who is responsible for their safety or have been instructed by them in the safe use of the tool.
 Children should be supervised in order to ensure that they do not play with the tool.

SPECIFIED CONDITIONS OF USE

The battery drill/screwdriver is designed for drilling and screwdriving for independent use away from mains supply.
 The quick charger can charge AEG batteries of PCLS.
 Do not use this product in any other way as stated for normal use.

MAINS CONNECTION LL1230

Connect only to single-phase a.c. current and only to the system voltage indicated on the rating plate. It is also possible to connect to sockets without an earthing contact as the design conforms to safety class II.

EC-DECLARATION OF CONFORMITY

We declare under our sole responsibility that this product is in conformity with the following standards or standardized documents. EN 60745, EN 55014-1, EN 55014-2, EN 60335, EN 61000-3-2, EN 61000-3-3, EN 50 366, in accordance with the regulations 98/37/EC, 2004/108/EC, 2006/95/EC

Winnenden, 2007-10-09 **Rainer Kumpf**
 Manager Product Development

BATTERIES

New battery packs reach full loading capacity after 4 - 5 chargings and dischargings. Battery packs which have not been used for some time should be recharged before use.
 Temperatures in excess of 50°C (122°F) reduce the performance of the battery pack. Avoid extended exposure to heat or sunshine (risk of overheating).
 The contacts of chargers and battery packs must be kept clean.

BATTERY PACK PROTECTION

The battery pack has overload protection that protects it from being overloaded and helps to ensure long life.
 Under extreme stress the battery electronics switch off the machine automatically. To restart, switch the machine off and then on again. If the machine does not start up again, the battery pack may have discharged completely. In this case it must be recharged in the battery charger.

CHARACTERISTICS

After inserting the battery into the reception of the charger the battery will automatically be charged (red LED stays lit, green LED flashes).
 When a hot or cold battery pack is inserted into the charger (flashing red lamp), charging will begin automatically once the battery reaches the correct charging temperature (Li-Ion 0°C...60°C).
 Charging time varies depending on the battery temperature, charge needed and the type of battery pack being charged.
 As soon as charging is completed, the charger switches over to "trickle" charge to maintain the full capacity (green control lamp is illuminated continuously)
 It is not necessary to remove the battery after charging. The battery can be stored permanently in the charger without the danger of being overcharged.
 If both LEDs flash at the same time, either the battery has not been completely mounted or there is a fault in the battery or the charger. For safety reasons you must stop using the charger and battery immediately and have them inspected by an AEG Customer Service Centre.

MAINTENANCE

If the supply cord of this appliance is damaged, it must only be replaced by a repair shop appointed by the manufacturer, because special purpose tools are required
 Use only AEG accessories and spare parts. Should components need to be replaced which have not been described, please contact one of our AEG service agents (see our list of guarantee/ service addresses).
 If needed, an exploded view of the tool can be ordered. Please state the Article No. as well as the machine type printed on the label and order the drawing at your local service agents or directly at: AEG Elektrowerkzeuge, Max-Eyth-Straße 10, D-71364 Winnenden, Germany.

SYMBOLS

- Please read the instructions carefully before starting the machine.
- Accessory - Not included in standard equipment, available as an accessory.
- Remove the battery pack before starting any work on the machine.
- This tool is only suitable for indoor use. Never expose tool to rain.
- Do not dispose of electric tools together with household waste material! In observance of European Directive 2002/96/EC on waste electrical and electronic equipment and its implementation in accordance with national law, electric tools that have reached the end of their life must be collected separately and returned to an environmentally compatible recycling facility.
- Do not burn used battery packs.
- Never charge a damaged battery pack. Replace by a new one.

TECHNISCHE DATEN **BS12C (IQ)** **LL1230**

Bohr- ϕ in Stahl	10 mm
Bohr- ϕ in Holz	20 mm
Holzschrauben	6 mm
Leerlaufdrehzahl.....	0-575 min ⁻¹
Drehmoment	
weicher Schraubfall max.*1	9,3 Nm
harter Schraubfall max.*1	18,5 Nm
Statisches Blockiermoment	15 Nm
Schraubkapazität mit 1 Akkuladung (1,5 Ah): *2	
5x60 in Weichholz	141
6x80 in Weichholz	37
Spannung Wechselakku	12 V
Gewicht mit Wechselakku	1,1 kg

Geräusch/Vibrationsinformation
 Messwerte ermittelt entsprechend EN 60 745.
 Der A-bewertete Geräuschpegel des Gerätes beträgt typischerweise:
 Schalldruckpegel (K = 3 dB(A)) 64 dB (A)
 Der Geräuschpegel beim Arbeiten kann 80 dB (A) überschreiten.
Gehörschutz tragen!
 Schwingungsgesamtwerte (Vektorsumme dreier Richtungen) ermittelt entsprechend EN 60745.
 Schwingungsemissionswert a_w < 2,5 m/s²
 Unsicherheit K = 1,5 m/s²

Spannungsbereich	12 V
Ladestrom Schnellladung.....	3,0 A
Erhaltungsladung	max. 500 mA
Ladezeit Li-Ion mit 1,5 Ah.....	ca. 30 min *3
Gewicht ohne Netzkabel	466 g

*1 Gemessen nach AEG Norm N 877318
 *2 Die angegebenen Werte sind Richtwerte (2. Gang).
 Die tatsächlichen Werte können je nach Material und Schraubengüte davon abweichen.
 *3 **80%**

WARNUNG

Der in diesen Anweisungen angegebene Schwingungspegel ist entsprechend einem in EN 60745 genormten Messverfahren gemessen worden und kann für den Vergleich von Elektrowerkzeugen miteinander verwendet werden. Er eignet sich auch für eine vorläufige Einschätzung der Schwingungsbelastung.

Der angegebene Schwingungspegel repräsentiert die hauptsächlichen Anwendungen des Elektrowerkzeugs. Wenn allerdings das Elektrowerkzeug für andere Anwendungen, mit abweichenden Einsatzwerkzeugen oder ungenügender Wartung eingesetzt wird, kann der Schwingungspegel abweichen. Dies kann die Schwingungsbelastung über den gesamten Arbeitszeitraum deutlich erhöhen.

Für eine genaue Abschätzung der Schwingungsbelastung sollten auch die Zeiten berücksichtigt werden, in denen das Gerät abgeschaltet ist oder zwar läuft, aber nicht tatsächlich im Einsatz ist. Dies kann die Schwingungsbelastung über den gesamten Arbeitszeitraum deutlich reduzieren.

Legen Sie zusätzliche Sicherheitsmaßnahmen zum Schutz des Bedieners vor der Wirkung von Schwingungen fest wie zum Beispiel: Wartung von Elektrowerkzeug und Einsatzwerkzeugen, Warmhalten der Hände, Organisation der Arbeitsabläufe.

⚠ WARNUNG! Lesen Sie alle Sicherheitshinweise und Anweisungen, auch die in der beiliegenden Broschüre. Versäumnisse bei der Einhaltung der Sicherheitshinweise und Anweisungen können elektrischen Schlag, Brand und/oder schwere Verletzungen verursachen.
Bewahren Sie alle Sicherheitshinweise und Anweisungen für die Zukunft auf.

SPEZIELLE SICHERHEITSHINWEISE

Tragen Sie Gehörschutz. Die Einwirkung von Lärm kann Gehörverlust bewirken.
 Späne oder Splitter dürfen bei laufender Maschine nicht entfernt werden.
 Beim Arbeiten in Wand, Decke oder Fußboden auf elektrische Kabel, Gas- und Wasserleitungen achten.
 Vor allen Arbeiten an der Maschine den Wechselakku herausnehmen
 Verbrauchte Wechselakkus nicht ins Feuer oder in den Hausmüll werfen. AEG bietet eine umweltgerechte Alt-Wechselakku-Entsorgung an; bitte fragen Sie Ihren Fachhändler.
 Wechselakkus nicht zusammen mit Metallgegenständen aufbewahren (Kurzschlussgefahr).
 Wechselakkus des Systems PCLS nur mit Ladegeräten des Systems PCLS laden. Keine Akkus aus anderen Systemen laden.

Unter extremer Belastung oder extremer Temperatur kann aus beschädigten Wechselakku Batterieflüssigkeit auslaufen. Bei Berührung mit Batterieflüssigkeit sofort mit Wasser und Seife abwaschen. Bei Augenkontakt sofort mindestens 10 Minuten gründlich spülen und unverzüglich einen Arzt aufsuchen.

Mit dem Ladegerät können folgende Wechselakkus geladen werden:

Spannung	Akkutyp	Nennkapazität	Anzahl der Zellen
12 V	L1215	<=1,5 Ah	3

Mit dem Ladegerät dürfen keine nichtaufladbaren Batterien geladen werden.

In den Wechselakku-Einschubschacht der Ladegeräte dürfen keine Metallteile gelangen (Kurzschlussgefahr).

Wechselakkus und Ladegeräte nicht öffnen und nur in trockenen Räumen lagern. Vor Nässe schützen.

Nicht mit stromleitenden Gegenständen in das Gerät fassen. Keinen beschädigten Wechselakku laden, sondern diesen sofort ersetzen.

Vor jedem Gebrauch Gerät, Anschlußkabel, Akkupack Verlängerungskabel und Stecker auf Beschädigung und Alterung kontrollieren. Beschädigte Teile nur von einem Fachmann reparieren lassen.

Dieses Gerät ist nicht dafür bestimmt, durch Personen (einschließlich Kinder) mit eingeschränkten physischen,

sensorischen oder geistigen Fähigkeiten oder mangels Erfahrung und/oder mangels Wissen benutzt zu werden, es sei denn, sie werden durch eine für ihre Sicherheit zuständige Person beaufsichtigt oder erhielten von ihr Anweisungen, wie das Gerät zu benutzen ist. Kinder sollten beaufsichtigt werden, um sicherzustellen, dass sie nicht mit dem Gerät spielen.

BESTIMMUNGSGEMÄRE VERWENDUNG

Der Akku-Bohrschrauber ist universell einsetzbar zum Bohren und Schrauben unabhängig von einem Netzanschluss.

Das Schnelladegerät lädt AEG-Wechselakkus des Systems PCLS.

Dieses Gerät darf nur wie angegeben bestimmungsgemäß verwendet werden.

NETZANSCHLUSS LL1230

Nur an Einphasen-Wechselstrom und nur an die auf dem Leistungsschild angegebene Netzspannung anschließen. Anschluss ist auch an Steckdosen ohne Schutzkontakt möglich, da ein Aufbau der Schutzklasse II vorliegt.

CE-KONFORMITÄTSERKLÄRUNG

Wir erklären in alleiniger Verantwortung, dass dieses Produkt mit den folgenden Normen oder normativen Dokumenten übereinstimmt: EN 60745, EN 55014-1, EN 55014-2, EN 60335, EN 61000-3-2, EN 61000-3-3, EN 50 366, gemäß den Bestimmungen der Richtlinien 98/37/EG, 2004/108/EG, 2006/95/EG

 
 Winnenden, 2008-01-18 Rainer Kumpf
 Manager Product Development

AKKUS

Neue Wechselakkus erreichen ihre volle Kapazität nach 4-5 Lade- und Entladezyklen. Längere Zeit nicht benutzte Wechselakkus vor Gebrauch nachladen.

Eine Temperatur über 50°C vermindert die Leistung des Wechselakkus. Längere Erwärmung durch Sonne oder Heizung vermeiden.

Die Anschlusskontakte an Ladegerät und Wechselakku sauber halten.

AKKUÜBERLASTSCHUTZ

Der Akkupack ist mit einem Überlastschutz ausgestattet, der den Akku vor Überlastung schützt und eine hohe Lebensdauer sicherstellt.

Bei extrem starker Beanspruchung schaltet die Akkuelektronik die Maschine automatisch ab. Zum Weiterarbeiten Maschine Aus- und wieder Einschalten. Sollte die Maschine nicht wieder anlaufen, ist der Akkupack möglicherweise entladen und muss im Ladegerät wieder aufgeladen werden.

MERKMALE

Nach Einstecken des Wechselakkus in den Einschubschacht des Ladegerätes wird der Wechselakku automatisch geladen (rote LED leuchtet dauernd, grüne LED blinkt).

Wenn ein zu warmer oder ein zu kalter Akku in das Ladegerät eingesetzt wird (rote LED blinkt), beginnt der Aufladevorgang automatisch, sobald der Akku die korrekte Aufladetemperatur erreicht hat (Li-Ion 0°C...60°C).

Die Ladezeit kann je nach Akkutemperatur, benötigter Auflademenge und der Akkupackkapazität variieren.

Bei vollständig geladenem Wechselakku schaltet das Gerät auf Erhaltungsladung um für höchst nutzbare Akkupackkapazität (grüne LED leuchtet).

Der Wechselakku braucht nach dem Aufladen nicht aus dem Ladegerät genommen werden. Der Wechselakku kann dauernd im Ladegerät bleiben. Er kann dabei nicht überladen werden und ist so immer betriebsbereit.

Blinken beide LED gleichzeitig, so ist entweder der Akku nicht vollständig aufgeschoben oder es liegt ein Fehler an Akku oder Ladegerät vor. Ladegerät und Akku aus Sicherheitsgründen sofort ausser Betrieb nehmen und bei einer AEG Kundendienststelle überprüfen lassen.

WARTUNG


Wenn die Netzanschlusleitung beschädigt ist, muss diese durch eine AEG Kundendienststelle ausgetauscht werden, weil dazu Sonder Teile erforderlich sind.


Nur AEG Zubehör und Ersatzteile verwenden. Bauteile, deren Austausch nicht beschrieben wurde, bei einer AEG Kundendienststelle auswechseln lassen (Broschüre Garantie/ Kundendienstadressen beachten).

Bei Bedarf kann eine Explosionszeichnung des Gerätes unter Angabe der Maschinen Type und der zehnstelligen Nummer auf dem Leistungsschild bei Ihrer Kundendienststelle oder direkt bei AEG Elektrowerkzeuge, Max-Eyth-Straße 10, D-71364 Winnenden, Germany angefordert werden.

SYMBOLE

  Bitte lesen Sie die Gebrauchsanweisung vor Inbetriebnahme sorgfältig durch.

 Zubehör - Im Lieferumfang nicht enthalten, empfohlene Ergänzung aus dem Zubehörprogramm.


 Vor allen Arbeiten an der Maschine den Wechselakku herausnehmen

 Gerät ist nur zur Verwendung in Räumen geeignet, Gerät nicht dem Regen aussetzen.

 Werfen Sie Elektrowerkzeuge nicht in den Hausmüll! Gemäss Europäischer Richtlinie 2002/96/EG über Elektro- und Elektronik- Altgeräte und Umsetzung in nationales Recht müssen verbrauchte Elektrowerkzeuge getrennt gesammelt und einer umweltgerechten Wiederverwertung zugeführt werden.

 Akkus nicht ins Feuer werfen.



 Keinen beschädigten Akku laden, sondern diesen sofort ersetzen.



CARACTÉRISTIQUES TECHNIQUES**BS12C (IQ)****LL1230**

Ø de perçage dans acier.....	10 mm
Ø de perçage dans bois.....	20 mm
Vis à bois (sans avant trou).....	6 mm
Vitesse de rotation.....	0-575 min ⁻¹
Couple	
Cas de vis : tendre *1.....	9,3 Nm
Cas de vis : dur *1.....	18,5 Nm
Moment de blocage statique.....	15 Nm
Capacité de vissage d'une charge d'accu (1,5 Ah): *2	
5x60 bois tendre.....	141
6x80 bois tendre.....	37
Tension accu interchangeable.....	12 V
Poids avec accu interchangeable.....	1,1 kg

Informations sur le bruit et les vibrations

Valeurs de mesure obtenues conformément à la EN 60 745.

Les mesures réelles (A) des niveaux acoustiques de l'appareil sont :

Niveau de pression acoustique (K=3dB(A))..... 64 dB (A)

Le niveau de bruit à l'état de marche peut dépasser 85 dB (A).

Toujours porter une protection acoustique!

Valeurs totales des vibrations (somme vectorielle de trois sens) établies conformément à EN 60745.

Valeur d'émission vibratoire a_w..... < 2,5 m/s²Incertitude K..... 1,5 m/s²

Plage de tension.....	12 V
Courant charge rapide.....	3,0 A
Charge de maintien.....	max. 500 mA
Durée de charge Li-Ion avec 1,5 Ah.....	ca. 30 min *3
Poids sans câble de réseau.....	466 g

*1 Mesuré selon la norme AEG N 877318

*2 Les valeurs indiquées sont des valeurs à titre indicatif.

Les valeurs réelles peuvent varier des valeurs indiquées en fonction du matériau et de la qualité des vis.

*3 **80%****AVERTISSEMENT**

Le niveau vibratoire indiqué dans ces instructions a été mesuré selon un procédé de mesure normalisé dans la norme EN 60745 et peut être utilisé pour comparer des outils électriques entre eux. Il convient aussi à une estimation provisoire de la sollicitation par les vibrations.

Le niveau vibratoire indiqué représente les applications principales de l'outil électrique. Toutefois, si l'outil électrique est utilisé pour d'autres applications, avec des outils rapportés qui diffèrent ou une maintenance insuffisante, il se peut que le niveau vibratoire diverge. Cela peut augmenter nettement la sollicitation par les vibrations sur tout l'intervalle de temps du travail.

Pour une estimation précise de la sollicitation par les vibrations, on devrait également tenir compte des temps pendant lesquels l'appareil n'est pas en marche ou tourne sans être réellement en service. Cela peut réduire nettement la sollicitation par les vibrations sur tout l'intervalle de temps du travail.

Définissez des mesures de sécurité supplémentaires pour protéger l'utilisateur contre l'influence des vibrations, comme par exemple : la maintenance de l'outil électrique et des outils rapportés, le maintien au chaud des mains, l'organisation des déroulements de travail.

⚠ AVERTISSEMENT! Lisez toutes les consignes de sécurité et les instructions, même celles qui se trouvent dans la brochure ci-jointe. Le non-respect des avertissements et instructions indiqués ci après peut entraîner un choc électrique, un incendie et/ou de graves blessures sur les personnes.

Bien garder tous les avertissements et instructions.**INSTRUCTIONS DE SÉCURITÉ PARTICULIÈRES****Portez une protection acoustique.** L'influence du bruit peut provoquer la surdité.

Ne jamais enlever les copeaux ni les éclats lorsque la machine est en marche.

Lors du perçage dans les murs, les plafonds ou les planchers, toujours faire attention aux câbles électriques et aux conduites de gaz et d'eau.

Avant tous travaux sur la machine retirer l'accu interchangeable.

Ne pas jeter les accus interchangeables usés au feu ou avec les déchets ménagers. AEG offre un système d'évacuation écologique des accus usés.

Ne pas conserver les accus interchangeables avec des objets métalliques (risque de court-circuit)

Ne charger les accus interchangeables du système PCLS qu'avec le chargeur d'accus du système PCLS. Ne pas charger des accus d'autres systèmes.

En cas de conditions ou températures extrêmes, du liquide caustique peut s'échapper d'un accu interchangeable endommagé. En cas de contact avec le liquide caustique de la batterie, laver immédiatement avec de l'eau et du savon. En cas de contact avec les yeux, rincer soigneusement avec de l'eau et consulter immédiatement un médecin.

Avec le chargeur il est possible de charger les accus interchangeables suivants :

Tension	Type d'accu	Capacité nominale	Nombre de cellules
12 V	L1215	<=1,5 Ah	3

Ne pas essayer de charger des accus non rechargeables avec ce chargeur

Aucune pièce métallique ne doit pénétrer dans le logement d'accu du chargeur (risque de court-circuit)

Ne pas ouvrir les accus interchangeables et les chargeurs et ne les stocker que dans des locaux secs. Les protéger contre l'humidité.

Ne pas introduire des pièces conductrices dans l'appareil.

Ne pas charger un accu interchangeable défectueux, le remplacer tout de suite.

Avant toute utilisation, vérifier que la machine, le câble d'alimentation, la batterie d'accumulateurs, le câble de rallonge et la fiche ne sont pas endommagés ni usés. Ne faire réparer les éléments endommagés que par un spécialiste..

Cet appareil n'est pas destiné à être utilisé par des personnes (y compris des enfants) présentant des capacités restreintes au niveau physique, sensoriel ou mental, ou qui manquent d'expérience ou de connaissances, à moins que de telles personnes soient surveillées par une autre personne compétente en matière de sécurité ou aient reçu de cette dernière les instructions adéquates concernant l'utilisation de l'appareil. Les enfants doivent être surveillés afin de garantir qu'ils ne jouent pas avec l'appareil.

UTILISATION CONFORME AUX PRESCRIPTIONS

La perceuse-visseuse à accu est conçue pour un travail universel de perçage et de vissage sans être branchée sur le secteur.

Le chargeur rapide permet de charger les accus interchangeables AEG de PCLS.

Comme déjà indiqué, cette machine n'est conçue que pour être utilisée conformément aux prescriptions.

BRANCHEMENT SECTEUR LL1230

Raccorder uniquement à un courant électrique monophasé et uniquement à la tension secteur indiquée sur la plaque signalétique. Le raccordement à des prises de courant sans contact de protection est également possible car la classe de protection II est donnée.

DECLARATION CE DE CONFORMITÉ

Nous déclarons sous notre responsabilité que ce produit est en conformité avec les normes ou documents normalisés suivants EN 60745, EN 55014-1, EN 55014-2, EN 60335, EN 61000-3-2, EN 61000-3-3, EN 50 366, conformément aux réglementations 98/37/CE, 2004/108/CE, 2006/95/CE



Winnenden, 2007-10-09


 Rainer Kumpf
 Manager Product Development
ACCUS

Les nouveaux accus interchangeables atteignent leur pleine capacité après 4-5 cycles de chargement et déchargement. Recharger les accus avant utilisation après une longue période de non utilisation.

Une température supérieure à 50°C amoindrit la capacité des accus. Éviter les expositions prolongées au soleil ou au chauffage.

Tenir propres les contacts des accus et des chargeurs.

PROTECTION DE L'ACCU CONTRE LES SURCHARGES

Le bloc d'accus est équipé d'un dispositif de protection contre la surcharge qui protège l'accu contre une surcharge et qui assure une longue durée de vie.

En cas de sollicitation extrêmement élevée, l'unité électronique de l'accu éteint la machine automatiquement. Pour continuer le travail, il convient d'éteindre la machine et de l'enclencher à nouveau. Si la machine ne redémarre pas, il se peut que le bloc d'accus soit déchargé et qu'il doive être rechargé dans le chargeur.

DESCRIPTION

L'accu interchangeable est automatiquement chargé une fois introduit dans le logement du chargeur (la LED rouge est allumée en permanence, et la LED verte clignote).

Si un accu interchangeable trop froid ou trop chaud est introduit dans le chargeur (la LED rouge clignote), le processus de charge est automatiquement déclenché dès que l'accu atteint la température de charge correcte (Li-Ion 0°C...60°C).

Elle peut varier en fonction de la température de l'accu, de la charge nécessaire et de la capacité d'accu.

Quand l'accu interchangeable est complètement chargé, le chargeur rapide passe en mode de charge de maintien, pour permettre la plus grande capacité utile d'accu possible (la LED verte reste allumée en permanence).

Il n'est pas nécessaire de sortir l'accu du chargeur après le chargement. L'accu interchangeable peut rester dans le

chargeur en permanence. Il ne peut pas être surchargé, et il est ainsi utilisable à tout moment.

Si les deux LED clignent simultanément, cela signifie que l'accu n'est pas poussé à fond ou qu'un défaut s'est présenté sur l'accu ou sur l'appareil de recharge. Pour des raisons de sécurité, il faut mettre immédiatement l'accu et l'appareil de recharge hors service et les faire contrôler par un service après-vente AEG.

ENTRETIEN

Lorsque le câble d'alimentation du secteur est endommagé, il doit être échangé par une station de service après-vente AEG étant donné qu'un outillage spécial est nécessaire à cet effet.

N'utiliser que des pièces et accessoires AEG. Pour des pièces dont l'échange n'est pas décrit, s'adresser de préférence aux stations de service après-vente AEG (voir brochure Garantie/ Adresses des stations de service après-vente).

Si besoin est, une vue éclatée de l'appareil peut être fournie. S'adresser, en indiquant bien le numéro à dix chiffres porté sur la plaque signalétique, à votre station de service après-vente (voir liste jointe) ou directement à AEG Elektrowerzeuge, Max-Eyth-Straße 10, D-71364 Winnenden, Germany.

SYMBOLES

Veuillez lire avec soin le mode d'emploi avant la mise en service



Accessoires - Ces pièces ne font pas partie de la livraison. Il s'agit là de compléments recommandés pour votre machine et énumérés dans le catalogue des accessoires.



Avant tous travaux sur la machine retirer l'accu interchangeable.



Appareil à utiliser uniquement dans un local, à ne jamais l'exposer à la pluie.



Ne pas jeter les appareils électriques dans les ordures ménagères ! Conformément à la directive européenne 2002/96/EG relative aux déchets d'équipements électriques ou électroniques (DEEE), et à sa transposition dans la législation nationale, les appareils électriques doivent être collectés à part et être soumis à un recyclage respectueux de l'environnement.



Ne pas brûler les batteries de recharge.



Ne pas charger un accu interchangeable défectueux, le remplacer tout de suite.

DATI TECNICI	BS12C (IQ)	LL1230
Ø Foratura in acciaio	10 mm	
Ø Foratura in legno	20 mm	
Avvitatore nel legno (senza preforatura)	6 mm	
Numero di giri a vuoto	0-575 min ⁻¹	
Momento torcente		
Avvitamento morbido *1	9,3 Nm	
Avvitamento duro *1	18,5 Nm	
Momento di bloccaggio statico	15 Nm	
Vapacità di avvitatura con una carica (1,5 Ah): *2		
5x60 in legno tenero	141	
6x80 in legno tenero	37	
Tensione batteria	12 V	
Peso con Batteria	1,1 kg	

Informazioni sulla rumorosità/sulle vibrazioni

Valori misurati conformemente alla norma EN 60 745.
La misurazione A del livello di pressione acustica dell'utensile è di solito di:

Livello di rumorosità (K=3dB(A))..... 64 dB (A)

Il livello di rumorosità durante le lavorazioni può superare gli 85 dB (A).

Utilizzare le protezioni per l'udito!

Valori totali delle oscillazioni (somma di vettori in tre direzioni) misurati conformemente alla norma EN 60745

Valore di emissione dell'oscillazione a_w

Incertezza della misura K

Gamma di tensione	12 V
Corrente di carica rapida	3,0 A
Carica di compensazione	max. 500 mA
Tempo di carica Li-Ion con 1,5 Ah	ca. 30 min *3
Peso senza cavo di rete	466 g

*1 Misurato conf. norma N 877318 AEG

*2 I valori fissi sono quelli di riferimento. I valori reali potrebbero essere diversi a seconda del materiale e della qualità delle viti.

*3  80%


AVVERTENZA

Il livello di vibrazioni indicato nelle presenti istruzioni è stato misurato con un procedimento di misurazione codificato nella EN 60745 e può essere utilizzato per un confronto tra attrezzi elettrici. Inoltre si può anche utilizzare per una valutazione preliminare della sollecitazione da vibrazioni.

Il livello di vibrazioni indicato rappresenta le applicazioni principali dell'attrezzo elettrico. Se viceversa si utilizza l'attrezzo elettrico per altri scopi, con accessori differenti o con una manutenzione insufficiente, il livello di vibrazioni può risultare diverso. E questo può aumentare decisamente la sollecitazione da vibrazioni lungo l'intero periodo di lavorazione.

Ai fini di una valutazione precisa della sollecitazione da vibrazioni si dovrebbero tenere presente anche i periodi in cui l'apparecchio rimane spento oppure, anche se acceso, non viene effettivamente utilizzato. Ciò può ridurre notevolmente la sollecitazione da vibrazioni lungo l'intero periodo di lavorazione.

Stabilite misure di sicurezza supplementari per la tutela dell'operatore dall'effetto delle vibrazioni, come ad esempio: manutenzione dell'attrezzo elettrico e degli accessori, riscaldamento delle mani, organizzazione dei processi di lavoro.

 **AVVERTENZA! E' necessario leggere tutte le indicazioni di sicurezza e le istruzioni, anche quelle contenute nella brochure allegata.** In caso di mancato rispetto delle avvertenze di pericolo e delle istruzioni operative si potrà creare il pericolo di scosse elettriche, incendi e/o incidenti gravi.
Conservare tutte le avvertenze di pericolo e le istruzioni operative per ogni esigenza futura.

NORME DI SICUREZZA

Indossare protezioni acustiche adeguate. L'esposizione prolungata al rumore senza protezione può causare danni all'udito.

Non rimuovere trucioli o schegge mentre l'utensile è in funzione.

Forando pareti, soffitti o pavimenti, si faccia attenzione ai cavi elettrici e alle condutture dell'acqua e del gas.

Prima di iniziare togliere la batteria dalla macchina.

Non gettare le batterie esaurite sul fuoco o nella spazzatura di casa. La AEG offre infatti un servizio di recupero batterie usate.

Nel vano d'innesto per la batteria del caricatore non devono entrare parti metalliche.(pericolo di cortocircuito).

Le batterie del System PCLS sono ricaricabili esclusivamente con i caricatori del System PCLS. Le batterie di altri sistemi non possono essere ricaricate.

Nel caso di batterie danneggiate da un carico eccessivo o da temperature alte, l'acido di queste potrebbe fuoriuscire. In caso di contatto con l'acido delle batterie lavarsi immediatamente con acqua e sapone. In caso di contatto con gli occhi risciacquare

immediatamente con acqua per almeno 10 minuti e contattare subito un medico.

Con il caricabatterie possono essere utilizzate le seguenti batterie:

Con il carica tensione	tipo di batteria	capacità nominale	n. celle della batteria
12 V	L1215	<=1,5 Ah	3

Il caricabatterie può essere utilizzato solo con batterie ricaricabili.

Non conservare le batterie con oggetti metallici (pericolo di cortocircuito).

Non aprire nè la batteria nè il caricatore e conservarli solo in luogo asciutto. Proteggerli dalla umidità.

Evitare di introdurre oggetti conduttori nell'apparecchio.

Non caricare batterie danneggiate. Eventuali batterie danneggiate devono essere sostituite.

Prima di ogni utilizzo controllare che il cavo di alimentazione, eventuali prolunge e la spina siano integre e senza danni. Eventualmente parti danneggiate devono essere controllate e riparate da un tecnico.

Il presente apparato non è destinato all'uso da parte di persone (bambini compresi) con abilità fisiche, sensoriali o intellettuali limitate o da parte di persone con mancanza di esperienza o mancanze delle necessarie conoscenze, salvo che vengano sorvegliate da una persona responsabile per la loro sicurezza o che siano state da quest'ultima istruita su come utilizzare

l'apparato stesso.

Sorvegliare i bambini per accertarsi che non giochino con l'apparato.

UTILIZZO CONFORME

Il trapano-avvitatore Accu é utilizzabile universalmente per forare e avvitare indipendentemente dal collegamento elettrico.

Il caricatore rapido viene utilizzato per batterie C.A. della AEG da PCLS.

Utilizzare il prodotto solo per l'uso per cui è previsto.

COLLEGAMENTO ALLA RETE LL1230

Connettere solo corrente alternata mono fase e solo al sistema di voltaggio indicato sulla piastra. E' possibile anche connettere la presa senza un contatto di messa a terra così come prevede lo schema conforme alla norme di sicurezza di classe II.

DICHIARAZIONE DI CONFORMITÀ CE

Dichiariamo, assumendo la piena responsabilità di tale dichiarazione, che il prodotto è conforme alla seguenti normative e ai relativi documenti: EN 60745, EN 55014-1, EN 55014-2, EN 60335, EN 61000-3-2, EN 61000-3-3, EN 50 366, in base alle prescrizioni delle direttive 98/37CE, 2004/108/CE, 2006/95/CED



Winnenden, 2007-10-09

Rainer Kumpf

Rainer Kumpf
Manager Product Development

BATTERIE

Le batterie nuove raggiungono la loro piena capacità dopo 4-5 cicli di carica e scarica. Batterie non utilizzate per molto tempo devono essere ricaricate prima dell'uso.

A temperature superiori ai 50°C, la potenza della batteria si riduce.

Evitare di esporre l'accumulatore a surriscaldamento prolungato, dovuto ad esempio ai raggi del sole o ad un impianto di riscaldamento.

DISPOSITIVO ANTISOVRACCARICO ACCUMULATORE

Il gruppo accumulatore è equipaggiato con un dispositivo antisovraccarico, che protegge l'accumulatore da qualsiasi sovraccarico e assicura un'elevata durata di vita. In caso di sollecitazione estremamente elevata, l'elettronica dell'accumulatore spegne la macchina automaticamente. Per poter continuare a lavorare bisogna spegnere e riaccendere la macchina. Se la macchina non dovesse riavviarsi, il gruppo accumulatore potrebbe essere scarico e va ricaricato nel carica-batteria.

BREVE INDICAZIONE

Dopo aver inserito la batteria nel caricatore la batteria sarà automaticamente ricaricata (il LED rosso rimane sempre acceso, il LED verde lampeggia).

Quando una batteria calda o fredda è inserita nel caricatore (luce rossa lampeggiante), la ricarica inizia automaticamente una volta che la batteria raggiunge la giusta temperatura di ricarica (Li-Ion 0°C...60°C).

Questa durata varia a seconda della temperatura della batteria, della quantità di carica necessaria e del tipo di batteria da caricare.

Non appena la ricarica è completata, il caricatore commuta la carica "in mantenimento" per garantire la piena capacità (luce verde di controllo sempre accesa).

Non è necessario rimuovere la batteria dopo la ricarica. La batteria può essere tenuta sempre nel caricatore senza pericolo di sovraccarico.

Se i due LED lampeggiano contemporaneamente, allora o l'accumulatore non è stato completamente inserito o c'è un difetto dell'accumulatore o del caricabatterie. Caricabatterie ed accumulatore devono essere messi subito fuori funzione per motivi di sicurezza e devono essere fatti controllare da un ufficio di assistenza dei clienti della AEG.

MANUTENZIONE

Quando il cavo di collegamento alla rete elettrica risulta danneggiato, questo deve essere immediatamente sostituito, solamente presso un centro assistenza AEG; per la sostituzione del cavo è necessario l'utilizzo di un utensile speciale.

Utilizzare esclusivamente accessori e pezzi di ricambio AEG. L'installazione di pezzi di ricambio non specificamente prescritti dall'AEG va preferibilmente effettuata dal servizio di assistenza clienti AEG (ved. opuscolo Garanzia/Indirizzi Assistenza tecnica).

In caso di mancanza del disegno esploso, può essere richiesto al seguente indirizzo: AEG Elektrowerkzeuge, Max-Eyth-Straße 10, D-71364 Winnenden, Germany.

SIMBOLI



Leggere attentamente le istruzioni per l'uso prima di mettere in funzione l'elettro utensile.



Accessorio - Non incluso nella dotazione standard, disponibile a parte come accessorio.



Prima di iniziare togliere la batteria dalla macchina.



Apparecchio da utilizzare esclusivamente in luogo chiuso, e comunque non esposto a pioggia.



Non gettare le apparecchiature elettriche tra i rifiuti domestici. Secondo la Direttiva Europea 2002/96/CE sui rifiuti di apparecchiature elettriche ed elettroniche e la sua attuazione in conformità alle norme nazionali, le apparecchiature elettriche esauste devono essere accolte separatamente, al fine di essere reimpiagate in modo eco-compatibile.



Non buttare gli accumulatori ricambiabili nel fuoco.



Non caricare batterie danneggiate. Eventuali batterie danneggiate devono essere sostituite.



DATOS TÉCNICOS **BS12C (IQ)** **LL1230**

Diámetro de taladrado en acero	10 mm
Diámetro de taladrado en madera	20 mm
Tornillos para madera (sin pretaladrar)	6 mm
Velocidad en vacío	0-575 min ⁻¹
Par	
Unión atornillada blanda *1	9,3 Nm
Unión atornillada dura *1	18,5 Nm
Par de bloqueo estático	15 Nm
Capacidad de atornillado con una batería totalmente cargada (1,5 Ah): *2	
5x60 Madera blanda	141
6x80 Madera blanda	37
Voltaje de batería	12 V
Peso con batería	1,1 kg

Información sobre ruidos / vibraciones
 Determinación de los valores de medición según norma EN 60 745.
 El nivel de ruido típico del aparato determinado con un filtro A corresponde a:

Presión acústica (K = 3 dB(A)).....	64 dB (A)
-------------------------------------	-----------

El nivel de ruido, con la máquina trabajando, podrá sobrepasar circunstancialmente 85 dB (A).
Usar protectores auditivos!

Nivel total de vibraciones (suma vectorial de tres direcciones) determinado según EN 60745.	
Valor de vibraciones generadas a _n	< 2,5 m/s ²
Tolerancia K	1,5 m/s ²

Gama de voltaje	12 V
Intensidad de carga rápida	3,0 A
Carga de mantenimiento	max. 500 mA
Tiempo de carga Li-Ion 1,5 Ah	ca. 30 min *3
Peso sin cable	466 g

*1 Medido según norma AEG N 877318
 *2 Los valores dados son valores de referencia. Los valores pueden variar dependiendo del material y calidad de los tornillos
 *3 **80%**

ADVERTENCIA
 El nivel vibratorio indicado en estas instrucciones ha sido medido conforme a un método de medición estandarizado en la norma EN 60745, y puede utilizarse para la comparación entre herramientas eléctricas. También es apropiado para una estimación provisional de la carga de vibración.
 El nivel vibratorio indicado representa las aplicaciones principales de la herramienta eléctrica. Si, pese a ello, se utiliza la herramienta eléctrica para otras aplicaciones, con útiles adaptables diferentes o con un mantenimiento insuficiente, el nivel vibratorio puede diferir. Esto puede incrementar sensiblemente la carga de vibración durante todo el periodo de trabajo. Para una estimación exacta de la carga de vibración deberían tenerse en cuenta también los tiempos durante los que el aparato está apagado o, pese a estar en funcionamiento, no está siendo realmente utilizado. Esto puede reducir sustancialmente la carga de vibración durante todo el periodo de trabajo.
 Adopte medidas de seguridad adicionales para la protección del operador frente al efecto de las vibraciones, como por ejemplo: mantenimiento de la herramienta eléctrica y de los útiles adaptables, mantener las manos calientes, organización de los procesos de trabajo.

⚠ ADVERTENCIA! Rogamos leer las indicaciones de seguridad y las instrucciones, también las que contiene el folleto adjunto. En caso de no atenderse a las advertencias de peligro e instrucciones siguientes, ello puede ocasionar una descarga eléctrica, un incendio y/o lesión grave.
Guardar todas las advertencias de peligro e instrucciones para futuras consultas.

INSTRUCCIONES DE SEGURIDAD

¡Utilice protección auditiva! La exposición a niveles de ruido excesivos puede causar pérdida de audición
 Nunca se debe intentar limpiar el polvo o viruta procedente del taladrado con la máquina en funcionamiento.
 Para trabajar en paredes, techo o suelo, tenga cuidado para evitar los cables eléctricos y tuberías de gas o agua.
 Retire la batería antes de comenzar cualquier trabajo en la máquina.
 No tire las baterías usadas a la basura ni al fuego. Los Distribuidores AEG ofrecen un servicio de recogida de baterías antiguas para proteger el medio ambiente.
 No almacene la batería con objetos metálicos (riesgo de cortocircuito).
 Recargar solamente los acumuladores del Sistema PCLS en cargadores PCLS. No intentar recargar acumuladores de otros sistemas.
 En caso de sobrecarga o alta temperatura, pueden llegar a producirse escapes de ácido provenientes de la batería. En caso

de contacto con éste, limpie inmediatamente la zona con agua y jabón. Si el contacto es en los ojos, límpiese concienzudamente con agua durante 10 minutos y acuda inmediatamente a un médico

Con el aparato de carga se pueden recargar los siguientes tipos de acumulador:

tensión	tipo	amperaje	no. de células
12 V	L1215	<=1,5 Ah	3

No intente cargar baterías no-recargables con este cargador.
 No introduzca en la cavidad del cargador objetos metálicos (riesgo de cortocircuito).
 No abra nunca las baterías ni los cargadores y guárdelos sólo en lugares secos. Protéjalos de la humedad en todo momento.
 No tocar con instrumentos o elementos conductores de la electricidad el aparato.
 No intentar recargar acumuladores averiados, en esos casos retirarlos de inmediato del cargador.
 Antes de empezar a trabajar compruebe si está dañada la máquina, el cable o el enchufe. Las reparaciones sólo se llevarán a cabo por Agentes de Servicio autorizados.
 Este aparato no está destinado al uso por personas (incluso niños) con restringidas capacidades físicas, sensoricas o mentales o por la falta de experiencia y/o conocimientos, a no ser que se encuentren bajo el cuidado de una persona responsable por su seguridad o que hayan sido instruidas por

éstas con respecto al empleo del aparato.
 Los niños deberán encontrarse bajo vigilancia para garantizar que no juegen con el aparato.

APLICACIÓN DE ACUERDO A LA FINALIDAD

El taladro/atornillador por acumulador está diseñado para trabajos de taladrado y atornillado para uso independiente lejos de suministro eléctrico.

El cargador rápido puede cargar baterías AEG de PCLS a 12 V
 No utilice este producto para ninguna otra aplicación que no sea su uso normal.

CONEXIÓN ELÉCTRICA LL1230

Conectar solamente a corriente AC monofásica y sólo al voltaje indicado en la placa de características. También es posible la conexión a enchufes sin toma a tierra, dado que es conforme a la Clase de Seguridad II.

DECLARACION DE CONFORMIDAD CE

Declaramos bajo nuestra sola responsabilidad que este producto está en conformidad con las normas o documentos normalizados siguientes. EN 60745, EN 55014-1, EN 55014-2, EN 60335, EN 61000-3-2, EN 61000-3-3, EN 50 366, de acuerdo con las regulaciones 98/37/CE, 2004/108/CE, 2006/95/CE



BATERIA

Las baterías nuevas alcanzan su plena capacidad de carga después de 4 - 5 cargas y descargas. Las baterías no utilizadas durante cierto tiempo deben ser recargadas antes de usar.

Las temperaturas superiores a 50°C reducen el rendimiento de la batería. Evite una exposición excesiva a fuentes de calor o al sol (riesgo de sobrecalentamiento).

Los puntos de contacto de los cargadores y las baterías se deben mantener limpios.

PROTECCIÓN CONTRA SOBRECARGA DE LA BATERÍA

El paquete del acumulador está dotado de un dispositivo de protección contra la sobrecarga que asegura una prolongada vida útil.

En caso de esfuerzo extremadamente intenso, la electrónica del acumulador desconecta automáticamente la máquina. Para continuar trabajando, desconectar y conectar de nuevo la máquina. Si la máquina no se pone nuevamente en marcha, es posible que se haya descargado el acumulador por lo que deberá recargarse en el cargador.

SEÑALIZACIÓN

Al insertar la batería en el cargador se cargará de manera automática (el LED rojo brillará de manera inintermittida, mientras que el LED verde parpadeará).

Cuando se inserta en el cargador una batería demasiado fría o caliente (diodo roja intermitente), la carga se realizará de manera automática una vez que la batería alcance la temperatura adecuada (Li-Ion 0°C...60°C).

El tiempo varía según la temperatura de la batería, la carga requerida, y el tipo de bloque de pilas secas que se esté cargando.

Al completarse la carga, el cargador automáticamente conecata a carga de mantenimiento para mantener la carga completa (el diodo verde se ilumina de manera continua)

No es necesario retirar la batería tras la carga. Se puede mantener en el cargador si riesgo de sobrecarga

Si ambos diodos luminiscentes hacen señales luminosas al mismo tiempo, entonces los acumuladores no se encuentran introducidos completamente o existe un defecto en el acumulador o en el cargador. Por motivos de seguridad, deberá ponerse inmediatamente fuera de servicio el cargador y el

acumulador y dejar comprobar los mismos en un lugar de servicio postventa de AEG.

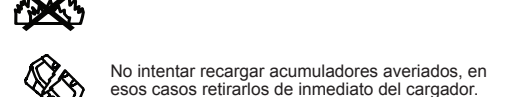
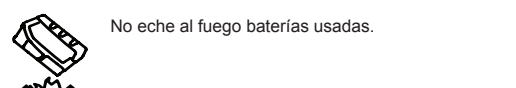
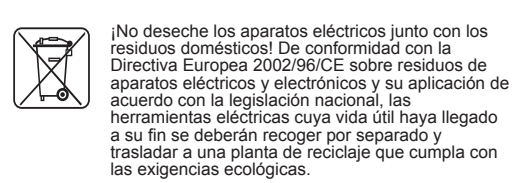
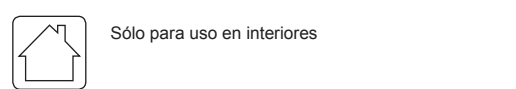
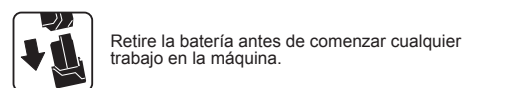
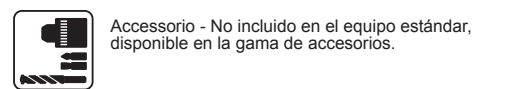
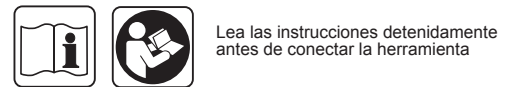
MANTENIMIENTO

Si se averiase el cable de conexión, deberá ser reparado en un Servicio Oficial de AEG, ya que es preciso utilizar herramientas especiales.

Solo se deben utilizar accesorios y piezas de repuestos AEG. Piezas cuyo recambio no está descrito en las instrucciones de uso, deben sustituirse en un centro de asistencia técnica AEG (Consulte el folleto Garantía/Direcciones de Centros de Asistencia Técnica).

En caso necesario, puede solicitar un despiece de la herramienta. Por favor indique el número de impreso de diez dígitos que hay en la etiqueta y pida el despiece a la siguiente dirección: AEG Elektrowerkzeuge, Max-Eyth-Straße 10, D-71364 Winnenden, Germany.

SÍMBOLOS



CARACTERÍSTICAS TÉCNICAS**BS12C (IQ)****LL1230**

Ø de furo em aço	10 mm
Ø de furo em madeira	20 mm
Parafusos para madeira (sem furo prévio)	6 mm
Nº de rotações em vazio	0-575 min ⁻¹
Binário	
Aparafusamento suave *1	9,3 Nm
Aparafusamento duro *1	18,5 Nm
Binário de bloqueio estático	15 Nm
Capacidade de aparafusar com um acumulador completamente carregado (1,5Ah)*2	
5x60 Madeira macia	141
6x80 Madeira macia	37
Tensão do acumulador	12 V
Peso com acumulador	1,1 kg

Informações sobre ruído/vibração

Valores de medida de acordo com EN 60 745.

O nível de ruído avaliado A do aparelho é tipicamente:

Nível da pressão de ruído (K=3 dB(A))..... 64 dB (A)

Onível de ruído a trabalhar pode exceder 85 dB (A).

Use protectores auriculares!

Valores totais de vibração (soma dos vectores das três direcções) determinadas conforme EN 60745.

Valor de emissão de vibração a_w < 2,5 m/s² |Incerteza K 1,5 m/s² |

Gama de tensões	12 V
Corrente de carga rápida	3,0 A
Carga de manutenção	max. 500 mA
Tempos de carga Li-Ion 1,5 Ah	ca. 30 min *3
Peso sem cabo de ligação à rede	466 g

*1 Medido em conformidade com a AEG Norm N 877318

*2 Os valores indicados são valores aproximados.

Os valores efectivos podem ser diferentes em função do material e da qualidade dos parafusos.

*3 **80%****ATENÇÃO**

O nível vibratório indicado nestas instruções foi medido em conformidade com um procedimento de medição normalizado na EN 60745 e pode ser utilizado para comparar entre si ferramentas eléctricas. O mesmo é também adequado para avaliar provisoriamente o esforço vibratório.

O nível vibratório indicado representa as principais aplicações da ferramenta eléctrica. Se, no entanto, a ferramenta eléctrica for utilizada para outras aplicações, com outras ferramentas adaptadas ou uma manutenção insuficiente, o nível vibratório poderá divergir. Isto pode aumentar consideravelmente o esforço vibratório ao longo de todo o período do trabalho.

Para uma avaliação exacta do esforço vibratório devem também ser considerados os tempos durante os quais o aparelho está desligado ou está a funcionar, mas não está efectivamente a ser utilizado. Isto pode reduzir consideravelmente o esforço vibratório ao longo de todo o período do trabalho.

Defina medidas de segurança suplementares para proteger o operador do efeito das vibrações, como por exemplo: manutenção da ferramenta eléctrica e das ferramentas adaptadas, manter as mãos quentes, organização das sequências de trabalho.

⚠ ATENÇÃO! Leia todas as instruções de segurança e todas as instruções, também aquelas que constam na brochura juntada. O desrespeito das advertências e instruções apresentadas abaixo pode causar choque eléctrico, incêndio e/ou graves lesões.

Guarde bem todas as advertências e instruções para futura referência.

INSTRUÇÕES DE SEGURANÇA

Sempre use a protecção dos ouvidos. A influência de ruídos pode causar surdez.

Não remover aparas ou lascas enquanto a máquina trabalha.

Ao trabalhar em paredes, tectos e soalhos prestar atenção a que não sejam atingidos cabos eléctricos e canalizações de gás e água.

Antes de efectuar qualquer intervenção na máquina retirar o bloco acumulador.

Não queimar acumuladores gastos nem deitá-los no lixo doméstico. A AEG possui uma eliminação de acumuladores gastos que respeita o meio ambiente.

Não guardar acumuladores junto com objectos metálicos (perigo de curto-circuito).

Use apenas carregadores do Sistema PCLS para recarregar os acumuladores do Sistema PCLS. Não utilize acumuladores de outros sistemas.

Em caso de cargas ou temperaturas extremas, um acumulador de substituição danificado poderá verter líquido de bateria. Se entrar em contacto com este líquido, deverá lavar-se imediatamente com água e sabão. Em caso de contacto com os olhos, enxagúe-os bem e de imediato durante pelo menos 10 minutos e consulte um médico o mais depressa possível.

Os seguintes acumuladores podem ser recarregados neste carregador:

Voltem	Acumulador	Capacidade do acumulador	No de elementos de pilha
12 V	L1215	<=1,5 Ah	3

Na cavidade de inserção de acumuladores do carregador não devem penetrar nunca objectos metálicos (perigo de curto-circuito).

Não abrir acumuladores e carregadores. Armazená-los em recintos secos. Protegê-los contra humidade.

Carregadores só devem ser utilizados em recintos secos.

Não toque nesses pontos com objectos condutores.

Não volte a carregar um acumulador danificado. Substitua-o por uma unidade nova.

Antes de cada utilização inspecione a máquina, o cabo de ligação a extensão e quanto a danos e desgaste. A máquina só deve ser reparada por um técnico especializado.

Este aparelho não destina-se a ser utilizado por pessoas (inclusive crianças) com capacidades físicas, sensoriais ou psíquicas limitadas ou a ser utilizado por pessoas que não tenham experiência e/ou conhecimentos, a não ser que estas pessoas sejam supervisionadas por uma pessoa responsável pela segurança que lhes dê instruções sobre a utilização do aparelho.

Crianças deverão ser supervisionadas para assegurar que não brinquem com o aparelho.

UTILIZAÇÃO AUTORIZADA

O berbequim aparafusador sem fio pode ser aplicado universalmente para furar e aparafusar sem necessidade de ligar a máquina à rede.

O carregador rápido carrega acumuladores AEG de PCLS ... 12 V.

Não use este produto de outra maneira sem ser a normal para o qual foi concebido.

LIGAÇÃO À REDE LL1230

Só conectar à corrente alternada monofásica e só à tensão de rede indicada na placa de potência. A conexão às tomadas de rede sem contacto de segurana também é possível, pois trata-se de uma construção da classe de protecção II.

DECLARAÇÃO DE CONFORMIDADE CE

Declaramos, sob nossa exclusiva responsabilidade, que este produto cumpre as seguintes normas ou documentos normativos: EN 60745, EN 55014-1, EN 55014-2, EN 60335, EN 61000-3-2, EN 61000-3-3, EN 50 366, conforme as disposições das directivas 98/37/CE, 2004/108/CE, 2006/95/CE



Winnenden, 2007-10-09

Rainer Kumpf
Manager Product Development**ACUMULADOR**

Acumuladores novos atingem a sua plena capacidade após 4-5 ciclos de carga e descarga. Acumuladores não utilizados durante algum tempo devem ser recarregados antes da sua utilização.

Temperaturas acima de 50°C reduzem a capacidade do bloco acumulador. Evitar exposição prolongada ao sol ou a caloríferos.

Manter limpos os contactos eléctricos no carregador e no bloco acumulador.

PROTECÇÃO DE SOBRECARGA DE BATERIA

As baterias estão equipadas com uma protecção contra sobrecarga, que as protegem de uma sobrecarga e lhes conferem uma longa durabilidade. No caso de um esforço extremamente elevado a electrónica das baterias desliga automaticamente o aparelho. Para continuar a trabalhar desligar e voltar a ligar o aparelho. Se o aparelho não se voltar a ligar, é porque o conjunto das baterias está possivelmente descarregado e tem de voltar a ser carregado na carregadora.

CARACTERÍSTICAS

Depois de pôr o acumulador recarregável na gaveta do carregador, ele recarrega automaticamente (o LED vermelho dá uma luz contínua, o LED verde cintila).

Se se puser no carregador um acumulador recarregável demasiado quente ou demasiado frio (LED vermelha a piscar), o pr^ocesso de carregamento automático só começa depois de atingida a temperatura ideal para o carregamento (Li-Ion 0°C...60°C).

O tempo de carga varia dependendo da temperatura da bateria, da carga necessária, e do tipo de bateria a carregar.

Quando o acumulador está completamente carregado, o aparelho muda para o modo de carga de manutenção, para obter a máxima capacidade útil (LED verde aceso).

O acumulador não precisa de ser retirado do carregador depois do carregamento. O acumulador pode permanecer no carregador. Não há o perigo de sobrecarga e fica sempre operacional.

Se os dois LED emitirem luz intermitente ao mesmo tempo, o acumulador não está inteiramente inserido ou há um erro no acumulador ou na carregadora. Coloque a carregadora ou o acumulador fora de serviço imediatamente e deixe inspecioná-lo por um posto de assistência técnica da AEG.

MANUTENÇÃO

Se o cabo de ligação desta máquina estiver danificado, deve apenas ser substituído numa oficina indicada pelo fabricante, uma vez que são necessárias ferramentas especiais para esse propósito.

Utilizar unicamente acessórios e peças sobressalentes da AEG. Sempre que a substituição de um componente não tenha sido descrita nas instruções, será de toda a conveniência mandar executar esse trabalho a um Serviço de Assistência AEG (veja o folheto Garantia/Endereços de Serviços de Assistência).

A pedido e mediante indicação da referência de dez números que consta da chapa de características da máquina, pode requerer-se um desenho explosivo da ferramenta eléctrica a: AEG Elektrowerkzeuge, Max-Eyth-Straße 10, D-71364 Winnenden, Germany.

SYMBOLS

Leia atentamente o manual de instruções antes de colocar a máquina em funcionamento.



Acessório - Não incluído no equipamento normal, disponível como acessório.



Antes de efectuar qualquer intervenção na máquina retirar o bloco acumulador.



O aparelho destina-se unicamente a ser utilizado em trabalhos interiores; não exponha o aparelho à chuva.



Não deite ferramentas eléctricas no lixo doméstico! De acordo com a directiva europeia 2002/96/CE sobre ferramentas eléctricas e electrónicas usadas e a transposição para as leis nacionais, as ferramentas eléctricas usadas devem ser recolhidas em separado e encaminhadas a uma instalação de reciclagem dos materiais ecológica.



Não jogue os acumuladores usados no fogo.



Não volte a carregar um acumulador danificado. Substitua-o por uma unidade nova.



TECHNISCHE GEGEVENS

BS12C (IQ)

LL1230

Boor-Ø in staal.....	10 mm
Boor-Ø in hout.....	20 mm
Houtschroeven (zonder voorboren).....	6 mm
Onbelast toerental.....	0-575 min ⁻¹
Draaimoment	
zachte schroefval *1.....	9,3 Nm
harde schroefval *1.....	18,5 Nm
Statisch draaimoment.....	15 Nm
Schroefcapaciteit met 1 akku-lading (1,5 Ah): *2	
5x60 in zacht hout.....	141
6x80 in zacht hout.....	37
Spanning wisselakku.....	12 V
Gewicht met wisselakku.....	1,1 kg

Geluids-/trillingsinformatie

Meetwaarden vastgesteld volgens EN 60 745.

Het kenmerkende A-gewogen geluidsniveau van de machine bedraagt:

Geluidsdruk-niveau (K=3 dB(A))..... 64 dB (A)

Bij werken kan het geluidsniveau 85 dB (A) overschrijden.

Draag oorbeschermers!

Totale trillingswaarden (vectorsom van drie richtingen) bepaald volgens EN 60745.

Trillingsemissiewaarde a_h..... < 2,5 m/s²
Onzekerheid K..... 1,5 m/s²

Spanningsbereik.....	12 V
Laadstroom bij snelladen.....	3,0 A
Bewaarladen.....	max. 500 mA
Laadtijd Li-Ion met 1,5 Ah.....	ca. 30 min *3
Gewicht, zonder snoer.....	466 g

*1 Gemeten volgens de AEG norm N 877318

*2 De opgegeven waarden zijn richtwaarden.

De werkelijke waarden zijn afhankelijk van het te bewerken materiaal en de kwaliteit van de gebruikte schroeven.

*3 **80%****WAARSCHUWING**

De in deze aanwijzingen vermelde trillingsdruk is gemeten volgens een in EN 60745 genormeerde meetmethode en kan worden gebruikt voor de onderlinge vergelijking van apparaten. Hij is ook geschikt voor een voorlopige inschatting van de trillingsbelasting.

De aangegeven trillingsdruk geldt voor de meest gebruikelijke toepassingen van het elektrische apparaat. Wanneer het elektrische gereedschap echter voor andere doeleinden, met andere dan de voorgeschreven hulpstukken gebruikt of niet naar behoren onderhouden wordt, kan de trillingsdruk afwijken. Dit kan de waarde van de trillingsdruk over de hele werkperiode aanzienlijk verhogen.

Voor een nauwkeurigere inschatting van de trillingsdruk moeten ook de tijden in aanmerking worden genomen dat het apparaat uitgeschakeld is of weliswaar loopt, maar niet werkelijk in gebruik is. Dit kan de waarde van de trillingsdruk over de hele werkperiode aanzienlijk verminderen.

Bepaal extra veiligheidsmaatregelen ter bescherming van de bediener tegen de inwerking van trillingen, bijvoorbeeld: onderhoud van elektrische gereedschappen en apparaten, warmhouden van de handen, organisatie van de werkprocessen.

⚠ WAARSCHUWING! Lees alle veiligheidsinstructies en aanwijzingen door - ook die in de bijgeleverde brochure. Als de waarschuwingen en voorschriften niet worden opgevolgd, kan dit een elektrische schok, brand of ernstig letsel tot gevolg hebben.**Bewaar alle waarschuwingen en voorschriften voor toekomstig gebruik.****VEILIGHEIDSADVIEZEN****Draag oorbeschermers.** Blootstelling aan geluid kan het gehoor beschadigen.

Spanen of splinters mogen bij draaiende machine niet worden verwijderd.

Bij het werken in wanden, plafonds of vloeren oppassen voor elektriciteitsdraden, gas- of waterleidingen.

Voor alle werkzaamheden aan de machine de akku verwijderen. Verbruikte akku's niet in het vuur of bij het huisvuil werpen. AEG biedt namelijk een milieuvriendelijke recyclingmethode voor uw oude akku's.

Wisselakku's niet bij metalen voorwerpen bewaren (kortsluitingsgevaar!).

Wisselakku's van het Akku-Systeem PCLS alléén met laadapparaten van het Akku-Systeem PCLS laden. Geen akku's van andere systemen laden.

Onder extreme belasting of extreme temperaturen kan uit de accu accu-vloeistof lopen. Na contact met accu-vloeistof direct afwassen met water en zeep. Bij oogcontact direct minstens 10 minuten grondig spoelen en onmiddellijk een arts raadplegen.

Met het laadapparaat kunnen de volgende wisselakku's worden gelade

Spanning	Type akku	Kapaciteit	Aantal cellen
12 V	L1215	<=1,5 Ah	3

Met het laadapparaat mogen géén niet-oplaadbare akku's worden geladen.

In de wisselakku-opnameschacht van het laadapparaat mogen géén metaaldeeltjes komen (kortsluitingsgevaar!).

Wisselakku's en laadapparaten niet openen en alleen in droge ruimtes opslaan. Tegen vocht beschermen.

Dus nooit stroomgeleidende voorwerpen in het apparaat steken. Nooit beschadigde akku's opladen, deze direct vervangen.

Voor alle ombouw- of onderhoudswerkzaamheden, de stekker uit de wandkontaktdoos nemen.

Dit apparaat mag niet worden bediend door personen (inclusief kinderen) met beperkte fysieke, sensorische of geestige vermogens of met gebrek aan ervaring en/of kennis in de omgang met dit apparaat, tenzij ze door een voor hun veiligheid verantwoordelijke persoon begeleid worden of instructies van deze persoon hebben ontvangen over het gebruik van het

apparaat.

Op kinderen dient toezicht te worden gehouden om te waarborgen dat ze niet met het apparaat spelen.

VOORGESCHREVEN GEBRUIK VAN HET SYSTEEM

De akku-boorschroevendraaier is te gebruiken voor boor-en schroefwerkzaamheden, onafhankelijk van een netaansluiting.

Het snellaadapparaat is geschikt voor het opladen van AEG wisselakku's van PCLS.

Dit apparaat uitsluitend gebruiken voor normaal gebruik, zoals aangegeven.

NETAANSLUITING LL1230

Uitsluitend op éénfase-wisselstroom en uitsluitend op de op het typeplaatje aangegeven netspanning aansluiten. Aansluiting is ook mogelijk op een stekerdoos zonder aardcontact mogelijk, omdat het is ontworpen volgens veiligheidsklasse II.

EC - VERKLARING VAN OVEREENSTEMMING

Wij verklaren dat dit product voldoet aan de volgende normen of normatieve documenten: EN 60745, EN 55014-1, EN 55014-2, EN 60335, EN 61000-3-2, EN 61000-3-3, EN 50 366, overeenkomstig de bepalingen van de richtlijnen 98/37/EG, 2004/108/EG, 2006/95/EG



Winnenden, 2007-10-09

Rainer Kumpf
Manager Product Development**AKKU**

Nieuwe wisselakku's bereiken hun volle capaciteit na 4-5 laad-/ontlaadcycli. Langere tijd niet toegepaste wisselakku's vóór gebruik altijd naladen.

Een temperatuur boven de 50°C vermindert de capaciteit van de accu. Langdurige verwarming door zon of hitte vermijden.

De aansluitcontacten aan het laadapparaat en de akku schoonhouden.

OVERBELASTINGSBEVEILIGING VAN DE ACCU

Het accupak is uitgerust met een overbelastingsbeveiliging die de accu tegen overbelasting beschermt en een lange levensduur garandeert.

Bij extreem sterke belasting schakelt de accuelektronica de machine automatisch uit. Schakel de machine uit en weer in om door te kunnen werken. Wanneer de machine niet meer start, is het accupak mogelijkwerwijs ontladen en moet het in het laadtoestel worden opgeladen.

KENMERKEN

Nadat de accu in de schacht van de lader is gestoken, wordt de accu automatisch geladen (rode LED brandt constant, groene LED knippert).

Wanneer een te warme of te koude accu in de lader wordt gestoken (rood lampje flikkert), wordt de accu automatisch geladen zodra hij de correcte laadtemperatuur heeft bereikt (Li-Ion 0°C...60°C).

De oplaadtijd varieert afhankelijk van de temperatuur van de batterij, de benodigde lading en het soort batterijpak dat wordt opgeladen.

Zodra de accu volledig is geladen, schakelt de lader op bewaarladen om de volledige accu-capaciteit te behouden (groen controlelampje licht continu op).

De accu hoeft na het laden niet uit de lader te worden gehaald. De accu kan desnoods continu in de lader blijven zonder risico van overladen.

Indien beide LED's gelijktijdig knipperen, dan is óf de accu niet volledig opgeschoven óf het ligt aan een fout in de accu of lader. Uit veiligheidsgronden lader en accu direct buiten bedrijf stellen en bij een officieel AEG servicecentrum laten testen.

ONDERHOUD

Wanneer de netaanleiding is beschadigd, mag het uitsluitend vervangen worden door een reparatie bedrijf aangewezen door de fabrikant, aangezien speciaal gereedschap nodig is.

Alleen AEG toebehoren en onderdelen gebruiken. Onderdelen welke niet vermeld worden, kunnen het beste door de AEG servicedienst verwisseld worden (zie Serviceadressen).

Onder vermelding van het tiencijferige nummer op het machineplaatje is desgewenst een doorsnede-tekening van de machine verkrijgbaar bij: AEG Elektrowerkzeuge, Max-Eyth-Straße 10, D-71364 Winnenden, Germany.

SYMBOLEN

Graag instructies zorgvuldig doorlezen vóórdat u de machine in gebruik neemt.



Toebehoren - Wordt niet meegeleverd. Is apart leverbaar. Zie hiervoor het toebehorenprogramma.



Voor alle werkzaamheden aan de machine de akku verwijderen.



Het apparaat is alléén geschikt voor toepassing in ruimtes, apparaat niet aan regen blootstellen.



Geef elektrisch gereedschap niet met het huisvuil mee! Volgens de Europese richtlijn 2002/96/EG inzake oude elektrische en lelektronische apparaten en de toepassing daarvan binnen de nationale wetgeving, dient gebruikt elektrisch gereedschap gescheiden te worden ingezameld en te worden afgevoerd naar een recycle bedrijf dat voldoet aan de geldende milieu-eisen.



Accu's nimmer in vuur werpen.



Nooit beschadigde akku's opladen, deze direct vervangen.



TEKNISKE DATA **BS12C (IQ)** **LL1230**

Bor-ø i stål	10 mm
Bor-ø i treverk	20 mm
Treskruer (uten forboring).....	6 mm
Tomgangsturtall	0-575 min ⁻¹
Dreiemoment	
Myk skruing (tre) *1	9,3 Nm
Hard skruing (stål) *1.....	18,5 Nm
Statisk blokkeringsmoment	15 Nm
Skrukapasitet med 1 batterilading (1,5 Ah) *2	
5x60 i mykt treverk	141
6x80 i mykt treverk	37
Spenning vekselbatteri	12 V
Vekt med vekselbatteri	1,1 kg

Støy/Vibrasjonsinformasjon
 Måleverdier fastslått i samsvar med EN 60 745.
 Det typiske A-bedømte støynivået for maskinen er:
 Lydtrykknivå (K=3 dB(A)) 64 dB (A)
 Støynivået under arbeidet kan overskride 85 dB (A).

Bruk hørselsvern!
 Totale svingningsverdier (vektorsum fra tre retninger) beregnet jf. EN 60745.
 Svingningsemissjonsverdi a_h < 2,5 m/s²
 Usikkerhet K 1,5 m/s²

Spenningsområde	12 V
Ladestrøm hurtiglading	3,0 A
Bevaringslading	max. 500 mA
Ladetid Li-Ion med 1,5 Ah	ca. 30 min *3
Vekt uten nettkabel	466 g

*1 Målt etter AEG standard N 877318
 *2 De angitte verdiene er veiledende. De faktiske verdiene kan avvike fra dette, avhengig av materiale og skrukevalitet.
 *3  80%

ADVARSEL
 Svingningsnivået som er angitt i denne instruksjonen er målt i overensstemmelse med målemetoden normert i direktiv EN 60745 og kan brukes til å sammenligne elektromaskiner med hverandre. Den egner seg også for en foreløbig vurdering av svingningsbelastningen. Det angitte svingningsnivået representerer de hovedsaklige bruk av elektroverktøyet. Men anvendes elektroverktøyet for andre bruk med avvikende utskiftbare verktøy eller vedlikeholdet er utilstrekkelig, kan svingningsnivået være avvikende. Dette kan forhøye svingningsbelastning betydelig over hele arbeidsperioden. For en nøyaktig vurdering av svingningsbelastningen må også det tas hensyn til tiden apparatet er avslått eller står på, men ikke er i bruk. Dette kan redusere svingningsbelastningen betydelig over hele arbeidsperioden. Innfør også ekstra sikkerhetstiltak for å beskytte bruker mot utvirkingen av svingningene. Disse kan f.eks. være: vedlikehold av elektroverktøyet og det utskiftbare verktøyet, holde hendene varme, organisasjon av arbeidsforløpet.

ADVARSEL! Les alle sikkerhetsinstrukser og bruksanvisninger, også de i den vedlagte brosjyren. Feil ved overholdelsen av advarslene og nedenstående anvisninger kan medføre elektriske støt, brann og/eller alvorlige skader. **Ta godt vare på alle advarslene og informasjonene.**

SPESEILLE SIKKERHETSHENVISNINGER

Bruk hørselsvern. Støy kan føre til tap av hørselen
 Spon eller fliser må ikke fjernes mens maskinen er i gang.
 Pass på kabler, gass- og vannledninger når du arbeider i vegger, tak eller gulv.
 Ta ut vekselbatteriet før du arbeider på maskinen
 Ikke kast brukte vekselbatterier i varmen eller husholdningsavfallet. AEG tilbyr en miljøriktig deponering av gamle vekselbatterier; vennligst spør din fagforhandler.
 Ikke oppbevar vekselbatterier sammen med metallgjenstander (kortslutningsfare).
 Vekselbatterier av systemet PCLS skal kun lades med lader av systemet PCLS. Ikke lad opp batterier fra andre systemer.
 Under ekstreme belastninger og ekstreme temperaturer kan det lekke ut batterivæske fra utskiftbare batterier. Ved berøring med batterivæske, vask umiddelbart med såpe og vann. Ved kontakt med øynene må øynene skylles grundig i rennende vann i minst 10 minutter. Oppsøk lege umiddelbart.

Følgende vekselbatterier kan lades opp med laderen:

Spenning	Batterityp	Nominell kapasitet	Antall celler
12 V	L1215	<=1,5 Ah	3

Batterier som ikke kan lades opp må ikke lades med laderen.
 Metalldeleer må ikke komme inn i innskyvningssjakten for vekselbatterier på ladere (kortslutningsfare).
 Ikke åpne vekselbatterier og ladere, de skal oppbevares i tørre rom. Beskyttes mot fuktighet.
 Ikke grip inn i apparatet med strømledende gjenstander.
 Ikke lad opp skadete vekselbatterier, men skift dem ut straks.
 Kontroller apparat, tilkopplingsledning, akkupaack skjoteledning og støpsel for skader og aldring før bruk. La en fagmann reparere skadete deler.
 Dette apparatet er ikke beregnet til bruk av personer (også barn) med innskrenket fysiske, sensoriske eller psykiske evner. Heller ikke av personer med manglende erfaring eller viten om apparatet, dersom ikke de er under oppsyn av en kompetent person som har ansvar for deres sikkerhet eller gir instruksjoner om hvordan apparatet skal brukes.
 Barn må være under oppsyn slik at man kan være sikker på, at de ikke leker med apparatet.

FORMÅLSMESSIG BRUK

Batteri-boreskrutrekkeren kan brukes universalt for boring og skruing uavhengig av nettilkopling.
 Hurtigladeren lader opp AEG-vekselbatterier av systemet fra PCLS.
 Dette apparatet må kun brukes til de oppgitte formål.

NETTILKOPLING LL1230

Skal bare tilsluttes enfasevekselstrøm og bare til den på skiltet angitte nettspenning. Tilslutning til stikkontakter uten jordat kontakt er mulig fordi beskyttelse beskyttelsesklasse II er forhanden.

CE-SAMSVARERKLÆRING

Vi erklærer på eget ansvar at dette produktet stemmer overens med de følgende normer eller normative dokumenter. EN 60745, EN 55014-1, EN 55014-2, EN 60335, EN 61000-3-2, EN 61000-3-3, EN 50 366, i henhold til bestemmelsene i direktivene 98/37/EF, 2004/108/EF, 2006/95/EF



BATTERIER

Nye vekselbatterier når sin fulle kapasitet etter 4-5 lade- og utladesyklus. Vekselbatterier som ikke er brukt over lengre tid skal etterlades før bruk.
 En temperatur over 50°C reduserer vekselbatteriets kapasitet. Unngå oppvarming i sol eller ved varmeovner (fyring) i lengre tid. Hold tilkopplingskontaktene på lader og vekselbatteri rene.

OVERBELASTNINGSVERN FOR OPPLADBARE BATTERIER

Batteripakken er utstyrt med overbelastningsvern som beskytter det oppladbare batteriet mot overbelastning og sikrer en lang levetid.
 Ved ekstrem høy belastning kobler maskinens batterielektronikk seg automatisk ut. For å fortsette å arbeide må maskinen slås av og så på igjen. Starter maskinen ikke igjen er batteripakken muligens utladet og må lades opp igjen i laderen.

KJENNETEGN

Etter at vekselbatteriet er stukket inn i sjakten på laderen blir vekselbatteriet automatisk ladet opp (rød LED lyser kontinuerlig, grønn LED blinker).
 Hvis et for varmt eller for kaldt vekselbatteri blir satt inn i laderen (rød lampe blinker), begynner ladeprosessen automatisk så snart batteriet har nådd den riktige ladetemperaturen (Li-Ion 0°C...60°C).
 Ladetiden kan variere alt etter batteritemperatur, nødvendig lademengde og batterikapasitet.
 Når vekselbatteriet er fullstendig oppladet, kobler apparatet om til vedlikeholdslading for å oppnå størst mulig nyttbar batterikapasitet (grønne lampe lyser kontinuerlig).
 Vekselbatteriet må ikke tas ut av laderen etter oppladingen. Vekselbatteriet kan bli stående i laderen. Det kan ikke bli ladet opp for mye og er dermed alltid klart til bruk.
 Blinker begge LED samtidig, så er batteriet enten ikke skyvst skikkelig på eller det er en feil ved batteriet eller ved laderen. Av sikkerhetsgrunner må batteriet og laderen øyeblikkelig bli tatt ut av bruk og bli kontrollert av AEG kundeservice.

VEDLIKEHOLD

Når nettleddingen er skadet må den skiftes ut av kundeservice for AEG, fordi det er nødvendig med spesialverktøy.
 Bruk kun AEG tilbehør og reservedeler. Komponenter der utskifting ikke er beskrevet skal skiftes ut hos AEG kundeservice (se brosjyre garanti/kundeserviceadresser).
 Ved behov kan du be om en eksplosjonstegning av apparatet hos din kundeservice eller direkte hos AEG Elektrowerkzeuge, Max-Eyth-Straße 10, D-71364 Winnenden, Germany. Oppgi maskintype og det tilsirete nummeret på typeskiltet.

SYMBOLER

-  Les nøye gjennom bruksanvisningen før maskinen tas i bruk.
-  Tilbehør - inngår ikke i leveransen, anbefalt komplettering fra tilbehørsprogrammet.
-  Ta ut vekselbatteriet før du arbeider på maskinen
-  Apparatet er kun egnet for bruk innendørs, det må ikke utsettes for regn.
-  Kast aldri elektroverktøy i husholdningsavfallet! I henhold til EU-direktiv 2002/96/EF om kasserte elektriske og elektroniske produkter og direktivets iværksettning i nasjonal rett, må elektroverktøy som ikke lenger skal brukes, samles separat og returneres til et miljøvennlig gjenvinningsanlegg.
-  Brenn aldri opp oppladbare batteri.
-  Ikke lad opp skadete vekselbatterier, men skift dem ut straks.

TEKNISKA DATA **BS12C (IQ)** **LL1230**

Borddiam. in stål	10 mm
Borddiam. in trä	20 mm
Tråskruvning (utan förborring)	6 mm
Obelastat varvtal	0-575 min ⁻¹
Vridmoment	
Mjuk gängstigning *1	9,3 Nm
Hård gängstigning *1	18,5 Nm
Statiskt blockeringsmoment	15 Nm
Skruvkapacitet med 1 uppladdning (1,5 Ah): *2	
5x60 Mjukt trä	141
6x80 Mjukt trä	37
Batterispänning	12 V
Vikt med batteri	1,1 kg

Buller-/vibrationsinformation

Mätvärdena har tagits fram baserade på EN 60 745.
 A-värdet av maskinens ljudnivå utgör:
 Ljudtrycksnivå (K=3dB(A)) 64 dB (A)
 Ljudnivån vid arbete kan överskrida 85 dB (A).

Använd hörselskydd!

Totala vibrationsvärden (vektorsumma ur tre riktningar) framtaget enligt EN 60745.	
Vibrationsemissionsvärde a _w	< 2,5 m/s ²
Onoggrannhet K	1,5 m/s ²

Spänningsområde	12 V
Laddningsström snabbpladdning	3,0 A
Underhållsladdning	max. 500 mA
Laddningstid Li-Ion med 1,5 Ah	ca. 30 min *3
Vikt utan nätkabel	466 g

*1 Uppmätt enligt AEG norm N 877318
 *2 De angivna värdena är riktvärden. De faktiska värdena kan avvika beroende på material och skruvgods.
 *3  80%

VARNING

Den i de här anvisningarna angivna vibrationsnivån har uppmätts enligt ett i EN 60745 normerat mätförfarande och kan användas vid jämförelse mellan olika elverktyg. Nivån är även lämplig att använda vid en preliminär bedömning av vibrationsbelastningen.
 Den angivna vibrationsnivån representerar den huvudsakliga användningen av det aktuella elverktyget. Men om elverktyget ska användas i andra användningsområden, tillsammans med avvikande insatsverktyg eller efter otillräckligt underhåll, kan vibrationsnivån skilja sig. Det kan öka vibrationsbelastningen betydligt under hela arbetstiden.
 För att få en exaktare bedömning av vibrationsbelastningen ska även den tid beaktas, under vilken elverktyget är avstängt eller är påslaget, utan att det verkligen används. Det kan reducera vibrationsbelastningen betydligt under hela arbetstiden.
 Lägg som skydd för användaren fast extra säkerhetsåtgärder mot vibrationernas verkan, som till exempel: underhåll av elverktyg och insatsverktyg, varmhållning av händer och organisering av arbetsförlopp.

⚠️ WARNING! Läs alla säkerhetsanvisningar och andra tillhörande anvisningar, även de i den medföljande broschyren. Fel som uppstår till följd av att anvisningarna nedan inte följts kan orsaka elstöt, brand och/eller allvarliga kroppsskador.

Förvara alla varningar och anvisningar för framtida bruk.

SÄKERHETSUTRUSTNING

Bär hörselskydd. Bullerbelastning kan orsaka hörselskador.

Avlägsna aldrig spån eller flisor när maskinen är igång.
 Vid arbetenborring i vägg, tak eller golv, var alltid observant på befintliga el-, gas- eller vattenledningar.
 Drag ur batteripaket innan arbete utföres på maskinen.
 Kasta inte förbrukade batterier. Lämnas dem till AEG Tools för återvinning.
 Förvara ej batteriet ihop med metallföremål, kortslutning kan uppstå.

System PCLS batterier laddas endast i System PCLS laddare. Ladda inte batterier från andra system.

Under extrem belastning eller extrem temperatur kan batterivätska tränga ut ur skadade utbytesbatterier. Vid beröring med batterivätska tvätta genast av med vatten och tvål. Vid ögonkontakt spola genast i minst 10 minuter och kontakta genast läkare.

Med denna laddare kan följande batterier laddas

Spänning	Typ	Kapacitet	Antal Celler
12 V	L1215	<=1,5 Ah	3

Ej uppladdningsbara batterier får inte laddas i detta laddningsaggregat.

Se upp så att inga metallföremål hamnar i laddarens batterischakt, kortslutning kan uppstå.
 Batterier lagras torrt och skyddas för fukt.
 Den får inte vidröras med strömförande föremål.
 Byt alltid ut skadade batterier omedelbar.
 Bryt alltid strömmen vid ombyggnads- och servicearbeten.
 Den här apparaten är avsedd för personer (även barn) med begränsad fysisk, sensorisk eller mental förmåga, bristande erfarenhet och/eller bristande kunskap. Förutsättningen är att det finns en person som ansvarar för säkerheten eller har gett anvisningar om hur apparaten ska användas.
 Se till att barn inte leker med apparaten.

ANVÄND MASKINEN ENLIGT ANVISNINGARNA

Denna Akkumaskin är användbar för både borring och skruvning.
 Laddaren laddar AEG-batterier från PCLS, och har följande fördelar.
 Maskinen får endast användas för angiven tillämpning.

NÄTANSLUTNING LL1230

Får endast anslutas till 1-fas växelström och till den spänning som anges på dataskylden. Anslutning kan även ske till eluttag utan skyddskontakt, eftersom konstruktionen motsvarar skyddsklass II.

CE-FÖRSÄKRAN

Vi intygar och ansvarar för, att denna produkt överensstämmer med följande norm och dokument EN 60745, EN 55014-1, EN 55014-2, EN 60335, EN 61000-3-2, EN 61000-3-3, EN 50 366, enl. bestämmelser och riktlinjerna 98/37/EG, 2004/108/EG, 2006/95/EG

 
 Winnenden, 2007-10-09 Rainer Kumpf
 Manager Product Development

BATTERIER

Nya batterier uppnår max effekt efter 4-5 laddningscykler. Batteri som ej använts på länge måste laddas före nytt bruk.
 En temperatur över 50°C reducerar batteriets effekt. Undvik längre uppvärmning tex i solen eller nära ett element.
 Se till att anslutningskontaktarna i laddaren och på batteriet är rena.

BATTERI-ÖVERBELASTNINGSSKYDD

Batteripaketet är utrustat med ett överlastskydd som skyddar batteriet mot överbelastning och därmed säkerställer en lång livslängd.
 Vid extremt stark belastning stänger batterielektroniken av maskinen automatiskt. Stäng först av och slå sedan på maskinen igen för att fortsätta att arbeta. Skulle maskinen inte starta igen, är batteripaketet kanske urladdat och måste på laddas upp igen i laddaren.

KÄNNEMÄRKE

När du satt i batteriet i facket på laddaren, så påbörjas laddningen omedelbart (den röda lysdioden lyser med fast sken och den gröna blinkar).

Om du sätter i ett kallt eller varmt batteri i laddaren (blinkande röd kontrollampa), så påbörjas laddningen så snart batteriet fått rätt temperatur (Li-Ion 0°C...60°C).

Laddningstiden varierar beroende på batteriets temperatur, laddningsbehov och vilken typ av batteri som laddas.

Så fort uppladdningen är klar, kopplar laddaren över till "lagringsladdning" för att bibehålla laddningen (grön kontrollampa lyser med fast sken)







Du behöver inte flytta batteriet efter laddning. Batteriet kan förvaras permanent i laddaren utan risk för överladdning.

Om båda LED:er blinkar samtidigt så har antingen det laddningsbara batteriet inte satts i riktigt eller också är det något fel på batteriet respektive på laddaren. Av säkerhetsskäl ska man då absolut inte använda batteriet eller laddaren mer utan låta AEG-kundservicen kontrollera respektive del.

SKÖTSEL

Vid skador på kabeln, måste detta utföras av en AEG serviceverkstad, då det erfordras specialverktyg för bytet.
 Använd endast AEG tillbehör och reservdelar. Reservdelar vars utbyte ej beskrivs byts bäst av AEG auktoriserad serviceverkstad (se broschyr Garanti/Kundtjänstadresser).
 Vid behov av sprängskiss, kan en sådan, genom att uppge maskinens art. nr. (som finns på typskylten) erhållas från: AEG Elektrowerkzeuge, Max-Eyth-Straße 10, D-71364 Winnenden, Germany.

SYMBOLER

-   Läs instruktionen noga innan du startar maskinen.
-  Tillbehör - Ingår ej i leveransomfånget, erhålles som tillbehör.
-  Drag ur batteripaket innan arbete utföres på maskinen.
-  Aggregatet är endast lämpad att användas inomhus, Får ej utsättas för regn.
-  Elektriska verktyg får inte kastas i hushållssoporna! Enligt direktivet 2002/96/EG som avser äldre elektrisk och elektronisk utrustning och dess tillämpning enligt nationell lagstiftning ska uttjänta elektriska verktyg sorteras separat och lämnas till miljövänlig återvinning.
-  Kasta aldrig utbytbara batterier i elden.
-  Byt alltid ut skadade batterier omedelbar.
- 

TEKNİK VERİLER

BS12C (IQ)

LL1230

Delme çapı çelikte	10 mm
Delme çapı tahta	20 mm
Ağaç vidaları (kilavuz deliksiz)	6 mm
Boşta ki devir sayısı	0-575 min ⁻¹
Tork	
yumuşak vidalama *1	9,3 Nm
sert vidalama *1	18,5 Nm
Statik blokaj momenti	15 Nm
Bir kerelik akü şarjı ile vidalama kapasitesi (1,5 Ah): *2	
5x60 Yumuşak tahtada	141
6x80 Yumuşak tahtada	37
Kartuş akü gerilimi	12 V
Ağırlığı Kartuş akülü	1,1 kg

Gürültü/Vibrasyon bilgileri

Ölçüm değerleri EN 60 745 e göre belirlenmektedir.

Aletin, frekansa bağımlı uluslararası ses basıncı seviyesi

değerlendirmeye eğrisi A'ya göre tipik gürültü seviyesi:

Ses basıncı seviyesi (K=3dB(A))

Çalışma sırasında gürültü seviyesi 85 dB (A)'yı aşabilir.

Koruyucu kulaklık kullanın!

Toplam titreşim değeri (üç yönün vektör toplamı) EN 60745'e göre belirlenmektedir:

titreşim emisyon değeri a _h	< 2,5 m/s ²
Tolerans K	1,5 m/s ²

Gerilim aralığı	12 V
Hızlı şarj akımı	3,0 A
Dengeleme şarjı	max. 500 mA
Şarj süresi Li-Ion 1,5 Ah	ca. 30 min *3
Ağırlığı, şebeke kablosuz	466 g

*1 AEG Norm N 877318'e göre ölçülmüştür.

*2 Belirtilen değerler referans değerlerdir. Gerçek değerler işlenen malzeme ve vida kalitesine göre bu değerlerden farklılık gösterebilir

*3 **80%**

UYARI

Bu talimatlarda belirtilen titreşim seviyesi, EN 60745 standardına uygun bir ölçme metodu ile ölçülmüştür ve elektrikli el aletleri birbiriyle karşılaştırmak için kullanılabilir. Ölçüm sonuçları ayrıca titreşim yükünün geçici değerlendirilmesi için de uygundur. Belirtilen titreşim seviyesi, elektrikli el aletinin genel uygulamaları için geçerlidir. Ancak elektrikli el aleti başka uygulamalar için, farklı eklenti parçalarıyla ya da yetersiz bakım koşullarında kullanılırsa, titreşim seviyesi farklılık gösterebilir. Bu durumda, titreşim yükü toplam çalışma zaman aralığı içerisinde belirgin ölçüde yükselebilir.

Titreşim yükünün tam bir değerlendirmesi için ayrıca cihazın kapalı olduğu süreler ve cihazın çalışır durumda olduğu, ancak gerçek kullanımında bulunmadığı süreler de dikkate alınmalıdır. Böylelikle, toplam çalışma zamanı aralığı boyunca meydana gelen titreşim yükü belirgin ölçüde azaltılabilir.

Kullanıcıyı titreşimlerin etkisinden korumak üzere, örneğin elektrikli el aletlerinin ve eklenti parçalarının bakımı, ellerin sıcak tutulması ve iş akışlarının organizasyonu gibi ek güvenlik tedbirleri belirleyiniz.

UYARI! Güvenlikle ilgili bütün açıklamaları, talimatları ve ilişikteki broşürde yazılı bütün hususları okuyunuz.

Açıklanan uyarılara ve talimat hükümlerine uyulmadığı takdirde elektrik çarpmalarına, yangınlara ve/veya ağır yaralanmalara neden olunabilir.

Bütün uyarıları ve talimat hükümlerini ileride kullanmak üzere saklayın.

GÜVENLİĞİNİZ İÇİN TALİMATLAR

Koruyucu kulaklık kullanın. Çalışırken çıkan gürültü işitme kayıplarına neden olabilir.

Alet çalışır durumda iken talaş ve kırıntıları temizlemeye çalışmayın.

Duvar, tavan ve zeminde delik açarken elektrik kablolarına, gaz ve su borularına dikkat edin.

Aletin kendinde bir çalışma yapmadan önce kartuş aküyü çıkarın.

Kullanılmış kartuş aküleri ateşe veya ev çöplerine atmayın. AEG, kartuş akülerin çevreye zarar vermeyecek biçimde tasfiye edilmesine olanak sağlayan hizmet sunar; lütfen bu konuda yetkili satıcınızdan bilgi alın.

Kartuş aküleri metal parça veya eşyalarla birlikte saklamayın (kısa devre tehlikesi).

PCLS sistemli kartuş aküleri sadece PCLS sistemli şarj cihazları ile şarj edin. Başka sistemli aküleri şarj etmeyin.

Aşırı zorlanma veya aşırı ısınma sonucu hasar gören kartuş akülerden batarya sıvısı dışarı akabilir. Batarya sıvısı ile temasa gelen yeri hemen bol su ve sabunla yıkayın. Batarya sıvısı

KULLANIM

Bu akülü delme/vidalama makinesi, şebeke akımına bağlı kalınmadan delme ve vidalama işlerinde çok yönlü olarak kullanılabilir.

Hızlı şarj cihazı AEG'nun PCLS kartuş akülerini şarj eder.

Bu alet sadece belirttiği gibi ve usulüne uygun olarak kullanılabilir.

ŞEBEKE BAĞLANTISI LL1230

Aleti sadece tek fazlı alternatif akıma ve tip etiketi üzerinde belirtilen şebeke gerilimine bağlayın. yapısı Koruma sınıfı II'ye girdiğinden alet koruyucu kontaklı prize de bağlanabilir.

CE UYGUNLUK BEYANI

Tek sorumlu olarak bu ürünün 98/37/EC, 2004/108/EC, 2006/95/EC, yönetmelik hükümleri uyarınca aşağıdaki normlara ve norm dokümanlarına uygunluğunu beyan ederiz: EN 60745, EN 55014-1, EN 55014-2, EN 60335, EN 61000-3-2, EN 61000-3-3, EN 50 366.



Winnenden, 2007-10-09

Rainer Kumpf
Manager Product Development

AKÜ

Yeni kartuş aküler ancak 4-5 şarj/deşarj işleminden sonra tam kapasitelerine ulaşırlar. Uzun süre kullanılmıyorsa kartuş aküleri kullanmadan önce şarj edin.

50°C üzerindeki sıcaklıklarda kartuş akünün performansını düşürür. Akünün güneş ışığı veya mekân sıcaklığı altında uzun süre ısınmamasına dikkat edin.

Şarj cihazı ve kartuş aküdeki bağlantı noktalarını temiz tutun.

AKÜNÜN FAZLA YÜKLEMeye KARŞI KORUNMASI

Akü donanımı, aküyü fazla yüklenmeye karşı koruyan ve uzun ömürlü olmasını garanti eden fazla yüklenmeye karşı bir koruma tertibatı ile teçhiz edilmiştir.

Aşırı fazla bir şekilde kullanılması durumunda akünün elektronik tertibatı makineyi otomatik olarak kapatır. Makinenin tekrar çalıştırılması amacı ile tekrar kapatın ve yeniden çalıştırın. Makine tekrar çalışmazsa, akü donanımı muhtemelen boşalmıştır ve o zaman yeniden şarj edilerek tekrar doldurulması gerekir.

ÖZELLİKLER

Değiştirilebilir kartuş akü şarj cihazının yuvasına yerleştirildikten sonra kartuş akü otomatik olarak şarj olur (kırmızı IŞIK sürekli yanar, yeşil IŞIK yanıp söner).

Çok sıcak veya çok soğuk bir kartuş akü şarj cihazına yerleştirilecek olursa (Kırmızı LED yanıp söner), kartuş akü kusursuz şarj sıcaklığına eriştikten sonra şarj işlemi otomatik olarak başlar (Li-Ion 0°C...60°C).

Şarj süresi akü sıcaklığına, gerekli şarj miktarına ve akü kapasitesine göre değişebilir.

Kartuş akü tam olarak şarj olunca şarj cihazı, akü kapasitesinden azami ölçüde yararlanmak üzere dengeleme şarjına geçer (yeşil LED sürekli olarak yanar).

Kartuş akünün şarj işleminden sonra şarj cihazından çıkarılması şart değildir. Kartuş akü sürekli olarak şarj cihazı içinde kalabilir. Bu durumda akü aşırı ölçüde şarj olmaz ve her zaman kullanıma hazır olur.

Her iki LED de birlikte yanarsa, ya akü tam olarak yuvasına yerleşmemiştir ya da akü veya şarj cihazında bir hata vardır. Güvenlik nedenleriyle hemen şarj cihazı ile aküyü işlemeyen alın ve yetkili bir AEG Müşteri Servisine kontrol ettirin.

BAKIM

Eğer şebeke bağlantı kablosu hasar görürse, özel aletler gerekli olduğundan, bunun bir AEG müşteri servisi tarafından değiştirilmesi şarttır.

Sadece AEG aksesuarını ve yedek parçalarını kullanın. Değiştirilmesi açıklanmamış olan parçaları bir AEG müşteri servisinde değiştirin (Garanti broşürüne ve müşteri servisi adreslerine dikkat edin).

Gerektiği takdirde aletin dağınık görünüş şeması, alet tipinin ve tip etiketi üzerindeki on hanelik sayının bildirilmesi koşuluyla müşteri servisinden veya doğrudan AEG Elektrowerkzeuge, Max-Eyth-Straße 10, D-71364 Winnenden, Germany adresinden istenebilir.

SEMBOLLER



Lütfen aleti çalıştırmadan önce kullanma kılavuzunu dikkatli biçimde okuyun.



Aletin kendinde bir çalışma yapmadan önce kartuş aküyü çıkarın.



Bu alet sadece kapalı mekânlarda kullanılmaya uygundur, yağmur altında bırakmayın



Elektrikli el aletlerini evdeki çöp kutusuna atmayın! Kullanılmış elektrikli aletleri, elektrik ve elektronik eski cihazlar hakkındaki 2002/96/EC Avrupa yönergelerine göre ve bu yönergeler ulusal hukuk kurallarına göre uyarlanarak, ayrı olarak toplanmalı ve çevre şartlarına uygun bir şekilde tekrar değerlendirilmeye gönderilmelidir.



Değiştirilebilir aküleri (kartuş aküleri) ateşe atmayın.



Hasarlı kartuş aküleri şarj etmeyin, hemen değiştirin.



TECHNICKÁ DATA **BS12C (IQ)** **LL1230**

Vrtací ø v oceli.....	10 mm
Vrtací ø v dřevě.....	20 mm
Vruty do dřeva (bez předvrtání).....	6 mm
Počet otáček při běhu naprázdno.....	0-575 min ⁻¹
Kroučicí moment	
měkké odpadnutí šroubu *1.....	9,3 Nm
tvrdé odpadnutí šroubu *1.....	18,5 Nm
Statický kroučicí moment.....	15 Nm
Kapacita šroubování na jedno nabití akumulátoru (1,5 Ah). *2	
5x60 do měkkého dřeva.....	141
6x80 do měkkého dřeva.....	37
Napětí výměnného akumulátoru.....	12 V
Hmotnost s výměnným akumulátorem.....	1,1 kg

Informace o hluku / vibracích

Naměřené hodnoty odpovídají EN 60 745.
 V třídě A posuzovaná hladina hluku přístroje činí typicky:
 Hladina akustického tlaku (K=3dB(A))..... 64 dB (A)
 Hladina akustického výkonu 85 dB(A).
Používejte chrániče sluchu !

Celkové hodnoty vibrací (vektorový součet tří směrů) zjištěné ve smyslu EN 60745.

Hodnota vibračních emisí a _h	< 2,5 m/s ²
Kolisavost K.....	1,5 m/s ²

Rozsah napětí.....	12 V
Nabíjecí proud rychlonabíjení.....	3,0 A
Udržovací proud.....	max. 500 mA
Doba nabíjení Li-Ion 1,5 Ah.....	ca. 30 min *3
Hmotnost bez kabelu.....	466 g

*1 Změřeno podle normy AEG N 877318
 *2 Udané hodnoty jsou orientační. Skutečné hodnoty se mohou lišit podle materiálu a kvality šroubu.
 *3 **80%**

VAROVÁN

Úroveň chvění uvedená v tomto návodu byla naměřena podle metody měření stanovené normou EN 60745 a může být použita pro porovnání elektrického nářadí. Hodí se také pro průběžný odhad zatížení chvěním.
 Uvedená úroveň chvění představuje hlavní účely použití elektrického nářadí. Jestliže se ale elektrické nářadí používá pro jiné účely, s odlišnými nástroji nebo s nedostatečnou údržbou, může se úroveň chvění odlišovat. To může značně zvýšit zatížení chvěním během celé pracovní doby.
 Pro přesný odhad zatížení chvěním se musí také zohlednit časy, během kterých je přístroj vypnutý nebo kdy je sice v chodu, ale skutečně se s ním nepracuje. To může zatížení chvěním během celé pracovní doby značně snížit.
 Stanovte doplňková bezpečnostní opatření pro ochranu obsluhy před účinky chvění jako například: technická údržba elektrického nářadí a nástrojů, udržování teploty rukou, organizace pracovních procesů.

VAROVÁNÍ! Seznamte se se všemi bezpečnostními pokyny a sice i s pokyny v příložené brožůře. Zanedbání při dodržování varovných upozornění a pokynů mohou mít za následek úder elektrickým proudem, požár a/nebo těžká poranění.
Všechna varovná upozornění a pokyny do budoucna uschovejte.

SPECIÁLNÍ BEZPEČNOSTNÍ UPOZORNĚNÍ

Používejte chrániče sluchu. Působením hluku může dojít k poškození sluchu.
 Pokud stroj běží, nesmí být odstraňovány třísky nebo odštěpky.
 Při vrtání do zdi, stropu nebo podlahy dávat pozor na elektrické kabely, plynovody a vodovodní potrubí.
 Před zahájením veškerých prací na vrtacím šroubováku vyjmout výměnný akumulátor.
 Použité nevyhazujte do domovního odpadu nebo do ohně. AEG nabízí ekologickou likvidaci starých článků, ptejte se u vašeho obchodníka s nářadím.
 Náhradní akumulátor neskladujte s kovovými předměty, nebezpečí zkratu.
 Akumulátor systému PCLS nabíjejte pouze nabíječkou systému PCLS. Nenabíjejte akumulátory jiných systémů.
 Při extrémní zátěži či vysoké teplotě může z akumulátoru vytékat kapalina. Při zasažení touto kapalinou okamžitě zasažená místa omyjte vodou a mýdlem. Při zasažení očí okamžitě důkladně po dobu alespoň 10min.omyvat a neodkladně vyhledat lékaře.

Nabíječkou mohou být nabity následující typy akumulátorů :

Napětí	Typ akumulátoru	Jmen.kapacita	Počet článků
12 V	L1215	<=1,5 Ah	3

Nabíječkou nenabíjejte standardní baterie, které nelze nabíjet.
 V nabíjecím postu nabíječky neskladujte kovové předměty, nebezpečí zkratu.
 Náhradní akumulátory ani nabíječku neotvírejte, skladujte je v suchu, chráňte před vlhkem.
 Neskladujte spolu s vodivými předměty.
 Nenabíjejte poškozené akumulátory, ihned je nahraďte!
 Před každým použitím nabíječky přezkoumujte přívodní kabel, prodlužovací kabel a zástrčku zda nejsou poškozeny a nebo zestárlé. Poškozené díly nechte opravit odborníky.
 Tento přístroj není určen k používání osobami (včetně dětí) s omezenými tělesnými, smyslovými nebo duševními schopnostmi nebo osobami s nedostatečnými zkušenostmi a/nebo znalostmi, pokud nepracují pod dozorem osoby zodpovědné za bezpečnost nebo pokud touto osobou nebyli poučeni o tom, jak se přístroj má používat.
 Děti by měly být pod dozorem, aby bylo zajištěno, že si s přístrojem nebudou hrát.

OBLAST VYUŽITÍ

Akumulátorový vrtací šroubovák je univerzálně použitelný pro vrtání a šroubování nezávisle na elektrické síti.
 Rychlonabíječku lze použít výhradně k nabíjení AEG akumulátorů systému AccuPCLS od.
 Toto zařízení lze používat jen pro uvedený účel.

PŘIPOJENÍ NA SÍŤ LL1230

Připojit pouze do jednofázové střídavé sítě o napětí uvedeném na štítku. Lze připojit i do zásuvky bez ochranného kontaktu neboť spotřebič je třídy II.

CE-PROHLÁŠENÍ O SHODĚ

Se vši zodpovědností prohlašujeme, že tento výrobek odpovídá následujícím normám a normativním dokumentům:
 EN 60745, EN 55014-1, EN 55014-2, EN 60335, EN 61000-3-2, EN 61000-3-3, EN 50 366, v souladu se směrnicemi EHS č. 98/37/EC, 2004/108/EC, 2006/95/EC



AKUMULÁTORY

Nový akumulátor dosáhne plné kapacity po 4 - 5 nabíjecích cyklech. Dále nepoužívané akumulátory je nutné před použitím znovu nabít.
 Teplota přes 50°C snižuje výkon akumulátoru. Chraňte před dlouhým přehříváním na slunci či u topení.
 Kontakty nabíječky a akumulátoru udržujte v čistotě.

OCHRANA PROTI PŘETÍŽENÍ AKUMULÁTORU

Akumulátorová sada je vybavena ochranou proti přetížení, která ji chrání a zaručuje její dlouhou životnost.
 Při extrémním zatížení elektronika akumulátoru elektrický nástroj vypne. K pokračování v práci nástroj vypnete a opět zapnete. V případě, že se motor nástroje ani potom nerozběhne, je akumulátorová sada pravděpodobně vybitá a musí se v nabíječce opět nabít.

UPOZORNĚNÍ

Po nasazení akumulátoru do nabíječky je akumulátor automaticky nabíjen (červená kontrolka LED svítí nepřerušovaně, zelená kontrolka LED bliká).
 Je-li do nabíječky nasazen hodně teplý a nebo hodně studený akumulátor (bliká žlutá LED), počne nabíjení až když akumulátor dosáhne správné teploty (Li-Ion 0°C...60°C).
 Doba nabíjení závisí na teplotě akumulátoru, na objemu dobíjené kapacity, na jeho jmenovité kapacitě.
 Při plně nabitém akumulátoru se přepne nabíječka do udržovacího režimu, akumulátor je nabit na plnou kapacitu (svítí LED dioda).
 Po nabití není nutné akumulátor vyjmout z nabíječky. Může trvale zůstat v nabíječce. Nemůže dojít k jeho přebíjení a tak je stále v pohotovosti.
 Blikají-li obě LED diody současně, je buď špatně vložený akumulátor a nebo je závada na akumulátoru či na nabíječce. Je nutné z bezpečnostních důvodů odpojit nabíječku ze sítě a nechat obě součásti (nabíječku i akumulátor) přezkoušet v odborném servisu AEG.

ÚDRŽBA

Poškodí-li se přívodní kabel, je nutná oprava v odborném servisu AEG, protože je potřebný speciální klíč.
 Používejte výhradně náhradní díly a příslušenství AEG. Díly, jejichž výměna nebyla popsána, nechte vyměnit v odborném servisu AEG. (Viz záruční list.)
 Při potřebě podrobného rozkresu konstrukce, oslovte informaci o typu a desetimístním objednacím čísle přímo servis a nebo výrobce, AEG Elektrowerzeuge, Max-Eyth-Straße 10, D-71364 Winnenden, Germany.

SYMBOLY

Před spuštěním stroje si pečlivě přečtete návod k používání.

Příslušenství není součástí dodávky, viz program příslušenství.

Před zahájením veškerých prací na vrtacím šroubováku vyjmout výměnný akumulátor.

Zařízení lze používat jen ve vnitřních prostorách, nepoužívat v dešti.

Elektrické nářadí nevyhazujte do komunálního odpadu! Podle evropské směrnice 2002/96/EC o nakládání s použitými elektrickými a elektronickými zařízeními a odpovídajících ustanovení právních předpisů jednotlivých zemí se použítá elektrická nářadí musí sbírat odděleně od ostatního odpadu a podrobit ekologicky šetrnému recyklování.

Akumulátory nevhazujte do ohně.

Nenabíjejte poškozené akumulátory, ihned je nahraďte!

TEHNIČKI PODACI **BS12C (IQ)** **LL1230**

Bušenje-Ø u čelik	10 mm
Bušenje-Ø u drvo	20 mm
Vijci za drvo (bez predbušenja)	6 mm
Broj okretaja praznog hoda	0-575 min ⁻¹
Okretni moment	
meki slučaj zavrtnja *1	9,3 Nm
tvrdi slučaj zavrtnja *1	18,5 Nm
Statični moment blokiranja	15 Nm
Kapacitet zavrtnja sa 1 punjenjem baterije (1,5 Ah): *2	
5x60 u mekano drvo	141
6x80 u mekano drvo	37
Napon baterije za zamjenu	12 V
Težina baterije za zamjenu	1,1 kg

Informacije o buci/vibracijama
Mjerne vrijednosti utvrđene odgovarajuće EN 60 745.
A-ocijenjeni nivo buke aparata iznosi tipično:
 nivo pritiska zvuka (K=3 dB(A))..... 64 dB (A)
Nivo buke može kod rada prekoračiti 85 dB (A).
Nositi zaštitu sluha!
Ukupne vrijednosti vibracije (Vektor suma tri smjera) su odmjerene odgovarajuće EN 60745
 Vrijednost emisije vibracije a_v

Područje napona	12 V
Struja punjenja kod brzog punjenja	3,0 A
Održanje punjenja	max. 500 mA
Vrijeme punjenja Li-Ion sa 1,5 Ah	ca. 30 min *3
Težina bez mrežnog kabl.....	466 g

*1 mjereno po AEG normi N 877318
*2 Navedene vrijednosti su orijentirajuće vrijednosti. Stvarne vrijednosti mogu ovisno o materijalu i kakvoći vijka od toga odstupati.
*3 **80%**

UPOZORENJE
Ova u ovim uputama navedena razina titranja je bila izmjerena odgovarajuće jednom u EN 60745 normiranom mjernom postupku i može se upotrijebiti za usporedbu električnog alata međusobno. Ona je prikladna i za privremenu procjenu titrajnog opterećenja.
Navedena razina titranja reprezentira glavne primjene električnog alata. Ukoliko se električni alat upotrebljava u druge svrhe sa odstupajućim primijenjenim alatima ili nedovoljnim održavanjem, onda razina titranja može odstupati. To može titrajno opterećenje kroz cijeli period rada bitno povisiti.
Za točnu procjenu titrajnog opterećenja se moraju uzeti u obzir i vremena u kojima je uređaj isključen ili u kojima doduše radi, ali nije i stvarno u upotrebi. To može titrajno opterećenje bitno smanjiti za vrijeme cijelog radnog perioda.
Utvrdite dodatne sigurnosne mjere za zaštitu poslužioca protiv djelovanja titranja kao npr.: Održavanje električnih alata i upotrebljenih alata, održavanje topline ruku, organizacija i radne postupke.

⚠ UPOZORENJE! Pročitajte sigurnosne upute i uputnice, isto i one iz priložene brošure. Ako se ne bi poštivale napomene o sigurnosti i upute to bi moglo uzrokovati strujni udar, požar i/ili teške ozljede.
Sačuvajte sve napomene o sigurnosti i upute za buduću primjenu.

SPECIJALNE SIGURNOSNE UPUTE

Nosite zaštitu za sluh. Djelovanje buke može dovesti do gubitka sluha.
Piljevina ili iverje se za vrijeme rada stroja ne smiju odstranjivati.
Kod radova na zidu, stropu ili podu paziti na električne kablove kao i vodove plina i vode.
Prije svih radova na stroju izvaditi bateriju za zamjenu.
Istrošene baterije za zamjenu ne bacati u vatru ili u kućno smeće. AEG nudi mogućnost uklanjanja starih baterija odgovarajuće okolini. AEG nudi mogućnost uklanjanja starih baterija odgovarajuće okolini; upitajte molimo Vašeg stručnog trgovca.
Baterije za zamjenu ne čuvati skupa sa metalnim predmetima (opasnost od kratkog spoja).
Baterije sistema PCLS puniti samo sa uređajem za punjenje sistema PCLS. Ne puniti baterije iz drugih sistema.
Pod ekstremnim opterećenjem ili ekstremne temperature može iz oštećenih baterija iscuriti baterijska tekućina. Kod dodira sa baterijskom tekućinom odmah isprati sa vodom i sapunom. Kod kontakta sa očima odmah najmanje 10 minuta temeljno ispirati i odmah potražiti liječnika.

Sa uređajem za punjenje se mogu puniti sljedeće baterije:

Napon	Tip baterije	Nominalni kapacitet	Broj ćelija
12 V	L1215	<=1,5 Ah	3

Sa uređajem za punjenje se ne smiju puniti baterije koje nisu sposobne za punjenje.
U prostor za punjenje baterija u uređaju za punjenje ne smiju dospijeti metalni dijelovi (opasnost od kratkog spoja).
Baterije za zamjenu i uređaje za punjenje ne otvarati i čuvati ih samo u suhim prostorijama. Čuvati protiv vlage.
U uređaj ne sezati predmetima koji sprovode struju.
Ne puniti oštećenu bateriju za zamjenu, nego ovu odmah promijeniti.
Prije svake upotrebe aparat, priključni kabl, svežanj baterije, produžni kabl i utikač provjeriti zbog oštećenja i starenja. Oštećene dijelove dati popraviti od strane stručnjaka.
Ovaj aparat nije određen za korištenje od strane osoba (uključivši djecu) sa ograničenim fizičkim, sensorskim ili duševnim sposobnostima ili zbog manjkavog iskustva i/ili znanja, osim ako se ove nadziru od strane jedne osobe, koja je nadležna za njihovu sigurnost, ili su od ove osobe, koja je nadležna za njihovu sigurnost, poučene, kako se ovaj aparat koristi.
Djeca se moraju nadzirati kako bi se osiguralo, da se ne igraju sa ovim aparatom.

PROPISNA UPOTREBA

Baterijska bušilica-zavrtač je univerzalno upotrebljiva za bušenje i zavrtnje, neovisno o priključku na mrežu.
Aparat za brzo punjenje puni AEG baterije za zamjenu, sistema Accu PCLS od 12 V.
Ovaj aparat se smije upotrijebiti samo u određene svrhe kao što je navedeno.

PRIKLJUČAK NA MREŽU LL1230

Priključiti samo na jednofaznu naizmjeničnu struju i samo na napon struje, naveden na pločici snage. Priključak je moguć i na utičnice bez zaštitnog kontakta, jer postoji dogradnja zaštitne klase II.

CE-IZJAVA KONFORMNOSTI

Izjavljujemo na osobnu odgovornost, da se ovaj proizvod slaže sa slijedećim normama ili normativnim dokumentima. EN 60745, EN 55014-1, EN 55014-2, EN 60335, EN 61000-3-2, EN 61000-3-3, EN 50 366, po odredbama smjernica 98/37/EC, 2004/108/EC, 2006/95/EC.

 Winnenden, 2007-10-09  Rainer Kumpf
Manager Product Development

BATERIJE

Nove baterije postižu svoj puni kapacitet nakon 4-5 ciklusa punjenja i pražnjenja. Baterije koje duže vremena nisu korištene, prije upotrebe napuniti.
Temperatura od preko 50°C smanjuje učinak baterija. Duže zagrijavanje od strane sunca ili grijanja izbjeci.
Priključne kontakte na uređaju za punjenje i baterijama držati čistima.

ZAŠTITA AKUMULATORA OD PREEPTEREĆENJA

Akkupack je opremljen jednom zaštitom protiv preopterećenja, koja akumulator štiti protiv preopterećenja i osigurava dugi vijek. Kod ekstremno jakih opterećenja, elektronika akumulatora automatski isključuje stroj. Za nastavak rada stroja isključiti i ponovno uključiti. Ako se stroj ponovno ne pokrene, Akkupack je eventualno ispražnjen i mora se na punjaču ponovno napuniti.









OBILJEŽJA

Nakon umetanja baterija za zamjenu u prostor za punjenje u aparat za punjenje, baterija se automatski puni (crveni LED svjetli trajno, zeleni LED treperi).
Ako se u aparat za punjenje umetne pretopla ili prehladna baterija za zamjenu (crveni LED treperi), počinje postupak punjenja automatski, čim je baterija za zamjenu postigla korektnu temperaturu punjenja (Li-Ion 0°C...60°C).
Vrijeme punjenja može ovisno o temperaturi baterije, potrebne količine punjenja i kapaciteta baterije varirati.
Kod potpuno napunjenju baterije za zamjenu aparat preklapa na održanje punjenja zbog najvećeg korisnog kapaciteta baterije (zeleni LED stalno gori).
Baterija za zamjenu se nakon punjenja ne treba izvaditi iz aparata za punjenje. Baterija za zamjenu može stalno ostati u aparatu za punjenje. Kod toga se ona ne može prepuniti i ostaje uvijek spremna za upotrebu.
Ako trepere obadje LED istovremeno, onda ili akumulator nije sasvim nataknut, ili greška leži na akumulatoru ili aparatu za punjenje. Aparat za punjenje i akumulator iz sigurnosnih razloga odmah staviti izvan pogona i dati provjeriti jednom AEG servisu.

ODRŽAVANJE

Ako je vod priključka struje oštećen, onda ovaj mora od strane jedne AEG servisne službe biti zamijenjen, jer je u svezi toga potreban specijalan alat.
Primijeniti samo AEG opremu i rezervne dijelove. Sastavne dijelove, čija zamjena nije opisana, dati zamijeniti kod jedne od AEG servisnih službi (poštivati brošuru Garancija/Adrese servisa).
Po potrebi se može zatražiti crtež eksplozije aparata uz davanje podataka o tipu stroja i desetoznamenkastog broja na pločici snage kod Vaše servisne službe ili direktno kod AEG Elektrowerkzeuge, Max-Eyth-Straße 10, D-71364 Winnenden, Germany.

SIMBOLI

		Molimo da pažljivo pročitate uputu o upotrebi prije puštanja u rad.
		Oprema - u opsegu isporuke nije sadržana, preporučena dopuna iz promgrama opreme.
		Prije svih radova na stroju izvaditi bateriju za zamjenu.
		Aparat je prikladan samo za korištenje u prostorijama, aparat ne izlagati kiši.
		Elektricne alate ne odlažite u kućne otpatke! Prema Europskoj direktivi 2002/96/EC o starih električnim i elektroničkim strojevima i preuzimanju u nacionalno pravo moraju se istrošeni električni alati sakupljati odvojeno i odvesti u pogon za reciklažu.
		Rezervne baterije ne bacati u vatru.
		Ne puniti oštećenu bateriju za zamjenu, nego ovu odmah promijeniti.

ТЕХНИЧЕСКИЕ ДАННЫЕ

BS12C (IQ)

LL1230

Производительность сверления в стали	10 mm
Производительность сверления в дереве	20 mm
Шурупы для дерева (без предварительного засверливания)	6 mm
Число оборотов без нагрузки (об/мин)	0-575 min ⁻¹
Момент затяжки	
закручивание в мягкий материал *1	9,3 Nm
закручивание в твердый материал *1	18,5 Nm
Статический блокирующий момент	15 Nm
Количество шурупов, которое можно завинтить с одним полностью заряженным аккумулятором (1,5Ah) *2	
5x60 Мягкое дерево	141
6x80 Мягкое дерево	37
Вольтаж аккумулятора	12 V
Вес с аккумулятором	1,1 kg

Информация по шумам/вибрации

Значения замерялись в соответствии со стандартом EN 60 745.

Уровень шума прибора, определенный по показателю A, обычно составляет:

Уровень звукового давления (K=3 dB(A))..... 64 dB (A)

Уровень шума во время работы может превышать 85 dB (A).

Пользуйтесь приспособлениями для защиты слуха.

Общие значения вибрации (векторная сумма трех направлений) определены в соответствии с EN 60745.

Значение вибрационной эмиссии a_h

Небезопасность K

Диапазон напряжений	12 V
Ток быстрого заряда	3,0 A
Поддерживающий заряд	max. 500 mA
Время заряда батареи Li-Ion приблизительно 1,5 Ah	ca. 30 min *3
Вес без кабеля	466 g

*1 Измерения согласно нормативам Атлас Копко № 877318

*2 Заявленные значения являются относительными. Точная величина может варьироваться в зависимости от материала и качества шурупов.

*3 **80%**

ВНИМАНИЕ

Указанный в настоящем руководстве уровень вибрации измерен в соответствии с технологией измерения, установленной стандартом EN 60745 и может использоваться для сравнения электроинструментов друг с другом. Он также подходит для предварительной оценки вибрационной нагрузки.

Указанный уровень вибрации представляет основные виды использования электроинструмента. Но если электроинструмент используется для других целей, используемый инструмент отклоняется от указанного или техническое обслуживание было недостаточным, то уровень вибрации может отклоняться от указанного. В этом случае вибрационная нагрузка в течение всего периода работы значительно увеличивается.

Для точной оценки вибрационной нагрузки необходимо также учитывать время, в течение которого прибор отключен или включен, но фактически не используется. В этом случае вибрационная нагрузка в течение всего периода работы может существенно уменьшиться. Установите дополнительные меры безопасности для защиты пользователя от воздействия вибрации, например: техническое обслуживание электроинструмента и используемого инструмента, поддержание рук в теплом состоянии, организация рабочих процессов.

ВНИМАНИЕ! Ознакомьтесь со всеми указаниями по безопасности и инструкциями, в том числе с инструкциями, содержащимися в прилагающейся брошюре. Упущения, допущенные при соблюдении указаний и инструкций по технике безопасности, могут стать причиной электрического поражения, пожара и тяжелых травм. **Сохраняйте эти инструкции и указания для будущего использования.**

РЕКОМЕНДАЦИИ ПО ТЕХНИКЕ БЕЗОПАСНОСТИ

Используйте наушники! Воздействие шума может привести к потере слуха.

Не убирайте опилки и обломки при включенном инструменте.

При работе в стенах, потолках или полу следите за тем, чтобы не повредить электрические кабели или водопроводные трубы.

Вывите аккумулятор из машины перед проведением с ней каких-либо манипуляций.

Не выбрасывайте использованные аккумуляторы вместе с домашним мусором и не сжигайте их. Дистрибьюторы компании AEG предлагают восстановление старых аккумуляторов, чтобы защитить окружающую среду.

Не храните аккумуляторы вместе с металлическими предметами во избежание короткого замыкания.

Для зарядки аккумуляторов модели PCLS используйте только зарядным устройством PCLS. Не заряжайте аккумуляторы других систем.

Аккумуляторная батарея может быть повреждена и дать течь под воздействием чрезмерных температур или повышенной нагрузки. В случае контакта с аккумуляторной кислотой немедленно промойте место контакта мылом и водой. В случае попадания кислоты в глаза промойте глаза в течение 10 минут и немедленно обратитесь за медицинской помощью.

При помощи данного зарядного устройства могут заряжаться следующие аккумуляторы:

Напряжение	Модель	Номинальная емкость (при хранении)	Количество элементов в аккумуляторе
12 V	L1215	<=1,5 Ah	3

Не старайтесь зарядить непerezаряжаемые батареи при помощи этого зарядного устройства.

Не допускается попадание каких-либо металлических предметов в аккумуляторный отсек зарядного устройства во избежание короткого замыкания.

Никогда не вскрывайте аккумуляторы или зарядные устройства и храните их только в сухих помещениях. Следите чтобы они всегда были сухими.

Не дотрагивайтесь до них токопроводящими предметами.

Никогда не заряжайте поврежденные аккумуляторы. Замените их новым.

Перед включением проверьте инструмент, кабель и вилку на предмет повреждений или усталости материала.

Ремонт может производиться только уполномоченными Сервисными Организациями.

Данный прибор не предназначен для использования лицами (включая детей) с ограниченными физическими, сенсорными или умственными способностями, а также в случае недостатка опыта и/или знаний, за исключением случаев, когда они находятся под контролем людей, отвечающих за их безопасность, или получили от них инструкции по использованию прибора. Необходимо следить за тем, чтобы дети не играли с прибором.

ИСПОЛЬЗОВАНИЕ LL1230

Аккумуляторная дрель/шуруповерт сконструирована для простого сверления и закручивания шурупов в местах, необеспеченных электропитанием.

Быстрое зарядное устройство может заряжать аккумуляторы AEG от PCLS до 12 V.

Не пользуйтесь данным инструментом способом, отличным от указанного для нормального применения.

ПОДКЛЮЧЕНИЕ К ЭЛЕКТРОСЕТИ

Подсоединять только к однофазной сети переменного тока с напряжением, соответствующим указанному на инструменте. Электроинструмент имеет второй класс защиты, что позволяет подключать его к розеткам электропитания без заземляющего вывода.

ДЕКЛАРАЦИЯ О СООТВЕТСТВИИ СТАНДАРТАМ ЕС

Мы заявляем что этот продукт соответствует следующим стандартам: EN 60745, EN 55014-1, EN 55014-2, EN 60335, EN 61000-3-2, EN 61000-3-3, EN 50 366, в соответствии с правилами 98/37/EC, 2004/108/EC, 2006/95/EC.



Winnenden, 2007-10-09

Rainer Kumpf
Manager Product Development

АККУМУЛЯТОР

Новый аккумулятор заряжается до полной емкости после 4 - 5 зарядных циклов. Перед использованием аккумулятора, которым не пользовались некоторое время, его необходимо зарядить.

Температура свыше 50°C снижает работоспособность аккумуляторов. Избегайте продолжительного нагрева или прямого солнечного света (риск перегрева).

Контакты зарядного устройства и аккумуляторов должны содержаться в чистоте.

ЗАЩИТА ОТ ПЕРЕГРУЗКИ АККУМУЛЯТОРА

Аккумуляторный блок оснащен предохранителем от перегрузки, который защищает аккумулятор от перегрузки и обеспечивает долгий срок службы. При чрезмерно сильных нагрузках электроника аккумулятора автоматически отключит машину. Для продолжения работы машину выключить и снова включить. Если машина не включается, то, возможно, разрядился аккумуляторный блок и следует зарядить его в зарядном устройстве.

ХАРАКТЕРИСТИКИ

Аккумуляторы начнут автоматически заряжаться, после помещения их в зарядное устройство (красный СД горит постоянно, зеленый СД мигает).

При установке на зарядное устройство горячих или холодных аккумуляторов (красная индикатор мигает), зарядка начнется автоматически при достижении аккумуляторами необходимой температуры (Li-Ion 0°C...60°C).

Время зарядки зависит от температуры аккумулятора, заряженности аккумулятора от типа аккумулятора.

Как только зарядка закончится, зарядное устройство, переключается в режим "капельной" подзарядки для поддержания полного заряда аккумуляторов (зеленый индикатор горит постоянно)

Нет необходимости снимать аккумуляторы с зарядного устройства после зарядки. Аккумуляторы могут постоянно находиться в зарядном устройстве без риска перезарядки.

Одновременное мигание двух светодиодов указывает на неплотное установленный аккумулятор или неисправность аккумулятора либо зарядного устройства. В этом случае по соображениям безопасности немедленно отсоедините зарядное устройство и аккумулятор от прибора и обратитесь в сервисный центр AEG для их проверки.

ОБСЛУЖИВАНИЕ

Всги шнур подвода питания этого прибора поврежден, он должен заменяться только в ремонтной мастерской, назначенной изготовителем, так как требуются специальные инструменты.

Пользуйтесь аксессуарами и запасными частями только фирмы AEG. В случае возникновения необходимости в замене, которая не была описана, пожалуйста, обращайтесь на один из сервисных центров (см. список наших гарантийных/сервисных организаций).

При необходимости может быть заказан чертеж инструмента с трехмерным изображением деталей. Пожалуйста, укажите десятизначный номер и тип инструмента и закажите чертеж у Ваших местных агентов или непосредственно у AEG Elektrowerkzeuge, Max-Eyth-Straße 10, D-71364 Winnenden, Germany.

СИМВОЛЫ



Пожалуйста, внимательно прочтите инструкцию по использованию перед началом любых операций с инструментом.



Дополнитель - в стандартную комплектацию не входит, поставляется в качестве дополнительной принадлежности.



Вывите аккумулятор из машины перед проведением с ней каких-либо манипуляций.



данное устройство может использоваться только внутри помещений. Не допускайте оставлять устройство под дождем.



Не выбрасывайте электроинструмент с бытовыми отходами! Согласно Европейской директиве 2002/96/EC по отходам от электрического и электронного оборудования и соответствующим нормам национального права вышедшие из употребления электроинструменты подлежат сбору отдельно для экологически безопасной утилизации.



Исрасходованные сменные аккумуляторы не бросайте в огонь.



Никогда не заряжайте поврежденные аккумуляторы. Замените их новым.

ТЕХНИЧЕСКИ ДАННИ **BS12C (IQ)** **LL1230**

Диаметър на свредлото за стомана.....	10 mm
Диаметър на свредлото за дърво.....	20 mm
Винтове за дърво (без предварително разпробиване).....	6 mm
Обороти на празен.....	0-575 min ⁻¹
Въртящ момент	
по-слабо завинтване *1.....	9,3 Nm
по-силно завинтване *1.....	18,5 Nm
Статичен блокиращ момент.....	15 Nm
Капацитет за завинтване с 1 зареждане на акумулатора (1,5 Ah): *2	
5x60 в меко дърво.....	141
6x80 в меко дърво.....	37
Напрежение на акумулатора.....	12 V
Тегло с акумулатора.....	1,1 kg

Информация за шума/вибрациите

Измерените стойности са получени съобразно EN 60 745. Оцененото с A ниво на шума на уреда е съответно:
 Ниво на звукова мощност (K=3 dB(A))..... 64 dB (A)
 При работа нивото на шума може да надхвърли 85 dB (A).
Да се носи предпазно средство за слуха!

Общите стойности на вибрациите (векторна сума на три посоки) са определени в съответствие с EN 60745.
 Стойност на емисиите на вибрациите a_h..... < 2,5 m/s²
 Несигурност K..... 1,5 m/s²

Диапазон на напрежението.....	12 V
Ток на зареждане при бързо зареждане.....	3,0 A
Поддържащо зареждане.....	max. 500 mA
Време на зареждане Li-Ion с 1,5 Ah.....	ca. 30 min *3
Тегло без мрежов кабел.....	466 g

*1 Измерено по стандарт N 877318 на AEG
 *2 Посочените стойности са ориентировъчни. Действителните стойности могат да се различават от тях в зависимост от материала и от качеството на винтовете.
 *3 **80%**

ВНИМАНИЕ

Посоченото в тези инструкции ниво на вибрациите е измерено в съответствие със стандартизиран в EN 60745 измервателен метод и може да се използва за сравнение на електрически инструменти помежду им. Подходящ е и за временна оценка на вибрационното натоварване.
 Посоченото ниво на вибрациите представя основните приложения на електрическия инструмент. Ако обаче електрическият инструмент се използва с друго предназначение, с различни сменяеми инструменти или при недостатъчна техническа поддръжка, нивото на вибрациите може да е различно. Това чувствително може да увеличи вибрационното натоварване по време на целия работен цикъл. За точната оценка на вибрационното натоварване трябва да се вземат предвид и периодите от време, в които уредът е изключен или работи, но в действителност не се използва. Това чувствително може да намали вибрационното натоварване по време на целия работен цикъл.
 Определете допълнителни мерки по техника на безопасност в защита на обслужвания работник от въздействието на вибрациите като например: техническа поддръжка на електрическия инструмент и сменяемите инструменти, поддръжане на ръцете топли, организация на работния цикъл.

▲ ВНИМАНИЕ! Прочетете указанията за безопасност и съветите в приложената брошура. Неспазването на приведените по-долу указания може да доведе до токов удар, пожар и/или тежки травми.
Съхранявайте тези указания на сигурно място.

СПЕЦИАЛНИ УКАЗАНИЯ ЗА БЕЗОПАСНОСТ

Носете средство за защита на слуха. Въздействието на шума може да предизвика загуба на слуха.
 Стружки или отчупени парчета да не се отстраняват, докато машина работи.
 При работа в стени, тавани или подове внимавайте за кабели, газопроводи и водопроводи.
 Преди започване на каквито е да е работи по машината извадете акумулатора.
 Не изхвърляйте изхабените акумулатори в огъня или в битовите отпадъци. AEG предлага екологосъобразно събиране на старите акумулатори; моля попитайте Вашия специализиран търговец.
 Не съхранявайте акумулаторите заедно с метални предмети (опасност от късо съединение).
 Акумулатори от системата PCLS да се зареждат само със зарядни устройства от системата PCLS laden. Да не се зареждат акумулатори от други системи.

При екстремно натоварване или екстремна температура от повредени акумулатори може да изтече батерийна течност. При допир с такава течност веднага измийте с вода и сапун. При контакт с очите веднага изплаквайте старателно най-малко 10 минути и незабавно потърсете лекар.
 Със зарядното устройство могат да се зареждат следните акумулатори:

Напрежение	Тип на акумулатора	Номинален капацитет	Брой на клетките
12 V	L1215	<=1,5 Ah	3

Със зарядното устройство да не се зареждат батерии, които не са зареждащи се.
 В гнездото за акумулатори на зарядните устройства не бива да попадат метални части (опасност от късо съединение).
 Не отваряйте акумулатори и зарядни устройства и ги съхранявайте само в сухи помещения. Пазете ги от влага.
 Не бъркайте в уреда с токопроводящи предмети.
 Ако акумулаторът е повреден, не го зареждайте, а веднага го сменете.
 Преди всяка употреба проверявайте уреда, свързващия кабел, акумулаторния пакет от удължителен кабел и щепсел за повреда или стареене. Повредените части да се поправят само от специалист.

Този уред не е предназначен за употреба от лица (включително деца) с ограничени физически, сензорни и умствени способности или с недостатъчен опит и/или без познания, освен ако не са наблюдавани от отговарящо за безопасността им лица и са получили от него указания как да ползват уреда.
 Не оставяйте децата без надзор, за да сте сигурни, че не си играят с уреда.

ИЗПОЛЗВАНЕ ПО ПРЕДНАЗНАЧЕНИЕ

Акумулаторният пробивен винтоверт се използва универсално за пробиване и за завинтване на винтове и не зависи от захранване от мрежата.
 Бързоразрядното устройство зарежда акумулаторите на AEG от системата Accu PCLS от 12 V.

Този уред може да се използва по предназначение само както е посочено.

ЗАЩИТА НА ДВИГАТЕЛЯ В ЗАВИСИМОСТ ОТ НАТОВАРВАНЕТО LL1230

Да се свързва само към еднофазен променлив ток и само към мрежово напрежение, посочено върху заводската табелка. Възможно е и свързване към контакт, който не е от тип "шуко", понеже конструкцията е от защитен клас II.

СЕ - ДЕКЛАРАЦИЯ ЗА СЪОТВЕТСТВИЕ

Декларираме на собствена отговорност, че този продукт съответства на следните стандарти или нормативни документи: EN 60745, EN 55014-1, EN 55014-2, EN 60335, EN 61000-3-2, EN 61000-3-3, EN 50 366, съобразно предписанията на директивите 98/37/EO, 2004/108/EO, 2006/95/EO.



АКУМУЛАТОРИ

Новите сменяеми акумулатори достигат пълния си капацитет след 4-5 цикъла на зареждане и разреждане. Акумулатори, които не са ползвани по-дълго време, преди употреба да се дозаредят.
 Температура над 50°C намалява мощността на акумулатора. Да се избягва по-продължително нагряване на слънце или от отопление.
 Поддържайте чисти присъединителните контакти на зарядното устройство и на акумулатора.

ЗАЩИТА ОТ ПРЕТОВАРВАНЕ НА БАТЕРИЯТА

Акумулаторният пакет е оборудван със защита против претоварване, която защитава акумулатора от претоварване и гарантира дълъг експлоатационен живот.
 При извънредно силно натоварване електрониката на акумулатора автоматично изключва машината. За продължаване на работата изключете и отново включете машината. Ако машината не може да се пусне наново, може би акумулаторният пакет е разреден и трябва отново да се зареди в зарядното устройство.

ХАРАКТЕРИСТИКИ

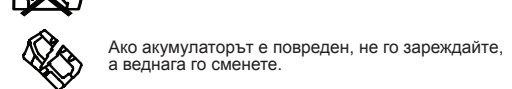
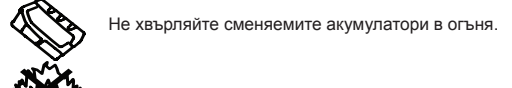
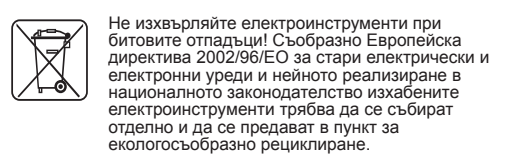
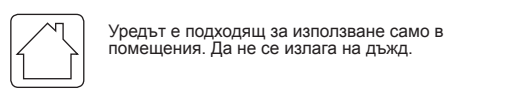
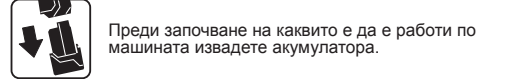
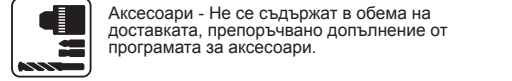
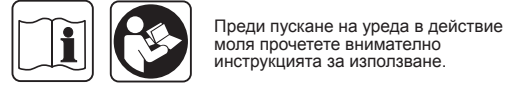
След поставяне на акумулатора в гнездото на зарядното устройство акумулаторът се зарежда автоматично (червеният светодиод свети непрекъснато, зеленият светодиод мига).
 Ако в зарядното устройство бъде поставен твърде топъл или твърде студен акумулатор (червената LED-индикация мига), процесът на зареждане започва автоматично, когато акумулаторът достигне необходимата температура на зареждане. (Li-Ion 0°C...60°C).
 Времето на зареждане може да варира в зависимост от температурата на акумулатора, от необходимото количество на зареждане и капацитета на акумулатора.
 При напълно зареден акумулатор уредът превключва на поддържащо зареждане за максимално използване на

капацитета на акумулатора (зелената LED-индикация свети продължително).
 След зареждането акумулаторът няма нужда да се изважда от зарядното устройство. Акумулаторът може да остане продължително време в зарядното устройство. При това той не може да бъде презареден и винаги е в експлоатационна готовност.
 Ако двата светодиода мигат едновременно, или акумулаторът не е изместен напълно, или има повреда на акумулатора или зарядното устройство. От съображения за безопасност веднага изключете зарядното устройство и акумулатора и ги дайте за проверка в сервис на AEG.

ПОДДРЪЖКА

Ако кабелът за свързване към мрежата е повреден, той трябва да бъде сменен от сервис на AEG, защото за това са необходими специални инструменти.
 Да се използват само аксесоари на AEG и резервни части на. Елементи, чията подмяна не е описана, да се дават за подмяна в сервис на AEG (вижте брошурата "Гаранция и адреси на сервиси").
 При необходимост можете да поискате за уреда от Вашия сервис или директно от AEG Elektrowerkzeuge, Max-Eyth-Straße 10, D-71364 Winnenden, Germany, чертеж за в случай на експлозия, като посочите типа на машината и десетцифрения номер върху заводската табелка.

СИМВОЛИ



技术数据	BS12C (IQ)	LL1230
钻孔直径在钢材.....	10 mm	
钻孔直径在木材.....	20 mm	
木材螺丝（不必先钻孔）.....	6 mm	
无负载转速.....	0-575 min ⁻¹	
扭力		
在软件上拧紧螺丝 *1.....	9.3 Nm	
在硬件上拧紧螺丝 *1.....	18.5 Nm	
静态阻滞扭力.....	15 Nm	
以一次充电量所能够松、紧的螺丝数量（1.5 安培小时）： *2		
5x60 在软木.....	141	
6x80 在软木.....	37	
蓄电池电压.....	12 V	
包含蓄电池的重量.....	1.1 kg	

噪音/振动信息
 本测量值符合 EN 60 745 条文的规定。
 器械的标准A-值噪音级为：
 音压值 (K=3 dB(A))..... 64 dB (A)
 工作时的噪音值可能超过 85 dB(A)。
 请戴上护耳罩！

依欧盟EN 60745 标准确定的振荡总值（三方向矢量和）。
 a_v-振荡发射值..... < 2.5 m/s²
 K-不可靠性..... 1.5 m/s²

电压范围.....	12 V
快速充电的充电电流.....	3.0 A
保存充电.....	max. 500 mA
充电时间 Li-Ion 以 1.5 Ah.....	ca. 30 min *3
不含电线重量.....	466 g

*1 根据 AEG N 877318 号检验标准所测得
 *2 本资料只供参考。如果使用不同的材料和螺丝，所得的数据可能和本资料有所出入。
 *3 **80%**

注意
 本规程列出的依欧盟EN 60745 标准一项标准测量方法测量的振荡级也可用于电动工具比较并适合于临时振荡负荷估计。
 该振荡级代表电动工具的主要应用。电动工具的其他应用，不正确的工作工具或欠缺维护可造成振荡级偏差。此可明显提高总工作期间的振荡负荷。
 正确地估计一定工作期间的振荡负荷也要考虑到工具关闭或接通而不使用的期间。此可明确减少总工作期间的振荡负荷。
 为提高操作人员对振荡作用的保护得规定补充安全措施：电动工具及工作工具的维护，温手，工作过程组织等。

⚠ 注意！ 务必仔细阅读所有安全说明和安全指示（应注意阅读附上的小册子）。如未确实 遵循警告提示和指示，可能导致电击、火灾并且/ 或其他的严重伤害。
 妥善保存所有的警告提示和指示，以便日后查阅。

特殊安全指示

请戴上耳罩。工作噪音会损坏听力。
 如果机器仍在运转，切勿清除其上的木屑或金属碎片。
 在墙壁、天花板或地板工作时，必须特别注意被埋埋的电线、瓦斯管和水管。
 在机器上进行任何修护工作之前，先拿出蓄电池。
 损坏的蓄电池不可以丢入火中或一般的家庭垃圾中。AEG 提供了符合环保要求的回收项目： 请向您的专业经销商索取有关详情。

蓄电池不可以和金属物体存放在一起（可能产生短路）。
 PCLS 系列的蓄电池只能和 PCLS 系列的充电器配合使用。不可以使用本充电器为其它系列的电池充电。

在过度超荷或极端的温度下，可能从损坏的蓄电池中流出液体。如果触摸了此液体，必须马上使用肥皂和大量清水冲洗。如果此类流体侵入眼睛，马上用清水彻底清洗眼睛（至少冲洗 10 分钟），接着即刻就医治疗。

电压	蓄电池种类	额定电量	充电格数目
12 V	L1215	<=1,5 Ah	3

本充电器不可以为非充电式电池充电。
 充电器的充电格中，不可以存在任何金属物质（可能产生短路）。
 不可拆开蓄电池和充电器。蓄电池和充电器必须储藏在干燥的空间，勿让湿气渗入。
 不可以把导电物体放入充电器中。

蓄电池如果损坏了则不可以继续充电，必须马上更换新的电池。
 使用之前，先检查机器、电源电线、电池组、延长线和插头是否有任何损坏。损坏的零件只能交给专业电工换修。
 除非负责安全或给予本器械操作指示的人员在场，身体、感觉或精神机能障碍者或缺乏经验和/或缺乏知识的人员（包括小孩）不得使用本器械。
 应照管小孩，不要让小孩弄本器械。

正确地使用机器

可以使用本电动螺丝起子钻进行钻孔和松、紧螺丝作业，并且不需连接电源。
 本快速充电器可为 Accu PCLS 12 V 系列的 AEG 蓄电池充电。请依照本说明书的指示使用此机器。

电源插头 LL1230

只能连接单相交流电，只能连接机器铭牌上规定的电压。本机器也可以连接在没有接地装置的插座上，因为本机器的结构符合第II 级绝缘。

蓄电池

新的蓄电池经过 4-5 次的充、放电后，可达到最大的容量。长期存放的蓄电池，必须先充电再使用。
 如果周围环境的温度超过摄氏 50 度，蓄电池的功能会减弱。勿让蓄电池长期暴露在阳光或暖气下。
 充电器和蓄电池的接触点都必须保持干净。

蓄电池超载保护

为防止蓄电池超载并确保使用寿命，蓄电池组具有超载保护。负荷极端高时，电路自动断开，机器停止运转。为继续工作，将机器断开并再接通。如果机器不再起动力，蓄电池组可能已放电完，得用充电器再次充电。

特点

把蓄电池装入充电器的充电格后，充电器便开始进行充电（红色指示灯持续亮着，绿色指示灯进入闪烁状态）。
 如果装入充电格的蓄电池过热或温度过低，充电器不充电（红色指示灯开始闪烁）。待蓄电池的温度恢复到可充电的温度范围后，充电器便会自动进入充电状态 (Li-Ion 0°C...60°C)。但是以下各因素会影响充电时间： 蓄电池温度、充电器中蓄电池的数量以及蓄电的容量等。
 充电完毕后，机器会进入保存充电状态。以便保存最高电量（绿色指示灯持续亮着）。
 充电完毕后，不必从充电器中取出蓄电池。蓄电池可以长期储放在充电器中。蓄电池不会因此而超量充电，您也可以随时取出电池使用。
 两个指示灯同时闪烁，能是充电电池未安装正确，或者充电电池或充电器故障了。基于安全的理由马上关闭充电器，拿出充电电池，并将以上机件交给 AEG 顾客服务中心检查。

维修

如果机器的电源电线受损，必须把机器交给 AEG 的顾客服务中心修理，因为换修电源电线必须使用特殊的工具。
 只能使用 AEG 的配件和零件。缺少检修说明的机件如果损坏了，必须交给 AEG 的顾客服务中心更换（参考手册“保证书 / 顾客服务中心地址”）。
 如果需要机器的分解图，可以向您的顾客服务中心或直接向 AEG Elektrowerkzeuge, Max-Eyth-Straße 10, D-71364 Winnenden, Germany. 案件时必须提供以下资料： 机型和机器铭牌上的十位数字码。

符号

		使用本机器之前请详细阅读使用说明书。
		配件 - 不包含在供货范围中。请另外从配件目录选购。
		在机器上进行任何修护工作之前，先拿出蓄电池。
		机器只能在室内操作，本机器不可以曝露在雨水中。
		不可以把损坏的电动工具丢弃在家庭垃圾中！根据被欧盟各国引用的有关旧电子机器的欧洲法规 2002/96/EC，必须另外收集旧电子机器，并以符合环保规定的方式回收再利用。
		不可以把充电电池丢入火中。
		蓄电池如果损坏了则不可以继续充电，必须马上更换新的电池。

ML-Page: HOME - GB-Version - Microsoft Internet Explorer

Datei Bearbeiten Ansicht Favoriten Extras ?

Adresse <http://www.aeg-pt.com/> Wechseln zu


COMPANY PRODUCTS WHERE TO BUY SERVICE CONTACT SEARCH **AEG**

> **AEG**
New Strategy 2004

> **AEG Battery Tools brochure**
brochure [2.7 MB]


> **Electricians at work**
brochure

PN 24 Battery Rotary Hammer




LANGUAGE


> **DB2E 1500 Diamond Drill**



> **FS 2 D Palm sander**



> **FIXTEC Nut**



GERMAN TECHNOLOGY FOR PROFESSIONALS

http://www.aeg-pt.com/internet/aeg_pt.nsf/2003wwwGBAllToolType/PN24/OpenDocument Internet

www.aeg-pt.com: S10YK1 - Microsoft Internet Explorer

Datei Bearbeiten Ansicht Extras ?

Adresse <http://www.aegpt.com/internet/2003wwwGBAllToolType/PN24/OpenDocument> Wechseln zu

COMPANY PRODUCTS WHERE TO BUY SERVICE CONTACT SEARCH **AEG**

Service Centers



- A robust, multi-purpose palm sander. FS 2D is especially suitable for sanding a large number of jobs. It is ideal for sanding wood, but can also be used on metal, stone, masonry, etc. It has a large sanding disc and a large sanding disc.
- AEG FS 2D is a palm sander with a large sanding disc and a large sanding disc.
- AEG FS 2D is a palm sander with a large sanding disc and a large sanding disc.
- AEG FS 2D is a palm sander with a large sanding disc and a large sanding disc.
- AEG FS 2D is a palm sander with a large sanding disc and a large sanding disc.

Technical Data

Maximum depth	mm	100
Working depth	mm	120
Max. cutting depth in steel / aluminium	mm	120 / 120
Max. cutting depth in wood / plastic / glass	mm	120 / 120
Length of stroke	mm	25
Max. sanding disc	mm	120
Weight	kg	1.24

www.aeg-pt.com: S10YK1 - Microsoft Internet Explorer

Datei Bearbeiten Ansicht Extras ?

Adresse <http://www.aegpt.com/internet/2003wwwGBAllToolType/PN24/OpenDocument> Wechseln zu

COMPANY PRODUCTS WHERE TO BUY SERVICE CONTACT SEARCH **AEG**

Service Centers

- Austria
- Belgium
- Czech Republic
- Denmark
- Finland
- France
- Germany
- Great Britain
- Italy
- Norway
- Portugal
- Russia
- Spain
- Sweden
- Switzerland

www.aeg-pt.com: S10YK1 - Microsoft Internet Explorer

Datei Bearbeiten Ansicht Extras ?

Adresse <http://www.aegpt.com/internet/2003wwwGBAllToolType/PN24/OpenDocument> Wechseln zu

