

CANDY

USER INSTRUCTIONS

COOKERS

GB

CUCINE

ISTRUZIONI PER L'USO

IT

NOTICE D'EMPLOI ET D'INSTALLATION

DES CUISINIÈRES

FR

ELEKTRO-GAS-STANDHERDE

GEBRAUCHSANWEISUNG

DE

COCINAS

INSTRUCCIONES DE USO

ES

FOGÕES

INSTRUÇÕES DO UTILIZADOR

PT

ПЛИТЫ

РУКОВОДСТВО ПОЛЬЗОВАТЕЛЯ

RU

KUCHENKI

INSTRUKCJA OBSŁUGI

PL

MANUAL DE UTILIZARE

ARAGAZURI

RO

GEBRUIKSAANWIJZING

FORNUIZEN

NL

ΚΟΥΖΙΝΕΣ

ΟΔΗΓΙΕΣ ΧΡΗΣΗΣ

GR



CONTENTS**GB**

Safety Instructions	05
1. General Warnings	06
1.1. Symbols Used In This User Manual.....	06
1.2. Declaration Of Compliance.....	06
1.3. Safety Hints.....	06
1.4. Useful Tips.....	06
2. Installation	07
2.1. Environment The Appliance Should Be Placed.....	07
2.2. Positioning.....	07
2.3. Feet Adjustment.....	07
2.4. Electrical Connection.....	08
2.5. Cookers With Energy Cable.....	08
2.6. Gas Connection.....	08
2.7. Conversion For Different Gas Types.....	09
2.8. Dimensions Of The Appliance.....	09
2.9. General Appearance And Definition Of The Appliance.....	09
3. Use Of Cooktop Burners	10
3.1. Use Of Cooktop Gas Burners.....	10
3.2. Use Of Cooktop Electrical Plates.....	11
4. Use Of The Oven	12
4.1. Grilling.....	12
4.2. Electric Oven.....	12
4.3. Electric Oven Suggestions For Cooking.....	12
4.4. Cooking Pizza.....	12
4.5. Cooking Cakes.....	12
4.6. Cooking Meats.....	12
4.7. Cooking Fish.....	12
4.8. Cooking Turn Spit.....	13
4.9. Using The Minute Timer.....	13
4.10. Using The End Of Cooking Timer.....	13
4.11. Gas Oven.....	13
4.12. Use Of The Electronic Programmer.....	13
4.13. Cooking Tables.....	14
5. Cleaning And Maintenance	15
5.1. Catalytic Self - Cleaning Oven.....	15
6. Service Centre & Troubleshooting	15
7. Protection Of The Environment	15

SOMMAIRE**FR**

Conseils De Sécurité	27
1. Recommandations	28
1.1. Symboles Utilisés Dans La Notice.....	28
1.2. Déclaration De Conformité.....	28
1.3. Consignes De Sécurité.....	28
1.4. Conseils Utiles.....	28
2. Installation	29
2.1. Environnement Dans Lequel L'appareil Doit Être Installé.....	29
2.2. Positionnement.....	29
2.3. Réglage Des Pieds.....	29
2.4. Raccordement Electrique.....	30
2.5. Cuisinière Livrée Avec Cordon D'alimentation.....	30
2.6. Raccordement Gaz.....	30
2.7. Modification Pour Type De Gaz Différent.....	31
2.8. Dimensions De L'appareil.....	31
2.9. Aspect Général Et Définition De L'appareil.....	31
3. Utilisation Des Brûleurs	32
3.1. Utilisation Des Brûleurs De La Table De Cuisson.....	32
3.2. Utilisation Des Plaques Electriques Sur De La Table De Cuisson.....	33
4. Utilisation	34
4.1. Utilisation Du Four Grill.....	34
4.2. Four Electrique.....	34
4.3. Suggestions De Cuisson Au Four Electrique.....	34
4.4. Cuisson Pizza.....	34
4.5. Preparation De Gateaux.....	34
4.6. Cuisson De La Viande.....	34
4.7. Cuisson Du Poisson.....	34
4.8. Cuisson Au Tournebroche.....	35
4.9. Utilisation De La Minuterie.....	35
4.10. Utilisation Des Brûleurs A Gaz De La Table De Cuisson.....	35
4.11. Four A Gaz.....	35
4.12. Utilisation Du Programmeur Electronique.....	35
4.13. Tableau De Cuisson.....	36
5. Nettoyage Et Maintenance	37
5.1. Four Catalytique Autonettoyant.....	37
6. Centre D'assistance Technique Et Résolution Des Problèmes	38
7. Protection De L'environnement	38

CONTENUTO**IT**

Indicazioni Di Sicurezza	16
1. Avvertenze Generali	17
1.1. Simboli Usati In Questo Manuale.....	17
1.2. Dichiarazione Di Conformità.....	17
1.3. Suggerimenti Per La Sicurezza.....	17
1.4. Suggerimenti Utili.....	17
2. Installazione	18
2.1. L'ambiente In Cui Installare L'elettrodomestico.....	18
2.2. Posizionamento.....	18
2.3. Regolazione Dei Piedini.....	18
2.4. Collegamento Elettrico.....	19
2.5. Cucine Con Cavo Di Corrente.....	19
2.6. Collegamento Al Gas.....	19
2.7. Conversione Per Tipi Di Gas Diversi.....	20
2.8. Dimensioni Dell'elettrodomestico.....	20
2.9. Aspetto Generale E Definizioni Dell'elettrodomestico.....	20
3. Utilizzo Dei Bruciatori Del Piano Di Cottura	21
3.1. Utilizzo Dei Bruciatori A Gas Del Piano Di Cottura.....	21
3.2. Utilizzo Di Piastre Elettriche Del Piano Di Cottura.....	22
4. Uso Del Forno	23
4.1. Grill.....	23
4.2. Forno Elettrico.....	23
4.3. Suggerimenti Di Cottura Per Il Forno Elettrico.....	23
4.4. Funzione Pizza.....	23
4.5. Preparazione Di Torte.....	23
4.6. Cottura Della Carne.....	23
4.7. Cottura Del Pesce.....	23
4.8. Girarrosto.....	24
4.9. Uso Del Contaminuti.....	24
4.10. Uso Del Temporizzatore.....	24
4.11. Forno A Gas.....	24
4.12. Utilizzo Del Programmatore Elettronico.....	24
4.13. Tabelle Di Cottura.....	25
5. Pulizia E Manutenzione	26
5.1. Forno Catalitico Autopulente.....	26
6. Centri Assistenza E Risoluzione Dei Problemi	26
7. Protezione Dell'ambiente	26

INHALT**DE**

Sicherheitsvorschriften	39
1. Allgemeine Hinweise	40
1.1. Bedeutung Der Im Text Verwendeten Symbole.....	40
1.2. Konformitätserklärung.....	40
1.3. Sicherheitshinweise.....	40
1.4. Nützliche Hinweise.....	40
2. Installation	41
2.1. Standort Des Herdes.....	41
2.2. Einbauposition.....	41
2.3. Höhenregulierung Der Füße.....	41
2.4. Elektrischer Anschluss.....	42
2.5. Herde Mit Anschlusskabel.....	42
2.6. Gasanschluss.....	42
2.7. Abstimmung Des Herds Auf Eine Andere Gasart.....	43
2.8. Gerätemasse.....	43
2.9. Allgemeine Beschreibung Des Geräts.....	43
3. Bedienung Der Kochstellenbrenner	44
3.1. Bedienung Der Kochstellenbrenner Des Kochfelds.....	44
3.2. Bedienung Der Elektrischen Kochstellen Des Kochfelds.....	45
4. Bedienung Des Backofens	46
4.1. Grill.....	46
4.2. Electric Oven.....	46
4.3. Bedienung Des Backofens - Tipps.....	46
4.4. Zubereitung Von Pizza.....	46
4.5. Kuchen Und Gebäck.....	46
4.6. Fleisch.....	46
4.7. Fisch.....	46
4.8. Drehspieß.....	47
4.9. Minutenzähler.....	47
4.10. Benutzung Des Timers Für Backzeitende.....	47
4.11. Gasbackofen.....	47
4.12. Bedienung Des Elektronischen Programmierers.....	47
4.13. Tabelle Backen, Überbacken, Braten, Grillen.....	48
5. Reinigung Und Pflege	49
5.1. Backofen Mit Katalytischer Reinigungshilfe.....	49
6. Kundendienst Und Abhilfe Bei Störungen	49
7. Umweltgerechte Entsorgung	49

CONTENIDO**ES**

Instrucciones Para Un Uso Seguro	50
1. Aviso General	51
1.1. Símbolos Utilizados En Este Manual De Usuario	51
1.2. Declaración De Conformidad	51
1.3. Indicaciones Para Su Seguridad.....	51
1.4. Consejos Útiles	51
2. Instalación	52
2.1. Emplazamiento Del Electrodoméstico	52
2.2. Ubicación.....	52
2.3. Regulación De Las Patas	52
2.4. Conexión Eléctrica	53
2.5. Cocinas Con Cables De Alimentación.....	53
2.6. Conexión De Gas	53
2.7. Conversión De Distintos Tipos De Gas.....	54
2.8. Dimensiones Del Electrodoméstico.....	54
2.9. Aspecto General Y Definición Del Electrodoméstico.....	54
3. Uso De Los Quemadores De La Encimera	55
3.1. Uso De Los Quemadores De La Encimera De Gas.....	55
3.2. Uso De Las Placas Eléctricas De La Encimera.....	56
4. Uso Del Horno	57
4.1. Grill	57
4.2. Horno Eléctrico	57
4.3. Sugerencias Para Cocinar En El Horno Eléctrico.....	57
4.4. Cocción Pizza	57
4.5. Cocinar Repostería	57
4.6. Cocinar Carne	57
4.7. Cocinar Pescado	57
4.8. Asador.....	58
4.9. Uso Del Minutero.....	58
4.10. Uso Del Temporizador.....	58
4.11. Horno De Gas	58
4.12. Uso Del Programador Electrónico.....	58
4.13. Tablas De Cocción	59
5. Limpieza Y Mantenimiento	60
5.1. Horno Con Autolimpieza Catalítica.....	60
6. Servicio Técnico Y Solución De Posibles Averías	60
7. Protección Del Medio Ambiente	60

CONTEÚDO**PT**

Instruções De Segurança	61
1. Considerações Gerais	62
1.1. Símbolos Usados Neste Manual Do Utilizador	62
1.2. Declaração De Conformidade	62
1.3. Sugestões De Segurança	62
1.4. Sugestões Úteis.....	62
2. Instalação	63
2.1. Ambiente Onde O Equipamento Deve Ser Colocado	63
2.2. Posicionamento	63
2.3. Ajuste Dos Pés	63
2.4. Ligação Eléctrica	64
2.5. Fogões Com Cabo Eléctrico	64
2.6. Ligação Do Gás.....	64
2.7. Conversão Para Diferentes Tipos De Gás	65
2.8. Dimensões Do Equipamento.....	65
2.9. Aspecto Geral E Definição Do Equipamento.....	65
3. Utilizar Queimadores	66
3.1. Utilizar Queimadores A Gás	66
3.2. Utilização De Placas Eléctricas.....	67
4. Utilização Do Forno	68
4.1. Grelhar.....	68
4.2. Forno Eléctrico	68
4.3. Forno Eléctrico Sugestões Para Cozinhar	68
4.4. Cozinhar Pizza	68
4.5. Cozinhar Bolos	68
4.6. Cozinhar Carnes	68
4.7. Cozinhar Peixe	68
4.8. Cozinhar com Espeto Rotativo.....	69
4.9. Utilização Do Conta Minutos	69
4.10. Utilização Do Programador De Fim De Cozedura.....	69
4.11. Forno A Gás	69
4.12. Utilização Do Programador Electrónico	69
4.13. Tabelas De Cozinhados	70
5. Limpeza E Manutenção	71
5.1. Forno Catalítico Com Auto-limpeza	71
6. Centro De Assistência E Detecção De Problemas	71
7. Protecção Do Ambiente	71

ОГЛАВЛЕНИЕ**RU**

Правила Техники Безопасности	72
1. Общие Сведения	73
1.1. Символы, Используемые В Данном Руководстве.....	73
1.2. Декларация Соответствия.....	73
1.3. Меры Предосторожности	73
1.4. Полезные Советы	74
2. Установка	74
2.1. Помещение, В Котором Устанавливается Плита.....	74
2.2. Размещение	74
2.3. Регулировка Высоты Ножек	75
2.4. Подключение К Электросети	75
2.5. Плиты, Поставляемые Без Кабеля Питания	75
2.6. Подсоединение Газа	75
2.7. Переход На Другие Типы Газа	76
2.8. Размеры Плиты	77
2.9. Общий Вид И Компоненты Плиты	77
3. Использование Конфорок	78
3.1. Использование Газовых Конфорок, Расположенных Сверху На Плите	78
3.2. Использование Электрических Плиток, Расположенных Сверху На Плите.....	79
4. Использование Духовки	79
4.1. Приготовление Пищи На Гриле	79
4.2. Ручка Управления Электрической Духовки.....	80
4.3. Советы Относительно Приготовления Пищи.....	80
4.4. Приготовление Пиццы.....	80
4.5. Приготовление Кексов И Пирожных.....	80
4.6. Приготовление Мяса	80
4.7. Приготовление Рыбы	80
4.8. Приготовление На Вертеле.....	80
4.9. Использование Таймера	80
4.10. Использование Таймера Окончания Времени Приготовления.....	81
4.11. Газовая Духовка.....	81
4.12. Использование Электронного Программатора	81
4.13. Таблица Режимов Приготовления Пищи	82
5. Чистка И Обслуживание	83
5.1. Духовка С Каталитическим Самоочищающимся Покрытием	83
6. Нахождение И Устранение Неисправностей, Сервисный Центр	83
7. Охрана Окружающей Среды	83

SPIS TREŚCI**PL**

Instrukcje Bezpieczeństwa	84
1. Zalecenia Ogólne	85
1.1. Symbole Stosowane W Niniejszej Instrukcji	85
1.2. Deklaracja Zgodności	85
1.3. Uwagi Dotyczące Bezpieczeństwa	85
1.4. Użyteczne Wskazówki	85
2. Instalacja	86
2.1. Wybór Miejsca Ustawienia Urządzenia.....	86
2.2. Ustawienie	86
2.3. Regulacja Nóżek	86
2.4. Podłączenie Elektryczne	87
2.5. Kuchenki Z Kablem Zasilającym	87
2.6. Podłączenie Do Instalacji Gazowej.....	87
2.7. Przystosowanie Kuchenki Do Innego Rodzaju Gazu.....	88
2.8. Wymiary Urządzenia	88
2.9. Wygląd Zewnętrzny Urządzenia I Jego Elementy Składowe.....	88
3. Obsługa Palników Płyty	89
3.1. Użytkowanie Palników Płyty Grzejnej	89
3.2. Użytkowanie Elektrycznych Płytek Grzejnych.....	90
4. Obsługa Piekarnika	91
4.1. Grillowanie	91
4.2. Forno Elettrico	91
4.3. Zalecenia Dotyczące Pieczenia W Piekarniku Elektrycznym	91
4.4. Pieczenie Pizzy	91
4.5. Pieczenie Ciasta.....	91
4.6. Pieczenie Mięsa.....	91
4.7. Pieczenie Ryb	92
4.8. Pieczenie Na Rożnie.....	92
4.9. Używanie Minutnika	92
4.10. Ustawianie Czasu Końca Pieczenia.....	92
4.11. Piekarnik Gazowy	92
4.12. Obsługa Programatora Elektronicznego.....	93
4.13. Tabele Pieczenia	94
5. Limpieza Y Mantenimiento	94
5.1. Horno Con Autolimpieza Catalítica	94
6. Servicio Técnico Y Solución De Posibles Averías	94
7. Protección Del Medio Ambiente	94

CUPRINS**RO**

Instrucțiuni Privind Siguranța	95
1. Măsuri Generale Privind Siguranța	96
1.1. Simboluri Utilizate În Acest Manual	96
1.2. Declarație De Conformitate	96
1.3. Recomandări Privind Siguranța	96
1.4. Sfaturi Utile.....	96
2. Instalare	87
2.1. Locația Adecvată Pentru Instalare	97
2.2. Amplasare	97
2.3. Așezare La Nivel	97
2.4. Conexiunea Electrică	98
2.5. Aragazuri Cu Cablu De Alimentare	98
2.6. Conectarea La Gaze	98
2.7. Modificarea Pentru Diverse Tipuri De Gaz	99
2.8. Dimensiunile Aparatului	99
2.9. Prezentare Generală A Aparatului	99
3. Utilizarea Arzătoarelor	100
3.1. Utilizarea Arzătoarelor Pe Gaz	100
3.2. Utilizarea Plitelor Electrice	101
4. Utilizarea Cuptorului	102
4.1. Preparare Grill	102
4.2. Cuptor Electric	102
4.3. Sugestii Pentru Preparare La Cuptorul Electric	102
4.4. Preparare	102
4.5. Preparare Prăjituri	102
4.6. Prepararea Cărnii.....	102
4.7. Prepararea Peștelui	102
4.8. Preparare La Rotisor	103
4.9. Utilizarea Programatorului	103
4.10. Setarea Timpului După Care Să Se Opească Funcționarea Cuptorului	103
4.11. Cuptor Pe Gaz	103
4.12. Utilizarea Programatorului Electronic	103
4.13. Programe De Preparare	104
5. Curățare Și Întreținere	105
5.1. Curățare Catalitică	105
6. Service Și Probleme În Funcționare	105
7. Protecția Mediului	105

INHOUDSOPGAVE**NL**

Veiligheidsvoorschriften	106
1. Algemene waarschuwingen	107
1.1. Symbolen in deze gebruikershandleiding	107
1.2. Conformiteitsverklaring	107
1.3. Veiligheidsvoorschriften	107
1.4. Nuttige tips	107
2. Installatie	108
2.1. Omgeving waarin apparaat moet worden geplaatst	108
2.2. Plaatsing	108
2.3. Afstelling van voetjes	108
2.4. Elektrische aansluiting.....	109
2.5. Fornoizen met voedingskabel	109
2.6. Gasaansluiting	109
2.7. Conversie voor verschillende typen gas	110
2.8. Afmetingen van het apparaat	110
2.9. Algemeen uiterlijk en definitie van het apparaat.....	110
3. Gebruik van branders	111
3.1. Gebruik van gasbranders	111
3.2. Gebruik van elektrische kookplaten	112
4. Gebruik van de oven	113
4.1. Grillen	113
4.2. Elektrische oven	113
4.3. Kooksuggesties voorelektrische oven	113
4.4. Pizza bakken	113
4.5. Taarten bakken	113
4.6. Maaltijden bereiden	113
4.7. Vis bereiden.....	113
4.8. Gebruik van draaispit.....	114
4.9. Gebruik van minutentimer	114
4.10. Gebruik van timervooreinde bereidingstijd	114
4.11. Gasoven	114
4.12. Gebruik van elektronisch programma.....	114
4.13. Kooktabellen	115
5. Reining en onderhoud	116
5.1. Zelfreinigende katalytische oven	116
6. Klantenservice en probleemoplossing	116
7. Milieubescherming	116

ΠΕΡΙΕΧΟΜΕΝΑ**GR**

Οδηγίες Ασφαλείας	117
1. Γενικές Οδηγίες	118
1.1. Χρήση Συμβολών	118
1.2. Δήλωση Συμβατότητας	118
1.3. Υποδείξεις Σε Θέματα Ασφαλείας	118
1.4. Χρήσιμος Υποδείξεις.....	118
2. Εγκατάσταση	119
2.1. Καταλληλότητα Χώρου Εγκατάστασης Οικιακών Συσκευών	119
2.2. Τοποθέτηση	119
2.3. Ρύθμιση Των Ποδιών Στήριξης	119
2.4. Ηλεκτρική Σύνδεση	120
2.5. Κουζίνα Που Συνδεύεται Από Καλώδιο Τροφοδοσίας	120
2.6. Σύνδεση Με Το Υγραέριο	120
2.7. Μετατροπή Λειτουργίας Σε Διαφορετικά Είδη Αερίου	121
2.8. Διαστάσεις Της Συσκευής	121
2.9. Γενικά Χαρακτηριστικά Κ Περιγραφή Της Συσκευής.....	121
3. Χρήση Των Καυστήρων Αερίου	122
3.1. Λειτουργία Των Καυστήρων Της Επιφανείας Μαγειρέματος	122
3.2. Χρήση Των Ηλεκτρικών Ματιών Της Επιφανείας Μαγειρέματος.....	123
4. Χρήση Των Καυστήρων Αερίου	123
4.1. Χρήση Του Γκριλ Φουρνου.....	123
4.2. Ηλεκτρικός Φουρνος.....	124
4.3. Υποδείξεις Λειτουργίας Για Τον Ηλεκτρικό Φουρνο	124
4.4. Για Να Ψήσετε Πίτσα.....	124
4.5. Προετοιμασία Γλυκών (τουρτες)	124
4.6. Ψήσιμο Κρεατος	124
4.7. Ψήσιμο Ψαριου	124
4.8. Μαγειρέμα Με Την Σουβλα	125
4.9. Minutenzähler.....	125
4.10. Benutzung Des Timers Für Backzeitende	125
4.11. Gasbackofen	125
4.12. Bedienung Des Elektronischen Programmierers.....	125
4.13. Πίνακας Μαγειρέματος.....	126
5. Καθαρισμός Της Πортаς Του Φουρνου	127
5.1. Καταλυτικός Αυτοκαθαριζόμενος Φουρνος	127
6. Υπηρεσίες Τεχνικής Υποστήριξης & Επίλυση Προβλημάτων	127
7. Για Την Προστασία Του Περιβάλλοντος	127

GAS CATEGORY TABLE128-129-130

SAFETY INSTRUCTIONS

WARNING: The appliance and its accessible parts become hot during use. Care should be taken to avoid touching heating elements.

- Children under 8 Year of age must be kept away from the appliance unless they are continuously supervised.
- This appliance can be used by children aged from 8 years and above and persons with reduced physical, sensory or mental capabilities or lack of experience and knowledge if they have been given supervision or instruction concerning use of the appliance in a safe way and understand the hazards involved.
- Children must not play with the appliance.
- Cleaning and user maintenance shall not be made by children without supervision.

WARNING: Unattended cooking on a hob with fat or oil can be dangerous and may result in fire.

NEVER try to extinguish a fire with water, but switch off the appliance and then cover flame e.g. with a lid or a fire blanket.

WARNING: Danger of fire: do not store items on the cooking surfaces.

- During use the appliance becomes hot. Care should be taken to avoid touching heating elements inside the oven.

WARNING: Accessible parts may become hot during use. Young children must be kept away.

- Do not use harsh abrasive cleaners or sharp metal scrapers to clean the oven door glass since they can scratch the surface, which may result in shattering of the glass.
- The internal bottom surface of the drawer can get hot.
- The oven must be switched off before removing the guard, after cleaning, the guard must be replaced in accordance with the instructions.
- Only use the temperature probe recommended for this oven.
- Do not use a steam cleaner for cleaning operations
- Any spillage should be removed from the lid before opening.
- The hob surface must be allowed to cool down before closing the lid.

WARNING: Avoid possibility of electric shock - ensure the appliance is switched off before replacing the lamp.

- If the range is placed on a base, measures must be taken to prevent the appliance slipping off the base.
- The means for disconnection must be incorporated in the fixed wiring in accordance with the wiring rules.
- The instructions state the type of cord to be used, taking into account the temperature of the rear surface of the appliance.
- If the supply cord is damaged, it must be replaced by a special cord or assembly available from the manufacturer or its service agent.

CAUTION: In order to avoid a hazard due to inadvertent resetting of the thermal cutout, this appliance must not be supplied through an external switching device, such as a timer, or connected to a circuit that is regularly switched on and off by the utility.

- This appliance must be installed in accordance with the regulations in force and only used in a well ventilated space. Read the instructions before installing or using this appliance.
- These instructions are only valid if the country symbol appears on the appliance. If the symbol does not appear on the appliance, it is necessary to refer to the technical instructions which will provide the necessary instructions concerning modification of the appliance to the conditions of use of the country".
- Prior to installation, ensure that the local distribution conditions (nature of the gas and gas pressure) and the adjustment of the appliance are compatible.
- The adjustment conditions for this appliance are stated on the label (or data plate).
- This appliance is not connected to a combustion products evacuation device. It shall be installed and connected in accordance with current installation regulations. Particular attention shall be given to the relevant requirements regarding ventilation.
- The use of a gas cooking appliance results in the production of heat and moisture in the room in which it is installed. Ensure that the kitchen is well ventilated: keep natural ventilation holes open or install a mechanical ventilation device (mechanical extractor hood). Prolonged intensive use of the appliance may call for additional ventilation, for example opening of a window, or more effective ventilation, for example increasing the level of mechanical ventilation where present.

CAUTION: Accessible parts may be hot when the grill is in use. Young children must be kept away.

1. GENERAL WARNINGS

Thank you for choosing one of our products. To get the most out of your cooker we recommend that you:

- Read the notes in this manual carefully: they contain important instructions on how to install, use and service this cooker in safety. Keep this booklet in a safe place for easy, future reference.
- In the case of the sale or transfer of the appliance, this manual should be given together with the appliance in order to guarantee the proper transfer of the information on installation/usage of the appliance and the relative warnings. When the cooker is first switched on it may give off acrid smelling fumes-this smoke is harmless we suggest to operate the cookers for 2 hours while empty.

1.1. SYMBOLS USED IN THIS USER MANUAL

For easier comprehension, the symbols below are used in this user manual.



Safety Information



Information for Environment Protection



This appliance complies with the EU E.E.C directives.

1.2. DECLARATION OF COMPLIANCE

All parts of this appliance that may come into contact with foodstuffs comply with the provisions of EEC Directive 89/109. The appliance complies with European Directives 73/23/EEC, 89/336/EEC and 90/396/EEC, replaced by 2006/EC, 2004/108/EC and 2003/55/EC, and subsequent amendments. The appliance also complies with 93/68 General Directives and subsequent amendments.

1.3. SAFETY HINTS

- The cooker must be used only for the purpose for which it was designed: it must only be used for cooking food. Any other use, e.g. as a form of heating, is improper use of the cooker and is therefore dangerous.
- The manufacturers cannot be held responsible for any damage caused by improper, incorrect or unreasonable use.
- When using any electrical appliance you must follow a few basic rules. If the appliance breaks down or develops a fault switch it off, disconnect it from mains, do not touch it, call the authorised Service.
- Always use gloves to remove food from the oven.
- Always keep your appliance clean, for safety and health reasons. Fat and food residues may cause fire.
- Any spillage should be removed from the lid before opening.
- The hob surface should be allowed to cool down before closing the lid.
- Do not insert your hand between oven and the upper lid hinges. Keep children away.
- Make sure that all the knobs are in the OFF position when the appliance is not in use.
- The oven drawer is to store empty trays or to keep food warm.
- Do not put flammable, explosive or cleaning materials like nylon bags, paper, cloths, etc. into the drawer.
- Use only heat resistant pots and pans. Do not use flammable materials.
- It is dangerous to modify or to attempt to modify the properties of the appliance.
- Particular attention is necessary when you are frying: do not leave the appliance unattended.
- The appliance is heavy. Take care when moving.
- The emission of hot air is normal while the appliance is working. Do not close the vents on the oven.
- Some spillage on the appliance may occur, when placing food on or into the appliance or when removing food with excess fat or water. Clean such residues immediately after cooking, in order to prevent unpleasant smells and possible fires.
- Either reduce the flame or shut down the burners, before removing pans.
- **WARNING!** Heat and humidity are produced in the area where appliances which burn gaseous fuels are used. Special attention must be paid for correct aeration of the environment: if natural ventilation is inexistent or insufficient, an extractor fan must be installed. If in doubt, please apply to a GIAS Service for advice.

- When using any electrical appliance you must follow a few basic rules:

- *It is not generally a good idea to use adapters, multiple sockets for several plugs and cable extension.
- *Do not pull the power cable to remove the plug from the socket.
- *Do not touch the oven with wet or damp hands or feet.
- *If the main cable is damaged it must be replaced promptly:
- *When replacing the cable, follow the instructions given below:
- *Cable replacement must be carried out by qualified technicians. Use only an approved service centre for repairs and ensure that only original parts are used.
- *When necessary, remove the power cable and replace it with one of the H05RR-F, H05VVF, and H05V2V2-F type. The cable have the capacity for the electrical current required by the product.
- Check the flexible gas connection pipe periodically.
- The gas inlet hose must be kept away from the hot parts of the oven and must not come into contact with the oven. You can move the gas inlet connector to the left or to the right of the oven. After such a modification, check for possible gas leakage with a soapy solution.
- After attaching the gas pipe to the connector, anchor it firmly with a clamp. Particular attention must be paid for gas leakage: check with a soapy solution.
- Do not leave the appliance unattended before it has cooled down.



If the above instructions are not adhered to, the manufacturer cannot guarantee the safety of the cooker.

1.4. USEFUL TIPS

- All lids, enamelled or glass surfaces can be disassembled for easy cleaning.
- If your appliance has a top lid, it is designed for either protecting the cook top against dust when it is not functioning or to prevent against oil spillage during cooking.
- Do not use the lid for other purposes.
- **ATTENTION!** (For models with glass lid) The glass lid can break if it is exposed an excessive heat. Always check that the burners are off before closing the lid.
- Do not use deformed or unbalanced pans.
- Clean the grill and the fat collecting tray carefully before initial usage.
- When using cleaning sprays, do not spray on heaters or on the thermostat.
- Make sure that oven shelves are correctly placed.
- Light the burner before placing the pan on top for quicker ignition.
- Check the burner for a normal flame.
- Do not cover oven parts with aluminium foil.

2. INSTALLATION

Installation have to be made by qualified personnel. The manufacturer have no obligation to carry this out. If the assistance of the manufacturer is required to rectify faults arising from incorrect installation, this assistance is not covered by the guarantee.

The installation instructions for professionally qualified personnel must be followed. Incorrect installation may cause harm or injury to people, animals or belongings. The manufacturer cannot be held responsible for such harm or injury.

WARNING! Care must be taken regarding where the appliance is placed! It can only be installed in a continuously ventilated room.

Electrical connections must always be disconnected before any repair, installation or modification.

The use of a gas cooking appliance results in the production of heat and moisture in the room in which it is installed. Ensure that the kitchen is well ventilated: keep natural ventilation holes open or install a mechanical ventilation device (mechanical extractor hood). Prolonged intensive use of the appliance may call for additional ventilation, for example opening of a window, or more effective ventilation, for example increasing the level of mechanical ventilation where present.

•Before positioning your appliance, check the properties of the energy supply (gas type, gas pressure) and make sure that your appliance is regulated accordingly.

•This appliance must not be connected to the exhaust system of any equipment running on other fuel.

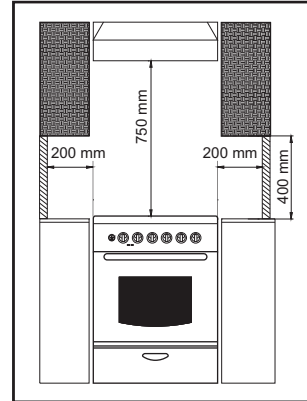
•The appliance must not be installed near flammable materials (e.g. furniture, curtains, etc.)

•If the range is placed on a base, measures have to be taken to prevent the appliance slipping from the base.

•This grill(s) should be constructed so that it cannot be closed from either side and positioned preferably near the floor. Grill(s) must not be placed across the channels through which combustion gases and exhausted fumes pass.

•If it is impossible to install gridded air vents in the room where the appliance is installed, the air needed can also be supplied from an adjacent room providing it is not a bedroom or a room where an air current could cause danger.

2.2. POSITIONING

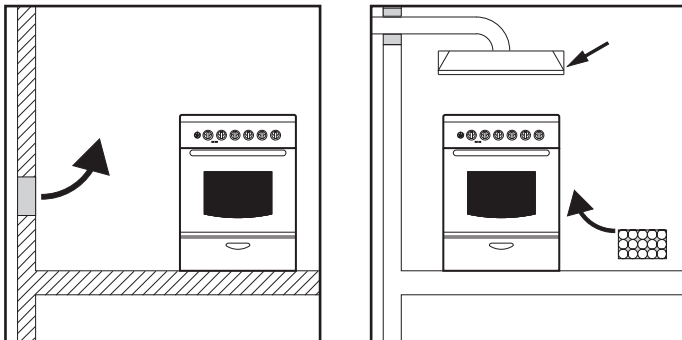


This appliance is of the "X" type and it has been designed on the presumption that the adjacent work tops will be no higher than the cook top surface.

This appliance is class 2.1

2.1. ENVIRONMENT THE APPLIANCE SHOULD BE PLACED

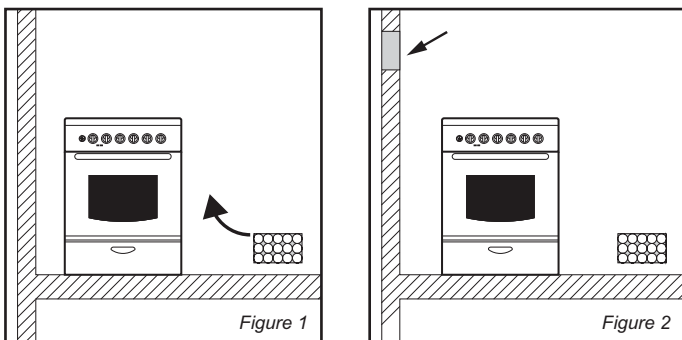
- The appliance must not be placed on a base
- There must be sufficient natural air ventilation in the room for gas combustion for the appliance to function correctly.
- The air flow should enter through gridded air vents in the outer walls.



•Air grills must have a cross section of 100 cm² for the passage of air and for appliances with a flame safety device. For appliances with no flame safety device, this cross section should be 200 cm². (Single or multiple grills can be used)

Emission of Combustion Gases

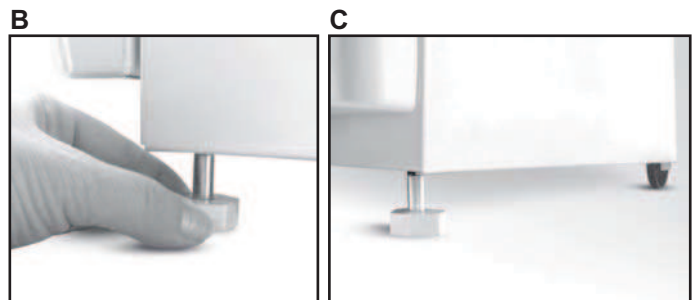
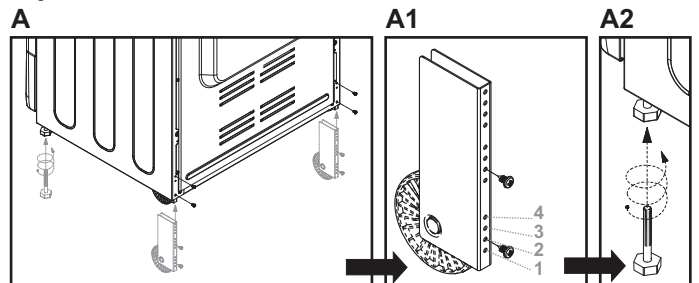
- Combustion gases from cooking appliances must be released directly out of doors or via a hood connected to a chimney or flue (Figure 1)
- If it is impossible to install a hood, an electric extraction fan should be fitted in a wall or a window opening out of doors (Figure 2)
- Extractor fans should have a capacity of replacing kitchen air 3- 5 times per hour.



2.3. FEET ADJUSTMENT

Your appliance has adjustable feet at the lower corners of its chassis. •The feet can be adjusted individually with the aid of a wrench to guarantee that the oven is perfectly balanced and levelled, so that any liquids in the pans is horizontal .

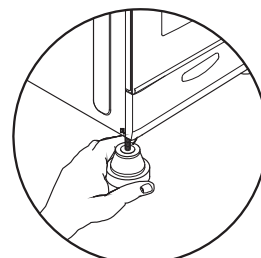
Adjustable feet and wheels.



•The maximum height of cooker will be 868mm by fixing the adjustable front feet and rear wheels to the 4th hole.

•Rear wheels should be fixed to the 2nd hole (picture A1), standard height. Thus, standard height will be 850 mm.

Adjustable feet.



2.4. ELECTRICAL CONNECTION

Cookers can be presented with or without energy cable. Cable connection should be done by Authorized service according to following instructions.

The electrical connection must be made according to the standards and regulations in force. Before making the electrical connection, check the following:

- Is the capacity of the electrical connections and safety fuses in the building sufficient to cope with the load of the appliance? (Check with the adhesive info label)
- Does the electricity supply line have an earth connection conforming with the standards in force? A proper earth connection must exist in your home. If there is not a proper earth connection at your home, please apply to an authorized technician to deal with this problem.
- Is the socket or the multi-pole switch at a easily reachable point after the installation of the appliance?
- A plug conforming to standards should be connected to the mains cable and the cable should be inserted into a safe socket.
- A multi-pole switch must be used between the appliance and the electricity line if a direct electrical connection to the appliance is required. (It must comply with standards and be appropriate for the load)

The green-yellow ground cable must not be interrupted by a switch. The brown phase cable (from the "L" coded connector of the oven) must always be connected to the phase line of the mains.

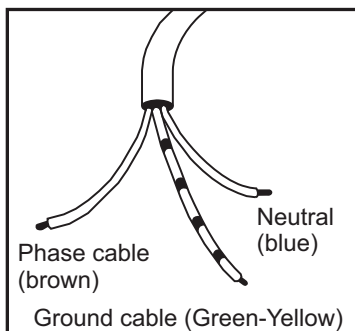
- The power line must be positioned so that it is not exposed to temperatures higher than 50° C.
- When the power cable must be changed, a cable with a cross section appropriate to the indicated power must be used. The green-yellow ground cable should be approximately 2 cm longer than phase and neutral cables.
- Check the heaters by switching them on for 3 minutes, after having completed the connection.

The manufacturer will not accept responsibility for damages arising due to non-compliance with the safety standards.

- For the direct connection to the fixed wiring, it's necessary to provide means for disconnection from the supply mains having a contact separation in all poles that provide full disconnection under overvoltage category III conditions, in accordance with the wiring rules

2.5. COOKERS WITH ENERGY CABLE

- Connection is exclusively envisaged under tensions of 220-240V Between phases or between phases and neutral.



- The eventual replacement of the supply cord must be carried on by the After Sales Service or by an agreed engineer, with a cord whose characteristics must be similar to the original one

Ratings/Supply Cable Sections:

Model rated power (kW)	Rated Voltage (V)	Rated Current (A)	Supply Cable
2.3 kW	220 - 240 V	9.1 A	3 x 1.0 mm ²
3.5 kW	220 - 240 V	15.9 A	3 x 1.5 mm ²
4.0 kW	220 - 240 V	18.2 A	3 x 2.5 mm ²

2.6. GAS CONNECTION

The gas must be connected to the appliance according to standard and the provisions in force.

- When the appliance left the factory, it was regulated for the gas type stated on the adhesive info label near the gas inlet at the back of the appliance.

Make sure that you are using the gas stated on the label. If it is a different type of gas, follow the instructions in the chapter on conversion to different gas types'.

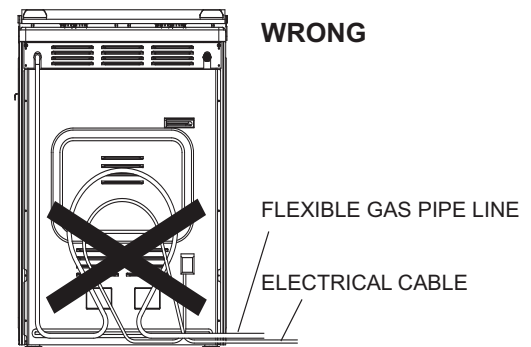
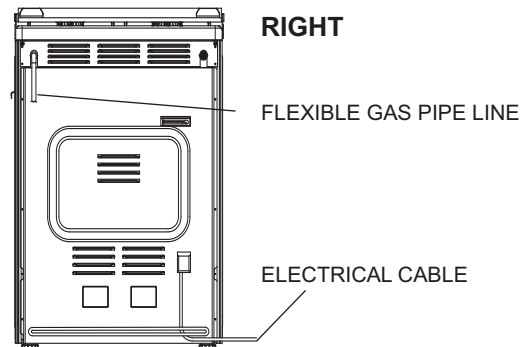
- Make sure that gas supply pressure is that given in the gas type category table (Last 3 pages in this user manual) in order to achieve maximum efficiency and lowest consumption. If the gas pressure is different, a proper gas regulator should be used on the gas inlet. The use of a gas regulator complying with the standards for LPG is allowed.

Connection with a Solid or Flexible Metal Pipe

- The gas supply can be connected by a proper flexible stainless steel pipe according to the safety standards in force. In this case, there will be no further need to move the appliance. The gas inlet connector of the appliance is Gc ½.

Connection with a Flexible Non-metallic Pipe

- If the gas connection is in a position where it can be switched on and off when required, a flexible pipe complying with the standards in force can be used. The flexible pipe must be firmly fixed with a clamp.
- The flexible pipe can be connected as follows:
- Since the flexible pipe will be placed behind the oven, it should be exposed to temperatures no higher than 30°C at any point.
- The length should be no longer than 150 cm.
- It must not be exposed to steam.
- No folding, bending or tension is allowed.
- It should be protected against sharp or piercing objects.
- It must be accessible in order to allow for periodic inspection.
- The flexible pipe must be checked as follows to guard against wear over time:
- Check that there are no cracks, cuts or burned spots on or at the ends of the pipe.
- The material must maintain its flexibility . Excessive rigidity is not allowed.
- There must be no rust on the clamps.
- It should be replaced in any case after no more than 5 years' usage.



Check all connections for leaks with a soapy substance after the installation is completed. Do not use a flame for to check gas leaks.

2.7. CONVERSION FOR DIFFERENT GAS TYPES

For the cookers below written adjustment have to be done by qualified technician.

Follow the steps given below to convert the appliance from the factory set up to that for a different gas type.

Cookers are adjusted NG and connection type is cylindrical (1). For hose type NG connection, hose adapter (2) can be fixed to cylindrical adapter with seal.

For LPG connection, LPG hose adapter (3) can be fixed to cylindrical adapter with seal.

Adjustments and changing injectors

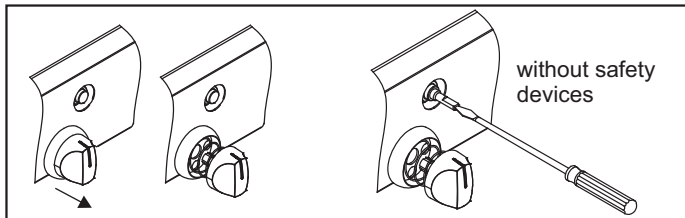
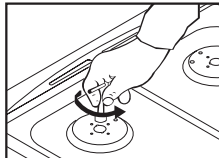
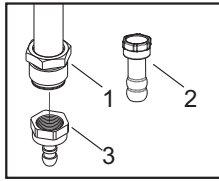
Changing Injectors

- Remove grates.
- Remove burner caps and burners.
- Remove injectors by using a 7 mm wrench, then screw on the correct injector selected from gas type category table (last 3 pages in this user manual) according to the gas to be used.
- Follow the above steps in the reverse order after completing the assembly of the new injector.

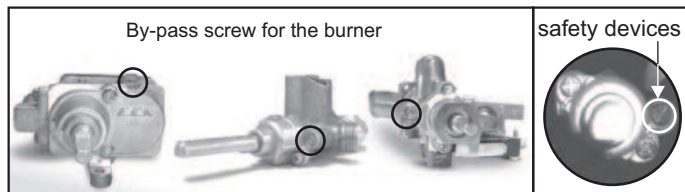
Stand by Adjustment

Stand by adjustment for the cookers without safety devices and with safety devices and button ignition

- Turn the burner control knob to the small flame position and remove the knob.
- If conversion from natural gas to LPG is required, turn clockwise the by-pass screw of the gas valves with a screw driver to their final position.
- If conversion from LPG to natural gas is required, turn anti-clockwise the by-pass screw of the gas valves with a screw driver till a smaller flame of ¼ size is obtained.
- After completing the adjustment, insert the knobs again.
- Check the adjustment by turning the burner control knob quickly from maximum to minimum position. If the flame does not go out, it means that the adjustment is correct.
- For safety devices, idle flame setting can be done with screw on valve body. If there is ignition on the knob for idle flame setting cooktop, top lid and panel must be removed.



- For thermostat valve idle frame setting cooktop, top lid and panel must be removed.



Gas Oven

- Remove rear cover (Figure 3)
- Remove injector adapter.(Figure 4)
- Remove injectors by using a 7 mm wrench, then screw on the correct injector selected from gas type category table (last 3 pages in this user manual) according to the gas to be used. (Figure 5)
- Follow the above steps in the reverse order after completing the assembly of the new injector.
- Burner Gap is 4.5 ± 0.3 mm for NG and LPG (Figure 6)

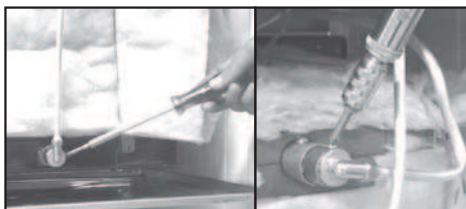


Figure3

Figure4

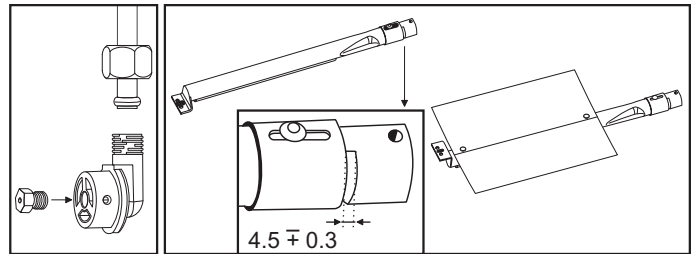
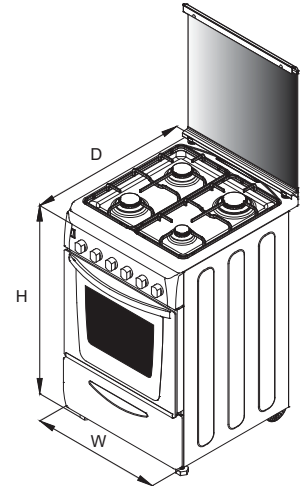


Figure5

Figure6

2.8. DIMENSIONS OF THE APPLIANCE

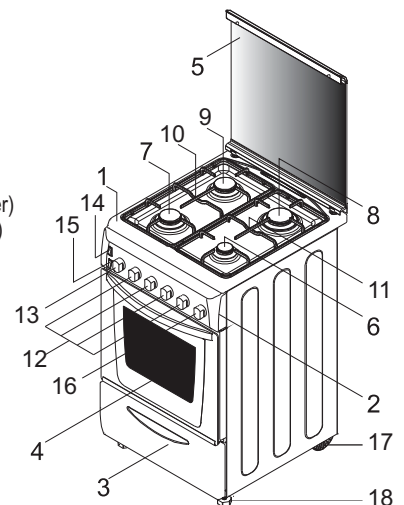
	50 x 60	60 x 60
Height (mm)	863	850
Width (mm)	510	598-600
Depth (mm)	600	600



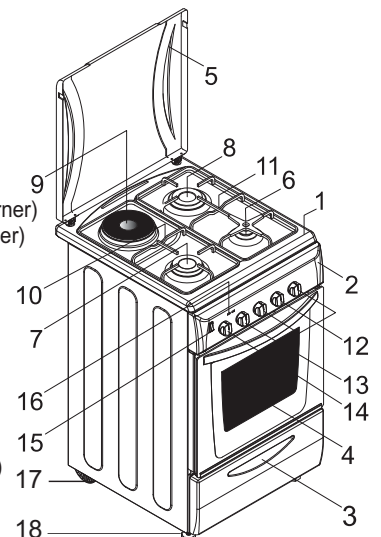
2.9. GENERAL APPEARANCE AND DEFINITION OF THE APPLIANCE

This User Manual has been drawn up as a guide for several models. Some of the properties mentioned in this manual may not exist in your appliance.

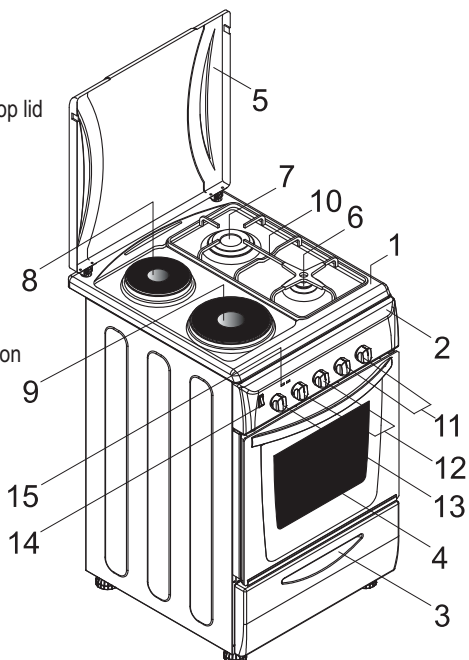
- 1- Cook top
- 2- Control panel
- 3- Drawer
- 4- Oven door (Front door)
- 5- Glass top lid or metallic top lid
- 6- Auxiliary burner
- 7- Rapid burner (Semi-Rapid burner)
- 8- Ultra rapid burner (Rapid burner)
- 9- Semi-Rapid burner
- 10- Left grate
- 11- Right grate
- 12- Burners control knobs
- 13- Thermostat oven knob
- 14- Ignition button or fan button
- 15- Lamp knob
- 16- Timer knob
- 17- Moving Foot (Adjustable Feet)
- 18- Bolt Foot (Adjustable Feet)



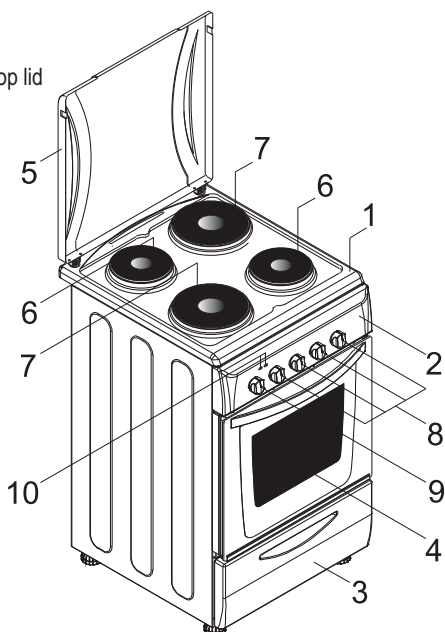
- 1- Cook top
- 2- Control panel
- 3- Drawer
- 4- Oven door (Front door)
- 5- Metallic top lid or Glass top lid
- 6- Auxiliary burner
- 7- Rapid burner (Semi-Rapid burner)
- 8- Ultra rapid burner (Rapid burner)
- 9- Hot plate
- 10- Left grate
- 11- Right grate
- 12- Burners control knobs
- 13- Hot plate control knob
- 14- Thermostat oven knob
- 15- Ignition button or fan button
- 16- Signal lamp
- 17- Moving Foot (Adjustable Feet)
- 18- Bolt Foot (Adjustable Feet)



- 1- Cook top
- 2- Control panel
- 3- Drawer
- 4- Oven door (Front door)
- 5- Metallic top lid or Glass top lid
- 6- Auxiliary burner
- 7- Rapid burner
- 8- Hot plate
- 9- Hot plate
- 10- Right grate
- 11- Burners control knobs
- 12- Hot plates control knobs
- 13- Thermostat oven knob
- 14- Ignition button or fan button
- 15- Signal lamp



- 1- Cook top
- 2- Control panel
- 3- Drawer
- 4- Oven door (Front door)
- 5- Metallic top lid or Glass top lid
- 6- Hot plate
- 7- Hot plate
- 8- Hot plate control knobs
- 9- Thermostat oven knob
- 10- Signal lamp



- **Off Position**
When the knob is turned so that the 'dot' symbol faces towards the panel, it is in the Off position and the gas valve is closed and the flame will go out.
- 🔥 **Maximum Gas Flow**
Press the burner knob and turn it to the left till the 'dot' symbol faces towards the large flame symbol. The flame is on full at this position. In this position, the gas valve is completely open.
- 🔥 **Minimum Gas Flow**
The flame can be decreased by turning the knob so that the 'dot' symbol faces towards the small flame symbol. The valve will be partially open and the burner will then be on low.

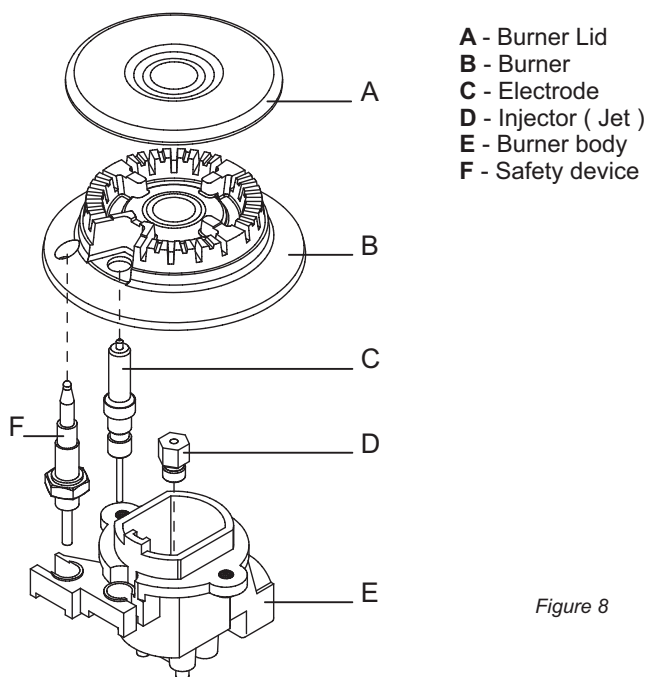


Figure 8

Ignition of the Burners

Cooktop Gas Burners

The burner must be ignited before a pan is placed over it. For models with automatic ignition, the 'spark' button must be pressed.

Press the knob controlling the burner you want to ignite and then turn it left to the big flame symbol. Press the ignition button. On models with ignition-thru knobs, press and turn the knob controlling the burner you want to ignite as far as the star symbol; the electrode will be automatically activated. All the electrodes will be activated automatically and the burner to which gas is supplied (that relative to the knob pressed) will ignite.

Oven Gas Burners

The button must not be kept pressed down for more than 15 sec. If the burner has not ignited after 15 sec. release the button and open the compartment door and/or wait at least 1min. before attempting again. For other models the gas is ignited by means of the control knobs.

3. USE OF COOKTOP BURNERS

3.1. USE OF COOKTOP GAS BURNERS

The knobs which control the burners are positioned on the control panel.

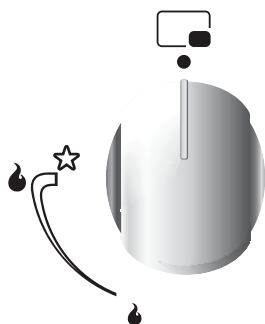


Figure 7



Make sure that the gas is actually burning after this step! If there is no flame, repeat the procedure

After ignition, adjust the flame to the size required.

Manual ignition (if the electricity supply is not available)

Hold a flame (a match or a lit taper or a hand-operated gas lighter), near the burner.

WARNING! to wait 1 minute between two ignition tentative.

Press and turn the knob of the burner you want to ignite as far as the large flame symbol. If the burner does not catch fire at the first attempt, try again pressing the knob a little longer. When the burner is lit, adjust the flame to the required level.

If the burner does not light after several attempts, check the correct position of the burner and its cap.

Turn the knob clockwise to the "O" position in order to close the gas flow. If the burner accidentally stops burning, wait at least one minute before attempting to relight it.

Some cookers have a flame safety device (see the picture above, safety device F). If the flame goes out, the gas supply is automatically cut off.

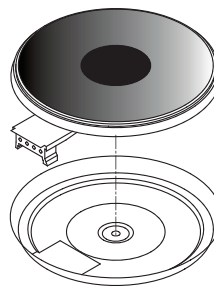


Figure 9

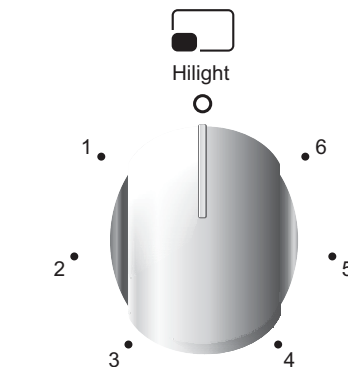


Figure 10

Minimum and maximum diameters of the cooking pan bases :

Burner	Min. Diameter [mm]	Max. Diameter [mm]
Large Burner	Ø 240 mm	Ø 280 mm
Mid - size Burner	Ø 180 mm	Ø 240 mm
Small - size Burner	Ø 120 mm	Ø 180 mm
Ultra rapid Burner	Ø 240 mm	Ø 280 mm

•The outer surface of the flame is hotter than the inner part. The tips of the flames must touch the bottom of the pan. Flames extending outside the pan cause unnecessary gas consumption.

•Gas burners, unlike the electrical hot plates, do not need flat bottomed pans. Flames touching the base of the pan conduct the heat completely.

•Although there is no need for special pans for gas burners, pans made of thinner material conduct the heat faster than those in thicker material.

•Some parts of the food may be heated while others remain cold due to the uneven distribution of heat under the pan. Therefore, continuous stirring of the food being cooked is necessary in the case of thin-bottomed pans. Heat is more effectively and evenly distributed with thick-based pans.

•Use of very small pans is not recommended. Wider, low-sided pans are more suitable for more effective and quicker cooking than small, deep pans.

•You cannot shorten cooking time by using a small pan over a large burner. You will only waste gas in this way. However, a pan with a lid will save energy.

Position	Power (Watt)	Power (Watt)	Power (Watt)	Explanation
0	0	0	0	Off
1	100 W	135 W	175 W	Heating
2	180 W	220 W	220 W	Cooking at low temperature
3	250 W	300 W	300 W	Cooking at low temperature
4	500 W	850 W	850 W	Cooking, Roasting, Boiling
5	750 W	1150 W	1150 W	Cooking, Roasting, Boiling
6	1000 W	1500 W	2000 W	Cooking, Roasting, Boiling

Suitability of Cooking Pans

Keep in mind that larger pans have larger heating surfaces. This will help them to cook the food faster than pans with smaller heating surfaces.

Always use pan sizes proportionate to the amount of the food to be cooked. In order to prevent splashing, do not use very small pans, especially for foods with excess liquid. If you use excessively large pans for quick cooked foods, sausages and liquids will stick and residues will remain attached to the pan after being emptied.

Closed pans and baking trays or moulds are suggested for cooking sweets. Splashed sugar and juices from an open pan may stick to the cooker surface and will be difficult to remove.

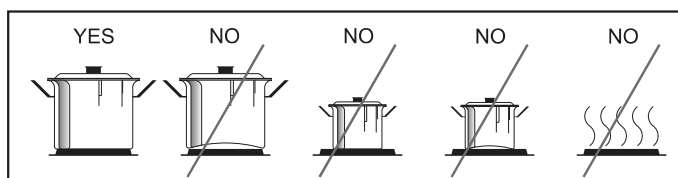


Figure 11

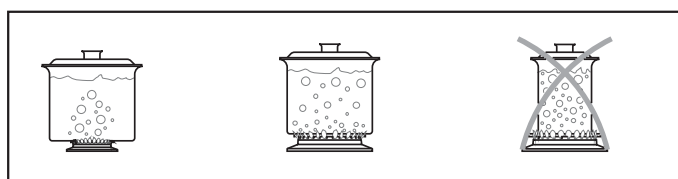


Figure 12

This is especially important for pans used for roasting or pressurized cooking at high temperature.

Do not leave burners unattended without a pan or with an empty pan on top.

Check the suitability of cooking pans with respect to the following criteria;

They should be heavy.

They should completely cover the burner surface; they may be a little bigger but no smaller.

Base surfaces should be completely flat and fit well on the cooking surface.

•For the best use of the electric hotplates and to minimize energy consumption, only pans with smooth flat bases should be used. The size of the pan should be as close as possible to the diameter of the hotplate, and never smaller. The base of the pan should be dry and spillage should be avoided. Empty pans must not be left on the plates, and the plates should not be left switched on without a pan.

3.2. USE OF COOKTOP ELECTRICAL PLATES

Turn the knob to the position for the required temperature of the hot plate. The indicator light of the hot plate will come on and the hot plate will start to heat.

When cooking is completed, turn the knob to the "O" position. Do not leave the hot plate turned on without a pan on it. The diameter and the base of the pan you use is critical. The minimum diameter of the pan base is 14 cm and the base should be flat.

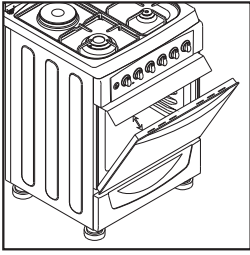
Leave the hot plate to heat up for 5 minutes before placing a pan on it the first time you use it. This will allow the heat resistant coating of the plate to harden due to burning.

Use a wet cloth and detergent for cleaning the hot plates. Do not remove food residues from the hot plates with a knife or any other hard, sharp object.

Turn on the hot plate for a few moments to dry it after cleaning. However, it must never be left on for more than a few moments without a pan on top.

4. USE OF THE OVEN

4.1. GRILLING



ELECTRIC GRILL: Use with closed door ONLY

GAS GRILL: It can be used with open door WITH panel protector inserted under control panel, as in picture.

•Grilling gives food a rich brown colour quickly. Depending on the quantity of the food, you can switch the grill on to different positions. Almost all food can be cooked under the grill except for very lean game and meat rolls.

•Meat and fish that is going to be grilled should first be lightly doused with oil.

•Place a fat collecting tray beneath during grilling. Put some water into the tray to prevent unpleasant smells and to prevent the fat catching fire.

•Grilling is usually preferred for cooking pieces of meat, for example steaks, which are not too thick, different sized meat parts, cleaved hunted birds, fish, some vegetables (e.g. courgettes, aubergines, tomatoes, etc.) together with meat and fish products on spits.

Oil the fish lightly before putting it directly under the grill.

Add salt on meat after cooking, salt fish into the cleavage before cooking.

•The distance from the grill will depend on the thickness of the meat or fish. If the distance is correctly judged, the outer parts will not be burnt and the inside will not remain raw.

•Prevent unpleasant odours and smoke caused by dripping fats and sauces by pouring 1-2 glass of water into the fat-collecting tray.

•You can also use the grill for toasting, toasted bread or sandwiches, for example, and also to cook certain fruits (bananas, grapefruit or pineapple slices, apples etc.). However, fruit must not come into contact with the heating elements.



Never cover oven inner walls or the bottom with aluminium foil. Accumulated heat can damage the oven enamel and your meal.



While the oven functions are running, top lid of the cooktop must be open position.

4.2. ELECTRIC OVEN

Position	Oven Function
F	Function
°C	Temperature
⌚	Cooking time
○	Not in function
↔	Turn spit and grill heater
⦿	Lamp
⋮	Grill heater
⋮	Grill heater and fan
⋮	Fan
⋮	Upper heating element and fan
⋮	Lower heating element and fan
⋮	Upper heating element, lower heating element and fan
⋮	Lower and upper heating element
⋮	Upper heating element
⋮	Lower heating element
✋	Manual
PIZZA	Pizza

4.3. ELECTRIC OVEN SUGGESTIONS FOR COOKING

Traditional Cooking

Heat is generated from the upper and lower heaters. Generally, the middle shelf position is preferable for cooking. However, if the top or bottom surface of the food must be cooked more, place it on the upper or lower shelf.

Convection Cooking (with Fan)

•The food is cooked by evenly distributed preheated air blown into the oven by the help of the fan located on the inside back wall of the oven.

It is possible to cook several dishes simultaneously on different shelves thanks to the evenly distributed heat inside the oven.

•This type of oven is also very useful for defrosting frozen food. It can also be used for sterilizing canned food, preparing fruit syrups, and dehydrating fruits and mushrooms.

4.4. COOKING PIZZA

- Thermostat setting at maximum
- Preheating time 15 min (20 min if possible)
- Position of the tray in either one of the two lowest position
- Cooking time 20 min.

4.5. COOKING CAKES

•Unless otherwise suggested, preheat the oven for at least 10 minutes before use. Do not open the oven door when cooking cakes otherwise they will not rise (cakes or dishes with yeast and soufflés). The blast of cold air which will enter the oven will prevent rising. You can check whether cakes are properly cooked by inserting a rod into the dough. If the rod comes out dry when you pull it out, it means that the cake is properly cooked. Do not check in this way until at least three quarters of the cooking time has elapsed.

Please keep in mind the following tips

•If the surface of the food is cooked well but it is still raw or partly raw inside, it must be cooked longer at a lower temperature.

•On the other hand, if the surface of the food is too dry, it should be cooked at a higher temperature for a shorter time.

4.6. COOKING MEATS

•The minimum quantity of meat to be cooked in the oven is 1 kg. Otherwise, the meat will be too dry.

If you require well done meat, use less fat. If meat has a little fat, there is no need to use oil. If one side of the meat is fatty, place this side up. The melted fat will sufficiently grease the part below. Red meats should be taken out of the fridge at least 1 hour before the cooking.

•Otherwise the meat may become tough due to the temperature difference. Do not use salt before cooking, especially when grilling meat. Salt will draw the blood and juices out of the meat which will consequently prevent the roasting of the upper surface of the meat.

•Add salt to roast meat only after half of the cooking time has elapsed.

•Place the meat to be roasted in a wide, shallow pan.

•Deep sided containers / pans act as a shield against the heat. Meat can be placed in the oven in a heat resistant pan or directly onto the grill. Insert a fat / gravy collecting tray beneath the grill. Sauces must be added at the beginning if the food is cooked for a short time, while it would be better to add sauces in the last half hour if the food is cooked for a longer time.

4.7. COOKING FISH

Small fish can be cooked at the maximum temperature from start to finish. Medium sized fish must be cooked at the maximum temperature at the beginning and then the temperature must be slowly reduced. Larger fish must be cooked at lower temperatures from start to finish. Check the cut at the bottom of fish to understand whether it is cooked properly. In order to understand whether the fish properly grilled or not, check the cleavage at the bottom of the fish. The colour (for grilled fish) should be an even matt white. This is not the case for salmon and trout.

4.8. COOKING TURN SPIT

•The cooker is equipped with a metal turnspit, two forks and a hook used to support the spit.

•Instruction for use:

- Remove all accessories from the oven;
- put the deep pan on the bottom of the oven or on the lowest bench;
- stick the turnspit through the meat, centered between the two forks;
- Fix the turnspit into the drive hole located in the bottom wall, then hang

the support hook in the drive located at the top front of the oven cavity and around the edge of the turnspit

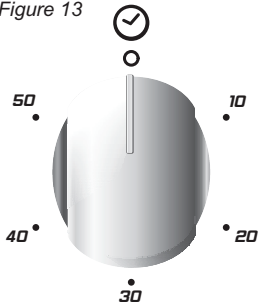
•Preheating is not necessary with the turnspit.

•Cooking Time Recommended in turnspit Position

Type of food	Cooking time (min)	
	Gas Oven	Electric oven
Beef (1kg)	25/35	20/30
Lamb, sheep (1kg)	35/45	30/40
Veal, Poultry (1kg)	65/75	60/70
Pork (1 kg)	60/70	65/75

4.9. USING THE MINUTE TIMER

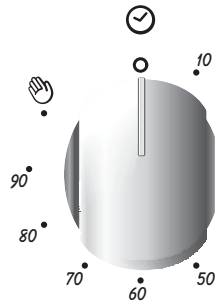
Figure 13



To set the cooking time, turn dial one complete revolution and then position the index to the required time. When the time has lapsed, the signal will ring for a few seconds.


4.10. USING THE END OF COOKING TIMER

Figure 14



This control enables to set the desired cooking time (max. 90 min.) the oven will automatically switch off at the end of the set time.

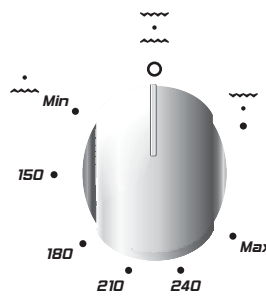
The timer will count down from the set time return to the "O" position and switch off automatically.

For normal use of oven set the timer to the  position.

To set the oven ensure the timer is not on the "O" position.

4.11. GAS OVEN

Figure 15

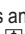
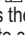
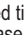
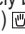

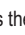
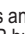
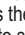
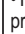
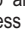
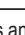
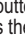
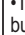



The oven temperature and heater can be selected by turning the oven adjustment knob to the desired temperature level.

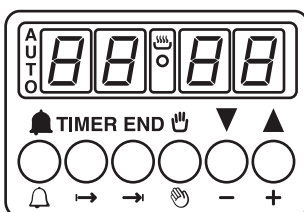
The oven thermostat range is: 140-270°C.

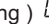
Some cookers have flame safety device on burners. If the flame goes out, the gas supply is automatically cut off.




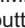
4.12. USE OF THE ELECTRONIC PROGRAMMER

FUNCTION	HOW TO ACTIVE	HOW TO SWITCH IT OFF	WHAT IT DOES	WHAT IT IS FOR
MINUTE MINDER	<ul style="list-style-type: none"> •Press and hold the button  •Press the buttons  or  to set the required time •Release all the buttons 	<ul style="list-style-type: none"> •When the set time as elapsed an audible alarm is activated (this alarm will stop on its own, however it can be stopped immediately by pressing the button)  	<ul style="list-style-type: none"> •Sounds an alarm at the end of the set time. •To check how long is left to run press the button  	<ul style="list-style-type: none"> •Allows to use the oven as alarm clock (could be activated either with operating the oven or with out operating the oven)
MANUAL FUNCTION	<ul style="list-style-type: none"> •Press the button  •Set the cooking function with the oven function selector 	<ul style="list-style-type: none"> •Turn the oven function selector to position "O" 	<ul style="list-style-type: none"> •Enables you to operate the oven. 	<ul style="list-style-type: none"> •For cooking the desired recipes
COOKING TIME	<ul style="list-style-type: none"> •Press and hold the TIMER button •Press the buttons  or  to set the length of cooking required •Release all buttons •Set the cooking function with the oven function selector 	<ul style="list-style-type: none"> •When the time is elapsed the oven will switch off automatically. Should you wish to stop cooking earlier either turn the function selector to 0, or set time to 0:00(TIMER and buttons) 	<ul style="list-style-type: none"> •It allows to preset the cooking time required for the recipe chosen. •To check how long is left to run press the TIMER button. •To alter/change the preset time press TIMER and   buttons 	<ul style="list-style-type: none"> •At the end of the cooking set time, the oven will switch off automatically and an audible alarm will ring.
END OF COOKING	<ul style="list-style-type: none"> •Press and hold the END button •Press the buttons   to set the time at which you wish the oven to switch off •Release the buttons •Set the cooking function with the oven function selector 	<ul style="list-style-type: none"> •At the time set, the oven will switch off. To switch off manually, turn the oven function selector to position "O". 	<ul style="list-style-type: none"> •Enables you to set the end of cooking time •To check the preset time press the END button •To modify the preset time press buttons END+   	<ul style="list-style-type: none"> •This function is typically used with "cooking time" function. For example if the dish has to be cooked for 45 minutes and needs to be ready by 12:30, simply select the required function, set the cooking time to 45 minutes and the end of cooking time to 12:30. •Cooking will start automatically at 11:45 (12:30 minus 45 mins) and will continue until the preset end of cooking time, when the oven will switch itself off automatically WARNING! If the END of cooking is Selected without setting the length of cooking time, the oven will start cooking immediately and it will Stop at the END of cooking time set.

Setting the correct time:







WARNING : the first operation to carry out after the oven has been installed or following the interruption of power supply (this is recognizable the display pulsating and showing)  is setting the correct time. This is achieved as follows

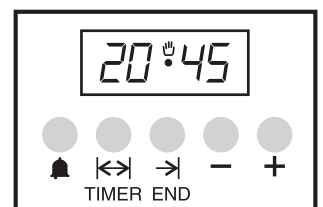
- Press and hold the TIMER and END buttons ( and )
- Set time with   buttons

• Release all buttons

ATTENTION the oven only operates if set on manual function  or preset time.

N.B.: on some models the symbols   are replaced by  and .

In the programming of a timer with 5 buttons, for manual function, press "TIMER" and "END" buttons simultaneously



4.13. COOKING TABLES

Traditional and Hot Air Circulation Cooking Methods; Weights (Gr)
TYPE OF THE FOOD Traditional Cooking Method

Weight (Gr)	TYPE OF THE FOOD	Traditional Cooking Method		Hot Air Circulation Method		Cooking times (Minutes)	NOTES
		Shelf Position	Temperature(°C)	Shelf Position	Temperature(°C)		
	CAKES AND DESSERTS						
	Dough with stirred egg	2	180	2(1and3)	160	45 - 60	
	Dough	1	180	2(1and3)	160	20 - 35	
	Small Cakes	2	180	2(1and3)	160	20 - 30	
	Cheese Cake	1	175	2	150	60 - 80	
	Apple Pie	1	180	2(1and3)	160	40 - 60	
	Strudel	2	175	2(1and3)	150	60 - 80	
	Jam tart	2	180	2(1and3)	160	45 - 60	
	Small cakes	2	180	2(1and3)	160	15 - 25	
	Biscuits	2	180	2(1and3)	160	10 - 20	
	Cream cakes	2	100	2(1and3)	100	90 - 120	
	BREAD AND PIZZA						
1000	White Bread	1	200	2	175	45 ~ 60	Inside the closed oven on dishes 8 pieces on a tray Under the grill
500	Rye Bread	1	200	2	175	30 ~ 45	
500	Sandwich	2	200	2(1and3)	175	20 ~ 35	
	PASTRY						
	Macaroni	2	200	2(1and3)	175	40 ~ 50	
	With vegetable	2	200	2(1and3)	175	45 ~ 60	
	Small pastries	2	200	2(1and3)	175	35 ~ 45	
	Lasagne	2	200	2	175	45 ~ 60	
	MEATS						
1000	Roast beef	2	200	2	175	50 ~ 70	Cook on grill
1200	Roast pork	2	200	2	175	100 ~ 130	Cook on grill
1000	Roast veal	2	200	2	175	90 ~ 120	Cook on grill
1500	British style roast beef	2	220	2	200	50 ~ 70	Cook on grill
1200	Lamb	2	200	2	175	110 ~ 130	Leg
1000	Chicken	2	200	2	175	60 ~ 80	Full size
4000	Turkey	2	200	2	175	210 ~ 240	Full size
1500	Duck	2	175	2	160	120 ~ 150	Full size
3000	Goose	2	175	2	160	150 ~ 200	Full size
1200	Rabbit	2	200	2	175	60 ~ 80	In parts
	FISH						
1000	Whole fish	2	200	2(1and3)	175	40 ~ 60	2 Fishes
800	Fillet	2	200	2(1and3)	175	30 ~ 40	4 Fillets

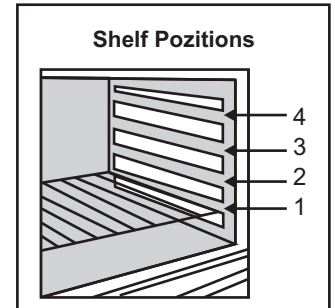


Figure 16

- NOTE :**
- 1) Cooking times do not include pre heating. Preheating the oven for about 10 minutes is advisable especially for cakes, pizzas and breads.
 - 2) Indicates tray positions for cooking several dishes simultaneously.
 - 3) All cooking operations must be carried out with oven door closed.

FOOD TYPES	QUANTITY		COOKING ON GRILL		COOKING TIMES (Minutes)	
	N. OF PARTS	WEIGHT	SHELF POSITION	TEMPERATURE (°C)	UPPER SECTION	LOWER SECTION
Beefsteak	4	800	4	max	10	8
Grilled cutlet	4	600	4	max	12	8
Sausage	8	500	4	max	10	6
Chicken parts	6	800	3	max	30	20
Mixed grill	4	700	4	max	12	10
Milky desserts	4	400	4	max	13	10
Tomato slices	8	500	4	max	12	--
Fish fillets	4	400	4	max	8	6
Scallops	6	---	4	max	12	--
Toast	4	---	4	max	8	--
Bread slices	4	---	4	max	2-3	1

5. CLEANING AND MAINTENANCE

Before all cleaning and maintenance :

- Cleaning and user maintenance shall not be made by children without supervision
 - Disconnect mains voltage.
 - Shut off the gas valve for your own safety. If the oven is adjusted to natural gas, shut off the natural gas valve.
 - If the oven is hot, wait till it has cooled down.
 - Clean enamelled surfaces with warm, soapy water or with suitable brand products. On no account use abrasive powders that may damage surfaces and ruin the appearance of the cooker.
- It is very important to clean the oven each time it is used.
- Use detergents and abrasive metal pads for the stainless steel grills.
 - The glass surfaces such as the top, the oven door and the warming compartment door must be cleaned when they are cold.
 - Damage caused by failure to respect this rule is not covered by the guarantee.
 - You can clean burners and burner caps with hot water and detergent. Also the gas channels of the burners can be cleaned by a brush. Make sure that burners are dry before replacing them in their seats. Check correct positioning of the burner, especially for cakes, pizzas and breads.
 - Periodically clean the ignition electrodes of automatic ignition ovens. This will prevent ignition problems. Check frequently that the gas channels of burners are not blocked by food residues, etc.
 - Wipe the top lid with a dry cloth in order to prevent harmful effects of water, oil and steam generated by the cooked food.
 - Do not use abrasive products, metal cleaning pads, sharp objects, rough cloths, or chemical products and detergents that can permanently damage the catalytic lining.
 - It is a good idea to use deep roasting trays for fatty foods such as joints of meat etc. and to put a tray underneath the grill to catch surplus fat.

Cleaning of Oven Door

For thorough cleaning of the oven door, it is advisable to remove the same, as shown in below.

Open the door completely, turn the two feet on the hinge arms 180°. Close the door partly by a 30°. Remove the door by slightly lifting the it at this position.

For replacing the door, follow the steps above in the reverse order.

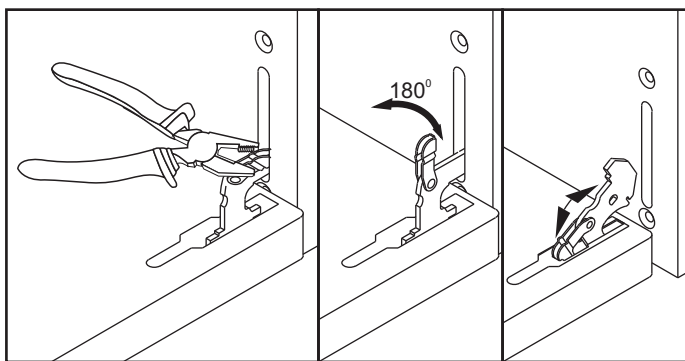


Figure 16

To Replace the inside light

- Switch off the mains power supply and unscrew bulb.
- Replace with an identical bulb that can withstand very high temperatures.

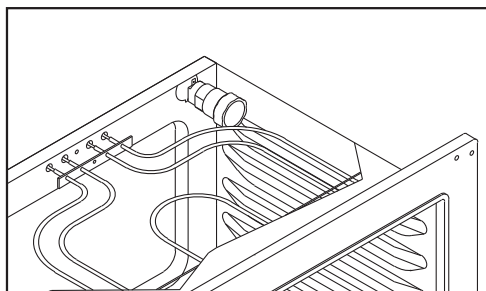


Figure 17

5.1. CATALYTIC SELF - CLEANING OVEN

- Special self-cleaning panels covered in a micro-porous coating are available on some of our models. If they are fitted, the oven no longer needs to be cleaned by hand.
- The lining must be porous for self-cleaning to be effective.
- Excessive splattering of fat may block the pores and therefore hinder self-cleaning. This self-cleaning capacity may be restored by switching on the empty oven to maximum for about 10-20 minutes.
- If the walls of the oven are so thickly coated in grease that the catalytic lining is no longer effective, remove surplus grease with a soft cloth or sponge soaked in hot water. All catalytic linings currently on the market have a working life about 300 hours. They should therefore be replaced after about 300 hours.

6. SERVICE CENTRE & TROUBLESHOOTING

•If the oven is not working, before calling the service centre we recommended that :

- You should check that the oven is properly plugged into the power supply.

Gas input is abnormal

- Check the following:
 - Are the holes of the burner clogged?
 - Is the pressure regulator working properly?
 - If you are using a pipe, is there any gas in the pipe? Is the valve open?
- If you detect something abnormal with the gas valves, contact a qualified electrician or an authorised service centre for assistance.

There is a smell of gas where the appliance is placed

- Please check the following:
 - Has a gas valve been left open?
 - Is the gas pipe in the correct position and in good condition?

If you suspect a gas leak, do not use a flame to check

The oven does not heat up

Are the oven control knobs at the correct position ?

The cooking time is too long

Has the correct temperature been selected ?

Smoke comes from the oven

It is advisable to clean the oven after each use. If fat which splashes during the cooking of meat is not cleaned, it will cause an unpleasant smell and smoke the next time you use the oven. (See the Cleaning and Maintenance chapter)

The oven light does not come on

- The light might be faulty. To change the bulb, please see the relative page.

•If you have checked the above and the oven still does not work properly, contact the nearest authorized service for assistance

- Model and Production Number (PNC or ENR).

7. PROTECTION OF THE ENVIRONMENT



- After positioning the appliance, packaging materials must be correctly disposed of for safety and environmental purposes.
 - Before disposing of old equipment, cut the power cable in order to render the equipment unusable.
- This appliance is marked according to the European directive 2002/96/EC on Waste Electrical and Electronic Equipment (WEEE).

•By ensuring this product is disposed of correctly, you will help prevent potential negative consequences for the environment and human health, which could otherwise be caused by inappropriate waste handling of this product.

•The symbol on the product indicates that this product may not be treated as household waste. Instead it shall be handed over to the applicable collection point for the recycling of electrical and electronic equipment

•Disposal must be carried out in accordance with local environmental regulations for waste disposal.

•For more detailed information about treatment, recovery and recycling of this product, please contact your local city office, your household waste disposal service or the shop where you purchased the product.

INDICAZIONI DI SICUREZZA

ATTENZIONE: l'apparecchio e le parti accessibili diventano calde durante l'uso. Prestare attenzione a non toccare le parti calde.

- I bambini al di sotto di 8 anni dovrebbero essere tenuti a distanza se non continuamente supervisionati.
- L'apparecchio può essere usato da bambini dagli 8 anni in su e persone con ridotte capacità fisiche, sensoriali o mentali o senza esperienza e conoscenza del prodotto se supervisionate o dando loro istruzioni riguardo al funzionamento dell'apparecchio in maniera sicura e cosciente del rischio possibile.
- I bambini non dovrebbero giocare con l'apparecchio.
- La pulizia e la manutenzione non dovrebbero essere fatte da bambini senza supervisione.

ATTENZIONE: cucinare senza supervisione grasso o olio sul piano cottura può essere pericoloso e può provocare incendi

- MAI provare a spegnere il fuoco con acqua. Prima spegnere l'apparecchio e poi coprire le fiamme, ad esempio con un coperchio o un telo non infiammabile.

ATTENZIONE: pericolo di incendio: non lasciare oggetti sul piano cottura.

- Durante l'uso l'apparecchio diventa molto caldo. Si dovrebbe fare attenzione a non toccare gli elementi riscaldanti all'interno del forno.

ATTENZIONE: Le parti accessibili possono diventare molto calde durante l'uso. I bambini dovrebbero essere tenuti a distanza.

- Non usare per la pulizia materiali ruvidi abrasivi o raschietti metallici affilati per pulire le porte di vetro del forno dato che possono graffiare la superficie e causare la frantumazione del vetro.
- La parte interna del cassetto sotto all'apparecchio può diventare calda
- Spegnere il forno prima di rimuovere lo schermo di protezione e, dopo la pulizia, rimontarlo secondo le istruzioni.
- Usare solo la sonda termica raccomandata per questo forno.

- Non utilizzare un pulitore a vapore

- Rimuovere gli eventuali liquidi traciati dal coperchio prima di aprirlo.

- Far raffreddare la superficie del piano di cottura prima di chiudere il coperchio.

ATTENZIONE: Assicurarsi che l'apparecchio sia spento prima di sostituire la lampada per evitare la possibilità di scosse elettriche.

- Se la cucina è posta su un piedistallo, si devono adottare misure per evitare che l'apparecchio scivoli dal piedistallo.

- Il mezzo di disconnessione deve essere incorporato nel cablaggio fisso in accordo con le leggi di cablaggio

- le istruzioni devono indicare quale tipo di cavo debba essere utilizzato, tenendo presente la temperatura della superficie posteriore dell'apparecchio.

- Se il cavo di alimentazione è danneggiato, esso deve essere sostituito da un cavo o un assieme speciali disponibili presso il costruttore o il suo servizio assistenza tecnica.

ATTENZIONE: Al fine di evitare ogni pericolo dovuto al riarmo accidentale del dispositivo termico di interruzione, il presente apparecchio non deve essere alimentato con un dispositivo di manovra esterno, quale un temporizzatore oppure essere connesso a un circuito che viene regolarmente alimentato o disalimentato dal servizio.

- Questo apparecchio può essere installato in accordo con il regolamento vigente e solo in un ambiente ben ventilato. Leggere le istruzioni prima dell'installazione o l'uso dell'apparecchio.

- Queste istruzioni sono valide solamente se appare il simbolo del paese sull'apparecchio. Se non appare il simbolo sull'apparecchio, è necessario consultare le istruzioni tecniche che vi daranno le istruzioni necessarie riguardo alle modifiche delle condizioni d'uso dell'apparecchio nel paese di riferimento.

- Prima dell'installazione, assicurarsi che le condizioni di distribuzione del locale (natura del gas e pressione del gas) e l'aggiustamento dell'apparecchio siano compatibili;

- le condizioni di aggiustamento dell'apparecchio sono indicate nell'etichetta (o nella targa);

- l'apparecchio non è connesso a un sistema di avacuazione dei prodotti di combustione. Dovrebbe essere installato e connesso in accordo con le correnti norme di installazione. Particolare attenzione deve essere posta sui rilevanti requisiti riguardo alla ventilazione.

- L'utilizzo di un apparecchio a gas causa calore e umidità nella stanza in cui è installato. Assicurarsi che la cucina sia ben ventilata: lasciare aperti i fori di ventilazione naturale o installare un dispositivi di ventilazione meccanica (cappa meccanica aspirante). L'uso intensivo prolungato dell'apparecchio potrebbe richiedere un sistema di ventilazione addizionale, per esempio aumentando il livello di ventilazione meccanica dove presente.

ATTENZIONE: Le parti accessibili possono diventare calde quando il grill è in uso. I bambini dovrebbero essere tenuti a distanza.

1. AVVERTENZE GENERALI

Grazie per aver scelto uno dei nostri prodotti. Per ottenere i massimi risultati dalle nostre cucine consigliamo di:

- Leggere attentamente le note di questo manuale, poiché contengono istruzioni importanti sulle modalità corrette di installazione, utilizzo e manutenzione di questa cucina. Conservare questo opuscolo in luogo sicuro, per poterlo consultare facilmente in seguito.

- In caso di vendita o di trasferimento dell'elettrodomestico, il manuale deve essere consegnato insieme all'elettrodomestico, per garantire il corretto trasferimento delle informazioni sull'installazione e sull'utilizzo dell'elettrodomestico e le relative avvertenze.

Alla prima accensione, l'elettrodomestico potrebbe dare origine ad emissioni di odore acre: tale fumo è innocuo. Consigliamo di far funzionare la cucina a vuoto per due ore.

1.1. SIMBOLI USATI IN QUESTO MANUALE

Per una più facile comprensione, in questo manuale sono stati utilizzati i simboli indicati di seguito.



Informazioni per la sicurezza



Informazioni per la protezione dell'ambiente



Questo elettrodomestico è conforme alle direttive CEE dell'UE

1.2. DICHIARAZIONE DI CONFORMITÀ

Le parti di questo elettrodomestico che potrebbero venire a diretto contatto con gli alimenti sono conformi alle indicazioni della direttiva CEE 89/109. L'elettrodomestico è conforme alle direttive europee 73/23/CEE, 89/336/CEE e 90/396/CEE, emendate dalle 2006/EC, 2004/108/EC e 2003/55/EC, e dagli emendamenti seguenti. Inoltre l'elettrodomestico è conforme alle direttive generali 93/68 e ai successivi emendamenti.

1.3. SUGGERIMENTI PER LA SICUREZZA

- La cucina deve essere usata solo per gli scopi per i quali è progettata: deve essere usata solo per la cottura del cibo. Qualunque tipo altro utilizzo, per esempio come forma di riscaldamento, costituisce uso improprio ed è pertanto pericoloso.

- Il costruttore non può essere ritenuto responsabile per eventuali danni provocati da uso improprio, non corretto o non ragionevole.

- Quando si utilizza un elettrodomestico occorre seguire alcune regole di base. Se l'elettrodomestico si rompe o si guasta, spegnerlo, staccare l'alimentazione di rete, evitare di toccarlo e contattare il centro di assistenza autorizzato.

- Usare sempre i guanti per rimuovere gli alimenti dal forno.

- Mantenere sempre pulito l'elettrodomestico, per motivi di sicurezza e di igiene. I residui di grasso e di alimenti possono essere causa di incendi.

- Rimuovere gli eventuali liquidi traciati dal coperchio prima di aprirlo.

- Far raffreddare la superficie del piano di cottura prima di chiudere il coperchio.

- Non mettere la mani tra il forno e le cerniere dello sportello superiore. Tenere lontani i bambini.

- Assicurarsi che quando l'elettrodomestico non viene utilizzato tutte le manopole siano in posizione spenta.

- Lo scaldavivande può essere usato per riporre vassoi vuoti o per mantenere caldi gli alimenti.

- Non mettere nel vano scaldavivande oggetti infiammabili, esplosivi o detergenti, ad esempio borse di nylon, carta, panni, ecc.

- Usare esclusivamente pentole e padelle resistenti al calore. Non usare materiali infiammabili.

- È pericoloso modificare o tentare di modificare le proprietà dell'elettrodomestico.

- Occorre prestare particolare attenzione durante la frittura: non lasciare incustodito l'elettrodomestico.

- L'elettrodomestico è pesante. Prestare attenzione durante gli spostamenti.

- Durante il funzionamento dell'elettrodomestico, è normale l'emissione di aria calda.

Non bloccare le aperture del forno.

- Se si pongono alimenti sopra o all'interno dell'elettrodomestico o quando si sposta il cibo con acqua o grassi in eccesso, si possono verificare versamenti. Pulire immediatamente tali residui dopo la cottura, per prevenire la formazione di odori sgradevoli e di possibili incendi.

- Prima di togliere i recipienti di cottura, ridurre o spegnere la fiamma.

- **AVVERTENZA!** Nelle zone in cui avviene la combustione di combustibili gassosi si producono calore e umidità. Occorre prestare particolare attenzione all'aerazione dell'ambiente: se l'aerazione naturale è inesistente o insufficiente occorre installare una ventola di aerazione. In caso di dubbi, consultare un Centro di Assistenza Candy.

- Quando si utilizza un elettrodomestico occorre seguire alcune regole di base:

- * In generale non è consigliabile utilizzare adattatori, prese multiple per più spine e prolunghe.

- * Non tirare il cavo di alimentazione per staccare la spina dalla presa di alimentazione.

- * Non toccare il forno con le mani o i piedi umidi o bagnati.

- * Sostituire immediatamente il cavo di alimentazione danneggiato.

- * Per la sostituzione del cavo, attenersi alle seguenti istruzioni:

- * La sostituzione del cavo deve essere effettuata da un tecnico qualificato. Per le riparazioni affidarsi esclusivamente a un centro di assistenza autorizzato e assicurarsi che vengano usati ricambi originali.

- * Se necessario, rimuovere il cavo di alimentazione e sostituirlo con uno dei seguenti tipi: H05RRF, H05VVF e H05V2V2-F. Il cavo ha la capacità necessaria per la corrente elettrica richiesta dal prodotto.

- Controllare periodicamente il tubo flessibile del gas.

- Il tubo del gas deve essere tenuto lontano dalle parti calde del forno e non deve essere a contatto con esso. È possibile spostare il connettore del gas a sinistra o a destra del forno. Dopo tale modifica, verificare l'eventuale presenza di perdite con acqua saponata.

- Dopo avere collegato il tubo flessibile del gas al connettore, fissarlo saldamente con una fascetta. Occorre prestare particolare attenzione alle perdite di gas: controllare con una soluzione saponata.

- Non lasciare l'elettrodomestico incustodito prima che si sia raffreddato.



Il costruttore non può garantire la sicurezza della cucina qualora le precedenti istruzioni non vengano seguite.

1.4. SUGGERIMENTI UTILI

- Tutti i coperchi e le superfici in smalto o in vetro possono essere smontati per essere puliti facilmente.

L'eventuale presenza di un coperchio superiore dell'elettrodomestico consente di proteggere dalla polvere il piano di cottura non utilizzato e di riparare dai versamenti d'olio durante la cottura.

- Non utilizzare il coperchio per altri scopi.

- **ATTENZIONE!** (Per modelli con coperchio in vetro) Il coperchio in vetro può rompersi se esposto a calore eccessivo. Prima di chiudere il coperchio accertarsi sempre che i bruciatori siano spenti.

- Non usare recipienti di cottura deformati o non bilanciati.

- Pulire con cura il grill e la leccarda prima di iniziarli a utilizzarli.

- Usando detergenti spray, non spruzzare sulle piastre o sul termostato.

- Assicurarsi che i ripiani del forno siano collocati in modo corretto.

- Per un'accensione più rapida, accendere il bruciatore prima di collocarvi sopra il recipiente di cottura.

- Verificare che la fiamma dei bruciatori non presenti anomalie.

- Non coprire le parti del forno con fogli di alluminio.

2. INSTALLAZIONE

L'installazione deve essere eseguita da personale qualificato. Il produttore non ha l'obbligo di provvedervi. La garanzia non comprende l'eventuale assistenza richiesta al produttore per risolvere guasti derivanti da un'installazione non corretta.

È obbligatorio attenersi alle istruzioni di installazione destinate al personale professionalmente qualificato. L'installazione non corretta può determinare danni o lesioni a persone, animali o cose. Il produttore non può essere ritenuto responsabile di tali danni o lesioni.

AVVERTENZA! Occorre prestare attenzione al posizionamento dell'elettrodomestico. Esso può essere installato solo in una stanza dotata di ventilazione costante.

L'utilizzo di un apparecchio a gas causa calore e umidità nella stanza in cui è installato. Assicurarsi che la cucina sia ben ventilata: lasciare aperti i fori di ventilazione naturale o installare un dispositivo di ventilazione meccanica (cappa meccanica aspirante). L'uso intensivo prolungato dell'apparecchio potrebbe richiedere un sistema di ventilazione aggiuntiva, per esempio aumentando il livello di ventilazione meccanica dove presente.

Occorre sempre staccare il collegamento elettrico prima di ogni intervento di riparazione, installazione o modifica.

•Prima di installare l'elettrodomestico, controllare le caratteristiche della fornitura di gas (tipo e pressione del gas) e accertarsi che l'elettrodomestico sia regolato di conseguenza.

•Questo elettrodomestico non deve essere collegato al sistema di scarico di altri apparecchi funzionanti con un combustibile diverso.

•L'elettrodomestico non deve essere installato nelle vicinanze di materiale infiammabile (es. mobili, tende, ecc.)

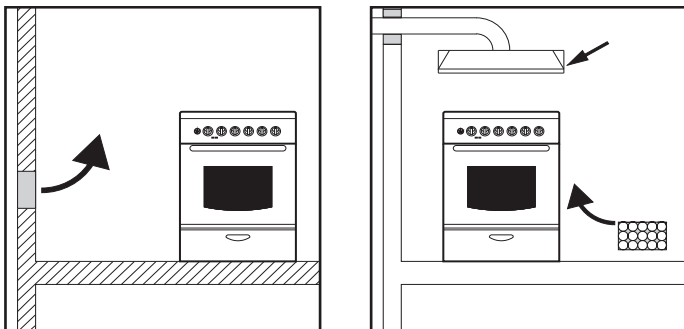
•Se la cucina è posta su un piedistallo, si devono adottare misure per evitare che l'apparecchio scivoli dal piedistallo.

2.1. L'AMBIENTE IN CUI INSTALLARE L'ELETTRODOMESTICO

•L'apparecchio non deve essere installato su di un piedistallo.

Per un corretto funzionamento dell'elettrodomestico, il locale deve essere dotato di una ventilazione naturale sufficiente alla dispersione dei gas combustibili.

•Il flusso d'aria deve penetrare attraverso le prese d'aria dotate di griglia presenti sulle pareti esterne.



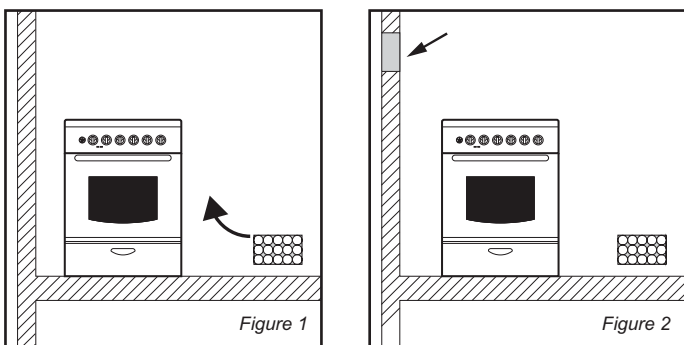
•Per il passaggio dell'aria, nei modelli dotati di dispositivo di sicurezza della fiamma, la sezione trasversale delle griglie per l'aria deve misurare 100 cm². Nei modelli privi del dispositivo di sicurezza della fiamma, la sezione trasversale deve misurare 200 cm². (È possibile adottare una o più griglie)

Scarico dei gas combustibili

•I gas combustibili della cucina devono essere rilasciati direttamente all'esterno, oppure mediante una cappa collegata a un camino o una canna fumaria (Figura 1).

•Qualora fosse impossibile installare una cappa, occorrerà installare un aspiratore elettrico su una parete o una finestra rivolte verso l'esterno (Figura 2).

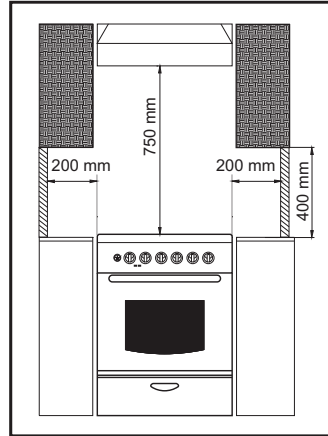
•L'aspiratore deve garantire il ricambio dell'aria della cucina 3-5 volte all'ora.



•Le griglie devono essere predisposte in modo tale da non poter essere ostruite da nessuno dei due lati e posizionate preferibilmente vicine al pavimento. Le griglie non devono essere disposte attraverso i canali attraverso cui passano gas di combustione e fumi di scarico.

•Qualora fosse impossibile installare griglie di aerazione nel locale in cui è installato l'elettrodomestico, l'aria necessaria può essere ottenuta da un locale adiacente, a meno che si tratti di una camera da letto o di un locale dove la corrente d'aria possa costituire un pericolo.

2.2. POSIZIONAMENTO

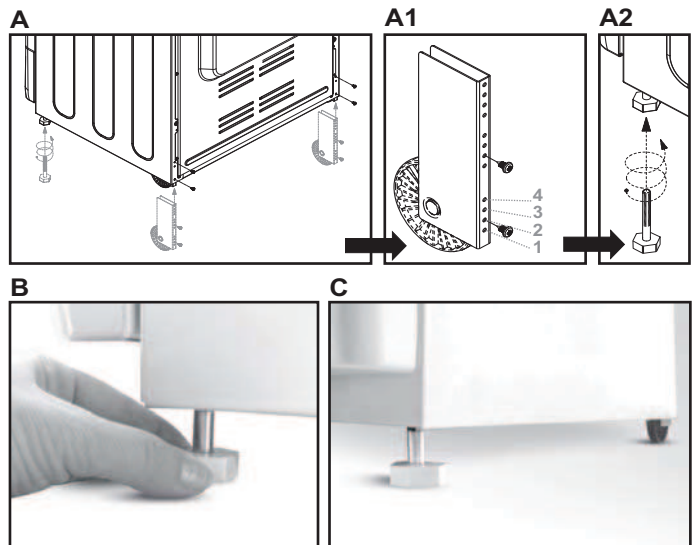


Questo è un elettrodomestico di tipo "X" ed è stato progettato nell'ipotesi che i piani di lavoro adiacenti non siano più alti della superficie del piano di cottura. Questo apparecchio è in classe 2.1

2.3. REGOLAZIONE DEI PIEDINI

L'elettrodomestico è dotato di piedini regolabili sui quattro angoli inferiori del telaio. I piedini possono essere regolati singolarmente mediante una chiave, per fare in modo che la cucina e di conseguenza i liquidi nei recipienti di cottura siano bilanciati ed equilibrati.

Piedini e ruote regolabili



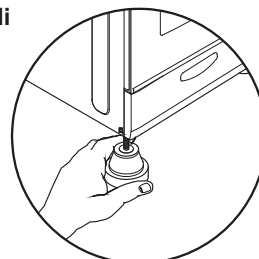
-Questo apparecchio è dotato di piedini regolabili, posizionati negli spigoli inferiori.

-L'altezza massima della cucina è di 868mm, ottenuta posizionando i piedini frontali e le rotelle posteriori nel 4° buco.

-I piedini possono essere regolati individualmente con l'aiuto di una pinza, per garantire che il forno sia in posizione perfettamente bilanciata, e che il livello del liquido nelle pentole sia orizzontale.

-Le rotelle posteriori devono essere fissate sul 2° buco (figura A1), altezza standard. In questo modo, l'altezza standard sarà di 850mm.

Piedini regolabili



2.4. COLLEGAMENTO ELETTRICO

Le cucine sono fornite con o senza cavo di corrente. Il collegamento del cavo deve essere effettuato da un centro di assistenza autorizzando, che dovrà attenersi alle seguenti istruzioni.

Il collegamento elettrico deve essere fatto secondo gli standard e i regolamenti vigenti. Prima di effettuare il collegamento elettrico, verificare i punti seguenti:

- La capacità dei collegamenti elettrici e i fusibili dell'edificio sono sufficienti a garantire il carico dell'elettrodomestico? (Verificare i dati sull'etichetta adesiva)

- La linea elettrica utilizzata è dotata di una messa a terra conforme agli standard vigenti? L'abitazione privata deve essere dotata di una corretta messa a terra. Rivolgersi a un tecnico autorizzato nel caso in cui l'impianto elettrico domestico non sia dotato di messa a terra.

- La presa e l'interruttore multipolare sono in un punto facilmente raggiungibile dopo l'installazione dell'elettrodomestico?

- Al cavo dell'alimentazione di rete deve essere collegata una spina conforme agli standard e il cavo deve essere inserito in una presa sicura.

- Qualora l'elettrodomestico richieda il collegamento diretto alla linea elettrica, fra l'elettrodomestico e la linea elettrica occorre usare un interruttore multipolare. (Deve essere conforme agli standard e adeguato al carico)

Il cavo di terra, di colore verde-giallo, non deve essere interrotto dall'interruttore. Il cavo di fase, di colore marrone (che parte dal connettore indicato con la "L" sul forno) deve sempre essere collegato con il cavo di fase dell'alimentazione di rete.

- Il cavo di alimentazione deve essere disposto in modo tale da non essere esposto a temperature superiori ai 50 °C.

- Qualora sia necessario sostituire il cavo di alimentazione, utilizzare un cavo con una sezione trasversale adeguata alla potenza indicata. Il cavo di terra, di colore verde-giallo, deve risultare 2 cm circa più lungo rispetto ai cavi di fase e neutro.

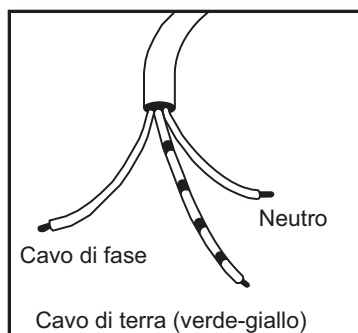
- Dopo avere completato il collegamento, controllare le piastre accendendole per 3 minuti.

Il costruttore declina ogni responsabilità per danni derivanti dalla non conformità agli standard di sicurezza.

- Per il collegamento diretto alla rete, è necessario prevedere un dispositivo che assicuri la disconnessione dalla rete, con una distanza di apertura dei contatti che consenta la disconnessione completa nelle condizioni della categoria di sovratensione III, conformemente alle regole di installazione

2.5. CUCINE CON CAVO DI CORRENTE

È previsto esclusivamente un collegamento a tensioni pari a 220-240 V tra fasi o tra fasi e neutro.



L'eventuale sostituzione del cavo di alimentazione deve essere eseguita dall'Assistenza Tecnica Candy o da un tecnico qualificato, con un cavo le cui caratteristiche siano equivalenti al cavo originale

Sezione dei cavi di alimentazione:

Potenza nominale dell'apparecchio (kW)	Voltaggio di targa (V)	Corrente di targa (A)	Cavo di alimentazione
2.3 kW	220 - 240 V	9.1 A	3 x 1.0 mm ²
3.5 kW	220 - 240 V	15.9 A	3 x 1.5 mm ²
4.0 kW	220 - 240 V	18.2 A	3 x 2.5 mm ²

2.6. COLLEGAMENTO AL GAS

Il gas deve essere collegato all'elettrodomestico secondo gli standard e le disposizioni vigenti.

- L'elettrodomestico è stato regolato in fabbrica per il tipo di gas indicato nei dati sull'etichetta adesiva posta accanto all'ingresso del gas, sulla parte posteriore dell'elettrodomestico.

Assicurarsi di utilizzare il tipo di gas indicato sull'etichetta. Se il tipo di gas è diverso, seguire le istruzioni riportate nel capitolo relativo alla conversione a tipi di gas diversi.

- Per ottenere la massima efficienza e il minimo consumo, assicurarsi che la pressione del gas corrisponda a quella riportata nella tabella riportata più avanti. Se si utilizza gas a pressione diversa occorre utilizzare un regolatore sull'attacco del gas. È permesso l'uso di un regolatore di gas conforme agli standard GPL.

- Assicurarsi che la pressione del gas sia quella indicata nella tabella delle categorie gas (ultime 3 pagine di questo manuale) allo scopo di ottenere il massimo rendimento e il minimo consumo. Se la pressione del gas è differente, bisogna utilizzare un apposito adattatore all'ingresso del gas. E' consentito l'uso di un adattatore conforme agli standard per il GPL.

Collegamento con un tubo metallico rigido o flessibile

- Il gas può essere alimentato mediante un apposito tubo flessibile in acciaio inox, in base agli standard di sicurezza vigenti. In questo caso non occorre spostare l'elettrodomestico. Il connettore di ingresso del gas dell'elettrodomestico è Gc^{1/2}

Collegamento con un tubo flessibile non metallico.

- Se la valvola del gas è in una posizione tale da poter essere aperta e chiusa quando necessario, è possibile utilizzare un tubo flessibile conforme agli standard vigenti. Il tubo flessibile deve essere fissato saldamente con una fascetta.

- Il tubo flessibile può essere collegato come segue:

- Poiché il tubo flessibile verrà posto dietro il forno, esso non deve essere esposto a temperature superiori a 30°C in ogni suo punto.

- La lunghezza non deve superare i 150 cm.

- Non deve essere esposto a vapore.

- Non devono esserci pieghe, curve o tensioni.

- Deve essere protetto da oggetti taglienti o appuntiti.

- Deve essere accessibile, per permettere ispezioni periodiche.

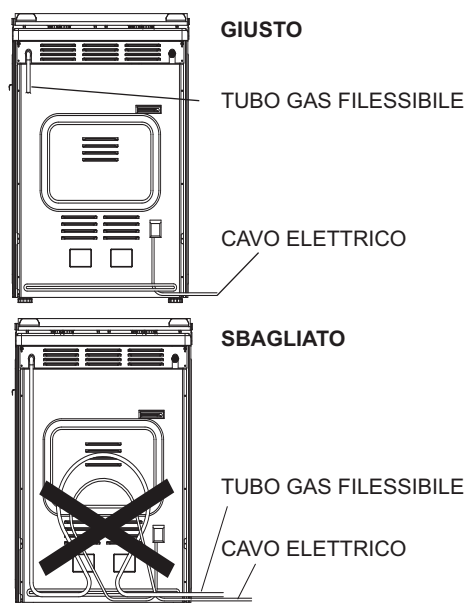
- Il tubo flessibile deve essere controllato come indicato di seguito, per prevenire i danni dell'usura:

- Verificare che non vi siano rotture, tagli o punti bruciati lungo il tubo e alle sue estremità.

- Il materiale deve conservare le sue caratteristiche di flessibilità. Non deve indurirsi eccessivamente.

- Sulle fascette non deve esserci traccia di ruggine.

- In ogni caso, occorre sostituirlo dopo 5 anni di utilizzo.

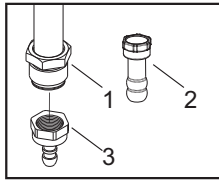


Dopo l'installazione controllare eventuali perdite in corrispondenza dei collegamenti mediante acqua saponata. Non usare fiamme per controllare perdite di gas.

2.7. CONVERSIONE PER TIPI DI GAS DIVERSI

Per le cucine indicate di seguito, la regolazione deve essere eseguita da un tecnico qualificato. Seguire i passaggi seguenti per convertire l'apparecchio dall'impostazione di fabbrica a un diverso tipo di gas.

Le cucine sono regolate per gas naturale e la connessione è di tipo cilindrico (1). Per la connessione con tubo tipo gas naturale, si può fissare l'adattatore (2) all'estremità cilindrica con guarnizione. Per la connessione GPL, l'adattatore GPL (3) può essere fissato all'estremità cilindrica con guarnizione.



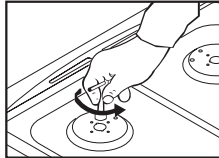
Regolazione e sostituzione degli iniettori

Sostituzione degli iniettori

•Rimuovere le griglie

Rimuovere i copri bruciatori e i bruciatori

Rimuovere gli iniettori usando una chiave da 7mm, poi avvitare l'iniettore adeguato, selezionato dalla tabella (ultime 3 pagine di questo manuale) in funzione del gas utilizzato. Eseguire i passaggi precedenti in sequenza inversa dopo aver completato il montaggio del nuovo iniettore.



Regolazione stand-by

Regolazione stand-by per le cucine senza sicurezza o con sicurezza e accensione a tasto.

Ruotare la manopola di controllo del bruciatore portando l'indicatore in corrispondenza della fiamma piccola e rimuovere la manopola.

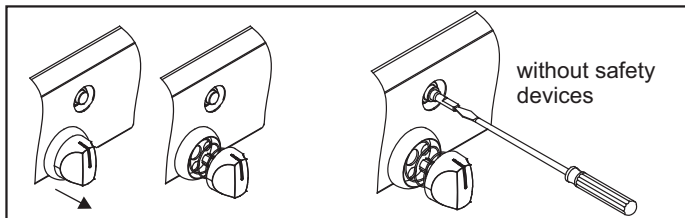
Se si intende convertire da gas naturale a GPL, ruotare la vite di bypass delle valvole del gas in senso orario con un cacciavite fino alla posizione definitiva.

Se si intende convertire da GPL a gas naturale, ruotare la vite di bypass delle valvole del gas in senso antiorario con un cacciavite fino ad ottenere una fiamma più bassa di 1/4.

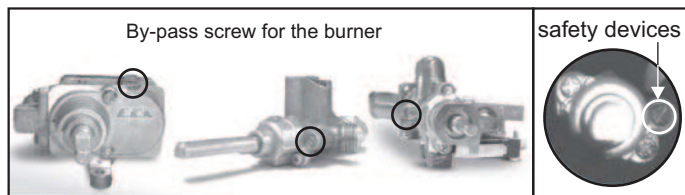
Al termine della regolazione, inserire nuovamente le manopole.

Controllare la regolazione ruotando rapidamente la manopola di controllo del bruciatore dal massimo al minimo. Se la fiamma non si spegne, la regolazione è corretta.

Per le cucine con sicurezza, la regolazione del minimo può essere effettuata attraverso una vite sul corpo del rubinetto. Se è presente l'accensione a tasto, per la regolazione del minimo occorre rimuovere il coperchio, la placca e il pannello frontale.



Per la regolazione del minimo, bisogna rimuovere il coperchio, la placca e in pannello frontale.



Forno a gas

•Rimuovere il pannello posteriore (Figure 3).

•Rimuovere l'adattatore dell'iniettore (Figure 4)

•Rimuovere gli iniettori usando una chiave da 7mm, poi avvitare l'iniettore adeguato, selezionato dalla tabella (ultime 3 pagine di questo manuale) in funzione del gas utilizzato (Figure 5).

•Eseguire i passaggi precedenti in sequenza inversa dopo aver completato il montaggio del nuovo iniettore.

•La distanza del bruciatore è di 4,5 +/- 0,3mm per il gas naturale e il GPL (Figure 6).



Figure3

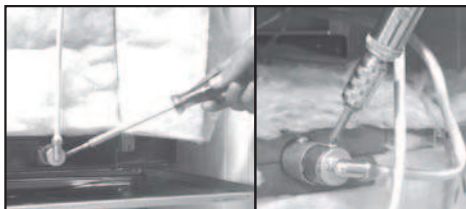


Figure4

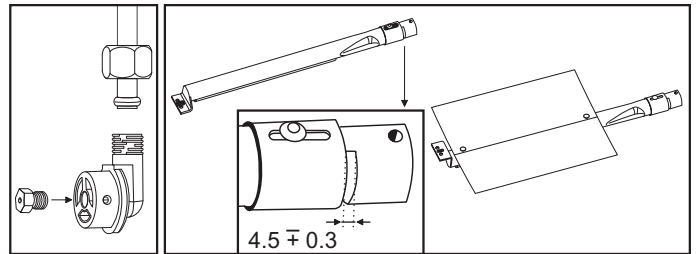
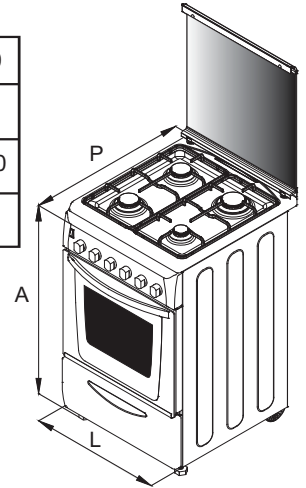


Figure5

Figure6

2.8. DIMENSIONI DELL'ELETTRODOMESTICO

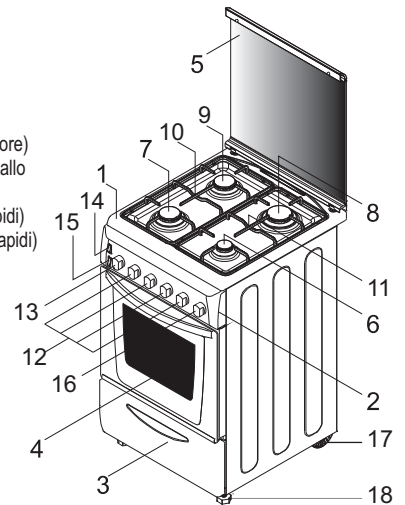
	50 x 60	60 x 60
Altezza (mm)	863	850
Larghezza (mm)	510	598-600
Profondità (mm)	600	600



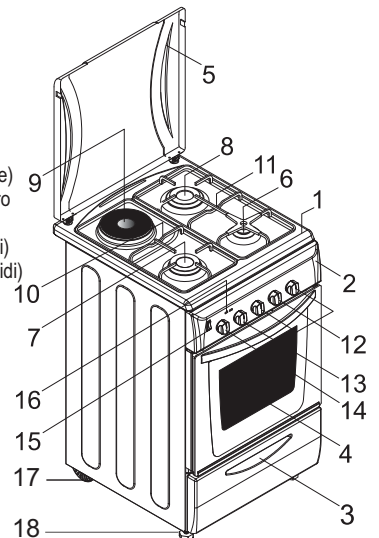
2.9. ASPETTO GENERALE E DEFINIZIONI DELL'ELETTRODOMESTICO

Questo manuale utente è fornito come guida comune a più modelli. Alcune delle proprietà riportate in questo manuale potrebbero non esistere su alcuni modelli.

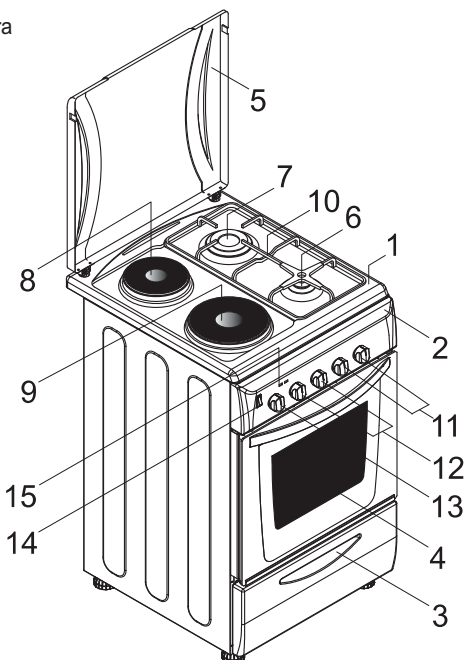
- 1- Piano superiore di cottura
- 2- Pannello di controllo
- 3- Scaldavivande
- 4- Sportello del forno (sportello anteriore)
- 5- Coperchio superiore in vetro o metallo
- 6- Bruciatore ausiliario
- 7- Bruciatori rapidi (bruciatori semirapidi)
- 8- Bruciatore ultra rapido (bruciatori rapidi)
- 9- Bruciatori semirapidi
- 10- Griglia sinistra
- 11- Griglia destra
- 12- Manopole di controllo dei bruciatori
- 13- Manopola del termostato del forno
- 14- Pulsante di accensione o pulsante della ventola
- 15- Manopola lampada
- 16- Manopola timer
- 17- Piede mobile
- 18- Testa del bullone



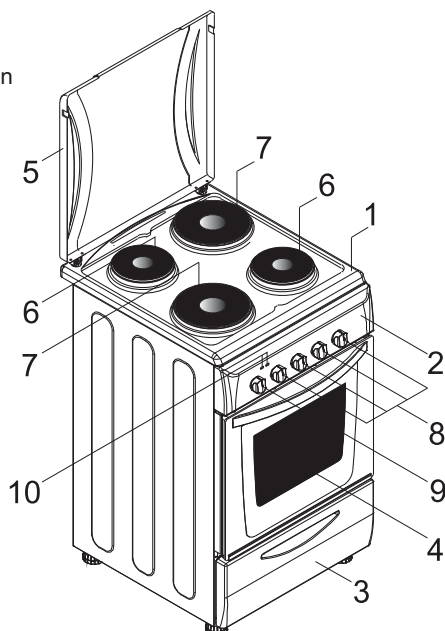
- 1- Piano superiore di cottura
- 2- Pannello di controllo
- 3- Scaldavivande
- 4- Sportello del forno (sportello anteriore)
- 5- Coperchio superiore in metallo o vetro
- 6- Bruciatore ausiliario
- 7- Bruciatori rapidi (bruciatori semirapidi)
- 8- Bruciatore ultra rapido (bruciatori rapidi)
- 9- Piastra (1000 W)
- 10- Griglia sinistra
- 11- Griglia destra
- 12- Manopole di controllo dei bruciatori
- 13- Manopola di controllo della piastra
- 14- Manopola del termostato del forno
- 15- Pulsante di accensione o pulsante della ventola
- 16- Spia
- 17- Piede mobile
- 18- Testa del bullone



- 1- Piano superiore di cottura
- 2- Pannello di controllo
- 3- Scaldavivande
- 4- Sportello del forno (sportello anteriore)
- 5- Coperchio superiore in metallo o vetro
- 6- Bruciatore ausiliario
- 7- Bruciatore rapido
- 8- Piastra
- 9- Piastra
- 10- Griglia destra
- 11- Manopole di controllo dei bruciatori
- 12- Manopola di controllo della piastra
- 13- Manopola del termostato del forno
- 14- Pulsante di accensione o pulsante della ventola
- 15- Spia



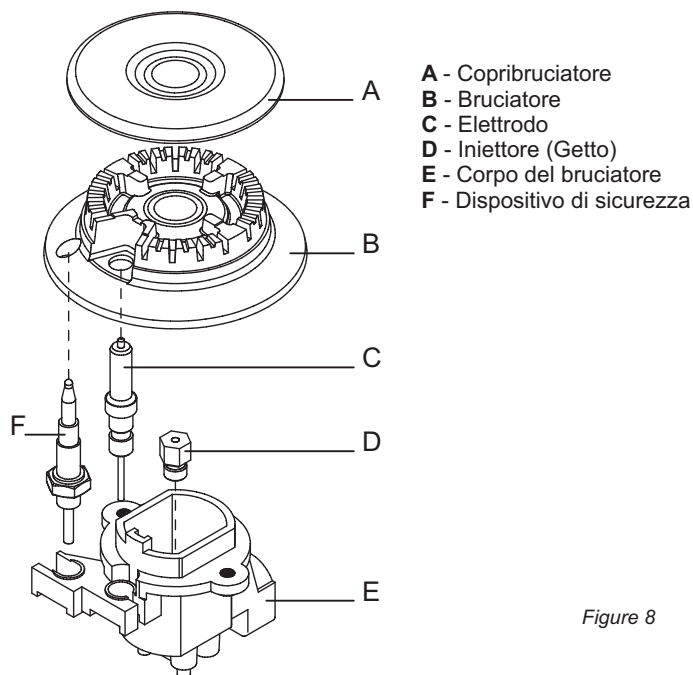
- 1- Piano superiore di cottura
- 2- Pannello di controllo
- 3- Scaldavivande
- 4- Sportello del forno (sportello anteriore)
- 5- Coperchio superiore in metallo o vetro
- 6- Piastra
- 7- Piastra
- 8- Manopole di controllo delle piastre
- 9- Manopola del termostato del forno
- 10- Spia



● **Posizione spenta**
Quando la manopola è ruotata con il simbolo del "punto" rivolto verso il pannello, si trova in posizione spenta, la valvola del gas è chiusa e la fiamma si estingue.

🔥 **Massimo afflusso di gas**
Premere la manopola del bruciatore e ruotarla a sinistra volgendo il simbolo del "punto" verso il simbolo della fiamma grande.
In questa posizione la fiamma è al massimo.
In questa posizione, la valvola del gas è completamente aperta.

🔥 **Minimo afflusso di gas**
L'intensità della fiamma può essere diminuita ruotando la manopola in modo che il simbolo del "punto" sia rivolta verso il simbolo della fiamma piccola. La valvola sarà parzialmente aperta e il bruciatore sarà al minimo.



- A - Copribruciatore
- B - Bruciatore
- C - Elettrodo
- D - Iniettore (Getto)
- E - Corpo del bruciatore
- F - Dispositivo di sicurezza

Figure 8

Accensione dei bruciatori

Bruciatori a gas del piano di cottura

Il bruciatore deve essere acceso prima di posizionarvi sopra il recipiente utilizzato per la cottura.

Nei modelli con accensione automatica occorre premere il pulsante con il simbolo della "scintilla".

Premere la manopola che controlla il bruciatore che si vuole accendere e ruotarla a sinistra fino al simbolo della fiamma grande. Premere il pulsante di accensione. Sui modelli con accensione tramite manopola, premere la manopola che controlla il bruciatore che si vuole accendere e ruotarla fino al simbolo della stella: l'elettrodo verrà attivato automaticamente. Tutti gli elettrodi verranno attivati automaticamente, accendendo il bruciatore a cui viene fornito il gas (quello relativo alla manopola che è stata premuta).

Bruciatori a gas del forno

Il pulsante non deve essere premuto per più di 15 secondi. Se dopo 15 secondi il bruciatore non si è acceso, rilasciare il pulsante e aprire lo sportello dello scomparto e/o attendere almeno 1 minuto prima di ritentare l'accensione. negli altri modelli, il gas viene acceso per mezzo delle manopole di controllo.

⚠ Assicurarsi che dopo questo passo il gas stia effettivamente bruciando. In assenza di fiamma, ripetere la procedura.

3. UTILIZZO DEI BRUCIATORI DEL PIANO DI COTTURA

3.1. UTILIZZO DEI BRUCIATORI A GAS DEL PIANO DI COTTURA

Le manopole che controllano i bruciatori sono poste sul pannello di controllo.

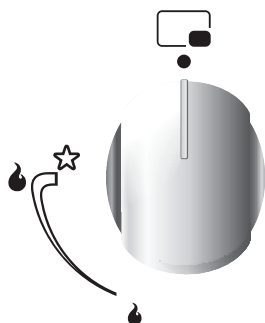


Figure 7

Dopo l'accensione regolare la fiamma all'intensità desiderata.

Accensione manuale (in caso di mancanza di energia elettrica)

Porre una fiamma (un fiammifero o un accendigas) vicino al bruciatore.

AVVERTENZA! Attendere 1 minuti tra un tentativo di accensione e l'altro.

Premere e ruotare la manopola del bruciatore che si vuole accendere fino al simbolo della fiamma grande. Se il bruciatore non si accende al primo tentativo, ritentare premendo la manopola più a lungo. Quando il bruciatore è acceso, regolare la fiamma sull'intensità desiderata.

Se il bruciatore non si accende dopo diversi tentativi, verificare che il bruciatore e il copribruciatore siano nella posizione corretta.

Per interrompere il flusso del gas ruotare la manopola in senso orario fino alla posizione "O". Se il bruciatore si spegne accidentalmente, attendere almeno un minuto prima di tentare di riaccenderlo.

Alcune cucine sono dotate di dispositivi di sicurezza per la fiamma (vedere la figura precedente, dispositivo di sicurezza F). In caso di spegnimento della fiamma, l'afflusso del gas viene automaticamente interrotto.

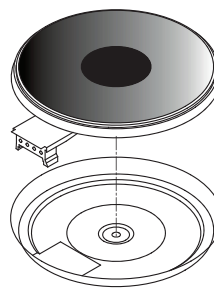


Figure 9

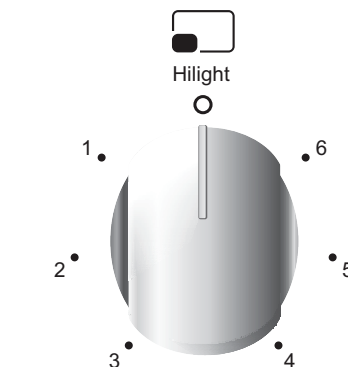


Figure 10

Diametri minimi e massimi della basi dei recipienti di cottura:

Bruciatore	Diametro min. [mm]	Diametro max. [mm]
Bruciatore grande	Ø 240 mm	Ø 280 mm
Bruciatore medio	Ø 180 mm	Ø 240 mm
Bruciatore piccolo	Ø 120 mm	Ø 180 mm
Bruciatore ultra rapido	Ø 240 mm	Ø 280 mm

•La parte esterna della fiamma è più calda di quella interna. La sommità della fiamma deve toccare il fondo del recipiente. Fiamme che si estendono al di fuori del recipiente possono causare inutile consumo di gas.

•I bruciatori a gas, diversamente delle piastre elettriche, non richiedono recipienti con il fondo piatto. La fiamma che tocca il fondo del recipiente conduce completamente il calore.

•Sebbene per i bruciatori a gas non siano richiesti recipienti di cottura particolari, recipienti costituiti da materiale più sottile conducono il calore più rapidamente di quelli con materiale spesso.

•Alcune parti degli alimenti possono essere riscaldate, mentre altre rimangono fredde a causa della distribuzione non uniforme del calore sotto il recipiente. Quindi, quando si utilizzino recipienti con il fondo sottile, è necessario rimescolare continuamente gli alimenti in cottura. Il calore è distribuito in modo più efficace e uniforme in recipienti dal fondo spesso.

•Si sconsiglia l'uso di recipienti di cottura eccessivamente piccoli. Recipienti grandi e poco profondi sono più adatti per una cottura rapida ed efficace rispetto a recipienti più piccoli e profondi.

•Non è possibile diminuire i tempi di cottura usando un piccolo contenitore su un bruciatore grande. In questo modo si sprecherà solamente gas. Tuttavia, un recipiente dotato di coperchio consentirà di risparmiare energia.

Posizione	Potenza (Watt)	Potenza (Watt)	Potenza (Watt)	Descrizione
0	0	0	0	Off
1	100 W	135 W	175 W	Scaldavivande
2	180 W	220 W	220 W	Cottura a bassa temperatura
3	250 W	300 W	300 W	Cottura a bassa temperatura
4	500 W	850 W	850 W	Cottura, frittura, bollitura
5	750 W	1150 W	1150 W	Cottura, frittura, bollitura
6	1000 W	1500 W	2000 W	Cottura, frittura, bollitura

Idoneità dei recipienti di cottura

Recipienti più ampi hanno superfici di riscaldamento più ampie. Questo permetterà di cuocere i cibi più velocemente rispetto a recipienti con superficie minore.

Usare sempre recipienti di dimensione proporzionale alla quantità di cibo da cucinare. Per non disperdere il contenuto, evitare recipienti molto piccoli, specialmente per cibi con eccesso di liquido. Se si usano recipienti eccessivamente grandi per cibi a cottura rapida, salsicce e liquidi si attaccheranno al recipiente e, dopo che si sarà svuotato, vi rimarranno attaccati residui. Per la cottura di dolci sono consigliabili recipienti e teglie chiusi. Zucchero e succhi versati da un recipiente aperto possono aderire al piano di cottura ed essere di difficile rimozione.

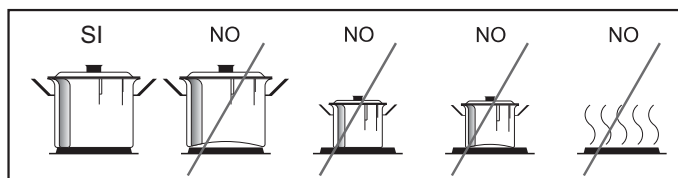


Figure 11

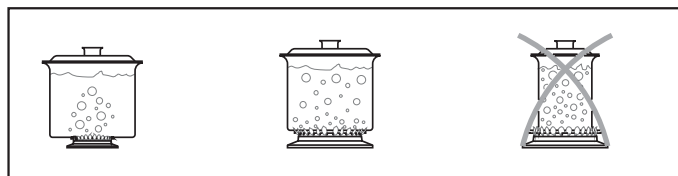


Figure 12

3.2. UTILIZZO DI PIASTRE ELETTRICHE DEL PIANO DI COTTURA

Ruotare la manopola nella posizione corrispondente alla temperatura desiderata per la piastra. La spia della piastra si accenderà e la piastra inizierà a riscaldarsi.

Al termine della cottura, ruotare la manopola nella posizione "O". (Figura 2). Non lasciare la piastra accesa senza un recipiente di cottura sopra di essa. È molto importante il diametro della base del recipiente utilizzato. Il diametro minimo della base del recipiente è di 14 cm, e il fondo deve essere piano. Al primo utilizzo lasciare che la piastra si riscaldi per 5 minuti prima di porre un recipiente su di essa. Questo permetterà al rivestimento resistente al calore della piastra di indurirsi, grazie al riscaldamento. Per la pulizia della piastra elettrica usare un panno umido e un detersivo. Non rimuovere i residui di cibo dalle piastre usando coltelli o altri oggetti duri e taglienti.

Dopo averla pulita, accendere la piastra per alcuni istanti per farla asciugare. Tuttavia non deve essere mai lasciata senza un recipiente su di essa per più di qualche istante.

Questo è particolarmente importante per recipienti usati per arrostiti o per la cottura a pressione ad alta temperatura.

Non lasciare i bruciatori incustoditi senza un recipiente su di essi, o con un recipiente vuoto.

Controllare l'idoneità dei recipienti di cottura in base ai seguenti criteri: Devono essere pesanti.

Devono coprire completamente la superficie del bruciatore; possono essere un po' più grandi ma non più piccoli.

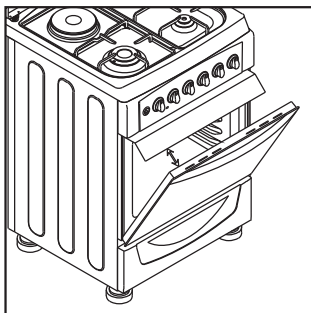
La superficie della base deve essere completamente piana e adattarsi bene alla superficie di cottura.

Per l'uso più efficace delle piastre elettriche e il minore consumo di energia, occorre usare su di esse solo recipienti di cottura con un fondo completamente piatto e liscio.

La dimensione del recipiente deve essere il più vicino possibile al diametro della piastra, e mai inferiore. La base del recipiente deve essere asciutta e occorre evitare che il contenuto versi al di fuori. Non lasciare mai sulle piastre recipienti vuoti, né lasciare le piastre accese senza recipienti su di esse.

4. USO DEL FORNO

4.1. GRILL



GRILL ELETTRICO: Utilizzare SOLO con sportello chiuso

GRILLA GAS: Può essere utilizzato con lo sportello aperto CON la protezione del pannello inserita sotto al pannello di controllo, come nell'immagine.

Utilizzando il grill lasciare aperto lo sportello del forno e inserire la protezione sul pannello di controllo per il bruciatore del grill a gas.

•Il grill permette di rosolare rapidamente gli alimenti. Il grill è regolabile su diverse posizioni, a seconda delle dimensioni degli alimenti. Quasi tutti i tipi di cibo possono

essere cotti mediante il grill, tranne la selvaggina molto asciutta e gli involtini di carne.

•Carni e pesce destinati ad essere grigliati devono prima essere cosparsi di olio.
•Utilizzando il grill, disporre una teglia per raccogliere il grasso sotto il cibo. Versare un po' d'acqua nel vassoio per evitare la formazione di odori sgradevoli e che i grassi vengano incendiati.

•Il grill viene solitamente utilizzato per cuocere tagli di carne, per esempio bistecche non troppo spesse, selvaggina a pezzi, pesce, alcune verdure (come zucchini, melanzane, pomodori, ecc.) o spiedini di carne o di pesce.

Ungere leggermente il pesce prima di metterlo sotto il grill. Salare la carne dopo la cottura; salare il pesce all'interno prima della cottura.

•La distanza dal grill dipende dallo spessore della carne o del pesce. Se la distanza è scelta correttamente, la superficie esterna non risulterà bruciata, mentre l'interno sarà cotto correttamente.

•Per impedire la formazione di fumo e cattivi odori dovuti a schizzi di grasso e salse, versare nel vassoio di raccolta uno o due bicchieri d'acqua.

•È anche possibile usare il grill per tostare pane e toast e per cucinare certi tipi di frutta (banane, pompelmi e fette di ananas, mele, eccetera). La frutta non deve venire in contatto con gli elementi riscaldanti.



Non coprire le pareti laterali o il fondo con fogli di alluminio. Il calore accumulato può danneggiare lo smalto del forno e gli alimenti.



Quando il forno è in funzione, il coperchio deve essere aperto

4.2. FORNO ELETTRICO

Posizione	Funzione forno
F	Funzione
°C	Temperatura
⌚	Tempo di cottura
○	Non in funzione
↔	Spiedino rotante e piastra grill
💡	Lampada
🔥	Piastra grill
🌀	Piastra grill e ventola
🌀	Ventola
🌀	Elemento riscaldante superiore e ventola
🌀	Elemento riscaldante inferiore e ventola
🌀	Elemento riscaldante superiore, elemento riscaldante inferiore e ventola
⋮	Elemento riscaldante inferiore e superiore
⋮	Piastra superiore
⋮	Piastra inferiore
👤	Manuale
PIZZA	Pizza

4.3. SUGGERIMENTI DI COTTURA PER IL FORNO ELETTRICO

Cottura tradizionale

Il calore è generato dalle piastre superiore e inferiore. per la cottura è in generale preferibile la posizione centrale. Tuttavia, se occorre cuocere maggiormente la parte superiore o inferiore dell'alimento, disporre il ripiano di cottura nella parte superiore o in quella inferiore.

Cottura ventilata

•Gli alimenti vengono cotti grazie all'aria preriscaldata e distribuita in modo uniforme all'interno del forno mediante una ventola collocata sulla parete posteriore del forno.

•In questo modo è possibile cuocere più piatti contemporaneamente su ripiani diversi, grazie alla distribuzione uniforme del calore. Questo tipo di forno può anche essere utilizzato per scongelare alimenti surgelati. È possibile utilizzare il forno per sterilizzare alimenti in barattolo, preparare sciroppi di frutta, disidratare frutta e funghi.

4.4. FUNZIONE PIZZA



- Impostare il termostato del forno alla temperatura massima
- Preriscaldare il forno per 15-20 minuti
- Posizionare la teglia in una delle due posizioni più basse
- Cuocere per circa 20 minuti

4.5. PREPARAZIONE DI TORTE

•A meno di indicazione contraria, preriscaldare il forno per almeno 10 minuti prima di utilizzarlo. Non aprire lo sportello del forno durante la cottura di torte, per non interrompere la lievitazione (torte o piatti con lievito e soufflé). L'afflusso di aria fredda che entrerebbe nel forno ne impedirebbe la lievitazione. È possibile controllare la cottura dei dolci inserendo uno stuzzicadenti nel dolce. Se lo stuzzicadenti esce asciutto, allora il dolce è cotto. Non effettuare questo controllo fino a che siano trascorsi almeno i tre quarti del tempo previsto di cottura.

Ricordare i seguenti suggerimenti

- Se l'alimento è ben cotto in superficie ma è ancora crudo all'interno, deve essere cotto più a lungo a temperatura più bassa.
- Se viceversa la superficie del cibo è troppo secca, questo significa che deve essere cotto a temperatura superiore per un periodo di tempo più breve.

4.6. COTTURA DELLA CARNE

- La quantità minima da cuocere nel forno è di 1 kg. Diversamente, la carne risulterà troppo asciutta. Per ottenere una carne ben cotta, usare meno grasso. Se la carne è molto grassa, non c'è bisogno di usare olio. Se un lato della carne è grasso, rivolgere questo lato verso l'alto. Il grasso sciolto sarà sufficiente per ammorbidire la parte inferiore. Le carni rosse devono essere estratte dal frigorifero almeno 1 ora prima della cottura.
- In caso contrario la carne potrebbe indurirsi a causa dello sbalzo di temperatura. Non usare sale prima della cottura, specialmente per la cottura al grill. Il sale estrarrebbe il sangue e i succhi della carne, impedendo quindi la rosolatura della superficie superiore del taglio.
- Salare la carne da arrostire solo dopo metà cottura.
- Disporre la carne da arrostire in recipiente largo e poco profondo.
- Contenitori profondi agiscono come schermo nei confronti del calore. La carne può essere posta nel forno in un recipiente resistente alla temperatura o direttamente sulla griglia. Inserire sotto la griglia una teglia per raccogliere i succhi e il grasso. Le salse devono essere aggiunte all'inizio se l'alimento richiede una cottura rapida, oppure nell'ultima mezz'ora nel caso di cotture più prolungate.

4.7. COTTURA DEL PESCE

Pesci di piccola taglia possono essere cotti alla massima temperatura dall'inizio alla fine. I pesci di taglia maggiore devono essere cotti all'inizio alla massima temperatura, per poi ridurre lentamente la temperatura. I pesci di grossa taglia devono essere cotti a bassa temperatura dall'inizio alla fine. Controllare il taglio nel pesce per verificare il grado di cottura raggiunto. Per capire se il pesce è cotto, controllare il taglio nel pesce stesso. Per il pesce grigliato il colore deve essere bianco opaco uniforme. Questo non vale per il salmone e per la trota.

4.8. GIRARROSTO

La cucina è dotata di un accessorio girarrosto, composto di uno spiedo di metallo, due forchettoni e un gancio utilizzato per sostenere lo spiedo.

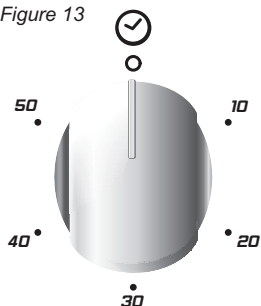
Istruzioni per l'uso:

- rimuovere ogni accessorio dal forno
- posizionare la leccarda profonda sul fondo della cavità o nell'ultimo livello
- infilzare lo spiedo nella carne, in posizione centrale in mezzo ai due forchettoni
- Inserire lo spiedo nel foro posizionato sulla parete di fondo, poi fissare il gancio di sostegno nel supporto posizionato sul fronte superiore della cavità e passarlo attorno all'estremità dello spiedo
- Non è necessario preriscaldare per usare il girarrosto
- tempo di cottura raccomandato in modalità di cottura con girarrosto

Tipo di alimento (kg)	Tempo di cottura (min)	
	Forno Gas	Forno Elettrico
Manzo (1kg)	25/35	20/30
Agnello, pecora(1kg)	35/45	30/40
Vitello, Pollame (1kg)	65/75	60/70
Maiale (1kg)	60/70	65/75

4.9. USO DEL CONTAMINUTI

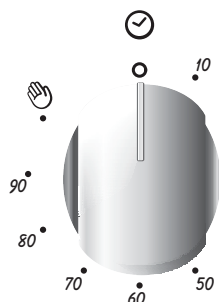
Figure 13



Per selezionare il tempo prescelto, ruotare la manopola di un giro completo, quindi ritornare con l'indice nella posizione corrispondente al tempo desiderato. Allo scadere del tempo, entrerà in azione la suoneria per alcuni secondi.

4.10. USO DEL TEMPORIZZATORE

Figure 14



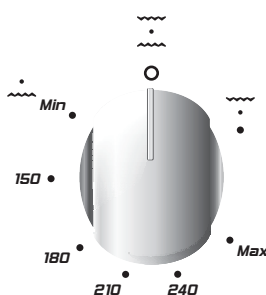
Con questo meccanismo è possibile programmare la durata espressa in minuti della cottura e quindi lo spegnimento automatico del forno al termine del tempo desiderato (max. 90 minuti).

Allo scadere del tempo prescelto, la manopola raggiungerà la posizione di suoneria **O** in corrispondenza della quale il forno si spegne automaticamente.

Il forno può essere acceso solo impostando un tempo di cottura o girando la manopola in posizione

4.11. FORNO A GAS

Figure 15



La temperatura del forno e il bruciatore possono essere selezionati regolando la manopola di regolazione del forno alla temperatura desiderata. L'intervallo del termostato del forno varia fra i 140 e i 265 °C. Per attivare il bruciatore inferiore ruotare la manopola su () e per attivare il grill ruotare la manopola su ().

Alcune cucine sono dotate di dispositivi di sicurezza sui bruciatori. In caso di spegnimento della fiamma, l'afflusso del gas viene automaticamente interrotto.

4.12. UTILIZZO DEL PROGRAMMATORE ELETTRONICO

FUNZIONE	MODALITÀ DI ATTIVAZIONE	MODALITÀ DI SPEGNIMENTO	AZIONE	SCOPO
CONTA-MINUTI	<ul style="list-style-type: none"> •Tenere premuto il tasto •Premere i tasti o •Impostare il tempo richiesto •Rilasciare tutti i tasti 	<ul style="list-style-type: none"> •Quando il tempo impostato è trascorso, scatta un allarme sonoro (che si arresta automaticamente, oppure può essere arrestato immediatamente premendo il tasto 	<ul style="list-style-type: none"> •Al termine del tempo impostato, suonerà un allarme. •Per controllare il tempo mancante, premere il tasto 	<ul style="list-style-type: none"> •Consente di utilizzare il forno come sveglia (può essere attivata sia durante il funzionamento del forno che a forno spento)
FUNZIONE MANUALE	<ul style="list-style-type: none"> •Premere il tasto •Impostare la funzione di cottura con il selettore di funzione del forno 	<ul style="list-style-type: none"> •Ruotare il selettore di funzione del forno sulla posizione "O" 	<ul style="list-style-type: none"> •Consente di far funzionare il forno. 	<ul style="list-style-type: none"> •Per cuocere le ricette desiderate
TEMPO DI COTTURA	<ul style="list-style-type: none"> •Tenere premuto il tasto TIMER •Premere i tasti o per impostare la durata della cottura richiesta •Rilasciare tutti i tasti •Impostare la funzione di cottura con il selettore di funzione del forno 	<ul style="list-style-type: none"> •Quando il tempo sarà trascorso, il forno si spegnerà automaticamente. Se si desidera arrestare la cottura in anticipo, ruotare il selettore di funzione su 0 oppure impostare il tempo su 0:00 (TIMER e pulsanti) 	<ul style="list-style-type: none"> •Consente di preimpostare il tempo di cottura per la ricetta prescelta. •Per controllare il tempo mancante, premere il tasto TIMER. •Per modificare/cambiare il tempo preimpostato premere TIME e i pulsanti 	<ul style="list-style-type: none"> •Al termine del tempo di cottura impostato, il forno si spegnerà automaticamente e suonerà un allarme.
FINE DELLA COTTURA	<ul style="list-style-type: none"> •Tenere premuto il tasto FINE •Premere i tasti [T] S per impostare il tempo desiderato per lo spegnimento del forno •Rilasciare i tasti •Impostare la funzione di cottura con il selettore di funzione del forno 	<ul style="list-style-type: none"> •Al momento impostato, il forno si spegnerà. Per spegnere manualmente, ruotare il selettore di funzione del forno sulla posizione "O" 	<ul style="list-style-type: none"> •Consente di impostare il termine del tempo di cottura. •Per controllare il tempo preimpostato, premere il tasto FINE •Per modificare il tempo preimpostato premere i tasti FINE 	<ul style="list-style-type: none"> •Questa funzione è generalmente utilizzata con la funzione "tempo di cottura". Ad esempio, se il piatto deve cuocere per 45 minuti e deve essere pronto per le 12:30, è sufficiente selezionare la funzione richiesta, impostare il tempo di cottura su 45 minuti e l'ora di fine cottura alle 12:30. •La cottura inizierà automaticamente alle 11:45 (12:30 meno 45 minuti) e continuerà fino al termine preimpostato del tempo di cottura, mentre il forno si spegnerà automaticamente •AVVERTENZA Se la FINE della cottura viene selezionata senza impostare la durata della cottura, il forno inizierà a cuocere immediatamente e si arresterà alla FINE del tempo di cottura impostato.

Impostare il tempo corretto:

AVVERTENZA

La prima operazione da effettuare subito dopo l'installazione o dopo un'interruzione di corrente (riconoscibile dal display lampeggiante con l'indicazione) è impostare l'ora corretta. Per effettuare tale operazione, eseguire i seguenti passaggi:

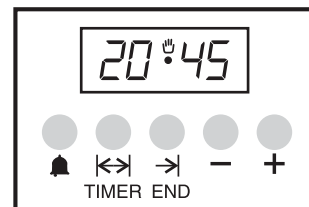
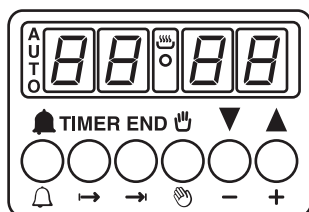
- Tenere premuti i tasti **TIMER** e **FINE** (e)
- Impostare il tempo con i tasti

•Rilasciare tutti i pulsanti

ATTENZIONE il forno funziona solo se impostata sulla funzione manuale o tempo preimpostato.

N.B.: su alcuni modelli i simboli sono sostituiti da e

Nella programmazione di un programmatore con 5 tasti, per la funzione manuale premere allo stesso tempo i tasti "TIMER" ve "END"



4.13. TABELLE DI COTTURA

Pesi per la cottura tradizionale e ventilata (grammi)
TIPO DI ALIMENTO Metodo di cottura tradizionale

Peso (grammi) (Gr)	TIPO DI ALIMENTO	Metodo di cottura tradizionale		Metodo ventilato		Tempi di cottura (minuti)	NOTE
		Posizione Ripiano	Temperatura(°C)	Posizione Ripiano	Temperatura(°C)		
	TORTE E DOLCI						
	Pasta con uova	2	180	2 (1 e 3)	160	45 - 60	
	Pasta	1	180	2 (1 e 3)	160	20 - 35	
	Piccole torte	2	180	2 (1 e 3)	160	20 - 30	
	Torta al formaggio	1	175	2	150	60 - 80	
	Torta di mele	1	180	2 (1 e 3)	160	40 - 60	
	Strudel	2	175	2 (1 e 3)	150	60 - 80	
	Crostata	2	180	2 (1 e 3)	160	45 - 60	
	Piccole torte	2	180	2 (1 e 3)	160	15 - 25	
	Biscotti	2	180	2 (1 e 3)	160	10 - 20	
	Torte alla crema	2	100	2 (1 e 3)	100	90 - 120	
	PANE E PIZZA						
1000	Pane bianco	1	200	2	175	45 ~ 60	In forno chiuso, su piatti 8 pezzi su una teglia Sotto il grill
500	Pane di segale	1	200	2	175	30 ~ 45	
500	Toast	2	200	2 (1 e 3)	175	20 ~ 35	
250	Pizza	1	220	2 (1 e 3)	200	20 ~ 35	
	PASTA						
	Pasta generica	2	200	2 (1 e 3)	175	40 ~ 50	
	Pasta con verdure	2	200	2 (1 e 3)	175	45 ~ 60	
	Pasta piccola	2	200	2 (1 e 3)	175	35 ~ 45	
	Lasagne	2	200	2	175	45 ~ 60	
	CARNI						
1000	Arrosto di manzo	2	200	2	175	50 ~ 70	Cuocere sulla
1200	Arrosto di maiale	2	200	2	175	100 ~ 130	Cuocere sulla
1000	Arrosto di vitello	2	200	2	175	90 ~ 120	Cuocere sulla
1500	Roastbeef all'inglese	2	220	2	200	50 ~ 70	Cuocere sulla
1200	Agnello	2	200	2	175	110 ~ 130	Coscia
1000	Pollo	2	200	2	175	60 ~ 80	Intero
4000	Tacchino	2	200	2	175	210 ~ 240	Intero
1500	Anatra	2	175	2	160	120 ~ 150	Intero
3000	Oca	2	175	2	160	150 ~ 200	Intero
1200	Coniglio	2	200	2	175	60 ~ 80	A pezzi
	PESCE						
1000	Pesce intero	2	200	2 (1 e 3)	175	40 ~ 60	2 Pesci
800	Filetto	2	200	2 (1 e 3)	175	30 ~ 40	4 Filetti

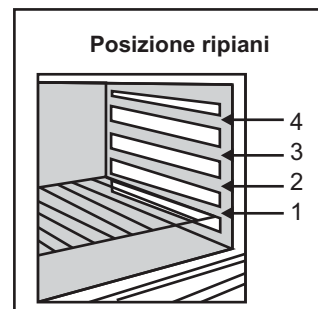


Figure 16

NOTA :

- 1) I tempi delle cotture non comprendono il preriscaldamento. Si consiglia di preriscaldare il forno per almeno 10 minuti, specialmente per torte, pizze e pane.
- 2) Indica le posizioni dei ripiani per la cottura simultanea di più piatti.
- 3) Tutte le cotture devono avvenire con lo sportello del forno chiuso.

TIPI DI ALIMENTI	QUANTITÀ		COTTURA SU GRIGLIA		TEMPI DI COTTURA (minuti)	
	N. DI PARTI	PESO	POSIZIONE RIPIANO	TEMPERATURA (°C)	SEZIONE SUPERIORE	SEZIONE INFERIORE
Bistecca	4	800	4	max	10	8
Costolette	4	600	4	max	12	8
Salsiccia	8	500	4	max	10	6
Tagli di pollo	6	800	3	max	30	20
Grigliata mista	4	700	4	max	12	10
Dolci al latte	4	400	4	max	13	10
Pomodoro a fette	8	500	4	max	12	--
Filetti di pesce	4	400	4	max	8	6
Tagliate	6	---	4	max	12	--
Toast	4	---	4	max	8	--
Fette di pane	4	---	4	max	2-3	1

5. PULIZIA E MANUTENZIONE

Prima di ogni intervento di pulizia e di manutenzione:

La pulizia e la manutenzione non dovrebbero essere fatte da bambini senza supervisione

- Scollegare il cavo di alimentazione.
- Chiudere la valvola del gas, per sicurezza. Se il forno è regolato per il gas naturale, chiudere la valvola del gas.
- Se il forno è caldo, attendere fino a che si raffreddi.
- Pulire le superfici smaltate con acqua saponata tiepida o con prodotti di marca adeguati. Non usare per nessun motivo polveri abrasive che possono danneggiare le superfici e rovinare l'aspetto della cucina. È molto importante pulire il forno tutte le volte che viene usato.
- Usare detersivi e lana metallica abrasiva per le griglie in acciaio inox.
- Le superfici di vetro come il coperchio, lo sportello del forno e quello dello scaldavivande devono essere pulite quando sono fredde.
- I danni causati dalla mancata osservanza di queste indicazioni non sono coperti dalla garanzia.
- È possibile pulire i bruciatori e i copribruciatori con acqua calda e detersivo. Anche i condotti del gas dei bruciatori possono essere puliti con un pennello. Assicurarsi che i bruciatori siano asciutti prima di risistemarli al loro posto. Controllare la posizione corretta del bruciatore, in particolare nel caso di torte, pizze e pane.
- Pulire periodicamente gli elettrodi di accensione dei bruciatori ad accensione automatica. Questo previene problemi di accensione. Controllare spesso che i condotti del gas dei bruciatori non siano ostruiti da residui di cibo o altro.
- Pulire il coperchio superiore con un panno asciutto per prevenire dannosi effetti di acqua, olio e vapore provenienti dai cibi in cottura.
- Non usare prodotti abrasivi, lana metallica, oggetti affilati, panni ruvidi, prodotti chimici o detersivi che possano danneggiare in modo permanente il rivestimento catalitico.
- Può essere utile usare teglie profonde per cibi grassi come i tagli per arrosti e porre una teglia sotto il grill per raccogliere il grasso in eccesso.

Pulizia dello sportello del forno.

Per una pulizia accurata dello sportello del forno è consigliabile smontarlo, come illustrato più avanti.

Aprire completamente lo sportello, ruotare i due piedini sulle cerniere di 180°. Chiudere parzialmente lo sportello a 30°. Rimuovere lo sportello alzandolo leggermente in questa posizione.

Per rimontare lo sportello, seguire i passaggi precedenti in ordine inverso.

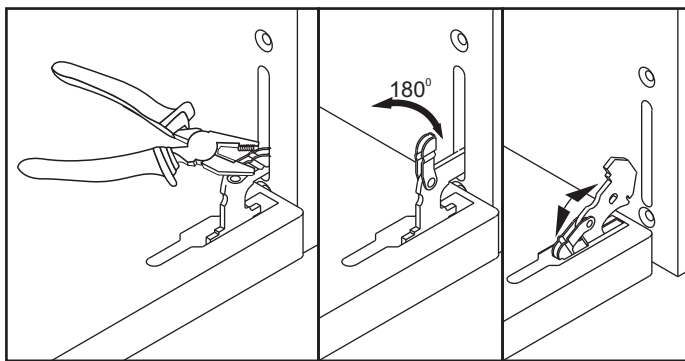


Figure 17

Per sostituire la luce interna

- Staccare l'alimentazione e svitare la lampadina. Sostituirla con una lampadina identica che possa sopportare temperature molto elevate.
- Non usare mai vapore o vaporizzatori per pulire.

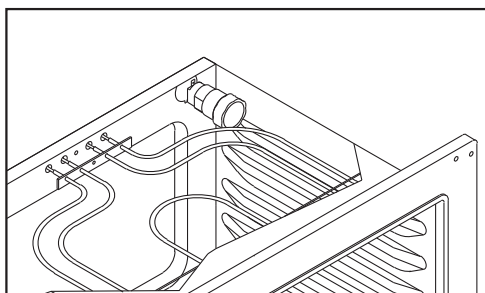


Figure 18

5.1. FORNO CATALITICO AUTOPULENTE

- Alcuni modelli sono dotati di speciali pareti autopulenti, con rivestimento microporoso. In questo caso il forno non ha bisogno di essere pulito manualmente.
- Perché l'autopulitura sia efficace, il rivestimento deve essere microporoso.
- La presenza di un'eccessiva quantità di grasso può ostruire i pori e quindi impedire l'autopulitura. La capacità di autopulitura può essere ripristinata accendendo il forno vuoto al massimo per circa 10-20 minuti.
- Se le pareti del forno sono così ricoperte di residui grassi che l'autopulitura catalitica non è più efficace, rimuovere il grasso in eccesso con un panno morbido o con una spugna intrisa di acqua calda. Tutti i rivestimenti catalitici oggi disponibili sul mercato hanno una vita utile di circa 300 ore. Dopo tale periodo essi devono quindi essere sostituiti.

6. CENTRI ASSISTENZA E RISOLUZIONE DEI PROBLEMI

• In caso di funzionamento anomalo, prima di chiamare il Centro di Assistenza si consiglia di:

- Verificare che il cavo di alimentazione sia inserito correttamente nella presa.

Il gas affluisce in modo anomalo

- Controllare i punti seguenti:
 - I fori del bruciatore sono ostruiti?
 - Il regolatore di pressione funziona correttamente?
 - Se si utilizza un tubo, è presente gas all'interno del tubo? La valvola è aperta?
 - Se si rilevano anomalie nelle valvole del gas, rivolgersi a un elettricista qualificato o a un centro di assistenza autorizzato.

Nelle vicinanze dell'elettrodomestico si avverte odore di gas

- Controllare i punti seguenti:
 - Una valvola dal gas è stata lasciata aperta?
 - Il tubo del gas è in posizione corretta e in buone condizioni?
- Non usare fiamme per controllare sospette perdite di gas.

Il forno non si scalda

Le manopole di controllo del forno sono nella posizione corretta?

Il tempo di cottura è troppo lungo

È stata selezionata la temperatura corretta?

Dal forno esce del fumo

Si consiglia di pulire il forno dopo ogni uso. Se il grasso disperso durante la cottura non viene pulito causerà fumo e odori sgradevoli durante il successivo utilizzo del forno. (Vedere il capitolo sulla pulizia e la manutenzione)

La luce del forno non si accende

- La lampadina potrebbe essere bruciata. Per la sostituzione della lampadina fare riferimento alla pagina relativa.
- Se dopo avere verificato i punti precedenti il forno non funziona ancora in modo corretto, contattare il più vicino centro di assistenza
- Modello e Numero di produzione (PNC o ENR).

7. PROTEZIONE DELL'AMBIENTE



- Dopo avere installato l'elettrodomestico, i materiali di imballaggio devono essere smaltiti adeguatamente, per la sicurezza e la protezione dell'ambiente.
- Tagliare il cavo di alimentazione prima di smaltire il vecchio elettrodomestico, in modo da renderlo inutilizzabile

Questa apparecchiatura è marchiata secondo la Direttiva Europea 2002/96/EC relativa a Waste Electrical and Electronic Equipment (WEEE).

- Facendo in modo che questo prodotto venga smaltito correttamente aiuterete a prevenire potenziali conseguenze negative per l'ambiente e la salute dell'uomo, che potrebbero essere causate da uno smaltimento non corretto.
- Il simbolo su questo prodotto indica che esso non deve essere trattato come rifiuto domestico. Deve invece essere conferito al punto di raccolta predisposto per il riciclo delle apparecchiature elettriche ed elettroniche.
- Lo smaltimento deve avvenire secondo le norme ambientali locali in materia di smaltimento dei rifiuti.
- Per maggiori informazioni sul trattamento, il ritiro e il riciclo di questo prodotto, consultare le autorità comunali, il servizio per la raccolta dei rifiuti o il negozio in cui il prodotto è stato acquistato.

CONSEILS DE SÉCURITÉ

AVERTISSEMENT: L'appareil et les parties accessibles deviennent chauds pendant l'utilisation. Des précautions doivent être prises pour éviter de toucher les éléments chauffants.

- Les enfants de moins de 8 ans doivent être tenus à l'écart à moins d'être surveillés continuellement.
- Cet appareil n'est pas destiné à être utilisé par des personnes (y compris les enfants) dont les capacités physiques, sensorielles ou mentales sont réduites, ou ayant un manque d'expérience et de connaissances, à moins qu'elles n'aient été formées à l'utilisation de l'appareil, par une personne responsable de leur sécurité.
- Les enfants ne doivent jouer avec l'appareil.
- Le nettoyage et l'entretien par l'utilisateur ne doit pas être fait par des enfants sans surveillance.

ATTENTION: La cuisson sans surveillance sur une plaque de cuisson avec de la graisse ou d'huile peut être dangereuse et peut entraîner un incendie.

- Ne jamais tenter d'éteindre un incendie avec de l'eau, mais éteindre l'appareil, puis couvrir la flamme par exemple avec un couvercle ou une couverture anti-feu.

AVERTISSEMENT: Danger d'incendie: ne pas stocker des éléments sur les surfaces de cuisson. En cours d'utilisation l'appareil devient chaud. Des précautions doivent être prises pour éviter de toucher les éléments chauds à l'intérieur du four.

AVERTISSEMENT: Les parties accessibles peuvent devenir chaudes pendant l'utilisation. Les jeunes enfants doivent être tenus à l'écart.

- Ne pas utiliser de nettoyants abrasifs ou de racloirs métalliques tranchants pour nettoyer la vitre de la porte du four car ils peuvent rayer la surface, entraînant des risques d'explosion.
- L'intérieur du tiroir inférieur peut devenir chaud. Le liquide débordé doit être enlevé avant de nettoyer. Pendant le fonctionnement de la pyrolyse, les surfaces peuvent devenir plus chaudes que d'habitude et les enfants doivent être tenus à l'écart.
- Le four doit être éteint avant d'enlever la protection et après le nettoyage, la protection doit être replacé en respectant les instructions.
- Utiliser seulement la sonde de température recommandée pour ce four.
- Ne pas utiliser de nettoyants vapeur pour le nettoyage.
- Tout liquide doit être enlevé du couvercle avant ouverture.
- Il est recommandé de laisser refroidir la table de cuisson avant de refermer le couvercle.

AVERTISSEMENT: Assurez-vous que l'appareil est éteint avant de remplacer la lampe afin d'éviter les risques d'électrocution.

- Si le produit est placé sur un socle, des mesures doivent être prises pour éviter que le produit glisse de son socle.
- Un système de déconnexion doit être incorporé dans le compteur conformément aux règles de câblage.
- Les instructions indiquent le type de cordon à utiliser, en tenant compte de la température de la surface arrière de l'appareil.
- Si le cordon d'alimentation est endommagé, il doit être remplacé par un cordon spécial disponible auprès du fabricant ou de stations de dépannage agréées.

ATTENTION: Pour éviter tout danger dû à une réinitialisation accidentelle, cet appareil ne doit pas être alimenté par un dispositif de commutation externe, comme une minuterie, ou connecté à un circuit qui est régulièrement allumé et éteint par l'utilisateur.

- Cet appareil doit être installé en conformité avec la réglementation en vigueur et utilisé uniquement dans un espace ventilé. Lisez les instructions avant d'installer ou utiliser cet appareil.
- Ces instructions ne sont valables que si le symbole du pays apparaît sur l'appareil. Si le symbole n'apparaît pas sur l'appareil, il est nécessaire de se référer à la notice technique qui fournira les instructions nécessaires concernant la modification de l'appareil selon les conditions d'utilisation du pays.
- Avant l'installation, s'assurer que les conditions de distribution locale (la nature du gaz et la pression) et le réglage de l'appareil sont compatibles.

- Les conditions de réglage de cet appareil sont indiqués sur l'étiquette (ou données de la plaque).
- Cet appareil n'est pas relié à un dispositif d'évacuation des produits de combustion. Il doit être installé et raccordé conformément aux règles d'installation en cours. Une attention particulière doit être accordée aux exigences concernant la ventilation ".

- Les résultats de la table gaz dans la production de chaleur dépend de l'humidité dans la pièce dans laquelle elle est installée. Veillez à ce que la cuisine soit bien ventilée. Laissez les ouvertures de ventilation naturelle ouvertes ou installez un dispositif de ventilation mécanique (hotte aspirante mécanique). Une utilisation intensive prolongée de l'appareil peut faire appel à l'utilisation d'une ventilation

supplémentaire, par exemple d'ouverture d'une fenêtre, ou plus efficace de ventilation mécanique, par exemple en augmentant le niveau de la ventilation mécanique présent.

ATTENTION: Les parties accessibles peuvent être chaudes lorsque le barbecue est en cours d'utilisation. Les jeunes enfants doivent être tenus à l'écart.

1. RECOMMANDATIONS

Nous vous remercions d'avoir choisi l'un de nos produits.

• Afin de tirer le meilleur parti de votre appareil, nous vous recommandons : de LIRE ATTENTIVEMENT CETTE NOTICE et de la conserver dans un endroit sûr pour toute consultation ultérieure. Elle contient des instructions importantes concernant l'installation et l'utilisation de votre cuisinière.

• de remettre cette notice avec l'appareil en cas de sa revente.

• Lors de la première mise en service de l'appareil, une odeur de brûlé est susceptible d'apparaître. Cette fumée est inoffensive. Nous vous recommandons alors de faire fonctionner l'appareil vide pendant deux heures.

1.1. SYMBOLES UTILISES DANS LA NOTICE

Pour faciliter votre compréhension, les symboles suivants sont utilisés dans cette notice :



Information importante de sécurité



Information pour la protection de l'environnement



Appareil conforme aux directives CEE de l'Union Européenne

1.2. DECLARATION DE CONFORMITE

Tous les éléments de cet appareil qui pourraient être en contact avec des aliments sont en conformité avec les exigences de la directive CEE 89/109. L'appareil est également conforme aux directives 73/23/CEE, 89/336/CEE et 90/396/CEE remplacées par 2006/CCE, 2004/108/EC et 2003/55/EC et les amendements suivants, ainsi qu'aux directives générales 93/68 et à ses amendements.

1.3. CONSIGNES DE SECURITE

• Cette cuisinière est exclusivement destinée à un usage domestique dans le cadre de la cuisson d'aliments. Si l'appareil est utilisé à d'autres fins, tel que comme un chauffage, ou mal utilisé, cela peut être dangereux et le constructeur ne peut être tenu responsable des dommages éventuellement causés.

• Vous devez respecter les règles de base relatives aux appareils électriques. S'il se casse ou fonctionne anormalement, débrancher-le, ne le touchez pas et prenez contact avec votre réparateur agréé.

• Cet appareil ne doit pas être utilisé par des personnes (y compris les enfants) à capacité réduite, à moins qu'elles soient sous la surveillance d'une personne responsable de leur sécurité.

• Utiliser des gants thermiques de cuisine, pour enfourner ou pour retirer un plat du four.

• Nous recommandons après chaque utilisation, un petit nettoyage de l'appareil, pour éviter l'accumulation des salissures et des graisses. Ces dernières recueillies à chaque nouvel usage et se carboniseraient en dégageant une fumée et des odeurs désagréables.

• Assurez-vous que les manettes et boutons ne soient pas en position de marche alors que vous n'utilisez pas l'appareil.

• Tout liquide doit être enlevé du couvercle avant ouverture.

• Il est recommandé de laisser refroidir la table de cuisson avant de refermer le couvercle.

• Le tiroir du four est destiné au stockage de plats vides ou au maintien au chaud des plats.

• Ne pas mettre d'objets explosifs, inflammables ou de matériel de nettoyage dans le four comme du nylon, du papier ou des vêtements, etc. dans le tiroir du four.

• N'utilisez que des plats résistants et destinés à cet effet pour la cuisson de vos aliments. Ne pas utiliser de récipients inflammables.

• La cuisinière possède des caractéristiques techniques définies et en aucun cas des modifications ne doivent être apportées sur cet appareil.

• Une attention particulière doit être portée à l'appareil lors de la cuisson : restez à proximité.

• La cuisinière est lourde. Faites attention lorsque vous la déplacez.

• L'émission d'air chaud est normale durant la cuisson. Ne pas obstruer les ventilations de l'appareil.

• Ne jamais tenter d'éteindre un incendie avec de l'eau, mais éteindre l'appareil, puis couvrir la flamme par exemple avec un couvercle ou une couverture anti-feu.

• Des éclaboussures peuvent être projetées lors de la cuisson d'aliments ou lorsque le plat contient trop d'eau ou de gras. Dans ce cas, immédiatement nettoyer les résidus après la cuisson en vue d'éviter le développement d'odeurs ou de feu.

• Eteindre le feu avant de retirer les plats ou casseroles.

• **ATTENTION !** De la chaleur et de l'humidité peuvent se former lors de la combustion de combustibles gazeux. Prêter une attention particulière à la bonne aération de la pièce dans laquelle est placée l'appareil : si l'aération naturelle est inexistante ou insuffisante, il convient d'installer une grille d'aération. En cas de doute, consulter un centre d'assistance technique GIAS.

• L'utilisation d'un appareil électroménager requiert le respect de quelques règles de base :

* Il est en général déconseillé d'utiliser un adaptateur ou une prise multiple.

* Ne pas tirer sur le câble d'alimentation pour éteindre l'appareil.

* Ne pas toucher le four avec les mains mouillées.

* Remplacer immédiatement le câble d'alimentation s'il est endommagé en suivant les instructions suivantes :

* Le remplacement doit être effectué par un technicien qualifié. Pour la réparation, se rapprocher exclusivement d'un centre d'assistance agréé et assurez-vous qu'ils utilisent des pièces de rechange d'origine.

* Si nécessaire, enlever le câble d'alimentation et le remplacer avec un autre du type : H05RRF, H05VVF et H05V2V2-F. Ce câble a la capacité suffisante pour supporter la tension électrique requise par le produit.

• Contrôler régulièrement le flexible de gaz.

• Le flexible de gaz doit être tenu à l'écart des parties chaudes du four et ne doit pas être en contact avec ce dernier. Il est possible de positionner le connecteur du gaz à droite ou à gauche du four. Après une telle modification, vérifier qu'il n'y a pas de fuite à l'aide d'un petit peu d'eau savonneuse.

• Ne pas laisser l'appareil sans surveillance avant qu'il ne soit complètement refroidi.



Le fabricant ne peut garantir la sécurité de la cuisinière si les règles précédemment citées ne sont pas respectées.

1.4. CONSEILS UTILES

• Tous les éléments émaillés ou en verre peuvent être démontés pour faciliter le nettoyage

La présence d'un couvercle supérieur permet d'éviter la présence de poussière sur la table de cuisson lorsqu'il n'est pas utilisé et des éclaboussures d'huile sur les murs lors de la cuisson.

• Ne pas utiliser le couvercle à d'autres fins.

• **ATTENTION !** (pour les modèles ayant un couvercle en verre) Le couvercle peut s'abîmer s'il est exposé à une température trop élevée. Toujours s'assurer que les feux soient éteints avant de refermer le couvercle.

• Ne pas utiliser de plats ou de casseroles déformés ou instables

• Nettoyer les grilles et la lèchefrite avant utilisation.

• Ne pas vaporiser de détergent sur les plats et la grille, ni sur le thermostat.

• S'assurer que les plats du four soient correctement positionnés.

• Allumer les plaques avant de placer les plats de cuisson pour un allumage plus rapide.

• Vérifier que la taille des flammes soit adaptée aux plats de cuisson.

• Ne pas tapisser les parois du four avec des feuilles en aluminium ou des protections jetables du commerce. La feuille d'aluminium ou toute autre protection, en contact direct avec l'émail chauffé, risque de fondre et de détériorer l'émail du moufle.

2. INSTALLATION

La mise en place fonctionnelle des appareils ménagers dans leur environnement est une opération délicate qui, si elle n'est pas correctement effectuée, peut avoir de graves conséquences sur la sécurité des consommateurs. Dans ces conditions, il est impératif de confier cette tâche à un professionnel qui la réalisera conformément aux normes techniques en vigueur. Si malgré cette recommandation, le consommateur réalisait lui-même l'installation, le constructeur déclinerait toute responsabilité en cas de défaillance technique du produit entraînant ou non des dommages aux biens et/ou aux personnes.

ATTENTION ! Il convient de prêter la plus grande attention au positionnement de l'appareil. Ce dernier ne peut être installé que dans une pièce où la ventilation est assurée en continu. L'appareil doit toujours être débranché avant toute intervention.

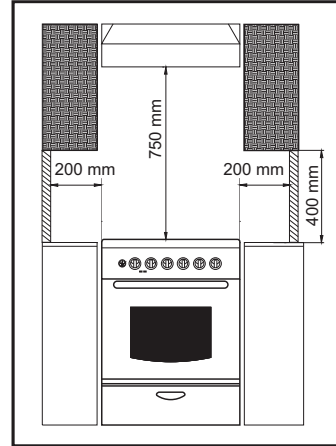
"Les résultats de la table gaz dans la production de chaleur dépend de l'humidité dans la pièce dans laquelle elle est installée. Veiller à ce que la cuisine soit bien ventilée. Laissez les ouvertures de ventilation naturelle ouvertes ou installez un dispositif de ventilation mécanique (hotte aspirante mécanique). Une utilisation intensive prolongée de l'appareil peut faire appel à l'utilisation d'une ventilation supplémentaire, par exemple d'ouverture d'une fenêtre, ou plus efficace de ventilation mécanique, par exemple en augmentant le niveau de la ventilation mécanique présent.

- Contrôler le branchement du gaz (type et pression du gaz) avant l'installation de l'appareil et s'assurer que l'appareil soit réglé en adéquation.
- Cet appareil ne doit pas être relié à un autre appareil fonctionnant avec un autre combustible.
- L'appareil ne doit pas être installé à proximité d'un matériel inflammable.
- Si le produit est placé sur un socle, des mesures doivent être prises pour éviter que le produit glisse de son socle.

• Les grilles doivent être positionnées de telle manière à ce que la ventilation ne puisse être obstruée d'aucun des deux côtés et de préférence près du sol. Elles ne doivent pas être mises sur des tuyaux d'évacuation de gaz brûlés ou de fumées.

• Toutefois, s'il est impossible de mettre des grilles d'aération dans la pièce dans laquelle l'appareil est installé, la ventilation peut être faite avec une pièce attenante s'il ne s'agit pas d'une chambre à coucher ou d'une pièce où les courants d'air pourraient représenter un risque.

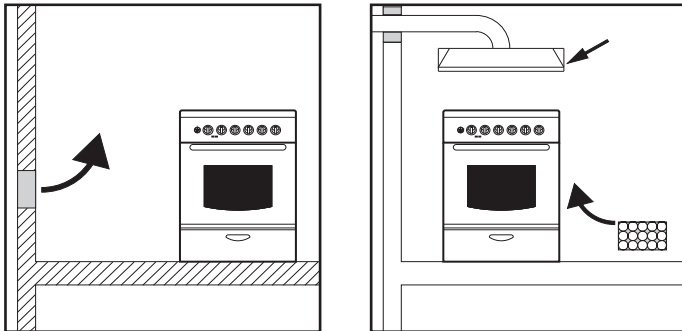
2.2. POSITIONNEMENT



Cet appareil standard a été positionné dans l'hypothèse que les plans de travail adjacents à la cuisinière ne soient pas à une hauteur supérieure à celle des plaques de cuisson. L'appareil est de Classe 2.1

2.1. ENVIRONNEMENT DANS LEQUEL L'APPAREIL DOIT ÊTRE INSTALLÉ

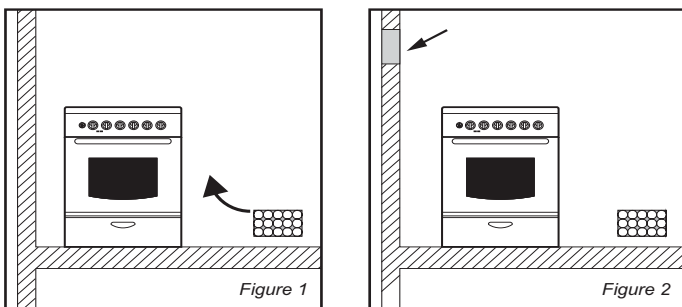
- L'appareil doit être positionné sur un emplacement stable
- Pour le bon fonctionnement, le local dans lequel l'appareil est installé doit être ventilé naturellement de telle manière à ce que les gaz brûlés soient évacués.
- Le flux d'air doit pouvoir pénétrer dans les prises d'air grillagées présentes sur les parois extérieures.



• Sur les modèles dotés d'un dispositif de sécurité des flammes, afin d'assurer le passage de l'air, la partie transversale de la grille d'air doit mesurer 100 cm². Sur les modèles privés de dispositif de sécurité, elle doit être de 200 cm² (il est possible de mettre une ou plusieurs grilles).

Emission de gaz combustibles

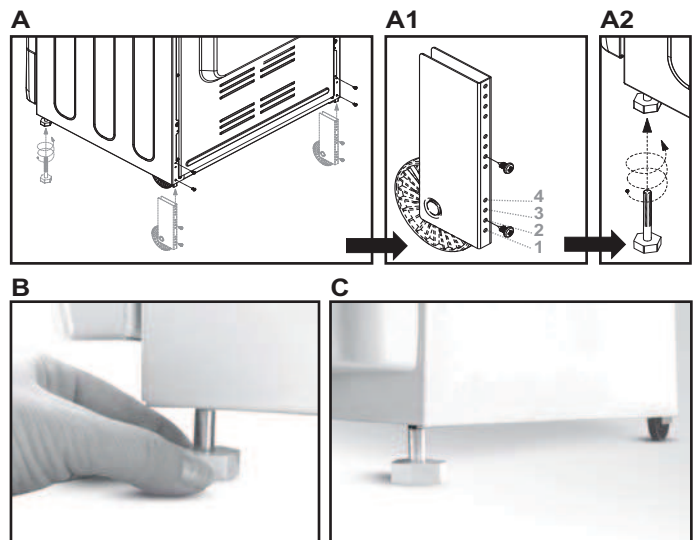
- Les gaz brûlés de la cuisinière doivent être directement évacués à l'extérieur ou par l'intermédiaire d'une hotte connectée à une évacuation (figure 1).
- S'il est impossible d'installer une hotte, il convient d'installer une ventilation électrique sur le mur ou la fenêtre tournée vers l'extérieur (figure 2)
- La ventilation doit assurer le renouvellement de l'air de la pièce de 3 à 5 fois par heure.



2.3. REGLAGE DES PIEDS

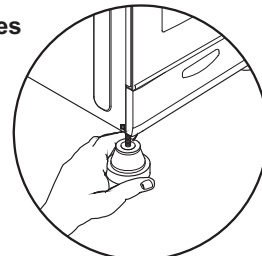
La cuisinière est dotée de pieds réglables aux 4 angles du châssis. Les pieds doivent être réglés l'un après l'autre à l'aide d'une clef pour que l'appareil soit positionné de telle manière à ce qu'il soit parfaitement stable et que les plats posés sur les plaques soient parfaitement équilibrés.

Roues ajustables et roues



- La cuisinière est dotée de 2 pieds et de 2 roulettes réglables aux angles du châssis.
- La hauteur maximale du four est de 868 mm en fixant les pieds réglables à l'avant et les roues à l'arrière au 4^{ème} trou.
- Les pieds doivent être réglés l'un après l'autre à l'aide d'une clef pour que l'appareil soit positionné de telle manière à ce qu'il soit parfaitement stable et que les plats posés sur les plaques soient parfaitement équilibrés.
- Les roues arrière doivent être fixées au 2^{ème} trou (photo A1) pour atteindre la taille standard de 850 mm.

Roues ajustables



2.4. RACCORDEMENT ELECTRIQUE

Les cuisinières sont fournies avec ou sans câble d'alimentation. Le raccordement est prévu exclusivement sous des tensions de 220-240V entre phases ou entre phase et neutre.

Le raccordement du câble doit être fait par un centre d'assistance agréé qui devra se tenir aux instructions suivantes.

L'installation recevant l'appareil doit être conforme aux normes en vigueur dans le pays d'installation (FRANCE : Norme NFC 15100). La Société décline toute responsabilité en cas de non-respect de cette disposition.

•Le technicien doit, avant de procéder au raccordement, vérifier la tension d'alimentation indiquée au compteur, le réglage du disjoncteur, le calibre du fusible et la continuité de la terre de l'installation.

•Le raccordement au réseau doit être effectué par une prise de courant avec prise de terre, ou par l'intermédiaire d'un dispositif à coupure omnipolaire.

•Si l'appareil comporte une prise de courant, il doit être installé de telle façon que la prise de courant soit accessible.

•Le fil de protection vert/jaune doit être relié aux bornes de terre, de l'appareil d'une part et de l'installation d'autre part.

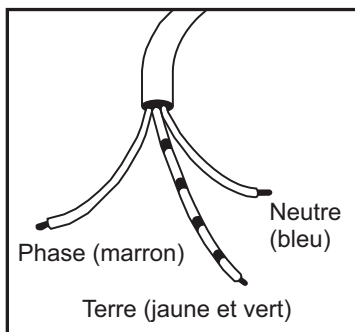
•Le câble d'alimentation doit être disposé de telle manière à ce qu'il ne soit pas exposé à une température supérieure à 50°.

•Contrôler la bonne installation en les allumant pendant 3 minutes.

•Si l'appareil n'est pas muni d'un cordon d'alimentation et d'une prise, ou d'un autre moyen assurant que l'appareil puisse être déconnecté du réseau d'alimentation dans le cas d'un surtension répondant aux conditions de catégorie III, il est nécessaire d'intégrer un système de disjoncteur dans le câblage, conformément aux règles établies en la matière.

2.5. CUISINIÈRE LIVRÉE AVEC CORDON D'ALIMENTATION

•Il est uniquement prévu un câble de raccordement pour les mises sous des tensions à 220-240V entre phase et neutre.



•L'éventuel remplacement du cordon d'approvisionnement doit être effectué par le service après-vente ou par le convenus ingénieur, avec un cordon dont les caractéristiques doivent être semblables à l'original.

Tableau de correspondance des câbles d'alimentation

Modèle (kW)	Puissance (V)	Tension nominale (A)	Câble d'alimentation
2.3 kW	220 - 240 V	9.1 A	3 x 1.0 mm ²
3.5 kW	220 - 240 V	15.9 A	3 x 1.5 mm ²
4.0 kW	220 - 240 V	18.2 A	3 x 2.5 mm ²

2.6. RACCORDEMENT GAZ

Avant installation, le technicien doit :

•Vérifier la compatibilité entre l'appareil et l'installation gaz. La cuisinière est réglée en usine pour le fonctionnement au gaz dont la nature est indiquée sur l'emballage et rappelée sur l'étiquette apposée sur l'appareil. S'assurer que le gaz que vous utilisez coïncide avec celui de la cuisinière. Effectuer, si nécessaire, le changement de gaz en adaptant les brûleurs avec la mise en place des injecteurs appropriés qui assurent le débit nominal en suivant les instructions du chapitre « modification pour type de gaz différent »

•S'assurer que la pression du gaz est celle donnée dans le tableau ci-après afin d'atteindre une efficacité optimale et de réduire la consommation. En cas d'utilisation d'un gaz dont la pression est différente, il convient d'utiliser un régulateur sur la prise du gaz. L'utilisation d'un régulateur de gaz conforme aux standards GPL est admise.

•Le raccordement gaz doit être effectué conformément aux règlements en vigueur dans le pays d'installation. (Voir les 3 dernières pages du mode d'emploi) Dans tous les cas, prévoir sur la canalisation d'arrivée du gaz un robinet d'arrêt, un détendeur ou un détendeur déclencheur pour le gaz propane. N'utiliser que des robinets, détendeurs, abouts et tubes souples, détendeurs de la marque officielle du pays d'installation.

Raccordement par tuyau rigide à embout mécanique

•Raccorder directement au robinet de gaz à l'aide d'un flexible en inox en veillant à respecter les précautions de sécurité. Dans ce cas, il n'y aura plus besoin de déplacer la cuisinière. Le connecteur d'entrée du gaz de l'appareil est GC 1/2. Nous conseillons ce type de raccordement.

Raccordement par tuyau souple caoutchouc

•Nous déconseillons ce type de raccordement (à réserver seulement aux installations anciennes n'offrant pas d'autres possibilités).

•Ce type de raccordement ne doit être fait que sous réserve que le tube souple soit visitable sur toute sa longueur, que la longueur n'excède pas 1,5 mètre et qu'il soit équipé de colliers de serrage.

•Le raccordement peut être effectué comme suit :

-Puisque le flexible sera placé derrière le four, il ne doit pas être exposé à une température supérieure à 30°C.

-Il ne doit pas être exposé à la chaleur

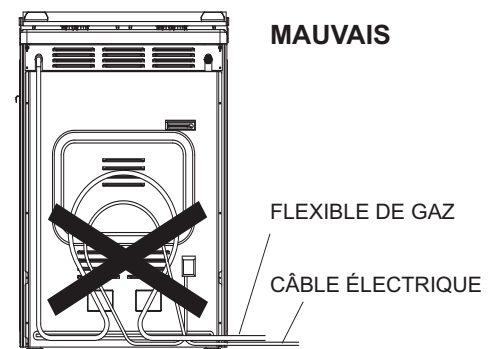
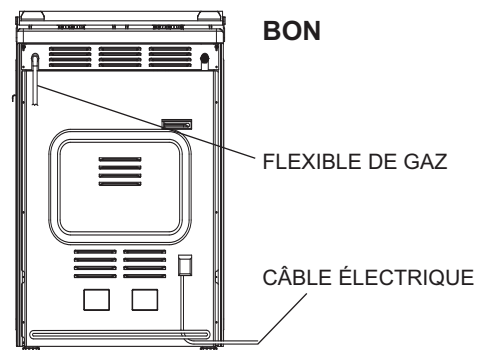
-Il ne doit pas être tordu, écrasé ni tendu.

-Il doit être protégé des objets tranchants et pointus

-Il doit être accessible pour permettre un contrôle régulier.

-Le flexible doit être contrôlé comme suit pour prévenir des dommages de l'usure : vérifier qu'il ne soit pas cassé, entaillé ou brûlé sur toute la longueur et sur les extrémités ; il doit conserver sa flexibilité et ne pas durcir ; il ne doit pas y avoir de traces de rouille sur les côtés.

-Dans tous les cas, il convient de le remplacer dans les 5 ans.



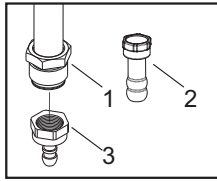
Après l'installation, vérifier qu'il n'y ait pas d'éventuelle déperdition dans le raccordement à l'aide d'eau savonneuse. Ne jamais utiliser de flamme pour contrôler une éventuelle perte de gaz.

2.7. MODIFICATION POUR TYPE DE GAZ DIFFERENT

Les réglages ci-dessous doivent être réalisés par un technicien qualifié.

Il convient de suivre les instructions suivantes pour convertir l'appareil en remplaçant les réglages établis en usine pour un autre type de gaz.

Les cuisinières sont réglées pour le gaz naturel dont l'embout de connexion est cylindrique (1). Pour ce type de raccordement, un adaptateur (2) peut-être ajouté à l'embout cylindrique. Pour un raccordement au GPL (Butane/Propane), un autre adaptateur (3) est prévu pour être visé à l'embout cylindrique.



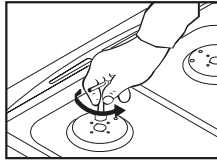
Remplacement des injecteurs des brûleurs

•Enlever les grilles.

•Enlever les chapeaux et corps du brûleur

•Au moyen d'une clé à pipe adaptée (7mm), dévisser l'injecteur et le remplacer par un injecteur correspondant au type de gaz distribué (comme décrit dans le tableau des correspondances voir les 3 dernières pages de cette notice)

•Remettre chaque élément à sa place après avoir changé les brûleurs.



Réglage du ralenti

Réglage du ralenti pour les cuisinières sans dispositifs de sécurité et allumage manuel.

•Tourner la manette de contrôle du brûleur en position « ralenti ». L'enlever.

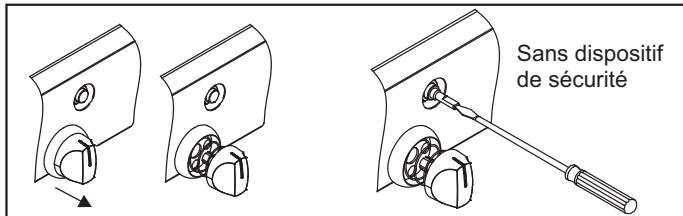
•Si le changement pour passer du gaz naturel au Propane/Butane est nécessaire, dévisser la vis bipasse d'un tour (dans le sens des aiguilles d'une montre)

•Si le changement pour passer du Propane/Butane au gaz naturel est nécessaire, tourner la vis bipasse dans le sens inverse des aiguilles d'une montre avec un tournevis jusqu'à l'obtention d'une petite flamme inférieure à ¼.

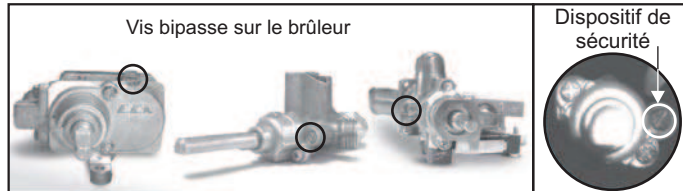
•Après le réglage, remettre la manette.

•Contrôler le bon réglage en tournant très rapidement de la petite à la grande flamme. Si la flamme ne s'éteint pas, le réglage est correct.

•S'il y a un dispositif de sécurité, le réglage du ralenti de la flamme peut être fait en réglant la vis se trouvant sur le robinet du brûleur. Dans le cas d'un allumage une main, le réglage peut être fait en enlevant la table, le couvercle et le bandeau de contrôle.



•Pour le réglage au ralenti de la vanne thermostatique, la table, le couvercle et le bandeau doivent être retirés.



Four Gaz

•Retirer le couvercle de protection situé à l'arrière (Figure 3)

•Retirez l'adaptateur de l'injecteur. (Figure 4)

•Retirez les injecteurs à l'aide d'une clé de 7 mm, puis visser sur le bon injecteur sélectionné selon le gaz de la table (cf 3 dernières pages de ce manuel) (Figure 5).

•Suivez les étapes ci-dessus dans l'ordre inverse après avoir terminé l'installation du nouvel injecteur.

•Le brûleur est de 4,5 ± 0.3mm pour le gaz naturel et le GPL (Figure 6)



Figure3

Figure4

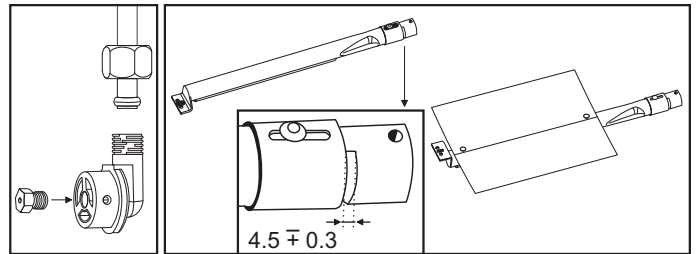
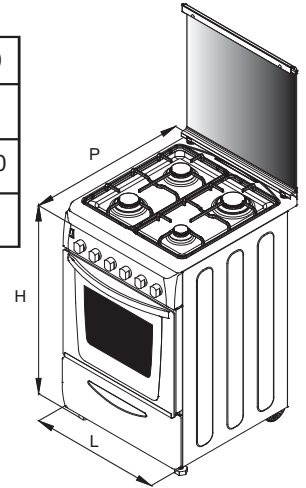


Figure5

Figure6

2.8. DIMENSIONS DE L'APPAREIL

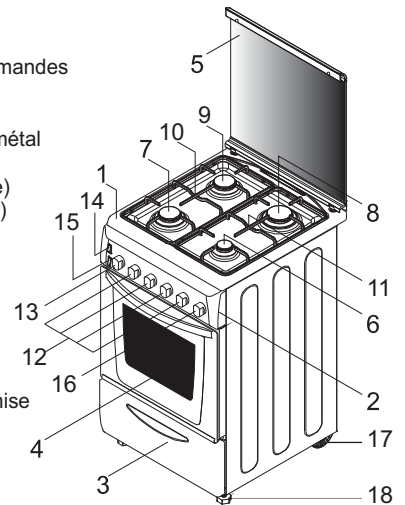
	50 x 60	60 x 60
Hauteur (mm)	863	850
Largeur (mm)	510	598-600
Profondeur (mm)	600	600



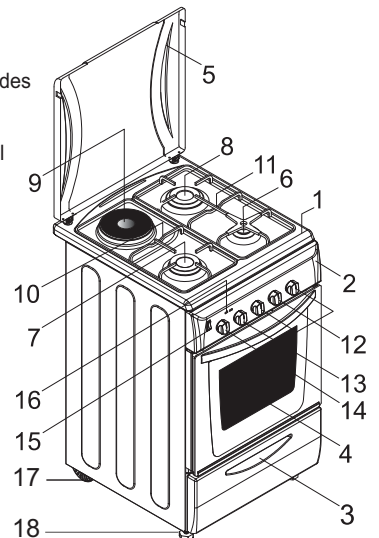
2.9. ASPECT GENERAL ET DEFINITION DE L'APPAREIL

Cette notice est commune à plusieurs modèles. Il est possible que certaines caractéristiques décrites ici n'existent pas sur certains modèles.

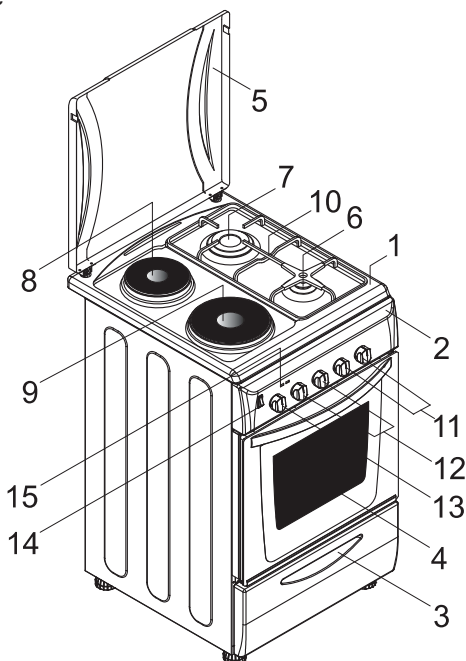
- 1- Table de cuisson
- 2- Tableau de bord avec commandes
- 3- Tiroir du four
- 4- Porte du four
- 5- Couvercle en verre ou en métal
- 6- Brûleur auxiliaire
- 7- Brûleur rapide (semi-rapide)
- 8- Brûleur ultra-rapide (rapide)
- 9- Brûleur semi-rapide
- 10- Grille de gauche
- 11- Grille de droite
- 12- Manettes de contrôle des brûleurs
- 13- Manette de thermostat du four
- 14- Bouton d'allumage ou de mise en marche de la ventilation
- 15- Interrupteur éclairage
- 16- Manette du timer
- 17- Roulettes
- 18- Boulon de pied



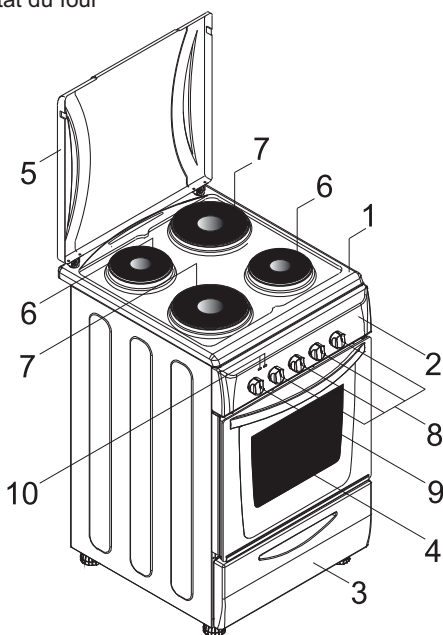
- 1- Table de cuisson
- 2- Tableau de bord avec commandes
- 3- Tiroir du four
- 4- Porte du four
- 5- Couvercle en verre ou en métal
- 6- Brûleur auxiliaire
- 7- Brûleur rapide (semi-rapide)
- 8- Brûleur ultra-rapide (rapide)
- 9- Plaque électrique
- 10- Grille de gauche
- 11- Grille de droite
- 12- Manettes de contrôle des brûleurs
- 13- Manette de contrôle de la plaque électrique
- 14- Manette de thermostat du four
- 15- Bouton d'allumage ou de mise en marche de la ventilation
- 16- Voyant de contrôle
- 17- Roulettes
- 18- Boulon de pied



- 1- Table de cuisson
- 2- Tableau de bord avec commandes
- 3- Tiroir du four
- 4- Porte du four
- 5- Couvercle en verre ou en métal
- 6- Brûleur auxiliaire
- 7- Brûleur rapide
- 8- Plaque électrique
- 9- Plaque électrique
- 10- Grille de droite
- 11- Manettes de contrôle des brûleurs
- 12- Manette de contrôle des plaques électriques
- 13- Manette de thermostat du four
- 14- Bouton d'allumage ou de mise en marche de la ventilation
- 15- Voyant de contrôle



- 1- Table de cuisson
- 2- Tableau de bord avec commandes
- 3- Tiroir du four
- 4- Porte du four
- 5- Couvercle en verre ou en métal
- 6- Plaques électriques
- 7- Plaques électriques
- 8- Manette de contrôle des plaques
- 9- Manette de thermostat du four
- 10- Voyant de contrôle



3. UTILISATION DES BRÛLEURS

3.1. UTILISATION DES BRÛLEURS DE LA TABLE DE CUISSON

Les manettes qui contrôlent les brûleurs sont placées sur le panneau de commandes.

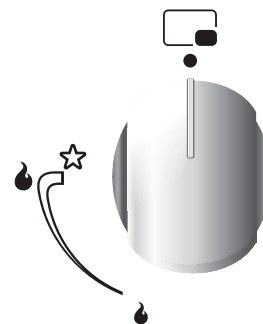
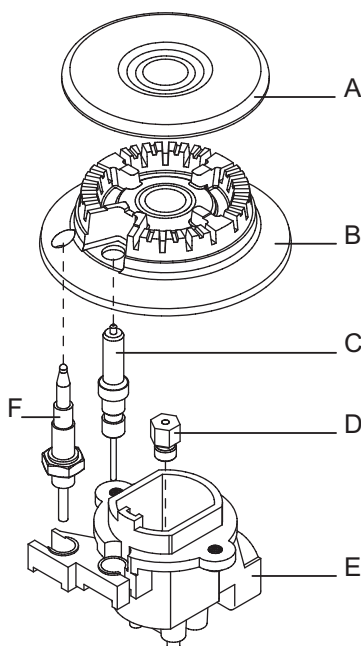


Figure 7

- **Position éteinte**
Lorsque la manette est tournée sur le symbole « O », le brûleur est éteint, la valve du gaz est fermée et la flamme s'éteint.
- 🔥 **Débit de gaz maximum**
Appuyer sur la manette du brûleur et la tourner à gauche vers la flamme la plus grande. Dans cette position, la flamme est au maximum et la valve de diffusion du gaz est complètement ouverte.
- 🔥 **Débit de gaz minimum**
L'intensité de la flamme peut être diminuée en tournant la manette soit positionnée sur le symbole indiquant la petite flamme. La valve sera partiellement ouverte et le brûleur sera au minimum.



- A - Chapeau de brûleur
- B - Tête de brûleur
- C - Bougie
- D - Injecteur
- E - Corps du brûleur
- F - Dispositif de sécurité

Figure 8

Allumage des brûleurs

Brûleurs à gaz de la table de cuisson

Le brûleur doit être allumé avant de poser une casserole. Sur les modèles avec allumage automatique il est d'abord nécessaire d'appuyer sur le bouton portant le symbole d'une étincelle. Appuyer sur la manette de contrôle du brûleur que vous voulez allumer et tournez-la à gauche jusqu'au symbole de la grande flamme. Appuyer sur le bouton d'allumage. Sur les modèles avec un allumage grâce aux manettes, appuyer sur la manette qui contrôle le brûleur concerné et la tourner jusqu'au symbole de l'étincelle : l'allumage s'activera automatiquement. Toutes les électrodes seront activées automatiquement, allumant ainsi l'allumage sur lequel le gaz est ouvert (celui relatif à la manette qui a été manipulée).

Brûleurs à gaz du four

Il ne faut pas appuyer sur le bouton pendant plus de 15 secondes. Après 15 secondes, si le brûleur ne s'est pas allumé, relâcher le bouton et ouvrir la porte et/ou attendre au moins une minute avant de réessayer d'allumer. Sur les autres modèles, le gaz est allumé par l'intermédiaire de la manette de contrôle.



S'assurer que le gaz soit effectivement fonctionnel. S'il n'y a pas de flamme, recommencer la même procédure.

Après l'allumage régler la flamme à l'intensité voulue.

Allumage manuel (en cas de coupure de courant)

Approcher une flamme (allumette ou briquet) du brûleur.

ATTENTION ! Toujours attendre une minute entre deux tentatives d'allumage.

Appuyer sur la manette et la tourner jusqu'au symbole de la grande flamme. Si le brûleur ne s'allume pas à la première tentative, réessayer en appuyant un peu plus longtemps sur la manette. Quand le brûleur est allumé, régler la flamme sur la bonne intensité.

Si le brûleur ne s'allume pas après plusieurs tentatives, vérifier que le chapeau et la tête du brûleur soient bien positionnés.

Pour couper le gaz, tourner la manette dans le sens des aiguilles d'une montre sur la position " O ". Si le brûleur s'éteint accidentellement, attendre au moins une minute avant de le rallumer.

Certaines cuisinières sont dotées de dispositifs de sécurité de flamme (« F » sur le schéma joint). En cas de coupure de la flamme, l'arrivée de gaz est automatiquement interrompue.

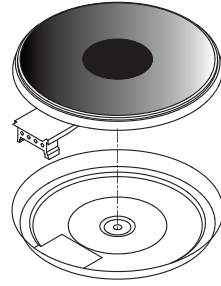


Figure 9

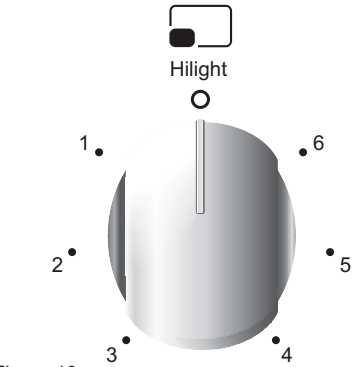


Figure 10

Diamètres minimum et maximum de base des récipients de cuisson :

Brûleur	Diamètre mini. (mm)	Diamètre maxi. (mm)
Grand brûleur	Ø 240 mm	Ø 280 mm
Brûleur moyen	Ø 180 mm	Ø 240 mm
Petit brûleur	Ø 120 mm	Ø 180 mm
Ultra rapide brûleur	Ø 240 mm	Ø 280 mm

Position	Puissance (Watt)	Puissance (Watt)	Puissance (Watt)	Description
0	0	0	0	Eteint
1	100 W	135 W	175 W	Maintien en température
2	180 W	220 W	220 W	Cuisson à basse température
3	250 W	300 W	300 W	Cuisson à basse température
4	500 W	850 W	850 W	Cuisson, friture, ébullition
5	750 W	1150 W	1150 W	Cuisson, friture, ébullition
6	1000 W	1500 W	2000 W	Cuisson, friture, ébullition

•La partie externe de la flamme est plus chaude que la partie intérieure. Le sommet de la flamme doit toucher le fond du récipient. Les flammes qui s'étendent en dehors du récipient peuvent causer une consommation inutile de gaz.

•Les brûleurs de gaz, contrairement aux plaques électriques, n'exigent pas de récipients avec le fond plat, la flamme qui touche le fonds du récipient conduisant complètement la chaleur.

•Bien qu'ils n'y ait pas de préconisation particulière de récipient pour les brûleurs à gaz, les récipients constitués de matières légères conduisent plus rapidement la chaleur que ceux plus lourds.

•Certaines parties des aliments peuvent être chaudes alors que d'autres sont encore froides à cause de la distribution non uniforme de la chaleur sous le récipient. Ainsi, lors de l'utilisation de récipients légers (au fond fin), il est nécessaire de mélanger continuellement la nourriture pendant la cuisson. La chaleur est distribuée de manière plus efficace et uniforme dans les récipients à fonds plus épais.

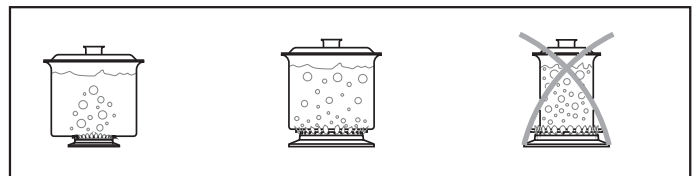
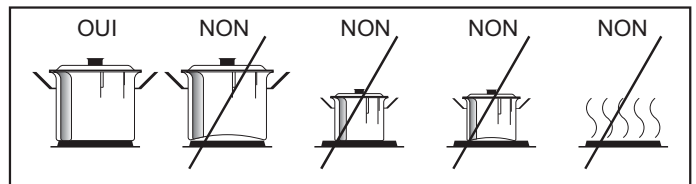
•L'usage de récipients de cuisson trop petit est déconseillé. Les récipients profonds et dont le fond n'est pas concave ni convexe sont plus adéquats pour une cuisine rapide et efficace que des récipients plus petits et profonds.

•Il est impossible de diminuer le temps de cuisson en utilisant un petit récipient sur un grand brûleur. Il en résulte uniquement un gaspillage de gaz. Cependant, un récipient doté d'un couvercle permet d'économiser de l'énergie.

Plats de cuisson adaptés

Les récipients plus grands ont des surfaces de chauffe plus importantes, ce qui permet de cuire les aliments plus rapidement que dans un récipient plus petit.

Utiliser toujours des récipients de dimension proportionnelle à la quantité de nourriture à cuire. Pour éviter les débordements, éviter les récipients trop petits, surtout pour les aliments contenant beaucoup d'eau. Si un trop grand récipient est utilisé pour les aliments à cuisine rapide, la sauce et le jus colleront au récipient et resteront collés après la cuisson. Pour la cuisson de mets sucrés, les récipients et casseroles fermés sont recommandés. Sucre et jus contenus dans un récipient ouvert peuvent éclauber et coller au plan de cuisson et ainsi être difficiles à retirer.



Cela est particulièrement important pour les récipients utilisés pour rôtir ou pour la cuisine sous pression à grande température.

Ne laissez pas les flammes sans récipient dessus ou avec un récipient vide.

Vérifier que les récipients sont adaptés à votre appareil selon les critères suivants: ils doivent être lourds, complètement couvrir la surface du brûleur : ils peuvent être un peu plus grands mais pas plus petits ; la surface de la base doit être complètement plate.

électriques et une optimisation des consommations d'énergie, il est nécessaire d'utiliser des récipients au fond parfaitement plat et lisse.

La dimension du récipient doit être la plus proche possible du diamètre de la plaque, et jamais inférieur. La base du récipient doit être sèche et il convient d'éviter tout débordement sur les plaques. Ne jamais laisser sur les plaques des récipients vides. Ne pas non plus laisser les plaques chauffer sans récipients dessus.

surface du brûleur : ils peuvent être un peu plus grands mais pas plus petits ; la surface de la base doit être complètement plate.

électriques et une optimisation des consommations d'énergie, il est nécessaire d'utiliser des récipients au fond parfaitement plat et lisse.

La dimension du récipient doit être la plus proche possible du diamètre de la plaque, et jamais inférieur. La base du récipient doit être sèche et il convient d'éviter tout débordement sur les plaques. Ne jamais laisser sur les plaques des récipients vides. Ne pas non plus laisser les plaques chauffer sans récipients dessus.

3.2.UTILISATION DES PLAQUES ELECTRIQUES DE LA TABLE DE CUISSON

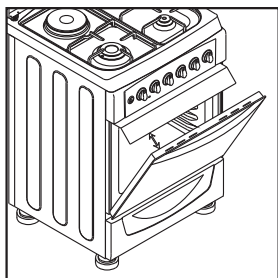
Tourner la manette sur la position indiquant la position désirée pour la plaque concernée. Le témoin lumineux de la plaque s'illumine et la plaque commence à chauffer.

A la fin de la cuisson, tourner la manette sur la position « O ». Ne pas laisser la plaque allumée sans plat dessus. Il est très important d'utiliser un récipient au diamètre adapté à celui de la plaque. Le diamètre maximum de la base du récipient est de 14 cm et le fond doit être plat. Lors de la première utilisation, laisser la plaque chauffer pendant 5 minutes avant de poser un récipient dessus. Cela permet au revêtement résistant à la chaleur de la plaque de durcir grâce au réchauffement. Pour le nettoyage de la plaque, utiliser un chiffon humide et un détergent. Ne pas enlever les résidus de viande des plaques à l'aide d'un couteau ou d'un quelconque objet dur et tranchant.

Après l'avoir nettoyée, allumer la plaque quelques instants pour la faire sécher. Toutefois, elle ne doit pas rester allumée sans récipient dessus pendant plus de quelques instants.

4. UTILISATION

4.1. UTILISATION DU FOUR GRIL



GRIL ÉLECTRIQUE : L'utiliser UNIQUEMENT avec la porte du four fermée
GRIL À GAZ : Vous pouvez l'utiliser la porte ouverte, AVEC le protecteur de panneau inséré sous le panneau de commande, tel que indiqué sur l'image.

•Le gril permet de faire dorer les aliments rapidement. Le gril est réglable sur plusieurs positions selon la taille du plat contenant les aliments. Presque tous les types d'aliments peuvent être cuits avec le gril, exceptés les pièces très fines et les petits morceaux de viande.

•Le gril permet de faire dorer les aliments rapidement. Le gril est réglable sur plusieurs positions selon la taille du plat contenant les aliments. Presque tous les types d'aliments peuvent être cuits avec le gril, exceptés les pièces très fines et les petits morceaux de viande.

•Viandes et poissons destinés pour être grillés doivent auparavant être badigeonnés d'huile.

•Lorsque vous utilisez le gril, positionner la lèchefrite en-dessous de manière à récupérer le gras. Verser un peu d'eau dans le plat de manière à éviter la formation d'odeurs désagréables et l'inflammation des graisses.

•Le gril est habituellement utilisé pour cuire des morceaux de viande, par exemple des biftecks pas trop épais, des pièces de gibier, du poisson et certains légumes (comme les courgettes, les aubergines ou les tomates) ou les brochettes de viande ou de poisson.

Badigeonner légèrement le poisson d'huile avant de le mettre sous le gril. Saler la viande après la cuisson; saler le poisson à l'intérieur avant la cuisson.

•La distance du gril dépend de l'épaisseur de la viande ou du poisson. Si la distance est correctement choisie, la surface externe ne sera pas brûlée alors que l'intérieur sera parfaitement cuit.

•Pour prévenir la formation de fumée et de mauvaises odeurs dues aux graisses et sauces, verser un ou deux verres d'eau sur la lèchefrite.

Il est aussi possible d'utiliser le gril pour griller le pain et les toasts et pour cuisiner certains types de fruits (banane, pamplemousse, ananas, pommes...). Les fruits ne doivent pas être en contact avec les éléments chauffants du four.



Ne pas tapisser les parois du four avec des feuilles en aluminium ou des protections jetables du commerce. La feuille d'aluminium ou toute autre protection, en contact direct avec l'émail chauffé, risque de fondre et de détériorer l'émail du moufle.



Pendant l'utilisation du four de la cuisinière, le couvercle doit être relevé.

4.2. FOUR ELECTRIQUE

Position	Fonction du four
F	Fonction
°C	Température
⌚	Temps de cuisson
○	Arrêt
↻	Tournebroche et gril de voûte.
☉	Eclairage du four.
⚡	Gril
⚡	Turbo gril
↻	Ventilation
↻	Résistance de voûte et ventilation
↻	Sole brassée
↻	Chaleur brassée
⋮	Convection naturelle
⋮	Résistance de voûte
⋮	Résistance de sole
✋	Manuel
PIZZA	Pizza

4.3. SUGGESTIONS DE CUISSON AU FOUR ELECTRIQUE

Cuisson traditionnelle (convection naturelle)

Utilisation simultanée de la résistance de sole et de voûte. Préchauffer le four une dizaine de minutes. Idéale pour toutes les cuissons à l'ancienne, pour saisir les viandes rouges, les rosbifs, gigots, gibiers, le pain, les papillotes, les feuilletages. Placer le mets à cuire à un niveau de gradin moyen.

Cuisson ventilée (chaleur brassée)

Ce mode de cuisson assure une répartition homogène de la chaleur et ne mélange pas les odeurs. Cette fonction est notamment recommandée pour les volailles, les pâtisseries, les poissons, les légumes... La chaleur pénètre mieux à l'intérieur du mets à cuire et réduit le temps de cuisson, ainsi que le temps de préchauffage. Ce mode peut également être utilisé pour la décongélation de plats surgelés. Vous pouvez réaliser des cuissons combinées avec préparations identiques ou non sur un ou deux gradins. Prévoir une dizaine de minutes de plus, pour la cuisson combinée.

4.4. CUISSON PIZZA

- Réglage du thermostat au maximum
- Temps de préchauffage 15 min (20 min si possible)
- La position du plateau dans un des deux positions les plus basses.
- Temps de cuisson 20 min.

4.5. PREPARATION DE GATEAUX

•Sauf indication contraire, préchauffer le four pendant 10 minutes avant de l'utiliser. Ne pas ouvrir la porte du four pendant la cuisson du gâteau afin de ne pas interrompre la levée de la pâte (gâteaux, plats contenant de la levure et soufflés). L'afflux d'air froid qui entre dans le four empêcherait ainsi sa levée. Il est possible de vérifier la cuisson des gâteaux en piquant le centre avec la lame d'un couteau. Si le couteau ressort sec et propre, alors le gâteau est cuit. Ne pas faire ce contrôle avant que les ¾ du temps de cuisson recommandé ne soient écoulés.

Souvenez-vous des suggestions suivantes :

- Si le plat est bien cuit en surface mais est encore cru à l'intérieur, il doit être cuit pendant plus longtemps mais à température plus basse.
- Si la surface du plat est trop sèche, cela signifie que le plat doit être cuit à température supérieure pendant une période plus courte.

4.6. CUISSON DE LA VIANDE

•La quantité minimum de viande pour une cuisson au four est d'1 kg. La cuisson d'une plus petite quantité risquerait de rendre la viande trop sèche. Pour obtenir une viande bien cuite, mettre moins de matière grasse. Si la viande est grasse, il n'y a nul besoin d'utiliser de l'huile. Si un côté de la viande est gras, le mettre vers le haut. Le gras récolté dans le plat sera suffisant pour cuire la partie inférieure du morceau de viande et le rendre moelleux.

•Les viandes rouges doivent être sorties du réfrigérateur au moins une heure avant la cuisson. Dans le cas contraire la viande pourrait durcir à cause du choc de température. N'utilisez pas de sel avant la cuisson, surtout pour la cuisson au gril. Le sel enlève le jus de la viande et empêche ainsi le morceau de dorer en surface

•Saler la viande seulement après la première moitié de la cuisson.

•Préparer la viande à rôtir dans un récipient large et peu profond.

•Les récipients profonds agissent comme un écran dans la diffusion de la chaleur. La viande peut être mise dans le four dans un récipient résistant à la chaleur ou directement sur la grille du four. Insérer sous la grille une lèchefrite pour recueillir le jus et la graisse.

Les sauces doivent être ajoutées au début de la cuisson si cette dernière est rapide, ou dans la dernière demi-heure dans le cas d'une cuisson plus longue.

4.7. CUISSON DU POISSON

Les poissons de petite taille peuvent être cuits à température maximale du début à la fin. Les poissons de taille moyenne doivent être cuits au début à température maximale, puis réduire progressivement la température. Les poissons de grande taille doivent être cuits à basse température du début à la fin. Vérifier la cuisson du poisson en faisant une entaille. Pour le poisson grillé, la couleur doit être d'un blanc opaque et uniforme. Cela ne vaut pas pour le saumon et pour la truite.

4.8. CUISSON AU TOURNEBROCHE

• Il est équipé d'une broche, de deux fourchettes et d'un crochet servant de support de broche.

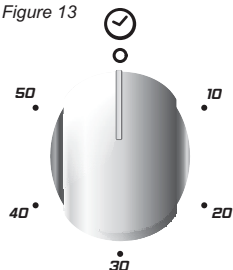
• Conseils d'utilisation :

- retirer tous les accessoires du four ;
- poser le plat profond sur la sole du four ou sur le niveau de gradin le plus bas ;
- embrocher la pièce à cuire, bien centrée entre les deux fourchettes ;
- enclencher la broche dans le carré d'entraînement situé au fond de la cavité du four puis placer le crochet dans l'encoche située à l'avant - en haut du four ainsi qu'au tour de la partie avant de la broche
- Le préchauffage n'est pas utile avec le tournebroche.
- Temps de cuisson recommandés en position Tournebroche

Type de nourriture	Temps de cuisson (min)	
	Four Gaz	Four électrique
Bœuf (1kg)	25/35	20/30
Agneau, mouton (1kg)	35/45	30/40
Veau, volaille (1kg)	65/75	60/70
Porc (1 kg)	60/70	65/75

4.9. UTILISATION DE LA MINUTERIE

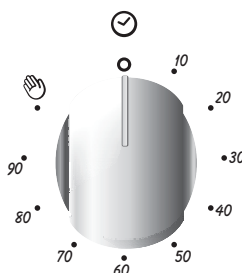
Figure 13



Pour sélectionner le temps de cuisson tournez le bouton sur le temps désiré. Dès que le temps de cuisson est écoulé une sonnerie retentit. Il ne vous reste plus qu'à couper manuellement le four.

4.10. UTILISATION DE LA MINUTERIE DE FIN DE CUISSON

Figure 14



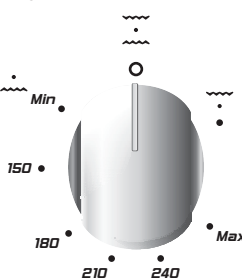
Il est possible de programmer la durée de la cuisson et l'extinction automatique du four (max. 90 minutes).

À l'expiration du temps désigné, la manette sera en position O, une sonnerie retentira et le four s'arrêtera automatiquement.

Si l'on souhaite utiliser le four sans programmer d'arrêt automatique, positionner la manette en position . Le four peut être allumé seulement en sélectionnant un temps de cuisson ou en tournant le bouton en position .

4.11. FOUR A GAZ

Figure 15



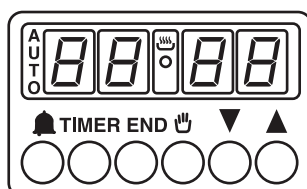
La température du four et du brûleur peuvent être réglées par l'intermédiaire de la manette de commande du four. Le thermostat du four peut être réglé entre 140 et 270 °C.

Certaines cuisinières sont dotées du dispositif de sécurité sur les brûleurs. En cas de coupure de la flamme, l'entrée de gaz est automatiquement interrompue.

4.12. UTILISATION DU PROGRAMMATEUR ELECTRONIQUE

FONCTIONS	COMMENT L'UTILISER?	COMMENT L'ARRÊTER?	BUT	A QUOI SERT-IL ?
MINUTERIE	<ul style="list-style-type: none"> • Maintenir appuyé le bouton • Appuyer sur les boutons et pour sélectionner le temps voulu. • Relâcher tous les boutons. 	<ul style="list-style-type: none"> • Lorsque le temps sélectionné est écoulé, une alarme sonore retentit (qui s'arrête automatiquement ou qui peut être éteinte manuellement en appuyant sur le bouton) . 	<ul style="list-style-type: none"> • À la fin du temps requis une alarme retentit. • Pour contrôler le temps restant, appuyer sur le bouton 	<ul style="list-style-type: none"> • Permet d'utiliser le four comme réveil (peut aussi bien être utilisé lorsque le four est en marche ou éteint).
FONCTION MANUELLE	<ul style="list-style-type: none"> • Appuyer sur le bouton • Choisir la fonction de cuisson avec la manette du four. 	<ul style="list-style-type: none"> • Tourner la manette du four sur la position "O" 	<ul style="list-style-type: none"> • Permet d'utiliser le four. 	<ul style="list-style-type: none"> • Pour la cuisson des recettes désirées.
DURÉE DE CUISSON	<ul style="list-style-type: none"> • Maintenir appuyé le bouton TIMER. • Appuyer sur les boutons et pour sélectionner le temps de cuisson voulu • Relâcher tous les boutons. • Choisir la fonction de cuisson avec la manette du four. 	<ul style="list-style-type: none"> • Une fois le temps de cuisson sélectionné écoulé, le four s'éteint automatiquement. Si vous désirez interrompre la cuisson en cours, tourner la manette du four sur "O" ou changer le temps en le mettant à 00 :00 (TIMER et boutons et . 	<ul style="list-style-type: none"> • Permet de programmer le temps de cuisson nécessaire à la cuisson d'un plat. • Pour contrôler le temps restant, appuyer sur TIMER. • Pour modifier le temps restant, appuyer sur les boutons FIN + et . 	<ul style="list-style-type: none"> • À la fin du temps de cuisson, le four s'éteint automatiquement et une alarme retentit.
FIN DE LA CUISSON	<ul style="list-style-type: none"> • Maintenir appuyé le bouton FIN. • Appuyer sur les boutons et pour sélectionner le temps voulu avant l'arrêt du four. • Relâcher tous les boutons. • Choisir la fonction de cuisson avec la manette du four. 	<ul style="list-style-type: none"> • À la fin du temps programmé, le four s'éteint. Pour l'éteindre manuellement, tourner la manette du four sur "O". 	<ul style="list-style-type: none"> • Permet de programmer l'heure à laquelle la cuisson se termine. • Pour contrôler le temps restant, appuyer sur FIN. • Pour modifier le temps restant, appuyer sur les boutons FIN + et . 	<ul style="list-style-type: none"> • Cette fonction est généralement utilisée avec la fonction "Temps de cuisson". Par exemple, si le plat doit cuire pendant 45 minutes et doit être prêt à 12h30, il suffit de sélectionner la fonction de cuisson requise, sélectionner un temps de cuisson de 45 minutes et une heure de fin de cuisson de 12h30. • La cuisson commencera automatiquement à 11h45 (12h30 moins 45 minutes) et continuera jusqu'à la fin du temps de cuisson sélectionné. Le four s'éteindra alors automatiquement. ATTENTION ! Si l'heure de fin de cuisson est sélectionnée sans programmation de durée de cuisson, le four se mettra en route immédiatement et s'arrêtera à la fin du temps de cuisson sélectionné.

Réglage de l'heure :



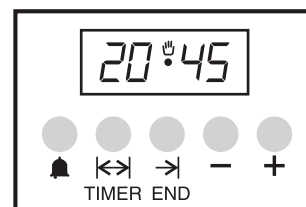
ATTENTION ! La première opération à faire tout de suite après l'installation ou après une coupure de courant (reconnaissable au clignotement du display indiquant) est de programmer l'heure. Pour ce faire, procéder comme suit :

- Maintenir appuyés les boutons TIMER et FIN et
- Sélectionner le temps avec les boutons et .
- Relâcher tous les boutons.

ATTENTION, le four fonctionne seulement si l'on appuie sur le bouton ou que l'on programme un temps de cuisson

NB. Sur certains modèles les boutons et sont remplacées par des et .

Sur le programmateur 5 boutons, pour passer en mode manuel, presser les boutons « TIMER » et « END » simultanément.



4.13. TABLEAU DE CUISSON

Temps pour la cuisson traditionnelle et brassée

POISSONS

Recettes	Mode de cuisson	Quantité	Cuisson	Temps de cuisson	Conseils
Bar ou Dorade	Conv naturelle	1kg entier	220 C	30 minutes	1
Lotte ou Saumon	Conv naturelle	1kg braisé	220 C	30 minutes	1
Filet de sole	Chaleur brassée	6 pièces	160 C	15-20 minutes	1
Poisson grillé	Gril	6 filets	Max	2 x 5 minutes	4

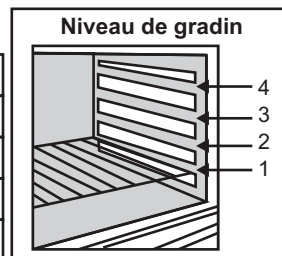


Figure 16

LEGUMES DIVERS

Toutes les cuissons ont été réalisées au niveau de gradin "1" exceptées les cuissons repérées par le symbole "*" qui nécessitent une cuisson à un niveau moyen.

Recettes	Mode de cuisson	Quantité	Cuisson	Temps de cuisson	Conseils
Choux braisés	Conv naturelle	6 pers.	200-220 C	1 h	
Pâté en croûte	Conv naturelle		200-220 C	1 heure/kg	
Endives au gruyère	Chaleur brassée	6 pers.	180-200 C	25-30 min	
Tomates farcies	Chaleur brassée	6-8 pièces	200-220 C	40-45 min	
Flamiche aux poireaux	Sole brassée	6 pers.	220 C	35-40 min	
Quiche Lorraine	Sole brassée	6 pers.	220 C	40-45 min	
Toast de crottin*	Turbogril	6 pièces	210 C	3 min pour toaster un côté+4 min avec crottin	Gril plat
Gratin dauphinois	Turbogril	6 portions	200 C	45 min	Plat terre ovale
Saucisses de Toulouse*	Turbogril	4 pièces	210 C	45 min	
Soufflé salé/sucré	Chaleur brassée	6 pers.	180-200 C	2 fois 10 min Retourner à mi-cuisson	Gril plat

VIANDES

* en sole seule, comme en sole brassée, nous recommandons un préchauffage en chaleur brassée, pour gagner du temps. Toutes les cuissons ont été réalisées au niveau de gradin "1".

Recettes	Mode de cuisson	Quantité	Cuisson	Temps de cuisson	Conseils
Bœuf aux carottes	Conv naturelle	6 personnes	200-220 C	4 h environ	
Canard	Conv naturelle	1,5 kg	200-220 C	1 h 30 min	
Dinde	Conv naturelle	5/6 kg	160-180 C	2 h 30 - 3 h	
Gigot d'agneau	Conv naturelle		200-220 C	15 min/livre	
Poulet rôti	Conv naturelle	1/1 ,5 kg	220 C	1 h environ	
Rôti de bœuf	Conv naturelle		240 C	15 min/livre	
Lapin rôti	Chaleur brassée	800-1 kg	200-220 C	50-60 min	
Bœuf bourguignon	Sole*	6 personnes	200 C	1 h 30	Cocotte fonte à couvert
Poulet en cocotte	Sole*	1,5 kg	210 C	1 h 30	Cocotte fonte à couvert
Agneau / Mouton	Tournebroche	1 kg	Max	20-25 min	Sans préchauf.
Brochettes	Gril	6 pièces	Max	2 x 8 min	Retourner à mi-cuisson
Côte de porc	Gril	6 pièces	Max	2 x 8 min	Retourner à mi-cuisson

PÂTISSERIES

* en sole seule, comme en sole brassée, nous recommandons un préchauffage en chaleur brassée, pour gagner du temps.

Recettes	Mode de cuisson	Quantité	Cuisson	Temps de cuisson	Niveau gradin	Conseils
Brioche	Chaleur brassée	800 gr	200 C	45-50 min	1	
Génoise	Chaleur brassée		180-200 C	30-35 min	1	moule Ø 27
Pâte a choux	Chaleur brassée	40 pièces	190 C	35 min	1 et 3	2 plaques
Fond de tarte	Chaleur brassée	6 pers.	180-200 C	20-30 min	1	Ø 27
Pâte feuilletéeex: Bouchée	Chaleur brassée	6 pièces	200 C	15-20 min	1	
Crème caramel	Sole/Sole brassée*	6 moules	210-220 C	20-25 min	1	
Flan	Sole/Sole brassée*	6 moules	210-220 C	20-25 min	1	
Meringues	Sole/Sole brassée*	1 plaque	80-85 C	4 h 30	1	Ø profiteroles
St Honoré	Sole brassée*	6 pièces	190 C	30-35 min	1	

NOTE :

1) Les temps de cuisson ne comprennent pas le temps de préchauffage. Il est conseillé de préchauffer le four pendant au moins 10 minutes, surtout pour les gâteaux, les pizzas et le pain.

2) Toutes les cuissons doivent être faites porte du four fermée.

5. NETTOYAGE ET MAINTENANCE

Le nettoyage et l'entretien par l'utilisateur ne doit pas être fait par des enfants sans surveillance

- Avant toute opération de nettoyage ou de démontage, il est impératif -de déconnecter électriquement l'appareil.
- par mesure de sécurité, de fermer l'arrivée de gaz.
- D'attendre le refroidissement de toutes les parties chaudes.
- Ne jamais utiliser de vaporisateur ou de vapeur pour la nettoyer.
- N'utiliser que de l'eau savonneuse ou des produits liquides ammoniaqués.

LA TABLE DE CUISSON

Les Parties Emailées Ou Inox

Ne jamais utiliser de produits abrasifs, d'éponges métalliques, ou d'objets tranchants. L'émail serait irrémédiablement abîmé. Nettoyer simplement à l'eau savonneuse lorsque l'appareil est froid, rincer et essuyer avec un chiffon propre et sec.

Les Brûleurs Gaz

Pour l'entretien régulier, il est conseillé de retirer tous produits gras ou carbonisés avec des produits ammoniaqués ou produits d'entretien du commerce, non abrasifs.

Ne pas plonger les chapeaux de brûleur dans l'eau froide immédiatement après leur utilisation afin d'éviter qu'un choc thermique ne provoque la rupture de l'émail.

Pour conserver l'aspect d'origine des corps de brûleur, utiliser un produit détergent non abrasif, rincer puis sécher efficacement. Si les orifices sont encrassés, les brosser à l'eau savonneuse, rincer puis sécher. Après avoir réalisé le nettoyage de chacun des éléments, il est important de les essuyer correctement et de veiller à les replacer dans leur position initiale. Le remontage doit être parfait car un mauvais repositionnement peut causer de graves anomalies de fonctionnement et de combustion.

Attention: ne pas laisser s'infiltrer de l'eau à l'intérieur des brûleurs.

La Plaque Electrique

Ne pas utiliser de produits abrasifs. Après chaque utilisation, essuyer le revêtement protecteur avec un chiffon gras. La plaque doit toujours rester sèche, ou légèrement graissée si elle n'est pas utilisée pendant un certain temps. En cas de présence de rouille, l'emploi d'une toile émeri fine, par exemple, est conseillé pour retirer la rouille. Passer ensuite un produit rénovateur, disponible dans le commerce.

Le Couvercle

Nettoyer simplement à l'eau savonneuse lorsque l'appareil est froid, rincer et essuyer avec un chiffon propre et sec. Avant d'ouvrir le couvercle, s'assurer que tous les produits dus à un éventuel débordement soient retirés de la surface.

LE FOUR

La Grille Du Four

Ne pas nettoyer ces accessoires avec un produit abrasif. Nettoyer simplement avec une éponge et de l'eau chaude légèrement savonneuse, puis la rincer avec de l'eau claire et sécher.

Le Plat Lechefrite

Après une grillade, retirer le plat du four. Prenez soin de verser les graisses dans un récipient. Laver et rincer le plat dans de l'eau très chaude, avec une éponge imbibée de produit lessiviel. Si les aliments restent collés, le faire tremper dans de l'eau additionnée d'un détergent. Ne jamais replacer le plat encrassé dans le four. Il peut aussi être nettoyé dans un lave-vaisselle.

Le Tiroir

Ne pas mettre de produits inflammables ou d'entretien dans le tiroir. Ne prévoir son utilisation que pour ranger les casseroles et plats de cuisson. Pour le nettoyage, un coup d'éponge suffit.

Le Joint De La Porte Du Four

En cas de grosses salissures, nettoyer le joint du four avec une éponge légèrement humidifiée.

Le Verre De La Porte Du Four

Nous vous conseillons d'essuyer à la fin de chaque cuisson, le verre de porte de four à l'aide d'un papier absorbant. Si les projections sont trop importantes, vous pouvez ensuite nettoyer le verre avec une éponge et de l'eau chaude légèrement savonneuse, puis le rincer avec de l'eau claire et sécher. Ne pas nettoyer le verre avec des produits abrasifs.

Nous vous conseillons de démonter la porte pour son entretien en suivant les explications suivantes :

-Ouvrir complètement la porte et tourner les crochets de la charnière à 180°C. Refermer partiellement la porte à 30°C. Enlever la porte en la levant légèrement et en gardant cette position.

-Pour remonter la porte, procéder de la même manière dans le sens inverse.

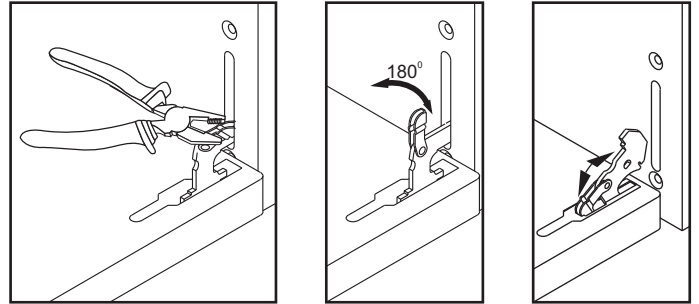


Figure 16

REPLACEMENT DE L'AMPOULE

• Couper l'alimentation électrique et éteindre l'ampoule. La remplacer avec une ampoule identique supportant l'exposition à très haute température.

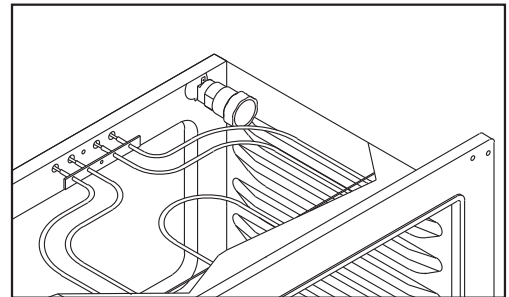


Figure 17

5.1. FOUR CATALITIQUE AUTONETTOYANT

• Certains modèles sont dotés de parois autonettoyantes pourvues de revêtements microporeux. Dans ce cas, le four n'a pas besoin d'être nettoyé manuellement.

• Pour que l'auto nettoyage soit efficace, la surface des parois doit être microporeuse.

• La présence excessive de gras peut obstruer les pores et ainsi empêcher le nettoyage automatique. La capacité d'auto nettoyage peut être récupérée en mettant le four en marche à température maximum pendant 10-20 minutes.

• Si les parois du four sont tellement recouvertes de graisse que l'auto nettoyage catalytique est inefficace, enlever la graisse avec un chiffon humide ou avec une éponge passée sous l'eau chaude. Tous les revêtements catalytiques disponibles à ce jour sur le marché ont une durée de vie de 300 heures. Après cette période, elles doivent donc être remplacées.

6. CENTRE D'ASSISTANCE TECHNIQUE ET RESOLUTION DES PROBLEMES

En cas de mauvais fonctionnement, vérifier les points suivants avant de prendre contact avec le centre d'assistance technique :

- Vérifier que la prise est branchée.
- Si le gaz se diffuse de manière anormale :
 - Les trous de brûleurs ne sont-ils pas obstrués ?
 - Le régulateur de pression fonctionne-t-il correctement ?
 - Dans le cas de l'utilisation d'un tube, ce dernier contient-il bien du gaz ? La valve est-elle ouverte ?
 - Si des anomalies sont relevées dans la valve du gaz, rapprochez-vous d'un technicien qualifié ou d'un centre d'assistance agréé.
- Si vous identifiez une odeur de gaz aux alentours de la cuisinière
 - Une ouverture de gaz n'a-t-elle pas été fermée ?
 - Le tube de gaz est-il bien positionné ?

Ne pas utiliser de flamme pour contrôler une éventuelle fuite de gaz.

- Le four ne chauffe pas
 - Vérifier la bonne position des manettes de contrôle du four
 - Le temps de cuisson est trop long
 - Vérifier que la bonne température a été sélectionnée
 - De la fumée sort du four
 - Il est conseillé de laver le four après chaque utilisation. Si le gras qui a éclaboussé durant la cuisson n'est pas retiré il peut provoquer des fumées ou mauvaises odeurs lors des prochaines utilisations du four (voir le chapitre sur l'entretien de l'appareil).
 - La lumière du four ne s'allume pas
 - La lampe est peut-être défectueuse. Se référer au chapitre précédent pour la remplacer.

Si après avoir fait ces vérifications l'appareil ne fonctionne toujours pas correctement, adressez vous à votre revendeur ou prévenez directement notre service technique qui interviendra dans les plus brefs délais. Veiller à ce que le coupon de garantie fourni avec le produit soit correctement rempli, avec la date d'achat de l'appareil.

7. PROTECTION DE L'ENVIRONNEMENT



Cet appareil est commercialisé en accord avec la directive européenne 2002/96/CE sur les déchets des équipements électriques et électroniques (DEEE).

En vous assurant que ce produit est correctement recyclé, vous participez à la prévention des conséquences négatives sur l'environnement et la santé publique qui pourrait être causé par une mise au rebut inappropriée de ce produit.

Le symbole sur ce produit indique qu'il ne doit pas être traité comme un déchet ménager. Il doit être rapporté jusqu'à un point de recyclage des déchets électriques et électroniques. La collecte de ce produit doit se faire en accord avec les réglementations environnementales concernant la mise au rebut de ce type de déchets.

Pour plus d'information au sujet du traitement, de la collecte et du recyclage de ce produit, merci de contacter votre mairie, votre centre de traitement des déchets ou le magasin où vous avez acheté ce produit.