


Instructions for use

WASHER-DRYER

!  This symbol reminds you to read this instruction manual.

GB

GB

English,1

CZ

Česky,13

SK

Slovensky,25

HU

Magyar,37

FR

Français,49

RDPD 96407 J

Contents

Installation, 2-3

Unpacking and levelling
Connecting the electricity and water supplies
The first wash cycle
Technical data

Care and maintenance, 4

Cutting off the water or electricity supply
Cleaning the washer-dryer
Cleaning the detergent dispenser drawer
Caring for the door and drum of your appliance
Cleaning the pump
Checking the water inlet hose

Precautions and tips, 5

General safety
Disposal
Opening the porthole door manually

Description of the washer-dryer, 6-7

Control panel
Display

How to run a wash cycle or a drying cycle, 8

Wash cycles and functions, 9

Table of wash cycles
Wash functions

Detergents and laundry, 10

Detergent dispenser drawer
Preparing the laundry
Special wash cycles
Load balancing system

Troubleshooting, 11

Service, 12

Hotpoint
ARISTON

Installation

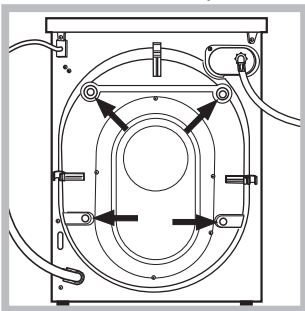
GB

! This instruction manual should be kept in a safe place for future reference. If the washer-dryer is sold, transferred or moved, make sure that the instruction manual remains with the machine so that the new owner is able to familiarise himself/herself with its operation and features.
! Read these instructions carefully: they contain vital information relating to the safe installation and operation of the appliance.

Unpacking and levelling

Unpacking

1. Remove the washer-dryer from its packaging.
2. Make sure that the washer-dryer has not been damaged during the transportation process. If it has been damaged, contact the retailer and do not proceed any further with the installation process.

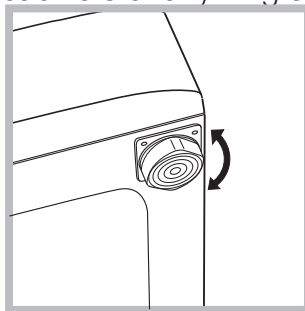


3. Remove the 4 protective screws (used during transportation) and the rubber washer with the corresponding spacer, located on the rear part of the appliance (see figure).

4. Close off the holes using the plastic plugs provided.
5. Keep all the parts in a safe place: you will need them again if the washer-dryer needs to be moved to another location.
! Packaging materials should not be used as toys for children.

Levelling

1. Install the washer-dryer on a flat sturdy floor, without resting it up against walls, furniture cabinets or anything else.

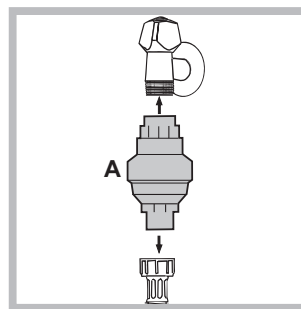


2. If the floor is not perfectly level, compensate for any unevenness by tightening or loosening the adjustable front feet (see figure); the angle of inclination, measured in relation to the worktop, must not exceed 2°.

Levelling the machine correctly will provide it with stability, help to avoid vibrations and excessive noise and prevent it from shifting while it is operating. If it is placed on carpet or a rug, adjust the feet in such a way as to allow a sufficient ventilation space underneath the washer-dryer.

Connecting the electricity and water supplies

Connecting the water inlet hose

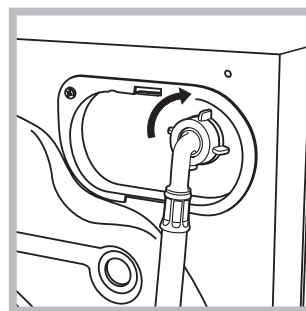


1. Connect the **A** device to a cold water tap using a 3/4 gas threaded attachment, then perform the connection by screwing the supply hose to the device.

Before performing the connection, allow the

water to run freely until it is perfectly clear. For a correct installation of the device, follow the instructions given in the packaging.

! The device is already adjusted for the correct operation of the washing machine and therefore it is recommended not to change its settings



2. Connect the inlet hose to the washer-dryer by screwing it onto the corresponding water inlet of the appliance, which is situated on the top right-hand side of the rear part of the appliance (see figure).

3. Make sure that the hose is not folded over or bent.

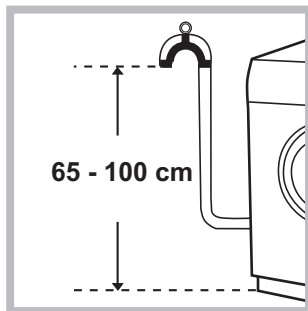
! The water pressure at the tap must fall within the range of values indicated in the Technical data table (see next page).

! If the inlet hose is not long enough, contact a specialised shop or an authorised technician.

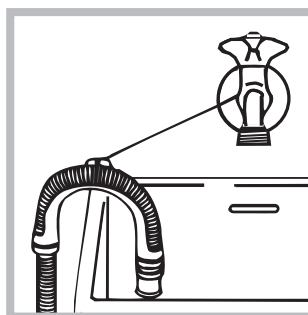
! Never use second-hand hoses.

! Use the ones supplied with the machine.

Connecting the drain hose



Connect the drain hose, without bending it, to a drain duct or a wall drain situated between 65 and 100 cm from the floor;



alternatively, placed it over the edge of a basin, sink or tub, fastening the duct supplied to the tap (see figure). The free end of the hose should not be underwater.

! We advise against the use of hose extensions; if it is absolutely necessary, the extension must have the same diameter as the original hose and must not exceed 150 cm in length.

Electrical connections

Before plugging the appliance into the electricity socket, make sure that:

- the socket is earthed and complies with all applicable laws;
- the socket is able to withstand the maximum power load of the appliance as indicated in the Technical data table (see opposite);
- the power supply voltage falls within the values indicated in the Technical data table (see opposite);
- the socket is compatible with the plug of the washer-dryer. If this is not the case, replace the socket or the plug.

! The washer-dryer must not be installed outdoors, even in covered areas. It is extremely dangerous to leave the appliance exposed to rain, storms and other weather conditions.

! When the washer-dryer has been installed, the electricity socket must remain within easy reach.

! Do not use extension cords or multiple sockets.

! The cable should not be bent or compressed.

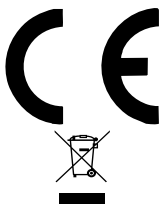
! The power supply cable must only be replaced by authorised technicians.

Warning! The company shall not be held responsible in the event that these standards are not observed.

The first wash cycle

Once the appliance has been installed, and before you use it for the first time, run a wash cycle with detergent and no laundry, using wash cycle auto clean (see "Cleaning the washer-dryer").

Technical data

Model	RDPD 96407 J
Dimensions	width 59.5 cm height 85 cm depth 54 cm
Capacity	from 1 to 9 kg for the wash programme from 1 to 6 kg for the drying programme
Electrical connections	please refer to the technical data plate fixed to the machine
Water connections	maximum pressure 1 MPa (10 bar) minimum pressure 0.05 MPa (0.5 bar) drum capacity 58 litres
Spin speed	up to 1400 rotations per minute
Energy rated programmes according to regulation EN 50229	Wash: programme 8; temperature 60°C; using a load of 9 kg. Drying: the greater load (6kg) must be dried by selecting the "EXTRA" dryness level. The remainder of the load must be dried by selecting the "EXTRA" dryness level: the load must consist of 3 sheets, 2 pillowcases and 1 hand towel.
	This appliance conforms to the following EC Directives: - 2004/108/EC (Electromagnetic Compatibility) - 2006/95/EC (Low Voltage) - 2012/19/EU (WEEE)

Care and maintenance

GB


Cutting off the water and electricity supplies

- Turn off the water tap after every wash cycle. This will limit wear on the hydraulic system inside the washer-dryer and help to prevent leaks.
- Unplug the washer-dryer when cleaning it and during all maintenance work.

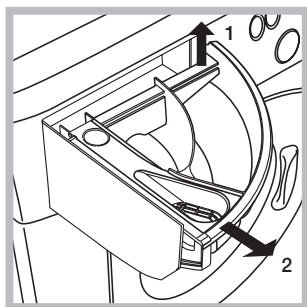
Cleaning the washer-dryer

- The outer parts and rubber components of the appliance can be cleaned using a soft cloth soaked in lukewarm soapy water. Do not use solvents or abrasives.
- The washer-dryer has a auto clean programme for its internal parts that **must be run with no load in the drum**.

To help the wash cycle you may want to use either the detergent (i.e. a quantity 10% the quantity specified for lightly-soiled garments) or special additives to clean the washer-dryer. We recommend running a cleaning programme every 40 wash cycles.

To activate the programme, press the  button for 5 seconds then press START/PAUSE to start the programme, which will last roughly 70 minutes.

Cleaning the detergent dispenser drawer



Remove the dispenser by raising it and pulling it out (see figure). Wash it under running water; this operation should be repeated frequently.

Caring for the door and drum of your appliance

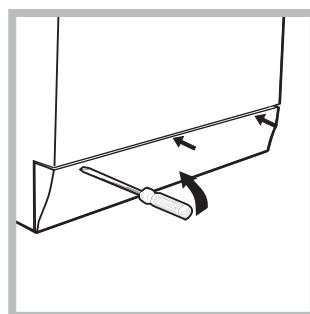
- Always leave the porthole door ajar in order to prevent unpleasant odours from forming.

Cleaning the pump

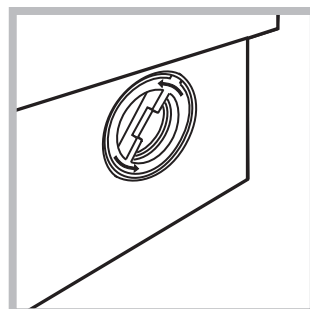
The washer-dryer is fitted with a self-cleaning pump which does not require any maintenance. Sometimes, small items (such as coins or buttons) may fall into the pre-chamber which protects the pump, situated in its bottom part.

! Make sure the wash cycle has finished and unplug the appliance.

To access the pre-chamber:



1. using a screwdriver, remove the cover panel on the lower front part of the washer-dryer (see figure);



2. unscrew the lid by rotating it anti-clockwise (see figure): a little water may trickle out. This is perfectly normal;

3. clean the inside thoroughly;
4. screw the lid back on;
5. reposition the panel, making sure the hooks are securely in place before you push it onto the appliance.

Checking the water inlet hose

Check the inlet hose at least once a year. If there are any cracks, it should be replaced immediately: during the wash cycles, water pressure is very strong and a cracked hose could easily split open.

! Never use second-hand hoses.

! This washer-dryer was designed and constructed in accordance with international safety regulations. The following information is provided for safety reasons and must therefore be read carefully.

General safety

- This appliance was designed for domestic use only.
 - This appliance can be used by children aged from 8 years and above and persons with reduced physical, sensory or mental capabilities or lack of experience and knowledge if they have been given supervision or instruction concerning use of the appliance in a safe way and understand the hazards involved. Children shall not play with the appliance. Cleaning and user maintenance shall not be made by children without supervision.
 - Do not dry unwashed items in the tumble dryer.
 - Items that have been soiled with substances such as cooking oil, acetone, alcohol, petrol, kerosene, spot removers, turpentine, waxes and wax removers should be washed in hot water with an extra amount of detergent before being dried in the tumble dryer.
 - Items such as foam rubber (latex foam), shower caps, waterproof textiles, rubber backed articles and clothes or pillows fitted with foam rubber pads should not be dried in the tumble dryer.
 - Fabric softeners, or similar products, should be used as specified by the fabric softener instructions.
 - The final part of a tumble dryer cycle occurs without heat (cool down cycle) to ensure that the items are left at a temperature that ensures that the items will not be damaged.
- WARNING:** Never stop a tumble dryer before the end of the drying cycle unless all items are quickly removed and spread out so that the heat is dissipated.
- Do not touch the machine when barefoot or with wet or damp hands or feet.
 - Do not pull on the power supply cable when unplugging the appliance from the electricity socket. Hold the plug and pull.
 - Do not open the detergent dispenser drawer while the machine is in operation.
 - Do not touch the drained water as it may reach extremely high temperatures.
 - Never force the porthole door. This could damage the safety lock mechanism designed to prevent accidental opening.
 - If the appliance breaks down, do not under any circumstances access the internal mechanisms in an attempt to repair it yourself.
 - Always keep children well away from the appliance while it is operating.
 - The door can become quite hot during the wash cycle.
 - If the appliance has to be moved, work in a group of two or three people and handle it with the utmost care. Never try to do this alone, because the appliance is very heavy.
 - Before loading laundry into the washer-dryer, make sure the drum is empty.
 - During the drying phase, the door tends to get quite hot.
 - Do not use the appliance to dry clothes that have been washed with flammable solvents (e.g. trichlorethylene).
 - Do not use the appliance to dry foam rubber or similar elastomers.

- Make sure that the water tap is turned on during the drying cycles.
- Children of less than 3 years should be kept away from the appliance unless continuously supervised.
- Remove all objects from pockets such as lighters and matches.

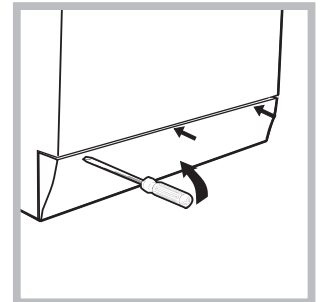
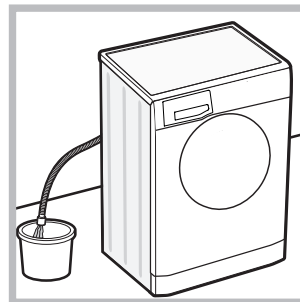
Disposal

- Disposing of the packaging materials: observe local regulations so that the packaging may be re-used.
- The European Directive 2012/19/EU on Waste Electrical and Electronic Equipment, requires that old household electrical appliances must not be disposed of in the normal unsorted municipal waste stream. Old appliances must be collected separately in order to optimise the recovery and recycling of the materials they contain and reduce the impact on human health and the environment. The crossed out "wheeled bin" symbol on the product reminds you of your obligation, that when you dispose of the appliance it must be separately collected. Consumers should contact their local authority or retailer for information concerning the correct disposal of their old appliance.

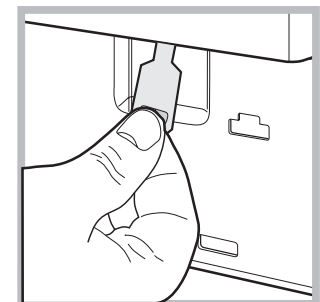
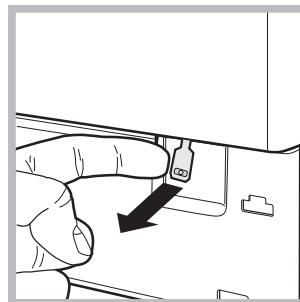
Opening the porthole door manually

In the event that it is not possible to open the porthole door due to a powercut, and if you wish to remove the laundry, proceed as follows:

1. remove the plug from the electrical socket.



2. make sure the water level inside the machine is lower than the door opening; if it is not, remove excess water using the drain hose, collecting it in a bucket as indicated in the figure.
3. using a screwdriver, remove the cover panel on the lower front part of the washer-dryer (see figure).

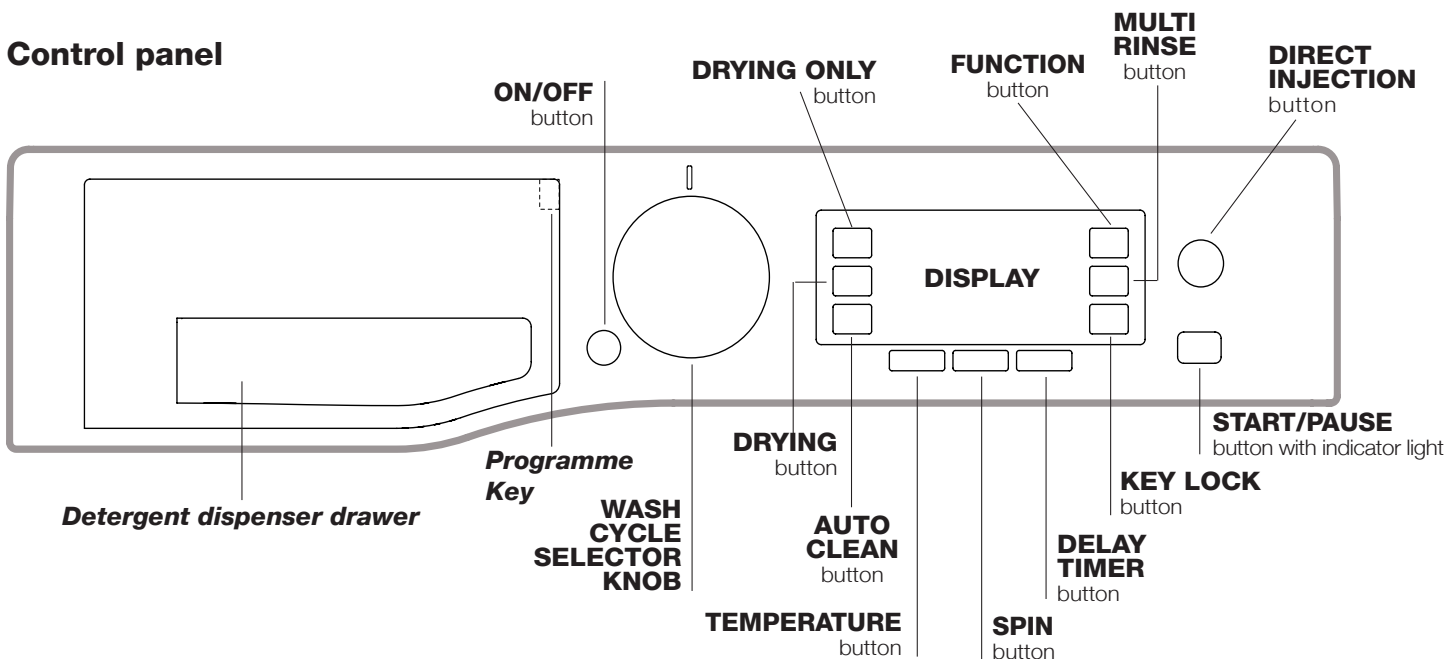


4. pull outwards using the tab as indicated in the figure, until the plastic tie-rod is freed from its stop position; pull downwards and open the door at the same time.
5. reposition the panel, making sure the hooks are securely in place before you push it onto the appliance.

Description of the washer-dryer


GB

Control panel



Detergent dispenser drawer: used to dispense detergents and washing additives (see “Detergents and laundry”).

Programme Key: the Programme Key inside the detergent dispenser shows all the available programmes together with a graphical guide on how to use the individual dispenser compartments.

ON/OFF button : press this briefly to switch the machine on or off. The START/PAUSE indicator light, which flashes slowly in a green colour shows that the machine is switched on. To switch off the washer-dryer during the wash cycle, press and hold the button for approximately 3 seconds; if the button is pressed briefly or accidentally the machine will not switch off. If the machine is switched off during a wash cycle, this wash cycle will be cancelled.


WASH CYCLE SELECTOR KNOB: used to set the desired wash cycle (see “Table of programmes and wash cycles”).

FUNCTION button: press the button to select the desired function. The corresponding indicator light on the display will switch on.


AUTO CLEAN button: press to clean the machine’s internal parts (see “Cleaning the washer-dryer”).

DIRECT INJECTION button: press to select the DIRECT INJECTION option.


MULTI RINSE button : press to select the desired rinse type.


SPIN button : press to reduce or completely exclude the spin cycle - the value is indicated on the display.


TEMPERATURE button : press to decrease the temperature: the value will be shown on the display.

DRYING button : press to decrease or exclude drying; the selected drying level or time will appear on the display.

DRYING ONLY button : press to run the drying cycle only.

KEY LOCK button : to **activate** the control panel lock, press and hold the button for approximately 2 seconds. When the display visualises “KEY LOCK ON” the control panel is locked (apart from the ON/OFF button). This means it is possible to prevent wash cycles from being modified accidentally, especially where there are children in the home. To **deactivate** the control panel lock, press and hold the button for approximately 2 seconds.

DELAY TIMER button : press to set a delayed start time for the selected wash cycle. The delay time will be shown on the display.

START/PAUSE button with indicator light: when the green indicator light flashes slowly, press the button to start a wash cycle. Once the cycle has started the indicator light will remain lit in a fixed manner. To pause the wash cycle, press the button again; the indicator light will flash in an orange colour. If the symbol  is not illuminated, the door may be opened. To start the wash cycle from the point at which it was interrupted, press the button again.

Standby mode

This washer-dryer, in compliance with new energy saving regulations, is fitted with an automatic standby system which is enabled after about 30 minutes if no activity is detected. Press the ON-OFF button briefly and wait for the machine to start up again.

Consumption in off-mode: 0,5 W

Consumption in Left-on: 8 W

Antimicrobial seal

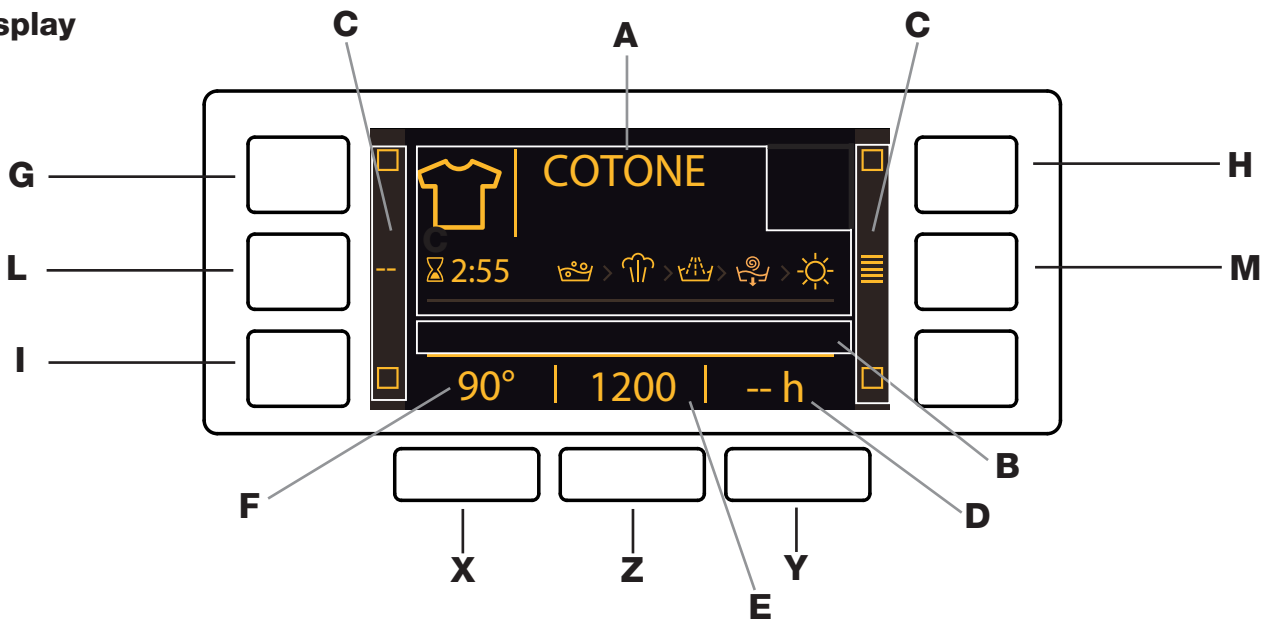
The seal around the porthole door is made from a special mixture ensuring antimicrobial protection, thus reducing bacterial proliferation up to 99.99%.

The seal contains zinc pyrithione, a biocidal substance which reduces the proliferation of harmful microbes (*) such as bacteria and mould prone to causing stains, unpleasant odours and product deterioration.

(*) **According to tests performed by the University of Perugia, Italy on:** *Staphylococcus aureus*, *Escherichia coli*, *Pseudomonas aeruginosa*, *Candida albicans*, *Aspergillus niger*, *Penicillium digitatum*.

In rare cases an allergic reaction may be caused by prolonged contact between seal and skin.

Display



The display is useful when programming the machine and provides a great deal of information.

The following will appear in area **A**: the icon and programme selected, the washing and drying phases and time remaining to the end of the cycle.

Area **B** will include the two intensity levels relative to the DIRECT INJECTION option.

The indicator lights relative to the available functions appear in area **C**.

Area **D** will have the time remaining to the start of the selected programme if the DELAY TIMER function was set.

String **E** shows the maximum spin speed value (this depends on the selected wash cycle); if the programme does not include the spin cycle, the dimly lit "--" symbol will appear in the area.

Area **F** will visualise the temperature value selectable on the basis of the set programme; if the temperature of the programme cannot be set, the area will show the symbol "--" dimly lit.

Door locked symbol

If the symbol is lit, this indicates that the washer-dryer door is blocked to prevent it from being opened accidentally. To prevent any damage from occurring, wait for the symbol to switch itself off before opening the appliance door.

N.B.: if the DELAY TIMER function has been activated, the door cannot be opened; pauses the machine by pressing the START/PAUSE button if you wish to open it.

! The first time the machine is switched on, you will be asked to select the language and the display will automatically show the language selection menu.

To select the desired language press the **X** and **Y** buttons; to confirm the selection press the **Z** button.


To change the language switch off the machine and press buttons **G, H, I simultaneously** until an alarm is heard: the language-selection menu will be displayed again.



! To change the display luminosity, which by default is set to the highest value, switch the machine off then **simultaneously** press buttons **G, L** and **M** until the buzzer sounds. Press buttons **X** and **Y** to choose the desired level of luminosity then confirm by pressing button **Z**.

! During the wash cycle or when the DELAY TIMER function has been enabled, if the user does not interact with the display for 1 minute the "SCREEN SAVER" activates. To return to the previous window, simply press any button.

How to run a wash cycle or a drying cycle

GB

1. **SWITCH THE MACHINE ON.** Press the On/Off button ; the text HOTPOINT will appear on the display and the START/PAUSE indicator light will flash slowly in a green colour.
2. **LOAD THE LAUNDRY.** Open the porthole door. Load the laundry, making sure you do not exceed the maximum load value indicated in the table of programmes on the following page.
3. **MEASURE OUT THE DETERGENT.** Open the detergent dispenser drawer and pour the detergent into the relevant compartments as described in "Detergents and laundry".
4. **CLOSE THE DOOR.**
5. **SELECT THE WASH CYCLE.** Use the WASH CYCLE SELECTOR knob to select the desired wash cycle; the name of the wash cycle will appear on the display. A temperature and spin speed is set for each wash cycle; these may be adjusted. The duration of the cycle will appear on the display.
6. **CUSTOMISE THE WASH CYCLE.** Use the relevant buttons:

Modifying the temperature and/or spin speed. The machine automatically selects the maximum temperature and spin speed set for the selected wash cycle; these values cannot therefore be increased. The temperature can be decreased by pressing the  button, until the cold wash (the display will visualise the "--" symbol) setting is reached. The spin speed may be progressively reduced by pressing the  button, until it is completely excluded (the display will visualise the "--" symbol). If these buttons are pressed again, the maximum values are restored.

! Exception: if the 5 programme is selected, the temperature can be increased up to a value of 40°C.

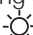
! Exception: if the 7 programme is selected, the temperature can be increased up to a value of 90°C.

! Exception: if the 9 programme is selected, the temperature can be increased up to a value of 60°C.

Setting a delayed start.

To set a delayed start for the selected programme, press the corresponding button repeatedly until the required delay period has been reached. To remove the delayed start function press the button until the text "-- h" appears on the display.

Setting the drying cycle.

The desired drying cycle type may be set by pressing the DRYING button  once or several times. Two options are available:

A - Based on the how damp the clothes are once they have been dried:

Iron: suitable for clothes which will need ironing afterwards. The remaining dampness softens creases, making them easier to remove.

Hanger: ideal for clothes which do not need to be dried fully.

Cupboard: suitable for laundry which can be put back in a cupboard without being ironed.

Extra: suitable for garments which need to be dried completely, such as sponges and bathrobes.

B - Based on a set time period: between **30** and **180** minutes.


To exclude the drying phase press the relevant button until the text OFF appears on the display.

If your laundry load to be washed and dried is much greater than the maximum stated load, perform the wash cycle, and when the cycle is complete, divide the garments into groups and put some of them back in the drum. At this point, follow the instructions provided for a "Drying only" cycle. Repeat this procedure for the remainder of the load. A cooling-down period is always added to the end of each drying cycle.


Drying only

Press button  to perform the drying-only cycle.

After selecting the desired cycle (compatible with the type of garments), press button  to exclude the washing

phase and start the drying phase at the maximum level for the selected cycle. The drying level or time may be set and changed by pressing the drying button . (Not compatible with cycles 1-2-3-4 and 14).

Set the rinse type.

Option  makes it possible to select the desired rinse type for sensitive skin. Press the button once for the "Extra +1" level, which makes it possible to select an additional rinse after the standard cycle rinse and remove all traces of detergent. Press the button again for the "Extra +2" level, which makes it possible to select two additional rinses to the standard cycle rinses; it is recommended for very sensitive skin. When the button is pressed for the third time, the "Extra +3" level is set, thus allowing the selection of 3 rinses in addition to the standard cycle's rinses. The option - started with cycles at a temperature of 40°C - makes it possible to remove major allergens such as pollen, cat and dog hair. With cycles at a temperature higher than 40° a very good level of antiallergic protection is achieved. Press the button again to go back to the "Normal rinse" rinse type. If the current adjustment can be neither set nor changed, the display will show "No Selection" or "No Change".




Modifying the cycle settings.


- Press the button to enable the function; the relevant indicator light on the display will light up.
- Press the button again to disable the function; the relevant indicator light on the display will switch off.

! If the selected function is incompatible with the set programme, the relevant indicator light will appear dimly lit; in addition, the incompatibility will be signalled by a buzzer (3 beeps) and the wording "No Selection" will appear on the display.

! If the selected function is incompatible with another previously set function, the wording "No Selection" will appear on the display and the function will not be enabled.

! The functions may affect the recommended load value and/or the duration of the cycle.

7. **START THE PROGRAMME.** Press the START/PAUSE button. The corresponding indicator light will become green, remaining lit in a fixed manner, and the door will be locked (the DOOR LOCKED symbol  will be on). During the wash cycle, the name of the phase in progress will appear on the display. To change a wash cycle while it is in progress, pause the washer-dryer using the START/PAUSE button (the START/PAUSE indicator light will flash slowly in an orange colour); then select the desired cycle and press the START/PAUSE button again. To open the door while a cycle is in progress, press the START/PAUSE button; if the DOOR LOCKED  symbol is switched off the door may be opened. Press the START/PAUSE button again to restart the wash cycle from the point at which it was interrupted.
8. **THE END OF THE WASH CYCLE.** This will be indicated by the text "CYCLE END" on the display; when the DOOR LOCKED  symbol switches off the door may be opened. Open the door, unload the laundry and switch off the machine.

! If you wish to cancel a cycle which has already begun, press and hold the  button. The cycle will be stopped and the machine will switch off.

Direct Injection

The washer-dryer is equipped with the innovative technology «Direct Injection» which pre-mixes water and detergent, thus immediately activating the detergent's cleaning principles. This active emulsion is directly introduced into the drum of the washer-dryer and penetrates the fibres with more efficacy in cleaning even heavily soiled garments at low temperatures, fully preserving colours and fabrics.





The mode «Power» ensures the best cleaning performance and the mode «EcoEnergy» allows more energy saving.


Wash cycles and functions Hotpoint

ARISTON

GB

Table of wash cycles

Wash cycles	Description of the wash cycle	Max. temp. (°C)	Max. speed (rpm)	Drying	Detergents		Max. load (kg)	Cycle duration	
					Wash	Fabric softener			
ANTI CREASE									
1	Daily Mix Wash & Dry	40°	800	●	●	●	3	The duration of the wash cycle can be checked on the display.	
2	Shirts Wash & Dry	40°	1000	●	●	●	2		
3	Pre Iron	-	-	-	-	-	1,5		
4	Steam Refresh	-	-	-	-	-	2		
DAILY CLEAN									
5	Anti-Stain Turbo 45'	20° (Max. 40°C)	1200	●	●	●	4		
6	Anti-Stain Power 20°C	40°	1400	●	●	●	9		
7	Cotton: lightly soiled resistant and delicate colours.	40° (Max. 90°C)	1400	●	●	●	9		
8	Eco Cotton  (1-2): heavily soiled whites and resistant colours.	60°	1400	●	●	●	9		
9	Synthetics (3): lightly soiled resistant colours.	40° (Max. 60°C)	1000	●	●	●	4,5		
SPECIALS									
10	Multi Colour	40°	1400	●	●	●	9		
11	Ultra Delicates	30°	--	●	●	●	1		
12	Wool: for wool, cashmere, etc.	40°	800	●	●	●	2		
13	Sport	40°	600	●	●	●	4		
14	Fast 30' (**): to refresh lightly soiled garments quickly (not suitable for wool, silk and clothes which require washing by hand).	30°	800	●	●	●	3,5		
Partial Programmes									
	Rinse	-	1400	●	-	●	9		
	Spin + Pump out	-	1400	●	-	-	9		
	Pump out only *	-	--	-	-	-	9		

* If you select programme  and exclude the spin cycle, the machine will drain only.

** If a drying cycle is also programmed, the machine will run a "wash+dry" programme lasting 45' with maximum spin speed and a 1kg laundry load.

The length of cycle shown on the display or in this booklet is an estimation only and is calculated assuming standard working conditions. The actual duration can vary according to factors such as water temperature and pressure, the amount of detergent used, the amount and type of load inserted, load balancing and any wash options selected.


- 1) Test wash cycle in compliance with regulation EN 50229: set wash cycle 8 with a temperature of 60°C.
- 2) Long wash cycle for cottons: set programme 8 at temperature 40°C and press the DIRECT INJECTION button under "Power" mode.
- 3) Long wash cycle for synthetics: set wash cycle 9 with a temperature of 40°C.

Wash functions

! If the selected function is incompatible with the set programme, the relevant indicator light will appear dimly lit; in addition, the incompatibility will be signalled by a buzzer (3 beeps) and the wording "No Selection" will appear on the display.

! If the selected function is incompatible with another previously set function, the wording "No Selection" will appear on the display and the function will not be enabled.

Steam Hygiene

This option enhances washing performance by generating steam during the wash cycle to remove any bacteria from the fibres, which are treated at the same time. Place the laundry in the drum, choose a compatible programme and select option .

! The steam generated during the operation of the washing machine may cause the porthole door to become hazy.

Detergents and laundry

GB

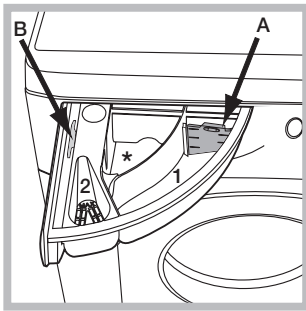
Detergent dispenser drawer

Good washing results also depend on the correct dose of detergent: adding too much detergent will not necessarily result in a more efficient wash, and may in fact cause a build up on the inside of your appliance and contribute to environmental pollution.

! Use powder detergent for white cotton garments, for pre-washing, and for washing at temperatures over 60°C.

! Follow the instructions given on the detergent packaging.

! Do not use hand washing detergents because these create too much foam.



Open the detergent dispenser drawer and pour in the detergent or washing additive, as follows.

! Do not pour detergent into the middle compartment (*).

compartment 1: Detergent for the wash cycle (powder or liquid)

If liquid detergent is used, it is recommended that the removable plastic partition **A** (supplied) be used for proper dosage. If powder detergent is used, place the partition into slot **B**.

compartment 2: Additives (fabric softeners, etc.)

The fabric softener should not overflow the grid.

Preparing the laundry

- Divide the laundry according to:
 - the type of fabric/the symbol on the label
 - the colours: separate coloured garments from whites.
- Empty all garment pockets and check the buttons.
- Do not exceed the listed values, which refer to the weight of the laundry when dry: see "Table of wash cycles".

How much does your laundry weigh?

- 1 sheet 400-500 g
- 1 pillow case 150-200 g
- 1 tablecloth 400-500 g
- 1 bathrobe 900-1200 g
- 1 towel 150-250 g

Special wash cycles

Daily Mix Wash & Dry use programme **1** to wash and dry mixed garments (cotton and synthetics). This cycle may be used to wash and dry loads of up to 3 kg; we recommend the use of liquid detergent.

The use of the steam in this programme is optimised to reduce the formation of creases on garments, making them easier to iron.

Shirts Wash & Dry: use programme **2** to wash and dry shirts and T-shirts in different fabrics and colours to ensure maximum care. This cycle may be used to wash and dry loads of up to 2 kg. To achieve optimum results, use liquid detergent and pre-treat cuffs, collars and stains. The use of the steam in this programme is optimised to reduce the formation of creases on garments, making them easier to iron.

Pre Iron: use this programme immediately before ironing; max. 1.5 kg load. The use of the steam in this programme is optimised to reduce the formation of creases on garments, making them easier to iron.

Steam Refresh: for refreshing garments, neutralised unpleasant odours and relaxing the fibres by delivering steam into the drum. The garments will be damp at the end of the cycle.

Anti-Stain Turbo 45': this cycle ensures excellent stain removal capacity even at 20°C in just 45 minutes. The temperature of this cycle can be increased up to 40°C.

Anti-Stain Power 20°C: this programme ensures maximum stain removal capacity with no need for pre-treatment at low temperatures, preserving fabrics and colours.

Multi Colour: for washing coloured cotton garments.

This programme is optimised to keep colours bright even after repeated washing.

Ultra Delicates: use programme **11** to wash very delicate garments having strasses or sequins.

We recommend turning the garments inside out before washing and placing small items into the special bag for washing delicates. Use liquid detergent on delicate garments for best results.

When selecting an exclusively time-based drying function, a drying cycle is performed at the end of the wash cycle that is particularly delicate, thanks to light handling and appropriate temperature control of the water jet.

The recommended durations are:

1 kg of synthetic garments --> 165 min

1 kg of synthetic and cotton garments --> 180 min

1 kg of cotton garments --> 180 min

The degree of dryness depends on the load and fabric composition.

Wool - Woolmark Apparel Care - Green:

the wool wash cycle of this machine has been approved by The Woolmark Company for the washing of wool garments labelled as "hand wash" provided that the products are washed according to the instructions on the garment label and those issued by the manufacturer of this washer-dryer.



Sport: for washing lightly soiled sports clothing (tracksuits, shorts, towels, etc.); for best results, we recommend not exceeding the maximum load indicated in the "Table of wash cycles". We recommend using liquid detergent, and adding the amount suitable for a half-load.

Load balancing system

Before every spin cycle, to avoid excessive vibrations and to distribute the load in a uniform manner, the drum rotates continuously at a speed which is slightly greater than the washing rotation speed. If, after several attempts, the load is not balanced correctly, the machine spins at a reduced spin speed. If the load is excessively unbalanced, the washer-dryer performs the distribution process instead of spinning. To encourage improved load distribution and balance, we recommend small and large garments are mixed in the load.

Your washer-dryer could fail to work. Before contacting the Technical Assistance Centre (see “Assistance”), make sure that the problem cannot be solved easily using the following list.

Problem:

Possible causes / Solutions:

The washer-dryer does not switch on.

- The appliance is not plugged into the socket fully, or is not making contact.
- There is no power in the house.

The wash cycle does not start.

- The washer-dryer door is not closed properly.
- The ON/OFF button has not been pressed.
- The START/PAUSE button has not been pressed.
- The water tap has not been opened.
- A delayed start has been set.

The washer-dryer does not take in water (the text “NO WATER, Turn tap on” appears on the display).

- The water inlet hose is not connected to the tap.
- The hose is bent.
- The water tap has not been opened.
- There is no water supply in the house.
- The pressure is too low.
- The START/PAUSE button has not been pressed.

The washer-dryer continuously takes in and drains water.

- The drain hose is not fitted at a height between 65 and 100 cm from the floor (see “Installation”).
- The free end of the hose is under water (see “Installation”).
- The wall drainage system is not fitted with a breather pipe.

If the problem persists even after these checks, turn off the water tap, switch the appliance off and contact the Assistance Service. If the dwelling is on one of the upper floors of a building, there may be problems relating to water drainage, causing the washer-dryer to fill with water and drain continuously. Special anti-draining valves are available in shops and help to avoid this inconvenience.

The washer-dryer does not drain or spin.

- The wash cycle does not include draining: some wash cycles require the drain phase to be started manually (see “Wash cycles and functions”).
- The drain hose is bent (see “Installation”).
- The drainage duct is clogged.

The washer-dryer vibrates a lot during the spin cycle.

- The drum was not unlocked correctly during installation (see “Installation”).
- The washer-dryer is not level (see “Installation”).
- The washer-dryer is trapped between cabinets and walls (see “Installation”).

The washer-dryer leaks.

- The water inlet hose is not screwed on properly (see “Installation”).
- The detergent dispenser drawer is blocked (for cleaning instructions, see “Care and maintenance”).
- The drain hose is not fixed properly (see “Installation”).

The machine is locked and the display flashes, indicating an error code (e.g. F-01, F-..).

- Switch off the machine and unplug it, wait for approximately 1 minute and then switch it back on again.
If the problem persists, contact the Technical Assistance Service.

There is too much foam.

- The detergent is not suitable for machine washing (it should display the text “for washer-dryers” or “hand and machine wash”, or the like).
- Too much detergent was used.

The washer-dryer does not dry.

- The appliance is not plugged into the socket, or not enough to make contact.
- There has been a power failure.
- The appliance door is not shut properly.
- A Delay Timer has been set.
- DRYING is in the OFF position.

Service

GB

Before calling for Assistance:

- Check whether you can solve the problem alone (see “*Troubleshooting*”);
- Restart the programme to check whether the problem has been solved;
- If this is not the case, contact an authorised Technical Assistance Centre using the telephone number provided on the guarantee certificate.

! Always request the assistance of authorised technicians.

Have the following information to hand:


- the type of problem;
- the appliance model (Mod.);
- the serial number (S/N).

This information can be found on the data plate applied to the rear of the washer-dryer, and can also be found on the front of the appliance by opening the door.

CZ

Česky

RDPD 96407 J

!  Tento symbol vám připomíná potřebu přečtení návodu k použití.

CZ

Obsah

Instalace, 14-15

Rozbalení a vyrovnání do vodorovné polohy
Připojení k elektrické a k vodovodní síti
První prací cyklus
Technické údaje

Údržba a péče, 16

Uzavření přívodu vody a vypnutí elektrického napájení
Čištění pračky
Čištění dávkovače pracích prostředků
Péče o dvířka a buben
Čištění čerpadla
Kontrola přítokové hadice na vod

Opatření a rady, 17

Základní bezpečnostní pokyny
Likvidace
Manuální otevření dvířku

Popis pračky, 18-19

Ovládací panel
Displej

Jak provést prací cyklus nebo cyklus sušení, 20

Programy a funkce, 21

Tabulka pracích programů
Funkce praní

Prací prostředky a prádlo, 22

Dávkovač pracích prostředků
Příprava prádla
Speciální programy
Systém automatického vyvážení náplně

Poruchy a způsob jejich odstranění, 23

Servisní služba, 24

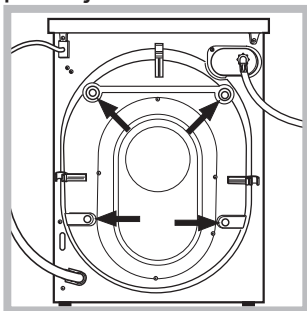
! Je důležité uschovat tento návod tak, abyste jej mohli kdykoli konzultovat. V případě prodeje, darování nebo přestěhování pračky se ujistěte, že zůstane uložen v blízkosti pračky, aby mohl posloužit novému majiteli při seznámení s její činností a s příslušnými upozorněními.

! Pozorně si přečtete uvedené pokyny: obsahují důležité informace týkající se instalace, použití a bezpečnosti při práci.

Rozbalení a vyrovnaní do vodorovné polohy

Rozbalení

1. Rozbalte pračku.
2. Zkontrolujte, zda během přepravy nedošlo k jejímu poškození. V případě, že je poškozena, ji nezapojujte a obraťte se na prodejce.



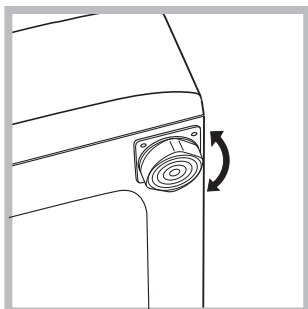
3. Odstraňte 4 šrouby chránící před poškozením během přepravy a gumovou podložku s příslušnou rozpěrkou, které se nacházejí v zadní části (viz obrázek).

4. Uzavřete otvory po šroubech plastovými krytkami z příslušenství.
5. Uschovejte všechny díly: v případě opětovné přepravy pračky je bude třeba namontovat zpět.

! Obaly nejsou hračky pro děti!

Vyrovnaní do vodorovné polohy

1. Pračku je třeba umístit na rovnou a pevnou podlahu, aniž by se opírala o stěnu, nábytek či něco jiného.

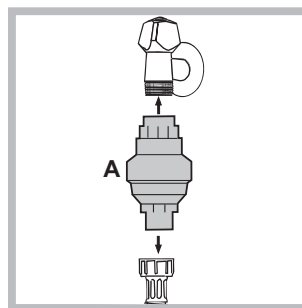


2. V případě, že podlaha není dokonale vodorovná, mohou být případné rozdíly vykompenzovány šroubováním předních nožek (viz obrázek); Úhel sklonu, naměřený na pracovní ploše, nesmí přesáhnout 2°.

Dokonalé vyrovnaní do vodorovné polohy zabezpečí stabilitu zařízení a zamezí vzniku vibrací a hluku během činnosti. V případě instalace na podlahovou krytinu nebo na koberec nastavte nožky tak, aby pod pračkou zůstal dostatečný volný prostor pro ventilaci.

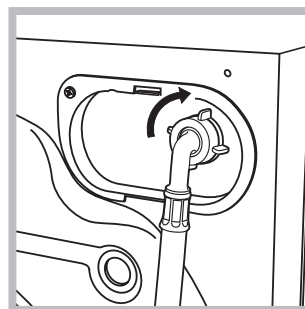
Připojení k elektrické a k vodovodní síti

Připojení přítokové hadice vody



1. Připojte ke kohoutku studené vody s hrdlem se závitem 3/4 pro plyn zařízení **A**, a poté k němu připojte zašroubováním přívodní hadici. Před připojením hadice nechte vodu odtékat, dokud nebude čirá. Pro správnou instalaci zařízení

dodržte návod, který je součástí balení. ! Zařízení je již nastaveno tak, aby umožňovalo správnou činnost pračky se sušičkou, a proto se doporučuje neměnit jeho nastavení.



2. Připojte přítokovou hadici k pračce prostřednictvím příslušné přípojky na vodu, umístěné vpravo nahoře (viz obrázek).

3. Dbejte na to, aby hadice nebyla příliš ohnutá ani stlačená.

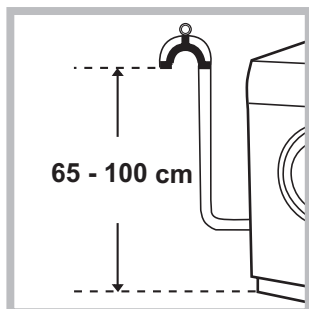
! Tlak v rozvodu vody se musí pohybovat v rozmezí hodnot uvedených v tabulce s technickými údaji (viz vedlejší strana).

! V případě, že délka přítokové hadice nebude dostatečná, obraťte se na specializovanou prodejnu nebo na autorizovaný technický personál.

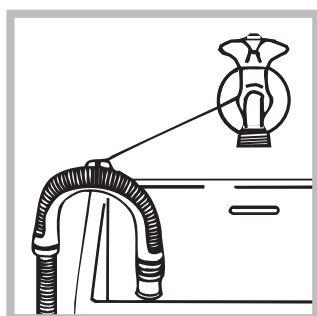
! Nikdy nepoužívejte již použité hadice.

! Používejte hadice z příslušenství zařízení.

Připojení vypouštěcí hadice



Připojte vypouštěcí hadici, aniž byste ji ohýbali, k odpadovému potrubí nebo k odpadu ve stěně, který se nachází od 65 do 100 cm nad zemí;



nebo ji uchyťte k okraji umývadla či vany a připevněte vodící držák z příslušenství ke kohoutu (viz obrázek). Volný konec vypouštěcí hadice nesmí zůstat ponořený do vody.

! Použití prodlužovacích hadic se nedoporučuje; je-li však nezbytné, prodlužovací hadice musí mít stejný průměr jako originální hadice a její délka nesmí přesáhnout 150 cm.

Připojení k elektrické síti

Před zasunutím zástrčky do zásuvky se ujistěte, že:

- Je zásuvka uzemněna a že vyhovuje normám;
- je zásuvka schopna snést maximální zátěž odpovídající jmenovitému příkonu zařízení, uvedenému v tabulce s technickými údaji (viz vedle);
- hodnota napájecího napětí odpovídá údajům uvedeným v tabulce s technickými údaji (viz vedle);
- je zásuvka kompatibilní se zástrčkou pračky. V opačném případě je třeba vyměnit zásuvku.

! Pračka nesmí být umístěna venku – pod širým nebem, a to ani v případě, že by se jednalo o místo chráněné před nepřízní počasí, protože je velmi nebezpečné vystavit ji působení deště a bouří.

! Po definitivní instalaci pračky musí zásuvka zůstat snadno přístupná.

! Nepoužívejte prodlužovací kabely a rozvodky.

! Kabel nesmí být ohnutý ani stlačený.



! Výměna kabelu musí být svěřena výhradně

autorizovanému technickému personálu. Upozornění! Výrobce neponese žádnou odpovědnost za následky nerespektování uvedených předpisů.

První prací cyklus

Po instalaci zařízení je třeba ještě předtím, než je použijete na praní prádla, provést jeden zkušební cyklus s pracím prostředkem a bez náplně prádla nastavením pracího programu samočištění (viz "Čištění pračky").

Technické údaje

Model	RDPD 96407 J	
Rozměry	šířka	59,5 cm
	výška	85 cm
	hloubka	54 cm
Kapacita	od 1 do 9 kg pro praní od 1 do 6 kg pro sušení	
Napájení	Viz štítek s technickými údaji, aplikovaný na zařízení.	
Připojení k rozvodu vody	maximální tlak 1 MPa (10 bar) minimální tlak 0.05 MPa (0.5 bar) kapacita bubnu 58 litrů	
Rychlost odstředování	až do 1400 otáček za minutu	
Kontrolní program podle normy EN 50229	praní: program 8; teplota 60°; náplň 9 kg prádla. sušení: sušení větší (6kg) náplně musí být provedeno volbou úrovně sušení "Extra". Sušení zbývajících náplně musí být provedeno volbou úrovně sušení "Extra": a tato náplň musí být tvořena 3 prostěradly, 2 povlaky a 1 ručníky.	
	Toto zařízení odpovídá následujícím normám Evropské unie: - 2004/108/CE (Elektromagnetická kompatibilita) - 2006/95/CE (Nízké napětí) - 2012/19/EU (WEEE)	
		
Hlučnost (dB(A) re 1 pW)	Praní: 56	Odštěďování: 82
		Sušení: 61

Údržba a péče

CZ


Uzavření přívodu vody a vypnutí elektrického napájení

- Po každém praní uzavřete přívod vody. Tímto způsobem dochází k omezení opotřebení pračky a ke snížení nebezpečí úniku vody.
- Před zahájením čištění pračky a během operací údržby vytáhněte zástrčku napájecího kabelu z elektrické zásuvky.

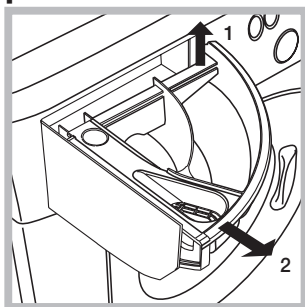
Čištění pračky

- Vnější části a části z gumy se mohou čistit hadrem navlhčeným ve vlažné vodě a saponátu. Nepoužívejte rozpouštědla ani abrazivní látky.
- Pračka je vybavena programem samočištění vnitřních částí, který musí být proveden **bez jakéhokoli druhu náplně v bubnu**.

Prací prostředek (množství rovnající se 10% množství doporučeného pro částečně znečištěné prádlo) nebo specifické přídatné prostředky pro čištění pračky budou moci být použity jako pomocné prostředky v pracím programu. Doporučuje se provést samočisticí program každých 40 cyklů praní.

Pro aktivaci programu stiskněte tlačítko  na 5 sekund a poté stiskněte tlačítko START/PAUZA; dojde k zahájení programu, který bude trvat přibližně 70 minut.

Čištění dávkovače pracích prostředků



Vytáhněte dávkovač jeho nadzvednutím a vytažením směrem ven (viz obrázek). Umyjte jej pod proudem vody; tento druh vyčištění je třeba provádět pravidelně.

Péče o dvířka a bubn

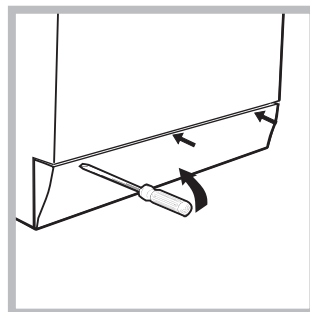
- Dvířka ponechte pokaždé pootevřená, aby se zabránilo tvorbě nepříjemných zápachů.

Čištění čerpadla

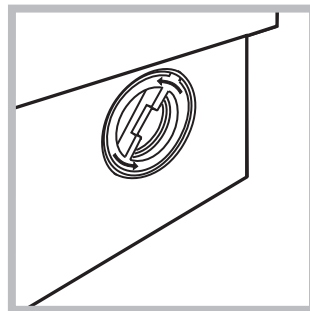
Součástí pračky je samočisticí čerpadlo, které nevyžaduje údržbu. Může se však stát, že se v jeho vstupní části, určené k jeho ochraně a nacházející se v jeho spodní části, zachytí drobné předměty (mince, knoflíky).

! Ujistěte se, že byl prací cyklus ukončen, a vytáhněte zástrčku ze zásuvky.

Přístup ke vstupní části čerpadla:



1. pomocí šroubováku odstraňte krycí panel nacházející se v přední části pračky (viz obrázek);



2. Odšroubujte víko jeho otáčením proti směru hodinových ručiček (viz obrázek): vytečení malého množství vody je zcela běžným jevem;

3. dokonale vyčistěte vnitřek;
4. zašroubujte zpět víko;
5. namontujte zpět panel, přičemž se před jeho přisunutím k zařízení ujistěte, že došlo ke správnému zachycení háčků do příslušných podélných otvorů.

Kontrola přítokové hadice na vodu

Stav přítokové hadice je třeba zkontrolovat alespoň jednou ročně. Jsou-li na ní viditelné praskliny nebo trhliny, je třeba ji vyměnit: silný tlak působící na hadici během pracího cyklu by mohl způsobit její náhlé roztržení.

! Nikdy nepoužívejte již použité hadice.

! Pračka byla navržena a vyrobena v souladu s platnými mezinárodními bezpečnostními předpisy. Tato upozornění jsou uváděna z bezpečnostních důvodů a je třeba si je pozorně přečíst.

Základní bezpečnostní pokyny

- Toto zařízení bylo navrženo výhradně pro použití v domácnosti.
- Toto zařízení mohou používat děti od 8 let a osoby se sníženými fyzickými, sensorickými nebo duševními schopnostmi nebo osoby s nedostatečnými zkušenostmi a znalostmi, když se nacházejí pod náležitým dohledem nebo když byly náležitě vyškoleny ohledně bezpečného použití zařízení a uvědomují si související nebezpečí. Děti si nesmí hrát se zařízením. Děti nesmí provádět operace údržby a čištění bez dohledu.
 - Nesušte nevyprané oblečení.
 - Oblečení znečištěné látkami, jako je olej z vaření, aceton, líh, benzin, kerosen, odstraňovače skvrn, terpentýn, vosk a látky na jeho odstranění, se musí před sušením v sušičce prádla vyprat v teplé vodě s vyšším množstvím pracího prostředku.
 - Předměty jako pěnová guma (latexová pěna), sprchové čepice, nepromokavé textilní látky, výrobky s jednou stranou z gumy a šaty nebo polštáře, které mají části z latexové gumy, se nesmí sušit v sušičce prádla.
 - Aviváž nebo podobné prostředky se musí používat v souladu s pokyny výrobce.
- Závěrečná část cyklu sušičky prádla pobíhá bez tepla (chladicí cyklus), aby se zabránilo poškození sušeného prádla. **UPOZORNĚNÍ:** Nikdy nezastavujte sušičku prádla před ukončením programu sušení. V takovém případě rychle vyjměte všechno prádlo ze sušičky a pověste jej, aby se rychle ochladilo.
- Pračku mohou používat pouze dospělé osoby podle pokynů uvedených v tomto návodu.
- Nedotýkejte se zařízení bosí nebo v případě, že máte mokré ruce či nohy.
- Nevytahujte zástrčku ze zásuvky tahem za kabel, ale uchopením za zástrčku.
- Neotvírejte dávkovač pracích prostředků během činnosti zařízení.
- Nedotýkejte se odčerpávané vody, protože může mít velmi vysokou teplotu.
- Nepokoušejte se o násilné otevření dvířek: mohlo by dojít k poškození bezpečnostního uzávěru, který zabraňuje náhodnému otevření.
- Při výskytu poruchy se v žádném případě nepokoušejte o opravu vnitřních částí zařízení.
- Vždy mějte pod kontrolou děti a zabraňte tomu, aby se přibližovaly k zařízení během pracího cyklu.
- Během pracího cyklu mají dvířka tendenci ohřát se.
- V případě potřeby přemíst'ujte pračku ve dvou nebo ve třech a věnujte celé operaci maximální pozornost. Nikdy se nepokoušejte zařízení přemísťovat sami, je totiž velmi těžké.
- Před zahájením vkládání prádla zkontrolujte, zda je buben prázdný.
- Nepoužívejte toto zařízení k sušení oděvů, které byly čištěny hořlavými látkami (např. trichloretylénem).
- Nepoužívejte toto zařízení k sušení molitanu a podobných elastomerů.
- Ujistěte se, že během cyklu sušení je vodovodní kohoutek otevřený.
- Tato pračka se sušičkou může být používána pouze k sušení oděvů, které byly předtím vyprány ve vodě.
- Vyjměte z kapes všechny předměty, jako jsou zapalovače a zápalky

- Pokud nejsou děti mladší 3 let pod neustálým dozorem, musí být udržovány v dostatečné vzdálenosti od sušičky-

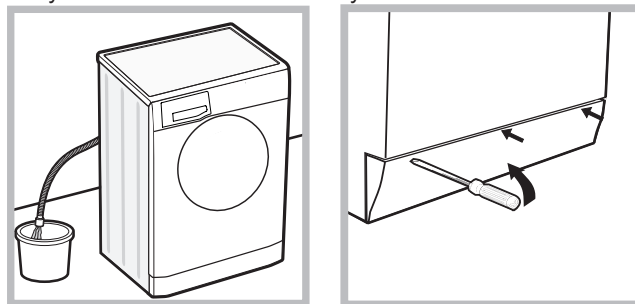
Likvidace

- Likvidace obalových materiálů: při jejich odstranění postupujte v souladu s místními předpisy a dbejte na možnou recyklaci.
- Evropská směrnice 2012/19/ES o odpadu tvořeném elektrickými a elektronickými zařízeními nařizuje, že elektrospotřebiče nesmí být likvidovány v rámci běžného pevného městského odpadu. Vyřazená zařízení musí být shromážděna zvlášť za účelem zvýšení počtu recyklovaných a znovupoužitých materiálů, z nichž jsou složena, a z důvodu zabránění možných ublížení na zdraví a škod na životním prostředí. Symbolem je přeškrtnutý koš, uvedený na všech výrobcích s cílem připomenout povinnost spojené se separovaným sběrem. Podrobnější informace týkající se správného způsobu vyřazení elektrospotřebičů z provozu mohou jejich držitelé získat tak, že se obrátí na navrženou veřejnou instituci nebo na prodejce.

Manuální otevření dvířek

V případě, že není možné otevřít dvířka s průzorem z důvodu výpadku elektrické energie a hodláte pověsit prádlo, postupujte následovně:

1. vytáhněte zástrčku ze zásuvky elektrické sítě.



2. Zkontrolujte, zda je hladina vody uvnitř zařízení nižší, než je úroveň otevření dvířek; v opačném případě vypusťte přebytečnou vodu vypouštěcí hadicí a zachyťte ji do vědra, jak je znázorněno na obrázku.

3. pomocí šroubováku odstraňte krycí panel nacházející se v přední části pračky (viz obrázek).



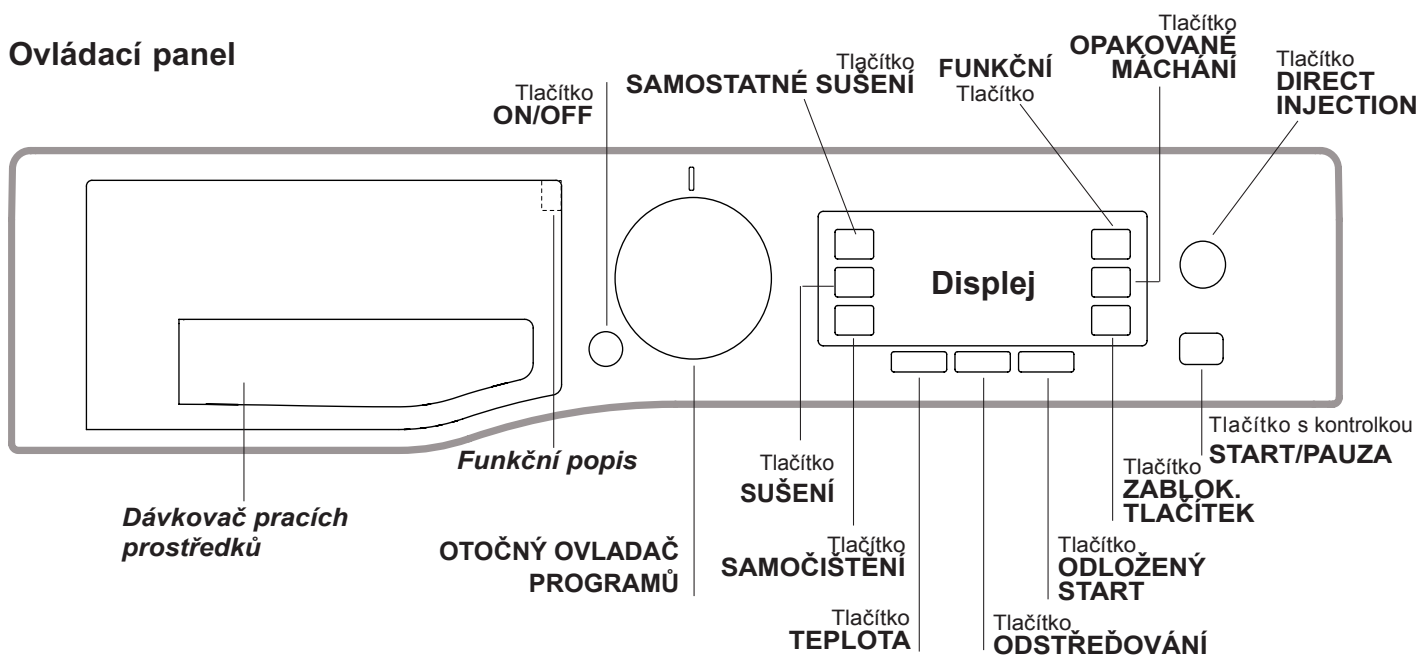
4. s použitím jazyčku označeného na obrázku potáhněte směrem ven z dorazu plastové táhlo až do jeho uvolnění; následně jej potáhněte směrem dolů a současně otevřete dvířka.

5. namontujte zpět panel, přičemž se před jeho přisunutím k zařízení ujistěte, že došlo ke správnému zachycení háčků do příslušných podélných otvorů.

Popis pračky


CZ

Ovládací panel




Dávkovač pracích prostředků: slouží k dávkování pracích prostředků a přídatných prostředků (viz „Prací prostředky a prádlo“).

Funkční popis: uvnitř zásuvky dávkovače pracích prostředků se nachází funkční popis, na kterém jsou uvedeny všechny dostupné programy spolu s grafickou příručkou o použití jednotlivých přihrádek zásuvky.

Tlačítko **ON/OFF** : zapnete nebo vypnete pračku krátkým stisknutím tlačítka. Kontrolka **START/PAUZA** pomalu blikající zeleným světlem poukazuje na to, že je stroj zapnutý. Za účelem vypnutí pračky během praní je třeba držet tlačítko stisknuté déle, přibližně 3 sek.; krátké nebo náhodné stisknutí neumožní vypnutí pračky. Vypnutí zařízení během praní způsobí zrušení probíhajícího pracího programu.


OTOČNÝ OVLADAČ PROGRAMŮ: Slouží k nastavení požadovaného programu (viz „Tabulka programů“).


FUNKČNÍ Tlačítko: stiskněte tlačítko kvůli volbě požadované funkce. Na displeji se rozsvítí příslušná kontrolka.


Tlačítko **SAMOČIŠTĚNÍ** : stiskněte jej, když chcete provést čištění vnitřních částí zařízení (viz „Čištění pračky“).


Tlačítka **DIRECT INJECTION**: jeho stisknutím se provádí volba volitelné funkce **DIRECT INJECTION**.


Tlačítko **OPAKOVANÉ MÁCHÁNÍ** : jeho stisknutím můžete provést volbu požadovaného máchání.

Tlačítko **ODSTŘEĐOVÁNÍ** : stiskněte za účelem snížení nebo úplného vyloučení odstřeďování - hodnota bude uvedena na displeji.


Tlačítko **TEPLOTA** : stiskněte za účelem snížení teploty: Příslušná hodnota bude zobrazena na displeji.

Tlačítko **SUŠENÍ** : Jeho stisknutí slouží k omezení nebo úplnému vyloučení sušení; zvolená úroveň nebo doba sušení bude zobrazena na displeji

Tlačítko **SAMOSTATNÉ SUŠENÍ** : stisknutím spustíte pouze fázi sušení.

Tlačítko **ZABLOK. TLAČÍTEK** : aktivace zablokování ovládacího panelu se provádí tak, že podržíte stisknuté tlačítko přibližně na 2 sekundy. Když se na displeji zobrazí nápis „ZABLOK. TLAČÍTEK AKTIVNÍ“, ovládací panel je zablokován (s výjimkou tlačítka **ON/OFF**). Tímto způsobem se zamezí náhodným změnám programů, zejména když jsou v domácnosti děti. Zrušení zablokování ovládacího panelu se provádí tak, že podržíte stisknuté tlačítko přibližně na 2 sekundy.

Tlačítko **ODLOŽENÝ START** : stiskněte za účelem nastavení odloženého startu zvoleného programu. Doba, o kterou bude start odložen, bude zobrazena na displeji.

Tlačítko s kontrolkou **START/PAUZA**: když zelená kontrolka začne pomalu blikat, stiskněte toto tlačítko pro zahájení praní. Po zahájení cyklu se kontrolka rozsvítí stálým světlem. Přejete-li si přerušit praní, opětovně stiskněte tlačítko; kontrolka bude blikat oranžovým světlem. Když symbol  není rozsvícen, je možné otevřít dvířka. Za účelem opětovného zahájení cyklu z místa, v němž byl přerušen, opětovně stiskněte tlačítko.

Pohotovostní režim

Za účelem shody s novými předpisy souvisejícími s energetickou úsporou je tato pračka vybavena systémem automatického vypnutí (přechodu do pohotovostního režimu – standby), který je aktivován po uplynutí 30 minut, když se pračka nepoužívá. Krátce stiskněte tlačítko **ON/OFF** a vyčkejte na obnovení činnosti zařízení.

Spotřeba v off-mode: 0,5 W

Spotřeba v Left-on: 8 W

Antimikrobiální těsnění

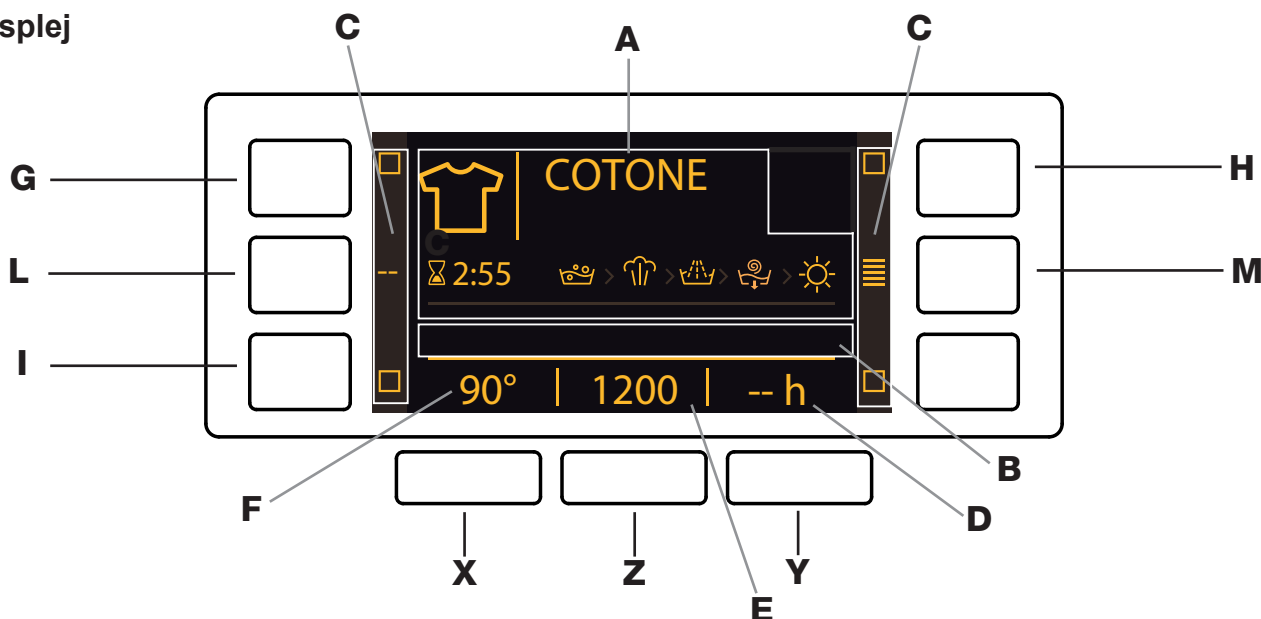
Těsnění dvířek je vyrobeno ze speciální směsi, která je schopna zaručit antimikrobiální ochranu a snížit šíření bakterií až o 99,99%.

Těsnění dvířek obsahuje zinkium-pyrition, biocidní látku, která snižuje šíření škodlivých mikrobů (*), jako jsou bakterie a plísňe, které by mohly způsobit skvrny, nepříjemný zápach a zhoršení vlastností výrobku.

(* Na základě zkoušky na výskyt: *Staphylococcus aureus*, *Escherichia coli*, *Pseudomonas aeruginosa*, *Candida albicans*, *Aspergillus niger*, *Penicillium digitatum*, **provedené Univerzitou v Perugia**.)

Ve vzácných případech by mohl dlouhodobý styk s těsněním způsobit alergickou reakci pokožky.

Displej



Displej slouží k naprogramování zařízení a poskytuje četné informace.

Na ploše **A** se zobrazí ikona a zvolený program, fáze praní a sušení, jakož i doba zbývající do konce cyklu.

Na ploše **B** jsou zobrazeny dvě úrovně intenzity týkající se volitelné funkce DIRECT INJECTION.

Na plochách **C** se nacházejí kontrolky týkající se dostupných funkcí.

Na ploše **D** je zobrazena doba zbývající do spuštění zvoleného programu v případě nastavení funkce ODLOŽENÝ START.

V řetězci **E** je zobrazena maximální hodnota rychlosti odstředování, které zařízení může dosáhnout na základě zvoleného programu; když program nepočítá s nastavením odstředování, na uvedené ploše je zobrazen symbol "--" s nízkým jasnem.

Na ploše **F** je zobrazena hodnota teploty, kterou lze zvolit na základě zvoleného programu; když není nastavení teploty součástí zvoleného programu, na uvedené ploše je zobrazen symbol "--" s nízkým jasnem.

Symbol Zablokovaných dvířek

Rozsvícení uvedeného symbolu poukazuje na zablokování dvířek kvůli zabránění jejich náhodnému otevření. Aby se předešlo poškození, před otevřením dvířek je třeba vyčkat na zhasnutí uvedeného symbolu.

POZN.: Když je aktivována funkce ODLOŽENÝ START, nebude možné otevřít dvířka a pro jejich otevření bude třeba přerušit činnost zařízení stisknutím tlačítka START/PAUZA.

! Při prvním zapnutí budete vyzváni, abyste provedli volbu jazyka, a poté bude na displeji automaticky zvoleno menu volby jazyka.

Za účelem volby požadovaného jazyka stiskněte tlačítka **X** a **Y** a potvrďte volbu stisknutím tlačítka **Z**.




Když si přejete provést změnu jazyka, vypněte zařízení, stiskněte současně tlačítka **G**, **H**, **I** a držte je stisknutá, dokud neuslyšíte akustický signál a neobjeví se menu pro volbu jazyka.

! Když si přejete změnit jas displeje, který je v rámci přednastavení nastaven na nejvyšší hodnotu, vypněte zařízení, při jeho opětovném zapnutí stiskněte současně tlačítka **G**, **L** a **M** a držte je stisknutá, dokud neuslyšíte akustický signál. Stisknutím tlačítek **X** a **Y** zvolte požadovaný jas a potvrďte volbu stisknutím tlačítka **Z**.

! Když během pracovního cyklu nebo při nastavování funkce „ODLOŽENÝ START“ nebude displej používán po dobu 1 minuty, bude aktivován „SPORÍČ OBRAZOVKY“. Pro návrat na předchozí zobrazení stačí stisknout kterékoli tlačítko.

Jak provést prací cyklus nebo cyklus sušení


CZ

- 1. ZAPNUTÍ ZAŘÍZENÍ.** Stiskněte tlačítko  a na displeji se zobrazí nápis HOTPOINT; kontrolka START/PAUZA bude pomalu blikat zelenou barvou.
- 2. NAPLNĚTE PRAČKU PRÁDLEM.** Otevřete dvířka. Naplňte pračku prádlem a dbejte přitom, aby nedošlo k překročení množství náplně, uvedeného v tabulce programů na následující straně.
- 3. DÁVKOVÁNÍ PRACÍHO PROSTŘEDKU.** Vytáhněte dávkovač pracích prostředků a naplňte prací prostředek do příslušných přihrádek způsobem vysvětleným v části „Prací prostředky a prádlo“.
- 4. ZAVŘETE DVÍŘKA.**
- 5. ZVOLTE PRACÍ PROGRAM.** Otočným ovladačem PROGRAMŮ zvolte požadovaný program; název programu bude zobrazen na displeji; ke zvolenému programu je přiřazena teplota a rychlost odstředování, které se dají měnit. Na displeji bude zobrazena doba trvání cyklu.
- 6. PROVEĎTE UŽIVATELSKÁ NASTAVENÍ PRACÍHO CYKLU.** Použijte příslušná tlačítka:
Změňte teplotu a/nebo odstředování. Zařízení automaticky zvolí teplotu a maximální rychlost odstředování přednastavené pro zvolený program; tyto hodnoty se nesmí zvyšovat. Stisknutím tlačítka  je možné postupně snížit teplotu až po praní ve studené vodě (na displeji se zobrazí symbol "--"). Stisknutím tlačítka  je možné postupně snížit rychlost odstředování až po jeho úplné vyloučení (na displeji se zobrazí symbol "--"). Další stisknutí tlačítek obnoví nastavení maximálních přednastavených hodnot.
! Výjimka: při volbě programu 5 bude možné zvýšit teplotu až na 40°C.
! Výjimka: při volbě programu 7 bude možné zvýšit teplotu až na 90°C.
! Výjimka: při volbě programu 9 bude možné zvýšit teplotu až na 60°C.

Nastavte odložený start.

Pro nastavení odloženého startu zvoleného programu stiskněte příslušné tlačítko až do dosažení požadované doby odložení. Zrušení odloženého startu se provádí stisknutím tlačítka až do zobrazení nápisu "-- h".

Nastavení sušení

Jedním nebo několikanásobným stisknutím tlačítka SUŠENÍ  se nastavuje požadovaný druh sušení. K dispozici jsou dvě možnosti:

A - Na základě požadované úrovně sušení:

K žehlení: Určené pro kusy oblečení, které se následně musí žehlit. Úroveň zbytkové vlhkosti zjemní záhyby a usnadní jejich odstranění.

K zavěšení: Ideální pro ty kusy oblečení, které nevyžadují úplné vysušení.

K uložení: Vhodné pro prádlo, které je určeno k uložení do skříňě bez potřeby žehlení.



Extra: Vhodné pro kusy oblečení, které vyžadují úplné vysušení, jako jsou froté ručníky a župany.

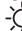
B - Podle nastavené doby: od **30** do **180** minut.

Vyloučení sušení se provádí stisknutím příslušného tlačítka až do zobrazení nápisu OFF na displeji.


Když je množství prádla ve výjimečných případech vyšší než maximální povolená náplň, proveďte prací cyklus, po jeho ukončení prádlo rozdělte a jednu ze dvou částí vložte zpět do bubny. Dále se řiďte pokyny pro **samostatné sušení**. Zopakujte stejný postup i při sušení zbývající části prádla. Na konci cyklu sušení proběhne fáze ochlazování.

Samostatné sušení

Stiskněte tlačítko  kvůli provedení samotného sušení. Po provedení volby požadovaného programu, který je kompatibilní s vloženým druhem prádla, dojde při stisknutí tlačítka  k vyloučení fáze praní a bude aktivováno sušení s maximální úrovní určenou pro

zvolený program. Je možné změnit a nastavit úroveň nebo dobu trvání sušení stisknutím tlačítka sušení . (Není kompatibilní s programy 1-2-3-4-14).

Nastavte druh máchání.

Volitelná funkce  umožňuje zvolit požadovaný druh máchání pro maximální péči o citlivé druhy pokožky. Při prvním stisknutí tlačítka bude nastavena úroveň „**Extra +1**“, která umožní provést volbu přidavného máchání ve srovnání se standardním mácháním cyklu, aby se odstranily všechny stopy po pracím prostředku. Při druhém stisknutí tlačítka bude nastavena úroveň „**Extra +2**“, která umožňuje provést volbu dvou přidavných máchání ve srovnání se standardním mácháním cyklu a doporučuje se pro citlivější pokožky. Při třetím stisknutí tlačítka bude nastavena úroveň „**Extra +3**“ máchání, která umožní provést volbu 3 přidavných máchání ve srovnání se standardním mácháním cyklu. Tato volitelná funkce, která je aktivována při cyklech s teplotou 40 °C, umožňuje odstranit hlavní alergy, jako je kočičí i psí srst a pyl. Při teplotě nad 40°C se dosahuje optimální úrovně protialergické ochrany. Opětovným stisknutím tohoto tlačítka se můžete vrátit na úroveň máchání „**Běžné máchání**“. Když není možné provést požadované nastavení nebo změnit existující nastavení, na displeji se zobrazí „**NEPOUŽITELNÝ**“ nebo „**NEMĚNITELNÝ**“.

Změňte vlastnosti cyklu.


- Stiskněte tlačítka aktivace funkce; rozsvítí se odpovídající kontrolka.
- Opětovným stisknutím můžete zvolenou funkci zrušit; zhasne se odpovídající kontrolka.

! Když zvolená funkce není kompatibilní s nastaveným programem, příslušná kontrolka bude zobrazena s nízkým jassem a nekompatibilita bude signalizována také akustickým signálem (3 pípnutí) a zobrazením nápisu „**NEPOUŽITELNÝ**“ na displeji.

! Když zvolená funkce není kompatibilní s další, předtím nastavenou funkcí, na displeji se zobrazí nápis „**NEPOUŽITELNÝ**“ a funkce nebude aktivována.

! Funkce mohou změnit doporučenou náplň a/nebo dobu trvání cyklu.





- 7. SPUSŤTE PROGRAM.** Stiskněte tlačítko START/PAUZA. Příslušná kontrolka se rozsvítí stálým zeleným světlem a dojde k zablokování dvířek (rozsvícený symbol ZABLOKOVANÝCH DVÍŘEK ). Během praní se na displeji zobrazí název probíhající fáze. Za účelem změny programu během probíhajícího cyklu přerušete činnost pračky stisknutím tlačítka START/PAUZA (kontrolka START/PAUZA bude pomalu blikat oranžovým světlem); zvolte požadovaný cyklus a opětovně stiskněte tlačítko START/PAUZA. Za účelem otevření dvířek v průběhu pracího cyklu stiskněte tlačítko START/PAUZA; když bude symbol ZABLOKOVANÝCH DVÍŘEK  zhasnutý, bude možné otevřít dvířka. Opětovným stisknutím tlačítka START/PAUZA znovu uvede do činnosti prací program z bodu, ve kterém byl přerušeno.
- 8. UKONČENÍ PROGRAMU.** Bude oznámeno zobrazením nápisu „**KONEC CYKLU**“ na displeji. Po zhasnutí symbolu ZABLOKOVANÝCH DVÍŘEK  bude možné otevřít dvířka. Otevřete dvířka, vyložte prádlo a vypněte zařízení.

! Přejete-li si zrušit již zahájený cyklus, znovu dlouze stiskněte tlačítko . Cyklus bude přerušeno a dojde k automatickému vypnutí zařízení.

Direct Injection

Pračka je vybavena inovační technologií «Direct Injection», která připravuje směs vody s pracím prostředkem, čímž ihned aktivuje čisticí účinky pracího prostředku. Tato aktivní emulze se vpusťte přímo do bubny pračky, účinně proniká do vláken a odstraňuje i ty nejodolnější nečistoty již při nízkých teplotách, přičemž bere maximální ohled na barvy a tkaniny. Je možné zvolit režim «Výkon» pro dosažení větší čistoty nebo režim «EcoEnergy» pro dosažení úspory energie.

Tabulka pracích programů

Programy	Popis programu	Max. teplota (°C)	Max. rychlost (otáčky za minutu)	Sušení	Prací prostředky a přídatné prostředky		Maximální náplň pro praní (Kg)	Doba trvání cyklu	
					Praní	Aviváž			
ANTI CREASE									
1	Praní/Sušení Denní Mix	40°	800	●	●	●	3	Je možné kontrolovat dobu trvání pracích programů na displeji.	
2	Praní&Sušení Košile	40°	1000	●	●	●	2		
3	Předžehlení	-	-	-	-	-	1,5		
4	Osvěžení Párou	-	-	-	-	-	2		
DAILY CLEAN									
5	Odstr. Skvrn Turbo 45'	20° (Max. 40°C)	1200	●	●	●	4		
6	Odstr. Skvrn Power 20°C	40°	1400	●	●	●	9		
7	Bavlna: málo znečištěné bílé a barevné prádlo z odolných tkanin.	40° (Max. 90°C)	1400	●	●	●	9		
8	Eko Bavlna  (1-2): silně znečištěné bílé a barevné prádlo z odolných tkanin.	60°	1400	●	●	●	9		
9	Syntetické (3): málo znečištěné barevné prádlo z odolných tkanin.	40° (Max. 60°C)	1000	●	●	●	4,5		
SPECIALS									
10	Vícebarevné	40°	1400	●	●	●	9		
11	Ultra Jemné Prádlo	30°	--	●	●	●	1		
12	Vlna: pro vlnu, kašmír apod.	40°	800	●	●	●	2		
13	Sportovní	40°	600	●	●	●	4		
14	Rychlé 30' (**): k rychlému oživení mírně znečištěného prádla (nedoporučuje se pro vlnu, hedvábí a prádlo určené pro ruční praní).	30°	800	●	●	●	3,5		
Programy Částečné									
	Máchání	-	1400	●	-	●	9		
	Odstřed'ování + Vyp. vody	-	1400	●	-	-	9		
	Samostatné Vypouštění vody *	-	--	-	-	-	9		

* V případě volby programu  a vyloučení odstřed'ování zařízení provede pouze odčerpání vody.

** I při nastavení cyklu sušení zařízení provede program „praní+sušení“, který trvá 45', s maximálním odstřed'ováním a 1kg náplní prádla.

Doba trvání cyklu uvedená na displeji nebo v návodu představuje odhad vypočítaný na základě standardních podmínek. Skutečná doba se může měnit v závislosti na četných faktorech, jako je např. teplota a tlak vody na vstupu, teplota prostředí, množství pracího prostředku, množství a druh náplně, vyvážení náplně a zvolené volitelné funkce.


- 1) Kontrolní program podle normy EN 50229: nastavte program 8 s teplotou 60°C.
- 2) Dlouhý program pro praní bavlny: nastavte program 8 s teplotou 40 °C a stiskněte tlačítko DIRECT INJECTION s režimem „Výkon“.
- 3) Dlouhý program pro syntetiku: nastavte program 9 s teplotou 40°C.

Funkce praní

! Když zvolená funkce není kompatibilní s nastaveným programem, příslušná kontrolka bude zobrazena s nízkým jasnem a nekompatibilita bude signalizována také akustickým signálem (3 pípnutí) a zobrazením nápisu „NEPOUŽITELNÝ“ na displeji.

! Když zvolená funkce není kompatibilní s další, předtím nastavenou funkcí, na displeji se zobrazí nápis „NEPOUŽITELNÝ“ a funkce nebude aktivována.

Sanitace Párou

Při zvolení této volitelné funkce dojde ke zvýšení účinnosti praní prostřednictvím vytváření páry, která během cyklu odstraní i případné bakterie přítomné ve vláknech a zároveň je chrání. Vložte prádlo do bubny, zvolte kompatibilní program a volitelnou funkci  .
! Během činnosti pračky by se mohlo stát, že dvířka pračky budou méně průhledná kvůli tvorbě páry.

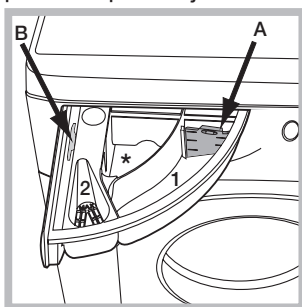
Prací prostředky a prádlo

CZ

Dávkovač pracích prostředků

Dobrý výsledek praní závisí také na správném dávkování pracího prostředku: použití jeho nadměrného množství snižuje efektivitu praní a napomáhá tvorbě vodního kamene na vnitřních částech pračky a zvyšuje znečištění životního prostředí.

! Pro předpírku a praní při teplotě vyšší než 60 °C používejte práškové prací prostředky pro bílé bavlněné prádlo. ! Dodržujte pokyny uvedené na obalu pracího prostředku. ! Nepoužívejte prací prostředky určené pro ruční praní, protože způsobují tvorbu nadměrného množství pěny.



Při vytahování dávkovače pracích prostředků a při jeho plnění pracími nebo přídatnými prostředky postupujte následovně.

! Nevkládejte prací prostředek do střední přihrádky (*).

Přihrádka 1: Prací prostředek (v prášku nebo tekutý)

V případě použití tekutého pracího prostředku se doporučuje použít pro správné dávkování malou přepážku **A** z příslušenství. Pro použití práškového pracího prostředku vložte malou přepážku do prohloubeniny **B**.

Přihrádka 2: Přídatné prostředky (aviváž atd.)

Aviváž nesmí vytékat z mřížky.

Příprava prádla

- Roztřídte prádlo podle:
 - druhu tkaniny / symbolu na visačce.
 - barvy: oddělte barevné prádlo od bílého.
- Vyprázdněte kapsy a zkontrolujte knoflíky.
- Nepřekračujte povolenou náplň, vztahující se na hmotnost suchého prádla: viz „*Tabulka pracích programů*“.

Kolik váží prádlo?

- 1 prostěradlo 400-500 g
- 1 povlak na polštář 150-200 g
- 1 ubrus 400-500 g
- 1 župan 900-1.200 g
- 1 ručník 150-250 g

Speciální programy

Praní/Sušení Denní Mix: pro praní a sušení smíšeného prádla (bavlna a syntetika) použijte program 1. Při volbě tohoto cyklu je možné vyprat a vysušit až 3 kg; *doporučuje se používání tekutého pracího prášku.*

Díky využití páry je program optimalizován pro omezení mačkání na prádle a díky tomu se lépe žehlí.

Praní&Sušení Košile: pro praní a sušení košil a triček z různých látek a barev se zajištěním maximální péče použijte program 2. Při volbě tohoto cyklu je možné vyprat a vysušit až 2 kg. Pro dosažení optimálních výsledků použijte tekutý prací prostředek; předběžně ošetřete manžety, límce a skvrny. Díky využití páry je program optimalizován pro omezení mačkání na prádle a díky tomu se lépe žehlí.

Předžehlení: tento program používejte bezprostředně před žehlením; max. plnění 1,5 kg.

Díky využití páry je program optimalizován pro omezení mačkání na prádle a díky tomu se lépe žehlí.

Osvěžení Párou: pro osvěžení prádla, neutralizaci nepříjemných pachů a uvolnění vláken pomocí vstřikování páry do bubnu. Oblečení bude na konci cyklu vlhké.

Odstr. Skvrn Turbo 45': tento cyklus zaručuje vynikající schopnost odstranění skvrn již při teplotě 20°C v průběhu pouhých 45 minut. Teplotu pro tento cyklus lze zvýšit až na 40°C.

Odstr. Skvrn Power 20°C: tento program nabízí maximální schopnost odstraňování skvrn bez nutnosti přípravného ošetření tkanin; skvrny jsou odstraňovány při nízké teplotě, tkaniny a barvy jsou zachovány v neporušeném stavu.

Vícebarevné: pro praní barevného prádla. Tento program je optimalizován k uchování zářivých barev oblečení i po opakovaném vyprání.

Ultra Jemné Prádlo: pro praní velmi choulostivého prádla, které obsahuje aplikace, jako je štras nebo pajetky, použijte program 11.

Doporučuje se prádlo před praním převrátit naruby a vložit malé kusy prádla do příslušného sáčku pro praní choulostivého prádla.

Pro dosažení nejlepších výsledků se doporučuje použít tekutý prací prostředek pro choulostivé prádlo. V případě volby funkce výhradně časově vymezeného sušení bude na konci praní provedeno mimořádně jemné sušení díky mírnému pohybu a proudu vzduchu s vhodně řízenou teplotou.

Doporučené doby jsou:

1 kg syntetického prádla --> 165 min.

1 kg syntetického a bavlněného prádla --> 180 min.

1 kg bavlněného prádla --> 180 min.

Stupeň vysušení bude záviset na náplni a složení tkaniny.

Vlna - Woolmark Apparel Care - Green:

prací cyklus „Vlna“ této pračky byl schválen společností Woolmark Company pro praní prádla z vlny, které je klasifikováno jako „prádlo určené pro ruční praní“, za podmínky, že bude praní provedeno v souladu s pokyny uvedenými na visačce oblečení a pokyny dodanými výrobcem této pračky.



Sportovní: pro mírně znečištěné tkaniny sportovního oblečení (teplákové soupravy, ručníky, šortky apod.); pro dosažení optimálních výsledků se doporučuje nepřekračovat maximální náplň uvedenou v „*Tabulka programů*“. Doporučuje se použít tekutý prací prostředek a použít dávku vhodnou pro poloviční náplň.

System automatického vyvážení náplně

Před každým odstředováním buben provede otáčení rychlostí lehce převyšující rychlost praní, aby se odstranily vibrace a aby se náplň rovnoměrně rozložila. V případě, že po několiknásobných pokusech o vyvážení prádlo ještě nebude správně vyváženo, zařízení provede odstředování nižší rychlostí, než je přednastavená rychlost. Při nadměrném nevyvážení pračka provede namísto odstředování vyvážení. Pro dosažení rovnoměrnějšího rozložení náplně a jejího správného vyvážení se doporučuje míchat velké a malé kusy prádla.

Může se stát, že pračka nebude fungovat. Dříve, než zatelefonujete na Servisní službu (viz „*Servisní služba*“), zkontrolujte, zda se nejedná o problém, který lze snadno vyřešit s pomocí následujícího seznamu.

Poruchy:

Pračku nelze zapnout.

Možné příčiny / Způsob jejich odstranění:

- Zástrčka není zasunuta v zásuvce nebo není zasunuta natolik, aby došlo ke spojení kontaktů.
- V celém domě je vypnutý proud.

Nedochází k zahájení pracího cyklu.

- Nejsou řádně zavřena dvířka.
- Nebylo stisknuto tlačítko ON/OFF.
- Nebylo stisknuto tlačítko START/PAUZA.
- Nebyl otevřen kohout přívodu vody.
- Byl nastaven odložený start.

Pračka nenapouští vodu (Na displeji se zobrazí nápis „CHYBÍ VODA, Otevřete ventil“).

- Přívodní hadice není připojena k vodovodnímu kohoutu.
- Hadice je příliš ohnutá.
- Nebyl otevřen kohout přívodu vody.
- V celém domě je uzavřený přívod vody.
- V rozvodu vody není dostatečný tlak.
- Nebylo stisknuto tlačítko START/PAUZA.

Dochází k nepřetržitému napouštění a odčerpávání vody.

- Vypouštěcí hadice se nachází mimo určené rozmezí od 65 do 100 cm nad zemí (viz „*Instalace*“).
- Koncová část vypouštěcí hadice je ponořena ve vodě (viz „*Instalace*“).
- Odpad ve stěně není vybaven odvzdušňovacím otvorem.

Když ani po uvedených kontrolách nedojde k odstranění problému, uzavřete přívod vody, vypněte pračku a přivolejte Servisní službu. V případě, že se byt nachází na jednom z nejvyšších poschodí, je možné, že dochází k sifonovému efektu, jehož následkem pračka nepřetržitě napouští a odčerpává vodu. Pro odstranění uvedeného efektu jsou v prodeji běžně dostupné speciální protisifonové ventily.

Nedochází k vyčerpání vody nebo k odstředování.

- Odčerpání vody tvoří součást nastaveného programu: u některých programů je třeba jej aktivovat manuálně (viz „*Programy a funkce*“).
- Vypouštěcí hadice je ohnutá (viz „*Instalace*“).
- Odpadové potrubí je ucpáno.

Během odstředování je možné pozorovat silné vibrace pračky.

- Během instalace nebyl buben odjištěn předepsaným způsobem (viz „*Instalace*“).
- Pračka není dokonale vyrovnána do vodorovné polohy (viz „*Instalace*“).
- Pračka je stlačena mezi nábytkem a stěnou (viz „*Instalace*“).

Dochází k úniku vody z pračky.

- Přítoková hadice není správně zašroubována (viz „*Instalace*“).
- Dávkovač pracích prostředků je ucpán (způsob jeho vyčištění je uveden v části „*Údržba a péče*“).
- Vypouštěcí hadice není upevněna předepsaným způsobem (viz „*Instalace*“).

Stroj je zablokován, displej bliká a signalizuje poruchový kód (např.: F-01, F-...).

- Vypněte zařízení a vytáhněte zástrčku ze zásuvky, vyčkejte přibližně 1 minutu a opětovně jej zapněte. Když porucha přetrvává, obraťte se na Servisní službu.

Dochází k tvorbě nadměrného množství pěny.

- Použitý prací prostředek není vhodný pro použití v automatické pračce (musí obsahovat označení „pro praní v pračce“, „pro ruční praní nebo pro praní v pračce“ nebo podobné označení).
- Bylo použito jeho nadměrné množství.

Pračka nesuší.

- Zástrčka není zasunuta v zásuvce, anebo ne natolik, aby došlo ke spojení kontaktů.
- V celém domě je vypnutý proud.
- Dvířka nejsou správně zavřena.
- Byl nastaven odložený start.
- Tlačítko SUŠENÍ se nachází v poloze OFF.

Servisní služba

CZ

Před přivoláním Servisní služby:


- Zkontrolujte, zda nejste schopni poruchu odstranit sami (viz „*Poruchy a způsob jejich odstranění*“);
- Opětovně uveďte do chodu prací program, abyste ověřili, zda byla porucha odstraněna;
- V opačném případě se obraťte na Centrum servisní služby na telefonním čísle uvedeném na záručním listu.

! Nikdy se neobracejte s žádostí o pomoc na techniky, kteří nejsou k výkonu této činnosti oprávněni.

Při hlášení poruchy uveďte:

- druh poruchy;
- model zařízení (Mod.);
- výrobní číslo (S/N).

Tyto informace jsou uvedeny na štítku aplikovaném na zadní částí pračky a v její přední části, dostupné po otevření dvířek.

!  Tento symbol upozorňuje na to, že je potrebné prečítať si návod na použitie.

SK

SK

Slovensky

RDPD 96407 J

Obsah

Inštalácia, 26-27

Rozbalenie a vyrovnanie do vodorovnej polohy
Pripojenie k elektrickej a k vodovodnej sieti
Prvý prací cyklus
Technické údaje

Údržba a starostlivosť, 28

Uzavretie prívodu vody a vypnutie elektrického napájania
Čistenie práčky
Čistenie dávkovača pracích prostriedkov
Starostlivosť o dvierka a bubon
Čistenie čerpadla
Skontrolujte prítokovú hadicu vodu

Opatrenia a rady, 29

Základné bezpečnostné pokyny
Likvidácia
Manuálne otvorenie dvierok

Popis práčky, 30-31

Ovládací panel
Displej

Spôsob realizácie pracieho cyklu alebo cyklu sušenia, 32

Programy a funkcie, 33

Tabuľka pracích programov
Funkcie prania

Pracie prostriedky a prádlo, 34

Dávkovač pracích prostriedkov
Príprava prádla
Špeciálne programy
Systém automatického vyváženia náplne

Poruchy a spôsob ich odstránenia, 35

Servisná služba, 36

Hotpoint
ARISTON

Inštalácia

SK

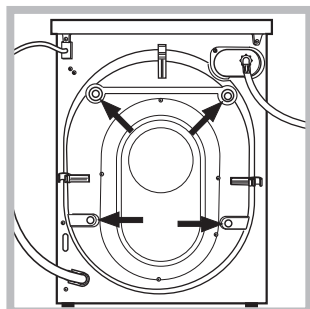
! Je veľmi dôležité uschovať tento návod kvôli prípadnému ďalšiemu použitiu. V prípade predaja, darovania alebo presťahovania práčky sa uistite, že zostane uložený v jej blízkosti, aby mohol poslúžiť novému majiteľovi pri oboznámení sa s činnosťou a s príslušnými upozoreniami.

! Pozorne si prečítajte uvedené pokyny: obsahujú dôležité informácie, týkajúce sa inštalácie, použitia a bezpečnosti pri práci.

Rozbalenie a vyrovnanie do vodorovnej polohy

Rozbalenie

1. Rozbaľte práčku.
2. Skontrolujte, či počas prepravy nedošlo k jej poškodeniu. V prípade, že je poškodená, nezapájajte ju a obráťte sa na predajcu.



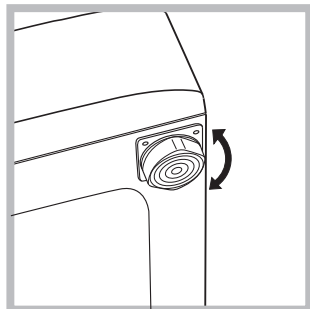
3. Odstráňte 4 skrutky slúžiace na ochranu počas prepravy a gumovú podložku s príslušným dištančným členom, ktoré sa nachádzajú v zadnej časti (vid' obrázok).

4. Uzatvorte otvory po skrutkách plastovými krytkami z príslušenstva.
5. Uschovajte všetky diely: v prípade opätovnej prepravy práčky ich bude potrebné opätovne namontovať.

! Obaly nie sú hračky pre deti!

Vyrovnanie do vodorovnej polohy

1. Práčku je potrebné umiestniť na rovnú a pevnú podlahu tak, aby nebola opretá o stenu, nábytok alebo o niečo iné.



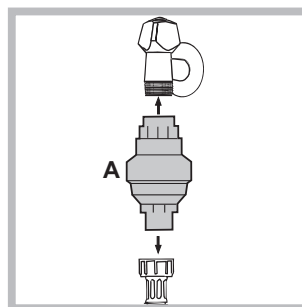
nesmie presiahnuť 2°.

2. V prípade, že podlaha nie je dokonale vodorovná, môžu byť prípadné rozdiely vykompenzované odskrutkovaním alebo zaskrutkovaním predných nožičiek (vid' obrázok); Uhol sklonu, nameraný na pracovnej ploche,

Dokonalé vyrovnanie do vodorovnej polohy zabezpečí stabilitu zariadenia a zamedzí vzniku vibrácií a hluku počas činnosti. V prípade inštalácie na podlahovú krytinu alebo na koberec, nastavte nožičky tak, aby pod práčkou zostal dostatočný voľný priestor na ventiláciu.

Pripojenie k elektrickej a k vodovodnej sieti

Pripojenie prítokovej hadice vody

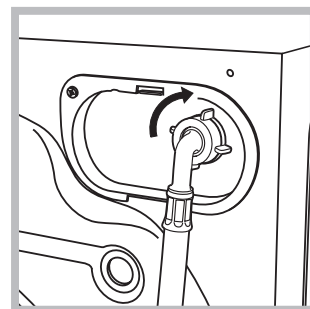


1. Pripojte ku kohútiku studenej vody s hrdlom so závitom 3/4 pre plyn zariadenie **A**, a potom k nemu pripojte zaskrutkovaním prívodnú hadicu.

Pred pripojením hadice nechajte vodu

odtiecť, až kým nebude číra. Pre správnu inštaláciu zariadenia dodržte návod, ktorý je súčasťou balenia.

! Zariadenie je už nastavené tak, aby umožňovalo správnu činnosť práčky so sušičkou, a preto sa odporúča nemeniť jeho nastavenie.



2. Pripojte prítokovú hadicu k práčke, jej zaskrutkovaním k príslušnej prípojke na vodu, umiestnenej vpravo hore (vid' obrázok).

3. Zabezpečte, aby hadica nebola príliš ohnutá alebo stlačená.

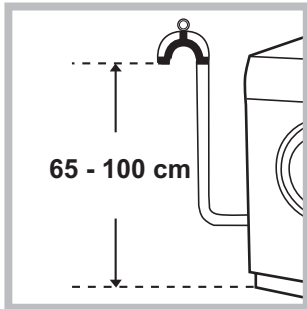
! Tlak v rozvode vody sa musí pohybovať v rozmedzí hodnôt uvedených v tabuľke s technickými údajmi (vid' vedľajšia strana).

! V prípade, že dĺžka prítokovej hadice nebude dostatočná, obráťte sa na špecializovanú predajňu alebo na autorizovaný technický personál.

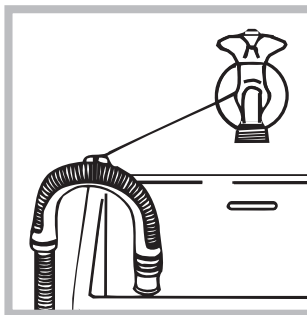
! Nikdy nepoužívajte už použité hadice.

! Používajte hadice z príslušenstva zariadenia.

Pripojenie vypúšťacej hadice



Pripojte vypúšťaciu hadicu, bez toho aby ste ju ohli, k odpadovému potrubiu alebo k odpadu v stene, ktorý sa nachádza od 65 do 100 cm nad zemou;



alebo ju uchyťte k okraju umývadla či vane, a pripevnite vodiaci držiak z príslušenstva ku kohútu (vid' obrázok). Voľný koniec vypúšťacej hadice nesmie zostať ponorený do vody.

! Použitie predlžovacích hadíc sa neodporúča; ak je však nevyhnutné, predlžovacia hadica musí mať rovnaký priemer ako originálna hadica a jej dĺžka nesmie presiahnuť 150 cm.

Pripojenie k elektrickej sieti

Pred zasunutím zástrčky do zásuvky sa uistite, že:

- zásuvka je uzemnená a že vyhovuje normám;
- zásuvka je schopná uniesť maximálnu záťaž odpovedajúcu menovitému príkonu zariadenia, uvedenému v tabuľke s technickými údajmi (vid' vedľa);
- hodnota napájacieho napätia odpovedá údajom uvedeným v tabuľke s technickými údajmi (vid' vedľa);
- zásuvka je kompatibilná so zástrčkou práčky. V opačnom prípade je potrebné vymeniť zásuvku.

! Práčka nesmie byť umiestnená vonku – pod holým nebom, a to ani v prípade, keby sa jednalo o miesto chránené pred nepriazňou počasia, pretože je veľmi nebezpečné vystaviť ju dažďu a búrkam.

! Po ukončení inštalácie musí zásuvka zostať ľahko prístupná.

! Nepoužívajte predlžovacie káble a rozvodky.



! Kábel nesmie byť ohnutý alebo pritlačený.

! Výmena kábla musí byť zverená výhradne autorizovanému technickému personálu.

Upozornenie! Výrobca neponesie žiadnu zodpovednosť za následky spôsobené nerešpektovaním týchto pokynov.

Prvý prací cyklus

Po inštalácii zariadenia je potrebné ešte pred jeho použitím vykonať jeden skúšobný cyklus s pracím prostriedkom a bez náplne prádla, nastavením pracieho programu samočistenie (vid' "Čistenie práčky").

Technické údaje	
Model	RDPD 96407 J
Rozmery	šírka 59,5 cm výška 85 cm hĺbka 54 cm
Kapacita	od 1 do 9 kg pre pranie od 1 do 6 kg pre sušenie
Elektrické zapojenie	Vid' štítok s technickými údajmi, aplikovaný na zariadení.
Pripojenie k rozvodu vody	maximálny tlak 1 MPa (10 bar) maximálny tlak 0,05 MPa (0.5 bar) kapacita bubna 58 litrov
Rýchlosť odstreďovania	a±z do 1400 otáčok za minútu
Kontrolný program podľa normy EN 50229	Pranie: program 8; teplota 60°C; náplň 9 kg prádla. Sušenie: väčší náplň (6 kg) sa musí sušiť pri úrovni sušenia "Extra". Zvyšná náplň sa musí sušiť pri úrovni sušenia "Extra": a táto náplň musí obsahovať 3 plachty, 2 obliečky a 1 uteráky.
 	Toto zariadenie je v zhode s nasledujúcimi smernicami Európskej únie: - 2004/108/CE (Elektromagnetická kompatibilita) - 2006/95/CE (Nízke napätie) - 2012/19/EU (WEEE)
Hlučnosť (dB(A) re 1 pW)	Pranie: 56 Odstreďovanie: 82 Sušenie: 61

Údržba a starostlivosť

SK


Uzavretie prívodu vody a vypnutie elektrického napájania

- Po každom praní uzatvorte prívod vody. Týmto spôsobom sa znižuje opotrebenie rozvodu vody zariadenia a znižuje sa nebezpečenstvo úniku vody.
- Pred zahájením čistenia práčky a počas údržby je potrebné vytiahnuť zástrčku prívodného kábla zo zásuvky.

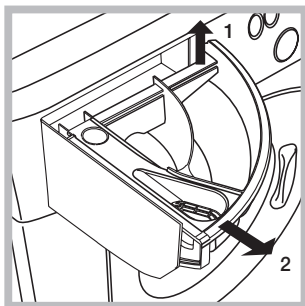
Čistenie práčky

- Vonkajšie časti a časti z gumy môžu byť čistené utierkou navlhčenou vo vlažnej vode a saponáte. Nepoužívajte rozpúšťadlá alebo abrazívne prostriedky.
- Práčka je vybavená programom samočistenie pre vyčistenie vnútorných častí, ktorý musí byť vykonaný **bez akéhokoľvek druhu náplne v bubne**.

Prací prostriedok (množstvo rovnajúce sa 10% množstva odporúčaného pre čiastočne znečistené prádlo) alebo špecifické prídavné prostriedky pre čistenie práčky budú môcť byť použité ako pomocné prostriedky v pracom programe. Odporúča sa vykonať samočistiaci program každých 40 cyklov prania.

Kvôli aktivácii programu stlačte tlačidlo  na 5 sekúnd a potom stlačte tlačidlo ŠTART/PAUZA; dôjde k zahájeniu programu, ktorý bude trvať približne 70 minút.

Čistenie dávkovača pracích prostriedkov



Vytiahnite dávkovač jeho nadvihnutím a vytiahnutím smerom von (vid' obrázok). Dávkovač umyte pod prúdom vody; toto čistenie je potrebné vykonávať pravidelne.

Starostlivosť o dvierka a bubon

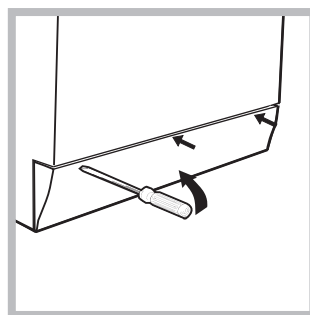
- Dvierka ponechajte zakaždým pootvorené, aby sa zabránilo tvorbe nepríjemných zápachov.

Čistenie čerpadla

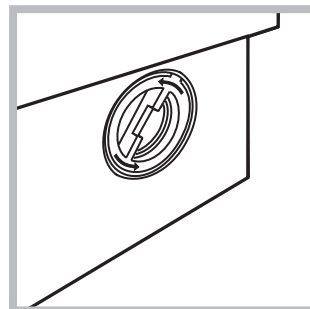
Súčasťou práčky je samočistiace čerpadlo, ktoré nevyžaduje údržbu. Môže sa však stať, že sa v jeho vstupnej ochrannnej časti, nachádzajúcej na spodku, zachytia drobné predmety (mince, gombíky).

! Uistite sa, že prací cyklus bol ukončený a vytiahnite zástrčku zo zásuvky.

Prístup k vstupnej časti čerpadla:



1. pomocou skrutkovača odstráňte krycí panel, nachádzajúci sa v prednej časti práčky (vid' obrázok);



2. odskrutkujte veko otáčaním proti smeru hodinových ručičiek (vid' obrázok): vytečenie malého množstva vody je úplne bežným javom;

3. dokonale vyčistite vnútro;

4. nasadte naspäť veko;

5. namontujte naspäť krycí panel, pričom sa pred jeho prisunutím k práčke uistite, že došlo k správnejmu zachyteniu háčikov do príslušných otvorov.

Skontrolujte prítokovú hadicu vodu

Stav prítokovej hadice je potrebné skontrolovať aspoň raz ročne. Ak sú na nej viditeľné praskliny alebo trhliny, je potrebné ju vymeniť: silný tlak v hadici počas pracieho cyklu by mohol spôsobiť jej náhle roztrhnutie.

! Nikdy nepoužívajte už použité hadice.

! Práčka bola navrhnutá a vyrobená v súlade s platnými medzinárodnými bezpečnostnými predpismi. Tieto upozornenia sú uvádzané z bezpečnostných dôvodov a je potrebné si ich pozorne prečítať.

Základné bezpečnostné pokyny

- Toto zariadenie bolo navrhnuté výhradne na použitie ako spotrebič.
- Toto zariadenie smú používať deti od 8 rokov, osoby náležite vyškolené ohľadne bezpečného použitia zariadenia, ktoré si uvedomujú súvisiace nebezpečenstvo a v prípade dozoru aj osoby so zníženými fyzickými, senzorickými alebo duševnými schopnosťami alebo osoby s nedostatočnými skúsenosťami a znalosťami. Deti sa so zariadením nesmú hrať. Operácie údržby a čistenia nesmú vykonávať deti bez dohľadu.
 - Nesušte neoprané oblečenie.
 - Prádlo znečistené látkami ako je olej z varenia, aceton, lieh, benzín, kerozín, odstraňovače škvŕn, terpentín, vosk a látky na jeho odstránenie, musí byť pred sušením v sušičke prádla vyprané v teplej vode s väčším množstvom pracieho prostriedku.
 - Predmety ako penová guma (latexová pena), sprchové čiapky, nepremokavé textilné látky, výrobky z jednej strany pogumované a šaty alebo hlavnice, ktoré majú časti z latexovej gumeny, nesmú byť sušené v sušičke prádla.
 - Aviváž alebo podobné prostriedky musia byť používané v súlade s pokynmi výrobcu.
 - V poslednej fáze sušenia už nie je v sušičke prádla zvýšená teplota (chladiaci cyklus), aby sa sušené prádlo nepoškodilo.
- **UPOZORNENIE:** Nikdy nezastavujte sušičku prádla pred ukončením programu. Ak k tomu dôjde, rýchlo vyberte všetko prádlo zo sušičky a zaveste ho, aby sa rýchlo ochladilo.
- Nedotýkajte sa zariadenia bosí, alebo v prípade, keď máte mokré ruky alebo nohy.
- Nevyťahujte zástrčku zo zásuvky ťahaním za kábel, ale uchopením za zástrčku.
- Neotvárajte dávkovač pracích prostriedkov počas činnosti zariadenia.
- Nedotýkajte sa odčerpávanej vody, pretože môže mať veľmi vysokú teplotu.
- V žiadnom prípade sa nepokúšajte o násilné otvorenie dvierok: mohlo by dôjsť k poškodeniu bezpečnostného uzáveru, ktorý zabraňuje náhodnému otvoreniu.
- Pri výskyte poruchy sa v žiadnom prípade nepokúšajte o opravu vnútorných častí zariadenia.
- Vždy majte pod kontrolou deti a zabráňte tomu, aby sa približovali k zariadeniu počas pracieho cyklu.
- Počas pracieho cyklu majú dvierka tendenciu zahrievať sa.
- Ak je potrebné ju presunúť, je dobré poveriť dve alebo tri osoby a vykonať to s maximálnou pozornosťou. Nikdy sa nepokúšajte zariadenie premiestňovať sami, pretože je veľmi ťažké.
- Pred zahájením vkladania prádla skontrolujte, či je bubon prázdny.
- Dvierka sa počas sušenia zahrievajú.
- V sušičke nesušte prádlo umývané v zápalných rozpúšťadlách (napr. trichlóretylén).
- V sušičke nesušte materiály typu molitan alebo podobné.

- Ubezpeč sa, že počas sušenia bude prívod vody otvorený.
- Vyberte z vreciek všetky predmety, ako sú zapaľovače a zápalky.
- Deti mladšie ako 3 roky musia byť udržiavané v dostatočnej vzdialenosti od sušičky, ak nie sú pod neustálym dohľadom.

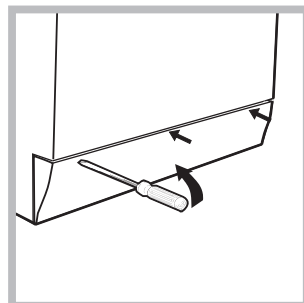
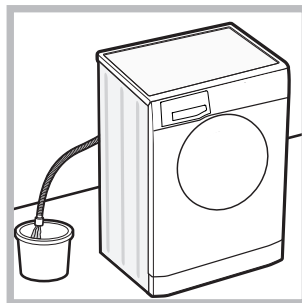
Likvidácia

- Likvidácia obalových materiálov: pri ich odstránení postupujte v súlade s miestnymi predpismi a dbajte na možnú recykláciu.
- Európska smernica 2012/19/EU o odpade tvorenom elektrickými a elektronickými zariadeniami predpokladá, že elektrospotrebiče nesmú byť likvidované v rámci bežného pevného komunálneho odpadu. Vyrazené zariadenia musia byť zozbierané osobitne za účelom zvýšenia počtu recyklovaných a znovu použitých materiálov, z ktorých sa skladajú a zabráneniu možných ublížení na zdraví a škôd na životnom prostredí. Symbolom je preškrtnutý kôš uvedený na všetkých výrobkoch, s cieľom pripomenúť povinnosti spojené so separovaným zberom. Podrobnejšie informácie týkajúce sa správneho spôsobu vyradenia elektrospotrebičov z prevádzky môžu ich držiteľia získať od poverenej verejnej inštitúcie alebo na predajcu.

Manuálne otvorenie dvierok

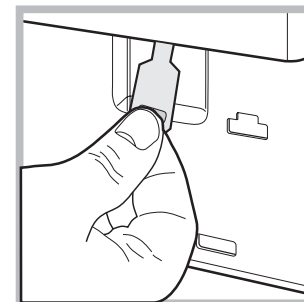
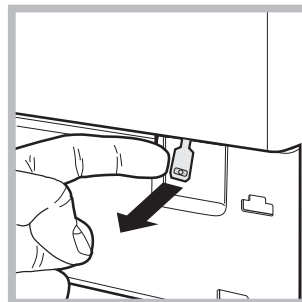
V prípade, ak nie je možné otvoriť dvierka z dôvodu výpadku elektrickej energie a chceli by ste vybrať prádlo, postupujte nasledovne:

1. vyťahnite zástrčku zo zásuvky elektrickej siete.



2. Skontrolujte, či je hladina vody vo vnútri zariadenia nižšia ako je úroveň otvorenia dvierok; ak nie je, vypustte prebytočnú vodu vypúšťacou hadicou a zachyťte ju do vedra, ako je znázornené na obrázku.

3. pomocou skrutkovača odstráňte krycí panel nachádzajúci sa v prednej časti práčky (viď obrázok).

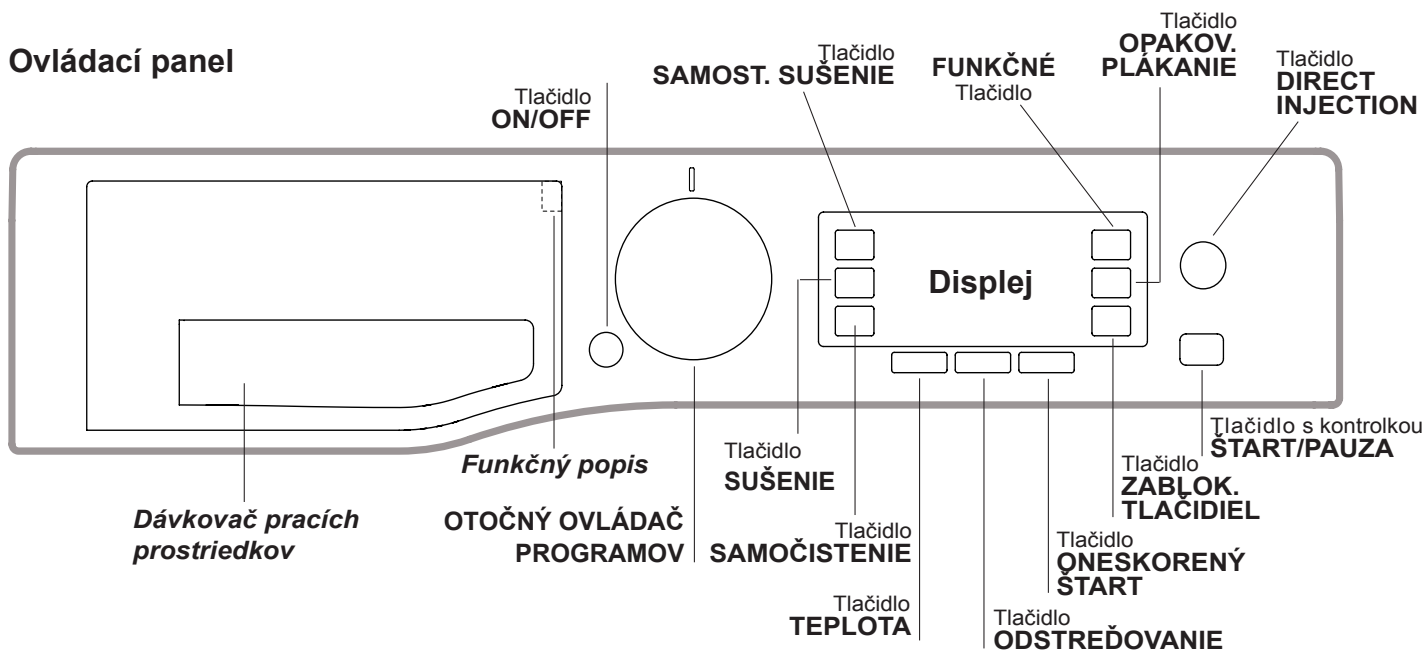


4. pomocou jazýčka, označeného na obrázku, potiahnite plastové ťahlo smerom von z dorazu, až kým sa neuvolíni; následne ho potiahnite smerom dolu a súčasne otvorte dvierka.
5. namontujte naspäť krycí panel, pričom sa pred jeho prisunutím k práčke uistite, že došlo k správne zachyteniu háčikov do príslušných otvorov.

Popis práčky

SK

Ovládací panel



Dávkovač pracích prostriedkov: slúži na dávkovanie pracích prostriedkov a prídavných prostriedkov (viď „Pracie prostriedky a prádlo“).

Funkčný popis: vo vnútri zásuvky dávkovača pracích prostriedkov sa nachádza funkčný popis, v ktorom sú uvedené všetky dostupné programy, spolu s grafickou príručkou o použití jednotlivých priehradok zásuvky.

Tlačidlo **ON/OFF** : zapnite alebo vypnite práčku krátkym stlačením tlačidla. Kontrolka **ŠTART/PAUZA** pomaly blikajúca zeleným svetlom signalizuje, že zariadenie je zapnuté. Ak chcete vypnúť práčku počas prania, je potrebné držať tlačidlo stlačené dlhšie, približne 3 sek.; krátkym alebo náhodným stlačením práčku nevypnete. Vypnutie zariadenia počas prania spôsobí zrušenie prebiehajúceho programu.

OTOČNÝ OVLÁDAČ PROGRAMOV: Slúži na nastavenie požadovaného programu (viď „Tabuľka programov“).

FUNKČNÉ Tlačidlo: stlačte tlačidlo pre voľbu požadovanej funkcie. Na displeji sa rozsvieti príslušná kontrolka.

Tlačidlo **SAMOČISTENIE**: stlačte ho, keď chcete očistiť vnútorné časti zariadenia (viď „Čistenie práčky“).

Tlačidlo **DIRECT INJECTION**: jeho stlačením sa vykonáva voľba voliteľnej funkcie **DIRECT INJECTION**.

Tlačidlo **OPAKOV. PLÁKANIE** : jeho stlačením môžete zvoliť požadované plákanie.

Tlačidlo **ODSTREĐOVANIE** : stlačte kvôli zníženiu alebo úplnému vylúčeniu odstredovania - hodnota bude uvedená na displeji.

Tlačidlo **TEPLOTA** : stlačte pre zníženie teploty: príslušná hodnota bude zobrazená na displeji.

Tlačidlo **SUŠENIE** : Stlačte kvôli nastaveniu oneskoreného štartu zvoleného programu; nastavené oneskorenie bude zobrazené na displeji.

Tlačidlo **SAMOST. SUŠENIE** : pstlačením spustíte iba fázu sušenia.

Tlačidlo **ZABLOK. TLAČIDIEL** : slúži na aktiváciu zablokovania ovládacieho panelu; aktivácia sa vykonáva tak, že podržíte stlačené tlačidlo približne na 2 sekundy. Keď sa na displeji zobrazí nápis „ZABLOK. TLAČIDIEL AKTÍVNE“, ovládací panel je zablokovaný (s výnimkou tlačidlo **ON/OFF**). Týmto spôsobom sa zamedzí náhodným zmenám programov, obzvlášť, keď sú v domácnosti deti. Zrušenie zablokovania ovládacieho panelu sa vykonáva tak, že podržíte stlačené tlačidlo približne na 2 sekundy.

Tlačidlo **ONESKORENÝ ŠTART** : stlačte za účelom nastavenia oneskoreného štartu zvoleného programu. Doba, o ktorú bude štart oneskorený, bude zobrazená na displeji.

Tlačidlo s kontrolkou **ŠTART/PAUZA**: keď zelená kontrolka začne pomaly blikať, stlačte tlačidlo, aby ste zahájili pranie. Po zahájení cyklu sa kontrolka rozsvieti stálym svetlom. Ak si želáte prerušiť pranie, opätovne stlačte tlačidlo; kontrolka bude blikať oranžovým svetlom. Ak symbol nie je podsvietený bude možné otvoriť dvierka. Aby ste opätovne spustili cyklus od doby, kedy bol prerušený, opätovne stlačte tlačidlo.

Pohotovostný režim

Kvôli zhode s novými predpismi súvisiacimi s energetickou úsporou, je táto práčka vybavená systémom automatického vypnutia (prechodu do pohotovostného režimu – standby), ktorý je aktivovaný po uplynutí 30 minút, ak práčka nie je používaná. Krátko stlačte tlačidlo **ON/OFF** a vyčkajte na obnovenie činnosti zariadenia.

Spotreba v off-mode: 0,5 W

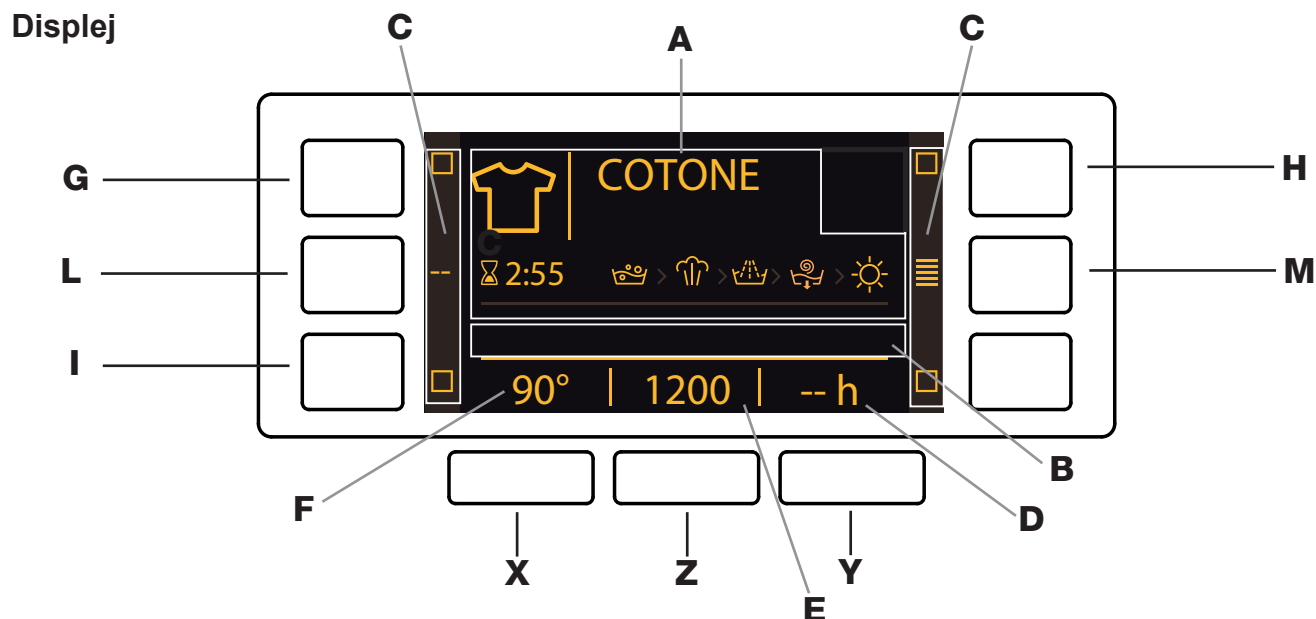
Spotreba v Left-on: 8 W

Antimikrobické tesnenie

Tesnenie dvierok je vyrobené zo špeciálnej zmesi, ktorá je schopná zaručiť antimikrobickú ochranu a znížiť šírenie baktérií až o 99,99 %. Tesnenie dvierok obsahuje zinkium-pyritión, biocídnu látku, ktorá znižuje šírenie škodlivých mikróbov (*) ako sú baktérie a plesne, ktoré by mohli spôsobiť škvrny, nepríjemný zápach a zhoršenie výrobu.

(*) **Na základe skúšky vykonanej Univerzitou v Perugii na výskyt: Staphylococcus aureus, Escherichia coli, Pseudomonas aeruginosa, Candida albicans, Aspergillus niger, Penicillium digitatum.**

V zriedkavých prípadoch by mohol dlhodobý styk s tesnením spôsobiť alergickú reakciu pokožky.



Displej slúži na naprogramovanie zariadenia a poskytuje všetky potrebné informácie.

Na ploche **A** sa zobrazuje ikona a zvolený program, fázy prania a zostávajúca doba do konca cyklu.

Na ploche **B** sú zobrazené dve úrovne intenzity, týkajúce sa voliteľnej funkcie DIRECT INJECTION.

Na plochách **C** sa nachádzajú kontrolky týkajúce sa dostupných funkcií.

Na ploche **D** je zobrazená doba zostávajúca do spustenia zvoleného programu v prípade nastavenia funkcie ONESKORENÝ ŠTART.

V reťazci **E** je zobrazená maximálna hodnota rýchlosti odstreďovania, ktorú zariadenie môže dosiahnuť na základe zvoleného programu; ak program nepočíta s nastavením odstreďovania, na uvedenej ploche je zobrazený symbol "--" s nízkym jasom.

Na ploche **F** je zobrazená teplota, ktorú je možné zvoliť na základe zvoleného programu; ak nie je nastavenie teploty súčasťou zvoleného programu, na uvedenej ploche je zobrazený symbol "--" s nízkym jasom.

Symbol Zablokovaných dvierok

Rozsvietený symbol signalizuje, že dvierka sú zablokované, aby nedošlo k ich neželanému otvoreniu. Aby sa zabránilo poškodeniu práčky, pred otvorením dvierok je potrebné počkať, kým symbol nezhasne.

POZN.: keď je aktivovaná funkcia ONESKORENÝ ŠTART, nebude možné otvoriť dvierka a na ich otvorenie bude potrebné prerušiť činnosť zariadenia stlačením tlačidla ŠTART/PAUZA.

! Pri prvom zapnutí budete vyzvaní zvoliť jazyk a potom bude na displeji automaticky zobrazené menu voľby jazyka.

Pre voľbu požadovaného jazyka stlačte tlačidlá **X** a **Y**, a potvrdte voľbu stlačením tlačidla **Z**.




Ak si prajete vykonať zmenu jazyka, vypnite zariadenie, stlačte súčasne tlačidlá **G**, **H**, **I** a držte ich stlačené, až kým nebudete počuť akustický signál a neobjaví sa menu pre voľbu jazyka.

! Ak chcete zmeniť jas displeja, ktorý je v rámci prednastavenia nastavený na najvyššiu hodnotu, vypnite zariadenie a pri jeho opätovnom zapnutí stlačte súčasne tlačidlá **G**, **L** a **M** a držte ich stlačené, až kým nebude počuť akustický signál. Stlačením tlačidiel **X** a **Y** zvolte požadovaný jas a potvrdte voľbu stlačením tlačidla **Z**.

! Ak počas pracieho cyklu alebo pri nastavovaní funkcie „ONESKORENÝ ŠTART“ nebude displej používaný po dobu 1 minúty, bude aktivovaný „ŠETRIČ OBRAZOVKY“. Pre návrat na predchádzajúce zobrazenie stačí stlačiť ktorékoľvek tlačidlo.

Spôsob realizácie pracieho cyklu alebo cyklu sušenia

SK

- 1. ZAPNUTIE ZARIADENIA.** Stlačte tlačidlo  a na displeji sa zobrazí nápis HOTPOINT; kontrolka ŠTART/PAUZA bude pomaly blikať zelenou farbou.
- 2. NAPLNĚTE PRAČKU PRÁDLOM.** Otvore dverka. Naplňte práčku prádlom, pričom dbajte, aby nedošlo k prekročeniu množstva náplne, uvedeného v tabuľke programov na nasledujúcej strane.
- 3. DÁVKOVANIE PRACIEHO PROSTRIEDKU.** Vytiahnite dávkovač pracích prostriedkov a naplňte príslušné priehradky pracím prostriedkom, spôsobom vysvetleným v časti „Pracie prostriedky a prádlo“.
- 4. ZATVORTE DVIERKA.**
- 5. ZVOLTE PRACÍ PROGRAM.** Otočným ovládačom PROGRAMOV zvolte požadovaný program; názov programu bude zobrazený na displeji; k zvolenému programu je priradená teplota a rýchlosť odstreďovania, ktoré môžu byť menené. Na displeji bude zobrazená doba trvania cyklu.
- 6. NASTAVTE PRACÍ PROGRAM PODĽA VAŠICH POTRIEB.** Použite príslušné tlačidlá:
Zmeňte teplotu a/alebo rýchlosť odstreďovania. Zariadenie automaticky zvolí teplotu a maximálnu rýchlosť odstreďovania prednastavené pre zvolený program, ktoré nesmú byť zvyšované. Stlačením tlačidla  je možné postupne znížiť teplotu až po pranie v studenej vode (na displeji sa zobrazí symbol "--"). Stlačením tlačidla  je možné postupne znížiť rýchlosť odstreďovania až po jeho úplné vylúčenie (na displeji sa zobrazí symbol "--"). Ďalšie stlačenie tlačidiel obnoví nastavenie maximálnych prednastavených hodnôt.
! Výnimka: pri volbe programu 5 bude možné zvýšiť teplotu až na 40°C.
! Výnimka: pri volbe programu 7 bude možné zvýšiť teplotu až na 90°C.
! Výnimka: pri volbe programu 9 bude možné zvýšiť teplotu až na 60°C.

Nastavte oneskorený štart.

Aby ste nastavili oneskorený štart zvoleného programu, stlačte príslušné tlačidlo, až kým sa nezobrazí požadovaná doba oneskorenia. Oneskorený štart zrušíte stlačením tlačidla, až kým sa na displeji nezobrazí nápis "-- h".

Nastavenie sušenia

Jedným alebo viacerými stlačeniami tlačidla SUŠENIE  sa nastavuje požadovaný druh sušenia. K dispozícii sú dve možnosti:

A - Na základe požadovanej úrovne sušenia:

Na žehlenie: Určené pre prádlo, ktoré musí byť následne žehlené. Úroveň zvyšovanej vlhkosti zjemní záhyby a uľahčí ich odstránenie.

Na zavesenie: Ideálne pre prádlo, ktoré nevyžaduje úplné vysušenie.

Na uloženie: Vhodné pre prádlo určené na odloženie do skrine bez potreby jeho vyžehlenia.

Extra: Vhodné pre prádlo, ktoré vyžaduje úplné vysušenie, ako sú froté uteráky a župany.



B - Podľa nastavenej doby: od **30** do **180** minút.


Sušenie vyradíte stlačením príslušného tlačidla, až kým sa na displeji nezobrazí nápis OFF.

Keď je vo výnimočných prípadoch množstvo prádla vyššie ako maximálne povolená náplň, vykonajte prací cyklus a po jeho ukončení prádlo rozdeľte a jednu z dvoch častí vložte naspäť do bubna. Ďalej sa riadte pokynmi pre **samotné sušenie**. Zopakujte rovnaký postup aj pri sušení zostávajúcej časti prádla.


POZN.: Po ukončení sušenia bude zakaždým nasledovať fáza ochladenia prádla.

Samotné sušenie

Stlačte tlačidlo  kvôli vykonaniu samotného sušenia. Po zvolení požadovaného programu, vhodného pre daný druh prádla, sa po stlačení tlačidla  vylúči pranie a bude aktivované sušenie s maximálnou úrovňou, určenou

pre zvolený program. Je možné zmeniť a nastaviť úroveň alebo dobu trvania sušenia stlačením tlačidla sušenia  (nie je vhodné pre programy 1-2-3-4-14).

Nastavte druh plákania.

Voliteľná funkcia  umožňuje zvoliť požadovaný druh plákania pre maximálnu starostlivosť o citlivé druhy pokožky. Pri prvom stlačení tlačidla bude nastavená úroveň „Extra +1“, ktorá umožní vykonať prídavné plákanie v porovnaní so štandardným plákačím cyklom, aby sa odstránili všetky stopy po pracom prostriedku. Pri druhom stlačení tlačidla bude nastavená úroveň „Extra +2“, ktorá umožňuje vykonať dve prídavné plákania v porovnaní so štandardným plákačím cyklom a odporúča sa pre citlivejšie pokožky. Pri treťom stlačení tlačidla bude nastavená úroveň „Extra +3“ plákanie, ktorá umožní zvoliť 3 prídavné plákania v porovnaní so štandardným plákačím cyklom. Táto voliteľná funkcia, ktorá je aktivovaná pri cykloch s teplotou 40 °C, umožňuje odstrániť hlavné alergény, ako mačacia i psia srst' a peľ. Pri teplote nad 40 °C sa dosahuje optimálnej úrovne protialergickej ochrany. Opätovným stlačením tohto tlačidla sa môžete vrátiť na úroveň plákania „Bežné plákanie“. Ak nie je možné vykonať požadované nastavenie, alebo zmeniť existujúce nastavenie, na displeji sa zobrazí „NEPOUŽITELNÝ“ alebo „NEMENITELNÝ“.

Zmeňte vlastnosti cyklu.


- Stlačte tlačidlo aktivácie funkcie; rozsvieti sa odpovedajúca kontrolka.
- Opätovným stlačením môžete zvolenú funkciu zrušiť; zhasne odpovedajúca kontrolka.

! Ak zvolená funkcia nie je kompatibilná s nastaveným programom, príslušná kontrolka bude zobrazená s nízkym jasom a nekompatibilita bude signalizovaná aj akustickým signálom (3 pípnutia) a zobrazením nápisu „NEPOUŽITELNÝ“ na displeji.

! Ak zvolená funkcia nie je kompatibilná s inou, predtým nastavenou funkciou, na displeji sa zobrazí nápis „NEPOUŽITELNÝ“ a funkcia nebude aktivovaná.

! Funkcie môžu zmeniť doporučenú náplň a/alebo dobu trvania cyklu.

- 7. SPUSTITE PROGRAM.** Stlačte tlačidlo ŠTART/PAUZA. Príslušná kontrolka sa rozsvieti stálym zeleným svetlom a dôjde k zablokovaniu dveriek (rozsvietený symbol ZABLOKOVANÝCH DVIEROK ). Počas prania sa na displeji zobrazí názov prebiehajúcej fázy. Ak chcete zmeniť program počas prebiehajúceho cyklu, prerušte činnosť práčky stlačením tlačidla ŠTART/PAUZA (kontrolka ŠTART/PAUZA bude pomaly blikať oranžovým svetlom); zvolte požadovaný cyklus a opätovne stlačte tlačidlo ŠTART/PAUZA. Ak chcete otvoriť dverka počas pracieho cyklu, stlačte tlačidlo ŠTART/PAUZA; keď bude symbol ZABLOKOVANÝCH DVIEROK  zhasnutý, bude možné otvoriť dverka. Opätovným stlačením tlačidla ŠTART/PAUZA opätovne uveďte do činnosti prací program z bodu, v ktorom bol prerušený.
- 8. UKONČENIE PROGRAMU.** Bude oznámené zobrazením nápisu „KONIEC CYKLU“ na displeji. Po zhasnutí symbolu ZABLOKOVANÝCH DVIEROK  bude možné otvoriť dverka. Otvorte dverka, vyložte prádlo a vypnite zariadenie.





! Ak si prajete zrušiť už zahájený cyklus, opätovne na dlhšiu dobu stlačte tlačidlo . Cyklus bude prerušený a dôjde k automatickému vypnutiu zariadenia.

Direct Injection

Práčka je vybavená inovačnou technológiou «Direct Injection», ktorá pripravuje zmes vody s pracím prostriedkom, čím ihneď aktivuje čistiace účinky pracieho prostriedku. Táto aktívna emulzia je vpúšťaná priamo do bubna práčky a účinne preniká do vlákien a odstraňuje i najodolnejšie nečistoty už pri nízkych teplotách, za maximálneho ohľadu voči farbám a tkaninám. Je možné zvoliť režim «Výkon» pre dosiahnutie vyššej čistoty alebo režim «EcoEnergy» pre dosiahnutie úspory energie.

Tabuľka pracích programov

SK

Pracie programy	Popis programu	Max. teplota (°C)	Max. rýchlosť (otáčky za minútu)	Sušenie	Pracie prostriedky a prídavné		Max. náplň (kg)	Doba trvania cyklu	
					Pranie	Aviváž			
ANTI CREASE									
1	Pranie/Suš. Denný Mix	40°	800	●	●	●	3	Je možné kontrolovať dobu trvania pracích programov na displeji.	
2	Prat'&Sušiť Košele	40°	1000	●	●	●	2		
3	Predžehlenie	-	-	-	-	-	1,5		
4	Osviežiť Parou	-	-	-	-	-	2		
DAILY CLEAN									
5	Odstr. škvŕn Turbo 45'	20° (Max. 40°C)	1200	●	●	●	4		
6	Odstr. škvŕn Power 20°C	40°	1400	●	●	●	9		
7	Bavlna: málo znečistené biele a farebné prádlo z chúlolistivých tkanín.	40° (Max. 90°C)	1400	●	●	●	9		
8	Eko Bavlna  (1-2): značne znečistené biele a farebné prádlo z odolných tkanín.	60°	1400	●	●	●	9		
9	Syntetika (3): málo znečistené farebné prádlo z chúlolistivých tkanín.	40° (Max. 60°C)	1000	●	●	●	4,5		
SPECIALS									
10	Viacfarebné	40°	1400	●	●	●	9		
11	Ultra Jemné prádlo	30°	--	●	●	●	1		
12	Vlna: pre vlnu, kašmír, atď.	40°	800	●	●	●	2		
13	Športové	40°	600	●	●	●	4		
14	Rýchle 30' (**): k rýchlemu oživeniu ľahko znečisteného prádla (nedoporučuje sa pre vlnu, hodváb a prádlo určené na pranie v rukách).	30°	800	●	●	●	3,5		
Dielčie									
	Plákanie	-	1400	●	-	●	9		
	Odstreďov. + Vyp. vody	-	1400	●	-	-	9		
	Samostatné Vypúšťanie vody *	-	--	-	-	-	9		

* V prípade voľby programu  a vylúčenia odstred'ovania, zariadenie vykoná len odčerpanie vody.

** Aj pri nastavení cyklu sušenia zariadenie vykoná program „pranie+sušenie“ trvajúci 45' s maximálnym odstred'ovaním a s náplňou 1kg prádla.

Doba trvania cyklu, uvedená na displeji alebo v návode, je stanovená na základe štandardných podmienok. Skutočná doba sa môže meniť v závislosti na mnohých faktoroch, ako sú napr. teplota a tlak vody na vstupe, teplota prostredia, množstvo pracieho prostriedku, množstvo a druh náplne, vyváženie náplne a zvolené funkcie.


- 1) Kontrolný program podľa normy EN 50229: nastavte program 8 s teplotou 60°.
- 2) Dlhý program na pranie bavlny: nastavte program 8 s teplotou 40°C a stlačte tlačidlo DIRECT INJECTION s režimom „Výkon“..
- 3) Dlhý program pre syntetické prádlo: nastavte program 9 s teplotou 40°C.

Funkcie prania

! Ak zvolená funkcia nie je kompatibilná s nastaveným programom, príslušná kontrolka bude zobrazená s nízkym jasom a nekompatibilita bude signalizovaná aj akustickým signálom (3 pípnutia) a zobrazením nápisu „NEPOUŽITELNÝ“ na displeji.

! Ak zvolená funkcia nie je kompatibilná s inou, predtým nastavenou funkciou, na displeji sa zobrazí nápis „NEPOUŽITELNÝ“ a funkcia nebude aktivovaná.

Parné Pranie

Po zvolení tejto funkcie dôjde k zvýšeniu účinnosti prania prostredníctvom vytvárania pary, ktorá počas cyklu odstráni i prípadné baktérie, nachádzajúce sa vo vláknach a zároveň ich chráni. Vložte prádlo do bubna, zvolte vhodný program a voliteľnú funkciu .

! Je možné, že počas činnosti práčky budú dverka me-nej priehľadné kvôli tvorbe pary.

Pracie prostriedky a prádlo

SK

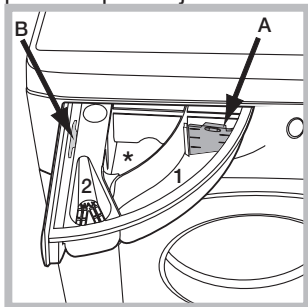
Dávkovač pracích prostriedkov

Dobrý výsledok prania závisí aj od správneho dávkovania pracieho prostriedku: použitie nadmerného množstva znižuje efektívnosť prania a napomáha tvorbe vodného kameňa na vnútorných častiach práčky a zvyšuje znečistenie životného prostredia.

! Používajte práškové pracie prostriedky pre biele bavlnené prádlo a pre predpieranie a pre pranie pri teplote vyššej ako 60 °C.

! Dodržujte pokyny uvedené na obale pracieho prostriedku.

! Nepoužívajte pracie prostriedky určené na pranie v rukách, pretože spôsobujú tvorbu nadmerného množstva peny.



Pri vyťahovaní dávkovača pracích prostriedkov a pri jeho plnení pracími alebo prídavnými prostriedkami postupujte nasledovne.

! Nevkladajte prací prostriedok do strednej priehradka (*).

Priehradka 1: Prací prostriedok na pranie

(práškový alebo tekutý)

V prípade použitia tekutého pracieho prostriedku sa odporúča použiť pre správne dávkovanie malú prepážku A z príslušenstva. Pre použitie práškového pracieho prostriedku vložte malú prepážku do priehlbiny B.

Priehradka 2: Prídavné prostriedky (aviváž, atď.)

Aviváž nesmie vytekať z mriežky.

Príprava prádla

- Roztriedte prádlo podľa:
 - druhu tkaniny / symbolu na visačke.
 - farby: oddel'te farebné prádlo od bieleho.
- Vyprázdňte vrecká a skontrolujte gombíky.
- Neprekračujte povolenú náplň, vzťahujúcu sa na hmotnosť suchého prádla: viď "Tabuľka programov".

Koľko váži prádlo?

- 1 plachta 400-500 g
- 1 obliečka 150-200 g
- 1 obrus 400-500 g
- 1 župan 900-1.200 g
- 1 uterák 150-250 g

Špeciálne programy

Pranie/Suš. Denný Mix: program 1 používajte na pranie a sušenie zmiešanej bielizne (bavlnenej a syntetickej). Pri voľbe tohto cyklu je možné oprat' a vysušiť až do 3 kg bielizne; *odporúčame používať tekutý prací prostriedok.*

Vďaka použitiu pary je program optimalizovaný, aby sa obmedzil vznik ohybov na bielizni a aby sa tak lepšie žehlili.

Prat'&Sušiť Košeľe: program 2 použite na pranie a sušenie košiel' a tričiek z rôznych tkanín a rôznych farieb a na zabezpečenie maximálnej starostlivosti. Voľbou tohto cyklu môžete oprat' a vysušiť až 2 kg. Pre dosiahnutie optimálnych výsledkov použite tekutý prací prostriedok; predbežne predperte manžety, goliere a škrvny. Vďaka použitiu pary je program optimalizovaný, aby sa obmedzil vznik ohybov na bielizni a aby sa tak lepšie žehlili.

Predžehlenie: tento program používajte bezprostredne pred žehlením; max. náklad 1,5 kg.

Vďaka použitiu pary je program optimalizovaný, aby sa obmedzil vznik ohybov na bielizni a aby sa tak lepšie žehlili.

Osviežiť Parou: na osvieženie odevov, odstraňovanie nepríjemných pachov a uvoľnenie vlákien privádzaním pary do bubna. Odevy budú na konci cyklu vlhké.

Odstr. Škvŕn Turbo 45': tento cyklus zaručuje vynikajúcu schopnosť odstránenia škvŕn už pri teplote 20°C v priebehu len 45 minút. Teplotu pre tento cyklus je možné zvýšiť až na 40°C.

Odstr. Škvŕn Power 20°C: tento program ponúka maximálnu schopnosť odstraňovania škvŕn bez potreby prípravného ošetrovania tkanín, pri nízkej teplote a pri zachovaní tkanín a farieb v neporušenom stave.

Viacfarebné: na pranie farebných bavlnených odevov. Tento program je optimalizovaný na uchovanie sviežich farieb aj po opakovanom praní.

Ultra Jemné prádlo: pre pranie veľmi jemného prádla, ktoré obsahuje aplikácie ako je štras alebo pajetky, použite program 11.

Odporúča sa prádlo pred práním prevrátiť naruby a vložiť malé kusy prádla do príslušného vrecúška pre pranie jemného prádla.

Pre dosiahnutie najlepších výsledkov sa odporúča použiť tekutý prací prostriedok pre jemné prádlo. Po zvolení funkcie výhradne časovo vymedzeného sušenia, prebehnú na konci prania mimoriadne jemné sušenia, vďaka miernemu pohybu a prúdu vzduchu s vhodne riadenou teplotou.

Odporúčané doby sú:

1 kg syntetického prádla --> 165 min.

1 kg syntetického a bavlneného prádla --> 180 min.

1 kg bavlneného prádla --> 180 min.

Stupeň vysušenia bude závisieť od náplne a od druhu tkaniny.

VLNA - Woolmark Apparel Care - Green:

prací cyklus „Vlna“ bol schválený spoločnosťou Woolmark Company pre pranie prádla z vlny, klasifikovaného ako prádlo pre ručné pranie, za podmienky, že pranie bude vykonané v súlade s pokynmi uvedenými na visačke oblečenia a v súlade s pokynmi dodanými výrobcem tejto práčky.



Športové: na mierne znečistené tkaniny športového oblečenia (teplákové súpravy, šortky, uteráky, atď.); pre dosiahnutie optimálnych výsledkov sa odporúča neprekračovať maximálnu náplň uvedenú v "Tabuľka programov". Odporúča sa použiť tekutý prací prostriedok a použiť dávku vhodnú pre polovičnú náplň.

System automatického vyváženia náplne

Pred každým odstreďovaním bubon vykoná otáčanie rýchlosťou o málo prevyšujúcou rýchlosť prania, aby sa tak odstránili vibrácie a aby sa náplň rovnomerne rozložila. V prípade, že po niekoľko násobných pokusoch o vyváženie prádlo ešte nebude správne vyvážené, zariadenie vykoná odstreďovanie nižšou rýchlosťou, ako je prednastavená rýchlosť. Ak je práčka nadmerne nevyvážená, vykoná namiesto odstreďovania vyváženie. Za účelom dosiahnutia rovnomernejšieho rozloženia náplne a jej správneho vyváženia, odporúča sa pomiešať veľké a malé kusy prádla.

Môže sa stať, že práčka nebude fungovať. Skôr, ako zatelefonujete na Servisnú službu *vid' „Servisná služba“*) skontrolujte, či sa nejedná o problém ľahko odstrániteľný pomocou nasledujúceho zoznamu.

Poruchy:

Pračku nie je možné zapnúť.

Nedochádza k zahájeniu pracovného cyklu.

Pračka nenapúšťa vodu (Na displeji sa zobrazí nápis “CHÝBA VODA, Otvorte ventil”).

Pračka nepretržite napúšťa a odčerpáva vodu.

Pračka neodčerpáva vodu alebo neodstredňuje.

Pračka vo fáze odstredovania veľmi vibruje.

Z práčky uniká voda.

Zariadenie je zablokované, displej bliká a signalizuje poruchový kód (napr.: F-01, F-..).

Dochádza k tvorbe nadmerného množstva peny.

Pračka nesuší.

Možné príčiny / Spôsob ich odstránenia:

- Zástrčka nie je zasunutá v elektrickej zásuvke, alebo nie je zasunutá dostatočne, aby došlo k spojeniu kontaktov.
- V celom dome je vypnutý prúd.
- Nie sú riadne zatvorené dvierka.
- Nebolo stlačené tlačidlo ON/OFF.
- Nebolo stlačené tlačidlo ŠTART/PAUZA.
- Nebol otvorený kohútik prívodu vody.
- Bol nastavený oneskorený štart.
- Prítoková hadica nie je pripojená k vodovodnému kohútiku.
- Hadica je príliš ohnutá.
- Nebol otvorený kohútik prívodu vody.
- V celom dome je uzatvorený prívod vody.
- V rozvode vody nie je dostatočný tlak.
- Nebolo stlačené tlačidlo ŠTART/PAUZA.
- Vypúšťacia hadica sa nachádza mimo určeného rozmedzia od 65 do 100 cm nad zemou (*vid' „Inštalácia“*).
- Koncová časť vypúšťacej hadice je ponorená vo vode (*vid' „Inštalácia“*).
- Odpadové potrubie v stene nie je vybavené odvzdušňovacím otvorom. Ak po týchto kontrolách nedôjde k odstráneniu problému, zatvorte vodovodný kohútik, vypnite práčku a zavolajte Servisnú službu. V prípade, že sa byt nachádza na jednom z najvyšších poschodí je možné, že dochádza k sifónovému efektu, následkom ktorého práčka nepretržite napúšťa a odčerpáva vodu. Na odstránenie uvedeného efektu sú v predaji bežne dostupné špeciálne „protisifónové“ ventily.
- Odčerpanie vody netvorí súčasť nastaveného programu: pri niektorých programoch je potrebné aktivovať ho manuálne (*„Programy a funkcie“*).
- Vypúšťacia hadica je ohnutá (*vid' „Inštalácia“*).
- Odpadové potrubie je upchaté.
- Počas inštalácie nebol bubon odistený predpísaným spôsobom (*vid' „Inštalácia“*).
- Pračka nie je dokonale vyrovnaná do vodorovnej polohy (*vid' „Inštalácia“*).
- Zariadenie je stlačené medzi nábytkom a stenou (*vid' „Inštalácia“*).
- Prítoková hadica nie je správne zaskrutkovaná (*vid' „Inštalácia“*).
- Dávkovač pracích prostriedkov je upchatý (spôsob jeho vyčistenia je uvedený v časti *„Údržba a starostlivosť“*).
- Vypúšťacia hadica nie je dobre pripevnená (*vid' „Inštalácia“*).
- Vypnite zariadenie a vytiahnite zástrčku zo zásuvky, vyčkajte 1 minútu a opätovne ho zapnite.
Ak porucha pretrváva, obráťte sa na Servisnú službu.
- Použitý prací prostriedok nie je vhodný na použitie v automatickej práčke (musí obsahovať označenie „pre pranie v práčke“, „pre pranie v rukách alebo v práčke“ alebo podobné označenie).
- Bolo použité jeho nadmerné množstvo.
- Zástrčka nie je zasunutá v zásuvke, alebo nie dostatočne na to, aby došlo k spojeniu kontaktov.
- V celom dome je vypnutý prúd.
- Dvierka nie sú správne zatvorené.
- Bol nastavený oneskorený štart.
- SUŠENIA sa nachádza v polohe OFF.

Servisná služba

SK

Pred obrátením sa na Servisnú službu:


- Skontrolujte, či nie ste schopní poruchu odstrániť sami (vid' „*Poruchy a spôsob ich odstránenia*“);
- Opätovne uveďte do chodu prací program, s cieľom overiť, či bola porucha odstránená;
- V opačnom prípade sa obráťte na Centrum servisnej služby, na telefónnom čísle uvedenom na záručnom liste.

! Nikdy sa neobracajte so žiadosťou o pomoc na technikov, ktorí nie sú na vykonávanie tejto činnosti oprávnení.

Pri hlásení poruchy uveďte:

- druh poruchy;
- model zariadenia (Mod.);
- výrobné číslo (S/N).

Tieto informácie sú uvedené na štítku aplikovanom na zadnej časti práčky a v jej prednej časti, dostupnej po otvorení dvierok.

!  Ez a szimbólum arra figyelmeztet, hogy olvassa el ezt a használati utasítást.

HU

HU

Magyar

RDPD 96407 J

Összefoglalás

Üzembe helyezés, 38–39

Kicsomagolás és vízszintbe állítás
Víz- és elektromos csatlakozás
Első mosási ciklus
Műszaki adatok

Karbantartás és ápolás, 40

A víz elzárása és az elektromos áram kikapcsolása
A mosógép tisztítása
A mosószer-adagoló fiók tisztítása
Az ajtó és a forgódob ápolása
A szivattyú tisztítása
A vízbevezető cső ellenőrzése

Óvintézkedések és tanácsok, 41

Általános biztonság
Hulladékelhelyezés
Az ajtó kézi nyitása

A mosógép leírása, 42-43

Kezelőpanel
Kijelző

A mosási ciklusok, illetve a szárítás végrehajtása, 44

Programok és funkciók, 45

Programtáblázat
Mosási funkciók

Mosószerek és mosandók, 46

Mosószer-adagoló fiók
A mosandó ruhák előkészítése
Különleges programok
A bepakolt ruhák kiegyensúlyozására szolgáló rendszer

Rendellenességek és elhárításuk, 47

Szerviz, 48

Hotpoint
ARISTON

Üzembe helyezés

HU

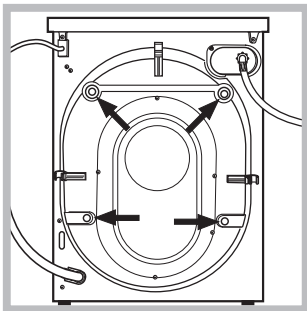
! E kézikönyv megőrzése azért fontos, hogy bármikor elővehesse, és megnézhesse. Ha a mosógépet eladná, átadná vagy másnál helyezné el, gondoskodjon arról, hogy e kézikönyv a mosógéppel együtt maradjon, hogy az új tulajdonos is megismerhesse a készülék funkcióit és az ezekre vonatkozó figyelmeztetéseket.

! Figyelmesen olvassa el az utasításokat: fontos információkat tartalmaznak az üzembe helyezésről, a használatról és a biztonságról.

Kicsomagolás és vízszintbe állítás

Kicsomagolás

1. Csomagolja ki a mosógépet.
2. Ellenőrizze, hogy a mosógép nem sérült-e meg a szállítás során. Ha a készüléken sérülést talál, ne csatlakoztassa, és forduljon a viszonteladóhoz.



3. Csavarozza ki a készülék hátsó részén található, a szállításhoz szükséges 4 védőcsavart, és távolítsa el a gumibakot a távtartójával együtt (lásd ábra).

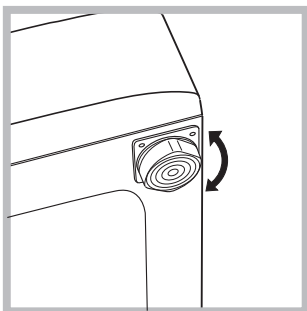
4. Zárja le a furatokat a mellékelt műanyag dugókkal.

5. Minden darabot őrizzen meg: ha a mosógépet szállítani kell, előtte ezeket vissza kell szerelni.

! A csomagolóanyag nem gyermekjáték.

Vízszintbe állítás

1. A mosógépet sík és kemény padlóra állítsa, úgy, hogy ne érjen falhoz, bútorhoz vagy máshoz.

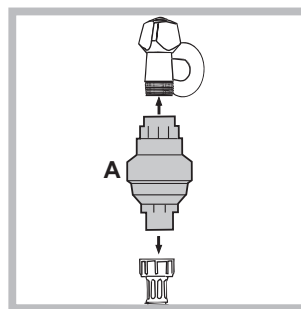


2. Ha a padló nem tökéletesen vízszintes, az első lábak be-, illetve kicsavarásával kompenzálhatja azt (lásd ábra). A dőlés a gép felső burkolatán mérve nem lehet több, mint 2°.

A pontos vízszintezés biztosítja a gép stabilitását, így az a működés során nem fog vibrálni, zajt okozni vagy elmozdulni. Szőnyegpadló vagy szőnyeg esetén a lábakat úgy állítsa be, hogy a mosógép alatt elegendő hely maradjon a szellőzésre.

Víz- és elektromos csatlakozás

A vízbevezető cső csatlakoztatása

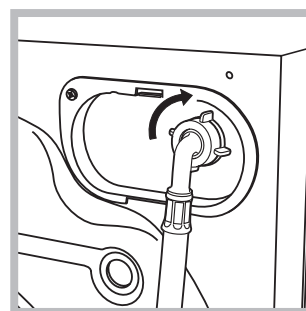


1. Csatlakoztassa egy 3/4 menetű vízcsaphoz az A berendezést, majd kösse be úgy, hogy a berendezésre csavarozza a vízbevezető csövet.

A csatlakoztatás előtt eressze meg a

csapot, és folyassa a vizet addig, amíg az teljesen átlátszóvá nem válik! A berendezés megfelelő beszereléséhez kövesse a csomagoláson lévő utasításokat.

! A berendezés már be van állítva, hogy lehetővé tegye a mosó-szárítógép megfelelő működését, ezért a beállításokat nem tanácsos módosítani.



2. A vízbevezető cső csatlakoztatásához csavarozza a csövet a mosógép hátoldalán jobbra fent található vízbemeneti csomagra (lásd ábra).

3. Ügyeljen arra, hogy a csövön ne legyen törés vagy szűkület.

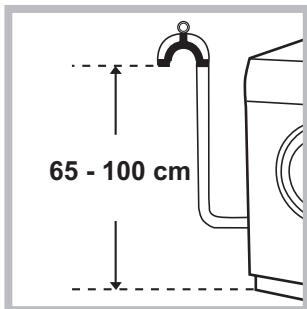
! A csap víznyomásának a műszaki adatok táblázatában szereplő határértékek között kell lennie (lásd a szemben lévő oldalt).

! Amennyiben a vízbevezető cső nem elég hosszú, forduljon szaküzlethez vagy engedéllyel rendelkező szakemberhez.

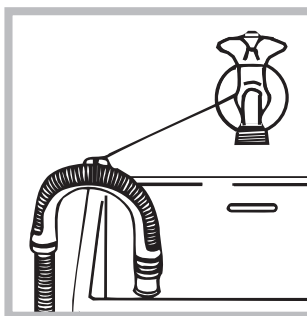
! Soha ne alkalmazzon már használt csöveket.

! Használja a készülékhez mellékelteket.

A leeresztőcső csatlakoztatása



Csatlakoztassa a leeresztőcsövet a lefolyóhoz vagy a padlótól 65 és 100 cm közötti magasságban lévő fali szifonhoz anélkül, hogy megtörné;



illetve akassza a mosdó vagy a kád szélére úgy, hogy a mellékelt csővezető ívet a csaphoz erősíti (lásd ábra). A leeresztőcső szabad végének nem szabad vízbe merülnie.

! Toldások használata nem javasolt. Amennyiben feltétlenül szükséges, a toldás átmérője egyezzen meg az eredeti csőével és semmiképpen se legyen 150 cm-nél hosszabb.

Elektromos csatlakoztatás

Mielőtt a csatlakozódugót az aljzatba dugná, bizonyosodjon meg arról, hogy:

- az aljzat földelése megfelel a törvény által előírtak;
- az aljzat képes elviselni a készülék műszaki adatait tartalmazó táblázatban megadott maximális teljesítményfelvételt (lásd szemben);
- a hálózat feszültsége a műszaki adatokat tartalmazó táblázatban szereplő értékek közé esik (lásd szemben);
- az aljzat kompatibilis a mosógép csatlakozódugójával. Ellenkező esetben cserélje ki az aljzatot vagy a csatlakozódugót!

! A mosógép nem állítható fel nyílt téren, még akkor sem, ha tető van fölötte, mivel nagyon veszélyes, ha a gép esőnek vagy zivataroknak van kitéve.

! A csatlakozódugónak a mosógép üzembe helyezett állapotában is könnyen elérhető helyen kell lennie.

! Ne használjon hosszabbítót vagy elosztót.

! A kábel ne legyen se megtörve, se összenyomva.

! A tápkábelt csak engedéllyel rendelkező szakember cserélheti.

Figyelem! A fenti előírások figyelmen kívül hagyása esetén a gyártó elhárít minden felelősséget.

Első mosási ciklus

Üzembe helyezés után – mielőtt a mosógépet használni kezdené – mosószerral, mosandó ruha nélkül futtassa le a gépöblítés mosási programot (lásd "A mosógép tisztítása").

Műszaki adatok

Modell	RDPD 96407 J
Méret	szélesség 59,5 cm magasság 85 cm mélység 54 cm
Ruhatöltet:	mosáshoz 1-től 9 kg között szárításhoz 1-től 6 kg között
Elektromos csatlakozás	lásd a készüléken található, műszaki jellemzőket tartalmazó adattáblát!
Vízcsatlakozások	maximális nyomás 1 MPa (10 bar) minimális nyomás 0,05 MPa (0,5 bar) dob úrtartalma 58 lite
Centrifuga fordulatszám	1400 fordulat/perc-ig
Az EN 50229 rendelet szerinti vizsgálati programok	mosáshoz: 8-as program; 60 C-os hőmérséklet; 9 kg ruhatöltettel végezve. szárítás: egy nagyobb adag (6 kg) szárításához ki kell választani az "Extra" szárítási szintet. A maradandó szárítási adag végrehajtásához válassza ki az "Extra" szárítási szintet: az ágyneműadag 3 lepedőből, 2 párnahuzat és 1 törölközőből álljon.
CE	Ez a berendezés megfelel a következő Uniói Előírásoknak: - 2004/108/CE előírás (Elektromágneses összeférhetőség) - 2012/19/EU (WEEE) - 2006/95/CE (Alacsony feszültség)

Karbantartás és ápolás

HU


A víz elzárása és az elektromos áram kikapcsolása

- Minden mosás után zárja el a vízcsapot. Így kíméli a mosógép vízrendszerét és megszünteti a vízszivárgás kockázatát.
- A mosógép tisztításakor, illetve karbantartásakor húzza ki a hálózati csatlakozódugót az aljzatból.

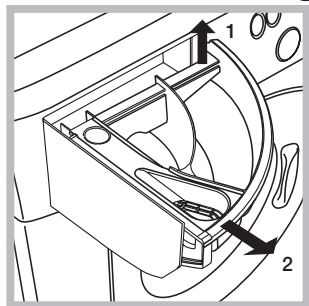
A mosógép tisztítása

- A külső részeket és a gumirészeket langyos, szappanos vizes ronggyal tisztíthatja. Ne használjon oldószert vagy súrolószert!
- A mosógép a belső részegységek tisztítása érdekében gépöblítés programmal rendelkezik, melyet a **dob üres állapotában** kell végrehajtani.

A mosószer (az enyhén szennyezett ruhadarabokhoz javasolt mennyiség 10%-ának megfelelő mennyiség) vagy a mosógéptisztító különleges adalékanyag a mosási program segédanyagaként használható. A tisztítási programot 40 mosási ciklusonként tanácsos lefuttatni.

A program aktiválásához nyomja le az  gombot 5 másodpercig, majd nyomja meg a **INDÍT/SZÜNET** gombot. A program elindul és 70 percig tart.

A mosószer-adagoló fiók tisztítása



A fiók felemelésével és kifelé húzásával vegye ki a fiókot (lásd ábra).

Folyó víz alatt mossa ki! Ezt a tisztítást gyakran el kell végezni.

Az ajtó és a forgódob ápolása

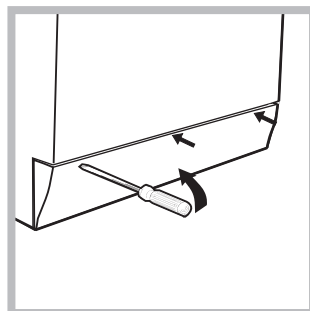
- Az ajtót hagyja mindig részre nyitva, nehogy rossz szagok keletkezzenek.

A szivattyú tisztítása

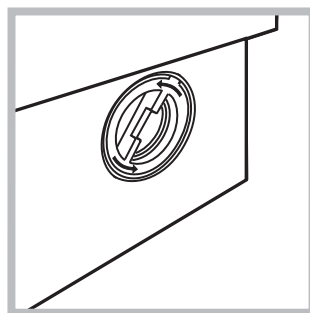
A mosógép öntisztító szivattyúval van felszerelve, melynek nincs szüksége tisztítási és karbantartási műveletekre. Előfordulhat azonban, hogy apró tárgyak (aprópénz, gomb) esnek a szivattyú alsó részén található szivattyúvédő előkamrába.

! Győződjön meg róla, hogy a mosóprogram véget ért, és húzza ki a hálózati csatlakozót.

Az előkamrához való hozzáférés érdekében tegye a következőket:



1. Egy csavarhúzó segítségével távolítsa el a burkolópanelt a készülék elejéről (lásd ábra);



2. Órairánnyal elmentétesen forgatva csavarja le a fedelet (lásd ábra). Természetes, hogy egy kevés víz kifolyik;

3. Gondosan tisztítsa ki az üreg belsejét;
4. Csavarja vissza a fedelet;
5. Szerelje vissza a panelt – mielőtt a gép felé nyomná, győződjön meg arról, hogy a horgok a hozzájuk tartozó furatokba illeszkednek.

A vízbevezető cső ellenőrzése

Évente legalább egyszer ellenőrizze a vízbevezető csövet. Ha repedezett vagy hasadozott, ki kell cserélni – a mosás során a nagy nyomás hirtelen szakadást okozhat.

! Soha ne használjon korábban már használt csöveket.

! A mosógépet a nemzetközi biztonsági szabványoknak megfelelően tervezték és gyártották. Ezeket a figyelmeztetéseket biztonsági okokból írjuk le, és figyelmesen el kell olvasni őket!

Általános biztonság

- Ez a készülék kizárólag háztartási használatra lett tervezve.
 - Ezt a készüléket a 8 éves kort betöltött gyermekek, valamint a testileg, érzékszervileg vagy szellemileg korlátozott, nem hozzáértő, illetve a termékét nem ismerő személyek csak megfelelő felügyelet mellett, vagy a készülék biztonságos használatával kapcsolatos alapvető utasítások és a kapcsolódó veszélyek ismeretében használhatják. A gyerekek nem játszhatnak a készülékkel. A karbantartási és tisztítási munkákat felügyelet nélkül hagyott gyerekek nem végezhetik.
 - Ne szárítson nem mosott holmikat.
 - A főzőolajjal, acetonnal, alkohollal, benzinnel, kerozinnal, folttisztítóval terpetinnel, viasszal és az azok eltávolítására használt anyagokkal bekoszolódott ruhadarabokat a szárítógépben való szárításuk előtt meleg vízben kell mosni, sok mosószerrel.
 - Az olyan anyagokat, mint a habszivacs (polifoam szivacsok), a fürdősapka, a vízálló szövetek, az egy oldalon gumival bevont ruhaneműk, valamint a habszivacs részekkel rendelkező ruhadarabok, nem szabad szárítógépben szárítani.
 - Az öblítőket és hasonló termékeket a gyártó által megadott utasításoknak megfelelően kell használni.
 - A szárítógép ciklusainak a befejező részén nincs hűközlés (hűtési ciklus), hogy a ruhaneműket a rendszer ne károsítsa.
- FIGYELEM:** Soha ne állítsa le a szárítógépet a szárítási program vége előtt. Ilyen esetben gyorsan vegyen ki minden ruhadarabot, és teregesse ki őket, hogy gyorsan kihülhessenek.
- Ne érjen a géphez meztláb, illetve vizes vagy nedves kézzel vagy lábbal!
 - A dugót sohasem a tápkábel, hanem a dugó meghúzásával húzza ki az aljzatból!
 - Ne nyissa ki a mosószer-adagoló fiókot, ha a mosógép működik.
 - Ne nyúljon a leeresztett vízbe, mert forró lehet!
 - Semmiképpen ne feszegesse az ajtót: megsérülhet a véletlen nyitást megakadályozó biztonsági retesz.
 - Hiba esetén semmiképpen ne nyúljon a gép belső részeihez, és ne próbálja megjavítani!
 - Mindig ügyeljen arra, hogy gyermekek ne mehessenek a működő gép közelébe.
 - A mosás során az ajtó meleg lehet.
 - Amennyiben a gépet át kell helyezni, az áthelyezést két vagy három személy végezze, maximális odafigyeléssel. Soha ne próbálja meg a készüléket egyedül elmozdítani, mert az nagyon nehéz.
 - A mosandó berakása előtt ellenőrizze, hogy a forgódob üres-e.
 - A szárítási folyamat közben a készülék ajtaja felmelegszik.
 - A készüléket ne használja olyan ruhaneműk szárítására, melyek előzetesen nyúlékony adalékokkal lettek kezelve (például triklór-etilén, benzín).

- A mosószáritógépben tilos habszivacsot vagy gumirozott anyagokat szárítani.
- Ellenőrizze, hogy a szárítási programnál a vízcsap nyitva van-e.
- A 3 éves kor alatti gyermekeket tartsa távol a szárítógéptől, ha nincsenek folyamatosan felügyelet alatt.
- Távolítsa el minden tárgyat, pl. öngyújtókat és gyufákat, a zsebekből.

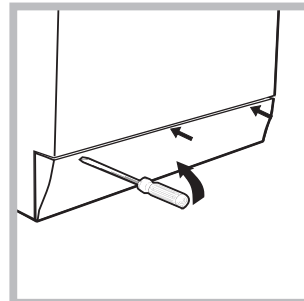
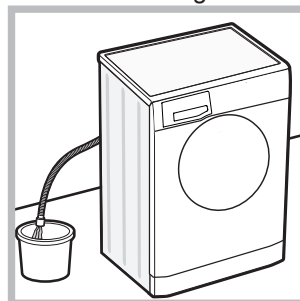
Hulladékelhelyezés

- A csomagolóanyag megsemmisítése: tartsa be a helyi előírásokat, így a csomagolás újrahasznosítható.
- Az Európai Parlament és Tanács, elektromos és elektronikus berendezések hulladékairól (WEEE) szóló 2012/19/EU irányelve előírja, hogy e hulladékok nem kezelhetők háztartási hulladékként. A forgalomból kivont berendezéseket, az azokat alkotó anyagok hatékonyabb visszanyerése, illetve újrahasznosítása, valamint az emberi egészség és a környezet védelme érdekében szelektíven kell gyűjteni! Az összes terméken megtalálható áthúzott szemetes szimbólum a szelektív gyűjtési kötelezettségre emlékeztet. A tulajdonosok, elektromos háztartási gépek forgalomból történő helyes kivonásával kapcsolatban, további információért a megfelelő közszolgálatához, illetve a forgalmazóhoz is fordulhatnak.

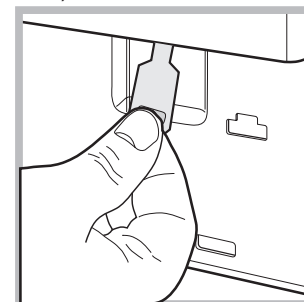
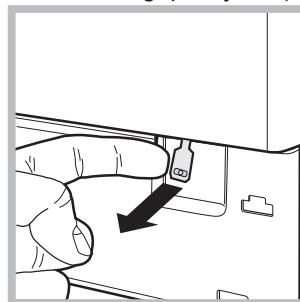
Az ajtó kézi nyitása

Amennyiben ki akarja teregetni a mosott ruhaneműt, de áramhiány miatt nem tudja kinyitni a mosógép ajtaját, tegye a következőket:

1. Húzza ki a dugót a konnektorból.



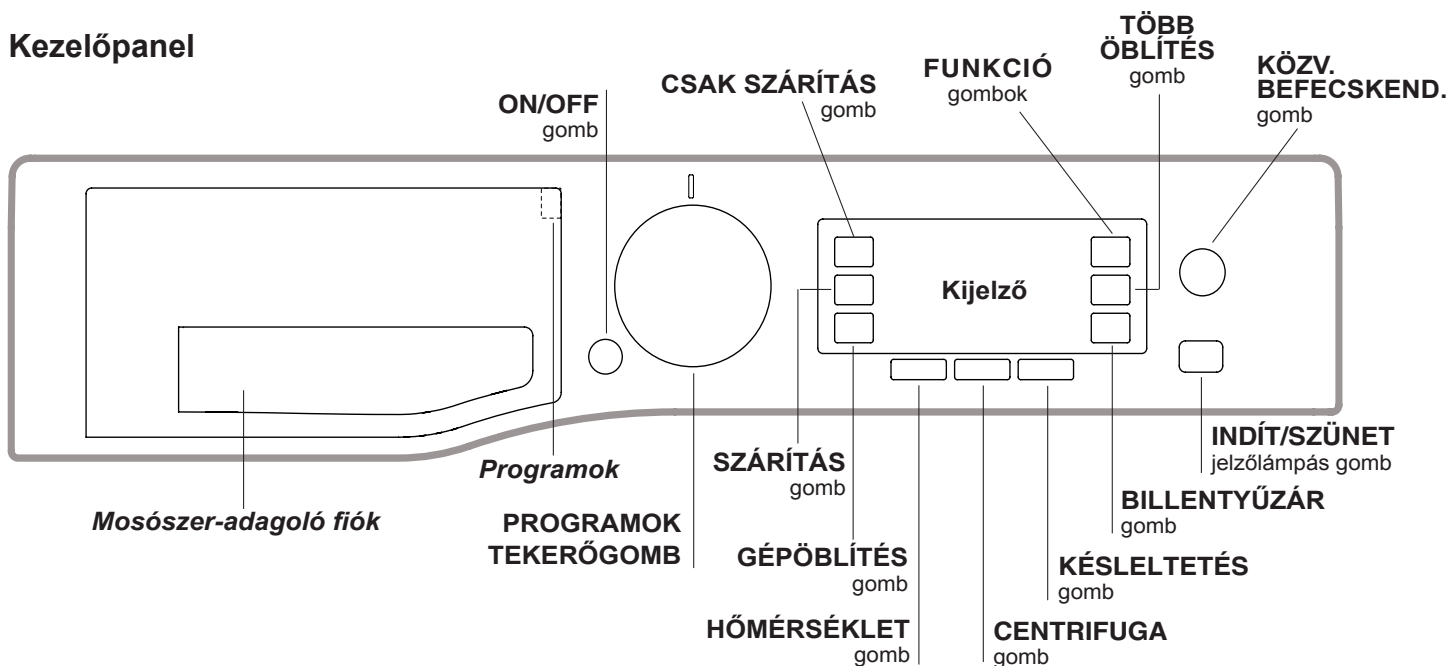
2. Győződjön meg arról, hogy a készülékben maradt víz szintje az ajtószint alatt van – ellenkező esetben eressze le a fölösleges vizet a leeresztőcsövön keresztül egy vödörbe, ahogy azt az **ábra** is mutatja.
3. Egy csavarhúzó segítségével távolítsa el a burkolópanelt a mosógép elejéről (**lásd ábra**).



4. Az ábrán látható fülecske kihúzásával szabadítsa ki a műanyag húzókat; húzogassa lefelé, és ezzel egyidejűleg nyissa ki az ajtót.
5. Szerelje vissza a panelt – mielőtt a gép felé nyomná, győződjön meg arról, hogy a horgok a hozzájuk tartozó furatokba illeszkednek.


A mosógép leírása

Kezelőpanel



Mosószer-adagoló fiók: a mosószerek és adalékanyagok betöltésére szolgál (lásd „Mosószerek és mosandók”).

Programok: a mosószertartó fiók belsejében található egy összefoglalás, melyben fel van sorolva az összes rendelkezésre álló program egy útmutató ábrával együtt, mely bemutatja a fiók egyes részeinek a használatát.


ON/OFF gomb : a készülék be-, vagy kikapcsolásához nyomja meg röviden ezt a gombot. Amennyiben az INDÍT/SZÜNET lámpa zöld fénnel lassan villog, a készülék be van kapcsolva. A mosógép mosás közben történő leállításához hosszan, kb. 3 másodpercig tartsa lenyomva a nyomógombot – a gomb rövid, vagy véletlen megnyomása nem kapcsolja le a készüléket. A mosógép mosás közben történő leállítása magát a mosás programot is törli. A kívánt programot újból be kell állítani.

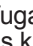
PROGRAMOK TEKERŐGOMB: a kívánt program beállítására szolgálnak (lásd „Programtáblázat”).


FUNKCIÓ gombok: a kívánt funkció kiválasztásához nyomja meg ezt a gombot. A kijelzőn világít a megfelelő jelzőlámpa.

GÉPÖBLÍTÉS gomb: nyomja le a gép belső részeinek a tisztításához (lásd „A mosógép tisztítása”).

KÖZV. BEFECSEKEND. gomb: nyomja meg a KÖZV. BEFECSEKEND. opció kiválasztásához.

TÖBB ÖBLÍTÉS  gomb: a kívánt öblítéstípus kiválasztására szolgál.

CENTRIFUGA  gomb: a centrifugálás sebességének csökkentéséhez, vagy annak teljes kikapcsolásához nyomja meg ezt a gombot – az érték megjelenik a kijelzőn.


HŐMÉRSÉKLET  gomb: a hőmérséklet csökkentéséhez nyomja meg ezt a gombot – az érték megjelenik a kijelzőn.


SZÁRÍTÁS  gomb: A szárítási ciklus beállításához nyomja meg ezt a gombot.

CSAK SZÁRÍTÁS gomb : Akkor nyomja meg, ha csak a szárítási ciklust kívánja elvégezni

BILLENTYŰZÁR  gomb: a kezelőpanel letiltásához nagyjából 2 másodpercig tartsa lenyomva ezt a gombot.

Amikor a kijelzőn megjelenik a „BILLENTYŰZÁR AKTÍV” felirat, a vezérlőpult le van zárva (a ON/OFF gomb kivételével). Ez a funkció megakadályozza a programok véletlen átállítását, főképp, ha gyerekek is vannak a lakásban. A kezelőpanel letiltásának kikapcsolásához nagyjából 2 másodpercig tartsa lenyomva ezt a gombot.

KÉSLELTETÉS  gomb: a kiválasztott program késleltetett elindításához nyomja meg ezt a gombot. A késleltetés értéke megjelenik a kijelzőn.

INDÍT/SZÜNET jelzőlámpás gomb: ha a zöld jelzőlámpa lassan villog, a mosás indításához nyomja meg ezt a gombot. A ciklus elindításával a jelzőlámpa állandó fénnel kezd világítani. A mosás szüneteltetéséhez ismételtlen nyomja meg ezt a gombot; a jelzőlámpa narancssárga fénnel kezd el villogni. Amennyiben a  szimbólum nem világít, az ajtót ki lehet nyitni. A mosásnak a megszakítás időpontjától való folytatásához nyomja meg ismét ezt a gombot.

Készenléti üzemmód

Ez a mosógép - az energiatakarékosságra vonatkozó legújabb előírásoknak megfelelően - automatikus kikapcsolási (készenléti) rendszerrel van ellátva, mely a használat 30 percnyi szüneteltetése esetén bekapcsol. Nyomja meg röviden a ON/OFF gombot, és várjon, amíg a készülék újrabekapcsol.

Fogyasztás off üzemmódban: 0,5 W

Fogyasztás bekapcsolva hagyott üzemmódban: 8 W

Antimikrobiális tömítés

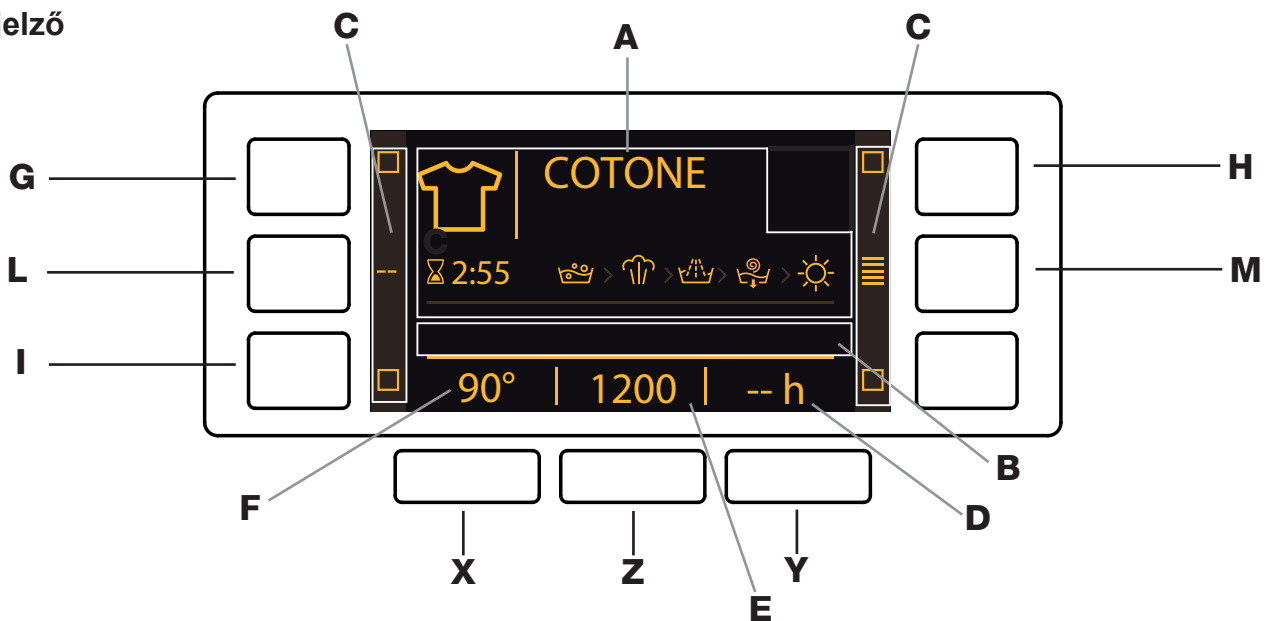
Az ajtó tömítése egy különleges keverékből készült, mely antimikrobiális védelmet nyújt és csökkenti a baktériumok szaporodását akár 99,99%-kal.

Az ajtó tömítése cink-piritiont, egy biocid anyagot tartalmaz, amely csökkenti a káros mikroba, pl. a baktériumok és a penész szaporodását (*), melyek foltokat, kellemetlen szagokat és a termék károsodását okozhatják.

(* **A Perugiai egyetem által végzett második teszt az alábbiakon:** *Staphylococcus aureus, Escherichia coli, Pseudomonas aeruginosa, Candida albicans, Aspergillus niger, Penicillium digitatum.*

Ritka esetekben, ha a tömítés hosszabb ideig érintkezik a bőrrel, allergiás reakciót okozhat.

Kijelző



A kijelző a készülék programozásához nyújt segítséget, és számos információt szolgáltat.

Az a **A** részen jelenik meg a szimbólum és a kiválasztott program, a mosási és szárítási fázisok és a ciklus végéig hátralévő idő.

A **B** területen jelenik meg a KÖZV. BEFECSEKEND. opcióra vonatkozó két intenzitásszint.

A **C** területen található a rendelkezésre álló funkciók lámpái.

A **D** területen jelenik meg a kiválasztott program elindításáig még fennálló idő, amennyiben egy KÉSLELTETÉS lett beállítva.

A **E** feliratmező a beállított programhoz választható centrifugasebesség maximális értékét jeleníti meg – ha a programhoz nem kell beállítani a centrifugát, a területen megjelenik egy alacsony intenzitású “--” szimbólum.

Az **F** területen a beállított programhoz választható hőmérséklet értéke jelenik meg, amennyiben a programhoz nem kell beállítani a hőmérsékletet, a területen megjelenik egy alacsony intenzitású “--” szimbólum.

Ajtózár szimbólum

A világító jelzőlámpa azt jelenti, hogy az ajtó a véletlen kinyitás megakadályozása érdekében be van zárva. A károk elkerülése érdekében az ajtó kinyitása előtt meg kell várni, hogy a jelzőlámpa kialudjon.

Megjegyzés: Amennyiben a KÉSLELTETÉS funkció be van kapcsolva, az ajtót nem lehet kinyitni. Az ajtó kinyitásához az INDÍT/SZÜNET gomb megnyomásával szüneteltesse le a készülék működését.

! Az első bekapcsoláskor a készülék kérni fogja a nyelv kiválasztását, és a kijelző automatikusan belép a nyelvválasztás menübe.

A kívánt nyelv kiválasztásához nyomja meg a **X** és a **Y** gombokat, a kiválasztás jóváhagyásához pedig a **Z** gombot. Amennyiben módosítani szeretné a nyelvet, kapcsolja ki a készüléket, és tartsa egyszerre lenyomva az **G**, **H**, **I** gombokat a hangjelzésig. A kijelzőn újra megjelenik a nyelvválasztás menü.

! Ha módosítani szeretné a kijelző fényességét, mely gyárilag a lehető legmagasabb értékre van állítva, akkor nyomja le egyidejűleg a **G**, **L** és **M** gombokat, amíg egy hangjelzést nem hall. Nyomja meg az **X** és **Y** gombot a kívánt fényesség kiválasztásához. A kiválasztás jóváhagyásához nyomja meg a **Z** gombot.

! Egy mosási ciklus vagy egy KÉSLELTETÉS beállítása során, ha nem használja a kijelzőt 1 percig, akkor aktiválódik a „SCREEN SAVER”. Az előző ablakhoz való visszalépéshez elegendő megnyomni egy gombot.

A mosási ciklusok, illetve a szárítás végrehajtása

HU

1. **A KÉSZÜLÉK BEKAPCSOLÁSA.** Nyomja meg a  gombot – a kijelzőn megjelenik az HOTPOINT felirat, az INDÍT/SZÜNET lámpa pedig lassan, zöld fényel villogni kezd.



2. **A MOSANDÓ RUHÁK BEPAKOLÁSA.** Nyissa ki az ajtót! Tegye be a mosandó ruhákat, ügyelve arra, hogy ne lépje túl a következő oldalon található programtáblázatban feltüntetett ruhatöltet-mennyiséget.

3. **A MOSÓSZER ADAGOLÁSA.** Vegye ki a fiókot, és a „Mosószerek és mosandók” fejezetben leírtak szerint öntse a mosószert a megfelelő tégelybe.

4. **CSUKJA BE AZ AJTÓT.**

5. **A PROGRAM KIVÁLASZTÁSA.** A kívánt program kiválasztásához nyomja meg az egyik PROGRAMOK TEKERŐGOMB – a program neve megjelenik a kijelzőn. Mindegyik programhoz tartozik egy hőmérséklet és egy centrifugasebesség, melyek megváltoztatható értékek. A kijelzőn megjelenik a ciklusidő.

6. **A MOSÁSI CIKLUS EGYÉNI BEÁLLÍTÁSAI.** Használja a megfelelő gombokat:

A hőmérséklet és/vagy a centrifugasebesség megváltoztatása. A készülék automatikusan kiválasztja az elindított programhoz tartozó legmagasabb hőmérsékletet és centrifugasebességet. Ezen értékek további növelése nem lehetséges. A  gomb nyomogatásával a hőmérséklet fokozatosan csökkenthető egészen a hidegmosásig (a kijelzőn megjelenik a „-” szimbólum). A  gomb nyomogatásával a centrifugasebesség fokozatosan csökkenthető egészen annak kikapcsolásáig (a kijelzőn megjelenik a „-” szimbólum). A gomb legalsó értéken történő megnyomásával visszatérhet a maximális értékekhez.

! Kivétel: a 5 program kiválasztása esetén a hőmérséklet egészen 40°C-ig növelhető.


! Kivétel: a 7 program kiválasztása esetén a hőmérséklet egészen 90°C-ig növelhető.

! Kivétel: a 9 program kiválasztása esetén a hőmérséklet egészen 60°C-ig növelhető.

Késleltetett indítás beállítása.

A kiválasztott program késleltetett indításához nyomogassa a megfelelő gombot addig, míg a késleltetett kívánt értékét el nem éri. A késleltetett indítás törléséhez nyomogassa a gombot mindaddig, míg a kijelzőn meg nem jelenik az „- h” felirat.

A szárítás beállítása

A SZÁRÍTÁS  gomb egyszerű vagy többszöri megnyomásával beállítható a kívánt szárítási típus. Két lehetőség közül választhat:

A- Beállítás a megszáritott ruhadarabok nedvességtartalma alapján:

Vasalás: Azon ruhadarabok mosására szolgál, melyeket mosás után vasalni kell. A ruhában maradt nedvesség puhává teszik a ráncokat, és megkönnyíti azok eltávolítását.

Akaszto: Ideális a teljes szárítást nem igénylő ruhadarabokhoz.
Szekrény: Azon mosandó ruhák mosására szolgál, melyeket mosás után vasalás nélkül a szekrénybe lehet tenni.

Extra: Azon ruhadarabok mosására szolgál, melyek teljes szárítást igényelnek (pl. frottírtörülközők és fürdőköpenyek).



B -az idő alapján: **30 - 180** percig.


A szárítás kikapcsolásához nyomogassa a vonatkozó gombot mindaddig, míg a kijelzőn a OFF felirat meg nem jelenik

Ha a mosni és szárítani kívánt ruhanemű mennyisége jóval több, mint a megengedett, végezze el a mosást, és a program végeztével válassza szét a ruhaneműt és egy részét tegye vissza a dobba. Ezután kövesse a „Csak szárítás” végrehajtásához megadott instrukciókat. Ismétlje meg ugyanezt a maradék ruhaneművel is.


Megjegyzés: A szárítás végét mindig hűtési folyamat követi.

Csak szárítás

Csak a szárítás elvégzéséhez nyomja meg az  gombot. A ruhadarabokkal kompatibilis program kiválasztása után az  gomb megnyomásával kizárja a mosási

fázist és bekapcsol a kiválasztott programnak megfelelő legmagasabb szárítási szintet. A szárítási szintet vagy időtartamot módosítani lehet és be lehet állítani az  szárítási gomb segítségével. (Nem kompatibilis a 1-2-3-4 és 14. programokkal).

Az öblítéstípus beállítása.

Az opció  az érzékeny bőrről való maximális gondoskodást biztosító öblítéstípus kiválasztására szolgál. A gomb első megnyomásakor a ciklust a rendszer **“Extra +1”** szintre állítja, mely a ciklus normál öblítéséhez egy további öblítést tesz hozzá, hogy a mosószert minden nyoma el legyen távolítva. A gomb második megnyomásakor a ciklust a rendszer **“Extra +2”** szintre állítja, mely a ciklus normál öblítéséhez két további öblítést tesz hozzá, ezért használata az érzékenyebb bőrrrel rendelkezők számára javasolt. A gomb harmadik megnyomására beállítja az **“Extra +3”** szintet, mely lehetővé teszi 3 kiegészítő öblítés hozzáadását a hagyományos ciklushoz. A 40°C-os ciklusokkal aktivált opció lehetővé teszi a legfőbb allergének, pl. macska- és kutyaszőrök és pollenek eltávolítását, a 40°C-nál magasabb hőmérsékletű ciklusokkal pedig optimális antiallergén védelmi szint biztosítható. A **“Normál öblítés”** öblítéstípushoz való visszatéréshez nyomja meg újból a gombot. Ha nem lehet beállítani vagy módosítani a meglévő beállítást, a kijelzőn a **“Nem Választható”** vagy **“Nem Módosítható”** szöveg jelenik meg.


A program tulajdonságainak módosítása.


- A funkció bekapcsolásához nyomja meg ezt a gombot – a kijelzőn kigyullad a megfelelő lámpa.
- A funkció kikapcsolásához ismételtlen nyomja meg a gombot – a kijelzőn kialszik a megfelelő lámpa.


! Ha a kiválasztott funkció nem kompatibilis a beállított programmal, akkor a megfelelő lámpa alacsony fényerősséggel jelenik meg, a kompatibilitás hiányát egy hangjelzés (3 bip) és a kijelzőn a **“Nem Választható”** felirat is jelzik.


! Ha a kiválasztott funkció nem kompatibilis egy előzőleg kiválasztott másik funkcióval, akkor a kijelzőn megjelenik a **“Nem Választható”** felirat és a funkció nem aktiválódik.

! A funkciók megváltoztathatják az ajánlott ruhatöltet-mennyiséget és/vagy a ciklusidőt.

7. **A PROGRAM INDÍTÁSA.** Nyomja meg az INDÍT/SZÜNET gombot. A megfelelő jelzőlámpa állandó zöld fényel világítani kezd, és az ajtózárral bekapcsol (az  AJTÓZÁR szimbólum világítani kezd). A mosás ideje alatt a kijelzőn a folyamatban lévő mosási fázis neve látható.

A program menet közben történő megváltoztatásához az INDÍT/SZÜNET gomb megnyomásával szüneteltesse le a készülék működését – az INDÍT/SZÜNET lámpa narancssárga fényel lassan villogni kezd. Ezután válassza ki a kívánt programot, és nyomja meg újból az INDÍT/SZÜNET gombot. Az ajtó menet közbeni kinyitásához nyomja meg az INDÍT/SZÜNET gombot – ha az  AJTÓZÁR szimbólum kialudt, kinyithatja az ajtót. A mosásnak a megszakítás időpontjától való folytatásához nyomja meg ismét az INDÍT/SZÜNET gombot.

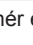



8. **A PROGRAM VÉGE.** Ezt a kijelzőn megjelenő „CIKLUS VÉGE” felirat jelzi. Ha az AJTÓZÁR  szimbólum kialszik, ki lehet nyitni az ajtót. Nyissa ki az ajtót, szedje ki a mosott ruhákat, és kapcsolja ki a készüléket.


! Amennyiben nullázni szeretne egy már elindított programot, tartsa hosszan lenyomva a  gombot. A program megszakad, és a készülék kikapcsol.

Közv. Befecskend.

A mosógép innovatív „Közv. Befecskend.” technológiával rendelkezik, amely előre összekeveri a mosószert a vízzel és azonnal aktiválja a mosószert hatóanyagait. Ez az aktív emulzió kerül közvetlenül a mosógép dobjába, és hatékonyabban járja át a szöveteket és eltávolítja a legmakacsabb szennyeződések is már alacsony hőmérsékleten is, a színeket és anyagokat maximálisan kímélve. Kiválaszthatja a „Teljesítmény” módot jobb hatásfok vagy az „EcoEnergia” módot hatékonyabb energiatakarékosság érdekében.

Programtáblázat

Programok	Szimbólum Programleírás	Max. hőm (°C)	Max. sebesség (ford./perc)	Szárítás	Mosószer és adalékok		Max. töltet (kg)	Programidő	
					Mosás	Öblítő			
ANTI CREASE									
1	Mos&Szárít Napi Vegyes	40°	800	●	●	●	3	A mosási programok mosási ideje leolvasható a kijelzőről.	
2	Blúz Mosás & Szárítás	40°	1000	●	●	●	2		
3	Elővasalás	-	-	-	-	-	1,5		
4	Felfrissítés Gőzzel	-	-	-	-	-	2		
DAILY CLEAN									
5	Folttisztító 45' Turbo	20° (Max. 40°C)	1200	●	●	●	4		
6	Folttisztító 20° Teljes.	40°	1400	●	●	●	9		
7	Pamut: erősen szennyezett kényes fehér és színes ruhák.	40° (Max. 90°C)	1400	●	●	●	9		
8	Eco Pamut  (1-2): erősen szennyezett fehér és magasabb hőmérsékleten mosható színes ruhák.	60°	1400	●	●	●	9		
9	Műszálás (3): erősen szennyezett, magasabb hőmérsékleten mosható színes ruhák.	40° (Max. 60°C)	1000	●	●	●	4,5		
SPECIALS									
10	Többszínű	40°	1400	●	●	●	9		
11	Ultra Kényes Anyag	30°	--	●	●	●	1		
12	Gyapjú: gyapjú, kasmír stb. ruhaneműk mosásához.	40°	800	●	●	●	2		
13	Sport	40°	600	●	●	●	4		
14	Gyors 30 Perc (**): az enyhén szennyezett ruhadarabok gyors átöblítésére (nem javasolt gyapjú, selyem és kézzel mosandó ruhaneműkhöz).	30°	800	●	●	●	3,5		
Részleges									
	Öblítés	-	1400	●	-	●	9		
	Centrifuga + Leeresztés	-	1400	●	-	-	9		
	Csak Víz Leeresztés *	-	--	-	-	-	9		

* Az  program kiválasztásakor és a centrifuga kizárásakor a gép csak az ürítést végzi el.

** Ha beállít egy szárítási ciklust is, akkor a gép elvégzi a 45 percgig tartó „mosás+szárítás” programot maximális centrifugálási sebességgel és 1 kg fehérnemű adaggal.

A kijelzőn megjelenő vagy a kézikönyben feltüntetett ciklusidők szokásos körülmények alapján becsült értékek. A tényleges időt számos tényező befolyásolhatja – pl. a bemeneti víznyomás, a környezeti hőmérséklet, a mosószer mennyisége, a ruhatöltet mennyisége és típusa, a ruhatöltet kiegyensúlyozása, a kiválasztott további opciók.

1) EN 50229 szabvány szerinti vezérlőprogramok: A 8 program 60 °C-ra állításához

2) Hosszú pamut program: állítsa be a 8 programot 40°C-on és nyomja meg a KÖZV. BEFECSKEND. gombot „Teljesítmény” módban.


3) Hosszú műszálás program: állítsa be a 9-es programot 40 °C-ra.

Mosási funkciók

! Ha a kiválasztott funkció nem kompatibilis a beállított programmal, akkor a megfelelő lámpa alacsony fényerősséggel jelenik meg, a kompatibilitás hiányát egy hangjelzés (3 bip) és a kijelzőn a **“Nem Választható”** felirat is jelzik.

! Ha a kiválasztott funkció nem kompatibilis egy előzőleg kiválasztott másik funkcióval, akkor a kijelzőn megjelenik a **“Nem Választható”** felirat és a funkció nem aktiválódik.

Higiénikus Gőz

Ezt az opció a mosás hatásfokának növelése érdekében gőzt fejleszt, melynek segítségével a ciklus során még a szövetrostok között megbúvó esetleges baktériumok eltávolítja, egyúttal ápolja is a szöveteket. Rámolja be a mosandó ruhákat a forgódobba, válassza ki a kompatibilis programot, és válassza az  opciót.

! A mosógép működése alatt lehetséges, hogy az ajtón a gőzfeljődés miatt kevésbé lehet belátni.

Mosószerek és mosandók

HU

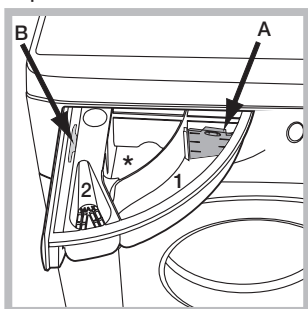
Mosószertartó fiók

A mosás eredményessége függ a mosószertartó fiók helyes adagolásától is: ha túl sokat adagol belőle, a mosás nem lesz hatékonyabb, de hozzájárul ahhoz, hogy lerakódás képződjön a mosógépben, valamint a környezetet is jobban szennyezi.

! Fehér színű pamut ruhadarabokhoz, előmosáshoz és 60 °C-nál magasabb hőmérsékleten történő mosásokhoz mosóport használjon.

! Kövesse a mosópor csomagolásán feltüntetett utasításokat.

! Ne használjon kézi mosószert, mert túlzottan sok hab képződik.



Húzza ki a mosószertartó fiókot, és a következők szerint tegye bele a mosószert, illetve az adalékot.

! Ne öntse a mosószert a középső rekesz (*).

1-es rekesz: Mosószertartó fiókhoz (por vagy folyadék)

Ha folyékony mosószert használ, a megfelelő adagolás érdekében tanácsos az A elválasztólapot használni. Ha mosóport használ, tegye az elválasztólapot a B térbe.

2-es rekesz: Adalékok (öblítők stb.)

Az öblítő ne érjen a rács fölé.

A mosandó ruhák előkészítése

- Osztályozza a mosandókat a következők szerint:
 - Szövet típusa / címkén lévő szimbólum.
 - Színek Válogassa külön a színes és fehér ruhákat.
- Ürítse ki a zsebeket, és vizsgálja meg a gombokat.
- Ne lépje túl a mosandók száraz súlyára vonatkozóan megadott értékeket:
- Ne lépje túl a mosandók száraz súlyára vonatkozó megadott értékeket: lásd "Programtáblázat".

Milyen nehezek a mosandó ruhák?

- 1 lepedő: 400–500 g
- 1 párnahuzat: 150–200 g
- 1 asztalterítő: 400–500 g
- 1 fürdőköpeny: 900–1200 g
- 1 törölköző: 150–250 g

Különleges programok

Mos&Szárít Napi Vegyes: vegyes ruhaneműk (pamut és műszál) mosásához és szárításához használja az 1-es programot. E ciklus kiválasztásával max. 3 kg ruhaneműt moshat ki és száríthat meg. *Tanácsos folyékony mosószert használni.*

Gőz használatának köszönhetően a program optimalizálva lett, hogy csökkentse a gyűrődések képződését és megkönnyítse a vasalást.

Blúz Mosás & Szárítás: különböző anyagú és színű ingek és pólók mosásához és szárításához használja a 2-es programot, mely maximális ápolást biztosít. E ciklus kiválasztásával max. 2 kg ruhaneműt moshat ki és száríthat meg. Jobb eredmény érdekében használjon folyékony mosószert. Kezelje elő a mandzsettákat, a nyakrészt és a foltokat. Gőz használatának köszönhetően a program optimalizálva lett, hogy csökkentse a gyűrődések képződését és megkönnyítse a vasalást.

Elővasalás: használja ezt a ciklust közvetlenül a vasalás előtt; max. 1,5 kg töltet.

Gőz használatának köszönhetően a program optimalizálva lett, hogy csökkentse a gyűrődések képződését és megkönnyítse a vasalást.

Felfrissítés Gőzzel: a ruhák felfrissítéséhez, a kellemetlen szagok semlegesítéséhez és a szövetek meglazításához a dobba adagolt gőzzel. A ciklus végeztével a ruhák nedvesek.

Folttisztító 45' Turbo: ez a ciklus már 20°C-on csupán 45 perc alatt kiválóan eltávolítja a foltokat. E ciklus hőmérséklete 40°C-ig növelhető.

Folttisztító 20' Teljes.: ezzel a programmal előkezelés nélkül, alacsony hőmérsékleten, az anyagok és a színek kímélésével maximális hatásokkal távolíthatja el a foltokat.

Többszínű: színes pamutruhák mosásához. Ezt a programot arra optimalizálták, hogy az élénk színű ruhák többszöri mosással se fakuljanak ki.

Ultra Kényes Anyag: a nagyon kényes – pl. flitterekkel, csillogókkal ellátott – anyagok mosásához használja a 11 programot.

A mosás előtt tanácsos kifordítani a ruhadarabokat, és a kisebb holmikat a kényes anyagok mosására szolgáló megfelelő mosózsákba rakni.

A jobb mosási eredmény érdekében kényes anyagokhoz való folyékony mosószert használatát javasoljuk.

Ha a szárítási opció csak az időtartam alapján kerül kiválasztásra, a mosás végén egy különlegesen kíméletes szárítási ciklus indul el gyengéd mozgattal és megfelelően ellenőrzött levegősugárral.

A javasolt időtartamok:

1 kg műszál --> 165 perc

1 kg műszál és pamut --> 180 perc

1 kg pamut --> 180 perc

A szárítási fokozat a szárítandó mennyiségtől és a ruhanemű alapanyagától függ.

Gyapjú- Woolmark Apparel Care - Blue:

Ennek a mosógépnek a "gyapjú" mosási ciklusát a Woolmark Company engedélyezte "kézzel mosható" gyapjú ruhaneműk mosásához, amennyiben a mosást a ruhanemű címkéjén feltüntetett és a mosógép gyártója által előírt útmutatásoknak megfelelően hajtja végre.



Sport: enyhén koszos sportruházatok (melegítő, rövid nadrágok, törölköző stb.) mosására tervezték. A legjobb eredmény érdekében javasoljuk, hogy ne lépje túl a "Programtáblázat"-ban feltüntetett maximális töltetet. Folyékony mosószert alkalmazása javasolt, feladagnak megfelelő mennyiséget használjon.

A bepakolt ruhák kiegyensúlyozására szolgáló rendszer

A túlzott zajhatás megelőzésére, valamint a mosandók egyenletes eloszlása érdekében a forgódob a centrifugafázis előtt a mosási centrifugasebességnél kicsit nagyobb sebességre kapcsol. Amennyiben a töltet kiegyensúlyozására irányuló próbálkozások nem vezetnek eredményre, a készülék az elméleti centrifugasebességnél lassabb centrifugálásra kapcsol. Jelentős kiegyensúlyozatlanság esetén a mosógép, centrifugálás előtt megpróbálja a töltetet megfelelően elosztani. A töltet megfelelő eloszlásának biztosítása érdekében ajánlatos a nagy ruhaneműket a kicsikkel összekeverni.

Előfordulhat, hogy a mosógép nem működik. Mielőtt felhívna a szervizt (lásd „Szerviz”), ellenőrizze, hogy nem olyan problémáról van-e szó, amely a következő lista segítségével egyszerűen megoldható!

Rendellenességek:

A mosógép nem kapcsol be.

Lehetséges okok / megoldás:

- A hálózati csatlakozódugó nincs bedugva az aljzatba, vagy nem eléggé ahhoz, hogy jól érintkezzen.
- Nincs áram a lakásban.

A mosási ciklus nem indul el.

- A mosógép ajtaja nincs jól bezárva.
- Nem nyomta meg a ON/OFF gombot.
- Nem nyomta meg az INDÍT/SZÜNET gombot.
- A vízcsap nincs nyitva.
- Az indítás időjelzőjén késletetés lett beállítva – késletetésidőzítő.

A mosógép nem kap vizet (a kijelzőn megjelenik a “Nincs Víz, Csapot megnyitni!” felirat).

- A vízbevezető cső nincs csatlakoztatva a csaphoz.
- A cső meg van törve.
- A vízcsap nincs nyitva.
- A lakásban nincs víz.
- Nincs elegendő nyomás.
- Nem nyomta meg az INDÍT/SZÜNET gombot.

A mosógép folytonosan szívja, és üríti a vizet.

- A leeresztőcső nem a padlószinttől 65 és 100 cm közötti magasságban van felszerelve (lásd „Üzembe helyezés”).
- A leeresztőcső vége vízbe merül (lásd „Üzembe helyezés”).
- A fali szifonnak nincs szellőzése.

Ha ezen vizsgálatok után a probléma nem oldódik meg, zárja el a vízcsapot, kapcsolja ki a mosógépet, és hívja ki a szervizszolgálatot. Ha a lakás egy épület legfelsőbb emeleteinek egyikén található, lehetséges, hogy a csatornaszellőző eltömődésének jelensége (szivornyahatás) lépett fel, ezért a mosógép folytonosan szívja, és leereszti a vizet. E kellemetlenség elkerülésére a kereskedelmi forgalomban rendelkezésre állnak csatornaszellőző-szelepek.

A mosógép nem üríti le a vizet, vagy nem centrifugál.

- A program nem ereszti le a vizet: néhány programnál a vizet kézzel leereszteni (lásd „Programok és funkciók”).
- A leeresztőcső meg van törve (lásd „Üzembe helyezés”).
- A lefolyó el van dugulva.

A mosógép nagyon rázkódik a centrifugálás alatt.

- Az üzembe helyezéskor a forgódob rögzítése nem lett eltávolítva (lásd „Üzembe helyezés”).
- A készülék nincs vízszintben (lásd „Üzembe helyezés”).
- A mosógép bútorok és falak közé van szorítva (lásd „Üzembe helyezés”).

A mosógépből elfolyik a víz.

- A vízbevezető cső nincs jól felcsavarva (lásd „Üzembe helyezés”).
- A mosószer-adagoló fiók eltömődött (tisztításához lásd „Karbantartás és ápolás”).
- A leeresztőcső nincs szorosan rögzítve (lásd „Üzembe helyezés”).

A készülék lezár – a kijelző villogni kezd, és a hiba kódját mutatja (pl.: F-01, F-...).

- Kapcsolja ki a készüléket, és húzza ki a dugót a konnektorból, várjon körülbelül 1 percet, majd indítsa újra!
Ha a hiba továbbra is fennáll, forduljon a szervizhez!

Sok hab képződik.

- A mosószer nem mosógépekhez való (kell, hogy szerepeljen rajta, hogy „gépi”, „kézi vagy gépi mosáshoz”, vagy hasonló).
- Túl sok mosószert használt.

A Mosógép nem szárít.

- A hálózati csatlakozódugó nincs bedugva az aljzatba, vagy nem eléggé ahhoz, hogy jól érintkezzen.
- Nincs áram a lakásban.
- Az ajtó nincs jól becsukva.
- Az indítás késletetése van beállítva.
- A SZÁRÍTÁS a OFF helyzetben van.

Szerviz

HU

Mielőtt a szervizhez fordulna:

- Győződjön meg arról, hogy a hibát nem tudja saját maga is elhárítani (lásd „*Rendellenességek és elhárításuk*”);
- Indítsa újra a programot, hogy lássa, elhárította-e a hibát;
- Ellenkező esetben forduljon az engedéllyel rendelkező szakszervizhez a garanciajegyen található telefonszámon.

! Soha ne forduljon engedéllyel nem rendelkező szerelőhöz!

Közölje:


- a meghibásodás jellegét;
- a mosógép típusát (Mod.);
- a gyártási számot (S/N).

Ezek az adatok a mosógép hátoldalán, illetve az elülső oldalon az ajtó belsején elhelyezett adattáblán található.

FR

Français

RDPD 96407 J

!  Ce symbole vous rappelle de lire ce mode d'emploi.

Sommaire

Installation, 50-51

Déballage et mise à niveau
Raccordements eau et électricité
Premier cycle de lavage
Caractéristiques techniques

Entretien et soin, 52

Coupure de l'arrivée d'eau et du courant
Nettoyage du lavante-séchante
Nettoyage du tiroir à produits lessiviels.
Entretien du hublot et du tambour
Nettoyage de la pompe
Contrôle du tuyau d'arrivée de l'eau

Précautions et conseils, 53

Sécurité générale
Mise au rebut
Ouverture manuelle de la porte hublot

Description du lavante-séchante, 54-55

Bandeau de commandes
Écran

Comment effectuer un cycle de lavage ou un séchage, 56

Programmes et fonctions, 57

Tableau des programmes
Fonctions de lavage

Produits lessiviels et linge, 58

Tiroir à produits lessiviels
Triage du linge
Programmes spéciaux
Système d'équilibrage de la charge

Anomalies et remèdes, 59

Assistance, 60

Installation

FR

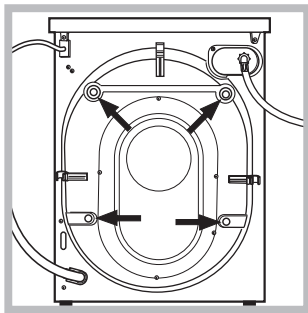
! Conserver ce mode d'emploi pour pouvoir le consulter à tout moment. En cas de vente, de cession ou de déménagement, veiller à ce qu'il suive toujours le lavante-séchante pour que son nouveau propriétaire soit informé sur son mode de fonctionnement et puisse profiter des conseils correspondants.

! Lire attentivement les instructions: elles fournissent des conseils importants sur l'installation, l'utilisation et la sécurité de l'appareil.

Déballage et mise à niveau

Déballage

1. Déballer le lavante-séchante.
2. Contrôler que le lavante-séchante n'a pas été endommagé pendant le transport. S'il est abîmé, ne pas le raccorder et contacter le vendeur.



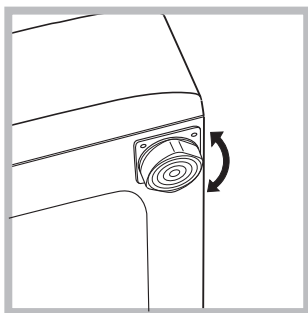
3. Enlever les 4 vis de protection servant au transport, le caoutchouc et la cale, placés dans la partie arrière (voir figure).

4. Boucher les trous à l'aide des bouchons plastique fournis.
5. Conserver toutes ces pièces: il faudra les remonter en cas de transport du lavante-séchante.

! Les pièces d'emballage ne sont pas des jouets pour enfants.

Mise à niveau

1. Installer le lavante-séchante sur un sol plat et rigide, sans l'appuyer contre des murs, des meubles ou autre.

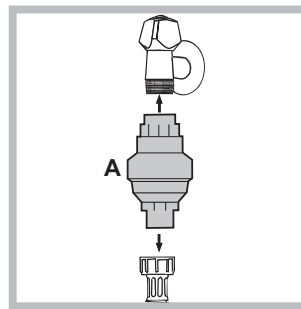


2. Si le sol n'est pas parfaitement horizontal, visser ou dévisser les pieds de réglage avant (voir figure) pour niveler l'appareil; son angle d'inclinaison, mesuré sur le plan de travail, ne doit pas dépasser 2°.

Une bonne mise à niveau garantit la stabilité de l'appareil et évite qu'il y ait des vibrations, du bruit et des déplacements en cours de fonctionnement. Si la machine est posée sur de la moquette ou un tapis, régler les pieds de manière à ce qu'il y ait suffisamment d'espace pour assurer une bonne ventilation.

Raccordements eau et électricité

Raccordement du tuyau d'arrivée de l'eau



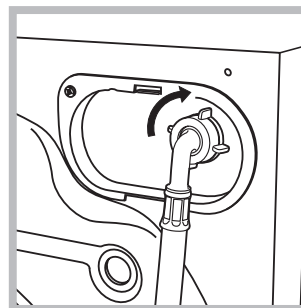
1. Relier à un robinet d'eau froide à embout fileté 3/4 gaz le dispositif (A), puis raccorder le tuyau d'alimentation en le vissant à ce dernier.

Faire couler l'eau jusqu'à ce qu'elle soit limpide et sans impu-

retés avant de raccorder.

Pour une installation correcte du dispositif, suivre les instructions fournies dans l'emballage du dispositif.

! Le dispositif est déjà réglé de façon à garantir un fonctionnement correct du lave-linge. Il est donc recommandé de ne pas modifier ces paramètres.



2. Raccorder le tuyau d'arrivée de l'eau au lavante-séchante en le vissant à la prise d'eau prévue, dans la partie arrière en haut à droite (voir figure).

3. Attention à ce que le tuyau ne soit pas plié ou écrasé.

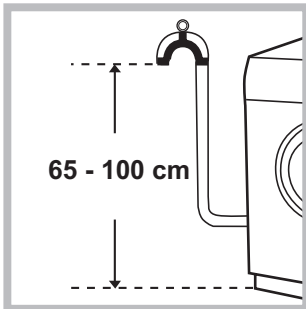
! La pression de l'eau doit être comprise entre les valeurs indiquées dans le tableau des Caractéristiques techniques (voir page ci-contre).

! Si la longueur du tuyau d'alimentation ne suffit pas, s'adresser à un magasin spécialisé ou à un technicien agréé.

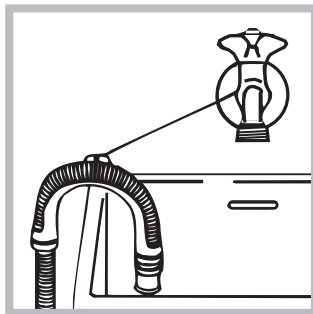
! N'utiliser que des tuyaux neufs.

! Utiliser ceux qui sont fournis avec l'appareil.

Raccordement du tuyau de vidange



Raccorder le tuyau d'évacuation, sans le plier, à un conduit d'évacuation ou à une évacuation murale placés à une distance du sol comprise entre 65 et 100 cm ;



ou bien l'accrocher à un évier ou à une baignoire, dans ce cas, fixer le support en plastique fourni avec l'appareil au robinet (voir figure). L'extrémité libre du tuyau d'évacuation ne doit pas être plongée dans l'eau.

! L'utilisation d'un tuyau de rallonge est absolument déconseillée mais si on ne peut faire autrement, il faut absolument qu'il ait le même diamètre que le tuyau original et sa longueur ne doit pas dépasser 150 cm.

Raccordement électrique

Avant de brancher la fiche dans la prise de courant, s'assurer que :

- la prise est bien reliée à la terre et est conforme aux réglementations en vigueur;
- la prise est bien apte à supporter la puissance maximale de l'appareil indiquée dans le tableau des Caractéristiques techniques (voir ci-contre);
- la tension d'alimentation est bien comprise entre les valeurs figurant dans le tableau des Caractéristiques techniques (voir ci-contre);
- la prise est bien compatible avec la fiche du lavante-séchante. Autrement, remplacer la prise ou la fiche.

! Le lavante-séchante ne doit pas être installé dehors, même à l'abri, car il est très dangereux de le laisser exposé à la pluie et aux orages.

! Après installation du lavante-séchante, la prise de courant doit être facilement accessible.

! N'utiliser ni rallonges ni prises multiples.

! Le câble ne doit être ni plié ni trop écrasé.

! Le câble d'alimentation ne doit être remplacé que par des techniciens agréés.

Attention! Nous déclinons toute responsabilité en cas de non-respect des normes énumérées ci-dessus.

Premier cycle de lavage

Avant la première mise en service de l'appareil, effectuer un cycle de lavage avec un produit lessiviel mais sans linge et sélectionner le programme auto nettoyage (voir "Nettoyage du lavante-séchante").

Caractéristiques techniques

Modèle	RDPD 96407 J
Dimensions	largeur 59,5 cm hauteur 85 cm profondeur 54 cm
Capacité	de 1 à 9 kg pour le lavage de 1 à 6 kg pour le séchage
Raccordements électriques	Voir la plaque signalétique appliquée sur la machine
Raccordements hydrauliques	pression maximale 1 MPa (10 bar) pression minimale 0,05 MPa (0,5 bar) capacité du tambour 58 litres
Vitesse d'essorage	jusqu'à 1400 tours minute
Programmes de contrôle selon la norme EN 50229	lavage: programme 8; température 60°C; effectué avec une charge de 9 kg. séchage: pour le séchage de la charge de linge plus grand (6kg), sélectionner le niveau de séchage "Extra". Pour le séchage de la charge de linge restante, sélectionner le niveau de séchage "Extra"; le linge doit comprendre: 3 draps, 2 taies d'oreiller et 1 serviette de toilette.



Cet appareil est conforme aux Directives Communautaires suivantes:

- 2004/108/CE (Compatibilité électromagnétique)
- 2012/19/EU (WEEE)
- 2006/95/CE (Basse Tension)

Entretien et soin

FR


Coupure de l'arrivée d'eau et du courant

- Fermer le robinet de l'eau après chaque lavage. Cela réduit l'usure de l'installation hydraulique du lavante-séchante et évite tout danger de fuites.
- Débrancher la fiche de la prise de courant lors de tout nettoyage du lavante-séchante et pendant tous les travaux d'entretien.

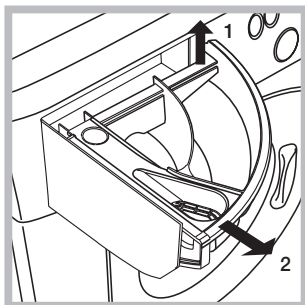
Nettoyage du lavante-séchante

- Pour nettoyer l'extérieur et les parties en caoutchouc, utiliser un chiffon imbibé d'eau tiède et de savon. N'utiliser ni solvants ni abrasifs.
- Ce lavante-séchante est équipé d'un programme auto nettoyage des parties internes qui doit être effectué **tambour complètement vide**.

La lessive (dans une quantité égale à 10% de celle conseillée pour du linge peu sale) ou les additifs spéciaux pour le nettoyage du lavante-séchante, pourront être utilisés comme adjuvants dans le programme de lavage. Il est conseillé d'effectuer le programme de nettoyage tous les 40 cycles de lavage.

Pour activer le programme, appuyer sur la touche  pendant 5 secondes, puis appuyer sur la touche MARCHE/PAUSE : le programme démarrera et aura une durée d'environ 70 minutes

Nettoyage du tiroir à produits lessiviels.



Soulever le tiroir et le tirer vers soi pour le sortir de son logement (voir figure).

Le laver à l'eau courante; effectuer cette opération assez souvent.

Entretien du hublot et du tambour

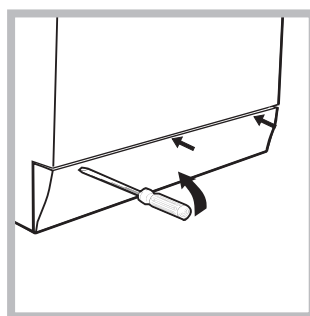
- Il faut toujours laisser le hublot entrouvert pour éviter la formation de mauvaises odeurs.

Nettoyage de la pompe

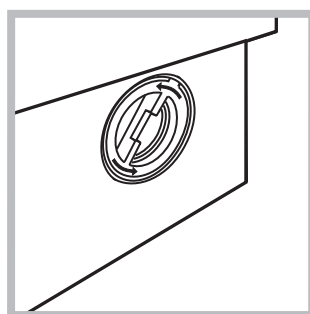
Le lavante-séchante est équipé d'une pompe autonettoyante qui n'exige aucune opération d'entretien. Il peut toutefois arriver que de menus objets (pièces de monnaie, boutons) tombent dans la préchambre qui protège la pompe, placée en bas de cette dernière.

! S'assurer que le cycle de lavage est bien terminé et débrancher la fiche.

Pour accéder à cette préchambre:



1. démonter le panneau situé à l'avant du lavante-séchante à l'aide d'un tournevis (voir figure);



2. dévisser le couvercle en le tournant dans le sens inverse des aiguilles d'une montre (voir figure); il est normal qu'un peu d'eau s'écoule;

3. nettoyer soigneusement l'intérieur;
4. revisser le couvercle;
5. remonter le panneau en veillant à bien enfiler les crochets dans les fentes prévues avant de le pousser contre l'appareil.

Contrôle du tuyau d'arrivée de l'eau

Contrôler le tuyau d'alimentation au moins une fois par an. Procéder à son remplacement en cas de craquements et de fissures: car les fortes pressions subies pendant le lavage pourraient provoquer des cassures.

! N'utiliser que des tuyaux neufs.

! Ce lavante-séchante a été conçu et fabriqué conformément aux normes internationales de sécurité. Ces consignes sont fournies pour des raisons de sécurité, il faut les lire attentivement.

Sécurité générale

- Cet appareil est conçu pour un usage domestique.
- Cet appareil peut être utilisé par les enfants à partir de 8 ans et par les personnes dont les capacités physiques, sensorielles ou mentales sont réduites ou qui ne disposent pas des connaissances suffisantes, à condition qu'ils soient encadrés ou aient été formés de façon appropriée pour l'utilisation de l'appareil de façon sûre et en comprenant les dangers qui y sont liés. Les enfants ne doivent pas jouer avec l'appareil. L'entretien et le nettoyage ne doivent pas être effectués par les enfants sans surveillance.
 - Ne pas mettre sécher du linge non lavé.
 - Le linge contaminé avec des substances telles que de l'huile de cuisson, de l'acétone, de l'alcool, de l'essence, du kérosène, des détachants, de l'essence de térébenthine, de la cire et des substances pour l'enlever, doit être lavé à l'eau chaude avec une dose supplémentaire de lessive avant d'être introduit dans le sèche-linge.
 - Des objets en mousse expansée (mousse de latex), des bonnets de douche, des textiles imperméables, des articles doublés de caoutchouc et des vêtements ou des coussins ayant des parties en mousse de latex ne doivent pas être séchés en sèche-linge.
 - En cas d'utilisation d'assouplissants ou de tout autre produit similaire, se conformer aux instructions du fabricant.
 - La partie finale d'un cycle du sèche-linge se produit sans chaleur (cycle de refroidissement) pour éviter tout endommagement du linge. ATTENTION: Ne jamais arrêter le sèche-linge avant la fin du programme de séchage. Dans ce cas, sortir immédiatement tout le linge et l'étendre pour le faire refroidir rapidement.
- Cet appareil est conçu pour un usage domestique.
- Ne jamais toucher l'appareil si l'on est pieds nus et si les mains sont mouillées ou humides.
- Ne jamais tirer sur le câble pour débrancher la fiche de la prise de courant.
- Ne pas toucher à l'eau de vidange, elle peut atteindre des températures très élevées.
- Ne pas forcer pour ouvrir la porte hublot : le verrouillage de sécurité qui protège contre les ouvertures accidentelles pourrait s'endommager.
- En cas de panne, éviter à tout prix d'accéder aux mécanismes internes pour tenter une réparation.
- Veiller à ce que les enfants ne s'approchent pas de l'appareil pendant son fonctionnement.
- Deux ou trois personnes sont nécessaires pour le déplacer en faisant très attention. Ne jamais le déplacer tout seul car il est très lourd.
- Avant d'introduire le linge, s'assurer que le tambour est bien vide.
- Pendant le séchage, le hublot a tendance à chauffer.
- Ne mettez pas à sécher du linge lavé avec des solvants inflammables (trichloréthylène par ex.).
- Ne mettez pas à sécher du caoutchouc-mousse ou des élastomères du même genre.

- Vérifiez qu'au cours du séchage, le robinet de l'eau soit bien ouvert.
- les enfants de moins de 3 ans doivent être tenus à bonne distance du sèche-linge s'ils ne sont pas sous surveillance constante.
- Enlever tous les objets des poches, notamment les briquets et les allumettes.

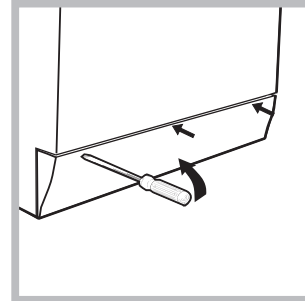
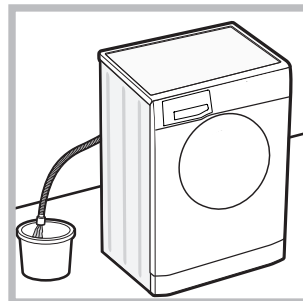
Mise au rebut

- Mise au rebut du matériel d'emballage: se conformer aux réglementations locales de manière à ce que les emballages puissent être recyclés.
- La Directive Européenne 2012/19/EU sur les Déchets des Equipements Electriques et Electroniques, exige que les appareils ménagers usagés ne soient pas jetés dans le flux normal des déchets municipaux. Les appareils usagés doivent être collectés séparément afin d'optimiser le taux de récupération et le recyclage des matériaux qui les composent et réduire l'impact sur la santé humaine et l'environnement. Le symbole de la "poubelle barrée" est apposée sur tous les produits pour rappeler les obligations de collecte séparée. Les consommateurs devront contacter les autorités locales ou leur revendeur concernant la démarche à suivre pour l'enlèvement de leur vieil appareil.

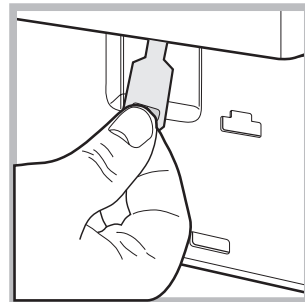
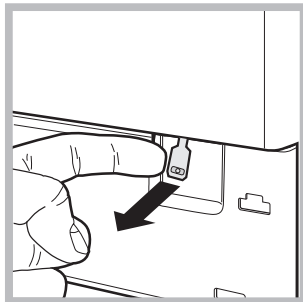
Ouverture manuelle du hublot

A défaut de pouvoir ouvrir la porte hublot à cause d'une panne de courant pour étendre le linge, procéder comme suit :

1. débrancher la fiche de la prise de courant.



2. s'assurer que le niveau de l'eau à l'intérieur de l'appareil se trouve bien au-dessous de l'ouverture du hublot, si ce n'est pas le cas vider l'eau en excès à travers le tuyau de vidange dans un seau comme illustré voir figure.
3. démonter le panneau situé à l'avant du lavante-séchante à l'aide d'un tournevis (voir figure).

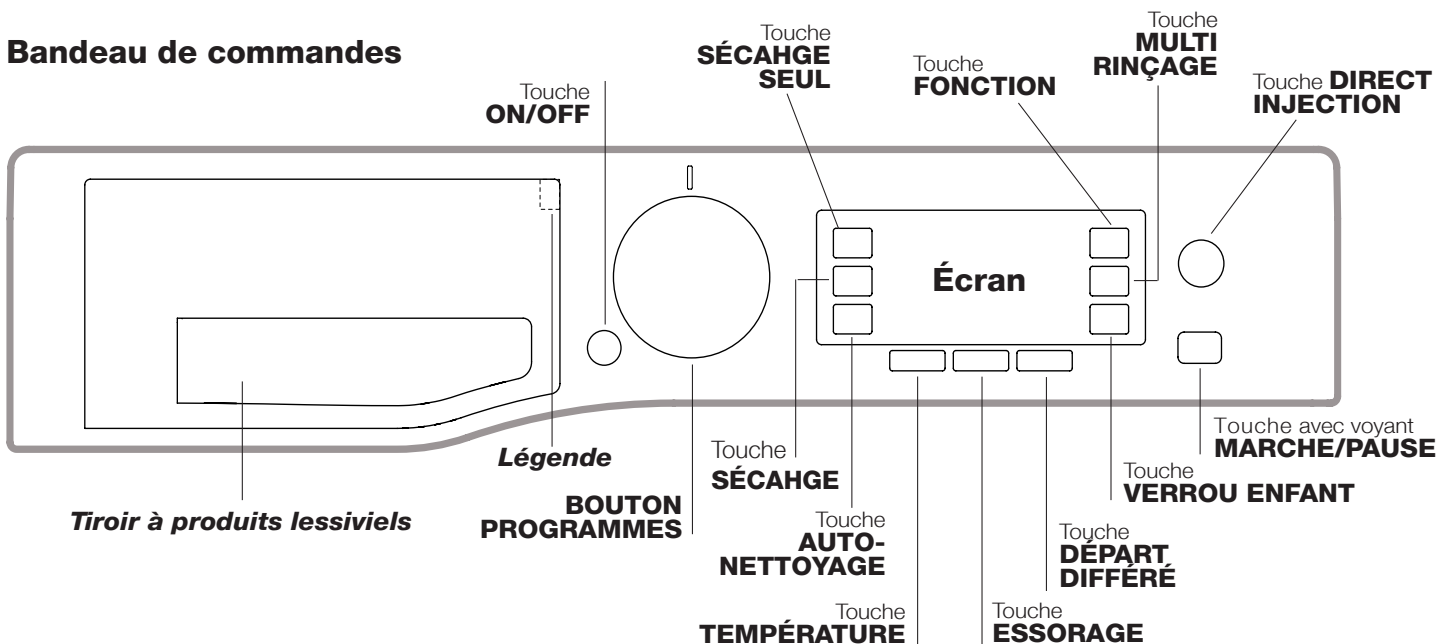


4. se servir de la languette indiquée, tirer vers soi jusqu'à ce que le tirant en plastique se dégage de son cran d'arrêt; tirer ensuite vers le bas et ouvrir l'hublot en même temps.
5. remonter le panneau en veillant à bien enfiler les crochets dans les fentes prévues avant de le pousser contre l'appareil.

Description du lavante-séchante


FR

Bandeau de commandes



Tiroir à produits lessiviels: pour charger les produits lessiviels et les additifs (voir "Produits lessiviels et linge").

Légende: à l'intérieur du tiroir à produits lessiviels se trouve la légende qui résume tous les programmes disponibles, ainsi qu'un guide graphique expliquant comment utiliser les différents bacs du tiroir.

Touche **ON/OFF** : appuyer brièvement sur la touche pour allumer ou éteindre l'appareil. Le voyant vert MARCHE/PAUSE clignotant lentement indique que la machine est allumée. Pour éteindre le lavante-séchante en cours de lavage, appuyer sur la touche pendant au moins 3 secondes de suite; une pression brève ou accidentelle n'entraîne pas l'arrêt de l'appareil. L'arrêt de l'appareil pendant un lavage annule le lavage en cours.

BOUTON PROGRAMMES: pour sélectionner le programme désiré (voir "Tableau des programmes").

Touche **FONCTION:** appuyer sur la touche pour sélectionner la fonction désirée. Le voyant correspondant s'affiche à l'écran.


Touche **AUTO-NETTOYAGE:** appuyer sur cette touche pour lancer un cycle de nettoyage de l'intérieur de la machine (voir "Nettoyage du lavante-séchante").

Touche **DIRECT INJECTION:** appuyer pour sélectionner l'option DIRECT INJECTION.

Touche **MULTI RINÇAGE** : appuyer pour sélectionner le type de rinçage désiré.

Touche **ESSORAGE** : appuyer sur cette touche pour diminuer la vitesse de l'essorage ou pour le supprimer complètement - la valeur correspondante s'affiche à l'écran.

Touche **TEMPÉRATURE** : appuyer pour diminuer la température: la valeur correspondante est affichée à l'écran.

Touche **SÉCAHGE** : appuyer pour réduire ou supprimer le séchage; le niveau ou le temps de séchage sélectionné s'affiche à l'écran.

Touche **SÉCAHGE SEUL** : appuyer sur cette touche pour n'effectuer que la phase de séchage.

Touche **VERROU ENFANT** : pour **activer** le verrouillage des commandes, garder la touche enfoncée pendant environ 2 secondes. Quand l'écran affiche le message "VERROU ENFANT ACTIVÉ", le bandeau de commande est bloqué (exception faite de la touche ON/OFF). Ceci permet d'éviter toute modification involontaire des programmes, surtout s'il y a des enfants à la maison. Pour **désactiver** le verrouillage des commandes, garder la touche enfoncée pendant environ 2 secondes.

Touche **DÉPART DIFFÉRÉ** : appuyer sur cette touche pour sélectionner un départ différé pour le programme choisi. Le retard est affiché à l'écran.

Touche avec voyant **MARCHE/PAUSE**: quand le voyant vert clignote lentement, appuyer sur la touche pour démarrer un lavage. Une fois le cycle lancé, le voyant passe à l'allumage fixe. Pour activer une pause de lavage, appuyer à nouveau sur la touche; le voyant passe à l'orange et se met à clignoter. Si le symbole  n'est pas allumé, il est possible d'ouvrir le hublot. Pour faire redémarrer le lavage exactement à l'endroit de l'arrêt, appuyer une nouvelle fois sur la touche.

Stand-by

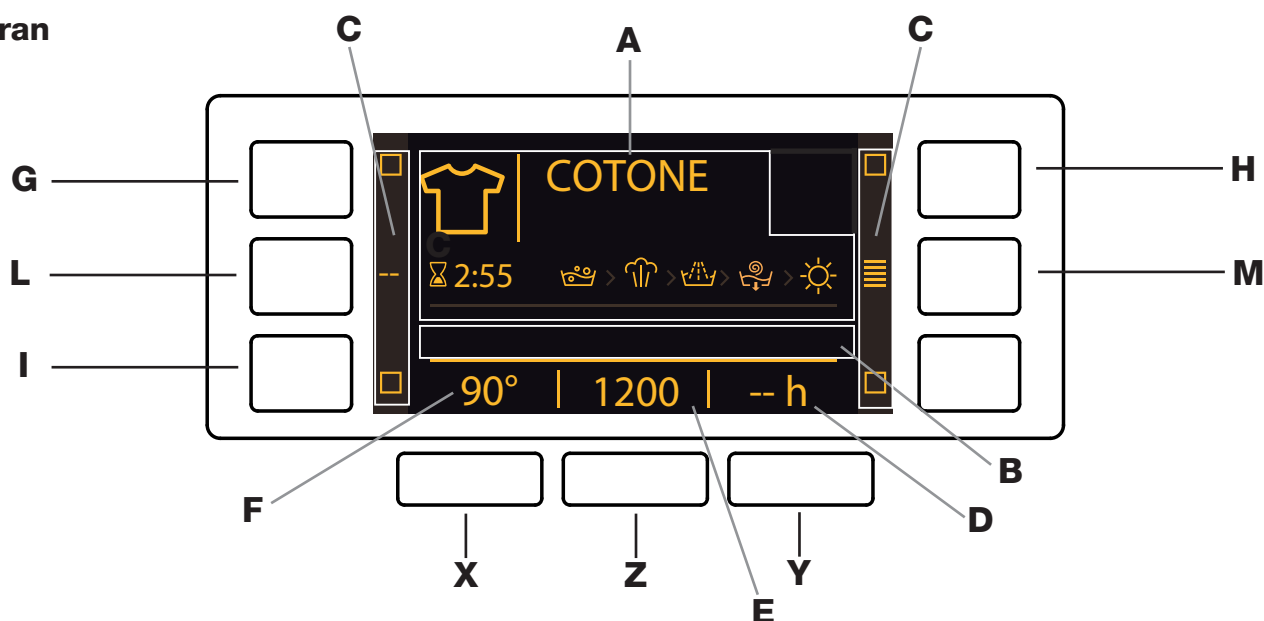
Ce lavante-séchante, conformément aux nouvelles normes en vigueur dans le domaine de l'économie d'énergie, est équipée d'un système d'extinction automatique (veille) activé après 30 minutes environ d'inutilisation. Appuyez brièvement sur la touche ON/OFF et attendez que la machine soit réactivée.

Joint antimicrobien

Le joint du hublot est réalisé dans un mélange particulier en mesure de garantir une protection antimicrobienne, en réduisant la prolifération bactérienne jusqu'à 99,99%. Le joint du hublot contient du pyrithione de zinc, une substance biocide qui réduit la prolifération de microbes nocifs (*) tels que les bactéries et les moisissures, qui pourraient causer des taches, de mauvaises odeurs et une détérioration du produit. (*) **Selon le test effectué par l'Université de Perugia sur:** *Staphylococcus aureus, Escherichia coli, Pseudomonas aeruginosa, Candida albicans, Aspergillus niger, Penicillium digitatum.*

Dans de rares cas, le contact prolongé avec le joint peut provoquer une réaction allergique au niveau de la peau.

Écran



L'écran est utile pour programmer la machine et fournit de multiples renseignements.

La zone **A** affiche l'icône et le programme sélectionné, les phases de lavage et séchage et le temps restant jusqu'à la fin du cycle.

La zone **B** affiche les deux niveaux d'intensité relatifs à l'option «DIRECT INJECTION».

Les zones **C** présentent les voyants des fonctions disponibles.

La zone **D** affiche le temps restant avant le démarrage du programme sélectionné si un DÉPART DIFFÉRÉ a été sélectionné.

La chaîne **E** affiche la valeur maximum de la vitesse d'essorage que la machine peut effectuer en fonction du programme sélectionné; si le programme ne prévoit pas de cycle d'essorage, la zone affiche le symbole "--" faiblement éclairé.

La zone **F** affiche la température qui peut être sélectionnée sur la base du programme choisi ; si le programme ne prévoit pas le réglage de la température, la zone affiche le symbole "--" faiblement éclairé.

Symbole **verrouillage hublot**

Le symbole allumé indique que le hublot est verrouillé pour éviter toute ouverture accidentelle. Pour éviter d'abîmer l'appareil, attendre que le symbole s'éteigne avant d'ouvrir le hublot.

N.B.: si la fonction DÉPART DIFFÉRÉ est active, le hublot reste verrouillé, pour l'ouvrir mettre la machine en pause en appuyant sur la touche MARCHE/PAUSE .

! À la première mise en service, un message s'affiche demandant de sélectionner la langue et l'écran entre automatiquement dans le menu de sélection de la langue.

Pour choisir la langue désirée, appuyer sur les touches **X** et **Y**; pour confirmer la sélection, appuyer sur la touche **Z**.

Pour changer de langue, éteindre l'appareil, appuyer **simultanément** sur les touches **G**, **H** et **I** jusqu'au signal sonore, le menu de sélection de la langue s'affichera à nouveau.

! Pour modifier la luminosité de l'écran, qui est réglée sur la valeur maximum par défaut, éteindre la machine puis appuyer **simultanément** sur les touches **G**, **L**, **M** jusqu'au déclenchement d'un signal sonore. Appuyer sur les touches **X** et **Y** pour choisir la luminosité souhaitée puis appuyer sur la touche **Z** pour confirmer.


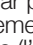
! Pendant un cycle de lavage ou lorsqu'un «DÉPART DIFFÉRÉ» a été demandé, l'économiseur d'écran entre en fonction après 1 minute sans aucune interaction avec l'écran. Pour retourner à la page précédente, il suffit d'appuyer sur une touche quelconque.

Comment effectuer un cycle de lavage ou un séchage

FR

1. **METTRE L'APPAREIL SOUS TENSION.** Appuyer sur la touche , l'inscription HOTPOINT s'affiche à l'écran ; le voyant de MARCHE/PAUSE passe au vert et clignote lentement.
2. **CHARGER LE LINGE.** Ouvrir la porte hublot. Charger le linge en faisant attention à ne pas dépasser la quantité indiquée dans le tableau des programmes de la page suivante.
3. **DOSER LE PRODUIT LESSIVIEL.** Sortir le tiroir et placer le produit lessiviel dans les bacs correspondants comme indiqué au paragraphe "Produits lessiviels et linge".
4. **FERMER LE HUBLOT.**
5. **CHOISIR LE PROGRAMME.** Sélectionner à l'aide du bouton PROGRAMMES le programme voulu; le nom du programme est affiché à l'écran avec attribution d'une température et d'une vitesse d'essorage qui peuvent être modifiées. La durée du cycle s'affiche sur l'écran.
6. **PERSONNALISER LE CYCLE DE LAVAGE.** Appuyer sur les touches correspondantes :

Modifier la température et/ou la vitesse d'essorage.

L'appareil sélectionne automatiquement la température et la vitesse d'essorage maximales prévues pour le programme sélectionné qui ne peuvent par conséquent pas être augmentées. Par pression sur la touche , on peut diminuer progressivement la température de lavage jusqu'à un lavage à froid (l'écran affiche le symbole "--"). Par pression sur la touche , on peut diminuer progressivement la vitesse d'essorage jusqu'à sa suppression totale (l'écran affiche le symbole "--"). Une autre pression sur les touches ramènera les valeurs aux maximales prévues.

! Exception: lors de la sélection du programme 5 la température peut être augmentée jusqu'à 40°.

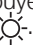
! Exception: lors de la sélection du programme 7 la température peut être augmentée jusqu'à 90°.

! Exception: lors de la sélection du programme 9 la température peut être augmentée jusqu'à 60°.

Sélectionner un départ différé.

Pour programmer le départ différé d'un programme sélectionné, appuyer sur la touche correspondante jusqu'à ce que le retard désiré soit atteint. Pour annuler le départ différé, appuyer sur la touche jusqu'à ce que l'inscription "-- h" s'affiche à l'écran.

Sélectionner le séchage.

Pour sélectionner le type de séchage souhaité, appuyer une ou plusieurs fois de suite sur la touche SÉCHAGE . Deux possibilités sont offertes :

A - En fonction du degré d'humidité du linge:

Repasser: linge légèrement humide, facile à repasser.

Suspendre: idéal pour le linge n'exigeant pas de séchage complet.

Plier: conseillé pour le linge à ranger dans l'armoire sans repassage.

Extra: conseillé pour le linge exigeant un séchage complet, serviettes éponge et peignoirs par exemple.

B - En fonction du temps : de 30 à 180 min.

Pour supprimer le séchage, appuyer sur la touche correspondante jusqu'à affichage de OFF.


Si, exceptionnellement, la charge de linge à laver et faire sécher dépasse la charge maximum prévue, procéder au lavage et une fois le programme terminé, séparer le linge dont une partie sera replacée dans le tambour. Suivre à présent les instructions pour procéder au "Séchage seulement". Procéder de même pour le linge restant. Un cycle de refroidissement est toujours prévu quand le séchage est terminé.

Séchage seulement

Appuyer sur la touche  pour n'effectuer que le séchage.


Après avoir sélectionné le programme voulu, compatible

avec le type de linge traité, une pression sur la touche

 exclut la phase de lavage et lance le séchage au niveau maximum prévu pour le programme sélectionné. Il est possible de modifier et de sélectionner le niveau ou la

durée du séchage en appuyant sur la touche séchage  (Incompatible avec les programmes 1-2-3-4-14).

Programmer le type de rinçage.

L'option  permet de sélectionner le type de rinçage désiré pour un maximum de protection des peaux sensibles. Une première pression sur la touche programme le niveau "Extra +1" qui permet d'ajouter un rinçage supplémentaire à ceux normalement prévus par le cycle de manière à éliminer toute trace de lessive. Une deuxième pression sur la touche programme le niveau "Extra +2" qui permet d'ajouter deux rinçages supplémentaires à ceux normalement prévus par le cycle, il est conseillé pour les peaux extrêmement sensibles. Une troisième pression sur la touche programme le niveau "Extra +3", qui permet d'ajouter 3 rinçages supplémentaires à ceux normalement prévus par le cycle. Cette option activée avec les cycles à une température de 40° permet de supprimer les principaux allergènes tels que les poils de chat, de chien et les pollens. Un excellent niveau de protection hypoallergénique est obtenu avec les cycles à une température supérieure à 40°. Appuyer une nouvelle fois pour retourner au type de rinçage « Rinçage normal ». S'il n'est pas possible de sélectionner ou de modifier le réglage existant, le message "Non Sélectionné" ou "Non Modifiable" s'affiche.

Modifier les caractéristiques du cycle.

- Appuyer sur la touche pour activer la fonction; le voyant correspondant sur l'écran s'allume.

- Appuyer de nouveau sur la touche pour désactiver la fonction; le voyant correspondant sur l'écran s'éteint.

! Si la fonction sélectionnée n'est pas compatible avec le programme choisi, le voyant correspondant est faiblement éclairé ; de plus, l'incompatibilité est signalée par un signal sonore (3 bips) et par l'affichage du message « Non Sélectionné ».

! Si la fonction sélectionnée n'est pas compatible avec une autre fonction précédemment sélectionnée, l'écran affiche le message « Non Sélectionné » et la fonction n'est pas activée.

! Les fonctions permettent de modifier le chargement conseillé et/ou la durée du cycle de lavage.





7. **DEMARRER LE PROGRAMME.** Appuyer sur la touche MARCHE/PAUSE . Le voyant correspondant s'allume en vert fixe et le hublot est verrouillé (symbole HUBLOT VERROUILLE  allumé). Pendant le lavage, le nom de la phase en cours s'affiche à l'écran. Pour modifier un programme lorsqu'un cycle est en cours, **mettre le lavante-séchante en pause** en appuyant sur la touche MARCHE/PAUSE (le voyant MARCHE/PAUSE passe à l'orange et clignote lentement) ; sélectionner le cycle désiré et appuyer de nouveau sur la touche MARCHE/PAUSE . Pour ouvrir la porte tandis qu'un cycle est en cours, appuyer sur la touche MARCHE/PAUSE ; si le symbole HUBLOT VERROUILLE  est éteint, on peut ouvrir le hublot. Pour faire redémarrer le programme exactement à l'endroit de l'arrêt, appuyer une nouvelle fois sur la touche MARCHE/PAUSE.
8. **FIN DU PROGRAMME.** Elle est signalée par l'inscription "FIN DE CYCLE" qui s'affiche à l'écran; quand le symbole HUBLOT VERROUILLE  s'éteint, on peut ouvrir le hublot. Ouvrir le hublot, vider le lavante-séchante et éteindre l'appareil.

! Une pression prolongée sur la touche  permet d'annuler un cycle déjà lancé. Le cycle est interrompu et la machine s'éteint.

Direct Injection

Le lavante-séchante est doté d'une technologie innovante appelée « Direct Injection » qui pré-mélange l'eau et la lessive, activant ainsi immédiatement les principes nettoyants du produit lessiviel. Cette émulsion active est envoyée directement dans le tambour du lavante-séchante et pénètre plus efficacement dans les fibres, éliminant ainsi la saleté la plus tenace même à basse température, tout en respectant au maximum les couleurs et les tissus. Il est possible de choisir le mode « Power » pour obtenir de meilleurs résultats en termes de propreté ou bien le mode « Eco Energie » afin d'économiser de l'énergie.

Tableau des programmes

Programmes	Description du Programme	Temp. maxi. (°C)	Vitesse maxi (tours minute)	Séchage	Produits lessiviels		Charge maxi (kg)	Durée cycle	
					Lavage	Assouplissant			
ANTI-PLIS									
1	Lave & Sèche Mix Journée	40°	800	●	●	●	3	La durée des programmes de lavage est contrôlable sur l'afficheur.	
2	Laver&Secher Chemises	40°	1000	●	●	●	2		
3	Pré-Repassage	-	-	-	-	-	1,5		
4	Vapeur	-	-	-	-	-	2		
QUOTIDIEN									
5	Anti-Taches Turbo 45'	20° (Max. 40°C)	1200	●	●	●	4		
6	Anti-Taches Power 20°C	40°	1400	●	●	●	9		
7	Coton: blancs et couleurs délicates peu sales.	40° (Max. 90°C)	1400	●	●	●	9		
8	Eco Coton  (1-2): blancs et couleurs résistantes très sales.	60°	1400	●	●	●	9		
9	Synthétiques (3): couleurs résistantes très sales.	40° (Max. 60°C)	1000	●	●	●	4,5		
SPECIAL									
10	Mix Couleurs	40°	1400	●	●	●	9		
11	Ultra Délicats	30°	--	●	●	●	1		
12	Laine: pour laine, cachemire, etc.	40°	800	●	●	●	2		
13	Sport	40°	600	●	●	●	4		
14	Rapide 30' (**): pour rafraîchir rapidement du linge peu sale (ne convient pas pour la laine, la soie et le linge à laver à la main).	30°	800	●	●	●	3,5		
Programmes partiels									
	Rinçage	-	1400	●	-	●	9		
	Essorage + Vidange	-	1400	●	-	-	9		
	Vidange seulement *	-	--	-	-	-	9		

* En cas de sélection du programme  et de suppression de l'essorage, la machine n'effectuera que la vidange.

** Si l'on sélectionne également un cycle de séchage, la machine effectuera un programme de « lavage+séchage » d'une durée de 45 min à la vitesse d'essorage maximale et avec une charge de linge de 1 kg.

La durée du cycle indiquée sur l'écran ou dans la notice représente une estimation calculée dans des conditions standard. Le temps effectif peut varier en fonction de nombreux facteurs tels que : température et pression de l'eau en entrée, température ambiante, quantité de lessive, quantité et type de charge, équilibrage de la charge, options supplémentaires sélectionnées.

1) Programme de contrôle selon la directive EN 50229: sélectionner le programme 8 et une température de 60°C.

2) Programme coton long: sélectionner le programme 8 avec une température de 40°C et appuyer sur la touche DIRECT INJECTION avec le mode "Power".


3) Programme synthétique long: sélectionner le programme 9 avec une température de 40°C.

Fonctions de lavage

! Si la fonction sélectionnée n'est pas compatible avec le programme choisi, le voyant correspondant est faiblement éclairé ; de plus, l'incompatibilité est signalée par un signal sonore (3 bips) et par l'affichage du message «**Non Sélectionné**».

! Si la fonction sélectionnée n'est pas compatible avec une autre fonction précédemment sélectionnée, l'écran affiche le message «**Non Sélectionné**» et la fonction n'est pas activée.

Hygiène Vapeur

La sélection de cette option augmente l'efficacité du lavage par la production de vapeur qui pendant le cycle de lavage élimine aussi les bactéries nichées dans les fibres tout en prenant soin du linge. Introduire le linge dans le tambour, sélectionner le programme compatible et choisir l'option .

! Pendant le fonctionnement du lave-linge, il se peut que la porte hublot soit moins transparente à cause de la formation de vapeur.

Produits lessiviels et linge

FR

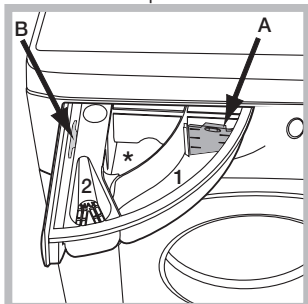
Tiroir à produits lessiviels

Un bon résultat de lavage dépend aussi d'un bon dosage de produit lessiviel: un excès de lessive ne lave pas mieux, il incruste l'intérieur du lavante-séchante et pollue l'environnement.

! Utiliser des lessives en poudre pour du linge en coton blanc et en cas de pré-lavage et de lavages à une température supérieure à 60°C.

! Respecter les indications figurant sur le paquet de lessive.

! Ne pas utiliser de lessives pour lavage à la main, elles moussent trop.



Sortir le tiroir à produits lessiviels et verser la lessive ou l'additif comme suit.

! Ne pas mettre la lessive dans la bac central (*).

bac 1: Lessive lavage (en poudre ou liquide)

En cas d'utilisation de lessive liquide, nous conseillons d'introduire le séparateur A

fourni avec le lavante-séchante pour mieux déterminer la dose correcte. En cas d'utilisation de lessive en poudre, placer le séparateur dans le bac B.

bac 2: Additifs (assouplissant, etc.)

L'assouplissant ne doit pas déborder de la grille.

Triage du linge

- Trier correctement le linge d'après:
 - le type de textile / le symbole sur l'étiquette.
 - les couleurs: séparer le linge coloré du blanc.
- Vider les poches et contrôler les boutons.
- Ne pas dépasser les valeurs indiquées correspondant au poids de linge sec : voir "Tableau des programmes".

Combien pèse le linge ?

- 1 drap 400-500 g
- 1 taie d'oreiller 150-200 g
- 1 nappe 400-500 g
- 1 peignoir 900-1200 g
- 1 serviette éponge 150-250 g

Programmes spéciaux

Lave & Sèche Mix Journée: utiliser le programme 1 pour laver et sécher des vêtements mélangés (coton et synthétiques). La sélection de ce cycle permet de laver et de sécher jusqu'à 3 kg de linge; *il est conseillé d'utiliser une lessive liquide.*

Grâce à l'utilisation de la vapeur, le programme est optimisé pour réduire la formation de plis sur les vêtements, ce qui les rend plus faciles à repasser.

Laver&Secher Chemises: utiliser le programme 2 pour laver et sécher avec le plus grand soin des chemises et T-shirts de tissus et couleurs différents. La sélection de ce cycle permet de laver et de sécher jusqu'à 2 kg de linge. Pour obtenir de meilleurs résultats, utiliser une lessive liquide; pré-traiter les cols, les poignets et les taches. Grâce à l'utilisation de la vapeur, le programme est optimisé pour réduire la formation de plis sur les vêtements, ce qui les rend plus faciles à repasser.

Pré-Repassage: utiliser ce programme juste avant de repasser le linge; charge maximale 1,5 kg.

Grâce à l'utilisation de la vapeur, le programme est optimisé pour réduire la formation de plis sur les vêtements, ce qui les rend plus faciles à repasser.

Vapeur: pour rafraîchir les vêtements, neutraliser les odeurs déplaisantes, et détendre la fibre en relâchant de la vapeur dans le tambour. Les vêtements seront humides à la fin du cycle.

Anti-Taches Turbo 45': ce cycle garantit une excellente capacité d'élimination des taches dès 20°C et en seulement 45 minutes. La température de ce cycle peut être augmentée jusqu'à 40°C.

Anti-Taches Power 20°C: ce programme est celui qui offre la capacité d'élimination des taches la plus élevée sans qu'aucun pré-traitement ne soit nécessaire, à basse température, et en préservant les tissus et les couleurs.

Mix Couleurs: pour laver les vêtements de couleur en coton. Ce programme est optimisé pour garder les couleurs brillantes, même après plusieurs lavages.

Ultra Délicats: utiliser le programme 11 pour le lavage d'articles particulièrement délicats avec applications de strass ou de paillettes.

Il est recommandé de mettre le linge à l'envers avant le lavage et d'introduire les articles plus petits dans le sachet prévu pour le lavage des articles délicats. Pour obtenir de meilleurs résultats, nous conseillons d'utiliser de la lessive liquide spéciale textiles délicats.

Pour obtenir de meilleurs résultats, nous conseillons d'utiliser de la lessive liquide spéciale textiles délicats.

En cas de sélection de la fonction de séchage temporisé, un séchage particulièrement délicat aura lieu à la fin du lavage sous forme d'un brassage léger et avec un jet d'air à une température dûment contrôlée.

Les temps conseillés sont :

1 kg de synthétique --> 165 min

1 kg de synthétique et coton --> 180 min

1 kg de coton --> 180 min

Le degré de séchage dépendra de la charge et de la composition du textile.

Laine - Woolmark Apparel Care - Green:

le cycle de lavage « Laine » de ce lavante-séchante a été approuvé par la société Woolmark Company pour le lavage d'articles en laine classés comme « lavables à la main », à condition que le lavage soit effectué conformément aux instructions indiquées sur l'étiquette du vêtement et aux indications fournies par le fabricant de ce lavante-séchante.)



Sport: pour laver des textiles propres aux vêtements de sport (survêtements, shorts, serviettes, etc.) peu sales; pour obtenir d'excellents résultats nous recommandons de ne pas dépasser la charge maximale indiquée dans le "Tableau des programmes". Nous recommandons d'utiliser de la lessive liquide, avec une dose appropriée pour une demi-charge.

Système d'équilibrage de la charge

Avant tout essorage, pour éviter toute vibration excessive et répartir le linge de façon uniforme, le lavante-séchante fait tourner le tambour à une vitesse légèrement supérieure à la vitesse de lavage. Si au bout de plusieurs tentatives, la charge n'est toujours pas correctement équilibrée, l'appareil procède à un essorage à une vitesse inférieure à la vitesse normalement prévue. En cas de déséquilibre excessif, le lavante-séchante préfère procéder à la répartition du linge plutôt qu'à son essorage. Pour une meilleure répartition de la charge et un bon équilibrage, nous conseillons de mélanger de grandes et petites pièces de linge.

Il peut arriver que le lavante-séchante ne fonctionne pas bien. Avant d'appeler le Service de dépannage (voir "Assistance"), contrôler s'il ne s'agit pas par hasard d'un problème facile à résoudre à l'aide de la liste suivante.

Anomalies:

Causes / Solutions possibles:

Le lavante-séchante ne s'allume pas.

- La fiche n'est pas branchée dans la prise de courant ou mal branchée.
- Il y a une panne de courant.

Le cycle de lavage ne démarre pas.

- Le hublot n'est pas bien fermé.
- La touche ON/OFF n'a pas été enfoncée.
- La touche MARCHE/PAUSE n'a pas été enfoncée.
- Le robinet de l'eau n'est pas ouvert.
- Un départ différé a été sélectionné.

Il n'y a pas d'arrivée d'eau (le message "ABSENCE EAU, Ouvrir robinet" s'affiche à l'écran).

- Le tuyau d'arrivée de l'eau n'est pas raccordé au robinet.
- Le tuyau est plié.
- Le robinet de l'eau n'est pas ouvert.
- Il y a une coupure d'eau.
- La pression n'est pas suffisante.
- La touche MARCHE/PAUSE n'a pas été enfoncée.

Le lavante-séchante prend l'eau et vidange continuellement.

- Le tuyau de vidange n'est pas installé à une distance du sol comprise entre 65 et 100 cm (voir "Installation").
- L'extrémité du tuyau de vidange est plongée dans l'eau (voir "Installation").
- L'évacuation murale n'a pas d'évent.

Si après ces vérifications, le problème persiste, fermer le robinet de l'eau, éteindre la machine et appeler le service Assistance. Si l'appartement est situé en étage dans un immeuble, il peut y avoir des phénomènes de siphonnage qui font que le lavante-séchante prend et évacue l'eau continuellement. Pour supprimer cet inconvénient, on trouve dans le commerce des soupapes spéciales anti-siphonnage.

Le lavante-séchante ne vidange pas et n'essore pas.

- Le programme ne prévoit pas de vidange: pour certains programmes, il faut la faire partir manuellement ("Programmes et fonctions").
- Le tuyau de vidange est plié (voir "Installation").
- La conduite d'évacuation est bouchée.

Le lavante-séchante vibre beaucoup pendant l'essorage.

- Le tambour n'a pas été débloqué comme il faut lors de l'installation du lavante-séchante (voir "Installation").
- Le lavante-séchante n'est pas posé à plat (voir "Installation").
- Le lavante-séchante est coincé entre des meubles et le mur (voir "Installation").

Le lavante-séchante a des fuites.

- Le tuyau d'arrivée de l'eau n'est pas bien vissé (voir "Installation").
- Le tiroir à produits lessiviels est bouché (pour le nettoyer voir "Entretien et soin").
- Le tuyau de vidange n'est pas bien fixé (voir "Installation").

L'appareil est bloqué, l'écran clignote et affiche un code d'anomalie (par ex. : F-01, F-...).

- Eteindre l'appareil et débrancher la fiche de la prise de courant, attendre 1 minute environ avant de rallumer.
Si l'anomalie persiste, appeler le service d'assistance.

Il y a un excès de mousse.

- Le produit de lavage utilisé n'est pas une lessive spéciale machine (il faut qu'il y ait l'inscription "pour lave-linge", "main et machine", ou autre semblable).
- La quantité utilisée est excessive.

Le lavante-séchante ne sèche pas.

- La fiche n'est pas branchée dans la prise de courant ou mal branchée.
- Il y a une panne de courant.
- Le hublot n'est pas bien fermé.
- Un départ différé a été sélectionné.
- Le SÉCHAGE est en position OFF.

Avant d'appeler le service après-vente:

- Vérifier si on ne peut pas résoudre l'anomalie par ses propres moyens (*voir "Anomalies et Remèdes"*);
- Remettre le programme en marche pour contrôler si l'inconvénient a disparu;
- Autrement, contacter le Centre d'Assistance technique agréé au numéro de téléphone indiqué sur le certificat de garantie.

! Ne jamais s'adresser à des techniciens non agréés.

Communiquer:

- le type de panne;
- le modèle de l'appareil (Mod.);
- son numéro de série (S/N).

Ces informations se trouvent sur la plaque signalétique apposée à l'arrière du lavante-séchante et à l'avant quand on ouvre la porte hublot.