

SHARP[®]

PN-K322B

LCD MONITOR
MONITEUR LCD
MONITOR LCD

ENGLISH

FRANÇAIS

ESPAÑOL

SETUP MANUAL
MANUEL D'INSTALLATION
MANUAL DE INSTALACIÓN

HDMI[™]
HIGH-DEFINITION MULTIMEDIA INTERFACE

ENGLISH E1
FRANÇAIS..... F1
ESPAÑOL S1

IMPORTANT:

To aid reporting in case of loss or theft, please record the product's model and serial numbers in the space provided. The numbers are located in the rear of the product.

Model No.:

Serial No.:

U.S.A. ONLY



Contents [ENGLISH]

<p>IMPORTANT INFORMATION.....1</p> <p>DEAR SHARP CUSTOMER.....1</p> <p>SAFETY PRECAUTIONS.....2</p> <p>SAFETY INSTRUCTION3</p> <p>MOUNTING PRECAUTIONS4</p> <p>Supplied Components.....5</p>	<p>Adjustment of monitor position5</p> <p>Connections6</p> <p>Turning Power On/Off.....7</p> <p>Specifications8</p> <p>Mounting Precautions (For SHARP dealers and service engineers).....8</p>
--	--

ENGLISH

Read the manuals in the "Manual" folder of the provided CD-ROM. (Adobe Reader is required to view the manuals.)

IMPORTANT INFORMATION

WARNING: TO REDUCE THE RISK OF FIRE OR ELECTRIC SHOCK, DO NOT EXPOSE THIS PRODUCT TO RAIN OR MOISTURE.

<div style="border: 1px solid black; padding: 5px; text-align: center;"> <div style="display: inline-block; background-color: black; color: white; padding: 2px 5px; font-weight: bold;">CAUTION</div> </div> <div style="border: 1px solid black; padding: 5px; text-align: center; margin-top: 5px;"> <p>RISK OF ELECTRIC SHOCK DO NOT OPEN</p> </div>	<p> The lightning flash with arrowhead symbol, within a triangle, is intended to alert the user to the presence of uninsulated "dangerous voltage" within the product's enclosure that may be of sufficient magnitude to constitute a risk of electric shock to persons.</p> <p> The exclamation point within a triangle is intended to alert the user to the presence of important operating and maintenance (servicing) instructions in the literature accompanying the product.</p>
<p>CAUTION: TO REDUCE THE RISK OF ELECTRIC SHOCK, DO NOT REMOVE COVER. NO USER-SERVICEABLE PARTS INSIDE. REFER SERVICING TO QUALIFIED SERVICE PERSONNEL.</p>	

WARNING:
FCC Regulations state that any unauthorized changes or modifications to this equipment not expressly approved by the manufacturer could void the user's authority to operate this equipment.

NOTE:
This equipment has been tested and found to comply with the limits for Class A digital device, pursuant to Part 15 of the FCC Rules. These limits are designed to provide reasonable protection against harmful interference when the equipment is operated in a commercial environment. This equipment generates, uses, and can radiate radio frequency energy and, if not installed and used in accordance with the instruction manual, may cause harmful interference to radio communications. Operation of this equipment in a residential area is likely to cause harmful interference in which case the user will be required to correct the interference at his own expense.

U.S.A. ONLY

DEAR SHARP CUSTOMER

Thank you for your purchase of a SHARP LCD product. To ensure safety and many years of trouble-free operation of your product, please read the Safety Precautions carefully before using this product.



SAFETY PRECAUTIONS

Electricity is used to perform many useful functions, but it can also cause personal injuries and property damage if improperly handled. This product has been engineered and manufactured with the highest priority on safety. However, improper use can result in electric shock and/or fire. In order to prevent potential danger, please observe the following instructions when installing, operating and cleaning the product. To ensure your safety and prolong the service life of your LCD product, please read the following precautions carefully before using the product.

1. Read instructions — All operating instructions must be read and understood before the product is operated.
2. Keep this manual in a safe place — These safety and operating instructions must be kept in a safe place for future reference.
3. Observe warnings — All warnings on the product and in the instructions must be observed closely.
4. Follow instructions — All operating instructions must be followed.
5. Cleaning — Unplug the power cord from the AC outlet before cleaning the product. Use a dry cloth to clean the product. Do not use liquid cleaners or aerosol cleaners.
6. Attachments — Do not use attachments not recommended by the manufacturer. Use of inadequate attachments can result in accidents.
7. Water and moisture — Do not use the product near water. Do not install the product in a place where water may splash onto it. Be careful of equipment which drains water such as an air-conditioner.
8. Ventilation — The vents and other openings in the cabinet are designed for ventilation. Do not cover or block these vents and openings since insufficient ventilation can cause overheating and/or shorten the life of the product. Do not place the product on a sofa, rug or other similar surface, since they can block ventilation openings. Do not place the product in an enclosed place such as a bookcase or rack, unless proper ventilation is provided or the manufacturer's instructions are followed.
9. Power cord protection — The power cords must be routed properly to prevent people from stepping on them or objects from resting on them.
10. The LCD panel used in this product is made of glass. Therefore, it can break when the product is dropped or applied with impact. Be careful not to be injured by broken glass pieces in case the LCD panel breaks.
11. Overloading — Do not overload AC outlets or extension cords. Overloading can cause fire or electric shock.
12. Entering of objects and liquids — Never insert an object into the product through vents or openings. High voltage flows in the product, and inserting an object can cause electric shock and/or short internal parts.
For the same reason, do not spill water or liquid on the product.
13. Servicing — Do not attempt to service the product yourself. Removing covers can expose you to high voltage and other dangerous conditions. Request a qualified service person to perform servicing.
14. Repair — If any of the following conditions occurs, unplug the power cord from the AC outlet, and request a qualified service person to perform repairs.
 - a. When the power cord or plug is damaged.
 - b. When a liquid was spilled on the product or when objects have fallen into the product.
 - c. When the product has been exposed to rain or water.
 - d. When the product does not operate properly as described in the operating instructions.
Do not touch the controls other than those described in the operating instructions. Improper adjustment of controls not described in the instructions can cause damage, which often requires extensive adjustment work by a qualified technician.
 - e. When the product has been dropped or damaged.
 - f. When the product displays an abnormal condition. Any noticeable abnormality in the product indicates that the product needs servicing.
15. Replacement parts — In case the product needs replacement parts, make sure that the service person uses replacement parts specified by the manufacturer, or those with the same characteristics and performance as the original parts. Use of unauthorized parts can result in fire, electric shock and/or other danger.
16. Safety checks — Upon completion of service or repair work, request the service technician to perform safety checks to ensure that the product is in proper operating condition.
17. Wall mounting — When mounting the product on a wall, be sure to install the product according to the method recommended by the manufacturer.
18. Heat sources — Keep the product away from heat sources such as radiators, heaters, stoves and other heat-generating products (including amplifiers).
19. Usage of the monitor must not be accompanied by fatal risks or dangers that, could lead directly to death, personal injury, severe physical damage or other loss, including nuclear reaction control in nuclear facility, medical life support system, and missile launch control in a weapon system.
20. Do not stay in contact with the parts of the product that become hot for long periods of time. Doing so may result in low-temperature burns.



SAFETY PRECAUTIONS (Continued)

WARNING:

This is a class A product. In a domestic environment this product may cause radio interference in which case the user may be required to take adequate counter measures.

To maintain compliance with EMC regulations, use shielded cables to connect to the following terminals: HDMI input terminal and DisplayPort input terminal.

If a monitor is not positioned in a sufficiently stable location, it can be potentially hazardous due to falling. Many injuries, particularly to children, can be avoided by taking simple precautions such as:

- Using fixing devices like wall mount brackets recommended by the manufacturer.
- Only using furniture that can safely support the monitor.
- Ensuring the monitor is not overhanging the edge of the supporting furniture.
- Not placing the monitor on tall furniture (for example, cupboards or bookcases) without anchoring both the furniture and the monitor to a suitable support.
- Not standing the monitors on cloth or other materials placed between the monitor and supporting furniture.
- Educating children about the dangers of climbing on furniture to reach the monitor or its controls.

Especially for child safety

- Don't allow children to climb on or play with the monitor.
- Don't place the monitor on furniture that can easily be used as steps, such as a chest of drawers.
- Remember that children can become excited while watching a program, especially on a "larger than life" monitor. Care should be taken to place or install the monitor where it cannot be pushed, pulled over, or knocked down.
- Care should be taken to route all cords and cables connected to the monitor so that they cannot be pulled or grabbed by curious children.

SAFETY INSTRUCTION

- Do not use the monitor where there is a lot of dust, where humidity is high, or where the monitor may come into contact with oil or steam, as this could lead to fire.
- Ensure that the monitor does not come into contact with water or other fluids. Ensure that no objects such as paper clips or pins enter the monitor as this could lead to fire or electric shock.
- Do not place the monitor on top of unstable objects or in unsafe places. Do not allow the monitor to receive strong shocks or to strongly vibrate. Causing the monitor to fall or topple over may damage it.
- Do not use the monitor near heating equipment or in places where there is likelihood of high temperature. Do not use in an environment where there are corrosive gases (sulfur dioxide, hydrogen sulfide, nitrogen dioxide, chlorine, ammonia, ozone, etc.). As this may lead to generation of excessive heat and outbreak of fire.
- Do not use the monitor in places where it may be exposed to direct sunlight.
- The AC outlet shall be installed near the equipment and shall be easily accessible.
- Do not display the same image for an extended time. The residual image will gradually disappear by displaying an animated image (etc.).

The Power Cord and AC adapter

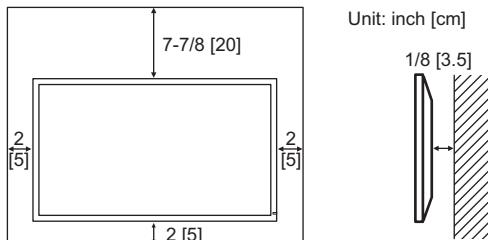
- Use only the power cord and AC adapter supplied with the monitor.
- When handling the AC adapter, observe the following: Incorrect handling may result in fire, electric shock, or injury.
 - Do not drop the AC adapter or subject it to impact.
 - Never disassemble the AC adapter. It contains high voltage parts that are dangerous to touch.
 - The AC adapter is for indoor use only. Do not use it outside.
 - Do not use the supplied AC adapter with other devices.
- Do not damage the power cord and AC adapter nor place heavy objects on it, stretch it or over bend it. Also, do not add extension cords. Damage to the cord may result in fire or electric shock.
- Do not use the power cord with a power tap. Adding an extension cord may lead to fire as a result of overheating.
- Do not remove or insert the power plug with wet hands. Doing so could result in electric shock.
- Unplug the power cord if it is not used for a long time.
- Do not attempt to repair the power cord if it is broken or malfunctioning. Refer the servicing to the service representative.
- Do not stay in contact with the parts of the product and the AC adapter that become hot for long periods of time. Doing so may result in low-temperature burns.
- Do not fasten the AC adapter to the monitor or other equipment. Doing so may result in fire and electrical shock.



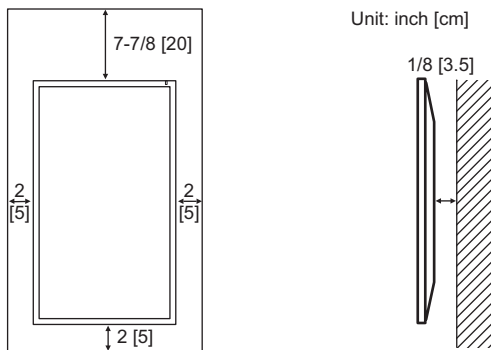
MOUNTING PRECAUTIONS

- This product is for use indoors.
- A mounting bracket compliant with VESA specifications is required.
- To install on a stand (commercially available) or on a wall, or to remove or move the monitor, consult your dealer.
- Mounting the monitor on the wall requires special expertise and the work must be performed by an authorized SHARP dealer. You should never attempt to perform any of this work yourself. Our company will bear no responsibility for accidents or injuries caused by improper mounting or mishandling.
- Use the monitor with the surface perpendicular to a level surface. If you are tilting the monitor without using the supplied stand, the monitor may be tilted up to 25 degrees upward or 20 degrees downward.
- This monitor should be used at an ambient temperature between 41°F (5°C) and 95°F (35°C). Provide enough space around the monitor to prevent heat from accumulating inside.

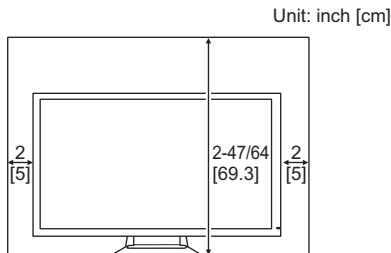
For the monitor in landscape orientation



For the monitor in portrait orientation

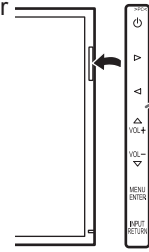


For the monitor on the supplied stand



- If it is difficult to provide sufficient space for any reason such as the installation of the monitor inside a housing, or if the ambient temperature may be outside of the range of 41°F (5°C) to 95°F (35°C), install a fan or take other measures to keep the ambient temperature within the required range.
- Do not block any ventilation openings. If the temperature inside the monitor rises, this could lead to a malfunction.
- Do not place the monitor on a device which generates heat.

- When installing the monitor in landscape orientation, you can attach the supplied horizontal sticker (Operation buttons) to the front.

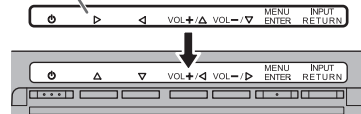


- Use the supplied vertical sticker when you install the monitor in portrait orientation.

Attach the vertical sticker (Operation buttons) to the back or the front.

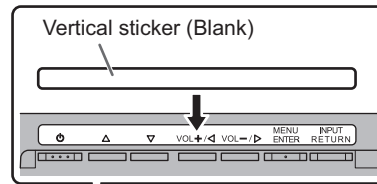
• Back

Vertical sticker (Operation buttons)

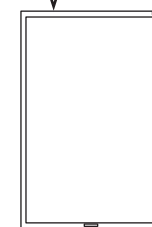
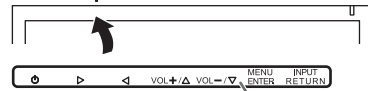


• Front

Vertical sticker (Blank)



Vertical sticker (Operation buttons)



Cover Sharp logo

SHARP Vertical sticker (Logo)

! Caution

- Adhere to the following when installing the monitor in its portrait orientation. Failing to adhere to the following may cause malfunctions.
 - Install the monitor such that the operation buttons are located on the top side.
 - Set the MONITOR on the MONITOR menu to PORTRAIT. (See OPERATION MANUAL.)



Supplied Components

If any component should be missing, please contact your dealer.

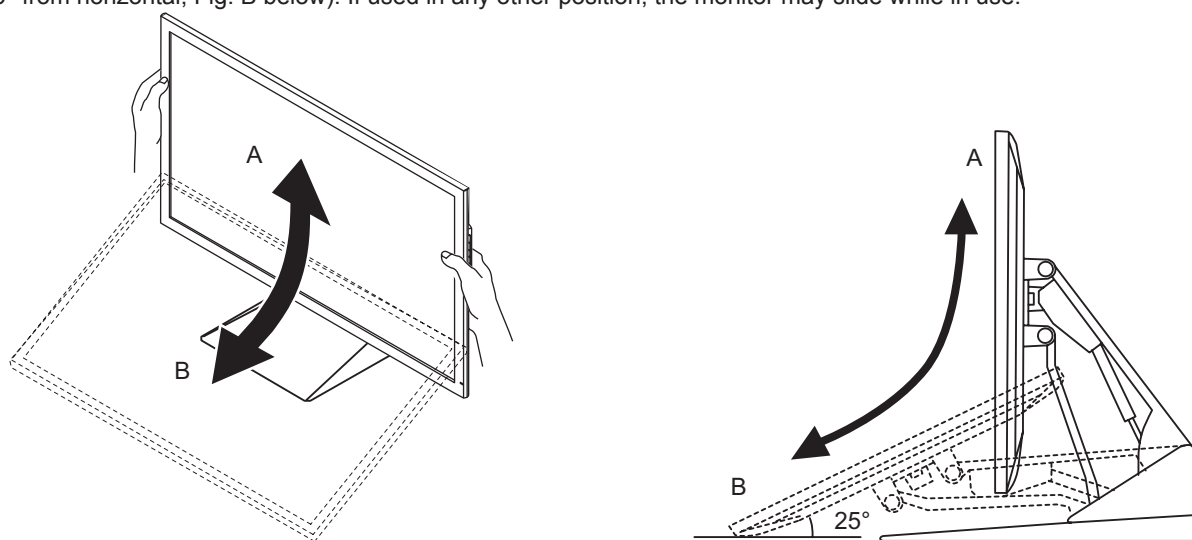
- Liquid Crystal Display Monitor: 1
- Touch pen: 1
- Cable cover: 1
- Power cord: 1
- AC adapter: 1
- CD-ROM (Utility Disk for Windows): 1
- Setup Manual (this manual): 1
- DisplayPort cable: 1
- RS-232C conversion cable (Φ3.5 mini-jack): 1
- USB cable (for touch panel, miniB): 1
- Cable clamp: 2
- Cable clamp (small): 1
- Cable clamp (large): 3
- Anti-toppling clamp: 2
- Screws (for anti-toppling) (M4 x 10): 2
- Vertical sticker (Logo): 1
- Vertical sticker (Operation buttons): 1
- Vertical sticker (Blank): 1
- Horizontal sticker (Operation buttons): 1
- Cover Sharp logo: 1 (Place this sticker onto the SHARP logo to cover the logo.)

* Sharp Corporation holds authorship rights to the Utility Disk program. Do not reproduce it without permission.

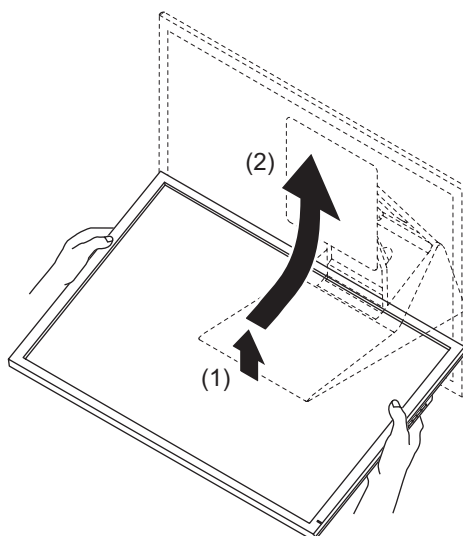
Adjustment of monitor position

You can slide the monitor to adjust its position.

Use the monitor in the perpendicular position (about 90° from horizontal, Fig. A below) or slid to the bottommost position (about 25° from horizontal, Fig. B below). If used in any other position, the monitor may slide while in use.



When moving the monitor from the position of Fig. B to the position of Fig. A above, slightly lift the monitor (1) and slide toward the back (2).



! Caution

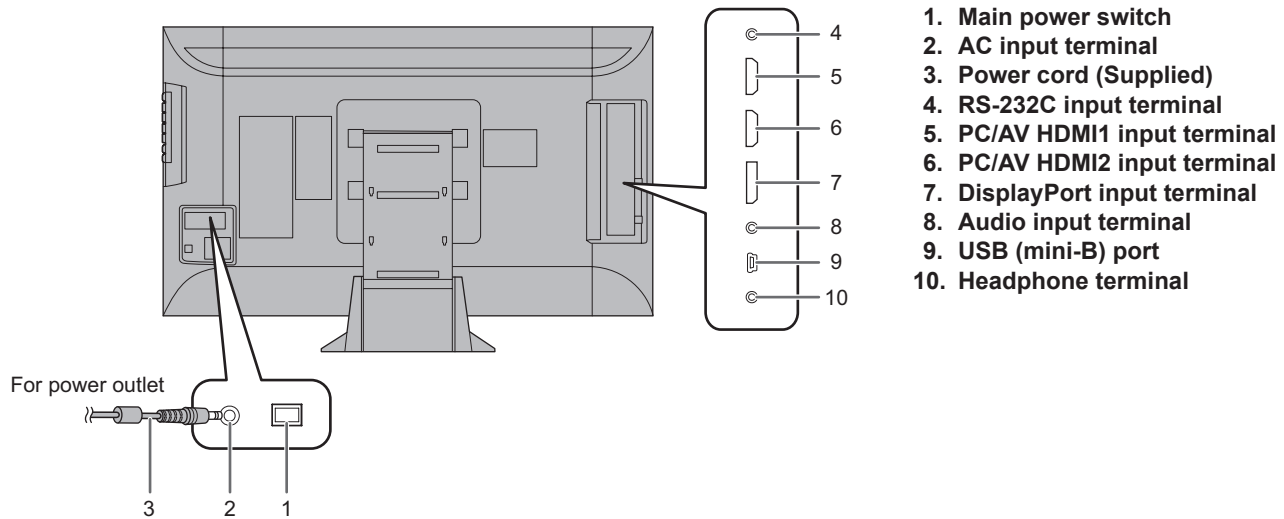
- When sliding the monitor, be sure to grasp only the frame on the left and right sides.
 - Take care not to pinch your fingers.
 - Grasping and applying pressure to the LCD panel may damage it.
 - Take care not to press any buttons. This may cause the volume or other settings to change.



Connections

! Caution

- Be sure to turn off the main power switch and disconnect the plug from the power outlet before connecting/disconnecting cables. Also, read the manual of the equipment to be connected.
- Be careful not to confuse the input terminal with the output terminal when connecting cables. Accidentally reversing cables connected to the input and output terminals may cause malfunctions and the other problems.
- Do not use any cable that has a damaged or deformed terminal. Using such a cable may cause malfunctions.
- Images may not be displayed properly depending on the computer (video cards), cables, or peripheral devices to be connected.



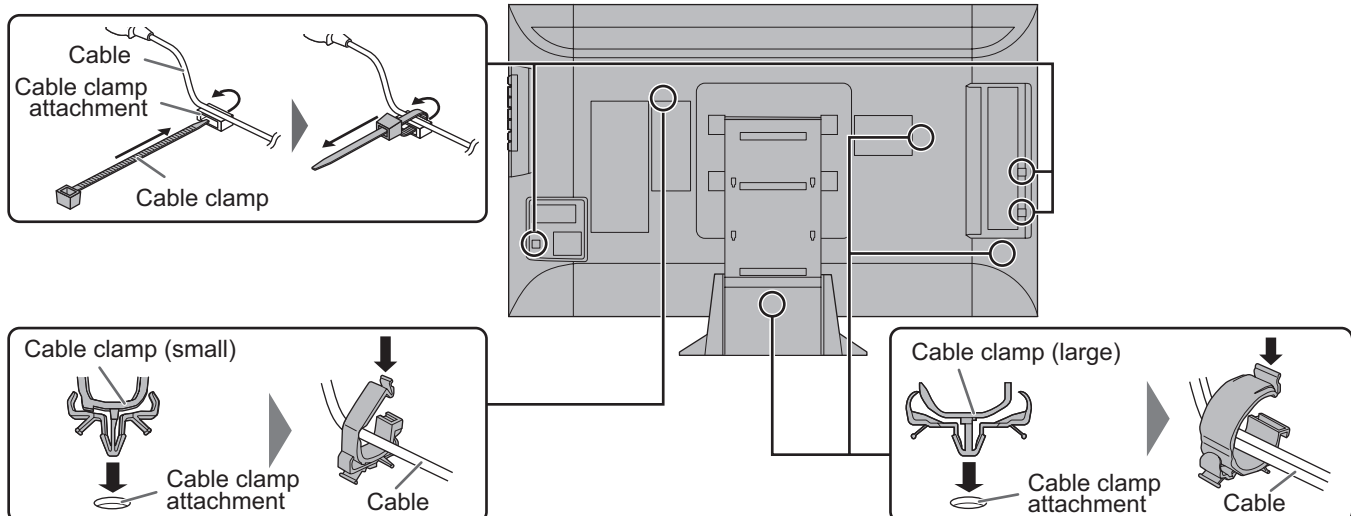
1. Main power switch
2. AC input terminal
3. Power cord (Supplied)
4. RS-232C input terminal
5. PC/AV HDMI1 input terminal
6. PC/AV HDMI2 input terminal
7. DisplayPort input terminal
8. Audio input terminal
9. USB (mini-B) port
10. Headphone terminal

TIPS

- Set the audio input terminal used for each input mode in AUDIO SELECT on the SETUP menu. The factory settings are shown below.

Input mode	Audio input terminal (Factory setting)
DisplayPort	DisplayPort input terminal
HDMI1 [PC], HDMI1 [AV] HDMI2 [PC], HDMI2 [AV]	PC/AV HDMI input terminal

- The cables connected to the terminals on the rear of the monitor can be fastened with the cable clamp. Attach the cable clamps to the attachment parts on the back of the monitor and the stand, and bind the cables.



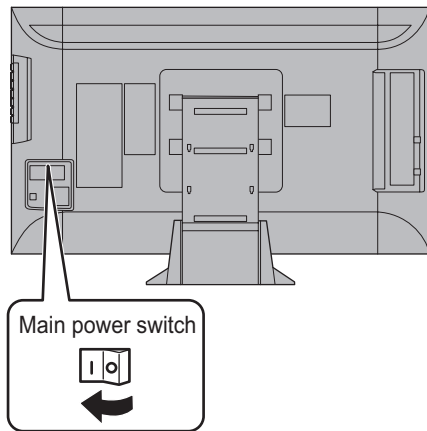
- The terms HDMI and HDMI High-Definition Multimedia Interface, and the HDMI Logo are trademarks or registered trademarks of HDMI Licensing LLC in the United States and other countries.
- DisplayPort is a registered trademark of Video Electronics Standards Association.

Turning Power On/Off

! Caution

- Turn on the monitor first before turning on the PC or playback device.

Turning on the main power

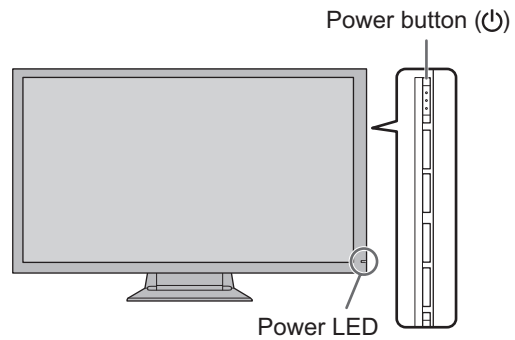


! Caution

- The main power must be turned on/off with the main power switch. Do not connect/disconnect the power cord or turn the breaker on/off while the main power switch is on.
- When switching the main power switch off and back on, always wait for at least 5 seconds.
- For a complete electrical disconnection, pull out the main plug.

Turning power on/off

Press the power button (⏻) to turn the power ON/OFF. To turn off the power, press and hold down the power button (⏻) for about 2 seconds.



Power lamp status	Status of the monitor
Green lit	Power on
Off	Power off (Standby mode)
Orange lit	Input signal waiting mode

! Caution

- When switching the power button (⏻) off and back on, always wait for at least 5 seconds. A short interval may result in a malfunction.

TIPS

- When the main power switch is off, the monitor cannot be turned on.
- If the monitor is in the input signal standby mode and you press the power button (⏻), the monitor enters standby mode.

Specifications

Model		PN-K322B
Power requirement		AC 100 V - 240 V, 50/60 Hz (when using the supplied AC adapter)
Operating temperature		41°F to 95°F (5°C to 35°C)
Operating humidity		20% to 80% (no condensation)
Power consumption		97 W * (when using the supplied AC adapter)
Dimensions (excluding protrusions)	inch (mm)	Monitor only Approx. 29-17/32(W) x 1-27/64(D) x 17-3/8(H) (750 x 36 x 441) Monitor on supplied stand • Monitor screen angle 90° (from horizontal) Approx. 29-17/32(W) x 15-23/64(D) x 19-27/64(H) (750 x 390 x 493) • Monitor screen angle 25° (from horizontal) Approx. 29-17/32(W) x 22-41/64(D) x 8-5/32(H) (750 x 575 x 207)
Weight	lbs. (kg)	Approx. 19.9 (9.0) (monitor only) Approx. 35.3 (16.0) (monitor on supplied stand)

* When using the monitor in DC19.5 V : 91 W

As a part of our policy of continuous improvement, SHARP reserves the right to make design and specification changes for product improvement without prior notice. The performance specification figures indicated are nominal values of production units. There may be some deviations from these values in individual units.

Mounting Precautions (For SHARP dealers and service engineers)

- When installing, removing or moving the monitor, ensure that this is carried out by at least 2 people.
- Be sure to use a wall-mount bracket designed or designated for mounting the monitor.
- This monitor is designed to be installed on a concrete wall or pillar. Reinforced work might be necessary for some materials such as plaster / thin plastic board / wood before starting installation.
This monitor and bracket must be installed on a wall which can endure at least 4 times or more the weight of the monitor.
Install by the most suitable method for the material and the structure.
- To attach a VESA-compliant mounting bracket, use M6 screws that are 5/16 inch (8 mm) to 3/8 inch (10 mm) longer than the thickness of the mounting bracket.
- Do not use an impact driver.
- When moving the monitor, be sure to hold it with the unit bottom and the side of unit. Do not hold the LCD panel or corners.
This may cause product damage, failure, or injury.
- Do not use any screw holes other than VESA holes for installation.



Table des matières

[FRANÇAIS]





INFORMATION IMPORTANTE	1	Réglage de la position du moniteur	5
CHER CLIENT	1	Connexions	6
PRÉCAUTIONS DE SÉCURITÉ	2	Mise sous tension et hors tension	7
MESURES DE SÉCURITÉ	3	Caractéristiques	8
PRÉCAUTIONS POUR LE MONTAGE	4	Précautions pour le montage (À l'attention des revendeurs et techniciens SHARP) ...	8
Composants fournis	5		

Lisez les manuels se trouvant dans le dossier "Manual" du CD-ROM fourni. (Adobe Reader est nécessaire pour pouvoir visualiser les manuels.)

FRANÇAIS

INFORMATION IMPORTANTE

AVERTISSEMENT : POUR RÉDUIRE LE RISQUE D'INCENDIE OU DE DÉCHARGE ÉLECTRIQUE, NE PAS EXPOSER CE PRODUIT À LA PLUIE OU À LA POUSSIÈRE.

	<p>ATTENTION</p> <p>RISQUE DE DÉCHARGE ÉLECTRIQUE NE PAS OUVRIR</p>		 <p>Le symbole représenté par l'éclair à la tête en pointe de flèche à l'intérieur d'un triangle, est placé pour alerter l'utilisateur de la présence d'une "tension dangereuse" non isolée à l'intérieur du produit. Cette tension peut avoir une valeur suffisante pour constituer un risque d'électrocution à toute personne.</p>
<p>ATTENTION : POUR RÉDUIRE LE RISQUE DE DÉCHARGE ÉLECTRIQUE, NE PAS RETIRER LE COUVERCLE. IL N'Y A AUCUNE PIÈCE RÉPARABLE PAR L'UTILISATEUR À L'INTÉRIEUR. AVERTIR LE PERSONNEL DE SERVICE QUALIFIÉ POUR TOUTE PROCÉDURE D'ENTRETIEN.</p>			 <p>Le point d'exclamation à l'intérieur d'un triangle est placé pour alerter l'utilisateur de la présence d'une procédure particulière ou d'une procédure de maintenance (entretien) importante dans les manuels accompagnant le produit.</p>

AVERTISSEMENT :

Les lois FCC établissent que tout changement ou modification non-autorisés de cet équipement qui n'ont pas été expressément approuvés par le producteur, constituent un motif d'annulation des droits de l'utilisateur d'utiliser cet appareil.

REMARQUE :

Cet équipement, après les tests, a été jugé conforme aux limites d'un équipement numérique de Classe A, conformément à la section 15 de la réglementation FCC. Ces limites sont établies pour fournir une protection raisonnable contre les interférences nuisibles lorsque l'équipement est utilisé dans un environnement commercial. Cet équipement produit, utilise et peut rayonner de l'énergie sous forme de radiofréquences et, s'il n'est pas installé et utilisé conformément aux instructions du mode d'emploi, peut provoquer des interférences nuisibles aux communications par radio. Le fonctionnement de cet équipement dans une zone résidentielle peut vraisemblablement provoquer des interférences nuisibles, auquel cas l'utilisateur est prié de corriger ces interférences à ses propres frais.

ÉTATS-UNIS SEULEMENT

CHER CLIENT

Nous vous remercions d'avoir acheté cet appareil SHARP à écran LCD. Afin de garantir le bon fonctionnement de ce moniteur, nous vous conseillons de lire attentivement cette brochure et de la conserver pour toute référence ultérieure.



PRÉCAUTIONS DE SÉCURITÉ

L'électricité remplit de nombreuses fonctions utiles, mais elle peut provoquer des blessures et des dégâts matériels si elle n'est pas utilisée correctement. Cet appareil a été conçu et fabriqué en attachant la plus grande importance à la sécurité. Cependant, une utilisation inadéquate peut entraîner une décharge électrique et/ou un incendie. Afin d'éviter tout danger potentiel, veuillez respecter les consignes suivantes lors de l'installation, de l'utilisation et du nettoyage de l'appareil. Afin d'assurer votre propre sécurité et de prolonger la durée de service de votre moniteur LCD, veuillez lire attentivement les précautions ci-dessous avant d'utiliser l'appareil.

1. Lisez ces explications — Vous devez lire et comprendre toutes les informations relatives au fonctionnement de l'appareil avant de l'utiliser.
2. Conservez cette brochure dans un endroit sûr — Ces explications concernant la sécurité et le fonctionnement doivent être conservées dans un endroit sûr pour vous y référer en cas de besoin.
3. Respectez les avertissements — Tous les avertissements figurant sur l'appareil et dans ce mode d'emploi doivent être strictement respectés.
4. Suivez les instructions — Toutes les explications sur le fonctionnement doivent être respectées.
5. Nettoyage — Débranchez le cordon d'alimentation au niveau de la prise du secteur avant de nettoyer l'appareil. Servez-vous d'un linge sec, et n'employez pas de détergents liquides ou en atomiseur.
6. Accessoires — N'utilisez pas d'accessoires non recommandés par le fabricant, car ceci pourrait provoquer des accidents.
7. Eau et humidité — N'utilisez pas cet appareil près de l'eau. N'installez pas le produit à un endroit où il pourrait recevoir de l'eau. Évitez en particulier les emplacements sous les appareils à vidange d'eau tels que les climatiseurs.
8. Ventilation — Des ouïes et autres ouvertures sont prévues dans le coffret de l'appareil pour sa ventilation. Ne recouvrez pas et ne bloquez pas ces ouvertures car une ventilation insuffisante peut provoquer une surchauffe et réduire la durée de vie de l'appareil. Ne placez pas l'appareil sur un sofa, un tapis ou toute autre surface analogue car ceci pourrait obstruer les ouvertures de ventilation. Cet appareil n'est pas conçu pour une installation encastrée; ne le placez donc pas dans un endroit fermé comme une bibliothèque ou une baie à moins qu'une ventilation adéquate ne soit prévue et que les consignes du fabricant ne soient respectées.
9. Protection du cordon d'alimentation — Faites passer les cordons d'alimentation à un endroit où ils ne seront pas écrasés ou coincés par d'autres objets.
10. Le panneau de l'écran à cristaux liquides (LCD) de cet appareil est fabriqué en verre et, par conséquent, il peut se briser si l'appareil tombe ou s'il reçoit un fort impact. Veillez à ne pas vous blesser par les éclats de verre si le panneau LCD devait être brisé.
11. Surcharge — Ne surchargez pas les prises de courant ou les rallonges car ceci peut entraîner un risque d'incendie ou d'électrocution.
12. Insertion de solides ou de liquides — N'introduisez jamais des objets par les orifices de cet appareil, car ils pourraient provoquer une électrocution et/ou un court-circuit en touchant des pièces internes sous haute tension. Pour la même raison, ne renversez jamais de l'eau ou un liquide sur l'appareil.
13. Entretien — N'essayez pas de réparer vous-même l'appareil. La dépose des couvercles peut vous exposer à une haute tension ou à d'autres dangers. Confiez toute réparation à un personnel qualifié.
14. Réparation — Dans les cas suivants, débranchez le cordon d'alimentation au niveau de la prise secteur et demandez à un personnel qualifié d'effectuer les réparations.
 - a. Dégât sur le cordon ou la prise de courant.
 - b. Infiltration d'un liquide ou pénétration d'un objet à l'intérieur de l'appareil.
 - c. Exposition de l'appareil à la pluie ou à l'eau.
 - d. Fonctionnement anormal malgré une conformité aux explications du mode d'emploi. Ne réglez que les commandes dont il est fait mention dans le mode d'emploi. Un réglage incorrect des autres commandes peut provoquer des dégâts qui nécessiteraient des réparations complexes par un technicien spécialisé.
 - e. Chute ou dégâts subis par l'appareil.
 - f. Tout changement notable ou situation anormale de l'appareil indique qu'une réparation est nécessaire.
15. Pièces de rechange — Lorsque des pièces doivent être remplacées, assurez-vous que le technicien a utilisé les pièces spécifiées par le fabricant ou des pièces dont les performances et les caractéristiques sont identiques. Des changements non autorisés de pièces peuvent entraîner un incendie, une électrocution et/ou d'autres dangers.
16. Contrôles de sécurité — Après une intervention d'entretien ou de réparation, demandez au technicien de procéder à un contrôle pour être sûr que l'appareil peut être utilisé en toute sécurité.
17. Installation sur paroi — Si l'appareil doit être fixé sur une paroi, installez-le en respectant la méthode recommandée par le fabricant.
18. Sources de chaleur — Tenez l'appareil à l'écart de sources de chaleur, telles que radiateurs, dispositifs de chauffage, poêles et autres appareils dégageant de la chaleur (y compris les amplificateurs).
19. L'utilisation de ce moniteur ne doit pas entraîner des risques mortels ou des dangers qui pourraient provoquer directement la mort, des blessures sur le personnel, des dommages physiques sévères ou d'autres destructions, y compris dans le contrôle des réactions nucléaires dans les installations nucléaires, dans le système médical de réanimation, et dans le contrôle de lancement des missiles dans les systèmes d'armes.
20. N'entrez pas en contact direct avec les parties du produit ayant chauffé pendant de longues périodes. Il pourrait en résulter des brûlures à basse température.



PRÉCAUTIONS DE SÉCURITÉ (Suite)

AVERTISSEMENT :

Ce produit appartient à la Classe A. Dans un environnement résidentiel, il peut provoquer des interférences radio et, dans ce cas, l'utilisateur peut être obligé de prendre les mesures nécessaires.

Afin de satisfaire aux normes EMC, utiliser des câbles blindés pour connecter les bornes suivantes : Borne d'entrée HDMI et borne d'entrée DisplayPort.

Un moniteur placé sur un support instable est dangereux en raison des risques de chute qu'il présente. De nombreuses blessures, touchant en particulier les enfants, peuvent être évitées en prenant quelques précautions simples :

- Utiliser les dispositifs de fixation tels que les supports muraux fournis par le fabricant.
- Utiliser uniquement des meubles capables d'accueillir le moniteur en toute sécurité.
- Vérifier que le moniteur ne dépasse pas du bord du meuble sur lequel il est posé.
- Ne pas placer le moniteur sur des meubles hauts, armoires ou étagères, par exemple, sans fixer le meuble concerné et le moniteur à un support approprié.
- Ne pas intercaler de tissu ou toute autre matière entre le moniteur et le meuble sur lequel il est posé.
- Expliquer aux enfants qu'il est dangereux de grimper sur les meubles pour atteindre le moniteur ou ses boutons de commande.

FRANÇAIS

En particulier pour la sécurité des enfants

- Ne laissez pas les enfants grimper sur ou jouer avec le moniteur.
- Ne placez pas le moniteur sur des meubles qui peuvent facilement se transformer en marches comme une commode avec tiroirs.
- Souvenez-vous que les enfants s'excitent souvent en visionnant un programme, surtout sur un moniteur « plus grand que la normale ». Il faut faire en sorte d'installer le moniteur là où il ne peut pas être poussé, tiré, ni basculé.
- Il faut faire en sorte de placer les fils et les câbles connectés au moniteur de façon à ce que des enfants curieux ne puissent pas les tirer ni les saisir.

MESURES DE SÉCURITÉ

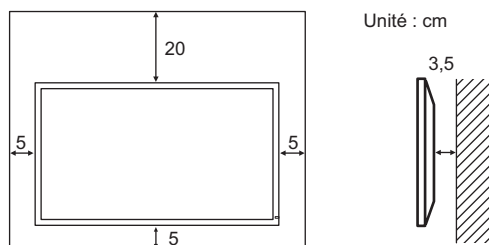
- N'utilisez pas le moniteur dans un endroit où il y a beaucoup de poussières, où le degré d'humidité est élevé, ou encore là où il pourrait se trouver en contact avec de l'huile ou de la vapeur, car cela pourrait provoquer un début d'incendie.
 - Assurez-vous que le moniteur ne se trouve pas en contact avec de l'eau ou d'autres fluides. Assurez-vous qu'aucun objet tel que des agrafes et des trombones ne pénètrent dans le moniteur, car cela pourrait provoquer un début d'incendie ou un choc électrique.
 - N'installez pas le moniteur au dessus des objets instables ou dans des endroits peu sûrs. Faites attention que le moniteur ne reçoive pas de chocs violents ni de fortes vibrations. Provoquer la chute du moniteur ou le culbuter peut l'endommager.
 - N'utilisez pas le moniteur à proximité d'un appareil de chauffage ou dans des endroits où la température est élevée. Ne l'utilisez pas non plus dans un environnement contenant des gaz corrosifs (dioxyde de soufre, sulfure d'hydrogène, dioxyde d'azote, chlore, ammoniac, ozone, etc.). Cela pourrait conduire à un dégagement excessif de chaleur et provoquer un début d'incendie.
 - N'utilisez pas le moniteur dans des endroits exposés directement à la lumière du soleil.
 - La prise de secteur doit être installée près de l'équipement et être facilement accessible.
 - N'affichez pas la même image pendant une longue période. L'affichage d'une image animée (etc.) fera disparaître progressivement l'image rémanente.
- Le cordon d'alimentation et l'adaptateur secteur**
- Utilisez uniquement le cordon d'alimentation et l'adaptateur secteur fournis avec le moniteur.
 - Lorsque vous manipulez l'adaptateur secteur, respectez les instructions suivantes :
 - Une mauvaise manipulation peut provoquer un incendie, un choc électrique ou des blessures.
 - Ne laissez pas tomber l'adaptateur secteur ou ne le soumettez pas à un choc.
 - Ne démontez jamais l'adaptateur secteur. Il contient des pièces sous haute tension dangereuses à toucher.
 - L'adaptateur secteur est destiné à être utilisé à l'intérieur uniquement. Ne l'utilisez pas à l'extérieur.
 - N'utilisez pas l'adaptateur secteur fourni avec d'autres appareils.
 - N'endommagez pas le cordon d'alimentation, ni l'adaptateur secteur, ne déposez pas d'objets lourds sur ceux-ci, ne tirez pas dessus et ne les pliez pas de manière excessive. De même, n'ajoutez pas de rallonges. Tout endommagement du cordon d'alimentation peut provoquer un début d'incendie ou un choc électrique.
 - Ne branchez pas le cordon d'alimentation sur une prise multiple. Ajouter une rallonge peut entraîner une surchauffe et provoquer un début d'incendie.
 - Ne débranchez pas, ni ne branchez la prise d'alimentation avec des mains humides. En ce faisant, vous risquez un choc électrique.
 - Débranchez le cordon d'alimentation si l'équipement n'est pas utilisé pendant une longue période.
 - Ne tentez pas de réparer le cordon d'alimentation s'il est coupé ou s'il ne fonctionne pas correctement. Veuillez prendre contact avec le service après vente et suivre ses recommandations.
 - N'entrez pas en contact direct avec les parties du produit et de l'adaptateur secteur ayant chauffé pendant de longues périodes. Il pourrait en résulter des brûlures à basse température.
 - Ne fixez pas l'adaptateur secteur au moniteur ou à un autre matériel. Ceci pourrait provoquer un incendie ou un choc électrique.



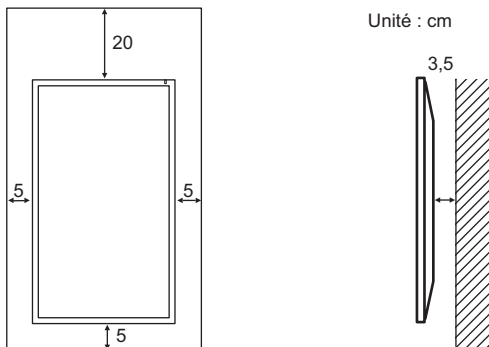
PRÉCAUTIONS POUR LE MONTAGE

- Ce produit est destiné à être utilisé en intérieur.
- Un support de montage conforme aux spécifications VESA est nécessaire.
- Pour installer le moniteur sur un support (en vente dans le commerce) ou sur un mur, ou pour le démonter ou le déplacer, consultez votre revendeur.
- Le montage du moniteur sur le mur demande des compétences techniques spéciales et le travail doit être fait par un revendeur agréé par SHARP. Vous ne devez jamais tenter de faire ce travail vous-même. Notre société décline toute responsabilité pour les accidents ou blessures causés par un montage incorrect ou par une mauvaise manipulation.
- Utilisez le moniteur perpendiculairement à la surface horizontale. Vous pouvez incliner le moniteur de 25 degrés vers le haut ou de 20 degrés vers le bas sans utiliser le support fourni.
- Ce moniteur doit être utilisé sous une température ambiante entre 5°C et 35°C. Laissez assez d'espace autour du moniteur pour empêcher que la chaleur ne s'accumule à l'intérieur.

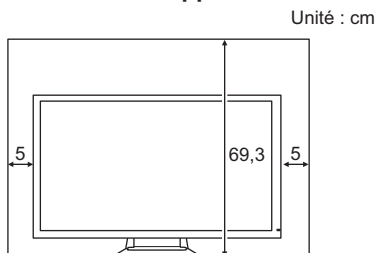
Pour le moniteur dans une direction horizontale



Pour le moniteur dans une direction verticale

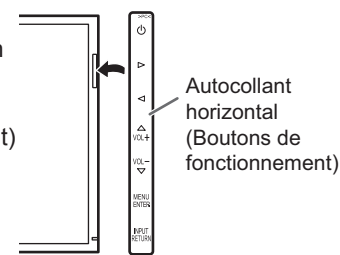


Pour le moniteur sur le support fourni



- S'il est difficile de laisser un espace suffisant pour une raison ou pour une autre (installation du moniteur dans une enceinte, par exemple) ou si la température ambiante est susceptible de dépasser la plage de valeurs prévue (de 5 à 35°C), installez un ventilateur ou prenez d'autres mesures appropriées pour maintenir la température ambiante dans la plage de valeurs requise.
- Ne bloquez pas les ouvertures de ventilation. Si la température dans le moniteur s'élève, ceci pourrait causer un dysfonctionnement.
- Ne placez le moniteur sur un équipement qui dégage de la chaleur.

- Lorsque vous installez le moniteur dans une direction horizontale, vous pouvez fixer l'autocollant horizontal (Boutons de fonctionnement) fourni à l'avant.

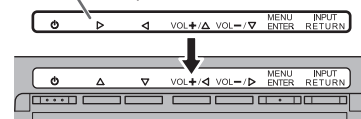


- Utilisez l'autocollant vertical quand vous installez le moniteur dans une direction verticale.

Fixez l'autocollant vertical (Boutons de fonctionnement) à l'arrière ou à l'avant.

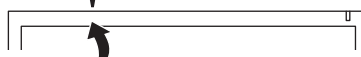
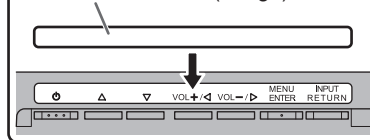
• Arrière

Autocollant vertical (Boutons de fonctionnement)

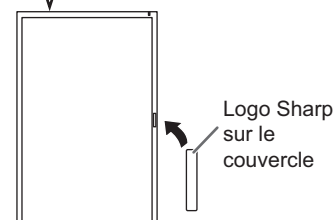


• Avant

Autocollant vertical (Vierge)



Autocollant vertical (Boutons de fonctionnement)



SHARP — Autocollant vertical (Logo)

! Attention

- Respectez la condition suivante quand vous installez le moniteur dans la direction verticale. Le non respect de cette condition peut causer des dysfonctionnements.
 - Installez le moniteur de sorte que les boutons de fonctionnement soient situés vers le haut.
 - Réglez le MONITOR <MONITEUR> sur PORTRAIT dans le menu MONITOR <MONITEUR>. (Voir le MODE D'EMPLOI.)

Composants fournis

Si un composant venait à manquer, veuillez contacter votre revendeur.

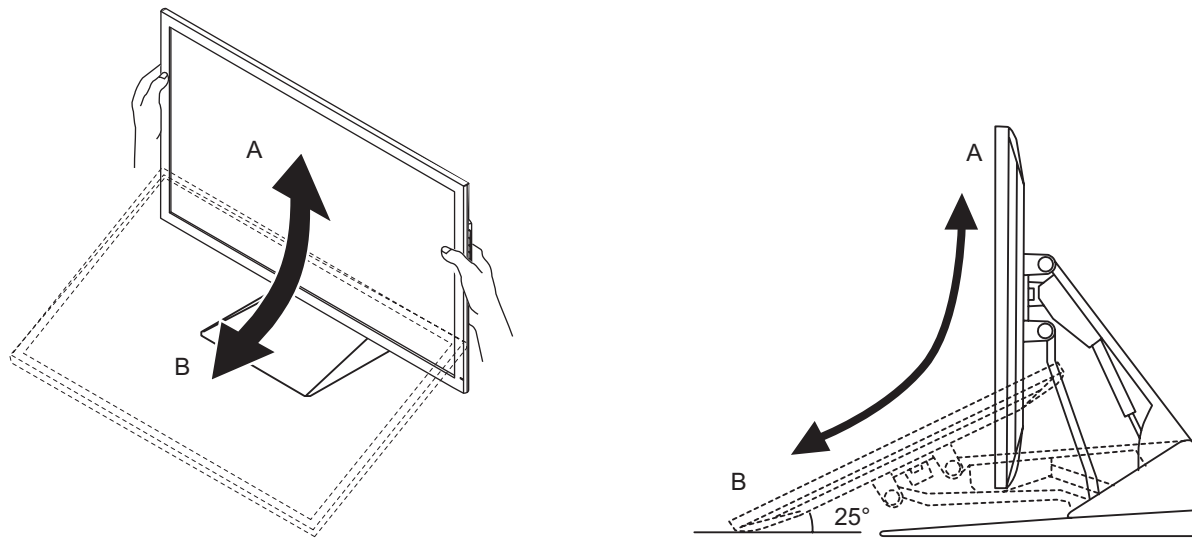
- Moniteur à cristaux liquides : 1
- Stylet : 1
- Protège-câbles : 1
- Cordon d'alimentation : 1
- Adaptateur secteur : 1
- CD-ROM (Utility Disk pour Windows) : 1
- Manuel d'Installation (ce manuel) : 1
- Câble DisplayPort : 1
- Câble de conversion RS-232C (mini-prise $\varnothing 3,5$) : 1
- Câble USB (pour écran tactile) : 1
- Serre-câble : 2
- Serre-câble (petit) : 1
- Serre-câble (grand) : 3
- Fixation anti-basculement : 2
- Vis (anti-basculement) (M4 x 10) : 2
- Autocollant vertical (Logo) : 1
- Autocollant vertical (Boutons de fonctionnement) : 1
- Autocollant vertical (Vierge) : 1
- Autocollant horizontal (Boutons de fonctionnement) : 1
- Logo Sharp sur le couvercle : 1 (Placez cet autocollant sur le logo SHARP pour le couvrir.)

* Sharp Corporation détient les droits d'auteur du programme de l'Utility Disk. Veuillez ne pas le reproduire sans autorisation de la société.

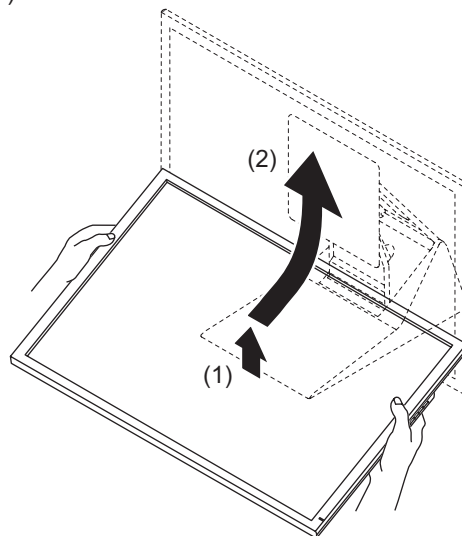
Réglage de la position du moniteur

Vous pouvez faire pivoter le moniteur pour ajuster sa position.

Utilisez le moniteur en position perpendiculaire (à environ 90° de l'horizontale, Fig. A ci-dessous) ou dans la position la plus basse (à environ 25° de l'horizontale, Fig. B ci-dessous). Si vous l'utilisez dans toute autre position, le moniteur risque de pivoter en cours d'utilisation.



Lorsque vous faites passer le moniteur de la position de la Fig. B à la position de la Fig. A ci-dessus, levez légèrement le moniteur (1) et faites-le pivoter en arrière (2).



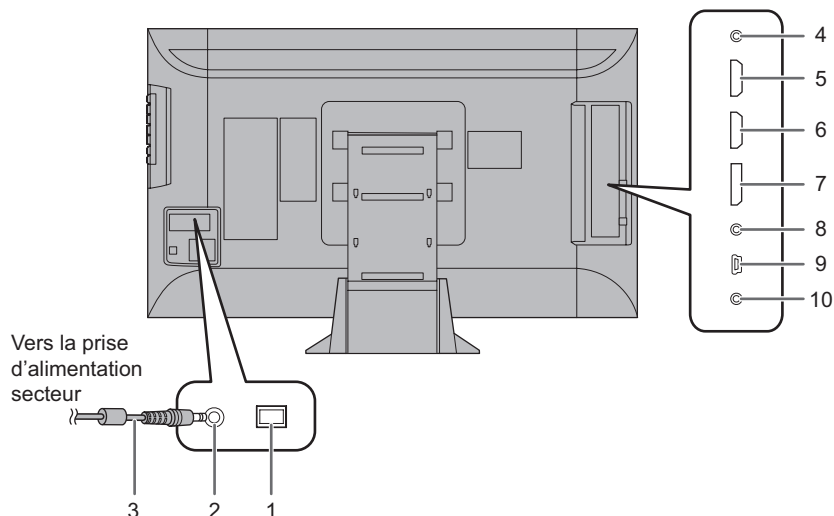
! Attention

- Lorsque vous faites pivoter le moniteur, assurez-vous de ne saisir que le cadre des deux côtés.
 - Veillez à ne pas pincer vos doigts.
 - Saisir et appliquer une pression sur le panneau LCD peut l'endommager.
 - Veillez à n'appuyer sur aucun bouton. Le volume ou d'autres réglages pourraient s'en trouver modifiés.

Connexions

! Attention

- Veillez à bien mettre hors tension l'interrupteur principal puis débranchez la prise de l'alimentation secteur avant de connecter ou de déconnecter les câbles. Lisez également le manuel de l'équipement à connecter.
- Veillez à ne pas confondre la borne d'entrée avec la borne de sortie quand vous connectez les câbles. En confondant les câbles branchés aux bornes d'entrée et de sortie, vous pouvez causer des dysfonctionnements et d'autres problèmes.
- N'utilisez pas de câble ayant un terminal endommagé ou déformé. Cela pourrait causer des dysfonctionnements.
- Les images peuvent ne pas s'afficher correctement selon l'ordinateur (cartes vidéo), les câbles ou les périphériques connectés.



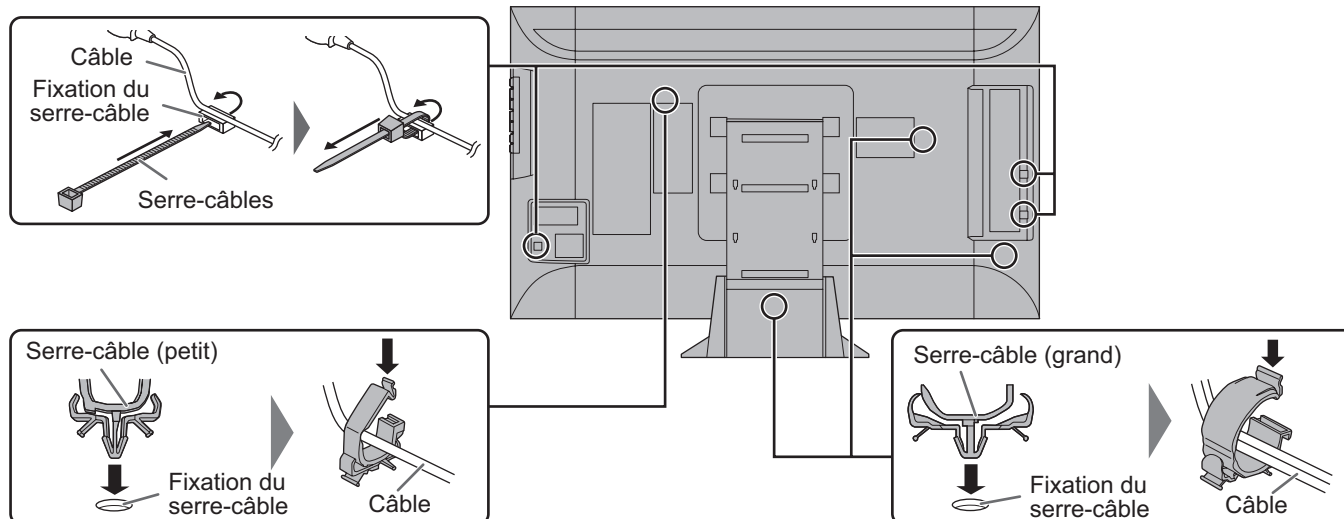
1. Interrupteur principal
2. Borne d'entrée secteur
3. Cordon d'alimentation (fourni)
4. Borne d'entrée RS-232C
5. Borne d'entrée PC/AV HDMI1
6. Borne d'entrée PC/AV HDMI2
7. Borne d'entrée DisplayPort
8. Borne d'entrée audio
9. Port USB (mini-B)
10. Borne des écouteurs

Conseils

- Réglez la borne d'entrée audio utilisée pour chaque mode d'entrée dans AUDIO SELECT <SÉLECTION ENTRÉE AUDIO> du menu SETUP <INSTALLATION>. Les réglages par défaut sont indiqués ci-dessous.

Mode d'entrée	Borne d'entrée audio (paramètre d'origine)
DisplayPort	Borne d'entrée DisplayPort
HDMI1 [PC], HDMI1 [AV], HDMI2 [PC], HDMI2 [AV]	Borne d'entrée PC/AV HDMI

- Les câbles raccordés aux bornes situées à l'arrière du moniteur peuvent être attachés à l'aide du serre-câbles. Fixez les serre-câbles dans les pièces de fixation à l'arrière du moniteur et du support, et reliez les câbles.



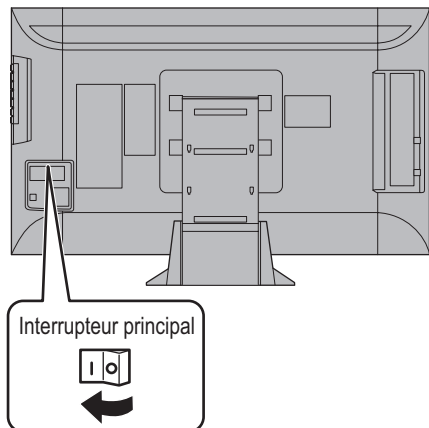
- Les désignations HDMI et HDMI High-Definition Multimedia Interface ainsi que le logo HDMI sont des marques de commerce ou des marques déposées de la société HDMI Licensing LLC aux États-Unis et dans d'autres pays.
- DisplayPort est une marque déposée de Video Electronics Standards Association.

Mise sous tension et hors tension

! Attention

- Mettez sous tension le moniteur d'abord avant de mettre sous tension le PC ou l'équipement de lecture.

Mise sous tension de l'interrupteur principal

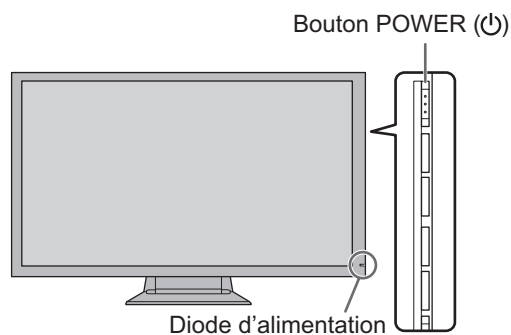


! Attention

- La mise sous/hors doit être effectuée à l'aide de l'interrupteur d'alimentation. Ne branchez/débranchez pas le cordon d'alimentation ou ne mettez pas le disjoncteur sous/hors tension lorsque l'interrupteur d'alimentation est en position marche.
- Lors de la mise hors tension et de la remise sous tension en appuyant sur l'interrupteur principal, attendez toujours au moins 5 secondes.
- Pour déconnecter complètement l'alimentation électrique, retirez la fiche principale de la prise.

Mise sous/hors tension

Appuyez sur la bouton POWER (⏻) ou sur l'interrupteur d'alimentation pour mettre sous/hors tension. Pour mettre le moniteur hors tension, maintenez le bouton POWER (⏻) enfoncé pendant 2 secondes environ.



État du témoin d'alimentation	État du moniteur
Allumé en vert	Power en position marche
Éteint	Power en position arrêt (mode Veille)
Allumé en orange	Mode attente du signal d'entrée

! Attention

- Lors de la mise hors tension et de la remise sous tension en appuyant sur le bouton POWER (⏻), attendez toujours au moins 5 secondes. Un court intervalle peut entraîner un dysfonctionnement.

Conseils

- Lorsque l'interrupteur principal est en position arrêt, il est impossible de mettre le moniteur en marche.
- Si le moniteur est dans le mode veille du signal d'entrée et que vous appuyez sur le bouton POWER (⏻), le moniteur entre en mode veille.

Caractéristiques

Modèle	PN-K322B
Alimentation	CA 100 V - 240 V, 50/60 Hz (en utilisant l'adaptateur secteur fourni)
Température de fonctionnement	5°C à 35°C
Hygrométrie de fonctionnement	20 % à 80 % (sans condensation)
Consommation électrique	97 W * (en utilisant l'adaptateur secteur fourni)
Dimensions (à l'exclusion des éléments qui dépassent)	(mm) Moniteur uniquement Environ 750 (L) x 36 (P) x 441 (H) Moniteur sur le support fourni • Angle de l'écran du moniteur : 90° (par rapport à l'horizontale) Environ 750 (L) x 390 (P) x 493 (H) • Angle de l'écran du moniteur : 25° (par rapport à l'horizontale) Environ 750 (L) x 575 (P) x 207 (H)
Poids	(kg) Approx. 9,0 (moniteur uniquement) Approx. 16,0 (moniteur sur le support fourni)

* Lors de l'utilisation du moniteur en CC19,5 V : 91 W

SHARP se réserve le droit d'apporter des modifications à la présentation et aux caractéristiques des appareils à fin d'amélioration. Les valeurs indiquées dans ce document sont les valeurs nominales des appareils de série mais de légères différences peuvent être constatées d'un appareil à l'autre.

Précautions pour le montage (À l'attention des revendeurs et techniciens SHARP)

- L'installation, le démontage ou le déplacement du moniteur doit être fait par 2 personnes ou plus.
- Veillez à utiliser un support mural conçu ou prévu pour la fixation du moniteur.
- Ce moniteur est prévu pour être installé sur un mur ou un pilier en béton. Un travail de renforcement pourrait s'avérer nécessaire pour certains matériaux tels que le plâtre, un mince panneau de plastique ou le bois avant de commencer l'installation.
Le mur sur lequel ce moniteur et le support doivent être installés doit pouvoir supporter, au moins, 4 fois son poids ou davantage. Installez de la manière qui convient le mieux en fonction du matériau et de la structure.
- Pour fixer un support de montage compatible avec VESA, utilisez des vis M6 de 8 mm à 10 mm plus longues que l'épaisseur du support de montage.
- N'utilisez pas de tournevis à percussion.
- Lorsque vous déplacez le moniteur, assurez-vous de le saisir sur le bas de l'unité et le côté de l'unité. Ne saisissez pas le panneau LCD ou les angles. Ceci pourrait causer une panne, un dysfonctionnement ou une blessure.
- N'utilisez pas de trous de vis autres que les trous standard VESA pour l'installation.



Índice

[ESPAÑOL]

INFORMACIÓN IMPORTANTE.....1	Ajuste de la posición del monitor5
ESTIMADO CLIENTE DE SHARP1	Conexiones6
PRECAUCIONES DE SEGURIDAD2	Encendido/apagado7
INSTRUCCIONES DE SEGURIDAD3	Especificaciones.....8
PRECAUCIONES DE MONTAJE.....4	Precauciones de montaje
Componentes suministrados5	(para distribuidores y técnicos de servicio de SHARP) ...8

Lea los manuales que se encuentran en la carpeta "Manual" del CD-ROM provisto. (Se necesita Adobe Reader para ver los manuales.)

INFORMACIÓN IMPORTANTE

ADVERTENCIA: PARA REDUCIR EL RIESGO DE INCENDIO O DESCARGAS ELÉCTRICAS, NO EXPONGA ESTE PRODUCTO A LA LLUVIA NI A LA HUMEDAD.

	PRECAUCIÓN RIESGO DE DESCARGAS ELÉCTRICAS NO ABRIR	
<p>PRECAUCIÓN: PARA REDUCIR EL RIESGO DE DESCARGAS ELÉCTRICAS, NO RETIRE LA TAPA. EN EL INTERIOR NO HAY PIEZAS QUE EL USUARIO PUEDA REPARAR. SOLICITE CUALQUIER REPARACIÓN A UN TÉCNICO DE SERVICIO CALIFICADO.</p>		



El símbolo del rayo con cabeza de flecha dentro de un triángulo está concebido para avisar al usuario de la presencia de "tensión peligrosa" sin aislamiento en el interior del producto que podría ser de magnitud suficiente para constituir un riesgo de descargas eléctricas a las personas.



El símbolo de exclamación dentro de un triángulo está concebido para avisar al usuario de la presencia de instrucciones importantes de uso y mantenimiento (servicio) en la documentación que acompaña al producto.

ADVERTENCIA:

La normativa de la FCC establece que cualquier cambio o modificación no autorizados en este equipo y no aprobados expresamente por el fabricante podrían anular el derecho del usuario a utilizar el equipo.

NOTA:

Este equipo ha sido probado y es conforme a los límites para dispositivos digitales de la Clase A, de acuerdo con la Parte 15 de la normativa de la FCC. Dichos límites están diseñados para proporcionar una protección razonable frente a interferencias nocivas cuando se utilice el equipo en un entorno comercial. Este equipo genera, utiliza y puede irradiar energía de radiofrecuencia y, si no se instala y usa de acuerdo con el manual de instrucciones, puede causar interferencias molestas en las comunicaciones de radio. El empleo de este equipo en zonas residenciales puede provocar interferencias molestas, en cuyo caso el usuario deberá corregir dichas interferencias por su cuenta.

EE.UU. SÓLO

ESPAÑOL

ESTIMADO CLIENTE DE SHARP

Gracias por adquirir un producto LCD de SHARP. Para garantizar la seguridad y muchos años de funcionamiento sin problemas, lea atentamente las Precauciones de seguridad antes de utilizar este producto.



PRECAUCIONES DE SEGURIDAD

La electricidad se emplea para muchas funciones útiles pero también puede causar lesiones personales y daños en la propiedad si se manipula de forma inadecuada. Este producto se ha diseñado y fabricado poniendo el máximo énfasis en la seguridad. No obstante, el uso inadecuado podría tener como resultado descargas eléctricas y/o incendios. Para evitar peligros potenciales, observe las siguientes instrucciones cuando instale, utilice y limpie el producto. Para garantizar su seguridad y prolongar la vida de servicio de su producto de LCD, lea atentamente las siguientes precauciones antes de usar el producto.

1. Lea las instrucciones — Todas las instrucciones operativas deberán leerse y comprenderse antes de utilizar el producto.
2. Mantenga este manual en un lugar seguro — Estas instrucciones de seguridad y operativas deberán guardarse en un lugar seguro para referencia en el futuro.
3. Tenga en cuenta las advertencias — Todas las advertencias e instrucciones del producto deberán observarse estrictamente.
4. Respete las instrucciones — Deberán respetarse todas las instrucciones operativas.
5. Limpieza — Desenchufe el cable de alimentación de la toma de alimentación de corriente antes de limpiar el producto. Utilice un paño seco para limpiar el producto. No emplee limpiadores líquidos ni aerosoles.
6. Accesorios — No utilice accesorios no recomendados por el fabricante. El empleo de accesorios inadecuados podría provocar accidentes.
7. Agua y humedad — No utilice el producto cerca del agua. No instale este producto en lugares donde puedan producirse salpicaduras de agua. Preste especial atención a equipos que drenen agua, por ejemplo los de aire acondicionado.
8. Ventilación — Los respiraderos y otras ranuras de la caja están diseñados para ventilación. No cubra ni bloquee dichos respiraderos y ranuras, ya que la ventilación insuficiente podría provocar sobrecalentamiento y/o acortar la vida operativa del producto. No coloque el producto sobre un sofá, una alfombra u otras superficies similares ya que se podrían bloquear las ranuras de ventilación. No coloque el producto en un lugar cerrado como, por ejemplo, una librería o una estantería, a menos que se proporcione una ventilación adecuada o se respeten las instrucciones del fabricante.
9. Protección del cable de alimentación — Los cables de alimentación deberán ubicarse adecuadamente para evitar que las personas puedan tropezar con ellos o que los objetos puedan descansar sobre éstos.
10. El panel de LCD utilizado en este producto está hecho de cristal. Consiguientemente, podría romperse si el producto cae al suelo o recibe un golpe. Tenga cuidado de no herirse con los trozos de cristal en caso de rotura del panel de LCD.
11. Sobrecarga — No sobrecargue las tomas de corriente ni los cables alargadores o regletas. La sobrecarga podría provocar incendios o descargas eléctricas.
12. Introducción de objetos y líquidos — No inserte nunca objetos en el producto a través de los respiraderos o las ranuras de ventilación. El producto tiene altas tensiones en su interior y la inserción de objetos podría provocar descargas eléctricas y/o cortocircuitar los componentes internos.
Por la misma razón, no derrame agua o líquidos sobre el producto.
13. Servicio — No intente reparar usted mismo el producto. La retirada de las tapas podría exponerle a alto voltaje y otras circunstancias peligrosas. Solicite cualquier reparación a un técnico de servicio calificado.
14. Reparación — Si se produjera cualquiera de las circunstancias siguientes, desenchufe el cable de alimentación de la toma de corriente y solicite la reparación a un técnico de servicio calificado.
 - a. Cuando el cable de alimentación o el enchufe esté dañado.
 - b. Cuando se haya derramado un líquido sobre el producto o hayan caído objetos al interior del producto.
 - c. Cuando se haya expuesto el producto a la lluvia o al agua.
 - d. Cuando el producto no funcione correctamente según lo descrito en las instrucciones operativas. No toque ningún control aparte de los descritos en las instrucciones de uso. El ajuste inadecuado de controles no descritos en las instrucciones podría provocar daños, lo que a menudo requiere un trabajo importante de ajuste por parte de un técnico calificado.
 - e. Cuando el producto haya caído al suelo o se haya dañado.
 - f. Cuando el producto presente un estado anormal. Cualquier anomalía perceptible en el producto indicará que éste necesita servicio.
15. Repuestos — En caso de que el producto necesite repuestos, asegúrese de que el técnico de servicio utiliza las piezas de sustitución especificadas por el fabricante, o unas con las mismas características y rendimiento que las piezas originales. El uso de piezas no autorizadas podría tener como resultado incendio, descargas eléctricas y/u otros daños.
16. Comprobaciones de seguridad — Tras la finalización del trabajo de servicio o reparación, solicite al técnico de servicio que lleve a cabo comprobaciones de seguridad para asegurarse de que el producto se encuentra en perfectas condiciones de funcionamiento.
17. Montaje mural — Cuando monte el producto sobre una pared, asegúrese de instalarlo de acuerdo con el método recomendado por el fabricante.
18. Fuentes de calor — Mantenga el producto alejado de fuentes de calor como pueden ser radiadores, calentadores, estufas y otros productos que generen calor (incluyendo amplificadores).
19. El monitor no deberá utilizarse en lugares con riesgos o peligros fatales que pudieran provocar directamente la muerte, lesiones personales, daños físicos graves u otras pérdidas, incluyendo control de reacción nuclear en instalaciones nucleares, sistemas médicos de soporte vital y control de lanzamiento de misiles en sistemas armamentísticos.
20. No permanezca en contacto durante períodos prolongados de tiempo con componentes del producto que se recalienten. Podrían producirse quemaduras de baja temperatura.



PRECAUCIONES DE SEGURIDAD (Continuación)

ADVERTENCIA:

Éste es un producto de clase A. En un entorno doméstico, este producto puede causar interferencias de radio, en cuyo caso el usuario deberá adoptar las medidas adecuadas para solucionar el problema.

Para cumplir la normativa sobre compatibilidad electromagnética (EMC), utilice cables blindados para conectar los siguientes terminales: Terminal de entrada HDMI y terminal de entrada DisplayPort.

Si el monitor no se coloca en una ubicación lo suficientemente estable, podría resultar potencialmente peligroso debido al riesgo de caída. Muchas lesiones, especialmente a los niños, pueden evitarse adoptando precauciones sencillas como pueden ser:

- Utilizar dispositivos de fijación como pueden ser soportes de montaje mural recomendados por el fabricante.
- Emplear únicamente muebles que puedan soportar de forma segura el monitor.
- Asegurarse de que el monitor no sobresale del borde del mueble que sirve de apoyo.
- No colocar el monitor sobre muebles altos (por ejemplo, armarios o librerías) sin anclar el mueble y el monitor a un soporte adecuado.
- No colocar los monitores sobre paños u otros materiales ubicados entre el monitor y el mueble de apoyo.
- Educar a los niños sobre los peligros de trepar a los muebles para llegar al monitor o a sus controles.

Especialmente para la seguridad de los niños

- No permita que los niños trepen al monitor o jueguen con éste.
- No coloque el monitor sobre muebles que se puedan usar como peldaños, como pueden ser los cajones de una cómoda.
- Recuerde que los niños se pueden agitar mientras ven un programa, especialmente en un monitor en el que las cosas se ven "más grandes que en la vida real". Deberá tenerse cuidado de colocar o instalar el monitor en lugares en los que no se pueda empujar, mover o tirar al suelo.
- Deberá procurarse enrutar todos los cables conectados al monitor de modo que los niños curiosos no puedan tirar de ellos ni agarrarlos.

ESPAÑOL

INSTRUCCIONES DE SEGURIDAD

- No emplee el monitor en lugares con un nivel elevado de polvo o humedad ni donde éste pueda entrar en contacto con aceite o vapor, ya que esto podría provocar un incendio.
- Asegúrese de que el monitor no entre en contacto con agua ni otros líquidos. Asegúrese de no introducir en el monitor objetos como pueden ser clips o chinchetas, ya que esto podría causar incendios o descargas eléctricas.
- No coloque el monitor encima de objetos inestables ni en lugares inseguros. No permita que el monitor reciba golpes fuertes ni que vibre demasiado. La caída o pérdida de equilibrio del monitor podría dañarlo.
- No utilice el monitor cerca de aparatos de calefacción ni en lugares donde puedan existir temperaturas elevadas. Tampoco lo utilice en un entorno en el que haya gases corrosivos (dióxido de azufre, sulfuro de hidrógeno, dióxido de nitrógeno, cloro, amoníaco, ozono, etc.), ya que esto podría conducir a la generación de calor excesivo y provocar un incendio.
- No utilice el monitor en lugares en los que pueda estar expuesto a la luz solar directa.
- La toma de corriente deberá estar instalada cerca del equipo y ser accesible fácilmente.
- No visualice la misma imagen durante un período de tiempo prolongado.
La imagen residual desaparecerá de forma gradual al visualizar una imagen animada (etc.).
- Vigile que el adaptador de corriente no caiga o reciba algún golpe.
- No desmonte el adaptador de corriente. Contiene partes de alta tensión peligrosas al contacto.
- El adaptador de corriente está pensado para un uso en interior. No lo utilice en el exterior.
- No utilice con otros aparatos el adaptador de corriente suministrado.
- No deteriore el cable de alimentación eléctrica ni el adaptador de corriente, tampoco ponga objetos pesados sobre ellos, no los estire ni los doble. No añada cables alargadores. Si el cable sufre deterioros pueden provocarse incendios o choques eléctricos.
- No utilice el cable de alimentación eléctrica con una regleta. Si añade un alargador puede provocarse un incendio como resultado del sobrecalentamiento.
- No enchufe o desenchufe la clavija eléctrica con las manos mojadas.
De lo contrario podría sufrir un choque eléctrico.
- Desenchufe el cable de alimentación si no va a usarse durante mucho tiempo.
- No intente reparar el cable de alimentación eléctrica si se rompe o funciona mal. Para cualquier reparación, contacte con el representante de servicio técnico.
- No tenga contacto con las partes del producto o el adaptador de corriente que permanecen calientes durante mucho tiempo.
De lo contrario, podría sufrir quemaduras leves.
- No ate el adaptador de corriente al monitor u otro equipo.
De lo contrario, podrían ocasionarse un incendio y descarga eléctrica.

Cable de alimentación eléctrica y adaptador de corriente

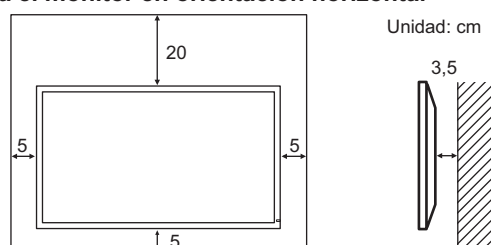
- Utilice exclusivamente el cable de alimentación eléctrica y el adaptador de corriente suministrados con el monitor.
- Cuando manipule el adaptador de corriente, tenga en cuenta lo siguiente:
Una manipulación incorrecta puede provocar incendio, choques eléctricos o heridas.



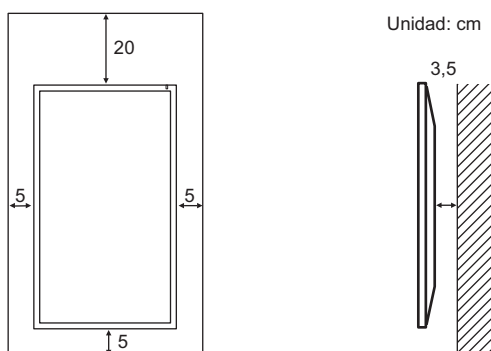
PRECAUCIONES DE MONTAJE

- Este producto es para uso en interiores.
- Se requiere un soporte de montaje en conformidad con las especificaciones VESA.
- Para instalar el monitor sobre un soporte (de venta en comercios) o en la pared, o para quitarlo o moverlo, consulte con el proveedor.
- El montaje mural del monitor requiere un soporte especial y el trabajo deberá ser efectuado por un distribuidor autorizado de SHARP. Nunca deberá intentar realizar este trabajo usted mismo. Nuestra empresa no se hace responsable en caso de accidentes o lesiones causados por un montaje o una manipulación inadecuados.
- Utilice el monitor perpendicular a una superficie nivelada. Si inclina el monitor sin utilizar el soporte suministrado, el monitor puede inclinarse hasta 25 grados hacia arriba o 20 grados hacia abajo.
- Este monitor deberá utilizarse a una temperatura ambiente de entre 5 y 35°C. Proporcione espacio suficiente alrededor del monitor para evitar que el calor se acumule en su interior.

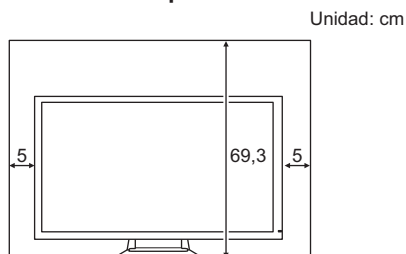
Para el monitor en orientación horizontal



Para el monitor en orientación vertical

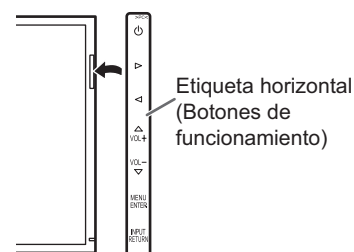


Para el monitor sobre soporte suministrado



- Si fuera difícil proporcionar suficiente espacio por cualquier razón, como puede ser la instalación del monitor dentro de una carcasa, o si la temperatura ambiente pudiera estar fuera del rango de 5 a 35°C, instale un ventilador o adopte otras medidas para mantener la temperatura ambiente dentro del rango necesario.
- No bloquee ninguna ranura de ventilación. Si la temperatura del interior del monitor aumentara, podrían producirse malfuncionamientos.
- No coloque el monitor sobre un dispositivo que genere calor.

- Si instala el monitor en orientación horizontal, puede pegar la etiqueta horizontal suministrada (Botones de funcionamiento) en la parte anterior.

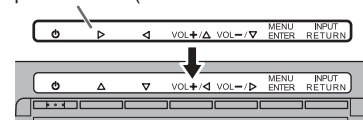


- Utilice la etiqueta vertical suministrada cuando instale el monitor en orientación vertical.

Adhiera la etiqueta vertical (Botones de funcionamiento) en la parte anterior o posterior.

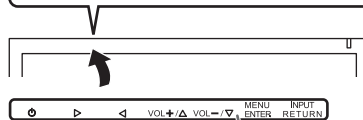
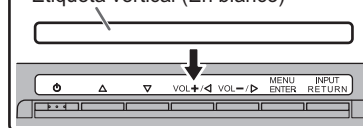
• Posterior

Etiqueta vertical (Botones de funcionamiento)

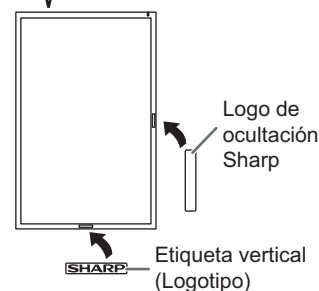


• Anterior

Etiqueta vertical (En blanco)



Etiqueta vertical (Botones de funcionamiento)



! Precaución

- Respete lo siguiente cuando instale el monitor en orientación vertical. El incumplimiento de las siguientes medidas podría provocar malfuncionamientos.
 - Instale el monitor de modo que los botones del monitor quede ubicado en la parte inferior.
 - Establezca la opción MONITOR del menú MONITOR en PORTRAIT <MODO VERTICAL>. (Véase el MANUAL DE INSTRUCCIONES.)

Componentes suministrados

Si falta algún componente, póngase en contacto con su distribuidor.

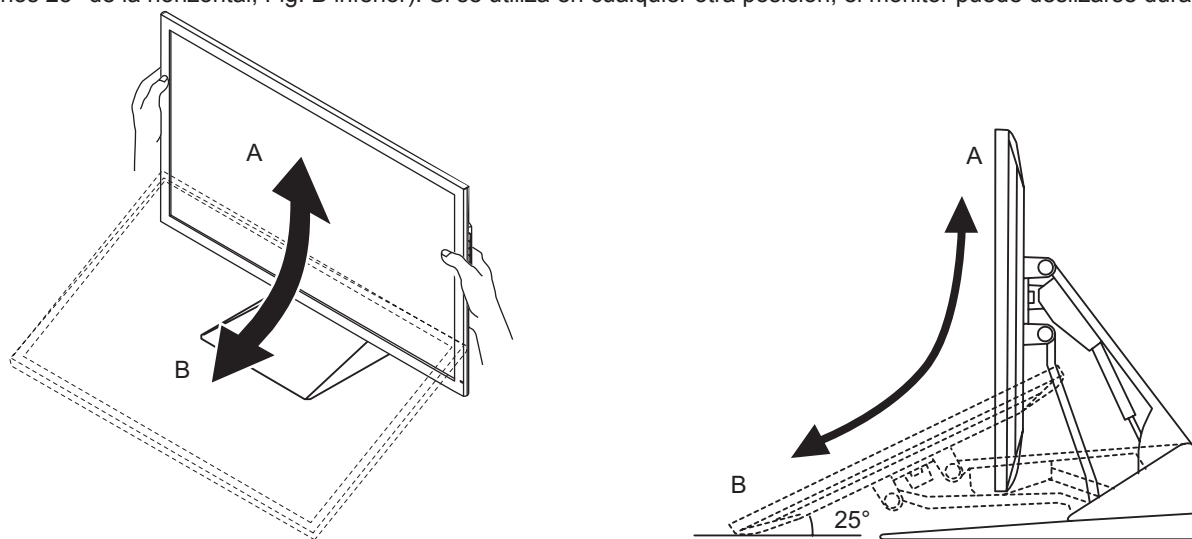
- Monitor de pantalla de cristal líquido: 1
- Lápiz táctil: 1
- Cubierta para cables: 1
- Cable de alimentación: 1
- Adaptador de corriente: 1
- CD-ROM (Disco de utilidades para Windows): 1
- Manual de Instalación (este manual): 1
- Cable DisplayPort: 1
- Cable de conversión RS-232C (mini clavija de $\varnothing 3,5$): 1
- Cable USB (para panel táctil, mini-B): 1
- Abrazadera para cable: 2
- Abrazadera para cable (pequeña): 1
- Abrazadera para cable (grande): 3
- Abrazadera antivuelco: 2
- Tornillos (para antivuelco) (M4 x 10): 2
- Etiqueta vertical (Logotipo): 1
- Etiqueta vertical (Botones de funcionamiento): 1
- Etiqueta vertical (En blanco): 1
- Etiqueta horizontal (Botones de funcionamiento): 1
- Logo de ocultación Sharp: 1 (Coloque esta pegamento sobre el logotipo de SHARP para tapar el logotipo.)

* Sharp Corporation posee los derechos de autor del programa Disco de utilidades. No lo reproduzca sin permiso.

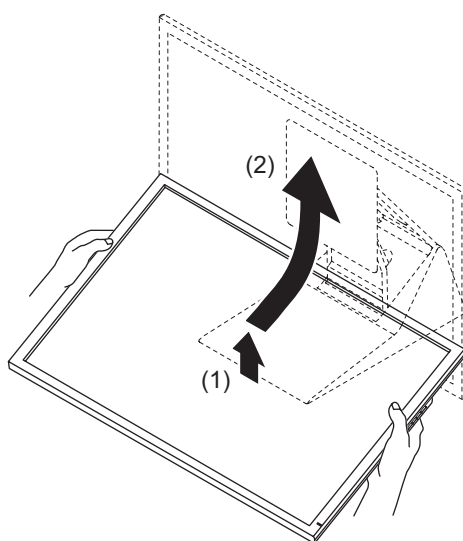
Ajuste de la posición del monitor

Puede deslizar el monitor para ajustar su posición.

Utilice el monitor en posición perpendicular (unos 90° de la horizontal, Fig. A inferior) o deslícelo hacia abajo tanto como pueda (unos 25° de la horizontal, Fig. B inferior). Si se utiliza en cualquier otra posición, el monitor puede deslizarse durante el uso.



Cuando mueva el monitor desde la posición de la Fig. B hasta la posición de la Fig. A anterior, levante ligeramente el monitor (1) y deslícelo hacia atrás (2).



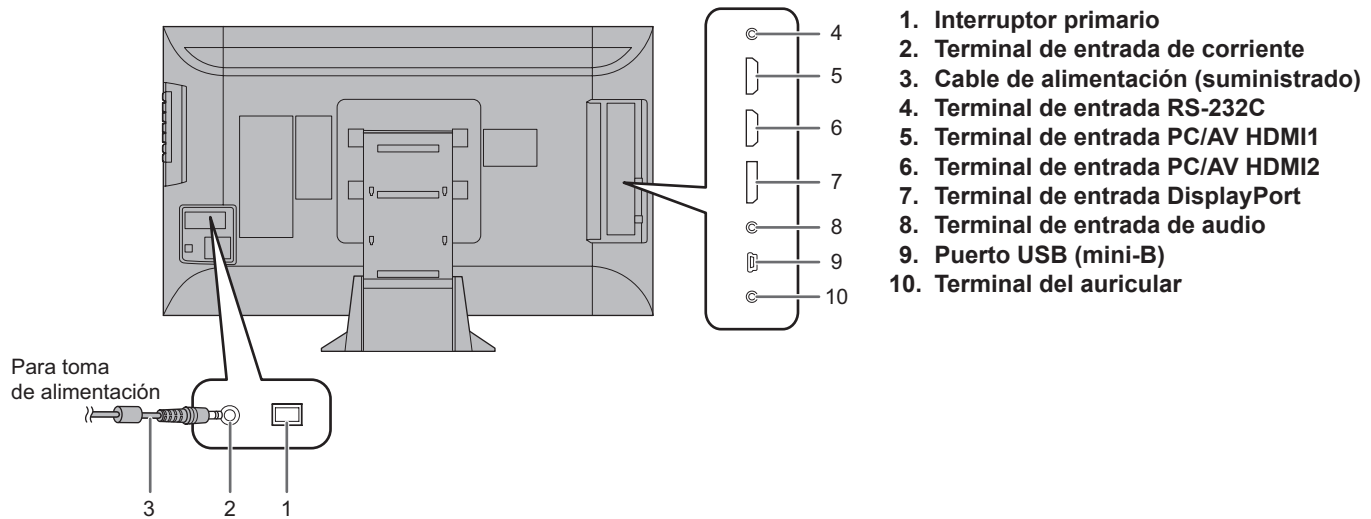
!Precaución

- Cuando deslice el monitor, agarre solo el marco por los lados izquierdo y derecho.
 - Tenga cuidado de no pellizcarse los dedos.
 - El panel LCD puede dañarse si se agarra o se aplica presión sobre él.
 - Tenga cuidado de no apretar ningún botón. De lo contrario, podría cambiar el volumen u otros parámetros.

Conexiones

! Precaución

- Asegúrese de apagar el interruptor primario y desconectar el enchufe de la toma de corriente antes de conectar/desconectar los cables. Asimismo, lea el manual del equipo que desea conectar.
- Tenga cuidado de no confundir el terminal de entrada con el terminal de salida al conectar los cables. La inversión accidental de los cables conectados a los terminales de entrada y salida podría causar malfuncionamientos y otros problemas.
- No use ningún cable que tenga dañado o deformado el terminal. Si usa este tipo de cables pueden generar fallos de funcionamiento.
- Las imágenes podrían no visualizarse correctamente dependiendo del ordenador (tarjetas de vídeo), cables, o dispositivos periféricos que se conecten.

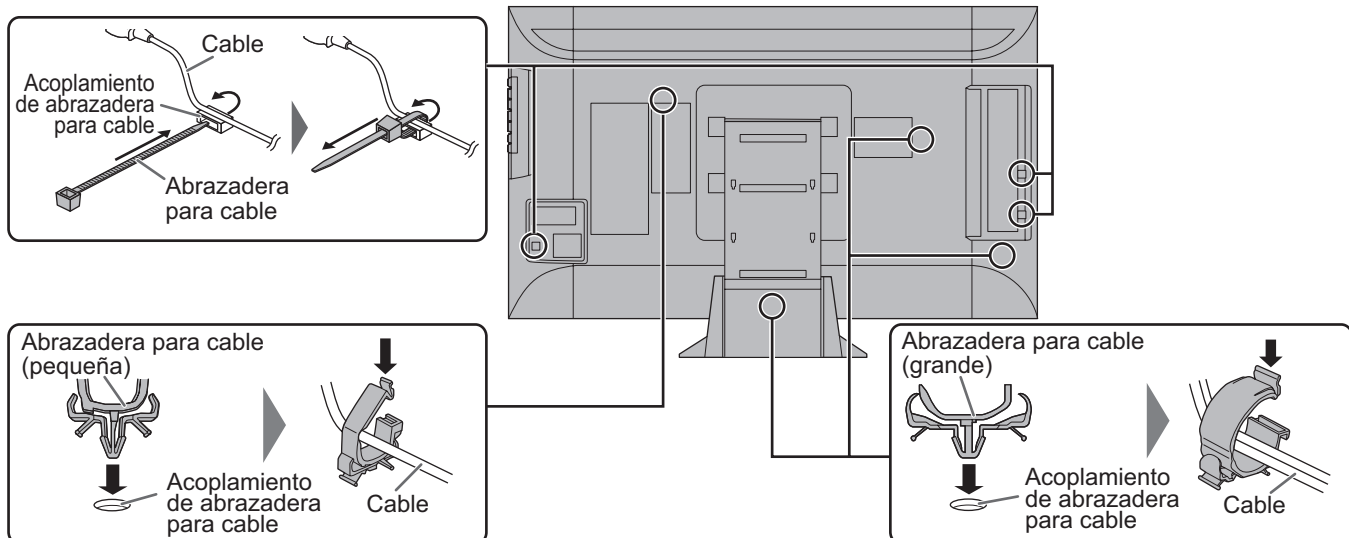


CONSEJOS

- Ajuste el terminal de entrada de audio usado para cada modo de entrada en AUDIO SELECT <SELECCIÓN DE AUDIO> en el menú SETUP <INSTALACIÓN>. A continuación se muestran los ajustes de fábrica.

Modo de entrada	Terminal de entrada de audio (ajuste de fábrica)
DisplayPort	Terminal de entrada DisplayPort
HDMI1[PC], HDMI1[AV], HDMI2[PC], HDMI2[AV]	Terminal de entrada PC/AV HDMI

- Los cables conectados a los terminales de la parte posterior de monitor pueden apretarse con la abrazadera para cable. Enganche las abrazaderas para cable en las partes de unión atrás del monitor y el soporte, y ate los cables.



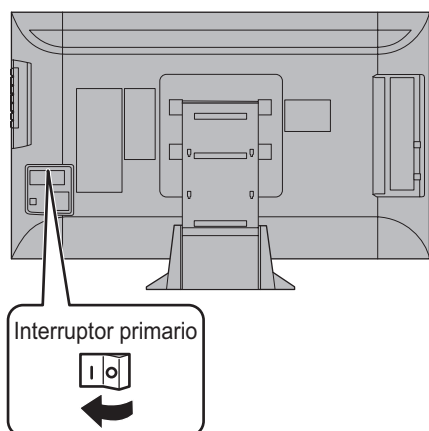
- Las palabras HDMI y HDMI High-Definition Multimedia Interface, así como el logotipo de HDMI son marcas comerciales o registradas de HDMI Licensing LLC en los Estados Unidos y otros países.
- DisplayPort es una marca registrada de Video Electronics Standards Association.

Encendido/apagado

!Precaución

- Encienda el monitor antes de encender el PC o el dispositivo de reproducción.

Encendido de la alimentación principal



!Precaución

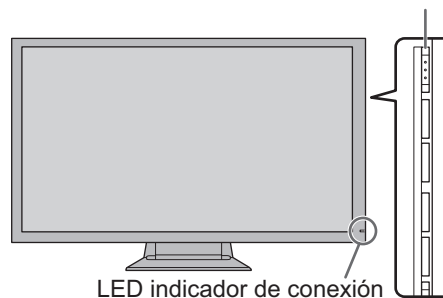
- La alimentación principal deberá encenderse/apagarse con el interruptor primario. No conecte/desconecte el cable de alimentación ni active/desactive el disyuntor mientras el interruptor primario está encendido.
- Cuando apague el interruptor primario y lo vuelva a encender, espere siempre 5 segundos como mínimo.
- Para la desconexión eléctrica completa, desconecte el enchufe principal.

Encendido/apagado

Pulse el botón de encendido (⏻) para encender o apagar el aparato.

Para apagar el aparato, pulse y mantenga pulsado el botón de encendido (⏻) durante aproximadamente 2 segundos.

Botón de encendido (⏻)



Estado del piloto de alimentación	Estado del monitor
Encendido de verde	Alimentación encendida
Apagado	Alimentación apagada (modo de reposo)
Encendido de naranja	Modo de espera de señal de entrada

!Precaución

- Cuando apague el botón de encendido (⏻) y lo vuelva a encender, espere siempre 5 segundos como mínimo. Un intervalo demasiado corto podría provocar malfuncionamientos.

CONSEJOS

- Cuando el interruptor primario está apagado, el monitor no funcionará.
- Si el monitor se encuentra en el modo en espera de señal de entrada y pulsa el botón de encendido (⏻), el monitor entrará en modo de reposo.

Especificaciones

Modelo	PN-K322B
Requisitos de alimentación	100 V - 240 V ca, 50/60 Hz (al usar el adaptador CA suministrado)
Temperatura de funcionamiento	5°C a 35°C
Humedad de funcionamiento	20% al 80% (sin condensación)
Consumo de energía	97 W * (al usar el adaptador CA suministrado)
Dimensiones (excluidas las protuberancias)	(mm) Monitor solo Aprox. 750 (An) x 36 (Pr) x 441 (Al) Monitor sobre soporte suministrado • Ángulo de pantalla del monitor 90° (de la horizontal) Aprox. 750 (An) x 390 (Pr) x 493 (Al) • Ángulo de pantalla del monitor 25° (de la horizontal) Aprox. 750 (An) x 575 (Pr) x 207 (Al)
Peso	(kg) Aprox. 9,0 (monitor solo) Aprox. 16,0 (monitor sobre soporte suministrado)

* Al usar el monitor en CC19,5 V : 91 W

Como parte de la política de mejoras continuas, SHARP se reserva el derecho de realizar cambios en el diseño y especificaciones para la mejora del producto sin previo aviso. Las figuras indicadas que especifican el rendimiento son valores nominales de los aparatos de producción. Puede haber algunas desviaciones de estos valores en los aparatos individuales.

Precauciones de montaje (para distribuidores y técnicos de servicio de SHARP)

- Cuando instale, desinstale o traslade el monitor, asegúrese de sujetarlo entre 2 personas como mínimo.
- Asegúrese de utilizar un soporte de montaje mural diseñado para la instalación del monitor.
- Este monitor está diseñado para su instalación sobre un muro o pilar de hormigón. Tal vez resulte necesario realizar un trabajo de refuerzo para ciertos materiales como pueden ser yeso, paneles de plástico finos o madera antes de iniciar la instalación.
Este monitor y el soporte deberán instalarse en una pared con una resistencia de al menos 4 veces el peso del monitor. Realice la instalación mediante el método más adecuado para el material y la estructura.
- Para colocar una ménsula de montaje compatible con VESA, use tornillos M6 que sean 8 mm a 10 mm más largos que la ménsula de montaje.
- No utilice un taladro percutor.
- Cuando mueva el monitor, sujételo por la base y el lateral de la unidad. No lo agarre por el panel de LCD o las esquinas. Esto podría provocar daños en el producto, fallos o lesiones.
- No utilice orificios de tornillos que no sean orificios VESA para la instalación.



SHARP[®]
SHARP CORPORATION

Printed in China
Imprimé en Chine
Impreso en China

13F KS1
TINSEXXXMPZZ(1)