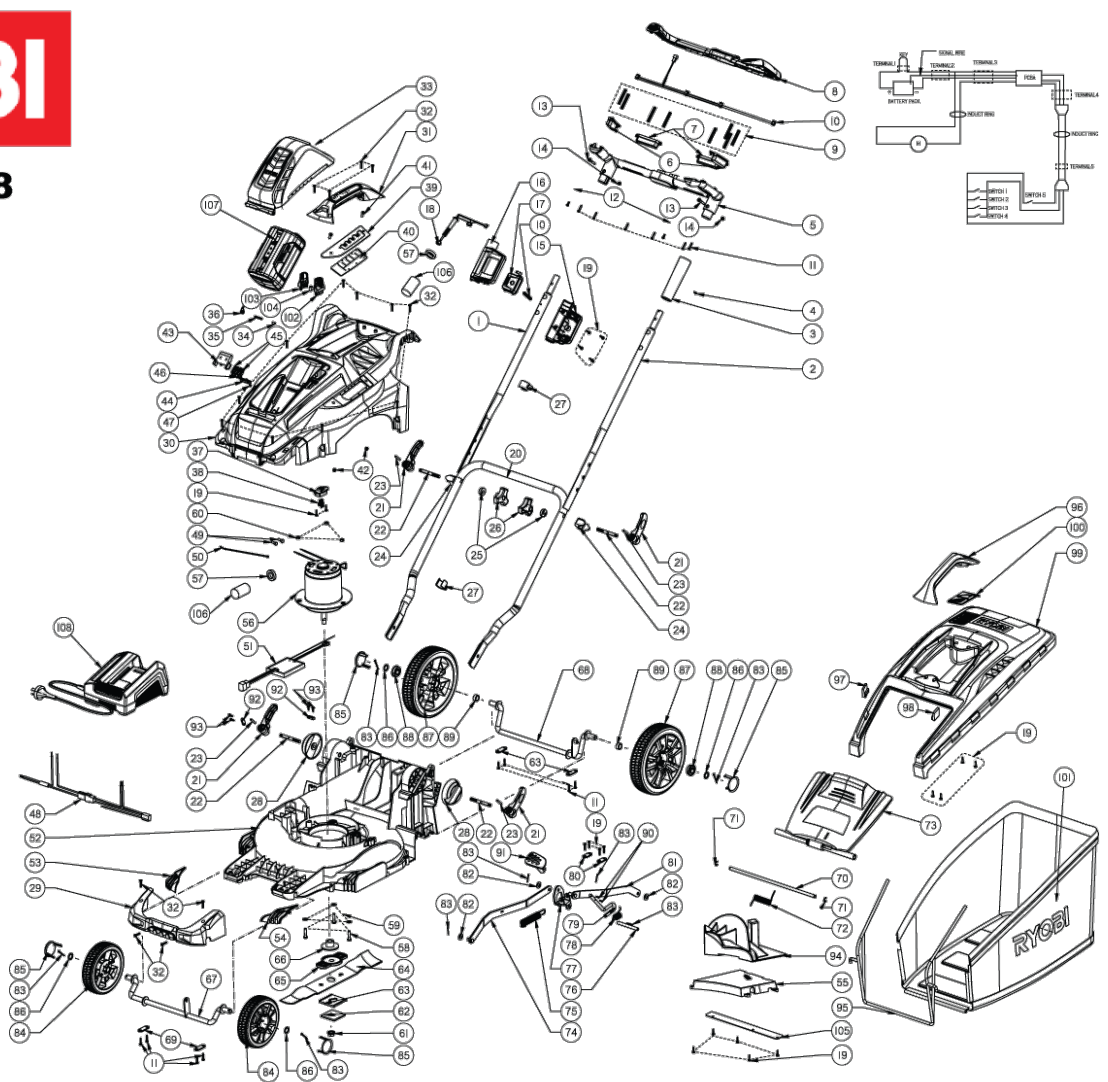


RLM36X40H50 TONDEUSE 36V 5.0A 1B

5133002100 - RLM36X40H50 - 4000444178

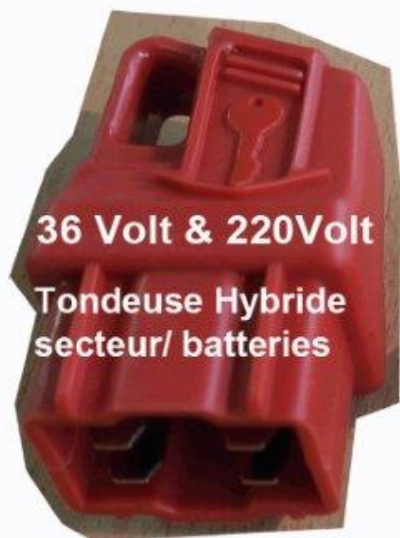
RYOBI

4000444178



Lawn Mower Safety Key sheet

Tableau des Clefs de sécurité pour tondeuse sans fil et hybrid Ryobi



**Hybrid Lawn Mower
Safety KEY**

Réf: 5131036316
pour / for (RLM18C14)



Réf: 5131035631
(RLM36 = 444 & RLM18X)
pour RLM 36 avec SN commençant
par 444 et RLM18X Tous SN



Réf: 5131027236

(RLM36L ≠ SN 444)
pour RLM 36 avec SN ne
commençant par 444

Position	Quantité	Désignation	Référence	EAN
	1	ADAPTATEUR SUISSE	4931392302	4002395733965
1_001	1	TUBE	5131035610	4058546150174
1_002	1	TUBE	5131035590	4058546149987
1_003	1	CONNECTEUR	5131035591	4058546149994
1_004	1	VIS	5131035592	4058546150006
1_005	1	DEMIE POIGNEE	5131034843	4058546196738
1_006	2	GACHETTE	5131035597	4058546150044
1_007	2	GACHETTE	5131035598	4058546150051
1_008	1	POIGNEE	5131035601	4058546150082
1_009	9	RESSORT	5131035599	4058546150068
1_010	1	BAGUE	5131035701	4058546151058
1_011	14	VIS	5131035603	4058546150105
1_012	2	VIS	5131035593	4058546150013
1_013	2	VIS	5131035595	4058546150020
1_014	4	ECROU	5131011814	4058546098957
1_015	1	COUVERCLE	5131035607	4058546150143
1_016	1	COUVERCLE	5131035604	4058546150112
1_017	1	VERROUILLAGE	5131035605	4058546150129
1_018	1	CABLE	5131035702	4058546151065
1_019	19	VIS	5131035608	4058546150150
1_020	1	POIGNEE	5131035703	4058546151072
1_021	4	POIGNEE	5131035704	4058546151089
1_022	4	VIS	5131035705	4058546151096
1_023	4	GOUPILLE	5131035706	4058546151102
1_024	2	ENTRETOISE	5131035612	4058546150198
1_025	2	RONDELLE	5131035614	4058546150211
1_026	2	ECROU	5131035615	4058546150228
1_027	2	AGRAFES	5131035609	4058546150167
1_028	2	ENTRETOISE	5131035649	4058546150549
1_029	1	CARTER	5131035652	4058546150570
1_031	1	POIGNEE	5131035617	4058546150242
1_032	18	VIS	5131035616	4058546150235
1_033	1	COUVERCLE	5131035619	4058546150266
1_034	1	AXE	5131035622	4058546150297
1_035	1	RESSORT	5131035621	4058546150280
1_036	1	RESSORT	5131035620	4058546150273
1_037	1	SUPPORT	5131035636	4058546150426
1_038	2	CONNECTING WIRE	5131035637	4058546150433
1_039	1	TOLE	5131035710	4058546151133
1_040	1	CAOUTCH. SPONGIEUX	5131035711	4058546151140
1_041	2	VIS	5131035632	4058546150389
1_042	2	ECROU	5131011814	4058546098957
1_043	1	CONTACT	5131035623	4058546150303
1_044	1	COUVERCLE	5131035626	4058546150334
1_045	2	CONTACT	5131035624	4058546150310
1_046	1	CONTACT	5131035625	4058546150327
1_047	1	VIS	5131035627	4058546150341
1_048	1	CONNECTEUR	5131035717	4058546151201
1_050	1	AGRAFES	5131035630	4058546056124
1_051	1	PLATIN.ELECTRONIQUE	5131036279	4058546156503

Position	Quantité	Désignation	Référence	EAN
1_052	1	CARTER	5131035719	4058546151225
1_053	1	COUVERCLE	5131035720	4058546151232
1_054	1	COUVERCLE	5131035721	4058546151249
1_055	1	COUVERCLE	5131035722	4058546151256
1_056	1	MOTEUR	5131035723	4058546151263
1_057	2	AIMANT	5131035724	4058546151270
1_058	3	VIS	5131035657	4058546150624
1_059	3	RONDELLE	5131035656	4058546150617
1_060	3	ECROU	5131035639	4058546150457
1_061	1	ECROU	5131035663	4058546150686
1_062	1	RETAINING PLATE	5131035662	4058546150679
1_063	1	ENTRETOISE	5131035661	4058546150662
1_064	1	LAME	5131035725	4058546151287
1_065	1	SUPPORT	5131035659	4058546150648
1_066	1	SUPPORT	5131035658	4058546150631
1_067	1	AXE	5131035726	4058546151294
1_068	1	AXE	5131035727	4058546151300
1_069	4	TOLE	5131035728	4058546151317
1_070	1	AXE	5131035677	4058546150815
1_071	2	CLIP	5131035679	4058546150839
1_072	1	RESSORT	5131035678	4058546150822
1_073	1	PORTE	5131035729	4058546151324
1_074	1	BIELLE	5131035730	4058546151331
1_075	1	RESSORT	5131035731	4058546151348
1_076	1	AXE	5131035674	4058546150785
1_077	1	SUPPORT	5131035672	4058546150761
1_078	1	RESSORT	5131035670	4058546150747
1_079	1	LEVIER	5131035732	4058546151355
1_080	2	PLAQUE	5131035667	4058546150716
1_081	1	LEVIER	5131035733	4058546151362
1_082	3	RONDELLE	5131035664	4058546056483
1_083	8	GOUPILLE	5131035642	4058546150488
1_084	2	ROUE	5131035734	4058546151379
1_085	2	COUVERCLE	5131035735	4058546151386
1_086	4	RONDELLE	5131035654	4058546150594
1_087	2	ROUE	5131035736	4058546151393
1_088	2	ROULEMENT	5131035643	4058546150495
1_089	2	BAGUE	5131035644	4058546150501
1_090	2	VIS	5131035668	4058546150723
1_091	1	POIGNEE	5131035671	4058546150754
1_092	2	CLIP	5131035646	4058546150525
1_093	4	VIS	5131036253	4058546156244
1_094	1	BOUCHON	5131035738	4058546151409
1_095	1	BATI	5131035739	4058546151416
1_096	1	POIGNEE	5131035681	4058546150853
1_097	1	COUVERCLE	5131035685	4058546150891
1_098	1	COUVERCLE	5131035684	4058546150884
1_099	1	COUVERCLE	5131035683	4058546150877
1_100	1	CAPOT PROTECTEUR	5131035682	4058546150860
1_101	1	SAC	5131035740	4058546151423

Position	Quantité	Désignation	Référence	EAN
1_102	1	COUVERCLE	5131035741	4058546151430
1_103	1	COUVERCLE	5131035742	4058546151447
1_104	1	ENTRETOISE	5131035743	4058546151454
1_105	1	TOLE	5131035744	4058546151461
1_106	1	TUBE	5131035745	4058546151478
1_108	1	CHARGEUR	5131026908	4058546111496
2_001	1	CLE DE SECURITE	5131035631	4058546150372
	1	RAC404 LAME 40CM TONDEUSES 36V	5132002438	4892210813497