

# Trilogy

## Manual 1.1



español

italiano

français

deutsch

english

This is to certify that

## **Trilogy™**

complies with the provisions of the Directive of the Council of the European Communities on the approximation of the laws of the Member States relating to electromagnetic compatibility (EMC Directive 89/336/EEC) and the low voltage Directive (73/23/EEC). This declaration of conformity of the European Communities is the result of an examination carried out by the Quality Assurance Department of STAMER GmbH in accordance with European Standards EN 50081-1, EN 50082-1 and EN 60065 for low voltage, as laid down in Article 10 of the EMC Directive.



Stamer Musikanlagen GmbH\*  
Magdeburger Str. 8  
66606 St. Wendel



Lothar Stamer Dipl.Ing.  
Managing Director  
St. Wendel, 02/17/2005

\* Stamer Musikanlagen manufactures exclusively for Hughes & Kettner®.

Für das folgend bezeichnete Erzeugnis

## **Trilogy™**

wird hiermit bestätigt, dass es den wesentlichen Schutzanforderungen entspricht, die in der Richtlinie des Rates zur Angleichung der Rechtsvorschriften der Mitgliedsstaaten über die elektromagnetische Verträglichkeit (89/336/EWG) und der Niederspannungsrichtlinie (73/23/EWG) festgelegt sind. Diese Erklärung gilt für alle Exemplare und bestätigt die Ergebnisse der Messungen, die durch die Qualitätssicherung der Fa. Stamer Musikanlagen GmbH durchgeführt wurden. Zur Beurteilung des Erzeugnisses hinsichtlich elektromagnetischer Verträglichkeit wurden folgende Normen herangezogen: EN 50081-1 • EN 50082-1. Zur Beurteilung der Einhaltung der Niederspannungsrichtlinie wurde folgende Norm herangezogen: EN 60065



Stamer Musikanlagen GmbH\*  
Magdeburger Str. 8  
66606 St. Wendel

abgegeben durch



Lothar Stamer Dipl.Ing.  
Geschäftsführer  
St. Wendel, den 17/02/2005

\* Stamer Musikanlagen stellt exklusiv für Hughes & Kettner® her.

### **Important:**

Before powering up please read the Important Safety Instructions on page 53 - 55!

### **Wichtig:**

Bitte lies vor der Inbetriebnahme unbedingt die Sicherheitshinweise auf Seite 53 - 55!

### **Attention :**

Avant la mise en fonction de l'appareil, il est fortement recommandé de prendre connaissance des mesures de prudence présentées aux pages 53 - 55 !

### **Importante:**

Prima di utilizzare lo strumento leggete attentamente gli avvisi di sicurezza su pagina 53 - 55!

### **Importante:**

¡ Por favor antes de la puesta en servicio debes leer necesariamente las instrucciones de seguridad en la página 53 - 55 !

## **Foreword**

Even in the new millennium, classic rock, blues and metal sounds of last century's great guitarists continue to shape musicians and audiences' tastes in tone. Back in the day, flexibility wasn't top on the list of amp attributes: Two channels were standard, three a luxury, and four MIDI switchable channels a dream at best. And now monster nu metal sounds, detuned guitars, blistering bare-knuckle riffs and clean yet heavily effected sounds have gained currency in the repertoires of countless rock bands. Yesteryear's tube amps are no match for today's sonic diversity challenge.

Enter Trilogy™. You have chosen a tube amp offering a rich feature set. Its mighty arsenal of sound-sculpting features that makes the dream of total mastery over tone come true. It boasts four independent channels tweaked to deliver markedly different slices of the tonal pie, a further variation on the fundamental sound in the CLEAN and CRUNCH channels each, and a whopping 128 effect combinations that can be stored via MIDI in combination with these six sounds. In a nutshell, you get plenty of sonic firepower to make every gig pure playing pleasure.

## **Things to do before operating the Amp**

A word of warning before you fire up your new amp: It's loud! High volume levels can cause hearing damage. Always twist the MASTER VOLUME knob to the far left-hand position before turning on the amp, and then slowly rotate the knob clockwise until you dial in a level that is comfortable for your ears and suitable for the venue. Keep those levels well under the pain threshold!

Check the voltage rating displayed next to Trilogy™'s MAINS INPUT to make sure it matches your local mains current before you plug the amp in. Ensure plenty of air can circulate around your amp's ventilation ducts. Place the amp on a sturdy, secure base and avoid exposing it to mechanical shocks and extreme temperatures that could endanger the device or your and others' safety.

The manufacturer disclaims any liability or responsibility whatsoever for any damage or defect to this and other devices resulting from misuse.

## **Powering up**

First plug the speaker cord into appropriate Speaker Out on the head's rear panel. Your choices are a 4-ohm output, a pair of 16-ohm outputs, an 8-ohm output and a 16-ohm output. More on this in chapter 2 – Rear Panel Connections and Control Features. Plug the other end of the cord into the speaker cabinet's input. This amp-to-speaker connection and impedance matching are vital to every all-tube amp's life! Tube amps operated without the load of a connected speaker or at an insufficient impedance level die!

Plug the head's mains cord into a wall outlet and power the amp up by engaging the MAINS switch. Allow the tubes to warm up before you begin playing. First plug one end of the guitar cord into the guitar, and then the other end into the amp. Flip the STANDBY switch to bring those glowing tubes to life.

## Table of Contents

<b>1</b>	<b>Front Panel Connections and Control Features</b>	<b>5</b>
1.1	Input	5
1.2	Clean Channel	5
1.3	Crunch Channel	5
1.4	Lead Channel	6
1.5	Ultra Lead Channel	6
1.6	Master Section	6
1.7	Mains and Standby Switches	6
<b>2</b>	<b>Rear Panel Connections and Control Features</b>	<b>7</b>
2.1	Mains Socket	7
2.2	Anode Fuse	7
2.3	FX Loop On/Off	7
2.4	Channel Select Stageboard	7
2.5	FX Send, Level and Return	7
2.6	MIDI Port	8
2.7	Speakers	8
<b>3</b>	<b>Standard Setup and Cable Connections</b>	<b>8</b>
<b>4</b>	<b>Trilogy™ and MIDI</b>	<b>8</b>
4.1	Programming	8
4.2	Setting the MIDI Channel and Switching OMNI On/Off	8
4.3	Factory Settings and How to Restore Them	9
<b>5</b>	<b>Replacing Tubes, Service and Preventive Maintenance</b>	<b>10</b>
5.1	When to Replace Tubes	10
5.2	Things to Bear in Mind When Replacing Tubes	10
5.3	How to Prolong Tube Life	10
<b>6</b>	<b>Troubleshooting</b>	<b>11</b>
<b>7</b>	<b>Technical Specifications</b>	<b>12</b>

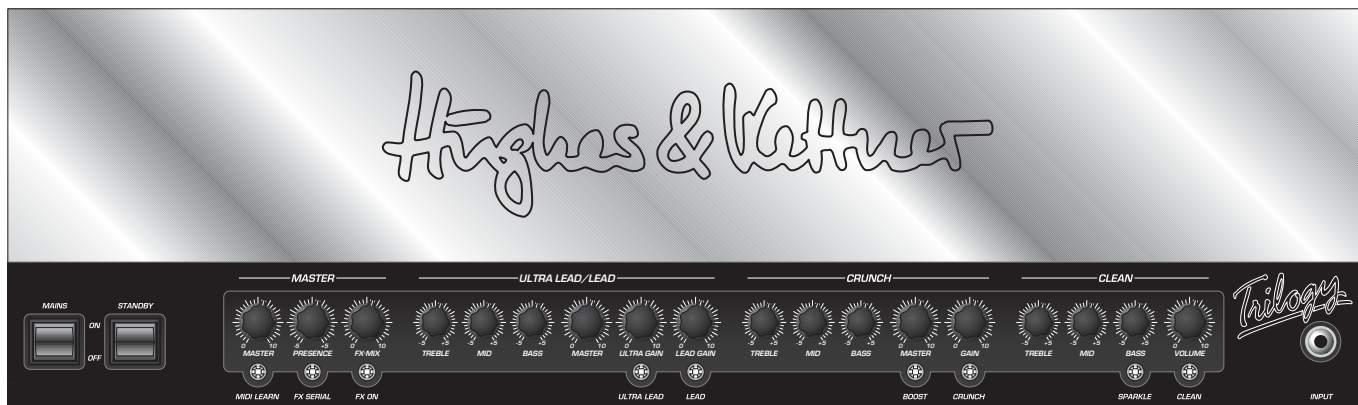


Figure 1: Trilogy front panel

# 1 Front Panel Connections and Control Features

Trilogy™ features four channels: CLEAN, LEAD, ULTRA LEAD, CRUNCH. Press CLEAN ON, CRUNCH ON, LEAD ON and ULTRA LEAD ON to select channels. These buttons trigger reciprocally, meaning that engaging a button selects its assigned channel directly. The ancillary sound-shaping options SPARKLE in the CLEAN and BOOST in the CRUNCH channel are also switchable.

The three-band voicing section comprise BASS, MID and TREBLE controls. Twist these knobs to dial in the desired tone. Note that each channel’s controls influence each other, as is standard and desirable in tube amps sporting this type of voicing section. For instance, if you boost treble frequencies, mids are cut and vice versa. Though the two LEAD channels share a voicing section, each channel is equipped with different circuits that are tweaked to suit the given channel’s sonic properties. The given circuit is actuated automatically when you select a LEAD channel.

Let’s look at Trilogy™ starting with the input and moving from right to left to the channels, the MASTER section and on to the MAINS and STANDBY switches:

## 1.1 Input

Connect your guitar to this high-impedance 6.3 mm (1/4”) jack. Please use high-quality shielded cords only.

## 1.2 Clean Channel

Trilogy™ offers oodles of CLEAN headroom, ensuring your tone remains crisp and clear even at considerable volumes. It serves up full, well-rounded sound with negligible saturation at high levels, with a healthy helping of twang to boot. And it offers stout low-end response with ample sound pressure and toasty tube warmth.

The SPARKLE switch lets you sweep from balmy jazz and blues-approved tone to shimmering sounds well-suited for pop and nu metal. SPARKLE is not some cosmetic high-end boost; it is a genuine presence circuit driven by power amp feedback.

### Handling:

- VOLUME: Controls the volume level
- BASS: Controls the amount of bass frequencies
- MID: Controls the amount of midrange frequencies
- TREBLE: Controls the amount of treble frequencies
- CLEAN ON: Activates the CLEAN channel
- SPARKLE: Adds presence and top-end shimmer to the CLEAN channel

## 1.3 Crunch Channel

This channel offers ultra dynamic response, affording you total and very precise control over saturation levels. True to the subtlest details of your attack, it renders every aspect of your touch and even the daintiest embellishments with accuracy. In a word, this channel is all about honesty. The BOOST switch transforms the channel’s tight, crisp rhythm and lead tone into a richer, beefier sound well-suited for thundering power chords and riffs.

### Handling

- GAIN: Controls input sensitivity and thus saturation / distortion levels
- MASTER: Controls the volume level
- BASS: Controls the amount of bass frequencies
- MID: Controls the amount of midrange frequencies
- TREBLE: Controls the amount of treble frequencies
- CRUNCH ON: Activates the CRUNCH Channel
- BOOST: Taps additional gain reserves for an even creamier tone

### 1.4 Lead Channel

Articulate distorted tone plays a pivotal role in most players' decision to buy an amp. A chief criterion for a top-notch guitar amp is its ability to retain the guitar's character and deliver defined tone even with the GAIN knob cranked. Trilogy™ does this; what's more, its LEAD sound is an excellent vehicle for classic rock leads and crashing power chords.

### 1.5 Ultra Lead Channel

Dive into a deep reservoir of distortion and let powerful sonic waves wash over you with every head-banging riff. The ULTRA GAIN channel delivers American-style high-gain tone with trouser leg-flapping low end and plenty of top-end slice. Hot and bad, this channel's distorted tone is what the good doctor ordered for nu-metal and drop-D styles. It also serves up sumo-sized lead tone for all other genres.

#### Handling:

LEAD-GAIN:	Controls the amount distortion in the LEAD channel
ULTRA-LEAD-GAIN:	Controls the amount distortion in the ULTRA LEAD channel
MASTER:	Controls the volume level
BASS:	Controls the amount of bass frequencies in both channels
MID:	Controls the amount of midrange frequencies in both channels
TREBLE:	Controls the amount of treble frequencies in both channels
LEAD ON:	Activates the LEAD channel (for a lean, mean classic British tone)
ULTRA LEAD ON:	Activates the ULTRA LEAD channel (for chunky American sounds)

### 1.6 Master Section

The master section lets you dial in Trilogy™'s overall output level, control presence, route effects and adjust the dry/wet balance, as well as "teach" the amp to respond to MIDI program change messages.

#### Handling:

FX-MIX, FX ON and SERIAL  
SmartLoop™ is a special effects routing circuit offering a switchable parallel/serial effects loop. In parallel mode, (SERIAL is deactivated) the processed signal is added to the original signal of the preamp. Twist the FX-MIX knob to adjust the dry/wet balance, that is, the ratio of unprocessed to processed signal. Generally the best results are achieved by programming or setting the signal processor's output to 100% so that only the wet effected signal and no dry signal is patched out of the effect device.

In serial mode (SERIAL is activated), SmartLoop™ works like a conventional serial effects loop. This means you must adjust the wet/dry balance on the signal processor.

#### Tip:

If you have not inserted an effect device into the FX loop, you can use this circuit for a variety of other purposes:

- In parallel mode, you can use the RETURN jack to connect a second instrument or any other audio source, and then blend its signal with the guitar signal using the FX MIX knob. You can also route the amp's signal to a second power amp or through a RED BOX® to a mixing console.
- When in serial mode and bridged (SEND and RETURN jacks are connected using a cord equipped with 1/4" jack plugs), the effects loop can serve as a second master preset that may be activated for each channel via a footswitch. Use the FX-MIX knob to adjust the volume level.

#### ! Note:

Be sure to connect a signal processor when the effects loop is configured in serial mode. Otherwise, the signal chain is interrupted and you will not hear your guitar's signal!

#### PRESENCE

This knob determines the overtone content for all channels.

#### MASTER

As its name would indicate, this knob puts you in charge of the EL-34 power amp tubes and the 100 watts of power they put out. Though this knob promises tons of tweaking fun, please exercise restraint and caution.

#### MIDI LEARN

Assigns the given amp settings to a MIDI program number and serves to determine the amp's basic MIDI configuration. For more on this, see section 4 – MIDI.

### 1.7 Mains and Standby Switches

#### MAINS ON/OFF

This button switches the main power supply on and tubes the opportunity to warm up for the work ahead.

#### STANDBY

This switch controls the high voltage power supply to the tubes. When engaged, anode voltage is applied to the tubes' filaments only so that the tubes remain warm and ready to rock. When taking a short break from playing, please use STANDBY rather than ON/OFF so the tubes remain at operating temperature.

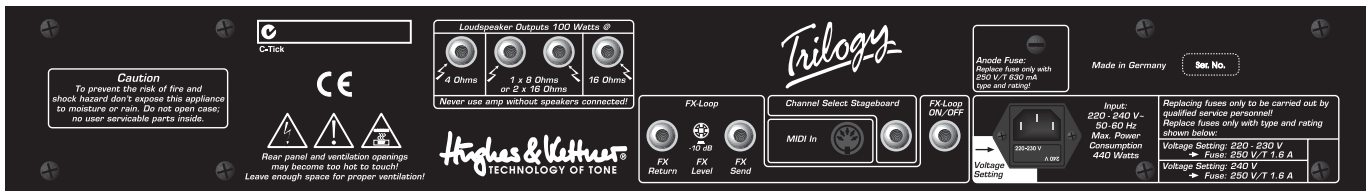


Figure 2: Rear panel

## 2 Rear Panel Connections and Control Features

### 2.1 Mains Socket

Trilogy™ ships in two versions rated for 110/120V and 220-240V, respectively. The rating stamped on the mains socket (figure 3) indicates the version type. Both models offer two operating voltages that are selected using the voltage selector integrated in the mains socket. Before connecting Trilogy™ to the mains power supply, ensure that the mains voltage matches the voltage rating appearing in the voltage selector integrated in the mains socket. This value is legible when the amp is in the standard operating position, that is, placed right side up. The upright number indicates the currently selected voltage, and the inverted number indicates the alternative voltage.

Check also the fuse ratings to ensure they match the ratings indicated on the rear panel (Figure 2).

**Note:**

Voltage selection and fuse replacement may be performed by experienced service technicians only. Accordingly, the following notes are addressed exclusively to service technicians!

- Use a small flat screwdriver to remove the voltage selector from the mains socket.
- If the fuse is defective, replace it with a fuse bearing the specified rating.
- Turn the voltage selector and insert it back into the port so that the desired mains voltage rating is legible and appears at the top left (next to the "Voltage Setting" arrow).

### 2.2 Anode Fuse

This anode fuse is designed to cut the high-voltage power supply to the tubes. If it trips, the cause is usually a defective tube. A sure sign of a blown fuse is that the amp does not render a signal even though it is connected and set up properly. Before replacing the blown fuse with a 250 volt/T 630 mA replacement fuse, ensure the power amp tubes are checked for defects!

### 2.3 FX Loop On/Off

Connect the optional Hughes & Kettner® FS-1 one-way footswitch to this jack. A connected footswitch disables the FX ON button on the front panel.

**Note:**

A connected footswitch always has priority. The same goes for channel switching: The current status of the footswitch prevails regardless of front panel channel selector settings! The switch on the front panel is disabled and its LED indicates the status of the footswitch.

### 2.4 Channel Select Stageboard

This port accepts the included Hughes & Kettner® FS-4 Stageboard. The switches on this board select directly the CLEAN, CRUNCH, LEAD and ULTRA LEAD channels for added on-stage handling convenience.

### 2.5 FX SEND, LEVEL and RETURN

#### FX Send

If you wish to use an outboard signal processor, connect this jack to your effects processor's input jack.

#### FX Level

This switch cuts the FX SEND's output level by 10 dB and boosts the FX RETURN's input sensitivity by 10 dB to match the FX loop to the effect device's input level. Press this button when using processors designed to handle instrument levels.

#### FX Return

Connect this jack to your effects processor's output.

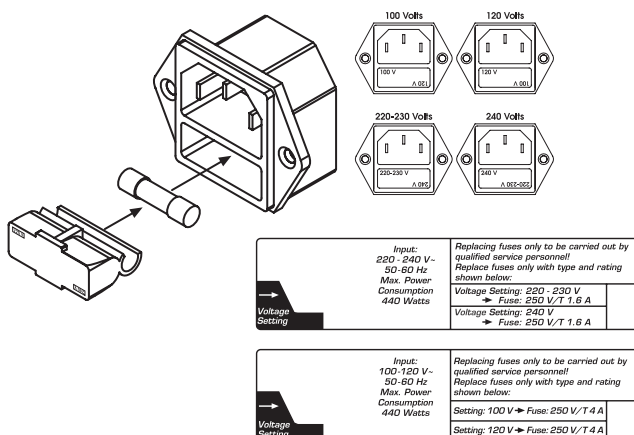


Figure 3: Mains socket

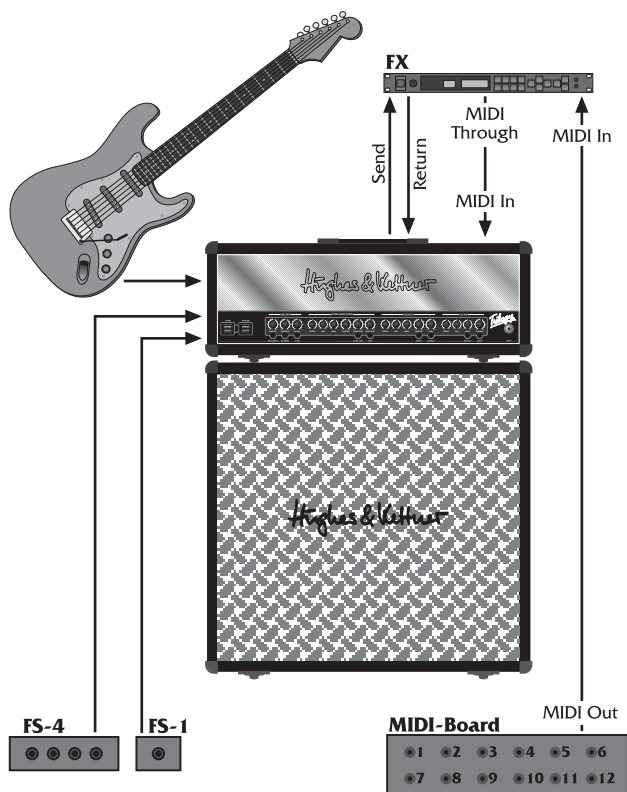
### 2.6 MIDI

This port accepts a MIDI footswitch or another MIDI control used for switching channels. Switching options are the CLEAN, LEAD, ULTRA-LEAD and CRUNCH channels, effects loop on/off and serial/parallel, as well as the sound-shaping functions SPARKLE for the CLEAN and BOOST for the CRUNCH channel. For more on this, refer to chapter 4 – TRILOGY AND MIDI.

### 2.7 Speakers

You have one 4-ohm output, a pair of 16-ohm outputs or one 8-ohm output, and a 16-ohm output available for connecting speaker cabinets of various impedances. Always ensure cabinets are connect properly. Operating a tube amp with the wrong impedance or without a connected speaker can damage it. For more on this, see also the section in chapter 5 entitled How to Prolong Tube Life.

## 3 Standard Setup and Cable Connections



## 4 Trilogy™ and MIDI

For utmost handling ease, use SmartLoop™ in combination with a MIDI-enabled multi effector. This lets you control all switchable functions of Trilogy™ via MIDI, specifically

- the 4 channels CLEAN, LEAD, ULTRA LEAD, CRUNCH
- the sound-shaping features SPARKLE in the CLEAN channel and BOOST in the crunch channel
- FX ON and the loop's SERIAL mode

### 4.1 Programming

Programming couldn't be any easier. If you want to save a configuration such as CRUNCH with BOOST, FX and SERIAL activated, simply arm Trilogy™ by briefly pressing the MIDI LEARN button (MIDI LEARN lights up), and then pressing the desired program number on your MIDI board (or other MIDI send control). The MIDI LEARN light extinguishes to indicate Trilogy™ has assigned this configuration to the program number selected on your foot board.

Now when Trilogy™ receives a program change message via the selected MIDI channel (more on this below), the MIDI LEARN LED flashes briefly and Trilogy™ is configured accordingly.

To discontinue programming without saving settings once MIDI LEARN is armed, simply press the button again.

### 4.2 Setting the MIDI Channel and Switching OMNI On/Off

If you press and hold the MIDI LEARN button for more than two seconds when Trilogy™ is in normal operating mode, its LED animates. The flashing light indicates special programming functions are now assigned to the amp's buttons and LEDs:

#### CLEAN

Now serves as an up button. Use it to select the MIDI channel one-step increments (+1). The factory default is MIDI channel 1.

#### SPARKLE

Now serves as a down button with one-step increments (-1).

#### FX ON

Switches OMNI on/off.

#### ! Note:

OMNI enables reception on all channels. This option is a good choice if you're unsure which channel your foot board uses to send messages.



**MIDI LEARN**

Stores your settings, quits the MIDI setup menu and returns the amp to normal operating mode.

**SERIAL:**

Press this button to check if all LEDs are working properly. All LEDs on Trilogy™'s front panel must light up for as long as you press and hold SERIAL.

When configuring MIDI setups, BOOST, CRUNCH, SPARKLE and CLEAN serve to indicate the MIDI channel in binary code.

Channel	BOOST	CRUNCH	SPARKLE	CLEAN-LED
1				
2				
3				
4				
5				
6				
7				
8				
9				
10				
11				
12				
13				
14				
15				
16				

FX ON lights up to indicate Trilogy™ is configured to receive incoming program changes via all MIDI channels (default). If the LED is not illuminated the amp receives messages via the selected channel only.

**4.3 Factory Settings and How to Restore Them (Factory Reset)**

Press and hold the MIDI LEARN and FX ON buttons simultaneously to reset the amp to the factory default settings. These are:

- OMNI ON
- MIDI channel 1
- All channels are set to FX ON
- SERIAL is deactivated
- All MIDI presets are reset.

The amp ships with the following MIDI channel navigation and sound-shaping settings:

Program change command	Channel	Setting
1)	Clean	FX ON
2)	Clean	Sparkle + FX ON
3)	Crunch	FX ON
4)	Crunch	Boost + FX ON
5)	Lead	FX ON
6)	Clean	
7)	Clean	Sparkle
8)	Crunch	
9)	Ultra Lead	FX ON

# 5 Replacing Tubes, Service and preventive Maintenance

TRIOLOGY™ is factory-loaded with EL34 and 12AX7 tubes. Once they've been burned in – that is, operated continuously under a load – they are subjected to a rigorous selection process. Their electrical specs and mechanical status (microphonics) are checked, and then they are installed in an amp and sound-checked. One of the most important steps in this process is tube matching, whereby tubes with the same characteristics are teamed up in matched sets of power tubes.

## 5.1 When to Replace Tubes

The tubes in TRIOLOGY™ are exemplary in terms of quality, workmanship and long service life. In the unlikely event that you encounter a problem, please run down the following checklist before you swap your old tubes for a new set:

Was the fault or failure of the power tube caused by the tube itself or by a flawed peripheral device or component, perhaps a defective speaker cable? (If you don't get to the bottom of the problem and remedy it, it may crop up again even after you replace the tubes.)

Did the mains voltage fluctuate or spike while the amp was on? In all-tube amps, over-voltage surges in the mains net can certainly cause drop-outs. Over-voltages are often caused by generators and faulty high-current power circuits. Perhaps a fuse blew even though none of the tubes is actually defective? An old fuse, tube de-ionization or mains voltage power surges may have triggered the fuse. In this case, replacing tubes is a waste of money, time and effort.

Tubes show definite signs of wear when their service life is nearing its end. Telltale signs are increased microphonics, noise and hiss, muddier tone through loss of high-end frequencies, degraded performance, etc. Take these indications seriously and replace old tubes. Not only do these side effects take their toll on sound quality, they also indicate the aging tube will soon fail!

### **I** Note:

Replacing tubes for experimentation purposes is not recommended. Installing the wrong tubes will damage the amp and cost you a lot more than you bargained for in repair costs.

## 5.2 Things to Bear in Mind When Replacing Tubes

The golden rule is that replacing tubes is a job best left to qualified professionals. Accordingly, the following guidelines are addressed and apply to qualified service technicians only:

Pull TRIOLOGY™'s mains plug and allow for a discharge time of at least two minutes before removing the chassis from the rear of the amp. Once the chassis has been removed, carefully ease the tubes out of their sockets. A single power tube may only be replaced if the replacement tube precisely matches the original, that is, the old and new tubes' characteristics are identical. As a rule, use matched sets only when replacing power tubes. When a new set of power tubes with characteristics identical to the old set is installed, it is not absolutely necessary to re-bias the amp. However, the amp must be biased when a replacement set's characteristics do not match the original set's. This requires experience and extensive working knowledge in measuring techniques, which is why this is a job for qualified technicians with tube amp tuning experience.

## 5.3 How to Prolong Tube Life

- Never operate Trilogy™ without connecting a load (loud-speaker)! To this end, always use high-quality, heavy-duty speaker cords that won't crimp.
- Use the STANDBY switch! Heating up tubes frequently shortens tube life. Cut anode voltage using the STANDBY function to decrease operating hours and extend tube life.
- Avoid exposing the amp to vibrations, especially when it's powered up. Switch the amp off well before transporting it to allow tubes to cool off completely.
- Make sure all peripheral devices and connecting cords are in a state of good repair! Ensure air can circulate freely around the amp's ventilation slots at all times – your Trilogy™'s life depends on it.
- Never expose the amp to extreme heat, heavy dust and, particularly, moisture.
- Always check peripheral gear's specs to ensure these accessories are suitable for the amp. Never connect speaker cabinets with an impedance (ohm) rating lower than Trilogy™ is designed to handle.
- Never connect devices with high output signal levels (e.g. power amps) to Trilogy™'s input.
- Check the mains power rating before plugging the amp in. When in doubt ask the venue's sound technician or facility engineer.
- Refrain from DIY repairs! Also have a qualified technician replace internal fuses.

# 6

## Troubleshooting

### ***Trilogy™ won't power up when you switch it on.***

- It's not getting AC power. Check the mains cord to see if it is connected and firmly seated.
- The mains fuse is defective. Ensure it is replaced with another fuse of the same rating.

### ***Trilogy™ is connected properly, but no sound is audible.***

- The amp is set to STANDBY.
- The GAIN or MASTER knob is turned all the way down.
- The effects loop is active.
- The anode fuse has blown. Before having it replaced with a fuse of the same rating, have the power amp tubes checked for defects.
- The fuse for the tube heating tripped (the tubes don't glow). Ensure that it is replaced with a fuse bearing the same rating. Always have a service technician replace fuses.

### ***The sound is washed out or muddy when you switch an effects processor on.***

- The signal processor provides a wet signal that is blended with the dry or original signal. Depending on the type of effect, the processor may be returning a dry signal back along with wet signal, which causes phase cancellations when mixed to the dry signal in Trilogy™'s parallel loop. To prevent phase cancellations, switch the effects loop to SERIAL or turn the dry signal all the way down on the signal processor.

### ***The amp starts making ringing or hissing noises.***

- One or several tubes are microphonic. Replace the defective tube with another of the same type.

### ***Signs of tube wear such as increased microphonics and noise, treble loss, weak power output or muddy sound begin reappearing just a few hours after replacing tubes.***

- The wrong tubes were installed when old tubes were replaced or the amp was not biased properly. Take the amp to a professional to correct the problem.

# 7

## Technical Specifications

All level indications relate to 0 dBV (1V RMS).

### 7.1 Inputs

#### INPUT

Port: 6.3 mm (1/4")  
 Type: unbalanced  
 Input impedance: 1 M $\Omega$   
 Sensitivity: - 35 dB  
 Max. input level: +8 dB

#### FX RETURN

Port: 6.3 mm (1/4")  
 Type: unbalanced  
 Input impedance: 48 k $\Omega$

Max. sensitivity:  
 -10dB button engaged: -18 dB  
 -10dB button unengaged: -8 dB

Max. input level:  
 -10dB button engaged: + 5 dB  
 -10dB button unengaged: +15dB

### 7.2 Outputs:

#### FX LOOP Send L/R:

Port: 6.3 mm (1/4")  
 Type: unbalanced  
 Output impedance: 2.2 k $\Omega$   
 Output level: - 6 dB

Max. output level:  
 -10dB button engaged: + 2 dB  
 -10dB button unengaged: +12 dB

#### Speaker outputs:

Quantity: 4  
 Port: 6.3 mm (1/4")  
 Type: unbalanced  
 Impedance: 1 X 4  $\Omega$  ; 1 X 8  $\Omega$  or 2 X 16  $\Omega$  ; 1 X 16  $\Omega$

### 7.3 General Electrical Data:

Max. current consumption: 1.35 A @ 230 V AC, 4-8-16  $\Omega$   
 2.55 A @ 120 V AC, 4-8-16  $\Omega$   
 2.85 A @ 100 V AC, 4-8-16  $\Omega$

Max. power consumption: 383 VA @ 253 V AC, 4-8-16  $\Omega$   
 Mains voltage tolerance range: +/- 10 %  
 Operation temperature range: - 10 °C to +35 °C  
 External fuses: 1 x T 630 mA (anode)  
 Internal fuses: 1 x TT 10 A Slo Blo, 2 x T 630 mA

#### Mains fuses:

Europe: (variable: 220 V-230 V or 240 V)  
 2 x 250 V / T 1.6 A (5 x 20mm)

USA/Canada/Asia: (variable: 100 V or 120 V)  
 2 x 250 V / T 4 A (5 x 20mm)

Anode fuse: 1 x T 630 mA

### 7.4 General Mechanical Data:

#### Dimensions:

Width: 744 mm (incl. corners )  
 Height: 280 mm (incl. handles and feet)  
 Depth: 258 mm (incl. corners)

Weight: 20.5 kg

## Vorwort

Zu keinem Zeitpunkt der Rock-History war der Soundgeschmack der Gitarristen so breit gefächert, wie im noch jungen 21. Jahrhundert. Klassische Rock-, Crunch- und Blues-Sounds gehen Hand in Hand mit böartigen Metal-Staccatos. Effektdurchzogene, glockenklare Clean-Sounds lösen sich – ohne Vorwarnzeit – in brachiale NuRock-Riffs auf. Klar, dass in dieser vielfältigen Soundwelt die Röhren-Amps von gestern versagen: Zwei Kanäle war der Standard, drei schon Luxus, ganze vier Kanäle und alles per MIDI schaltbar war nur ein Traum.

Mit dem TRILOGY™ hast du dich für einen Röhren-Amp entschieden, der dir nicht nur eine erstklassige Soundbasis bietet, sondern endlich auch den Traum der MIDI-Steuerung erfüllt: vier Kanäle mit eigenständigen Sounds, alle vier Kanäle inklusive des revolutionären SmartLoop™ Effekt-Routing über MIDI kontrollierbar. Obendrauf gibt es im CLEAN- und CRUNCH-Kanal je eine, ebenfalls per MIDI schaltbare Soundvariation. Das sind unterm Strich sechs echte Sounds direkt am Amp! Über MIDI lassen sich mit diesen Basis-Sounds dann satte 128 Effekt-Kombinationen verknüpfen und speichern. Und damit sollte ja wohl jeder Gig problemlos über die Bühne gehen.

## Vor der Inbetriebnahme

Ein Wort der Mahnung, bevor du Deinen neuen Amp in Betrieb nimmst: Er ist laut! Hohe Lautstärke-Pegel können Gehörschäden verursachen. Um böse Überraschungen zu vermeiden solltest du das MASTER VOLUME-Poti vor dem Aktivieren des Amps auf Linksanschlag drehen. Nach dem Einschalten kannst du den Pegel vorsichtig erhöhen, bis die gelieferte Lautstärke zu den Räumlichkeiten passt und nicht in den Ohren schmerzt! Und noch mal: Um dauerhafte Gehörschäden bei Dir und Deinen Zuhörern zu vermeiden, solltest du große Vorsicht im Umgang mit den Lautstärke-reglern deines Amps walten lassen!

Vergewissere Dich vor dem Anschluss des Trilogy™, dass der am MAINS INPUT angegebene Spannungswert mit der ortsüblichen Netzspannung übereinstimmt. Stelle eine ausreichende Luftzufuhr zu den Kühlflächen des Gerätes sicher. Achte unbedingt auf einen festen Stellplatz, der mechanische und thermische Fremdeinwirkungen ausschließt und so die Betriebssicherheit des Gerätes und die Sicherheit von Personen gewährleistet.

Für Schäden am Gerät, oder an anderen Geräten, die durch unsachgemäßen Betrieb entstehen, wird seitens des Herstellers keine Haftung übernommen.

## Inbetriebnahme

Zuerst gehört das Boxenkabel in den entsprechenden Ausgang am Head. Je nach Einsatzgebiet stehen hier je ein 4 Ohm-Ausgang, zwei Ports zum Anschluss von zwei 16 Ohm-/bzw. einer 8 Ohm-Box, sowie ein separater 16 Ohm-Ausgang zur Verfügung. Weitere Informationen zu diesem Thema findest Du im Kapitel 2.0 - Anschlüsse und Bedienelemente. Das andere Ende des Kabels wird mit dem Eingang der Box verbunden. Das ist für Vollröhren-Amps lebenswichtig! Werden Röhrenamps ohne angeschlossene Box oder an zu niedriger Impedanz betrieben, dann sterben sie!

Jetzt verbindest du den Netzstecker des Heads mit der Steckdose und aktivierst den Amp mit Hilfe des MAINS-Schalters. Achte auf jeden Fall darauf, dass der STANDBY-Schalter dabei in der STANDBY-Position steht und gönne den Röhren eine kurze Aufwärmphase, bevor du loslegst. Sie werden es dir mit einer längeren Lebensdauer danken. Verbinde jetzt deine Gitarre mit dem Amp (verwende ein hochwertiges abgeschirmtes Instrumentenkabel) und hauche den glühenden Röhren Leben ein, indem du den STANDBY-Schalter umlegst.

Okay, es ist soweit: Lasset die Spiele beginnen!

## Inhalt

<b>1</b>	<b>Anschlüsse und Bedienelemente der Vorderseite</b>	<b>15</b>
1.1	Input	15
1.2	Clean-Kanal	15
1.3	Crunch-Kanal	15
1.4	Lead-Kanal	16
1.5	Ultra Lead-Kanal	16
1.6	Master-Sektion	16
1.7	Netz- und Standby-Schalter	16
<b>2</b>	<b>Anschlüsse und Bedienelemente der Rückseite</b>	<b>17</b>
2.1	Netzanschluss	17
2.2	Anoden-Sicherung	17
2.3	FX-Loop On/Off	17
2.4	Channel Select Stageboard	17
2.5	FX-Send, Level und Return	17
2.6	MIDI-Buchse	18
2.7	Speakers	18
<b>3</b>	<b>Standard-Setup und Verkabelung</b>	<b>18</b>
<b>4</b>	<b>Der Trilogy™ und MIDI</b>	<b>18</b>
4.1	Programmierung	18
4.2	Einstellen des MIDI-Kanals sowie OMNI-On/Off	18
4.3	Werkseinstellung und deren Wiederherstellung	19
<b>5</b>	<b>Röhrentausch, Wartung und Pflege</b>	<b>20</b>
5.1	Wann ist ein Röhrentausch sinnvoll?	20
5.2	Was ist beim Röhrentausch zu beachten?	20
5.3	Wie kann ich die Lebensdauer meines Trilogy™ verlängern?	20
<b>6</b>	<b>Mögliche Fehlerquellen/Troubleshooting</b>	<b>21</b>
<b>7</b>	<b>Technische Daten</b>	<b>22</b>

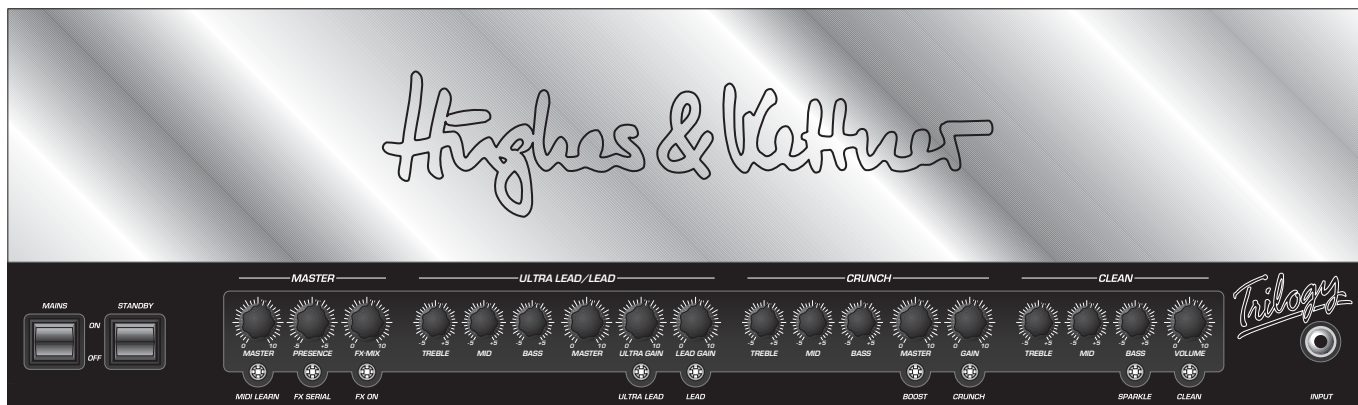


Abb. 1: Trilogy Vorderseite

# 1 Anschlüsse und Bedienelemente der Vorderseite

Der Trilogy™ verfügt über vier Kanäle: CLEAN, CRUNCH, LEAD, ULTRA LEAD. Durch Drücken der Taster CLEAN ON, CRUNCH ON, LEAD ON und ULTRA LEAD ON wählst Du die Kanäle an. Die Schalter sind gegeneinander auslösend. SPARKLE im CLEAN- und BOOST im CRUNCH-Kanal sind zuschaltbare Soundvariationen.

Die Dreiband-Klangregelungen der Kanäle besteht aus BASS, MID und TREBLE. Hier stellst du deinen persönliche Sound-Vorstellung ein. Wie bei Röhren Amps üblich, beeinflussen sich die Regler innerhalb eines Kanals gegenseitig. Das heißt z.B., eine Änderung in den Höhen wirkt sich auch auf die Mitten aus. Die beiden LEAD-Kanäle teilen sich die Potis der Klangregelung, intern werden bei der Kanalwahl jedoch jeweils unterschiedliche Schaltkreise aktiviert, die speziell auf die Charakteren der beiden LEAD Kanäle abgestimmt sind.

Betrachten wir den Trilogy™ von rechts nach links, also vom Eingang über die Kanäle zur MASTER-Sektion und dem MAINS- sowie STANDBY-Schalter:

## 1.1 Input

Hochohmige 6,3mm Klinken-Buchse zum Anschluss der Gitarre. Bitte verwende nur geeignete, abgeschirmte Instrumentenkabel.

## 1.2 Clean-Kanal

Der TRILOGY™ liefert Dir einen Ultra-Clean-Sound, der selbst bei hoher Lautstärke keine Einbrüche in der Brillanz und Klarheit spürbar werden lässt. Er klingt voll und rund, übersteuert auch bei hohen Pegeln kaum und kitzelt den begehrten „Twang“ aus Deiner Gitarre. In der Basswiedergabe zeichnet sich der Kanal durch einen enormen Druck und maximale Wärme aus. Dank des SPARKLE-Schalters lässt sich die Höhen-Charakteristik des Kanals an die Ansprüche der unterschiedlichsten Stilistiken

anpassen: Von „warm und seidig“, wie im Jazz und Blues gefragt, bis superglitzernd und durchsetzungstark für die authentische Pop und Nu Metal - Performance - hier ist alles möglich.

Hinweis:

SPARKLE ist nicht nur eine kosmetische Höhenanhebung, sondern eine echte Presence-Schaltung mit Endstufen-gegenkopplung.

### Bedienung:

VOLUME:	Regelt die Lautstärke
BASS:	Regelt den Bassanteil
MID:	Regelt den Mittenanteil
TREBLE:	Regelt den Höhenanteil
CLEAN ON:	Aktiviert den CLEAN-Kanal.
SPARKLE:	Verleiht dem CLEAN-Kanal zusätzliche Präsenz und „Glitzern“

### 1.3 Crunch-Kanal

Dieser Kanal bietet hohe Dynamik und eine absolute Kontrolle bei jedem Übersteuerungsgrad. Detailgetreu überträgt er jeden Anschlag und selbst kleinste Verzerrungen werden bereitwillig abgebildet. Der Begriff „ehrlich“ als Beschreibung für die Performance des Kanals passt hier wie die vielzitierte Faust auf's Auge. Mit dem BOOST-Schalter wird aus dem trockenen Rhythmus- und Solo-Sound der amtliche Rock-Sound für schmetternde Powerchords und Riffs.

### Bedienung:

GAIN:	Regelt die Eingangsempfindlichkeit und damit die Sättigung bzw. Verzerrung
MASTER:	Regelt die Lautstärke
BASS:	Regelt den Bassanteil
MID:	Regelt den Mittenanteil
TREBLE:	Regelt den Höhenanteil
CRUNCH ON:	Aktiviert den CRUNCH-Kanal.
BOOST:	Aktiviert zusätzliche Gain-Reserven für noch mehr „Cream“

### 1.4 Lead-Kanal

Präzise HiGain-Distortionsounds spielen bei der Wahl eines Verstärkers eine entscheidende Rolle. Ein verbindliches Kriterium für einen Top-Class-Gitarrenverstärker ist, dass der individuelle Grundsound der jeweils verwendeten Gitarre selbst bei extremen GAIN-Einstellungen erhalten bleibt. Außerdem sollte der gelieferte Ton auch am Gain-Limit definiert und transparent überkommen. Beide Disziplinen erfüllt der Trilogy™ mit links und so wird der LEAD-Sound zur ersten Wahl für klassische Rock-Soli und Powerchord-Riffs mit „Brett-Ambitionen“.

#### ! Hinweis:

Dem Amp wurde ausreichend Gain spendiert, um in jeder Situation zu überzeugen. Probier' es aus!

### 1.5 Ultra Lead-Kanal

Tauche ein in die Welt intensiver Distortion-Sounds und genieße die kraftvolle Entfaltung eines jeden deiner durch die Lautsprecher gejagten Riffs. Der über den ULTRA GAIN-Schalter anwählbare Kanal liefert eine gnadenlose amerikanische High Gain-Performance, mit tiefen Bässen und bissigen Höhen. Seine heiße und böse Verzerrung bedient die Nu Metal und Drop-Tuning Fraktion genauso souverän, wie den Allrounder, der sich ab und zu den etwas anderen, ultrafetten Leadsound wünscht.

#### Bedienung:

LEAD-GAIN:	Regelt den Übersteuerungsgrad des LEAD-Kanals
ULTRA-LEAD-GAIN:	Regelt den Übersteuerungsgrad des ULTRA LEAD-Kanals
MASTER:	Regelt die Lautstärke
BASS:	Regelt den Bassanteil beider Kanäle
MID:	Regelt den Mittenanteil beider Kanäle
TREBLE:	Regelt den Höhenanteil beider Kanäle
LEAD ON:	Aktiviert den klassisch britischen LEAD-Kanal
ULTRA LEAD ON:	Aktiviert den amerikanischen ULTRA LEAD-Kanal

### 1.6 Master-Sektion

In der MASTER-Sektion bestimmst du die Gesamtlautstärke des Trilogy™, regelst die Präsenz und das Effektrouting. Außerdem hast du die Möglichkeit deinem Amp MIDI-Program-Changes beizubringen.

#### Bedienung:

##### FX-MIX, FX ON und SERIAL

Das spezielle Effektrouting SmartLoop™ bietet Dir einen von parallel auf seriell umschaltbaren Effektweg. Im Parallel-Betrieb (SERIAL ist nicht aktiviert) wird das Effektsignal dem Originalsignal der Vorstufe zugemischt. Das Mischungsverhältnis kann mittels FX-MIX-Regler eingestellt werden. Prinzipiell erzielt man die besten Soundergebnisse, wenn am Effektgerät ein möglichst großer Effektanteil eingestellt wird und kein Direktsignal am Ausgang des Effektgerätes anliegt.

Bei serieller Verschaltung (SERIAL ist aktiv) arbeitet SmartLoop™ wie ein konventioneller serieller Effektweg, d.h. das Lautstärkeverhältnis zwischen Original- und Effekt-Signal wird am Effektgerät selbst eingestellt.

#### Tipp:

Ist kein Effektgerät am Effektweg eingeschleift, lässt sich der Effektweg für weitere Funktionen zweckentfremden:

- Im parallelen Betrieb kann die RETURN-Buchse zum Anschluss eines zweiten Instruments oder beliebiger anderer Audioquellen verwendet werden, die sich dann über den FX-MIX Regler dem Gitarrensinal zumischen lassen. Parallel dazu kann an der SEND-Buchse eine zusätzliche Endstufe, oder eine RED BOX® zur Signalführung zum Mischpult angeschlossen werden
- Seriell betrieben und gebrückt (SEND und RETURN mit einem Klinkenkabel verbunden) lässt sich der Effektweg als zweiter MASTER-Regler verwenden, der pro Kanal sogar per Fußschalter aktiviert werden kann. Die Lautstärke wird mit dem FX-MIX-Regler eingestellt

#### ! Hinweis:

Wenn der Effektweg seriell geschaltet und kein Effektgerät angeschlossen ist, wird das Signal unterbrochen. Das Ergebnis: Es ist nichts zu hören!

#### PRESENCE

Dieser Regler bestimmt den Obertonanteil aller Kanäle/Sounds.

#### MASTER

Wie der Name schon vermuten lässt, hältst Du mit diesem Potentiometer die Macht über die 100 Watt starke, mit vier EL-34 Endstufenröhren befeuerte Endstufe deines Trilogy™ zwischen Daumen und Zeigefinger. Und aus diesem Grunde ist im Umgang mit diesem Regler auch ein gewisses Maß an Vorsicht geboten (und natürlich auch jede Menge Spaß garantiert!)

#### MIDI LEARN

Weist die Amp-Einstellungen einer Midi-Programmnummer zu und dient zur MIDI-Grundkonfiguration des Amps. Siehe dazu 4 MIDI

### 1.7 Netz- und Standby-Schalter

#### MAINS ON/OFF

Dieser Schalter öffnet die Hauptstromzufuhr und gibt den Röhren die Chance, sich für die bevorstehende Arbeit aufzuwärmen.

#### STANDBY

Gibt den Weg in Richtung Endstufe und Box frei. Er schaltet die Anodenspannung der Röhren, nicht die Heizung. Benutze bei kürzeren Spielpausen also bitte STANDBY anstatt ON/OFF, dann bleiben die Röhren auf Betriebstemperatur.



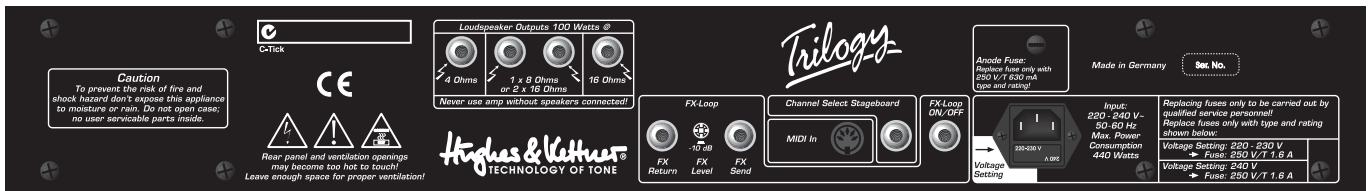


Abb. 2: Trilogy Rückseite

## 2 Anschlüsse und Bedienelemente der Rückseite

### 2.1 Netzanschluss

Der Trilogy™ ist in zwei Modell-Varianten lieferbar: 110/120V und 220V-240V, zu erkennen am Gehäuseaufdruck über der Netzbuchse (Abb. 3). Beide Modelle bieten je zwei wählbare Betriebsspannungen, deren Anpassung mittels des in die Netzbuchse integrierten Voltage-Selectors erfolgt. Bitte stelle vor dem Anschluss des Trilogy™ an das Stromnetz unbedingt sicher, dass die vorhandene Netzspannung mit dem im Sichtfenster des Voltage-Selectors angegebenen Spannungswerts übereinstimmt. Der in Betriebsposition (Amp steht „auf den Füßen“) lesbare Wert zeigt die aktuelle Spannung an, der auf dem Kopf stehende die alternative Anpassung.

Überprüfe auch die Sicherungswerte entsprechend den Angaben des Aufdrucks auf der Geräterückseite (Abb. 2).

#### ! Hinweis:

Die Spannungsanpassung und der Austausch der Sicherungen darf nur von einem erfahrenen Service-Techniker vorgenommen werden. Die nachfolgenden Hinweise sind für den Service-Techniker gedacht!

- Mittels eines kleinen flachen Schraubendrehers den Voltage-Selector aus der Netzbuchse lösen
- Falls defekt, Sicherung herausnehmen und durch eine Neue mit entsprechendem Wert ersetzen
- Der Voltage-Selector wird so gedreht und wieder eingesteckt, dass der Aufdruck der gewünschten Netzspannung nach oben links zeigt (neben Pfeil von Gehäuseaufdruck „Voltage-Setting“).

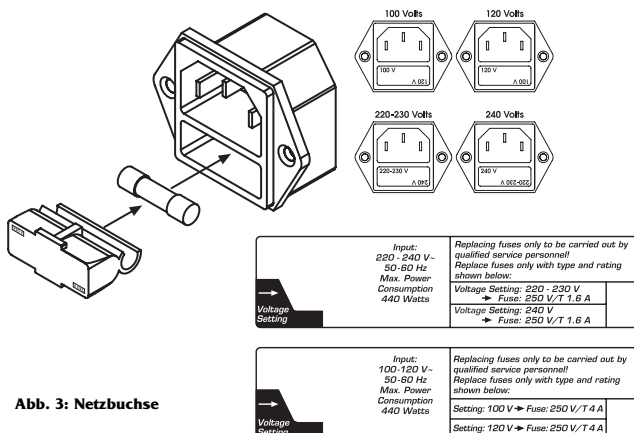


Abb. 3: Netzbuchse

### 2.2 Anode Fuse

Dies ist die Anodensicherung. Sie sichert die Hochspannungsversorgung der Röhren ab. Spricht die Sicherung an, ist die Ursache meistens eine defekte Röhre. Bemerkbar macht sich eine angesprochene Sicherung, wenn der Amp zwar korrekt verkabelt und eingestellt wurde, dennoch aber nichts zu hören ist. Achtung: Vor dem Austausch der Sicherung durch eine entsprechende 250 Volt/T 630 mA Ersatzsicherung sind die Endstufenröhren unbedingt auf einen Defekt zu überprüfen!

### 2.3 FX-Loop On/Off

An diese Buchse kann der Einfach-Fußschalter Hughes & Kettner® FS-1 angeschlossen werden. Der Fußschalter deaktiviert den Taster FX ON auf der Front.

#### ! Hinweis:

Ist ein Fußschalter angeschlossen, hat dieser immer Priorität. Auch beim Umschalten der Kanäle gilt der aktuelle Zustand des Fußschalters, unabhängig von der Voreinstellung des Kanals! Der Schalter auf der Front ist gesperrt und übernimmt jetzt die Funktion einer LED-Anzeige, die den Zustand des Fußschalters anzeigt.

### 2.4 Channel Select Stageboard

Dies ist der Anschluss für das im Lieferumfang enthaltene Stageboard Hughes & Kettner® FS-4. Mit seiner Hilfe können die Kanäle CLEAN, CRUNCH, LEAD und ULTRA-LEAD direkt angewählt werden. Eine Funktionalität, die den Einsatz „On Stage“ optimal unterstützt.

### 2.5 FX Send, Level und Return

#### FX SEND

Falls Du ein externes Effektgerät verwenden möchtest, verbinde diese Buchse mit dem Eingang des Effektgeräts.

#### FX LEVEL

Dieser Schalter verringert den Ausgangspegel der FX-Send Buchse um 10dB und erhöht zeitgleich die Eingangsempfindlichkeit der FX-Return Buchse um 10dB und unterstützt so eine optimale Anpassung des Effektweges an den Eingangspegel des jeweils verwendeten Effektgeräts. Soll ein Effektgerät zum Einsatz kommen, dessen Eingang für den Instrumentenpegel ausgelegt ist, diesen Schalter bitte unbedingt in die gedrückte Position bringen.

#### FX RETURN

Verbinde diese Buchse mit dem Ausgang des Effektgeräts.

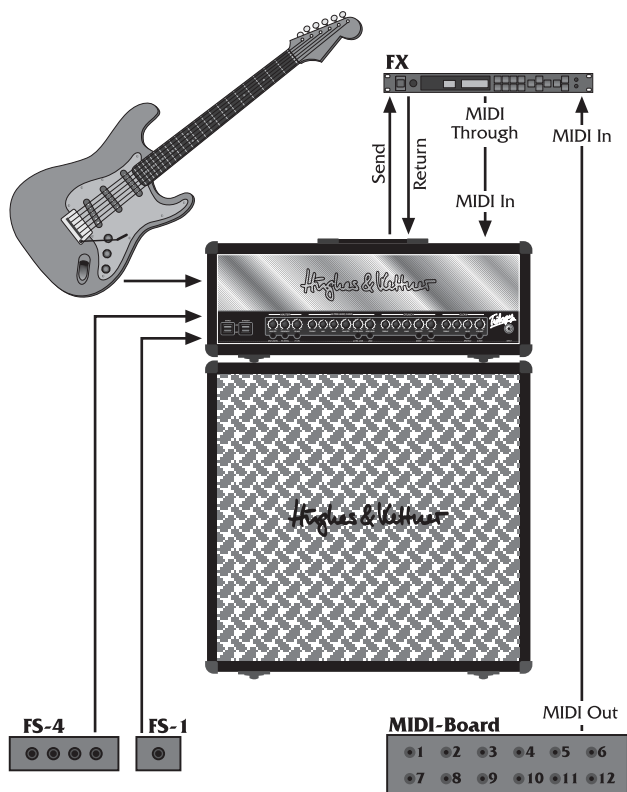
### 2.6 MIDI

Hier kann ein MIDI-Fußschalter, oder ein beliebiger anderer MIDI-Sender zum Schalten der Kanäle angeschlossen werden. Verfügbar sind die Funktionen CLEAN, CRUNCH, LEAD, ULTRA-LEAD, Effektweg an/aus und seriell/parallel, sowie die Sound-Variationen SPARKLE im CLEAN-, und BOOST im CRUNCH-Kanal. Nähere Infos findest Du im Kapitel 4 – Der Trilogy™ und MIDI.

### 2.7 Speakers

Es stehen ein 4 Ohm-, zwei 16 Ohm- bzw. ein 8 Ohm-, sowie ein separater 16 Ohm-Ausgang zum Anschluss von Boxen mit entsprechender Impedanz zur Verfügung. Bitte achte immer auf eine korrekte Verkabelung. Werden Röhren-Amps mit falscher Impedanz oder gar ohne angeschlossene Box betrieben, kann das zu einer Beschädigung führen. Weitere Infos zum Thema findest du im Kapitel 5 unter „Wie kann ich die Lebensdauer meines Trilogy™ verlängern?“

## 3 Standard-Setup und Verkabelung



## 4 Der Trilogy™ und MIDI

SmartLoop™ in Verbindung mit einem midifähigen Multi-Effektgerät bietet dir den bestmöglichen Spielkomfort. Jede einzelne Funktion des Trilogy™ lässt sich per MIDI schalten.

Das sind

- alle 4 Sounds: CLEAN, CRUNCH, LEAD, ULTRA LEAD
- die Sound-Variationen SPARKLE im CLEAN-Kanal und BOOST im CRUNCH-Kanal
- FX ON sowie SERIAL

### 4.1 Programmierung

Die Programmierung erfolgt denkbar einfach. Willst du eine Sound-Kombination wie z.B. CRUNCH mit aktivem BOOST, aktivem FX und SERIAL speichern, stellst Du zuerst genau diese Kombination am Amp ein. Dann brauchst du lediglich den Trilogy™ über kurzes Drücken der MIDI LEARN-Taste „scharf“ zu schalten (MIDI LEARN leuchtet), und die Programmnummer, unter der Du diese Sound-Kombination speichern möchtest, auf deinem MIDI-Board (oder anderem MIDI-Sender) zu drücken. Erlischt MIDI LEARN, hat sich der Trilogy™ diese Sound-Kombination gemerkt und einem Programm auf deinem Fußboard zugeordnet.

Ein erneuter Druck auf MIDI Learn im scharf geschalteten Zustand beendet vorzeitig den Programmiervorgang.

Empfängt der Trilogy™ auf dem eingestellten MIDI-Kanal (s.u.) einen MIDI-Program-Change-Befehl, blinkt die MIDI Learn-LED kurz auf und der Trilogy™ ruft die entsprechende Einstellung auf.

### 4.2 Einstellen des MIDI-Kanals sowie OMNI-On/Off

Drückt man im Normalbetrieb des Trilogy™ die MIDI LEARN-Taste länger als zwei Sekunden beginnt diese zu blinken. Die LEDs und Taster des Amps haben nun spezielle Programmier-Funktionen:

#### CLEAN

Fungiert nun als +1/up Taster, um den MIDI-Kanal einzustellen. Werkseinstellung ist MIDI-Kanal 1.

#### SPARKLE

Fungiert nun als -1/down Taster

#### FX ON

Schaltet OMNI On/Off. Leuchtet die FX ON-LED, so empfängt der Trilogy™ auf allen MIDI-Kanälen eingehende Program-Changes (default), bei nicht leuchtender LED nur auf dem eingestellten Midi-Kanal.

**Hinweis:**

OMNI=Empfang auf allen Kanälen. Diese Funktion ist hilfreich, wenn Du nicht sicher bist, auf welchem Kanal Dein Fußboard sendet.

**SERIAL**

Mit dieser Taste kannst Du überprüfen, ob alle LEDs funktionieren. So lange SERIAL gedrückt ist, müssen alle LEDs auf der Trilogy™-Front leuchten.

Die BOOST-, CRUNCH-, SPARKLE- und CLEAN-LEDs dienen während des Setups als Anzeige des MIDI-Kanals. In der nachfolgenden Tabelle kannst Du den eingestellten Midi-Kanal ganz einfach ablesen (in der Fachsprache auch „Binär-Code“ genannt):

Channel	BOOST	CRUNCH	SPARKLE	CLEAN-LED
1				
2				
3				
4				
5				
6				
7				
8				
9				
10				
11				
12				
13				
14				
15				
16				

Einmaliges Drücken auf MIDI LEARN beendet das MIDI-Setup und speichert die Einstellungen, der Amp kehrt in den letzten Betriebszustand (Normalbetrieb) zurück.

**4.3 Werkseinstellung und deren Wiederherstellung (Factory Reset)**

Wird beim Einschalten MIDI LEARN und FX ON gleichzeitig gehalten, setzt sich der Amp in Auslieferungszustand zurück.

Dieser ist:

- OMNI ON
- MIDI-Kanal 1
- Alle Kanäle sind FX ON geschaltet
- SERIAL ist deaktiviert
- Alle MIDI-Presets werden zurückgesetzt

Die Sounds sind ab Werk wie folgt eingestellt und zugewiesen:

Programm-Change-Befehl	Kanal	Einstellung
1	Clean	FX ON
2	Clean	Sparkle + FX ON
3	Crunch	FX ON
4	Crunch	Boost + FX ON
5	Lead	FX ON
6	Clean	
7	Clean	Sparkle
8	Crunch	
9	Ultra Lead	FX ON

## 5 Röhrentausch, Wartung und Service

Der TRILOGY™ ist ab Werk mit EL34 und 12AX7 Röhren bestückt. Sie werden nach dem „Burn-In“ (ein erster Dauerlauf unter Last) in aufwändigen Selektionsverfahren auf ihre elektrischen Werte, mechanische Beschaffenheit (Mikrofonie), und darüber hinaus im akustischen Test am fertigen Gerät auf ihr Soundverhalten geprüft. Einer der wichtigsten Schritte ist dabei das „Matching“ (also das Zusammenstellen von Röhrensätzen gleicher Kennlinie) für die Endstufenbestückung.

### 5.1 Wann ist ein Röhrentausch sinnvoll?

Die im TRILOGY™ eingesetzten Röhren zeichnen sich durch vorbildliche Verarbeitungsqualität und eine hohe Lebensdauer aus. Sollte dennoch einmal ein Problem auftauchen, stell dir vor einem voreiligen Röhrentausch bitte folgende Fragen:

- Lag die Ursache des Fehlers bzw. Ausfalls an der Röhre selbst oder vielleicht an der Geräteperipherie, z.B. defektes Speaker-Kabel als Ursache für defekte Endstufenröhre? (Falls der Fehler nicht behoben wird, könnte das Problem nach einem Röhrentausch erneut auftreten).
- War während des Betriebes die Netzspannung konstant? Bei Vollröhren-Amps kann eine Überspannung im Netz die Ursache für einen Ausfall sein. Überspannungen entstehen z.B. bei Strom-Generatoren oder unsachgemäß ausgeführten Starkstromverbindungen.
- Hat vielleicht nur eine Sicherung angesprochen, ohne dass ein wirklicher Defekt vorliegt? „Gealterte“ Sicherungen, Teilchenentladungen in einer Röhre oder Überschläge durch Netzspannungsspitzen könnten die Ursache sein.

Ein Röhrentausch wäre dann wenig sinnvoll. Röhren zeigen nach entsprechender Betriebsdauer Verschleißerscheinungen (erhöhte Mikrofonie, Brummempfindlichkeit, Höhenverluste, Leistungsverluste etc.). Solche Anzeichen machen einen Austausch nötig, denn sie führen nicht nur zu schlechteren Klangergebnissen, sondern sind Vorboten für einen bevorstehenden Ausfall der betroffenen Röhre.

Hinweis:

Von einem Röhrentausch aus Spaß an Soundexperimenten ist auf jeden Fall abzusehen. Die hierbei entstehenden Kosten könnten bei unsachgemäßem Handeln unerwartet hoch ausfallen.

### 5.2 Was ist beim Röhrentausch zu beachten?

Der Röhrentausch sollte ausschließlich durch technisch qualifiziertes Fachpersonal erfolgen! Folgende Hinweise sind deshalb nur für Service-Techniker gedacht:

Vor dem Ausbau des Chassis auf der Rückseite ist der Netzstecker des TRILOGY™ zu ziehen und eine Mindestentladungszeit von 2 Minuten abzuwarten! Ist das Chassis ausgebaut, können die Röhren vorsichtig aus ihren Sockeln gezogen werden. Eine einzelne Endstufenröhre darf nur dann getauscht werden, wenn sie exakt in das Match passt (die gleiche Kennlinie aufweist). Für die Endstufenröhren grundsätzlich nur gematchte Sätze einsetzen. Wird ein neuer Satz gematchter Endstufenröhren mit den gleichen Kennliniendaten des alten Satzes verwendet, so ist ein Bias-Abgleich (Ruhestrom-Abgleich) nicht zwingend notwendig. Wird dagegen ein Match mit abweichenden Kennliniendaten verwendet, so muss ein Bias-Abgleich erfolgen. Der Abgleich setzt umfangreiche Messkenntnisse voraus und ist ausschließlich von im Röhren-Amp-Bereich qualifizierten Technikern vorzunehmen.

### 5.3 Wie kann ich die Lebensdauer meines Trilogy™ verlängern?

- Betreibe den Trilogy™ niemals ohne Last (Lautsprecher)! Ein hochwertiges, knicksicheres Boxenkabel ist daher zwingend notwendig.
- Nutze den STANDBY-Schalter! Häufiges Aufheizen der Röhren erhöht den Verschleiß. Das Abschalten der Anodenspannung mit der STANDBY-Funktion spart Betriebsstunden.
- Vermeide Erschütterungen, insbesondere bei laufendem Gerät. Vor dem Transport den Amp ausschalten und die Röhren abkühlen lassen.
- Sorge immer für eine technisch einwandfreie Geräteperipherie! Freie Lüftungsschlitze für eine ungestörte Luftzirkulation sind lebenswichtig für den Trilogy™.
- In jedem Fall zu vermeiden sind extreme Hitze, das Eindringen von Staub und – ganz besonders – Nässe.
- Die Spezifikationen von Zusatzgeräten müssen genauestens beachtet werden. Niemals Lautsprecherboxen mit zu kleiner Impedanz (Ohmzahl) am Trilogy™ betreiben.
- Nie Geräte mit zu großem Pegel (z.B. Endstufen) an die Eingänge des Trilogy™ anschließen.
- Vor Anschluss des Gerätes immer die vorhandene Netzspannung prüfen. Im Zweifelsfall den Bühnentechniker, Hausmeister o.ä. kontaktieren.
- Keine "do it yourself" Reparaturen bei Problemen! Auch der Tausch interner Sicherungen muss von einem erfahrenen Techniker vorgenommen werden.

## 6 **Mögliche Fehlerquellen/ Troubleshooting**

### **Der Trilogy™ lässt sich nicht einschalten**

- Es liegt keine Netzspannung an. Überprüfe den korrekten Anschluss des Netzkabels.
- Die Netzsicherung ist defekt. Achte beim Ersatz auf den für die Netzspannung vorgesehenen Sicherungswert!

### **Der Trilogy™ ist korrekt verkabelt, aber es ist nichts zu hören**

- Das Gerät ist auf STANDBY geschaltet.
- Gain- bzw. Masterregler sind abgedreht.
- Der Effektweg ist ungewollt aktiv.
- Die Anodensicherung ist durchgebrannt. Vor dem Austausch der Sicherung gegen eine dem vorgeschriebenen Wert entsprechende Ersatzsicherung sind die Endstufenröhren auf Defekt zu prüfen.
- Die Sicherung für die Röhrenheizung hat angesprochen (Röhren glühen nicht). Achte beim Austausch der Sicherung unbedingt auf den korrekten Wert. Den Austausch sollte nur ein Service-Techniker vornehmen.

### **Bei aktivem Effektgerät wird der Sound indifferent und „matschig“**

- Das Effektgerät liefert ein Direktsignal, das im parallelen Effektweg dem Originalsignal zugemischt wird. Je nach verwendetem Effekt kann die Phasenlage des Direktsignals beim parallelen Zusammenmischen im Trilogy™ zu Phasenauslöschungen führen. Um diese zu vermeiden, schalte den Effektweg auf SERIAL, oder drehe das Direktsignal im Effektgerät ab.

### **Beim Spielen sind „Klingelgeräusche“ zu hören, der Amp tendiert zum „Pfeifen“**

- Eine oder mehrere Röhren sind mikrofonisch. Ersetze die Röhre durch eine neue entsprechenden Typs.

### **Schon wenige Betriebsstunden nach einem Röhrentausch zeigen sich wieder typische Merkmale für Röhrenverschleiß (Höhenverluste, Rauschen, Mikrofonie, „mulmiger“ Sound):**

- Beim Röhrentausch wurden falsche Typen eingesetzt oder der Ruhestrom wurde nicht optimal eingestellt. Bringe bitte den Amp zu einem Fachmann, um den Fehler beheben zu lassen.

# 7 Technische Daten

Alle Pegelangaben beziehen sich auf 0 dBV (1V RMS)

## 7.1 Eingänge:

### INPUT

Buchse: Klinke  
 Bauart: unsymmetrisch  
 Eingangsimpedanz: 1 M $\Omega$   
 Empfindlichkeit: - 35 dB  
 max. Eingangspegel: +8 dB

### FX- RETURN

Buchse: Klinke  
 Bauart: unsymmetrisch  
 Eingangsimpedanz: 48 k $\Omega$

max. Empfindlichkeit:  
 -10dB Schalter gedrückt: -18 dB  
 -10dB Schalter nicht gedrückt: -8 dB

max. Eingangspegel:  
 -10dB Schalter gedrückt: + 5 dB  
 -10dB Schalter nicht gedrückt: +15dB

## 7.2 Ausgänge:

### FX LOOP- Send L/R

Buchse: Klinke  
 Bauart: unsymmetrisch  
 Ausgangsimpedanz: 2,2 k $\Omega$   
 Ausgangspegel: - 6 dB

max. Ausgangspegel:  
 -10dB Schalter gedrückt: + 2 dB  
 -10dB Schalter nicht gedrückt: +12 dB

### Lautsprecherausgänge:

Anzahl: 4  
 Buchse: Klinke  
 Bauart: unsymmetrisch  
 Impedanz: 1 X 4  $\Omega$  ; 1 X 8  $\Omega$  oder 2 X 16  $\Omega$  ; 1 X 16  $\Omega$

## 7.3 Allgemeine elektrische Daten:

max. Stromaufnahme: 1,35 A @ 230 V AC, 4-8-16  $\Omega$   
 2,55 A @ 120 V AC, 4-8-16  $\Omega$   
 2,85 A @ 100 V AC, 4-8-16  $\Omega$

max. Leistungsaufnahme: 383 VA @ 253 V AC, 4-8-16  $\Omega$   
 Netzspannungsbereich: +/- 10 %  
 externe Sicherungen: 1 x T 630 mA (Anodenspannung)  
 interne Sicherungen: 1 x TT 10 A „superträge“  
 2 x T 630 mA

### Netzsicherung:

Europa: (schaltbar: 220 V-230 V auf 240 V)  
 2 x 250 V / T 1,6 A (5 x 20 mm)

USA/Canada/Asien: (schaltbar: 100 V auf 120 V)  
 2 x 250 V / T 4 A (5 x 20 mm)

Anodensicherung: 1 x T 630 mA  
 Umgebungstemperaturbereich: - 10 °C bis + 35 °C

## 7.4 Allgemeine mechanische Daten:

### Abmessungen:

Breite: 744 mm (mit Ecken)  
 Höhe: 280 mm (mit Griff und Füßen)  
 Tiefe: 258 mm (mit Ecken)

Gewicht: 20,5 kg

## **Avant-propos**

L'orientation sonore du 21e siècle encore tout jeune est déterminée par les sons classiques Rock, Crunch, Blues et Metal des pointures de la guitare du siècle dernier. Mais aujourd'hui, il est aussi d'autres sons qui appartiennent au répertoire de tout groupe de rock comme le Nu Metal, les Songs aux guitares discrètes, les méchants staccatos ou les effets particulièrement clean. Il est clair que, dans ce nouvel environnement sonore, les amplis d'hier ne sont plus à la hauteur : en effet, l'ancien standard était caractérisé par deux canaux, les systèmes à trois canaux étant déjà synonymes de luxe tandis qu'un système à quatre canaux, avec tous les éléments commutables par MIDI, tenait du rêve.

Aujourd'hui, avec le Trilogy™, vous avez choisi un ampli à lampes qui vous offre un équipement luxueux et vous permet de concrétiser votre rêve du contrôle absolu : quatre canaux avec des sons indépendants, une variation sonore par canal CLEAN et par canal CRUNCH et des combinaisons de 128 effets particulièrement riches que vous pouvez enregistrer via MIDI avec ses 6 sons. Avec un potentiel de ce niveau, vous serez toujours performant sur scène.

## **Avant la mise en fonction**

Avant de faire fonctionner votre nouvel ampli, souvenez-vous d'une chose : il a du coffre ! Un volume élevé peut entraîner des troubles de l'audition. Avant de brancher l'ampli, veillez donc à toujours tourner le potentiomètre MASTER VOLUME jusqu'à la butée de gauche, puis tournez-le doucement dans le sens des aiguilles d'une montre jusqu'à obtention d'un niveau sonore adapté à la pièce et qui n'affecte pas vos tympanes !

Avant de brancher le Trilogy™, assurez-vous que la valeur de tension indiquée près de la prise de branchement (MAINS INPUT) correspond bien à la tension secteur disponible. Veillez à garantir une aération suffisante des surfaces de refroidissement de l'appareil. Assurez-vous que l'appareil soit disposé sur un emplacement stable, à l'abri de toute influence mécanique ou thermique extérieure susceptible de porter préjudice à sa sécurité ou à celle de son utilisateur.

Le fabricant décline toute responsabilité en cas de dommages à l'appareil ou à d'autres appareils, résultant d'une utilisation inappropriée.

## **Mise en fonction**

Premièrement, branchez le câble d'enceinte dans la sortie appropriée sur la tête. Les sorties sont disponibles en une fois 4 ohms, deux fois 16 ohms ou une fois 8 ohms ainsi qu'en une fois 16 ohms. Pour de plus amples informations à ce sujet, veuillez consulter le chapitre 2.0 Raccordements et commandes en face arrière. L'autre extrémité du câble vient se loger dans l'entrée de l'enceinte. Il s'agit d'un point primordial pour les amplis entièrement à lampes ! En effet, tout ampli à lampes employé sans qu'une enceinte ne soit branchée ou à une valeur ohmique insuffisante risque la destruction !

Branchez à présent la prise secteur du Head dans la prise de courant, puis allumez l'ampli via l'interrupteur MAINS et laissez les lampes préchauffer quelque peu avant de commencer à exploiter leur potentiel. Branchez le câble instrument d'abord côté guitare, puis côté ampli et laissez ensuite les lampes venir à la vie via l'interrupteur STAND BY.

## Sommaire

<b>1</b>	<b>Raccordements et commandes en face avant</b>	<b>25</b>
1.1	Input	25
1.2	Canal Clean	25
1.3	Canal Crunch	25
1.4	Canal Lead	26
1.5	Canal Ultra Lead	26
1.6	Section Master	26
1.7	Interrupteur général et stand-by	26
<b>2</b>	<b>Raccordements et commandes en face arrière</b>	<b>27</b>
2.1	Raccordement secteur	27
2.2	Fusibles anodiques	27
2.3	FX-Loop On/Off	27
2.4	Channel Select Stageboard	27
2.5	FX Send, Level et Return	27
2.6	Prise MIDI	28
2.7	Haut-Parleurs	28
<b>3</b>	<b>Réglages standard et câblage</b>	<b>28</b>
<b>4</b>	<b>Le Trilogy™ et MIDI</b>	<b>28</b>
4.1	Programmation	28
4.2	Réglages du canal MIDI et de OMNI-On/Off	28
4.3	Réglages d'usine et remise aux réglages d'usine	29
<b>5</b>	<b>Remplacement des lampes, service et entretien</b>	<b>30</b>
5.1	Quand faut-il remplacer les lampes ?	30
5.2	À quoi faut-il prêter attention lors du remplacement d'une lampe ?	30
5.3	Comment puis-je prolonger la durée de vie de mon Trilogy™ ?	30
<b>6</b>	<b>Dépistage des pannes</b>	<b>31</b>
<b>7</b>	<b>Caractéristiques techniques</b>	<b>32</b>



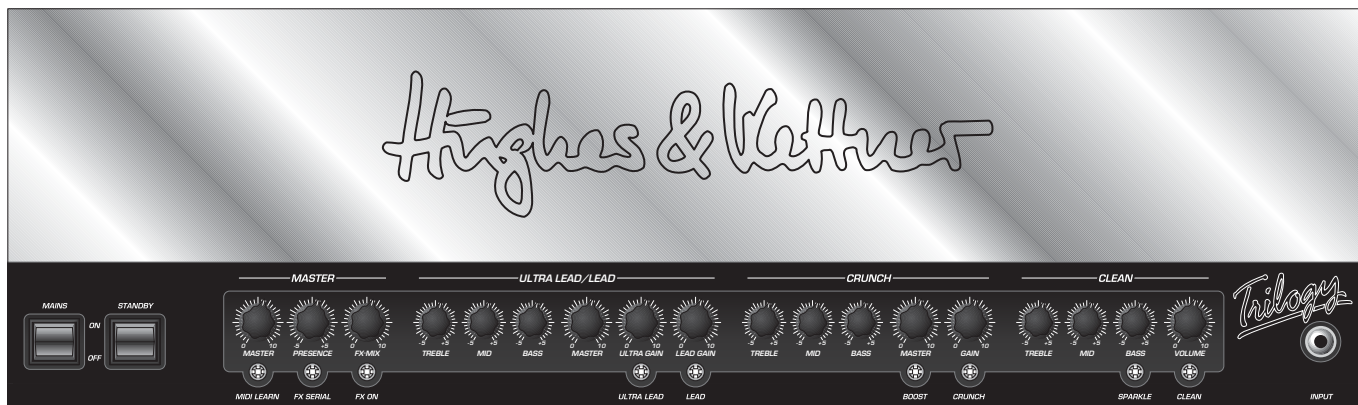


Figure 2: Face avant de Trilogy™

# 1 Raccordements et commandes en face avant

Le Trilogy™ dispose de quatre canaux : CLEAN, CRUNCH, LEAD et ULTRA LEAD. La sélection de ces canaux s'effectue par pression sur les touches CLEAN ON, CRUNCH ON, LEAD ON et ULTRA LEAD ON. L'enclenchement d'un interrupteur désactive celui précédemment sélectionné. Les fonctions SPARKLE dans le canal CLEAN et BOOST dans le canal CRUNCH sont des variations sonores sélectionnables.

Le réglage sonore à trois bandes des canaux comprend les niveaux BASS, MID et TREBLE. C'est à ce niveau que vous pouvez procéder à vos réglages sonores personnels. Comme toujours sur un ampli à lampes, les potentiomètres d'un même canal s'influencent de façon contradictoire. En d'autres termes, une modification des aigus, par exemple, exerce aussi une influence sur les médiums. Les deux canaux LEAD se partagent les potentiomètres du réglage sonore tandis qu'en interne, ce sont des circuits de commutation spécifiques qui sont activés selon le choix du canal, circuits qui sont adaptés au caractère des deux canaux LEAD.

Examinons à présent le Trilogy™ de droite à gauche, c'est-à-dire de l'entrée à la section MASTER en passant par les canaux et les interrupteurs MAINS et STAND-BY :

## 1.1 Input

Prise jack 6,3 mm à haute impédance pour raccordement de la guitare. Veillez à utiliser uniquement des câbles blindés de qualité.

## 1.2 Canal Clean

Le Trilogy™ vous offre un son ultraclair qui, même avec un volume élevé, garantira un son d'une clarté et d'une brillance ininterrompues. Sa sonorité est pleine et ronde et il ne connaît guère la distorsion au niveau élevé. Il préserve en revanche le son pincé que vous appréciez tant sur votre guitare.

Pour la restitution des basses, ce canal se caractérise par une pression et une chaleur énorme. Et grâce à l'interrupteur SPARKLE, les aigus passent d'une chaleur, comme vous en avez besoin pour le Jazz ou le Blues, à un son extrêmement brillant tel que requis par la Pop ou le Nu Metal. La fonction SPARKLE n'est pas une simple augmentation cosmétique des aigus, mais bien une véritable commutation Presence.

### Utilisation :

VOLUME :	Règle le niveau sonore.
BASS :	Détermine la proportion de basses.
MID :	Détermine la proportion de médiums.
TREBLE :	Détermine la proportion d'aigus.
CLEAN ON :	Active le canal CLEAN.
SPARKLE:	Confère au canal CLEAN une présence et un « brillant » supplémentaires.

## 1.3 Canal Crunch

Ce canal offre une dynamique élevée et un contrôle total sur chaque niveau de distorsion. Il restitue très fidèlement chaque frappe et même la moindre des ornementsations – avec lui, la notion de « sincérité » apparaît particulièrement adaptée. Grâce à l'interrupteur BOOST, les sons rythmiques et solos secs de la sonorité Rock deviennent des powerchords et des riffs aux envolées impressionnantes.

### Utilisation :

GAIN :	Règle la sensibilité en entrée et donc la saturation ou la distorsion.
MASTER :	Règle le niveau sonore.
BASS :	Détermine la proportion de basses.
MID :	Détermine la proportion de médiums.
TREBLE :	Détermine la proportion d'aigus.
CRUNCH ON :	Active le canal CRUNCH.
BOOST :	Active des réserves Gain supplémentaires pour un son encore plus crémeux.

### 1.4 Canal Lead

Dans la décision d'achat d'un amplificateur, la précision des sons de distorsion joue un rôle particulièrement important. Critère incontournable pour les amplis de guitares de catégorie supérieure : même en cas de réglage GAIN extrême, le caractère de la guitare doit rester audible et le son parfaitement défini. Le son LEAD du Trilogy™ est ainsi particulièrement adapté aux solos Rock classiques et aux powerchords musclés.

### 1.5 Canal Ultra Lead

Plongez dans le monde de la distorsion sans limite et profitez de la puissante expression des riffs crachés par les haut-parleurs. Le canal ULTRA GAIN offre un son High Gain américain avec des basses profondes et des aigus mordants. La distorsion à la fois brûlante et méchante de ce canal convient parfaitement aux groupes Nu Metal et Drop-D, mais se veut aussi polyvalente, puisqu'elle peut répondre aux recherches de sons Lead ultragras et relativement différents.

#### Utilisation :

LEAD GAIN :	Règle le niveau de distorsion du canal LEAD.
ULTRA-LEAD GAIN :	Règle le niveau de distorsion du canal ULTRA-LEAD.
MASTER :	Règle le niveau sonore.
BASS :	Détermine la proportion de basses des deux canaux.
MID :	Détermine la proportion de médiums des deux canaux.
TREBLE :	Détermine la proportion d'aigus des deux canaux.
LEAD ON :	Active le canal LEAD british classique.
ULTRA LEAD ON:	Active le canal ULTRA LEAD américain.

### 1.6 Section Master

La section MASTER permet de déterminer le volume global du Trilogy™, de régler la présence, et de déterminer le routage des effets et la proportion d'effets. Elle permet par ailleurs au Trilogy™ d'« apprendre » les modifications de programme MIDI.

#### Utilisation :

FX-MIX, FX ON et SERIAL

Le routage d'effet spécial SmartLoop™ vous offre une boucle d'effets commutable de parallèle en série. En fonctionnement parallèle (SERIAL n'est pas activé), le signal d'effet est mélangé au signal original du préampli. Le rapport de mélange peut se régler au moyen du potentiomètre FX-MIX. En principe, les meilleurs résultats sonores sont obtenus lorsque la plus grande proportion d'effets possible est spécifiée sur l'unité d'effets et qu'aucun signal direct n'est présent à la sortie de l'unité d'effets.

En cas de branchement en série (SERIAL actif), SmartLoop™ travaille comme une boucle d'effets classique. Autrement dit, le rapport de volume entre l'original et le signal de l'effet sera réglé dans l'unité d'effets elle-même.

Astuce :

Si aucune unité d'effets n'est mise en boucle sur la boucle d'effets, la boucle d'effets peut être employée à d'autres fins :

- En fonctionnement parallèle, la prise RETURN peut servir au branchement d'un deuxième instrument ou de sources audio libres qui peuvent alors être mixées au signal de guitare via le potentiomètre FX-MIX. Quant à la prise SEND, elle permet de raccorder un étage de puissance supplémentaire ou une RED BOX® dans le but de guider le signal vers la table de mixage.
- Branchée en série et pontée (SEND et RETURN sont interconnectés par un câble jack), la boucle d'effets peut servir de deuxième potentiomètre MASTER pouvant même être activé par canal via un pédalier. Le volume se règle alors au moyen du potentiomètre FX-MIX.

#### ! Remarque :

Lorsque la boucle d'effets est branchée en série et qu'aucune unité d'effets n'est raccordée, le signal est interrompu : vous n'entendez plus rien !

#### PRESENCE

Ce potentiomètre détermine la proportion d'harmoniques de tous les canaux.

#### MASTER

Comme son nom l'indique, il s'agit du potentiomètre qui alimente les lampes EL-34 de l'étage de puissance et qui vous permet de commander une puissance de 100 watts juste entre le pouce et l'index. C'est pourquoi nous vous recommandons d'utiliser avec prudence ce potentiomètre qui vous fera vivre des moments inoubliables.

#### MIDI-LEARN

Affecte les réglages d'amplification d'un numéro de programme MIDI et sert aux configurations MIDI de base de l'ampli. Voir également à ce propos le chapitre 4.0 MIDI.

### 1.7 Interrupteur général et Stand-By

#### MAINS ON/OFF

Cet interrupteur alimente l'appareil en courant et permet aux lampes de s'échauffer avant leur mise à l'épreuve.

#### STAND-BY

Libère l'accès à l'étage de puissance et aux enceintes. Il coupe la tension anodique des lampes, mais pas leur échauffement. Concrètement, il est préférable d'utiliser l'interrupteur STAND-BY au lieu de l'ON/OFF en cas de courte pause, puisque les lampes restent ainsi à leur température normale de fonctionnement.

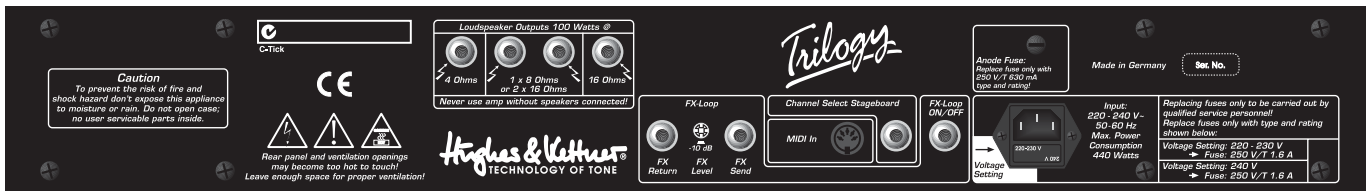


Figure 2: Face arrière de Trilogy™

## 2 Raccordements et commandes en face arrière

### 2.1 Raccordement au secteur

Le Trilogy™ est disponible en deux exécutions : 110/120V et 220V/240V, une spécificité qui figure sur l'étiquette située au-dessus de la prise secteur (figure 3). Les deux exécutions proposent deux tensions de fonctionnement librement sélectionnables, dont l'adaptation s'effectue via le sélecteur de tension intégré à la prise secteur. Il convient donc de toujours s'assurer, avant raccordement du Trilogy™ au secteur, que la tension disponible correspond bien à celle visible dans le regard de contrôle du sélecteur de tension. La valeur lisible lorsque l'ampli est en position de fonctionnement (ampli « debout ») indique la tension actuelle, tandis que l'autre tension disponible apparaît lorsque l'ampli est renversé.

Veillez également à contrôler les valeurs des fusibles conformément aux informations de l'étiquette figurant au dos de l'appareil (figure 2).

#### ! Remarque :

L'adaptation à la tension disponible et le remplacement des fusibles peuvent uniquement être effectués par un technicien expérimenté. Les remarques suivantes sont donc rédigées à sa seule attention !

- À l'aide d'un petit tournevis plat, extraire le sélecteur de tension de la prise secteur.
- Si le fusible est grillé, le déposer, puis le remplacer par un fusible de valeur équivalente.
- Le sélecteur de tension est tourné et remonté de façon à ce que l'étiquette de tension secteur souhaitée soit située en haut à gauche (à côté de la flèche de l'étiquette « Voltage Setting »).

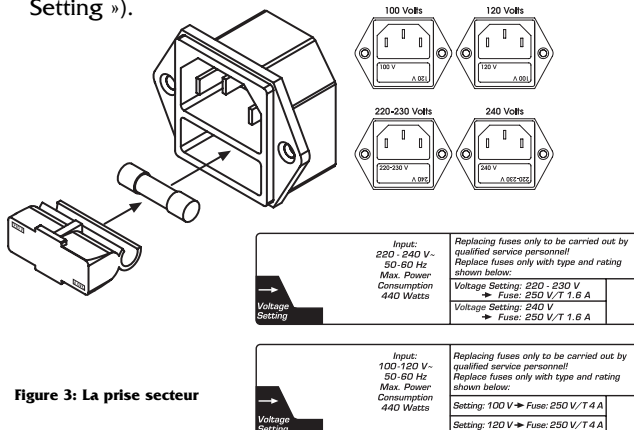


Figure 3: La prise secteur

### 2.2 Anode Fuse

Il s'agit du fusible anodique. Il assure la sécurité de l'alimentation en haute tension des lampes. Lorsque ce fusible grille, c'est généralement parce qu'une lampe est défectueuse. Un fusible défectueux se remarque par le fait qu'aucun son ne sort de l'ampli alors que celui-ci est correctement branché et réglé. Avant de le remplacer par un fusible de la valeur correcte (250 volts/630 mA), assurez-vous du bon état des lampes de l'étage de puissance !

### 2.3 FX-Loop On/Off

Cette prise permet de raccorder le pédalier optionnel Hughes & Kettner® FS-1. Le pédalier désactive la touche FX ON en face avant.

#### ! Attention :

lorsqu'un pédalier est branché, il a toujours la priorité. Ainsi, même en cas de commutation de canal, c'est l'état ponctuel du pédalier qui prévaut quel que soit le pré-réglage du canal ! Le canal en face avant est bloqué et remplit alors la fonction d'un affichage à diodes indiquant l'état du pédalier.

### 2.4 Channel Select

Il permet de raccorder la Stageboard Hughes & Kettner® FS-4 contenue dans la livraison, qui permet de sélectionner directement CLEAN, CRUNCH, LEAD et ULTRA LEAD. Cette fonctionnalité vous garantit une utilisation extrêmement précise sur scène.

### 2.5 FX Send, Level et Return

#### FX-SEND

Si vous désirez utiliser une unité d'effets, raccordez ce jack à l'entrée de l'unité d'effets.

#### FX-LEVEL

Cet interrupteur diminue l'impédance de sortie de la prise FX-Send de 10 dB et augmente la sensibilité en entrée de la prise FX-Return de la même valeur afin d'adapter la boucle d'effets au niveau d'entrée de l'unité d'effets. En cas d'utilisation d'une unité d'effets dont l'entrée est réglée sur le niveau de l'instrument, veuillez enclencher cet interrupteur.

#### FX-RETURN

Reliez ce jack à la sortie de l'unité d'effets.

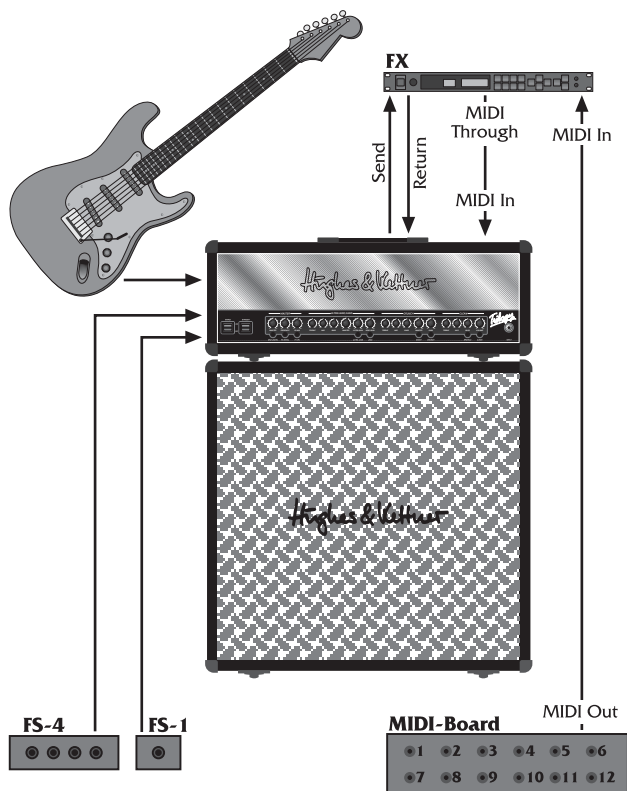
### 2.6 MIDI

Cette prise permet de raccorder un pédalier MIDI ou un autre émetteur MIDI pour la commutation des canaux. Commutations possibles : CLEAN, CRUNCH, LEAD, ULTRA LEAD, unité d'effets activée/désactivée et série/parallèle ainsi que les variations sonores SPARKLE sur le canal CLEAN et BOOST sur le canal CRUNCH. Pour davantage d'informations à ce propos, se rapporter au chapitre 4. Trilogy™ et MIDI.

### 2.7 Haut-Parleurs

Les sorties sont disponibles en une fois 4 ohms, deux fois 16 ohms ou une fois 8 ohms ainsi qu'en une fois 16 ohms. Elles permettent le raccordement d'enceintes d'impédance équivalente. Veuillez toujours à réaliser un câblage correct. En effet, si des amplis à lampes sont soumis à une impédance incorrecte, voire sont allumés sans enceintes raccordées, ils risquent d'être endommagés. Voir à ce propos le chapitre 5 : Comment puis-je prolonger la durée de vie de mon Trilogy™ ?

## 3 Réglages standard et câblage



## 4 Trilogy™ et MIDI

La fonction SmartLoop™, en association avec une unité multi-effet compatible MIDI, vous offre le meilleur des confort de jeu. Chacune des fonctions du Trilogy™ peut être commutée par MIDI. Il s'agit en l'occurrence :

- des 4 canaux CLEAN, CRUNCH, LEAD et ULTRA LEAD ;
- des variations sonores SPARKLE sur le canal CLEAN et BOOST sur le canal CRUNCH ;
- du FX ON ainsi que du SERIAL.

### 4.1 Programmation

La programmation est des plus simples à réaliser. Si vous souhaitez, par exemple, sauvegarder une association de CRUNCH avec un BOOST actif, un FX actif et un jeu en SERIAL, il vous suffira de rendre le Trilogy™ opérationnel pour cette opération par une simple pression sur la touche MIDI LEARN (le témoin MIDI LEARN s'allume). Vous appuierez ensuite sur le numéro de programme souhaité sur le panneau MIDI (ou tout autre émetteur MIDI) et lorsque le témoin MIDI LEARN s'éteindra, cela signifiera que le Trilogy™ aura affecté précisément cette sélection à votre pédalier.

Si le Trilogy™ reçoit un ordre de modification de programme MIDI sur le canal MIDI pré-réglé (voir ci-dessous), la diode MIDI LEARN clignote brièvement et le Trilogy™ appelle le réglage correspondant.

Une nouvelle pression sur la touche MIDI LEARN alors que le Trilogy™ est en mode programmation interrompt le processus de programmation.

### 4.2 Réglages du canal MIDI et de OMNI-On/Off

Si, en fonctionnement normal du Trilogy™, vous appuyez plus de deux secondes sur la touche MIDI LEARN, celle-ci commence à clignoter. Les diodes et touches de l'ampli passent alors sur des fonctions de programmation spéciales :

#### CLEAN

Fonctionne alors comme touche +1/up pour le réglage du canal MIDI. D'usine, le canal MIDI est réglé sur 1.

#### SPARKLE

Fonctionne alors comme touche -1/down.

#### FX ON

Commute OMNI On/Off.

#### ! Remarque :

OMNI = réception sur tous les canaux. Cette fonction s'avère particulièrement utile lorsque vous n'êtes pas certain du canal vers lequel votre pédalier envoie ses signaux.

**MIDI-LEARN**

Met un terme à la configuration MIDI et enregistre les paramètres. L'ampli revient alors à l'état de fonctionnement préalable.

**SERIAL**

Cette touche permet de vérifier le bon fonctionnement de toutes les diodes. Concrètement, tant que la touche SERIAL est enfoncée, toutes les DEL en façade du Trilogy™ doivent rester allumées.

BOOST, CRUNCH, SPARKLE et CLEAN servent, pendant la configuration, d'indications du canal MIDI en code binaire. Différentes diodes de gauche à droite :

Canal	BOOST	CRUNCH	SPARKLE	CLEAN-LED
1				
2				
3				
4				
5				
6				
7				
8				
9				
10				
11				
12				
13				
14				
15				
16				

Si la diode FX ON s'allume, le Trilogy™ reçoit les changements de programme entrant sur tous les canaux MIDI (par défaut). Si la diode n'est pas allumée, cela concerne uniquement le canal activé.

**4.3 Paramétrage d'usine et réinitialisation (Factory Reset)**

Si, lors de la mise sous tension de l'ampli, vous maintenez enfoncées simultanément les touches MIDI LEARN et FX On, l'ampli revient à l'état par défaut qu'il connaissait à la livraison.

Les paramètres actifs sont alors les suivants :

- OMNI ON
- Canal MIDI 1
- Tous canaux commutés sur FX ON
- SERIAL désactivé
- Toutes présélections MIDI remises à zéro

D'usine, les sons sont réglés et affectés comme suit :

Ordre de modification de programme	Canal	Réglage
1	Clean	FX ON
2	Clean	Sparkle + FX ON
3	Crunch	FX ON
4	Crunch	Boost + FX ON
5	Lead	FX ON
6	Clean	
7	Clean	Sparkle
8	Crunch	
9	Ultra Lead	FX ON

## 5 Remplacement des lampes, service et entretien

Le Trilogy™ est équipé d'usine de lampes EL34 et 12AX7 de marque RUBY. Après la phase de « burn-in » (premier fonctionnement continu sous charge), elles font l'objet d'une procédure de sélection complexe afin de vérifier leurs valeurs électriques et leur aptitude mécanique (microphonie), avant d'être soumises à un essai acoustique dans l'appareil fini, essai destiné à contrôler leur qualité sonore. L'une des phases les plus importantes est le « matching » ou appariement (regroupement de jeux de lampes présentant la même courbe caractéristique) pour l'équipement d'étages de puissance.

### 5.1 Quand faut-il remplacer les lampes ?

Les lampes utilisées pour le Trilogy™ se distinguent par leur qualité de traitement exemplaire et leur durée de vie élevée. Néanmoins, en cas de problème persistant, il conviendra de vérifier les points suivants avant de procéder au remplacement des lampes : Le défaut ou la panne est-il réellement lié à la lampe proprement dite ou plutôt à des appareils périphériques (p. ex. câble de haut-parleur défectueux) ? En effet, si le défaut n'est pas éliminé, le problème pourrait réapparaître après le remplacement d'une lampe.

La tension secteur était-elle constante durant le fonctionnement ? Dans le cas d'amplificateurs entièrement à lampes, une surtension secteur peut causer une panne. Les surtensions peuvent notamment apparaître sur des générateurs ou en cas de non-conformité des liaisons à courant fort. Peut-être le déclenchement du fusible n'est-il pas lié à une panne réelle ? Le défaut peut en effet résulter d'un vieillissement des fusibles, du déchargement de particules dans une lampe ou de décharges disruptives dues à des crêtes de tension secteur.

Dans ce cas, le remplacement d'une lampe ne se justifierait pas. Après un certain temps d'utilisation, les lampes présentent des traces d'usure (augmentation de la microphonie, sensibilité aux ronflements, pertes dans les aigus, pertes de puissance, etc.). Ces signes annoncent la nécessité d'un remplacement, car ils dégradent non seulement le résultat sonore, mais ils sont aussi les signes annonciateurs d'une défaillance imminente de la lampe concernée.

#### ❗ Remarque :

Il est déconseillé de remplacer une lampe pour le simple plaisir d'expérimenter un nouveau son. En effet, les coûts qui en découleraient en cas de fausse manœuvre risqueraient de ne pas vous faire plaisir du tout !

### 5.2 À quoi faut-il prêter attention lors du remplacement d'une lampe ?

Le remplacement de lampes doit être exclusivement confié à un personnel qualifié ! Les remarques suivantes sont donc rédigées à sa seule attention :

Avant de retirer le panneau arrière, il convient de débrancher le Trilogy™ du secteur et de patienter au moins 2 minutes (temps de décharge minimal) ! Une fois le panneau démonté, les lampes peuvent être prudemment enlevées de leurs socles. Une lampe d'étage de puissance individuelle peut uniquement être remplacée que par une lampe équivalente (c'est-à-dire présentant la même courbe caractéristique). En principe, les lampes destinées à l'étage de puissance ne peuvent être remplacées que par des jeux appariés. Si vous utilisez à cet effet un nouveau jeu de lampes appariées pour étage de puissance qui présentent les mêmes valeurs caractéristiques que l'ancien jeu, il n'est pas absolument obligatoire de corriger la différence (compensation du courant de repos). Si, en revanche, les valeurs caractéristiques des deux jeux de lampes ne sont pas identiques, l'écart devra être corrigé. Cette opération présuppose une connaissance approfondie des techniques de mesure et doit uniquement être confiée à un technicien qualifié, spécialisé dans les amplificateurs à lampes.

### 5.3 Comment puis-je prolonger la durée de vie de mon Trilogy™ ?

- Ne faites jamais fonctionner le Trilogy™ à vide (sans haut-parleur) ! Un câble d'enceinte de qualité résistant au flambage s'avère donc absolument indispensable.
- Utilisez l'interrupteur STAND-BY ! Un échauffement fréquent des lampes accélère leur usure. Coupez la tension anodique à l'aide de la fonction STAND BY pour économiser des heures de service.
- Évitez de soumettre l'appareil à des vibrations, en particulier quand il est sous tension. Avant de transporter l'amplificateur, il faut impérativement le mettre hors tension et laisser refroidir les lampes.
- Assurez-vous toujours que les appareils périphériques soient en parfait état de marche ! Veillez toujours à maintenir les fentes d'aération de votre Trilogy™ dégagées, afin de garantir une ventilation parfaite de l'appareil.
- En toutes circonstances, évitez d'exposer l'appareil aux chaleurs extrêmes, aux poussières et – surtout – à l'humidité.
- Soyez particulièrement vigilant en ce qui concerne les caractéristiques techniques des appareils supplémentaires. Ainsi, ne connectez jamais au Trilogy™ des haut-parleurs présentant une impédance insuffisante (valeur ohmique).
- Ne raccordez jamais d'appareils à niveau trop élevé (p. ex. des étages de puissance) aux entrées de votre Trilogy™.
- Vérifiez toujours la tension secteur disponible avant de brancher l'appareil. En cas de doute, contactez un technicien de scène, le concierge etc.
- Ne « bricolez » jamais une réparation ! Même pour le remplacement de fusibles internes, il est préférable de faire appel à un technicien expérimenté.

# 6

## Dépistage des pannes

### ***Il est impossible de mettre le Trilogy™ sous tension***

- Il n'y a pas de tension secteur. Assurez-vous que le câble secteur est correctement branché.
- Le fusible de secteur est défectueux. Vérifiez que la valeur du fusible de rechange est compatible avec la tension secteur.

### ***Le Trilogy™ est raccordé correctement, mais aucun son n'est audible :***

- L'appareil est en mode STAND-BY.
- Les potentiomètres Gain ou Master sont fermés.
- La boucle d'effets s'active intempestivement
- Le fusible anodique est grillé. Avant de le remplacer par un fusible de la valeur prescrite, assurez-vous du bon état des lampes de l'étage de puissance.
- Le fusible d'échauffement des lampes s'est déclenché (les lampes ne s'allument pas). Lors du remplacement du fusible, contrôlez la valeur indiquée. Le remplacement doit être confié à un technicien compétent.

### ***Le son est neutre et « confus » lorsque l'unité d'effets est activée***

- L'unité d'effets produit un signal direct qui est mélangé au son original dans la boucle d'effets parallèle. Selon l'effet utilisé, la position de phase du signal direct peut générer, en cas de mélange en parallèle, des décalages de phase dans le Trilogy™. Pour éviter ce phénomène, commutez la boucle d'effets en mode série (SERIAL) ou coupez le signal direct dans l'unité d'effets.

### ***L'ampli « résonne » ou a tendance à « siffler » lorsque vous jouez***

- Une ou plusieurs lampes sont microphoniques. Remplacez les lampes incriminées par des nouvelles lampes du même type. Quelques heures de service à peine après un remplacement de lampes, des signes d'usure caractéristiques des lampes (pertes d'aigus, bruits, microphonie, sons instables) apparaissent à nouveau
- Vous avez employé un type de lampe incorrect ou le courant de repos n'est pas optimal. Confiez l'ampli à un technicien spécialisé qui remédiera à ce problème.

# 7

## Caractéristiques techniques

Toutes les indications de niveau se réfèrent à 0 dBV (1 V RMS).

### 7.1 Entrées

#### INPUT

Prise : Jack

Type de connexion : asymétrique

Impédance d'entrée : 1 MΩ

Sensibilité : -35 dB

Niveau d'entrée maxi : +8 dB

#### FX-RETURN

Prise : Jack

Type de connexion : asymétrique

Impédance d'entrée : 48 kΩ

Sensibilité maxi :

interrupteur -10 dB enfoncé : -18 dB

interrupteur -10 dB non enfoncé : -8 dB

Niveau d'entrée maxi :

interrupteur -10 dB enfoncé : + 5 dB

interrupteur -10 dB non enfoncé : + 15dB

### 7.2 Sorties

#### FX LOOP-SEND G/D

Prise : Jack

Type de connexion : asymétrique

Impédance de sortie : 2,2 kΩ

Niveau de sortie : -6 dB

Niveau de sortie maxi :

-10 dB, interrupteur enfoncé : +2 dB

-10 dB, interrupteur non enfoncé : +12 dB

#### Sorties haut-parleurs

Nombre : 4

Prise : Jack

Type de connexion : asymétrique

Impédance : 1 X 4 Ω ; 1 X 8 Ω ou 2 X 16 Ω ; 1 X 16 Ω

### 7.3 Caractéristiques électriques générales :

Courant absorbé max. : 1,35 A à 230 V CA, 4-8-16 Ω

2,55 A à 120 V CA, 4-8-16 Ω

2,85 A à 100 V CA, 4-8-16 Ω

Puissance absorbée max. : 383 VA à 253 V CA, 4-8-16 Ω

Plage de tension de secteur : +/-10 %

Fusibles externes : 1 x T 630 mA (tension anodique)

Fusibles internes : 1 x TT 10 A (« super slow blow »)

2 x T 630 mA

#### Fusibles de secteur :

Europe: (commutable : 220 V-230 V sur 240 V)

2 x 250 V / T 1,6 A (5 x 20 mm)

USA/Canada/Asie : (commutable : 100 V sur 120 V)

2 x 250 V / T 4 A (5 x 20 mm)

Tension anodique : 1 x T 630 mA

Plage de température ambiante : -10 °C à +35 °C

### 7.4 Caractéristiques mécaniques générales :

#### Dimensions :

Largeur : 744 mm (avec coins)

Hauteur : 280 mm (avec poignée et pieds)

Profondeur : 258 mm (avec coins)

Poids : 20,5 kg



## **Premessa**

In nessun momento della storia del rock, il gusto del sound dei chitarristi è mai stato così vario, come nel giovane XXI secolo. Sound classici rock, crunch e blues si affiancano agli aggressivi staccati metal. Sound clean ricchi di effetti pulitissimi passano la mano – senza preavviso - alla forza brutta dei riff NuRock. E' chiaro che in questo mondo di sound gli amplificatori a valvole di una volta falliscono miseramente: due canali erano lo standard, tre un lusso, quattro canali e tutti commutabili via MIDI era solo un sogno.

Con il TRILOGY™ hai acquistato un amplificatore a valvole che non ti offre solo una base sound di prima classe ma hai anche realizzato il sogno del controllo MIDI: quattro canali con sound propri, tutti e quattro i canali incluso il rivoluzionario routing degli effetti SmartLoop™ controllabile via MIDI. E come se non bastasse, una variazione di sound, sempre controllabile via MIDI, per ciascun canale CLEAN e CRUNCH. In totale sono sei veri sound sull'amplificatore! Via MIDI, con questi sound di base si possono programmare e salvare ben 128 combinazioni di effetti. E così andare in scena con il tuo gig diventa un gioco da ragazzi.

## **Prima di iniziare a suonare**

Un messaggio di avvertimento prima che tu metta in funzione il tuo nuovo amplificatore: stai attento, è in grado di produrre un suono infernale! Il volume alto può causare danni all'udito. Per evitare brutte sorprese, prima di attivare l'amplificatore, devi accertarti che il controllo MASTER VOLUME sia completamente girato a sinistra. Dopo l'accensione, puoi aumentare gradatamente il livello finché il volume fornito sia idoneo all'ambiente e non ti rompa i timpani! E ancora una cosa: per evitare danni all'udito permanenti a te e al tuo auditorio, usa il buon senso nell'utilizzare il controllo del volume del tuo amplificatore!

Prima di collegare il Trilogy™ alla presa di corrente, verifica che il valore di tensione indicato vicino al MAINS INPUT corrisponda alla tensione di alimentazione sul posto. Assicurati che l'aria possa circolare liberamente attorno alle feritoie dell'apparecchio. Posiziona l'amplificatore su una base stabile dove non venga esposto a shock meccanici o termici che potrebbero danneggiare l'amplificatore o pregiudicare la sicurezza delle persone.

Il produttore non risponde dei danni all'amplificatore stesso o ad altri strumenti risultanti dall'uso non appropriato.

## **Messa in funzione**

Prima di tutto devi collegare il cavo dell'altoparlante alla rispettiva uscita della testata. A seconda dell'uso, a disposizione sono un'uscita da 4 Ohm, due porte per collegare due altoparlanti da 16 Ohm o una da 8 Ohm, nonché un'uscita separata da 16 Ohm. Al capitolo 2.0 - Collegamenti ed elementi di controllo troverai informazioni più dettagliate. L'altra estremità del cavo deve essere collegata all'ingresso dell'altoparlante. Per gli amplificatori a valvole, questo è di importanza vitale! Se questi amplificatori vengono messi in funzione senza essere collegati all'altoparlante oppure collegandoli con un'impedenza troppo bassa, allora muoiono!

Adesso, puoi collegare il cavo di alimentazione della testata ad una presa di corrente, e accendere l'amplificatore con l'interruttore MAINS. In ogni caso accertati che l'interruttore STANDBY si trovi in posizione STANDBY e concedi alle valvole una breve fase di riscaldamento, prima di partire sparato. Te ne saranno grate e te lo dimostreranno con una durata di vita più lunga. Collega adesso la tua chitarra all'amplificatore (impiega un cavo per strumenti schermato di alta qualità) e dai vita alle valvole incandescenti, spostando l'interruttore STANDBY.

Okay, è arrivato il momento: puoi iniziare a suonare!

## Indice

### **1 Collegamenti ed elementi di controllo sul pannello anteriore . . . . . 35**

- 1.1 Input . . . . . 35
- 1.2 Canale Clean . . . . . 35
- 1.3 Canale Crunch . . . . . 35
- 1.4 Canale Lead . . . . . 36
- 1.5 Canale Ultra Lead . . . . . 36
- 1.6 Settore Master . . . . . 36
- 1.7 Interruttori di alimentazione e di standby . . . . . 36

### **2 Collegamenti ed elementi di controllo sul pannello posteriore . . . . . 37**

- 2.1 Alimentazione di rete . . . . . 37
- 2.2 Fusibile dell'anodo . . . . . 37
- 2.3 FX-Loop On/Off . . . . . 37
- 2.4 Channel Select Stageboard . . . . . 37
- 2.5 FX Send, Level e Return . . . . . 37
- 2.6 Presa MIDI . . . . . 38
- 2.7 Speaker . . . . . 38

### **3 Configurazione standard e cablaggio . . . . . 38**

### **4 Trilogy™ e MIDI**

- 4.1 Programmazione . . . . . 38
- 4.2 Impostare il canale MIDI e OMNI-On/Off . . . . . 38
- 4.3 Impostazioni di fabbrica e il loro resettaggio . . . . . 39

### **5 Sostituzione delle valvole, assistenza e manutenzione preventiva . . . . . 40**

- 5.1 In quali casi si dovrebbero cambiare le valvole? . . . . . 40
- 5.2 A cosa si deve fare attenzione quando si sostituiscono le valvole? . . . . . 40
- 5.3 Come posso prolungare la vita del mio Trilogy™? . . . . . 40

### **6 Possibili anomalie e rimedi . . . . . 41**

### **7 Dati tecnici . . . . . 42**

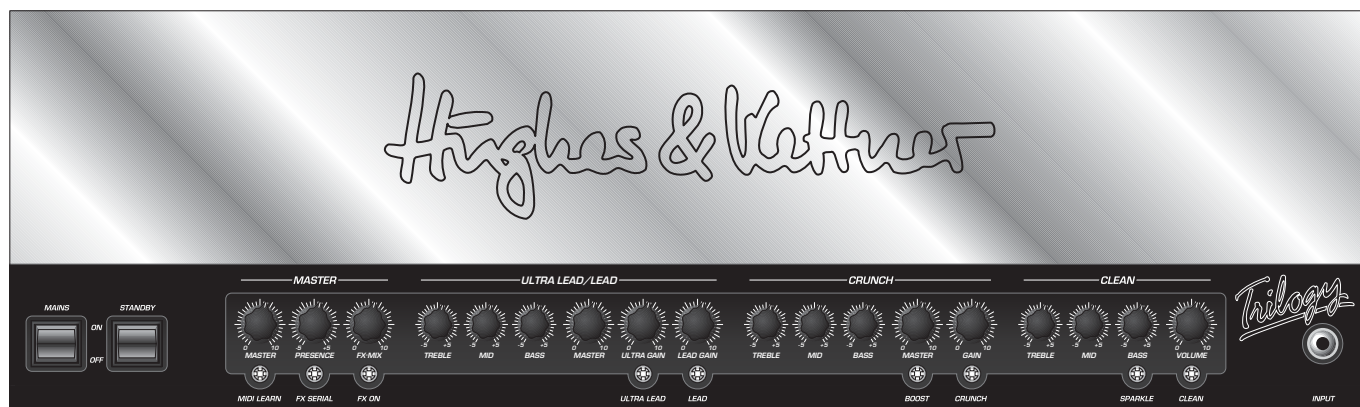


Illustrazione 1: Pannello anteriore

# 1 Collegamenti ed elementi di controllo sul pannello anteriore

Il Trilogy™ dispone di quattro canali: CLEAN, CRUNCH, LEAD, ULTRA LEAD. Premendo i tasti CLEAN ON, CRUNCH ON, LEAD ON o ULTRA LEAD ON scegli i canali. Gli interruttori si escludo a vicenda. SPARKLE nel canale CLEAN e BOOST in quello CRUNCH sono variazioni di sound che puoi attivare contemporaneamente.

Il controllo del suono a tre bande dei canali è costituito da BASS, MID e TREBLE, con i quali imposti il tuo sound personale. Come in tutti gli amplificatori a valvole, i controlli entro un canale si influenzano a vicenda. Ciò significa, p. es. che modificando gli alti si ha un'influenza sulle frequenze medie. I due canali LEAD si dividono i controlli del suono, all'interno però, selezionando il canale si attivano due circuiti diversi, accordati perfettamente alle caratteristiche dei due canali LEAD.

Sul pannello anteriore del Trilogy™, da destra a sinistra, troverai ingresso, canali, settore MASTER e interruttori MAINS e STANDBY.

## 1.1 Input

Ingresso per jack da 6,3mm ad alto valore ohmico per collegare la chitarra. Ti preghiamo di impiegare solo cavi per strumenti schermati idonei.

## 1.2 Canale Clean

Il TRILOGY™ ti offre un sound Ultra-Clean, che perfino a livelli di volume elevatissimi non lascia niente a desiderare in punto chiarezza e brillantezza. Un suono pieno e corposo, praticamente privo di distorsioni, anche ad alti livelli di volume, in grado di solleticare dalla tua chitarra il tanto desiderato "Twang". Nella riproduzione dei bassi il canale è caratterizzato da una pressione enorme e dal massimo calore. Grazie all'interruttore SPARKLE le caratteristiche degli alti del canale si possono adattare alle

esigenze stilistiche più svariate: da "caldo e vellutato", come nel Jazz e Blues, a superbrillante e prepotente per autentiche performance Pop e Nu-Metal - qui è possibile qualsiasi cosa.

A proposito:

SPARKLE non è solo un aumento cosmetico degli alti, ma un vero e proprio circuito Presence con controeazione sul finale di potenza.

### Controlli

VOLUME:	Controlla il volume
BASS:	Controlla la percentuale dei bassi
MID:	Controlla la percentuale dei medi
TREBLE:	Controlla la percentuale degli alti
CLEAN ON:	Attiva il canale CLEAN
SPARKLE:	Dona al canale CLEAN presence supplementare e "brillantezza"

## 1.3 Canale Crunch

Questo canale offre un'elevata dinamica e un controllo assoluto del grado di distorsione. Trasmette perfettamente nei dettagli qualsiasi stacco e perfino la più piccola fioritura. Il termine "schietto" è tanto indicato alle performance del canale quanto un pugno in un occhio. Con l'interruttore BOOST il secco sound ritmico e a solo si trasforma nel tipico sound rock per power-chord e riff potenti.

### Controlli

GAIN:	Controlla la sensibilità in ingresso e di conseguenza la saturazione e distorsione
MASTER:	Controlla il volume
BASS:	Controlla la percentuale dei bassi
MID:	Controlla la percentuale dei medi
TREBLE:	Controlla la percentuale degli alti
CRUNCH ON:	Attiva il canale CRUNCH
BOOST:	Attiva le riserve supplementari di guadagno per ancora più "Cream"

### 1.4 Canale Lead

Nella scelta di un amplificatore, i sound precisi HiGain distorti giocano un ruolo decisivo. Un criterio vincolante per un amplificatore per chitarra della classe di punta è che il sound di base individuale della chitarra usata venga mantenuto anche con impostazioni GAIN estreme. Inoltre la tonalità fornita dovrebbe essere riprodotta in modo definito e trasparente anche con il GAIN al limite. Il Trilogy compie con estrema facilità ambedue le discipline così il LEAD sound diventerà di prima scelta per i classici brani rock assolo e powerchord-riff con "monumentali ambizioni". A proposito: l'amplificatore è stato dotato di guadagno sufficiente per essere semplicemente perfetto in qualsiasi situazione. Mettilo alla prova!

### 1.5 Canale Ultra Lead

Immergiti nel mondo dell'estrema distorsione e godi della violenza con cui ogni tuo riff viene sparato attraverso l'altoparlante. Il canale selezionabile attraverso l'interruttore ULTRA GAIN fornisce una performance High Gain americana senza compromessi, con bassi profondi e alti mordenti. La sua distorsione focosa e cruenta soddisfa la frazione Nu Metal e Drop-Tuning tanto bene quanto quella dell'universalista che di tanto in tanto desidera suonare un "grasso" Lead sound.

#### Controlli

LEAD-GAIN:	Controlla il livello di distorsione del canale LEAD
ULTRA-LEAD-GAIN:	Controlla il livello di distorsione del canale ULTRA LEAD
MASTER:	Controlla il volume
BASS:	Controlla la percentuale dei bassi
MID:	Controlla la percentuale dei medi
TREBLE:	Controlla la percentuale degli alti
LEAD ON:	Attiva il classico canale LEAD all'inglese
ULTRA LEAD ON:	Attiva il canale ULTRA LEAD all'americana

### 1.6 Settore Master

Con il settore MASTER definisci il volume complessivo del Trilogy™, controlla la Presence e le opzioni di routing degli effetti. Inoltre hai la possibilità di configurare il tuo amplificatore con i comandi MIDI-Program-Change.

#### Controlli

FX-MIX, FX ON e SERIAL  
Routing di effetti speciali SmartLoop™ ti offre la possibilità di cambiare il loop di effetti da parallelo a seriale. Nella modalità parallelo (SERIAL non attivato) il segnale di effetti viene mixato al segnale originale del preamp. Il rapporto di mixaggio si imposta mediante il controllo FX-MIX. Normalmente si ottiene il risultato migliore di sound quando sul processore effetti si imposta una grande percentuale di effetti e sull'uscita del processore effetti non è presente alcun segnale diretto.

Nella modalità seriale (SERIAL attivato), lo SmartLoop™ lavora con un loop effetti convenzionale, collegato in serie, cioè la relazione di volume tra segnale originale e segnale effetti viene regolato nel processore effetti stesso.

#### Consiglio:

Se sul loop effetti non è collegato un processore effetti, il loop si può usare per altre funzioni:

- Nella modalità parallelo, la presa RETURN può essere usata per collegare un secondo strumento o una qualsiasi altra sorgente sonora, che potrà essere mixata, mediante il controllo FX-MIX, al segnale della chitarra. In aggiunta, sulla presa SEND è possibile collegare un finale di potenza supplementare o una RED BOX® per trasmettere il segnale a un mixer.
- Nella modalità seriale e ponticellata (SEND e RETURN collegati con un cavo jack), il loop effetti si trasforma in un secondo controllo MASTER, che può essere attivato per canale, addirittura con un footswitch. Il volume, in questo caso, si regola con il controllo FX-MIX

#### ! Nota:

Se il loop è collegato in serie, senza un processore effetti, il segnale viene interrotto. Risultato: non si sente niente!

#### PRESENCE

Controlla la percentuale delle armoniche superiori di tutti i canali / sound.

#### MASTER

Come il nome fa supporre, questo potenziometro ti dà il potere di controllare con due dita, la forza di 100 Watt, con il gruppo da quattro valvole EL-34 del finale di potenza del tuo Trilogy™. E per questo motivo, questo controllo deve essere usato con un certo buon senso (senza togliere nulla al divertimento!)

#### MIDI LEARN

Assegna alle impostazioni dell'amplificatore un numero di programma Midi e serve per la configurazione di base Midi dell'amplificatore. Vedi capitolo 4.0 MIDI

### 1.7 Interruttori di alimentazione e di standby

#### MAINS ON/OFF

Questo interruttore fa passare la corrente all'amplificatore e dà la possibilità alle valvole di riscaldarsi per prepararsi al duro lavoro.

#### STANDBY

Apri la strada in direzione finale di potenza e altoparlante. Inserisce la tensione anodica delle valvole, non il riscaldamento. Dunque durante le pause brevi, usa l'interruttore STANDBY invece che quello di ON/OFF, così le valvole rimangono alla temperatura di esercizio.

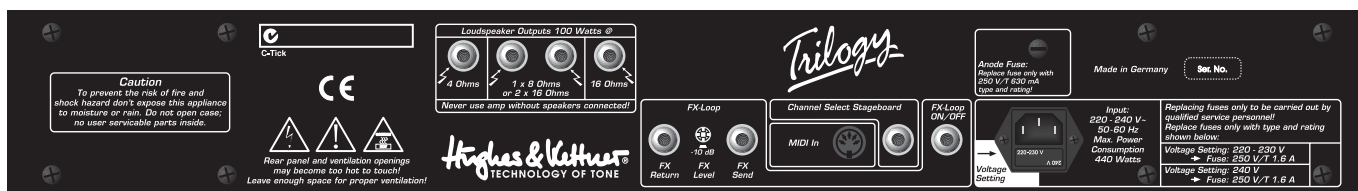


Illustrazione 2: Pannello posteriore

## 2 Collegamenti ed elementi di controllo sul pannello posteriore

### 2.1 Alimentazione di rete

Il Trilogy™ è disponibile in due modelli: 110/120V e 220V-240V, riconoscibili dall'etichetta dell'involucro, sopra alla presa di alimentazione (illustrazione 3). Su ciascuno dei due modelli è possibile scegliere tra due tensioni di esercizio, da impostare con il selettore di voltaggio integrato nella presa di alimentazione. Prima di collegare il Trilogy™ alla rete di alimentazione, assicurati assolutamente che la tensione di alimentazione presente corrisponda al valore indicato sul finestrino del selettore di voltaggio. Il valore leggibile in posizione di funzionamento (Amp è "in piedi") mostra la tensione attuale, quello capovolto mostra l'altra possibilità.

Controlla anche i valori dei fusibili confrontandoli con le indicazioni sull'etichetta disposta sul retro dell'amplificatore (illustrazione 2).

**!** Nota:

L'impostazione della tensione e la sostituzione dei fusibili deve essere affidata solo a tecnici esperti. Le seguenti istruzioni sono concepite solo per i tecnici di assistenza!

- Allentare il selettore di voltaggio dalla presa di alimentazione mediante un cacciavite
- Nel caso in cui il fusibile fosse guasto, rimuoverlo e sostituirlo con uno nuovo dello stesso valore
- Il selettore di voltaggio va ruotato in modo che l'indicazione della tensione sia rivolta verso l'alto a sinistra (accanto alla freccia dell'etichetta "Voltage-Setting")

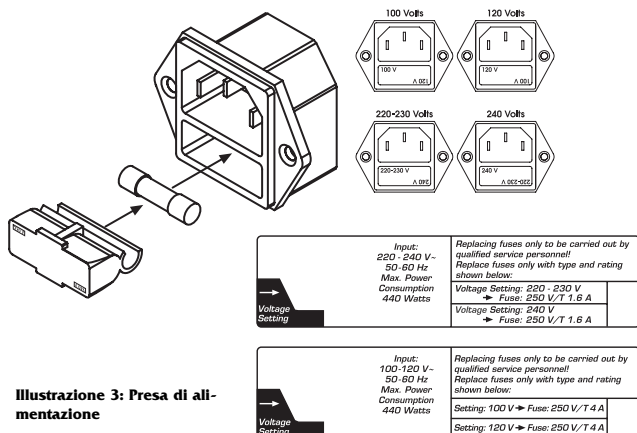


Illustrazione 3: Presa di alimentazione

### 2.2 Anode Fuse

Questo è il fusibile dell'anodo. Esso garantisce che le valvole vengano alimentate con alta tensione. Se il fusibile interviene, normalmente dipende da una valvola difettosa. L'intervento di un fusibile si nota dal fatto che non si sente niente, nonostante l'amplificatore sia cablato e impostato correttamente.

**!** Attenzione:

Prima di sostituire il fusibile con uno corrispondente del tipo 250 Volt/T 630 mA occorre verificare il funzionamento corretto del gruppo valvole del finale di potenza!

### 2.3 FX-Loop On/Off

Su questo ingresso puoi collegare il footswitch singolo Hughes & Kettner® FS-1. Il footswitch disattiva l'interruttore FX ON sul pannello anteriore.

**!** Attenzione:

Se il footswitch è collegato, questo ha sempre priorità. Anche cambiando i canali, vale sempre lo stato attuale del footswitch, indipendentemente dalla preimpostazione del canale! L'interruttore sul pannello anteriore è bloccato e prende la funzione di una spia LED che indica lo stato del footswitch.

### 2.4 Channel Select Stageboard

Questo è il collegamento per lo Stageboard Hughes & Kettner® FS-4 incluso nella fornitura, grazie al quale i canali CLEAN, CRUNCH, LEAD e ULTRA-LEAD possono essere selezionati direttamente. Una funzionalità che supporta perfettamente l'impiego "On Stage".

### 2.5 FX Send, Level e Return

#### FX SEND

Se vuoi usare un processore effetti esterno, collega l'ingresso del processore a questa presa.

#### FX LEVEL

Questo interruttore riduce il livello d'uscita della presa FX Send di 10dB e aumenta contemporaneamente la sensibilità d'ingresso della presa FX Return di 10dB, per adattare in modo ottimale il loop effetti al livello di ingresso del rispettivo processore effetti. Se si impiega un processore effetti, il cui ingresso è progettato per il livello strumenti, occorre assolutamente azionare questo tasto, premendolo.

#### FX RETURN

Collega questa presa all'uscita del processore effetti.

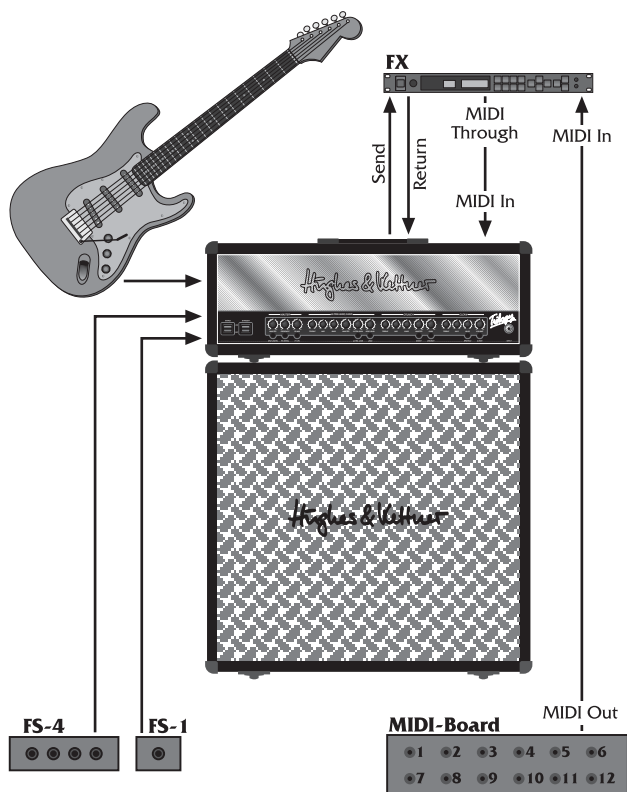
## 2.6 MIDI

Qui è possibile collegare un footswitch MIDI o un qualsiasi altro trasmettitore MIDI per commutare i canali. Sono disponibili le funzioni CLEAN, CRUNCH, LEAD, ULTRA-LEAD, loop effetti ON/OFF e seriale/ parallelo, nonché le variazioni di sound SPARKLE nel canale CLEAN e BOOST nel canale CRUNCH. Al capitolo 4 TRILOGY E MIDI troverai informazioni più dettagliate.

## 2.7 Speaker

Sono disponibili un'uscita da 4 Ohm, due da 16 Ohm e una da 8 Ohm, nonché un'altra uscita separata da 16 Ohm per collegare altoparlanti di rispettiva impedenza. Fai attenzione a realizzare il cablaggio correttamente. Se gli amplificatori a valvole vengono collegati con una impedenza scorretta o se vengono messi in funzione senza altoparlante, possono danneggiarsi. Su questo argomento troverai altre informazioni al capitolo 5 "Come posso prolungare la vita del mio Trilogy™ ?"

# 3 Configurazione standard e cablaggio



# 4 Trilogy™ e MIDI

Lo SmartLoop™ in combinazione con il processore multi-effetti con funzioni midi ti offre il massimo del comfort per suonare. Ciascuna funzione del Trilogy™ può essere attivata via MIDI. E cioè

- tutti e quattro i sound: CLEAN, CRUNCH, LEAD, ULTRA-LEAD
- le variazioni sound SPARKLE nel canale LEAD e BOOST in quello CRUNCH
- FX ON e SERIAL

## 4.1 Programmazione

La programmazione è facile e intuitiva. Se p. es. vuoi memorizzare una combinazione di sound come CRUNCH con BOOST attivo, FX e SERIAL attivi, basta prima impostare sul tuo amplificatore questa combinazione; poi premi brevemente il tasto MIDI LEARN sul tuo Trilogy™ (MIDI LEARN si illumina), e imposti il numero di programma, sotto il quale vuoi salvare questa combinazione di sound, sulla tua MIDI-Board (o un altro trasmettitore MIDI). Quando si spegne la spia MIDI LEARN, significa che il Trilogy™ ha memorizzato la combinazione di sound e assegnato un programma sul tuo pedale di espressione.

Premendo un'altra volta il tasto MIDI Learn, quando è attivato, si interrompe prematuramente il processo di programmazione.

Quando, sul canale MIDI impostato (vedi in basso), il Trilogy riceve un comando MIDI-Program-Change, il LED del tasto MIDI Learn lampeggia brevemente e il Trilogy richiama la corrispondente impostazione.

## 4.2 Impostare il canale MIDI e OMNI-On/Off

Se durante il funzionamento normale del Trilogy viene premuto il tasto MIDI LEARN per più di due secondi, questo comincia a lampeggiare. I LED e i tasti dell'amplificatore adesso hanno funzioni speciali di programmazione:

### CLEAN

Funge ora come tasto +1/up, per impostare il canale MIDI. L'impostazione di fabbrica è canale MIDI 1.

### SPARKLE

Funge da tasto -1/down

### FX ON

Da interruttore OMNI On/Off

Con il LED FX ON acceso, il Trilogy riceve su tutti i canali MIDI il Program-Change (default) in arrivo. Con il LED spento lo riceve solo sul canale Midi impostato.

**!** Nota:

OMNI=riceve su tutti i canali. Questa funzione è utile quando non sei sicuro dove trasmette il tuo pedale d'espressione.

**SERIAL**

Con questo tasto puoi verificare se tutti i LED funzionano. Tenendo premuto il tasto SERIAL tutti i LED del pannello anteriore del Trilogy devono illuminarsi.

I LED BOOST, CRUNCH, SPARKLE e CLEAN, durante la configurazione, servono come indicatori del canale MIDI. Nella seguente tabella puoi facilmente leggere il canale impostato (nella lingua specializzata è chiamato anche "Codice binario"):

Canale	BOOST	CRUNCH	SPARKLE	CLEAN-LED
1				
2				
3				
4				
5				
6				
7				
8				
9				
10				
11				
12				
13				
14				
15				
16				

Premendo una volta il MIDI LEARN si termina la configurazione MIDI e si salvano le impostazioni, l'amplificatore torna al funzionamento impostato per ultimo (funzionamento normale).

**4.3 Impostazioni di fabbrica e il loro resettaggio (Factory Reset)**

Premendo contemporaneamente MIDI LEARN e FX ON, l'amplificatore torna all'impostazione di fabbrica. E cioè:

- OMNI ON
- Canale MIDI 1
- Tutti i canali sono attivati FX ON
- SERIAL disattivato
- Tutti i preset MIDI vengono resettati

In fabbrica i sound sono stati impostati e assegnati nel modo seguente:

Comando Program-Change	Canale	Impostazione
1	Clean	FX ON
2	Clean	Sparkle + FX ON
3	Crunch	FX ON
4	Crunch	Boost + FX ON
5	Lead	FX ON
6	Clean	
7	Clean	Sparkle
8	Crunch	
9	Ultra Lead	FX ON

# 5

## Sostituzione delle Valvole, Assistenza e Manutenzione preventiva

Il TRILOGY™ è stato dotato in fabbrica di valvole EL34 e 12AX7. Dopo un "burn-in" (un primo test sotto carico) vengono sottoposte ad un processo di selezione rigoroso in base ai loro valori elettrici, le caratteristiche meccaniche (microfonia), e ad un test acustico finale, per valutare il comportamento sonoro quando vengono integrate nell'amplificatore. Una delle operazioni più importanti è il "matching" (la combinazione di valvole con le stesse curve caratteristiche) per equipaggiare il finale di potenza.

### 5.1 In quali casi si dovrebbero cambiare le valvole?

Le valvole integrate nel TRILOGY™ si distinguono per una qualità di lavorazione esemplare e per la lunga durata. Se ciò nonostante dovesse presentarsi un problema, prima di procedere alla sostituzione delle valvole ti preghiamo di porti le seguenti domande:

La causa dell'anomalia dipende sicuramente dalle valvole stesse o potrebbe dipendere anche dalla periferia? P. es. il cavo speaker potrebbe causare difetti sulle valvole del finale di potenza e in questo caso, se non usi un cavo nuovo, il problema potrebbe ripresentarsi anche dopo aver sostituito le valvole.

Durante l'utilizzo, la tensione di rete era sempre costante? Una sovratensione nella rete di alimentazione può danneggiare gli amplificatori a valvole. Le sovratensioni si possono presentare in caso di impiego di generatori di corrente o di cablaggi di corrente forte mal eseguiti.

Potrebbe essere saltato solo un fusibile, senza che ci sia un guasto vero e proprio? Le cause potrebbero essere fusibili "vecchi", scariche di particelle nella valvola o scariche elettriche causate da picchi di tensione.

In questo caso sostituire le valvole non servirebbe a niente. Dopo un certo periodo, le valvole presentano fenomeni di usura (microfonia elevata, suscettibilità ai ronzii, perdita nelle alte frequenze, perdite di potenza, ecc.). Se si notano questi fenomeni, è opportuno sostituire le valvole, anche perché non influiscono solo negativamente sul suono ma preannunciano il guasto imminente della valvola interessata.

#### **I** Nota:

Non è consigliabile sostituire le valvole per sperimentare sul sound! Se la sostituzione non viene eseguita a regola d'arte, i costi per una riparazione potrebbero diventare inaspettatamente molto salati.

### 5.2 A cosa si deve fare attenzione quando si sostituiscono le valvole?

La sostituzione deve essere sempre eseguita da un tecnico autorizzato e qualificato! Pertanto le seguenti istruzioni sono rivolte esclusivamente ai tecnici di assistenza:

Staccare la spina dalla corrente del TRILOGY™ ed aspettare almeno due minuti affinché l'apparecchio possa scaricarsi, prima di smontare la lamiera del pannello posteriore! Una volta smontata la lamiera, staccare con cautela le valvole dai loro zoccoli. Una singola valvola del finale di potenza può essere sostituita solo con un'altra valvola con esattamente lo stesso "match" (cioè che presenti la stessa curva caratteristica). Sostituire le valvole del finale di potenza soltanto con valvole che abbiano le stesse caratteristiche. Se il nuovo gruppo di valvole per il finale di potenza ha le stesse caratteristiche di quello vecchio non è necessario regolare il bias (regolazione della corrente di riposo). Se al contrario, il match impiegato presenta caratteristiche diverse si dovrà procedere alla regolazione del bias. Questa regolazione presuppone una grande esperienza e conoscenza delle tecniche di misura e deve quindi essere eseguita da tecnici qualificati nel settore degli amplificatori a valvole.

### 5.3 Come posso prolungare la vita del mio Trilogy™?

- Non usare mai il Trilogy™ senza carico (altoparlante)! Perciò ricordati che è essenziale usare un cavo per altoparlanti robusto e di alta qualità.
- Usa l'interruttore STANDBY! Il ripetuto riscaldamento delle valvole aumenta la loro usura. Staccando la tensione anodica con la funzione Standby, si prolunga la vita delle valvole.
- Evita vibrazioni e scosse, soprattutto con l'amplificatore acceso. Spegni l'amplificatore prima di trasportarlo ed aspetta un po' per lasciare che le valvole si raffreddino.
- Assicurati che gli apparecchi periferici siano sempre in ottimo stato! Le feritoie per la circolazione dell'aria non ostacolata per il Trilogy™ sono di vitale importanza.
- Evita in ogni caso il calore eccessivo e la penetrazione di polvere e soprattutto di acqua.
- Rispetta rigorosamente le specifiche tecniche degli apparecchi addizionali. Non collegare mai al Trilogy™ altoparlanti con impedenza troppo bassa (valore Ohm).
- Non collegare agli ingressi del Trilogy™ degli apparecchi con livelli di uscita troppo alti (p. es. finali).
- Prima di collegare l'amplificatore verifica la tensione di rete. In caso di dubbi chiedi informazioni al tecnico del suono o al custode del locale.
- In caso di problemi, non eseguire mai le riparazioni da solo! Anche la sostituzione di un fusibile interno deve essere affidata ad un tecnico esperto.



# 6

## **Possibili Anomalie e Rimedi**

### **Il Trilogy™ non si accende**

- Manca l'alimentazione di tensione. Controlla il collegamento corretto del cavo di alimentazione.
- Il fusibile principale è difettoso. Sostituendo il fusibile accertati che abbia il valore di protezione previsto per la tensione di alimentazione!

### **Il Trilogy™ è collegato correttamente, ma non si sente niente**

- L'amplificatore si trova ancora in STANDBY.
- I controlli Gain e Master sono a zero.
- Il loop di effetti è involontariamente attivo.
- Il fusibile anodo è rotto. Prima di sostituire il fusibile con un altro del valore previsto, verificare il funzionamento corretto delle valvole del finale di potenza.
- E' saltato il fusibile del riscaldamento valvole (le valvole non sono incandescenti). Nel sostituire il fusibile assicurati assolutamente che quello nuovo abbia il valore corretto. La sostituzione deve essere affidata ad un tecnico di assistenza.

### **Col processore effetti attivato il suono risulta poco definito e "impastato"**

- Il processore effetti fornisce un segnale diretto che nel loop effetti parallelo viene mixato al segnale originale. A seconda dell'effetto impiegato, la lunghezza di fase del segnale diretto può interferire con quella del segnale aggiunto in parallelo nel Trilogy™ causando una cancellazione di fase. Per evitare ciò, imposta il loop effetti su SERIAL oppure spegni il segnale diretto sul processore effetti.

### **Mentre stai suonando si sentono "campanellini" e l'amplificatore tende a "fischiare"**

- Una o più valvole sono microfoniche. Sostituire la valvola con una nuova dello stesso tipo. Se poco tempo dopo la sostituzione di valvole riappaiono i fenomeni tipici dell'usura (perdita nelle frequenze alte, ronzii, microfonia, suono "impastato"):
- Significa che nella sostituzione sono state impiegate valvole sbagliate o la corrente di riposo non è stata regolata correttamente. Porta l'amplificatore ad un esperto per farlo riparare.

# 7

## Dati tecnici

Tutti i valori dei livelli si riferiscono a 0 dBV (1V RMS )

### 7.1 Ingressi

#### INPUT

Presa: jack

Esecuzione: asimmetrica

Impedenza d'ingresso: 1 MΩ

Sensibilità: -35 dB

Livello d'ingresso max.: +8 dB

#### FX- RETURN

Presa: jack

Esecuzione: asimmetrica

Impedenza d'ingresso: 48 kΩ

Sensibilità max.:

Interruttore -10dB premuto: -18 dB

Interruttore -10dB non premuto: -8 dB

Livello d'ingresso max:

Interruttore -10dB premuto: +5 dB

Interruttore -10dB non premuto: +15dB

### 7.2 Uscite

#### FX Loop- Send L/R

Presa: jack

Esecuzione: asimmetrica

Impedenza d'uscita: 2,2 kΩ

Livello d'uscita: - 6 dB

Livello d'uscita max.:

Interruttore -10dB premuto: +2 dB

Interruttore -10dB non premuto: +12 dB

#### Uscite altoparlanti

Numero: 4

Presa: jack

Esecuzione: asimmetrica

Impedenza: 1 X 4 Ω ; 1 X 8 Ω oppure 2 X 16 Ω ; 1 X 16 Ω

### 7.3 Dati elettrici generali:

Assorbimento di corrente max.: 1,35 A @ 230 V AC, 4-8-16 Ω

2,55 A @ 120 V AC, 4-8-16 Ω

2,85 A @ 100 V AC, 4-8-16 Ω

Assorbimento di potenza max.: 383 VA @ 253 V AC, 4-8-16 Ω

Tolleranza di tensione: +/- 10 %

Temperatura ambiente: -10 °C a +35 °C

Fusibili esterni: 1 x T 630 mA (tensione dell'anodo)

Fusibili interni: 1 x TT 10 A „super-ritardato“, 2 x T 630 mA

#### Fusibile principale

Europa: (commutabile: da 220 V-230 V a 240 V)

2 x 250 V / T 1,6 A (5 x 20 mm)

USA/Canada/Asia:(commutabile: da 100 V a 120 V)

2 x 250 V / T 4 A (5 x 20 mm)

Fusibile dell'anodo: 1 x T 630 mA

### 7.4 Dati meccanici generali

#### Dimensioni:

Larghezza: 744 mm (proteggi-angoli inclusi)

Altezza: 280 mm (maniglia e piedini inclusi)

Profondità: 258 mm (proteggi-angoli inclusi)

Peso: 20,5 kg

## Prefacio

Los gustos en el sonido del todavía joven siglo XXI están marcados por clásicos como el Rock, Crunch, Blues y Metal de las guitarras del siglo anterior. Pero también el sonido NU-Metal, canciones con guitarras desafinadas, staccatos malignos y efectos de sonido limpios forman parte del repertorio actual de cualquier banda de rock. Es evidente que en este variado mundo del sonido, los amplificadores de válvulas del pasado fracasan: lo normal eran dos canales, tres eran ya un lujo, cuatro canales completos y todos conmutables por MIDI era sólo un sueño.

Al escoger Trilogy™ has optado por un amplificador de válvulas que te ofrece un equipamiento lujoso y te permite cumplir el sueño de poseer el control absoluto: cuatro canales con sonidos diferentes, cada uno con una variación acústica en el canal CLEAN y CRUNCH, 128 combinaciones de efectos que pueden almacenarse a través de MIDI con estos 6 sonidos. De este modo, pueden solucionarse todos los problemas de los conciertos sobre el escenario.

## Antes de la puesta en marcha

Algunas advertencias de precaución antes de que empieces a utilizar tu nuevo amplificador: ¡Es muy potente! Las potencias de volumen elevadas pueden causar problemas de audición. Gira siempre el potenciómetro MASTER VOLUME hasta el tope izquierdo antes de activar el amplificador y después gíralo poco a poco hacia la derecha hasta alcanzar un nivel adecuado para las instalaciones y que no perjudique tus oídos.

Antes de conectar Trilogy™, asegúrate de que el valor de tensión indicado en MAINS INPUT coincide con la tensión de red local. Asegura una ventilación suficiente para las superficies de refrigeración del aparato. Comprueba sobre una superficie firme que no existen influencias mecánicas y térmicas ajenas que puedan perjudicar la seguridad de funcionamiento del aparato o que pongan en peligro a las personas.

El fabricante no asume ninguna responsabilidad por los daños en el amplificador o en otros aparatos debidos a un funcionamiento inadecuado.

## Puesta en marcha

En primer lugar debe conectarse el cable de las cajas en la salida correspondiente del Head. Hay disponibles una salida de 4 ohmios, dos de 16 ohmios o una de 8 ohmios, así como una de 16 ohmios. Encontrarás más información al respecto en el capítulo 2.0 Conexiones y elementos de mando de la parte posterior. El otro extremo del cable debe conectarse en la entrada de la caja. ¡Esto es vital para los amplificadores de válvulas completas! ¡Si se utilizan amplificadores de válvulas sin la caja conectada o a una impedancia demasiado baja, se destruirán!

A continuación, enchufa el conector de red del Head de la caja tomacorriente, activa el amplificador con el interruptor MAINS y deja que las válvulas se calienten brevemente antes de hacerlas retumbar. Coje el cable de la guitarra, enchufa el conector en la guitarra, después en el amplificador y dale vida a las válvulas incandescentes con el interruptor STAND BY.

## Contenido

<b>1</b>	<b>Conexiones y elementos de mando de la parte delantera</b>	<b>45</b>
1.1	Input	45
1.2	Canal Clean	45
1.3	Canal Crunch	45
1.4	Canal Lead	46
1.5	Canal Ultra Lead	46
1.6	Sección Master	46
1.7	Interruptores de red y Standby	46
<b>2</b>	<b>Conexiones y elementos de mando de la parte posterior</b>	<b>47</b>
2.1	Conexión de red	47
2.2	Fusible de ánodos	47
2.3	FX-Loop On/Off	47
2.4	ChannelSelect Stageboard	47
2.5	FX Send, Level y Return	47
2.6	Toma MIDI	48
2.7	Speakers	48
<b>3</b>	<b>Configuración estándar y cableado</b>	<b>48</b>
<b>4</b>	<b>El Trilogy™ y MIDI</b>	<b>48</b>
4.1	Programación	48
4.2	Ajuste del canal MIDI así como On/Off de OMNI	48
4.3	Ajuste de fábrica y su restablecimiento	49
<b>5</b>	<b>Cambio de válvulas, mantenimiento y conservación</b>	
5.1	¿Cuándo es conveniente cambiar las válvulas?	50
5.2	¿Qué debe tenerse en cuenta al cambiar las válvulas?	50
5.3	¿Cómo puedo prolongar la vida útil de mi Trilogy™?	50
<b>6</b>	<b>Posibles fuentes de fallos / solución de problemas</b>	<b>51</b>
<b>7</b>	<b>Datos técnicos</b>	<b>52</b>

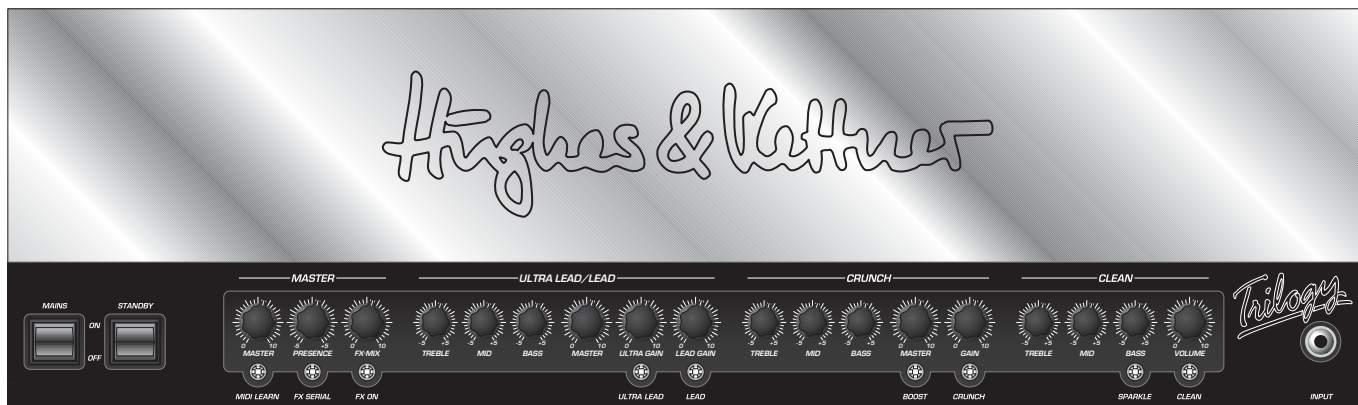


Figura 1: Panel delantera

# 1 Conexiones y elementos de mando de la parte delantera

El Trilogy™ tiene cuatro canales: CLEAN, CRUNCH, LEAD, ULTRA LEAD. Pulsando CLEAN ON, CRUNCH ON, LEAD ON y ULTRA LEAD ON puedes seleccionar los canales. Los interruptores se anulan entre sí. SPARKLE en el canal CLEAN y BOOST en el canal CRUNCH son variaciones de sonido que pueden activarse.

Las regulaciones de sonido de tres bandas de los canales constan de BASS, MID y TREBLE. Aquí puedes configurar tus gustos personales de sonido. Como es habitual en los amplificadores de válvulas, los reguladores se influyen recíprocamente dentro de un canal. Esto significa, por ejemplo, que una modificación en los agudos repercute también en los medios. Los dos canales LEAD comparten los potenciómetros de la regulación de sonido, pero internamente se activan diferentes circuitos de conmutación al seleccionar el canal, que están especialmente adaptados a los caracteres de los dos canales LEAD.

Si se observa el Trilogy™ de derecha a izquierda, es decir, desde la entrada, pasando por los canales, hasta la sección MASTER y los interruptores MAINS y STANDBY:

## 1.1 Input

Jack hembra de alta impedancia de 6,3mm para conectar la guitarra. Utiliza sólo un cable para instrumentos apantallado adecuado.

## 1.2 Canal Clean

El Trilogy™ te ofrece un sonido Clean, que incluso con un volumen potente no deja percibir ningún perjuicio en la brillantez y la claridad. El sonido es completo y redondo, sobremodulado apenas también con niveles altos y recoge el codiciado „Twang“ de tu guitarra. En la reproducción de graves, este canal se caracteriza por la enorme presión y calidez. La característica

de los agudos puede conmutarse a superdestelleante para Pop y Nu Metal gracias al interruptor SPARKLE, desde la calidez tal como se utiliza para el Jazz y el Blues. SPARKLE no sólo es un incremento aparente de los agudos, sino una conmutación de presencia real con contraacoplamiento de etapa final.

### Manejo:

VOLUME:	Regula el volumen
BASS:	Regula los graves
MID:	Regula los medios
TREBLE:	Regula los agudos
CLEAN ON:	Activa el canal CLEAN.
SPARKLE:	Proporciona al canal CLEAN una presencia y "destello" adicionales

### 1.3 Canal Crunch

Este canal ofrece una alta dinámica y un control completo en cada grado de sobremodulación. Con gran fidelidad de detalles transmite cada golpe e incluso los pequeños adornos - este es el motivo por el que el concepto "limpio" parece especialmente indicado. Con el interruptor BOOST, el sonido seco del ritmo y los solos se convierten en el sonido rock para los acordes potentes y Riffs atronadores.

### Manejo:

GAIN:	Regula la sensibilidad de entrada y con ello la saturación o distorsión
MASTER:	Regula el volumen
BASS:	Regula los graves
MID:	Regula los medios
TREBLE:	Regula los agudos
CRUNCH ON:	Activa el canal CRUNCH.
BOOST:	Activa reservas de ganancia adicionales para obtener todavía más „Cream“

### 1.4 Canal Lead

Los sonidos distorsionados precisos juegan un papel especialmente importante al decidirse por un amplificador. Un criterio decisivo para un amplificador de guitarra de nivel superior es que los ajustes GAIN extremos permitan escuchar el carácter de la guitarra y mantener definido el tono. El sonido LEAD del Trilogy está excelentemente indicado para los solos de rock clásicos y acordes potentes como tabla „duros resaltando las notas medias“.

### 1.5 Canal Ultra Lead

Sumérgete en el mundo de la distorsión sin concesiones y disfruta del potente despliegue de cada uno de los Riffs atrapados por los altavoces. El canal ULTRA GAIN proporciona sonido americano High Gain con graves profundos y agudos agresivos. La cálida y perversa distorsión de este canal es ideal tanto para la fracción de Nu-Metal y de Drop-D como para el todoterreno que desea un sonido Lead muy saturado, algo diferente, de vez en cuando.

#### Manejo:

LEAD-GAIN:	Regula el grado de sobremodulación del canal LEAD
ULTRA-LEAD-GAIN:	Regula el grado de sobremodulación del canal ULTRA LEAD
MASTER:	Regula el volumen
BASS:	Regula los graves de ambos canales
MID:	Regula los medios de ambos canales
TREBLE:	Regula los agudos de ambos canales
LEAD ON:	Activa el canal LEAD británico clásico
ULTRA LEAD ON:	Activa el canal ULTRA LEAD americano

### 1.6 Sección Master

En la sección MASTER puedes ajustar el volumen general del Trilogy™, regular la presencia, configurar el routing de efecto y la proporción de efecto y permitir al Trilogy™ „aprender“ cambios en el programa MIDI.

#### Manejo:

##### FX-MIX, FX ON y SERIAL

El routing de efecto especial SmartLoop™ te ofrece una vía de efectos conmutable de paralelo a serie. En el modo paralelo (no está activado SERIAL) se mezcla la señal de efecto con la señal original de la etapa previa. La proporción de mezcla puede ajustarse por medio del regulador FX-MIX. Principalmente, se obtienen los mejores resultados de sonido cuando en el aparato de efectos se programa una proporción de efecto lo más grande posible y no existe aplicada ninguna señal directa en la salida del aparato de efectos.

En la conmutación serie (SERIAL está activo) SmartLoop™ funciona como una vía de efectos serie convencional, por lo tanto, la proporción de volumen entre la señal original y de efecto se ajusta en el propio aparato de efectos.

#### Consejo:

Si no hay conectado en bucle ningún aparato de efectos en la vía de efectos, la vía de efectos puede dedicarse a otras funciones:

- En el modo paralelo, el conector hembra RETURN puede utilizarse para conectar un segundo instrumento o fuentes de audio opcionales que pueden mezclarse entonces con la señal de la guitarra a través del regulador FX-MIX. En el conector hembra SEND puede conectarse una etapa final adicional o una RED BOX® para guiar la señal a la mesa de mezclas.
- En el modo serie y puenteado (SEND y RETURN conectados con un cable de jack) la vía de efectos puede utilizarse como un segundo regulador MASTER, que incluso puede activarse para cada canal por medio del interruptor de pie. El volumen se ajusta con el regulador FX-MIX.

#### ! Nota:

Cuando se conmuta en serie la vía de efectos y no hay conectado ningún aparato de efectos, la señal se interrumpe y no puede escucharse nada.

##### PRESENCE

Este regulador permite establecer la proporción de armónicos de todos los canales.

##### MASTER

Como el nombre permite adivinar, con este potenciómetro podrás controlar las válvulas de las etapas finales EL-34 y sus 100 vatios totales con tus dedos. Por este motivo, está garantizado un alto nivel de placer al manejar este regulador y al mismo tiempo debe tenerse cuidado.

##### MIDI LEARN

Asigna a los ajustes del amplificador un número de programa Midi y sirve para la configuración básica Midi del amplificador. Véase para ello 4.0 MIDI.

### 1.7 Interruptores de red y Standby

##### MAINS ON/OFF

Este interruptor abre la alimentación de corriente principal y permite a las válvulas que se calienten para el trabajo posterior.

##### STANDBY

Libera el camino en dirección a la etapa final y la caja. Conmuta la tensión de los ánodos de las válvulas, no el calentamiento. Cuando se realizan pausas breves en la interpretación, utiliza STANDBY en lugar de ON/OFF y las válvulas se mantendrán a la temperatura de servicio.

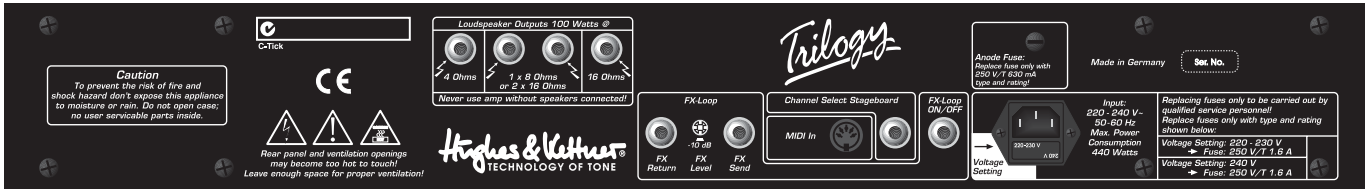


Figura 2: Panel trasero

## 2 Conexiones y elementos de mando de la parte posterior

### 2.1 Conexión de red

Trilogy™ puede suministrarse en dos modelos diferentes: 110/120V y 220V-240V, que se distinguen por la impresión en la carcasa, sobre el conector hembra de red (Fig. 3). Ambos modelos ofrecen dos tensiones de servicio seleccionables cuya adaptación se realiza por medio del selector de voltaje integrado en el conector hembra de red. Comprueba antes de conectar Trilogy™ a la red eléctrica que la tensión de red existente coincide con la tensión indicada en la ventana del selector de tensión. El valor que puede leerse en la posición de servicio (el amplificador descansa "sobre las patas") indica la tensión actual, el que está en la parte inferior el ajuste alternativo.

Comprueba también los valores de fusibles correspondientes en los datos impresos en la parte trasera del aparato (Fig. 2).

**!** Nota:

El ajuste de tensión y el cambio de los fusibles deben ser realizados exclusivamente por un técnico de servicio experimentado. Las indicaciones siguientes están pensadas para los técnicos de servicio.

- Por medio de un destornillador pequeño plano, afloja el selector de tensión de la toma del conector hembra de red
- Si es defectuoso, extrae el fusible y cambia por uno del mismo valor
- El selector de tensión se gira y se acopla de nuevo de forma que la impresión de la tensión de red deseada quede arriba a la izquierda (junto a la flecha de la impresión de la carcasa „Voltage-Setting“).

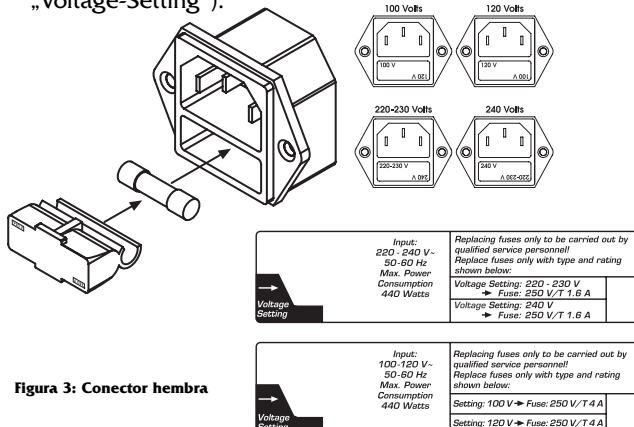


Figura 3: Conector hembra

### 2.2 Anode Fuse

Es el fusible de ánodo. Con él se asegura la alimentación de alta tensión de las válvulas. Si este fusible reacciona, la causa suele ser una válvula defectuosa. Cuando este fusible ha reaccionado, aunque el amplificador está correctamente cableado y ajustado, no puede oírse nada. Antes de cambiar el fusible por uno de recambio de 250 Voltios/T 630 mA, debe comprobarse si son defectuosas las válvulas de la etapa final.

### 2.3 FX-Loop On/Off

En este conector hembra puede conectarse el interruptor de pie simple opcional Hughes & Kettner FS-1. El interruptor de pie desactiva el pulsador FX ON de la parte frontal.

**!** Atención:

Si hay conectado un interruptor de pie, tiene siempre prioridad. También al conmutar los canales se aplica el estado actual del interruptor de pie, con independencia del preajuste del canal. El interruptor de la parte frontal está bloqueado y tiene ahora la función de un indicador LED que señala el estado del interruptor de pie.

### 2.4 Channel Select Stageboard

Esta es la conexión para el Stageboard Hughes & Kettner FS-4, incluido en el volumen de suministro, con el que puede seleccionarse directamente CLEAN, CRUNCH, LEAD y ULTRA-LEAD. Esta funcionalidad te garantiza un uso preciso en el escenario.

### 2.5 FX Send, Level y Return

#### FX SEND

Si quieres utilizar un aparato de efectos, une este conector hembra con la entrada del aparato de efectos.

#### FX LEVEL

Este interruptor reduce el nivel de salida del conector hembra FX-Send en 10dB y aumenta la sensibilidad de entrada del conector hembra FX-Return en 10dB para adaptar la vía de efectos al nivel de entrada del aparato de efectos. Cuando se utilizan aparatos de efectos cuya entrada está diseñada para el nivel de instrumentos, pon este interruptor en la posición presionada.

#### FX RETURN

Conecta este conector hembra con la salida del aparato de efectos.

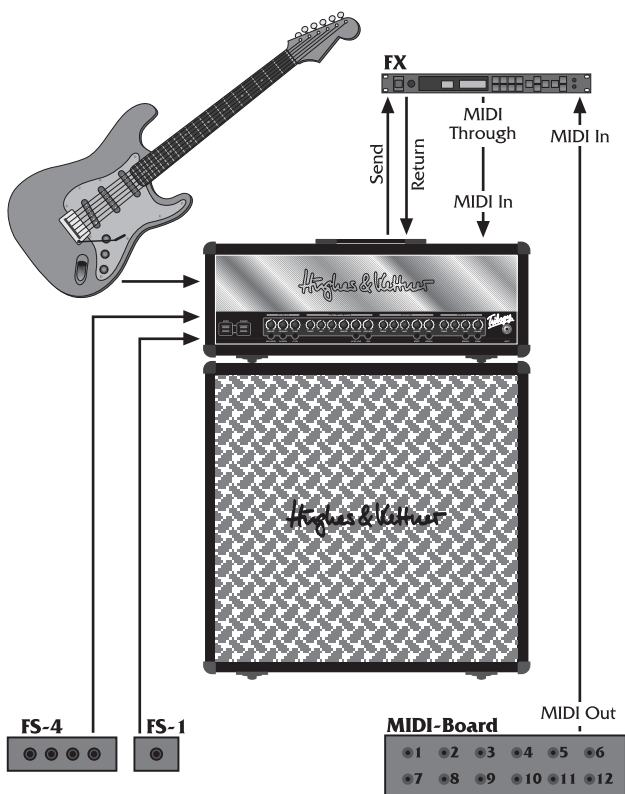
### 2.6 MIDI

Aquí puede conectarse un interruptor de pie MIDI u otro emisor MIDI cualquiera para conectar los canales. Pueden conectarse CLEAN, CRUNCH, LEAD, ULTRA-LEAD, vía de efectos activada/desactivada y serie/paralelo, así como las variaciones de sonido SPARKLE en el canal CLEAN y BOOST en el canal CRUNCH. Encontrarás más información en el Capítulo 4 TRILOGY Y MIDI.

### 2.7 Speakers

Existen diferentes salidas: una de 4 ohmios, dos de 16 ohmios o una de 8 ohmios, así como una de 16 ohmios para conectar cajas con la impedancia correspondiente. Asegúrate siempre de que el cableado sea correcto. Si se utilizan amplificadores de válvulas con impedancia incorrecta o incluso sin caja conectada, esto puede causar daños. Véase también al respecto en el Capítulo 5 „¿Cómo puedo prolongar la vida útil de mi Trilogy™?“

## 3 Configuración estándar y cableado



## 4 Trilogy™ y MIDI

SmartLoop™ en combinación con un aparato multiefectos apto para Midi te ofrece la mayor comodidad de interpretación posible. A través de MIDI puede conectarse cualquier función de Trilogy™. Estas son

- 4 canales: CLEAN, CRUNCH, LEAD, ULTRA LEAD
- las variaciones de sonido SPARKLE en el canal CLEAN y BOOST en el canal CRUNCH
- FX ON, así como SERIAL

### 4.1 Programación

La programación es extremadamente fácil. Si quieres guardar una combinación como por ejemplo CRUNCH con BOOST activo, FX activo y SERIAL, sólo necesitas conmutar Trilogy™ pulsando brevemente la tecla MIDI LEARN (se ilumina MIDI LEARN) y pulsar el número de programa deseado en tu panel MIDI (u otro emisor MIDI). Si se apaga MIDI LEARN, Trilogy™ lo ha asignado exactamente al programa seleccionado en tu panel de pie.

Si Trilogy™ recibe en el canal MIDI ajustado (véase más adelante) un comando de cambio de programa MIDI, el LED MIDI LEARN parpadea brevemente y Trilogy llama al ajuste correspondiente.

Pulsando nuevamente en MIDI LEARN en el estado conmutado activo se finaliza prematuramente el proceso de programación.

### 4.2 Ajuste del canal MIDI, así como On/Off de OMNI

Si se pulsa en el modo normal de Trilogy™ la tecla MIDI LEARN durante más de dos segundos, comienza a parpadear. Los LEDs y pulsadores del amplificador tienen ahora funciones de programación especiales:

#### CLEAN

Funciona ahora como pulsador +1/up para ajustar el canal MIDI. El ajuste de fábrica es canal MIDI 1.

#### SPARKLE

Funciona ahora como pulsador -1/down

#### FX ON

Conmuta On/Off OMNI

#### ! Nota:

OMNI= Recepción en todos los canales. Esta función es útil si no estás seguro hasta qué canal emite tu panel de pie.

#### MIDI LEARN

Finaliza la configuración MIDI y guarda los ajustes. El amplificador vuelve al último estado de servicio.



**SERIAL**

Con esta tecla puedes comprobar si funcionan todos los LEDs. Mientras se mantiene pulsada SERIAL, deben estar encendidos todos los LEDs de la parte frontal de Trilogy.

BOOST, CRUNCH, SPARKLE y CLEAN sirven durante la configuración como indicación del canal MIDI en código binario.

Canal	BOOST	CRUNCH	SPARKLE	CLEAN-LED
1				
2				
3				
4				
5				
6				
7				
8				
9				
10				
11				
12				
13				
14				
15				
16				

Si se enciende el Led FX ON, Trilogy recibe en todos los canales MIDI cambios de programa entrantes (por defecto). Si el LED está apagado, sólo en el canal ajustado.

**4.3 Ajuste de fábrica y su restablecimiento (Factory Reset)**

Si al activar se mantienen pulsadas simultáneamente MIDI LEARN y FX On, el amplificador se reinicializa al estado de suministro, que es el siguiente:

- OMNI ON
- Canal MIDI 1
- Todos los canales están conmutados FX ON
- SERIAL está desactivado
- Todos los preajustes MIDI se reinician

Los sonidos están ajustados y asignados de fábrica del modo siguiente:

Comando cambio de programa	Canal	Ajuste
1	Clean	FX ON
2	Clean	Sparkle + FX ON
3	Crunch	FX ON
4	Crunch	Boost + FX ON
5	Lead	FX ON
6	Clean	
7	Clean	Sparkle
8	Crunch	
9	Ultra Lead	FX ON

# 5 CAMBIO DE VÁLVULAS, MANTENIMIENTO Y SERVICIO

TRIOLOGY™ está equipado de fábrica con válvulas EL34 y 12AX7. Estas válvulas se prueban después del „Burn-In“ (un primer funcionamiento continuo bajo carga) en procedimientos de selección esmerados en cuanto a sus valores eléctricos, naturaleza mecánica (microfonía) y además en una prueba acústica en el aparato acabado, en cuanto a su comportamiento sonoro. Uno de los pasos más importantes para ello es el „Matching“ (es decir, la combinación de juegos de válvulas con la misma línea característica) para el equipamiento de las etapas finales.

## 5.1 ¿Cuándo deben cambiarse las válvulas?

Las válvulas utilizadas en TRIOLOGY™ se caracterizan por una calidad de fabricación modélica y una larga vida útil. Si en algún momento se produce un problema, comprueba antes de cambiar las válvulas lo siguiente: ¿la causa del fallo o avería está en la propia válvula o quizá en los aparatos periféricos, por ejemplo, un cable de altavoz defectuoso es la causa de una válvula de etapa final defectuosa? (Si no se soluciona el fallo, el problema puede aparecer de nuevo después de cambiar válvulas).

- ¿Era constante la tensión de red durante el servicio? En amplificadores de válvulas completas, la causa de un fallo puede ser una sobretensión en la red. Las sobretensiones se producen, por ejemplo, en generadores de corriente o conexiones de alta tensión realizadas incorrectamente.
- ¿Quizá solamente ha reaccionado un fusible y no existe un defecto real? Los fusibles antiguos, descargas de partículas en una válvula o descargas eléctricas debido a picos de tensión de red pueden ser la causa.

Cambiar válvulas sería poco adecuado. Después del tiempo de funcionamiento correspondiente, las válvulas presentan síntomas de desgaste (microfonía superior, sensibilidad a zumbidos, pérdidas de agudos, pérdidas de potencia, etc.). Estos síntomas hacen necesario un cambio, ya que no sólo producen resultados acústicos peores, sino que son síntomas de un fallo inminente de la válvula afectada.

### ❗ Nota:

No deben cambiarse válvulas por gusto para experimentar con el sonido. Los costes que produciría podrían ser inesperadamente altos en caso de manipulación inadecuada.

## 5.2 ¿Qué debe tenerse en cuenta al cambiar válvulas?

Las válvulas deben ser cambiadas exclusivamente por personal técnico cualificado. Por lo tanto, las indicaciones siguientes están pensadas sólo para técnicos de servicio:

Antes de desmontar el chasis en la parte trasera, debe desenchufarse el conector de red de TRIOLOGY™ y esperarse un tiempo de descarga mínimo de 2 minutos. Cuando está desmontado el chasis, pueden extraerse con cuidado las válvulas de sus zócalos. Una válvula de etapa final individual solamente debe cambiarse si se adapta exactamente en el Match (presenta la misma línea característica). Para las válvulas de etapas finales deben utilizarse básicamente sólo juegos adaptados en el Match. Si se utiliza un nuevo juego de válvulas de etapa final adaptadas en el Match con los mismos datos de líneas características que el juego antiguo, no es imprescindible una compensación de polarización (compensación de corriente de reposo). Por el contrario, si se utiliza un Match con datos de líneas características diferentes, debe realizarse una compensación de polaridad. La compensación requiere amplios conocimientos de medición y debe ser realizada exclusivamente por técnicos cualificados en el campo de los amplificadores de válvulas.

## 5.3 ¿Cómo puedo prolongar la vida útil de mi Trilogy™?

- No utilices nunca Trilogy™ sin carga (altavoces). Para ello es imprescindible un cable de cajas seguro contra dobleces de alta calidad.
- Utiliza el interruptor de STAND BY. El calentamiento frecuente de las válvulas aumenta el desgaste. La desconexión de la tensión de los ánodos con la función STAND BY ahorra horas de servicio.
- Evita las sacudidas, especialmente con el aparato en funcionamiento. Antes de transportar el amplificador desconéctalo y deja enfriar las válvulas.
- Cuida siempre de que los aparatos periféricos sean técnicamente correctos. Las ranuras de ventilación deben estar libres para que el aire circule sin problemas, esto es vital para el Trilogy™.
- Debe evitarse siempre el calor extremo, la entrada de polvo y especialmente de humedad.
- Las especificaciones de los aparatos adicionales deben tenerse en cuenta con la mayor precisión. No utilices nunca cajas de altavoces con una impedancia demasiado pequeña (valor óhmico) en el TRIOLOGY™.
- No conectes nunca aparatos con un nivel demasiado grande (por ejemplo, etapas finales) en las entradas del TRIOLOGY™.
- Antes de conectar el aparato comprueba siempre la tensión de red existente. En caso de duda, ponte en contacto con el técnico de escenario, el conserje, etc.
- No realices nunca las reparaciones por ti mismo. También el cambio de los fusibles internos debe ser realizado por un técnico experimentado.

## **6 POSIBLES FUENTES DE FALLOS / SOLUCIÓN DE PROBLEMAS**

### ***No puede activarse el Trilogy™***

- No hay alimentación eléctrica. Comprueba que el cable de alimentación está conectado correctamente.
- El fusible de red es defectuoso. Comprueba el valor del fusible previsto para la tensión de red antes de realizar el cambio.

### ***El Trilogy™ está correctamente cableado pero no se oye nada***

- El aparato está conmutado en STANDBY.
- Los reguladores Gain o Master están apagados.
- La vía de efectos está activa involuntariamente
- El fusible de ánodos está fundido. Antes de cambiar el fusible por uno del valor prescrito, deben comprobarse las válvulas de etapas finales por si son defectuosas.
- El fusible para el calentamiento de las válvulas ha reaccionado (las válvulas no alcanzan la incandescencia). Al cambiar el fusible debes comprobar el valor correcto. El cambio debe realizarlo exclusivamente un técnico de servicio.

### ***Con el aparato de efectos activo, el sonido resulta indiferente y „pastoso“***

- El aparato de efectos suministra una señal directa que se mezcla en la vía de efectos paralela con la señal original. Según el efecto utilizado, la situación de fases de la señal directa al mezclar en paralelo en Trilogy™ puede causar extinciones de fases. Para evitarlo, conecta la vía de efectos en SERIE o apaga la señal directa en el aparato de efectos.

### ***Al interpretar pueden escucharse „ruidos de campanillas“, el amplificador tiende a "pitar"***

- Una o varias válvulas son microfónicas. Cambia la válvula por una nueva del tipo correspondiente. Pocas horas de servicio después de un cambio de válvula se perciben de nuevo las características típicas del desgaste de las válvulas (pérdida de agudos, ruido, microfonía, sonido „terroso“:
- Al cambiar válvulas se han utilizado tipos incorrectos o la corriente de reposo no se ha ajustado óptimamente. Lleva el amplificador a un técnico para solucionar el fallo.

# 7

## Datos técnicos

Todos los datos de nivel hacen referencia a 0 dBV (1V RMS )

### 7.1 Entradas:

#### INPUT:

Hembra: Jack  
 Tipo: asimétrico  
 Impedancia de entrada: 1 MΩ  
 Sensibilidad: -35 dB  
 Nivel de entrada máx.: +8 dB

#### FX- RETURN

Hembra: Jack  
 Tipo: asimétrico  
 Impedancia de entrada: 48 kΩ

Sensibilidad máx.:  
 Interruptor -10dB pulsado: -18 dB  
 Interruptor -10dB no pulsado: -8 dB

Nivel de entrada máx.:  
 Interruptor -10dB pulsado: +5 dB  
 Interruptor -10dB no pulsado: +15dB

### 7.2 Salidas:

#### FX LOOP- Enviar L/R

Hembra: Jack  
 Tipo: asimétrico  
 Impedancia de salida: 2,2 kΩ  
 Nivel de salida: -6 dB

Nivel de salida máx.:  
 Interruptor -10dB pulsado: +2 dB  
 Interruptor -10dB no pulsado: +12 dB

#### Salida de altavoz

Cantidad: 4  
 Hembra: Jack  
 Tipo: asimétrico  
 Impedancia: 1 X 4 Ω ; 1 X 8 Ω o 2 X 16 Ω ; 1 X 16 Ω

### 7.3 Datos eléctricos generales:

Consumo de corriente máx.: 1,35 A @ 230 V CA, 4-8-16 Ω  
 2,55 A @ 120 V CA, 4-8-16 Ω  
 2,85 A @ 100 V CA, 4-8-16 Ω

Consumo de potencia máx.: 383 VA @ 253 V CA, 4-8-16 Ω  
 Gama de tensión de red: +/- 10 %  
 Gama de temperatura ambiente: -10 °C hasta + 35 °C  
 Fusibles externos: 1 x T 630 mA (tensión de ánodos)  
 Fusibles internos: 1 x TT 10 A „superlento“, 2 x T 630 mA

#### Fusible de red

Europa: (conmutable: 220 V-230 V a 240 V)  
 2 x 250 V / T 1,6 A (5 x 20mm)

EE.UU./Canadá/Asia:(conmutable: 100 V a 120 V)  
 2 x 250 V / T 4 A (5 x 20 mm)

Fusible de ánodos: 1 x T 630 mA

### 7.4 Datos mecánicos generales

#### Dimensiones

Anchura: 744 mm (con esquinas)  
 Altura: 280 mm (con asa y patas)  
 Profundidad: 258 mm (con esquinas)

Peso: 20,5 kg

**IMPORTANT SAFETY INSTRUCTIONS  
BEFORE CONNECTING, READ INSTRUCTIONS**

- Read all of these instructions!
- Save these instructions for later use!
- Follow all warnings and instructions marked on the product!
- Do not use this product near water, i.e. bathtub, sink, swimming pool, wet basement, etc.
- Do not place this product on an unstable cart, stand or table. The product may fall, causing serious damage to the product or to persons!
- Slots and openings in the cabinet and the back or bottom are provided for ventilation; to ensure reliable operation of the product and to protect it from overheating, these openings must not be blocked or covered. This product should not be placed in a built-in installation unless proper ventilation is provided.
- This product should not be placed near a source of heat such as a stove, radiator, or another heat producing amplifier.
- Use only the supplied power supply or power cord. If you are not sure of the type of power available, consult your dealer or local power company.
- Do not allow anything to rest on the power cord. Do not locate this product where persons will walk on the cord.
- Never break off the ground pin on the power supply cord.
- Power supply cords should always be handled carefully. Periodically check cords for cuts or sign of stress, especially at the plug and the point where the cord exits the unit.
- The power supply cord should be unplugged when the unit is to be unused for long periods of time.
- If this product is to be mounted in an equipment rack, rear support should be provided.
- This product should be used only with a cart or stand that is recommended by Hughes & Kettner.
- Never push objects of any kind into this product through cabinet slots as they may touch dangerous voltage points or short out parts that could result in risk of fire or electric shock. Never spill liquid of any kind on the product.
- Do not attempt to service this product yourself, as opening or removing covers may expose you to dangerous voltage points or other risks. Refer all servicing to qualified service personnel.
- Clean only with dry cloth.
- Do not defeat the safety purpose of the polarized or grounding-type plug. A polarized plug has two blades with one wider than the other. A grounding type plug has two blades and a third grounding prong. The wide blade or the third prong are provided for the safety. If the provided plug does not fit into your outlet, consult an electrician for replacement of the obsolete outlet.
- Unplug this product from the wall outlet and refer servicing to qualified service personnel under the following conditions:
  - When the power cord or plug is damaged or frayed.
  - If liquid has been spilled into the product.
  - If the product has been exposed to rain or water.
  - If the product does not operate normally when the operating instructions are followed.
  - If the product has been dropped or the cabinet has been damaged.
  - If the product exhibits a distinct change in performance, indicating a need of service!
- Adjust only these controls that are covered by the operating instructions since improper adjustment of other controls may result in damage and will often require extensive work by a qualified technician to restore the product to normal operation.
- Exposure to extremely high noise levels may cause a permanent hearing loss.
- Individuals vary considerably in susceptibility to noise induced hearing loss, but nearly everyone will lose some hearing if exposed to sufficiently intense noise for a sufficient time.

The U.S. Government's Occupational Safety and Health Administration (OSHA) has specified the following permissible noise level exposures:

Duration Per Day In Hours	Sound Level dBA, Slow Response
8	90
6	92
4	95
3	97
2	100
1 1/2	102
1	105
1/2	110
1/4 or less	115

- According to OSHA, any exposure in excess of the above permissible limits could result in some hearing loss.
- Ear plug protectors in the ear canals or over the ears must be worn when operating this amplification system in order to prevent a permanent hearing loss if exposure is in excess of the limits as set forth above. To ensure against potentially dangerous exposure to high sound pressure levels, it is recommended that all persons exposed to equipment capable of producing high sound pressure levels such as this amplification system be protected by hearing protectors while this unit is in operation.
- Fuses: Replace with IEC 127 (5 x 20 mms) type and rated fuse for best performance only

**TO PREVENT THE RISK OF FIRE AND SHOCK HAZARD, DO NOT EXPOSE THIS APPLIANCE TO MOISTURE OR RAIN. DO NOT OPEN CASE; NO USER SERVICE-ABLE PARTS INSIDE. REFER SERVICING TO QUALIFIED SERVICE PERSONNEL.**

**WICHTIGE SICHERHEITSHINWEISE!  
BITTE VOR GEBRAUCH LESEN UND FÜR SPÄTEREN GEBRAUCH  
AUFBEWAHREN!**

- Das Gerät wurde von Hughes & Kettner gemäss IEC 60065 gebaut und hat das Werk in sicherheitstechnisch einwandfreiem Zustand verlassen. Um diesen Zustand zu erhalten und einen gefahrlosen Betrieb sicherzustellen, muss der Anwender die Hinweise und die Warnvermerke beachten, die in der Bedienungsanleitung enthalten sind. Das Gerät entspricht der Schutzklasse I (schutzgeerdet).
- DIE SICHERHEIT, ZUVERLÄSSIGKEIT UND LEISTUNG DES GERÄTES WIRD VON HUGHES & KETTNER NUR DANN GEWÄHRLEISTET, WENN:
  - Montage, Erweiterung, Neueinstellung, Änderungen oder Reparaturen von Hughes & Kettner oder von dazu ermächtigten Personen ausgeführt werden.
  - die elektrische Installation des betreffenden Raumes den Anforderungen von IEC (ANSI)-Festlegungen entspricht.
  - das Gerät in Übereinstimmung mit der Gebrauchsanweisung verwendet wird.
- **WARNUNG:**
  - Wenn Abdeckungen geöffnet oder Gehäuseteile entfernt werden, außer wenn dies von Hand möglich ist, können Teile freigelegt werden, die Spannung führen.
  - Wenn ein Öffnen des Gerätes erforderlich ist, muss das Gerät von allen Spannungsquellen getrennt sein. Berücksichtigen Sie dies vor dem Abgleich, vor einer Wartung, vor einer Instandsetzung und vor einem Austausch von Teilen.
  - Ein Abgleich, eine Wartung oder eine Reparatur am geöffneten Gerät unter Spannung darf nur durch eine vom Hersteller autorisierte Fachkraft (nach VBG 4) geschehen, die mit den verbundenen Gefahren vertraut ist.
  - Lautsprecher-Ausgänge, die mit dem IEC 417/5036-Zeichen (Abb. 1, s.unten) versehen sind können berührunggefährliche Spannungen führen. Deshalb vor dem Einschalten des Gerätes Verbindung nur mit dem vom Hersteller empfohlenen Anschlusskabel zum Lautsprecher herstellen.
  - Alle Stecker an Verbindungskabeln müssen mit dem Gehäuse verschraubt oder verriegelt sein, sofern möglich.
  - Es dürfen nur Sicherungen vom Typ IEC 127 und der angegebenen Nennstromstärke als Ersatz verwendet werden.
  - Eine Verwendung von geflickten Sicherungen oder Kurzschließen des Halters ist unzulässig.
  - Niemals die Schutzleiterverbindung unterbrechen.
  - Oberflächen, die mit dem „HOT“-Zeichen (Abb.2, s.unten) versehen sind, Rückwände oder Abdeckungen mit Kühlschlitzen, Kühlkörper und deren Abdeckungen, sowie Röhren und deren Abdeckungen können im Betrieb erhöhte Temperaturen annehmen und sollten deshalb nicht berührt werden.
  - Hohe Lautstärkepegel können dauernde Gehörschäden verursachen. Vermeiden Sie deshalb die direkte Nähe von Lautsprechern, die mit hohen Pegeln betrieben werden. Verwenden Sie einen Gehörschutz bei dauernder Einwirkung hoher Pegel.

**NETZANSCHLUSS:**

- Das Gerät ist für Dauerbetrieb ausgelegt.
- Die eingestellte Betriebsspannung muss mit der örtlichen Netzspannung übereinstimmen.
- Achtung: Der Netzschalter des Gerätes muss in OFF-Position stehen, wenn das Netzkabel angeschlossen wird.
- Der Anschluss an das Stromnetz erfolgt mit dem mitgelieferten Netzteil und Netzkabel.
- Netzteil: Eine beschädigte Anschlussleitung kann nicht ersetzt werden. Das Netzteil darf nicht mehr betrieben werden.
- Vermeiden Sie einen Anschluss an das Stromnetz in Verteilerdosen zusammen mit vielen anderen Stromverbrauchern.
- Die Steckdose für die Stromversorgung muss nahe am Gerät angebracht und leicht zugänglich sein.

**AUFSTELLUNGORT:**

- Das Gerät sollte nur auf einer sauberen, waagerechten Arbeitsfläche stehen.
- Das Gerät darf während des Betriebs keinen Erschütterungen ausgesetzt sein.
- Feuchtigkeit und Staub sind nach Möglichkeit fernzuhalten.
- Das Gerät darf nicht in der Nähe von Wasser, Badewanne, Waschbecken, Küchenspüle, Nassraum, Swimmingpool oder feuchten Räumen betrieben werden. Keine mit Flüssigkeit gefüllten Gegenstände (Vase, Gläser, Flaschen etc) auf das Gerät stellen.
- Sorgen Sie für ausreichende Belüftung der Geräte.
- Eventuelle Ventilationsöffnungen dürfen niemals blockiert oder abgedeckt werden. Das Gerät muss mindestens 20 cm von Wänden entfernt aufgestellt werden. Das Gerät darf nur dann in ein Rack eingebaut werden, wenn für ausreichende Ventilation gesorgt ist und die Einbauanweisungen des Herstellers eingehalten werden.
- Vermeiden Sie direkte Sonneneinstrahlung sowie die unmittelbare Nähe von Heizkörpern und Heizstrahlern oder ähnlicher Geräte.
- Wenn das Gerät plötzlich von einem kalten an einen warmen Ort gebracht wird, kann sich im Gerät innere Kondens-feuchtigkeit bilden. Dies ist insbesondere bei Röhrengeräten zu beachten. Vor dem Einschalten so lange warten, bis das Gerät Raumtemperatur angenommen hat.
- Zubehör: Das Gerät nicht auf einen instabilen Wagen, Ständer, Dreifuß, Untersatz oder Tisch stellen. Wenn das Gerät herunterfällt, kann es Personenschäden verursachen und selbst beschädigt werden. Verwenden Sie das Gerät nur mit einem vom Hersteller empfohlenen oder zusammen mit dem Gerät verkauften Wagen, Rack, Ständer, Dreifuß oder Untersatz. Bei der Aufstellung des Gerätes müssen die Anweisungen des Herstellers befolgt und muss das vom Hersteller empfohlene Aufstellzubehör verwendet werden. Eine Kombination aus Gerät und Gestell muss vorsichtig bewegt werden. Plötzliches Anhalten, übermäßige Kraftanwendung und ungleichmäßige Böden können das Umkippen der Kombination aus Gerät und Gestell bewirken.
- Zusatzvorrichtungen: Verwenden Sie niemals Zusatzvorrichtungen, die nicht vom Hersteller empfohlen wurden, weil dadurch Unfälle verursacht werden können.
- Zum Schutz des Gerätes bei Gewitter oder wenn es längere Zeit nicht beaufsichtigt oder benutzt wird, sollte der Netzstecker gezogen werden. Dies verhindert Schäden am Gerät aufgrund von Blitzschlag und Spannungsstößen im Wechselstromnetz.

Abb.1



Abb.2



**IMPORTANT ADVICE ON SAFETY!  
PLEASE READ BEFORE USE AND KEEP FOR LATER USE!**

- The unit has been built by Hughes & Kettner in accordance with IEC 60065 and left the factory in safe working order. To maintain this condition and ensure non-risk operation, the user must follow the advice and warning comments found in the operating instructions. The unit conforms to Protection Class 1 (protectively earthed).
- HUGHES & KETTNER ONLY GUARANTEE THE SAFETY, RELIABILITY AND EFFICIENCY OF THE UNIT IF:
- Assembly, extension, re-adjustment, modifications or repairs are carried out by Hughes & Kettner or by persons authorized to do so.
- The electrical installation of the relevant area complies with the requirements of IEC (ANSI) specifications.
- The unit is used in accordance with the operating instructions.
- The unit is regularly checked and tested for electrical safety by a competent technician.

**WARNING:**

- If covers are opened or sections of casing are removed, except where this can be done manually, live parts can become exposed.
- If it is necessary to open the unit this must be isolated from all power sources. Please take this into account before carrying out adjustments, maintenance, repairs and before replacing parts.
- The appliance can only be insulated from all power sources if the mains connection is unplugged.
- Adjustment, maintenance and repairs carried out when the unit has been opened and is still live may only be performed by specialist personnel who are authorized by the manufacturer (in accordance with VBG 4) and who are aware of the associated hazards.
- Loudspeaker outputs which have the IEC 417/5036 symbol (Diagram 1, below) can carry voltages which are hazardous if they are made contact with. Before the unit is switched on, the loudspeaker should therefore only be connected using the lead recommended by the manufacturer.
- Where possible, all plugs on connection cables must be screwed or locked onto the casing.
- Replace fuses only with IEC 127 type and specified rating.
- It is not permitted to use repaired fuses or to short-circuit the fuse holder.
- Never interrupt the protective conductor connection.
- Surfaces which are equipped with the „HOT“ mark (Diagram 2, below), rear panels or covers with cooling slits, cooling bodies and their covers, as well as tubes and their covers are purposely designed to dissipate high temperatures and should therefore not be touched.
- High loudspeaker levels can cause permanent hearing damage. You should therefore avoid the direct vicinity of loudspeakers operating at high levels. Wear hearing protection if continuously exposed to high levels.

**MAINS CONNECTION:**

- The unit is designed for continuous operation.
- The set operating voltage must match the local mains supply voltage.
- Caution: The unit mains switch must be in position OFF before the mains cable is connected.
- The unit is connected to the mains via the supplied power unit or power cable.
- Power unit: Never use a damaged connection lead. Any damage must be rectified by a competent technician.
- Avoid connection to the mains supply in distributor boxes together with several other power consumers.
- The plug socket for the power supply must be positioned near the unit and must be easily accessible.

**PLACE OF INSTALLATION:**

- The unit should stand only on a clean, horizontal working surface.
- The unit must not be exposed to vibrations during operation.
- Keep away from moisture and dust where possible.
- Do not place the unit near water, baths, wash basins, kitchen sinks, wet areas, swimming pools or damp rooms. Do not place objects containing liquid on the unit - vases, glasses, bottles etc.
- Ensure that the unit is well ventilated.
- Any ventilation openings must never be blocked or covered. The unit must be positioned at least 20 cm away from walls. The unit may only be fitted in a rack if adequate ventilation is ensured and if the manufacturer's installation instructions are followed.
- Keep away from direct sunlight and the immediate vicinity of heating elements and radiant heaters or similar devices.
- If the unit is suddenly moved from a cold to a warm location, condensation can form inside it. This must be taken into account particularly in the case of tube units. Before switching on, wait until the unit has reached room temperature.
- Accessories: Do not place the unit on an unsteady trolley, stand, tripod, base or table. If the unit falls down, it can cause personal injury and itself become damaged. Use the unit only with the trolley, rack stand, tripod or base recommended by the manufacturer or purchased together with the unit. When setting the unit up, all the manufacturer's instructions must be followed and the setup accessories recommended by the manufacturer must be used. Any combination of unit and stand must be moved carefully. A sudden stop, excessive use of force and uneven floors can cause the combination of unit and stand to tip over.
- Additional equipment: Never use additional equipment which has not been recommended by the manufacturer as this can cause accidents.
- To protect the unit during bad weather or when left unattended for prolonged periods, the mains plug should be disconnected. This prevents the unit being damaged by lightning and power surges in the AC mains supply.

Diagram 1:



Diagram 2:



**CONSEILS DE SECURITE IMPORTANTS!  
PRIERE DE LIRE AVANT L'EMPLOI ET A CONSERVER POUR  
UTILISATION ULTERIEURE!**

- L'appareil a été conçu par Hughes & Kettner selon la norme IEC 60065 et a -quitté l'entreprise dans un état irréprochable. Afin de conserver cet état et d'assurer un fonctionnement sans danger de l'appareil nous conseillons à l'utilisateur la lecture des indications de sécurité contenues dans le mode d'emploi. L'appareil est conforme à la classification I (mise à terre de protection).
- SURETE, FIABILITE ET EFFICACITE DE L'APPAREIL NE SONT GARANTIS PAR HUGHES & KETTNER QUE SI:
- Montage, extension, nouveau réglage, modification ou réparation sont -effectués par Hughes & Kettner ou par toute personne autorisée par Hughes & Kettner.
- L'installation électrique de la pièce concernée correspond aux normes IEC (ANSI).
- L'utilisation de l'appareil suit le mode d'emploi.

**AVERTISSEMENT**

- A moins que cela ne soit manuellement possible, tout enlèvement ou ouverture du boîtier peut entraîner la mise au jour de pièces sous tension.
- Si l'ouverture de l'appareil est nécessaire, celui-ci doit être coupé de chaque source de courant. Ceci est à prendre en considération avant tout ajustement, entretien, réparation ou changement de pièces.
- Ajustement, entretien ou réparation sur l'appareil ouvert et sous tension ne -peuvent être effectués que par un spécialiste autorisé par le fabricant (selon VBG4). Le spécialiste étant conscient des dangers liés à ce genre de -réparation.
- Les sorties de baffles qui portent le signe IEC 417/5036 (fig. 1, voir en bas) -peuvent être sous tension dangereuse. Avant de brancher l'appareil utiliser -uniquement le câble de raccordement conseillé par le fabricant pour -raccorder les baffles.
- Toutes les prises des câbles de raccordement doivent être, si possible, vissées ou verrouillées sur le boîtier.
- L'utilisation de fusibles rafistolés ou court-circuités est inadmissible: IEC 127.
- L'utilisation de fusibles rafistolés ou court-circuités est inadmissible.
- Ne jamais interrompre la connexion du circuit protecteur.
- Il est conseillé de ne pas toucher aux surfaces pourvues du signe „HOT“ (fig. 2, voir en bas), aux parois arrière ou caches munis de fentes d'aération, -éléments d'aération et leurs caches ainsi qu'aux tubes et leurs caches. Ces -éléments pouvant atteindre des températures élevées pendant l'utilisation de l'appareil.
- Les Niveaux de puissance élevés peuvent entraîner des lésions auditives -durables. Evitez donc la proximité de haut-parleurs utilisés à haute puissance. Lors de haute puissance continue utilisez une protection auditive.

**BRANCHEMENT SUR LE SECTEUR**

- L'appareil est conçu pour une utilisation continue.
- La tension de fonctionnement doit concorder avec la tension secteur locale.
- Attention: L'interrupteur de secteur de l'appareil doit être sur la position OFF, -lorsque le câble de réseau est raccordé.
- Le raccordement au réseau électrique s'effectue avec l'adaptateur ou le -cordon d'alimentation livré avec l'appareil.
- Adaptateur: Un câble de raccordement abîmé ne peut être remplacé. L'adaptateur est inutilisable.
- Evitez un raccordement au réseau par des boîtes de distribution surchargées.
- La prise de courant doit être placée à proximité de l'appareil et facile à -atteindre.

**LIEU D'INSTALLATION**

- L'appareil doit être placé sur une surface de travail propre et horizontale.
- L'appareil en marche ne doit en aucun cas subir des vibrations.
- Evitez dans la mesure du possible poussière et humidité.
- L'appareil ne doit pas être placé à proximité d'eau, de baignoire, lavabo, évier, pièce d'eau, piscine ou dans une pièce humide. Ne placez aucun vase, verre, bouteille ou tout objet rempli de liquide sur l'appareil.
- L'appareil doit être suffisamment aéré.
- Ne jamais recouvrir les ouvertures d'aération. L'appareil doit être placé à 20 cm du mur au minimum. L'appareil peut être monté dans un Rack si une -ventilation suffisante est possible et si les conseils de montage du fabricant sont suivis.
- Evitez les rayons de soleil et la proximité de radiateurs, chauffages etc.
- Une condensation d'eau peut se former dans l'appareil si celui-ci est transporté brusquement d'un endroit froid à un endroit chaud. Ceci est particulièrement important pour des appareils à tubes. Avant de brancher l'appareil attendre qu'il ait la température ambiante.
- Accessoires: L'appareil ne doit être placé sur un chariot, support, trépied, bâti ou table instable. Une chute de l'appareil peut entraîner aussi bien des -dommages corporels que techniques. Utilisez l'appareil uniquement avec un chariot, Rack, support, trépied ou bâti conseillé par le fabricant ou vendu en combinaison avec l'appareil. Les indications du fabricant pour l'installation de l'appareil sont à suivre, et les accessoires d'installation conseillés par le -fabricant sont à utiliser. Un ensemble support et appareil doit être déplacé avec précaution. Des mouvements brusques et des revêtements de sol -irréguliers peuvent entraîner la chute de l'ensemble.
- Equipements supplémentaires: Ne jamais utiliser un équipement supplémentaire n'ayant pas été conseillé par le fabricant, ceci pouvant entraîner des -accidents.
- Afin de protéger l'appareil pendant un orage ou s'il ne doit pas être utilisé -pendant un certain temps, il est conseillé d'enlever la prise au secteur. Ceci évite des dommages dus à la foudre ou à des coups de tension dans le réseau à courant alternatif.

Fig. 1 :



Fig. 2 :



### IMPORTANTI AVVERTIMENTI DI SICUREZZA! LEGGERE ATTENTAMENTE PRIMA DELL'USO E CONSERVARE PER UN UTILIZZO SUCCESSIVO

- L'apparecchio è stato costruito dalla Hughes & Kettner secondo la normativa europea IEC 60065 ed ha lasciato il nostro stabilimento in stato ineccepibile. Per garantire il mantenimento di tale stato e un utilizzo assolutamente privo di rischi l'utente è tenuto ad osservare le indicazioni e gli avvertimenti di sicurezza contenuti nelle istruzioni per l'uso. L'apparecchio rispetchia il livello di sicurezza I (collegato a terra).
- Sicurezza, affidabilità e prestazioni dell'apparecchio vengono garantiti dalla Hughes & Kettner solo ed esclusivamente se:
- Montaggio, ampliamento, rimessa a punto, modifiche e riparazioni vengono eseguite dalla Hughes & Kettner stessa o da personale da essa autorizzato.
- Gli impianti elettrici nei locali prescelti per l'uso dell'apparecchio rispondono alle normative stabilite dall'ANSI.
- L'apparecchio viene utilizzato come indicato nel libretto delle istruzioni per l'uso.

#### AVVERTIMENTI:

- In caso di apertura di parti di rivestimento o rimozione di parti dell'involucro, a meno che non si tratti di pezzi rimovibili semplicemente a mano, possono venire alla luce parti dell'apparecchio conduttrici di tensione.
- Se l'apertura dell'apparecchio dovesse risultare necessaria è indispensabile staccare precedentemente quest'ultimo da tutte le fonti di tensione. Rispettare tale misura di prevenzione anche prima di un allineamento, di operazioni di manutenzione, della messa in esercizio o della sostituzione di componenti all'interno dell'apparecchio.
- Allineamento, operazioni di manutenzione o eventuali riparazioni dell'apparecchio in presenza di tensione vanno eseguite esclusivamente da personale specializzato ed autorizzato, in grado di eseguire tali operazioni evitandone i rischi connessi.
- Le uscite degli altoparlanti contrassegnate dai caratteri IEC 417/5036 (vedi illustrazione 1 a fondo pag.) possono essere conduttrici di tensione pericolosa con cui evitare il contatto. Per questo motivo, prima di accendere l'apparecchio, collegare quest'ultimo agli altoparlanti servendosi esclusivamente del cavetto d'allacciamento indicato dal produttore.
- Tutte le spine e i cavi di collegamento devono essere avvitati o fissati all'involucro dell'apparecchio per quanto possibile.
- Utilizzare esclusivamente fusibili del tipo IEC I27 con la indicata corrente nominale.
- L'utilizzo di fusibili di sicurezza non integri e la messa in corto circuito del sostegno di metallo sono proibite.
- Non interrompere mai il collegamento con il circuito di protezione.
- Superfici contrassegnate dalla parola „HOT“ (vedi illustrazione 2 a fondo pag.), così come griglie di aerazione, dispositivi di raffreddamento e i loro rivestimenti di protezione, oppure valvole e i relativi rivestimenti protettivi possono surriscaldarsi notevolmente durante l'uso e per questo motivo non vanno toccate.
- L'ascolto di suoni ad alto volume può provocare danni permanenti all'udito. Evitate perciò la diretta vicinanza con altoparlanti ad alta emissione di suono e utilizzate cuffie protettive in caso ciò non sia possibile.

#### ALIMENTAZIONE:

- L'apparecchio è concepito per il funzionamento continuo.
- La tensione di esercizio deve corrispondere alla tensione di rete a cui ci si allaccia.
- Attenzione: l'interruttore di alimentazione dell'apparecchio deve essere in posizione OFF quando viene allacciato il cavetto d'alimentazione.
- L'allacciamento alla rete elettrica avviene tramite alimentatore o cavetto d'alimentazione consegnato insieme all'apparecchio.
- Alimentatore: un cavo di connessione danneggiato non può essere sostituito. L'alimentatore non può più essere utilizzato.
- Evitare un allacciamento alla rete di corrente utilizzando cassette di distribuzione sovraccariche.
- La spina di corrente deve essere situata nelle vicinanze dell'apparecchio e facilmente raggiungibile in qualsiasi momento.

#### LOCALI DI COLLOCAMENTO:

- Opportuno collocare l'apparecchio su una superficie pulita e orizzontale.
- Non sottoporre l'apparecchio in funzione a scosse e vibrazioni.
- Proteggere l'apparecchio per quanto possibile da umidità e polvere.
- Non collocare l'apparecchio vicino ad acqua, vasche da bagno, lavandini, lavelli da cucina, locali umidi o piscine. Non appoggiare recipienti contenenti liquidi - vasi, bicchieri, bottiglie, ecc. - sull'apparecchio.
- Provvedere ad una buona aerazione dell'apparecchio.
- Eventuali aperture previste per la ventilazione dell'apparecchio non vanno bloccate, né mai coperte. L'apparecchio va collocato ad almeno 20 cm di distanza dalle pareti circostanti e può essere inserito tra altre componenti di un impianto solo in caso di sufficiente ventilazione e qualora le direttive di montaggio del produttore vengano rispettate.
- Evitare di esporre l'apparecchio ai raggi del sole e di collocarlo direttamente nelle vicinanze di fonti di calore come caloriferi, stufette, ecc.
- Se l'apparecchio viene trasportato rapidamente da un locale freddo ad uno riscaldato può succedere che al suo interno si crei della condensa. Ciò va tenuto in considerazione soprattutto in caso di apparecchi a valvole. Attendere che l'apparecchio abbia assunto la temperatura ambiente prima di accenderlo.
- Accessori: non collocare l'apparecchio su carrelli, supporti, treppiedi, superfici o tavoli instabili. Se l'apparecchio dovesse cadere a terra potrebbe causare danni a terzi o danneggiarsi irrimediabilmente. Utilizzate per il collocamento dell'apparecchio supporti, treppiedi e superfici che siano consigliate dal produttore o direttamente comprese nell'offerta di vendita. Per il collocamento dell'apparecchio attenetevi strettamente alle istruzioni del produttore, utilizzando esclusivamente accessori da esso consigliati. L'apparecchio in combinazione ad un supporto va spostato con molta attenzione. Movimenti bruschi o il collocamento su pavimenti non piani possono provocare la caduta dell'apparecchio e del suo supporto.
- Accessori supplementari: non utilizzate mai accessori supplementari che non siano consigliati dal produttore, potendo essere ciò causa di incidenti.
- Per proteggere l'apparecchio in caso di temporali o nel caso questo non venisse utilizzato per diverso tempo si consiglia di staccarne la spina di corrente. In questo modo si evitano danni all'apparecchio dovuti a colpi di fulmine o ad improvvisi aumenti di tensione nel circuito di corrente alternata.

Illustrazione 1:



Illustrazione 2:



### ¡INDICACIONES DE SEGURIDAD IMPORTANTES! ¡LEÁNSE ANTES DE UTILIZAR EL APARATO Y GUÁRDENSE PARA SU USO POSTERIOR!

- El aparato ha sido producido por Hughes & Kettner según el IEC 60065 y salió de la fábrica en un estado técnicamente perfecto. Para conservar este estado y asegurar un funcionamiento sin peligros el usuario debe tener en cuenta las indicaciones y advertencias contenidas en las instrucciones de manejo. El aparato corresponde a la clase de protección I (toma de tierra protegida).
- LA SEGURIDAD, LA FIABILIDAD Y EL RENDIMIENTO DEL APARATO SOLO ESTAN GARANTIZADOS POR HUGHES & KETTNER CUANDO:
- el montaje, la ampliación, el reajuste, los cambios o las reparaciones se realicen por Hughes & Kettner o por personas autorizadas para ello;
- la instalación eléctrica del recinto en cuestión corresponda a los requisitos de la determinación del IEC (ANSI);
- el aparato se use de acuerdo con las indicaciones de uso.

#### ADVERTENCIA:

- Si se destapan protecciones o se retiran piezas de la carcasa, exceptuando si se puede hacer manualmente, se pueden dejar piezas al descubierto que sean conductoras de tensión.
- Si es necesario abrir el aparato, éste tiene que estar aislado de todas las fuentes de alimentación. Esto se debe tener en cuenta antes del ajuste, de un entretenimiento, de una reparación y de una sustitución de las piezas.
- Un ajuste, un entretenimiento o una reparación en el aparato abierto y bajo tensión sólo puede ser llevado a cabo por un especialista autorizado por el productor (según VBG 4) que conozca a fondo los peligros que ello conlleva.
- Las salidas de altavoces que estén provistas de la característica IEC 417/5036 (figura 1, véase abajo) pueden conducir tensiones peligrosas al contacto. Por ello es indispensable que antes de poner en marcha el aparato; la conexión se haya realizado únicamente con el cable de empalmes recomendado por el productor.
- Las clavijas de contacto al final de los cables conectores tienen que estar atornilladas o enclavadas a la carcasa, en tanto que sea posible.
- Sólo se pueden utilizar del tipo IEC 127 con la intensidad de corriente nominal indicada.
- El empalme del conductor de protección no se puede interrumpir en ningún caso.
- Las superficies provistas de la característica „HOT“ (figura 2, véase abajo), los paneles de fondo trasero o las protecciones con ranuras de ventilación, los cuerpos de ventilación y sus protecciones, así como las válvulas electrónicas y sus protecciones pueden alcanzar temperaturas muy altas durante el funcionamiento y por ello no se deberían tocar.
- Niveles elevados de la intensidad de sonido pueden causar continuos daños auditivos; por ello debe evitar acercarse demasiado a altavoces que funcionen a altos niveles. En tales casos utilice protecciones auditivas.

#### ACOMETIDA A LA RED:

- El aparato está proyectado para un funcionamiento continuo.
- La tensión de funcionamiento ajustada tiene que coincidir con la tensión de la red del lugar.
- Advertencia: el interruptor de la red del aparato tiene que estar en la posición OFF cuando se conecte el cable de red.
- La conexión a la red eléctrica se efectuará con la fuente de alimentación o con el cable de red que se entreguen con el aparato.
- Fuente de alimentación: una línea de conexión dañada no se puede sustituir. La fuente de alimentación no puede volver a ponerse en funcionamiento.
- Evite una conexión de la red eléctrica a distribuidores con muchas tomas de corriente.
- El enchufe para el suministro de corriente tiene que estar cerca del aparato y ser de fácil acceso.

#### SITUACION:

- El aparato debería estar situado en una superficie limpia y totalmente horizontal.
- El aparato no puede estar expuesto a ningún tipo de sacudidas durante su funcionamiento.
- Se deben evitar la humedad y el polvo.
- El aparato no puede ponerse en funcionamiento cerca del agua, la bañera, el lavamanos, la pila de la cocina, un recinto con tuberías de agua, la piscina o en habitaciones húmedas. Tampoco se pueden poner objetos llenos de líquido - jarrones, vasos, botellas, etc. - encima de él.
- Procure que el aparato tenga suficiente ventilación.
- Las aberturas de ventilación existentes no se deben bloquear ni tapar nunca. El aparato debe estar situado como mínimo a 20 cm de la pared. El aparato sólo se puede montar en un rack, si se ha procurado la suficiente ventilación y se han cumplido las indicaciones de montaje del productor.
- Evite los rayos del sol directos así como la proximidad a radiadores, electro-radiadores o aparatos similares.
- Si el aparato pasa repentinamente de un lugar frío a otro caliente, se puede condensar humedad en su interior. Esto se debe tener en cuenta sobretodo en los aparatos con válvulas electrónicas. Antes de poner en marcha el aparato se debe esperar hasta que éste haya adquirido la temperatura ambiental.
- Accesorios: el aparato no se puede colocar encima de carros, estantes, trípodes, soportes o mesas inestables. Si el aparato se cae puede causar daños personales y se puede estropear. Coloque el aparato sólo en un carro, rack, estante, trípode o soporte recomendado por el productor o que se le haya vendido junto con el aparato. En la instalación se deben seguir las indicaciones del productor así como utilizar los accesorios recomendados por el mismo para colocarlo encima. El conjunto del aparato se debe mover con mucho cuidado. Un paro brusco, la aplicación de una fuerza desmesurada o un suelo irregular puede ocasionar la caída de todo el conjunto.
- Piezas adicionales: no utilice nunca piezas adicionales que no estén recomendadas por el productor, ya que se podrían provocar accidentes.
- Para proteger el aparato de una tormenta o si no se supervisa ni utiliza durante algún tiempo, se debería desconectar la clavija de la red. Así se evitan daños en el aparato a causa de un rayo y golpes de tensión en la red de corriente alterna.

Figura 1:



Figura 2:



**Hughes & Kettner®**  
TECHNOLOGY OF TONE

*To find a local distributor please visit:*

***[www.hughes-and-kettner.com](http://www.hughes-and-kettner.com)***