

SONOS®



Sonos® Digital Music System

ZoneBridge™

Setup Guide • Installatiehandleiding • Installationshandbok • Guide d'Installation
Guida all'installazione • Installationshandbuch • Guía de configuración

Sonos® ZoneBridge™ Setup Guide. For use with the Sonos Digital Music System.

THIS DOCUMENT CONTAINS INFORMATION THAT IS SUBJECT TO CHANGE WITHOUT NOTICE.

No part of this publication may be reproduced or transmitted in any form or by any means, electronic or mechanical, including but not limited to photocopying, recording, information retrieval systems, or computer network without the written permission of Sonos, Inc.

Sonos is a registered trademark of Sonos, Inc. in the United States, Canada, and Australia, and a trademark of Sonos, Inc. in other countries. Sonosnet, ZonePlayer, ZoneBridge, and all Sonos logos are trademarks of Sonos, Inc. in the United States and/or other countries.

Macintosh® and Mac OS® are trademarks of Apple Computer, Inc., registered in the U.S. and other countries.

Windows Vista™ and Windows® XP are either registered trademarks or trademarks of Microsoft Corporation in the United States and/or other countries.

This product includes technology owned by Microsoft Corporation and under a license from Microsoft Licensing, GP. Use or distribution of such technology outside of this product is prohibited without a license from Microsoft Corporation and/or Microsoft Licensing, GP as applicable.

MPEG Layer-3 audio decoding technology licensed from Fraunhofer IIS and Thomson.

Sonos uses MSNTP software, which was developed by N.M. Maclaren at the University of Cambridge.

© Copyright, N.M. Maclaren, 1996, 1997, 2000; © Copyright, University of Cambridge, 1996, 1997, 2000.

All other products and services mentioned may be trademarks or service marks of their respective owners.

© 2004-2007 by Sonos, Inc. All rights reserved.



For the latest product documentation, including the Sonos Digital Music System User Guide, go to www.sonos.com/support and click **Documents**.

ZoneBridge Setup Guide

Version: 071023

Sonos® ZoneBridge™

Setup Guide	1
Installationshandbuch.....	19
Installatiehandleiding	39
Installationshandbok.....	59
Guide d'installation.....	77
Guía de configuración	97
Guida all'installazione	117

Contents

Regulation Information

For product available in the USA/Canada market, only channel 1-11 can be operated. Selection of other channels is not possible. This device and its antenna(s) must not be co-located or operated in conjunction with any other antenna or transmitter. Any changes or modifications not expressly approved by the manufacturer may void the user's authority to operate the equipment under FCC and IC rules.

USA

This device complies with part 15 of the FCC Rules. Operation is subject to the following two conditions: (1) this device may not cause harmful interference, and (2) this device must accept any interference received, including interference that may cause undesired operation. This equipment has been tested and found to comply with the limits for a Class B digital device, pursuant to part 15 of the FCC Rules. These limits are designed to provide reasonable protection against harmful interference in a residential installation. This equipment generates, uses and can radiate radio frequency energy and, if not installed and used in accordance with the instructions, may cause harmful interference to radio communications. However, there is no guarantee that interference will not occur in a particular installation. If this equipment does cause harmful interference to radio or television reception, which can be determined by turning the equipment off and on, the user is encouraged to try to correct the interference by one or more of the following measures:

- Reorient or relocate the receiving antenna.
- Increase the separation between the equipment and receiver.
- Connect the equipment into an outlet on a circuit different from that to which the receiver is connected.
- Consult the dealer or an experienced radio/tv technician for help.

This equipment complies with FCC radiation exposure limits set forth for an uncontrolled environment. This equipment should be installed and operated with minimum distance 20cm between the radiator & your body.

Canada

This Class B digital apparatus complies with Canadian ICES-003 and RSS-210. Operation is subject to the following two conditions: (1) this device may not cause interference, and (2) this device must accept any interference, including interference that may cause undesired operation of the device.

Industry Canada

To reduce potential radio interference to other users, the antenna type and its gain should be so chosen that the equivalent isotropically radiated power (e.i.r.p) is not more than that permitted for successful communication. The installer of this radio equipment must ensure that the antenna is located or pointed such that it does not emit RF field in excess of Health Canada limits for the general population; consult Safety Code 6, obtainable from Health Canada's Web site www.hc-sc.gc.ca/rpb.

For product available in the USA/Canada market, only channel 1-11 can be operated. Selection of other channels is not possible. This device and its antenna(s) must not be co-located or operated in conjunction with any other antenna or transmitter.

RF Exposure Requirements

This equipment complies with IC RSS-102 radiation exposure limits set forth for an uncontrolled environment. This equipment should be installed and operated with minimum distance 20cm between the radiator & your body.

Europe

This product complies with the requirements of the R&TTE Directive (1999/5/EC). A copy of the full Declaration of Conformance may be obtained at <http://eu.sonos.com>.

ⓈⓂ Attention In France, operation is limited to indoor use within the band 2,454-2,4835 GHz.

(Attention. En France, l'utilisation en intérieur est limitée à la bande de fréquences 2,454-2,4835 GHz.)

Recycling Information



This symbol on the product or on its packaging indicates that this product shall not be treated as household waste. Instead please deliver it to the applicable collection point for the recycling of electrical and electronic equipment. By recycling this product correctly, you will help conserve natural resources and prevent potential negative environmental consequences. For more detailed information about recycling of this product, please contact your local city office, your household waste disposal service or the shop where you purchased the product.

Setup Guide

About the Sonos ZoneBridge

Use a ZoneBridge to connect the Sonos Digital Music System to your home network—or if you want to set up a music zone in an area that lies beyond your current range, you can use a ZoneBridge to extend the wireless range of your Sonos Digital Music System.

Where to Begin

Already have Sonos?

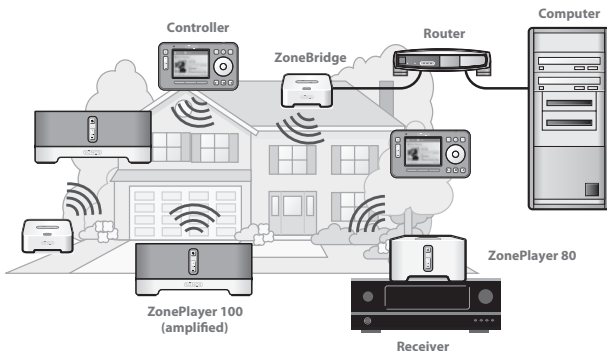
If you are adding this ZoneBridge to an existing Sonos music system, you can turn directly to page 5 for installation instructions.

New to Sonos?

Unpack your Sonos components, and then follow the setup instructions in this guide in sequential order to ensure that you set up your Sonos® ZoneBridge correctly. Once you have the ZoneBridge (or a ZonePlayer if you want to play music in this room) connected to your router, add ZonePlayers and the Controller(s) to complete the setup of your Sonos Digital Music System. See "Network requirements" on page 4 to make sure your home network is ready for Sonos, and then turn to page 7 for installation instructions.



Important: The Sonos ZoneBridge requires the latest Sonos software release, so be sure to upgrade your music system prior to adding the ZoneBridge to your system. If you are setting up a new system, please select **Yes** when the CD-ROM displays a prompt to check for updates. If you already have a Sonos system, please select **Online Updates** from the **System Settings** menu on your Controller.



Your Computer Network



Note: Your network must have a high-speed Internet connection, as the Sonos Digital Music System is designed to provide you with online software updates. Your Sonos system must be registered in order to receive updates, so be sure to register during the setup process. We do not share your e-mail address with other companies.

To play the digital music files stored on your computer, your computer network must meet the following requirements:

Network requirements

- DSL/cable modem, or LAN-based, high-speed Internet connection.
- If you currently have a cable or DSL modem connected directly to your computer, you should install a router between your modem and your computer to enhance your computer's security, and to share the Internet connection with the Sonos Digital Music System and other devices. If you do not have a router, you should purchase and install one before proceeding.

Compatible operating systems

- Windows Vista™
- Windows® XP, including Windows® XP Media Center
- Macintosh® OS X

Please visit our Web site at <http://faq.sonos.com/specs> for the latest system requirements.

Adding To EXISTING Sonos System

If you are adding this ZoneBridge to an existing Sonos system, please follow the steps below. If you are setting up a new Sonos Digital Music System, please turn to page 7 instead.

You can use a Sonos ZoneBridge to replace the ZonePlayer™ that is currently wired to your home network, or place a ZoneBridge in any location to extend the wireless range of your Sonos Digital Music System.



Important: If you are replacing the *wired* ZonePlayer in your music system with a Sonos ZoneBridge, first add the new ZoneBridge to your music system (steps below). You can then unplug the wired ZonePlayer, replace it with the Sonos ZoneBridge, and move the original ZonePlayer to a new location.

1

Attach the power adapter and plug in the ZoneBridge. Be sure it is the proper power adapter for your country. Check for software updates by choosing one of the following options:

- Use the *Sonos Controller* to check for software updates by selecting **System Settings**→**Online Updates** from the **Music** menu.
- Use the *Desktop Controller* software to check for software updates by selecting **Help**→**Check for Updates**.

2

If you are making a wired connection, connect an Ethernet cable (supplied). If you are making a wireless connection, skip this step and continue.

3 Choose one of the following options:

- Use the *Desktop Controller* software to add the ZoneBridge to your music system by selecting **Add a ZonePlayer or ZoneBridge** from the **Zones** menu.
- Use the *Sonos Controller* to add the ZoneBridge to your music system by selecting **System Settings**→**Add a ZonePlayer or ZoneBridge** from the **Music** menu.

During the setup process, you will be asked to press and release the **Connect** button on top of the ZoneBridge. The indicator lights will flash green and white while the ZoneBridge is connecting.



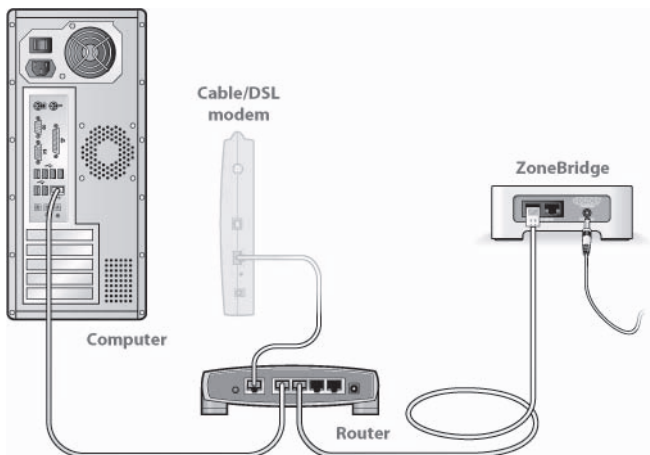
Now that you've added the ZoneBridge to your music system—

- If you are replacing the ZonePlayer that is currently attached to your router, you can unplug the wired ZonePlayer, replace it with the Sonos ZoneBridge, and move the original ZonePlayer to a new location.
- If you are using the ZoneBridge elsewhere in your house to extend your wireless network, you can now move any of your existing ZonePlayers to other locations if desired.

Setting Up NEW Sonos System

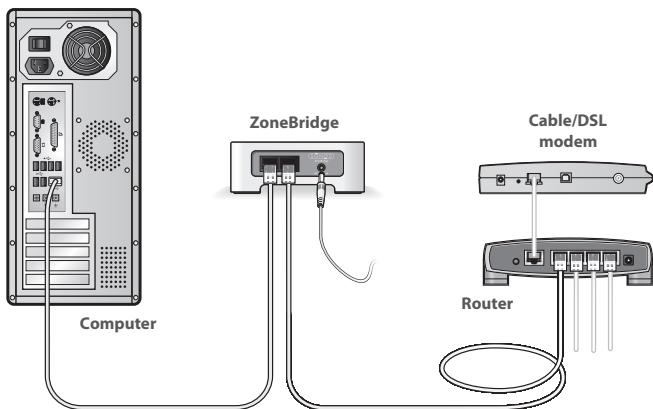
Connect the ZoneBridge to your home network by following the steps below. (If you are going to use speakers in this music zone, you can connect a ZonePlayer 100 in step 2 instead. If you would like to utilize an external amplifier or powered speakers in this music zone, you can connect a ZonePlayer 80 in step 2 instead.)

- 1 Attach the power adapter and plug in the Sonos ZoneBridge.
- 2 Connect an Ethernet cable (supplied) from one of the Ethernet switch connectors on the back of your ZoneBridge to an open port on your router.



- Do not connect the ZoneBridge directly to your cable or DSL modem unless your modem has a built-in router.
- If you don't have a router, go to <http://faq.sonos.com/norouter> for instructions.

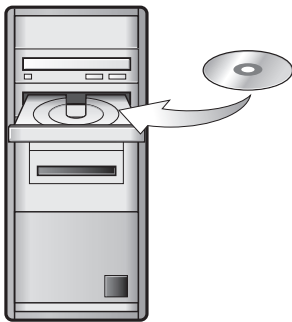
If you don't have an open port on your router, you can disconnect your computer from the router and connect it to the ZoneBridge instead (see below). Then connect the ZoneBridge into the router port the computer was previously plugged into.



- 3 Insert the Sonos System Setup CD-ROM, and follow the prompts to connect the ZoneBridge. The CD-ROM will quickly and easily guide you through the setup process. (If you purchased multiple Sonos components, you may have more than one System Setup CD-ROM—use the one that accompanied your ZoneBridge and you can put the others away.)



Important: When you insert the CD-ROM, you will be prompted to check for software updates. Be sure to select **Yes**, as the Sonos ZoneBridge requires the latest software release.



For use with:

- Windows Vista
- Windows XP, including Windows XP Media Center
- Macintosh OS X

Please visit our Web site at

<http://faq.sonos.com/specs> for the latest compatible operating system versions.

Now that you've set up the ZoneBridge you are ready to add the rest of your Sonos components. Turn to "Adding More Sonos Components" on page 10.

Adding More Sonos Components

Once you've set up your ZoneBridge, you can easily add more components any time. If your house has structured (built-in) wiring, you can make a *wired* connection to additional ZonePlayers or ZoneBridges. If you don't have structured wiring, our built-in wireless technology is ideal for you.



Note: Thick walls, 2.4 GHz cordless telephones, and the presence of other wireless devices can interfere with the wireless network signals from your Sonos Digital Music System. If you are experiencing difficulty, it is advisable to relocate the Sonos component, change the wireless channel your music system is operating on, or make a wired connection (Ethernet cable) either from your router to the ZoneBridge, or from one ZonePlayer to another (see page 15.) If you are having trouble placing your units within wireless range of each other, visit our Web site at <http://faq.sonos.com/range>.

Add a ZonePlayer or ZoneBridge

1. Choose one of the following options:
 - If you are adding an amplified ZonePlayer, attach desired speakers.
 - If you are adding a ZonePlayer 80, connect an external amplifier.
 - If you are adding a ZoneBridge, attach the power adapter.



Note: For detailed ZonePlayer setup instructions, refer to the Setup Guide packaged with your ZonePlayer, or start your Desktop Controller software and select **Sonos System Help** from the **Help** menu.

2. If you are making a wired connection, connect a standard Ethernet cable from your router, another ZonePlayer or ZoneBridge, or a *live* network wall plate to one of the Ethernet switch connections on the back of the new Sonos component. If you are making a wireless connection, skip this step.
3. Attach the power cable (if you haven't already done so), and apply power.
4. Choose one of the following options:
 - Using the *Sonos Controller*, select **System Settings**→**Add a ZonePlayer or ZoneBridge** from the **Music** menu.
 - Using the *Desktop Controller* software, select **Add a ZonePlayer or ZoneBridge** from the **Zones** menu.

Add a Controller

You should charge your new Sonos Controller when you remove it from the packaging. Plug it into the power adapter, and then follow the Controller's on-screen prompts to add it to your music system (you can use the Controller while it is charging.) If you are prompted to check for updates, please select **Yes**.

When you see the message **Setup Complete**, press the **OK** button located in the middle of the scroll wheel and you are ready to play some music! Press the **Music** button and then choose one of the following options—

Music menu

Once you have set up at least one ZonePlayer, you can press the **Music** button on your Sonos Controller to display the **Music** menu.

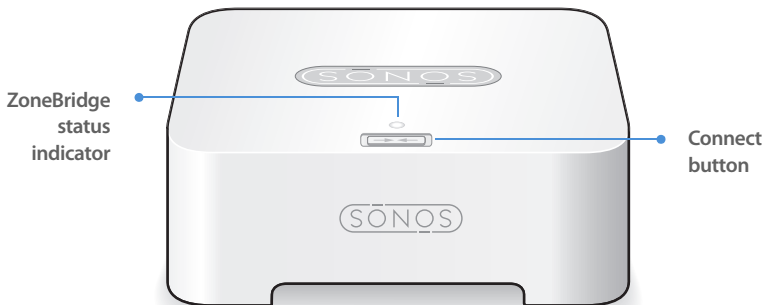


To read more about the features and functions of your new Sonos system, please download the user guide from our Web site at:

www.sonos.com/support/documents
or start your Desktop Controller software and select **Sonos System Help** from the **Help** menu.

- To activate a free music service trial, select **Music Service Trials**. (Your music system must be registered to activate a trial, so if you have not yet registered, you can do it now by selecting **System Settings**→**Advanced Settings**→**System Registration**.)
- To select an Internet radio station, select **Internet Radio**.
- To add music folders located on a computer in your home network, open your Desktop Controller software and select **Set Up Music Library**→**Add a Share** from the **Music** menu.
 - You can use the Sonos Controller to add music folders by selecting **System Settings**→**Music Library Management**→**Music Library Setup** from the **Music** menu, but it's easier to use the Desktop Controller for this one-time task.

ZoneBridge Front



Connect button

Press the **Connect** button to join the ZoneBridge to your Sonos Digital Music System.

ZoneBridge status indicator

- LED *Flashes white* when powering up; *flashes green and white* when connecting to your Sonos Digital Music System.
- LED *Solid white* when powered up and connected to your Sonos Digital Music System (normal operation).
- LED *Flashes amber* when a fault condition is detected.

ZoneBridge Rear Panel



Ethernet switch connectors (2)

Use Category 5 Ethernet cable to connect to a router, computer, or additional network device such as a network-attached storage (NAS) device.

AC power (mains) input

Use the supplied power adapter to connect to power outlet. Be sure to use the proper power adapter for your country.

Basic Troubleshooting



Important: Under no circumstances should the product be repaired by anyone other than an authorized Sonos repair center, as this will invalidate the warranty. Please contact the Sonos Customer Service Center to locate an authorized repair center in your area. Do not open the system as there is a risk of electric shock.

If a problem occurs, you can try the troubleshooting suggestions listed below. If one of these doesn't remedy the problem, or you are not sure how to proceed, please contact the Sonos Customer Service Center and we'll be happy to help.

- **Web site**

Visit our Web site at www.sonos.com/support. There you can visit our Forums, browse our Frequently Asked Questions (FAQ) pages, or request assistance.

- **Telephone**

Visit our Web site at www.sonos.com/support and click **Phone Support** to find the correct telephone number for your country.

ZoneBridge not detected during setup

Did you allow Sonos to check for updates? The Sonos ZoneBridge requires the latest software release, so please update your Sonos system and then try again. If you are setting up a new system, check to make sure you are using the Sonos System Setup CD-ROM packaged with your ZoneBridge, and select **Yes** when the CD-ROM displays a prompt to check for updates. If you already have a Sonos system, please select **Online Updates** from the **System Settings** menu on your Controller.

If that is not the problem, a network or a firewall issue may be preventing the ZoneBridge from joining your Sonos system. If this is a wireless ZoneBridge, try moving the ZoneBridge closer to a ZonePlayer, or wire the ZoneBridge temporarily to see if the problem is related to wireless interference.

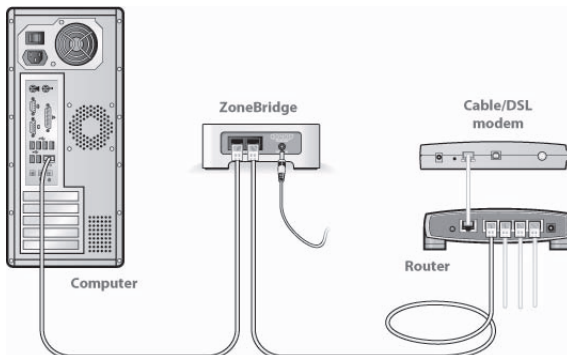
If you encounter this message when installing the first Sonos component, (wired to your router), you can try the steps below to resolve this issue.

1. Check the firewall

Firewall software installed on the computer may be blocking the ports that Sonos uses to operate. First, disable all your firewalls and try to connect again. If this resolves the problem, you should configure your firewall to work with the Sonos Desktop Controller. Please visit our Web site at <http://faq.sonos.com/firewall> for additional information. If this does not resolve the problem, you can try step 2 below.

2. Check the router


You can bypass your router's switch to determine whether there are any router configuration issues by connecting Sonos as follows (note that the ZoneBridge and the computer still have Internet access in this configuration):



- Be sure that your cable/DSL modem is connected to the router's WAN (Internet) port.
- Temporarily remove any other components that are wired to your network.
- Connect an Ethernet cable from the computer directly to the back of the ZoneBridge, and then connect another Ethernet cable from the ZoneBridge directly to one of the LAN ports on your router.
- When you make a change to your network configuration, you may need to power cycle the ZoneBridge by unplugging the power cord, and then plugging it back in.
- If you are not using a router, visit our Web site at <http://faq.sonos.com/norouter> for more information.

If you are still experiencing problems, please contact the Sonos Customer Service Center.

Important Safety Information

1. Read these instructions.
 2. Keep these instructions.
 3. Heed all warnings.
 4. Follow all instructions.
 5. Do not use this apparatus near water.
 6. Clean only with dry soft cloth. Household cleaners or solvents can damage the finish on your Sonos components.
 7. Do not block any ventilation openings. Install in accordance with the manufacturer's instructions.
 8. Do not install near any heat sources such as radiators, heat registers, stoves, or other apparatus that produce heat.
 9. Protect the power cable from being walked on or pinched, particularly at plugs, convenience receptacles, and the point where they exit from the apparatus.
 10. Only use attachments/accessories specified by the manufacturer.
 11. Unplug this apparatus during lightning storms or when unused for long periods of time.
 12. Refer all servicing to Sonos qualified service personnel. Servicing is required when the apparatus has been damaged in any way, such as power-supply cable or plug is damaged, liquid has been spilled or objects have fallen into the apparatus, the apparatus has been exposed to rain or moisture, does not operate normally, or has been dropped.
 13. The Mains plug should be readily available to disconnect the equipment.
-  **14. Warning:** To reduce the risk of fire or electric shock, do not expose this apparatus to rain or moisture.
15. Do not expose apparatus to dripping or splashing and do not place objects filled with liquids, such as vases, on the apparatus.

Installationshandbuch

Sonos® ZoneBridge™. Zur Verwendung mit dem Sonos Digital Music System.

ÄNDERUNGEN DER IN DIESEM DOKUMENT ENTHALTENEN INFORMATIONEN VORBEHALTEN.

Die Inhalte des vorliegenden Dokuments dürfen ohne schriftliche Genehmigung der Sonos, Inc. weder in elektronischer oder mechanischer noch in anderer Form reproduziert oder übertragen werden. Dies gilt insbesondere für die Erstellung von Fotokopien, die Aufzeichnung und die Speicherung in Informationssystemen oder Computernetzwerken.

Sonos ist eine eingetragene Marke von Sonos, Inc. in den USA, Kanada und Australien und eine Marke von Sonos, Inc. in anderen Ländern. Sonosnet™, ZonePlayer™, ZoneBridge™ und alle Sonos-Logos sind Marken von Sonos, Inc. in den USA und/oder anderen Ländern.

Alle weiteren in diesem Dokument genannten Produkte und Dienstleistungen sind gegebenenfalls Marken oder Dienstleistungsmarken der jeweiligen Rechtsinhaber.

© 2004-2007 Sonos, Inc. Alle Rechte vorbehalten.

Informationen über Sonos ZoneBridge

Mit ZoneBridge verbinden Sie das Sonos Digital Music System mit Ihrem Heimnetzwerk – oder wenn Sie eine Musikzone in einem Bereich einrichten möchten, der außerhalb Ihres aktuellen Bereichs liegt, können Sie mittels einer ZoneBridge die Funkreichweite Ihres Sonos Digital Music System ausdehnen.

Erste Schritte

Haben Sie schon Sonos?

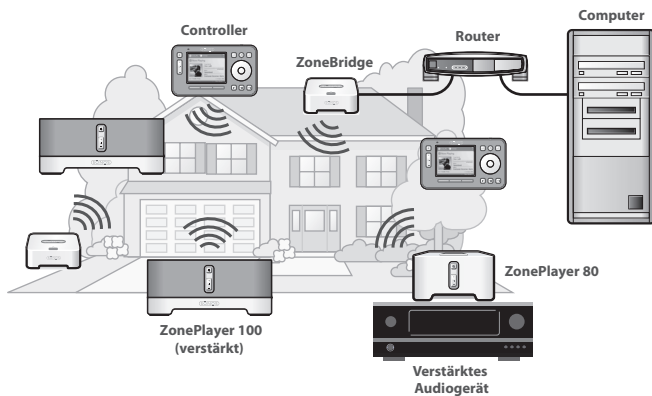
Wenn Sie diese ZoneBridge einem vorhandenen Sonos-Musiksystem hinzufügen, können Sie direkt auf Seite 23 mit den Installationsanweisungen fortfahren.

Neu bei Sonos?

Packen Sie Ihre Sonos-Komponenten aus und führen Sie dann die in diesem Handbuch aufgeführten Installationsanweisungen in der richtigen Reihenfolge aus, um die korrekte Installation Ihrer Sonos® ZoneBridge zu gewährleisten. Sobald Sie die ZoneBridge (oder einen ZonePlayer, wenn Sie in diesem Raum Musik hören möchten) an Ihren Router angeschlossen haben, fügen Sie die ZonePlayer und den bzw. die Controller hinzu, um die Einrichtungen Ihres Sonos Digital Music System abzuschließen. Prüfen Sie unter „Netzwerkanforderungen“ auf Seite 22, ob Ihr Heimnetzwerk für Sonos geeignet ist, und beachten Sie dann die Installationsanweisungen auf Seite 25.



Wichtig: Die Sonos ZoneBridge erfordert die neueste Sonos-Softwareversion. Stellen Sie daher sicher, dass Ihr Musiksystem aktualisiert wird, bevor Sie die ZoneBridge Ihrem System hinzufügen. Wenn Sie ein neues System einrichten, wählen Sie **Ja**, wenn die CD-ROM eine Aufforderung zum Prüfen auf Updates anzeigt. Wenn Sie bereits ein Sonos-System verwenden, wählen Sie auf dem Controller im Menü **Systemeinstellungen** die Option **Online-Updates**.



Ihr Computernetzwerk



Hinweis: Ihr Netzwerk muss über eine Hochgeschwindigkeits-Internetverbindung verfügen, da für Ihr Sonos Digital Music System Online-Software-Updates bereitgestellt werden. Um Updates zu erhalten, müssen Sie das System registrieren. Führen Sie daher bei der Einrichtung die erforderlichen Registrierungsschritte aus. Ihre E-Mail-Adresse wird nicht an andere Unternehmen weitergegeben.

Um die auf Ihrem Computer gespeicherten digitalen Musikdateien wiedergeben zu können, muss Ihr Computernetzwerk die folgenden Anforderungen erfüllen:

Netzwerkanforderungen

- DSL-/Kabelmodem oder LAN-basierte Hochgeschwindigkeits-Internetverbindung.
- Falls ein DSL- oder Kabelmodem direkt an Ihren Computer angeschlossen ist, sollten Sie einen Router zwischen Modem und Computer installieren, um die Sicherheit Ihres Computers zu verbessern und die Internetverbindung mit dem Sonos Digital Music System und anderen Geräten zu teilen. Falls Sie keinen Router besitzen, sollten Sie einen Router erwerben und installieren, bevor Sie fortfahren.

Kompatible Betriebssysteme

- Windows Vista™
- Windows® XP, einschließlich Windows® XP Media Center
- Macintosh® OS X

Aktuelle Informationen zu Systemanforderungen finden Sie unter **<http://faq.sonos.com/specs>**.

Hinzufügen zu VORHANDENEM Sonos System

Wenn Sie diese ZoneBridge einem vorhandenen Sonos-System hinzufügen, beachten Sie bitte die nachstehenden Schritte. Wenn Sie ein neues Sonos Digital Music System einrichten, lesen Sie stattdessen bitte Seite 25.

Sie können einen derzeit an Ihr Heimnetzwerk angeschlossenen ZonePlayer™ durch die Sonos ZoneBridge ersetzen oder eine ZoneBridge an beliebiger Position platzieren, um die Funkreichweite Ihres Sonos Digital Music System auszudehnen.



Wichtig: Wenn Sie den *kabelgebundenen* ZonePlayer Ihres Musiksystems durch eine Sonos ZoneBridge ersetzen möchten, fügen Sie Ihrem Musiksystem zunächst die neue ZoneBridge hinzu (befolgen Sie die nachfolgenden Schritte). Anschließend können Sie den kabelgebundenen ZonePlayer vom Netzwerk trennen, durch die Sonos ZoneBridge ersetzen und den ersten ZonePlayer an einer anderen Stelle platzieren.

1

Verbinden Sie das Netzteil mit der ZoneBridge, und schließen Sie sie an die Spannungsversorgung an. Achten Sie darauf, dass das Netzteil für Ihr Land geeignet ist. Prüfen Sie auf Software-Updates, indem Sie eine der folgenden Optionen auswählen:

- Verwenden Sie den *Sonos Controller*, um auf Software-Updates zu prüfen, indem Sie im **Musikmenü** die Optionen **Systemeinstellungen** → **Online-Updates** wählen.
- Verwenden Sie die *Desktop Controller*-Software, um auf Software-Updates zu prüfen, indem Sie **Hilfe** → **Auf Updates prüfen** wählen.

- 2 Verwenden Sie für eine kabelgebundene Verbindung ein Ethernet-Kabel (im Lieferumfang enthalten). Wenn Sie eine Wireless-Verbindung herstellen, überspringen Sie diesen Schritt.
- 3 Wählen Sie eine der folgenden Optionen:
 - Verwenden Sie den *Desktop Controller* zum Hinzufügen einer ZoneBridge zu Ihrem Musiksystem, indem Sie den Befehl **ZonePlayer oder ZoneBridge hinzufügen** im Menü **Zonen** auswählen.
 - Verwenden Sie den *Sonos Controller*, um die ZoneBridge durch Auswahl von **Systemeinstellungen** → **ZonePlayer oder ZoneBridge hinzufügen** im **Musikmenü** hinzuzufügen.

Während des Setup vorgangs werden Sie aufgefordert, die Verbindungstaste an der Oberseite der ZoneBridge zu drücken und freizugeben. Die Anzeigeleuchten blinken grün und weiß, während die ZoneBridge die Verbindung herstellt.



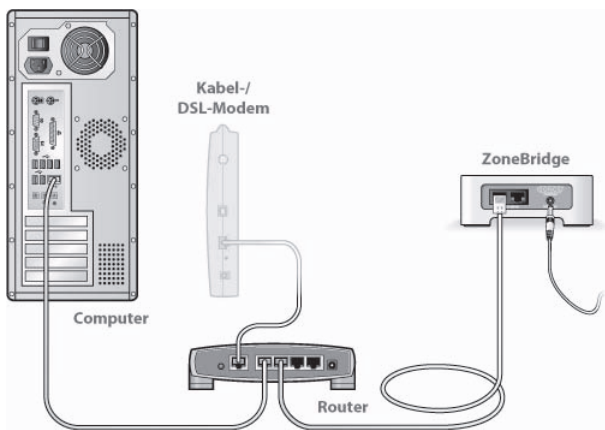
Nachdem Sie die ZoneBridge Ihrem Musiksystem hinzugefügt haben —

- Falls Sie den derzeit mit Ihrem Router verbundenen ZonePlayer austauschen, können Sie den kabelgebundenen ZonePlayer vom Netzwerk trennen, durch die Sonos ZoneBridge ersetzen und den ursprünglichen ZonePlayer an eine neue Position setzen.
- Falls Sie die ZoneBridge an anderer Stelle in Ihrem Haus verwenden, um Ihr drahtloses Netzwerk auszudehnen, können Sie jetzt jeden Ihrer ZonePlayer auf Wunsch an anderen Positionen platzieren.

Einrichten Ihres NEUEN Sonos-Systems

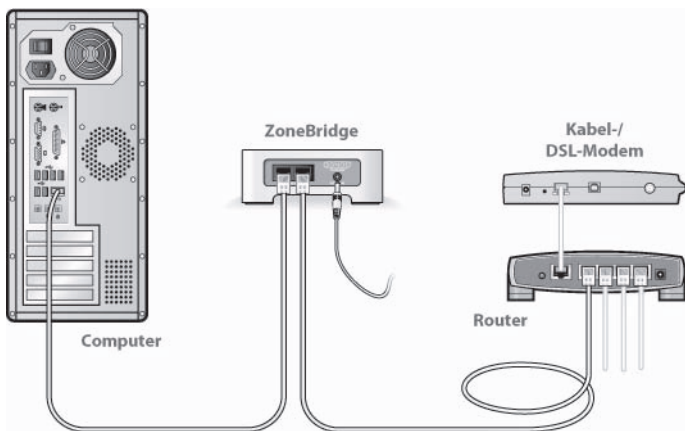
Schließen Sie die ZoneBridge wie nachstehend beschrieben an Ihr Heimnetzwerk an. (Wenn Sie in dieser Musikzone Lautsprecher verwenden, können Sie stattdessen einen ZonePlayer 100 in Schritt 2 anschließen. Wenn Sie einen externen Verstärker oder Aktivlautsprecher in dieser Musikzone verwenden möchten, können Sie stattdessen einen ZonePlayer 80 in Schritt 2 anschließen.)

- 1 Verbinden Sie das Netzteil mit der Sonos ZoneBridge, und schließen Sie sie an die Spannungsversorgung an.
- 2 Verbinden Sie ein Ethernet-Kabel (im Lieferumfang enthalten) mit einem der Ethernet-Anschlüsse auf der Rückseite Ihrer ZoneBridge und mit einem verfügbaren Port an Ihrem Router.



- Verbinden Sie die ZoneBridge nicht direkt mit Ihrem Kabel- oder DSL-Modem, es sei denn, dieses verfügt über einen integrierten Router.
- Wenn Sie keinen Router besitzen, finden Sie unter <http://faq.sonos.com/norouter> weitere Anweisungen.

Wenn an Ihrem Router kein freier Anschluss verfügbar ist, können Sie Ihren Computer vom Router trennen und diesen stattdessen mit der ZoneBridge verbinden (siehe unten). Verbinden Sie anschließend die ZoneBridge mit dem Router-Anschluss, an den zuvor der Computer angeschlossen war.



3

Legen Sie die Sonos System-Setup-CD ein und befolgen Sie die Anweisungen zum Anschließen der ZoneBridge. Die CD-ROM führt Sie schnell und unkompliziert durch die Installation. (Wenn Sie mehrere Sonos-Komponenten erworben haben, verfügen Sie möglicherweise über mehrere System-Setup-CDs. Verwenden Sie die CD, die mit Ihrer ZoneBridge geliefert wurde, und legen Sie die anderen zur Seite.)



Wichtig: Beim Einlegen der CD-ROM werden Sie aufgefordert, die Verfügbarkeit von Software-Updates zu prüfen. Wählen Sie **Ja**, da die Sonos ZoneBridge die aktuelle Software-Version benötigt.



Kompatible Betriebssysteme:

- Windows Vista
- Windows XP, einschließlich Windows XP Media Center
- Macintosh OS X

Aktuelle Informationen zu kompatiblen Betriebssystemversionen finden Sie unter <http://faq.sonos.com/specs>.

Jetzt haben Sie die ZoneBridge eingerichtet und können die übrigen Sonos-Komponenten hinzufügen. Fahren Sie fort mit „Hinzufügen weiterer Sonos-Komponenten“ auf Seite 28.

Hinzufügen weiterer Sonos-Komponenten

Sobald Sie Ihre ZoneBridge eingerichtet haben, können Sie jederzeit ganz einfach weitere Komponenten hinzufügen. Wenn Sie über eine integrierte Hausverkabelung verfügen, können Sie eine *Kabel*verbindung zu den zusätzlichen ZonePlayern oder ZoneBridges herstellen. Wenn Sie keine solche Verkabelung besitzen, ist unsere integrierte Wireless-Technologie genau das Richtige für Sie.



Hinweis: Dicke Wände, 2,4-GHz-Schnurlostelefone oder die Nähe anderer drahtloser Geräte können die Wireless-Signale Ihres Sonos Digital Music System stören. Sollten Probleme auftreten, empfiehlt es sich, die Sonos-Komponente an anderer Stelle zu platzieren, den Wireless-Kanal für das Musiksysteem zu ändern oder eine kabelgebundene Verbindung (per Ethernet-Kabel) zwischen Router und ZoneBridge oder zwischen zwei ZonePlayern einzurichten (Informationen hierzu finden Sie unter Seite 34). Wenn bei der Platzierung der Einheiten in Funkreichweite Probleme auftreten, finden Sie weitere Informationen auf unserer Website unter <http://faq.sonos.com/range>.

ZonePlayer oder ZoneBridge hinzufügen

1. Wählen Sie eine der folgenden Optionen:
 - Wenn Sie einen verstärkten ZonePlayer hinzufügen, schließen Sie die gewünschten Lautsprecher an.
 - Wenn Sie einen ZonePlayer 80 hinzufügen, schließen Sie einen externen Verstärker an.
 - Wenn Sie eine ZoneBridge hinzufügen, schließen Sie das Netzteil an.



Hinweis: Detaillierte Anleitungen zur Einrichtung von ZonePlayern finden Sie in dem ZonePlayer beiliegenden Installationshandbuch. Sie können auch die Desktop Controller-Software starten und im Menü **Hilfe** den Eintrag **Sonos-Systemhilfe** wählen.

2. Sofern Sie eine kabelgebundene Verbindung herstellen möchten, schließen Sie ein Ethernet-Standardkabel von Ihrem Router, einem anderen ZonePlayer oder der ZoneBridge bzw. einem *aktivierten* Wandanschluss an einen freien Ethernet-Anschluss auf der Rückseite der neuen Sonos-Komponente an. Wenn Sie eine Wireless-Verbindung herstellen, überspringen Sie diesen Schritt.
3. Schließen Sie das Netzkabel an (sofern noch nicht geschehen) und verbinden Sie das System mit der Spannungsversorgung.
4. Wählen Sie eine der folgenden Optionen:
 - Auf dem *Sonos Controller* wählen Sie im **Musikmenü** die Optionen **Systemeinstellungen** → **ZonePlayer oder ZoneBridge hinzufügen**.
 - Auf dem *Desktop Controller* wählen Sie im Menü **Zonen** die Option **ZonePlayer oder ZoneBridge hinzufügen**.

Hinzufügen eines Controllers

Packen Sie Ihren neuen Sonos Controller aus, und laden Sie ihn anschließend auf. Schließen Sie das Netzteil an, und folgen Sie den Bildschirmanweisungen, um den Controller Ihrem Musiksystem hinzuzufügen. (Sie können den Controller während des Ladevorgangs verwenden.) Wenn Sie aufgefordert werden, nach Updates zu suchen, wählen Sie **Ja**.

Wenn die Meldung **Setup abgeschlossen** angezeigt wird, drücken Sie die **OK**-Taste in der Mitte des Scroll-Rades. Das System ist jetzt einsatzbereit! Drücken Sie die **Music**-Taste und wählen Sie eine der folgenden Optionen—

Musikmenü

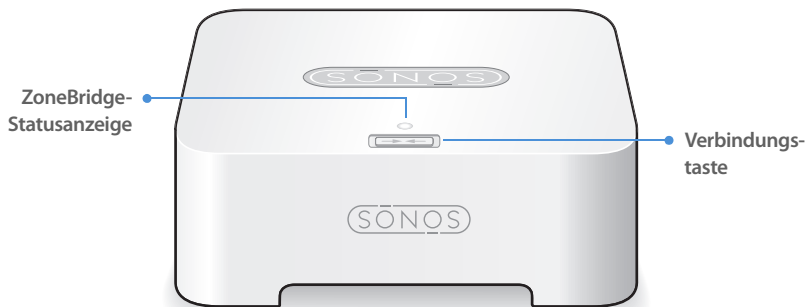
Sobald Sie mindestens einen ZonePlayer eingerichtet haben, können Sie die **Music**-Taste auf dem Sonos Controller drücken, um das **Musikmenü** anzuzeigen.



Weitere Informationen über die Eigenschaften und Funktionen Ihres neuen Sonos-Systems finden Sie im Benutzerhandbuch, das Sie von unserer Website herunterladen können: www.sonos.com/support/documents Oder starten Sie die Desktop Controller-Software und wählen Sie die Option **Sonos-Systemhilfe** im Menü **Hilfe**.

- Um eine kostenlose Musikdienst-Testversion zu aktivieren, wählen Sie **Musikdienst-Testversionen**. (Ihr Musiksystem muss zum Aktivieren einer Testversion registriert sein. Wenn Sie sich daher noch nicht registriert haben, können Sie dies jetzt nachholen, indem Sie **Systemeinstellungen**→**Erweiterte Einstellungen**→**Systemregistrierung** wählen.)
- Um einen Internetradiosender auszuwählen, wählen Sie **Internetradio**.
- Um Musikordner hinzuzufügen, die sich auf einem Computer in Ihrem Heimnetzwerk befinden, öffnen Sie die Desktop Controller-Software und wählen Sie im Menü **Musik** die Optionen **Musikbibliothek einrichten**→**Neue Freigabe**.
 - Sie können über den Sonos Controller Musikordner hinzufügen, indem Sie im **Musikmenü** die Optionen **Systemeinstellungen**→**Musikbibliothek verwalten**→**Musikbibliothek einrichten** wählen. Es ist jedoch einfacher, diese einmalige Aufgabe über den Desktop Controller durchzuführen.

ZoneBridge-Vorderseite



Verbindungstaste

Drücken Sie die Verbindungstaste, um die ZoneBridge mit Ihrem Sonos Digital Music System zu verbinden.

ZoneBridge-Statusanzeige

- LED *Blinkt weiß*, wenn das Gerät eingeschaltet wird;
- *blinkt grün und weiß*, wenn das Gerät an das Sonos Digital Music System angeschlossen wird.
- LED *Leuchtet konstant weiß*, wenn das Gerät eingeschaltet ist oder an das Sonos Digital Music System angeschlossen wurde (Normalbetrieb).
- LED *Blinkt gelb*, wenn eine Fehlerbedingung erkannt wird.

ZoneBridge – Rückseite



Ethernet-Anschlüsse (2)

Verwenden Sie für den Anschluss an einen Router, Computer oder ein anderes Netzwerkgerät (z. B. ein NAS-Gerät) ein Ethernet-Kabel der Kategorie 5.

Wechselstromeingang

Verwenden Sie das mitgelieferte Netzteil zum Anschließen an eine Steckdose. Achten Sie darauf, dass das Netzteil für Ihr Land geeignet ist.

Grundlegende Problembehandlung



Wichtig: Unter keinen Umständen sollte System von jemand anderem repariert werden als von einem autorisierten Sonos-Reparaturcenter, da in diesem Fall jegliche Garantieansprüche erlöschen. Ein autorisiertes Reparaturcenter in Ihrer Nähe nennt Ihnen der Sonos-Kundendienst. Öffnen Sie keinesfalls das System, da das Risiko eines Stromschlags besteht.

Wenn ein Problem auftritt, können Sie die nachfolgend aufgeführten Vorschläge zur Problembehandlung ausprobieren. Wenn das Problem durch keinen dieser Vorschläge gelöst werden kann oder wenn Sie nicht sicher sind, wie Sie vorgehen sollten, wenden Sie sich bitte an den Sonos Kundendienst, wir sind Ihnen gerne behilflich.

- **Website**

Besuchen Sie unsere Website unter **www.sonos.com/support**. Über diese Seite greifen Sie auf Benutzerforen oder eine Liste mit häufig gestellten Fragen zu und haben die Möglichkeit, selbst eine Frage zu stellen oder Unterstützung anzufordern.

- **Telefonischer Support**

Klicken Sie auf unserer Website unter **www.sonos.com/support** auf **Telefonischer Support**, um die Telefonnummern für die verschiedenen Länder anzuzeigen.

ZoneBridge wird beim Setup nicht erkannt

Haben Sie Sonos erlaubt, nach Updates zu suchen? Die Sonos ZoneBridge erfordert die neueste Softwareversion. Aktualisieren Sie daher Ihr Sonos-System und wiederholen Sie den Vorgang. Stellen Sie beim Einrichten eines neuen Systems sicher, dass Sie die Sonos System-Setup-CD verwenden, die Ihrer ZoneBridge beilag, und wählen Sie **Ja**, wenn die CD eine Bestätigung für die Suche nach Updates anfordert. Wenn Sie bereits ein Sonos-System verwenden, wählen Sie auf dem Controller im Menü **Systemeinstellungen** die Option **Online-Updates**.

Falls dies nicht das Problem ist, verhindert möglicherweise ein Netzwerk- oder Firewall-Problem die Verbindung der ZoneBridge mit Ihrem Sonos-System. Falls die ZoneBridge über eine Wireless-Verbindung angeschlossen ist, platzieren Sie die ZoneBridge näher am Computer, oder schließen Sie die ZoneBridge temporär über ein Ethernet-Kabel an, um Funkinterferenzen als Problemursache auszuschließen.

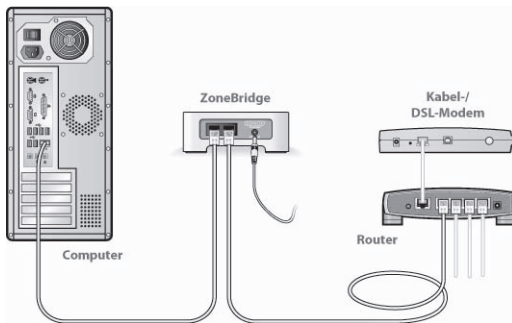
Wenn bei der Installation der ersten über Kabel verbundenen (mit dem Router verkabelten) Sonos-Komponente die nachfolgend gezeigte Meldung angezeigt wird, können Sie zur Beseitigung des Problems die folgenden Schritte ausführen:

1. Prüfen Sie die Firewall

Die auf dem Computer installierte Firewall-Software blockiert möglicherweise die für den Betrieb des Sonos-Systems benötigten Ports. Deaktivieren Sie zunächst alle Firewalls und versuchen Sie erneut, eine Verbindung herzustellen. Wird das Problem auf diese Weise gelöst, sollten Sie Ihre Firewall zur Zusammenarbeit mit dem Sonos Desktop-Controller konfigurieren. Auf unserer Website finden Sie unter <http://faq.sonos.com/firewall> weitere Informationen. Bleibt das Problem weiterhin bestehen, fahren Sie mit Schritt 2 unten fort.

2. Prüfen Sie den Router

Sie können den Router umgehen, um die Routerkonfiguration als Problemursache auszuschließen, indem Sie Sonos folgendermaßen anschließen (beachten Sie, dass ZoneBridge und Computer in dieser Konfiguration weiterhin auf das Internet zugreifen können):



- Stellen Sie sicher, dass Ihr Kabel-/DSL-Modem an den WAN-Port (Internet) des Routers angeschlossen ist.
- Entfernen Sie temporär alle weiteren Komponenten, die an Ihr Netzwerk angeschlossen sind.
- Schließen Sie den Computer über ein Ethernet-Kabel direkt an die Rückseite der ZoneBridge an, und verbinden Sie die ZoneBridge über ein weiteres Ethernet-Kabel direkt mit einem der LAN-Ports an Ihrem Router.
- Wenn Sie Ihre Netzwerkkonfiguration ändern, müssen Sie möglicherweise die

ZoneBridge zurücksetzen, indem Sie das Stromkabel herausziehen und wieder einstecken.

- Wenn Sie keinen Router verwenden, finden Sie weitere Informationen unter <http://faq.sonos.com/norouter>.

Wenn noch immer Probleme auftreten, wenden Sie sich bitte an den Sonos Kundendienst.

Wichtige Sicherheitsinformationen

1. Lesen Sie diese Anweisungen.
2. Bewahren Sie diese Anweisungen auf.
3. Beachten Sie alle Warnungen.
4. Befolgen Sie alle Anweisungen.
5. Verwenden Sie das Gerät nicht in der Nähe von Wasser.
6. Reinigen Sie die Geräte nur mit einem trockenen, weichen Tuch. Haushaltsreiniger oder Lösungsmittel können die Oberfläche Ihrer Sonos-Komponenten angreifen.
7. Blockieren Sie keine Lüftungsöffnungen. Befolgen Sie bei der Installation die Anweisungen des Herstellers.
8. Installieren Sie das Produkt nicht in der Nähe von Wärmequellen, wie z. B. Heizkörpern, Warmluftauslässen, Öfen oder anderen Geräten, die Wärme produzieren.
9. Verhindern Sie, dass auf das Netzkabel getreten oder dass es geklemmt wird. Dies gilt insbesondere für Stecker und den Austrittsort der Kabel am Gerät.
10. Verwenden Sie ausschließlich die durch den Hersteller spezifizierten Zubehörprodukte.

11. Trennen Sie das Gerät bei Gewitter oder längeren Nutzungspausen von der Stromversorgung.

12. Lassen Sie alle Wartungsarbeiten von qualifiziertem Sonos-Service-Personal durchführen. Eine Wartung ist erforderlich, wenn das Gerät beschädigt wurde, z. B. bei beschädigten Netzkabeln oder Steckern, wenn Flüssigkeit über dem Produkt verschüttet wurde oder Objekte hineingefallen sind, das Gerät Feuchtigkeit oder Regen ausgesetzt war, nicht ordnungsgemäß funktioniert oder heruntergefallen ist.

13. Der Netzstecker sollte gut zugänglich sein, um das Gerät jederzeit von der Stromversorgung trennen zu können.



14. Warnung: Setzen Sie das Gerät nicht Regen oder Feuchtigkeit aus, um das Risiko eines Brandes oder Stromschlags zu reduzieren.

15. Platzieren Sie keine mit Flüssigkeit gefüllten Behälter, wie z. B. Vasen, auf dem Gerät, um es vor Spritzwasser zu schützen.

Installatiehandleiding

Sonos® ZoneBridge™. Voor gebruik met het Sonos Digital Music System.

DIT DOCUMENT BEVAT INFORMATIE DIE ZONDER VOORAFGAANDE KENNISGEVING KAN WORDEN GEWUJZIGD.

Niets uit deze uitgave mag worden vermenigvuldigd of overgedragen in enige vorm of via enige methode, elektronisch of mechanisch, met inbegrip van maar niet beperkt tot fotokopieën, opnamen, zoekmachines of computernetwerken, zonder schriftelijke toestemming van Sonos, Inc.

Sonos® is een gedeponeerd handelsmerk van Sonos, Inc. in de Verenigde Staten, Canada en Australië, en een handelsmerk van Sonos, Inc. in andere landen. Sonosnet™, ZonePlayer™, ZoneBridge™ en alle Sonos-logo's zijn handelsmerken van Sonos, Inc. in de Verenigde Staten en/of andere landen.

Alle andere genoemde producten en diensten kunnen handelsmerken of servicemerken van de respectievelijke eigenaars zijn.

© 2004-2007 by Sonos, Inc. Alle rechten voorbehouden.

Over de Sonos ZoneBridge

Gebruik een ZoneBridge om het Sonos Digital Music System aan te sluiten op uw thuisnetwerk. Als u een muziekzone wilt instellen in een gebied dat buiten het huidige bereik ligt, kunt u een ZoneBridge gebruiken om het draadloze bereik van uw Sonos Digital Music System uit te breiden.

Waar te beginnen

U heeft Sonos al?

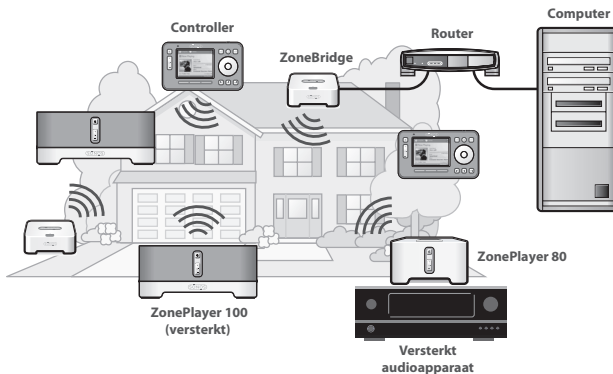
Als u deze ZoneBridge toevoegt aan een bestaand muzieksysteem van Sonos, kunt u direct naar pagina 43 gaan voor installatie-instructies.

Sonos is nieuw voor u?

Haal de Sonos-componenten uit de verpakking en voer de installatie-instructies in deze handleiding in de weergegeven volgorde uit om te zorgen dat u uw Sonos® ZoneBridge juist configureert. Als u de ZoneBridge (of een ZonePlayer, als u muziek wilt afspelen in deze ruimte) hebt aangesloten op uw router, voegt u ZonePlayers en de bijbehorende Controller(s) toe om de installatie van uw Sonos Digital Music System te voltooien. Zie "Netwerkvereisten" op pagina 42 om te controleren of uw thuisnetwerk gereed is voor Sonos en ga dan naar pagina 45 voor installatie-instructies.



Belangrijk: De Sonos ZoneBridge vereist de meest recente release van de Sonos-software. Zorg er dus voor dat u uw muzieksysteem bijwerkt voordat u de ZoneBridge aan uw systeem toevoegt. Als u een nieuw systeem installeert en de cd-rom hebt geplaatst, selecteert u **Yes** op de vraag of op updates moet worden gecontroleerd. Als u al een Sonos-systeem hebt geïnstalleerd, selecteert u **Online Updates** in het menu **System Settings** van de Controller.



Uw computernetwerk



Opmerking: Uw netwerk moet een breedbandverbinding met internet hebben, zodat het Sonos Digital Music System u kan voorzien van online software-updates. U ontvangt deze updates alleen als u het Sonos-systeem hebt geregistreerd, dus vergeet niet om het systeem tijdens het installatieproces te registreren. Uw e-mailadres wordt niet doorgegeven aan andere bedrijven.

Om de digitale muziekbestanden op uw computer af te kunnen spelen, moet uw computernetwerk aan de volgende vereisten voldoen:

Netwerkvereisten

- Een breedbandverbinding met internet via een DSL- of kabelmodem of een LAN.
- Als u een DSL- of kabelmodem hebt die direct op uw computer is aangesloten, moet u een router installeren tussen uw modem en uw computer om de beveiliging van de computer te verbeteren en om de internetverbinding te delen met het Sonos Digital Music System en andere apparaten. Als u geen router hebt, moet u deze aanschaffen en installeren voordat u verder gaat.

Compatibele besturingssystemen

- Windows Vista™
- Windows® XP, inclusief Windows® XP Media Center
- Macintosh® OS X

Bezoek onze website op <http://faq.sonos.com/specs> voor informatie over de meest recente systeemvereisten.

Een BESTAAND Sonos-systeem uitbreiden

Als u deze ZoneBridge toevoegt aan een bestaand Sonos-systeem, voert u de volgende stappen uit. Als u een nieuw Sonos Digital Music System configureert, gaat u verder op pagina 45.

U kunt een Sonos ZoneBridge gebruiken om de ZonePlayer™ te vervangen die momenteel op uw thuisnetwerk is aangesloten, of om een ZoneBridge op een locatie te plaatsen waar het draadloze bereik van uw Sonos Digital Music System moet worden uitgebreid.



Belangrijk: Als u de *bekabelde* ZonePlayer in uw muzieksysteem wilt vervangen door een Sonos ZoneBridge, moet u eerst de nieuwe ZoneBridge toevoegen aan uw muzieksysteem (zie de stappen hieronder). Vervolgens kunt u de bekabelde ZonePlayer loskoppelen, deze vervangen door de Sonos ZoneBridge en de oorspronkelijke ZonePlayer verplaatsen naar een nieuwe locatie.

1

Sluit de lichtnetadapter aan en sluit de ZoneBridge aan op het stopcontact. Controleer of u de juiste lichtnetadapter voor uw land gebruikt. Controleer of er softwareupdates zijn door een van de volgende opties te selecteren:

- Gebruik de *Sonos Controller* om te controleren of er softwareupdates zijn door **System Settings**→**Online Updates** te selecteren in het menu **Music**.
- Gebruik de *Desktop Controller*-software om te controleren of er softwareupdates zijn door **Help**→**Check for Updates** te selecteren.

- 2 Als u een bekabelde verbinding wilt maken, sluit u een ethernetkabel aan. Als u een draadloze verbinding wilt maken, slaat u deze stap over en gaat u verder.
- 3 Kies een van de volgende opties:
 - Gebruik de software van de *Desktop Controller* om de ZoneBridge toe te voegen aan uw muzieksysteem door **Add a ZonePlayer or ZoneBridge** te selecteren in het menu **Zones**.
 - Gebruik de *Sonos Controller* om de ZoneBridge toe te voegen aan uw muzieksysteem door **System Settings**→**Add a ZonePlayer or ZoneBridge** te selecteren in het menu **Music**.

Tijdens de installatie wordt u gevraagd om de knop **Connect** op de ZoneBridge in te drukken en weer los te laten. De statusindicators knipperen afwisselend groen en wit terwijl de ZoneBridge bezig is met verbinding maken.



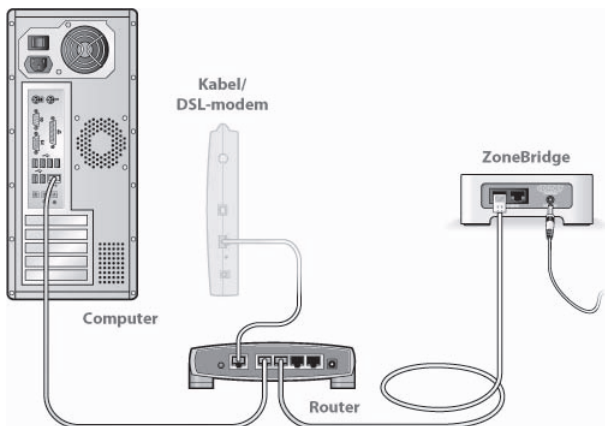
Nu u de ZoneBridge hebt toegevoegd aan uw muzieksysteem:

- Als u de ZonePlayer vervangt die momenteel aan uw router is gekoppeld, kunt u de bekabelde ZonePlayer loskoppelen en vervangen door de Sonos ZoneBridge terwijl u de oorspronkelijke ZonePlayer naar een nieuwe locatie verplaatst.
- Als u de ZoneBridge elders in huis gebruikt om uw draadloze netwerk uit te breiden, kunt u nu desgewenst uw bestaande ZonePlayers naar een andere locatie verplaatsen.

Een NIEUW Sonos-systeem installeren

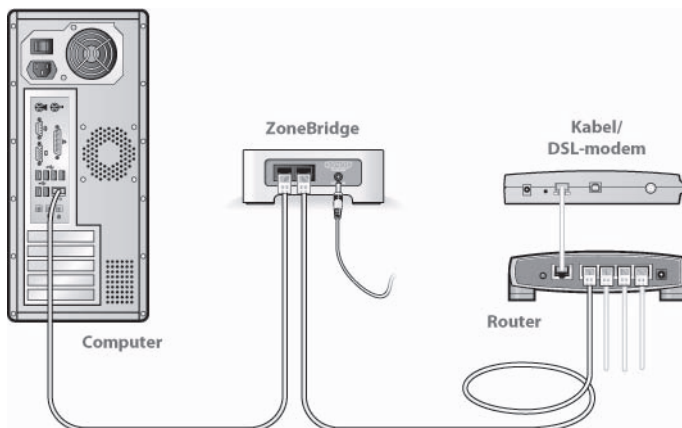
Sluit de ZoneBridge aan de hand van de onderstaande stappen op uw thuisnetwerk aan. Als u speakers wilt gebruiken in deze muziekzone, kunt u in stap 2 een ZonePlayer 100 aansluiten. Als u een externe versterker of speakers met eigen versterking wilt gebruiken in deze muziekzone, kunt u in stap 2 een ZonePlayer 80 aansluiten.

- 1 Sluit de lichtnetadapter aan en sluit de Sonos ZoneBridge aan op het stopcontact.
- 2 Sluit een ethernetkabel (meegeleverd) aan tussen een van de poorten van de ethernetswitch op de achterzijde van de ZoneBridge en een vrije poort op uw router.



- Sluit de ZoneBridge niet rechtstreeks aan op uw kabel- of DSL-modem, tenzij uw modem een geïntegreerde router heeft.
- Als u geen router hebt, gaat u naar <http://faq.sonos.com/norouter> voor instructies.

Als u geen vrije poort op uw router hebt, kunt u de computer loskoppelen van de router en deze op de ZoneBridge aansluiten (zie onder). Sluit vervolgens de ZoneBridge aan op de vrijgekomen routerpoort.



- 3** Plaats de installatie-cd voor het Sonos-systeem en voer de instructies uit om de ZoneBridge aan te sluiten. De cd-rom zal u snel en eenvoudig door het installatieproces leiden. (Als u meerdere Sonos-componenten hebt aangeschaft, is er mogelijk meer dan één installatiecd-rom. Gebruik de cd-rom van uw ZoneBridge en leg de overige cd-rom's terzijde.)



Belangrijk: Wanneer u de cd-rom plaatst, wordt gevraagd of u wilt controleren of er software-updates zijn. Zorg ervoor dat u **Yes** selecteert. Voor de Sonos ZoneBridge is namelijk de meest recente versie van de software vereist.



Voor gebruik met:

- Windows Vista
- Windows XP, inclusief Windows XP Media Center
- Macintosh OS X

Bezoek onze website op <http://faq.sonos.com/specs> voor informatie over de meest recente compatibele besturingssysteemversies.

Nu u de ZoneBridge hebt geïnstalleerd, kunt u de overige Sonos-componenten toevoegen. Ga naar "Meer Sonos-componenten toevoegen" op pagina 48.

Meer Sonos-componenten toevoegen

Wanneer u uw ZoneBridge hebt geïnstalleerd, kunt u op elk gewenst moment probleemloos meer componenten toevoegen. Als in uw huis bekabeling is ingebouwd, kunt u een *bekabelde* verbinding maken met de extra ZonePlayers of ZoneBridges. Hebt u geen ingebouwde bekabeling, dan kunt u gebruik maken van onze geïntegreerde draadloze technologie.



Opmerking: Dikke muren, 2,4-GHz draadloze telefoons en andere draadloze apparaten kunnen de draadloze netwerksignalen van uw Sonos Digital Music System verstoren. Als u problemen ondervindt, kunt u proberen om de Sonos-component te verplaatsen, om het draadloze kanaal waarop uw muzieksysteem werkt, te wijzigen of om een kabelverbinding (ethernetkabel) te maken van de router naar de ZoneBridge of van de ene ZonePlayer naar een andere (zie pagina 54). Als u problemen ondervindt bij uw pogingen om de eenheden binnen elkaars draadloze bereik te plaatsen, kunt u voor meer informatie naar onze website gaan <http://faq.sonos.com/range>.

Een ZonePlayer of ZoneBridge toevoegen

1. Kies een van de volgende opties:
 - Als u een ZonePlayer met versterking wilt toevoegen, sluit u de gewenste speakers aan.
 - Als u een ZonePlayer 80 wilt toevoegen, sluit u een externe versterker aan.
 - Als u een ZoneBridge wilt toevoegen, sluit u de lichtnetadapter aan.



Opmerking: Voor gedetailleerde instructies voor het installeren van een ZonePlayer raadpleegt u de installatiehandleiding bij de ZonePlayer of start u de Desktop Controller-software en kiest u **Sonos System Help** in het menu **Help**.

2. Als u een bekabelde verbinding tot stand wilt brengen, sluit u een standaard ethernetkabel aan tussen uw router, een andere ZonePlayer of ZoneBridge, of een *actieve* netwerkaansluiting in de muur en een van de poorten van de ethernetswitch op de achterkant van de nieuwe Sonos-component. Als u een draadloze verbinding wilt maken, slaat u deze stap over.
3. Sluit het netsnoer aan (als dat nog niet is gebeurd) en zet het apparaat aan.
4. Kies een van de volgende opties:
 - Gebruik de *Sonos Controller* en selecteer **System Settings**→**Add a ZonePlayer or ZoneBridge** in het menu **Music**.
 - Gebruik de software van de *Desktop Controller* en selecteer **Add a ZonePlayer or ZoneBridge** in het menu **Zones**.

Een Controller toevoegen

Wanneer u de nieuwe Sonos Controller hebt uitgepakt, moet u deze eerst opladen. Sluit de Controller aan op de lichtnetadapter en volg de aanwijzingen op het scherm om de Controller toe te voegen aan uw muzieksysteem (u kunt de Controller gebruiken terwijl deze wordt opgeladen). Als wordt gevraagd of u wilt controleren op updates, selecteert u **Yes**.

Wanneer het bericht **Setup Complete** wordt weergegeven, drukt u op de knop **OK** in het midden van het scrollwiel. U bent nu klaar om muziek af te spelen! Druk op de knop **Music** en kies een van de volgende opties:

Menu Music

Als u ten minste één ZonePlayer hebt ingesteld, kunt u op de knop **Music** op uw Sonos Controller drukken om het menu **Music** te openen.



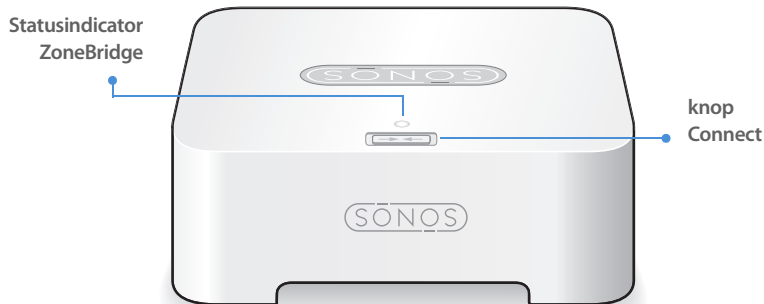
Als u meer wilt lezen over de kenmerken en functies van uw nieuwe Sonos-systeem, kunt u de gebruikershandleiding downloaden van onze website op:

www.sonos.com/support/documents.

U kunt ook de Desktop Controller-software starten en **Sonos System Help** kiezen in het menu **Help**.

- Als u een gratis muziekservice op proef wilt activeren, selecteert u **Music Service Trials**. (Uw muzieksysteem moet zijn geregistreerd om een proefversie te activeren. Als u het systeem nog niet hebt geregistreerd, kunt u dit nu doen door **System Settings**→**Advanced Settings**→**System Registration** te selecteren.)
- Als u een radiostation op internet wilt selecteren, selecteert u **Internet Radio**.
- Als u muziekmappen wilt toevoegen die zich op de computer in uw thuisnetwerk bevinden, opent u de Desktop Controller-software en selecteert u **Set Up Music Library**→**Add a Share** in het menu **Music**.
 - U kunt de Sonos Controller gebruiken om muziekmappen toe te voegen door **System Settings**→**Music Library Management**→**Music Library Setup** te selecteren in het menu **Music**, maar het is gemakkelijker om de Desktop Controller te gebruiken voor deze eenmalige taak.

Voorkant ZoneBridge



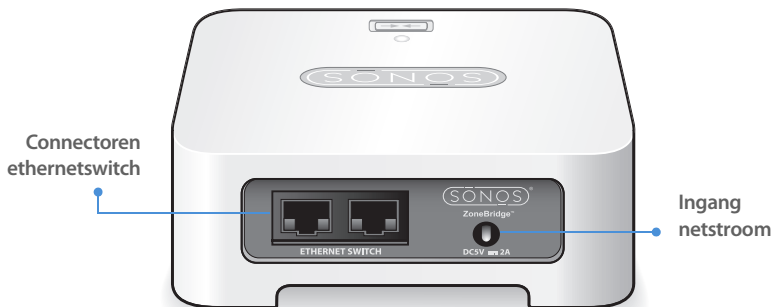
knop Connect

Druk op de knop **Connect** om de ZoneBridge toe te voegen aan uw Sonos Digital Music System.

statusindicator ZoneBridge

- Lampje *knippert wit* bij het opstarten; *knippert groen en wit* wanneer verbinding wordt gemaakt met het Sonos Digital Music System.
- Lampje *brandt wit* wanneer het systeem is opgestart en wanneer verbinding is gemaakt met het Sonos Digital Music System (normale werking).
- Lampje *knippert oranje* wanneer een storing is opgetreden.

Achterpaneel ZoneBridge



Connectoren ethernetswitch (2)

Gebruik ethernetkabels van categorie 5 om verbinding te maken met een router, computer of ander netwerkapparaat, zoals een apparaat voor netwerkopslag.

Ingang netstroom

Gebruik de meegeleverde lichtnetadapter om het apparaat op een stopcontact aan te sluiten. Controleer of u de juiste lichtnetadapter voor uw land gebruikt.

Eenvoudige problemen oplossen



Belangrijk: Het product dient in geen enkel geval te worden gerepareerd door iemand anders dan een geautoriseerd Sonos-reparatiecentrum. Gebeurt dat wel, dan vervalt de garantie. Neem contact op met de klantenservice van Sonos om een geautoriseerd reparatiecentrum in uw buurt te vinden. Open het systeem niet, want er is een risico op een elektrische schok.

Als zich een probleem voordoet, kunt u de onderstaande suggesties voor probleemoplossing uitproberen. Als het probleem daarmee niet kan worden verholpen of als u niet zeker weet wat u moet doen, neemt u contact op met de klantenservice van Sonos, die u graag zal helpen.

- **Website**

Bezoek onze website op www.sonos.com/support. U kunt daar onze Forums bezoeken, de veelgestelde vragen (FAQ) raadplegen, of hulp aanvragen.

- **Telefoon**

Bezoek onze website op www.sonos.com/support en klik op **Phone Support** om het juiste telefoonnummer voor uw land te vinden.

ZoneBridge wordt niet gedetecteerd bij de installatie

Hebt u Sonos toegestaan om te controleren op updates? Voor de Sonos ZoneBridge is de meest recente versie van de software vereist. Werk uw Sonos-systeem bij en probeer het opnieuw. Als u een nieuw systeem installeert, zorgt u ervoor dat u de installatie-cd uit het pakket met de ZoneBridge gebruikt. Plaats de cd-rom en selecteer **Yes** op de

vraag of op updates moet worden gecontroleerd. Als u al een Sonos-systeem hebt geïnstalleerd, selecteert u **Online Updates** in het menu **System Settings** van de Controller.

Als het probleem hierdoor niet wordt opgelost, is het mogelijk dat een probleem met het netwerk of de firewall verhindert dat de ZoneBridge wordt toegevoegd aan het Sonos-systeem. Als dit een draadloze ZoneBridge is, probeert u de ZoneBridge dichter bij een ZonePlayer te plaatsen of sluit u de ZoneBridge tijdelijk aan met kabels om te controleren of het probleem te maken heeft met storing van het draadloze signaal.

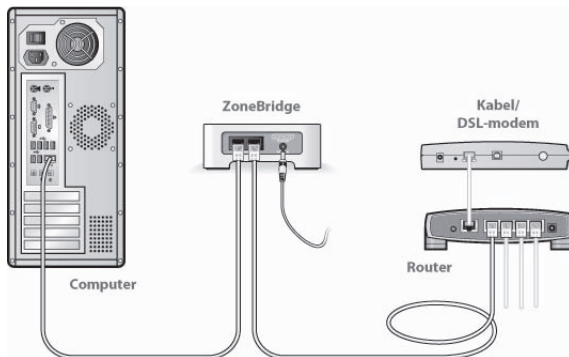
Als dit probleem zich voordoet bij het installeren van de eerste Sonos-component (aangesloten op de router), kunt u de volgende stappen uitvoeren om het probleem op te lossen.

1. Controleer de firewall

Op de computer geïnstalleerde firewall-software kan de poorten blokkeren die Sonos gebruikt. Schakel eerst alle firewalls uit en probeer dan opnieuw verbinding te maken. Als het probleem hiermee is opgelost, moet u de firewall zo configureren dat deze kan werken met de Sonos Desktop Controller. Ga voor meer informatie naar onze website op <http://faq.sonos.com/firewall>. Als het probleem hiermee niet is opgelost, kunt u stap 2 hieronder proberen.

2. Controleer de router

U kunt een bypass om de switch van de router leggen om vast te stellen of er problemen zijn met de configuratie van de router. Hiertoe sluit u Sonos als volgt aan (de ZoneBridge en computer hebben in deze configuratie nog steeds toegang tot internet):



- Zorg ervoor dat uw kabel- of DSL-modem verbonden is met de WAN-poort (internetpoort) van de router.
- Verwijder tijdelijk alle andere componenten die met kabels met het netwerk zijn verbonden.
- Sluit een ethernetkabel aan tussen de computer en de achterkant van de ZoneBridge en sluit een andere ethernetkabel aan tussen de ZoneBridge en een van de LAN-poorten op de router.
- Wanneer u een wijziging aanbrengt in uw netwerkconfiguratie, moet u de ZoneBridge mogelijk uit- en weer in-schakelen door de stekker uit het stopcontact te halen en er weer in te steken.
- Als u geen router gebruikt, gaat u voor meer informatie naar onze website op <http://faq.sonos.com/norouter>.

Als zich nog steeds problemen voordoen, neemt u contact op met de klantenservice van Sonos.

Belangrijke veiligheidsinformatie

1. Lees deze instructies.
2. Bewaar deze instructies.
3. Neem alle waarschuwingen in acht.
4. Volg alle instructies op.
5. Gebruik deze apparatuur niet in de buurt van water.
6. Maak de apparaten alleen schoon met een droge, zachte doek. Huishoudelijke schoonmaak- of oplosmiddelen kunnen de afwerking van Sonos-componenten beschadigen.
7. Blokkeer de ventilatiegaten niet. Installeer apparaten volgens de instructies van de fabrikant.
8. Installeer apparaten niet in de buurt van warmtebronnen, zoals radiatoren, ventilatieroosters, kachels of andere apparaten die warmte afgeven.
9. Zorg ervoor dat er niet over het netsnoer kan worden gelopen en dat dit niet bekneld kan raken, vooral niet bij de stekkers, bij stopcontacten en op het punt waar de snoeren het apparaat verlaten.
10. Gebruik alleen door de fabrikant gespecificeerde accessoires.
11. Haal bij onweer of als u het apparaat gedurende een lange periode niet gebruikt, de stekker uit het stopcontact.
12. Laat alle onderhoud uitvoeren door gekwalificeerd onderhoudspersoneel van Sonos. Onderhoud is nodig wanneer het apparaat schade heeft opgelopen, bijvoorbeeld wanneer een netsnoer of stekker is beschadigd, vloeistof of een voorwerp in het apparaat is terechtgekomen, het apparaat is blootgesteld aan regen of vocht, het apparaat niet naar behoren functioneert of het apparaat op de grond is gevallen.

13. De stekker in het stopcontact moet gemakkelijk bereikbaar zijn om de stroomvoorziening af te kunnen sluiten.



14. **Waarschuwing:** Stel het apparaat niet bloot aan regen of vocht om het risico op brand of elektrische schokken te beperken.

15. Stel het apparaat niet bloot aan druppels of spatten en plaats geen met vloeistof gevulde voorwerpen, zoals vazen, op het apparaat.

Installationshandbok

Sonos® ZoneBridge™. För användning med Sonos Digital Music System.

DETTA DOKUMENT INNEHÅLLER INFORMATION SOM KAN ÄNDRAS UTAN FÖREGÅENDE MEDDELANDE.

Ingen del av denna publikation får reproduceras eller överföras i någon form eller med några medel, elektroniska eller mekaniska, inklusive, men inte begränsat till, fotokopiering, inspelning, informationshämtningsystem eller datornätverk utan skriftligt tillstånd från Sonos, Inc.

Sonos® är ett registrerat varumärke som tillhör Sonos, Inc. i USA, Canada och Australien, och ett varumärke som tillhör Sonos, Inc. i andra länder. Sonosnet™, ZonePlayer™, ZoneBridge™ och alla logotyper för Sonos är varumärken som tillhör Sonos, Inc. i USA och/eller andra länder.

Alla andra omnämnda produkter och tjänster kan vara varumärken eller servicemärken som tillhör respektive ägare.

© 2004-2007 Sonos, Inc. Med ensamrätt.

Om Sonos ZoneBridge

Använd en ZoneBridge för att ansluta Sonos Digital Music System till nätverket i ditt hem – eller, om du vill installera en musikzon i ett område som ligger utom din nuvarande räckvidd, så kan du använda en ZoneBridge för att utöka den trådlösa räckvidden för ditt Sonos Digital Music System.

Var jag börjar

Har du redan Sonos?

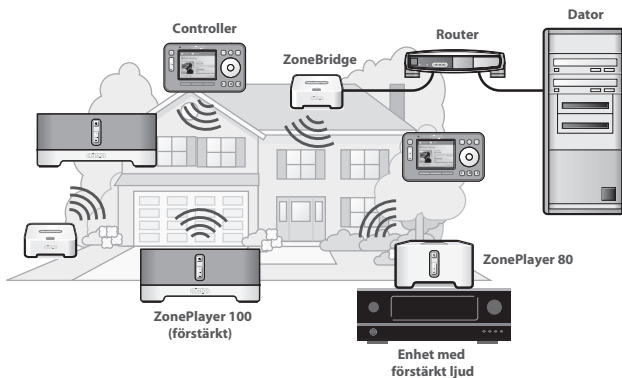
Om du lägger till denna ZonePlayer i ett befintligt Sonos-musiksystem kan du gå direkt till sida 63 för installationsinstruktioner.

Har du inte använt Sonos tidigare?

Packa upp Sonos-komponenterna och följ sedan installationsanvisningarna i den här handboken i ordningsföljd för att försäkra dig om att du installerar Sonos® ZoneBridge på rätt sätt. När du har kopplat ZoneBridge (eller en ZonePlayer om du vill kunna spela musik i det här rummet) till routern, lägg till ZonePlayers och en eller flera Controllers för att slutföra installationen av Sonos digitala musiksystem. Se "Krav på nätverket" på sida 62 för att försäkra dig om att ditt hemnätverk är redo för Sonos och gå sedan till sida 65 där du finner installationsinstruktioner.



Viktigt: För Sonos ZoneBridge är det ett krav att du har den senaste versionen av programvaran Sonos så se till att du uppgraderar ditt musiksystem innan du lägger till ZoneBridge i ditt system. Om du konfigurerar ett nytt system, välj **Yes** när CD-skivan visar en fråga om att kontrollera om det finns uppdateringar. Om du redan har ett Sonos-system, välj **Online Updates** på menyn **System Settings** på din Controller.



Ditt datornätverk



OBS: Ditt nätverk måste ha en höghastighetsanslutning till Internet, eftersom Sonos digitala musiksystem är utformat så att det förser dig med programuppdateringar online. Du måste registrera Sonos-systemet för att ta emot dessa uppdateringar, så försäkra dig om att du registrerar dig under installationsprocessen. Vi kommer inte att ge din e-postadress till andra företag.

Innan du kan spela de digitala musikfiler du sparar på datorn, måste datornätverket uppfylla följande krav:

Krav på nätverket

- DSL-/kabelmodem, eller LAN-baserad höghastighetsanslutning till Internet.
- Om du har ett kabel- eller DSL-modem som är direktanslutet till datorn, ska du installera en router mellan modemmet och datorn -för att förbättra datorns säkerhet och för att dela Internet-anslutningen med Sonos digitala musiksystem och andra enheter. Om du inte har en router, ska du inskaffa och installera en sådan innan du går vidare.

Kompatibla operativsystem

- Windows Vista™
- Windows® XP, inklusive Windows® XP Media Center
- Macintosh® OS X

Gå till vår webbsida <http://faq.sonos.com/specs> för senaste systemkrav.

Göra tillägg i BEFINTLIGA Sonos-system

Om du lägger till ZoneBridge i ett befintligt Sonos-system följer du nedanstående steg. Om du installerar ett nytt Sonos Digital Music System, gå till sida 65 istället.

Du kan använda en Sonos ZoneBridge för att ersätta den ZonePlayer™ som för närvarande är ansluten till ditt nätverk i hemmet, eller placera en ZoneBridge på valfri plats för att utöka den trådlösa räckvidden för Sonos digitala musiksysteem.



Viktigt: Om du vill byta ut en *kabeldragen* ZonePlayer i ditt musiksysteem mot en Sonos ZoneBridge ska du först lägga till den nya ZoneBridge i ditt musiksysteem (stegen finns nedan). Du kan sedan koppla bort den kabeldragna ZonePlayer, byta ut den mot Sonos ZoneBridge och flytta den ursprungliga ZonePlayer-enheten till en ny plats.

1

Anslut nätadaptorn och koppla in ZoneBridge. Se till att du har rätt nätadapter för det land du befinner dig i. Se efter om det finns uppdateringar till programvaran genom att välja ett av följande alternativ:

- Använd *Sonos Controller* för att se om det finns uppdateringar till programvaran genom att välja **System Settings** → **Online Updates** på menyn **Music**.
- Använd programvaran *Desktop Controller* för att se om det finns uppdateringar till programvaran genom att väl-ja **Help** → **Check for Updates**.

2

Anslut en Ethernet-kabel (medföljer) om du skapar en kabeldragen anslutning. Hoppa över detta steg och fortsätt om du skapar en trådlös anslutning.

3

Välj ett av följande alternativ:

- Använd programmet *Desktop Controller* för att lägga till ZoneBridge till ditt musiksysteem genom att välja **Add a ZonePlayer or ZoneBridge** (Lägg till ZonePlayer eller ZoneBridge) på menyn **Zones** (Zoner).
- Använd *Sonos Controller* för att lägga till ZoneBridge till ditt musiksysteem genom att välja **System Settings** → **Add a ZonePlayer or ZoneBridge** på menyn **Music**.

Under installationen ombeds du att trycka på och släppa upp knappen **Anslut** ovanpå ZoneBridge-enheten. Indikatorlamporna blinkar grönt och vitt när ZoneBridge ansluter.



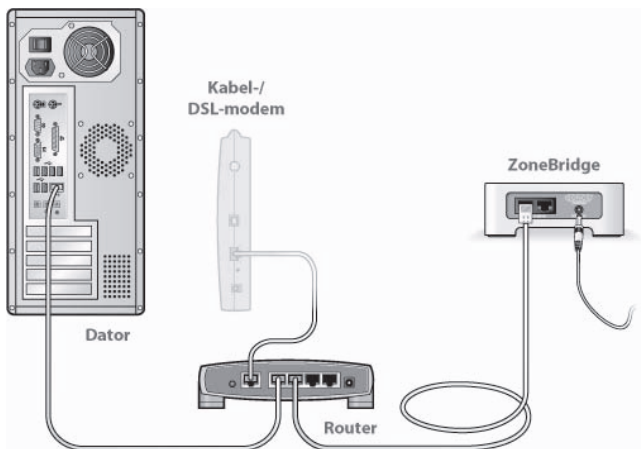
Nu när du har lagt till ZoneBridge i ditt musiksysteem -

- Om du byter ut den ZonePlayer som för närvarande är ansluten till din router kan du koppla bort den kabelanslutna ZonePlayer, ersätta den med Sonos ZoneBridge och flytta den ursprungliga ZonePlayer till en ny plats.
- Om du använder ZoneBridge någon annanstans i ditt hem för att utöka ditt trådlösa nätverk kan du nu flytta någon av dina befintliga ZonePlayer-enheter till andra platser om du vill.

Installera NYTT Sonos-system

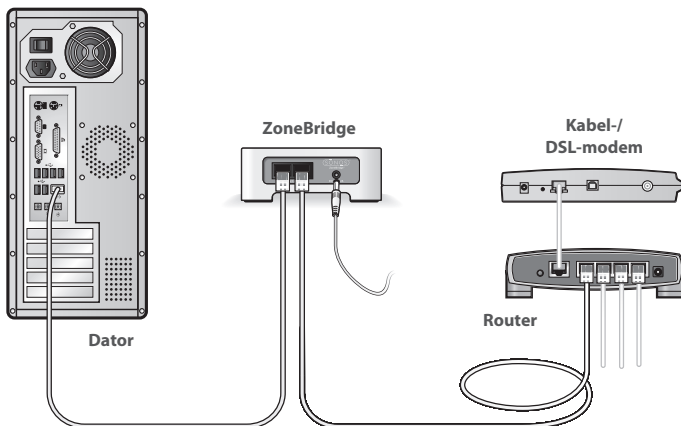
Anslut ZoneBridge till nätverket i hemmet genom att följa nedanstående steg. (Om du ska använda högtalare i den här musikzonen kan du ansluta ZonePlayer 100 i steg 2 istället. Om du vill använda en extern högtalare eller strömförda högtalare i den här musikzonen kan du ansluta en ZonePlayer 80 i steg 2 istället.)

- 1 Anslut nätadaptern och koppla in Sonos ZoneBridge.
- 2 Anslut en Ethernet-kabel (medföljer) från en av Ethernet-anslutningskontaktarna på baksidan av ZoneBridge till en öppen port på routern.



- Anslut inte ZoneBridge direkt till ditt kabel- eller DSL-modem, såvida modemmet inte har en inbyggd router.
- Om du inte har en router, gå till <http://faq.sonos.com/norouter> för instruktioner.

Om du inte har en öppen port på din router, kan du koppla bort datorn från routern och ansluta den till ZoneBridge istället (se nedan). Anslut sedan ZoneBridge till den routerport som datorn var ansluten till tidigare.

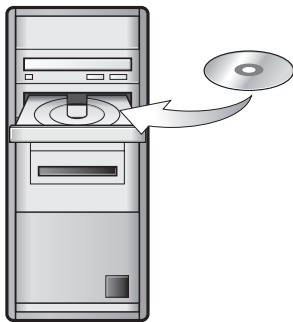


3

Anslut ZoneBridge genom att sätta i CD-skivan med Sonos-systeminstallation och följa instruktionerna. CD-skivan leder dig snabbt och enkelt genom installationsprocessen. (Om du köpt flera Sonos-komponenter kan du ha fler än en CD-skiva för systeminstallation – använd den som medföljde ZoneBridge och lägg de andra åt sidan.)



Viktigt: När du har satt i CD-skivan ombeds du att kontrollera om det finns uppdateringar till programvaran. Se till att du väljer **Ja** eftersom Sonos ZoneBridge kräver den senaste versionen av programvaran.



För användning med:

- Windows Vista
- Windows XP, inklusive Windows XP Media Center
- Macintosh OS X

Gå till vår webbsida

<http://faq.sonos.com/specs> för senaste kompatibla operativsystemversioner.

Nu när du har installerat ZoneBridge är du redo att lägga till resten av Sonos-komponenterna. Gå till "Lägg till fler Sonos-komponenter" på sida 68.

Lägga till fler Sonos-komponenter

När du har installerat ZoneBridge kan du lätt lägga till fler komponenter när du vill. Om ditt hus har inbyggda ledningar, kan du ansluta med *kabel* till ytterligare ZonePlayer- eller ZoneBridge-enheter. Om du inte har inbyggd kabeldragning, är vår trådlösa teknologi perfekt för dig.



OBS: Tjocka väggar, 2,4 GHz trådlösa telefoner och/eller andra trådlösa apparater kan utgöra störningar för de trådlösa nätverkssignalerna från Sonos Digital Music System. Om du har problem rekommenderar vi att du flyttar Sonos-komponenten, ändrar den trådlösa kanal musiksystemet använder eller gör en kabelanslutning (med Ethernet-kabel) antingen från routern till ZoneBridge, eller från en ZonePlayer till en annan (se sida 73). Om du har problem med att placera dina enheter inom den trådlösa räckvidden från varandra, gå till webbplatsen på <http://faq.sonos.com/range>.

Lägg till ZonePlayer- eller ZoneBridge-enhet

1. Välj ett av följande alternativ:
 - Om du lägger till en förstärkt ZonePlayer ansluter du önskade högtalare.
 - Om du lägger till en ZonePlayer 80 ansluter du den till en extern förstärkare.
 - Om du lägger till en ZoneBridge ansluter du nätadaptern.



OBS: För detaljerade installationsinstruktioner för ZonePlayer, gå till Installationshandboken som medföljde ZonePlayer eller ,starta programvaran för Desktop Controller och välj **Sonos System Help** på menyn **Help**.

2. Om du upprättar en kabeldragen anslutning, anslut en standard-Ethernet-kabel från routern, ytterligare en ZonePlayer eller ZoneBridge, eller ett *live* nätverksvägguttag till en av Ethernet-anslutningskontaktarna på baksidan av den nya Sonos-komponenten. Hoppa över detta steg om du skapar en trådlös anslutning.
3. Anslut nätkabeln (om du inte redan har gjort det) och sätt på strömmen.
4. Välj ett av följande alternativ:
 - Använd *Sonos Controller* och välj **System Settings**→**Add a ZonePlayer or ZoneBridge** på menyn **Music**.
 - Använd programmet *Desktop Controller* och välj **Add a ZonePlayer or ZoneBridge** på menyn **Zones**.

Lägg till Controller

Du måste ladda din nya Sonos Controller när du tar ut den ur emballaget. Anslut den till strömadaptern och följ sedan Controller-anvisningarna på skärmen för att lägga till den i musiksyste­met (du kan använda Controller när den laddas). Om du instrueras att se efter om det finns uppdateringar, välj **Yes**.

När du ser meddelandet **Setup Complete**, tryck på **OK**-knappen som finns i mitten av rullhjulet och nu är du klar att spela musik! Tryck på knappen **Music** och välj sedan ett av följande alternativ –

Menyn Music

När du har installerat minst en ZonePlayer kan du trycka på knappen **Music** på Sonos Controller för att visa menyn **Music**.

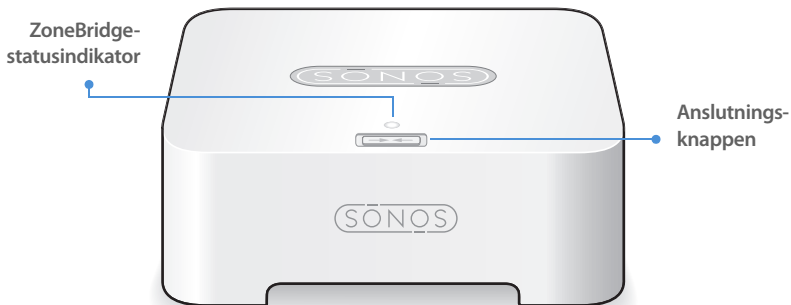


Läs mer om egenskaper och funktioner i ditt nya Sonos-system genom att hämta användarhandboken från vår webbplats på:

www.sonos.com/support/documents eller starta programvaran Desktop Controller och välj **Sonos System Help** på menyn **Help**.

- Välj **Music Service Trials** för att aktivera en kostnadsfri provningsperiod för en musiktjänst. (Du måste registrera ditt musiksystem för att kunna aktivera en provningsperiod så om du inte har registrerat dig än kan du göra det nu genom att välja **System Settings**→**Advanced Settings**→**System Registration**.)
- Välj **Internet Radio** för att välja en Internet-radiostation.
- Om du vill lägga till musikmappar som finns på en dator i hemnätverket, öppna programvaran Desktop Controller och välj **Set Up Music Library**→**Add a Share** på menyn **Music**.
 - Du kan använda Sonos Controller för att lägga till musikmappar genom att välja **System Settings**→**Music Library Management**→**Music Library Setup** på menyn **Music**, men det är lättare att använda Desktop Controller för den här engångsuppgiften.

ZoneBridge - framsidan



Anslutningsknappen

Tryck på knappen **Connect** för att ansluta ZoneBridge till Sonos Digital Music System.

ZoneBridge-statusindikator

- Indikatorn *blinkar vitt* när den slås på. *Den blinkar grönt och vitt* när du ansluter till Sonos Digital Music System.
- Indikatorn blinkar *Stadigt vitt* när den är påslagen och ansluten till Sonos Digital Music System (normal drift).
- Indikatorn *blinkar gulaktigt* när ett fel tillstånd upptäcks.

ZoneBridge, bakpanel



Ethernet-anslutningskontakter (2)

Använd Kategori 5 Ethernet-kabel för att ansluta till router, dator eller ytterligare nätverksenhet så som en NAS-enhet (Network-Attached Storage).

Växelström (kraftnät), ingång

Använd medföljande nätadapter för att ansluta till strömuttag. Se till att du använder rätt nätadapter för det land du befinner dig i.

Grundläggande felsökning



Viktigt: Under inga omständigheter skall produkten repareras av någon annan än ett auktoriserat Sonos-reparationscenter, eftersom detta ogiltigförklarar garantin. Kontakta Sonos kundservicecenter för att hitta ett auktoriserat reparationscenter i ditt område. Öppna inte systemet eftersom det då blir risk för elektrisk chock.

Om det uppstår problem kan du prova de felsökningsförslag som visas nedan. Om något av dessa inte löser problemet, eller om du inte är säker på hur du vill fortsätta, kontakta Sonos kundservicecenter och vi kan hjälpa dig.

- **Webbsida**

Gå till vår webbsida **www.sonos.com/support**. Där kan du besöka våra forum, eller bland de vanligaste frågorna (FAQ), eller begära hjälp.

- **Telefon**

Gå till vår webbsida på **www.sonos.com/support** och klicka på **Phone Support** för att hitta korrekt telefonnummer för ditt land.

ZoneBridge identifierades inte under installationen

Gav du Sonos möjlighet att leta efter uppdateringar? Sonos ZoneBridge kräver den senaste programvaruversionen så uppdatera Sonos-systemet och försök sedan igen. Om du konfigurerar ett nytt system, försäkra dig om att du använder den CD-skiva med Sonos-systeminstallationsom medföljde ZoneBridge och välj **Yes** när CD-skivan visar en fråga om huruvida du vill se om det finns uppdateringar. Om du redan har ett Sonos-system, välj **Online Updates** på menyn **System Settings** på din Controller.

Om det inte är problemet kan det föreligga ett nätverks- eller brandväggsproblem som förhindrar att ZoneBridge ansluts till ditt Sonos-system. Om detta är en trådlös ZoneBridge, försök flytta ZoneBridge närmare en ZonePlayer-enhet eller dra temporärt en kabel till ZoneBridge för att se om problemet är relaterat till trådlös störning.

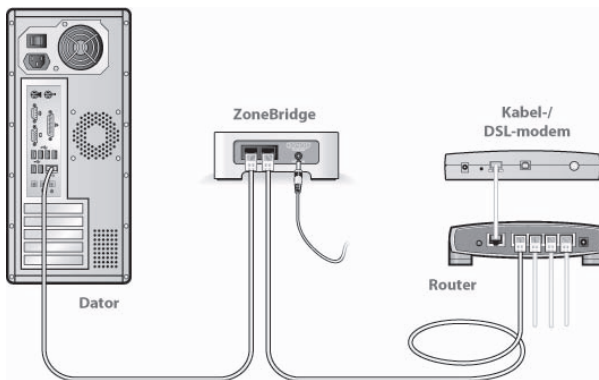
Om du påträffar detta meddelande när du installerar den första Sonos-komponenten (som är ansluten till din router) kan du prova stegen nedan för att lösa detta problem.

1. Kontrollera brandväggen

Brandväggsprogram som installeras på datorn kan blockera de portar som Sonos använder för att fungera. Först inaktiverar du alla dina brandväggar och provar anslutningen igen. Om detta löser problemet ska du konfigurera brandväggen så att den fungerar med Sonos Desktop Controller. Gå till vår webbsida <http://faq.sonos.com/firewall> för ytterligare information. Du kan prova steg 2 nedan om detta inte löser problemet.

2. Kontrollera routern


Du kan förbigå routeromkopplaren för att fastställa om det finns problem med routerkonfigurationen genom att ansluta Sonos enligt följande (observera att ZoneBridge och datorn fortfarande har åtkomst till Internet i den här konfigurationen):



- Se till att din kabel/ditt DSL-modem är anslutet till routerns WAN-port (Internet).
- Avlägsna temporärt alla andra komponenter som är kabeldragna till nätverket.
- Anslut en Ethernet-kabel från datorn direkt till baksidan på Zone-Bridge, och anslut sedan ytterligare en Ethernet-kabel från ZoneBridge direkt till en av LAN-portarna på routern.
- När du gör en förändring i nätverkskonfigurationen kan du behöva cykla ström-men till ZoneBridge genom att ta ut nätsladden och sedan ansluta den igen.
- Om du inte använder en router, gå till vår webbsida på <http://faq.sonos.com/norouter> för mer information.

Om du ändå har problem, kontakta Sonos kundservicecenter.

Viktig säkerhetsinformation

1. Läs dessa instruktioner.
2. Behåll dessa instruktioner.
3. Beakta alla varningar.
4. Följ alla instruktioner.
5. Använd inte apparaten nära vatten.
6. Rengör endast med torr, mjuk trasa. Rengöringsmedel eller lösningsmedel för hushållsbruk kan skada ytfinishen på dina Sonos-komponenter.
7. Blockera inte ventilationsöppningarna. Installera enligt tillverkarens instruktioner.
8. Installera inte i närheten av värmekällor så som element, spisar och/eller andra apparater som avger värme.
9. Skydda nätkabeln från tramp och klämning, särskilt vid kontakterna, uttag eller på andra ställen där de kommer ut ur apparaten.
10. Använd endast tillbehör som specificerats av tillverkaren
11. Koppla bort apparaten från nätet under åskväder eller om den inte skall användas under längre tid.
12. All service skall utföras av Sonos kvalificerade servicepersonal. Service är nödvändig om apparaten har skadats, exempelvis om nätkabeln eller stickproppen är skadad, om vätska har spillts eller föremål har kommit in i apparaten, om den utsatts för regn eller fukt, inte fungerar normalt eller har tappats.
13. Nätkontakten skall vara lätt tillgänglig för urkoppling av apparaten.
-  **14. Varning:** Minska risken för brand eller elektriska stötar genom att inte utsätta apparaten för regn eller fukt.
15. Utsätt inte apparaten för dropp eller stänk och placera inte föremål fyllda med vätska, så som vaser, på apparaten.

Guide d'installation

Sonos® ZoneBridge™. À utiliser avec le Sonos Digital Music System.

CE DOCUMENT CONTIENT DES INFORMATIONS SUSCEPTIBLES D'ÊTRE MODIFIÉES SANS PRÉAVIS.

Aucun extrait de cette publication ne peut être reproduit ou distribué sous quelque forme et par quelque moyen que ce soit, électronique ou mécanique, y compris, sans s'y limiter, la photocopie, l'enregistrement, les systèmes de recherche d'information et les réseaux informatiques, sans l'autorisation écrite préalable de Sonos, Inc.

Sonos® est une marque déposée de Sonos, Inc. aux États-Unis, au Canada et en Australie, et une marque commerciale de Sonos, Inc. dans les autres pays. Sonosnet™, ZonePlayer™, ZoneBridge™ et tous les logos Sonos sont des marques commerciales de Sonos, Inc. aux États-Unis et/ou dans d'autres pays.

Tous les autres produits et services mentionnés dans ce document sont des marques de commerce ou des marques de service de leurs propriétaires respectifs.

© 2004-2007 par Sonos, Inc. Tous droits réservés.

À propos de Sonos ZoneBridge

Utilisez un ZoneBridge pour connecter le Sonos Digital Music System à votre réseau domestique ; si vous souhaitez configurer une zone de musique dans un espace hors de votre portée actuelle, vous pouvez utiliser un ZoneBridge pour étendre la portée sans fil de votre Sonos Digital Music System.

Pour commencer

Vous possédez déjà un système Sonos ?

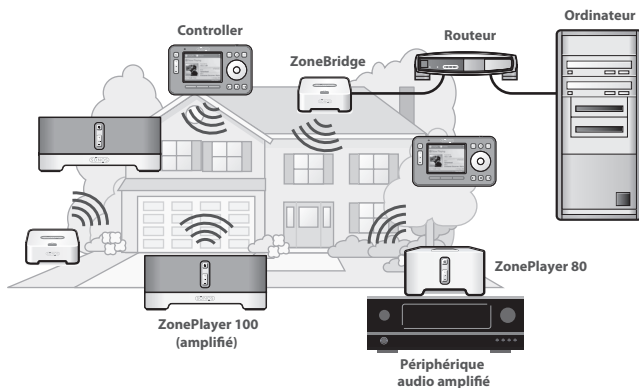
Si vous ajoutez ce ZoneBridge à un lecteur de musique Sonos existant, vous pouvez passer directement à la page 81 pour les instructions d'installation.

Vous découvrez Sonos ?

Déballer vos composants Sonos, puis suivez les instructions d'installation dans l'ordre présenté par ce guide pour garantir la bonne installation de votre Sonos® ZoneBridge. Une fois le ZoneBridge (ou un ZonePlayer, si vous voulez diffuser de la musique dans cette pièce) connecté à votre routeur, ajoutez des ZonePlayers et le ou les Controllers pour terminer l'installation de votre Sonos Digital Music System. Reportez-vous à la section « Spécifications réseau » page 80 pour vous assurer que votre réseau domestique est prêt pour l'installation du système puis passez à la page 83 pour les instructions d'installation.



Important : le Sonos ZoneBridge requiert la dernière version du logiciel Sonos, assurez-vous donc de mettre à niveau votre lecteur de musique avant d'intégrer le ZoneBridge à votre système. Si vous installez un nouveau système, sélectionnez **Oui** à l'invite correspondante sur le CD-ROM pour rechercher les mises à jour. Si vous disposez déjà d'un système Sonos, sélectionnez **Mises à jour en ligne** à partir du menu **Paramètres système** de votre Controller.



Votre réseau informatique



Remarque : votre réseau doit disposer d'une connexion Internet à haut débit, car le Sonos Digital Music System est conçu pour vous proposer des mises à jour logicielles en ligne. Votre système Sonos devant être enregistré pour recevoir des mises à jour, pensez à le faire au moment de l'installation. Nous ne communiquerons pas votre adresse électronique à d'autres sociétés.

Afin de pouvoir lire les fichiers de musique numérique stockés sur votre ordinateur, votre réseau informatique doit répondre aux exigences suivantes :

Spécifications réseau

- Modem câble/DSL ou connexion Internet à haut débit basée sur un réseau local (LAN).
- Si un modem câble ou DSL est actuellement directement branché sur votre ordinateur, un routeur doit être installé entre votre modem et votre ordinateur pour assurer la sécurité de votre ordinateur et pour partager la connexion Internet avec votre Sonos Digital Music System et d'autres périphériques. Si vous ne disposez pas d'un routeur, vous devez en acquérir un et l'installer avant de poursuivre.

Systèmes d'exploitation compatibles

- Windows Vista™
- Windows® XP, dont Windows® XP Media Center
- Macintosh® OS X

Pour connaître la dernière configuration système requise, visitez notre site Web à l'adresse <http://faq.sonos.com/specs>.

Ajout à un système Sonos EXISTANT

Si vous ajoutez ce ZoneBridge à un système Sonos existant, veuillez suivre les étapes ci-dessous. Si vous installez un nouveau Sonos Digital Music System, consultez alors la page 83.

Vous pouvez utiliser un Sonos ZoneBridge pour remplacer le ZonePlayer™ actuellement relié à votre réseau domestique ou placer un ZoneBridge à l'emplacement choisi pour étendre la portée sans fil de votre Sonos Digital Music System.



Important : si vous remplacez le ZonePlayer *relié par câble* de votre lecteur de musique par un Sonos ZoneBridge, commencez par ajouter le nouveau ZoneBridge à votre système (voir étapes ci-dessous). Vous pouvez ensuite débrancher le ZonePlayer, le remplacer par le Sonos ZoneBridge, puis déplacer le ZonePlayer d'origine vers un nouvel emplacement.

1

Connectez l'adaptateur secteur, puis branchez votre ZoneBridge. Assurez-vous qu'il s'agit de l'adaptateur secteur approprié pour votre pays. Vérifiez les mises à jour logicielles en choisissant l'une des options suivantes :

- Utilisez le *Sonos Controller* pour vérifier les mises à jour logicielles en sélectionnant **Paramètres système** → **Mises en jour en ligne** dans le menu **Musique**.
- Utilisez le logiciel *Desktop Controller* pour vérifier les mises à jour logicielles en sélectionnant **Aide** → **Vérifier les mises à jour**.

- 2 Si vous procédez à une connexion filaire, connectez un câble Ethernet (fourni). Si vous procédez à une connexion sans fil, ignorez cette étape et continuez.
- 3 Choisissez l'une des options suivantes :
 - Utilisez le logiciel *Desktop Controller* pour ajouter le ZoneBridge à votre lecteur de musique en sélectionnant **Ajouter un ZonePlayer ou ZoneBridge** à partir du menu **Zones**.
 - Utilisez le *Sonos Controller* pour ajouter le ZoneBridge à votre lecteur de musique en sélectionnant **Paramètres système** → **Ajouter un ZonePlayer ou ZoneBridge** depuis le menu **Musique**.

Pendant le processus d'installation, il vous sera demandé d'appuyer et de relâcher le bouton **Connect** en haut du ZoneBridge. Le voyant d'état clignotera en vert et en blanc pendant la connexion du ZoneBridge.



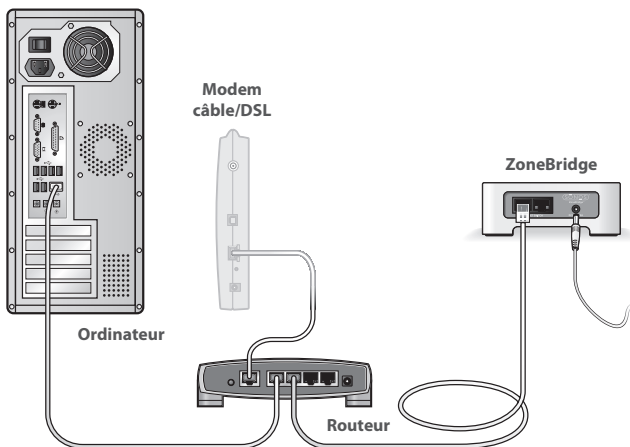
Maintenant que vous avez ajouté le ZoneBridge à votre lecteur de musique

- Si vous remplacez le ZonePlayer actuellement relié à votre routeur, vous pouvez débrancher le ZonePlayer câblé, le remplacer par le Sonos ZoneBridge et déplacer le ZonePlayer d'origine vers un nouvel emplacement.
- Si vous utilisez le ZoneBridge ailleurs dans votre maison pour étendre votre réseau sans fil, vous pouvez maintenant, si vous le souhaitez, déplacer le ZonePlayer de votre choix vers un autre emplacement.

Installation d'un NOUVEAU système Sonos

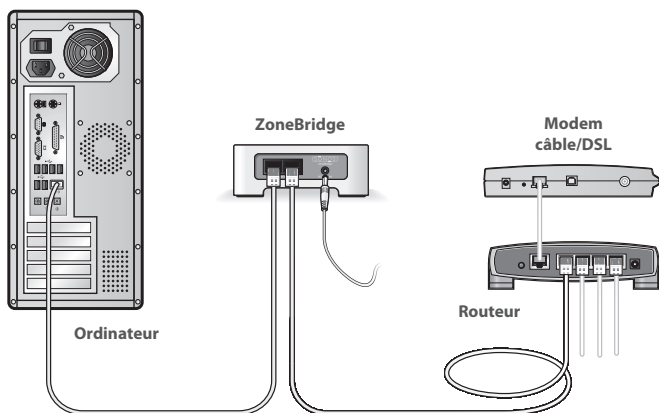
Connectez le ZoneBridge à votre réseau domestique en suivant les étapes ci-dessous. (Si vous envisagez d'utiliser des haut-parleurs dans cette zone de musique, vous pouvez brancher un ZonePlayer 100 à l'étape 2 à la place. Si vous souhaitez utiliser un amplificateur externe ou des haut-parleurs sous tension dans cette zone de musique, vous pouvez brancher un ZonePlayer 80 à l'étape 2 à la place).

- 1 Connectez l'adaptateur secteur, puis branchez votre Sonos ZoneBridge.
- 2 Connectez un câble Ethernet (fourni) entre l'un des connecteurs Ethernet situés à l'arrière de votre ZoneBridge et un port ouvert de votre routeur.



- Ne branchez pas le ZoneBridge directement sur votre modem câble ou DSL, à moins que votre modem ne possède un routeur intégré.
- Si vous ne disposez pas d'un routeur, accédez à <http://faq.sonos.com/norouter> pour obtenir les instructions nécessaires.

Si votre routeur ne dispose pas d'un port ouvert, vous pouvez débrancher votre ordinateur du routeur pour le brancher sur le ZoneBridge à la place (voir ci-dessous). Ensuite, branchez le ZoneBridge sur le port du routeur sur lequel l'ordinateur était auparavant relié.

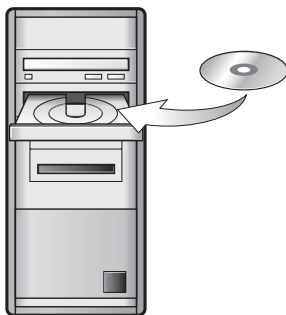


3

Insérez le CD-ROM d'installation du système Sonos, puis suivez les invites pour connecter le ZoneBridge. Le CD-ROM vous guidera rapidement et facilement tout au long du processus d'installation. (Si vous avez acheté plusieurs composants Sonos, il est possible que vous ayez plusieurs CD-ROM d'installation système ; utilisez celui qui accompagnait votre ZoneBridge et laissez les autres de côté.)



Important : lorsque vous insérez le CD-ROM, vous êtes invité à vérifier les mises à jour logicielles. Sélectionnez **Oui**, puisque le Sonos ZoneBridge requiert la dernière version du logiciel.



À utiliser avec :

- Windows Vista
- Windows XP, dont Windows XP Media Center
- Macintosh OS X

Pour connaître la dernière configuration système requise et les derniers systèmes d'exploitation compatibles, visitez notre site Web à l'adresse <http://faq.sonos.com/specs>.

Maintenant que vous avez installé le ZoneBridge, vous êtes prêt à ajouter les autres composants Sonos. Reportez-vous à la section « Ajout d'autres appareils Sonos » page 86.

Ajout d'autres appareils Sonos

Une fois votre ZoneBridge installé, vous pouvez facilement ajouter d'autres composants, à tout moment. Si votre domicile dispose d'un câblage structuré (intégré), vous pouvez installer une connexion *câblée* pour les ZonePlayer ou ZoneBridge supplémentaires. Si vous ne disposez pas de câblage structuré, notre technologie sans fil intégrée est idéale pour vous.



Remarque : des murs épais, des téléphones sans fil de 2,4 GHz et la présence d'autres appareils sans fil peuvent provoquer des interférences avec les signaux du réseau sans fil de votre Sonos Digital Music System. Si vous rencontrez des difficultés, nous vous recommandons de déplacer le composant Sonos, de modifier le canal sans fil sur lequel fonctionne votre lecteur de musique ou d'installer une connexion filaire (câble Ethernet), soit entre votre routeur et le ZoneBridge, soit entre deux ZonePlayers (voir page 92). Si vous rencontrez des difficultés lors du positionnement de vos unités dans la portée sans fil des unes et des autres, vous pouvez visiter notre site Web à l'adresse <http://faq.sonos.com/range>.

Ajouter un ZonePlayer ou ZoneBridge

1. Choisissez l'une des options suivantes :
 - Si vous ajoutez un ZonePlayer amplifié, connectez les haut-parleurs de votre choix.
 - Si vous ajoutez un ZonePlayer 80, connectez un amplificateur externe.
 - Si vous ajoutez un ZoneBridge, connectez l'adaptateur secteur.



Remarque : pour obtenir des instructions détaillées sur l'installation du ZonePlayer, reportez-vous au guide d'installation fourni avec votre ZonePlayer ou démarrez votre logiciel Desktop Controller et sélectionnez **Aide du système Sonos** dans le menu **Aide**.

2. Si vous établissez une connexion filaire, branchez un câble Ethernet standard entre votre routeur, un autre ZonePlayer ou ZoneBridge ou une plaque murale réseau *sous tension* et l'un des connecteurs Ethernet situés à l'arrière du nouveau composant Sonos. Si vous procédez à une connexion sans fil, ignorez cette étape.
3. Connectez le câble d'alimentation (si cela n'est pas déjà fait) et mettez le système sous tension.
4. Choisissez l'une des options suivantes :
 - À l'aide du *Sonos Controller*, sélectionnez **Paramètres système** → **Ajouter un ZonePlayer ou ZoneBridge** dans le menu **Musique**.
 - À l'aide du logiciel *Desktop Controller*, sélectionnez **Ajouter un ZonePlayer ou ZoneBridge** à partir du menu **Zones**.

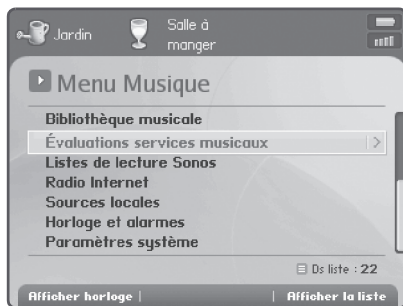
Ajouter un Controller

Vous devez charger votre nouveau Sonos Controller après l'avoir retiré de son emballage. Branchez-le à l'adaptateur secteur, puis suivez les invites affichées sur l'écran du Controller pour ajouter ce dernier à votre lecteur de musique (vous pouvez utiliser le Controller pendant qu'il est en charge). Si vous êtes invité à vérifier les mises à jour, sélectionnez **Oui**.

Lorsque le message **Installation terminée** s'affiche, appuyez sur le bouton **OK** situé au milieu de la molette de défilement ; vous voilà prêt à écouter de la musique ! Appuyez sur le bouton **Musique**, puis choisissez l'une des options suivantes—

Menu Musique

Une fois que vous avez installé au moins un ZonePlayer, vous pouvez appuyer sur le bouton **Musique** de votre Sonos Controller pour afficher le menu **Musique**.

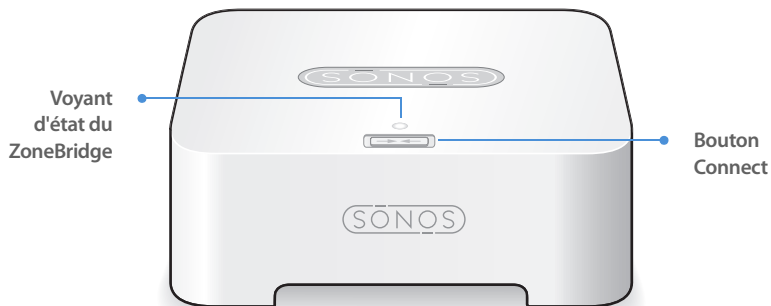


Pour en savoir plus sur les caractéristiques et fonctionnalités de votre nouveau système Sonos, téléchargez le guide de l'utilisateur sur notre site Web à l'adresse : www.sonos.com/support/documents ou démarrez votre Desktop Controller et sélectionnez **Aide du système Sonos** dans le menu **Aide**.

- Pour activer la version d'évaluation gratuite d'un service musical, sélectionnez **Versions d'évaluation des services musicaux**. (Votre lecteur de musique doit être enregistré pour que vous puissiez activer une version d'évaluation ; si vous ne l'avez pas fait, sélectionnez **Paramètres système**→**Paramètres avancés**→**Enregistrement du système**.)

- Pour sélectionner une station de radio Internet, sélectionnez **Radio Internet**.
- Pour ajouter des dossiers musicaux situés sur un ordinateur de votre réseau domestique, ouvrez votre logiciel Desktop Controller et sélectionnez **Configurer la bibliothèque musicale**→**Ajouter un partage** dans le menu **Musique**.
 - Vous pouvez utiliser le Sonos Controller pour ajouter des dossiers musicaux en sélectionnant **Paramètres système**→**Gestion bibliothèque musicale**→**Installation de la bibliothèque musicale** dans le menu **Musique**, mais il est plus simple d'utiliser le Desktop Controller pour cette tâche unique.

Panneau avant du ZoneBridge



Bouton Connect

Appuyez sur le bouton **Connect** pour associer le ZoneBridge à votre Sonos Digital Music System.

Voyant d'état du ZoneBridge

- Le voyant *clignote en blanc* lors de la mise sous tension ; *il clignote en vert et blanc* lors de la connexion à votre Sonos Digital Music System.
- Le voyant est *blanc fixe* lorsque le ZonePlayer est mis sous tension et branché à votre Sonos Digital Music System (fonctionnement normal).
- *DEL Clignote en orange* lorsqu'une condition d'erreur est détectée.

Panneau arrière du ZoneBridge



Connecteurs Ethernet (2)

Utilisez un câble Ethernet de catégorie 5 pour effectuer la connexion à un routeur, un ordinateur ou à un autre périphérique réseau tel qu'un périphérique de stockage attaché au réseau (NAS).

Entrée d'alimentation CA (secteur)

Utilisez l'adaptateur secteur fourni pour effectuer le raccordement à la prise d'alimentation. Assurez-vous qu'il s'agit de l'adaptateur secteur approprié pour votre pays.

Résolution des problèmes de base



Important : le produit ne doit, en aucun cas, être réparé par une autre entité qu'un centre de réparation Sonos agréé, sous peine d'annulation de la garantie. Veuillez contacter le Sonos Customer Service Center pour trouver un centre de réparation agréé proche de chez vous. N'ouvrez pas le système car vous risquez de vous électrocuter.

Si un problème survient, vous pouvez essayer les suggestions de résolution répertoriées ci-dessous. Si aucune d'elles ne permet de résoudre le problème ou si vous n'êtes pas certain de la procédure à suivre, contactez le Sonos Customer Service Center et nous vous aiderons avec plaisir.

- **Site Web**

Visitez notre site Web à l'adresse **www.sonos.com/support**. Sur notre site, vous pouvez visiter nos Forums, consulter nos pages Foire aux Questions (FAQ) ou demander de l'assistance.

- **Téléphone**

Visitez notre site Web à l'adresse **www.sonos.com/support** et cliquez sur **Phone Support** pour trouver le numéro de téléphone à utiliser pour votre pays.

ZoneBridge non détecté durant l'installation

Avez-vous autorisé Sonos à vérifier les mises à jour ? Le Sonos ZoneBridge requiert la dernière version logicielle ; mettez à jour votre système Sonos, puis réessayez. Si vous configurez un nouveau système, vérifiez que vous utilisez bien le CD-ROM d'installation du système Sonos fourni avec votre ZoneBridge, puis sélectionnez **Oui** lorsque le

CD-ROM affiche une invite concernant la vérification des mises à jour. Si vous disposez déjà d'un système Sonos, sélectionnez **Mises à jour en ligne** à partir du menu **Paramètres système** de votre Controller.

S'il ne s'agit pas de cela, un problème de réseau ou de pare-feu doit empêcher le ZoneBridge de s'associer à votre système Sonos. Pour un ZoneBridge sans fil, essayez de rapprocher le ZoneBridge d'un ZonePlayer ou reliez-le temporairement par câble pour déterminer si le problème provient d'une interférence au niveau du réseau sans fil.

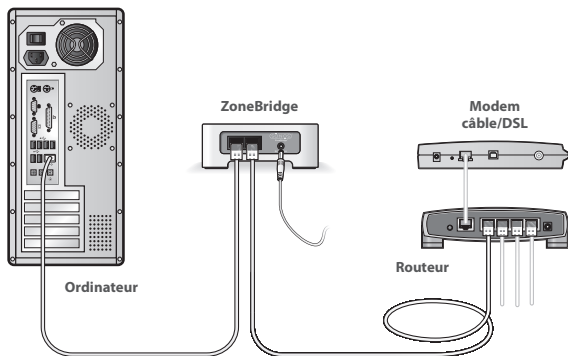
Si ce message s'affiche lorsque vous installez le premier composant Sonos (câblé à votre routeur), vous pouvez essayer de procéder comme suit pour résoudre le problème.

1. Vérifiez le pare-feu

Le logiciel de pare-feu installé sur l'ordinateur bloque peut-être les ports que Sonos utilise pour fonctionner. Tout d'abord, désactivez tous vos pare-feux et relancez la connexion. Si cette étape résout le problème, vous devez alors configurer votre pare-feu pour qu'il fonctionne avec Sonos Desktop Controller. Pour plus d'informations, visitez notre site Web à l'adresse <http://faq.sonos.com/firewall>. Si elle ne le résout pas, vous pouvez passer à l'étape 2 ci-dessous.

2. Vérifiez le routeur


Vous pouvez ignorer le commutateur de votre routeur pour déterminer s'il existe des problèmes de configuration pour ce dernier en connectant Sonos comme suit (notez que le ZoneBridge et l'ordinateur ont toujours accès à Internet dans ce cas) :

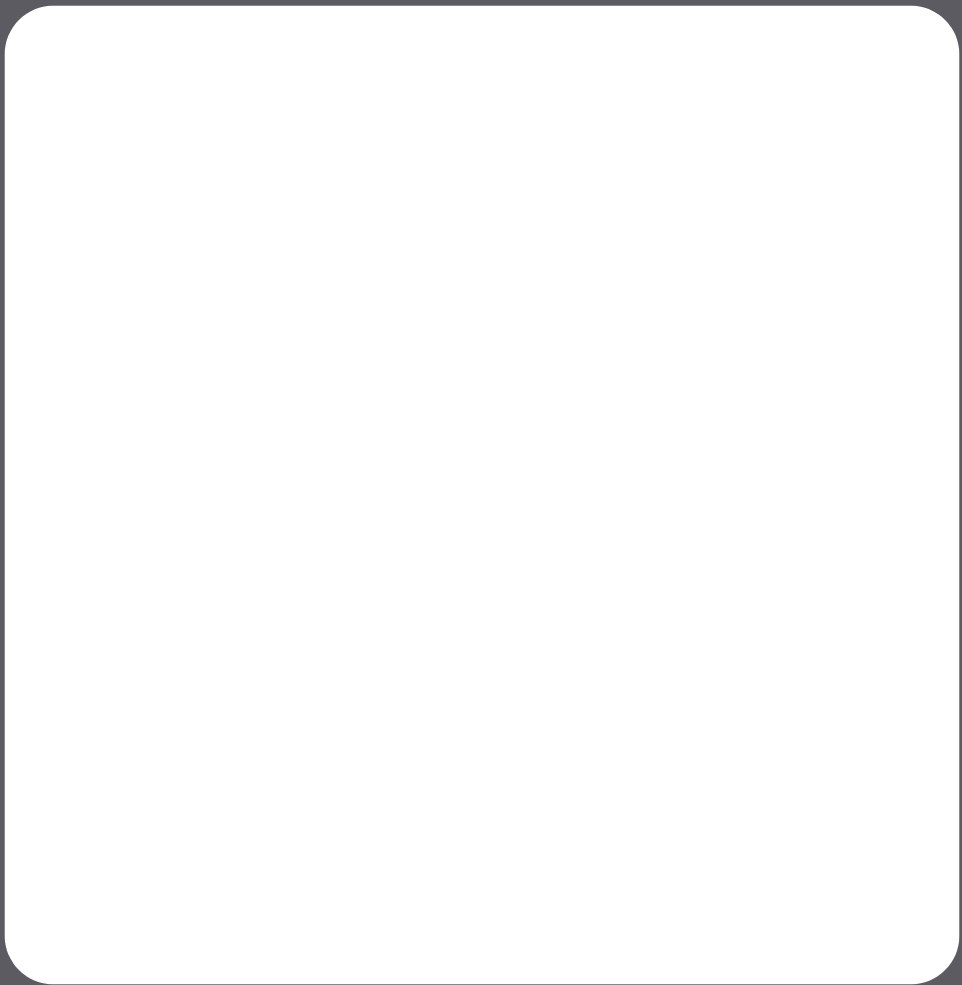


- Vérifiez que votre modem câble/DSL est connecté au port WAN (Internet) du routeur.
- Supprimez temporairement tous les autres composants reliés par câble à votre réseau.
- Connectez un câble Ethernet directement entre l'ordinateur et l'arrière du ZoneBridge, puis connectez un autre câble Ethernet directement entre le ZoneBridge et l'un des ports LAN de votre routeur.
- Lorsque vous apportez une modification à votre configuration réseau, vous pouvez avoir à réinitialiser le ZoneBridge en débranchant le cordon d'alimentation, puis en le rebranchant.
- Si vous n'utilisez pas de routeur, consultez notre site Web à l'adresse suivante **<http://faq.sonos.com/norouter>**, pour plus d'informations.

Si les problèmes persistent, contactez le Sonos Customer Service Center.

Informations importantes relatives à la sécurité

1. Lisez attentivement ces instructions.
 2. Conservez ces instructions.
 3. Respectez tous les avertissements.
 4. Suivez toutes les instructions.
 5. N'utilisez pas cet appareil à proximité de l'eau.
 6. Nettoyez cet appareil uniquement à l'aide d'un chiffon sec et doux. Les nettoyeurs et les solvants à usage domestique peuvent endommager le revêtement de vos composants Sonos.
 7. N'obstruez aucun orifice de ventilation. Installez cet appareil conformément aux instructions du fabricant.
 8. Ne placez pas cet appareil à côté d'une source de chaleur telle qu'un radiateur, une bouche de chauffage, une cuisinière ou tout autre appareil produisant de la chaleur.
 9. Protégez le câble d'alimentation afin de ne pas marcher dessus, ni le pincer, en particulier au niveau des fiches, des prises de courant et de l'endroit d'où ils sortent de l'appareil.
 10. Utilisez uniquement les équipements/accessoires recommandés par le fabricant.
 11. Débranchez cet appareil en cas d'orage ou lorsqu'il n'est pas utilisé pendant une longue période.
 12. Confiez la réparation et l'entretien à un personnel qualifié de Sonos. L'appareil nécessite réparation lorsqu'il est endommagé de quelque manière que ce soit, notamment si le cordon d'alimentation ou la fiche est endommagé(e), si du liquide a été versé sur l'appareil, si des objets sont tombés à l'intérieur, si l'appareil a été exposé à la pluie ou à l'humidité, s'il ne fonctionne pas correctement ou s'il est tombé.
 13. La prise d'alimentation secteur doit être facilement accessible pour débrancher l'appareil.
-  **14. Avertissement** : afin de limiter les risques d'incendie ou d'électrocution, n'exposez pas cet appareil à la pluie, ni à l'humidité.
15. N'exposez jamais cet appareil aux projections ou aux écoulements d'eau et ne posez jamais un récipient contenant un liquide, tel qu'un vase, sur l'appareil.



Guía de configuración

Sonos® ZoneBridge™. Para utilizarse con Sonos Digital Music System.

ESTE DOCUMENTO CONTIENE INFORMACIÓN QUE ESTÁ SUJETA A MODIFICACIONES SIN PREVIO AVISO.

Se prohíbe la reproducción o transmisión de cualquier porción de esta publicación en cualquier forma o por cualquier medio, ya sea electrónico o mecánico, lo cual incluye sin limitación la fotocopia, la grabación, los sistemas de recuperación de información o las redes informáticas, sin la autorización escrita de Sonos, Inc.

Sonos® es una marca comercial registrada de Sonos, Inc. en los Estados Unidos, Canadá y Australia, y una marca comercial de Sonos, Inc. en otros países. Sonosnet™, ZonePlayer™, ZoneBridge™ y todos los logotipos de Sonos son marcas comerciales de Sonos, Inc. en los Estados Unidos y otros países.

Todos los productos y servicios mencionados podrían ser marcas comerciales o de servicio de sus respectivos propietarios.

© 2004-2007 por Sonos, Inc. Reservados todos los derechos.

Acerca del Sonos ZoneBridge

Utilice el ZoneBridge para conectar el Sonos Digital Music System a su red doméstica, o si desea configurar una zona de música en un área que esté fuera del ámbito actual, utilice el ZoneBridge para ampliar el ámbito inalámbrico del Sonos Digital Music System.

Para empezar

¿Ya posee Sonos?

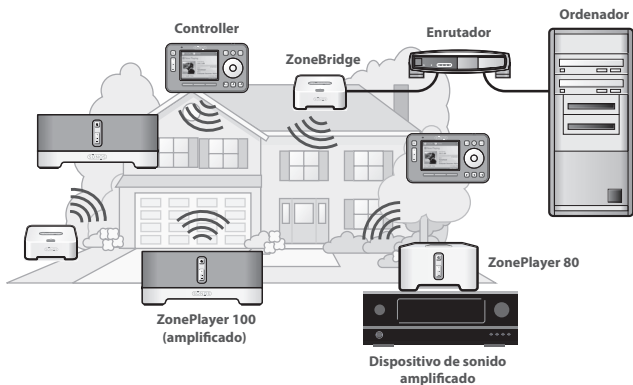
Si está agregando este ZoneBridge a un sistema de música de Sonos existente, vaya directamente a la página 101 para obtener instrucciones de instalación.

¿Es nuevo usuario de Sonos?

Desembale los componentes de Sonos y siga las instrucciones de configuración que se encuentran en esta guía en orden de secuencia para asegurarse de configurar de forma correcta el Sonos® ZoneBridge. Una vez que el Zonebridge (o ZonePlayer si desea escuchar música en esta habitación) se encuentre conectado al enrutador, agregue los ZonePlayers y los Controllers para completar la configuración del Sonos Digital Music System. Consulte "Requisitos de red" en la página 100 a fin de asegurarse de que la red doméstica esté lista para instalar Sonos, y luego vaya a la página 103 para obtener instrucciones de instalación.



Importante: El Sonos ZoneBridge requiere la revisión más reciente del software de Sonos, de modo que asegúrese de actualizar el sistema de música antes de añadir el ZoneBridge al mismo. Si está configurando un sistema nuevo, seleccione **Sí** cuando el CD-ROM muestre un indicador que le pregunte si desea buscar actualizaciones. Si ya posee un sistema de Sonos, seleccione **Actualizaciones en línea** en el menú **Ajustes de sistema** del Controller.



Su red informática



Nota: La red debe contar con una conexión a Internet de alta velocidad, debido a que el Sonos Digital Music System está diseñado para proporcionarle actualizaciones de software en línea. Debe registrar el sistema Sonos a fin de recibir las actualizaciones, de modo que cerciñore de registrarlo durante el proceso de configuración. No compartiremos su dirección de correo electrónico con otras empresas.

A fin de reproducir archivos de música digital en su ordenador, su red informática debe cumplir con los requisitos siguientes:

Requisitos de red

- Conexión a Internet de alta velocidad a través de módem de DSL o cable o bien, basada en una red local (LAN).
- Si posee un módem DSL o cable, el cual está conectado directamente al ordenador, debe instalar un enrutador entre el módem y el ordenador -a fin de aumentar la seguridad del ordenador y de compartir la conexión a Internet con el Sonos Digital Music System y con otros dispositivos. Si no posee un enrutador, debe adquirirlo e instalarlo antes de continuar.

Sistemas operativos compatibles

- Windows Vista™
- Windows® XP, incluso Windows® XP Media Center
- Macintosh® OS X

Visite nuestro sitio Web en <http://faq.sonos.com/specs> para obtener la lista más reciente de requisitos de sistema.

Adición a un sistema de Sonos EXISTENTE

Si está agregando este ZoneBridge a un sistema de música de Sonos existente, realice los pasos siguientes. Si está configurando un Sonos Digital Music System nuevo, entonces vaya a la página 103.

Utilice un Sonos ZoneBridge para reemplazar el ZonePlayer™ que esté conectado con cable a la red doméstica o bien, coloque el ZoneBridge en cualquier ubicación a fin de ampliar el ámbito inalámbrico del Sonos Digital Music System.



Importante: Si está reemplazando el ZonePlayer *cableado* del sistema de música con un ZoneBridge, primero añada el nuevo ZoneBridge al sistema de música (realice los pasos siguientes). A continuación, desenchufe el ZonePlayer cableado, reemplácelo con el Sonos ZoneBridge y coloque el ZonePlayer original en otra ubicación.

1

Conecte el adaptador de alimentación y enchúfelo al ZoneBridge. Asegúrese de que el adaptador de alimentación sea adecuado para la región. Para buscar actualizaciones de software, elija una de las opciones siguientes:

- Utilice el *Sonos Controller* para buscar actualizaciones de software. Para ello, seleccione **Ajustes de sistema** → **Actualizaciones en línea** en el menú **Música**.
- Utilice el software del *Desktop Controller* para buscar actualizaciones de software. Para ello, -seleccione **Ayuda** → **Buscar actualizaciones**.

- 2 Si está realizando una conexión cableada, conecte un cable Ethernet (que se proporciona). Si la conexión es inalámbrica, omita este paso y prosiga.
- 3 Elija una de las opciones siguientes:
 - Utilice el software del *Desktop Controller* para añadir el ZoneBridge al sistema de música. Para ello, seleccione **Añadir un ZonePlayer o ZoneBridge** en el menú **Zonas**.
 - Utilice el *Sonos Controller* para añadir el ZoneBridge al sistema de música. Para ello, seleccione **Ajuste de sistema** → **Añadir un ZonePlayer o ZoneBridge** en el menú **Música**.

Durante el proceso de configuración, se le pedirá que pulse y suelte el botón **Conectar** que se encuentra en la parte superior del ZoneBridge. Las luces de indicación parpadean en verde y en blanco cuando el ZoneBridge se está conectando.



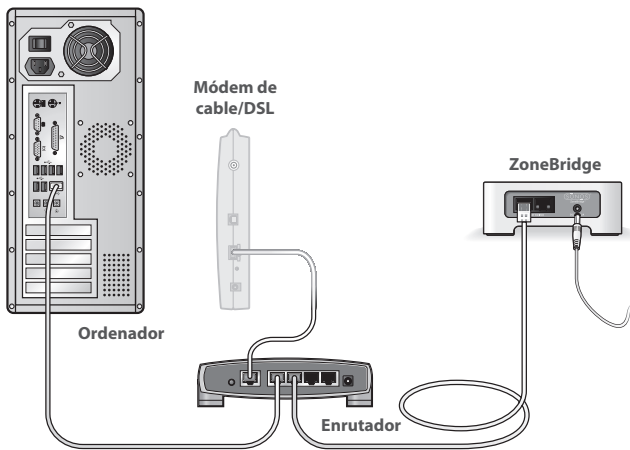
Ahora que ha agregado el ZoneBridge al sistema de música

- Si está reemplazando el ZonePlayer que se encuentra conectado al enrutador, desenchufe el ZonePlayer cableado, reemplácelo con el Sonos ZoneBridge y coloque el ZonePlayer original en otra ubicación.
- Si utiliza el ZoneBridge en cualquier otra parte de la casa para ampliar la red inalámbrica, ahora puede colocar cualquiera de los ZonePlayers existentes en otras ubicaciones, si lo desea.

Configuración de un sistema de Sonos NUEVO

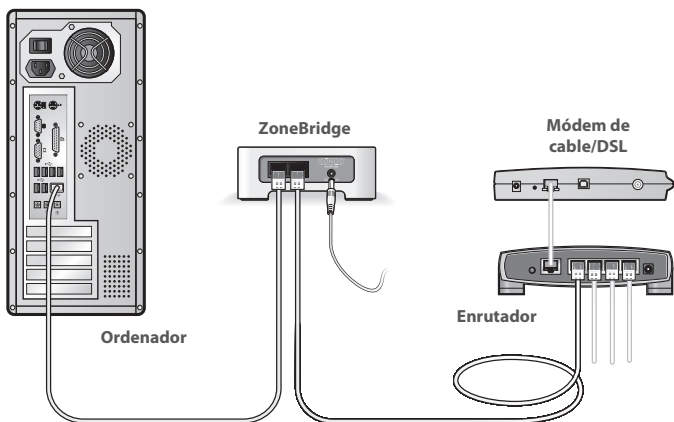
Conecte el ZoneBridge a la red doméstica con los pasos siguientes. (Si planea utilizar altavoces en esta zona de música, conecte un ZonePlayer 100 en el paso 2. Si prefiere utilizar un amplificador externo o altavoces con alimentación en esta zona de música, conecte un ZonePlayer 80 en el paso 2.)

- 1 Conecte el adaptador de alimentación y enchúfelo al Sonos ZoneBridge.
- 2 Conecte un cable Ethernet (proporcionado) de uno de los conectores de conmutación Ethernet en la parte trasera del ZoneBridge a un puerto abierto del enrutador.



- No conecte el ZoneBridge directamente al módem de cable o DSL a menos que el módem contenga un enrutador integrado.
- Si no posee un enrutador, visite <http://faq.sonos.com/norouter> para obtener instrucciones.

Si no existe un puerto abierto en el enrutador, desconecte el ordenador del enrutador y conéctelo al ZoneBridge (como se ilustra a continuación). A continuación, conecte el ZoneBridge al puerto del enrutador en el cual estaba enchufado el ordenador.



3

Inserte el CD-ROM de configuración del sistema de Sonos y siga las indicaciones para conectar el ZoneBridge. El CD-ROM le guiará con rapidez y facilidad a través del proceso de configuración. Si ha comprado varios componentes de Sonos, es probable que posea más de un CD-ROM de configuración del sistema. En ese caso, utilice el que acompaña al ZoneBridge y los demás los puede guardar.



Importante: Tras insertar el CD-ROM, se le preguntará si desea buscar actualizaciones de software. Cerciórese de seleccionar **Sí**, ya que el Sonos ZoneBridge requiere la revisión de software más reciente.



Debe utilizarse con:

- Windows Vista
- Windows XP, incluso Windows XP Media Center
- Macintosh OS X

Visite nuestro sitio Web en

<http://faq.sonos.com/specs> para obtener la lista más reciente de versiones de sistemas operativos compatibles.

Ahora que ha configurado el ZoneBridge, puede añadir el resto de los componentes de Sonos. Vaya a "Adición de más componentes de Sonos" en la página 106.

Adición de más componentes de Sonos

Una vez que haya configurado el ZoneBridge, puede añadir con facilidad más componentes en cualquier momento. Si su casa posee cableado estructurado (integrado), puede establecer una conexión *cableada* con los ZonePlayers o ZoneBridges adicionales. Si no posee cableado estructurado, nuestra tecnología inalámbrica integrada será idónea.



Nota: Las paredes gruesas, los teléfonos inalámbricos de 2,4 GHz y la presencia de otros dispositivos inalámbricos podrían interferir las señales de red inalámbrica de Sonos Digital Music System. Si se presentan dificultades, es recomendable que cambie la ubicación del componente de Sonos, que cambie el canal inalámbrico en el que opera el sistema de música o que establezca una conexión cableada (con cable Ethernet) ya sea del enrutador al ZoneBridge o bien, de un ZonePlayer a otro (véase la página 112). Si se le dificulta la colocación de las unidades dentro de un ámbito inalámbrico, visite nuestro sitio Web en <http://faq.sonos.com/range>.

Añadir un ZonePlayer o ZoneBridge

1. Elija una de las opciones siguientes:
 - Si está añadiendo un ZonePlayer amplificado, conecte los altavoces deseados.
 - Si está añadiendo un ZonePlayer 80, conéctelo a un amplificador externo.
 - Si está añadiendo un ZoneBridge, conecte el adaptador de alimentación.



Nota: Para obtener instrucciones detalladas de configuración del ZonePlayer, consulte la Guía de configuración que acompaña al ZonePlayer o bien, inicie el software del Desktop Controller y seleccione **Ayuda del sistema de Sonos** en el menú **Ayuda**.

2. Si está estableciendo una conexión cableada, conecte un cable Ethernet estándar desde un enrutador, otro ZonePlayer o ZoneBridge, o un disco de pared de red *bajo tensión*, hasta una de las conexiones del conmutador Ethernet en la parte posterior del componente de Sonos nuevo. Si la conexión es inalámbrica, omita este paso.
3. Conecte el cable de alimentación (si aún no lo ha hecho) y aplique la alimentación.
4. Elija una de las opciones siguientes:
 - En el *Sonos Controller*, seleccione **Ajuste de sistema**→**Añadir un ZonePlayer o ZoneBridge** en el menú **Música**.
 - En el software del *Desktop Controller*, seleccione **Añadir un ZonePlayer o ZoneBridge** en el menú **Zonas**.

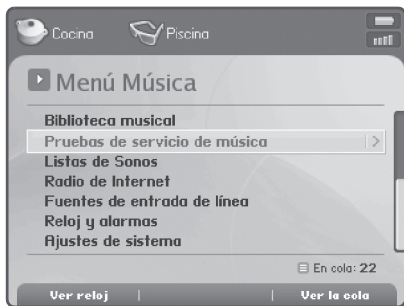
Añada un Controller

Debe cargar el nuevo Sonos Controller tras extraerlo del embalaje. Enchúfelo al adaptador de alimentación y siga las indicaciones en pantalla del Controller para añadirlo al sistema de música (puede utilizar el Controller mientras se está cargando) Si se le pregunta si desea buscar actualizaciones, seleccione **Sí**.

Quando vea el mensaje **Se completó la configuración**, pulse el botón **Aceptar** situado en el centro de la rueda de desplazamiento y, ¡ya está listo para escuchar música! Pulse el botón **Música** y elija una de las opciones siguientes:

Menú Música

Una vez que haya configurado al menos un ZonePlayer, pulse el botón **Música** del Sonos Controller para visualizar el menú **Música**.

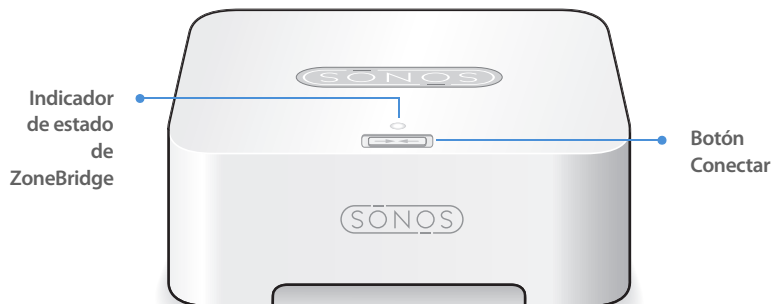


Para obtener más información sobre las características y funciones de su sistema de Sonos nuevo, descargue la guía del usuario en nuestro sitio Web: www.sonos.com/support/documentos o inicie el software del Desktop Controller y seleccione **Ayuda del sistema de Sonos** en el menú **Ayuda**.

- Para activar una evaluación gratuita de servicio de música, seleccione **Evaluaciones de servicios de música**. El sistema de música- debe registrarse a fin de activar la evaluación. De modo que si aún no lo ha registrado, seleccione **Ajustes de sistema**→**Ajustes avanzados**→**Registro de sistema**.
- Para seleccionar una estación de radio de Internet, seleccione **Radio de Internet**.

- Para agregar carpetas de música que se encuentren en un ordenador de su red doméstica, abra el software del Desktop Controller y seleccione **Configurar biblioteca musical**→**Añadir** en el menú **Música**.
 - Puede utilizar el Sonos Controller para añadir carpetas de música. Para ello, seleccione **Ajustes de sistema**→**Gestión de biblioteca musical**→**Configuración de biblioteca musical** en el menú **Música**. No obstante, es más fácil utilizar el Desktop Controller para efectuar esta tarea, la cual solamente se efectúa una vez.

Parte frontal del ZoneBridge



Botón Conectar

Pulse el botón **Conectar** para unir el ZoneBridge al Sonos Digital Music System.

Indicador de estado de ZoneBridge

- El LED *parpadea en blanco* cuando está encendiéndose y *parpadea en verde y en blanco* cuando está conectándose al Sonos Digital Music System.
- LED *En blanco sin parpadear* cuando está encendido y conectado al Sonos Digital Music System (operación normal).
- LED *Parpadea en amarillo* cuando se detecta una condición de error.

Panel posterior del ZoneBridge



Conectores de conmutación Ethernet (2)

Utilice un cable Ethernet de categoría 5 para conectar al enrutador, al ordenador o a un dispositivo de red adicional, tal como un dispositivo de almacenamiento conectado a una red (NAS).

Entrada de alimentación de CA (principal)

Utilice el adaptador de alimentación proporcionado para conectar al tomacorriente eléctrico. Asegúrese de utilizar un adaptador de alimentación que sea adecuado para la región.

Resolución de problemas básicos



Importante: Bajo ninguna circunstancia el producto debe ser reparado por ninguna persona que no sea un técnico de un centro de reparación autorizado por Sonos, ya que de hacerlo se invalidará la garantía. Comuníquese con el centro de servicio al cliente de Sonos para ubicar un centro de reparación autorizado en su localidad. No abra el sistema ya que existe el riesgo de sufrir un choque eléctrico.

Si se presenta un problema, intente las sugerencias de resolución de problemas siguientes. Si no se resuelve el problema con una de estas sugerencias o no sabe cómo proceder, comuníquese con el centro de servicio al cliente de Sonos y le ayudaremos con gusto.

- **Sitio Web**

Visite nuestro sitio Web en www.sonos.com/support. Ahí podrá visitar nuestros foros, consultar las páginas con las preguntas más frecuentes o solicitar asistencia.

- **Teléfono**

Visite nuestro sitio Web en www.sonos.com/support y haga clic en **Asistencia telefónica** para obtener el número de teléfono correspondiente a su localidad.

No se detecta el ZoneBridge durante la configuración

¿Permitió que Sonos busque las actualizaciones? El Sonos ZoneBridge requiere la revisión de software más reciente. De modo que actualice el sistema de Sonos e inténtelo de nuevo. Si está configurando un sistema nuevo, cerciórese de utilizar el

CD-ROM de configuración del sistema de Sonos que acompaña al ZoneBridge, y seleccione **Sí** cuando el CD-ROM le pregunte si desea buscar las actualizaciones. Si ya posee un sistema de Sonos, seleccione **Actualizaciones en línea** en el menú **Ajustes de sistema** del Controller.

Si no se resuelve el problema, es probable que un error de red o de servidor de seguridad evite que el ZoneBridge se una al sistema de Sonos. Si se trata de un ZoneBridge inalámbrico, intente colocar el ZoneBridge más cerca de un ZonePlayer o bien, conecte el ZoneBridge con cable de forma temporal para ver si el problema tiene que ver con una interferencia inalámbrica.

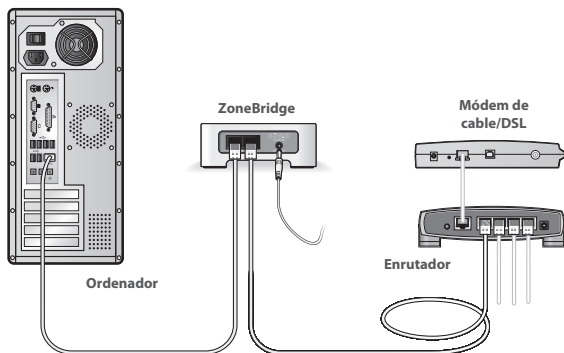
Si encuentra este mensaje al instalar el primer componente de Sonos (conectado con cable al enrutador), intente los pasos siguientes para resolver el problema.

1. Verifique el servidor de seguridad

El software de servidor de seguridad instalado en el ordenador podría estar bloqueando los puertos que Sonos utiliza para operar. Primero, desactive todos los servidores de seguridad e intente la conexión de nuevo. Si se resuelve el problema, debe configure el servidor de seguridad a fin de que funcione con el Sonos Desktop Controller. Visite nuestro sitio Web en <http://faq.sonos.com/firewall> para obtener información adicional. Si no se resuelve el problema, intente el paso 2 siguiente.

2. Verifique el enrutador

Pase por encima del conmutador del enrutador para determinar si existen problemas en la configuración del enrutador. Para ello, establezca conexión con Sonos del modo siguiente (observe que el ZoneBridge y el ordenador aún tendrán acceso a Internet con esta configuración):



- Asegúrese de que el módem de cable o DSL esté conectado al puerto WAN (Internet) del enrutador.
- Quite de forma temporal cualquier otro componente que esté conectado a la red mediante cable.
- Conecte un cable Ethernet del ordenador directamente a la parte posterior del Zone-Bridge y luego conecte otro cable Ethernet del ZoneBridge directamente a uno de los puertos de red local (LAN) del enrutador.
- Cuando realice un cambio en la configuración de red, es probable que deba efectuar un ciclo de alimentación en el ZoneBridge. Para ello, desenchufe el cable de alimentación y vuelva a enchufarlo.
- Si no está utilizando un enrutador, visite nuestro sitio Web en <http://faq.sonos.com/norouter> para obtener más información.

Si aún se presentan problemas, comuníquese con el centro de servicio al cliente de Sonos.

Información de seguridad importante

1. Lea estas instrucciones.
2. Conserve estas instrucciones.
3. Preste atención a todas las advertencias.
4. Siga todas las instrucciones.
5. No utilice este aparato cerca del agua.
6. Límpielo solamente con un paño suave y húmedo. Los productos de limpieza o disolventes domésticos podrían dañar el acabado de los componentes de Sonos.
7. No bloquee los orificios de ventilación. Realice la instalación de conformidad con las instrucciones del fabricante.
8. No instale el aparato cerca de fuentes de calor, tales como radiadores, registradores de calor, estufas o cualquier otro aparato que produzca calor.
9. Proteja el cable de alimentación a fin de que no sea pisado o pellizcado, de forma particular en los enchufes, en los receptáculos y en el punto de salida del aparato.
10. Utilice solamente accesorios especificados por el fabricante.
11. Desenchufe el aparato durante tormentas de relámpagos o si deja de utilizarse por lapsos prolongados de tiempo.
12. Todo tipo de servicio debe ser realizado por personal de servicio de Sonos calificado. El aparato requiere servicio si se ha dañado de cualquier modo; por ejemplo, si se daña el cable o enchufe de alimentación, si se derraman líquidos o se introducen objetos en el aparato, si el aparato se ha expuesto a la lluvia o humedad, si no opera normalmente o si se cae.

13. El enchufe principal debe estar a la mano a fin de desconectar el equipo.



14. **Advertencia:** A fin de reducir el riesgo de ignición o de choque eléctrico, no exponga el aparato a la lluvia o humedad.

15. No exponga el aparato a goteos o salpicaduras y no coloque objetos que contengan líquidos, tales como vasos, encima del aparato.

Guida all'installazione

Sonos® ZoneBridge™. Da utilizzare con Sonos Digital Music System.

QUESTO DOCUMENTO CONTIENE INFORMAZIONI SOGGETTE A MODIFICA SENZA PREAVVISO.

Nessuna parte della presente pubblicazione può essere riprodotta o trasmessa in qualsiasi forma o con qualunque mezzo, elettronico o meccanico, inclusi ma non solo fotocopia, registrazione, sistemi di ripristino delle informazioni o reti informatiche, senza previa autorizzazione scritta di Sonos, Inc.

Sonos® è un marchio registrato di Sonos, Inc. negli Stati Uniti, in Canada e in Australia, e un marchio di Sonos, Inc. in altri Paesi. Sonosnet™, ZonePlayer™, ZoneBridge™ e tutti i loghi Sonos sono marchi registrati di Sonos, Inc. negli Stati Uniti e/o in altri Paesi.

Tutti gli altri prodotti e servizi citati potrebbero essere marchi di fabbrica o di servizio dei rispettivi proprietari.

© 2004-2007 by Sonos, Inc. Tutti i diritti riservati.

Informazioni su Sonos ZoneBridge

Utilizzare uno ZoneBridge per connettere Sonos Digital Music System alla rete domestica— oppure, se si desidera impostare una zona di musica in un'area oltre l'attuale campo di comunicazione, è possibile utilizzare uno ZoneBridge per estendere l'area wireless di Sonos Digital Music System.

Per iniziare

Se Sonos è già installato

Se si sta aggiungendo questo ZoneBridge a un sistema musicale Sonos già esistente, andare direttamente alla sezione pagina 121 per le istruzioni relative all'installazione.

Se Sonos non è ancora installato

Rimuovere i componenti Sonos dall'imballaggio e seguire le istruzioni per l'installazione contenute in questa guida rispettandone la sequenza per configurare correttamente Sonos® ZoneBridge. Dopo aver collegato lo ZoneBridge (o uno ZonePlayer, se si desidera ascoltare musica in questa stanza) al router, aggiungere gli ZonePlayer e i Controller per completare l'installazione di Sonos Digital Music System. Vedere la sezione "Requisiti di rete" a pagina 120 per verificare che la rete domestica sia idonea a Sonos, quindi tornare alla pagina 123 per le istruzioni relative all'installazione.



Importante: Poiché Sonos ZoneBridge richiede l'ultima release del software Sonos, verificare di aver effettuato l'aggiornamento del sistema musicale prima di aggiungere ZoneBridge. Se si sta installando un nuovo sistema, selezionare **Si** alla richiesta del CD-ROM di verificare la disponibilità di aggiornamenti. Se si dispone già di un sistema Sonos, selezionare **Aggiornamenti online** dal menu **Impostazioni sistema** del Controller.

Requisiti di rete

- Connessione Internet ad alta velocità tramite modem DSL/via cavo oppure LAN.
- Se il computer dispone già di una connessione diretta a un modem DSL o via cavo -è necessario installare un router tra il modem e il computer per migliorare la sicurezza del computer e per condividere la connessione Internet con Sonos Digital Music System ed altri dispositivi. Se non si dispone di un router è necessario acquistarne ed installarne uno prima di proseguire.

Sistemi operativi compatibili

- Windows Vista™
- Windows® XP, incluso Windows® XP Media Center
- Macintosh® OS X

Visitare il nostro sito Web all'indirizzo <http://faq.sonos.com/specs> per informazioni aggiornate sui requisiti di sistema.

Aggiunta al sistema Sonos ESISTENTE

Se si sta aggiungendo questo ZoneBridge ad un sistema Sonos già esistente, eseguire la procedura riportata di seguito. Se si sta installando un nuovo Sonos Digital Music System, tornare alla pagina 123.

È possibile utilizzare un Sonos ZoneBridge per sostituire lo ZonePlayer™ attualmente collegato alla rete domestica oppure collocare uno ZoneBridge in un punto qualsiasi per estendere l'area di comunicazione wireless di Sonos Digital Music System.



Importante: Se si sta sostituendo lo ZonePlayer *cablato* ZonePlayer nel sistema musicale con un Sonos ZoneBridge, aggiungere prima il nuovo ZoneBridge al sistema (operazione sottostante). In seguito, è possibile scollegare lo ZonePlayer cablato, sostituirlo con il Sonos ZoneBridge, quindi spostare altrove lo ZonePlayer originale.

1

Collegare l'adattatore di corrente e inserire la spina dello ZoneBridge nella presa di corrente. Accertarsi che l'adattatore di corrente sia idoneo al proprio Paese. Verificare la disponibilità di aggiornamenti software scegliendo una delle seguenti opzioni:

- Utilizzare *Sonos Controller* per verificare la disponibilità di aggiornamenti software selezionando **Impostazioni sistema** → **Aggiornamenti online** dal menu **Musica**.
- Utilizzare il software *Desktop Controller* per verificare la disponibilità di aggiornamenti software selezionando **Guida** → **Ricerca aggiornamenti**.

- 2 Se si sta effettuando una connessione cablata, connettere un cavo Ethernet (in dotazione). Se si sta effettuando una connessione wireless, ignorare questo passo e proseguire.
- 3 Scegliere una delle seguenti opzioni:
 - Utilizzare il software *Desktop Controller* per aggiungere lo ZoneBridge al sistema musicale selezionando **Aggiungi uno ZonePlayer o ZoneBridge** dal menu **Zone**.
 - Utilizzare *Sonos Controller* per aggiungere lo ZoneBridge al sistema musicale selezionando **Impostazioni sistema**→**Aggiungi uno ZonePlayer o ZoneBridge** dal menu **Musica**.

Durante la procedura di installazione verrà richiesto di premere e rilasciare il pulsante **Connetti** che si trova sullo ZoneBridge. Gli indicatori lampeggeranno emettendo una luce verde e bianca durante la connessione dello ZoneBridge.



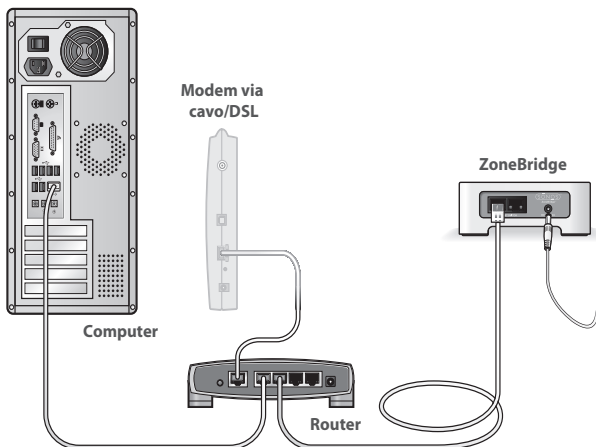
Dopo aver aggiunto lo ZoneBridge al sistema musicale—

- Se si sta sostituendo lo ZonePlayer attualmente collegato al router, è possibile scollegare lo ZonePlayer cablato, sostituirlo il Sonos ZoneBridge, quindi spostare altrove lo ZonePlayer originale.
- Se si sta utilizzando ZoneBridge in un altro punto della casa per estendere la rete wireless, è anche possibile spostare altrove uno degli ZonePlayer esistenti.

Impostazione di un NUOVO Sonos System

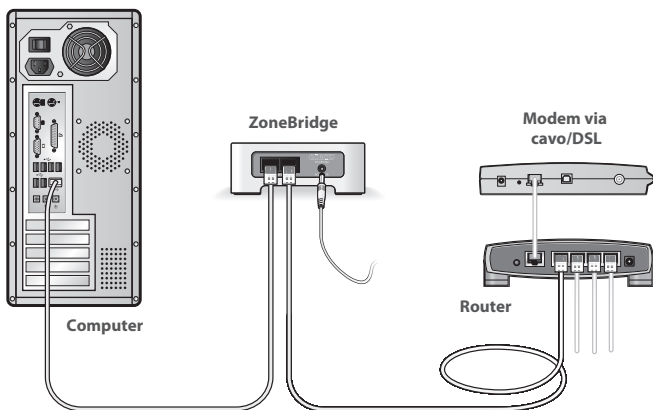
Connettere lo ZoneBridge alla rete domestica eseguendo la procedura riportata di seguito. Per utilizzare i diffusori in questa zona è possibile connettere uno ZonePlayer 100 al punto 2, in alternativa. Per utilizzare un amplificatore esterno o dei diffusori amplificati in questa zona è possibile connettere uno ZonePlayer 80 al punto 2, in alternativa.

- 1 Collegare l'adattatore di corrente e inserire la spina di Sonos ZoneBridge nella presa di corrente.
- 2 Connettere un cavo Ethernet (in dotazione) da uno degli switch Ethernet sul retro dello ZoneBridge a una porta disponibile del router.



- Non collegare lo ZoneBridge direttamente al modem via cavo o DSL a meno che il modem non disponga di un router integrato.
- Se non si dispone di un router, andare all'indirizzo <http://faq.sonos.com/norouter> per ulteriori informazioni.

Se il router non ha più porte disponibili è possibile scollegare il computer dal router e collegarlo invece allo ZoneBridge (vedi sotto), quindi collegare quest'ultimo alla porta del router alla quale era prima collegato il computer.

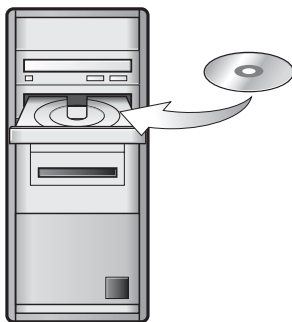


3

Inserire il CD-ROM di installazione del sistema Sonos e seguire le istruzioni per connettere lo ZoneBridge. Il CD-ROM offre una guida semplice e rapida per completare il processo di installazione (se si sono acquistati più componenti Sonos, si potrebbero avere a disposizione più CD di installazione del sistema: utilizzare quello fornito con lo ZoneBridge).



Importante: Quando si inserisce il CD-ROM verrà richiesto di verificare la disponibilità di aggiornamenti software. Fare attenzione a selezionare **Sì**, poiché Sonos ZoneBridge richiede l'ultima release del software.



Utilizzabile con:

- Windows Vista
- Windows XP, incluso Windows XP Media Center
- Macintosh OS X

Visitare il nostro sito Web all'indirizzo

<http://faq.sonos.com/specs> per informazioni sulle ultime versioni dei sistemi operativi compatibili.

Al termine dell'installazione dello ZoneBridge si è pronti per aggiungere gli altri componenti Sonos. Andare alla sezione "Aggiunta di componenti Sonos" a pagina 126.

Aggiunta di componenti Sonos

Dopo aver installato lo ZoneBridge si possono aggiungere facilmente altri componenti in qualsiasi momento. Se l'edificio dispone di un sistema di cablaggio strutturato è possibile effettuare una connessione *cablata* con gli ZonePlayer o ZoneBridge aggiuntivi. Se la casa non è cablata internamente, la nostra tecnologia integrata wireless è la soluzione ideale.



Nota: I muri spessi, i telefoni cordless a 2,4 GHz e la presenza di altri dispositivi wireless possono interferire con i segnali della rete wireless di Sonos Digital Music System. Se si riscontrano difficoltà, è consigliabile collocare altrove il componente Sonos, cambiare il canale wireless su cui opera il sistema musicale oppure effettuare una connessione cablata (cavo Ethernet) dal router allo ZonePlayer oppure da uno ZonePlayer all'altro (vedere pagina 132). In caso di difficoltà nel posizionare le unità all'interno dell'area wireless l'una dell'altra, visitare il sito Web all'indirizzo <http://faq.sonos.com/range>

Aggiungi uno ZonePlayer o ZoneBridge

1. Scegliere una delle seguenti opzioni:
 - Se si aggiunge uno ZonePlayer amplificato, collegare i diffusori preferiti.
 - Se si aggiunge uno ZonePlayer 80, connettere un amplificatore esterno.
 - Se si aggiunge uno ZoneBridge, collegare l'adattatore di corrente.



Nota: Per istruzioni dettagliate sulla configurazione dello ZonePlayer, consultare la Guida all'installazione fornita con lo ZonePlayer, oppure avviare il programma Desktop Controller e selezionare **Guida di Sonos System** dal menu **Guida**.

2. Se si sta effettuando una connessione cablata, collegare un cavo Ethernet standard dal router, da un altro ZonePlayer o ZoneBridge o da una presa a muro di rete *attiva* a uno degli switch Ethernet sul retro del nuovo componente Sonos. Se si sta effettuando una connessione wireless, ignorare questo passo.
3. Collegare il cavo di alimentazione (se non lo si è ancora fatto) e accendere.
4. Scegliere una delle seguenti opzioni:
 - Utilizzando il palmare *Sonos Controller*, selezionare **Impostazioni sistema** → **Aggiungi uno ZonePlayer o ZoneBridge** dal menu **Musica**.
 - Utilizzando il software *Desktop Controller*, selezionare **Aggiungi uno ZonePlayer o ZoneBridge** dal menu **Zone**.

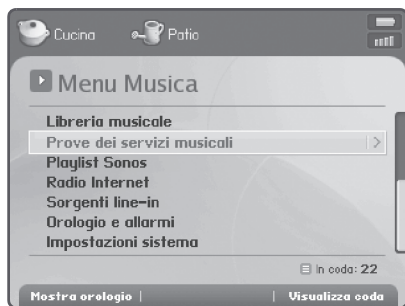
Aggiunta di un Controller

È opportuno caricare il nuovo Sonos Controller quando lo si toglie dall'imballaggio. Collegare Sonos Controller all'adattatore di corrente, quindi seguire le richieste visualizzate sullo schermo del Controller per aggiungerlo al sistema musicale (il Controller può essere utilizzato anche sotto carica). Se il sistema richiede di verificare la disponibilità di aggiornamenti, selezionare **Sì**.

Quando appare il messaggio **Installazione completata**, premere il pulsante **OK** al centro della rotella ed è già possibile ascoltare della musica! Premere il pulsante **Musica** e scegliere una delle seguenti opzioni:

Menu Musica

Dopo aver configurato almeno uno ZonePlayer, premere il pulsante **Music** del Sonos Controller per visualizzare il menu **Musica**.

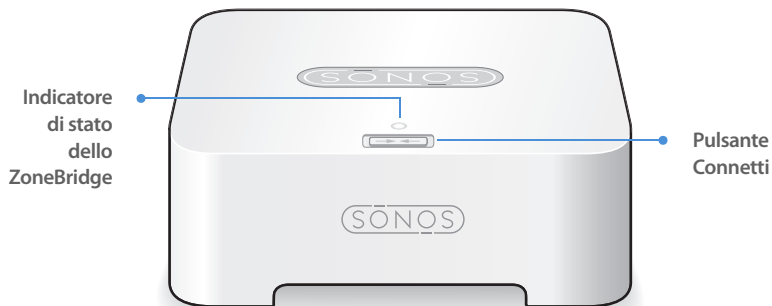


Per maggiori informazioni sulle caratteristiche e sulle funzioni del nuovo sistema Sonos scaricare il Manuale dell'utente dal sito Web di Sonos all'indirizzo: www.sonos.com/support/documents o avviare il programma Desktop Controller software e selezionare **Guida di Sonos System** dal menu **Guida**.

- Per attivare una prova gratuita di un servizio musicale, selezionare **Prove dei servizi musicali** (per attivare una prova è necessario che il sistema musicale sia registrato, pertanto, se non è ancora stato fatto, è possibile effettuare ora la registrazione selezionando **Impostazioni sistema** → **Impostazioni avanzate** → **Registrazione del sistema**).

- Per selezionare una stazione radio Internet, selezionare **Radio Internet**.
- Per aggiungere cartelle di musica memorizzate in un computer della rete domestica, aprire il programma Desktop Controller e selezionare **Imposta libreria musicale**→**Aggiungi condivisione** dal menu **Musica**.
 - È possibile utilizzare Sonos Controller per aggiungere cartelle di musica selezionando **Impostazioni sistema**→**Gestione Libreria musicale**→**Impostazione Libreria musicale** dal menu **Musica**, ma è più semplice eseguire questa singola operazione da Desktop Controller.

Lato anteriore dello ZoneBridge



Pulsante Connetti

Premere il pulsante **Connetti** per unire lo ZoneBridge a Sonos Digital Music System.

Indicatore di stato dello ZoneBridge

- LED *Lampeggiante, bianco* quando si accende il dispositivo; *lampeggiante, verde e bianco* quando lo si connette a Sonos Digital Music System.
- LED *Fisso, bianco* quando il dispositivo è acceso e connesso a Sonos Digital Music System (normale funzionamento).
- LED *Giallo lampeggiante* quando si verifica una condizione di errore.

Pannello posteriore dello ZoneBridge



Switch Ethernet (2)

Utilizzare un cavo Ethernet categoria 5 per effettuare la connessione a un router, un computer o un altro dispositivo di rete, ad esempio un dispositivo NAS (Network-Attached Storage).

Corrente CA (tensione di rete) in ingresso

Utilizzare l'alimentatore di corrente fornito per collegarsi alla presa di corrente. Accertarsi che l'adattatore di corrente sia idoneo al proprio Paese.

Nozioni di base per la risoluzione dei problemi



Importante: Per la riparazione del prodotto rivolgersi sempre ed esclusivamente ad un centro autorizzato Sonos, pena l'annullamento della garanzia. Contattare Sonos Customer Service Center per avere indicazioni sul più vicino centro di riparazioni autorizzato. Non aprire il sistema per evitare il rischio di scosse elettriche.

Se si verifica un problema provare a seguire le indicazioni per la risoluzione dei problemi riportate di seguito. Se il problema persiste, o in caso di dubbi, contattare Sonos Customer Service Center per ulteriore assistenza.

- **Sito Web**

Il nostro sito Web è disponibile all'indirizzo www.sonos.com/support. Dalle pagine del supporto tecnico è possibile accedere ai nostri Forum, consultare la sezione FAQ (Frequently Asked Questions) o richiedere assistenza.

- **Telefono**

Visitando il nostro sito Web all'indirizzo www.sonos.com/support e facendo clic su **Phone Support** è possibile reperire il numero di telefono per ottenere assistenza nel proprio Paese.

Impossibile rilevare lo ZoneBridge durante l'installazione

Si è verificata la disponibilità di aggiornamenti software? Sonos ZoneBridge richiede l'ultima release del software, perciò aggiornare il sistema Sonos e riprovare. Se si sta installando un nuovo sistema, accertarsi di utilizzare il CD-ROM di installazione del sistema Sonos fornito con lo ZoneBridge, quindi selezionare **Si** quando il CD-ROM

richiede di verificare la disponibilità di aggiornamenti. Se si dispone già di un sistema Sonos, selezionare **Aggiornamenti online** dal menu **Impostazioni sistema** del Controller.

Se il problema è un altro, potrebbe riguardare la rete o un firewall e impedire allo ZoneBridge di collegarsi al sistema Sonos. Se si tratta di uno ZoneBridge che opera in modalità wireless, provare ad avvicinare lo ZoneBridge ad uno ZonePlayer oppure connettere temporaneamente lo ZoneBridge con un cavo per verificare se il problema è causato da un'interferenza wireless.

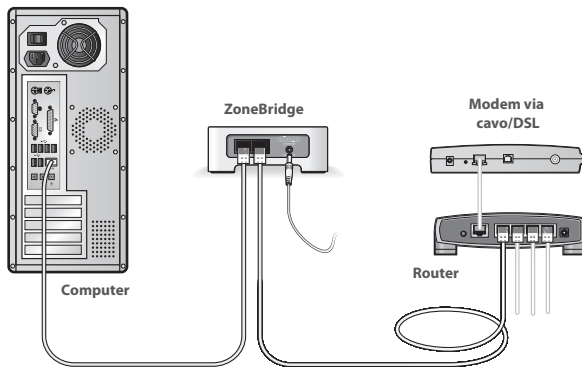
Se questo messaggio è visualizzato quando si installa il primo componente Sonos (cablato al router), provare a seguire la procedura sottostante per risolvere il problema.

1. Controllare il firewall

Il firewall installato nel computer potrebbe bloccare le porte utilizzate da Sonos. Innanzitutto, disattivare tutti i firewall e riprovare a connettersi. Se il problema è risolto, configurare il firewall in modo compatibile con il funzionamento del Desktop Controller Sonos. Visitare il sito Web all'indirizzo <http://faq.sonos.com/firewall> per maggiori istruzioni. Se il problema persiste, provare con il passo 2.

2. Controllare il router


È possibile ignorare lo switch del router per determinare se ci sono problemi di configurazione del router collegando Sonos nel seguente modo (si noti che lo ZoneBridge e il computer continueranno ad avere accesso a Internet con questa configurazione):



- Assicurarsi che il modem DSL/via cavo sia connesso alla porta WAN (Internet) del router.
- Rimuovere temporaneamente qualsiasi altro componente collegato alla rete.
- Collegare un cavo Ethernet dal computer direttamente al retro dello Zone-Bridge, quindi connettere un altro cavo Ethernet dallo ZoneBridge direttamente alle porte LAN del router.
- Quando si modifica la configurazione di rete, potrebbe essere necessario scollegare e ricollegare lo ZoneBridge alla presa di corrente.
- Se non si utilizza un router, visitare il sito Web all'indirizzo <http://faq.sonos.com/norouter> per maggiori informazioni.

Se si riscontrano ancora problemi, contattare Sonos Customer Service Center.

Informazioni importanti per la sicurezza

1. Leggere le seguenti istruzioni.
2. Conservare queste istruzioni.
3. Prestare attenzione a tutti gli avvisi.
4. Seguire tutte le istruzioni.
5. Non utilizzare questo dispositivo in prossimità dell'acqua.
6. Pulire solo con un panno morbido asciutto. I detersivi o solventi per le pulizie di casa possono danneggiare la rifinitura dei componenti Sonos.
7. Non ostruire i fori di aerazione. Effettuare l'installazione in modo conforme alle istruzioni del costruttore.
8. Non installare in prossimità di fonti di calore, ad esempio termosifoni, stufe o altri apparati che generino calore.
9. Evitare che il cavo di alimentazione sia calpestato o schiacciato, soprattutto in corrispondenza delle spine, delle prese multiple e del punto di uscita dall'apparecchio.
10. Utilizzare solo accessori indicati dal costruttore.
11. Scollegare il dispositivo dalla presa di corrente durante temporali o se non viene utilizzato per lunghi periodi di tempo.
12. Rivolgersi per l'assistenza solo a personale qualificato Sonos. L'assistenza è necessaria quando il dispositivo subisce qualsiasi tipo di danno, ad esempio al cavo di alimentazione o alla spina, se si versano liquidi o cadono oggetti sul dispositivo, se il dispositivo è stato esposto alla pioggia o all'umidità, se non funziona correttamente oppure è caduto per terra.
13. La spina che si inserisce nella presa di corrente deve essere facilmente raggiungibile per scollegare rapidamente il dispositivo.
-  **14. Avviso:** Per ridurre il rischio di incendio o di scossa elettrica, non esporre il dispositivo a pioggia o umidità.
15. Il dispositivo non deve essere esposto a gocciolamenti o spruzzi e nessun tipo di oggetto contenente liquidi, ad esempio vasi, deve essere appoggiato su di esso.

