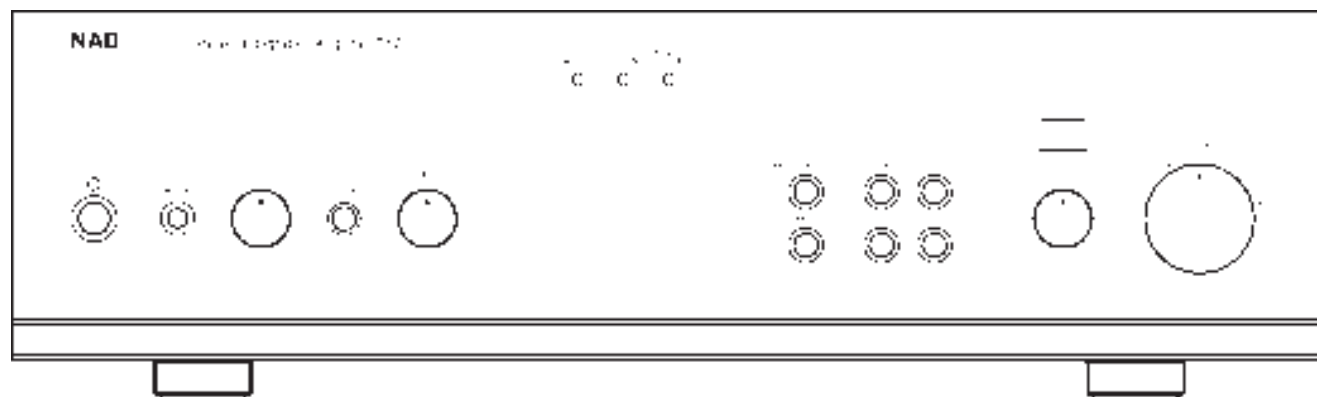


NAD 317



©1996. 317. NAD ELECTRONICS LTD.

- GB** • OWNER'S MANUAL
- F** • MANUEL D'INSTALLATION
- D** • BEDIENUNGSANLEITUNG
- E** • MANUAL DEL USUARIO
- I** • MANUALE DELLE ISTRUZIONI
- S** • BRUKSANVISNING
- P** • MANUAL DO PROPRIETÁRIO

IMPORTANT SAFETY INSTRUCTIONS



CAUTION
RISK OF ELECTRIC
SHOCK DO NOT OPEN

ATTENTION:
RISQUE DE CHOC ELECTRIQUE
NE PAS OUVRIR



CAUTION: TO REDUCE THE RISK OF ELECTRIC SHOCK, DO NOT REMOVE COVER (OR BACK). NO USER SERVICEABLE PARTS INSIDE. REFER SERVICING TO QUALIFIED SERVICE PERSONNEL

Warning: To reduce the risk of fire or electric shock, do not expose this unit to rain or moisture.



The lightning flash with an arrowhead symbol within an equilateral triangle is intended to alert the user to the presence of uninsulated "dangerous voltage" within the product's enclosure that may be of sufficient magnitude to constitute a risk of electric shock to persons.



The exclamation point within an equilateral triangle is intended to alert the user to the presence of important operating and maintenance (servicing) instructions in the literature accompanying the product.



Do not place this unit on an unstable cart, stand or tripod, bracket or table. The unit may fall, causing serious injury to a child or adult and serious damage to the unit. Use only with a cart, stand, tripod, bracket or table recommended by the manufacturer or sold with the unit. Any mounting of the device on a wall or ceiling should follow the manufacturer's instructions and should use a mounting accessory recommended by the manufacturer.

An appliance and cart combination should be moved with care. Quick stops, excessive force and uneven surfaces may cause the appliance and cart combination to overturn.

Read and follow all the safety and operating instructions before connecting or using this unit. Retain this notice and the owner's manual for future reference.

All warnings on the unit and in its operating instructions should be adhered to.

Do not use this unit near water; for example, near a bath tub, washbowl, kitchen sink, laundry tub, in a wet basement or near a swimming pool.

The unit should be installed so that its location or position does not interfere with its proper ventilation. For example, it should not be situated on a bed, sofa, rug or similar surface that may block the ventilation openings; or placed in a built-in installation, such as a bookcase or cabinet, that may impede the flow of air through its ventilation openings.

The unit should be situated from heat sources such as radiators, heat registers, stoves or other devices (including amplifiers) that produce heat.

The unit should be connected to a power supply outlet only of the voltage and frequency marked on its rear panel.

The power supply cord should be routed so that it is not likely to be walked on or pinched, especially near the plug, convenience receptacles, or where the cord exits from the unit.

Unplug the unit from the wall outlet before cleaning. Never use benzine, thinner or other solvents for cleaning. Use only a soft damp cloth.

The power supply cord of the unit should be unplugged from the wall outlet when it is to be unused for a long period of time.

Care should be taken so that objects do not fall, and liquids are not spilled into the enclosure through any openings.

This unit should be serviced by qualified service personnel when:

- The power cord or the plug has been damaged; or
- Objects have fallen, or liquid has been spilled into the unit; or
- The unit has been exposed to rain or liquids of any kind; or
- The unit does not appear to operate normally or exhibits a marked change in performance; or
- The device has been dropped or the enclosure damaged.

Upon completion of any servicing or repairs, request the service shop's assurance that only Factory Authorized Replacement Parts with the same characteristics as the original parts have been used, and that the routine safety checks have been performed to guarantee that the equipment is in safe operating condition.

REPLACEMENT WITH UNAUTHORIZED PARTS MAY RESULT IN FIRE, ELECTRIC SHOCK OR OTHER HAZARDS.

ATTENTION

POUR ÉVITER LES CHOC ELECTRIQUES, INTRODUIRE LA LAME LA PLUS LARGE DE LA FICHE DANS LA BORNE CORRESPONDANTE DE LA PRISE ET POUSSER JUSQU'AU FOND.

CAUTION

TO PREVENT ELECTRIC SHOCK MATCH WIDE BLADE OF PLUG TO WIDE SLOT FULLY INSERT.

If an indoor antenna is used (either built into the set or installed separately), never allow any part of the antenna to touch the metal parts of other electrical appliances such as a lamp, TV set etc.

CAUTION POWER LINES

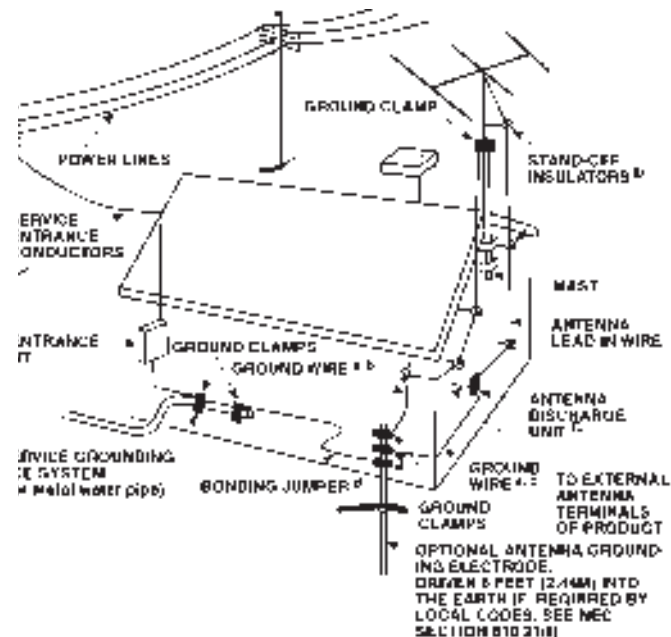
Any outdoor antenna must be located away from all power lines.

OUTDOOR ANTENNA GROUNDING

If an outside antenna is connected to your tuner or tuner-preamplifier, be sure the antenna system is grounded so as to provide some protection against voltage surges and built-up static charges. Section 810 of the National Electrical Code, ANSI/NFPA No. 70-1984, provides information with respect to proper grounding of the mast and supporting structure, grounding of the lead-in wire to an antenna discharge unit, size of grounding conductors, location of antenna discharge unit, connection to grounding electrodes and requirements for the grounding electrode.

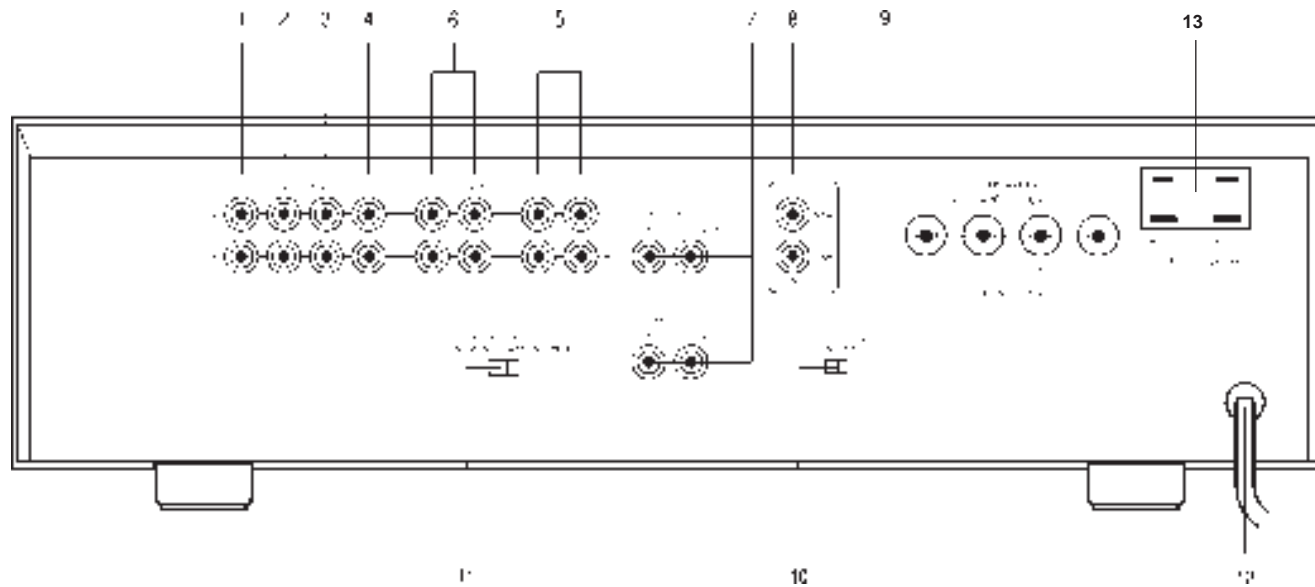
- Use No. 10 AWG (5.3mm²) copper, No. 8 AWG (8.4mm²) aluminium, No. 17 AWG (1.0mm²) copper-clad steel or bronze wire, or larger, as a ground wire.
- Secure antenna lead-in and ground wires to house with stand-off insulators spaced from 4-6 feet (1.22 - 1.83 m) apart.
- Mount antenna discharge unit as close as possible to where lead-in enters house.
- Use jumper wire not smaller than No.6 AWG (13.3mm²) copper, or the equivalent, when a separate antenna-grounding electrode is used. see NEC Section 810-21 (j).

EXAMPLE OF ANTENNA GROUNDING AS PER NATIONAL ELECTRICAL CODE INSTRUCTIONS CONTAINED IN ARTICLE 810 - RADIO AND TELEVISION EQUIPMENT.

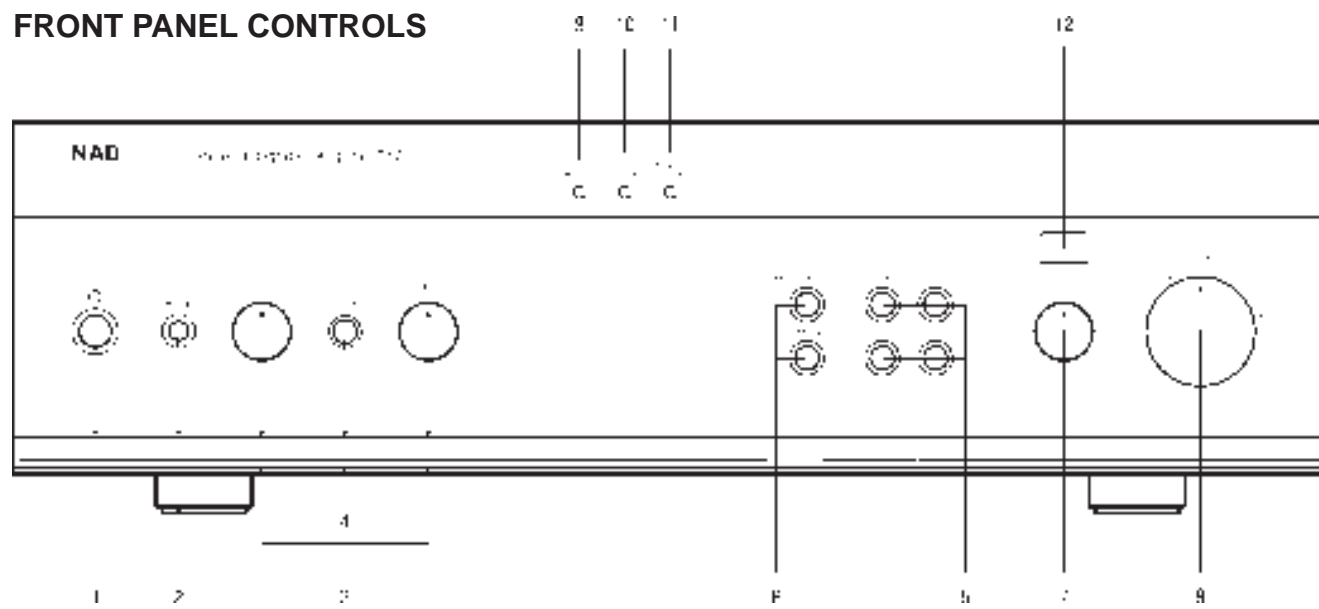


NOTE TO CATV SYSTEM INSTALLER: This reminder is provided to call the CATV system installer's attention to Article 820-22 of the National Electrical Code that provides guidelines for proper grounding and, in particular, specifies that the ground cable ground shall be connected to the grounding system of the building, as close to the point of cable entry as practical.

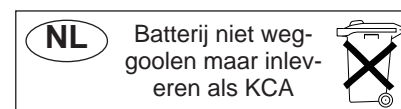
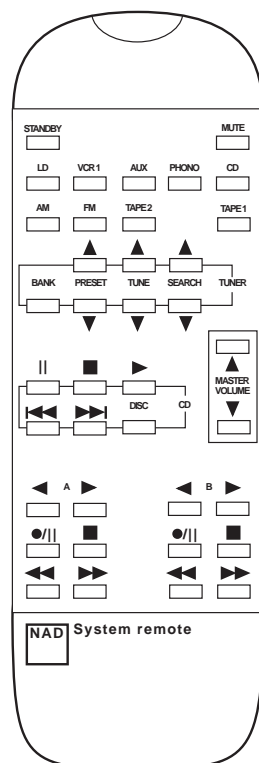
REAR PANEL CONNECTIONS



FRONT PANEL CONTROLS



REMOTE CONTROL



©1996. 317. NAD ELECTRONICS LTD.

©1996. 317. NAD ELECTRONICS LTD.



NAD 317 STEREO AMPLIFIER

QUICK START.

1. Connect the speakers to the rear Speaker terminals and sources to the relevant rear input sockets.
2. Plug in the AC power cord.
3. Press the POWER button to turn the NAD 317 on.
4. Press the required input selector.

NOTES ON INSTALLATION.

Your NAD 317 should be placed on a firm, level surface. Avoid placing the unit in direct sunlight or near sources of heat and damp.

Allow adequate ventilation. Do not place the unit on a soft surface like a carpet. Do not place it in an enclosed position such a bookcase or cabinet that may impede the air-flow through the ventilation slots.

Switch the unit off before making any connections. The RCA connectors on your NAD 317 are colour coded for convenience. Red and white are Right and Left audio respectively, and yellow for NAD-Link.

The NAD 317 comes with RCA leads for basic connections. Where additional leads are required, use high quality leads and connectors for optimum performance and reliability. Ensure that leads and connectors are not damaged in any way and all connectors are firmly pushed home.

For best performance, use quality speaker leads of 16 gauge thickness or more.

If the unit is not going to be used for some time, disconnect the plug from the AC socket.

Should water get into your NAD 317, shut off the power to the unit and remove the plug from the AC socket. Have the unit inspected by a qualified service technician before attempting to use it again.

Do not remove the cover, there are no user-serviceable parts inside.

Use a dry soft cloth to clean the unit. If necessary, lightly dampened the cloth with soapy water. Do not use solutions containing benzol or other volatile agents.

REAR PANEL CONNECTIONS.

1. CD INPUT

Input for a CD or other line-level signal source. Use a twin RCA-to-RCA lead to connect the CD player left and right 'Audio Outputs' to this input. The NAD 317 only accepts analogue signals from your CD player.

2. VIDEO INPUT

Input for the audio signal from a stereo VCR (or stereo TV/Satellite/Cable receiver) or other line-level audio source. Using twin RCA-to-RCA leads, connect to the left and right 'Audio Out' of the unit to these inputs. Note: These are audio inputs only.

3. TUNER INPUT

Input for a Tuner or other line-level signal source. Use a twin RCA-to-RCA lead to connect the Tuner left and right 'Audio Outputs' to this input.

4. AUX INPUT

Input for additional line level input signals such as another CD player. Use a twin RCA-to-RCA lead to connect the auxiliary unit's left and right 'Audio Outputs' to this input.

5. TAPE 1 IN, OUT

Connections for analogue recording and playback to an audio tape recorder of any type. Using twin RCA-to-RCA leads, connect to the left and right 'Audio Output' of the tape machine to the TAPE 1 IN connectors for playback and tape monitoring. Connect the left and right 'Audio Input' of the tape machine to the TAPE 1 OUT connectors for recording.

6. TAPE 2 IN, OUT

Connections for analogue recording and playback to a secondary audio tape recorder of any type. Using twin RCA-to-RCA leads, connect to the left and right 'Audio Output' of the tape machine to the TAPE 2 IN connectors for playback and tape monitoring. Connect the left and right 'Audio Input' of the tape machine to the TAPE 2 OUT connectors for recording.

7. PRE OUT, MAIN IN

Connections to an external pre-amplifier, power amplifier or processor, such as a surround-sound decoder. In normal use these should be connected together using the links supplied. To connect your NAD 317 to external processor or amplifier sections first remove these links. Use a twin RCA-to-RCA lead to connect to the left and right 'Audio Input' of the Power amp or processor to the Pre Out connectors.

Connect the left and right 'Audio Output' of the Pre-amp or processor to the Main In connectors.

Note: The Pre-Out output signal will be affected by the NAD 317's volume and tone control settings.

8. NAD-LINK IN, OUT

The NAD-Link connector is used to pass commands from the remote control handset to and from other units fitted with NAD-Link connectors. This allows centralised control of a complete system or gives system control from more than one room. To function with other units, connect the NAD 317's NAD-Link OUT to the NAD-Link IN on the other unit. NAD-Link connectors can be daisy-chained, IN to OUT, so that a whole system can be controlled from the remote control facilities of one unit.

A single NAD-Link connection from a hi-fi system in a second room will allow remote control of Multi Room systems.

9. SPEAKERS

Speaker terminals for speakers with an impedance of 4 ohms or more.

Connect the right speaker to the terminals marked 'R +' and 'R-' ensuring that the 'R+' is connected to the '+' terminal on your loudspeaker and the 'R-' is

connected to the loudspeaker's '-' terminal.

Connect the terminals marked 'L+' and 'L-' to the left speaker in the same way.

Always use heavy duty (16 gauge or thicker) stranded wire to connect loudspeakers to your NAD 317.

The high-current binding post terminals can be used as a screw terminal for cables terminating in spade or pin connectors or for cables with bare wire ends.

SPADE CONNECTORS

These should be slotted under the terminal's screw bushing, which is then fully tightened. Ensure the connector is tightly secured and there is no danger of bare metal from spade connectors touching the back panel or another connector, as this may cause damage.

BARE WIRES AND PIN CONNECTORS

Bare wires and pin connectors should be inserted into the hole in the shaft of the terminal. Unscrew the speaker terminal's plastic bushing until the hole in the screw shaft is revealed. Insert the pin or bare cable end into the hole and secure the cable by tightening down the terminal's bushing.

Avoid any danger of bare metal from the speaker cables touching the back panel or another connector. Ensure that there is only 1/2" (1cm) of bare cable or pin and no loose strands of speaker wire.

10. SOFT CLIPPING

When an amplifier is driven beyond its specified power output, a hard distorted sound can be heard on very loud sounds. This is caused by the amplifier cutting off or 'hard clipping' the peaks of sound that it was not designed to reproduce. The NAD Soft Clipping circuit gently limits the output of the system to minimize audible distortion if the amplifier is over-driven.

If your listening involves moderate power levels you may leave the Soft Clipping switch to Off. If you are likely to play at high levels, that could stretch the amplifier's power capability, then switch Soft Clipping On.

The Soft Clipping LED on the front panel will illuminate when the amplifier is in Soft Clipping mode.

11. BRIDGE SWITCH

The NAD 317 can be used as part of a higher power stereo or home-theatre system, by connecting additional power amplifiers. If the power amp section in the NAD 317 is to be used to drive a single speaker, then use the Bridge switch to run the left and right power amplifiers as a single channel, high power unit. Set the Bridge switch to the 'Bridge' position and connect the speaker to the terminals marked 'L+' and 'R+' ensuring that the 'L+' is connected to the '+' terminal on your loudspeaker and the 'R+' is connected to the loudspeaker's '-' terminal. In Bridged mode left channel is taken as the input and the NAD 317 will produce approximately 240W into an 8 ohm loudspeaker. In this mode, the amplifier sections will react as though the speaker impedance has been halved.

So speakers with very low impedances (under 4) are not recommended as they may cause the amplifier's thermal cut-out to operate if played at high levels.

The Bridge LED on the front panel will illuminate when the amplifier is in Bridge mode.

12. AC LINE CORD.

After you complete all connections to the preamplifier, plug the AC line cord into a "live" AC socket.

13. AC CONVENIENCE OUTLETS (U.S. CANADIAN MODELS ONLY)

The AC power cords of other units in the audio system can be connected directly to the AV 711's unswitched AC outlets. If another stereo component is plugged into the UNSWITCHED AC outlet, power will be supplied whether your AV711 is on or off.

FRONT PANEL CONTROLS.

POWER, SPEAKERS AND HEADPHONE FUNCTIONS.

1. POWER

Pressing the POWER switch turns the unit On and after a short pause, the Power indicator LED will illuminate green. Pressing the POWER switch again will turn the amplifier Off.

When the NAD 317 is switched On, pressing the Standby button on the remote handset will put the NAD 317 into Standby mode and the Power indicator will turn amber. The amber Power indicator shows that power is being supplied to the NAD 317, but the system is currently in the Standby Mode.

CAUTION: When in Standby, power is still supplied to your NAD 317. You should switch it off using the front panel Power switch when it is not being used for long periods of time.

2. HEADPHONE SOCKET

A 1/4" stereo jack socket is supplied for headphone listening and will work with conventional headphones of any impedance. Inserting a headphone jack into this socket automatically switches off the loudspeakers. The volume and tone and balance controls are operative for headphone listening. Use a suitable adapter to connect headphones with other types of connectors, such as 3.5mm stereo 'personal stereo' jack plugs.

Warning: Make certain that the volume control is turned to minimum (fully anti-clockwise) before connecting headphones.

Listening at high levels can damage your hearing.

TONE FUNCTIONS

3. BASS & TREBLE CONTROLS

The NAD 317 is fitted with BASS and TREBLE tone controls to adjust the tonal balance of your system.

The 12 o'clock position is 'flat' with no boost or cut



and a detent indicates this position. Rotate the control clockwise to increase the amount of Bass or Treble. Rotate the control anti-clockwise to decrease the amount of Bass or Treble. The Tone controls do not affect recordings made using the Tape outputs but will affect the signal going to the Pre-amp output (Pre Out).

4. TONE DEFEAT

The TONE DEFEAT switch bypasses the tone control section of the NAD 317. If the Tone Controls are not normally used and left in the 12 o'clock position, then it is advisable to switch out the Tone Control section altogether by using this switch. In the 'out' position, the Tone Control circuits are active, pushing the TONE DEFEAT switch in bypasses the Tone Control section.

INPUT SELECTORS.

5. INPUT SELECTORS

These buttons select the active input to the NAD 317 and the signal sent to the loudspeakers, the Tape outputs and the PRE OUT sockets.

LEDs inside each button will indicate which input is currently selected.

TUNER: Selects the tuner (or other line-level source) connected to the Tuner sockets as the active input.

AUX: Selects a line-level source connected to the AUX sockets as the active input.

CD: Selects the CD (or other line-level source) connected to the CD sockets as the active input.

VIDEO: Selects the VCR (or stereo TV/Satellite/Cable receiver) connected to the VCR sockets as the active input.

TAPE FUNCTIONS.

6. TAPE 1 MONITOR/TAPE 2

Selects the output from a tape recorder when playing back tapes or monitoring recordings being made through the Tape 1 sockets. Press the Tape 1 button once to select it and again to return to the normal input selection.

Tape 1 is a tape Monitor function which does not override the current input selection. For example, if the CD is the active input when TAPE 1 is selected, then the CD signal will continue to be selected and sent to both the TAPE 1, and TAPE 2 OUTPUT sockets, but it is the sound from the recorder connected to Tape 1 that will be heard on the loudspeakers.

To show which input is active when in Tape Monitor mode, its indicator light will stay lit.

TAPE 2: Selects Tape 2 as the active input.

TO MAKE A RECORDING

When any source is selected, its signal is also fed directly to any tape machine connected to the TAPE 1 or TAPE 2 OUTPUTS for recording.

TAPE TO TAPE COPYING

You can copy between two tape machines connected to your NAD 317. Put the source tape in the

machine connected to Tape 2 and the blank tape into the recorder connected to Tape 1. By selecting TAPE 2 input you can now record from Tape 2 to Tape 1 and monitor the signal coming from the original tape.

Also you can use Tape 1 as the source and copy to Tape 2 but Tape 2 input has to be selected for the duration of the recording. By selecting Tape 1 Monitor input, you can now monitor the signal coming from the original tape.

CAUTION: WHEN TAPE 2 IS SELECTED, ONLY ONE TAPE MACHINE SHOULD BE SET IN RECORD MODE. IF BOTH ARE SET IN RECORD MODE, WITH TAPE 2 SELECTED, A FEEDBACK LOOP RESULTS WHICH MAY CAUSE A LOUD "WHISTLE OR HOWL", POTENTIALLY DAMAGING YOUR AMPLIFIER OR LOUDSPEAKERS.

BALANCE AND VOLUME.

7. BALANCE

The BALANCE control adjusts the relative levels of the left and right speakers. The 12 o'clock position provides equal level to the left and right channels. A detent indicates this position.

Rotating the control clockwise moves the balance towards the right. Rotating the control anti-clockwise moves the balance to the left. The BALANCE control does not affect recordings made using the Tape outputs but will affect the signal going to the Pre-amp output (Pre Out).

8. VOLUME

The VOLUME control adjusts the overall loudness of the signals being fed to the loudspeakers. It is motor driven and can be adjusted from the remote control handset. The VOLUME control does not affect recordings made using the Tape outputs but will affect the signal going to the Pre-amp output (Pre Out).

INDICATORS AND REMOTE SENSOR

9. PROTECTION

In Protection mode; the loudspeakers have been disconnected by an internal relay. This mode is activated briefly during turn-on and turn-off, to protect the speakers from low-frequency thumps. At other times the Protection mode may be activated by severe overheating, short-circuited speaker wiring, or an internal fault.

If the Status light continues to glow red, switch the Power OFF, allow to cool and then switch Power ON. If the protection system interrupts the sound even when the amplifier is cool, return the amplifier to your NAD dealer for service. The protection relays may be disengaging to protect your speakers from a circuit fault, such as an improper DC voltage at the speaker terminals.

10. SOFT CLIPPING

Shows that the NAD 317 is in Soft Clipping mode.

11. BRIDGE

Shows that the NAD 317 is in bridged mode.

12. SENSOR

Sensor for receiving the infra-red signals from your remote handset. An LED in the Power On/Off button will light when a signal is being received from the remote handset.

REMOTE CONTROL HANDSET.

The Remote Control handset handles all the key functions of the NAD 317 and has additional controls to remotely operate NAD Tuners, Cassette and CD machines. It will operate up to a distance of 16ft (5m).

Alkaline batteries are recommended for maximum operating life. Two AA (R6) batteries should be fitted in the battery compartment at the rear of the Remote Control handset. When replacing batteries, check that they have been put in the right way round, as indicated on the base of the battery compartment.

Please refer to previous sections of the manual for a full description of individual functions.

Note: The remote control handset supplied is the NAD universal remote and can be used on any remote controllable NAD system. Not every function on it may be available on your particular unit.

STANDBY Switches the NAD 317 between On and Standby modes. (Caution: Switch the NAD 317 off using the front panel Power switch when it is not being used for long periods of time.)

MUTE Press the MUTE Button to temporarily switch off the sound to the speakers and headphones. Mute mode is indicated by the volume control LED flashing. Press MUTE again to restore sound.

LD Inoperative for the NAD 317.

VCR1 Selects VIDEO as the active input.

AUX Selects the Aux as the active input.

PHONO Inoperative for the NAD 317.

CD Selects CD as the active input.

TUNER AM Selects Tuner input on the NAD 317 and the AM waveband on a separate NAD Tuner.

TUNER FM Selects the Tuner input of the NAD 317 and the FM waveband on a separate NAD Tuner.

TAPE 2 Selects Tape 2 as the active input.

TAPE 1 Selects Tape 1 (Monitor) as the active input.

VOLUME ▲▼ Increases or decreases the Volume setting using the motorised front panel Volume control.

TUNER CONTROL (for use with NAD Tuner).

BANK. Selects a bank of preset stations.

PRESET ▲▼ Selects preset stations.

TUNE ▲▼ Operates the Manual Tune function.

SEARCH ▲▼ Starts the Tuner Search function.

CD PLAYER CONTROL (for use with NAD CD Player).

|| Pause

■ Stop

▶ Play

⏮ Skip back. Press once to return to start of track, press several times to skip back to previous tracks.

⏭ Skip forward to next track(s).

DISC Go to next disc (for NAD CD changers).

CASSETTE DECK CONTROL (For use with single [A] or double transport [A and B] NAD Cassette Decks).

▶ Forward Play or Reverse Play.

●/|| Record Pause. Press to put cassette deck into record-pause. Press Play to start recording.

■ Stops Play or Recording.

⏮ Rewind.

⏭ Fast Forward.

TROUBLESHOOTING.**NO SOUND**

Power AC lead unplugged or power not switched on.
Tape 1 selected.
Mute on.
Rear Pre/power amp links not fitted correctly.
Internal fuse blown.

Check AC lead.
De-select Monitor mode.
Switch off Mute.
Fit links.
Consult dealer.

NO SOUND ONE CHANNEL

Balance control not centered.
Speaker not properly connected or damaged.
Input lead disconnected or damaged.

Center Balance control.
Check connections and speakers.
Check leads and connections.

WEAK BASS/ DIFFUSE STEREO IMAGE

Speakers wired out of phase.
Bridge Mode switched on with speakers connected for stereo operation

Check connections to all speakers in the system.
Switch 317 out of Bridged Mode.

REMOTE CONTROL HANDSET NOT WORKING

Batteries flat, or incorrectly inserted.
IR transmitter or receiver windows obstructed.

Check or replace batteries.
Remove obstruction.

MISE EN ROUTE RAPIDE

1. Brancher les haut-parleurs aux connecteurs Haut-Parleurs Arrière et brancher les différentes sources aux connecteurs d'entrée appropriés à l'arrière de l'appareil.
2. Brancher le cordon d'alimentation secteur.
3. Appuyer sur le bouton MARCHE/ARRET [POWER] pour mettre en marche le NAD 317.
4. Appuyer sur le sélecteur correspondant à l'entrée souhaitée.

NOTES CONCERNANT L'INSTALLATION

Poser le NAD 317 sur une surface stable, plane et horizontale. Éviter les rayons directs du soleil et les sources de chaleur et d'humidité.

Assurer une ventilation adéquate. Ne pas poser cet appareil sur une surface molle (moquette, par exemple) ou dans un endroit confiné (sur une étagère de bibliothèque ou derrière des portes vitrées), où le flux d'air à travers les ouïes de ventilation risque d'être entravé.

Mettre l'appareil hors tension avant de réaliser les connexions. Les connecteurs RCA phono de votre NAD 317 comportent des codes couleurs afin d'en faciliter le branchement. Le Rouge et le Blanc correspondent respectivement à l'audio Gauche et Droit et le jaune sert à repérer la Liaison-NAD.

Le NAD 317 est fourni avec des câbles RCA pour assurer les branchements de base. S'il faut des câbles supplémentaires, n'utiliser que des câbles et des connecteurs de très bonne qualité de manière à obtenir une fiabilité parfaite et des performances optimales. Vérifier que les câbles et les connecteurs ne présentent aucune détérioration, et que tous les connecteurs sont bien enfoncés jusqu'en butée.

Pour obtenir les meilleures performances, utiliser des câbles d'une épaisseur égale ou supérieure au "calibre 16" pour relier votre amplificateur de puissance aux haut-parleurs.

Si l'appareil doit rester inutilisé pendant un certain temps, débrancher le cordon d'alimentation de la prise de secteur murale.

Si de l'eau pénètre à l'intérieur du NAD 317, couper l'alimentation de l'appareil et retirer la fiche de la prise secteur. Faire contrôler l'appareil par un technicien de service après vente qualifié, avant toute tentative de remise en service.

Ne pas retirer le couvercle. A l'intérieur, il n'y a aucun élément sur lequel l'utilisateur peut intervenir.

Utiliser un chiffon doux sec et propre pour nettoyer l'appareil. Si nécessaire, humecter le chiffon avec un peu d'eau savonneuse.

Ne pas utiliser de solution contenant du benzol ou tout autre agent volatil.

BRANCHEMENTS SUR LA FACE ARRIERE

1. CD INPUT [ENTREE DISQUE AUDIOMERIQUE (CD)]

Entrée pour un lecteur de disques audionumériques (CD) ou pour une autre source de signal de niveau ligne. Utiliser un câble double RCA-à-RCA pour relier les "Sorties Audio" gauche et droite du lecteur de CD à cette entrée. Le NAD 317 accepte uniquement des signaux analogiques en provenance de votre lecteur CD.

2. VIDEO INPUT [ENTREE VIDEO]

Entrée pour le signal audio en provenance d'un magnétoscope (ou de toute autre source audio de niveau ligne). A l'aide de câbles doubles RCA-à-RCA, relier les connecteurs de "Sortie Audio" [Audio Out] gauche et droit de l'appareil à ces entrées. Nota : il s'agit d'entrées audio uniquement.

3. TUNER INPUT [ENTREE TUNER]

Entrée destinée à un Tuner ou à une autre source de signal de niveau ligne. Utiliser un câble double RCA-à-RCA pour brancher les "Sorties Audio" gauche et droite à cette entrée.

4. AUX INPUT [ENTREE AUX]

Entrée pour d'autres signaux de niveau ligne tels que la sortie en provenance d'un autre lecteur de disques audionumériques [CD]. A l'aide d'un câble double RCA-à-RCA, brancher les "Sorties Audio" gauche et droite de l'unité auxiliaire à cette entrée.

5. TAPE 1 IN/OUT [ENTREE/SORTIE MAGNETOPHONE 1]

Branchements pour enregistrement et lecture analogique sur un magnétophone audio de n'importe quel type. A l'aide de câbles doubles RCA-à-RCA, relier les connecteurs de "Sortie Audio" gauche et droit du magnétophone aux connecteurs d'ENTREE MAGNETOPHONE 1 [TAPE 1 IN] pour la lecture et pour la fonction moniteur de bande. Relier les connecteurs "d'Entrée Audio" gauche et droit du magnétophone aux connecteurs de SORTIE MAGNETOPHONE 1 [TAPE 1 OUT] pour l'enregistrement.

6. TAPE 2 IN/OUT [ENTREE/SORTIE MAGNETOPHONE 2]

Branchements pour enregistrement et lecture analogique secondaire sur un magnétophone audio de n'importe quel type. A l'aide de câbles doubles RCA-à-RCA, relier les connecteurs de "Sortie Audio" gauche et droit du magnétophone aux connecteurs d'ENTREE MAGNETOPHONE 2 [TAPE 2 IN] pour la lecture. Relier les connecteurs "d'Entrée Audio" gauche et droit du magnétophone aux connecteurs de SORTIE MAGNETOPHONE 2 [TAPE 2 OUT] pour l'enregistrement.

7. PRE OUT, MAIN IN [SORTIE PREAMPLI, ENTREE AMPLI DE PUISSANCE]

Branchement à un préamplificateur externe, à un amplificateur de puissance ou à un processeur tel

qu'un décodeur de sonorisation enveloppante, par exemple. Pour une utilisation normale, ces connecteurs doivent être reliés ensemble à l'aide des cavaliers fournis. Pour brancher votre NAD 317 à un processeur externe ou à des modules d'amplification externes, il faut commencer par retirer ces cavaliers. A l'aide de câbles doubles RCA-à-RCA, relier les connecteurs "d'Entrée Audio" gauche et droit de l'amplificateur de puissance aux connecteurs de SORTIE PREAMPLI [PRE OUT].

Relier les connecteurs de "Sortie Audio" gauche et droit du préamplificateur ou du processeur aux connecteurs d'ENTREE AMPLI DE PUISSANCE [MAIN IN].

Nota : Le signal de Sortie Préamplificateur est affecté par les réglages du volume sonore et de la tonalité du NAD 317.

8. NAD-LINK OUT [SORTIE LIAISON-NAD]

Le connecteur de Liaison-NAD [NAD-Link] sert à relayer les commandes émises par la télécommande vers et en provenance d'autres appareils équipés de connecteur de Liaison-NAD. Cela permet d'assurer une commande centralisée pour tout un réseau, ou permet de télécommander la chaîne depuis plusieurs pièces. Pour assurer le relais vers d'autres appareils, relier le connecteur de SORTIE Liaison-NAD [NAD-Link OUT] du NAD 317 à l'ENTREE NAD-Link de l'autre appareil. Il est possible de relier les connecteurs de Liaison-NAD en chaîne, ENTREE vers SORTIE, et donc de commander tout un réseau d'appareils à l'aide de la télécommande d'un seul d'entre eux.

Un simple branchement de Liaison-NAD en provenance d'une chaîne Hi-fi située dans une autre pièce permettra de télécommander les réseaux Multi-Salles.

9. HAUT-PARLEURS

Bornes prévues pour le branchement de haut-parleurs d'une impédance de 4 ohms ou plus.

Brancher le haut-parleur droit sur les bornes repérées "R+" et "R-", en s'assurant que le "R+" est relié à la borne "+" de votre haut-parleur et que "R-" est relié à la borne "-" de votre haut-parleur.

Brancher les bornes repérées "L+" et "L-" au haut-parleur gauche en procédant de la même manière.

N'utiliser que du fil torsadé haute puissance (calibre 16 ou plus), pour brancher les haut-parleurs à votre NAD 317.

On peut utiliser les bornes serre-fils pour courants élevés comme bornes à visser pour les câbles comportant des cosses plates ou des broches, ou pour des câbles comportant des fils nus.

COSSES PLATES.

On intercale ces cosses sous la bague à visser de la borne, avant de la serrer. Vérifier que le connecteur est bien serré, et qu'il n'y a aucun danger que le métal nu de la cosse ne touche le panneau arrière ou un autre connecteur, sous peine de provoquer des détériorations.

FILS NUS ET BROCHES

Les fils nus et les broches s'insèrent dans le trou diamétral percé dans la tige de la borne. Desserrer la bague en plastique de la borne de haut-parleur jusqu'à ce que le trou axial dans la tige soit visible. Insérer la broche ou le fil nu dans le trou, puis fixer le câble en vissant la bague de la borne.

Eviter tout risque que le métal nu des câbles de haut-parleurs ne touche le panneau arrière ou un autre connecteur. S'assurer que la longueur dénudée ou la longueur de la broche ne dépasse pas 1/2" (1 cm), et qu'il n'y a aucun brin libre.

10. SOFTCLIPPING [ECRETAGE DOUX]

Lorsqu'un amplificateur est poussé au delà de sa puissance de sortie spécifiée, on entend un son dur et déformé lors des passages à sonorité forte. Cela provient du fait que l'amplificateur coupe ou "écrête de façon dure" les pointes sonores pour lesquelles sa conception ne permet pas la reproduction. Le circuit d'écrêtage doux de NAD limite en douceur la forme d'onde à la sortie, pour minimiser la distorsion audible lorsque l'amplificateur est poussé au delà de ses limites.

Si votre écoute comporte des niveaux modérés de puissance, vous pouvez laisser l'interrupteur d'Ecrêtage Doux [Soft Clipping] sur Arrêt [Off]. Si, par contre, vous pensez passer de la musique à des niveaux très élevés, susceptibles de dépasser la capacité de puissance de l'amplificateur, nous préconisons de mettre l'interrupteur d'Ecrêtage Doux [Soft Clipping] sur Marche [On].

La diode électroluminescente Ecrêtage Doux [Soft Clipping] s'allume sur la face parlante, lorsque le mode d'Ecrêtage Doux est actif.

11. BRIDGE SWITCH [SELECTEUR DE PONTAGE]

Il est possible d'intégrer le NAD 317 dans une chaîne stéréo de plus grande puissance, ou dans un système de Salle Audio-visuelle à Domicile, en y ajoutant des amplificateurs de puissance supplémentaires. Si la section amplificateur de puissance du NAD 317 va être utilisée pour piloter un seul haut-parleur, utiliser le sélecteur de Pontage [Bridge] pour faire fonctionner les amplificateurs de puissance droit et gauche comme une seule voie de grande puissance. Après avoir placé le sélecteur de pontage en position "Pontage" ["Bridge"], brancher le haut-parleur aux bornes repérées "L+" et "R+", en veillant à ce que le "L+" soit relié à la borne "+" de votre haut-parleur et le "R+" à la borne "-". En mode ponté, la voie gauche est utilisée comme entrée, et le NAD 317 génère environ 240 W dans un haut-parleur de 8 ohms. Dans ce mode, les deux sections de l'amplificateur réagissent comme si l'on avait divisé l'impédance du haut-parleur par deux. Il est donc déconseillé d'utiliser des haut-parleurs d'impédance très faible (moins de 4 Ω), car ils risqueraient de provoquer le déclenchement du disjoncteur thermique de l'amplificateur en cas d'écoute à un niveau sonore élevé.

La diode électroluminescente Pontage [Bridge] s'allume sur la face parlante, lorsque l'amplificateur est en mode Pontage.

12. CORDON D'ALIMENTATION SECTEUR

Après avoir effectué tous les raccordements au préamplificateur, branchez le cordon d'alimentation secteur sur une prise murale sous tension.

13. SORTIES SECTEUR (Versions US ET CANADIEN uniquement)

Il est possible de brancher les câbles secteur d'autres appareils directement sur les sorties secteur commutées de l'AV 711.

Si l'on branche un autre module stéréo sur la sortie secteur NON COMMUTÉE [UNSWITCHED], l'alimentation de ce module sera assurée que votre AV 711 soit allumé ou éteint.

COMMANDES SUR LA FACE PARLANTE FONCTIONS MARCHE/ARRET, HAUT-PAR- LEURS ET CASQUE

1POWER [MARCHE/ARRET]

Une impulsion sur l'interrupteur de MARCHE/ARRET [POWER] met l'appareil sous tension et, quelques secondes plus tard, allume la diode électroluminescente Marche [Power] en vert. Une nouvelle impulsion sur l'interrupteur de MARCHE/ARRET remet l'amplificateur hors tension.

Lorsque le NAD 317 est sous tension, une impulsion sur le bouton de mise en Veille [Standby] de la télécommande met le NAD 317 en mode Veille ; la diode électroluminescente Marche [Power] passe du vert au amber. Le témoin amber de Veille indique que le NAD 317 est alimenté en électricité, mais que la chaîne est actuellement en mode Veille.

ATTENTION : En mode Veille, le NAD 317 reste alimenté en électricité. Il faut mettre le récepteur hors tension à l'aide de la commande Marche/Arrêt [Power] sur la face parlante, lorsqu'il doit rester inutilisé pendant une période prolongée.

2. PHONES [PRISE CASQUE]

Une prise jack 1/4" est prévue pour permettre l'écoute sur casque et fonctionne pour tout type de casque conventionnel, quelle que soit son impédance. Le fait de brancher un jack de casque sur cette prise coupe automatiquement les haut-parleurs. Les commandes de volume sonore, de tonalité et de balance agissent aussi sur l'écoute sur casque. Utiliser un adaptateur approprié pour brancher des casques équipés d'un autre type de connecteur, tel qu'un jack stéréophonique de 3,5 mm du type "baladeur stéréo".

Attention: Veiller à ce que la commande de volume sonore soit réglée au minimum (butée anti-horaire) avant de brancher le casque.

L'écoute à des niveaux sonores élevés peut entraîner des dommages auditifs permanents.

FONCTIONS TONALITE

3. BASS & TREBLE [COMMANDES DES GRAVES ET DES AIGUS]

Le NAD 317 est équipé de commandes de GRAVES [BASS] ET d'AIGUS [TREBLE], qui permettent de régler la tonalité globale de votre chaîne.

La position médiane (12 heures) correspond à une courbe plate, sans amplification ni atténuation ; un léger déclic peut être ressenti dans le mouvement du bouton à cet endroit. Tourner le bouton en sens horaire pour amplifier les Graves ou les Aigus. Tourner le bouton en sens anti-horaire pour atténuer les Graves ou les Aigus. Les commandes de tonalité n'affectent pas les enregistrements réalisés à partir des sorties Magnétophone mais agissent cependant sur le signal envoyé à la sortie Préamplificateur [PRE OUT].

4. TONE DEFEAT [TONALITE NEUTRE].

Les circuits de tonalité du NAD 317 sont contournés lorsque la fonction TONALITE NEUTRE [TONE DEFEAT] est activée. Si l'on n'utilise pas les commandes de tonalité, c'est à dire qu'elles restent toujours en position médiane (12 heures), il est conseillé de mettre les circuits de réglage de la tonalité complètement hors circuit à l'aide de ce bouton. En position "sortie", les circuits de tonalité sont actifs ; le fait d'enfoncer le bouton TONALITE NEUTRE [TONE DEFEAT] contourne les circuits de réglage de la tonalité.

SELECTEURS ENTREE

5 INPUTS [SELECTEURS ENTREE]

Ces boutons permettent de sélectionner l'entrée active du NAD 317 ainsi que le signal envoyé aux haut-parleurs, aux sorties Magnétophone [Tape] et aux connecteurs Préamplificateur [PRE OUT].

Une diode électroluminescente est prévue dans chaque bouton, pour indiquer laquelle des entrées est actuellement sélectionnée.

TUNER: Sélectionne le tuner (ou toute autre source de niveau ligne) branché aux connecteurs Tuner, comme l'entrée active.

AUX: Sélectionne une source de niveau ligne connectée à l'entrée AUX, comme entrée active.

DISQUE AUDIONUMERIQUE [CD]: Sélectionne le lecteur de disques audionumériques (ou toute autre source de niveau ligne) branché aux connecteurs CD, comme l'entrée active.

VIDEO: Sélectionne le Magnétoscope (ou le téléviseur stéréo, le récepteur Satellite ou le récepteur Câble) connecté aux connecteurs Magnétoscope [VCR], comme entrée active.

FONCTIONS MAGNETOPHONE

6. TAPE 1 [MAGNETOPHONE 1]

Sélectionne le signal de sortie du Magnétophone 1 pour lire les bandes ou contrôler les enregistrements en cours sur les connecteurs Magnétophone 1 [Tape 1]. Appuyer une fois sur le bouton Magnétophone 1 [Tape 1] pour sélectionner celui-ci, et une deuxième fois pour revenir à la sélection normale des entrées.

Magnétophone 1 [Tape 1] est une fonction de Moniteur de Bande qui n'affecte pas la sélection d'entrée actuelle. Si, par exemple, le lecteur CD est l'entrée active lors de la sélection de MAGNETOPHONE 1 [TAPE 1], le signal du lecteur CD continue à être envoyé aux sorties d'enregistrement MAGNETOPHONE 1 [TAPE 1] et MAGNETOPHONE 2

[TAPE 2], mais c'est le signal de sortie du Magnétophone 1 que l'on entend sur les haut-parleurs.

Afin d'indiquer laquelle des Entrées est active lorsque le mode Moniteur de Bande est actif, la diode témoin de cette entrée reste allumée.

TAPE 2 [MAGNETOPHONE 2]

Sélectionne le Magnétophone 2 comme entrée active.

POUR EFFECTUER UN ENREGISTREMENT

Quelle que soit la source sélectionnée, son signal est envoyé directement vers n'importe quel enregistreur à bandes magnétiques relié aux SORTIES MAGNETOPHONE 1 ou MAGNETOPHONE 2 [TAPE 1] ou [TAPE 2], pour être enregistré le cas échéant.

COPIES D'UNE BANDE A UNE AUTRE

Vous pouvez copier des bandes magnétiques d'un magnétophone à un autre, lorsqu'ils sont reliés à votre NAD 317. Mettez la bande source dans le magnétophone relié à Magnétophone 2 [Tape 2], et la bande vierge dans le magnétophone relié à Magnétophone 1 [Tape 1]. En sélectionnant MAGNETOPHONE 2 [TAPE 2] comme Entrée, il est possible de copier depuis le Magnétophone 2 vers le Magnétophone 1, tout en contrôlant le signal en provenance de la bande d'origine.

On peut aussi mettre la bande source dans le Magnétophone 1 et la copier vers le Magnétophone 2, mais dans ce cas il faut sélectionner l'entrée Moniteur de Bande 1 pendant toute la durée de l'enregistrement.

ATTENTION : LORSQUE LE MAGNETOPHONE 2 A ETE SELECTIONNE, UN SEUL MAGNETOPHONE DOIT ETRE EN MODE D'ENREGISTREMENT. SI LES DEUX MAGNETOPHONES SONT EN MODE D'ENREGISTREMENT LORSQUE LE MAGNETOPHONE 2 A ETE SELECTIONNE, CELA CREE UNE BOUCLE DE RETOUR DE SIGNAL ET PEUT GENERER UN SIFFLEMENT OU UN HURLEMENT TRES INTENSE. CE RETOUR DE SIGNAL PEUT ENDOMMAGER VOTRE AMPLIFICATEUR OU VOS HAUT-PARLEURS.

BALANCE ET VOLUME

7. BALANCE

La commande de BALANCE règle les niveaux relatifs des sorties Gauche et Droite. La position centrale (12 heures) assure un niveau égal pour les voies Gauche et Droite. Un léger déclic peut être ressenti dans le mouvement du bouton à cet endroit. En tournant le bouton en sens horaire, on déporte la balance vers la droite. En tournant le bouton en sens anti-horaire, on déporte la balance vers la gauche. La commande de BALANCE n'affecte pas les enregistrements réalisés sur les sorties Magnétophone [Tape], mais affecte le signal envoyé à la sortie Préamplificateur [Pre-Out].

8. VOLUME.

La commande de VOLUME sonore règle le niveau sonore global des signaux envoyés aux haut-par-

leurs. Cette commande comporte un servo-moteur, et peut être réglée à l'aide de la télécommande. La commande de VOLUME n'a aucun effet sur les enregistrements effectués en utilisant les sorties Magnétophone.

INDICATEURS ET CAPTEUR DE TELECOMMANDE

9. SECTEUR PROTECTION

En Mode Protection, les haut-parleurs ont été déconnectés par un relais interne. Ce mode est activé brièvement lors de la mise sous tension et hors tension de l'amplificateur, pour protéger les haut-parleurs des battements basse fréquence. Le mode protection peut aussi, à n'importe quel moment, être activé par une surchauffe très importante, par un court-circuit dans le câblage des haut-parleurs, ou par une panne interne.

Si la LED d'Etat reste allumée en rouge de façon permanente, couper l'alimentation électrique. Lorsque l'étage de sortie aura refroidi, les relais rétabliront automatiquement la liaison avec les haut-parleurs, et le fonctionnement normal pourra reprendre. Dans la plupart des cas, il suffira de réduire très légèrement le niveau sonore afin d'éviter d'autres interruptions d'écoute.

Si les relais de protection interrompent souvent le son, plusieurs causes possibles sont à envisager : un brin de fil désolidarisé provoque un court-circuit partiel au niveau des bornes des haut-parleurs, ou bien l'amplificateur fonctionne à haute puissance de façon continue avec une charge de très faible impédance en mode ponté, ou encore le débit d'air nécessaire pour ventiler l'amplificateur et dissiper la chaleur est obstrué.

Si le relais de protection interrompt le son même lorsque l'amplificateur est froid, renvoyer l'amplificateur à votre distributeur NAD pour réparation : il se peut que le circuit de protection agisse pour protéger les haut-parleurs d'une défaillance interne, telle qu'une tension CC incorrecte au niveau des bornes des haut-parleurs.

10. SOFTCLIPPING [ECRETAGE DOUX]

Indique que le NAD 317 est en mode d'Ecrêtage doux.

11. PONTAGE

Indique que le NAD 317 est en mode pontage.

12. CAPTEUR

Capteur permettant de recevoir les signaux infrarouges en provenance de votre combiné de télécommande. Une diode électroluminescente dans le bouton de Marche/Arrêt s'allume lorsque l'appareil reçoit un signal de la télécommande.

COMBINE DE TELECOMMANDE

Le combiné de la Télécommande reproduit toutes les fonctions clés du NAD 317, et comporte aussi des commandes supplémentaires permettant de télécommander Tuners, lecteurs de cassettes et de disques numériques (CD) NAD, depuis une distance pouvant aller jusqu'à 5 mètres.

Afin d'obtenir une durée de fonctionnement satisfaisante, il est recommandé d'utiliser des piles alcalines. Le compartiment des piles, à l'arrière de la Télécommande, est prévu pour deux piles de type R6 (AA). Lors du remplacement des piles, s'assurer de leur bonne orientation conformément au dessin dans le fond du compartiment des piles.

Se reporter aux sections précédentes du manuel pour des descriptions détaillées des différentes fonctions.

NOTA : La télécommande fournie est la télécommande universelle NAD, et peut être utilisée sur n'importe quel système NAD télécommandable. De ce fait, il se peut que votre système n'exploite pas toutes les fonctions du combiné.

STANDBY [VEILLE] Commute le NAD 317 entre les modes Marche et Veille (Attention : Mettre le NAD 317 hors tension à l'aide de la commande Marche/Arrêt [Power] sur la face parlante, lorsqu'il doit rester inutilisé pendant une période prolongée).

MUTE [COUPURE SON] Appuyer sur le bouton de COUPURE SON pour couper temporairement le son envoyé aux haut-parleurs et au casque. Pour indiquer que le mode Coupure Son est actif, la diode électroluminescente dans la commande de volume sonore clignote. Une nouvelle impulsion sur COUPURE SON [MUTE] rétablit le son à son niveau d'origine.

LD Sans effet sur le NAD 317.

VCR1 [MAGNETOSCOPE 1] Sélectionne l'entrée VIDEO comme entrée active.

AUX Sélectionne l'entrée AUX comme entrée active.

PHONO Ne fonctionne pas pour le NAD 317.

CD Sélectionne le lecteur de Disques Audionumériques (CD) comme entrée active.

TUNER AM Sélectionne l'entrée Tuner AM du NAD 317 comme entrée active. Ce bouton sélectionne aussi la bande AM sur un Tuner NAD distinct.

TUNER FM Sélectionne l'entrée Tuner FM du NAD 317 comme entrée active. Ce bouton sélectionne aussi la bande FM sur un Tuner NAD distinct.

TAPE 2 [MAGNETOPHONE 2] Sélectionne le Magnétophone 2 comme entrée active.

TAPE 1 [MAGNETOPHONE 1] Sélectionne le Magnétophone 1 (Moniteur) comme entrée active.

VOLUME ▲▼ Augmente ou diminue le réglage du Volume sonore, en activant la commande de Volume sonore motorisée sur la face parlante.

COMMANDE TUNER [TUNER CONTROL] (s'utilise avec un Tuner NAD).

BANK [BANQUE] Sélectionne une banque de stations préréglées.

PRESET [PREREGLAGE] ▲▼ Sélectionne des stations préréglées.

TUNE [ACCORD] ▲▼ Sélectionne la fonction d'Accordage Manuel.

SEARCH [RECHERCHE] ▲▼ Lance la fonction de Recherche du Tuner.

COMMANDE DE LECTEUR DE DISQUES AUDIONUMÉRIQUES (CD) [CD PLAYER CONTROL] (destinée à être utilisée avec un Lecteur de CD NAD).

|| Pause.

■ Arrêt [Stop].

► Lecture.

||◀ Saut à la piste précédente. Appuyer une fois pour revenir au début de la piste en cours, plusieurs fois pour aller au début des pistes qui la précèdent.

►► Saut à la piste suivante.

DISQUE [DISC] Disque suivant. (Pour les Lecteurs CD NAD à disques multiples).

COMMANDE DE LA PLATINE A CASSETTES [CASSETTE DECK CONTROL] (pour utilisation avec une Platine à Cassettes NAD simple (A) ou double (A et B)).

► Lecture en Avant ou en Arrière

●/|| Enregistrement Pause. Appuyer pour mettre la platine à cassettes en mode enregistrement-pause. Appuyer sur Lecture pour lancer l'enregistrement.

■ Arrête la Lecture ou l'Enregistrement.

◀◀ Rembobinage.

►► Avance rapide.

DEPANNAGE

AUCUN SON

Cordon secteur débranché, ou alimentation coupée.
Magnétophone 1 [Tape 1] sélectionné.
Fonction Coupure du Son [Mute] active.
Mauvais branchement des cavaliers préampli / ampli de puissance à l'arrière de l'appareil.
Fusible interne grillé.

Vérifier le cordon secteur.
Désélectionner le Mode Moniteur de Bande.
Désactiver la fonction Coupure du Son.
Brancher correctement les cavaliers.

Consulter le revendeur.

PAS DE SON SUR UNE VOIE

Commande de balance non centrée.
Haut-parleur mal branché ou détérioré.
Câble d'entrée débranché ou détérioré.

Centrer la commande de balance.
Vérifier l'état et le branchement des haut-parleurs.
Vérifier les câbles et les branchements.

GRAVES FAIBLES / IMAGE STEREO DIFFUSE

Haut-parleurs câblés en déphasé.

Vérifier le branchement de tous les haut-parleurs de la chaîne.
Désélectionner le Mode Ponté du 317.

Mode Pontage actif alors que les haut-parleurs sont branchés pour un fonctionnement en mode stéréophonique.

LA TELECOMMANDE NE FONCTIONNE PAS

Piles usées ou incorrectement insérées.
Fenêtre d'émission ou de réception IR obstruées.

Vérifier ou remplacer les piles.
Retirer les obstructions.

SCHNELLANSCHLUSS

1. Die Lautsprecher an die hinteren Lautsprecherbuchsen und die Quellen an die entsprechenden hinteren Eingangsbuchsen anschließen.
2. Das WS-Stromkabel einstecken.
3. Zum Einschalten des NAD 317 die Stromtaste (POWER) drücken.
4. Den entsprechenden Eingabewähler drücken.

HINWEISE ZUM AUFSTELLEN

Das NAD 317-Gerät sollte auf einer festen, ebenen Fläche aufgestellt werden. Vor Sonneneinwirkung, Wärme und Feuchte schützen.

An einem gut belüfteten Ort aufstellen. Das Gerät nicht auf einer weichen Fläche, wie z.B. einem Teppich, aufstellen. Das Gerät nicht in ein geschlossenes Möbelstück, wie z.B. einen Bücherschrank oder Schrank stellen, da hierdurch der Luftstrom durch die Entlüftungsschlitze behindert werden könnte.

Das Gerät vor dem Anschließen ausschalten. Die RCA-Anschlüsse am NAD 317 sind übersichtlich farblich gekennzeichnet. Die roten und weißen Anschlüsse sind jeweils für Audio rechts und links und der gelbe Anschluß ist für NAD-Link.

Das NAD 317-Gerät hat für die normalen Anschlüsse RCA-Kabel. Sind zusätzliche Kabel erforderlich, dann sollten für optimale Leistung und zuverlässigen Anschluß nur hochqualitative Leitungen verwendet werden. Sicherstellen, daß Leitungen und Anschlüsse in keiner Weise beschädigt sind und daß alle Anschlüsse fest eingesteckt sind.

Für optimale Leistung qualitative Lautsprecherleitungen der Stärke 16 oder darüber verwenden.

Wenn das Gerät längere Zeit nicht gebraucht wird, den Netzstecker ziehen.

Gelangt Wasser in das NAD 317-Gerät, die Stromzufuhr zur Einheit ausschalten und den Netzstecker herausziehen. Vor Wiederinbetriebnahme sollte das Gerät vom Kundendienst überprüft werden.

Geräteabdeckung nicht entfernen; im Innern befinden sich keine vom Benutzer zu reparierende Teile.

Das Gerät mit einem trockenen, weichen Tuch reinigen. Falls erforderlich, das Tuch mit Seifenwasser leicht anfeuchten. Keine Benzollösungen oder anderen Lösungen mit flüchtigem Inhalt verwenden.

ANSCHLÜSSE AUF DER RÜCKSEITE

1. CD INPUT

Eingang für CD-Player oder andere Hochpegelsignalquelle. Die linken und rechten Tonausgänge (Audio Outputs) vom CD-Player mit einer Phono-an-Phono-Doppelleitung mit diesem Eingang verbinden. Das NAD 317-Gerät akzeptiert nur Analogsignale von Ihrem CD-Player.

2. VIDEO INPUT

Eingang für Tonsignale von einem Stereo-Videorecorder (oder Stereo-TV-/Satellit-/Kabelempfänger) oder einer anderen Hochpegeltonquelle. Die linken und rechten Tonausgänge (Audio Out) der Einheit mit einer Phono-an-Phono-Doppelleitung mit diesen Eingängen verbinden. Anmerkung: Bei diesen Eingängen handelt es sich nur um Toneingänge.

3. TUNER INPUT

Eingang für einen Tuner oder eine andere Hochpegelsignalquelle. Den linken und rechten Tonausgang (Audio Outputs) des Tuners mit einer Phono-an-Phono-Doppelleitung an diesen Eingang verbinden.

4. AUX INPUT (Zusatzeingang)

Eingang für zusätzliche Hochpegel-Eingangssignale, wie z.B. von einem anderen CD-Player. Den linken und rechten Tonausgang (Audio Outputs) der Hilfseinheit mit einer Phono-an-Phono-Doppelleitung an diesen Eingang verbinden.

5. TAPE 1 IN/OUT (Anschluß für Tonbandgerät)

Anschlüsse zur Analog-Aufnahme und -Wiedergabe zu einem Audio-Tonbandgerät jeglicher Art. Zur Wiedergabe und Bandüberwachung den linken und rechten Tonausgang (Audio Output) des Tonbandgeräts über Phono-an-Phono-Doppelleitungen an die Buchsen TAPE 1 IN anschließen. Zur Aufnahme den linken und rechten Toneingang (Audio Input) des Tonbandgeräts an die Buchsen TAPE 1 OUT anschließen.

6. TAPE 2 IN/OUT (Anschluß für Tonbandgerät 2)

Anschlüsse zur Analog-Aufnahme und -Wiedergabe zu einem zweiten Audio-Tonbandgerät jeglicher Art. Zur Wiedergabe den linken und rechten Tonausgang (Audio Output) des Tonbandgeräts über Phono-an-Phono-Doppelleitungen an die Buchsen TAPE 2 IN anschließen. Zur Aufnahme den linken und rechten Toneingang (Audio Input) des Tonbandgeräts an die Buchsen TAPE 2 OUT anschließen.

7. PRE OUT, MAIN IN

Anschlüsse an einen externen Vorverstärker, Stromverstärker oder Prozessor, wie z.B. ein Surround-Sound-Decoder (Raumton). Bei normalem Betrieb sollten diese unter Verwendung der mitgelieferten Verbindungen zusammen angeschlossen



werden. Zum Anschluß des NAD 317-Geräts an die externen Prozessor- oder Verstärkerabschnitte diese Verbindungen zuerst entfernen. Den linken und rechten Toneingang (Audio Input) des Stromverstärkers oder Prozessors mit einer Phono-an-Phono-Doppelleitung an die Pre-Out-Anschlüsse verbinden.

Den linken und rechten Tonausgang (Audio Output) des Stromverstärkers oder Prozessors an die 'Main-In'-Anschlüsse verbinden.

Anmerkung: Das 'Pre-Out'-Ausgabesignal wird durch die Lautstärken- und Tonreglereinstellungen des NAD 317 beeinflusst.

8. NAD LINK IN, OUT (NAD-LINK EIN/AUS)

Über die NAD-Link-Verbindung werden von der Fernbedienung an andere mit NAD-Link ausgestattete Geräte Befehle übertragen und umgekehrt. Eine ganze Anlage läßt sich auf diese Weise zentral steuern bzw. von mehr als einem Raum steuern. Zur Funktion mit anderen Geräten den Ausgang NAD-Link OUT des NAD 317 an den Anschluß NAD-Link IN am anderen Gerät anschließen. Die NAD-Link-Verbindungen lassen sich so durchschalten, IN an OUT, wobei die ganze Anlage von der Fernbedienung eines Gerätes gesteuert werden kann.

Über eine einzelne NAD-Link-Verbindung von einem Hi-Fi-System in einem zweiten Raum können Mehrraumanlagen gesteuert werden.

9. LAUTSPRECHER

Lautsprecheranschlüsse für Lautsprecher mit einer Impedanz von 4 Ohm oder darüber.

Den rechten Lautsprecher an die Anschlüsse mit der Kennzeichnung 'R+' und 'R-' anschließen, hierbei sicherstellen, daß 'R+' an den Anschluß '+' an Ihrem Lautsprecher und daß 'R-' an den Anschluß '-' des Lautsprechers angeschlossen wird.

Die Anschlüsse mit der Kennzeichnung 'L+' und 'L-' in gleicher Weise an den linken Lautsprecher anschließen. Zum Anschluß der Lautsprecher an das NAD 317-Gerät immer Hochleistungs-Mehrdrhtleitung (16 oder stärker) verwenden.

Die Starkstrom-Klemmbolzenanschlüsse können als Schraubanschluß für Leitungen, die in Flach- oder Stiftsteckern oder für Leitungen mit blankem Drahtende verwendet werden.

FLACHSTECKER

Diese sollten unter die Schraubbuchse des Anschlusses geschoben werden, wonach diese fest angezogen wird. Sicherstellen, daß das Anschlußteil fest sitzt und keine Gefahr besteht, daß blankes Metall von den Flachsteckern die Rückseite oder einen anderen Anschluß berührt, da dies Beschädigung zur Folge haben kann.

BLANKE DRÄHTE UND STIFTSTECKER

Blanke Drähte und Stiftstecker sollten in das Loch im Schaft des Anschlusses eingesteckt werden. Die Plastikbuchsen des Lautsprecheranschlusses

losrauben, bis das Loch im Schraubenschaft sichtbar wird. Stift oder blankes

Drahtleitungsende in das Loch schieben und das Kabel durch Anziehen der Anschlußbuchsen sichern.

Darauf achten, daß keine Gefahr besteht, daß blankes Metall von den Lautsprecherkabeln die Rückseite oder einen anderen Anschluß berührt. Sicherstellen, daß nur 1cm blankes Kabel oder Stift und keine losen Einzeldrähte des Lautsprecherdrahts vorhanden sind.

10. SOFT CLIPPING (Impulsbegrenzung)

Wird ein Verstärker über seine spezifizierte Leistungsausgabe hinweg betrieben, dann ist bei sehr lauten Tönen ein harter, verzerrter Ton hörbar. Dieser entsteht dadurch, daß der Verstärker die Tonspitzen, die er seinem Design entsprechend nicht reproduzieren kann, abschneidet, was auch als "Hard Clipping" bezeichnet wird. Der Stromkreis zur Impulsbegrenzung des NAD-Geräts beschränkt die Ausgabe des Systems, um hörbare Verzerrung auf ein Minimum zu reduzieren, wenn der Verstärker überbeansprucht wird.

Wenn Sie beim Anhören nur wenig Leistung erfordern, dann kann der 'Clipping'-Schalter ausgeschaltet bleiben. Wenn Sie das Gerät jedoch mit großer Leistung einsetzen, wodurch die Leistung des Verstärker hoch beansprucht wird, dann sollte 'Soft Clipping' eingeschaltet werden.

Die 'Soft-Clipping'-Leuchte auf der Vorderanzeige leuchtet, wenn sich der Verstärker im 'Soft-Clipping'-Modus befindet.

11. BRÜCKENSCHALTUNG

Das NAD 317-Gerät kann als Teil eines Stereosystems mit höherer Leistung oder eines Heimkinosystems eingesetzt werden, indem man zusätzliche Stromverstärker anschließt. Wird der Stromverstärkerabschnitt des NAD 317 zum Betrieb eines einzelnen Lautsprechers verwendet, dann sollten Sie die Brückenschaltung zum Betrieb des linken und rechten Verstärkers als eine Einkanal-, Hochleistungseinheit verwenden. Stellen Sie die Brückenschaltung in die Position 'Bridge' und schließen Sie den Lautsprecher an die Anschlüsse mit der Kennzeichnung 'L+' und 'R+' an, wobei sichergestellt wird, daß 'L+' an den '-'-Anschluß an Ihrem Lautsprecher und 'R+' an den '-'-Anschluß des Lautsprechers angeschlossen werden. Im Brückenmodus wird der linke Kanal als Eingang benutzt und der NAD 317 liefert ca. 240W in einen 8 Ohm Lautsprecher. In diesem Modus reagiert der Verstärkerabschnitt als ob die Lautsprecherimpedanz halbiert wurde. Daher werden Lautsprecher mit sehr niedriger Impedanz (unter 4 Ohm) nicht empfohlen, da sie, wenn sie bei großer Leistung genutzt werden, möglicherweise die Thermalausschaltung des Verstärkers auslösen.

Die Brücken-Leuchte auf der Vorderanzeige leuchtet, wenn sich der Verstärker im Brückenmodus befindet.

12. AC LINE CORD (Netzkabel)

Erst nachdem Sie alle Programmquellen mit dem Vorverstärker verbunden haben, den Netzschalter in die Steckdose stecken.

13. WECHSELSTROM-AUSGÄNGE (NUR BEI IN DEN USA ODER IN KANADA GEKAUFTEN MODELLEN)

Die Netzkabel der anderen Geräte in der Tonanlage können direkt an die unschaltbaren Netzausgänge des AV 711 angeschlossen werden. Wird ein anderes Stereogerät in den Wechselstrom-Ausgang UNSWITCHED eingesteckt, so wird es auch bei ausgeschaltetem AC711-Gerät mit Strom versorgt.

BEDIENELEMENTE DER FRONTSEITE

DIE FUNKTIONEN VON NETZSCHALTER (POWER), LAUTSPRECHERN UND KOPFHÖRER

1. POWER (Netzschalter)

Durch Drücken der POWER-Taste wird das Gerät eingeschaltet und nach einigen Sekunden leuchtet die Anzeigeleuchte grün. Durch nochmaliges Drücken der POWER-Taste wird das Gerät ausgeschaltet.

Wenn das NAD 317-Gerät eingeschaltet wird, dann wird es durch Drücken der Standby-Taste (Bereitschaft) auf der Fernbedienung auf Bereitschaftsmodus gestellt und die Anzeigeleuchte leuchtet bernsteinfarbe. Die bernsteinfarbene Bereitschaftsanzeige zeigt an, daß der NAD 317 mit Strom versorgt wird, daß sich das System jedoch gegenwärtig im Bereitschaftsmodus befindet.

VORSICHT: In Bereitschaftsstellung wird das NAD 317-Gerät immer noch mit Strom versorgt. Wird das Gerät längere Zeit nicht benutzt, dann sollte es mit Hilfe der Power-Taste an der Frontseite ausgeschaltet werden.

2. KOPFHÖRER-BUCHSE

Eine 1/4" Stereobuchse ist für das Anhören mit Kopfhörer vorgesehen und diese funktioniert mit herkömmlichen Kopfhörern jeglicher Impedanz. Ein Einschieben des Kopfhörersteckers in diese Buchse verursacht das Ausschalten der Lautsprecher. Lautstärke- und Ton- sowie Balance-Regler können für das Anhören mit Kopfhörern benutzt werden. Bei Verwendung von Kopfhörern mit anderen Anschlußarten ist gegebenenfalls eine Zwischenstecker zu verwenden, wie z.B. ein 3.5mm Stecker für sogenannte 'Personal Stereos'.

Warnung: Sicherstellen, daß die Lautstärke auf Minimum gestellt ist (ganz gegen den Uhrzeigersinn), bevor die Kopfhörer angeschlossen werden. Übermäßige Lautstärke kann zu Gehörschäden führen.

KLANGFARBENFUNKTIONEN

3. TIEFTON- UND HÖHENSTELLER (BASS & TREBLE)

Das NAD 317-Gerät ist mit BASS- und TREBLE-Klangfarbenreglern ausgestattet, um das Gesamtklangbild der Anlage einzustellen.

In der 12-Uhr-Stellung ist dieses 'flach' ohne Verstärkung oder Schnitt und eine Einrastung zeigt diese Position an. Zur Erhöhung der tiefen oder hellen Klangtöne den Regler im Uhrzeigersinn drehen. Zur Minderung der tiefen und hellen Töne den Regler gegen den Uhrzeigersinn drehen. Die Klangfarbenkontrollen haben auf Tonbandaufnahmen, die unter Verwendung der Tonbandausgänge gemacht werden, keine Auswirkung, wirken sich jedoch auf das Signal, das zum Pre-Amp-Ausgang (Pre Out) führt, aus.

4. TONREGLERSPERRE (TONE DEFEAT)

Der Schalter TONE DEFEAT umgeht den Klangfarbenregelung des NAD 317. Wird die Klangfarbenkontrolle normalerweise nicht benutzt und in der 12-Uhr-Stellung gelassen, den ist es ratsam, wenn man mit diesem Schalter die Klangfarbenkontrolle völlig ausschaltet. In der Position 'Out' sind die Stromkreise für die Klangfarbenregelung aktiv, wenn man den Schalter TONE DEFEAT eindrückt, dann wird die Klangfarbenregelung umgangen.

INPUT-WAHLSCHALTER

5. INPUT-WAHLSCHALTER

Diese Tasten wählen den aktiven Eingang zum NAD 317 und das Signal, das zu den Lautsprechern, den Tonbandausgängen und den PRE-OUT-Buchsen gesandt wird.

Leuchtdioden in jeder Taste zeigen an, welcher Eingang gegenwärtig gewählt ist.

TUNER: Wählt den Tuner (oder eine andere Hochpegeltonquelle), der an die Tuner-Buchse angeschlossen ist, als aktive Eingabe.

AUX: Wählt ein Tonpegelsignal, das an AUX angeschlossen ist, als aktiven Eingang.

CD: Wählt den CD-Player (oder eine andere Hochpegeltonquelle), die an die CD-Buchsen angeschlossen ist, als aktiven Eingang.

VIDEO (VCR): Wählt das Video (oder Stereo, TV/Satelliten/Kabelempfänger), das an VCR angeschlossen ist, als aktive Eingabe.

TONBANDFUNKTIONEN (TAPE)

6. TONBAND 1 (TAPE 1)

Wählt den Ausgang eines Tonbandgeräts zur Bandwiedergabe oder Aufnahmeüberwachung, wenn dies über die Buchsen von Tape 1 erfolgt. Die Taste Tape 1 einmal zur Wahl drücken und nochmals drücken, um zur normalen Eingangsauswahl zurückzukehren.

Bei Tape 1 handelt es sich um eine Bandmonitorfunktion, welche die gegenwärtige Eingangswahl nicht überstimmt. Ist zum Beispiel der CD-Player aktiv, wenn TAPE 1 gewählt wird, dann wird das CD-Signal weiterhin gewählt und an TAPE 1 und TAPE 2 OUTPUT gesandt, während der Ton des Ausgangs von Tape 1 auf den Lautsprechern zu hören ist.

Um beim Tonband-Monitor-Modus anzuzeigen, welcher Eingang aktiv ist, bleibt die Anzeigelampe eingeschaltet.



TONBAND 2 (TAPE 2)

Wählt Tape 2 als aktiven Eingang.

ERSTELLEN EINER AUFNAHME

Bei der Wahl einer jeglichen Quelle wird deren Signal direkt an ein Tonbandgerät geleitet, daß zwecks Aufnahme an die Ausgänge TAPE 1 oder TAPE 2 angeschlossen ist.

KOPIEREN VON BAND ZU BAND

Sie können von einem Tonbandgerät auf ein anderes kopieren, wenn beide an Ihren NAD 317 angeschlossen sind. Legen Sie das Quellenband in das an Tape 2 angeschlossene Tonbandgerät und das leere Band in das an Tape 1 angeschlossene. Durch Wahl des TAPE 2 Eingangs können sie nun von Band 2 auf Band 1 kopieren und das vom Originalband kommende Signal überwachen

Sie können auch Tape 1 als Quelle verwenden und zu Tape 2 kopieren, hierzu muß jedoch für die Dauer der Aufnahme der Überwachungseingang von Tape 1 gewählt werden.

VORSICHT: BEI DER WAHL VON TAPE 2 SOLLTE NUR EINE AUFNAHMEGERÄT AUF AUFNAHME GESCHALTET SEIN. SIND BEIDE GERÄTE AUF AUFNAHME GESCHALTET UND IST TAPE 2 GEWÄHLT, DANN ENTSTEHT EINE FEEDBACK-SCHLEIFE, DIE EIN LAUTES "PFEIFEN ODER HEULTON" VERURSACHEN KANN. DERARTIGES FEEDBACK KÖNNTE IHREN VERSTÄRKER ODER DIE LAUTSPRECHER BESCHÄDIGEN..

BALANCE UND VOLUMEN

7. BALANCE

Mit dem BALANCE-Regler wird die relative Lautstärke des linken und des rechten Lautsprechers eingestellt. Die 12-Uhr-Stellung liefert beiden Kanälen gleiche Lautstärke. Diese Position wird durch eine Einrastung angezeigt.

Ein Drehen des Reglers im Uhrzeigersinn verschiebt die Balance nach rechts. Ein Drehen des Reglers gegen den Uhrzeigersinn verschiebt die Balance nach links. Der BALANCE-Regler hat auf Tonbandaufnahmen, die mit Hilfe der Tonbandausgänge gemacht werden, keinen Einfluß, beeinflußt jedoch das Signal, das zum Ausgang 'Pre-Out' des Vorverstärkers geleitet wird.

8. VOLUME (Lautstärke)

Der VOLUME-Regler regelt die Gesamtlautstärke der Signale, die den Lautsprechern zugeführt werden. Er hat Motorenantrieb und kann von der Fernbedienung kontrolliert werden. Der VOLUME-Regler hat keine Auswirkung auf Aufnahmen, die mit Hilfe der Tonbandausgänge gemacht werden, keinen Einfluß,beeinflußt jedoch das Signal, das zum Ausgang 'Pre-Out' des Vorverstärkers geleitet wird.

ANZEIGEN UND SENSOR FÜR DIE FERNBEDIENUNG (REMOTE SENSOR)

9. STROM

Die Stromanzeige leuchtet grün, wenn der Verstärker eingeschaltet und rot, wenn er auf Bereitschaft geschaltet ist.

10. 'SOFTCLIPPING'

SOFT CLIPPING zeigt, daß sich der NAD 317 im Modus 'Soft-Clipping' befindet.

11. BRIDGE

Zeigt, daß sich der NAD 317 im Brückenmodus befindet.

12. SENSOR

Sensor für den Empfang von Infrarot-Signalen von Ihrer Fernbedienung. Eine Leuchtanzeige in der Strom-Ein-und-Aus-Taste leuchtet, wenn von der Fernbedienung ein Signal empfangen wird.

HANDFERNBEDIENUNG

Die Fernbedienung handhabt alle Tastenfunktionen des NAD 317 und verfügt über zusätzliche Kontrollen zur Fernbedienung von NAD-Tunern, Kassetten- und CD-Geräten. Sie hat eine Reichweite von bis zu 5m.

Für maximale Betriebsdauer empfehlen wir Alkalizellen. Zwei AA (R6) Batterien sollten in das Batteriefach auf der Rückseite der Fernbedienung eingelegt werden. Beim Austausch der Batterien prüfen, daß sie gemäß der Abbildung auf dem Boden des Batteriefachs korrekt eingelegt werden.

Für eine genaue Beschreibung der einzelnen Funktionen siehe vorangegangene Abschnitt dieser Anleitung.

ANMERKUNG: Bei der mitgelieferten Fernbedienung handelt es sich um die NAD-Universal-Fernbedienung, die mit jedem NAD-System mit Fernbedienung benutzt werden kann. Es kann sein, daß nicht alle vorhandenen Funktionen bei Ihrem Gerät zur Verfügung stehen.

STANDBY schaltet das NAD 317-Gerät zwischen Ein- und Bereitschaftsmodus (Vorsicht: Wird das Gerät für längere Zeit nicht benutzt, dann sollte es am Netzschalter vorne am Gerät ausgeschaltet werden.)

MUTE: durch Drücken der MUTE-Taste wird der Ton zu den Lautsprechern und Kopfhörern zeitweilig abgeschaltet. Wenn sich das NAD 317-Gerät im MUTE-Modus befindet, dann blinkt die MUTE-Anzeige. Nochmaliges Drücken von MUTE stellt den Ton wieder her.

LD ist beim NAD 317 nicht operativ.

VCR1 wählt VIDEO als aktiven Eingang.

AUX wählt den Nebenanschluß als aktiven Eingang.

PHONO ist beim NAD 317 nicht operativ.

CD wählt CD als aktiven Eingang.

TUNER AM wählt den Tuner-Eingang am NAD 317 und den Mittelwellenbereich auf einem separaten NAD-Tuner.

TUNER FM wählt den Tuner-Eingang am NAD 317 und den UKW-Wellenbereich auf einem separaten NAD-Tuner.

TAPE 2 wählt Tonbandeingang 2 als aktiven Eingang.

TAPE 1 wählt Tonbandeingang 1 (Monitor) als aktiven Eingang.

VOLUME ▲▼ erhöht oder senkt die Volumeneinstellung mit Hilfe des motorisierten Lautstärkereglers auf der Frontseite.

TUNER CONTROL (zum Einsatz mit dem NAD-Tuner).

BANK wählt die vorhandenen voreingestellten Sender.

PRESET ▲▼ wählt voreingestellte Sender

TUNE ▲▼ setzt die manuelle Feineinstellung in Betrieb.

SEARCH ▲▼ leitet die Suchfunktion des Tuners ein.

CD-PLAYER-KONTROLLEN (zur Benutzung mit dem NAD-CD-Spieler)

|| Pause

■ Stopp

▶ Play

⏮ Spurwechsel. Einmal drücken, um zum Anfang der Spur zurückzugehen, mehrmals drücken, um zum Anfang der vorherigen Spur zurückzukehren.

▶▶| Wechsel zur nächsten Spur.

DISC zur nächsten Platte übergehen (für NAD-CD-Plattenwechsler).

KASSETTENSPIELERKONTROLLE (zur Benutzung mit dem Einzel-NAD-Kassettenspieler (A) oder Doppel-NAD-Kassettenspieler (A und B)).

▶ Vorwärtsspielen oder Rücklauf.

● /|| Aufnahmepause. Drücken, um die Kassettenspieler auf Aufnahmepause zu schalten. Zum Beginn der Aufnahme Play drücken.

■ Stoppt Wiedergabe oder Aufnahme.

⏮ Rückspulen.

▶▶ Schnellvorlauf.

HINWEISE ZUR FEHLERSUCHE

KEINE WIEDERGABE

Wechselstromnetzkaabel nicht eingesteckt oder Strom nicht eingeschaltet.

Band-1 gewählt.

Dämpfung (Mute) eingeschaltet.

Hintere Vorverstärker-/Verstärker-Verbindung nicht korrekt angeschlossen.

Interne Sicherung durchgebrannt.

Netzkabel prüfen

Monitor-Modus abwählen.

Dämpfung ausschalten.

Anschlüsse herstellen.

Händler um Rat fragen.

KEINE WIEDERGABE AUF EINEM KANAL

Balance-Regler nicht mittig gestellt.

Lautsprecher nicht korrekt angeschlossen oder beschädigt.

Eingangskabel lose oder defekt.

Balance-Regler mittig stellen.

Anschlüsse und Lautsprecher prüfen.

Kabel und Anschlüsse prüfen.

SCHWACHER BASS / DIFFUSES STEREO-KLANGBILD

Lautsprecher gegenphasig angeschlossen.

Brückenmodus eingeschaltet und Lautsprecher sind auf Stereo geschaltet.

Anschlüsse aller Lautsprecher im System überprüfen.

Das 317-Gerät aus dem Brückenmodus schalten.

FERNBEDIENUNG FUNKTIONIERT NICHT

Batterien leer oder falsch eingelegt.

Infrarot-Sender- oder Empfänger-Sichtlinie blockiert.

Batterien prüfen oder austauschen.

Sichtlinie befreien.

COMIENZO RAPIDO

1. Conecte los altavoces a la toma de altavoces traseros y las fuentes de sonido a la toma de entrada trasera correspondiente.
2. Enchufe el cordón de alimentación CA.
3. Pulse el pulsador POWER (alimentación) para conectar el NAD 317.
4. Pulse el selector de entrada requerido.

NOTAS SOBRE LA INSTALACION

Su NAD 317 debe colocarse sobre una superficie firme y nivelada. Evite colocar el equipo a la luz directa del sol o cerca de fuentes de calor y humedad.

Deje ventilación adecuada. No coloque el equipo sobre una superficie blanda como una alfombra. No coloque el mismo en una posición encerrada como una estantería de libros o armarico que impida el paso del aire a través de las ranuras de ventilación.

Desconecte el equipo antes de hacer cualquier conexión. Los conectores RCA de su NAD 317 tienen código de color para comodidad. Rojo y blanco son audio de Derecha e Izquierda respectivamente, y amarillo para NAD-Link (conexión NAD).

El NAD 317 se entrega con conductores RCA para conexiones básicas. Si se necesitan conductores adicionales, use conductores y conectores de alta calidad para rendimiento y fiabilidad óptimos. Asegure que los conductores y conectores no estén dañados en modo alguno y que los conectores estén firmemente enchufados a fondo.

Para mejor rendimiento, use conductores de altavoz de calidad con grosor de calibre 16 o más. Si el equipo no se va a usar durante algún tiempo, desconecte el enchufe de la toma de CA.

Si entra agua en el NAD 317, quite la alimentación eléctrica al equipo y quite el enchufe de la toma de CA. Haga que inspeccione el equipo un técnico calificado de servicio antes de intentar usarlo otra vez.

No quite la cubierta, no hay piezas capaces de servicio por el usuario.

Use un paño seco y blando para limpiar el equipo. Si es necesario, empape ligeramente el paño con agua jabonosa. No use soluciones que contengan benzol ni otros agentes volátiles.

CONECTORES DEL PANEL TRASERO**1. CD INPUT (ENTRADA PARA DISCOS CD)**

Entrada para un disco CD u otra fuente de señal de nivel de línea. Use un conductor doble RCA-a-RCA para conectar 'Audio Output (salidas de audio) de izquierda y derecha del tocadiscos de CD a la entrada. El NAD 317 solamente acepta señales analógicas procedentes de un tocadiscos de CD.

2. VIDEO INPUT (ENTRADA DE VIDEO)

Entrada para señal de audio procedente de una grabadora VCR estéreo (o un receptor de TV de

Satélite/Cable) u otra fuente de audio de nivel de línea. Use conductores dobles RCA-a-RCA, conecte con 'Audio Out' de derecha e izquierda del equipo a las entradas. Nota: Hay sólo entradas de audio.

3. TUNER INPUT (ENTRADA DE SINTONIZADOR)

Entrada para un Sintonizador u otra fuente de señal de nivel de línea. Use un conductor doble RCA-a-RCA para conectar a la entrada las 'Audio Outputs' de derecha e izquierda del Sintonizador.

4. AUX INPUT (ENTRADA AUXILIAR)

Entrada para señales de entrada de nivel de línea adicionales tales como otro tocadiscos de CD. Use un conductor doble RCA-a-RCA para conectar a la entrada las 'Audio Outputs' de izquierda y derecha del equipo auxiliar.

5. TAPE 1 IN, OUT (ENTRADA, SALIDA DE CINTA 1)

Conexiones para grabación y escucha analógicas para grabadora de cinta de audio de cualquier tipo. Usando conductor doble RCA-a-RCA, conecte las 'Audio Output' de izquierda y derecha de la máquina de cinta a los conectores TAPE 1 IN (entrada de cinta 1) para escuchar y vigilar cintas. Conecte la 'Audio Input' (entrada de audio) de izquierda y derecha de la máquina de cintas a los conectores TAPE 1 OUT (salida de cinta 1) para grabar.

6. TAPE 2 IN, OUT

Conexiones para grabación y escucha analógicas para una segunda grabadora de cinta de audio de cualquier tipo. Usando conductor doble RCA-a-RCA, conecte las 'Audio Output' de izquierda y derecha de la máquina de cinta a los conectores TAPE 2 IN (entrada de cinta 2) para escuchar y vigilar cintas. Conecte la 'Audio Input' (entrada de audio) de izquierda y derecha de la máquina de cintas a los conectores TAPE 2 OUT (salida de cinta 2) para grabar.

7. PRE OUT, MAIN IN (SALIDA DE PREAMPLIFICADOR, ENTRADA PRINCIPAL)

Conexiones para preamplificador externo, amplificador de potencia o procesador, tales como un decodificador de sonido de entorno. En uso normal se deben conectar estos equipos conjuntamente usando las conexiones provistas. Para conectar su NAD 317 a una sección de preamplificador o amplificador externo primero quite las conexiones. Use un conductor doble RCA-a-RCA para conectar la 'Audio Input' de izquierda y derecha del amplificador de potencia o procesador a los conectores Pre Out.

Conecte la 'audio Output' de izquierda y derecha del Preamplificador o Procesador a los conectores Main In.

NOTA: La señal de salida Pre-Out quedará afectada por el ajuste del control de volumen y tono del NAD 317.

8. NAD-LINK IN, OUT (ENTRADA, SALIDA DE CONEXION NAD)

El conector NAD-Link se usa para transmitir órdenes desde el control remoto manual a y desde otros equipos equipados con conectores NAD-Link. Esto permite el control central del sistema completo o da control del sistema desde más de una habitación. Para funcionar con otros equipos, conecte la NAD-Link OUT (salida de conexión NAD-Link) del NAD 317 con la NAD-Link IN del otro equipo. Los conectores NAD-Link se pueden conectar en cadena margarita, IN con OUT de modo que todo el sistema puede controlarse desde dispositivos de control remoto de un solo equipo.

Una sola conexión NAD-Link desde un sistema de alta fidelidad situado en una segunda habitación permite el control remoto de un sistema de Habitaciones Múltiples.

9. SPEAKERS (ALTAVOCES)

Terminales de altavoz para los altavoces con impedancia de 4 ohmios o más.

Conecte el altavoz derecho a los terminales marcados con 'R+' y 'R-' asegurando que 'R+' se conecte al terminal '+' de su altavoz y que 'R-' se conecte al terminal '-' del altavoz.

Conecte los terminales marcados con 'L+' y 'L-' al altavoz izquierdo de la misma manera. Use siempre cable de torones para trabajos pesados (calibre 16 o grueso) para conectar los altavoces a su NAD 317.

Los terminales de borne de alta corriente pueden usarse como terminal de tornillo para cables que terminan en horquilla o conectores de pasador o para cables de extremo de cable desnudo.

CONECTORES DE HORQUILLA. Se deben colocar bajo el casquillo del tornillo del terminal, que luego se aprieta totalmente. Asegure que el conector esté firmemente sujeto y que no hay peligro de que el metal desnudo de los conectores de horquilla toque el panel trasero ni otro conector, porque esto podría causar daño.

CONECTORES DE CABLE DESNUDO Y PASADOR

Los conectores de cable desnudo y pasador deben insertarse en el orificio del fuste del terminal. Desenrosque el casquillo de plástico del terminal del altavoz hasta que el orificio del fuste de tornillo quede al descubierto. Inserte el pasador o extremo de cable desnudo en el orificio y sujete el cable apretando el casquillo del terminal.

Evite cualquier daño de que el metal desnudo de los cables de altavoz toque la parte trasera u otro conector. Asegure que sólo haya 1 cm de cable desnudo o pasador y que no haya torones sueltos de cable de altavoz.

10. SOFT CLIPPING (RECORTAMIENTO BLANDO)

Cuando se excita un amplificador más allá de su salida de potencia especificada, se puede oír un sonido fuerte distorsionado en sonidos muy bajos. Esto lo causa el corte o 'recortamiento' fuerte del

amplificador que actúa en los picos de sonido que no está diseñado para producir. El circuito Recortamiento Suave NAD limita suavemente la salida del sistema para minimizar la distorsión audible si se sobreexcita el amplificador.

Si su escucha implica niveles moderados de potencia puede dejar desconectado el interruptor Softclipping. Si es probable que usted escuche con altos niveles, que podrían forzar la capacidad de potencia del amplificador, entonces conecte Soft Clipping.

El diodo LED Soft Clipping se enciende cuando el amplificador está en modo de Soft Clipping.

11. BRIDGE SWITCH (INTERRUPTOR DE PUENTE)

El NAD 317 puede usarse como parte de un estéreo de potencia más alta o sistema de teatro doméstico, conectando amplificadores de potencia adicionales. Si la sección de amplificador de potencia del NAD 317 va a usarse para excitar un solo altavoz, use entonces el interruptor Bridge para hacer funcionar los amplificadores de potencia de izquierda y derecha y un equipo de alta potencia de un solo canal. Ajuste el interruptor Bridge a la posición 'Bridge' y conecte el altavoz a los terminales marcados con 'L+' y 'R+' asegurando que 'L+' se conecte con el terminal '+' de su altavoz y que 'R+' se conecte al terminal '-' del altavoz. En modo Bridged (puenteado) el canal izquierda se toma en la entrada y el NAD 317 producirá aproximadamente 240 W en un altavoz de 8 ohmios. En este modo, las secciones de amplificador reaccionan como si la impedancia del altavoz se hubiera reducido a la mitad. Por lo tanto los altavoces con impedancia muy baja (menos de 4 ohmios no se recomiendan porque pueden causar corte del terminal del amplificador si se utilizan con niveles altos).

Se enciende el diodo LED de Bridge del panel delantero cuando el amplificador está en modo Bridge.

12.. CORDÓN DE LA RED DE C.A.

Una vez terminadas todas las conexiones al pre-amplificador, enchúfese el cordón de línea a un zócalo tomacorriente de alterna.

13. TOMAS DE CA (VERSIONES ESTADOUNIDENSES Y CANADIENSES SOLO)

Si se enchufa otro componente estéreo en la toma de CA NO CONECTADA, se alimenta electricidad esté su AV711 conectado o desconectado.

CONTROLES DEL PANEL DELANTERO FUNCIONES DE ALIMENTACION, ALTAVOCES Y AURICULARES

1. POWER

Si se pulsa el interruptor POWER se pone en On (conectado) el equipo y después de una corta pausa, se enciende en verde el diodo LED del indicador Power. Si se pulsa otra vez el interruptor POWER se pone el amplificador en Off (desconectado).

Cuando se conecta el NAD 317, si se pulsa el pulsador Standby (reserva) del control manual remoto se pone el NAD 317 en modo Standby y el indicador Power se pone en ámbar. El indicador Power en ámbar señala que se suministra alimentación al NAD 317, pero que el sistema está actualmente en Modo Standby.

PRECAUCION: Cuando se está en Standby todavía se sigue suministrando alimentación a su NAD 317. Usted debe desconectar el equipo usando el interruptor Power del panel delantero cuando no se usa durante un largo período de tiempo.

2. HEADPHONE SOCKET (TOMA DE AURICULARES)

Se suministra una toma jack estéreo de 1/4 pulgadas para escucha con auriculares y funciona con auriculares convencionales de cualquier impedancia. Si se inserta un jack de auriculares en esta toma se desconectan automáticamente los altavoces. Los controles de equilibrio de volumen y tono funcionan para la escucha con auriculares. Use un adaptador adecuado para conectar los auriculares con otros tipos de conectores, como los enchufes jack 'de estéreo personal' estéreo de 3,5 mm.

Advertencia: Asegure que el control de volumen se ponga con ajuste mínimo (totalmente a la derecha) antes de conectar los altavoces.

Si escucha a niveles altos pueden dañarse sus oídos.

FUNCIONES DE TONO

3. BASS & TREBLE (CONTROLES DE BAJOS Y AGUDOS)

El NAD 317 está equipado con controles de tono BASS y TREBLE para ajustar el equilibrio tonal de su sistema.

La posición de las 12 horas es 'plana' sin refuerzo ni corte y un detente indica esta posición. Gire el control a la derecha para aumentar la cantidad de Bajos o Agudos. Gire el control a la izquierda para disminuir la cantidad de Bajos o Agudos. Los controles de Tono no afectan a las grabaciones hechas usando las salidas Tape pero afectan a la señal que va a la salida del Preamplificador (Pre-Out).

4. TONE DEFEAT (DESVIO DE TONO)

El interruptor TONE DEFEAT desvía la sección de control de tono del NAD 317. Si se usan normalmente los Controles de Tono y se dejan en la posición de las 12 horas, es aconsejable desconectar la sección de Control de Tono totalmente usando este interruptor. En la posición 'Out', los circuitos de Control de Tono están activos, si se pulsa el interruptor TONE DEFEAT se desvía la sección de Control de Tono.

SELECTORES DE ENTRADA

5. SELECTORES DE ENTRADA

Estos pulsadores seleccionan la entrada activa para el NAD 317 y la señal transmitida a los altavoces, las salidas de Tape y las tomas de PRE OUT.

Los diodos LED que hay en cada pulsador indican cuál es la entrada actualmente seleccionada.

TUNER : Selecciona el sintonizador (u otra fuente de nivel de línea) conectado a las tomas Tuner (sintonizador) como entrada activa.

AUX : Selecciona una fuente de nivel de línea conectada a las tomas AUX, como entrada activa.

CD: Selecciona el CD (u otra fuente de nivel de línea) conectado a las tomas CD, como entrada activa.

VIDEO: Selecciona la VCR (o receptor de TV estéreo/Satélite/Cable) conectado a la toma VCR, como entrada activa.

FUNCIONES DE CINTA

6. TAPE 1 (CINTA 1)

Selecciona la salida procedente de una grabadora de cinta cuando se escuchan cintas o se vigila grabaciones hechas a través de las tomas Tape 1. Pulse el pulsador Tape 1 una vez para seleccionar y otra vez para volver a la selección de entrada normal.

Tape 1 es una función de Monitor de Cintas que no anula la selección de entrada actual. Por ejemplo, si está activa la entrada CD cuando se selecciona TAPE 1, la señal CD continua estando seleccionada y se transmite tanto a TAPE 1, y TAPE 2 OUTPUT, pero el sonido procedente de la Salida Tape 1 se oye en los altavoces.

Para mostrar la entrada que está activa cuando se está en modo Tape Monitor, permanece encendida la luz del indicador.

TAPE 2

Selecciona Tape 2 como entrada activa.

PARA HACER UNA GRABACION

Cuando se selecciona cualquier fuente de sonido, su señal se alimenta también directamente a cualquier máquina de cinta conectada a TAPE 1 o TAPE 2 OUTPUTS (salidas de TAPE 1 o TAPE 2) para grabación.

COPIADO DE CINTA A CINTA

Usted puede copiar entre dos máquinas de cinta conectadas a su NAD 317. Ponga la cinta fuente en la grabadora conectada a Tape 2 y la cinta no grabada en la grabadora conectada a Tape 1. Seleccionando TAPE 2 Input (entrada de tape 2) usted puede ahora grabar desde la Tape 2 a la Tape 1 y vigilar la señal que proviene de la cinta original.

Además usted puede usar la Tape 1 como fuente y copiarla en la Tape 2 pero la entrada de monitor de Tape 1 debe seleccionarse durante toda la grabación.

PRECAUCION: CUANDO SE SELECCIONA TAPE 2, SE DEBE AJUSTAR SOLO UNA MAQUINA DE CINTA EN MODO DE GRABACION. SI SE AJUSTAN AMBAS EN MODO DE GRABACION, CON TAPE 2 SELECCIONADA, SE PRODUCE UN BUCLE DE RETROALIMENTACION QUE PUEDE CAUSAR UN FUERTE "SILBIDO O AULLIDO", QUE POTENCIALMENTE DAÑA SU AMPLIFICADOR O ALTAVOCES.

EQUILIBRIO Y VOLUMEN

7. BALANCE (EQUILIBRIO)

El control BALANCE ajusta los niveles relativos de los altavoces izquierdo y derecho. La posición de las 12 horas provee nivel igual a los canales izquierdo y derecho. Un detente indica esta posición.

Girando a la derecha el control el equilibrio se mueve hacia la derecha. Girando el control a la izquierda el equilibrio se mueve a la izquierda. El control BALANCE no afecta a las grabaciones hechas usando las salidas Tape pero afecta a la señal que va a la salida del Preamplificador (Pre-Out).

8. VOLUME (VOLUMEN)

El control VOLUME (volumen) ajusta la fuerza general de las señales que se alimentan a los altavoces. Está accionado por motor y puede ajustarse desde el control manual remoto. El control VOLUME no afecta a las grabaciones hechas usando las salidas Tape (cinta) pero afecta a la señal que va a la salida Pre-amp (pre Out) del preamplificador.

INDICADORES Y SENSOR REMOTO

9. POWER

El indicador Power se muestra verde cuando el amplificador está conectado y se muestra rojo cuando está en reserva.

10. SOFT CLIPPING

Indica que el NAD 317 está en modo Soft Clipping

11. BRIDGE

Indica que el NAD 317 está en modo puenteado.

12. SENSOR

Sensor para recibir las señales infrarrojas procedentes de su control manual remoto. Se enciende un diodo LED en el pulsador POWER ON/OFF cuando se recibe una señal procedente del control manual remoto.

CONTROL REMOTO MANUAL

El Control Remoto manual maneja todas las funciones de tecla del NAD 317 y tiene controles adicionales para accionar máquinas de Sintonizadores, Cassette y CD NAD. Funciona a una distancia de hasta 5 m.

Recomendamos pilas alcalinas para máxima duración operativa. Deben colocarse dos pilas AA (R6) en el compartimento de pilas situado en la parte trasera del control. Cuando cambie las pilas, compruebe que se coloquen en la posición correcta, tal como se indica en la base del compartimento de pilas.

Vea las secciones anteriores del manual para una descripción completa de las funciones individuales.

Nota: El control remoto manual que se entrega es el remoto universal NAD y puede usarse con cualquier sistema NAD controlable remotamente. No todas las funciones del mismo pueden estar disponibles en su equipo particular.

STANDBY (RESERVA) conmuta el NAD 317 entre los modos de Conectado y Reserva. (Precaución: desconecte el NAD 317 usando el interruptor Power del panel delantero cuando no se use durante largos períodos de tiempo).

MUTE (SILENCIAMIENTO) Pulse el pulsador MUTE para desconectar temporalmente el sonido que va a los altavoces y auriculares. El modo Mute se indica por el diodo LED de control de volumen que se pone en intermitente. Pulse otra vez MUTE para restablecer el sonido.

LD No funciona en el NAD 317.

VCR Selecciona VCR como entrada activa.

AUX Selecciona Aux como entrada activa.

PHONO No funciona en el NAD 317.

CD Selecciona CD como entrada activa.

TUNER AM Selecciona la entrada Tuner (sintonizador) del NAD 317 y la banda de AM en un Sintonizador NAD separado.

TUNER FM Selecciona la entrada Tuner del NAD 317 y la banda de FM en un Sintonizador NAD separado.

TAPE 2 Selecciona Tape 2 como entrada activa.

TAPE 1 Selecciona Tape 1 (Monitor) como entrada activa.

VOLUME ▲▼ Aumenta o disminuye el ajuste Volume usando el control Volume motorizado del panel delantero.

TUNER CONTROL (para uso con el Sintonizador NAD).

BANK Selecciona una bancada de estaciones preajustadas.

PRESET ▲▼ Selecciona estaciones preajustadas.

TUNE ▲▼ Acciona la función de Sintonización Manual.

SEARCH (búsqueda) ▲▼ Inicia la función de Búsqueda de Sintonizador.

CD PLAYER CONTROL (para uso con Tocabiscos CD NAD).

|| Pause (pausa)

■ Stop (parada)

► Play (escucha)

⏮ Salto de pista. Pulse una vez para volver al comienzo de la pista, pulse varias veces para saltar atrás a pistas anteriores.

⏭ Salto a la pista siguiente.

DISC va al disco siguiente (para cambiadores de discos CD NAD).

CONTROL DE PLATAFORMA DE CASSETTES (para uso con Plataformas de Cassette NAD de transportador individual (A) o doble (A y B)).

► Forward Play (escucha adelante) o Reverse Play (escucha inversa).



● /|| Record Pause (Pausa de grabación). Pulse para poner la plataforma de cassettes en grabación-pausa. Pulse Play para grabar.

■ Para Play o Recording (escucha o grabación).

◀◀ Rewind (rebobinado)

▶▶ Fast Forward (adelante rápido).

SOLUCION DE AVERIAS

NO HAY SONIDO

Conductor de alimentación CA desenchufado o alimentación no conectada.

Tape 1 seleccionada.

Mute conectado.

Conexiones traseras de Preamplificador/amplificador de potencia no montadas correctamente.

Fusible interno fundido.

Compruebe el conductor de CA

Quite la selección de modo Monitor.

Desconecte Mute.

Monte conexiones.

Consulte al distribuidor.

NO HAY SONIDO EN UN CANAL

Control Balance no centrado.

Altavoz no bien conectado o dañado.

Conductor de entrada desconectado o dañado.

Centre el control Balance.

Compruebe las conexiones y los altavoces.

Compruebe los conductores y las conexiones.

BAJOS DEBILES/IMAGEN ESTEREO DIFUSA

Altavoces cableados fuera de fase.

Compruebe las conexiones para todos los altavoces del sistema.

AVVIAMENTO RAPIDO

1. Collegare gli altoparlanti alle prese "Speaker" posteriori e le sorgenti alle prese posteriori di input pre-scritte.
2. Allacciare il cavo di alimentazione C.A.
4. Premere il pulsante "POWER" per accendere il NAD 317
5. Premere il selettore di input richiesto

NOTE RELATIVE ALL'INSTALLAZIONE

Il NAD 317 va collocato su una superficie piana e non cedevole. Evitare di collocare l'unità in posizioni assolate oppure vicino a fonti di calore o umidità.

Assicurarsi che vi sia ventilazione sufficiente. Non collocare l'unità su superficie soffice, quale ad esempio tappeti e stuoie. Non collocare l'unità in aree chiuse, ad esempio dentro librerie o scaffali che possono impedire il passaggio di aria attraverso le griglie di ventilazione.

Prima di perfezionare qualsiasi collegamento spegnere l'unità. I connettori RCA sul NAD 317 sono contraddistinti da codice colori per maggior convenienza. Rosso e bianco indicano l'audio lati Destro e Sinistro; giallo è per il collegamento NAD-Link.

Il NAD 317 è fornito dei cavi RCA per permettere di perfezionare le connessioni basilari. Se occorressero cavi supplementari, impiegare sempre cavi e connettori di marca per garantire prestazioni ottimali e massima affidabilità.

Assicurarsi che i cavi e i connettori non siano danneggiati ed accertarsi che tutti i connettori siano ben calzati.

Per assicurare prestazioni perfette, impiegare sempre cavi di marca per gli altoparlanti, calibratura 16 o spessore maggiore.

Se non si intende impiegare l'unità per un certo periodo di tempo, scollegare la spina dalla presa della C.A.

Se il NAD 317 venisse contaminato da acqua, spegnere l'alimentazione elettrica e scollegare la spina dalla presa della C.A. Fare controllare l'unità da un tecnico specializzato prima di cercare di accenderla.

Non staccare il coperchio: si fa notare che al suo interno non vi sono componenti riparabili dall'Utente.

Pulire l'unità impiegando un panno soffice ed asciutto. Se necessario, inumidire leggermente il panno con un po' di acqua e sapone. Non impiegare soluzioni a base di benzolo o altri prodotti volatili.

CONNESSIONI AL PANNELLO POSTERIORE

1. INPUT CD

Input per il riproduttore per CD o altra fonte di segnale di livello. Impiegare un doppio cavo RCA-RCA per collegare gli "Audio Outputs" sinistro e destro del riproduttore per CD a questo input. Il NAD 317 accetta solo segnali analogici dal Vs. riproduttore per CD.

2. VIDEO INPUT

Input per il segnale audio da un VCR stereo (o ricevitore TV stereo/satellite/cavo) o altra sorgente audio di livello. Impiegando doppi cavi RCA-RCA, collegare "Audio Out" sinistro e destro dell'unità a questi input. NOTA: Questi sono solo input audio.

3. INPUT DEL SINTONIZZATORE

Input per il sintonizzatore o altra fonte di segnale di livello. Impiegare un doppio cavo RCA-RCA per collegare gli "Audio Outputs" sinistro e destro del sintonizzatore a questo input.

4. "AUX INPUT" - INPUT GRUPPI AUSILIARI

Input per segnali supplementari di input di livello, ad esempio un altro riproduttore per CD. Impiegare un cavo RCA-RCA per collegare gli "Audio Outputs" sinistro e destro dell'unità ausiliaria a questo input.

5. TAPE 1 IN, OUT (NASTRO 1 IN, OUT)

Connessioni per registrazione ed ascolto analogici ad un registratore a nastro di qualsiasi tipo.

Impiegando doppi cavi RCA-RCA, collegare "Audio Output" sinistro e destro del registratore ai connettori "TAPE 1" per l'ascolto e controllo del nastro. Collegare "Audio Input" sinistro e destro del registratore ai connettori "TAPE 1 OUT" per la registrazione.

6. TAPE 2 IN, OUT (NASTRO 2 IN, OUT)

Connessioni per registrazione ed ascolto analogici ad un registratore ausiliario a nastro di qualsiasi tipo. Impiegando doppi cavi RCA-RCA, collegare "Audio Output" sinistro e destro del registratore ai connettori "TAPE 2 IN" per l'ascolto e controllo del nastro. Collegare "Audio Input" sinistro e destro del registratore ai connettori "TAPE 2 OUT" per la registrazione.

7. PRE OUT, MAIN IN

Connessioni ad un preamplificatore esterno, amplificatore o processore, quale ad esempio un decodificatore per Surround Sound. Per l'impiego normale occorre collegarsi congiuntamente ricorrendo ai collegamenti forniti. Per allacciare il NAD 317 alle sezioni esterne di un processore od amplificatore occorre staccare per prima cosa questi collegamenti. Impiegare un doppio cavo RCA-RCA per collegare "Audio Input" sinistro e destro all'amplificatore di potenza o al processore ai connettori "Pre Out".

Collegare "Audio Output" sinistro e destro del pre-amplificatore o processore ai connettori "Main In". NOTA: Il segnale di uscita "Pre-Out" dipende dalle impostazioni dei controlli del tono e del volume del NAD 317.

8. "NAD LINK IN/OUT"

Il connettore NAD-Link viene impiegato per trasmettere comandi dal telecomando alle/dalle altre unità dotate di connettori NAD-Link. Ciò permette il comando centralizzato di un sistema completo, oppure il comando del sistema da più di un ambiente. Per assicurare un funzionamento perfetto con le altre



unità, collegare il "NAD-Link OUT" del NAD 317 al "NAD-Link IN" sull'altra unità. I connettori "NAD-Link" possono essere concatenati "IN" ad "OUT" pertanto è possibile comandare un intero sistema tramite i telecomandi di un'unità.

Una sola connessione NAD-Link da un sistema hi-fi in un altro ambiente permette il telecomando di sistemi pluriambienti.

9. ALTOPARLANTI

Terminali per altoparlanti con impedenza di 4 o più ohm.

Collegare l'altoparlante destro ai terminali marcati "R +" ed "R -", assicurandosi che "R +" sia collegato al terminale "+" sull'altoparlante, con "R -" collegato al terminale "-" dell'altoparlante.

Collegare i terminali marcati "L +" ed "L -" in pari modo all'altoparlante sinistro.

Impiegare sempre cavo trefolato heavy duty (calibratura 16 o superiore) per collegare gli altoparlanti del NAD 317.

I terminali a morsetto per l'alta corrente possono essere impiegati quali terminali a vite per quei cavi con connettori o capocorda a forcina oppure a piedini, oppure infine per cavi con fili scoperti.

CONNETTORI A FORCELLA

Devono essere infilati sotto la boccia a vite del terminale che va poi serrata a fondo.

Assicurarsi che il connettore sia ben saldo e che la parte scoperta in metallo dei capicorda a forcina non possa toccare il pannello posteriore o altri connettori, poiché si corre il rischio di seri danni.

FILI SCOPERTI E CONNETTORI A PIEDINI

I fili scoperti e le connessioni a piedini vanno infilati nel foro nel gambo del terminale.

Svitare la boccia in plastica dei terminali degli altoparlanti per scoprire il foro nel gambo della vite.

Infilare il piedino o il cavo scoperto nel foro e fissare il cavo serrando la boccia del terminale.

Assicurarsi sempre che il metallo denudato dei cavi degli altoparlanti non possono venire in contatto con il pannello posteriore o con altri connettori.

Assicurarsi che vi sia solo un centimetro di cavo o piedino scoperto, controllando inoltre che i cavi degli altoparlanti non abbiano trefoli allentati.

10. SOFTCLIPPING

Quando l'amplificatore viene azionato oltre l'output prescritto a volumi molto alti si noterà un suono "sporco" e con forte distorsione. Ciò è dovuto al fatto che l'amplificatore elimina ovvero "mozza" per distorsione i picchi del suono che non è in grado di riprodurre. Lo speciale circuito di distorsione/limitazione NAD "Soft Clipping" delimita l'output del sistema per ridurre al minimo la distorsione udibile quando l'amplificatore è "tirato al massimo"

Se l'ascolto comporta livelli di potenza moderati, "Soft Clipping" può essere disabilitato. Se invece si

ascolta ad alto volume, oltre le capacità esecutive dell'altoparlante, abilitare "Soft Clipping".

Il LED Soft Clipping sul pannello anteriore si accende quando l'amplificatore si trova nel modo Soft Clipping.

11. INTERRUETTORE PONTICELLARE

Il NAD 317 può essere utilizzato quale parte di un sistema stereo o "teatro domestico" più potente collegando amplificatori di potenza supplementari. Se la sezione dell'amplificatore di potenza nel NAD.317 va utilizzata per comandare un unico altoparlante, impiegare allora l'interruttore ponticellare "Bridge" per fare funzionare gli amplificatori di potenza sinistro e destro quale unità ad alta potenza e canale unico. Impostare l'interruttore "Bridge" sull'omonima posizione e collegare l'altoparlante ai terminali marcati "L +" ed "R +", assicurandosi che il terminale "L +" sia allacciato al terminale positivo "+" dell'altoparlante, con l'"R+" allacciato al terminale negativo "-" dell'altoparlante. Nel modo ponticellato, il canale sinistro viene trattato quale input: il NAD 317 darà circa 240 watt in un altoparlante da 8 ohm. In questo modo, le sezioni dell'amplificatore reagiscono come se l'impedenza dell'altoparlante fosse stata dimezzata. Pertanto non si raccomandano altoparlanti con impedenza molto bassa (al di sotto di 4), poiché possono provocare il funzionamento dell'interruttore a relè termico dell'amplificatore se si riproduce ad alti livelli.

Il LED "Bridge" sul pannello anteriore si accende quando l'amplificatore si trova nel modo ponticellare "Bridge"

12. CAVO D'ALIMENTAZIONE C.A..

Dopo avere perfezionato tutte le connessioni all'amplificatore, collegare il cavo d'alimentazione C.A. in una presa C.A. in tensione.

13. PRESE C.A (solo modelli per CANADA e l'USA)

I cavi della C.A. delle altre unità che fanno parte dell'impianto audio possono essere allacciati direttamente alle prese C.A. accese dell'AV-711.

Se un altro componente stereo è collegato nella presa SPENTA C.A., l'alimentazione è allora presente anche quando il Vs. AV711 è spento.

COMANDI DEL QUADRO ANTERIORE FUNZIONI ALIMENTAZIONE, ALTOPARLANTI E CUFFIA

1. "POWER" (ALIMENTAZIONE)

Premendo l'interruttore POWER si accende l'unità; dopo una breve pausa, il LED della spia Power si accende con luce verde. Premendo nuovamente l'interruttore si spegne l'amplificatore.

Quando il NAD 317 viene acceso, il pulsante Standby del telecomando serve per portare il NAD 317 in modo di "attesa": l'indicatore dell'alimentazione diventerà arancione. La spia arancione Power conferma che vi è corrente al NAD 317, ma il sistema però si trova nel modo di attesa.

ATTENZIONE: In "standby", l'alimentazione viene



comunque passata al NAD 317. Si raccomanda però di spegnerlo impiegando l'interruttore "Power" sul pannello anteriore quando non si intende utilizzarlo per parecchio tempo.

2. PRESA PER CUFFIA

Viene fornita la presa jack stereo da un quarto di pollice per l'ascolto in cuffia: questa presa è perfetta per tutte le cuffie convenzionali, qualunque sia la loro impedenza. Inserendo un jack per cuffia in questa presa si escludono automaticamente gli altoparlanti. Il comando volume, tonalità ed equilibrio acustico funzionano per l'ascolto in cuffia. Impiegare un adattatore idoneo per collegare la cuffia con tipi differenti di connettori, ad esempio spine a jack "personal stereo" da 3,5 mm.

Avviso importante: Assicurarsi che il comando del volume sia abbassato al minimo (girandolo completamente in senso antiorario) prima di collegare la cuffia.

L'ascolto ad alto volume può minare l'udito!

FUNZIONI DEI TONI

3. COMANDO PER REGOLAZIONE ALTI E BASSI

Il NAD 317 è dotato di comandi per la regolazione dei toni bassi ed alti - BASS e TREBLE - che permettono di ottenere un equilibrio acustico perfetto.

La posizione "ore 12" riflette l'ascolto liscio, ovvero senza accentuazione o taglio; un incavo indica questa posizione. Girare il comando in senso orario per aumentare l'intensità dei Bassi o degli Alti. Girare il comando in senso orario per diminuire l'intensità dei Bassi o degli Alti. I comandi per i toni non hanno alcun effetto sulle registrazioni fatte impiegando gli output Tape, ma hanno effetto invece sul segnale che passa all'output del preamplificatore (Pre Out).

4. ESCLUSIONE TONI

L'interruttore "TONE DEFEAT" devia la sezione dei comandi della tonalità del NAD 317. Se i comandi della tonalità non vengono impiegati di solito, e lasciati pertanto nella posizione "ore 12", si suggerisce allora di cancellare completamente la sezione "Tone Control" impiegando questo interruttore. Nella posizione esterna "out", i circuiti dei comandi di regolazione dei toni sono abilitati. Premendo l'interruttore di esclusione "TONE DEFEAT" si devia la sezione dei comandi di regolazione dei toni "Tone Control".

SELETTORI INPUT

5. SELETTORI INPUT

Questi pulsanti selezionano l'input attivo al NAD 317 e il segnale trasmesso agli altoparlanti, agli output Tape, e alle prese "PRE-OUT".

I LED incorporati in ciascun pulsante indicano quale input è stato selezionato in un dato momento.

SINTONIZZATORE: Sceglie il sintonizzatore (o altra sorgente di livello) collegato alle prese "Tuner" quale input attivo.

AUSILIARIO: Seleziona un'altra sorgente di livello collegata alle prese AUX quale input attivo.

CD: Sceglie il CD (o altra sorgente di livello) collegato alle prese del CD quale input attivo.

VIDEO: Seleziona il VCR (oppure ricevitore stereo TV/Satellite/Cavo) collegato alle prese VCR quale input attivo.

FUNZIONI NASTRO

6. NASTRO 1

Sceglie l'output dal registratore quando si ascoltano nastro o si controllano registrazioni tramite le prese "Tape 1". Premere una volta il pulsante "Tape 1" per selezionarlo; ripremere poi per ritornare alla sezione normale di input

"Tape 1" è una funzione per il controllo del nastro che non esclude la selezione attuale di input. Ad esempio, se il CD si trova in condizione di input attivo quando si seleziona "TAPE 1", il segnale per il CD continua ad essere selezionato e trasmesso alle prese output "TAPE 2" e "TAPE 2" ma è il suono dal registratore collegato a Tape 1 che viene ascoltato dagli altoparlanti.

Per indicare chiaramente quale input è attivo nel modo Tape Monitor, la relativa spia rimane accesa.

NASTRO 2

Seleziona Tape 2 quale input attivo.

COME EFFETTUARE UNA REGISTRAZIONE

Selezionando una qualsiasi sorgente, il relativo segnale viene portato direttamente anche al registratore collegato agli OUTPUT "TAPE 1" oppure "TAPE 2" per la registrazione.

COME COPIARE UN NASTRO SU UN ALTRO

E' possibile copiare tra due registratori collegati al NAD 317. Inserire il nastro originale nel registratore collegato a "Tape 2" ed inserire il nastro sul quale si vuole incidere nel registratore collegato a "Tape 1". Selezionando l'input TAPE 2 è ora possibile registrare dal Nastro 1 al Nastro 2, controllando inoltre il segnale che proviene dal nastro originale.

Inoltre, si può impiegare Tape 1 quale sorgente e copiare su Tape 2, però occorre selezionare l'input di controllo Tape 1 per l'intera durata della registrazione.

ATTENZIONE: QUANDO SI SELEZIONA "TAPE 2", SOLO UN REGISTRATORE VA IMPOSTATO SUL MODO DI REGISTRAZIONE SE ENTRAMBI SONO IMPOSTATI NEL MODO DI REGISTRAZIONE CON "TAPE 2" SELEZIONATO, SI OTTIENE ALLORA UN ANELLO DI REAZIONE CHE PUO' DARE UN FORTE SIBILO O FISCHIO: QUESTO DISTURBO PUO' ARRECARE SERI DANNI ALL'AMPLIFICATORE O AGLI ALTOPARLANTI EQUILIBRIO ACUSTICO E VOLUME.

EQUILIBRIO ACUSTICO E VOLUME

7. EQUILIBRIO

Il comando di equilibrio regola i livelli relativi degli altoparlanti sinistro e destro. La posizione "ore 12" dà un livello pari ai canali sinistro e destro. Questa posizione è indicata da un incavo.



Ruotando il comando in senso orario si sposta l'equilibrio acustico verso destra. Ruotando il comando in senso antiorario si sposta l'equilibrio acustico verso sinistra. Il comando "BALANCE" non ha alcun effetto sulle registrazioni fatte impiegando gli output Tape, ma hanno invece effetto sul segnale che passa all'output del preamplificatore (Pre Out).

8. VOLUME

Il comando "volume" regola l'intensità sonora totale dei segnali alimentati agli altoparlanti. E' condotto da un motorino e può essere regolato dal telecomando. Il comando del VOLUME non ha alcun effetto sulle registrazioni fatte impiegando gli output Tape, ma ha effetto sul segnale che passa all'output del preamplificatore (Pre Out).

INDICATORI E SENSORE A DISTANZA

9. "POWER" (ALIMENTAZIONE)

La spia Power si accende con luce verde quando l'amplificatore è acceso; è a luce rossa quando l'amplificatore è in attesa.

10. SOFTCLIPPING

Indica che il NAD 317 si trova nel modo Soft Clipping.

11. BRIDGE (Ponte)

Indica che il NAD 317 si trova nel modo ponticellare.

12. SENSORE

Sensore per ricevere i segnali ad infrarossi dal telecomando. Un LED nel pulsante Power On/Off (acceso/spento) si accende quando un segnale viene ricevuto dal telecomando.

TELECOMANDO

Il telecomando serve per tutte le funzioni principali del NAD 317: vanta inoltre telecomandi supplementari per i sintonizzatori, i riproduttori per cassette e CD della NAD Funziona fino ad una distanza massima di 5 metri.

Per garantire la massima durata di funzionamento si raccomandano batterie alcaline. Occorre montare due batterie AA (R6) nello scomparto portabatteria sul retro del telecomando.

Quando si sostituiscono le batterie, controllare sempre che siano state infilate nel verso giusto, come appunto indicato all'interno dello scomparto portabatterie.

Vi preghiamo di fare riferimento alle sezioni precedenti del Manualetto per una descrizione più completa di tutte le singole funzioni.

NOTA: Il telecomando fornito è quello definito "NAD universale": può infatti essere impiegato su qualsiasi sistema NAD a telecomando. E' possibile che alcune delle funzioni del telecomando non siano rispecchiate dalla Vs. unità.

"**STANDBY**" Commuta il NAD 317 tra i modi

Acceso e Attesa (ON e STANDBY). (Attenzione: Se l'unità non viene utilizzata per parecchio tempo, spegnere il NAD 317 per mezzo dell'interruttore principale sul pannello anteriore).

"**MUTE**" Premere il pulsante di tacitazione per spegnere gli altoparlanti e la cuffia. Il modo di tacitazione "Mute" è indicato dal lampeggio del LED per il comando di regolazione del volume. Ripremere "MUTE" per ripristinare il suono

LD Non funziona per il NAD 317.

VCR1 Seleziona VIDEO quale input attivo.

"**AUX**" seleziona l'"Aux" quale input attivo.

PHONO Non funziona per il NAD 317.

"**CD**" seleziona il CD quale input attivo.

TUNER AM Seleziona l'input del sintonizzatore sul NAD 317 e la gamma di lunghezze d'onda AM su un sintonizzatore NAD separato.

TUNER FM Seleziona l'input del sintonizzatore sul NAD 317 e la gamma di lunghezze d'onda FM su un sintonizzatore NAD separato.

"**TAPE 2**" seleziona il Nastro 2 quale input attivo.

"**TAPE 1**" seleziona il Nastro 1 (Monitor) quale input attivo.

"**VOLUME**" ▲▼ aumenta o diminuisce il volume impiegando il comando motorizzato Volume sul quadro anteriore.

COMANDI PER LA REGOLAZIONE DEL SINTONIZZATORE (per impiego sul sintonizzatore NAD).

LINEA BANK Seleziona una linea di stazioni preimpostate.

PRESET ▲▼ (Seleziona le stazioni preimpostate.

TUNE ▲▼ Aziona la funzione per la sintonizzazione manuale.

SEARCH ▲▼ Inizia la funzione di ricerca del sintonizzatore.

COMANDI RIPRODUTTORE per CD (per impiego con riproduttore per CD NAD).

|| "PAUSE"

■ Stop

▶ "PLAY" (ascolto)

|◀◀ Track skip (Saltare la pista) . Premere una volta per ritornare all'inizio della pista; premere più volte per ritornare alle piste precedenti.

▶▶| Passare alla pista successiva.

DISC Passare al disco successivo (per i cambiadischi CD NAD).

COMANDI PER IL RIPRODUTTORE PER CASSETTE (Per impiego con lettori per cassette NAD a singolo o doppio comando di trascinamento (A oppure A e B).

▶ Ascolto o inversione.

●/|| Pausa registrazione. Premere per portare il lettore nel modo di pausa durante la registrazione. Premere "PLAY" per iniziare la registrazione.



- Interrompe l'ascolto o la registrazione.
- ◀◀ Riavvolgimento.
- ▶▶ Avanzamento rapido.

RICERCA GUASTI

NON VI È SUONO

Cavo alimentazione C.A. scollegato, oppure non vi è tensione.

Nastro 1 selezionato.

"Mute" inserito.

Collegamenti posteriore preamplificatore/amplificatore di potenza non allacciati come prescritto.

Fusibile interno saltato.

Controllare il cavo della C.A.

Annullare il modo "Monitor".

Spegnere il "Mute".

Montare i collegamenti.

Interpellare il Concessionario.

NON SI HA SUONO DA UN CANALE

Comando "Balance" non centrato.

Altoparlante non collegato come prescritto oppure danneggiato.

Cavo input scollegato o danneggiato.

Centrare il comando "Balance".

Controllare le connessioni e gli altoparlanti.

Controllare i cavi e le connessioni.

BASSI DEBOLI/IMMAGINE STEREO DIFFUSA

Altoparlanti collegati fuori fase.

Modo ponticellare inserito, con altoparlanti collegati per funzionamento in stereo.

Controllare le connessioni a tutti gli altoparlante dell'impianto.

Disabilita il 317 dal modo ponticellato

MANCATO FUNZIONAMENTO DEL TELECOMANDO

Batterie scariche o non inserite come prescritto.

Finestrelle trasmettitore o ricevitore ad infrarossi "IR" ostruite

Controllare o sostituire le batterie.

Eliminare l'ostruzione.



FÖRSTÄRKARE NAD 317

SNABBSTART.

1. Anslut högtalare till högtalarkontakterna och signalkällorna till respektive ingångskontakt.
2. Sätt i nätsladden.
3. Tryck på POWER för att sätta på NAD 317.
4. Tryck på önskad ingångskälla.

TÄNK PÅ FÖLJANDE VID INKOPPLING.

NAD 317 bör placeras på en jämn stabil yta. Undvik att placera apparaten så att den utsätts för direkt solljus, står nära värmekällor eller utsätts för fukt.

Se till att apparaten är avslagen innan några anslutningar görs.

Anslutningskontakterna är färgkodade för att underlätta inkoppling. Röd och vit är höger respektive vänster kanal, gula är för NAD-Link.

För att få ut det mesta ur apparaten bör kablar av hög kvalitet övervägas, konsultera Hi-Fi Klubben angående val av bra signalkablar. Försäkra dig om att kablar och kontakter inte är skadade på något sätt och att alla kablar är ordentligt intryckta i kontakterna.

Om apparaten inte skall användas under en längre tid bör nätsladden kopplas ur väggurtaget. Om det skulle komma vatten i apparaten så måste strömmen brytas omedelbart genom att nätsladden kopplas ur väggurtaget. Innan apparaten får tas i bruk måste den gås igenom av

Hi-Fi Klubbens verkstad. Avlägsna inte locket på apparaten själv, det finns inga delar i apparaten som du som kund kan åtgärda.

Vid rengöring, använd en ren mjuk trasa, lätt fuktad vid behov.

Använd inga starka lösningsmedel på höljet då det kan skada finishen, en mild tvållösning kan användas mot fettfläckar etc.

ANSLUTNINGAR PÅ APPARATENS BAKSIDA.

1. INGÅNG FÖR CD.

Här ansluter du din CDspelare (analog signal. Om du inte har någon CD-spelare kan någon annan signalkälla med linjenivåsignal kopplas in här istället. Anslut signalkällans höger och vänster audioutgångar till denna ingång med en RCA kabel.

2. INGÅNG FÖR VIDEOLJUD.

Här kan du ansluta en videorelaterad ljudsignal, som t.ex. stereoljudet från en Hi-Fi video eller ljudsignalen från en laserdisc-spelare. Observera att detta är endast en ingång.

Om du vill kan någon annan signalkälla med linjenivåsignal kopplas in här istället. Anslut signalkällans höger och vänster audioutgångar till denna ingång med en RCA kabel.

3. INGÅNG FÖR RADIODEL.

Här ansluter du din radiodel. Om du inte har någon radiodel kan någon annan signalkälla med linjenivåsignal kopplas in här istället. Anslut signalkällans höger och vänster audioutgångar till denna ingång med en RCA kabel.

4. AUX INGÅNG (EXTRA INGÅNG).

AUX är en extra ingång som kan användas till alla ljudkällor med signal på linjenivå.

Anslut signalkällans höger och vänster audioutgångar till denna ingång med en RCA kabel.

5. IN OCH UTGÅNG FÖR BANDSPELARE 1.

Här kan du ansluta ditt kassettdäck eller motsvarande enhet. Anslut en kabel från TAPE 1 OUT på 317 till däckets LINE IN kontakter, och en andra kabel till däckets LINE OUT kontakter till TAPE 1 IN kontakter.

6. IN OCH UTGÅNG FÖR BANDSPELARE 2.

Här kan du ansluta ditt ANDRA kassettdäck eller motsvarande enhet. Anslut en kabel från TAPE 2 OUT på 317 till däckets LINE IN kontakter, och en andra kabel till däckets LINE OUT kontakter till TAPE 2 IN kontakter.

7. PREAMP OUTPUT, MAIN IN.

På NAD 314 kan man separera förstärkaren försteg och slutsteg med de två U-formade byglarna på baksidan. Vid normal drift skall dessa byglar vara anslutna och bör ej vidröras när förstärkaren är påslagen.

Tar man bort byglarna kan man här ansluta t.ex. en Surrounddeko, Equalizer eller ett elektroniskt delningsfilter mellan för och slutsteg. Slå av NAD 314 innan några kopplingar görs. Anslut en kabel från PREOUT till nästa enhets ingång och en kabel från utgången till MAIN IN.

8. NAD-LINK IN/UTGÅNG.

NAD-Link anslutningarna används för att skicka fjärrkontroll-kommandon mellan olika enheter utrustade med NAD-Link. Det ger dig möjlighet att kontrollera din anläggning från mer än ett rum. För att kunna styra fler enheter än 317 så måste dessa kopplas ihop via NAD-Link in- och utgångar. Flera enheter kan seriekopplas så att anläggningens samtliga fjärrkontroll-funktioner kan styras centralt. En NAD-Link koppling till en annan Hi-Fi anläggning i ett annat rum gör att man kan styra anläggningen från det första rummet med en fjärrkontroll i nästa rum.

9. HÖGTALAR TERMINALER.

Högtalarterminaler för högtalare med en impedans på 4 ohm eller mer.

Anslut höger högtalare till terminalerna märkta "R+" och "R-" och försäkra dig om att "R+" är ansluten till högtalarens pluspol och "R-" är ansluten till högtalarens minuspol. Anslut vänster högtalare till "L+" och "L-" på samma sätt.

Använd högtalarkablar av hög kvalitet, kontakta Hi-Fi Klubben för val av bästa kablar.

Högtalarterminalerna klarar av höga effekter och kan anslutas på flera olika sätt.

Spadkontakter.

En spadkontakt ser ut som en gaffel med två taggar. Den kläms eller löds fast i kabeländan. U-et i spaden passar kring skaftet på högtalarterminalen, hylsan på terminalen spänns sedan åt så att stiftet låses.

Skalade kablar och "PIN"-kontakter. Sära på kablarna och skala av ungefär en centimeter isolering på varje kabel och tvinna ihop änden på varje kabel för sig. Skruva ur hylsan på högtalarterminalen och tryck in den skalade änden på kabeln eller "pin"-kontakten i öppningen och spänn åt hylsan så hårt som förnuftet medger.

Kontrollera så att inga lösa koppartrådar hänger löst utanför kontakten och kan orsaka kortslutning. En pinkontakt är ett tunt metallstift som kläms eller löds fast i änden på kabeln. Stiftets smala ände kan sedan träs igenom högtalarterminalen på tvären genom det hål som finns där, hylsan på terminalen spänns sedan åt så att stiftet låses.

10. SOFT CLIPPING

När en förstärkare drivs så att den angivna effekten överskrids "klipper" förstärkaren. Det innebär att topparna på vågformerna klipps av och ljudet låter sprucket och obehagligt. Risken att förstöra högtalarna är mycket stor om en förstärkare klipper.

NADs SOFT CLIPPING är en krets som reducerar graden av klippning mjukt så att ljudet inte förvrängs lika mycket, risken att bränna högtalarelement minskar också. Funktionen SOFT CLIPPING kan väljas på bakpanelen och bör användas om man kan tänkas spela så högt att förstärkaren kommer att arbeta på gränsen av sin förmåga.

11. BRYGGKOPPLINGSOMKOPPLARE

NAD 317 kan användas som en del i ett högeffektsstereosystem eller i ett hemmabiosystem, genom att ansluta fler effektförstärkare. Om det är tänkt att använda det inbyggda effektsteget i NAD 317 till att driva en ensam högtalare kan man bryggkoppla effektsteget så att man lägger ihop höger och vänster kanal och får ut högre effekt. Sätt omkopplaren i läge "BRIDGE" och anslut högtalaren mellan L+ och R+ på förstärkaren. På högtalaren skall Förstärkarens L+ anslutas till högtalarens + terminal och R+ anslutas till - terminalen på högtalaren. I bryggkopplat läge används effektstegets vänstrakanal som ingång. Effektsteget kan lämna ungefär 240 watt med en 8 ohms högtalare ansluten, samtidigt reagerar förstärkaren som om impedansen på den anslutna högtalare halverats. Därför får man inte ansluta högtalare med en impedans på mindre än 4 ohm då det kan riskera att förstärkaren överhettas om man spelar med hög nivå.

En lysdiod indikerar att förstärkaren är bryggkopplad.

12. NÄTSLADD.

Efter att alla anslutningningar till förstärkaren är gjorda, kan nätsladden kopplas in i ett fungerande vägguttag.

13. AC UTGÅNGAR (ENDAST PÅ USA & KANADA MODELL)

Om någon annan stereoapparat ansluts till den UNSWITCHED AC utgången, kommer den att vara strömförsörd antringen om AV 711 är påslagen eller ej.

KONTROLLER PÅ APPARATENS FRAMSIDA.

AV/PÅ KNAPP OCH HÖRLURSUTTAG.

1. AV / PÅ -KNAPP

Man sätter på apparaten med POWER knappen och efter ett par sekunder lyser POWER indikatorn grönt. Ytterligare ett tryck på POWER knappen stänger av apparaten.

När NAD 317 är påslagen och man trycker på STANDBY-knappen på fjärrkontrollen, slås apparaten av i standbyläge och POWER indikatorn lyser orange. Indikatorn visar att 317 står i standbyläge och spänning matas till apparaten.

Varning! Eftersom apparaten inte är helt avslagen i standbyläge bör apparaten släckas med knappen på frontpanelen när den inte skall användas en längre tid.

2. HÖRLURSUTTAG.

För lyssning i hörlurar finns ett 6.3mm hörlursuttag på frontpanelen. Uttaget har sin egen förstärkarkrets och kan driva alla konventionella hörlurar oavsett impedans.

Om dina hörlurar har en annan typ av anslutningskontakt måste du skaffa en passande adaptor.

Innan hörlurarna kopplas in skall du vrida ner volymen för säkerhets skull.

När hörlurarna kopplas in, kopplas signalen till effektförstärkaren bort. För att åter lyssna via högtalarna skall hörlurarna kopplas ur.

WARNING! Lyssning på höga ljudnivåer kan skada din hörsel.

TONKONTROLLER

3. BAS & DISKANTKONTROLLER.

NAD 317 är utrustad med bas och diskantkontroller för man skall kunna justera klangbalansen.

När kontrollen står rakt upp (klockan 12) påverkas signalen inte, ett klickläge visar att den står i mitten. Om basen eller diskanten skall ökas, skall reglaget vridas medsols, om du vill minska skall reglaget vridas motsols.

Bas och diskantkontrollerna påverkar inte vid inspelning men påverkar signalen ut på förstärkarutgången (PRE OUT).

4. TONE DEFEAT.

För att få den kortaste signalvägen och den renaste återgivningen kan man koppla ur tonkontrollerna med knappen märkt TONE DEFEAT.



I intryckt läge går signalen förbi tonkontrollerna. Om knappen är uttryckt passerar signalen tonkontrollerna och kan regleras.

INGÅNGSVÄLJARE.

5. INGÅNGSVÄLJARE.

Dessa knapparna används för att välja vilken signalkälla som skall sändas till Tape och Preout utgångarna.

En lysdiod i varje knapp visar vilken källa som valts.

TUNER: Väljer radiodelen (eller annan källa på linjenivå) som kopplats på Tuner ingången som aktiv ingång.

AUX: Väljer den källa på linjenivå som kopplats på AUXingången som aktiv ingång.

CD: Väljer CDspelare (eller annan källa på linjenivå) som kopplats på CDingången som aktiv ingång.

VIDEO: Väljer den videoljudkälla (eller annan källa på linjenivå) som kopplats på VCR ingången som aktiv ingång.

TAPE FUNKTIONER

6. TAPE 1.

Väljer utgången på den bandspelare som anslutits och låter dig höra signalen från bandspelaren ansluten till TAPE 1. Tryck in knappen för att koppla in TAPE 1, tryck en gång till för att koppla ur.

TAPE 1 är en monitorfunktion som inte stör annan vald ingångskälla. Exempel: Om CD valts och TAPE 1 trycks in kommer signalen fortfarande att finnas på TAPE 1 och 2 utgångarna. Men ljudet ut i högtalarna är det som finns på TAPE 1 ingångarna.

För att visa vilken ingång som är aktiv i monitorläge fortsätter lysdioden för signalkällan att lysa.

TAPE 2

Väljer TAPE 2 som aktiv ingång

FÖR ATT GÖRA EN INSPELNING.

När någon källa valts sänds dess signal även till de bandspelare som anslutits till TAPE 1 och 2 utgångarna för inspelning.

BANDKOPIERING.

Man kan kopiera band mellan två bandspelare anslutna till NAD 317. Sätt i käll-kassetten i bandspelaren ansluten till TAPE 2 och ett tomt band i bandspelaren ansluten till TAPE 1. Genom att välja TAPE 2 ingången kan man nu kopiera TAPE 2 till TAPE 1 och lyssna på signalen från originalbandet.

Man kan också använda TAPE 1 som källa och kopiera till TAPE 2, men då måste TAPE 1 vara intryckt under hela inspelningen.

WARNING! NÄR TAPE 2 ÄR AKTIV FÅR BARA EN BANDSPELARE SÄTTAS I INSPELNINGSLÄGE. OM BÅDA SÄTTS I INSPELNINGSLÄGE MED TAPE 2 AKTIVT, KOMMER RUNDGÅNG ATT UPPSTÅ. DET RESULTERANDE TJUTANDE LJUDET KAN SKADA EFFEKTFÖRSTÄRKAREN OCH HÖGTALARNA.

BALANS OCH VOLYMKONTROLL.

7. BALANSKONTROLL.

Balanskontrollen justerar den relativa nivån mellan höger och vänster kanal.

Mittläget ("klockan 12") ger lika nivå i höger och vänster kanal. Ett klickmärke visar vad som är mittläge. För att reglera balansen, vrid kontrollen åt det hållet ökad styrka önskas. Balanskontrollen påverkar inte inspelningar men påverkar signalen ut på förstärkarutgången (PRE OUT).

8. VOLUME.

Volymkontrollen justerar styrkan på den signal som matas till effektförstärkaren. Den är också motordriven och kan styras från fjärrkontrollen. Den påverkar inte inspelningar som görs via TAPE utgångarna men påverkar signalen ut på förstärkarutgången (PRE OUT).

INDIKATORER OCH

FJÄRRKONTROLLMOTTAGARE.

9. POWER.

Powerindikatorn lyser grönt när förstärkaren är påslagen och rött när förstärkaren är i standbyläge.

10. SOFT CLIPPING.

Visar att soft clipping är påslaget.

11. BRIDGE.

Visar att förstärkaren är bryggkopplad.

12. SENSOR

Sensorn tar emot de infraröda signalerna från fjärrkontrollen. En lysdiod i POWER knappen lyser när en signal tas emot från fjärrkontrollen.

FJÄRRKONTROLLEN.

Fjärrkontrollen till 317 styr apparatens alla viktiga funktioner samt styr även fjärrkontrollfunktioner på NAD kassettdäck och CDspelare. Fjärrkontrollen når cirka 5m.

Batterifacket på baksidan av fjärrkontrollen rymmer två batterier av typ R6 (AA). Vi rekommenderar att du använder Alkaliska batterier för att de har den längsta livstiden och att de inte läcker. När du byter batterier så försäkra dig om att de sätts i åt rätt håll så som visas i botten på batterifacket.

För en beskrivning av funktionerna nedan hänvisar vi till de tidigare avsnitten i brusanvisningen.

Notera att den fjärrkontroll som medföljer NAD 317 är en NAD universell fjärrkontroll och kan användas till alla fjärrkontrollerbara NAD produkter. Således finns det även knappar för funktioner som ej finns på denna apparaten.

STANDBY Slår om NAD 317 mellan PÅ och standbyläge. Eftersom apparaten inte är helt avslagen i standbyläge bör apparaten släckas med knappen på frontpanelen när den inte skall användas en längre tid.

MUTE Tryck på muteknappen om du vill stänga av ljudet till effektförstärkaren och hörlurarna temporärt.

Muteläget indikeras av att lysdioden vid volymkontrollen blinkar. Tryck på MUTE igen för att återställa ljudet.

LD Används ej på NAD 317.

VCR 1 kopplar in VCR 1 som aktiv ingång.

AUX kopplar in AUX som aktiv ingång.

PHONO Används ej på NAD 317.

CD kopplar in CD som aktiv ingång.

TUNER AM kopplar in TUNER som aktiv ingång och AM på en NAD radiodel.

TUNER FM kopplar in TUNER som aktiv ingång och FM på en NAD radiodel.

TAPE 2 kopplar in TAPE 2 som aktiv ingång.

TAPE 1 kopplar in TAPE 1 (monitor) som aktiv ingång.

VOLUME ▲▼ Höjer och sänker volymen.

STYRFUNKTIONER FÖR NAD RADIODEL.

BANK Väljer snabbvalsbank.

PRESET ▲▼ Väljer snabbval av förinställda radiostationer.

TUNE ▲▼ Väljer manuell sökning på radiodelen.

SEARCH ▲▼ Startar radiodelens självsökning.

STYRFUNKTIONER FÖR NAD CD-SPELARE.

|| Pausar avspelning.

■ Stoppar avspelning.

▶ Avspelning.

◀◀ Snabbspolning bakåt.

▶▶ Snabbspolning framåt.

DISC Byter till nästa skiva. (För NAD CDväxlare.)

STYRFUNKTIONER FÖR NAD KASSETTDÄCK (A för enkeldäck, A & B för dubbeldäck).

▶ Startar avspelning eller reverserad avspelning.

● / || Pausar in- eller avspelning.

Inspelning-paus sätter däck i inspelningsläge-tryck play för att starta inspelningen.

■ Stoppar avspelning.

◀◀ Snabbspolning bakåt.

▶▶ Snabbspolning framåt.



FELSÖKNING

INGET LJUD.

Strömmen är ej påslagen, nätsladden ej isatt i vägguttag
Tape 1 Monitor eller Tape 2 valt
MUTE påkopplat
Signalkablar till effektförstärkaren ej korrekt anslutna
Byglarna mellan för och slutsteg ej anslutna
En säkring har gått i apparaten

Kontrollera nätsladden.
Koppla ur TAPE.
Koppla ur mute.
Kontrollera anslutningarna.
Anslut byglarna.
Lämna in den till Hi-Fi Klubben för service.

INGET LJUD I ENA KANALEN.

Balanskontrollen är ej i mittläget
En högtalare ej ansluten eller skadad
Signalkablar ej anslutna, lösa eller skadade

Vrid balansen till mittläget.
Kontrollera högtalarkablarna och högtalaren.
Kontrollera signalkablarna.

SVAG BAS/ DIFFUS STEREOBILD

Högtalarna anslutna ur fas

Förstärkaren är bryggkopplad men högtalarna anslutna på vanligt sätt .

Kontrollera anslutningarna till samtliga högtalare i systemet.
Slå av bryggkopplingen

FJÄRRKONTROLLEN FUNGERAR EJ.

Batterierna är slut
IR sändaren eller mottagaren skymd

Byt batterier
Flytta hindret.

LIGAÇÃO RÁPIDA

1. Ligue os altifalantes às fichas do Altifalante traseiro e as fontes às fichas e entrada traseiras relevantes.
2. Ligue o cabo de alimentação CA.
3. Prima o interruptor POWER para ligar o NAD-317.
4. Prima o selector de entrada necessário.

OBSERVAÇÕES SOBRE A INSTALAÇÃO.

O seu NAD-317 deverá ser instalado numa superfície firme e nivelada. Evite instalar esta unidade numa zona em que a luz do sol incida directamente ou na proximidade de fontes de calor ou de humidade.

Garanta uma ventilação adequada. Não coloque esta unidade sobre uma superfície mole, como um tapete, ou numa posição fechada, como uma prateleira de livros ou um armário, que impeça a circulação do ar através das ranhuras de ventilação.

Antes de proceder a quaisquer ligações, desligue a unidade. Para uma maior facilidade, os conectores RCA no seu NAD 317 estão codificados por cores. O vermelho e o branco correspondem à ligação audio Direita e Esquerda, respectivamente, e o amarelo à ligação NAD-Link.

O NAD 317 vem equipado com cabos RCA que são empregues nas ligações mais básicas. No caso de ser necessário utilizar cabos adicionais, opte por cabos e fichas da mais alta qualidade para garantir o melhor desempenho possível do sistema e as ligações mais seguras. Certifique-se de que os cabos e as fichas não estão de algum modo danificados e de que todas as fichas estão bem seguras.

Para o melhor desempenho possível do sistema, utilize cabos de qualidade para altifalantes com 16 de espessura ou mais.

Caso a unidade não seja utilizada durante algum tempo, desligue a ficha da tomada CA.

Caso seja derramada água no seu NAD 317, corte imediatamente a alimentação da unidade e retire a ficha da tomada CA. Antes de tentar utilizá-la de novo, a unidade deve ser examinada por um técnico especializado de manutenção.

Não retire a caixa pois a unidade não contém no seu interior peças que possam ser aproveitadas.

Use um pano macio e seco para limpar a unidade. Caso seja necessário, humedeça ligeiramente o pano em água com sabão. Não utilize soluções que contenham benzol ou outros agentes voláteis.

LIGAÇÕES DO PAINEL TRASEIRO

1. CD INPUT (ENTRADA DE/PARA CD)

A entrada para o leitor de Discos Compactos ou para outra fonte de sinais de linha de nível. Utilize um cabo de dois condutores RCA-a-RCA para ligar as saídas 'Audio Outputs' esquerda e direita do leitor de Discos Compactos a esta entrada. O NAD 317 só aceita sinais analógicos oriundos do seu Leitor de Discos Compactos.

2. VIDEO INPUT (ENTRADA DE/PARA VIDEO)

A entrada para o sinal audio proveniente de um videogravador estereofónico (ou de uma TV estereofónica/Receptor de parabólica/Receptor de TV por Cabo) Utilizando cabos de dois condutores RCA-a-RCA, ligue as saídas 'Audio Out' esquerda e direita da unidade a estas entradas. Nota: são apenas entradas audio.

3. TUNER INPUT (ENTRADA DE/PARA SINTONIZADOR)

A entrada para um Sintonizador ou uma outra fonte de sinais de linha de nível. Utilizando um cabo de dois condutores RCA-a-RCA, ligue as saídas 'Audio Outputs' esquerda e direita do Sintonizador a esta entrada.

4. AUX INPUT (ENTRADA AUXILIAR)

A entrada para os sinais de entrada adicionais de linha de nível, como um outro Leitor de Discos Compactos. Utilizando cabos de dois condutores RCA-a-RCA, ligue as saídas 'Audio Outputs' esquerda e direita da unidade auxiliar a esta entrada.

5. TAPE 1 IN, OUT (ENTRADA/SAÍDA DE/PARA TAPE1)

As ligações para a gravação e reprodução analógicas num qualquer gravador de cassetes audio. Para a reprodução e monitorização da cassette, utilizando cabos de dois condutores RCA-a-RCA, ligue as saídas 'Audio Output' esquerda e direita do gravador aos conectores TAPE 1 IN. Para a gravação, ligue as entradas 'Audio Input' esquerda e direita do gravador aos conectores TAPE 1 OUT.

6. TAPE 2 IN, OUT (ENTRADA/SAÍDA DE/PARA TAPE 2)

As ligações para a gravação e reprodução analógicas num qualquer gravador de cassetes audio secundário. Para a reprodução, utilizando cabos de dois condutores RCA-a-RCA, ligue as saídas 'Audio Output' esquerda e direita do gravador aos conectores TAPE 2 IN. Para a gravação, ligue as entradas 'Audio Input' esquerda e direita do gravador aos conectores TAPE 2 OUT.

7. PRE OUT, MAIN IN (SAÍDA DO PRÉ-AMPLIFICADOR, ENTRADA DO ALTIFALANTE)

As ligações a um pré-amplificador, a um amplificador de potência ou a um processador (como um decodificador de som perimétrico), todos eles externos. No funcionamento normal, deverão ser ligados em conjunto utilizando as bielas fornecidas. Para ligar o seu NAD 317 a um processador ou a um amplificador externos, comece por retirar essas bielas. Utilize um cabo de dois condutores RCA-a-RCA para ligar as entradas 'Audio Input' esquerda e direita do amplificador de Potência ou do processador aos conectores de saída 'Pre Out'.

Ligue as saídas 'Audio Output' esquerda e direita do Pré-amplificador ou processador aos conectores de entrada Main In.

NOTA: O sinal de saída do 'Pre-Out' será afectado pelos ajustes de comando de volume e tom do seu NAD 317.

8. NAD-LINK IN, OUT (SAÍDA E ENTRADA DE/PARA LIGAÇÃO-NAD)

O conector NAD-Link é utilizado para transmitir ordens do telecomando para e de outras unidades equipadas com conectores NAD-Link. Isto permite o controlo centralizado de todo o sistema ou o controlo do sistema a partir de mais de uma sala. Para trabalhar com outras unidades, ligue a saída NAD-Link OUT do NAD 317 à entrada NAD-Link IN na outra unidade. Os conectores NAD-Link pode ser encadeados, de IN para OUT, de forma a que todo um sistema possa ser controlado a partir dos controlos do telecomando de uma unidade

Uma única ligação NAD-Link a partir de um sistema de alta-fidelidade numa segunda sala permitirá o controlo remoto dos sistemas Multi-Salas.

9. ALTIFALANTES

Terminais de altifalantes para altifalantes com uma impedância de 4 ohms ou superior.

Ligue o altifalante direito aos terminais marcados como 'R +' e 'R-', certificando-se de que o 'R+' está ligado ao terminal '+' no seu altifalante e de que o 'R-' está ligado ao terminal '-' do altifalante.

Do mesmo modo, ligue os terminais marcados como 'L+' e 'L-' ao altifalante esquerdo.

Utilize sempre um fio entrançado para trabalhos pesados (de 16 de espessura ou mais) para ligar os altifalantes ao seu NAD 317.

Os terminais do posto de ligação de alta tensão podem ser utilizados como uma tomada para os cabos dos altifalantes que terminam sob a forma de conectores de pino ou triangulares ou para os cabos com fios nus nas extremidades.

CONECTORES TRIANGULARES. Deverão ser encaixados por detrás do casquilho do terminal que, de seguida, é de novo apertado. Certifique-se de que o conector fica bem preso e de que não há perigo de fios nus dos conectores triangulares tocarem no painel traseiro ou num outro conector, já que isto pode causar danos.

FIOS NUS E CONECTORES DE PINOS Os fios nus e os conectores de pino deverão ser inseridos no orifício do veio do terminal. Desaparafuse o casquilho de plástico do terminal do altifalante até surgir o orifício no veio do parafuso. Insira o pino ou a extremidade do fio nu no orifício e prenda o cabo apertando o casquilho do terminal.

Para evitar o perigo de fios nus dos cabos dos altifalantes tocarem no painel traseiro ou num outro conector, certifique-se de que o cabo nu ou pino tem apenas 1cm e de que não existem filamentos soltos no cabo do altifalante.

10. REDUÇÃO SUAVE

Quando um amplificador é activado para além da sua potência de saída máxima registada nas especificações, é possível ouvir um ruído bastante distorcido sempre que o volume estiver muito alto. Isto é

causado pelo facto de o amplificador suprimir ou "cortar de forma áspera" os picos do som que não foi concebido para reproduzir. O circuito de Redução Suave NAD limita com suavidade a saída do sistema de forma a minimizar qualquer distorção audível sempre que o amplificador for sobreactivado.

Caso a sua audição envolva níveis de potência moderados, deixe desligado o circuito de Redução Suave. Caso seja provável ouvir o sistema a níveis de som elevados, que excedam a capacidade de potência do amplificador, ligue o circuito de Redução Suave.

O Indicador Luminoso do Circuito de Redução Suave acender-se-á quando o amplificador estiver regulado para o modo de Redução Suave.

11. INTERRUPTOR 'BRIDGE' (MODO DE LIGAÇÃO EM PONTE)

O NAD 317 pode ser utilizado como parte de um sistema estereofónico mais potente ou doméstico através da ligação de amplificadores de potência adicionais. Caso a secção do amplificador de potência no NAD 317 seja utilizado para activar um único altifalante, utilize o interruptor 'Bridge' para fazer funcionar os amplificadores de potência esquerdo e direito como uma unidade de potência elevada e de um canal. Regule o interruptor Bridge para a posição 'Bridge' e ligue o altifalante aos terminais marcados como 'L +' (esquerda) e 'R+' (direita), certificando-se de que o 'L+' é ligado ao terminal '+' no seu altifalante e o 'R+' é ligado ao terminal '-' do altifalante. No modo de ligação em ponte, o canal esquerdo é tomado como entrada e o NAD 317 produzirá cerca de 240W num altifalante de 8 ohms. Neste modo, o amplificador reagirá como se a impedância do altifalante tivesse sido dividida em dois. Assim, os altifalantes com uma impedância muito baixa (com menos de 4W) não são recomendados já que podem causar o corte térmico do amplificador se tocado muito alto.

O Indicador Luminoso do Ponto de Ligação em Ponte no painel dianteiro acender-se-á sempre que o amplificador estiver regulado para esse modo.

12. CABO DE ALIMENTAÇÃO CA.

Após ter completado todas as ligações ao pré-amplificador, ligue o cabo de alimentação CA numa tomada de parede CA.

13. SAÍDAS CA (APENAS NAS VERSÕES CANADA E AMERICANA)

É possível ligar directamente os cabos de alimentação CA de outras unidades no sistema audio às saídas CA ligadas do seu AV 711.

Se outro componente de estereofonia for encaixado na saída CA NÃO COMUTADA, a energia será fornecida quer o seu AV711 esteja ligado quer desligado.

COMANDOS DO PAINEL DIANTEIRO

FUNÇÕES DO BOTÃO 'POWER', DOS ALTI-FALANTES E DOS AUSCULTADORES.

1. POWER (POTÊNCIA)

Ao carregar no interruptor POWER, a unidade passa a estar Ligada e, após alguns segundos, o INDICADOR LUMINOSO DE POTÊNCIA acenderá uma luz verde. Ao carregar mais uma vez no interruptor POWER, a unidade passará a estar Desligada.

Sempre que o NAD 317 estiver Ligado e carregar no botão de 'Standby' (Pronto a Funcionar) no telecomando, o NAD 317 passará a estar regulado para o modo de 'Standby' e o Indicador de Potência acenderá uma luz âmbar. O indicador âmbar de 'Standby' indica que está a ser fornecida energia ao NAD 317 mas que, naquele momento, o sistema encontra-se no modo de 'Standby'.

ATENÇÃO: Em 'Standby', o NAD 317 continua ligado à corrente. Sempre que a unidade não for utilizada durante um longo período de tempo, desligue a unidade utilizando o interruptor Power no painel dianteiro.

2. TOMADA DOS AUSCULTADORES

Para a audição dos auscultadores, tem à sua disposição uma tomada "jack" estereofónica de 1/4 polegadas, que funcionará com auscultadores convencionais de qualquer impedância. Ao inserir a ficha dos auscultadores nesta tomada, desligará automaticamente os altifalantes. Os comandos do volume, tom e balanço mantêm-se operacionais durante a audição dos auscultadores. Utilize um cabo de extensão adequado para ligar os auscultadores a outros tipos de conectores, como as tomadas "jack" estereofónicas de 3,5 mm

Atenção: Antes de ligar os auscultadores, certifique-se de que o comando do volume está regulado para o mínimo (totalmente rodado no sentido contrário aos ponteiros do relógio).

Ouvir o som a níveis muito altos pode causar lesões no aparelho auditivo.

FUNÇÕES TONAIIS

3. BASS & TREBLE CONTROLS (COMANDOS DOS GRAVES & AGUDOS)

O NAD 317 está equipado com comandos tonais dos GRAVES e AGUDOS que ajustam a tonalidade global do seu sistema.

A posição das 12 horas é 'plana', sem nenhum aumento ou corte; um detentor indica esta posição. Para aumentar a quantidade de Graves ou Agudos, rode o comando no sentido dos ponteiros do relógio. Para diminuir a quantidade de Graves ou Agudos, rode o comando no sentido contrário. Os comandos Tonais não afectam as gravações que utilizam que utilizam as saídas Tape (Gravador), embora afectem o sinal que se dirige para a saída do Pré-amplificador (Pre Out).

4. INTERRUPTOR 'TONE DEFEAT'

O interruptor TONE DEFEAT desliga a secção de controlo tonal do seu NAD 317. Caso os Comandos Tonais não sejam utilizados com frequência, sendo

sempre deixados na posição das 12 horas, é aconselhável desligar toda a secção de Controlo Tonal utilizando este interruptor. Na posição 'out', os circuitos do Controlo Tonal estão activados; premindo o interruptor TONE DEFEAT, a secção de Controlo Tonal passa a estar desligada.

SELECTORES DE ENTRADA.

5. SELECTORES DE ENTRADA

Estes botões seleccionam a entrada activa para o NAD 317 e o sinal enviado para os altifalantes, as saídas Tape e as tomadas de saída PRE OUT.

O INDICADOR no interior de cada botão indicará a entrada que se encontra seleccionada em cada altura.

TUNER (SINTONIZADOR) Selecciona o sintonizador (ou outra fonte de linha de nível) ligada às tomadas 'Tuner' como a entrada activa.

AUX Selecciona outras fontes de linha de nível ligadas a AUX como a entrada activa.

VIDEO Selecciona o videogravador (ou TV estereofónica/Antena Parabólica/TV Cabo) ligado às tomadas VCR como a entrada activa.

CD Selecciona o CD (ou outra fonte de linha de nível) ligada às tomadas 'CD' como a entrada activa.

FUNÇÕES DE GRAVAÇÃO.

6. TAPE 1

Selecciona a saída de um gravador de cassetes quando se procede à reprodução de cassetes ou à monitorização de gravações que são efectuadas através das tomadas Tape 1. Carregue uma vez no botão Tape 1 para seleccioná-lo e, mais uma vez, para voltar para a selecção de entrada normal.

O Tape 1 é uma função de Monitorização de cassette que não sobreactiva a selecção da entrada regulada. Por exemplo, caso o CD seja a entrada activa quando o TAPE 1 estiver seleccionado, o sinal de CD continuará a ser seleccionado e enviado tanto para as tomadas TAPE 1 como para as tomadas de saída TAPE 2 OUTPUT. No entanto, é o som proveniente do gravador ligado ao Tape 1 que será ouvido nos altifalantes.

Para indicar qual a entrada que está activa quando no modo 'Tape Monitor', o seu indicador luminoso manter-se-á aceso.

TAPE 2

Selecciona Tape 2 como a entrada activa.

PARA FAZER UMA GRAVAÇÃO

Quando qualquer fonte está seleccionada, o seu sinal será igualmente enviado directamente para qualquer gravador de cassetes ligado às saídas TAPE 1 ou TAPE 2 OUTPUTS para gravação.

CÓPIA DE CASSETE PARA CASSETE

É possível copiar entre dois gravadores ligados ao seu NAD 317. Coloque a cassette original no gravador ligado a Tape 2 e a cassette virgem no gravador ligado a Tape 1. Ao seleccionar a entrada TAPE 2, pode gravar do Tape 2 para o Tape 1 e monitorizar o sinal proveniente da cassette original.



É também possível utilizar o Tape 1 como a fonte e copiar do Tape 2. No entanto, a entrada de monitorização do Tape 1 tem de ser seleccionada durante o período em que a gravação for efectuada.

AVISO: SEMPRE QUE O TAPE 2 ESTIVER SELECCIONADO, APENAS UM ÚNICO GRAVADOR DE CASSETES DEVERÁ ESTAR REGULADO NO MODO DE GRAVAÇÃO. SE AMBOS ESTIVEREM NO MODO DE GRAVAÇÃO E O TAPE 2 ESTIVER SELECCIONADO, O RESULTADO SERÁ UM 'LOOP' DE FEEDBACK, QUE PODERÁ CAUSAR UM "ASSOBIO OU ESTRIDÊNCIA", POTENCIALMENTE DANIFICADOR PARA O SEU AMPLIFICADOR OU ALTIFALANTES.

BALANÇO E VOLUME.

7. BALANCE (BALANÇO)

O comando BALANCE ajusta os níveis relativos dos altifalantes dianteiros esquerdo e direito. A posição das 12 horas, indicada por um detentor, oferece um nível igual para os canais esquerdo e direito.

Ao rodar o comando no sentido dos ponteiros do relógio, o balanço passa para a direita. Ao rodar o comando no sentido contrário, o balanço passa para a esquerda. O comando BALANCE não afecta as gravações que utilizam as saídas Tape (Gravador) mas afectará o sinal enviado para a saída do Pré-amplificador (Pre Out).

8. VOLUME

O comando VOLUME ajusta a sonoridade global dos sinais que alimentam os altifalantes. É accionado por motor, podendo ser ajustado a partir do telecomando. O comando VOLUME não afecta as gravações que utilizam as saídas Tape (Gravador).

INDICADORES E SENSOR REMOTO

9. POWER (POTÊNCIA)

O indicador 'Power' (Potência) acenderá uma luz verde quando o amplificador estiver ligado e uma luz encarnada quando estiver no modo de 'standby'.

10. SOFTCLIPPING (REDUÇÃO SUAVE)

Indica que o NAD 317 está regulado para o modo de Redução Suave.

11. BRIDGE (LIGAÇÃO EM PONTE)

Indica que o NAD 317 se encontra no modo de ligação em ponte.

12. SENSOR

Sensor para a recepção dos sinais infra-vermelhos provenientes do seu telecomando. Um INDICADOR LUMINOSO no botão 'Power On/Off' (Ligado/Desligad) acender-se-á sempre que se receber um sinal do telecomando.

TELECOMANDO

O Telecomando contém todas as funções-chave do seu NAD 317, apresentando ainda comandos adicionais para operar remotamente Sintonizadores

NAD, Cassetes e máquinas de CD. Funcionará a uma distância máxima de 5 m.

Para uma duração máxima de funcionamento, aconselhamos pilhas alcalinas. As duas pilhas AA (R6) encontram-se no compartimento das pilhas na parte de trás do Telecomando. Ao substituir as pilhas, certifique-se de que estas são colocadas no modo correcto, exemplificado na base do compartimento das pilhas.

Consulte as secções prévias do manual para as descrições das funções individuais.

Nota: O telecomando fornecido consiste no telecomando universal NAD podendo, por isso, ser utilizado em qualquer sistema NAD controlado à distância. Nem todas as funções que apresenta podem estar disponíveis na sua unidade específica.

STANDBY (PRONTO A ENTRAR EM FUNCIONAMENTO) Regula o NAD 317 entre os modos On (Ligado) e Standby (Pronto a Entrar em Funcionamento). (Atenção: Sempre que o NAD 317 não for utilizado durante um longo período de tempo, desligue a unidade carregando no interruptor Power no painel dianteiro).

MUTE (SILENCIAMENTO) Carregue no botão MUTE para desligar temporariamente o som dos altifalantes e dos auscultadores. Sempre que o NAD 317 se encontrar neste modo, o indicador MUTE piscará no Mostrador. Carregue de novo em MUTE para ligar o som de novo

LD Não funciona no NAD 317.

VCR1 Selecciona VIDEO como a entrada activa.

AUX Selecciona Aux (Entrada Auxiliar) como a entrada activa.

PHONO Não funciona no NAD 317.

CD Selecciona CD (Leitor de Discos Compactos) como a entrada activa.

TUNER AM Selecciona a entrada Tuner (Sintonizador) no NAD 317 e a banda de frequência AM num Sintonizador NAD separado.

TUNER FM Selecciona a entrada Tuner (Sintonizador) no NAD 317 e a banda de frequência FM num Sintonizador NAD separado.

TAPE 2 Selecciona Tape 2 como a entrada activa.

TAPE 1 Selecciona Tape 1 (Monitorização) como a entrada activa.

VOLUME ▲▼ Aumenta ou reduz o ajuste de Volume através do comando de Volume no painel dianteiro.

TUNER CONTROL (COMANDO DO SINTONIZADOR) (para utilizar com um Sintonizador NAD).

BANK (BANCO) Selecciona um banco de estações pré-programadas.

PRESET (PRÉ-PROGRAMAR) ▲▼ Selecciona estações pré-programadas.

TUNE (SINTONIA) ▲▼ Controla a função de Sintonia Manual.

SEARCH (BUSCA) ▲▼ Inicia a função de Busca do Sintonizador.

COMANDOS DO LEITOR DE DISCOS COMPACTOS (para utilizar com Leitor de Discos Compactos NAD)

- || Pause (Pausa)
 - Stop (Paragem)
 - ▶ Play (Leitura)
- ⏮ Track skip (Ignorar faixa). Carregue uma vez para voltar ao início da faixa, carregue diversas vezes para saltar para trás para faixas anteriores.
- ⏭ Skip to next track (Passar para faixa seguinte)
- DISC (DISCO)** Passar para o disco seguinte (para Alternadores de CD NAD).

COMANDOS DO GRAVADOR DE CASSETES (para utilizar com Gravador de Cassetes NAD de uma (A) ou duas cintas (A e B))

- ▶ Forward Play (Bobinagem Leitura) ou Reverse Play (Leitura Invertida).
- /|| Record Pause (Gravação Pausa). Carregue para regular o gravador de cassetes para gravação-pausa. Carregue no botão Play (Leitura) para iniciar a gravação.
- Interrompe a Reprodução ou Gravação.
- ⏮ Rewind (Rebobinagem)
- ⏭ Fast Forward (Bobinagem Rápida).

LOCALIZAÇÃO E RESOLUÇÃO DE PROBLEMAS

AUSÊNCIA DE SOM

Cabo de alimentação CA desligado ou alimentação cortada.
Tape 1 seleccionado.
Modo Mute (Silenciamento) ligado.
Ligações do Pré-amplificador/amplificador de potência
Traseiras incorrectamente seguras
Fusível interno fundido.

Verifique cabo CA.

Des-seleccione o modo Monitor.
Desligue Mute.
Ajuste ligações

Consulte revendedor.

NENHUM SOM DE UM CANAL

Comando Balance (Balanço) descentrado.
Altifalante incorrectamente ligado ou danificado.
Cabos de entrada desligados ou danificados.

Centre comando Balance (Balanço).
Verifique ligações e altifalantes.
Verifique cabos e ligações.

GRAVES FRACOS/ IMAGEM ESTEREOFÓNICA DIFUSA

Altifalantes ligados ao amplificador de potência não estão ligados em fase.
Modo de Ligação em Ponte regulado com altifalantes ligados para funcionamento em estereofonia.

Verifique ligações a todos os altifalantes no sistema.
Desligue o 317 do modo de Ligação em Ponte.

TELECOMANDO NÃO FUNCIONA

Pilhas sem carga ou inseridas incorrectamente.
Janela receptora ou transmissor IR obstruído.

Verifique ou substitua as pilhas.
Remover obstrução.

SPECIFICATION - NAD 317 STEREO INTEGRATED AMPLIFIER

POWER AMPLIFIER

CONTINUOUS AVERAGE POWER OUTPUT INTO 8 (Min. power per channel, 20Hz-20kHz, both channels driven, with no more than rated distortion)		80W (19dBW)
Rated distortion (THD 20Hz-20kHz)		0.03%
Clipping power (maximum continuous power per channel)		105W
IHF dynamic headroom at 8		+18 dB
IHF dynamic power	8	110W (20.4dBW)
(maximum short term power/channel)	4	180W (22.6dBW)
	2	250W (24dBW)
Slew rate		>60V/sec
Damping factor (ref. 8 50Hz)		200
Input impedance		60k + 500pF
Input impedance		0.9V
Input sensitivity (for rated power into 8)		x 28.3 (29dB)
Voltage gain		±0.2dB
Frequency response 20Hz-20kHz		
	-3dB	2Hz/100kHz
Signal/Noise ratio, A weighted	ref. 1W	98dB
	ref. rated power	119dB
		0.03%

Bridged (Monophonic) Mode

CONTINUOUS AVERAGE POWER OUTPUT INTO 8 (Min. power, 20Hz-20kHz, with no more than rated distortion)		240W (23.8dB)
IHF dynamic headroom at 8		+1.8dB
IHF dynamic power	8	360W (25.6dBW)
	4	500W (27dBW)

PREAMPLIFIER SECTION

Line Level Inputs

(CD, Video, Tuner, Tape 1, Tape 2, Aux)		
Input impedance (R and C)		20 k + 450 pF
Input sensitivity	ref. 0.5V	80 mV
Signal/Noise ratio, A-weighted	ref. 1W	98dB
Frequency response, 20Hz-20kHz		+0.2dB
Voltage gain		16dB
THD + SMPTE + IHF I.M.		<0.02%

Line Level Outputs

Output impedance	Pre out	220
	Tape	Source Z + 2k
	Headphones	120
Maximum output level	Pre out	>12V
	Tape	>10V
	Phones	>8V into 600
		>250mW into 8

Controls

Treble		±7 dB at 10 kHz
Bass		±10 dB at 50 Hz

Physical Specifications

Dimensions in mm (Width x Height x Depth)		435 x 120 x 280
Net Weight		12kg
Shipping Weight		13.6kg

NAD ELECTRONICS
(NEW ACOUSTIC DIMENSION)

LONDON

© 1996. 317 I.M. ISSUE 2/968060 PRINTED IN THE PEOPLE'S REPUBLIC OF CHINA.