

clarion®

QUICK START GUIDE & Installation Manual
GUIDE DE DÉMARRAGE RAPIDE ET GUIDE D'INSTALLATION
KURZANLEITUNG und Montageanleitung
GUIDA DI AVVIO RAPIDO E MANUALE DI INSTALLAZIONE
BEKNOPTE HANDLEIDING & installatiehandleiding
GUÍA DE INICIO RÁPIDO Y MANUAL DE INSTALACIÓN
SNABBGUIDE OCH BRUKSANVISNING
PODRĘCZNIK WPROWADZAJĄCY i podręcznik użytkownika
ΟΔΗΓΟΣ ΓΡΗΓΟΡΗΣ ΕΚΚΙΝΗΣΗΣ & Εγχειρίδιο εγκατάστασης

NX503E
FX503E

DVD MULTIMEDIA STATION WITH BUILT-IN NAVIGATION & 6.2-INCH TOUCH PANEL CONTROL
MULTIMEDIA STATION & 6.2-INCH TOUCH PANEL CONTROL

CAUTIONS:

This appliance contains a laser system and is classified as a "CLASS 1 LASER PRODUCT".

To use this model properly, read this Owner's Manual carefully and keep this manual for your future reference. In case of any trouble with this player, please contact your nearest "AUTHORIZED service station". To prevent direct exposure to the laser beam, do not try to open the enclosure.

!CAUTION

USE OF CONTROLS OR ADJUSTMENTS OR PERFORMANCE OF PROCEDURES OTHER THAN THOSE SPECIFIED IN THE OWNER'S MANUAL MAY RESULT IN HAZARDOUS RADIATION EXPOSURE.

ADVARSEL.

Denne mærkning er anbragt udvendigt på apparatet og indikerer, at apparatet arbejder med laserstråler af klasse 1, hvilket betyder, at der anvendes laserstråler af svageste klasse, og at man ikke på apparatets yderside kan blive udsat for utilsladelig kraftig stråling.

APPARATET BØR KUN ÅBNES AF FAGFOLK MED SÆRLIGT KENDSKAB TIL APPARATER MED LASERSTRÅLER!

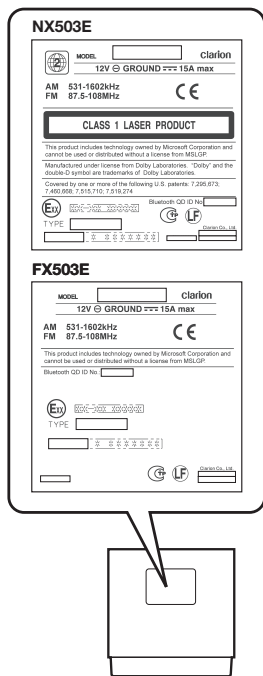
Indvendigt i apparatet er anbragt den her gengivne advarselsmærkning, som advarer imod at foretage sådanne indgreb i apparatet, at man kan komme til at udsætte sig for laserstråling.

OBS!

Apparaten innehåller laserkomponenten som avger laserstrålning överstigande gränsen för laserklass 1.

VAROITUS

Suojakoteloä si saa avata. Laite sisältää laseriodin, joka lähettää näkymättömää silmille vaarallista lasersäteilyä.



This guide is intended to guide you through the basic functions of the unit.

Contents

PRECAUTIONS	1	Linking-compatible applications	7
Operation Panel/Generalities	1	Procedure up to Smartphone linking	8
Trademarks	2	Starting up applications.....	8
Names and functions of parts	3	For iPhone	8
Basic method of use	5	For Android smartphones	8
Turning the power on	5	Start using Clarion Mobile Map	9
Switching the language	5	Selecting the destination of a route.....	9
Setting the time (FX503E only)	5	Map screen	9
Selecting a Source	5	Quick menu	9
Source Media Modes	5	INSTALLATION AND WIRE	
Viewing DVDs (NX503E only)	5	CONNECTION MANUAL	10
Listening to microSD card/USB memory files	5	1. SAFETY PRECAUTIONS	10
Listening to the radio	6	2. PACKAGE CONTENTS	11
Bluetooth Operations	6	3. GENERAL CAUTIONS	11
Registering cellphones (pairing)	6	4. CAUTIONS ON INSTALLATION.....	11
Screen during a telephone call	6	5. INSTALLING THE MAIN UNIT	12
Entering a number to make a call	7	6. REMOVING THE MAIN UNIT.....	13
Receiving telephone calls	7	7. CAUTIONS ON WIRING	13
Using Smart Access	7	8. INSTALLING THE GPS ANTENNA (NX503E ONLY)	14
What is Smartphone linking?	7	9. WIRE CONNECTION	15

- For details of functions and operation of this product, refer to "Owner's manual".
- The screens shown in the examples may differ from actual screens. Actual screens may be changed without notice for performance and function improvements.

PRECAUTIONS

WARNING

- For your safety, the driver should not watch the DVD video/movie data or operate the controls while driving. Please note that watching and operating the DVD video/movie data while driving are prohibited by law in some countries. Also, while driving, keep the volume to a level at which external sounds can be heard.

1. When the inside of the car is very cold and the player is used soon after switching on the heater, moisture may form on the disc (DVD/CD) or the optical parts of the player and proper playback may not be possible. If moisture forms on the disc (DVD/CD), wipe it off with a soft cloth. If moisture forms on the optical parts of the player, do not use the player for about one hour. The condensation will disappear naturally allowing normal operation.
2. Driving on extremely bumpy roads which cause severe vibration may cause the sound to skip.
3. This unit uses a precision mechanism. Even in the event that trouble arises, never open the case, disassemble the unit, or lubricate the rotating parts.
4. Insert and remove the microSD card after turning off the unit, because the microSD card might get damage.

■ INFORMATION FOR USERS:

CHANGES OR MODIFICATIONS TO THIS PRODUCT NOT APPROVED BY THE MANUFACTURER WILL VOID THE WARRANTY.

Operation Panel/Generalities

For a longer service life, be sure to read the following cautions.


- Do not allow any liquids on the set from drinks, umbrellas, etc. Doing so may damage the internal circuitry.
- Do not disassemble or modify the set in any way. Doing so may result in damage. Also, subjecting the operation panel to shocks may result in breakage, deformation, or other damage.
- Do not let cigarettes burn the display. Doing so may damage or deform the cabinet.
- If a problem should occur, have the set inspected at your store of purchase.
- The optional remote control unit may not work if the remote control sensor is exposed to direct sunlight.
- In extremely cold weather, the display movement may slow down and the display may darken, but this is not a malfunction. The display will work normally when the temperature increases.
- Small black and shiny spots inside the operation panel are normal for LCD products.
- The touchkeys on the display operate when slightly touched. Do not press the touchkey screen with much force.
- Do not push the case surrounding the touchkey panel with much force. This may cause malfunctioning of the touchkeys.

Trademarks

- This product incorporates copyright protection technology that is protected by U.S. patents and other intellectual property rights. Use of this copyright protection technology must be authorized by Rovi Corporation, and is intended for home and other limited viewing uses only unless otherwise authorized by Rovi Corporation. Reverse engineering or disassembly is prohibited. Use of this product by the customer is restricted to play program materials to which the Rovi copyright protection process has been applied. (NX503E only)

- Manufactured under license from Dolby Laboratories. “Dolby” and the double-D symbol are trademarks of Dolby Laboratories. (NX503E only)



-  is the trademark of DVD Format/Logo Licensing Corporation. (NX503E only)
- “SDHC memory card,” “SD memory card,” “miniSDTM,” and “microSDTM” are registered trademarks of the SD Card Association.



- “Made for iPod” and “Made for iPhone” mean that an electronic accessory has been designed to connect specifically to iPod, or iPhone, respectively, and has been certified by the developer to meet Apple performance standards. Apple is not responsible for the operation of this device or its compliance with safety and regulatory standards. Please note that the use of this accessory with iPod or iPhone may affect wireless performance. iPhone, iPod, iPod classic, iPod nano, iPod touch, and iTunes are trademarks of Apple Inc., registered in the U.S. and other countries.



- DivX[®], DivX Certified[®] and associated logos are trademarks of Rovi Corporation or its subsidiaries and are used under license. DivX Certified[®] to play DivX[®] video, including premium content. Covered by one or more of the following U.S. patents: 7,295,673; 7,460,668; 7,515,710; 7,519,274 (NX503E only)



- The Bluetooth[®] word mark and logos are registered trademarks owned by Bluetooth SIG, Inc. and any use of such marks by Clarion Co., Ltd, is under license.



- The terms HDMI and HDMI High-Definition Multimedia Interface, and the HDMI Logo are trademarks or registered trademarks of HDMI Licensing LLC in the United States and other countries.

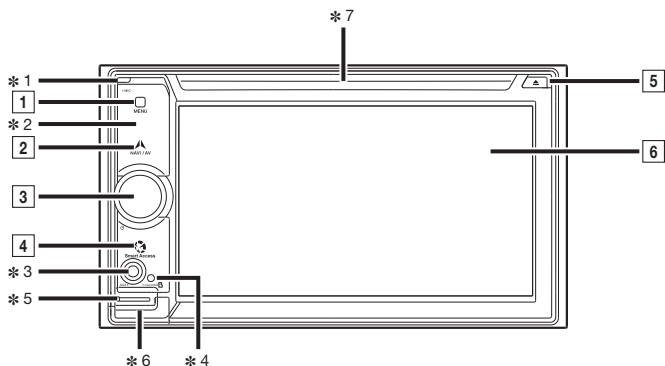


- Android is the trademark of Google Inc.
- How to get source code that is considered open source. This unit uses open source software. If you want to get this software's source code, you can download it from our website. Refer to the following website about getting the source code. <http://www.clarion.com/xen/en/support/index.html>

Names and functions of parts

The following describes the button names on the operation panel of the unit and their functions.

NX503E

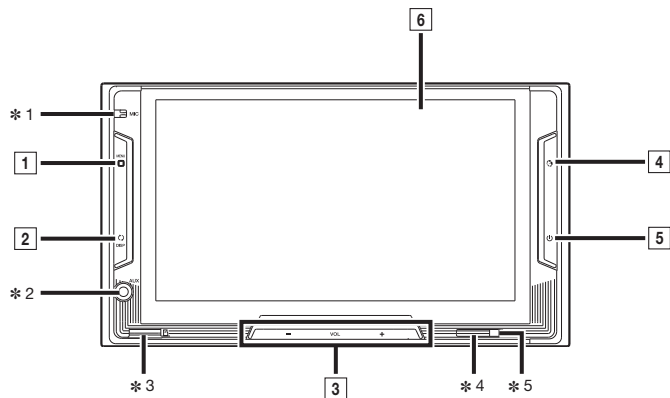


Insert and remove the microSD card after turning off the unit, because the microSD card might get damage.

- * 1 This is the built-in microphone. This is used as the microphone for the hands free function when the unit is connected to a Bluetooth compatible cellphone by a wireless connection.
- * 2 This is the remote control sensor. This receives the signal from the remote control (sold separately).
- * 3 This is the AUX terminal. Audio and video from external devices connected to this terminal can be played when the audio mode is switched to AUX.
- * 4 This is the Antitheft Indicator. This light blinks when the Antitheft Activation setting is set to "ON" to indicate that the antitheft function is activated.
- * 5 This is where the microSD card is inserted to enjoy data in microSD cards.
- * 6 The map microSD is housed in here. To update the map, open this cover, and remove and insert the card.
Do not open the cover for other operations.
- * 7 This is where DVD video, CD, MP3, WMA, and DivX discs are inserted.

This document uses the following inline graphics and conventions to indicate operations using the buttons on the operation panel.

Number	Inline graphic	Description of operation	
1	MENU	Short press	This displays the main menu screen.
2	NAVI AV	Short press	This switches between the current position map screen and currently selected audio screen.
3	—	Turn	This is the rotary volume key. Use this to adjust the volume of audio-visual functions or the route audio guidance, etc.
		Short press	This turns off the screen.
4	Smart Access	Short press	This starts up Smart Access.
5		Short press	This ejects the disc inserted in the unit.
6	—	Touch	This is the monitor and touch panel. This functions as a touch panel by touching the screen when it is displayed.



Insert and remove the microSD card after turning off the unit, because the microSD card might get damage.

- * 1 This is the built-in microphone. This is used as the microphone for the hands free function when the unit is connected to a Bluetooth compatible cellphone by a wireless connection.
- * 2 This is the AUX terminal. Audio and video from external devices connected to this terminal can be played when the audio mode is switched to AUX.
- * 3 This is where the microSD card is inserted to enjoy data in microSD cards.
- * 4 This is the remote control sensor. This receives the signal from the remote control (sold separately).
- * 5 This is the Antitheft Indicator. This light blinks when the Antitheft Activation setting is set to "ON" to indicate that the antitheft function is activated.

This document uses the following inline graphics and conventions to indicate operations using the buttons on the operation panel.

Number	Inline graphic	Description of operation	
1	MENU	Short press	This displays the main menu screen.
2	DISP	Short press	This switches to the audio screen.
3	VOL+ VOL-	Short press	Use this to adjust the volume of the audio-visual function.
4	Smart Access	Short press	This starts up Smart Access.
5	POWER	Short press	This turns off the screen.
6	—	Touch	This is the monitor and touch panel. This functions as a touch panel by touching the screen when it is displayed.

Basic method of use

Turning the power on

- 1 Turn the engine key to the “ACC” or “ON” position.

The unit turns on.

After the opening screen is displayed, touch **OK**. The current position map screen or the audio screen is displayed.

When the engine key is turned to the “OFF” position, the unit is turned off.

MEMO

- When the Antitheft Activation function is set, the password entry screen is displayed.

Switching the language

When the unit turns on, the default language is set to English.

Switch to your language to use the unit.

- 1 **MENU** ►  ► 



- 2 **System Language**

- 3 **Select the language you use.**

- 4 **OK**



When you switch the language, the unit is automatically restarted and the language is switched to the selected language.

Setting the time (FX503E only)

- 1 **MENU** ►  ► 
- 2 **Time**
- 3 **Set the hour, the minute and AM/PM.**
- 4 **Set**

Selecting a Source

Press **MENU** to display the main menu screen.

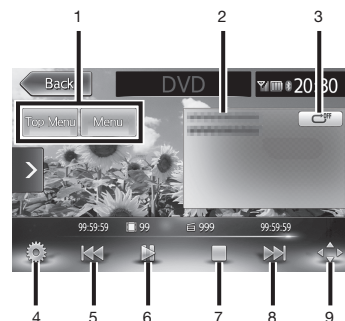
Touching the main menu screen and quickly sliding your finger up or down then removing it, moves you to the previous or next page. This operation is called flicking. The screen can be switched to the next or previous menu screen by flicking or touching  .

You can select the desired source in the main menu screen.

Source Media Modes

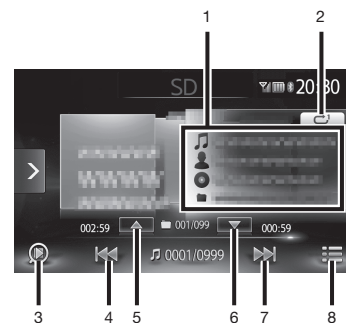
When you select the desired source mode (for example, the DVD Video, USB or iPod mode), the following screen will appear.

Viewing DVDs (NX503E only)



1. Display the disc menu
2. Play status/Information of the monitor size
3. Trick Play key
4. Display the option screen
5. Play the previous chapter/Rewind (long press)
6. Play/Pause
7. Stop play
8. Play the next chapter/Fast forward (long press)/Slow play (long press while pausing)
9. Display the operation key to operate the disc menu.

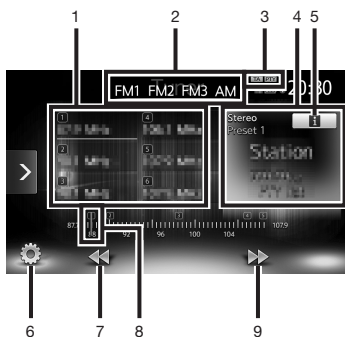
Listening to microSD card/USB memory files



* The above screen is for playing a microSD card.

1. Song/Artist/Album/Folder information
2. Trick Play key
3. Scan key
4. Play the previous track/Rewind (long press)
5. Play the previous folder
6. Play the next folder
7. Play the next track/Fast forward (long press)
8. Display the folder list/track list

Listening to the radio



1. Preset channel list (Station list)
2. Band switch
3. Lights when the PTY or TA interrupt settings are on.
4. Stereo status/Preset channel number/name of broadcasting station/Frequency information
 - * Only the frequency is displayed for AM radio.
5. Display a description of the broadcast that is currently being received (only during an FM broadcast)
6. Display the option screen
7. Manual tune backward/Auto tune backward (long press)
8. Frequency setting bar
9. Manual tune forward/Auto tune forward (long press)

Bluetooth Operations

Registering cellphones (pairing)

When using a Bluetooth-compatible cellphone for the first time, the cellphone must be registered (paired) with the unit.

Notice

- Pairing cannot be executed while you are driving.
- Also, pairing sometimes cannot be executed if the Bluetooth function is not enabled on the cellphone, too. For details, refer to the User's Manual for the cellphone.
- During hands free operations (making outgoing calls, taking incoming calls, connection (telephone calls, communications) with other Bluetooth-compatible devices and pairing are not possible. Also, during hands free operation, audio sound is not output.

- 1 **MENU**  
- 2 **Set** at **[BT Devices Connection]**
- 3 **ON** at **[Connect with Bluetooth]**

- 4 **Select the Bluetooth connection mode.**


Hands Free + Smartphone Linking:
Select this when using the cellphone as a hands free phone and for Smartphone linking.

Hands Free + Music:
Select this when using the cellphone as a hands free phone and for Bluetooth Audio.

Hands Free Only:
Select this when using the cellphone only as a hands free phone.

Music Only:
Select this when using the cellphone only for Bluetooth Audio.

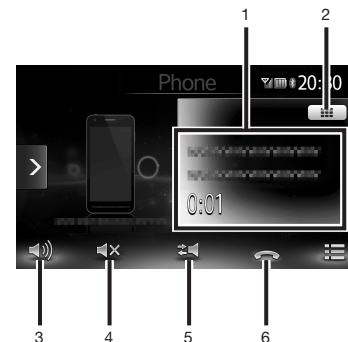
Smartphone Linking Only:
Select this when using the cellphone for Smartphone linking.

- 5 **Select "CAR-BT" (default) from the cellphone, and enter the PIN "1234" (default).**
The cellphone searches for the unit to complete pairing.
When **MENU**  is next touched, the screen changes to the telephone number entry screen.

Screen during a telephone call

The following screen is displayed during a telephone call:

Screen during a telephone call



1. The call time/The name registered in the hands free phonebook/Telephone number information
2. Enter the numbers for the password, etc. during the telephone call when the number entry screen is displayed
3. Display the option screen
4. Mute the phone outgoing volume
5. Switch to telephone calls on the cellphone unit
6. End the telephone call

Entering a number to make a call

— Attention —


- While you are driving, you cannot enter telephone numbers to make a call. Always stop at a safe location before making a telephone call.


— Notice —

- Always input the area code when calling a land-line phone.
- With some cellphones, you may not be able to redial immediately after hanging up a call you dialed. Wait a while before dialing the number again.

1  

2 Enter the telephone number.

3 
The telephone number is dialed and the other party is called.

4 **To end a telephone call** 
You can make calls from the outgoing/incoming calls log or the registered phonebook.

Receiving telephone calls

CAUTION

- **When you receive a call while you are driving, be sure to check the safety around you before taking the call.**

1 **When you have an incoming call**



Put your response on hold.



Touching this during an incoming call, rejects the call.

2 **To end a telephone call** 

Using Smart Access

Smart Access is a telematics service provided by Clarion so that all automobile users can enjoy comfortable, safe and convenient driving.

By “linking” vehicles to Smart Access by smartphone, etc., Smart Access provides customers in vehicles with various conveniences such as entertainment, driving related information and Internet information.

What is Smartphone linking?

You can connect the unit to your smartphone and operate the various applications that run on your smartphone from the unit.

For example, you can output audio that is played from the speakers connected to the unit or display images displayed in applications on the unit. This is called “Smartphone linking.”

The following lists the smartphones that can be linked to the unit:

- Covered models: iPhone® 4, iPhone 4S, Android smartphones
- * iPhone and iPad other than the above are not supported.
- Covered OS: iOS 5 or later, Android OS4.0 or later (as of January 2013)

Also, with this function, only applications compatible with Smartphone linking can be used. This User's Manual refers to these as “linking-compatible applications.”

— Attention —

- Use of Smartphone linking function is charged to smartphone communications fees. Charges are borne by the person contracted to the smartphone being used. Charges billed from the cellphone carrier may be expensive depending on the method of use. Before use, check the price plans and methods of use with the cellphone carrier you are contracted to. We recommend using the optimum price plan, such as a flat-rate data plan based on the frequency of use.

— Notice —

- While you are driving, some applications cannot be operated so as to prevent obstruction to driving.
- Information content that is distributed in real time belongs to third parties having the rights concerned. The content of services might be changed or suspended for reasons of third parties having the rights concerned.

Linking-compatible applications

To use Smartphone linking, linking-compatible applications and application management software “Smart Access” must be installed on the software.

First, search for “Smart Access” from the App Store or Google Play Store and install this.

Next, install the linking-compatible applications. Start up Smart Access on the smartphone and download the linking-compatible applications from recommended lists.

Linking-compatible applications are scheduled to be added as they become available.

For details on how to use applications, refer to the Help for each application that is started up on the smartphone.

Procedure up to Smartphone linking

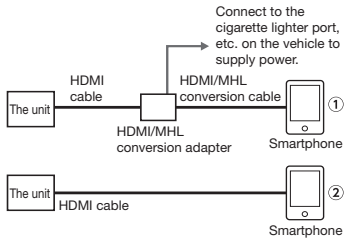
The Smartphone linking procedure is as follows.

(For iPhone)

1. **Start up Smart Access on the smartphone.**
2. **Connect the unit to the smartphone.**
Use CCA-750 (sold separately) and VTR cable.
3. **Start Smartphone linking on the unit.**

(For Android smartphones)

1. **Start up Smart Access on the smartphone.**
2. **Connect the unit to the smartphone.**
There are two methods of connection as follows depending on the smartphone model.



— Attention —

- For the HDMI/MHL conversion adapter, only an adapter that supports EDID transfer can be used.

Connect a smartphone that supports the following Bluetooth profile via Bluetooth for use.

- SPP (Serial Port Profile)
 - HID (Human Interface Device Profile)
3. **Start Smartphone linking on the unit.**

Starting up applications

— Notice —

- The unit sometimes does not support smartphone multi-touch or flicking functions.
- Applications cannot be added or deleted from the unit. Execute addition or deletion of applications on the smartphone.
- During Smartphone linking, do not set the smartphone to a sleep state. Doing so might prevent the smartphone from functioning properly.

— MEMO —

- When Smart Access is used for the first time, the Terms of Use confirmation screen is displayed. Check the terms of use, and touch **Check**.
- “!” will be displayed when there is a new version of Smart Access available. To update Smart Access, remove the smartphone from the unit, and execute the update by operating the application on the smartphone.

For iPhone

Preparations

- Set “Connection Method” of on the iPod video screen to “USB + VTR”.
- Select **MENU** ► ► and then set “Linked device” to “iPhone”.
- Start up Smart Access on the smartphone.

— Notice —

- During Smartphone linking, operations on the smartphone are not possible.

1 Connect the smartphone to the unit.

Connect iPhones with the video jack of CCA-750 (sold separately) still connected to the VTR cable.

2 **Smart Access**, or

MENU ► **Smart Access**

Start up Smart Access. The list of linking-related applications installed on the smartphone is displayed. When an application is started up on the smartphone, the screen is switched to the application screen.

3 Select the application you want to start up.

The application starts up. The application can be operated from screens on the unit as if you are operating the smartphone.

To end an application, touch **MENU** ► **Smart Access**.

For Android smartphones

Preparations

- Select **MENU** ► ► and then set “Linked device” to “Android”.
- Register (pair) the smartphone to the unit. → P.6
- Start up Smart Access on the smartphone.

— MEMO —

- With some smartphone models, the HDMI output setting on the smartphone must be enabled.
- When you connect an Android smartphone, the unit can display pictures of the following formats by Smartphone linking.
 - the HDMI output resolution of smartphones:
480p (720×480/640×480), 576p (720×576)

1 Connect the smartphone to the unit.

Connect the smartphone by HDMI cable and enable the connection via Bluetooth. → P.6

From here on, operations are the same as from step 2 of the procedure for “For iPhones”.

Start using Clarion Mobile Map

When Clarion Mobile Map is started the first time, you need to do the following:

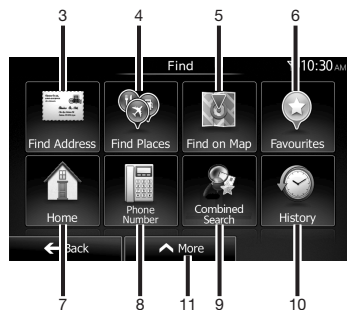
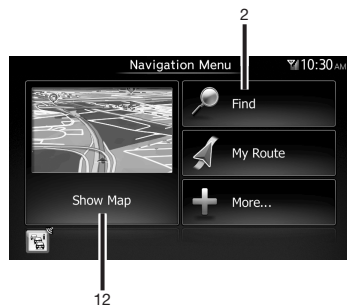
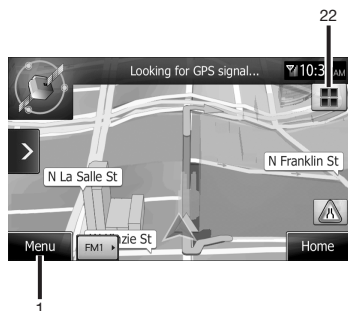
1. Select the written language of the application interface. Later you can change it in Settings.
2. Select the language and speaker used for voice guidance messages. Later you can change it in Settings.
3. Read and accept the End User Licence Agreement.
4. Read and accept the road safety warning.

After this, the Navigation menu appears and you can start using Clarion Mobile Map.

Selecting the destination of a route

To enter an address as the destination, do as follows:

1. If you are on the Map screen, tap **Menu** to return to the Navigation menu.
2. In the Navigation menu, tap **Find**.

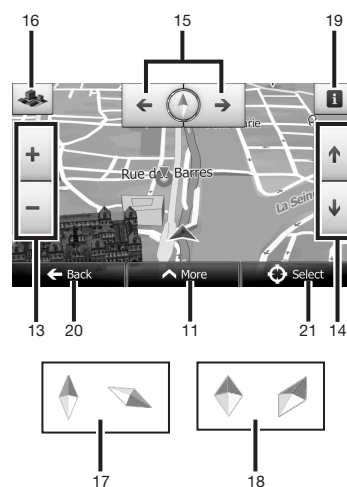


3. Selecting a destination by entering the address or the postal code
4. Selecting the destination from the Places of Interest
5. Selecting a map location as the destination
6. Selecting the destination from your Favourites
7. Selecting your Home location
8. Searching for a Place of Interest by its phone number
9. Entering the name of the destination

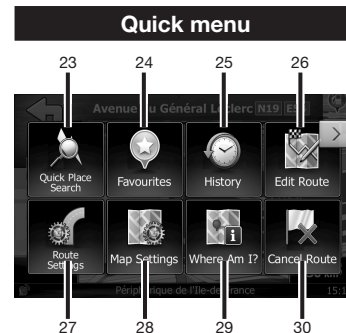
10. Selecting a recent destination from the History
11. Additional options

* For the information about other ways, see the user manual.

Map screen



12. To enlarge this small map and open the Map screen, tap [Show Map] button
13. Zooming in and out
14. Tilting up and down
15. Rotating left and right
16. 2D or 3D view
17. Compass in 2D map view mode
18. Compass in 3D map view mode
19. Location information
20. Return to normal navigation
21. Set the cursor position as the destination



22. The Quick menu is a selection of controls and functions that are frequently needed during navigation. It can be opened directly from the Map screen by tapping **Quick menu**.
23. Find / Find Places / Quick Search (This function lets you search for a Place along your route or around your current location if there is no route calculated)
24. Find / Favourite (This button opens the list of your Favourite destinations)
25. Find / History (This button opens the History list.)
26. My Route / Edit Route (This button opens the route editing function)
27. More / Settings / Route Settings (This button opens the route related settings)
28. More / Settings / Map Settings (This button opens the map related settings)
29. Tap the Current Street field on the Map screen (This button opens a special screen with information about the current position and a button to search for nearby emergency or roadside assistance.)
30. My Route / Cancel Route (This button cancels the route and stops navigation. The button is replaced with the next one if waypoints are given)

INSTALLATION AND WIRE CONNECTION MANUAL

1. SAFETY PRECAUTIONS

Symbol Identification

This manual uses symbols and icons to indicate safety precautions and concerns during the installation procedure. Be sure to carefully read and understand each precaution prior to beginning the installation.

⚠ WARNING

- This symbol is intended to alert the user to the presence of important operating instructions. Failure to heed the instructions may result in severe injury or death.

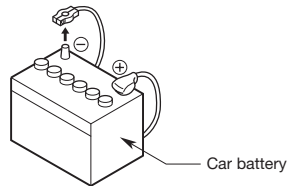
⚠ CAUTION

- This symbol is intended to alert the user to the presence of important operating instructions. Failure to heed the instructions can result in injury or material damage.

Before Use

⚠ WARNING

- Confirm the battery voltage of the vehicle to be installed. This unit is designed only for vehicles with DC 12V power supply.
- Disconnect the negative terminal of the battery before connecting wires, otherwise an electric shock, injury by short circuit may occur.



Installation Precautions

⚠ WARNING

- When installing the unit to a vehicle with an airbag system, never install it in a place where it may affect the operation of the airbag.
- Do not install this unit in the following locations:
 - A location interfering with the driver's visual range or operation.
 - A location where the gear shift or brake pedal are hindered.
 - A location where passengers are at risk.
 - An unstable location, or where the system may fall.

⚠ CAUTION

- Do not install the system in the locations described below. This may cause a fire, accident or electrical shock:
 - A location exposed to rain or dust.
 - An unstable location, or where the system may fall.
- Do not install this unit in a place exposed to direct sunlight, heat or a place where the vent holes or heat radiation holes are covered.
- When you install the antenna, mount it in a place where the elements of the antenna do not protrude beyond the edge of the front, back, left and right of the vehicle.
 - If it comes in contact with pedestrians, it may cause an accident.
- Ensure a minimum distance around the apparatus for sufficient ventilation.
- Do not place naked flame sources, such as lighted candles on the apparatus.
- Use the apparatus only in moderate climates (not in tropical climates).

Installation Notes

⚠ WARNING

- Please note the position of pipes, tanks and electrical wirings before installing the unit into the vehicle; failure in avoiding these may cause a fire or malfunction.

⚠ CAUTION

- Use only the supplied parts.
 - If unspecified parts are used, they may cause damage.
- Any holes made in the body of the vehicle should be sealed with a silicon adhesive.
 - If exhaust fumes or water penetrates into the vehicle, this may cause an accident.
- Fasten the bolts securely when installing the unit. If the bolts are loose an accident or malfunction could occur.

Connection Notes

⚠ WARNING

- Loom all cables according to the instruction manual, so as not to hinder operation.
- Wire the connecting cords/cables away from high temperature areas. If the coatings of the cables melt, it could cause an accident/fire by a short circuit. Take care when wiring in the engine compartment.
- When wiring the connecting cables in a vehicle with an airbag system, never feed the cables through a place where it may affect the operation of the airbag. An airbag not operating correctly in an emergency may cause increased injury.

⚠ CAUTION

- Verify wires with a digital multi-meter prior to making any connections. Many new vehicles use multiplexed and/or low voltage circuits that can be damaged if a test light or logic probe is used.
- Connect cables appropriately. If a wrong connection is made, this may cause a fire or accident.
- When passing cables through the body of the vehicle, use non-conductive grommets. If the coatings of the cables are worn out by rubbing, this may cause an accident, fire or a short circuit.
- After wiring cables, fix them with insulation tape.
- Be sure to switch off the vehicle when connecting or disconnecting cables to/from the unit, otherwise an electric shock, injury or accident may occur.

2. PACKAGE CONTENTS

- ① Main unit
- ② Quick Start Guide & Installation Manual
- ③ CD-ROM
 - Owner's manual
 - Owner's manual - Navigation (NX503E only)
- ④ Power supply cable
- ⑤ RCA pin cable (6ch)
- ⑥ RCA pin cable (Rear AUX-IN/Rear Video Out)
- ⑦ Bag for accessories
 - Flat head screw (M5 × 8 mm)8
 - Hexagonal bolt (M5 × 8 mm)8
 - Electro tap.....1
 - Rubber cap (for RCA pin cable)10
 - Cable holder (NX503E only).....3
 - Double-sided tape for fastening GPS antenna (NX503E only)1
 - Cable tie.....1
- ⑧ Warranty card
- ⑨ GPS antenna (NX503E only)

— Notice

- The provided disc (CD-ROM manual) cannot be played back on this unit.

3. GENERAL CAUTIONS

- Do not open the case. There are no user-serviceable parts inside. If you drop anything into the unit during installation, consult your dealer or an authorized Clarion service center.

4. CAUTIONS ON INSTALLATION

- Prepare all articles necessary for installing the main unit before starting.
- Install the unit within 30° of the horizontal plane. (Figure 1)

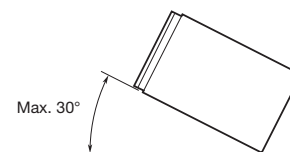


Figure 1

- If you have to do any modification on the car body, such as drilling holes, consult your car dealer beforehand.
- Use the included screws for installation. Using other screws can cause damage. (Figure 2)

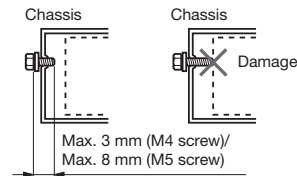


Figure 2

5. INSTALLING THE MAIN UNIT

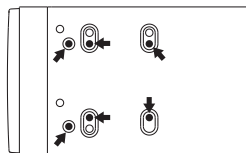
This unit is designed for fixed installation in the dashboard.

- When installing the main unit in NISSAN vehicles, use the parts attached to the unit and follow the instructions in Figure 3.

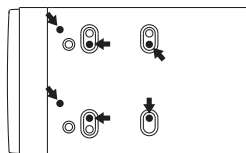
When installing the main unit in TOYOTA vehicles, use the parts attached to the vehicle and follow the instructions in Figure 4.

- Wire as shown in Section 9. → P.15
- Reassemble and secure the unit in the dashboard and set the face panel and center panel.

■ Mounting Screw Holes (Side View of the Main Unit)



For NISSAN vehicle



For TOYOTA vehicle

Installing the Main Unit in a NISSAN Vehicle

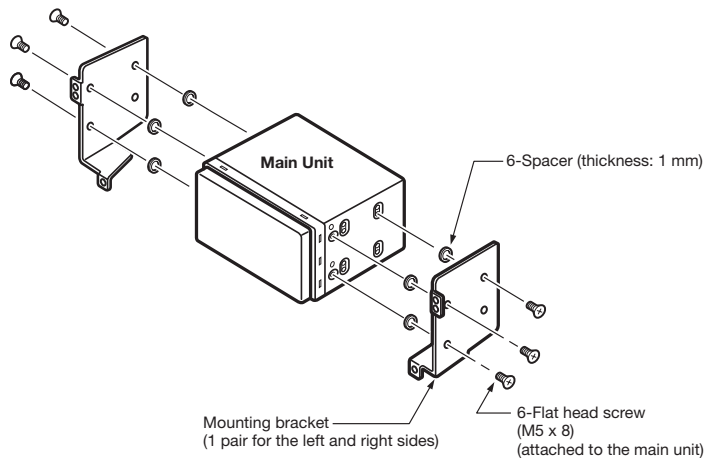


Figure 3

Installing the Main Unit in a TOYOTA Vehicle

Install by using parts attached to the vehicle. (Screws marked ★ are attached to the vehicle.)

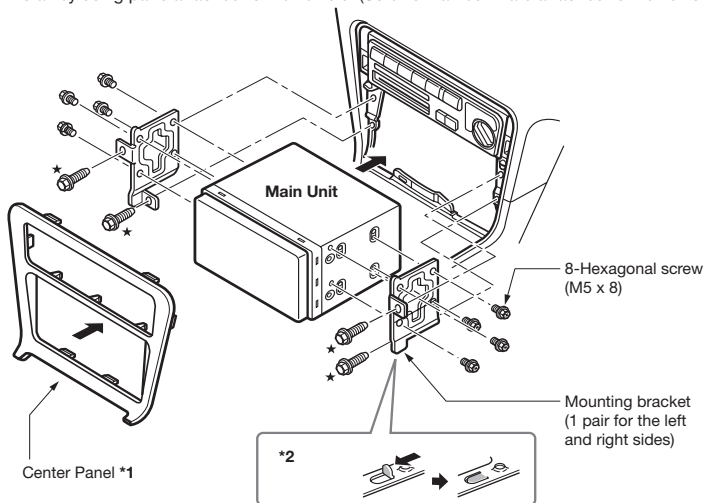
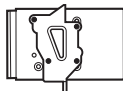


Figure 4

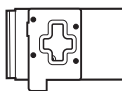
*1 Some panel openings are too small for the unit depending on the vehicle type and model. In such a case, trim the upper and lower sides of the panel frame by about 0.5 to 1.5 mm so the unit can be inserted smoothly.

*2 If a hook on the installation bracket interferes with the unit, bend and flatten it with a nipper or similar tool.

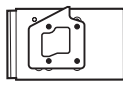
■ Typical Mounting Brackets



Example 1



Example 2



Example 3

Affix the screws to the ● marks.

Vehicles other than NISSAN and TOYOTA

In some cases the center panel may require modification. (Trimming, filing, etc.)

6. REMOVING THE MAIN UNIT

When the main unit is to be removed, disassemble it in the reverse of the order in "INSTALLING THE MAIN UNIT". → P.12

7. CAUTIONS ON WIRING

- Be sure to turn the power off before wiring.
Be particularly careful where you route the wires.
- Keep them well away from the engine, and exhaust pipe, etc. Heat may damage the wires.
- If the fuse should blow, check to see if the wiring is correct.
If a fuse is blown, replace it with a new one of the same specification as the original.
- To replace the fuse, remove the old fuse of the power supply cable and insert the new one. (Figure 5)

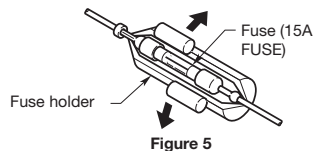


Figure 5

- There are various types of fuse holder.
Do not let the battery side touch other metal parts.

⚠ CAUTION

- After connecting the HDMI and USB cables to the unit, use a cable tie to tie them down. (Figure 6)

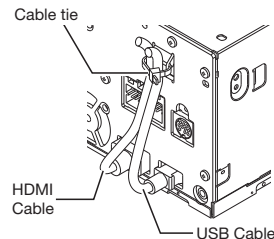


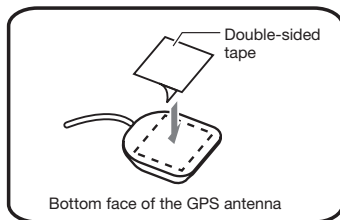
Figure 6

8. INSTALLING THE GPS ANTENNA (NX503E ONLY)

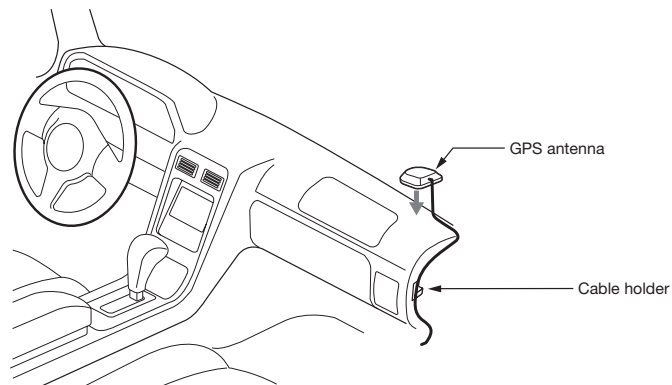
⚠ WARNING

- Do not install the GPS antenna in a place where it may interfere with the operation of the airbag or hinder the driver's visual range.
- Do not use the navigation system with the GPS antenna cable cut off. The power line in the cable may be short-circuited.

- The supplied GPS antenna is for installing inside the vehicle. Do not install it outside the vehicle.
- Install the GPS antenna more than 50 cm away from the main unit, other audio devices such as CD player, and a radar detector. If it is installed near these devices, GPS reception may be impaired.
- To improve the GPS signal reception, install the GPS antenna horizontally on a flat plane.
- Do not wax or paint the cover of the GPS antenna. This may reduce the performance of the GPS antenna.
- Install the GPS antenna at least 10 cm away from the windshield.
- Wipe off the dirt of the mounting surface before installing the GPS antenna.
- Stick the double-sided tape to the bottom face of the GPS antenna.

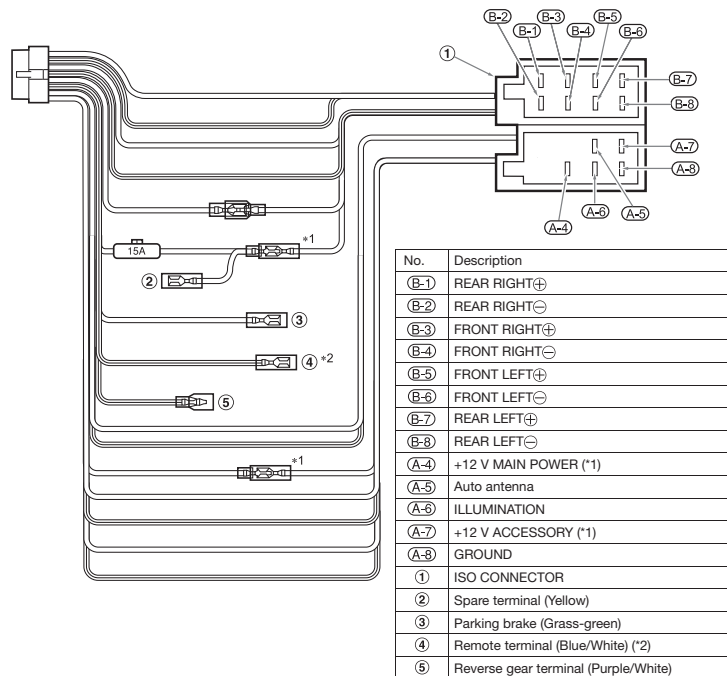
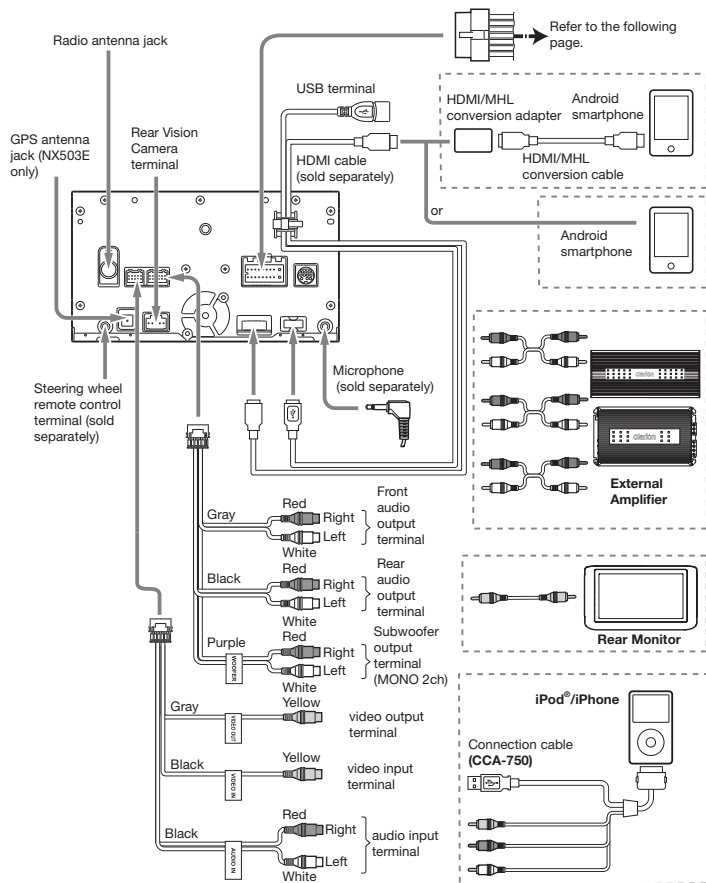


- Mount the GPS antenna.
Stick it surely on a flat plane of the passenger-side dashboard where GPS signal interruption is minimized.
- Wire the GPS antenna cable.
Fasten the cable using the Cable holders.



(Shows an example in case of the left-hand traffic.)

9. WIRE CONNECTION



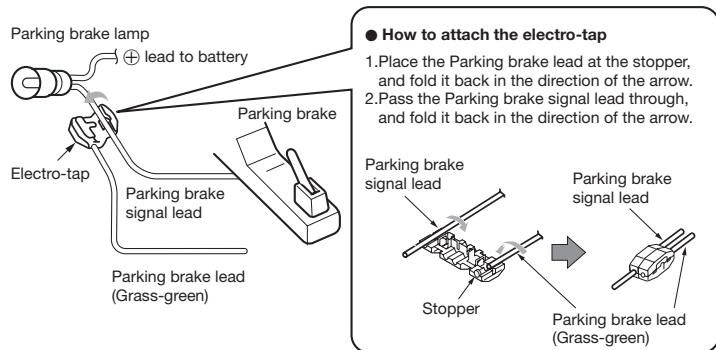
- *1 In certain vehicles - **Volkswagen/Opel/Vauxhall** - it is necessary to exchange the accessory <<Red>> and the main power <<Yellow>> connection, to avoid overload and loss of memory.
- *2 When the unit is installed in a **1998 or later Volkswagen** model, make sure to interrupt the <<Remote>> output. Disconnect the <<blue/white>> wire and insulate the front ends of this cord. A breakdown may occur if the cord is not disconnected, or front ends are not insulated.

See next page for how to connect the parking brake lead.

■ Connecting the parking brake lead

Connect the lead to parking brake lamp ground in the meter panel.

- Connecting the parking brake lead to lamp ground allows you to watch video images when the parking brake is engaged.
- When the parking brake lead is not connected, the monitor will not display video images.



Connecting the Accessories

■ Connection to the Rear Vision Camera for vehicle

The Rear Vision Camera for vehicle can be connected to optional Rear Vision Camera input cable (CCA-644) with RCA pin cable. For detailed information, refer to the instruction sheet or manual for the Rear Vision Camera.

- Be sure to connect the reverse gear lead to the vehicle's relevant terminal.
- Connect the Rear Vision Camera to the RCA pin cable; if not, the screen turns black while the gearshift lever is in the reverse gear position.



English:

Declaration of conformity

We Clarion declares that this model NX503E/
FX503E is following the provision of Directive
1999/5/EC with the essential requirements and the
other relevant regulations.

Français:

Déclaration de conformité

Nous, Clarion, déclarons que ce modèle NX503E/
FX503E est conforme aux exigences essentielles et
aux autres dispositions pertinentes de la directive
1999/5/CE.

Deutsch:

Konformitätserklärung

Wir, Clarion, erklären, dass dieses Modell NX503E/
FX503E den Bestimmungen der Richtlinie
1999/5/EG im Hinblick auf die grundlegenden
Anforderungen und andere relevante
Bestimmungen entspricht.

Italiano:

Dichiarazione di conformità

Clarion dichiara che il presente modello NX503E/
FX503E è conforme ai requisiti essenziali e alle
altre disposizioni pertinenti stabiliti dalla direttiva
1999/5/CE.

Nederlands:

Conformiteitsverklaring

Clarion verklaart dat het model NX503E/FX503E
in overeenstemming is met de essentiële eisen en
andere relevante voorschriften van de bepalingen
van Richtlijn 1999/5/EC.

Español:

Declaración de conformidad

Clarion declara que este modelo NX503E/FX503E
cumple con los requisitos esenciales y otras
disposiciones aplicables descritos en la Directiva
1999/5/CE.

Svenska:

Intyg om överensstämmelse

Härmed intygar Clarion att denna modell NX503E/
FX503E uppfyller kraven i direktiv 1999/5/
EG gällande väsentliga egenskaper och övriga
relevanta bestämmelser.

Polski:

Deklaracja zgodności

Firma Clarion niniejszym oświadcza, że model
NX503E/FX503E jest zgodny z istotnymi wymogami
oraz innymi odpowiednimi postanowieniami
Dyrektywy 1999/5/WE

Ελληνικά:

Δήλωση συμμόρφωσης

Εμείς στην Clarion δηλώνουμε ότι αυτό το μοντέλο
NX503E/FX503E τηρεί τις διατάξεις της Οδηγίας
1999/5/EK σχετικά με τις ουσιαστικές απαιτήσεις και
τους άλλους σχετικούς κανονισμούς.

Clarion Europe S.A.S.

Z.I. du Pré à Varois, Route de Pompey, 54670 Custines, FRANCE (Γαλλία)

Clarion Co., Ltd.

All Rights Reserved. Copyright © 2013: Clarion Co., Ltd.

Printed in Japan / Imprimé au Japon / Gedruckt in Japan
Stampato in Giappone / Gedrukt in Japan / Impreso en Japón
Tryckt i Japan / Wydrukowano w Japonii / Τυπώθηκε στην Ιαπωνία

QY-1020E/QZ-3020E

2013/4



280 - 9155 - 00