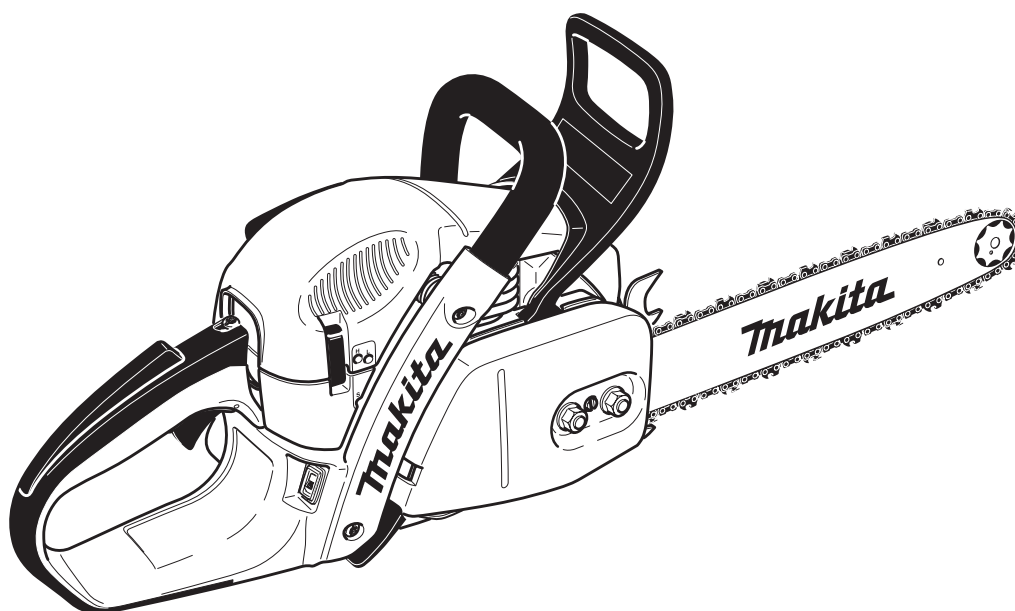




Owner's and Safety Manual for Gasoline Chain Saws (page 2 - 39)

Manuel d'emploi et de sécurité de tronçonneuses thermiques (page 40 - 77)



DCS460
DCS510

WARNING!

Read and understand this Manual. Always follow safety precautions in the Owner's and Safety Manual. Improper use can cause serious injury!

The engine exhaust from this product contains chemicals known to the State of California to cause cancer, birth defects or other reproductive harm. Preserve this Manual carefully!

ATTENTION!

Suivez toujours les conseils de sécurité du présent manuel d'emploi et de sécurité. Une utilisation incorrecte de la tronçonneuse peut entraîner des blessures graves! Conservez avec soin ce manuel!

Les gaz d'échappement émis par ce produit contiennent des produits chimiques connus par l'Etat de Californie pour provoquer le cancer, des défauts de naissance ou autres dommages de reproduction. Lisez et comprenez ce manuel.

EMISSIONS COMPONENT DEFECT WARRANTY COVERAGE

MAKITA U.S.A, Inc warrant to the initial retail purchaser and each subsequent owner, that this utility equipment was designed, built, and equipped to conform at the time of initial sale to all applicable regulations of the U.S.

Environmental Protection Agency (EPA), and that the engine is free of defects in materials and workmanship which would cause this engine to fail to conform with EPA regulations during its warranty period.

For the components listed under PARTS COVERED, the service dealer authorized by MAKITA will, at no cost to you, make the necessary diagnosis, repair, or replacement necessary to ensure that the engine complies with applicable U.S. EPA regulations.

EMISSION COMPONENT DEFECT WARRANTY PERIOD

The warranty period for this engine begins on the date of sale to the initial purchaser and continues for a period of 2 years.

PARTS COVERED

Listed below are the parts covered by the Emission Components Defect Warranty. Some of the parts listed below may require scheduled maintenance and are warranted up to the first scheduled replacement point for that part.

Fuel Metering System

Carburetor and internal parts
Fuel filter, if applicable
Throttle stopper, if applicable
Choke System, if applicable

Ignition System

Spark plugs
Flywheel Magneto
Ignition Coil

Air Induction System

Pre filter, if exist
Air filter, Air cleaner case, Intake manifold

Miscellaneous Items Used in Above Systems

Fuel hoses, clamps and sealing gaskets

OBTAINING WARRANTY SERVICE

To obtain warranty service, take your engine to the nearest MAKITA Factory Service Center or service Center authorized by MAKITA. Bring your sales receipts indicating date of purchase for this engine. The dealer of service authorized by MAKITA will perform the necessary repairs or adjustments within a reasonable amount of time and furnish you with a copy of the repair order. All parts and accessories replaced under this warranty become the property of MAKITA.

WHAT IS NOT COVERED

- Conditions resulting from tampering, misuse, improper adjustment (unless they were made by the service dealer authorized by MAKITA during a warranty repair), alteration, accident, failure to use the recommended fuel and oil, or not performing required maintenance services.
- The replacement parts used for required maintenance services.
- Consequential damages such as loss of time, inconvenience, loss of use of the engine or equipment, etc.
- Diagnosis and inspection charges that do not result in warranty-eligible service being performed.
- Any non-authorized replacement part, or malfunction of authorized parts due to use of non-authorized parts.

OWNER'S WARRANTY RESPONSIBILITIES

As the engine owner, you are responsible for the performance of the required maintenance listed in your owner's manual. MAKITA recommends that you retain all receipts covering maintenance on your engine, but MAKITA cannot deny warranty solely for the lack of receipts or for your failure to ensure the performance of all scheduled maintenance. As the engine owner, you should however be aware that MAKITA may deny warranty coverage if your engine or a part has failed due to abuse, neglect, improper maintenance or unapproved modifications.

You are responsible for presenting your engine to the nearest service dealer authorized by MAKITA when a problem exists.

If you have any questions regarding your warranty rights and responsibilities, you should contact the MAKITA Warranty service Department at 1-888-OPE-PART for the information.

THINGS YOU SHOULD KNOW ABOUT THE EMISSION CONTROL SYSTEM WARRANTY:

MAINTENANCE AND REPAIRS

You are responsible for the proper maintenance of the engine. You should keep all receipts and maintenance records covering the performance of regular maintenance in the event questions arise. These receipts and maintenance records should be transferred to each subsequent owner of the engine. MAKITA reserves the right to deny warranty coverage if the engine has not been properly maintained. Warranty claims will not be denied, however, solely because of the lack of required maintenance or failure to keep maintenance records.

MAINTENANCE, REPLACEMENT OR REPAIR OF EMISSION CONTROL DEVICES AND SYSTEMS MAY BE PERFORMED BY ANY REPAIR ESTABLISHMENT OR INDIVIDUAL; HOWEVER, WARRANTY REPAIRS MUST BE PERFORMED BY A SERVICE DEALER AUTHORIZED BY MAKITA. THE USE OF PARTS THAT ARE NOT EQUIVALENT IN PERFORMANCE AND DURABILITY TO AUTHORIZED PARTS MAY IMPAIR THE EFFECTIVENESS OF THE EMISSION CONTROL SYSTEM AND MAY HAVE A BEARING ON THE OUTCOME OF A WARRANTY CLAIM.

If other than the parts authorized by MAKITA are used for maintenance replacements or for the repair of components affecting emission control, you should assure yourself that such parts are warranted by their manufacturer to be equivalent to the parts authorized by MAKITA in their performance and durability.

HOW TO MAKE A CLAIM

All repair qualifying under this limited warranty must be performed by a service dealer authorized by MAKITA. In the event that any emission-related part is found to be defective during the warranty period, you shall notify MAKITA Warranty service Department at 1-888-OPE-PART and you will be advised of the appropriate warranty service dealer or service providers where the warranty repair can be performed.

WARNING !

Careless or improper use of this product can cause serious or even fatal injury.

Before operating a chain saw or other MAKITA products it is important that you read, fully understand and carefully follow the instructions outlined in this owners manual. Kickback may cause severe or fatal injury and is one of many potential dangers in operating a chain saw. Kickback and other safety related precautions are described in detail within this owners manual. Additional owners manuals are available from MAKITA U.S.A., INC., 14930-C Northam Street, La Mirada, CA 90638-5753, USA, Telephone: (714) 522 80 88 and MAKITA CANADA INC., 1950 Forbes Street, Whitby, Ontario, L1N 7B7, Canada, Telephone: (905) 571 22 00.

This product complies with: American National Standard Institute B 175.1-2000 chain saw safety standard.
Canadian Standards Association Z62.1-03 chain saw safety standard.
Z62.3-04 chain saw kickback standard.
Society of Automotive Engineers SAEJ 335-Jun 95 „Multiposition small engine exhaust system fire ignition suppression”

The Emissions Compliance Period referred to on the emission Compliance label indicates the number of operating hours for which the engine has been shown to meet federal emissions requirements.
Category C= 50 hours, B= 125 hours, and A= 300 hours.

With the purchase of this chain saw you have chosen a German quality product. Important instructions for the assembly and operation of this saw are given in this manual. For your own safety, we ask you to read the accident prevention instructions very carefully before putting your chain saw into operation, as incorrect handling can, despite all precautions, lead to accidents. With a little care and attention you will have good service and lasting satisfaction from this first-rate product.



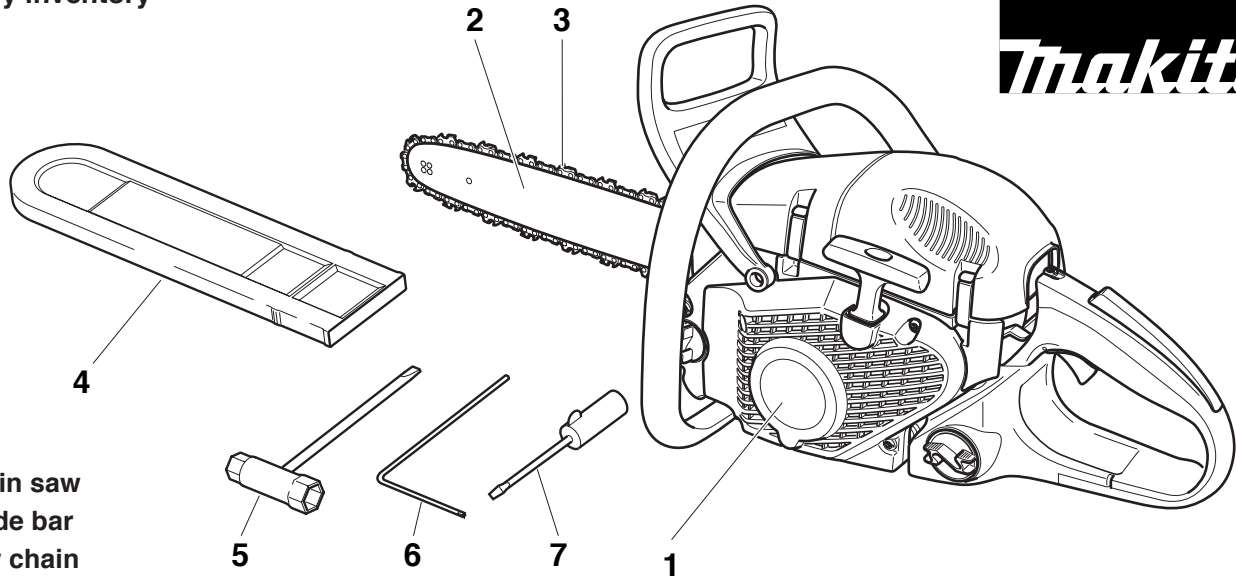
DCS460, DCS510

Contents	Page	Contents	Page
Delivery inventory	4	Sharpening the saw chain	28-29
Symbols	4	Cleaning the brake band and sprocket interior	30
Safety precautions	5-16	Cleaning the guide bar	30
Denomination of components	17	Replacing the saw chain	31
Technical data	18	Cleaning the air filter	32
Mounting the guide bar and saw chain	19-20	Replacing the spark plug	33
Checking the chain tension	21	Checking the muffler screws	33
Retightening the saw chain	21	Replacing the starter cable	34
Chain brake	21	Replacing the return spring	34
Engaging the chain brake	21	Mounting the fan housing	34
Fuel / Refuelling	22-23	Cleaning the cylinder area	35
Chain lubrication	24	Replacing the fuel filter	35
Starting the engine	25	Replacing / cleaning the spark arrester screen	35
Stopping the engine	25	Instructions for daily and periodic maintenance	36
Checking the chain brake	26	Service, spare parts and guarantee	36-37
Working in winter	26	Troubleshooting	37
Adjusting the carburetor	27	Extract from the spare parts list	38-39

The DCS460, DCS510 will be delivered in a protective cardboard box to prevent transport damage. Cardboard is a basic raw material and is consequently reuseable or suitable for recycling (waste paper recycling).



Delivery inventory



- 1 Chain saw
- 2 Guide bar
- 3 Saw chain
- 4 Chain protection cover
- 5 Universal wrench
- 6 Wrench
- 7 Screw driver for carburetor adjustment
- 8 Owner's and Safety Manual (not shown)

In case one of the parts listed should not be included in the delivery inventory, please consult your sales agent.

Symbols

You will notice the following symbols on the chain saw and in the Owner's and Safety Manual:

	Read instruction manual and follow the warning- and safety precautions!		Caution, kickback!
	Particular care and caution!		Chain brake
	Forbidden!		Fuel and oil mixture
	Wear protective helmet, eye and ear protection!		Normal / Winter operation
	Wear protective gloves!		Carburetor adjustment
	No smoking!		Chain oil fill/oil pump
	No open fire!		Saw chain oil adjustment screw
	Stop engine!		First aid
	Push decompression valve		Recycling
	Start engine		Combination switch Start/Stop (I/O), Choke
	Combination switch Start/Stop (I/O), Choke		

Further symbols see page 6.

Safety precautions for chain saw operators

While operating the chain saw please observe the following rules:

- a) Contact of the guide bar nose with any object should be avoided.
- b) Tip contact may cause the guide bar to move suddenly upward and backward, which may cause serious or fatal injury.
- c) Always operate the chain saw with both hands.

WARNING!

Read and follow all safety precautions in the owner's manual. Failure to follow instructions could result in serious injury. It is recommended to lend the chain saw only to people who are experienced in working with chain saws. Always hand over the Owner's and Safety Manual.

WARNING!

This chain saw is capable of severe kickback that could result in serious injury to the operator. Do not operate this chain saw unless you have extraordinary cutting needs and experience in and special training for dealing with kickback. Chain saws with significantly reduced kickback potential are available.

WARNING!

Kickback may occur when the nose or tip of the guide bar touches an object, or when the wood closes in and pinches the saw chain in the cut. This contact may abruptly stop the **saw chain** and in some cases may cause a lightning fast reverse **reaction**, kicking the guide bar up and back towards the user, or push the guide bar back towards the operator. **Kickback** may cause you to lose control of the saw.

As a chain saw user, you can take several steps to reduce the risk of a kickback and potential injury.

- A. With a basic understanding of kickback, you can reduce or eliminate the element of surprise. It is a sudden surprise that contributes to accidents.
- B. Keep a good firm grip on the saw with both hands, your right hand on the rear grip and your left hand on the tubular handle, when the engine is running. Use a firm grip with thumbs and fingers encircling the chain saw handles. A firm grip can neutralize kickback and help you maintain control of the saw. Don't let go!
- C. Make sure that the area in which you are cutting is free from obstructions. Do not let the nose of the guide bar contact the log, branch, or any other obstructions which could be hit while you are operating the saw.
- D. Do not overreach or cut above shoulder height.
- E. Follow manufacturer's sharpening and maintenance instructions for the saw chain.
- F. Only use replacement bars and chains specified by the manufacturer or the equivalent.

Additional safety precautions

The following additional safety precautions should be observed by all users of chain saws:

1. Do not operate a chain saw when you are fatigued.
2. Use safety footwear; snug-fitting clothing; protective gloves; and eye, hearing, and head protection devices.
3. Use caution when handling fuel. Move the chain saw at least 10 feet (3 m) from the fueling point before starting the engine.
4. Do not allow other persons to be near the chain saw when starting or cutting with the chain saw. Keep bystanders and animals out of the work area.
5. Do not start cutting until you have a clear work area, secure footing, and a planned retreat path from the falling tree.
6. Keep all parts of your body away from the saw chain when the engine is running.
7. Before you start the engine, make sure that the saw chain is not contacting anything.
8. Carry the chain saw with the engine stopped, the guide bar and saw chain to the rear, and the muffler away from your body.
9. Do not operate a chain saw that is damaged, is improperly adjusted, or is not completely and securely assembled. Be sure that the saw chain stops moving when the throttle control trigger is released.
10. Shut off the engine before setting it down.
11. Use extreme caution when cutting small size brush and saplings because slender material may catch the saw chain and be whipped toward you or pull you off balance.
12. When cutting a limb that is under tension be alert for springback so that you will not be struck when the tension on the wood fibers is released.
13. Keep the handles dry, clean, and free of oil or fuel mixture.
14. Operate the chain saw only in well-ventilated areas.
15. Do not operate a chain saw in a tree unless you have been specifically trained to do so.
16. All chain saw service, other than the items listed in the owner's manual maintenance instructions, should be performed by MAKITA . (For example, if improper tools are used to remove the flywheel or if an improper tool is used to hold the flywheel in order to remove the clutch structural damage to the flywheel could occur and could subsequently cause the flywheel to burst.)
17. When transporting your chain saw, use the chain protection cover.
18. Low kickback bars and low kickback chains are designed to reduce the risk of kickback injury. Ask your MAKITA dealer about these devices.

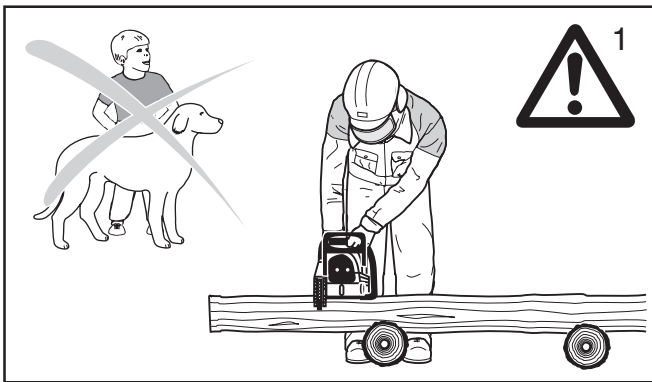
General Safety Precautions

The use of any chain saw may be hazardous. At full throttle chain speed can reach 45 mph (20 m/s). It is important that you read; fully understand and observe the following safety precautions and warnings. Read the Owner's Manual and the safety instructions periodically.

WARNING !

Reactive forces, including kickback, can be dangerous. Careless or improper use of any chain saw may cause serious or fatal injury.

Have your MAKITA dealer show you how to operate your chain saw. Observe all applicable local safety regulations, standards and ordinances.



WARNING!

Minors should never be allowed to use a chain saw.

Bystanders, especially children and animals should not be allowed in the area where a chain saw is in use (fig. 1).


Never let the saw run unattended.

Store it in a locked place away from children. Fill the fuel tank to 7/8 th full (see storing the saw). Do not lend your chain saw without this Owner's and Safety Manual. Be sure that anyone using your saw understands the information given.

Proper use of a chain saw involves

1. the operator
2. the saw
3. the use of the saw.

Discription of symbols used on chain saws:

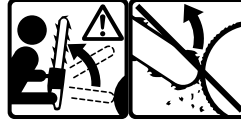
C		CSA Standards	Z62.1-03
		Class 1A	Z62.3-04
		ANSI Standard	B175.1-2000
		SAE Standard	SAE J335



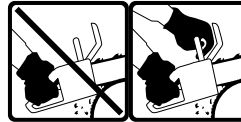
Maximum Computed Kickback Angle (CKA)* without using the chain brake when using the recommended bar and chain combinations (In this example the CKA is 45°).



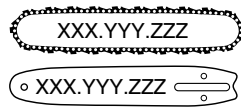
Maximum Computed Kickback Angle (CKA)* with using the chain brake when using the recommended bar and chain combinations (In this example the CKA is 40°).



Contact of the guide bar tip with any object should be avoided! Tip contact may cause the guide bar to move suddenly upward and backward, which may cause serious injury!



Always use two hands when operating the chain saw!



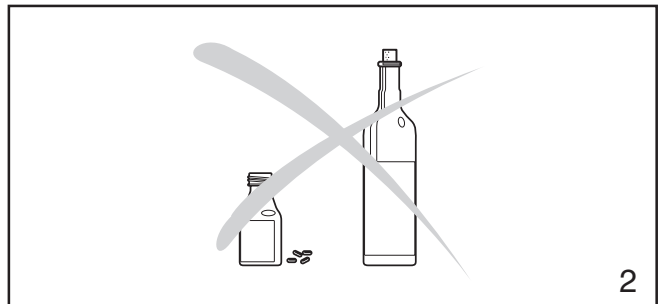
Reduced Kickback Bar and Chain combination that has been evaluated with the power head to achieve kickback protection (according to ANSI and CSA standards).

* The Computed Kickback Angle is a calculated value from energies measured on a test bench. It is not the angle of the guide bar moved upward in case of a KICKBACK.

The operator

Physical Condition

You must be in good physical condition and mental health and not under the influence of any substance (drugs, alcohol), which might impair vision, dexterity or judgment.



WARNING !

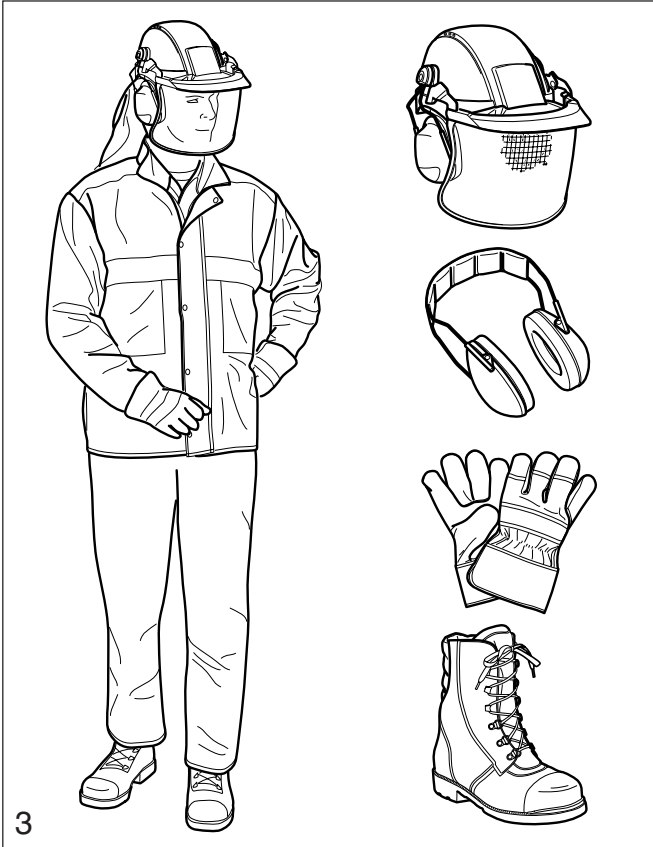
Prolonged use of chain saws exposing the operator to vibrations may produce Whitefinger disease (Raynaud's phenomenon). This phenomenon reduces the hand's ability to feel and regulate temperature, produces numbness and burning sensations and may cause nerve and circulation damage and tissue necrosis.

All MAKITA saws are therefore provided with an antivibration system which is essential for those using chain saws on a regular or sustained basis. Antivibration systems do not guarantee that you will not sustain Whitefinger disease, however, they reduce this danger considerably. Nevertheless, continual and regular users should observe their hands and fingers and in case of any abnormal symptoms, seek medical advice immediately.

Proper clothing

Clothing must be sturdy and snug-fitting, but allow complete freedom of movement. Avoid loose-fitting jackets, scarfs, neckties, jewelry, flared or cuffed pants, or anything that could become entangled with the saw or brush. Wear overalls or jeans with a reinforced cutting resistant insert (fig. 3).

Protect your hands with gloves when handling saw and saw chain. Heavy-duty, nonslip gloves improve your grip and protect your hands.



Good footing is most important in chain saw work. Wear sturdy boots with nonslip soles. Steel-toed safety boots are recommended.

Proper eye protection is a must. Non-fogging, vented goggles and a face screen is recommended. Their use reduces the risk of eye and facial injury.

Wear an approved safety hard hat to protect your head. Chain saw noise may damage your hearing. Always wear noise protection equipment (ear plugs or ear muffs) to protect your hearing.

Continual and regular users should have their hearing checked regularly.



The saw

Parts of the chain saw: illustrations and description of parts see page 17.

WARNING !

Never modify a chain saw in any way. Only attachments supplied by MAKITA or expressly approved by MAKITA for use with the specific saw are authorized.

WARNING !

Bow guide bars substantially increase the potential for kickback and severe or fatal injury due to the greater kickback zone of the bow design. Bow guide bars are **not recommended** for use on MAKITA chain saws nor are they approved by the ANSI B 175.1-2000 chain saw safety standard.

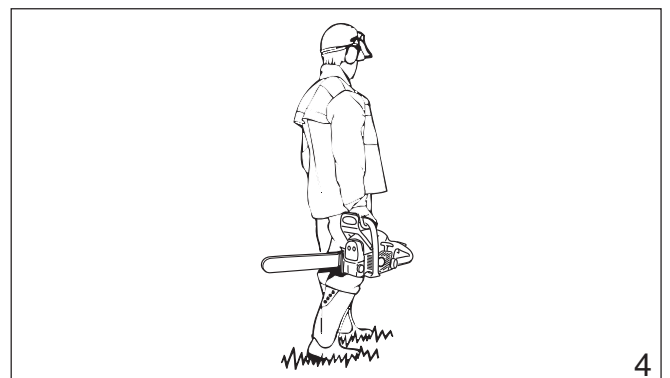
The use of the saw

Transporting the chain saw

WARNING!

Always stop the engine before putting a chain saw down or carrying it. Carrying a chain saw with the engine running is extremely dangerous. Accidental acceleration of the engine can cause the chain to rotate.

Avoid touching the hot muffler.



By hand: When carrying your saw by hand, the engine must be stopped and the saw must be in the proper position.

The chain protection cover should be over the chain and the guide bar must point backwards. When carrying your saw the bar should be behind you (fig. 4).

By vehicle: When transporting in a vehicle, keep chain and bar covered with the chain guard. Properly secure your saw to prevent turnover, fuel spillage and damage to the saw. Make sure the saw is not exposed to heat or sparks.

Chain saw operating instructions

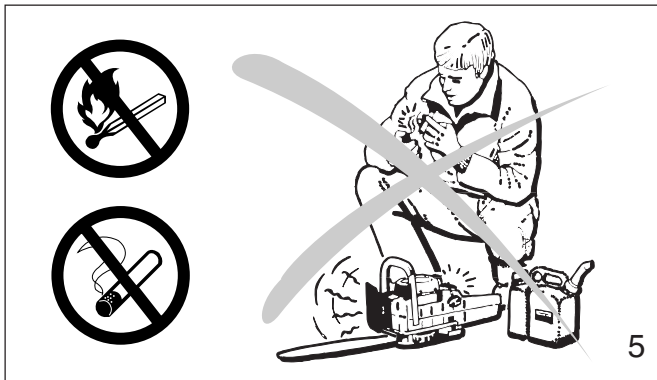
For assembly follow the procedure in the appropriate section "Mounting Guide Bar and Chain" of this manual. MAKITA chain, guide bar and sprocket must match each other (see the appropriate section in this manual).

WARNING!

Proper tension of the chain is extremely important. In order to avoid false setting the tensioning procedure must be followed as described in this manual. Always make sure the hexagonal nut(s) for the sprocket guard is (are) tightened securely after tensioning the chain. Check chain tension once more after having tightened the nuts and thereafter at regular intervals (always before starting to work). If the chain becomes loose while cutting, shut off the engine and then tighten. Never try to tighten the chain while the engine is running!

Fueling

Your MAKITA saw uses on oil-gasoline mixture for fuel (see chapter "Fuel" of this manual).



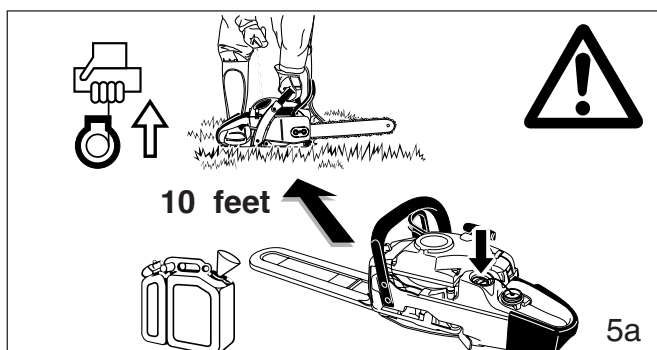
WARNING!

Gasoline is an extremely flammable fuel. Use extreme caution when handling gasoline or fuel mix. Do not smoke or bring any sparks or flame near the fuel (fig. 5).



Fueling instructions

Fuel your chain saw in well ventilated areas or outdoors. Always shut off the engine and allow it to cool before refueling. Select bare ground for fueling and move the chain saw at least 10 feet (3 m) from fueling spot before starting the engine (fig. 5a).

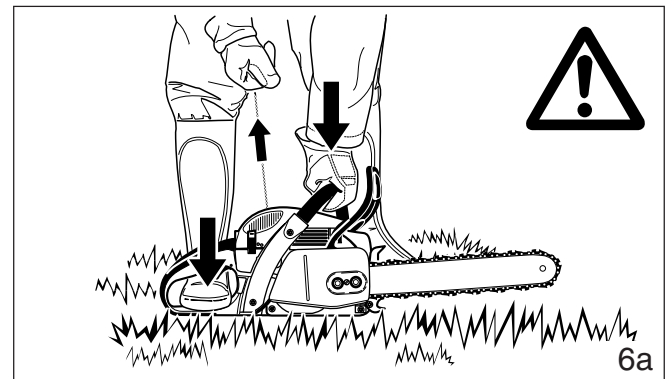
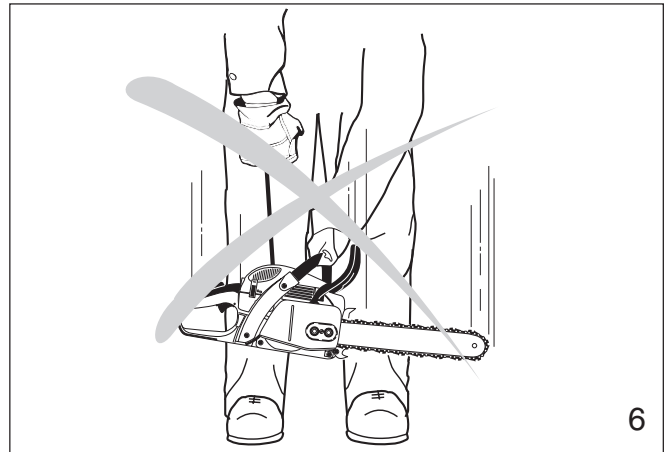


Wipe off any spilled fuel before starting your saw and check for leakage.

Check for fuel leakage while refueling and during operation. If fuel or oil leakage is found, do not start or run the engine until leak is fixed and spilled fuel has been wiped away. Clothing with fuel on it has to be changed immediately (this is a danger to your life!). Avoid skin contact with fuel. Never loosen or remove the cap of the fuel tank while the engine is running.

Starting

Do not drop start. This method is very dangerous because you may lose control of the saw (fig. 6).



Place the chain saw on firm ground or other solid surface in an open area. Maintain a good balance and secure footing. Place your right foot through the rear handle opening and firmly grasp the front handle with your left hand (fig. 6a).

Be absolutely sure that guide bar and chain are clear of you or all other obstructions and objects, including the ground, because when the engine starts in semi-throttle position, engine speed will be fast enough for the clutch to engage the sprocket and turn the chain which may cause a kickback.

Never attempt to start the saw when the guide bar is in a cut or kerf.

When you pull the starter grip, don't wrap the starter rope around your hands. Do not allow the grip to snap back, but guide the starter rope slowly back to permit the rope to rewind properly. Failure to follow this procedure may result in injury to hand or fingers and may damage the starter mechanism.

Important adjustments

WARNING!

At correct idle speed, chain should not turn. For directions to adjust idle speed, see the appropriate section of this instruction manual.

Do not use a saw with incorrect idle speed adjustment. Adjust the idle speed yourself according to the appropriate section of this manual.

Have your MAKITA dealer check your saw and make proper adjustments or repairs.

Check the saw chain tension frequently, especially just after installing a new chain. New chains may stretch more during their initial use. A properly adjusted saw chain can be pulled freely around the guide bar by hand without sagging. Always stop the engine and wear gloves when checking or adjusting the chain tension.

Working conditions

Operate your chain saw only outdoors. Operate the saw under good visibility and daylight conditions only.

WARNING!

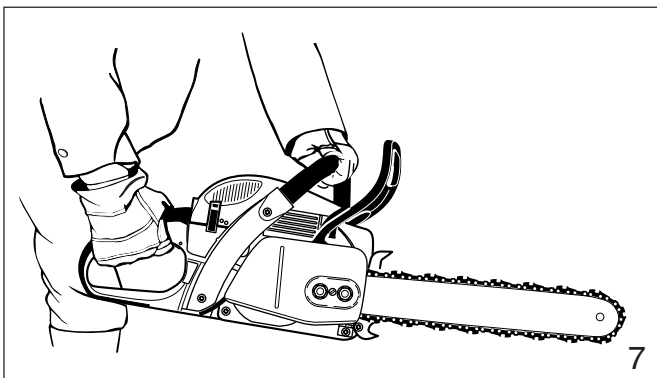
Take extreme care in wet and freezing weather (rain, snow, ice). Put off the work when the weather is windy, stormy or rainfall is heavy. Clear the area where you are working.

WARNING!

Avoid stumbling on obstacles such as stumps, roots or rocks and watch out for holes or ditches. Be extremely cautious when working on slopes or uneven ground. There is increased danger of slipping on freshly debarked logs.

Cutting instructions

Always hold the saw firmly with both hands when the engine is running. Place your left hand on the tubular handle and your right hand on grip and throttle lever. Left-handers should follow these instructions too.

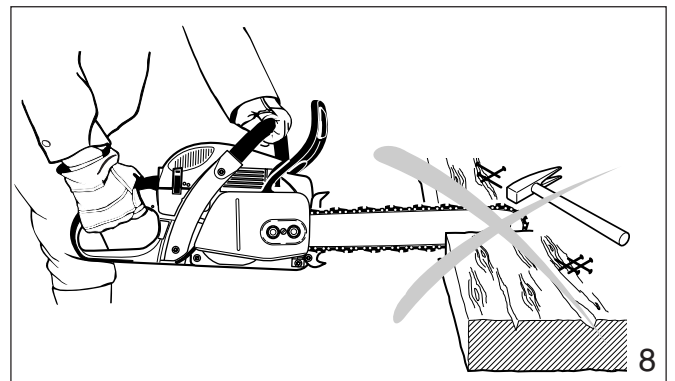


Wrap your fingers tightly around the handles, keeping the handles cradled between your thumb and forefinger (fig. 7). With your hands in this position, you can best oppose and absorb the push, pull and kickback forces of your saw without having it slip out of your grip (see section of reactive forces). Make sure your chain saw handle and grip are in good condition and free of moisture, pitch, oil or grease.

Always start a cut with the chain running at full speed and the spike bar in contact with the wood.

WARNING!

Never use the saw with one hand. You cannot control reactive forces (see pages 10 to 12) and may lose control of the saw.



WARNING!

Do not operate your chain saw in semi-throttle position. Cutting in this position does not permit the operator proper control of the saw or chain speed.

WARNING!

Never come too close to a rotating chain with your hands or body.

WARNING!

Do not cut any material other than wood or wooden objects.

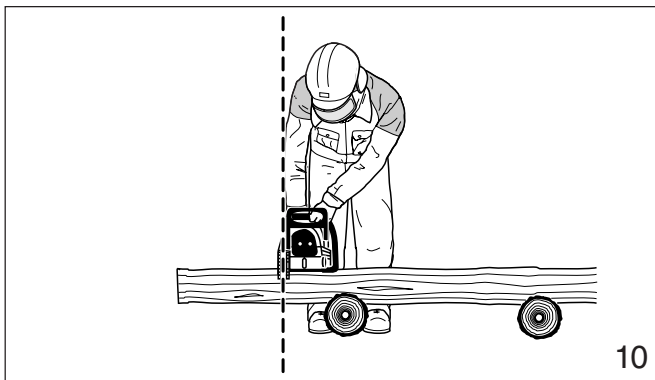
Use your chain saw for cutting only. It is not designed for prying or shoveling away limbs, roots or other objects.

When sawing, make sure that the saw chain does not touch any foreign materials such as rocks, nails and the like (fig. 8). Such objects may be flung off, damage the saw chain or cause the saw to kickback.



9

In order to keep control of your saw, always maintain a firm foothold. Never work on a ladder, in a tree or on any other insecure support. Never use the saw above shoulder height (fig. 9).



10

Position the chain saw in such a way that your body is clear of the cutting attachment whenever the engine is running (fig. 10).

Don't put pressure on the saw when reaching the end of a cut. The pressure may cause the bar and rotating chain to pop out of the cut or kerf, go out of control and strike the operator or some other object. If the rotating chain strikes some other object a reactive force (see pages 11 to 13) may cause the chain to strike the operator.

Reactive forces during the cut, including kickback

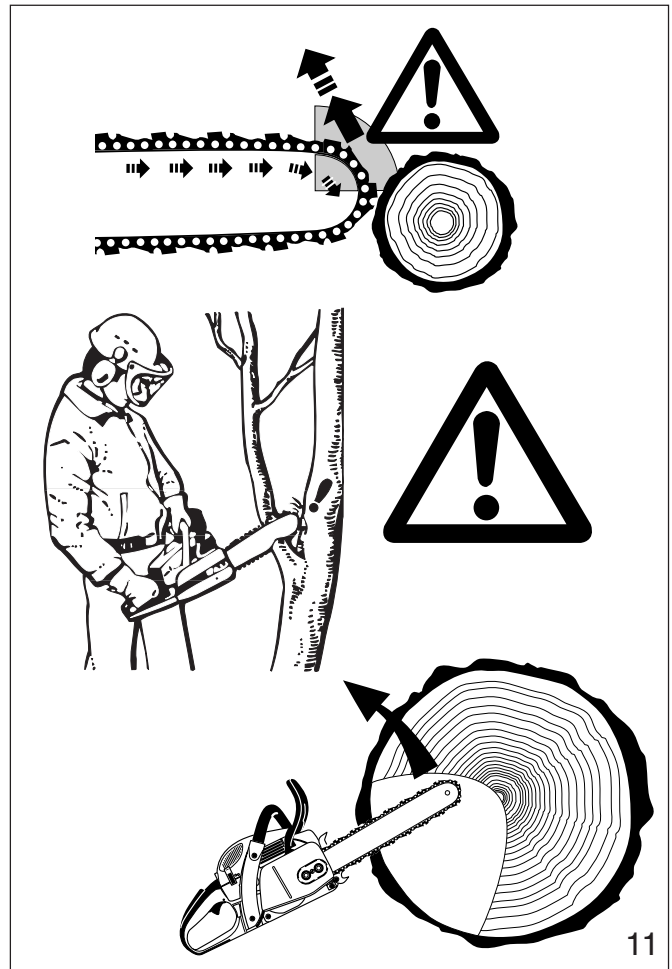
WARNING!

Reactive forces, that may occur during any cut are kickback, pushback and pull-in. Reactive forces can be dangerous! In any chain saw, the powerful force used to cut wood can be reversed (and work against the operator).

If the rotating chain is suddenly stopped by contact with any solid object like a log or branch or is pinched, the reactive forces instantly occur. These reactive forces may result in loss of control which may, in turn, cause serious or fatal injury. An understanding of the causes of these reactive forces may help you avoid loss of control.

The most common reactive forces are

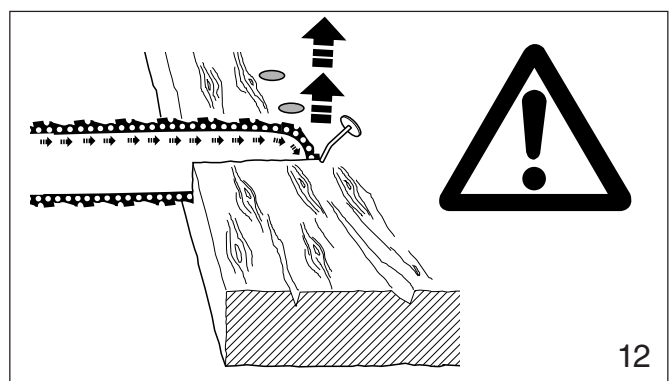
- kickback,
- pushback,
- pull-in.



11

Kickback:

Kickback occurs when the upper quadrant of the bar nose contacts a solid object in the wood or is pinched (fig. 11). The reaction of the cutting force of the chain causes a rotational force of the chain saw in the direction opposite to the chain movement, mainly in the plane of the bar. This may fling the bar in an uncontrolled arc towards the operator.



12

This reaction can occur in a fraction of a second and under some circumstances, cause the guide bar and chain to strike the operator with enough force to cause severe or fatal injury. It may also occur during limbing. It also occurs when the nose of the guide bar is pinched unexpectedly, unintentionally contacts solid material in the wood (fig.12) or is incorrectly used to begin a plunge or boring cut.

The greater the force of the kickback reaction, the more difficult it becomes for the operator to control the saw.

Many factors influence the occurrence and force of the kickback reaction. The type of bar and saw chain you use is a factor in the force of the kickback reaction.

The speed of contact at which the cutter contacts the object.

Kickback force increases with the rate of impact.

The contact angle between the nose of the bar and the foreign object (fig. 11).

Kickback is most pronounced in the upper quadrant of the bar nose.

MAKITA chain types are designed to reduce kickback forces.

The depth gauges:

Improper lowering of the depth gauges also increases the risk of a kickback.

Saw chain cutter sharpness:

WARNING!

A dull improperly sharpened chain may increase the risk of kickback. Always cut with a properly sharpened chain.

Devices for reducing the risk of kickback injury

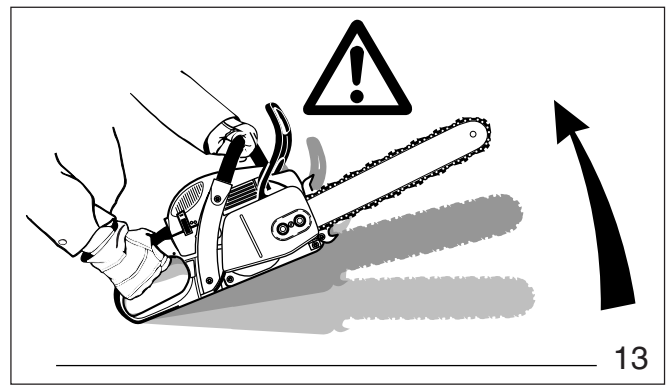
MAKITA have developed a special chain brake to reduce the risk of kickbacks.

This chain brake increases the safety factor on the job, e.g. when the saw suddenly bucks upwards the chain stops rotating within a fraction of a second. A deflection guard on the disengaging lever of the chain brake and a scoop rear handle ensure that the operator's hands are fully protected at all times.

Kickback tendency increases as the radius or size of the guide bar nose increases. MAKITA have developed guide bars with small nose radius, to reduce the kickback tendency.

WARNING!

No chain brake prevents kickback. These brakes are designed only to stop the chain, if activated. To ensure a proper operation of the chain brake, it must be properly maintained. Furthermore, there must be a sufficient distance between the operator and the bar to ensure that the chain brake has sufficient time to activate and stop the chain before potential contact with the operator.



13

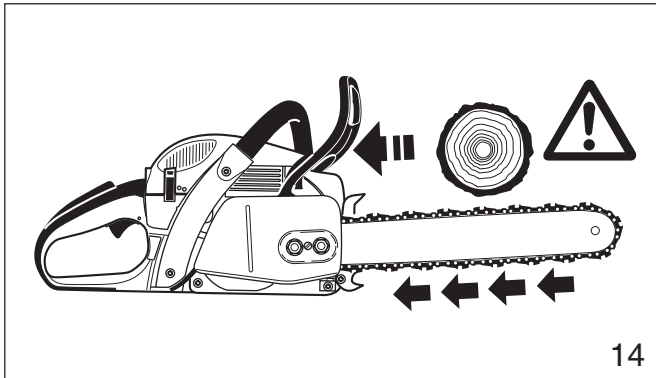
To avoid kickback

The best protection from personal-injury that may result from kickback is to avoid kickback situations:

1. Hold the chain saw firmly with both hands and maintain a secure grip.
2. Be aware of the location of the guide bar nose at all times.
3. Never bring the nose of the guide bar in contact with any object. Do not cut limbs with the nose of the guide bar. Be especially careful with small, tough limbs, small size brush and saplings which may easily catch the chain.
4. Don't overreach.
5. Don't cut above shoulder height.
6. Begin cutting and continue at full throttle.
7. Cut only one log at a time.
8. Use extreme caution when re-entering a previous cut.
9. Do not attempt plunge cuts (see page 14) if you are not experienced with these cutting techniques.
10. Be alert for shifting of the log or other forces that may cause the cut to close and pinch the chain.
11. Maintain saw chain properly. Cut with a correctly sharpened, properly tensioned chain at all times.
12. Stand to the side of the cutting path of the chain saw.

Pushback:

Pushback occurs when the chain on the top of the bar is suddenly stopped when it is pinched, caught or encounters a foreign object in the wood. The reaction of the chain drives the saw straight back toward the operator causing loss of saw control. Pushback frequently occurs when the top of the bar is used for cutting (fig. 14).



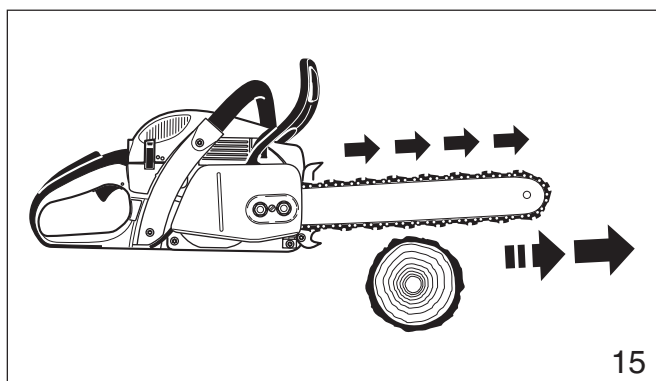
To avoid pushback

1. Be alert to forces or situations that may cause material to pinch the top of the chain.
2. Do not cut more than one log at a time.
3. Do not twist the saw when withdrawing the bar from a plunge cut or under buck cut (figures 25 to 27 and 33, pages 14 and 16), because the chain can pinch.

Pull-in:

Pull-in occurs when the chain on the bottom of the bar is suddenly stopped. The chain on the bottom of the bar stops when it is pinched, caught or encounters a foreign object in the wood (see fig. 15). The reaction of the chain pulls the saw forward, causing the operator to lose control.

Pull-in frequently occurs when the spike bar of the saw is not held securely against the tree or limb and when the chain is not rotating at full speed before it contacts the wood.



WARNING!

Use extreme caution when cutting small size brush and saplings which may easily catch the chain and pull you off balance.

To avoid pull-in

1. Always start a cut with the chain rotating at full speed and the spike bar in contact with the wood.
2. Pull-in may also be prevented by using plastic wedges to open the kerf or cut.

Cutting techniques

Felling

Felling is cutting down a tree.

Before felling a tree, consider carefully all conditions which may affect the direction of fall, including:

The intended direction of the fall.

The neutral lean of the tree.

Any unusually heavy limb structure.

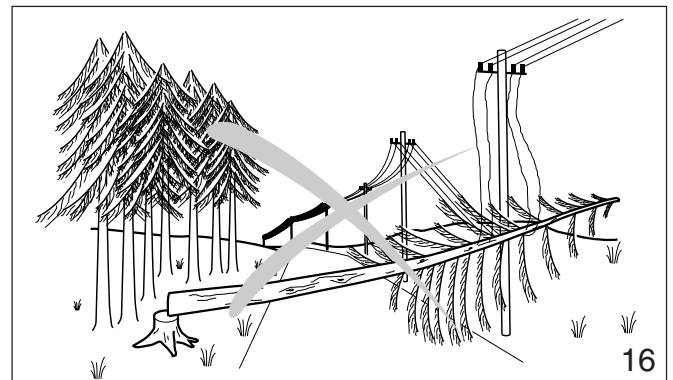
Surrounding trees and obstacles.

The wind direction and speed.

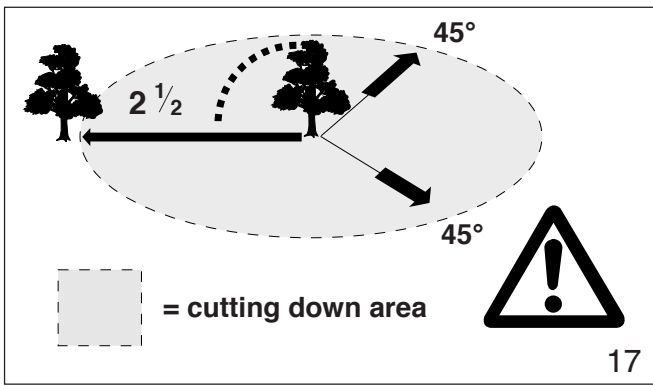
WARNING!

Always observe the general condition of the tree. Look for decay and rot in the trunk. If it is rotted inside, it could snap and fall toward the operator while being cut.

Also look for broken or dead branches which could vibrate loose and fall on the operator. When felling on a slope, the operator should stand on the up-hill side.



When felling in the vicinity of roads, railways and power lines, etc., take extra precautions (see fig. 16). Inform the police, utility company or railway authority before beginning to cut.



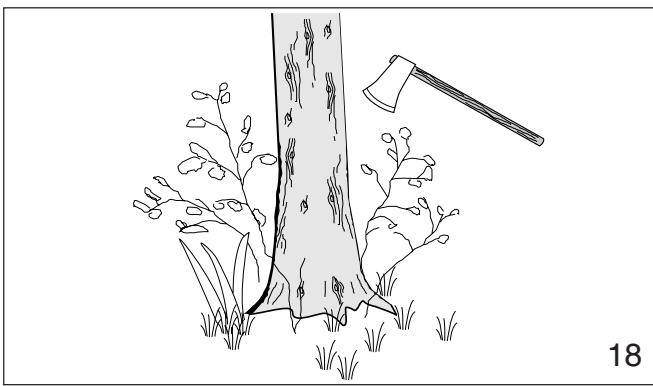
17

When felling, maintain a distance of at least 2 1/2 tree lengths from the nearest person (see fig. 17).

Note:

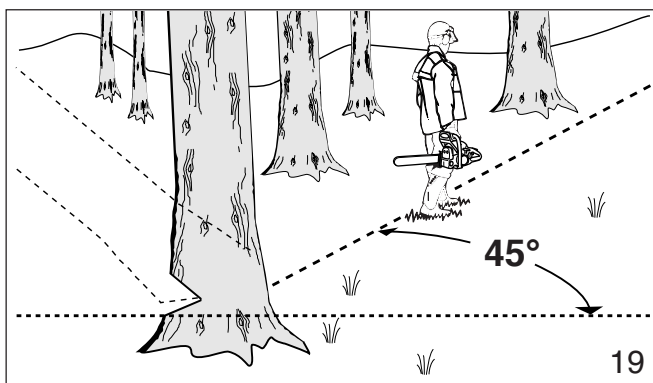
The noise of your engine may drown any warning call.

Felling instructions:



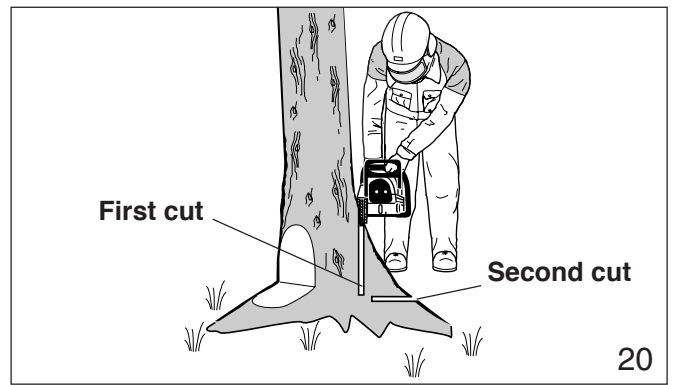
18

First clear the tree base and work area from interfering limbs and brush and clean its lower portion an axe (see fig. 18).



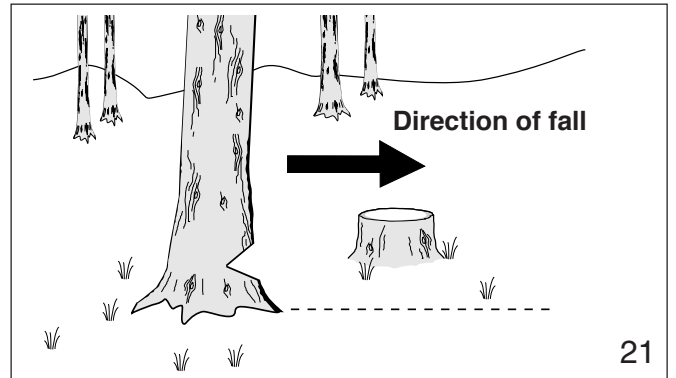
19

Then, establish a path of escape and remove all obstacles. This path should be opposite to the planned direction of the fall of the tree and at a 45° angle (fig. 19). An alternate path must also be selected. Place all tools and equipment a safe distance away from the tree, but not on the escape path.

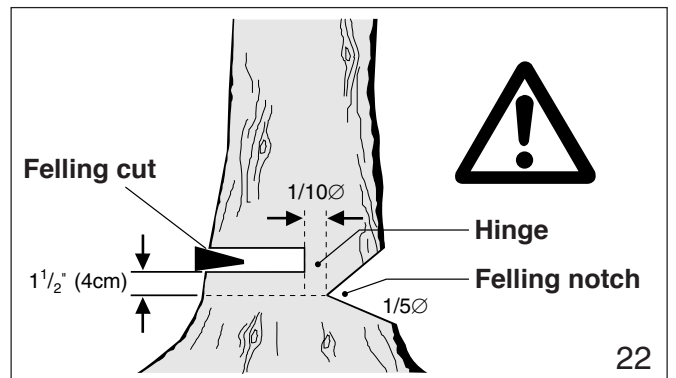


20

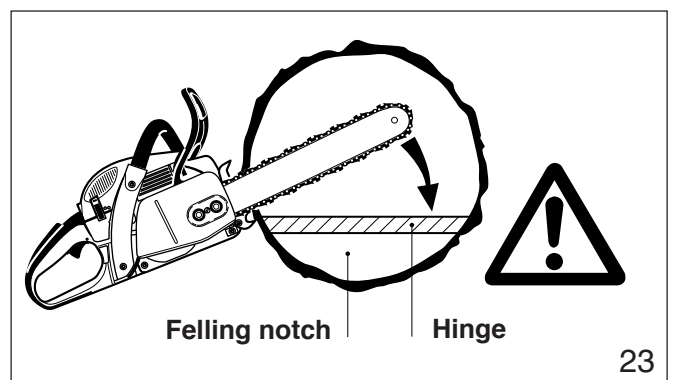
If the tree has large buttress roots, cut into the largest buttresses vertically first (horizontally next) and remove (fig. 20).



21



22



23

Then, determine the placement of the felling notch (fig. 21). The felling notch when properly placed determines the direction in which the tree will fall. It is made perpendicular to the line of fall and should be as close to the ground as possible. Cut the felling notch to a depth of about one-fifth to one-fourth of the trunk diameter (fig. 22). It should be in no case higher than it is deep. Make the felling notch very carefully.

Begin the felling cut slightly higher than the felling notch and on the opposite side of the tree (fig. 22). Then cut horizontally through towards the felling notch. Apply the chain saw with its spikes directly behind the uncut portion of wood and cut toward the notch (fig. 23). Leave approximately 1/10 of the tree diameter uncut! This is the hinge (fig. 23). Do not cut through the hinge because you could lose control of the direction of the fall. Drive wedges into the felling cut where necessary to control the direction of the fall. Wedges should be of wood, light alloy or plastic - never of steel, which can cause kickback and damage to the chain.

Always keep to the side of the falling tree. When the tree starts to fall, shut off the engine, withdraw the bar and walk away on the pre-planned escape path. Watch out for falling limbs.

WARNING!

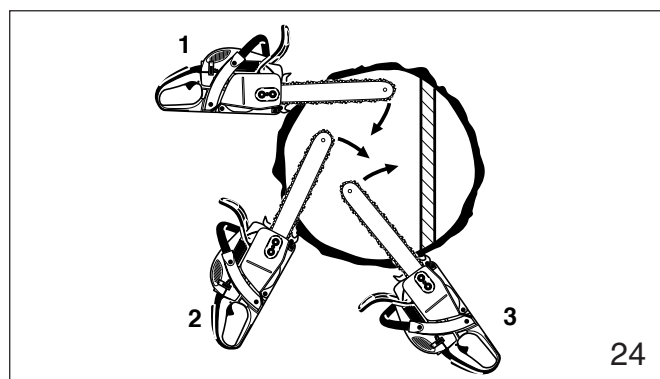
Be extremely careful with partially fallen trees which are poorly supported.

When the tree hangs or for some other reason does not fall completely, set the saw aside and pull the tree down with a cable winch, block and tackle or tractor. If you try to cut it down with your saw, you may be injured.

Sectioning Method

WARNING!

Felling a tree that has a diameter greater than the length of the guide bar requires use of either the sectioning or plunge-cut method. These methods are extremely dangerous because they involve the use of the nose of the guide bar and can result in kickback. Only properly trained professionals should attempt these techniques.



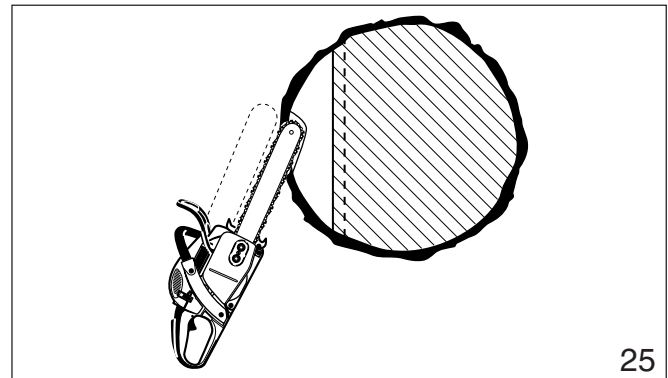
For the sectioning method (fig. 24) make the first cut with the guide bar fanning in toward the hinge. Then, using the bumper spike as a pivot, reposition the saw for the next cut. Avoid repositioning the saw more than necessary. When repositioning for the next cut, keep the guide bar fully engaged in the kerf to keep the felling cut straight. If the saw begins to pinch, insert a wedge to open the cut. On the last cut, do not cut the hinge.

Plunge-Cut Method

Timber having a diameter more than twice the length of the guide bar requires the use of the plunge-cut method before making the felling cut.

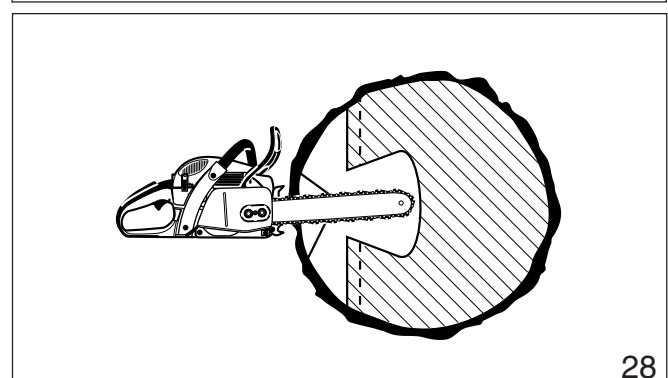
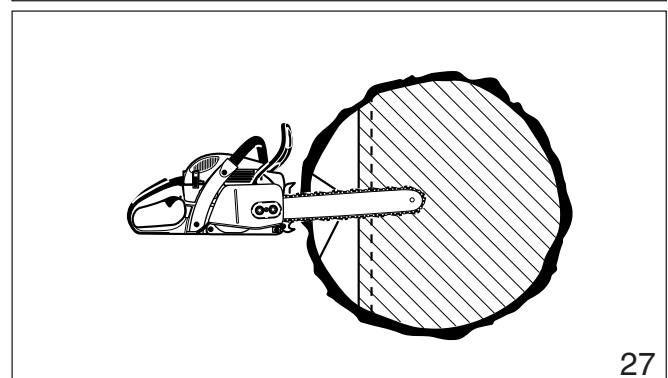
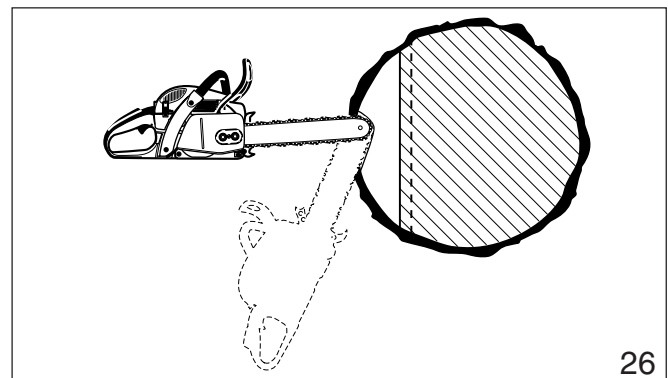
First, cut a large, wide notch. Make a plunge cut in the center of the notch.

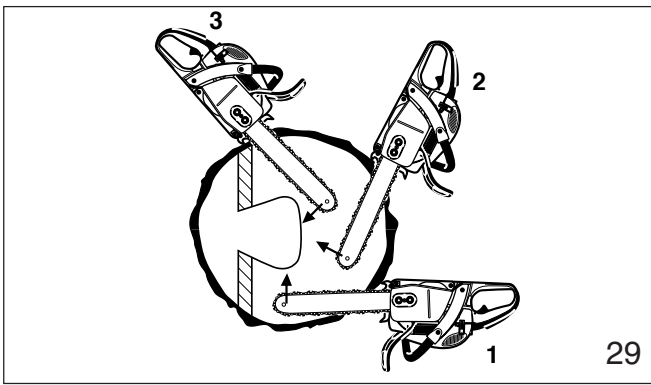
The plunge cut is made with the guide bar nose. Begin the plunge cut by applying the lower portion of the guide bar nose to the tree at an angle (fig. 25). Cut until depth of the kerf is about the same as the width of the guide bar (fig. 26). Next, align the saw in the direction



in which the recess is to be cut. With the saw at full throttle, insert the guide bar in the trunk (fig. 27).

Enlarge the plunge cut as shown in illustration (fig. 28)





WARNING!

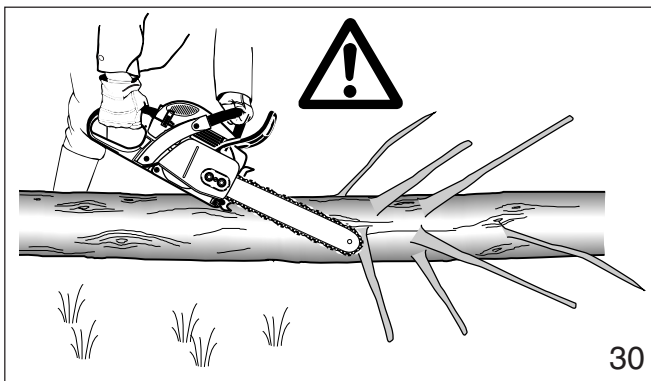
There is an extreme danger of kickback at this point. Extra caution must be taken to maintain control of the saw. To make the felling cut, follow the sectioning method described previously (fig. 29). If you are inexperienced with a chain saw plunge-cutting should not be attempted. Seek the help of a professional.

Limbing

Limbing is removing the branches from a fallen tree.

WARNING!

There is an extreme danger of kickback during the limbing operation. Do not work with the nose of the bar. Be extremely cautious and avoid contacting the log or other limbs with the nose of the guide bar. Do not stand on a log while limbing it - you may slip or the log may roll.

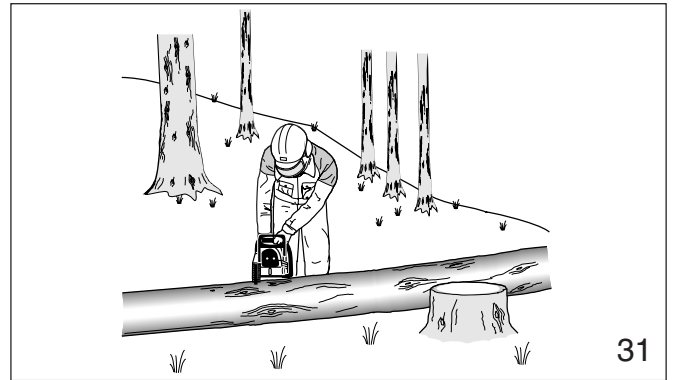


WARNING!

Be extremely cautious when cutting limbs under tension. The limbs could spring back toward the operator and cause loss of control of the saw or injury to the operator.

Bucking

Bucking is cutting a log into sections.



WARNING!

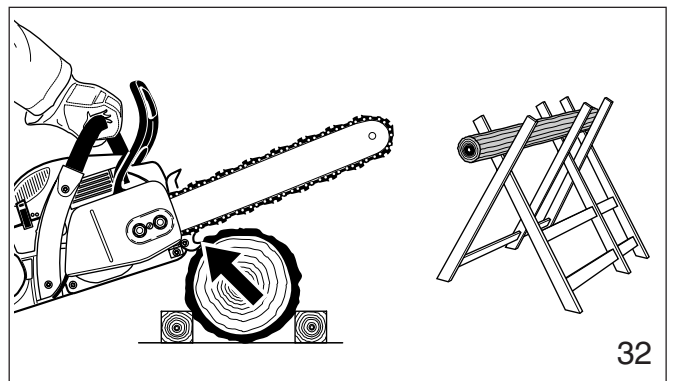
1. When bucking, do not stand on the log. Make sure the log will not roll down-hill. If on a slope, stand on the up-hill side of the log (see fig. 31). Watch out for rolling logs.

WARNING!

2. Cut only one log at a time.

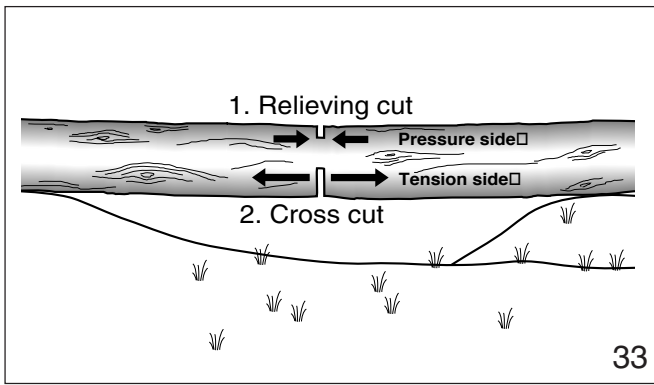
WARNING!

3. Shattered wood should be cut very carefully. Sharp slivers of wood may be caught and flung in the direction of the operator of the saw.

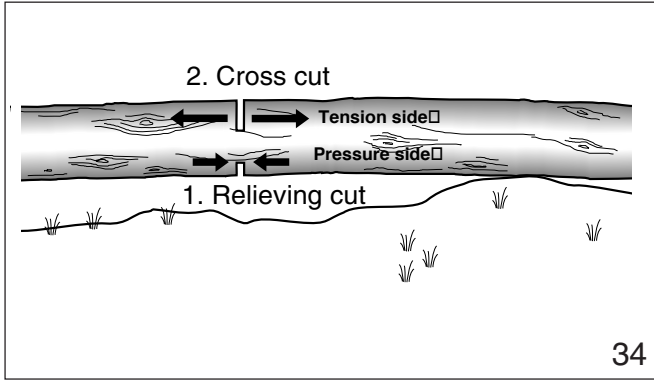


WARNING!

4. When cutting small logs, use a sawhorse (fig. 32). Never permit another person to hold the log. Never hold the log with your leg or foot.



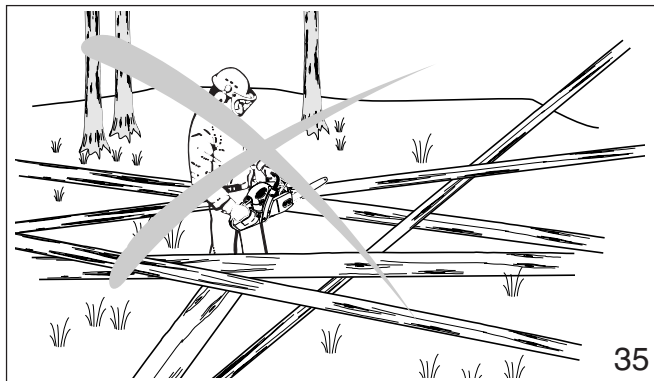
33



34

WARNING!

- Logs under strain require special attention to prevent the saw from pinching. The first cut is made on the compression side to relieve the stress on the log (see fig. 33, 34). The bucking cut is then made as shown. If the saw pinches, stop the engine and remove it from the log.



35

WARNING!

- Only properly trained professionals should work in an area where the logs, limbs and roots are tangled (i. e. a blowdown area, fig. 35). Working in blowdown areas is extremely hazardous.

WARNING!

- Drag the logs into a clear area before cutting. Pull out exposed and cleared logs first.

Maintenance and Repair

Never operate a chain saw that is damaged, improperly adjusted or not completely or securely assembled. Follow the maintenance and repair instructions in the appropriate section of this manual.

WARNING !

Always stop the engine and make sure that the chain is stopped before commencing any maintenance or repair work or cleaning the saw. Do not attempt any maintenance or repair work not described in this manual. Have such work performed by your MAKITA service shop only.

Maintaining and storing the saw

Keep the chain, bar and sprocket clean and lubricated; replace worn sprockets or chains.

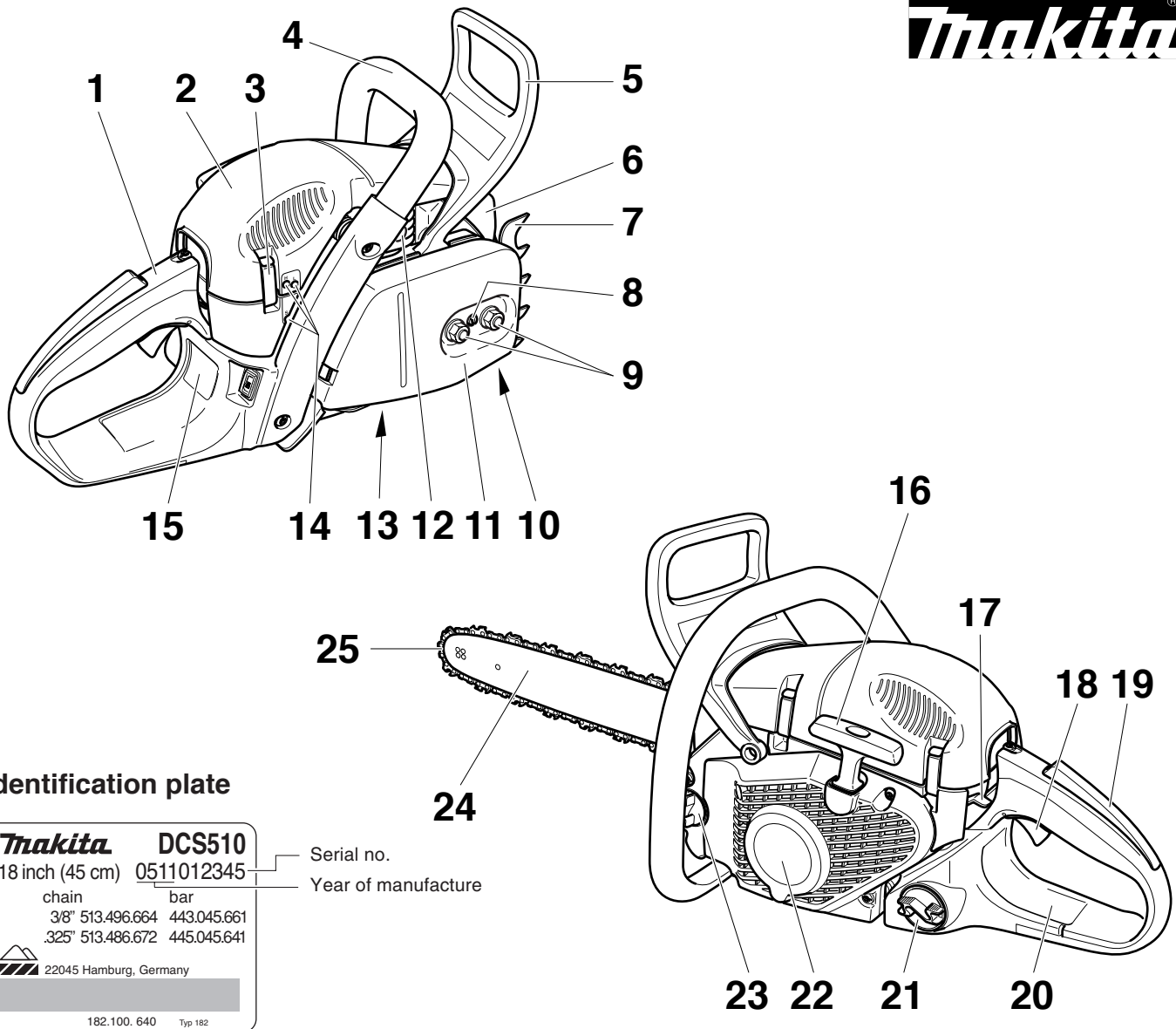
Keep the chain sharp. You can spot a dull chain when easy-to-cut wood becomes hard to cut and burn marks appear on the wood.

Keep the chain at proper tension. Tighten all nuts, bolts and screws except the carburetor adjustment screws after each use.

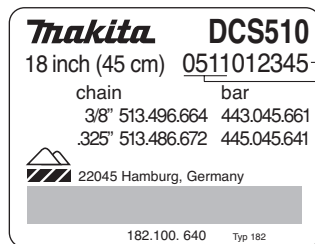
Keep spark plug and wire connection tight and clean.

Store saws in a high or locked place, away from children.

Denomination of components



Identification plate



Serial no.
Year of manufacture

Indicate when ordering spare parts!

- | | |
|--|--|
| 1 Handle | 14 Adjusting screws for carburetor |
| 2 Filter cover | 15 Identification plate |
| 3 Filter hood clip | 16 Starter grip |
| 4 Tubular handle | 17 Combination switch (Choke / Start / Stop) |
| 5 Hand guard (release for chain brake) | 18 Throttle lever |
| 6 Muffler with spark arrester screen | 19 Safety locking button |
| 7 Spike bar (toothed stop for holding saw steady against wood) | 20 Rear hand guard |
| 8 Chain tensioning screw | 21 Fuel tank cap |
| 9 Retaining nuts | 22 Fan housing with starting assembly |
| 10 Chain catch | 23 Oil tank cap |
| 11 Sprocket guard | 24 Guide bar |
| 12 Decompression valve | 25 Chain (Blade) |
| 13 Adjusting screw for oil pump (bottom side) | |

Technical data

		DCS460	DCS510
Stroke volume	cu. in (cm ³)	2.8 (45.6)	3.1 (50.4)
Bore	inch (mm)	1.69 (43)	1.77 (45)
Stroke	inch (mm)	1.24 (31.4)	1.24 (31.7)
Max. power at speed ¹⁾	hp / rpm	2.9 / 10,000	3.3 / 10,000
Max. torque at speed ¹⁾	Nm / rpm	2.7 / 7,000	2.9 / 7,000
Max. engine speed with bar and chain	rpm	13,500	13,500
Idling speed	rpm	2,500	2,500
Coupling speed	rpm	3,900	3,900
Sound Pressure Level at the operator's ear at full load according to ANSI B 175.1	db(A)	103.2	103.9
Sound Pressure Level at the bystander's position (50 ft/15 m distance) according to ANSI B 175.1	db(A)	76.2	76.2
Carburetor	Type	diaphragm carburetor with limiter caps	
Ignition system	Type	condenser ignition system	
Spark plug	Type	NGK BPMR 7A	
or spark plug	Type	BOSCH WSR-6F	
Electrode gap	inch (mm)	.020 (0.5)	
Fuel consumption at max. load per ISO 7293 ¹⁾	kg/h	1.1	1.2
Specific consumption at max. load per ISO 7293 ¹⁾	g/kWh	500	480
Fuel tank capacity	floz	15.9	
Chain oil tank capacity	floz	9.1	
Mixture ratio (fuel/two-stroke oil)		50:1 / 100:1 (HP-100)	
- when using MAKITA oil		50:1 (2%)	
- when using Aspen Alkalyt (two-stroke fuel)		40:1 (oil quality must be JASO FC or ISO EGD)	
- when using other oils		40:1 (oil quality must be JASO FC or ISO EGD)	
Chain brake		engages manually or in case of kickback	
Sprocket pitch	inch	.325 or 3/8	
Number of teeth	Z	7	
Chain type		see the Extract from the spare-parts list	
Pitch / gauge	inch	.325 / 0.050 or 3/8 / 0.050	
Guide bar, length of a cut	inch	16 / 18	
Guide-bar type		see the Extract from the spare-parts list	
Weight (fuel tank empty, without chain, guide bar and accessories)	lbs	12.1	12.1

¹⁾ For models without decompression valve

WARNING:

This chain saw is capable of severe kickback that could result in serious injury to the user. Do not operate this chain saw unless you have extraordinary cutting needs and experience and specialized training for dealing with kickback. Chain saws with significantly reduced kickback potential are available.

PUTTING INTO OPERATION



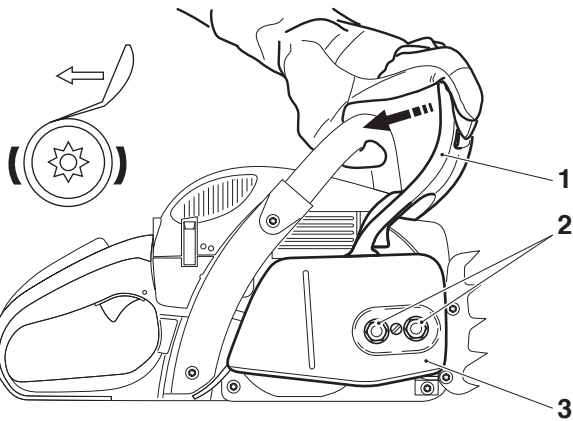
CAUTION:

Before doing any work on the guide bar or chain, always switch off the engine and pull the plug cap off the spark plug (see "Replacing the spark plug"). Always wear protective gloves!

CAUTION:

Start the chain saw only after having assembled it completely and inspected.

A



Mounting the guide bar and saw chain

Use the universal wrench delivered with the chain saw for the following work.

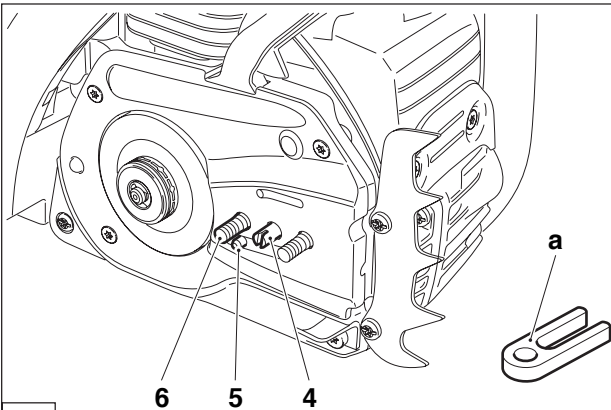
Put the chain saw on a stable surface and carry out the following steps for mounting the guide bar and saw chain:

Release the chain brake by pulling the hand guard (1) in direction of arrow.

Unscrew retaining nuts (2).

Pull off the sprocket guard (3).

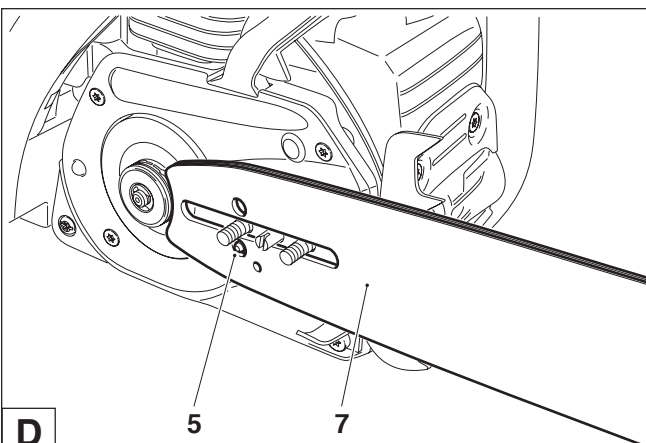
B



Remove the plastic transport cover (a) and dispose of properly.

Turn chain tensioning screw (4) to the left (counter-clockwise) until the pin (5) of the chain tensioner is underneath the threaded pin (6).

C



Put on the guide bar (7). Make sure that the pin (5) of the chain tensioner engages in the hole in the guide bar.

D

Lift the chain (9) over the sprocket (8).

CAUTION:

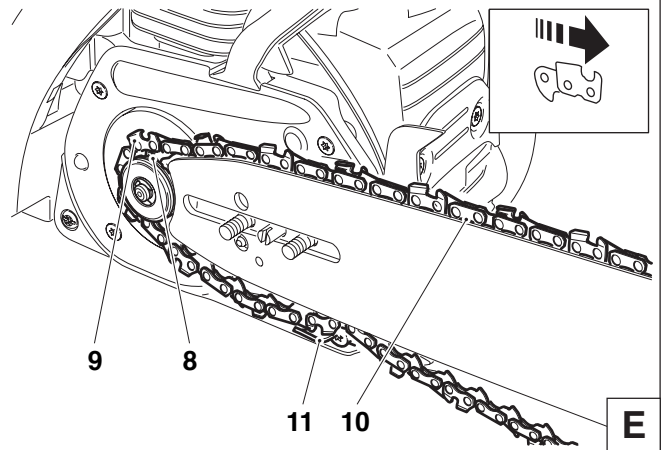
Do not insert the chain **between the chain sprocket and the disc.**

Guide the chain from above about halfway into the groove (10) on the guide bar.

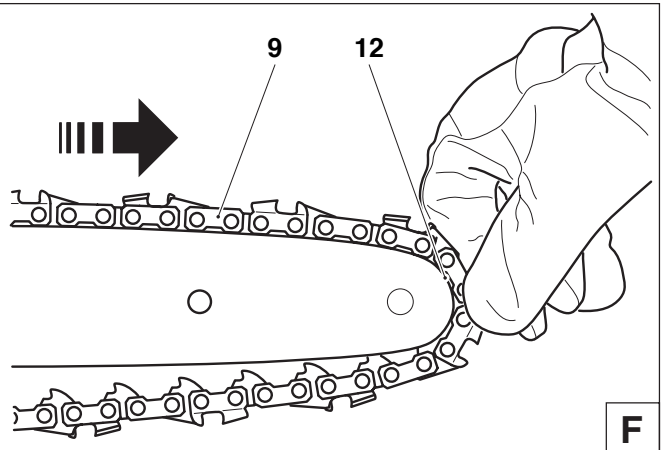
Place the chain over the chain catch (11) on the bottom.

CAUTION:

Note that the cutting edges along the top of the chain must point in the direction of the arrow!

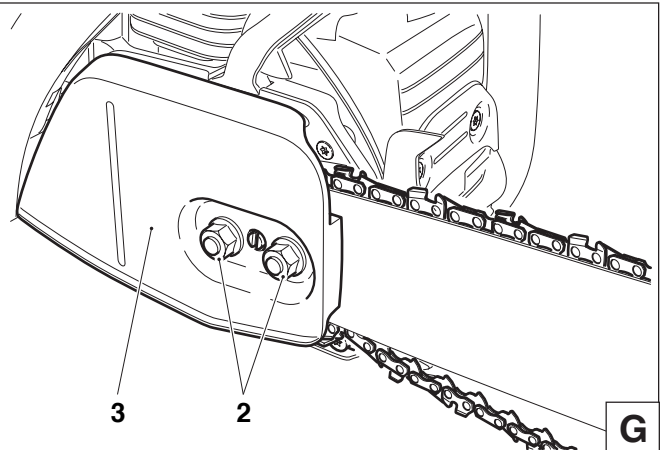


Pull the chain (9) around the sprocket nose (12) of the guide bar in the direction of the arrow.



Replace the sprocket guard (3).

Tighten the nuts (2) only hand-tight to begin with.

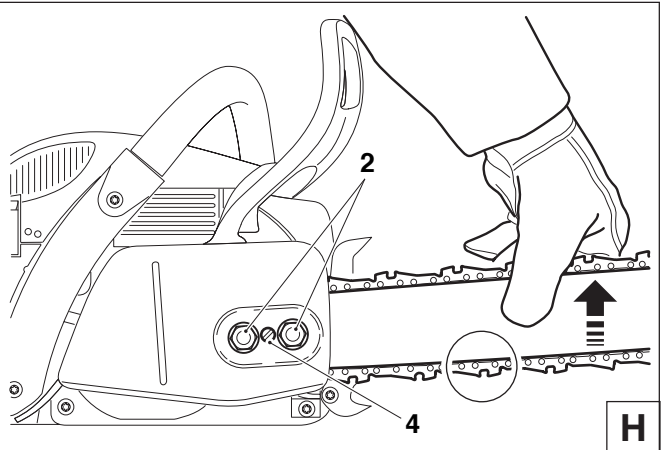


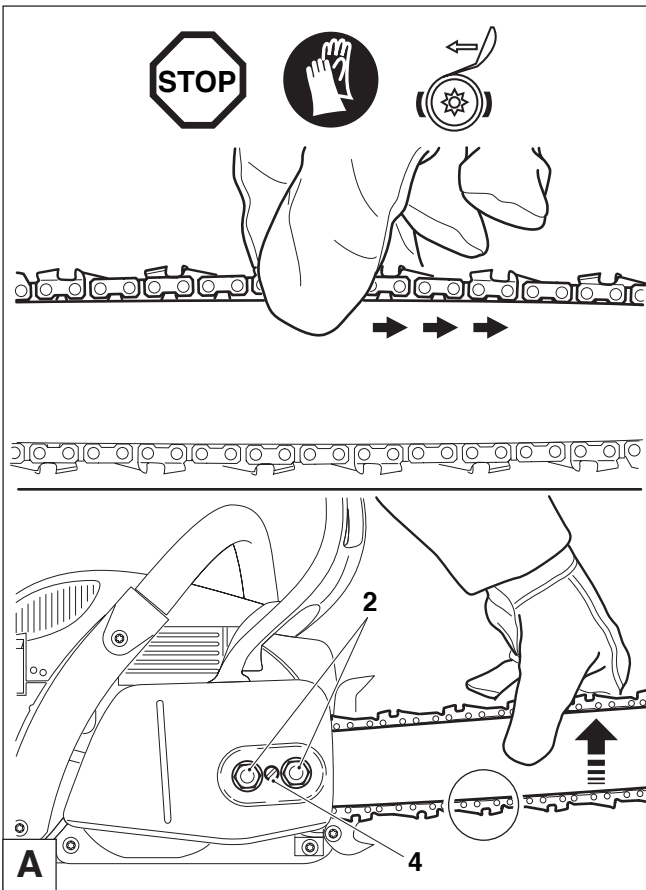
Tightening the saw chain

Turn the chain tensioning screw (4) to the right (clockwise) until the saw chain catches in the groove on the lower side of the guide bar (see circle).

Slightly lift the end of the guide bar and turn the chain adjusting screw (4) to the right (clockwise) until the chain rests against the bottom side of the guide bar.

While still holding up the tip of the guide bar, tighten the retaining nuts (2) with the universal wrench.





Checking the chain tension

The tension of the chain is correct if the chain rests against the bottom side of the guide bar and can still be easily turned by hand.

While doing so the chain brake must be released.

Check the chain tension frequently - new chains tend to get longer during use!

When checking the chain tension the engine must be switched off.

NOTE:

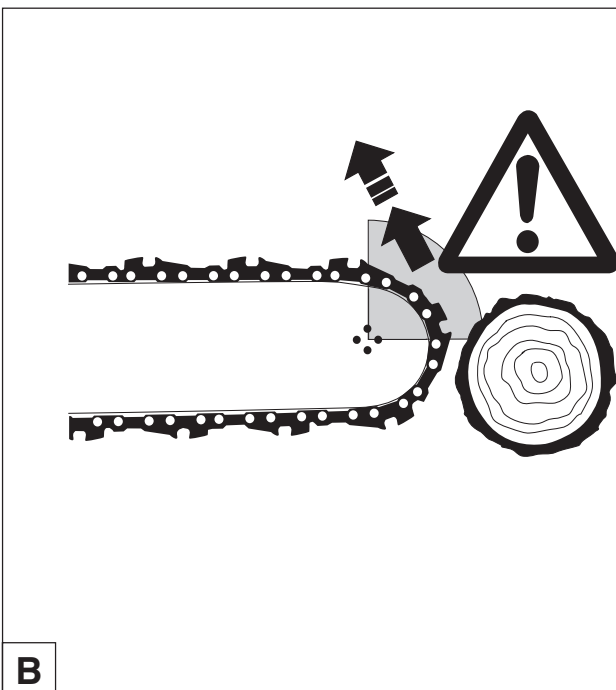
It is recommended to use 2-3 chains alternatively.

In order to guarantee uniform wear of the guide bar the bar should be turned over whenever replacing the chain.

Retightening the saw chain

Loosen the nuts (2) about one turn with the universal wrench. Raise the tip of the guide bar a little and turn the chain tensioning screw (4) to the right (clockwise) until the saw chain is again up against the bottom edge of the guide bar (see circle).

While keeping the tip of the guide bar raised, tighten the nuts (2) again with the universal wrench.



Chain brake

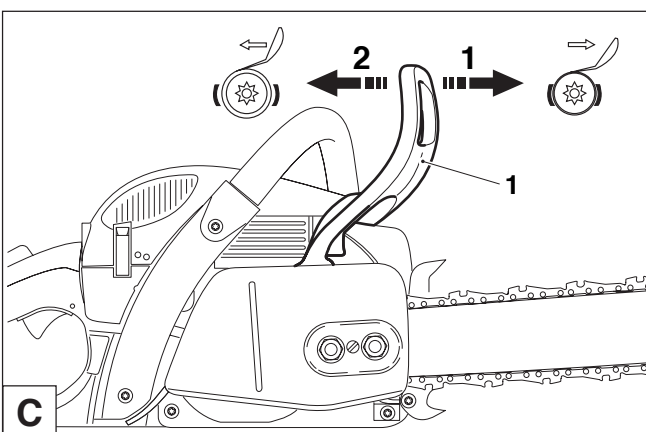
The DCS460 / DCS510 comes with an inertia chain brake as standard equipment. If kickback occurs due to contact of the guide-bar tip with wood (see SAFETY PRECAUTIONS, page 10), the chain brake will stop the chain through inertia if the kickback is sufficiently strong.

The chain will stop within a fraction of a second.

The chain brake is installed to block the saw chain before starting it and to stop it immediately in case of an emergency.

IMPORTANT: NEVER run the saw with the chain brake activated (except for testing, see "Testing chain brake")! Doing so can very quickly cause extensive engine damage!

ALWAYS release the chain brake before starting the work!



Engaging the chain brake (braking)

If the kickback is strong enough the sudden acceleration of the guide bar combined with the inertia of the hand guard (1) will **automatically** actuate the chain brake.

To engage the chain brake **manually**, simply push the hand guard (1) forward (towards the tip of the saw) with your left hand (arrow 1).

Releasing the chain brake

Pull the hand guard (1) towards you (arrow 2) until you feel it catch. The brake is now released.

Fuel

CAUTION:

This saw is powered by mineral-oil products (gasoline (petrol) and oil).

Be especially careful when handling gasoline (petrol).

Avoid all flame or fire. Do not smoke (explosion hazard).

Fuel mixture

The engine of the chain saw is a high-efficiency two-stroke engine. It runs on a mixture of gasoline and two-stroke engine oil.

The engine is designed for unleaded regular gasoline with a minimum octane value of 91 ROZ. In case no such fuel is available, you can use fuel with a higher octane value. This will not affect the engine.

In order to obtain an optimum engine output and to protect your health and the environment use unleaded fuel only. Gasoline which contains alcohol should not be used in MAKITA products.

For lubricating the engine use a two-stroke engine oil (quality grade: JASO FC or ISO EGD), which is added to the fuel. The engine has been designed for use of MAKITA high-performance two-stroke engine oil and a mixture ratio of only 100:1 to protect the environment. In addition, a long service life and reliable operation with a minimum emission of exhaust gases are ensured. MAKITA HP 100 high-performance two-stroke engine oil is available in the following sizes:

0.5 l order number 980 008 609

MAKITA high-performance two-stroke engine oil is available in the following sizes to suit your individual requirements:

1 l order number 980 008 607

100 ml order number 980 008 606

In case MAKITA high-performance two-stroke engine oil is not available, it is urgently recommended to use a mixture ratio of 40:1 with other two-stroke engine oils, as otherwise optimum operation of the engine cannot be guaranteed.



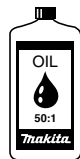

The correct mixture ratio:

50:1 when using MAKITA high-performance two-stroke engine oil, i. e. mix 50 parts gasoline with 1 part oil.

100:1 when using MAKITA HP 100 high-performance two-stroke engine oil, i. e. mix 100 parts gasoline with 1 part oil.

40:1 when using other two-stroke engine oils, i. e. mix 40 parts gasoline with 1 part oil.



Gasoline	40:1 other oil	50:1 MAKITA oil	100:1 MAKITA oil
			
1.0 Us-gal. (3.7 l)	3.2 floz. (94 cm ³)	2.5 floz. (75 cm ³)	1.3 floz. (38 cm ³)
2.5 Us-gal. (9.4 l)	8.0 floz. (236 cm ³)	6.4 floz. (189 cm ³)	3.2 floz. (94 cm ³)
5.0 Us-gal. (18.9 l)	16.0 floz. (473 cm ³)	12.8 floz. (378 cm ³)	6.4 floz. (189 cm ³)

NOTE:

For preparing the fuel-oil mixture first mix the entire oil quantity with half of the fuel required, then add the remaining fuel. Thoroughly shake the mixture before filling it into the chain saw tank.

It is not wise to add more engine oil than specified to ensure safe operation. This will only result in a higher production of combustion residues which will pollute the environment and clog the exhaust channel in the cylinder as well as the muffler. In addition, fuel consumption will rise and performance will decrease.

The Storage of Fuel

Fuels have a limited storage life. Fuel and fuel mixtures age. Therefore fuel and fuel mixtures, which have been stored for too long, can cause starting problems. Purchase only that amount of fuel, which will be consumed over the next few months.

Store fuel safely in a dry place in approved containers only.

AVOID SKIN AND EYE CONTACT

Mineral oil products degrease your skin. If your skin comes in contact with these substances repeatedly and for an extended period of time, it will desiccate. Various skin diseases may result. In addition, allergic reactions are known to occur.

Eyes can be irritated by contact with oil. If oil comes into your eyes, immediately wash them with clear water.

If your eyes are still irritated, see a doctor immediately!

D

Chain oil



Use an oil with adhesive additive for lubricating the chain and guide bar. The adhesive additive prevents the oil from being flung off the chain too quickly.

We recommend the use of chain oil which is bio-degradable in order to protect the environment. The use of bio-degradable oil may even be required by local regulations.

The chain oil BIOTOP sold by MAKITA is made of special vegetable oils and is 100% bio-degradable. BIOTOP has been granted the "blue angel" (Blauer Umweltschutz-Engel) for being particularly environment-friendly (RAL UZ 48).



BIOTOP chain oil is available in the following sizes:

1 l order number 980 008 610

5 l order number 980 008 611

Bio-degradable oil is stable only for a limited period of time. It should be used within 2 years from the date of manufacture (printed on the container).

E

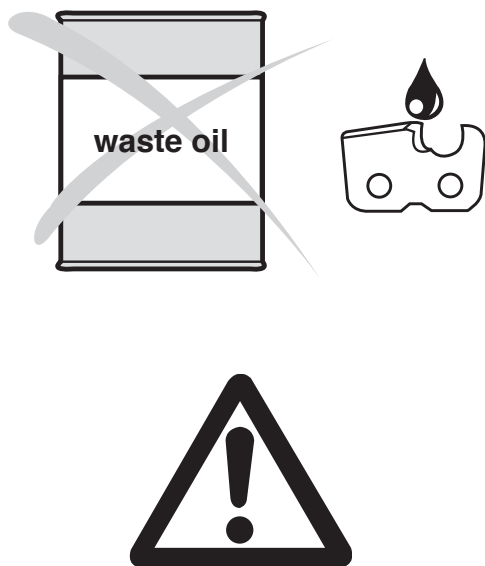
Important note on bio-degradable chain oils

If you are not planning to use the saw again for an extended period of time, empty the oil tank and put in a small amount of regular **engine oil** (SAE 30), and then run the saw for a time. This is necessary to flush out all remaining bio-degradable oil from the oil tank, oil-feed system, chain and guide bar, as many such oils tend to leave sticky residues over time, which can cause dam-

age to the oil pump or other parts.

The next time you use the saw, fill the tank with BIOTOP chain oil again. In case of damage caused by using waste oil or inappropriate chain oil the product guarantee will be null and void.

Your salesman will inform you about the use of chain oil.



NEVER USE WASTE OIL

Waste oil is very dangerous for the environment.

Waste oil contains high amounts of carcinogenic substances.

Residues in waste oil result in a high degree of wear and tear at the oil pump and the sawing device.

In case of damage caused by using waste oil or inappropriate chain oil the product guarantee will be null and void.

Your salesman will inform you about the use of chain oil.

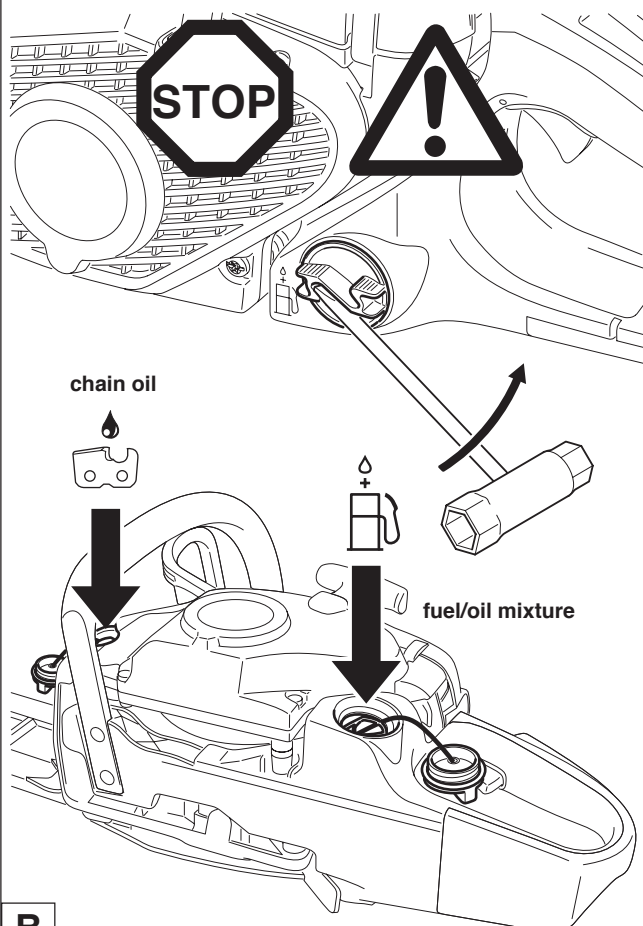
AVOID SKIN AND EYE CONTACT

Mineral oil products degrease your skin. If your skin comes in contact with these substances repeatedly and for an extended period of time, it will desiccate. Various skin diseases may result. In addition, allergic reactions are known to occur.

Eyes can be irritated by contact with oil. If oil comes into your eyes, immediately wash them with clear water.

If your eyes are still irritated, see a doctor immediately!

A



Refuelling



FOLLOW THE SAFETY PRECAUTIONS!

Be careful and cautious when handling fuels.

The engine must be switched off!

Thoroughly clean the area around the caps, to prevent dirt from getting into the fuel or oil tank.

Unscrew the tank cap (use the universal wrench if necessary, see illustration) and fill tank with fuel mixture or saw chain oil up to the bottom edge of the filling neck. Be careful not to spill fuel or chain oil! Be careful not to spill fuel or chain oil!

Screw on the tank cap **by hand all the way**.

After refuelling, clean screw cap, tank and check for leakages.

Lubricating the chain



During operation there must always be sufficient chain oil in the chain-oil tank to provide good chain lubrication. One filling is sufficient for about one half-hour of continuous operation. During this procedure check whether there is enough the chain oil in the tank and refill if necessary. **Do this only with the engine turned off!** Screw on the tank cap **by hand all the way**.

B

Checking the chain lubrication

Never work with the chain saw without sufficient chain lubrication. Otherwise the service life of the chain and guide bar will be reduced. Before starting work check the oil level in the tank and the oil feed.

Check the oil feed rate as described below:

Start the chain saw (see „Starting the engine“).

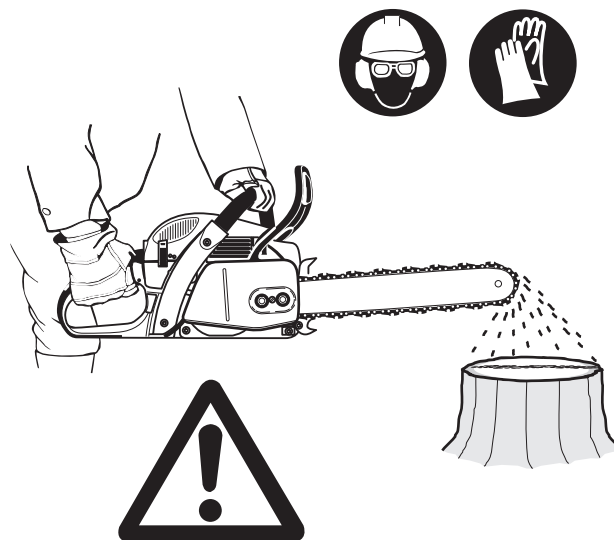
Hold the running chain saw approx. 6" (15 cm) above a trunk or the ground (use an appropriate base).

If the lubrication is sufficient, you will see a light oil trace because oil will be flung off the sawing device. Pay attention to the direction the wind is blowing and avoid unnecessary exposure to the oil spray!

Note:

After the saw has been turned off it is normal for residual chain oil to drip from the oil feed system, the guide bar and the chain for a time. This does not constitute a defect!

Place the saw on a suitable surface.



C

Adjusting the chain lubrication



The engine must be switched off.

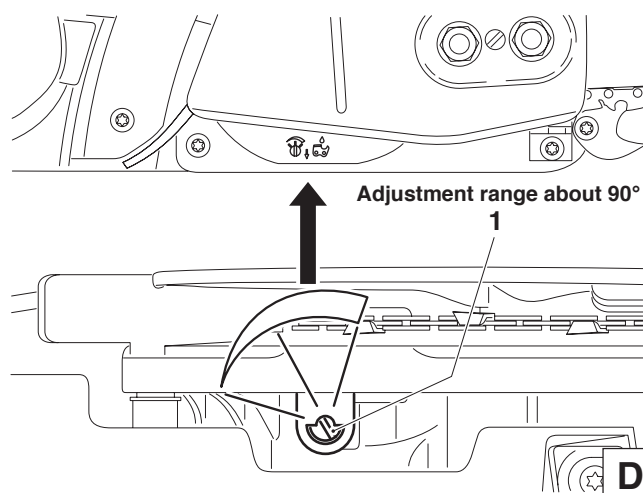
You can adjust the oil pump feed rate with the adjusting screw (1). The adjusting screw is on the bottom side of the housing. The oil pump comes factory-set to a medium feed rate.

To adjust the supply rate, use a small screwdriver to turn the adjusting screw:

- to the right for a faster
 - to the left for a slower
- oil feed rate.

Pick one of the three settings depending on the length of the guide bar.

While working make sure there is enough chain oil in the tank. If necessary, add oil.



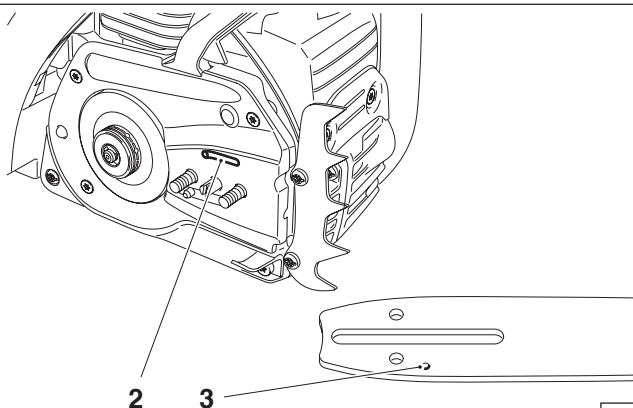
D

To ensure troublefree operation of the oil pump the oil guide groove at the crank case (2) and the oil inlet bore in the guide bar (3) must be cleaned regularly.

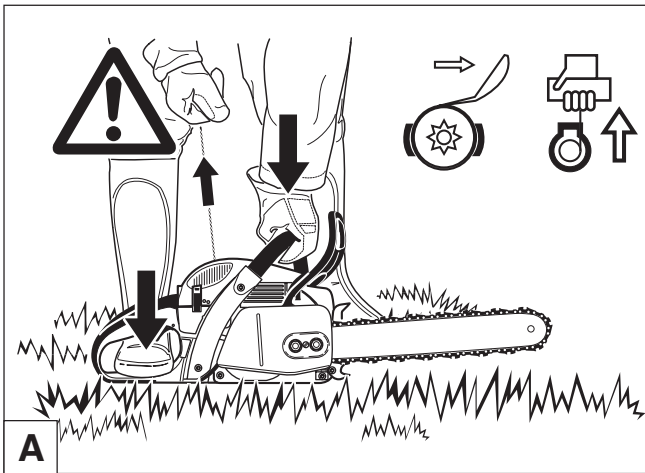
Note:

After the saw has been turned off it is normal for residual chain oil to drip from the oil feed system, the guide bar and the chain for a time. This does not constitute a defect!

Place the saw on a suitable surface.



E



Starting the engine

Do not start the chain saw until after it is completely assembled and checked!

Move at least 10 feet (3 m) away from the place where the chain saw was fuelled.

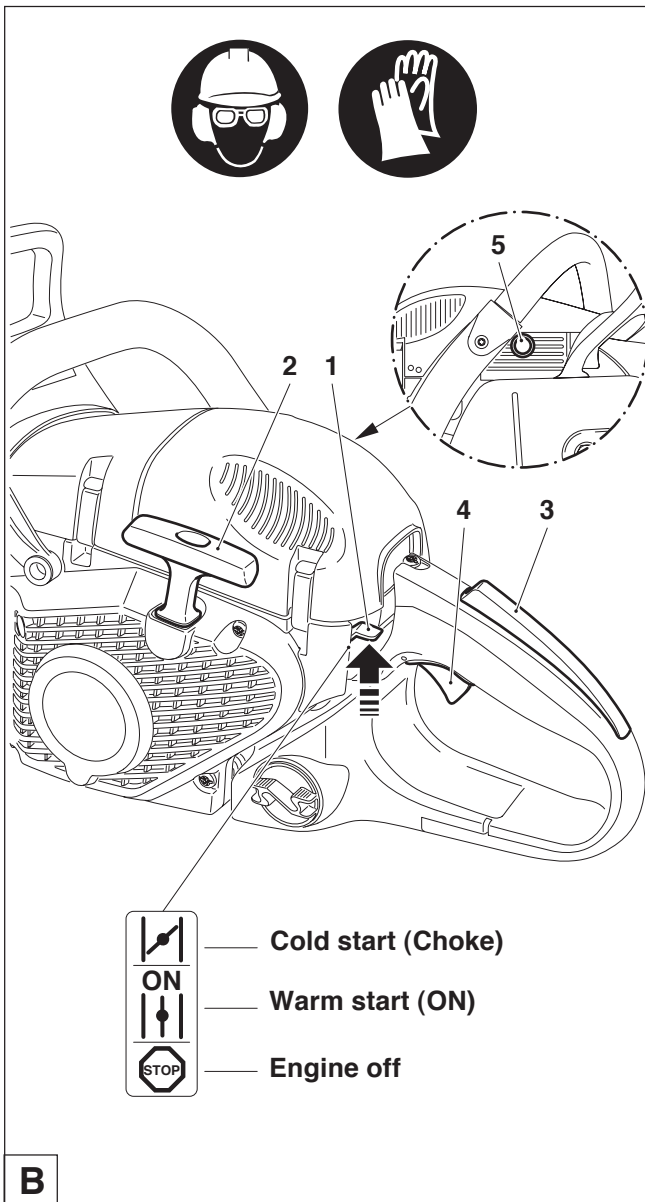
Make sure you have a secure footing, and place the saw on the ground in such a way that the guide bar and chain are not near anything.

Actuate the chain brake (block it).

Hold the front handle firmly with one hand and press the saw against the ground.

Hold the down rear handguard with your right foot as shown.

A



Cold starting:

Move the combination switch (1) up (choke position). This also actuates the half-throttle lock.

Pull the starter cable (2) out slowly until you feel resistance (the piston is now just before top dead center).

Push in decompression valve (5).

Now pull it quickly and powerfully until you hear the first audible ignition.

CAUTION: Do not pull the starter cable more than about 50 cm/ 20" out, and let it back in slowly by hand.

Push in decompression valve (5).

Move the combination switch (1) to the central "ON" position. Pull the starter cable again, quickly and firmly. As soon as the engine is running, grasp the rear handle (the safety lock button (3) is actuated by the palm of the hand) and press the throttle trigger (4).

The half-throttle lock will disengage and the engine will now idle.

CAUTION: The engine must be put in idle immediately after starting. If this is not done, the clutch can be damaged.

Now disengage the chain brake.

Warm starting:

As described above for cold starting, but before starting push the combination switch (1) up (Choke position) and then right away back to the middle "ON" position. This is only to engage the half-throttle lock. If the engine doesn't start after 2 or 3 pulls, repeat the entire starting procedure as described for cold starting.

Stopping the engine

Depress the combination switch (1).

B

Checking the chain brake

The chain brake must be checked before every use of the saw!

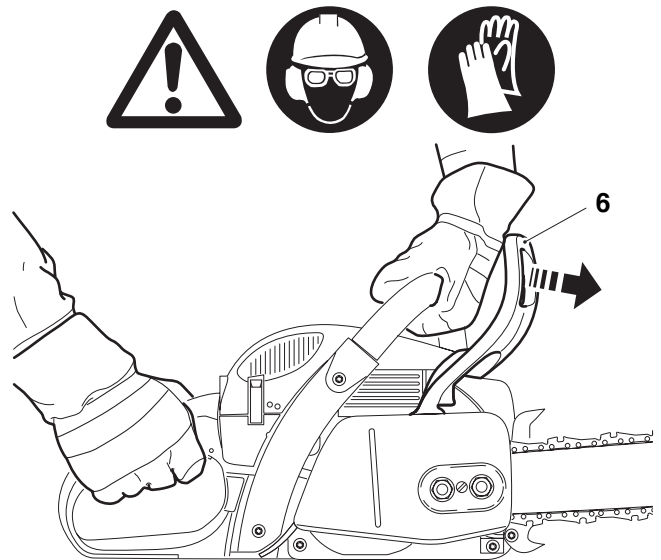
Start the engine as described above (have a secure footing, place the chain saw on the ground so that the chain and guide bar are not near anything).

Hold the front handle firmly, with your other hand on the rear grip.

Let the engine run at medium speed and push the handguard (6) in the direction of the arrow **using the back of your hand**, until the chain brake engages. The chain should now stop immediately.

Bring the engine back to idle and release the chain brake.

Caution: If the chain does not stop immediately in this test, turn off the engine immediately. Do NOT use the chain saw in this condition! Contact a MAKITA service center.



C

Working in winter

In order to prevent carburetor icing in conditions of low temperature combined with high humidity, and below +5°C (40°F) in order to get up to operating temperature faster, heated air can be taken from the cylinder.

Remove the cover (see "Cleaning the air filter").

Remove the insert (7) and insert it as shown for winter operation.

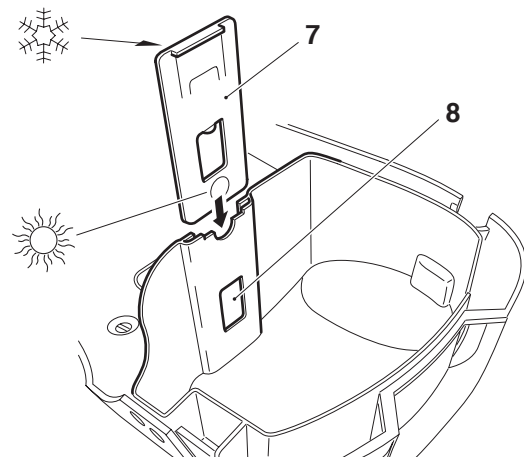
If the temperature is above +5°C (40°F) the engine needs to induct cold air. **If this is not done, the cylinder and piston can be damaged!**

For temperatures above +5°C (40°F) turn the insert 180° so that after it is inserted the induction opening (8) is closed.

Put the cover back on.

Symbol ☀ on top when inserted – Normal operation

Symbol ❄ on top when inserted – Winter operation



D

Adjusting the carburetor

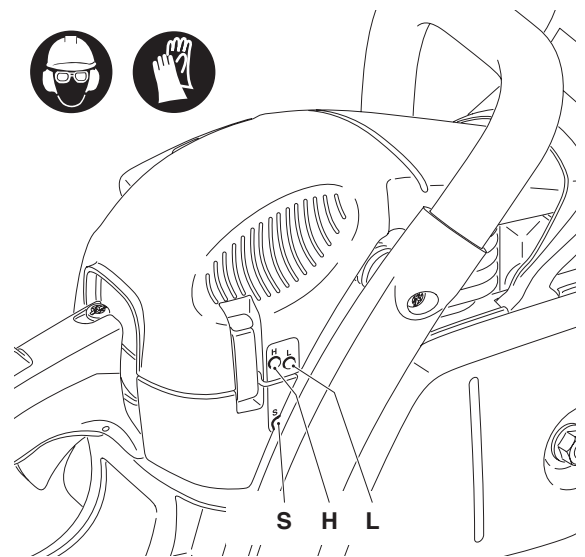
CAUTION:

Carburetor adjustment must only be done with the engine warm, a clean air filter and the saw chain properly tensioned and mounted. Always have a MAKITA service center do carburetor adjustment, since incorrect adjustment can cause considerable damage to the engine.

Due to new emissions regulations, the adjustment range of screws (H) and (L) has been limited. **This adjustment range limitation (to about 180 degrees) prevents over-rich settings.** This ensures compliance with emissions regulations, optimum engine performance and economical fuel consumption.

Factory setting of adjustment screws (H) and (L):

Screwed out almost all the way (counter-clockwise).



For proper adjustment, proceed as follows:

Checking adjustment screw (H)



Before starting, make sure that adjustment screw (H) is unscrewed all the way (until you feel a stop). **Limitations do not protect against too lean running** (insufficient fuel)!

1. Start engine and let it warm up (3-5 minutes)
2. Set idle
3. Set highest permissible speed.
4. Check acceleration
5. Check idle speed

2. Set idle



Set the idle speed per the technical specifications.

Turning the adjusting screw (S) in (clockwise) increases the idle speed. Turning it out (counter-clockwise) lowers the idle speed. **The chain or blade must not move in idle!**

3. Set the top speed



Set the top speed with a minimal adjustment to screw (H) in accordance with the technical data.

Screwing in adjustment screw (H) clockwise increases engine speed. **Never exceed the top speed under any circumstances!**

4. Check acceleration



When the throttle is pressed, the engine should go smoothly from idle to high speed.

Unscrew adjustment screw (L) counter-clockwise in small steps until acceleration is good.

5. Checking the idle speed



After setting the maximum permissible speed, check the idle speed (the saw chain or cutting tool must not turn in idle).

Repeat the adjustment procedure starting with step 2 above until idle speed, acceleration, and speed are all good.

MAINTENANCE

Sharpening the saw chain



CAUTION: Before doing any work on the guide bar or chain, always switch off the engine and pull the plug cap off the spark plug (see "Replacing the spark plug"). Always wear protective gloves!

The chain needs sharpening when:

The sawdust produced when sawing damp wood looks like wood flour.

The chain penetrates the wood only under great pressure.

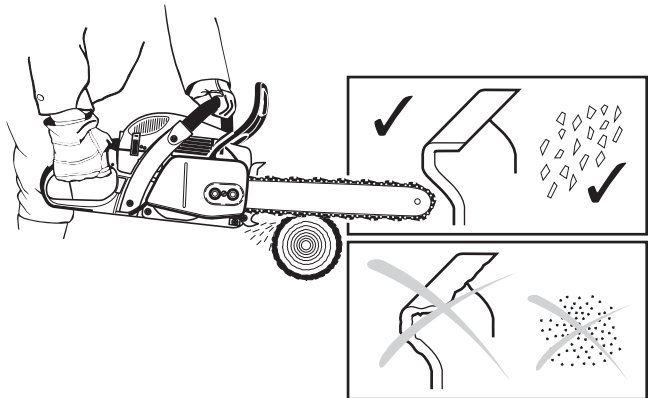
The cutting edge is visibly damaged.

The saw is pulled to the left or right when sawing. This is caused by uneven sharpening of the chain.

Important: Sharpen frequently, but without removing too much metal!

Generally, 2 or 3 strokes of the file will be enough.

Have the chain resharpened at a service center when you have already sharpened it yourself several times.



A

Proper sharpening:

CAUTION: Use only chains and guide bars designed for this saw (see the Extract from the spare-parts list)!

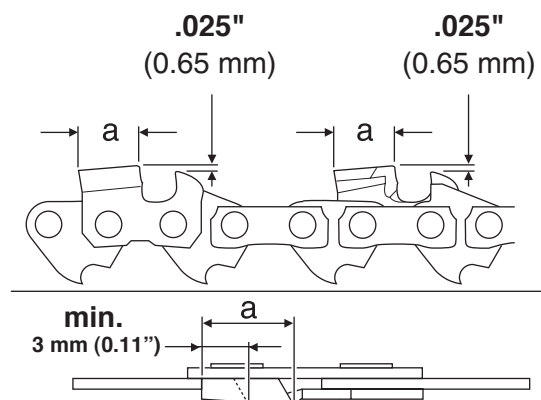
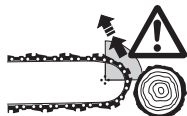
All cutters must be of the same length (dimension a). Cutters with different lengths result in rough running of the chain and can cause cracks in the chain.

The minimum cutter length: 0.11" (3 mm). Do not resharpen the chain when the minimum cutter length has been reached; at this point, the chain must be replaced (see the Extract from the spare-parts list and "Replacing the saw chain").

The depth of the cut is determined by the difference in height between the depth limiter (round nose) and the cutting edge.

The best results are obtained with a depth-limiter depth of .025" (0.65 mm).

CAUTION: Excessive depth increases the risk of kickback!



B

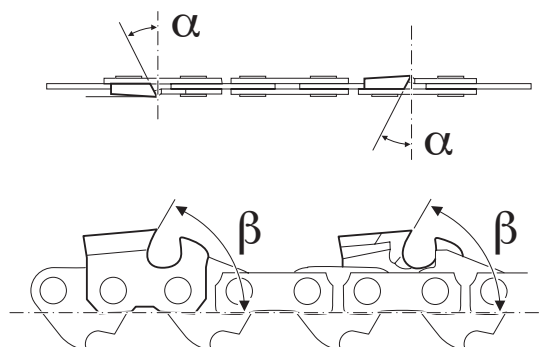
The sharpening angle (α) must be identical for all cutters!

25° for chain type 486, 496

The teeth will have the proper angle (β) automatically if the proper round file is used.

60° for chain type 486, 496

Different angles result in a roughly, irregularly running chain, increase wear and tear and cause chain beakage.



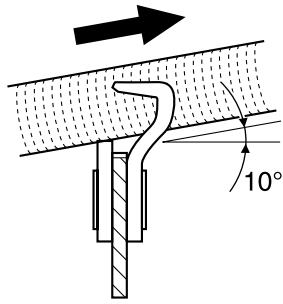
C

Files and how to work with them

Use a special saw chain round file for sharpening. Standard round files are unsuitable. For the order number, see "Accessories".

Type 486: Use 1 1/64" (4,5 mm) dia. round saw-chain file.

Type 496: Use 7/32" (5,5 mm) dia. round saw-chain file.



Chain typ
486
496

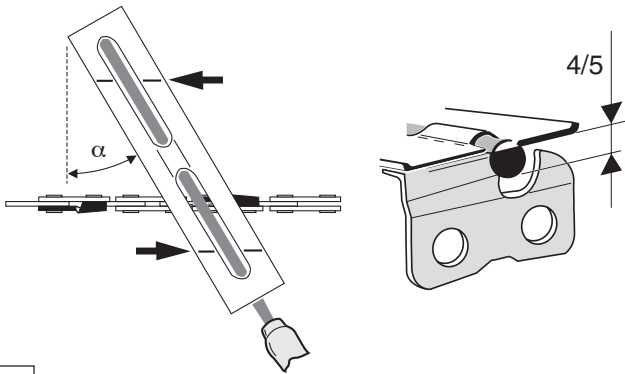
The file should cut only when pushed forwards (arrow). Lift the file when leading it backwards.

First sharpen the shortest cutter. The length of this cutter is then the standard for all other cutters of the chain.

New saw teeth must be filed to the exact same shape as the used teeth, including on their running surfaces.

File depending on chain type (10° to the guide bar).

D

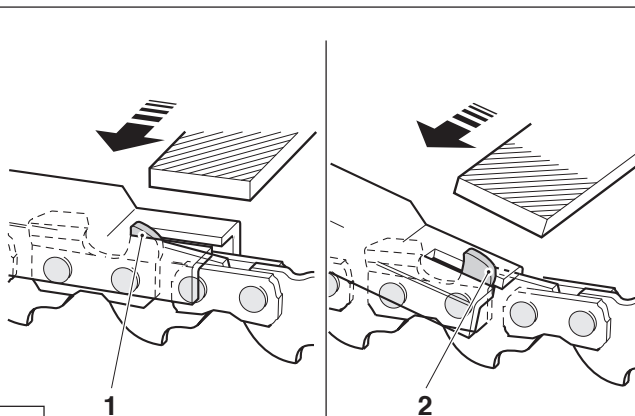


A file holder makes file guidance easier. It is marked for the correct sharpening angle of:

$$\alpha = 25^\circ$$

(keep the marks parallel with the chain when filing, see illustration) and limits the cut depth to the correct 4/5 of the file diameter. See "Accessories" for the order number.

E



After having sharpened the chain, the height of the depth limiter must be checked by means of a chain gauge. See "Accessories" for the order number.

Correct even the smallest excess height with a special flat file (1). See "Accessories" for the order number.

Round off the front of the depth limiter (2).

F

Cleaning the brake band and sprocket interior

CAUTION: Before doing any work on the guide bar or chain, always switch off the engine and pull the plug cap off the spark plug (see "Replacing the spark plug"). Always wear protective gloves!

CAUTION: Start the chain saw only after having assembled it completely and inspected.

Remove the sprocket guard (1) (See "PUTTING INTO OPERATION" figs. B) and clean the interior with a brush.

Turn the chain tensioning screw (2) to the left (counter-clockwise) until pin (3) of the chain tensioner is underneath the threaded pin (4).

Remove the chain (5) and guide bar (6).

NOTE:

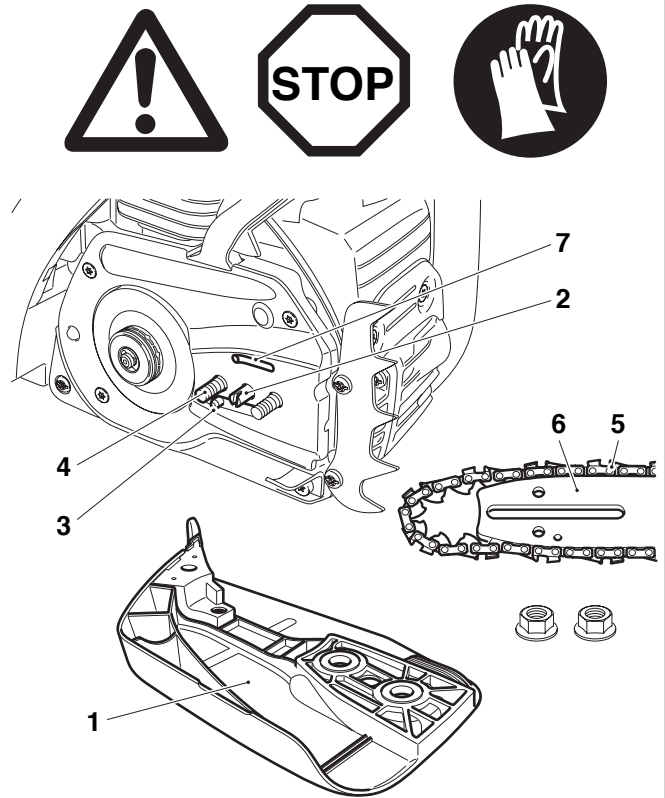
Make sure there are no residues or foreign matter remaining in the oil guide groove (7) or on the chain tensioner (3).

For replacing the guide bar, chain, and sprocket see "PUTTING INTO OPERATION".

NOTE:

The chain brake is a very important safety device and like any other component subject to normal wear and tear.

Regular inspection and maintenance are important for your own safety and must be done by a MAKITA service center.



SERVICE

A

Cleaning the guide bar

CAUTION: Protective gloves must be worn.

Regularly inspect the bearing surfaces of the guide bar for damage, and clean them with a suitable tool.



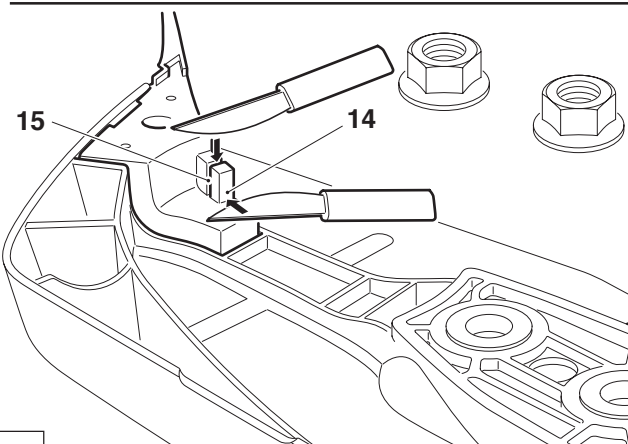
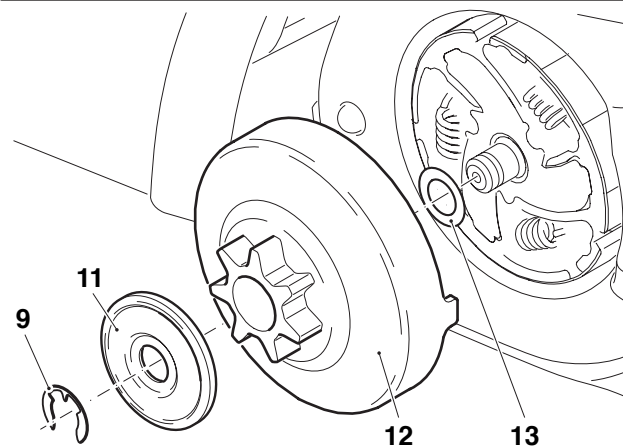
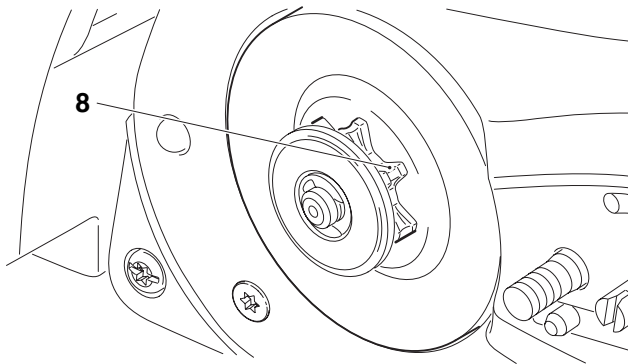
B

Replacing the saw chain

CAUTION: Use only chains and guide bars designed for this saw (see the Extract from the spare-parts list)!

When changing chain types, always make sure to use the clutch drum cpl. (12). It may be necessary to change the clutch drum cpl.

IMPORTANT: If the chain type is changed from .325" to 3/8", the chip deflector must be modified. See under „Instructions for changing the chain type.“



Check the sprocket before mounting a new chain.

Worn out sprockets (8) may damage the new chain and must therefore be replaced.

Remove the sprocket guard (See "PUTTING INTO OPERATION" figs. B).

Remove the chain and guide bar.

Remove circlip (9).

CAUTION: The circlip will pop out of the groove. When removing it, hold your thumb against it to prevent it from popping off.

Remove thrust washer (11).

If the chain sprocket (8) is worn, the clutch drum cpl. (12) must be replaced. For the part number consult the "Extract from the spare parts list".

Put on the washer disc (13), new clutch drum cpl. (12), cup washer (11) and new circlip (9) montieren (for the order number see "Extract from the spare parts list").

For replacing the guide bar, chain, and sprocket see "PUTTING INTO OPERATION A-H".

NOTE:

Don't use a new chain on a worn chain sprocket. By the time 2 chains have worn, the sprocket has become worn out, so it should be replaced at least at every second chain replacement. To distribute the chain oil evenly, run a new chain at half-throttle for a few minutes before use.

New chains stretch, so check the chain tension frequently (see "Checking the chain tension").

Instructions for changing the chain type



Always wear protective gloves!

- Before using a 3/8" saw chain, be sure to first cut out the marked section of the chip deflector (14)!
- To do this, first cut along the marking (15) with a sharp knife and then cut across to remove the piece.

NOTE:

If switching to chain type .325" it will be necessary to install a new chip deflector (see „Extract from the spare parts list“ for the part number).

C

Cleaning the air filter



CAUTION: To prevent eye injury, always wear eye protection when cleaning the filter with compressed air!

Do not use fuel to clean the air filter.

Disengage the cover clasp (1) with the universal wrench and take off the cover (2).

Push up the combination switch (3) (Choke position) to prevent dirt particles from falling into the carburetor.

Unhook the clasp (4) in the direction of the arrow with a finger or the universal wrench.

Pull the air filter (5) up and out.

IMPORTANT: Cover the intake opening with a clean cloth to prevent dirt particles from getting into the carburetor.

Choosing the right filter: The fleece filter is for use in dry or dusty conditions. The nylon filter (available as accessory) is for use in damp conditions.

Pry apart the top and bottom of the air filter as shown in Figure.

Cleaning the fleece filter: Carefully tap out dust or carefully blow out dust from the inside with compressed air. Do not brush the fleece, as this will force dirt particles into the fabric. If the filter is very dirty, it can be washed in lukewarm water with regular dishwashing detergent. Note that the fleece filter does not need to be cleaned until there is a noticeable loss of power. If cleaning the filter does not bring an improvement in performance, it is time to replace it.

Cleaning the nylon filter: Use a soft brush or blow out dirt from the inside with compressed air. If the filter is very dirty, it can be washed in lukewarm water with regular dishwashing detergent. Clean frequently (several times a day) when working in very dusty or dirty conditions. Full engine power is possible only with a clean air filter!

Let the air filter **dry completely**.

Put the top and bottom sections back together.

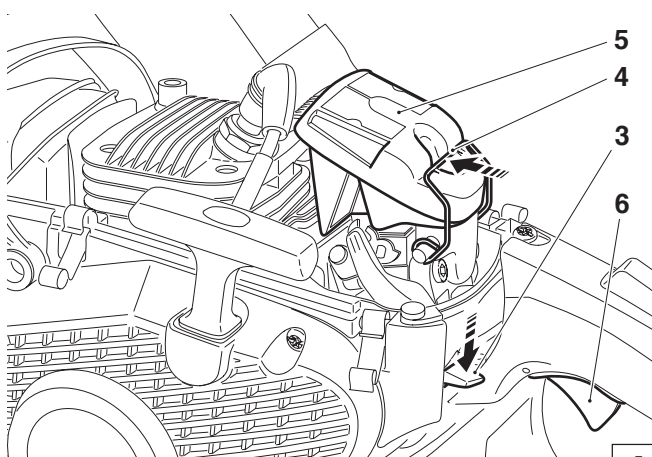
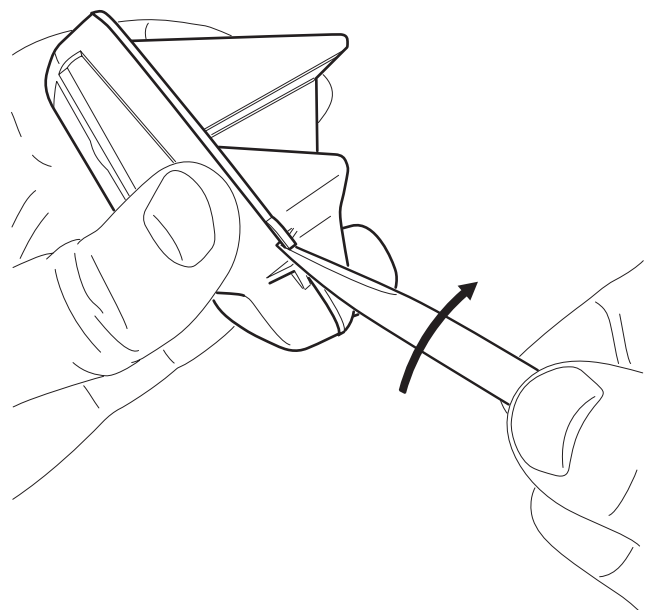
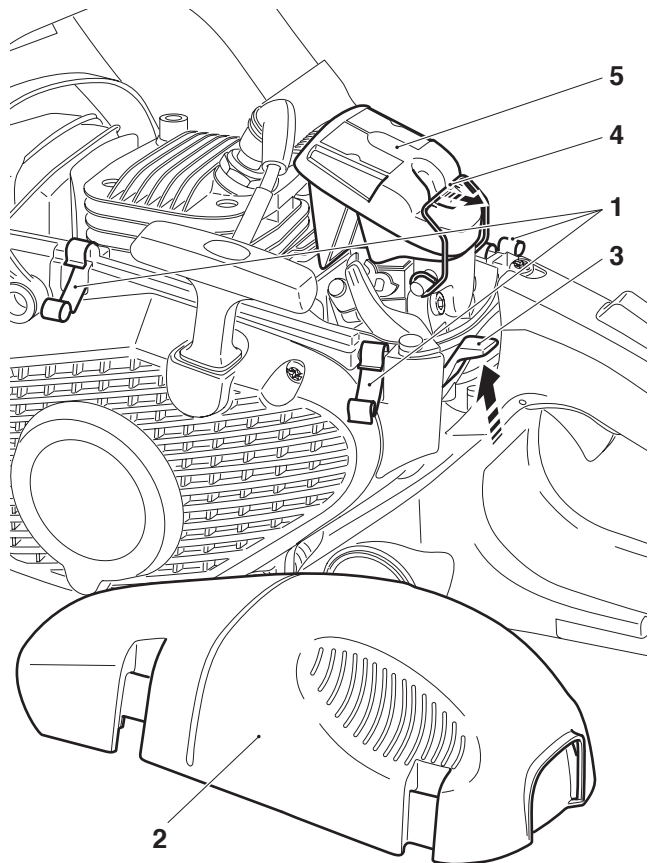
Before assembling the air filter, check the choke flap for any dirt particles. If there are any, remove them with a brush.

CAUTION: If the air filter becomes damaged, replace immediately! Pieces of cloth or large dirt particles can destroy the engine!

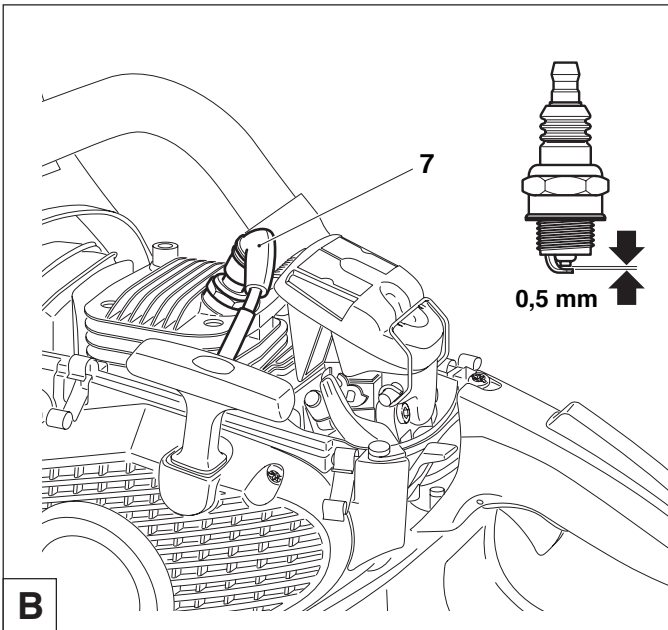
Insert the air filter (5) and press the clasp (4) in the direction of the arrow until it engages.

Move the combination switch (3) down and press the throttle (6) once all the way, to deactivate the half-throttle lock.

Put the cover (2) back on and affix it with the cover clasps (1).



A



Replacing the spark plug



CAUTION:

Do not touch the spark plug or plug cap if the engine is running (high voltage).

Switch off the engine before starting any maintenance work. A hot engine can cause burns. Wear protective gloves!

The spark plug must be replaced in case of damage to the insulator, electrode erosion (burn) or if the electrodes are very dirty or oily.

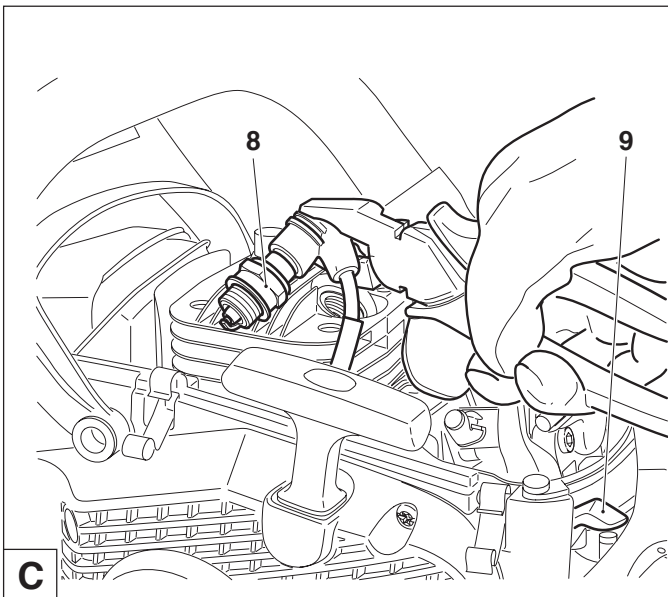
Remove the filter cover (see "Cleaning the air filter").

Pull the plug cap (7) off the spark plug. Use only the combination wrench supplied with the saw to remove the spark plug.

Electrode gap

The electrode gap must be .020" (0.5 mm).

B



Checking the ignition spark

With the spark plug removed and the spark plug cap firmly seated, use insulated pliers to hold the spark plug (8) against the cylinder (not the spark plug hole).

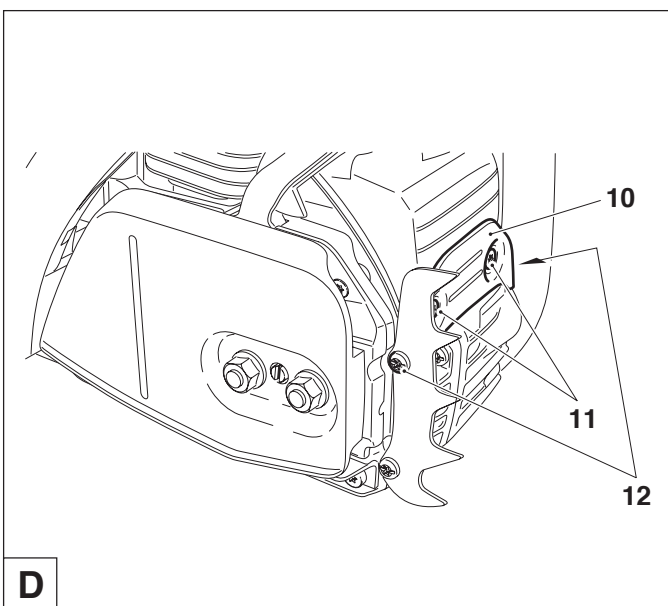
Put combination switch (9) in the ON position.

Pull the starter cable hard.

If the function is correct, an ignition spark must be visible near the electrodes.

CAUTION: Use only the following spark plugs: NGK BPMR 7A or BOSCH WSR 6F.

C



Checking the muffler screws



Remove the retaining plate (10) by unscrewing screws (11, short) and (12, long).

The muffler screws are now accessible through the blind holes and can be checked for tight fit. If they are loose, hand-tighten them (Important - do not overtighten!).

D

Replacing the starter cable /

Replacing the return spring pack

Unscrew four screws (1).

Remove fan housing (2).

Remove the air guide (3) from the fan housing.

CAREFUL! Injury hazard! Do not unscrew screw (7) if the return spring is under tension.

If the starter cable is to be replaced although it is not broken, it will be necessary to first de-tension the cable drum return spring (13).

To do this, use the grip to pull the cable all the way out of the fan housing.

Hold the cable drum with one hand, and with the other push the cable into the space (6).

Carefully let the drum turn until the return spring is no longer under tension.

Unscrew screw (7) and remove washer (8).

Carefully remove the cable drum.

Remove any cable pieces.

Thread a new cable (dia. 0.14" (3.5 mm), length 38.6" (980 mm)) as shown in the illustration (don't forget the washer (10)) and knot both ends as shown.

Pull knot (11) into the cable drum (5).

Pull knot (12) into the starter grip (9).

Put the drum on its spindle and turn it slightly until the return spring engages.

Screw in and tighten screw (7) and washer (8).

Guide the cable into the space (6) on the drum and use the cable to turn the drum two turns clockwise.

Hold the cable drum with your left hand and with your right hand untwist the cable, pull it tight and hold it.

Carefully release the cable drum. The spring will wind the cable around the drum.

Repeat three or four times. The starter grip should now be held upright on the fan housing.

NOTE: With the cable pulled all the way out, it must still be possible to turn the pulley another 1/4 turn against the return spring.

CAUTION: Danger of injury! Secure the cable grip when pulled out! It will whip back if the cable pulley is released by accident.

Replacing the return spring pack

Disassemble the fan housing and cable drum (see above).

CAREFUL! Injury hazard! The return spring can pop out! Always wear eye protection and protective gloves!

Lightly tap the fan housing on a wooden surface with the entire surface of the hollow side, and **hold it down**. Now lift the fan housing **carefully and in small steps**. This will allow the return spring pack (13), which should now have fallen out, to relax in a controlled manner if the return spring has popped out of the plastic pack.

Carefully insert a new return spring pack and push it in until it clicks. Install the cable drum with washer (8) and bolt (7).

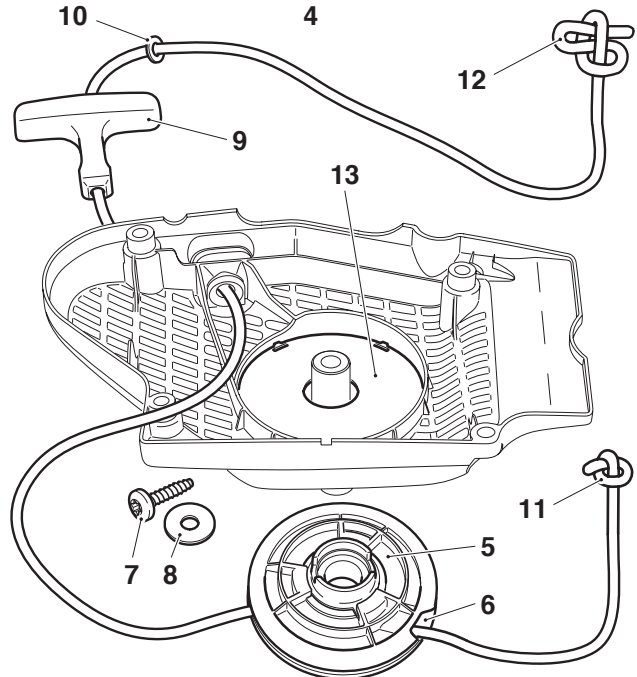
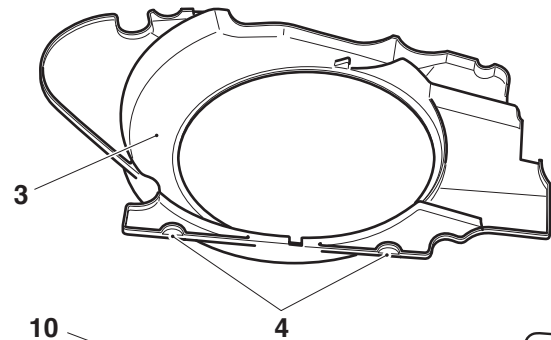
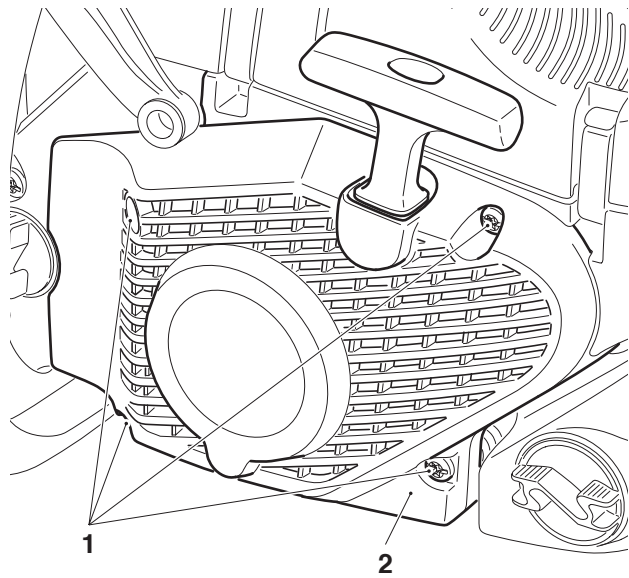
Tension the spring (see above).

Mounting the fan housing

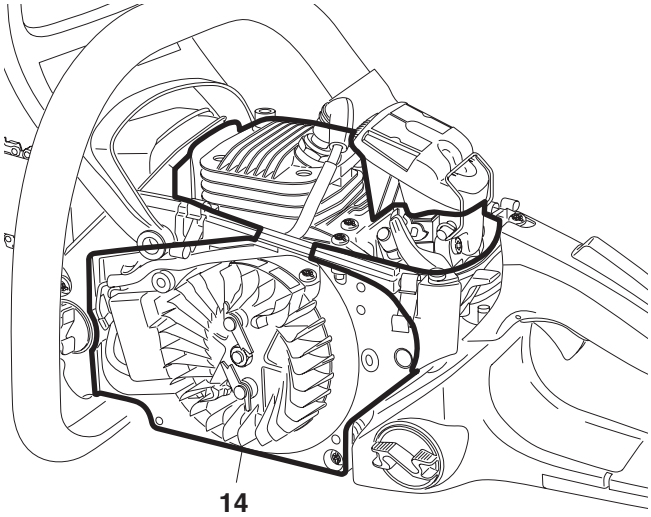
Insert the air guide (3) in the fan housing so that the two recesses (4) engage.

Position the fan housing against the housing, press against it lightly and pull the starter grip until the starter engages.

Tighten screws (1).



A



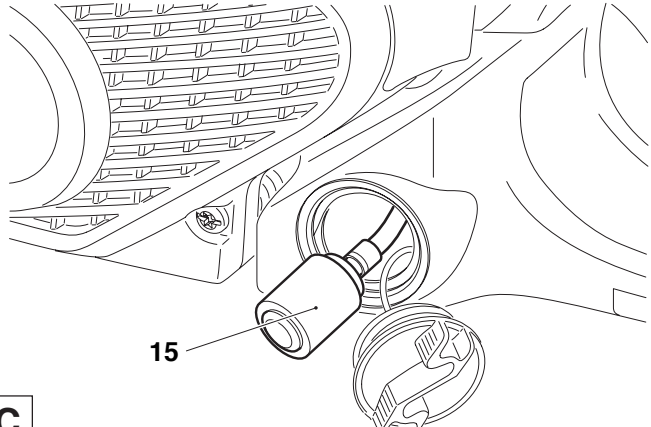
Cleaning the cylinder area

Remove cover.
Remove the fan housing.

CAUTION: To prevent eye injury, always wear eye protection when cleaning the filter with compressed air!

The entire area (14) can now be brushed clean or cleaned with compressed air.
A bottle brush can come in handy for cleaning out the cylinder ribs.

B

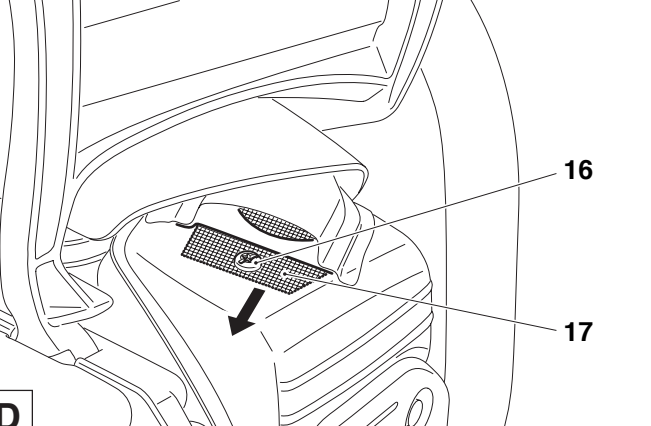


Replacing the fuel filter

The felt filter (15) of the fuel filter can become clogged. It is recommended to replace the fuel filter once every three months in order to ensure unimpeded fuel flow to the carburetor.

To remove the fuel filter for replacement, pull it out through the tank filler neck using a piece of wire bent at one end to form a hook.

C



Replacing/cleaning the spark arrester screen

The spark arrester screen should be checked and cleaned regularly.

Loosen the screw (16) and remove the spark arrester screen (17).

Caution: Do not use sharp or pointed objects for screen cleaning. Damaged or misformed screen wires may result.

Reassembly the spark arrester screen and tighten the screw.

D

Instructions for periodic maintenance

To ensure long life, prevent damage and ensure the full functioning of the safety features the following maintenance must be performed regularly. Guarantee claims can be recognized only if this work is performed regularly and properly. Failure to perform the prescribed maintenance work can lead to accidents!

The user of the chain saw must not perform maintenance work which is not described in the instruction manual. All such work must be carried out by a MAKITA service center.

			Page
General	Chain saw	Clean exterior, check for damage. In case of damage, have repaired by a qualified service center immediately	28-29
	Saw chain	Sharpen regularly, replace in good time	
	Chain brake	Have inspected regularly at an authorized service center	21, 30
	Guide bar	Turn over to ensure even wear of bearing surfaces	
	Starter cable	Replace in good time	
		Check for damage. Replace if damaged.	34
Before each start	Saw chain	Inspect for damage and sharpness	28-29
		Check chain tension	21
	Guide bar	Check for damage	24
	Chain lubrication	Functional check	
	Chain brake	Functional check	26
	Combination switch, Safety locking button, Throttle lever	Functional check	25
Fuel/oil tank cap	Check for tightness		
Every day	Air filter	Clean (several times daily if necessary)	32
	Guide bar	Check for damage, clean oil intake bore	30
	Guide bar support	Clean, in particular the oil guide groove	24, 30
	Idle speed	Check (chain must not run)	27
Every week	Fan housing	Clean to maintain good cooling air flow.	17, 35
	Cylinder area	Clean to maintain good cooling air flow.	35
	Spark plug	Check and replace if necessary	33
	Muffler	Check tightness of mounting, Check screws	33
	Spark arrester screen	Clean	35
	Chain guide	Check	20
Every 3 months	Fuel filter	Replace	35
	Fuel, oil tanks	Clean	
Annually	Chain saw	Check at an authorized service center	
Storage	Chain saw	Clean exterior, check for damage. In case of damage, have repaired by a qualified service center immediately	30
	Guide bar/chain	Demount, clean and oil slightly	
	Fuel, oil tanks	Clean the guide groove of the guide bar	
	Carburetor	Empty and clean	
		Run empty	

Service, spare parts and guarantee

Maintenance and repair

The maintenance and repair of modern engines as well as all safety devices require qualified technical training and a special workshop equipped with special tools and testing devices.

Any work not described in this Manual may be performed only by a MAKITA service center.

The MAKITA service centers have all the necessary equipment and skilled and experienced personnel, who can work out cost-effective solutions and advise you in all matters.

Repair attempts by third parties or unauthorized persons will void all warranty claims.

Please contact your nearest service center (list enclosed).

Spare parts

Reliable long-term operation, as well as the safety of your chain saw, depend among other things on the quality of the spare parts used. Use only original MAKITA parts, marked



Only original spare parts and accessories guarantee the highest quality in material, dimensions, function and safety.

Original spare parts and accessories can be obtained from your local dealer. He will also have the spare part lists to determine the required spare part numbers, and will be constantly informed about the latest improvements and spare part innovations.

Please bear in mind that if parts other than original MAKITA spare parts are used, this will automatically invalidate the MAKITA product guarantee.

Guarantee

MAKITA guarantees the highest quality and will therefore reimburse all costs for repair by replacement of damaged parts resulting from material or production faults occurring within the guarantee period after purchase. Please note that in some countries particular guarantee conditions may exist. If you have any questions, please contact your salesman, who is responsible for the guarantee of the product.

Please note that we cannot accept any responsibility for damage caused by:

- Disregard of the instruction manual.
- Non-performance of the required maintenance and cleaning.
- Incorrect carburetor adjustment.
- Normal wear and tear.
- Obvious overloading due to permanent exceeding of the upper performance limits.
- Use of guide bars and chains which have not been approved.
- Use of guide bar and chain lengths which have not been approved.
- Use of force, improper use, misuse or accidents.
- Damage from overheating due to dirt on the fan housing.
- Work on the chain saw by unskilled persons or inappropriate repairs.
- Use of unsuitable spare parts or parts which are not original MAKITA parts, insofar as they have caused the damage.
- Use of unsuitable or old oil.
- Damage related to conditions arising from lease or rent contracts.

Cleaning, servicing and adjustment work is not covered by the guarantee. All repairs covered by the guarantee must be performed by a MAKITA service center.

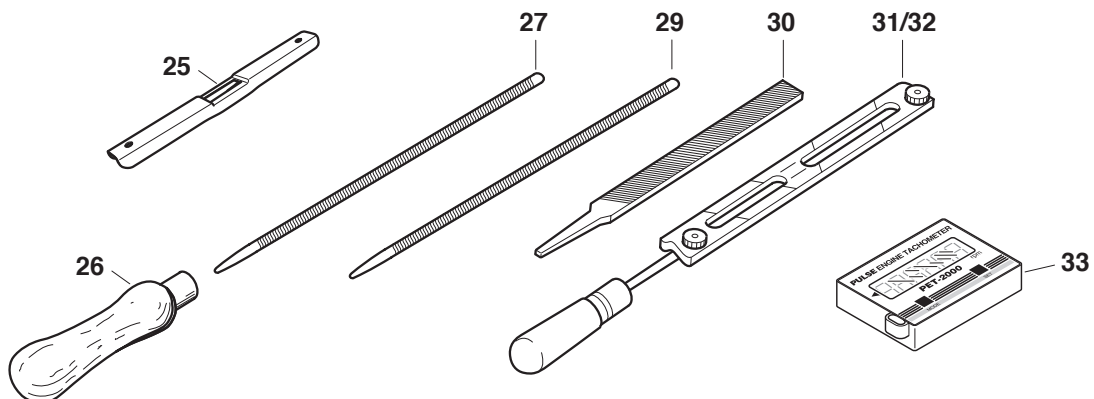
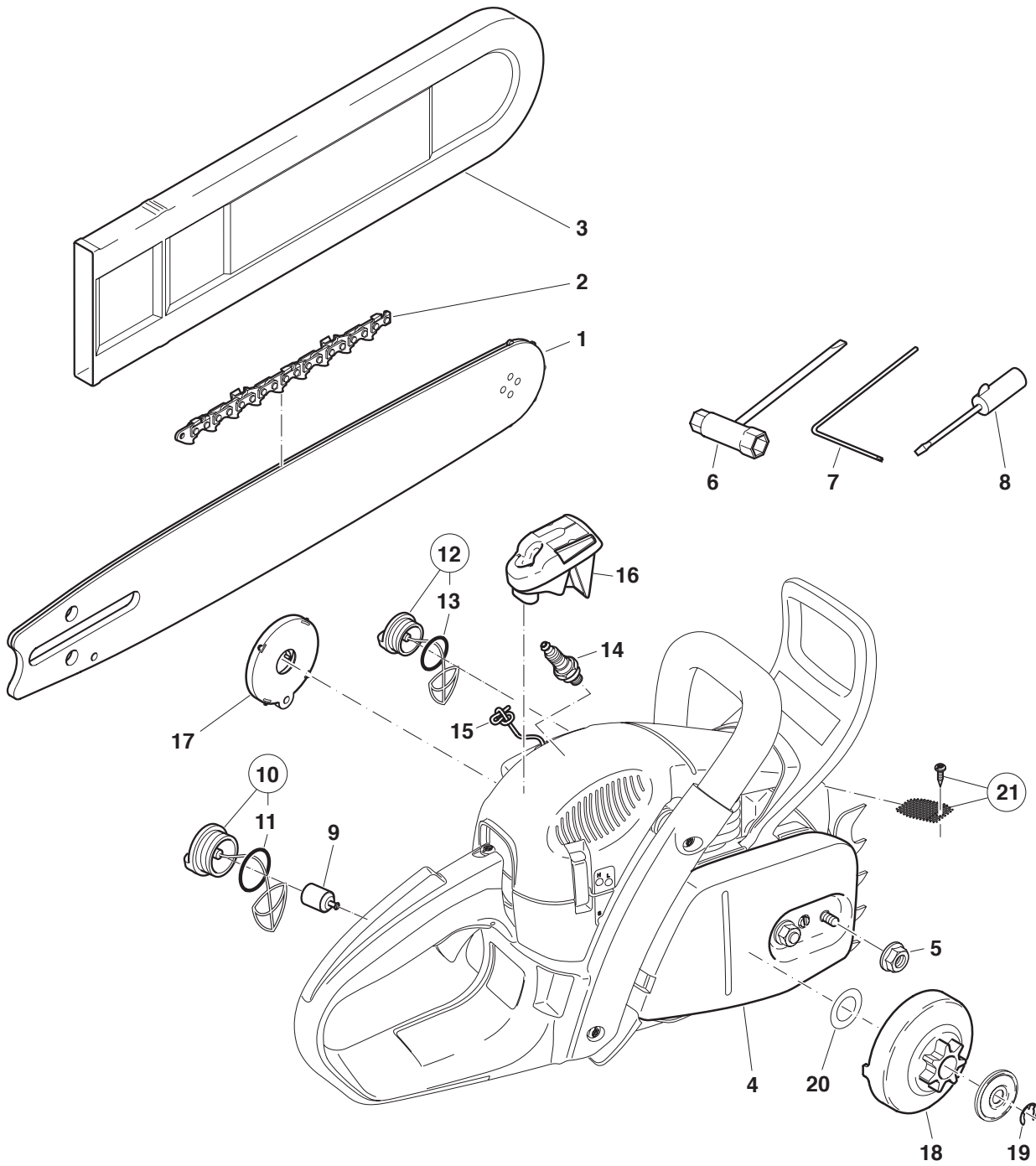
Troubleshooting

Malfunction	System	Observation	Cause
Chain does not run	Chain brake	Engine runs	Chain brake actuated.
Engine does not start or only with difficulty	Ignition system Fuel supply Compression system Mechanical malfunction	Ignition spark No ignition spark Fuel tank is filled Inside Outside Starter does not engage	Malfunction in fuel supply system, compression system, mechanical malfunction. Switch on STOP, fault or short-circuit in the wiring, plug cap or spark plug defective. Choke in wrong position, carburetor defective, fuel filter dirty, fuel line bent or interrupted. Cylinder base packing ring defective, radial shaft packings defective, cylinder or piston rings defective Spark plug does not seal. Spring in starter broken, broken parts inside the engine.
Warm start difficulties	Carburetor	Fuel tank is filled Ignition spark	Wrong carburetor adjustment.
Engine starts, but dies immediately	Fuel supply	Fuel tank is filled	Wrong idling adjustment, fuel filter or carburetor dirty. Tank venting defective, fuel line interrupted, cable defective, STOP switch defective. Decompression valve dirty
Insufficient power	Several systems may be involved simultaneously	Engine is idling	Air filter dirty, wrong carburetor adjustment, muffler clogged, exhaust channel in cylinder clogged, spark arrester screen clogged.
No chain lubrication	Oil tank/pump	No oil on the chain	Oil tank empty. Oil guide groove dirty. Oil-pump adjusting screw incorrectly adjusted.

Extract from the spare parts list

Use only original MAKITA parts. For repairs and replacement of other parts, see your MAKITA service center.

DCS460, DCS510



Extract from the spare parts list

Use only original MAKITA parts. For repairs and replacement of other parts, see your MAKITA service center.

DCS460, DCS510



Pos.	MAKITA-No.	Qty.	Denomination	Accessories (not delivered with the chain saw)
1	445 040 641	1	Sprocket nose bar .325", 16"	25 953 100 090 1 Chain gauge
	445 045 641	1	Sprocket nose bar .325", 18"	26 953 004 010 1 File handle
2	513 486 666	1	Saw chain .325" for 16"	27 953 003 100 1 Round file, dia. 11/64", (4,5 mm)
	513 486 672	1	Saw chain .325" for 18"	29 953 003 040 1 Round file, dia. 7/32", (5,5 mm)
1	443 045 661	1	Sprocket nose bar 3/8", 18"	30 953 003 060 1 Flat file
2	513 496 664	1	Saw chain 3/8" for 18"	31 953 030 020 1 File holder 11/64"
				32 953 009 000 1 File holder 7/32"
				33 950 233 210 1 Tachometer
3	952 100 633	1	Chain protector for 16"	- 949 000 035 1 Combined can
	952 100 643	1	Chain protector for 18"	(for 5l fuel, 2.5l chain oil)
4	957 213 600	1	Sprocket guard, cpl.	
5	923 208 004	2	Hexagonal nut M8	
6	941 719 131	1	Universal wrench SW 19/13	
7	940 827 000	1	Offset screwdriver	
8	944 340 001	1	Carburetor screwdriver	
9	010 114 010	1	Fuel filter	
10	181 114 200	1	Fuel tank cap, cpl.	
11	963 229 036	1	O-Ring 29,3x3,6 mm	
12	170 114 060	1	Oil tank cap, cpl.	
13	963 225 030	1	O-Ring 25x3 mm	
14	965 603 021	1	Spark plug	
15	108 164 020	1	Starter cable 3,5x980 mm	
16	181 173 010	1	Air filter (nylon)	
16	181 173 100	1	Air filter (fleece)	
17	181 163 020	1	Return spring pack, complete	
18	181 223 310	1	Clutch drum cpl. .325", 7-tooth	
	181 223 320	1	Clutch drum cpl. .3/8", 7-tooth	
19	927 408 000	1	Circlip	
20	021 224 010	1	Disc	
21	181 174 250	1	Spark collector, cpl.	

EMISSIONS COMPONENT DEFECT WARRANTY COVERAGE

MAKITA U.S.A., Inc garantit à l'acheteur au détail initial et à chaque propriétaire ultérieur que cet équipement utilitaire est conçu, construit et équipé en conformité, à la date d'achat initiale, à toutes réglementations applicables de l' U.S. Environmental Protection Agency (Agence de protection environnementale des Etats-Unis) et que le moteur est exempt de tout défaut de matériaux et de main d'œuvre susceptible de le rendre non conforme aux réglementations de l'EPA pendant sa durée de garantie.

Pour les composants figurant sous PIECES COUVERTES, le concessionnaire agréé par MAKITA fera gratuitement le diagnostic nécessaire, la réparation ou le remplacement de façon à ce que le moteur soit conforme aux réglementations applicables de l'US EPA.

PERIODE DE GARANTIE POUR LES DÉFAUTS DE COMPOSANTS D'EMISSION

La période de garantie pour ce moteur commence à la date où il a été vendu à l'acheteur initial et continue pendant une période de 2 ans.

PIECES COUVERTES

Les pièces figurant ci-dessous sont couvertes par la garantie concernant les défauts de composants d'émission. Certaines pièces figurant ci-dessous peuvent nécessiter une maintenance planifiée et sont garanties jusqu'au premier point de remplacement prévu pour cette pièce.

Système de dosage de combustible

Carburateur et pièces internes
Filtre à carburant, si applicable
Obturbateur d'étrangleur, si applicable
Système de starter, si applicable

Système d'allumage

Bougie d'allumage
Volant magnétique
Bobine d'allumage

Système à induction d'air

Préfiltre, si disponible, filtre à air
Carter de filtre à air, manchon de jonction

Unités diverses utilisées dans les systèmes ci-dessus

Tuyaux d'essence, brides et joints d'étanchéité

OBTENTION DU SERVICE DE GARANTIE

Pour obtenir le service de garantie, apportez la machine au centre de service après-vente MAKITA le plus proche ou le service SAV agréé par MAKITA et fournir la preuve d'achat indiquant la date d'achat de cette machine. Le concessionnaire SAV agréé par MAKITA effectuera les réparations ou réglages nécessaires en un temps raisonnable et vous remettra une copie de la commande de réparation. Toutes les pièces et tous les accessoires remplacés sous cette garantie deviendront la propriété de MAKITA.

CE QUI N'EST PAS COUVERT

- Dommages dus à une manipulation impropre, usage incorrect, ajustage inadéquat (à moins qu'ils étaient effectués par le concessionnaire SAV agréé par MAKITA pendant une réparation de garantie), altération, accident, défaut d'utiliser l'essence et l'huile recommandée ou le fait de n'avoir pas effectué les services d'entretien nécessaires.
- Les pièces de rechange utilisées pour les services d'entretien nécessaires
- Dommages conséquents comme perte de temps, désagréments, perte due à la non-utilisation de la machine ou de l'équipement etc.
- Frais de diagnostic et d'inspection n'aboutissant pas à la réalisation d'un service de garantie
- Toute pièce de rechange non-autorisée, ou mauvais fonctionnement de pièces autorisées dû à l'utilisation de pièces non-autorisées.

RESPONSABILITÉS DE GARANTIE DU PROPRIÉTAIRE

En tant que propriétaire de la machine, vous êtes tenu responsable de l'exécution de la maintenance requise indiquée dans le manuel du propriétaire. MAKITA recommande de conserver toutes les quittances couvrant l'entretien de votre machine, car MAKITA ne peut pas refuser la garantie seulement à cause du manque de quittances ou parce que vous avez manqué à assurer la réalisation de toute la maintenance prévue. En tant que propriétaire de la machine, vous devez toutefois être conscient que MAKITA peut refuser la couverture de la garantie si votre machine ou une partie de celle-ci est défectueuse à cause d'abus, de négligence, de maintenance inadéquate ou de modifications non autorisées. Vous avez la responsabilité de présenter votre machine au concessionnaire SAV agréé par MAKITA le plus proche en cas de problème. Pour toute question concernant vos droits de garantie et responsabilités, n'hésitez pas à contacter le Département de Service de Garantie MAKITA à 1-888-OPE-PART.

CHOSSES À SAVOIR CONCERNANT LA GARANTIE DU SYSTÈME DE CONTRÔLE D'ÉMISSION :

MAINTENANCE ET RÉPARATIONS

Vous êtes responsable de la maintenance adéquate de la machine. Vous devez conserver tous les reçus et les rapports d'entretien concernant la réalisation de l'entretien régulier en cas de problèmes. Ces reçus et rapports d'entretien doivent être transmis à tout propriétaire suivant de la machine. MAKITA se réserve le droit de refuser la couverture de garantie si la machine n'a pas été entretenue convenablement. Les réclamations faites au titre de la garantie ne seront pas refusées, à moins que la maintenance requise n'ait pas été effectuée ou que les rapports d'entretien n'aient pas été conservés.

LA MAINTENANCE, LE REMPLACEMENT ET LA RÉPARATION D'UNITÉS DE CONTRÔLE D'EMISSION DOIVENT ÊTRE EFFECTUÉS PAR UNE PERSONNE QUELCONQUE OU TOUT ÉTABLISSEMENT DE RÉPARATION ; TOUTEFOIS, LES RÉPARATIONS SOUS GARANTIE DOIVENT ÊTRE RÉALISÉES PAR UN CONCESSIONNAIRE SAV AGRÉÉ PAR MAKITA. L'UTILISATION DE PIÈCES NON EQUIVALENTES SUR LE PLAN PERFORMANCE ET DURABILITÉ AUX PIÈCES AUTORISÉES PEUT PORTER ATTEINTE À L'EFFICACITÉ DU SYSTÈME DE CONTRÔLE D'EMISSION ET PEUT AVOIR UNE IMPORTANCE SUR LE RÉSULTAT D'UNE RÉCLAMATION FAITE AU TITRE DE LA GARANTIE.

Si des pièces autres que celles agréées par MAKITA sont utilisées pour des remplacements d'entretien ou pour la réparation de composants concernant le contrôle d'émission, vous devez vous assurer que ces pièces sont garanties par leur constructeur comme étant équivalentes aux pièces autorisées par MAKITA dans leur performance et durabilité.

COMMENT FAIRE UNE RÉCLAMATION

Toutes les réparations tombant sous cette garantie limitée doivent être effectuées par un concessionnaire SAV autorisé par MAKITA. Au cas où une pièce relative aux émissions s'avère être défectueuse pendant la durée de garantie, vous devez prévenir le Département de Service de Garantie MAKITA à 1-888-OPE-PART et vous serez informé par le concessionnaire garantie SAV ou des prestataires de service où la réparation sous garantie peut être effectuée.

ATTENTION!

Une utilisation négligente ou incorrecte de ce produit peut entraîner des blessures graves ou mortelles! Avant d'utiliser une tronçonneuse ou d'autres produits MAKITA, il est important que vous ayez lu et entièrement compris et que vous suiviez avec soin les instructions fournies par le présent mode d'emploi. Le retour de chaîne peut entraîner des blessures graves ou mortelles et constitue l'un des nombreux dangers potentiels liés à l'utilisation d'une tronçonneuse. Ce mode d'emploi décrit de façon détaillée le retour de chaîne et les autres mesures de sécurité. D'autres exemplaires de ce mode d'emploi peuvent être commandés auprès de MAKITA U.S.A., INC., 14930-C Northam Street, La Mirada, CA 90638-5753, USA, Telephone: (714) 522 80 88 et de MAKITA CANADA INC., 1950 Forbes Street, Whitby, Ontario, Canada, L1N 7B7, téléphone (905) 571 22 00.

Ce produit est en conformité avec: la norme de sécurité pour tronçonneuses B 175.1-2000 de l'American National Standard Institute,
la norme de sécurité pour tronçonneuses Z62.1-03 de la Canadian Standards Association,
la norme relative au choc de recul pour tronçonneuses Z62.3-04.
Société du génie automobile
SAEJ 335-Juin 95 „Petit système d'échappement portable ne produisant aucune étincelle”

La période de conformité relative aux émissions indiquée sur le label de conformité à la réglementation relative aux émissions indique le nombre d'heures de service pendant lesquelles le moteur s'est avéré répondre aux exigences d'émissions nationales. Catégorie C=50 heures, B=125 heures, et A=300 heures.

Cette tronçonneuse est un produit allemand de qualité. Ce mode d'emploi contient des instructions importantes pour son montage et son utilisation. Pour votre sécurité, lisez très soigneusement les instructions de prévention des accidents avant de mettre en service votre tronçonneuse car une utilisation incorrecte peut, malgré toutes les précautions prises, entraîner des accidents. Avec un peu de soin et d'attention, ce produit de toute première qualité vous rendra d'excellents services et vous donnera entière satisfaction pendant très longtemps.



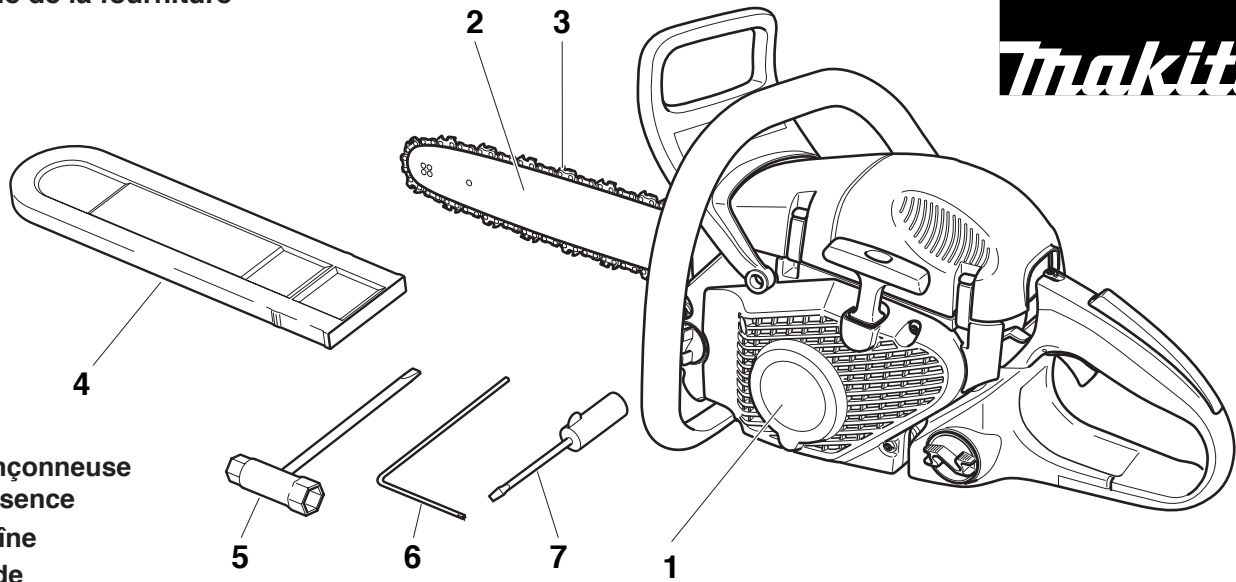
DCS460, DCS510

Sommaire	page	Sommaire	page
Etendue de la fourniture	42	Nettoyer l'intérieur de la bande de frein de chaîne et de la roue à chaîne	68
Symboles	42	Nettoyer le guide de la chaîne	68
Mesures de sécurité	43-54	Nouvelle chaîne de sciage	69
Désignation des composants	55	Nettoyage du filtre d'air	70
Caractéristiques techniques	56	Remplacement de bougie	71
Montage du guide et de la chaîne de sciage	57-58	Vérification des vis du silencieux	71
Contrôle de la tension de la chaîne	59	Remplacement du cordon de lancement	72
Retendre la chaîne de sciage	59	Remplacement du ressort de rappel	72
Frein de chaîne de sécurité	59	Montage du carter du ventilateur	72
Enclencher le frein de chaîne	59	Nettoyage de l'espace cylindre	73
Carburant/ravitaillement	60-61	Remplacement de la crépine d'aspiration	73
Graissage de la chaîne	62	Changement / nettoyage du pare-étincelles	73
Démarrer le moteur	63	Instruction d'entretien quotidien et périodique	74
Arrêter le moteur	63	Service d'atelier,	
Vérifier le frein de chaîne de sécurité	64	pièces de rechange et garantie	74-75
Fonctionnement en hiver	64	Recherche de pannes	75
Réglage du carburateur	65	Extrait de la liste des pièces de rechange	76-77
Affûtage de la chaîne de sciage	66-67		

Les tronçonneuses DCS460, DCS510 sont livrées dans un carton qui les protège des dommages dus au transport. Le carton est une matière première de base qui peut être réutilisée ou recyclée (recyclage des vieux papiers).



Etendue de la fourniture



1. Tronçonneuse à essence
2. Chaîne
3. Guide
4. Housse de protection du guide
5. Outillage de montage
6. Tournevis coudé
7. Tournevis pour le réglage du carburateur
8. Manuel d'emploi et de sécurité (sans illustration)

Si un des composants indiqués ici ne devrait pas être dans la fourniture, veuillez vous adresser à votre vendeur!

Symboles

Vous rencontrerez les symboles suivants sur l'appareil et dans le manuel d'emploi et de sécurité:

	Lire manuel d'emploi et suivre les consignes de sécurité et d'avertissement!		Attention, choc de recul (Kickback)!
	Danger et attention particuliers!		Frein de chaîne
	Interdit!		Mélange carburant
	Porter le casque les lunettes et acoustiques de protection!		Mode Normal / Hiver
	Porter des gants de protection!		Réglage du carburateur
	Interdiction de fumer!		Huile pour chaîne de sciage / graissage de la chaîne
	Pas de feu ouvert!		Vis de réglage pour l'huile de chaîne de sciage
	Arrêter le moteur!		Premier secours
	Appuyer sur la soupape de décompression		Recyclage
	Démarrer le moteur		Bouton multi-position Starter/Démarrage/Stop (I/O)
	Bouton multi-position Starter/Démarrage/Stop (I/O)		

Symboles additionnels voir page 44.

Mesures de sécurité à respecter par les utilisateurs de tronçonneuses

Lorsque vous utilisez la tronçonneuse, veuillez respecter les règles suivantes :

- a) Evitez tout contact entre la pointe du guide et tout objet.
- b) Le contact de la pointe peut entraîner un déplacement brutal du guide vers le haut et vers l'arrière et être à l'origine de blessures graves ou mortelles.
- c) Il faut toujours utiliser la tronçonneuse en la tenant des deux mains.

ATTENTION!

Lisez et respectez toutes les mesures de sécurité indiquées dans le mode d'emploi. Le non-respect des instructions peut avoir pour conséquence des blessures graves. Ne prêter des tronçonneuses qu'à des utilisateurs ayant une expérience avec les tronçonneuses à chaîne. Dans ce cas, les instructions d'emploi et de sécurité doit être remise au prêteur.

ATTENTION!

Cette tronçonneuse est capable de violents retours de chaîne qui peuvent blesser gravement l'utilisateur. N'utilisez cette tronçonneuse que si vous avez besoin de procéder à des travaux intensifs et si vous disposez d'une expérience et d'une formation vous permettant de maîtriser le choc de recul. Il existe des tronçonneuses à risque de choc de recul réduit.

ATTENTION!

Le choc de recul peut se produire lorsque la pointe ou l'extrémité du guide touche un objet ou lorsque le bois se referme et coince la chaîne dans la coupe. Le contact peut arrêter brutalement la **chaîne** et dans certains cas causer une **réaction** inverse extrêmement rapide, entraînant un déplacement du guide vers le haut et vers l'arrière vers l'utilisateur. Le **choc de recul** peut vous faire perdre le contrôle de la tronçonneuse.

Certaines mesures peuvent être prises par les utilisateurs de tronçonneuses pour réduire le risque de choc de recul et de blessure.

- A. Si vous avez bien assimilé le principe du choc de recul, vous pouvez réduire ou éliminer l'effet de surprise qui augmente le risque d'accident.
- B. Lorsque le moteur tourne, tenez fermement la tronçonneuse à deux mains, la main droite sur la poignée arrière et la main gauche sur la poignée tubulaire. Tenez fermement les poignées de la tronçonneuse en les entourant avec le pouce et les autres doigts. Une prise ferme peut neutraliser le choc de recul et vous aider à garder le contrôle de la tronçonneuse. Ne lâchez pas prise!
- C. Assurez-vous que la zone où vous travaillez ne présente pas d'obstacles. Ne laissez pas la pointe du guide toucher le rondin, la branche ou tout autre obstacle qui pourrait être heurté pendant que vous utilisez la tronçonneuse.
- D. Ne coupez pas les bras tendus ou plus haut qu'à hauteur d'épaules.
- E. Respectez les instructions du fabricant relatives à l'affûtage et à l'entretien de la tronçonneuse.
- F. N'utilisez que les guides et les chaînes indiqués par le constructeur ou des pièces équivalentes.

Mesures de sécurité supplémentaires

Tous les utilisateurs de tronçonneuses doivent respecter les mesures de sécurité supplémentaires ci-dessous :

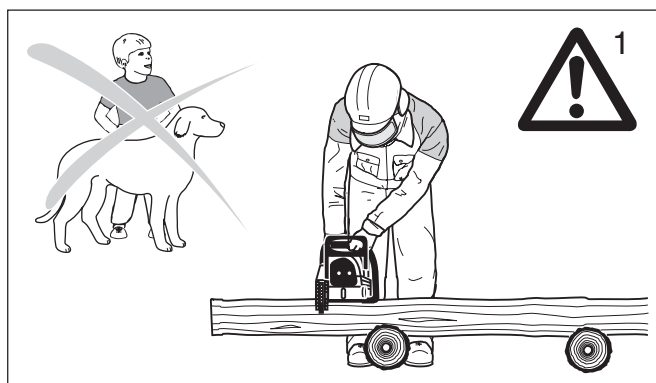
1. Ne travaillez pas avec une tronçonneuse lorsque vous êtes fatigué.
2. Utilisez des chaussures de sécurité, des vêtements ajustés, des gants de sécurité ainsi que des lunettes, un casque antibruit et un casque de sécurité.
3. Maniez le carburant avec prudence. Eloignez la tronçonneuse d'au moins 10 pieds (3 m) du point de ravitaillement avant de démarrer le moteur.
4. Assurez-vous que personne ne se trouve à proximité de la tronçonneuse au moment du démarrage ou pendant la coupe. Maintenez les spectateurs et les animaux en dehors de la zone de travail.
5. Ne commencez pas la coupe avant d'avoir dégagé la zone de travail, de vous être assuré une position stable au sol et d'avoir prévu une voie de repli vous permettant de vous retirer lorsque l'arbre s'abattra.
6. Lorsque le moteur tourne, maintenez la chaîne de la tronçonneuse à distance de votre corps.
7. Avant de démarrer le moteur, assurez-vous que la chaîne ne touche aucun objet.
8. Portez la tronçonneuse moteur arrêté, le guide et la chaîne vers l'arrière et le pot d'échappement éloigné de vous.
9. N'utilisez pas de tronçonneuse endommagée, incorrectement réglée ou incomplètement et incorrectement montée. Assurez-vous que la chaîne s'arrête lorsque vous relâchez la gâchette des gaz.
10. Arrêtez le moteur avant de poser la tronçonneuse.
11. Soyez extrêmement prudent lorsque vous coupez des broussailles et des jeunes arbres de petites dimensions car du petit bois peut se prendre dans la chaîne de la tronçonneuse et être projeté vers vous ou vous tirer en vous faisant perdre l'équilibre.
12. Lorsque vous coupez des grosses branches qui forcent, faites attention à la détente pour ne pas être heurté lorsque la tension sur les fibres du bois se relâchera.
13. Maintenez les poignées de la tronçonneuse sèches, propres et exemptes d'huile ou de mélange deux temps.
14. N'utilisez la tronçonneuse que dans des endroits correctement ventilés.
15. Ne montez pas dans un arbre avec la tronçonneuse à moins d'avoir reçu une formation spécifique pour ce type d'utilisation.
16. Toutes les opérations d'entretien de la tronçonneuse autres que celles indiquées dans les instructions d'entretien du mode d'emploi doivent être effectuées par MAKITA. (Par exemple, l'utilisation d'outils inappropriés pour retirer le volant ou pour maintenir le volant afin de retirer l'embrayage peut entraîner des détériorations du volant et par voie de conséquence son éclatement).
17. Ne transportez la tronçonneuse que munie de la protection de chaîne.
18. Les guides et les chaînes à faible choc de recul sont conçus pour réduire le risque de blessure par choc de recul. Pour toute information sur ces produits, adressez-vous à votre revendeur MAKITA.

Mesures générales de sécurité

L'utilisation de toute tronçonneuse peut être dangereuse. A plein régime, la chaîne peut atteindre une vitesse de 45 mph (20 m/s). Il est important que vous ayez lu et entièrement compris et que vous suiviez les mesures de sécurité et les mises en garde suivantes. Relisez de temps en temps le mode d'emploi et les instructions de sécurité.

ATTENTION!

Les forces de réaction, y compris le choc de recul, peuvent être dangereuses. Une utilisation négligente ou incorrecte de toute tronçonneuse peut entraîner des blessures graves ou mortelles. Demandez à votre revendeur MAKITA de vous montrer comment utiliser la tronçonneuse. Respectez l'ensemble des règlements, normes et arrêtés de sécurité localement en vigueur.



ATTENTION!

L'utilisation d'une tronçonneuse doit être interdite aux mineurs.

Il faut éloigner les spectateurs, en particulier les enfants et les animaux, de la zone d'utilisation de la tronçonneuse (fig. 1).

Ne laissez jamais la tronçonneuse fonctionner sans surveillance.

Conservez-la sous clé hors de portée des enfants. Remplissez le réservoir de carburant aux 7/8 (cf. stockage de la tronçonneuse).

Ne prêtez pas votre tronçonneuse sans ce mode d'emploi. Assurez-vous que toute personne utilisant votre tronçonneuse a bien compris les informations fournies.

L'utilisation correcte d'une tronçonneuse dépend :

1. de l'utilisateur
2. de la tronçonneuse
3. de l'utilisation qui est faite de la tronçonneuse.

Description des symboles figurant sur les tronçonneuses:

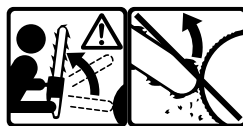
C	SA® US	CSA normes	Z62.1-03
		Classe 1A	Z62.3-04
		ANSI norme	B175.1-2000
		SAE norme	SAE J335



Angle maximum de choc de recul calculé (CKA)* sans frein de chaîne, avec les combinaisons de barre et de chaîne recommandées (ici, l'angle CKA est de 45°).



Angle maximum de choc de recul calculé (CKA)* avec frein de chaîne, avec les combinaisons de barre et de chaîne recommandées (ici, l'angle CKA est de 40°).

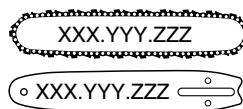


Il faut éviter tout contact de la pointe du guide avec un objet quelconque. Le contact de la pointe peut entraîner un déplacement

brutal du guide vers le haut et vers l'arrière et être à l'origine de blessures graves ou mortelles.



Il faut toujours utiliser la tronçonneuse en la tenant des deux mains!



Combinaison réduite entre barre de recul et chaîne évaluée avec le moteur pour obtenir une protection contre le recul (selon normes ANSI et CSA).

* L'angle de choc de recul calculé est une valeur calculée à partir d'énergies mesurées sur un banc d'essai. Ce n'est pas l'angle du guide remontant en cas de CHOC DE REcul.

L'utilisateur

Condition physique

Vous devez être en bonne forme physique et mentale et n'être sous l'influence d'aucune substance (stupéfiants, alcool) pouvant diminuer votre acuité visuelle, votre habileté ou votre jugement.



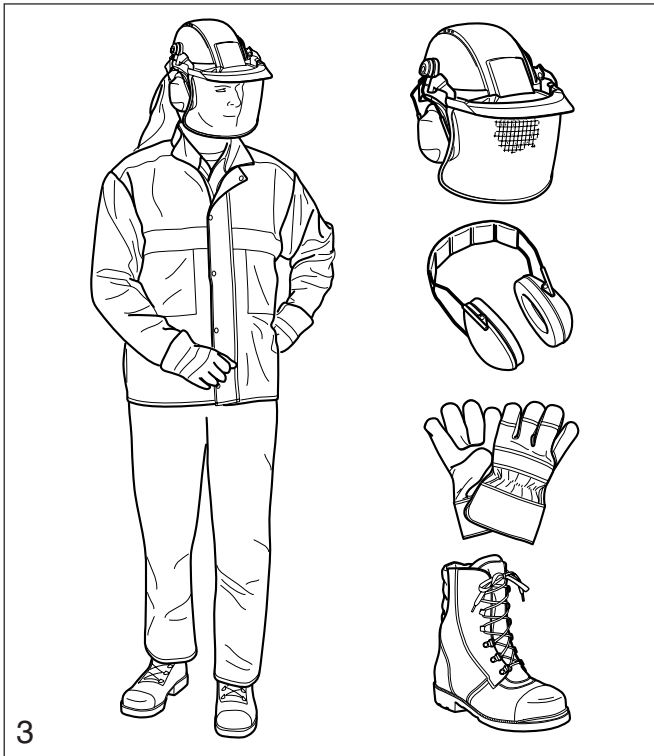
ATTENTION!

L'utilisation prolongée de tronçonneuses expose l'utilisateur à des vibrations qui peuvent entraîner l'apparition de la maladie de Raynaud. Cette maladie se manifeste par une réduction de la sensibilité et de la régulation de la température au niveau des mains, par des engourdissements et des brûlures. Elle peut également entraîner des lésions nerveuses et circulatoires et une nécrose des tissus. Toutes les tronçonneuses MAKITA sont donc munies d'un système antivibration qui est très important pour les personnes utilisant des tronçonneuses de façon régulière ou prolongée. Les systèmes antivibration ne garantissent pas que vous n'aurez pas la maladie de Raynaud mais elles en réduisent considérablement le risque. Les personnes utilisant une tronçonneuse de façon continue et régulière doivent toutefois examiner leur mains et leurs doigts et, si elles constatent des symptômes anormaux, consulter immédiatement un médecin.

Quels vêtements porter?

L'utilisateur doit porter des vêtements robustes et ajustés mais qui lui laissent une complète liberté de mouvement. Evitez les vestes amples, les écharpes, les cravates, les bijoux, les pantalons à pattes d'éléphant ou à revers ou quoi que ce soit qui puisse se prendre dans la tronçonneuse ou les broussailles. Portez une combinaison ou des jeans munis de renforts de protection contre la coupe (fig. 3).

Portez des gants de sécurité lorsque vous manipulez la tronçonneuse et la chaîne. Les gants antidérapants très résistants améliorent votre prise et protègent vos mains.



Pour travailler avec la tronçonneuse, il est important d'avoir une position stable au sol. Portez des chaussures montantes robustes munies de semelles antidérapantes. Il est conseillé de porter des chaussures de sécurité à embout acier.

Il est absolument indispensable de protéger correctement les yeux. Il est conseillé d'utiliser des lunettes antibuée ventilées et un evisière pour réduire le risque de blessure aux yeux et au visage.

Protégez-vous la tête en portant un casque de sécurité approprié. Le bruit de la tronçonneuse peut entraîner des lésions de l'ouïe. Utilisez donc toujours une protection antibruit (bouchons ou casque antibruit).

Les personnes utilisant une tronçonneuse de façon continue et régulière doivent faire examiner régulièrement leur acuité auditive.



Porter le casque, les lunettes et acoustiques de protection!

La tronçonneuse

Pièces composant la tronçonneuse : cf. les illustrations et les descriptions de la page 55.

ATTENTION!

Ne modifiez jamais une tronçonneuse de quelque façon que ce soit. Seuls les accessoires fournis par MAKITA ou expressément agréés par MAKITA pour une utilisation avec la tronçonneuse spécifiée sont autorisés.

ATTENTION!

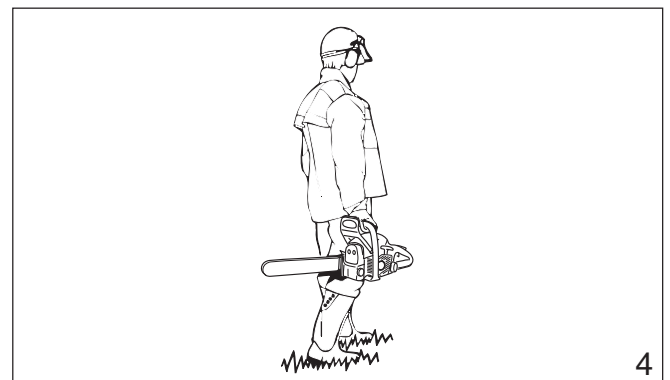
Les guides à étrier augmentent de façon importante le risque de choc de recul et donc de blessure grave ou mortelle en raison de la plus grande zone de choc de recul de la conception à étrier. Les guides à étrier ne sont pas conseillés pour les tronçonneuses MAKITA et il ne sont pas agréés par la norme de sécurité pour tronçonneuses ANSI B 175.1-2000.

Utilisation de la tronçonneuse

Transport de la tronçonneuse

ATTENTION!

Il faut toujours arrêter le moteur avant de déposer ou de porter la tronçonneuse. Il est très dangereux de porter la tronçonneuse avec le moteur en marche. Une accélération intempestive du moteur peut mettre la chaîne en marche. Evitez de toucher le pot d'échappement (risque de brûlure).



Transport à la main: lorsque vous portez votre tronçonneuse à la main, le moteur doit être arrêté et la tronçonneuse doit être en position correcte. La protection de la chaîne doit être mise et le guide doit être orienté vers l'arrière. Lorsque vous portez la tronçonneuse, le guide doit être derrière vous (fig. 4).

Dans un véhicule: lors du transport de la tronçonneuse dans un véhicule, la chaîne et le guide doivent être recouverts avec la protection. Fixez correctement la tronçonneuse pour l'empêcher de se renverser et éviter les fuites de carburant et les détériorations de la tronçonneuse. Assurez-vous que la tronçonneuse n'est pas exposée à la chaleur ou à des étincelles.

Instructions d'utilisation de la tronçonneuse

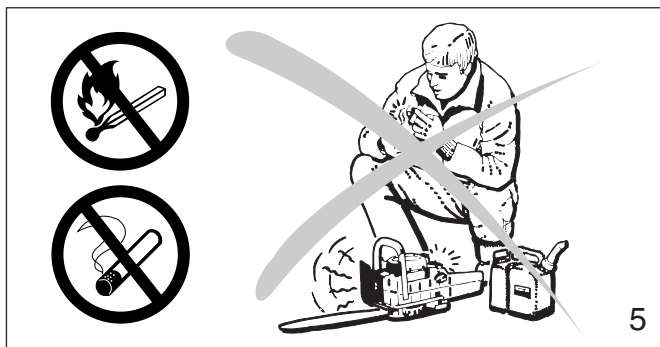
Pour monter la tronçonneuse, suivez la procédure indiquée au chapitre „Montage du guide et de la chaîne“ de ce mode d'emploi. La chaîne, le guide et le pignon MAKITA doivent être assortis (cf. chapitre correspondant de ce mode d'emploi).

ATTENTION!

Il est extrêmement important que la chaîne soit correctement tendue. Pour éviter un réglage incorrect, il faut tendre la chaîne en suivant la procédure indiquée dans ce mode d'emploi. Après avoir tendu la chaîne, assurez-vous toujours que le ou les écrous hexagonaux du cache-pignon sont bien serrés. Vérifiez encore une fois la tension de la chaîne après avoir serré les écrous puis à intervalles réguliers (toujours avant le début du travail). Si la chaîne se détend pendant la coupe, arrêtez le moteur et tendez-la. N'essayez jamais de tendre la chaîne pendant que le moteur est en marche!

Ravitaillement en carburant

Votre tronçonneuse MAKITA fonctionne au mélange deux temps (cf. chapitre „Carburant“ de ce mode d'emploi).



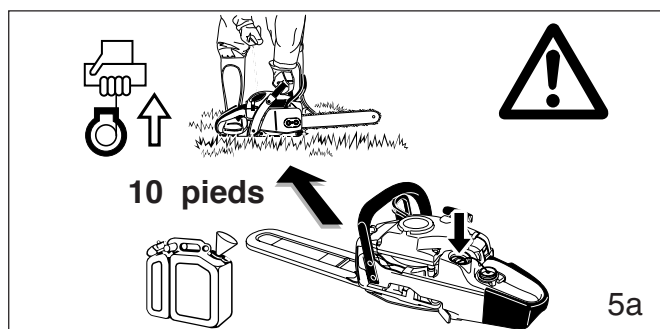
ATTENTION!

L'essence est un carburant très inflammable. Soyez extrêmement prudent lorsque vous manipulez l'essence ou le mélange deux temps. Ne fumez pas et évitez la présence de toute étincelle ou flamme à proximité du carburant (fig. 5).

Instructions de ravitaillement



Faites le plein de votre tronçonneuse dans des endroits bien ventilés ou à l'extérieur. Il faut toujours arrêter le moteur et le laisser refroidir avant de faire le plein. Faites le plein sur un sol nu et éloignez la tronçonneuse d'au moins 10 pieds (3 m) du point de ravitaillement avant de démarrer le moteur (fig. 5a).

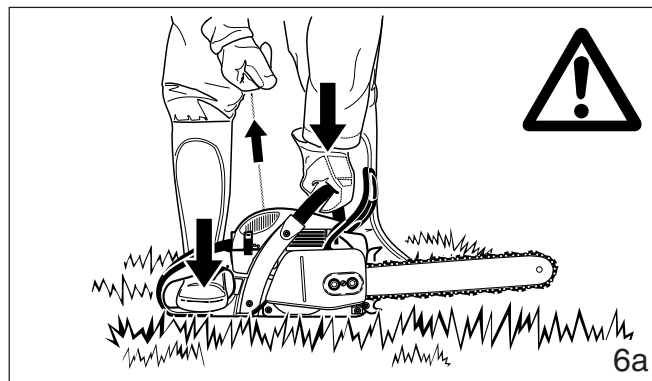
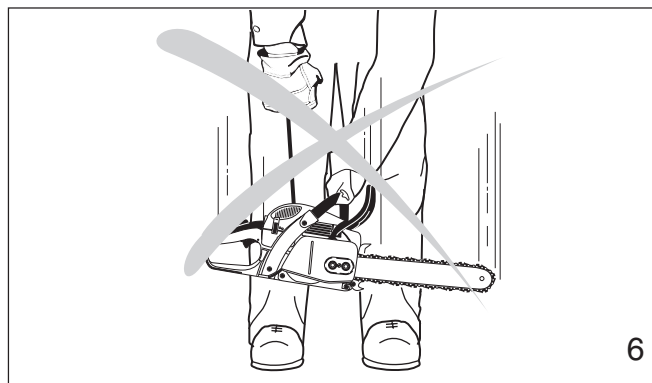


Essuyez le carburant renversé avant de démarrer votre tronçonneuse et examinez-la pour voir si elle fuit.

Examinez votre tronçonneuse pour voir s'il y a des fuites pendant le ravitaillement et l'utilisation. Si vous constatez des fuites de carburant ou d'huile, ne démarrez pas ou ne faites pas fonctionner le moteur avant d'avoir remédié à la fuite et essuyé le carburant renversé. Changez immédiatement de vêtements s'ils sont souillés de carburant (danger de mort!). Evitez le contact de la peau avec le carburant. Ne jamais dévisser ou retirer le bouchon du réservoir de carburant pendant que le moteur tourne.

Démarrage

Ne démarrez pas la tronçonneuse en la laissant descendre au bout du cordon. Cette méthode est très dangereuse car vous pouvez perdre le contrôle de la tronçonneuse (fig. 6).



Posez la tronçonneuse sur un sol ferme ou sur une autre surface dure à un endroit dégagé. Assurez-vous que vous avez une position stable au sol et un bon équilibre. Passez le pied droit dans la poignée arrière et prenez fermement la poignée avant de la main gauche (fig. 6 a).

Il faut absolument vous assurer que ni le guide ni la chaîne ne sont en contact avec vous ou avec tout autre obstacle ou objet ou le sol. En effet, lorsque le moteur démarre avec les gaz à moitié, la vitesse du moteur est suffisante pour que l'embrayage entraîne le pignon et fasse tourner la chaîne, causant ainsi un risque de choc de recul. N'essayez jamais de démarrer le moteur lorsque le guide se trouve dans une coupe ou dans une entaille.

Lorsque vous tirez sur la poignée du démarreur, n'enroulez pas le cordon autour de votre poignée. Ne relâchez pas brusquement la poignée, accompagnez-la lentement pour permettre au cordon de s'enrouler correctement. Le non-respect de cette méthode peut entraîner des blessures de la main ou des doigts et détériorer le démarreur.

Réglages importants

ATTENTION!

Lorsque le ralenti est correctement réglé, la chaîne ne doit pas tourner. Pour le réglage du ralenti, reportez-vous au chapitre correspondant de ce mode d'emploi.

N'utilisez pas de tronçonneuse dont le ralenti n'est pas correctement réglé. Réglez le ralenti vous-même de la façon indiquée dans le chapitre correspondant de ce mode d'emploi.

Demandez à votre revendeur MAKITA d'examiner votre tronçonneuse et de procéder aux réglages corrects ou aux réparations.

Vérifiez souvent la tension de la chaîne, surtout juste après avoir monté une chaîne neuve. Les chaînes neuves peuvent se détendre de façon plus importante pendant les premiers temps d'utilisation. Si la chaîne est bien réglée, il est possible de la tirer librement à la main autour du guide sans qu'elle pende. Pour vérifier ou régler la tension de la chaîne, il faut toujours arrêter le moteur et porter des gants.

Conditions de travail

N'utilisez la tronçonneuse qu'à l'extérieur et uniquement de jour et dans de bonnes conditions de visibilité.

ATTENTION!

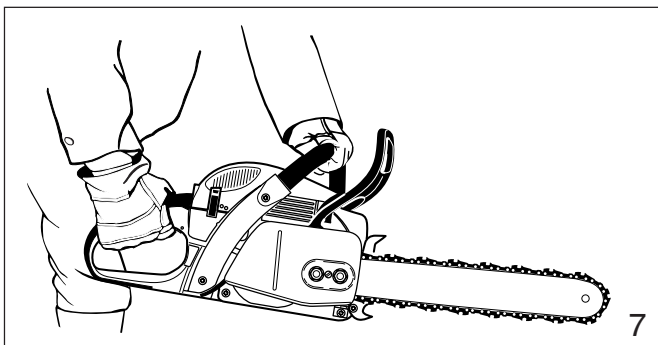
Soyez extrêmement prudent par temps humide ou par gel (pluie, neige, glace). Remettez le travail à plus tard en cas de vent, de tempête ou de pluie violente. Dégagez la zone où vous travaillez.

ATTENTION!

Évitez de trébucher sur des obstacles tels que souches, racines ou pierres et faites attention aux trous et aux fossés. Soyez extrêmement vigilant lorsque vous travaillez sur un terrain incliné ou sur un sol accidenté. Il ya un risque de glissade accru sur les rondins fraîchement écorcés.

Instructions de coupe

Lorsque le moteur tourne, tenez toujours fermement la tronçonneuse à deux mains. Posez la main gauche sur la poignée tubulaire et la main droite sur la poignée et sur la gâchette des gaz. Ces instructions sont également valables pour les gauchers.

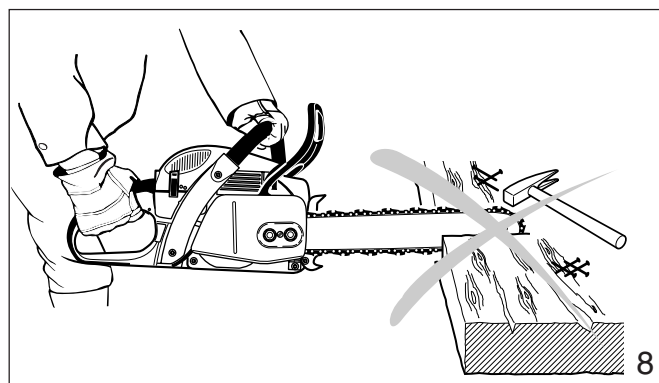


Maintenez fermement les poignées dans le creux de la main en les entourant entre le pouce et l'index (fig. 7). Cette position vous permet de mieux résister et absorber les forces de recul, de traction et de choc de recul de votre tronçonneuse sans qu'elle vous glisse des mains (cf. le point relatif aux forces de réaction). Assurez-vous que les poignées de la tronçonneuse sont en bon état et exemptes d'humidité, de poix, d'huile ou de graisse.

Commencez toujours la coupe avec la chaîne tournant à pleine vitesse et la barre à griffe en contact avec le bois.

ATTENTION!

N'utilisez jamais la tronçonneuse d'une seule main car vous ne pouvez pas contrôler les forces de réaction (cf. pages 48 à 50) et vous pourriez perdre le contrôle de la tronçonneuse.



ATTENTION!

N'utilisez pas la tronçonneuse avec les gaz à moitié car cette position ne vous permet pas de contrôler correctement la tronçonneuse ou la vitesse de la chaîne.

ATTENTION!

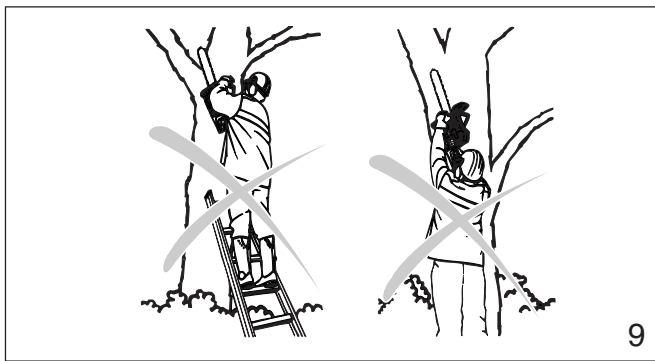
Ne jamais trop approcher les mains ou toute autre partie de votre corps d'une chaîne en mouvement.

ATTENTION!

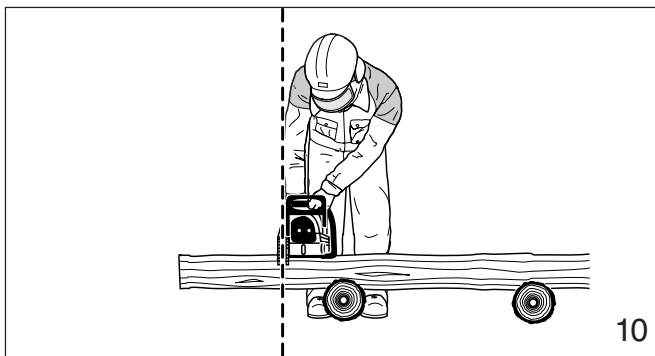
Ne coupez jamais d'autres matériaux que du bois ou des objets en bois.

N'utilisez votre tronçonneuse que pour couper, pas pour casser ou pousser des branches, des racines ou d'autres objets.

Lorsque vous sciez, faites attention à ce que la chaîne ne touche pas de corps étrangers tel que pierres, clous et autres (fig. 8). Ils pourraient être projetés, détériorer la chaîne ou entraîner un choc de recul.



Pour garder la maîtrise de votre tronçonneuse, ayez toujours une position stable au sol. Ne travaillez jamais sur une échelle, dans un arbre ou sur tout autre support instable. N'utilisez jamais la tronçonneuse plus haut qu'à hauteur d'épaules (fig. 9).



Positionnez la chaîne de sorte que votre corps soit éloigné du dispositif de coupe lorsque le moteur tourne (fig. 10).

N'appuyez pas sur la tronçonneuse lorsque vous arrivez à la fin d'une coupe. Sous l'effet de la pression, le guide et la chaîne peuvent sauter hors de la coupe ou de l'entaille, ne plus pouvoir être contrôlés et frapper l'utilisateur ou un autre objet. Si la chaîne en mouvement heurte un objet, une force de réaction (cf. pages 49 à 51) peut faire que la chaîne heurte l'utilisateur.

Forces de réaction pendant la coupe, y compris le choc de recul

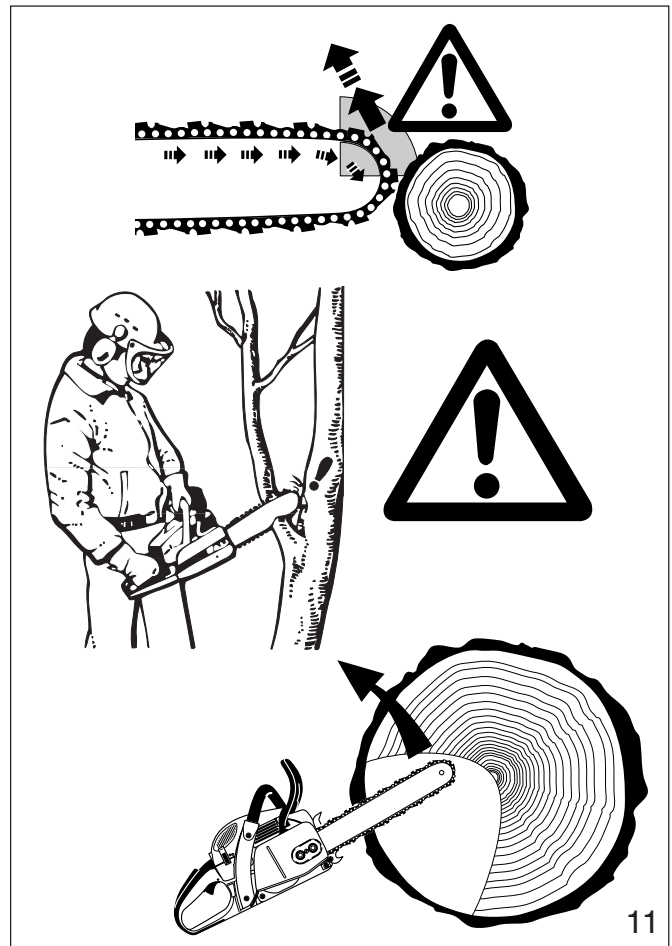
ATTENTION!

Les forces de réaction qui peuvent se produire pendant toute coupe sont le choc de recul, le recul et la traction. Les forces de réaction peuvent être dangereuses sur toutes les tronçonneuses car la puissance utilisée pour couper le bois peut être renversée et se retourner contre l'utilisateur.

Si la chaîne en mouvement est brusquement arrêtée par le contact avec tout objet solide comme un rondin ou une branche ou si elle est coincée, les forces de réaction s'exercent immédiatement. Ces forces de réaction peuvent entraîner la perte de contrôle qui, à son tour, peut être à l'origine de blessures graves ou mortelles. Comprendre les causes de ces forces de réaction peut vous aider à éviter de perdre le contrôle de votre tronçonneuse.

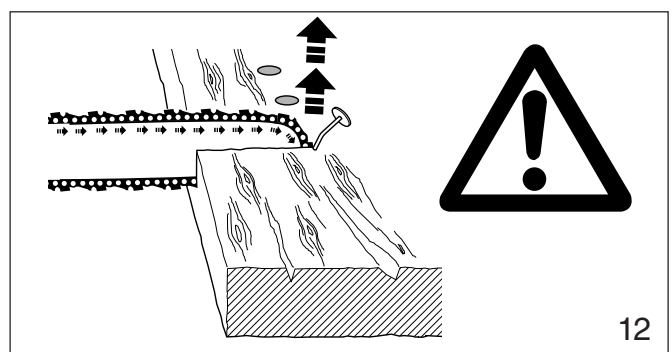
Les forces de réaction les plus courantes sont :

- le choc de recul
- le recul
- la traction.



Choc de recul (Kickback):

Le choc de recul se produit lorsque le quadrant supérieur de la pointe du guide entre en contact avec un objet dur dans le bois ou qu'il est coincé (fig. 11). La réaction de la force de coupe de la chaîne rotative entraîne une force de rotation de la tronçonneuse dans la direction opposée au mouvement de la chaîne, généralement dans le plan du guide. Ceci peut projeter de façon incontrôlée le guide qui décrit alors un arc de cercle vers l'utilisateur.



Cette réaction peut se produire en l'espace d'une fraction de seconde et, dans certaines circonstances, le guide et la chaîne peuvent frapper l'utilisateur avec une force suffisante pour lui occasionner des blessures graves ou mortelles. Elle peut aussi se produire pendant l'ébranchage. Elle se produit aussi lorsque la pointe du guide est coincée de façon inattendue, entre de façon intempestive en contact avec un objet solide dans le bois (fig. 12) ou est utilisée de façon incorrecte pour amorcer une plongée ou un perçage.

Plus la force de la réaction du choc de recul est forte, plus il est difficile pour l'utilisateur de contrôler la tronçonneuse.

De nombreux facteurs déterminent l'apparition et la force de la réaction de choc de recul. Le type du guide et de la chaîne utilisés jouent également un rôle dans la force de la réaction de choc de recul.

La vitesse à laquelle la chaîne entre en contact avec l'objet.

La force de choc de recul est proportionnelle à l'impact.

L'angle de contact entre la pointe du guide et le corps étranger (fig. 11).

Le choc de recul est plus marqué dans le quadrant supérieur de la pointe du guide.

Les modèles de chaîne MAKITA sont conçus pour réduire les forces de choc de recul.

Les limiteurs de profondeurs:

L'abaissement incorrect des limiteurs de profondeur augmente également le risque de choc de recul.

Affûtage des plaquettes de coupe de la chaîne:

ATTENTION!

Une chaîne émoussée ou incorrectement affûtée peut augmenter le risque de choc de recul. Ne travaillez qu'avec une chaîne correctement affûtée.

Dispositifs de réduction du risque de blessure par choc de recul.

MAKITA a mis au point un frein de chaîne spécial destiné à réduire le risque de choc de recul.

Le frein de chaîne augmente la sécurité du travail, c.-à-d. que lorsque la chaîne remonte brusquement, la chaîne s'arrête de tourner en l'espace d'une fraction de seconde. Une protection main située sur le levier de débrayage du frein de chaîne et une poignée arrière munie d'une protection protègent en permanence les mains de l'utilisateur.

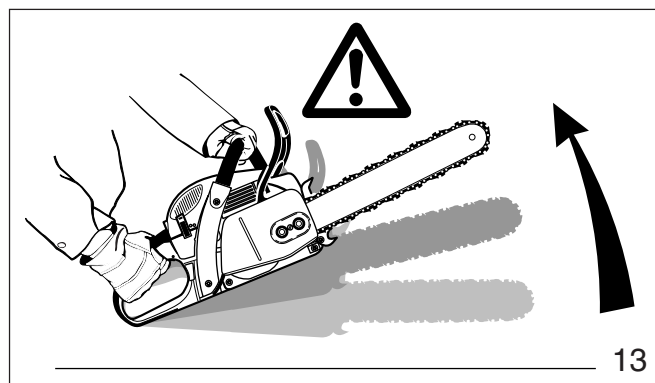
La tendance au choc de recul augmente proportionnellement au rayon ou à la taille de la pointe du guide. MAKITA a mis au point des guides avec une pointe à petit rayon qui réduisent la tendance au choc de recul.

ATTENTION!

Aucun frein de chaîne ne peut empêcher le choc de recul.

Ces freins ne sont conçus que pour arrêter la chaîne lorsqu'ils sont actionnés.

Pour garantir un fonctionnement fiable du frein de chaîne, il faut l'entretenir correctement. Par ailleurs, la distance entre l'utilisateur et le guide doit être suffisante pour que le frein de chaîne ait le temps de réagir et d'arrêter la chaîne avant un éventuel contact avec l'utilisateur.



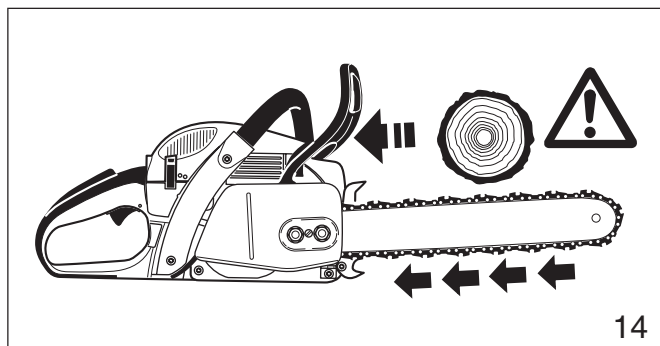
Pour éviter le choc de recul

Le meilleur moyen de se protéger contre les blessures dues au choc de recul est d'éviter les situations qui le favorisent :

1. Tenez fermement la tronçonneuse à deux mains et assurez toujours une prise ferme.
2. Sachez toujours où se trouve la pointe du guide.
3. Ne faites jamais entrer la pointe du guide en contact avec un objet quelconque. Ne coupez pas les branches avec la pointe du guide. Soyez particulièrement prudent avec les petites branches dures, les broussailles et les jeunes arbres de petites dimensions car ils peuvent facilement se prendre dans la chaîne.
4. Ne coupez pas les bras tendus.
5. Ne coupez pas au-dessus de la hauteur d'épaules.
6. Commencez la coupe et continuez plein gaz.
7. Ne coupez qu'un rondin à la fois.
8. Soyez extrêmement prudent lorsque vous rentrez dans une coupe déjà existante.
9. N'essayez pas les coupes en plongée (cf. page 52) si vous n'avez pas l'expérience de ces techniques.
10. Soyez toujours attentif à un déplacement du rondin ou aux autres forces qui pourraient fermer la coupe et coincer la chaîne.
11. Assurez un entretien correct de la chaîne. Ne travaillez qu'avec une chaîne bien affûtée et correctement tendue.
12. Tenez-vous à côté de la coupe de la tronçonneuse.

Le recul:

Le recul se produit lorsque la chaîne se trouvant sur la partie supérieure du guide est arrêtée subitement lorsqu'elle est coincée, prise ou rencontre un corps étranger dans le bois. La réaction de la chaîne pousse la tronçonneuse directement vers l'utilisateur, lui faisant perdre le contrôle de la tronçonneuse. Le recul se produit souvent lorsque l'on coupe avec la partie supérieure du guide (fig. 14).



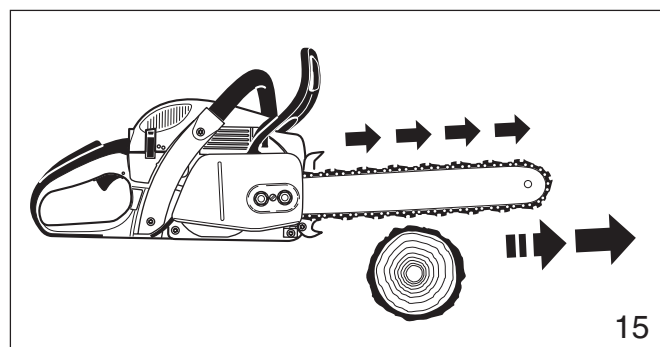
Pour éviter le recul

1. Soyez attentif aux forces ou aux situations dans lesquelles le bois peut coincer la partie supérieure de la chaîne.
2. Ne coupez pas plus d'un rondin à la fois.
3. Ne tordez pas la tronçonneuse lorsque vous retirez le guide d'une coupe en plongée ou par dessous (figures 25 à 27 et 33, pages 52 et 54) car la chaîne peut être coincée.

La traction:

La traction se produit lorsque la chaîne se trouvant sur la partie inférieure du guide est arrêtée subitement lorsqu'elle est coincée, prise ou rencontre un corps étranger dans le bois (fig. 15). La réaction de la chaîne tire la tronçonneuse vers l'avant, faisant perdre à l'utilisateur le contrôle de la tronçonneuse.

La traction se produit souvent lorsque la barre à griffe de la scie n'est pas maintenue fermement contre l'arbre ou la branche et lorsque la chaîne ne tourne pas à pleine vitesse lorsqu'elle entre en contact avec le bois.



ATTENTION!

Soyez extrêmement prudent lorsque vous coupez des broussailles et des jeunes arbres de petites dimensions car ils peuvent facilement se prendre dans la chaîne et vous tirer en vous faisant perdre l'équilibre.

Pour éviter la traction

1. Amorcez toujours une coupe avec la chaîne tournant à pleine vitesse et la barre à griffe en contact avec le bois.
2. Il est également possible d'éviter la traction en utilisant des coins en plastique pour ouvrir l'entaille ou la coupe.

Techniques de coupe

Abattage

L'abattage est la coupe d'un arbre sur pied.

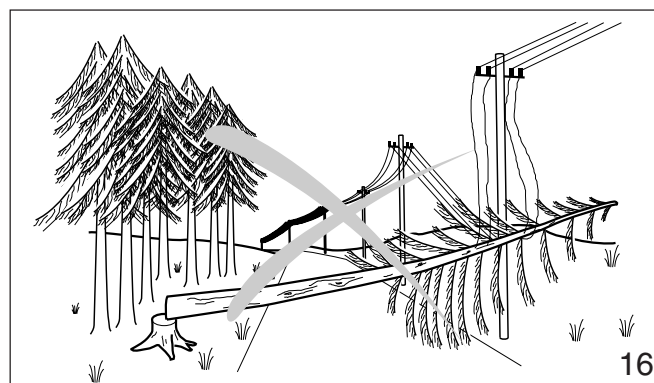
Avant d'abattre un arbre, prenez en considération toutes les conditions pouvant influencer le sens de la chute, à savoir:

le sens voulu de la chute,
l'inclinaison normale de l'arbre,
une structure de branchages particulièrement marquée, les arbres et obstacles environnants,
la direction et la vitesse du vent.

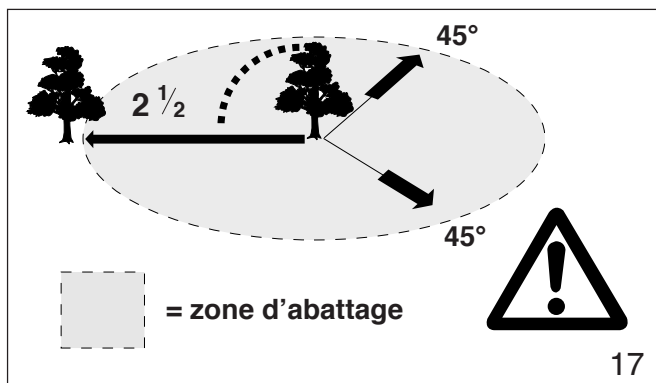
ATTENTION!

Examinez toujours l'état général de l'arbre. Cherchez les traces de pourriture dans le tronc. S'il est pourri à l'intérieur, il peut se rompre et tomber sur l'utilisateur pendant la coupe.

Cherchez aussi les branches cassées ou mortes qui pourraient être détachées par les vibrations et tomber sur l'utilisateur. En cas d'abattage en terrain incliné, l'utilisateur doit se trouver au-dessus de l'arbre.



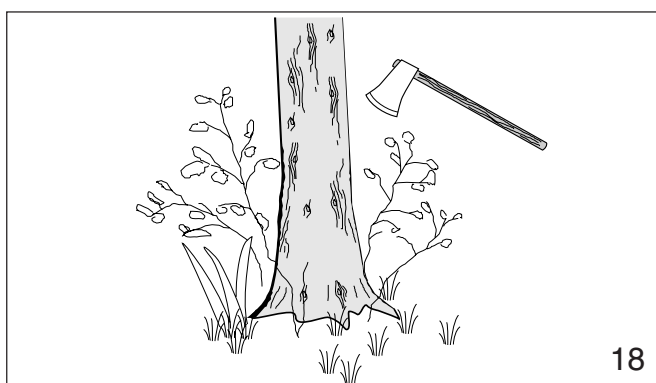
En cas d'abattage à proximité de routes, de voies ferrées et de lignes électriques, etc., prenez des précautions supplémentaires (cf. fig. 16). Informez la police, la régie d'électricité ou la compagnie de chemin de fer avant de commencer le travail.



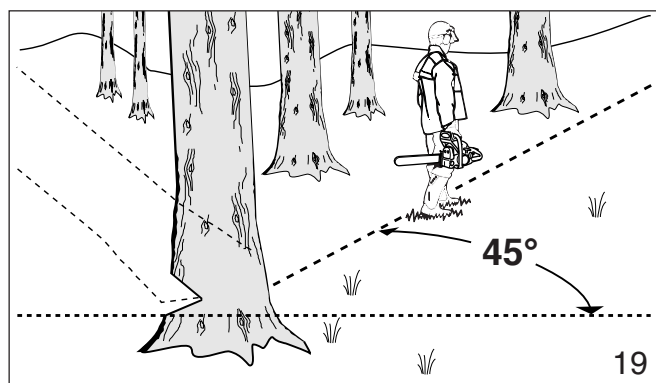
Lors de l'abattage, respectez une distance d'au moins 2 fois et demi la hauteur de l'arbre entre l'arbre et la personne la plus proche (cf. fig. 17).

Remarque: Tout avertissement peut être couvert par le bruit de votre moteur.

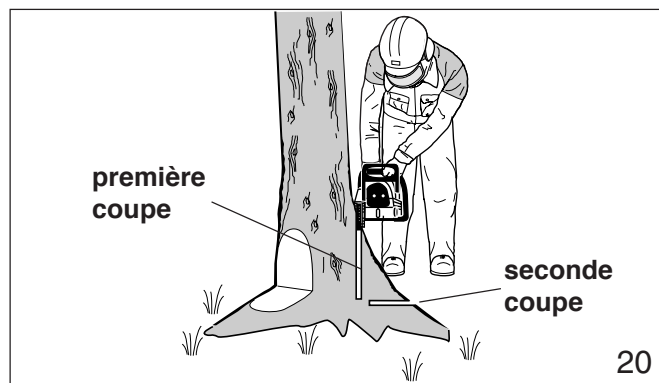
Instructions d'abattage:



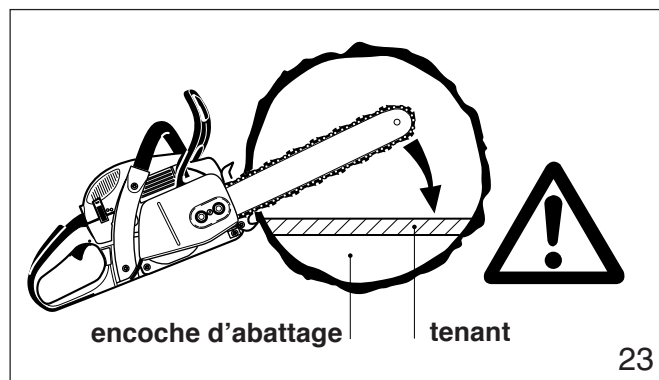
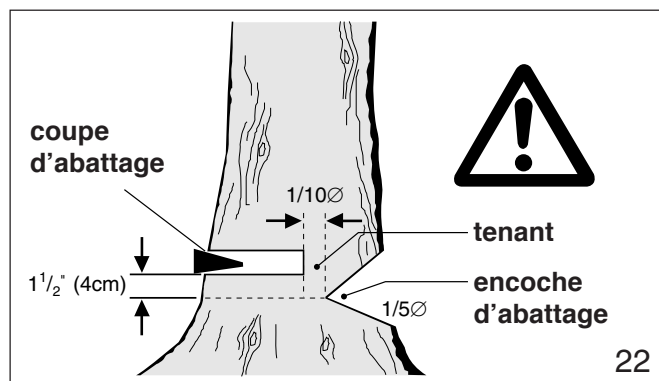
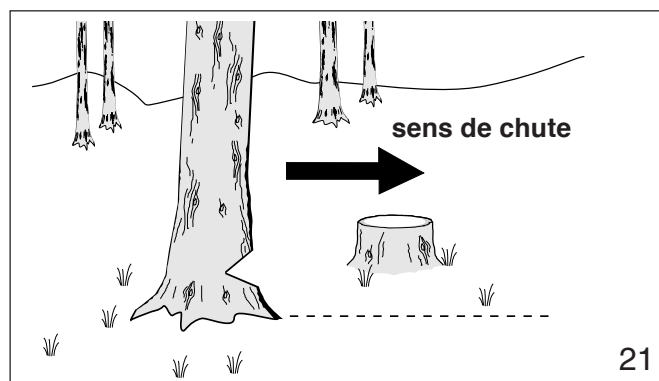
Dégagez dans un premier temps la base de l'arbre et la zone de travail des branches et broussailles gênantes et nettoyez la partie inférieure de l'arbre à la hache (cf. fig. 18).



Etablissez ensuite une voie de repli et dégagez-la de tous les obstacles. Cette voie doit être opposée à la direction prévue de la chute de l'arbre et avoir un angle de 45° (fig. 19). Il faut aussi choisir une seconde voie. Placez tous les outils et l'ensemble du matériel en sécurité à une distance suffisante de l'arbre mais pas sur la voie de repli.



Si l'arbre a de grosses racines latérales, coupez dans les plus grandes racines, d'abord verticalement puis horizontalement et enlevez le morceau ainsi découpé (fig. 20).



Déterminez ensuite l'emplacement de l'encoche d'abattage („camembert“) (fig. 21). Lorsqu'elle est correctement positionnée, l'encoche d'abattage détermine dans quelle direction l'arbre va tomber. Elle doit être pratiquée perpendiculairement à la ligne de chute aussi près que possible du sol. Coupez l'encoche d'abattage à une profondeur comprise entre un tiers et un quart du diamètre de l'arbre (fig. 22). Elle ne doit jamais être plus haute que profonde. Pratiquez l'encoche d'abattage avec grand soin.

Amorcez la coupe d'abattage légèrement plus haut que l'encoche d'abattage sur le côté opposé de l'arbre (fig. 22). Coupez ensuite horizontalement dans la direction de l'encoche d'abattage. Appliquez la tronçonneuse avec ses griffes directement derrière la partie de bois non coupée et coupez en direction de l'encoche d'abattage (fig. 23). Laissez une portion non coupée égale à environ 1/10 du diamètre de l'arbre. Cette portion constitue le tenant (fig. 23). Ne coupez pas le tenant car vous ne pourriez plus contrôler la direction de la chute. Si nécessaire, enfoncez des coins dans la coupe d'abattage pour contrôler le sens de la chute. Les coins doivent être en bois, en métal léger ou en plastique mais jamais en acier, car ils peuvent entraîner une réaction de choc de recul et détériorer la chaîne.

Restez toujours sur le côté de l'arbre qui s'abat. Lorsque l'arbre commence à s'abattre, coupez le moteur, retirez le guide et éloignez-vous sur la voie de repli que vous avez préparée. Faites attention aux chutes de branches.

ATTENTION!

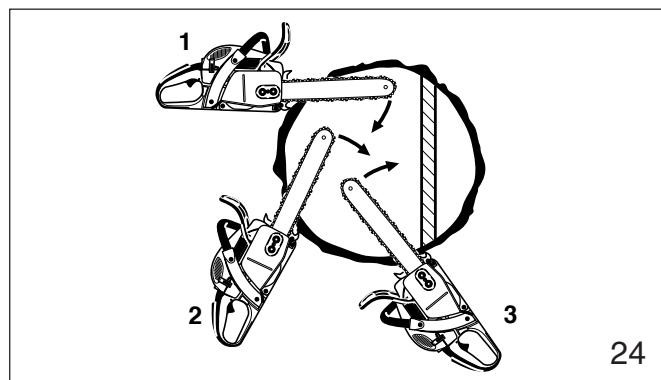
Soyez extrêmement prudent avec les arbres partiellement abattus qui ont un soutien médiocre.

Si l'arbre reste en suspens ou si pour une raison ou une autre il ne tombe pas complètement, posez la tronçonneuse de côté et tirez l'arbre à l'aide d'un treuil à câble, d'un palan ou d'un tracteur. Si vous essayez de l'abattre complètement en le coupant à la tronçonneuse, vous risquez de vous blesser.

Méthode de sectionnement

ATTENTION!

Pour abattre un arbre dont le diamètre est supérieur à la longueur du guide, il faut utiliser la méthode de sectionnement ou de coupe en plongée. Ces méthodes sont extrêmement dangereuses car elles utilisent la pointe du guide et peuvent entraîner des réactions de choc de recul. Ces techniques ne doivent être utilisées que par des professionnels ayant reçu une formation appropriée.

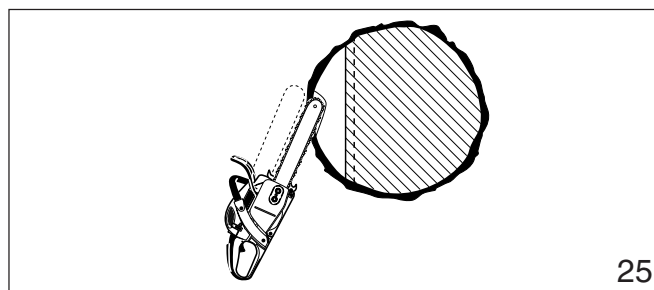


Pour la méthode de sectionnement (fig. 24), pratiquez la première coupe en faisant pivoter le guide vers le tenant. Ensuite, en utilisant la griffe du butoir comme un pivot, repositionnez la tronçonneuse pour la coupe suivante. Évitez de repositionner la tronçonneuse plus que c'est nécessaire.

Lorsque vous repositionnez la tronçonneuse pour la coupe suivante, maintenez le guide complètement en gagé dans l'encoche pour que la coupe d'abattage soit droite. Si la tronçonneuse commence à se coincer, enfoncez un coin pour ouvrir la coupe. A la dernière coupe, ne coupez pas le tenant.

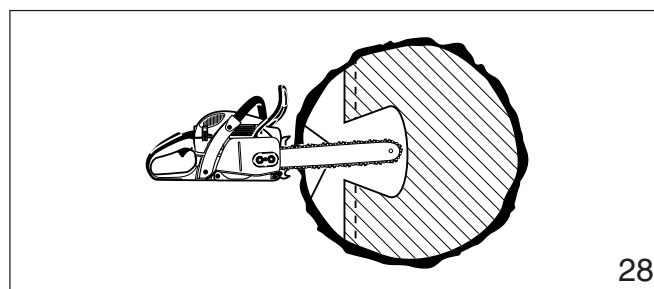
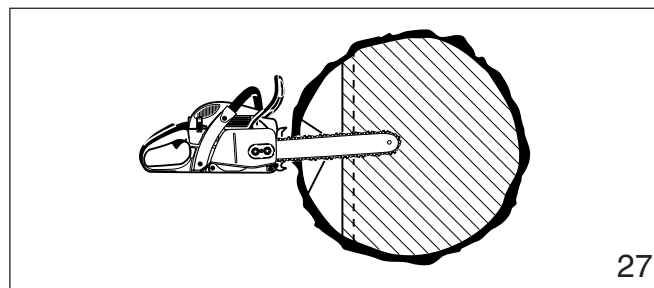
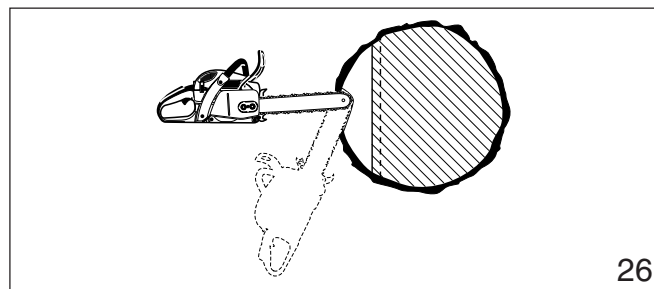
Méthode de coupe en plongée

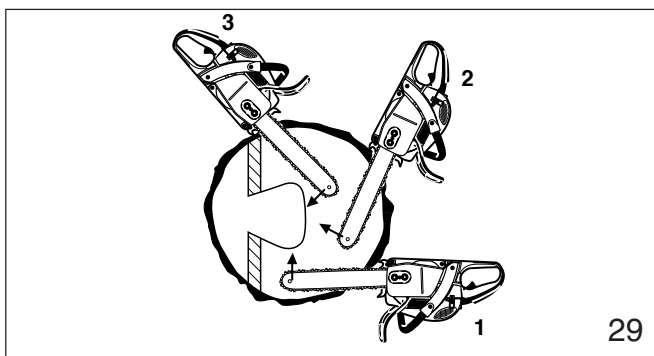
Les arbres d'un diamètre supérieur à deux fois la longueur du guide nécessitent de mettre en oeuvre la méthode de coupe en plongée avant de faire la coupe d'abattage. Dans un premier temps, coupez une encoche d'abattage grande et large. Faites une coupe en plongée au centre de l'encoche. On procède à la coupe en plongée avec la pointe du guide. Commencez la coupe en plongée en appliquant la partie inférieure de la pointe du guide sur l'arbre selon un angle (fig. 25). Coupez jusqu'à ce que la profondeur de l'encoche soit à peu près égale à la largeur du guide (fig. 26). Ensuite, orientez la scie dans la direction de l'endroit où l'évidement doit être creusé.



Mettez les gaz à fond et introduisez le guide dans le tronc (fig. 27).

Agrandissez la coupe en plongée comme indiqué sur l'illustration (fig. 28).





ATTENTION!

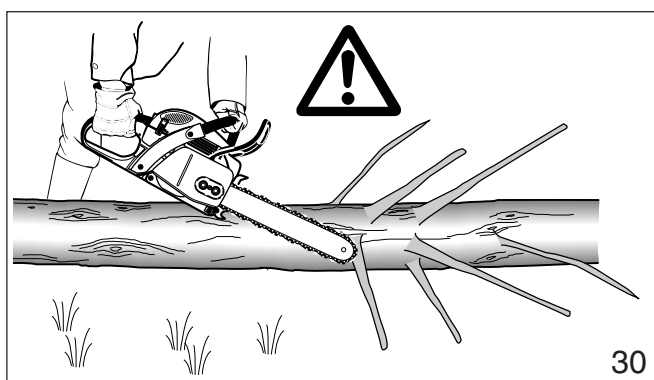
A ce point, il y a un très grand danger de choc de recul. Il faut être extrêmement prudent pour garder le contrôle de la tronçonneuse. Pour faire la coupe d'abattage, suivez la méthode de sectionnement décrite précédemment (fig. 29). Si vous n'avez pas l'expérience du travail avec une tronçonneuse, n'essayez pas de faire de coupe en plongée. Demandez l'assistance d'un professionnel.

Ebranchage

L'ébranchage consiste à couper les branches d'un arbre abattu.

ATTENTION!

Le risque de choc de recul est très grand pendant l'ébranchage. Ne travaillez pas avec la pointe du guide. Soyez extrêmement prudent et évitez tout contact entre la pointe du guide et le tronc ou les branches. Ne montez pas sur le tronc que vous êtes en train d'ébrancher car il pourrait rouler ou vous pourriez glisser.



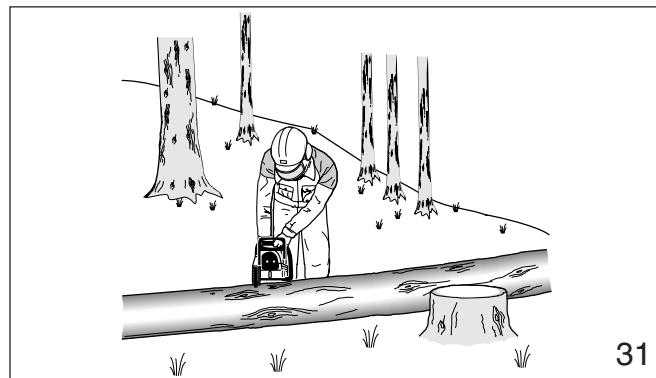
Commencez l'ébranchage en laissant les branches inférieures pour maintenir le tronc à une certaine distance du sol (fig. 30). Ne coupez pas les branches pendantes par dessous. La tronçonneuse pourrait être coincée ou la branche pourrait tomber, vous faisant perdre le contrôle de la tronçonneuse. Si le guide est coincé, arrêtez le moteur et retirez la tronçonneuse en soulevant la branche.

ATTENTION!

Soyez extrêmement prudent lorsque vous coupez des branches qui forcent. Les branches peuvent sauter vers l'utilisateur et entraîner une perte de contrôle de la tronçonneuse ou blesser l'utilisateur.

Débitage

Le débitage consiste à découper un rondin en plusieurs morceaux.



ATTENTION!

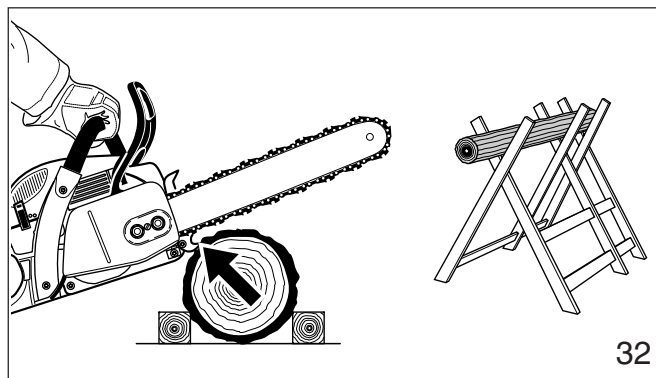
1. Ne montez pas sur le rondin que vous êtes en train de débiter. Assurez-vous que le rondin ne peut pas descendre la pente. En cas de débitage en terrain incliné, l'utilisateur doit se trouver au-dessus du rondin (cf. fig. 31). Faites attention aux rondins qui roulent.

ATTENTION!

2. Ne coupez qu'un rondin à la fois.

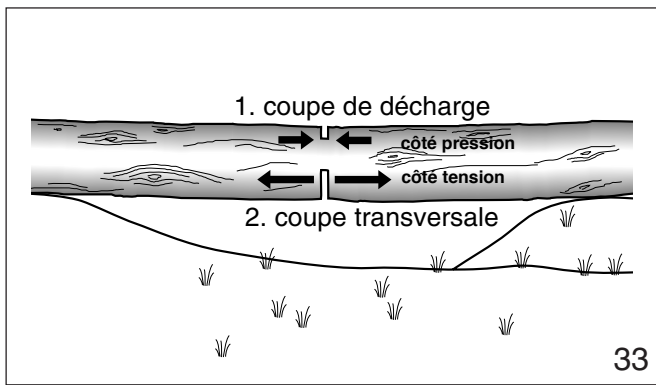
ATTENTION!

3. Il faut être très prudent pour couper le bois en éclats car des échardes acérées peuvent être entraînées par la tronçonneuse et projetées vers l'utilisateur.

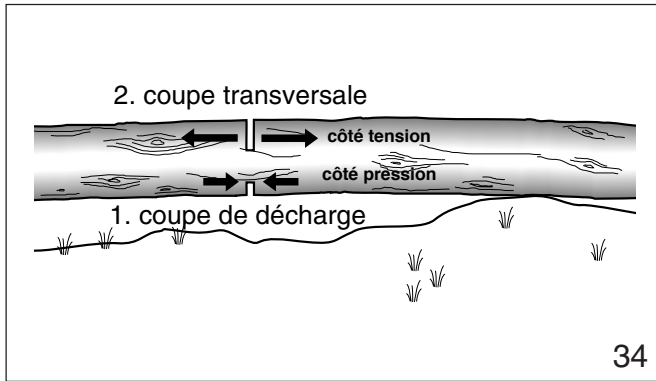


ATTENTION!

4. Pour couper les petits rondins, utilisez un chevalet (fig. 32). Empêchez toute autre personne de tenir le rondin. Ne maintenez jamais le rondin avec la jambe ou le pied.



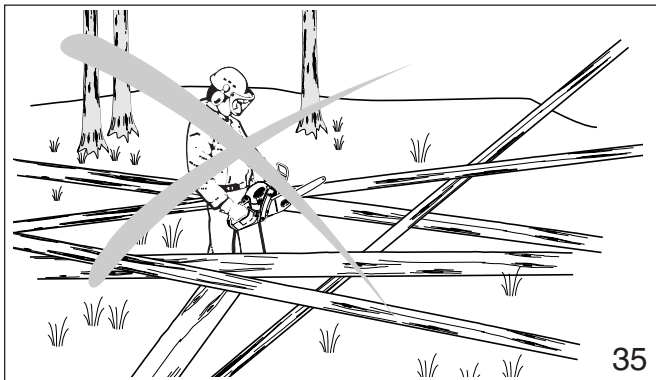
33



34

ATTENTION!

5. Lorsque vous coupez des rondins qui forcent, il faut être extrêmement prudent pour éviter que la tronçonneuse soit coincée. La première coupe est pratiquée sur le côté comprimé pour soulager la tension du rondin (cf. fig 33, 34). On procède ensuite à la coupe de débitage de la façon indiquée. Si la tronçonneuse est coincée, arrêtez le moteur et retirez-la du rondin.



35

ATTENTION!

6. Le travail dans une zone où les rondins, les branches et les racines sont enchevêtrés (p.ex. dans une zone où les arbres ont été abattus par le vent, fig. 35) ne doit être fait que par des professionnels ayant reçu une formation appropriée. Le travail dans une zone où les arbres ont été abattus par le vent est très dangereux.

ATTENTION!

7. Amenez les rondins dans une zone dégagée avant de commencer le débitage. Tirez d'abord les rondins exposés et dégagés.

Entretien et réparation

N'utilisez jamais une tronçonneuse endommagée, incorrectement réglée ou incomplètement ou incorrectement assemblée. Respectez les instructions d'entretien et de réparation du chapitre correspondant du présent mode d'emploi.

ATTENTION!

Avant de commencer toute opération d'entretien, de réparation ou de nettoyage de la tronçonneuse, il faut toujours arrêter le moteur et s'assurer que la chaîne est arrêtée. Ne procédez pas à des opérations d'entretien ou de réparation qui ne figurent pas dans ce mode d'emploi. Confiez-les uniquement à votre agence technique MAKITA.

Entretien et stockage de la tronçonneuse

Maintenez la chaîne, le guide et le pignon propres et lubrifiés ; changez les chaînes et les pignons usés.

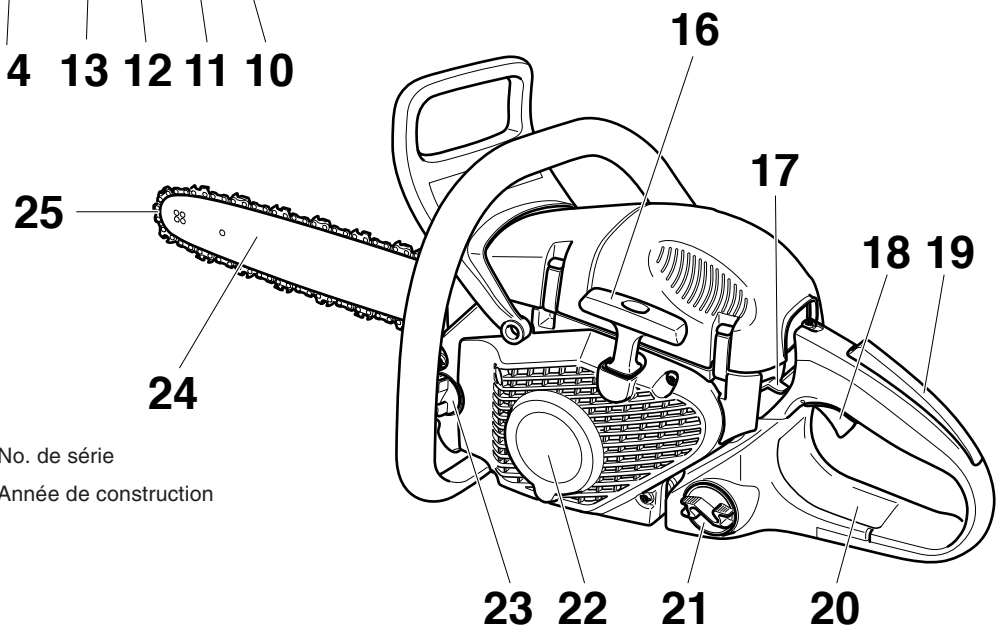
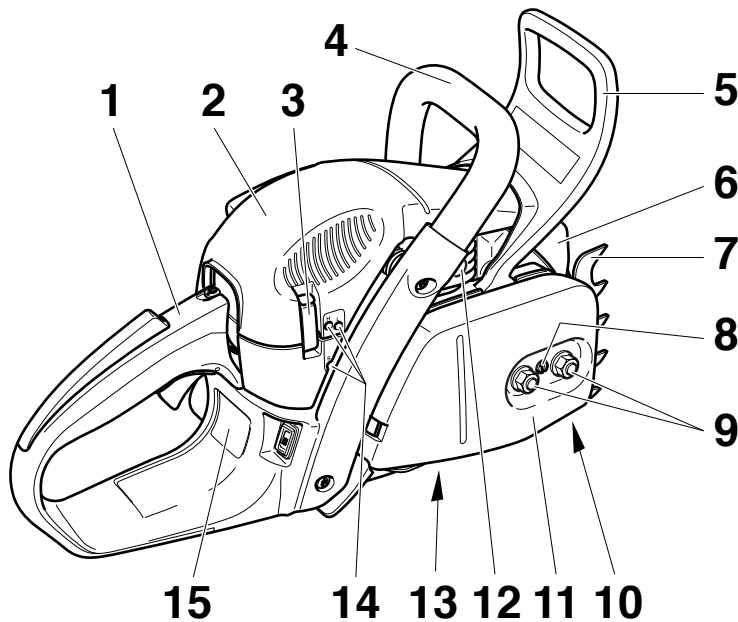
La chaîne doit toujours être correctement affûtée. On reconnaît que la chaîne est émoussée au fait que le bois tendre est difficile à couper et que des traces de brûlure apparaissent sur le bois.

Assurez-vous que la chaîne est toujours correctement tendue. Après chaque utilisation, resserrez tous les écrous, boulons et vis à l'exception des vis de réglage du carburateur.

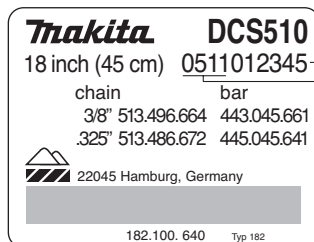
Assurez-vous que la bougie et le câble d'allumage sont toujours propres et bien fixés.

Conservez les tronçonneuses en hauteur ou sous clé hors de portée des enfants.

Désignation des pièces



Plaque signalétique



No. de série 0511012345
Année de construction

à indiquer lors de commande de pièces de rechange!

- | | |
|--|--|
| 1 Poignée | 14 Vis de réglage pour le carburateur |
| 2 Couverture du filtre | 15 Plaque signalétique |
| 3 Clip de fermeture du capot de filtre | 16 Poignée de lancement |
| 4 Poignée-étrier | 17 Bouton multi-positions (Starter / Démarrage / Stop) |
| 5 Protège-main (déclencheur pour frein de chaîne) | 18 Levier de gaz |
| 6 Silencieux avec pare-étincelles | 19 Touche de verrouillage de sécurité |
| 7 Rive dentée (Butée à griffe pour maintenir fermement la tronçonneuse contre le bois) | 20 Protège-main arrière |
| 8 Vis de serrage de la chaîne | 21 Bouchon de fermeture du réservoir carburant |
| 9 Ecrous de fixation | 22 Carter ventilateur avec dispositif de lancement |
| 10 Arrête chaîne | 23 Bouchon de fermeture du réservoir huile |
| 11 Protection roue à chaîne | 24 Guide de la chaîne de la scie |
| 12 Soupape de décompression (option) | 25 Chaîne de sciage |
| 13 Vis de réglage p. pompe à huile (face inférieure) | |

Caractéristiques techniques

		DCS460	DCS510
Cylindrée	cu. in (cm ³)	2.8 (45.6)	3.1 (50.4)
Alésage	inch (mm)	1.69 (43)	1.77 (45)
Course	inch (mm)	1.24 (31.4)	1.24 (31.7)
Puissance max. en fonction du régime ¹⁾	hp / rpm	2.9 / 10,000	3.3 / 10,000
Couple max. en fonction du régime ¹⁾	Nm / rpm	2.7 / 7,000	2.9 / 7,000
Régime de limitation avec guide et chaîne	rpm	13,500	13,500
Vitesse de rotation à vide	rpm	2,500	2,500
Vitesse de rotation d'embrayage	rpm	3,900	3,900
Niveau sonore à pleine charge mesuré aux oreilles de l'opérateur selon ANSI B 175.1	db(A)	103.2	103.9
Niveau sonore pour une personne voisine (à une distance de 50ft/15 m) selon ANSI B 175.1	db(A)	76.2	76.2
Carburateur	Type	membrane carburateur avec capuchons limiteurs	
Dispositif d'allumage	Type	Equipo de encendido de condensador	
Bougie d'allumage	Type	NGK BPMR 7A	
ou bougie d'allumage	Type	BOSCH WSR-6F	
Ecartement électrodes	inch (mm)	.020 (0.5)	
Consommation carburant/puissance max. selon ISO 7293 ¹⁾	kg/h	1.1	1.2
Consommation spéc./puissance max. selon ISO 7293 ¹⁾	g/kWh	500	480
Capacité réservoir carburant	floz	15.9	
Capacité réservoir huile	floz	9.1	
Dosage mélange (carburant/huile 2 temps)		50:1 / 100:1 (HP-100)	
- avec utilisation huile MAKITA		50:1 (2%)	
- avec utilisation Aspen Alkalyt (carburant 2 temps)		40:1 (échelle de qualité JASO FC ou ISO EGD)	
- avec utilisation autre huile		manuel / choc de recul	
Frein de chaîne		manuel / choc de recul	
Pas roue à chaîne	inch	.325 or 3/8	
Nombre de dents	Z	7	
Type de chaîne		(voir extrait de la liste des pièces de rechange)	
Pas/épaisseur maillon entraîneur	inch	.325 / 0.050 or 3/8 / 0.050	
Guide longueur de coupe	inch	16 / 18	
Type de guide de chaîne		(voir extrait de la liste des pièces de rechange)	
Poids (réservoirs vides, sans barre, chaîne et accessoires)	lbs	12.1	12.1

¹⁾ Seulement pour modèles sans soupape de mise en marche

ATTENTION:

Cette tronçonneuse à chaîne peut entraîner un rebond risquant de blesser l'utilisateur. N'utilisez cette tronçonneuse à chaîne que si vous avez des besoins importants de coupe et suffisamment acquis d'expérience, notamment en ce qui concerne les rebonds éventuels. Les tronçonneuses à chaîne présentant des risques de rebond assez réduits sont également disponibles.

MISE EN ROUTE



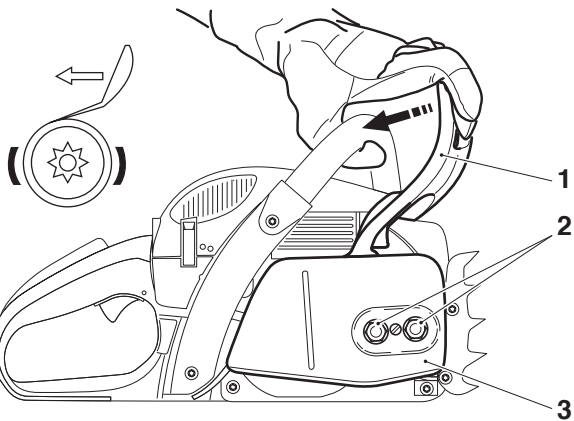
ATTENTION:

Pour tous travaux effectués sur le guide de la chaîne de sciage, le moteur doit être impérativement arrêté et la fiche de bougie doit être enlevée (voir paragraphe pour le remplacement de la bougie) et le port de gants de protection est obligatoire!

ATTENTION:

La tronçonneuse ne peut être démarrée qu'après le montage complet et le contrôle effectué!

A



Montage du guide et de la chaîne de sciage

Utiliser la clé combinée livrée avec la machine pour les travaux suivants.

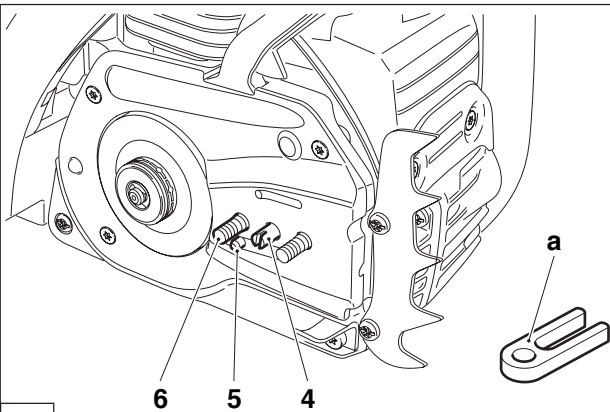
Placer la tronçonneuse sur un support stable et exécuter les opérations suivantes pour le montage de la chaîne de sciage et du guide de la chaîne.

Desserrer le frein de chaîne. Pour cela, tirer le protège-main (1) dans le sens de la flèche.

Dévisser les écrous de fixation (2).

Retirer la protection de la roue à chaîne (3).

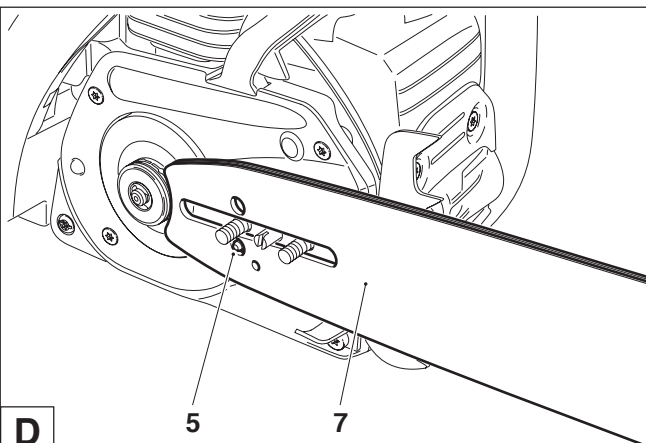
B



Retirer et éliminer la protection de transport en plastique (a).

Tourner la vis de réglage pour le tendeur de chaîne (4) vers la gauche (dans le sens inverse des aiguilles) jusqu'à ce que le tenon (5) du tendeur de chaîne soit sous le boulon (6).

C



Poser le guide (7). S'assurer que le tenon (5) du tendeur de chaîne s'engrène dans le trou de la chaîne de sciage.

D

Poser la chaîne de sciage (9) sur le plateau (8).

ATTENTION:

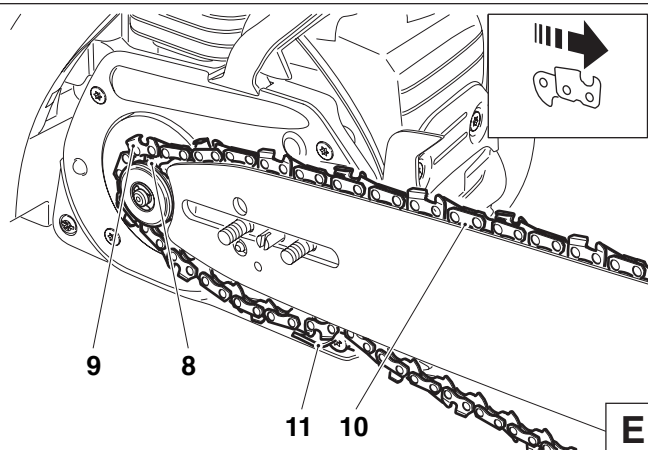
Ne pas placer la chaîne de sciage **entre la roue à chaîne et le disque.**

Introduire la chaîne de sciage vers le haut environ jusqu'à moitié dans la rainure de guidage (10) du guide.

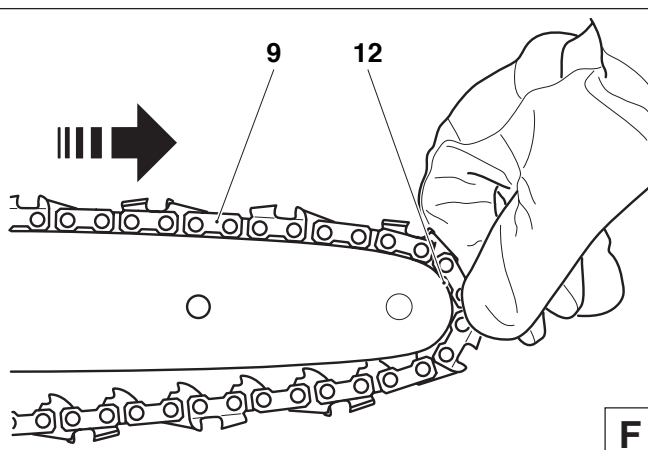
Mettre la chaîne de sciage vers le bas au-dessus de l'intercepteur de chaîne (11).

ATTENTION:

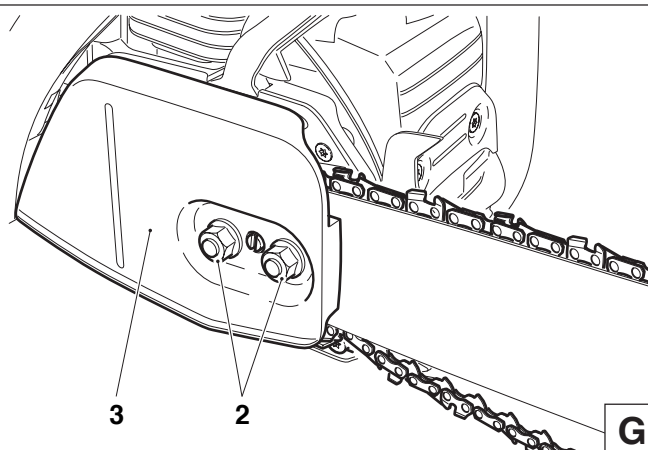
Les arêtes coupantes de la chaîne de sciage doivent être dirigées dans le sens de la flèche sur la partie supérieure du guide!



Guider la chaîne de sciage (9) autour de l'étoile de renvoi (12) du guide de la chaîne, en tirant légèrement la chaîne de sciage dans le sens de la flèche.



Poser la protection de la roue à chaîne (3).
Serrer d'abord à la main les écrous de fixation (2).

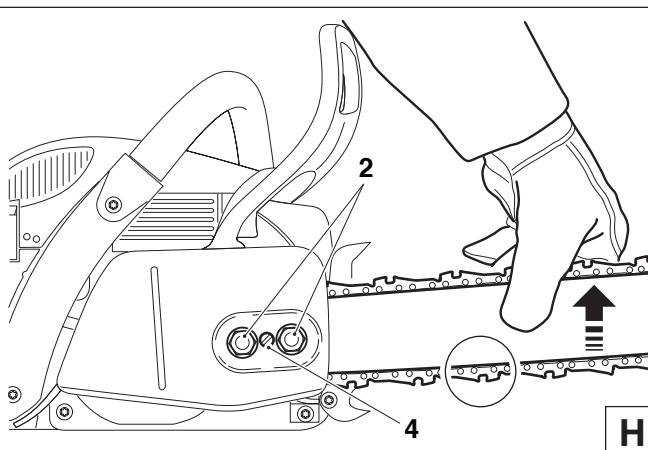


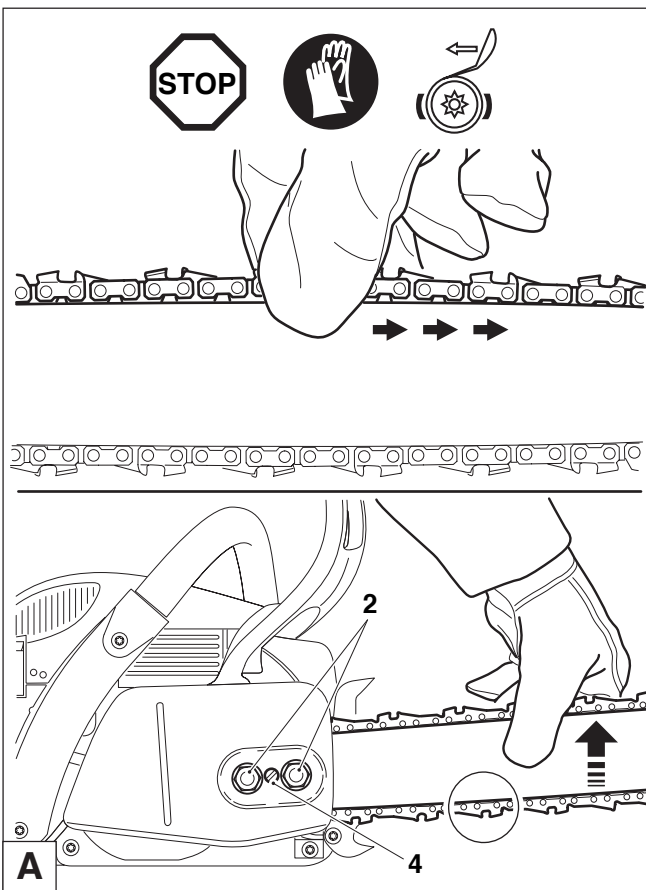
Tendre la chaîne de sciage

Tourner la vis de réglage (4) vers la droite (dans le sens des aiguilles) jusqu'à ce que la chaîne de sciage s'engrène dans la rainure de guidage de la partie inférieure du guide (voir cercle).

Lever légèrement la pointe du guide et tourner la vis de réglage (4) vers la droite (dans le sens des aiguilles) jusqu'à ce que la chaîne de sciage soit de nouveau sur la partie inférieure du guide (voir cercle).

Continuer à relever la pointe du guide et serrer les écrous de fixation (2) à bloc avec la clé combinée.





Contrôle de la tension de la chaîne

Une tension correcte de la chaîne est réalisée lorsque la chaîne s'applique sur le rail inférieur et qu'elle peut encore être légèrement écartée du guide à la main.

Ce faisant, le frein de la chaîne doit être libéré.

Contrôler fréquemment la tension de la chaîne, les chaînes neuves ayant tendance à s'allonger!

Par conséquent, vérifier souvent la tension de la chaîne le moteur étant arrêté.

REMARQUE:

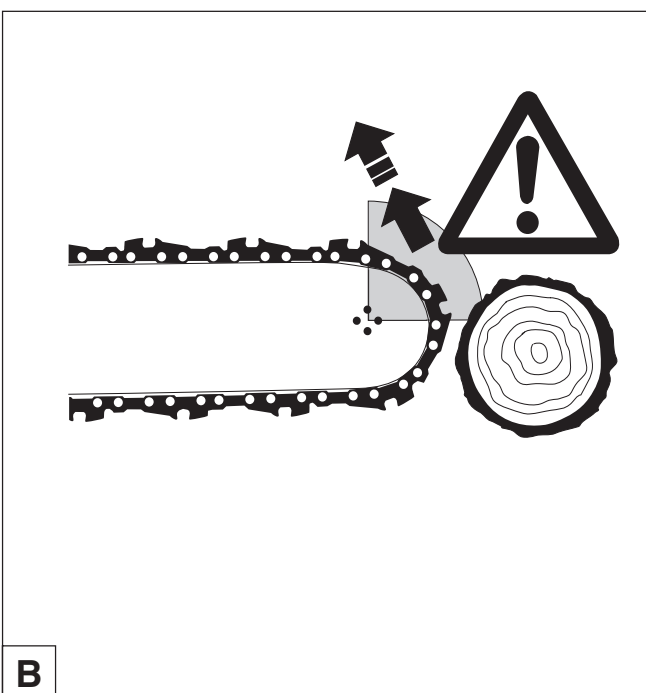
En pratique, on devrait utiliser alternativement 2 à 3 chaînes de sciage.

Pour atteindre une usure régulière des rails, on devra retourner le guide de la chaîne lors du changement de la chaîne.

Retendre la chaîne de sciage

Desserrer les écrous de fixation (2) d'un tour environ au moyen de la clé universelle. Lever légèrement la pointe de la chaîne de sciage et tourner la vis de réglage (4) vers la droite (dans le sens des aiguilles) jusqu'à ce que la chaîne de sciage repose de nouveau sur la partie inférieure du guide (voir cercle).

Continuer de soulever la pointe de la chaîne de sciage et bien resserrer les écrous de fixation (2) avec la clé universelle.



Frein de chaîne

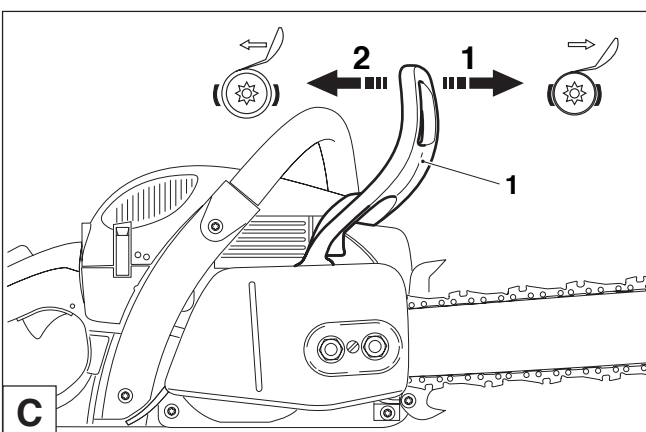
Les modèles DCS460 / DCS510 sont équipés en série d'un frein de chaîne à déclenchement d'accélération. Si un contrecoup se produit (kickback), dû à un heurt de la pointe du guide contre le bois (voir chapitre «CONSIGNES DE SECURITE» à la page 48), le frein de chaîne se déclenche automatiquement en cas de contrecoup suffisamment fort par inertie de masse.

La chaîne de sciage est interrompue pendant une fraction de seconde.

Le frein de chaîne n'est prévue que pour des cas d'urgence et pour le blocage de la chaîne avant le démarrage.

ATTENTION: Ne jamais utiliser la tronçonneuse quand le frein de chaîne est déclenché (sauf pendant le contrôle, voir chaîne « Contrôle du frein de chaîne »), **sinon la tronçonneuse risque de s'abîmer en très peu de temps!**

Desserrer impérativement le frein de chaîne avant de commencer à travailler!



Enclencher le frein de chaîne (bloquer)

En cas de contrecoup suffisamment fort, le frein de chaîne **se déclenche automatiquement** dû à l'accélération rapide de la chaîne de sciage et à l'inertie de masse du protège-main (1).

Lors d'un enclenchement **manuel** le protège-main (1) est poussé par la main gauche en direction de la pointe du guide de la chaîne (flèche 1).

Libérer le frein à main

Tirer le protège-main (1) en direction de la poignée en étrier (flèche 2) jusqu'à son enclenchement. Le frein à main est libéré.

Carburants

ATTENTION:

La tronçonneuse ne fonctionne qu'avec des produits d'huile minérale (essence et huile)!

Faites particulièrement attention lorsque vous manipulez de l'essence.

Il est interdit de fumer et de faire du feu (risque d'explosion).

Mélange carburant

Le moteur de la tronçonneuse est un moteur thermique à deux temps de haute performance. Ce moteur est alimenté par un mélange de carburant et d'huile moteur deux temps.

La conception du moteur a été réalisée pour fonctionner à l'essence normal sans plomb avec un degré d'octane minimum de 91 ROZ. Si un tel type de carburant n'était pas disponible, on peut aussi utiliser un carburant d'un degré d'octane plus élevé. Le moteur n'en subit aucun dommage.

Pour un fonctionnement optimal, ainsi que pour la protection de la santé et de l'environnement, utilisez toujours un carburant sans plomb. Il ne faut pas utiliser d'essence contenant de l'alcool avec les produits MAKITA.

Le graissage du moteur est réalisé par une huile moteur à deux temps (échelle de qualité JASO FC ou ISO EGD) qui est additionnée au carburant. En usine le moteur a été réglé pour l'huile moteur deux temps très performante de MAKITA avec un rapport de mélange de 100:1. Ceci garantit une longue durée de vie et un fonctionnement fiable avec un très faible dégagement de fumées du moteur. L'huile deux temps de haute performance MAKITA HP 100 est disponible dans un bidon à la contenance suivante:

0,5 l N° de commande 980 008 609

L'huile deux temps de haute performance MAKITA peut être livrée selon les besoins dans des bidons aux contenances suivantes:

1 l N° de commande 980 008 607

100 ml N° de commande 980 008 606

En cas de non-utilisation d'huile deux temps à haute performance MAKITA, il est impératif d'observer un rapport de mélange de 40:1 en cas d'utilisation d'autres huiles deux temps. Sinon, un fonctionnement impeccable ne peut être garanti.



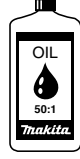

Réalisation du rapport correct du mélange

50:1 En utilisant l'huile deux temps de haute performance MAKITA, ceci signifie mélanger 50 parties d'essence avec une partie d'huile

100:1 En utilisant l'huile deux temps de haute performance MAKITA HP 100, ceci signifie mélanger 100 parties d'essence avec une partie d'huile

40:1 En utilisant une autre huile moteur deux temps, ceci signifie mélanger 40 parties d'essence avec une partie d'huile



Carburant	40:1 autre huile	50:1 huile MAKITA	100:1 huile MAKITA
			
1.0 Us-gal. (3.7 l)	3.2 floz. (94 cm ³)	2.5 floz. (75 cm ³)	1.3 floz. (38 cm ³)
2.5 Us-gal. (9.4 l)	8.0 floz. (236 cm ³)	6.4 floz. (189 cm ³)	3.2 floz. (94 cm ³)
5.0 Us-gal. (18.9 l)	16.0 floz. (473 cm ³)	12.8 floz. (378 cm ³)	6.4 floz. (189 cm ³)

REMARQUE: Pour fabriquer le mélange essence-huile, il faut toujours mélanger préalablement le volume d'huile prévu dans la moitié du volume d'essence, puis y ajouter le volume d'essence restant. Avant de remplir la tronçonneuse avec le mélange, bien secouer le mélange terminé.

Il n'est pas raisonnable que par excès de conscience de sécurité d'augmenter la part d'huile au delà du rapport indiqué du mélange, le résultat serait plus de résidus de combustion ce qui polluerait l'environnement et boucherait la sortie d'échappement dans le cylindre, ainsi que le silencieux. En outre, la consommation de carburant augmenterait et la puissance diminuerait.

Stockage de carburants

Les carburants ne sont stockables que de manière restreinte. Les carburants et les mélanges de carburant vieillissent. Le carburant stocké trop longtemps et les mélanges de carburant peuvent causer des problèmes de démarrage. N'acheter que la quantité de carburant à consommer en l'espace de quelques mois.

Stocker le carburant uniquement dans des récipients homologués au sec et à l'abri.

EVITEZ LE CONTACT AVEC LA PEAU ET LES YEUX

Les produits pétroliers, ainsi que les huiles, dégraissent la peau. Lors d'un contact répété et prolongé la peau se dessèche. Les suites peuvent être différentes maladies de peau. D'autre part, on connaît les réactions allergiques. Le contact avec les yeux de l'huile conduit à des irritations. en cas de contact, rincer immédiatement l'oeil avec de l'eau claire. Si l'irritation continue, consulter immédiatement un médecin.

D

Huile de chaîne de sciage



Pour le graissage de la chaîne de sciage et du rail, il faut utiliser une huile de chaîne avec un additif d'adhérence. L'additif d'adhérence à l'huile de chaîne empêche une rapide jetée de l'huile du dispositif de sciage.

Pour protéger l'environnement, il est conseillé d'utiliser une huile de chaîne biodégradable. Souvent, les instances régionales prescrivent l'utilisation d'huile biodégradables.

L'huile de chaîne de sciage BIOTOP proposée par MAKITA est fabriquée à base d'huiles végétales sélectionnées et elle est 100% biodégradable. BIOTOP porte comme référence l'ange bleu d'environnement (RAL UZ 48).



L'huile de chaîne BIOTOP est disponible dans les bidons aux contenances suivantes :

1 l order number 980 008 610

5 l order number 980 008 611

L'huile de chaîne biodégradable ne se conserve que pendant un temps limité et devra être utilisée dans un délai de 2 ans après la date de fabrication imprimée.

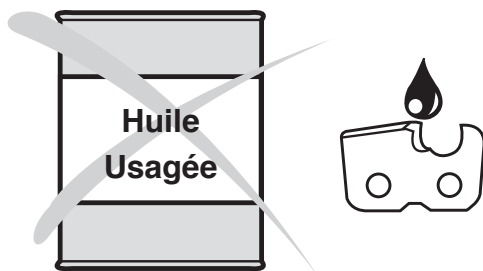
E

Remarque importante pour les huiles de chaîne de sciage bio

Avant une longue mise hors service, le réservoir à huile doit être vidé et rempli ensuite d'un peu d'**huile moteur** (SAE 30). Ensuite, faire marcher la tronçonneuse pendant quelques temps de manière à rincer les restes d'huile bio du réservoir, du système de conduite d'huile et du dispositif de sciage. Cette mesure est indispensable car différentes huiles bio ont tendance à coller ce qui peut

détériorer la pompe à huile ou des éléments d'alimentation d'huile. Lors de la remise en marche, verser à nouveau l'huile de chaîne BIOTOP. Les dommages résultant de l'utilisation d'huiles usagées ou d'huiles de chaîne non appropriées ne sont pas couverts par la garantie.

Votre vendeur spécialisé vous informe sur la manipulation et l'utilisation d'huile de chaîne de sciage.



N'UTILISEZ JAMAIS DE HUILES USAGÉES

Une huile usagée est extrêmement dangereuse pour l'environnement!

Les huiles usagées contiennent une grande part de produits connus pour être cancérigènes.

Les souillures dans les huiles usagées amènent une grande usure de la pompe à huile et du dispositif de sciage.

Les dommages résultant de l'utilisation d'huiles usagées ou d'huiles de chaîne non appropriées ne sont pas couverts par la garantie.

Votre vendeur spécialisé vous informe sur la manipulation et l'utilisation d'huile de chaîne de sciage.

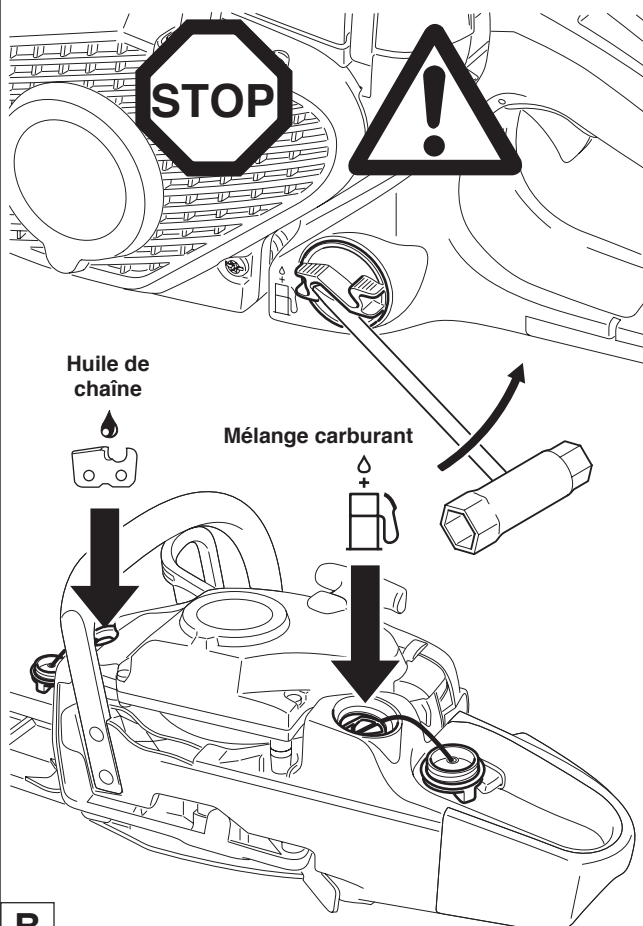
ÉVITEZ LE CONTACT AVEC LA PEAU ET LES YEUX

Les produits pétroliers, ainsi que les huiles, dégraissent la peau. Lors d'un contact répété et prolongé la peau se dessèche. Les suites peuvent être différentes maladies de peau. D'autre part, on connaît les réactions allergiques.

Le contact avec les yeux de l'huile conduit à des irritations. En cas de contact, rincer immédiatement l'œil avec de l'eau claire.

Si l'irritation continue, consulter immédiatement un médecin.

A



B

Remplissage des réservoirs



RESPECTER IMPÉRATIVEMENT LES RÈGLES DE SÉCURITÉ!

La manipulation de carburants exige une manipulation avec précaution et prudence.

Ne le faire que si le moteur est arrêté!

Bien nettoyer le pourtour des emplacements de remplissage pour éviter la pénétration de salissures dans le réservoir de mélange de carburant ou d'huile.

Desserrer le bouchon du réservoir (le dévisser si nécessaire avec la clé universelle, cf. Figure) et verser le mélange de carburant ou l'huile de chaîne de sciage jusqu'au bord inférieur de la tubulure de remplissage. Verser avec précaution pour ne pas renverser de mélange de carburant ou d'huile de chaîne de sciage.

Visser le bouchon du réservoir à la fin jusqu'à la butée.

Après avoir rempli le réservoir, nettoyer le bouchon fileté, le réservoir et vérifier s'il fuit.

Graissage de la chaîne de sciage



Pour graisser suffisamment la chaîne de sciage, l'huile de chaîne de sciage doit être toujours suffisante dans le réservoir. Le volume du réservoir suffit pour environ une demi-heure de service permanent. Vérifier pendant le travail s'il y a suffisamment d'huile de chaîne dans le réservoir, le remplir si nécessaire. **Seulement à l'arrêt du moteur !**

Bien serrer le bouchon du réservoir à la main jusqu'à la butée.

Vérifier le graissage de la chaîne

Ne jamais scier sans graissage suffisant. Vous risquez sinon de réduire la durée de vie du dispositif de sciage!

Vérifier avant de démarrer le travail la quantité d'huile dans le réservoir, ainsi que le débit d'huile.

Le débit d'huile peut être vérifié de la manière suivante:

Démarrer la tronçonneuse (voir chapitre «Démarrer le moteur»).

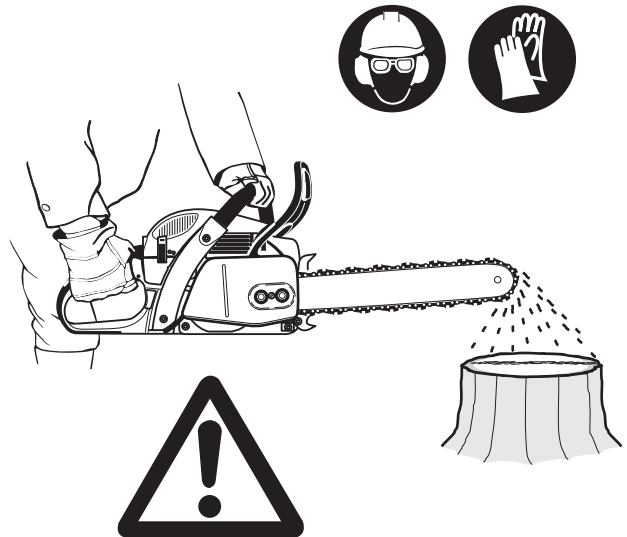
Maintenir la chaîne de sciage en marche env. 6" (15 cm) par dessus une souche d'arbre ou le sol (choisir une base adéquate).

Lorsque le graissage est suffisant, on doit observer une légère trace d'huile par l'huile éjectée. Faire attention à la direction du vent et ne pas s'exposer inutilement à la vapeur d'huile.

Remarque:

Après la mise hors service de la tronçonneuse, il est normal que de petites quantités d'huile de chaîne restant encore dans le système de conduite d'huile et sur le guide s'écoulent encore un certain temps. Il ne s'agit pas d'un défaut dans ce cas.

Utiliser un support adéquat!



C

Réglage du graissage de la chaîne



A effectuer que si le moteur est arrêté!

Le débit de l'huile est réglable avec la vis de réglage (1). La vis de réglage se trouve sur le dessous du carter.

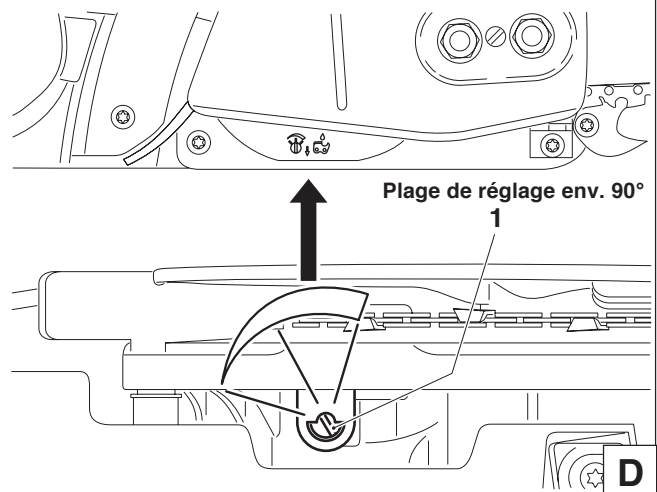
La pompe à huile est réglée en usine pour un débit moyen.

Pour changer le débit, tourner au moyen d'un petit tournevis:

- vers la droite pour augmenter le débit
- vers la gauche pour réduire le débit.

En fonction de la longueur du guide, choisir l'une des trois possibilités.

Vérifier pendant le travail qu'il y a suffisamment d'huile à chaîne dans le réservoir. Si nécessaire, faire l'appoint.



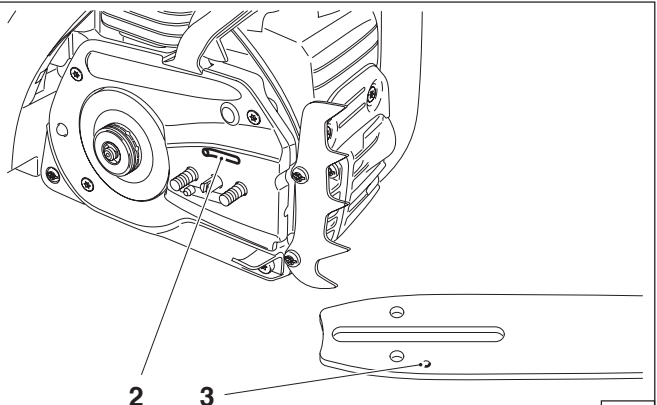
D

Pour que la pompe à huile fonctionne toujours parfaitement, la rainure de guidage d'huile sur le carter du vilebrequin (2), ainsi que les orifices d'entrée d'huile dans le guide de la chaîne (3) doivent régulièrement être nettoyés.

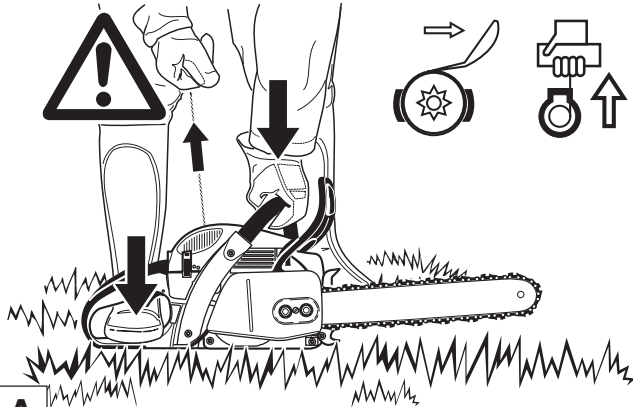
Remarque:

Après la mise hors service de la tronçonneuse, il est normal que de petites quantités d'huile de chaîne restant encore dans le système de conduite d'huile et sur le guide s'écoulent encore un certain temps. Il ne s'agit pas d'un défaut dans ce cas.

Utiliser un support adéquat!



E



A

Démarrer le moteur

La tronçonneuse ne peut être démarrée qu'après le montage complet et le contrôle effectué!

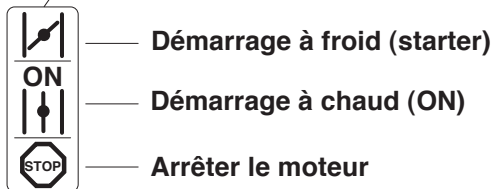
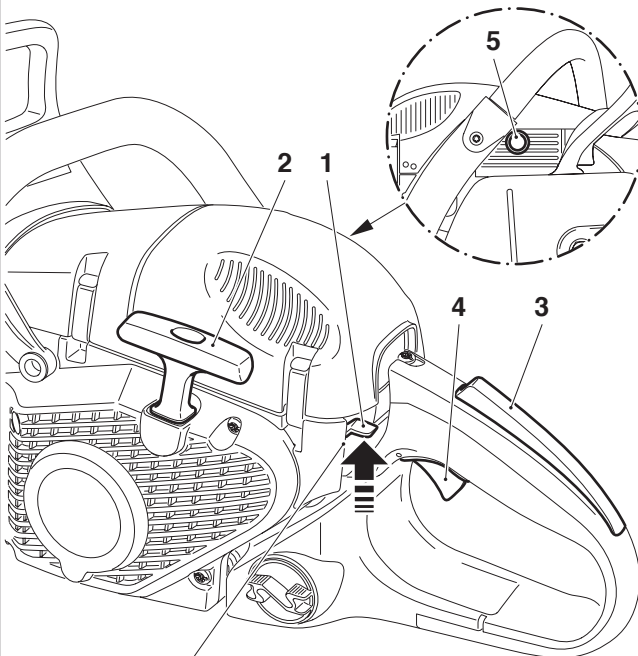
Démarrer le moteur au moins 3 m de l'endroit du réservoir.

Prendre une position stable et sûre, puis placer la tronçonneuse sur le sol pour que le dispositif de sciage soit dégagé.

Libérer le frein de chaîne (bloquer).

Saisir fermement la poignée-étrier avec une main et plaquer la tronçonneuse sur le sol.

Placer la pointe du pied droit dans le protège-main arrière.



B

Démarrage à froid:

Appuyer sur le bouton multi-positions (1) vers le haut (position Starter). Ceci actionne simultanément la fonction de blocage mi-gaz.

Tirer le cordon de lancement (2) lentement jusqu'à sentir une résistance (le piston se trouve au point mort haut).

Enfoncer la soupape de décompression (5).

Puis, tirer fortement et rapidement jusqu'au déclenchement du premier allumage audible.

Attention: Ne pas retirer le cordon de lancement de plus de 50 cm/20" et le ramener lentement à la main.

Enfoncer la soupape de décompression (5).

Appuyer sur le bouton multi-positions (1) au centre « ON ». Tirer de nouveau d'un coup sec sur le cordon de lancement. Dès que le moteur tourne, serrer la poignée (la touche de blocage de sécurité (3) est pressée par la paume de la main) et presser légèrement l'accélérateur (4).

L'arrêt d'admission réduite s'annule et le moteur tourne au ralenti.

Attention: le moteur doit être mis au ralenti dès le démarrage pour éviter d'endommager l'embrayage.

Libérer maintenant le frein de chaîne.



Démarrage à chaud:

Comme décrit pour le démarrage à froid, appuyer sur le bouton multi-positions (1) vers le haut (position starter) et de nouveau au centre « ON » pour activer uniquement la fonction de blocage mi-gaz. Si le moteur ne tourne pas après avoir tiré 2 ou 3 fois, répéter l'opération de démarrage intégrale comme décrit dans la section Démarrage à froid.

Arrêter le moteur

Appuyer sur le bouton multi-touches (1) vers le bas .

Vérifier le frein de chaîne

Le frein de chaîne doit être vérifié avant de commencer tous travaux.

Démarrer le moteur comme décrit (prendre une position stable et poser la tronçonneuse sur le sol de façon à ce que le dispositif de sciage soit libre).

Bien tenir la poignée-étrier d'une main, l'autre main étant sur la manette.

Laisser tourner le moteur à mi-vitesse et appuyer sur le protège-mains (6) avec le dos de la main dans la sens de la flèche jusqu'à ce que le frein de chaîne se bloque. La chaîne de sciage doit immédiatement s'immobiliser.

Faire tourner immédiatement le moteur au ralenti et redesserrer le frein de chaîne.

Attention: Si la chaîne de sciage ne s'immobilise pas immédiatement pendant ce contrôle, arrêter aussitôt le moteur. Il est interdit dans ce cas d'utiliser cette tronçonneuse. Consulter un atelier spécialisé MAKITA.



C

Fonctionnement en hiver

Pour éviter que le carburant gèle lors de températures basses et en cas d'humidité de l'air élevée et pour atteindre plus rapidement la température de service lors de températures inférieures à + 5°C (40° F), de l'air chaud peut être aspiré par le cylindre.

Enlever le couvercle (cf. Nettoyage du filtre à air).

Sortir l'insert (7) et le placer comme montré sur la Figure.

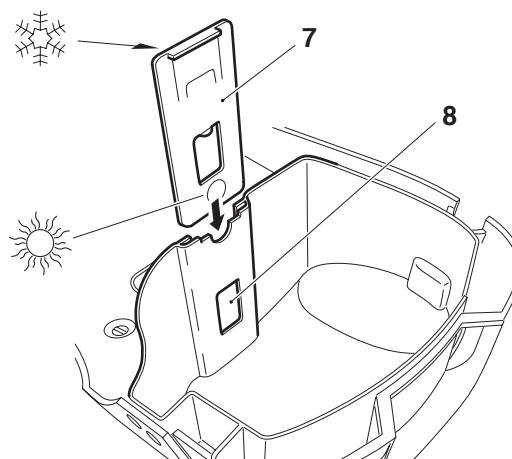
Pour des températures supérieures à + 5° C (40° F), de l'air froid doit être impérativement aspiré. **En ne respectant pas cette consigne, le cylindre et le piston peuvent être endommagés!**

Pour les températures supérieures à + 5° C (40° F), tourner l'insert de 180° de façon à ce que l'orifice d'aspiration (8) soit fermé après avoir placé le couvercle.

Remonter le couvercle.

Symbole ☀ positionnement en bas – **service normal**

Symbole ❄ positionnement en haut – **service hivernal**



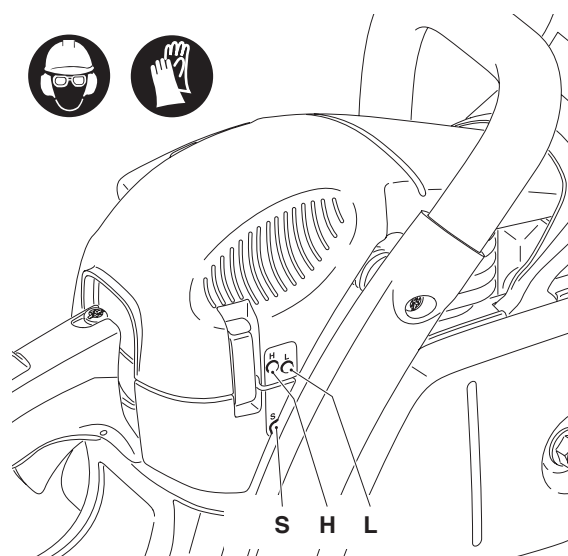
D

Réglage du carburateur

Le réglage du carburateur sert à garantir un fonctionnement optimal, une consommation économique et une sécurité d'utilisation sans compromis. Il doit être effectué quand le moteur est chaud, si le filtre à air est propre ou l'outil de coupe est monté. Faire effectuer impérativement le réglage du carburateur par un atelier spécialisé MAKITA, pour éviter toute erreur de réglage susceptible d'endommager le moteur.

En raison des nouvelles directives en matière de gaz d'échappement, les vis de réglage (H) et (L) du carburateur sont dotées de limitations. Ces possibilités de réglage limitées (environ 180 degrés) permettent d'empêcher un réglage de carburateur trop gras. Cela permet de respecter les règlements en matière de gaz d'échappement et garantit une puissance optimale du moteur et une consommation d'essence économique.

Ajustage par défaut des vis de réglage (H) et (L) : Dévissé presque jusqu'au bout (dans le sens inverse des aiguilles).



Les opérations suivantes sont nécessaires pour un réglage correct:

Contrôle de la vis de réglage (H)



Avant de démarrer, s'assurer que la vis de réglage (H) soit dévissée dans le sens inverse des aiguilles jusqu'à sentir la résistance. Les limitations **ne protègent pas le moteur de dégraisser** (manque de lubrifiant)!

1. Démarrer le moteur et le faire tourner à chaud (3 à 5 minutes)
2. Régler le ralenti
3. Régler le régime maximal autorisé
4. Contrôler l'accélération
5. Contrôler le régime de ralenti

2. Réglage du ralenti



Régler le ralenti conformément aux caractéristiques techniques.

Tourner la vis de réglage (S) dans le sens des aiguilles pour augmenter le ralenti. Tourner la vis de réglage (S) dans le sens inverse des aiguilles pour réduire le ralenti. **La chaîne de sciage ou l'outil de coupe ne doit pas tourner au ralenti!**

3. Réglage du régime maximal autorisé



Régler le régime maximal autorisé en ajustant au minimum la vis de réglage (H) conformément aux caractéristiques techniques. Visser la vis de réglage (H) dans le sens des aiguilles pour augmenter le régime. **Dépasser en aucun cas la vitesse maximale autorisée!**

4. Contrôle de l'accélération



Dès que l'accélérateur est actionné, le moteur doit accélérer du ralenti à une vitesse élevée sans transition.

Dévisser progressivement la vis de réglage (L) en tournant dans le sens inverse des aiguilles jusqu'à ce que le moteur accélère bien.

5. Contrôle du régime de ralenti



Contrôler le régime de ralenti après avoir réglé le régime maximal autorisé (La chaîne de sciage ou l'outil de coupe ne doit pas tourner!).

Répéter l'opération de réglage à partir du paragraphe 2 jusqu'à obtenir un régime de ralenti, une bonne accélération et un régime autorisé maximal.

TRAVAUX DE MAINTENANCE

Affûtage de la chaîne de sciage



ATTENTION: Pour tous travaux effectués sur le guide de la chaîne de sciage, le moteur doit être impérativement arrêté et la fiche de bougie doit être enlevée (voir paragraphe pour le remplacement de la bougie) et le port de gants de protection est obligatoire!

La chaîne de sciage doit être affûtée lorsque:

les copeaux deviennent farineux en sciant du bois humide.

la chaîne, tout en exerçant une forte pression, ne „tire“ que péniblement dans le bois.

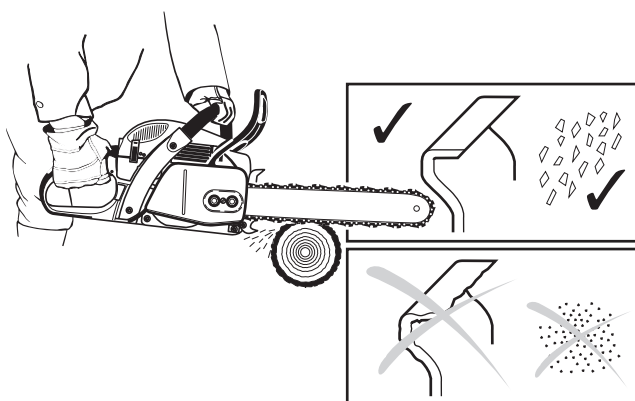
les arêtes de coupe sont visiblement endommagées.

le dispositif de sciage gauchit dans le bois latéralement vers la gauche ou la droite. La raison est un affûtage irrégulier de la chaîne de sciage.

Important: affûter souvent, sans enlever de trop de matériau!

Lors d'un simple affûtage, il suffit souvent de 2 à 3 coups de lime.

Après avoir effectué soi-même plusieurs affûtages, faire affûter la chaîne à l'atelier spécialisé.



A

Critères d'affûtage:

ATTENTION: N'utiliser que des chaînes et guide permis pour cette tronçonneuse (voir extrait de la liste de pièces de rechange)!

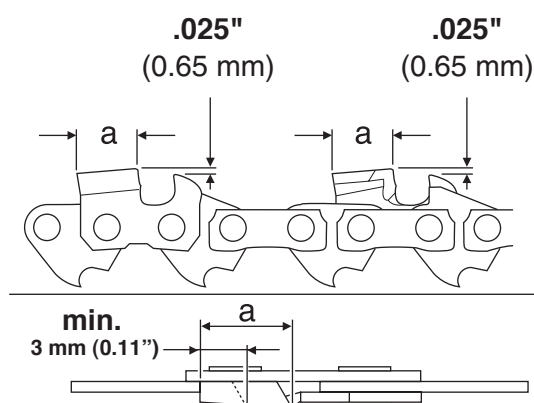
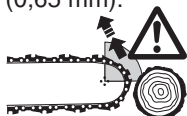
Toutes les dents de rabotage doivent avoir la même longueur (dimension a). Des dents de rabotage de hauteur différente signifient une marche dure de la chaîne et peuvent provoquer des ruptures de chaîne!

Longueur minimale de dent de rabotage = 0.11" (3 mm). Ne pas raffûter la chaîne de sciage lorsque la longueur minimale de dent de rabotage est atteinte. Une nouvelle chaîne de sciage doit être alors montée (voir „extrait de la liste des pièces de rechange“ et chapitre „Nouvelle chaîne de sciage“).

L'écart entre le limiteur de profondeur (nez rond) et l'arête de coupe détermine l'épaisseur du copeau.

Les meilleurs résultats de coupe sont obtenus avec une distance du limiteur de profondeur de .025" (0,65 mm).

ATTENTION: Une distance trop augmente le danger d'un choc de recul!



B

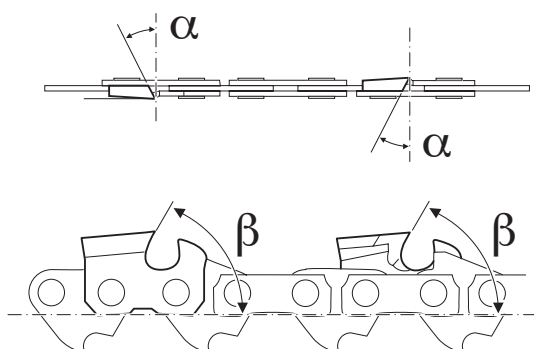
L'angle d'affûtage (α) doit être impérativement identique sur toutes les dents de rabotage.

25° pour type de chaîne 486, 496

L'angle d'attaque de la dent (β) se détermine en utilisant la lame ronde correcte.

60° pour type de chaîne 486, 496

Des angles différents provoquent une marche irrégulière et rude de la chaîne, augmentent l'usure et aboutissent à des ruptures de chaîne!



C

Lime et guidage de la lime

Pour aiguiser, utiliser une lame ronde spéciale pour chaîne de sciage. Les limes rondes normales ne sont pas appropriées. Numéro de commande, voir accessoires.

Type 486: La lime ronde de la chaîne de sciage \varnothing 11/64" (4,5 mm).

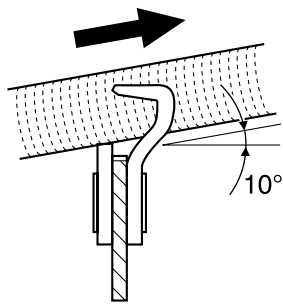
Type 496: La lime ronde de la chaîne de sciage \varnothing 7/32" (5,5 mm).

La lime ne doit attaquer que lors de la passe en avant (flèche). Lors du retour, relever la lime du matériel.

La dent de rabotage la plus courte est affûtée la première. La longueur de cette dent est alors la mesure type pour toutes les autres dents de rabotage de la chaîne de sciage.

Les nouvelles dents de rabotage doivent être exactement adaptées aux formes des dents usées, ainsi qu'aux surfaces de roulement.

Guider la lame en fonction du type de chaîne (10° vers le guide).

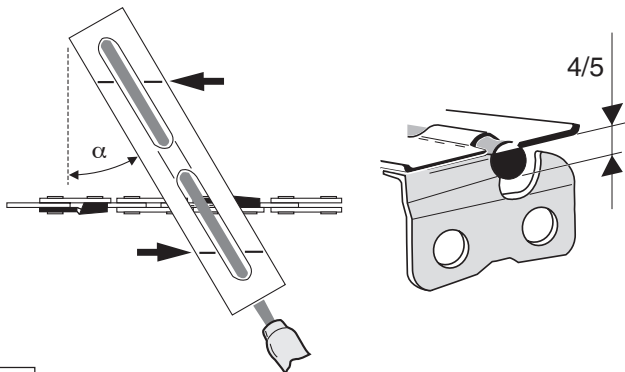


Type de chaîne

486

496

D

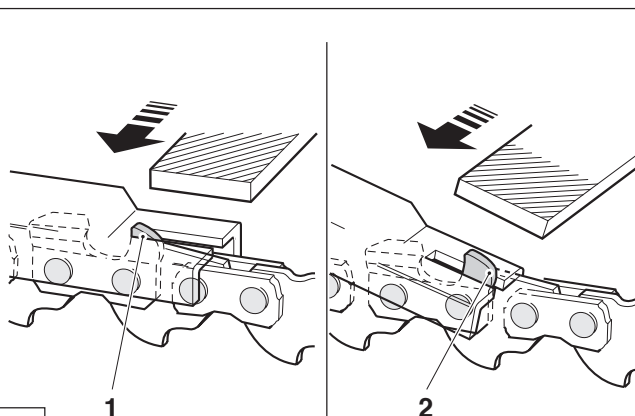


Un porte-lime facilite le guidage de la lame, il porte des repères pour l'angle d'affûtage correct de:

$$\alpha = 25^\circ$$

(orienter les repères parallèlement à la chaîne de sciage) et limite la profondeur de pénétration ($4/5$ du diamètre de la lime). Voir accessoires pour le n° de commande.

E



A la suite du nouvel affûtage, vérifier la hauteur du limiteur de profondeur avec la jauge de mesure pour chaîne. Voir accessoires pour le n° de commande.

Enlever avec la lime plate spéciale (1) tout dépassement, même le moindre.

Arrondir à nouveau le limiteur de profondeur à l'avant (2).

F

Nettoyer l'intérieur de la bande de frein de chaîne et de la roue à chaîne

ATTENTION: Pour tous travaux effectués sur le guide de la chaîne de sciage, le moteur doit être impérativement arrêté et la fiche de bougie doit être enlevée (voir paragraphe pour le remplacement de la bougie) et le port de gants de protection est obligatoire!

ATTENTION: La tronçonneuse ne peut être démarrée qu'après le montage complet et le contrôle effectué!

Enlever la protection de roue à chaîne (1) (voir chapitre „MISE EN ROUTE“ B) nettoyer l'intérieur à l'aide d'un pinceau.

Visser la vis de serrage de chaîne (2) vers la gauche (dans le sens inverse des aiguilles) jusqu'à ce que le tenon (3) du tendeur de chaîne soit sous le boulon (4).

Enlever la chaîne de sciage (5) et le guide-rail de chaîne (2).

NOTE:

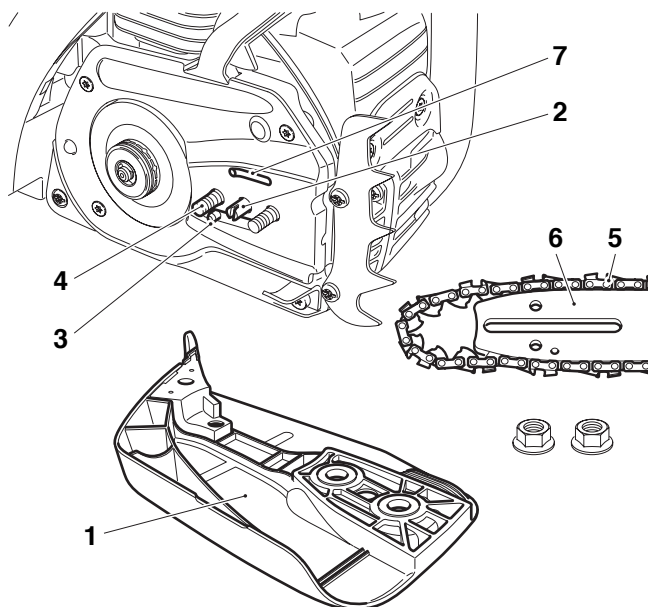
S'assurer qu'aucun résidu ne reste dans la rainure de guidage de l'huile (7) et sur le tendeur de chaîne (3).

Montage du guide de chaîne, de la chaîne de sciage et de la protection de la roue à chaîne voir chapitre „MISE EN ROUTE“.

REMARQUE:

Le frein de chaîne est un dispositif de sécurité très important et il est soumis comme chaque pièce à une certaine usure.

Une vérification et une maintenance régulières servent à vous assurer votre propre protection et doivent être effectuées par un atelier spécialisé MAKITA.



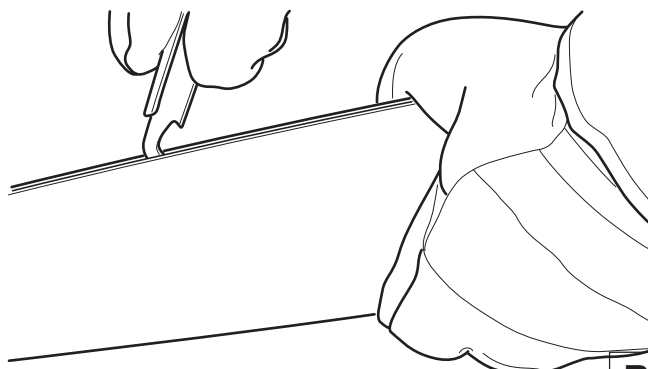
SERVICE

A

Nettoyer le guide de la chaîne

ATTENTION! Porter impérativement des gants de protection.

Les surfaces de roulement du guide de chaîne doivent être régulièrement vérifiées pour voir si elles ne sont pas endommagées et nettoyées avec un outillage adapté.



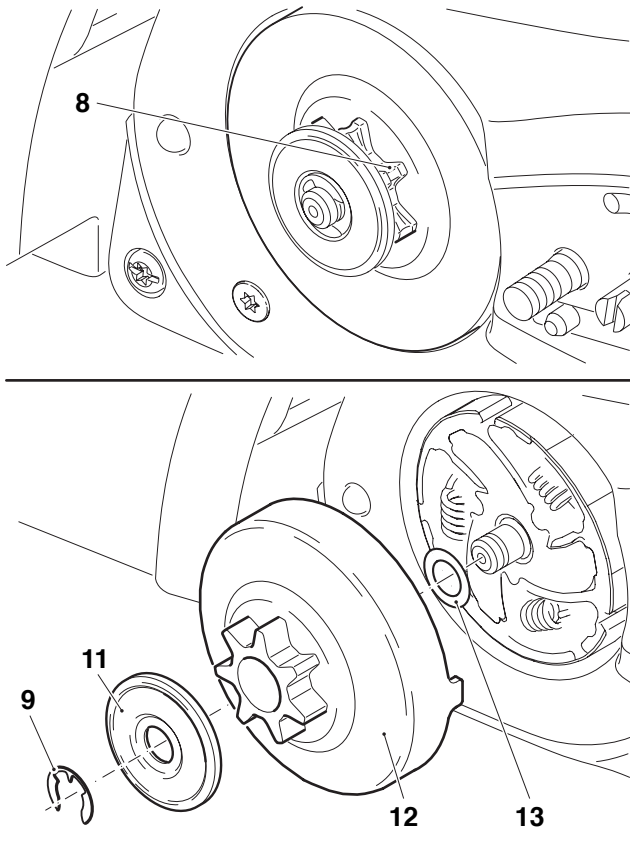
B

Nouvelle chaîne de sciage

ATTENTION: Utiliser uniquement des chaînes et guides autorisés pour cette scie (voir Extrait de la liste des pièces de rechange) !

En changeant le type de chaîne, il faut adapter le tambour d'embrayage complet (12) au type de chaîne. Remplacer si nécessaire le tambour d'embrayage complet.

IMPORTANT: Si vous changez le type de chaîne de .325" à 3/8", il vous faudra modifier le déflecteur de copeaux. Se reporter à « Note concernant le changement de type de chaîne ».



Avant de monter une nouvelle chaîne de sciage, il faut vérifier l'état du pignon.

Des pignons usés (8) provoquent des détériorations sur une nouvelle chaîne de sciage et doivent impérativement être remplacés.

Enlever la protection de pignon (voir chapitre „MISE EN ROUTE“ B).

Enlever la chaîne de sciage et le guide-rail de chaîne.

Enlever la rondelle de sûreté (9).

ATTENTION: La rondelle de sûreté saute de la rainure. En l'enlevant, la bloquer avec le pouce pour ne pas qu'elle saute.

Enlever la rondelle-couvercle (11).

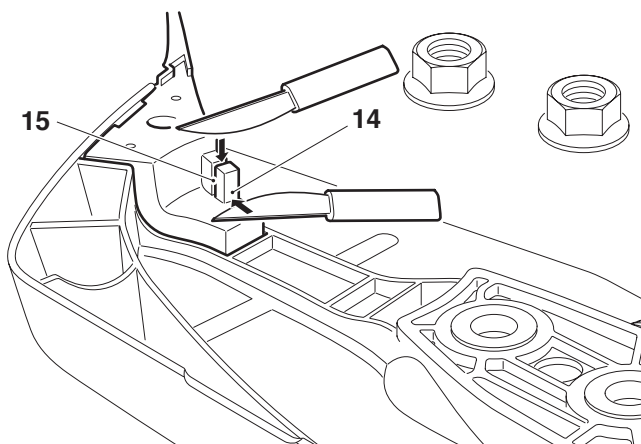
En cas d'usure du pignon (8), il faut remplacer le tambour d'embrayage complet (12) (n° de commande voir „Extrait de la liste des pièces de rechange“).

Monter la rondelle de butée (13), le nouveau tambour d'embrayage complet (12), le disque de protection (11) et la nouvelle rondelle de sûreté (9) (n° de commande voir „Extrait de la liste des pièces de rechange“).

Montage du guide de chaîne, de la chaîne de sciage et de la protection du pignon voir chapitre „MISE EN ROUTE A-H“.

NOTE: Ne pas utiliser de chaîne neuve sur un pignon rodé. Changer le pignon au plus tard après deux chaînes usées. Faire tourner la chaîne à demi-gaz pendant quelques minutes de façon à ce que l'huile de chaîne de sciage se répartisse régulièrement.

Contrôler fréquemment la tension de la chaîne car les nouvelles chaînes de sciage ont en général tendance à s'allonger (voir Contrôle de la tension de la chaîne).



Note concernant le changement de type de chaîne



Porter obligatoirement des gants de protection!

- Avant d'utiliser une chaîne de 3/8", il est impératif de couper d'abord la partie marquée du déflecteur de copeaux (14)!
- Couper d'abord le long du repère (15) avec un couteau tranchant et séparer ensuite le morceau par une coupe latérale.

NOTE:

Pour modifier le type de chaîne en .325", il faut monter un nouveau déflecteur de copeaux (n° de commande, voir « Extrait de la liste de pièces détachées »).

C

Nettoyage du filtre d'air



ATTENTION: En cas d'utilisation d'air comprimé pour le nettoyage, utiliser impérativement des lunettes de protection pour éviter toute blessure au niveau des yeux □!

Ne pas nettoyer le filtre à air à l'essence.

Desserrer les attaches de capot (1) avec la clé universelle et enlever le capot (2).

Appuyer sur le bouton multi-positions (3) vers le haut (position Starter) pour éviter que des saletés ne tombent dans le carburateur.

Décrocher l'attache (4) avec le doigt ou avec la clé universelle dans le sens de la flèche.

Retirer le filtre à air (5) vers le haut.

ATTENTION : Couvrir l'orifice d'aspiration d'un chiffon propre pour empêcher que des particules de saleté ne tombent dans le carburateur.

Utilisation des filtres: Le filtre en voile est destiné aux utilisations sèches ou poussiéreuses. Le filtre en nylon (disponible comme accessoires) est destiné pour des conditions de travail humides.

Séparer la partie supérieure et inférieure du filtre à air comme montré sur la photo.

Nettoyage du filtre en voile : Frapper le filtre avec précaution ou aspirer doucement de l'intérieur avec de l'air comprimé. Ne pas nettoyer avec une brosse pour ne pas enfoncer la poussière dans le tissu. Laver les filtres en nylon fortement encrassés dans une eau savonneuse tiède avec du produit de nettoyage pour vaisselle courant. Ne nettoyer le filtre en voile que si une perte de puissance sensible survient pendant la coupe. Remplacer le filtre si aucune amélioration n'est sensible après le nettoyage.

Nettoyage du filtre en nylon: Nettoyer au moyen d'un pinceau, d'une brosse souple ou de l'intérieur avec de l'air comprimé avec précaution. Laver le filtre en nylon fortement encrassé dans une eau savonneuse mélangée à du produit de nettoyage pour vaisselle courant. En cas de salissure importante, nettoyer souvent (plusieurs fois par jour), car un filtre à air propres garantissent le bon fonctionnement du moteur.

Bien sécher le filtre à air.

Rassembler la partie supérieure et inférieure.

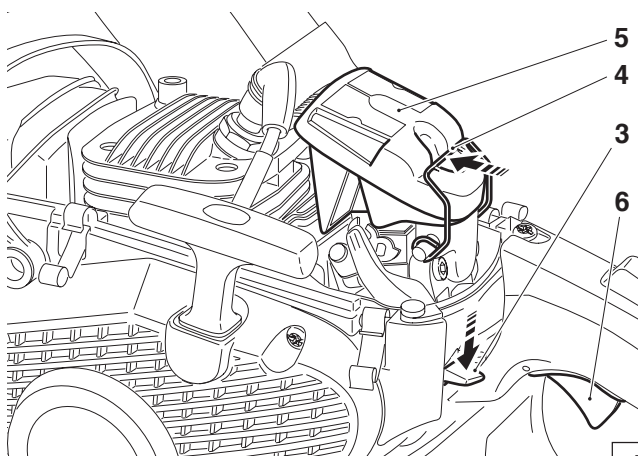
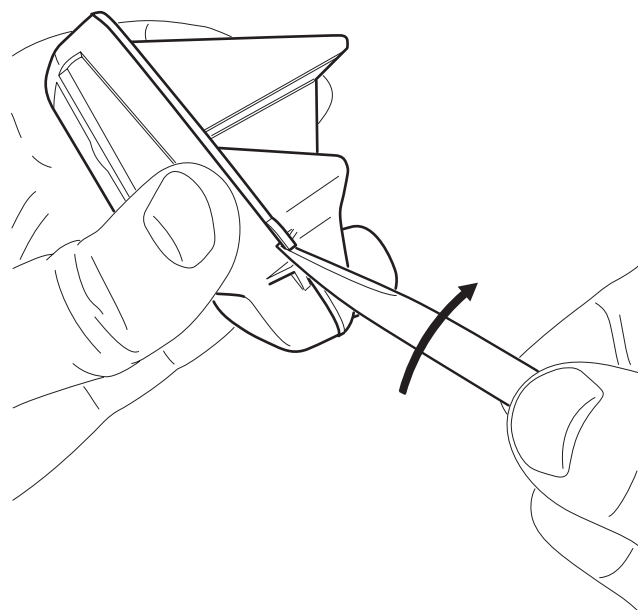
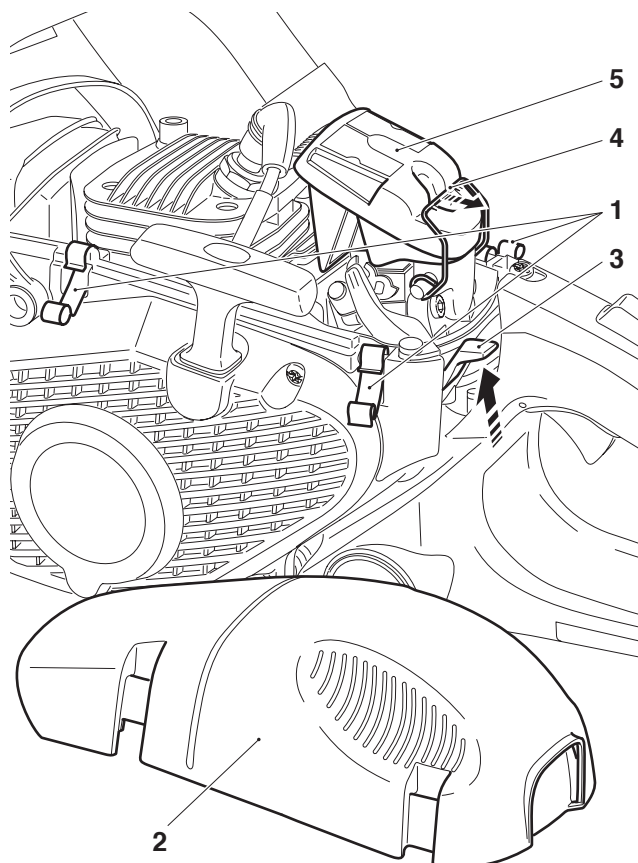
Avant de monter le filtre à air, contrôler la présence éventuelle de saletés dans le clapet de l'étrangleur. Le nettoyer si nécessaire avec un pinceau.

ATTENTION: Remplacer aussitôt le filtre à air endommagé! Des morceaux de tissu déchirés et des particules de salissure grossières peuvent détériorer le moteur.

Placer le filtre à air (5) et appuyer sur les attaches de capot (4) dans le sens de la flèche jusqu'à ce qu'elles s'enclenchent.

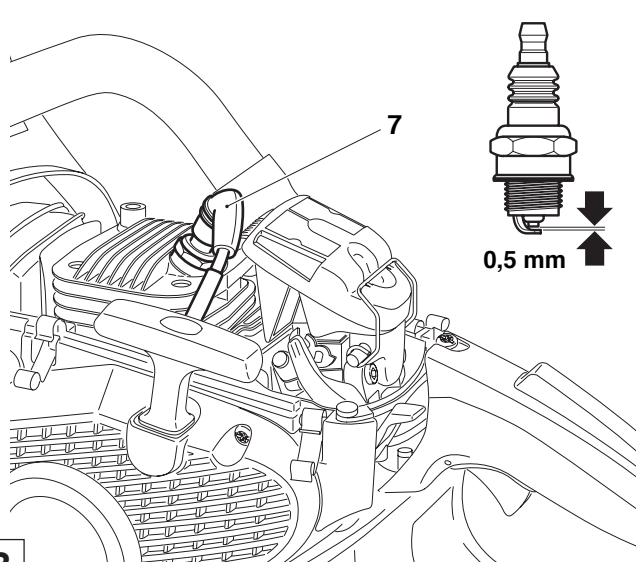
Appuyer sur le bouton multi-positions (3) vers le bas et enfoncer une fois l'accélérateur (6) pour désactiver la position demi-gaz.



Poser le capot (2) et le fixer avec les attaches de capot (1).



A

Remplacement de bougie



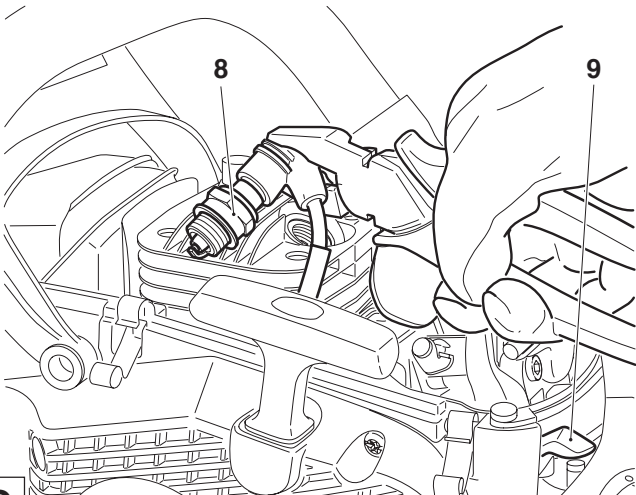
ATTENTION
 Les bougies d'allumage ou la fiche de la bougie ne doivent pas être touchés le moteur en marche (haute tension). N'effectuer des travaux de maintenance que si le moteur est arrêté. Risque de brûlure lorsque le moteur est chaud: porter absolument vos gants de protection!

En cas de détérioration du corps isolant, d'usure importante des électrodes resp. d'électrodes très encrassées ou pleines d'huile, il faut procéder à un remplacement de la bougie. Retirer le capot (voir „Nettoyage du filtre à air“). Retirer la fiche de la bougie (7) de la bougie. Démontez la bougie uniquement avec la clé combinée comprise dans la fourniture.

Ecartement des électrodes
 L'écartement des électrodes doit être de .020" (0,5 mm).

B

Vérification de l'étincelle d'allumage



Pousser la bougie d'allumage dévissée (8) contre la clé (à partir du trou de la bougie) avec la cosse de bougie d'allumage bien fixée au moyen de la pince isolée.

Mettre le bouton multi-positions (9) sur ON.

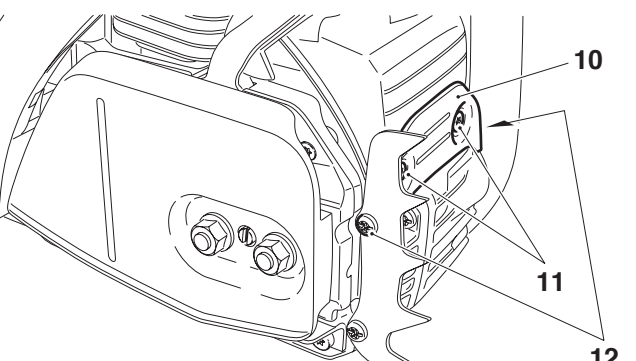
Tirer fortement sur le cordon de lancement.




En fonctionnement correct, l'étincelle doit être visible sur les électrodes.

ATTENTION: N'utilisez comme rechange que les bougies NGK BPMR 7A ou BOSCH WSR 6F.

C

Vérification des vis du silencieux



Enlever la tôle de maintien (10), dévisser à cette fin les vis (11, court) et (12, longue).

Les vis du silencieux sont maintenant accessibles par les trous du sac et il est possible de contrôler s'ils sont bien place. Les resserrer à la main si elles sont desserrées.

D

Remplacement du cordon de lancement / Remplacer la cassette de ressort de rappel

Dévisser les quatre vis (1).

Retirer le carter du ventilateur (2).

Enlever le déflecteur de ventilateur (3) du carter.

ATTENTION: Risque de blessure! Dévisser la vis (7) seulement lorsque le ressort de rappel est détendu!

En cas de remplacement du cordon de lancement, même si celui-ci n'est pas déchiré, détendre le ressort de rappel du tambour d'enroulement (13).

Pour cela, tirer entièrement le cordon hors du carter du ventilateur depuis la poignée de lancement.

Tenir le tambour d'enroulement d'une main, enfoncer le cordon dans l'échancrure (6) de l'autre main.

Tourner le tambour d'enroulement avec précaution jusqu'à ce que le ressort d'appel soit entièrement détendu.

Dévisser la vis (7) et enlever la rondelle (8).

Enlever le tambour d'enroulement avec **précaution**.

Enlever les vieux restes de cordon.

Enfiler le nouveau cordon (0.14" (3,5 mm) de \varnothing , 38.6" (980 mm) de longueur) comme montré sur la figure (en n'oubliant pas la rondelle (10)) et nouer les deux extrémités.

Insérer le nœud (11) dans le tambour d'enroulement (5).

Insérer le nœud (12) dans la poignée de lancement (9).

Poser le tambour, le tourner légèrement jusqu'à ce que le ressort de rappel s'enclenche.

Y insérer la vis (7) avec la rondelle (8) et bien visser.

Introduire le cordon dans l'échancrure (6) du tambour d'enroulement et tourner deux fois le tambour avec le cordon dans le sens des aiguilles.

Tenir le tambour d'enroulement de la main gauche, et démêler le cordon de la main droite, bien le tirer et le tenir.

Relâcher le tambour avec précaution. Ce faisant, le cordon s'enroule sur le tambour dû à la tension du ressort.

Répéter l'opération trois à quatre fois. La poignée de lancement doit être maintenant à la verticale près du carter du ventilateur.

INDICATION : Si la corde de lancement est tirée fortement, le tambour d'enroulement doit pouvoir faire un moins un 1/4 de tour contre l'effort de ressort.

ATTENTION: Risque de blessure ! Bloquer la poignée de lancement tirée. Elle peut rebondir en arrière si vous relâchez par inadvertance le tambour d'enroulement.

Remplacer la cassette de ressort de rappel

Démonter le carter du ventilateur et le tambour d'enroulement (voir ci-dessus).

ATTENTION: Risque de blessure ! Un ressort cassé peut sauter. Porter impérativement des lunettes et des gants de protection!

Frapper légèrement le carter du ventilateur avec toutes la surface d'appui du côté creux sur du bois et le **maintenir avant tout**. Soulever maintenant le carter du ventilateur **avec précaution et progressivement** étant donné que la cassette de ressort de rappel (13) tombée peut se détendre au cas où le ressort de rappel est sorti de la cassette en plastique.

Insérer un nouvelle cassette de ressort de rappel avec précaution et la pousser vers le bas jusqu'au bout. Monter le tambour d'enroulement avec la rondelle (8) et la vis (7).

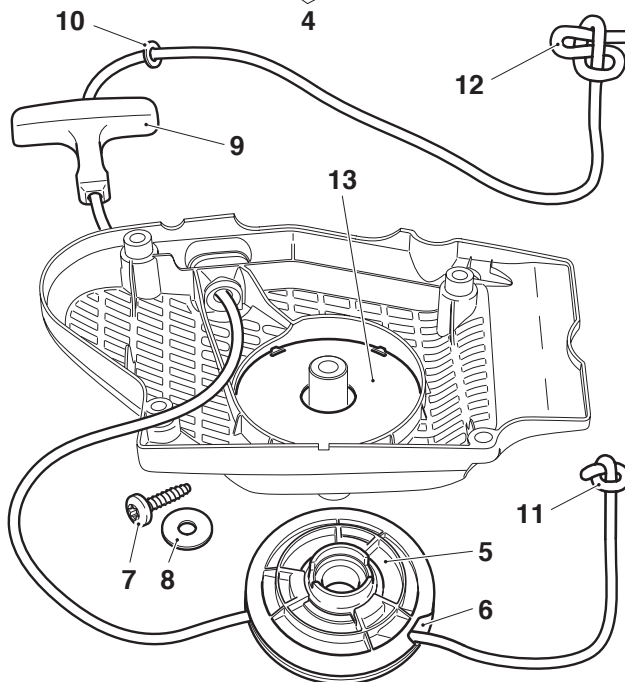
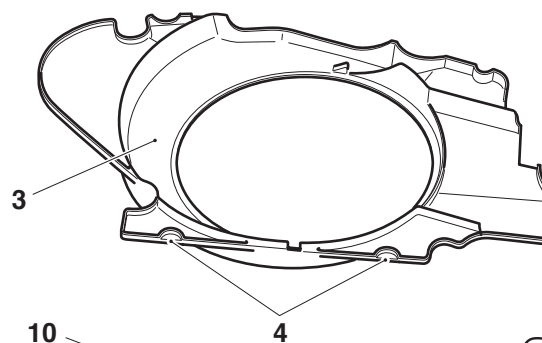
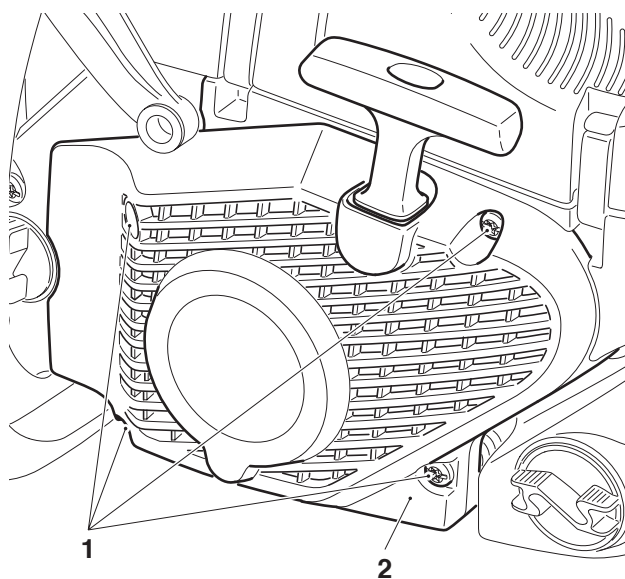
Tendre le ressort (voir ci-dessus).

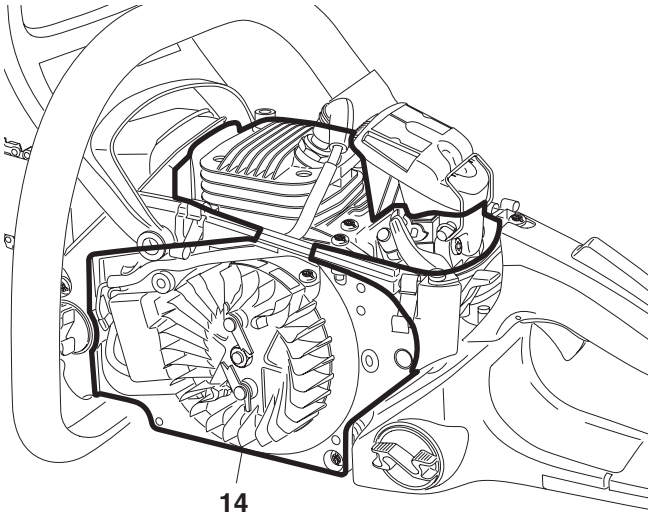
Montage du carter du ventilateur

Introduire le déflecteur de ventilateur (3) dans le carter du ventilateur, en laissant les deux évidements (4) s'enclencher.

Orienter le carter du ventilateur sur le carter, exercer une légère contre-pression en tirant sur le cordon de lancement jusqu'à ce que le dispositif de lancement s'enclenche.

Bien serrer les vis (1).





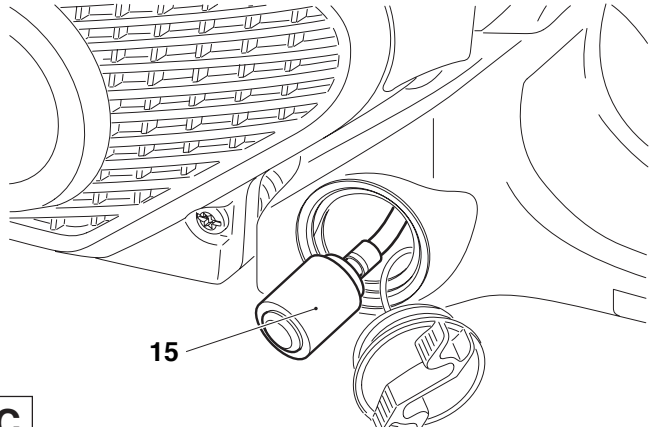
Nettoyage de l'espace cylindre

Retirer le capot.
Enlever le carter du ventilateur.

ATTENTION: En cas d'utilisation d'air comprimé pour le nettoyage, utiliser impérativement des lunettes de protection pour éviter toute blessure au niveau des yeux!

Toute la zone dégarnie (14) peut être nettoyée avec une brosse et de l'air comprimé.
Pour nettoyer les ailettes du cylindre, il est possible d'utiliser une brosse à bouteille.

B

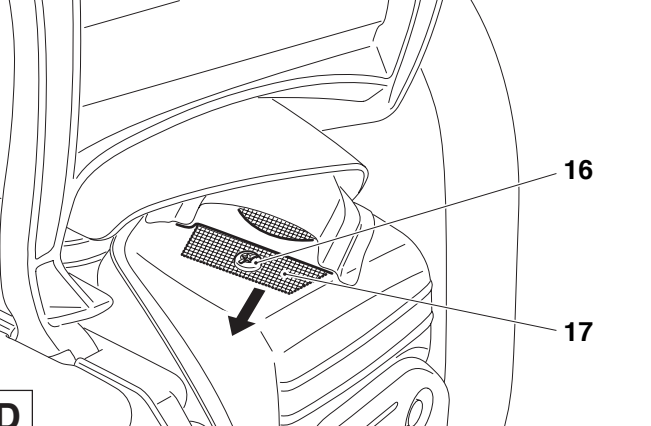


Remplacement de la crépine d'aspiration

Le filtre feutre (15) de la crépine d'aspiration peut se boucher pendant l'utilisation. Pour assurer une alimentation sans problème du carburant vers le carburateur, la crépine d'aspiration devra être remplacée environ tous les 3 mois.

Pour remplacer, tirer la crépine d'aspiration par l'ouverture du bouchon du réservoir avec un crochet en fil métallique ou une pince pointue.

C



Changement / nettoyage du pare-étincelles

Il faut vérifier et nettoyer régulièrement le pare-étincelles.

Desserrer le vis (16) et enlever le pare-étincelles (17).

ATTENTION: N'utilisez pas d'objets coupants ou pointus pour nettoyer le pare-étincelles car vous pourriez endommager ou déformer les fils du pare-étincelles.

Remontez le pare-étincelles et serrez la vis.

D

Indications de maintenance et d'entretien périodiques

De manière à garantir une longue durée de vie et le plein fonctionnement des dispositifs de sécurité et à éviter des détériorations, il faut effectuer régulièrement les travaux de maintenance décrits ci-dessous. Les réclamations ne pourront être reconnues comme telles si ces travaux ont été effectués régulièrement et correctement. Des accidents risquent de se produire en cas de non-observation.

Les utilisateurs de tronçonneuses doivent effectuer que les travaux de maintenance et d'entretien qui sont décrits dans la instructions d'emploi. Les travaux non compris dans cette liste ne doivent être exécutés que dans un atelier spécialisé de MAKITA.

			Page
Généralités	Tronçonneuse entière	Nettoyer l'extérieur et vérifier si elle n'est pas détériorée. En cas de détériorations, faire effectuer immédiatement les réparations par un spécialiste.	
	Chaîne de sciage	Raffûter régulièrement, remplacer à temps	66-67
	Frein à chaîne Guide de chaîne	Faire vérifier régulièrement par l'atelier spécialisé Tourner afin que les surfaces de roulement sollicitées s'usent de manière régulière.	59,68
	Cordon de lancement	Vérifier s'il n'est pas détérioré. Le remplacer en cas de détérioration.	72
Avant toute mise en route	Chaîne de sciage	Vérifier le tranchant et si elle n'est pas détériorée. Contrôler la tension de la chaîne.	66-67 59
	Guide de la chaîne	Vérifier s'il n'est pas détérioré	62
	Graissage de la chaîne	Vérifier le fonctionnement	64
	Frein de chaîne	Vérifier le fonctionnement	
	Bouton multi-positions, Touche de blocage de sécurité Lever de gaz Fermeture réservoirs huile et carburant	Vérifier le fonctionnement Vérifier l'étanchéité	63
Journelement	Filtre à air	Nettoyer (plusieurs fois par jour si nécessaire)	70
	Rail guide de la chaîne	Vérifier si il n'est pas détérioré, nettoyer l'orifice d'entrée d'huile	68
	Support, rail guide de chaîne	Nettoyer, particulièrement la rainure d'alimentation d'huile	62, 68
	Vitesse de rotation à vide	Contrôler (la chaîne ne doit pas être entraînée)	65
Toutes les semaines	Carter du ventilateur	Nettoyer pour garantir un parfait guidage de l'air de refroidissement.	55, 73
	l'espace cylindre	Nettoyer pour garantir un parfait guidage de l'air de refroidissement.	73
	Bougie	Vérifier, le cas échéant, remplacer	71
	Silencieux	Vérifier s'il n'est pas encrassé, nettoyer le pare-étincelles	71
	pare-étincelles	nettoyage	73
	Capteur de chaîne	Vérifier	58
Tous les 3 mois	Crépine d'aspiration	Remplacer	73
	Réservoirs carburant/huile	Nettoyer	
Tous les ans	Tronçonneuse entière	Faire vérifier par un atelier spécialisé	
Stockage	Tronçonneuse entière	Nettoyer l'extérieur et vérifier si elle n'est pas détériorée. En cas de détériorations, faire effectuer immédiatement les réparations par un spécialiste.	
	Chaîne de sciage et rail guide de la chaîne	Démonter, nettoyer et légèrement huiler Nettoyer la rainure de guidage du rail guide de la chaîne	68
	Réservoirs carburant/huile	Vidanger et nettoyer	
	Carburateur	Le laisser se vider en marche	

Service d'atelier, pièces de rechange et garantie

Maintenance et réparations

La maintenance et la remise en état de tronçonneuses modernes ainsi que les éléments les plus importants de la sécurité exigent une formation professionnelle qualifiée et un atelier équipé d'outillage spécial et d'appareils de contrôle.

Tous les travaux qui ne sont pas décrits dans ce manuel d'utilisation doivent être effectués par un atelier spécialisé MAKITA.

Le spécialiste dispose de la formation, de l'expérience et des équipements nécessaires pour vous apporter chaque fois la solution économique la plus avantageuse et vous apporte une aide d'assistance en pratique et en conseil.

La garantie s'annule en cas de tentatives de réparation effectuées par des tiers ou des personnes autorisées.

Veillez relever sur le répertoire des points de service ci-jointe l'atelier spécialisé le plus proche de chez vous.

Pièces de rechange

Le fonctionnement permanent fiable et la sécurité de votre appareil dépend aussi de la qualité des pièces de rechange utilisées. N'utilisez que des pièces de rechange d'origine MAKITA, signalées par 

Seules les pièces d'origine proviennent de la chaîne de production de l'appareil et vous assurent donc la qualité optimale du matériau, du respect des dimensions et du fonctionnement et une sécurité irréprochables.

Les pièces accessoires et de rechange d'origine vous sont proposées par votre vendeur spécialisé. Il dispose des listes de pièces de rechange nécessaires pour déterminer le numéro de la pièce de rechange nécessaire, et vous informera à fur et à mesure des améliorations de détail et des nouveautés dans l'offre des pièces de rechange.

Veuillez aussi noter, qu'en utilisant des pièces qui ne sont pas d'origine de MAKITA vous perdez tout droit à la garantie de l'organisation MAKITA.

Garantie

MAKITA garantit une qualité irréprochable et supporte les frais pour une amélioration par remplacement des pièces défectueuses dans le cas de défauts de matériel ou de fabrication qui se présentent dans le délai de garantie après le jour de vente. Veuillez noter que dans certains pays, il existe des conditions de garantie spécifiques. Adressez vous, en cas de doute, à votre vendeur. En tant que vendeur du produit, il doit vous assurer la garantie.

- Non respect de la manual d'emploi.
- Non exécution des travaux de maintenance et réparations nécessaires.
- Détériorations par suite d'un réglage non conforme du carburateur.
- Usure normale.
- Surcharge manifeste par dépassement permanent de la limite supérieure de la puissance.
- Utilisation de types de chaînes et de guides de la chaîne non agréés.
- Utilisation de longueurs de chaînes et de guides de la chaînes non admises.
- Forçage, traitement non conforme, emploi non autorisé ou cas d'accidents.
- Dégâts de surchauffe par suite d'encrassements sur les ailettes du cylindre et du carter du ventilateur.
- Interventions de personnes non compétentes ou essais de réparations non conformes.
- Utilisation de pièces de rechange non appropriées resp. de pièces non d'origine MAKITA, dans la mesure où elles sont sources de détériorations.
- Utilisation de produits de fonctionnement inadaptés ou superposés.
- Détériorations provenant de conditions d'utilisation du magasin de location.

Les travaux de nettoyage, d'entretien et de réglage ne sont pas reconnus comme prestations de garantie. Tout travail au titre de la garantie est à effectuer par le vendeur spécialiste MAKITA.

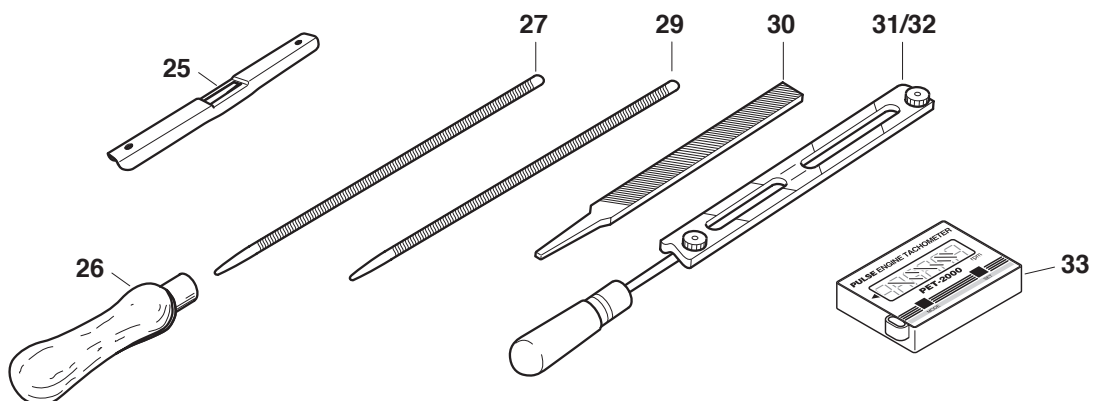
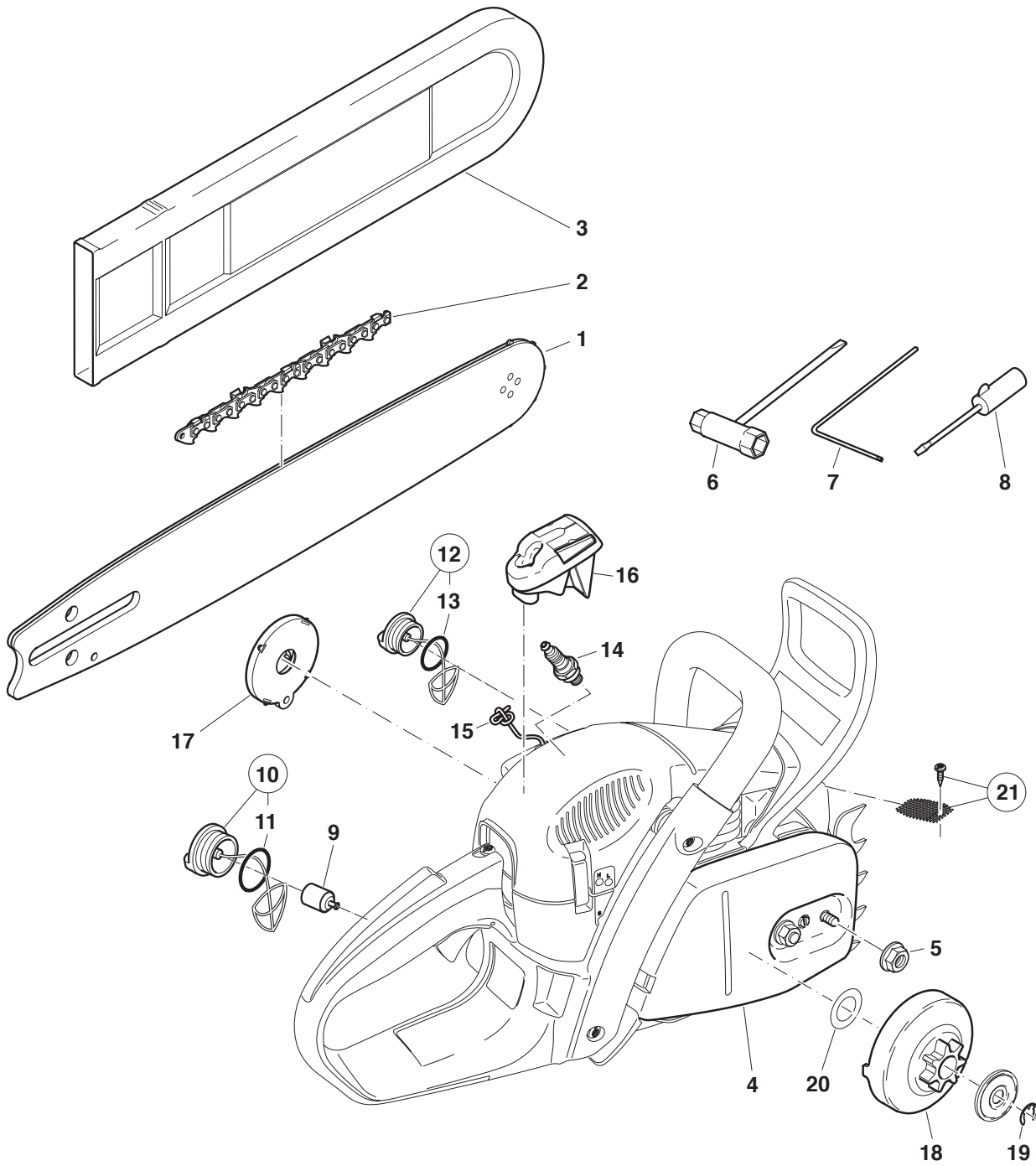
Recherche de pannes

Panne	Système	Observation	Origine
Chaîne ne démarre pas	Frein de chaîne	Moteur tourne	Frein de chaîne enclenché
Moteur ne démarre pas ou démarre difficilement	Système d'allumage Alimentation carburant Système de compression Défaut mécanique	Allumage existe Pas d'allumage Réservoir carburant rempli A l'intérieur de l'appareil A l'extérieur de l'appareil Lanceur n'accroche pas	Défaut dans l'alimentation du carburant, système de compression, défaut mécanique Commutateur STOP enclenché, défaut ou court-circuit dans le câblage, fiche de bougie, bougie défectueuse bouton multi-positions en position Starter, carburateur défectueux, crépine d'aspiration bouchée, conduite de carburant sectionnée ou coincée Joint du pied de cylindre défectueux, bagues à lèvres endommagées, segments de cylindre ou de pistons endommagés Bougie n'est pas étanche Ressort dans le démarreur brisé, pièces brisées à l'intérieur du moteur
Problèmes de démarrage à chaud	Carburateur	Carburant dans réservoir Étincelle existante	Réglage du carburateur non correct
Moteur démarre, mais s'arrête immédiatement après	Alimentation carburant	Carburant dans réservoir	Réglage du ralenti non correct, crépine d'aspiration ou carburateur encrassé Aération réservoir défectueux, conduite carburant interrompue, câble défectueux, bouton multi-positions défectueux, Soupape de décompression encrassée
Manque puissance	Plusieurs systèmes peuvent être mis en cause	Appareil tourne au ralenti	Filtre à air encrassé, faux réglage du carburateur, silencieux bouché, tuyau d'échappement des gaz dans le cylindre est bouché, pare-étincelles bouché.
Pas de graissage de la chaîne	Réservoir d'huile, pompe d'huile	Pas d'huile de chaîne sur la chaîne de sciage	Réservoir d'huile vide Rainure d'alimentation d'huile encrassée Vis de réglage de la pompe à huile dérégulée

Extrait de la liste des pièces de rechange

N'utilisez que des pièces de rechange d'origine MAKITA. Pour les réparations et la rechange pour d'autres pièces, votre atelier spécialisé MAKITA est compétent.

DCS460
DCS510



Extrait de la liste des pièces de rechange

N'utilisez que des pièces de rechange d'origine MAKITA. Pour les réparations et la rechange pour d'autres pièces, votre atelier spécialisé MAKITA est compétent.

DCS460
DCS510



Pos.	N°MAKITA	pcs.	Désignation	Accessoires (non compris dans la livraison)
1	445 040 641	1	Guide à étoile .325", 16"	25 953 100 090 1 Jauge de mesure des chaînes
	445 045 641	1	Guide à étoile .325", 18"	26 953 004 010 1 Manche de lime
2	513 486 666	1	Chaîne de sciage .325", pour 16"	27 953 003 100 1 Lime ronde ø 11/64", (4,5 mm)
	513 486 672	1	Chaîne de sciage .325", pour 18"	29 953 003 040 1 Lime ronde ø 7/32", (5,5 mm)
1	443 045 661	1	Guide à étoile 3/8", 18"	30 953 003 060 1 Lime plate
2	513 496 664	1	Chaîne de sciage 3/8", pour 18"	31 953 030 020 1 Porte lime 11/64"
				32 953 009 000 1 Porte lime 7/32"
				33 950 233 210 1 Tachymètre
3	952 100 633	1	Protège-guide pour 16"	- 949 000 035 1 Nourrice combinée
	952 100 643	1	Protège-guide pour 18"	(pour 5l carburant, 2,5l huile de chaîne de sciage)
4	957 213 600	1	Protection cpl. roue à chaîne	
5	923 208 004	2	Ecrou hexag. M8	
6	941 719 131	1	Clé combinée Ouverture 19/13	
7	940 827 000	1	Tournevis coudé	
8	944 340 001	1	Tournevis pour carburateur	
9	010 114 010	1	Crépine d'aspiration	
10	181 114 200	1	Bouchon du réservoir d'essence complet	
11	963 229 036	1	O-Ring 29,3x3,6 mm	
12	170 114 060	1	Capuchon cpl. réservoir huile	
13	963 225 030	1	O-Ring 25x3 mm	
14	965 603 021	1	Bougie	
15	108 164 020	1	ordon de lancement 3,5x980 mm	
16	181 173 010	1	Filtre à air (nylon)	
16	181 173 100	1	Filtre à air (voile)	
17	181 163 020	1	Cassette de ressort d'appel complète	
18	181 223 310	1	Tambour d'accouplement cpl., .325", 7 dents	
	181 223 320	1	Tambour d'accouplement cpl., 3/8", 7 dents	
19	927 408 000	1	Rondelle de sûreté	
20	021 224 010	1	Disque	
21	181 174 250	1	Pare-étincelles complet	



Makita U.S.A., Inc.
14930 Northam Street
La Mirada
CA 90638-5753
USA

Makita Canada Inc.
DOLMAR Division
1950 Forbes Street
Whitby, Ontario
Canada, L1N 7B7

Form: 995 707 960 (11.05 GB, FR)
Specifications subject to change without notice
Changements sans préavis