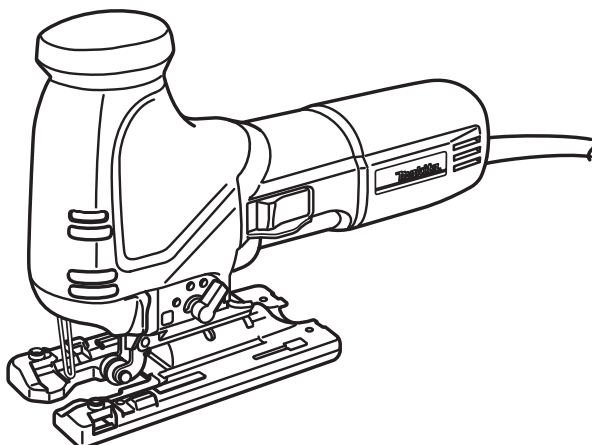
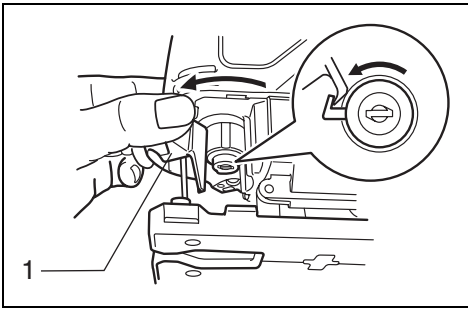


Makita®

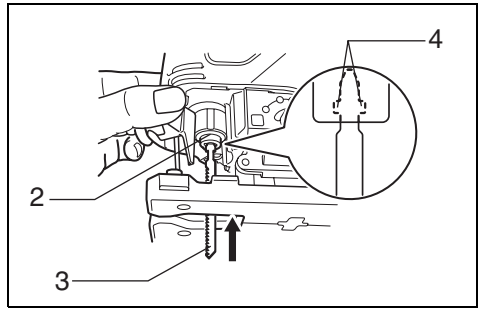
| | | |
|-----------|-----------------------------|--------------------------------|
| GB | Jig Saw | Instruction Manual |
| F | Scie sauteuse | Manuel d'instructions |
| D | Stichsäge | Betriebsanleitung |
| I | Seghetto alternativo | Istruzioni per l'uso |
| NL | Decoupeerzaag | Gebruiksaanwijzing |
| E | Sierra caladora | Manual de instrucciones |
| P | Serra tico-tico | Manual de instruções |
| DK | Dekupørsav | Brugsanvisning |
| S | Sticksåg | Bruksanvisning |
| N | Stikksag | Bruksanvisning |
| SF | Pistosaha | Käyttöohje |
| GR | Παλινδρομικό Πριόνι | Οδηγίες χρήσεως |
| TR | Oyma testeresi | El kitabı |

4341T
4341CT
4341FCT

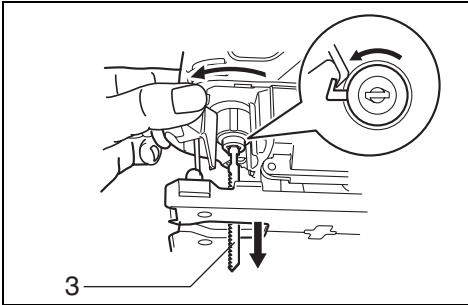




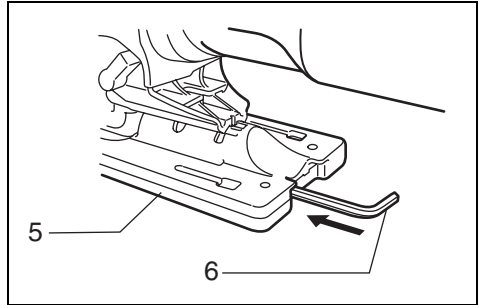
1



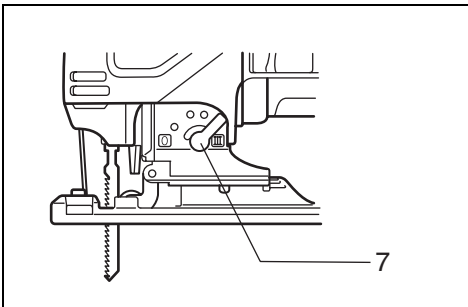
2



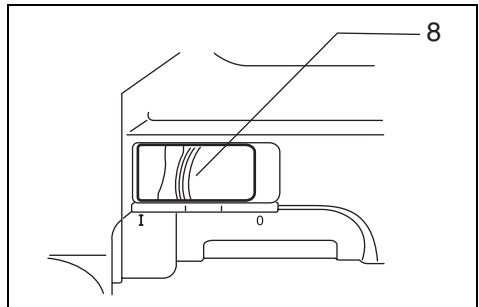
3



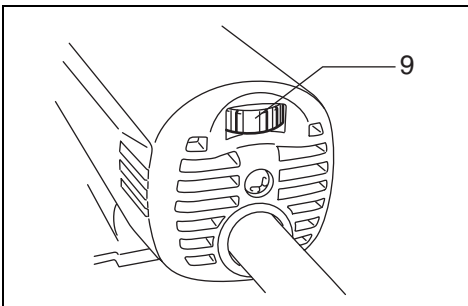
4



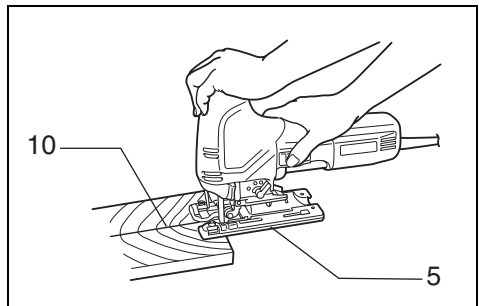
5



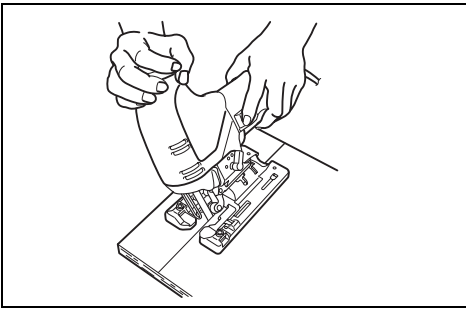
6



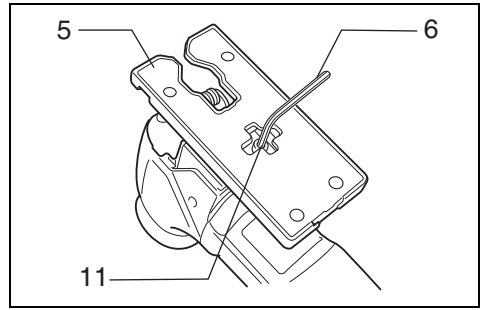
7



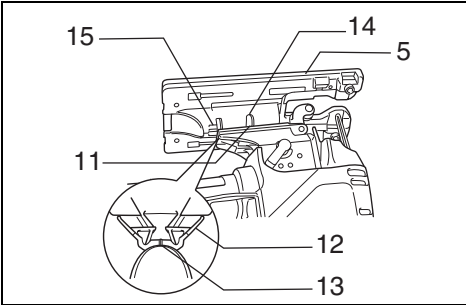
8



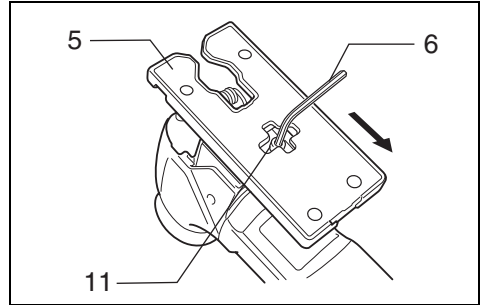
9



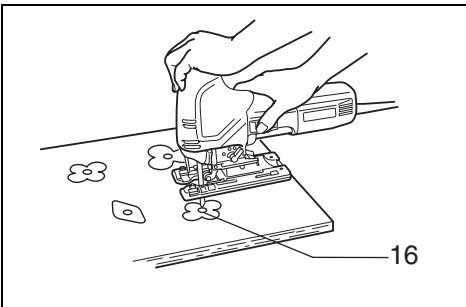
10



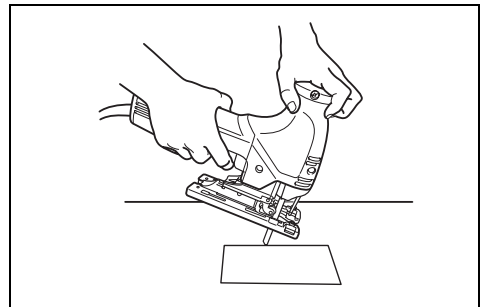
11



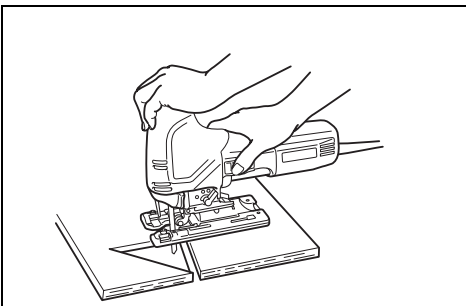
12



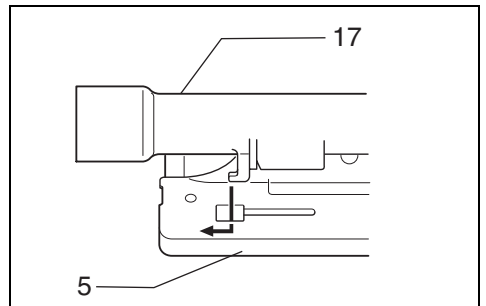
13



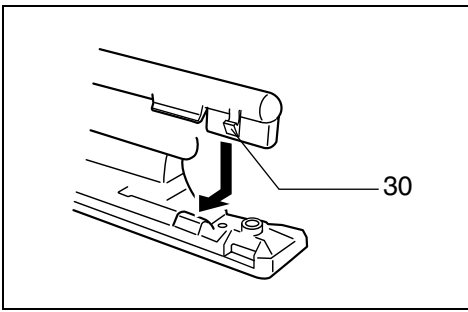
14



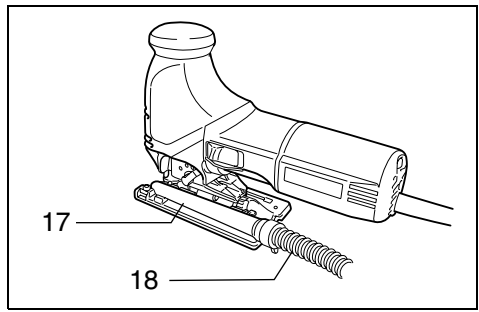
15



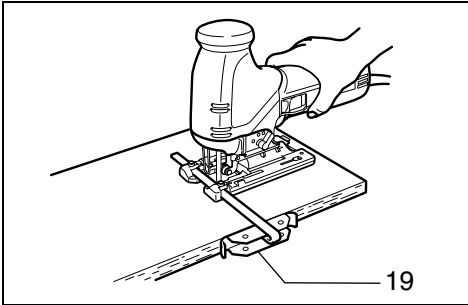
16



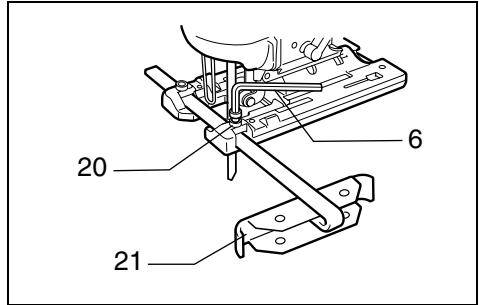
17



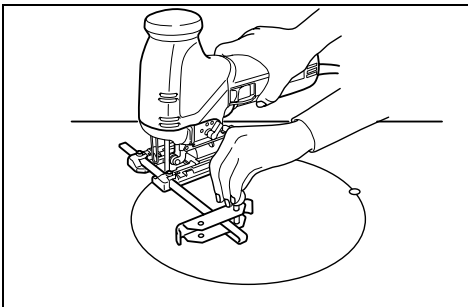
18



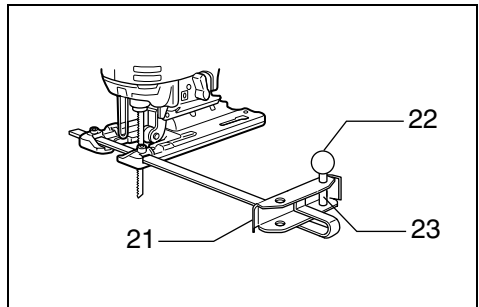
19



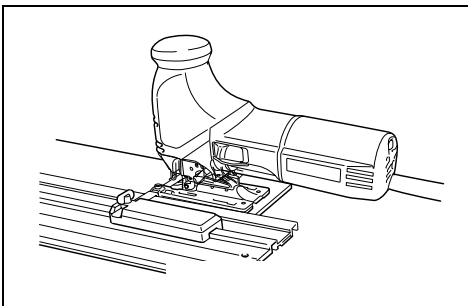
20



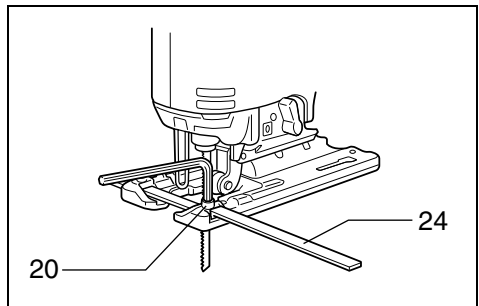
21



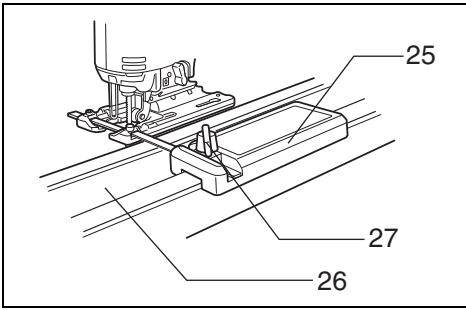
22



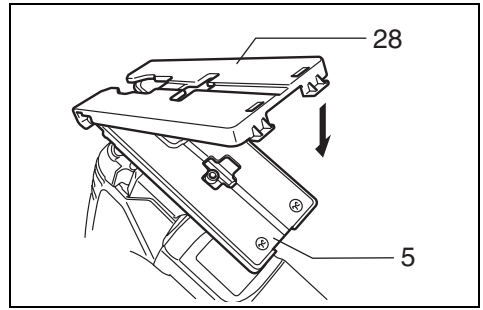
23



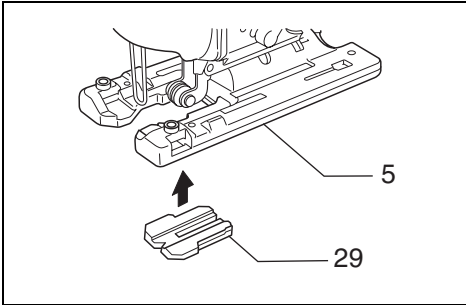
24



25



26



27

Symbols

The followings show the symbols used for the tool. Be sure that you understand their meaning before use.

Symboles

Nous donnons ci-dessous les symboles utilisés pour l'outil. Assurez-vous que vous en avez bien compris la signification avant d'utiliser l'outil.

Symbole

Die folgenden Symbole werden für die Maschine verwendet. Machen Sie sich vor der Benutzung unbedingt mit ihrer Bedeutung vertraut.

Simboli

Per questo utensile vengono usati i simboli seguenti. Bisogna capire il loro significato prima di usare l'utensile.

Symolen

Voor dit gereedschap worden de volgende symbolen gebruikt. Zorg ervoor dat u de betekenis van deze symbolen begrijpt alvorens het gereedschap te gebruiken.

Símbolos

A continuación se muestran los símbolos utilizados con esta herramienta. Asegúrese de que entienda su significado antes de usarla.

Símbolos

O seguinte mostra os símbolos utilizados para a ferramenta. Certifique-se de que compreende o seu significado antes da utilização.

Symboler

Nedenstående symboler er anvendt i forbindelse med denne maskine. Vær sikker på, at De har forstået symbolernes betydning, før maskinen anvendes.

Symboler

Det följande visar de symboler som används för den här maskinen. Se noga till att du förstår deras innebörd innan maskinen används.

Symbole

Følgende viser de symbolene som brukes for maskinen. Det er viktig å forstå betydningen av disse før maskinen tas i bruk.

Symbolit

Alla on esitetty koneessa käytetyt symbolit. Opettele näiden merkitys, ennen kuin käytät konetta.

Σύμβολα

Τα ακόλουθα δείχνουν τα σύμβολα που χρησιμοποιούνται για το μηχάνημα. Βεβαιωθείτε ότι καταλαβαίνετε τη σημασία τους πριν από τη χρήση.

Semboller

Aşağıdakiler makinanız için kullanılan sembolleri göstermektedir. Kullanmadan önce manalarını anladığınızdan emin olunuz.



- Read instruction manual.
- Lire le mode d'emploi.
- Bitte Betriebsanleitung lesen.
- Leggete il manuale di istruzioni.
- Lees de gebruiksaanwijzing.
- Lea el manual de instrucciones.

- Leia o manual de instruções.
- Læs brugsanvisningen.
- Läs bruksanvisningen.
- Les bruksanvisningen.
- Katso käyttöohjeita.
- Διαβάστε τις οδηγίες χρήσης.
- El kitabını okuyunç



- DOUBLE INSULATION
- DOUBLE ISOLATION
- DOPPELT SCHUTZISOLIERT
- DOPPIO ISOLAMENTO
- DUBBELE ISOLATIE
- DOBLE AISLAMIENTO

- DUPLO ISOLAMENTO
- DOBBELT ISOLATION
- DUBBEL ISOLERING
- DOBBEL ISOLERING
- KAKSINKERTAINEN ERISTYS
- ΔΙΠΛΗ ΜΟΝΩΣΗ
- ÇİFT YALITIMLI

ENGLISH

Explanation of general view

| | | | | | |
|----|-------------------------------|----|-------------------------|----|-------------------------|
| 1 | Tool opener | 11 | Bolt | 21 | Fence guide |
| 2 | Blade clamp | 12 | Gear housing | 22 | Threaded knob |
| 3 | Jig saw blade | 13 | V-notch | 23 | Circular guide pin |
| 4 | Protrusions | 14 | Bevel slot | 24 | Rule bar |
| 5 | Base | 15 | Graduations | 25 | Guide rail adapter |
| 6 | Hex wrench | 16 | Starting hole | 26 | Guide rail |
| 7 | Cutting action changing lever | 17 | Dust nozzle | 27 | Screw |
| 8 | Switch lever | 18 | Hose for vacuum cleaner | 28 | Cover plate |
| 9 | Speed adjusting dial | 19 | Rip fence | 29 | Anti-splintering device |
| 10 | Cutting line | 20 | Bolt | 30 | Hook |

SPECIFICATIONS

| Model | 4341T | 4341CT | 4341FCT |
|---|--------|-------------|-------------|
| Length of stroke..... | 26 mm | 26 mm | 26 mm |
| Cutting capacities | | | |
| Wood..... | 110 mm | 135 mm | 135 mm |
| Steel..... | 10 mm | 10 mm | 10 mm |
| Strokes per minute (min ⁻¹) | 2,800 | 800 – 2,800 | 800 – 2,800 |
| Overall length | 271 mm | 271 mm | 271 mm |
| Net weight..... | 2.4 kg | 2.4 kg | 2.4 kg |

- Due to our continuing programme of research and development, the specifications herein are subject to change without notice.
- Note: Specifications may differ from country to country.

Intended use

The tool is intended for the sawing of wood, plastic and metal materials. As a result of the extensive accessory and saw blade program, the tool can be used for many purposes and is very well suited for curved or circular cuts.

Power supply

The tool should be connected only to a power supply of the same voltage as indicated on the nameplate, and can only be operated on single-phase AC supply. They are double-insulated in accordance with European Standard and can, therefore, also be used from sockets without earth wire.

Safety hints

For your own safety, please refer to the enclosed safety instructions.

ADDITIONAL SAFETY RULES

ENB062-1

1. **Hold tool by insulated gripping surfaces when performing an operation where the cutting tools may contact hidden wiring or its own cord. Contact with a "live" wire will make exposed metal parts of the tool "live" and shock the operator.**
2. **Avoid cutting nails. Inspect workpiece for any nails and remove them before operation.**
3. **Do not cut hollow pipe.**
4. **Do not cut oversize workpiece.**
5. **Check for the proper clearance beyond the workpiece before cutting so that the blade will not strike the floor, workbench, etc.**
6. **Hold the tool firmly.**
7. **Make sure the blade is not contacting the workpiece before the switch is turned on.**
8. **Keep hands away from moving parts.**

9. **Do not leave the tool running. Operate the tool only when hand-held.**
10. **Always switch off and wait for the blade to come to a complete stop before removing the blade from the workpiece.**
11. **Do not touch the blade or the workpiece immediately after operation; they may be extremely hot and could burn your skin.**

SAVE THESE INSTRUCTIONS.

OPERATING INSTRUCTIONS

Installing or removing saw blade (Fig. 1, 2 & 3)

CAUTION:

- Always be sure that the tool is switched off and unplugged before installing or removing the blade.
- Always clean out all chips or foreign matter adhering to the blade and/or blade holder. Failure to do so may cause insufficient tightening of the blade, resulting in a serious injury.
- Do not touch the blade or the workpiece immediately after operation; they may be extremely hot and could burn your skin.
- Tighten the saw blade securely. Failure to do so may cause a serious injury.

Installing saw blade

Open the tool opener to the position shown in the figure. (Fig. 1)

Keeping that situation, insert the saw blade into the blade clamp as far as the two protrusions of the blade can not be seen. (Fig. 2)

Return the tool opener to its original position. After installing the saw blade, always make sure that the blade is securely held in place by trying to pull it out.

CAUTION:

Do not open the tool opener excessively, or it may cause tool damage.

Removing saw blade

CAUTION:

When you remove the saw blade, be careful not to hurt your fingers with the top of the blade or the tips of workpiece.

Open the tool opener to the position shown in the figure. Pull the saw blade out toward the base. (Fig. 3)

NOTE:

Occasionally lubricate the roller.

Selecting the cutting action (Fig. 5)

This tool can be operated with an orbital or a straight line (up and down) cutting action. The orbital cutting action thrusts the blade forward on the cutting stroke and greatly increases cutting speed.

To change the cutting action, just turn the cutting action changing lever to the desired cutting action position. Refer to the table below to select the cutting action.

| Position | Cutting action | Applications |
|----------|------------------------------|--|
| 0 | Straight line cutting action | For cutting mild steel, stainless steel and plastics. For clean cuts in wood and plywood. |
| I | Small orbit cutting action | For cutting mild steel, aluminum and hard wood. |
| II | Medium orbit cutting action | For cutting wood and plywood. For fast cutting in aluminum and mild steel. |
| III | Large orbit cutting action | For fast cutting in wood and plywood. |

Switch action (Fig. 6)

CAUTION:

Before plugging in the tool, always check to see that the tool is switched off.

To start the tool, slide the switch lever to the "I" position. To stop the tool, slide the switch lever to the "O" position.

Speed adjusting dial (Fig. 7)

For 4341CT, 4341FCT only

The tool speed can be infinitely adjusted between 800 and 2,800 strokes per minute by turning the adjusting dial. Higher speed is obtained when the dial is turned in the direction of number 5; lower speed is obtained when it is turned in the direction of number 1. Refer to the table below to select the proper speed for the workpiece to be cut. However, the appropriate speed may differ with the type or thickness of the workpiece. In general, higher speeds will allow you to cut workpieces faster but the service life of the blade will be reduced.

| Workpiece to be cut | Number on adjusting dial |
|---------------------|--------------------------|
| Wood | 4 – 5 |
| Mild steel | 3 – 5 |
| Stainless steel | 3 – 4 |
| Aluminum | 3 – 5 |
| Plastics | 1 – 4 |

CAUTION:

The speed adjusting dial can be turned only as far as 5 and back to 1. Do not force it past 5 or 1, or the speed adjusting function may no longer work.

Hex wrench storage (Fig. 4)

When not in use, the hex wrench can be conveniently stored.

For 4341CT, 4341FCT only

The tools equipped with electronic function are easy to operate because of the following features.

Constant speed control

Electronic speed control for obtaining constant speed. Possible to get fine finish, because the rotating speed is kept constant even under load condition.

Soft start feature

Safety and soft start because of suppressed starting shock.

Lighting up the lamps (For 4341FCT only)

CAUTION:

Do not look in the light or see the source of light directly.

To turn on the lamp, pull the trigger. Release the trigger to turn it off.

NOTE:

Use a dry cloth to wipe the dirt off the lens of lamp. Be careful not to scratch the lens of lamp, or it may lower the illumination.

Operation (Fig. 8)

CAUTION:

Always hold the tool base flush with the workpiece. Failure to do so may cause blade breakage, resulting in a serious injury.

Turn the tool on and wait until the blade attains full speed. Then rest the tool base flat on the workpiece and gently move the tool forward along the previously marked cutting line. When cutting curves, advance the tool very slowly.

Bevel cutting

CAUTION:

- Always be sure that the tool is switched off and unplugged before tilting the tool base.

With the tool base tilted, you can make bevel cuts at any angle between 0° and 45° (left or right). (Fig. 9)

Loosen the bolt on the back of the base with the hex wrench. Move the base so that the bolt is positioned in the center of the bevel slot in the base. (Fig. 10 & 11)

Tilt the base until the desired bevel angle is obtained. The V-notch of the gear housing indicates the bevel angle by graduations. Then tighten the bolt firmly to secure the base. (Fig. 11)

Front flush cuts (Fig. 12)

Loosen the bolt on the back of the tool base with the hex wrench, then move the tool base all the way back. Then tighten the bolt to secure the tool base.

Cutouts

Cutouts can be made with either of two methods A or B.

- A) Boring a starting hole: For internal cutouts without a lead-in cut from an edge, pre-drill a starting hole 12 mm or more in diameter. Insert the blade into this hole to start your cut. (Fig. 13)
- B) Plunge cutting: You need not bore a starting hole or make a lead-in cut if you carefully do as follows.
 1. Tilt the tool up on the front edge of the base, with the blade point positioned just above the workpiece surface. (Fig. 14)
 2. Apply pressure to the tool so that the front edge of the base will not move when you switch on the tool and gently lower the back end of the tool slowly.
 3. As the blade pierces the workpiece, slowly lower the base of the tool down onto the workpiece surface.
 4. Complete the cut in the normal manner.

Finishing edges (Fig. 15)

To trim edges or make dimensional adjustments, run the blade lightly along the cut edges.

Metal cutting

Always use a suitable coolant (cutting oil) when cutting metal. Failure to do so will cause significant blade wear. The underside of the workpiece can be greased instead of using a coolant.

Dust extraction

The dust nozzle (accessory) is recommended to perform clean cutting operations. To attach the dust nozzle on the tool, insert the hook of dust nozzle into the hole in the base. (Fig. 16 & 17)

The dust nozzle can be installed on either left or right side of the base. Then connect a Makita vacuum cleaner to the dust nozzle. To remove the dust nozzle, follow the installing procedure in reverse. (Fig. 18)

CAUTION:

If you try to remove the dust nozzle forcibly, the hook of the dust nozzle can be diminished and removed unintentionally during operation.

Rip fence set (accessory)

CAUTION:

Always be sure that the tool is switched off and unplugged before installing or removing accessories.

1) Straight cuts (Fig. 19 & 20)

When repeatedly cutting widths of 160 mm or less, use of the rip fence will assure fast, clean, straight cuts. To install, insert the rip fence into the rectangular hole on the side of the tool base with the fence guide facing down. Slide the rip fence to the desired cutting width position, then tighten the bolt to secure it.

2) Circular cuts (Fig. 21 & 22)

When cutting circles or arcs of 170 mm or less in radius, install the rip fence as follows.

Insert the rip fence into the rectangular hole on the side of the tool base with the fence guide facing up. Insert the circular guide pin through either of the two holes on the fence guide. Screw the threaded knob onto the pin to secure the pin.

Now slide the rip fence to the desired cutting radius, and tighten the bolt to secure it in place. Then move the tool base all the way forward.

NOTE:

Always use blades No. B-17, B-18, B-26 or B-27 when cutting circles or arcs.

Guide rail adapter set (accessory)

When cutting parallel and uniform width or cutting straight, the use of the guide rail and the guide rail adapter will assure the production of fast and clean cuts. (Fig. 23)

To install the guide rail adapter, insert the rule bar into the square hole of the base as far as it goes. Secure the bolt with the hex wrench securely. (Fig. 24)

Install the guide rail adapter on the rail of the guide rail. Insert the rule bar into the square hole of the guide rail adapter. Put the base to the side of the guide rail, and secure the bolt securely. (Fig. 25)

CAUTION:

Always use blades No. B-8, B-13, B-16, B-17 or 58 when using the guide rail and the guide rail adapter.

Cover plate (Fig. 26)

Use the cover plate when cutting decorative veneers, plastics, etc. It protects sensitive or delicate surfaces from damage. Fit it on the back of the tool base.

Anti-splintering device (Fig. 27)

For splinter-free cuts, the anti-splintering device can be used. To install the anti-splintering device, move the tool base all the way forward and fit it from the back of tool base. When you use the cover plate, install the anti-splintering device onto the cover plate.

CAUTION:

The anti-splintering device cannot be used when making bevel cuts.

MAINTENANCE

CAUTION:

Always be sure that the tool is switched off and unplugged before carrying out any work on the tool.

To maintain product safety and reliability, repairs, maintenance or adjustment should be carried out by a Makita Authorized Service Center.

Descriptif

| | | |
|--|-------------------------|---------------------------------------|
| 1 Ouverture de l'outil | 10 Trait de coupe | 21 Guide de garde |
| 2 Collier de serrage de la lame | 11 Boulon | 22 Bouton fileté |
| 3 Lame de scie sauteuse | 12 Carter d'engrenages | 23 Goupille de guide circulaire |
| 4 Saillies | 13 Entaille en V | 24 Règle |
| 5 Base | 14 Fente angulaire | 25 Adaptateur pour guide de délignage |
| 6 Clé hexagonale | 15 Graduations | 26 Guide de délignage |
| 7 Levier de sélection du type de coupe | 16 Trou d'amorce | 27 Vis |
| 8 Gâchette | 17 Raccord d'aspiration | 28 Plaque de recouvrement |
| 9 Molette de réglage de la vitesse | 18 Tuyau d'aspirateur | 29 Dispositif anti-éclat |
| | 19 Guide parallèle | 30 Crochet |
| | 20 Boulon | |

SPECIFICATIONS

| Modèle | 4341T | 4341CT | 4341FCT |
|---|--------|-------------|-------------|
| Longueur de course | 26 mm | 26 mm | 26 mm |
| Capacités de coupe | | | |
| Bois | 110 mm | 135 mm | 135 mm |
| Acier | 10 mm | 10 mm | 10 mm |
| Nombre de courses/mn (min ⁻¹) | 2 800 | 800 – 2 800 | 800 – 2 800 |
| Longueur hors tout | 271 mm | 271 mm | 271 mm |
| Poids net | 2,4 kg | 2,4 kg | 2,4 kg |

• Etant donné l'évolution constante de notre programme de recherche et de développement, les spécifications contenues dans ce manuel sont sujettes à modification sans préavis.

• Note : Les spécifications peuvent varier suivant les pays.

Utilisations

L'outil est conçu pour la coupe des matériaux de bois, de plastique et de métal. L'étendue de la gamme d'accessoires et de lames disponibles permet d'utiliser l'outil à des fins multiples et le rend tout particulièrement adapté aux coupes curvilignes et circulaires.

Alimentation

L'outil ne devra être raccordé qu'à une alimentation de la même tension que celle qui figure sur la plaque signalétique, et il ne pourra fonctionner que sur un courant secteur monophasé. Réalisé avec une double isolation, il est conforme à la réglementation européenne et peut de ce fait être alimenté sans mise à la terre.

Consignes de sécurité

Pour votre propre sécurité, reportez-vous aux consignes de sécurité qui accompagnent l'outil.

CONSIGNES DE SECURITE SUPPLEMENTAIRES

1. **Saisissez l'outil par ses surfaces de poigne isolées lorsque vous effectuez une opération au cours de laquelle l'outil tranchant peut entrer en contact avec des fils cachés ou avec son propre cordon. Le contact avec un fil sous tension mettra les parties métalliques exposées de l'outil sous tension, causant ainsi un choc électrique chez l'utilisateur.**
2. **Attention aux clous. Avant l'utilisation, vérifiez la présence de clous sur la pièce et, le cas échéant, retirez-les.**
3. **Ne pas scier de tuyaux.**

4. **Ne pas scier d'éléments dont le diamètre dépasse la capacité de coupe de la scie.**
5. **Vérifiez s'il y a un espace suffisant sous la pièce à travailler avant la coupe, afin que la lame ne frappe pas le plancher, l'établi, etc.**
6. **Tenir fermement l'outil en main.**
7. **Vérifier que la lame n'est pas en contact avec l'élément à scier avant de mettre la scie sauteuse en marche.**
8. **Ne jamais approcher les mains des organes mobiles.**
9. **Ne pas laisser l'outil fonctionner tout seul. Ne le mettre en marche que lorsque vous l'avez en main.**
10. **Couper l'alimentation et attendre que la lame soit complètement arrêtée avant de dégager la lame d'un élément partiellement scié.**
11. **Ne jamais toucher directement la lame immédiatement après avoir scié en raison des risques de brûlure.**

CONSERVEZ CES INSTRUCTIONS.

MODE D'EMPLOI

Pose et dépôt de la lame de scie sauteuse (Fig. 1, 2 et 3)

ATTENTION :

- Assurez-vous toujours que le contact est coupé et l'outil débranché avant d'installer ou de retirer la lame.
- Enlevez toujours les copeaux et autres corps étrangers qui adhèrent à la lame et/ou à la tige porte-lame. Sinon, la lame risque de ne pas être suffisamment serrée, ce qui pourrait provoquer de graves blessures.
- Ne touchez ni la lame ni la pièce travaillée immédiatement après l'opération ; elles peuvent être extrêmement chaudes et brûler votre peau.
- Serrez la lame fermement. Sinon, il y a risque de blessure grave.

Pose de la lame

Déployez l'ouverture de l'outil sur la position indiquée sur l'illustration. (Fig. 1)

En maintenant l'ouverture sur cette position, insérez la lame dans le collier de serrage, jusqu'à ce que les deux saillies de la lame ne soient plus visibles. (Fig. 2)

Remettez l'ouverture de l'outil sur sa position initiale. Une fois la lame posée, tirez dessus pour vous assurer qu'elle demeure fermement en place.

ATTENTION :

Ne déployez pas l'ouverture de l'outil de manière excessive, pour éviter d'endommager l'outil.

Dépose de la lame

ATTENTION :

Lors de la dépose de la lame, prenez garde de vous blesser aux doigts avec l'extrémité de la lame ou les bouts de la pièce.

Déployez l'ouverture de l'outil sur la position indiquée sur l'illustration. Retirez la lame en la tirant vers la base de l'outil. (Fig. 3)

NOTE :

Lubrifiez de temps en temps la roulette.

Rangement de la clé hexagonale (Fig. 4)

L'outil comprend un dispositif de rangement pratique pour la clé hexagonale après son utilisation.

Sélection du type de coupe (Fig. 5)

L'outil peut effectuer des coupes orbitales ou des coupes en ligne droite (vers le haut et vers le bas). La coupe orbitale lance la lame vers l'avant sur la course de coupe et améliore grandement la vitesse de coupe.

Pour modifier le type de coupe, tournez simplement le levier de sélection du type de coupe sur la position correspondant au type de coupe voulu. Pour sélectionner le type de coupe, reportez-vous au tableau ci-dessous.

| Position | Type de coupe | Applications |
|----------|------------------------|---|
| 0 | Coupe en ligne droite | Pour la coupe d'acier doux, d'acier inoxydable et de matériaux en plastique. Pour des coupes nettes dans du bois et du contreplaqué. |
| I | Coupe à petite orbite | Pour la coupe d'acier doux, d'aluminium et de bois dur. |
| II | Coupe à orbite moyenne | Pour la coupe de bois et de contreplaqué. Pour des coupes rapides dans de l'aluminium et de l'acier doux. |
| III | Coupe à grande orbite | Pour la coupe rapide de bois et de contreplaqué. |

Interrupteur (Fig. 6)

ATTENTION :

Avant de brancher l'outil, assurez-vous toujours que le contact est coupé.

Pour faire démarrer l'outil, faites glisser la gâchette du côté "I". Pour l'arrêter, faites glisser la gâchette du côté "O".

Molette de réglage de la vitesse (Fig. 7)

Pour 4341CT et 4341FCT uniquement

Vous pouvez régler la vitesse de l'outil sur toute valeur comprise entre 800 et 2 800 courses par minute en tournant la molette de réglage. La vitesse augmente quand vous tournez la molette vers le chiffre 5, et elle diminue quand vous tournez la molette vers le chiffre 1. Pour sélectionner la vitesse qui convient en fonction du matériau, voyez le tableau ci-dessous. Toutefois, la vitesse qui convient peut varier en fonction du type ou de l'épaisseur du matériau. En général, des vitesses rapides permettront de couper les matériaux plus rapidement, mais cela réduira la durée de service de la lame.

| Matériau à couper | Chiffre de la molette de réglage |
|---------------------|----------------------------------|
| Bois | 4 – 5 |
| Acier doux | 3 – 5 |
| Acier inoxydable | 3 – 4 |
| Aluminium | 3 – 5 |
| Matières plastiques | 1 – 4 |

ATTENTION :

Vous ne pourrez pas tourner la molette de réglage de la vitesse plus loin que le chiffre 5 et le chiffre 1. Ne la tournez pas de force au-delà de ces chiffres, sinon elle risque de ne plus fonctionner.

Pour 4341CT et 4341FCT uniquement

Les caractéristiques qui suivent facilitent l'utilisation des outils munis de fonctions électroniques.

Commande de vitesse constante

Commande électronique de la vitesse afin d'obtenir une vitesse constante. Permet d'obtenir une finition précise puisque la vitesse de rotation est maintenue constante même dans des conditions de lourde charge.

Fonction de démarrage en douceur

Démarrage sûr et en douceur, grâce à la suppression du choc de démarrage.

Allumage de la lampe (pour 4341FCT uniquement)

ATTENTION :

Évitez de regarder directement le faisceau lumineux ou sa source.

Pour allumer la lampe, appuyez sur la gâchette. Pour l'éteindre, relâchez la gâchette.

NOTE :

Utilisez un chiffon sec pour essuyer la saleté qui recouvre la lentille de la lampe. Prenez garde de rayer la lentille de la lampe, pour éviter une diminution de l'éclairage.

Utilisation (Fig. 8)

ATTENTION :

Maintenez toujours la base de l'outil exactement au niveau du matériau. Sinon, vous risquez de briser la lame et de vous blesser grièvement.

Mettez l'outil en marche et attendez que la lame ait atteint sa vitesse de régime. Puis, amenez la base en contact avec le matériau à scier, et déplacez normalement l'outil vers l'avant en suivant le trait marqué préalablement. Faites avancer l'outil très lentement quand la lame doit suivre des courbes.

Coupe en biais

ATTENTION :

Assurez-vous toujours que le contact est coupé et l'outil débranché avant d'incliner la base de l'outil.

En inclinant la base de l'outil, vous pouvez effectuer des coupes en biais sur tout angle compris entre 0° et 45° (vers la gauche ou la droite). (Fig. 9)

Desserrez le boulon qui se trouve à l'arrière de la base de l'outil à l'aide de la clé hexagonale. Déplacez la base de l'outil de façon que le boulon se trouve au centre de la fente angulaire sur la base. (Fig. 10 et 11)

Inclinez la base de l'outil de façon à obtenir l'angle de biseau voulu. L'entaille en V du carter d'engrenages indique l'angle de biseau au moyen de graduations. Serrez ensuite fermement le boulon pour fixer la base. (Fig. 11)

Sciage au ras d'un obstacle (Fig. 12)

Desserrez le boulon au dos de la base de l'outil à l'aide de la clé hexagonale, et reculez la base de l'outil à fond vers l'arrière. Puis, serrez le boulon pour fixer la base de l'outil.

Découpes

Les découpes s'effectuent suivant deux méthodes, A ou B.

- A) Perçage d'un trou d'amorce : Pour les découpes internes sans entaille d'amorce sur le bord du matériau, percez à trou d'amorce de 12 mm de diamètre ou plus. Insérez la lame dans ce trou pour commencer la découpe. (Fig. 13)
- B) Attaque en plein bois : Vous n'aurez pas besoin de percer un trou d'amorce ni de faire une entaille d'amorce si vous procédez délicatement comme suit.

1. Inclinez l'avant de l'outil vers l'avant sur le bord avant de la base, la lame étant placée juste au-dessus de la surface du matériau. (Fig. 14)
2. Appuyez sur l'outil de façon que le bord avant de la base ne bouge pas quand vous mettez l'outil en marche, et abaissez lentement et délicatement l'arrière de l'outil.
3. Lorsque la lame traverse le matériau, abaissez lentement la base de l'outil sur la surface du matériau.
4. Terminez la coupe normalement.

Finition des bords (Fig. 15)

Pour équarrir les bords ou faire des ajustements de dimension, passez légèrement la lame sur les bords de coupe.

Coupe de métal

Utilisez toujours un liquide de refroidissement (huile de coupe) pour couper du métal. Sinon, la lame s'usera très rapidement. Vous pouvez aussi enduire directement la face intérieure du matériau de graisse, au lieu d'utiliser un liquide de refroidissement.

Collecte de poussière

Afin d'assurer la propreté lors des opérations de coupe, il est préférable d'utiliser le raccord d'aspiration (accessoire). Pour fixer le raccord d'aspiration à l'outil, insérez le crochet du raccord dans l'orifice de la base. (Fig. 16 et 17)

Le raccord d'aspiration peut être installé d'un côté comme de l'autre de la base. Raccordez ensuite un aspirateur Makita au raccord d'aspiration. Pour retirer le raccord d'aspiration, suivez la procédure d'installation en sens inverse. (Fig. 18)

ATTENTION:

Si vous tentez de retirer le raccord d'aspiration par la force, son crochet sera affaibli et vous risquez de le retirer par inadvertance en cours d'utilisation.

Ensemble de guide parallèle (accessoire)

ATTENTION :

Assurez-vous toujours que le contact est coupé et l'outil débranché avant d'installer ou de retirer des accessoires.

1) Coupes droites (Fig. 19 et 20)

Pour couper régulièrement des largeurs égales ou inférieures à 160 mm, utilisez le guide parallèle pour obtenir des coupes rapides, nettes et droites. Pour installer le guide parallèle, insérez-le dans l'orifice rectangulaire situé sur le côté de la base de l'outil, avec le guide parallèle tourné vers le bas. Positionnez le guide parallèle à la largeur de coupe voulue, puis vissez le boulon pour fixer le guide.

2) Coupes circulaires (Fig. 21 et 22)

Pour découper des arcs de cercle d'un rayon égal ou inférieur à 170 mm, installez le guide parallèle comme suit.

Insérez le guide parallèle dans l'orifice rectangulaire situé sur le côté de la base de l'outil, avec le guide parallèle tourné vers le haut. Insérez la goupille de guide circulaire dans l'un des deux trous du guide de garde. Vissez le boulon fileté sur la goupille pour fixer la goupille. Puis, positionnez le guide parallèle sur le rayon de coupe voulu, et serrez le boulon pour fixer le guide. Ensuite, faites glisser la base de l'outil à fond vers l'avant.

NOTE :

Utilisez toujours des lames No. B-17, B-18, B-26 ou B-27 pour découper des cercles ou des arcs de cercle.

Ensemble d'adaptateur pour guide de délignage (accessoire)

L'utilisation du guide de délignage et de son adaptateur assure un travail rapide et propre lors des coupes parallèles de largeur uniforme, ou lors des coupes rectilignes.

(Fig. 23)

Pour installer l'adaptateur pour guide de délignage, insérez à fond la règle dans l'orifice carré de la base. Serrez ensuite le boulon fermement au moyen de la clé hexagonale. **(Fig. 24)**

Installez l'adaptateur pour guide de délignage sur la barre du guide de délignage. Insérez la règle dans l'orifice carré de l'adaptateur pour guide de délignage. Placez la base à côté du guide de délignage, puis serrez le boulon fermement. **(Fig. 25)**

ATTENTION:

Utilisez toujours une lame n° B-8, B-13, B-16, B-17 ou 58 lorsque vous utilisez le guide de délignage et son adaptateur.

Plaque de recouvrement (Fig. 26)

Utilisez la plaque de recouvrement lors de la coupe des matériaux décoratifs de placage, de plastique, etc. Cette plaque protège contre les dommages les surfaces fragiles ou délicates. Installez-la par l'arrière de la base de l'outil.

Dispositif anti-éclat (Fig. 27)

L'utilisation du dispositif anti-éclat permet d'obtenir des coupes sans éclats. Pour l'installer, déplacez la base de l'outil complètement vers l'avant, puis installez le dispositif par l'arrière de la base de l'outil. Lorsque vous utilisez la plaque de recouvrement, installez le dispositif anti-éclat sur cette dernière.

ATTENTION :

Vous ne pourrez pas utiliser le dispositif anti-éclat pour les coupes en biais.

ENTRETIEN

ATTENTION :

Avant toute intervention, assurez-vous que le contact est coupé et l'outil débranché.

Pour maintenir la sécurité et la fiabilité de l'outil, les réparations, l'entretien ou les réglages doivent être effectués par le Centre d'Entretien Makita.

Übersicht

| | | |
|---------------------------|-----------------------------|----------------------------|
| 1 Klemmenhebel | 11 Schraube | 21 Anschlagführung |
| 2 Sägeblattklemme | 12 Getriebegehäuse | 22 Gewindeknopf |
| 3 Sägeblatt | 13 Kerbnut | 23 Dorn für Kreisschneider |
| 4 Vorsprünge | 14 Kreuzschlitz | 24 Führungsstange |
| 5 Grundplatte | 15 Teilstriche | 25 Führungsanschlag |
| 6 Innensechskantschlüssel | 16 Vorbohrung | 26 Führungsschiene |
| 7 Pendelhub-Umschalthebel | 17 Absaugstutzen | 27 Schraube |
| 8 Schalthebel | 18 Schlauch für Staubsauger | 28 Gleitplatte |
| 9 Hubzahl-Stellrad | 19 Parallelanschlag | 29 Spanreißschutz |
| 10 Schnittlinie | 20 Schraube | 30 Haken |

TECHNISCHE DATEN

| Modell | 4341T | 4341CT | 4341FTC |
|---|--------|-------------|-------------|
| Hubhöhe..... | 26 mm | 26 mm | 26 mm |
| Schnittleistung | | | |
| Holz | 110 mm | 135 mm | 135 mm |
| Stahl | 10 mm | 10 mm | 10 mm |
| Hubzahl pro Minute (min ⁻¹) | 2 800 | 800 – 2 800 | 800 – 2 800 |
| Gesamtlänge | 271 mm | 271 mm | 271 mm |
| Nettogewicht..... | 2,4 kg | 2,4 kg | 2,4 kg |

- Wir behalten uns vor, Änderungen im Zuge der Entwicklung und des technischen Fortschritts ohne vorherige Ankündigung vorzunehmen.
- Hinweis: Die technischen Daten können von Land zu Land abweichen.

Vorgesehene Verwendung

Diese Maschine ist für das Sägen von Holz, Kunststoff und Metall vorgesehen. Dank des umfangreichen Zubehör- und Sägeblattprogramms kann die Maschine für viele Zwecke eingesetzt werden und eignet sich ideal für Bogen- oder Kreisschnitte.

Netzanschluß

Die Maschine darf nur an die auf dem Typenschild angegebene Netzspannung angeschlossen werden und arbeitet nur mit Einphasen-Wechselspannung. Sie ist entsprechend den Europäischen Richtlinien doppelt schutzisoliert und kann daher auch an Steckdosen ohne Erdanschluß betrieben werden.

Sicherheitshinweise

Lesen und beachten Sie diese Hinweise, bevor Sie das Gerät benutzen.

ZUSÄTZLICHE

SICHERHEITSBESTIMMUNGEN

1. Halten Sie die Maschine nur an den isolierten Griffflächen, wenn Sie Arbeiten ausführen, bei denen die Gefahr besteht, dass verborgene Kabel oder das eigene Kabel angebohrt werden. Bei Kontakt mit einem stromführenden Kabel werden die freiliegenden Metallteile des Werkzeugs ebenfalls stromführend, so dass der Benutzer einen elektrischen Schlag erleiden kann.
2. Schneiden Sie keine Nägel durch. Untersuchen Sie das Werkstück auf Nägel, und entfernen Sie diese vor der Bearbeitung.
3. Schneiden Sie keine Rohre.
4. Schneiden Sie keine übergroßen Werkstücke.

5. Vergewissern Sie sich vor dem Sägen, dass genügend Freiraum hinter dem Werkstück vorhanden ist, damit das Sägeblatt nicht gegen eine harte Oberfläche, wie Fußboden, Werkbank usw., stößt.
6. Halten Sie die Maschine sicher in der Hand.
7. Achten Sie stets darauf, daß das Sägeblatt nicht das Werkstück berührt, bevor die Stichsäge eingeschaltet wird.
8. Halten Sie während des Betriebs die Hände von den sich bewegenden Teilen der Maschine fern.
9. Die Maschine nicht im eingeschalteten Zustand aus der Hand legen. Die Benutzung ist nur in handgehaltener Weise vorgesehen.
10. Das Sägeblatt erst dann vom Werkstück entfernen, nachdem die Maschine abgeschaltet wurde und das Sägeblatt zum Stillstand gekommen ist.
11. Berühren Sie weder Sägeblatt noch Werkstück unmittelbar nach dem Schneiden; beide können sehr heiß sein und Verbrennungen verursachen.

BEWAHREN SIE DIESE HINWEISE SORGFÄLTIG AUF.

BEDIENUNGSHINWEISE

Montage/Demontage des Sägeblatts (Abb. 1, 2 u. 3)

VORSICHT:

- Vergewissern Sie sich vor der Montage/Demontage des Sägeblatts immer, daß die Maschine ausgeschaltet und der Netzstecker gezogen ist.
- Säubern Sie Sägeblatt und/oder Sägeblatthalter stets von anhaftenden Spänen oder Fremdkörpern. Andernfalls besteht die Gefahr, daß das Sägeblatt nicht richtig sitzt, was zu schweren Verletzungen führen kann.
- Vermeiden Sie eine Berührung des Sägeblatts oder des Werkstücks unmittelbar nach der Bearbeitung, weil sie dann noch sehr heiß sind und Hautverbrennungen verursachen können.

- Ziehen Sie das Sägeblatt sicher fest. Anderenfalls kann es zu ernsthaften Verletzungen kommen.

Montieren des Sägeblatts

Öffnen Sie den Klemmenhebel auf die in der Abbildung gezeigte Position. **(Abb. 1)**

Führen Sie in diesem Zustand das Sägeblatt so weit in die Sägeblattklemme ein, bis die beiden Vorsprünge des Sägeblatts nicht mehr sichtbar sind. **(Abb. 2)**

Bringen Sie den Klemmenhebel wieder in seine Ausgangsstellung. Überprüfen Sie nach der Montage stets den sicheren Sitz des Sägeblatts durch Zugversuch.

VORSICHT:

Öffnen Sie den Klemmenhebel nicht zu weit, weil sonst die Maschine beschädigt werden kann.

Wahl der Schnittbewegung (Abb. 5)

Diese Maschine kann mit Pendelhub oder Linearhub (gerade Auf-Ab-Bewegung) betrieben werden. Bei Pendelhub wird das Sägeblatt im Schnitthub vorwärts geschoben, wodurch erheblich höhere Schnittgeschwindigkeiten möglich sind.

Zum Umschalten der Schnittbewegung drehen Sie einfach den Umschalthebel auf die Position der gewünschten Schnittbewegung. Wählen Sie die Schnittbewegung anhand der nachstehenden Tabelle aus.

| Position | Schnittbewegung | Anwendungen |
|----------|-----------------------------|---|
| 0 | Geradlinige Schnittbewegung | Zum Schneiden von Weichstahl, Edelstahl und Kunststoff. Für saubere Schnitte in Holz und Sperrholz. |
| I | Kleiner Pendelhub | Zum Schneiden von Weichstahl, Aluminium und Hartholz. |
| II | Mittlerer Pendelhub | Zum Schneiden von Holz und Sperrholz. Für schnelles Schneiden von Aluminium und Weichstahl. |
| III | Großer Pendelhub | Für schnelles Schneiden von Holz und Sperrholz. |

Schalterfunktion (Abb. 6)

VORSICHT:

Vergewissern Sie sich vor dem Anschließen der Maschine an das Stromnetz stets, dass die Maschine ausgeschaltet ist.

Zum Einschalten der Maschine den Schalthebel auf "I" schieben. Zum Ausschalten der Maschine den Schalthebel auf "O" schieben.

Hubzahl-Stellrad (Abb. 7)

Nur für 4341CT, 4341FCT

Die Hubzahl kann durch Drehen des Hubzahl-Stellrads zwischen 800 und 2800 Hüben pro Minute eingestellt werden. Auf dem Hubzahl-Stellrad sind die Positionen 1 (niedrigste Hubzahl) bis 5 (höchste Hubzahl) markiert. Hinweise auf die richtige, werkstoffgerechte Hubzahl entnehmen Sie der nachstehenden Tabelle. Die geeignete Hubzahl kann jedoch je nach Art und Dicke des Werkstücks unterschiedlich sein. Höhere Hubzahlen ermöglichen im allgemeinen schnelleres Sägen von Werkstücken, bewirken aber auch eine Verkürzung der Lebensdauer des Sägeblatts.

| Werkstoff | Hubzahl-Einstellung |
|------------|---------------------|
| Holz | 4 – 5 |
| Weichstahl | 3 – 5 |
| Edelstahl | 3 – 4 |
| Aluminium | 3 – 5 |
| Kunststoff | 1 – 4 |

Demontieren des Sägeblatts

VORSICHT:

Achten Sie beim Demontieren des Sägeblatts darauf, dass Sie sich nicht die Finger an den Zähnen des Sägeblatts oder an den Zacken des Werkstücks verletzen.

Öffnen Sie den Klemmenhebel auf die in der Abbildung gezeigte Position. Ziehen Sie das Sägeblatt in Richtung der Grundplatte heraus. **(Abb. 3)**

HINWEIS:

Schmieren Sie die Führungsrolle von Zeit zu Zeit.

Inbusschlüssel-Aufbewahrung (Abb. 4)

Bei Nichtgebrauch kann der Inbusschlüssel griffbereit an der Maschine aufbewahrt werden.

VORSICHT:

Das Hubzahl-Stellrad läßt sich nur bis zur Position 5 vor- und bis zur Position 1 zurückdrehen. Drehen Sie es nicht gewaltsam über die Position 5 oder 1 hinaus, weil sonst eine genaue Einstellung der Hubzahl nicht mehr möglich ist.

Nur für 4341CT, 4341FCT

Die mit Elektronikfunktionen ausgestatteten Maschinen weisen die folgenden Merkmale zur Bedienungsvereinfachung auf.

Konstanthubzahlregelung

Elektronische Hubzahlregelung zur Aufrechterhaltung einer konstanten Hubzahl. Feines Finish wird ermöglicht, weil die Hubzahl selbst unter Belastung konstant gehalten wird.

Soft-Start-Funktion

Diese Funktion gewährleistet Sicherheit und ruckfreies Anlaufen durch Anlaufstoßunterdrückung.

Einschalten der Lampen (nur für 4341FCT)

VORSICHT:

Blicken Sie nicht direkt in das Licht oder die Lichtquelle.

Betätigen Sie den Ein-Aus-Schalter zum Einschalten der Lampe. Lassen Sie den Ein-Aus-Schalter zum Ausschalten der Lampe los.

HINWEIS:

Wischen Sie Schmutz auf der Linse der Lampe mit einem trockenen Tuch ab. Achten Sie sorgfältig darauf, dass Sie die Linse der Lampe nicht verkratzen, weil sich sonst die Lichtstärke verringert.

Arbeiten mit der Stichsäge (Abb. 8)

VORSICHT:

Setzen Sie die Grundplatte der Stichsäge stets flach auf das Werkstück auf. Anderenfalls besteht die Gefahr eines Sägeblattbruchs, was zu schweren Verletzungen führen kann.

Schalten Sie die Stichsäge ein und warten Sie, bis das Sägeblatt die volle Hubzahl erreicht. Setzen Sie die Grundplatte flach auf das Werkstück, und bewegen Sie die Maschine entlang der vorher markierten Schnittlinie sachte vorwärts. Der Vorschub sollte bei Kurvenschnitten gering gehalten werden.

Gehrungsschnitte

VORSICHT:

Vergewissern Sie sich vor dem Kippen der Grundplatte stets, daß die Maschine ausgeschaltet und vom Netz getrennt ist.

Durch Neigen der Grundplatte können Gehrungsschnitte in jedem Winkel zwischen 0° und 45° (links oder rechts) ausgeführt werden. (Abb. 9)

Lösen Sie die Schraube an der Rückseite der Grundplatte mit dem Inbusschlüssel. Verschieben sie die Grundplatte so, dass sich die Schraube in der Mitte des Kreuzschlitzes in der Grundplatte befindet. (Abb. 10 u. 11)

Neigen Sie die Grundplatte, bis der gewünschte Winkel erreicht ist. Der Gehrungswinkel kann an der Kernnut des Getriebegehäuses abgelesen werden. Ziehen Sie dann die Schraube zur Sicherung der Grundplatte fest an. (Abb. 11)

Randnahe Schnitte (Abb. 12)

Lösen Sie die Innensechskantschraube an der Unterseite der Maschine und schieben Sie die Grundplatte bis zum Anschlag zurück. Ziehen Sie anschließend die Innensechskantschraube zur Befestigung der Grundplatte wieder an.

Ausschnitte

Es gibt zwei Möglichkeiten, Ausschnitte durchzuführen:

- A) Vorbohren: Bei Innenausschnitten ohne Zuführschnitt von einer Kante aus machen Sie eine Vorbohrung von ca. 12 mm Durchmesser. Das Sägeblatt in diese Öffnung einführen und mit dem Sägen beginnen. (Abb. 13)
- B) Tauchschnitte: Um Schnitte ohne Vorbohren oder Zuführschnitt auszuführen, gehen Sie wie folgt vor:
 1. Die Stichsäge auf der Vorderkante der Grundplatte kippen, so daß die Sägeblattspitze dicht über der Oberfläche des Werkstücks liegt. (Abb. 14)
 2. Druck auf die Stichsäge ausüben, damit die Vorderkante der Grundplatte nicht verrutscht, wenn die Stichsäge eingeschaltet und das hintere Ende langsam abgesenkt wird.
 3. -Sobald das Sägeblatt in das Werkstück eindringt, die Grundplatte langsam auf die Oberfläche des Werkstücks absenken.
 4. Den Schnitt in gewohnter Weise beenden.

Bearbeitung von Kanten (Abb. 15)

Um Kanten nachzuarbeiten oder Maßkorrekturen vorzunehmen, das Sägeblatt leicht an den Schnittkanten entlangführen.

Schneiden von Metall

Beim Schneiden von Metall stets ein geeignetes Kühlmittel (Schneidöl) verwenden. Nichtbeachtung verursacht erheblichen Verschleiß des Sägeblatts. Anstelle von Kühlmittel kann auch die Unterseite des Werkstücks eingefettet werden.

Staubabsaugung

Der Absaugstutzen (Zubehör) wird für sauberen Schnittbetrieb empfohlen. Um den Absaugstutzen an der Maschine anzubringen, führen Sie seinen Haken in die Öffnung der Grundplatte ein. (Abb. 16 u. 17)

Der Absaugstutzen kann sowohl auf der linken als auch der rechten Seite der Grundplatte angebracht werden. Schließen Sie dann einen Makita-Staubsauger an den Absaugstutzen an. Zum Demontieren des Absaugstutzens ist das Montageverfahren umgekehrt anzuwenden. (Abb. 18)

VORSICHT:

Falls Sie versuchen, den Absaugstutzen gewaltsam zu entfernen, kann sich der Haken des Absaugstutzens während des Betriebs verkürzen und unbeabsichtigt lösen.

Parallelanschlagsatz (Zubehör)

VORSICHT:

Vergewissern Sie sich vor dem Montieren oder Demontieren von Zubehör stets, daß die Maschine ausgeschaltet und vom Netz getrennt ist.

1) Gerade Schnitte (Abb. 19 u. 20)

Bei wiederholtem Schneiden von Breiten kleiner als 160 mm gewährleistet der Parallelanschlag schnelle, saubere und gerade Schnitte. Führen Sie den Parallelanschlag in die rechteckige Öffnung an der Seite der Grundplatte ein, so daß die Anschlagführung nach unten gerichtet ist. Schieben Sie den Parallelanschlag zur Position der gewünschten Schnittbreite, und ziehen Sie dann die Schraube zur Befestigung an.

2) Kreisschnitte (Abb. 21 u. 22)

Um Kreis- oder Bogenschnitte von weniger als 170 mm Radius durchzuführen, montieren Sie den Parallelanschlag wie folgt.

Führen Sie den Parallelanschlag in die rechteckige Öffnung an der Seite der Grundplatte ein, so daß die Anschlagführung nach oben gerichtet ist. Setzen Sie den Dorn des Kreisschneiders in eine der beiden Bohrungen in der Anschlagführung ein, und sichern Sie ihn mit dem Gewindeknopf. Schieben Sie nun den Parallelanschlag zu dem gewünschten Schnittradius, und ziehen Sie die Schraube zur Befestigung an. Schieben Sie dann die Grundplatte der Maschine ganz nach vorn.

HINWEIS:

Verwenden Sie stets die Sägeblätter Nr.B-17, B-18, B-26 oder B-27 für kreis- oder bogenförmige Schnitte.

Führungsanschlagsatz (Zubehör)

Bei der Ausführung von Parallelschnitten von gleichmäßiger Breite oder von Geradschnitten gewährleisten die Führungsschiene und der Führungsanschlag die Erzeugung von schnellen und saubereren Schnitten. **(Abb. 23)**
Zum Installieren des Führungsanschlags führen Sie die Führungsstange bis zum Anschlag in das Vierkantloch der Grundplatte ein. Ziehen Sie die Schraube mit dem Inbusschlüssel fest an. **(Abb. 24)**
Befestigen Sie den Führungsanschlag an der Führungsschiene. Führen Sie die Führungsstange in das Vierkantloch des Führungsanschlags ein. Bringen Sie die Grundplatte an der Seite der Führungsschiene an, und ziehen Sie die Schraube fest an. **(Abb. 25)**

VORSICHT:

Benutzen Sie bei Verwendung der Führungsschiene und des Führungsanschlags stets die Sägeblätter Nr. B-8, B-13, B-16, B-17 oder 58.

Deckplatte (Abb. 26)

Verwenden Sie die Gleitplatte zum Schneiden von dekorativen Furnieren, Kunststoffen usw. Sie schützt empfindliche oder feine Oberflächen vor Beschädigung. Passen Sie die Gleitplatte auf die Unterseite der Grundplatte.

Spanreißschutz (Abb. 27)

Um splitterfreie Schnitte auszuführen, empfiehlt sich die Verwendung des Spanreißschutzes. Schieben Sie die Grundplatte bis zum Anschlag nach vorne, und montieren Sie den Spanreißschutz von der Unterseite der Grundplatte. Wenn Sie die Gleitplatte verwenden, montieren Sie den Spanreißschutz auf die Gleitplatte.

VORSICHT:

Bei Gehrungsschnitten kann der Spanreißschutz nicht verwendet werden.

WARTUNG

VORSICHT:

Vor Arbeiten an der Maschine vergewissern Sie sich, daß sich der Schalter in der "AUS-" Position befindet und der Netzstecker gezogen ist.

Um die Sicherheit und Zuverlässigkeit dieses Gerätes zu gewährleisten, sollten Reparatur-, Wartungs-, und Einstellarbeiten nur von Makita autorisierten Werkstätten oder Kundendienstzentren unter ausschließlicher Verwendung von Makita-Originalersatzteilen ausgeführt werden.

Visione generale

| | | |
|------------------------------------|--------------------------------|---------------------------------|
| 1 Dispositivo di apertura utensile | 11 Bullone | 21 Guida riparo |
| 2 Portalama | 12 Alloggiamento ingranaggi | 22 Pomello filettato |
| 3 Lama seghetto alternativo | 13 Tacca a V | 23 Perno guida circolare |
| 4 Sporgenze | 14 Scanalatura di inclinazione | 24 Righello |
| 5 Base | 15 Graduazioni | 25 Adattatore rotaia guida |
| 6 Chiave esagonale | 16 Foro iniziale | 26 Rotaia guida |
| 7 Leva di cambio modo di taglio | 17 Bocchettone aspirapolvere | 27 Vite |
| 8 Leva interruttore | 18 Manicotto per aspirapolvere | 28 Piastra di protezione |
| 9 Ghiera di regolazione velocità | 19 Guida pezzo | 29 Dispositivo antisceggiamento |
| 10 Linea di taglio | 20 Bullone | 30 Gancio |

DATI TECNICI

| Modello | 4341T | 4341CT | 4341FCT |
|--|--------|-------------|-------------|
| Lunghezza corsa..... | 26 mm | 26 mm | 26 mm |
| Capacità di taglio | | | |
| Legno | 110 mm | 135 mm | 135 mm |
| Acciaio..... | 10 mm | 10 mm | 10 mm |
| Corse al minuto (min ⁻¹) | 2.800 | 800 – 2.800 | 800 – 2.800 |
| Lunghezza totale..... | 271 mm | 271 mm | 271 mm |
| Peso netto | 2,4 kg | 2,4 kg | 2,4 kg |

- Per il nostro programma di ricerca e sviluppo continui, i dati tecnici sono soggetti a modifiche senza preavviso.
- Nota: I dati tecnici potrebbero differire a seconda del paese di destinazione del modello.

Utilizzo previsto

L'utensile va usato per il taglio di legno, plastica e materiali metallici. Grazie alla vasta gamma di accessori e lame, l'utensile può essere usato in svariate applicazioni ed è particolarmente adatto per praticare tagli curvi o circolari.

Alimentazione

L'utensile deve essere collegato ad una presa di corrente con la stessa tensione indicata sulla targhetta del nome, e può funzionare soltanto con la corrente alternata monofase. Esso ha un doppio isolamento in osservanza alle norme europee, per cui può essere usato con le prese di corrente sprovviste della messa a terra.

Consigli per la sicurezza

Per la vostra sicurezza, riferitevi alle accluse istruzioni per la sicurezza.

REGOLE ADDIZIONALI DI SICUREZZA

1. Quando si eseguono operazioni nelle quali gli utensili da taglio possano entrare in contatto con cavi elettrici nascosti o con il proprio cavo di alimentazione, afferrare l'utensile per le superfici di presa isolate. Entrando in contatto con un cavo sotto tensione, le parti metalliche dell'utensile vengono infatti messe esse stesse sotto tensione, costituendo così un pericolo di scosse elettriche per l'operatore.
2. Evitare di tagliare chiodi. Prima di iniziare la lavorazione, ispezionare il pezzo ed estrarne i chiodi eventualmente presenti.
3. Non tagliare tubi vuoti.
4. Non tagliare pezzi che superano la capacità dell'utensile.

5. **Accertare che dietro il pezzo da tagliare vi sia uno spazio libero sufficiente a consentire che la lama non colpisca il pavimento, il banco di lavoro, ecc.**
6. **Tenere l'utensile ben saldo.**
7. **Assicurarsi che la lama non sia a contatto con il pezzo da lavorare prima di mettere in moto l'utensile.**
8. **Tenere le mani lontano da parti in movimento.**
9. **Non lasciare l'utensile in moto a vuoto. Mettere in moto solamente quando si tiene l'utensile bene stretto in mano.**
10. **Prima di ritirare la lama dal pezzo in lavorazione staccare la corrente ed aspettare che la lama si fermi completamente.**
11. **Non toccare la lama o il pezzo in lavorazione subito dopo l'operazione; potrebbero essere estremamente caldi e causare ustioni.**

CONSERVATE QUESTE ISTRUZIONI.

ISTRUZIONI PER L'USO

Installazione e rimozione della lama

(Fig. 1, 2 e 3)

ATTENZIONE:

- Accertarsi sempre che l'utensile sia spento e staccato dalla presa di corrente prima di installare o di rimuovere la lama.
- Togliere sempre i trucioli e le sostanze estranee attaccate alla lama e/o portalama. Questa inosservanza potrebbe causare un serraggio insufficiente della lama con pericolo di ferite gravi.
- Non toccare la lama o il pezzo tagliato subito dopo l'uso dell'utensile, in quanto potrebbero essere estremamente caldi e provocare ustioni.
- Serrare saldamente la lama. Non facendolo si corre il rischio di gravi lesioni personali.

Installazione della lama

Aprire il dispositivo di apertura dell'utensile nella posizione illustrata nella figura. **(Fig. 1)**

Mantenendo tale posizione, inserire la lama nel portalama, introducendolo fino al punto in cui le due sporgenze della lama non siano più visibili. **(Fig. 2)**

Riportare il dispositivo di apertura dell'utensile nella posizione iniziale. Dopo aver installato la lama, accertare sempre che sia saldamente fissata in posizione cercando di tirarla fuori.

ATTENZIONE:

Non aprire eccessivamente il dispositivo di apertura dell'utensile, in quanto ciò potrebbe danneggiare l'utensile stesso.

Selezione del modo di taglio (Fig. 5)

Questo utensile può essere fatto funzionare nel modo di taglio orbitale o in linea retta (su e giù). Il modo di taglio orbitale spinge la lama in avanti nella corsa di taglio e aumenta grandemente la velocità di taglio.

Per cambiare il modo di taglio, girare semplicemente la leva di cambio modo di taglio sulla posizione di taglio desiderata. Per selezionare il modo di taglio, riferirsi alla tabella sotto.

| Posizione | Modo di taglio | Applicazioni |
|-----------|----------------|--|
| 0 | Linea retta | Per tagliare l'acciaio dolce, l'acciaio inossidabile e la plastica. Per il taglio pulito del legno e del compensato. |
| I | Orbita piccola | Per tagliare l'acciaio dolce, l'alluminio e il legno duro. |
| II | Orbita media | Per tagliare il legno e il compensato. Per tagliare velocemente l'alluminio e l'acciaio dolce. |
| III | Orbita grande | Per tagliare velocemente il legno e il compensato. |

Funzionamento dell'interruttore (Fig. 6)

ATTENZIONE:

Prima di collegare l'utensile alla presa di corrente, accertarsi sempre che sia spento.

Per avviare l'utensile, spingere la leva dell'interruttore nella posizione "I". Per fermarlo, spingerla nella posizione "O".

Ghiera di regolazione velocità (Fig. 7)

Solo i modelli 4341CT, 4341FCT

La velocità dell'utensile può essere regolata liberamente tra i 800 e i 2.800 giri al minuto girando la ghiera di regolazione. Le velocità più alte si ottengono girando la ghiera nella direzione del numero 5, e quelle più basse girandola nella direzione del numero 1. Per selezionare la velocità corretta per il pezzo da tagliare, riferirsi alla tabella sotto. La velocità appropriata potrebbe però differire secondo il tipo e lo spessore del pezzo da lavorare. Generalmente, le velocità più alte consentono di tagliare i pezzi da lavorare più velocemente, ma in questo modo la vita di servizio della lama si riduce.

| Pezzo da tagliare | Numero sulla ghiera di regolazione |
|----------------------|------------------------------------|
| Legno | 4 – 5 |
| Acciaio dolce | 3 – 5 |
| Acciaio inossidabile | 3 – 4 |
| Alluminio | 3 – 5 |
| Plastica | 1 – 4 |

Rimozione della lama

ATTENZIONE:

Nel rimuovere la lama, fare attenzione a non ferirsi le dita con l'estremità della lama stessa o con le punte del pezzo tagliato.

Aprire il dispositivo di apertura dell'utensile nella posizione illustrata nella figura. Estrarre la lama tirandola verso la base dell'utensile. **(Fig. 3)**

NOTA:

Di tanto in tanto lubrificare il rullino.

Conservazione della chiave esagonale (Fig. 4)

Quando non si usa, la chiave esagonale può essere comodamente riposta.

ATTENZIONE:

La ghiera di regolazione della velocità può essere girata in avanti soltanto fino a 5 e indietro fino a 1. Non forzarla oltre 5 o 1, perché altrimenti potrebbe diventare inutilizzabile.

Solo i modelli 4341CT, 4341FCT

Gli utensili provvisti di regolazione elettronica sono facili da usare grazie alle seguenti funzioni.

Controllo velocità costante

Controllo elettronico della velocità per il funzionamento dell'utensile a velocità costante.

Ciò consente di ottenere una finitura precisa, poiché la velocità di rotazione viene mantenuta costante anche in condizioni di carico.

Funzione di avvio graduale

Avvio di sicurezza e graduale grazie all'eliminazione dello strappo all'avviamento.

Accensione delle luci (Solo modello 4341FCT)

ATTENZIONE:

Non guardare la luce o guardare direttamente la fonte di luce.

Per accendere la lampadina, schiacciare il grilletto. Rilasciare il grilletto per spegnerla.

NOTA:

Usare un panno asciutto per togliere lo sporco dalla lente della lampadina. Fare attenzione a non graffiare la lente della lampadina, perché ciò potrebbe ridurre l'illuminazione.

Funzionamento (Fig. 8)

ATTENZIONE:

Tenere sempre la base dell'utensile a livello con il pezzo da lavorare. Questa inosservanza potrebbe causare la rottura della lama con pericolo di ferite gravi.

Accendere l'utensile e aspettare finché la lama non ha raggiunto la velocità massima. Posare poi la base piana sul pezzo da lavorare e spingerla delicatamente in avanti seguendo la linea di taglio fatta precedentemente. Per tagliare delle curve, spingere l'utensile molto lentamente.

Tagli inclinati

ATTENZIONE:

Accertarsi sempre che l'utensile sia spento e staccato dalla presa di corrente prima di installare o di rimuovere la lama.

Con la base dell'utensile inclinata, è possibile praticare tagli inclinati a qualsiasi angolazione tra 0° e 45° (a sinistra o a destra). (Fig. 9)

Allentare il bullone sul retro della base servendosi della chiave esagonale. Spostare la base in modo che il bullone sia posizionato al centro della scanalatura di inclinazione nella base. (Fig. 10 e 11)

Inclinare la base fino ad ottenere l'angolo di inclinazione desiderato. La tacca a V dell'alloggiamento ingranaggi indica l'angolo di inclinazione per gradi. Serrare quindi saldamente il bullone per fissare la base. (Fig. 11)

Tagli frontali della stessa altezza (Fig. 12)

Allentare il bullone sulla parte posteriore della base dell'utensile usando la chiave esagonale, e spostare poi completamente indietro la base. Stringere poi il bullone per fissare la base dell'utensile.

Sfnestrature

Le sfnestrature possono essere fatte con i due metodi A e B.

- A) **Trapanazione di un foro iniziale:** Per le sfnestrature interne senza un taglio di ingresso dal bordo, trapanare un foro iniziale di 12 mm o più di diametro. Per cominciare a tagliare, inserire la lama in questo foro. (Fig. 13)
- B) **Taglio a tuffo:** Se si procede con cura come segue, non è necessario trapanare un foro iniziale o fare un taglio di ingresso.
 1. Inclinare in su l'utensile sul bordo anteriore della base, con la punta della lama posizionata subito sopra la superficie del pezzo da lavorare. (Fig. 14)
 2. Esercitare una pressione sull'utensile in modo che il bordo anteriore della base non si muova quando lo si accende e si abbassa poi delicatamente e lentamente l'estremità posteriore della base.
 3. Mentre la lama fora il pezzo da lavorare, abbassare lentamente la base dell'utensile sulla superficie del pezzo da lavorare.
 4. Completare il taglio nel modo normale.

Bordi di finitura (Fig. 15)

Per rifinire i bordi o fare regolazioni dimensionali, passare leggermente la lama lungo i bordi di taglio.

Taglio dei metalli

Per tagliare i metalli, usare sempre un refrigerante (olio da taglio) adatto. Questa inosservanza può causare un veloce consumo della lama. Invece di usare un refrigerante, si può spalmare di grasso la parte inferiore del pezzo da lavorare.

Rimozione della polvere

Per eseguire lavorazioni di taglio pulite è consigliabile l'utilizzo del bocchettone aspirapolvere (accessorio). Per fissare il bocchettone aspirapolvere all'utensile, inserire il gancio del bocchettone aspirapolvere nell'apposito foro presente sulla base dell'utensile. (Fig. 16 e 17)

Il bocchettone aspirapolvere può essere installato sul lato destro o sinistro della base. Collegare quindi un aspirapolvere Makita al bocchettone aspirapolvere. Per rimuovere il bocchettone della polvere, seguire il procedimento opposto di installazione. (Fig. 18)

ATTENZIONE:

Se si cerca di rimuovere il bocchettone della polvere usando forza, il gancio del bocchettone potrebbe ridursi e venire involontariamente rimosso durante il lavoro.

Gruppo guida pezzo (accessorio)

ATTENZIONE:

Accertarsi sempre che l'utensile sia spento e staccato dalla presa di corrente prima di installare o di rimuovere gli accessori.

1) Tagli dritti (Fig. 19 e 20)

Se si devono fare ripetutamente dei tagli di 160 mm o meno di larghezza, l'uso della guida pezzo assicura dei tagli dritti veloci e puliti. Per installarla, inserire la guida pezzo nel foro rettangolare sul fianco della base dell'utensile, con la guida riparo rivolta in giù. Spingere la guida pezzo sulla posizione della larghezza di taglio desiderata, e stringere poi il bullone per fissarla.

2) Tagli circolari (Fig. 21 e 22)

Per tagliare cerchi o archi con un raggio di 170 mm o meno, installare la guida pezzo come segue. Inserire la guida pezzo nel foro rettangolare sul fianco della base dell'utensile, con la guida riparo rivolta in su. Inserire il perno della guida circolare in uno dei due fori della guida riparo. Avvitare il pomello filettato nel perno per fissarlo. Spingere ora la guida pezzo sul raggio di taglio desiderato, e stringere il bullone per fissarla in posizione. Spostare poi completamente in avanti la base dell'utensile.

NOTA:

Per tagliare i cerchi e gli archi, usare sempre le lame No. B-17, B-18, B-26 o B-27.

Gruppo adattatore rotaia guida (accessorio)

Quando si fanno dei tagli paralleli e uniformi o dritti, l'impiego della rotaia guida e dell'adattatore rotaia guida assicura dei tagli veloci e puliti. **(Fig. 23)**

Per installare l'adattatore rotaia guida, inserire il righello nel foro quadrato della base finché non può più andare oltre. Fissare saldamente il bullone con la chiave esagonale. **(Fig. 24)**

Installare l'adattatore rotaia guida sulla rotaia della rotaia guida. Inserire il righello nel foro quadrato dell'adattatore rotaia guida. Mettere la base sul fianco della rotaia guida e stringere saldamente il bullone. **(Fig. 25)**

ATTENZIONE:

Usando il rotaia guida e l'adattatore rotaia guida, usare sempre le lame No. B-8, B-13, B-16, B-17 o 58.

Piastra di protezione (Fig. 26)

Utilizzare la piastra di protezione per tagliare impiallaccature decorative o materiali in plastica, ecc. In questo modo si proteggono dal danneggiamento le superfici più sensibili o delicate. Fissare la piastra di protezione sul retro della base dell'utensile.

Dispositivo antisceggiamento (Fig. 27)

Per ottenere dei tagli privi di schegge, è possibile usare il dispositivo antisceggiamento. Per installare il dispositivo antisceggiamento, spostare del tutto in avanti la base dell'utensile ed installare il dispositivo dal retro della base dell'utensile. Quando si utilizza anche la piastra di protezione, installare il dispositivo antisceggiamento sulla piastra di protezione.

PRECAUZIONE:

Il dispositivo antisceggiamento non può essere usato quando si fanno tagli inclinati.

MANUTENZIONE

ATTENZIONE:

Prima di eseguire qualsiasi lavoro sull'utensile, accertatevi sempre che sia spenta e staccata dalla presa di corrente.

Per mantenere la sicurezza e l'affidabilità del prodotto, le riparazioni, la manutenzione o le regolazioni dovrebbero essere eseguite da un centro di assistenza Makita autorizzato.

Verklaring van algemene gegevens

| | | |
|-------------------------|--------------------------|---------------------------|
| 1 Gereedschapsopener | 11 Bout | 21 Geleider |
| 2 Zaagbladklem | 12 Tandwielhuis | 22 Schroefknop |
| 3 Figuurzaagblad | 13 V-inkeping | 23 Pin van cirkelgeleider |
| 4 Uitsteeksels | 14 Schuine sleuf | 24 Lineaalstaaf |
| 5 Voet | 15 Schaalverdelingen | 25 Geleiderailadapter |
| 6 Inbussleutel | 16 Startgaatje | 26 Geleiderail |
| 7 Zaagactie-keuzehendel | 17 Stofzuigmondstuk | 27 Bout |
| 8 Aan/uit schakelaar | 18 Slang voor stofzuiger | 28 Dekplaat |
| 9 Snelheidsregelknop | 19 Breedtegeleider | 29 Antisplinterinrichting |
| 10 Zaaglijn | 20 Bout | 30 Haak |

TECHNISCHE GEGEVENS

| Model | 4341T | 4341CT | 4341FCT |
|---|--------|-------------|-------------|
| Slaglengthe | 26 mm | 26 mm | 26 mm |
| Zaagcapaciteit | | | |
| Hout | 110 mm | 135 mm | 135 mm |
| Staal | 10 mm | 10 mm | 10 mm |
| Aantal slagen per minuut (min ⁻¹) | 2 800 | 800 – 2 800 | 800 – 2 800 |
| Gesamtlänge | 271 mm | 271 mm | 271 mm |
| Nettogewicht..... | 2,4 kg | 2,4 kg | 2,4 kg |

- In verband met ononderbroken research en ontwikkeling behouden wij ons het recht voor bovenstaande technische gegevens te wijzigen zonder voorafgaande kennisgeving.
- Opmerking: De technische gegevens kunnen van land tot land verschillen.

Doeleinden van gebruik

Dit gereedschap is bedoeld voor het zagen van hout, kunststof en metalen materialen. Een uitgebreide keuze van accessoires en zaagbladen staat ter beschikking, zodat het gereedschap voor talrijke doeleinden kan worden gebruikt en optimaal geschikt is voor het zagen van bogen en cirkels.

Stroomvoorziening

Het gereedschap mag alleen worden aangesloten op een stroombron van hetzelfde voltage als aangegeven op de naamplaat, en kan alleen op enkel-fase wisselstroom worden gebruikt. Het gereedschap is dubbel-geïsoleerd volgens de Europese standaard en kan derhalve ook op een niet-geaard stopcontact worden aangesloten.

Veiligheidswenken

Voor uw veiligheid dient u de bijgevoegde Veiligheidsvoorschriften nauwkeurig op te volgen.

AANVULLENDE VEILIGHEIDSVORSCHRIFTEN

1. Houd het gereedschap bij de geïsoleerde handgreepoppervlakken vast wanneer u een werk uitvoert waarbij de zaag met verborgen bedrading of zijn eigen netsnoer in aanraking kan komen. Door contact met een onder spanning staande draad zullen de niet-geïsoleerde metalen delen van het gereedschap onder spanning komen te staan, zodat de gebruiker een elektrische schok kan krijgen.
2. Vermijd het zagen op spijkers. Inspecteer het werkstuk vooraf op de aanwezigheid van spijkers en verwijder deze voordat u met het werk begint.

3. Gebruik het gereedschap nooit voor het doorzagen van holle pijpen.
4. Ook niet voor het zagen van zeer grote werkstukken.
5. Controleer vooraf of er voldoende vrije ruimte is achter het werkstuk om te voorkomen dat het zaagblad tegen een vloer, een werkbank e.d. stoot.
6. Houd het gereedschap stevig vast.
7. Zorg ervoor dat het zaagblad niet in contact is met het werkstuk voordat u de spanning inschakelt.
8. Houd uw handen uit de buurt van de bewegende delen.
9. Schakel altijd het gereedschap uit als u weg moet. Schakel het gereedschap alleen in als u het in handen houdt.
10. Schakel altijd uit en wacht tot het zaagblad volledig tot stilstand is gekomen, alvorens het gereedschap van het werkstuk te verwijderen.
11. Raak onmiddellijk na gebruik het zaagblad of het werkstuk niet aan, aangezien het nog gloeiend heet kan zijn en brandwonden kan veroorzaken.

BEWAAR DEZE VOORSCHRIFTEN.

BEDIENINGSVOORSCHRIFTEN

Installeren of verwijderen van het zaagblad (Fig. 1, 2 en 3)

LET OP:

- Zorg er altijd voor dat het gereedschap is uitgeschakeld en het netsnoer uit het stopcontact is verwijderd, alvorens het zaagblad te installeren of te verwijderen.
- Verwijder altijd alle spaanders of verontreinigingen van het zaagblad en/of de zaagbladhouder. Als u dit verzuimt, bestaat er kans dat het zaagblad niet goed vastgezet zal zijn, hetgeen ernstige verwonding kan veroorzaken.

- Raak het zaagblad of het werkstuk niet aan onmiddellijk na het gebruik; deze kunnen gloeiend heet zijn en brandwonden veroorzaken.
- Zet het zaagblad goed vast, omdat er anders gevaar is voor ernstige verwonding.

Het zaagblad installeren

Open de gereedschapsopener naar de afgebeelde positie. (Fig. 1)

Houd de opener in die positie en steek het zaagblad zo ver in de zaagbladklem dat de twee uitsteeksels van het zaagblad niet meer zichtbaar zijn. (Fig. 2)

Breng de gereedschapsopener terug naar zijn oorspronkelijke positie. Nadat het zaagblad geïnstalleerd is, moet u er even aan trekken om te controleren of het goed vast zit.

LET OP:

Open de gereedschapsopener niet te ver, omdat het gereedschap daardoor beschadigd kan raken.

Selecteren van de zaagactie (Fig. 5)

Dit gereedschap kan met twee zaagacties worden gebruikt: Zagen in een cirkelbaan of in rechte lijn (op en neer). Tijdens zagen in een cirkelbaan, wordt het zaagblad door de zaagactie naar voren geduwd en vermeerderd de zaagsnelheid aanzienlijk.

Om de zaagactie te veranderen, draait u gewoon de zaagactie-keuzehendel naar de gewenste stand. Zie de onderstaande tabel voor het selecteren van de zaagactie.

| Stand | Zaagactie | Toepassingen |
|-------|---------------------------------|---|
| 0 | Zagen in rechte lijn | Zagen van zacht staal, roestvrij staal en plastic. Schoon zagen van hout en gelaagd hout. |
| I | Zagen in kleine cirkelbaan | Zagen van zacht staal, aluminium en hard hout. |
| II | Zagen in middelgrote cirkelbaan | Zagen van hout en gelaagd hout. Snel zagen in aluminium en zacht staal. |
| III | Zagen in grote cirkelbaan | Snel zagen in hout en gelaagd hout. |

Werking van de schakelaar (Fig. 6)

LET OP:

Controleer altijd of het gereedschap is uitgeschakeld alvorens het gereedschap op een stopcontact aan te sluiten.

Schuif de aan/uit schakelaar in de "I" positie om het gereedschap in te schakelen, en schuif hem in de "O" positie om het gereedschap uit te schakelen.

Snelheidsregelknop (Fig. 7)

Alleen voor 4341CT, 4341FCT

De zaagsnelheid kan worden ingesteld op een willekeurige snelheid tussen 800 en 2800 slagen per minuut door de snelheidsregelknop naar links of rechts te draaien. Draai de knop in de richting van nummer 5 om de snelheid te vermeerderen, en in de richting van nummer 1 om de snelheid te verminderen. Raadpleeg de onderstaande tabel voor het selecteren van de snelheid die geschikt is voor het te zagen werkstuk. De geschikte snelheid hangt echter ook af van het type of de dikte van het werkstuk. In het algemeen, kunt u met hogere snelheden sneller zagen, maar het zaagblad zal dan minder lang meegaan.

Het zaagblad verwijderen

LET OP:

Wees bij het verwijderen van het zaagblad voorzichtig dat u uw vingers niet verwondt aan de bovenkant van het zaagblad of de werkstukspaanders.

Open de gereedschapsopener naar de afgebeelde positie. Trek het zaagblad eruit in de richting van de gereedschapsvoet. (Fig. 3)

OPMERKING:

Smeer regelmatig de rol.

Opbergplaats voor de inbussleutel (Fig. 4)

Wanneer u de inbussleutel niet gebruikt, kunt u hem hier handig opbergen.

| Te zagen werkstuk | Nummer op regelknop |
|-------------------|---------------------|
| Hout | 4 – 5 |
| Zacht staal | 3 – 5 |
| Roestvrij staal | 3 – 4 |
| Aluminium | 3 – 5 |
| Plastic | 1 – 4 |

LET OP:

De snelheidsregelknop kan niet verder dan 5 en niet verder terug dan 1 worden gedraaid. Probeer niet de knop met geweld voorbij 5 of 1 te draaien, aangezien de snelheidsregeling dan niet meer juist zal werken.

Alleen voor 4341CT, 4341FCT

De gereedschappen die voorzien zijn van de elektronische functie, zijn gemakkelijk te bedienen omwille van de volgende kenmerken.

Constante snelheidsregeling

De elektronische snelheidsregeling zorgt voor een constante snelheid. U kunt fijn afwerken, aangezien de draaisnelheid ook tijdens belast gebruik constant wordt gehouden.

Zacht starten

De schok bij het starten wordt onderdrukt, zodat het gereedschap veilig en zacht start.

Aanzetten van de lampen (Alleen voor 4341FCT)

LET OP:

Kijk niet direct in het licht of de lichtbron.

Druk de trekker in om de lamp aan te zetten. Laat de trekker los om de lamp uit te doen.

OPMERKING:

Gebruik een droge doek om vuil op de lamplens eraf te vegen. Let op dat u geen krassen maakt op de lamplens, aangezien de verlichtingssterkte daardoor zal verminderen.

Bediening (Fig. 8)

LET OP:

Houd de voet van het gereedschap altijd vlak met het werkstuk. Als u dit niet doet, kan het zaagblad breken, hetgeen ernstige verwonding kan veroorzaken.

Schakel het gereedschap in en wacht totdat het zaagblad op volle toeren draait. Plaats dan de voet van het gereedschap vlak op het werkstuk en beweeg het gereedschap langzaam naar voren langs de van te voren op het werkstuk aangebrachte zaaglijn. Voor het zagen van bochten dient het gereedschap zeer langzaam naar voren te worden bewogen.

Zagen onder een schuine hoek

LET OP:

Zorg er altijd voor dat het gereedschap is uitgeschakeld en het netsnoer uit het stopcontact is verwijderd, alvorens de voet van het gereedschap schuin te zetten.

Door de gereedschapsvoet schuin te zetten kunt u schuin zagen bij een willekeurige hoek tussen 0° en 45° (links of rechts). (Fig. 9)

Draai met de inbussleutel de bout aan de achterkant van de voet los. Beweeg de voet zodat de bout vlak in het midden van de schuine sleuf in de voet komt te zitten. (Fig. 10 en 11)

Kantel de gereedschapsvoet om de gewenste schuine hoek te krijgen. De V-inkeping in het tandwielhuis geeft de schuine hoek in schaalverdelingen aan. Draai daarna de bout vast om de voet vast te zetten. (Fig. 11)

Zagen tot helemaal tegen de kant (Fig. 12)

Draai met de inbussleutel de bout aan de achterkant van de voet los en schuif de voet helemaal naar achteren. Draai daarna de bout vast om de voet vast te zetten.

Figuren uitzagen

Voor het uitzagen van figuren kunt u methode A of B gebruiken.

- A) Voorboren van een startgaatje: Om figuren onmiddellijk in het midden van het werkstuk uit te zagen, en dus niet vanaf de rand, dient u eerst een startgaatje met een diameter van 12 mm of meer te boren. Steek het zaagblad door dit gaatje en begin dan met te zagen. (Fig. 13)
- B) Invalzagen: U hoeft geen startgaatje te boren of geen geleidesnede te maken indien u voorzichtig als volgt te werk gaat.
 1. Houd het gereedschap schuin voorover door alleen het voorste gedeelte van de voet op het werkstuk te laten rusten, met de punt van het zaagblad net boven het werkstukoppervlak. (Fig. 14)
 2. Oefen een beetje druk uit op het gereedschap om te voorkomen dat de voorrand van de voet kan bewegen, en schakel het gereedschap in. Laat het achterste van het gereedschap langzaam zakken.
 3. Naarmate het zaagblad door het werkstuk heen zaagt, laat u de voet van het gereedschap langzaam op het werkstukoppervlak zakken.
 4. Zaag verder op de normale manier.

Afwerken van de randen (Fig. 15)

Voor het afwerken van randen of voor nauwkeurig op maat zagen, laat u het zaagblad lichtjes langs de gezaagde randen lopen.

Zagen van metaal

Voor het zagen van metaal dient u altijd een geschikt koelmiddel (snijolie) te gebruiken. Wanneer u dit niet doet, zal het zaagblad snel slijten. In plaats van een koelmiddel te gebruiken, kunt u ook de onderkant van het werkstuk invetten.

Stofafzuiging

Gebruik bij voorkeur het stofzuigmondstuk (accessoire) om schoner te kunnen werken. Om het stofzuigmondstuk op het gereedschap te monteren, steekt u de haak van het stofzuigmondstuk in het gat in de gereedschapsvoet. (Fig. 16 en 17)

Het stofzuigmondstuk kan aan de linker of rechter zijde van de voet worden geïnstalleerd. Sluit daarna een Makita stofzuiger aan op het stofzuigmondstuk. Om het stofzuigmondstuk te verwijderen, voert u de procedure voor het installeren in de omgekeerde volgorde uit. (Fig. 18)

LET OP:

Probeer niet om het stofzuigmondstuk met geweld te verwijderen. Als u dit doet, kan de haak van het stofzuigmondstuk verzakken zodat hij tijdens de bediening ongewild loskomt.

Breedtegeleider-set (accessoire)

LET OP:

Zorg er altijd voor dat het gereedschap is uitgeschakeld en het netsnoer uit het stopcontact is verwijderd, alvorens accessoires te installeren of te verwijderen.

1) Rechte stukken zagen (Fig. 19 en 20)

Wanneer u herhaaldelijk stukken die 160 mm of minder breed zijn wilt zagen, kunt u snel rechte en schone sneden krijgen door de breedtegeleider te gebruiken. Om de breedtegeleider te installeren, steekt u deze met zijn geleider naar beneden gericht door de rechthoekige opening op de zijkant van de gereedschapsvoet. Schuif de breedtegeleider naar de positie van de gewenste breedte, en draai dan de bout vast om hem vast te zetten.

2) Cirkels en bogen zagen (Fig. 21 en 22)

Wanneer u cirkels of bogen met een straal van 170 mm of minder wilt zagen, dient u de breedtegeleider als volgt te installeren. Steek de breedtegeleider met zijn geleider naar boven gericht door de rechthoekige opening op de zijkant van de gereedschapsvoet. Steek de pin van de cirkelgeleider door een van de twee gaatjes in de geleider. Zet de pin vast door de schroefknop erop te schroeven. Schuif nu de breedtegeleider naar de positie van de gewenste straal, en zet deze vast door de bout vast te draaien. Schuif daarna de voet van het gereedschap helemaal naar voren.

OPMERKING:

Gebruik altijd zaagbladen Nr. B-17, B-18, B-26 of B-27 wanneer u cirkels of bogen wilt zagen.

Geleiderailadapter-set (accessoire)

Wanneer u evenwijdige stukken van gelijke breedte wilt zagen of recht wilt zagen, kunt u snel en schoon zagen door de geleiderail en de geleiderailadapter te gebruiken.

(Fig. 23)

Om de geleiderailadapter te installeren, steekt u de lineaalstaaf zo ver mogelijk in de vierkante opening in de gereedschapsvoet. Draai de bout goed vast met de inbusleutel. (Fig. 24)

Monteer de geleiderailadapter op de rail van de geleiderail. Steek de lineaalstaaf in de vierkante opening in de geleiderailadapter. Plaats de gereedschapsvoet tegen de zijkant van de geleiderail en draai de bout stevig vast.

(Fig. 25)

LET OP:

Gebruik altijd de zaagbladen Nr. B-8, B-13, B-16, B-17 of B-58 wanneer u de geleiderail en de geleiderailadapter wilt gebruiken.

Dekplaat (Fig. 26)

Gebruik de dekplaat wanneer u decoratiefineerhout, kunststof e.d. zaagt. Deze plaat beschermt gevoelige of tere oppervlakken tegen beschadiging. Bevestig de plaat op de onderzijde van de gereedschapsvoet.

Antisplinterinrichting (Fig. 27)

Om splintervrije zaagsneden te krijgen, kunt u de anti-splinterinrichting gebruiken. Om deze te installeren, schuift u de gereedschapsvoet helemaal naar voren en dan bevestigt u de inrichting vanaf de onderzijde van de voet. Wanneer u de dekplaat gebruikt, installeert u de anti-splinterinrichting op de dekplaat.

LET OP:

De anti-splinterinrichting kan niet gebruikt worden voor zagen onder een schuine hoek.

ONDERHOUD

LET OP:

Zorg er altijd voor dat het gereedschap is uitgeschakeld en de stekker uit het stopcontact is verwijderd alvorens onderhoud aan het gereedschap uit te voeren.

Opdat het gereedschap veilig en betrouwbaar blijft, dienen alle reparaties, onderhoud of afstellingen te worden uitgevoerd bij een erkend Makita service centrum.

Explicación de los dibujos

| | | | | | |
|---|---|----|---------------------------|----|-------------------------------|
| 1 | Abridor de la herramienta | 10 | Línea de corte | 21 | Guía lateral |
| 2 | Mordaza para sierra | 11 | Perno | 22 | Perilla roscada |
| 3 | Hoja de sierra de calar | 12 | Alojamiento de engranajes | 23 | Pasador para la guía circular |
| 4 | Protusiones | 13 | Muesca en V | 24 | Regla |
| 5 | Base | 14 | Ranura de bisel | 25 | Adaptador para carril de guía |
| 6 | Llave hexagonal | 15 | Graduaciones | 26 | Carril de guía |
| 7 | Palanca de cambio de la acción de corte | 16 | Agujero de inicio | 27 | Tornillo |
| 8 | Palanca del interruptor | 17 | Tubo de aspiración | 28 | Placa de rozamiento |
| 9 | Control de regulación de la velocidad | 18 | Manguera para aspirador | 29 | Dispositivo antiastillas |
| | | 19 | Guía de apoyo | 30 | Gancho |
| | | 20 | Perno | | |

ESPECIFICACIONES

| Modelo | 4341T | 4341CT | 4341FCT |
|--|---------|-------------|-------------|
| Longitud de carrera | 26 mm | 26 mm | 26 mm |
| Capacidades de corte | | | |
| Madera | 110 mm | 135 mm | 135 mm |
| Acero | 10 mm | 10 mm | 10 mm |
| Carreras por minuto (min ⁻¹) | 2.800 | 800 – 2.800 | 800 – 2.800 |
| Longitud total..... | 271n mm | 271 mm | 271 mm |
| Peso neto | 2,4 kg | 2,4 kg | 2,4 kg |

- Debido a un programa continuo de investigación y desarrollo, las especificaciones aquí dadas están sujetas a cambios sin previo aviso.
- Nota: Las especificaciones pueden ser diferentes de país a país.

Uso previsto

La herramienta ha sido prevista para serrar madera, plástico y materiales metálicos. Gracias a la variedad de accesorios y tipos de sierras para diversos usos existentes, la herramienta puede utilizarse para muchas tareas y es muy apropiada para cortes curvados y circulares.

Alimentación

La herramienta ha de conectarse solamente a una fuente de alimentación de la misma tensión que la indicada en la placa de características, y sólo puede funcionar con corriente alterna monofásica. El sistema de doble aislamiento de la herramienta cumple con la norma europea y puede, por lo tanto, usarse también en enchufes hembra sin conductor de tierra.

Sugerencias de seguridad

Para su propia seguridad, consulte las instrucciones de seguridad incluidas.

NORMAS DE SEGURIDAD ADICIONALES

1. Cuando realice tareas en las que la herramienta de corte pueda tocar cables ocultos o su propio cable, sostenga la herramienta por las superficies aisladas. El contacto con un cable con corriente hará que la corriente circule por las partes metálicas expuestas de la herramienta y electrocutará al operario.
2. Evite cortar clavos. Inspeccione la pieza de trabajo y extraiga todos los clavos antes de efectuar el corte.
3. No corte un tubo hueco.
4. No corte una pieza de trabajo de gran tamaño.

5. Verifique que haya espacio suficiente por detrás de la pieza de trabajo antes de empezar a cortar, de forma que la hoja de sierra no golpee contra el suelo, el banco de trabajo, etc.
6. Sostenga la herramienta firmemente.
7. Asegúrese de que la cuchilla no esté haciendo contacto con la pieza de trabajo antes de que se conecte el interruptor.
8. Mantenga las manos alejadas de las piezas móviles.
9. No deje la herramienta funcionando. Opere la herramienta solamente cuando la esté sosteniendo con las manos.
10. Cuando desconecte la herramienta, espere siempre a que la cuchilla se detenga completamente antes de separar la cuchilla de la pieza de trabajo.
11. No toque la cuchilla ni la pieza de trabajo inmediatamente después de la operación; puede que estén extremadamente calientes y le produzcan quemaduras en la piel.

GUARDE ESTAS INSTRUCCIONES.

INTRUCCIONES PARA EL FUNCIONAMIENTO

Instalación o extracción de la hoja de sierra (Fig. 1, 2 y 3)

PRECAUCIÓN:

- Asegúrese siempre de que la herramienta esté apagada y desenchufada antes de instalar o extraer la hoja de sierra.
- Limpie siempre todas las virutas o materias extrañas adheridas a la hoja de sierra y/o al portahoja de sierra. Si no lo hace así, podrá dar lugar a un apriete insuficiente de la hoja de sierra con el posible riesgo de sufrir lesiones graves.
- No toque la hoja de sierra ni la pieza de trabajo inmediatamente después la tarea de corte; podrían estar muy calientes y producirle quemaduras de piel.

- Apriete la hoja de sierra firmemente. El no hacerlo podrá acarrear heridas de gravedad.

Instalación de la hoja de sierra

Abra el abridor de la herramienta hasta la posición mostrada en la figura. (Fig. 1)

En esa posición, introduzca la hoja de sierra en la mordaza para sierra hasta que los dos salientes de la sierra dejen de verse. (Fig. 2)

Vuelva a poner el abridor de la herramienta en su posición original. Después de instalar la hoja de sierra, asegúrese siempre de que la hoja esté firmemente sujeta en su sitio intentando sacarla con la mano.

PRECAUCIÓN:

No abra el abridor de la herramienta excesivamente, porque podría dañar la herramienta.

Selección de la acción de corte (Fig. 5)

Esta herramienta se puede utilizar con una acción de corte orbital o de línea recta. (hacia arriba y hacia abajo). La acción de corte orbital empuja hacia delante a la hoja de sierra en el recorrido de corte y aumenta notablemente la velocidad de corte.

Para cambiar la acción de corte, no tiene más que girar la palanca de cambio de la acción de corte hasta la posición de acción de corte deseada. Para seleccionar la acción de corte consulte la tabla de abajo.

| Posición | Acción de corte | Aplicaciones |
|----------|------------------------------------|--|
| 0 | Acción de corte de línea recta | Para cortar acero blando, acero inoxidable y plásticos. Para cortar limpiamente madera y contrachapado. |
| I | Acción de corte con pequeña órbita | Para cortar acero blando, aluminio y madera dura. |
| II | Acción de corte con mediana órbita | Para cortar madera y contrachapado. Para cortar rápidamente aluminio y acero blando. |
| III | Acción de corte con gran órbita | Para cortar rápidamente madera y contrachapado. |

Accionamiento del interruptor (Fig. 6)

PRECAUCIÓN:

Antes de enchufar la herramienta, siempre mire para comprobar que está apagada.

Para poner en marcha la herramienta, deslice la palanca del interruptor en la posición "I". Para pararla, deslice la palanca del interruptor en la posición "O".

Control de regulación de la velocidad (Fig. 7)

Para 4341CT, 4341FCT solamente

La velocidad de la herramienta puede ajustarse en infinitas posiciones entre 800 y 2.800 carreras por minuto girando el control de regulación de velocidad. Para aumentar la velocidad, gire el control en la dirección del número 5 y, para reducirla, gírelo en la dirección del número 1. Consulte la tabla de abajo para seleccionar la velocidad apropiada para la pieza de trabajo que vaya a cortar. Sin embargo, la velocidad apropiada podrá variar de acuerdo con el tipo o grosor de la pieza de trabajo. En general, a velocidades altas podrá cortar las piezas de trabajo más rápidamente, pero la vida útil de la hoja de sierra se acortará.

Desmontaje de la sierra

PRECAUCIÓN:

Cuando vaya a desmontar la sierra, tenga cuidado de no lastimarse los dedos con la punta de la sierra o las rebabas de la pieza de trabajo.

Abra el abridor de la herramienta hasta la posición mostrada en la figura. Tire de la hoja de sierra hacia la base para sacarla. (Fig. 3)

NOTA:

Lubrique el rodillo de vez en cuando.

Para guardar la llave hexagonal (Fig. 4)

Cuando no se está utilizando, la llave hexagonal se puede guardar cómodamente.

| Pieza de trabajo a cortar | Número en el control de regulación |
|---------------------------|------------------------------------|
| Madera | 4 – 5 |
| Acero suave | 3 – 5 |
| Acero inoxidable | 3 – 4 |
| Aluminio | 3 – 5 |
| Plásticos | 1 – 4 |

PRECAUCIÓN:

El control de regulación de la velocidad solamente se puede girar hasta el número 5 y retroceder hasta el 1. No intente forzarlo más allá del 5 o del 1, porque podría estropearlo.

Para 4341CT, 4341FCT solamente

Las herramientas provistas de función electrónica son fáciles de utilizar gracias a las siguientes funciones.

Velocidad constante controlada

Control de velocidad electrónico para obtener una velocidad constante. Permite lograr unos acabados finos porque la velocidad de giro se mantiene constante incluso en condición de carga.

Función de inicio suave

Seguridad e inicio suave gracias a la supresión del golpe de arranque inicial.

Encendido de las lámparas (Para 4341FCT solamente)

PRECAUCIÓN:

No mire a la luz ni vea la fuente de luz directamente.

Para encender la lámpara, apriete el gatillo. Suelte el gatillo para apagarla.

NOTA:

Utilice un paño seco para quitar la suciedad de la lente de la lámpara. Tenga cuidado de no rayar la lente de la lámpara, porque podrá disminuir la iluminación.

Operación (Fig. 8)

PRECAUCIÓN:

Sujete siempre la base de la herramienta plana contra la pieza de trabajo. En caso contrario, la hoja de sierra podrá romperse, y ocasionarle graves lesiones.

Ponga en marcha la herramienta y espere hasta que la hoja de sierra adquiera velocidad completa. Luego apoye la base de la herramienta plana sobre la pieza de trabajo y desplace suavemente la herramienta hacia delante siguiendo la línea de corte marcada previamente. Cuando corte curvas, avance la herramienta muy lentamente.

Corte en bisel

PRECAUCIÓN:

Asegúrese siempre de que la herramienta esté apagada y desenchufada antes de inclinar la base de la herramienta.

Inclinando la base, podrá hacer cortes en bisel a cualquier ángulo comprendido entre 0° y 45° (izquierdo o derecho). (Fig. 9)

Afloje el perno de la parte posterior de la base con la llave hexagonal. Mueva la base de forma que el perno quede posicionado en el centro de la ranura de bisel de la base. (Fig. 10 y 11)

Incline la base hasta obtener el ángulo de bisel deseado. La muesca en V del alojamiento de engranajes indica el ángulo de bisel en graduaciones. Después apriete firmemente el perno para sujetar la base. (Fig. 11)

Cortes con tope en la parte delantera

(Fig. 12)

Afloje el perno que hay en la parte posterior de la base de la herramienta con la llave hexagonal, y mueva la base de la herramienta completamente hacia atrás. Luego apriete el perno para sujetar la base de la herramienta.

Corte de aberturas

Los cortes de aberturas pueden realizarse con cualquiera de los dos métodos A o B.

- A) Perforando un agujero de arranque: Para hacer una abertura interna sin un corte de arranque desde el borde, perforo un agujero de inicio de 12 mm o más de diámetro. Inserte la hoja de sierra en este agujero para iniciar la abertura. (Fig. 13)
- B) Corte calado: Si realiza lo siguiente con cuidado, no necesitará perforar un agujero de arranque o hacer un corte desde el borde.
 1. Incline la herramienta hacia delante sobre el borde delantero de la base, con la punta de la hoja de sierra situada justo por encima de la superficie de la pieza de trabajo. (Fig. 14)

2. Aplique presión sobre la herramienta para que el borde delantero de la base no se mueva cuando ponga en marcha la herramienta y baje con cuidado gradualmente la parte posterior de la herramienta.
3. Según la hoja de sierra vaya penetrando en la pieza de trabajo, baje gradualmente la base de la herramienta hasta la superficie de la pieza de trabajo.
4. Complete el corte de manera normal.

Suavizamiento de bordes (Fig. 15)

Para suavizar bordes o hacer ajustes dimensionales, pase la hoja de sierra a lo largo de bordes cortados.

Corte de metales

Utilice siempre un refrigerante adecuado (aceite de corte) cuando corte metales. Si no lo utiliza la hoja de sierra se desgastará considerablemente. En lugar de utilizar un refrigerante puede engrasar la parte inferior de la pieza de trabajo.

Extracción de polvo

Se recomienda utilizar el tubo de aspiración (accesorio) para realizar operaciones de corte limpias. Para colocar el tubo de aspiración en la herramienta, inserte el gancho del tubo de aspiración en el agujero de la base. (Fig. 16 y 17)

El tubo de aspiración se puede colocar bien en el lado derecho o bien en el izquierdo. Después conecte un aspirador Makita al tubo de aspiración. Para retirar el tubo de aspiración, siga a la inversa el procedimiento de instalación. (Fig. 18)

PRECAUCIÓN

Si intenta retirar a la fuerza el tubo de aspiración su gancho se reducirá y podrá soltarse sin querer durante el funcionamiento.

Conjunto de guía de apoyo (accesorio)

PRECAUCIÓN:

Asegúrese siempre de que la herramienta esté apagada y desenchufada antes de instalar o desmontar accesorios.

1) Cortes rectos (Fig. 19 y 20)

Cuando haga cortes repetidos de 160 mm o menos de anchura, el empleo de la guía de apoyo asegurará unos cortes rápidos, limpios y rectos. Para instalarla, inserte la guía de apoyo en el orificio rectangular situado en el costado de la base de la herramienta con la guía lateral mirando hacia abajo. Deslice la guía de apoyo hasta la posición que le ofrezca la anchura de corte deseada, luego apriete el perno para sujetarla.

2) Cortes circulares (Fig. 21 y 22)

Cuando corte círculos o arcos de 170 mm o menos de radio, instale la guía de apoyo de la siguiente forma.

Inserte la guía de apoyo en el orificio rectangular situado en el costado de la base de la herramienta con la guía lateral mirando hacia arriba. Inserte el pasador de la guía circular en uno de los dos orificios de la guía lateral. Rosque la perilla roscada en el pasador para sujetar el pasador. Ahora deslice la guía de apoyo hasta el radio de corte deseado, y apriete el perno para sujetarla en esa posición. Luego mueva la base de la herramienta completamente hacia delante.

NOTA:

Cuando corte círculos o arcos, utilice siempre hojas de corte N.º B-17, B-18, B-26 o B-27.

Conjunto de adaptador para Carril de Guía (accesorio)

Al hacer cortes paralelos y de anchura uniforme o cortes rectos, el uso del carril de guía y del adaptador para carril de guía asegurará la obtención de cortes rápidos y limpios. **(Fig. 23)**

Para instalar el adaptador para carril de guía, inserte la regla a fondo en el agujero cuadrado de la base. Apriete el perno firmemente con la llave hexagonal. **(Fig. 24)**

Instale el adaptador para carril de guía en el carril del carril de guía. Inserte la regla en el agujero cuadrado del adaptador para carril de guía. Ponga la base en el costado del carril de guía y apriete el perno firmemente. **(Fig. 25)**

PRECAUCIÓN:

Utilice siempre hojas de sierra N.º B-8, B-13, B-16, B-17 ó 58 cuando utilice el carril de guía y el adaptador para carril de guía.

Placa de rozamiento (Fig. 26)

Utilice la placa de rozamiento cuando corte chapas de revestimiento decorativas, plásticos, etc. Protege las superficies sensibles o delicadas contra daños. Encájela en la parte posterior de la base de la herramienta.

Dispositivo anti-astillas (Fig. 27)

Para cortes sin astillas, se puede utilizar el dispositivo anti-astillas. Para instalar el dispositivo anti-astillas, mueva la base de la herramienta hacia delante a tope y encájelo en la parte posterior de la base de la herramienta. Cuando utilice la placa de rozamiento, instale el dispositivo anti-astillas en la placa de rozamiento.

PRECAUCIÓN:

Cuando haga cortes en bisel no podrá utilizar el dispositivo antiastillas.

MANTENIMIENTO

PRECAUCIÓN:

Asegúrese siempre de que la herramienta esté desconectada y desenchufada antes de realizar ninguna reparación en ella.

Para mantener la seguridad y fiabilidad del producto, las reparaciones, el mantenimiento y los ajustes deberán ser realizados por un Centro de Servicio Autorizado de Makita.

Explicação geral

| | | | | | |
|----|---------------------------------------|----|----------------------------------|----|--------------------------------|
| 1 | Abridor da ferramenta | 11 | Perno | 22 | Botão roscado |
| 2 | Suporte da lâmina | 12 | Caixa do motor | 23 | Haste para a guia circular |
| 3 | Lâmina da serra de vaivém | 13 | Ranhura em V | 24 | Barra régua |
| 4 | Protuberância | 14 | Calha de bisel | 25 | Adaptador de carril de guia |
| 5 | Base | 15 | Graduações | 26 | Carril de guia |
| 6 | Chave hexagonal | 16 | Orifício de início | 27 | Parafuso |
| 7 | Alavanca de mudança da acção de corte | 17 | Bocal do pó | 28 | Placa de cobertura |
| 8 | Alavanca interruptor | 18 | Mangueira para o aspirador do pó | 29 | Mecanismo de anti-fragmentação |
| 9 | Marcador de regulação de velocidade | 19 | Vedação para escarificação | 30 | Gancho |
| 10 | Linha de corte | 20 | Perno | | |
| | | 21 | Vedação guia | | |

ESPECIFICAÇÕES

| Modelo | 4341T | 4341CT | 4341FCT |
|---|--------|-------------|-------------|
| Comprimento do corte | 26 mm | 26 mm | 26 mm |
| Capacidades de corte | | | |
| Madeira | 110 mm | 135 mm | 135 mm |
| Aço | 10 mm | 10 mm | 10 mm |
| Cortes por minutos (min ⁻¹) | 2,800 | 800 – 2.800 | 800 – 2.800 |
| Comprimento total | 271 mm | 271 mm | 271 mm |
| Peso líquido | 2,4 kg | 2,4 kg | 2,4 kg |

• Devido a um programa contínuo de pesquisa e desenvolvimento, estas especificações podem ser alteradas sem aviso prévio.

• Nota: As especificações podem variar de país para país.

Utilização pretendida

A ferramenta foi concebida para a serragem de madeira, plásticos e materiais metálicos. Como resultado dos imensos acessórios e dos programas da lâmina da serra, a ferramenta pode ser utilizada para muitos fins e é adequada para cortes curvos ou circulares.

Alimentação

A ferramenta só deve ser ligada a uma fonte de alimentação com a mesma voltagem da indicada na placa de características, e só funciona com alimentação CA monofásica. Tem um sistema de isolamento duplo de acordo com as normas europeias e pode, por isso, utilizar tomadas sem ligação à terra.

Conselhos de segurança

Para sua segurança, leia as instruções anexas.

REGRAS DE SEGURANÇA ADICIONAIS

1. **Agarre na ferramenta pelas superfícies isoladas quando executa uma operação em que a ferramenta de corte pode entrar em contacto com um fio eléctrico escondido ou com o seu próprio cabo. O contacto com um fio "vivo" tornará "vivas" as partes de metal expostas da ferramenta e poderá causar um choque eléctrico no operador.**
2. **Evite cortar pregos. Inspeccione a peça de trabalho antes da operação e retire quaisquer pregos que existam.**
3. **Não corte um tubo oco.**
4. **Não corte uma superfície de grandes dimensões.**

5. **Verifique antes do corte se tem a folga correcta abaixo da peça de trabalho de modo a que a lâmina não bata no chão, bancada, etc.**
6. **Segure a ferramenta com firmeza.**
7. **Certifique-se de que a lâmina não está em contacto com a superfície de trabalho antes de ligar o interruptor.**
8. **Afaste as mãos das partes em movimento.**
9. **Nunca deixe a ferramenta a funcionar sozinha. Trabalhe com ela apenas quando puder segurá-la com as mãos.**
10. **Quando desligar a ferramenta, aguarde sempre até a lâmina estar completamente parada antes de a retirar da superfície de trabalho.**
11. **Não toque na lâmina nem na superfície de trabalho logo após a operação; podem estar muito quentes e provocar queimaduras.**

GUARDE ESTAS INSTRUÇÕES.

INSTRUÇÕES DE FUNCIONAMENTO

Colocar ou retirar a lâmina da serra (Fig. 1, 2 e 3)

PRECAUÇÃO:

- Certifique-se sempre de que a ferramenta está desligada e a ficha retirada da tomada antes de colocar ou retirar a lâmina.
- Limpe sempre todas as partículas e matérias estranhas aderentes à lâmina e/ou suporte da lâmina. Se não o fizer pode originar insuficiente aperto da lâmina que pode causar um acidente.
- Não toque na lâmina ou na peça de trabalho imediatamente depois da operação; podem estar extremamente quentes e pode queimar-se.
- Aperte seguramente a lâmina da serra. Se não o fizer pode causar danos sérios.

Instalação da lâmina da serra

Abra o abridor da ferramenta para a posição indicada na figura. (Fig. 1)

Mantendo essa situação, coloque a lâmina da serra no suporte da lâmina até que as duas saliências na lâmina não se vejam. (Fig. 2)

Volte a colocar o abridor da ferramenta na posição original. Depois de instalar a lâmina da serra, certifique-se sempre de que a lâmina está bem presa no seu lugar tentando puxá-la para fora.

PRECAUÇÃO:

Não abra excessivamente o abridor da ferramenta, ou pode estragar a ferramenta.

Para retirar a lâmina da serra

PRECAUÇÃO:

Quando retira a lâmina da serra, tenha cuidado para não aleijar os seus dedos na parte superior da lâminas ou nas pontas da peça de trabalho.

Abra o abridor da ferramenta para a posição indicada na figura. Puxe a lâmina da serra para fora na direcção da base. (Fig. 3)

NOTA:

Lubrifique ocasionalmente o rolamento.

Armazenamento da chave hexagonal (Fig. 4)

Quando não estiver em utilização, a chave hexagonal pode ser convenientemente guardada.

Seleção da acção de corte (Fig. 5)

Esta ferramenta pode funcionar com uma acção de corte de linha orbital ou direita (para cima e para baixo). A acção de corte orbital empurra a lâmina para a frente na pancada de corte e aumenta grandemente a velocidade de corte. Para mudar a acção de corte, rode simplesmente a alavanca de mudança de acção de corte para a posição da acção de corte desejada. Refira-se à tabela abaixo para seleccionar a acção de corte.

| Posição | Acção de corte | Aplicações |
|---------|----------------------------------|--|
| 0 | Acção de corte de linha direita | Para cortes em aço macio, aço inoxidável e plástico. Para cortes limpos em madeira e contraplacado. |
| I | Acção de corte de órbita pequena | Para cortar aço médio, alumínio e madeira dura. |
| II | Acção de corte de órbita média | Para cortar madeira e contraplacado. Para cortes rápidos em alumínio e aço mole. |
| III | Acção de corte de órbita larga | Para cortes rápidos em madeira e contraplacado. |

Ação do interruptor (Fig. 6)

PRECAUÇÃO:

Antes de penetrar com a ferramenta, verifique sempre se a ferramenta está desligada.

Para iniciar a ferramenta, deslize a alavanca interruptor para a posição "I". Para parar a ferramenta, deslize a alavanca interruptor para posição "O".

Marcador de regulação de velocidade (Fig. 7)

Só para 4341CT, 4341FCT

A velocidade da ferramenta pode ser regulada infinitamente entre 800 e 2.800 cortes por minuto rodando o marcador de regulação. Obtém maior velocidade quando roda o marcador na direcção do número 5; obtém menor velocidade quando o roda na direcção do número 1. Refira-se à tabela abaixo para seleccionar a velocidade adequada para a peça a cortar. No entanto, a velocidade apropriada pode ser diferente conforme a espessura da peça de trabalho. Em geral, maior velocidade permite o corte mais rápido de peças mas a vida útil da lâmina será reduzida.

| Peça a ser cortada | Número no marcador de regulação |
|--------------------|---------------------------------|
| Madeira | 4 – 5 |
| Aço macio | 3 – 5 |
| Aço inoxidável | 3 – 4 |
| Alumínio | 3 – 5 |
| Pásticos | 1 – 4 |

PRECAUÇÃO:

O marcador de regulação de velocidade só pode ser rodado até ao 5 e ao 1. Não o force para ultrapassar o 5 ou o 1, ou a função de regulação de velocidade poderá ficar estragada.

Só para 4341CT, 4341FCT

As ferramentas equipadas com função electrónica são fáceis de operar porque estão equipadas com as seguintes funções.

Controle de velocidade constante

Controle de velocidade electrónico para obter velocidade constante. É possível obter um acabamento excelente, pois a velocidade de rotação mantém-se constante mesmo sob condições de carga.

Função de início suave

Segurança e início suave devido à supressão do choque inicial.

Lâmpadas acesas (Só para 4341FCT)

PRECAUÇÃO:

Não olhe para a luz ou veja a fonte de luz directamente.

Para ligar a lâmpada, carregue no gatilho. Liberte o gatilho para desligar.

NOTA:

Utilize um pano seco para retirar a sujidade das lentes da lâmpada. Tenha cuidado para não riscar as lentes da lâmpada ou pode diminuir a iluminação.

Operação (Fig. 8)

PRECAUÇÃO:

Mantenha sempre a base da ferramenta nivelada com a peça de trabalho. Se assim não for pode estragar a lâmina e causar uma acidente.

Ligue a ferramenta e espere até que a lâmina atinja a velocidade máxima. Em seguida assente a base da ferramenta na peça de trabalho e mova a ferramenta suavemente ao longo da linha de corte marcada anteriormente. Quando corta curvas, avance com a ferramenta muito devagar.

Cortes de esquadria

PRECAUÇÃO:

Certifique-se sempre de que a ferramenta está desligada e a ficha retirada da tomada antes de inclinar a base da ferramenta.

Com a base da ferramenta inclinada, pode fazer cortes de bisel em qualquer ângulo entre 0° e 45° (esquerdo ou direito). (Fig. 9)

Liberte o perno na parte traseira da base com a chave hexagonal. Desloque a base de modo a que o perno esteja posicionado no centro da calha de bisel na base. (Fig. 10 e 11)

Incline a base até que obtenha o ângulo de bisel desejado. A ranhura em V da caixa do motor indica em graduações o ângulo de bisel. Em seguida aperte firmemente o perno para prender a base. (Fig. 11)

Corte de topo frontal (Fig. 12)

Liberte o perno na parte traseira da ferramenta com a chave hexagonal e em seguida mova a base da ferramenta completamente para trás. Aperte o perno para prender a base da ferramenta.

Recortes

Os recortes podem ser feitos de duas maneiras, A ou B.

- A) Fazendo um orifício inicial: Para recortes internos sem um corte de passagem na extremidade, perfure um orifício inicial com 12 mm ou mais de diâmetro. Coloque a lâmina neste orifício para iniciar o corte. (Fig. 13)

- B) Corte penetrante :Não necessita de fazer um orifício de início ou um corte de passagem se fizer cuidadosamente o que se segue.
1. Incline a ferramenta para cima na extremidade frontal da base, com a ponta da lâmina colocada mesmo acima da superfície de trabalho. (Fig. 14)
 2. Aplique pressão na ferramenta de modo a que a extremidade frontal da base não se mova quando liga a ferramenta e suavemente e devagar desça a extremidade traseira da ferramenta.
 3. Quando a lâmina fura a peça de trabalho, desça devagar a base da ferramenta para a superfície da peça de trabalho.
 4. Acabe o corte do modo normal.

Acabamento das extremidades (Fig. 15)

Para aparar as extremidades ou fazer ajustes de dimensões, passe ligeiramente com a lâmina ao longo das extremidades do corte.

Corte de metal

Utilize sempre um lubrificante adequado (óleo de corte) quando corta metal. Caso contrário, provocará desgaste da lâmina. A parte inferior poderá ser oleada em vez de utilizar lubrificante.

Extracção do pó

Recomenda-se a utilização do bocal de pó (acessório) para executar operação de corte limpa. Para prender o bocal de pó à ferramenta, coloque o gancho do bocal do pó no orifício na base. (Fig. 16 e 17)

O bocal do pó pode ser instalado tanto no lado esquerdo como no direito da base. Em seguida ligue um aspirador de pó Makita ao bocal do pó. Para retirar o bocal do pó, execute inversamente o procedimento de instalação. (Fig. 18)

PRECAUÇÃO:

Se tentar retirar à força o bocal do pó, o gancho do bocal do pó pode diminuir e sair sem querer durante a operação.

Conjunto de vedações para escarificação (acessório)

PRECAUÇÃO:

Certifique-se sempre de que a ferramenta está desligada e a ficha retirada da tomada antes de colocar ou retirar acessórios.

1) Cortes rectos (Fig. 19 e 20)

Quando corta repetidamente larguras de 160 mm ou menos, a utilização da vedação para escarificação assegurará um corte mais rápido, limpo e direito. Para a instalar, coloque a vedação para escarificação no orifício rectangular no lado da base ferramenta com a vedação guia voltada para baixo. Deslize a vedação para escarificação para a posição desejada de largura do corte e em seguida aperte o perno para a prender.

2) Cortes circulares (Fig. 21 e 22)

Quando corta círculos ou arcos com 170 mm ou menos de raio, coloque a vedação para escarificação como se segue.

Coloque a vedação para escarificação no orifício rectangular no lado da base da ferramenta com a vedação guia voltada para cima. Introduza a haste para a guia circular num dos dois orifícios da vedação guia. Aparafuse o botão roscado na haste para a prender. Em seguida deslize a vedação para escarificação para o raio de corte desejado e em seguida aperte o perno para a prender. Movimente a base da ferramenta completamente para a frente.

NOTA:

Utilize sempre lâminas N. B-17, B-18, B-26 ou B-27 quando corta círculos ou arcos.

Conjunto de adaptador de carril de guia (acessório)

Quando corta larguras paralelas e uniformes ou corta a direito, a utilização do carril de guia e do adaptador do carril de guia assegurará a produção de cortes mais rápidos e limpos. (Fig. 23)

Para instalar o adaptador do carril de guia, insira a barra régua no orifício quadrado da base o mais fundo possível. Prenda seguramente o perno com a chave hexagonal. (Fig. 24)

Instale o adaptador do carril de guia no carril do carril de guia. Insira a barra régua no orifício quadrado do adaptador do carril de guia. Coloque a base no lado do carril de guia e aperte o perno seguramente. (Fig. 25)

PRECAUÇÃO:

Utilize sempre as lâminas nº B-8, B-13, B-16, B-17 ou 58 quando utiliza a carril guia e o adaptador da carril guia.

Placa de cobertura (Fig. 26)

Utilize a placa de cobertura quando corta embutidos decorativos, plásticos, etc. Protege de estragos as superfícies sensíveis ou delicadas. Coloque-a na parte traseira da base da ferramenta.

Mecanismo de anti-fragmentação (Fig. 27)

Para cortes sem fragmentação, pode utilizar o mecanismo de anti-fragmentação. Para instalar o mecanismo de anti-fragmentação, desloque a base da ferramenta completamente para a frente e coloque-a na base traseira da base da ferramenta. Quando utiliza a placa de cobertura, instale o mecanismo de anti-fragmentação na placa de cobertura.

PRECAUÇÃO:

Não pode utilizar o mecanismo de anti-fragmentação quando executa cortes de esquadria.

MANUTENÇÃO

PRECAUÇÃO:

Certifique-se sempre de que a ferramenta está desligada e a ficha retirada da tomada antes de efectuar qualquer inspecção e manutenção.

Para salvaguardar a segurança e a fiabilidade do produto, as reparações, manutenção e afinações deverão ser sempre efectuadas por um Centro de Assistência Oficial MAKITA.

Illustrationsoversigt

| | | | | | |
|----|------------------|----|----------------------|----|----------------------|
| 1 | Værktøjsåbner | 11 | Bolt | 21 | Anlægsskinne |
| 2 | Klingeholder | 12 | Gearhus | 22 | Kuglegreb |
| 3 | Stiksavklinge | 13 | V-rille | 23 | Centrérspids |
| 4 | Fremspring | 14 | Skråsnitsrille | 24 | Målestang |
| 5 | Sål | 15 | Geringsmål | 25 | Føringsanslagssæt |
| 6 | Unbrakonøgle | 16 | Starthul | 26 | Føringssskinne |
| 7 | Savemådevælger | 17 | Støvstuds | 27 | Skrue |
| 8 | Afbryderarm | 18 | Slange til støvsuger | 28 | Fodplade |
| 9 | Hastighedsvælger | 19 | Parallelanslag | 29 | Antisplint-anordning |
| 10 | Snitlinie | 20 | Bolt | 30 | Krog |

SPECIFIKATIONER

| Model | 4341T | 4341CT | 4341FCT |
|---|--------|-------------|-------------|
| Slaglængde | 26 mm | 26 mm | 26 mm |
| Skærekapacitet | | | |
| Træ | 110 mm | 135 mm | 135 mm |
| Stål | 10 mm | 10 mm | 10 mm |
| Slag per minut (min ⁻¹) | 2 800 | 800 – 2 800 | 800 – 2 800 |
| Længde | 271 mm | 271 mm | 271 mm |
| Vægt | 2,4 kg | 2,4 kg | 2,4 kg |

- Ret til tekniske ændringer forbeholdes.
- Bemærk: Tekniske data kan variere fra land til land.

Tilsigtet anvendelse

Denne maskine er beregnet til savning i træ, plast- og metalmaterialer. Takket være det omfattende udvalg i tilbehør og savklinger, kan maskinen anvendes til mange formål og er velegnet til at save buer og cirkler.

Netsspænding

Maskinen må kun tilsluttes den netspænding, der er angivet på typeskiltet. Maskinen arbejder på enkeltfasets vekselspænding og er dobbeltisoleret iht. de europæiske normer og må derfor tilsluttes en stikkontakt uden jordtilslutning.

Sikkerhedsforskrifter

For Deres egen sikkerheds skyld bør De sætte Dem ind i sikkerhedsforskrifterne.

YDERLIGERE

SIKKERHEDSBESTEMMELSER

1. Hold kun ved maskinen på de isolerede greb og overflader, når De udfører arbejde, hvor den skærende klinge kan komme i kontakt med skjulte ledninger eller maskinens egen netledning. Kontakt med en strømførende ledning vil gøre uafdækkede metaldele på maskinen strømførende og give operatøren stød.
2. Undgå at save i søm og skruer. Tjek emnet for søm og skruer og fjern sådanne, før arbejdet påbegyndes.
3. Skær ikke i hule rør.
4. Skær ikke i overdimentionerede emner.
5. Tjek for tilstrækkelig frigang under emnet, så klingen ikke rammer gulv, arbejdsbænk eller lignende.
6. Hold maskinen fast med begge hænder.
7. Vær sikker på at klingen ikke er i kontakt med emnet, når maskinen tændes.
8. Hold hænderne borte fra bevægelige dele.
9. Sluk altid værktøjet når det ikke benyttes. Brug kun værktøjet som håndværktøj.

10. Sluk altid værktøjet og vent til klingen er helt stoppet, før De fjerner klingen fra emnet.

11. Undlad at røre klingen eller emnet umiddelbart efter brugen. Klinge og emne kan være meget varme og forårsage forbrændinger.

GEM DISSE FORSKRIFTER.

ANVENDELSE

Montering og afmontering af savklinge (Fig. 1, 2 & 3)

ADVARSEL:

- Kontrollér altid, at maskinen er slået fra og at netstikket er trukket ud af stikkontakten, før De monterer eller afmonterer savklingen.
- Sørg for altid at fjerne spåner eller andre fremmedlegemer, der måtte klæbe til klingen og/eller klingeholderen. Forsømmelse af dette kan resultere i utilstrækkelig tilspænding af klingen, hvilket kan medføre alvorlig tilskadecomst.
- Rør ikke ved klingen eller emnet umiddelbart efter anvendelse. De kan begge være meget varme og forårsage hudforbrænding ved berøring.
- Stram klingen sikkert til. Forsømmelse af dette kan lede til alvorlig tilskadecomst.

Montering af savklinge

Åbn værktøjsåbneren til positionen, der er vist i figuren. (Fig. 1)

Mens denne tilstand opretholdes, sættes klingen så langt ind i klingeholderen, at de to fremspring ikke kan ses. (Fig. 2)

Sæt værktøjsåbneren tilbage i dens oprindelige stilling. Efter montering af savklingen skal det altid kontrolleres, at savklingen sidder sikkert fast, hvilket gøres ved, at man forsøger at trække klingen ud.

FORSIGTIG:

Åbn ikke værktøjsholderen for meget, da det kan medføre beskadigelse af maskinen.

Afmontering af savklinge

FORSIGTIG:

Når De fjerner savklingen, skal De være forsigtig, så De ikke skærer fingrene på toppen af klingen eller på spåner fra emnet.

Åbn værktøjsåbneren til positionen, der er vist i figuren. Træk klingen ud mod sålen. (Fig. 3)

BEMÆRK:

Smør styrevalsen med mellemrum.

Valg af savemåde (Fig. 5)

Denne maskine kan save med penduludsving eller en lineær bevægelse (op og ned). Savemåden med penduludsving støder klingens fremad samtidig med slaget og forøger savehastigheden betydeligt.

For at skifte savemåde drejes savemådevælgeren blot hen på positionen for den ønskede savemåde. Se tabellen herunder for at vælge den ønskede savemåde.

| Position | Klingebevægelse | Anvendelse |
|----------|----------------------------|---|
| 0 | Lineær | Savning i alm. stål, rustfrit stål og plastic. Rent snit i træ og krydsfiner. |
| I | Med lille penduludsving | Savning i alm. stål, aluminium og hårdt træ. |
| II | Med medium penduludsving | Savning i træ og krydsfiner. Hurtigsavning i aluminium og alm. stål. |
| III | Med kraftigt penduludsving | Hurtigsavning i træ og krydsfiner. |

Afbryderkontakt (Fig. 6)

ADVARSEL:

Kontrollér altid, at der er slukket på maskinen, før netstikket sættes i en stikkontakt.

Start maskinen ved skyde afbryderarmen til "I" positionen. Sluk maskinen ved at skubbe afbryderarmen til "O" positionen.

Hastighedsvælger (Fig. 7)

Kun for 4341CT, 4341FCT

Maskinhastigheden kan justeres til mellem 800 og 2 800 slag per minut ved at drejes på hastighedsvælgeren. Der opnås højere hastighed, når knappen drejes i retning mod 5; lavere hastighed opnås ved at dreje den i retning af 1. Se tabellen herunder for at finde den korrekte hastighed til det emne, der skal saves. Den passende hastighed kan dog svinge alt efter emnets type eller tykkelse. Generelt vil højere hastighed gøre det muligt at save emner hurtigere, men savklingens levetid vil blive kortere.

| Emne der skal saves | Tal på hastighedsvælgeren |
|---------------------|---------------------------|
| Træ | 4 – 5 |
| Smedestål | 3 – 5 |
| Rustfrit stål | 3 – 4 |
| Aluminium | 3 – 5 |
| Plastic | 1 – 4 |

ADVARSEL:

Hastighedsvælgeren kan kun drejes så langt som til 5 og tilbage til 1. Tving den ikke forbi 5 eller 1, da hastighedsvælgerfunktionen ellers kan gå i stykker.

Opbevaring af unbrakonøglen (Fig. 4)

Når unbrakonøglen ikke er i brug, kan den bekvemt opbevares her.

Kun for 4341CT, 4341FCT

Maskiner forsynet med elektronisk funktion er nemme at anvende, takket være følgende egenskaber.

Konstant hastighedskontrol

Elektronisk hastighedskontrol for at opnå konstant hastighed. Gør det muligt at opnå en bedre finish, da rotationshastigheden holdes konstant, selv i belastet tilstand.

Blød opstart

Sikker og blød start, da startchok forebygges.

Tænding af lamperne (Kun for 4341FCT)

FORSIGTIG:

Se ikke direkte på lyskilden.

Lampen tændes ved at man trykker på afbryderen. Slip afbryderen for at slukke.

BEMÆRK:

Anvend en tør klud til at tørre smuds af lampens linse. Undgå at ridse lampens linse, da det vil gøre belysningen svagere.

Betjening (Fig. 8)

ADVARSEL:

Hold altid maskinens sål plant med emnet. Hvis sålen ikke ligger plant med emnet, er der stor risiko for at klingens brækker, hvilket kan medføre alvorlig tilskadekomst.

Tænd for maskinen og vent til klingens fremad er kommet op på fuld hastighed. Lad derefter sålen hvile plant mod emnet og før maskinen forsigtigt fremad langs den opmærkede snitlinie. Flyt maskinen meget langsomt, når der saves buer.

Geringssnit

ADVARSEL:

Kontrollér altid, at maskinen er slået fra, og at netstikket er trukket ud af stikkontakten, før maskinens sål skræstilles.

Med maskinens sål kippet på skrå, kan man lave skrånit i enhver vinkel mellem 0° og 45° (venstre eller højre). (Fig. 9)

Løsn bolten på undersiden af sålen med unbrakonøglen. Flyt sålen, så bolten bliver placeret i centrum af den krydsformede skrånitsrille i sålen. (Fig. 10 og 11)

Kip maskinens sål, indtil den ønskede geringsvinkel er opnået. V-rillen på gearhuset angiver geringsvinklen. Stram derefter bolten fast til for at holde sålen på plads. (Fig. 11)

Skæring mod kant (Fig. 12)

Løsn bolten på undersiden af maskinens sål med unbrakonøglen, og skub sålen helt bagud. Stram derefter bolten til for at fastgøre maskinens sål.

Udskæringer

Udskæringer kan laves ved hjælp af metode A eller B.

- Boring af et starthul: Ved indvendige udskæringer, uden et indførende savspor fra en kant, startes med at der bores et starthul med en diameter på 12 mm eller mere. Før savklingen ned i dette hul for at starte savningen. (Fig. 13)
- Dyksenit: Det er ikke nødvendigt at bore et starthul, eller lave et indførende savspor fra en kant, hvis følgende udføres omhyggeligt:
 - Vip maskinen op, så den hviler på forkanten af sålen, med klingespidsen placeret lige over emnets overflade. (Fig. 14)
 - Læg tryk på maskinen, så forkanten af sålen ikke forskubber sig, når maskinen tændes, og sænk så forsigtigt den bagerste del af maskinen.
 - I takt med at klingen trænger igennem emnet, sænkes maskinens sål langsomt ned på emnets overflade.
 - Fuldfør derefter savningen på normal vis.

Afglatning af kanter (Fig. 15)

For at trimme kanter eller foretage dimensionelle justeringer køres klingen let hen langs kanten ad savsporet.

Savning af metal

Anvend altid et passende kølemiddel (skæreolie), når der saves metal. Anvendes der ikke et kølemiddel, medfører det unødvendigt slid på savklingen. I stedet for at anvende et kølemiddel kan undersiden af emnet smøres.

Støvfugning

Det anbefales at bruge støvstudsens (ekstraudstyr) for at undgå støvforurening under savning. Monter støvstudsens på maskinen ved at sætte krognen på studsens ind i hullet i sålen. (Fig. 16 og 17)

Støvstudsens kan monteres på enten venstre eller højre side af sålen. Tilslut derefter en Makita støvsuger til støvstudsens. Afmonter støvstudsens ved at følge monteringsfremgangsmåden i omvendt rækkefølge. (Fig. 18)

FORSIGTIG:

Hvis De forsøger at afmontere støvstudsens med magt, kan krognen på støvstudsens blive slidt ned og derved kan den utilsigtet gå løs under anvendelse.s

Parallelslagssæt (ekstraudstyr)

ADVARSEL:

Kontrollér altid, at maskinen er slået fra, og at netstikket er trukket ud af stikkontakten, før der monteres eller afmonteres ekstraudstyr.

1) Lige snit (Fig. 19 og 20)

Når der gentagne gange skal saves bredder på 160 mm eller mindre, vil anvendelse af parallelslag sikre en hurtig, ren og lige savning. Installer parallelslaget ved at sætte det ind i det rektangulære hul på siden af sålen, med anlægsskinnen nedad. Skyd parallelslaget til den ønskede skæreviddeposition, og stram dernæst bolten til for at holde det på plads.

2) Cirkelsnit (Fig. 21 og 22)

Når der saves cirkler eller buer med en radius på 170 mm eller mindre, installeres parallelslaget som følger:

Sæt parallelslaget ind i det rektangulære hul på siden af sålen, med anlægsskinnen opad. Før centrerspidsen ind gennem et af de to huller i anlægsskinnen. Fastgør centrerspidsen ved at skrue kuglegrebet på den. Skyd nu parallelslaget til den ønskede saveradius, og stram bolten for at holde anslaget på plads. Flyt derefter maskinens sål hele vejen frem.

BEMÆRK:

Anvend altid klingerne Nr. B-17, B-18, B-26 eller B-27, når der saves cirkler eller buer.

Føringsanslagssæt (ekstraudstyr)

Når der skal laves parallelle savninger med ens bredde, eller saves lige, vil anvendelse af føringskinnen og føringsanslaget sikre udførelse af hurtige og lige savninger. (Fig. 23)

For at montere føringsanslaget føres målestangen så langt ind i det firkantede hul på sålen, som den vil gå. Fastgør bolten forsvarligt med unbrakonøglen. (Fig. 24)

Monter føringsanslaget på føringskinnens skinne. For målestangen ind i det firkantede hul på føringsanslaget. Anbring sålen mod siden på føringskinnen, og stram bolten forsvarligt til. (Fig. 25)

FORSIGTIG:

Anvend altid klinger Nr. B-8, B-13, B-16, B-17 eller 58, når føringskinnen og føringsanslaget benyttes.

Fodplade (Fig. 26)

Anvend fodpladen, når der saves finer, plastmaterialer og lignende. Fodpladen beskytter sarte og modtagelige overflader mod ridser og skrammer. Anbring fodpladen på maskinens sål nedenfra.

Antisplint-anordning (Fig. 27)

For at opnå savninger uden flossede kanter kan antisplint-anordningen anvendes. For at montere antisplint-anordningen flyttes maskinens sål helt fremad, hvorefter anordningen sættes på sålen nedenfra. Når De anvender fodpladen, skal antisplint-anordningen monteres oven på fodpladen.

ADVARSEL:

Antiflosse-anordning kan ikke anvendes ved geringssnit.

VEDLIGEHOLDELSE

ADVARSEL:

Sørg altid for at maskinen er slukket og netstikket trukket ud, før der foretages noget arbejde på selve maskinen.

For at opretholde produktets sikkerhed og pålidelighed, må istandsættelse, vedligeholdelse eller justering kun udføres af et autoriseret Makita service center.

Förklaring av allmän översikt

| | | |
|----------------------------------|----------------------------|---------------------------|
| 1 Maskinöppnare | 11 Bult | 22 Gängad knopp |
| 2 Bladhållare | 12 Växelhus | 23 Stift för cirkelanslag |
| 3 Sticksågsblad | 13 V-skåra | 24 Linjal |
| 4 Utskjutningar | 14 Skåra för vinkelsågning | 25 Parallellanslag |
| 5 Fot | 15 Graderingar | 26 Ledskena |
| 6 Sexkantssnyckel | 16 Starthål | 27 Skruv |
| 7 Omkopplingspak för sågfunktion | 17 Dammstos | 28 Skyddsplatta |
| 8 Strömbrytare | 18 Dammsugar slang | 29 Flisningskydd |
| 9 Ratt för varvtalsreglering | 19 Parallellanslag | 30 Krok |
| 10 Såglinje | 20 Bult | |
| | 21 Anslaget mothåll | |

TEKNISKA DATA

| Modell | 4341T | 4341CT | 4341FCT |
|---|--------|-------------|-------------|
| Slaglängd | 26 mm | 26 mm | 26 mm |
| Sågkapacitet | | | |
| Trä | 110 mm | 135 mm | 135 mm |
| Stål | 10 mm | 10 mm | 10 mm |
| Slag per minut (min ⁻¹) | 2 800 | 800 – 2 800 | 800 – 2 800 |
| Total längd | 271 mm | 271 mm | 271 mm |
| Nettovikt | 2,4 kg | 2,4 kg | 2,4 kg |

- På grund av det kontinuerliga programmet för forskning och utveckling, kan här angivna tekniska data ändras utan föregående meddelande.
- Observera: Tekniska data kan variera i olika länder.

Avsedd användning

Maskinen är avsedd för sågning i trä-, plast- och metallmaterial. Tack vare det breda tillbehörs- och sågbladsprogrammet kan maskinen användas i många olika syften, och den är synnerligen lämpad för sågning av bågar och cirklar.

Strömförsörjning

Maskinen får endast anslutas till nät med samma spänning som anges på typplåten och kan endast köras med enfas växelström. Den är dubbelisolerad i enlighet med europeisk standard och kan därför anslutas till vägguttag som saknar skyddsjord.

Säkerhetstips

För din egen säkerhets skull, bör du läsa igenom de medföljande säkerhetsföreskrifterna.

KOMPLETTERANDE

SÄKERHETSFÖRESKRIFTER

1. Håll maskinen i de isolerade greppytorna vid arbeten där skärande eller sågande maskiner kan komma i kontakt med gömd ledningsdragning. Om maskinens sågblad kommer i kontakt med en strömförande ledning blir alla oisolerade metalldelar på maskinen strömförande, vilket leder till att operatören får en elektrisk stöt.
2. Undvik att såga i spikar. Kontrollera arbetsstycket före arbetets början, och ta bort alla spikar du hittar innan du börjar såga.
3. Såga inte ihåliga rör.
4. Såga inte överdimensionerade arbetsstycken.
5. Kontrollera att du har tillräcklig frigång under arbetsstycket, så att sågbladet inte slår emot golvet, arbetsbänken e.d.

6. Håll i verktyget stadigt.

7. Se till att sågklingen inte är i kontakt med arbetsstycket innan strömbrytaren trycks in.

8. Håll händerna på avstånd från rörliga delar.

9. Lämna inte verktyget med motorn igång. Använd verktyget endast när det hålls i händerna.

10. Stäng alltid av strömmen, och vänta tills bladet har stannat helt, innan bladet tas bort från arbetsstycket.

11. Vidrör inte bladet eller arbetsstycket omedelbart efter arbetets slut; de kan vara extremt heta och orsaka brännskador.

SPARA DESSA ANVISNINGAR.

BRUKSANVISNING

Montering och demontering av sågblad (Fig. 1, 2 och 3)

FÖRSIKTIGHET!

- Se alltid till att maskinen är avstängd och nätsladden urdragen innan sågbladet monteras eller demonteras.
- Tag alltid bort sågflis och andra främmande föremål som sitter fast på sågbladet och/eller bladhallaren. I annat fall kan det orsaka att sågbladet inte kan dras åt ordentligt med en allvarlig olycka som följd.
- Rör inte vid sågbladet eller arbetsstycket omedelbart efter avslutat arbete; de kan vara oerhört heta och ge brännskador.
- Fäst sågbladet ordentligt. I annat fall kan det leda till allvarliga olyckor.

Montering av sågbladet

Öppna maskinöppnaren så att den kommer i det läge som visas i figuren. (Fig. 1)

Håll kvar maskinen i detta läge, och stick in sågbladet i bladhållaren tills de två utskjutningarna på bladet inte längre kan ses. (Fig. 2)

Återför maskinöppnaren till dess ursprungliga läge. Kontrollera alltid att sågbladet sitter fast ordentligt efter monteringen, genom att försöka dra ur bladet ur hållaren.

FÖRSIKTIGHET:

Öppna inte maskinöppnaren för mycket, eftersom det kan orsaka skador på maskinen.

Borttagning av sågbladet

FÖRSIKTIGHET:

Var försiktig så att du, vid borttagningen av sågbladet, inte skadar dina fingrar mot bladets överdel eller arbetsstyckets kant.

Öppna maskinöppnaren så att den kommer i det läge som visas i figuren. Dra ut sågbladet i riktning mot foten. (Fig. 3)

OBSERVERA!

Smörj då och då rullen.

Förvaring av sexkantsnyckeln (Fig. 4)

När sexkantsnyckeln inte används kan den praktiskt förvaras i maskinens fot.

Att välja sågfunktion (Fig. 5)

Maskinen kan användas med sågbladet i kretslopp eller i en rak linje (upp och ner). Med sågbladet i ett kretslopp kastas bladet framåt i sågmomentet, vilket ger en markant ökning av sågningshastigheten.

Vrid omkopplingsspaken för sågfunktion vid ändring av sågfunktion, så att spaken står i den önskade positionen. Se i tabellen nedan för att välja sågfunktion.

| Position | Sågfunktion | Användningsområde |
|----------|-----------------------|--|
| 0 | Sågbladet i rak linje | För sågning i mjukt stål, rostfritt stål och plastmaterial. För rena såglinjer vid sågning i trä och plywood. |
| I | Litet kretslopp | För sågning i mjukt stål, aluminium och hårda träslag. |
| II | Mellanstort kretslopp | För sågning i trä och plywood. För snabb sågning i aluminium och mjukt stål. |
| III | Stort kretslopp | För snabb sågning i trä och plywood. |

Strömställarens funktion (Fig. 6)

FÖRSIKTIGHET!

Kontrollera alltid att maskinen är avstängd innan kontakten sätts i.

Skjut strömbrytaren i läget "I" för att sätta på maskinen. Skjut strömbrytaren i läget "O" för att stanna maskinen.

Ratt för varvtalsreglering (Fig. 7)

Endast för 4341CT, 4341FCT

Maskinens varvtal kan ställas in steglöst mellan 800 och 2 800 slag per minut genom att vrida ratten för varvtalsreglering. Högre varvtal erhålles om ratten vrids i riktning mot siffran 5. Lägre varvtal erhålles om ratten vrids i riktning mot siffran 1. Se i tabellen nedan för att välja det varvtal som bäst passar det arbetsstycke som ska sågas. Det lämpliga varvtalet kan dock variera beroende på arbetsstyckets tjocklek. Generellt sett kan du genomföra sågningen snabbare med ett högre varvtal, men sågbladets livslängd reduceras.

| Arbetsstycke som ska sågas | Siffror på ratten för varvtalsreglering |
|----------------------------|---|
| Trä | 4 – 5 |
| Mjukt stål | 3 – 5 |
| Rostfritt stål | 3 – 4 |
| Aluminium | 3 – 5 |
| Plast | 1 – 4 |

FÖRSIKTIGHET!

Ratten för varvtalsreglering kan endast vridas till 5 och tillbaka till 1. Om ratten vrids förbi 5 eller 1 med våld kan varvtalsregleringen upphöra att fungera.

Endast för 4341CT, 4341FCT

De maskiner som är utrustade med elektroniska funktioner är enkla att använda tack vare följande egenskaper:

Kontrollfunktion för konstant varvtal

Elektronisk varvtalskontroll för att upprätthålla konstant hastighet. Ytfinishen blir ytterst fin, eftersom rotationshastigheten hålls konstant även under belastning.

Mjukstartsfunktionen

Mjuk och säker start tack vare minskad chock vid starten.

Att tända lampan (endast för 4341FCT)

VARNING:

Titta inte rakt in i lampan så att du direkt kan se ljuskällan.

Tryck på strömställaren för att tända lampan. Släpp strömbrytaren för att släcka lampan.

OBSERVERA:

Använd en torr tygduk för att torka av lampans lins. Var försiktig så att du inte repar linsen, eftersom det kan göra att lampans ljusstyrka försämras.

Drift (Fig. 8)

FÖRSIKTIGHET!

Håll alltid maskinfoten plant mot arbetsstycket. I annat fall kan sågbladet brytas av med en allvarlig olycka som följd.

Sätt på maskinen och vänta tills sågbladet uppnått full hastighet. Vila sedan maskinfoten plant mot arbetsstycket, och för maskinen långsamt framåt längs den i förväg utmärkta såglinjen. För maskinen mycket långsamt framåt vid kurvsågning.

Vinkelsågning

FÖRSIKTIGHET!

Se alltid till att maskinen är avstängd och nåtsladden urdragen innan maskinfoten lutas åt sidan.

Med maskinens fot lutad kan du göra vinkelsågning i valfri vinkel mellan 0° och 45° (åt vänster eller höger). (Fig. 9)

Luta bulten på fotens undersida med sexkantnyckeln. Flytta foten så att bulten kommer i läge med vinkelskåran i foten. (Fig. 10 och 11)

Luta foten tills den önskade vinkeln ställts in. V-skåran i växelhuset indikerar vinkeln mot graderingen. Fäst sedan foten genom att dra åt bulten ordentligt. (Fig. 11)

Sågning mot vägg (Fig. 12)

Lossa bulten på maskinfotens baksida med sexkantnyckeln, och skjut sedan maskinfoten helt bakåt. Fäst sedan maskinfoten genom att dra åt bulten.

Utsågning

Utsågning kan genomföras med endera av två metoder, A eller B.

- Borra ett starthål: Förborra ett starthål med mer än 12 mm i diameter för att göra en utsågning utan att behöva såga in från kanten av arbetsstycket. Sätt i sågbladet i hålet och genomför utsågningen. (Fig. 13)
- Hålsågning: Du behöver inte förborra ett hål eller såga dig in från kanten om du försiktigt gör enligt följande.
 - Luta maskinen framåt mot fotens framkant med sågbladets spets i position rakt ovanför arbetsstyckets yta. (Fig. 14)
 - Tryck mot maskinen så att fotens framkant inte rör sig när maskinen sätts på, och sänk maskinens bakända långsamt och försiktigt.
 - Sänk sakta maskinens fot mot arbetsstyckets yta när sågbladet börja såga igenom arbetsstycket.
 - Genomför sågningen på vanligt sätt.

Att jämna till kanter (Fig. 15)

Låt sågbladet lätt följa kanterna för att jämna till dem eller för att göra smärre justeringar av arbetsstyckets storlek.

Metallsågning

Använd alltid ett lämpligt kylmedel (skärolja) vid sågning i metall. I annat fall kommer sågbladet att slitas kraftigt. Istället för att använda ett kylmedel kan arbetsstyckets undersida fettas in.

Dammuppsugning

Dammstosen (tillbehör) kan användas för att erhålla en renare arbetsmiljö vid sågarbetet. Dammstosen monterar på maskinen genom att föra in dammstosens hake i hålet i foten. (Fig. 16 och 17)

Dammstosen kan monteras på fotens vänstra eller högra sida. Anslut sedan en Makita dammsugare till dammstosen. Ta bort dammstosen genom att följa monteringsanvisningen i omvänd ordning. (Fig. 18)

FÖRSIKTIGHET:

Om du försöker ta bort dammstosen med våld kan det hända att dess krok slits, och att det därmed finns risk för att den lossnar oavsiktligt under driften.

Parallellanslagssats (tillbehör)

FÖRSIKTIGHET!

Se alltid till att maskinen är avstängd och nåtsladden urdragen innan tillbehör monteras eller demonteras.

1) Rak sågning (Fig. 19 och 20)

Ett parallellanslag kan användas vid upprepad sågning av arbetsstycken som är mindre än 160 mm breda för att få snabb, ren och rak sågning. Montera parallellanslaget genom att föra in det i det fyrkantiga hålet på maskinfotens sida med anslaget mot håll riktat neråt. Skjut parallellanslaget till den önskade sågbredden och fäst det sedan i läge genom att dra åt bulten.

2) Cirkelsågning (Fig. 21 och 22)

Montera parallellanslaget enligt nedan vid sågning av cirklar eller bågar med en radie på mindre än 170 mm. För in parallellanslaget i det fyrkantiga hålet på maskinfotens sida med anslaget mot håll riktat uppåt. Sätt i cirkelanslagets stift i det ena av de två hålen i anslaget mot håll. Skruva fast den gängade knoppen på stiftet för att fästa stiftet. Skjut sedan parallellanslaget till den önskade sågradien, och fäst det i läge genom att dra åt bulten. Skjut där-efter maskinfoten ända framåt.

OBSERVERA:

Använd alltid blad nr. B-17, B-18, B-26 eller B-27 vid sågning av cirklar eller bågar.

Parallellanslag (tillbehör)

Vid sågning av material som ska vara parallella och med samma bredd, eller vid sågning av raka linjer, kan ledskenan och parallellanslaget säkerställa snabba och rena sågarbeten. (Fig. 23)

Montera parallellanslaget genom att föra in linjalerna i det fyrkantiga hålet i foten så långt det går. Skruva fast bulten ordentligt med sexkantnyckeln. (Fig. 24)

Montera parallellanslaget på ledskenan. För in linjalerna i parallellanslagets fyrkantiga hål. Placera foten vid sidan av ledskenan, och dra fast bulten ordentligt. (Fig. 25)

FÖRSIKTIGHET:

Använd alltid bladnummer B-8, B-13, B-16, B-17 eller 58 när ledskenan och parallellanslaget används.

Skyddsplatta (Fig. 26)

Använd skyddsplattan vid sågning av dekorationsfanér, plastmaterial osv. Plattan gör att känsliga ytor skyddas mot yttre skador. Passa in plattan på maskinens fot.

Flisningsskydd (Fig. 27)

Använd flisningsskyddet för att erhålla ett splitterfritt arbete. Montera flisningsskyddet genom att föra maskinens fot så långt framåt det går, och sedan montera flisningsskyddet från fotens baksida. Om du använder skyddsplattan ska flisningsskyddet monteras på skyddsplattan snarare än på foten.

FÖRSIKTIGHET!

Flisningsskydd kan inte användas vid vinkelsågning.

UNDERHÅLL

FÖRSIKTIGHET!

Förvissa dig alltid om att nätkabeln dragits ut ur vägguttaget och att maskinen är frånkopplad innan något arbete utförs på maskinen.

För att bibehålla produktens säkerhet och tillförlitlighet, bör alltid reparationer, underhållsservice och justeringar utföras av auktoriserad Makita serviceverkstad.

Forklaring til generell oversikt

| | | |
|---------------------------------|-------------------------|------------------------|
| 1 Verktøysåpner | 11 Bolt | 21 Vernfører |
| 2 Bladklemme | 12 Girkasse | 22 Gjenget knott |
| 3 Stikksagblad | 13 V-hakk | 23 Sirkulær førerstift |
| 4 Utstikkende deler | 14 Skrååpning | 24 Ledestang |
| 5 Fot | 15 Graderinger | 25 Ledeskinneadapter |
| 6 Sekskantnøkkel | 16 Starthull | 26 Ledeskinne |
| 7 Skiftehendel for sagefunksjon | 17 Støvtrakt | 27 Skrue |
| 8 Bryterhendel | 18 Slange til støvsuger | 28 Dekkeplate |
| 9 Hastighetsskive | 19 Ripevern | 29 Antiflisinnretning |
| 10 Sagelinje | 20 Bolt | 30 Krok |

TEKNISKE DATA

| Modell | 4341T | 4341CT | 4341FCT |
|--|--------|-------------|-------------|
| Slaglengde | 26 mm | 26 mm | 26 mm |
| Sagekapasitet | | | |
| Tre | 110 mm | 135 mm | 135 mm |
| Stål | 10 mm | 10 mm | 10 mm |
| Slag per minutt (min ⁻¹) | 2 800 | 800 – 2 800 | 800 – 2 800 |
| Totallengde | 271 mm | 271 mm | 271 mm |
| Nettovekt | 2,4 kg | 2,4 kg | 2,4 kg |

- Grunnet det kontinuerlige forsknings- og utviklingsprogrammet, forbeholder vi oss retten til å foreta endringer i tekniske data uten forvarsel.
- Merk: Tekniske data kan variere fra land til land.

Bruksområde

Maskinen er beregnet til saging av materialer av tre, plast og metall. Som et resultat av vårt utvidete tilbehør- og bladprogram, kan maskinen brukes til mange formål og er særdeles godt egnet til kurve- og sirkelskjæring.

Strømforsyning

Maskinen må kun koples til den spenning som er angitt på typeskiltet og arbeider kun med enfas-vekselstrøm. Den er dobbelt verneisoleret i henhold til de Europeiske Direktiver og kan derfor også koples til stikkontakter uten jording.

Sikkerhetstips

For din egen sikkerhets skyld ber vi deg lese de medfølgende sikkerhetsreglene.

EKSTRA SIKKERHETSREGLER

1. Hold maskinen i de isolerte gripeflatene når det utføres arbeid hvor den skjærende maskinen kan komme i kontakt med skjulte ledninger eller selve maskinledningen. Kontakt med en strømførende ledning vil resultere i at også metalldeleler på maskinen blir strømførende og dermed utsette operatøren for strømsjokk.
2. Unngå å sage over spikre. Sjekk arbeidselementet for eventuelle spikre og fjern disse før arbeidet begynner.
3. Skjær ikke i hule rør.
4. Skjær ikke arbeidsstykker som er for store.
5. Sjekk at det er stor nok klaring rundt emnet før sagingen begynner slik at ikke bladet kommer i berøring med gulvet, arbeidsbenken, etc.
6. Hold godt fast i verktøyet.
7. Sørg for at bladet ikke kommer i berøring med arbeidsstykket før verktøyet slås på.
8. Hold hendene unna bevegelige deler.

9. Forlat ikke verktøyet når det er igang. Verktøyet må bare betjenes når det holdes med begge hendene.

10. Slå strømmen av og vent til sagbladet har stoppet helt før det fjernes fra arbeidsstykket.

11. Rør aldri bladet eller arbeidsstykket like etter en skjæreoperasjon; de kan være meget varme og forårsake brannskader.

TA VARE PÅ DISSE INSTRUKSENE.

BRUKSANVISNINGER

Montering eller demontering av sagblad (Fig. 1, 2 og 3)

NB!

- Maskinen må alltid være avslått og støpslet tatt ut av stikkontakten før montering eller demontering av blad.
- Rens alltid ut spon eller fremmedlegemer som kan ha satt seg fast på bladet og/eller bladholderen. Hvis dette overses, kan det forårsake uilstrekkelig stramming av bladet med alvorlige personskader til følge.
- Rør ikke bladet eller arbeidselementet like etter bruk; de kan være svært varme og forårsake forbrenninger.
- Stram sagbladet forsvarlig. Hvis dette ikke gjøres kan resultat bli en alvorlig ulykke.

Montere sagblad

Lukk opp maskinåpneren til posisjonen vist i illustrasjonen. (Fig. 1)

Hold den slik og sett sagbladet inn i bladklemmen så langt at de to utspringene på bladet ikke kan ses. (Fig. 2) Returner maskinåpneren til utgangsposisjonen. Etter at sagbladet er montert, må en alltid sjekke at det sitter forsvarlig fast ved å prøve å trekke det ut.

NB!

Maskinåpneren må ikke åpnes for mye, det kan ødelegge verktøyet.

Demontere sagbladet

NB!

Ved demontering av bladet må en passe på at ikke fin-grene skjæres opp av bladspissen eller spissen på arbeidsemnet.

Åpne maskinåpneren som vist i figuren. Trekk sagbladet ut mot foten. (Fig. 3)

MERKNAD:

Smør trinsen regelmessig.

Velge sagefunksjon (Fig. 5)

Denne maskinen kan betjenes med en sirkulerende eller en rettlinjert (opp og ned) sagefunksjon. Den sirkulerende sagefunksjonen støter bladet fremover på sagslaget og øker sagehastigheten betydelig.

For å endre sagefunksjonen er det bare å vri sagefunksjonens skiftehendel til ønsket sagefunksjon. Se tabellen under for valg av sagefunksjon.

| Posisjon | Sagefunksjon | Anvendelse |
|----------|-------------------------|---|
| 0 | Rettlinjet sagefunksjon | Til saging av bløtt stål, rustfritt stål og plast. For rene skjæreflater i tre og finer. |
| I | Liten sirkelfunksjon | Til saging av bløtt stål, aluminium og hardt tre. |
| II | Middels sirkelfunksjon | Til saging av tre og finer. Til rask saging i aluminium og bløtt stål. |
| III | Stor sirkelfunksjon | Til rask saging i tre og finer. |

Bryter (Fig. 6)

NB!

Før maskinen koples til nettstrømmen, må en alltid påse at verktøyet er avslått.

Maskinen startes ved å skyve bryterhendelen til "I". Skyv hendelen til "O" for å stoppe.

Hastighetsskive (Fig. 7)

Kun til 4341CT, 4341FCT

Maskinens hastighet kan justeres trinnløst mellom til 800 og 2 800 slag per minutt ved å dreie på hastighetsskiven. Hastigheten øker når skiven dreies mot 5-tallet; og den blir lavere når skiven dreies mot 1-tallet. Se tabellen under for å finne riktig hastighet til emnet som skal sages. Men korrekt hastighet kan variere avhengig av typen eller tykkelsen på emnet. Generelt vil høyere hastighet gi raskere saging, men bladet slites også hurtigere ned.

| Arbeidsemne som skal sages | Tall på hastighetsskiven |
|----------------------------|--------------------------|
| Tre | 4 – 5 |
| Bløtt stål | 3 – 5 |
| Rustfritt stål | 3 – 4 |
| Aluminium | 3 – 5 |
| Plast | 1 – 4 |

NB!

Hastighetsskiven kan bare dreies til 5 og tilbake til 1. Den må ikke forseres forbi 5 eller 1, det kan ødelegge hele funksjonen for justering av hastighet.

Kun til 4341CT, 4341FCT

Maskinen er utstyrt med en elektronisk funksjon som er lett å betjene grunnet følgende egenskaper

Oppbevaring av sekskantnøkkelen (Fig. 4)

Når sekskantnøkkelen ikke er i bruk, finnes det et praktisk oppbevaringssted til den.

Konstant hastighetkontroll

Elektronisk hastighetskontroll slik at konstant hastighet kan opprettholdes. Dette gir en fin finish på arbeidet siden rotasjonshastigheten holdes konstant selv når verktøyet arbeider under belastning.

Myk start

En trygg og myk start på grunn av at oppstartingstøtet dempes.

Lampe (kun til 4341FCT)

NB!

Se aldri direkte inn i lampen eller direkte på lyskilden.

Lampen tennes ved å trykke inn funksjonsbryteren og slukkes ved å slippe den igjen.

MERKNAD:

Bruk en tørr klut til å tørke skitt av lampelinsen med. Pass på at ikke linsen ripes opp siden dette kan redusere belysningseffekten.

Bruk (Fig. 8)

NB!

Maskinen må holdes vinkelrett på materialet ellers kan bladet brette og forårsake alvorlige personskader.

Slå maskinen på og vent til bladet oppnår full hastighet. La deretter maskinfoten hvile flatt på materialet og beveg maskinen forsiktig fremover langs den opptegnede sagem-linjen. Ved saging av kurver, må maskinen beveges meget langsomt.

Skråskjæring

NB!

Maskinen må alltid være avslått og støpslet tatt ut før maskinfoten vippes til siden.

Når maskinfoten vippes opp kan du utføre skråskjæringer i en hvilken som helst vinkel på mellom 0° og 45° (venstre eller høyre). (Fig. 9)

Skru løs bolten på baksiden av foten med sekskantnøkkelen. Flytt foten slik at bolten er plassert midt under skrååpningen i foten. (Fig. 10 og 11)

Vipp foten til ønsket skråvinkel oppnås. V-hakket i girkasets angir skråvinkelen i graderinger. Stram deretter bolten forsvarlig slik at foten sitter fast. (Fig. 11)

Front planskjæring (Fig. 12)

Løse bolten på baksiden av maskinfoten med sekskantnøkkelen, og skyv maskinfoten helt tilbake. Stram bolten så foten sitter forsvarlig fast.

Innstikkskjæring

Innstikkskjæring kan gjøres med en av to metoder, A eller B.

- Bore et starthull: For utskjæring uten at det sages inn fra en av sidene, bores det først et starthull på 12 mm eller mer i diameter. Sett bladet inn i dette hullet og start sagingen. (Fig. 13)
- Plungerskjæring: Det er ikke nødvendig å bore et starthull eller sage inn fra kanten hvis du nøye følger denne prosedyren.
 - Vipp maskinen opp på frontkanten av foten, og med bladspissen like over materialeflaten. (Fig. 14)
 - Legg trykk på maskinen slik at frontkanten av foten ikke flytter seg når du slår maskinen på og varsomt og langsomt senker bakre ende av maskinen.
 - Idet bladet sager igjennom emnet, senkes maskinfoten ned på emnet.
 - Fortsett sagingen på vanlig vis.

Finpusning av kanter (Fig. 15)

For å trimme kantene eller gjøre dimensjonelle justeringer, lar du bladet gå langs snittkantene.

Metallskjæring

Bruk alltid en egnet kjølevæske (smøreolje) ved skjæring av metall. Hvis dette ikke gjøres kan det forårsake stor slitasje på bladet. Undersiden av emnet kan smøres med fett istedet for å bruke kjølevæske.

Støvutsuging

Det anbefales å bruke støvtrakten (tilbehør) for renere sageoperasjoner. Monter støvtrakten på maskinen, sett kroken på trakten inn i hullet i foten. (Fig. 16 og 17)

Støvtrakten kan monteres på enten venstre eller høyre side av foten. Kople deretter en Makita støvsuger til støvtrakten. Utfør monteringsprosedyren i omvendt rekkefølge for å demontere støvtrakten. (Fig. 18)

NB:

Dersom du forsøker å demontere støvtrakten med makt kan kroken på trakten bli forminsket og demontert på en utilsiktet måte mens maskinen er i bruk.

Ripevernet (tilbehør)

NB!

Maskinen må alltid være avslått og støpslet tatt ut av stikkkontakten før montering eller demontering av tilbehør.

1) Rettlinjet skjæring (Fig. 19 og 20)

Ved gjentatt saging av emner med bredde på 160 mm eller mindre, bør du bruke ripevernet som sikrer raske, rene og rette snittflater. Vernet monteres ved å sette det inn i det rektangulære hullet på siden av maskinfoten med vernføreren pekende ned. Skyv ripevernet til ønsket skjærebredde og stram bolten så det sitter fast.

2) Sirkelskjæring (Fig. 21 og 22)

Ved saging av sirkler eller buer på 170 mm eller mindre i radius, monteres ripevernet på følgende måte. Sett ripevernet inn i det rektangulære hullet på siden av maskinfoten med vernføreren pekende opp. For den sirkulære førerstiften gjennom ett av de to hullene på vernføreren. Skru knotten med gjenger fast på stiften så den sitter fast. Skyv ripevernet til ønsket skjæreradius og stram bolten så det sitter fast. Skyv maskinfoten hele veien frem.

MERKNAD:

Bruk alltid blad Nr. B-17, B-18, B-26 eller B-27 ved saging av sirkler eller buer.

Adaptersett til ledeskinn (tilbehør)

Ved skjæring av parallelle emner av samme bredde eller ved rettlinet skjæring, vil arbeidet utføres både raskere og rensligere ved bruk av ledeskinn og adaptersett til ledeskinnen. (Fig. 23)

Ledeskinneadapteren monteres ved å sette ledestangen inn i firkantet hullet på foten så langt den kan komme. Stram bolten forsvarlig med sekskantbolten. (Fig. 24)

Monter ledeskinnadapteren på ledeskinnen. Sett ledestangen inn i firkantet hullet på ledeskinnadapteren. Still foten på siden av ledeskinnen og stram bolten forsvarlig. (Fig. 25)

NB!

Bruk alltid blad Nr. B-8, B-13, B16, B-17 eller 58 når ledeskinnen og ledeskinnadapteren brukes.

Dekkeplate (Fig. 26)

Bruk dekkeplaten når du skal sage dekorasjonsfiner, plast, etc. Den beskytter skjøre og tynne overflater mot skader. Fest platen bak på maskinfoten.

Antiflisinnretning (Fig. 27)

Flisfrie snittflater kan oppnås ved å bruke antiflisinnretningen. Innretningen monteres ved å skyve maskinfoten hele veien frem og sette den inn fra på foten bakfra. Når dekkeplaten brukes, monteres antiflisinnretningen fast på dekkeplaten.

NB!

Antiflisinnretningen kan ikke brukes under skråskjæring.

SERVICE

NB!

Før servicearbeider utføres på maskinen må det passes på at denne er slått av og at støpslet er trukket ut av stikkkontakten.

For å garantere at maskinen arbeider sikkert og pålitelig bør reparasjoner, servicearbeider eller innstillinger utføres av et autorisert Makita-serviceverksted.

Yleiselustus

| | | | | | |
|----|----------------------------|----|-------------------|----|------------------------|
| 1 | Koneen avaja | 11 | Pultti | 22 | Kierteinen nuppi |
| 2 | Teränpidin | 12 | Vaihdekotelo | 23 | Kaariohjaintappi |
| 3 | Pistosahan terä | 13 | V-ura | 24 | Ohjaustanko |
| 4 | Ulokkeet | 14 | Viisteura | 25 | Ohjauskiskon sovitin |
| 5 | Jalusta | 15 | Asteikko | 26 | Ohjauskisko |
| 6 | Kuusioavain | 16 | Aloitusreikä | 27 | Ruuvi |
| 7 | Sahaustoinnin muutoskytkin | 17 | Pölysuutin | 28 | Suojalevy |
| 8 | Vipukytkin | 18 | Pölynimurin letku | 29 | Sälöytymisen estolaite |
| 9 | Nopeudensäätökehä | 19 | Halkaisuohjain | 30 | Koukku |
| 10 | Sahauslinja | 20 | Pultti | | |
| | | 21 | Ohjain | | |

TEKNISET TIEDOT

| Malli | 4341T | 4341CT | 4341FCT |
|---|--------|-------------|-------------|
| Iskun pituus | 26 mm | 26 mm | 26 mm |
| Sahauskyky | | | |
| Puu | 110 mm | 135 mm | 135 mm |
| Pehmeä teräs | 10 mm | 10 mm | 10 mm |
| Iskua minuutissa (min ⁻¹) | 2 800 | 800 – 2 800 | 800 – 2 800 |
| Kokonaispituus | 271 mm | 271 mm | 271 mm |
| Nettopaino | 2,4 kg | 2,4 kg | 2,4 kg |

- Jatkuvan tutkimus- ja kehitysohjelman vuoksi pidämme oikeuden muuttaa tässä mainittuja teknisiä ominaisuuksia ilman ennakoilmoitusta.
- Huomaa: Tekniset ominaisuudet saattavat vaihdella eri maissa.

Käyttötarkoitus

Kone on tarkoitettu puun, muovin ja metallien sahaamiseen. Mittavan lisävaruste- ja sahanterävalikoiman ansiosta konetta voidaan käyttää lukuisiin tarkoituksiin ja se sopii erittäin hyvin kaarevien ja pyöreiden sahausten tekemiseen.

Virransyöttö

Laitteen saa kytkeä ainoastaan virtalähteeseen, jonka jännite on sama kuin tyyppikilvessä ilmoitettu. Laitetta voidaan käyttää ainoastaan yksivaiheisella vaihtovirralla. Laite on kaksinkertaisesti suojaeristetty eurooppalaisten standardien mukaisesti, ja se voidaan tästä syystä liittää maadoittamattomaan pistorasiaan.

Turvaohjeita

Oman turvallisuutesi vuoksi lue mukana seuraavat turvaohjeet.

LISÄTURVAOHJEITA

1. Pitele konetta eristetyistä tarttumapinnoista, kun teet työtä, jossa leikkaava kone voi osua piilossa olevaan johtoon tai omaan virtajohtoonsa. Jännitteeseen johtoon osuminen saa koneen näkyvillä olevat metalliosat jännitteisiksi ja aiheuttaa käyttäjälle sähköiskun.
2. Älä leikkaa nauvoja. Tutki työkalua ennen työskentelyä ja poista kaikki naulat.
3. Älä sahaa onttoja putkia.
4. Älä sahaa ylisuuria työkalupaleita.

5. Varmista ennen sahaamista, että työkalupaleen ympärillä on riittävästi tilaa siten, että terä ei osu lattiaan, höyläpenkkiin tms.
6. Pitele konetta käsin tukevasti.
7. Varmista että terä koskettaa työkalupaleeseen vasta koneen käynnistämisen jälkeen.
8. Pidä kädet loitolla liikkuvista osista.
9. Älä jätä konetta käyntiin. Käytä konetta vain pidellesäsi sitä tukevasti käsin.
10. Pysäytä kone ja odota kunnes terä pysähtyy täysin, ennen terän nostamista työkalupaleesta.
11. Älä koske terään tai työkalupaleeseen heti työtön jälkeen. Osat voivat olla erittäin lämpimiä ja polttaa ihoasi.

SÄILYTÄ NÄMÄ OHJEET.

KÄYTTÖOHJEET

Sahanterän kiinnittäminen ja irrottaminen (Kuva 1, 2 ja 3)

VARO:

- Varmista aina ennen terän kiinnittämistä ja irrottamista, että kone on sammutettu ja että virtajohto on irrotettu pistorasiasta.
- Poista aina terään ja/tai teränpitteen tarttuneet lastut ja vieraat esineet. Jos et tee näin, terää ei mahdollisesti voida kiinnittää riittävän tiukasti, mikä voi aiheuttaa vakavan loukkaantumisen.
- Älä kosketa terää äläkä työkalupaletta välittömästi työskentelyn jälkeen. Ne voivat olla erittäin kuumia ja polttaa ihoasi.
- Kiristä sahanterä tiukasti paikalleen. Jos et toimi näin, voi seurauksena olla vakava loukkaantuminen.

Sahanterän kiinnittäminen

Avaa koneen avaja kuvan osoittamaan asentoon.

(Kuva 1)

Pida se tässä asennossa ja työnnä sahanterä teränpitiimeen niin syväälle, että terän kaksi ulkonemaa eivät jää näkyviin. (Kuva 2)

Palauta koneen avaja alkuperäiseen asentoonsa. Kun olet kiinnittänyt sahanterän, varmista vetämällä, että terä on tiukasti paikallaan.

VARO:

Älä avaa koneen avajaa liian paljon, koska tämä voi vioittaa konetta.

Sahaustoiminnon valitseminen (Kuva 5)

Tätä laitetta voidaan käyttää pyöreiden muotojen tai suorien linjojen (ylös ja alas) sahaamiseen. Pyöreiden muotojen sahaustoiminto työntää terää eteenpäin sahausken yhteydessä ja lisää huomattavasti sahausnopeutta.

Vaihda sahaustoimintoa kääntämällä sahaustoiminnon vaihtokytkin halumaasi sahaustoimintoasentoon. Valitse sahaustoiminto alla olevan taulukon avulla.

| Asento | Sahaustoiminto | Käyttötarkoitukset |
|--------|---|---|
| 0 | Suoran linjan sahaaminen | Pehmeän teräksen, ruostumattoman teräksen ja muovin sahaaminen. Siistien sahausten tekeminen puuhun ja vaneriin. |
| I | Pienen pyöreän muodon sahaaminen | Pehmeän teräksen, alumiinin ja kovapuun sahaaminen. |
| II | Keskikokoisen pyöreän muodon sahaaminen | Puun ja vanerin sahaaminen. Alumiinin ja pehmeän teräksen nopea sahaaminen. |
| III | Suuren pyöreän muodon sahaaminen | Puun ja vanerin nopea sahaaminen. |

Kytkimen käyttäminen (Kuva 6)

VARO:

Varmista aina ennen koneen liittämistä pistorasiaan, että kone on sammutettu.

Kone käynnistetään siirtämällä vipukytkin asentoon "I". Kone pysäytetään siirtämällä vipukytkin asentoon "O".

Nopeudensäätökehä (Kuva 7)

Vain malli 4341CT, 4341FCT

Koneen nopeutta voidaan säätää vapaasti välillä 800 – 2 800 iskua minuutissa kääntämällä nopeudensäätökehää. Nopeus kasvaa, kun kehää käännetään numeron 5 suuntaan. Vastaavasti nopeus pienenee, kun kehää käännetään numeron 1 suuntaan. Valitse sahattavalle työkappaleelle sopiva nopeus alla olevasta taulukosta. Oikea nopeus saattaa kuitenkin vaihdella työkappaleen tyyppiin ja paksuuden mukaan. Yleisesti ottaen suurempi nopeus mahdollistaa työkappaleen nopeamman sahausmisen, mutta lyhentää terän käyttöikää.

| Sahattava työkappale | Säätökehän lukema |
|----------------------|-------------------|
| Puu | 4 – 5 |
| Pehmeä teräs | 3 – 5 |
| Ruostumaton teräs | 3 – 4 |
| Alumiini | 3 – 5 |
| Muovit | 1 – 4 |

Sahanterän irrottaminen

VARO:

Kun irrotat sahanterän, varo ettet satuta sormiasi terän yläosaan etkä työkappaleen kärkiin.

Avaa koneen avaja kuvan osoittamaan asentoon. Vedä sahanterä ulos jalustaa kohti. (Kuva 3)

HUOMAUTUS:

Voitele rulla ajoittain.

Kuusioavaimen säilytys (Kuva 4)

Kun kuusioavain ei ole käytössä, sitä voidaan säilyttää kätevästi.

VARO:

Nopeudensäätökehää voidaan kääntää ainoastaan numeroon 5 saakka ja takaisin numeroon 1. Älä pakota kehää numeron 5 tai 1 ohi. Muutoin nopeudensäätötoiminto saattaa lakata toimimasta.

Vain malli 4341CT, 4341FCT

Elektronisilla toiminnoilla varustettujen koneiden käyttö on seuraavien ominaisuuksien ansiosta helppoa.

Vakionopeudensäädin

Elektroninen nopeudensäätö mahdollistaa vakionopeuden käytön. Tämä mahdollistaa hienovaraisen viimeistelyn, koska pyörimisnopeus pysyy vakiona myös kuormituksella.

Sujuva käynnistys

Vaimennetun käynnistysnykäyksen ansiosta käynnistäminen on turvallista ja sujuvaa.

Lamppujen syyttäminen (Vain malli 4341FCT)

VARO:

Älä katso suoraan valoon tai valonlähteeseen.

Lamppu syytetään painamalla liipaisinta. Lamppu sammutetaan vapauttamalla liipaisin.

HUOMAUTUS:

Pyyhi lika lampun linnsiltä kuivalla liinalla. Varo naarmuttamista lamppua, sillä tämä voi heikentää valotehoa.

Koneen käyttäminen (Kuva 8)

VARO:

Pidä koneen jalusta aina suorassa työkappaletta vasten. Jos et toimi näin, terä saattaa murtua aiheuttaen vakavan loukkaantumisen.

Käynnistä kone ja odota, kunnes terä on saavuttanut täyden käyntinopeuden. Aseta kone sitten tasaisesti työkappaleen päälle ja liikuta konetta kevyesti aiemmin merkittyä sahauslinjaa pitkin. Liikuta konetta erittäin hitaasti, kun sahaat kaarevia linjoja.

Viistesahaus

VARO:

Varmista aina ennen koneen jalustan kallistamista, että kone on sammutettu ja että virtajohto on sammutettu pistorasista.

Kun koneen jalusta on kallistettuna, voit viistesahata missä tahansa kulmassa 0° ja 45° välillä (vasemmalle tai oikealle). (Kuva 9)

Löysennä jalustan takaosassa olevaa ruuvia kuusioavaimella. Siirrä jalustaa siten, että ruuvi tulee jalustan viisteaukon keskelle. (Kuvat 10 ja 11)

Kallista jalusta haluamaasi kulmaan. Vaihdekotelon V-ura osoittaa viistekulman asteikolla. Varmista sitten jalustan kiinnitys kiristämällä ruuvi tiukasti. (Kuva 11)

Liitosreunan sahaaminen (Kuva 12)

Avaa koneen jalustan takana oleva pultti kuusioavaimella ja siirrä sitten koneen jalusta kokonaan taakse. Varmista lopuksi koneen jalustan kiinnitys kiristämällä pultti.

Katkaisu

Katkaisu voidaan tehdä kahdella eri tavalla A tai B.

- A) Poraamalla aloitusreikä: Kun haluat tehdä katkaisun sahaamatta tulouraa reunasta saakka, poraa läpimitaltaan vähintään 12 mm suuruinen aloitusreikä. Aloita sahaaminen asettamalla terä tähän reikään. (Kuva 13)
- B) Pistosahaus: Aloitusreikää eikä tulouraa tarvita, kun toimit seuraavasti:
 1. Kallista konetta ylös jalustan etureunasta siten, että terän kärki asettuu juuri työkappaleen yläpuolelle. (Kuva 14)
 2. Paina konetta siten, että jalustan etureuna ei liiku, kun käynnistät koneen ja lasket koneen takapäätä hitaasti ja varovasti.
 3. Kun terä läpäisee työkappaleen, laske koneen jalustaa hitaasti työkappaleen pintaan.
 4. Päätä sahaus normaaliin tapaan.

Reunojen viimeistely (Kuva 15)

Reunojen viimeistely ja mittojen hienosäätö tehdään liikkuttamalla terää varovasti sahausreunaa pitkin.

Metallin sahaaminen

Käytä aina tarkoitukseen sopivaa lastuamisnestettä metallia sahatessasi. Jos et toimi näin, terä kuluu huomattavasti nopeammin. Lastuamisnesteen sijaan voidaan käyttää työkappaleen alapintaan sveltävää rasvaa.

Pölyn poistaminen

Puhtaan työskentelytuloksen saamiseksi suosittelemme pölysuuttimen (lisävaruste) käyttöä. Pölysuutin kiinnitetään koneeseen työntämällä sen koukku jalustan aukkoon.

(Kuvat 16 ja 17)

Pölysuutin voidaan kiinnittää joko jalustan vasemmalle tai oikealle puolelle. Kiinnitä sitten Makitan pölynimuri pölysuuttimeen. (Kuva 18)

VARO:

Varmista aina ennen lisälaitteiden kiinnittämistä ja irrottamista, että kone on sammutettu ja että virtajohto on irrotettu pistorasista.

Halkaisuojhainsarja (lisävaruste)

1) Suora sahaus (Kuva 19 ja 20)

Kun teet useita 160 mm tai kapeampia sahausia, halkaisuojhajimen käyttö mahdollistaa nopeiden ja siistien suorien sahausten tekemisen. Halkaisuojhain kiinnitetään työntämällä se koneen jalustan sivussa olevaan nelikulmaiseen aukkoon siten, että halkaisuojhain osoittaa alaspäin. Siirrä halkaisuojhain haluamaasi sahausleveyttä vastaavaan asentoon ja varmista sen kiinnitys kiristämällä pultti.

2) Pyöreä sahaus (Kuva 21 ja 22)

Kun sahaat läpimitaltaan enintään 170 mm:n ympyröitä tai kaaria, kiinnitä halkaisuojhain seuraavasti. Työnnä halkaisuojhain koneen jalustan sivussa olevaan nelikulmaiseen aukkoon siten, että halkaisuojhain osoittaa ylöspäin. Työnnä kaariohjaintappi jommankumman ohjaimessa olevan reian läpi. Varmista tapin kiinnitys ruuvaamalla kierteinen nuppi kiinni puikkoon. Siirrä sitten halkaisuojhain haluamaasi sahattavaa läpimittaa vastaavaan asentoon ja kiristä pultti paikalleen. Siirrä lopuksi koneen jalusta kokonaan eteen.

HUOMAA:

Käytä aina teriä B-17, B-18, B-26 tai B-27 sahatessasi ympyröitä tai kaaria.

Ohjauksikon sovitinsarja (lisävaruste)

Samansuuntaisten ja –pituisten tai suorien sahausten tekeminen sujuu nopeammin ja siistimmin, kun käytät ohjauksiskoa ja ohjauksikon sovitinsarjaa. (Kuva 23)

Kiinnitä ohjauksisko työntämällä ohjaustanko jalustassa olevaan neliömäiseen reikään niin syvälle kuin se menee. Kiinnitä ruuvi tiukasti kuusioavaimella. (Kuva 24)

Kiinnitä ohjauksikon sovitin ohjauksikon kiskoon. Työnnä ohjaustanko ohjauksikossa olevaan neliömäiseen reikään. Aseta jalusta ohjauksikon ja kiristä ruuvi tiukasti. (Kuva 25)

VARO:

Käytä aina teriä nro. B-8, B-13, B-16, B-17 tai 58, kun käytät ohjauksiskoa ja ohjauksikon sovitinta.

Suojalevy (Kuva 26)

Käytä suojalevyä, kun sahaat koristeellista vaneria, muovia tms. Tämä suojaa arkoja ja herkkiä pintoja vahingoitumiselta. Sovita suojalevy koneen jalustan takaosaan.

Sälöytymisen estolaite (Kuva 27)

Käytä sälöytymisen estolaitetta estääksesi työkappaleen sälöytymistä. Kiinnitä sälöytymisen estolaite siirtämällä koneen jalusta kokonaan eteen ja sovita laite paikalleen koneen jalustan takakautta. Kun käytät suojalevyä, kiinnitä sälöytymisen estolaite suojalevyn päälle.

VARO:

Sälöytymisen estolaitetta ei voida käyttää viistesahauksia tehtäessä.

HUOLTO

VARO:

Ennen koneelle tehtäviä huoltotoimia on varmistettava, että se on sammutettu ja irrotettu virtalähteestä.

Laitteen käyttövarmuuden ja turvallisuuden vuoksi korjaukset ja muut huolto- ja säätötyöt saa suorittaa ainoastaan Makitan hyväksymä huoltopiste.

Περιγραφή γενικής άποψης

| | | |
|----------------------------------|--------------------------------------|---|
| 1 Τμήμα ανοίγματος εργαλείου | 10 Γραμμή κοπής | 21 Προστατευτικός οδηγός |
| 2 Σφιγκτήρας λάμας | 11 Μπουλόνι | 22 Κουμπί με σπειρώμα |
| 3 Λάμα παλινδρομικού πριονιού | 12 Περίβλημα μηχανισμού | 23 Πείρος κυκλικής οδήγησης |
| 4 Προεξοχές | 13 Εγκοπή | 24 Χάρακας |
| 5 Βάση | 14 Λοξή σχισμή | 25 Προσαρμοστής οδηγού σιδηροτροχιάς |
| 6 Εξαγωνικό κλειδί | 15 Διαβαθμίσεις | 26 Οδηγός σιδηροτροχιάς |
| 7 Λεβιές αλλαγής τρόπου κοπής | 16 Τρύπα ξεκινήματος | 27 Βίδα |
| 8 Κουμπί διακόπτη | 17 Ακροφύσιο σκόνης | 28 Πλάκα καλύμματος |
| 9 Καντράν ρύθμισης ταχύτητας | 18 Σωλήνας για σκούπα απορρόφησης | 29 Συσσκευή αποφυγής σκληθρών |
| | 20 Μπουλόνι | 30 Αγκιστρο |

ΤΕΧΝΙΚΑ ΧΑΡΑΚΤΗΡΙΣΤΙΚΑ

| Μοντέλο | 4341T | 4341CT | 4341FCT |
|--|----------|-------------|-------------|
| Μήκος διαδρομής..... | 26 χιλ. | 26 χιλ. | 26 χιλ. |
| Ικανότητες κοπής | | | |
| Ξύλο | 110 χιλ. | 135 χιλ. | 135 χιλ. |
| Χάλυβας | 10 χιλ. | 10 χιλ. | 10 χιλ. |
| Διαδρομές ανά λεπτό (min ⁻¹) | 2.800 | 800 – 2.800 | 800 – 2.800 |
| Ολικό μήκος..... | 271 χιλ. | 271 χιλ. | 271 χιλ. |
| Καθαρό βάρος | 2,4 Χγρ. | 2,4 Χγρ. | 2,4 Χγρ. |

- Λόγω του συνεχιζόμενου προγράμματος έρευνας και ανάπτυξης, οι παρούσες προδιαγραφές υπόκεινται σε αλλαγή χωρίς προειδοποίηση.
- Παρατήρηση: Τα τεχνικά χαρακτηριστικά μπορεί να διαφέρουν από χώρα σε χώρα.

Προοριζόμενη χρήση

Το εργαλείο προορίζεται για πριόνισμα ξύλου, πλαστικών και μεταλλικών υλικών. Ως αποτέλεσμα του εκτεταμένου προγράμματος εξαρτημάτων και λαμών πριονισμού, το εργαλείο μπορεί να χρησιμοποιηθεί για πολλούς σκοπούς και είναι πολύ κατάλληλο για καμπύλες ή κυκλικές κοπές.

Ρευματοδότηση

Το μηχάνημα πρέπει να συνδέεται μόνο σε παροχή ρεύματος της ίδια τάσης με αυτή που αναφέρεται στην πινακίδα κατασκευαστού και μπορεί να λειτουργήσει μόνο με εναλλασσόμενο μονοφασικό ρεύμα. Τα μηχανήματα αυτά έχουν διπλή μόνωση σύμφωνα με τα Ευρωπαϊκά Πρότυπα και κατά συνέπεια, μπορούν να συνδεθούν σε ακροδέκτες χωρίς σύρμα γείωσης.

Υποδείξεις ασφάλειας

Για την προσωπική σας ασφάλεια, ανατρέξτε στις εσωκλίστες οδηγίες ασφάλειας.

ΠΡΟΣΘΕΤΕΣ ΔΙΑΤΑΞΕΙΣ ΑΣΦΑΛΕΙΑΣ

1. Κρατάτε το εργαλείο από τις μονωμένες επιφάνειες χειρολαβών όταν εκτελείτε κάποια εργασία όπου τα εργαλεία κοπής μπορεί να έρθουν σε επαφή με κρυμμένα ηλεκτροφόρα σύρματα ή και με το δικό τους καλώδιο. Επαφή με ένα "ηλεκτροφόρο" σύρμα θα καταστήσει "ηλεκτροφόρα" τα εκτεθειμένα μεταλλικά μέρη

του εργαλείου και θα προκληθεί ηλεκτροπληξία στον χειριστή.

2. Αποφύγετε την κοπή καρφιών. Εξετάστε το αντικείμενο εργασίας για τυχόν καρφιά και αφαιρέστε τα πριν την λειτουργία κοπής.
3. Μη κόβετε κοίλο σωλήνα.
4. Μη κόβετε υπερμεγέθη αντικείμενα.
5. Ελέγξτε για αρκετή απόσταση πέραν του αντικειμένου εργασίας πριν την κοπή ώστε η λάμα να μη χτυπήσει το πάτωμα, το πάγκο εργασίας, κλπ.
6. Κρατάτε το μηχάνημα σταθερά
7. Βεβαιωθείτε ότι η λάμα δεν αγγίζει το αντικείμενο εργασίας πριν ανάψετε το διακόπτη.
8. Κρατάτε τα χέρια σας μακριά από τα περιστρεφόμενα μέρη.
9. Μην αφήνετε το μηχάνημα αναμμένο. Βάζετε σε λειτουργία το μηχάνημα μόνο όταν το κρατάτε στα χέρια.
10. Πάντοτε σβήνετε το μηχάνημα και περιμένετε τη λάμα να σταματήσει τελείως πριν αφαιρέσετε τη λάμα από το αντικείμενο εργασίας.
11. Μην αγγίζετε την αιχμή ή το αντικείμενο εργασίας αμέσως μετά τη λειτουργία, γιατί μπορεί να είναι εξαιρετικά θερμά και να σας προκαλέσουν εγκαύματα.

ΦΥΛΑΞΤΕ ΑΥΤΕΣ ΤΙΣ ΟΔΗΓΙΕΣ.

ΟΔΗΓΙΕΣ ΧΡΗΣΗΣ

Τοποθέτηση ή αφαίρεση λαμών πριονιού (Εικ. 1, 2 και 3)

ΠΡΟΣΟΧΗ:

- Πάντοτε βεβαιώνετε ότι το μηχάνημα είναι σβηστό και βγαμένο από το ρεύμα πριν τοποθετήσετε ή αφαιρέσετε τη λάμα.
- Πάντοτε καθαρίστε όλα τα προσκολλημένα στη λάμα ή στο στήριγμα της λάμας πριονιδία ή ξένα υλικά. Εάν δεν γίνει αυτό, μπορεί να γίνει αιτία για ανεπαρκές σφίξιμο της λάμας και να καταλήξει σε σοβαρό τραυματισμό.
- Μην αγγίζετε την λάμα ή το αντικείμενο εργασίας αμέσως μετά την λειτουργία, γιατί μπορεί να είναι εξαιρετικά θερμά και να σας προκαλέσουν εγκαύματα.
- Σφίχτε τη λάμα πριονιού σταθερά. Διαφορετικά μπορεί να προκληθεί σοβαρός τραυματισμός.

Τοποθέτηση της λάμας πριονιού

Ανοίχτε το τμήμα ανοίγματος του εργαλείου στη θέση που δείχνει η εικόνα. (Εικ. 1)
Κρατώντας το στη θέση αυτή, βάλτε την λάμα πριονιού μέσα στον σφιγκτήρα λάμας μέχρι να μην φαίνονται οι δύο προεξοχές της λάμας. (Εικ. 2)

Επιλογή τρόπου κοπής (Εικ. 5)

Αυτό το μηχάνημα μπορεί να λειτουργήσει σε κίνηση κοπής περιστροφική ή ευθεία γραμμή (επάνω και κάτω). Η περιστροφική κίνηση κοπής ωθεί την λάμα προς τα εμπρός στην γραμμή κοπής και προοδευτικώς αυξάνει την ταχύτητα κοπής.

Πα να αλλάξετε τον τρόπο κοπής, απλώς γυρίστε τον λεβιέ αλλαγής τρόπου κοπής στην επιθυμητή θέση τρόπου κοπής. Αναφερθείτε στον παρακάτω πίνακα για να επιλέξετε τον τρόπο κοπής.

| Θέση | Κίνηση κοπής | Εφαρμογές |
|------|----------------------------------|--|
| 0 | Κίνηση κοπής ευθεία γραμμή | Για κοπή μαλακού χάλυβα, ανοξείδωτου χάλυβα και πλαστικών. Για καθαρές κοπές σε ξύλο και καπλαμά. |
| I | Κίνηση κοπής μικρή περιστροφική | Για κοπή μαλακού χάλυβα, αλουμινίου και σκληρού ξύλου. |
| II | Κίνηση κοπής μέτρια περιστροφική | Για κοπή ξύλου και καπλαμά. Για γρήγορη κοπή αλουμινίου και μαλακού χάλυβα. |
| III | Κίνηση κοπής μεγάλη περιστροφική | Κίνηση κοπής μεγάλη περιστροφική Για γρήγορη κοπή ξύλου και καπλαμά. |

Λειτουργία διακόπτη (Εικ. 6)

ΠΡΟΣΟΧΗ:

Πριν συνδέσετε το εργαλείο στο ρεύμα, πάντοτε ελέγχετε να δείτε ότι το εργαλείο είναι σβηστό.

Για να ξεκινήσετε το εργαλείο σύρτε το κουμπί διακόπτη στη θέση "I". Για να σταματήσετε το εργαλείο, σύρτε το κουμπί διακόπτη στη θέση "O".

Επαναφέρετε το τμήμα ανοίγματος στην αρχική του θέση. Μετά την τοποθέτηση της λάμας πριονιού, πάντοτε βεβαιώνετε ότι η λάμα κρατιέται σταθερά στη θέση της επιχειρώντας να την τραβήξετε έξω.

ΠΡΟΣΟΧΗ:

Μην ανοίγετε το τμήμα ανοίγματος υπερβολικά γιατί μπορεί να προκληθεί ζημιά στο εργαλείο.

Αφαίρεση της λάμας πριονιού

ΠΡΟΣΟΧΗ:

Όταν αφαιρείτε την λάμα πριονιού, προσέχετε να μη τραυματίσετε τα δάκτυλά σας με την κορυφή της λάμας ή τις άκρες των αντικειμένων εργασίας.

Ανοίχτε το τμήμα ανοίγματος του εργαλείου στη θέση που δείχνει η εικόνα. Τραβήχτε την λάμα πριονιού έξω προς το μέρος της βάσης. (Εικ. 3)

ΣΗΜΕΙΩΣΗ:

Περιστασιακά λιπαίνετε τον κύλινδρο.

Φύλαξη εξαγωνικού κλειδιού. (Εικ. 4)

Όταν δεν χρησιμοποιείται, το εξαγωνικό κλειδί μπορεί να φυλαχτεί βολικά.

Καντράν ρύθμισης ταχύτητας (Εικ. 7)

Μόνο για 4341CT, 4341FCT

Η ταχύτητα του μηχανήματος μπορεί να ρυθμιστεί απεριόριστα μεταξύ 800 και 2.800 διαδρομών το λεπτό με περιστροφή του καντράν ρύθμισης. Μεγαλύτερη ταχύτητα επιτυγχάνεται όταν το καντράν περιστραφεί στη διεύθυνση του νούμερου 5; χαμηλότερη ταχύτητα επιτυγχάνεται όταν το καντράν περιστραφεί στη διεύθυνση του νούμερου 1. Αναφερθείτε στον παρακάτω πίνακα για να επιλέξετε την κατάλληλη ταχύτητα για κατεργαζόμενο κομμάτι που πρόκειται να κοπεί. Ωστόσο, η κατάλληλη ταχύτητα μπορεί να διαφέρει ανάλογα με τον τύπο ή το πάχος του κατεργαζόμενου κομματιού. Γενικά, μεγαλύτερες ταχύτητες θα σας επιτρέψουν να κόψετε κατεργαζόμενα κομμάτια γρηγορότερα αλλά θα ελαττωθεί η διάρκεια λειτουργίας της λάμας.

| Κομμάτι προς κοπή | Αριθμός στο καντράν |
|---------------------|---------------------|
| Ξύλο | 4 – 5 |
| Μαλακός Χάλυβας | 3 – 5 |
| Ανοξειδωτος Χάλυβας | 3 – 4 |
| Αλουμίνιο | 3 – 5 |
| Πλαστικά | 1 – 4 |

ΠΡΟΣΟΧΗ:

Το καντράν ρύθμισης ταχύτητας μπορεί να περιστραφεί μόνο μέχρι το 5 και πίσω μέχρι το 1. Μην το ζορίσετε να ξεπεράσει το 5 ή 1, διαφορετικά η δυνατότητα ρύθμισης ταχύτητας μπορεί να μη λειτουργεί μετά.

Μόνο για 4341CT, 4341FCT

Τα εργαλεία που είναι εφωδιασμένα με ηλεκτρονική λειτουργία είναι εύκολα στην λειτουργία λόγω των ακολουθών χαρακτηριστικών.

Συνεχής έλεγχος ταχύτητας

Ηλεκτρονικός έλεγχος ταχύτητας για επίτευξη σταθερής ταχύτητας. Είναι δυνατόν να γίνει λεπτό φινιρίσμα, γιατί η περιστροφική ταχύτητα διατηρείται σταθερή ακόμη και υπό συνθήκες φορτίου.

Χαρακτηριστικό απαλού ξεκινήματος

Ασφαλές και απαλό ξεκίνημα λόγω καταστολής του τινάγματος κατά το ξεκίνημα.

Αναμμα των λαμπών (Μόνο για 4341FCT)

ΠΡΟΣΟΧΗ:

Μη κυττάτε το φως ούτε να βλέπετε την πηγή φωτός απευθείας.

Για να ανάψετε τη λάμπα, τραβείχτε τη σκανδάλη. Ελευθερώστε τη σκανδάλη για να τη σβήσετε.

ΣΗΜΕΙΩΣΗ:

Χρησιμοποιείτε ένα στεγνό ύφασμα για να σκουπίζετε τους ρύπους από το φακό της λάμπας. Προσέχετε να μη γρατσουνίσετε το φακό της λάμπας, διαφορετικά θα μειωθεί ο φωτισμός.

Λειτουργία (Εικ. 8)

ΠΡΟΣΟΧΗ:

Πάντοτε κρατάτε τη βάση του μηχανήματος ευθυγραμμισμένη με το κατεργαζόμενο κομμάτι. Εάν το παραλείψετε, μπορεί να προκληθεί θραύση της λάμπας, με αποτέλεσμα σοβαρό τραυματισμό.

Ανοίξτε το μηχανήμα και περιμένετε μέχρι η λάμπα να αποκτήσει εντελώς την ταχύτητα της. Μετά, ακουμπήστε το μηχανήμα ομοιόμορφα στο κατεργαζόμενο κομμάτι και κινήστε απαλά το μηχανήμα προς τα εμπρός κατά μήκος της γραμμής κοπής που έχει σηματοθευτεί από πριν. Όταν κόβετε καμπύλες, προχωρείστε το μηχανήμα πολύ αργά.

Λοξότμηση

ΠΡΟΣΟΧΗ:

Πάντοτε βεβαιώνετε ότι το μηχανήμα είναι σθεσκό και βγαλμένο από την πρίζα πριν δώσετε κλίση στη βάση του μηχανήματος.

Δίνοντας κλίση στην βάση του εργαλείου, μπορείτε να κάνετε λοξοτομές σε οποιαδήποτε γωνία μεταξύ 0° και 45° (αριστερά ή δεξιά). (Εικ. 9)

Χαλαρώστε το μπουλόνι στο πίσω μέρος της βάσης με το εξαγωνικό κλειδί. Μετακινήστε τη βάση έτσι ώστε το μπουλόνι να είναι τοποθετημένο στο κέντρο της λοξής σχισμής στη βάση. (Εικ. 10 και 11) Δώστε κλίση στη βάση μέχρι να επιτύχετε την επιθυμητή λοξή γωνία.

Η εγκοπή V στο περίβλημα της μηχανής δείχνει την λοξή γωνία με διαβαθμίσεις. Μετά σφίχτε το μπουλόνι σταθερά για να ασφαλίσετε την βάση. (Εικ. 11)

Εμπρόσθιες ευθυγραμμισμένες κοπές

(Εικ. 12)

Χαλαρώστε το μπουλόνι στο πίσω μέρος της βάσης του μηχανήματος με το εξαγωνικό κλειδί, μετά μετακινήστε τη βάση του μηχανήματος μέχρι τέρμα προς τα πίσω. Μετά σφίξτε το μπουλόνι για να στερεώσετε τη βάση του μηχανήματος.

Αποκοπή

Αποκοπές μπορούν να γίνουν με τη μια ή με την άλλη από τις μεθόδους, Α ή Β.

A) Με άνοιγμα τρύπας εκκίνησης: Για εσωτερικές αποκοπές χωρίς αρχικό κόψιμο από μια άκρη, προ-τρύπηστε μια τρύπα εκκίνησης 12 χιλ. ή περισσότερο. Εισάγετε τη λάμπα μέσα σε αυτή την τρύπα και ξεκινήστε τη κοπή σας. (Εικ. 13)

B) Κοπές βύθισης: Δε χρειάζεται να ανοίξετε τρύπα εκκίνησης ή να κάνετε μια αρχική κοπή εάν προσεχτικά κάνετε όπως ακολουθώ.

1. Δώστε κλίση στο μηχανήμα προς τα επάνω, σε σχέση με την μπροστινή μεριά της βάσης, με τη λάμπα τοποθετημένη λίγο πάνω από την επιφάνεια του κατεργαζόμενου κομματιού. (Εικ. 14)

2. Εφαρμόστε πίεση στο μηχανήμα, έτσι ώστε η μπροστινή μεριά της βάσης να μην μετακινήθει όταν ανάψετε το μηχανήμα και μαλακά χαμηλώστε σιγά-σιγά το πίσω μέρος της βάσης του μηχανήματος.

3. Καθώς η λάμπα διαπερνά το κατεργαζόμενο κομμάτι, σιγά-σιγά χαμηλώστε τη βάση του μηχανήματος κάτω προς την επιφάνεια του κατεργαζόμενου κομματιού.

4. Ολοκληρώστε την κοπή με τον κανονικό τρόπο.

Τελειώματα γωνιών (Εικ. 15)

Για να καθαρίσετε τις γωνίες ή να κάνετε ρυθμίσεις στις διαστάσεις, κάντε ένα πέρασμα με τη λάμπα κατά μήκος των κομμένων πλευρών.

Κοπή μετάλλων

Πάντοτε χρησιμοποιείτε ένα κατάλληλο ψυκτικό (έλαιο κοπής) όταν κόβετε μέταλλα. Εάν δεν το κάνετε αυτό θα προκληθεί σημαντική φθορά στη λάμπα. Η κάτω πλευρά του κατεργαζόμενου κομματιού μπορεί να λιπανθεί αντί να χρησιμοποιηθεί ψυκτικό.

Εξαγωγή σκόνης

Το ακροφύσιο σκόνης (εξάρτημα) συνιστάται για εκτέλεση καθαρών εργασιών κοπής. Για να προσαρμόσετε το ακροφύσιο σκόνης στο εργαλείο, βάλτε το άγκιστρο του ακροφυσίου σκόνης μέσα στην τρύπα στη βάση. **(Εικ. 16 και 17)**

Το ακροφύσιο σκόνης μπορεί να τοποθετηθεί είτε στην αριστερή είτε στην δεξιά πλευρά της βάσης. Κατόπιν συνδέστε μιά σκούπα απορρόφησης Μάκιτα στο ακροφύσιο σκόνης. Για να αφαιρέσετε το ακροφύσιο σκόνης, ακολουθήστε την διαδικασία τοποθέτησης αντιστρόφως. **(Εικ. 18)**

ΠΡΟΣΟΧΗ:

Εάν προσπαθήσετε να αφαιρέσετε το ακροφύσιο σκόνης βίαια, το άγκιστρο του ακροφυσίου σκόνης μπορεί να αμβλυνθεί και να βγει απροσδόκητα κατά την λειτουργία.

Προστατευτικό σύνολο σχισίματος (εξάρτημα)

ΠΡΟΣΟΧΗ:

Πάντοτε βεβαιώνετε ότι το μηχάνημα είναι σβηστό και βγαλμένο από τη πρίζα πριν τοποθετήσετε ή αφαιρέσετε εξαρτήματα.

1) Ευθείες κοπές (Εικ. 19 και 20)

Όταν κόβετε επαναλαμβανόμενα πλάτη 160 χιλ. ή λιγότερο, χρησιμοποίηση του προστατευτικού σχισίματος εξασφαλίζει γρήγορη, καθαρή και ευθεία κοπή. Για να τον τοποθετήσετε, βάλτε το προστατευτικό σχισίματος μέσα στην ορθογώνια τρύπα στην πλευρά της βάσης του μηχανήματος με τον προστατευτικό οδηγό να κοιτάει προς τα κάτω. Γλυστρίστε το προστατευτικό σχισίματος στη θέση του επιθυμητού πλάτος κοπής, και μετά σφίξτε τα μπουλόνια για να το στερεώσετε.

2) Κυκλικές κοπές (Εικ. 21 και 22)

Όταν κόβετε κύκλους ή τόξα ακτίνας 170 χιλ. ή λιγότερο, τοποθετείστε το προστατευτικό σχισίματος όπως ακολούθως. Βάλτε το προστατευτικό σχισίματος μέσα στην ορθογώνια τρύπα στην πλευρά της βάσης του μηχανήματος με τον προστατευτικό οδηγό να κοιτάει προς τα πάνω. Βάλτε τον πείρο κυκλικής οδήγησης να περάσει και από τις δύο τρύπες του προστατευτικού οδηγού. Βιδώστε το κουμπί με το σπείρωμα πάνω στο πείρο για να στερεώσετε τον πείρο. Μετά, γλυστρίστε το προστατευτικό σχισίματος στην επιθυμητή ακτίνα κοπής, και σφίξτε το μπουλόνι για να τον στερεώσετε στη θέση του. Μετά μετακινήστε τη βάση του μηχανήματος όσο πάει μπροστά.

ΣΗΜΕΙΩΣΗ:

Πάντα χρησιμοποιείτε λάμες No. B17, B-18, B-26 ή B-27 όταν κόβεται κύκλους ή τόξα.

Σύνολο προσαρμοστή οδηγού σιδηροτροχιάς (εξάρτημα)

Όταν εκτελείτε κοπή παράλληλη και ομοιόμορφοι πλάτους ή ίσια κοπή, η χρήση του οδηγού σιδηροτροχιάς και του προσαρμοστή οδηγού σιδηροτροχιάς θα εξασφαλίσει την παραγωγή γρήγορων και καθαρών κοπών. **(Εικ. 23)**

Για να εγκαταστήσετε τον προσαρμοστή οδηγού σιδηροτροχιάς, βάλτε τον χάρακα μέσα στην τετράγωνη τρύπα της βάσης όσο βαθειά μπορεί να πάει. Ασφαλίστε το μπουλόνι με το εξάγωνο κλειδί καλά. **(Εικ. 24)**

Εγκαταστήστε τον προσαρμοστή οδηγού σιδηροτροχιάς στην σιδηροτροχιά του οδηγού σιδηροτροχιάς. Βάλτε τον χάρακα μέσα στην τετράγωνη τρύπα του προσαρμοστή οδηγού σιδηροτροχιάς. Βάλτε την βάση στην πλευρά του οδηγού σιδηροτροχιάς και ασφαλίστε το μπουλόνι καλά. **(Εικ. 25)**

ΠΡΟΣΟΧΗ:

Πάντοτε χρησιμοποιείτε τις λάμες Αρ. B-8, B-13, B16, B-17 ή 58 όταν χρησιμοποιείτε τον οδηγό σιδηροτροχιάς και τον προσαρμοστή οδηγού σιδηροτροχιάς.

Πλάκα καλύμματος (Εικ. 26)

Χρησιμοποιήστε την πλάκα καλύμματος όταν κόβετε διακοσμητικούς καπλαμάδες, πλαστικά, κλπ. Προστατεύει τις ευαίσθητες ή λεπτές επιφάνειες από ζημιά. Προσαρμόστε την στο πίσω μέρος της βάσης του εργαλείου.

Συσκευή αποφυγής σκληρών (Εικ. 27)

Για κοπές χωρίς σκληρές μπορεί να χρησιμοποιηθεί η συσκευή αποφυγής σκληρών. Για να εγκαταστήσετε την συσκευή αποφυγής σκληρών μετακινήστε την βάση του εργαλείου όσο πάει εμπρός και προσαρμόστε την από το πίσω μέρος της βάσης του εργαλείου. Όταν χρησιμοποιείτε την πλάκα καλύμματος, τοποθετείτε την συσκευή αποφυγής σκληρών επάνω στη πλάκα καλύμματος.

ΠΡΟΣΟΧΗ:

Η συσκευή αποφυγής σκληρών δεν μπορεί να χρησιμοποιηθεί όταν κάνετε λοξοτομές.

ΣΥΝΤΗΡΗΣΗ

ΠΡΟΣΟΧΗ:

Πριν την εκτέλεση εργασιών με τη μηχανή σβήνομε πάντα τη μηχανή και βγάξομε τη πρίζα.

Για τη διασφάλιση της σιγουριάς και αξιοπιστίας των προϊόντων μας πρέπει οι επισκευές, εργασίες συντήρησης ή ρυθμίσεις να εκτελούνται από εξουσιοδοτημένα εργαστήρια σέρβις πελατών Μάκιτα.

| | | |
|-----------------------------|-----------------------------------|--------------------------|
| 1 Makina açıcı | 11 Civata | 21 Perde kılavuzu |
| 2 Bıçak kelepçesi | 12 Dişli kutusu | 22 Dişli düğme |
| 3 Oyma testeresi bıçağı | 13 V-yiv | 23 Dairesel kılavuz pimi |
| 4 Çıkıntılar | 14 Meyil oluğu | 24 Cetvel barı |
| 5 Kaide | 15 Ayarlar | 25 Kılavuz rayı adaptörü |
| 6 Altgen anahtar | 16 Başlama deliği | 26 Kılavuz ray |
| 7 Kesme işlemi değişme kolu | 17 Toz memesi | 27 Vida |
| 8 Anahtar kolu | 18 Elektrik süpürgesi için hortum | 28 Kapak levhası |
| 9 Hız ayar kadranı | 19 Yarık perdesi | 29 Kıymık önleyici cihaz |
| 10 Kesme hattı | 20 Civata | 30 Çengel |

ÖZELLİKLER

| Model | 4341T | 4341CT | 4341FCT |
|--|--------|-------------|-------------|
| Darbe uzunluğu | 26 mm | 26 mm | 26 mm |
| Kesme kapasiteleri | | | |
| Tahta | 110 mm | 135 mm | 135 mm |
| Çelik | 10 mm | 10 mm | 10 mm |
| Dakikada darbe (min ⁻¹)..... | 2,800 | 800 – 2,800 | 800 – 2,800 |
| Tam uzunluk | 271 mm | 271 mm | 271 mm |
| Net ağırlık..... | 2.4 kg | 2.4 kg | 2.4 kg |

• Sürekli yapılan araştırma ve geliştirmelerden dolayı, burada belirtilen özellikler önceden bildirilmeksizin değişebilir.

• Not: Özellikler ülkeden ülkeye değişebilir.

Amaçlanan kullanım

Bu makina, tahta, plastik ve metal malzemenin kesilmesi amacıyla. Geniş aksesuarları ve testere bıçağı programları sayesinde, birçok amaç için kullanılabilir, ayrıca meyilli ve dairesel kesmeler için çok uygundur.

Güç kaynağı

Makinanın, yalnızca isim levhasında belirtilenle aynı voltajlı güç kaynağına bağlanması gerekir ve yalnızca tek fazlı AC güç kaynağıyla çalıştırılabilir. Avrupa standartlarına uygun olarak çifte yalıtımlıdır ve topraklamasız prizlerle de kullanılabilir.

Güvenlik tavsiyesi

Kendi güvenliğiniz için, lütfen makinenizle beraber gelen güvenlik talimatlarına başvurunuz.

EK GÜVENLİK KURALLARI

- Gizli kablolarla veya makinanın kendi kabloyla karşılaşabileceğiniz yerlerde işlem yapıyorsanız, makinaı yalnız yalıtık tutma yerlerinden tutun. “Elektrikli” bir kabloya temas olduğunda, makinanın metal parçaları da “elektrikli” hale gelir ve elektrik çarpması olur.**
- Çivileri kesmeyin. İşlem yapmadan iş parçasında çivi var mı inceleyin ve varsa çıkarın.**
- Koaksiyal kablo kesmeyin.**
- Çok büyük iş parçalarını kesmeyin.**
- Kesme yapmadan önce, iş parçasının arkasında uygun aralık var mı kontrol edin ki bıçak taban, tezgah vs.’ye çarpmasın.**
- Makinayı sıkıca tutun.**
- Makina açılmada önce, bıçağın iş parçasına temas etmediğinden emin olun.**

8. Elinizi dönen parçalardan uzak tutun.

9. Makinaı çalışır halde bırakmayın. Makinaı sadece elinizde iken çalıştırın.

10. Bıçağı iş parçasından çıkarmadan önce, her zaman makinaı kapatın ve bıçağın tamamen durmasını bekleyin.

11. İşlemden hemen sonra bıçağa veya iş parçasına dokunmayın; çok sıcak olup derinizi yakabilir.

BU TALİMATLARI MUHAFAZA EDİNİZ.

KULLANMA TALİMATLARI

Testere bıçağının takılması ve çıkarılması (Şekil 1, 2 ve 3)

DİKKAT:

- Bıçağı takmadan ve çıkarmadan önce, makinanın kapalı ve fişten çekili olduğundan emin olun.
- Bıçağa ve/veya bıçak tutucuya yapışmış bütün kıymık ve yabancı maddeleri temizleyin. Böyle yapmamak bıçağın tam sıkıştırılmasına sebep olup, ciddi yaralanmaya yol açabilir.
- İşlemden hemen sonra, bıçağa veya iş parçasına dokunmayın; çok sıcak olup derinizi yakabilir.
- Testere bıçağını sağlamca sıkıştırın. Böyle yapmamak ciddi yaralanmaya sebep olabilir.

Testere bıçağının takılması

Makina açıcısını şekilde gösterilen pozisyona getirin. (Şekil 1)

O durumu koruyarak, testere bıçağını testere kelepçesinin içine gidebildiği kadar, bıçağın iki çıkıntısı görülmeyecek şekilde, yerleştirin. (Şekil 2)

Makina açıcısını ilk pozisyonuna geri getirin. Her zaman testere bıçağını taktıktan sonra, bıçağın yerine sağlamca takıldığından, bıçağı dışarıya doğru çekerek emin olun.

DİKKAT:

Makina açıcısını gereğinden fazla açmayın, aksi halde makinaı zarar verebilir.

Testere bıçağının çıkarılması

DİKKAT:

Testere bıçağını çıkarırken, bıçağın üst tarafının veya iş parçasının sivri uçlarının parmaklarınıza zarar vermemesine dikkat edin.

Makina açıcısını şekilde gösterilen pozisyona getirin. Testere bıçağını dışarıya, kaideye doğru çekin. (Şekil 3)

NOT:

Ara sıra silindiri yağlayın.

Altıgen anahtar muhafazası (Şekil 4)

Kullanmazken, altıgen anahtar muhafaza edilebilir.

Kesme işleminin seçilmesi (Şekil 5)

Bu makina yörüngesel ve düz (yukarı ve aşağı) kesme işlemi yapabilir. Yörüngesel kesme, bıçağı kesme darbesi yönünde saplar ve kesme hızını oldukça artırır. Kesme işlemini değiştirmek için, kesme işlemi değiştirme kolunu istediğiniz kesme pozisyonuna getirin. Aşağıdaki tabloya bakıp kesme işleminizi seçin.

| Pozisyon | Kesme İşlemi | Uygulama |
|----------|-------------------------------|--|
| 0 | Düz hatta kesme işlemi | Yumuşak çelik, paslanmaz çelik ve plastik kesmek için. Tahta ve kontrplakta temiz kesme için. |
| I | Küçük yörüngesel kesme işlemi | Yumuşak çelik, alüminyum ve sert tahta kesmek için. |
| II | Orta yörüngesel kesme işlemi | Tahta ve kontrplak kesmek için. Alüminyum ve yumuşak çeliği hızlı kesmek için. |
| III | Büyük yörüngesel kesme işlemi | Tahta ve kontrplağı hızlı kesmek için. |

Anahtar hareketi (Şekil 6)

DİKKAT:

Makinayı fişe takmadan önce, her zaman makinanın kapalı olduğunu kontrol edin.

Makinayı başlatmak için, anahtar kolunu 'I' pozisyonuna getirin. Kapatmak için de anahtar kolunu '0' pozisyonuna getirin.

Hız ayar kadranı (Şekil 7)

Sadece 4341CT ve 4341FCT için

Makinanın hızını hız ayar kadranını çevirerek, 800 ila 2,800 darbe/dakika arasında ayarlayabilirsiniz. Kadran 5 yönüne çevrilerek yüksek hız, 1 yönüne çevrilerek de düşük hız elde edilebilir. Kesilecek iş parçasına uygun hızı seçmek için aşağıdaki tabloya bakın. Fakat uygun hız, iş parçasının tipi ve kalınlığına göre değişiklik gösterebilir. Genelde yüksek hız daha hızlı kesim yapmanızı sağlar, ancak bıçağın servis ömrü kısaldır.

| Kesilecek iş parçası | Ayar kadranındaki numara |
|----------------------|--------------------------|
| Tahta | 4 – 5 |
| Yumuşak çelik | 3 – 5 |
| Paslanmaz çelik | 3 – 4 |
| Alüminyum | 3 – 5 |
| Plastik | 1 – 4 |

DİKKAT:

Hız ayar kadranı ancak 1 ila 5 arasındaki numaralara ayarlanabilir. 5 veya 1 numaranın ötesine ayar yapmaya çalışmayın, aksi halde hız ayar özelliği kaybolabilir.

Sadece 4341CT ve 4341FCT için

Elektronik fonksiyonları olan makinalar, aşağıdaki özellikleri sayesinde kolaylıkla kullanılabilirler.

Sabit hız kontrolü

Sabit hız elde etmek için elektronik hız kontrolü. Zorlamada iken bile dönme hızı sabit kaldığı için, güzel detay mümkün olur.

Yumuşak başlatma özelliği

Başlatma şokunu önleyerek, güvenli ve yumuşak başlatma sağlar.

Lambaların yakılması (Sadece 4341FCT için)

DİKKAT:

İşığa veya ışık kaynağına doğrudan bakmayın.

Lambayı açmak için, tetiği çekin, Kapatmak için de tetiği bırakın.

NOT:

İşğin lenslerindeki kirleri gidermek için, kuru bir bez kullanın. Lensleri çizmemeye dikkat edin, aksi halde aydınlanma azalabilir.

İşlem (Şekil 8)

DİKKAT:

Makina kadesini, iş parçasına degecek şekilde tutun. Aksi durum bıçağın kırılmasına sebep olup, yaralanmalara sebep olabilir.

Makinayı açıp ve bıçağın tüm hızına ulaşmasını bekleyin. Sonra makina kadesini iş parçasının üzerine düz olarak yerleştirin ve daha önce işaretlediğiniz kesme hattı üzerinde nazikçe ileri hareket ettirin. Kavisli kesim yapıyorsanız, makinayı oldukça yavaş hareket ettirin.

Meyilli kesme

DİKKAT:

Makina kaidesine eğim vermeden önce, anahtar tetiğinin düzgün çalıştığından ve bırakıldığı zaman 'OFF' pozisyonuna döndüğünden emin olun.

Makina kaidesi eğimli iken, 0° ve 45° arasındaki herhangi bir açıda (sağa ve sola) meyilli kesim yapabilirsiniz. **(Şekil 9)**

Altıgen anahtar ile kaidenin arkasındaki civatayı gevşetin. Kaideyi, civata kaidedeki meyil oluşunun merkezine gelecek şekilde, hareket ettirin.

(Şekil 10 ve 11)

Kaideye, istenilen meyil açısı elde edilinceye kadar, eğim verin. Dişli kutusunun V-yivi, kademeler ile meyil açısını gösterir. Sonra kaideyi tespit etmek için, civatayı sağlamca sıkıştırın. **(Şekil 11)**

Ön gömme kesimler (Şekil 12)

Makida kaidesinin arka tarafındaki altıgen civatayı, altıgen anahtar ile gevşetin ve kaideyi gidebileceği kadar geriye hareket ettirin. Sonra makina kaidesini tespit etmek için civatayı sıkıştırın.

Kesip atmalar

Kesip atmalar A veya B metotları ile yapılabilir.

A) Başlama deliği açma: Bir kenardan giriş kesiyi olmayan iç kesmelerde, çapı 12 mm veya daha fazla olan bir başlama deliği açın. Kesiminize başlamak için bıçağı bu deliğe yerleştirin. **(Şekil 13)**

B) Dalma kesme: Eğer aşağıdakileri itina ile uygularsanız, başlama deliği veya giriş kesiyine ihtiyacınız olmaz.

1. Bıçak noktasının iş parçasının yüzeyinin hemen üzerinde olduğundan emin olun, makina kaidesinin ön tarafından eğim verin. **(Şekil 14)**
2. Makinayı açtığınızda kaidenin ön tarafı hareket etmeyecek şekilde, makina basıncı uygulayın ve yavaşça ve nazikçe makinanın arka tarafını da indirin.
3. Bıçak iş parçasını delerken, makinanın kaidesini yavaşça iş parçasının yüzeyine indirin.
4. Kesimi normal şekilde tamamlayın.

Bitirme kenarları (Şekil 15)

Kenarları almak veya çeşitli boyutta ayarlar yapmak isterseniz, bıçağı kesme kenarları boyunca bir süre çalıştırın.

Metal kesme

Metal keserken her zaman uygun bir soğutucu (kesme yağı) kullanın. Böyle yapmamak önemli bıçak yıpranmasına sebep olur. Soğutucu kullanma yerine, iş parçasının alt tarafı da greslenebilir.

Toz toplama

Temiz kesme işlemleri yapmak için, toz memesi (aksesuar) tavsiye edilir. Toz memesini makinaya bağlamak için, toz memesinin çengelini kaidedeki deliğe takın.

(Şekil 16 ve 17)

Toz memesi, kaidenin sağ veya sol tarafına takılabilir. Sonra Makita elektrik süpürgesini toz memesine bağlayın. Toz memesini çıkarmak için, takma işleminin tersini uygulayın. Toz memesini çıkarmak için, takma işleminin tersini uygulayın. **(Şekil 18)**

DİKKAT:

Toz memesini zorla çıkarmaya çalışırsanız, toz memesinin çengeli işlem sırasında istenmeden küçülüp çıkabilir.

Yarma perdesi seti (aksesuar)

DİKKAT:

Aksesuarları takmadan ve çıkarmadan önce, makinanın kapalı ve fişten çekili olduğundan emin olun.

1. Düz kesimler (Şekil 19 ve 20)

160 mm veya daha az genişlikteki kesimleri tekrarlıyorsanız, yarma perdesinin kullanımı hızlı, temiz ve düz kesim sağlar. Takmak için, yarma perdesini makina kaidesinin yan tarafındaki dikdörtgen deliğe, perde kılavuzu aşağı bakacak şekilde yerleştirin. Yarma perdesini, istenilen kesme genişliğine kadar kaydırın ve sonra tespit etmek için civatayı sıkıştırın.

2. Dairesel kesimler (Şekil 21 ve 22)

Yarıçapı 170 mm veya daha az olan daireler keserken, yarma perdesini aşağıdaki gibi takın. Yarma perdesini makina kaidesinin yan tarafındaki dikdörtgen deliğe, perde kılavuzu yukarı bakacak şekilde yerleştirin. Dairesel kılavuzu, perde kılavuzunun üzerindeki iki delikten birine yerleştirin. Pimi tespit etmek için, dişli düğmeyi pime vıdalayın. Şimdi yarma perdesini istenilen kesme yarıçapına ayarlayın ve yerinde tespit etmek için civatayı sıkıştırın. Sonra makina kaidesini gidebileceği kadar ileri hareket ettirin.

NOT:

Daire ve ark keserken, her zaman B-17, B-18, B-26 veya B-27 numaralı bıçakları kullanın.

Kılavuz ray adaptör seti (aksesuar)

Paralel ve aynı genişlikte veya düz kesimler yapıyorsanız, kılavuz rayın ve kılavuz rayı adaptör setinin kullanılması, daha hızlı ve temiz kesim yapılmasını sağlar. **(Şekil 23)**

Kılavuz ray adaptörünü takmak için, cetvel barını kaidenin kare deliğine gidebildiği kadar yerleştirin. Civatayı altıgen anahtar ile sağlamca tespit edin. **(Şekil 24)**

Kılavuz ray adaptörünü, kılavuz rayın rayına yerleştirin. Cetvel barını, kılavuz rayı adaptörünün kare deliğine yerleştirin. Kaideyi kılavuz rayın tarafına getirin ve civatayı sağlamca tespit edin. **(Şekil 25)**

DİKKAT:

Kılavuz rayı ve kılavuz rayı adaptörü kullandığınızda, her zaman B-8, B-13, B-16, B-17 veya 58 numaralı bıçaklar kullanın.

Kapak levhası (Şekil 26)

Dekoratif kontrplak, plastik vs. keserken kapak levhasını kullanın. Hassas yüzeyleri zarardan korur. Makina kaidesinin arka tarafına takın.

Kıymık önleyici cihaz (Şekil 27)

Kıymıksız kesimler için, kıymık önleyici cihaz kullanılabilir. Kıymık önleyici cihazı takmak için, makina kaidesini gidebileceği kadar ileri hareket ettirip, cihazı makina kaidesinin arka tarafına takın. Kapak levhasını kullanırken, kıymık önleyici cihazı kapak levhasının üzerine takın.

DİKKAT:
Kıymık önleyici cihaz, meyilli kesme sırasında kullanılamaz.

BAKIM

DİKKAT:
Makinanız üzerinde herhangi bir işlem yapmadan önce, makinanın kapalı ve píl kartrijinin çıkarılmış olduğundan emin olunuz.

Ürün güvenliđi için, makinanın tamir, bakımı ve ayarlama işlemleri Makita Yetkili Servislerince yapılmalıdır.

GB ACCESSORIES

CAUTION:

These accessories or attachments are recommended for use with your Makita tool specified in this manual. The use of any other accessories or attachments might present a risk of injury to persons. The accessories or attachments should be used only in the proper and intended manner.

F ACCESSOIRES

ATTENTION :

Ces accessoires ou ces fixations sont recommandés pour l'utilisation de l'outil Makita spécifié dans ce manuel. L'utilisation d'autres accessoires ou fixations peut présenter un risque de blessures. Les accessoires ou les fixations ne devront être utilisés que dans le but et de la manière prévus.

D ZUBEHÖR

VORSICHT:

Das mitgelieferte Zubehör ist speziell für den Gebrauch mit dem in dieser Betriebsanleitung angegebenen Makita-Elektrowerkzeug vorgesehen. Bei Verwendung von Fremdzubehör in Verbindung mit dieser Maschine besteht Verletzungsgefahr.

I ACCESSORI

ATTENZIONE:

Gli accessori o i raccordi seguenti sono raccomandati per l'uso con l'utensile Makita specificato in questo manuale. L'uso di qualsiasi altro accessorio o raccordo potrebbe causare pericoli di ferite alle persone. Gli accessori o i raccordi devono essere usati soltanto nel modo corretto e specificato.

NL ACCESSOIRES

LET OP:

Deze accessoires of hulpstukken zijn aanbevolen voor gebruik met uw Makita gereedschap dat in deze gebruiksaanwijzing is beschreven. Het gebruik van andere accessoires of hulpstukken kan gevaar voor persoonlijke verwondingen opleveren. De accessoires of hulpstukken dienen alleen op de juiste en voorgeschreven manier te worden gebruikt.

E ACCESORIOS

PRECAUCIÓN:

Estos accesorios o acoplamientos están recomendados para usar con la herramienta Makita especificada en este manual. Con el uso de cualquier otro accesorio o acoplamiento se podría correr el riesgo de producir heridas a personas. Los accesorios o acoplamientos deberán usarse solamente de la manera apropiada y para la que han sido designados.

P ACESSÓRIOS

PRECAUÇÃO:

Estes acessórios ou acoplamentos são os recomendados para uso na ferramenta MAKITA especificada neste manual. A utilização de quaisquer outros acessórios ou acoplamento poderá ser perigosa para o operador. Os acessórios ou acoplamentos devem ser utilizados de maneira adequada e apenas para os fins a que se destinam.

DK TILBEHØR

ADVARSEL:

Dette udstyr og tilbehør bør anvendes sammen med Deres Makita maskine, sådan som det er beskrevet i denne vejledning. Anvendelse af andet udstyr eller tilbehør kan medføre personskaade. Tilbehøret bør kun anvendes til det, det er beregnet til.

S TILLBEHÖR

FÖRSIKTIGHET:

Dessa tillbehör eller tillsatser rekommenderas endast för användning tillsammans med din Makita maskin som specificeras i denna bruksanvisning. Användning av andra tillbehör eller tillsatser kan medföra risk för personskador. Tillbehören och tillsatserna får endast användas på lämpligt och där för avsett sätt.

N TILBEHØR

NB!

Dette tilbehøret eller utstyret anbefales til å brukes sammen med din Makita maskin som er spesifisert i denne bruksanvisningen. Bruk av annet tilbehør eller utstyr kan medføre en risiko for personskader. Tilbehør og utstyr må bare brukes som spesifisert og bare til det det er beregnet til.

SF LISÄVARUSTEET

VARO:

Tässä käyttöohjeessa mainitun Makita-koneen kanssa suositellaan seuraavien lisälaitteiden ja -varusteiden käyttöä. Minkä tahansa muun lisälaitteen tai -varusteen käyttäminen saattaa aiheuttaa loukkaantumisvaaran. Lisälaitteita ja -varusteita tulee käyttää ainoastaan niille sopivalla tavalla.

GR ΕΞΑΡΤΗΜΑΤΑ

ΠΡΟΣΟΧΗ:

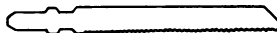
Αυτά τα εξαρτήματα ή προσαρτήματα συνιστώνται για χρήση με το μηχάνημα της Μάκιτα που περιγράφεται στο εγχειρίδιο αυτο. Η χρήση άλλων εξαρτημάτων ή προσαρτημάτων μπορεί να είναι επικίνδυνη για τραυματισμό ατόμων. Τα εξαρτήματα ή προσαρτήματα πρέπει να χρησιμοποιούνται μόνο με το σωστό και προτιθέμενο τρόπο.

TR YARDIMCI MALZEMELER

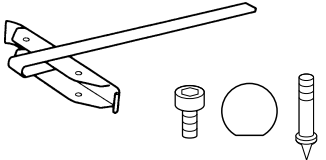

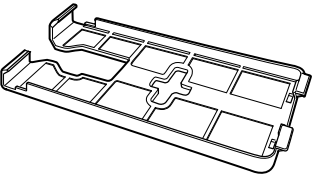
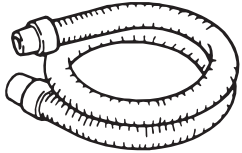
DİKKAT:



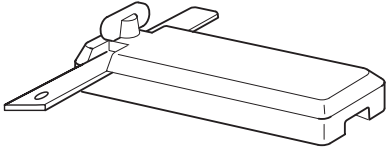
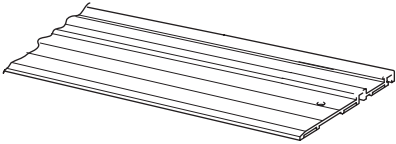
Bu el kitabında belirtilen Makita makinanız ile kullanılması tavsiye edilen yardımcı ve ek malzemeler şunlardır. Belirtilenlerin dışında yardımcı ve ek malzemeler kullanmak, şahıslarda yaralanma riski oluşturabilir. Yardımcı ve ek malzemeler yalnızca uygun şekilde ve bilinci olarak kullanılmalıdır.

Jig saw blade
 Lame de scie sauteuse
 Sägeblatt
 Lama seghetto alternativo
 Figuurzaagblad
 Hoja de sierra de calar
 Lâmina da serra de vaivém
 Sticksavsklinge
 Sticksågsblad
 Stikksagblad
 Pistosahan terä
 Λάμα παλινδρομικού πριονιού
 Oyma testeresi bıçağı



| Blade type | Teeth per inch | Cutting length |
|------------|----------------|----------------|
| No. 51 | 24 | 65 mm |
| No. 58 | 8 | 80 mm |
| No. 59 | 8 | 80 mm |
| No. B-10 | 9 | 80 mm |
| No. B-11 | 9 | 75 mm |
| No. B-12 | 6 | 80 mm |
| No. B-13 | 8 | 80 mm |
| No. B-14 | 18 | 50 mm |
| No. B-15 | 12 | 50 mm |
| No. B-16 | 6 | 80 mm |
| No. B-17 | 6 | 70 mm |
| No. B-18 | 14 | 45 mm |
| No. B-19 | 12 | 65 mm |
| No. B-21 | 12 | 75 mm |
| No. B-22 | 24 | 50 mm |
| No. B-23 | 14 | 50 mm |
| No. B-24 | 32 | 50 mm |
| No. B-25 | 9 | 75 mm |
| No. B-26 | 9 | 70 mm |
| No. B-27 | 24 | 50 mm |
| No. B-16L | 6 | 150 mm |
| No. BR-13 | 9 | 64 mm |

| | |
|--|--|
| <p>Rip fence set Ensemble de guide parallèle Parallelanschlagsatz Gruppo guida pezzo Breedtegeleider-set Conjunto de guía de apoyo Conjunto de vedações para escarificação Parallelanslagssæt Parallellanschlagsatz Ripevernsett Halkaisuhjainsarja Προστατευτικό σύνολο σχισίματος Kenar kafes takımı</p> |  |
| <p>Hex wrench Clé hexagonale Innensechskantschlüssel Chiave esagonale Inbussleutel Llave hexagonal Chave hexagonal Unbrakonøgle Seksantsnyckel Sekskantnøkkel Kuusioavain Εξαγωνικό κλειδί Altigen anahta</p> |  |
| <p>Cover plate Plaque de recouvrement Gleitplatte Piastra di protezione Dekplaat Placa de rozamiento Placa de cobertura Fodplade Skyddsplatta Dekkeplate Suojalevy Πλάκα καλύμματος Karak levhası</p> |  |
| <p>Hose Tuyau Schlauch Manicotto Slang Manguera Mangueira Slange Slang Slange Letku Σωλήνα Hortum</p> |  |

| | |
|--|---|
| <p>Dust nozzle Raccord d'aspiration Absaugstutzen Bocchette aspirapolvere Stofzuigmondstuk Tubo de aspiración Bocal do pó Støvstuds Dammstos Støvtrakt Pölysuutin Ακροφύσιο σκόνης Toz memesi</p> |  |
| <p>Anti-splintering device Dispositif anti-éclat Spanreißschutz Dispositivo antischeggiamento Antisplinterinrichtung Dispositivo antiastillas Mecanismo de anti-fragmentação Antiflosse-anordning Flisningssskydd Antiflisinnretning Säilöytymisen estolaite Συσκευή αποφυγής σκληθρών Kıymık önleyici cihaz</p> |  |
| <p>Guide rail adapter set (193517-1) Ensemble d'adaptateur pour guide de délignage (193517-1) Führungsanschlagsatz (193517-1) Gruppo adattatore rotaia guida (193517-1) Geleiderailadapter (193517-1) Conjunto de adaptador para carril de guía (193517-1) Conjunto de adaptador de carril de guia (193517-1) Föringsanslagssæt (193517-1) Sats med parallellanslag (193517-1) Adaptersett til ledeskinne (193517-1) Ohjauksiskon sovittinsarja (193517-1) Σύνολο προσαρμοστή οδηγού σιδηροτροχιάς (193517-1) Kýlavuz rayý adaptör seti (193517-1)</p> |  |
| <p>Guide rail set (192516-0) Ensemble de guide de délignage (192516-0) Führungsschienensatz (192516-0) Gruppo rotaia guida (192516-0) Geleiderail (192516-0) Conjunto de carril de guía (192516-0) Conjunto de carril de guia (192516-0) Föringsskinnesæt (192516-0) Sats med ledskena (192516-0) Ledeskinnesett (192516-0) Ohjaukskisosarja (192516-0) Σύνολο οδηγού σιδηροτροχιάς (192516-0) Kýlavuz rayý seti (192516-0)</p> |  |

ENGLISH**EC-DECLARATION OF CONFORMITY**

We declare under our sole responsibility that this product is in compliance with the following standards or standardized documents,

HD400, EN50144, EN55014, EN61000

in accordance with Council Directives, 73/23/EEC, 89/336/EEC and 98/37/EC.

FRANÇAISE**DÉCLARATION DE CONFORMITÉ CE**

Nous déclarons sous notre entière responsabilité que ce produit est conforme aux normes ou aux documents standardisés suivants,

HD400, EN50144, EN55014, EN61000

conformément aux Directives du Conseil, 73/23/CEE, 89/336/CEE et 98/37/EG.

DEUTSCH**CE-KONFORMITÄTSERKLÄRUNG**

Hiermit erklärt wir unter unserer alleinigen Verantwortung, daß dieses Produkt gemäß den Ratsdirektiven 73/23/EWG, 89/336/EWG und 98/37/EG mit den folgenden Normen bzw. Normendokumenten übereinstimmen:

HD400, EN50144, EN55014, EN61000.

ITALIANO**DICHIARAZIONE DI CONFORMITÀ
CON LE NORME DELLA COMUNITÀ EUROPEA**

Dichiariamo sotto la nostra sola responsabilità che questo prodotto è conforme agli standard o documenti standardizzati seguenti:

HD400, EN50144, EN55014, EN61000

secondo le direttive del Consiglio 73/23/CEE, 89/336/CEE e 98/37/CE.

NEDERLANDS**EG-VERKLARING VAN CONFORMITEIT**

Wij verklaren hierbij uitsluitend op eigen verantwoordelijkheid dat dit produkt voldoet aan de volgende normen of genormaliseerde documenten,

HD400, EN50144, EN55014, EN61000

in overeenstemming met de richtlijnen van de Raad 73/23/EEC, 89/336/EEC en 98/37/EC.

ESPAÑOL**DECLARACIÓN DE CONFORMIDAD DE LA CE**

Declaramos bajo nuestra sola responsabilidad que este producto cumple con las siguientes normas o documentos normalizados,

HD400, EN50144, EN55014, EN61000

de acuerdo con las directivas comunitarias, 73/23/EEC, 89/336/EEC y 98/37/CE.

Yasuhiko Kanzaki **CE 2003**



| | |
|-----------|----------------|
| Director | Amministratore |
| Directeur | Directeur |
| Direktor | Director |

MAKITA INTERNATIONAL EUROPE LTD.

Michigan Drive, Tongwell, Milton Keynes,
Bucks MK15 8JD, ENGLAND

PORTUGUÊS

DECLARAÇÃO DE CONFORMIDADE DA CE

Declaramos sob inteira responsabilidade que este produto obedece às seguintes normas ou documentos normalizados,

HD400, EN50144, EN55014, EN61000

de acordo com as directivas 73/23/CEE, 89/336/CEE e 98/37/CE do Conselho.

DANSK

EU-DEKLARATION OM KONFORMITET

Vi erklærer hermed på eget ansvar, at dette produkt er i overensstemmelse med de følgende standarder eller normsættende dokumenter,

HD400, EN50144, EN55014, EN61000

i overensstemmelse med Rådets Direktiver 73/23/EEC, 89/336/EEC og 98/37/EC.

SVENSKA

EG-DEKLARATION OM ÖVERENSSTÄMMELSE

Under eget ansvar deklarerar vi härmed att denna produkt överensstämmer med följande standardiseringar och standardiserade dokument,

HD400, EN50144, EN55014, EN61000

i enlighet med EG-direktiven 73/23/EEC, 89/336/EEC och 98/37/EC.

NORSK

EU's SAMSVARS-ERKLÆRING

Vi erklærer på eget ansvar at dette produktet er i overensstemmelse med følgende standard eller standardiserte dokumenter:

HD400, EN50144, EN55014, EN61000,

i samsvar med Råds-direktivene, 73/23/EEC, 89/336/EEC og 98/37/EC.

SUOMI

VAKUUTUS EC-VASTAAVUDESTA

Yksinomaisesti vastuullisina ilmoitamme, että tämä tuote on seuraavien standardien ja standardoitujen dokumenttien mukainen,

HD400, EN50144, EN55014, EN61000

neuvoston direktiivien 73/23/EEC, 89/336/EEC ja 98/37/EC mukaisesti.

ΕΛΛΗΝΙΚΑ

ΔΗΛΩΣΗ ΣΥΜΜΟΡΦΩΣΗΣ ΕΚ

Δηλώνουμε υπό την μοναδική μας ευθύνη ότι αυτός ο προϊόν βρίσκεται σε συμφωνία με τα ακόλουθα πρότυπα ή τυποποιημένα έγγραφα,

HD400, EN50144, EN55014, EN61000

σύμφωνα με τις Οδηγίες του Συμβουλίου, 73/23/EEC, 89/336/EEC και 98/37/ΚΕ.

TÜRKÇE

AVRUPA KONSEYİ – UYGUNLUK BEYANI

Bütün sorumluluğu üzerimize alarak, bu ürünün, 73/23EEC, 89/336/EEC ve 98/37/EC uyarınca, aşağıdaki standart dokümanlarına uygunluğuna beyan ederiz:

HD400, EN50144, EN55014, EN61000.

Yasuhiko Kanzaki CE 2003



Director
Direktør
Direktör

Direktor
Johtaja
Διευθυντής
Müdür

MAKITA INTERNATIONAL EUROPE LTD.

Michigan Drive, Tongwell, Milton Keynes,
Bucks MK15 8JD, ENGLAND

ENGLISH**Noise and Vibration**

The typical A-weighted sound pressure level is 85 dB (A).
The noise level under working may exceed 85 dB (A).

– Wear ear protection. –

The typical weighted root mean square acceleration value is 7 m/s².

FRANÇAISE**Bruit et vibrations**

Le niveau de pression sonore pondéré A type est de 85 dB (A).

Le niveau de bruit en fonctionnement peut dépasser 85 dB (A).

– Porter des protecteurs anti-bruit. –

L'accélération pondérée est de 7 m/s².

DEUTSCH**Geräusch- und Vibrationsentwicklung**

Der typische A-bewertete Schalldruckpegel beträgt 85 dB (A).

Der Lärmpegel kann während des Betriebs 85 dB (A) überschreiten.

– Gehörschutz tragen. –

Der gewichtete Effektivwert der Beschleunigung beträgt 7 m/s².

ITALIANO**Rumore e vibrazione**

Il livello di pressione sonora pesata secondo la curva A è di 85 dB (A).

Il livello di rumore durante il lavoro potrebbe superare gli 85 dB (A).

– Indossare i paraorecchi. –

Il valore quadratico medio di accelerazione è di 7 m/s².

NEDERLANDS**Geluidsniveau en trilling**

Het typische A-gewogen geluidsdrukniveau is 85 dB (A).

Tijdens het werken kan het geluidsniveau 85 dB (A) overschrijden.

– Draag oorbeschermers. –

De typische gewogen effectieve versnellingswaarde is 7 m/s².

ESPAÑOL**Ruido y vibración**

El nivel de presión sonora ponderada A es de 85 dB (A).

El nivel de ruido en condiciones de trabajo puede que sobrepase los 85 dB (A).

– Póngase protectores en los oídos. –

El valor ponderado de la aceleración es de 7 m/s².

PORTUGUÊS**Ruído e vibração**

O nível normal de pressão sonora A é 85 dB (A).

O nível de ruído durante o trabalho pode exceder 85 dB (A).

– Utilize protectores para os ouvidos –

O valor médio da aceleração é 7 m/s².

DANSK**Lyd og vibration**

Det typiske A-vægtede lydtrykniveau er 85 dB (A).

Støjniveauet under arbejde kan overstige 85 dB (A).

– Bær høreværn. –

Den vægtede effektive accelerationsværdi er 7 m/s².

SVENSKA**Buller och vibration**

Den typiska A-vägda ljudtrycksnivån är 85 dB (A).

Bullernivån under pågående arbete kan överstiga 85 dB (A).

– Använd hörselskydd –

Det typiskt vägda effektivvärdet för acceleration är 7 m/s².

NORSK**Støy og vibrasjon**

Det vanlige A-belastede lydtrykksnivå er 85 dB (A).

Under bruk kan støynivået overskride 85 dB (A).

– Benytt hørselvern. –

Den vanlig belastede effektiv-verdi for akselerasjon er 7 m/s².

SUOMI**Melutaso ja värinä**

Tyypillinen A-painotettu äänenpainetaso on 85 dB (A).

Melutaso työpaikalla saattaa ylittää 85 dB (A).

– Käytä kuulosuojaimia. –

Tyypillinen kiihtyvyyden painotettu tehollisarvo on 7 m/s².

ΕΛΛΗΝΙΚΑ**Θόρυβος και κραδασμός**

Η τυπική Α-μετρούμενη ηχητική πίεση είναι 85 dB (A).

Η ένταση ήχου υπο συνθήκες εργασίας μπορεί να υπερβεί τα 85 dB (A).

– Φοράτε ωτοασπίδες. –

Η τυπική αξία της μετρούμενης ρίζας του μέσου τετραγώνου της επιτάχυνσης είναι 7 m/s².

TÜRKÇE**Gürültü ve titreşimi**

Tipik A-ağırlıklı ses basınç seviyesi 85 dB (A)'dir.

İşlem sırasında gürültü seviyesi 85 dB (A)'yi geçebilir.

– Kulak koruyucusu takın. –

Tipik ağırlıklı karekök ortalama ivme 7 m/s²'dir.

Makita Corporation Japan

884427B997