



Thinking of you
Electrolux



EUN2244AOW

EN	FREEZER	USER MANUAL	2
FR	CONGÉLATEUR	NOTICE D'UTILISATION	17
IT	CONGELATORE	ISTRUZIONI PER L'USO	34



CONTENTS

1. SAFETY INFORMATION.....	3
2. SAFETY INSTRUCTIONS.....	4
3. OPERATION.....	5
4. DAILY USE.....	7
5. HINTS AND TIPS.....	8
6. CARE AND CLEANING.....	9
7. TROUBLESHOOTING.....	10
8. INSTALLATION.....	12
9. NOISES.....	15
10. TECHNICAL INFORMATION.....	16

WE'RE THINKING OF YOU

Thank you for purchasing an Electrolux appliance. You've chosen a product that brings with it decades of professional experience and innovation. Ingenious and stylish, it has been designed with you in mind. So whenever you use it, you can be safe in the knowledge that you'll get great results every time.

Welcome to Electrolux.

Visit our website for:



Get usage advice, brochures, trouble shooter, service information:
www.electrolux.com



Register your product for better service:
www.registerelectrolux.com



Buy Accessories, Consumables and Original spare parts for your appliance:
www.electrolux.com/shop

CUSTOMER CARE AND SERVICE

Always use original spare parts.

When contacting our Authorised Service Centre, ensure that you have the following data available: Model, PNC, Serial Number.

The information can be found on the rating plate.



Warning / Caution-Safety information



General information and tips



Environmental information

Subject to change without notice.

1. ⚠ SAFETY INFORMATION

Before the installation and use of the appliance, carefully read the supplied instructions. The manufacturer is not responsible if an incorrect installation and use causes injuries and damages. Always keep the instructions with the appliance for future reference.

1.1 Children and vulnerable people safety

- This appliance can be used by children aged from 8 years and above and persons with reduced physical, sensory or mental capabilities or lack of experience and knowledge if they have been given supervision or instruction concerning use of the appliance in a safe way and understand the hazards involved.
- Do not let children play with the appliance.
- Cleaning and user maintenance shall not be made by children without supervision.
- Keep all packaging away from children.

1.2 General Safety

- This appliance is intended to be used in household and similar applications such as:
 - Farm houses; staff kitchen areas in shops, offices and other working environments
 - By clients in hotels, motels, bed and breakfast and other residential type environments
- Keep ventilation openings, in the appliance enclosure or in the built-in structure, clear of obstruction.
- Do not use mechanical devices or other means to accelerate the defrosting process, other than those recommended by the manufacturer.
- Do not damage the refrigerant circuit.
- Do not use electrical appliances inside the food storage compartments of the appliance, unless they are of the type recommended by the manufacturer.
- Do not use water spray and steam to clean the appliance.

- Clean the appliance with a moist soft cloth. Only use neutral detergents. Do not use abrasive products, abrasive cleaning pads, solvents or metal objects.
- Do not store explosive substances such as aerosol cans with a flammable propellant in this appliance.
- If the supply cord is damaged, it must be replaced by the manufacturer, its service agent or similarly qualified persons in order to avoid a hazard.

2. SAFETY INSTRUCTIONS

2.1 Installation



WARNING!

Only a qualified person must install this appliance.

- Remove all the packaging.
- Do not install or use a damaged appliance.
- Obey the installation instruction supplied with the appliance.
- Always be careful when you move the appliance because it is heavy. Always wear safety gloves.
- Make sure the air can circulate around the appliance.
- Wait at least 4 hours before connecting the appliance to the power supply. This is to allow the oil to flow back in the compressor.
- Do not install the appliance close to radiators or cookers, oven or hobs.
- The rear of the appliance must stand against the wall.
- Do not install the appliance where there is direct sunlight.
- Do not install this appliance in areas that are too humid or too colds, such as the construction appendices, garages or wine cellars.
- When you move the appliance, lift it by the front edge to avoid scratching the floor.

2.2 Electrical connection



WARNING!

Risk of fire and electrical shock.

- The appliance must be earthed.

- All electrical connections should be made by a qualified electrician.
- Make sure that the electrical information on the rating plate agrees with the power supply. If not, contact an electrician.
- Always use a correctly installed shockproof socket.
- Do not use multi-plug adapters and extension cables.
- Make sure not to cause damage to the electrical components (e.g. mains plug, mains cable, compressor). Contact the Service or an electrician to change the electrical components.
- The mains cable must stay below the level of the mains plug.
- Connect the mains plug to the mains socket only at the end of the installation. Make sure that there is access to the mains plug after the installation.
- Do not pull the mains cable to disconnect the appliance. Always pull the mains plug.

2.3 Use



WARNING!

Risk of injury, burns, electrical shock or fire.

- Do not change the specification of this appliance.
- Do not put electrical appliances (e.g. ice cream makers) in the appliance unless they are stated applicable by the manufacturer.
- Be careful not to cause damage to the refrigerant circuit. It contains isobutane (R600a), a natural gas with a high level

of environmental compatibility. This gas is flammable.

- If damage occurs to the refrigerant circuit, make sure that there are no flames and sources of ignition in the room. Ventilate the room.
- Do not let hot items to touch the plastic parts of the appliance.
- Do not put soft drinks in the freezer compartment. This will create pressure on the drink container.
- Do not store flammable gas and liquid in the appliance.
- Do not put flammable products or items that are wet with flammable products in, near or on the appliance.
- Do not touch the compressor or the condenser. They are hot.
- Do not remove or touch items from the freezer compartment if your hands are wet or damp.
- Do not freeze again food that has been thawed.
- Obey the storage instructions on the packaging of frozen food.

2.4 Care and cleaning



WARNING!

Risk of injury or damage to the appliance.

- Before maintenance, deactivate the appliance and disconnect the mains plug from the mains socket.

- This appliance contains hydrocarbons in the cooling unit. Only a qualified person must do the maintenance and the recharging of the unit.
- Regularly examine the drain of the appliance and if necessary, clean it. If the drain is blocked, defrosted water collects in the bottom of the appliance.

2.5 Disposal



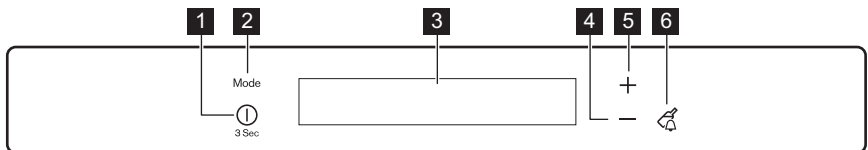
WARNING!

Risk of injury or suffocation.

- Disconnect the appliance from the mains supply.
- Cut off the mains cable and discard it.
- Remove the door to prevent children and pets to be closed inside of the appliance.
- The refrigerant circuit and the insulation materials of this appliance are ozone-friendly.
- The insulation foam contains flammable gas. Contact your municipal authority for information on how to discard the appliance correctly.
- Do not cause damage to the part of the cooling unit that is near the heat exchanger.

3. OPERATION

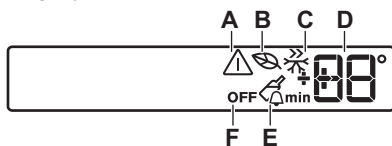
3.1 Control panel



- 1 ON/OFF button
- 2 Mode button
- 3 Display
- 4 Temperature colder button
- 5 Temperature warmer button
- 6 DrinksChill button

It is possible to change predefined sound of buttons to a loudly one by pressing together Mode and temperature colder button for some seconds. Change is reversible.

Display



- A) Alarm indicator
- B) Freezer EcoMode function
- C) FastFreeze function
- D) Freezer temperature indicator
- E) DrinksChill function
- F) Freezer OFF mode

3.2 Switching on

Connect the mains plug to the power socket

1. Press the ON/OFF if the display is off. The temperature indicators show the set default temperature.
2. The alarm buzzer may sound after a few seconds.
To reset the alarm refer to "High temperature alarm".
If "DEMO" appears on the display, the appliance is in demonstration mode. Refer to "Troubleshooting...".

i To select a different set temperature refer to "Temperature regulation".

3.3 Switching off

Press ON/OFF for 3 seconds.
The display switches off.

To disconnect the appliance from the power, disconnect the mains plug from the power socket.

3.4 Temperature regulation

The set temperature of the freezer may be adjusted by pressing the temperature button.

Set default temperature: -18°C for the freezer.

The temperature indicator shows the set temperature.

The set temperature will be reached within 24 hours.

i After a power failure the set temperature remains stored.

3.5 DrinksChill mode

The DrinksChill mode is to be used to set an acoustic alarm at the preferred time,

useful for example when a recipe requires to cool down a mixture for a certain period of time, or when a reminder is needed in order not to forget the bottles placed in the freezer for fast cooling.

1. To switch on the function press DrinksChill .

The DrinksChill indicator appears.
The timer shows the set value (30 minutes).

2. Press the temperature colder button and temperature warmer button to change the timer set value from 1 to 90 minutes.

The timer indicator is shown (min).

At the end of the countdown the DrinksChill indicator flashes and an audible alarm sounds

3. Remove any drinks contained in the freezer compartment.
4. Press DrinksChill to switch off the sound and terminate the function.

i It is possible to deactivate the function at any time during the countdown by pressing DrinksChill. The DrinksChill indicator goes off

i It is possible to change the time during the countdown and at the end by pressing the temperature colder button and the temperature warmer button.

3.6 FastFreeze mode


This function stops automatically after 52 hours.

1. To switch on the function press Mode until the corresponding icon appears.

The FastFreeze indicator goes on.

- To switch off the function press Mode in order to select an other function or press Mode until you can see none of the special icons.

The FastFreeze indicator goes off.

 The function switches off by selecting a different freezer set temperature.

3.7 EcoMode

For optimal food storage select the EcoMode.

- To switch on the function press Mode until the corresponding icon appears. The temperature indicator shows the set temperature for the freezer: -18°C.
- To switch off the function press Mode in order to select an other function or press Mode until you can see none of the special icons.

 The function switches off by selecting a different set temperature.

3.8 High temperature alarm

An increase in the temperature in the freezer compartment (for example due to

an earlier power failure or door is open) is indicated by:


- flashing the alarm and freezer temperature indicators;
- sounding of buzzer.

To reset the alarm press any button.

The buzzer switches off.

The freezer temperature indicator shows the highest temperature reached for a few seconds. Then show again the set temperature.

The alarm indicator continues to flash until the normal conditions are restored.

 When the alarm has returned the alarm indicator goes off.

3.9 Door open alarm

An acoustic alarm will sound if the door is left open for a few minutes. The door open alarm conditions are indicated by:

- flashing alarm indicator;
- acoustic buzzer.

When normal conditions are restored (door closed), the alarm will stop. During the alarm, the buzzer can be switched off by pressing any button.

4. DAILY USE

4.1 Freezing fresh food

The freezer compartment is suitable for freezing fresh food and storing frozen and deep-frozen food for a long time.

To freeze small amount of fresh foods it is not necessary to change the present setting.

To freeze fresh food activate the FastFreeze function at least 24 hours before placing the food to be frozen in the freezer compartment.

Place the fresh food to be frozen in middle compartment.

The maximum amount of food that can be frozen in 24 hours is specified on the **rating plate**, a label located on the inside of the appliance.

The freezing process lasts 24 hours: during this period do not add other food to be frozen.

When the freezing process is completed, return to the required temperature (see "FastFreeze Function").

4.2 Storage of frozen food

When first starting-up or after a period out of use, before putting the products in the compartment let the appliance run at least 2 hours on the higher settings.



In the event of accidental defrosting, for example due to a power failure, if the power has been off for longer than the value shown in the technical characteristics chart under "rising time", the defrosted food must be consumed quickly or cooked immediately and then re-frozen (after cooling).

4.3 Cold accumulators

The freezer contains at least one cold accumulator which increases storage time in the event of a power cut or breakdown.

4.4 Ice-cube production

This appliance is equipped with one or more trays for the production of ice-cubes.

5. HINTS AND TIPS

5.1 Normal operating sounds

The following sounds are normal during operation:

- A faint gurgling and bubbling sound from coils sound when refrigerant is pumped.
- A whirring and pulsating sound from the compressor when refrigerant is pumped.
- A sudden cracking noise from inside appliance caused by thermic dilatation (a natural and not dangerous physical phenomenon).
- A faint click noise from the temperature regulator when the compressor switches on or off.

5.2 Hints for energy saving

- Do not open the door frequently or leave it open longer than absolutely necessary.
- If the ambient temperature is high and the Temperature Regulator is set to low temperature and the appliance is fully loaded, the compressor may run continuously, causing frost or ice on the evaporator. If this happens, set the



Do not use metallic instruments to remove the trays from the freezer.

1. Fill these trays with water
2. Put the ice trays in the freezer compartment.

4.5 Thawing

Deep-frozen or frozen food, prior to being used, can be thawed in the refrigerator compartment or at room temperature, depending on the time available for this operation.

Small pieces may even be cooked still frozen, directly from the freezer: in this case, cooking will take longer.

Temperature Regulator toward warmer settings to allow automatic defrosting and so a saving in electricity consumption.

- If foreseen, do not remove the cold accumulators from the freezer basket.

5.3 Hints for freezing

To help you make the most of the freezing process, here are some important hints:

- the maximum quantity of food which can be frozen in 24 hrs. is shown on the rating plate;
- the freezing process takes 24 hours. No further food to be frozen should be added during this period;
- freeze only top quality, fresh and thoroughly cleaned, foodstuffs;
- prepare food in small portions to enable it to be rapidly and completely frozen and to make it possible subsequently to thaw only the quantity required;
- wrap up the food in aluminium foil or polythene and make sure that the packages are airtight;
- do not allow fresh, unfrozen food to touch food which is already frozen,

thus avoiding a rise in temperature of the latter;

- lean foods store better and longer than fatty ones; salt reduces the storage life of food;
- water ices, if consumed immediately after removal from the freezer compartment, can possibly cause the skin to be freeze burnt;
- it is advisable to show the freezing in date on each individual pack to enable you to keep tab of the storage time.

- make sure that the commercially frozen foodstuffs were adequately stored by the retailer;
- be sure that frozen foodstuffs are transferred from the foodstore to the freezer in the shortest possible time;
- not open the door frequently or leave it open longer than absolutely necessary;
- once defrosted, food deteriorates rapidly and cannot be refrozen;
- do not exceed the storage period indicated by the food manufacturer.

5.4 Hints for storage of frozen food

To obtain the best performance from this appliance, you should:

6. CARE AND CLEANING



WARNING!

Refer to Safety chapters.



CAUTION!

When moving the cabinet, lift it by the front edge to avoid scratching the floor.

6.1 General warnings



CAUTION!

Unplug the appliance before carrying out any maintenance operation.



This appliance contains hydrocarbons in its cooling unit; maintenance and recharging must therefore only be carried out by authorized technicians.



The accessories and parts of the appliance are not suitable for washing in a dishwasher.

The equipment has to be cleaned regularly:

1. Clean the inside and accessories with lukewarm water and some neutral soap.
2. Regularly check the door seals and wipe clean to ensure they are clean and free from debris.
3. Rinse and dry thoroughly.
4. If accessible, clean the condenser and the compressor at the back of the appliance with a brush.
This operation will improve the performance of the appliance and save electricity consumption.

6.2 Periodic cleaning



CAUTION!

Do not pull, move or damage any pipes and/or cables inside the cabinet.



CAUTION!

Take care of not to damage the cooling system.

6.3 Defrosting the freezer

The freezer compartment is frost free. This means that there is no build up of frost when it is in operation, neither on the internal walls nor on the foods.

The absence of frost is due to the continuous circulation of cold air inside the compartment, driven by an automatically controlled fan.

6.4 Periods of non-operation

When the appliance is not in use for long periods, take the following precautions:

1. Disconnect the appliance from electricity supply.
2. Remove all food.
3. Clean the appliance and all accessories.
4. Leave the door/doors open to prevent unpleasant smells.



WARNING!

If the cabinet will be kept on, ask somebody to check it once in a while to prevent the food inside from spoiling in case of a power failure.

7. TROUBLESHOOTING



WARNING!

Refer to Safety chapters.

7.1 What to do if...

Problem	Possible cause	Solution
The appliance does not operate.	The appliance is switched off.	Switch on the appliance.
	The mains plug is not connected to the mains socket correctly.	Connect the mains plug to the mains socket correctly.
	There is no voltage in the mains socket.	Connect a different electrical appliance to the mains socket. Contact a qualified electrician.
The appliance is noisy.	The appliance is not supported properly.	Check if the appliance stands stable.
Audible or visual alarm is on.	The cabinet has been recently switched on or the temperature is still too high.	Refer to "Door Open Alarm" or "High Temperature Alarm".
	The temperature in the appliance is too high.	Refer to "Door Open Alarm" or "High Temperature Alarm".
	The door is left open.	Close the door.
	The temperature in the appliance is too high.	Contact a qualified electrician or contact the nearest Authorized Service Centre.

Problem	Possible cause	Solution
A rectangular symbol is shown instead of numbers on the Temperature Display.	Temperature sensor problem.	Contact the nearest Authorized Service Centre (the cooling system will continue to keep food products cold, but temperature adjustment will not be possible).
The compressor operates continually.	Temperature is set incorrectly.	Refer to "Operation" chapter.
	Many food products were put in at the same time.	Wait some hours and then check the temperature again.
	The room temperature is too high.	Refer to climate class chart on the rating plate.
	Food products placed in the appliance were too warm.	Allow food products to cool to room temperature before storing.
	The door is not closed correctly.	Refer to "Closing the door".
	The FastFreeze function is switched on.	Refer to "FastFreeze function".
There is too much frost and ice.	The door is not closed correctly or the gasket is deformed/dirty.	Refer to "Closing the door".
The compressor does not start immediately after pressing the FastFreeze, or after changing the temperature.	This is normal, no error has occurred.	The compressor starts after a period of time.
Water flows on the floor.	The melting water outlet is not connected to the evaporative tray above the compressor.	Attach the melting water outlet to the evaporative tray.
Temperature cannot be set.	The FastFreeze or ShoppingMode function is switched on.	Switch off FastFreeze or ShoppingMode manually, or wait until the function resets automatically to set the temperature. Refer to "FastFreeze or ShoppingMode function".
DEMO appears on the display.	The appliance is in demonstration mode.	Keep the Mode pressed for approximately 10 seconds until a long sound is heard and display shuts off for a short time.

Problem	Possible cause	Solution
The temperature in the appliance is too low/too high.	The temperature regulator is not set correctly.	Set a higher/lower temperature.
	The food products' temperature is too high.	Let the food products temperature decrease to room temperature before storage.
	The door has been opened often.	Open the door only if necessary.
	The FastFreeze function is switched on.	Refer to "FastFreeze function".
	There is no cold air circulation in the appliance.	Make sure that there is cold air circulation in the appliance.



If the advice does not lead to the desired result, call the nearest brand-mark service.

7.2 Closing the door

1. Clean the door gaskets.
2. If necessary, adjust the door. Refer to "Installation".
3. If necessary, replace the defective door gaskets. Contact the After Sales Service.

8. INSTALLATION

8.1 Positioning

This appliance can be installed in a dry, well ventilated indoor where the ambient temperature corresponds to the climate class indicated on the rating plate of the appliance:

Climate class	Ambient temperature
SN	+10°C to + 32°C
N	+16°C to + 32°C
ST	+16°C to + 38°C
T	+16°C to + 43°C



Some functional problems might occur for some types of models when operating outside of that range. The correct operation can only be guaranteed within the specified temperature range. If you have any doubts regarding where to install the appliance, please turn to the vendor, to our customer service or to the nearest Service Centre

8.2 Electrical connection

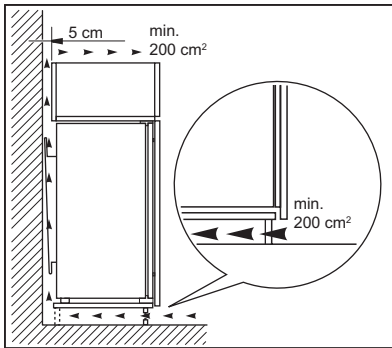
- Before plugging in, ensure that the voltage and frequency shown on the rating plate correspond to your domestic power supply.
- The appliance must be earthed. The power supply cable plug is provided with a contact for this purpose. If the domestic power supply socket is not earthed, connect the appliance to a

separate earth in compliance with current regulations, consulting a qualified electrician.

- The manufacturer declines all responsibility if the above safety precautions are not observed.
- This appliance complies with the E.E.C. Directives.

8.3 Ventilation requirements

The airflow behind the appliance must be sufficient.



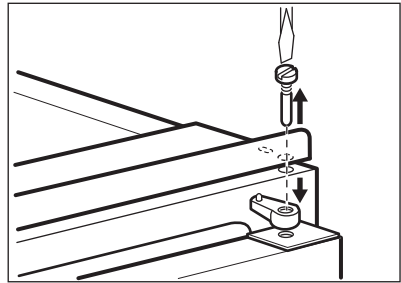
CAUTION!

Refer to the assembly instructions for the installation.

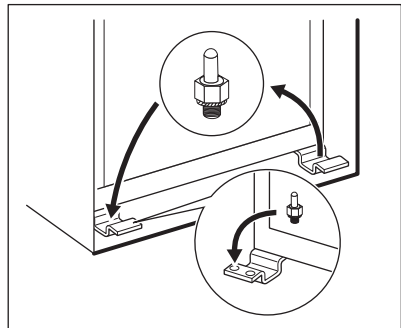
8.4 Door reversibility

The door of the appliance opens to the right. If you want to open the door to the left, follow these steps before you install the appliance:

1. Loosen and remove the upper pin.



2. Remove the door.
3. Remove the spacer.
4. With a key, loosen the lower pin.
5. Tighten the lower pin on the opposite side.



6. Install the spacer.
7. Install the door.
8. Tighten the upper pin.

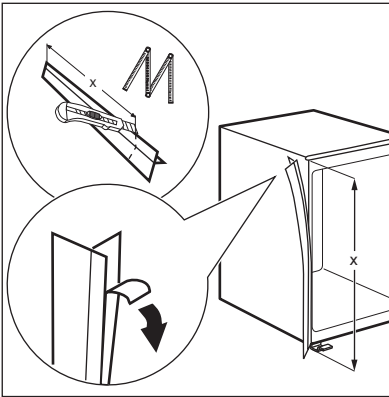
8.5 Installing the appliance



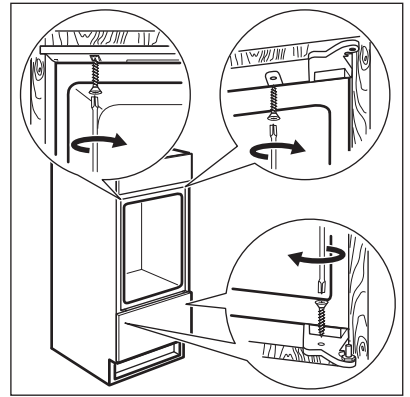
CAUTION!

Make sure that the mains cable can move freely.

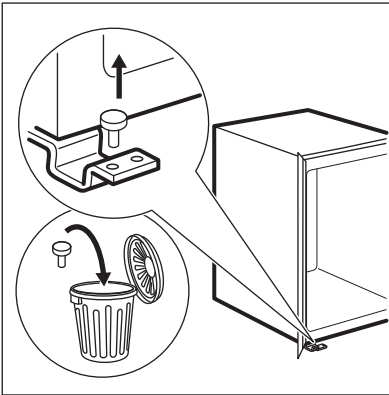
1. Apply the adhesive sealing strip to the appliance as shown in figure.



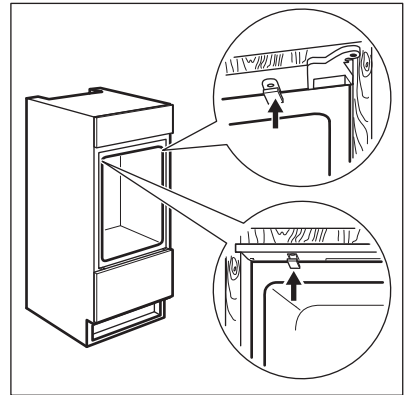
2. Remove the red cover as shown in figure



5. Fix the covers on the screws.

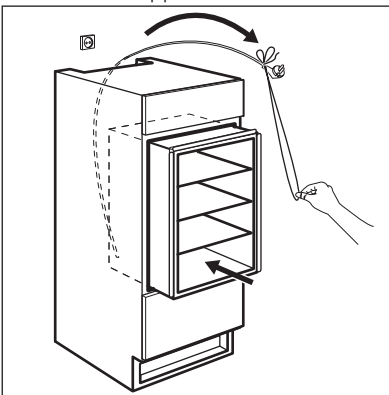


3. Install the appliance in the niche.



Do a final check to make sure that:

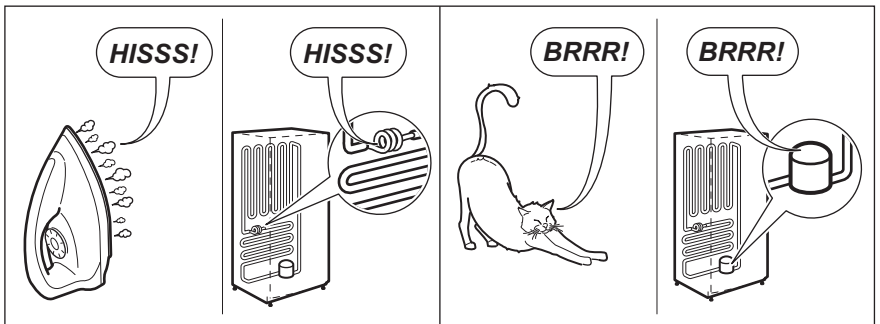
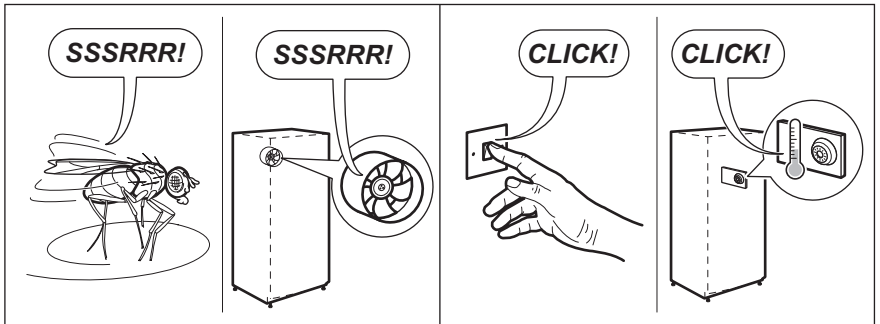
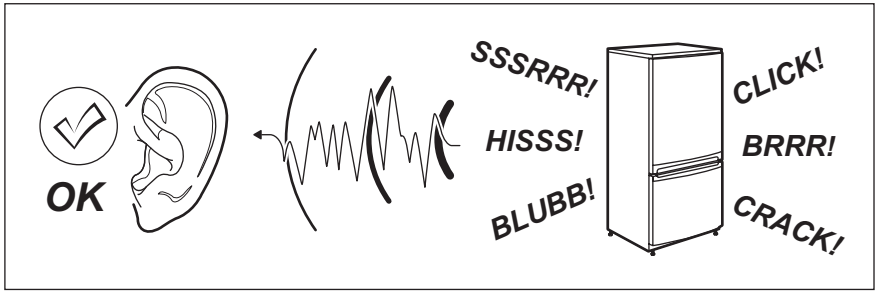
- All screws are tightened.
- The sealing strip is attached tightly to the cabinet.
- The door opens and closes correctly.

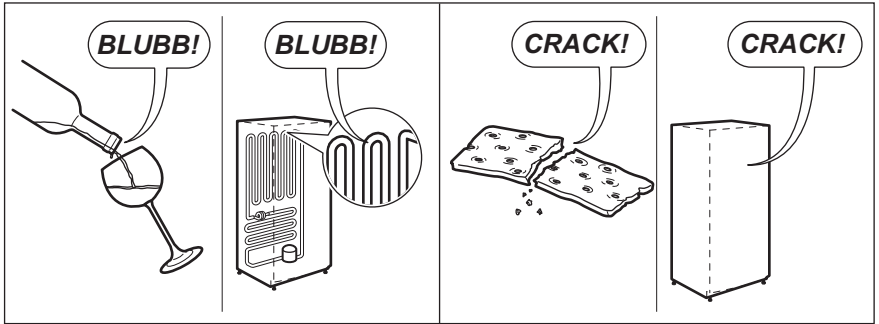


4. Attach the appliance to the niche with 4 screws.

9. NOISES

There are some sounds during normal running (compressor, refrigerant circulation).





10. TECHNICAL INFORMATION

10.1 Technical data

Dimensions of the recess		
Height	mm	1780
Width	mm	560
Depth	mm	550
Rising time	Hours	24
Voltage	Volts	230 - 240
Frequency	Hz	50

The technical information are situated in the rating plate, on the external or internal

side of the appliance and in the energy label.

11. ENVIRONMENTAL CONCERNS



Recycle the materials with the symbol . Put the packaging in applicable containers to recycle it. Help protect the environment and human health and to recycle waste of electrical and electronic appliances. Do not dispose appliances marked with the symbol  with the household waste. Return the product to your local recycling facility or contact your municipal office.

TABLE DES MATIÈRES

1. CONSIGNES DE SÉCURITÉ.....	18
2. INSTRUCTIONS DE SÉCURITÉ.....	19
3. FONCTIONNEMENT.....	21
4. UTILISATION QUOTIDIENNE.....	23
5. CONSEILS.....	24
6. ENTRETIEN ET NETTOYAGE.....	25
7. EN CAS D'ANOMALIE DE FONCTIONNEMENT.....	26
8. INSTALLATION.....	28
9. BRUITS.....	31
10. CARACTÉRISTIQUES TECHNIQUES.....	32

NOUS PENSONS À VOUS

Merci d'avoir choisi ce produit Electrolux. Avec ce produit, vous bénéficiez de dizaines d'années d'expérience professionnelle et d'innovation. Ingénieux et élégant, il a été conçu sur mesure pour vous. Grâce à cet appareil, vous savez que chaque utilisation vous apportera satisfaction.

Bienvenue chez Electrolux.

Visitez notre site Internet pour :



Obtenir des conseils d'utilisation, des brochures, de l'aide, des informations :
www.electrolux.com



Enregistrez votre produit pour obtenir un meilleur service :
www.registerelectrolux.com



Acheter des accessoires, consommables et pièces de rechange d'origine pour votre appareil :
www.electrolux.com/shop

SERVICE APRÈS-VENTE

Utilisez toujours des pièces d'origine.

Avant de contacter le service, assurez-vous de disposer des informations suivantes : Modèle, PNC, numéro de série.

Vous trouverez ces informations sur la plaque signalétique.



Avertissement/Consignes de sécurité



Informations générales et conseils



Informations en matière de protection de l'environnement

Sous réserve de modifications.

1. ⚠️ CONSIGNES DE SÉCURITÉ

Avant d'installer et d'utiliser cet appareil, lisez soigneusement les instructions fournies. Le fabricant ne peut être tenu pour responsable des dommages et blessures liés à une mauvaise installation ou utilisation. Conservez toujours cette notice avec votre appareil pour vous y référer ultérieurement.

1.1 Sécurité des enfants et des personnes vulnérables

- Cet appareil peut être utilisé par des enfants âgés d'au moins 8 ans et par des personnes ayant des capacités physiques, sensorielles ou mentales réduites ou dénuées d'expérience ou de connaissance, s'ils (si elles) sont correctement surveillé(e)s ou si des instructions relatives à l'utilisation de l'appareil en toute sécurité leur ont été données et si les risques encourus ont été appréhendés.
- Les enfants ne doivent pas jouer avec l'appareil.
- Le nettoyage et l'entretien par l'utilisateur ne doivent pas être effectués par des enfants sans surveillance.
- Ne laissez pas les emballages à la portée des enfants.

1.2 Consignes générales de sécurité

- Cet appareil est conçu uniquement pour un usage domestique et des utilisations telles que :
 - dans les bâtiments de ferme, dans des cuisines réservées aux employés dans des magasins, bureaux et autres lieux de travail ;
 - pour une utilisation privée, par les clients, dans des hôtels et autres lieux de séjour.
- Veillez à ce que les orifices de ventilation, situés dans l'enceinte de l'appareil ou dans la structure intégrée, ne soient pas obstrués.
- N'utilisez aucun dispositif mécanique ou autre appareil pour accélérer le processus de dégivrage que ceux recommandés par le fabricant.

- N'endommagez pas le circuit frigorifique.
- N'utilisez pas d'appareils électriques à l'intérieur des compartiments de conservation des aliments de l'appareil, sauf s'ils sont du type recommandé par le fabricant.
- Ne pulvérisez pas d'eau ni de vapeur pour nettoyer l'appareil.
- Nettoyez l'appareil avec un chiffon doux humide. Utilisez uniquement des produits de nettoyage neutres. N'utilisez pas de produits abrasifs, de tampons à récurer, de solvants ni d'objets métalliques.
- Ne conservez aucune substance explosive dans cet appareil, comme des aérosols contenant un produit inflammable.
- Si le câble d'alimentation est endommagé, il doit être remplacé par le fabricant, son service après-vente ou des personnes de qualification similaire afin d'éviter un danger.

2. INSTRUCTIONS DE SÉCURITÉ

2.1 Installation



AVERTISSEMENT!

L'appareil doit être installé uniquement par un professionnel qualifié.

- Retirez l'intégralité de l'emballage
- N'installez pas et ne branchez pas un appareil endommagé.
- Suivez scrupuleusement les instructions d'installation fournies avec l'appareil.
- Soyez toujours vigilants lorsque vous déplacez l'appareil car il est lourd. Portez toujours des gants de sécurité.
- Assurez-vous que l'air circule autour de l'appareil.
- Attendez au moins 4 heures avant de brancher l'appareil sur le secteur. Cela permet à l'huile de refouler dans le compresseur.
- N'installez pas l'appareil à proximité d'un radiateur, d'une cuisinière, d'un four ou d'une table de cuisson.

- La surface arrière de l'appareil doit être positionnée contre un mur.
- N'installez pas l'appareil dans un endroit exposé à la lumière directe du soleil.
- N'installez pas l'appareil dans un endroit trop humide ou trop froid, comme une dépendance extérieure, un garage ou une cave.
- Lorsque vous déplacez l'appareil, veillez à le soulever par l'avant pour éviter de rayer le sol.

2.2 Branchement électrique



AVERTISSEMENT!

Risque d'incendie ou d'électrocution.

- L'appareil doit être relié à la terre.
- L'ensemble des branchements électriques doit être effectué par un technicien qualifié.
- Vérifiez que les données électriques figurant sur la plaque signalétique correspondent à celles de votre

réseau. Si ce n'est pas le cas, contactez un électricien.

- Utilisez toujours une prise de courant de sécurité correctement installée.
- N'utilisez pas d'adaptateurs multiprises ni de rallonges.
- Veillez à ne pas endommager les composants électriques tels que la fiche secteur, le câble d'alimentation ou le compresseur. Contactez le service après-vente ou un électricien pour changer les composants électriques.
- Le câble d'alimentation doit rester en dessous du niveau de la fiche secteur.
- Ne connectez la fiche d'alimentation secteur à la prise de courant secteur qu'à la fin de l'installation. Assurez-vous que la fiche d'alimentation est accessible une fois l'appareil installé.
- Ne tirez jamais sur le câble d'alimentation électrique pour débrancher l'appareil. Tirez toujours sur la fiche.

2.3 Usage



AVERTISSEMENT!

Risque de blessures, de brûlures, d'électrocution ou d'incendie.

- Ne modifiez pas les caractéristiques de cet appareil.
- Ne placez aucun appareil électrique (sorbetière, etc.) dans l'appareil, en l'absence d'indications du fabricant.
- Veillez à ne pas endommager le circuit frigorifique. Il contient de l'isobutane (R600a), un gaz naturel ayant un niveau élevé de compatibilité environnementale. Ce gaz est inflammable.
- Si le circuit frigorifique est endommagé, assurez-vous de l'absence de flammes et de sources d'ignition dans la pièce. Aérez la pièce.
- Évitez tout contact d'éléments chauds avec les parties en plastique de l'appareil.
- Ne placez jamais de boissons gazeuses dans le congélateur. Cela engendrerait une pression sur le récipient de la boisson.
- Ne stockez jamais de gaz ou de liquide inflammable dans l'appareil.

- Ne placez pas de produits inflammables ou d'éléments imbibés de produits inflammables à l'intérieur ou à proximité de l'appareil, ni sur celui-ci.
- Ne touchez pas le compresseur ni le condenseur. Ils sont chauds.
- Ne retirez pas et ne touchez pas les éléments du compartiment congélateur avec les mains mouillées ou humides.
- Ne recongelez jamais un aliment qui a été décongelé.
- Respectez les instructions de stockage figurant sur l'emballage des aliments surgelés.

2.4 Entretien et nettoyage



AVERTISSEMENT!

Risque de blessure corporelle ou de dommages matériels.

- Avant toute opération d'entretien, éteignez l'appareil et débranchez la fiche de la prise secteur.
- Cet appareil contient des hydrocarbures dans son circuit de réfrigération. L'entretien et la recharge du circuit de réfrigération doivent être effectués par un professionnel qualifié.
- Examinez régulièrement l'écoulement de l'appareil et si nécessaire, nettoyez-le. Si l'orifice est bouché, l'eau provenant du dégivrage s'écoulera en bas de l'appareil.

2.5 Mise au rebut



AVERTISSEMENT!

Risque de blessure ou d'asphyxie.

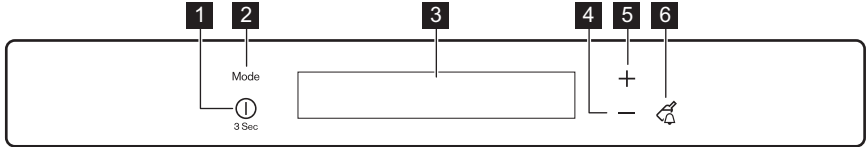
- Débranchez l'appareil de l'alimentation électrique.
- Coupez le câble d'alimentation et mettez-le au rebut.
- Retirez la porte pour empêcher les enfants et les animaux de s'enfermer dans l'appareil.
- Le circuit frigorifique et les matériaux d'isolation de cet appareil préservent la couche d'ozone.
- La mousse isolante contient un gaz inflammable. Contactez votre service municipal pour obtenir des

informations sur la marche à suivre pour mettre l'appareil au rebut.

- N'endommagez pas la partie du circuit de réfrigération située à proximité du condenseur thermique.

3. FONCTIONNEMENT

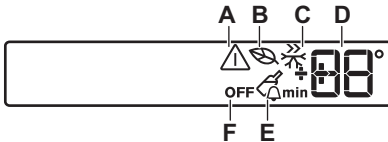
3.1 Panneau de commande



- | | |
|--|--|
| <ul style="list-style-type: none"> 1 Touche ON/OFF 2 Touche Mode 3 Affichage 4 Touche de diminution de la température 5 Touche d'augmentation de la température 6 Touche DrinksChill | <ul style="list-style-type: none"> A) Voyant d'alarme B) Fonction EcoMode du congélateur C) Fonction FastFreeze D) Indicateur de température du congélateur E) Fonction DrinksChill F) Mode OFF du congélateur |
|--|--|

Pour augmenter le volume de la tonalité des touches, appuyez simultanément sur la touche Mode et la touche de diminution de la température pendant quelques secondes. Ce changement est réversible.

Affichage



3.2 Mise en marche

Branchez la fiche électrique de l'appareil sur une prise électrique.

1. Appuyez sur ON/OFF si l'affichage est éteint.
Les indicateurs de température indiquent la température programmée par défaut.
2. L'alarme sonore peut se déclencher au bout de quelques secondes.
Pour réinitialiser l'alarme, reportez-vous au paragraphe « Alarme haute température ».

Si "DEMO" s'affiche sur l'écran, l'appareil est en mode démonstration. Reportez-vous au chapitre « En cas d'anomalie de fonctionnement ».



Pour sélectionner une température différente, reportez-vous au paragraphe « Réglage de la température ».

3.3 Mise à l'arrêt

Appuyez sur ON/OFF pendant 3 secondes.

L'affichage s'éteint.
Pour mettre l'appareil hors tension, débranchez la fiche d'alimentation de la prise électrique.

3.4 Réglage de la température

Le réglage de température du congélateur peut être modifié en appuyant sur la touche de température.

Température par défaut : -18 °C dans le congélateur.

L'indicateur de température indique la température programmée.

La température programmée sera atteinte sous 24 heures.



Après une coupure de courant, la température programmée reste enregistrée.

3.5 Mode DrinksChill

Le mode DrinksChill doit être utilisé pour le réglage d'une alarme sonore à une heure souhaitée, ce qui est utile, par exemple, pour refroidir une préparation pendant un certain temps dans le cadre d'une recette de cuisine ou pour refroidir des bouteilles rapidement dans le congélateur.

1. Pour activer la fonction, appuyez sur la touche DrinksChill .

Le voyant DrinksChill s'affiche.
Le minuteur affiche la valeur définie (30 minutes).

2. Appuyez sur la touche de diminution de la température et sur la touche d'augmentation de la température pour faire varier la valeur programmée du minuteur de 1 à 90 minutes.

L'indicateur du minuteur s'affiche (min).
Une fois la durée programmée écoulée, le voyant DrinksChill clignote et le signal sonore retentit

3. Retirez les boissons placées dans le compartiment congélateur.

4. Appuyez sur la touche DrinksChill pour arrêter le signal sonore et désactiver la fonction.



Il est possible de désactiver cette fonction à tout moment pendant le décompte en appuyant sur la touche DrinksChill.
Le voyant DrinksChill s'éteint



Il est possible de modifier la durée pendant et à la fin du décompte en appuyant sur les touches de diminution et d'augmentation de la température.

3.6 Mode FastFreeze

Cette fonction s'arrête automatiquement au bout de 52 heures.

1. Pour activer la fonction, appuyez sur la touche Mode jusqu'à ce que le symbole correspondant s'affiche.

L'indicateur FastFreeze s'allume.

2. Pour désactiver la fonction, appuyez sur la touche Mode pour sélectionner une autre fonction, ou appuyez sur la touche Mode jusqu'à ce que tous les symboles spéciaux disparaissent.

Le voyant FastFreeze s'éteint.



La fonction se désactive lorsque vous sélectionnez une température différente pour le congélateur.

3.7 EcoMode

Pour une conservation optimale des aliments, sélectionnez la fonction EcoMode.

1. Pour activer la fonction, appuyez sur la touche Mode jusqu'à ce que le symbole correspondant s'affiche.

L'indicateur de température indique la température programmée pour le congélateur : -18 °C

2. Pour désactiver la fonction, appuyez sur la touche Mode pour sélectionner une autre fonction, ou appuyez sur la touche Mode jusqu'à ce que tous les symboles spéciaux disparaissent.



La fonction se désactive lorsque vous sélectionnez une température différente.

3.8 Alarme haute température

Une augmentation de la température dans le compartiment congélateur (par exemple à cause d'une coupure de courant ou si la porte est ouverte trop longtemps) est indiquée par :

- le clignotement des voyants d'alarme et de température du congélateur ;
- Le déclenchement d'une alarme sonore.

Pour réinitialiser l'alarme, appuyez sur n'importe quelle touche.

L'alarme s'éteint.

L'indicateur de température du congélateur affiche pendant quelques

secondes la température la plus élevée atteinte. La température programmée s'affiche ensuite de nouveau. Le voyant d'alarme continue de clignoter jusqu'à ce que les conditions normales soient restaurées.



Lorsque l'alarme est terminée, l'indicateur s'éteint.

3.9 Alarme de porte ouverte

Une alarme sonore se déclenche si la porte reste ouverte pendant quelques minutes. Les conditions d'alarme de porte ouverte sont indiquées par :

- le clignotement d'un voyant d'alarme.
- une alarme sonore.

Au rétablissement des conditions normales (porte fermée), l'alarme s'arrête. Pendant la phase d'alarme, l'alarme sonore peut être désactivée en appuyant sur une touche quelconque.

4. UTILISATION QUOTIDIENNE

4.1 Congélation d'aliments frais

Le compartiment congélateur est idéal pour congeler des aliments frais et conserver longtemps des aliments congelés ou surgelés.

Pour congeler de petites quantités d'aliments frais, il n'est pas nécessaire de modifier le réglage actuel.

Activez la fonction FastFreeze 24 heures au moins avant d'introduire les denrées fraîches à congeler dans le compartiment congélateur.

Placez les denrées fraîches à congeler dans le compartiment intermédiaire.

La quantité maximale de denrées fraîches que vous pouvez congeler par tranche de 24 heures est indiquée sur la **plaque signalétique** (située à l'intérieur de l'appareil).

Le temps de congélation est de 24 heures : vous ne devez ajouter aucun autre aliment à congeler pendant cette période.

Une fois le processus de congélation terminé, revenez à la température souhaitée (voir « FonctionFastFreeze »).

4.2 Conservation d'aliments congelés et surgelés

À la mise en service ou après un arrêt prolongé, placez le thermostat sur la position maximale pendant 2 heures environ avant d'introduire les produits dans le compartiment.



En cas de décongélation accidentelle, due par exemple à une coupure de courant, si la coupure a duré plus de temps qu'indiqué au paragraphe « Autonomie de fonctionnement » du chapitre « Caractéristiques techniques », consommez rapidement les aliments décongelés ou cuisez-les immédiatement avant de les recongeler (une fois refroidis).

4.3 Accumulateurs de froid

Le congélateur est équipé d'au moins un accumulateur de froid qui permet d'augmenter l'autonomie de conservation de votre appareil en cas de coupure de courant ou de panne.

4.4 Production de glaçons

Cet appareil est équipé d'un ou plusieurs bacs à glaçons.



N'utilisez pas d'instruments métalliques pour décoller les bacs du congélateur.

1. Remplissez les bacs avec de l'eau
2. Placez les bacs dans le compartiment congélateur.

4.5 Décongélation

Avant utilisation, les aliments surgelés ou congelés peuvent être décongelés dans le compartiment réfrigérateur ou à température ambiante en fonction du temps disponible pour cette opération.

Les petites portions peuvent même être cuites sans décongélation préalable : la cuisson sera cependant un peu plus longue.

5. CONSEILS

5.1 Bruits normaux de fonctionnement

Les bruits suivants sont normaux lorsque l'appareil est en cours de fonctionnement :

- Un léger gargouillis lorsque le liquide réfrigérant est pompé.
- Un ronronnement et un bruit de pulsation provenant du compresseur lorsque le liquide réfrigérant est pompé.
- Un bruit de craquement soudain provenant de l'intérieur de l'appareil provoqué par une dilatation thermique (un phénomène naturel et inoffensif).
- Un léger cliquetis du thermostat lorsque le compresseur s'active ou se désactive.

5.2 Conseils d'économie d'énergie

- Évitez d'ouvrir trop souvent la porte et ne la laissez ouverte que le temps nécessaire.
- Si la température ambiante est élevée, le thermostat réglé sur la position maximale et l'appareil plein, il est possible que le compresseur fonctionne en régime continu, d'où un risque de formation de givre ou de glace sur l'évaporateur. Dans ce cas, réglez le thermostat sur une température plus élevée pour faciliter le dégivrage automatique, ce qui permet ainsi d'économiser de l'énergie.
- S'ils sont inclus, n'enlevez pas les accumulateurs de froid du panier de congélation.

5.3 Conseils pour la congélation

Voici quelques conseils importants pour obtenir un processus de congélation optimal :

- Respectez la quantité maximale de denrées fraîches que vous pouvez congeler par 24 heures figurant sur la plaque signalétique ;
- Le processus de congélation dure 24 heures. N'ajoutez pas d'autres aliments à congeler pendant cette période ;
- Congelez uniquement des aliments de bonne qualité, frais et nettoyés ;
- Préparez la nourriture en petits paquets pour une congélation rapide et uniforme, adaptés à l'importance de la consommation ;
- Enveloppez les aliments dans des feuilles d'aluminium ou des sachets en plastique et assurez-vous que les emballages sont étanches ;
- Ne laissez pas des aliments frais, non congelés, toucher des aliments déjà congelés pour éviter une remontée en température de ces derniers ;
- Les aliments maigres se conservent mieux et plus longtemps que les aliments gras ; le sel réduit la durée de conservation des aliments ;
- La température très basse à laquelle se trouvent les bâtonnets glacés, s'ils sont consommés dès leur sortie du compartiment congélateur, peut provoquer des brûlures ;
- L'identification des emballages est importante : indiquez la date de congélation du produit et respectez la durée de conservation indiquée par le fabricant.

5.4 Conseils pour le stockage des aliments surgelés

Pour obtenir les meilleures performances possibles :

- assurez-vous que les denrées surgelées achetées dans le commerce ont été correctement entreposées par le revendeur ;
- prévoyez un temps réduit au minimum pour le transport des denrées du

magasin d'alimentation à votre domicile ;

- évitez d'ouvrir trop souvent la porte du congélateur et ne la laissez ouverte que le temps nécessaire ;
- une fois décongelés, les aliments se détériorent rapidement et ne peuvent pas être recongelés ;
- ne dépassez pas la durée de conservation indiquée par le fabricant.

6. ENTRETIEN ET NETTOYAGE



AVERTISSEMENT!

Reportez-vous aux chapitres concernant la sécurité.



ATTENTION!

Lorsque vous déplacez l'appareil, veillez à le soulever par l'avant pour éviter de rayer le sol.

6.1 Avertissements généraux



ATTENTION!

Débranchez l'appareil avant toute opération d'entretien et de nettoyage.



Cet appareil contient des hydrocarbures dans son circuit de réfrigération ; l'entretien et la recharge ne doivent donc être effectués que par du personnel qualifié.



Les pièces et accessoires de l'appareil ne doivent pas être lavés au lave-vaisselle.

L'appareil doit être nettoyé régulièrement :

1. Nettoyez l'intérieur et les accessoires avec de l'eau tiède et un détergent doux.
2. Vérifiez régulièrement les joints de porte et essuyez-les pour vous assurer qu'ils sont propres et ne contiennent pas de résidus.
3. Rincez et séchez soigneusement.
4. S'ils sont accessibles, nettoyez le condenseur et le compresseur situés à l'arrière de l'appareil avec une brosse.
Cette opération améliore les performances de l'appareil et permet des économies d'électricité.

6.2 Nettoyage périodique



ATTENTION!

Ne tirez pas, ne déplacez pas, n'endommagez pas les tuyaux et/ou câbles qui se trouvent à l'intérieur de l'appareil.



ATTENTION!

Attention à ne pas endommager le système de réfrigération.

6.3 Dégivrage du congélateur

Le compartiment congélateur est sans givre. Cela signifie que le givre ne se forme pas pendant que l'appareil est en fonctionnement, que ce soit sur les parois internes ou sur les aliments.

L'absence de givre est due à la circulation d'air froid en continu à l'intérieur du compartiment, grâce à un ventilateur automatique.

6.4 En cas de non-utilisation prolongée

Si l'appareil n'est pas utilisé pendant de longues périodes, prenez les précautions suivantes :

1. Débranchez l'appareil de l'alimentation électrique.
2. Retirez tous les aliments.
3. Nettoyez l'appareil et tous les accessoires.
4. Laissez la porte/les portes ouverte(s) pour éviter la formation d'odeurs désagréables.



AVERTISSEMENT!

Si, toutefois, vous n'avez pas la possibilité de débrancher et de vider l'appareil, faites vérifier régulièrement le bon de fonctionnement de celui-ci et ceci en tenant compte de sa charge et de son autonomie de fonctionnement.

7. EN CAS D'ANOMALIE DE FONCTIONNEMENT



AVERTISSEMENT!

Reportez-vous aux chapitres concernant la sécurité.

7.1 En cas d'anomalie de fonctionnement ...

Problème	Cause probable	Solution
L'appareil ne fonctionne pas du tout.	L'appareil est à l'arrêt.	Mettez l'appareil en marche.
	La fiche du câble d'alimentation n'est pas correctement insérée dans la prise de courant.	Branchez correctement la fiche du câble d'alimentation dans la prise de courant.
	La prise de courant n'est pas alimentée.	Branchez un autre appareil électrique à la prise de courant. Contactez un électricien qualifié.
L'appareil est bruyant.	L'appareil n'est pas stable.	Assurez-vous de la stabilité de l'appareil.
Les signaux sonores et visuels sont activés.	L'appareil a récemment été mis en marche ou la température est toujours trop élevée.	Consultez le paragraphe « Alarme porte ouverte » ou « Alarme haute température ».
	La température à l'intérieur de l'appareil est trop élevée.	Consultez le paragraphe « Alarme porte ouverte » ou « Alarme haute température ».
	La porte est laissée ouverte.	Refermez la porte.

Problème	Cause probable	Solution
	La température à l'intérieur de l'appareil est trop élevée.	Contactez un électricien qualifié ou le service après-vente agréé le plus proche.
Un symbole rectangulaire apparaît à la place des chiffres sur l'écran de température.	Problème de capteur de température.	Contactez le service après-vente agréé le plus proche (le système de réfrigération continuera de maintenir les aliments au froid, mais le réglage de la température n'est pas possible).
Le compresseur fonctionne en permanence.	Il y a une erreur dans le réglage de la température.	Reportez-vous au chapitre « Fonctionnement ».
	Trop de produits ont été introduits simultanément.	Attendez quelques heures et vérifiez de nouveau la température.
	La température ambiante est trop élevée.	Reportez-vous au tableau des classes climatiques de la plaque signalétique.
	Les aliments introduits dans l'appareil étaient trop chauds.	Laissez refroidir les aliments à température ambiante avant de les mettre dans l'appareil.
	La porte n'est pas fermée correctement.	Reportez-vous au chapitre « Fermeture de la porte ».
	La fonction FastFreeze est activée.	Consultez le paragraphe « Fonction FastFreeze ».
Il y a trop de givre et de glace.	La porte n'est pas correctement fermée ou le joint est déformé/sale.	Reportez-vous au chapitre « Fermeture de la porte ».
Le compresseur ne démarre pas immédiatement après avoir appuyé sur la touche FastFreeze, ou après avoir changé la température.	Ce phénomène est normal, il ne s'agit pas d'une anomalie.	Le compresseur démarre au bout d'un certain temps.
De l'eau coule sur le sol.	Le tuyau d'évacuation de l'eau de dégivrage n'est pas raccordé au bac d'évaporation situé au-dessus du compresseur.	Fixez le tuyau d'évacuation de l'eau au bac d'évaporation de l'eau de dégivrage.

Problème	Cause probable	Solution
Il est impossible de régler la température.	La fonction FastFreeze ou ShoppingMode est activée.	Désactivez manuellement la fonction FastFreeze ou ShoppingMode, ou attendez que la fonction se réinitialise automatiquement avant de régler la température. Reportez-vous au chapitre « FonctionFastFreeze ou Shopping-Mode ».
DEMO s'affiche sur le panneau.	L'appareil est en mode démonstration.	Maintenez la touche Mode enfoncée pendant environ 10 secondes, jusqu'à ce qu'un long signal sonore retentisse et que l'affichage s'éteigne pendant un court instant.
La température à l'intérieur de l'appareil est trop basse/ élevée.	Le thermostat n'est pas réglé correctement.	Augmentez/réduisez la température.
	La température des produits est trop élevée.	Laissez les aliments refroidir à température ambiante avant de les placer dans l'appareil.
	La porte a été ouverte trop souvent.	N'ouvrez la porte qu'en cas de nécessité.
	La fonction FastFreeze est activée.	Consultez le paragraphe « Fonction FastFreeze ».
	L'air froid ne circule pas dans l'appareil.	Assurez-vous que de l'air froid circule dans l'appareil.



Si ces conseils n'apportent pas de solution à votre problème, veuillez consulter le service après-vente le plus proche.

7.2 Fermeture de la porte

1. Nettoyez les joints de la porte.
2. Si nécessaire, ajustez la porte. Reportez-vous au chapitre « Installation ».
3. Si nécessaire, remplacez les joints de porte défectueux. Contactez le service après-vente.

8. INSTALLATION

8.1 Installation

Cet appareil peut être installé dans une pièce intérieure sèche et bien ventilée où la température ambiante correspond à la classe climatique indiquée sur la plaque signalétique de l'appareil :

Classe climatique	Température ambiante
SN	+10 °C à +32 °C

Classe climatique	Température ambiante
N	+16 °C à +32 °C
ST	+16 °C à +38 °C
T	+16 °C à +43 °C



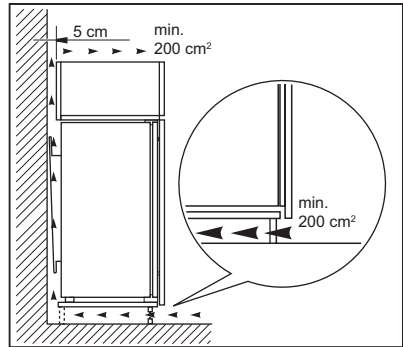
Des problèmes fonctionnels peuvent se produire sur certains types de modèles fonctionnant hors de cette plage de températures. Seul le respect de la plage de températures spécifiée peut garantir un bon fonctionnement de l'appareil. En cas de doute concernant l'emplacement d'installation de l'appareil, veuillez contacter le vendeur, notre service après-vente ou le centre de maintenance le plus proche.

8.2 Branchement électrique

- Avant de brancher l'appareil, assurez-vous que la tension et la fréquence indiquées sur la plaque signalétique correspondent à celles de votre réseau électrique domestique.
- L'appareil doit être relié à la terre. La fiche du cordon d'alimentation est fournie avec un contact à cette fin. Si la prise de courant n'est pas mise à la terre, branchez l'appareil à une mise à la terre séparée conformément aux réglementations en vigueur, en consultant un électricien spécialisé.
- Le fabricant décline toute responsabilité en cas de non-respect de ces consignes de sécurité.
- Cet appareil est conforme aux directives CEE.

8.3 Exigences en matière de ventilation

Veillez à garantir une circulation d'air suffisante à l'arrière de l'appareil.



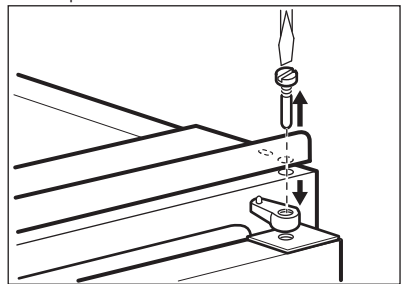
ATTENTION!

Consultez la notice de montage lors de l'installation.

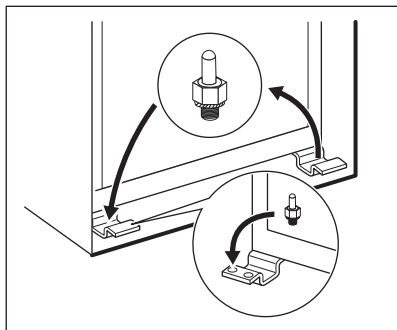
8.4 Réversibilité de la porte

La porte de l'appareil s'ouvre vers la droite. Si vous souhaitez modifier le sens d'ouverture de la porte (vers la gauche), effectuez les opérations suivantes avant d'installer définitivement l'appareil :

1. Dévissez, puis retirez le pivot supérieur.



2. Démontez la porte.
3. Retirez l'entretoise.
4. À l'aide d'une clé, desserrez le pivot inférieur.
5. Serrez le pivot inférieur sur le côté opposé.



6. Mettez en place l'entretoise.
7. Mettez en place la porte.
8. Serrez le pivot supérieur.

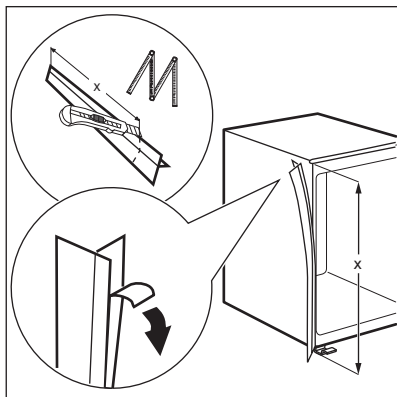
8.5 Installation de l'appareil



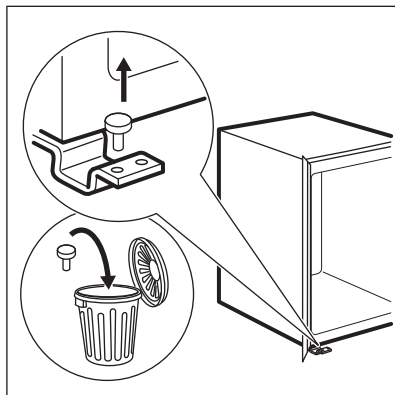
ATTENTION!

Assurez-vous que le câble n'est pas coincé.

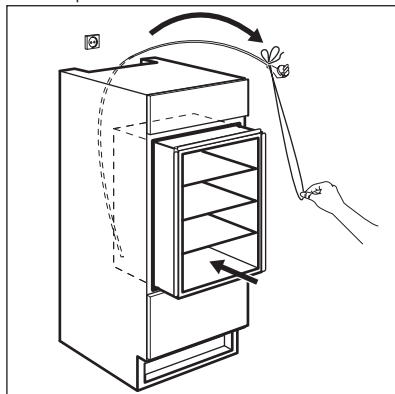
1. Appliquez la bande isolante adhésive sur l'appareil comme indiqué sur le schéma.



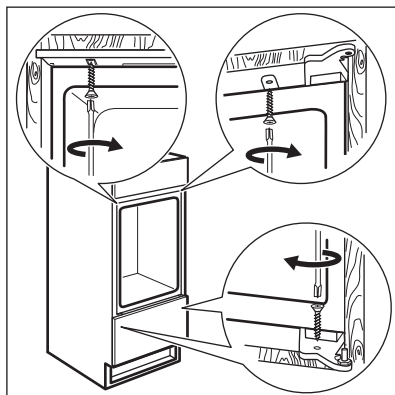
2. Retirez le cache rouge comme illustré sur la figure



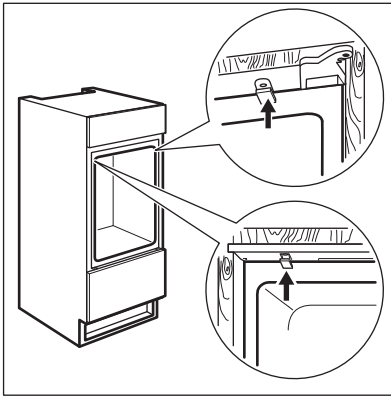
3. Installez l'appareil dans son emplacement.



4. Fixer l'appareil dans son emplacement à l'aide de 4 vis.



5. Fixez les caches sur les vis.

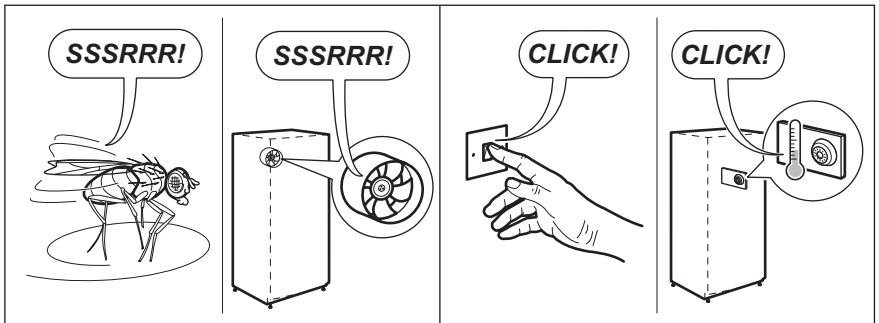
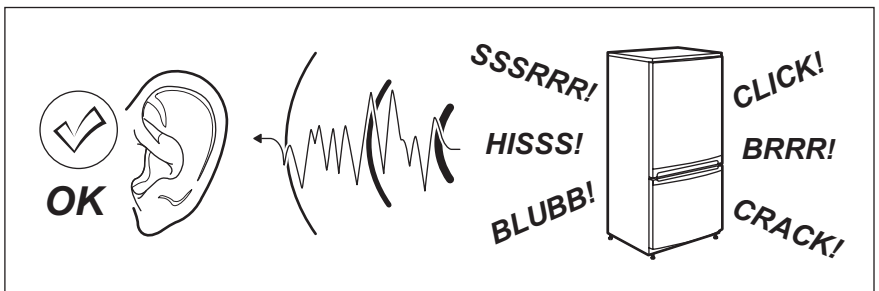


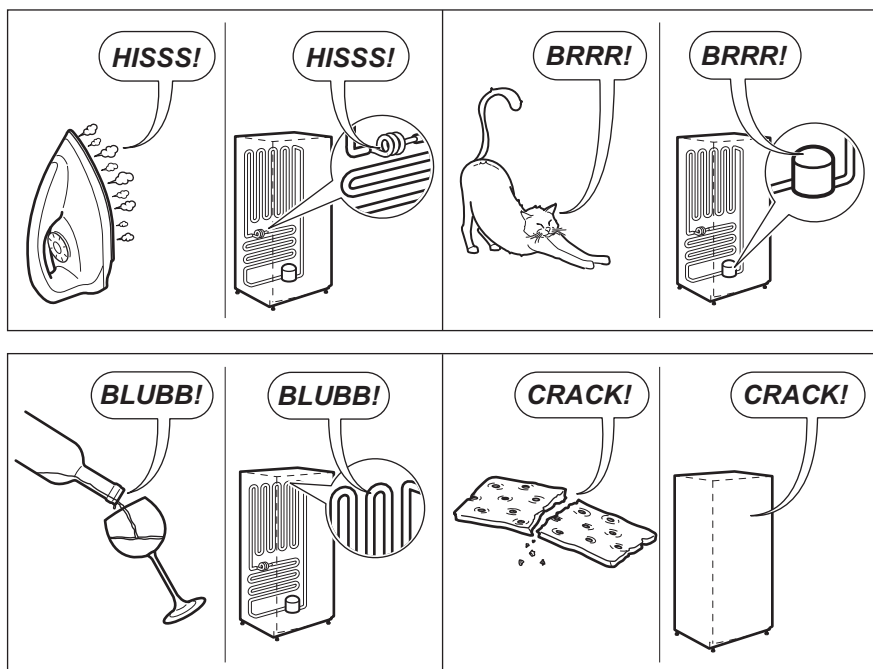
Faites une dernière vérification pour vous assurer que:

- Toutes les vis sont bien serrées.
- Le joint d'étanchéité est solidement fixé au meuble.
- La porte s'ouvre et se ferme correctement.

9. BRUITS

L'appareil émet certains bruits pendant son fonctionnement (compresseur, circuit frigorifique).





10. CARACTÉRISTIQUES TECHNIQUES


10.1 Caractéristiques techniques

Dimensions de la niche d'encastrement		
Hauteur	mm	1780
Largeur	mm	560
Profondeur	mm	550
Autonomie de fonctionnement	Heures	24
Voltage	V	230 - 240
Fréquence	Hz	50


Les caractéristiques techniques figurent sur la plaque signalétique située sur le

côté intérieur ou extérieur de l'appareil et sur l'étiquette énergétique.

11. EN MATIÈRE DE PROTECTION DE L'ENVIRONNEMENT

Recyclez les matériaux portant le symbole . Déposez les emballages dans les

conteneurs prévus à cet effet. Contribuez à la protection de l'environnement et à

vos produits électriques et électroniques. Ne jetez pas les appareils portant le symbole  avec les ordures ménagères. Apportez ce produit à votre centre de recyclage local ou contactez votre administration municipale.

INDICE

1. INFORMAZIONI PER LA SICUREZZA.....	35
2. ISTRUZIONI DI SICUREZZA.....	36
3. USO DELL'APPARECCHIO.....	38
4. UTILIZZO QUOTIDIANO.....	40
5. CONSIGLI E SUGGERIMENTI UTILI.....	41
6. PULIZIA E CURA.....	42
7. RISOLUZIONE DEI PROBLEMI.....	43
8. INSTALLAZIONE.....	45
9. RUMORI.....	48
10. DATI TECNICI.....	49

PENSATI PER VOI

Grazie per aver acquistato un'apparecchiatura Electrolux. Avete scelto un prodotto che ha alle spalle decenni di esperienza professionale e innovazione. Ingegnoso ed elegante, è stato progettato pensando a voi. Quindi, in qualsiasi momento desiderate utilizzarlo, potete esser certi di ottenere sempre i migliori risultati. Benvenuti in Electrolux.

Visitate il nostro sito web per:



Ricevere consigli, scaricare i nostri opuscoli, eliminare eventuali anomalie, ottenere informazioni sull'assistenza:

www.electrolux.com



Registrare il vostro prodotto e ricevere un servizio migliore:

www.registerelectrolux.com



Acquistare accessori, materiali di consumo e ricambi originali per la vostra apparecchiatura:

www.electrolux.com/shop

SERVIZIO CLIENTI E MANUTENZIONE

Consigliamo sempre l'impiego di ricambi originali.

Quando si contatta il Centro di Assistenza, accertarsi di disporre dei seguenti dati: Modello, PNC, numero di serie.

Le informazioni si trovano sulla targhetta dei dati.



Avvertenza/Attenzione - Importanti Informazioni per la sicurezza



Informazioni e suggerimenti generali



Informazioni sull'ambiente

Con riserva di modifiche.

1. ⚠️ INFORMAZIONI PER LA SICUREZZA

Leggere attentamente le istruzioni fornite prima di installare e utilizzare l'apparecchiatura. Il produttore non è responsabile se un'installazione ed un uso non corretto dell'apparecchiatura provocano lesioni e danni. Tenere sempre le istruzioni a portata di mano come riferimento futuro.

1.1 Sicurezza dei bambini e delle persone vulnerabili

- Questa apparecchiatura può essere usata da bambini a partire dagli 8 anni e da adulti con limitate capacità fisiche, sensoriali o mentali o con scarsa esperienza o conoscenza sull'uso dell'apparecchiatura, solamente se sorvegliati o se istruiti relativamente all'uso dell'apparecchiatura e se hanno compreso i rischi coinvolti.
- Non consentire ai bambini di giocare con l'apparecchiatura.
- La pulizia e gli interventi di manutenzione non devono essere eseguiti dai bambini senza supervisione.
- Tenere i materiali di imballaggio al di fuori della portata dei bambini.

1.2 Avvertenze di sicurezza generali

- L'apparecchiatura è destinata all'uso domestico e applicazioni simili, tra cui:
 - case di campagna; cucine di negozi, uffici e altri ambienti di lavoro
 - clienti di hotel, motel, bed and breakfast e altri ambienti residenziali
- Verificare che le aperture di ventilazione, sia sull'apparecchiatura che nella struttura da incasso, non siano ostruite.
- Non usare dispositivi elettrici o altri mezzi artificiali non raccomandati dal produttore allo scopo di accelerare il processo di sbrinamento.
- Non danneggiare il circuito refrigerante.

- Non utilizzare apparecchiature elettriche all'interno dei compartimenti di conservazione degli alimenti, ad eccezione di quelli consigliati dal costruttore.
- Non nebulizzare acqua né utilizzare vapore per pulire l'apparecchiatura.
- Pulire l'apparecchiatura con un panno inumidito e morbido. Utilizzare solo detergenti neutri. Non usare prodotti abrasivi, spugnette abrasive, solventi od oggetti metallici.
- Non conservare in questa apparecchiatura sostanze esplosive come bombolette spray contenenti un propellente infiammabile.
- Se il cavo di alimentazione è danneggiato, deve essere sostituito dal produttore, da un tecnico autorizzato o da una persona qualificata per evitare situazioni di pericolo.

2. ISTRUZIONI DI SICUREZZA

2.1 Installazione



ATTENZIONE!

L'installazione dell'apparecchiatura deve essere eseguita da personale qualificato.

- Rimuovere tutti i materiali di imballaggio.
- Non installare o utilizzare l'apparecchiatura se è danneggiata.
- Attenersi alle istruzioni fornite insieme all'apparecchiatura.
- Prestare sempre attenzione in fase di spostamento dell'apparecchiatura, dato che è molto pesante. Indossare sempre guanti di sicurezza.
- Assicurarsi che l'aria possa circolare liberamente attorno all'apparecchiatura.
- Attendere almeno 4 ore prima di collegare l'apparecchiatura all'alimentazione. Questo serve a consentire all'olio di fluire nuovamente nel compressore.
- Non installare l'apparecchiatura in prossimità di radiatori, fornelli, forni o piani di cottura.

- La superficie posteriore dell'apparecchiatura deve essere appoggiata alla parete.
- Non installare l'apparecchiatura dove sia esposta alla luce solare diretta.
- Non installare questa apparecchiatura in luoghi troppo umidi o freddi, come aggiunte strutturali, garage o cantine.
- Quando si sposta l'apparecchiatura, sollevarla dal bordo anteriore, così da non graffiare il pavimento.

2.2 Collegamento elettrico



ATTENZIONE!

Rischio di incendio e scossa elettrica.

- L'apparecchiatura deve disporre di una messa a terra.
- Tutti i collegamenti elettrici devono essere realizzati da un elettricista qualificato.
- Verificare che i dati elettrici riportati sulla targhetta dei dati corrispondano a quelli dell'impianto. In caso contrario, contattare un elettricista.
- Utilizzare sempre una presa elettrica con contatto di protezione correttamente installata.

- Non utilizzare prese multiple e prolunghe.
- Accertarsi di non danneggiare i componenti elettrici (ad es. la spina di alimentazione, il cavo di alimentazione, il compressore). Contattare il Centro di Assistenza o un elettricista per sostituire i componenti elettrici.
- Il cavo di alimentazione deve rimanere sotto il livello della spina di alimentazione.
- Inserire la spina di alimentazione nella presa solo al termine dell'installazione. Verificare che la spina di alimentazione rimanga accessibile dopo l'installazione.
- Non tirare il cavo di alimentazione per scollegare l'apparecchiatura. Tirare sempre dalla spina.

2.3 Utilizzo



ATTENZIONE!

Rischio di lesioni, scottature o scosse elettriche.

- Non apportare modifiche alle specifiche di questa apparecchiatura.
- Non introdurre apparecchiature elettriche (ad es. gelatiere) nell'apparecchiatura se non specificamente consentito dal produttore.
- Fare attenzione a non danneggiare il circuito refrigerante. Esso contiene isobutano (R600a), un gas naturale con un alto livello di compatibilità ambientale, tuttavia il gas è infiammabile.
- Nel caso di danno al circuito refrigerante, assicurarsi che non si sviluppino fiamme libere e scintille nel locale. Aerare bene l'ambiente.
- Non appoggiare oggetti incandescenti sulle parti in plastica dell'apparecchiatura.
- Non introdurre bevande analcoliche nel vano congelatore. Si verrà a creare una pressione nel contenitore della bevanda.
- Non conservare gas e liquidi infiammabili nell'apparecchiatura.
- Non appoggiare o tenere liquidi o materiali infiammabili, né oggetti facilmente incendiabili

sull'apparecchiatura, al suo interno o nelle immediate vicinanze.

- Non toccare il compressore o il condensatore. Sono incandescenti.
- Non togliere o toccare gli oggetti nel vano congelatore con le mani bagnate o umide.
- Non ricongelare del cibo precedentemente scongelato.
- Attenersi alle istruzioni per la conservazione riportate sulla confezione del cibo surgelato.

2.4 Pulizia e cura



ATTENZIONE!

Vi è il rischio di ferirsi o danneggiare l'apparecchiatura.

- Prima di eseguire qualunque intervento di manutenzione, spegnere l'apparecchiatura ed estrarre la spina dalla presa.
- L'unità refrigerante di questa apparecchiatura contiene idrocarburi. L'unità deve essere ricaricata ed ispezionata esclusivamente da personale qualificato.
- Controllare regolarmente lo scarico dell'apparecchiatura e, se necessario, pulirlo. L'ostruzione dello scarico può causare un deposito di acqua di sbrinamento sul fondo dell'apparecchiatura.

2.5 Smaltimento



ATTENZIONE!

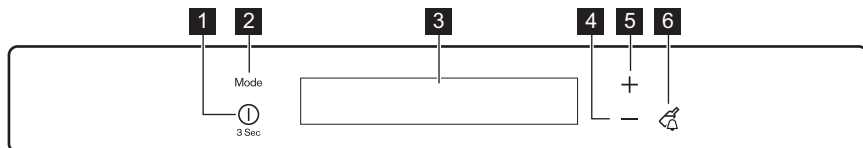
Rischio di lesioni o soffocamento.

- Staccare la spina dall'alimentazione elettrica.
- Tagliare il cavo di rete e smaltirlo.
- Rimuovere la porta per evitare che bambini e animali domestici rimangano chiusi all'interno dell'apparecchiatura.
- Il circuito refrigerante e i materiali di isolamento di questa apparecchiatura rispettano l'ozono.
- La schiuma isolante contiene gas infiammabili. Contattare le autorità locali per ricevere informazioni su come smaltire correttamente l'apparecchiatura.

- Non danneggiare i componenti dell'unità refrigerante che si trovano vicino allo scambiatore di calore.

3. USO DELL'APPARECCHIO

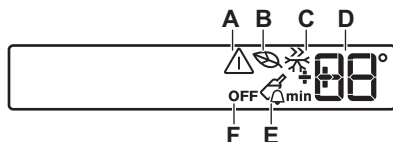
3.1 Pannello dei comandi



- | | |
|---------------------------------------|--|
| 1 Tasto ON/OFF | A) Spia allarme |
| 2 Tasto Mode | B) Funzione congelatore EcoMode |
| 3 Display | C) Funzione FastFreeze |
| 4 Tasto Temperatura più fresca | D) Spia della temperatura del congelatore |
| 5 Tasto Temperatura più calda | E) Funzione DrinksChill |
| 6 Tasto DrinksChill | F) Modalità congelatore OFF |

È possibile modificare le impostazioni audio predefinite dei tasti e impostarle con un volume più alto, premendo contemporaneamente Mode e il tasto Temperatura più fresca per alcuni secondi. La modifica è reversibile.

Display



3.2 Accensione

Inserire la spina nella presa di alimentazione

1. Premere ON/OFF se il display è spento.

Gli indicatori di temperatura visualizzano la temperatura impostata predefinita.

2. Il segnale acustico d'allarme potrebbe attivarsi dopo alcuni secondi.

Per resettare l'allarme, fare riferimento alla sezione "Allarme di alta temperatura".

Se "DEMO" appare sul display, l'apparecchiatura si trova in modalità

dimostrazione. Fare riferimento alla sezione "Risoluzione dei problemi".



Per selezionare una temperatura diversa, fare riferimento alla sezione "Regolazione della temperatura".

3.3 Spegnimento

Premere ON/OFF per circa 3 secondi. Il display si spegne.

Per scollegare l'apparecchiatura dalla corrente elettrica, staccare la spina dalla presa di alimentazione.

3.4 Regolazione della temperatura


È possibile regolare la temperatura impostata del congelatore premendo il tasto temperatura.

Impostare la temperatura predefinita:

-18°C per il congelatore.

L'indicatore della temperatura visualizza la temperatura impostata.

La temperatura impostata verrà raggiunta entro 24 ore.

 Dopo un'interruzione di corrente la temperatura impostata rimane in memoria.

3.5 Modalità DrinksChill

La modalità DrinksChill deve essere usata per impostare un segnale acustico in un preciso momento, utile per esempio quando una ricetta richiede il raffreddamento di alimenti misti per un certo periodo di tempo o quando è necessario un promemoria per non dimenticare le bottiglie messe nel congelatore per un raffreddamento rapido.

1. Per attivare la funzione premere DrinksChill.

Appare la spia DrinksChill.


Il timer visualizza il valore impostato (30 minuti).


2. Premere il tasto Temperatura più fresca e Temperatura più calda per modificare il valore preimpostato del timer da 1 a 90 minuti.

La spia del timer viene visualizzata (min)..

Al termine del conto alla rovescia la spia DrinksChill lampeggia e viene emesso un segnale acustico

3. Estrarre le eventuali bevande dal vano congelatore.
4. Premere DrinksChill per spegnere il segnale acustico e porre fine alla funzione.

 È possibile disattivare la funzione in qualsiasi momento durante il conto alla rovescia premendo DrinksChill. La spia DrinksChill si spegne.


 È possibile modificare l'ora in qualsiasi momento e prima della fine premendo il tasto Temperatura più fresca ed il tasto Temperatura più calda.

3.6 Modalità FastFreeze

Questa funzione si interrompe in modo automatico dopo 52 ore.

1. Per attivare la funzione premere Mode finché non appare l'icona corrispondente.
2. Per disattivare la funzione premere Mode per selezionare un'altra funzione o premere Mode finché scompaiono tutte le icone speciali.

La spia FastFreeze si spegne.

 La funzione si disattiva selezionando un'impostazione di temperatura per il congelatore diversa.


3.7 EcoMode

Per una conservazione ottimale del cibo, selezionare EcoMode.

1. Per attivare la funzione premere Mode finché non appare l'icona corrispondente.

L'indicatore della temperatura visualizza la temperatura impostata per il congelatore: -18°C.

2. Per disattivare la funzione premere Mode per selezionare un'altra funzione o premere Mode finché scompaiono tutte le icone speciali.

 La funzione si disattiva selezionando una temperatura impostata diversa.

3.8 Allarme di alta temperatura

L'eventuale aumento della temperatura all'interno del vano congelatore (ad esempio in seguito a un'interruzione della

corrente elettrica o all'apertura della porta) viene indicato nei seguenti modi:

- lampeggiamento delle spie di allarme e della temperatura del congelatore;
- emissione di un segnale acustico.

Per ripristinare il display premere un tasto qualsiasi.

Il segnale acustico si spegne.

L'indicatore della temperatura del congelatore visualizza per alcuni secondi la temperatura più alta raggiunta, quindi viene nuovamente visualizzata la temperatura impostata.

La spia di allarme continua a lampeggiare fino al ripristino delle condizioni normali.

4. UTILIZZO QUOTIDIANO

4.1 Congelamento di alimenti freschi

Il vano congelatore è adatto al congelamento di cibi freschi e alla conservazione a lungo termine di alimenti congelati e surgelati.

Per congelare piccole quantità di alimenti freschi non è necessario modificare l'impostazione corrente.

Per congelare alimenti freschi, attivare la funzione FastFreeze almeno 24 ore prima di introdurli nel vano congelatore.

Sistemare i cibi da surgelare in nello scomparto centrale.

La quantità massima di alimenti congelabili in 24 ore è riportata sulla **targhetta dei dati**, un'etichetta presente sulle pareti interne dell'apparecchiatura.

Il processo di congelamento dura 24 ore: non aggiungere altri alimenti da congelare per tutta la durata del processo.

Al termine del processo di congelamento, ritornare alla temperatura richiesta (vedere "Funzione FastFreeze").

4.2 Conservazione dei surgelati

Al primo avvio o dopo un periodo di non utilizzo, lasciare in funzione l'apparecchiatura per almeno 2 ore con una regolazione alta prima di introdurre gli alimenti.



Quando l'allarme si interrompe, la spia di allarme si spegne.

3.9 Allarme porta aperta

Se la porta è lasciata aperta per alcuni minuti, viene emesso un segnale acustico. Le condizioni di allarme della porta aperta sono indicate da:

- spia allarme lampeggiante;
- segnale acustico.

Al ripristino delle condizioni normali (porta chiusa), l'allarme si interrompe. Durante l'allarme, il segnale acustico può essere disattivato premendo qualsiasi tasto.



Se si verifica un'interruzione della corrente elettrica di durata superiore al "tempo di risalita" indicato nella tabella dei dati tecnici, il cibo scongelato deve essere consumato rapidamente o cucinato immediatamente e quindi ricongelato (dopo il raffreddamento).

4.3 Accumulatori di freddo

Il congelatore contiene almeno un accumulatore di freddo che prolunga il tempo di conservazione degli alimenti in caso di interruzione della corrente elettrica.

4.4 Produzione di cubetti di ghiaccio

Questa apparecchiatura è dotata di una o più vaschette per la produzione di cubetti di ghiaccio.



Non usare strumenti metallici per estrarre le vaschette dal vano congelatore.

1. Riempire d'acqua le vaschette
2. Introdurre le vaschette per il ghiaccio nel vano congelatore.

4.5 Scongelamento

Prima dell'utilizzo, i cibi surgelati o congelati possono essere scongelati nel vano frigorifero o, per un processo più veloce, a temperatura ambiente.

Gli alimenti divisi in piccole porzioni possono essere cucinati direttamente, senza essere prima scongelati: in questo caso, tuttavia, la cottura durerà più a lungo.

5. CONSIGLI E SUGGERIMENTI UTILI

5.1 Rumori normali durante il funzionamento

I seguenti rumori sono da considerarsi normali:

- Un gorgoglio o borbottio dalle serpentine quando viene pompato il refrigerante.
- Un ronzio o un rumore pulsante dal compressore quando viene pompato il refrigerante.
- Uno schiocco improvviso dall'interno dell'apparecchiatura causato dalla dilatazione termica (fenomeno fisico naturale e non pericoloso).
- Un lieve scatto dal regolatore della temperatura quando il compressore si accende e si spegne.

5.2 Consigli per il risparmio energetico

- Non aprire frequentemente la porta e limitare il più possibile i tempi di apertura.
- Se la temperatura ambiente è elevata, il regolatore della temperatura è impostato su un valore basso e l'apparecchiatura è a pieno carico, il compressore può funzionare in maniera ininterrotta, causando la formazione di brina o di ghiaccio sull'evaporatore. In tal caso, ruotare il regolatore della temperatura verso temperature più calde per consentire lo sbrinamento automatico e ridurre il consumo energetico.
- Se previsti, non rimuovere gli accumulatori di freddo dal cestello del congelatore.

5.3 Consigli per il congelamento

Consigli importanti per un congelamento ottimale:

- la quantità massima di cibo che può essere congelata in 24 ore è riportata sulla targhetta dei dati;
- il processo di congelamento richiede 24 ore. Finché non è concluso, non aggiungere altro cibo da congelare;
- congelare solo alimenti freschi, di ottima qualità e accuratamente lavati;
- dividere gli alimenti in piccole porzioni, in modo da facilitare un congelamento rapido e consentire lo scongelamento solo della quantità necessaria;
- avvolgere gli alimenti in pellicola di alluminio o polietilene in modo da evitare il contatto con l'aria;
- non disporre gli alimenti freschi a contatto con quelli già congelati, per evitare l'innalzamento della temperatura di questi ultimi;
- gli alimenti magri si conservano meglio e più a lungo di quelli ricchi di grassi. Il sale riduce la durata di conservazione dell'alimento;
- i ghiaccioli, se consumati appena prelevati dal vano congelatore, possono causare ustioni da freddo;
- è consigliabile riportare su ogni confezione la data di congelamento, in modo da poter controllare il tempo di conservazione.

5.4 Consigli per la conservazione dei surgelati

Per ottenere risultati ottimali è consigliabile:

- controllare che i surgelati esposti nei punti vendita non presentino segni di interruzione della catena del freddo;
- accertarsi che il tempo di trasferimento dei surgelati dal punto vendita al congelatore domestico sia il più breve possibile;
- non aprire frequentemente la porta e limitare il più possibile i tempi di apertura;

- una volta scongelati, gli alimenti si deteriorano rapidamente e non possono essere ricongelati;
- non superare la durata di conservazione indicata sulla confezione.

6. PULIZIA E CURA



ATTENZIONE!

Fare riferimento ai capitoli sulla sicurezza.

6.1 Avvertenze generali



AVVERTENZA!

Prima di qualsiasi intervento di manutenzione, estrarre la spina dalla presa.



Questa apparecchiatura contiene idrocarburi nell'unità di raffreddamento, pertanto le operazioni di manutenzione e ricarica devono essere eseguite esclusivamente da personale autorizzato.



Gli accessori e i componenti dell'apparecchiatura non sono lavabili in lavastoviglie.

6.2 Pulizia periodica



AVVERTENZA!

Evitare di tirare, spostare o danneggiare tubi e/o cavi all'interno dell'apparecchiatura.



AVVERTENZA!

Prestare attenzione a non danneggiare il sistema refrigerante.



AVVERTENZA!

Quando si sposta l'apparecchiatura, sollevarla per il bordo anteriore, così da non graffiare il pavimento.

L'apparecchiatura deve essere pulita regolarmente:

1. Lavare l'interno e gli accessori con acqua tiepida e sapone neutro.
2. Ispezionare regolarmente le guarnizioni della porta ed eliminare

con un panno umido tracce di sporco e residui.

3. Risciacquare e asciugare accuratamente.
4. Pulire il condensatore e il compressore sul retro dell'apparecchiatura con una spazzola. Questa operazione migliorerà le prestazioni dell'apparecchiatura riducendone i consumi di energia.

6.3 Sbrinamento del congelatore

Il vano congelatore è "frost free". Ciò significa che non si forma brina durante il normale funzionamento sulle pareti interne dell'apparecchiatura o sugli alimenti.

L'assenza di brina è dovuta alla circolazione continua di aria fredda all'interno del comparto mossa da una ventola ad azionamento automatico.

6.4 Periodi di non utilizzo

Se l'apparecchiatura non viene utilizzata per un lungo periodo, adottare le seguenti precauzioni:

1. Scollegare l'apparecchiatura dalla rete elettrica.
2. Estrarre tutti gli alimenti
3. Pulire l'apparecchiatura e tutti gli accessori.
4. Lasciare la porta/le porte socchiusa/e per evitare la formazione di odori sgradevoli.



ATTENZIONE!

Se l'apparecchiatura rimane accesa, farla controllare periodicamente per evitare che gli alimenti si deteriorino in caso di interruzione della corrente elettrica.

7. RISOLUZIONE DEI PROBLEMI



ATTENZIONE!

Fare riferimento ai capitoli sulla sicurezza.

7.1 Cosa fare se...

Problema	Causa possibile	Soluzione
L'apparecchiatura non funziona.	L'apparecchiatura è spenta.	Accendere l'apparecchiatura.
	La spina non è inserita correttamente nella presa di alimentazione.	Inserire correttamente la spina nella presa di alimentazione.
	Assenza di tensione nella presa di alimentazione.	Collegare alla presa di alimentazione un'altra apparecchiatura elettrica. Rivolgersi ad un elettricista qualificato.
L'apparecchiatura è rumorosa.	L'apparecchiatura non è appoggiata in modo corretto.	Controllare se l'apparecchiatura è appoggiata in modo stabile.
L'allarme acustico o visivo è attivo.	L'apparecchiatura è stata accesa da poco e la temperatura è ancora troppo alta.	Fare riferimento alla sezione "Allarme porta aperta" o "Allarme di alta temperatura".
	La temperatura all'interno dell'apparecchiatura è troppo alta.	Fare riferimento alla sezione "Allarme porta aperta" o "Allarme di alta temperatura".
	La porta viene lasciata aperta.	Chiudere la porta.
	La temperatura all'interno dell'apparecchiatura è troppo alta.	Contattare un elettricista qualificato o il Centro di Assistenza autorizzato più vicino.
Compare un simbolo rettangolare invece dei numeri sul display della temperatura.	Problema al sensore della temperatura.	Contattare il Centro di Assistenza autorizzato più vicino (il sistema refrigerante continuerà a mantenere gli alimenti freddi, ma non sarà possibile regolare la temperatura).
Il compressore rimane sempre in funzione.	La temperatura impostata non è corretta.	Fare riferimento al capitolo "Uso dell'apparecchiatura".
	Sono stati introdotti molti alimenti contemporaneamente.	Attendere alcune ore e ricontrollare la temperatura.

Problema	Causa possibile	Soluzione
	La temperatura ambiente è troppo alta.	Fare riferimento al grafico della classe climatica sulla targhetta dei dati.
	Gli alimenti introdotti nell'apparecchiatura erano troppo caldi.	Lasciar raffreddare gli alimenti a temperatura ambiente prima di introdurli.
	La porta non è chiusa correttamente.	Consultare la sezione "Chiusura della porta".
	La funzione FastFreeze è attiva.	Fare riferimento a "funzione FastFreeze".
Presenza di brina eccessiva.	La porta non è stata chiusa correttamente o la guarnizione è deformata/sporca.	Consultare la sezione "Chiusura della porta".
Il compressore non si avvia immediatamente dopo avere premuto il tasto FastFreeze, oppure dopo avere cambiato la temperatura.	Ciò è normale, non si è verificato alcun errore.	Il compressore si avvia dopo un certo periodo di tempo.
Presenza di acqua sul pavimento.	L'acqua di sbrinamento non viene scaricata nella bacinella di evaporazione posta sopra il compressore.	Collegare lo scarico dell'acqua di sbrinamento alla bacinella di evaporazione.
Impossibile impostare la temperatura.	La funzione FastFreeze o ShoppingMode è attiva.	Disattivare manualmente la funzione FastFreeze o ShoppingMode oppure aspettare a impostare la temperatura finché la funzione si disattiva automaticamente. Far riferimento alla "funzione FastFreeze o ShoppingMode".
DEMO compare sul display.	L'apparecchiatura è in modalità dimostrazione.	Mantenere premuto Mode per circa 10 secondi finché non viene emesso un lungo suono e il display si spegne per qualche istante.
La temperatura all'interno dell'apparecchiatura è troppo bassa/troppo alta.	Il regolatore della temperatura non è impostato correttamente.	Impostare una temperatura superiore/inferiore.
	La temperatura degli alimenti è troppo alta.	Prima di introdurre gli alimenti, lasciarli raffreddare a temperatura ambiente.

Problema	Causa possibile	Soluzione
	La porta viene aperta frequentemente.	Aprire la porta solo se necessario.
	La funzione FastFreeze è attiva.	Fare riferimento a "funzione FastFreeze".
	L'aria fredda non circola correttamente all'interno dell'apparecchiatura.	Adottare le misure necessarie per garantire una corretta circolazione dell'aria fredda.



Se il consiglio non dà risultati, contattare il Centro di Assistenza più vicino.

7.2 Chiusura della porta

1. Pulire le guarnizioni della porta.
2. Se necessario, regolare la porta. Fare riferimento alla sezione "Installazione".
3. Se necessario, sostituire le guarnizioni difettose. Rivolgersi al Centro di Assistenza.

8. INSTALLAZIONE

8.1 Luogo d'installazione

Installare l'apparecchiatura in un luogo asciutto, ben ventilato, la cui temperatura ambiente corrisponda alla classe climatica indicata sulla targhetta dei dati del modello:

Classe climatica	Temperatura ambiente
SN	da +10°C a +32°C
N	da +16°C a +32°C
ST	da +16°C a +38°C
T	da +16°C a +43°C



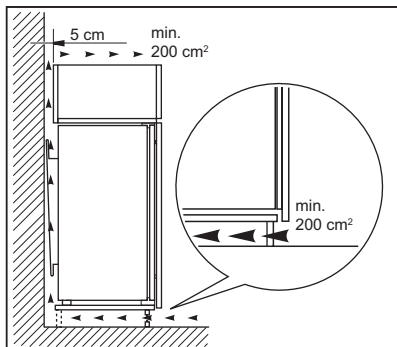
In alcuni modelli potrebbero verificarsi delle anomalie se non si rispettano le temperature indicate. Il corretto funzionamento può essere garantito solo nel rispetto delle temperature indicate. In caso di dubbi sul luogo di installazione dell'apparecchiatura, contattare il venditore, il nostro Centro di Assistenza o il rivenditore più vicino.

8.2 Collegamento elettrico

- Prima di inserire la spina, verificare che la tensione e la frequenza riportate sulla targhetta dei dati corrispondano a quelle dell'impianto domestico.
- L'apparecchiatura deve disporre di una messa a terra. La spina del cavo di alimentazione è dotata di un apposito contatto. Se la presa di corrente dell'impianto domestico non è collegata a terra, allacciare l'apparecchiatura a una presa di terra separata in conformità alle norme in vigore, rivolgendosi a un elettricista qualificato.
- Il produttore declina ogni responsabilità qualora le suddette precauzioni di sicurezza non vengano rispettate.
- Questa apparecchiatura è conforme alle direttive CEE.

8.3 Requisiti di ventilazione

Il flusso d'aria dietro l'apparecchiatura deve essere sufficiente.



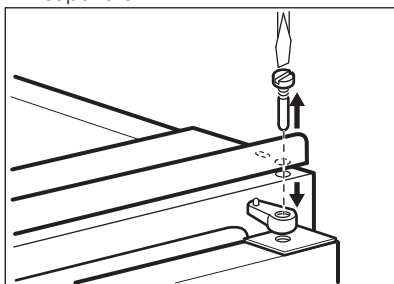
AVVERTENZA!

Consultare le istruzioni di montaggio per l'installazione.

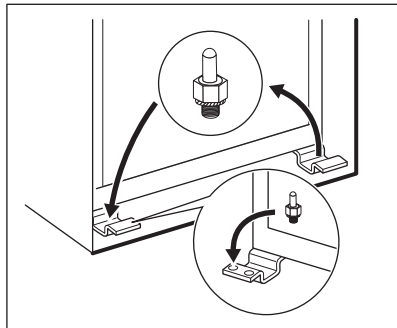
8.4 Possibilità di invertire la porta

La porta dell'apparecchiatura si apre verso destra. Se si desidera che la porta si apra verso sinistra, prima di installare l'apparecchiatura eseguire queste operazioni:

1. Allentare e rimuovere il perno superiore.



2. Rimuovere la porta.
3. Rimuovere il distanziale.
4. Svitare con una chiave il perno inferiore.
5. Fissare il perno inferiore sul lato opposto.



6. Installare il distanziale.
7. Installare la porta.
8. Serrare il perno superiore.

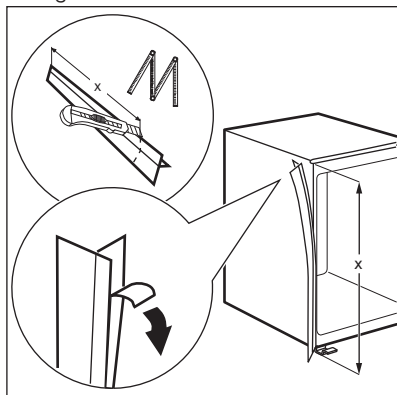
8.5 Installazione dell'apparecchiatura



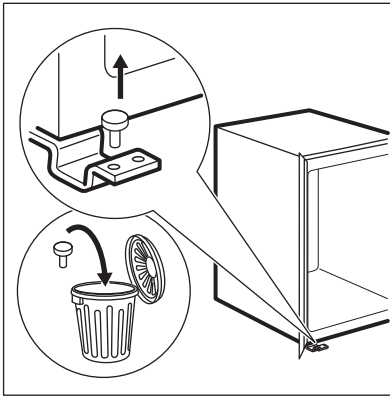
AVVERTENZA!

Accertarsi che il cavo di rete sia libero da ostacoli.

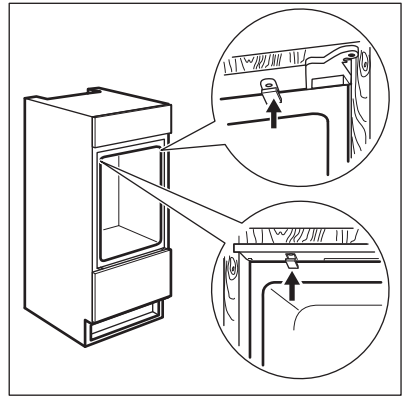
1. Applicare la striscia sigillante adesiva all'apparecchiatura come mostrato in figura.



2. Rimuovere la copertura rossa come mostrato in figura

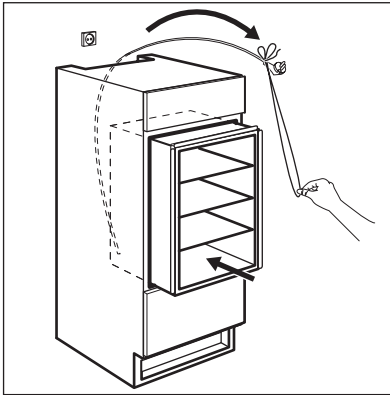


3. Installare l'apparecchiatura nella nicchia.

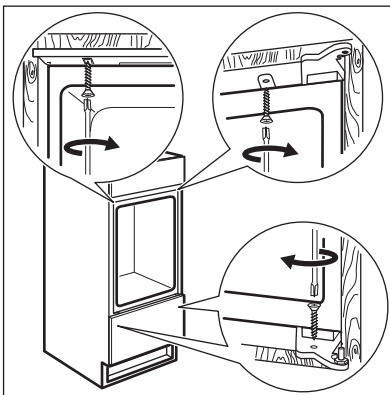


Eeguire un controllo finale per accertarsi che:

- Tutte le viti siano serrate.
- La striscia sigillante magnetica sia fissata saldamente al mobile.
- La porta si apra e si chiuda correttamente.



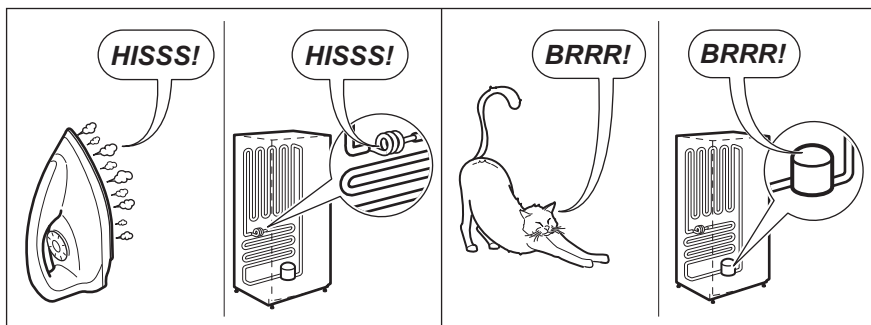
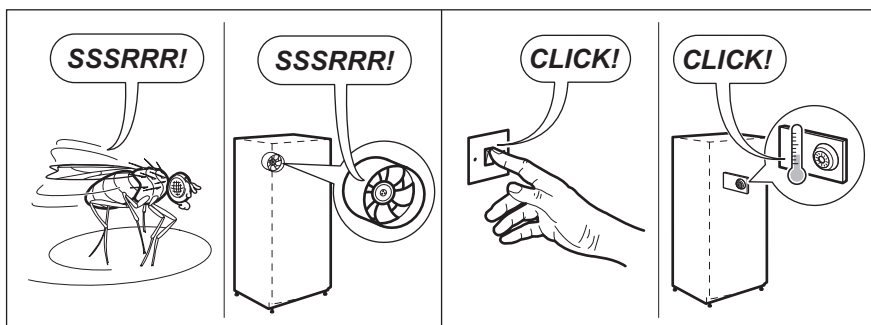
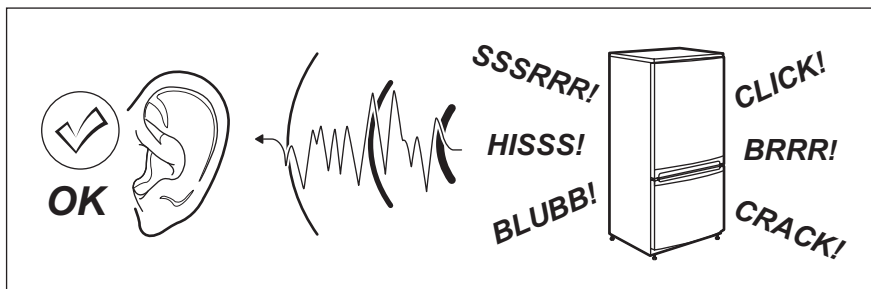
4. Fissare l'apparecchiatura nella nicchia con 4 viti.

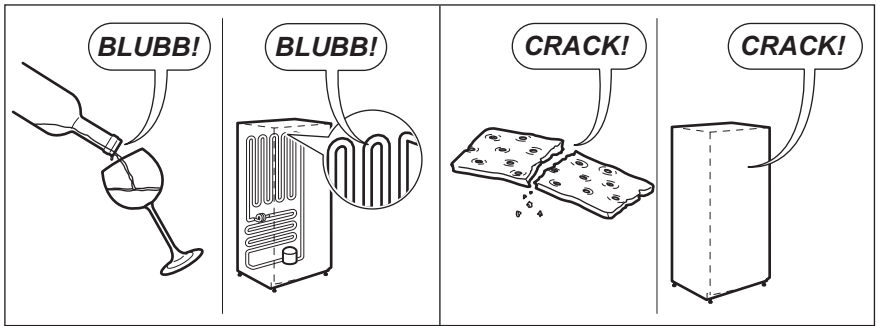


5. Fissare i coprivite.

9. RUMORI

Durante l'uso, alcuni rumori di funzionamento (come quelli del compressore o del circuito refrigerante) sono da considerarsi normali.





10. DATI TECNICI



10.1 Dati tecnici

Dimensioni nicchia di incasso		
Altezza	mm	1780
Larghezza	mm	560
Profondità	mm	550
Tempo di risalita	Ore	24
Tensione	Volt	230 - 240
Frequenza	Hz	50

I dati tecnici sono riportati sulla targhetta dei dati applicata sul lato esterno o interno

dell'apparecchiatura e sull'etichetta dei valori energetici.

11. CONSIDERAZIONI SULL'AMBIENTE

Riciclare i materiali con il simbolo .
 Smaltire l'imballaggio negli appositi contenitori per il riciclaggio. Aiutare a proteggere l'ambiente e la salute umana e a riciclare rifiuti derivanti da apparecchiature elettriche ed elettroniche. Non smaltire le apparecchiature che riportano il simbolo  di normale rifiuto domestico. Portare il prodotto al punto di riciclaggio più vicino o contattare il comune di residenza.

www.electrolux.com/shop



222370036-A-162014

