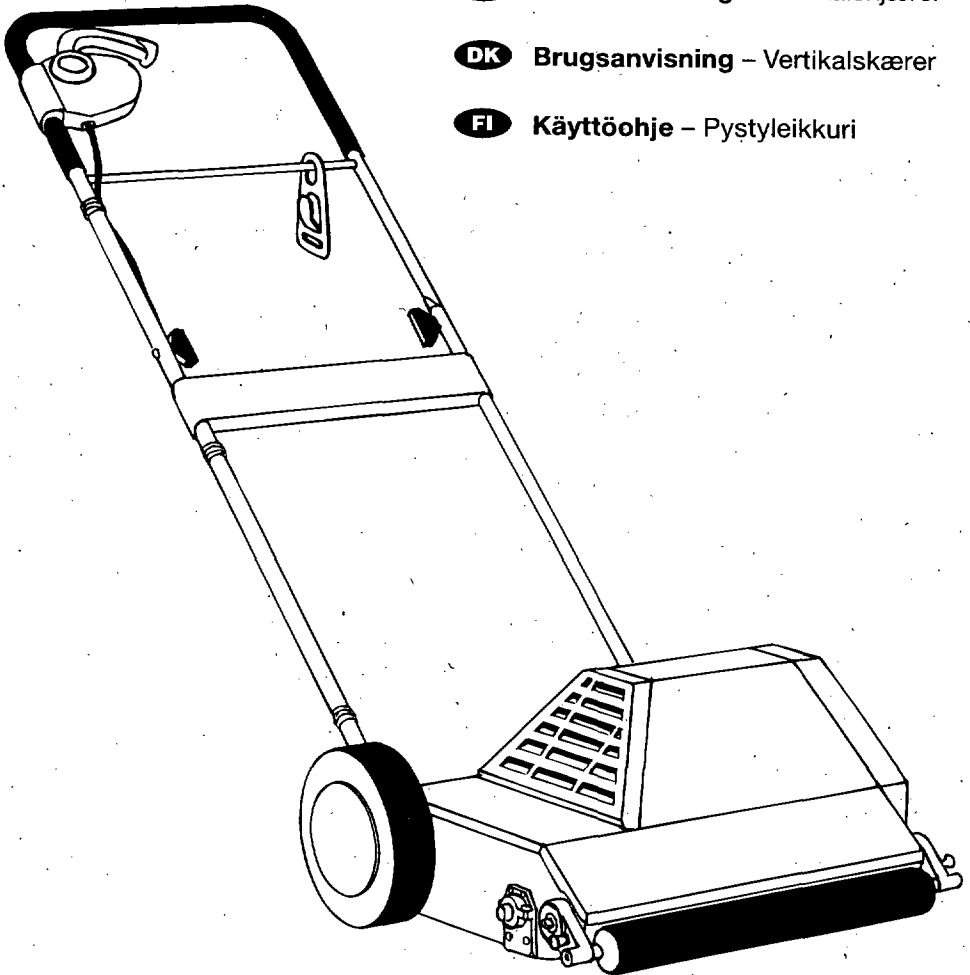


- GB** Owner's Manual – Scarifier
- D** Gebrauchsanweisung – Vertikutierer
- F** Instructions d'utilisation – Scarificateur
- NL** Gebruiksaanstructie – Verticuteermachine
- I** Istruzioni per l'uso – Scarificatore
- S** Bruksanvisning – Vertikalskärare
- N** Bruksanvisning – Vertikalskjærer
- DK** Brugsanvisning – Vertikalskærer
- FI** Käyttöohje – Pystyleikkuri





VERTICAL SCARIFYING – GENERAL INFORMATION

A thatch consisting of cut grass usually develops within a year of laying a new lawn. The thatch can soon be so dense as to prevent water, nutrients and oxygen penetrating the lawn's root system, resistance to wear and new growth subsequently weakened. Disease and drought resistance is reduced with weeds and moss becoming dominant.

Scarification not only removes harmful thatch, it also reduces the amount of moss and weeds. In addition the compacted soil surface is loosened thus enabling it to breathe and absorb water, oxygen and nutrients.

Due to the thinning out achieved by scarification the grass gains increased living space and growth prospects.

Treatment of the lawn during the growing season allows the grass to regenerate and spread onto thinner patches. A lawn may be scarified several times a year.

Grassed areas subject to severe wear and/or regular mowing may be scarified several times, preferably during late summer. This prevents development of diseases during the winter.

Thatch torn up by scarification should be raked up and removed.

This treatment of the lawn will lift creeping weeds, it is therefore advisable to mow once more, collecting the final remnants in the mower's collection box.

After scarification is completed the lawn should receive a balanced lawn fertiliser. This supplies the correct nutrients required for vigorous new growth. Within three weeks the lawn should be dense, green and resistant to wear.

During the period after scarification the grass is droughtsensitive and should be watered regularly under dryer conditions. (Every two or three days.) Lawns with large bare patches or other damage should be resown.

EXPLANATION OF SYMBOLS

SYMBOLS ON THE MACHINE



WARNING! This machine can be dangerous! Sloppy or incorrect use can result in serious or life-threatening injury.



Read the operation manual thoroughly and understand the content before use.

Always:



• Use protective glasses or a visor.



• Use caution for objects thrown from the machine.



• Ensure people and animals are the minimum stated distance from the machine.



• Look out for cut cables.



• Keep away from the blades.

SYMBOLS IN THE OPERATING MANUAL



Maintenance and / or checks are only to be done with the motor switched-off and the supply plug disconnected.



Always use protective gloves.



Regular cleaning required.



Visual inspection.



Protective glasses or visor must be worn.

IMPORTANT INFORMATION

This manual should be read completely before the vertical scarifier is put into use. Use of the machine ought to be restricted to those who have read, understood and follow all the manual's instructions and warnings.

What is what?

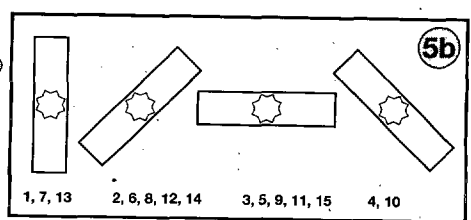
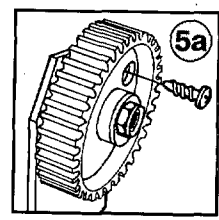
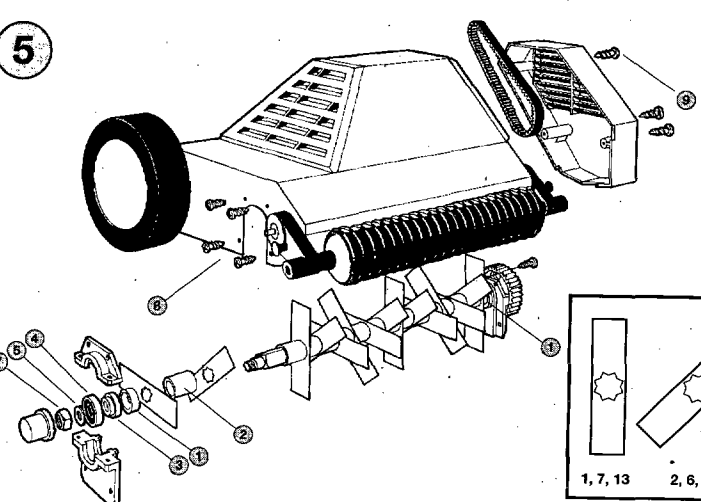
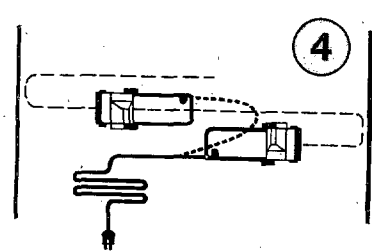
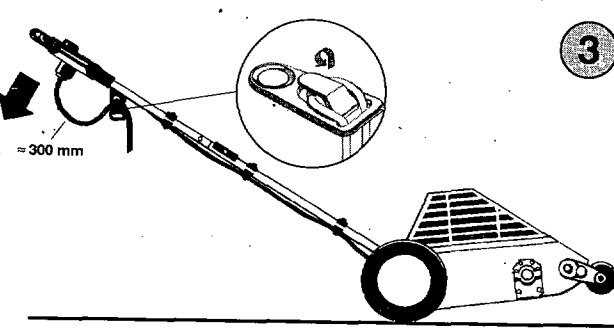
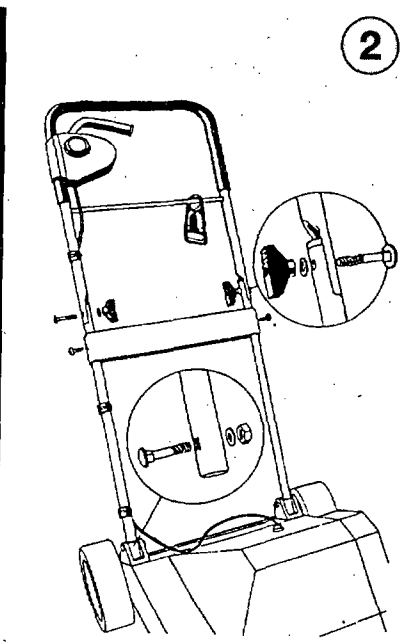
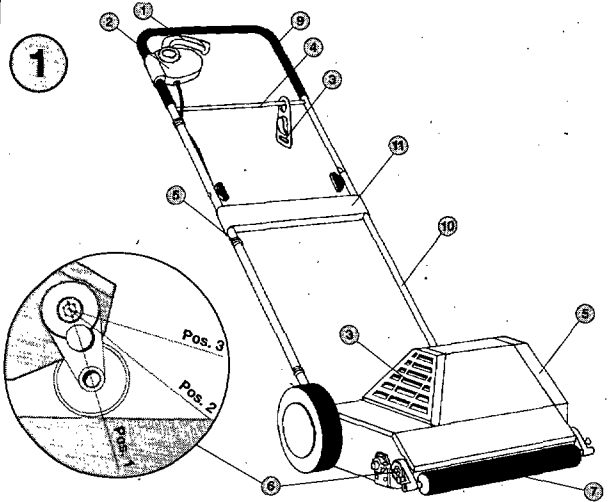
- | | |
|----------------------------|-------------------------|
| 1 On/off switch | 6 Support roller |
| 2 Locking button | 7 Air inlet filter |
| 3 Cable support | 8 Handle, upper section |
| 4 Cable clips | 9 Handle, lower section |
| 5 Scarifying depth control | 10 Intermediate strut |

Items included

- 1 Vertical Scarifier
- 1 Handle, upper section
- 2 Handle, lower section
- 1 Intermediate strut
- 1 Instruction manual
- 1 Plastic bag

Plastic bag contains:

- 2 Wingnuts
- 4 Screws
- 4 Washers
- 2 Nuts
- 2 Self-tapping screws
- 3 Cable clips



MEASURES BEFORE USE OF A NEW VERTICAL SCARIFIER

- Read the instruction manual thoroughly.
- Observe that you as operator can be held personally responsible for injury to others.

PERSONAL SAFETY EQUIPMENT

During operation of the vertical scarifier you should use:

- Protective glasses or visor.
- Stout, non-slip shoes.

SAFETY-EQUIPMENT

Electrical safety



WARNING! The vertical scarifier can be connected to any single-phase supply socket fitted with at least a 10 A time-lag fuse. The mains voltage must be the same as the motor's rated voltage – 240 V

- Electric cables and sockets must be designed for outside use.
- The electric cable must be checked regularly for damage and / or ageing affects.
- The machine may not be used unless the cable is in good condition.
- The vertical scarifier is double-insulated thus requiring no extra protective earthing.
- The machine is fitted with a cable support system.
- The extension cable is to be mounted as shown in illus. 3.
- The extension cable should be designed for outside use, have a cross-sectional area of at least 1 mm² and be of splashproof design. (e.g. HO5RN-F or similar.)

Switzerland: The vertical scarifier must always be connected to an earth leak trip.

The motor is maintenance free and protected against overloading by an overload protector built into the on / off switch. This protector is actuated if the machine jams. Release the on / off switch, disconnect the plug from the supply socket and remove the object which caused the jamming. When the switch is returned to the operating position the overload protector is reset.



WARNING! Always disconnect the electricity supply when cleaning the blades etc. The blades continue rotating after the power is switched off.

GENERAL SAFETY INSTRUCTIONS

- Never use a vertical scarifier with defective covers and casings nor without protective clothing / equipment.
- Use only during daylight.
- Keep children away from the vertical scarifier when it is connected to the electricity supply.
- So not scarify if people or animals are in the area to be scarified.
- Never allow people unaware of the safety regulations to use the vertical scarifier.
- Start the machine carefully according to the instructions in the "start" section of the manual.
- Keep your feet a safe distance from the rotating blades. Always walk behind the machine.
- Keep your bodily parts away from the machine's moveable part at all times. Never put your hands in the ejection opening.
- Keep the cable away from the blades.
- If the blades hit something hard, release the switch trigger and disconnect from the supply. Examine the machine, especially the blades. Check that the blade axle has not bent. This results in poor balance which can result in the blades loosening. Repair the machine before re-use.
- Never transport the machine with the motor on. If transport requires that you lift the machine then first check that the blades have stopped rotating.
- Never lift up the machine or carry it around with the motor switched on.
- Never leave the machine without first having disconnected the plug from the socket. Make sure the machine is stored safely.
- The switch trigger may not be locked when in the start mode.
- Never attempt to move the vertical scarifier with ropes or lines of any sort.



WARNING! Do not scarify the lawn when wet or slippery. Mown grass is damp and creates a slippery surface. Use stout footwear when using the machine and always ensure that you have good footing. Ensure that the scarifier is in good condition. Check that the lawn to be scarified is free from stones, sticks and other objects which may be thrown from the machine causing injury to people or damage to the machine. Avoid transport over gravel paths or similar. Scarifying of steep slopes can be dangerous. Never scarify up or down a steep slope, always traverse across the slope.

ASSEMBLING THE HANDLE

HANDLE ASSEMBLY (Illus. 2)

- Pre-assemble the lower handle with the screws, washers and nuts supplied. Insert into sockets on the machine body and tighten the screws.
- Fit the intermediate strut with the selftapping screws, N.B.! The cable must hang under the strut.
- Fit the upper handle ensuring that the cable will not be pinched when the handle is lowered.
- Secure the cable with the supplied clips.
- Ensure that the support roller is in the transport position, the blades thus clearing the ground during transportation.

When starting scarification, lower the support rollers to the relevant working height. Usually position 3. (illus. 1)

- Position 3 = Maximum cutting depth (10 mm)
- Position 2 = Minimum cutting depth (3 mm)
- Position 1 = Transport position

STARTING AND STOPPING

PRIOR TO START

- Before starting the machine ensure that the blades are not damaged. Ensure that the bearing housing, which isolates the blades, is not damaged.
- Before using the machine you should always check that the blades and other underchassis parts are not worn or damaged. Change all blades at the same time to ensure the rotating parts are balanced.

STARTING

To start the machine:

- Press down on the handle in order to lift the front of the machine up thus keeping the blades clear of the lawn. (illus. 3)
- Press in the locking button on the switch body (2 illus. 1) and press the trigger against the handle (1 illus. 1) and the blade shaft will rotate.
- Release the locking button.



IMPORTANT INFORMATION

The machine should not be leaned at an angle more than that required and only that part directed away from you.

OPERATING

- Raise the handle until the support roller at the front of the machine is in contact with the ground.
- Walk forward slowly. Adjust walking speed to the lawn's condition. Slower walking speed results in a higher cutting rate. If you run into stones or suchlike then press the handle down to lift the blades clear of the ground.
- Handle the electric cable as in illus. 4.



WARNING! If an accident occurs e.g. the cable is pulled into the blade shaft then release the switch trigger immediately. Disconnect the plug at the socket. Have the cable repaired professionally or buy a new one.

STOPPING / TRANSPORTING

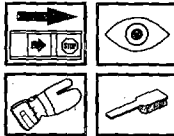
- Avoid frequent starting and stopping
- Release the switch trigger and disconnect the machine from the socket if the machine is to be cleaned or carried.
- Always set the height adjustment to transport position when not in use.
- During transport the handle should be carefully folded up. Ensure the cable is not damaged.
- Allow the motor to cool down before packing in a box or crate.



MAINTENANCE

MAINTENANCE OF THE VERTICAL SCARIFIER

The blades must be kept sharp in order to obtain good results. These are wearing items and must therefore be checked and replaced when



IMPORTANT INFORMATION

- Check regularly that all nuts, screws and bolts are well tightened and replace any damaged parts. Only original spare parts should be used.
- Cleaning, maintenance and service may only be done when the machine is disconnected from the socket.
- Do not wash the machine with water.
- Check the cables regularly for wear and ageing.
- Never use the machine in rainy weather or let it stand outside in the rain.
- Keep the motor free from grass, leaves and excess grease in order to minimise fire-risk.

necessary. The electrical equipment on the machine, such as the cable, the on / off switch etc. must be frequently checked from a safety aspect. Any defects discovered must be rectified before use.

- Clean with a brush after use. N.B.! Do not wash with water.
- Check regularly that the blades have not loosened.

AIR INLET FILTER



IMPORTANT INFORMATION

The air inlet filter must be cleaned when required. Use a soft brush to remove dry grass, leaves etc. The filter may be taken out for cleaning with compressed air.

STORAGE

Store the machine in a dry place. Prevent rusting by treating all parts with a rust prevention agent.

BLADE REPLACEMENT

GB

(Illus 5)



DISMANTLING

A set of blades for the vertical scarifier consists of 15 blades and is available from your retailer. The spare part number is 371 92 45. (Illus. 5b)

- Remove the electrical plug from the socket.
- Clean the machine. Brush away soil and gravel. Do not wash with water!
- Remove the belt-guard (9).
- Remove driving belt by pulling it off the spindle pulley.
- The bearing housings are secured to the insides of the chassis with 8 self tapping screws. Unscrew the latter. (On the drive side, the uppermost screws are reached through a hole in the blade shaft pulley (5 and 5a).
- The blade shaft can now be pushed down.

DISMANTLING THE BLADES

Clamp the blade shaft vertically in a vise with the belt pulley down-wards. **N.B!** Do not damage it! Part the bearing housing. Grip the blades with one hand and restrain while you release and remove the nut on the upper end. Subsequently washers,

bearing housing, spacers and blades can be dismantled. Clean all the items which have to be reassembled before the new blades are fitted. Do not dismantle anything on the belt side except when replacing a bearing.

FITTING THE BLADES

- Place the new blades on a table as in the sketch 5b.
- Begin the assembly with a small spacer (1).
- Thereafter a blade as in position 1, 5b.
- Assemble a large spacer (1).
- Thereafter a blade as in position 2. And so on.

Finish with a small spacer, thrust washer (3) (right way round,) bearing (4), washer (5), and nut (7). Assemble the bearing housing (incl. the case).

- When fitting into the chassis, ensure that the bearing housings fit into the recesses.
- Secure with 8 self-tapping screws (8).
- Check that the shaft runs freely, by turning it round with the belt pulley.
- Fit the belt.
- Fit the belt guard with 3 self-tapping screws (9).

TROUBLESHOOTING

IF THE MACHINE WILL NOT START, CHECK THAT:

- The electric cable is connected.
- The fuse is intact.
- The cable is undamaged.
- The overload protector has not been actuated.
- The blades are not jammed.
- The belt pulley is intact.

IF THE MACHINE VIBRATES CHECK THAT:

- The shaft is not bent.
- The blades are not broken.
- No objects have become jammed in the blades.

TECHNICAL DATA

VERTICAL SCARIFIER

| | |
|-----------------|--------------------|
| Cutting width | 400 mm |
| Spindle speed | 1300 rpm |
| Scarifying unit | 15 double blades |
| Wheels | 2 x 180 mm / 45 mm |
| Weight | 18.4 kg |

MOTOR

| | |
|-----------|------------|
| Voltage | 230 V |
| Amperage | 5.6 A |
| Power | 1100 W |
| Speed | 2800 rpm |
| Capacitor | 12 μ F |

NOISE LEVEL

At the operator's ear < 68 dB (A).

ON / OFF SWITCH

Includes overload protection for the motor.

Auf jeder Rasenfläche bildet sich bereits ein Jahr nach der Anlage ein "Filz", aus abgeschnittenen Grashalmen. Dieser "Filz" wird in kurzer Zeit so dick, daß Wasser, Nährstoffe und Sauerstoff nicht mehr an das Wurzelsystem des Rasens gelangen. In der Folge verliert der Rasen seine grüne Farbe und wird braun. Das Wurzelsystem wird schwach, der Rasen ist anfälliger und wächst schlechter. Seine Widerstandskraft gegen Krankheiten und Trockenheit nimmt ab und schließlich wachsen statt Rasen nur Unkraut und Moos.

Der Vertikutierer entfernt nicht nur den schädlichen "Filz", sondern auch Moos und langwachsendes Unkraut. Darüber hinaus wird der verhärtete Boden des Rasens aufgelockert, wodurch er besser wachsen kann und Wasser, Nährstoffe und Sauerstoff besser aufnimmt.

Da mit dem Vertikutieren ein leichtes Auslichten des Rasens verbunden ist, erhält er außerdem mehr Raum zum Wachsen.

Wenn die Rasenfläche in der Wachstumsperiode vertikutiert wird, kann sie sich regenerieren und auf ausgelichtete oder freigelegte Stellen ausbreiten. Der Rasen kann mehrere Male pro Jahr vertikutiert werden, insbesondere

Flächen, die starker Belastung ausgesetzt werden und / oder oft gemäht werden. Wenn der Rasen im Spätsommer häufiger vertikutiert wird, können sich Krankheiten im Winterhalbjahr schlecht ausbreiten.

Nach dem Vertikutieren den herausgezogenen "Filz" zusammenharken und entsorgen.

Durch das Vertikutieren wird ein Teil des flachwachsenden Unkrauts aufgerichtet. Daher ist es sinnvoll, den Rasen zum Abschluß noch einmal zu mähen und die letzten "Filzreste" mit dem Auffangkorb des Rasenmähers aufzusammeln.

Es wird empfohlen, den Rasen unmittelbar nach dem Vertikutieren mit einem guten Rasendünger zu düngen und ihm dadurch die richtigen Nährstoffe für ein gesundes Wachstum zuzuführen. Nach etwa drei Wochen ist die Rasenfläche dicht, grün und strapazierfähig.

In den ersten Wochen nach dem Vertikutieren ist der Rasen besonders empfindlich gegen Trockenheit und sollte daher bei trockener Witterung regelmäßig alle 2 bis 3 Tage bewässert werden. An größeren Kahlfleichen oder anderen schadhafte Stellen sollte neu ausgesät werden.

ERLÄUTERUNG DER SYMBOLE

SYMBOLE AUF DER MASCHINE



WARNUNG! Von der Maschine können Gefahren ausgehen! Fahrlässige oder falsche Bedienung der Maschine kann zu gefährlichen, lebensbedrohenden Verletzungen führen.



Die Bedienungsanleitung sorgfältig und vollständig durchlesen, bevor Sie den Vertikutierer in Betrieb nehmen.



Immer benutzen:
• Schutzbrille oder Visier.



• Warnung vor herausgeschleuderten Gegenständen.



• Einen Mindestabstand zu anderen Personen und Haustieren einhalten.



• Warnung vor abgeschnittenem Stromkabel.



• Sicheren Abstand zu den Messern halten.

SYMBOLE IN DER BEDIENUNGSANLEITUNG



Bei ausgeschaltetem Motor und herausgezogenem elektrischem Stecker Kontrolle und / oder Wartung durchführen.



Immer Schutzhandschuhe tragen.



Regelmäßige Reinigung erforderlich.



Sichtkontrolle.



Schutzbrille oder Visier tragen.

WICHTIGE INFORMATION

Lesen Sie vor der Arbeit mit dem Vertikutierer die ganze Bedienungsanweisung und lassen Sie nur Personen mit dem Gerät arbeiten, die alle Warnungen und Anweisungen in der Anweisung gelesen und zur Kenntnis genommen haben und beachten werden.

Die Teile des Vertikutierers

- | | |
|--|---------------------------|
| 1 Griffhebel | 6 Stützwalze |
| 2 Sperrschalter | 7 Ansaugfilter |
| 3 Kabelhalter | 8 Führungsholm, Oberteil |
| 4 Kabelclips | 9 Führungsholm, Unterteil |
| 5 Einstellung der Vertikutiertiefe / Transportposition | 10 Strebe |

Die Einzelteile

- | |
|-------------------------------|
| 1 St. Vertikutierer |
| 1 St. Oberteil, Führungsholm |
| 2 St. Unterteil, Führungsholm |
| 1 St. Strebe |
| 1 St. Bedienungsanleitung |
| 1 St. Plastikbeutel |

Inhalt des Plastikbeutels:

- | |
|----------------------|
| 2 St. Handgriffe |
| 4 St. Schrauben |
| 4 St. Scheiben |
| 2 St. Muttern |
| 2 St. Blechschräuben |
| 3 St. Kabelclips |

VOR DER ERSTEN ANWENDUNG DES VERTIKUTIERERS BEACHTEN:

- Die Bedienungsanleitung sorgfältig und vollständig durchlesen.
- Bitte bedenken Sie, daß Sie als Anwender für Schäden haftbar gemacht werden können, die Sie anderen zufügen.

PERSÖNLICHE SICHERHEITSAUSRÜSTUNG

Bei der Arbeit mit der Vertikutierer sollten Sie folgendes benutzen:

- Schutzbrille oder Visier.
- Feste und rutschsichere Schuhe.

SICHERHEITSAUSRÜSTUNG DER MASCHINE Elektrische Sicherheit



WARNUNG! Der Vertikutierer kann an jede geerdete Schutzkontaktsteckdose angeschlossen werden, die mit mindestens 10 A (träge Sicherung) abgesichert ist. Die Netzspannung muß der Kennspannung des Motors entsprechen (230 V).

- Elektrokabel und -Stecker müssen für den Gebrauch im Freien zugelassen sein.
- Das Elektrokabel ist regelmäßig auf Beschädigungen oder Verschleiß zu überprüfen.
- Wenn das Kabel Schäden aufweist, darf die Maschine nicht benutzt werden.
- Der Vertikutierer ist doppelt isoliert und benötigt keine zusätzliche Schutzerdung.
- Die Maschine ist mit einem Kabelhalter ausgestattet. Das Verlängerungskabel gemäß Abb. 3 befestigen.
- Das Verlängerungskabel muß für den Gebrauch im Freien zugelassen sein und einen Querschnitt von mindestens 1 mm² haben. Stecker und Kupplung müssen spritzwassergeschützt sein (Typ H05RN-F oder ähnliche).

Schweiz: Dieses Gerät muss über einen F1-Schutzschalter angeschlossen werden.

Der Motor ist wartungsfrei und gegen Überlastung durch einen in der Schalter-Strecker-Kombination eingebauten Überlastungsschutz gesichert. Diese Schutzvorrichtung löst aus, wenn sich der Vertikutierer festgefahren hat. Den Griffhebel loslassen, Elektrostecker ziehen und das Hindernis entfernen. Wenn der Griffhebel wieder auf Betrieb gestellt wird, stellt sich der Überlastungsschutz zurück.



WARNUNG! Maschine bei Reinigung der Messer oder ähnlichen Arbeiten immer vom Stromnetz trennen! Reparaturen oder Einstellarbeiten nur bei stehendem Motor und gezogenem Elektrostecker ausführen.

ALLGEMEINE SICHERHEITSHINWEISE

- Den Vertikutierer niemals mit defektem Gehäuse, beschädigten Schutzblechen oder ohne Schutzausrüstung verwenden.
- Nur bei Tageslicht vertikutieren.
- Kinder vom Vertikutierer fernhalten, wenn dieser an das Stromnetz angeschlossen ist.
- Nicht in der Nähe von anderen Personen oder Haustieren vertikutieren.
- Nur Personen mit dem Vertikutierer arbeiten lassen, die mit den Sicherheitshinweisen vertraut sind.
- Maschine vorsichtig gemäß den Anleitungen im Kapitel "Start" einschalten bzw. starten und die Füße dabei in sicherem Abstand von den Messern halten.
- Immer hinter der Maschine gehen. Darauf achten, daß sich niemals ein Körperteil in der Nähe von beweglichen Teilen der Maschine befindet. Niemals mit der Hand in die Auswurföffnung greifen.
- Elektrokabel von den Messern fernhalten.
- Wenn die Messer auf einen harten Gegenstand treffen, Maschine sofort anhalten und Stecker aus der Steckdose ziehen. Maschine und insbesondere die Messer untersuchen. Kontrollieren, daß die Antriebsachse nicht verbogen ist. Dadurch entsteht ein starkes Ungleichgewicht, durch das sich die Messer lösen können. Maschine erst nach der Reparatur wieder verwenden.
- Maschine niemals mit laufendem Motor umsetzen. Wenn die Maschine beim Umsetzen angehoben werden muß, vorher sicherstellen, daß der Messer zum Stillstand gekommen sind.
- Maschine niemals bei laufendem Motor anheben oder tragen.
- Maschine nach der Arbeit immer sofort vom Stromnetz trennen und sicher aufbewahren.
- Der Griffhebel darf in der Startposition nicht festgestellt werden.
- Niemals versuchen, den Vertikutierer mit Seilen oder ähnlichem zu steuern.



WARNUNG! Den Vertikutierer nicht bei feuchtem oder rutschigem Rasen verwenden. Frisch gemähtes Gras ist feucht und bietet keinen sicheren Halt. Beim Vertikutieren feste Schuhe tragen und auf einen sicheren Stand achten. Vergewissern Sie sich, daß der Vertikutierer in einem guten Zustand ist. Kontrollieren Sie, daß die Rasenfläche, die vertikutiert werden soll, frei ist von Steinen, Ästen und anderen störenden Gegenständen. Diese Objekte können von der Maschine herausgeschleudert werden und Personen- oder Maschinenschäden verursachen. Nicht über Kieswege oder dergleichen fahren. Das Vertikutieren an Abhängen kann gefährlich sein. Immer längs des Abhangs vertikutieren und bei starkem Gefälle auf das Vertikutieren verzichten.

MONTAGE DES FÜHRUNGSHOLMS

MONTAGE DES FÜHRUNGSHOLMS (Abb. 2)

- Unterteil des Führungsholms mit Schrauben, Scheiben und Muttern vormontieren. Führungsholm in die Halterung einführen und Muttern festziehen. Siehe Abbildung.
- Strebe mit Blechschrauben montieren. ACHTUNG! Das Elektrokabel muß unter der Strebe laufen (hängen).

- Oberteil des Führungsholms montieren. Darauf achten, daß das Kabel nicht eingeklemmt wird, wenn der Führungsholm heruntergeklappt wird.
- Kabel mit den mitgelieferten Clips fixieren.
- Kontrollieren, daß sich die Stützwalze in der Transportposition befindet. Beim Transport berühren die Messer dann nicht den Boden.

Zum Vertikutieren wird die Stützwalze in eine geeignete Arbeitsposition gebracht. Normalerweise wird Position 3 verwendet. Abb. 1.

- Position 3 = Größte Vertikutiertiefe (10 mm)
- Position 2 = Geringste Vertikutiertiefe (3 mm)
- Position 1 = Transportposition.

START UND STOP

VOR DEM START

- Vor dem Start der Maschine kontrollieren, ob die Messer beschädigt sind. Die Kunststoffteile dienen als Isolierung der Messer und dürfen nicht beschädigt sein.
- Vor dem Benutzen der Maschine immer überprüfen, ob die Messerhalterungen unbeschädigt und nicht abgenutzt sind. Messerblätter immer zusammen auswechseln, damit die rotierenden Teile ausbalanciert sind.

START

Zum Starten der Maschine:

- Führungsholm herunterdrücken (siehe Abb. 3). Der Vorderteil der Maschine wird dadurch vom Boden angehoben und die Messer liegen frei.
- Sperrschalter drücken und Griffhebel nach oben zum Führungsholm drücken – die Messer rotieren.
- Sperrschalter loslassen.



BETRIEB

- Führungsholm anheben, bis der vordere Teil der Maschine Bodenkontakt hat.
- Langsam vorwärts gehen. Die Geschwindigkeit, mit der Sie gehen, ist abhängig vom Zustand des Rasens. Bei geringerer Geschwindigkeit wird stärker vertikutiert. Wenn Sie auf Steine oder ähnliche Objekte stoßen, den Führungsholm herunterdrücken, so daß die Messer frei laufen.
- Das Elektrokabel so handhaben, wie in der Abbildung 4 gezeigt.



WICHTIGE INFORMATION

Wenn die Maschine gekippt werden muß, dann nur so viel, wie absolut notwendig, und nur den Teil der Maschine anknippen, der von Ihnen weg gerichtet ist.

STOP UND TRANSPORT

- Dicht aufeinanderfolgende Starts und Stops vermeiden.
- Griffhebel loslassen und Stecker aus der Steckdose ziehen, wenn die Maschine getragen oder gereinigt werden soll.
- Höheneinstellung immer auf Transportposition stellen, wenn die Maschine nicht benutzt wird.
- Zum Transport der Maschine den Handgriff vorsichtig zusammenklappen. Darauf achten, daß Kabel nicht eingeklemmt wird.
- Motor abkühlen lassen, bevor die Maschine in eine Kiste oder einen Karton verpackt wird.

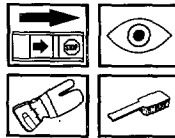


WARNUNG! Wenn ein Unglück geschehen ist, zum Beispiel wenn das Stromkabel in die Antriebsachse der Messer geraten ist, sofort den Griffhebel loslassen und den Stecker aus der Steckdose ziehen. Kabel fachgemäß reparieren oder komplett ersetzen.

WARTUNG

WARTUNG DES VERTIKUTIERERS

Um ein gutes Ergebnis zu erzielen, müssen die Messer scharf sein. Die Messer sind Verschleißteile und müssen daher regelmäßig



WICHTIGE INFORMATION!

- Regelmäßig kontrollieren, ob alle Bolzen, Schrauben und Muttern fest angezogen sind. Defekte Teile müssen sofort ausgetauscht werden. Es dürfen nur Original-Ersatzteile verwendet werden.
- Reinigungs-, Wartungs- und Servicearbeiten dürfen nur ausgeführt werden, wenn die Maschine vom Stromnetz getrennt ist.
- Maschine nicht mit Wasser abspritzen.
- Stromkabel regelmäßig auf Verschleiß überprüfen.
- Maschine niemals bei Regen benutzen oder bei feuchter Witterung im Freien stehenlassen.
- Motor von Gras, Laub und überschüssigem Fett reinigen, um die Brandgefahr zu verringern.

kontrolliert und bei Bedarf ersetzt werden. Die elektrische Ausstattung der Maschine wie Kabel, Schalter-Stecker-Kombination usw. sind aus Sicherheitsgründen ebenfalls häufig zu überprüfen. Schäden müssen vor Verwendung des Vertikutierers behoben werden.

- Nach dem Benutzen mit Bürste reinigen. ACHTUNG! Nicht mit Wasser abspritzen.
- Die Messer regelmäßig auf festen Sitz überprüfen.

ANSAUGFILTER



WICHTIGE INFORMATION!

Der Ansaugfilter ist bei Bedarf zu reinigen. Trockenes Gras, Laub etc. mit einer weichen Bürste entfernen. Zum Säubern mit Druckluft kann der Filter auch ausgebaut werden.

AUFBEWAHRUNG DER MASCHINE

Die Maschine vor Feuchtigkeit schützen und trocken aufbewahren. Rostbefall kann durch Behandlung der Metallteile mit Rostschutzmittel verhindert werden.

AUSTAUSCH DER MESSER

D

(Abb 5)



DEMONTAGE

Ein Messersatz für den Vertikutierer besteht aus 15 Messern und ist bei Ihrem Fachhändler erhältlich, Abb. 5b.

- Nur Originalmesser mit der Kennzeichnung "H" verwenden, Bestellnummer 371 92 45.
- Stecker aus der Steckdose ziehen.
- Maschine von Erde und Kies reinigen. Nicht mit Wasser abspritzen!
- Riemenchutz abnehmen (9).
- Antriebsriemen demontieren.
- Das Lagergehäuse ist in den Gabeln mit 8 Blechschrauben (8) befestigt, die gelöst werden müssen. (Die obersten Schrauben auf der Antriebsseite erreicht man durch ein Loch in der Messerachsenscheibe, siehe Abbildung 5 und 5a).
- Die Messerachse läßt sich jetzt nach unten schieben.

DEMONTAGE DER MESSER

Die Messerachse senkrecht mit der Riemenscheibe nach unten einspannen, zum Beispiel in einem Schraubstock. VORSICHT! Die Riemenscheibe dabei nicht beschädigen! Lagergehäuse teilen. Mit einer Hand die Messer fassen und gegenhalten, Mutter an der Oberseite lösen und ab-

schrauben. Danach können Scheiben, Lagergehäuse, Distanzringe und Messer demontiert werden. Alle Teile, die wieder eingebaut werden, reinigen. Der Riemen Scheibe nur beim Lageraustausch demontieren.

MONTAGE DER MESSER

- Die neuen Messer gemäß der Abbildung "5b" auf einen Tisch legen.
- Die Montage mit einem kleinen Distanzring (1) beginnen:
- Danach ein Messer gemäß Position 1 montieren, 5b.
- Großen Distanzring (2) montieren.
- Dann ein Messer gemäß Position 2 montieren und so weiter.

Zum Schluß einen kleinen Distanzring, Druckscheibe (3) (mit der richtigen Seite), Lager (4), Scheibe (5) und Mutter (7) montieren. Lagergehäuse (inklusive Kapseln) montieren.

- Bei der Montage des Chassis darauf achten, daß das Lagergehäuse in die Aussparung der Gabel paßt.
- Mit 8 Blechschrauben (8) festschrauben.
- Durch Drehen an der Riemenscheibe kontrollieren, daß die Achse leicht läuft.
- Antriebsriemen montieren.
- Riemenchutz mit 3 Blechschrauben (9) montieren.

FEHLERSUCHE

DER VERTIKUTIERER STARTET NICHT:

Kontrollieren, ob:

- Das Stromkabel richtig angeschlossen ist.
- Die Sicherung intakt ist.
- Das Kabel unbeschädigt ist.
- Der Überlastungsschutz nicht ausgelöst hat.
- Die Messer nicht blockiert sind.
- Der Keilriemen intakt ist.

DER VERTIKUTIERER VIBRIERT

Kontrollieren, ob:

- Die Achse nicht verbogen ist.
- Die Messer in schlechtem Zustand sind.
- Ein Gegenstand die Messer blockiert.

TECHNISCHE DATEN

VERTIKUTIERER

| | |
|-------------------------|---|
| Arbeitsbreite | 400 mm |
| Umdrehungszahl (Messer) | 1300 U./Min. |
| Vertikutiereinheit | 15 Doppelmesser |
| Räder | 2 Stück, Breite 45 mm, Durchmesser 180 mm. |
| Gewicht | 18,4 kg |

MOTOR

| | |
|-------------|--------------|
| Spannung | 230 V |
| Stromstärke | 5,6 A |
| Leistung | 1100 W |
| Umdrehungen | 2800 U./Min. |
| Kondensator | 12 mF |

GERÄUSCHPEGEL

Der Geräuschpegel am Ohr des Bedieners beträgt < 68 dB (A).

SCHALTER - STECKER - KOMBINATION

Inklusive Überlastungsschutz für den Motor.

Sur toutes les pelouses se forme, dès la première année de leur création, un "feutre" constitué de brins d'herbe coupée. Ce "feutre" devient rapidement si dense qu'il empêche l'air, les substances nutritives et l'oxygène de parvenir aux racines des graminées. Le gazon perd alors progressivement sa belle couleur verte et brunit. Le système racinaire s'affaiblit, l'herbe devient fragile et croît moins bien. Sa résistance aux maladies et à la sécheresse diminue et, à la longue, les mauvaises herbes et les mousses finissent par remplacer le gazon.

La scarification élimine non seulement le "feutre", mais aussi les mousses et les mauvaises herbes à croissance longue. En outre, elle ameublait le sol, ce qui favorise la croissance du gazon et lui permet de mieux assimiler l'eau, les substances nutritives et l'oxygène. D'autre part, la scarification éclaircit légèrement le gazon, ce qui laisse davantage d'espace à sa croissance.

Le fait de scarifier une pelouse pendant sa phase de croissance lui permet de se régénérer et de "remplir" les plaques éclaircies ou dénudées. Le gazon peut être scarifié plusieurs fois par an, en particulier aux endroits forte-

ment sollicités et/ou fréquemment tondu. Si l'on scarifie plus fréquemment la pelouse en fin d'été, on limite le risque d'extension des maladies pendant la saison froide.

Après scarification, le "feutre" détaché doit être soigneusement récolté et éliminé.

La scarification redresse une partie des mauvaises herbes rampantes. Il est donc recommandé de procéder ensuite à une tonte de finition, afin de récolter dans le bac de la tondeuse les derniers résidus de "feutre".

Immédiatement après la scarification, il est conseillé d'appliquer un bon engrais pour gazon qui apportera à ce dernier les substances nutritives adéquates. Après trois semaines environ, la pelouse sera bien dense, verte et élastique sous les pas.

Dans les premières semaines qui suivent la scarification, le gazon est particulièrement sensible à la sécheresse. Il est donc opportun de l'arroser régulièrement tous les 2 à 3 jours par temps sec. Les grandes plaques dénudées ou les endroits spécialement endommagés seront réensemencés.

EXPLICATION DES SYMBOLES

SYMBOLES FIGURANT SUR LA MACHINE



ATTENTION! La machine peut présenter certains dangers! Des manipulations négligentes ou erronées de la machine peuvent conduire à des blessures sérieuses.



Lire attentivement et complètement le mode d'emploi avant de mettre le scarificateur en service.



Veiller à toujours utiliser:
• Des lunettes de protection ou une visière.



• Attention aux risques de projection d'objets!



• Respecter une distance minimale vis-à-vis des autres personnes et des animaux domestiques.



• Veiller à ne pas couper le câble électrique.



• Rester à distance convenable des couteaux.

SYMBOLES UTILISÉS DANS LE MODE D'EMPLOI



Ne procéder à des contrôles et/ou des entretiens que lorsque le moteur est coupé et la fiche secteur débranchée.



Porter des gants de travail protecteurs.



Un nettoyage régulier indispensable.



Contrôle visuel.



Porter des lunettes de sécurité ou une visière.

IMPORTANT!

Avant de vous servir de votre scarificateur, lisez l'intégralité du mode d'emploi, veillez à ce que votre tondeuse ne soit utilisée que par ceux qui ont lu et assimilé tous les avertissements et toutes les instructions qui figurent dans le manuel.

Les différentes parties du scarificateur

- | | |
|--|-----------------------------|
| 1 Poignée de commande | 6 Cylindre d'appui |
| 2 Commutateur, à verrouillage | 7 Filtre à air |
| 3 Porte-câble | 8 Guidon, partie supérieure |
| 4 Clips à câble | 9 Guidon, partie inférieure |
| 5 Réglage de la profondeur de scarification/mise en position de transport. | 10 Traverse |

Détail des éléments

- 1 scarificateur
- 1 guidon, partie supérieure
- 2 montants inférieurs du guidon
- 1 traverse
- 1 mode déplié
- 1 sac plastique

Contenu du sac plastique:

- 2 poignées
- 4 vis
- 4 rondelles
- 2 écrous
- 2 vis à tôle
- 3 clips pour câble

PRÉCAUTIONS À RESPECTER AVANT LA PREMIÈRE SCARIFICATION:

- Lisez attentivement et entièrement le mode d'emploi.
- N'oubliez pas que vous pouvez être tenu pour responsable de tous dommages que vous causeriez à des tiers.

EQUIPEMENT DE PROTECTION PERSONNELLE

L'équipement suivant est recommandé pour le travail au scarificateur:

- Lunettes de sécurité ou visière.
- Chaussures robustes et antidérapantes.

EQUIPEMENT DE SECURITE DE LA MACHINE

Securité électrique



ATTENTION! Le scarificateur peut être branché sur toute prise de courant de sécurité avec terre protégée par un fusible à temporisation d'au moins 10 A. La tension secteur doit correspondre à la tension nominale du moteur (230 V).

- La câble et la fiche électriques doivent être agréés pour usage à l'extérieur.
- Il y a lieu de vérifier régulièrement si le câble électrique n'est pas endommagé ou usé.
- Ne pas utiliser la machine si le câble montre des signes d'endommagement.
- Le scarificateur dispose d'une double isolation et ne nécessite pas de mise à la terre additionnelle.
- La machine est équipée d'un porte-câble. Fixer le câble de rallonge comme illustré ci-contre. Fig. 3.
- Le câble de rallonge doit être agréé pour usage à l'extérieur et présenter une section transversale d'au moins 1 mm². La fiche et le raccordement doivent être protégés contre les projections deau (Type H05RN-F ou équivalent).

En suisse: Il faut installer un dispositif de protection contre les courants résiduels sur le circuit de votre appareil.

Le moteur ne requiert pas d'entretien et est protégé contre toute surcharge par une protection antisurcharge intégrée à l'ensemble fiche-connecteur. Ce dispositif de protection entre en action lorsque le scarificateur se bloque. Relâcher la poignée de commande, débrancher la fiche électrique et éliminer l'obstacle. Lorsque la poignée de commande est remise en position antisurcharge est à nouveau opérationnelle.



ATTENTION! Veiller à débrancher la machine pour nettoyer les couteaux ou pour tous travaux similaires! Ne procéder à des réparations ou des réglages que lorsque le moteur est à l'arrêt et que la fiche secteur est débranchée.

PRESCRIPTIONS GENERALES DU SECURITE

- Ne jamais utiliser la scarificateur si sa carrosserie ou ses tôles de protection sont endommagées; ou sans équipement de sécurité.
- Ne scarifier qu'à la lumière du jour.
- Eloigner les enfants du scarificateur lorsque celui-ci est branché.
- Ne pas utiliser le scarificateur à proximité d'autres personnes ou d'animaux domestiques.
- Ne laisser utiliser le scarificateur que par des personnes familiarisées avec les règles de sécurité.
- Enclencher la machine et la mettre en marche en respectant les directives du chapitre "Mise en marche", et garder les pieds à distance raisonnable des couteaux.
- Se tenir toujours derrière la machine. Veiller à ce qu'aucune partie du corps ne soit exposée à proximité d'organes mobiles de la machine. Ne jamais introduire la main dans la bouche d'éjection.
- Maintenir le câble électrique à l'écart des couteaux.
- Si les couteaux viennent à heurter un objet dur, arrêter immédiatement la machine et débrancher la prise électrique. Examiner la machine et surtout les couteaux. S'assurer que l'arbre d'entraînement n'est pas faussé. Ceci créerait un balourd qui risquerait de détacher les couteaux. N'utiliser la machine qu'après réparation.
- Ne pas transporter la machine tant que son moteur tourne. Si la machine doit être levée en vue d'un transport, s'assurer au préalable que les couteaux sont immobilisés.
- Ne jamais lever ou porter la machine lorsque le moteur tourne.
- Au terme du travail, débrancher immédiatement la machine du secteur et l'entreposer en lieu sûr.
- La poignée de commande ne doit pas être immobilisée en position de démarrage.
- Ne jamais tenter de piloter le scarificateur à l'aide de câbles ou autres.



ATTENTION! Ne pas utiliser le scarificateur sur de l'herbe mouillée ou glissante. Le gazon fraîchement tondu est humide et n'offre qu'une adhérence médiocre. Lors de la scarification, porter des chaussures solides et veiller à garder une position stable. S'assurer que le scarificateur est en bon état de marche. S'assurer que la surface à scarifier est exempte de pierres, branches et autres objets indésirables. De tels objets peuvent être projetés par la machine et risquent de l'endommager ou de blesser quelqu'un. Ne pas emprunter d'allées sablées ou similaires. La scarification sur pentes peut être dangereuse. Veiller à procéder parallèlement à la pente et ne pas scarifier sur des pentes trop raides.

MONTAGE DU GUIDON

MONTAGE DU GUIDON (Fig. 2)

- Assembler le guidon au moyen des vis, des rondelles et des écrous. Insérer le guidon dans son support et serrer les écrous. Voir croquis.
- Fixer la traverse à l'aide des vis à tôle.

ATTENTION! Le câble électrique doit passer

(pendre) sous la traverse.

- Monter la partie supérieure du guidon. Veiller à ne pas pincer le câble lorsque le guidon est rabattu.
- Fixer le câble au moyen des clips fournis.
- S'assurer que le cylindre d'appui se trouve en position de transport. De cette manière, les rouleaux ne touchent pas le sol pendant le transport.

Pour scarifier, le cylindre d'appui est amené en une position de travail adéquate. On utilise normalement la position 3. (Fig. 1)

- Pos. 3 = Profondeur maximale de scarification (10 mm)
- Pos. 2 = Profondeur minimale de scarification (3 mm)
- Pos. 1 = Position de transport.

MISE EN MARCHÉ ET ARRÊT

AVANT DE DÉMARRER

- Avant la mise en marche de la machine, s'assurer que les couteaux ne sont pas endommagés. Les pièces en plastique servent à l'isolation des couteaux et ne doivent pas être endommagées.
- Avant d'utiliser la machine, vérifier si les porte-couteaux ne sont pas endommagés ou usés. Toujours remplacer les lames des couteaux ensemble, afin d'assurer l'équilibrage des parties rotatives.

MISE EN MARCHÉ

Pour la mise en marche:

- Appuyer sur le guidon (Fig. 3).
- L'avant de la machine est ainsi soulevé du sol et les couteaux sont dégagés.
- Enfoncer le commutateur à verrouillage et presser la poignée de démarrage, vers le haut, contre le guidon. Les couteaux tournent.
 - Relâcher le commutateur à verrouillage.



UTILISATION

- Relever le guidon jusqu'à ce que l'avant de la machine soit en contact avec le sol.
- Avancer lentement. La vitesse d'avance dépend de l'état du gazon. La scarification est plus intense à faible vitesse. Si la machine touche une pierre ou un objet dur, appuyer sur le guidon afin de dégager les couteaux.
- Manipuler le câble électrique comme illustré ci-dessus.



IMPORTANT! S'il faut incliner la machine, se limiter au strict minimum indispensable et ne pas relever la partie dirigée vers soi.

ARRÊT ET TRANSPORT

- Éviter démarrages et arrêts fréquents et rapprochés.
- Relâcher la poignée de commande et débrancher la fiche électrique si la machine doit être transportée ou nettoyée.
- Mettre le réglage de hauteur en position de transport lorsque la machine n'est pas utilisée.
- Pour transporter la machine, rabattre prudemment la poignée. Veiller à ne pas coincer le câble.
- Laisser refroidir le moteur avant d'emballer la machine dans une caisse ou un carton.



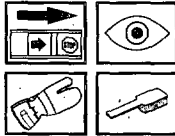
ATTENTION!

En cas d'incident, par exemple si le câble électrique est pris dans l'arbre d'entraînement des couteaux, relâcher immédiatement la poignée de commande et débrancher la fiche de la machine. Réparer soigneusement le câble ou le remplacer totalement.

ENTRETIEN

ENTRETIEN DU SCARIFICATEUR

Pour obtenir un résultat optimal, les couteaux doivent être bien affûtés. Les couteaux sont des pièces d'usure et doivent donc



IMPORTANT!

- Vérifier régulièrement si tous les boulons, vis et écrous sont correctement serrés. Remplacer immédiatement toute pièce défectueuse. N'utiliser que des pièces d'origine.
- Ne procéder à des travaux de nettoyage, d'entretien ou de dépannage qu'après avoir débranché la machine de la prise secteur.
- Ne pas projeter d'eau sur la machine.
- Vérifier régulièrement l'état d'usure du câble électrique.
- Ne jamais utiliser la machine par temps de pluie, ni la laisser à l'extérieur par temps humide.
- Éliminer du moteur herbes, feuillages et excès de graisse afin de réduire les risques d'incendie.

être régulièrement vérifiés et remplacés si nécessaire. Les éléments électriques de la machine, tels que le câble, l'ensemble fiche-commutateur, etc., doivent également être souvent vérifiés pour des raisons de sécurité. D'éventuels dégâts doivent être réparés avant d'utiliser le scarificateur.

- Nettoyer à la brosse après utilisation. ATTENTION! Ne pas jeter d'eau sur la machine.
- Vérifier régulièrement la fixation des couteaux.

FILTRE À AIR



IMPORTANT!

Nettoyer le filtre à air selon nécessité. Éliminer à la brosse les débris secs d'herbes et de feuilles. Le filtre à air peut également être démonté pour le nettoyage à l'air comprimé.

ENTREPOSAGE DE LA MACHINE

Protéger la machine de l'humidité et la conserver dans un endroit sec. La corrosion peut être évitée par l'application d'un produit antirouille sur les parties métalliques.

(Fig. 5)



DÉMONTAGE

Le jeu de couteaux du scarificateur se compose 15 couteaux et peut être fourni par votre revendeur. Fig. 5b.

- N'utiliser que des couteaux d'origine portant la marque «H», référence de commande 371 92 45.
- Débrancher la fiche de la prise.
- Nettoyer la machine de la terre et du sable.
- Ne pas l'asperger d'eau!
- Ôter le protège-courroie (9).
- Démonter la courroie d'entraînement.
- Le logement de palier est fixé aux fourches par 8 vis à tôle (8), qui sont à dévisser. (Les vis supérieures du côté entraînement sont accessibles par un trou dans la poulie de l'axe des couteaux, voir 5 et 5a)
- L'axe des couteaux peut alors être abaissé et déposé.

DÉMONTAGE DES COUTEAUX

Serrer verticalement et vers le bas l'axe des couteaux avec la poulie, par exemple dans un étau: **ATTENTION!** Veiller à ne pas endommager la poulie! Séparer les logements de palier. Prendre les couteaux en main et les maintenir. Desserrer et dévisser l'écrou supérieur. Les rondelles, roulements, bagues d'espacement et

couteaux peuvent alors être déposés. Nettoyer tous les éléments à réutiliser. Ne démonter la poulie que pour remplacer les couteaux.

MONTAGE DES COUTEAUX

- Disposer les nouveaux couteaux sur une table suivant croquis 5b.
- Commencer le montage par une petite bague d'espacement (1).
- Monter ensuite un couteau suivant position 1, 5b.
- Monter une grande bague d'espacement (2).
- Monter ensuite un couteau suivant position 2, et ainsi de suite.

Terminer par une petite bague d'espacement, une rondelle de pression (3) (du bon côté), un roulement (4), une rondelle (5) et un écrou (6). Monter le logement de palier (avec chapeau).

- Lors du montage du châssis, veiller à ce que le logement de palier s'engage dans la découpe de la fourche.
- Visser au moyen des 8 vis à tôle (8).
- Faire tourner la poulie pour s'assurer que l'arbre tourne librement.
- Monter la courroie d'entraînement.
- Monter le protège-courroie au moyen de 3 vis à tôle (9). Blechsrauben (9) montieren.

DEPANNAGE

LE SCARIFICATEUR NE DÉMARRE PAS:

Vérifier si:

- Le câble électrique est correctement branché.
- Le fusible est intact.
- Le câble est en bon état.
- La protection antisurcharge n'a pas été activée.
- Les couteaux ne sont pas bloqués.
- La courroie trapézoïdale est intacte.

LE SCARIFICATEUR VIBRE

Vérifier si:

- L'arbre n'est pas faussé.
- Les couteaux ne sont pas endommagés.
- Aucun objet ne bloque les couteaux.

CARACTERISTIQUES TECHNIQUES

SCARIFICATEUR

| | |
|--------------------------------|--|
| Largeur de travail | 400 mm |
| Vitesse de rotation (couteaux) | 1300 tr/min |
| Unité de scarification | 15 couteaux doubles |
| Roues | 2 roues, largeur 45 mm, diamètre 180 mm |
| Poids | 18,4 kg |

MOTEUR

| | |
|--------------|-------------|
| Tension | 230 V |
| Courant | 5,6 A |
| Puissance | 1100 W |
| Régime | 2800 tr/min |
| Condensateur | 12 mF |

NIVEAU SONORE

Le niveau sonore à l'oreille de l'utilisateur est inférieur à 68 dB (A).

COMMUTATEUR-FICHE

Avec protection antisurcharge du moteur.

Op elk gazon wordt reeds na een jaar een soort "viltlaag" gevormd uit afgesneden grashalmen. Deze laag wordt snel zo dik dat water, voedingsstoffen en zuurstof niet meer bij de wortels van het gras kunnen komen. Daardoor verliest het gras zijn groene kleur en wordt het bruin. Het wortelsysteem wordt zwak, het gazon wordt kwetsbaar en groeit slechter. De weerstand tegen ziektes en droogte neemt af, en ten slotte groeit enkel nog onkruid en mos in plaats van gras.

De verticuteermachine verwijdert niet alleen deze schadelijke viltlaag, maar ook mos en langgroeiend onkruid. Bovendien wordt de verharde grond van het gazon losgemaakt, waardoor water, voedingsstoffen en zuurstof beter worden opgenomen.

Tijdens het verticuteren wordt het gazon ook lichtjes uitgedund, zodat het gazon meer plaats krijgt om te groeien.

Als het gazon tijdens de groeiperiode wordt verticuteerd, kan het gazon zich herstellen en zich uitbreiden naar uitgedunde of vrijgekomen stukken. Het gazon kan verschillende malen per jaar worden geverticuteerd. Dit geldt met name voor gazons die sterk belast worden en/

of vaak worden gemaaid. Als het gazon aan het einde van de zomer vaak wordt geverticuteerd, kunnen ziektes zich moeilijk uitbreiden tijdens de winter.

Na het verticuteren het losgemaakte "vilt" opharken en verwijderen.

Door het verticuteren komt een deel van het laaggroeiend onkruid omhoog. Het is dan ook raadzaam het gazon na het verticuteren nog eens te maaien, zodat ook de laatste "viltresten" in de opvangbak van de grasmaaier terecht komen.

Het is aan te bevelen het gazon onmiddellijk na het verticuteren te bemesten met een goede gazonmest, zodat het gazon de juiste voedingsstoffen krijgt om gezond te kunnen groeien. Na ongeveer drie weken is het gazon dicht, groen en sterk.

In de eerste weken na het verticuteren is het gazon zeer gevoelig voor droogte en moet daarom bij droog weer om de 2 à 3 dagen besproeid worden, op grote kale plekken of andere beschadigde punten moet opnieuw worden gezaaid.

VERKLARING VAN DE SYMBOLEN

SYMBOLEN OP DE MACHINE



WAARSCHUWING! Het gebruik van de machine kan risico's inhouden! Een nalatige of verkeerde bediening van de machine kan tot levensgevaarlijke letsels leiden.



De gebruiksaanwijzing grondig en volledig doorlezen voor u met de verticuteermachine gaat werken.

Steeds gebruik maken van:



• Veiligheidsbril of vizier.



• Waarschuwing voor weggeslingerde voorwerpen.



• Een minimale afstand tot andere personen en huisdieren bewaren.



• Waarschuwing voor doorgesneden stroomkabel.



• Een veilige afstand tot de messen bewaren.

SYMBOLEN IN DE GEBRUIKSAANWIJZING



Controles en/of onderhoudswerkzaamheden pas verrichten nadat de motor is uitgeschakeld en de netstekker uit het stopcontact is gehaald.



Steeds veiligheidshandschoenen dragen.



Regelmatig reinigen is noodzakelijk.



Visuele controle.



Veiligheidsbril of vizier dragen.

BELANGRIJKE INFORMATIE!

Leest u de gehele gebruiksaanwijzing door voordat u de verticuteermachine in gebruik neemt en beperk het gebruik alleen tot personen die af de instructies en waarschuwingen in deze gebruiksaanwijzing gelezen en ook begrepen hebben en deze in acht zullen nemen.

De onderdelen van de verticuteermachine

- | | |
|---|-------------------------|
| 1. Greephendel | 6 Steunrol |
| 2. Blokkeerschakelaar | 7 Zuigfilter |
| 3. Kabelhouder | 8 Stuurstang, bovenstuk |
| 4. Kabelclips | 9 Stuurstang, onderstuk |
| 5. Instelling van verticuteer- diepte / transportpositie | 10 Dwarsstuk |

De afzonderlijke onderdelen

- | |
|--------------------------------|
| 1 st. verticuteermachine |
| 1 st. bovenstuk, stuurstang |
| 2 st. onderstukken, stuurstang |
| 1 st. dwarsstuk |
| 1 st. gebruiksaanwijzing |
| 1 st. plastic zakje |

Inhoud van het plastic zakje:

- | |
|-----------------------|
| 2 st. handgrepen |
| 4 st. schroeven |
| 4 st. ringen |
| 2 st. moeren |
| 2 st. plaatsschroeven |
| 3 st. kabelclips |

VOÓR U DE VERTICUTEERMACHINE VOOR HET EERST GEBRUIKT:

- De gebruiksaanwijzing grondig en volledig doorlezen.
- Vergeet niet dat u als gebruiker aansprakelijk bent voor schade die u aan derden berokkent.

PERSOONLIJKE VEILIGHEIDSUITRUSTING

Tijdens het werk met de verticuteermachine dient u het volgende te gebruiken:

- Veiligheidsbril of vizier
- Stevige en slipvrije schoenen

VEILIGHEIDSUITRUSTING VAN DE MACHINE

Elektrische veiligheid



WAARSCHUWING! De verticuteermachine kan op elk geaard stopcontact worden aangesloten dat beveiligd is met minstens 10 A (trage zekering). De netspanning moet overeenstemmen met de nominale spanning van de motor (230 V).

- Elektriciteitskabels en netstekkers moeten geschikt zijn voor gebruik in open lucht.
- De elektriciteitskabel moet regelmatig op schade of slijtage worden gecontroleerd.
- Als de kabel beschadigd is, mag de machine niet worden gebruikt.
- De verticuteermachine is dubbel geïsoleerd en heeft geen bijkomende veiligheidsaarding nodig.
- De machine is uitgerust met een kabelhouder.
- De verlengkabel moet worden vastgelegd zoals hiernaast geïllustreerd wordt. (Figuur 3)
- De verlengkabel moet geschikt zijn voor gebruik in open lucht. Hij moet een diameter hebben van minstens 1mm². De stekker én koppeling moeten spatwaterdicht zijn (type H05RN-F of gelijkwaardig).

Zwitserland: De verticuteermachine moet altijd aangesloten zijn op een aardlekschakelaar.

De motor vergt geen onderhoud en is beveiligd tegen overbelasting door een veiligheid die in de schakelaar / stekkercombinatie is ingebouwd. Deze veiligheid treedt in werking als de verticuteermachine vastloopt. De greep-hendel loslaten, de netstekker uit het stopcontact halen en het obstakel verwijderen. Als de greep-hendel weer in de werkstand wordt gezet, keert de veiligheid in de vorige stand terug.



WAARSCHUWING! Bij reiniging van de messen of soortgelijke werkzaamheden de machine altijd loskoppelen van het elektriciteitsnet! Herstellings- of afstelwerkzaamheden mogen enkel worden uitgevoerd terwijl de motor stilstaat en de stekker uit het stopcontact is gehaald.

MONTAGE VAN DE STUURSTANG

MONTAGE VAN DE STUURSTANG (Figuur 2)

- Het onderstuk van de stuurstang met schroeven, ringen en moeren vooraf monteren. De stuurstang in de houder steken en de moeren vastdraaien. Zie afbeelding.
- Het dwarsstuk met plaatschroeven monteren. LET OP! De elektriciteitskabel moet onder het dwarsstuk lopen (hangen).

ALGEMENE VEILIGHEIDSINSTRUCTIES

- De verticuteermachine nooit gebruiken als de behuizing defect is, als de afdekplaten beschadigd zijn of als de veiligheidsuitrusting ontbreekt.
- Enkel bij daglicht verticutereren.
- Kinderen op een veilige afstand van de verticuteermachine houden als ze op het elektriciteitsnet is aangesloten.
- Niet in de buurt van andere personen of huisdieren verticutereren.
- De verticuteermachine mag enkel worden gebruikt door personen die vertrouwd zijn met de veiligheidsinstructies.
- De machine voorzichtig inschakelen en starten volgens de aanwijzingen in het hoofdstuk "Starten", en de voeten daarbij op een veilige afstand van de messen houden.
- Steeds achter de machine lopen. Nooit met een lichaamsdeel in de buurt van de beweegbare delen van de machine komen. Nooit met de hand in de uitwerpopening grijpen.
- De elektriciteitskabel op een veilige afstand van de messen houden.
- Als de messen tegen een hard voorwerp stoten, de machine onmiddellijk stoppen en de stekker uit het stopcontact halen. De machine en met name de messen onderzoeken. Nagaan of de aandrijfas niet verbogen is. Daardoor ontstaat namelijk een sterk onevenwicht, waardoor de messen zouden kunnen loskomen. De machine mag pas opnieuw worden gebruikt als ze hersteld is.
- De machine nooit met draaiende motor verplaatsen. Als de machine tijdens het verplaatsen moet worden opgetild, moet u wachten tot de messen tot stilstand zijn gekomen.
- De machine nooit opstellen of dragen terwijl de motor draait.
- De machine na het werk steeds loskoppelen van het elektriciteitsnet en veilig opbergen.
- De greep-hendel mag niet in de startpositie worden vastgezet.
- Nooit proberen de verticuteermachine met kabels of dergelijke te besturen.



WAARSCHUWING! De verticuteermachine niet gebruiken als het gazon vochtig of glibberig is. Gras dat pas gemaaid is, is vochtig en geeft geen goede greep. Tijdens het verticutereren stevige schoenen dragen en een veilige positie innemen. Ga na of de verticuteermachine in goede staat verkeert. Ga na of het te verticutereren gazon vrij is van stenen, takken en andere storende voorwerpen. Deze kunnen namelijk door de machine worden weggeslingerd en letsels toebrengen of de machine beschadigen. Niet over grindpaden en dergelijke rijden. Verticutereren op hellingen kan gevaarlijk zijn. Steeds langs de helling werken; bij sterke hellingen niet verticutereren.

- Het bovenstuk van de stuurstang monteren. Zorg ervoor dat de kabel niet vastgeklemd raakt als de stuurstang wordt neergeklapt.
- De kabel met de bijgeleverde clips vastzetten.
- Nagaan of de steunrol in de transportpositie staat. Tijdens het transport rusten de messen dan niet op de grond.

Om te verticuteren wordt de steunrol in een geschikte werpositie gebracht. Normaal wordt positie 3 gebruikt. (Figuur 1)

- Positie 3 = grootste verticuteerdiepte (10 mm)
- Positie 2 = kleinste verticuteerdiepte (3 mm)
- Positie 1 = transportpositie

STARTEN EN STOPPEN

VOOR HET STARTEN

- Voor u de machine start, nagaan of de messen niet beschadigd zijn. De kunststof delen dienen ter isolatie van de messen en mogen niet beschadigd zijn.
- Voor u de machine gebruikt, altijd nagaan of de meshouders niet beschadigd of versleten zijn. De mesbladen altijd tegelijk vervangen, zodat de draaiende delen goed uitgebalanceerd zijn.



STARTEN

- De machine starten door de stuurstang omlaag te duwen (Figuur 3). Het voortsse deel van de machine komt daardoor van de grond, zodat de messen vrij staan.
- De blokkeerschakelaar indrukken en de greephendel naar boven naar de stuurstang duwen – de messen draaien.
- De blokkeerschakelaar loslaten.



WERKING

- De stuurstang omhoogheffen, tot het voorste deel van de machine tegen de grond komt.
- Langzaam vooruitgaan. Laat uw snelheid afhangen van de toestand van het gazon. Bij lage snelheid wordt sterker geverticuteerd. Als u op stenen of dergelijke voorwerpen stoot, de stuurstang omlaagduwen, zodat de messen vrij draaien.
- De elektriciteitskabel gebruiken zoals hierboven wordt afgebeeld. (Figuur 4)

BELANGRIJKE INFORMATIE

Als de machine moet worden gekanteld, dan niet meer dan echt nodig is. Kantel slechts dat deel van de machine kantelen dat van u af gericht is.

STOPPEN EN TRANSPORT

- Niet te vlug na elkaar starten en stoppen.
- De greephendel loslaten en de stekker uit het stopcontact halen als de machine moet worden gedragen of gereinigd.
- De hoogte altijd instellen op de transportpositie als de machine niet wordt gebruikt.
- Om de machine te transporteren de handgreep voorzichtig samenklappen. Zorg ervoor dat de kabel niet klem raakt.
- De motor laten afkoelen alvorens de machine in een kist of doos te verpakken.

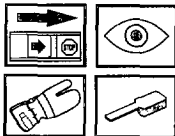


WAARSCHUWING! In geval van een ongeluk, b.v. als de stroomkabel in de aandrijfs van de messen geraakt is, de greephendel onmiddellijk loslaten en de stekker uit het stopcontact halen. De kabel door een vakman laten herstellen of volledig vervangen.

ONDERHOUD

ONDERHOUD VAN DE VERTICUTERMACHINE

Voor een goed resultaat moeten de messen scherp zijn. De messen zijn echter aan slijtage onderhevig, zodat ze regelmatig



BELANGRIJKE INFORMATIE!

- Regelmatig nagaan of alle bouten, schroeven en moeren goed aangedraaid zijn. Defecte onderdelen onmiddellijk vervangen. Er mogen slechts originele wisselstukken gebruikt worden.
- Reinigings-, onderhouds- en afstelwerkzaamheden mogen enkel worden uitgevoerd als de machine van het elektriciteitsnet losgekoppeld is.
- De machine niet met water afsputten.
- De stroomkabel regelmatig op slijtage controleren.
- De machine nooit gebruiken als het regent en ze niet bij vochtig weer in open lucht laten staan.
- Gras, bladeren en overtollig vet van de motor verwijderen, om het brandgevaar te verkleinen.

moeten worden gecontroleerd en zo nodig moeten worden vervangen. De elektrische uitrusting van de machine, zoals kabel, schakelaar / stekker-combinatie enz. moeten om veiligheidsredenen ook regelmatig worden gecontroleerd. Schade moet worden verholpen voordat de machine word gebruikt.

- Na gebruik met een borstel reinigen.
- LET OPI! Niet met water afsputten.
- Regelmatig nagaan of de messen nog goed vastzitten.

ZUIGFILTER



BELANGRIJKE INFORMATIE!

De zuigfilter moet indien nodig worden gereinigd. Droog gras, bladeren enz. met een zachte borstel verwijderen. De filter worden gedemonteerd voor het reinigen met perslucht.

DE MACHINE OPBERGEN

De machine beschermen tegen vocht en droog opbergen. Roestvorming kan worden vermeden door de metalen onderdelen te behandelen met een roestwerend middel.

(Figuur 5)



DEMONTEN

Een meskit voor de verticuteermachine bestaat uit 15 messen. Deze kit is te koop bij uw vakhandel. (Figuur 5b)

- Gebruik enkel originele messen met code "H", bestelnummer 371 92 45.
- De stekker uit het stopcontact halen.
- Aarde en grind van de machine verwijderen. Niet met water afsprengen!
- De riembescherming verwijderen (9).
- De aandrijfriem demonteren.
- Het lagerhuis is met 8 plaatschroeven in de vorken bevestigd (8); deze schroeven moeten worden losgedraaid. (De bovenste schroeven aan de aandrijfzijde zijn toegankelijk via een gat in de mesasschijf, zie figuur 5 en 5a).
- De mesas kan nu omlaag worden geschoven.

DE MESSEN DEMONTEN

De mesas verticaal met de riemschijf neerwaarts vastklemmen, b.v. in een bankschroef. LET OP! De riemschijf niet beschadigen! Het lagerhuis splitsen. De messen met één hand vastnemen en tegenhouden. De moer aan de bovenkant losdraaien en afschroeven. Daarna kunnen

ringen, lagerhuis, afstandsringen en messen worden gedemonteerd. Alle onderdelen die weer moeten worden gemonteerd, reinigen. De riemschijf enkel demonteren als het lager wordt vervangen.

DE MESSEN MONTEREN

- De nieuwe messen zoals in de afbeelding 5b op een tafel leggen.
- De montage beginnen met een kleine afstandsring (1).
- Vervolgens een mes volgens positie 1 monteren, 5b.
- Grote afstandsring (2) monteren.
- Daarna een mes volgens positie 2 monteren en zo verder.

Tot slot een kleine afstandsring, drukring (3) (juiste kant), lager (4), ring (5) en moer (7) monteren. Lagerhuis (inclusief doppen) monteren.

- Bij de montage van het chassis ervoor zorgen dat het lagerhuis in de uitsparing van de vork past.
- Met 8 plaatschroeven (8) vastschroeven.
- Nagaan of de as vlot draait door het draaien van de riemschijf.
- De aandrijfriem monteren.
- De riembescherming met 3 plaatschroeven (9) monteren.

STORINGEN

DE VERTICUTEERMACHINE START NIET:

Nagaan of:

- De stroomkabel goed is aangesloten.
- De zekering in orde is.
- De kabel niet beschadigd is.
- De overbelastingsbeveiliging niet gewerkt heeft.
- De messen niet geblokkeerd zitten.
- De V-snaar in orde is.

DE VERTICUTEERMACHINE TRILT

Nagaan of:

- De as niet verbogen is.
- De messen in slechte staat verkeren.
- Een voorwerp de messen blokkeert.

TECHNISCHE GEGEVENS

VERTICUTEERMACHINE

| | |
|--------------------|---|
| Werkbreedte | 400 mm |
| Toerental (messen) | 1300 omw./min. |
| Verticuteereenheid | 15 dubbele messen. |
| Wielen | 2 stuks, diameter 180 mm, breedte 45 mm |
| Gewicht | 18,4 kg |

MOTOR

| | |
|---------------|----------------|
| Spanning | 230 V |
| Stroomsterkte | 5,6 A |
| Vermogen | 1100 W |
| Toerental | 2800 omw./min. |
| Condensator | 12 mF |

GELUIDSTERKTE

De geluidsterkte ter hoogte van het oor van de gebruiker bedraagt < 68 dB (A).

SCHAKELAAR / STEKKER-COMBINATIE

Inclusief overbelastingsbeveiliging voor de motor.

Su tutte le superfici erbose si forma, a partire dal primo anno, un «feltro» costituito da fili d'erba tagliati. Questo «feltro» diventa rapidamente così denso da impedire all'acqua, alle sostanze nutritive e all'ossigeno di arrivare alle radici delle graminacee. Il prato a questo punto perde progressivamente il suo bel colore verde e scurisce.

Il sistema radicolare si indebolisce, l'erba diventa debole e cresce meno bene. La resistenza alle malattie e alla siccità diminuisce e, a lungo andare, erbacce e muschio finiscono per sostituirsi all'erba.

Lo scarificatore elimina non soltanto il «feltro», ma anche il muschio e le erbacce a crescita lunga e inoltre dissoda il terreno favorendo la crescita dell'erba e permettendole di assimilare meglio l'acqua, le sostanze nutritive e l'ossigeno.

Lo scarificatore sfoltisce inoltre leggermente l'erba lasciando un maggior spazio alla crescita.

Lo scarificatore di un prato durante la fase di crescita ne consente la rigenerazione e permette di «riempire» le zone diradate o spoglie. L'erba può essere scarificata più volte l'anno, in particolare nelle zone più sollecitate e/o

tosate più spesso. Una scarificatura più frequente alla fine dell'estate permette di contenere il rischio di estensione delle malattie durante la stagione fredda.

Dopo la scarificatura, il «feltro» staccato deve essere accuratamente raccolto ed eliminato.

La scarificatura risolve una parte delle erbacce a sviluppo orizzontale. Si raccomanda quindi di procedere successivamente ad una tosatura di finitura per raccogliere nel contenitore del tosaerba anche gli ultimi residui di «feltro».

Subito dopo la scarificatura è consigliabile applicare un buon concime per erba in grado di apportare le sostanze nutritive adeguate. Dopo circa tre settimane, il prato si presenterà ben denso, verde ed elastico al passo.

Durante le prime settimane successive alla scarificatura, l'erba è particolarmente sensibile alla siccità. E' dunque opportuno innaffiarla regolarmente ogni 2 o 3 giorni in caso di assenza di pioggia. Le grandi zone spoglie e le zone particolarmente danneggiate dovranno essere rissinate.

SPIEGAZIONE DEI SIMBOLI

SIMBOLI SULLA MACCHINA



ATTENZIONE! L'uso della macchina può comportare dei rischi! L'uso inadeguato della macchina può causare lesioni pericolose con pericolo di morte.



Leggere attentamente e completamente il manuale di istruzioni prima di mettere in funzione lo scarificatore.



Utilizzare sempre occhiali di protezione o visiera.



• Attenzione alla proiezione di oggetti



• Mantenere una distanza minima da persone e animali



• Attenzione al cavo di alimentazione staccato



• Mantenere una distanza di sicurezza dalle lame.

SIMBOLI NEL MANUALE DI ISTRUZIONI



Eseguire il controllo e/o la manutenzione a motore spento e presa elettrica staccata.



Portare sempre i guanti di protezione



Pulizia regolare necessaria



Controllo visivo



Indossare occhiali di protezione o visiera

IMPORTANTE!

Dovreste leggere l'intero manuale dell'operatore prima di usare il Vostro scarificatore e dovreste restringerne l'uso a persone che abbiano letto e compreso le avvertenze e le istruzioni contenute in questo manuale.

Le parti dello scarificatore

- | | |
|--|-----------------------------|
| 1 Leve di comando | 6 Cilindro di appoggio |
| 2 Interruttore di interdizione | 7 Filtro dell'aria |
| 3 Portacavo | 8 Manubrio, parte superiore |
| 4 Clip's passacavo | 9 Manubrio, parte inferiore |
| 5 Regolazione profondità di scarificatura / posizione di trasporto | 10 Supporto trasversale |

Dettaglio degli elementi

- 1 scarificatore
- 1 manubrio, parte superiore
- 2 montanti inferiore del manubrio
- 1 supporto trasversale
- 1 manuale di istruzioni
- 1 borsa di plastica

Contenuto della borsa di plastica:

- 2 leve
- 4 viti
- 4 rondelle
- 2 dadi
- 2 viti per lamiera
- 3 clip's passacavo

PREAZIONI DA RISPETTARE PRIMA DELLA PRIMA SCARIFICATURA:

- Leggere attentamente e interamente il manuale di istruzioni.
- Non dimenticate che potrete essere considerati responsabili di qualsiasi danno causato a terzi.

EQUIPAGGIAMENTO DI PROTEZIONE PERSONALE

Per il lavoro con lo scarificatore si raccomanda l'equipaggiamento seguente:

- Occhiali di sicurezza o visiera
- Calzature robuste e antiscivolo

EQUIPAGGIAMENTO DI SICUREZZA DELLA MACCHINA

Sicurezza elettrica



ATTENZIONE! Lo scarificatore può essere attaccato a qualsiasi presa di corrente con contatto di terra protetta da un fusibile a temporizzazione di almeno 10 A. La tensione di rete deve corrispondere alla tensione nominale del motore (230 V).

- Il cavo e la presa devono essere omologate per esterni.
- È opportuno verificare regolarmente che il cavo elettrico non sia danneggiato o usurato.
- Non usare la macchina se il cavo presenta segni di danneggiamento.
- Lo scarificatore è dotato di un doppio isolamento e non necessita di messa a terra supplementare.
- La macchina dispone di un porta-cavo. Fissare il cavo di prolunga come illustrato qui a fianco. (Figura 3)
- Il cavo di prolunga deve essere omologato per uso all'esterno e presentare una sezione trasversale di almeno 1 mm². La spina e il raccordo devono essere protetti contro gli schizzi d'acqua. (Tipo H05RN-F o equivalente).

Svizzera: In Svizzera occorre installare un dispositivo di protezione contro le correnti residue sul circuito dell'apparecchio.

Il motore non richiede manutenzione ed è protetto dai sovraccarichi tramite una protezione antisovraccarico integrata nella combinazione presa-connettore. Questo dispositivo di protezione entra in azione quando lo scarificatore si blocca. Rilasciare la leva di comando, staccare la spina ed eliminare l'ostacolo. Quando la leva di comando viene rimessa in posizione di marcia, la protezione contro il sovraccarico è nuovamente operativa.



ATTENZIONE! Assicuratevi che la macchina sia scollegata prima di pulire le lame o di procedere a qualsiasi altra operazione simile. Effettuare riparazioni o regolazioni solo quando il motore è fermo e la spina è staccata.

PRESCRIZIONI GENERALI DI SICUREZZA

- Non usare mai lo scarificatore se la carrozzeria o le lamiere di protezione sono danneggiate o senza equipaggiamento di sicurezza.
- Lavorare solo alla luce del giorno.
- Tenere lontani i bambini dallo scarificatore quando questo è collegato.
- Non usare lo scarificatore in prossimità di altre persone o di animali domestici.
- Lasciar usare lo scarificatore solo a persone che hanno familiarità con le regole della sicurezza.
- Avviare e mettere in movimento la macchina attenendosi alle direttive del capitolo «Messa in moto», tenere i piedi ad una distanza ragionevole dalle lame.
- Restare sempre dietro la macchina. Fare in modo che nessuna parte del corpo sia esposta in prossimità di organi mobili della macchina. Non introdurre mai la mano nella bocca di espulsione.
- Mantenere il cavo elettrico distante dalle lame.
- Se le lame urtano contro un oggetto duro, arrestare immediatamente la macchina e staccare la presa. Esaminare la macchina e soprattutto le lame. Assicurarsi che l'albero di trasmissione non si sia curvato. Ciò creerebbe uno squilibrio che rischierebbe di far staccare le lame. Utilizzare la macchina solo dopo la riparazione.
- Non trasportare la macchina quando il motore gira. Se la macchina deve essere sollevata per essere trasportata, assicurarsi che le lame siano immobilizzate prima di sollevarla.
- Non sollevare o trasportare mai la macchina quando il motore gira.
- Al termina del lavoro staccare immediatamente la macchina dall'alimentazione e collocarla in un luogo sicuro.
- La leva di comando non deve mai essere fissata in posizione di avviamento.
- Non cercare mai di pilotare lo scarificatore aiutandosi con i cavi o altro.



ATTENZIONE! Non utilizzare lo scarificatore sull'erba bagnata o scivolosa. L'erba tosata di fresco è umida e offre un'aderanza mediocre. Durante la scarificazione indossare scarpe robuste e fare in modo di mantenere una posizione stabile. Assicurarsi che la scarificatore sia in buono stato di funzionamento. Assicurarsi che la superficie da scarificare sia priva di pietre, rami o altri oggetti indesiderabili. Tali oggetti possono essere proiettati dalla macchina e rischiano di danneggiarla o di ferire qualcuno. Non passare con lo scarificatore su vialetti di ghiaia o simili. La scarificazione in pendenza può comportare dei rischi. Procedere sempre parallelamente alla pendenza e non effettuare la scarificazione su superfici troppo ripide.

MONTAGGIO DEL MANUBRIO

MONTAGGIO DEL MANUBRIO (Figura 2)

- Assemblare il manubrio con l'aiuto delle viti, delle rondelle e dei dadi. Inserire il manubrio nel suo supporto e serrare i dadi. Vedi schema.
- Fissare il supporto trasversale con l'aiuto delle viti per lamiera. **ATTENZIONE!** Il cavo elettrico deve passare (pendere) sotto al supporto trasversale.

- Montare la parte superiore del manubrio. Fare attenzione che il cavo non resti intrappolato quando il manubrio viene ribaltato.
- Fissare il cavo con le clips passacavo in dotazione.
- Assicurarsi che il cilindro d'appoggio sia in posizione di trasporto. In questo modo le lame non toccano terra durante il trasporto.

REGOLAZIONE

Per la scarificazione, il cilindro di appoggio deve assumere una posizione di lavoro adeguata. Di norma si usa la posizione 3. (Figura 1)

- Posizione 3: Profondità massima di scarificazione, 10 mm
- Posizione 2: Profondità minima di scarificazione, 3 mm
- Posizione 1: Posizione di trasporto.

MESSA IN MOTO E ARRESTO

PRIMA DI METTERE IN MOTO

- Prima di mettere in moto la macchina, assicurarsi che le lame non siano danneggiate. Le parti in plastica servono per isolare le lame e non devono essere danneggiate.
- Prima di utilizzare la macchina, verificare che il portalamme non sia danneggiato o usurato. Sostituire sempre tutte le lame insieme in modo da garantire l'equilibrio tra le parti rotanti.



MESSA IN MOTO

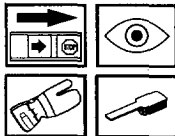
- Per la messa in moto, premere il manubrio (figura 3). La parte anteriore della macchina risulta quindi sollevata dal suolo e le lame sono libere.
- Premere l'interruttore di interdizione e portare la leva di messa in moto verso l'alto in direzione del manubrio. Le lame ruotano.
- Rilasciare l'interruttore di interdizione.

IMPORTANTE!

Se occorre inclinare la macchina, limitarsi allo stretto indispensabile e non sollevare mai la parte rivolta verso di sé.

MANUTENZIONE DELLO SCARIFICATORE

Per ottenere un risultato ottimale, le lame devono essere ben affilate. Le lame sono parti soggette a usura e devono quindi essere



IMPORTANTE!

- Verificare regolarmente che tutti i bulloni, le viti e i dadi siano correttamente serrati. Sostituire immediatamente qualsiasi pezzo difettoso. Utilizzare esclusivamente pezzi di ricambio originali.
- Effettuare lavori di pulizia, manutenzione o eliminazione guasti solo dopo aver disinserito la macchina dalla presa di alimentazione.
- Non gettare acqua sulla macchina.
- Controllare regolarmente lo stato di usura del cavo elettrico.
- Non usare mai la macchina in caso di pioggia e non lasciarla all'esterno con tempo umido.
- Eliminare dal motore l'erba, le foglie e l'eccesso di grasso per ridurre i rischi di incendio.

USO

- Sollevare il manubrio fino a che la parte anteriore della macchina non è contatto il terreno.
- Avanzare lentamente. La velocità di avanzamento dipende dalle condizioni dell'erba. A velocità minore la scarificazione è più intensa. Se la macchina tocca una pietra o un oggetto duro, premere sul manubrio per liberare le lame.
- Manipolare il cavo elettrico come illustrato. (Figura 4)



ATTENZIONE! In caso di incidente, per esempio se il cavo elettrico viene preso nell'albero di trasmissione delle lame, rilasciare immediatamente la leva di comando e staccare la presa della macchina. Riparare con cura il cavo oppure sostituirlo completamente.

ARRESTO E TRASPOTO

- Evitare partenze e arresti frequenti e ravvicinati.
- Rilasciare la leva di comando e staccare la presa elettrica se la macchina deve essere trasportata o pulita.
- Quando la macchina non viene usata, mettere la regolazione dell'altezza in posizione di trasporto.
- Per trasportare la macchina, ripiegare con cautela la maniglia. Fare attenzione a non intrappolare il cavo.
- Lasciar raffreddare il motore prima di imballare la macchina in una cassa o uno scatolone.



MANUTENZIONE

sostituite regolarmente se necessario. Anche gli elementi elettrici della macchina, come il cavo, l'insieme presa-commutatore, ecc., devono essere controllati spesso per ragioni di sicurezza. Eventuali guasti dovranno essere riparati prima di utilizzare nuovamente lo scarificatore.

- Dopo l'uso pulire con una spazzola.
- **ATTENZIONE!** Non versare acqua sulla macchina.
- Controllare regolarmente il fissaggio delle lame.

FILTRO DELL'ARIA



IMPORTANTE!

Pulire il filtro in base alle necessità. Eliminare con una spazzola i residui secchi di erba e foglie. Il filtro dell'aria può anche essere smontato per essere pulito con aria compressa.

MESSA A RIPOSO DELLA MACCHINA

Proteggere la macchina dall'umidità e tenerla in un luogo asciutto. La ruggine può essere evitata applicando un prodotto antiruggine sulle parti metalliche.



(Figura 5)



SMONTAGGIO

Il set di lame dello scarificatore è composto da 15 lame e può essere fornito dal vostro rivenditore. (Figura 5b)

- Utilizzare esclusivamente lame originali con il marchio «H», codice di ordinazione 371 92 45.
- Staccare la spina dalla presa.
- Pulire la macchina dalla terra e dalla sabbia. Non cospargerla di acqua!
- Togliere la protezione della cinghia (9).
- Smontare la cinghia di trasmissione.
- L'alloggiamento del cuscinetto è fissato alle forche con 8 viti per lamiera (8) che devono essere svitate. (Le viti superiori del lato trasmissione sono accessibili tramite un foro nella puleggia dell'asse delle lame, vedi figura 5 et 5a).
- A questo punto l'asse delle lame può essere abbassato e tolto.

SMONTAGGIO DELLE LAME

Serrare verticalmente e verso il basso l'asse delle lame con la puleggia, per esempio in una morsa. **ATTENZIONE!** Fare attenzione a non danneggiare la puleggia. Separare gli alloggiamenti dei cuscinetti. Prendere le lame in mano e reggerle. Allentare e svitare il dado superiore. A questo punto è possibile smontare le rondelle, i cuscinetti, gli

anelli distanziatori e le lame. Pulire tutti gli elementi che saranno riutilizzati. Smontare la puleggia solo per sostituire le lame.

MONTAGGIO DELLE LAME

- Collocare le lame nuove su di un tavolo come indicato dal disegno 5b.
- Cominciare il montaggio con un piccolo anello distanziatore (1).
- Successivamente montare una lama come da posizione 1. 5b.
- Montare un anello distanziatore grande (2).
- Successivamente montare una lama in base alla posizione 2 e via di seguito.

Terminare con un anello distanziatore piccolo, una rondella di spinta (3) (dalla parte giusta), un cuscinetto (4), una rondella (5) e un dado (6). Montare l'alloggiamento di cuscinetto (con capsula).

- Durante il montaggio del telaio fare in modo che l'alloggiamento del cuscinetto si innesti nella scanalatura della forcella.
- Avvitare con le 8 viti per lamiera (8).
- Far girare la puleggia per assicurarsi che l'albero giri liberamente.
- Montare la cinghia di trasmissione.
- Montare la protezione della cinghia con le 3 viti per lamiera (9).

ELIMINAZIONE GUASTI

LO SCARIFICATORE NON PARTE

Verificare che:

- Il cavo elettrico sia correttamente collegato.
- Il fusibile sia intatto.
- Il cavo sia in buono stato.
- La protezione antisovraccarico non sia attivata.
- Le lame non siano bloccate.
- La cinghia trapezoidale sia intatta.

LO SCARIFICATORE VIBRA

Verificare che:

- L'albero non sia deformato.
- Le lame non siano danneggiate.
- Nessun oggetto blocchi le lame.

CARATTERISTICHE TECNICHE

SCARIFICATORE

| | |
|------------------------------|--|
| Larghezza di lavoro | 400 mm |
| Velocità di rotazione (lame) | 1300 giri/min. |
| Unità di scarificazione | 15 lame doppie |
| Ruote | 2 ruote, diametro 180 mm, larghezza 45 mm |
| Peso | 18,4 kg |

MOTORE

| | |
|--------------|----------------|
| Tensione | 230 V |
| Corrente | 5,6 A |
| Potenza | 1100 W |
| Regime | 2800 giri/min. |
| Condensatore | 12 mF |

LIVELLO DI RUMOROSITÀ

Il livello di rumorosità all'orecchio è inferiore ai 68 dB (A).

PRESA-COMMUTATORE

Con protezione antisovraccarichi del motore.

På varje gräsmatta bildas vanligtvis redan ett år efter anläggandet en "filt" bestående av avklippta grässtrån. "Filt" blir snabbt så tjock att den hindrar vatten, näring och syre att tränga ner till gräsmattans rotsystem. Följden blir att gräset förlorar sin grönska och blir brunt. Rot-systemet och slitstyrkan försagas. Tillväxten försämras. Motståndskraften mot sjukdomar och torra minskar och till slut övertas gräsets plats av ogräs och mossor.

Genom vertikalskärning avlägsnas inte bara den skadliga "filt". Det reducerar också mängden mossor och långväxande ogräs. Dessutom uppluckras den förhårdnade botten i gräsmattan och denna kan återigen "andas" och tillgodogöra sig vatten, syre och näringsämnen.

Eftersom vertikalskärning också åstadkommer en viss uppgällning, får gräsplantorna ökat livsrum och bättre tillväxtmöjligheter.

Vertikalskärning under växtperioden får gräset att regenerera sig och utbreda sig på gallrade och frilagda ställen. En gräsmatta kan vertikalskäras några gånger per år.

På gräsytor som utsätts för stort slitage och som klipps ofta kan vertikalskärning ske flera gånger, gärna någon gång på sensommaren. Därmed försvåras för sjukdomar att utvecklas under vinterhalvåret.

Efter vertikalskärning ska den upprivna "filt" räfsas ihop och tas bort.

Behandlingen av gräsmattan har rest upp en del av det flatväxande ogräset. Det är därför lämpligt att som avslutning klippa gräset än en gång och då samla de sista resterna av "filt" i klipparens uppsamlare.

Rekommendabelt är att omedelbart efter avslutad vertikalskärning gödsla med ett fullgott gräsmattegödsel. Därmed tillförs de rätta näringsämnena för ny växtkraft. På cirka tre veckor blir gräsmattan tät, grön och slitstark.

De första veckorna efter vertikalskärningen är gräsytan känslig mot torra och bör därför, vid torr väderlek, bevattnas regelbundet (med 2 - 3 dagars mellanrum). Har gräsytan större kala fläckar eller andra skador, bör dessa sås igen.

SYMBOLFÖRKLARING

SYMBOLER PÅ MASKINEN



VARNING! Maskinen kan vara farlig! Slarvigt eller felaktigt användande kan resultera i allvarlig, till och med livshotande skada.



Läs igenom bruksanvisningen noggrant och förstå innehållet innan du använder vertikalskäraren.

Använd alltid:



• Skyddsglasögon eller visir



• Varning för utkastande föremål



• Håll minimiavstånd till andra personer och husdjur.



• Varning för avklippt kabel.



• Håll avstånd till knivarna.

SYMBOLER I BRUKSANVISNINGEN



Kontroll och / eller underhåll skall utföras med motorn fränslagen och stickproppen urtagen.



Använd alltid skyddshandskar.



Regelbunden rengöring krävs.



Okulär kontroll.



Skyddsglasögon eller visir måste användas.

VIKTIG INFORMATION

Hela denna anvisning skall läsas igenom innan vertikalskäraren tas i bruk. Maskinens användning bör begränsas till personer som har läst och förstått och som kommer att följa alla handbokens varningar och anvisningar.

Vad är vad?

- | | |
|------------------------|--------------------|
| 1 Starthandtag | 6 Stödvals |
| 2 Spärrknapp | 7 Insugsfilter |
| 3 Kabelavlastare | 8 Styre, övre del |
| 4 Kabelclips | 9 Styre, undre del |
| 5 Skärjdupsinställning | 10 Mellanstag |

Ingående detaljer

- 1 st vertikalskärare
- 1 st överdel, styre
- 2 st underdel, styre
- 1 st mellanstag
- 1 st bruksanvisning
- 1 st plastpåse

Påsinnehåll

- 2 st vinghandtag
- 4 st skruvar
- 4 st brickor
- 2 st muttrar
- 2 st plåtskruvar
- 3 st kabelclips

ÅTGÄRDER FÖRE ANVÄNDNING AV EN NY VERTIKALSKÄRARE

- Läs igenom bruksanvisningen noggrant.
- Tänk på att du som användare kan bli ersättningskyldig för olyckor som drabbar andra.

PERSONLIG SÄKERHETSUTRUSTNING

Vid arbete med vertikalskäraren bör du använda:

- Skyddsglasögon eller visir.
- Stadiga och halkfria skor.

MASKINENS SÄKERHETSUTRUSTNING**Elsäkerhet**

VARNING! Vertikalskäraren kan anslutas till varje enfas vägguttag som är avskrävt med minst 10 A trög säkring. Nätspänningen ska vara samma som motorns märkspänning, 230 V.

- Elledning och kontakter måste vara avsedda för användning utomhus.
- Elledningen måste kontrolleras regelbundet för att upptäcka skador och åldersförändringar.
- Maskinen får inte användas om inte kabeln är i gott skick. Vertikalskäraren är dubbel isolerad och behöver inte ha någon extra skyddsjordning.
- Maskinen är utrustad med en kabelavlastningsanordning. Montera förlängningskabeln i denna enligt bild 3.
- Förlängningskabeln ska vara avsedd för utomhusbruk, ha minst 1 kvmm area och vara i sköljtätt utförande. (Typ H05RN-F eller liknande).

Schweiz: Vertikalskäraren måste alltid anslutas via en jordfelsbrytare.

Motorn är underhållsfri och skyddas mot överbelastning av ett i starthandtaget inbyggt överbelastningsskydd. Detta skydd utlöses vid fastkörning. Släpp startbygeln. Tag ur stickkontakten och avlägsna föremålet som orsakade fastkörningen. Då startbygeln åter föres till driftsläget, återställs överbelastningsskyddet.



VARNING! Bryt alltid elanslutningen vid rengöring och dylikt av knivarna! Utför aldrig några justeringar eller reparationer utan att motorn är stoppad och elkontakten urdragen.

ALLMÄNNA SÄKERHETSINSTRUKTIONER

- Använd aldrig vertikalskäraren med defekta kåpor, skyddsplåtar eller utan skyddsutrustning.
- Vertikalskär endast i dagsljus.
- Håll barn borta från vertikalskäraren då den är ansluten till nätet.
- Vertikalskär inte när andra personer eller husdjur befinner sig i området som vertikalskärars.
- Tillåt aldrig personer som ej känner till säkerhetsföreskrifterna att använda vertikalskäraren.
- Starta eller koppla på maskinen försiktigt enligt instruktionerna i kapitlet "Start" och håll fötterna på ett säkert avstånd från knivbladen.
- Gå alltid bakom maskinen. Ha aldrig någon kroppsdel nära vertikalskärarens rörliga delar. Stick aldrig handen in i utkastaröppningen.
- Håll kabeln borta från knivarna.
- Om knivarna träffar något hårt, släpp startbygeln och dra ur kontakten ur strömuttaget. Undersök maskinen, särskilt knivarna. Kontrollera att knivaxeln inte böjts. Detta ger en stor obalans, vilket medför att knivarna kan lossna. Reparera maskinen innan du använder den igen.
- Transportera aldrig maskinen med motorn startad. Om förflyttningen kräver att du lyfter maskinen måste du först kontrollera att knivbladen har stannat.
- Lyft aldrig upp maskinen eller bär omkring den när motorn är startad.
- Lämna aldrig maskinen utan att ha dragit ur stickproppen och ställt undan maskinen i säkert förvar.
- Startbygeln får inte tvångspärras i startläget. Försök aldrig att manövrera vertikalskäraren med linor eller liknande.



VARNING! Vertikalskär inte gräsmattan när den är våt och slipprig. Klippt gräs är fuktigt och utgör ett hått underlag. Använd kraftiga skodon då maskinen används och försäkra dig om att du alltid har ett bra fotfäste.

Försäkra dig om att vertikalskäraren är i god kondition. Kontrollera att den gräsyta som ska vertikalskärars är fri från stenar, kvistar och annat skräp. Sådana föremål kan kastas ut ur maskinen och förosaka person- eller maskinskador. Undvik att köra över grusgångar och liknande. Vertikalskärning av slänter kan vara farligt. Vertikalskär inte på mycket branta slänter, utan alltid längs slänten.

MONTERING, STYRE**MONTERING AV STYRE (Bild 2)**

- Förmontera styrets underdel med skruv, bricka och mutter. För ner styret i botten på styrfästet och dra åt muttern. Se bilden.
- Montera mellanstaget med plåtskruvarna. OBS! Kabeln ska löpa (hänga) under mellanstaget.
- Montera övre styrhalvan. Tillsä att kabeln inte kommer i kläm då styret fälls ned.
- Fixera kabeln med medföljande clips.
- Kontrollera att stödvalsens är i transportläget. Knivarna rör då ej vid golv eller mark under transport.

Vid vertikalskärningens början fälls stödvälsen till ett lämpligt arbetsläge. Vanligtvis användes läge 3. (Bild 1)

- Läge 3 = Största skärdjup (10 mm)
- Läge 2 = Minsta skärdjup (3 mm)
- Läge 1 = Transportläge

START OCH STOPP

FÖRE START

- Innan maskinen startas, försäkra dig om att knivarna inte är skadade. Tillsä till lagerhuset, som är knivens isolering, är utan skador.
- Innan du använder redskapet ska du alltid kontrollera att knivbladen och övriga underredsdetaljer inte är slitna eller skadade. Byt alla knivblad samtidigt så att de roterande delarna är balanserade.



START

För att starta maskinen:

- Tryck styret nedåt (se bild 3). Maskinens främre del lyfts från gräsmattan och knivarna frigörs.
- Tryck in spärrknappen (2 på bild 1) på starthandtaget och pressa startbygeln (1 på bild 1) mot styret – knivaxeln roterar.
- Släpp spärrknappen.

VIKTIG INFORMATION

Om maskinen måste lutas, ska det inte vara mer än absolut nödvändigt och då enbart den del som är riktad från dig.

DRIFT

- Lyft styret tills stödvälsen på maskinens främre del har kontakt med marken.
- Gå sakta framåt. Den hastighet med vilken du går, anpassas efter gräsmattans tillstånd. Lägre hastighet – större avverkning. Kör du i stenar eller liknande, sänk styret så att knivarna går fria.
- Hantera elkabeln så som visas på bild 4.



VARNING! Om olyckan är framme, t.ex. att kabeln dras in i knivaxeln: Släpp omedelbart startbygeln och dra ur stickkontakten vid vägguttaget. Laga kabeln fackmässigt eller köp en ny.

STOPP OCH TRANSPORT

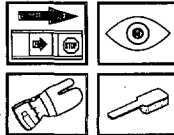
- Undvik täta starter / stopp.
- Släpp startbygeln och tag ur stickkontakten då maskinen ska bäras eller rengöras.
- Ställ alltid höjdställningen i transportläge då maskinen ej används.
- Vid transport ska handtaget försiktigt fällas ihop. Se till att kabeln inte skadas.
- Låt motorn svalna innan du packar ned maskinen i en låda eller kartong.



UNDERHÅLL

UNDERHÅLL AV VERTIKALSKÄRAREN

För att uppnå ett gott resultat ska knivarna vara skarpa. Knivarna är för-slitningsdetaljer och ska därför med jämna mellanrum kontrolleras.



VIKTIG INFORMATION

- Kontrollera regelbundet att alla bultar, skruvar och muttrar är väl ådragna. Byt omedelbart ut skadade delar. Endast originalreservdelar får användas.
- Rengöring, underhåll och service får endast ske då stickproppen är uttagen.
- Spola inte maskinen med vatten.
- Kontrollera regelbundet kablarna beträffande nötning och åldring.
- Använd aldrig maskinen i regnväder och låt den inte stå ute i regn.
- Håll motorn fri från gräs, löv och överskottsfett så att risken för brand minimeras.

ras och ersättas. Den elektriska utrustningen på maskinen såsom kabel, starthandtag mm ska ur säkerhetssynpunkt kontrolleras ofta. Upptäckta fel måste åtgärdas före användning.

- Rengör med borste efter användningen.
OBS! Ej vattenspolning!
- Kontrollera regelbundet att knivarna inte har lossnat.

INSUGSFILTER



VIKTIG INFORMATION

Insugsfiltret ska rengöras vid behov. Använd en mjuk borste för att borsta bort torrt gräs, löv etc. Filtret kan också demonteras för renblåsning.

FÖRVARING AV MASKINEN

Förvara maskinen torr. Undvik rostangrepp genom att behandla alla metalldelar med rostskyddsmedel.

KNIVBYTTE

S

(Bild 5)



DEMONTERING

En knivsats för vertikalskäraren består av 15 st knivar och finns hos återförsäljare. (Bild 5b).

- Använd endast originalknivar märkta med "H". Beställningsnummer 371 92 45.
- Dra ur stickkontakten vid vägguttaget.
- Gör ren maskinen. Borsta bort jord och grus. Vattenspolare ej!
- Lossa skruvarna (9) och ta bort remskyddet.
- Demontera drivremmen. Lagerhusen är monterade i gavlarna med 8 st plåtskruvar (8). Skruva ut dessa. (På drivsida nås de översta skruvarna genom ett hål i knivaxelskivan; se bild 5 o 5a).
- Knivaxeln går nu att skjuta nedåt.

DEMONTERING AV KNIVARNA

Spänn fast knivaxeln vertikalt i t.ex. ett skruvstycke med remskivan nedåt. OBS! Skada ej denna! Dela lagerhuset. Fatta tag i knivarna med ena handen och håll emot

då muttern på ovansidan lossas och skruvas av. Därefter kan brickor, lagerhus, distansringar och knivar demonteras. Rengör alla detaljerna som ska återmonteras. Demontera ingenting på remskivsidan, utom vid lagerbyte.

MONTERING AV KNIVARNA

- Placera de nya knivarna framför dig enligt bild 5b.
- Börja monteringen med en liten distansring (1).
- Därefter en kniv enligt position 1, 5b.
- Montera en stor distansring (2).
- Därefter en kniv enligt position 2, osv.

Avsluta med en liten distansring, tryckbricka (3) (vänd på rätt håll), lager (4), bricka (5) och mutter (7). Montera lagerhuset (inklusive kapsein).

- Vid montering i chassiet, se till att lagerhuset passar i gavelurtaget.
- Skruva fast med plåtskruvarna (8), (8 st).
- Kontrollera att axeln går lätt, genom att vrida den runt med remskivan.
- Montera remmen.
- Montera remskyddet med 3 st plåtskruvar (9).

FELSÖKNING

OM MASKINEN INTE STARTAR, KONTROLLERA ATT:

- Elkabeln är ansluten.
- Säkringarna är hel.
- Kabeln är oskadad.
- Överbelastningsskyddet ej är utlöst.
- Knivarna ej är blockerade.
- Kilremmen är hel.

OM MASKINEN VIBRERAR, KONTROLLERA ATT:

- Axeln ej är krökt.
- Knivarna ej är trasiga.
- Föremål ej har fastnat i knivarna.

TEKNISKA DATA

VERTIKALSKÄRARE

| | |
|------------------|-------------------------------|
| Arbetsbredd | 400 mm |
| Varvtal (knivar) | 1300 r/min |
| Skärenhet | 15 st dubbla knivar |
| Hjul | 2 st diam 180 mm, bredd 45 mm |
| Vikt | 18,4 kg |

MOTOR

| | |
|-------------|------------|
| Spänning | 230 V |
| Strömstyrka | 5,6 A |
| Effekt | 1100 W |
| Varvtal | 2800 r/min |
| Kondensator | 12 mF |

LJUDTRYCKSNIVÅ

Ljudtrycksnivån vid operatörens öra är < 68 dB (A).

STARTRHANDTAG

Inklusive överbelastningsskydd för motorn.

På en gressplen dannes det som regel allerede et år etter at plenen er anlagt en "filt" som består av gressavklipp. "Filt" blir raskt så tykk at den hindrer vann, næringsstoffer og oksygen i å trenge ned i plensens rotsystem. Resultatet er at gresset mister grønnfargen og blir brunt. Rotsystemet og slitestyrken svekkes. Veksten blir dårligere. Gresset får mindre motstandskraft mot sykdom og tørke og må til slutt vike plass for ugress og mose.

Ved vertikalskjæring fjernes ikke bare den skadelige "filten", men også innslaget av mose og høytvoksende ugress reduseres. I tillegg rives den hardpakkede bunnen i gressplenen opp slik at plenen igjen får "puste" og kan suge opp vann, oksygen og næringsstoffer.

Eftersom vertikalskjæringen også fører til en viss uttynning, får gressplantene større plass og bedre vekstmuligheter.

Vertikalskjæring i vekstperioden gjør at gresset skyter nye skudd og sprer seg på uttynnede og åpne felter. En gressplen kan vertikalskjæres et par ganger i året.

På flater som er utsatt for stor slitasje og/eller som klippes ofte, kan det vertikalskjæres flere ganger, gjerne en eller annen gang på sensommeren. Dermed unngår en at det utvikler seg sykdom i vinterhalvåret.

Etter vertikalskjæringen skal den opprevde "filten" rakes sammen og fjernes.

Behandlingen av plenen har fått en del av det flattvoksende ugresset til å reise seg. Derfor er det lurt avslutningsvis å klippe gresset enda en gang og samle opp de siste restene av "filten" i gressklipperens oppsamler.

Når du er ferdig med å vertikalskjære, bør du umiddelbart gjødsle med fullgjødsel. Dermed tilføres plenen de næringsstoffene den trenger for å få ny grokraft. I løpet av tre ukers tid er plenen igjen tett, grønn og slitesterk.

De første ukene etter vertikalskjæring kan gresset være spesielt utsatt for tørke og bør derfor, ved tørt vær, vannes jevnlig (med 2 - 3 dagers mellomrom). Har gressflaten større bare flekker eller andre skader, bør disse tilsås.

SYMBOLFORKLARING

SYMBOLER PÅ MASKINEN



ADVARSEL! Maskinen kan være farlig! Skjødelses eller feil bruk kan medføre alvorlig, til og med livstruende skade.



Les bruksanvisningen nøye og forstå innholdet før du bruker vertikalskjæreren.

Bruk alltid:



• Vernebriller eller visir



• Advarsel for gjenstander som kastes ut!



• Hold en minste avstand til andre personer og husdyr.



• Advarsel for avkuttet kabel.



• Hold avstand til knivene.

SYMBOLER I BRUKSANVISNINGEN



Kontroll og / eller vedlikehold skal foretas med motoren slått av og støpslet trukket ut.



Bruk alltid vernehansker.



Regelmessig rengjøring påkrevd.



Visuell kontroll.



Det må benyttes vernebriller eller visir.

VIKTIG INFORMASJON!

Du må lese hele denne håndboken før du bruker din vertikalskjærer og alle som bruker den må ha lest, forstått og følge alle advarsler og anvisninger i denne håndboken.

Hva er hva på vertikalskjæreren?

- | | |
|--|----------------------|
| 1 Bryterhendel | 6 Støtterulle |
| 2 Sikkerhetsknapp | 7 Luftfilter |
| 3 Strekkavlaster | 8 Håndtak, øvre del |
| 4 Kabelklips | 9 Håndtak, nedre del |
| 5 Innstilling av skjæredybde / transportstilling | 10 Mellomstag |

Enkeltdele

- 1 stk. vertikalskjærer
- 1 stk. overdel, håndtag
- 2 stk. underdel, håndtag
- 1 stk. mellomstag
- 1 stk. bruksanvisning
- 1 stk. plastpose

Plastposen inneholder:

- 2 stk. vingemuttere
- 4 stk. skruer
- 4 stk. skiver
- 2 stk. muttere
- 2 stk. selvgjengende skruer
- 3 stk. kabelklips

FØR DEN NYE VERTIKALSKJÆREREN TAS I BRUK

- Les bruksanvisningen nøye.
- Husk at du som bruker kan bli erstatningsansvarlig for ulykker som rammer andre.

PERSONLIG SIKKERHETSUTSTYR

Under arbeid med vertikalskjæreren bør du bruke:

- Vernebriller eller visir.
- Solide og sklislire sko.

MASKINENS SIKKERHETSUTSTYR

Elektrisk utstyr



ADVARSEL! Vertikalskjæreren kan tilkoples en 1-fas stikkontakt som er sikret med minst 10 A treg-sikring. Nettspenningen skal være den samme som motorens merkespenning, 230 V.

- Strømkabelen og kontaktene må være godkjent for bruk utendørs.
- Strømkabelen må sjekkes jevnlig med tanke på eventuelle skader og forandringer grunnet elde.
- Maskinen må ikke brukes dersom kabelen ikke er i god stand.
- Vertikalskjæreren er dobbeltisolert. I brytertilkoplingen er det ikke jordforbindelse.
- Maskinen er utstyrt med en strekkavlaster. Monter skjøteledningen i denne som vist på figur 3.
- Skjøteledningen må være min. 1 mm² i tverrsnitt og være godkjent for bruk utendørs. (Type H05RN-F eller liknende.)

Schweiz: Vertikalskjæreren må alltid koples via jordfeilbryter.

Motoren er vedlikeholdsfri og beskyttet mot overbelastning av et motorvern som er bygd inn i bryteren. Motorvernet utløses når maskinen kjører seg fast. Slipp bryterhendelen. Trekk ut skjøtekontakten og fjern gjenstanden som forårsaket stoppen. Når hendelen føres tilbake til driftsstillingen tilbakestilles motorvernet.



ADVARSEL! Strømmen må alltid koples fra ved rengjøring o.l. av knivene! Det må ikke foretas justeringer eller reparasjoner før motoren er stanset og skjøtekontakten frakoplet.

ALMINNELIGE SIKKERHETSINSTRUKSER

- Vertikalskjæreren må ikke brukes med defekte deksler eller beskyttelsesplater, eller uten verneutstyr.
- Vertikalskjær bære i dagslys.
- Barn må holdes unna vertikalskjæreren når denne er tilkople nettet.
- Vertikalskjær ikke når andre personer eller husdyr befinner seg innenfor det område som skal vertikalskjæres.
- La aldri personer som ikke kjenner til sikkerhetsforskriftene bruke vertikalskjæreren.
- Vær forsiktig ved start eller tilkopling av maskinen. Følg anvisningene i kapitlet "Start", og hold føttene på sikker avstand fra kniv knivbladene.
- Gå alltid bak maskinen. Unngå at noen del av kroppen kommer i nærheten av vertikalskjæreren bevegelige deler. Har maskinen utkasteråpning, må du ikke stikke hånden i denne.
- Hold kabelen unna knivene.
- Hvis knivene støter mot noe hardt: Stopp maskinen øyeblikkelig, og trekk kontakten ut av bryteren. Under søk maskinen, spesielt knivene. Kontroller at knivakselen ikke er bøyd da dette resulterer i ubalanse, noe som igjen medfører stor fare for at knivene kan løsne. Reparer maskinen før du bruker den igjen.
- Maskinen må ikke flyttes mens motoren går. Hvis flyttingen krever at du løfter maskinen, må du først sjekke at knivbladene har stanset.
- Maskinen må ikke løftes eller bæres omkring mens motoren går.
- Gå aldri fra maskinen før du har trukket ut støpslet og satt maskinen bort på et sikkert sted.
- Bryteren må ikke tvangslåses i startposisjonen.
- Forsøk aldri å manøvrere vertikalskjæreren med tau, line eller liknende.



ADVARSEL! Gressplenen må ikke vertikalskjæres når den er våt og glatt. Nyklipt gress er fuktig og gjør at underlaget blir glatt. Benytt solide sko når du bruker maskinen, og pass på at du alltid har godt fotfeste. Påse at vertikalskjæreren alltid er i god stand. Kontroller at flaten som skal vertikalskjæres er fri for stein, kvist og annet skrot. Slike gjenstander kan slynges ut av maskinen og forårsake person- eller maskinskade. unngå å kjøre over grusganger og liknende. Vertikalskjæring i bakker kan innebære fare. Vertikalskjær ikke i spesielt bratte helling. Vertikalskjæringen skal alltid foregå i bakkens lengderetning.

MONTERING AV HÅNDTAK

MONTERING AV HÅNDTAK (Fig. 2)

- Formonter underdelen på håndtaket med skruer, skive og mutter. Skyv håndtaket helt inn i festet og trekk til mutteren. Se tegning.
- Monter mellomstaket med de selvgjengende skruene. OBS! Kabelen skal løpe (henge) under mellomstaket.
- Monter den øvre delen av håndtaket. Påse at kabelen ikke kommer i klør når håndtaket slås ned.
- Fest kabelen med de medfølgende klipsene.
- Kontroller at støtterullen står i transportstillingen, slik at knivene ikke berører gulv eller bakke under transport.

I det vertikalskjæreringen tar til, senkes støtterullen ned i passende arbeidsstilling/-høyde. Vanligvis benyttes stilling 3. Fig. 1.

- Stilling 3 = største skjæredybde (10 mm)
- Stilling 2 = minste skjæredybde (3 mm)
- Stilling 1 = transportstilling

START OG STOPP

FØR START

- Før maskinen startes, må du sjekke at kniverne ikke er beskadiget. Påse av plastdelene, som er knivens isolering, er uten skader.
- Før du bruker redskapen, må du alltid kontrollere at knivbladene og understelletts øvrige deler ikke er slitt eller beskadiget. Bytt alle knivbladene samtidig slik at de roterende delene er balansert.

START

For å starte maskinen:

- Trykk håndtaket ned (se fig 3).
- Trykk inn sikkerhetsknappen på bryteren og press bryterhendelen mot håndtaket – knivakselen går rundt.
- Slipp sikkerhetsknappen.



DRIFT

- Løft håndtaket så høyt at støtterullen foran på maskinen berører bakken.
- Gå sakte forover. Reguler gåhastigheten etter plenens tilstand. Jo lavere hastighet, dess større mengder avskjær. Støt du borti stein og liknende, senker du håndtaket slik at kniverne går fri.
- Skjøteledningen skal plasseres som vist på tegning 4.



ADVARSEL! Hvis uhellet skulle være ute, f.eks. at kablet trekkes inn i knivakselen, slipper du bryterhendelen umiddelbart og kopler kablet fra nettet. Reparer kablet forskriftsmessig eller kjøp ny.

STOPP OG TRANSPORT

- Unngå tett påfølgende starter / stopper.
- Slipp bryterhendelen og trekk ut skjøtekontakten når maskinen skal bæres eller rengjøres.
- Maskinen skal alltid stå i transportstillingen når den ikke er i bruk.
- Ved transport skal håndtaket slås forsiktig ned. Pass på at kablet ikke beskadiges.
- La motoren avkjøle seg før du pakker ned maskinen i en kasse eller pappepose.



VIKTIG INFORMASJON

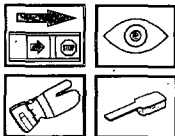
Hvis maskinen må vippes opp, må du ikke vippe den mer enn høyst nødvendig og bare løfte den delen som vender bort fra deg selv.

VEDLIKEHOLD

VEDLIKEHOLD

AV VERTIKALSKJÆREREN

For å få godt resultat må kniverne være skarpe. Knivene er slitedeler og skal derfor kontrolleres og byttes med jevne mellomrom. Maski-



nens elektriske utstyr, som kabel, bryter osv, må av sikkerhetsmessige hensyn kontrolleres ofte. Oppdager du feil, må disse utbedres før bruk.

- Rengjøres med børste etter bruk.
- OBS! Må ikke spyles med vann!
- Kontroller jevnlig av kniverne ikke har løstnet.

VIKTIG INFORMASJON

- Kontroller jevnlig at samtlige bolter, skruer og muttere er trukket godt til. Bytt beskadigede deler umiddelbart. Det må kun benyttes originale reservdeler.
- Rengjøring, vedlikehold og service må bare finne sted når støpslet er trukket ut.
- Maskinen må ikke spyles med vann.
- Kontroller kablene jevnlig med tanke på slitasje og elde.
- Maskinen må ikke brukes i regnvær og må heller ikke stå ute i regn.
- Hold motoren fri for gress, løv og overskuddsfett slik at brannfaren reduseres til et minimum.

LUFTFILTER



VIKTIG INFORMASJON!

Luftfiltret skal rengjøres ved behov. Benytt en bløt børste for å børste vekk tørt gress, løv etc. Filtret kan også demonteres og blåses rent.

OPPBEVARING AV MASKINEN

Maskinen skal stå tørt. Unngå rustangrep ved å behandle samtlige metalldeleer med rustbeskyttende middel.

(Fig. 5)

**DEMONTERING**

Vertikalskjærerens knivsett består av 15 kniver og fås hos forhandleren. (Fig. 5b)

- Bruk kun originalkniver merket "H". Bestillingsnummer 371 92 45.
- Kople kabelaen fra nettet.
- Rengjør maskinen; Børst vekk jord og grus. Må ikke spyles med vann!
- Fjern rembeskytteren (9).
- Demonter drivremmen.
- Lagerhusene er festet til chassiset med 8 selvgjengende skruer (8). Disse skrur ut. (På drivsideen nås de øverste skruene via et hull i knivakselskiven, se tegning 5 og 5a)
- Nå kan knivakselen skyves ned.

DEMONTERING AV KNIVENE

Spenn fast knivakselen vertikalt i f.eks. en skruestikke og med remskiven ned. OBS! Remskiven må ikke beskadiges! Del lagerhuset. Tak tak i knivene med den ene hånden og hold imot når mutteren på oversiden løsnes

og skrur av. Deretter kan skiver, lagerhus, avstandsringer og kniver demonteres. Rengjør samtlige deler som skal settes inn igjen før de nye knivene monteres. På remskivesiden skal ingenting demonteres, unntatt ved bytte av lager.

MONTERING AV KNIVENE

- Plasser de nye knivene på bordet, som vist på fig 5b.
- Begynn monteringen med en liten avstandsring (1).
- Deretter en kniv som vist i posisjon 1, 5b.
- Monter en stor avstandsring (2).
- Deretter en kniv som vist i posisjon 2, osv.

Avslutt med en liten avstandsring, trykkskive (3) (snu på riktig side), lager (4), skive (5) og mutter (7). Monter lagerhuset (inklusive kapselen).

- Ved montering i chassiset, påse at lagerhusene passer i sporet på hver side.
- Skrur fast med 8 stk. selvgjengende skruer (8).
- Kontroller at akselen går lett ved å dreie den rundt med remskiven.
- Monter drivremmen.
- Monter rembeskytteren med 3 selvgjengende skruer (9).

FEILSØKING**VERTIKALSKJÆREREN VIL IKKE STARTE**

Kontroller at:

- strømkabelaen er tilkopleet.
- sikringen er intakt.
- kabelaen ikke er beskadiget.
- motorvernet ikke er utløst.
- knivene ikke er blokkert.
- kileremmen er intakt.

VERTIKALSKJÆREREN VIBRERER

Kontroller at:

- akselen ikke er bøyd.
- knivene ikke er slitt.
- det ikke sitter noe fast i knivene.

TEKNISKE DATA**VERTIKALSKJÆRER**

| | |
|---------------|-----------------------------------|
| Arbeidsbredde | 400 mm |
| Knivhastighet | 1300 omdr./min |
| Skjæreenhet | 15 stk. doble kniver |
| Hjul | 2 stk. diam. 180 mm, bredde 45 mm |
| Vekt | 18,4 kg |

MOTOR

| | |
|----------------|----------------|
| Spenning | 230 V |
| Strømstyrke | 5,6 A |
| Effekt | 1100 W |
| Motorhastighet | 2800 omdr./min |
| Kondensator | 12 mF |

LYDTRYKKNIVÅ

Lydtrykknivå ved operatørens øre er < 68 dB (A).

BRYTER

Inkl. motorvern.

På enhver græsplæne dannes der almindeligvis et "tæppe" af afklippet græs allerede et år efter anlæggelsen. "Tæppet" bliver hurtigt så tæt, at det hindrer vand, næringsstoffer og ilt i at trænge ned til græsplænenes rodnet. Derfor taber græsset sin grønne farve og bliver brunt. Rodnet og slidstyrken bliver mindre. Væksten nedsættes. Modstandskraften mod sygdomme og tørke formindskes, og til sidst overtages græssets plads af ukrudt og mos.

Vertikalskæreren fjerner ikke kun det skadelige "tæppe". Den reducerer også mængden af mos og højt voksende ukrudt. Desuden løsnes den hårde jordbund under plænen, der igen kan "ånde" og optage vand, ilt og næringsstoffer. Eftersom vertikalskæreren også giver en vis udynding, får græsplanterne mere plads og bedre vækstmuligheder.

Vertikalskæring i vækstperioden får græsset til at regnerørere og brede sig over udyndede og frilagte områder. En græsplæne kan vertikalskæres et par gange om året. På græsarealer, der udsættes for kraftig slitage og / eller

klippes tit, kan vertikalskæring foretages flere gange, gerne et par gange om efteråret. Således forhindres sygdomme i at brede sig i vinterhalvåret.

Efter vertikalskæring skal det oprevne "tæppe" rives sammen og fjernes.

Behandlingen af græsplænen har rejst en del af det fladvoksende ukrudt. Det er derfor passende at slutte af med at klippe græsset endnu en gang og opsamle de sidste rester af "tæppet" i klipperens græsopsamler.

Det anbefales at behandle plænen med en god plænegødning straks efter afslutning af vertikalskæringen.

Herved tilføres de rette næringsstoffer, der giver fornyet vækst. Græsplænen bliver tæt, grøn og slidstærk på ca. tre uger.

I de første uger efter vertikalskæringen er græsplænen følsom over for tørke og bør derfor, i tørt vejr, vandes regelmæssigt (med 2-3 dages mellemrum). Hvis græsplænen har større nøgne pletter eller andre skader, bør disse tilsås igen.

SYMBOLFORKLARING

SYMBOLER PÅ MASKINEN



ADVARSEL! Maskinen kan være farlig! Skodeløs eller forkert betjening af maskinen kan resultere i alvorlig, til og med livsfarlig skade.



Læs bruksanvisningen grundigt igennem, så du forstår den, inden du tager vertikalskæreren i brug.

Brug altid:



• Beskyttelsesbriller eller ansigtsmaske.



• Advarsel om udkastede genstande.



• Hold en mindsteafstand til andre personer og husdyr.



• Advarsel om overklippet ledning.



• Hold afstand til knivene.

SYMBOLER I BRUGSANVISNINGEN



Eftersyn og/eller vedligeholdelse skal udføres med motoren trakoblet og stikket trukket ud.



Brug altid beskyttelseshandsker.



Regelmæssig rengøring er nødvendig.



Syns kontrol.



Beskyttelsebriller eller ansigtsmaske skal bruges.

VIKTIGT!

Du bør læse hele betjeningsvejledningen, inden vertikalskæreren tages i brug, og du må kun lade personer, der har læst og forstået advarsler og instruktioner i denne vejledning og som vil følge dem, benytte vertikalskæreren.

Vertikalskærerenes dele

- | | |
|---|--------------------------|
| 1 Starthåndtag | 6 Støttevalse |
| 2 Låseknop | 7 Indsugningsfilter |
| 3 Ledningsaflastning | 8 Styrehåndtag, overdel |
| 4 Ledningsklemme | 9 Styrehåndtag, underdel |
| 5 Indstilling af skæredybde / transportstilling | 10 Mellemstykke |

Enkeltd dele

- | |
|---------------------------|
| 1 vertikalskærer |
| 1 overdel, styrehåndtag |
| 2 underdele, styrehåndtag |
| 1 mellemstykke |
| 1 bruksanvisning |
| 1 plastpose |

Plastposens indhold:

- | |
|-------------------|
| 2 vingemøtrikker |
| 4 skruer |
| 4 underlagsskiver |
| 2 møtrikker |
| 2 pladeskruer |
| 3 ledningsklemmer |

FØR VERTIKALSKEEREN TAGES I BRUG:

- Gennemlæs brugsanvisningen nøje.
- Husk på, at du som bruger af maskinen kan blive erstatningspligtig for ulykker, du påfører andre.

PERSONLIGT SIKKERHEDSUDSTYR

Under arbejde med vertikalskæreren skal følgende udstyr bruges:

- Beskyttelsesbriller eller ansigtsmaske
- Solide og skridsikre sko

MASKINENS SIKKERHEDSUDSTYR

Elektrisk sikkerhed



ADVARSEL! Vertikalskæreren kan tilsluttes enhver afaset stikdåse med mindst 10A (træg sikring). Netspændingen skal være den samme som motorens mærkespænding (230 V).

- El-ledning og stik skal være beregnet til udendørs brug.
- El-ledningen skal efterses regelmæssigt for skader eller ældning.
- Hvis ledningen er beskadiget, må maskinen ikke bruges.
- Vertikalskæreren er dobbeltisoleret og kræver ikke ekstra jordforbindelse.
- Maskinen er udstyret med en ledningsafslætning. Forlængerledningen skal monteres i denne, som vist på tegningen. (Fig. 3)
- Forlængerledningen skal være beregnet til udendørs brug, have et tværsnit på mindst 1mm² og være vandtæt (type H05RN-F) eller lignende).

Schweiz: Vertikalskæreren må altid tilsluttes via fejlstrømsafbryder.

Motoren er vedligeholdelsesfri og beskyttes mod overbelastning af en overbelastningsbeskyttelse, der er indbygget i starthåndtaget. Denne beskyttelse udløses, hvis maskinen kører fast. Slip startbøjlen. Træk stikket ud og fjern genstanden, der har forårsaget standsningen. Når startbøjlen igen føres tilbage i driftstilling, oprettes overbelastningsbeskyttelsen igen.



ADVARSEL! Afbryt altid nettilslutningen ved rengøring o.l. af knivene! Reparationer eller justeringer må kun udføres, når motoren står stille, og stikket er trukket ud.

ALMINDelige SIKKERHEDSINSTRUKTIONER

- Brug aldrig vertikalskæreren med defekte kapper eller beskyttelsesplader eller uden beskyttelsesudrustning
- Brug kun vertikalskæreren i dagslys.
- Hold børn borte fra vertikalskæreren, når den er tilsluttet lysnettet.
- Brug aldrig vertikalskæreren, når andre personer eller husdyr befinder sig i området, der vertikalskæres.
- Lad aldrig personer, der ikke kender sikkerhedsinstruktionerne, bruge vertikalskæreren.
- Maskinen skal startes eller tilkobles forsigtigt i overensstemmelse med instruktionerne i kapitlet "Start", og fødderne skal holdes på sikker afstand af knivbladene.
- Gå altid bag om maskinen. Sørg altid for ikke at have nogen del af kroppen i nærheden af vertikalskæreren's bevægelige dele. Hvis maskinen har en udkasteråbning, må du aldrig stikke hånden ind i den.
- Hold ledningen borte fra knivene.
- Hvis knivene rammer en hård genstand, skal maskinen standes omgående, og stikket trækkes ud af stikdåsen. Undersøg maskinen, især knivene. Kontroller, at knivakslen ikke er bøjet. Dette vil give en stor ubalance med risiko for, at knivene løses. Reparer maskinen, før den bruges igen.
- Flyt aldrig maskinen, når motoren er i gang. Hvis en flytning kræver, at maskinen løftes, skal du først kontrollere, at knivene står stille.
- Maskinen må aldrig løftes eller bæres, mens motoren er i gang.
- Gå aldrig fra maskinen, uden at stikket er trukket ud af stikdåsen, og maskinen er anbragt et sikkert sted.
- Starthåndtaget må ikke fastlåses i startstilling.
- Prøv aldrig på at styre vertikalskæreren med et reb eller lignende.



ADVARSEL! Brug ikke vertikalskæreren, når græsplænen er våd og fedtet. Klippet græs er fugtigt og giver ikke et sikkert fodfæste. Brug kraftige sko, når maskinen bruges, og forvis dig om, at du altid har et godt fodfæste.

Kontroller altid, at vertikalskæreren er i god tilstand. Eftersø, at græsplænen, der skal vertikalskæres, er fri for sten, kviste og andre forstyrrende genstande. Sådanne genstande kan kastes ud af maskinen og forårsage person- eller maskinskade. Kør ikke over grusgange eller lignende. Vertikalskæring på skråningen kan være farlig. Foretag ikke vertikalskæring på meget bratte skråninger. Vertikalskæring skal altid foretages på langs ad skråninger.

MONTERING AF STYREHÅNDTAG

MONTERING AV STYREHÅNDTAG (Fig. 2)

- Monter først styrehåndtagets underdel med skruer, underlagsskiver og møtrikker. Før styrehåndtaget ned i styrehåndtagets holdere og spænd møtrikkerne. Se billedet.
- Monter mellemstykket med pladeskruerne. **BEMÆRK!** Ledningen skal passere (hænge) under mellemstykket.
- Monter styrehåndtagets overdel. Kontroller, at ledningen ikke kommer i klemme, når styrehåndtaget foldes sammen.
- Fastgør ledningen med de medfølgende klemmer.
- Kontroller, at støttevalsen er i transportstilling. Knivene rører ikke gulv eller mark under transport.

Før vertikalskæring påbegyndes, skal støttevalsen sænkes til en passende arbejdsstilling. Normalt bruges stilling 3. (Fig. 1)

- Stilling 3 = Største skæredybde (10 mm)
- Stilling 2 = mindste skæredybde (3 mm)
- Stilling 1 = Transportstillingen

START OG STOP

FØR START

- Før maskinen startes, skal du sikre dig, at knivene er ubeskadigede. Kontroller, at plastdelene, der udgør knivenes isolering, er intakte.
- Før maskinen bruges, skal du altid kontrollere, at knivbladene og de øvrige chassisdele ikke er slidte eller beskadigede. Udskift alle knivblade samtidigt, så de roterende dele er i balance.

START

Før å starte maskinen:

- Tryk styrehåndtaget nedad (se billedet 3). Maskinens forende løftes fra græsplænen, og knivene frigøres.
- Tryk låseknappen på starthåndtaget ind og pres startbøjlen mod styrehåndtaget. Knivakslen roterer.
- Slip låseknappen.



VIKTIGT!

Hvis maskinen skal vippes, må du ikke vippe den mere end absolut nødvendigt og kun løfte den del, der vender bort fra dig.

BETJENING

- Løft styrehåndtaget, indtil støttevalsen i maskinens forende rører underlaget.
- Gå langsomt fremad. Hastigheden tilpasses efter græsplænenes tilstand. Lavere hastighed – kraftigere bearbejdning. Hvis maskinen kører ind i sten eller lignende, sænkes styrehåndtaget, så knivene går fri.
- Anbring el-ledningen, som vist på billedet 4.



ADVARSEL! Hvis uheldet er ude, f.eks. hvis ledningen trækkes ind i knivakslen, slippes starthåndtagets bøjle omgående, og stikket trækkes ud af stikdåsen. Reparer kablet professionelt eller køb et nyt.

STOP OG TRANSPORT

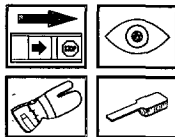
- Undgå start og stop umiddelbart efter hinanden.
- Slip startbøjlen og træk stikket ud, når maskinen skal bæres eller bruges.
- Indstil altid transportstillingens højdeindstilling, når maskinen ikke bruges.
- Ved transport foldes styrehåndtaget forsigtigt sammen. Pas på, at ledningen ikke beskadiges.
- Lad motoren køle af, før maskinen pakkes i en kasse eller karton.



VEDLIGEHOLDELSE

VEDLIGEHOLDELSE AF VERTIKALSKÆREREN

Før at opnå et godt resultat skal knivene være skarpe. Knivene er sliddele og skal derfor efterses og udskiftes med jævne mellemrum.



VIKTIGT!

- Det skal kontrolleres med jævne mellemrum, at alle bolte, skruer og møtrikker er fastspændt. Udskift straks beskadigede dele. Kun originaldele må benyttes.
- Rengøring, vedligeholdelse og service må kun udføres med stikket trukket ud.
- Maskinen må ikke skylles med vand.
- Efterse ledningerne regelmæssigt for slitage og ældning.
- Brug aldrig maskinen i regnvej og lad den ikke stå ude i regnen.
- Fjern alt græs, blade og overskydende fedt fra motoren, så risikoen for brand nedsættes til et minimum.

Det elektriske udstyr på maskinen såsom ledning, start-håndtag o.l. skal af sikkerhedsmæssige grunde kontrolleres ofte. Skader skal udbedres før brug.

- Rengør maskinen med en børste efter brugen.
- BEMÆRK! Maskinen må ikke skylles med vand!
- Kontroller regelmæssigt, at knivene ikke er løse.

INDSUGNINGSFILTER



VIKTIGT!

Indsugningsfiltret skal renses efter behov. Brug en blød børste for at fjerne tørt græs, blade etc. Filtret kan også afmonteres for renblæsning.

OPBEVARING AF MASKINEN

Opbevar maskinen på et tørt sted. Undgå rustangreb ved at behandle alle metaldele med et rustbeskyttelsesmiddel.

(Fig. 5)

**AFMONTERING**

Et Sæt knive til vertikalskæreren består af 15 knive og kan købes hos din forhandler. (Fig. 5b)

- Brug kun originalknive mærket "H". Ordrenummer: 371 92 45.
- Træk stikket ud af stikdåsen.
- Rengør maskinen. Børst jord og grus af. Skyl aldrig med vand!
- Fjern remskærmen (9).
- Afmonter drivremmen.
- Lejehusene er monteret i siderne med 8 pladeskruer (8). Skru disse ud. (På drivsiden er der adgang til de øverste skruer gennem et hul i knivakselskiven, se billede 5 og 5a).
- Knivakslen kan nu skydes nedad.

AFMONTERING AF KNIVENE

Fastspænd knivakslen lodret med remskiven nedad, f.eks. i en skruestik. PAS PÅ! Sørg for, at remskiven ikke beskadiges! Adskil lejehuset. Tag fat i knivene med den ene hånd og hold imod, mens møtrikkerne på

oversiden skrues af. Derefter kan underlagsskiver, leje-hus, afstandsringe og knive afmonteres. Rengør alle enkeltdele, der skal genmonteres, før de nye knive monteres. Foretag ikke afmontering i remskivens aksel-ende, bortset fra lejeskift.

MONTERING AF KNIVE

- Læg de nye knive på bordet, som vist på tegningen 5b.
- Begynd monteringen med en lille afstandsring (1)
- Monter derefter en kniv i position 1 på tegningen, 5b.
- Monter en stor afstandsring (2).
- Monter derefter en kniv i position 2 osv.

Afslut med en lille afstandsring, tryksskive (3) (vendt korrekt), leje (4), skive (5) og møtrik (7). Monter lejehuset (inklusive kapslen).

- Ved montering i chassiset kontrolleres det, at lejehusene passer i sideåbningerne.
- Skru lejehusene fast med 8 pladeskruer (8).
- Kontroller, at akslen løber let ved at dreje den rundt med remskiven.
- Monter drivremmen.
- Monter remskærmen med 3 pladeskruer (9).

FEJLFINDING**VERTIKALSKÆREREN STARTER IKKE:**

Kontroller, at:

- El-ledningen er korrekt tilsluttet.
- Sikringen er intakt.
- Ledningen er ubeskadiget.
- Overbelastningsbeskyttelsen ikke er udløst.
- Knivene ikke er blokeret.
- Kileremmen er intakt.

VERTIKALSKÆREREN RYSTER

Kontroller, at:

- Akslen ikke er bøjet.
- Knivene ikke er slidd.
- Knivene ikke er blokeret.

TEKNISKE DATA**VERTIKALSKÆRER**

| | |
|------------------------|-----------------------------------|
| Arbejdsbredde | 400 mm |
| Omdrejningstal (knive) | 1300 o/min |
| Skæreenhed | 15 dobbeltknive |
| Hjul | 2 stk., 180 mm dia., bredde 45 mm |
| Vægt | 18,4 kg |

MOTOR

| | |
|----------------|------------|
| Spænding | 230 V |
| Strømstyrke | 5,6 A |
| Effekt | 1100 W |
| Omdrejningstal | 2800 o/min |
| Kondensator | 12 mF |

LYDTRYKNIVEAU

Lydtrykniveauet i operatørens ørehøjde er < 68 dB (A).

STARTHÅNDTAG

Inklusive overbelastningsbeskyttelse af motor.

Jokaisen vuoden kuluessa nurmikon kylvöstä sen pinnalle muodostuu leikatusta ruohosta koostuva "matto". Se kehittyy nopeasti niin paksuksi että vesi, ravinteet ja happi eivät enää pääse juuristoon. Nurmikko menettää vehreytensä ja muuttuu ruskeaksi. Myös juuristo ja nurmikon kulutuskestävyys kärsivät ja kasvu hidastuu. Lisäksi nurmikon tautien ja kuivuuden vastustuskyky heikkenee ja rikkaruohot ja sammal alkavat vallata alaa.

Nurmikon pystyleikkauksella voidaan paitsi poistaa vahingollinen "matto" myös vähentää sammalen ja pitkäkasvuisten rikkaruohojen määrää. Samalla nurmikon kottunut pohja muokkautuu niin, että nurmikon alkaa jälleen hengittää ja pystyy käyttämään hyväkseen vettä, happea ja ravinteita.

Koska pystyleikkaus myös harventaa kasvustoa jonkin verran, yksittäiset korret saavat lisää elintilaa ja niiden kasvumahdollisuudet paranevat.

Kasvukaudella tapahtuvan pystyleikkauksen ansiosta nurmikko uusiutuu ja leviää harvennusalueille. Nurmikko voidaan leikata pystyleikkurilla muutaman kerran

vuodessa. Jos nurmikko on alttiina kovalle kulutukselle ja jos sitä leikataan usein, pystyleikkaus voidaan tehdä useammin, mieluiten loppukesästä. Näin estetään tautien pesintyminen nurmikkoon talven aikana.

Pystyleikkauksen jälkeen hajotettu "matto" haravoidaan kasaan ja kuljetetaan pois.

Nurmikon käsittely nostaa osan maata vasten painautuneista rikkaruohoista pystyyn. Siksi nurmikko kannattaa lopuksi leikata vielä kerran ja kerätä "maton" jäännökset leikkurin säiliöön.

Nurmikko on syytä lannoittaa nurmikkolannoitteella heti pystyleikkauksen jälkeen, jolloin oikeat ravinteet antavat lisää kasvuvoimaa. Nurmikko kasvaa tiheäksi, vihreäksi ja kulutusta kestäväksi noin kolmessa viikossa.

Välittömästi pystyleikkausta seuraavina viikkoina nurmikko kuivuu herkästi ja siksi sitä on sateettomina kausina kasteltava säännöllisesti (2-3 päivän välein). Jos nurmikkossa on suurehkoja paljaita alueita, ne on kylvettävä uudelleen.

MERKKIEN SELITYS

KONEEN MERKINNÄT



VAROITUS! Laitte voi aiheuttaa vaaratilanteita! Väärä tai huolimaton käyttö voi johtaa vakavaan vammautumiseen ja jopa hengenvaaraan!



Lue käyttöohjeet huolellisesti ennen kuin alat käyttää pystyleikkuria.

Käytä aina:



• Suojalaseja tai visiiriä.



• Varo koneesta sinkoutuvia esineitä.



• Säilytä vähimmäisetäisyys muihin ihmisiin ja eläimiin.



• Varo katkennutta virtajohtoa!



• Varo teriä.

KÄYTTÖOHJEISSA KÄYTETYT MERKIT



Ennen tarkastusta tai huoltotöitä moottori on pysäytettävä ja virtajohto irrotettava verkosta.



Käytä aina suojakäsineitä.



Säännöllinen puhdistus tarpeen.



Silmämääräinen tarkastus.



Käytettävä suojalaseja tai visiiriä.

TÄRKEÄÄ!

Lue läpi koko käyttäjän ohjekirja ennen pystyleikkurin käyttöä. Rajoita sen käyttö vain niille henkilöille, jotka ovat lukeneet ja käsittäneet sen sekä noudattavat kaikkia tässä ohjekirjassa olevia varoituksia ja ohjeita.

Osat

- | | |
|--|-----------------------|
| 1 Käynnistysvipu. | 6 Tukitala |
| 2 Lukitusnappi | 7 Imusuodatin |
| 3 Vedonpoistaja | 8 Ohjaustanko, yläosa |
| 4 Virtajohdon pidike | 9 Ohjaustanko, alaosa |
| 5 Leikkaussyvyyden / kuljetusasennon säätö | 10 Poikittaistuki |

Toimitukseen kuuluvat osat

- | | |
|-----------------------|-------------------------|
| 1 pystyleikkuri | Muovisäkin sisältö: |
| 1 ohjaustangon yläosa | 2 kahvaa |
| 2 ohjaustangon alaosa | 4 ruuvia |
| 1 poikittaistuki | 4 aluslevyä |
| 1 käyttöohje | 2 mutteria |
| 1 muovisäkki | 2 peltiruuvia |
| | 3 virtajohdon pidikettä |

TOIMENPITEET ENNEN ENSIMMÄISTÄ KÄYTTÖKERTAA:

- Tutustu käyttöohjeisiin huolellisesti.
- Ota huomioon, että leikkurin käyttäjänä voit joutua korvausvastuuseen muille aiheuttamastasi vahingosta.

KÄYTTÄJÄN TURVAVARUSTEET

Käytä pystyleikkurilla ajaessasi seuraavia varusteita:

- Suojalaseja tai visiiriä
- Tukevia ja karheapohjaisia jalkineita.

KONEEN TURVAVARUSTUS**Sähköturvallisuus**

VAROITUS! Pystyleikkuri voidaan liittää 1-vaiheiseen pistorasiaan, jonka varmistuksena on vähintään 10 A hidas sulake. Verkkojännitteen tulee vastata moottorin nimellisjännitettä (230 V).

- Virtajohdon ja liittimien tulee olla ulkokäyttöön tarkoitettuja.
- Virtajohto on tarkastettava säännöllisesti. Kiinnitä huomiota mahdollisiin vaurioihin ja vanhenemisesta johtuviin vikoihin.
- Jos virtajohdossa esiintyy vaurioita, konetta ei saa käyttää.
- Pystyleikkuri on kaksinkertaisesti eristetty, joten ylimääräistä suojamaadoitusta ei saa käyttää.
- Koneessa on virtajohdon vedonpoistaja. Kiinnitä jatkojohto kuvan mukaan. (Piiros 3)
- Jatkojohtona saa käyttää vain ulkokäyttöön tarkoitettua kaapelia. Suihkuvedenpitävän kaapelin poikkipinta-alan tulee olla vähintään 1 mm² (tyyppi H05RN-F tai vastaava).

Sveitsi: Pystyleikkuri on aina oltava kytkettynä maadoitettuun pistokkeeseen.

Moottori ei vaadi huoltoa ja sen käynnistyskahvassa on kiinteä ylikuormitusuoja, joka laukeaa, jos terät juuttuvat kiinni. Vapauta käynnistysvipu, irrota pistoke pistorasiasta ja poista kiinnijuuuttumisen aiheuttanut esine. Ylikuormitusuoja kytketty päälle, kun käynnistysvipu käännetään takaisin ajoasentoon.



VAROITUS! Irrota kone aina verkosta ennen kuin alat puhdistaa teriä tai tehdä muita vastaavia huoltotoimia! Älä koskaan tee säätöjä tai korjaustoimia ennen kuin moottori on pysäytetty ja kone irrotettu verkosta.

YLEISIÄ TURVAOHJEITA

- Älä kostaan käytä pystyleikkuria, jos sen kupu tai suojailevyt ovat viallisia tai sen suojaruuvit eivät ole paikoillaan.
- Käytä pystyleikkuria vain päivänvalossa.
- Älä anna lasten tulla leikkurin lähelle silloin, kun se on kytketty verkkoon.
- Älä käytä leikkuria muiden ihmisten tai eläinten läheisyydessä.
- Älä anna muiden käyttää pystyleikkuria, elleivät he ole tutustuneet turvaohjeisiin.
- Käynnistä kone varoen kohdassa "Käynnistys" annettujen ohjeiden mukaan ja pidä jalkaterät turvallisen kaukana teristä.
- Kävele aina koneen takana. Älä koskaan pidä mitään ruumiinosaa leikkurin liikkuvien osien läheisyydessä. Jos koneessa on poistoaukko, älä koskaan työnnä kättäsi siihen.
- Huolehdi siitä, että virtajohto ei joudu terien väliin.
- Jos leikkuri osuu johonkin kovaan esineeseen, pysäytä kone heti ja irrota pistoke pistorasiasta. Tutki kone ja varsinkin terät. Varmista, ettei teräksellä ole taipunutta. Taipuma aiheuttaa tasapainotusvirheen, jonka seurauksena terät saattavat irtota. Korjaa leikkuri ennen kuin käytät sitä uudestaan.
- Älä koskaan siirrä konetta moottori käynnissä. Jos koneen siirto edellyttää nostamista, varmista ensin, että terät ovat pysähdyksissä.
- Älä koskaan nosta tai kannaa leikkuria, kun moottori on käynnissä.
- Irrota leikkuri verkosta heti käytön jälkeen ja huolehdi sen turvallisuudesta säilytyksestä.
- Käynnistyskahvaa ei saa lukita käynnistysasentoon.
- Älä koskaan yritä ohjata leikkuria köysien tai vastavien avulla.



VAROITUS! Älä leikkaa märkää tai liukasta nurmikkoa. Leikattu ruoho on kosteaa ja liivettää helposti. Käytä leikatessa tukevia jalkineita ja varmista jalansijasi. Varmista, että pystyleikkuri on aina hyvässä kunnossa. Varmista, että leikattavalla nurmikolla ei ole kiviä, oksia tai muuta rojua. Kone saattaa singota tällaiset esineet ympäristöön ja aiheuttaa henkilövahinkoja tai konevaurioita. Älä aja hiekkakäytävien tai vastaavien yli. Pystyleikkurin käyttö viettäville rinteillä voi olla vaarallista. Älä käytä leikkuria jyrkillä rinteillä. Aja rinne aina sivusuunnassa.

LEIKKURIN KOKOAMINEN**OHJAUSTANGON KOKOAMINEN (Piiros 2)**

- Kokoa ohjaustangon alaosa ruuvien, aluslevyn ja mutterin avulla. Aseta ohjaustanko paikoilleen ja kiristä mutteri (ks. kuva).
 - Kiinnitä poikittaisuki paikalleen peltiruuveilla.
- HUOM!** Virtajohto vedetään (löysästi) poikittais-tuen ali.

- Kiinnitä ohjaustangon yläosa. Huolehdi siitä, että virtajohto ei jää puristuksiin, kun ohjaustanko taitetaan kokoon.
- Kiinnitä virtajohto toimitukseen kuuluvien pidikkeiden avulla.
- Varmista, että tukitella on kuljetusasennossa. Tällöin terät eivät pääse pyörimään kuljetuksen aikana esimerkiksi lattialla tai kovalla maalla.

Ennen nurmikon leikkaamista tukitela käännetään sopivaan työasentoon. Yleensä käytetään asentoa 3. (Piiros 1)

- Asento 3 = maksimileikkaussyvyys (10 mm)
- Asento 2 = minimileikkaussyvyys (3 mm)
- Asento 1 = kuljetusasento

KÄYNNISTYS JA PYSÄYTYS

ENNEN KÄYNNISTYSTÄ

- Varmista ennen koneen käynnistystä, että terät ovat kunnossa. Tarkista, että terien muovieristeet ovat ehjät.
- Varmista aina ennen käyttöä, että terät ja muut alustan osat eivät ole kuluneet tai vaurioituneet. Vaihda aina kaikki terät samalla kertaa, jotta pyörivien osien tasa-paino säilyy.

KÄYNNISTYS

Leikkurin käynnistys:

- Paina ohjaustanko alas (piirros 3), jolloin koneen etuosa ja terät nousevat irti nurmikosta.
- Paina käynnistyskahvan lukitusnuppia ja vedä käynnistysvipua ohjaustankoa vasten, jolloin teräksiksi alkaa pyöriä.
- Vapauta lukitusnappi.



TÄRKEÄÄ!

Tällöinkin konetta saa kallistaa mahdollisimman vähän. Nosta vain koneen sitä puolta, joka on itsestäsi pois päin.

KÄYTTÖ

- Nosta ohjaustankoa niin, että leikkurin etuosaan tukitela ottaa maahan.
- Kävele hitaasti eteenpäin. Sovita kävelynopeutesi nurmikun kunnan mukaan. Mitä hitaampi nopeus, sitä tehokkaammin kone leikkaa. Jos osut kiviin tai vastaaviin, paina ohjaustanko alas, jolloin terät nousevat irti esteestä.
- Käsittele virtajohtoa piiros 4:än osoittamalla tavalla.



VAROITUS! Jos onnettomuuksia sattuu, esim. verkkojohto joutuu teräkseliini, vapauta heti käynnistysvipu ja irrota johto pistorasiasta. Korjauta verkkojohto ammattimiehellä tai hanki uusi.

PYSÄYTYS JA KULJETUS

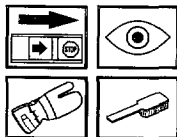
- Vältä toistuvia käynnistyksiä ja pysäytyksiä.
- Jos konetta täytyy kantaa tai puhdistaa, vapauta käynnistysvipu ja irrota virtajohto.
- Aina kun konetta ei käytetä, korkeussäätö täytyy asettaa kuljetusasentoon.
- Taita ohjaustanko varovasti kokoon kuljetusta varten. Varo virtajohtoa.
- Anna moottorin jäähtyä ennen kuin pakkaat leikkurin kuljetus- tai pihvilaatikkoon.



KUNNOSSAPITO

PYSTYLEIKKURIN KUNNOSSAPITO

Hyvä leikkaustulos edellyttää, että terät ovat terävät. Terät ovat kuluvia osia, ja siksi ne on tarkastettava ja vaihdettava säännöllisin



- välein. Koneen sähköiset osat kuten virtajohto, käynnistyskahva yms. on turvallisuussyistä tarkastettava usein. Viat on aina korjattava ennen käyttöä.
- Puhdista leikkuri käytön jälkeen harjaamalla.
 - HUOM! Älä käytä vesiruiskua!
 - Varmista terien kiinnitys säännöllisin välein.

TÄRKEÄÄ!

- Tarkista säännöllisesti, että puittit, ruuvit ja mutterit on kiristetty. Vaihda heti vialliset osat. Leikkurissa saa käyttää vain alkuperäisosa.
- Ennen puhdistusta ja kunnossapito- ja huoltotöitä kone on aina irrotettava verkosta.
- Älä välele konetta vedellä.
- Tarkista verkkojohto säännöllisesti mahdollisen kulumisen varalta.
- Älä käytä konetta sateella äläkä jätä sitä sateeseen.
- Pidä moottori puhtaana. Poista ruoho, lehdet ja ylimääräinen rasva palovaaran minimoimiseksi.

IMUSUODATIN



TÄRKEÄÄ!

Imusuodatin puhdistetaan tarvittaessa. Poista kuiva ruoho, lehdet yms. pehmeällä harjalla. Suodatin voidaan myös irrottaa paineilmalla tapahtuvaa puhdistusta varten.

LEIKKURIN SÄILYTYS

Säilytä leikkuria kuivassa tilassa. Suojaa metalliosat ruosteestoaineella.

TERÄNVAIHTO

FI

(Piiros 5)



IRROTUS

Pystyleikkurin teräsarja käsittää 15 terää. Teräsarjoja on saatavana jälleenmyyjältä. (Piiros 5b)

- Käytä vain "H"-lla merkittyjä alkuperäisteriä, tilausnumero 371 92 45.
- Irrota virtajohto pistoraslasta.
- Puhdista kone. Poista lika ja sora harjaamalla. Älä käytä vettä!
- Irrota hihnasuojus (9).
- Irrota vetohihna.
- Laakeripesät on kiinnitetty kotelon sivuihin 8 peltiruuvilla (8). Irrota ne. (Vetopuolen ruuveihin pääsee käsiksi teräakselin levyssä olevan aukon kautta, piiros 5 ja 5a)
- Nyt voit työntää teräakselia alaspäin.

TERIEN IRROTUS

Kiinnitä teräkseli esim. ruuvipenkkiin pystyasentoon siten, että hihnapyörä on alapuolella. HUOM! Varmista, ettei hihnapyörä vahingoitu! Avaa laakeripesä. Tartu teriin toisella kädellä ja pidä vastaan kun avaat ja irrotat yläpuolella olevan mutterin.

Sen jälkeen voidaan aluslevyt, laakeripesä, välikerenkaat ja terät irrottaa. Puhdista kaikki takaisin paikoilleen kiinnitettävät osat ennen uusien terien asennusta. Älä irrota osia hihnapyörän puolelta muutoin kuin laakerinvaihdon yhteydessä.

TERIEN KIIINNITYS

- Aseta uudet terät pöydälle pikkukuvan mukaisesti 5b.
- Aseta ensin välikerengas (1) paikoilleen.
- Aseta sen jälkeen terä akselille asentoon 1, 5b.
- Aseta suuri välikerengas paikoilleen.
- Aseta toinen terä asentoon 2, jne.

Kiinnitä lopuksi pieni välikerengas, painelevy (3) (käännä oikein päin), laakeri (4), aluslevy (5) ja mutteri (7). Kiinnitä laakeripesä (ja suojus) paikoilleen.

- Kun kiinnität teräsarjaa runkoon, varmista että laakeripesät menevät sivuseinämien aukkoihin.
- Kiristä teräsarja paikoilleen 8 peltiruuvilla (8).
- Varmista, että akseli pyörii kevyesti, kun sitä pyöritetään hihnapyörästä.
- Kiinnitä vetohihna.
- Kiinnitä hihnasuojus 3 peltiruuvilla (9).

VIANETSINTÄ

LEIKKURI EI KÄYNNISTY:

Varmista, että:

- virtajohto on kytketty.
- sulake on ehjä.
- virtajohto on ehjä.
- ylikuormitussuoja ei ole lauennut.
- terät eivät ole juuttuneet kiinni.
- kiilahihna on ehjä.

LEIKKURI TÄRISEE

Varmista, että:

- akseli ei ole taipunut.
- terät ovat kunnossa.
- teriin ei ole juuttunut vieraita esineitä.

TEKNISET TIEDOT

PYSTYLEIKKURI

| | |
|------------------------|---------------------------------|
| Leikkuuleveys | 400 mm |
| Pyörimisnopeus (terät) | 1300 kierr./min |
| Leikkuriyksikkö | 15 kaksoisterää |
| Pyörät | 2 kpl, halk. 180 mm, lev. 45 mm |
| Paino | 18,4 kg |

MELUTASO

Melutaso käyttäjän korvan kohdalla < 68 dB (A).

MOOTTORI

| | |
|----------------|-----------------|
| Jännite | 230 V |
| Virta | 5,6 A |
| Teho | 1100 W |
| Pyörimisnopeus | 2800 kierr./min |
| Kondensaattori | 12 mF |

KÄYNNISTYSKAHVA

Sis. moottorin ylikuormitussuojan.

| POS. | ART. | QTY. | POS. | ART. | QTY. |
|------|--------------|----------|------|--------------|----------|
| 1 | 371 91 94-01 | 1 orange | 26 | 371 91 82-01 | 1 |
| 1 | 371 91 94-03 | 1 yellow | 27 | 371 92 54-01 | 1 |
| 2 | 371 91 88-01 | 1 | 28 | 732 21 16-01 | 4 |
| 3 | 293 99 81-01 | 1 | 29 | 734 11 53-01 | 12 |
| 4 | 729 52 79-02 | 3 | 30 | 295 61 52-01 | 2 |
| 5 | 729 57 13-01 | 16 | 31 | 371 91 60-01 | 2 |
| 6 | 729 53 28-71 | 7 | 32 | 725 23 68-51 | 4 |
| 7 | 293 98 24-01 | 1 | 33 | 295 61 53-01 | 2 |
| 8 | 725 23 66-51 | 1 | 34 | 371 90 21-02 | 2 |
| 9 | 293 86 81-01 | 1 | 35 | 734 11 71-01 | 2 |
| 10 | 293 95 28-01 | 1 | 36 | 371 91 91-01 | 1 |
| 11 | 293 95 27-01 | 1 | 37 | 371 92 08-03 | 1 yellow |
| 12 | 371 92 53-02 | 1 | 37 | 371 92 08-04 | 1 grey |
| 13 | 762 91 58-58 | 1 | 38 | 371 92 10-01 | 1 |
| 14 | 729 52 75-01 | 7 | 39 | 371 91 98-01 | 1 |
| 15 | 293 99 04-01 | 1 | 40 | 371 91 97-01 | 1 |
| 16 | 293 95 29-01 | 1 | 41 | 371 92 44-01 | 1 |
| 17 | 371 90 21-01 | 2 | 42 | 371 91 62-01 | 2 |
| 18 | 371 39 93-01 | 1 | 43 | 371 91 63-01 | 2 |
| 19 | 371 90 07-01 | 2 | 44 | 729 52 89-71 | 4 |
| 20 | 371 39 26-03 | 1 | 45 | 371 91 64-01 | 1 |
| 21 | 293 78 95-01 | 1 | 46 | 371 91 65-01 | 1 |
| 22 | 371 91 83-01 | 1 | 47 | 371 91 76-01 | 2 |
| 23 | 371 92 57-01 | 1 | 48 | 732 21 18-01 | 2 |
| 24 | 323 25 14-02 | 1 | 49 | 734 18 22-51 | 1 |
| 25 | 293 98 21-01 | 1 | 50 | 734 11 64-01 | 1 |

| POS. | ART. | QTY. | POS. | ART. | QTY. |
|------|--------------|--------|------|------|-----------|
| 51 | 293 95 26-01 | 1 | 10 | | 1 Transm. |
| 52 | 371 91 84-01 | 2 | 11 | | 1 compl. |
| 53 | 371 91 85-01 | 2 | 16 | | |
| 54 | 371 92 45-** | 15 | 51 | | |
| 55 | 371 91 86-01 | 14 | | | |
| 56 | 371 91 74-01 | 1 | | | |
| 57 | 735 91 40-00 | 1 | | | |
| 58 | 371 92 53-01 | 1 | | | |
| 59 | 371 92 03-01 | 1 | | | |
| 60 | 293 85 04-01 | 1 | | | |
| 61 | 371 91 66-01 | 1 | | | |
| 62 | 371 91 69-01 | 1 | | | |
| 63 | 371 92 04-01 | 1 | | | |
| 64 | 371 91 99-01 | 3 | | | |
| 65 | 293 84 04-01 | 2 | | | |
| 66 | 371 92 32-01 | 2 | | | |
| 67 | 727 63 78-01 | 4 | | | |
| 68 | 729 53 40-01 | 2 | | | |
| 69 | 371 91 95-04 | 1 grey | | | |
| 70 | 731 23 16-01 | 2 | | | |
| 71 | 371 91 68-01 | 2 | | | |

