

EN User instructions

FR Mode d'emploi

CANDY

CDPM 85370

**DISHWASHER
LAVE-VAISSELLE**

Congratulations!

Thank you for choosing a Candy appliance; quality dishwashers which guarantee high performance and reliability.

Candy manufacture a vast range of domestic appliances: washing machines, washer/dryers, cookers, microwave ovens, ovens and hobs, refrigerators and freezers.

Ask your dealer for the catalogue with the complete range of Candy products. Please read this booklet carefully as it provides important information regarding the safe installation, use, and maintenance of the machine, together with some useful advice on how to achieve the best results from your dishwasher.

For future reference please keep this instruction booklet in a safe place.

CUSTOMER SERVICE AND GUARANTEE

Your new appliance is fully guaranteed by the manufacturer for 12 months against electrical/mechanical breakdown excluding:

- A.** Any faults which occur due to bad installation or misuse of the machine.
- B.** Any faults which occur due to repair of, or interference with, the machine by any person not authorised by the manufacturer to carry out service.
- C.** Any faults which occur due to any parts which are fitted to the machine which are not the original manufacturers parts.
- D.** Any faults arising from non-domestic use or unusual or abnormal use of the machine.
- E.** Any faults arising from operation at incorrect voltage.
- F.** Any faults arising from incorrect operation of the machine.
The guarantee applies to Gt Britain and Northern Ireland only, and is in addition to your statutory rights.

AFTER SALES SERVICE

For service and repairs call your local engineer on our national telephone number:

GIAS Service

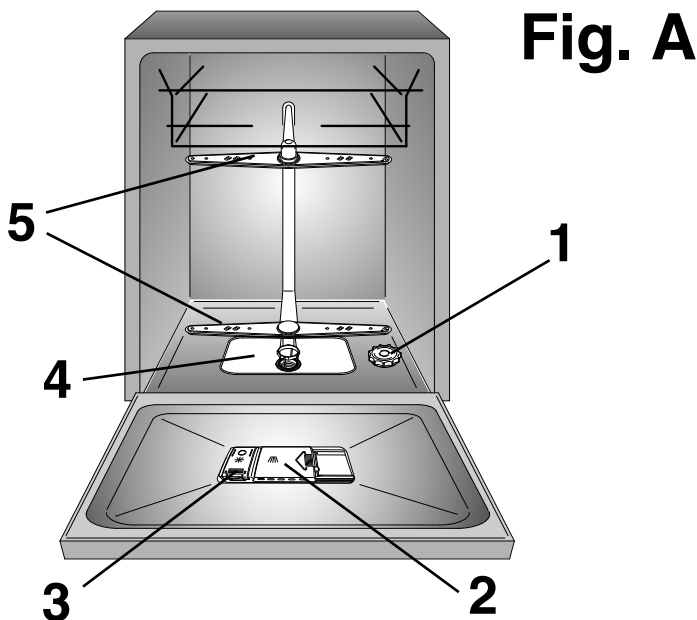
Tel: 0884 995599

Support Service

(Eire 0818 200021)

CONTENTS

Safety advice	pag. 4
Setting up, installation	pag. 5
Water softener unit	pag. 9
Loading the salt	pag. 10
Adjusting the upper basket	pag. 11
Loading the dishes	pag. 12
Information for test laboratories	pag. 14
Loading the detergent	pag. 15
Types of detergent	pag. 16
Loading the rinse aid	pag. 17
Cleaning the filters	pag. 18
Some practical hints	pag. 19
Routine cleaning and maintenance	pag. 20
Description of the control panel	pag. 21
Technical data	pag. 21
Programme selection and special functions	pag. 22
Programme guide	pag. 26
The Waterblock system	pag. 28
Identifying minor faults	pag. 29



Please read the instructions in this booklet carefully because they contain important information on how to install, use and maintain your dishwasher safely as well as containing useful tips on how to make the most of it.

Keep this booklet safe for future reference.

SAFETY INSTRUCTIONS

There are certain basic safety rules which are valid for any domestic appliance.

Installation

- Make sure that the plug fitted to the machine is compatible with the power supply socket. If it is not, get a suitably qualified person to fit the correct type, and to make sure that the cables to the mains socket are able to cope with the power rating of the appliance.
- Ensure that the dishwasher does not crush power cables.
- In general it is not advisable to use adaptors, multiple plugs and/or extension cables.
- Should it be necessary to replace the supply cord, call the After Sales Service Centre.

Safety

- Never touch the appliance when your hands or feet are wet or damp.
- Do not use when your feet are bare.
- Do not remove the plug from the mains supply socket by pulling the mains cable or the machine itself.
- Do not leave the appliance exposed to the elements (rain, sun etc).
- This appliance is not intended for use by persons (including children) with reduced physical, sensory or mental capabilities, or lack of experience and knowledge, unless they have been given supervision or instruction concerning use of the appliance by a person responsible for their safety.

Children should be supervised to ensure that they do not play with the appliance.

- Water left in the machine or on the dishes at the end of the wash programme should not be swallowed.

- The door should not be left in the open position since this could present a potential hazard (es. tripping).
- Leaning or sitting on the open door of the dishwasher could cause it to tip over.



WARNING !

Knives and other utensils with sharp points must be loaded in the basket with their points down or placed in a horizontal position.

Daily use

- This appliances is intended to be used in household and similar applications such as:
 - staff kitchen areas in shops, offices and other working environments;
 - farm houses;
 - by clients in hotels, motels and other residential type environments;
 - bed and breakfast type environments.

A different use of this appliance from household environment or from typical housekeeping functions, as commercial use by expert or trained users, is excluded even in the above applications.

If the appliance is used in a manner inconsistent with this it may reduce the life of the appliance and may void the manufacturer's warranty.

Any damage to the appliance or other damage or loss arising through use that is not consistent with domestic or household use (even if located in a domestic or household environment) shall not be accepted by the manufacturer to the fullest extent permitted by law.

- The dishwasher is designed for normal kitchen utensils. Objects that have been contaminated by petrol, paint, traces of steel or iron, corrosive chemicals, acids or alkalis must not be washed in the dishwasher.
- If there is a water softening device installed in the home there is no need to add salt to the water softener fitted in the dishwasher.

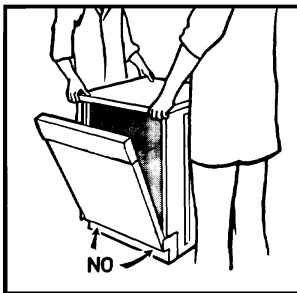
- Cutlery is washed best if it is placed in the basket with the handles downwards.
- If the appliance breaks down or stops working properly, switch it off, turn off the water supply and do not tamper with it. Repair work should only be carried out by an approved service agent and only genuine spare parts should be fitted. Any failure to follow the above advice may have serious consequences for the safety of the appliance.

Disposal

- The dishwasher has been made from materials which can be recycled so that it can be disposed of in an environmentally friendly way.
- If you wish to dispose of an old dishwasher be careful to remove the door to eliminate the risk of children becoming trapped inside it.

INSTALLATION (Technical notes)

- After unpacking, adjust the height of the dishwasher. For the dishwasher to work correctly it must be level. Adjust the feet so that the machine does not tilt by more than 2 degrees.
- If it you need to move the machine after removing the packaging, do not try to lift it by the bottom of the door. Follow the instructions in the figure below. Open the door slightly and lift the machine by holding on the top.



IMPORTANT

When the appliance is located on a carpet floor, attention must be paid to ensure that there is no obstruction to the bottom vents.

Make sure that the plug on the appliance remains accessible after installation.

Electrical connection

This appliance complies with international safety standards, and is fitted with a 3 pin plug with earth connection to ensure complete earthing of the product.

Before connecting the appliance to the mains supply it is important to ensure:


1. that the supply socket is properly earthed;
2. that your electricity supply is capable of meeting the consumption requirements listed on the rating plate of your appliance.

WARNING!

Ensure that your product is properly earthed.

In the absence of adequate earthing you will notice that when touching the metal parts of your appliance an electrical dispersion can be felt, due to the presence of a radio interference suppressor.

Manufacturer declines all responsibility for any damage due to non-earthing of the machine.

 Appliance complies with European Directives 73/23/EEC and 89/336/EEC, replaced by 2006/95/EC and 2004/108/EC, and subsequent amendments.

Water connection

IMPORTANT

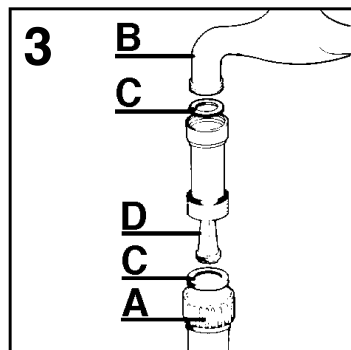
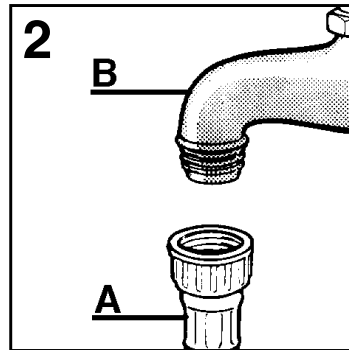
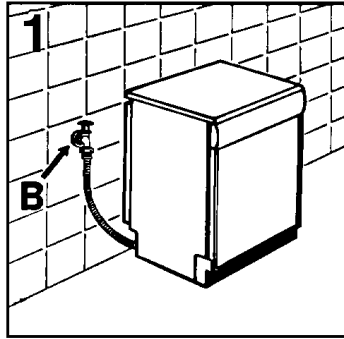
The appliance must be connected to the water mains using new hose-sets. The old hose-sets should not be reused.

- The inlet and drain hoses can be directed to left or right.

IMPORTANT

The dishwasher can be connected to either cold or hot water, as long as it is no hotter than 60 °C.

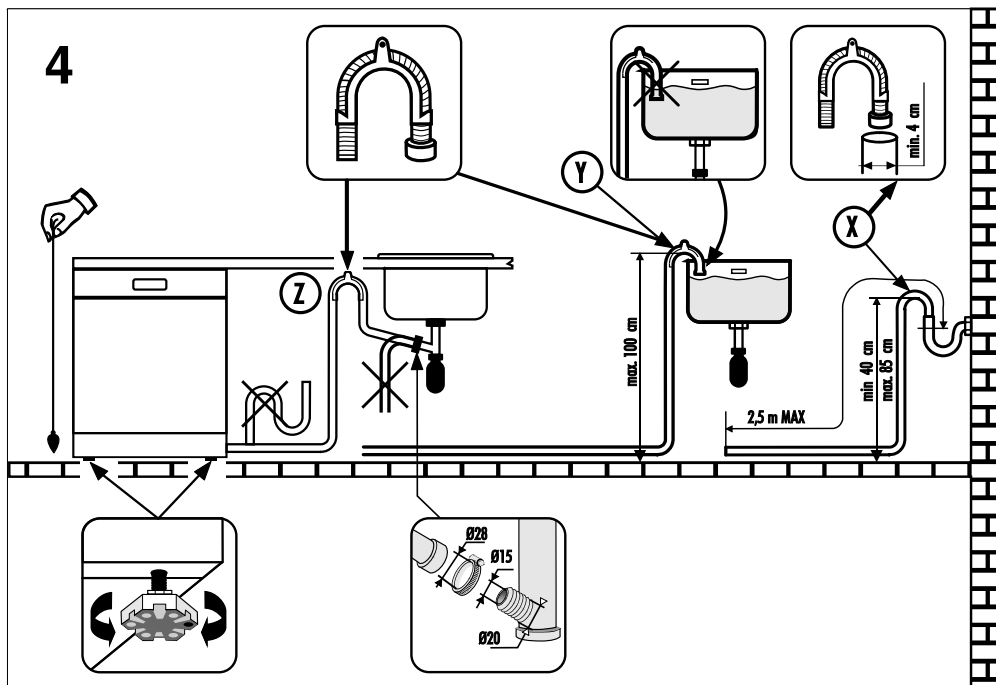
- Water pressure must be between 0,08 MPa and 0,8 MPa. If the pressure is below the minimum consult our service department for advice.
- The inlet hose must be connected to a tap so that the water supply can be cut off when the machine is not in use (fig. 1 B).
- The dishwasher is fitted with 3/4" threaded connector (fig. 2).
- Connect inlet hose "A" to water tap "B" with a 3/4" attachment making sure that it has been properly tightened.
- If it is necessary, the inlet pipe can be lengthened up to 2,5 m. The extension pipe is available from the After Sales Service Centre.
- If limescale deposits or sand are present in the water, it is advisable to obtain the appropriate filter, art. 9226085, from the After Sales Service Centre (fig. 3). The filter "D" must be inserted between the tap "B" and the inlet hose "A", remembering to fit the washer "C".
- If the dishwasher is connected to new pipes or to pipes which have not been in use for a long time run water through for a few minutes before connecting the inlet hose. In this way no deposits of sand or rust will clog up the water inflow filter.



Connecting the outlet hose

- The outlet hose should discharge into a standpipe, making sure that there are no kinks (fig. 4).
- The standpipe must be at least 40 cm above floor level and it must have an internal diameter of at least 4 cm.
- It is advisable to fit an anti-odour air trap (fig. 4X).
- If necessary the outlet hose can be extended up to 2,5 m, provided that it is kept at a maximum height of 85 cm above floor level. The extension pipe is available from the After Sales Service Centre.

- The hose can be hooked over the side of the sink, but it must not be immersed in water, in order to prevent water from being syphoned back to the machine when this is in operation (fig. 4Y).
- When installing the appliance under a worktop the hose pipe clamp must be attached to the wall in the highest possible position under the worktop (fig. 4Z).
- Check that there are no kinks in the inlet and outlet hoses.



INSTALLATION IN FITTED KITCHENS

Fitting between existing cabinets

- The height of the dishwasher, 85 cm, has been designed in order to allow the machine to be fitted between existing cabinets of the same height in modern fitted kitchens. The feet can be adjusted so that correct height is reached.
- The laminated top of the machine does not require any particular care since it is heatproof, scratchproof and stainproof (fig. 5).

Underneath existing work top

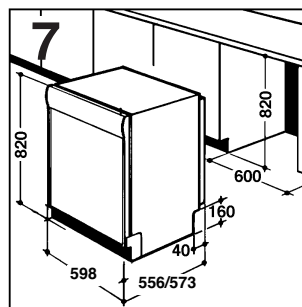
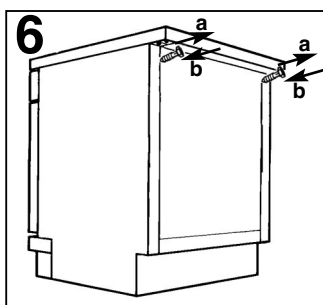
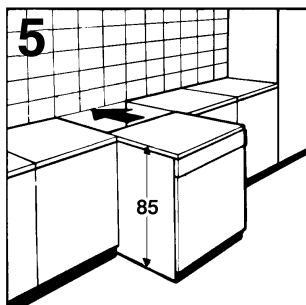
(when fitting beneath a work top)

- In most modern fitted kitchens there is only one single work top under which cabinets and electrical appliances are fitted. In this case remove the work top of the dishwasher by unscrewing the screws under the rear edge of the top (fig. 6a).

IMPORTANT

After removing the work top, the screws **MUST BE** screwed again under the rear edge of the top (fig. 6b).

- The height will then be reduced to 82 cm, as scheduled by the International Regulations (ISO) and the dishwasher will fit perfectly under the kitchen working top (fig. 7).



Opening the door

Put your hand into the recess and pull. If the machine comes open while it is working, an electrical safety device automatically switches everything off.

IMPORTANT

For the machine to work properly, the door should not be opened while it is in operation.

Closing the door

Place the baskets in the machine. Make sure that both the spray arms are free to rotate and are not obstructed by cutlery, crockery or pans. Close the door, pressing on it to make sure it is firmly shut.

WATER SOFTENER UNIT

Depending on the source of the supply, water contains varying amounts of limestone and minerals which are deposited on the dishes leaving whitish stains and marks. The higher the level of these minerals present in the water, the harder the water is. The dishwasher is fitted with a water softener unit which, through the use of special regenerating salt, supplies softened water for washing the dishes. The degree of hardness of your water can be obtained from your water supply company.

** The softener unit is set in the factory at level 4 (d4) as this satisfies the requirements of the majority of users.*

Regulate the setting of your water softener unit according to the degree of hardness of your water as follows:

IMPORTANT
The dishwasher must ALWAYS be off before start of this procedure.

Regulating the water softener with electronic programmer

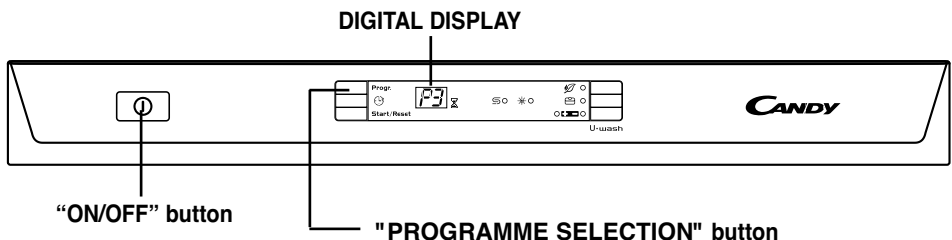
The water softener can treat water with a hardness level of up to 90°FH (French grading) or 50°dH (German grading) through 8 settings.

The settings are listed in the table below:

Level	Water hardness		Use of regenerating salt	Water softener setting
	°FH (French)	°dH (German)		
0	0-5	0-3	NO	d0
1	6-10	4-6	YES	d1
2	11-20	7-11	YES	d2
3	21-30	12-16	YES	d3
*4	31-40	17-22	YES	d4
5	41-50	23-27	YES	d5
6	51-60	28-33	YES	d6
7	61-90	34-50	YES	d7

1. Hold down the "PROGRAMME SELECTION" button and at the same time **switch on** the dishwasher by pressing the "ON/OFF" button (a brief audible signal will sound).
2. Keep the "PROGRAMME SELECTION" button pressed for at least 5 seconds, **UNTIL** an audible signal sounds. The current water softener setting level will be shown on the display.
3. Press the same button again to select the required water softener level: each time the button is pressed, the setting will increase by one level. When you have reached "d7", the display will go back to "d0".
4. Turn off the dishwasher by pressing the "ON/OFF" button to confirm the new setting.

! WARNING!
If any problem occurs, turn the dishwasher off by pressing the "ON/OFF" button and start the procedure again from the beginning (STEP 1).



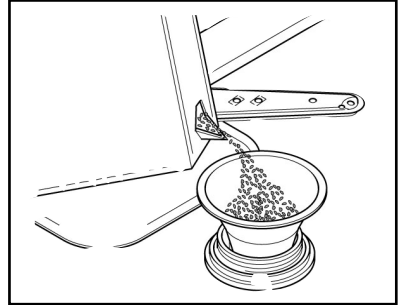
LOADING THE SALT

- On the bottom of the machine there is a container for the salt for regenerating the softener.
- It is important to use only a salt that is specifically designed for dishwasher. Other types of salt contain small quantities of insoluble particles which over a long period of time may affect and deteriorate the softener performance.
- To add salt, unscrew the cap of the container on the bottom and then refill the container.
- During this operation a little water will overflow; but keep adding salt until the container is full. When the container is full, clean the thread of salt residue and retighten the tap.
- After loading the salt, it is recommended running a complete washing cycle, or COLD RINSE programme. The salt dispenser has a capacity of between 1.5 and 1.8 kg and, for efficient use of the appliance, it should be refilled from time to time according to the regulation of the water softener unit.

IMPORTANT

(Only for first start up)

When the appliance is used for the first time, after completely filling the salt container, it is necessary to add water until the container overflows.



Salt loading indicator

This model is provided with an indicator light on the control panel which will light up when it is necessary to reload the salt container.

IMPORTANT

The appearance of white stains on dishes is generally an important sign that the salt container needs filling.

ADJUSTMENT OF THE UPPER BASKET

If 29 cm to 32,5 cm plates are normally used, load them onto the lower basket after the upper basket has been placed in its upper position and proceed as detailed below:

1. Pull out the upper basket;
2. Then grasp the basket from both sides and lift it upwards (**fig. 1**).

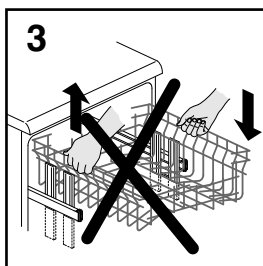
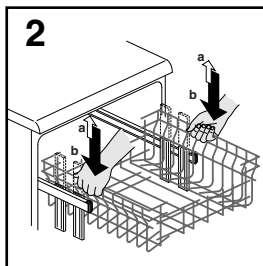
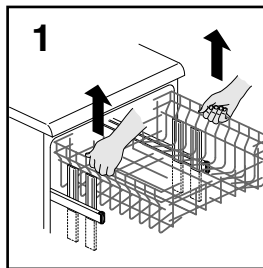
Dishes that are bigger than 20 cm in diameter can no longer be loaded onto the upper basket and the mobile supports cannot be used when the basket is in the upper position.

ADJUST BASKET TO THE LOWER POSITION:

1. Grasp the basket from both sides and lift slightly upwards (**fig. 2a**);
2. Then slowly release into the correct position (**fig. 2b**).

N. B. : NEVER LIFT OR LOWER THE BASKET BY ONE SIDE ONLY (fig.3).

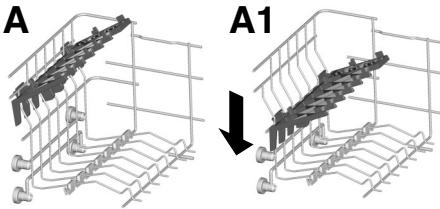
Attention :
it is advisable to adjust the basket before loading the dishes.



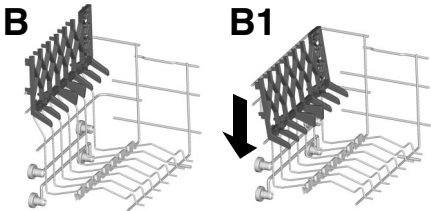
LOADING DISHES

Using the upper basket

- The upper basket is provided with mobile racks hooked to the sides of the basket, which can be regulated into 4 positions.
- In the lowered position (**A-A1**) the racks may be used for such items as: tea and coffee cups, kitchen knives and ladles. Also glasses with stems may be safely hung on the ends of the racks.



- In the upright position (**B-B1**) the racks allow you to load dinner plates and soup plates. Plates should be loaded vertically with the underside of the plate towards the back of the dishwasher with a space between each plate to allow water to pass freely.

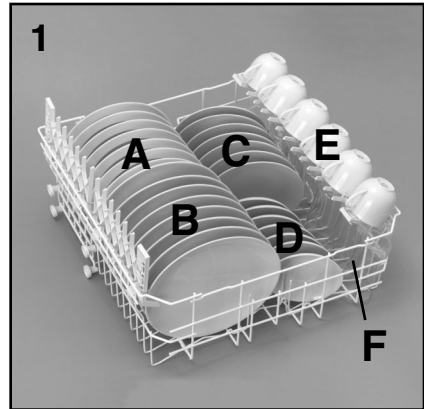


- It is advisable to load large plates (approx. 26 or more cm) slightly tilted towards the rear to facilitate introduction of the basket into the machine.
- Salad bowls and plastic bowls may also be loaded on the upper basket. It is advisable to block these in place so that the jets of water do not make them overturn.
- The upper basket has been designed to offer maximum flexibility in use and can be loaded with up to 24 plates on two rows, up to 30 glasses on five rows or a mixed load.

A standard daily load is represented in figs. 1, 2 and 3.

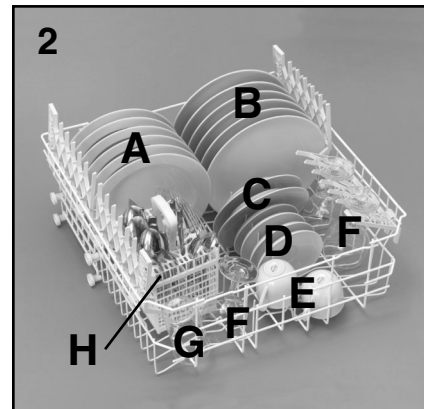
Upper basket (fig. 1)

- A = soup plates
- B = dinner plates
- C = dessert plates
- D = saucers
- E = cups
- F = glasses



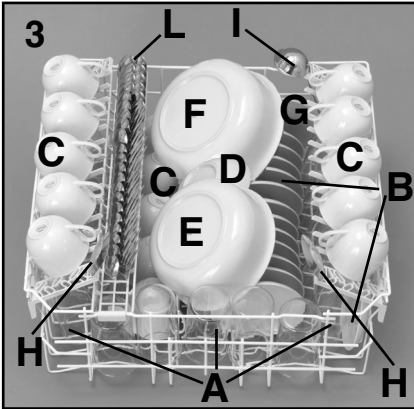
Upper basket (fig. 2)

- A = soup plates
- B = dinner plates
- C = dessert plates
- D = saucers
- E = cups
- F = glasses with stems
- G = glass
- H = cutlery basket

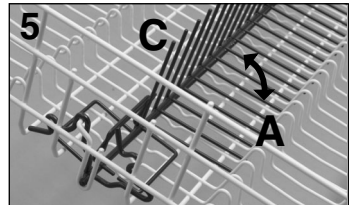
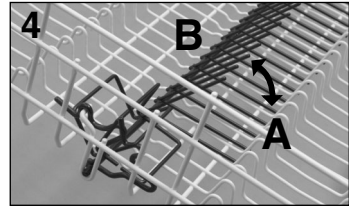


Upper basket (fig. 3)

- A = glasses
- B = saucers
- C = cups
- D = small bowl
- E = medium bowl
- F = large bowl
- G = dessert plate
- H = serving spoons
- I = ladle
- L = cutlery



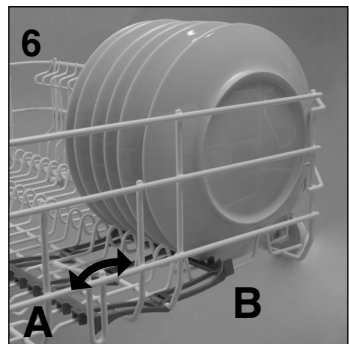
- POSITION "B": for dishes which, although standard size, have a particular shape (very deep bowls, square dishes or ones without borders etc.).
- POSITION "C": for larger than average flat plates and/or ones with non-standard shapes (square, hexagonal, oval, pizza dishes etc.).



Using the lower basket

- Saucepans, oven dishes, tureens, salad bowls, lids, serving dishes, dinner plates, soup plates and ladles can be loaded on the lower basket.
- Place the cutlery in the plastic cutlery holder with the handles pointing upwards.
- Place the cutlery holder on the lower basket (fig. 7 and 8), making sure that the cutlery does not get in the way of the rotating arms.
- The lower basket is fitted with a special adjustable central rack (fig. 4 and 5). This permits stable and optimum loading, even when the size and/or shape of the dishes is non-standard.

- The small plates, as those used for desserts for example, must be placed in the lower basket as shown in the figure 6, with the support flap placed outwards ("B"). For normal or large plates the flap must be in the position ("A").



WARNING!

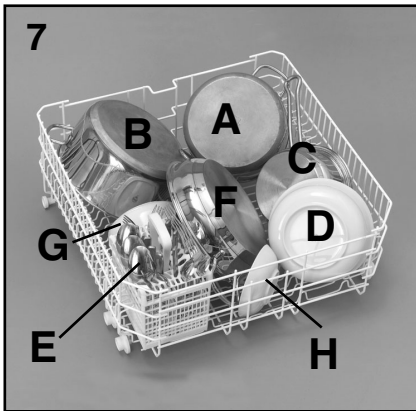
If the small plates are placed in the basket with the support flap in the incorrect position, the plates will interfere with the lower spraying arm preventing it to rotate.

- POSITION "A": for a standard load, or one that excludes pans, salad bowls and the like.

A standard daily load is represented in **figs. 7 and 8.**

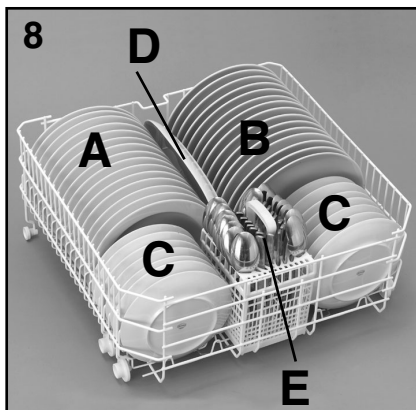
Lower basket (fig. 7)

- A = medium-sized saucepan
- B = large saucepan
- C = frying pan
- D = tureens, serving dishes
- E = cutlery
- F = oven dishes
- G = medium bowl
- H = small bowl



Lower basket (fig. 8)

- A = soup plates
- B = dinner plates
- C = dessert plates
- D = serving dish
- E = cutlery



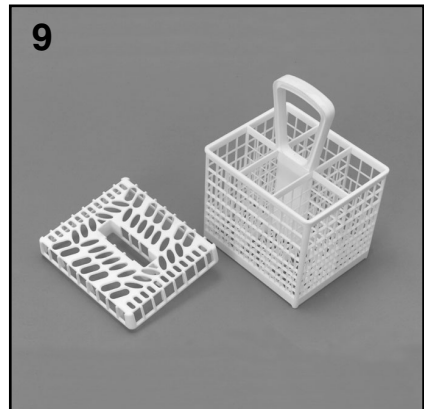
Please load the dishwasher sensibly to ensure the best wash results.

IMPORTANT

The lower basket has a **safety-stop device**, for its safe extraction, also especially useful with a full load. For loading salt, cleaning filter and for ordinary maintenance, the complete extraction of the basket is necessary.

Cutlery basket (fig. 9)

The top of cutlery basket can be removed, for enable various loading options.



INFORMATION FOR THE TEST LABORATORIES

Please ask information required for comparison testing and measuring noise levels, according to EN normative, to the following address:

testinfo-dishwasher@candy.it

In the request, please specify model name and number of the dishwasher (see rating plate).

LOADING THE DETERGENT

The detergent

IMPORTANT

It is essential to use a detergent that is specifically designed for dishwashers either in powder, liquid or tablet form.

“FINISH” gives very good results and can be easily obtained.

Unsuitable detergents (like those for washing up by hand) do not contain the proper ingredients for use in a dishwasher, and stop the dishwasher from working correctly.

Filling the detergent container

The detergent container is inside the door (fig. A “2”). If the lid of the container is closed, press the button (A) to open.

At the end of every wash cycle the lid is always open and ready for the next time the dishwasher is used.

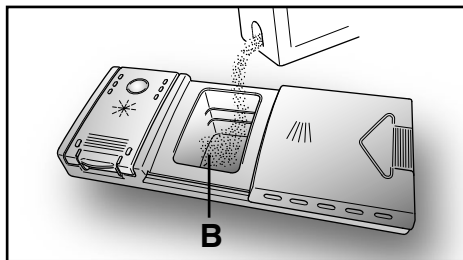
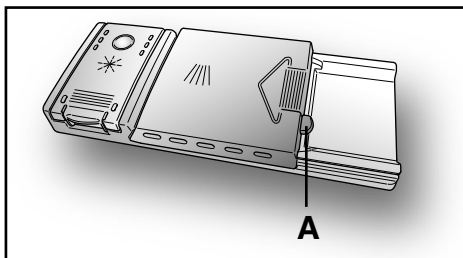


WARNING!

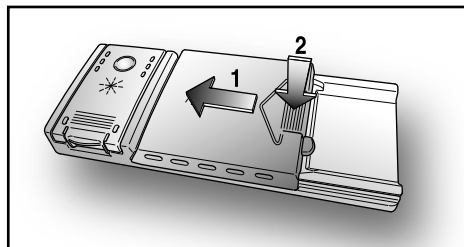
When loading the lower basket, please ensure that the plates or others do not obstruct the detergent dispenser.

The amount of detergent to be used varies according to how dirty the dishes are and on the type of dishes to be washed.

We advise using 20-30 g of detergent in the wash section of detergent compartment (B).



After pouring the detergent into the container, close the lid, firstly pushing (1) and then pressing on it (2) until you hear the click.



Since not all detergents are the same the instructions on the boxes of detergent can vary. We should just like to remind users that too little detergent does not clean the dishes properly whilst too much detergent will not produce better results and is also a waste.

IMPORTANT

Do not use an excessive amount of detergent and help limit damage to the environment at the same time.

TYPES OF DETERGENT

Detergent tablets

Detergent tablets of different manufacturers dissolve at different speeds, for this reason, during short programmes, some detergent tablets may be not fully effective, because they are not completely dissolved. If these products are used, it is recommended to choose longer programmes to guarantee the complete use of the detergent.

IMPORTANT

To get satisfactory washing results, the tablets MUST be placed in the wash section of the detergent container and NOT directly in the tub.

Concentrated detergents

The concentrated detergents, with reduced alkalinity and with natural enzymes, in conjunction with 50°C wash programmes, have a smaller impact on the environment and they protect the dishes and the dishwasher.

The 50°C wash programmes purposely exploit the dirt-dissolving properties of the enzymes, allowing therefore, with the use of the concentrated detergents, to achieve the same results of the 65°C programmes but at a lower temperature.

Combined detergents

The detergents that also contain the rinse aid must be placed in the wash section of the detergent container. The rinse aid container must be empty (if it is not empty, set the rinse aid regulator to lowest position before using combined detergents).

"ALL in 1" combined detergents

If you are planning to use "ALL in 1" ("3 in 1" / "4 in 1" / "5 in 1", etc.) combined detergents i.e. those with built in salt and/or rinse agent, we would advise the following:

- read carefully and follow the manufacturer's instructions given on the packaging;

- the effectiveness of detergents containing the built in water softener/salt depends on the hardness of your water supply. Check that the hardness of your water supply is within the effective range given on the detergent packaging.

If when using this type of product, you don't get satisfactory washing results, please contact the detergent manufacturer.

In certain circumstances use of combined detergents can cause:

- limescale deposits on dishes or in the dishwasher;
- a reduction in washing and drying performance.

IMPORTANT

Any problems which arise as a direct result of the use of these products are not covered by our warranty.

Please note that using the "ALL in 1" combined detergents, the rinse aid and salt indicator lights (only used on selected models) are superfluous, so you must ignore the lights.

If washing and/or drying problems occur, we recommend you return to use traditional separate products (salt, detergent and rinse agent). This will ensure that the water softener in the dishwasher operates correctly.

In this case, we recommend that you:

- refill both the salt and rinse aid container;
- run one normal washing cycle without a load.

Please note that on return to the use of conventional salt, a number of cycles will be required before the system becomes fully efficient again.

LOADING THE RINSE AID

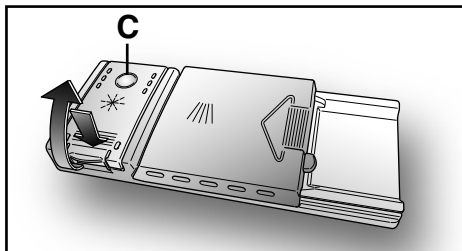
The rinse aid

The rinse aid, which is automatically released during the last rinsing cycle, helps the dishes to dry quickly and prevents spots and stains forming.

Filling the rinse aid container

The rinse aid container can be found to the left of the detergent container (**fig. A "3"**). To open the lid, push the reference mark and, in the same time, pull the tab of opening.

It is always advisable to use rinse aid that is specifically designed for dishwasher. Check the rinse aid level through the indicator eye (**C**) which is located on the dispenser.



FULL

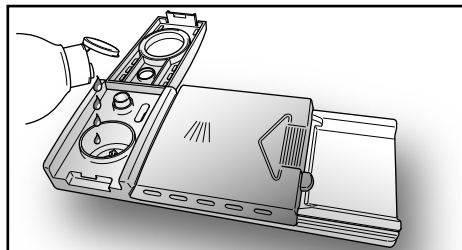


dark

EMPTY



light



Regulating the rinse aid from 1 to 6

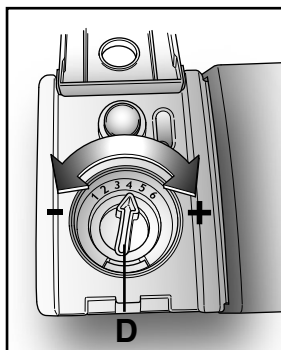
The regulator (**D**) is placed under the lid and can be turned using a coin.

The recommended position is **4**.

The limestone content of the water considerably affects the formation of limescale and the drying performance.

It is therefore important to regulate the quantity of rinse aid to achieve good washing results.

If, after the wash, streaks occur on the dishes, decrease the amount by one position. If whitish spots occur, increase the amount by one position.



CLEANING THE FILTERS

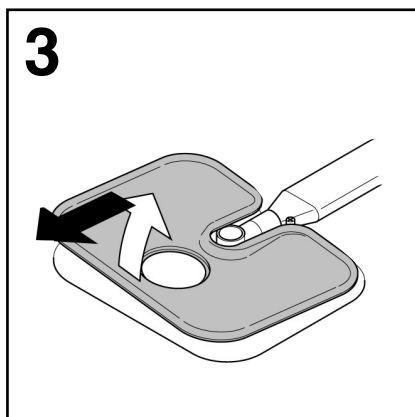
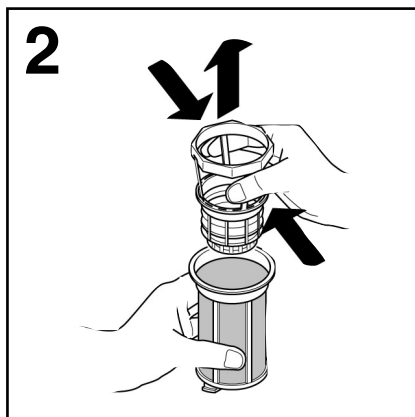
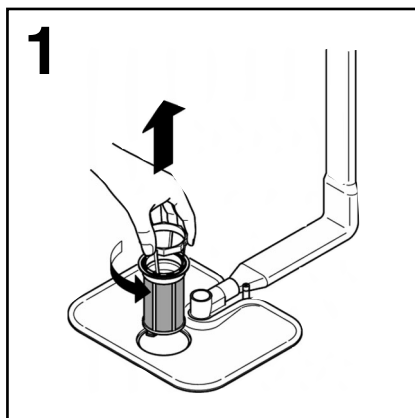
The filter system (**fig.A “4”**) consists of:

a central **container** that traps the larger particles;

a **flat gauze** that continuously filters the wash water;

a **micro filter**, located beneath the gauze, that traps the tiniest particles ensuring a perfect rinse.

- To achieve excellent results every time, the filters should be checked and cleaned after each wash.
- To remove the filter unit, simply turn the handle anticlockwise (**fig. 1**).
- For ease of cleaning, the central container is removable (**fig. 2**).
- Remove the gauze filter (**fig.3**) and wash the whole unit under a jet of water. If necessary a small brush can be used.
- With the **Self-cleaning Micro filter**, maintenance is reduced and the filter unit need only be checked every two weeks. Nevertheless, after each wash it is advisable to check that the central container and the gauze filter are not clogged.



WARNING!

After cleaning the filters, make sure that they are correctly reassembled and that the gauze filter is properly positioned at the bottom of the dishwasher.

Make sure that the filter is screwed back, clockwise, into the gauze, as poor seating of the filter unit could have an adverse effect on the efficiency of the appliance.

IMPORTANT

Never use the dishwasher without the filters.

PRATICAL HINTS

How to get really good wash results

- Before placing the dishes in the dishwasher, remove any remaining food (bones, shells, pieces of meat or vegetables, coffee grounds, skin of fruit, cigarette ash, tooth picks etc. to avoid blocking the filters, water outlet and washing arm nozzles.
- Try not to rinse the dishes before loading them into the dishwasher.
- If saucepans and oven dishes are encrusted with the remains of burnt or roast food, it is advisable to leave them to soak before washing.
- Place the dishes face downwards.
- Try to place the dishes in such a way that they are not touching one another. If they are loaded properly you will get better results.
- After loading the dishes check that the washing arms can rotate freely.
- Pans and other dishes that have particularly stubborn food particles or remnants of burnt food should be left to soak in water with dishwasher detergent.
- To wash silver properly:
 - a) rinse the silver immediately after use, especially if it has been used for mayonnaise, eggs, fish etc.;
 - b) do not sprinkle detergent onto it;
 - c) keep it separate from other metals.

How to make savings

- If you want the dishwasher to give a complete wash, place the dishes in the dishwasher at the end of each meal and if necessary turn on the COLD RINSE cycle to soften the food remains and remove bigger particles of food from the new load of dishes.
When the dishwasher is full start the complete wash cycle programme.
- If the dishes are not very dirty or if the baskets are not very full select an ECONOMY programme, following the instructions in the program list.

What not to wash

- It should be remembered that not all dishes are suitable for washing in a dishwasher. We advise against using the dishwasher to wash items in thermoplastic, cutlery with wooden or plastic handles, saucepans with wooden handles, items in aluminium, crystal, leaded glass unless otherwise stated.
- Certain decorations may fade. It is therefore a good idea before loading the whole batch to wash just one of the items first so as to be sure that others like it will not fade.
- It is a good idea not to put silver cutlery with non-stainless steel handles into the dishwasher as there could be a chemical reaction between them.

IMPORTANT

When buying new crockery or cutlery always make sure that they are suitable for washing in a dishwasher.

Useful hints

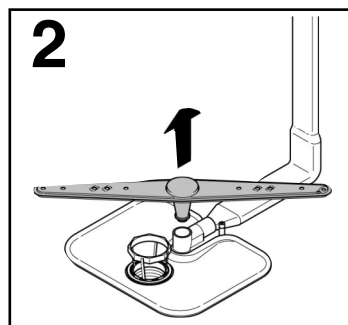
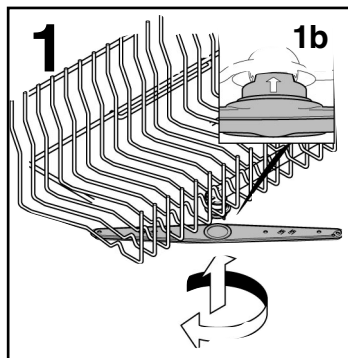
- In order to avoid any dripping from the top rack, remove the lower rack first.
- If the dishes are to be left in the machine for some time, leave the door ajar, to let some air circulate and to improve the drying performance.

CLEANING AND MAINTENANCE

- To clean the dishwasher outside, do not use solvents (degreasing action) neither abrasives, but only a cloth soaked with water.
- The dishwasher does not require special maintenance, because the tank is self-cleaning.
- Regularly wipe the door gasket with a damp cloth to remove any food remains or rinse aid.
- It is advisable to remove limestone deposits or dirt periodically, by doing an empty wash; pour a glass of vinegar on the bottom of the tank and select the light wash.
- If, in spite of the routine cleaning of the filters, you notice that the dishes or pans are not properly washed or rinsed, check that all the spray heads on the rotor arms (**fig. A "5"**) are clear.

If they are blocked, clean them in the following way:

1. to remove the upper rotor arm, turn it until it lines up with the stop marked by the arrow (**fig. 1**). Push it upwards (**fig. 1b**) and, keeping it pushed in, unscrew it in a clockwise direction (**to reassemble it repeat the same operation, but turn it anticlockwise**). The lower rotor arm can be removed simply by pulling it upwards (**fig. 2**);
 2. wash the rotor arms under a jet of water to clear any blockage in the spray heads;
 3. when you have finished, refit the rotor arms in the same position, remembering to re-align the arrow and screw into position.
- Both the door lining and the tank lining are in stainless steel; however, should spots caused by oxidation occur, this is probably due to a high level of iron salts presents in the water.
 - The spots can be removed with a mild abrasive agent; never use chlorine based materials, steel wool, etc.



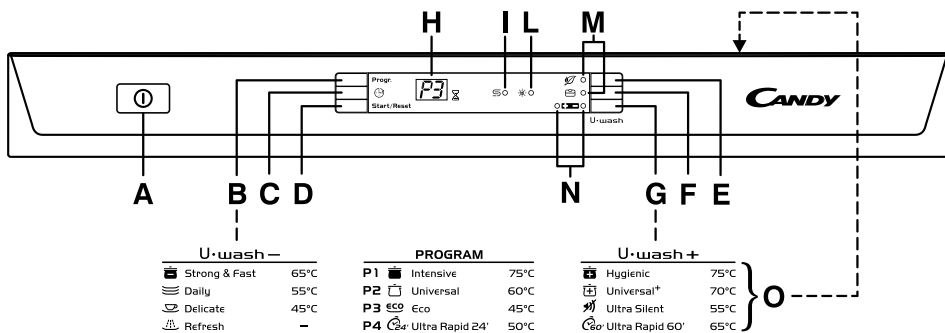
WHEN CYCLE IS FINISHED

After every wash it is essential to turn off water supply and to switch off the machine by pressing the On/Off button to the off position.

If the machine is not going to be used for some time, it is advisable to follow these rules:

1. do an empty wash with detergent in order to clean the machine of any deposits;
2. pull out the electric plug;
3. turn off the water tap;
4. fill the rinse aid container;
5. leave the door ajar;
6. keep the inside of the machine clean;
7. If the machine is left in places where the temperature is below 0°C any water left inside the pipes may freeze. Wait until the temperature rises above zero and then wait for about 24 hours before starting up the dishwasher.

DESCRIPTION OF THE CONTROL PANEL



- A** "ON/OFF" button
- B** "PROGRAMME SELECTION" button
- C** "DELAY START" button
- D** "START"/"RESET" button (start/cancelling programme)
- E** "SUPER ECO" option button
- F** "ALL IN 1" option button
- G** "U•WASH" button
- H** DIGITAL DISPLAY
- I** "SALT EMPTY" light
- L** "RINSE AID EMPTY" light
- M** "OPTION SELECTION" lights
- N** "U•WASH" lights
- O** Programme guide

DIMENSIONS		
	With working top	Without working top
Width x Height x Depth (cm)	60 x 85 x 60	59,8 x 82 x 57,3
Depth with door open (cm)	120	117
TECHNICAL DATA		
EN 50242 place load	15	
Capacity with pans and dishes	9 persons	
Water supply pressure (MPa)	Min. 0,08 - Max. 0,8	
Fuse / Power input / Supply voltage	See rating plate	
CONSUMPTION (main programmes)*		
Programme	Energy (kWh)	Water (L)
INTENSIVE	2,03	20
UNIVERSAL	1,43	14
ECO	0,83	10
ULTRA RAPID 24'	0,59	9
Power consumption of the off-mode and of the left-on mode: 0,30 W / 0,45 W		
*Values are measured in a laboratory according to European Standard EN 50242 (consumption may vary according to conditions of usage).		

PROGRAMME SELECTION AND SPECIAL FUNCTIONS

(Use in conjunction with programme guide)

"U •WASH" button



U •wash

This button allows you to modify the wash intensity, according to how dirty your dishes are, by modifying the wash time and temperature.

Press the button to increase the intensity of wash cycle (indicator light) or to reduce the intensity of wash, this also allows you to decrease the wash length time (indicator light).

The combination of the button with the 4 main wash programmes enables to have 8 additional wash cycles (achieving a total of 12 programmes of washing).

IMPORTANT

When the dishwasher is switched on, the setting last used will be indicated.

Programme settings

- Open the door and place the dirty dishes inside the appliance.
- Press the "ON/OFF" button . The display will show two lines.
- Choose a programme by pressing the "PROGRAMME SELECTION" button.
- If you wish, press the "U •WASH" button.
- If you wish to select an option, press the corresponding button (the indicator light will turn on).

The option buttons can be selected or deselected WITHIN one minute of the programme commencing.

- Press the "START" button.
The length of the program will be shown on the display alternating hours with minutes [i.e.: (1 hour) / (25 minutes)].

- When the door is shut, after an audible signal has sounded, the programme will start automatically. The display will show the time remaining to the end of the cycle.

WITHIN one minute of the programme commencing, another programme can be selected, simply by pressing the "PROGRAMME SELECTION" button (it is also possible to change the "U •WASH" button setting).

"IMPULSE" programmes

The "IMPULSE" programmes use an impulse washing technology, which reduces consumption, noise and increases performances.

IMPORTANT

The "intermittent" working of the washing pump **MUST NOT BE** considered a malfunction, it is a characteristic of the impulse washing so must be considered a normal function of the programme.

Programme interruption

Opening the door when a programme is running is not recommended especially during the main wash and final hot rinse phases. However, if the door is opened while a programme is running (for example, to add dishes) the machine stops automatically and the display will flash the remaining time before the end of the cycle. Close the door, **without pressing any buttons**. The cycle will start from where it left off.

IMPORTANT

A running program can be interrupted without opening the door by pressing the "ON/OFF" button. In this case, simply press the "ON/OFF" button again to restart the cycle from where it left off.



WARNING!

If you open the door during the drying cycle, an audible audio signal advises you that the drying cycle has not yet finished.

Changing a running programme

Proceed as follows to change or cancel a running program:

- Hold the "RESET" button down for at least 5 seconds. "00" will appear on the display and some audible signals will sound.
- The running programme will be cancelled. The display will show two lines.
- At this point a new programme can be set.



WARNING!

Before starting a new programme, you should check that there is still detergent in the dispenser. If necessary, top up the dispenser.

Programme operations

Whilst a programme is running, the display shows the time remaining to the end of the cycle, which is automatically updated.

If there is any break in the power supply while the dishwasher is operating, a special memory stores the selected programme and, when the power is restored, it continues where it left off.

Programme end

A 5 second alarm will sound (if not muted) 3 times at 30 second intervals to signal that the programme has ended. The display and all the indicator lights will switch off.

Dishes can now be removed and the dishwasher turned off by pressing the "ON/OFF" button or dishes can be loaded for new cycle.

Option buttons

"SUPER ECO" button

This button provides an energy and time saving of 25% on average (according to the select cycle) reducing the wash water temperature and the drying time during the final rinse.

This programme is recommended for light soil washes, and for slightly wet dishes that are not fully dry, & improved drying results. We advise you to leave the door of the Dishwasher half-open at the end of the cycle, to allow for a natural circulation of air inside the dishwasher.

"ALL IN 1" button

This option optimises the use of "ALL in 1" ("3 in 1"/"4 in 1"/"5 in 1", ecc.) combined detergents.

By pressing this button, the selected washing programme is modified to get best performance from combined detergents (furthermore, the salt and rinse aid shortage lights are de-activated).



WARNING!

Once selected, this option keeps being on (light on) also for next washing cycles and it can be de-activate (light off) only by pressing the button once again.

IMPORTANT

This option is recommended when using the ULTRA RAPID 24' program, the duration of which will be extended for about 15 minutes, allowing the detergent tablets to achieve a better performance.

"DELAY START" button

Dishwasher start time can be set with this button, delaying start from 1 to 23 hours.

Proceed as follows to set a delayed start:

- Press the "**DELAY START**" button ("**00**" will appear on the display).

- Press the button again to increase the delay in hours (each time the button is pressed the delay is increased by 1 hour to a maximum of 23).

- To start the countdown, press the "**START**" button.
The display will show the time remaining to the begin of the programme.

At the end of the countdown, the programme will automatically start and the length of the selected cycle will be shown in the display.

Proceed as follows to cancel a delayed start:

- Hold the "**RESET**" button down for at least **5** seconds. "**00**" will appear on the display and some audible signals will sound.

- The delayed start and the selected programme will be cancelled.
The display will show two lines.

- At this point, a new programme and option buttons must be set to start a new programme as indicated in the "**PROGRAMME SETTINGS**" section.

Alarm mute for the PROGRAMME END

The alarm **for the programme end** may be muted as follows:

IMPORTANT
The dishwasher must **ALWAYS** be off before start of this procedure.

1. Hold down the "**PROGRAMME SELECTION**" button and at the same time **switch on** the dishwasher by pressing the "**ON/OFF**" button (a brief audible signal will sound).

2. Keep the "**PROGRAMME SELECTION**" button pressed for at least **15** seconds (during this time **2** audible signals will sound).

3. Release the button when the **second** audible signal sounds ("**b1**" will appear on the display to indicate that the alarm is on).

4. Press the same button again ("**b0**" will appear on the display to indicate that the alarm is off).

5. Turn off the dishwasher by pressing the "**ON/OFF**" button to confirm the new setting.

To turn the alarm on again, follow the same procedure.

Memorization of the last programme used

The last programme used can be memorized by following the below:

IMPORTANT
The dishwasher must **ALWAYS** be off before start of this procedure.

1. Hold down the "**PROGRAMME SELECTION**" button and at the same time **switch on** the dishwasher by pressing the "**ON/OFF**" button (a brief audible signal will sound).
2. Keep the "**PROGRAMME SELECTION**" button pressed for at least **30** seconds (during this time, **3** audible signals will sound).
3. Release the button when the **THIRD** audible signal sounds ("**A0**" will appear on the display to indicate that the memorization is off).

4. Press the same button again ("**A1**" will appear on the display to indicate that the memorization is on).
5. Turn off the dishwasher by pressing the "**ON/OFF**" button to confirm the new setting.

To disable the memorization, follow the same procedure.



WARNING!

To ensure the correct operation of the anti-overflow safety device, we recommend that the dishwasher is not moved or tilted during operation. If however it is necessary to tilt or move the dishwasher, please ensure that the washing cycle is complete and that there is no remaining water inside the dishwasher.

The dishwasher is able to signal a series of faults in the display.

























AUTOMATIC FAULT SIGNALS

FAULTS	CAUSE	SOLUTION
E2 appears on the display and the alarm sounds.	No water (inlet hose closed).	Turn off the dishwasher, open the inlet hose and reset the cycle.
E3 appears on the display and the alarm sounds.	The machine cannot drain water.	Check if the drain tube is bent or if the siphon or filters are clogged. If the problem persists, contact Customer Service.
E4 appears on the display and the alarm sounds.	Water leak	Check if the drain tube is bent or if the siphon or filters are clogged. If the problem persists, contact Customer Service.
E5,E6,E7,Ef or EL appears on the display and the alarm sounds.	Electronic control fault.	Contact Customer Service.
E8 or Ei appear on the display and the alarm sounds.	The water heating element is not working correctly or the filter plate is clogged.	Clean the filter plate. If the problem persists, contact Customer Service.

PROGRAMME GUIDE

Wash with prewash

For wash programmes with prewash, it is advisable to add a second dose of detergent (max. 10 g) directly in the machine.

Programme		Description	
P1	U·wash + 	Hygienic 75°C 	An antibacterial cycle, intended for washing and sterilising dishes (even heavily stained ones) babies' bottles etc.
	PROGRAM 	Intensive ■ 75°C 	Once a day - for heavily soiled pans and any other items that have been left all day for washing.
	U·wash - 	Strong & Fast ■ 65°C 	Intended for rapid washing of very dirty dishes.
P2	U·wash + 	Universal+ 70°C 	Intended for everyday dishwashing. Two final rinses ensure a high level of hygiene and cleanliness.
	PROGRAM 	Universal ■ 60°C 	Once a day - for normal soiled pans and any other items that have been left all day for washing.
	U·wash - 	Daily ■ 55°C 	Fast cycle, for "normally" dirty dishes - intended for frequent washes and normal loads.
P3	U·wash + 	Ultra Silent 55°C 	Quietest washing cycle. Ideal for functioning by night and for taking advantage of reduced energy fares.
	PROGRAM 	Eco ■ 45°C 	Programme for normally soiled tableware (the most efficient in terms of its combined energy and water consumption for that type of tableware). Programme standardised to EN 50242.
	U·wash - 	Delicate ■ 45°C 	Suitable for delicate crockery and glassware. Also for less soiled items excluding pans.
P4	U·wash + 	Ultra Rapid 60' 65°C 	Suitable for heavily soiled items that are to be washed straight after a meal (Max 8 place load).
	PROGRAM 	Ultra Rapid 24' 50°C 	Quick wash for dishes which are to be washed immediately after the meal. Wash load of 6 persons.
	U·wash - 	Refresh 	Short cold pre-wash for items that are stored in the dishwasher until you are ready to wash a full load.

■ = "IMPULSE" programmes

Check list					Programme contents						Average duration in minutes	Special function buttons available		
Detergent for soaking (Prewash)	Detergent for washing	Clean filter	Check rinse aid dispenser	Check salt container	Hot pre-wash	Cold pre-wash	Main wash	First cold rinse	Second cold rinse	Hot rinse with rinse aid	* With cold water (15°C) -Tolerance ± 10%*	"DELAY START" button	"SUPER ECO" button	"ALL IN 1" button
●	●	●	●	●	○		75°C	○	○	○	140	YES	YES	YES
●	●	●	●	●	○		75°C	○	○	○	130	YES	YES	YES
●	●	●	●	●	○		65°C	○		○	85	YES	YES	YES
	●	●	●	●		○	70°C	○	○	○	125	YES	YES	YES
	●	●	●	●		○	60°C	○		○	120	YES	YES	YES
	●	●	●	●		○	55°C	○		○	80	YES	YES	YES
	●	●	●	●		○	55°C	○		○	240	YES	YES	YES
●	●	●	●	●		○	45°C			○	170	YES	YES	YES
	●	●	●	●		○	45°C	○		○	85	YES	YES	YES
●	●	●	●	●	○		65°C			○	60	YES	YES	YES
	●	●	●	●			50°C			○	24	YES	N/A	YES
		●				○					5	YES	N/A	

N/A = OPTION NOT AVAILABLE

* WITH HOT WATER THE TIME REMAINING UNTIL THE END OF THE PROGRAMME IS AUTOMATICALLY DISPLAYED WHILE THE PROGRAMME IS RUNNING.

THE WATERBLOCK SYSTEM

The waterblock system has been designed to improve the safety of your appliance, particularly when the machine is left unattended.

The waterblock system actually prevents flooding which might be caused by a machine malfunction or as a result of a fracture on the pipes.

How does waterblock work

The sump located in the base of the appliance collects any possible water leakage and operates a sensor which subsequently activates a valve placed under the water tap and stops any water from the supply even with the tap fully opened. If the box containing the electrical parts is damaged, remove the plug from the socket immediately.

To ensure perfect operation of the safety system, box “A” with the hose, should be connected to the tap as shown in **figure “1”**. The inlet hose **should not be cut**, as it contains parts under load. If the hose is not long enough for correct connection, it must be replaced with a longer one. The hose can be obtained from your Service Agent.

This dishwasher is also equipped with an anti-overflow safety device which, if water exceeds normal levels due to malfunctions, automatically blocks water flow and/or drains excess quantities.

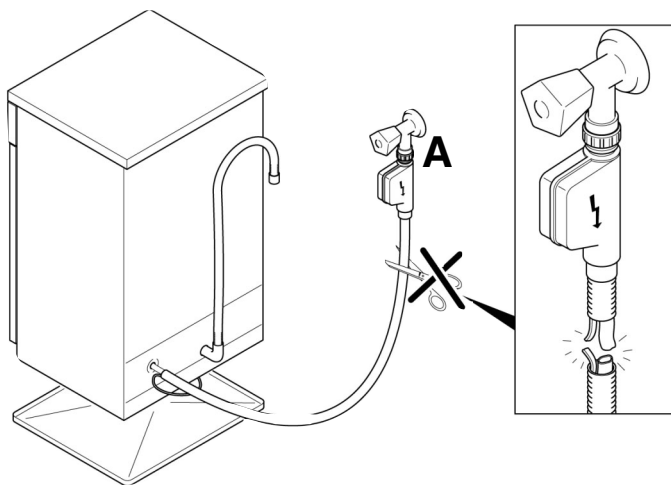


Fig. 1

IDENTIFYING MINOR FAULTS

Should the dishwasher fail to operate, before contacting the Service Centre, make the following checks:

FAULT	CAUSE	REMEDY
1 - Machine completely dead	Plug is not connected to wall socket	Connect electric plug
	O/I button has not been pressed	Press button
	Door is open	Close door
	No electricity	Check the fuse in the plug and the electricity supply
2 - Machine does not draw water	See causes for no. 1	Check
	Water tap is turned off	Turn water tap on
	Programme selector is not at correct position	Turn programme selector to correct position
	The inlet hose is bent	Eliminate the bends in the hose
3 - Machine does not discharge water	The inlet hose filter is not correctly connected	Clean the filter at the end of the hose
	Filter is dirty	Clean filter
	Outlet hose is kinked	Straighten outlet hose
	The outlet hose extension is not correctly connected	Follow the instructions for connecting the outlet hose carefully
4 - Machine discharges water continuously	The outlet connection on the wall is pointing downwards not upwards	Call a qualified technician
	Position of outlet hose is too low	Lift outlet hose to at least 40 cm above floor level
5 - Spray arms are not heard to rotate	Excessive amount of detergent	Reduce amount of detergent Use suitable detergent
	Item prevents arms from rotating	Check
	Plate and cup filter very dirty	Clean plate and cup filter
6 - On electronic appliances without a display: one or more indicator lights flashing quickly.	Water inlet tap turned off	Switch off the appliance. Turn on the tap. Re-set the cycle.

FAULT	CAUSE	REMEDY
7 - Load of dishes is only partially washed	See causes for no. 5	Check
	Bottom of saucepans have not been washed well	Burnt on food remains must be soaked before putting pans in dishwasher
	Edge of saucepans have not been washed well	Reposition saucepans
	Spray arms are partially blocked	Remove spray arms by unscrewing ring nuts clockwise and wash under running water
	The dishes have not been properly loaded	Do not place the dishes too closely together
	The end of the outlet hose is in the water	The end of the outlet hose must not come into contact with the outflow water
	The incorrect amount of detergent has been measured out; the detergent is old and hard	Increase the measure according to how dirty the dishes are and change detergent
	The wash programme is not thorough enough	Choose a more vigorous programme
	The lower basket dishes have not been washed	Depress half load button
8 - Detergent not dispensed or partially dispensed	Cutlery, dishes, pans, etc... stop the detergent dispenser opening	Position dishes not to obstruct the dispenser
9 - Presence of white spots on dishes	Water is too hard	Check salt and rinse aid level and regulate amount. Should the fault persist, Contact Service Centre
10 - Noise during wash	The dishes knock against one another	Re-check loading of dishes in the basket
	The revolving arms knock against the dishes	Again re-check loading
11 - The dishes are not completely dry	Inadequate air flow	Leave the dishwasher door ajar at the end of the wash program to allow the dishes to dry naturally
	Rinse aid missing	Fill the rinse aid dispenser

N.B.: Should any of the situations occur and should the machine give a bad wash performance, it is necessary to remove the deposits from the dishes by hand since the final drying cycle hardens the deposits which a second wash in the machine would not be able to remove.

If the malfunction continues contact a Service Centre quoting the serial number of the dishwasher. This is found on the plaque on the inside of the dishwasher door at the top or on the guarantee. This information will make it possible to take more effective action more quickly.

The manufacturers decline any responsibility for any printing mistakes in this instruction booklet. They also reserve the right to modify their own appliances as necessary without altering the essential characteristics.

Compliments,

en ayant acheté un appareil électroménager Candy, vous avez fait preuve d'une très grande exigence: vous voulez le meilleur.

Candy est heureux de vous proposer cette nouvelle machine, fruit d'années de recherches et d'expériences confirmées sur le marché. Vous avez choisi la qualité, la fiabilité et les prestations techniques élevées.

Candy vous propose de plus, une gamme complète d'appareils d'électroménagers: machines-à-laver, lave-vaisselle, machines-à-laver séchantes, sèche-linge, four à micro-ondes, fours et plaques de cuisson, réfrigérateurs et congélateurs.

Demandez à votre Revendeur le catalogue complet des produits Candy.

Nous vous prions de lire attentivement les indications contenues dans ce mode d'emploi. Vous y trouverez d'importantes indications, sur la sécurité d'installation, d'emploi, de manutention et d'autres conseils utiles pour le meilleur emploi du lave-vaisselle.

Conservez avec soin ce mode d'emploi pour des consultations futures.

GARANTIE

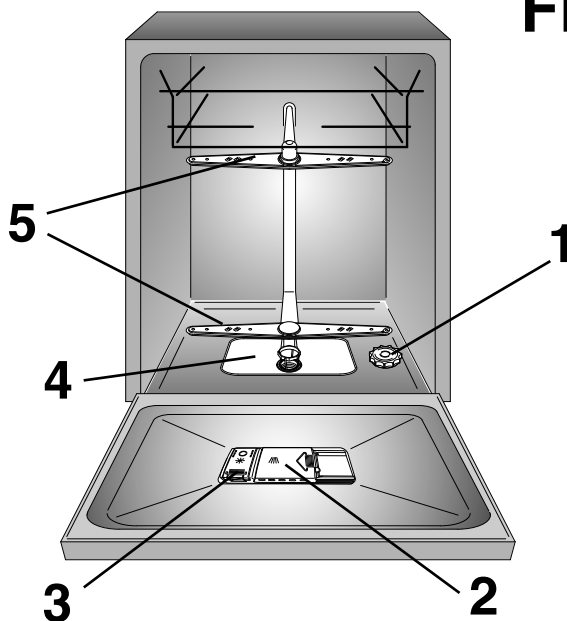
Cette machine est livrée avec un certificat de garantie qui permet de contacter gratuitement l'assistance technique.

Veillez garder votre ticket d'achat et le mettre dans un endroit sûr en cas de besoin.

INDICE

Conseils de sécurité	pag. 34
Mise en marche, installation	pag. 35
Adoucisseur d'eau	pag. 39
Chargement du sel	pag. 40
Réglage du panier supérieur	pag. 41
Chargement de la vaisselle	pag. 42
Information pour les tests laboratoire	pag. 44
Chargement du produit de lavage	pag. 45
Types de produits de lavage	pag. 46
Chargement du produit de rinçage	pag. 47
Nettoyage des filtres	pag. 48
Quelques conseils pratiques	pag. 49
Entretien et nettoyage courants	pag. 50
Description de la machine	pag. 51
Données techniques	pag. 51
Sélection du programme et fonctions particulières	pag. 52
Liste des programmes	pag. 56
Waterblock	pag. 58
Identification des anomalies mineures	pag. 59

Fig. A



Lire attentivement les instructions contenues dans ce livret car elles donnent d'importantes indications sur la sécurité d'installation, d'utilisation et de maintenance ainsi que quelques conseils utiles pour mieux utiliser le lave-vaisselle.

Conserver avec soin ce livret pour toute consultation ultérieure.

CONSEILS DE SÉCURITÉ

L'emploi de n'importe quel appareil électrique comporte l'observation de règles fondamentales.

Installation

- Le socle ainsi que la prise mâle de l'appareil doivent correspondre à la puissance maximum absorbée par l'appareil.
En cas de nécessité de remplacement de l'un ou de l'autre de ces éléments, faire effectuer la modification par un professionnel patenté.
- S'assurer que l'appareil n'écrase pas le fil électrique d'alimentation.
- L'utilisation de prises multiples et/ou rallonges est déconseillée et dégage le constructeur de toutes responsabilités.
- Si le remplacement du câble d'alimentation s'avère nécessaire, l'opération doit être réalisée par le Service Après-vente.

Sécurité

- Ne pas toucher l'appareil avec les mains ou pieds mouillés ou humides.
- Ne pas utiliser l'appareil pieds nus.
- Ne pas tirer sur le câble d'alimentation de l'appareil pour débrancher la prise du courant.
- Ne pas laisser exposer l'appareil à des agents atmosphériques (pluie, soleil etc...).
- Cet appareil n'est pas destiné à être utilisé par des personnes (notamment les enfants) incapables, irresponsables ou sans connaissance sur l'utilisation du produit, à moins qu'elles ne soient surveillées, ou instruites sur l'utilisation de l'appareil, par une personne responsable de leur sécurité.

Surveillez les enfants pour être sûr qu'ils ne jouent pas avec l'appareil.
- A la fin du programme de lavage, l'eau résiduelle dans l'appareil ou sur la vaisselle, ne doit pas être consommée.
- La porte ne doit pas rester en position ouverte car cela pourrait occasionner des accidents.

- S'appuyer ou s'asseoir sur la porte ouverte du lave vaisselle risque d'entraîner son basculement.



ATTENTION!

Les couteaux et autres ustensiles avec des parties pointues ou coupantes doivent être rangés avec les pointes en bas ou horizontalement.

Usage quotidien

- Cet appareil a pour vocation d'être utilisé au sein du foyer, ou dans ces différentes situations :
 - zones réservées au personnel dans les magasins, bureaux et autres environnements de travail;
 - exploitation agricoles;
 - par les clients dans les hôtels, motels et autres environnements résidentiels;
 - environnement de type bed and breakfast.

Une utilisation autre que domestique, comme par exemple une démonstration commerciale ou une session de formation, est à exclure également dans les lieux cités ci-dessus. Une utilisation détournée de l'appareil est proscrite.

Si l'appareil doit être utilisé de manière incompatible comme défini ci-dessus, la durée de vie de l'appareil pourrait être réduite et la garantie du fabricant serait annulée.

Tout dommage causé à l'appareil, résultant d'une mauvaise utilisation de l'appareil (même si l'utilisation en est faite au sein du foyer), ne permettra pas de recours auprès du fabricant, comme il est établi par la loi.

- Le lave-vaisselle est conçu pour laver des ustensiles domestiques normaux. Les objets contaminés par de l'essence, de la peinture, des restes d'acier ou de fer, des produits chimiques corrosifs, acides ou alcalins ne doivent pas être lavés en machine.
- S'il y a une installation d'adoucissement de l'eau dans l'habitation, il n'est pas nécessaire d'ajouter de sel dans l'adoucisseur monté dans le lave-vaisselle.

- La coutellerie est mieux lavée si les manches sont positionnés vers le bas dans le panier à couverts.
- En cas de panne et/ou de mauvais fonctionnement de l'appareil, l'éteindre, fermer le robinet d'arrivée d'eau et ne pas ouvrir l'appareil.
Appelez le Service Après-vente de votre revendeur en lui précisant bien le type de votre appareil.
Le non respect des prescriptions énoncées ci-dessus peut compromettre la sécurité de l'appareil.

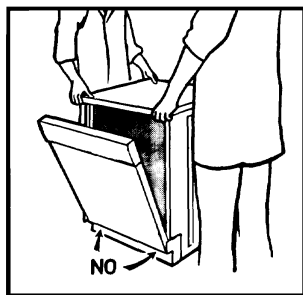
Mise au rebut

- Cet appareil est fabriqué avec des matériaux recyclables pour permettre de les éliminer avec facilité.
- Si l'on veut se débarrasser d'un vieux lave-vaisselle, enlever le système de fermeture de la porte pour que les enfants ne puissent pas s'enfermer dans la machine.
Coupez le cordon d'alimentation après l'avoir retiré de la prise murale.

INSTALLATION

(Remarques techniques)

- Après le déballage, régler la hauteur du lave-vaisselle.
Pour un fonctionnement parfait, il est important que le lave-vaisselle soit à niveau, en réglant les pieds de façon à ce qu'une éventuelle inclinaison ne dépasse pas 2 degrés.
- Dans le cas où vous devez transporter de façon manuelle la machine sans emballage, ne pas prendre la porte par le bas, mais faire comme dans le schéma; ouvrir légèrement la porte et soulever l'appareil en utilisant le top supérieur.



IMPORTANT

Les ouvertures à la base de l'appareil ne doivent en aucun cas être obstruées par des tapis, moquette ou autre objets.

À l'installation il est important de vérifier que la prise soit facilement accessible.

Alimentation Electrique

L'appareil est conforme aux exigences de sécurité prévues par les différents instituts de Normes, et c'est la prise tripolaire avec un pôle de terre qui assure la mise à la terre complète de l'appareil.

Avant de brancher la machine sur le circuit électrique s'assurer:

1. que la prise murale est correctement reliée à la terre;
2. que le réglage du contacteur électrique correspond bien à la puissance absorbée indiquée sur la plaque signalétique du lave-vaisselle.



ATTENTION!

L'efficacité de la sécurité est donc subordonnée à la mise à la terre correcte de votre propre installation.

En cas d'absence d'un branchement efficace de la mise à la terre, il peut survenir une légère dispersion de courant sur les parties métalliques de la machine, due à la présence d'un filtre antiparasite radio.

Le constructeur décline toute responsabilité pour des dommages éventuels survenus aux personnes et aux biens imputables à un mauvais raccordement de la ligne de terre.



Produit compatible avec les Directives Européennes 73/23/EEC et 89/336/EEC, remplacé par 2006/95/EC et 2004/108/EC, et les amendements successifs.

Branchement Hydraulique

IMPORTANT

L'appareil doit être relié à l'arrivée d'eau, exclusivement avec le tuyaux fournis.

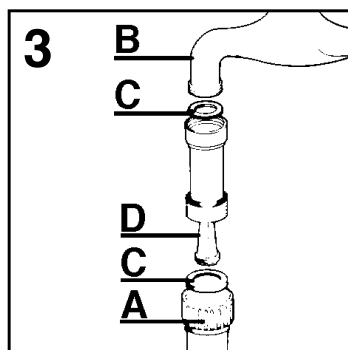
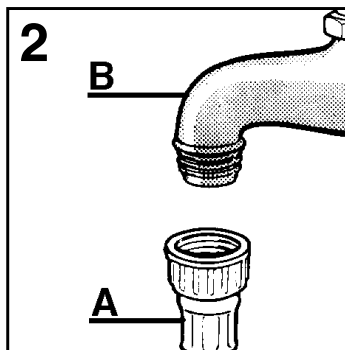
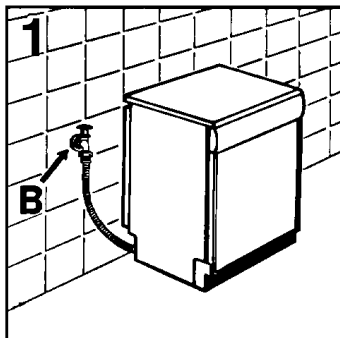
Ne pas réutiliser les anciens tuyaux.

- Les tuyaux de vidange et de remplissage peuvent être orientés de façon indifférente vers la droite ou vers la gauche.

IMPORTANT

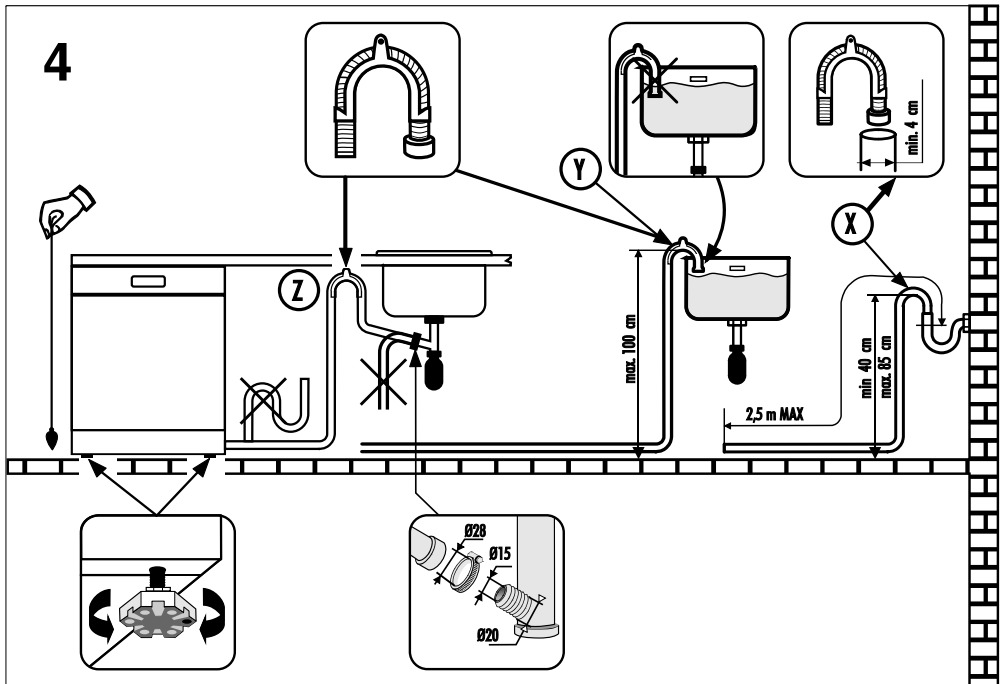
Le lave-vaisselle peut-être relié de façon indifférente à l'eau froide ou chaude à condition que la température ne dépasse pas les 60°C.

- La pression hydraulique doit être comprise d'un minimum de 0,08 MPa à un maximum de 0,8 MPa. Pour des pressions inférieures, nous vous conseillons de demander des instructions à notre service Après-vente.
- Il est nécessaire de prévoir un robinet en amont du tube de chargement pour isoler la machine du système hydraulique, quand celle-ci ne fonctionne pas (fig. 1B).
- Le lave vaisselle est doté d'un tuyau pour la prise d'eau avec un embout fileté 3/4" (fig. 2).
- Le tuyau d'alimentation "A" devra être vissé à un robinet d'eau "B" à l'aide de l'attache 3/4" en s'assurant que le collier est bien serré.
- Si nécessaire il est possible de rallonger le tube de vidange jusqu'à 2,5 m. Cette rallonge de tube est disponible auprès du service après-vente.
- Si des saletés ou du sable sont présents dans l'eau, il est recommandé de demander le filtre approprié, art. 9226085, auprès du service après-vente (fig. 3). Le filtre "D" doit être placé entre la prise d'eau 3/4" "B" et le tuyau d'alimentation "A", ne pas oublier de mettre les joints "C".
- Si la machine est branchée à des tuyauteries neuves, ou qui n'ont pas été utilisées pendant une longue période, faire couler l'eau pendant quelques minutes avant de brancher le tuyau d'alimentation. On évitera ainsi la formation de dépôts de sable ou de rouille qui pourraient boucher le filtre d'entrée de l'eau.



Raccordement à la vidange

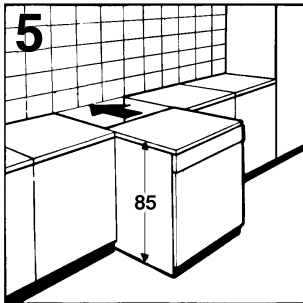
- Pour la vidange, introduire le tuyau dans l'installation de vidange, en prenant soin de ne pas le plier car l'écoulement des eaux s'en trouverait perturbé (**fig. 4**).
- Le tuyau de vidange fixe doit avoir au moins un diamètre intérieur de 4 cm et doit être placé à une hauteur minimum de 40 cm.
- Pour éviter les odeurs, nous recommandons de prévoir un siphon (**fig. 4X**).
- Si nécessaire il est possible de rallonger le tube de vidange jusqu'à 2,5 mètres en le maintenant cependant à une hauteur maximum de 85 cm du sol. Cette rallonge de tube est disponible auprès du service après-vente.
- L'extrémité recourbée du tuyau de vidange peut être accrochée au bord d'un évier, mais ne doit pas rester immergée, pour éviter le siphonnage de l'appareil pendant le programme de lavage (**fig. 4Y**).
- En cas d'installation sous un dessus continu, le coude doit être fixé immédiatement sous le dessus au point le plus haut possible (**fig. 4Z**).
- Pendant l'installation de la machine, contrôler que les tubes de remplissage et de vidange ne sont pas pliés.



INSTALLATION DANS UN ENSEMBLE DE CUISINE MODERNE

Juxtaposition

- Le lave-vaisselle a été étudié avec une hauteur standard de 85 cm et peut être ainsi placé entre des meubles de cuisine moderne d'une même hauteur. Pour obtenir un alignement parfait, agir sur les pieds réglables.
- Le plan supérieur est un vrai plan de travail en plastique laminé de haute résistance (fig. 5).



Encastrement

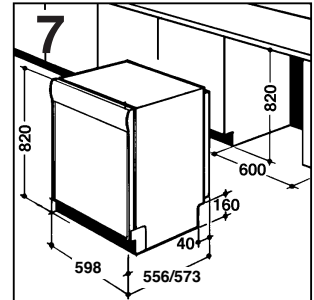
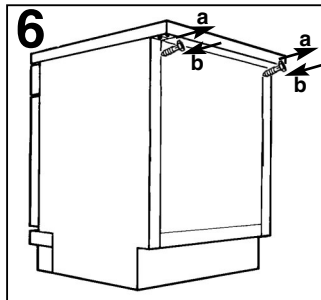
(Installation sous un plan de travail)

- Les ensembles de cuisine moderne ont un plan de travail unique sous lequel viennent s'insérer les meubles de base et les appareils ménagers. Dans ce cas, il suffit de retirer le plan de travail en dévissant les vis qui se trouvent au-dessous et à l'arrière (fig. 6a).

IMPORTANT

Après avoir retiré le plan de travail, les vis **DOIVENT** être vissées de nouveau (fig. 6b).

- La hauteur est ainsi réduite à 82 cm comme prévue dans la norme internationale (ISO), et le lave-vaisselle vient s'intégrer parfaitement sous le plan (fig. 7).



Ouverture de la porte

Mettre la main dans le creux, et tirer.
Si la porte s'ouvre durant le fonctionnement de l'appareil, une sécurité électrique permet d'interrompre automatiquement les fonctions préétablies.

IMPORTANT

Pour une utilisation correcte ne pas ouvrir la porte du lave-vaisselle pendant son fonctionnement.

Fermeture de la porte

Mettre les plats.
Vérifier que les plats ou casseroles ne gênent pas les rampes avant et s'assurer que celles-ci tournent librement.
Fermer la porte et la bloquer avec force.

ADOUCCISSEUR D'EAU

Selon la source d'approvisionnement, l'eau contient des quantités variables de calcaire et de minéraux qui se déposent sur la vaisselle en laissant des taches et des marques blanchâtres.

Plus la densité de minéraux dans l'eau est élevée, plus celle-ci est dure.

Le lave vaisselle est équipé d'un dispositif d'adoucisseur d'eau qui, avec l'utilisation du sel régénérant, fournit de l'eau douce pour laver la vaisselle.

Le degré de dureté de votre eau peut vous être communiqué par votre fournisseur d'eau.

Réglage de l'adoucisseur d'eau

L'adoucisseur d'eau peut traiter l'eau dont la dureté s'élève jusqu'à 90°FH (Graduation française) ou 50°dH (Graduation germanique) et ce à partir de 8 niveaux de réglage.

Les positions de réglage de l'adoucisseur d'eau sont indiquées dans le tableau suivant.

Niveau	Dureté de l'eau		Utilisation de sel régénérant	Réglage de l'adoucisseur d'eau
	°FH (France)	°dH (Allemagne)		
0	0-5	0-3	NO	d0
1	6-10	4-6	OUI	d1
2	11-20	7-11	OUI	d2
3	21-30	12-16	OUI	d3
*4	31-40	17-22	OUI	d4
5	41-50	23-27	OUI	d5
6	51-60	28-33	OUI	d6
7	61-90	34-50	OUI	d7

* L'adoucisseur d'eau est pré réglé en usine sur le niveau 4 (d4) car ce niveau répond à la majorité des besoins.

Pour régler la position de l'adoucisseur d'eau en fonction du degré de dureté de votre eau, procédez comme suit :

IMPORTANT

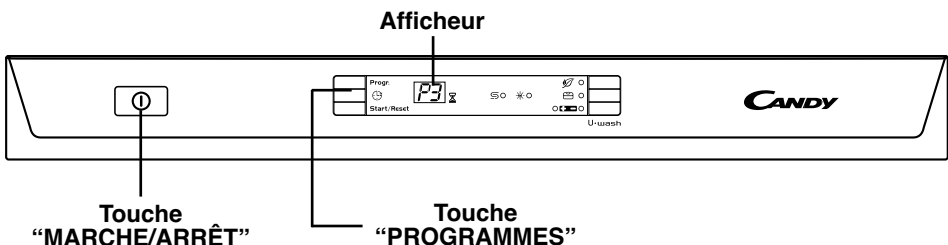
Commencer TOUJOURS la procédure avec le lave-vaisselle éteint.

1. Maintenir enfoncée la touche "PROGRAMMES" et allumer simultanément le lave vaisselle à l'aide de la touche "MARCHE/ARRÊT" (vous entendrez alors un son).
2. Maintenir enfoncée la touche "PROGRAMMES" pendant 5 secondes au moins. Relâcher la touche SEULEMENT après avoir entendu le signal sonore. L'afficheur montre le niveau de diminution du calcaire.
3. Enfoncer de nouveau la même touche pour choisir le niveau de diminution du calcaire désirée: chaque pression sur la touche augmentera la position d'un niveau. Quand vous aurez atteint la position "d7", l'afficheur retournera à la position "d0".
4. Eteindre le lave-vaisselle en appuyant sur la touche "MARCHE/ARRÊT" pour rendre effective la nouvelle configuration.



ATTENTION!

Si, pour quelque raison que ce soit, la procédure ne peut être terminée avec succès, éteindre le lave-vaisselle en appuyant sur la touche "MARCHE/ARRÊT" et recommencer depuis début (POINT 1).

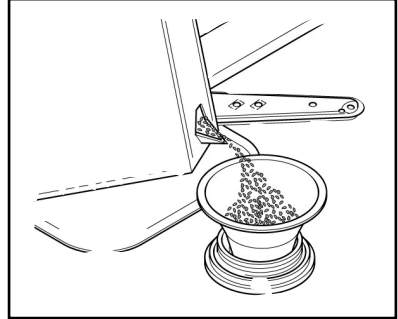


CHARGEMENT DU SEL

- Sur le fond de la machine se trouve le bac à sel pour la régénération de l'adoucisseur d'eau.
- Il est important de n'utiliser que le sel spécifiquement prévu pour les lave-vaisselle.
Autres types de sel contenant de sensibles pourcentages de substances insolubles qui pourraient avec le temps rendre inefficace le système de l'adoucisseur.
- Pour introduire le sel, dévisser le bouchon du bac.
- Pendant l'opération de remplissage un peu d'eau débordera: continuez à verser le sel jusqu'à ce que le réservoir soit plein (mélanger à l'aide d'une cuillère).
Après cette opération nettoyer le filetage en enlevant les résidus de sel; revisser le bouchon.
- Après chargement du sel, il est recommandé d'effectuer un cycle de lavage complet ou de mettre en marche le programme TREMPAGE (ou RINCAGE A FROID).
Pour une utilisation optimale de l'appareil, le réservoir à sel, dont la capacité varie de 1,5 à 1,8 kg, doit être rempli de temps en temps en fonction du réglage opéré sur l'adoucisseur d'eau.

IMPORTANT

Ce n'est qu'au cours de la phase d'installation de la machine à laver la vaisselle qu'il faudra, après avoir rempli complètement le bac à sel, ajouter de l'eau jusqu'à ce qu'elle déborde du bac.



Indicateur de remplissage du sel

Ce modèle est pourvu de voyant électrique sur le tableau de bord qui s'allume quand il faut remplir le réservoir à sel.

IMPORTANT

La vaisselle tachée de blanc est généralement une indication importante d'absence de sel.

RÉGLAGE DU PANIER SUPÉRIEUR

Quand on utilise habituellement des assiettes de 29 à 32,5 cm de diamètre, charger celles-ci dans le panier inférieur après avoir mis le panier supérieur à sa position la plus haute en procédant comme suit:

1. Faire glisser le panier supérieur vers l'extérieur;
2. Saisir le panier des deux les côtés et le tirer vers le haut (**fig. 1**).

Cette opération ne permet pas de charger dans le panier supérieur de la vaisselle d'un diamètre de plus de 20 cm et ne permet pas d'utiliser les supports mobiles en position haute.

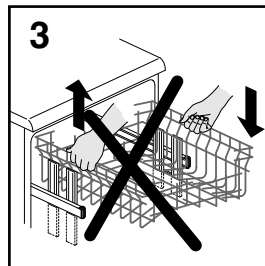
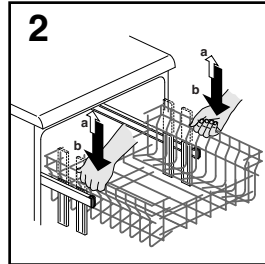
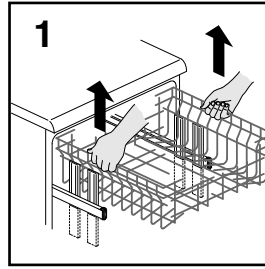
POUR REMETTRE LE PANIER EN POSITION BASSE :

1. Saisir le panier des deux les côtés et le tirer légèrement vers le haut (**fig. 2a**);
2. Laisser retomber le panier en l'accompagnant lentement (**fig. 2b**).

N. B.: NE JAMAIS SOULEVER OU BAISSER LE PANIER D'UN SEUL CÔTÉ (fig 3).

ATTENTION :

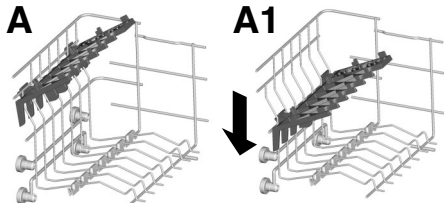
Nous vous conseillons d'effectuer le réglage du panier avant de charger la vaisselle.



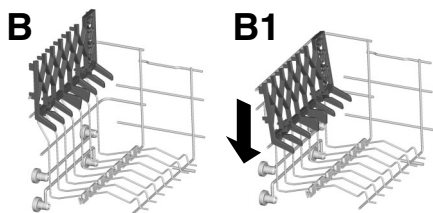
CHARGER LA VAISSELLE

Utilisation du panier supérieur

- Le panier supérieur est pourvu de supports mobiles accrochés au bord latéral et pouvant occuper 4 positions.
- Sur la position basse (**A-A1**) les supports servent pour recevoir les tasses à thé, à café, les couteaux longs et les louches. Aux extrémités des supports, vous pouvez suspendre les verres à pied.



- Quand les supports occupent la position haute (**B-B1**) ils permettent de placer les assiettes plates et creuses. Ayez soin de placer les assiettes creuses verticalement et en tournant leur partie concave vers l'avant de la machine; laisser toujours de l'espace entre chaque assiette pour que l'eau circule librement.

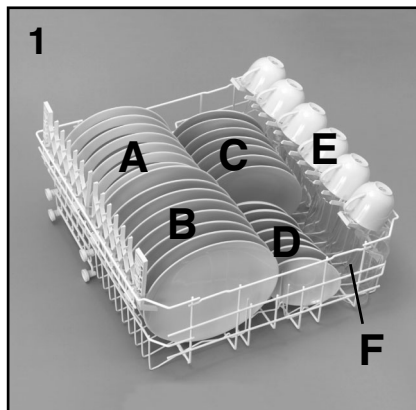


- Nous vous conseillons de ranger les plats de grande dimension, dont le diamètre est d'environ 26 cm, légèrement inclinés vers l'avant de façon à favoriser l'introduction du panier à l'intérieur de la machine.
- Dans le panier supérieur vous pouvez ranger différente vaisselle comme le saladier et les bols en plastique qu'il vaut mieux bloquer afin d'éviter que les jets d'eau ne les renversent.
- Le panier supérieur a été conçu pour permettre une souplesse maximum d'utilisation. Il peut n'être chargé qu'avec des assiettes placées sur deux rangées, 24 pièces maximum, avec des verres sur cinq rangées, 30 pièces maximum, ou bien avec de la vaisselle mixte.

Un chargement standard journalier est indiqué dans les **fig. 1, 2 et 3**.

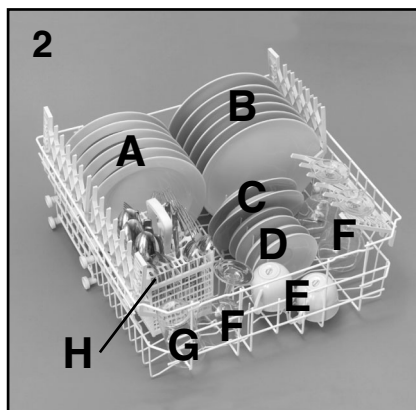
Panier supérieur (fig. 1)

- A = assiettes creuses
- B = assiettes plates
- C = assiettes à dessert
- D = soucoupes
- E = tasses
- F = verres



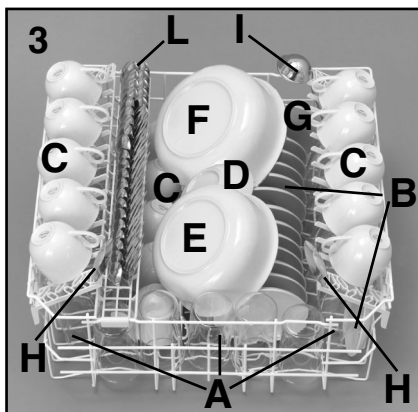
Panier supérieur (fig. 2)

- A = assiettes creuses
- B = assiettes plates
- C = assiettes à dessert
- D = soucoupes
- E = tasses
- F = verres à pied
- G = verre
- H = panier à couverts

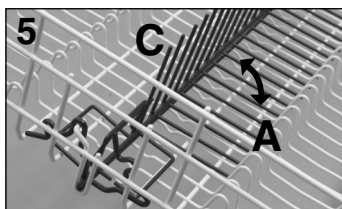
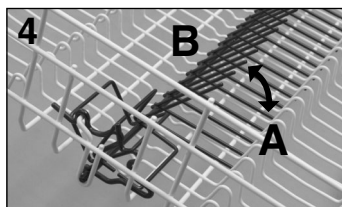


Panier supérieur (fig. 3)

- A = verres
- B = soucoupes
- C = tasses
- D = coupe petite
- E = coupe moyenne
- F = coupe grande
- G = assiette à dessert
- H = cuillère à soupe
- I = louche
- L = couverts



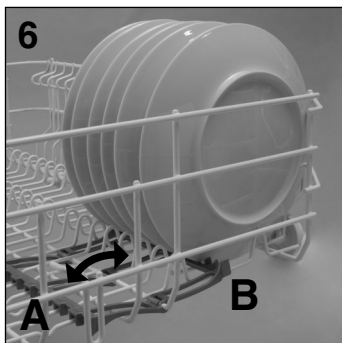
- POSITION "B": pour les assiettes de formes particulières même si sont de dimensions standards (assiettes creuses très profondes, assiettes carrées, assiettes sans rebords etc...).
- POSITION "C": pour les assiettes plates, plus grandes que la moyenne et/ou de formes particulières (carrées, hexagonales, ovales, plats à pizza etc...).



- Les assiettes de taille réduite, comme par exemple les assiettes à dessert, doivent être chargées dans le panier inférieur comme indiqué sur la **figure 6** en positionnant vers l'extérieur ("B") les supports orientables prévus à cet effet. Pour les assiettes normales ou de grandes dimensions, les supports doivent être orientés vers l'intérieur ("A").

Utilisation du panier inférieur

- Dans le panier inférieur vous placerez les casseroles, les poêles, les soupières, les saladiers, les couvercles, les plats, les assiettes plates et creuses et les louches.
- Les couverts doivent être placés manche vers le bas dans le panier à couverts, que l'on placera à son tour dans le panier inférieur (**fig. 7 et 8**) en s'assurant qu'il n'enraye pas la rotation des bras de lavage.
- Le panier inférieur est doté d'une grille centrale mobile (**fig. 4 et 5**) qui permet un chargement toujours stable et optimal des assiettes, même quand les dimensions et les formes ne sont pas standards.



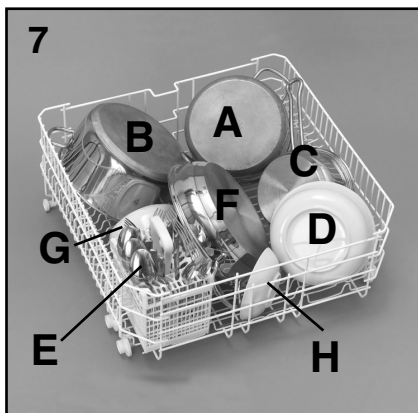
ATTENTION !
Si les petites assiettes sont positionnées sans avoir mis les supports mobiles dans la bonne position, le bras de lavage inférieur peut alors être bloqué par ces assiettes.

- POSITION "A": pour le chargement d'assiettes standards ou pour le chargement exclusif de poêles, saladiers etc...

Un chargement standard journalier est indiqué dans les **fig. 7 et 8**.

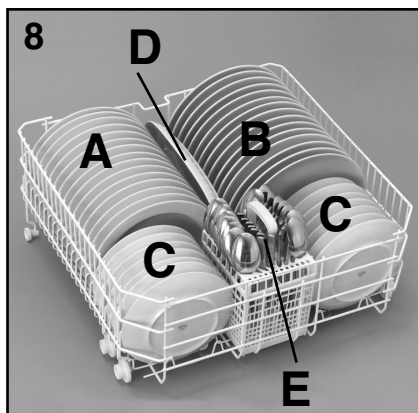
Panier inférieur (fig. 7)

- A = casserole moyenne
- B = casserole grande
- C = poêle
- D = soupières, plats
- E = couverts
- F = plats à rôtis
- G = coupe moyenne
- H = coupe petite



Panier inférieur (fig. 8)

- A = assiettes creuses
- B = assiettes plates
- C = assiettes à dessert
- D = plat
- E = couverts



Le rangement rationnel et correct de la vaisselle est la condition essentielle pour obtenir un excellent lavage.

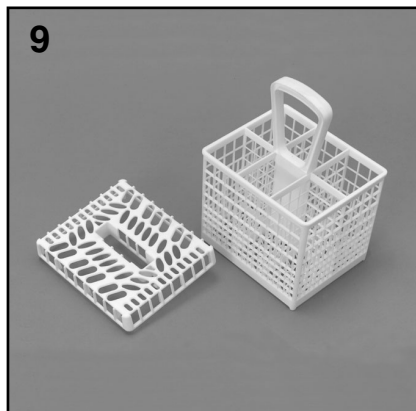
IMPORTANT

Le panier inférieur possède un dispositif d'arrêt automatique permettant son extraction en toute sécurité, très utile aussi lors du chargement complet du lave-vaisselle.

L'extraction total du panier inférieur est nécessaire afin de charger le sel ainsi que pour le nettoyage du filtre et de l'entretien ordinaire de la machine.

Panier à couverts (fig. 9)

Le couvercle du panier à couverts peut être retiré pour permettre différentes possibilités de chargement.



INFORMATION POUR LES ESSAIS EN LABORATOIRE

Pour toute demande d'informations relatives aux essais comparatifs et aux mesures sonores (selon les normes EN), merci de vous adresser:

testinfo-dishwasher@candy.it

Dans votre demande, merci de spécifier le modèle ainsi que le numéro de série du lave-vaisselle (cf. étiquette données).

CHARGEMENT DU PRODUIT DE LAVAGE

Le produit de lavage

IMPORTANT

Il est indispensable d'utiliser de la lessive en poudre, liquide ou en pastilles spécialement destiné aux machines à laver la vaisselle.

"CALGONIT" donne les meilleurs résultats de lavage et peut être obtenue facilement.

Les lessives non adaptées (comme celles pour le lavage à la main) ne contiennent pas les ingrédients appropriés au lavage en machine et empêchent le fonctionnement correct de l'appareil.

Charger la lessive

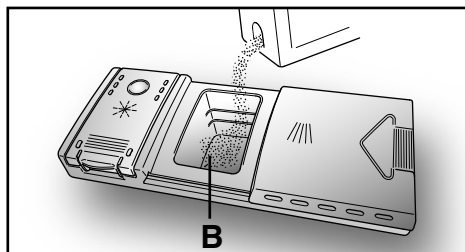
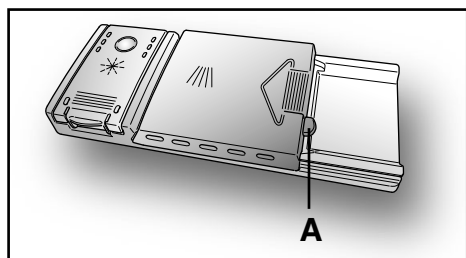
La boîte à produits se trouve à l'intérieur de la porte (**fig. A "2"**). Si le couvercle du récipient est fermé, pour l'ouvrir il suffit d'appuyer sur le bouton d'accrochage (**A**): à la fin de chaque programme de lavage, le couvercle est toujours ouvert, prêt pour l'utilisation suivante.



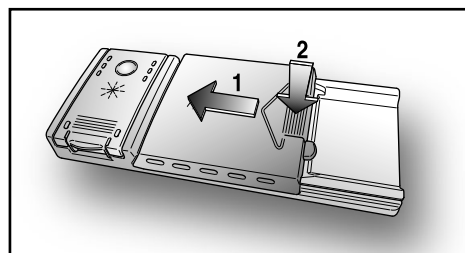
ATTENTION!

Dans le panier inférieur, ne pas charger d'assiette ou de couvert qui empêche l'ouverture du couvercle du récipient à lessive ou obstrue la dispersion de la lessive.

Les doses de lessive peuvent varier selon le degré de salissure et le type de vaisselle. Nous conseillons de verser de 20 à 30 g de lessive dans le bac "lavage" (**B**).



Après le versement du détergent dans le bac à lessive, fermer le couvercle, tout d'abord en le glissant vers la gauche (**1**) puis en appuyant dessus (**2**) jusqu'à ce que vous entendiez un clic.



Comme les lessives ne sont pas toutes de même nature, consulter aussi les instructions sur les emballages. Nous rappelons que des quantités insuffisantes de lessive peuvent éliminer la saleté de façon incomplète, tandis qu'une dose excessive de lessive, non seulement n'améliore pas les résultats de lavage, mais est un gaspillage.

IMPORTANT

Ne pas exagérer dans l'utilisation de la lessive, c'est contribuer à limiter la pollution de l'environnement.

TYPES DE PRODUITS DE LAVAGE

Produits de lavage en tablettes

Les produits de lavage en tablettes des différents producteurs se dissolvent à des vitesses différentes. Donc dans les programmes rapides, certaines tablettes, ne se dissolvant pas complètement, peuvent ne pas être totalement efficaces. Avec les tablettes, il est donc conseillé de sélectionner des programmes plus longs afin de garantir la dissolution complète du produit de lavage.

IMPORTANT

Pour obtenir des résultats de lavage satisfaisants, les tablettes DOIVENT être introduites dans le bac à produit de lavage et PAS directement dans la cuve.

Produits de lavage concentrés

Les produits de lavage concentrés, à alcalinité réduite et avec enzymes naturelles, combinés à des programmes de lavage à 50°C, permettent de réduire l'impact sur l'environnement tout en respectant la vaisselle et le lave-vaisselle.

Les programmes de lavage à 50°C ont été spécialement pensés pour optimiser les propriétés de dissolution de la saleté par les enzymes, permettant ainsi d'obtenir, avec les produits de lavage concentrés, les mêmes résultats que des programmes à 65°C.

Produits de lavage combinés

Les produits de lavage qui contiennent aussi le produit de rinçage doivent être introduits dans le bac à produit de lavage. Le bac à produit de rinçage doit être vide (dans le cas contraire, régler le dosage du produit de rinçage sur le minimum avant d'utiliser des produits de lavage combinés).

Produits de lavage combinés "Tout en un"

Si vous envisagez d'utiliser des produits lessiviels combinés "Tout en un" ("3 en 1"/"4 en 1"/"5 en 1", etc...) par exemple ceux composés de sel et/ou d'agents de rinçage, nous vous conseillons de:

- lire attentivement et de suivre les instructions du fabricant, notées sur les emballages;
- la performance de certains produits lessiviels composés de sel/adoucisseur d'eau dépend de la dureté de votre eau. Vérifiez que le niveau de dureté de votre eau est inclus dans l'échelle de performance donnée sur l'emballage du produit lessiviel.

Si l'utilisation de ce type de produits ne donne pas de résultats de lavage satisfaisants, s'adresser au producteur du produit de lavage.

Dans certains cas l'utilisation de détergents combinés peut occasionner:

- dépôts de calcaire sur la vaisselle ou dans le lave-vaisselle;
- une réduction des performances lors du lavage et du séchage.

IMPORTANT

Tout problème dû au résultat direct de l'utilisation de ces produits combinés n'est pas couvert par notre garantie.

Rappel: l'utilisation de produits de lavage combinés "Tout en un" rend superflue l'utilisation des témoins de manque de sel et de produit de rinçage (présents seulement sur certains modèles).

En cas de problème de lavage et/ou de séchage, il est conseillé de reprendre l'utilisation des produits traditionnels (sel, produit de lavage, produit de rinçage).

Dans ce cas, il est recommandé de:

- remplir de nouveau les bac à sel et à produit de rinçage;
- exécuter un cycle de lavage normal à vide.

NB: en revenant à l'utilisation de sel de type traditionnel, plusieurs cycles de lavage seront nécessaires avant que le système d'adoucissement de l'eau soit de nouveau optimal.

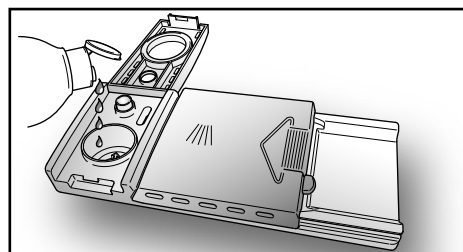
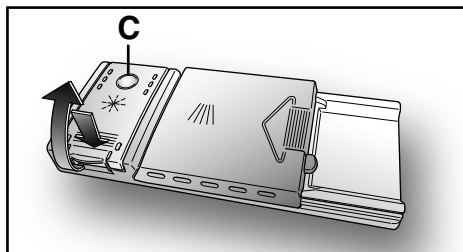
CHARGEMENT DU PRODUIT DE RINÇAGE

Le produit de rinçage

Cet additif qui est introduit automatiquement à la dernière opération de rinçage, assure le séchage rapide de la vaisselle et évite la formation sur celle-ci de taches blanchâtres.

Charger le produit de rinçage

A la gauche du bac à lessive se trouve le réservoir du produit de rinçage (**fig. A "3"**). Pour ouvrir le couvercle, appuyer sur le marquage prévu à cet effet et, en même temps, tirer la languette vers le haut. Utiliser toujours un produit de rinçage adapté au lave-vaisselle automatique. Il est possible de contrôler le niveau du produit de rinçage au moyen du voyant optique (**C**) placé sur le distributeur.



PLEIN

VIDE



Reflet sombre

Reflet clair

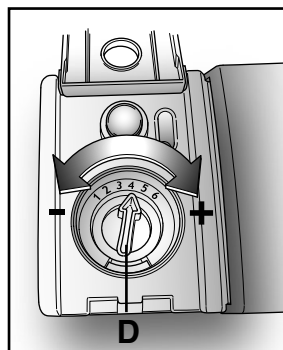
Réglage de dosage du produit de rinçage de 1 à 6

Le réglage (**D**) est situé sous le couvercle et peut être réglé au moyen d'une pièce de monnaie. La position conseillée est **4**.

La présence de calcaire dans l'eau se manifeste soit par la présence d'incrustation, soit par le degré de séchage. C'est pourquoi il est important de régler le débit du produit de rinçage pour obtenir des prestations optimales.

Dans le cas où la vaisselle présente des dépôts à la fin du lavage, diminuer le réglage d'une position.

Dans le cas de vaisselle présentant des marques ou auréoles blanchâtres, augmenter le réglage d'une position.



NETTOYAGE DES FILTRES

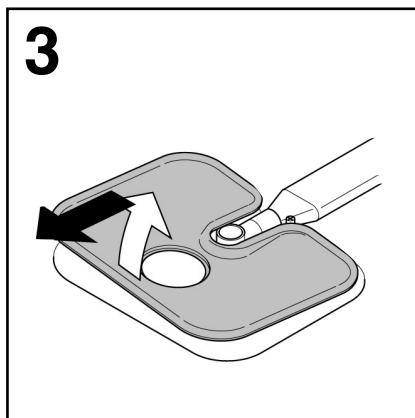
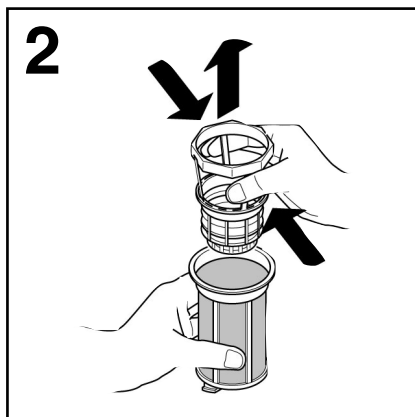
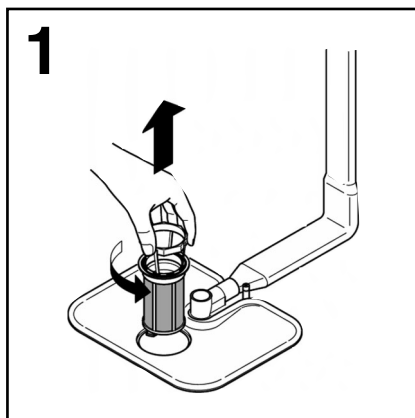
Le système de filtrage (**fig. A "4"**) est constitué par:

un **réservoir** central qui retient les grosses particules;

une **plaque** métallique qui filtre continuellement l'eau de lavage;

un **micro filtre** autonettoyant, situé sous la plaque métallique, qui piège les micro salissures pour garantir un rinçage parfait.

- Afin d'obtenir d'excellents résultats de lavage dans le temps, les filtres doivent être contrôlés et nettoyés après chaque lavage.
- Pour retirer le micro filtre, il vous suffit de tourner la poignée dans le sens contraire des aiguilles d'une montre (**fig.1**).
- Pour un entretien facilité, le réservoir central est amovible (**fig.2**).
- Retirer la plaque métallique (**fig.3**) et laver l'ensemble du système de filtrage sous le robinet d'eau. Si nécessaire, une petite brosse peut être utilisée.
- L'entretien du **micro filtre autonettoyant** est limité, un contrôle, toutes les deux semaines d'utilisation, est suffisant. Néanmoins, après chaque lavage il est recommandé de vérifier que le réservoir central et la plaque métallique ne sont pas obstrués.



ATTENTION!

Après le nettoyage des filtres, assurez vous qu'ils sont correctement replacés et que la plaque métallique est correctement mise au fond de la cuve du lave vaisselle.

Assurez vous que le micro filtre est bien revissé, dans le sens des aiguilles d'une montre, car une mauvaise mise en place peut entraîner une perte d'efficacité de l'appareil.

IMPORTANT

Ne jamais se servir de l'appareil sans les filtres.

CONSEILS PRATIQUES

Que faire pour avoir d'excellents résultats de lavage

- Avant de ranger la vaisselle dans la machine, enlever les résidus de nourriture (os, arêtes, restes de viande ou de légumes, résidus de café, épluchures de fruits, cendres de cigarettes, cure-dents etc...) afin d'éviter d'obstruer les filtres, la vidange et les gicleurs des bras de lavage.
- Eviter de rincer la vaisselle avant de la placer dans la machine.
- Si les poêles et les casseroles sont excessivement incrustées de restes de mets brûlés, nous vous conseillons de les laisser tremper avant le lavage.
- Ranger la vaisselle avec l'ouverture tournée vers le bas.
- Si possible, éviter que les différentes pièces se touchent; une installation correcte donnera de meilleurs résultats de lavage.
- Après avoir rangé la vaisselle, vérifier que les bras de lavage tournent sans obstacle.
- Les casseroles et autre ustensiles qui présentent des résidus de nourriture très tenaces ou brûlés devront être mis à tremper dans de l'eau avec de la lessive pour lave-vaisselle.
- Pour un lavage parfait de l'argenterie, il faut:
 - a) la rincer dès qu'on a fini de l'utiliser, surtout si on l'a utilisée avec de la mayonnaise, des œufs, du poisson, etc..;
 - b) ne pas l'asperger de lessive;
 - c) ne pas la mettre en contact avec d'autres matériaux.

Que faire pour économiser

- Au cas où l'on voudrait laver à pleine charge, ranger la vaisselle dans le lave-vaisselle dès que le repas est terminé et en effectuant éventuellement le programme TREMPAGE (ou RINCAGE A FROID) pour ramollir la saleté et éliminer les résidus les plus gros entre chaque charge-ment en attendant d'effectuer le programme de lavage complet.
- En présence de saleté peu consistante ou de paniers peu chargés, sélectionner le programme ECONOMIQUE en suivant les instructions indiquées dans la liste des programmes.

Ce qu'on ne doit pas laver

- Il est bon de se rappeler que toute la vaisselle n'est pas adaptée au lavage en machine; nous déconseillons de mettre des pièces en matériau thermoplastique, des couverts à poignée en bois ou en plastique, des casseroles à poignée en bois, de la vaisselle en aluminium, en cristal ou en verre plombé si ce n'est pas spécifiquement indiqué.
- Certaines décorations tendent à s'estomper, par conséquent nous conseillons de laver plusieurs fois en machine une seule pièce et, seulement après s'être assuré qu'elle ne se décolore pas, d'y mettre tout le chargement.
- Nous conseillons de ne pas laver de couverts en argent avec des couverts en acier oxydable pour éviter qu'il ne se produise de réaction chimique entre eux.

IMPORTANT

Quand on achète de la vaisselle neuve, s'assurer toujours qu'elle est adaptée au lavage en machine.

Suggestions à la fin du programme

- Pour éviter d'éventuelles projections de gouttelettes provenant du panier supérieur, retirer d'abord le panier inférieur.
- Si vous laissez la vaisselle encore quelques temps dans la machine, ouvrez légèrement la porte pour favoriser la circulation de l'air et améliorer encore le séchage.

NETTOYAGE EXTERNE ET ENTRETIEN

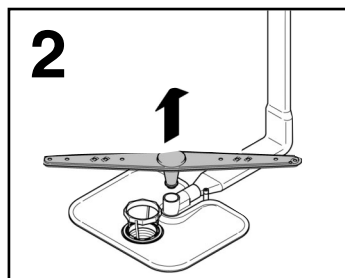
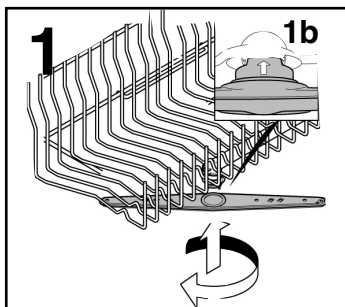
- Pour le nettoyage externe de la machine, ne pas utiliser de détergent ni d'abrasifs mais uniquement un chiffon avec du savon et de l'eau.
- Le lave-vaisselle ne réclame aucun entretien spécial car la cuve de lavage est autonettoyante.
- Nettoyer périodiquement le joint en caoutchouc de la porte avec un chiffon humide de façon à éliminer éventuellement les traces de déchets ou de produit de rinçage.
- Pour mieux garantir l'évacuation des petits dépôts de calcaire ou de déchets, il est conseillé de procéder périodiquement à un lavage complet en versant auparavant un verre de vinaigre dans le fond de la cuve et en positionnant le bouton du programmeur sur lavage délicat.
- Si, malgré le nettoyage normal de la plaque et du filtre vous notez que la vaisselle ou les casseroles sont insuffisamment lavées ou rincées, contrôler que les orifices des bras rotatifs (**fig.A"5"**) sont propres.

Si cela est nécessaire, nettoyer les de la façon suivante:

1. Pour démonter le bras supérieur, tournez le jusqu'à ce qu'il s'aligne avec le marquage stop inscrit sur la flèche (**fig.1b**). Poussez le vers le haut (**fig.1**) en le maintenant enfoncé puis dévissez le dans le sens des aiguilles d'une montre (**pour le remonter procédez de la même manière, mais en le vissant dans le sens contraire des aiguilles d'une montre**). Le bras de lavage inférieur peut être démonté facilement en le tirant vers le haut (**fig.2**).
 2. Passez le bras de lavage sous un robinet d'eau pour éliminer toute saleté.
 3. Ensuite, replacez le bras de lavage dans la même position, en pensant à positionner le bras supérieur en face du marquage stop.
- La cuve, ainsi que la contre-porte sont en acier inoxydable. Si toutefois vous devez constater des taches d'oxydation, celles-ci seraient imputables seulement à une présence importante de sels de fer en suspension dans l'eau.
 - Pour retirer les taches, il est conseillé d'employer un abrasif à grains très fins.

Ne pas utiliser de substance chlorée ou de laine d'acier. Le lave-vaisselle possède un adoucisseur et il est conseillé l'usage de sel pour éviter la formation de dépôt blanchâtre sur la vaisselle.

En cas de présence de taches blanchâtres, il est conseillé avant tout d'intervenir sur le réglage du produit de rinçage en l'augmentant d'une unité.



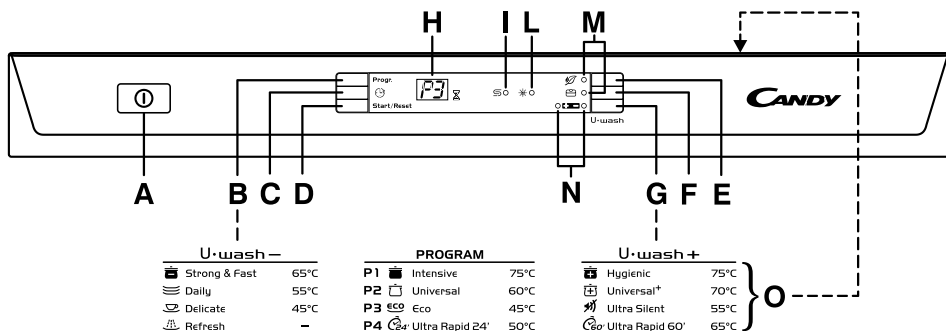
APRES L'UTILISATION

Après chaque lavage, fermer le robinet d'eau pour isoler le lave-vaisselle de l'installation hydraulique d'alimentation et appuyer sur la touche Marche/Arrêt pour arrêter le fonctionnement de la machine.

Si la machine doit rester inutilisée un certain temps, il est nécessaire de procéder aux opérations suivantes:

1. Exécuter un programme de lavage sans vaisselle avec lessive pour dégraisser la machine.
2. Débrancher la prise électrique.
3. Fermer le robinet d'eau.
4. Remplir le réservoir de produit de rinçage.
5. Laisser la porte légèrement ouverte.
6. Laisser l'intérieur de la machine propre.
7. Si la machine est laissée dans des pièces où la température est inférieure à 0°C, l'eau restant dans les tuyauteries risque de geler. Par conséquent, porter la température ambiante à plus de 0°C et attendre environ 24 heures avant d'activer la machine.

DESCRIPTION DE LA MACHINE



- | | |
|--|--|
| A Touche "MARCHE/ARRÊT" | H AFFICHEUR |
| B Touche "PROGRAMMES" | I Voyant "MANQUE DE SEL" |
| C Touche "DEPART DIFFERE" | L Voyant "MANQUE DE PRODUIT DE RINÇAGE" |
| D Touche "START"/"RESET"
(départ/annulation programme) | M Voyants "SÉLECTION D'OPTION" |
| E Touche option "SUPER ECO" | N Voyants "U•WASH" |
| F Touche option "ALL IN 1" | O Description des programmes |
| G Touche "U•WASH" | |

DIMENSIONS		
	Avec plan de travail	Sans plan de travail
Largeur x Hauteur x Profondeur (cm)	60 x 85 x 60	59,8 x 82 x 57,3
Encombrement porte ouverte (cm)	120	117
DONNÉES TECHNIQUES		
Couvert (EN 50242)	15	
Capacité avec casseroles et assiettes	9 personnes	
Pression admise pour l'installation hydraulique (MPa)	Min. 0,08 - Max. 0,8	
Fusible / Puissance maximum absorbée / Tension	Voir plaque signalétique	
CONSOMMATIONS (programmes principaux)*		
Programme	Energie (kWh)	Eau (L)
INTENSIF	2,03	20
UNIVERSEL	1,43	14
ECO	0,83	10
ULTRA RAPIDE 24'	0,59	9
Consommation d'électricité en mode éteint et en mode veille: 0,30 W / 0,45 W		
*Valeurs mesurées en laboratoire selon la norme Européenne EN 50242 (des différences sont possibles lors d'un usage quotidien).		



SELECTION DES PROGRAMMES ET FONCTIONS SPÉCIALES

Touche "U • WASH"



U•wash

Cette touche permet de varier l'intensité de lavage, en fonction du degré de salissure de la vaisselle, modifiant ainsi la durée et la température du cycle de lavage.


Appuyer sur la touche pour augmenter l'intensité de lavage (voyant ) ou pour la diminuer (voyant ) .

La combinaison de cette touche avec les 4 programmes de base, permet d'obtenir 8 programmes de lavage supplémentaires (soit un total de 12 programmes de lavage).

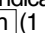
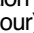
IMPORTANT

Lors de la mise en service de l'appareil, la dernière sélection effectuée apparaît par défaut.

Choix des programmes

- Ouvrez la porte et rangez la vaisselle à laver.
- Appuyez sur la touche "MARCHE/ARRÊT"  . Sur l'écran deux tirets vont apparaître.
- Choisir un programme en appuyant sur la touche "PROGRAMMES".
- Appuyer éventuellement sur la touche "U • WASH".
- Pour sélectionner une option, appuyez sur la touche correspondante (le voyant s'éclaire).

Vous pouvez sélectionner ou désélectionner les touches option DANS UN DÉLAI de une minute après le début du programme.

- Appuyez sur la touche "START". L'afficheur indique la durée du programme en alternant l'indication des heures et des minutes [L.e:  (1 hour) /  (25 minutes)].
- Avec la porte fermé, après que le signal sonore ait retenti, le programme démarrera

automatiquement. L'écran affiche le temps restant avant la fin du cycle.

DANS UN DÉLAI de une minute après le début du programme, vous pouvez encore choisir un autre programme, simplement en appuyant sur la touche "PROGRAMMES" (il est également possible de modifier la sélection de la touche "U • WASH").

Programmes "IMPULSE"

Les programmes "IMPULSE" utilisent une technique de lavage qui réduit les consommations, le bruit et améliore les performances.

IMPORTANT

Le fonctionnement "intermittent" de la pompe de lavage N'EST PAS le signe d'un mauvais fonctionnement, mais c'est une caractéristique du lavage "IMPULSE". C'est donc le signe du déroulement correct du programme.

Interruption du programme

Nous vous déconseillons d'ouvrir la porte pendant l'exécution du programme, surtout pendant la phase centrale du lavage et celle du rinçage chaud final.

Cependant, si vous ouvrez la porte lorsque le programme est en cours (par exemple pour ajouter de la vaisselle), la machine s'arrête automatiquement et l'afficheur indiquera en clignotant le temps restant avant la fin du cycle.

Lorsque vous refermez la porte, le cycle repart de l'endroit où il s'était interrompu **sans devoir appuyer sur une touche.**

IMPORTANT

Vous pouvez interrompre le programme en cours même sans ouvrir la porte, en appuyant sur la touche "MARCHE/ARRÊT". Dans ce cas, pour que le cycle redémarre de l'endroit où il s'est interrompu, il suffit d'appuyer à nouveau sur la touche "MARCHE/ARRÊT".



ATTENTION!

Si vous ouvrez la porte pendant que le lave-vaisselle effectue son cycle de séchage, un signal sonore vous alerte que le cycle n'est pas achevé.

Modification d'un programme en cours

Pour modifier ou annuler un programme en cours, procédez de la manière suivante:

- Enfoncez la touche "**RESET**" sans la lâcher pendant au moins **5** secondes. "**00**" apparaîtra sur l'écran et des signaux sonores retentiront.
- Le programme en cours sera annulé. Sur l'écran deux tirets vont apparaître.
- Vous pouvez alors configurer un nouveau programme.



ATTENTION!

Avant de démarrer un nouveau programme, veuillez contrôler la présence de lessive dans le compartiment. Si nécessaire, remplir le compartiment.

Déroulement du programme

Durant le déroulement du programme, l'écran affiche le temps restant avant la fin du cycle. Temps qui se met à jour automatiquement.

En cas de coupure de courant pendant un programme de lavage, une mémoire spéciale restaure le programme sélectionné et, lorsque le courant est rétabli, reprend le cycle là où il s'est arrêté.

Fin du programme

La fin du programme est signalée par un signal acoustique (s'il est activé) de 5 secondes, répété 3 fois toutes les 30 secondes.

L'écran et tous les voyants s'éteindront.

Vous pouvez alors sortir la vaisselle propre et éteindre le lave-vaisselle en appuyant sur la touche "**MARCHE/ARRÊT**" ou effectuer un nouveau chargement pour un nouveau cycle de lavage.

Touches option

Touche "SUPER ECO"

Selon le programme choisi, cette option permet de réaliser en moyenne 25% d'économies en temps et en énergie en réduisant lors du dernier rinçage, le chauffage final de l'eau ainsi que les temps de séchage.

Nous conseillons cette option pour le lavage du soir, si vous n'avez pas besoin que la vaisselle qui vient d'être lavée ne soit parfaitement sèche immédiatement.

Pour obtenir un meilleur séchage, nous vous conseillons d'entrouvrir la porte en fin de cycle afin de favoriser la circulation naturelle de l'air dans le lave-vaisselle.

Touche "ALL IN 1"

Cette option permet l'utilisation optimale de produits de lavage combinés "Tout en un" ("3 en 1"/"4 en 1"/"5 en 1", etc.). En appuyant sur cette touche, le programme de lavage sélectionné est modifié, de façon à obtenir les meilleurs résultats des produits combinés (de plus, les indicateurs de manque sel et produit de rinçage sont désactivés).



ATTENTION!

Une fois sélectionnée, l'option reste active (voyant correspondant allumé) pour programmes de lavage suivants et pourra être désactivée (voyant correspondant éteint) simplement en appuyant de nouveau sur la touche appropriée.

IMPORTANT

Cette option est particulièrement recommandée lorsque vous utilisez le programme **ULTRA RAPIDE 24'**, dont la durée sera prolongée d'environ 15 minutes de façon à obtenir les meilleures performances des détergents en tablettes.

Touche "DEPART DIFFERE"



Cette touche permet de retarder le démarrage du cycle de lavage de 1 à 23 heures.

Pour configurer le départ différé, procédez de la manière suivante:

- Appuyez sur la touche "**DEPART DIFFERE**" (l'afficheur montre "00").
- Appuyez encore sur la touche pour augmenter le nombre d'heures correspondant au départ différé (à chaque pression le départ différé augmente d'une heure, jusqu'à un maximum de 23 heures).
- Pour démarrer le décompte, appuyez sur la touche "**START**".
L'écran affichera le temps restant au départ du programme.

A la fin du décompte, le programme démarre automatiquement et l'afficheur indique la durée du cycle choisi.

Si vous désirez annuler le départ différé, procédez de la manière suivante:

- Enfoncez la touche "**RESET**" sans la lâcher pendant au moins 5 secondes. "00" apparaîtra sur l'écran et des signaux sonores retentiront.
- Le départ différé et le programme sélectionné seront annulés.
Sur l'écran deux tirets vont apparaître.
- Vous devez alors, pour faire redémarrer le lave-vaisselle, reconfigurer le programme voulu et sélectionner, éventuellement, les touches Option, de la façon indiquée au paragraphe "**CHOIX DES PROGRAMMES**".

Désactivation du signal acoustique de FIN PROGRAMME

La fonction du signal acoustique **à la fin du programme** peut être désactivée de la manière suivante:

IMPORTANT

Commencer TOUJOURS la procédure avec le lave-vaisselle éteint.

1. Maintenir enfoncée la touche "**PROGRAMMES**" et allumer simultanément le lave vaisselle à l'aide de la touche "**MARCHE/ARRET**" (vous entendrez alors un son).
2. Maintenir enfoncée la touche "**PROGRAMMES**" pendant **15** secondes au moins (vous entendrez pendant cette période **2** sons).
3. Relâcher la touche lorsque vous entendrez le **second** signal sonore (l'afficheur montre "**b1**" qui indique que la sonnerie est activée).
4. Appuyer de nouveau sur la même touche (l'afficheur montre "**b0**" qui indique que la sonnerie est désactivée).
5. Eteindre le lave-vaisselle en appuyant sur la touche "**MARCHE/ARRET**" pour rendre effective la nouvelle configuration.

Pour réactiver la sonnerie, suivez la même procédure.

Mémorisation du dernier programme utilisé

La mémorisation du dernier programme utilisé, peut être activée comme suit:

IMPORTANT

Commencer TOUJOURS la procédure avec le lave-vaisselle éteint.

1. Maintenir enfoncée la touche "**SELECTION DE PROGRAMME**" et **allumer** simultanément le lave vaisselle à l'aide de la touche "**MARCHE/ARRÊT**" (vous entendrez alors un son).
2. Maintenir enfoncée la touche "**SELECTION DE PROGRAMME**" pendant **30** secondes au moins (vous entendrez pendant cette période **3** sons).
3. Relâchez la touche lorsque vous entendrez le **TROISIÈME** signal sonore ("**A0**" s'affichera sur l'écran pour indiquer que la mémorisation n'est pas activée).
4. Appuyez de nouveau sur la même touche ("**A1**" s'affichera sur l'écran pour indiquer que la mémorisation est activée).

5. Eteindre le lave-vaisselle en appuyant sur la touche "**MARCHE/ARRÊT**" pour rendre effective la nouvelle configuration.

Pour désactiver la mémorisation, suivre la même procédure.



ATTENTION!

Pour éviter le déclenchement intempestif du dispositif de sécurité anti-débordement, il est recommandé de ne pas remuer ou incliner le lave-vaisselle pendant son fonctionnement.

Au cas où il serait nécessaire de remuer ou d'incliner le lave-vaisselle, s'assurer d'abord que le cycle de lavage est terminé et qu'il n'y a plus d'eau dans la cuve.

Le lave-vaisselle est en mesure de signaler sur l'afficheur plusieurs anomalies.








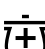










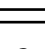


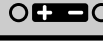
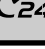
SIGNAL AUTOMATIQUE D'ANOMALIE

ANOMALIE	CAUSE	SOLUTION
E2 apparaît sur l'afficheur, accompagné par un bref signal acoustique.	Manque d'eau (robinet d'eau fermé).	Eteignez le lave-vaisselle, ouvrez le robinet et reconfigurez le cycle.
E3 apparaît sur l'afficheur, accompagné par un bref signal acoustique.	L'appareil n'arrive pas à vider l'eau de la cuve.	Vérifiez si le tuyau de vidange n'est pas plié, si le siphon n'est pas bouché et si les filtres ne sont pas colmatés. Si le problème persiste, adressez-vous au Service après-vente.
E4 apparaît sur l'afficheur, accompagné par un bref signal acoustique.	Fuite d'eau.	Vérifiez si le tuyau de vidange n'est pas plié, si le siphon n'est pas bouché et si les filtres ne sont pas colmatés. Si le problème persiste, adressez-vous au Service après-vente.
E5, E6, E7, Ef ou EL apparaît sur l'afficheur, accompagné par un bref signal acoustique.	Panne du contrôle électronique.	Vous devez vous adresser au Service Après-Vente.
E8 ou Ei apparaît sur l'afficheur, accompagné par un bref signal acoustique.	L'élément de chauffage de l'eau ne fonctionne pas correctement ou la plaque du filtre est colmatée.	Nettoyez la plaque du filtre. Si le problème persiste, adressez-vous au Service Après-Vente.

LISTE DES PROGRAMMES

Lavage précédé d'un pré-lavage

Pour les programmes précédés d'un pré-lavage, nous vous conseillons de mettre une seconde dose de détergent (max. 10 grammes) directement dans le lave-vaisselle.

Programme		Description	
P1	U.wash +  	Hygiénique 75°C	Cycle avec action anti-bactérienne, adapté pour laver et stériliser la vaisselle (même très incrustée), les biberons, etc...
	PROGRAM  	Intensif ■ 75°C	Conçu pour le lavage des casseroles et de toute autre vaisselle particulièrement sale.
	U.wash -  	Rapide & Puissant ■ 65°C	Programme conçu pour le lavage rapide de vaisselle très sale.
P2	U.wash +  	Universel+ 70°C	Programme conçu pour la vaisselle de tous les jours. 2 rinçages finaux garantissent un niveau d'hygiène et de propreté élevé.
	PROGRAM  	Universel ■ 60°C	Destiné au lavage de la vaisselle et casseroles normalement sale.
	U.wash -  	Quotidien ■ 55°C	Programme rapide, destiné à la vaisselle normalement sale, adapté aux lavages fréquents et aux chargements normaux.
P3	U.wash +  	Ultra Silence 55°C	Programme très silencieux, idéal pour une utilisation nocturne.
	PROGRAM  	Eco ■ 45°C	Programme pour vaisselle normalement sale (le plus efficace en termes de consommations combinées d'énergie et d'eau pour ce type de vaisselle). Programme normalisé EN 50242.
	U.wash -  	Délicat ■ 45°C	Adapté au lavage de la vaisselle délicate décorée et en cristal. Indiqué pour le lavage quotidien de la vaisselle peu sale, à l'exclusion des casseroles.
P4	U.wash +  	Ultra Rapide 60' 65°C	Destiné au lavage quotidien de la vaisselle et casseroles normalement sale. A utiliser immédiatement après le repas (Max 8 couverts).
	PROGRAM  	Ultra Rapide 24' 50°C	Cycle très rapide à effectuer à la fin du repas. Recommandé pour un lavage de vaisselle jusqu'à 6 personnes.
	U.wash -  	Rinçage	Pour la vaisselle utilisée le matin ou à midi, entreposée dans le lave-vaisselle jusqu'à ce que vous soyez prêt à laver une charge pleine.

■ = Programmes "IMPULSE"

Opérations à accomplir					Déroulement du programme						Durée moyenne en minutes	Fonctions facultatives		
Lessive pré-lavage	Lessive lavage	Nettoyage plaque, filtre	Contrôle provision du produit de rinçage	Contrôle provision Sel	Pré-lavage chaud	Pré-lavage froid	Lavage	Premier rinçage à froid	Second rinçage à froid	Rinçage chaud avec-produit de rinçage	Avec eau froide (15°C)* (Tolérance ±10%)	Touche "DEPART DIFFERE"	Touche "SUPER ECO"	Touche "ALL IN 1"
●	●	●	●	●	○		75°C	○	○	○	140	OUI	OUI	OUI
●	●	●	●	●	○		75°C	○	○	○	130	OUI	OUI	OUI
●	●	●	●	●	○		65°C	○		○	85	OUI	OUI	OUI
	●	●	●	●		○	70°C	○	○	○	125	OUI	OUI	OUI
	●	●	●	●		○	60°C	○		○	120	OUI	OUI	OUI
	●	●	●	●		○	55°C	○		○	80	OUI	OUI	OUI
	●	●	●	●		○	55°C	○		○	240	OUI	OUI	OUI
●	●	●	●	●		○	45°C			○	170	OUI	OUI	OUI
	●	●	●	●		○	45°C	○		○	85	OUI	OUI	OUI
●	●	●	●	●	○		65°C			○	60	OUI	OUI	OUI
	●	●	●	●			50°C			○	24	OUI	N/A	OUI
		●				○					5	OUI	N/A	

* AVEC DE L'EAU CHAUDE LE TEMPS RESTANT AVANT LA FIN DU PROGRAMME DE LAVAGE EST AUTOMATIQUEMENT AFFICHÉ EN COURS DE CYCLE.

WATERBLOCK

L'intérêt du waterblok est de rendre encore plus sûr votre appareil en particulier en cas de votre absence dans votre appartement. Avec le waterblok sont éliminés tous risques de fuites d'eau et d'inondation provoqués par des anomalies de fonctionnement de la machine, en cas de rupture de tuyaux et plus particulièrement du tuyau d'alimentation d'eau.

Fonctionnement

Le fond placé sous l'appareil recueille d'éventuelles fuites d'eau qui à l'aide d'un sensor pneumatique, actionne la valve de sécurité située sous le robinet empêchant l'eau de couler même si le robinet est ouvert.

Si la boîte, contenant les parties électriques, devait être endommagée, il est nécessaire de débrancher l'appareil. Pour installer correctement le système de sécurité, la boîte "A" avec le tuyau doit être reliée au robinet comme indiqué sur la **figure "1"**. Le tuyau d'arrivée **ne doit pas** être coupé car il contient des parties électriques.

Si le tuyau n'est pas assez long pour permettre un branchement correct, il doit être remplacé par un tuyau plus long. Le tuyau peut être fourni par votre service après-vente.

Ce lave-vaisselle dispose en outre d'un dispositif de sécurité anti-débordement qui se déclenche dès que la hauteur d'eau dépasse le niveau normal et arrête automatiquement l'arrivée d'eau et/ou vide l'eau en trop.

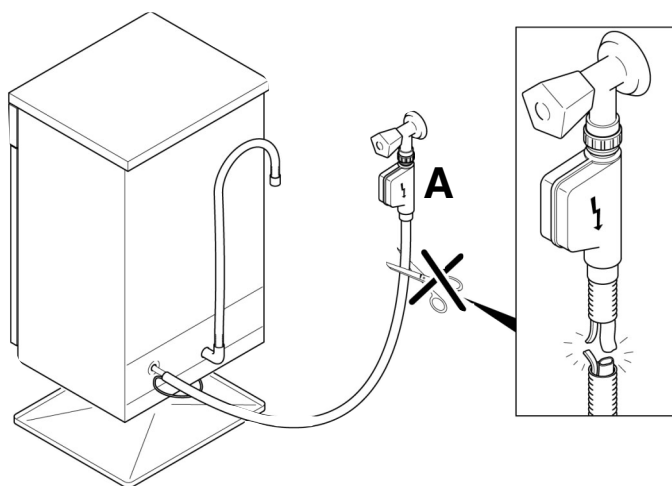


Fig. 1

IDENTIFICATION D'ANOMALIES MINEURES

Si votre lave-vaisselle ne fonctionne pas, avant d'appeler votre revendeur faire les contrôles suivants:

ANOMALIES	CAUSES	REMEDES
1 - La machine ne fonctionne sur aucun programme	Prise de courant mal branchée	Brancher la prise
	Touche M/A non appuyée	Appuyer sur la touche
	Pas de courant	Contrôler
	Porte ouverte	Fermer la porte
2 - La machine ne prend pas l'eau	Voir causes du N. 1	Contrôler
	Robinet d'eau fermé	Ouvrir le robinet
	Programmateur mal positionné	Positionner correctement le programmateur
	Le tuyau d'alimentation est plié	Déplier le tuyau
	Le filtre du tuyau d'alimentation est bouché	Nettoyer le filtre situé à l'extrémité du tuyau d'alimentation
3 - La machine ne vidange pas	Filtre bouché	Nettoyer le filtre
	Tuyau de vidange plié	Redresser le tuyau
	La rallonge du tuyau de vidange n'est pas la bonne	Suivre attentivement les instructions pour le branchement du tuyau de vidange
	La vidange murale n'a pas d'évent à air	Consulter un technicien qualifié
4 - La machine vidange en permanence	Tuyau en position trop basse	Réhausser le tuyau de vidange à 40 cm.
5 - Les bras de lavage ne tournent pas	Quantité excessive de lessive	Réduire la quantité de lessive
	Une pièce de vaisselle empêche la rotation	Contrôler
	La plaque filtrante et le filtre sont bouchés par des impuretés	Nettoyer la plaque et le filtre
6 - Sur les appareils électroniques sans afficheur: un voyant ou plus clignotant rapidement.	Arrivée d'eau fermée	Arrêtez l'appareil Ouvrir le robinet Réactivez le cycle

ANOMALIES	CAUSES	REMEDES
7 - La vaisselle est partiellement lavée	Voir causes du N. 5	Contrôler
	Le fond des casseroles n'est pas lavé parfaitement	Incrustations trop tenaces qu'il faut enlever avant le lavage dans la machine
	Le bord des casseroles n'est pas parfaitement lavé	Positionner mieux les casseroles
	Orifices partiellement bouchés	Démonter les bras de lavage en dévissant l'écrou moleté de fixation dans le sens des aiguilles d'une montre et les laver sous un robinet
	La vaisselle n'est pas bien rangée	Ne pas trop serrer la vaisselle
	L'extrémité du tuyau de vidange est plongée dans l'eau	L'extrémité du tuyau de vidange ne doit pas toucher l'eau de vidange
	La lessive n'est pas bien dosé, est vieux ou durci	Augmenter la dose en fonction de la quantité de saleté ou remplacer le produit
	Le bouchon du récipient du sel ne ferme pas bien	Le visser à fond
	Le programme de lavage choisi est trop faible	Choisir un programme plus énergétique
8 - Manque ou dispersion partielle de la lessive	Des couverts, des assiettes, des casseroles, etc... empêchent l'ouverture du couvercle du récipient à lessive.	Charger la vaisselle de telle manière qu'elle n'empêche pas l'ouverture du couvercle du récipient à lessive.
9 - Présence de tâches blanches sur la vaisselle	L'eau d'alimentation est particulièrement dure	Contrôler le niveau du sel et du produit de rinçage et régler le dosage; si l'anomalie persiste, demander l'intervention du SAV
10 - Bruit pendant le lavage	Les pièces de vaisselle se cognent	Mieux les ranger dans les paniers
	Les bras de lavage tournants cognent contre la vaisselle	Mieux ranger la vaisselle
11 - La vaisselle n'est pas parfaitement sèche	Manque de circulation d'air	Laisser la porte de la machine entrouverte à la fin du programme de lavage pour favoriser le séchage naturel
	Manque de produit de rinçage	Utiliser du produit de rinçage

N.B.: Quand une anomalie citée ci-dessus provoque un mauvais lavage ou un rinçage insuffisant, il est nécessaire de retirer manuellement les salissures de la vaisselle car l'opération finale provoque le séchage des salissures qu'un second lavage en machine ne serait pas susceptible de nettoyer. Si le mauvais fonctionnement persiste, s'adresser au Centre d'Assistance Technique en communiquant le modèle du lave-vaisselle indiqué sur la plaquette placée à l'intérieur de la porte, dans la partie supérieure, ou sur le certificat de garantie. Ces informations vous permettront d'obtenir une intervention plus rapide et efficace.

Le fabricant décline toute responsabilité pour erreur d'impression contenue dans le présent livret. Il se réserve en outre, le droit d'apporter les modifications qu'il jugerait utiles sur ses produits sans en compromettre les caractéristiques essentielles.

The manufacturer declines all responsibility in the event of any printing mistakes in this booklet. The manufacturer also reserves the right to make appropriate modifications to its products without changing the essential characteristics.

To consult the product fiche, please refer to the manufacturer website.

Le constructeur décline toute responsabilité pour les éventuelles erreurs d'imprimerie contenues dans le présent mode d'emploi. Il se réserve en outre le droit d'apporter toutes modifications qui se révéleraient utiles à ses propres produits sans pour autant compromettre les caractéristiques essentielles.

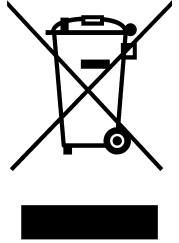
Pour voir la fiche technique du produit, reportez-vous au site web du fabricant.

This appliance is marked according to the European directive 2002/96/EC on Waste Electrical and Electronic Equipment (WEEE).

By ensuring this product is disposed of correctly, you will help prevent potential negative consequences for the environment and human health, which could otherwise be caused by inappropriate waste handling of this product.

The symbol on the product indicates that this product may not be treated as household waste. Instead it shall be handed over to the applicable collection point for the recycling of electrical and electronic equipment. Disposal must be carried out in accordance with local environmental regulations for waste disposal.

For more detailed information about treatment, recovery and recycling of this product, please contact your local city office, your household waste disposal service or the shop where you purchased the product.



Cet appareil est commercialisé en accord avec la directive européenne 2002/96/CE sur les déchets des équipements électriques et électroniques (DEEE).

En vous assurant que ce produit est correctement recyclé, vous participez à la prévention des conséquences négatives sur l'environnement et la santé publique qui pourrait être causé par une mise au rebut inappropriée de ce produit.

Le symbole sur ce produit indique qu'il ne doit pas être traité comme un déchet ménager. Il doit être rapporté jusqu'à un point de recyclage des déchets électriques et électroniques.

La collecte de ce produit doit se faire en accord avec les réglementations environnementales concernant la mise au rebut de ce type de déchets.

Pour plus d'information au sujet du traitement, de la collecte et du recyclage de ce produit, merci de contacter votre mairie, votre centre de traitement des déchets ou le magasin où vous avez acheté ce produit.



14.06 - 41901826