

HP Photosmart C4340 All-in-One series



Basics Guide

Guide d'utilisation



Hewlett-Packard Company notices

The information contained in this document is subject to change without notice.

All rights reserved. Reproduction, adaptation, or translation of this material is prohibited without prior written permission of Hewlett-Packard, except as allowed under copyright laws. The only warranties for HP products and services are set forth in the express warranty statements accompanying such products and services. Nothing herein should be construed as constituting an additional warranty. HP shall not be liable for technical or editorial errors or omissions contained herein.

© 2007 Hewlett-Packard Development Company, L.P.

Windows, Windows 2000, and Windows XP are U.S. registered trademarks of Microsoft Corporation.

Windows Vista is either a registered trademark or trademark of Microsoft Corporation in the United States and/or other countries.

Intel and Pentium are trademarks or registered trademarks of Intel Corporation or its subsidiaries in the United States and other countries.

Avis publiés par la société Hewlett-Packard

Les informations contenues dans ce document peuvent faire l'objet de modifications sans préavis.

Tous droits réservés. La reproduction, l'adaptation ou la traduction de ce matériel est interdite sans l'accord écrit préalable de Hewlett-Packard, sauf dans les cas permis par la législation relative aux droits d'auteur. Les seules garanties relatives aux produits et services HP sont décrites dans les déclarations de garantie expresse accompagnant lesdits produits et services. Aucun élément de ce document ne constitue une garantie supplémentaire. Hewlett-Packard ne saurait être tenu pour responsable des erreurs ou omissions techniques ou rédactionnelles de ce document.

© 2007 Hewlett-Packard Development Company, L.P.

Windows, Windows 2000 et Windows XP sont des marques déposées de Microsoft Corporation aux Etats-Unis.

Windows Vista est une marque déposée ou une marque de Microsoft Corporation aux Etats-Unis et/ou dans d'autres pays.

Intel et Pentium sont des marques ou des marques déposées d'Intel Corporation ou de ses filiales aux Etats-Unis et dans d'autres pays.

HP Photosmart C4340 All-in-One series

Basics Guide

English



Contents

1 HP All-in-One overview	
The HP All-in-One at a glance.....	2
Control panel buttons.....	3
Find more information.....	4
2 Fax setup	
Set up the HP All-in-One for faxing.....	6
Change settings on the HP All-in-One to receive faxes.....	24
Set the fax header.....	25
Test your fax setup.....	25
3 Use the HP All-in-One features	
Load originals and load paper.....	27
Avoid paper jams.....	28
Print 10 x 15 cm (4 x 6 inch) photos.....	28
Scan an image.....	29
Make a copy.....	30
Send a basic fax.....	30
Receive a fax.....	31
Replace the print cartridges.....	32
Clean the HP All-in-One.....	35
4 Troubleshooting and support	
Uninstall and reinstall the software.....	37
Setup troubleshooting.....	38
Fax setup troubleshooting.....	41
Clear paper jams.....	57
Print cartridge troubleshooting.....	58
Support process.....	58
5 Technical information	
System requirements.....	59
Product specifications.....	59
Regulatory notices.....	59
Warranty.....	60

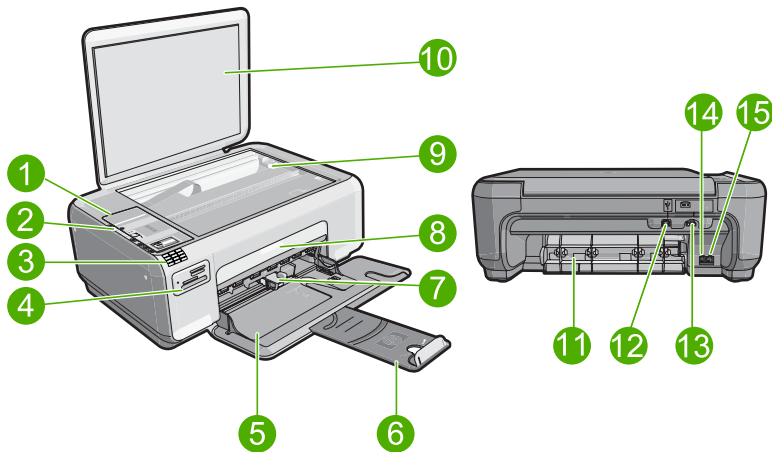
1 HP All-in-One overview

Use the HP All-in-One to quickly and easily accomplish tasks such as making a copy, scanning documents, printing photos, or sending and receiving faxes. You can access many HP All-in-One functions directly from the control panel, without turning on your computer.

NOTE: This guide introduces basic operations and troubleshooting, as well as provides information for contacting HP support and ordering supplies.

The onscreen Help details the full range of features and functions, including use of the HP Photosmart software that came with the HP All-in-One.

The HP All-in-One at a glance



Label	Description
1	Control panel
2	On button
3	Keypad
4	Memory card slots and Photo light
5	Input tray
6	Tray extender
7	Paper-width guide
8	Print cartridge door
9	Glass
10	Lid backing

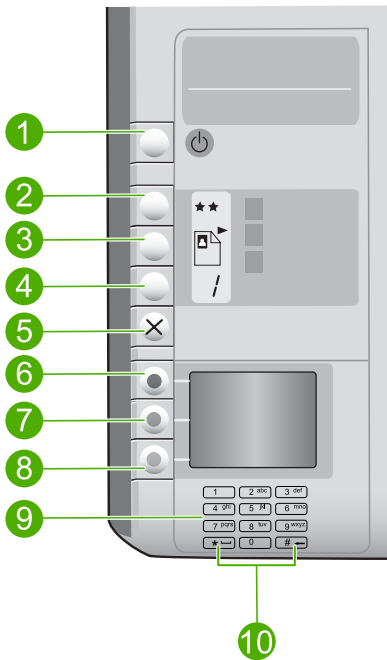
(continued)


Label	Description
11	Rear door
12	Rear USB port
13	Power connection*
14	1-LINE (fax) port
15	2-EXT (phone) port




* Use only with the power adapter supplied by HP.

Control panel buttons

The following diagram and related table provide a quick reference to the HP All-in-One control panel features.



Label	Icon	Name and Description
1		On: Turns the product on or off. When the product is off, a minimal amount of power is used by it. You can further reduce power consumption by holding down the On button for three seconds. This puts the product in Standby/Off state. To completely remove power, turn off the product, and then unplug the power cord.

Label	Icon	Name and Description
2	★★	Quality: Changes the copy quality or the quality of photos you print from a memory card. One star represents fast quality, two stars represent normal quality, and three stars represent best quality. However, the quality produced varies depending on the paper type. The default quality for plain paper is two stars and photo paper is three stars.
3		Size: Changes the image size to 100% (Actual Size), fits it to the page (Resize to Fit), or prints borderless images (Borderless). The default setting is 100% for plain paper and borderless for photo paper.
4	/	Copies: Specifies the number of copies.
5	✕	Cancel: Stops a task (such as scanning, copying, or faxing) or resets settings (such as Quality , Size , and Copies). If an error occurs, it cancels the error and resumes printing when pressed once.
6		Scan/Fax: Opens the Scan/Fax menu. When a memory card is inserted, this button advances to the next photo on the memory card when pressed.
7		Start Copy Black: Starts a black-and-white copy. When a memory card is inserted, this button acts as a previous image button.
8		Start Copy Color: Starts a color copy. When a memory card is inserted, this button starts printing the image currently on the display. In certain situations (for example, after clearing a paper jam), this button resumes printing or confirms the settings.
9		Keypad: Enters fax numbers, values, or text.
10		* (Space and Symbols): Enters asterisks, spaces, and symbols for fax-related tasks. # (Backspace): Enters pound signs and clears the incorrect entry for fax-related tasks.

Find more information


A variety of resources, both printed and onscreen, provide information about setting up and using the HP All-in-One.

- **Setup Guide**
The Setup Guide provides instructions for setting up the HP All-in-One and installing software. Make sure you follow the steps in the Setup Guide in order.
If you have problems during setup, see Troubleshooting in the last section of the Setup Guide, or see "[Troubleshooting and support](#)" on page 37 in this guide.
- **Onscreen Help**
The onscreen Help provides detailed instructions on features of the HP All-in-One that are not described in this Basics Guide, including features that are only available using the software you installed with the HP All-in-One.
- www.hp.com/support
If you have Internet access, you can get help and support from the HP Web site. This Web site offers technical support, drivers, supplies, and ordering information.

2 Fax setup

After completing all the steps in the Setup Guide, use the instructions in this section to complete your fax setup. Please keep your Setup Guide for later use.


In this section, you will learn how to set up the HP All-in-One so that faxing works successfully with equipment and services you might already have on the same phone line as the HP All-in-One.

 **TIP:** You can also use the **Fax Setup Wizard** (Windows) or **Fax Setup Utility** (Mac) to help you quickly set up some important fax settings such as the answer mode and fax header information. You can access the **Fax Setup Wizard** (Windows) or **Fax Setup Utility** (Mac) through the software you installed with the HP All-in-One. After you run the **Fax Setup Wizard** (Windows) or **Fax Setup Utility** (Mac), follow the procedures in this section to complete your fax setup.

Set up the HP All-in-One for faxing

Before you begin setting up the HP All-in-One for faxing, determine which kind of phone system your country/region uses. The instructions for setting up the HP All-in-One for faxing differ depending on whether you have a serial- or parallel-type phone system.

- If you do not see your country/region listed in the table below, you probably have a serial-type phone system. In a serial-type phone system, the connector type on your shared telephone equipment (modems, phones, and answering machines) does not allow a physical connection to the "2-EXT" port on the HP All-in-One. Instead, all equipment must be connected at the telephone wall jack.

 **NOTE:** In some countries/regions that use serial-type phone systems, the phone cord that came with the HP All-in-One might have an additional wall plug attached to it. This enables you to connect other telecom devices to the wall jack where you plug in the HP All-in-One.

- If your country/region is listed in the table below, you probably have a parallel-type telephone system. In a parallel-type phone system, you are able to connect shared telephone equipment to the phone line by using the "2-EXT" port on the back of the HP All-in-One.


 **NOTE:** If you have a parallel-type phone system, HP recommends you use the 2-wire phone cord supplied with the HP All-in-One to connect the HP All-in-One to the telephone wall jack.

Table 2-1 Countries/regions with a parallel-type phone system

Argentina	Australia	Brazil
Canada	Chile	China
Colombia	Greece	India
Indonesia	Ireland	Japan

Countries/regions with a parallel-type phone system (continued)

Korea	Latin America	Malaysia
Mexico	Philippines	Poland
Portugal	Russia	Saudi Arabia
Singapore	Spain	Taiwan
Thailand	USA	Venezuela
Vietnam		

If you are unsure which kind of telephone system you have (serial or parallel), check with your telephone company.

Choose the correct fax setup for your home or office

To fax successfully, you need to know what types of equipment and services (if any) share the same phone line with the HP All-in-One. This is important because you might need to connect some of your existing office equipment directly to the HP All-in-One, and you might also need to change some fax settings before you can fax successfully.

To determine the best way to set up the HP All-in-One in your home or office, first read through the questions in this section and record your answers. Next, refer to the table in the following section and choose the recommended setup case based on your answers.

Make sure to read and answer the following questions in the order they are presented.

1. Do you have a digital subscriber line (DSL) service through your telephone company? (DSL might be called ADSL in your country/region.)

- Yes, I have DSL.
- No.

If you answered Yes, proceed directly to [“Case B: Set up the HP All-in-One with DSL” on page 11](#). You do not need to continue answering questions.

If you answered No, please continue answering questions.

2. Do you have a private branch exchange (PBX) phone system or an integrated services digital network (ISDN) system?

If you answered Yes, proceed directly to [“Case C: Set up the HP All-in-One with a PBX phone system or an ISDN line” on page 12](#). You do not need to continue answering questions.

If you answered No, please continue answering questions.

3. Do you subscribe to a distinctive ring service through your telephone company that provides multiple phone numbers with different ring patterns?

- Yes, I have distinctive ring.
- No.

If you answered Yes, proceed directly to [“Case D: Fax with a distinctive ring service on the same line” on page 13](#). You do not need to continue answering questions.

If you answered No, please continue answering questions.

Are you unsure if you have distinctive ring? Many phone companies offer a distinctive ring feature that allows you to have several phone numbers on one phone line.

When you subscribe to this service, each phone number will have a different ring pattern. For example, you can have single, double, and triple rings for the different numbers. You might assign one phone number with a single ring to your voice calls,

and another phone number with double rings to your fax calls. This allows you to tell the difference between voice and fax calls when the phone rings.

4. Do you receive voice calls at the same phone number you will use for fax calls on the HP All-in-One?

- Yes, I receive voice calls.
 No.

Please continue answering questions.

5. Do you have a computer dial-up modem on the same phone line as the HP All-in-One?

- Yes, I have a computer dial-up modem.
 No.

Are you unsure if you use a computer dial-up modem? If you answer Yes to any of the following questions, you are using a computer dial-up modem:

- Do you send and receive faxes directly to and from your computer software applications through a dial-up connection?
- Do you send and receive e-mail messages on your computer through a dial-up connection?
- Do you access the Internet from your computer through a dial-up connection?

Please continue answering questions.

6. Do you have an answering machine that answers voice calls at the same phone number you will use for fax calls on the HP All-in-One?

- Yes, I have an answering machine.
 No.

Please continue answering questions.

7. Do you subscribe to a voice mail service through your telephone company at the same phone number you will use for fax calls on the HP All-in-One?

- Yes, I have a voice mail service.
 No.

After you have completed answering the questions, proceed to the next section to select your fax setup case.

Select your fax setup case

Now that you have answered all the questions about the equipment and services that share the phone line with the HP All-in-One, you are ready to choose the best setup case for your home or office.

From the first column in the following table, choose the combination of equipment and services applicable to your home or office setting. Then look up the appropriate setup case in the second or third column based on your phone system. Step-by-step instructions are included for each case in the sections that follow.

If you have answered all the questions in the previous section and have none of the described equipment or services, choose "None" from the first column in the table.



NOTE: If your home or office setup is not described in this section, set up the HP All-in-One as you would a regular analog phone. Make sure you use the phone cord supplied in the box to connect one end to your telephone wall jack and the other end to the port labeled 1-LINE on the back of the HP All-in-One. If you use another phone cord, you might experience problems sending and receiving faxes.

Other equipment/services sharing your fax line	Recommended fax setup for parallel-type phone systems	Recommended fax setup for serial-type phone systems
None (You answered No to all questions.)	"Case A: Separate fax line (no voice calls received) " on page 10	"Case A: Separate fax line (no voice calls received) " on page 10
DSL service (You answered Yes to question 1 only.)	"Case B: Set up the HP All-in-One with DSL " on page 11	"Case B: Set up the HP All-in-One with DSL " on page 11
PBX or ISDN system (You answered Yes to question 2 only.)	"Case C: Set up the HP All-in-One with a PBX phone system or an ISDN line " on page 12	"Case C: Set up the HP All-in-One with a PBX phone system or an ISDN line " on page 12
Distinctive ring service (You answered Yes to question 3 only.)	"Case D: Fax with a distinctive ring service on the same line " on page 13	"Case D: Fax with a distinctive ring service on the same line " on page 13
Voice calls (You answered Yes to question 4 only.)	"Case E: Shared voice/fax line " on page 14	"Case E: Shared voice/fax line " on page 14
Voice calls and voice mail service (You answered Yes to questions 4 and 7 only.)	"Case F: Shared voice/fax line with voice mail " on page 15	"Case F: Shared voice/fax line with voice mail " on page 15
Computer dial-up modem (You answered Yes to question 5 only.)	"Case G: Fax line shared with computer dial-up modem (no voice calls received) " on page 16	Not applicable.
Voice calls and computer dial-up modem (You answered Yes to questions 4 and 5 only.)	"Case H: Shared voice/fax line with computer dial-up modem " on page 17	Not applicable.
Voice calls and answering machine (You answered Yes to questions 4 and 6 only.)	"Case I: Shared voice/fax line with answering machine " on page 19	Not applicable.
Voice calls, computer dial-up modem, and answering machine (You answered Yes to questions 4, 5, and 6 only.)	"Case J: Shared voice/fax line with computer dial-up modem and answering machine " on page 20	Not applicable.
Voice calls, computer dial-up modem, and voice mail service (You answered Yes to questions 4, 5, and 7 only.)	"Case K: Shared voice/fax line with computer dial-up modem and voice mail " on page 22	Not applicable.

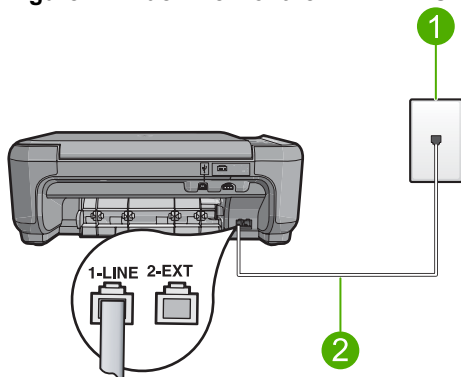
For additional fax setup information, in specific countries/regions, see the Fax Configuration Web site listed below.

Austria	www.hp.com/at/faxconfig
Germany	www.hp.com/de/faxconfig
Switzerland (French)	www.hp.com/ch/fr/faxconfig
Switzerland (German)	www.hp.com/ch/de/faxconfig
United Kingdom	www.hp.com/uk/faxconfig
Spain	www.hp.es/faxconfig
The Netherlands	www.hp.nl/faxconfig
Belgium (French)	www.hp.be/fr/faxconfig
Belgium (Dutch)	www.hp.be/nl/faxconfig
Portugal	www.hp.pt/faxconfig
Sweden	www.hp.se/faxconfig
Finland	www.hp.fi/faxconfig
Denmark	www.hp.dk/faxconfig
Norway	www.hp.no/faxconfig
Ireland	www.hp.com/ie/faxconfig
France	www.hp.com/fr/faxconfig
Italy	www.hp.com/it/faxconfig

Case A: Separate fax line (no voice calls received)

If you have a separate phone line on which you receive no voice calls, and you have no other equipment connected on this phone line, set up the HP All-in-One as described in this section.


Figure 2-1 Back view of the HP All-in-One



1	Telephone wall jack
2	Use the phone cord supplied in the box with the HP All-in-One to connect to the "1-LINE" port

To set up the product with a separate fax line

1. Using the phone cord supplied in the box with the product, connect one end to your telephone wall jack, then connect the other end to the port labeled 1-LINE on the back of the product.

 **NOTE:** If you do not use the supplied cord to connect from the telephone wall jack to the product, you might not be able to fax successfully. This special phone cord is different from the phone cords you might already have in your home or office.

2. Change the **Auto Answer** setting to the lowest number of rings to wait before answering (two rings).
3. Run a fax test.

When the phone rings, the product will answer automatically after the number of rings you set in the **Auto Answer** setting. Then it will begin emitting fax reception tones to the sending fax machine and receive the fax.

Case B: Set up the HP All-in-One with DSL

If you have a DSL service through your telephone company, use the instructions in this section to connect a DSL filter between the telephone wall jack and the HP All-in-One. The DSL filter removes the digital signal that can interfere with the HP All-in-One, so the HP All-in-One can communicate properly with the phone line. (DSL might be called ADSL in your country/region.)


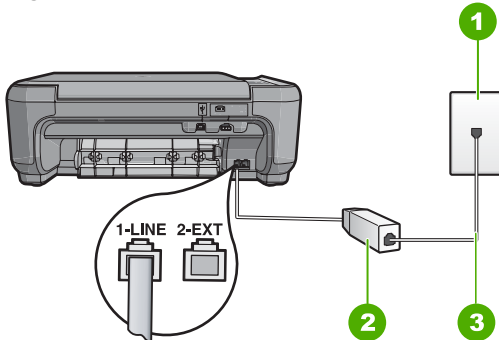
 **NOTE:** If you have a DSL line, ensure that the DSL Filter is connected. Otherwise, you will not be able to send and receive faxes with the HP All-in-One.


Figure 2-2 Back view of the HP All-in-One




1	Telephone wall jack
2	DSL filter and cord supplied by your DSL provider
3	Use the phone cord supplied in the box with the HP All-in-One to connect to the "1-LINE" port

To set up the product with DSL

1. Obtain a DSL filter from your DSL provider.
2. Connect the DSL filter cord to the telephone wall jack.

 **NOTE:** If you do not use the supplied cord to connect from the telephone wall jack to the product, you might not be able to fax successfully. This special phone cord is different from the phone cords you might already have in your home or office.

3. Using the phone cord supplied in the box with the product, connect one end to the DSL filter in your telephone wall jack, then connect the other end to the port labeled 1-LINE on the back of the product.


 **NOTE:** If you have other office equipment or services attached to this phone line, such as a distinctive ring service, answering machine, or voice mail, see the appropriate section in this section for additional setup guidelines.

4. Run a fax test.

Case C: Set up the HP All-in-One with a PBX phone system or an ISDN line

If you are using a PBX phone system, do the following:


- Connect the product to the port that is designated for fax and phone use.
- Make sure you use the supplied cord to connect from the telephone wall jack to the product.
- Set the call waiting tone to **Off**.

 **NOTE:** Many digital PBX systems include a call-waiting tone that is set to "on" by default. The call waiting tone will interfere with any fax transmission, and you will not be able to send or receive faxes with the HP All-in-One. Refer to the documentation that came with your PBX phone system for instructions on how to turn off the call-waiting tone.

- Dial the number for an outside line before dialing the fax number.

If you are using an ISDN converter/terminal adaptor, do the following:

- Connect the product to the port that is designated for fax and phone use.

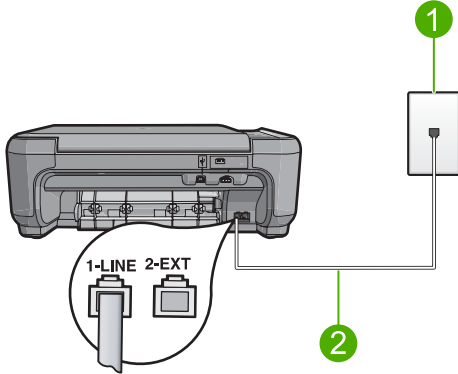
 **NOTE:** Some ISDN systems allow you to configure the ports for specific phone equipment. For example, you might have assigned one port for telephone and Group 3 fax and another port for multiple purposes. If you have problems when connected to the fax/phone port of your ISDN converter, try using the port designated for multiple purposes; it might be labeled "multi-combi" or something similar.

- Make sure you use the supplied cord to connect from the telephone wall jack to the product. If you do not, you might not be able to fax successfully. This special phone cord is different from the phone cords you might already have in your home or office. If the supplied phone cord is too short, you can purchase a coupler from your local electronics store and extend it.
- Make sure that the terminal adapter is set to the correct switch type for your country/region, if possible.

Case D: Fax with a distinctive ring service on the same line

If you subscribe to a distinctive ring service (through your telephone company) that allows you to have multiple phone numbers on one phone line, each with a different ring pattern, set up the HP All-in-One as described in this section.


Figure 2-3 Back view of the HP All-in-One




1	Telephone wall jack
2	Use the phone cord supplied in the box with the HP All-in-One to connect to the "1-LINE" port

To set up the product with a distinctive ring service

- Using the phone cord supplied in the box with the product, connect one end to your telephone wall jack, then connect the other end to the port labeled 1-LINE on the back of the product.

 **NOTE:** If you do not use the supplied cord to connect from the telephone wall jack to the product, you might not be able to fax successfully. This special phone cord is different from the phone cords you might already have in your home or office.

- Change the **Auto Answer** setting to the lowest number of rings to wait before answering (two rings).
- Change the **Distinctive Ring** setting to match the pattern that the telephone company assigned to your fax number.

 **NOTE:** By default, the product is set to answer all ring patterns. If you do not set the **Distinctive Ring** to match the ring pattern assigned to your fax number, the product might answer both voice calls and fax calls or it might not answer at all.

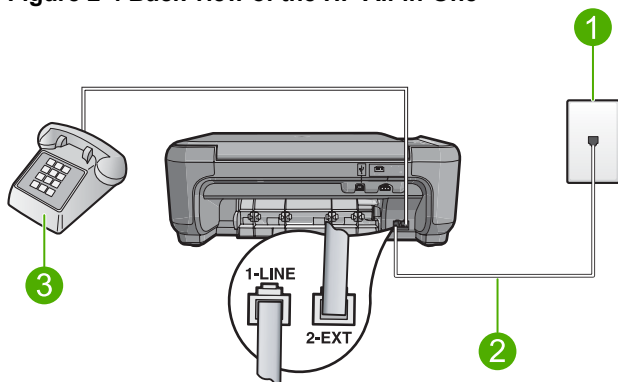
- Run a fax test.

The HP All-in-One will automatically answer incoming calls that have the ring pattern you selected (**Distinctive Ring** setting) after the number of rings you selected (**Auto Answer** setting). Then it will begin emitting fax reception tones to the sending fax machine and receive the fax.

Case E: Shared voice/fax line

If you receive both voice calls and fax calls at the same phone number, and you have no other office equipment (or voice mail) on this phone line, set up the HP All-in-One as described in this section.


Figure 2-4 Back view of the HP All-in-One



1	Telephone wall jack
2	Use the phone cord supplied in the box with the HP All-in-One to connect to the "1-LINE" port
3	Telephone (optional)

To set up the product with a shared voice/fax line

- Using the phone cord supplied in the box with the product, connect one end to your telephone wall jack, then connect the other end to the port labeled 1-LINE on the back of the product.

 **NOTE:** If you do not use the supplied cord to connect from the telephone wall jack to the product, you might not be able to fax successfully. This special phone cord is different from the phone cords you might already have in your home or office.

- Now you need to decide how you want the product to answer calls, automatically or manually:
 - If you set up the product to answer calls **automatically**, it answers all incoming calls and receives faxes. The product will not be able to distinguish between fax and voice calls in this case; if you suspect the call is a voice call, you will need to answer it before the product answers the call. To set up the product to answer calls automatically, turn on the **Auto Answer** setting.
 - If you set up the product to answer faxes **manually**, you must be available to respond in person to incoming fax calls or the product cannot receive faxes. To set up the product to answer calls manually, turn off the **Auto Answer** setting.

3. Do one of the following, depending on your phone system:
 - If you have a parallel-type phone system, remove the white plug from the port labeled 2-EXT on the back of the product, and then connect a phone to this port.
 - If you have a serial-type phone system, you might plug your phone directly on top of the product cable which has a wall plug attached to it.
4. Run a fax test.

If you pick up the phone before the product answers the call and hear fax tones from a sending fax machine, you will need to answer the fax call manually.

Case F: Shared voice/fax line with voice mail

If you receive both voice calls and fax calls at the same phone number, and you also subscribe to a voice mail service through your telephone company, set up the HP All-in-One as described in this section.


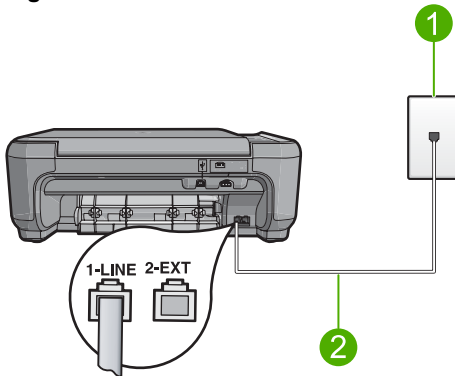
 **NOTE:** You cannot receive faxes automatically if you have a voice mail service at the same phone number you use for fax calls. You must receive faxes manually; this means you must be available to respond in person to incoming fax calls. If you want to receive faxes automatically instead, contact your telephone company to subscribe to a distinctive ring service, or to obtain a separate phone line for faxing.


Figure 2-5 Back view of the HP All-in-One



1	Telephone wall jack
2	Use the phone cord supplied in the box with the HP All-in-One to connect to the "1-LINE" port

To set up the product with voice mail

1. Using the phone cord supplied in the box with the product, connect one end to your telephone wall jack, then connect the other end to the port labeled 1-LINE on the back of the product.

 **NOTE:** If you do not use the supplied cord to connect from the telephone wall jack to the product, you might not be able to fax successfully. This special phone cord is different from the phone cords you might already have in your home or office.

2. Turn off the **Auto Answer** setting.
3. Run a fax test.

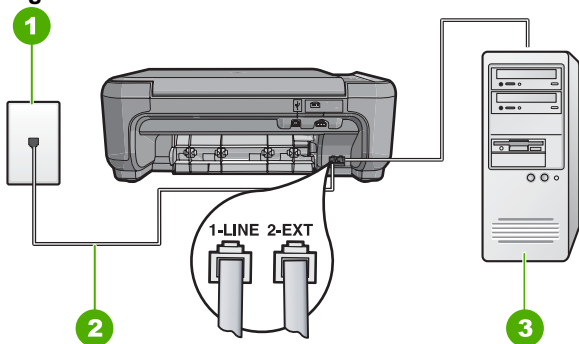
You must be available to respond in person to incoming fax calls, or the product cannot receive faxes.

Case G: Fax line shared with computer dial-up modem (no voice calls received)

If you have a fax line on which you receive no voice calls, and you also have a computer dial-up modem connected on this line, set up the HP All-in-One as described in this section.

Since your computer dial-up modem shares the phone line with the HP All-in-One, you will not be able to use both your modem and the HP All-in-One simultaneously. For example, you cannot use the HP All-in-One for faxing if you are using your computer dial-up modem to send an e-mail or access the Internet.

Figure 2-6 Back view of the HP All-in-One




1	Telephone wall jack
2	Use the phone cord supplied in the box with the HP All-in-One to connect to the "1-LINE" port
3	Computer with modem


To set up the product with a computer dial-up modem

1. Remove the white plug from the port labeled 2-EXT on the back of the product.
2. Find the phone cord that connects from the back of your computer (your computer dial-up modem) to a telephone wall jack. Disconnect the cord from the telephone wall jack and plug it into the port labeled 2-EXT on the back of the product.

3. Using the phone cord supplied in the box with the product, connect one end to your telephone wall jack, then connect the other end to the port labeled 1-LINE on the back of the product.

 **NOTE:** If you do not use the supplied cord to connect from the telephone wall jack to the product, you might not be able to fax successfully. This special phone cord is different from the phone cords you might already have in your home or office.

4. If your modem software is set to receive faxes to your computer automatically, turn off that setting.

 **NOTE:** If you do not turn off the automatic fax reception setting in your modem software, the product will not be able to receive faxes.

5. Change the **Auto Answer** setting to the lowest number of rings to wait before answering (two rings).
6. Run a fax test.

When the phone rings, the product will answer automatically after the number of rings you set in the **Auto Answer** setting. Then it will begin emitting fax reception tones to the sending fax machine and receive the fax.

Case H: Shared voice/fax line with computer dial-up modem

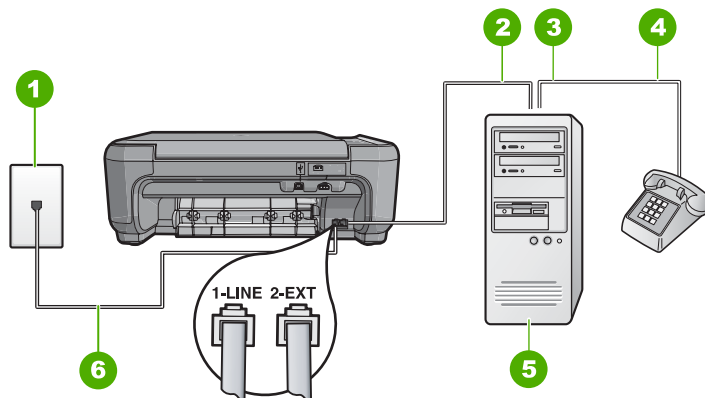
If you receive both voice calls and fax calls at the same phone number, and you also have a computer dial-up modem connected on this phone line, set up the HP All-in-One as described in this section.

Since your computer dial-up modem shares the phone line with the HP All-in-One, you will not be able to use both your modem and the HP All-in-One simultaneously. For example, you cannot use the HP All-in-One for faxing if you are using your computer dial-up modem to send an e-mail or access the Internet.

There are two different ways to set up the HP All-in-One with your computer based on the number of phone ports on your computer. Before you begin, check your computer to see if it has one or two phone ports.

- If your computer has only one phone port, you will need to purchase a parallel splitter (also called a coupler). Refer to the onscreen help for specific setup instructions.
- If your computer has two phone ports, set up the HP All-in-One as described below.


Figure 2-7 Back view of the HP All-in-One




1	Telephone wall jack
2	"IN" phone port on your computer
3	"OUT" phone port on your computer
4	Telephone
5	Computer with modem
6	Use the phone cord supplied in the box with the HP All-in-One to connect to the "1-LINE" port

To set up the product on the same phone line as a computer with two phone ports

1. Remove the white plug from the port labeled 2-EXT on the back of the product.
2. Find the phone cord that connects from the back of your computer (your computer dial-up modem) to a telephone wall jack. Disconnect the cord from the telephone wall jack and plug it into the port labeled 2-EXT on the back of the product.
3. Connect a phone to the "OUT" port on the back of your computer dial-up modem.
4. Using the phone cord supplied in the box with the product, connect one end to your telephone wall jack, then connect the other end to the port labeled 1-LINE on the back of the product.

 **NOTE:** If you do not use the supplied cord to connect from the telephone wall jack to the product, you might not be able to fax successfully. This special phone cord is different from the phone cords you might already have in your home or office.

5. If your modem software is set to receive faxes to your computer automatically, turn off that setting.

 **NOTE:** If you do not turn off the automatic fax reception setting in your modem software, the product will not be able to receive faxes.

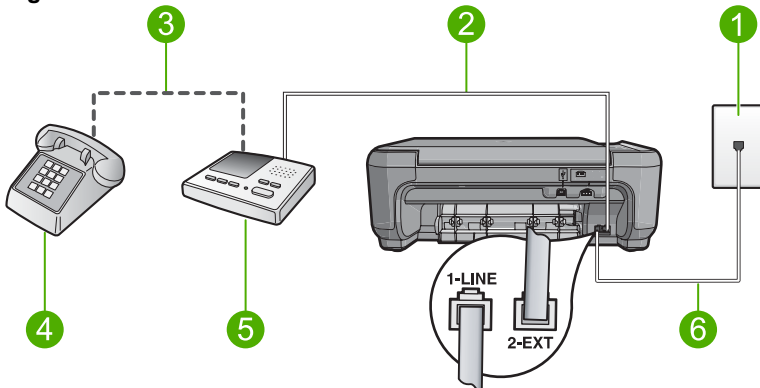
6. Now you need to decide how you want the product to answer calls, automatically or manually:
- If you set up the product to answer calls **automatically**, it answers all incoming calls and receives faxes. The product will not be able to distinguish between fax and voice calls in this case; if you suspect the call is a voice call, you will need to answer it before the product answers the call. To set up the product to answer calls automatically, turn on the **Auto Answer** setting.
 - If you set up the product to answer faxes **manually**, you must be available to respond in person to incoming fax calls or the product cannot receive faxes. To set up the product to answer calls manually, turn off the **Auto Answer** setting.
7. Run a fax test.

If you pick up the phone before the product answers the call and hear fax tones from a sending fax machine, you will need to answer the fax call manually.

Case I: Shared voice/fax line with answering machine

If you receive both voice calls and fax calls at the same phone number, and you also have an answering machine that answers voice calls at this phone number, set up the HP All-in-One as described in this section.

Figure 2-8 Back view of the HP All-in-One



1	Telephone wall jack
2	"IN" port on your answering machine
3	"OUT" port on your answering machine
4	Telephone (optional)
5	Answering machine
6	Use the phone cord supplied in the box with the HP All-in-One to connect to the "1-LINE" port

To set up the product with a shared voice/fax line with answering machine

1. Remove the white plug from the port labeled 2-EXT on the back of the product.
2. Unplug your answering machine from the telephone wall jack, and connect it to the port labeled 2-EXT on the back of the product.



NOTE: If you do not connect your answering machine directly to the product, fax tones from a sending fax machine might be recorded on your answering machine, and you probably will not be able to receive faxes with the product.

3. Using the phone cord supplied in the box with the product, connect one end to your telephone wall jack, then connect the other end to the port labeled 1-LINE on the back of the product.



NOTE: If you do not use the supplied cord to connect from the telephone wall jack to the product, you might not be able to fax successfully. This special phone cord is different from the phone cords you might already have in your home or office.

4. (Optional) If your answering machine does not have a built-in phone, for convenience you might want to connect a phone to the back of your answering machine at the "OUT" port.



NOTE: If your answering machine does not let you connect an external phone, you can purchase and use a parallel splitter (also known as a coupler) to connect both the answering machine and telephone to the HP All-in-One. You can use standard phone cords for these connections.

5. Set your answering machine to answer after a low number of rings.
6. Change the **Auto Answer** setting to the maximum number of rings supported by your device. (The maximum number of rings varies by country/region.)
7. Run a fax test.

When the phone rings, your answering machine will answer after the number of rings you have set, and then play your recorded greeting. The HP All-in-One monitors the call during this time, "listening" for fax tones. If incoming fax tones are detected, the HP All-in-One will emit fax reception tones and receive the fax; if there are no fax tones, the HP All-in-One stops monitoring the line and your answering machine can record a voice message.

Case J: Shared voice/fax line with computer dial-up modem and answering machine

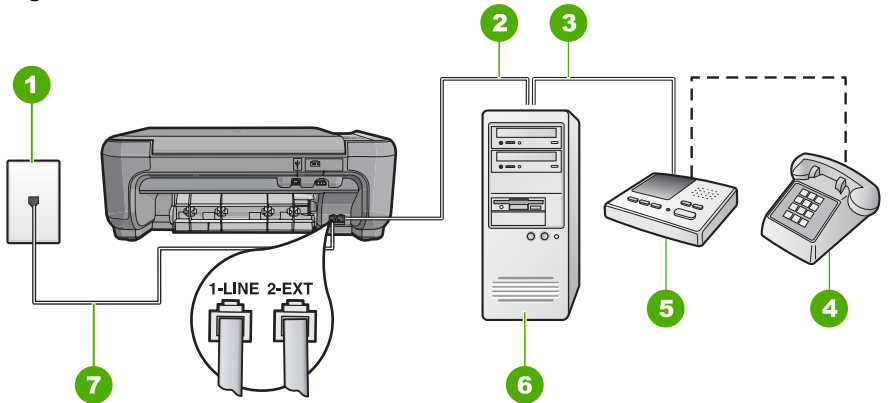
If you receive both voice calls and fax calls at the same phone number, and you also have a computer dial-up modem and answering machine connected on this phone line, set up the HP All-in-One as described in this section.

Since your computer dial-up modem shares the phone line with the HP All-in-One, you will not be able to use both your modem and the HP All-in-One simultaneously. For example, you cannot use the HP All-in-One for faxing if you are using your computer dial-up modem to send an e-mail or access the Internet.

There are two different ways to set the HP All-in-One with your computer based on the number of phone ports on your computer. Before you begin, check your computer to see if it has one or two phone ports.

- If your computer has only one phone port, you will need to purchase a parallel splitter (also called a coupler). Refer to the onscreen help for specific setup instructions.
- If your computer has two phone ports, set up the HP All-in-One as described below.

Figure 2-9 Back view of the HP All-in-One



1	Telephone wall jack
2	"IN" phone port on your computer
3	"OUT" phone port on your computer
4	Telephone (optional)
5	Answering machine
6	Computer with modem
7	Use the phone cord supplied in the box with the HP All-in-One to connect to the "1-LINE" port


To set up the product on the same phone line as a computer with two phone ports

1. Remove the white plug from the port labeled 2-EXT on the back of the product.
2. Find the phone cord that connects from the back of your computer (your computer dial-up modem) to a telephone wall jack. Disconnect the cord from the telephone wall jack and plug it into the port labeled 2-EXT on the back of the product.
3. Unplug your answering machine from the telephone wall jack, and connect it to the "OUT" port on the back of your computer modem.


This allows a direct connection between the HP All-in-One and your answering machine, even though the computer modem is connected first in line.

NOTE: If you do not connect your answering machine in this way, fax tones from a sending fax machine might be recorded on your answering machine, and you might not be able to receive faxes with the product.


- Using the phone cord supplied in the box with the product, connect one end to your telephone wall jack, then connect the other end to the port labeled 1-LINE on the back of the product.

 **NOTE:** If you do not use the supplied cord to connect from the telephone wall jack to the product, you might not be able to fax successfully. This special phone cord is different from the phone cords you might already have in your home or office.

- (Optional) If your answering machine does not have a built-in phone, for convenience you might want to connect a phone to the back of your answering machine at the "OUT" port.

 **NOTE:** If your answering machine does not let you connect an external phone, you can purchase and use a parallel splitter (also known as a coupler) to connect both the answering machine and telephone to the HP All-in-One. You can use standard phone cords for these connections.

- If your modem software is set to receive faxes to your computer automatically, turn off that setting.


 **NOTE:** If you do not turn off the automatic fax reception setting in your modem software, the product will not be able to receive faxes.

- Set your answering machine to answer after a low number of rings.
- Change the **Auto Answer** setting to the maximum number of rings supported by your product. (The maximum number of rings varies by country/region.)
- Run a fax test.

When the phone rings, your answering machine will answer after the number of rings you have set, and then play your recorded greeting. The HP All-in-One monitors the call during this time, "listening" for fax tones. If incoming fax tones are detected, the HP All-in-One will emit fax reception tones and receive the fax; if there are no fax tones, the HP All-in-One stops monitoring the line and your answering machine can record a voice message.

Case K: Shared voice/fax line with computer dial-up modem and voice mail

If you receive both voice calls and fax calls at the same phone number, use a computer dial-up modem on the same phone line, and subscribe to a voice mail service through your telephone company, set up the HP All-in-One as described in this section.

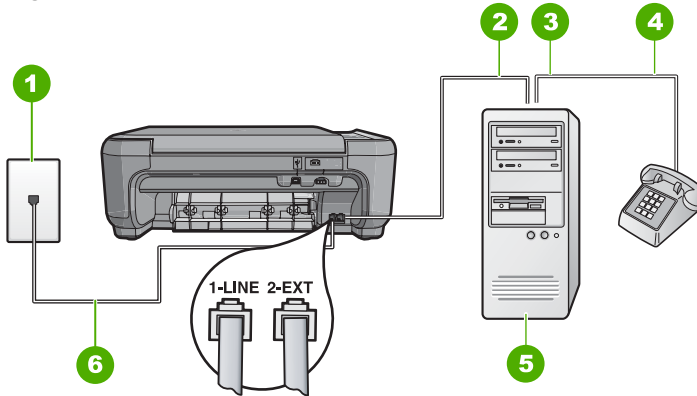
 **NOTE:** You cannot receive faxes automatically if you have a voice mail service at the same phone number you use for fax calls. You must receive faxes manually; this means you must be available to respond in person to incoming fax calls. If you want to receive faxes automatically instead, contact your telephone company to subscribe to a distinctive ring service, or to obtain a separate phone line for faxing.

Since your computer dial-up modem shares the phone line with the HP All-in-One, you will not be able to use both your modem and the HP All-in-One simultaneously. For example, you cannot use the HP All-in-One for faxing if you are using your computer dial-up modem to send an e-mail or access the Internet.

There are two different ways to set up the HP All-in-One with your computer based on the number of phone ports on your computer. Before you begin, check your computer to see if it has one or two phone ports.

- If your computer has only one phone port, you will need to purchase a parallel splitter (also called a coupler). Refer to the onscreen help for specific setup instructions.
- If your computer has two phone ports, set up the HP All-in-One as described below.


Figure 2-10 Back view of the HP All-in-One



1	Telephone wall jack
2	"IN" phone port on your computer
3	"OUT" phone port on your computer
4	Telephone
5	Computer with modem
6	Use the phone cord supplied in the box with the HP All-in-One to connect to the "1-LINE" port

To set up the product on the same phone line as a computer with two phone ports

1. Remove the white plug from the port labeled 2-EXT on the back of the product.
2. Find the phone cord that connects from the back of your computer (your computer dial-up modem) to a telephone wall jack. Disconnect the cord from the telephone wall jack and plug it into the port labeled 2-EXT on the back of the product.
3. Connect a phone to the "OUT" port on the back of your computer dial-up modem.
4. Using the phone cord supplied in the box with the product, connect one end to your telephone wall jack, then connect the other end to the port labeled 1-LINE on the back of the product.

 **NOTE:** If you do not use the supplied cord to connect from the telephone wall jack to the product, you might not be able to fax successfully. This special phone cord is different from the phone cords you might already have in your home or office.

5. If your modem software is set to receive faxes to your computer automatically, turn off that setting.



NOTE: If you do not turn off the automatic fax reception setting in your modem software, the product will not be able to receive faxes.

6. Turn off the **Auto Answer** setting.
7. Run a fax test.

You must be available to respond in person to incoming fax calls, or the HP All-in-One cannot receive faxes.

Change settings on the HP All-in-One to receive faxes

In order to receive faxes successfully, you might need to change some settings on the HP All-in-One. If you are unsure which setting to choose for a specific fax option, refer to the detailed fax setup instructions provided in the printed documentation.

This section contains the following topics:

Choose the recommended answer setting for your setup

The **Auto Answer** setting determines whether or not the HP All-in-One answers incoming calls, as well as how many rings to wait before answering. The correct setting depends on how your home or office is set up. For information on which setting to choose, refer to the setup instructions for your specific case in the previous pages.

To set the Auto Answer setting

1. Press the button next to **Scan/Fax**.
2. Press the button next to **Fax Menu**.
3. Press the button next to **Fax Setup**.
4. Press the button next to the down arrow to highlight **Auto Answer**, and then press the button next to **OK**.
5. Press the button next to the appropriate setting and then press the button next to **OK**.

Change the answer ring pattern for distinctive ringing

Many phone companies offer a distinctive ringing feature that allows you to have several phone numbers on one phone line. When you subscribe to this service, each number will have a different ring pattern. You can set up the HP All-in-One to answer incoming calls that have a specific ring pattern.

If you connect the HP All-in-One to a line with distinctive ringing, have your telephone company assign one ring pattern to voice calls and another ring pattern to fax calls. HP recommends that you request double or triple rings for a fax number. When the HP All-in-One detects the specified ring pattern, it will answer the call and receive the fax.

If you do not have a distinctive ring service, use the default ring pattern, which is **All Rings**.

To change the distinctive ring pattern from the control panel

1. Verify that the product is set to answer fax calls automatically after a specified number of rings.
2. Press the button next to **Scan/Fax**.
3. Press the button next to **Fax Menu**.
4. Press the button next to **Fax Setup**.
5. Press the button next to the down arrow to highlight **Distinctive Ring**, and then press the button next to **OK**.
6. Press the button next to the down arrow to highlight the appropriate option, and then press the button next to **OK**.
When the phone rings with the ring pattern assigned to your fax line, the product answers the call and receives the fax.

Set the fax header

The fax header prints your name and fax number on the top of every fax you send. HP recommends that you set up the fax header by using the software that you installed with the HP All-in-One. You can also set up the fax header from the control panel, as described here.

 **NOTE:** In some countries/regions the fax header information is a legal requirement.

To set a fax header from the control panel

1. Press the button next to **Scan/Fax**.
2. Press the button next to **Fax Menu**.
3. Press the button next to **Fax Setup**.
4. Press the button next to the down arrow to highlight **Fax Header**, and then press the button next to **OK**.
5. Use the keypad to enter your personal or company name. When you have finished, press the button next to **OK**.
6. Use the keypad to enter your fax number, and then press the button next to **OK**.

Test your fax setup

You can test your fax setup to check the status of the HP All-in-One and to make sure it is set up properly for faxing. Perform this test after you have completed setting up the HP All-in-One for faxing. The test does the following:

- Tests the fax hardware
- Verifies the correct type of phone cord is connected to the HP All-in-One
- Checks that the phone cord is plugged into the correct port
- Checks for a dial tone
- Checks for an active phone line
- Tests the status of your phone line connection

The HP All-in-One prints a report with the results of the test. If the test fails, review the report for information on how to fix the problem and rerun the test.

To test your fax setup from the control panel

1. Set up the product for faxing according to your particular home or office setup instructions.
2. Insert the print cartridges and load full-size paper in the input tray before starting the test.
3. Press the button next to **Scan/Fax**.
4. Press the button next to **Fax Menu**.
5. Press the button next to **Fax Setup**.
6. Press the button next to the down arrow to highlight **Run Fax Test**, and then press the button next to **OK**.
The status of the test appears on the display. The product also prints a detailed report.
7. Review the report.
 - If the test passes and you are still having problems faxing, check the fax settings listed in the report to verify the settings are correct. A blank or incorrect fax setting can cause problems faxing.
 - If the test fails, review the report for more information on how to fix any problems found.
8. After you pick up the fax report, press the button next to **OK**.
If necessary, resolve any problems found and rerun the test.

3 Use the HP All-in-One features


This chapter includes information about how to use the HP All-in-One for basic operations. In addition, it provides instructions about how to load paper and replace the print cartridges.

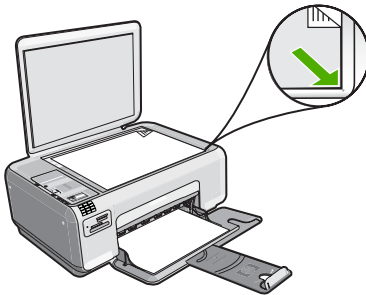
Load originals and load paper

You can copy, scan, or fax up to letter- or A4-size originals and thick publications by loading them on the glass.

To load an original on the glass

1. Lift the lid to the open position.
2. Load your original print side down on the right front corner of the glass.

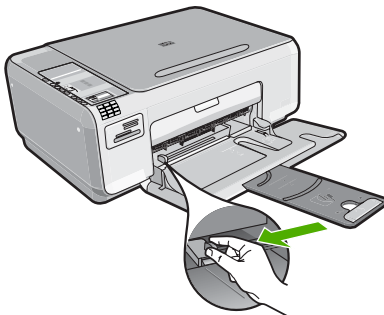
 **TIP:** To get the correct copy size, make sure that there is no tape or other foreign object on the glass.



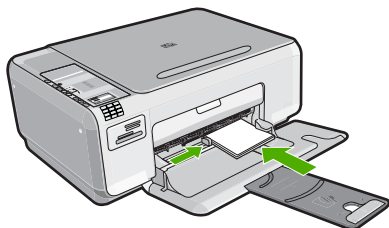
3. Close the lid.

To load small-size photo paper in the input tray

1. Slide the paper-width guide to its outermost position.



2. Insert the stack of photo paper into the far-right side of the input tray with the short edge forward and the print side down. Slide the stack of photo paper forward until it stops.
If the photo paper you are using has perforated tabs, load the photo paper so that the tabs are closest to you.
3. Slide the paper-width guide inward until it stops at the edge of the paper.
Do not overload the input tray; make sure the stack of paper fits within the input tray and is no higher than the top of the paper-width guide.



Avoid paper jams

To help avoid paper jams, follow these guidelines.

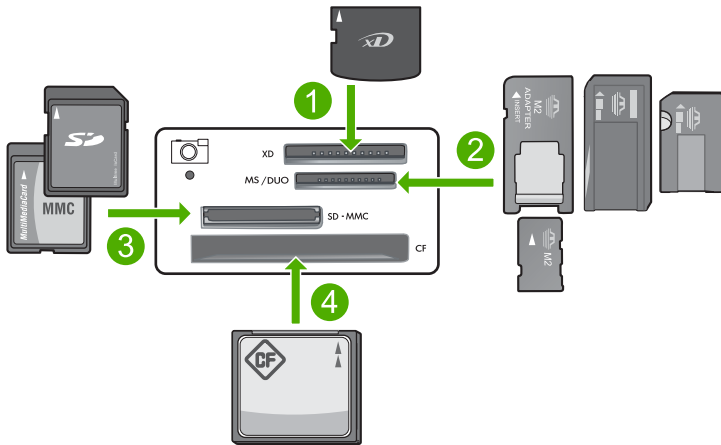
- Remove printed papers from the output tray frequently.
- Prevent curled or wrinkled photo paper by storing all unused photo paper flat in a resealable bag.
- Ensure that paper loaded in the input tray lays flat and the edges are not bent or torn.
- Do not combine different paper types and paper sizes in the input tray; the entire stack of paper in the input tray must be the same size and type.
- Adjust the paper-width guide in the input tray to fit snugly against all paper. Make sure the paper-width guide does not bend the paper in the input tray.
- Do not overload the input tray; make sure the stack of paper fits within the input tray and is no higher than the top of the paper-width guide.
- Do not force paper too far forward in the input tray.
- Use paper types that are recommended for the product.

Print 10 x 15 cm (4 x 6 inch) photos

You can select specific photos on your memory card to print as 10 x 15 cm (4 x 6 inch) photos.

To print one or more 10 x 15 cm (4 x 6 inch) photos


1. Load 10 x 15 cm (4 x 6 inch) photo paper in the input tray.
2. Insert your memory card into the appropriate slot on the product.




1	xD-Picture Card
2	Memory Stick, Memory Stick Pro, Memory Stick Select, Memory Stick Magic Gate, Memory Stick Duo or Duo Pro (adapter optional), or Memory Stick Micro (adapter required)
3	Secure Digital (SD), Secure Digital Mini (adapter required), Secure Digital High Capacity (SDHC), MultiMediaCard (MMC), MMC Plus, MMC Mobile (RS-MMC; adapter required), TransFlash MicroSD Card, or Secure MultiMedia Card
4	CompactFlash (CF) types I and II

The most recent image on the card appears on the display.

3. Press the buttons next to the up arrow or down arrow icons on the display to scroll through the photos on your memory card until the photo you want to print appears.
4. Leave the default **Size** setting as **Borderless**.

 **NOTE:** The **Quality** setting is set to best mode (as indicated by the three star icons on the display) and cannot be changed.


5. Press the **Copies** button until the number of copies you want to print appears on the display.
6. Press the button next to **Print** on the display.

 **TIP:** While the photo is printing, you can continue scrolling through the photos on your memory card. When you see a photo you want to print, you can press the **Print** button to add that photo to the print queue.

Scan an image


For original documents or images placed on the glass, you can start a scan from your computer or from the HP All-in-One. This section explains the second option: how to scan from the control panel of the HP All-in-One to a computer.

To use the scan features, the HP All-in-One and computer must be connected and turned on. The HP Photosmart Software must also be installed and running on your computer prior to scanning. To verify that the HP Photosmart Software is running on a Windows computer, look for the **HP Digital Imaging Monitor** icon in the system tray at the lower right side of the screen, near the time.

-
-  **NOTE:** Closing the **HP Digital Imaging Monitor** icon in the Windows system tray can cause the HP All-in-One to lose some of its scan functionality. If this happens, you can restore full functionality by restarting your computer.
-

To scan to a computer

1. Load your original print side down on the right front corner of the glass.

-
-  **NOTE:** Ensure that there are no memory cards inserted in the memory card slots on the product.
-

2. Press the button next to **Scan/Fax**.
The **Scan/Fax** menu appears.
3. Press the button next to **Start Scan**.
A preview image of the scan appears on your computer, where you can edit it. Any edits that you make apply to the current scan session only.
The HP Photosmart Software has many tools that you can use to edit your scanned image. You can improve the overall image quality by adjusting the brightness, sharpness, color tone, and saturation. You can also crop, straighten, rotate, or resize the image.
4. Make any edits to the preview image, and then click **Accept** when you are finished.

Make a copy


You can make quality copies from the control panel.

To make a copy from the control panel


1. Load paper in the input tray.
2. Load your original print side down on the right front corner of the glass.
3. Press the button next to **Start Copy Black** or **Start Copy Color** to begin copying.

Send a basic fax

You can easily send a single- or multiple-page black-and-white or color fax using the control panel, as described here.


-
-  **NOTE:** If you need printed confirmation that your faxes were successfully sent, enable fax confirmation **before** sending any faxes.

NOTE: If the fax number you are dialing is busy or if there is no answer, the product automatically redials the number several times. If you do not want to redial the number, press **Cancel** when the product is dialing.

-  **TIP:** You can also send a fax manually by dialing from a phone or by using the monitor dialing feature from the control panel. These features allow you to control the pace of your dialing. They are also useful when you want to use a calling card to charge the call and you need to respond to tone prompts while dialing.
-

To send a basic fax from the control panel

1. Press the button next to **Scan/Fax**.
2. Press the button next to **Start Fax**.
The **Send Fax** screen appears.
3. Press the button next to the down arrow to highlight **Black & White** or **Color**, and then press the button next to **OK**.
The **Enter Number** screen appears.
4. Enter the fax number using the keypad or press the button next to the up or down arrow to redial a recently dialed number, and then press the button next to **OK**.
The **Load Originals** screen appears.
5. Load your original print side down on the right front corner of the glass, and then press the button next to **OK**.

 **NOTE:** If you are sending a color fax, the fax is sent immediately. If you are sending a black and white fax, the fax is stored in memory until you have scanned each page of the original.

The **Another page?** screen appears.

6. Do the following:

If you have another page to fax


- a. Press the button next to **OK** to select **Yes**.
- b. Repeat steps 5 and 6.

If you do not have another page to fax

- ▲ Press the button next to the down arrow to select **No**, and then press the button next to **OK**.
The product sends the fax.

Receive a fax

The HP All-in-One can receive faxes automatically or manually. If you turn on the **Auto Answer** option by setting the number of rings to wait, the HP All-in-One automatically answers incoming calls and receives faxes. If you turn off the **Auto Answer** option, you will need to receive faxes manually.

 **NOTE:** If you receive a legal-size fax, the HP All-in-One reduces the fax so that it fits on the paper that is loaded in the input tray. If the fax size is so large that it requires more than a 60% reduction, the HP All-in-One might print the fax on more than one page.

When you are on the phone, the person you are speaking with can send you a fax while you are still connected. This is referred to as manual faxing. Use the instructions in this section to receive a manual fax.

You can receive faxes manually from a phone that is:

- Directly connected to the HP All-in-One (on the 2-EXT port)
- On the same telephone line, but not directly connected to the HP All-in-One

To receive a fax manually

1. Make sure the product is turned on and you have paper loaded in the input tray.
2. Make sure the **Auto Answer** setting is set to **Don't answer** or to a higher number of rings so that you are able to answer the call before the product answers.
3. If you are currently on the phone with the sender, instruct the sender to press Start on their fax machine.


You will hear fax tones from a sending fax machine.

4. Press the button next to **Scan/Fax**.
5. Press the button next to **Start Fax**.
The **Fax Mode** screen appears.
6. Press the button next to the down arrow to highlight **Receive Fax Manually**, and then press the button next to **OK**.

After the product begins to receive the fax, you can hang up the phone or remain on the line. The phone line is silent during fax transmission.

Replace the print cartridges

Follow these instructions to replace print cartridges. Following these instructions might also help solve print quality issues related to the cartridges.

 **NOTE:** When the ink level for the print cartridge is low, a message appears on your computer screen. You can also check the ink levels by using the software installed with the HP All-in-One.

When you receive a low-ink warning message, make sure you have a replacement print cartridge available. You should also replace the print cartridges when you see faded text or if you experience print quality issues related to the print cartridges.

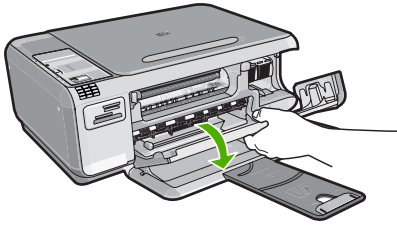
To order print cartridges for the HP All-in-One, go to www.hp.com/buy/supplies. If prompted, choose your country/region, follow the prompts to select your product, and then click one of the shopping links on the page.

To replace the print cartridges

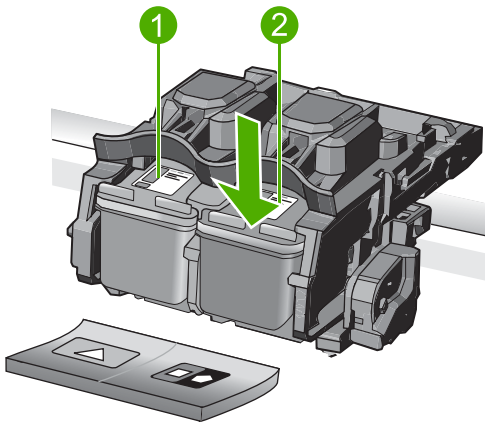
1. Make sure the product is turned on.

△ **CAUTION:** If the product is turned off when you open the print cartridge door to access the print cartridges, it will not release the cartridges for changing. You might damage the product if the print cartridges are not docked safely when you try to remove them.

2. Make sure you have letter or A4 unused plain white paper loaded in the input tray.
3. Open the print cartridge door.
The print carriage moves to the far right side of the product.



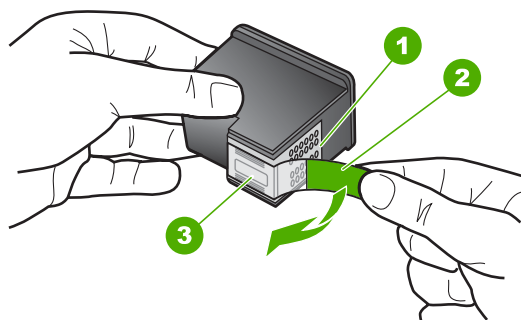
4. Wait until the print carriage is idle and silent. Lightly press down on a print cartridge to release it, and then pull the print cartridge toward you out of its slot. If you are replacing the tri-color print cartridge, remove the print cartridge from the slot on the left. If you are replacing the black or photo print cartridge, remove the print cartridge from the slot on the right.



- | | |
|---|---|
| 1 | Print cartridge slot for the tri-color print cartridge |
| 2 | Print cartridge slot for the black and photo print cartridges |

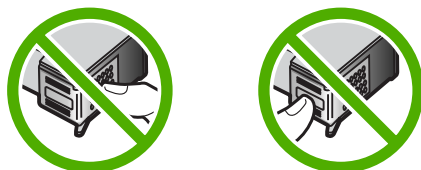
TIP: If you are removing the black print cartridge in order to install the photo print cartridge, store the black print cartridge in the print cartridge protector or an airtight plastic container.

5. Remove the new print cartridge from its packaging and, being careful to touch only the black plastic, gently remove the plastic tape by using the pink pull tab.

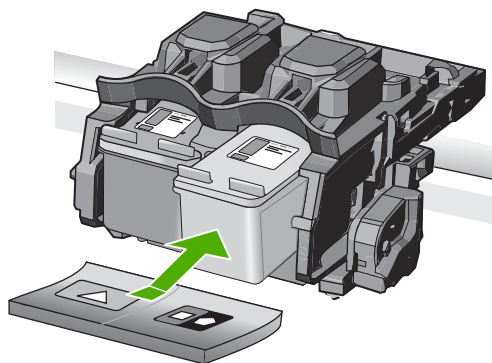


1	Copper-colored contacts
2	Plastic tape with pink pull tab (must be removed before installing)
3	Ink nozzles under tape

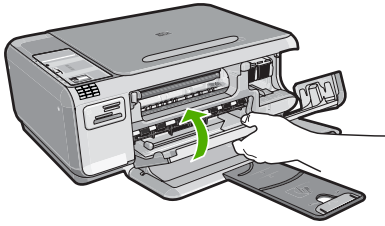
△ **CAUTION:** Do not touch the copper-colored contacts or ink nozzles. Also, do not re-tape the print cartridges. Doing so can result in clogs, ink failure, and bad electrical connections.




6. Hold the print cartridge with the HP logo on top, and insert the new print cartridge into the empty cartridge slot. Make sure you push the print cartridge in firmly until it snaps into place.
 If you are installing the tri-color print cartridge, slide it into the left slot.
 If you are installing a black or photo print cartridge, slide it into the right slot.



7. Close the print cartridge door.



8. When prompted, press the button next to **OK**.
The product prints a print cartridge alignment page.

 **NOTE:** If you have colored paper loaded in the input tray when you align the print cartridges, the alignment will fail. Load unused plain white paper into the input tray, and then try the alignment again.

9. Load the page print side down on the right front corner of the glass, and then press the button next to **OK** to scan the page.
10. When the **On** light stops flashing, the alignment is complete. Remove the alignment page and recycle or discard it.

Clean the HP All-in-One


To ensure that your copies and scans remain clear, you might need to clean the glass and lid backing. You might also want to dust the exterior of the HP All-in-One.

Clean the glass

Fingerprints, smudges, hair, and dust on the main glass surface slow down performance and affect the accuracy of the copy and scan features.

To clean the glass

1. Turn off the product, unplug the power cord, and raise the lid.
2. Clean the glass with a soft cloth or sponge slightly moistened with a nonabrasive glass cleaner.

 **CAUTION:** Do not use abrasives, acetone, benzene, or carbon tetrachloride on the glass, since they can damage it. Do not place or spray liquid directly on the glass. The liquid might seep under the glass and damage the product.

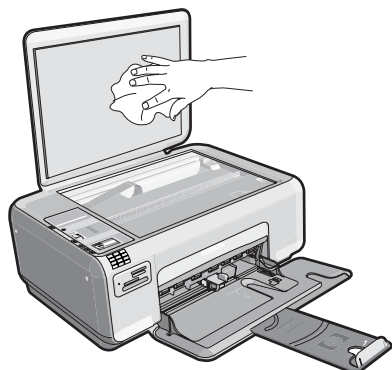
3. Dry the glass with a dry, soft, lint-free cloth to prevent spotting.
4. Turn on the product.

Clean the lid backing

Minor debris can accumulate on the white document backing located underneath the lid of the HP All-in-One.

To clean the lid backing

1. Turn off the product, unplug the power cord, and raise the lid.
2. Clean the white document backing with a soft cloth or sponge slightly moistened with a mild soap and warm water.
Wash the backing gently to loosen debris. Do not scrub the backing.



3. Dry the backing with a dry, soft, lint-free cloth.

△ **CAUTION:** Do not use paper-based wipes, as these might scratch the backing.
4. If further cleaning is needed, repeat the previous steps using isopropyl (rubbing) alcohol, and wipe the backing thoroughly with a damp cloth to remove any residual alcohol.

△ **CAUTION:** Be careful not to spill alcohol on the glass or exterior of the product, as this might damage it.
5. Plug in the power cord, and then turn on the product.


4 Troubleshooting and support

This chapter contains troubleshooting information for the HP All-in-One. Specific information is provided for installation and configuration issues, and some operational topics. For more troubleshooting information, see the onscreen Help that came with your software.

Many issues are caused when the HP All-in-One is connected to the computer using a USB cable before the HP All-in-One software is installed on the computer. If you connected the HP All-in-One to your computer before the software installation screen prompts you to do so, you must follow these steps:

Troubleshooting common setup issues

1. Disconnect the USB cable from the computer.
2. Uninstall the software (if you have already installed it).
3. Restart your computer.
4. Turn off the product, wait one minute, then restart it.
5. Reinstall the product software.

 **CAUTION:** Do not connect the USB cable to the computer until prompted by the software installation screen.

For support contact information, see the inside back cover of this guide.

Uninstall and reinstall the software

If your installation is incomplete, or if you connected the USB cable to the computer before prompted by the software installation screen, you might need to uninstall and then reinstall the software. Do not simply delete the HP All-in-One application files from your computer. Make sure to remove them properly using the uninstall utility provided when you installed the software that came with the HP All-in-One.

To uninstall and reinstall the software

1. On the Windows taskbar, click **Start, Settings, Control Panel** (or just **Control Panel**).
2. Double-click **Add/Remove Programs** (or click **Uninstall a program**).
3. Select **HP Photosmart All-in-One Driver Software**, and then click **Change/Remove**. Follow the onscreen instructions.
4. Disconnect the product from your computer.
5. Restart your computer.



NOTE: It is important that you disconnect the product before restarting your computer. Do not connect the product to your computer until after you have reinstalled the software.

6. Insert the product CD-ROM into your computer's CD-ROM drive and then start the Setup program.



NOTE: If the Setup program does not appear, locate the setup.exe file on the CD-ROM drive and double-click it.

NOTE: When the computer is turned on, a software group called the Terminate and Stay Resident (TSR) programs automatically loads. These programs activate some of the computer utilities, such as the anti-virus software, that are not required for the computer to function. Occasionally, TSR's prevent the HP software from loading so that it does not install properly. In Windows Vista and Windows XP, use the MSCONFIG utility to prevent TSR programs and services from starting up.

7. Follow the onscreen instructions and the instructions provided in the Setup Guide that came with the product.

When the software installation is complete, the **HP Digital Imaging Monitor** icon appears in the Windows system tray.

To verify that the software is properly installed, double-click the HP Solution Center icon on the desktop. If the HP Solution Center shows the essential icons (**Scan Picture** and **Scan Document**), the software has been properly installed.

Setup troubleshooting

Use this section to solve any problems you might encounter while setting up the HP All-in-One hardware.

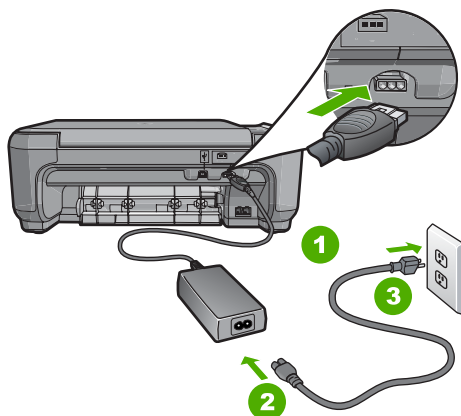
The product will not turn on

Try the following solutions if there are no light indications, no noise, and no movement from the product when you turn it on.

Solution 1: Make sure you use the power cord that came with the product

Solution

- Make sure the power cord is firmly connected to both the product and the power adapter. Plug the power cord into a power outlet, surge protector, or power strip.



1	Power connection
2	Power cord and adapter
3	Power outlet

- If you are using a power strip, make sure the power strip is turned on. Or, try plugging the product directly into a power outlet.
- Test the power outlet to make sure it is working. Plug in an appliance that you know works, and see if the appliance has power. If not, then there might be a problem with the power outlet.
- If you plugged the product into a switched outlet, make sure the outlet is switched on. If it is switched to on but still does not work, then there might be a problem with the power outlet.

Cause: The product was not being used with the power cord provided.

If this did not solve the issue, try the next solution.

Solution 2: Reset the product

Solution: Turn off the product, and then unplug the power cord. Plug the power cord back in, and then press the **On** button to turn on the product.

Cause: The product experienced an error.
If this did not solve the issue, try the next solution.

Solution 3: Press the On button more slowly

Solution: The product might not respond if you press the **On** button too quickly. Press the **On** button once. It might take a few minutes for the product to turn on. If you press the **On** button again during this time, you might turn the product off.

△ **CAUTION:** If the product still does not turn on, it might have a mechanical failure. Unplug the product from the power outlet.
Contact HP support for service.
Go to: www.hp.com/support. If prompted, choose your country/region, and then click **Contact HP** for information on calling for technical support.

Cause: You pressed the **On** button too quickly.
If this did not solve the issue, try the next solution.

Solution 4: Contact HP to replace the power supply

Solution: Contact HP support to request a power supply for the product.

Go to: www.hp.com/support.

If prompted, choose your country/region, and then click **Contact HP** for information on calling for technical support.

Cause: The power supply was not intended for use with this product.
If this did not solve the issue, try the next solution.

Solution 5: Contact HP support for service

Solution: If you have completed all of the steps provided in the previous solutions and are still having a problem, contact HP support for service.

Go to: www.hp.com/support.

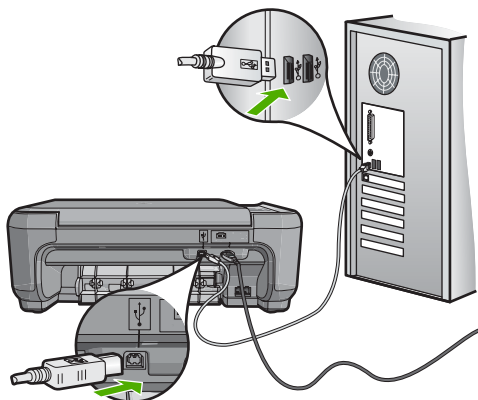
If prompted, choose your country/region, and then click **Contact HP** for technical support.

Cause: You might need assistance to enable the product or software to function properly.

I connected the USB cable, but I am having problems using the product with my computer

Solution: You must first install the software that came with the product before connecting the USB cable. During installation, do not plug in the USB cable until prompted by the onscreen instructions.

Once you have installed the software, connecting your computer to the product with a USB cable is straightforward. Simply plug one end of the USB cable into the back of your computer and the other into the back of the product. You can connect to any USB port on the back of your computer.



For more information on installing the software and connecting the USB cable, see the Setup Guide that came with the product.

Cause: The USB cable was connected before the software was installed. Connecting the USB cable before you are prompted can cause errors.

After setting up the product, it does not print

Solution: If the product and computer are not communicating with each other, try the following:

- Look at the **On** light located on the product. If it is not lit, the product is turned off. Make sure the power cord is firmly connected to the product and plugged into a power outlet. Press the **On** button to turn on the product.
- Make sure the print cartridges are installed.
- Make sure you have paper loaded in the input tray.
- Check that the product does not have a paper jam.
- Check that the print carriage is not jammed.
Open the print cartridge door to access the print carriage area. Remove any objects that are blocking the print carriage, including any packing materials. Turn the product off and then turn it on again.
- Check that the product print queue is not paused (Windows) or stopped (Mac). If it is, choose the appropriate setting to resume printing. For more information about accessing the print queue, see the documentation that came with the operating system installed on your computer.
- Check the USB cable. If you are using an older cable, it might not be working properly. Try connecting it to another product to see if the USB cable works. If you experience problems, the USB cable might need to be replaced. Also verify that the cable does not exceed 3 meters (9.8 feet) in length.
- Check the connection from the product to your computer. Verify that the USB cable is securely plugged into the USB port on the back of the product. Make sure the other end of the USB cable is plugged into a USB port on your computer. After the cable is connected properly, turn the product off and then on again.
- If you are connecting the product through a USB hub, make sure the hub is turned on. If the hub is on, try connecting directly to your computer.
- Check other printers or scanners. You might need to disconnect older products from your computer.
- Try connecting the USB cable to another USB port on your computer. After you check the connections, try restarting your computer. Turn the product off and then on again.
- If the product is offline, turn the product off and on again. Start a print job.
- If necessary, remove and then install the software you installed with the product again.

For more information on setting up the product and connecting it to your computer, see the Setup Guide that came with the product.

Cause: There was some communication problem between the product and the computer.

Fax setup troubleshooting

This section contains fax setup troubleshooting information for the HP All-in-One. If the HP All-in-One is not set up properly for faxing, you might experience problems when sending faxes, receiving faxes, or both.

The product is having problems sending and receiving faxes

Try the following solutions to resolve the issue. Solutions are listed in order, with the most likely solution first. If the first solution does not solve the problem, continue trying the remaining solutions until the issue is resolved.

Solution 1: Make sure you set up the product as described in the printed documentation

Solution: Follow the instructions in your printed documentation to set up the product properly for faxing, based on the equipment and services you have on the same phone line as the product. Then, run a fax test to check the status of the product and to make sure you set it up properly. The product prints a report with the results of the test. If the test fails, review the report for information on how to fix the problem.

Cause: The product was not set up properly for faxing.
If this did not solve the issue, try the next solution.


Solution 2: Turn on the product

Solution: Look at the display on the product. If the display is blank and the **On** light is not lit, the product is turned off. Make sure the power cord is firmly connected to the product and plugged into a power outlet. Press the **On** button to turn on the product.

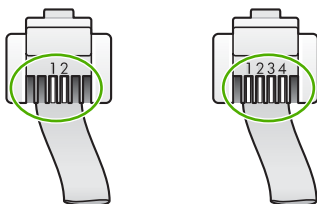
Cause: The product was turned off.
If this did not solve the issue, try the next solution.

Solution 3: Make sure you are using the correct type of phone cord

Solution

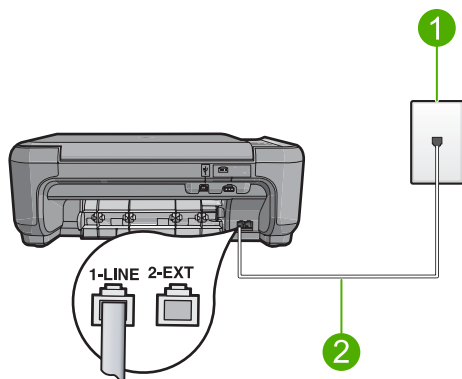
 **NOTE:** This possible solution applies only in the countries/regions that receive a 2-wire phone cord in the box with the product, including: Argentina, Australia, Brazil, Canada, Chile, China, Colombia, Greece, India, Indonesia, Ireland, Japan, Korea, Latin America, Malaysia, Mexico, Philippines, Poland, Portugal, Russia, Saudi Arabia, Singapore, Spain, Taiwan, Thailand, USA, Venezuela, and Vietnam.

This special 2-wire phone cord is different from the more common 4-wire phone cords you might already have in your office. Check the end of the cord and compare it to the two types of cords shown below.



Make sure you used the phone cord supplied in the box with the product to connect to the telephone wall jack.

One end of this special 2-wire phone cord should be connected to the port labeled 1-LINE on the back of the product and the other end to your telephone wall jack, as shown below.



1	Telephone wall jack
2	Use the phone cord supplied in the box with the product

If you used a 4-wire phone cord, disconnect it, find the supplied 2-wire phone cord, and then connect the 2-wire phone cord to the port labeled 1-LINE on the back of the product.

If the product came with a 2-wire phone cord adapter, you can use it with a 4-wire phone cord, in case the supplied 2-wire phone cord is too short. Attach the 2-wire phone cord adapter to the port labeled 1-LINE on the back of the product. Attach your 4-wire phone cord to the open port on the adapter and to the telephone wall jack. For more information on using the 2-wire phone cord adapter, see the documentation that came with it.


For more information on setting up the product, see the printed documentation that came with the product.

Cause: The wrong phone cord was used to connect the product or the phone cord was plugged into the wrong port.

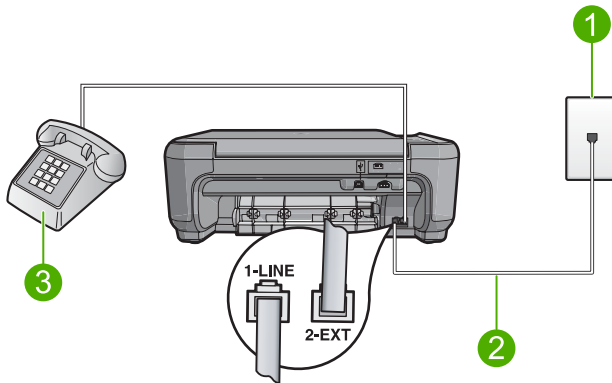
If this did not solve the issue, try the next solution.

Solution 4: Make sure other office equipment is connected correctly

Solution

 **NOTE:** This possible solution applies only in the countries/regions that receive a 2-wire phone cord in the box with the product, including: Argentina, Australia, Brazil, Canada, Chile, China, Colombia, Greece, India, Indonesia, Ireland, Japan, Korea, Latin America, Malaysia, Mexico, Philippines, Poland, Portugal, Russia, Saudi Arabia, Singapore, Spain, Taiwan, Thailand, USA, Venezuela, and Vietnam.

Make sure you have correctly connected the product to the telephone wall jack, and correctly connected any additional equipment and services that share the phone line with the product. Use the port labeled 1-LINE on the back of the product to connect to the telephone wall jack. Use the 2-EXT port to connect to any other equipment, such as an answering machine or a telephone, as shown below.



1	Telephone wall jack
2	Use the phone cord supplied in the box with the product
3	Telephone (optional)

For more information on setting up the product, see the printed documentation that came with the product.

Cause: Other office equipment (such as an answering machine or a telephone) was not set up properly with the product.

If this did not solve the issue, try the next solution.

Solution 5: Try removing the splitter

Solution: A phone line splitter can cause faxing problems. (A splitter is a two-cord connector that plugs into a telephone wall jack.) If you are using a splitter, remove it and connect the product directly to the telephone wall jack.

Cause: You were using a phone line splitter.

If this did not solve the issue, try the next solution.

Solution 6: Make sure the telephone wall jack works properly

Solution: Try connecting a working telephone and phone cord to the telephone wall jack you are using for the product and check for a dial tone. If you do not hear a dial tone, call your local telephone company for service.

Cause: The telephone wall jack was not working properly.

If this did not solve the issue, try the next solution.

Solution 7: Check the phone line for noise

Solution: You can check the sound quality of the phone line by plugging a phone into the telephone wall jack and listening for static or other noise. If the failure was due to noise on the phone line, contact the sender to have them resend the fax. The quality might be better when you try again. If the problem persists, turn **Error Correction Mode (ECM)** off and contact your telephone company.

Cause: The phone line connection was noisy. Phone lines with poor sound quality (noise) can cause faxing problems.

If this did not solve the issue, try the next solution.

Solution 8: Make sure extension phones or other equipment on the phone line are not in use


Solution: Make sure extension phones (phones on the same phone line, but not connected to the product) or other equipment are not in use or off the hook. For example, you cannot use the product for faxing if an extension phone is off the hook, or if you are using a computer dial-up modem to send e-mail or access the Internet.

Cause: Other equipment that uses the same phone line as the product might have been in use.

If this did not solve the issue, try the next solution.

Solution 9: Make sure the product is connected to an analog phone line

Solution: Make sure you connect the product to an analog phone line or you will not be able to send or receive faxes. To check if your phone line is digital, connect a regular analog phone to the line and listen for a dial tone. If you do not hear a normal sounding dial tone, it might be a phone line set up for digital phones. Connect the product to an analog phone line and try sending or receiving a fax.

 **NOTE:** If you are unsure of the kind of phone line you have (analog or digital), check with your service provider.

Cause: The product might have been connected to a telephone wall jack that was set up for digital phones.

If this did not solve the issue, try the next solution.

Solution 10: If you use a DSL service, make sure you have a DSL filter installed

Solution: If you use a DSL service, make sure that you have a DSL filter connected or you will not be able to fax successfully. The DSL service sends out a digital signal on the phone line that can interfere with the product, preventing the product from sending and receiving faxes. The DSL filter removes the digital signal and allows the product to communicate properly with the phone line.

To check if you already have a filter installed, listen to your phone line or dial tone. If you hear noise or static on the line, you probably do not have a DSL filter installed, or it is installed incorrectly. Obtain a DSL filter from your DSL provider. If you already have a DSL filter, make sure it is connected correctly.


Cause: The product shares the same phone line with a DSL service and a DSL filter was not connected.

If this did not solve the issue, try the next solution.

Solution 11: If you use a DSL service, make sure the DSL modem is properly grounded

Solution: If the DSL modem is not properly grounded, it can create noise on the phone line. Phone lines with poor sound quality (noise) can cause faxing problems. You can check the sound quality of the phone line by plugging a phone into the telephone wall jack and listening for static or other noise.

If you hear noise, turn off your DSL modem.

 **NOTE:** For information on turning your DSL modem off, contact your DSL provider for support.

Completely remove power for at least 15 minutes, and then turn the DSL modem back on. Listen to the dial tone again.

- If the dial tone sounds clear (no noise or static), try sending or receiving a fax.



NOTE: You might notice static on the phone line again in the future. If the product stops sending and receiving faxes, repeat this process.

- If the phone line is still noisy, contact your phone company.

Cause: The product shares the same phone line with a DSL service and the DSL modem might not have been properly grounded.

If this did not solve the issue, try the next solution.

Solution 12: If you use a PBX or ISDN converter, make sure you are using a port designated for fax and phone use

Solution: Make sure the product is connected to the port that is designated for fax and phone use. Also, make sure that the terminal adapter is set to the correct switch type for your country/region, if possible.



NOTE: Some ISDN systems allow you to configure the ports for specific phone equipment. For example, you might have assigned one port for telephone and Group 3 fax and another port for multiple purposes. If you have problems when connected to the fax/phone port of your ISDN converter, try using the port designated for multiple purposes; it might be labeled "multi-combi" or something similar.

For more information on how to set up the product with a PBX phone system or ISDN line, see the printed documentation that came with the product.

Cause: You were using either a PBX or an ISDN converter/terminal adapter.

If this did not solve the issue, try the next solution.

Solution 13: Check for and resolve any error messages

Solution: Check the display or your computer for an error message providing information about the problem and how to solve it. If there is an error, the product will not send or receive a fax until the error condition is resolved.

You can also check the status of the product by clicking **Status** in the HP Solution Center.

Cause: Another process caused an error in the product.

If this did not solve the issue, try the next solution.

Solution 14: Lower the fax speed

Solution: You might need to send and receive faxes at a slower rate. Try setting the **Fax Speed** to **Medium (14400)** or **Slow (9600)** if you use one of the following:

- An Internet phone service
- A PBX system
- Fax over Internet Protocol (FoIP)
- An ISDN service

Cause: The **Fax Speed** setting was set too fast.

If this did not solve the issue, try the next solution.

Solution 15: If you are faxing over the Internet using IP phone, resend the fax at a later time

Solution: Try resending your fax at a later time. Also, make sure your Internet service provider supports faxing over the Internet.

If the problem persists, contact your Internet service provider.

Cause: You were faxing over the Internet using an IP phone, and there was a problem with the transmission.

The product cannot receive faxes, but can send faxes

Try the following solutions to resolve the issue. Solutions are listed in order, with the most likely solution first. If the first solution does not solve the problem, continue trying the remaining solutions until the issue is resolved.

Solution 1: Make sure you set up the product as described in the printed documentation

Solution: Follow the instructions in your printed documentation to set up the product properly for faxing, based on the equipment and services you have on the same phone line as the product. Then, run a fax test to check the status of the product and to make sure you set it up properly.

The product prints a report with the results of the test. If the test fails, review the report for information on how to fix the problem.

Cause: The product was not set up properly for faxing.
If this did not solve the issue, try the next solution.

Solution 2: Check the Auto Answer setting

Solution: Depending on your office setup, you might be able to set the product to answer incoming calls automatically. To find out what the recommended answer mode is for your office setup, see the printed documentation that came with the product.

If you must have **Auto Answer** off, you will need to press **Scan/Fax** and **Start Fax** to receive a fax.

Cause: **Auto Answer** was turned off, which means that the product would not answer incoming calls. You must be available to respond in person to incoming fax calls in order to receive faxes.

If this did not solve the issue, try the next solution.

Solution 3: Set the product to answer faxes manually

Solution: Set the product to answer faxes manually. You cannot receive faxes automatically if you have a voice mail service at the same phone number you use for fax calls. You must receive faxes manually; this means you must be available to respond in person to incoming fax calls.

For more information on how to set up the product when you have a voice mail service, see the printed documentation that came with the product.

Cause: You subscribed to a voice mail service at the same phone number you used for fax calls.

If this did not solve the issue, try the next solution.

Solution 4: If you have a computer dial-up modem on the same phone line as the product, make sure the modem software is not intercepting the fax

Solution: If you have a computer dial-up modem on the same phone line as the product, check to make sure that the software that came with your modem is not set to receive faxes automatically. Modems that are set up to receive faxes automatically take over the phone line to receive all incoming faxes, which prevents the product from receiving fax calls.

Cause: You had a computer dial-up modem on the same phone line as the product.
If this did not solve the issue, try the next solution.

Solution 5: If you have an answering machine on the same phone line as the product, record a new outgoing message

Solution: Disconnect the answering machine and then try receiving a fax. If faxing is successful without the answering machine, the answering machine might be causing the problem. Reconnect the answering machine and record your outgoing message again.

- Record a message that is approximately 10 seconds in duration.
- Speak slowly and at a low volume when recording your message.
- Leave at least 5 seconds of silence at the end of the voice message.
- There should be no background noise when recording this silent time.

Cause: If you had an answering machine on the same phone line with the product, you might have had one of the following problems:

- Your outgoing message might have been too long or too loud to allow the product to detect fax tones, and the sending fax machine might have disconnected.
- Your answering machine might not have had enough quiet time after your outgoing message to allow the product to detect fax tones. This problem is most common with digital answering machines.

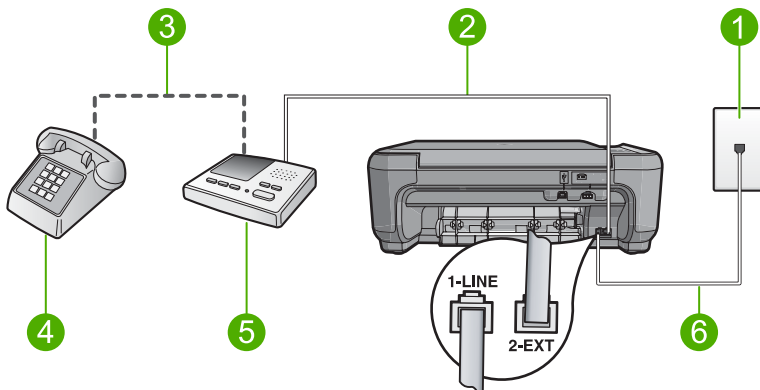
If this did not solve the issue, try the next solution.

Solution 6: If you have an answering machine on the same phone line as the product, make sure it is connected to the correct port

Solution

NOTE: This possible solution applies only in the countries/regions that receive a 2-wire phone cord in the box with the product, including: Argentina, Australia, Brazil, Canada, Chile, China, Colombia, Greece, India, Indonesia, Ireland, Japan, Korea, Latin America, Malaysia, Mexico, Philippines, Poland, Portugal, Russia, Saudi Arabia, Singapore, Spain, Taiwan, Thailand, USA, Venezuela, and Vietnam.

When you have an answering machine on the same phone line you use for fax calls, you must connect the answering machine directly to the product using the port labeled 2-EXT, as shown below. You also need to set the correct number of rings to answer for both the answering machine and product.



1	Telephone wall jack
2	Connect to the IN port on the answering machine
3	Connect to the OUT port on the answering machine
4	Telephone (optional)

5	Answering machine
6	Use the phone cord supplied in the box with the product


Make sure the product is set to receive faxes automatically and that the number of rings to wait setting is correct. The number of rings to answer for the product should be greater than the number of rings to answer for the answering machine. Set your answering machine to a low number of rings and the product to answer in the maximum number of rings supported by your product. (The maximum number of rings varies by country/region.) In this setup, the answering machine will answer the call and the product will monitor the line. If the product detects fax tones, the product will receive the fax. If the call is a voice call, the answering machine will record the incoming message.

For more information on setting up the product, see the printed documentation that came with the product.

Cause: The answering machine was not set up properly with the product.
If this did not solve the issue, try the next solution.

Solution 7: If you use a distinctive ring service, make sure the Distinctive Ring setting matches the ring pattern for your fax number

Solution: If you have a special ring pattern for your fax phone number (using a distinctive ring service through your telephone company), make sure that the **Distinctive Ring** setting on the product is set to match. For example, if the phone company has assigned your number a double ring pattern, make sure **Double Rings** is selected as the **Distinctive Ring** setting.

 **NOTE:** The product cannot recognize some ring patterns, such as those with alternating short and long ringing patterns. If you are having problems with a ring pattern of this type, ask your phone company to assign a non-alternating ring pattern.

If you are not using a distinctive ring service, make sure that the **Distinctive Ring** setting on the product is set to **All Rings**.

Cause: You had a special ring pattern for your fax phone number (using a distinctive ring service through your telephone company), and the **Distinctive Ring** setting on the product did not match.

If this did not solve the issue, try the next solution.

Solution 8: If you do not use a distinctive ring service, make sure the Distinctive Ring setting is set to All Rings

Solution: If you are not using a distinctive ring service, make sure that the **Distinctive Ring** setting on the product is set to **All Rings**.

Cause: The **Distinctive Ring** setting was not set to **All Rings** (and you were not using a distinctive ring service).

If this did not solve the issue, try the next solution.

Solution 9: Make sure other equipment on the phone line is not reducing the fax signal

Solution: If the product shares the same phone line with other types of phone equipment, such as an answering machine, a computer dial-up modem, or a multi-port switch box, the fax signal level might be reduced. The signal level can also be reduced if you use a splitter or connect

extra cables to extend the length of your phone. A reduced fax signal can cause problems during fax reception.

- If you are using a splitter or extension cables, try removing them and connecting the product directly to the telephone wall jack.
- To find out if other equipment is causing a problem, disconnect everything except the product from the phone line, and then try to receive a fax. If you can receive faxes successfully without the other equipment, one or more pieces of the other equipment is causing problems; try adding them back one at a time and receiving a fax each time, until you identify which equipment is causing the problem.

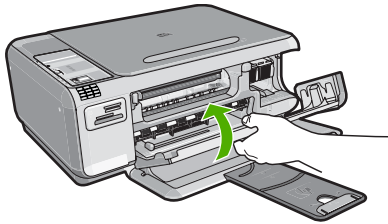
Cause: The fax signal level might not have been strong enough, which can cause fax reception problems.

If this did not solve the issue, try the next solution.

Solution 10: Clear the memory of the product

Solution: If **Backup Fax Reception** is enabled and there is an error condition on the product, the memory might become full of faxes that have not yet been printed and the product will stop answering calls. If an error condition exists that is preventing the product from printing faxes, review the display for information on the error condition. Make sure:

- The product is set up correctly for faxing. See the printed documentation for more information.
- There is paper loaded in the input tray.
- There is no paper jam.
- The print cartridge door is closed. If not, close the print cartridge door, as shown below:



- The print carriage is not stalled or blocked. Turn off the product, remove any objects that are blocking the print cartridge carriage (including any packing materials), and then turn on the product again.

Resolve any problems found. The product automatically begins printing all the unprinted faxes from memory. To clear the memory, you can also delete the faxes stored in memory by turning off the product.

Cause: The memory of the product was full.

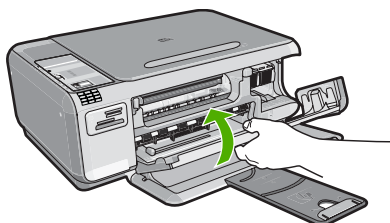
If this did not solve the issue, try the next solution.


Solution 11: Check for error messages on the display

Solution: If an error condition exists that is preventing the product from printing faxes, review the display for information on the error condition. Make sure:

- The product is on. Press the **On** button to turn on the product.
- The product is set up correctly for faxing. See the printed documentation for more information.
- There is paper loaded in the input tray.
- There is no paper jam.

- The print carriage is not stalled or blocked. Turn off the product, remove any objects that are blocking the print cartridge carriage (including any packing materials), and then turn on the product again.
- The print cartridge door is closed. If not, close the print cartridge door, as shown below:



 **NOTE:** If the product has an alignment message, you might be able to press the button next to **OK** to clear the message and resume faxing.

After you resolve any problems found, the product can begin answering incoming fax calls.


Cause: An error condition was preventing the product from receiving faxes and **Backup Fax Reception** was set to **Off**.

Fax tones are recorded on my answering machine

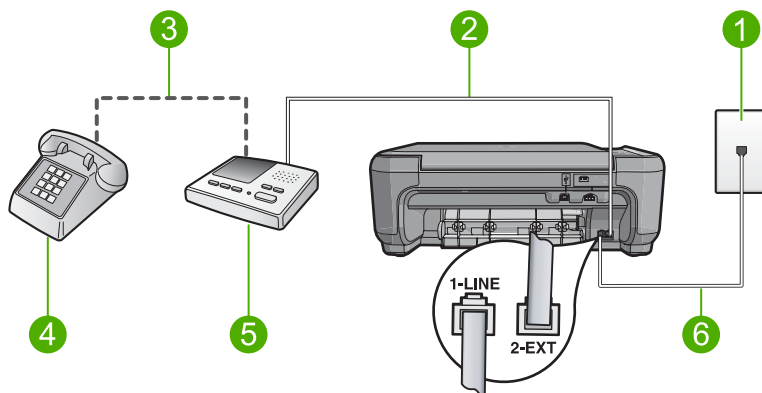
Try the following solutions to resolve the issue. Solutions are listed in order, with the most likely solution first. If the first solution does not solve the problem, continue trying the remaining solutions until the issue is resolved.

Solution 1: Make sure the answering machine is connected to the correct port

Solution

 **NOTE:** This possible solution applies only in the countries/regions that receive a 2-wire phone cord in the box with the product, including: Argentina, Australia, Brazil, Canada, Chile, China, Colombia, Greece, India, Indonesia, Ireland, Japan, Korea, Latin America, Malaysia, Mexico, Philippines, Poland, Portugal, Russia, Saudi Arabia, Singapore, Spain, Taiwan, Thailand, USA, Venezuela, and Vietnam.

When you have an answering machine on the same phone line you use for fax calls, you must connect the answering machine directly to the product using the port labeled 2-EXT, as shown below.



1	Telephone wall jack
2	Connect to the IN port on the answering machine
3	Connect to the OUT port on the answering machine
4	Telephone (optional)
5	Answering machine
6	Use the phone cord supplied in the box with the product

Make sure the product is set to receive faxes automatically and that the number of rings to wait setting is correct. The number of rings to wait for the product should be greater than the number of rings to answer for the answering machine. If the answering machine and the product are set to the same number of rings to answer, both devices will answer the call and fax tones will be recorded on the answering machine.

Set your answering machine to a low number of rings and the product to answer in the maximum number of rings supported. (The maximum number of rings varies by country/region.) In this setup, the answering machine will answer the call and the product will monitor the line. If the product detects fax tones, the product will receive the fax. If the call is a voice call, the answering machine will record the incoming message.

For more information on setting up the product when you have an answering machine, see the printed documentation that came with the product.

Cause: The answering machine was not set up properly with the product or the number or rings to wait setting was not correct.

If this did not solve the issue, try the next solution.

Solution 2: Set up the product to answer faxes automatically

Solution: Set up the product to answer incoming calls automatically by turning on **Auto Answer**. If it is turned off, the product will not monitor incoming calls and receive faxes. In this case, the answering machine will answer the fax call and record the fax tones.

For more information on setting up the product when you have an answering machine, see the printed documentation that came with the product.

Cause: The product was set up to receive faxes manually, which means that the product would not answer incoming calls. You must be available to respond in person to incoming fax calls, or the product will not receive the fax and your answering machine will record the fax tones.

The product cannot send faxes, but can receive faxes

Try the following solutions to resolve the issue. Solutions are listed in order, with the most likely solution first. If the first solution does not solve the problem, continue trying the remaining solutions until the issue is resolved.

Solution 1: Make sure you set up the product as described in the printed documentation

Solution: Follow the instructions in your printed documentation to set up the product properly for faxing, based on the equipment and services you have on the same phone line as the product. Then, run a fax test to check the status of the product and to make sure you set it up properly. The product prints a report with the results of the test. If the test fails, review the report for information on how to fix the problem.

Cause: The product was not set up properly for faxing.
If this did not solve the issue, try the next solution.

Solution 2: Check the fax number

Solution: Check to see that the fax number you entered is correct and in the proper format. For example, you might need to dial a "9" prefix, depending on your phone system.

If your phone line has a PBX system, make sure you are dialing the number for an outside line before dialing the fax number.

Cause: The number you entered when sending the fax was not in the proper format.
If this did not solve the issue, try the next solution.

Solution 3: Dial the fax number more slowly

Solution: Insert some pauses in the number sequence to slow the dialing pace. For example, if you need to access an outside line before dialing the phone number, insert a pause following the access number. If your number is 95555555, and 9 accesses an outside line, you might insert pauses as follows: 9-555-5555. To enter a pause in the fax number you are typing, press the symbols button on the keypad (indicated by an **asterisk**) until a dash (-) appears on the display.

You can also send the fax using monitor dialing. This enables you to listen to the phone line as you dial. You can set the pace of your dialing and respond to prompts as you dial.

Cause: The product might have been dialing too fast or too soon.
If this did not solve the issue, try the next solution.

Solution 4: Check the receiving fax machine for problems

Solution: Try calling the fax number from a telephone and listen for fax tones. If you cannot hear fax tones, the receiving fax might not be turned on or connected, or a voice mail service could be interfering with the recipient's phone line. You can also ask the recipient to check the receiving fax machine for any problems.

Cause: The receiving fax machine was having problems.

The fax test failed

If you tried to run the fax test from your computer and the fax test failed to run, the product might be busy with another task or have an error condition preventing it from running the fax test.

What to check

- The product is set up properly, connected to a power supply, and is connected to your computer. For more information on setting up the product, see the Setup Guide that came with the product.
- The product is turned on. If it is not, press the **On** button to turn on the product.
- The print cartridges are installed correctly, the print cartridge carriage is not blocked, and the print cartridge door is closed.

- The product is not currently busy with another task such as aligning the printer. Check the display. If the product is busy, wait until it completes the current task and run the fax test again.
- The rear door is attached to the back of the product.
- There are no error messages on the display. If there is an error message, resolve the problem and run the fax test again.

If you run the fax test and the product reports that the test failed, read the following information carefully to determine how to correct any problems with your fax setup. Different portions of the fax test might fail for different reasons.

The "Fax Hardware Test" failed

Solution

- Turn off the product by pressing the **On** button located on the control panel and then unplug the power cord from the back of the product. After a few seconds, plug the power cord back in and turn the power on. Run the test again. If the test fails again, continue reviewing the troubleshooting information in this section.



NOTE: Depending how long the product is unplugged, the date and time might be erased. You might need to reset the date and time later, when you plug the power cord back in.

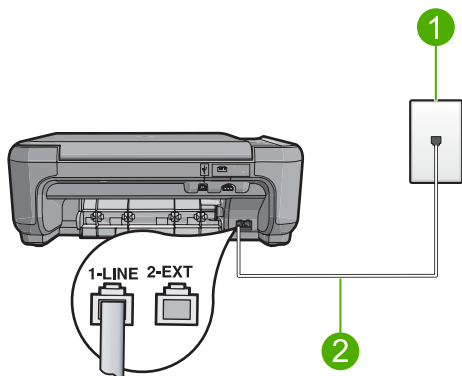
- Try to send or receive a test fax. If you can send or receive a fax successfully, there might not be a problem.
- If you are running the test from the **Fax Setup Wizard**, make sure the product is not busy completing another task, such as making a copy. Check the display for a message indicating that the product is busy. If it is busy, wait until it is finished and in the idle state, before running the test.

After you resolve any problems found, run the fax test again to make sure it passes and the product is ready for faxing. If the **Fax Hardware Test** continues to fail and you experience problems faxing, contact HP Support. Go to www.hp.com/support. If prompted, choose your country/region, and then click **Contact HP** for information on calling for technical support.

The "Fax Connected to Active Telephone Wall Jack" test failed

Solution

- Check the connection between the telephone wall jack and the product to make sure the phone cord is secure.
- Make sure you use the phone cord that came with the product. If you do not use the supplied phone cord to connect from the telephone wall jack to the product, you might not be able to send or receive faxes. After you plug in the phone cord that came with the product, run the fax test again.
- Make sure you have correctly connected the product to the telephone wall jack. Using the phone cord supplied in the box with the product, connect one end to your telephone wall jack, then connect the other end to the port labeled 1-LINE on the back of the product. For more information on setting up the product for faxing, see the printed documentation.



1	Telephone wall jack
2	Use the phone cord supplied in the box with the product

- If you are using a phone splitter, this can cause faxing problems. (A splitter is a two-cord connector that plugs into a telephone wall jack.) Try removing the splitter and connecting the product directly to the telephone wall jack.
- Try connecting a working phone and phone cord to the telephone wall jack that you are using for the product and check for a dial tone. If you do not hear a dial tone, contact your telephone company and have them check the line.
- Try to send or receive a test fax. If you can send or receive a fax successfully, there might not be a problem.


After you resolve any problems found, run the fax test again to make sure it passes and the product is ready for faxing.

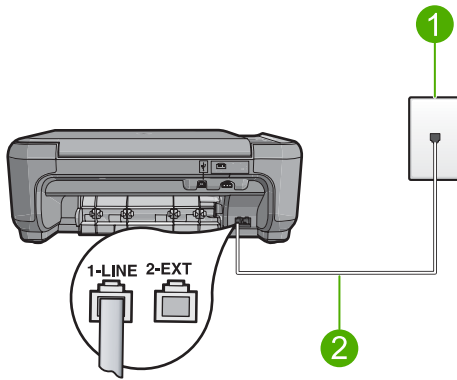
The "Phone Cord Connected to Correct Port on Fax" test failed

Solution: Plug the phone cord into the correct port.

To plug the phone cord into the correct port

1. Using the phone cord supplied in the box with the product, connect one end to your telephone wall jack, then connect the other end to the port labeled 1-LINE on the back of the product.

 **NOTE:** If you use the 2-EXT port to connect to the telephone wall jack, you will not be able to send or receive faxes. The 2-EXT port should only be used to connect other equipment, such as an answering machine or a telephone.



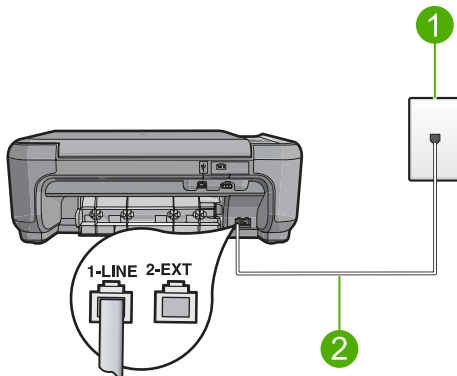
1	Telephone wall jack
2	Use the phone cord supplied in the box with the product

2. After you have connected the phone cord to the port labeled 1-LINE, run the fax test again to make sure it passes and the product is ready for faxing.
3. Try to send or receive a test fax.

The "Using Correct Type of Phone Cord with Fax" test failed

Solution

- Make sure you used the phone cord supplied in the box with the product to connect to the telephone wall jack. One end of the phone cord should be connected to the port labeled 1-LINE on the back of the product and the other end to your telephone wall jack, as shown below.



1	Telephone wall jack
2	Phone cord supplied in the box with the product

- Check the connection between the telephone wall jack and the product to make sure the phone cord is secure.

The "Fax Line Condition" test failed

Solution

- Make sure you connect the product to an analog phone line or you will not be able to send or receive faxes. To check if your phone line is digital, connect a regular analog phone to the line and listen for a dial tone. If you do not hear a normal sounding dial tone, it might be a phone line set up for digital phones. Connect the product to an analog phone line and try sending or receiving a fax.
- Check the connection between the telephone wall jack and the product to make sure the phone cord is secure.
- Make sure you have correctly connected the product to the telephone wall jack. Using the phone cord supplied in the box with the product, connect one end to your telephone wall jack, then connect the other end to the port labeled 1-LINE on the back of the product. For more information on setting up the product for faxing, see the printed documentation that came with the product.
- Other equipment, which uses the same phone line as the product, might be causing the test to fail. To find out if other equipment is causing a problem, disconnect everything except the product from the phone line, and then run the test again.
 - If the **Fax Line Condition Test** passes without the other equipment, then one or more pieces of the equipment is causing problems; try adding them back one at a time and rerunning the test each time, until you identify which piece of equipment is causing the problem.
 - If the **Fax Line Condition Test** fails without the other equipment, connect the product to a working phone line and continue reviewing the troubleshooting information in this section.
- If you are using a phone splitter, this can cause faxing problems. (A splitter is a two-cord connector that plugs into a telephone wall jack.) Try removing the splitter and connecting the product directly to the telephone wall jack.

After you resolve any problems found, run the fax test again to make sure it passes and the product is ready for faxing. If the **Fax Line Condition Test** continues to fail and you experience problems faxing, contact your telephone company and have them check the phone line.

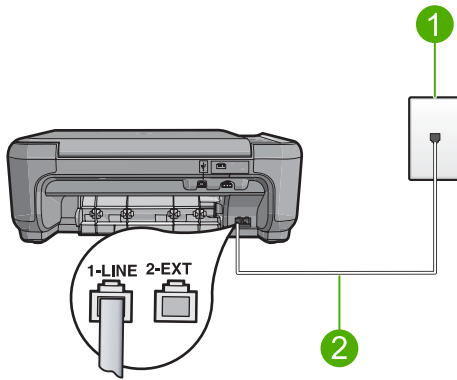


NOTE: If you are unsure of the kind of phone line you have (analog or digital), check with your service provider.

The "Dial Tone Detection" test failed


Solution

- Other equipment, which uses the same phone line as the product, might be causing the test to fail. To find out if other equipment is causing a problem, disconnect everything except the product from the phone line, and then run the test again. If the **Dial Tone Detection Test** passes without the other equipment, then one or more pieces of the equipment is causing problems; try adding them back one at a time and rerunning the test each time, until you identify which piece of equipment is causing the problem.
- Try connecting a working phone and phone cord to the telephone wall jack that you are using for the product and check for a dial tone. If you do not hear a dial tone, contact your telephone company and have them check the line.
- Make sure you have correctly connected the product to the telephone wall jack. Using the phone cord supplied in the box with the product, connect one end to your telephone wall jack, then connect the other end to the port labeled 1-LINE on the back of the product. For more information on setting up the product for faxing, see the printed documentation that came with the product.



1	Telephone wall jack
2	Use the phone cord supplied in the box with the product

- If you are using a phone splitter, this can cause faxing problems. (A splitter is a two-cord connector that plugs into a telephone wall jack.) Try removing the splitter and connecting the product directly to the telephone wall jack.
- If your telephone system is not using a standard dial tone, such as some PBX systems, this might cause the test to fail. This will not cause a problem sending or receiving faxes. Try sending or receiving a test fax.
- Check to make sure the country/region setting is set appropriately for your country/region. If the country/region setting is not set or is set incorrectly, the test might fail and you might have problems sending and receiving faxes.
- Make sure you connect the product to an analog phone line or you will not be able to send or receive faxes. To check if your phone line is digital, connect a regular analog phone to the line and listen for a dial tone. If you do not hear a normal sounding dial tone, it might be a phone line set up for digital phones. Connect the product to an analog phone line and try sending or receiving a fax.

 **NOTE:** If you are unsure of the kind of phone line you have (analog or digital), check with your service provider.

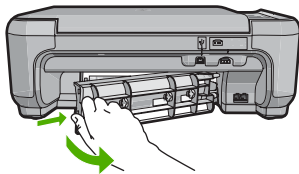
After you resolve any problems found, run the fax test again to make sure it passes and the product is ready for faxing. If the **Dial Tone Detection Test** continues to fail, contact your telephone company and have them check the phone line.

Clear paper jams

In case of a paper jam, check the rear door. You might need to clear the paper jam from the rear door.

To clear a paper jam from the rear door

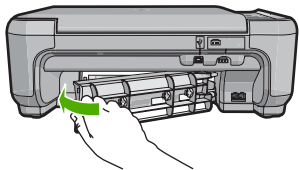
1. Press in the tab on the left side of the rear door to release the door. Remove the door by pulling it away from the product.



2. Gently pull the paper out of the rollers.

△ **CAUTION:** If the paper tears when you are removing it from the rollers, check the rollers and wheels for torn pieces of paper that might be remaining inside the product. If you do not remove all the pieces of paper from the product, more paper jams are likely to occur.

3. Replace the rear door. Gently push the door forward until it snaps into place.



4. Press the button next to **OK** to continue the current job.

Print cartridge troubleshooting

If you are experiencing problems with printing, you might have a problem with one of the print cartridges. For more information, see "[Replace the print cartridges](#)" on page 32 in this guide.

Support process

If you have a problem, follow these steps:

1. Check the documentation that came with the HP All-in-One.
2. Visit the HP online support Web site at www.hp.com/support. HP online support is available to all HP customers. It is the fastest source for up-to-date device information and expert assistance and includes the following features:
 - Fast access to qualified online support specialists
 - Software and driver updates for the HP All-in-One
 - Valuable HP All-in-One and troubleshooting information for common problems
 - Proactive device updates, support alerts, and HP newsletters that are available when you register the HP All-in-One
3. Call HP support. Support options and availability vary by device, country/region, and language. For a list of support phone numbers, see the printed documentation that came with the product.

5 Technical information

The technical specifications and international regulatory information for the HP All-in-One are provided in this section.

For additional regulatory and environmental information, including the Declaration of Conformity statement, see the onscreen Help.

System requirements

Software system requirements are located in the Readme file.

Product specifications

For product specifications, go to the HP Web site at www.hp.com/support.

Paper specifications

- Input tray capacity: Plain paper sheets: Up to 100 (20 lb./75 gsm. paper)
- Output tray capacity: Plain paper sheets: Up to 50 (20 lb./75 gsm. paper)


 **NOTE:** For a complete list of supported media sizes, see the printer software.

Physical specifications

- Height: 16.97 cm (7.0 inches)
- Width: 44 cm (16.8 inches)
- Depth: 25.9 cm (10.2 inches)
- Weight: 4.5 kg (10 pounds)

Power specifications

- Power consumption: 25 watts maximum (average printing)
- Input voltage(0957-2231): AC 100 to 240 V ~ 600 mA 50–60 Hz
- Input voltage (0957-2248) : AC 200 to 240 V ~ 400 mA 50-60 Hz
- Output voltage: DC 32 V===375 mA, 16 V===500 mA

 **NOTE:** Use only with the power adapter supplied by HP.

Environmental specifications

- Recommended operating temperature range: 15 °C to 32 °C (59 °F to 90 °F)
- Allowable operating temperature range: 5 °C to 35 °C (41 °F to 95 °F)
- Humidity: 15% to 80% RH non-condensing
- Non-operating (Storage) temperature range: –20 °C to 50 °C (–4 °F to 122 °F)
- In the presence of high electromagnetic fields, it is possible the output from the HP All-in-One may be slightly distorted
- HP recommends using a USB cable less than or equal to 3 m (10 feet) in length to minimize injected noise due to potential high electromagnetic fields

Regulatory notices

The HP All-in-One meets product requirements from regulatory agencies in your country/region. For a complete listing of regulatory notices, see the onscreen Help.

Regulatory model identification number

For regulatory identification purposes, your product is assigned a Regulatory Model Number. The Regulatory Model Number for your product is SNPRB-0722. This regulatory number should not be confused with the marketing name (HP Photosmart C4340 All-in-One series, etc.) or product numbers (CC270A, etc.).

Warranty

HP product	Duration of limited warranty
Software Media	90 days
Printer	1 year
Print or Ink cartridges	Until the HP ink is depleted or the "end of warranty" date printed on the cartridge has been reached, whichever occurs first. This warranty does not cover HP ink products that have been refilled, remanufactured, refurbished, misused, or tampered with.
Accessories	1 year unless otherwise stated

A. Extent of limited warranty

1. Hewlett-Packard (HP) warrants to the end-user customer that the HP products specified above will be free from defects in materials and workmanship for the duration specified above, which duration begins on the date of purchase by the customer.
2. For software products, HP's limited warranty applies only to a failure to execute programming instructions. HP does not warrant that the operation of any product will be interrupted or error free.
3. HP's limited warranty covers only those defects that arise as a result of normal use of the product, and does not cover any other problems, including those that arise as a result of:
 - a. Improper maintenance or modification;
 - b. Software, media, parts, or supplies not provided or supported by HP;
 - c. Operation outside the product's specifications;
 - d. Unauthorized modification or misuse.
4. For HP printer products, the use of a non-HP cartridge or a refilled cartridge does not affect either the warranty to the customer or any HP support contract with the customer. However, if printer failure or damage is attributable to the use of a non-HP or refilled cartridge or an expired ink cartridge, HP will charge its standard time and materials charges to service the printer for the particular failure or damage.
5. If HP receives, during the applicable warranty period, notice of a defect in any product which is covered by HP's warranty, HP shall either repair or replace the product, at HP's option.
6. If HP is unable to repair or replace, as applicable, a defective product which is covered by HP's warranty, HP shall, within a reasonable time after being notified of the defect, refund the purchase price for the product.
7. HP shall have no obligation to repair, replace, or refund until the customer returns the defective product to HP.
8. Any replacement product may be either new or like-new, provided that it has functionality at least equal to that of the product being replaced.
9. HP products may contain remanufactured parts, components, or materials equivalent to new in performance.
10. HP's Limited Warranty Statement is valid in any country where the covered HP product is distributed by HP. Contracts for additional warranty services, such as on-site service, may be available from any authorized HP service facility in countries where the product is distributed by HP or by an authorized importer.

B. Limitations of warranty

TO THE EXTENT ALLOWED BY LOCAL LAW, NEITHER HP NOR ITS THIRD PARTY SUPPLIERS MAKES ANY OTHER WARRANTY OR CONDITION OF ANY KIND, WHETHER EXPRESS OR IMPLIED WARRANTIES OR CONDITIONS OF MERCHANTABILITY, SATISFACTORY QUALITY, AND FITNESS FOR A PARTICULAR PURPOSE.

C. Limitations of liability

1. To the extent allowed by local law, the remedies provided in this Warranty Statement are the customer's sole and exclusive remedies.
2. TO THE EXTENT ALLOWED BY LOCAL LAW, EXCEPT FOR THE OBLIGATIONS SPECIFICALLY SET FORTH IN THIS WARRANTY STATEMENT, IN NO EVENT SHALL HP OR ITS THIRD PARTY SUPPLIERS BE LIABLE FOR DIRECT, INDIRECT, SPECIAL, INCIDENTAL, OR CONSEQUENTIAL DAMAGES, WHETHER BASED ON CONTRACT, TORT, OR ANY OTHER LEGAL THEORY AND WHETHER ADVISED OF THE POSSIBILITY OF SUCH DAMAGES.

D. Local law

1. This Warranty Statement gives the customer specific legal rights. The customer may also have other rights which vary from state to state in the United States, from province to province in Canada, and from country to country elsewhere in the world.
2. To the extent that this Warranty Statement is inconsistent with local law, this Warranty Statement shall be deemed modified to be consistent with such local law. Under such local law, certain disclaimers and limitations of this Warranty Statement may not apply to the customer. For example, some states in the United States, as well as some governments outside the United States (including provinces in Canada), may:
 - a. Preclude the disclaimers and limitations in this Warranty Statement from limiting the statutory rights of a consumer (e.g., the United Kingdom);
 - b. Otherwise restrict the ability of a manufacturer to enforce such disclaimers or limitations; or
 - c. Grant the customer additional warranty rights, specify the duration of implied warranties which the manufacturer cannot disclaim, or allow limitations on the duration of implied warranties.
3. THE TERMS IN THIS WARRANTY STATEMENT, EXCEPT TO THE EXTENT LAWFULLY PERMITTED, DO NOT EXCLUDE, RESTRICT, OR MODIFY, AND ARE IN ADDITION TO, THE MANDATORY STATUTORY RIGHTS APPLICABLE TO THE SALE OF THE HP PRODUCTS TO SUCH CUSTOMERS.

HP Limited Warranty

Dear Customer,

You will find below the name and address of the HP entity responsible for the performance of the HP Limited Warranty in your country.

You may have additional statutory rights against the seller based on your purchase agreement. Those rights are not in any way affected by this HP Limited Warranty.

Ireland: Hewlett-Packard Ireland Ltd, 30 Herbert Street IRL-Dublin 2

United Kingdom: Hewlett-Packard Ltd, Cain Road, Bracknell, GB-Berks RG12 1HN

Tout-en-un HP-Photosmart série- C4340

Guide d'utilisation

Français



Sommaire

1 Présentation de l'appareil HP Tout-en-un

L'appareil HP Tout-en-un en un coup d'œil.....	63
Boutons du panneau de commande.....	64
Recherche d'informations supplémentaires.....	66

2 Configuration du télécopieur

Configuration de l'appareil HP Tout-en-un pour la télécopie.....	67
Modification des paramètres de votre appareil HP Tout-en-un pour la réception de télécopies.....	86
Configuration de l'en-tête de télécopie.....	87
Test de la configuration de votre télécopieur.....	88

3 Utilisation des fonctions de l'appareil HP Tout-en-un

Chargement du papier et des originaux.....	89
Prévention des bourrages papier.....	90
Impression de photos au format 10 x 15 cm (4 x 6 pouces).....	90
Numérisation d'une image.....	91
Création d'une copie.....	92
Envoi d'une télécopie simple.....	92
Réception d'une télécopie.....	93
Remplacement des cartouches d'impression.....	94
Nettoyage de l'appareil HP Tout-en-un.....	97

4 Dépannage et assistance


Désinstallation et réinstallation du logiciel.....	100
Dépannage concernant l'installation.....	101
Dépannage de la configuration du télécopieur.....	104
Élimination de bourrages papier.....	122
Dépannage relatif aux cartouches d'impression.....	123
Procédure d'assistance.....	123

5 Renseignements techniques

Configurations système minimales.....	124
Spécifications de l'appareil.....	124
Déclarations de conformité.....	124
Garantie.....	126

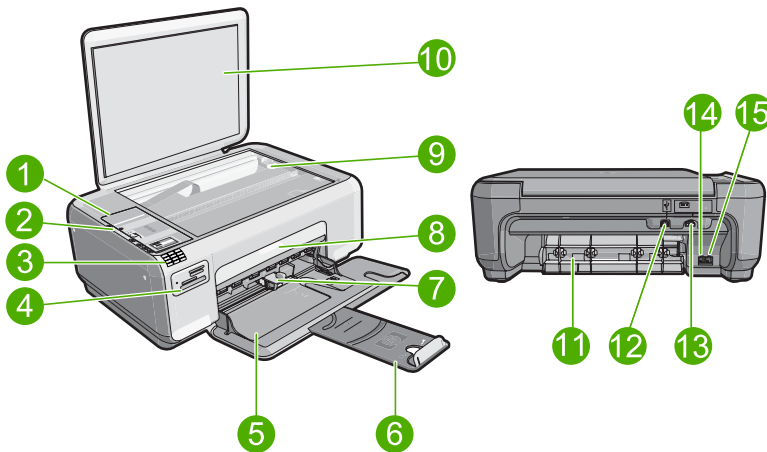
1 Présentation de l'appareil HP Tout-en-un

L'appareil HP Tout-en-un vous permet d'effectuer facilement et rapidement diverses tâches telles que des copies, la numérisation de documents, l'impression de photos et l'envoi ou la réception de télécopies. Bon nombre de ses fonctions sont directement accessibles depuis son panneau de commande, sans pour autant nécessiter la mise sous tension de l'ordinateur.

 **Remarque** Le présent guide décrit le fonctionnement et les opérations de résolution des incidents de base, et contient des informations pour entrer en contact avec le service d'assistance HP et commander des consommables.

L'aide visible à l'écran détaille la totalité des fonctionnalités, y compris l'utilisation du logiciel HP Photosmart fourni avec l'appareil HP Tout-en-un.

L'appareil HP Tout-en-un en un coup d'œil



Etiquette	Description
1	Panneau de configuration
2	Bouton Marche/arrêt
3	Clavier numérique
4	Logements pour carte mémoire et voyant Photo
5	Bac d'alimentation
6	Rallonge du bac
7	Guide de réglage de largeur du papier

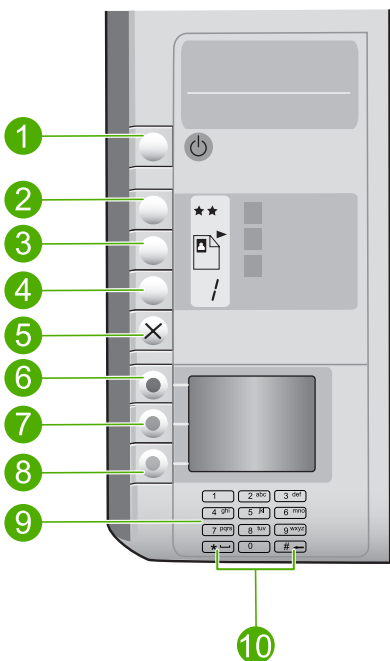
(suite)

Etiquette	Description
8	Capot d'accès aux cartouches d'impression
9	Vitre
10	Intérieur du capot
11	Porte arrière
12	Port USB arrière
13	Raccordement électrique*
14	Port télécopie (1-LINE)
15	Port téléphone (2-EXT)

* Utilisez uniquement l'adaptateur d'alimentation fourni par HP.




Boutons du panneau de commande

Le schéma et le tableau associés suivants décrivent brièvement les caractéristiques du panneau de commande de l'appareil HP Tout-en-un.



Etiquette	Icône	Nom et description
1		Marche/arrêt : Permet de mettre le produit sous tension et hors tension. Lorsque le produit est hors tension, il continue à utiliser une quantité minimale de courant. Vous pouvez

(suite)

Etiquette	Icône	Nom et description
		réduire encore la consommation en maintenant le bouton Marche/arrêt enfoncé pendant 3 secondes. Le produit est alors placé en mode d'attente ou désactivé. Pour supprimer toute alimentation, mettez le produit hors tension, puis débranchez le cordon d'alimentation.
2	★★	Qualité : Modifie la qualité des copies ou des photos imprimées à partir d'une carte mémoire. Une étoile représente la qualité d'impression rapide, deux étoiles la qualité normale et trois étoiles la qualité supérieure. Toutefois, la qualité réellement produite dépend du type de papier. Le paramètre par défaut est deux étoiles pour le papier ordinaire et trois étoiles pour le papier photo.
3		Format : permet d'ajuster la taille de l'image sur 100 % (Taille réelle), de l'ajuster par rapport à la page (Redimensionner pour ajuster) ou d'imprimer des images sans bordures (Sans bordures). Le paramètre par défaut est 100 % pour le papier ordinaire et sans bordures pour le papier photo.
4	/	Copies : permet de définir le nombre de copies.
5	✕	Effacer : Met fin à une tâche (telle que numérisation, copie ou télécopie) ou réinitialise les paramètres (tels que Qualité , Format ou Copies). Si une erreur se produit, ce bouton permet d'annuler l'erreur et de reprendre l'impression après une pression sur le bouton.
6		Numériser/télécopier : permet d'ouvrir le menu Numériser/télécopier . Lorsqu'une carte mémoire est insérée, chaque pression sur ce bouton fait défiler une nouvelle photo contenue dans la carte mémoire.
7		Démarrer copie noir : lance une copie noir et blanc. Lorsqu'une carte mémoire est insérée, chaque pression sur ce bouton permet de revenir à l'image précédente.
8		Démarrer copie couleur : lance une copie couleur. Lorsqu'une carte mémoire est sélectionnée, ce bouton lance l'impression de l'image actuellement affichée à l'écran. Dans certains cas (par exemple, après l'élimination d'un bourrage papier), ce bouton permet de relancer l'impression ou de confirmer les paramètres.
9		Clavier : permet de saisir des numéros de télécopieur, des valeurs ou du texte.
10		* (Espace et Symboles) : permet d'entrer des astérisques, espaces et symboles pour les tâches liées à la télécopie. # (Retour arrière) : permet d'entrer le signe dièse et d'effacer l'entrée incorrecte pour les tâches liées à la télécopie.

Recherche d'informations supplémentaires

Diverses ressources, imprimées et en ligne, fournissent des informations sur la configuration et l'utilisation de votre appareil HP Tout-en-un.

- **Guide de configuration**

Le guide de configuration fournit des instructions sur la configuration de l'appareil HP Tout-en-un et l'installation du logiciel. Assurez-vous de suivre les instructions du Guide de configuration dans l'ordre indiqué.

Si vous rencontrez des problèmes lors de la configuration, consultez les conseils de dépannage dans la dernière section du Guide de configuration ou reportez-vous au chapitre « [Dépannage et assistance](#), » page 100 du présent guide.

- **Aide en ligne**


L'aide en ligne fournit des instructions détaillées relatives aux fonctionnalités de l'appareil HP Tout-en-un qui ne sont pas décrites dans le présent Guide d'utilisation, notamment les fonctionnalités uniquement disponibles via le logiciel que vous avez installé avec l'appareil HP Tout-en-un.

- www.hp.com/support

Si vous disposez d'un accès Internet, vous pouvez obtenir de l'aide sur le site Web HP. Vous y trouverez une assistance technique, des pilotes, des fournitures et des informations pour passer des commandes.

2 Configuration du télécopieur


Après avoir effectué toutes les opérations indiquées dans le Guide de configuration, suivez les instructions de cette section pour procéder à la configuration de votre télécopieur. Conservez votre Guide de configuration pour pouvoir l'utiliser ultérieurement. Dans cette section, vous apprendrez à configurer l'appareil HP Tout-en-un pour que la télécopie fonctionne correctement avec l'équipement et les services dont vous disposez peut-être déjà sur la même ligne téléphonique que celle utilisée par l'appareil HP Tout-en-un.

 **Conseil** Vous pouvez également utiliser l'**Assistant de configuration du télécopieur** (Windows) ou l'**Utilitaire de configuration du télécopieur** (Mac) pour configurer rapidement certains paramètres de télécopie importants, tels que le mode de réponse et les informations d'en-tête de la télécopie. Vous pouvez accéder à l'**Assistant de configuration du télécopieur** (Windows) ou à l'**Utilitaire de configuration du télécopieur** (Mac) via le logiciel que vous avez installé avec l'appareil HP Tout-en-un. Après avoir exécuté l'**Assistant de configuration du télécopieur** (Windows) ou l'**Utilitaire de configuration du télécopieur** (Mac), suivez les procédures décrites dans cette section pour achever la configuration de votre télécopieur.

Configuration de l'appareil HP Tout-en-un pour la télécopie

Avant de configurer l'appareil HP Tout-en-un pour la télécopie, indiquez le système téléphonique utilisé dans votre pays/région. Les instructions relatives à la configuration de l'appareil HP Tout-en-un pour la télécopie diffèrent selon que vous disposez d'un système téléphonique en parallèle ou en série.

- Si votre pays/région n'apparaît pas dans le tableau ci-après, vous disposez probablement d'un système téléphonique en série. Dans un système téléphonique en série, le type de connecteur présent sur vos équipements téléphoniques partagés (modems, téléphones et répondeurs) ne permet pas une connexion physique au port "2-EXT" de l'appareil HP Tout-en-un. Tous les équipements doivent par conséquent être reliés à la prise téléphonique murale.

 **Remarque** Dans certains pays/régions utilisant les systèmes téléphoniques en série, le cordon téléphonique fourni avec l'appareil HP Tout-en-un peut comporter une prise murale supplémentaire. Ceci vous permet de connecter d'autres périphériques de télécommunications à la prise murale sur laquelle vous branchez l'appareil HP Tout-en-un.

- Si votre pays/région figure dans le tableau ci-après, vous disposez probablement d'un système téléphonique parallèle. Dans un système téléphonique parallèle, les équipements téléphoniques partagés peuvent être reliés à la ligne téléphonique par l'intermédiaire du port « 2-EXT » présent à l'arrière de l'appareil HP Tout-en-un.


 **Remarque** Si vous disposez d'un système téléphonique en parallèle, HP recommande d'utiliser le cordon téléphonique à 2 fils fourni avec l'appareil HP Tout-en-un pour connecter ce dernier à la prise téléphonique murale.

Tableau 2-1 Pays/régions équipés d'un système téléphonique parallèle

Argentine	Australie	Brésil
Canada	Chili	Chine
Colombie	Grèce	Inde
Indonésie	Irlande	Japon
Corée	Amérique latine	Malaisie
Mexique	Philippines	Pologne
Portugal	Russie	Arabie Saoudite
Singapour	Espagne	Taiwan
Thaïlande	Etats-Unis	Vénézuéla
Viêt-nam		

Si vous ignorez le type de système téléphonique dont vous disposez (parallèle ou série), contactez votre opérateur téléphonique.

Sélection de la configuration du télécopieur appropriée pour la maison ou le bureau

Pour utiliser votre système de télécopie correctement, vous devez savoir quels types d'équipement et de service partagent éventuellement la même ligne téléphonique que l'appareil HP Tout-en-un. C'est là un point important car vous devrez peut-être connecter certains de vos équipements de bureau existants directement sur l'appareil HP Tout-en-un. Il vous faudra peut-être également modifier certains des paramètres du télécopieur avant d'être en mesure d'envoyer des télécopies.

Pour déterminer la meilleure manière de configurer votre appareil HP Tout-en-un pour votre maison ou votre bureau, répondez d'abord aux questions de cette section et enregistrez vos réponses. Reportez-vous ensuite au tableau dans la section suivante et sélectionnez la configuration recommandée en fonction de vos réponses.

Veillez à répondre dans l'ordre aux questions suivantes.

1. Utilisez-vous un service ADSL fourni par votre opérateur téléphonique ? (ADSL est également appelé DSL dans certains pays/régions).
 - Oui, je dispose d'un service ADSL.
 - Non.

Si vous avez répondu Oui, passez directement à « [Cas B : configuration de l'appareil HP Tout-en-un avec une ligne ADSL](#), » page 73. Vous n'avez pas besoin de répondre aux questions suivantes.

Si votre réponse est Non, passez à la question suivante.

2. Utilisez-vous un système téléphonique avec autocommutateur (PBX) ou un système RNIS (réseau numérique à intégration de services) ?

Si vous avez répondu Oui, passez directement à « [Cas C : configuration de l'appareil HP Tout-en-un avec un autocommutateur ou une ligne RNIS](#), » page 74. Vous n'avez pas besoin de répondre aux questions suivantes.

Si votre réponse est Non, passez à la question suivante.

3. Êtes-vous abonné à un service de sonnerie distincte auprès de votre opérateur téléphonique qui offre plusieurs numéros de téléphone avec différentes sonneries ?
- Oui, je dispose d'une sonnerie distincte.
 - Non.

Si vous avez répondu Oui, passez directement à « [Cas D : télécopieur avec service de sonnerie distincte sur la même ligne](#), » page 74. Vous n'avez pas besoin de répondre aux questions suivantes.

Si votre réponse est Non, passez à la question suivante.

N'êtes-vous pas certain de disposer d'une sonnerie distincte ? De nombreux opérateurs téléphoniques proposent une fonction de sonnerie distincte permettant d'avoir plusieurs numéros de téléphone sur une même ligne téléphonique.

Lorsque vous vous abonnez à ce service, chaque numéro est associé à une sonnerie distincte. Par exemple, vous pouvez utiliser des sonneries simples, doubles ou triples correspondant aux différents numéros. Vous pouvez associer un numéro de téléphone à une sonnerie simple pour les appels vocaux et un autre numéro à une sonnerie double pour les appels de télécopie. Ainsi, vous pouvez différencier les appels vocaux des appels de télécopie lorsque la sonnerie retentit.

4. Recevez-vous des appels vocaux sur le même numéro de téléphone que vous utiliserez pour vos appels de télécopie sur l'appareil HP Tout-en-un ?
- Oui, je reçois des appels vocaux.
 - Non.

Passez à la question suivante.

5. Un modem d'ordinateur est-il installé sur la même ligne téléphonique que l'appareil HP Tout-en-un ?
- Oui, je possède un modem d'ordinateur.
 - Non.

Avez-vous un doute quant à la présence d'un modem d'ordinateur sur votre système ? Si vous répondez Oui à l'une des questions suivantes, vous utilisez un modem d'ordinateur :

- Envoyez-vous et recevez-vous directement des télécopies depuis vos applications logicielles via une ligne commutée ?
- Envoyez-vous et recevez-vous les messages électroniques sur votre ordinateur à l'aide d'une connexion par ligne commutée ?
- Avez-vous accès à Internet à partir de votre ordinateur via une connexion par ligne commutée ?

Passez à la question suivante.

6. Disposez-vous d'un répondeur réceptionnant les appels vocaux sur le même numéro de téléphone que celui que vous utiliserez pour vos appels de télécopie sur l'appareil HP Tout-en-un ?
- Oui, j'utilise un répondeur.
 - Non.

Passez à la question suivante.

7. Avez-vous souscrit un service de messagerie vocale auprès de votre opérateur téléphonique sur le même numéro de téléphone que celui que vous utiliserez pour vos appels de télécopie sur l'appareil HP Tout-en-un ?
- Oui, j'utilise un service de messagerie vocale.
 - Non.


Après avoir répondu à ces questions, passez à la section suivante pour sélectionner votre configuration de télécopie.

Sélection de votre configuration de télécopie

A présent que vous avez répondu à toutes les questions sur les équipements et services qui partagent la ligne téléphonique avec l'appareil HP Tout-en-un, vous êtes en mesure de choisir la configuration la mieux adaptée à votre environnement domestique ou professionnel.

Dans la première colonne du tableau suivant, sélectionnez la combinaison d'équipements et de services correspondant à votre environnement (domicile ou bureau). Recherchez ensuite la configuration appropriée dans la deuxième ou la troisième colonne en fonction de votre système téléphonique. Les sections qui suivent fournissent des instructions détaillées pour chaque configuration.

Si vous avez répondu à toutes les questions de la section précédente et que vous ne possédez aucun des équipements ou services décrits, choisissez Aucun dans la première colonne du tableau.

 **Remarque** Si aucune configuration décrite dans cette section ne correspond à celle de votre domicile ou de votre bureau, configurez votre appareil HP Tout-en-un comme vous le feriez pour un téléphone analogique normal. Veillez à utiliser le cordon téléphonique fourni avec votre appareil pour connecter l'une des extrémités à votre prise téléphonique murale et l'autre au port 1-LINE situé à l'arrière de l'appareil HP Tout-en-un. Si vous utilisez un autre cordon, il se peut que vous rencontriez des problèmes lors de l'envoi ou de la réception des télécopies.

Autres équipements et services partageant votre ligne de télécopie	Configuration du télécopieur recommandée pour les systèmes téléphoniques en parallèle	Configuration du télécopieur recommandée pour les systèmes téléphoniques en série
Aucun Vous avez répondu Non à toutes les questions.	« Cas A : ligne de télécopie distincte (aucun appel vocal reçu) , » page 72	« Cas A : ligne de télécopie distincte (aucun appel vocal reçu) , » page 72
Service ADSL Vous avez répondu Oui à la question 1 uniquement.	« Cas B : configuration de l'appareil HP Tout-en-un avec une ligne ADSL , » page 73	« Cas B : configuration de l'appareil HP Tout-en-un avec une ligne ADSL , » page 73
Système PBX ou RNIS Vous avez répondu Oui à la question 2 uniquement.	« Cas C : configuration de l'appareil HP Tout-en-un avec un autocommutateur ou une ligne RNIS , » page 74	« Cas C : configuration de l'appareil HP Tout-en-un avec un autocommutateur ou une ligne RNIS , » page 74
Service de sonnerie distincte Vous avez répondu Oui à la question 3 uniquement.	« Cas D : télécopieur avec service de sonnerie distincte sur la même ligne , » page 74	« Cas D : télécopieur avec service de sonnerie distincte sur la même ligne , » page 74
Appels vocaux Vous avez répondu Oui à la question 4 uniquement.	« Cas E : ligne vocale et de télécopie partagée , » page 75	« Cas E : ligne vocale et de télécopie partagée , » page 75

(suite)

Autres équipements et services partageant votre ligne de télécopie	Configuration du télécopieur recommandée pour les systèmes téléphoniques en parallèle	Configuration du télécopieur recommandée pour les systèmes téléphoniques en série
Appels vocaux et service de messagerie vocale Vous avez répondu Oui aux questions 4 et 7 uniquement.	« <u>Cas F : ligne vocale et de télécopie partagée avec une messagerie vocale,</u> » page 77	« <u>Cas F : ligne vocale et de télécopie partagée avec une messagerie vocale,</u> » page 77
Modem d'ordinateur Vous avez répondu Oui à la question 5 uniquement.	« <u>Cas G : ligne de télécopie partagée avec un modem d'ordinateur (aucun appel vocal reçu),</u> » page 78	Non applicable.
Appels vocaux et modem d'ordinateur Vous avez répondu Oui aux questions 4 et 5 uniquement.	« <u>Cas H : ligne vocale et de télécopie partagée avec un modem,</u> » page 79	Non applicable.
Appels vocaux et répondeur Vous avez répondu Oui aux questions 4 et 6 uniquement.	« <u>Cas I : ligne vocale et de télécopie partagée avec un répondeur,</u> » page 81	Non applicable.
Appels vocaux, modem d'ordinateur et répondeur téléphonique Vous avez répondu Oui aux questions 4, 5 et 6 uniquement.	« <u>Cas J : ligne vocale et de télécopie partagée avec un modem et un répondeur,</u> » page 82	Non applicable.
Appels vocaux, modem d'ordinateur et messagerie vocale Vous avez répondu Oui aux questions 4, 5 et 7 uniquement.	« <u>Cas K : ligne vocale et de télécopie partagée avec un modem et une messagerie vocale,</u> » page 85	Non applicable.

Pour obtenir des informations supplémentaires concernant la configuration du télécopieur pour un pays ou une région spécifique, consultez le site Web approprié parmi ceux répertoriés dans la liste ci-dessous.

Autriche	www.hp.com/at/faxconfig
Allemagne	www.hp.com/de/faxconfig
Suisse (Français)	www.hp.com/ch/fr/faxconfig
Suisse (Allemand)	www.hp.com/ch/de/faxconfig
Royaume-Uni	www.hp.com/uk/faxconfig
Espagne	www.hp.es/faxconfig
Pays-Bas	www.hp.nl/faxconfig
Belgique (français)	www.hp.be/fr/faxconfig
Belgique (Flamand)	www.hp.be/nl/faxconfig
Portugal	www.hp.pt/faxconfig

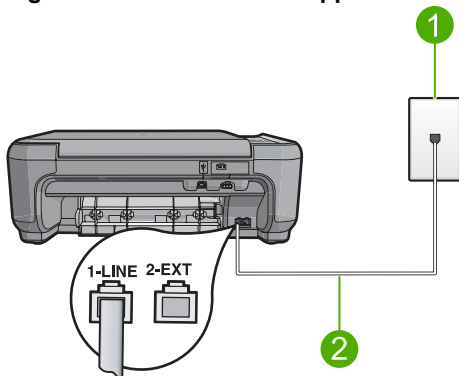
(suite)

Suède	www.hp.se/faxconfig
Finlande	www.hp.fi/faxconfig
Danemark	www.hp.dk/faxconfig
Norvège	www.hp.no/faxconfig
Irlande	www.hp.com/ie/faxconfig
France	www.hp.com/fr/faxconfig
Italie	www.hp.com/it/faxconfig

Cas A : ligne de télécopie distincte (aucun appel vocal reçu)

Si vous disposez d'une ligne téléphonique distincte sur laquelle vous ne recevez aucun appel vocal et si vous ne connectez aucun autre équipement à cette ligne, configurez l'appareil HP Tout-en-un comme décrit dans cette section.


Figure 2-1 Vue arrière de l'appareil HP Tout-en-un



1	Prise téléphonique murale
2	Utilisez le cordon téléphonique fourni avec l'appareil HP Tout-en-un pour la connexion au port « 1-LINE »

Pour configurer le produit avec une ligne de télécopie séparée

1. Utilisez le cordon téléphonique fourni avec le produit : connectez l'une des extrémités à votre prise téléphonique murale et l'autre au port 1-LINE situé à l'arrière du produit.

 **Remarque** Si vous n'utilisez pas le cordon fourni pour la connexion entre la prise téléphonique murale et le produit, vous ne pourrez peut-être pas envoyer de télécopies. Ce cordon téléphonique spécial est différent de ceux que vous utilisez éventuellement chez vous ou à votre bureau.

2. Changez le paramètre **Réponse automatique** pour que le nombre minimal de sonneries avant réponse (deux sonneries) soit défini
3. Exécutez un test de télécopie.

Quand le téléphone sonnera, le produit répondra automatiquement après le nombre de sonneries que vous avez défini dans le paramètre **Réponse automatique**. Il enverra

ensuite une tonalité de réception de télécopie au télécopieur d'origine et recevra la télécopie.

Cas B : configuration de l'appareil HP Tout-en-un avec une ligne ADSL

Si votre opérateur téléphonique vous fournit une ligne ADSL, suivez les instructions de cette rubrique pour connecter un filtre ADSL entre la prise téléphonique murale et l'appareil HP Tout-en-un. Le filtre ADSL neutralise le signal numérique qui peut perturber l'appareil HP Tout-en-un, permettant ainsi à l'appareil HP Tout-en-un de communiquer correctement avec votre ligne téléphonique (DSL est également appelé ADSL dans certains pays/régions).


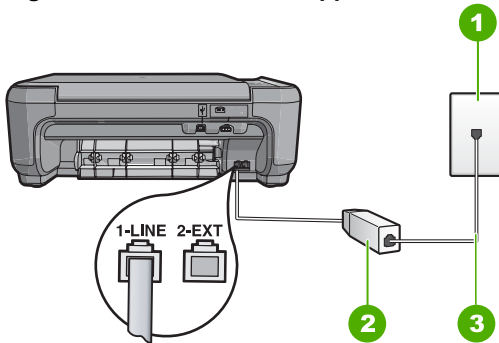
 **Remarque** Si vous disposez d'une ligne ADSL, vérifiez que le filtre ADSL est correctement connecté. Si tel n'est pas le cas, vous ne pourrez pas envoyer ni recevoir de télécopies avec l'appareil HP Tout-en-un.


Figure 2-2 Vue arrière de l'appareil HP Tout-en-un




1	Prise téléphonique murale
2	Cordon et filtre ADSL fournis par votre fournisseur ADSL
3	Utilisez le cordon téléphonique fourni avec l'appareil HP Tout-en-un pour la connexion au port « 1-LINE »

Pour configurer le produit avec une ligne ADSL

1. Procurez-vous un filtre ADSL auprès de votre fournisseur ADSL.
2. Connectez le cordon du filtre DSL à la prise téléphonique murale.

 **Remarque** Si vous n'utilisez pas le cordon fourni pour la connexion entre la prise téléphonique murale et le produit, vous ne pourrez peut-être pas envoyer de télécopies. Ce cordon téléphonique spécial est différent de ceux que vous utilisez éventuellement chez vous ou à votre bureau.

3. Utilisez le cordon téléphonique fourni avec le produit : connectez l'une des extrémités au filtre ADSL branché sur votre prise téléphonique murale et l'autre au port libellé 1-LINE, situé à l'arrière du produit.


 **Remarque** Si d'autres équipements ou services bureautiques sont connectés à cette ligne téléphonique, par exemple un service de sonnerie distincte, un répondeur téléphonique ou une messagerie vocale, reportez-vous à la rubrique appropriée dans cette section pour obtenir des indications supplémentaires.

4. Exécutez un test de télécopie.

Cas C : configuration de l'appareil HP Tout-en-un avec un autocommutateur ou une ligne RNIS

Si vous utilisez un système téléphonique PBX, procédez comme suit :


- Connectez le produit au port destiné à la télécopie et au téléphone.
- Veillez à utiliser le cordon fourni pour raccorder le produit à la prise téléphonique murale.
- Définissez la tonalité d'attente d'appel sur **Désactiver**.

 **Remarque** De nombreux autocommutateurs numériques comportent une tonalité d'appel en attente qui est activée par défaut. Or, cette fonction perturbera vos transmissions par télécopie et vous ne pourrez pas envoyer ni recevoir de télécopies à l'aide de l'appareil HP Tout-en-un. Reportez-vous à la documentation fournie avec votre autocommutateur pour obtenir des instructions sur la façon de désactiver le signal d'appel en attente.

- Composez le numéro d'appel de ligne externe avant le numéro de télécopie.

Si vous utilisez un convertisseur ou un adaptateur de terminal ISDN, procédez comme suit :

- Connectez le produit au port destiné à la télécopie et au téléphone.

 **Remarque** Certains systèmes RNIS vous permettent de configurer les ports pour un équipement téléphonique spécifique. Par exemple, vous pouvez affecter un port au téléphone et à la télécopie Groupe 3 et un autre port à d'autres fonctions. Si vous avez des problèmes lors de la connexion de votre convertisseur RNIS au port de télécopie et de téléphonie, utilisez le port conçu pour plusieurs fonctionnements. Il est nommé "multi-combi" ou un terme similaire.

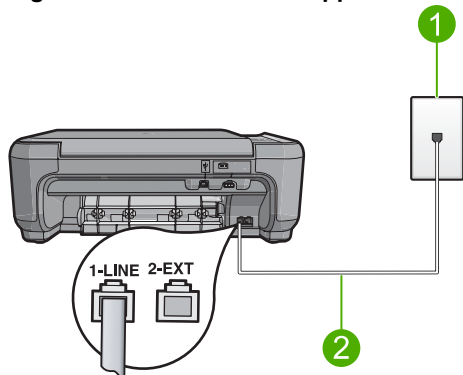
- Veillez à utiliser le cordon fourni pour raccorder le produit à la prise téléphonique murale. Si vous ne le faites pas, la télécopie risque de ne pas fonctionner. Ce cordon téléphonique spécial est différent de ceux que vous utilisez éventuellement chez vous ou à votre bureau. Si le cordon téléphonique fourni est trop court, vous pouvez acheter un coupleur dans votre magasin d'articles électroniques et prolonger ainsi le cordon.
- En outre, vérifiez également que l'adaptateur de terminal est défini au type de commutateur approprié pour votre pays/région.

Cas D : télécopieur avec service de sonnerie distincte sur la même ligne

Si vous êtes abonné à un service de sonnerie distincte (fourni par votre opérateur téléphonique) permettant d'avoir plusieurs numéros de téléphone sur une même ligne

téléphonique, chaque numéro étant associé à une sonnerie différente, configurez l'appareil HP Tout-en-un comme décrit dans cette section.


Figure 2-3 Vue arrière de l'appareil HP Tout-en-un




1	Prise téléphonique murale
2	Utilisez le cordon téléphonique fourni avec l'appareil HP Tout-en-un pour la connexion au port « 1-LINE »

Pour configurer le produit avec un service de sonnerie distincte, procédez comme suit :

1. Utilisez le cordon téléphonique fourni avec le produit : connectez l'une des extrémités à votre prise téléphonique murale et l'autre au port 1-LINE situé à l'arrière du produit.

 **Remarque** Si vous n'utilisez pas le cordon fourni pour la connexion entre la prise téléphonique murale et le produit, vous ne pourrez peut-être pas envoyer de télécopies. Ce cordon téléphonique spécial est différent de ceux que vous utilisez éventuellement chez vous ou à votre bureau.

2. Changez le paramètre **Réponse automatique** pour que le nombre minimal de sonneries avant réponse (deux sonneries) soit défini
3. Modifiez le paramètre **Sonneries distinctes** conformément au paramètre attribué à votre numéro de télécopieur par l'opérateur téléphonique.

 **Remarque** Par défaut, le produit est configuré pour répondre à toutes les sonneries. Si vous ne définissez pas le paramètre **Sonneries distinctes** en fonction du mode de sonnerie associé à votre numéro de télécopieur par votre opérateur téléphonique, il se peut que le produit réponde à la fois aux appels vocaux et aux appels de télécopie ou qu'il ne réponde pas du tout.

4. Exécutez un test de télécopie.

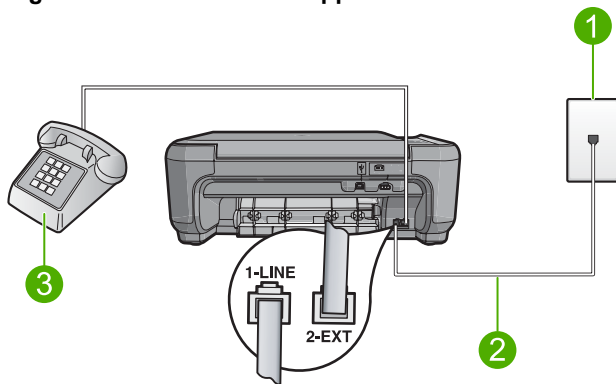
L'appareil HP Tout-en-un répond automatiquement aux appels entrants ayant la sonnerie que vous avez sélectionnée (paramètre **Sonneries distinctes**) après le nombre de sonneries que vous avez défini (paramètre **Réponse automatique**). Il enverra ensuite une tonalité de réception de télécopie au télécopieur d'origine et recevra la télécopie.

Cas E : ligne vocale et de télécopie partagée

Si vous recevez à la fois des appels vocaux et de télécopie au même numéro de téléphone et si vous ne disposez d'aucun autre équipement de bureau (ou messagerie

vocale) sur cette ligne téléphonique, configurez l'appareil HP Tout-en-un comme décrit dans cette section.

Figure 2-4 Vue arrière de l'appareil HP Tout-en-un



1	Prise téléphonique murale
2	Utilisez le cordon téléphonique fourni avec l'appareil HP Tout-en-un pour la connexion au port « 1-LINE »
3	Téléphone (facultatif)

Pour configurer le produit avec une ligne vocale/télécopie partagée

1. Utilisez le cordon téléphonique fourni avec le produit : connectez l'une des extrémités à votre prise téléphonique murale et l'autre au port 1-LINE situé à l'arrière du produit.



Remarque Si vous n'utilisez pas le cordon fourni pour la connexion entre la prise téléphonique murale et le produit, vous ne pourrez peut-être pas envoyer de télécopies. Ce cordon téléphonique spécial est différent de ceux que vous utilisez éventuellement chez vous ou à votre bureau.

2. Il ne vous reste plus qu'à décider si vous souhaitez que le produit réponde manuellement ou automatiquement aux appels de télécopie.
 - Si vous configurez le produit pour qu'il réponde **automatiquement** aux appels, il répond à tous les appels entrants et reçoit les télécopies. Dans ce cas, le produit ne sera pas en mesure de faire la distinction entre les appels vocaux et les appels de télécopie ; si vous pensez qu'il s'agit d'un appel vocal, vous devez prendre l'appel avant que le produit ne s'en charge. Pour paramétrer le produit afin qu'il réponde automatiquement aux appels, activez le paramètre **Réponse automatique**.
 - Si vous configurez le produit de sorte qu'il réponde **manuellement** aux télécopies, vous devez pouvoir répondre personnellement aux appels de télécopie entrants. Dans le cas contraire, votre produit ne pourra pas recevoir de télécopies. Pour paramétrer le produit en vue de répondre aux appels manuellement, désactivez le paramètre **Réponse automatique**.

3. Effectuez l'une des opérations suivantes, en fonction de votre système téléphonique :
 - Si vous disposez d'un système téléphonique en parallèle, ôtez la prise blanche du port 2-EXT à l'arrière du produit, puis branchez un téléphone sur ce port.
 - Si vous utilisez un système téléphonique en série, vous pouvez connecter directement le téléphone au câble du produit auquel est rattachée une prise murale.
4. Exécutez un test de télécopie.

Si vous décrochez le téléphone avant que le produit ne réponde à l'appel et que vous entendez les tonalités d'un télécopieur expéditeur, vous devrez répondre manuellement à l'appel de télécopie.

Cas F : ligne vocale et de télécopie partagée avec une messagerie vocale

Si vous recevez à la fois des appels vocaux et des appels de télécopie au même numéro de téléphone et si vous êtes également abonné à un service de messagerie vocale offert par votre opérateur téléphonique, configurez l'appareil HP Tout-en-un comme décrit dans cette section.


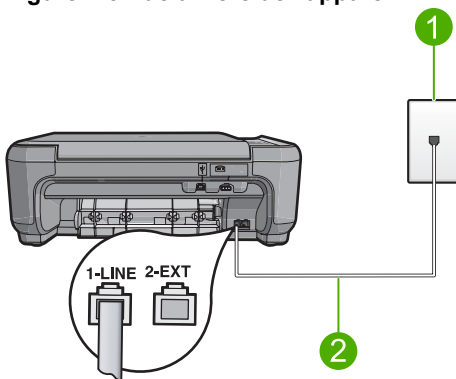
 **Remarque** Vous ne pouvez pas recevoir de télécopies automatiquement si un service de messagerie vocale est actif sur le même numéro de téléphone que celui utilisé pour les appels de télécopie. Vous devez recevoir les télécopies manuellement. Cela signifie que vous devez être présent pour répondre vous-même aux appels entrants. Si vous souhaitez recevoir des télécopies automatiquement, contactez votre opérateur téléphonique pour vous abonner à un service de sonnerie distincte ou pour obtenir une ligne de téléphone distincte pour la télécopie.


Figure 2-5 Vue arrière de l'appareil HP Tout-en-un



1	Prise téléphonique murale
2	Utilisez le cordon téléphonique fourni avec l'appareil HP Tout-en-un pour la connexion au port « 1-LINE »

Configuration du produit avec une messagerie vocale

1. Utilisez le cordon téléphonique fourni avec le produit : connectez l'une des extrémités à votre prise téléphonique murale et l'autre au port 1-LINE situé à l'arrière du produit.

 **Remarque** Si vous n'utilisez pas le cordon fourni pour la connexion entre la prise téléphonique murale et le produit, vous ne pouvez peut-être pas envoyer de télécopies. Ce cordon téléphonique spécial est différent de ceux que vous utilisez éventuellement chez vous ou à votre bureau.

2. Désactivez le paramètre **Réponse automatique**.
3. Exécutez un test de télécopie.

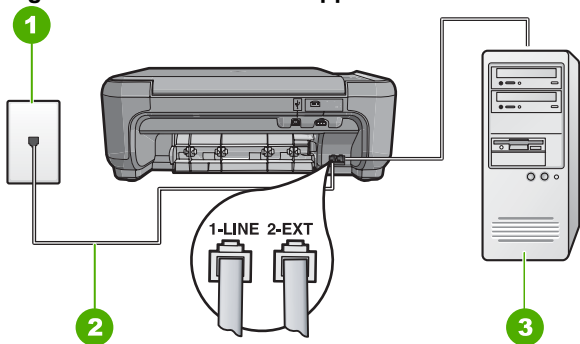
Vous devez prendre en personne les appels de télécopie entrants, sinon le produit ne peut pas recevoir de télécopies.

Cas G : ligne de télécopie partagée avec un modem d'ordinateur (aucun appel vocal reçu)

Si vous utilisez une ligne de télécopie sur laquelle vous ne recevez pas d'appels vocaux et que vous utilisez également un modem connecté sur cette ligne, configurez l'appareil HP Tout-en-un comme décrit dans cette section.

Votre modem d'ordinateur partageant la ligne téléphonique avec l'appareil HP Tout-en-un, vous ne pouvez pas utiliser simultanément le modem et l'appareil HP Tout-en-un. Par exemple, vous ne pouvez pas utiliser l'appareil HP Tout-en-un pour une télécopie si vous êtes déjà en train d'utiliser le modem pour envoyer un courrier électronique ou accéder à Internet.

Figure 2-6 Vue arrière de l'appareil HP Tout-en-un




1	Prise téléphonique murale
2	Utilisez le cordon téléphonique fourni avec l'appareil HP Tout-en-un pour la connexion au port « 1-LINE »
3	Ordinateur avec modem


Pour configurer le produit avec un modem d'ordinateur

1. Ôtez la prise blanche du port 2-EXT à l'arrière du produit.
2. Localisez le cordon téléphonique qui relie l'arrière de votre ordinateur (ou le modem à numérotation de votre ordinateur) à une prise murale. Débranchez le cordon de la prise téléphonique murale et branchez-le sur le port 2-EXT à l'arrière du produit.

3. Utilisez le cordon téléphonique fourni avec le produit : connectez l'une des extrémités à votre prise téléphonique murale et l'autre au port 1-LINE situé à l'arrière du produit.

 **Remarque** Si vous n'utilisez pas le cordon fourni pour la connexion entre la prise téléphonique murale et le produit, vous ne pourrez peut-être pas envoyer de télécopies. Ce cordon téléphonique spécial est différent de ceux que vous utilisez éventuellement chez vous ou à votre bureau.

4. Si le logiciel du modem de votre ordinateur est défini pour recevoir des télécopies automatiquement, désactivez ce paramètre.

 **Remarque** Si vous ne désactivez pas l'option de réception automatique de télécopies dans le logiciel de votre modem, le produit ne pourra pas recevoir de télécopies.

5. Changez le paramètre **Réponse automatique** pour que le nombre minimal de sonneries avant réponse (deux sonneries) soit défini
6. Exécutez un test de télécopie.

Quand le téléphone sonnera, le produit répondra automatiquement après le nombre de sonneries que vous avez défini dans le paramètre **Réponse automatique**. Il enverra ensuite une tonalité de réception de télécopie au télécopieur d'origine et recevra la télécopie.

Cas H : ligne vocale et de télécopie partagée avec un modem

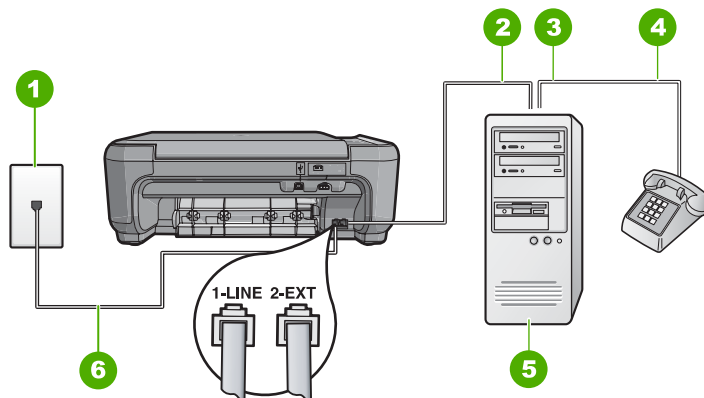
Si vous recevez à la fois des appels vocaux et des appels de télécopie au même numéro de téléphone et que vous utilisez un modem connecté sur cette ligne téléphonique, configurez l'appareil HP Tout-en-un comme décrit dans cette section.

Votre modem d'ordinateur partageant la ligne téléphonique avec l'appareil HP Tout-en-un, vous ne pouvez pas utiliser simultanément le modem et l'appareil HP Tout-en-un. Par exemple, vous ne pouvez pas utiliser l'appareil HP Tout-en-un pour une télécopie si vous êtes déjà en train d'utiliser le modem pour envoyer un courrier électronique ou accéder à Internet.

Vous pouvez configurer l'appareil HP Tout-en-un de deux manières différentes avec votre ordinateur, selon le nombre de ports téléphoniques dont dispose ce dernier. Avant de commencer, vérifiez si votre ordinateur dispose d'un ou de deux ports téléphoniques :

- Dans ce cas, vous devez vous procurer un séparateur parallèle (appelé également coupleur). Reportez-vous à l'aide en ligne pour obtenir des instructions de configuration spécifiques.
- Si votre ordinateur est équipé de deux ports téléphoniques, configurez l'appareil HP Tout-en-un comme décrit ci-dessous.


Figure 2-7 Vue arrière de l'appareil HP Tout-en-un




1	Prise téléphonique murale
2	Port téléphonique « IN » de votre ordinateur
3	Port téléphonique « OUT » de votre ordinateur
4	Téléphone
5	Ordinateur avec modem
6	Utilisez le cordon téléphonique fourni avec l'appareil HP Tout-en-un pour la connexion au port « 1-LINE »

Pour configurer le produit sur la même ligne téléphonique qu'un ordinateur avec deux ports téléphoniques

1. Ôtez la prise blanche du port 2-EXT à l'arrière du produit.
2. Localisez le cordon téléphonique qui relie l'arrière de votre ordinateur (ou le modem à numérotation de votre ordinateur) à une prise murale. Débranchez le cordon de la prise téléphonique murale et branchez-le sur le port 2-EXT à l'arrière du produit.
3. Connectez un téléphone au port « OUT » (sortie) situé à l'arrière de votre modem.
4. Utilisez le cordon téléphonique fourni avec le produit : connectez l'une des extrémités à votre prise téléphonique murale et l'autre au port 1-LINE situé à l'arrière du produit.

 **Remarque** Si vous n'utilisez pas le cordon fourni pour la connexion entre la prise téléphonique murale et le produit, vous ne pourrez peut-être pas envoyer de télécopies. Ce cordon téléphonique spécial est différent de ceux que vous utilisez éventuellement chez vous ou à votre bureau.

5. Si le logiciel du modem de votre ordinateur est défini pour recevoir des télécopies automatiquement, désactivez ce paramètre.

 **Remarque** Si vous ne désactivez pas l'option de réception automatique de télécopies dans le logiciel de votre modem, le produit ne pourra pas recevoir de télécopies.

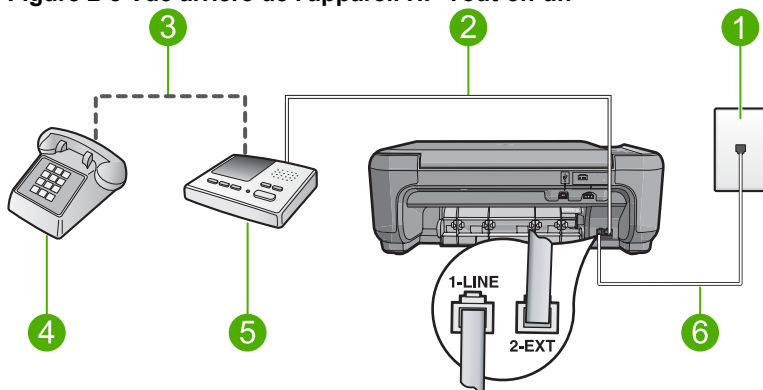
6. Il ne vous reste plus qu'à décider si vous souhaitez que le produit réponde manuellement ou automatiquement aux appels de télécopie.
- Si vous configurez le produit pour qu'il réponde **automatiquement** aux appels, il répond à tous les appels entrants et reçoit les télécopies. Dans ce cas, le produit ne sera pas en mesure de faire la distinction entre les appels vocaux et les appels de télécopie ; si vous pensez qu'il s'agit d'un appel vocal, vous devez prendre l'appel avant que le produit ne s'en charge. Pour paramétrer le produit afin qu'il réponde automatiquement aux appels, activez le paramètre **Réponse automatique**.
 - Si vous configurez le produit de sorte qu'il réponde **manuellement** aux télécopies, vous devez pouvoir répondre personnellement aux appels de télécopie entrants. Dans le cas contraire, votre produit ne pourra pas recevoir de télécopies. Pour paramétrer le produit en vue de répondre aux appels manuellement, désactivez le paramètre **Réponse automatique**.
7. Exécutez un test de télécopie.

Si vous décrochez le téléphone avant que le produit ne réponde à l'appel et que vous entendez les tonalités d'un télécopieur expéditeur, vous devrez répondre manuellement à l'appel de télécopie.

Cas 1 : ligne vocale et de télécopie partagée avec un répondeur

Si vous recevez à la fois des appels vocaux et des appels de télécopie au même numéro de téléphone et si vous disposez également d'un répondeur qui répond aux appels vocaux à ce numéro de téléphone, configurez l'appareil HP Tout-en-un comme décrit dans cette rubrique.

Figure 2-8 Vue arrière de l'appareil HP Tout-en-un




1	Prise téléphonique murale
2	Port « IN » de votre répondeur
3	Port « OUT » de votre répondeur
4	Téléphone (facultatif)
5	Répondeur


- | | |
|---|---|
| 6 | Utilisez le cordon téléphonique fourni avec l'appareil HP Tout-en-un pour la connexion au port « 1-LINE » |
|---|---|

Pour configurer le produit avec une ligne vocale et de télécopie partagée et un répondeur


1. Ôtez la prise blanche du port 2-EXT à l'arrière du produit.
2. Débranchez votre répondeur de la prise téléphonique murale et connectez-le au port 2-EXT situé à l'arrière du produit.

 **Remarque** Si vous ne connectez pas directement votre répondeur au produit, il se peut que des tonalités propres à un télécopieur en train d'émettre s'enregistrent sur votre répondeur et il est fort probable alors que vous ne puissiez pas recevoir de télécopies avec le produit.

3. Utilisez le cordon téléphonique fourni avec le produit : connectez l'une des extrémités à votre prise téléphonique murale et l'autre au port 1-LINE situé à l'arrière du produit.

 **Remarque** Si vous n'utilisez pas le cordon fourni pour la connexion entre la prise téléphonique murale et le produit, vous ne pourrez peut-être pas envoyer de télécopies. Ce cordon téléphonique spécial est différent de ceux que vous utilisez éventuellement chez vous ou à votre bureau.

4. Si votre répondeur ne possède pas de téléphone intégré, vous souhaiterez peut-être, pour plus de commodité, connecter un téléphone à l'arrière de votre répondeur au port « OUT ». Cette opération est facultative.

 **Remarque** Si votre répondeur ne permet pas de connecter un téléphone externe, utilisez un séparateur parallèle (également appelé coupleur) pour connecter le répondeur et le téléphone à l'appareil HP Tout-en-un. Vous pouvez utiliser des cordons téléphoniques standard pour ces branchements.

5. Paramétrez le répondeur pour qu'il se déclenche après seulement quelques sonneries.
6. Changez le paramètre **Réponse automatique** pour que le nombre maximal de sonneries prévues par l'appareil soit défini (le nombre maximal de sonneries varie selon le pays/la région).
7. Exécutez un test de télécopie.

Lorsque le téléphone sonne, votre répondeur répond après le nombre de sonneries que vous avez défini et lit le message d'accueil que vous avez enregistré.

L'appareil HP Tout-en-un surveille l'appel au cours de cette période en étant à l'écoute d'éventuelles tonalités de télécopie. Si des tonalités de télécopie entrantes sont détectées, l'appareil HP Tout-en-un émet des tonalités de réception de télécopie et réceptionne la télécopie. Si aucune tonalité de télécopie n'est détectée, l'appareil HP Tout-en-un arrête la surveillance de la ligne et votre répondeur peut enregistrer un message vocal.

Cas J : ligne vocale et de télécopie partagée avec un modem et un répondeur

Si vous recevez à la fois des appels vocaux et des appels de télécopie au même numéro de téléphone et que vous utilisez un modem et un répondeur connectés sur cette ligne téléphonique, configurez l'appareil HP Tout-en-un comme décrit dans cette section.

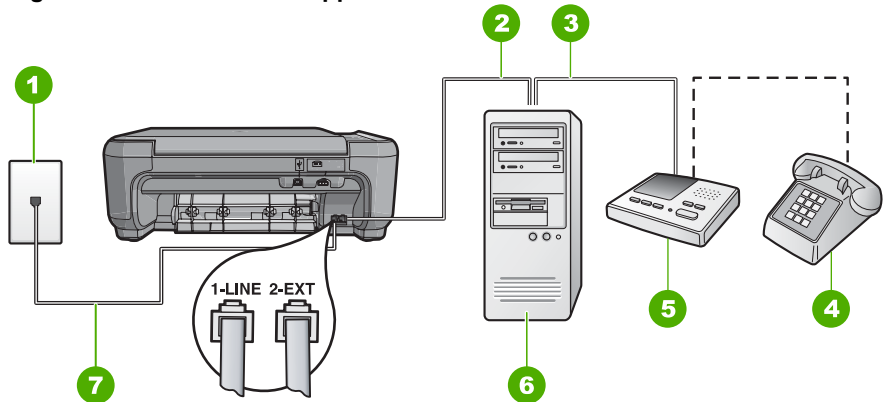
Votre modem d'ordinateur et l'appareil HP Tout-en-un partageant la même ligne téléphonique, vous ne pouvez pas les utiliser simultanément. Par exemple, vous ne

pouvez pas utiliser l'appareil HP Tout-en-un pour une télécopie si vous êtes déjà en train d'utiliser le modem pour envoyer un courrier électronique ou accéder à Internet.

Vous pouvez configurer l'appareil HP Tout-en-un de deux manières différentes avec votre ordinateur, selon le nombre de ports téléphoniques dont dispose ce dernier. Avant de commencer, vérifiez si votre ordinateur dispose d'un ou de deux ports téléphoniques :

- Dans ce cas, vous devez vous procurer un séparateur parallèle (appelé également coupleur). Reportez-vous à l'aide en ligne pour obtenir des instructions de configuration spécifiques.
- Si votre ordinateur est équipé de deux ports téléphoniques, configurez l'appareil HP Tout-en-un comme décrit ci-dessous.

Figure 2-9 Vue arrière de l'appareil HP Tout-en-un




1	Prise téléphonique murale
2	Port téléphonique « IN » de votre ordinateur
3	Port téléphonique « OUT » de votre ordinateur
4	Téléphone (facultatif)
5	Répondeur
6	Ordinateur avec modem
7	Utilisez le cordon téléphonique fourni avec l'appareil HP Tout-en-un pour la connexion au port « 1-LINE »


Pour configurer le produit sur la même ligne téléphonique qu'un ordinateur avec deux ports téléphoniques

1. Ôtez la prise blanche du port 2-EXT à l'arrière du produit.
2. Localisez le cordon téléphonique qui relie l'arrière de votre ordinateur (ou le modem à numérotation de votre ordinateur) à une prise murale. Débranchez le cordon de la prise téléphonique murale et branchez-le sur le port 2-EXT à l'arrière du produit.


3. Débranchez votre répondeur de la prise téléphonique murale et connectez-le au port « OUT » (sortie) situé à l'arrière de votre modem.
Il se crée ainsi une connexion directe entre l'appareil HP Tout-en-un et votre répondeur, même si le modem est le premier à être connecté.

 **Remarque** Si vous ne connectez pas votre répondeur de cette manière, des tonalités de télécopie d'un télécopieur émetteur risquent d'être enregistrées sur votre répondeur et vous ne pourrez probablement pas recevoir de télécopies avec le produit.


4. Utilisez le cordon téléphonique fourni avec le produit : connectez l'une des extrémités à votre prise téléphonique murale et l'autre au port 1-LINE situé à l'arrière du produit.

 **Remarque** Si vous n'utilisez pas le cordon fourni pour la connexion entre la prise téléphonique murale et le produit, vous ne pourrez peut-être pas envoyer de télécopies. Ce cordon téléphonique spécial est différent de ceux que vous utilisez éventuellement chez vous ou à votre bureau.

5. Si votre répondeur ne possède pas de téléphone intégré, vous souhaiterez peut-être, pour plus de commodité, connecter un téléphone à l'arrière de votre répondeur au port « OUT ». Cette opération est facultative.

 **Remarque** Si votre répondeur ne permet pas de connecter un téléphone externe, utilisez un séparateur parallèle (également appelé coupleur) pour connecter le répondeur et le téléphone à l'appareil HP Tout-en-un. Vous pouvez utiliser des cordons téléphoniques standard pour ces branchements.

6. Si le logiciel du modem de votre ordinateur est défini pour recevoir des télécopies automatiquement, désactivez ce paramètre.

 **Remarque** Si vous ne désactivez pas l'option de réception automatique de télécopies dans le logiciel de votre modem, le produit ne pourra pas recevoir de télécopies.


7. Paramétrez le répondeur pour qu'il se déclenche après seulement quelques sonneries.
8. Changez le paramètre **Réponse automatique** pour que le nombre maximal de sonneries prévues par votre produit soit défini (le nombre maximal de sonneries varie selon le pays/la région).
9. Exécutez un test de télécopie.

Lorsque le téléphone sonne, votre répondeur répond après le nombre de sonneries que vous avez défini et lit le message d'accueil que vous avez enregistré.

L'appareil HP Tout-en-un surveille l'appel au cours de cette période en étant à l'écoute d'éventuelles tonalités de télécopie. Si des tonalités de télécopie entrantes sont détectées, l'appareil HP Tout-en-un émet des tonalités de réception de télécopie et réceptionne la télécopie. Si aucune tonalité de télécopie n'est détectée, l'appareil HP Tout-en-un arrête la surveillance de la ligne et votre répondeur peut enregistrer un message vocal.

Cas K : ligne vocale et de télécopie partagée avec un modem et une messagerie vocale

Si vous recevez à la fois des appels vocaux et des appels de télécopie au même numéro de téléphone, que vous utilisez un modem sur la même ligne téléphonique et que vous êtes abonné à un service de messagerie vocale fourni par votre opérateur téléphonique, configurez l'appareil HP Tout-en-un comme décrit dans cette section.

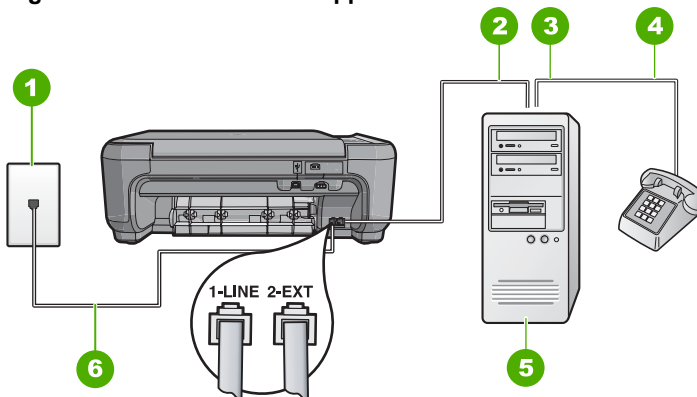
 **Remarque** Vous ne pouvez pas recevoir de télécopies automatiquement si un service de messagerie vocale est actif sur le même numéro de téléphone que celui utilisé pour les appels de télécopie. Vous devez recevoir les télécopies manuellement. Cela signifie que vous devez être présent pour répondre vous-même aux appels entrants. Si vous souhaitez recevoir des télécopies automatiquement, contactez votre opérateur téléphonique pour vous abonner à un service de sonnerie distincte ou pour obtenir une ligne de téléphone distincte pour la télécopie.

Votre modem d'ordinateur partageant la ligne téléphonique avec l'appareil HP Tout-en-un, vous ne pouvez pas utiliser simultanément le modem et l'appareil HP Tout-en-un. Par exemple, vous ne pouvez pas utiliser l'appareil HP Tout-en-un pour une télécopie si vous êtes déjà en train d'utiliser le modem pour envoyer un courrier électronique ou accéder à Internet.

Vous pouvez configurer l'appareil HP Tout-en-un de deux manières différentes avec votre ordinateur, selon le nombre de ports téléphoniques dont dispose ce dernier. Avant de commencer, vérifiez si votre ordinateur dispose d'un ou de deux ports téléphoniques :

- Dans ce cas, vous devez vous procurer un séparateur parallèle (appelé également coupleur). Reportez-vous à l'aide en ligne pour obtenir des instructions de configuration spécifiques.
- Si votre ordinateur est équipé de deux ports téléphoniques, configurez l'appareil HP Tout-en-un comme décrit ci-dessous.

Figure 2-10 Vue arrière de l'appareil HP Tout-en-un




1	Prise téléphonique murale
2	Port téléphonique « IN » de votre ordinateur
3	Port téléphonique « OUT » de votre ordinateur
4	Téléphone
5	Ordinateur avec modem
6	


-
- | | |
|---|---|
| 6 | Utilisez le cordon téléphonique fourni avec l'appareil HP Tout-en-un pour la connexion au port « 1-LINE » |
|---|---|
-

Pour configurer le produit sur la même ligne téléphonique qu'un ordinateur avec deux ports téléphoniques

1. Ôtez la prise blanche du port 2-EXT à l'arrière du produit.
2. Localisez le cordon téléphonique qui relie l'arrière de votre ordinateur (ou le modem à numérotation de votre ordinateur) à une prise murale. Débranchez le cordon de la prise téléphonique murale et branchez-le sur le port 2-EXT à l'arrière du produit.
3. Connectez un téléphone au port « OUT » (sortie) situé à l'arrière de votre modem.
4. Utilisez le cordon téléphonique fourni avec le produit : connectez l'une des extrémités à votre prise téléphonique murale et l'autre au port 1-LINE situé à l'arrière du produit.

 **Remarque** Si vous n'utilisez pas le cordon fourni pour la connexion entre la prise téléphonique murale et le produit, vous ne pourrez peut-être pas envoyer de télécopies. Ce cordon téléphonique spécial est différent de ceux que vous utilisez éventuellement chez vous ou à votre bureau.

5. Si le logiciel du modem de votre ordinateur est défini pour recevoir des télécopies automatiquement, désactivez ce paramètre.

 **Remarque** Si vous ne désactivez pas l'option de réception automatique de télécopies dans le logiciel de votre modem, le produit ne pourra pas recevoir de télécopies.

6. Désactivez le paramètre **Réponse automatique**.
7. Exécutez un test de télécopie.

Vous devez prendre en personne les appels de télécopie entrants, sinon l'appareil HP Tout-en-un ne peut pas recevoir de télécopies.

Modification des paramètres de votre appareil HP Tout-en-un pour la réception de télécopies

Pour recevoir des télécopies, vous devrez peut-être modifier certains paramètres de l'appareil HP Tout-en-un. Si vous ne savez pas avec certitude quel paramètre choisir pour une option de télécopie spécifique, reportez-vous aux instructions détaillées relatives à la configuration du télécopieur fournies dans la documentation imprimée.

Cette section contient les rubriques suivantes :

Sélection du paramètre de réponse recommandé pour votre configuration

Le paramètre **Réponse automatique** détermine si l'appareil HP Tout-en-un répond aux appels entrants, ainsi que le nombre de sonneries précédant la réponse. Le paramètre le plus approprié dépend de la configuration utilisée chez vous ou sur votre lieu de travail. Pour plus d'informations à ce sujet, reportez-vous aux instructions de configuration correspondant à votre cas, dans les pages précédentes.

Pour activer le paramètre Réponse automatique

1. Appuyez sur le bouton **Numériser/télécopier**.
2. Appuyez sur le bouton **Menu Télécopie**.

3. Appuyez sur le bouton **Configuration du télécopieur**.
4. Appuyez sur le bouton situé près de la flèche dirigée vers le bas pour mettre en surbrillance **Réponse automatique**, puis appuyez sur le bouton jouxtant l'icône **OK**.
5. Appuyez sur le bouton jouxtant le paramètre approprié, puis appuyez sur le bouton jouxtant l'icône **OK**.

Modification du type de sonnerie sur Sonnerie distincte

De nombreux opérateurs téléphoniques proposent une fonction de sonnerie distincte permettant d'avoir plusieurs numéros de téléphone sur une même ligne téléphonique. Lorsque vous vous abonnez à ce service, chaque numéro est associé à une sonnerie différente. Vous pouvez configurer l'appareil HP Tout-en-un pour qu'il réponde à une certaine sonnerie.

Si vous connectez l'appareil HP Tout-en-un à une ligne dotée d'une sonnerie distincte, demandez à votre opérateur téléphonique de définir une sonnerie pour les appels vocaux et une autre pour les télécopies. HP recommande de demander une sonnerie double ou triple pour les télécopies. Lorsque l'appareil HP Tout-en-un détecte la sonnerie spécifiée, il prend la ligne et reçoit la télécopie.

Si vous ne disposez pas du service de sonnerie distincte, conservez l'option par défaut **Toutes sonneries**.

Pour modifier le type de sonnerie distincte à partir du panneau de commande

1. Vérifiez que le produit est configuré en vue de répondre automatiquement aux appels de télécopie au bout d'un nombre de sonneries spécifié.
2. Appuyez sur le bouton **Numériser/télécopier**.
3. Appuyez sur le bouton **Menu Télécopie**.
4. Appuyez sur le bouton **Configuration du télécopieur**.
5. Appuyez sur le bouton situé près de la flèche dirigée vers le bas pour mettre en surbrillance **Sonneries distinctes**, puis appuyez sur le bouton jouxtant l'icône **OK**.
6. Appuyez sur le bouton situé près de la flèche dirigée vers le bas pour mettre en surbrillance l'option appropriée, puis appuyez sur le bouton jouxtant l'icône **OK**. Lorsque la sonnerie définie pour la ligne de télécopie est activée, le produit prend la ligne et reçoit la télécopie.

Configuration de l'en-tête de télécopie

L'en-tête de télécopie imprime votre nom et votre numéro de télécopieur en haut de chaque télécopie que vous envoyez. HP recommande de définir l'en-tête de télécopie au moyen du logiciel que vous avez installé avec l'appareil HP Tout-en-un. Vous pouvez également définir l'en-tête de télécopie à partir du panneau de commande, comme décrit ici.



Remarque Dans certains pays/certaines régions, l'en-tête de télécopie est une exigence légale.

Pour définir un en-tête de télécopie à partir du panneau de commande

1. Appuyez sur le bouton **Numériser/télécopier**.
2. Appuyez sur le bouton **Menu Télécopie**.

3. Appuyez sur le bouton **Configuration du télécopieur**.
4. Appuyez sur le bouton situé près de la flèche dirigée vers le bas pour mettre en surbrillance **En-tête de télécopie**, puis appuyez sur le bouton jouxtant l'icône **OK**.
5. Utilisez le clavier pour saisir votre nom ou celui de votre société. Une fois l'opération terminée, appuyez sur le bouton jouxtant l'icône **OK**.
6. Entrez votre numéro de télécopie à l'aide du clavier, puis appuyez sur le bouton jouxtant l'icône **OK**.

Test de la configuration de votre télécopieur

Vous pouvez tester la configuration du télécopieur pour vérifier l'état de l'appareil HP Tout-en-un et vous assurer qu'il est configuré correctement. Effectuez ce test après avoir configuré l'appareil HP Tout-en-un pour la télécopie. Le test :

- Teste le matériel du télécopieur.
- Vérifie que le type de cordon téléphonique approprié est connecté à l'appareil HP Tout-en-un.
- Vérifie que le cordon téléphonique est connecté au port approprié.
- Recherche une tonalité.
- Recherche une ligne téléphonique active.
- Teste l'état de la connexion à la ligne téléphonique.

L'appareil HP Tout-en-un imprime les résultats du test dans un rapport. En cas d'échec du test, le rapport vous indique comment résoudre le problème. Exécutez à nouveau le test.

Test de la configuration de la télécopie depuis le panneau de commande

1. Configurez le produit pour télécopier selon vos instructions spécifiques de configuration de domicile ou de lieu de travail.
2. Insérez les cartouches d'impression et chargez du papier au format standard dans le bac d'alimentation avant de débiter le test.
3. Appuyez sur le bouton **Numériser/télécopier**.
4. Appuyez sur le bouton **Menu Télécopie**.
5. Appuyez sur le bouton **Configuration du télécopieur**.
6. Appuyez sur le bouton situé près de la flèche dirigée vers le bas pour mettre en surbrillance **Effectuez le test du télécopieur**, puis appuyez sur le bouton jouxtant l'icône **OK**.
Le statut du test s'affiche à l'écran. Le produit imprime également un rapport détaillé.
7. Consultez le rapport.
 - Si le test réussit et que vous avez toujours des problèmes de télécopie, consultez les paramètres de télécopie affichés dans le rapport pour vérifier que les paramètres sont corrects. Un paramètre de télécopie vide ou incorrect peut provoquer des problèmes de télécopie.
 - En cas d'échec du test, consultez le rapport pour obtenir des informations de résolution pour le problème.
8. Une fois que vous avez récupéré le rapport de télécopie, appuyez sur le bouton jouxtant l'icône **OK**.
Si nécessaire, résolvez les problèmes rencontrés et exécutez à nouveau le test.

3 Utilisation des fonctions de l'appareil HP Tout-en-un


Ce chapitre contient des informations sur l'utilisation des fonctions de base de l'appareil HP Tout-en-un. Par ailleurs, il fournit des instructions sur le chargement du papier et le remplacement des cartouches d'impression.

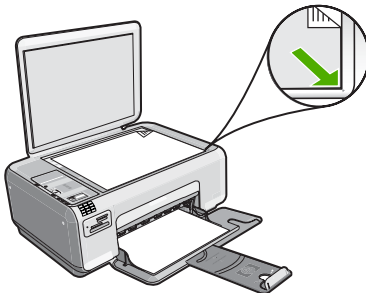
Chargement du papier et des originaux

Vous pouvez copier, numériser ou télécopier des originaux ou publications épaisses jusqu'au format A4 ou Lettre en les chargeant sur la vitre.

Pour positionner un original sur la vitre

1. Mettez le capot en position ouverte.
2. Chargez l'original, face à imprimer vers le bas, dans l'angle avant gauche de la vitre.

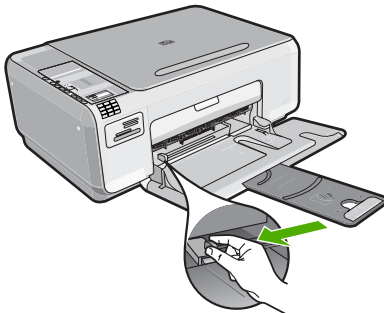
 **Conseil** Pour obtenir la taille de copie appropriée, assurez-vous que la vitre est exempte de bande adhésive ou d'autre corps étranger.



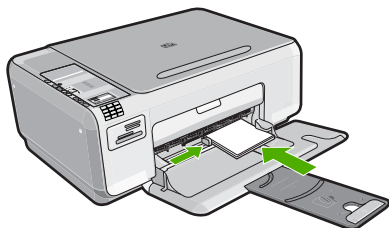
3. Fermez le capot.

Chargement de papier photo petit format dans le bac d'alimentation

1. Faites glisser le guide de réglage de largeur du papier jusqu'à sa position extrême.



2. Insérez la pile de papier photo à l'extrême droite du bac d'alimentation, le bord court vers l'avant et la face à imprimer vers le bas. Faites-la glisser jusqu'à ce qu'elle soit calée.
Si le papier photo utilisé est perforé, chargez-le de manière à ce que les perforations soient le plus près de vous.
3. Faites glisser le guide de largeur de façon à ce qu'il touche le bord du papier.
Ne surchargez pas le bac d'alimentation ; assurez-vous que la pile de papier tient dans le bac d'alimentation et ne dépasse pas le haut du guide de largeur.



Prévention des bourrages papier

Pour éviter les bourrages papier, respectez les principes suivants :

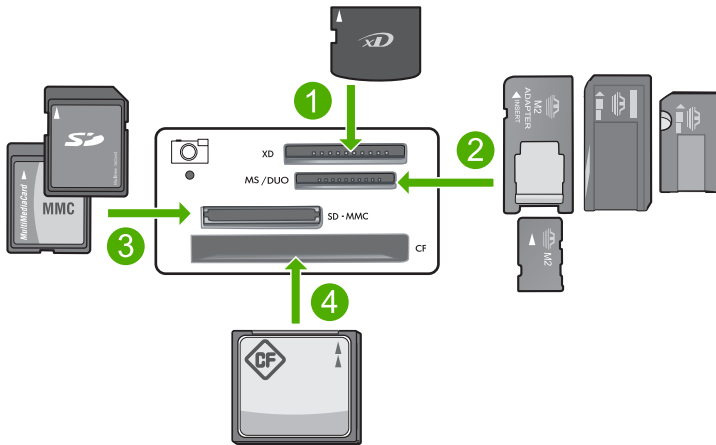
- Retirez fréquemment le papier imprimé du bac de sortie.
- Evitez que le support photo ne se froisse ou n'ondule en le stockant à plat dans un sachet étanche.
- Assurez-vous que le papier chargé dans le bac d'alimentation repose à plat et que les bords ne sont pas cornés ou déchirés.
- Ne mélangez pas des papiers de types et de formats différents dans le bac d'alimentation ; chargez un seul type et un seul format de papier à la fois.
- Ajustez le guide de largeur du bac d'alimentation pour qu'il se cale contre le papier chargé. Assurez-vous que le guide de largeur ne courbe pas le papier chargé dans le bac d'alimentation.
- Ne surchargez pas le bac d'alimentation ; assurez-vous que la pile de papier tient dans le bac d'alimentation et ne dépasse pas le haut du guide de largeur.
- Ne poussez pas le papier trop loin dans le bac d'alimentation.
- Utilisez les types de papier recommandés pour l'appareil.

Impression de photos au format 10 x 15 cm (4 x 6 pouces)

Vous pouvez sélectionner sur votre carte mémoire des photos déterminées à imprimer comme photos 10 x 15 cm.

Pour imprimer une ou plusieurs photos 10 x 15 cm


1. Chargez du papier 10 x 15 cm dans le bac d'alimentation.
2. Insérez la carte mémoire dans l'emplacement correspondant du produit.




1	xD-Picture Card
2	Memory Stick, Memory Stick Pro, Memory Stick Select, Memory Stick Magic Gate, Memory Stick Duo ou Duo Pro (adaptateur facultatif) ou Memory Stick Micro (adaptateur requis)
3	Secure Digital (SD), Secure Digital Mini (adaptateur requis), Secure Digital High Capacity (SDHC), MultiMediaCard (MMC), MMC Plus, MMC Mobile (RS-MMC ; adaptateur requis), TransFlash MicroSD Card ou Secure MultiMedia Card
4	CompactFlash (CF) types I et II

L'image la plus récente de la carte s'affiche à l'écran.

- Appuyez sur les boutons jouxtant les icônes de flèche vers le haut et vers le bas sur l'écran pour faire défiler les photos contenues dans la carte mémoire, jusqu'à ce que celle que vous souhaitez imprimer apparaisse.
- Laissez le paramètre de la **Taille** sur la valeur par défaut **Sans bordure**.

 **Remarque** Le paramètre **Qualité** est défini sur le mode supérieur (correspondant aux icônes à 3 étoiles sur l'écran) et n'est pas modifiable.

- Appuyez sur le bouton **Copies** jusqu'à ce que le nombre de copies à imprimer apparaisse à l'écran.
- Appuyez sur le bouton jouxtant l'icône **Imprimer** sur l'écran.


 **Conseil** Vous pouvez continuer à faire défiler les photos contenues dans la carte mémoire durant l'impression de la photo. Dès que vous souhaitez lancer l'impression d'une photo, il vous suffit d'appuyer sur le bouton **Imprimer** pour l'ajouter à la file d'attente d'impression.

Numérisation d'une image

Dans le cas de documents originaux ou d'images placés sur la vitre, vous pouvez lancer la numérisation à partir de votre ordinateur ou de l'appareil HP Tout-en-un. La présente section présente la seconde option : comment numériser à partir du panneau de commande de l'appareil HP Tout-en-un vers un ordinateur.


Pour permettre l'utilisation des fonctions de numérisation, l'appareil HP Tout-en-un et l'ordinateur doivent être connectés et sous tension. Le logiciel HP Photosmart doit

également être installé et en cours d'exécution sur l'ordinateur avant la numérisation. Pour vérifier que le logiciel de l'appareil HP Photosmart est actif sur un ordinateur sous Windows, contrôlez la présence du **Moniteur d'imagerie numérique** (HP Digital Imaging Monitor) dans la barre d'état système située dans le coin inférieur droit de l'écran, près de l'heure.

 **Remarque** La fermeture de l'icône du **Moniteur d'imagerie numérique** dans la barre d'état du système Windows peut entraîner la perte de certaines fonctionnalités de numérisation de l'appareil HP Tout-en-un. Si cet incident se produit, vous pouvez restaurer les fonctionnalités complètes en redémarrant votre ordinateur.

Pour numériser vers un ordinateur

1. Chargez l'original, face à imprimer vers le bas, dans l'angle avant droit de la vitre.

 **Remarque** Assurez-vous qu'aucune carte mémoire n'est insérée dans les emplacements du produit.

2. Appuyez sur le bouton **Numériser/télécopier**.
Le menu **Numériser/télécopier** s'affiche.
3. Appuyez sur le bouton **Numériser**.
Un aperçu de l'image numérisée s'affiche sur l'ordinateur. Vous pouvez la modifier à cet endroit. Toute modification s'applique à la session de numérisation en cours uniquement.
Le logiciel HP Photosmart dispose de nombreux outils permettant de modifier une image numérisée. Vous pouvez améliorer la qualité globale de l'image en ajustant la luminosité, le contraste, la nuance des couleurs et la saturation. Vous pouvez également recadrer, redresser, faire pivoter ou redimensionner l'image.
4. Apportez les modifications nécessaires à l'image numérisée et cliquez ensuite sur **Accepter** lorsque vous avez terminé.

Création d'une copie


Vous pouvez réaliser des copies de qualité à partir du panneau de commande.

Pour créer une copie à partir du panneau de configuration


1. Chargez du papier dans le bac d'alimentation.
2. Chargez l'original, face à imprimer vers le bas, dans l'angle avant gauche de la vitre.
3. Appuyez sur le bouton **Démarrer copie noir** ou **Démarrer copie couleur** pour démarrer la copie.

Envoi d'une télécopie simple

Vous pouvez facilement envoyer une télécopie noir et blanc ou couleur d'une ou plusieurs pages à partir du panneau de commande, comme décrit ici.


 **Remarque** Si vous avez besoin d'une confirmation imprimée de l'envoi de vos télécopies, activez la confirmation de télécopie **avant** d'envoyer une télécopie.

Remarque Si le numéro de télécopie que vous composez est occupé ou ne répond pas, le produit compose à nouveau le numéro plusieurs fois de façon automatique. Si vous ne souhaitez pas composer à nouveau le numéro, appuyez sur **Effacer** pendant que le produit effectue la numérotation.

 **Conseil** Vous pouvez aussi envoyer une télécopie manuellement à partir d'un téléphone ou en utilisant la fonction de numérotation du panneau de commande. Ces fonctions vous permettent de contrôler la vitesse de numérotation. Elles s'avèrent également utiles si vous souhaitez utiliser une carte téléphonique pour la facturation de l'appel et que vous devez effectuer certaines actions lors d'une tonalité donnée durant la numérotation.

Pour envoyer une télécopie simple à partir du panneau de commande

1. Appuyez sur le bouton **Numériser/télécopier**.
2. Appuyez sur le bouton **Démarrer la télécopie**.
L'écran **Envoi de télécopie** s'affiche.
3. Appuyez sur le bouton situé près de la flèche dirigée vers le bas pour mettre en surbrillance **Noir et blanc** ou **Couleur**, puis appuyez sur le bouton jouxtant l'icône **OK**.
L'écran **Entrer numéro** s'affiche.
4. Entrez le numéro de télécopie à l'aide du clavier numérique ou appuyez sur le bouton situé près de la flèche dirigée vers le haut ou vers le bas pour composer à nouveau un numéro récent, puis appuyez sur le bouton jouxtant l'icône **OK**.
L'écran **Chargement des originaux** s'affiche.
5. Chargez l'impression originale en orientant la face à imprimer vers le bas dans le coin inférieur droit de la vitre d'exposition et appuyez sur le bouton jouxtant l'icône **OK**.

 **Remarque** Si vous envoyez une télécopie couleur, l'envoi a lieu immédiatement. Si vous envoyez une télécopie en noir et blanc, celle-ci est stockée en mémoire jusqu'à ce que vous ayez numérisé chaque page de l'original.

L'écran **Une autre page ?** s'affiche.

6. Procédez comme suit :

Si vous souhaitez télécopier une autre page


- a. Appuyez sur le bouton **OK** pour sélectionner **Oui**.
- b. Répétez les étapes 5 et 6.

Si vous ne souhaitez pas télécopier une autre page

- ▲ Appuyez sur le bouton situé près de la flèche dirigée vers le bas pour sélectionner **Non**, puis appuyez sur le bouton jouxtant l'icône **OK**.
Le produit envoie la télécopie.

Réception d'une télécopie

L'appareil HP Tout-en-un peut recevoir des télécopies automatiquement ou manuellement. Si vous activez l'option **Réponse automatique** en définissant le nombre de sonneries d'attente, l'appareil HP Tout-en-un répond automatiquement à tous les appels entrants et reçoit les télécopies. Si vous désactivez l'option **Réponse automatique**, vous devez recevoir les télécopies manuellement.

 **Remarque** Lors de la réception de télécopies au format Legal, l'appareil HP Tout-en-un réduit la télécopie aux dimensions du papier chargé dans le bac d'alimentation. Si les dimensions de la télécopie sont telles qu'elles nécessitent une réduction supérieure à 60 %, il est possible que l'appareil HP Tout-en-un imprime la télécopie sur plusieurs pages.

Lorsque vous téléphonez, la personne à qui vous parlez peut vous envoyer une télécopie pendant que vous êtes en ligne. On appelle cela la télécopie manuelle. Suivez les instructions de cette rubrique pour recevoir une télécopie manuelle.

Vous pouvez recevoir manuellement des télécopies à partir d'un téléphone lorsque celui-ci est :


- directement relié à l'appareil HP Tout-en-un (sur le port 2-EXT)
- installé sur la même ligne téléphonique, mais sans être connecté à l'appareil HP Tout-en-un.

Pour recevoir une télécopie manuellement

1. Assurez-vous que le produit est sous tension et que vous avez chargé du papier dans le bac d'alimentation.
2. Assurez-vous que le paramètre **Réponse automatique** est défini sur la valeur **Ne pas répondre** ou sur un nombre de sonneries plus élevé, afin que vous puissiez répondre à l'appel avant le produit.
3. Si vous êtes au téléphone avec l'expéditeur, informez-le qu'il faut appuyer sur la touche Démarrer du télécopieur.
Des tonalités émises par un télécopieur se feront entendre.
4. Appuyez sur le bouton **Numériser/télécopier**.
5. Appuyez sur le bouton **Démarrer la télécopie**.
L'écran **Mode télécopie** s'affiche.
6. Appuyez sur le bouton situé près de la flèche dirigée vers le bas pour mettre en surbrillance **Réception manuelle des télécopies**, puis appuyez sur le bouton jouxtant l'icône **OK**.
Une fois que le produit commence à recevoir la télécopie, vous pouvez raccrocher ou rester en ligne. La ligne téléphonique est silencieuse durant la transmission de la télécopie.

Remplacement des cartouches d'impression

Pour remplacer les cartouches d'impression, suivez ces instructions. Ces instructions peuvent également vous aider à résoudre les problèmes de qualité d'impression liés aux cartouches.

 **Remarque** Lorsque le niveau d'encre de la cartouche d'impression est bas, un message s'affiche sur l'écran de l'ordinateur. Vous pouvez également vérifier les niveaux d'encre depuis le logiciel installé avec l'appareil HP Tout-en-un.

Lorsqu'un message s'affiche pour vous avertir que le niveau d'encre est bas, assurez-vous que vous disposez d'une cartouche de remplacement. Remplacez également les cartouches lorsque le texte imprimé est pâle ou si vous rencontrez des problèmes de qualité d'impression dus aux cartouches.

Pour commander des cartouches d'impression pour l'appareil HP Tout-en-un, consultez www.hp.com/buy/supplies. Si le système vous y invite, choisissez votre pays/région,

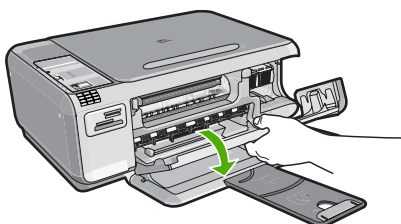
suivez les indications pour sélectionner votre produit, puis cliquez sur l'un des liens d'achat sur la page.

Pour remplacer les cartouches d'impression

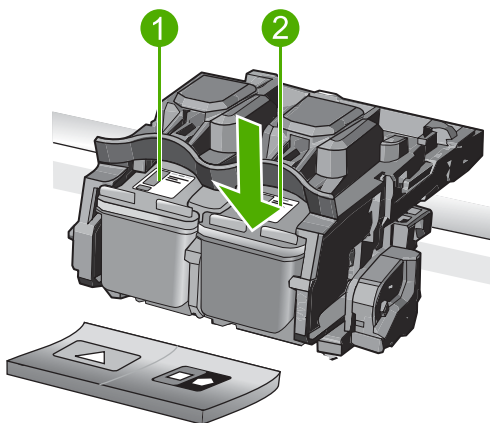
1. Assurez-vous que le produit est sous tension.

△ **Attention** Si l'appareil est hors tension lorsque vous ouvrez la trappe d'accès aux cartouches d'impression pour changer ces dernières, l'appareil ne les libère pas. Vous risquez de l'endommager si les cartouches ne sont pas verrouillées en toute sécurité du côté droit lorsque vous tentez de les retirer.

2. Vérifiez que vous avez bien chargé du papier blanc ordinaire vierge de format A4 ou Lettre dans le bac d'alimentation.
3. Ouvrez le capot d'accès aux cartouches d'impression.
Le chariot d'impression se trouve à l'extrémité droite du produit.




4. Attendez que le chariot d'impression soit immobile et silencieux. Appuyez sur une cartouche d'impression pour la libérer, puis tirez-la vers vous pour la dégager de son logement.
Si vous remplacez la cartouche couleur, retirez la cartouche située dans le logement de gauche.
Si vous remplacez une cartouche noire ou photo, retirez la cartouche située dans le logement de droite.

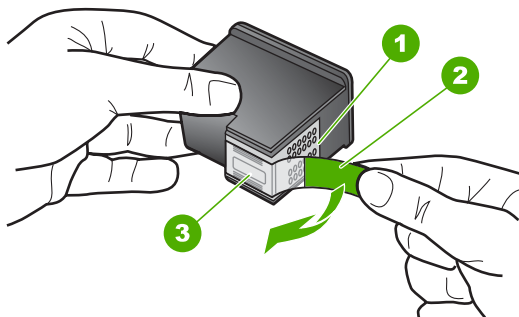


1 Logement de la cartouche couleur


2 Logement des cartouches noire et photo

 **Conseil** Si vous retirez la cartouche d'impression noire pour installer la cartouche photo, placez la cartouche noire dans l'étui de protection ou dans une pochette en plastique hermétiquement fermée.

- Retirez la nouvelle cartouche d'impression de son emballage en prenant garde de ne toucher que le plastique noir et retirez délicatement l'adhésif plastique en tirant sur la languette rose.

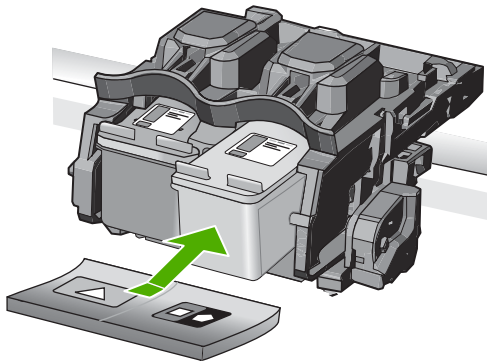


1	Contacts en cuivre
2	Adhésif plastique avec sa languette rose (à retirer avant l'installation)
3	Buses d'encre sous le ruban adhésif

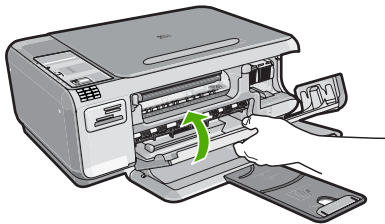
 **Attention** Ne touchez pas les contacts en cuivre ni les buses d'encre. En outre, ne remplacez pas la bande adhésive des cartouches d'impression. Vous risqueriez d'entraîner des obstructions, d'empêcher l'encre de s'écouler et de créer des problèmes de connexion électrique.




- Maintenez la cartouche d'impression de sorte que le logo HP soit orienté vers le haut, puis insérez-la dans son logement. Veillez à bien enfoncer les cartouches d'impression jusqu'à ce qu'elles s'enclenchent.
Si vous installez la cartouche d'impression couleur, faites-la glisser dans l'emplacement de gauche.
Si vous installez une cartouche noire ou photo, faites-la glisser dans l'emplacement de droite.



7. Fermez le capot avant.



8. Lorsque vous y êtes invité, appuyez sur le bouton jouxtant l'icône **OK**. Le produit imprime une page d'alignement des cartouches d'impression.

 **Remarque** Si le bac d'alimentation contient du papier couleur, l'alignement échoue. Chargez du papier blanc ordinaire vierge dans le bac d'alimentation, puis relancez l'alignement.

9. Chargez la page en orientant la face à imprimer vers le bas dans le coin inférieur droit de la vitre d'exposition et appuyez sur le bouton près de **OK** pour numériser la page.
10. Lorsque le voyant **Marche/arrêt** clignote, l'alignement est terminé. Retirez la page d'alignement, puis procédez à son recyclage ou à son élimination.

Nettoyage de l'appareil HP Tout-en-un

Nettoyez au besoin la vitre et le capot pour assurer la propreté des copies et des numérisations. Pensez aussi à enlever la poussière sur l'extérieur de votre appareil HP Tout-en-un.

Nettoyage de la vitre

Des empreintes, des taches, des cheveux et de la poussière sur la vitre principale réduisent les performances et affectent la précision des fonctions de copie et de numérisation.

Pour nettoyer la vitre

1. Mettez l'appareil hors tension, débranchez le cordon d'alimentation et soulevez le capot.
2. Nettoyez la vitre avec un tissu doux ou une éponge légèrement humidifiée avec un nettoyeur de verre non abrasif.

△ **Attention** N'utilisez pas de liquide abrasif, d'acétone, de benzène ou de tétrachlorure de carbone sur la vitre : ces produits risqueraient de l'endommager. Evitez de verser ou de vaporiser du liquide directement sur la vitre. Le liquide pourrait s'infiltrer sous la vitre et endommager l'appareil.

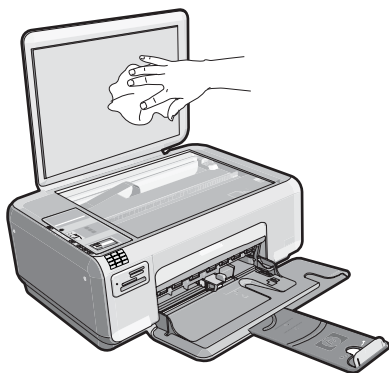
3. Essuyez la vitre du scanner à l'aide d'un chiffon sec, doux et non pelucheux.
4. Mettez le produit sous tension.

Nettoyage du capot

Des résidus peuvent s'accumuler sur la partie blanche interne située sous le capot de l'appareil HP Tout-en-un.

Pour nettoyer le fond blanc du capot

1. Mettez l'appareil hors tension, débranchez le cordon d'alimentation et soulevez le capot.
2. Nettoyez la partie blanche interne avec un tissu doux ou une éponge légèrement humidifiée avec du savon doux et de l'eau chaude.
Lavez délicatement l'intérieur du couvercle pour détacher les résidus. Evitez de frotter énergiquement.



3. Essuyez l'intérieur du couvercle à l'aide d'un chiffon sec, doux et non pelucheux.

△ **Attention** N'utilisez pas d'essuie-tout, au risque de rayer l'intérieur du couvercle.

4. Si le couvercle n'est toujours pas propre, répétez les étapes précédentes en utilisant de l'alcool isopropylique et essuyez bien le support avec un tissu humide pour éliminer les résidus d'alcool.

△ **Attention** Veillez à ne pas renverser d'alcool sur la vitre ou l'extérieur de l'appareil, cela risquerait d'endommager ce dernier.

5. Branchez le cordon d'alimentation, puis allumez l'appareil.


4 Dépannage et assistance

Ce chapitre contient des informations de dépannage relatives à l'appareil HP Tout-en-un. Il fournit notamment des renseignements sur les problèmes liés à l'installation, à la configuration et à certains aspects de l'utilisation. Pour plus d'informations sur le dépannage, consultez l'aide en ligne fournie avec votre logiciel.

De nombreux problèmes surviennent lorsque l'appareil HP Tout-en-un est connecté à l'ordinateur au moyen d'un câble USB alors que le logiciel correspondant n'est pas installé sur l'ordinateur. Si vous avez connecté l'appareil HP Tout-en-un à votre ordinateur avant d'avoir été invité à le faire par le biais de l'écran d'installation du logiciel, procédez comme suit :

Dépannage des problèmes courant rencontrés pendant l'installation

1. Débranchez le câble USB de l'ordinateur.
2. Désinstallez le logiciel (si vous l'avez déjà installé).
3. Redémarrez l'ordinateur.
4. Mettez l'appareil hors tension, attendez une minute, puis redémarrez-le.
5. Réinstallez le logiciel fourni avec l'appareil.

 **Attention** Ne branchez pas le câble USB avant d'y avoir été invité par le biais de l'écran d'installation du logiciel.


Pour plus d'informations pour contacter le support, reportez-vous à la troisième de couverture de ce guide.

Désinstallation et réinstallation du logiciel


Si l'installation est incomplète ou que vous avez connecté le câble USB à l'ordinateur avant d'y être invité par l'écran d'installation du logiciel, il peut être nécessaire de désinstaller, puis de réinstaller le logiciel. Ne supprimez pas simplement les fichiers de l'application de l'appareil HP Tout-en-un de votre ordinateur. Assurez-vous de les désinstaller à l'aide de l'utilitaire prévu à cet effet, lequel est fourni lors de l'installation du logiciel associé à l'appareil HP Tout-en-un.

Pour désinstaller, puis réinstaller le logiciel

1. Dans la barre des tâches de Windows, cliquez sur **Démarrer, Paramètres, Panneau de configuration** (ou seulement **Panneau de configuration**).
2. Double-cliquez sur l'icône **Ajouter/supprimer une imprimante** (ou cliquez sur **Désinstaller un programme**).
3. Sélectionnez l'entrée **Logiciel de pilote HP Photosmart tout-en-un** (HP Photosmart All-In-One Driver Software) et cliquez sur **Modifier/Supprimer**.
Suivez les instructions qui s'affichent à l'écran.
4. Déconnectez le produit de l'ordinateur.
5. Redémarrez l'ordinateur.

 **Remarque** Il est important de déconnecter l'appareil avant de redémarrer l'ordinateur. Ne connectez pas l'appareil à l'ordinateur avant d'avoir réinstallé le logiciel.

- Insérez le CD-ROM du produit dans le lecteur de CD-ROM de votre ordinateur, puis lancez le programme d'installation.

 **Remarque** Si le programme d'installation ne s'affiche pas, recherchez le fichier setup.exe sur le lecteur de CD-ROM, puis double-cliquez dessus.

Remarque Quand l'ordinateur est mis sous tension, un groupe de logiciels appelés programmes résidents (TSR - Terminate and Stay Resident) se charge automatiquement. Ces programmes activent certains utilitaires de l'ordinateur, tels que le logiciel antivirus, qui ne sont pas nécessaires au fonctionnement de l'ordinateur. Occasionnellement, les TSR empêchent le logiciel HP de se charger, si bien qu'il ne peut pas s'installer correctement. Sous Windows Vista et Windows XP, utilisez l'utilitaire MSCONFIG pour empêcher les programmes et les services TSR de démarrer.

- Suivez les instructions à l'écran et celles fournies dans le Guide de configuration livré avec le produit.

Une fois l'installation du logiciel terminée, l'icône **HP Digital Imaging Monitor** apparaît dans la barre d'état système de Windows.

Pour vous assurer que le logiciel est correctement installé, cliquez deux fois sur l'icône Centre de solutions HP sur le bureau. Si le Centre de solutions HP affiche les principales icônes (**Numériser image** et **Numériser document**), cela signifie que le logiciel a été correctement installé.

Dépannage concernant l'installation

Reportez-vous à cette section pour résoudre les problèmes rencontrés lors de la configuration de l'appareil HP Tout-en-un.

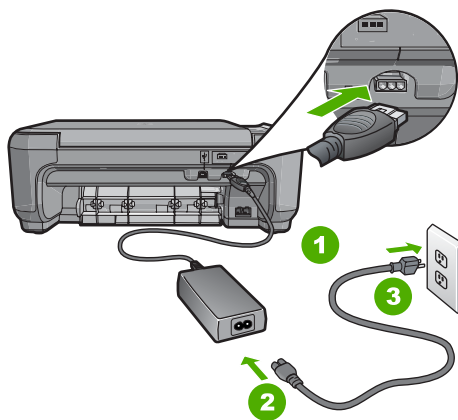
L'appareil ne s'allume pas.

Essayez les solutions suivantes si aucune indication n'est émise par un voyant, qu'aucun bruit n'est émis ou qu'aucun mouvement n'a lieu dans le produit lorsque vous mettez celui-ci sous tension.

Solution 1 : Assurez-vous que vous utilisez le cordon d'alimentation fourni avec le produit.

Solution

- Assurez-vous que le cordon d'alimentation est correctement branché au produit et à l'adaptateur d'alimentation. Branchez le cordon d'alimentation à une prise de courant, à un parasurtenseur ou à une prise multiple.



1 | Branchement de l'alimentation

2	Cordon d'alimentation et adaptateur secteur
3	Prise de courant

- Si vous utilisez une prise multiple, assurez-vous que l'interrupteur dont elle est équipée est sous tension. Vous pouvez aussi brancher le produit directement à une prise secteur.
- Testez la prise d'alimentation pour vérifier qu'elle est en bon état. Branchez un appareil dont vous êtes sûr du bon fonctionnement et vérifiez s'il est alimenté. Si ce n'est pas le cas, la prise d'alimentation est très certainement défectueuse.
- Si vous avez branché le produit sur une prise à interrupteur, assurez-vous que celui-ci est en position de marche. S'il est sous tension mais ne fonctionne toujours pas, il se peut que la prise de courant ait un problème.

Cause: Le produit n'était pas utilisé avec le cordon d'alimentation fourni.

Si le problème persiste, passez à la solution suivante.

Solution 2 : Réinitialisez le produit

Solution: Mettez le produit hors tension, puis débranchez le cordon d'alimentation.

Rebranchez le cordon d'alimentation, puis appuyez sur le bouton **Marche/arrêt** pour mettre le produit sous tension.

Cause: Le produit a généré une erreur.

Si le problème persiste, passez à la solution suivante.

Solution 3 : Appuyez sur le bouton Marche/arrêt une fois, plus lentement.

Solution: Il se peut que le produit ne réponde pas si vous appuyez trop rapidement sur le bouton **Marche/arrêt**. Appuyez sur le bouton **Marche/arrêt** une fois. Il faut parfois quelques minutes pour mettre le produit sous tension. Si vous appuyez à nouveau sur le bouton **Marche/arrêt** pendant cette période, vous risquez de mettre le produit hors tension.

△ **Attention** Si l'appareil ne parvient toujours pas à se mettre sous tension, il est peut-être en panne. Débranchez l'appareil de la prise de courant.

Contactez l'assistance HP pour la maintenance.

Consultez le site : www.hp.com/support. Si le système vous y invite, choisissez votre pays/région, puis cliquez sur **Contacteur HP** pour obtenir des informations sur les appels à l'assistance technique.

Cause: Vous avez appuyé sur le bouton **Marche/arrêt** trop vite.

Si le problème persiste, passez à la solution suivante.

Solution 4 : Contactez HP pour remplacer le bloc d'alimentation

Solution: Contactez l'Assistance HP afin de commander un bloc d'alimentation électrique pour le produit.

Rendez-vous sur le site : www.hp.com/support.

Si vous y êtes invité, sélectionnez votre pays/région, puis cliquez sur **Contacteur HP** pour savoir comment contacter l'assistance technique.

Cause: Le bloc d'alimentation n'était pas destiné à ce produit.

Si le problème persiste, passez à la solution suivante.

Solution 5 : Contactez l'Assistance HP pour la maintenance

Solution: Si vous avez procédé à toutes les étapes mentionnées dans les solutions précédentes et si le problème n'est toujours pas résolu, contactez le support HP pour obtenir une assistance.

Consultez le site : www.hp.com/support.

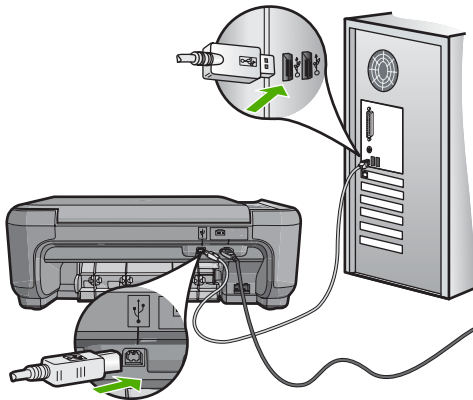
Si vous y êtes invité, sélectionnez votre pays/région, puis cliquez sur **Contacteur HP** pour contacter l'assistance technique.

Cause: Une assistance est peut-être nécessaire pour permettre le bon fonctionnement du produit ou du logiciel.

J'ai branché le câble USB mais je rencontre des problèmes d'utilisation du produit avec mon ordinateur

Solution: Vous devez installer le logiciel fourni avec l'appareil avant de brancher le câble USB. Durant l'installation, ne branchez pas le câble USB avant d'y être invité par les instructions affichées à l'écran.

Une fois le logiciel installé, il est très simple de connecter votre ordinateur à l'appareil via un câble USB. Branchez simplement une extrémité de ce dernier à l'arrière de l'ordinateur et l'autre à l'arrière de l'appareil. Vous pouvez effectuer la connexion sur n'importe quel port USB situé à l'arrière de votre ordinateur.



Pour plus d'informations sur l'installation du logiciel et la connexion du câble USB, reportez-vous au Guide de configuration fourni avec l'appareil.

Cause: Le câble USB a été connecté avant l'installation du logiciel. La connexion du câble USB avant que vous n'y soyez invité peut provoquer des erreurs.

L'appareil est configuré mais n'imprime pas

Solution: Si l'appareil et l'ordinateur ne communiquent pas l'un avec l'autre, procédez comme suit :

- Observez le voyant **Marche/arrêt** situé sur le produit. S'il n'est pas allumé, le produit est hors tension. Assurez-vous que le cordon d'alimentation est correctement connecté au produit et branché sur une prise de courant. Appuyez sur le bouton **Marche/arrêt** pour mettre le produit sous tension.
- Assurez-vous que les cartouches d'impression sont installées.
- Assurez-vous que le bac d'alimentation contient du papier.
- Vérifiez qu'aucun bourrage papier n'a eu lieu.
- Vérifiez que le chariot d'impression n'est pas bloqué.

Ouvrez la porte d'accès au chariot d'impression. Retirez les objets qui bloquent le chariot d'impression, y compris les éventuels matériaux d'emballage. Mettez l'appareil hors tension, puis remettez-le sous tension.

- Assurez-vous que la file d'attente de l'appareil n'est pas interrompue (Windows) ou arrêtée (Mac). Si c'est le cas, choisissez le paramètre approprié pour relancer l'impression. Pour plus d'informations sur l'accès à la file d'attente d'impression, consultez la documentation fournie avec le système d'exploitation installé sur votre ordinateur.
- Vérifiez le câble USB. Si vous utilisez un vieux câble, il se peut qu'il ne fonctionne pas correctement. Connectez-le à un autre appareil pour vérifier son bon fonctionnement. En cas de problème, vous devez remplacer le câble USB. Vérifiez que la longueur du câble ne dépasse pas 3 mètres.
- Vérifiez la connexion de l'appareil à l'ordinateur. Vérifiez que le câble USB est correctement branché sur le port USB situé à l'arrière de l'appareil. Assurez-vous que l'autre extrémité du câble USB est branchée à un port USB de votre ordinateur. Une fois le câble correctement branché, mettez l'appareil hors tension, puis à nouveau sous tension.
- Si l'appareil est connecté via un concentrateur USB, assurez-vous que ce dernier est sous tension. Le cas échéant, essayez de le connecter directement à l'ordinateur.
- Vérifiez les autres imprimantes ou numériseurs. Il se peut que vous deviez déconnecter les produits plus anciens de votre ordinateur.
- Essayez de brancher le câble USB à un autre port USB de votre ordinateur. Une fois les connexions vérifiées, redémarrez l'ordinateur. Éteignez l'appareil, puis rallumez-le.
- Si l'appareil est hors tension, éteignez-le puis rallumez-le. Lancez une tâche d'impression.
- Si nécessaire, désinstallez le logiciel fourni avec l'appareil et réinstallez-le.

Pour plus d'informations sur la configuration de l'appareil et sa connexion à votre ordinateur, reportez-vous au Guide de configuration fourni avec l'appareil.

Cause: Un incident lié à la communication entre l'appareil et l'ordinateur est survenu.

Dépannage de la configuration du télécopieur

Cette section contient des informations sur la résolution des problèmes de configuration de la fonction de télécopieur de l'appareil HP Tout-en-un. Si l'appareil HP Tout-en-un n'est pas configuré correctement pour la télécopie, vous risquez de rencontrer des problèmes lors de l'envoi ou de la réception de télécopies, voire les deux.

Le produit rencontre des difficultés pour envoyer et recevoir des télécopies

Pour résoudre ce problème, essayez de suivre les solutions ci-après : Les solutions sont indiquées dans l'ordre, la solution la plus probable étant indiquée en premier. Si la première solution n'a pas permis de résoudre le problème, essayez les solutions suivantes jusqu'à ce que vous soyez parvenu à solutionner l'incident.

Solution 1 : Configurez l'appareil en respectant la procédure indiquée dans la documentation imprimée.

Solution: Suivez les instructions fournies dans la documentation imprimée pour configurer l'appareil correctement pour la télécopie, selon les équipements et dispositifs inclus sur la même ligne téléphonique que l'appareil. Ensuite, lancez un test de télécopie pour vérifier l'état de l'appareil et vous assurer qu'il a été correctement configuré.

L'appareil imprime les résultats du test dans un rapport. Si le test échoue, consultez le rapport pour obtenir des informations sur la façon de résoudre le problème.

Cause: L'appareil n'a pas été correctement configuré pour la télécopie.

Si le problème persiste, passez à la solution suivante.


Solution 2 : Mettez l'appareil sous tension.

Solution: Regardez l'écran du produit. S'il n'affiche rien et que le voyant **Marche/arrêt** n'est pas allumé, le produit est hors tension. Assurez-vous que le cordon d'alimentation est correctement connecté au produit et branché sur une prise de courant. Appuyez sur le bouton **Marche/arrêt** pour mettre le produit sous tension.

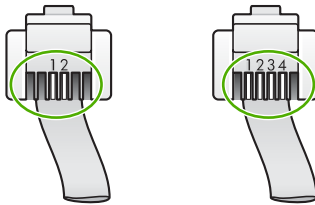
Cause: L'appareil est hors tension.
Si le problème persiste, passez à la solution suivante.

Solution 3 : Assurez-vous que vous utilisez un type de cordon téléphonique correct.

Solution

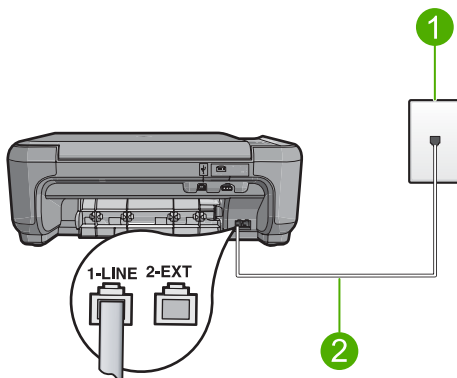
 **Remarque** Cette solution possible n'est valable que dans les pays et régions dans lesquels un cordon à 2 fils est fourni avec le produit : l'Amérique latine, l'Arabie Saoudite, l'Argentine, l'Australie, le Brésil, le Canada, le Chili, la Chine, la Colombie, la Corée, l'Espagne, les Etats-Unis, la Grèce, l'Inde, l'Indonésie, l'Irlande, le Japon, la Malaisie, le Mexique, les Philippines, la Pologne, le Portugal, la Russie, Singapour, Taïwan, la Thaïlande, le Venezuela et le Vietnam.

Il s'agit en effet d'un cordon spécial à 2 fils, différent des cordons téléphoniques habituels à 4 fils dont est peut-être équipé votre bureau. Examinez l'extrémité du cordon et comparez-la aux deux exemples représentés ci-dessous.



Vérifiez que vous utilisez le cordon téléphonique fourni avec l'appareil pour la connexion à la prise téléphonique murale.

L'une des extrémités de ce cordon spécial à 2 fils doit être connectée au port 1-LINE situé à l'arrière de l'appareil et l'autre à la prise téléphonique murale, comme illustré ci-dessous.



1	Prise téléphonique murale
2	Utilisez le cordon téléphonique fourni avec l'appareil

Si vous utilisez un cordon à 4 fils, débranchez-le, puis connectez le cordon à 2 fils au port 1-LINE situé à l'arrière de l'appareil.

Si un adaptateur pour cordon téléphonique à 2 fils est fourni avec l'appareil, vous pouvez l'utiliser avec un cordon à 4 fils pour le cas où le cordon à 2 fils fourni est trop court. Branchez l'adaptateur

pour cordon téléphonique à 2 fils sur le port 1-LINE situé à l'arrière de l'appareil. Branchez le cordon téléphonique à 4 fils sur le port ouvert de l'adaptateur et sur la prise téléphonique murale. Pour plus d'informations sur l'utilisation de l'adaptateur pour cordon téléphonique à 2 fils, reportez-vous à la documentation qui l'accompagne.


Pour plus d'informations concernant la configuration de l'appareil, consultez la documentation imprimée fournie.

Cause: Le cordon téléphonique utilisé pour connecter l'appareil n'est pas approprié ou est branché sur le mauvais port.

Si le problème persiste, passez à la solution suivante.

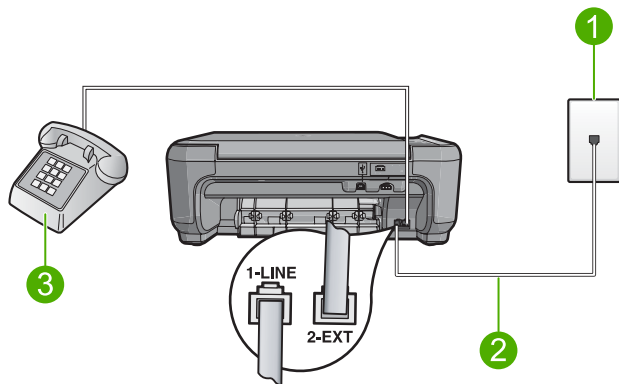
Solution 4 : Vérifiez que les autres appareils de votre lieu de travail sont connectés correctement

Solution

 **Remarque** Cette solution possible n'est valable que dans les pays et régions dans lesquels un cordon à 2 fils est fourni avec le produit : l'Amérique latine, l'Arabie Saoudite, l'Argentine, l'Australie, le Brésil, le Canada, le Chili, la Chine, la Colombie, la Corée, l'Espagne, les Etats-Unis, la Grèce, l'Inde, l'Indonésie, l'Irlande, le Japon, la Malaisie, le Mexique, les Philippines, la Pologne, le Portugal, la Russie, Singapour, Taïwan, la Thaïlande, le Venezuela et le Vietnam.

Assurez-vous que vous avez correctement branché l'appareil à la prise téléphonique murale et que vous avez connecté correctement tous les autres équipements et dispositifs utilisant la même ligne téléphonique.

Utilisez le port 1-LINE situé à l'arrière de l'appareil pour connecter ce dernier à la prise téléphonique murale. Utilisez le port 2-EXT pour connecter un autre dispositif, tel qu'un répondeur ou un téléphone, comme illustré ci-dessous.



- | | |
|---|--|
| 1 | Prise téléphonique murale |
| 2 | Utilisez le cordon téléphonique fourni avec l'appareil |
| 3 | Téléphone (facultatif) |

Pour plus d'informations concernant la configuration de l'appareil, consultez la documentation imprimée fournie.

Cause: Un autre dispositif de bureau (tel qu'un répondeur ou un téléphone) n'est pas configuré correctement avec l'appareil.

Si le problème persiste, passez à la solution suivante.

Solution 5 : Retirez le séparateur

Solution: L'utilisation d'un séparateur voix-données peut provoquer des problèmes de télécopie (un séparateur est un connecteur à deux fils qui se branche sur une prise téléphonique murale). Si vous en utilisez un, retirez-le puis connectez l'appareil directement à la prise téléphonique murale.

Cause: Vous utilisez un séparateur voix-données sur la ligne téléphonique.
Si le problème persiste, passez à la solution suivante.

Solution 6 : Assurez-vous que la prise téléphonique murale fonctionne correctement

Solution: Connectez un téléphone et un cordon en état de fonctionnement à la prise téléphonique murale utilisée pour l'appareil et vérifiez la présence d'une tonalité. Si vous n'entendez pas de tonalité, contactez votre opérateur téléphonique.

Cause: La prise téléphonique murale ne fonctionne pas correctement.
Si le problème persiste, passez à la solution suivante.

Solution 7 : Vérifiez que la ligne téléphonique ne produit pas d'interférences

Solution: Vous pouvez vérifier la qualité acoustique de la ligne téléphonique en branchant un téléphone sur la prise téléphonique murale et en écoutant les éventuels bruits de fond. Si le problème est dû à des interférences sur la ligne téléphonique, contactez l'expéditeur pour qu'il vous envoie à nouveau la télécopie. La qualité sera peut-être meilleure lorsque vous essayerez à nouveau. Si le problème persiste, désactivez le **Mode de correction des erreurs** (ECM) et contactez votre compagnie de téléphone.

Cause: La ligne téléphonique est perturbée par des interférences. Les lignes téléphoniques de mauvaise qualité acoustique (bruit) risquent de provoquer des problèmes de télécopie.
Si le problème persiste, passez à la solution suivante.


Solution 8 : Vérifiez qu'aucun téléphone secondaire ou dispositif utilisant la ligne téléphonique n'est en cours d'utilisation

Solution: Vérifiez que les téléphones secondaires (téléphones utilisant la même ligne téléphonique mais non connectés à l'appareil) ou d'autres dispositifs ne sont ni en cours d'utilisation, ni décrochés. Par exemple, vous ne pouvez pas utiliser la fonction de télécopie de l'appareil si un poste téléphonique secondaire est décroché ou si vous utilisez le modem de l'ordinateur pour accéder à Internet ou pour envoyer un message électronique.

Cause: Il est possible qu'un autre dispositif connecté à la même ligne téléphonique que l'appareil a été utilisé.
Si le problème persiste, passez à la solution suivante.

Solution 9 : Assurez-vous que l'appareil est connecté à une ligne téléphonique analogique

Solution: Veillez à connecter correctement l'appareil à une ligne téléphonique analogique, sans quoi vous ne pourrez ni envoyer ni recevoir de télécopies. Pour savoir si votre ligne téléphonique est numérique, branchez un téléphone analogique classique sur la ligne et vérifiez la présence d'une tonalité. Si la tonalité n'est pas normale, votre ligne téléphonique est probablement configurée pour des téléphones numériques. Connectez l'appareil à une ligne téléphonique analogique et essayez d'envoyer ou de recevoir une télécopie.

 **Remarque** Si vous n'êtes pas certain du type de ligne dont vous disposez (analogique ou numérique), contactez votre opérateur.

Cause: L'appareil a peut-être été branché à une prise téléphonique murale configurée pour des téléphones numériques.

Si le problème persiste, passez à la solution suivante.

Solution 10 : Si vous utilisez un service DSL, assurez-vous que le filtre correspondant est installé

Solution: Si vous utilisez un service DSL, assurez-vous d'avoir installé un filtre DSL, sans quoi vous ne pourrez pas utiliser la fonction de télécopie correctement. Le service DSL émet un signal numérique sur la ligne téléphonique pouvant interférer avec l'appareil et l'empêcher d'envoyer et de recevoir des télécopies. Le filtre supprime ce signal numérique et permet à l'appareil d'utiliser correctement la ligne téléphonique.


Pour vérifier si un filtre est déjà installé, écoutez la tonalité ou la numérotation de la ligne téléphonique. Si vous entendez du bruit sur la ligne téléphonique, cela signifie qu'aucun filtre n'est installé ou qu'il n'est pas installé correctement. Procurez-vous un filtre DSL auprès de votre fournisseur DSL. Si vous disposez déjà d'un filtre DSL, assurez-vous qu'il est connecté correctement.

Cause: L'appareil utilise la ligne téléphonique d'un service DSL et aucun filtre n'est branché. Si le problème persiste, passez à la solution suivante.

Solution 11 : Si vous utilisez un service DSL, assurez-vous que le modem DSL est correctement relié à la terre

Solution: Si le modem DSL n'est pas correctement relié à la terre, il peut provoquer des interférences sur la ligne téléphonique. Les lignes téléphoniques de mauvaise qualité acoustique (bruit) risquent de causer des problèmes de télécopie. Vous pouvez vérifier la qualité acoustique de la ligne téléphonique en branchant un téléphone sur la prise téléphonique murale et en écoutant les éventuels bruits de fond.


Si vous entendez des interférences, mettez le modem hors tension.

 **Remarque** Pour plus d'informations sur la mise hors tension du modem DSL, contactez votre fournisseur de services DSL.

Mettez le modem DSL hors tension pendant une durée minimale de 15 minutes, puis rallumez-le.

Écoutez de nouveau la tonalité.

- Si la tonalité est bien distincte (aucun bruit), vérifiez que vous pouvez envoyer ou recevoir une télécopie.

 **Remarque** Vous risquez d'entendre à nouveau du bruit sur la ligne téléphonique. Si le produit interrompt l'envoi et la réception de télécopies, recommencez cette procédure.

- Si le bruit de la ligne téléphonique persiste, contactez votre opérateur téléphonique.

Cause: L'appareil utilise la ligne téléphonique d'un service DSL et le modem DSL n'est pas correctement relié à la terre.

Si le problème persiste, passez à la solution suivante.

Solution 12 : Si vous utilisez un PBX ou un convertisseur RNIS, assurez-vous d'utiliser un port conçu pour un télécopieur ou un téléphone

Solution: Vérifiez que l'appareil est connecté à un port conçu pour un télécopieur ou un téléphone. Si possible, vérifiez également que l'adaptateur de terminal est défini sur le type de commutateur approprié pour votre pays/région.



Remarque Certains systèmes RNIS vous permettent de configurer les ports pour un équipement téléphonique spécifique. Par exemple, vous pouvez affecter un port au téléphone et à la télécopie Groupe 3 et un autre port à d'autres fonctions. Si vous avez des problèmes lors de la connexion de votre convertisseur RNIS au port de télécopie et de téléphonie, utilisez le port conçu pour plusieurs fonctionnements. Il est nommé "multi-combi" ou un terme similaire.

Pour plus d'informations sur la configuration de l'appareil avec un système téléphonique PBX ou une ligne RNIS, reportez-vous à la documentation imprimée fournie avec l'appareil.

Cause: Vous utilisez un PBX ou un convertisseur/adaptateur de terminal RNIS.

Si le problème persiste, passez à la solution suivante.

Solution 13 : Vérifiez si des messages d'erreurs s'affichent et, le cas échéant, résolvez-les

Solution: Vérifiez si un message d'erreur donnant des informations sur le problème rencontré et sur sa résolution s'affiche sur l'écran du panneau de commande ou de l'ordinateur. Si une erreur s'est produite, l'appareil ne peut ni envoyer ni recevoir de télécopie tant que cette erreur n'est pas corrigée.

Vous pouvez également vérifier l'état de l'appareil en cliquant sur **Etat** dans le Centre de solutions HP.

Cause: Un autre processus a provoqué une erreur de l'appareil.

Si le problème persiste, passez à la solution suivante.

Solution 14 : Réduisez la vitesse de télécopie

Solution: Vous devrez peut-être envoyer et recevoir des télécopies à une vitesse moins élevée. Essayez de régler le paramètre **Vitesse de télécopie** sur **Moyen (14400)** ou **Lent (9600)** si vous utilisez l'un des dispositifs suivants :

- Un service téléphonique via Internet
- Un système PBX
- Un protocole FoIP (télécopie sur Internet)
- Un service RNIS

Cause: La valeur du paramètre **Vitesse de télécopie** est trop élevée.

Si le problème persiste, passez à la solution suivante.

Solution 15 : Si vous envoyez une télécopie sur Internet par l'intermédiaire d'un téléphone IP, renvoyez la télécopie ultérieurement

Solution: Essayez à nouveau ultérieurement. Assurez-vous que votre fournisseur d'accès Internet prend en charge la télécopie sur Internet.

Si le problème persiste, contactez votre fournisseur d'accès.

Cause: Vous envoyez une télécopie sur Internet par l'intermédiaire d'un téléphone IP et un problème de transmission est survenu.

Le produit peut envoyer des télécopies, mais ne peut pas en recevoir

Pour résoudre ce problème, essayez de suivre les solutions ci-après : Les solutions sont indiquées dans l'ordre, la solution la plus probable étant indiquée en premier. Si la première solution n'a pas permis de résoudre le problème, essayez les solutions suivantes jusqu'à ce que vous soyez parvenu à solutionner l'incident.

Solution 1 : Configurez l'appareil en respectant la procédure indiquée dans la documentation imprimée.

Solution: Suivez les instructions fournies dans la documentation imprimée pour configurer l'appareil correctement pour la télécopie, selon les équipements et dispositifs inclus sur la même

ligne téléphonique que l'appareil. Ensuite, lancez un test de télécopie pour vérifier l'état de l'appareil et vous assurer qu'il a été correctement configuré.

L'appareil imprime les résultats du test dans un rapport. Si le test échoue, consultez le rapport pour obtenir des informations sur la façon de résoudre le problème.

Cause: L'appareil n'a pas été correctement configuré pour la télécopie.

Si le problème persiste, passez à la solution suivante.

Solution 2 : Vérifiez le paramètre de réponse automatique

Solution: En fonction de la configuration de votre bureau, vous pouvez configurer l'appareil pour qu'il réponde automatiquement aux appels entrants. Pour connaître le mode de réponse le plus adapté à la configuration de votre bureau, reportez-vous à la documentation imprimée fournie avec l'appareil.

Si vous devez désactiver **Réponse automatique**, appuyez sur les touches **Numériser/ télécopier** et **Démarrer la télécopie** pour recevoir une télécopie.

Cause: L'option **Réponse automatique** est désactivée, ce qui signifie que l'appareil ne répondra pas aux appels entrants. Vous devez pouvoir prendre personnellement les appels de télécopie entrants, sans quoi l'appareil ne peut pas recevoir de télécopies.

Si le problème persiste, passez à la solution suivante.

Solution 3 : Configurez l'appareil pour qu'il réponde manuellement aux télécopies.

Solution: Configurez l'appareil pour qu'il réponde manuellement aux télécopies. Vous ne pouvez pas recevoir de télécopies automatiquement si un service de messagerie vocale est actif sur le même numéro de téléphone que celui utilisé pour les appels de télécopie. Vous devez recevoir les télécopies manuellement, c'est-à-dire que vous devez pouvoir répondre personnellement aux appels de télécopie entrants.

Pour plus d'informations sur la configuration de l'appareil lorsque vous avez souscrit à un service de messagerie vocale, consultez la documentation imprimée fournie avec l'appareil.

Cause: Vous avez souscrit à un service de messagerie vocale utilisant le même numéro de téléphone que celui utilisé pour les appels de télécopie.

Si le problème persiste, passez à la solution suivante.

Solution 4 : Si vous disposez d'un modem utilisant la même ligne téléphonique que l'appareil, assurez-vous qu'il n'interfère pas avec le télécopieur

Solution: Si vous disposez d'un modem utilisant la même ligne téléphonique que l'appareil, assurez-vous que le logiciel fourni avec le modem n'est pas configuré pour recevoir automatiquement les télécopies. Les modems réglés pour recevoir les télécopies automatiquement sont prioritaires sur la ligne téléphonique pour recevoir tous les appels de télécopie entrants, ce qui empêche l'appareil de les recevoir.

Cause: Un modem est installé sur la même ligne téléphonique que l'appareil.

Si le problème persiste, passez à la solution suivante.

Solution 5 : Si vous disposez d'un répondeur utilisant la même ligne téléphonique que l'appareil, enregistrez une nouvelle annonce

Solution: Déconnectez le répondeur et essayez de recevoir une télécopie. Si la télécopie fonctionne correctement lorsque le répondeur est déconnecté, ce dernier peut être la cause du problème. Reconnectez le répondeur et enregistrez à nouveau votre annonce.

- L'annonce doit être d'une durée approximative de 10 secondes.
- Parlez lentement et doucement lorsque vous enregistrez l'annonce.
- A la fin du message, laissez un silence d'au moins 5 secondes
- Il ne doit pas y avoir de bruit de fond lors de l'enregistrement de ce silence.


Cause: Si vous disposez d'un répondeur utilisant la même ligne téléphonique que l'appareil, l'un des problèmes suivants peut être survenu :

- Il se peut que votre annonce soit trop longue ou trop forte pour que l'appareil puisse détecter les tonalités de télécopie, ce qui peut provoquer la déconnexion du télécopieur émetteur.
- Il est possible que la période de silence suivant l'annonce de votre répondeur soit trop courte pour permettre à l'appareil de détecter les tonalités de télécopie. Ce problème affecte principalement les répondeurs téléphoniques numériques.

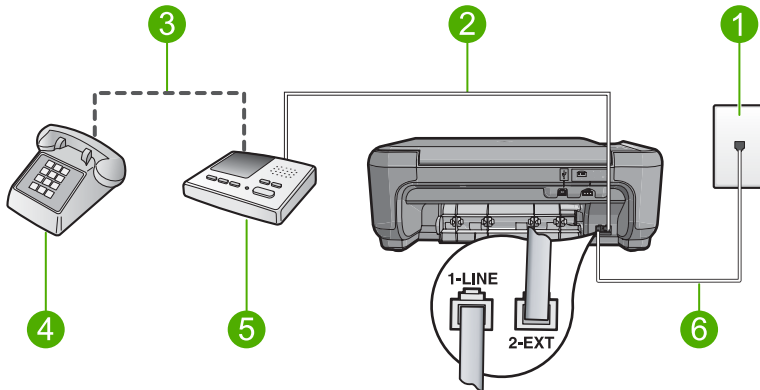
Si le problème persiste, passez à la solution suivante.

Solution 6 : Si vous disposez d'un répondeur utilisant la même ligne téléphonique que l'appareil, assurez-vous qu'il est connecté au port approprié

Solution

 **Remarque** Cette solution possible n'est valable que dans les pays et régions dans lesquels un cordon à 2 fils est fourni avec le produit : l'Amérique latine, l'Arabie Saoudite, l'Argentine, l'Australie, le Brésil, le Canada, le Chili, la Chine, la Colombie, la Corée, l'Espagne, les Etats-Unis, la Grèce, l'Inde, l'Indonésie, l'Irlande, le Japon, la Malaisie, le Mexique, les Philippines, la Pologne, le Portugal, la Russie, Singapour, Taïwan, la Thaïlande, le Venezuela et le Vietnam.

Lorsqu'un répondeur utilise la même ligne téléphonique que celle utilisée pour les appels de télécopie, vous devez le connecter directement à l'appareil via le port 2-EXT, comme illustré ci-dessous. Vous devez également définir le nombre de sonneries avant réponse sur le répondeur et sur l'appareil.



1	Prise téléphonique murale
2	Connexion au port d'entrée du répondeur
3	Connexion au port de sortie du répondeur
4	Téléphone (facultatif)
5	Répondeur
6	Utilisez le cordon téléphonique fourni avec l'appareil

Assurez-vous que l'appareil est configuré pour recevoir les télécopies automatiquement et que le paramètre correspondant au nombre de sonneries avant réponse est correct. Sur l'appareil, ce nombre doit être supérieur à celui indiqué sur le répondeur. Définissez un nombre de sonneries peu élevé sur le répondeur et le nombre de sonneries maximal prévu sur l'appareil (le nombre maximal de sonneries varie selon le pays/la région). Avec cette configuration, le

répondeur prend l'appel et l'appareil surveille la ligne. Lorsque l'appareil détecte une tonalité de télécopie, il reçoit la télécopie. S'il s'agit d'une communication vocale, le répondeur enregistre le message entrant.


Pour plus d'informations concernant la configuration de l'appareil, consultez la documentation imprimée fournie.

Cause: Le répondeur n'a pas été configuré correctement vis-à-vis de l'appareil.

Si le problème persiste, passez à la solution suivante.

Solution 7 : Si vous utilisez un service de sonnerie distincte, assurez-vous que le paramètre Sonnerie distincte correspond à la sonnerie configurée pour le numéro du télécopieur

Solution: Si vous disposez d'un type de sonnerie particulier pour votre numéro de télécopieur/téléphone (service de sonnerie distincte fourni par votre opérateur téléphonique), assurez-vous que le paramètre **Sonneries distinctes** de l'appareil a été configuré de façon appropriée. Par exemple, si votre opérateur téléphonique a attribué une sonnerie double à votre numéro de télécopie, vérifiez que l'option **Sonneries doubles** a été choisie en tant que paramètre de l'option **Sonneries distinctes**.

 **Remarque** Le produit ne reconnaît pas certaines sonneries, notamment celles faisant alterner des sonneries courtes et des sonneries prolongées. Si vous rencontrez des difficultés du fait d'une sonnerie de ce type, demandez à votre opérateur téléphonique de vous affecter une sonnerie qui ne soit pas alternative.

Si vous n'utilisez pas de service de sonnerie distincte, assurez-vous que le paramètre **Sonneries distinctes** de l'appareil est réglé sur **Toutes sonneries**.

Cause: Vous disposez d'un type de sonnerie particulier pour votre numéro de télécopie/téléphone (service de sonnerie distincte fourni par votre opérateur téléphonique) et le paramètre **Sonneries distinctes** de l'appareil ne correspond pas.

Si le problème persiste, passez à la solution suivante.

Solution 8 : Si vous n'utilisez pas un service de sonnerie distincte, assurez-vous que le paramètre Sonnerie distincte a la valeur correspondant à toutes les sonneries

Solution: Si vous n'utilisez pas de service de sonnerie distincte, assurez-vous que le paramètre **Sonneries distinctes** de l'appareil est réglé sur **Toutes sonneries**.

Cause: Le paramètre **Sonneries distinctes** n'est pas réglé sur **Toutes sonneries** (et vous n'utilisez pas de service de sonnerie distincte).

Si le problème persiste, passez à la solution suivante.

Solution 9 : Assurez-vous qu'aucun autre dispositif utilisant la ligne téléphonique ne réduit le signal du télécopieur

Solution: Si l'appareil partage la ligne téléphonique avec d'autres types de dispositifs téléphoniques, tels qu'un répondeur, un modem ou une boîte de commutation à plusieurs ports, le niveau du signal de télécopie peut être réduit. Le niveau du signal peut également être réduit si vous utilisez un séparateur ou si vous connectez des câbles supplémentaires pour rallonger

le câble téléphonique. Un signal réduit peut provoquer des problèmes lors de la réception d'une télécopie.

- Si vous utilisez un séparateur ou des rallonges, retirez-les et connectez l'appareil directement à la prise téléphonique murale.
- Pour déterminer si un autre dispositif est à l'origine du problème, déconnectez tous ceux (à l'exception de l'appareil) qui sont connectés à la ligne téléphonique et essayez de recevoir une télécopie. Si vous parvenez à recevoir des télécopies une fois les autres dispositifs déconnectés, c'est que l'un d'eux au moins est à l'origine du problème. Rebranchez-les un par un et essayez de recevoir une télécopie après chaque branchement afin d'identifier le dispositif qui pose problème.

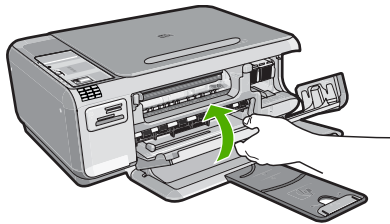
Cause: Le niveau du signal de télécopie n'est peut-être pas suffisamment élevé, ce qui peut entraîner des problèmes de réception de télécopie.

Si le problème persiste, passez à la solution suivante.

Solution 10 : Videz la mémoire de l'appareil

Solution: Si l'option **Réception sauvegarde télécopies** est activée et si une erreur s'est produite au niveau de l'appareil, la mémoire peut être saturée de télécopies non imprimées, auquel cas l'appareil cesse de répondre aux appels. Si une erreur empêche l'appareil d'imprimer des télécopies, consultez l'écran pour obtenir des informations sur cette erreur. Vérifiez les points suivants :

- L'appareil est configuré correctement pour la télécopie. Pour plus d'informations, reportez-vous à la documentation imprimée.
- Le bac d'alimentation contient du papier.
- Aucun bourrage papier ne s'est produit.
- Le capot d'accès aux cartouches d'impression est fermé. Dans le cas contraire, fermez-le comme illustré ci-dessous :



- Le chariot d'impression n'est pas bloqué. Mettez l'appareil hors tension, retirez tout objet bloquant le chariot d'impression (y compris les matériaux d'emballage), puis remettez l'appareil sous tension.

Résolvez tous les problèmes rencontrés. L'appareil commence automatiquement l'impression de toutes les télécopies non imprimées qui sont stockées en mémoire. Pour vider la mémoire, vous pouvez également supprimer les télécopies en mémoire en mettant l'appareil hors tension.

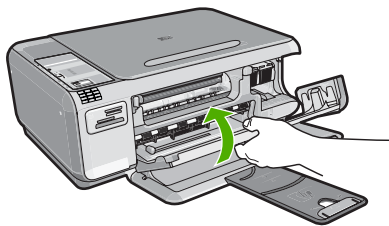
Cause: La mémoire de l'appareil est saturée.

Si le problème persiste, passez à la solution suivante.

Solution 11 : Vérifiez si l'écran affiche des messages d'erreur

Solution: Si une erreur empêche l'appareil d'imprimer des télécopies, consultez l'écran pour obtenir des informations sur cette erreur. Vérifiez les points suivants :

- L'appareil est allumé. Appuyez sur le bouton **Marche/arrêt** pour mettre l'appareil sous tension.
- L'appareil est configuré correctement pour la télécopie. Pour plus d'informations, reportez-vous à la documentation imprimée.
- Le bac d'alimentation contient du papier.
- Aucun bourrage papier ne s'est produit.
- Le chariot d'impression n'est pas bloqué. Mettez l'appareil hors tension, retirez tout objet bloquant le chariot d'impression (y compris les matériaux d'emballage), puis remettez l'appareil sous tension.
- Le capot d'accès aux cartouches d'impression est fermé. Dans le cas contraire, fermez-le comme illustré ci-dessous :



Remarque Si l'appareil affiche un message d'alignement, vous pouvez appuyer sur le bouton situé à côté de **OK** pour effacer le message et reprendre la télécopie.

L'appareil sera en mesure de répondre aux appels de télécopie entrants dès que vous aurez résolu les problèmes rencontrés.

Cause: Une erreur empêche l'appareil de recevoir des télécopies et le paramètre **Réception sauvegarde télécopies** est réglé sur **Désactiver**.

Des tonalités de télécopie sont enregistrées sur mon répondeur téléphonique

Pour résoudre ce problème, essayez de suivre les solutions ci-après : Les solutions sont indiquées dans l'ordre, la solution la plus probable étant indiquée en premier. Si la première solution n'a pas permis de résoudre le problème, essayez les solutions suivantes jusqu'à ce que vous soyez parvenu à solutionner l'incident.

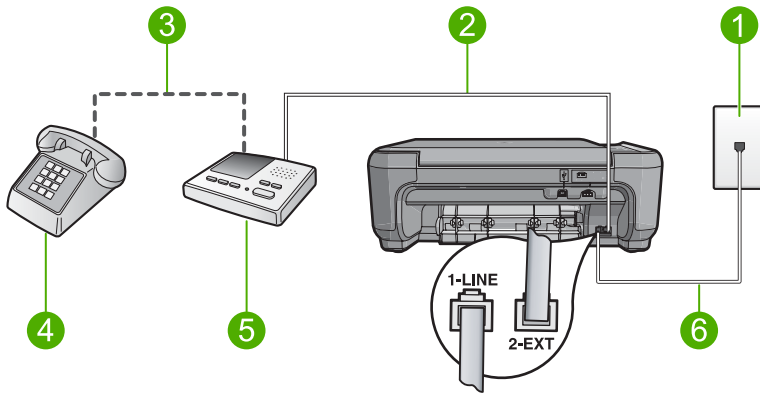
Solution 1 : Assurez-vous que le répondeur est connecté au port approprié

Solution



Remarque Cette solution possible n'est valable que dans les pays et régions dans lesquels un cordon à 2 fils est fourni avec le produit : l'Amérique latine, l'Arabie Saoudite, l'Argentine, l'Australie, le Brésil, le Canada, le Chili, la Chine, la Colombie, la Corée, l'Espagne, les Etats-Unis, la Grèce, l'Inde, l'Indonésie, l'Irlande, le Japon, la Malaisie, le Mexique, les Philippines, la Pologne, le Portugal, la Russie, Singapour, Taïwan, la Thaïlande, le Venezuela et le Vietnam.

Lorsqu'un répondeur utilise la même ligne téléphonique que celle utilisée pour les appels de télécopie, vous devez le connecter directement à l'appareil via le port 2-EXT, comme illustré ci-dessous.



1	Prise téléphonique murale
2	Connexion au port d'entrée du répondeur
3	Connexion au port de sortie du répondeur
4	Téléphone (facultatif)
5	Répondeur
6	Utilisez le cordon téléphonique fourni avec l'appareil

Assurez-vous que l'appareil est configuré pour recevoir les télécopies automatiquement et que le paramètre correspondant au nombre de sonneries avant réponse est correct. Sur l'appareil, ce nombre doit être supérieur à celui indiqué sur le répondeur. Si le nombre de sonneries avant réponse est le même sur le répondeur et sur l'appareil, les deux périphériques répondent aux appels et les tonalités de télécopie sont enregistrées sur le répondeur.

Définissez un nombre de sonneries peu élevé sur le répondeur et le nombre de sonneries maximal prévu sur l'appareil (le nombre maximal de sonneries varie selon le pays/la région). Avec cette configuration, le répondeur prend l'appel et l'appareil surveille la ligne. Lorsque l'appareil détecte une tonalité de télécopie, il reçoit la télécopie. S'il s'agit d'une communication vocale, le répondeur enregistre le message entrant.

Pour plus d'informations sur la configuration de l'appareil avec un répondeur téléphonique, consultez la documentation imprimée fournie avec l'appareil.

Cause: Le répondeur n'a pas été configuré correctement vis-à-vis de l'appareil, ou le paramètre correspondant au nombre de sonneries avant réponse n'est pas correct. Si le problème persiste, passez à la solution suivante.

Solution 2 : Configurez l'appareil pour qu'il réponde automatiquement aux télécopies.

Solution: Pour configurer l'appareil de sorte qu'il réponde automatiquement aux appels entrants, activez **Réponse automatique**. Si cette option est désactivée, l'appareil ne surveille pas les appels entrants et ne reçoit pas les télécopies. Dans ce cas, le répondeur prend l'appel et enregistre les tonalités de télécopie.

Pour plus d'informations sur la configuration de l'appareil avec un répondeur téléphonique, consultez la documentation imprimée fournie avec l'appareil.

Cause: L'appareil est configuré pour recevoir des télécopies manuellement, ce qui signifie qu'il ne répond pas aux appels entrants. Vous devez pouvoir répondre personnellement aux appels de télécopie entrants, sans quoi l'appareil ne reçoit pas la télécopie et votre répondeur enregistre les tonalités de télécopie.

Le produit ne peut pas envoyer de télécopies, mais peut en recevoir

Pour résoudre ce problème, essayez de suivre les solutions ci-après : Les solutions sont indiquées dans l'ordre, la solution la plus probable étant indiquée en premier. Si la première solution n'a pas permis de résoudre le problème, essayez les solutions suivantes jusqu'à ce que vous soyez parvenu à solutionner l'incident.

Solution 1 : Configurez l'appareil en respectant la procédure indiquée dans la documentation imprimée.

Solution: Suivez les instructions fournies dans la documentation imprimée pour configurer l'appareil correctement pour la télécopie, selon les équipements et dispositifs inclus sur la même ligne téléphonique que l'appareil. Ensuite, lancez un test de télécopie pour vérifier l'état de l'appareil et vous assurer qu'il a été correctement configuré.

L'appareil imprime les résultats du test dans un rapport. Si le test échoue, consultez le rapport pour obtenir des informations sur la façon de résoudre le problème.

Cause: L'appareil n'a pas été correctement configuré pour la télécopie.

Si le problème persiste, passez à la solution suivante.

Solution 2 : Vérifiez le numéro du télécopieur

Solution: Assurez-vous que le numéro de télécopie que vous avez composé est correct et que vous avez utilisé le format approprié. Par exemple, vous devez peut-être composer le préfixe "0", en fonction de votre système téléphonique.

Si votre ligne téléphonique est équipée d'un système PBX, vérifiez que vous composez bien le numéro de la ligne extérieure avant celui de la télécopie.

Cause: Le numéro que vous avez composé pour envoyer la télécopie n'a pas le format approprié.

Si le problème persiste, passez à la solution suivante.

Solution 3 : composez le numéro plus lentement

Solution: Insérez des pauses lorsque vous composez le numéro. Par exemple, si vous devez accéder à une ligne extérieure avant de composer le numéro, insérez une pause après le numéro d'accès. Si vous souhaitez composer le numéro 95555555, le 9 permettant d'accéder à la ligne extérieure, vous pouvez insérer des pauses de la façon suivante : 9-555-5555. Pour insérer une pause lors de la composition du numéro de télécopie, appuyez sur les symboles du pavé numérique (indiqués par un **astérisque**) jusqu'à ce qu'un tiret (-) s'affiche à l'écran.

Vous pouvez également envoyer la télécopie via la fonction de numérotation supervisée. Ainsi, vous pourrez écouter la ligne téléphonique au cours de la numérotation. Vous pouvez définir la vitesse de numérotation et répondre aux messages au cours de la numérotation.

Cause: L'appareil procède trop vite ou trop tôt à la numérotation.

Si le problème persiste, passez à la solution suivante.

Solution 4 : Vérifiez qu'aucun incident n'est survenu au niveau du télécopieur destinataire

Solution: Essayez d'appeler ce télécopieur depuis un téléphone et vérifiez si vous entendez une tonalité de télécopie. Si vous n'entendez pas de tonalité, ce télécopieur peut être éteint ou déconnecté. Il se peut également qu'un service de messagerie vocale interfère avec la ligne téléphonique du destinataire. Vous pouvez également demander au destinataire de vérifier si son télécopieur fonctionne correctement.

Cause: Le télécopieur du destinataire ne fonctionne pas correctement.

Le test de télécopie a échoué

Si vous avez essayé d'exécuter le test de télécopie sur votre ordinateur et que le test a échoué, le produit est peut-être en train d'effectuer une autre tâche ou une erreur empêche peut-être l'appareil d'exécuter le test de télécopie.

Éléments à vérifier

- Le produit est configuré correctement, relié à une prise électrique et connecté à votre ordinateur. Pour plus d'informations concernant la configuration du produit, consultez le Guide de configuration fourni avec le produit.
- Le produit est sous tension. Dans le cas contraire, appuyez sur le bouton **Marche/arrêt** pour activer le produit.
- Les cartouches d'impression sont installées correctement, le chariot de cartouches d'impression n'est pas bloqué et la porte d'accès aux cartouches d'impression est bien fermée.
- Le produit n'est pas occupé par une autre tâche telle que l'alignement de l'imprimante. Vérifiez l'affichage. Si le produit est occupé, attendez qu'il ait terminé la tâche en cours et lancez à nouveau le test de télécopie.
- La porte arrière est fixée à l'arrière du produit.
- Aucun message d'erreur ne s'affiche à l'écran. Si un message d'erreur apparaît, corrigez le problème et réexécutez le test de télécopie.

Si vous exécutez le test de télécopie et que le produit signale l'échec du test, lisez attentivement les informations suivantes pour corriger les problèmes liés à la configuration de la fonction de télécopie. Différentes parties du test de télécopie peuvent échouer pour des raisons diverses.

Le test matériel du télécopieur a échoué

Solution

- Mettez l'appareil hors tension à l'aide du bouton **Marche/arrêt** situé sur le panneau de commande, puis débranchez le cordon d'alimentation de l'arrière de l'appareil. Patientez quelques secondes, puis rebranchez le cordon d'alimentation et mettez l'appareil sous tension. Effectuez de nouveau le test. Si le test échoue une nouvelle fois, consultez les informations de dépannage de cette section.



Remarque En fonction de la durée de déconnexion du produit, la date et l'heure peuvent être effacées. Vous devez peut-être réinitialiser la date et l'heure ultérieurement, lorsque vous rebrancherez le cordon d'alimentation.

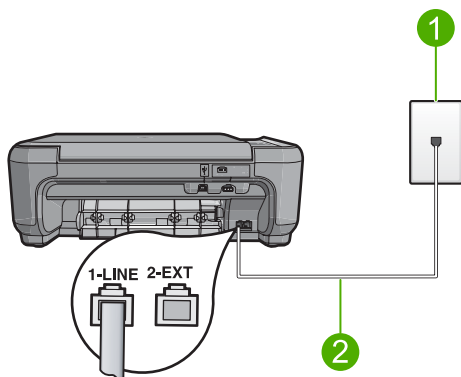
- Essayez d'envoyer ou de recevoir une télécopie de test. Si vous parvenez à envoyer ou à recevoir une télécopie, il n'y a peut-être pas de problème.
- Si vous exécutez le test à partir de l'**Assistant de configuration du télécopieur**, assurez-vous que l'appareil n'est pas en train d'effectuer une autre tâche, telles que la réalisation d'une copie. Vérifiez si un message s'affiche sur l'écran indiquant que le périphérique est occupé. Si c'est le cas, attendez que la tâche en cours soit terminée et que l'appareil soit en veille avant d'exécuter le test.

Après avoir résolu les problèmes rencontrés, réexécutez le test du télécopieur afin de vous assurer qu'il est réussi et que l'appareil est prêt pour la télécopie. Si l'échec de **Test matériel du télécopieur** persiste et si des problèmes de télécopie surviennent, contactez l'assistance HP. Reportez-vous à la section www.hp.com/support. Si vous y êtes invité, sélectionnez votre pays/région, puis cliquez sur **Contacteur HP** pour savoir comment contacter le centre d'assistance.

Echec du test de connexion du télécopieur à la prise téléphonique murale active

Solution

- Vérifiez la connexion entre la prise téléphonique murale et l'appareil afin de vous assurer que le cordon téléphonique est correctement branché.
- Assurez-vous d'utiliser le cordon téléphonique fourni avec l'appareil. Si vous n'utilisez pas le cordon téléphonique fourni pour établir la connexion entre la prise téléphonique murale et l'appareil, vous risquez de ne pas pouvoir envoyer ni recevoir de télécopies. Une fois que vous avez branché le cordon téléphonique fourni avec l'appareil, exécutez à nouveau le test du télécopieur.
- Assurez-vous d'avoir correctement branché l'appareil à la prise téléphonique murale. Utilisez le cordon téléphonique fourni avec l'appareil. Connectez l'une de ses extrémités à la prise murale et l'autre au port 1-LINE situé à l'arrière de l'appareil. Pour plus d'informations sur la configuration de l'appareil pour la télécopie, reportez-vous à la documentation imprimée.



1	Prise téléphonique murale
2	Utilisez le cordon téléphonique fourni avec l'appareil

- L'utilisation d'un séparateur voix-données peut provoquer des problèmes de télécopie. (un séparateur est un connecteur à deux fils qui se branche sur une prise téléphonique murale). Otez le séparateur et essayez de connecter l'appareil directement sur la prise téléphonique murale.
- Connectez un téléphone et un cordon en état de fonctionnement à la prise téléphonique murale utilisée pour l'appareil et vérifiez la présence d'une tonalité. Si vous n'entendez pas la tonalité, contactez votre opérateur téléphonique et demandez que votre ligne téléphonique soit vérifiée.
- Essayez d'envoyer ou de recevoir une télécopie de test. Si vous parvenez à envoyer ou à recevoir une télécopie, il n'y a peut-être pas de problème.


Après avoir résolu les problèmes rencontrés, réexécutez le test du télécopieur afin de vous assurer qu'il est réussi et que l'appareil est prêt pour la télécopie.

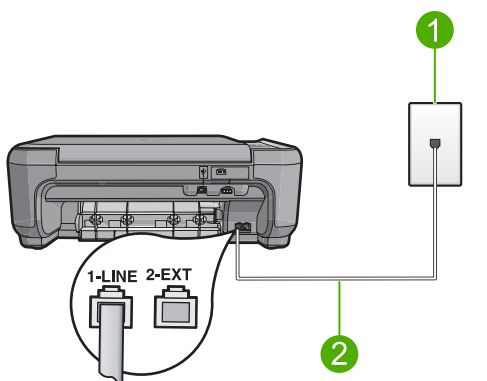
Echec du test de connexion du cordon au port du télécopieur

Solution: Branchez le cordon téléphonique dans le port approprié.

Pour brancher le cordon téléphonique au port approprié

1. Utilisez le cordon téléphonique fourni avec le produit : connectez l'une des extrémités à votre prise téléphonique murale et l'autre au port 1-LINE situé à l'arrière du produit.

 **Remarque** Si vous utilisez le port 2-EXT pour la connexion à la prise téléphonique murale, vous ne pourrez ni envoyer ni recevoir de télécopies. En effet, le port 2-EXT est réservé à la connexion d'autres équipements, comme un répondeur ou un téléphone.



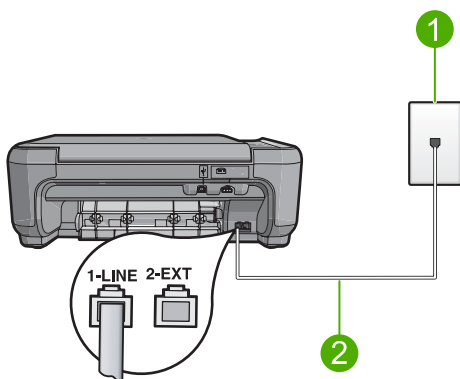
- | | |
|---|--|
| 1 | Prise téléphonique murale |
| 2 | Utilisez le cordon téléphonique fourni avec le produit |

2. Après avoir connecté le cordon téléphonique au port 1-LINE, réexécutez le test du télécopieur afin de vous assurer qu'il réussit et que le produit est prêt pour la télécopie.
3. Essayez d'envoyer ou de recevoir une télécopie de test.

Echec du test d'utilisation d'un type de cordon téléphonique approprié avec le télécopieur

Solution

- Vérifiez que vous utilisez le cordon téléphonique fourni avec l'appareil pour la connexion à la prise téléphonique murale. L'une des extrémités du cordon doit être connectée au port 1-LINE situé à l'arrière de l'appareil et l'autre à la prise téléphonique murale, comme illustré ci-dessous.



- | | |
|---|---------------------------|
| 1 | Prise téléphonique murale |
|---|---------------------------|

- Vérifiez la connexion entre la prise téléphonique murale et l'appareil afin de vous assurer que le cordon téléphonique est correctement branché.

Echec du test d'état de la ligne de télécopie

Solution

- Veillez à connecter correctement l'appareil à une ligne téléphonique analogique, sans quoi vous ne pourrez ni envoyer ni recevoir de télécopies. Pour vérifier si votre ligne téléphonique est numérique, branchez un téléphone analogique classique sur la ligne et vérifiez la présence d'une tonalité. Si la tonalité n'est pas normale, votre ligne téléphonique est probablement configurée pour des téléphones numériques. Connectez l'appareil à une ligne téléphonique analogique et essayez d'envoyer ou de recevoir une télécopie.
- Vérifiez la connexion entre la prise téléphonique murale et l'appareil afin de vous assurer que le cordon téléphonique est correctement branché.
- Assurez-vous d'avoir correctement branché l'appareil à la prise téléphonique murale. Utilisez le cordon téléphonique fourni avec l'appareil. Connectez l'une de ses extrémités à la prise murale et l'autre au port 1-LINE situé à l'arrière de l'appareil. Pour plus d'informations concernant la configuration de télécopie de l'appareil, consultez la documentation imprimée fournie.
- L'échec du test peut être dû à la présence d'autres dispositifs connectés à la même ligne téléphonique que l'appareil. Pour vérifier si c'est le cas, débranchez tout dispositif de la prise téléphonique (à l'exception de l'appareil) et exécutez le test à nouveau.
 - Si le **Test de condition de la ligne de télécopie** réussit alors qu'aucun autre dispositif n'est branché, c'est qu'un ou plusieurs dispositifs sont à l'origine du problème. Rebranchez-les un par un et exécutez le test après chaque branchement afin d'identifier le dispositif qui pose problème.
 - Si le **Test de condition de la ligne de télécopie** échoue alors que l'autre dispositif n'est pas branché, connectez l'appareil à une ligne téléphonique en état de fonctionnement et continuez à lire les informations de dépannage figurant dans cette section.
- L'utilisation d'un séparateur voix-données peut provoquer des problèmes de télécopie. (un séparateur est un connecteur à deux fils qui se branche sur une prise téléphonique murale). Otez le séparateur et essayez de connecter l'appareil directement sur la prise téléphonique murale.

Après avoir résolu les problèmes rencontrés, réexécutez le test du télécopieur afin de vous assurer qu'il est réussi et que l'appareil est prêt pour la télécopie. Si le **Test de condition de la ligne de télécopie** échoue à nouveau et si vous rencontrez des problèmes de télécopie, contactez votre opérateur téléphonique et demandez-lui de vérifier la ligne téléphonique.

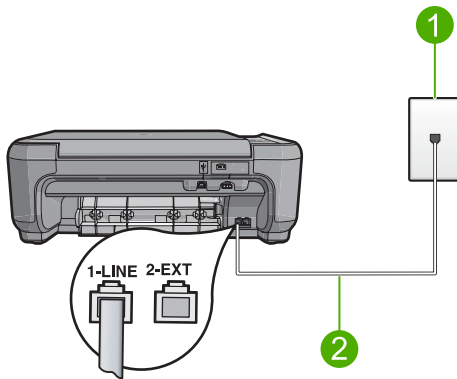


Remarque Si vous n'êtes pas certain du type de ligne dont vous disposez (analogique ou numérique), contactez votre opérateur.

Echec du test de détection de tonalité

Solution

- L'échec du test peut être dû à la présence d'autres dispositifs connectés à la même ligne téléphonique que l'appareil. Pour vérifier si c'est le cas, débranchez tout dispositif de la prise téléphonique (à l'exception de l'appareil) et exécutez le test à nouveau. Si le **Test de détection de la tonalité** réussit alors que l'autre dispositif n'est pas branché, cela signifie qu'un ou plusieurs des éléments ce dispositif sont à l'origine du problème. Rebranchez-les un par un et exécutez le test après chaque branchement afin d'identifier l'élément posant problème.
- Connectez un téléphone et un cordon en état de fonctionnement à la prise téléphonique murale utilisée pour l'appareil et vérifiez la présence d'une tonalité. Si vous n'entendez pas de tonalité, contactez votre opérateur téléphonique et demandez-lui de vérifier la ligne.
- Assurez-vous d'avoir correctement branché l'appareil à la prise téléphonique murale. Utilisez le cordon téléphonique fourni avec l'appareil. Connectez l'une de ses extrémités à la prise murale et l'autre au port 1-LINE situé à l'arrière de l'appareil. Pour plus d'informations concernant la configuration de télécopie de l'appareil, consultez la documentation imprimée fournie.



1	Prise téléphonique murale
2	Utilisez le cordon téléphonique fourni avec l'appareil

- L'utilisation d'un séparateur voix-données peut provoquer des problèmes de télécopie. (un séparateur est un connecteur à deux fils qui se branche sur une prise téléphonique murale). Otez le séparateur et essayez de connecter l'appareil directement sur la prise téléphonique murale.
- Si votre système téléphonique n'utilise pas une tonalité standard, ce qui est le cas de certains systèmes PBX, cela peut provoquer l'échec du test. Cela ne perturbera pas l'envoi ni la réception de télécopies. Essayez d'envoyer ou de recevoir une télécopie de test.

- Vérifiez que le paramètre défini pour le pays/la région correspond à votre pays/région. Si ce paramètre n'est pas défini ou que son réglage est incorrect, le test peut échouer et vous risquez d'avoir du mal à envoyer et à recevoir des télécopies.
- Veillez à connecter correctement l'appareil à une ligne téléphonique analogique, sans quoi vous ne pourrez ni envoyer ni recevoir de télécopies. Pour vérifier si votre ligne téléphonique est numérique, branchez un téléphone analogique classique sur la ligne et vérifiez la présence d'une tonalité. Si la tonalité n'est pas normale, votre ligne téléphonique est probablement configurée pour des téléphones numériques. Connectez l'appareil à une ligne téléphonique analogique et essayez d'envoyer ou de recevoir une télécopie.



Remarque Si vous n'êtes pas certain du type de ligne dont vous disposez (analogique ou numérique), contactez votre opérateur.

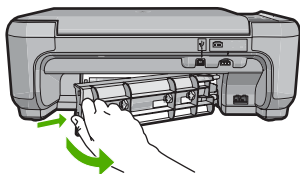
Après avoir résolu les problèmes rencontrés, réexécutez le test du télécopieur afin de vous assurer qu'il est réussi et que l'appareil est prêt pour la télécopie. Si le **Test de détection de la tonalité** échoue à nouveau, contactez votre opérateur téléphonique et demandez-lui de vérifier la ligne.

Élimination de bourrages papier

En cas de bourrage papier, vérifiez d'abord la porte arrière. Il peut être nécessaire d'éliminer un bourrage papier par la trappe d'accès arrière

Pour éliminer un bourrage papier à partir de la porte arrière

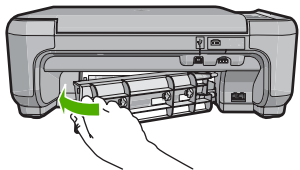
1. Appuyez sur le loquet situé à gauche de la trappe d'accès arrière afin de la libérer. Retirez la porte en l'extrayant de l'appareil.



2. Tirez avec précaution sur le papier pour le dégager des rouleaux.

△ **Attention** Si le papier se déchire lorsque vous l'enlevez des rouleaux, assurez-vous ensuite qu'il ne reste pas de morceaux de papier dans les rouleaux et les roues du produit. Si vous ne retirez pas tous les morceaux de papier du produit, d'autres bourrages papier risquent de se produire.

3. Remplacez la porte arrière. Poussez-la doucement vers l'avant jusqu'à ce qu'elle s'enclenche.



4. Appuyez sur le bouton jouxtant l'icône **OK** pour poursuivre le travail en cours.

Dépannage relatif aux cartouches d'impression

Si vous rencontrez des problèmes d'impression, l'une des cartouches en est probablement la cause. Pour plus d'informations à ce sujet, reportez-vous à la section « [Remplacement des cartouches d'impression](#), » page 94 de ce manuel.

Procédure d'assistance

Si vous rencontrez un problème, procédez comme suit :

1. Consultez la documentation fournie avec l'appareil HP Tout-en-un.
2. Visitez le site Web de service et d'assistance en ligne de HP à l'adresse suivante www.hp.com/support. L'assistance en ligne HP est disponible pour tous les clients HP. L'assistance HP constitue le moyen le plus rapide d'obtenir des informations à jour sur les périphériques et l'assistance de spécialistes. Elle offre les services suivants :
 - Un accès rapide à des spécialistes de l'assistance en ligne compétents
 - Des mises à jour du logiciel et du pilote pour l'appareil HP Tout-en-un
 - Des informations pertinentes sur les produits HP Tout-en-un et la résolution des problèmes les plus courants
 - Des mises à jour proactives de périphérique, des alertes d'assistance et des communiqués HP disponibles lors de l'enregistrement de l'appareil HP Tout-en-un
3. Appelez l'assistance HP. Les options d'assistance et la disponibilité varient selon le produit, le pays/la région, ainsi que la langue.
Pour obtenir la liste des numéros de l'assistance téléphonique, consultez la documentation imprimée fournie avec le produit.

5 Renseignements techniques

Cette section contient les spécifications techniques et les informations légales internationales de l'appareil HP Tout-en-un.

Pour plus d'informations d'ordre réglementaire ou environnemental, y compris la déclaration de conformité, reportez-vous à l'aide en ligne.

Configurations système minimales


La configuration requise concernant le logiciel est incluse dans le fichier LisezMoi.

Spécifications de l'appareil

Pour obtenir les spécifications de l'appareil, visitez le site Web HP à l'adresse www.hp.com/support.

Spécifications relatives au papier

- Capacité du bac d'alimentation : Feuilles de papier ordinaire : Jusqu'à 100 (papier de 75 g/m²)
- Capacité du bac de sortie : Feuilles de papier ordinaire : Jusqu'à 50 (papier de 75 g/m²)


 **Remarque** Pour obtenir la liste complète des formats de support pris en charge, reportez-vous au logiciel d'impression.

Spécifications physiques

- Hauteur : 16,97 cm
- Largeur : 44 cm
- Profondeur : 25,9 cm
- Poids : 4,5 kg

Spécifications électriques

- Consommation électrique : 25 watts maximum (impression moyenne)
- Tension d'entrée (0957-2231) : 100 à 240 V CA ~ 600 mA 50 à 60 Hz
- Tension d'entrée (0957-2248) : 200 à 240 V CA ~ 400 mA 50 à 60 Hz
- Tension de sortie : CC 32 V===375 mA, 16 V===500 mA

 **Remarque** Utilisez uniquement l'adaptateur secteur fourni par HP.

Conditions d'exploitation

- Plage de températures de fonctionnement recommandée : 15 °C à 32 °C (59 °F à 90 °F)
- Plage de température de fonctionnement acceptable : 5 °C à 35 °C (41 °F à 95 °F)
- Humidité : de 15 à 80 % d'humidité relative sans condensation
- Plage de température hors fonctionnement (stockage) : -20 °C à 50 °C (-4 °F à 122 °F)
- En présence de champs électromagnétiques, la sortie de l'appareil HP Tout-en-un peut être légèrement déformée.
- HP recommande d'utiliser un câble USB de 3 m au maximum afin de réduire le bruit provoqué par les champs électromagnétiques élevés qui peuvent se produire

Déclarations de conformité

L'appareil HP Tout-en-un respecte les exigences définies par les organismes de réglementation de votre pays/région. Pour une liste complète des déclarations de conformité aux réglementations, reportez-vous à l'aide en ligne.

Numéro d'identification réglementaire de modèle

Un numéro de modèle réglementaire a été attribué à votre produit dans un souci d'identification et de respect de la réglementation. Le numéro de modèle réglementaire de votre produit est le

SNPRB-0722. Vous ne devez pas confondre ce numéro réglementaire avec le nom commercial du produit (Tout-en-un HP Photosmart série C4340, etc.) ou le numéro du produit (CC270A, etc.).

Garantie

Produit HP	Durée de la garantie limitée
Supports logiciels	90 jours
Imprimante	1 an
Cartouches d'encre	Jusqu'à épuisement de l'encre HP ou jusqu'à expiration de la date de garantie imprimée sur la cartouche (selon le cas qui se produira en premier). Cette garantie ne couvre pas les produits utilisant de l'encre HP qui ont été reconditionnés, mal utilisés ou altérés.
Accessoires	1 an, sauf indication contraire

A. Extension de garantie limitée

- Hewlett-Packard (HP) garantit au client utilisateur final que les produits HP décrits précédemment sont exempts de défauts de matériaux et malfaçons pendant la durée indiquée ci-dessus, à compter de la date d'achat par le client.
- Pour les logiciels, la garantie limitée HP est valable uniquement en cas d'impossibilité d'exécuter les instructions de programmation. HP ne garantit pas que le fonctionnement du logiciel ne connaîtra pas d'interruptions ni d'erreurs.
- La garantie limitée HP ne couvre que les défauts qui apparaissent dans le cadre de l'utilisation normale du produit et ne couvre aucun autre problème, y compris ceux qui surviennent du fait :
 - d'une mauvaise maintenance ou d'une modification ;
 - de logiciels, de supports, de pièces ou de consommables non fournis ou non pris en charge par HP ;
 - du fonctionnement du produit hors de ses caractéristiques ; ou
 - d'une modification non autorisée ou d'une mauvaise utilisation.
- Pour les imprimantes HP, l'utilisation d'une cartouche d'un autre fournisseur ou d'une cartouche rechargée n'entraîne pas la résiliation de la garantie ni d'un contrat de support HP. Toutefois, si la panne ou les dégâts peuvent être attribués à l'utilisation d'une cartouche d'un autre fournisseur, d'une cartouche rechargée ou d'une cartouche périmée, HP facturera les montants correspondant au temps et au matériel nécessaires à la réparation de l'imprimante.
- Si, pendant la période de garantie applicable, HP est informé d'une défaillance concernant un produit couvert par la garantie HP, HP choisira de réparer ou de remplacer le produit défectueux.
- Si HP est dans l'incapacité de réparer ou de remplacer, selon le cas, un produit défectueux couvert par la garantie HP, HP devra, dans un délai raisonnable après avoir été informé du défaut, rembourser le prix d'achat du produit.
- HP ne sera tenu à aucune obligation de réparation, de remplacement ou de remboursement tant que le client n'aura pas retourné le produit défectueux à HP.
- Tout produit de remplacement peut être neuf ou comme neuf, pourvu que ses fonctionnalités soient au moins équivalentes à celles du produit remplacé.
- Les produits HP peuvent contenir des pièces, des composants ou des matériels reconditionnés équivalents à des neufs en termes de performances.
- La garantie limitée HP est valable dans tout pays dans lequel le produit HP couvert est distribué par HP. Des contrats apportant des services de garantie supplémentaires, tels que la réparation sur site, sont disponibles auprès des services de maintenance agréés par HP dans les pays dans lequel le produit est distribué par HP ou par un importateur agréé.

B. Restrictions de garantie

DANS LA MESURE OÙ LES LOIS LOCALES L'AUTORISENT, HP OU SES FOURNISSEURS TIERS NE FONT AUCUNE AUTRE GARANTIE OU CONDITION, EXPRESSE OU IMPLICITE, EN CE QUI CONCERNE LES PRODUITS HP ET NIENT TOUTE GARANTIE IMPLICITE DE COMMERCIALISATION, DE QUALITÉ SATISFAISANTE OU D'ADAPTATION À UN BUT PARTICULIER.

C. Restrictions de responsabilité

- Dans la mesure où les lois locales l'autorisent, les recours énoncés dans cette déclaration de garantie constituent les recours exclusifs du client.
- DANS LA MESURE OÙ LES LOIS LOCALES L'AUTORISENT, EXCEPTION FAITE DES OBLIGATIONS SPÉCIFIQUEMENT ÉNONCÉES DANS LA PRÉSENTE DÉCLARATION DE GARANTIE, HP OU SES FOURNISSEURS TIERS NE POURRONT ÊTRE TENUS POUR RESPONSABLES DE DOMMAGES DIRECTS, INDIRECTS, SPÉCIAUX OU ACCIDENTELS, QU'ILS SOIENT BASÉS SUR UN CONTRAT, UN PRÉJUDICE OU TOUTE AUTRE THÉORIE LÉGALE, QUE CES DOMMAGES SOIENT RÉPUTÉS POSSIBLES OU NON.

D. Lois locales

- Cette déclaration de garantie donne au client des droits juridiques spécifiques. Le client peut également posséder d'autres droits selon les états des Etats-Unis, les provinces du Canada, et les autres pays ou régions du monde.
- Si cette déclaration de garantie est incompatible avec les lois locales, elle sera considérée comme étant modifiée pour être conforme à la loi locale. Selon ces lois locales, certaines renonciations et limitations de cette déclaration de garantie peuvent ne pas s'appliquer au client. Par exemple, certains états des Etats-Unis, ainsi que certains gouvernements hors des Etats-Unis (y compris certaines provinces du Canada), peuvent :
 - exclure les renonciations et limitations de cette déclaration de garantie des droits statutaires d'un client (par exemple au Royaume-Uni) ;
 - restreindre d'une autre manière la possibilité pour un fabricant d'imposer ces renonciations et limitations ; ou
 - accorder au client des droits de garantie supplémentaires, spécifier la durée des garanties implicites que le fabricant ne peut nier, ou ne pas autoriser les limitations portant sur la durée des garanties implicites.
- EXCEPTÉ DANS LA MESURE AUTORISÉE PAR LA LÉGISLATION, LES TERMES DE LA PRÉSENTE DÉCLARATION DE GARANTIE N'EXCLUENT, NE LIMITENT NI NE MODIFIENT LES DROITS STATUTAIRES OBLIGATOIRES APPLICABLES À LA VENTE DES PRODUITS HP AUXDITS CLIENTS, MAIS VIENNENT S'Y AJOUTER.

Garantie du fabricant HP

Cher client,

Vous trouverez, ci-après, les coordonnées de l'entité HP responsable de l'exécution de la garantie fabricant relative à votre matériel HP dans votre pays.

En vertu de votre contrat d'achat, il se peut que vous disposiez de droits légaux supplémentaires à l'encontre de votre vendeur. Ceux-ci ne sont aucunement affectés par la présente garantie du fabricant HP.

En particulier, si vous êtes un consommateur domicilié en France (départements et territoires d'outre-mer (DOM-TOM) inclus dans la limite des textes qui leur sont applicables), le vendeur reste tenu à votre égard des défauts de conformité du bien au contrat et des vices rédhibitoires hdsans les conditions prévues aux articles 1641 à 1649 du Code civil.

Code de la consommation :

*Art. L. 211-4. - Le vendeur est tenu de livrer un bien conforme au contrat et répond des défauts de conformité existant lors de la délivrance.

Il répond également des défauts de conformité résultant de l'emballage, des instructions de montage ou de l'installation lorsque celle-ci a été mise à sa charge par le contrat ou a été réalisée sous sa responsabilité. *

*Art. L. 211-5. - Pour être conforme au contrat, le bien doit :

1° Être propre à l'usage habituellement attendu d'un bien semblable et, le cas échéant, correspondre à la description donnée par le vendeur et posséder les qualités que celui-ci a présentées à l'acheteur sous forme d'échantillon ou de modèle ;

2° présenter les qualités qu'un acheteur peut légitimement attendre eu égard aux déclarations publiques faites par le vendeur, par le producteur ou par son représentant, notamment dans la publicité ou l'étiquetage ;

3° Ou présenter les caractéristiques définies d'un commun accord par les parties ou être propre à tout usage spécial recherché par l'acheteur, porté à la connaissance du vendeur et que ce dernier a accepté. *

Code civil :

*Code civil Article 1641 : Le vendeur est tenu de la garantie à raison des défauts cachés de la chose vendue qui la rendent impropre à l'usage auquel on la destine, ou qui diminuent tellement cet usage, que l'acheteur ne l'aurait pas acquise, ou n'en aurait donné qu'un moindre prix, s'il les avait connus

*Code civil Article 1648 : L'action résultant des vices rédhibitoires doit être intentée par l'acquéreur dans un délai de deux ans à compter de la découverte du vice. *

France : Hewlett-Packard France, SAS, 80, rue Camille Desmoulins, 92788 Issy les Moulineaux Cedex 9

Belgique : Hewlett-Packard Belgium BVBA/SPRL, 1, rue de l'Aéronet, B-1140 Brussels

Luxembourg : Hewlett-Packard Luxembourg SCA, 7a, rue Robert Stümper, L-2557 Luxembourg-Gasperich



www.hp.com/support

Africa (English speaking)	+27 11 2345872
Africa (francophone)	+33 1 4993 9230
021 672 280	الجزائر
Argentina (Buenos Aires)	54-11-4708-1600
Argentina	0-800-555-5000
Australia	1300 721 147
Australia (out-of-warranty)	1902 910 910
Österreich	+43 0820 87 4417
17212049	المغرب
België	+32 070 300 005
Belgique	+32 070 300 004
Brasil (Sao Paulo)	55-11-4004-7751
Brasil	0-800-709-7751
Canada	1-(800)-474-6836 (1-800 hp invent)
Central America & The Caribbean	www.hp.com/support
Chile	800-360-999
中国	1068687980
中国	800-810-3888
Colombia (Bogotá)	571-606-9191
Colombia	01-8000-51-4746-8368
Costa Rica	0-800-011-1046
Česká republika	810 222 222
Danmark	+45 70 202 845
Ecuador (Andinatel)	1-999-119 ☎ 800-711-2884
Ecuador (Pacifitel)	1-800-225-528 ☎ 800-711-2884
(02) 6910602	مصر
El Salvador	800-6160
España	+34 902 010 059
France	+33 0892 69 60 22
Deutschland	+49 01805 652 180
Ελλάδα (από το εξωτερικό)	+ 30 210 6073603
Ελλάδα (εντός Ελλάδας)	801 11 75400
Ελλάδα (από Κύπρο)	800 9 2654
Guatemala	1-800-711-2884
香港特別行政區	(852) 2802 4098
Magyarország	06 40 200 629
India	1-800-425-7737
India	91-80-28526900
Indonesia	+62 (21) 350 3408
+971 4 224 9189	العراق
+971 4 224 9189	الكويت
+971 4 224 9189	لبنان
+971 4 224 9189	قطر
+971 4 224 9189	اليمن
Ireland	+353 1890 923 902
1-700-503-048	ישראל
Italia	+39 848 800 871

Jamaica	1-800-711-2884
日本	+81-3-3335-9800
0800 222 47	الأردن
한국	1588-3003
Luxembourg (Français)	+352 900 40 006
Luxemburg (Deutsch)	+352 900 40 007
Malaysia	1800 88 8588
Mauritius	(262) 262 210 404
México (Ciudad de México)	55-5258-9922
México	01-800-472-68368
Maroc	081 005 010
Nederland	+31 0900 2020 165
New Zealand	0800 441 147
Nigeria	(01) 271 2320
Norge	+47 815 62 070
24791773	عمان
Panamá	1-800-711-2884
Paraguay	009 800 54 1 0006
Perú	0-800-10111
Philippines	2 867 3551
Polska	801 800 235
Portugal	+351 808 201 492
Puerto Rico	1-877-232-0589
República Dominicana	1-800-711-2884
Reunion	0820 890 323
România	0801 033 390
Россия (Москва)	095 777 3284
Россия (Санкт-Петербург)	812 332 4240
800 897 1415	السعودية
Singapore	+65 6272 5300
Slovensko	0850 111 256
South Africa (RSA)	0860 104 771
Suomi	+358 0 203 66 767
Sverige	+46 077 120 4765
Switzerland	+41 0848 672 672
臺灣	02-8722-8000
ไทย	+66 (2) 353 9000
071 891 391	تونس
Trinidad & Tobago	1-800-711-2884
Türkiye (Istanbul, Ankara, İzmir & Bursa)	444 0307
Україна	(044) 230-51-06
600 54 47 47	المتحدة العربية الإمارات
United Kingdom	+44 0870 010 4320
United States	1-(800)-474-6836
Uruguay	0004-054-177
Venezuela (Caracas)	58-212-278-8666
Venezuela	0-800-474-68368
Việt Nam	+84 88234530