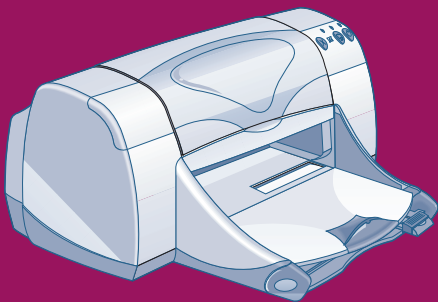


**hp** deskjet  
990c/980c/960c



quick reference guide  
Guide de référence rapide  
Guía de referencia rápida  
guia de referência rápida



i n v e n t



i n v e n t

**Windows**  
**Macintosh**

**quick reference guide**  
**hp deskjet 990c/980c/960c series**

**english**

## acknowledgements

Microsoft, MS-DOS, and Windows are registered trademarks of Microsoft Corporation.

Adobe and Acrobat are registered trademarks of Adobe Systems Incorporated.

Mac, Macintosh, and Mac OS are trademarks of Apple Computer, Inc., registered in the U.S. and other countries.

## notice

The information contained in this document is subject to change without notice.

Hewlett-Packard makes no warranty of any kind with regard to this material, including, but not limited to, the implied warranties of merchantability and fitness for a particular purpose.

Hewlett-Packard will not be liable for errors contained herein or for incidental or consequential damages in connection with the furnishing, performance, or use of this material.

No part of this document may be photocopied, reproduced, or translated to another language without the prior written consent of Hewlett-Packard Company.

## terms and conventions

The following terms and conventions are used in the *quick reference guide*:

### terms

The HP Deskjet 990c, 980c, and 960c series printers may be referred to as **HP Deskjet 9xx** or **HP Deskjet**.

### symbols

The > symbol guides you through a series of software steps. For example:

Click **Start > Programs > hp deskjet 9xx series > Release Notes** to view the Release Notes.

### cautions

A **Caution** indicates possible damage to the HP Deskjet printer or to other equipment.

For example:

**Caution!** Do not touch the print cartridge ink nozzles or copper contacts. Touching these parts will result in clogs, ink failure, and bad electrical connections.

# quick reference guide

hp deskjet 990c/980c/960c series

## table of contents

<b>introducing the hp deskjet printer</b> . . . . .	<b>1</b>
print cartridges . . . . .	2
printer cables . . . . .	2
software updates . . . . .	2
<b>finding information</b> . . . . .	<b>3</b>
<b>viewing quick help</b> . . . . .	<b>4</b>
Windows 95, 98, Me, 2000, and NT 4.0 users . . . . .	4
Macintosh users . . . . .	5
<b>viewing printer information in Windows 3.1x and DOS</b> . . . . .	<b>6</b>
Windows 3.1x users . . . . .	6
DOS users . . . . .	6
<b>contacting hp customer care</b> . . . . .	<b>7</b>
hp's support process . . . . .	7
hp customer care e-support . . . . .	7
hp customer care by phone . . . . .	9
obtaining hp customer care repair . . . . .	11
obtaining a warranty extension . . . . .	11
<b>solving Windows installation problems</b> . . . . .	<b>12</b>
limited warranty statement . . . . .	17
environmental statement . . . . .	19
index . . . . .	20
regulatory notices . . . . .	inside back cover



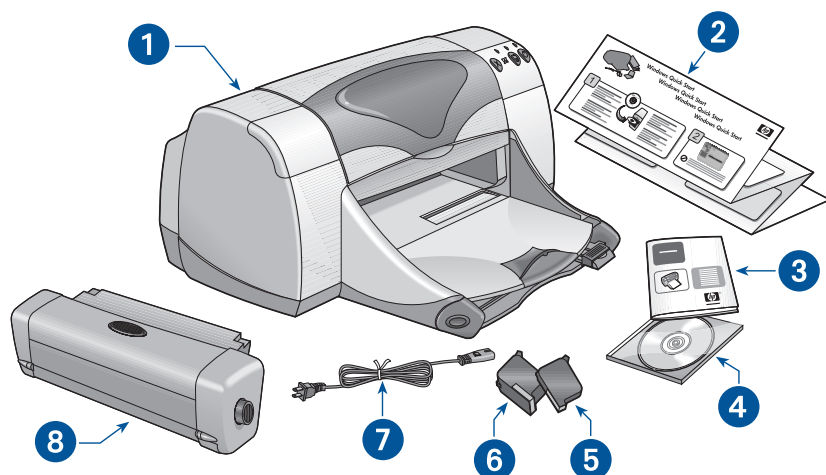
# introducing the hp deskjet printer

## what's in the box

Thank you for buying an HP Deskjet printer! Your printer box contains the following items:

- HP Deskjet printer (990c series, 980c series, or 960c series)
- Automatic two-sided printing module (may not be available in all printer models)
- Power cord
- Printer software CD
- *quick reference guide*
- *quick start poster*
- Black print cartridge
- Tri-color print cartridge

If any of these items is missing from your box, talk to your HP dealer or contact HP customer care. See "contacting hp customer care" for more information.



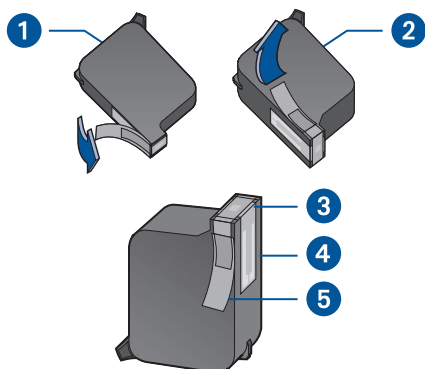
1. printer 2. *quick start poster* 3. *quick reference guide* 4. printer software 5. black print cartridge 6. tri-color print cartridge 7. power cord 8. automatic two-sided printing module (not available in all printer models)

## print cartridges

The HP Deskjet printer box includes both a black and a color print cartridge. Each print cartridge box, and the electronic *quick help* manual, contain installation instructions.

When you replace a print cartridge, verify that you have the correct part number:

- Black—hp 45 (hp 516**45a**)
- Tri-color—hp 78 (hp c65**78d**)
- Large Tri-color—hp 78 (hp c65**78a**)



1. black print cartridge 2. tri-color print cartridge 3. ink nozzles 4. copper contacts 5. protective vinyl tape

**Caution!** When you replace a print cartridge, do not touch the print cartridge ink nozzles or copper contacts. Touching these parts will result in clogs, ink failure, and bad electrical connections. In addition, do not remove the copper strips. They are required electrical contacts.

## printer cables

A printer cable is not included in the box. Purchase one of the following cables to connect the printer to your computer:

- An IEEE 1284-compliant parallel interface cable which is used with all Windows systems
- A USB-compliant interface cable which is used with both Macintosh systems and Windows 98, Me, and 2000 systems

## software updates







Printer software, also called the printer driver, communicates your print requests to the printer. Use either of the following methods to obtain copies and updates of the printer software:

- Download the printer software from HP's Website.
- Phone HP customer care to request a CD containing the software update files.

See "contacting hp customer care" for customer care telephone numbers and Website addresses.

# finding information

Several documents are included with the HP Deskjet printer. They provide instructions on how to install the printer software, operate the printer, and find help when you need it. The following chart indicates where to find specific types of information.

for information about...	see...	platform
Setting up the printer and installing the printer software	 <i>quick start poster</i>	Windows (all versions) and Macintosh
Printer features, specifications, maintenance, printer cartridges, how to print, and printer problem solving	 <i>quick help</i> (See "viewing <i>quick help</i> " for information)  <i>User's Guide</i> (See "viewing printer information in Windows 3.1x and DOS" for information)	Windows (all versions) and Macintosh
Printer box contents, HP customer care, warranty information, and installation problem solving	 <i>quick reference guide</i>	Windows (all versions) and Macintosh
Connecting the printer to a network	 HP's <i>Windows network guide</i>	Windows (all versions except 3.1)
Hardware and software compatibility with the printer	 <i>hp deskjet release notes</i> Click <b>Start</b> > <b>Programs</b> > <b>hp deskjet 9xx series</b> > <b>release notes</b>	Windows (all versions except 3.1)
Onscreen options in the printer software	 <i>What's This</i> help (Windows) Click the right mouse button in the relevant screen.  Bubble help (Macintosh) Click the mouse button in the relevant screen.	Windows (all versions except 3.1) and Macintosh



# viewing quick help

The electronic manual, *quick help*, offers instructions for using the HP Deskjet printer. Information is also provided to help you solve printer problems that may occur.

## Windows 95, 98, Me, 2000, and NT 4.0 users

Open *quick help* through the hp printer assistant, a tool that also provides:

- Support through HP's customer care
- Printing ideas
- Shopping links to other HP products
- Links to printer software updates

A printer assistant icon is displayed on the Windows desktop after you install the printer software.

### accessing *quick help*

To view *quick help*:

1. Double-click the **hp printer assistant** icon on your computer desktop.



990c printer assistant

The hp printer assistant appears.

2. Click the **quick help** button to display the manual's topics.

You can also open *quick help* from the Start menu by clicking **Start > Programs > hp deskjet 9xx series > 9xx printer assistant > quick help**.

## Adobe Acrobat versions of *quick help*

The *quick help* manual is also available in the following languages:

- Arabic
- Bahasa Indonesia
- Bulgarian
- Croatian
- Estonian
- Greek
- Hebrew
- Kazak
- Lithuanian
- Romanian
- Slovak
- Slovene
- Turkish

If you want to view the manual in one of these languages:

1. Double-click the **hp printer assistant** icon on your computer desktop.
2. Click the **quick help** button in the hp printer assistant screen.
3. Select **quick help is available in other languages** at the bottom of the *quick help* screen.
4. Insert the printer software CD into the computer's CD-ROM drive.
5. Select your language from the list that appears.
  - If Acrobat Reader is installed on your computer, *quick help* is displayed.
  - If Acrobat Reader is not installed on your computer, it installs automatically. *quick help* is then displayed.

## Macintosh users

On Macintosh computers, Adobe Acrobat Reader is required to view the *quick help* manual. If you do not have Acrobat Reader, install it from the printer software CD.

To open *quick help*:

1. Insert the printer software CD into the computer's CD-ROM drive.  
The hp deskjet screen is displayed.
2. Select the **User Manual** folder for your language.
3. Do one of the following:
  - Double-click the **Electronic User Manual** icon if Acrobat Reader is installed on your computer.



**Electronic User Manual**

- Double-click the **Acrobat Reader 4.0** icon if Acrobat Reader is not installed on your computer.



Acrobat Reader 4.0

Adobe Acrobat Reader installs automatically. After it is installed, double-click the **Electronic User Manual** icon to display *quick help*.

# viewing printer information in Windows 3.1x and DOS

## Windows 3.1x users

In Windows 3.1x systems, information about operating the printer is located in an electronic *User's Guide*. This option is available only with HP Deskjet 990c series printers.

You need Adobe Acrobat Reader to view the *User's Guide*. If you do not have Acrobat Reader, install it from the printer software CD when you view the guide for the first time.

To open the *User's Guide*:

1. Insert the printer software CD into the computer's CD-ROM drive.
2. Select **File > Run** in the Program Manager.
3. Type **d:\setup.exe**.  
Substitute the letter of your CD-ROM drive for "d" if necessary.
4. Click **OK**.

The hp deskjet screen is displayed.

5. Select **View User's Guide**.
  - If Acrobat Reader is installed on your computer, the *User's Guide* is displayed.
  - If Acrobat Reader is not installed on your computer, follow the onscreen installation instructions. Once Acrobat Reader is installed, select **View User's Guide** to display the manual.

## DOS users

In DOS operating systems, information about the HP Deskjet printer is found in a text document called *dosread.txt*. This file is located on the printer software CD in the `\<language code>\djcp\` directory. For `<language code>` substitute the relevant code from the list below. To read the file in English, for example, open *dosread.txt* in the `\enu\djcp` directory.

for this language...	use this code...
Bahasa Indonesia	bin
Bulgaria	bul
Chinese, Simplified	chs
Chinese, Traditional	cht
Czech	csy
Danish	dan
German	deu
English	enu
Spanish	esm
Finnish	fin
French	fra
Hungarian	hun
Italian	ita
Japanese	jpn
Korean	kor
Kazakh	kzh
Dutch	nld
Norwegian	non
Polish	plk
Portuguese	ptb
Russian	rus
Swedish	svc
Thai	tha

# contacting hp customer care

HP customer care's service and support provides expert advice on using your HP Deskjet printer or solving problems with your printer. There are several ways to obtain assistance—what you need, when you need it!

## hp's support process

HP customer care's support process works most effectively if you look for help in the following order:

1. Use *quick help*.  
See "viewing *quick help*" for more information.
2. Access HP customer care e-support.  
Use your Internet connection any time of the day to:
  - Check HP's Web support pages for product help
  - Read the HP user community forum messages or post a question
  - Send HP an email messageSee "hp customer care e-support" for more information.
3. Contact HP customer care by phone during hours of operation.  
See "hp customer care by phone" for more information.

**Note** Support options and availability vary by product, country/region, and language.

## hp customer care e-support

HP customer care e-support offers online support for as long as you own your HP printer. Get instant access to support information, helpful printing tips and the latest updates for your printer software (also referred to as the printer driver)—24 hours a day, seven days a week, all at no cost to you.

### hp support Websites

If you have a modem connected to your computer and subscribe to an Internet Service Provider or have direct access to the Internet, you can obtain a wide variety of information about your printer. Check the Websites shown in the chart on the next page.

If the country or language you need is not listed in the chart, access HP customer care online at [www.hp.com/apcpo-support/regional.html](http://www.hp.com/apcpo-support/regional.html) to see if a Website in your language is available.

for this language...	use this Website...
English	<a href="http://www.hp.com/go/support">http://www.hp.com/go/support</a>
French	<a href="http://www.hp.com/cposupport/fr">http://www.hp.com/cposupport/fr</a>
German	<a href="http://www.hp.com/cposupport/de">http://www.hp.com/cposupport/de</a>
Japanese	<a href="http://www.jpn.hp.com/CPO_TC/eschome.htm">http://www.jpn.hp.com/CPO_TC/eschome.htm</a>
Korean	<a href="http://www.hp.co.kr/go/support">http://www.hp.co.kr/go/support</a>
Portuguese	<a href="http://www.hp.com/cposupport/pt">http://www.hp.com/cposupport/pt</a>
Simplified Chinese	<a href="http://www.hp.com.cn/go/support">http://www.hp.com.cn/go/support</a>
Spanish	<a href="http://www.hp.com/cposupport/es">http://www.hp.com/cposupport/es</a>
Swedish	<a href="http://www.hp.com/cposupport/sv">http://www.hp.com/cposupport/sv</a>
Traditional Chinese	<a href="http://taiwan.support.hp.com">http://taiwan.support.hp.com</a>

Link to HP user community forums and HP customer care email from the HP customer care Website. Log on to the Website then select printer options appropriate for your printer. When the hp customer care screen appears, click **Connect with HP**.

### hp user community forums

HP's customer care online user community forums let you read through the questions and answers left by other HP users to find a solution to your support question. You can also post your own question, then visit the site later for ideas and suggestions from knowledgeable users or forum moderators.

### hp customer care email

One-to-one email gives direct answers to your questions from an HP customer care service technician. Enter your question on a Web form and receive an email reply. (Responses are normally provided within 48 hours, excluding holidays.) Email support is a great way to ask technical questions or obtain an answer that is tailored to your specific system.

## hp customer care by phone

HP provides telephone support free of charge during the printer's phone support period. (Standard phone company charges do apply, however.) The list below shows the phone support period for your region.

### free phone support period

region	phone support*
North America— Including Canada	1 year
Asia Pacific	1 year
Europe	30 days
Latin America	1 year

\* Standard phone company charges apply.

### before placing a call

Before placing a call for help, try these other free support options:

- *quick help*
- *quick start poster*
- HP customer care e-support
- HP customer care audio tips (if you are in the U.S.). Solutions to commonly asked HP Deskjet printer questions are provided when you phone our toll-free automated support line at (877) 283-4684.

If you cannot solve the problem using these resources, call an HP customer care service technician while you are in front of your computer and printer. For faster service, please be prepared to provide information about the steps you have taken to solve the problem.

In addition, HP needs the following information to assist you:

- The printer's model number (the label is on the front of the printer)
- The printer's serial number (the label is on the bottom of the printer)
- The computer's operating system
- The version of the printer driver (also referred to as the printer software)
- Messages displayed around the time the situation occurred
- Answers to these questions:
  - Has this situation happened before? Can you re-create it?
  - When did this happen? Did you add any new hardware or software around the time this situation began?

## support phone numbers

If you need help solving a problem, contact HP customer care using one of the phone numbers in the table on the right. If the phone number for your region is not listed, please refer to HP's Website at [www.hp.com/cpso-support/guide/psd/cscinfo.htm](http://www.hp.com/cpso-support/guide/psd/cscinfo.htm).

### after the free phone support period

After the free phone support period, you can still get help from HP for a fee. Prices are subject to change without notice.

(However, HP customer care e-support is always available at no cost! See "hp customer care e-support" for more information.)

- For calls in the United States that may last less than 10 minutes, call (900) 555-1500. The charge is US\$2.50 per minute, starting from the time you connect to a service technician. Charges will not exceed US\$25.
- For calls in the United States that may last longer than ten minutes or calls from Canada, call (800) 999-1148. The fee is US\$25 per call, charged to your Visa or MasterCard.

If HP determines during the call that your printer needs to be repaired and the printer is covered under the limited warranty, you will not be charged for the phone support service.

for this region...	use this phone number...
Argentina	+54 0810 555 5520
Australia	+61 3 8877 8000
Austria	+43 (0) 810 00 6080
Belgium (Dutch)	+32 (0) 2 626 88 06
Belgium (French)	+32 (0) 2 626 88 07
Brazil, inside Greater Sao Paulo	+55 3747 7799
Brazil, outside Greater Sao Paulo	+55 0800 15 7751
Canada	1 (905) 206 4663
Chile	+56 800 36 0999
China	+86 (0) 10 6564 5959
Czech Republic	+42 02 6130 7310
Denmark	+45 (0) 39 29 4099
English International	+44 (0) 207 512 5202
Finland	+358 (0) 203 4 7 288
France	+33 (0) 1 43 62 34 34
Germany	+49 (0) 180 52 58 143
Greece	+30 (0) 1 619 64 11
Hong Kong	+852 (800) 96 7729
Hungary	+36 (0) 1382 1111
India	+91 11 682 60 35
Indonesia	+62 (21) 350 3408
Ireland	+353 (0) 1662 5525
Israel	+972 (0) 9 9524848
Italy	+39 (0) 2 264 10350
Japan	+81 (0) 3 3335 8333
Korea	+82 (2) 3270 0700
Korea, outside Seoul	+82 080 999 0700
Malaysia	+60 (3) 2952566
Malaysia, Penang	+60 1 300 88 00 28

for this region...	use this phone number...
Mexico	01 800 472 6684
Middle East, Dubai	+971 4 883 8454
Netherlands	+31 (0) 20 606 8751
New Zealand	+64 (9) 356 6640
Norway	+47 22 116299
Philippines	+66 (2) 867 3551
Poland	+48 22 519 06 00
Portugal	+351 21 317 6333
Republic of South Africa, inside RSA	+27 086 000 1030
Republic of South Africa, outside RSA	+27 11 258 9301
Russia, Moscow	+7 095 797 3520
Russia, St. Petersburg	+7 812 346 7997
Singapore	+65 272 5300
Spain	+34 9 02321 123
Sweden	+46 (0) 8 6192170
Switzerland	+41 (0) 84 8801111
Taiwan	+886 2 2717 0055
Thailand	+66 (2) 661 4000
Turkey	+90 (0) 212 221 6969
United Kingdom	+44 (0) 207 512 5202
U.S.	1 (208) 344 4131
Venezuela	+ 58 800 47 888
Vietnam	+84 (0) 8 823 4530

## obtaining hp customer care repair

If your HP printer needs repairing, call HP customer care phone support. (See HP's support phone numbers on the previous page.) A trained HP customer care service technician will diagnose the problem and coordinate the repair process.

Customer care will direct you to the best solution, whether it is an authorized service provider or an HP facility. This service is free during your printer's limited warranty period. After the warranty period, you will be quoted a repair cost.

## obtaining a warranty extension

If you would like to extend your warranty coverage beyond the limited warranty period, the following options are available:

- Consult your reseller to get extended coverage. To find HP resellers in the U.S., visit HP's service locator at [www.hp.com/service\\_locator](http://www.hp.com/service_locator).
- If your reseller does not offer service contracts, call HP directly and ask about our HP service agreements. In the U.S. call (800) 446-0522; in Canada call (800) 268-1221. For HP service agreements outside of the U.S. and Canada, contact your local HP sales office.



# solving Windows installation problems

View the information in this section if you have problems setting up your printer. If you need help after the printer is set up, see the *quick help* electronic manual.

## what is the problem?

I inserted the installation CD, but the computer could not read it.



## possible causes...

- The CD is not properly inserted in the CD-ROM drive
- The CD is damaged
- The CD-ROM is damaged



## to solve the problem...

Reinsert the CD into the CD-ROM drive. Be careful to position the CD correctly. If installation does not begin after a few seconds, either the CD or CD-ROM drive may be damaged.



Insert a different CD in the CD-ROM drive. If another CD works, you may have a damaged CD. If you are not able to play any CD, you may need to replace or repair your CD-ROM drive.



Replace the damaged CD by downloading the printer software (also known as the printer driver) from the HP Website. If you do not have Web access, contact HP customer care to order the software on CD. For the phone number of the HP customer care center nearest to you, see "contacting hp customer care".

## what is the problem?

The printer software did not install correctly.



## possible causes...

- There may be a conflict with your virus protection program
- There may be a conflict with another software program
- There may be a conflict with a peripheral device connected to your printer



## to solve the problem...

Uninstall your printer software.



### For Windows 95, 98, Me, NT 4.0, and 2000:

1. Click **Start > Programs > hp deskjet 9xx series > hp deskjet 9xx series uninstall**.
2. Follow the directions that appear on your computer screen.



### For Windows 3.1x:

1. Open the **hp deskjet 9xx series** program group.
2. Double-click the hp deskjet 9xx series **Uninstall** icon.
3. Follow the instructions that appear on your computer screen.



- Close any software programs (including virus protection programs) that are running.
- Disconnect any peripheral devices that use a parallel printer cable (such as a scanner or tape backup system).



Reinstall the printer software. See the *quick start* poster.



If you are still having problems with the software installation, contact HP customer care. See "contacting hp customer care".

## what is the problem?

When I connect a USB cable between the printer and my computer, the New Hardware Wizard does not appear.



### possible causes...

You may not be using Windows 98, Me, or 2000.



Make sure Windows 98, Me, or 2000 is running. If you do not have Windows 98, Me, or 2000, you need to use a parallel cable.

Your USB cable may not be connected properly.



1. Disconnect and then reconnect the USB cable from your printer.
2. Make sure that the cable is securely attached.

Your computer may not be USB enabled.



#### **In Windows 98, Me, or 2000:**

1. Click **Start > Settings > Control Panel**.
2. Double-click the **System** icon.
3. Select the **Device Manager** tab.
4. Click the plus (+) icon next to the Universal Serial Bus Controller option.
  - If you see a USB host controller and a USB root hub listed, USB is probably enabled.
  - If you do not see these devices listed, refer to your computer's documentation or contact the computer's manufacturer for more information on enabling and setting up USB.
5. Use a parallel cable to connect the printer to your computer if you cannot enable USB.

## what is the problem?

When I connect a USB cable between the printer and my computer, an “Unknown Device” message appears.



## possible causes...

- Static electricity has built up in the cable between the printer and your computer
- You may have a defective USB cable



## to solve the problem...

1. Disconnect the USB cable from the printer.
2. Unplug the printer from its power cord.
3. Wait approximately 30 seconds.
4. Plug the printer cord into the printer.
5. Plug the USB cable into the printer.
6. Replace the USB cable or use a parallel cable if “Unknown Device” continues to appear in the New Hardware Found dialog box.

## what is the problem?

When I insert the printer software CD and the files start to copy, the Copying Files... screen says that file **hpzuci01.dll** cannot be found.



## possible causes...

All the following conditions are present:

- You are using a USB cable to connect the printer to your computer
- You are using Windows 98
- You are connecting more than one device at the same time



## to solve the problem...

1. Click **Browse**.  
The Open screen is displayed.
2. Select the following path to locate the *hpzuci01.dll* file: **c:\Program Files\Hewlett-Packard\hpz\ glue**.
3. Click **OK**.  
The Copying Files... screen reappears with the correct path and file name inserted in the Copy files from... field.
4. Click **OK**.
5. Select **Install hp deskjet 9xx series printer software**.  
The hp deskjet 9xx installer screen appears.
6. Click **Next**, then follow the onscreen instructions to complete installation.

## limited warranty statement

region	software	print cartridges	printer
North America (including Canada)	90 days	90 days	1 year
Asia Pacific	90 days	90 days	1 year
Europe	90 days	90 days	1 year
Latin America	90 days	90 days	1 year

### A. extent of limited warranty

1. Hewlett-Packard (HP) warrants to the end-user customer that the HP products specified above will be free from defects in materials and workmanship for the duration specified above, which duration begins on the date of purchase by the customer. Customer is responsible for maintaining proof of date of purchase.
2. For software products, HP's limited warranty applies only to a failure to execute programming instructions. HP does not warrant that the operation of any product will be uninterrupted or error free.
3. HP's limited warranty covers only those defects which arise as a result of normal use of the product, and do not apply to any:
  - a. Improper or inadequate maintenance or modification;
  - b. Software, interfacing, media, parts, or supplies not provided or supported by HP; or
  - c. Operation outside the product's specifications.
4. For HP printer products, the use of a non-HP ink cartridge or a refilled ink cartridge does not affect either the warranty to the customer or any HP support contract with the customer. However, if printer failure or damage is attributable to the use of a non-HP or refilled ink cartridge, HP will charge its standard time and materials charges to service the printer for the particular failure or damage.
5. If HP receives, during the applicable warranty period, notice of a defect in any software, media, or ink cartridge covered by HP's warranty, HP shall replace the defective product. If HP receives notice of a defect in any hardware product covered by HP's warranty during the applicable warranty period, HP shall either repair or replace the defective product at HP's option.
6. If HP is unable to repair or replace, as applicable, a defective product covered by HP's warranty, HP shall, within a reasonable time after being notified of the defect, refund the purchase price of the product.
7. HP shall have no obligation to repair, replace, or refund until the customer returns the defective product to HP.
8. Any replacement product may be either new or like-new, provided that it has functionality at least equal to that of the product being replaced.
9. HP's limited warranty is valid in any country where the covered HP product is distributed by HP except for the Middle-East, Africa, Argentina, Brazil, Mexico, Venezuela, and France's "Departements D'Outre-Mer"; for those excepted areas, the warranty is valid only in the country of purchase. Contracts for additional warranty services, such as on-site service, may be available from any authorized HP service facility where the product is distributed by HP or by an authorized importer.

**B. limitations of warranty**

1. TO THE EXTENT ALLOWED BY LOCAL LAW, NEITHER HP NOR ITS THIRD PARTY SUPPLIERS MAKE ANY OTHER WARRANTY OR CONDITION OF ANY KIND, WHETHER EXPRESS OR IMPLIED, WITH RESPECT TO THE HP PRODUCTS, AND SPECIFICALLY DISCLAIM THE IMPLIED WARRANTIES OR CONDITIONS OF MERCHANTABILITY, SATISFACTORY QUALITY, AND FITNESS FOR A PARTICULAR PURPOSE.

**C. limitations of liability**

1. To the extent allowed by local law, the remedies provided in this Warranty Statement are the customer's sole and exclusive remedies.
2. TO THE EXTENT ALLOWED BY LOCAL LAW, EXCEPT FOR THE OBLIGATIONS SPECIFICALLY SET FORTH IN THIS WARRANTY STATEMENT, IN NO EVENT WILL HP OR ITS THIRD PARTY SUPPLIERS BE LIABLE FOR DIRECT, INDIRECT, SPECIAL, INCIDENTAL, OR CONSEQUENTIAL DAMAGES, WHETHER BASED ON CONTRACT, TORT, OR ANY OTHER LEGAL THEORY AND WHETHER ADVISED OF THE POSSIBILITY OF SUCH DAMAGES.

**D. local law**

1. This Warranty Statement gives the customer specific legal rights. The customer may also have other rights which vary from state to state in the United States, from province to province in Canada, and from country to country elsewhere in the world.
2. To the extent that this Warranty Statement is inconsistent with local law, this Warranty Statement shall be deemed modified to be consistent with such local law. Under such local law, certain disclaimers and limitations of this Warranty Statement may not apply to the customer. For example, some states in the United States, as well as some governments outside the United States (including provinces in Canada), may:
  - a. Preclude the disclaimers and limitations in this Warranty Statement from limiting the statutory rights of a consumer (e.g., the United Kingdom);

- b. Otherwise restrict the ability of a manufacturer to enforce such disclaimers or limitations; or
  - c. Grant the customer additional warranty rights, specify the duration of implied warranties which the manufacturer cannot disclaim, or not allow limitations on the duration of implied warranties.
3. FOR CONSUMER TRANSACTIONS IN AUSTRALIA AND NEW ZEALAND, THE TERMS IN THIS WARRANTY STATEMENT, EXCEPT TO THE EXTENT LAWFULLY PERMITTED, DO NOT EXCLUDE, RESTRICT, OR MODIFY, AND ARE IN ADDITION TO, THE MANDATORY STATUTORY RIGHTS APPLICABLE TO THE SALE OF HP PRODUCTS TO SUCH CUSTOMERS.

**hp year 2000 warranty**

Subject to all of the terms and limitations of the HP Limited Warranty Statement stated above, HP warrants that this HP Product will be able to accurately process date data (including, but not limited to, calculating, comparing, and sequencing) from, into, and between the twentieth and twenty-first centuries, and the years 1999 and 2000, including leap year calculations, when used in accordance with the Product documentation provided by HP (including any instructions for installing patches or upgrades), provided that all other products (e.g. hardware, software, firmware) used in combination with such HP Product(s) properly exchange date data with it. The duration of the Year 2000 warranty extends through January 31, 2001.

## environmental statement

Hewlett-Packard continuously improves the design processes of its deskjet printers to minimize the negative impact on the office environment and on the communities where printers are manufactured, shipped, and used. Hewlett-Packard has also developed processes to minimize the negative impact of the disposal of the printer at the end of its printing life.

### reduction and elimination

**Paper use:** The printer's automatic/manual two-sided printing capability reduces paper usage and the resulting demands on natural resources. This printer is suited for the use of recycled papers according to DIN 19 309.

**Ozone:** Ozone-depleting chemicals such as CFCs have been eliminated from Hewlett-Packard manufacturing processes.

### recycling

Design for recycling has been incorporated into this printer. The number of materials has been kept to a minimum while ensuring proper functionality and reliability. Dissimilar materials have been designed to separate easily. Fasteners and other connections are easy to locate, access, and remove using common tools. High priority parts have been designed to access quickly for efficient disassembly and repair. Plastic parts have been primarily designed in no more than two colors to enhance recycling options. A few small parts are colored specifically to highlight customer access points.

**Printer packaging:** The packaging materials for this printer have been selected to provide maximum protection for the least cost possible, while attempting to minimize environmental impact and facilitate recycling. The rugged design of the HP Deskjet printer assists in minimizing both packaging materials and damage rates.

**Plastic parts:** All major plastics and plastic parts are marked according to international standards. All plastic parts used in the printer housing and chassis are technically recyclable and all use a single polymer.

**Product longevity:** To ensure the longevity of your HP Deskjet printer, HP provides the following:

- **Extended warranty:** HP SupportPack provides coverage for the HP hardware and product and all HP supplied internal components. HP SupportPack must be purchased by the customer within 30 days of purchase. Contact the nearest HP dealer about this service.
- **Spare parts and consumables** are available for five (5) years after production has stopped.
- **Product take-back:** To return this product and print cartridges to HP at the end of its useful life, call your local HP Sales or Service Office for instructions.

### energy consumption

This printer was designed with energy conservation in mind. This printer averages 4 watts in stand-by mode. Not only does this save natural resources, but it also saves money without affecting the high performance of the printer.

This product qualifies for the ENERGY STAR Program (U.S. and Japan). ENERGY STAR is a voluntary program established to encourage the development of energy-efficient office products.



ENERGY STAR is a US registered service mark of the US EPA. As an ENERGY STAR partner, Hewlett-Packard Company has determined that this product meets ENERGY STAR Guidelines for energy efficiency.

**Energy consumption in off-mode:** When the printer is off, a minimal amount of energy is still being consumed. Energy consumption can be prevented by turning the printer power off, then disconnecting the end of the printer power cord from the electrical source.



# index

## A

Adobe Acrobat Reader **5, 6**  
Automatic two-sided printing module **1**

## B

bubble help **3**

## C

cable, printer **2**  
compatibility  
    with other hardware **3**  
    with other software **3**  
contents, printer box **1**  
customer care **7**

## D

DOS systems **6**  
driver, printer **1, 2, 3**

## E

email support **8**  
energy consumption **19**

## F

finding printer information **3**

## H

help  
    after phone support period **10**  
    email support **8**  
    HP customer care **7**  
    phone support **9, 10**  
    printer repair **11**  
    troubleshooting installation problems **12**  
    user community forums **8**  
    Web support **7**  
help, onscreen **3**  
HP printer assistant **4**

## I

installation troubleshooting **12**

## M

Macintosh bubble help **3**

## N

network guide, Windows **3**

## P

phone support **9, 10**  
print cartridges **1, 2, 3**  
printer **15**  
printer box contents **1**  
printer cable **2, 14, 15**  
printer features **3**  
printer repair **11**  
printer software **1, 2, 3, 5**  
printer specifications **3**  
printer, connecting to network **3**  
printer, setting up **3**

## Q

quick help manual **3, 4, 5, 6**  
quick start poster **1, 3**

## R

recycling printer **19**  
release notes **3**

## S

service contracts **11**  
software, printer **2, 3**

## T

troubleshooting **12**  
    computer cannot read software CD **12**  
    hpzuci01.dll not found **16**  
    software does not install correctly **13**  
    USB installation problems **14, 15**

## U

USB **14, 15**  
user's guide, Windows 3.1x **3**

## V

virus protection programs **13**

## W

warranty extension **11, 19**  
warranty, limited **17**  
Websites, HP customer support **7**  
Windows onscreen help **3**

# regulatory notices

## hewlett-packard company

This device complies with part 15 of the FCC Rules. Operation is subject to the following two conditions:

- This device may not cause harmful interference, and
- This device must accept any interference received, including interference that may cause undesired operation.
- Pursuant to Part 15.21 of the FCC Rules, any changes or modifications to this equipment not expressly approved by Hewlett-Packard Company may cause harmful interference, and void your authority to operate this equipment. Use of a shielded data cable is required to comply with the Class B limits of Part 15 of the FCC Rules.

For further information, contact:

Hewlett-Packard Company  
Manager of Corporate Product Regulations  
3000 Hanover Street  
Palo Alto, Ca 94304  
(650) 857-1501

## note

This equipment has been tested and found to comply with the limits for a Class B digital device, pursuant to part 15 of the FCC rules. These limits are designed to provide reasonable protection against harmful interference in a residential installation. This equipment generates, uses, and can radiate radio frequency energy and, if not installed and used in accordance with the instructions, can cause harmful interference to radio communications. However, there is no guarantee that interference will not occur in a particular installation. If this equipment does cause harmful interference to radio or television reception, which can be determined by turning the equipment off and on, the user is encouraged to try to correct the interference by one or more of the following measures:

- Reorient or relocate the receiving antenna.
- Increase the separation between the equipment and the receiver.
- Connect the equipment into an outlet on a circuit different from that to which the receiver is connected.
- Consult the dealer or an experienced radio/TV technician for help.

## LED indicator statement

The display LEDs meet the requirements of EN 60825-1.

この装置は、情報処理装置等電波障害自主規制協議会（VCCI）の基準に基づくクラスB情報技術装置です。この装置は、家庭環境で使用することを目的としていますが、この装置がラジオやテレビジョン受信機に近接して使用されると受信障害を引き起こすことがあります。

取り扱い説明書に従って正しい取り扱いをして下さい。

### 사용자 안내문 (B급 기기)

이 기기는 비업무용으로 전자파장애검정을 받은 기기로서, 주거지역에서는 물론 모든 지역에서 사용될 수 있습니다.



i n v e n t

**Windows**  
**Macintosh**

# **Guide de référence rapide**

**hp deskjet 990c/980c/960c series**

**français**

Première édition, octobre 2000  
Copyright 2000 Hewlett-Packard Company

## Marques déposées

Microsoft, MS-DOS et Windows sont des marques déposées de Microsoft Corporation.

Adobe et Acrobat sont des marques déposées d'Adobe Systems Incorporated.

Mac, Macintosh et Mac OS sont des marques commerciales d'Apple Computer, Inc., déposées aux États-Unis et dans d'autres pays.

## Avertissement

Les informations contenues dans ce document peuvent faire l'objet de modifications sans préavis.

Hewlett-Packard n'offre aucune garantie concernant ce document.

Ceci s'applique aux garanties implicites d'adéquation à la vente et à une application particulière sans se limiter à celles-ci.

Hewlett-Packard ne pourra être tenu responsable des erreurs contenues dans ce document, ni des dommages fortuits ou consécutifs ayant trait à la fourniture, la qualité ou l'usage de ce dernier.

Toute reproduction, photocopie ou traduction dans une autre langue des informations contenues dans ce document est strictement interdite sans le consentement écrit d'Hewlett-Packard Company.

## Termes et conventions

Les termes et conventions suivants sont utilisés dans le *guide de référence rapide* :

### Termes

Les imprimantes HP Deskjet 990c, 980c et 960c series sont appelées **HP Deskjet 9xx** ou **HP Deskjet**.

### Symboles

Le symbole > vous aide dans une série d'étapes logicielles. Par exemple :

Cliquez sur **Démarrer > Programmes > hp deskjet 9xx series > Informations de dernière minute** pour afficher les informations les plus récentes.

### Attention

**Attention** indique une action qui pourrait endommager l'imprimante HP Deskjet ou un autre équipement.

Par exemple :

**Attention !** Ne touchez pas aux gicleurs ni aux contacts cuivrés de la cartouche. Ceci pourrait endommager la connexion électrique ou boucher les gicleurs.

# Guide de référence rapide

hp deskjet 990c/980c/960c series

## Table des matières

<b>Présentation de l'imprimante hp deskjet</b> . . . . .	<b>1</b>
Cartouches d'impression . . . . .	2
Câbles de l'imprimante . . . . .	2
Mises à jour de logiciels. . . . .	2
<b>Recherche d'informations</b> . . . . .	<b>3</b>
<b>Affichage de l'aide rapide</b> . . . . .	<b>4</b>
Utilisateurs de Windows 95, 98, Me, 2000 et NT 4.0 . . . . .	4
Utilisateurs Macintosh . . . . .	5
<b>Affichage des informations sur l'imprimante sous Windows 3.1x et DOS</b> . . . . .	<b>6</b>
Utilisateurs de Windows 3.1x . . . . .	6
Utilisateurs du DOS . . . . .	6
<b>Service clientèle hp</b> . . . . .	<b>7</b>
Procédure de service hp . . . . .	7
Service clientèle électronique hp . . . . .	7
Service clientèle téléphonique hp. . . . .	9
Réparation par le service clientèle hp. . . . .	11
Prorogation de garantie . . . . .	11
<b>Résolution de problèmes d'installation sous Windows</b> . . . . .	<b>12</b>
Garantie limitée . . . . .	17
Protection de l'environnement . . . . .	19
Index . . . . .	20
Regulatory notices . . . . .	Couverture arrière intérieure



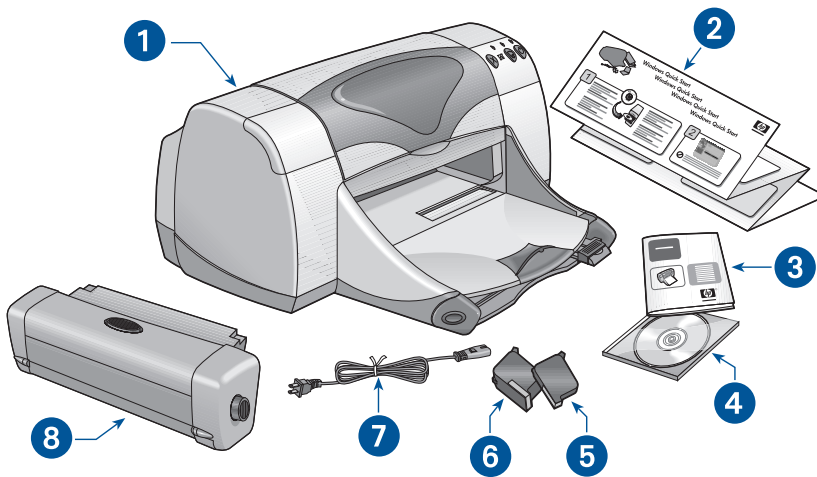
# Présentation de l'imprimante hp deskjet

## Composants figurant dans le carton d'origine de l'imprimante

Merci d'avoir acheté une imprimante HP Deskjet. Le carton contient les composants suivants :

- Imprimante HP Deskjet (990c series, 980c series ou 960c series)
- Module d'impression recto-verso automatique (sur certains modèles d'imprimante)
- Câble d'alimentation électrique
- CD du logiciel d'impression
- *Guide de référence rapide*
- Dépliant de *démarrage rapide*
- Cartouche d'impression noire
- Cartouche d'impression tricolore

Si l'un de ces composants est manquant, veuillez contacter votre distributeur HP ou le service clientèle HP. Reportez-vous à « Service clientèle hp » pour obtenir de plus amples informations.



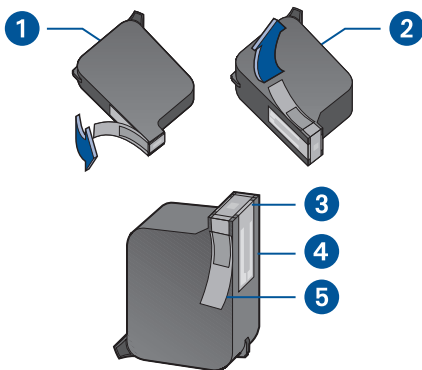
1. imprimante
2. dépliant de *démarrage rapide*
3. *guide de référence rapide*
4. logiciel d'impression
5. cartouche d'impression noire
6. cartouche d'impression tricolore
7. câble d'alimentation électrique
8. module d'impression recto-verso automatique (sur certains modèles d'imprimante)

## Cartouches d'impression

Des cartouches d'impression couleur et noire sont livrées avec l'imprimante HP Deskjet. Vous pouvez trouver les instructions relatives à l'installation de ces cartouches dans leur boîte d'origine ou dans le manuel d'aide rapide électronique.

Lorsque vous remplacez une cartouche d'impression, vérifiez si la cartouche porte la référence correcte :

- Noire—hp 45 (hp 51645a)
- Tricolore—hp 78 (hp c6578d)
- Tricolore à grande capacité—hp 78 (hp c6578a)



1. cartouche d'impression noire 2. cartouche d'impression tricolore 3. gicleurs 4. contacts cuivrés 5. bande de protection en vinyle

**Attention !** Pendant le changement de cartouche d'impression, ne touchez pas aux gicleurs ni aux contacts cuivrés de la cartouche. Ceci endommagerait la connexion électrique, boucherait les gicleurs et empêcherait l'arrivée de l'encre. En outre, ne retirez pas les bandes cuivrées. Elles assurent la connexion électrique pour que les cartouches puissent fonctionner normalement.

## Câbles de l'imprimante

Le câble d'imprimante n'est pas livré avec l'imprimante. Achetez l'un des câbles ci-dessous pour raccorder l'imprimante à l'ordinateur :

- Un câble d'interface parallèle conforme aux normes IEEE-1284, utilisé avec tous les systèmes Windows
- Un câble d'interface parallèle conforme aux normes USB, utilisé avec les systèmes Macintosh, Windows 98, Me et 2000

## Mises à jour de logiciels

Le logiciel d'impression, appelé aussi pilote d'imprimante, se charge de transmettre vos requêtes d'impression à l'imprimante. Utilisez l'une des méthodes ci-dessous pour obtenir une copie ou mise à jour du logiciel d'impression :







- Téléchargez le logiciel d'impression depuis le site Internet HP.
- Téléphonnez au service clientèle HP pour demander un CD contenant la nouvelle version du logiciel.

Reportez-vous à « Service clientèle hp » pour obtenir les numéros de téléphone à composer ou les adresses de site Internet.



# Recherche d'informations

La documentation de l'imprimante HP Deskjet se divise en plusieurs parties. Elles présentent l'installation et le fonctionnement de l'imprimante ainsi que les ressources d'aide disponibles en cas de besoin. Le tableau suivant indique la partie à consulter suivant le type d'information recherchée.

Informations sur...	consultez...	plate-forme
Installation de l'imprimante et du logiciel d'impression	 Dépliant de <i>démarrage rapide</i>	Windows (toutes les versions) et Macintosh
Fonctions et spécifications de l'imprimante, entretien, cartouches d'impression, impression et résolution d'un problème lié à l'imprimante	 <i>aide rapide</i> (Reportez-vous à « Affichage de l' <i>aide rapide</i> » pour obtenir de plus amples informations)  <i>Guide d'utilisation</i> (Reportez-vous à « Affichage des informations sur l'imprimante sous Windows 3.1x et DOS » pour obtenir de plus amples informations)	Windows (toutes les versions) et Macintosh
Composants figurant dans le carton d'origine de l'imprimante, Service Clientèle HP, informations sur la garantie, et résolution de problème d'installation	 <i>Guide de référence rapide</i>	Windows (toutes les versions) et Macintosh
Connexion de l'imprimante sur un réseau	 <i>Guide de réseau Windows de HP</i>	Windows (toutes les versions sauf la version 3.1 et 3.11)
Compatibilité matérielle et logicielle avec l'imprimante	 <i>Informations de dernière minute hp deskjet</i> Cliquez sur <b>Démarrer</b> > <b>Programmes</b> > <b>hp deskjet 9xx series</b> > <b>Information de dernière minute</b>	Windows (toutes les versions sauf la version 3.1)
Options affichées dans le logiciel d'impression	 L'aide <i>Qu'est-ce que c'est ? (Windows)</i> Cliquez avec le bouton droit de la souris dans l'écran pertinent.  Bulles d'aide (Macintosh) Cliquez sur le bouton de la souris dans l'écran pertinent.	Windows (toutes les versions sauf la version 3.1) et Macintosh

# Affichage de l'aide rapide

Le manuel électronique, *aide rapide*, présente des instructions sur l'utilisation de l'imprimante HP Deskjet. Des informations sont aussi fournies pour vous aider à résoudre d'éventuels problèmes d'imprimante.

## Utilisateurs de Windows 95, 98, Me, 2000 et NT 4.0

Ouvrez l'*aide rapide* depuis l'assistant d'imprimante, qui fournit aussi :

- Une assistance auprès du service clientèle HP
- Des suggestions d'impression
- Des liens pour acheter d'autres produits HP
- Des liens pour mettre à jour le logiciel d'impression

Une icône assistant d'imprimante s'affiche sur le bureau de Windows une fois l'installation de l'imprimante terminée.

### Accès à l'aide rapide

Pour ouvrir l'*aide rapide* :

1. Cliquez deux fois sur l'icône **assistant d'imprimante hp** du bureau.



assistant  
d'imprimante 990c

L'assistant d'imprimante hp s'affiche à l'écran.

2. Cliquez sur le bouton **aide rapide** pour afficher les rubriques du manuel.

Vous pouvez aussi ouvrir l'*aide rapide* depuis le menu Démarrer en cliquant sur **Démarrer > Programmes > hp deskjet 9xx series > 9xx Assistant d'imprimante > aide rapide**.

## Versions d'Adobe Acrobat de l'aide rapide

Le manuel d'*aide rapide* est aussi disponible dans les langues suivantes :

- Arabe
- Bulgare
- Croate
- Estonien
- Grec
- Hébreu
- Kazak
- Lithuanien
- Malais bahasa indonesia
- Roumain
- Slovaque
- Slovène
- Turc

Si vous voulez afficher le manuel dans une des langues suivantes :

1. Cliquez deux fois sur l'icône **Assistant d'imprimante hp** du bureau.
2. Cliquez sur le bouton **Aide rapide** pour afficher l'assistant d'imprimante hp.
3. Sélectionnez l'**aide rapide est disponible dans d'autres langues** dans la partie inférieure de l'écran de l'*aide rapide*.
4. Insérez le CD du logiciel d'impression dans le lecteur de CD-ROM de votre ordinateur.
5. Sélectionnez la langue sur la liste.
  - Si Acrobat Reader est installé dans votre ordinateur, l'*aide rapide* s'affiche à l'écran.
  - Si Acrobat Reader n'est pas installé dans votre ordinateur, ce logiciel s'installe automatiquement puis l'*aide rapide* s'affiche à l'écran.

## Utilisateurs Macintosh

Sur un ordinateur Macintosh, Adobe Acrobat Reader est exigé pour afficher le manuel d'*aide rapide*. Si vous ne possédez pas Acrobat Reader, installez sur votre ordinateur la version se trouvant sur le CD du logiciel d'impression.

Pour ouvrir l'*aide rapide* :

1. Insérez le CD du logiciel d'impression dans le lecteur de CD-ROM de votre ordinateur.  
L'écran hp deskjet s'affiche à l'écran.
2. Sélectionnez le dossier **Manuel d'utilisation** de votre langue.
3. Suivez l'une des procédures ci-dessous :
  - Cliquez deux fois sur l'icône **Manuel d'utilisation électronique** si Acrobat Reader est installé dans votre ordinateur.



Manuel d'utilisation

- Cliquez deux fois sur l'icône **Acrobat Reader 4.0** dans le cas contraire.



Acrobat Reader 4.0

Adobe Acrobat Reader s'installe automatiquement. Une fois ce logiciel installé, cliquez deux fois sur l'icône **Manuel d'utilisation électronique** pour afficher l'*aide rapide*.

# Affichage des informations sur l'imprimante sous Windows 3.1x et DOS

## Utilisateurs de Windows 3.1x

Sous un système Windows 3.1x, les informations sur le fonctionnement de l'imprimante se trouvent dans un *Guide d'utilisation* électronique. Cette option n'est disponible qu'avec les imprimantes HP Deskjet 990c series.

Adobe Acrobat Reader est exigé pour afficher le *Guide d'utilisation*. Si vous ne possédez pas Acrobat Reader, installez sur votre ordinateur la version se trouvant sur le CD du logiciel d'impression avant d'afficher le guide pour la première fois.

Pour ouvrir le *Guide d'utilisation*:

1. Insérez le CD du logiciel d'impression dans le lecteur de CD-ROM de votre ordinateur.
2. Sélectionnez **Fichier > Exécuter** dans le Gestionnaire de programmes.
3. Tapez **d:\setup.exe**.  
Remplacez, au besoin, la lettre attribuée au lecteur de CD-ROM par une autre.
4. Cliquez sur **OK**.  
L'écran hp deskjet s'affiche à l'écran.
5. Sélectionnez **Afficher le guide d'utilisation**.
  - Si Acrobat Reader est installé dans votre ordinateur, le *Guide d'utilisation* s'affiche à l'écran.
  - Si Acrobat Reader n'est pas installé dans votre ordinateur, suivez les instructions d'installation affichées à l'écran. Une fois Acrobat Reader installé, sélectionnez **Afficher Guide d'utilisation** pour afficher le manuel.

## Utilisateurs du DOS

Sous les systèmes d'exploitation DOS, les informations sur l'imprimante HP Deskjet sont présentées dans le fichier texte *dosread.txt*. Ce fichier se trouve sur le CD du logiciel d'impression dans le répertoire `\<code linguistique>\djcp\`. Remplacez le `<code linguistique>` par le code à utiliser d'après la liste ci-dessous. Pour lire, par exemple, le fichier anglais, ouvrez le fichier *dosread.txt* qui se trouve dans le répertoire `\enu\djcp`.

Langue...	Code...
Malais bahasa indonesia	bin
Bulgare	bul
Chinois (simplifié)	chs
Chinois (traditionnel)	cht
Tchèque	csy
Danois	dan
Allemand	deu
Anglais	enu
Espagnol	esm
Finois	fin
Français	fra
Hongrois	hun
Italien	ita
Japonais	jpn
Coréen	kor
Kazakh	kzh
Néerlandais	nld
Norvégien	non
Polonais	plk
Portugais	ptb
Russe	rus
Suédois	svc
Thaï	tha

# Service clientèle hp

Le service clientèle HP fournit des conseils d'expertise sur l'utilisation de l'imprimante HP Deskjet ou sur la résolution de problèmes liés à l'imprimante. Il y a plusieurs moyens d'obtenir de l'aide — vraiment utile et au moment souhaité !

## Procédure de service hp

Pour tirer le meilleur parti du service clientèle HP, recherchez de l'aide dans l'ordre suivant :

### 1. Utilisez l'aide rapide.

Reportez-vous à « Affichage de l'aide rapide » pour obtenir de plus amples informations.

### 2. Accédez au service clientèle HP électronique.

Vous pouvez à toute heure :

- Consulter en ligne l'aide au produit proposée aux pages du service clientèle HP
- Lire les messages publiés au cours des conférences d'utilisateurs HP ou poser une question
- Envoyer un message électronique à HP

Reportez-vous à « Service clientèle électronique hp » pour obtenir de plus amples informations.

### 3. Téléphoner au service clientèle hp pendant les heures de bureau.

Reportez-vous à « Service clientèle téléphonique hp » pour obtenir de plus amples informations.

**Remarque** les services disponibles varient suivant les produits, les pays ou régions, et la langue.

## Service clientèle électronique hp

Ce service d'aide en ligne sera disponible pendant toute la durée d'utilisation de votre imprimante HP. Instantanément, vous aurez accès gratuitement à toutes sortes d'informations allant des astuces d'impression aux mises à jour du logiciel d'impression (appelé aussi pilote d'imprimante) — 24 h sur 24, 7 jours sur 7.

### Sites Internet du service hp

Si votre ordinateur est muni d'un modem et si vous avez accès à l'Internet directement ou par l'intermédiaire d'un FAI, vous pourrez entrer en contact avec de nombreux services regorgeant d'informations diverses sur votre imprimante : le tableau à la page suivante vous présente les sites.

Si votre pays ou langue ne figure pas sur le tableau, visitez le service clientèle HP à l'adresse [www.hp.com/apcpo-support/regional.html](http://www.hp.com/apcpo-support/regional.html) pour connaître si un site dans votre langue est disponible.

Langue...	Site...
Allemand	<a href="http://www.hp.com/cposupport/de">http://www.hp.com/cposupport/de</a>
Anglais	<a href="http://www.hp.com/go/support">http://www.hp.com/go/support</a>
Chinois simplifié	<a href="http://www.hp.com.cn/go/support">http://www.hp.com.cn/go/support</a>
Chinois traditionnel	<a href="http://taiwan.support.hp.com">http://taiwan.support.hp.com</a>
Coréen	<a href="http://www.hp.co.kr/go/support">http://www.hp.co.kr/go/support</a>
Espagnol	<a href="http://www.hp.com/cposupport/es">http://www.hp.com/cposupport/es</a>
Français	<a href="http://www.hp.com/cposupport/fr">http://www.hp.com/cposupport/fr</a>
Japonais	<a href="http://www.jpn.hp.com/CPO_TC/eschome.htm">http://www.jpn.hp.com/CPO_TC/eschome.htm</a>
Portugais	<a href="http://www.hp.com/cposupport/pt">http://www.hp.com/cposupport/pt</a>
Suédois	<a href="http://www.hp.com/cposupport/sv">http://www.hp.com/cposupport/sv</a>

Vous pouvez vous joindre à des conférences d'utilisateurs et au service clientèle hp par courrier électronique. Visitez le site, puis sélectionnez les options d'imprimante appropriées pour votre imprimante. Lorsque l'écran du service clientèle hp s'affiche à l'écran, cliquez sur **Contactez HP**.

### Conférences d'utilisateurs hp

Les conférences d'utilisateur en ligne du service clientèle HP mettent à votre disposition toutes les questions, souvent accompagnées de réponses, posées par d'autres utilisateurs HP pour trouver une solution à votre question. Vous pouvez aussi poser vos questions et vérifier plus tard sur le site les idées et suggestions apportées par d'autres utilisateurs et opérateurs de système.

### Service clientèle hp par courrier électronique

Un courrier personnel envoyé directement à l'un de nos techniciens du service clientèle HP, qui se chargera de répondre à vos questions. Posez la question en remplissant le formulaire en ligne, puis attendez la réponse qui sera envoyée par courrier électronique. On vous répondra dans un délai de 48 heures à compter de la réception (sans compter les jours fériés). Le service par courrier électronique est une méthode efficace de poser des questions techniques ou de recevoir des réponses qui correspondent exactement à votre configuration système.

## Service clientèle téléphonique hp

Ce service est gratuit durant la période d'assistance téléphonique de votre imprimante. (Néanmoins, le coût de la communication est à votre charge.) La période d'assistance téléphonique est indiquée par région.

### Période d'assistance téléphonique gratuite

région	assistance téléphonique*
Amérique du Nord— Y compris le Canada	1 an
Asie, Pacifique	1 an
Europe	30 jours
Amérique Latine	1 an

\* Néanmoins, le coût de la communication est à votre charge.

### Avant de téléphoner

Avant de contacter l'un de nos techniciens, vous devez auparavant consulter les options d'assistance gratuites suivantes :

- *Aide rapide*
- Dépliant de *démarrage rapide*
- Service clientèle HP électronique
- HP customer care audio tips (si vous habitez les Etats-Unis). Pour obtenir facilement et rapidement des réponses aux questions les plus courantes relatives à l'imprimante HP Deskjet, appelez notre ligne d'assistance automatique gratuite en composant le (877) 283-4684.

Si vous n'arrivez pas à résoudre votre problème par les méthodes énoncées ci-dessus, appelez alors un technicien du service clientèle HP en restant devant l'ordinateur et l'imprimante. Pour un service plus rapide, préparez-vous à indiquer les mesures prises pour résoudre le problème.

En outre, HP aura besoin des informations suivantes :

- Le modèle de l'imprimante (se trouvant à l'avant de celle-ci)
- Le numéro de série de l'imprimante (se trouvant au-dessous de celle-ci)
- Le système d'exploitation de l'ordinateur
- La version du pilote d'imprimante (appelé aussi logiciel d'impression)
- Les messages affichés au moment du problème
- Répondre aux questions suivantes :
  - Est-ce que cela s'est déjà produit ?  
Pouvez-vous recréer cette situation ?
  - Quand cela est-il arrivé ? Avez-vous ajouté du matériel ou un logiciel au moment où le problème est apparu ?

## Numéros de téléphone du service

Si vous avez besoin d'aide pour résoudre un problème, contactez le service clientèle HP en composant l'un des numéros de téléphone du tableau présenté à droite. Si aucun numéro de téléphone pour votre région ne figure au tableau, veuillez visiter le site Internet HP à l'adresse [www.hp.com/cpsosupport/guide/psd/cscinfo.htm](http://www.hp.com/cpsosupport/guide/psd/cscinfo.htm).

## Une fois la période d'assistance téléphonique gratuite venue à expiration

vous pouvez toujours obtenir une aide payante auprès d'HP. Les prix sont sujets à modification sans préavis.

(Néanmoins, l'assistance du service clientèle HP électronique est toujours disponible gratuitement ! Reportez-vous à « service clientèle hp électronique » pour obtenir de plus amples informations).

- Si vous avez de brèves questions (appel de moins de 10 minutes), vous pouvez composer le (900) 555-1500 à partir des Etats-Unis. Il vous sera facturé 2,50 dollars par minute dès le moment où vous entrez en contact avec l'un de nos techniciens. Le montant facturé ne dépassera pas 25 dollars américains.
- Pour les appels des Etats-Unis d'une durée supérieure à 10 minutes ou en provenance du Canada, composez le (800) 999-1148. Il vous sera facturé 25 dollars américains sur votre carte de crédit Visa ou MasterCard.

Si le technicien d'HP estime la réparation de l'imprimante nécessaire sous la garantie, aucun frais ne sera porté à votre charge pour l'assistance téléphonique.

Région...	Composez ce numéro de téléphone...
Allemagne	+49 (0) 180 52 58 143
Anglais International	+44 (0) 207 512 5202
Argentine	+54 0810 555 5520
Australie	+61 3 8877 8000
Autriche	+43 (0) 810 00 6080
Belgique (français)	+32 (0) 2 626 88 07
Belgique (néerlandais)	+32 (0) 2 626 88 06
Brésil, dans l'agglomération de São Paulo	+55 3747 7799
Brésil, hors de l'agglomération de São Paulo	+55 0800 15 7751
Canada	1 (905) 206 4663
Chili	+56 800 36 0999
Chine	+86 (0) 10 6564 5959
Corée	+82 (2) 3270 0700
Corée en dehors de Séoul	+82 080 999 0700
Danemark	+45 (0) 39 29 4099
Espagne	+34 9 02321 123
Etats-Unis	1 (208) 344 4131
Finlande	+358 (0) 203 4 7 288
France	+33 (0) 1 43 62 34 34
Grèce	+30 (0) 1 619 64 11
Hong-kong	+852 (800) 96 7729
Hongrie	+36 (0) 1382 1111
Inde	+91 11 682 60 35
Indonésie	+62 (21) 350 3408
Irlande	+353 (0) 1662 5525
Israël	+972 (0) 9 9524848
Italie	+39 (0) 2 264 10350
Japon	+81 (0) 3 3335 8333
Malaisie	+60 (3) 2952566



Région...	Composez ce numéro de téléphone...
Malaisie Penang	+60 1 300 88 00 28
Mexique	01 800 472 6684
Moyen-Orient et Dubai	+971 4 883 8454
Norvège	+47 22 116299
Nouvelle-Zélande	+64 (9) 356 6640
Pays-Bas	+31 (0) 20 606 8751
Philippines	+66 (2) 867 3551
Pologne	+48 22 519 06 00
Portugal	+351 21 317 6333
République d'Afrique du Sud, dans la RAS	+27 086 000 1030
République d'Afrique du Sud, en dehors de la RAS	+27 11 258 9301
République tchèque	+42 02 6130 7310
Royaume-Uni	+44 (0) 207 512 5202
Russie, Moscou	+7 095 797 3520
Russie, Saint-Pétersbourg	+7 812 346 7997
Singapour	+65 272 5300
Suède	+46 (0) 8 6192170
Suisse	+41 (0) 84 8801111
Taiwan	+886 2 2717 0055
Thaïlande	+66 (2) 661 4000
Turquie	+90 (0) 212 221 6969
Venezuela	+ 58 800 47 888
Vietnam	+84 (0) 8 823 4530

## Réparation par le service clientèle hp

Si l'imprimante HP a besoin d'être réparée, appelez le service clientèle HP téléphonique. (Reportez-vous à la page précédente pour obtenir la liste des numéros de téléphone à composer.) Un technicien du Service spécialisé diagnostiquera le problème et vous guidera dans la procédure de réparation.

Le service clientèle vous orientera vers la meilleure solution, que ce soit un fournisseur agréé ou un centre HP. Ce service est gratuit pendant la période de garantie limitée de votre imprimante. Hors garantie, on vous proposera un devis de réparation.

## Prorogation de garantie

Si vous désirez prolonger la période de garantie limitée de votre imprimante, vous pouvez :

- Contacter votre distributeur. Pour trouver les distributeurs HP aux E.U.A., utilisez le centre de recherche (Locator) à l'adresse [www.hp.com/service\\_](http://www.hp.com/service_).
- Si votre distributeur ne propose pas de contrats de garantie, contactez directement Hewlett-Packard et renseignez-vous sur nos contrats de service HP. Si vous appelez des Etats-Unis, composez le (800) 446-0522, du Canada, composez le (800) 268-1221. Si vous habitez dans un autre pays, contactez le bureau de vente HP le plus proche.

# Résolution de problèmes d'installation sous Windows

Reportez-vous aux informations figurant dans cette section en cas de problèmes liés à l'installation de l'imprimante. Si vous avez besoin d'aide une fois l'imprimante correctement installée, reportez-vous au manuel d'aide rapide électronique.

## Quel est le problème ?

J'ai inséré le CD d'installation mais l'ordinateur n'a pas pu le lire.

## Raisons possibles

- Le CD n'est pas correctement placé dans le lecteur de CD-ROM
- Le CD est endommagé
- Le CD-ROM est endommagé

## Pour résoudre le problème...

Insérez de nouveau le CD-ROM dans le lecteur de l'ordinateur. Vérifiez la position correcte du CD.

Si l'installation ne se lance pas après quelques secondes, le CD ou le lecteur de CD-ROM peut être défectueux.

Insérez un autre CD-ROM dans le lecteur de votre ordinateur.  
Si l'autre CD fonctionne correctement, le CD du logiciel d'impression est peut-être endommagé. Dans le cas contraire, vous pouvez être obligé de réparer ou remplacer le lecteur de CD-ROM.

Téléchargez du site Internet HP le logiciel d'impression (appelé aussi pilote d'imprimante) pour remplacer celui sur trouvant sur le CD endommagé.

Si vous n'avez pas accès à l'Internet, contactez le service clientèle HP pour obtenir le logiciel sur CD Pour connaître le numéro de l'assistance à la clientèle HP à composer, reportez-vous à « Service clientèle hp ».

## Quel est le problème ? →

Le logiciel ne s'est pas installé correctement.

### Raisons possibles

- Il peut entrer en conflit avec votre logiciel anti-virus
- Il peut entrer en conflit avec un autre logiciel.
- Il peut y avoir un conflit avec un périphérique connecté à l'imprimante.

### Pour résoudre le problème...

Désinstallez votre logiciel d'impression.

**Sous Windows 95, 98, Me, NT 4.0 et 2000 :**

1. Cliquez sur **Démarrer > Programmes > hp deskjet 9xx series > Retirer le logiciel hp deskjet 9xx series.**
2. Suivez les instructions apparaissant à l'écran de votre ordinateur.

**Sous Windows 3.1x :**

1. Ouvrez le groupe de programme **hp deskjet 9xx series.**
2. Cliquez deux fois sur l'icône **Désinstaller hp deskjet 9xx series.**
3. Suivez les instructions apparaissant à l'écran de votre ordinateur.

- Quittez tout programme (y compris les utilitaires anti-virus) en cours d'exécution.
- Déconnectez tout périphérique utilisant un câble d'imprimante parallèle (tel qu'un scanner ou une unité de sauvegarde sur bande).

Réinstallez le logiciel d'impression. Reportez-vous à l'affiche de *démarrage rapide*.

Si vous éprouvez toujours des difficultés d'installation, contactez le service clientèle HP. Reportez-vous à « Service clientèle hp ».

## Quel est le problème ?

Après avoir connecté un câble USB de l'imprimante à l'ordinateur, l'Assistant Nouveau matériel détecté n'apparaît pas.

### Raisons possibles

Vous n'utilisez peut-être pas Windows 98, Me ou 2000.

Le câble USB n'est peut-être pas connecté correctement.

L'ordinateur n'est peut-être pas activé pour USB.

### Pour résoudre le problème...

Assurez-vous que Windows 98, Me ou 2000 est en cours d'exécution. Si vous n'avez pas Windows 98, 2000 ou Me, vous devez utiliser un câble parallèle.

1. Déconnectez le câble USB de l'imprimante puis reconnectez-le.
2. Assurez-vous que le câble est fixé correctement.

#### Sous Windows 98, Me ou 2000 :

1. Cliquez sur **Démarrer > Paramètres > Panneau de configuration**.
2. Cliquez deux fois sur l'icône **Système**.
3. Sélectionnez l'onglet **Gestionnaire de périphériques**.
4. Cliquez sur l'icône plus (+) en regard de l'article Contrôleur Universal Serial Bus.
  - Si vous apercevez un contrôleur de l'hôte USB et un concentrateur USB principal, le port USB est sûrement activé.
  - Si vos périphériques ne sont pas listés, reportez-vous à la documentation de l'ordinateur ou contactez le fabricant de l'ordinateur pour obtenir de plus amples informations concernant l'activation et la configuration de l'USB.
5. Si vous ne pouvez pas activer l'USB, utilisez un câble parallèle pour raccorder l'imprimante à l'ordinateur.

## Quel est le problème ?

Après avoir connecté un câble USB de l'imprimante à l'ordinateur, un message « Périphérique inconnu » s'affiche.

### Raisons possibles

- De l'électricité statique s'est accumulée dans le câble entre l'imprimante et l'ordinateur
- Le câble USB est peut-être défectueux



### Pour résoudre le problème...

1. Déconnectez le câble USB de l'imprimante.
2. Débranchez le cordon d'alimentation électrique de l'imprimante.
3. Veuillez patienter environ 30 secondes.
4. Branchez le câble d'alimentation dans l'imprimante.
5. Connectez le câble USB à l'imprimante.
6. Remplacez le câble USB ou utilisez un câble parallèle si « Périphérique inconnu » s'affiche toujours dans la boîte de dialogue Nouveau matériel détecté.

## Quel est le problème ?

Lorsque j'insère le CD du logiciel d'impression, la copie de fichiers commence normalement puis la boîte Copie de fichiers indique que le fichier **hpzuci01.dll** est introuvable.

## Raisons possibles

Conditions préalables :

- Vous utilisez un câble USB pour raccorder l'imprimante à l'ordinateur
- Vous utilisez Windows 98
- Plusieurs périphériques sont connectés simultanément

## Pour résoudre le problème...

1. Cliquez sur **Parcourir**.  
L'écran Ouvrir s'affiche à l'écran.
2. Sélectionnez le chemin d'accès suivant pour trouver le fichier *hpzuci01.dll* : **c:\Program Files\Hewlett-Packard\hpz\ glue**.
3. Cliquez sur **OK**.  
L'écran Copie de fichiers... s'affiche à nouveau avec le chemin d'accès et le nom de fichier corrects saisis dans le champ Copie de fichiers de....
4. Cliquez sur **OK**.
5. Sélectionnez **Installer le logiciel hp deskjet 9xx series**.  
L'écran Installer hp deskjet 9xx s'affiche.
6. Cliquez sur **Suivant**, puis suivez les instructions affichées à l'écran pour terminer l'installation.

# Garantie limitée

la région	le logiciel	imprimez des cartouches	l'imprimeur
Amérique du Nord (incluant Canada)	90 jours	90 jours	1 année
Pacifique d'Asie	90 jours	90 jours	1 année
Europe	90 jours	90 jours	1 année
Amérique latine	90 jours	90 jours	1 année

## A. Etendue de la garantie limitée

1. Hewlett-Packard (HP) garantit à l'utilisateur final que les produits HP spécifiés ci-dessus seront exempts de vices de matériel et de fabrication pendant la durée indiquée ci-dessus, à partir de la date d'acquisition par le client. Celui-ci doit être en mesure de fournir une preuve de la date d'acquisition.
2. En ce qui concerne les logiciels, la garantie garantit seulement qu'ils exécuteront les instructions du programme. HP ne garantit pas que les logiciels seront totalement exempts d'erreurs ou que leur fonctionnement ne sera jamais interrompu.
3. La garantie HP ne couvre que les problèmes survenant au cours d'une utilisation normale du produit et ne s'applique pas dans les cas suivants :
  - a. Mauvais entretien ou modification non autorisée ;
  - b. Utilisation de logiciel, d'interface, de support, de pièces ou de fournitures non fournies ou agréées par HP ; ou
  - c. Exploitation en dehors des conditions spécifiées.
4. Dans le cas des imprimantes HP, l'utilisation de cartouches d'impression de marque autre que HP ou reconditionnées n'a pas de conséquences sur la garantie ou les contrats d'assistance HP auxquels le client a souscrit. Cependant, si une panne d'imprimante ou des dégâts causés sur celle-ci peuvent être attribués à l'utilisation d'une cartouche de marque autre que HP ou reconditionnée, HP facturera au client la réparation de cette panne ou de ces dégâts au tarif standard de la main d'œuvre et des pièces détachées.
5. Si pendant la période de garantie, HP se voit notifier un défaut d'un produit logiciel, d'un support ou d'une cartouche d'encre, HP remplacera le produit défectueux. Si, pendant la période de garantie, HP se voit notifier un défaut d'un produit matériel, HP procédera, à sa discrétion, à la réparation ou au remplacement du produit en question.
6. Si HP n'est pas en mesure de procéder, selon le cas, à la réparation ou au remplacement d'un produit défectueux couvert par la garantie HP, HP remboursera son prix d'achat dans un délai raisonnable après avoir reçu notification du problème.
7. HP n'est tenu à aucune obligation de réparation, de remplacement ou de remboursement tant que le client n'a pas retourné à HP le produit défectueux.
8. Le produit de remplacement peut être neuf ou « comme neuf », si ses fonctionnalités sont au moins égales à celles du produit qu'il remplace.
9. La garantie d'HP est valable dans tous les pays où le produit HP considéré est distribué par HP, à l'exception du Moyen-Orient, de l'Afrique, de l'Argentine, du Brésil, du Mexique, du Venezuela, et des Départements d'outre-mer français ; pour ces régions, des contrats prévoyant des services de garantie supplémentaires, tels que la maintenance sur site, peuvent être obtenus auprès des centres de maintenance HP agréés dans les pays où ce produit est distribué par HP ou auprès d'un importateur agréé.

## B. Limites de garantie

1. DANS LA LIMITE DES LEGISLATIONS LOCALES, NI HP NI SES FOURNISSEURS TIERS N'OFFRENT QUELQUE AUTRE RECOURS OU GARANTIE QUE CE SOIT, EXPRESSE OU IMPLICITE, CONCERNANT LES PRODUITS HP, ET REJETTENT EXPRESSEMENT TOUTE GARANTIE IMPLICITE DE COMMERCIALISATION, D'ASSURANCE DE QUALITE ET D'ADAPTATION A UN USAGE PARTICULIER.

## C. Limites de responsabilité

1. Dans les limites des législations locales, les recours énoncés dans cette déclaration de garantie sont les recours uniques et exclusifs auxquels peut prétendre le client.
2. DANS LA LIMITE DES LEGISLATIONS LOCALES, A L'EXCEPTION DES OBLIGATIONS EXPRESSEMENT ENONCEES DANS CETTE DECLARATION DE GARANTIE, NI HP NI SES FOURNISSEURS TIERS NE POURRONT ETRE TENUS POUR RESPONSABLES DE QUELQUE DOMMAGE DIRECT, INDIRECT, SPECIAL, MINEUR OU CONSEQUENT, QUEL QUE SOIT LE LIEU D'OU EMANE LA RECLAMATION, QU'ELLE SOIT FONDEE SUR UN CONTRAT OU UN PREJUDICE SUBI, OU QUELLE QUE SOIT LA RAISON LEGALE INVOQUEE, MEME SI HP A ETE AVISE DU RISQUE D'UN TEL DOMMAGE.

## D. Législations locales

1. Cette déclaration de garantie donne au client des droits spécifiques. Il est également possible que le client ait des droits supplémentaires, variables aux Etats-Unis d'un état à l'autre, au Canada d'une province à l'autre et dans le reste du monde d'un pays à l'autre.
2. Si cette déclaration de garantie entre en conflit avec la législation locale en vigueur, elle est réputée modifiée pour se conformer à ladite législation. Selon certaines législations locales, certains des refus et limites de garantie exposés dans cette déclaration peuvent ne pas s'appliquer au client. Par exemple, certains états américains, de même que certains gouvernements en dehors des Etats-Unis (y compris certaines provinces canadiennes), peuvent :

- a. Interdire aux refus et limites de garantie exposés dans cette déclaration de restreindre les droits légaux d'un consommateur (comme c'est le cas au Royaume-Uni) ;
  - b. D'autre part restreindre la capacité pour un fabricant d'imposer de tels refus ou limites de garantie ; ou
  - c. Accorder au client des droits supplémentaires à titre de la garantie, spécifier des durées de garantie implicites que le fabricant ne peut pas refuser ou lui interdire de limiter la durée d'une garantie implicite.
3. DANS LE CAS DES TRANSACTIONS EFFECTUEES PAR DES CONSOMMATEURS EN AUSTRALIE ET EN NOUVELLE-ZELANDE, LES CONDITIONS DE CETTE DECLARATION DE GARANTIE, DANS LES LIMITES LEGALES, N'EXCLUENT, NE RESTEIGNENT, NI NE MODIFIENT LES DROITS LEGAUX OBLIGATOIRES RELATIFS A LA VENTE DE PRODUITS HP A CES CLIENTS, MAIS S'Y AJOUTENT.

## GARANTIE AN 2000 HEWLETT-PACKARD POUR LES VENTES DE PRODUITS HP VIA LE RESEAU DE DISTRIBUTION.

Sous réserve des conditions décrites dans la Garantie fournie avec ce Produit HP, HP garantit que ce Produit pourra traiter toutes données de date (y compris, sans que cette liste soit limitative, calculer, comparer et séquencer) entre les vingtième et vingt et unième siècle et les années 1999 et 2000, incluant le caractère bissextile de l'année 2000. Cette garantie est donnée dans le cadre d'une utilisation conforme à la documentation Produit fournie par HP (y compris toute instruction concernant l'installation des patches ou les mises à niveau), et sous réserve que tous les produits, listés ou non, utilisés par le client en combinaison avec les dits produits HP échangent correctement des données de date. Cette Garantie expirera le 31 janvier 2001.



# Protection de l'environnement

Hewlett-Packard ne cesse d'améliorer la conception des imprimantes HP deskjet afin de réduire au maximum les effets néfastes de l'utilisation des imprimantes sur le lieu de travail ainsi que les problèmes apportés sur les lieux de production, de distribution et d'utilisation. De plus, Hewlett-Packard a amélioré ses méthodes de production afin de faciliter le recyclage des imprimantes.

## Réduction et élimination

**Consommation de papier** : la capacité d'imprimer des feuilles recto-verso diminue la consommation de papier, ce qui réduit la demande en ressources naturelles. Cette imprimante est compatible avec l'utilisation de papier recyclé conformément à DIN 19 309.

**Ozone** : Hewlett-Packard n'utilise plus de produits chimiques risquant d'endommager la couche d'ozone (tels les CFC).

## recyclage

Le concept de recyclage a été intégré à la fabrication de cette imprimante. Le nombre de matériaux utilisés a été réduit au minimum, tout en assurant une bonne fonctionnalité et fiabilité de l'imprimante. Les pièces ont été conçues pour que les matériaux soient facilement séparables. Les attaches et autres connecteurs sont facilement identifiables et accessibles ; ils peuvent être retirés avec des outils ordinaires. Les pièces les plus importantes ont été conçues pour être rapidement accessibles, démontées et réparées. Les pièces en plastique ont été conçues principalement en une ou deux couleurs pour faciliter leur recyclage. Quelques petites pièces sont colorées spécifiquement comme repère des points accessibles par la clientèle.

**Emballage de l'imprimante** : l'emballage de cette imprimante a été sélectionné pour offrir une protection maximum à un coût minimal, tout en essayant de réduire l'impact sur l'environnement et favoriser le recyclage. La robustesse de l'imprimante HP Deskjet aide à réduire la quantité d'emballages et le taux de dommages.

**Pièces en plastique** : toutes les pièces principales en plastique indiquent leur teneur en plastique, conformément aux normes internationales. Toutes les pièces en plastique utilisées dans le boîtier et le châssis de l'imprimante sont techniquement recyclables et utilisent toutes un polymère unique.

**Longévité du produit** : Pour assurer la longévité de votre imprimante Deskjet, HP fournit les services suivants :

- **Prorogation de la garantie** : HP SupportPack fournit une garantie sur le matériel et produit HP ainsi que sur tous les composants internes fournis par HP. HP SupportPack doit être acheté par le client dans les 30 jours à compter de la date d'achat. Contactez le distributeur HP le plus proche pour obtenir de plus amples informations.
- **Les fournitures et pièces de rechange** sont disponibles pendant une durée de cinq ans suivant l'arrêt de fabrication du produit.
- **Reprise du produit** : Reprise de produit – Pour renvoyer ce produit et les cartouches d'impression à HP à la fin de leur durée d'utilisation, contactez le service commercial ou bureau d'assistance HP le plus proche pour obtenir de plus amples informations.

## Consommation d'énergie

Cette imprimante a été conçue de façon à économiser le plus d'énergie possible. Elle consomme 4W en mode d'attente. Non seulement elle économise les ressources naturelles, mais elle vous fait aussi économiser de l'argent sans affecter ses excellentes performances.

Ce produit remplit les conditions exigées par le programme ENERGY STAR (Etats-Unis et Japon). ENERGY STAR est un programme bénévole établi pour encourager la mise au point de produits bureautiques plus économiques.



ENERGY STAR est une marque de service déposée à l'EPA (Agence de protection de l'environnement) des Etats-Unis . En tant que partenaire de ENERGY STAR, HP certifie que ce produit informatique répond aux directives du programme ENERGY STAR de l'EPA (Agence américaine de protection de l'environnement).

**Consommation d'énergie en mode hors tension** : lorsque l'imprimante est hors tension, elle consomme quand même une quantité minimale d'électricité. Pour éviter toute consommation électrique, mettez l'imprimante hors tension et débranchez le câble d'alimentation électrique de la prise murale.

# Index

## A

- Adobe Acrobat Reader **6**
- aide **5**
- aide affichée sous Windows, **3**
- aide,
  - Après la période d'assistance téléphonique gratuite, **10**
  - Assistance téléphonique **9**
  - Assistance téléphonique, **10**
  - Conférences d'utilisateur **8**
  - dépannage, problèmes d'impression **12**
  - réparation de l'imprimante, **11**
  - Service Clientèle HP **7**
  - Service par courrier électronique **8**
  - Service sur le Web **7**
- aide, à l'écran **3**
- Assistance téléphonique, **9, 10**
- assistant de l'imprimante HP, **4**

## B

- bulles d'aide sous Macintosh, **3**
- bulles d'aide, **3**

## C

- câbles, imprimante **2**
- caractéristiques de l'imprimante, **3**
- Cartouche **1**
- cartouches d'impression, **2, 3**
- CD **1**
- compatibilité,
  - avec d'autres logiciels **3**
  - avec d'autres matériels **3**
- Consommation d'énergie, **19**
- contrats de service, **11**

## D

- dépannage, **12**
  - hpzuci01.dll introuvable **16**
  - l'ordinateur ne peut pas lire le CD du logiciel **12**
  - le logiciel ne s'est pas installé correctement **13**
  - problèmes d'installation USB **14**
- Dépliant **1**
- dépliant de démarrage rapide, **3**

## F

- fiche technique, **3**

## G

- guide d'utilisation, Windows 3.1x **3**
- guide de réseau, Windows **3**

## I

- imprimante, câble, **2, 14, 15**
- imprimante, connexion sur un réseau **3**
- imprimante, installation **3**
- informations de dernière minute, **3**
- Internet, Service Clientèle HP **7**

## L

- logiciel d'impression, **2, 3**
- logiciel, imprimante **2, 3**
- logiciels anti-virus **13**

## M

- manuel d'aide rapide, **3, 4, 5, 6**

## P

- pilote d'imprimante, **2, 3**
- problèmes d'installation **12**
- prorogation de garantie, **11, 19**

## R

- recherche d'informations, **3**
- recyclage de l'imprimante, **19**
- réparation de l'imprimante, **11**

## S

- Service clientèle, **7**
- Service par courrier électronique, **8**
- Systèmes DOS **6**

## U

- USB **14**
- Utilisateurs **5**

## W

- warranty, limited **17**

# Regulatory notices

## hewlett-packard company

This device complies with part 15 of the FCC Rules. Operation is subject to the following two conditions:

- This device may not cause harmful interference, and
- This device must accept any interference received, including interference that may cause undesired operation.
- Pursuant to Part 15.21 of the FCC Rules, any changes or modifications to this equipment not expressly approved by Hewlett-Packard Company may cause harmful interference, and void your authority to operate this equipment. Use of a shielded data cable is required to comply with the Class B limits of Part 15 of the FCC Rules.

For further information, contact:

Hewlett-Packard Company  
Manager of Corporate Product Regulations  
3000 Hanover Street  
Palo Alto, Ca 94304  
(650) 857-1501

## note

This equipment has been tested and found to comply with the limits for a Class B digital device, pursuant to part 15 of the FCC rules. These limits are designed to provide reasonable protection against harmful interference in a residential installation. This equipment generates, uses, and can radiate radio frequency energy and, if not installed and used in accordance with the instructions, can cause harmful interference to radio communications. However, there is no guarantee that interference will not occur in a particular installation. If this equipment does cause harmful interference to radio or television reception, which can be determined by turning the equipment off and on, the user is encouraged to try to correct the interference by one or more of the following measures:

- Reorient or relocate the receiving antenna.
- Increase the separation between the equipment and the receiver.
- Connect the equipment into an outlet on a circuit different from that to which the receiver is connected.
- Consult the dealer or an experienced radio/TV technician for help.

## LED indicator statement

The display LEDs meet the requirements of EN 60825-1.

この装置は、情報処理装置等電波障害自主規制協議会（VCCI）の基準に基づくクラスB情報技術装置です。この装置は、家庭環境で使用することを目的としていますが、この装置がラジオやテレビジョン受信機に近接して使用されると受信障害を引き起こすことがあります。

取り扱い説明書に従って正しい取り扱いをして下さい。

### 사용자 안내문 (B급 기기)

이 기기는 비업무용으로 전자파장애검정을 받은 기기로서, 주거지역에서는 물론 모든 지역에서 사용될 수 있습니다.



**Windows**  
**Macintosh**

**Guía de referencia rápida**  
**hp deskjet 990c/980c/960c series**

**español**

## **Marcas registradas**

Microsoft, MS-DOS y Windows son marcas registradas de Microsoft Corporation.

Adobe y Acrobat son marcas registradas de Adobe Systems Incorporated.

Mac, Macintosh y Mac OS son marcas de Apple Computer, Inc., registradas en los Estados Unidos y otros países.

## **Aviso**

La información contenida en este documento está sujeta a cambios sin previo aviso.

Hewlett-Packard no ofrece garantía de ningún tipo con respecto a este material, incluyendo, a título enunciativo pero no limitativo, las garantías implícitas de comercialización o adecuación a un propósito determinado.

Hewlett-Packard no acepta responsabilidad por ningún error ni por daños incidentales o consecuentes relacionados con el suministro, el rendimiento o el uso de este material.

Se prohíbe fotocopiar, reproducir o traducir este documento a otro idioma sin permiso por escrito de Hewlett-Packard Company.

## **Términos y convenciones**

Se utilizan los siguientes términos y convenciones en la *Guía de referencia rápida*:

### **Términos**

Se refiere a las impresoras HP Deskjet 990c, 980c y 960c series como **HP Deskjet 9xx** o **HP Deskjet**.

### **Símbolos**

El símbolo > indica al usuario cómo llevar a cabo una serie de pasos relacionados con el software. Por ejemplo:

Haga clic en **Inicio > Programas > hp deskjet 9xx series > Notas sobre esta versión** para ver las Notas sobre esta versión.

### **Precauciones**

Una **Precaución** advierte al usuario sobre posibles daños a la impresora HP Deskjet o a otro equipo. Por ejemplo:

**iPrecaución!** No toque las boquillas de tinta ni los contactos de cobre de los cartuchos de impresión. El tocar estas partes ocasionará obstrucciones, fallos de la tinta y malas conexiones eléctricas.

# Guía de referencia rápida

hp deskjet 990c/980c/960c series

## Contenido

<b>Introducción a la impresora hp deskjet</b> . . . . .	<b>1</b>
Cartuchos de impresión . . . . .	2
Cables de la impresora . . . . .	2
Actualizaciones del software. . . . .	2
<b>Cómo encontrar la información que necesite.</b> . . . . .	<b>3</b>
<b>Consulta de la Ayuda rápida</b> . . . . .	<b>4</b>
Usuarios de Windows 95, 98, Me, 2000 y NT 4.0 . . . . .	4
Usuarios de Macintosh. . . . .	5
<b>Consulta de la información sobre la impresora en Windows 3.1x y DOS</b> . . . . .	<b>6</b>
Usuarios de Windows 3.1x . . . . .	6
Usuarios de DOS . . . . .	6
<b>Cómo comunicarse con soluciones de soporte hp</b> . . . . .	<b>7</b>
El proceso de soporte de hp . . . . .	7
Asistencia electrónica de soluciones de soporte hp . . . . .	7
Soluciones de soporte hp por teléfono . . . . .	9
Reparaciones mediante soluciones de soporte hp . . . . .	11
Extensión de la garantía. . . . .	11
<b>Resolución de problemas de instalación bajo Windows</b> . . . . .	<b>12</b>
Declaración de garantía limitada . . . . .	17
Declaración sobre el medio ambiente . . . . .	19
Índice. . . . .	20
Regulatory notices . . . . .	Interior de la contraportada



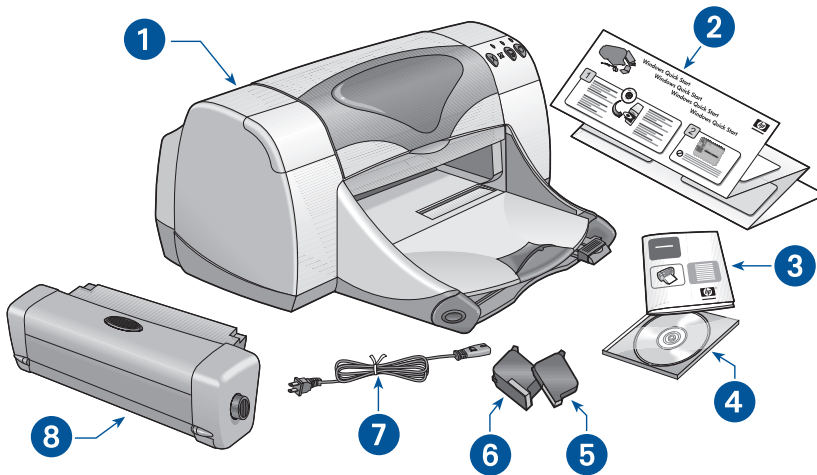
# Introducción a la impresora hp deskjet

## Contenido de la caja

¡Gracias por su preferencia al adquirir una impresora HP Deskjet! La caja de la impresora contiene lo siguiente:

- Impresora HP Deskjet (990c series, 980c series o 960c series)
- Módulo de impresión automática a doble cara (es posible que no esté disponible en todos los modelos de impresora)
- Cable de alimentación
- CD con el software de la impresora
- *Guía de referencia rápida*
- Instrucciones de *Instalación rápida*
- Cartucho de tinta negra
- Cartucho de tinta tricolor

Si en la caja falta alguno de estos elementos, comuníquese con su distribuidor de productos HP o con soluciones de soporte HP. Consulte la sección "Cómo comunicarse con soluciones de soporte hp" para obtener más información.



1. impresora 2. instrucciones de *Instalación rápida* 3. *Guía de referencia rápida* 4. software de la impresora 5. cartucho de tinta negra 6. cartucho de tinta tricolor 7. cable de alimentación 8. módulo de impresión automática a doble cara (no disponible en todos los modelos de impresora)

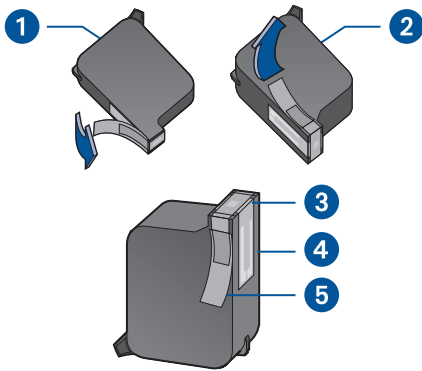


## Cartuchos de impresión

La caja de la impresora HP Deskjet incluye un cartucho de tinta negra y un cartucho de color. Cada caja de cartucho de impresión y el manual electrónico de *Ayuda rápida* contienen instrucciones de instalación.

Cada vez que reemplace un cartucho de impresión, asegúrese de que tenga el número de pieza correcto:

- Negro—hp 45 (hp 51645a)
- Tricolor—hp 78 (hp c6578d)
- Tricolor grande—hp 78 (hp c6578a)



1. cartucho de tinta negra 2. cartucho de tinta tricolor 3. boquillas de la tinta 4. contactos de cobre 5. cinta protectora de vinilo

**iPrecaución!** Al reemplazar un cartucho de impresión, no toque las boquillas de la tinta ni los contactos de cobre. El tocar estas partes ocasionará obstrucciones, fallos de la tinta y malas conexiones eléctricas. No quite las tiras de cobre. Son contactos eléctricos necesarios para el funcionamiento de la unidad.

## Cables de la impresora

El cable de impresora no viene incluido en la caja. Debe adquirir uno de los siguientes cables para conectar la impresora a la computadora:

- Un cable de interfaz paralelo que cumple con la norma IEEE 1284, que se utiliza con todos los sistemas Windows
- Un cable de interfaz USB que se utiliza con sistemas Macintosh y también con sistemas Windows 98, Me y 2000

## Actualizaciones del software







El software de la impresora, también conocido como el controlador de la impresora, comunica las solicitudes de impresión a la impresora. Puede utilizar cualquiera de los métodos siguientes para obtener copias y actualizaciones del software de la impresora:

- Transfiera el software de la impresora desde el sitio web de HP.
- Llame a soluciones de soporte HP para solicitar un CD con actualizaciones del software.

Consulte la sección “Cómo comunicarse con soluciones de soporte hp” para obtener los números de teléfono y sitios web de soluciones de soporte HP.

# Cómo encontrar la información que necesite

Varios documentos vienen incluidos con la impresora HP Deskjet. Proporcionan instrucciones sobre la instalación del software de la impresora, el funcionamiento de la impresora y cómo obtener ayuda cuando lo necesite. La tabla siguiente indica dónde encontrar tipos específicos de información.

Para obtener información sobre...	Consulte...	Plataforma
Instalación de la impresora y el software de la impresora	 Instrucciones de <i>Instalación rápida</i>	Windows (todas las versiones) y Macintosh
Características de la impresora, especificaciones, mantenimiento, cartuchos de impresión, cómo imprimir y resoluciones de problemas de la impresora	 <i>Ayuda rápida</i> (Vea la sección "Consulta de la <i>Ayuda rápida</i> " para obtener más información.)  <i>Guía del usuario</i> (Vea la sección "Consulta de la información sobre la impresora en Windows 3.1x y DOS" para obtener más información.)	Windows (todas las versiones) y Macintosh
Contenido de la caja de la impresora, Soluciones de soporte HP, garantía y resolución de problemas de instalación	 <i>Guía de referencia rápida</i>	Windows (todas las versiones) y Macintosh
Conexión de la impresora en una red	 La <i>Guía para redes</i> de HP para Windows	Windows (todas las versiones excepto la 3.1)
Compatibilidad de la impresora con hardware y software	 <i>Notas sobre esta versión</i> de la hp deskjet Haga clic en <b>Inicio &gt; Programas &gt; hp deskjet 9xx series &gt; Notas sobre esta versión</b>	Windows (todas las versiones excepto la 3.1)
Opciones en la pantalla en el software de la impresora	 La ayuda <i>Qué es esto</i> (Windows) Haga clic con el botón secundario en la pantalla pertinente.  Globos de ayuda (Macintosh) Haga clic en la pantalla pertinente.	Windows (todas las versiones excepto la 3.1) y Macintosh

# Consulta de la Ayuda rápida

El manual electrónico, *Ayuda rápida*, ofrece instrucciones sobre el uso de la impresora HP Deskjet. También incluye información para ayudar a resolver problemas de la impresora.

## Usuarios de Windows 95, 98, Me, 2000 y NT 4.0

Abra la *Ayuda rápida* mediante el asistente de la impresora hp, una herramienta que además ofrece:

- Asistencia mediante soluciones de soporte HP
- Ideas sobre la impresión
- Enlaces para adquirir otros productos HP
- Enlaces a las actualizaciones del software de la impresora

El icono del ayudante de la impresora HP aparece en el escritorio de Windows después de instalar el software de la impresora.

### Acceso a la *Ayuda rápida*

Para ver la *Ayuda rápida*:

1. Haga doble clic en el icono **Ayudante de impresora hp** en el escritorio de la computadora.



ayudante de  
impresora 990c

Aparece el ayudante de la impresora hp.

2. Haga clic en el botón **Ayuda rápida** para ver los temas del manual.

También puede abrir la *Ayuda rápida* desde el menú Inicio haciendo clic en **Inicio** > **Programas** > **hp deskjet 9xx series** > **9xx Ayudante de la impresora** > **Ayuda rápida**.

## Versiones Adobe Acrobat de la *Ayuda rápida*

El manual *Ayuda rápida* está disponible también en los siguientes idiomas:

- Árabe
- Bahasa indonesio
- Búlgaro
- Croata
- Eslovaco
- Esloveno
- Estonio
- Griego
- Hebreo
- Kazajo
- Lituano
- Rumano
- Turco

Si desea ver el manual en uno de estos idiomas:

1. Haga doble clic en el icono **Ayudante de la impresora hp** en el escritorio de la computadora.
2. Haga clic en el botón **Ayuda rápida** en la pantalla del asistente de la impresora hp.
3. Seleccione **Ayuda rápida disponible en otros idiomas** en la parte inferior de la pantalla de *Ayuda rápida*.
4. Inserte el CD con el software de la impresora en la unidad de CD-ROM de la computadora.
5. Seleccione el idioma deseado en la lista que aparece.
  - Si tiene Acrobat Reader instalado en su computadora, aparecerá la *Ayuda rápida*.
  - Si no tiene Acrobat Reader instalado en su computadora, este programa será instalado automáticamente y luego aparecerá la *Ayuda rápida*.

## Usuarios de Macintosh

En las computadoras Macintosh, se requiere Adobe Acrobat Reader para ver el manual *Ayuda rápida*. Si no cuenta con Acrobat Reader, instálelo desde el CD que contiene el software de la impresora.

Para abrir la *Ayuda rápida*:

1. Inserte el CD con el software de la impresora en la unidad de CD de la computadora.  
Aparecerá la pantalla hp deskjet.
2. Seleccione la carpeta **Guía del usuario** correspondiente a su idioma.
3. Realice uno de los pasos siguientes:
  - Haga doble clic en el icono **Guía electrónica del usuario** si Acrobat Reader está instalado en su computadora.



Guía electrónica del usuario

- Haga doble clic en el icono del instalador de **Acrobat Reader 4.0** si Acrobat Reader no está instalado en su computadora.



Acrobat Reader 4.0

Adobe Acrobat Reader se instalará automáticamente. Una vez instalado el programa, haga doble clic en el icono **Manual electrónico del usuario** para ver la *Ayuda rápida*.

# Consulta de la información sobre la impresora en Windows 3.1x y DOS

## Usuarios de Windows 3.1x

En los sistemas Windows 3.1x, la información sobre el uso de la impresora se encuentra en una *Guía del usuario* electrónica. Esta opción está disponible únicamente con las impresoras HP Deskjet 990c series.

Se requiere Adobe Acrobat Reader para ver la *Guía del usuario*. Si no tiene Acrobat Reader, instálelo desde el CD con el software de la impresora para ver la guía por primera vez.

Para abrir la *Guía del usuario*:

1. Inserte el CD con el software de la impresora en la unidad de CD-ROM de la computadora.
2. Seleccione **Archivo > Ejecutar** en el Administrador de programas.
3. Escriba **d:\setup.exe**.  
Si es necesario, sustituya la letra de su unidad de CD-ROM por "d".
4. Haga clic en **Aceptar**.  
Aparece la pantalla hp deskjet.
5. Seleccione **Ver Guía del usuario**.
  - Si Acrobat Reader está instalado en su computadora, aparecerá la *Guía del usuario*.
  - Si Acrobat Reader no está instalado en su computadora, siga las instrucciones de instalación que aparezcan en la pantalla. Una vez instalado Acrobat Reader, seleccione **Ver Guía del usuario** para ver el manual.

## Usuarios de DOS

Para los sistemas operativos DOS, la información sobre la impresora HP Deskjet se encuentra en un documento de texto llamado *dosread.txt*. Este archivo se encuentra en el CD con el software de la impresora, en el directorio `\<código de idioma>\djcp\`. Para <código de idioma> sustituya el código correspondiente de la lista que aparece a continuación. Para leer el archivo en español, por ejemplo, abra *dosread.txt* en el directorio `\esm\djcp`.

Para este idioma...	Utilice este código...
Bahasa indonesio	bin
Búlgaro	bul
Chino simplificado	chs
Chino tradicional	cht
Checo	csy
Danés	dan
Alemán	deu
Inglés	enu
Español	esm
Finlandés	fin
Francés	fra
Húngaro	hun
Italiano	ita
Japonés	jpn
Coreano	kor
Kazajo	kzh
Holandés	nld
Noruego	non
Polaco	plk
Portugués	ptb
Ruso	rus
Sueco	svc
Tailandés	tha

# Cómo comunicarse con soluciones de soporte hp

El servicio soluciones de soporte HP proporciona consejos de expertos sobre el uso de la impresora HP Deskjet o la resolución de problemas con la impresora. Hay varias maneras de obtener asistencia: ilo que usted necesite, cuando usted lo necesite!

## El proceso de soporte de hp

El proceso de soporte de HP funciona de la manera más eficaz si se busca ayuda en el siguiente orden:

1. Utilice la *Ayuda rápida*.  
(Vea la sección “Consulta de la *Ayuda rápida*” para obtener más información.)
2. Utilice la asistencia electrónica de soluciones de soporte HP.  
A cualquier hora puede utilizar su conexión a Internet para:
  - Consultar las páginas web de HP para obtener ayuda sobre nuestros productos
  - Leer mensajes o presentar consultas en el foro de usuarios de HP
  - Enviar un mensaje a HP por correo electrónicoConsulte “Asistencia electrónica de soluciones de soporte HP” para obtener más información.
3. Comúnquese por teléfono con soluciones de soporte HP durante las horas normales de atención.  
Consulte “soluciones de soporte HP por teléfono” para obtener más información.

**Nota** Las opciones de asistencia y su disponibilidad pueden variar según el producto, el país, la región geográfica o el idioma.

## Asistencia electrónica de soluciones de soporte hp

La asistencia electrónica de soluciones de soporte HP ofrece ayuda en línea a los propietarios de las impresoras HP. Obtenga acceso instantáneo a información de ayuda, consejos útiles sobre la impresión y las más recientes actualizaciones del software de la impresora (también conocido como controlador de la impresora) las 24 horas del día, siete días a la semana, sin costo alguno.

### Sitios web de soporte de hp

Si tiene acceso a un módem conectado a su computadora y está suscrito a algún Proveedor de servicio Internet, o si tiene acceso directo a Internet, puede obtener una amplia variedad de información acerca de su impresora. Consulte los sitios web incluidos en la tabla de la página siguiente.

Si el país o idioma que necesita no está incluido en la lista, visite el sitio web de soluciones de soporte HP en la dirección [www.hp.com/apcpo-support/regional.html](http://www.hp.com/apcpo-support/regional.html) para averiguar si hay un sitio web en su idioma.

Para este idioma...	Utilice este sitio web...
Alemán	<a href="http://www.hp.com/cposupport/de">http://www.hp.com/cposupport/de</a>
Chino simplificado	<a href="http://www.hp.com.cn/go/support">http://www.hp.com.cn/go/support</a>
Chino tradicional	<a href="http://taiwan.support.hp.com">http://taiwan.support.hp.com</a>
Coreano	<a href="http://www.hp.co.kr/go/support">http://www.hp.co.kr/go/support</a>
Español	<a href="http://www.hp.com/cposupport/es">http://www.hp.com/cposupport/es</a>
Francés	<a href="http://www.hp.com/cposupport/fr">http://www.hp.com/cposupport/fr</a>
Inglés	<a href="http://www.hp.com/go/support">http://www.hp.com/go/support</a>
Japonés	<a href="http://www.jpn.hp.com/CPO_TC/eschome.htm">http://www.jpn.hp.com/CPO_TC/eschome.htm</a>
Portugués	<a href="http://www.hp.com/cposupport/pt">http://www.hp.com/cposupport/pt</a>
Sueco	<a href="http://www.hp.com/cposupport/sv">http://www.hp.com/cposupport/sv</a>

Visite los foros de usuarios de HP o envíe mensajes por correo electrónico a HP desde el sitio web soluciones de soporte HP. Conéctese al sitio web y luego seleccione las opciones correspondientes a su impresora. Cuando aparece la pantalla soluciones de soporte HP, haga clic en **Conectar@HP**.

### Foros de usuarios hp

Los foros de usuarios de soluciones de soporte HP le permiten leer preguntas y respuestas enviadas por otros usuarios de HP y buscar soluciones para sus preguntas. También puede enviar su propia pregunta y visitar el sitio más tarde para obtener ideas y sugerencias de usuarios expertos y de los moderadores del foro.

### Soluciones de soporte hp por correo electrónico

El correo electrónico directo le permite obtener respuestas a sus preguntas específicas de un técnico de servicio de soluciones de soporte HP. Escriba su pregunta en un formulario en la Web y reciba una respuesta por correo electrónico. (Generalmente se envían las respuestas dentro de 48 horas, sin incluir días festivos.) La asistencia por correo electrónico es una excelente manera de plantear preguntas técnicas u obtener una respuesta relacionada con su sistema específico.

## Soluciones de soporte hp por teléfono

HP ofrece asistencia telefónica gratuita durante el período de soporte telefónico de la impresora. (No obstante, el usuario tendrá que pagar las tarifas normales que cobre de la compañía telefónica.) La lista siguiente muestra los períodos de soporte telefónico correspondientes a diferentes regiones.

### Período de soporte telefónico gratuito

Región	Soporte telefónico*
Norteamérica— incluyendo Canadá	1 año
Asia—Zona del Pacífico	1 año
Europa	30 días
América Latina	1 año

\* Se aplicarán las tarifas normales cobradas por la compañía de teléfonos.

### Antes de hacer una llamada

Antes de hacer una llamada para obtener ayuda, pruebe primero las siguientes opciones de asistencia gratuita:

- *Ayuda rápida*
- Instrucciones de *Instalación rápida*
- Asistencia electrónica de soluciones de soporte HP
- Consejos telefónicos para clientes HP (si se encuentra en los Estados Unidos). Para obtener respuestas a las preguntas más frecuentes relacionadas con la impresora HP Deskjet llame gratis a nuestra línea de soporte automatizado al (877) 283-4684.

Si no puede resolver el problema utilizando estos recursos, llame a un técnico de servicio de soluciones de soporte HP mientras se encuentra delante de la computadora y la impresora. Para obtener servicio más rápido, debe estar preparado a proporcionar información sobre los pasos que ha realizado para resolver el problema.

Además, HP necesita la siguiente información para ayudarle:

- El número de modelo de la impresora (la etiqueta se encuentra en la parte frontal de la impresora)
- El número de serie de la impresora (la etiqueta se encuentra en la parte inferior de la impresora)
- El sistema operativo de la computadora
- La versión del controlador de impresora (también conocido como el software de la impresora)
- Los mensajes que aparecieron cuando ocurrió la situación
- Respuestas a las siguientes preguntas:
  - ¿Esta situación ha ocurrido en el pasado? ¿Puede volver a crearla?
  - ¿Cuándo ocurrió? ¿Ha agregado algún hardware o software nuevo cerca del momento en que ocurrió esta situación?



## Números de teléfono para soporte

Si necesita ayuda para resolver un problema, comuníquese con soluciones de soporte HP utilizando uno de los números de teléfono indicados en la tabla que aparece a la derecha. Si el número telefónico para su región no aparece en la lista, consulte el sitio web de HP en [www.hp.com/cpsosupport/guide/psd/cscinfo.htm](http://www.hp.com/cpsosupport/guide/psd/cscinfo.htm).

## Después del período de soporte telefónico gratuito

Después del período de soporte telefónico gratuito, podrá obtener ayuda de HP pagando una tarifa. Los precios están sujetos a cambios sin previo aviso.

(No obstante, la asistencia electrónica de soluciones de soporte HP está siempre disponible, ¡sin costo alguno!) Consulte "Asistencia electrónica de soluciones de soporte HP" para obtener más información.

- Para las llamadas dentro de los Estados Unidos que duren menos de 10 minutos, llame al (900) 555 1500. Se cobran US\$2,50 por minuto, a partir del momento en que se conecta con un técnico de servicio. La tarifa máxima por llamado no excederá los US\$25.
- Para las llamadas dentro de los Estados Unidos que durarán más de diez minutos o para llamadas desde Canadá, llame al (800) 999-1148. Se cobra US\$25 por llamada, pagaderos mediante Visa o MasterCard.

Si durante la llamada HP determina que la impresora necesita reparación y está cubierta por la garantía limitada, no se le cobrará el servicio de soporte telefónico.

Para esta región...	Utilice este número de teléfono...
Alemania	+49 (0) 180 52 58 143
Argentina	+54 0810 555 5520
Australia	+61 3 8877 8000
Austria	+43 (0) 810 00 6080
Bélgica (francés)	+32 (0) 2 626 88 07
Bélgica (holandés)	+32 (0) 2 626 88 06
Brasil, dentro de la zona de Sao Paulo	+55 3747 7799
Brasil, fuera de la zona de Sao Paulo	+55 0800 15 7751
Canadá	1 (905) 206 4663
Chile	+56 800 36 0999
China	+86 (0) 10 6564 5959
Corea	+82 (2) 3270 0700
Corea, fuera de Seúl	+82 080 999 0700
Dinamarca	+45 (0) 39 29 4099
España	+34 9 02321 123
Estados Unidos	1 (208) 344 4131
Filipinas	+66 (2) 867 3551
Finlandia	+358 (0) 203 4 7 288
Francia	+33 (0) 1 43 62 34 34
Grecia	+30 (0) 1 619 64 11
Holanda	+31 (0) 20 606 8751
Hong Kong	+852 (800) 96 7729
Hungría	+36 (0) 1382 1111
India	+91 11 682 60 35
Indonesia	+62 (21) 350 3408
Inglés internacional	+44 (0) 207 512 5202
Irlanda	+353 (0) 1662 5525
Israel	+972 (0) 9 9524848
Italia	+39 (0) 2 264 10350

Para esta región...	Utilice este número de teléfono...
Japón	+81 (0) 3 3335 8333
Malasia	+60 (3) 2952566
Malasia, Penang	+60 1 300 88 00 28
Medio Oriente, Dubai	+971 4 883 8454
México	01 800 472 6684
Noruega	+47 22 116299
Nueva Zelanda	+64 (9) 356 6640
Polonia	+48 22 519 06 00
Portugal	+351 21 317 6333
Reino Unido	+44 (0) 207 512 5202
República Checa	+42 02 6130 7310
República de Sudáfrica, dentro de RSA	+27 086 000 1030
República de Sudáfrica, fuera de RSA	+27 11 258 9301
Rusia, Moscú	+7 095 797 3520
Rusia, San Petersburgo	+7 812 346 7997
Singapur	+65 272 5300
Suecia	+46 (0) 8 6192170
Suiza	+41 (0) 84 8801111
Tailandia	+66 (2) 661 4000
Taiwan	+886 2 2717 0055
Turquía	+90 (0) 212 221 6969
Venezuela	+ 58 800 47 888
Vietnam	+84 (0) 8 823 4530

## Reparaciones mediante soluciones de soporte hp

Si la impresora HP necesita reparación, llame a soluciones de soporte HP. (Encontrará los números de teléfono en la página anterior.) Un técnico de servicio de soluciones de soporte HP diagnosticará el problema y coordinará el proceso de reparación.

Soluciones de soporte HP le indicará la mejor solución para la reparación, ya sea a través de un proveedor de servicio autorizado o en las mismas instalaciones de HP. Este servicio es gratuito durante el período de garantía limitada de la impresora. Una vez vencido el período de garantía, se le indicará el costo de la reparación.

## Extensión de la garantía

Si desea extender la cobertura de la garantía más allá del período de la garantía limitada, las siguientes opciones están a su disposición:

- Consulte con su distribuidor local de productos HP para obtener una cobertura extendida. Para encontrar los distribuidores de HP en los Estados Unidos, visite el buscador de servicios HP en [www.hp.com/service\\_locator](http://www.hp.com/service_locator).
- Si su distribuidor no ofrece contratos de servicio, llame directamente a HP y pregunte sobre nuestros contratos de servicio. En los Estados Unidos, llame al (800) 446-0522; en Canadá, al (800) 268-1221. Para los contratos de servicio HP fuera de los EE.UU. y Canadá, comuníquese con su oficina local de ventas de HP.

# Resolución de problemas de instalación bajo Windows

Consulte la información de esta sección si tiene problemas con la instalación de la impresora. Si necesita ayuda después de instalar la impresora, consulte el manual electrónico *Ayuda rápida*.

## ¿Cuál es el problema?

He insertado el CD de instalación, pero la computadora no lo puede leer.

## Causas posibles...

- El CD no está insertado correctamente en la unidad de CD-ROM
- El CD está dañado
- La unidad de CD-ROM está dañada

## Para resolver el problema...

Vuelva a insertar el CD en la unidad de CD-ROM. Asegúrese de colocar el CD en la posición correcta.

Si la instalación no se inicia luego de unos segundos, es posible que esté dañado el CD o la unidad de CD-ROM.

Inserte un CD diferente en la unidad de CD-ROM. Si otro CD funciona, quizás se haya dañado el CD de instalación.

Si no puede hacer funcionar ningún CD, quizás sea necesario reemplazar o reparar la unidad de CD-ROM.

Reemplace el CD dañado transfiriendo el software de la impresora (conocido también como controlador de impresora) desde el sitio web de HP.

Si no tiene acceso a la Web, comuníquese con soluciones de soporte HP y solicite el software en un CD. Para obtener el número telefónico del centro de soluciones de soporte HP más cercano a su domicilio, consulte "Cómo comunicarse con soluciones de soporte hp".

## ¿Cuál es el problema?

El software de la impresora no se instaló correctamente.

## Causas posibles...

- Quizás haya un conflicto con su programa de protección contra virus
- Quizás haya un conflicto con otro programa de software
- Quizás haya un conflicto con un dispositivo periférico conectado a la impresora

## Para resolver el problema...

Desinstale el software de la impresora.

### Para Windows 95, 98, Me, NT 4.0 y 2000:

1. Haga clic en **Inicio > Programas > hp deskjet 9xx series > hp deskjet 9xx series desinstalar**.
2. Siga las instrucciones que aparezcan en la pantalla de la computadora.

### Para Windows 3.1x:

1. Abra el grupo de programas **hp deskjet 9xx series**.
2. Haga doble clic en el icono **Desinstalar hp deskjet 9xx series**.
3. Siga las instrucciones que aparezcan en la pantalla de la computadora.

- Cierre cualquier programa de software (incluyendo programas de protección contra virus) que esté abierto.
- Desconecte los dispositivos periféricos que utilizan un cable paralelo de impresora (tales como un escáner o unidad de cinta).

Vuelva a instalar el software de la impresora. Consulte las instrucciones de *Instalación rápida*.

Si todavía tiene problemas con la instalación del software, comuníquese con soluciones de soporte HP. Consulte "Cómo comunicarse con soluciones de soporte hp".

## ¿Cuál es el problema?

Cuando conecto un cable USB entre la impresora y la computadora, no aparece el Asistente para agregar nuevo hardware.

### Causas posibles...

Quizás no esté utilizando Windows 98, Me o 2000.

Quizás el cable USB no esté conectado correctamente.

Quizás su computadora no esté equipada para USB.

### Para resolver el problema...

Asegúrese de que Windows 98, Me o 2000 esté en ejecución. Si no tiene Windows 98, Me o 2000, necesita utilizar un cable paralelo.

1. Desconecte y vuelva a conectar el cable USB de la impresora.
2. Asegúrese de que el cable esté conectado firmemente.

#### En Windows 98, Me o 2000:

1. Haga clic en **Inicio > Configuración > Panel de control**.
2. Haga doble clic en el icono **Sistema**.
3. Seleccione la ficha **Administrador de dispositivos**.
4. Haga clic en el símbolo de suma (+) junto a la opción **Controladoras de bus serie universal**.
  - Si aparece en la lista una controladora de host USB y un concentrador raíz USB, es probable que USB esté activado.
  - Si estos dispositivos no aparecen en la lista, consulte la documentación de la computadora o comuníquese con el fabricante de la computadora para obtener información sobre activación y configuración de USB.
5. Utilice un cable paralelo para conectar la impresora a la computadora si no puede activar USB.

## ¿Cuál es el problema?

Cuando conecto un cable USB entre la impresora y la computadora, aparece el mensaje "Dispositivo desconocido".



## Causas posibles...

- Se ha acumulado electricidad estática en el cable entre la impresora y la computadora
- Quizás su cable USB sea defectuoso



## Para resolver el problema...

1. Desconecte el cable USB de la impresora.
2. Desconecte el cable de alimentación de la impresora.
3. Espere aproximadamente 30 segundos.
4. Conecte el cable de alimentación a la impresora.
5. Conecte el cable USB a la impresora.
6. Reemplace el cable USB o utilice un cable paralelo si el mensaje "Dispositivo desconocido" sigue apareciendo en el cuadro de diálogo Nuevo hardware encontrado.

## ¿Cuál es el problema?

Cuando inserto el CD con el software de la impresora y los archivos empiezan a copiarse, la pantalla Copiando archivos... indica que no se encuentra el archivo **hpzuci01.dll**.



## Causas posibles...

Todas las condiciones siguientes están presentes:

- Está utilizando un cable USB para conectar la impresora a la computadora
- Está utilizando Windows 98
- Hay más de un dispositivo conectado a la vez



## Para resolver el problema...

1. Haga clic en **Examinar**.  
Aparece la pantalla Abrir.
2. Seleccione la ruta de acceso siguiente para llegar al archivo *hpzuci01.dll*: **c:\Archivos de programa\Hewlett-Packard\hpz\ glue**.
3. Haga clic en **Aceptar**.  
La pantalla Copiando archivos... vuelve a aparecer con la ruta de acceso correcta y el nombre de archivo insertados en el campo Copiar archivos desde....
4. Haga clic en **Aceptar**.
5. Seleccione **Instalar el software de la impresora hp deskjet 9xx series**.  
Aparecerá la pantalla del instalador de la hp deskjet 9xx.
6. Haga clic en **Siguiente**, luego siga las instrucciones en la pantalla para completar la instalación.

# Declaración de garantía limitada

Región	Software	Cartuchos de impresión	Impresora
Norteamérica (incluyendo Canadá)	90 días	90 días	1 año
Asia—Zona del Pacífico	90 días	90 días	1 año
Europa	90 días	90 días	1 año
América Latina	90 días	90 días	1 año

## A. Alcance de la garantía limitada

1. Hewlett-Packard (HP) garantiza al cliente usuario que los productos HP especificados anteriormente estarán exentos de defectos de material y fabricación durante el plazo especificado anteriormente, el cual comienza el día de la adquisición por parte del cliente. El cliente deberá conservar un comprobante de la fecha de compra.
2. Para los productos de software, la garantía limitada de HP se aplica únicamente a la incapacidad del programa para ejecutar las instrucciones. HP no garantiza que ningún producto funcionará ininterrumpidamente o sin errores.
3. La garantía limitada de HP abarca sólo los defectos que originen como consecuencia del uso normal del producto, y no cubre:
  - a. Modificaciones o mantenimiento indebidos o inadecuados;
  - b. Software, interfaces, papel o medios de impresión, piezas o suministros que HP no proporcione o respalde; o
  - c. El uso del producto en contravención con las especificaciones.
4. Para los productos de impresora HP, el uso de un cartucho de tinta ajeno a HP o recargado con tinta no afecta ni la garantía al cliente ni ningún contrato de asistencia técnica que se haya suscrito con el cliente. No obstante, si la avería o daño a la impresora puede atribuirse al uso de un cartucho ajeno a HP o recargado con tinta, HP cobrará sus honorarios estándar por tiempo y materiales para prestar servicio a la impresora con objeto de reparar dicha avería o daño.
5. Si durante la vigencia de la garantía aplicable, HP recibe un aviso de que el software, el papel o medios de impresión o un cartucho de tinta presentan un defecto cubierto por la garantía, HP sustituirá el producto defectuoso. Si durante la vigencia de la garantía aplicable, HP recibe un aviso de que cualquier producto de hardware presenta un defecto cubierto por la garantía, HP reparará o sustituirá el producto defectuoso a su criterio.
6. Si HP no logra reparar o sustituir, según corresponda, un producto defectuoso que esté cubierto por la garantía, HP reembolsará al cliente el precio de compra del producto, dentro de un plazo razonable tras recibir la notificación del defecto.
7. HP no tendrá obligación alguna de reparar, sustituir o reembolsar el precio del producto defectuoso hasta que el cliente lo haya devuelto a HP.
8. Cualquier producto de recambio podrá ser nuevo o reacondicionado, siempre y cuando su funcionalidad sea como mínimo equivalente a la del producto que se está sustituyendo.
9. La garantía limitada de HP es válida en cualquier país en que los productos HP cubiertos sean distribuidos por HP, excepto en el caso de: Oriente Medio, África, Argentina, Brasil, México, Venezuela y los "Départements D'Outre-Mer" de Francia. En dichas áreas, la garantía sólo será válida en el país de compra. Los centros de servicio autorizados por HP donde se distribuye el producto HP o los importadores autorizados pueden ofrecer contratos para servicios adicionales de garantía como por ejemplo, servicios en las instalaciones del cliente.



## B. Limitaciones de la garantía

1. HASTA DONDE LO PERMITAN LAS LEYES LOCALES, NI HP NI SUS TERCEROS PROVEEDORES OTORGAN NINGUNA OTRA GARANTÍA O CONDICIÓN DE NINGÚN TIPO, YA SEA EXPRESA O IMPLÍCITA, RESPECTO A LOS PRODUCTOS DE HP, Y RECHAZAN ESPECÍFICAMENTE LAS GARANTÍAS IMPLÍCITAS O CONDICIONES DE COMERCIALIZACIÓN, CALIDAD SATISFACTORIA E IDONEIDAD PARA UN FIN DETERMINADO.

## C. Limitaciones de responsabilidad

1. Hasta donde lo permitan las leyes locales, los recursos indicados en esta Declaración de garantía son los únicos y exclusivos recursos de los que dispone el cliente.
2. HASTA DONDE LO PERMITAN LAS LEYES LOCALES, A EXCEPCIÓN DE LAS OBLIGACIONES ESTIPULADAS ESPECÍFICAMENTE EN ESTA DECLARACIÓN DE GARANTÍA, NI HP NI SUS TERCEROS PROVEEDORES SE HARÁN RESPONSABLES, EN NINGUNA CIRCUNSTANCIA, DE DAÑOS DIRECTOS, INDIRECTOS, ESPECIALES, INCIDENTALES O CONSECUENTES, ESTÉN ÉSTOS BASADOS EN CONTRATO, NEGLIGENCIA O ALGUNA OTRA TEORÍA JURÍDICA, SIN IMPORTAR QUE SE LES HAYA ADVERTIDO SOBRE LA POSIBILIDAD DE DICHOS DAÑOS.

## D. Leyes locales

1. Esta Declaración de garantía otorga derechos especiales al cliente, quien podría gozar de otros derechos que varían según el estado (en Estados Unidos), la provincia (en Canadá), o la entidad gubernamental en cualquier otro país del mundo.
2. Hasta donde se establezca que esta Declaración de garantía contraviene las leyes locales, dicha Declaración de garantía se considerará modificada para acatar tales leyes locales. Bajo dichas leyes locales, puede que algunas de las declinaciones de responsabilidad y limitaciones estipuladas en esta Declaración de garantía no se apliquen al cliente. Por ejemplo, algunos estados en Estados Unidos, así como ciertas entidades gubernamentales en el exterior de Estados Unidos (incluidas las provincias de Canadá) pueden:

- a. Impedir que las declinaciones de responsabilidad y limitaciones estipuladas en esta Declaración de garantía limiten los derechos estatutarios del cliente (por ejemplo, en el Reino Unido);
  - b. Restringir de algún otro modo el poder del fabricante de hacer cumplir dichas declinaciones de responsabilidad y limitaciones; u
  - c. Otorgar al cliente derechos adicionales bajo garantía, especificar la vigencia de las garantías implícitas que el fabricante no puede rechazar, o impedir que se impongan limitaciones sobre la vigencia de las garantías implícitas.
3. PARA TRANSACCIONES CON CLIENTES EN AUSTRALIA Y NUEVA ZELANDA, LOS TÉRMINOS ENUNCIADOS EN ESTA DECLARACIÓN DE GARANTÍA, SALVO HASTA DONDE LO PERMITA LA LEY, NO EXCLUYEN, RESTRINGEN NI MODIFICAN LOS DERECHOS ESTATUTARIOS OBLIGATORIOS PERTINENTES A LA VENTA DE PRODUCTOS HP A DICHOS CLIENTES, SINO QUE SON ADICIONALES A LOS MISMOS.

## Garantía de hp sobre el año 2000

Con sujeción a todos los términos y limitaciones de la Declaración de garantía limitada de HP indicados anteriormente, HP garantiza que este Producto HP será capaz de procesar con precisión datos relativos a fechas (lo que incluye a título enunciativo pero no limitativo, el cálculo, comparación y secuencia) de, en y entre los siglos veinte y veintiuno, y los años 1999 y 2000, con inclusión de los cálculos de años bisiestos, cuando se usen de conformidad con la documentación del producto suministrada por HP (incluidas cualesquiera instrucciones para instalar parches o mejoras), siempre que todos los demás productos (es decir, hardware, software y firmware) usados en combinación con tal(es) Producto(s) HP, intercambien adecuadamente datos relativos a fechas con el mismo. La duración de la garantía sobre el año 2000 se extiende hasta el 31 de enero del 2001.

# Declaración sobre el medio ambiente

Hewlett-Packard mejora constantemente los procesos de diseño de las impresoras deskjet con el propósito de reducir al mínimo los impactos negativos que pudieran producirse en el ambiente de las oficinas y en las comunidades donde se fabrican, envían y usan los productos. Hewlett-Packard también ha desarrollado procesos que reducen al mínimo los impactos negativos del desecho de las impresoras al final de su vida útil.

## Reducción y eliminación

**Uso de papel:** La capacidad que tiene la impresora de imprimir automáticamente o manualmente en ambas caras del papel reduce el uso de papel y la demanda de recursos naturales. Esta impresora ha sido diseñada para poder utilizar papel reciclado conforme a la norma DIN 19 309.

**Ozono:** Las sustancias químicas que perjudican al ozono (por ejemplo, CFC), han sido eliminadas de los procesos de producción de Hewlett-Packard.

## Reciclaje

Se ha incorporado diseño para reciclado en la impresora. El número de materiales ha sido reducido al mínimo sin perjudicar la funcionalidad y fiabilidad del producto. Los materiales no similares han sido diseñados para que se puedan separar con facilidad. Los cierres y conectores son fáciles de encontrar y retirar utilizando herramientas comunes. El diseño de las piezas de alta prioridad permite el acceso rápido para lograr un eficaz desarmado y reparación. Las piezas de plástico han sido diseñadas principalmente en no más de dos colores para mejorar las opciones de reciclaje. Algunas piezas pequeñas tienen un color específico para indicar al cliente los puntos de acceso.

**Embalaje de la impresora:** Los materiales de embalaje para esta impresora han sido seleccionados para proporcionar una protección máxima a un costo mínimo, al mismo tiempo que se intenta reducir al mínimo el impacto en el medio ambiente y facilitar el reciclaje. El diseño resistente de la impresora HP DeskJet ayuda a reducir los materiales de embalaje requeridos y a evitar daños al producto.

**Piezas de plástico:** Todos los materiales y piezas importantes de plástico están marcadas según las normas internacionales. Todas las piezas de plástico utilizadas en la caja y el chasis de la impresora son técnicamente reciclables y utilizan un solo polímero.

**Vida útil del producto:** Para asegurar una larga vida útil de la impresora HP Deskjet, HP ofrece lo siguiente:

- **Garantía extendida:** El HP SupportPack proporciona cobertura para el hardware y el producto HP y todos los componentes HP suministrados internamente. El cliente debe adquirir el HP SupportPack dentro de 30 días de la fecha de compra. Comuníquese con su distribuidor local de productos HP para obtener información sobre este servicio.
- Las **piezas de repuesto y consumibles** estarán disponibles durante cinco (5) años después de haberse suspendido la producción del producto.
- **Devolución de productos al final de su vida útil:** Para devolver este producto y los cartuchos de impresión a HP al final de su vida útil, llame a su oficina local de ventas o servicios de HP para obtener más información.

## Consumo de energía

Esta impresora fue diseñada pensando en la conservación de energía. Utiliza un promedio de 4 vatios en el modo de descanso. Esto no sólo ahorra recursos naturales, sino ahorra también dinero sin perjudicar el alto rendimiento de la impresora.

Este producto reúne los requisitos para el programa ENERGY STAR (EE.UU. y Japón). ENERGY STAR es un programa voluntario establecido para fomentar el desarrollo de productos de oficina con un alto grado de eficiencia energética.



ENERGY STAR es una marca de servicio de la EPA (agencia de protección del medio ambiente) estadounidense registrada en EE.UU. Como socio del programa ENERGY STAR, Hewlett-Packard Company ha determinado que este producto cumple los requisitos de ENERGY STAR para eficiencia energética.

**Consumo de energía en el modo apagado:** Cuando la impresora está apagada, igualmente consume una cantidad mínima de energía. Apagando la impresora y desconectando el cable de alimentación de la impresora de la fuente eléctrica se puede evitar el consumo de energía.

# Índice

## A

- Adobe Acrobat Reader **5, 6**
- Asistencia rápida, manual **3, 4, 5, 6**
- asistente de la impresora HP **4**
- ayuda
  - después del período de soporte telefónico **10**
  - foros de usuarios **8**
  - por correo electrónico **8**
  - por teléfono **9**
  - reparación de la impresora **11**
  - resolución de problemas de instalación **12**
  - soluciones de soporte HP **7**
  - soporte en la Web **7**
  - soporte telefónico **10**
- ayuda en pantalla **3**
- ayuda en pantalla de Windows **3**

## C

- cable de impresora **2, 14, 15**
- caja de la impresora, contenido **1**
- características de la impresora **3**
- cartuchos de impresión **1, 2, 3**
- compatibilidad
  - con otro hardware **3**
  - con otro software **3**
- contenido de la caja de la impresora **1**
- contratos de servicio **11**
- controlador de impresora **1, 2, 3**
- correo electrónico, asistencia mediante **8**

## D

- DOS, sistemas **6**

## E

- encontrar información sobre la impresora **3**
- energía, consumo **19**
- especificaciones de la impresora **3**

## G

- garantía limitada **17**
- garantía, extensión **11, 19**
- globos de ayuda **3**
- Guía del usuario, Windows 3.1x **3**
- guía para redes, Windows **3**

## I

- impresora **15**
- impresora, conectar en una red **3**
- impresora, instalar **3**
- instalación rápida, instrucciones **1, 3**
- instalación, resolución de problemas **12**

## M

- Macintosh, globos de ayuda **3**
- Módulo de impresión automática a doble cara **1**

## N

- notas sobre esta versión **3**

## P

- programas antivirus **13**

## R

- reciclar la impresora **19**
- reparación de la impresora **11**
- resolución de problemas **12**
  - la computadora no lee el CD del software **12**
  - no se encuentra hpzuci01.dll **16**
  - problemas de instalación USB **14, 15**
  - software no se instala correctamente **13**

## S

- sitios web, soluciones de soporte HP **7**
- software de la impresora **1, 2, 3, 5**
- soluciones de soporte **7**
- soporte telefónico **10**

## T

- teléfono, asistencia mediante **9**

## U

- USB **14, 15**

# Regulatory notices

## hewlett-packard company

This device complies with part 15 of the FCC Rules. Operation is subject to the following two conditions:

- This device may not cause harmful interference, and
- This device must accept any interference received, including interference that may cause undesired operation.
- Pursuant to Part 15.21 of the FCC Rules, any changes or modifications to this equipment not expressly approved by Hewlett-Packard Company may cause harmful interference, and void your authority to operate this equipment. Use of a shielded data cable is required to comply with the Class B limits of Part 15 of the FCC Rules.

For further information, contact:

Hewlett-Packard Company  
Manager of Corporate Product Regulations  
3000 Hanover Street  
Palo Alto, Ca 94304  
(650) 857-1501

## note

This equipment has been tested and found to comply with the limits for a Class B digital device, pursuant to part 15 of the FCC rules. These limits are designed to provide reasonable protection against harmful interference in a residential installation. This equipment generates, uses, and can radiate radio frequency energy and, if not installed and used in accordance with the instructions, can cause harmful interference to radio communications. However, there is no guarantee that interference will not occur in a particular installation. If this equipment does cause harmful interference to radio or television reception, which can be determined by turning the equipment off and on, the user is encouraged to try to correct the interference by one or more of the following measures:

- Reorient or relocate the receiving antenna.
- Increase the separation between the equipment and the receiver.
- Connect the equipment into an outlet on a circuit different from that to which the receiver is connected.
- Consult the dealer or an experienced radio/TV technician for help.

## LED indicator statement

The display LEDs meet the requirements of EN 60825-1.

この装置は、情報処理装置等電波障害自主規制協議会（VCCI）の基準に基づくクラスB情報技術装置です。この装置は、家庭環境で使用することを目的としていますが、この装置がラジオやテレビジョン受信機に近接して使用されると受信障害を引き起こすことがあります。

取り扱い説明書に従って正しい取り扱いをして下さい。

### 사용자 안내문 (B급 기기)

이 기기는 비업무용으로 전자파장애검정을 받은 기기로서, 주거지역에서는 물론 모든 지역에서 사용될 수 있습니다.



i n v e n t

**Windows**  
**Macintosh**

**guia de referência rápida**  
**hp deskjet 990c/980c/960c series**

**português**

## **agradecimentos**

Microsoft, MS-DOS e Windows são marcas comerciais registradas da Microsoft Corporation.

Adobe e Acrobat são marcas comerciais registradas da Adobe Systems Incorporated.

Mac, Macintosh e Mac OS são marcas comerciais da Apple Computer, Inc., registradas nos EUA e em outros países.

## **aviso**

A informação contida neste documento está sujeita a mudanças sem aviso prévio.

A Hewlett-Packard não faz nenhuma garantia com relação a este material, incluindo, mas não limitado a, garantias implícitas de comerciabilidade e adequação para um determinado fim.

A Hewlett-Packard não será responsável por erros contidos aqui, ou por danos incidentais ou consequenciais relativos ao fornecimento, desempenho ou uso deste material.

Nenhuma parte deste documento pode ser fotocopiada, reproduzida ou traduzida para outro idioma, sem a aprovação escrita da Hewlett-Packard Company.

## **termos e convenções**

Os seguintes termos e convenções são usados no *guia de referência rápida*:

### **termos**

As impressoras HP Deskjet 990c, 980ce 960c series podem ser referidas como **HP Deskjet 9xx** ou **HP Deskjet**.

### **símbolos**

O > símbolo o guia nas várias etapas do software. Por exemplo:

Clique em **Iniciar > Programas > hp deskjet 9xx series > Notas de lançamento** para ver as Notas de lançamento.

### **cuidados**

Um **Cuidado** indica um possível dano à impressora HP Deskjet ou a outro equipamento. Por exemplo:

**Cuidado!** Não toque nos injetores de tinta do cartucho para impressão nem nos contatos de cobre. O toque destas partes causa entupimento, falha da tinta e má conexão elétrica.

# guia de referência rápida

hp deskjet 990c/980c/960c series

## conteúdo

<b>apresentação da impressora hp deskjet</b> . . . . .	<b>1</b>
cartuchos para impressão . . . . .	2
cabos da impressora . . . . .	2
atualizações de software . . . . .	2
<b>busca de informação</b> . . . . .	<b>3</b>
<b>visualização da ajuda rápida</b> . . . . .	<b>4</b>
usuários do Windows 95, 98, Me, 2000 e NT 4.0 . . . . .	4
usuários do Macintosh . . . . .	5
<b>visualização de informações da impressora em Windows 3.1x e DOS</b> . . . . .	<b>6</b>
usuários de Windows 3.1x . . . . .	6
usuários do DOS . . . . .	6
<b>contatando soluções de suporte hp</b> . . . . .	<b>7</b>
processo do suporte da hp . . . . .	7
soluções de e-suporte hp . . . . .	7
soluções de suporte hp por telefone . . . . .	9
como obter o soluções de suporte de reparos hp . . . . .	11
como obter uma extensão da garantia . . . . .	11
<b>solução para problemas de instalação do Windows</b> . . . . .	<b>12</b>
declaração de garantia limitada . . . . .	17
declaração de meio ambiente . . . . .	19
índice . . . . .	20
regulatory notices . . . . .	capa interna traseira





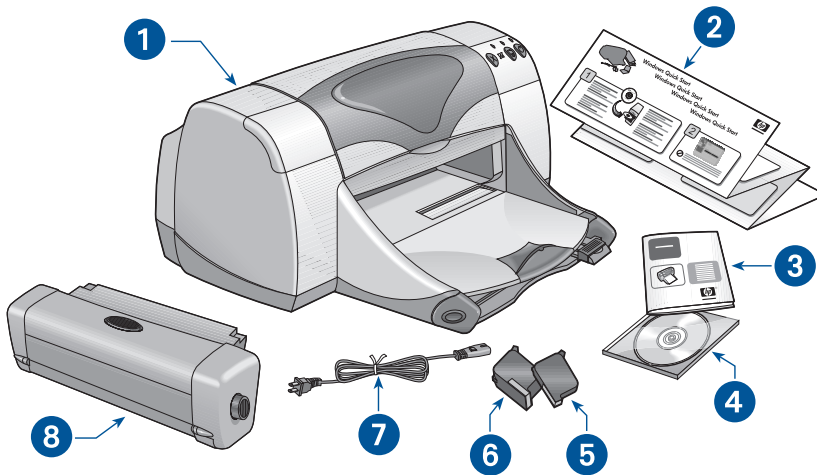
# apresentação da impressora hp deskjet

## conteúdo da caixa

Agradecemos por comprar uma impressora HP Deskjet! A caixa da sua impressora contém os seguintes itens:

- Impressora HP Deskjet (990c series, 980c series ou 960c series)
- Módulo de impressão de dupla-face automática (pode não ser disponível em todos os modelos de impressora)
- Fio elétrico
- CD do software da impressora
- *guia de referência rápida*
- folheto de *instalação rápida*
- Cartucho para impressão a preto
- Cartucho para impressão em três cores

Se qualquer um destes itens estiver faltando, fale com o seu revendedor HP, ou contate o suporte de soluções de suporte HP. Consulte "contato do suporte de soluções de suporte hp" para obter maiores informações.



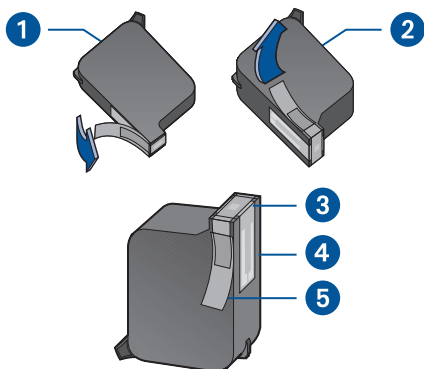
1. impressora 2. folheto de *instalação rápida* 3. *guia de referência rápida* 4. software da impressora 5. cartucho para impressão a preto 6. cartucho para impressão em três cores 7. fio elétrico 8. módulo de impressão de dupla-face automática (pode não ser disponível em todos os modelos de impressora)

## cartuchos para impressão

A caixa da impressora HP Deskjet contém um cartucho para impressão a preto e um a cores. Cada caixa de cartucho para impressão e o manual eletrônico de *ajuda rápida*, contêm as instruções para instalação.

Ao substituir um cartucho para impressão, verifique se o número está correto:

- Preto—hp 45 (hp 51645a)
- Três cores—hp 78 (hp c6578d)
- Três cores grande—hp 78 (hp c6578a)



1. cartucho para impressão a preto 2. cartucho para impressão de três cores 3. injetores de tinta 4. contatos de cobre 5. fita de vinil protetora

**Cuidado!** Ao substituir um cartucho para impressão, não toque nos injetores de tinta nem nos contatos de cobre. O contato com estas partes do cartucho causa entupimento, falha da tinta e más conexões elétricas. Além disso, não remova as tiras de cobre. Elas são necessárias para os contatos elétricos.

## cabos da impressora

O cabo da impressora não é incluído na caixa. Compre um dos seguintes cabos para conectar a sua impressora ao computador:

- Um cabo de interface paralela IEEE 1284 usado com todos os sistemas Windows
- Um cabo de interface USB usado com os sistemas Macintosh e Windows 98, Me e 2000

## atualizações de software







O software da impressora, também chamado de driver da impressora, envia os pedidos de impressão para a impressora. Use um dos seguintes métodos para obter cópias e atualizações do software da impressora:

- Obtenha o software da impressora no Website da HP.
- Telefone para o soluções de suporte HP e solicite um CD com a atualização do software.

Consulte “contato do soluções de suporte hp” para os números de telefone do serviço de suporte e os endereços de Website.

# busca de informação

Vários documentos acompanha a impressora HP Deskjet. Eles fornecem as instruções de como instalar o software e operar a impressora e como encontrar a ajuda necessária. A tabela a seguir, mostra onde você pode encontrar tipos de informações específicas.

para informação sobre...	consulte...	plataforma
Instalação da impressora e instalação do software da impressora	 folheto de <i>instalação rápida</i>	Windows (todas as versões) e Macintosh
Características, especificações, manutenção e cartuchos da impressora, como imprimir e resolução de problemas	 <i>ajuda rápida</i> (Consulte “ <i>visualização de ajuda rápida</i> ” para obter informação)  <i>Guia do Usuário</i> (Consulte “ <i>visualização de informação da impressora para Windows 3.1x e DOS</i> ” para obter informação)	Windows (todas as versões) e Macintosh
Conteúdo da caixa da impressora, informação sobre soluções de suporte HP e sobre a garantia, e resolução de problemas com a instalação	 <i>guia de referência rápida</i>	Windows (todas as versões) e Macintosh
Conexão da impressora a uma rede	 <i>Guia de rede da HP para o Windows</i>	Windows (todas as versões, exceto 3.1)
Compatibilidade de hardware e de software com a impressora	 <i>notas de lançamento da impressora hp deskjet</i> Clique em <b>Iniciar &gt; Programas &gt; hp deskjet 9xx series &gt; notas de lançamento</b>	Windows (todas as versões, exceto 3.1)
Opções na tela do software da impressora	 Ajuda o <i>Que é Isto</i> (Windows) Clique a parte direita do mouse na tela relevante.  Ajuda de bolha (Macintosh) Clique o mouse na tela relevante.	Windows (todas as versões, exceto 3.1) e Macintosh

# visualização da ajuda rápida

O manual eletrônico de *ajuda rápida*, fornece instruções de como usar a impressora HP Deskjet. Também é fornecida informação para ajudá-lo a resolver os problemas que possam ocorrer com a impressora.

## usuários do Windows 95, 98, Me, 2000 e NT 4.0

Abra a *ajuda rápida* com o assistente da impressora hp, uma ferramenta fornecida:

- Suporte com o soluções de suporte HP
- Idéias para impressão
- Links de compra de outros produtos HP
- Links com atualizações do software da impressora

O ícone assistente da impressora é mostrado na área de trabalho do Windows após a instalação do software da impressora.

### acesso à *ajuda rápida*

Para visualizar a *ajuda rápida*:

1. Clique duas vezes no ícone do **assistente da impressora hp** no área de trabalho do computador.



assistente da  
impressora  
990c

O assistente da impressora hp é exibido.

2. Clique no botão de **ajuda rápida** para ver os tópicos do manual.

Você também pode abrir a *ajuda rápida* no menu de Inicialização, clicando em **Iniciar > Programas > hp deskjet 9xx series > 9xx assistente da impressora > ajuda rápida**.

## versões do Adobe Acrobat para *ajuda rápida*

O manual de *ajuda rápida* também é oferecido nos seguintes idiomas:

- Árabe
- Bahasa Indonésia
- Búlgaro
- Cazaque
- Eslovaco
- Esloveno
- Estoniano
- Grego
- Hebraico
- Lituano
- Romeno
- Servo-croata
- Turco

Se você quiser visualizar o manual em um destes idiomas:

1. Clique duas vezes no ícone **assistente da impressora hp** na área de trabalho do computador.
2. Clique no botão de **ajuda rápida** na tela do assistente da impressora hp.
3. Selecione a **ajuda rápida está disponível em outros idiomas** na parte inferior da tela *ajuda rápida*.
4. Coloque o CD do software da impressora na unidade de CD-ROM do computador.
5. Selecione um idioma da lista mostrada.
  - Se o Acrobat Reader estiver instalado no computador, a *ajuda rápida* é exibida.
  - Se o Acrobat Reader não estiver instalado no computador, ele se instala automaticamente, e a *ajuda rápida* é exibida.

## usuários do Macintosh

Nos computadores Macintosh, o Adobe Acrobat Reader é necessário para a visualização do manual de *ajuda rápida*. Se você não possui um Acrobat Reader, instale-o com o CD de software da impressora.

Para abrir a *ajuda rápida*:

1. Coloque o CD de software da impressora na unidade de CD-ROM do computador.  
A tela hp deskjet é exibida.
2. Selecione a pasta **Manual do Usuário** no seu idioma.
3. Faça uma das opções seguintes:
  - Clique duas vezes no ícone **Manual Eletrônico do Usuário** se o Acrobat Reader estiver instalado no seu computador.



Manual eletrônico do usuário

- Clique duas vezes no ícone **Acrobat Reader 4.0** se o Acrobat Reader não estiver instalado no seu computador.



Acrobat Reader 4.0

O Adobe Acrobat Reader se instala automaticamente. Após a instalação, clique duas vezes no ícone **Manual Eletrônico do Usuário** para ver a *ajuda rápida*.

# visualização de informações da impressora em Windows 3.1x e DOS

## usuários de Windows 3.1x

Nos sistemas Windows 3.1x, as informações sobre a operação da impressora estão localizadas em um *Guia do Usuário* eletrônico. Esta opção é oferecida somente com as impressoras HP Deskjet 990c series.

Você necessita do Adobe Acrobat Reader para visualizar o *Guia do Usuário*. Se você não possuir um Acrobat Reader, instale-o do CD de software da impressora, ao visualizar o guia pela primeira vez.

Para abrir o *Guia do Usuário*:

1. Coloque o CD de software da impressora na unidade de CD-ROM do computador.
2. Selecione **Executar** > **Arquivo** no Gerenciador de Programas.
3. Digite **d:\setup.exe**.  
Substitua a letra da unidade de CD-ROM para "d", se necessário.
4. Clique em **OK**.  
A tela hp deskjet é exibida.
5. Selecione **Visualização do Guia do Usuário**.
  - Se o Acrobat Reader estiver instalado no seu computador, o *Guia do Usuário* é exibido.
  - Se o Acrobat Reader não estiver instalado no computador, siga as instruções na tela para a instalação. Quando o Acrobat Reader estiver instalado, selecione **Visualização do Guia do Usuário** para ver o manual.

## usuários do DOS

Nos sistemas operacionais DOS, a informação sobre a impressora HP Deskjet é encontrada em um documento de texto chamado *dosread.txt*. Este arquivo está localizado no CD de software da impressora no `\<código de idioma>\djcp\` diretório. Para <o código de idioma> substitua o código relevante da lista abaixo. Para ler o arquivo em inglês, por exemplo, abra o *dosread.txt* no diretório `\enu\djcp`.

para este idioma...	use este código...
Bahasa Indonésia	bin
Bulgária	bul
Chinês, Simplificado	chs
Chinês, Tradicional	cht
Checo	csy
Dinamarquês	dan
Alemão	deu
Inglês	enu
Espanhol	esm
Finlandês	fin
Francês	fra
Húngaro	hun
Italiano	ita
Japonês	jpn
Coreano	kor
Cazaque	kzh
Holandês	nld
Norueguês	non
Polonês	plk
Português	ptb
Russo	rus
Sueco	svc
Tailandês	tha

# contatando soluções de suporte hp

O soluções e o suporte do soluções de suporte HP oferecem conselhos de especialistas de como usar sua impressora HP Deskjet ou de como resolver problemas da sua impressora. Existem várias maneiras de se obter assistência—o que você precisa, na hora em que você precisa!

## processo do suporte da hp

O processo de suporte do serviço de suporte hp funciona de maneira mais eficiente se você buscar ajuda na seguinte ordem:

### 1. Use a *ajuda rápida*.

Consulte “visualização de *ajuda rápida*” para obter maiores informações.

### 2. Acesso ao soluções de e-suporte HP.

Use sua conexão de Internet a qualquer hora do dia para:

- Verificar as Web pages de suporte da HP para ajuda de produto
- Ler as mensagens do fórum de comunidade de usuários HP ou deixar uma pergunta
- Enviar uma mensagem de email para a HP

Consultar o “soluções de e-suporte hp” para obter maiores informações.

### 3. Contatar o soluções de suporte telefônico HP, durante o horário de funcionamento.

Consultar o “soluções de suporte telefônico hp” para obter maiores informações

**Nota** As opções de suporte e a disponibilidade variam de acordo com o produto, o país/região e o idioma.

## soluções de e-suporte hp

As soluções de e-suporte hp oferecem suporte online enquanto você for proprietário de uma impressora HP. Obtenha o acesso instantâneo à informação de suporte, às dicas úteis para impressão e as mais recentes atualizações para o software da sua impressora (também conhecido como o driver da impressora)—24 horas ao dia, sete dias da semana, gratuitamente.

### Websites de suporte hp

Se você possui um modem conectado a um computador e é assinante de um Provedor de Serviço de Internet ou tem acesso direto à Internet, pode obter uma ampla variedade de informações sobre a impressora. Consulte os Websites da tabela na página seguinte.

Se o país ou o idioma que você necessita não estiver incluído na tabela, acesse o soluções de suporte online HP no [www.hp.com/apcpo-support/regional.html](http://www.hp.com/apcpo-support/regional.html) para ver se existe um Website no seu idioma.

para este idioma...	use este Website...
Alemão	<a href="http://www.hp.com/cposupport/de">http://www.hp.com/cposupport/de</a>
Chinês Simplificado	<a href="http://www.hp.com.cn/go/support">http://www.hp.com.cn/go/support</a>
Chinês Tradicional	<a href="http://taiwan.support.hp.com">http://taiwan.support.hp.com</a>
Coreano	<a href="http://www.hp.co.kr/go/support">http://www.hp.co.kr/go/support</a>
Espanhol	<a href="http://www.hp.com/cposupport/es">http://www.hp.com/cposupport/es</a>
Francês	<a href="http://www.hp.com/cposupport/fr">http://www.hp.com/cposupport/fr</a>
Inglês	<a href="http://www.hp.com/go/support">http://www.hp.com/go/support</a>
Japonês	<a href="http://www.jpn.hp.com/CPO_TC/eschome.htm">http://www.jpn.hp.com/CPO_TC/eschome.htm</a>
Português	<a href="http://www.hp.com/cposupport/pt">http://www.hp.com/cposupport/pt</a>
Sueco	<a href="http://www.hp.com/cposupport/sv">http://www.hp.com/cposupport/sv</a>

Link para os fóruns de comunidade de usuários HP e email de soluções de suporte HP do Website de suporte HP. Conecte-se ao Website e selecione as opções de impressora apropriadas para a sua impressora. Quando a tela de soluções de suporte hp aparecer, clique em **Conexão com a HP**.

### **fóruns de comunidade de usuários hp**

Nos fóruns de comunidade de usuários online HP você pode verificar as perguntas e as respostas deixadas por outros usuários HP, para encontrar a solução para a sua pergunta de suporte. Você também pode deixar a sua pergunta e visitar o site mais tarde para obter idéias e sugestões de usuários experientes ou de moderadores do fórum.

### **email de soluções de suporte hp**

Os emails individuais oferecem respostas para suas perguntas, diretamente de um técnico de soluções de suporte HP. Digite sua pergunta em um formulário da Web e receba uma resposta por email. (As respostas normalmente são enviadas dentro de 48 horas, excluindo-se os feriados). O email de suporte é uma ótima maneira para você fazer perguntas técnicas ou obter uma resposta específica para o seu sistema.



## soluções de suporte hp por telefone

A HP oferece um suporte por telefone gratuito durante o período de suporte telefônico da impressora. (As taxas telefônicas normais da companhia telefônica podem ser aplicáveis). A lista abaixo mostra o período de suporte para a sua região.

### período de suporte telefônico gratuito

região	suporte telefônico*
América do Norte— Incluindo Canadá	1 ano
Ásia Pacífico	1 ano
Europa	30 dias
América Latina	1 ano

\* As taxas telefônicas normais da companhia telefônica são aplicáveis.

### antes de fazer a chamada

Antes de fazer a chamada de ajuda, tente estas outras opções de suporte gratuitas:

- *ajuda rápida*
- folheto de *instalação rápida*
- soluções de e-suporte HP
- Dicas de suporte de áudio da HP (dentro dos EUA). As soluções para as perguntas mais comuns sobre a impressora HP Deskjet são fornecidas quando você liga gratuitamente para a linha de suporte (877) 283-4684.

Se você não puder resolver o problema com estes recursos, ligue para um técnico de serviço de suporte HP enquanto estiver em frente ao seu computador e a sua impressora. Para um serviço mais rápido, esteja pronto para fornecer informações sobre os passos que você já tomou para tentar resolver o problema.

Além disso, a HP precisa das seguintes informações para poder ajudá-lo:

- O número do modelo da impressora (a etiqueta está na parte da frente da impressora)
- O número de série da impressora (a etiqueta está na parte de baixo da impressora)
- O sistema operacional do computador
- A versão do driver da impressora (também conhecido como o software da impressora)
- As mensagens mostradas quando o problema ocorreu
- Responda a estas perguntas:
  - Este problema já aconteceu antes? Você pode recriá-lo?
  - Quando o problema ocorreu? Você instalou algum hardware ou software por ocasião da ocorrência do problema?

## números de telefone de suporte

Se você precisar de ajuda para resolver um problema, contate o soluções de suporte HP, ligando para um dos números da tabela à direita. Se não houver um número para a sua região, consulte o Website da HP no [www.hp.com/cps-support/guide/psd/cscinfo.htm](http://www.hp.com/cps-support/guide/psd/cscinfo.htm).

## após o período de suporte gratuito por telefone

Após o período de suporte gratuito por telefone, você ainda pode obter ajuda da HP, mediante o pagamento de uma taxa. Os preços estão sujeitos a mudanças sem aviso prévio.

(No entanto, o soluções de e-suporte HP está sempre disponível gratuitamente! Veja o “soluções de e-suporte hp” para obter maiores informações).

- Para chamadas nos EUA com duração de menos de 10 minutos, ligue para (900) 555-1500. A taxa é de US\$2,50 por minuto, cobrada a partir do momento que você é conectado com um técnico de serviço. As taxas não ultrapassam US\$25,00.
- Para chamadas nos EUA que possam durar mais de dez minutos, ou para chamadas do Canadá, ligue para (800) 999-1148. A taxa é de US\$25,00 por chamada, pagas com o seu cartão Visa ou MasterCard.

Se a HP determinar, durante a chamada, que a sua impressora precisa ser consertada e está coberta pela garantia limitada, o serviço de suporte por telefone não será cobrado.

para esta região...	use este número de telefone...
Alemanha	+49 (0) 180 52 58 143
Argentina	+54 0810 555 5520
Austrália	+61 3 8877 8000
Áustria	+43 (0) 810 00 6080
Bélgica (Francês)	+32 (0) 2 626 88 07
Bélgica (Holandês)	+32 (0) 2 626 88 06
Brasil, fora da Grande São Paulo	+55 0800 15 775 1
Brasil, na Grande São Paulo	+55 3747 7799
Canadá	1 (905) 206 4663
Chile	+56 800 36 0999
China	+86 (0) 10 6564 5959
Cingapura	+65 272 5300
Coréia	+82 (2) 3270 0700
Coréia, fora de Seul	+82 080 999 0700
Dinamarca	+45 (0) 39 29 4099
Espanha	+34 9 02321 123
EUA	1 (208) 344 4131
Filipinas	+66 (2) 867 3551
Finlândia	+358 (0) 203 4 7 288
França	+33 (0) 1 43 62 34 34
Grécia	+30 (0) 1 619 64 11
Hong Kong	+852 (800) 96 7729
Hungria	+36 (0) 1382 1111
Índia	+91 11 682 60 35
Indonésia	+62 (21) 350 3408
Inglês Internacional	+44 (0) 207 512 5202
Irlanda	+353 (0) 1662 5525
Israel	+972 (0) 9 9524848
Itália	+39 (0) 2 264 10350

para esta região...	use este número de telefone...
Japão	+81 (0) 3 3335 8333
Malásia	+60 (3) 2952566
Malásia, Penang	+60 1 300 88 00 28
México	01 800 472 6684
Noruega	+47 22 116299
Nova Zelândia	+64 (9) 356 6640
Oriente Médio, Dubai	+971 4 883 8454
Países Baixos	+31 (0) 20 606 8751
Polônia	+48 22 519 06 00
Portugal	+351 21 317 6333
Reino Unido	+44 (0) 207 512 5202
República Checa	+42 02 6130 7310
República da África do Sul, externo	+27 11 258 9301
República da África do Sul, interno	+27 086 000 1030
Rússia, Moscou	+7 095 797 3520
Rússia, São Petersburgo	+7 812 346 7997
Suécia	+46 (0) 8 6192170
Suíça	+41 (0) 84 8801111
Tailândia	+66 (2) 661 4000
Taiwan	+886 2 2717 0055
Turquia	+90 (0) 212 221 6969
Venezuela	+ 58 800 47 888
Vietnã	+84 (0) 8 823 4530

## como obter o soluções de suporte de reparos hp

Se a impressora HP precisa de reparo, ligue para o soluções de suporte telefônico HP. (Veja os números de suporte telefônicos da HP na página anterior.) Um técnico em soluções de suporte HP treinado irá diagnosticar o problema e coordenar o processo do reparo.

O soluções de suporte lhe oferecerá a melhor solução, seja através de revendedor de serviço autorizado ou em um local da HP. Este serviço é gratuito durante o período de garantia limitada da impressora. Após o período de garantia, o técnico lhe dará uma estimativa do preço do reparo.

## como obter uma extensão da garantia

Se você quiser ampliar a cobertura da sua garantia, as seguintes opções são oferecidas:

- Consulte o seu revendedor para obter uma extensão da cobertura. Para encontrar um revendedor HP nos EUA, visite o localizador de serviço da HP no [www.hp.com/service\\_locator](http://www.hp.com/service_locator).
- Se o seu revendedor não oferecer contratos de serviço, ligue diretamente para a HP e peça informações sobre os contratos de serviços HP. Nos EUA, ligue para (800) 446-0522; no Canadá, ligue para (800) 268-1221. Para contratos de serviço HP fora dos EUA e do Canadá, contate o escritório de vendas local da HP.

# solução para problemas de instalação do Windows

Consulte a informação desta seção se você tiver qualquer problema com a instalação da impressora. Se você precisar de ajuda após a instalação da impressora, consulte o manual eletrônico de *ajuda rápida*.

## qual é o problema?

Eu coloquei o CD de instalação, mas o computador não consegue lê-lo.



## causas possíveis...

- O CD não foi colocado adequadamente na unidade de CD-ROM
- O CD está danificado
- O CD-ROM está danificado



## para resolver o problema...

Recoloque o Cd na unidade de CD-ROM. Verifique se você colocou o CD corretamente. Se a instalação não tiver início após alguns segundos, o CD ou o CD-ROM pode estar com defeito.



Coloque um CD diferente na unidade de CD-ROM. Se o outro CD funcionar, o seu CD pode estar com defeito. Se você não conseguir que nenhum CD funcione, a unidade de CD-ROM pode ter que ser consertada ou substituída.



Substitua o CD com defeito, baixando o software da impressora (também conhecido como o driver da impressora) no Website da HP. Se você não tiver acesso ao Web, contate o soluções de suporte HP e solicite o software em um CD. Para o número de telefone do centro de soluções de suporte HP mais perto, consulte "contato do soluções de suporte".

## qual é o problema?

O software da impressora pode não ter sido instalado corretamente

## causas possíveis...

- Pode haver um conflito com o programa de proteção contra vírus
- Pode haver um conflito com outro programa de software
- Pode haver um conflito com um dispositivo periférico conectado com a impressora

## para resolver o problema...

Desinstale o software da impressora.

**Para o Windows 95, 98, Me, NT 4.0 e 2000:**

1. Clique em **Iniciar > Programas > hp deskjet 9xx series > desinstalar hp deskjet 9xx series.**
2. Siga as instruções exibidas na tela do computador.

**Para o Windows 3.1x:**

1. Abra o grupo de programas **hp deskjet 9xx series.**
2. Clique duas vezes no ícone **Desinstalar hp deskjet 9xx series.**
3. Siga as instruções exibidas na tela do computador.

- Feche todos os programas de software (incluindo os programas de proteção contra vírus) abertos.
- Desconecte todos os dispositivos periféricos que usam um cabo de impressora paralelo (como o escaner ou o sistema de recuperação de fita).

Re-instale o software da impressora. Consulte o folheto de *instalação rápida*.

Se você ainda tiver algum problema de instalação do software, ligue para o soluções de suporte HP. Consulte "contato do soluções de suporte hp".

## qual é o problema?

Quando conecto um cabo USB da impressora ao meu computador, o Novo Hardware Wizard não aparece.



### causas possíveis...

Você pode não estar usando Windows 98, Me ou 2000.



### para resolver o problema...

Verifique se o Windows 98, o Me ou o 2000 estão abertos. Se você não possuir o Windows 98, Me ou 2000, será necessário usar um cabo paralelo.

O cabo USB pode não estar colocado adequadamente.



1. Desconecte e reconecte o cabo USB da impressora.
2. Verifique se o cabo da impressora está colocado firmemente.

O seu computador pode não ser compatível com USB.



#### No Windows 98, Me ou 2000:

1. Clique em **Iniciar > Configurações > Painel de Controle**.
2. Clique duas vezes no ícone do **Sistema**.
3. Selecione a guia **Gerenciador de Equipamento**.
4. Clique no ícone de sinal de adição (+) próximo a opção de Controlador de Bus Serial Universal.
  - Se você ver um controlador de host USB e um hub de raiz de USB, o USB provavelmente deve estar funcionando.
  - Se você não ver nenhum destes dispositivos na lista, consulte a documentação do seu computador ou contate o fabricante do computador para obter maiores informações sobre ativação e instalação de um USB.
5. Use um cabo paralelo para conectar a impressora ao computador se você não puder ativar o USB.

## qual é o problema?

Quando eu conecto um cabo USB entre a impressora e o computador, uma mensagem de “Dispositivo Desconhecido” é exibida.



## causas possíveis...

- A eletricidade estática ficou acumulada no cabo entre a impressora e o computador
- O cabo USB pode estar com defeito



## para resolver o problema...

1. Desconecte o cabo USB da impressora.
2. Desconecte o fio elétrico da impressora.
3. Espere aproximadamente 30 segundos.
4. Coloque a fio na impressora.
5. Coloque o cabo USB na impressora.
6. Substitua o cabo USB ou use um cabo paralelo se a mensagem “Dispositivo Desconhecido” continuar a aparecer na caixa de diálogo Novo Hardware Encontrado.

## qual é o problema?

Quando coloco o CD do software da impressora e os arquivos começam a ser copiados, a tela de Copiando Arquivos... diz que o arquivo **hpzuci01.dll** não foi encontrado.



## causas possíveis...

Todas as condições a seguir estão presentes:

- Você está usando um cabo USB para conectar a impressora ao computador
- Você está usando o Windows 98
- Você está conectando mais de um dispositivo ao mesmo tempo



## para resolver o problema...

1. Clique em **Procurar**.  
A tela Aberta é mostrada.
2. Selecione o seguinte caminho para localizar o arquivo hpzuci01.dll: **c:\Program Files\Hewlett-Packard\hpz\ glue**.
3. Clique em **OK**.  
A tela Copiando Arquivos... reaparece com o caminho correto e o nome do arquivo inserido no Copie arquivos do... campo.
4. Clique em **OK**.
5. Selecione **Instalar o software da impressora hp deskjet 9xx series**.  
A tela de instalação da hp deskjet 9xx aparece.
6. Clique em **Seguinte**, e siga as instruções da tela para terminar a instalação.



# declaração de garantia limitada

região	software	cartuchos para impressão	impressora
América do Norte (incluindo Canadá)	90 dias	90 dias	1 ano
Ásia Pacífico	90 dias	90 dias	1 ano
Europa	90 dias	90 dias	1 ano
América Latina	90 dias	90 dias	1 ano

## A. extensão da garantia limitada

1. A Hewlett-Packard (HP) garante para o cliente usuário final que os produtos HP, acima especificados, estarão livres de defeitos nos materiais e na mão de obra, durante o período acima especificado, que tem início na data de compra do equipamento pelo cliente. O cliente é responsável por manter uma prova da data da compra.
2. Para os produtos de software, a garantia limitada da HP aplica-se somente à falha da execução das instruções de programação. A HP não garante que o funcionamento de qualquer produto não será interrompido nem livre de erros.
3. A garantia limitada da HP cobre somente os defeitos decorridos com o uso normal do produto, e não se aplica a qualquer:
  - a. Modificações ou manutenção inadequadas ou impróprias;
  - b. Software, interface, mídia, peças ou acessórios não fornecidos ou apoiados pela HP; ou
  - c. Operações fora das especificações do produto.
4. Para os produtos de impressão da HP, o uso de um cartucho de tinta não fabricado pela HP ou de um cartucho reabastecido, não afeta a garantia do cliente nem de qualquer contrato de suporte da HP com o cliente. No entanto, se a falha ou o dano da impressora for causado pelo uso de um cartucho não fabricado pela HP ou que tenha reabastecido, a HP cobrará as taxas normais pelo tempo e pelo material utilizados no serviço da impressora, para a falha ou dano em particular.
5. Se a HP receber, durante a validade do período da garantia, uma notificação sobre um defeito em qualquer software, mídia ou cartucho de tinta cobertos pela garantia da HP, a HP irá substituir o produto defeituoso. Se a HP receber uma notificação sobre um defeito em qualquer produto de hardware coberto pela garantia da HP, durante a validade da garantia, a HP irá consertar ou substituir o produto defeituoso, de acordo com a decisão da HP.
6. Se a HP não puder consertar ou substituir, conforme necessário, um produto defeituoso coberto por uma garantia da HP, a HP irá, dentro de um período razoável após receber a notificação de tal defeito, devolver o preço pago por tal produto.
7. A HP não tem nenhuma obrigação de fazer nenhum conserto, substituição ou devolução até que o cliente devolva o produto defeituoso para a HP.
8. As substituições dos produtos podem ser por um produto novo ou como novo, desde que funcione pelo menos da mesma maneira que o produto que está sendo substituído.
9. A garantia limitada da HP é válida em qualquer país onde o produto coberto pela HP seja distribuído pela HP, exceto no Oriente Médio, na África, na Argentina, no Brasil, no México, na Venezuela e nos "Departements D'Outre-Mer" da França; nestas áreas, a garantia é válida somente no país da compra. Os contratos para serviços de garantia adicional, como os serviços no local, podem ser oferecidos por qualquer revendedor autorizado da HP onde o produto seja distribuído pela HP ou por qualquer importador autorizado.

## **B. limites da garantia**

1. DENTRO DOS LIMITES DAS LEIS LOCAIS, NEM A HP NEM OS FORNECEDORES TERCEIROS OFERECEM QUALQUER OUTRA GARANTIA OU CONDIÇÃO DE QUALQUER FORMA, SEJA EXPRESSA OU IMPLÍCITA, COM RESPEITO AOS PRODUTOS DA HP, E REJEITAM ESPECIFICAMENTE AS GARANTIAS OU CONDIÇÕES IMPLÍCITAS DE COMERCIALIZAÇÃO, QUALIDADE SATISFATORIA E DE ADEQUAÇÃO PARA UM DETERMINADO FIM.

## **C. limites da responsabilidade**

1. Dentro dos limites das leis locais, as soluções fornecidas por esta Declaração de Garantia são as únicas e exclusivas soluções do cliente.
2. DENTRO DOS LIMITES DAS LEIS LOCAIS, EXCETO AS OBRIGAÇÕES ESPECIFICAMENTE DETERMINADAS POR ESTA DECLARAÇÃO DE GARANTIA, EM NENHUM CASO A HP OU SEUS FORNECEDORES TERCEIROS SERÃO RESPONSÁVEIS POR DANOS DIRETOS, INDIRETOS, ESPECIAIS, INCIDENTAIS OU CONSEQUENCIAIS, BASEADOS EM CONTRATO, ATO ILÍCITO, OU QUALQUER OUTRA TEORIA LEGAL E, MESMO QUE TENHAM SIDO AVISADOS DA POSSIBILIDADE DE TAIS DANOS.

## **D. lei local**

1. Esta Declaração de Garantia oferece direitos legais específicos para o cliente. O cliente também pode ter outros direitos que variam de acordo com cada estado nos EUA, com cada província no Canadá, e com cada país do mundo.
2. À medida que esta Declaração de Garantia seja inconsistente com a lei local, esta Declaração de Garantia deve ser modificada para se tornar consistente com tal lei local. De acordo com tal lei local, certas rejeições e limites desta Declaração de Garantia podem não ser aplicáveis ao cliente. Por exemplo, alguns estados nos EUA, além de outros governos fora dos EUA (incluindo as províncias do Canadá), podem:
  - a. Proibir as rejeições e os limites desta Declaração de Garantia limitando os direitos estatutários de um consumidor (e.g., o Reino Unido);

- b. Por outro lado, limita a capacidade de um fabricante impor tais rejeições e limites; ou
  - c. Conceder ao cliente direitos de garantias adicionais, especificar a duração de tais garantias implícitas nos quais o fabricante não pode rejeitar, ou não permitir limites durante o período das garantias implícitas.
3. QUANTO AS TRANSAÇÕES COM CONSUMIDORES NA AUSTRÁLIA E NA NOVA ZELÂNDIA, OS TERMOS DESTA DECLARAÇÃO DE GARANTIA, EXCETO QUANTO AO PERMITIDO PELA LEI, NÃO EXLUEM, RESTRINGEM, OU MODIFICAM E SÃO ALÉM DOS DIREITOS ESTATUTÁRIOS APLICÁVEIS À VENDA DOS PRODUTOS DA HP PARA TAIS CLIENTES.

## **garantia do ano 2000 da hp**

Sujeito aos termos e limites da Declaração de Garantia Limitada da HP, a HP garante que este Produto HP será capaz de processar com precisão os dados de datas (incluindo, mas não limitado a, cálculos, comparações e seqüências) de, para, e entre os séculos vinte e vinte e um, e os anos de 1999 e 2000, incluindo os cálculos de anos bissextos, quando usados de acordo com a documentação do Produto fornecida pela HP (incluindo quaisquer instruções para instalação de correções ou de atualizações), desde que todos os outros produtos (e.g. hardware, software, firmware) usados com tal (is) Produto (s) da HP troquem dos dados de datas adequadamente. A duração da Garantia do Ano 2000 se estende até o dia 31 de janeiro de 2001.

## declaração de meio ambiente

A Hewlett-Packard melhora constantemente os processos de design de suas impressoras deskjet para minimizar o impacto negativo no ambiente de trabalho e nas comunidades onde as impressoras são fabricadas, transportadas e usadas. A Hewlett-Packard também desenvolveu processos para minimizar o impacto negativo do descarte da impressora no final da sua vida útil.

### redução e eliminação

**Uso do papel:** A capacidade de impressão automática/manual de dupla-face reduz o uso do papel e a demanda dos recursos naturais. Esta impressora é adequada para ser usada com papel reciclado, de acordo com o DIN 19 309.

**Ozônio:** Os produtos químicos que reduzem o ozônio, como os CFCs, foram eliminados dos processos de manufatura da Hewlett-Packard.

### reciclagem

O design para reciclagem foi incorporado nesta impressora. A quantidade de materiais foi reduzida ao mínimo, com a manutenção da funcionalidade e confiabilidade adequadas. Os materiais não semelhantes foram desenhados para se separar facilmente. Os fechos e outras conexões são de fácil localização, acesso e remoção, com a utilização de ferramentas comuns. As peças de alta prioridade foram desenhadas para um acesso rápido para uma desmontagem e reparo eficientes. As peças de plástico foram desenhadas primariamente para não ter mais do que duas cores, para o aprimoramento das opções de reciclagem. Algumas peças pequenas são coloridas especificamente para ressaltar os pontos de acesso para o cliente.

**Embalagem da impressora:** Os materiais de embalagem desta impressora, foram selecionados para fornecer a máxima proteção, por um menor preço possível, tentando minimizar o impacto ambiental e facilitar a reciclagem. O design resistente da impressora HP Deskjet auxilia a redução da quantidade de material para embalagem e a ocorrência de danos.

**Peças de plástico:** Todas as principais peças de plástico são marcadas de acordo com os padrões internacionais. Todas as peças de plástico usadas na caixa e no chassis da impressora, são tecnicamente recicláveis e utilizam somente um polímero.

**Duração do produto:** Para garantir a duração da impressora HP Deskjet, a HP oferece o seguinte:

- **Garantia ampliada:** O HP SupportPack fornece cobertura para o hardware e o produto HP e todos os componentes internos fornecidos pela HP. O HP SupportPack necessita ser adquirido pelo cliente dentro de 30 dias da data da compra. Contate o revendedor HP mais próximo a respeito deste serviço.
- **As peças de reposição e consumíveis** estão disponíveis durante cinco (5) após o término da sua produção.
- **Devolução do produto:** Para devolver este produto e os cartuchos de impressão para a HP, ao final da sua vida útil, ligue para o escritório de Vendas ou de Serviço local da HP para obter instruções.

### consumo de energia

Esta impressora foi desenhada, levando-se em consideração a conservação de energia. Esta impressora utiliza uma média de 4 watts no modo de espera. Isto economiza os recursos naturais além de dinheiro, sem afetar o alto desempenho da impressora.

Este produto se qualifica para o ENERGY STAR Program (EUA e Japão). O ENERGY STAR é um programa voluntário, criado para incentivar o desenvolvimento de produtos para escritório com energia eficiente.



A ENERGY STAR é uma marca de serviço registrada da US EPA nos EUA. Como parceiro do ENERGY STAR, a Hewlett-Packard Company determinou que este produto cumpre com os Regulamentos para eficiência de energia do ENERGY STAR.

**Consumo de energia no modo desligado:** Quando a impressora está desligada, ainda consome uma quantidade mínima de energia. O consumo de energia pode ser evitado desligando-se e desconectando-se a impressora da tomada elétrica.

# índice

- A**  
Adobe Acrobat Reader **5, 6**  
ajuda  
    reparo de impressora **11**  
ajuda  
    após o período de suporte telefônico **10**  
    fóruns de comunidade de usuários **8**  
    resolução de problemas de instalação **12**  
    soluções de suporte HP **7**  
    suporte de Web **7**  
    suporte por telefone **9**  
    suporte telefônico **10**  
ajuda de bolha **3**  
Ajuda de bolha Macintosh **3**  
Ajuda na tela em Windows **3**  
ajuda, na tela **3**  
ajudap  
    email de suporte **8**  
assistente da impressora HP **4**
- B**  
busca de informação sobre a impressora **3**
- C**  
cabo da impressora **14, 15**  
cabo, impressora **2**  
cabos da impressora **2**  
características da impressora **3**  
cartuchos para impressão **1, 2, 3**  
compatibilidade  
    com outro software **3**  
compatibilidade  
    com outro hardware **3**  
consumo de energia **19**  
conteúdo da caixa da impressora **1**  
conteúdo, caixa da impressora **1**  
contratos de serviço **11**
- D**  
driver, impressora **1, 2, 3**
- E**  
email de suporte **8**  
especificações da impressora **3**  
extensão da garantia **11, 19**
- F**  
folheto de instalação rápida **1, 3**
- G**  
garantia, limitada **17**  
guia de rede, Windows **3**  
guia do usuário, Windows 3.1x **3**
- I**  
impressora **15**  
impressora, conexão a uma rede **3**  
impressora, instalação **3**
- M**  
manual de ajuda rápida **3, 4, 5, 6**  
Módulo de impressão de dupla-face automática **1**
- N**  
notas de lançamento **3**
- P**  
programa de proteção contra vírus **13**
- R**  
reciclagem da impressora **19**  
reparo de impressora **11**  
resolução de problemas **12**  
    hpzuci01.dll não encontrado **16**  
    o computador não consegue ler o CD de software **12**  
    o software não foi instalado corretamente **13**  
    problemas com a instalação de USB **14**  
    problemas com a instalação do USB **15**  
resolução de problemas de instalação **12**
- S**  
sistemas DOS **6**  
software da impressora **1, 2, 3, 5**  
software, impressora **2, 3**  
soluções de suporte **7**  
suporte por telefone **9**  
suporte telefônico **10**
- U**  
USB **14, 15**
- W**  
Websites, soluções de suporte HP **7**

# regulatory notices

## hewlett-packard company

This device complies with part 15 of the FCC Rules. Operation is subject to the following two conditions:

- This device may not cause harmful interference, and
- This device must accept any interference received, including interference that may cause undesired operation.
- Pursuant to Part 15.21 of the FCC Rules, any changes or modifications to this equipment not expressly approved by Hewlett-Packard Company may cause harmful interference, and void your authority to operate this equipment. Use of a shielded data cable is required to comply with the Class B limits of Part 15 of the FCC Rules.

For further information, contact:

Hewlett-Packard Company  
Manager of Corporate Product Regulations  
3000 Hanover Street  
Palo Alto, Ca 94304  
(650) 857-1501

## note

This equipment has been tested and found to comply with the limits for a Class B digital device, pursuant to part 15 of the FCC rules. These limits are designed to provide reasonable protection against harmful interference in a residential installation. This equipment generates, uses, and can radiate radio frequency energy and, if not installed and used in accordance with the instructions, can cause harmful interference to radio communications. However, there is no guarantee that interference will not occur in a particular installation. If this equipment does cause harmful interference to radio or television reception, which can be determined by turning the equipment off and on, the user is encouraged to try to correct the interference by one or more of the following measures:

- Reorient or relocate the receiving antenna.
- Increase the separation between the equipment and the receiver.
- Connect the equipment into an outlet on a circuit different from that to which the receiver is connected.
- Consult the dealer or an experienced radio/TV technician for help.

## LED indicator statement

The display LEDs meet the requirements of EN 60825-1.

この装置は、情報処理装置等電波障害自主規制協議会（VCCI）の基準に基づくクラスB情報技術装置です。この装置は、家庭環境で使用することを目的としていますが、この装置がラジオやテレビジョン受信機に近接して使用されると受信障害を引き起こすことがあります。

取り扱い説明書に従って正しい取り扱いをして下さい。

### 사용자 안내문 (B급 기기)

이 기기는 비업무용으로 전자파장애검정을 받은 기기로서, 주거지역에서는 물론 모든 지역에서 사용될 수 있습니다.



<http://www.hp.com/go/support/>



\* C 6 4 5 5 - 9 0 1 8 1 \*