

# Panasonic

English

Operating Instructions  
Gebruiksaanwijzing  
Mode d'emploi  
Manuale di istruzioni

Deutsch

Microwave Oven  
Magnetron Oven  
Four à Micro-ondes  
Forno a Microonde

Français

Italiano

**NN-E205 / NN-E235 / NN-E245**

**IMPORTANT SAFETY INSTRUCTIONS:** Before operating this oven, please read these instructions carefully and keep for future reference.

**BELANGRIJKE VEILIGHEIDSINSTRUCTIES.** Lees ze a.u.b. zorgvuldig door en bewaar ze zodat u ze opnieuw kunt raadplegen wanneer nodig.

**INSTRUCTIONS DE SÛRETÉ IMPORTANTES.** Avant d'utiliser le four à micro-ondes, lisez attentivement les recommandations d'utilisation et conservez-les soigneusement.

**ISTRUZIONI IMPORTANTI PER LA SICUREZZA.** Leggere attentamente queste note e conservarle per riferimento futuro.

## Installation and Connection

### Examine your microwave oven

Unpack the oven, remove all packing material, and examine the oven for any damage such as dents, broken door latches or cracks in the door. If you find any damage, notify your dealer immediately. Do not install a damaged microwave oven.

### Earthing instructions

**IMPORTANT: THIS UNIT HAS TO BE PROPERLY EARTHED FOR PERSONAL SAFETY.**

If your AC outlet is not grounded, it is the personal responsibility of the customer to have it replaced with a properly grounded wall socket.

### Operation voltage

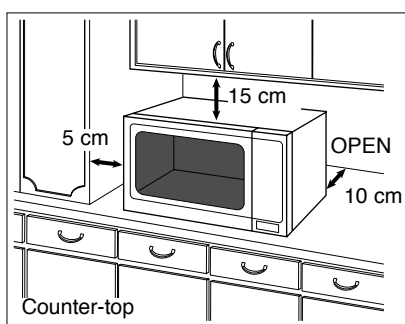
The voltage has to be the same as specified on the label on the oven. If a higher voltage than specified is used, it may cause a fire or other damages.

### Placement of the Oven

1. Place the oven on a flat and stable surface.
2. When this oven is installed, it should be easy to isolate the appliance from the electricity supply by pulling out the plug or operating a circuit breaker.
3. For proper operation, ensure a sufficient air circulation for the oven.

#### Counter-top use:

- a. Allow 15 cm of space on the top of the oven, 10 cm at the back, 5 cm on one side, and the other side must be opened more than 40 cm.
- b. If one side of the oven is placed flush to a wall, the other side or top must not be blocked.



4. Do not place this oven near an electric or gas cooker range.
5. The feet should not be removed.
6. This oven is only for household usage. Do not use outdoors.
7. Avoid using the microwave oven in high humidity.
8. The power cord should not touch the outside of the oven. Keep the cord away from hot surfaces. Do not let the cord hang over the edge of a table or work top. Do not immerse the cord, plug or oven in water.
9. Do not block the air vents on the top and back of the oven. If these openings are blocked during operation the oven may overheat. In this case the oven is protected by a thermal safety device and resumes operation only after cooling down.

### WARNING Important Safety Instructions

1. The door seals and seal areas should be cleaned with a damp cloth. The appliance should be inspected for damage to the door seals and door seal areas and if these areas are damaged the appliance should not be operated until it has been repaired by a service technician trained by the manufacturer.
2. Do not attempt to tamper with or make any adjustments or repairs to the door, control panel housing, safety interlock switches or any other part of the oven. Do not remove the outer panel from the oven which gives protection against exposure to microwave energy. Repairs should only be done by a qualified service person.
3. Do not operate this appliance if it has a damaged CORD OR PLUG, if it is not working properly, or if it has been damaged or dropped. It is dangerous for anyone other than a service technician trained by the manufacturer to perform repair service.
4. If the supply cord is damaged, it must be replaced by the manufacturer or its service agent or a similarly qualified person in order to avoid hazard.
5. Only allow children to use the oven without supervision when adequate instructions have been given so that the child is able to use the oven in a safe way and understands the hazards of improper use.
6. Liquids and other foods must not be heated in sealed containers since they are liable to explode.

# Safety Instructions

## Use of your oven

1. Do not use the oven for any reason other than the preparation of food. This oven is specifically designed to heat or cook food. Do not use this oven to heat chemicals or other non-food products.
2. Before use, check that utensils/containers are suitable for use in microwave ovens.
3. Do not attempt to use this microwave oven to dry newspaper, clothing or any other materials. They may catch on fire.
4. When the oven is not being used, do not store any objects other than oven accessories inside the oven in case it is accidentally turned on.
5. The appliance shall not be operated **WITHOUT FOOD IN THE OVEN**. Operation in this manner may damage the appliance.
6. If smoke or a fire occurs in the oven, turn TIMER SELECT DIAL back to zero position and leave door closed. Disconnect the power cord, or shut off power at fuse or circuit breaker panel.

## Oven Light

When it becomes necessary to replace the oven light, please consult your dealer.

## Accessories

The oven comes equipped with a variety of accessories. Always follow the directions given for use of the accessories.

### Glass Tray

1. Do not operate the oven without the roller assembly and the glass tray in place.
2. Never use another type of glass tray than the one specially designed for this oven.
3. If the glass tray is hot, let it cool before cleaning or placing in water.
4. The glass tray can turn in either direction.
5. If the food or cooking vessel on the glass tray touches the oven walls and stops the tray rotating, the tray will automatically rotate in the opposite direction. This is normal.
6. Do not cook foods directly on the glass tray.

### Roller Assembly

1. The roller assembly and the oven floor should be cleaned frequently to prevent noise and build-up of remaining food.
2. The roller assembly must always be used for cooking together with the glass tray.

## Important Information

### 1) Cooking Times

- The cooking time depends on the condition, temperature, amount of food and on the type of cookware.
- Begin with the minimum cooking time to help prevent overcooking. If the food is not sufficiently cooked you can always cook it for a little longer.

**N.B.: If the recommended cooking times are exceeded the food will be spoiled and in extreme circumstances could catch fire and possibly damage the interior of the oven.**

### 2) Small Quantities of Foods

- Small quantities of food or foods with low moisture content can burn, dry out or catch on fire if cooked too long. If materials inside the oven should ignite, keep the oven door closed, turn the oven off and remove the plug from the socket.



### 3) Eggs

- Do not cook eggs in their shells and whole hard-boiled eggs by MICROWAVE. Pressure may build up and the eggs may explode, even after the microwave heating has ended.

### 4) Piercing Skin

- Food with non porous skins, such as potatoes, egg yolks and sausages must be pierced before cooking by MICROWAVE to prevent bursting.

### 5) Meat Thermometer

- Use a meat thermometer to check the degree of cooking of roasts and poultry only when the meat has been removed from the oven. Do not use a conventional meat thermometer in the microwave oven because it may cause sparking.

### 6) Liquids

- When heating liquids, e.g. soup, sauces and beverages in your microwave oven, overheating the liquid beyond boiling point can occur without evidence of bubbling. This could result in a sudden boil over of the hot liquid.

To prevent this possibility the following steps should be taken:

- a) Avoid using straight-sided containers with narrow necks.
- b) Do not overheat.
- c) Stir the liquid before placing the container in the oven and again halfway through the cooking time.
- d) After heating, allow it to stand in the oven for a short time, stir again before carefully removing the container.

### 7) Paper/Plastic

- When heating food in plastic or paper containers, check the oven frequently as these types of containers ignite if overheated.
- Do not use recycled paper products (e.g. Kitchen Roll) unless the paper product is labelled as safe for microwave oven use. Recycled paper products may contain impurities which may cause sparks and/or fires during use.
- Remove wire twist-ties from roasting bags before placing the bags in the oven.



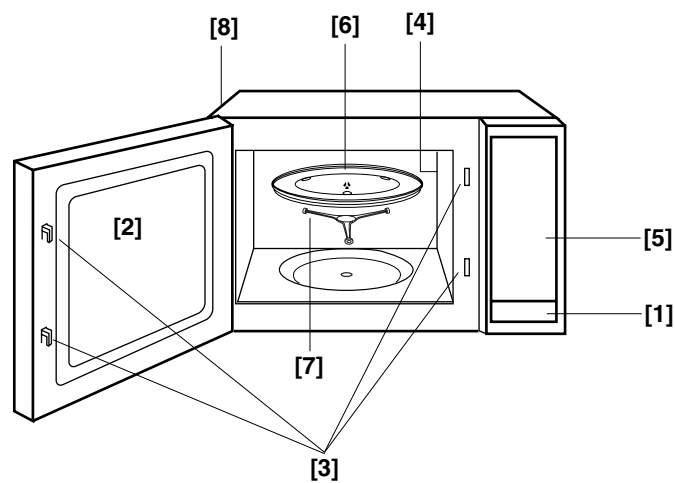
### 8) Utensils/Foil

- Do not heat any closed cans or bottles because they might explode.
- Metal containers or dishes with metallic trim should not be used during microwave cooking. Sparking will occur.
- If you use any aluminium foil, meat spikes or metalware the distance between them and the oven walls and door should be at least 2 cm to prevent sparking.

### 9) Feeding Bottles/Baby Food Jars

- The top and teat or lid must be removed from feeding bottles or baby food jars before placing in the oven.
- The contents of feeding bottles and baby food jars are to be stirred or shaken.
- The temperature has to be checked before consumption to avoid burns.

## Outline Diagram



**[1] Door Release Pad**

Press to open the door. When you open the oven door during cooking, the cooking is stopped temporarily without clearing earlier made settings. Cooking continues as soon as the door is closed.

**[2] Oven Window**

**[3] Door Safety Lock System**

**[4] Oven Air Vent**

**[5] Control Panel**

**[6] Glass Tray**

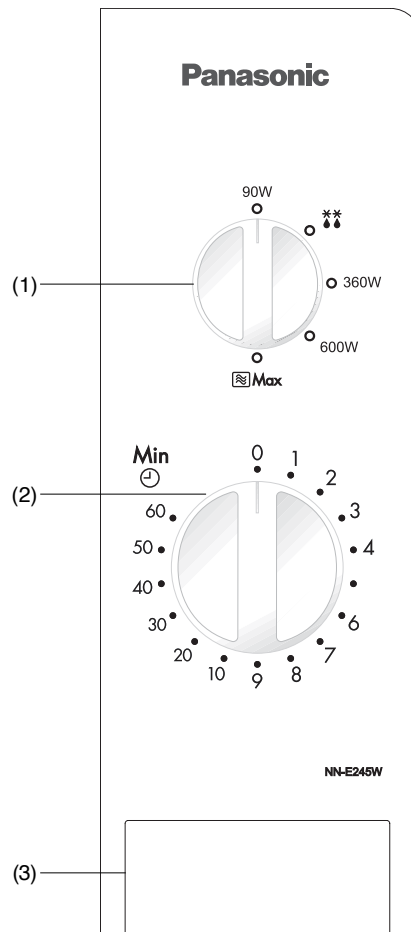
**[7] Roller Assembly**

**[8] External Oven Air Vents**

# Control Panels

NN-E205 / NN-E235 / NN-E245\*

English

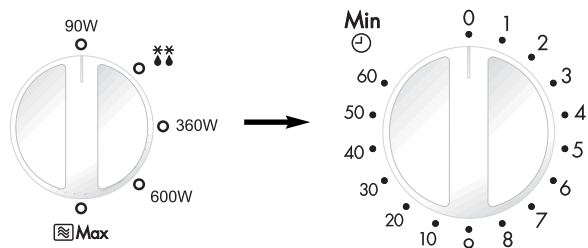


- (1) Microwave Power/Defrost Selection dial
- (2) Timer
- (3) Door Release Pad

\*N.B. The design of your control panel may vary from the panel displayed (depending on colour), but the functionality will remain the same.

## Microwave Cooking

	Wattage
Max	800 Watts
Medium	600 Watts
Low	360 Watts
Defrost	270 Watts
Warm	90 Watts



- Turn dial to select power level.

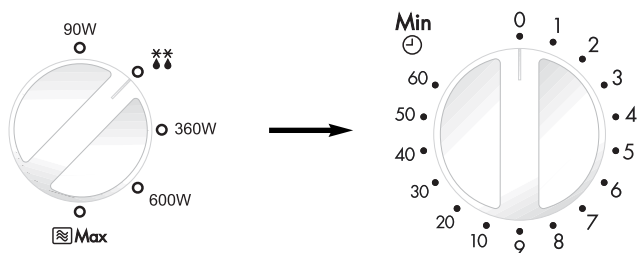
- Set cooking time by turning dial. If the door is already closed cooking time will begin immediately. For short cooking times always turn the dial to 2 mins and then adjust to time required.

### N.B.

1. If you wish to check the food during cooking simply open the door. The oven will automatically stop cooking. To continue cooking, close the door.
2. To stop cooking, turn timer dial to zero position. Cooking time can be reset at any time during the cooking cycle by turning the timer dial.
3. When food is removed from the oven after cooking is complete, check the timer is in the zero position.
4. The glass turntable must always be in position when using the oven.

## Defrosting

\*\* Defrost power is 270 Watts.



- Select Defrost power by turning the dial.

- Set the defrosting time by turning the dial. If the door is already closed cooking time will begin immediately. For short cooking times always turn the dial to 2 mins and then adjust to time required.



# Defrosting Guidelines

## Tips for Defrosting

### STANDING TIMES

Individual portions of food may be cooked almost immediately after defrosting. It is



normal for large portions of food to be frozen in the centre. Before cooking, allow to stand for a **minimum of one hour**. During this standing time, the temperature becomes evenly distributed and the food is defrosted by conduction. **N.B.** If the food is not going to be cooked immediately, store it in the refrigerator. Never refreeze defrosted food without first cooking it.

### JOINTS AND POULTRY

It is preferable to place the joints on an upturned plate or plastic rack so that they



are not resting in the juices. It is essential to protect delicate or projecting parts of this food with small pieces of foil to prevent these parts from cooking. It is not dangerous to use small pieces of foil in your oven, provided **they do not come into contact with the oven walls**.

### MINCED MEAT OR CUBES OF MEAT AND SEAFOOD



Since the outside of these foods quickly defrosts, it is necessary to separate them, break the blocks into pieces frequently while defrosting and remove them when they have defrosted.

### SMALL PORTIONS OF FOOD



Chops and chicken pieces must be separated as soon as possible so that they defrost evenly throughout. Fatty parts and the ends defrost more quickly. Place them near the centre of the turntable or protect them.

### BREAD

Loaves will require standing time to allow the centre to thaw. Standing time can be shortened if slices are separated and rolls and loaves cut in half.

## Questions and Answers

**Q:** Why won't my oven turn on?

**A:** When the oven does not turn on, check the following:

1. Is the oven plugged in securely? Remove the plug from the outlet, wait 10 seconds and reinsert.
2. Check the circuit breaker and the fuse. Reset the circuit breaker or replace the fuse if it is tripped or blown.
3. If the circuit breaker or fuse is all right, plug another appliance into the outlet. If the other appliance works, there probably is a problem with the oven. If the other appliance does not work, there probably is a problem with the outlet. If it seems that there is a problem with the oven, contact an authorized Service Center.

**Q:** My microwave oven causes interference with my TV. Is this normal?

**A:** Some radio and TV interference might occur when you cook with the microwave oven. This interference is similar to the interference caused by small appliances such as mixers, vacuums, blow dryers, etc. It does not indicate a problem with your oven.

**Q:** Why does my oven light dim?

**A:** When cooking with a power other than 800W (MAX Power), the oven must cycle to obtain the lower power levels. The oven light dims and clicking noises can be heard when the oven cycles.

**Q:** Sometimes warm air comes from the oven vents. Why?

**A:** The heat given off from the cooking food warms the air in the oven cavity. This warmed air is carried out of the oven by the air flow pattern in the oven. There are no microwaves in the air. The oven vents should never be blocked during cooking.

This product is an equipment that fulfills the European standard for EMC disturbances (EMC = Electromagnetic Compatibility) EN 55011. According to this standard this product is an equipment of group 2, class B and is within required limits. Group 2 means that radio-frequency energy is intentionally generated in the form of electromagnetic radiation for purpose of warming or cooking food. Class B means that this product may be used in normal household areas.



This appliance is labelled in accordance with the European Directive 2002/96/EC concerning used electrical and electronic appliances (waste electrical and electronic equipment - WEEE).

This guideline determines the framework for the return and recycling of used appliances as applicable.

## Care of Your Oven

English

1. Turn the oven off before cleaning.
2. Keep the inside of the oven, door seals and door seal areas clean. When food splatters or spilled liquids adhere to the oven walls, door seals and door seal areas wipe off with a damp cloth. Mild detergent may be used if they get very dirty. The use of harsh detergent or abrasive is not recommended.  
**DO NOT USE COMMERCIAL OVEN CLEANERS.**
3. The outside oven surface should be cleaned with a damp cloth. To prevent damage to the operating parts inside the oven, water should not be allowed to seep into the ventilation openings.
4. If the Control Panel becomes dirty, clean it with a soft, dry cloth. Do not use harsh detergents or abrasives on the Control Panel. When cleaning the Control Panel leave the oven door open to prevent the oven from accidentally turning on. After cleaning turn **TIMER DIAL** back to **ZERO** position.
5. If steam accumulates inside or around the outside of the oven door, wipe with a soft cloth. This may occur when the microwave oven is operated under high humidity conditions and in no way indicates a malfunction of the unit.
6. It is occasionally necessary to remove the glass tray for cleaning. Wash the tray in warm soapy water or in a dishwasher.
7. The roller assembly and oven cavity floor should be cleaned regularly to avoid excessive noise. Simply wipe the bottom surface of the oven with mild detergent and hot water then dry with a clean cloth. The roller ring may be washed in mild soapy water. Cooking vapours collect during repeated use but in no way affects the bottom surface or roller ring wheels. After removing the roller ring from the cavity floor for cleaning, be sure to replace it in the proper position.
8. This oven should only be serviced by qualified personnel. For maintenance and repair of the oven contact the nearest authorized dealer.
9. A steam cleaner must not be used for cleaning.
10. Failure to maintain the oven in a clean condition could lead to deterioration of surfaces that could affect the life of the appliance and possibly result in a hazardous situation.
11. Keep air vents clear at all times. Check that no dust or other material is blocking any of the air vents on the top, bottom or rear of the oven. If air vents become blocked this could cause overheating which would affect the operation of the oven.

## Technical Specifications

Power Source:	230 V, 50 Hz
Power Consumption:	Microwave; 1100 W
Output:	Microwave; 800W (IEC-60705)
Outside Dimensions:	455 (W) x 315 (D) x 260 (H) mm
Oven Cavity Dimensions:	315 (W) x 294 (D) x 203 (H) mm
Uncrated Weight:	10.5 kg

Specifications subject to change without notice.

**En-9**

# Aufstellen und Anschließen

## Überprüfung Ihres Mikrowellengerätes

Das Gerät auspacken, Verpackungsmaterial entfernen und auf Beschädigungen wie z.B. Stoßstellen, gebrochene Türverriegelungen oder Risse in der Tür überprüfen. Sofort den Händler benachrichtigen, wenn das Gerät beschädigt ist. Kein beschädigtes Mikrowellengerät installieren.

## Erdungsvorschriften

**WICHTIG: ZUR SICHERHEIT VON PERSONEN MUSS DIESES GERÄT GEERDET SEIN!**

Ist die Steckdose nicht geerdet, muß der Kunde die Steckdose durch eine ordnungsgemäße Schutzkontaktsteckdose ersetzen lassen.

## Betriebsspannung

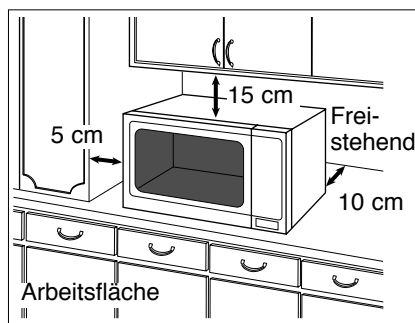
Die Netzspannung muß der auf dem Typenschild des Gerätes angegebenen Spannung entsprechen. Wird eine höhere Spannung als angegeben verwendet, so kann ein Brand entstehen oder sonst ein Unfall die Folge sein.

## Aufstellen des Gerätes

1. Stellen Sie das Mikrowellengerät auf eine feste, ebene Stellfläche.
2. Achten Sie beim Aufstellen des Gerätes darauf, daß bei Gefahr jederzeit der Stecker gezogen oder die Sicherung am Sicherungskasten ausgeschaltet werden kann.
3. Das Gerät arbeitet ordnungsgemäß, wenn eine ausreichende Luftzirkulation stattfinden kann.

### Aufstellen auf der Arbeitsfläche:

- a. Sicherheitsrichtlinien empfehlen die Einhaltung eines Mindestabstands von 15 cm über dem Gerät, 10 cm zur Rückwand sowie 5 cm zur einen und 40 cm zur anderen Seite.
- b. Sollte das Gerät an einer Seite direkt an der Wand stehen, müssen die anderen Seiten frei bleiben.



4. Das Gerät nicht in unmittelbarer Nähe eines Gas- oder Elektroherdes aufstellen.
5. Die Stellfüße dürfen nicht entfernt werden.

6. Dieses Gerät ist nur für den Hausgebrauch konzipiert. Nicht im Freien verwenden.
7. Das Mikrowellengerät nicht bei zu hoher Luftfeuchtigkeit benutzen.
8. Das Netzanschlußkabel darf die Gerätegehäuseoberfläche nicht berühren, da diese während des Betriebes heiß wird. Das Kabel auch nicht mit anderen heißen Oberflächen in Berührung bringen. Das Netzanschlußkabel nicht über Tisch- oder Thekenkanten hängen lassen. Das Kabel oder den Netzstecker nicht in Wasser tauchen.
9. Die Lüftungsöffnungen auf der Ober- und Rückseite des Gehäuses nicht verdecken. Sind diese Öffnungen blockiert während das Gerät arbeitet, kann es überhitzen. In diesem Fall wird das Gerät durch den Überhitzungsschutz ausgeschaltet und kann erst wieder in Betrieb gesetzt werden, wenn es abgekühlt ist.

## WARNUNG

### Wichtige Sicherheitshinweise

1. Die Türverriegelungen und die Türdichtungen sollten mit einem feuchten Tuch abgewischt werden. Das Gerät ist vom Benutzer auf mögliche Beschädigungen an den Türdichtungsflächen zu prüfen, und falls ein solcher Schaden aufgetreten ist, darf das Gerät nicht betrieben werden, bevor es vom Panasonic-Kundendienst repariert worden ist.
2. Führen Sie weder eine Manipulation oder Reparatur an der Tür, an den Kontrolleinrichtungen oder Sicherheitsvorrichtungen noch an irgendeinem anderen Teil des Gerätes durch. In keinem Fall das Gehäuse, das den Schutz gegen Strahlenbelastung durch Mikrowellenenergie sicherstellt, abbauen. Das Gerät darf nur von einem geschulten Panasonic Kundendienst-Techniker geprüft oder repariert werden.
3. Das Gerät nicht in Betrieb setzen, wenn das Netzanschlußkabel oder der Netzstecker beschädigt ist, bzw. wenn es nicht ordnungsgemäß arbeitet oder eine sichtbare Beschädigung aufweist.
4. Aus Sicherheitsgründen muß ein beschädigtes Anschlußkabel durch den Hersteller, seinen Kundendienst oder eine andere gleichwertig qualifizierte Person ersetzt werden.
5. Kindern darf die Benutzung des Gerätes ohne Aufsicht nur erlaubt werden, wenn eine ausreichende Einweisung gegeben wurde, die das Kind in die Lage versetzt, das Gerät in sicherer Weise bedienen und die Gefahr einer falschen Bedienung verstehen zu können.
6. Keine Flüssigkeiten und Nahrungsmittel in versiegelten Behältern (z.B. Konserven) erhitzen, da diese platzen können.

## Sicherheitshinweise

### Gebrauch und Ausstattung des Gerätes

1. Das Mikrowellengerät nur zur Nahrungsmittelzubereitung benutzen. Dieses Gerät ist speziell zum Auftauen, Erwärmen und Garen von Lebensmitteln entsprechend der Bedienungs- und Kochanleitung konzipiert. Erhitzen Sie in keinem Fall Chemikalien oder andere Produkte.
2. Prüfen Sie vor der ersten Benutzung Ihres Geschirrs, ob es für den Gebrauch im Mikrowellengerät geeignet ist.
3. Bitte versuchen Sie nicht, Kleidungsstücke, Zeitungen oder andere Materialien im Mikrowellengerät zu trocknen. Diese Gegenstände können sich entzünden.
4. Im Garraum des Mikrowellengerätes dürfen keine Gegenstände aufbewahrt werden, die bei unbeabsichtigtem Einschalten des Gerätes eine Gefahr für die Umgebung darstellen.
5. Nehmen Sie das **MIKROWELLENGERÄT NIE OHNE LEBENSMITTEL** in Betrieb. Dies kann zu Beschädigungen des Gerätes führen.
6. Kommt es zu einem Brand oder tritt während des Mikrowellenbetriebs Rauch aus dem Gerät, halten Sie die Gerätetür geschlossen. Schalten Sie das Mikrowellengerät ab, indem Sie den DREHSCHALTER FÜR DIE ZEIT-EINGABE auf Null stellen. Ziehen Sie den Netzstecker aus der Steckdose oder schalten Sie die Installationssicherung aus.

### Garraumbeleuchtung

Wenn es nötig wird die eingebaute Garraumbeleuchtung zu wechseln, wenden Sie sich bitte an Ihren Händler.

### Zubehör

Das Mikrowellengerät ist mit unterschiedlichem Zubehör ausgestattet. Verwenden Sie dieses bitte laut Anweisung.

### Glasdrehsteller

1. Das Mikrowellengerät nicht ohne den dazugehörigen Glasdrehsteller und Drehachse in Betrieb setzen.
2. Benutzen Sie in keinem Fall einen anderen als den speziell für dieses Gerät konzipierten Glasdrehsteller.
3. Den evtl. heißen Glasdrehsteller abkühlen lassen, bevor Sie diesen reinigen bzw. mit Wasser abspülen.
4. Der Drehsteller kann rechts- oder linksherum laufen. Dies stellt keine Fehlfunktion dar.
5. Berührt das Lebensmittel bzw. Kochgeschirr die Garraumwände, läuft der Drehsteller nicht weiter, sondern stoppt und beginnt, sich in die entgegengesetzte Richtung zu drehen.
6. Das Lebensmittel nicht direkt auf dem Glasdrehsteller auftauen, erwärmen oder garen.

### Drehachse

1. Die Drehachse und die Vertiefung im Garraumboden müssen regelmäßig gereinigt werden, um zu verhindern, daß Geräusche entstehen und sich Nahrungsmittelreste ansammeln.
2. Die Drehachse immer zusammen mit dem Glasdrehsteller benutzen.

# Wichtige Informationen

## 1) Kochzeiten

- Die Kochzeit ist abhängig von Beschaffenheit, Ausgangstemperatur und Menge des Lebensmittels sowie von der Art des verwendeten Kochgeschirrs.
- Gehen Sie zunächst von einer kürzeren Kochzeit aus, um ein Übergaren der Speisen zu vermeiden. Hat das Lebensmittel noch nicht den gewünschten Auftau-, Erwärmungs- oder Garzustand erreicht, haben Sie immer noch die Möglichkeit, die Garzeit zu verlängern.

**Wird die empfohlene Kochzeit überschritten, kann das Lebensmittel leicht verbrennen und ggf. einen Brand auslösen und somit den Garraum zerstören.**

## 2) Geringe Lebensmittelmengen

- Sehr kleine Lebensmittelmengen oder Speisen mit geringem Feuchtigkeitsgehalt können schnell austrocknen und verbrennen, wenn sie zu lange gegart werden. Kommt es zu einem Brand, die Tür des Mikrowellengerätes geschlossen halten, das Gerät abschalten und den Netzstecker aus der Steckdose ziehen.



## 3) Eier

- Weder rohe, gekochte Eier mit Schale noch gepellte hartgekochte Eier mit Mikrowellen erhitzen oder kochen. Nach Ende des Mikrowellen-Kochvorgangs kann sich noch weiterhin Druck bilden und die Eier können explodieren.

## 4) Lebensmittel mit Schale oder Haut

- Bei Lebensmitteln wie z.B. Kartoffeln und Würstchen empfiehlt es sich, sie vorher anzustechen, um ein evtl. Platzen zu vermeiden.

## 5) Speisethermometer

- Falls Sie den Garzustand mit einem Speisethermometer überprüfen wollen, verwenden Sie bitte keine herkömmlichen Thermometer im Mikrowellengerät. Diese können Funken verursachen. Benutzen Sie diese Speisethermometer nur außerhalb des Mikrowellengerätes.

## 6) Flüssigkeiten

- Beim Erhitzen von Flüssigkeiten im Mikrowellengerät kann durch kurzfristiges Aufkochen (Siedeverzug) die Flüssigkeit im Gerät oder bei der Entnahme schlagartig verdampfen und explosionsartig aus dem Gefäß geschleudert werden. Dies kann zu Verbrennungen führen.

Sie vermeiden einen Siedeverzug, indem Sie beim Erhitzen von Flüssigkeiten in Gläsern oder Tassen immer ein hitzebeständiges Glasstäbchen mithineinstellen oder größere Gefäße mit einem Deckel bzw. Teller abdecken. Zusätzlich sollten Sie folgende Punkte beachten:

- a) Vermeiden Sie die Verwendung von geraden Gefäßen mit engem Ausguß.
- b) Überhitzen Sie die Flüssigkeit nicht.
- c) Rühren Sie die Flüssigkeit einmal um, bevor Sie das Gefäß ins Gerät stellen sowie nochmals nach der halben Kochzeit.
- d) Lassen Sie nach Ablauf der Kochzeit das Gefäß kurze Zeit im Gerät stehen, bevor Sie es herausnehmen. Rühren Sie die Flüssigkeit anschließend noch einmal um.

## 7) Papier und Plastik

- Wenn Behälter aus Papier, Kunststoff oder anderen leicht entflammaren Materialien zum Erwärmen benutzt werden, darf das Mikrowellengerät nicht unbeaufsichtigt betrieben werden! Diese Behälter können sich entzünden.
- Verwenden Sie keine recycelten Papierprodukte (z.B. Küchenrollen), die nicht ausschließlich für die Benutzung im Mikrowellengerät geeignet sind. Im Recyclingpapier können Bestandteile sein, die Funkenbildung oder einen Brand verursachen.
- Entfernen Sie Metallverschlüsse von Bratfolien, bevor Sie diese ins Gerät stellen.



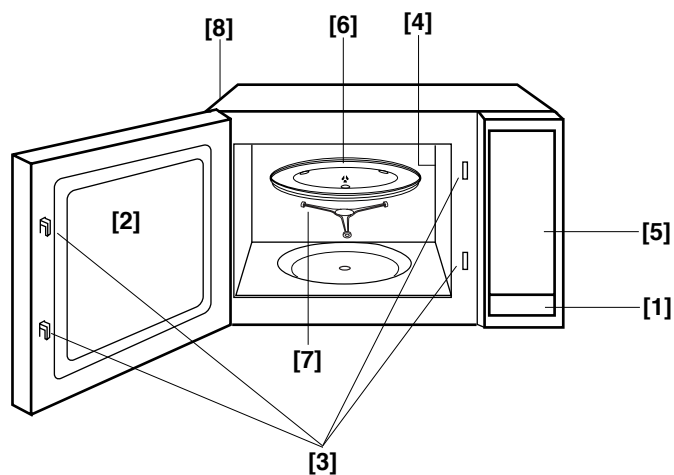
## 8) Hilfsmittel und Folien

- Erhitzen Sie keine geschlossenen Flaschen oder Konserven im Mikrowellengerät, da diese durch den Druck explodieren können.
- Verwenden Sie während des Mikrowellenbetriebes weder Geschirr aus Metall noch Geschirr mit Metallrand.
- Bei Benutzung von Alufolie, Metallspießen oder anderen Metallwaren darauf achten, daß sie mindestens 2 cm von der Gerätewand entfernt sind, um Funkenbildung zu vermeiden.

## 9) Babynahrung

- Benutzen Sie nur Fläschchen oder Glasformen aus hochwertigen hitzebeständigen Materialien und plazieren Sie diese ohne Deckel in der Mitte des Drehtellers.
- Nach dem Erhitzen sollte die Babynahrung in Fläschchen oder Gläsern gut geschüttelt bzw. durchgerührt werden, damit ein Temperaturausgleich stattfinden kann.
- Überprüfen Sie die Temperatur vor dem Verzehr, um Verbrennungen zu vermeiden.

## Schematische Ansicht



**[1] Türöffnungstaste**

Drücken Sie diese Taste, um die Tür zu öffnen. Durch Öffnen der Tür während des Garvorgangs wird der Betrieb unterbrochen, das Programm bleibt erhalten. Nehmen den Betrieb wieder auf, sobald die Tür geschlossen wird.

**[2] Sichtfenster**

**[3] Türsicherheitsverriegelungen**

**[4] Innerer Entlüftungsschlitz**

**[5] Bedienfeld**

**[6] Glasdrehsteller**

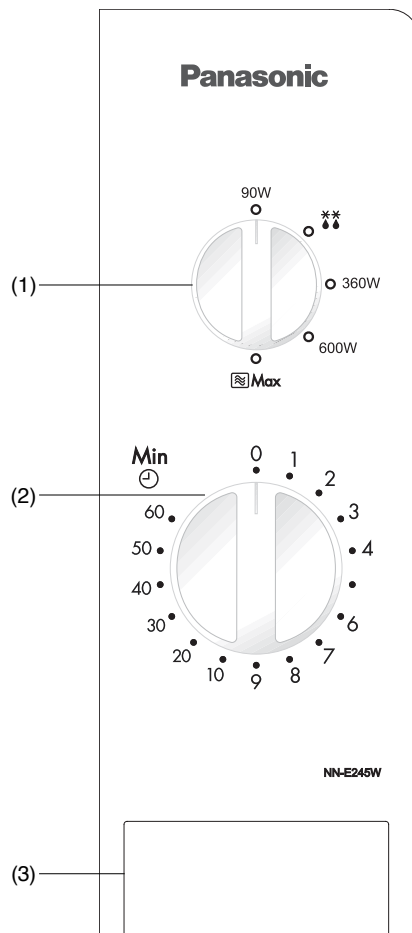
**[7] Drehachse für Glasteller**

**[8] Äußere Entlüftungsschlitze**

# Bedienfeld

NN-E205 / NN-E235 / NN-E245\*

Deutsch



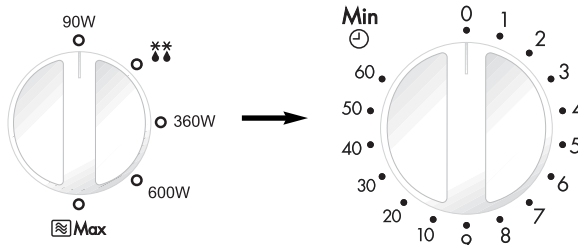
- (1) Drehschalter zur Wahl der Mikrowellenleistungsstufe / Auftaubetrieb
- (2) Drehschalter für Zeiteingabe
- (3) Türöffnungstaste

\*Das Bedienfeld Ihres Mikrowellengerätes kann sich von dem hier gezeigten unterscheiden (abhängig von der Farbe); die Funktion der Tasten ist jedoch gleich.



## Mikrowellenbetrieb

Wattleistung	
Max/Garen	<b>800 Watt</b>
Medium/Erwärmen	<b>600 Watt</b>
Niedrig/Fertigkochen	<b>360 Watt</b>
Auftauen	<b>270 Watt</b>
Ausquellen	<b>90 Watt</b>



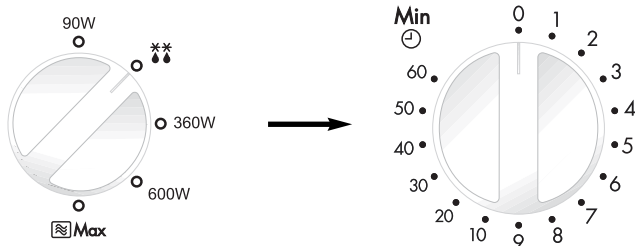
- Stellen Sie den Drehschalter auf die gewünschte Mikrowellenleistungsstufe.
- Stellen Sie mit dem Drehschalter für die Zeiteingabe die gewünschte Zeit ein. Wenn die Tür geschlossen ist, nimmt das Gerät den Betrieb sofort auf. Bei kürzeren Kochzeiten stellen Sie den Schalter zunächst auf 2 Minuten und dann wieder zurück auf die gewünschte Zeit.

### Anmerkungen:

1. Wenn Sie die Speise während des Garvorgangs überprüfen wollen, öffnen Sie einfach die Tür. Dadurch wird der Garvorgang unterbrochen. Um den Garvorgang fortzusetzen, schließen Sie die Tür wieder.
2. Um den Garvorgang zu beenden, stellen Sie den Drehschalter für die Zeiteingabe zurück auf die Nullposition. Sie können die Garzeit während des Gerätebetriebs jederzeit verändern, indem Sie den Drehschalter für die Zeiteingabe betätigen und die Zeit entsprechend verlängern bzw. verkürzen.
3. Nach jedem Gebrauch des Gerätes unbedingt den Drehschalter für die Zeiteingabe auf die Nullposition zurückstellen.
4. Vor Gebrauch des Gerätes vergewissern, daß der Glasdreheller in der richtigen Position ist.

## Auftaubetrieb

\*\* Die Auftauleistung beträgt 270 Watt.



- Wählen Sie mit dem Drehschalter für die Mikrowellenleistungsstufen den Auftaubetrieb.
- Stellen Sie mit dem Drehschalter für die Zeiteingabe die gewünschte Auftauzeit ein. Wenn die Tür geschlossen ist, nimmt das Gerät den Betrieb sofort auf. Bei kürzeren Kochzeiten stellen Sie den Schalter zunächst auf 2 Minuten und dann wieder zurück auf die gewünschte Zeit.

# Hinweise zum Auftauen

## Tips zum Auftauen

### STANDZEIT



Einzelne Nahrungsmittelportionen können fast unverzüglich nach dem Auftauen gegart werden. Es ist normal, daß größere Portionen in der Mitte noch gefroren sind. Vor dem Garen bitte **mindestens eine Stunde stehen lassen**. Während dieser Standzeit verteilt sich die Temperatur gleichmäßig und das Nahrungsmittel wird durch Wärmeleitung aufgetaut. Falls das Nahrungsmittel nicht sofort weiterverarbeitet wird, sollten Sie es im Kühlschrank aufbewahren. Niemals aufgetaute Lebensmittel wieder einfrieren bevor sie nicht gekocht wurden.

### BRATEN UND GEFLÜGEL



Vorzugsweise sollten Braten auf einen umgedrehten Teller oder ein Kunststoffgestell gelegt werden, sodaß sie nicht im Saft liegen. Es ist äußerst wichtig, daß empfindliche oder herausstehende Teile der Lebensmittel mit kleinen Stücken Alufolie geschützt werden, damit sie nicht garen. Es ist ungefährlich, kleine Stücke Alufolie im Ofen zu verwenden, vorausgesetzt **sie kommen mit den Garraumwänden nicht in Kontakt**.

### HACKFLEISCH, GEWÜRFELTE FLEISCHSTÜCKE ODER FISCH



Da die Außenseite dieser Lebensmittel schnell auftaut, ist es notwendig, die Teile während des Auftauvorgangs regelmäßig auseinanderzuberechnen und aufgetaute Stücke aus der Mikrowelle zu entfernen.

### KLEINE PORTIONEN / FLEISCHTEILE



Kleine Fleischteile wie Koteletts und Hühnerfilets müssen so schnell wie möglich voneinander gelöst werden, damit sie gleichmäßig auftauen. Fettreiche Stellen und Enden tauen schneller auf. Platzieren Sie diese daher nahe der Mitte des Drehtellers oder decken Sie sie ab.

### BROT

Ganze Brote benötigen eine Standzeit, damit der Kern auftauen kann. Sie können die Standzeit verringern, indem Sie Scheiben voneinander trennen und Brötchen und ganze Brote in Hälften schneiden.

## Fragen und Antworten

**F:** Warum läßt sich das Mikrowellengerät nicht einschalten?

**A:** Läßt sich das Mikrowellengerät nicht einschalten, dann überprüfen Sie bitte folgendes:

1. Steckt der Netzstecker fest in der Steckdose? Ziehen Sie den Stecker aus der Steckdose und warten Sie 10 Sekunden, bevor Sie diesen wieder hineinstecken.
2. Überprüfen Sie die Netzsicherung und ersetzen Sie diese gegebenenfalls.
3. Ist die Netzsicherung in Ordnung, schließen Sie ein anderes Elektrogerät an die Steckdose an. Arbeitet dieses Gerät auch nicht, ist die Steckdose defekt, Arbeitet das Gerät jedoch ordnungsgemäß, ist wahrscheinlich Ihr Mikrowellengerät defekt. Wenden Sie sich in diesem Fall unbedingt an einen Panasonic-Kundendienst.

**F:** Das Mikrowellengerät verursacht Fernsehstörungen. Ist das normal?

**A:** Beim Betrieb des Mikrowellengerätes können Fernseh- und Radiostörungen auftreten. Es handelt sich um ähnliche Störungen, wie sie durch kleine Elektrogeräte wie Mixer, Staubsauger, Haartrockner usw. verursacht werden können. Dies bedeutet nicht, daß Ihr Mikrowellengerät defekt ist.

**F:** Warum wird die Garraumbeleuchtung dunkler?

**A:** Um eine niedrigere Leistungsstufe als 800W (maximale Leistung) zu erreichen, arbeitet das Gerät zyklisch. Dadurch wird ggf. die Garraumbeleuchtung dunkler und Sie hören Klickgeräusche.

**F:** Warum strömt manchmal warme Luft aus dem Mikrowellengerät?

**A:** Die erhitzten Lebensmittel erwärmen den Garraum. Diese warme Luft wird durch die zirkulierende Luftströmung aus dem Gerät heraus befördert. In dieser erwärmten Luft sind keine Mikrowellen enthalten. Die Lüftungsöffnungen dürfen während des Garens in keinem Fall abgedeckt werden.

Bei diesem Produkt handelt es sich um ein Gerät, das die europäische Norm für EMV-Funkstörungen (EMV = Elektromagnetische Verträglichkeit), EN 55011, erfüllt. Gemäß dieser Norm ist dieses Produkt ein Gerät der Gruppe 2, Klasse B und hält alle Grenzwerte ein. Gruppe 2 bedeutet, dass in diesem Gerät Hochfrequenz-Energie für das Erwärmen oder Garen von Lebensmitteln absichtlich als elektromagnetische Strahlung erzeugt wird. Klasse B sagt aus, dass dieses Produkt in einem normalen Wohnbereich betrieben werden darf.



Dieses Gerät ist mit den von der Europäischen Richtlinie 2002/96/EWG vorgeschriebenen Etiketten zur Verwertung von Elektro- und Elektronik-Altgeräten (Elektro- und Elektronikschrott - WEEE) versehen.

Die Richtlinie bestimmt den Rahmen für die Entsorgung oder Weiterverwertung benutzter Geräte.

## Pflege des Mikrowellengerätes

1. Vor dem Reinigen den Netzstecker aus der Steckdose ziehen.
2. Halten Sie stets den Garraum, die Tür und den Türrahmen sauber. Entfernen Sie Spritzer von Speisen und Flüssigkeiten, die an den Garraumwänden und der Tür haften, mit einem feuchten Tuch und ggf. mildem Reinigungsmittel. Scharfe Reinigungs- und Scheuermittel sind nicht empfehlenswert. VERWENDEN SIE IN KEINEM FALL BACKOFENREINIGUNGSMITTEL.
3. Das Gehäuse des Gerätes sollte mit einem weichen Tuch abgewischt werden. Achten Sie darauf, daß kein Wasser durch die Entlüftungsschlitze ins Geräteinnere gelangt, da das Gerät sonst Schaden nehmen könnte.
4. Ist das Bedienungsfeld verschmutzt, säubern Sie dieses mit einem trockenen, weichen Tuch. Verwenden Sie in keinem Fall scharfe Reinigungs- bzw. Scheuermittel. Damit es nicht zu einem unvorhergesehenen Betrieb des Gerätes kommt, lassen Sie die Tür des Gerätes beim Säubern geöffnet. Seizen Sie nach dem Säubern den Drehschalter für die Zeiteingabe auf Null.
5. Während des Betriebes kann sich durch Verdampfen von Feuchtigkeit innen oder außen auf dem Sichtfenster des Gerätes Kondenswasser niederschlagen und evtl. unter der Tür abtropfen. Dieser Vorgang ist normal und kann verstärkt bei niedrigen Raumtemperaturen und hoher Luftfeuchtigkeit auftreten. Die Sicherheit des Gerätes ist dadurch nicht beeinträchtigt. Nach dem Betrieb das Kondenswasser mit einem weichen Tuch abwischen.
6. Den Glasdrehsteller herausnehmen und abkühlen lassen, bevor Sie diesen in warmem Seifenwasser oder in der Spülmaschine reinigen.
7. Die Drehachse und die Vertiefung im Geräteboden sollten regelmäßig gereinigt werden. Damit werden unnötige Betriebsgeräusche vermieden und die Ansammlung von Lebensmittelresten verhindert. Einfach den Boden mit einem feuchten Tuch auswischen und anschließend trocknen. Die Drehachse kann mit mildem Seifenwasser gereinigt werden. Achten Sie darauf, daß Sie Drehachse und Drehsteller nach dem Reinigen wieder richtig einsetzen.
8. Das Mikrowellengerät darf ausschließlich vom qualifizierten Panasonic-Kundendienst geprüft oder repariert werden.
9. Ein Dampfreiniger darf nicht zur Reinigung verwendet werden.
10. Wird das Mikrowellengerät nicht in einem sauberen Zustand gehalten, kann dies zu einer Güteminderung der Oberflächen führen, was wiederum eine Beeinträchtigung der Lebensdauer des Geräts mit sich bringen und eventuell eine Gefahr für den Benutzer darstellen kann.
11. Die Luftabzüge immer freihalten. Überprüfen Sie, dass die Luftabzüge an der Ober-, Unter- und Rückseite des Geräts nicht durch Staub oder anderes Material verstopft werden. Wenn die Luftabzüge verstopft sind, kann dies zu Überhitzung führen und die Funktionsfähigkeit des Geräts beeinträchtigen.

Deutsch

## Technische Daten

Netzspannung:	230 V, 50 Hz
Leistungsaufnahme:	Mikrowelle; 1100 W
Ausgangsleistung:	Mikrowelle; 800 W (IEC-60705)
Äußere Abmessungen:	455 (B) x 315 (T) x 260 (H) mm
Garraumabmessungen:	315 (B) x 294 (T) x 203 (H) mm
Gewicht:	10.5 kg

Die Angaben sind Annäherungswerte; Änderungen ohne Vorankündigung sind vorbehalten.

## Installation et raccordement

### Vérifiez l'état du four à micro-ondes

Déballez le four et débarrassez-le de l'ensemble du matériel d'emballage. Examinez soigneusement l'appareil afin de détecter toute déformation, défaut du système de fermeture de la porte ou défaut au niveau de la porte elle-même. Prévenez immédiatement votre revendeur si l'appareil est endommagé. N'installez pas un four à micro-ondes abîmé.

### Instructions pour la mise à la terre

**IMPORTANT: POUR VOTRE SÉCURITÉ, IL EST TRÈS IMPORTANT QUE CET APPAREIL SOIT CORRECTEMENT MIS À LA TERRE.**

Si la prise murale n'est pas mise à la terre, le client se doit de la faire remplacer par une prise murale correctement mise à la terre.

### Précaution concernant la tension d'alimentation:

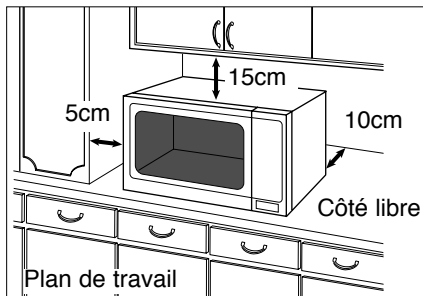
Utiliser une tension identique à celle spécifiée sur le four micro-ondes. Si on utilise une tension supérieure à celle indiquée, l'appareil risque de prendre feu ou d'être endommagé d'une autre manière. De même, si la tension est inférieure, votre appareil sera moins performant. Votre appareil doit être protégé par un fusible de 10 Ampères.

### Emplacement du four

1. Déposer le four sur une surface plate et stable.
2. Une fois le four installé, il faut pouvoir facilement couper son alimentation électrique, soit en retirant la prise murale soit en actionnant un disjoncteur ou un fusible.
3. Afin de garantir une utilisation optimale du four, veillez à ce qu'il soit suffisamment ventilé.

### Si vous placez l'appareil sur un plan de travail:

- a. Laissez un espace de 15 cm en haut du four, de 10 cm à l'arrière, de 5 cm d'un côté du four et d'au moins 40 cm de l'autre côté.
- b. Si vous placez le four contre le mur, veillez à ce que l'autre côté ou le dessus du four soit totalement libre.



4. Ne placez pas le four à proximité d'une cuisinière au gaz ou électrique ni d'un évier.
5. Ne retirez pas les pieds du four.
6. Ce four est destiné uniquement à un usage domestique. Ne l'utilisez pas à l'extérieur.
7. N'utilisez pas le four dans une pièce dont le taux d'humidité est très élevé.
8. Evitez tout contact entre le cordon d'alimentation et l'extérieur de l'appareil et éloignez-le de toute surface chaude. Ne le laissez pas pendre sur le bord d'une table ou d'un plan de travail. Evitez de mouiller le cordon d'alimentation, la prise ou le four.
9. N'obstruez pas les ouvertures d'aération situées en haut et à l'arrière du four de manière à éviter toute surchauffe du four. Un dispositif thermique de sécurité protège le four en cas de surchauffe. S'il s'enclenche, le four ne pourra fonctionner à nouveau qu'après refroidissement.

### AVERTISSEMENT

#### Consignes de sécurité importantes

1. Nettoyez les joints d'étanchéité de la porte à l'aide d'un linge humide. Vérifiez si l'appareil ne présente pas de défaut au niveau des joints d'étanchéité. Si c'est le cas, ne l'utilisez plus avant que ceux-ci aient été réparés par un technicien agréé par le fabricant.
2. Ne tentez jamais de modifier, d'ajuster ou de réparer la porte, le boîtier du panneau de commandes, les commutateurs de verrouillage de sécurité ou tout autre élément du four. Ne retirez pas le panneau arrière du four, car il sert de protection contre les micro-ondes émises par le four. Confiez exclusivement les réparations à du personnel qualifié.
3. N'utilisez pas l'appareil si la PRISE ou le CORDON D'ALIMENTATION est endommagé, s'il ne fonctionne pas correctement, s'il est abîmé ou s'il est tombé. Il est dangereux de confier la réparation de l'appareil à une personne autre qu'un technicien formé par le fabricant.
4. Si le cordon d'alimentation est endommagé, il doit impérativement être remplacé par le fabricant ou un technicien formé par le fabricant.
5. Il ne faut laisser les enfants utiliser le four qu'à la seule condition qu'ils en connaissent le fonctionnement et soient à même de comprendre les dangers d'une utilisation inappropriée.
6. Les aliments et les liquides ne doivent pas être chauffés dans des récipients fermés hermétiquement car ceux-ci risquent d'exploser.

## Consignes de sécurité

### Utilisation du four

1. Utilisez le four exclusivement à des fins culinaires. Ce four est spécialement conçu pour réchauffer ou cuire des aliments. Ne l'utilisez pas pour réchauffer des produits chimiques ou tout autre produit non alimentaire.
2. Vérifiez si les ustensiles et les plats utilisés conviennent aux fours à micro-ondes.
3. Ne tentez pas de sécher des journaux, des vêtements ou tout autre matériau dans votre four à micro-ondes, car ceux-ci pourraient s'enflammer.
4. Ne placez dans le four aucun objet autre que ses accessoires et ce même si vous ne l'utilisez pas, car celui-ci pourrait être fortuitement mis en route.
5. N'utilisez jamais le four SANS Y PLACER PREALABLEMENT DES ALIMENTS. Sinon vous risquez d'endommager l'appareil.
6. En cas de début d'incendie à l'intérieur du four, ramener LE SÉLECTEUR DE DURÉE à zéro et maintenir la porte du four fermée. Débrancher le cordon d'alimentation ou couper l'alimentation au niveau du fusible ou du disjoncteur.

### Lampe du four

Si vous devez remplacer la lampe du four, adressez-vous à votre revendeur.

### Accessoires

Le four est fourni avec toute une série d'accessoires. Utilisez-les toujours conformément aux instructions.

### Plateau tournant en verre

1. Utilisez le four uniquement si l'axe à roulettes et le plateau tournant en verre sont en place.
2. N'utilisez jamais un autre plateau tournant en verre que celui spécialement conçu pour votre four.
3. Si le plateau tournant en verre est chaud, attendez qu'il refroidisse pour le nettoyer ou le plonger dans l'eau.
4. Le plateau tournant en verre peut pivoter dans les deux sens.
5. Si les aliments ou le plat disposés sur le plateau tournant en verre touchent les parois du four et l'empêchent de tourner, celui-ci pivote automatiquement dans la direction inverse. C'est normal.
6. Ne cuisez pas d'aliments à même le plateau tournant en verre.

### Axe à roulettes

1. Nettoyez régulièrement l'axe à roulettes et le plancher du four afin de réduire les nuisances dues aux bruits ainsi que l'accumulation de particules de nourriture.
2. Utilisez toujours l'axe à roulettes avec le plateau tournant en verre pour la cuisson des aliments.

## Informations importantes

### 1) Temps de cuisson

- Ils dépendent des conditions, de la température, de la quantité de nourriture ainsi que du type de récipient utilisé.
- Commencez toujours par le temps de cuisson minimum: si un plat n'est pas assez cuit, vous pourrez toujours le remettre dans le four pour terminer la cuisson.

**Note: Il vaut mieux éviter la surcuisson. Les aliments n'attachent pas mais peuvent brûler, se dessécher et même dans des cas extrêmes, prendre feu et endommager votre four.**

### 2) Petites quantités de nourriture

- Si vous cuisez trop longtemps de petites quantités de nourriture ou des aliments peu riches en eau, ceux-ci peuvent se dessécher, voire brûler ou même prendre feu. Si des aliments s'enflamment, maintenez la porte fermée, arrêtez le four et débranchez le cordon d'alimentation.



### 3) Œufs

- Ne préparez pas des œufs à la coque ou des œufs durs en mode MICRO-ONDES. Ils risquent d'exploser sous l'effet de la pression.

### 4) Perçer

- Les aliments à peau ou enveloppe imperméable tels que les pommes de terre, les jaunes d'œufs et les saucisses doivent être piqués avant d'être cuits dans le four MICRO-ONDES afin d'éviter qu'ils n'éclatent.

### 5) Thermomètre à viande

- Si vous employez un thermomètre à viande pour vérifier la température de cuisson des rôtis et des volailles, ne l'utilisez qu'une fois ces derniers sortis du four.

### 6) Liquides

- Si on chauffe un liquide épais qui n'a pas été remué, il risque de déborder et d'occasionner des projections brûlantes pendant et après le réchauffage. Pour éviter cet inconvénient, éviter d'utiliser des récipients à bords droits et cols étroits, sortir plusieurs fois le liquide du four pendant la cuisson pour le remuer. Après le réchauffage, laisser reposer le liquide un court instant dans le four et remuer soigneusement avant de retirer le récipient du four.

### 7) Papier/Plastique

- Si vous réchauffez des aliments dans des barquettes en plastique ou en papier, surveillez régulièrement la cuisson, car ces matériaux ont tendance à s'enflammer en cas de surchauffe.
- N'utilisez aucun papier recyclé (par exemple du papier essuie-tout), sauf s'il est stipulé qu'il convient aux fours à micro-ondes. En effet, les papiers recyclés contiennent des impuretés qui peuvent provoquer des étincelles ou s'enflammer en cours de cuisson.
- Avant de placer un sac dans le four, retirez les liens métalliques de fermeture.



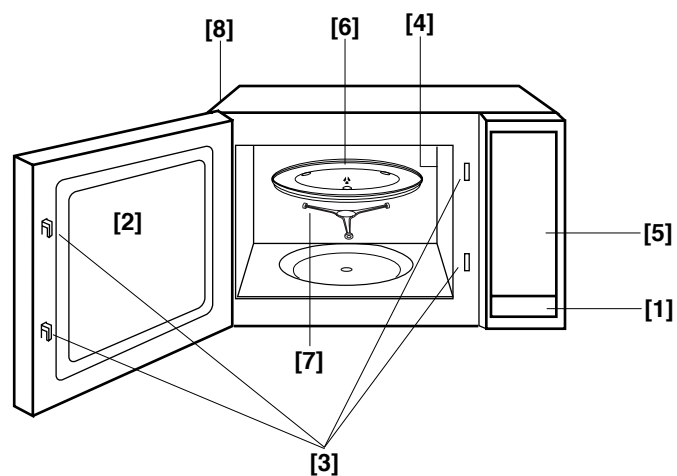
### 8) Ustensiles/Papier aluminium

- Ne réchauffez pas des canettes ou des bouteilles fermées, car celles-ci pourraient exploser.
- Évitez d'utiliser des récipients et des plats métalliques dans votre four à micro-ondes, car ceux-ci provoqueraient des étincelles.
- Si vous utilisez du papier aluminium ou une barquette métallique, la distance entre ces matériaux et les parois du four doit être de 2 cm minimum afin d'éviter les étincelles.

### 9) Biberons et aliments pour bébés

- Enlevez toujours le capuchon, la tétine ou le couvercle des biberons ou des petits pots pour bébés avant de les placer dans le four.
- Mélangez ou agitez le contenu des biberons et des petits pots.
- Vérifiez toujours la température des aliments avant de les proposer à l'enfant afin d'éviter qu'il se brûle.

## Schéma descriptif



**[1] Touche d'ouverture de la porte:**

Presser pour ouvrir le four. Si on ouvre la porte du four pendant qu'il est en marche, il s'arrête de fonctionner sans toutefois que la cuisson programmée ne soit annulée. La cuisson reprendra sitôt la porte fermée.

**[2] Fenêtre du four**

**[3] Système de verrouillage de sécurité de la porte**

**[4] Ouvertures d'aération du four**

**[5] Panneau de commandes**

**[6] Plateau tournant en verre**

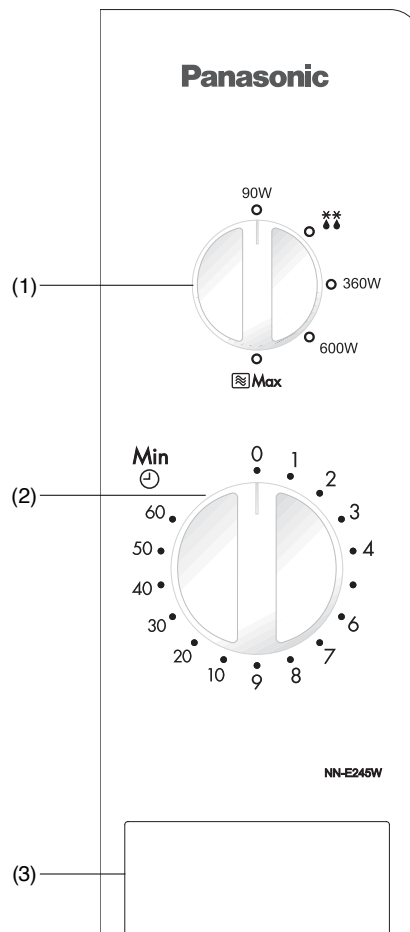
**[7] Axe à roulettes**

**[8] Ventilation externe du four**



## Les panneaux de commandes

NN-E205 / NN-E235 / NN-E245\*



Français

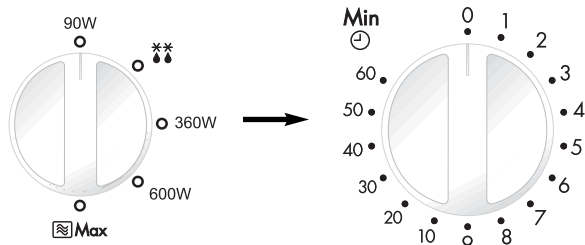
- (1) Sélecteur des puissances micro-ondes ou de la décongélation.
- (2) Sélecteur de durée
- (3) Touche d'ouverture de la porte

\*Note : Le design du panneau de commandes de votre four peut différer légèrement de celui illustré ci-dessus (pour la couleur). Les fonctions sont néanmoins identiques.

## La cuisson en micro-ondes

### Puissance en Watts

<i>Max</i>	<b>800 Watts</b>
<i>Moyen</i>	<b>600 Watts</b>
<i>Doux</i>	<b>360 Watts</b>
<i>Décongélation</i>	<b>270 Watts</b>
<i>Maintien</i>	<b>90 Watts</b>



- Tourner le sélecteur jusqu'à la puissance désirée.

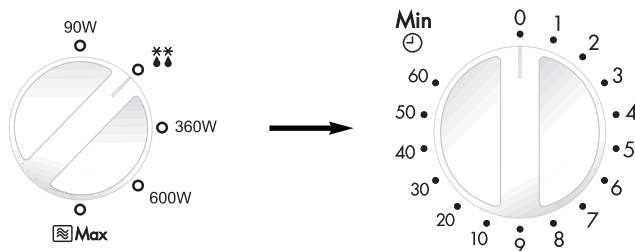
- Sélectionner le temps de cuisson à l'aide du sélecteur de durée. Si la porte est déjà fermée, le plateau tournant se met en mouvement et la cuisson commence. Lorsque vous programmez un temps de cuisson très court, tournez d'office le sélecteur de durée jusqu'à 2 minutes (afin d'en remonter le ressort) puis ramenez-le au temps désiré.

### Notes

1. Vous pouvez vérifier l'aliment et sa cuisson en ouvrant simplement la porte. Le four s'arrêtera automatiquement de fonctionner. La cuisson reprendra sitôt la porte refermée.
2. Pour arrêter la cuisson, ramener le sélecteur de durée à zéro. Vous pouvez prolonger la cuisson en cours en tournant simplement le sélecteur de durée sur une durée plus longue.
3. Lorsque l'aliment est retiré en fin de cuisson, vérifiez que le sélecteur de durée soit bien ramené à zéro.
4. Veillez à ce que le plateau tournant en verre soit toujours en place lorsque le four est utilisé.

## La décongélation

La puissance utilisée en Décongélation \*\* est de 270 Watts.



- Choisir la puissance Décongélation en tournant le sélecteur.

- Choisir la durée de décongélation à l'aide du sélecteur de durée. Si la porte est déjà fermée, le plateau tournant se met en mouvement et la cuisson commence. Lorsque vous programmez un temps de cuisson très court, tournez d'office le sélecteur de durée jusqu'à 2 minutes (afin d'en remonter le ressort) puis ramenez-le au temps désiré.

# Conseils pour la décongélation

## Conseils pour la décongélation

### TEMPS DE REPOS



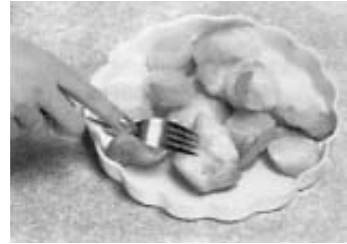
Les petites pièces peuvent être cuites presque immédiatement après la décongélation. Il est normal que les grosses pièces soient encore congelées au centre. Il faut leur laisser **au minimum une heure** de repos avant de les cuire. Pendant ce temps de repos, la température s'homogénéise et la décongélation se poursuit par conduction. Note : Si l'aliment n'est pas destiné à être cuit immédiatement, le conserver au réfrigérateur. Ne jamais recongeler un aliment décongelé sans le cuire au préalable.

### LES RÔTIS AVEC OS ET LES VOLAILLES ENTIÈRES



Il est préférable de placer les rôtis sur une soucoupe retournée ou bien une passoire en plastique afin qu'ils ne trempent pas dans le liquide d'exsudation. Il est indispensable de protéger les parties fines ou protubérantes de ces aliments avec de petits morceaux de papier aluminium afin d'éviter un début de cuisson de ces parties. Il n'est pas dangereux d'utiliser des petits morceaux de papier aluminium dans votre four, à condition **qu'ils ne touchent pas les parois du four**.

### LA VIANDE HACHÉE OU EN CUBES, LES PETITS CRUSTACÉS



Les parties extérieures de ces aliments décongelant rapidement, il faut les séparer, briser les blocs en morceaux à plusieurs reprises pendant la décongélation et les retirer au four et à mesure qu'ils sont décongelés.

### PETITES PIÈCES



Les côtelettes et les morceaux de poulet doivent être séparés sitôt que possible pour faciliter une décongélation homogène. Les parties grasses et les extrémités décongelent plus rapidement. Placez-les vers le centre du plateau ou protégez-les.

### LE PAIN

Les boules et les miches de pain nécessitent un temps de repos pour permettre une décongélation à cœur. Ce temps de repos sera plus court si le pain est coupé en tranches ou même en 2 morceaux.

## Questions et réponses

**Q.:** Pourquoi mon four ne fonctionne-t-il pas?

**R.:** Si le four ne fonctionne pas, vérifiez les points suivants :

1. Le four est-il correctement branché ? Débranchez le cordon d'alimentation du four, attendez 10 secondes, puis rebranchez-le.
2. Vérifiez le disjoncteur et le fusible. Enclenchez de nouveau le disjoncteur ou remplacez le fusible si besoin.
3. Si tout est normal au niveau du disjoncteur ou du fusible, vérifiez le bon fonctionnement de la prise murale en y branchant un autre appareil électrique. Si cet appareil fonctionne, cela signifie que le problème se situe au niveau du four à micro-ondes. S'il ne fonctionne pas, cela signifie que la prise murale est défectueuse. Si le four à micro-ondes est défectueux, contactez un service d'entretien et de réparation agréé.

**Q.:** Est-il normal que mon four à micro-ondes produise des interférences sur mon récepteur de télévision?

**R.:** Des interférences radio ou TV peuvent se produire si un four à micro-ondes fonctionne à proximité. Ce même type d'interférence se produit lorsqu'on utilise de petits appareils électriques tels qu'un mixeur, un aspirateur, un sèche-cheveux, etc. La présence d'interférences ne signifie donc pas que le four à micro-ondes est défectueux.

**Q.:** Pourquoi l'éclairage intérieur de mon four faiblit-il?

**R.:** Si vous utilisez une puissance autre que la puissance Max (800W), le four doit moduler le courant en impulsions pour régler la puissance sur les niveaux les plus bas. Il en résulte un affaiblissement de l'éclairage intérieur du four ainsi que l'émission de petits bruits secs.

**Q.:** Il arrive parfois que de l'air chaud se dégage par les ouvertures d'aération du four. Pourquoi?

**R.:** La chaleur dégagée par la cuisson des aliments réchauffe l'air contenu dans la cavité du four. Cet air chaud est évacué du four par ventilation. Il n'y a pas de micro-ondes dans ce dégagement d'air. N'obstruez jamais ces aérations en cours de cuisson.

Ce produit est un matériel qui répond aux normes européennes sur les perturbations électromagnétiques EMC (EMC = compatibilité électromagnétique) EN 55011. Selon cette norme, ce produit est classé Groupe 2, classe B et reste dans les limites requises. La classification groupe 2 signifie que l'énergie à fréquence radio est intentionnellement émise sous forme d'une radiation électromagnétique afin de réchauffer ou de cuire des aliments. Classe B signifie que ce produit peut être utilisé dans un environnement domestique usuel.



Cet appareil est étiqueté conformément à la norme européenne 2002/96/EC relative aux appareils électriques et électroniques usés (déchets électriques et électroniques - DEEE).

Cette directive détermine la structure cadre pour la reprise et le recyclage des appareils usés le cas échéant.

## Entretien de l'appareil

1. Débranchez l'appareil avant de le nettoyer.
2. Veillez à ce que l'intérieur du four et les joints de la porte soient toujours propres. Enlevez les projections d'aliments ou les éclaboussures présentes sur les parois intérieures du four et sur les joints de la porte à l'aide d'un linge humide. Si le four est très sale, nettoyez-le à l'aide d'un produit de nettoyage non décapant. L'utilisation de détergents puissants ou abrasifs est vivement déconseillée. **NE PAS EMPLOYER DE MOUSSE DECAPANTE POUR FOUR TRADITIONNEL.**
3. Nettoyez les surfaces extérieures du four à l'aide d'un linge humide. Veillez à ce que l'eau ne pénètre pas par les ouvertures d'aération présentes à l'intérieur du four afin de ne pas endommager ses différentes pièces.
4. Nettoyez le panneau de commandes à l'aide d'un linge doux et sec. N'utilisez pas de tampons abrasifs ou de détergents puissants. Lorsque vous nettoyez le panneau de commandes, laissez la porte du four ouverte afin d'éviter tout déclenchement inopiné. Après le nettoyage, ramener le SÉLECTEUR DE DURÉE à zéro.
5. Si de la condensation se forme à l'intérieur ou à l'extérieur de la porte du four, essuyez-la au moyen d'un linge doux. De la condensation peut se former lorsque le four fonctionne dans une pièce très humide. Cela n'est en aucun cas dû à un mauvais fonctionnement de l'appareil.
6. Il est parfois nécessaire de retirer le plateau tournant en verre afin de le nettoyer. Lavez-le à l'eau savonneuse chaude ou dans un lave-vaisselle.
7. Nettoyez régulièrement l'axe à roulettes et la sole du four afin que celui-ci ne soit pas trop bruyant. Il suffit simplement de nettoyer la sole du four avec de l'eau chaude additionnée d'un détergent non abrasif, puis de sécher à l'aide d'un linge sec. Lavez l'axe à roulettes dans de l'eau légèrement savonneuse. Les vapeurs de cuisine s'accumulant à force d'usage ne risquent nullement d'abîmer la sole du four ou les roulettes de l'axe. Assurez-vous de placer correctement l'axe à roulettes après l'avoir enlevé.
8. La maintenance du four ne peut être effectuée que par du personnel qualifié. Pour toute opération de maintenance ou de réparation, adressez-vous à votre revendeur agréé.
9. Ne pas utiliser de nettoyeur-vapeur pour le nettoyage de votre four.
10. Il est indispensable de maintenir propre l'intérieur du four. Le non respect de cette consigne peut entraîner une détérioration notable des revêtements susceptible de réduire la durée de vie de votre appareil et pouvant même présenter un danger.
11. Les ouvertures d'aération ne doivent jamais être obturées. Vérifiez régulièrement qu'elles ne sont pas bouchées par des poussières ou d'autres objets. Si cela se produisait, la surchauffe du four affecterait son fonctionnement.

Français

## Fiche technique

Alimentation	230 V, 50 Hz	
Puissance d'entrée	Micro-ondes	1100 W
Puissance de sortie	Micro-ondes	800 W (IEC-60705)
Dimensions extérieures	455 (L) x 315 (P) x 260 (H) mm	
Dimensions intérieures	315 (L) x 294 (P) x 203 (H) mm	
Poids (hors emballage)	10.5 kg	

Caractéristiques techniques susceptibles d'être modifiées sans avis préalable.

## Installazione e connessione del forno alla rete elettrica

### Esaminate il vostro forno

Togliere il forno dall'imballaggio, rimuovendo ogni parte dell'imballo, ed esaminarlo per accertare che non vi siano danni quali ammaccature, rotture delle chiusure o incrinature del portello.

Non installare un forno se danneggiato: avvertire subito il vostro rivenditore.

### Istruzioni per la messa a terra

**IMPORTANTE: PER LA SICUREZZA PERSONALE QUESTO ELETTRODOMESTICO NECESSITA DI UNA CORRETTA MESSA A TERRA.**

Se la presa di corrente è priva di messa a terra, è responsabilità e obbligo dell'acquirente sostituirla con una che ne sia fornita.

### Avvertenze su voltaggio e alimentazione

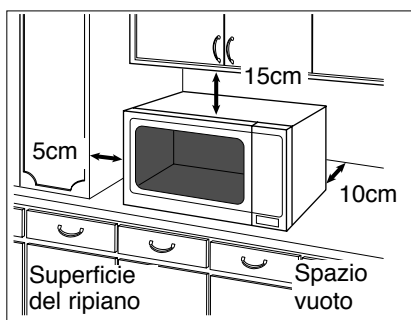
Il voltaggio usato deve essere quello specificato sul forno. L'uso di un voltaggio più alto di quello indicato è pericoloso e può causare incendi o altri tipi di danni.

### Sistemazione del forno

1. Collocare il forno su una superficie piana e stabile.
2. Sistemare il forno in modo che sia facile scollegare l'apparecchio dalla rete elettrica estraendo la spina o agendo su un interruttore generale.
3. Per un funzionamento corretto, assicurarsi che il forno possa disporre di una sufficiente circolazione dell'aria.

#### Sistemazione su un piano:

- a. Lasciate 15 cm. di spazio dalla superficie superiore del forno, 10 cm. da quella posteriore e 5 cm. da una delle pareti laterali, almeno 40 cm dall'altra parete.
- b. Se un lato del forno è posto rasente ad una parete, l'altro lato o la superficie superiore non deve essere bloccata o aderire ad un'altra superficie.



4. Non posizionare questo forno vicino ad una cucina a gas o elettrica.
5. Non rimuovere i piedini d'appoggio del forno.
6. Questo forno è da utilizzare esclusivamente per uso domestico: non utilizzare all'aperto.
7. Non usare il forno in ambienti molto umidi.
8. Il cavo di alimentazione non deve toccare le pareti esterne del forno. Esso non deve venire a contatto con superfici calde. Non lasciare il cavo sospeso sopra un tavolo o un piano di lavoro.  
Non immergere il cavo di alimentazione, la spina o il forno stesso nell'acqua.
9. Non ostruire le prese d'aria sulla parte superiore e posteriore del forno. Se queste aperture vengono ostruite mentre l'apparecchio è in funzione, il forno si può surriscaldare. Se si verifica questa situazione, l'elettrodomestico, protetto da un dispositivo termico di sicurezza, si disattiva totalmente e si spegne fino a che il forno non si è raffreddato.

Italiano

### AVVERTENZE:

#### Istruzioni importanti per la sicurezza

1. Le guarnizioni del portello e le zone circostanti devono essere pulite con un panno umido. Nel caso in cui esse vengano danneggiate, non bisogna mettere in funzione il forno fino a quando un tecnico autorizzato non le abbia riparate.
2. Non cercare in alcun modo di modificare o riparare il forno in NESSUNA delle sue parti. Non rimuovere il pannello esterno dal forno per nessun motivo, poiché esso protegge dall'esposizione all'energia delle microonde. Le eventuali riparazioni devono essere eseguite esclusivamente da un servizio di assistenza tecnica qualificato Panasonic.
3. Non utilizzare l'apparecchio se ha il cavo elettrico o la spina danneggiati, se non funziona in modo corretto o se è stato danneggiato o fatto cadere. Tentare di riparare il forno è pericoloso per chiunque non sia un tecnico dell'assistenza appositamente istruito dal produttore.
4. Se viene danneggiato il cavo dell'apparecchio, deve essere sostituito da un cavo speciale fornito dal fabbricante e installato da un centro di assistenza autorizzato Panasonic.
5. Non permettere che i bambini usino il forno da soli, senza la supervisione di un adulto! Fatelo SOLO nel caso in cui al bambino siano state date adeguate istruzioni e che quindi, sia in grado di usare il forno in modo sicuro e di capire il pericolo che può derivare da un uso improprio.
6. Liquidi o altri cibi non devono essere riscaldati in contenitori sigillati poiché questi potrebbero esplodere.

## Istruzioni per la sicurezza

### Utilizzazione del vostro forno

1. Non utilizzare il forno per nessun altro motivo che non sia la preparazione di cibo. Questo forno è stato esclusivamente progettato per riscaldare o cuocere il cibo. Non usare questo forno per riscaldare prodotti chimici o qualsiasi altra cosa al di fuori del cibo.
2. Prima di usare il forno, accertarsi che gli utensili siano adatti per la cottura a microonde.
3. Non cercare di asciugare giornali, abiti o altri materiali poiché potrebbero prendere fuoco.
4. Quando il forno non è in funzione, non riporre all'interno alcun oggetto al di fuori degli accessori del forno stesso, per evitare danni in caso di accensione accidentale del forno.
5. Il forno non deve essere assolutamente utilizzato vuoto: ciò rischia di danneggiare l'elettrodomestico.
6. Se si dovessero sviluppare fumo o fiamme all'interno della cavità del forno, premere il pulsante di ARRESTO / ANNULLAMENTO o ruotare la MANOPOLA nella posizione zero e lasciare la porta chiusa allo scopo di estinguere eventuali incendi. Togliere la spina dalla presa o spegnere l'interruttore generale.

### Luce della cavità del forno

Consultare un centro assistenza autorizzato nel caso in cui si rendesse necessario riparare o cambiare la lampadina che illumina la cavità del forno.

### Accessori

Il forno contiene alcuni accessori: seguire sempre le istruzioni per il loro utilizzo.

#### Vassoio di vetro

1. Non adoperare mai il forno senza l'asse rotante ed il vassoio di vetro inseriti correttamente al loro posto all'interno del forno.
2. Non adoperare un vassoio di vetro diverso da quello originale Panasonic, che è stato studiato appositamente per questo forno.
3. Se il vassoio di vetro diventa caldo, lasciarlo raffreddare prima di pulirlo o di metterlo nell'acqua.
4. Il vassoio di vetro può girare in entrambi i sensi.
5. Se il cibo o il recipiente posti sul vassoio di vetro toccano le pareti del forno e fermano la rotazione del vassoio, quest'ultimo riprenderà automaticamente a girare nella direzione opposta: ciò è perfettamente normale.
6. Non cuocere il cibo direttamente sul vassoio di vetro.

#### Asse rotante

1. L'asse rotante e la parte inferiore del forno devono essere puliti frequentemente per evitare il prodursi di un'eccessiva rumorosità ed un accumulo di residui di cibo e schizzi.
2. L'asse rotante deve essere sempre usato insieme al vassoio di vetro.

## Informazioni importanti

### 1) Tempi di cottura

- Il tempo di cottura dipende dalle condizioni, dalla temperatura, dalla quantità di cibo e dal tipo di stoviglie impiegate.
- Cominciare a cuocere inserendo il tempo di cottura più breve per evitare una cottura eccessiva. Se il cibo non risulta cotto a sufficienza, si può sempre farlo cuocere ancora per un po'.

**Nota: Se i tempi di cottura consigliati dovessero risultare eccessivi, il cibo potrebbe scuocersi o bruciare e, in casi estremi, potrebbe addirittura prendere fuoco, danneggiando anche l'interno del forno.**

### 2) Piccole quantità di cibo

- Piccole quantità di cibo o cibi con un basso contenuto di umidità possono bruciarsi, seccarsi eccessivamente o incendiarsi se cotti troppo a lungo. Se l'alimento introdotto nel forno dovesse incendiarsi, lasciare chiuso il portello, spegnere il forno e togliete la spina dalla presa.



### 3) Uova

- Non cuocere le uova nel loro guscio e le uova sode intere nel forno a microonde. La pressione all'interno del forno può aumentare fino a provocare l'esplosione delle uova, anche dopo che la fase di riscaldamento del forno a microonde è terminata.

### 4) Bucherellare le superfici non porose

- I cibi che non hanno una superficie porosa, come ad esempio, patate, tuorli d'uovo e salsicce, devono essere bucherellati prima della cottura a microonde per evitare che scoppino.

### 5) Termometro per carni

- Usare un termometro per carni per controllare il grado di cottura di arrosti e pollame, solo quando la carne è stata tolta dal forno. Non usare un comune termometro per carni durante la cottura a microonde, per evitare l'emissione di scintille.

### 6) Liquidi

- Quando si riscaldano dei liquidi (come ad es. zuppe, salse o bevande) nel forno a microonde, può capitare che arrivino al punto di ebollizione senza che in superficie si evidenzino la formazione di bolle: questa

situazione può manifestarsi, anche all'improvviso, con la formazione di grumi o la fuoriuscita del liquido dal recipiente. Per evitare ciò devono essere prese le seguenti precauzioni:

- a) evitare l'uso di contenitori con pareti alte ed a collo stretto;
- b) non surriscaldare;
- c) mescolare i liquidi prima di mettere il contenitore nel forno, ed anche a metà del tempo di cottura;
- d) dopo avere riscaldato, lasciare riposare nel forno. Mescolare nuovamente il contenuto (facendo attenzione a non scottarsi).

### 7) Carta, plastica

- Se si riscalda il cibo in contenitori di carta e/o di plastica, controllare spesso il forno poiché questo tipo di contenitori possono incendiarsi se surriscaldati.
- Non usare prodotti di carta riciclata (per es. rotoli di carta da cucina) a meno che sul prodotto sia espressamente indicato "adatto per l'uso nel forno a microonde". Infatti alcuni prodotti in carta riciclata possono contenere impurità che possono causare scintille e/o incendi durante l'uso.
- Togliere eventuali legature di filo o nastro prima di inserire nel forno involucri e cartocci da rosticceria.



### 8) Utensili/pellicole

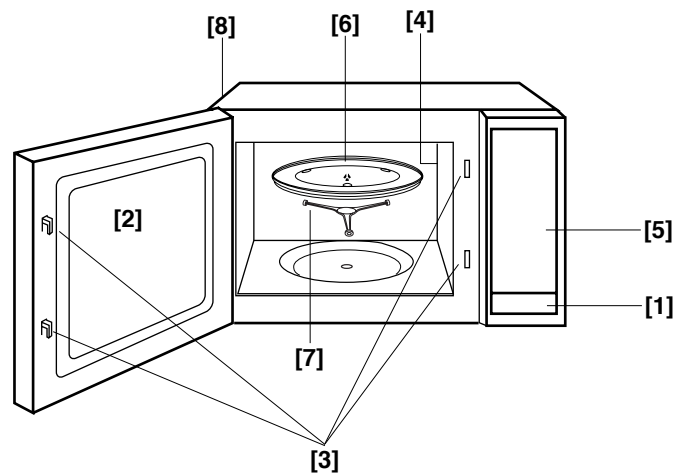
- Non riscaldare lattine o bottiglie chiuse perché potrebbero esplodere.
- Non utilizzare contenitori in metallo o stoviglie con inserti in metallo (es. decori dorati o manici) per la cottura a microonde perché potrebbero causare l'emissione di scintille.
- Se vengono impiegati fogli di alluminio, aghi per spiedini o utensili in genere in metallo, la distanza tra essi e le pareti del forno ed il portello deve essere di almeno 2 cm. per evitare l'emissione di scintille.

### 9) Biberon/brocche

- La parte superiore, la tettarella dei biberon e il coperchio dei vasetti di cibi per neonati devono essere rimossi prima di mettere biberon e vasetti in forno.
- Agitare o mescolare bene il contenuto di biberon e brocche.
- Controllare la temperatura prima di consumare il contenuto per evitare di scottarsi.



## Il vostro forno



**[1] Pulsante di apertura della porta**

Per aprire la porta, premere il pulsante. L'apertura della porta durante la cottura provoca un'interruzione momentanea della cottura stessa, ma non la cancellazione delle impostazioni selezionate in precedenza. La cottura riprende semplicemente richiudendo la porta.

**[2] Finestra del forno**

**[3] Sistema di bloccaggio di sicurezza della porta**

**[4] Presa di ventilazione del forno**

**[5] Pannello di controllo**

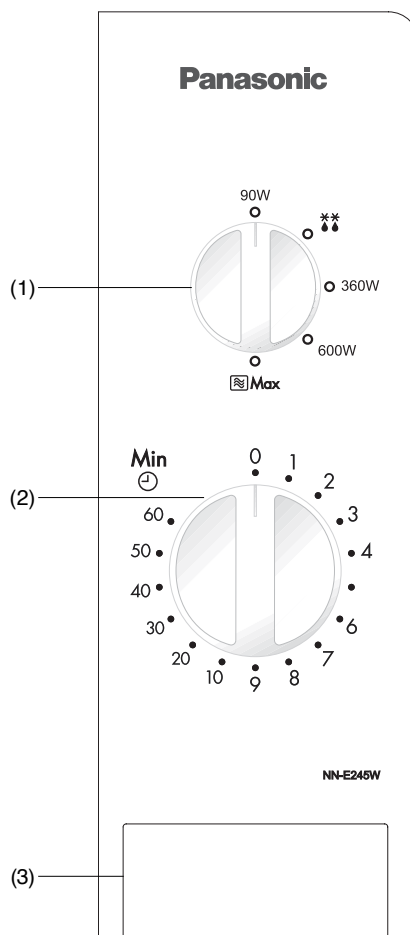
**[6] Vassoio di vetro**

**[7] Asse rotante**

**[8] Prese esterne di ventilazione del forno**

## Pannelli di controllo

NN-E205 / NN-E235 / NN-E245\*



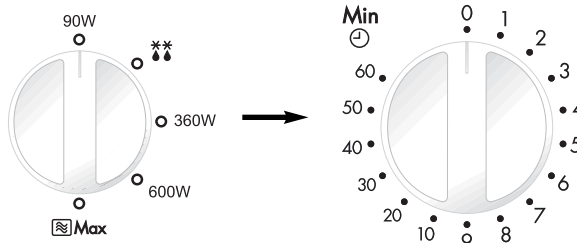
Italiano

- (1) Manopola livelli di potenza/scongelamento
- (2) Manopola di impostazione tempo
- (3) Pulsante di apertura della porta

**\*NOTA:** La configurazione del pannello comandi del vostro microonde potrebbe differire da quella qui indicata, a seconda della diversa colorazione. In ogni caso, le funzioni dei comandi (tasti e manopole), rimangono identiche.

## Cottura a microonde

	Potenza
<i>Alta</i>	<b>800 Watt</b>
<i>Media</i>	<b>600 Watt</b>
<i>Bassa</i>	<b>360 Watt</b>
<i>Scongelamento</i>	<b>270 Watt</b>
<i>Riscaldamento</i>	<b>90 Watt</b>



- Ruotare la manopola per selezionare il livello di potenza desiderato.

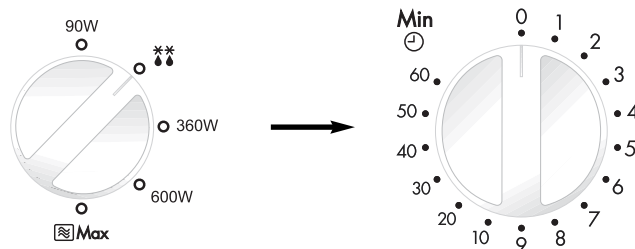
- Ruotando la manopola, impostare il tempo di cottura. Se la porta è chiusa, il tempo di cottura inizierà immediatamente. Per tempi di cottura brevi ruotare sempre la manopola su 2 minuti e poi regolare il tempo in base alle esigenze.

### Nota

1. Per controllare il cibo durante la cottura è sufficiente aprire la porta. La cottura si interromperà automaticamente. Per proseguire la cottura, chiudere la porta.
2. Per interrompere la cottura, ruotare la manopola di impostazione tempo sullo zero. Il tempo di cottura può essere reimpostato in qualsiasi momento durante il ciclo di cottura, sempre ruotando la manopola di impostazione tempo.
3. Quando il cibo viene tolto dal forno al termine della cottura, verificare che la manopola sia sullo zero.
4. Il vassoio di vetro deve essere sempre collocato nel forno durante l'utilizzo.

## Scongelamento

\*\* La potenza necessaria per lo scongelamento è 270 Watt.



- Selezionare la potenza per lo scongelamento ruotando la manopola.

- Impostare il tempo di scongelamento ruotando la manopola. Se la porta è chiusa, il tempo di cottura inizierà immediatamente. Per tempi di cottura brevi ruotare sempre la manopola su 2 minuti e poi regolare il tempo in base alle esigenze.

## Istruzioni per lo scongelamento dei cibi

### Suggerimenti per lo scongelamento dei cibi

#### TEMPI DI RIPOSO



Singole porzioni di cibo possono essere cucinate quasi immediatamente dopo lo scongelamento. È normale che porzioni grandi di cibo restino congelate nel mezzo. Prima di cucinarle, lasciarle a temperatura ambiente per **almeno un'ora**. Durante il tempo di riposo, la temperatura si distribuirà uniformemente e il cibo si scongelerà per conduzione. NOTA: Se il cibo non deve essere cotto immediatamente, metterlo in frigorifero. Non congelare mai di nuovo cibi scongelati senza prima averli cotti.

#### TRANCI DI CARNE E POLLAME



È preferibile mettere i tranci di carne su una piattino rovesciato o su una griglia di plastica per evitare che non rimangano nel sangue prodotto. È indispensabile proteggere le parti delicate o sporgenti di questo cibo con piccoli pezzi di foglio di alluminio per evitare che tali parti cuociano. Non è pericoloso utilizzare piccoli pezzi di foglio nel forno, a condizione **che non entrino in contatto con le sue pareti**.

#### CARNE TRITA O DADINI DI CARNE E PESCE



Dato che la parte esterna di tali cibi si scongela velocemente, è necessario separarli, dividerli spesso i blocchi in pezzi durante lo scongelamento e toglierli dal forno una volta scongelati.

#### PICCOLE PORZIONI DI CIBO



Le bracioline e i pezzi di pollo devono essere separati non appena possibile, in modo che possano scongelare in maniera uniforme anche all'interno. Le parti grasse e le estremità si scongelano più velocemente. E' consigliabile porle vicino al centro del piatto girevole o proteggerle.

#### PANE

Le pagnotte richiedono un tempo di riposo per permettere uno scongelamento uniforme al centro. Il tempo di riposo può essere accorciato se le fette sono separate, e i panini e le pagnotte tagliati metà.

## Domande e risposte

**D:** Perché il forno non si accende?

**R:** Quando il forno non si accende, verificare i seguenti punti:

1. Il forno è stato correttamente collegato saldamente alla presa di corrente? Estrarre la spina dalla presa, attendere 10 secondi e reinserirla.
2. Verificare l'interruttore e il fusibile. Riaccendere l'interruttore o sostituire il fusibile qualora fosse saltato o bruciato.
3. Se l'interruttore e il fusibile sono a posto, collegare un altro apparecchio alla presa di corrente. Se questo apparecchio funziona, il problema risiede probabilmente nel forno stesso. Se il secondo apparecchio collegato non funziona, il problema risiede probabilmente nella presa di corrente. Se il problema dovesse essere nel forno stesso, contattare un centro di assistenza qualificato.

**D:** Il mio forno a microonde causa delle interferenze all'apparecchio TV. È normale?

**R:** È possibile che si verifichino delle interferenze durante la cottura con il forno a microonde. Questa interferenza è simile a quella causata da piccoli elettrodomestici quali frullatori, aspirapolvere, asciugacapelli, ecc. Questo non vuol dire che il forno a microonde sia difettoso.

**D:** Perché la luce del forno si attenua?

**R:** Quando si cucina con una potenza elettrica diversa da 800W (potenza ALTA) il forno deve operare un ciclo per ottenere i livelli di potenza più bassi. La luce del forno si attenua e si possono udire dei clicchetti mentre il forno compie il suo ciclo.

**D:** Talvolta proviene dell'aria calda dalle prese di ventilazione del forno. Perché?

**R:** Il calore emanato dal cibo che viene cotto riscalda l'aria nella cavità del forno. Questa aria calda viene portata fuori dal forno dal movimento dell'aria all'interno del forno. Non ci sono microonde nell'aria. Le prese di ventilazione del forno non devono mai essere bloccate durante la cottura.

Questo prodotto è conforme agli attuali standard Europei per la Compatibilità Elettromagnetica, in ottemperanza alle norme EN 55011. Secondo gli standard menzionati questo prodotto rientra nel gruppo 2, classe B, all'interno dei limiti richiesti. Gruppo 2; significa che la radio frequenza è generata sotto forma di emissione elettromagnetica adatta allo scopo di riscaldare o cuocere i cibi. Classe B: significa che questo prodotto può essere utilizzato nel normale ambito casalingo.



Questo apparecchio è etichettato secondo la Direttiva Europea 2002/96/CE relativa ad apparecchi elettrici ed elettronici usati (rifiuti di apparecchiature elettriche ed elettroniche- WEEE).

La direttiva definisce le modalità per la raccolta e il riciclaggio di apparecchi usati come applicabile.

## Cura del forno a microonde

1. Prima di procedere alla pulizia del forno, scollegarlo dalla presa di corrente.
2. Mantenere puliti l'interno del forno, le giunture della porta e le superfici vicine a queste. Pulire gli schizzi di cibo e i liquidi versati che aderiscono alle pareti del forno passando un panno umido sulle giunture della porta e sulle superfici vicine. È possibile utilizzare un detergente neutro nel caso in cui le giunture fossero molto sporche. Non è raccomandato l'uso di detergenti concentrati o abrasivi.  
**NON UTILIZZARE I PRODOTTI PER LA PULIZIA DEI FORNI DISPONIBILI IN COMMERCIO**
3. La superficie esterna del forno deve essere pulita con un panno umido. Per evitare di danneggiare le parti operative all'interno del forno, evitare di far penetrare dell'acqua nelle prese di ventilazione.
4. Se il pannello di controllo si sporca, pulirlo con un panno morbido e asciutto. Non usare forti detergenti né spugnette abrasive sul pannello di controllo. Quando si pulisce il pannello di controllo lasciare la porta aperta per evitare l'accensione accidentale del forno. Dopo la pulizia, toccare il pulsante di **ARRESTO/ANNULLAMENTO** per eliminare quanto visualizzato nel display o ruotare la **MANOPOLA** sulla zero.
5. Se si accumula del vapore all'interno o intorno alla parte esterna della porta del forno, passarvi sopra un panno morbido. Questo può accadere quando il forno a microonde viene usato in condizioni di forte umidità e non indica assolutamente un cattivo funzionamento dell'apparecchio.
6. Occasionalmente è necessario rimuovere il vassoio di vetro per pulirlo. Lavare il vassoio in acqua calda e detersivo o lavastoviglie.
7. L'asse rotante e la base della cavità del forno devono essere puliti regolarmente per evitare rumore eccessivo. Passare semplicemente un panno inumidito con detergente neutro e acqua calda sulla base interna del forno, quindi asciugare con un panno asciutto. Lavare l'asse rotante in acqua e detersivo neutro. I vapori di cottura si condensano con l'uso ripetuto del forno, ma non danneggiano in nessun caso la base del forno né le rotelle dell'asse rotante. Dopo aver rimosso l'asse rotante dalla base del forno per la pulizia, assicurarsi di riposizionarlo correttamente.
8. La manutenzione di questo forno deve essere eseguita unicamente da personale qualificato. Per la manutenzione e le riparazioni del forno, contattare il più vicino centro di assistenza autorizzato Panasonic.
9. Non utilizzare pulitori a vapore.
10. La mancanza di attenzione alla pulizia del forno può portare al deterioramento delle superfici, riducendo la vita operativa dell'apparecchio e creando situazioni a rischio.
11. Tenere sempre sgombre da ostacoli le aperture di ventilazione. Controllare che le aperture collocate sulla parte alta, bassa o posteriore del forno non siano ostruite da polvere o altro materiale. In caso contrario, il forno potrebbe surriscaldarsi e non funzionare o funzionare in maniera anomala.

Italiano

## Caratteristiche tecniche

Alimentazione:	230 V, 50 Hz	
Consumo energetico:	Microonde;	1100 W
Uscita:	Microonde;	800 W (IEC-60705)
Dimensioni esterne:		455 (L) x 315 (P) x 260 (A) mm
Dimensioni della cavità del forno		315 (L) x 294 (P) x 203 (A) mm
Peso senza imballaggio		10.5 kg

Le caratteristiche tecniche sono soggette a modifiche senza preavviso.