

Video Camera Recorder

Operating Instructions _____ **US**Mode d'emploi _____ **FR**

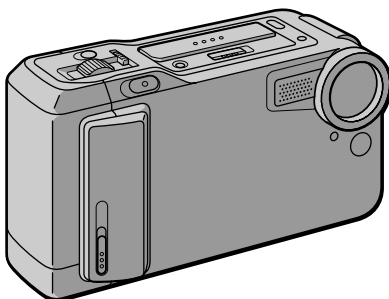
Owner's record

The model and serial numbers are located on the bottom. Record the serial number in the space provided below. Refer to these numbers whenever you call upon your Sony dealer regarding this product.

Model No. CCD-CR1

Model No. AC-VF10

Serial No. _____ Serial No. _____

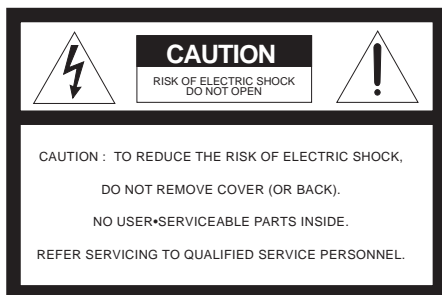
**Ruvi***CCD-CR1*

Welcome!

Congratulations on your purchase of this Sony camcorder. With your camcorder you can capture life's precious moments with superior picture and sound quality.

WARNING

To prevent fire or shock hazard, do not expose the unit to rain or moisture.



This symbol is intended to alert the user to the presence of uninsulated "dangerous voltage" within the product's enclosure that may be of sufficient magnitude to constitute a risk of electric shock to persons.



This symbol is intended to alert the user to the presence of important operating and maintenance (servicing) instructions in the literature accompanying the appliance.

DISPOSAL OF LITHIUM ION BATTERY. LITHIUM ION BATTERY. DISPOSE OF PROPERLY.

You can return your unwanted lithium ion batteries to your nearest Sony Service Center or Factory Service Center.

Note: In some areas the disposal of lithium ion batteries in household or business trash may be prohibited.

For the Sony Service Center nearest you call
1-800-222-SONY (United States only)

For the Sony Factory Service Center nearest you call
416-499-SONY (Canada only)

Caution: Do not handle damaged or leaking lithium ion battery.

For the customers in the U.S.A.

CAUTION

You are cautioned that any changes or modifications not expressly approved in this manual could void your authority to operate this equipment.

Note:

This equipment has been tested and found to comply with the limits for a Class B digital device, pursuant to Part 15 of the FCC Rules. These limits are designed to provide reasonable protection against harmful interference in a residential installation. This equipment generates, uses, and can radiate radio frequency energy and, if not installed and used in accordance with the instructions, may cause harmful interference to radio communications. However, there is no guarantee that interference will not occur in a particular installation. If this equipment does cause harmful interference to radio or television reception, which can be determined by turning the equipment off and on, the user is encouraged to try to correct the interference by one or more of the following measures:

- Reorient or relocate the receiving antenna.
- Increase the separation between the equipment and receiver.
- Connect the equipment into an outlet on a circuit different from that to which the receiver is connected.
- Consult the dealer or an experienced radio/TV technician for help.

For the customers in CANADA

CAUTION

TO PREVENT ELECTRIC SHOCK, DO NOT USE THIS POLARIZED AC PLUG WITH AN EXTENSION CORD, RECEPTACLE OR OTHER OUTLET UNLESS THE BLADES CAN BE FULLY INSERTED TO PREVENT BLADE EXPOSURE.

Table of contents

Before you begin	3		
Identifying the parts	5		
<hr/>			
Getting started	8	Additional information	25
Installing the batteries	8	Resetting the date and time	25
Using house current	10	Tips for using batteries	27
Charging the battery pack	11	Precautions	30
<hr/>			
Shooting	12	Trouble check	32
Camera recording	12	Warning indicators	34
Photo recording	14	Self-diagnosis display	35
Advanced operations	15	Using your camcorder abroad	36
<hr/>			
Playing back	20	Specifications	37
Playing back	20	Index	38
Watching on a TV screen	23		
<hr/>			
Editing	24		
Editing onto another tape	24		

Before you begin

Before operating the unit, please read this manual thoroughly, and retain it for future reference.

About the recording system

- The picture and sound are recorded onto the video cartridge for this camcorder.
- The video cartridge for this camcorder is installed already. You can only use the VD-CR1 video cartridge.
- The video cartridge can be recorded for about 30 minutes camera recording and about 350 still pictures per about 5 seconds.
- It is recommended to edit the recorded pictures onto another tape for saving.

Before you begin

Using this manual

As you read through this manual, buttons and settings on the camcorder are shown in capital letters.

e.g., Press START/STOP.

You can hear the beep sound to confirm your operation.

Note on TV color systems

TV color systems differ from country to country. To view your recordings on a TV, you need a NTSC system-based TV.

Precaution on copyright

Television programs, films, video tapes, and other materials may be copyrighted. Unauthorized recording of such materials may be contrary to the provision of the copyright laws.

Contents of the recording cannot be compensated if recording or playback is not made due to a malfunction of the camcorder, video cartridge, etc.

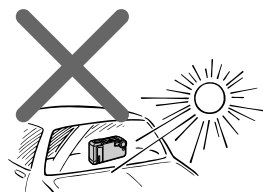
Precautions on camcorder care

- The LCD screen is manufactured using high-precision technology. However, there may be some tiny black points and/or bright points (red, blue or green in color) that constantly appear on the LCD screen. These points are normal in the manufacturing process and do not affect the recorded picture in any way. Over 99.99% are operational for effective use.
- Do not let the camcorder get wet. Keep the camcorder away from rain and sea water. Letting the camcorder get wet may cause the unit to malfunction, and sometimes this malfunction cannot be repaired [a].
- Never leave the camcorder exposed to temperatures above 140°F (60°C), such as in a car parked in the sun or under direct sunlight [b].
- Do not let sand get into the camcorder. When you use the camcorder on a sandy beach or in a dusty place, protect it from the sand or dust. Sand or dust may cause the unit to malfunction, and sometimes this malfunction cannot be repaired.

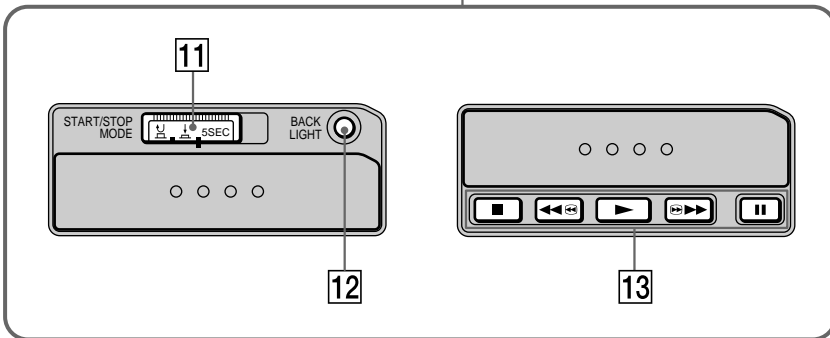
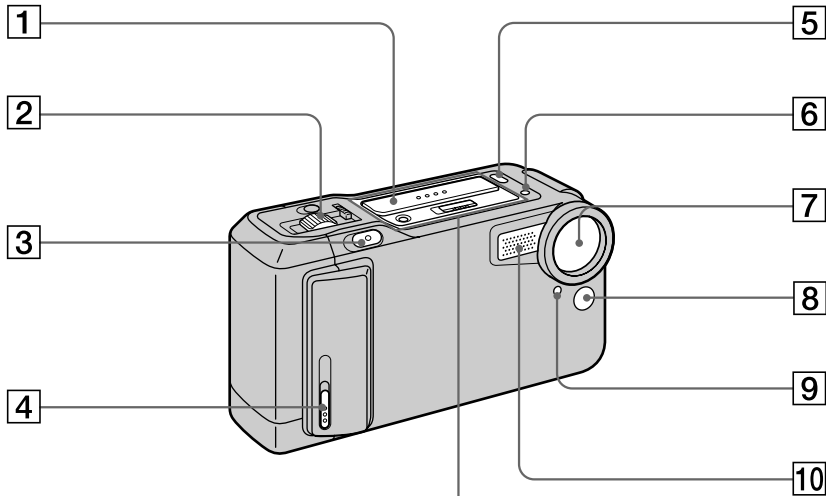
[a]



[b]

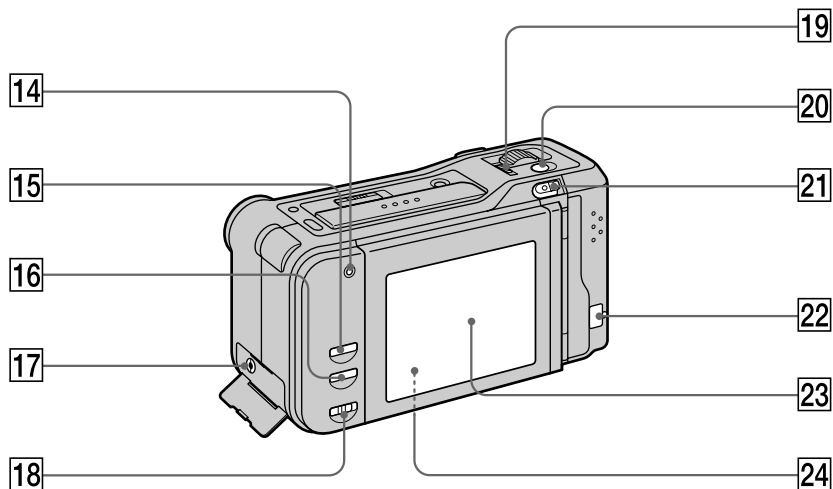


Identifying the parts



- 1 Slide cover (p. 20)
- 2 Zoom lever (p. 15)
- 3 START/STOP button (p. 12)
- 4 Open knob for video cartridge compartment (p. 31)
- 5 END SEARCH button (p. 18, 22)
- 6 PHOTO SCAN button (p. 21, 22)
- 7 Lens
- 8 Remote sensor
You can use the remote commander supplied with other Sony camcorders or VCRs. Set the command mode to VTR 2. See the instruction manual supplied with the VCR about the command mode.
- 9 Recording lamp
- 0 Microphone
- ! ^ START/STOP MODE switch (p. 13)
- ! " BACK LIGHT button (p. 17)
- ! £ Video control buttons (p. 22)
 - p STOP (stop)
 - 0 REW (rewind)
 - (PLAY (playback)
 -) FF (fast-forward)
 - p PAUSE (pause)

Identifying the parts



! ☐ Recording lamp

! DATE button (p. 19, 25)

! / TIME button (p. 19, 25)

! f A/V OUT jack (p. 23)

! ¥ SPEAKER ON/OFF switch (p. 20)

! > MACRO lock switch (p. 15)

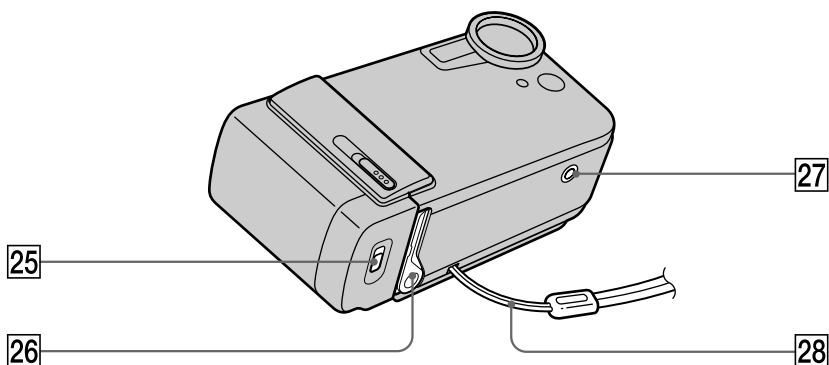
@... PHOTO button (p. 14)

@ ` POWER ON/OFF switch (p. 12, 14)

@ " Cord cover (p. 10)

@ £ LCD screen (p. 12, 14, 20)

@ ☐ Speaker (p. 20)



@ OPEN (BATT) release lever (p. 8)

@ / Cartridge eject lever (p. 31)

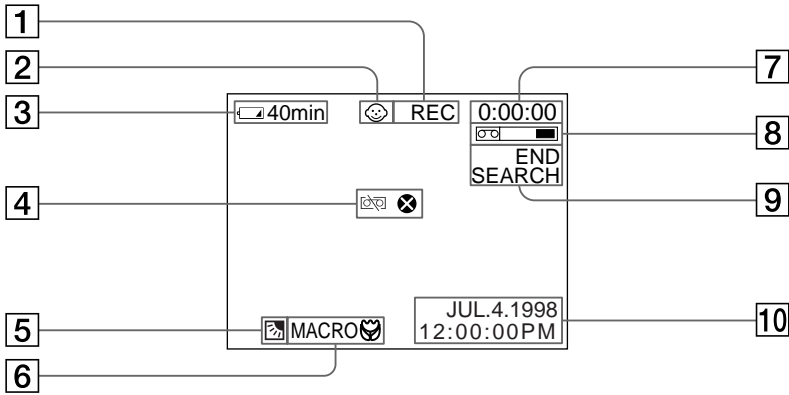
@ f Tripod receptacle (p. 15)
Make sure that the length of the tripod screw is less than 9/32 in. (6.5 mm),


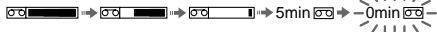
otherwise you cannot attach the tripod securely and the screw may damage the camcorder.

@ ¥ Hand strap
The hand strap is already attached.

Identifying the parts

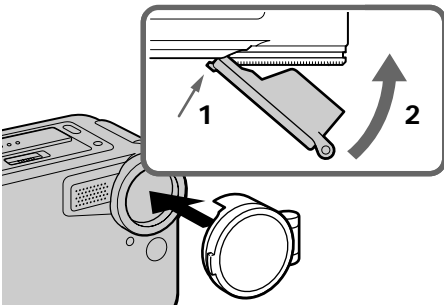
Operation indicators



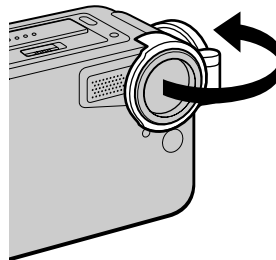
- 1 Video control mode (p. 22)
- 2 Mirror mode indicator (p. 16)
- 3 Remaining battery time indicator

- 4 Warning indicators (p. 34)
- 5 Backlight indicator (p. 17)
- 6 MACRO indicator (p. 15)
- 7 Tape counter (p. 12)/Self-diagnosis functions indicator (p. 35)/5SEC mode indicator (p. 13)/Photo recording indicator (p. 14)
- 8 Remaining tape indicator

- 9 END SEARCH indicator (p. 18, 22)/PHOTO SCAN indicator (p. 21, 22)
- 0 Date and time indicator (p. 19, 25)

Attaching the lens cap

- Attach the supplied lens cap to the lens.
- (1) Fit the edge of the lens cap to the hollow.
 - (2) Push the lens cap until it clicks.



When you shoot, open the lens cap.



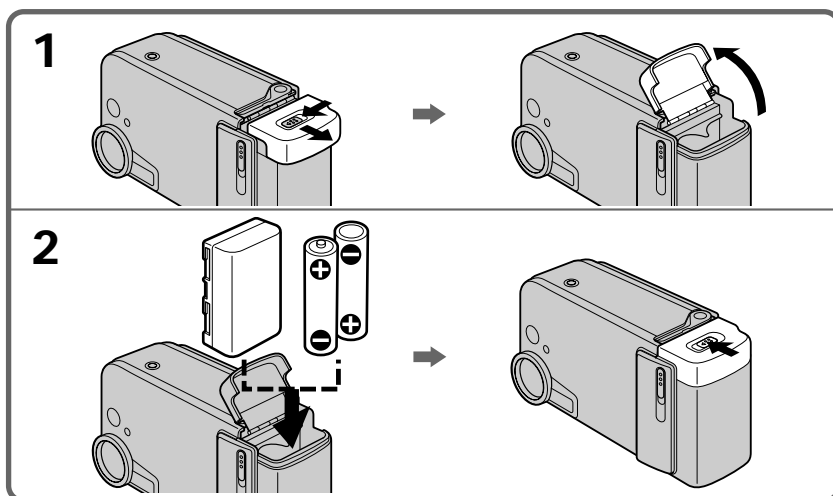
Installing the batteries

Before using your camcorder, you first need to install two size AA (LR6) Sony batteries or the charged battery pack. Use the supplied size AA (LR6) Sony batteries or the NP-F10 "InfoLITHIUM" battery pack (S series).

When you install or remove the batteries, be sure to turn off the camcorder to prevent misoperation of the camcorder.

You can also use house current as a power source. (P. 10)

- (1) To open the lid of the battery compartment, slide the OPEN (BATT) release lever at the bottom of the camcorder to the left, then slide it toward you and release.
- (2) Install two size AA (LR6) batteries or the battery pack in the direction of the arrow. Then close the lid and slide it until it clicks.



Note on size AA (LR6) batteries

- Be sure to install two size AA (LR6) batteries with correct polarity.
- You can not use size AA (LR6) batteries in a cold environment. Use the NP-F10 battery pack.

Battery life

When using two size AA (LR6) Sony batteries or the NP-F10 rechargeable battery pack:

Battery	Size AA (LR6) batteries	NP-F10
Continuous recording time*	60 minutes	90 (80) minutes
Typical recording time**	30 minutes	50 (45) minutes
Playing time on LCD	60 minutes	90 (80) minutes

Numbers in parentheses of NP-F10 indicate the time when you use a normally charged battery.

* Approximate continuous recording time at 77°F (25°C). Battery life will be shorter if you use the camcorder in a cold environment.

** Approximate minutes when recording while you repeat recording start/stop and turning the power on/off. The actual battery life may be shorter.

Installing the batteries

Note on remaining battery time indication during recording

When using the "InfoLITHIUM" battery, remaining battery time is displayed on the LCD screen. However, the indication may not be displayed properly, depending on the conditions and circumstances of use.

To remove batteries

Open the lid of the battery compartment and remove the batteries.

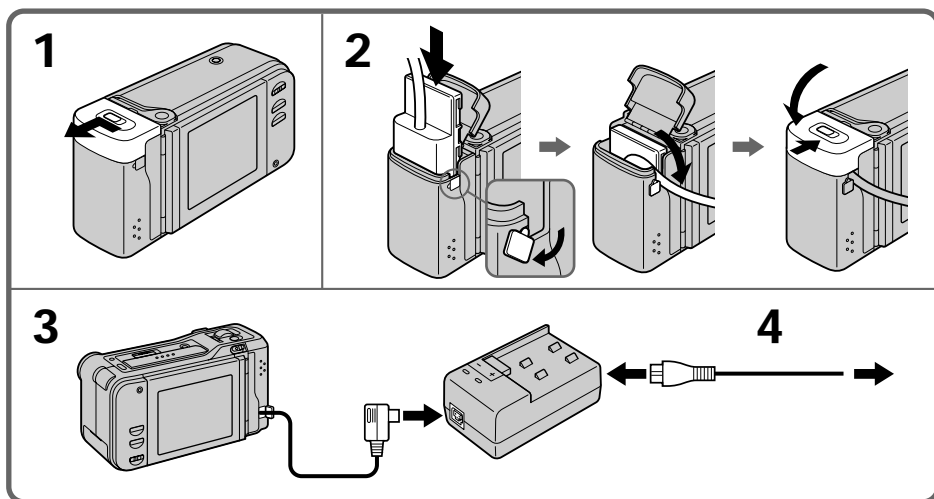
When removing batteries

Always turn the camcorder upside down so that batteries do not fall out when you open the lid.

Using house current

When you install or remove the battery shaped block of the connecting cord, turn off the camcorder to prevent misoperation of the camcorder.

- (1) To open the lid of the battery compartment, slide the OPEN (BATT) release lever at the bottom of the camcorder to the left, then slide it toward you and release.
- (2) Install the battery shaped block of the DC connecting cord in the direction of the arrow. Open the cord cover and pass the cord through. Then close the lid and slide it until it clicks.
- (3) Connect the DC connecting cord to the AC adaptor/charger.
- (4) Connect the power cord to the AC adaptor/charger and a wall outlet.



WARNING

The power cord must be changed only at a qualified service shop.

Note

Keep the AC adaptor/charger away from the camcorder if the picture is affected.

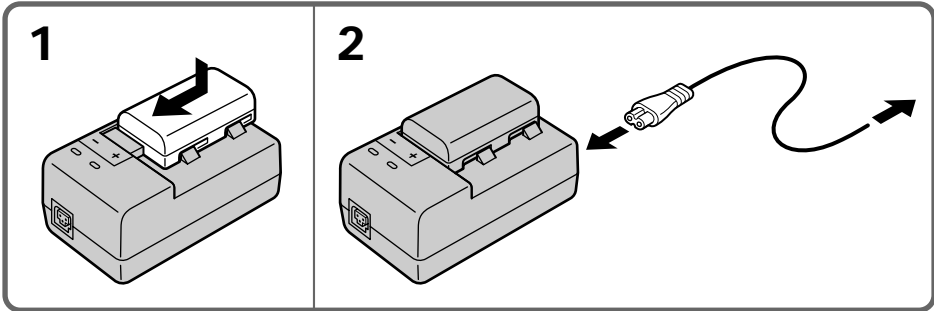
Charging the battery pack

Charge the battery pack on a flat surface without vibration. The supplied battery pack NP-F10 is charged a little at the factory. To charge the battery pack, use the supplied AC-VF10 AC adaptor/charger.

(1) Fit and slide the battery pack in the direction of the arrow.

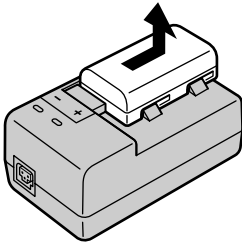
(2) Connect the power cord to the AC adaptor/charger and a wall outlet. The CHARGE lamp (orange) lights up. Charging begins.

When the CHARGE lamp goes out, normal charge is completed. For full charge, which allows you to use the battery longer than usual, leave the battery pack attached for about 1 hour after normal charge is completed.



To remove the battery pack

Slide the battery pack in the direction of the arrow.



Charging time

When using the NP-F10 rechargeable battery pack:

Charging time*	145 (85) minutes
----------------	------------------

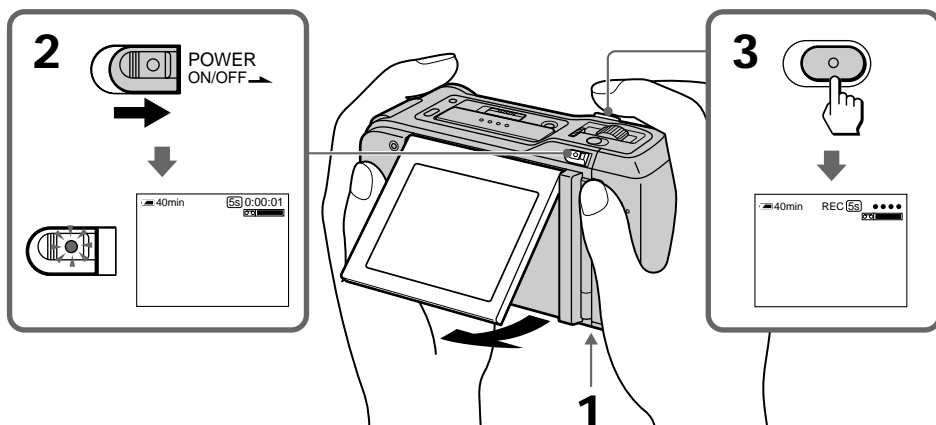
The number in parentheses indicates the time when you use a normally charged battery.

* Approximate minutes to charge an empty battery pack using the supplied charger. (Lower temperatures require a longer charging time.)

Camera recording

Before you record one-time events, you may want to make a trial recording to make sure that the camcorder is working correctly.

- (1) Make sure that the power source is installed. (p. 8, 10)
- (2) While pressing the small button on the POWER switch, slide it in the direction of the arrow. The small button lights up green.
- (3) Press START/STOP. The camcorder records for about 5 seconds and stops. The tape counter disappears and five dots appear. The dots disappear at a rate of one per second. The red lamps light up.
To extend the recording time in 5SEC mode, press START/STOP again before all the dots disappear. Recording continues for about 5 seconds from the moment you press START/STOP.



Adjusting the LCD panel angle

Adjust the LCD panel to the angle you want.

Note


To save battery power and prevent the battery and tape from wearing down, the power turns off automatically if you do not operate the camcorder for 5 minutes while the video cartridge is inserted and the power is on. To start recording, turn the power on again and press START/STOP.

Selecting the START/STOP mode

Your camcorder has three camera recording modes. These modes enable you to take a series of quick shots resulting in a lively video.

Set START/STOP MODE to the desired mode.

5SEC: When you press START/STOP, the camcorder records for about 5 seconds and then stops automatically (factory setting).

ANTI GROUND SHOOTING : The camcorder records only while you press down START/STOP so that you can avoid recording unnecessary scenes.

: Recording starts when you press START/STOP, and stops when you press it again.

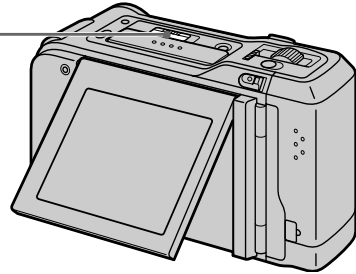
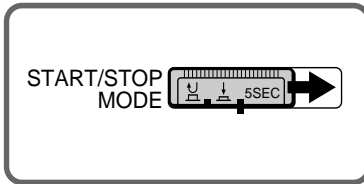
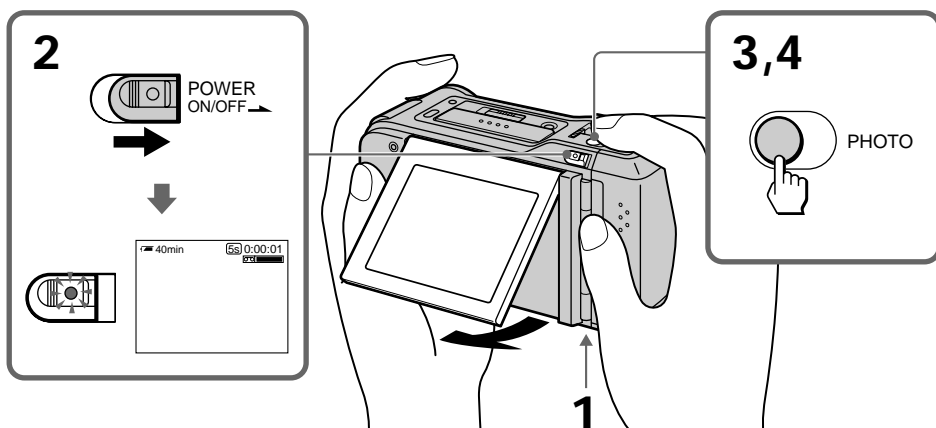


Photo recording

You can record a still picture like a photograph for about five seconds. Photo recording is useful when you want to enjoy a picture such as a photograph or when you print a picture using a video printer.

- (1) Make sure that the power source is installed. (p. 8, 10)
- (2) While pressing the small button on the POWER switch, slide it in the direction of the arrow. The small button lights up green.
- (3) Keep pressing PHOTO lightly until a still picture and "📷 CAPTURE" appear on the LCD screen. To change the still picture, release PHOTO, select still picture again, and keep pressing PHOTO lightly again.
- (4) Press PHOTO deeper. The still picture on the LCD screen is recorded for about five seconds. The tape counter disappears and five dots appear. The dots disappear at a rate of one per second. The red lamps light up. The sound during those five seconds is also recorded.



Adjusting the LCD panel angle

Adjust the LCD panel to the angle you want.

To prevent camera-shake

When shooting a still picture, the slightest movement of the camcorder is noticeable. To prevent camera-shake, hold the camcorder firmly or use a tripod.

Advanced operations

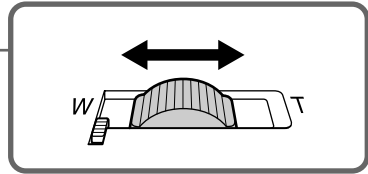
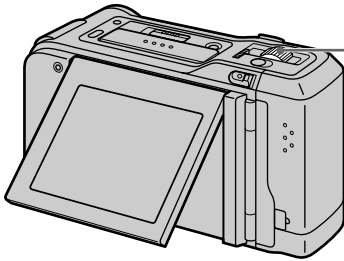
Using the zoom feature

Zooming is a recording technique that lets you change the size of the subject in the scene.

For more professional-looking recordings, use the zoom function sparingly.

“T” side: for telephoto (subject appears closer)

“W” side: for wide-angle (subject appears farther away)



Shooting


When you shoot a subject using the telephoto zoom

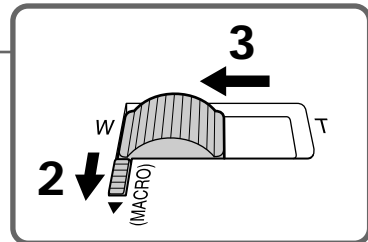
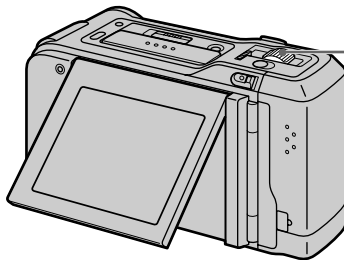
If you cannot get a sharp focus while in extreme telephoto zoom, move the zoom lever to the “W” side until the focus is sharp. You can shoot a subject that is at least about 55 1/8 in. (140 cm) away from the lens surface in the telephoto position, or about 15 3/4 in. (40 cm) away in the wide-angle position. When you shoot a subject closer than about 15 3/4 in. (40 cm), we recommend you shoot in macro.

Shooting a subject closer – Macro

Even small subjects, such as flowers, insects, and images in photographs, can literally fill the screen in macro. You can shoot a subject that is at least about 10 cm (4 in.) away from the lens surface in macro.

We recommend you to use a tripod when shooting in macro.

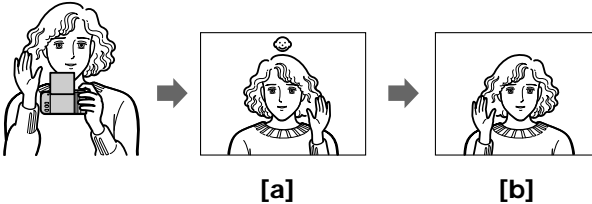
- (1) Bring the camcorder as close as necessary to obtain the desired subject size.
- (2) Slide the MACRO lock switch in the direction of the arrow.
- (3) Move the zoom lever to the “W” side end. The MACRO  indicator appears on the LCD screen.



Letting the subject monitor the shot (Mirror mode)

You can turn the LCD panel over so that it faces the other way and you can let the subject monitor the shot.

- (1) Turn the LCD panel up vertically. The ☺ indicator (Mirror mode) appears and the date and remaining tape indicators disappear.
- (2) Start recording.



[a] LCD screen image.

[b] Recording image.

To cancel mirror mode

Turn the LCD panel down toward the camcorder body.

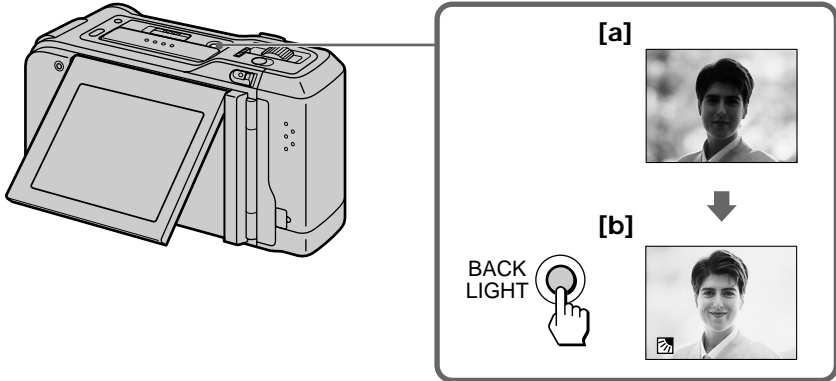
Notes on mirror mode

- The picture on the LCD appears as a mirror-image while recording in mirror mode. The REC indicator appears as \bar{r} . The other indicators may not appear in mirror mode.
- While recording in mirror mode, you cannot operate the DATE and TIME.

Shooting with backlighting

When you shoot a subject with the light source behind the subject or a subject with a light background, use the BACK LIGHT function.

Press BACK LIGHT. The c indicator appears on the LCD screen.



[a] Subject is too dark because of backlight.

[b] Subject becomes bright with backlight compensation.

After shooting

Be sure to release this adjustment condition by pressing BACK LIGHT again. The c indicator disappears. Otherwise, the picture will be too bright under normal lighting conditions.

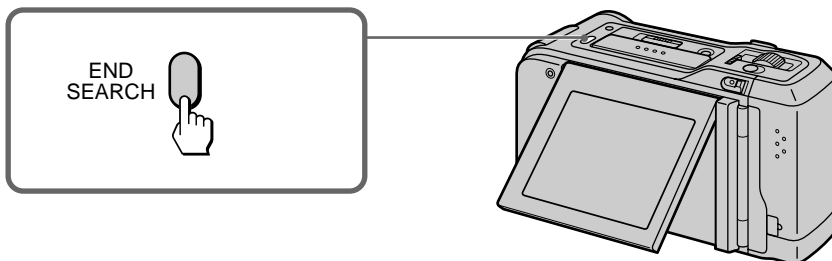
This function is also effective under the following conditions:

- A subject with a light source nearby or a mirror reflecting light.
- A white subject against a white background. Especially when you shoot a person wearing shiny clothes made of silk or synthetic fiber, his or her face tends to become dark if you do not use this function.

Searching for the end of the picture

Press END SEARCH during stop.

The tape starts rewinding or fast-forwarding and the last 5 seconds of the recorded portion play back. Then the tape stops at the end of the recorded picture.



If you start recording after using END SEARCH

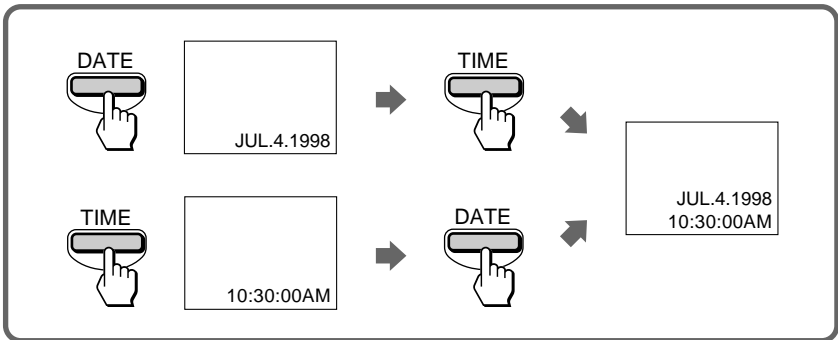
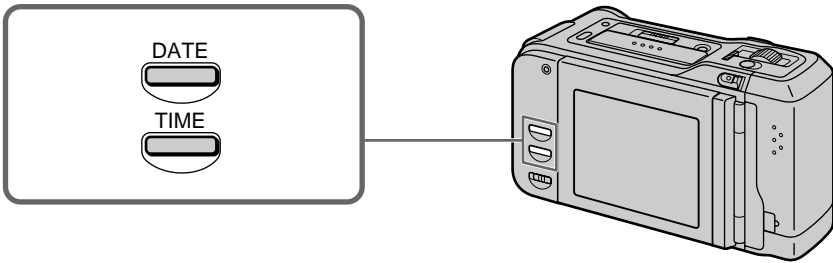
Occasionally, the transition between the last scene you recorded and the next scene may not be smooth.

Recording with the date/time

Before you start recording or during recording, press DATE and/or TIME. You can record the date and/or time displayed on the LCD screen with the picture. Press DATE (or TIME), then press TIME (or DATE) to display the date and time together. Except for the date and/or time indicator, no indicator on the LCD screen is recorded.

The clock is set at the factory to London time for the United Kingdom and Paris time for the other European countries. You can reset the clock. (p.25)

Press DATE and/or TIME before you start recording or during recording.



Note on recording with the date and/or time

Once you record the date and/or time, you cannot erase it.

To stop recording with the date and/or time

Press DATE and/or TIME again. The date and/or time indicator disappears. The recording continues.



To finish recording

While pressing the small button on the POWER switch, slide it to turn off the camcorder. And remove the batteries.

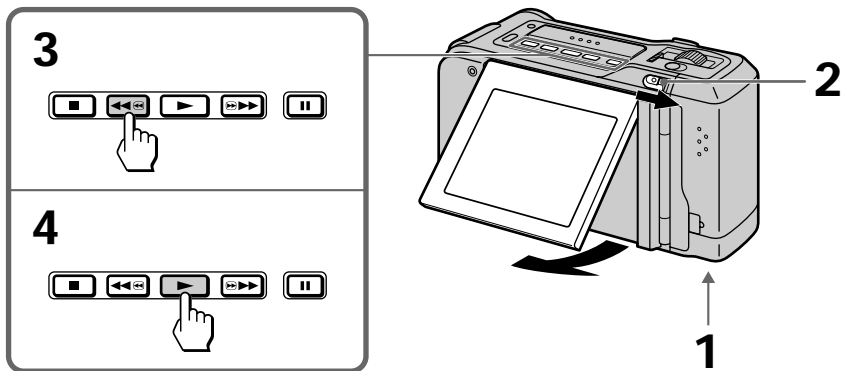
We recommend you turn off the camcorder to prevent wearing down the battery while you do not use the camcorder.

Playing back

You can monitor the playback picture on the LCD screen.

- (1) Make sure that the power source is installed. (p. 8, 10)
- (2) While pressing the small button on the POWER switch, slide it in the direction of the arrow. The small button lights up green.
- (3) Press  to rewind the tape.
- (4) Press  to start playback.

You can also monitor the picture on a TV screen, after connecting the camcorder to a TV or VCR.



Adjusting the LCD panel angle

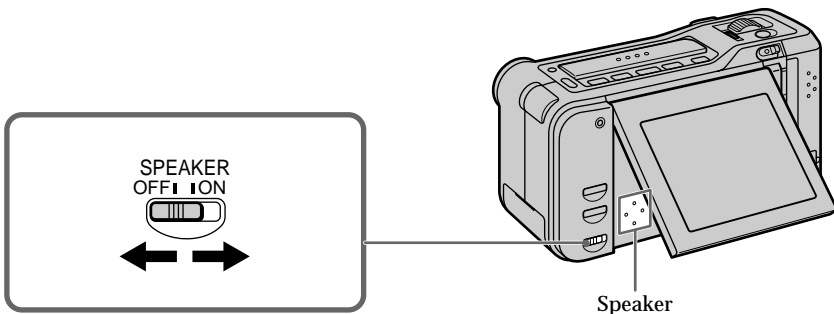
Adjust the LCD panel to the angle you want.

When playing back in the dark

You may find it difficult to view the LCD screen in the dark. We recommend you to monitor the playback picture on the LCD screen where there is more light.

To turn off the speaker

Slide the SPEAKER ON/OFF switch to OFF. To turn on the speaker, slide it to ON.



Searching for still pictures

You can search for still pictures one after another and display each picture for about 8 seconds automatically (Photo Scan).

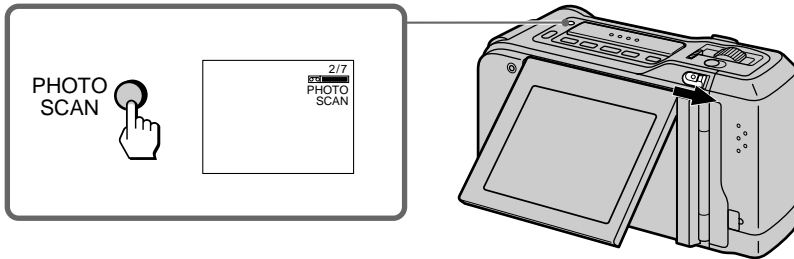
(1) Make sure that the power source is installed. (p. 8, 10)

(2) While pressing the small button on the POWER switch, slide it in the direction of the arrow. The small button lights up in green.

(3) Press \odot to rewind the tape to the beginning.

(4) Press PHOTO SCAN during stop.

Photo scan indicator appears on the LCD screen. Each still picture is displayed for about 8 seconds automatically. The number of the displayed picture and total number of the still pictures are displayed.



To stop searching

Press PHOTO SCAN or p .

Notes on Photo Scan

- The sound is muted.
- The camcorder starts searching from where you pressed PHOTO SCAN.

Various playback modes

To stop playback

Press **P** .

To view a still picture (playback pause)

Press **P** during playback. To resume playback, press **P** or (**.**).

To fast-forward the tape rapidly

Press **)** . To resume playback, press (**.**).

To rewind the tape

Press **0** . To resume playback, press (**.**).

To locate a scene (picture search)

Keep pressing **0** or **)** during playback. To resume normal playback, release the button.

To monitor the high-speed picture while advancing the tape or rewinding (skip scan)

Keep pressing **0** while rewinding or **)** while advancing the tape. To resume rewinding or advancing, release the button. To resume normal playback, press (**.**).

To search for the end of the picture (End Search)

Press **END SEARCH** during stop. The tape starts rewinding or fast-forwarding and the last 5 seconds of the recorded portion play back. Then the tape stops at the end of the recorded picture.

To search for still pictures (Photo Scan)

Press **PHOTO SCAN** during stop. Each picture is displayed for about 8 seconds automatically. Then the tape stops at the end of the recorded still picture.

Notes on playback

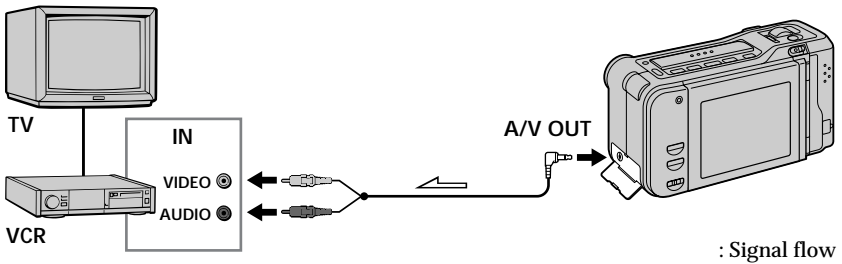
- The following may occur in the various playback modes.
 - Streaks appear and the picture jitters.
 - The sound is muted.
- When playback pause mode lasts for 5 minutes, the camcorder automatically turns off to save battery power and prevent the battery and tape from wearing down. To start viewing a still picture, turn the power on again and press **P** during playback.

Watching on a TV screen

Connect the camcorder to your TV or VCR to watch the playback picture on the TV screen. Use the supplied A/V connecting cable. When monitoring the playback picture by connecting the camcorder to your TV, we recommend you to use house current for the power source.

Connecting directly to a TV/VCR with Video/Audio input jacks

Open the jack cover. Connect the yellow plug of the A/V connecting cable to video input on the TV or VCR connected to the TV. And connect the black plug of the A/V connecting cable to audio input on the TV or VCR connected to the TV. Set the TV/VCR selector on the TV to VCR. When connecting to the VCR, set the input selector on the VCR to LINE.



If your TV or VCR is a stereo type

Connect only the black plug for audio L (left) on the TV or the VCR. With this connection, the sound is monaural even in stereo model.

When acoustic feedback (howling) occurs

Move the camcorder away from the TV or turn down the volume of the TV.

Editing onto another tape

You can save the recorded picture and create your own video program by editing with any other h 8 mm, H Hi8, j VHS, k S-VHS, VHSC, K S-VHSC, l Betamax VCR or DV that has video/audio inputs.

Before editing

Connect the camcorder to the VCR using the supplied A/V connecting cable. Set the input selector on the VCR to LINE, if available.

If your VCR is a stereo type

Connect only the black plug for audio L (left) on the VCR. With this connection, the sound is monaural even in stereo models.

Starting editing

Turn off the speaker of the camcorder while editing. Otherwise, picture distortion may occur.

- (1) Insert a blank tape (or a tape you want to record over) into the VCR.
- (2) Play back the recorded video cartridge on the camcorder until you locate the point just before where you want to start editing, then press **P** to set the camcorder in playback pause mode.
- (3) On the VCR, locate the recording start point and set the VCR in recording pause mode.
- (4) First press **P** on the camcorder, and after a few seconds press **P** on the VCR when you want to start editing.

To edit more scenes

Repeat steps 2 to 4.

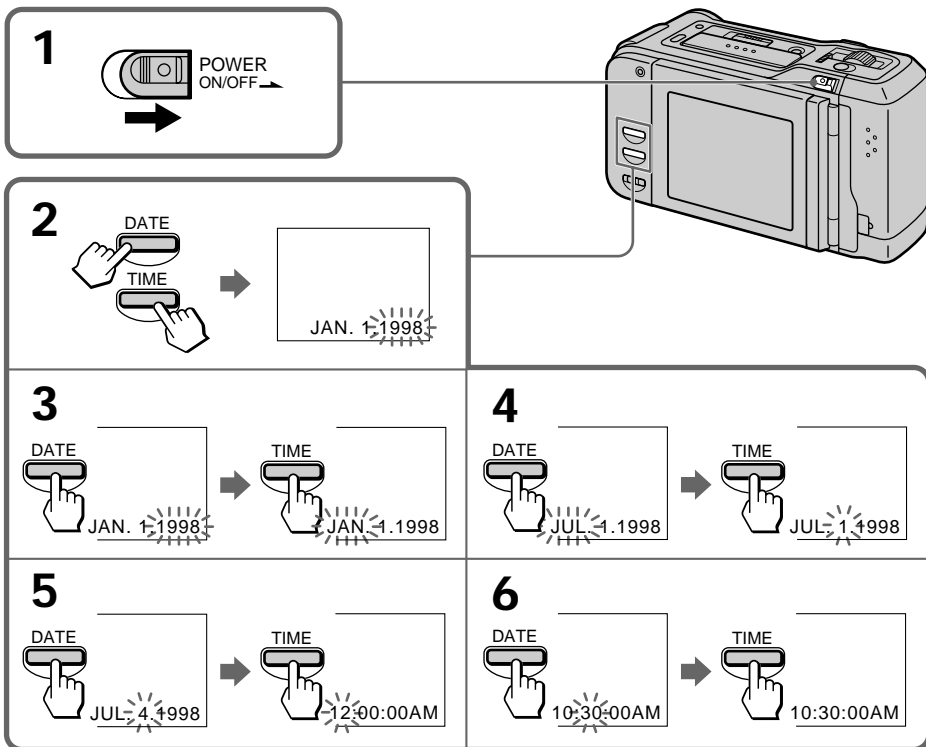
To stop editing

Press **P** on both the camcorder and the VCR.

Resetting the date and time

The DATE and/or TIME can be recorded with the picture. The date and time are set at the factory to London time for the United Kingdom and to Paris time for the other European countries. Set the time according to the local time in your country.

- (1) While pressing the small button on the POWER switch, slide it in the direction of the arrow. The small button lights up green.
- (2) Press DATE and TIME simultaneously for more than 2 seconds until the year flashes on the LCD screen.
- (3) Set the year.
Adjust the flashing year digits with DATE and then press TIME.
- (4) Set the month.
Adjust the flashing month digits with DATE and then press TIME.
- (5) Set the day and hour by the same way as setting the year and month.
- (6) Set the minute and second.
Adjust the flashing minute digits with DATE and then press TIME. The clock starts operating.



About the lithium battery

Your camcorder is supplied with a rechargeable lithium battery installed so as to retain the date and time, regardless of the setting of the power. The lithium battery is always charged as long as you are using the camcorder. The battery, however, will discharge gradually if you use the camcorder for a short time. It will be completely discharged in about a half year if you do not use the camcorder for a long period. Even if the lithium battery is not charged, it will not affect the camcorder operation. To retain the date and time, charge the battery if the battery is discharged. The following are charging methods:

- Connect the camcorder to the house current using the supplied AC adaptor/charger, and leave the camcorder with the power turned off for more than 24 hours.
- Install the fully charged battery pack in the camcorder, and leave the camcorder with the power turned off for more than 24 hours.

To check the preset date and time

Press DATE to display the date indicator.

Press TIME to display the time indicator.

When you press the same button again, the indicator goes off.

The year changes as follows:

1998 1999 N n 2029



Note on the time indicator

The internal clock of this camcorder operates on a 12-hour cycle.

- 12:00:00 AM stands for midnight.
- 12:00:00 PM stands for noon.

Tips for using batteries

This section shows you how you can get the most out of your batteries.

Preparing the batteries

Always carry additional batteries

Have sufficient battery power to do 2 to 3 times as much recording as you have planned.

Battery life is shorter in a cold environment

You cannot use size AA (LR6) batteries in a cold environment. Use the battery pack NP-F10.

Battery efficiency is decreased, and the battery pack will be used up more quickly, if you are recording in a cold environment.

To save battery power

Turn off the camcorder when not recording to save battery power.

A smooth transition between scenes can be made even if recording is stopped and started again. While you are positioning the subject, selecting an angle, or looking on the LCD screen, the battery is used.

When to replace the battery

While you are using your camcorder, the remaining battery indicator decreases gradually as battery power is used up. When you use the “InfoLITHIUM” battery pack, remaining time in minutes appears.



When the remaining battery indicator reaches the lowest point, the **i** indicator may appear and start flashing on the LCD screen.

When the **i** indicator changes from slow flashing to rapid flashing while you are recording, turn off the camcorder replace the battery pack or size AA (LR6) batteries. Leave the video cartridge in the camcorder to obtain a smooth transition between scenes after the battery pack has been replaced.

Notes on the “InfoLITHIUM” battery pack

What is “InfoLITHIUM”

This camcorder operates only with the “InfoLITHIUM” battery pack (NP-F10).

“InfoLITHIUM” is a trademark of Sony Corporation.

The “InfoLITHIUM” is a lithium ion battery pack which can exchange data with compatible video equipment about its battery consumption.

To obtain more accurate remaining battery indication

Turn on the camcorder and point towards a stationary object. Do not move the camcorder for 30 seconds or more.

Caution

Never leave the battery pack in temperatures above 140°F (60°C), such as in a car parked in the sun or under direct sunlight.

The battery pack heats up

During charging or recording, the battery pack heats up. This is caused by energy that has been generated and a chemical change that has occurred inside the battery pack. This is normal and is not cause for concern.

Be sure to observe the following

- Keep the battery pack away from fire.
- Keep the battery pack dry.
- Do not open nor try to disassemble the battery pack.
- Do not expose the battery pack to any mechanical shock.

The life of the battery pack

If the battery indicator flashes rapidly just after turning on the camcorder with a fully charged battery pack, the battery pack should be replaced with a new fully charged one.

Charging temperature

You should charge batteries at temperatures from 50°F to 86°F (from 10°C to 30°C). Lower temperatures require a longer charging time.

Notes on size AA (LR6) batteries

To avoid possible damage from battery leakage or corrosion, observe the following.

- Be sure to insert the batteries in the correct direction.
- Dry batteries are not rechargeable.
- Do not use a combination of new and old batteries.
- Do not use different types of batteries.
- The batteries slowly discharge while not in use.
- Do not use a battery that is leaking.

If battery leakage occurred

- Wipe off the liquid in the battery case carefully before replacing the batteries.
- If you touch the liquid, wash it off with water.
- If the liquid get into your eyes, wash your eyes with a lot of water and then consult a doctor.

Notes on AC adaptor/charger

- Unplug the unit from the wall outlet when not in use for a long time. To disconnect the power cord, pull it out by the plug. Never pull the power cord itself.
- Do not operate the unit with a damaged cord or if the unit has been dropped or damaged.
- Do not bend the power cord forcibly, or put a heavy object on it. This will damage the cord and may cause a fire or electrical shock.
- Be sure that nothing metallic comes into contact with the metal parts of the connecting plate. If this happens, a short may occur and the unit may be damaged.
- Always keep the metal contacts clean.
- Do not disassemble the unit.
- Do not apply mechanical shock or drop the unit.
- While the unit is in use, particularly during charging, keep it away from AM receivers and video equipment because it will disturb AM reception and video operation.
- The unit becomes warm while in use. This is normal.
- Do not place the unit in locations that are:
 - Extremely hot or cold
 - Dusty or dirty
 - Very humid
 - Vibrating

If any difficulty should arise, unplug the unit and contact local authorized Sony service facility.

Precautions

Camcorder operation

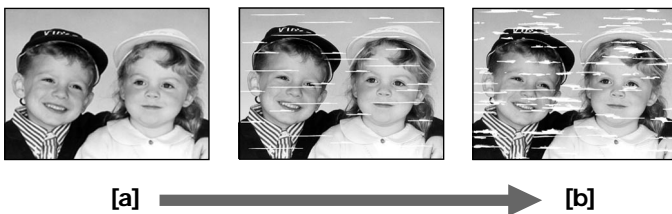
- Operate the camcorder on 3.0 V (size AA (LR6) batteries X 2), 3.6 V (battery pack) or 4.2 V (AC adaptor/charger).
- For AC operation, use the accessories recommended in this manual.
- Should any solid object or liquid get inside the casing, unplug the camcorder and have it checked by local authorized Sony service facility before operating it any further.
- Avoid rough handling or mechanical shock. Be particularly careful of the lens.
- Keep the power turned off when not using the camcorder.
- Do not wrap up the camcorder and operate it since heat may build up internally.
- Keep the camcorder away from strong magnetic fields or mechanical vibration.
- Do not push the LCD screen.
- If the camcorder is used in a cold place, a residual image may appear on the LCD screen. This is not a malfunction.

Camcorder care

- When the camcorder will not to be used for a long time, rewind the tape to the beginning and remove the batteries. Periodically turn on the power, operate the camera and player sections and play back for about 3 minutes.
- If fingerprints or dust make the LCD screen dirty, we recommend using a LCD Cleaning Kit (not supplied) to clean the LCD screen.
- Clean the camcorder lens with a soft brush to remove dust. If there are fingerprints on it, remove them with a soft cloth.
- Clean the camcorder body with a dry soft cloth, or a soft cloth lightly moistened with a mild detergent solution. Do not use any type of solvent which may damage the finish.

About the video cartridge

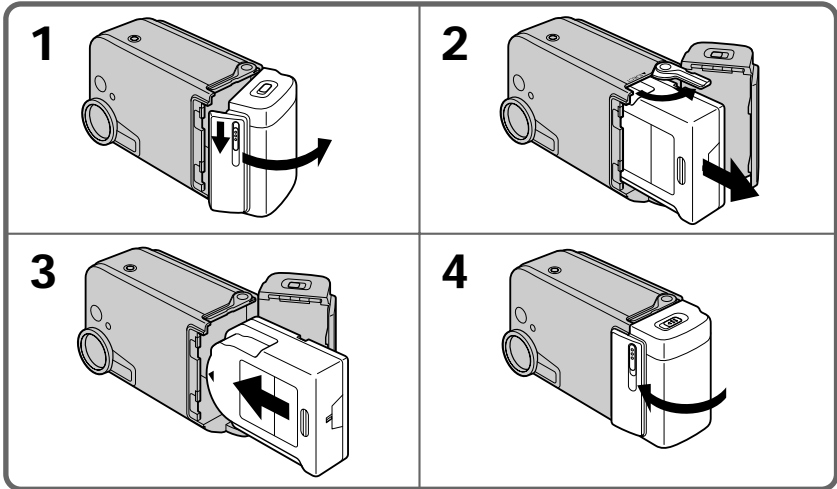
The video cartridge can be recorded for about 30 minutes of camera recording and about 350 still pictures. When you record and rewind several hundred times, playback pictures become hard to see. In this case, the video cartridge should be replaced with a new video cartridge (not supplied). For more information about the video cartridge, contact local authorized Sony service facility.



[a] Normal
[b] Unclear

To change the video cartridge

- (1) To open the lid of the video cartridge compartment, slide the knob in the direction of the arrow.
- (2) Slide the eject lever in the direction of the arrow, and remove the video cartridge.
- (3) Insert the new video cartridge with the mark facing toward until it clicks.
- (4) Close the lid.

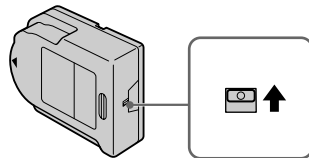


To prevent misoperation

When you install or remove the video cartridge, turn off the camcorder to prevent misoperation of the camcorder.

To prevent accidental erasure

Slide the tab on the video cartridge to expose the red mark. If you try to record with the red mark exposed, you cannot record. To re-record on this video cartridge, slide the tab back out to cover the red mark.



Trouble check

If you run into any problem using the camcorder, use the following table to troubleshoot the problem. Should the difficulty persist, disconnect the power source and contact local authorized Sony service facility.

Camcorder

Symptom	Cause and/or Corrective Actions
START/STOP does not operate.	<ul style="list-style-type: none">• The tape has run out.<ul style="list-style-type: none">m Rewind the tape. (p. 20)• The tab on the video cartridge is out (red).<ul style="list-style-type: none">m Use a new video cartridge or slide the tab back. (p. 31)• The video cartridge is not installed.<ul style="list-style-type: none">m Install the video cartridge. (p. 31)
Recording stops in a few seconds.	<ul style="list-style-type: none">• The START/STOP MODE switch is set to 5SEC or $\frac{1}{2}$.<ul style="list-style-type: none">m To record continuously, set it to $\frac{1}{2}$. (p. 13)
The power goes off.	<ul style="list-style-type: none">• When the power is on and the camcorder has not been operated for more than 5 minutes, the camcorder turns off automatically. This prevents wearing down the battery and wearing out the video cartridge.<ul style="list-style-type: none">m Slide the POWER switch to turn on the camcorder. (p. 12)• The size AA (LR6) batteries or the battery pack is dead / near the end.<ul style="list-style-type: none">m Install new size AA (LR6) batteries or a charged battery pack. (p. 8)
A vertical band appears when a subject such as lights or a candle flame is shot against a dark background.	<ul style="list-style-type: none">• The contrast between the subject and background is too high. The camcorder is not malfunctioning.<ul style="list-style-type: none">m Change locations.
A vertical band appears when shooting a very bright subject.	<ul style="list-style-type: none">• The camcorder is not malfunctioning.
The tape does not move when a video control button is pressed.	<ul style="list-style-type: none">• The tape has run out.<ul style="list-style-type: none">m Rewind the tape. (p. 20)• The video cartridge is not installed.<ul style="list-style-type: none">m Install the video cartridge. (p. 31)
No sound is heard when playing back a tape.	<ul style="list-style-type: none">• The speaker is turned off.<ul style="list-style-type: none">m Set the speaker switch to ON. (p. 20)
The power is not on.	<ul style="list-style-type: none">• The size AA (LR6) batteries or the battery pack is dead / not installed / near the end.<ul style="list-style-type: none">m Install new size AA (LR6) batteries or a charged battery pack. (p. 8)• The batteries are not inserted with the correct polarity.<ul style="list-style-type: none">m Insert the batteries in the correct direction. (p. 8)• The power cord is not connected to a wall outlet.<ul style="list-style-type: none">m Connect the power cord to a wall outlet. (p. 10)

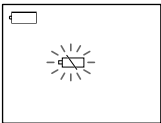
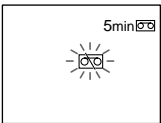
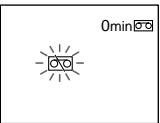

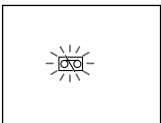
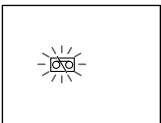
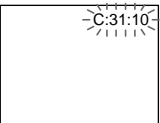
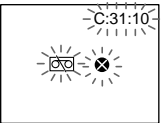
Trouble check

Symptom	Cause and/or Corrective Actions
The size AA (LR6) batteries or the battery pack is quickly discharged.	<ul style="list-style-type: none">• The ambient temperature is too low. (p. 27)• The battery pack has not been charged fully.<ul style="list-style-type: none">m Charge the battery pack again. (p. 11)• The size AA (LR6) batteries or the battery pack is completely dead, and the battery pack cannot be recharged.<ul style="list-style-type: none">m Use new size AA (LR6) batteries or another battery pack. (p. 27)
The date or time indicator displays bars (--:--:--).	<ul style="list-style-type: none">• Reset the date and time. (p. 25)
The beep sounds for 5 seconds.	<ul style="list-style-type: none">• Some trouble occurred in your camcorder.<ul style="list-style-type: none">m Turn off the camcorder once, and then turn on the camcorder again.m Change the power source.
Acoustic feedback (howling) occurs.	<ul style="list-style-type: none">• The camcorder is placed near the TV.<ul style="list-style-type: none">m Move the camcorder away from the TV.m Turn down the volume of the TV.

Warning indicators

If indicators flash on the LCD screen, check the following:

† †... : you can hear the beep sound.

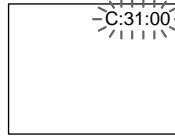
<p>1</p> 	<p>2</p> 	<p>3</p>  
<p>4</p> 	<p>5</p> 	<p>6</p> 
<p>7</p> 		

- 1 **The battery is weak or dead.**
Slow flashing: The battery is weak.
Fast flashing: The battery is dead.
- 2 **The tape is near the end.**
The flashing is slow.
- 3 **The tape has run out.**
The flashing becomes rapid.
- 4 **No video cartridge has been inserted.**
- 5 **The tab on the video cartridge is out (red).**
- 6 **The self-diagnosis function works .**
This function displays the camcorder's condition with five digits on the LCD screen. The five-digit display informs you of the camcorder's current condition. (p. 35)
If the display does not disappear, contact local authorized Sony service facility.
- 7 **Some other trouble has occurred.**
Turn off the camcorder and remove the size AA (LR6) batteries or the battery pack once. Then install the size AA (LR6) batteries or the battery pack and turn on the camcorder.
If the display does not disappear, contact local authorized Sony service facility.

Self-diagnosis display

The camcorder has a self-diagnosis display. This function displays the camcorder's condition with five digits (a combination of a letter and figures) on the LCD screen. If this occurs, check the following code chart. The five-digit display informs you of the camcorder's current condition. The last two digits (indicated by " ") will differ depending on the state of the camcorder.

LCD screen



Self-diagnosis display

- C: " " : " "
- You can service the camcorder yourself.
- E: " " : " "
- Contact local authorized Sony facility.

Five-digit display	Cause and/or Corrective Actions
C:31: " "	<ul style="list-style-type: none"> • A serviceable situation not malfunctioned above has occurred. <ul style="list-style-type: none"> m Turn off the camcorder once and turn it on again, then operate the camcorder. m Change the power source, then operate the camcorder. m Leave the camcorder for about 1 hour, then operate the camcorder.
C:32: " "	
E:61: " "	<ul style="list-style-type: none"> • A camcorder malfunction which you cannot correct has occurred. <ul style="list-style-type: none"> m Contact your local authorized Sony service facility and inform them of the five digits. (example: E:61:10)
E:62: " "	

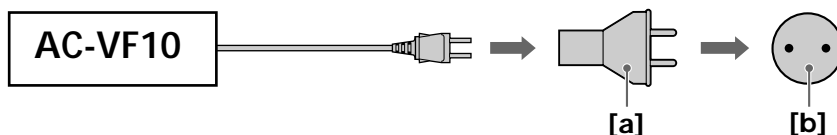
If you are unable to resolve the problem, contact local authorized Sony service facility.

Using your camcorder abroad

Each country or area has its own electric and TV color systems. Before using your camcorder abroad, check the following points.

Power sources

You can use your camcorder in any country or area with the supplied two size AA (LR6) batteries, battery pack or AC power adaptor within 100 V to 240 V AC, 50/60 Hz. Use a commercially available AC plug adaptor [a], if necessary, depending on the design of the wall outlet [b].



Different color systems

This camcorder is an NTSC system based camcorder. If you want to view the playback picture on a TV, it must be an NTSC system based TV. Check the following list.

NTSC system

Bahama Islands, Bolivia, Canada, Central America, Chile, Colombia, Ecuador, Jamaica, Japan, Korea, Mexico, Peru, Surinam, Taiwan, the Philippines, the U.S.A., Venezuela, etc.

PAL system

Australia, Austria, Belgium, China, Czech Republic, Denmark, Finland, Germany, Great Britain, Holland, Hong Kong, Italy, Kuwait, Malaysia, New Zealand, Norway, Portugal, Singapore, Slovak Republic, Spain, Sweden, Switzerland, Thailand, etc.

PAL-M system

Brazil

PAL-N system

Argentina, Paraguay, Uruguay

SECAM system

Bulgaria, France, Guyana, Hungary, Iran, Iraq, Monaco, Poland, Russia, Ukraine, etc.

Specifications

Video camera recorder

System

Video recording system
2 rotary heads
Helical scanning FM system
Audio recording system
Rotary heads, FM system
Video signal
NTSC color, EIA standards
Recording / Playback time
30 min.
Fast-forward/rewind time
Approx. 2 min.
Image device
CCD (Charge Coupled Device)
Lens
Combined power zoom lens
3 × (Optical)
Focal distance
5/32 - 13/32 in. (3.4 - 10.2 mm)
1 5/16 - 4 in. (33 - 99 mm) when converted to a 35 mm still camera)
F 2.8 - 3.9
Color temperature
Auto
Minimum illumination*
6 lux (F 2.8)
Illumination range
6 lux to 100,000 lux
Recommended illumination
More than 100 lux

Output connector

Video/Audio output
AV mini jack
Video: 75 ohms, unbalanced, sync negative
Audio: 327 mV, (47 kilohms) at output impedance less than 2.2 kilohms

LCD screen

Picture
2.5 inches measured diagonally
2 × 1 1/2 in. (50.2 × 37.1 mm)
On-screen display
Reflection method
Total dot number
61,380 (279 × 220)

General

Power requirements
3.0 V size AA (LR6) batteries X 2
3.6 V Battery pack
4.2 V AC adaptor/charger
Average power consumption (when using size AA (LR6) batteries X 2)
During camera recording : 2.0 W
Operating temperature
32°F to 104°F (0°C to 40°C)
Storage temperature
-4°F to +140°F (-20°C to +60°C)
Dimensions (Approx.)
(5 x 2 5/8 x 1 3/4 in.) (w/h/d)
124.3 x 66.5 x 44.1 mm
Mass (Approx.)
12 oz (330 g)
(including the video cartridge 4 oz (110 g), excluding the batteries)
When operating :
13 oz (380 g)
(including the two size AA (LR6) batteries)
13 oz (370 g)
(including the NP-F10 battery pack)
Microphone
Monaural type
Speaker
Piezo electric speaker
Supplied accessories
VD-CR1 Video cartridge (1, already installed in your camcorder)
Size AA (LR6) batteries (2)
NP-F10 Battery pack (1)
AC-VF10 AC adaptor/charger (1)
DK-115 DC connecting cord (1)
Power cord (1)
A/V connecting cable (1)
Hand strap (1, already attached to your camcorder)
Lens cap (1)
Soft case (1)

AC adaptor/charger

Power requirements
100 - 240 V AC, 50/60 Hz
Output voltage
DC OUT:
4.2 V, 1.8 A in operating mode
4.2 V, 1.4 A in charging mode
Power consumption
23 W
Operating temperature
32°F to 104°F (0°C to 40°C)
Storage temperature
-4°F to +140°F (-20°C to +60°C)
Dimensions (Approx.)
(3 3/8 x 1 15/16 x 1 9/16 in.) (w/h/d) 85 × 49 × 39 mm excluding projecting parts
Mass (Approx.)
9 oz (280 g) excluding power cord
Cord length (Approx.)
AC power cord: 2 m
Connecting cord: 2 m

Battery pack

Output voltage
3.6 V
Rating capacity
3.6 Wh
Battery used
Lithium-ion battery

Design and specifications are subject to change without notice.

Index

A, B

Backlight 17
Beep 3, 34

C, D

Camera recording 12
Cartridge 31
Charging battery 11
Clock set 25
Connection 23
Date 19, 25

E

Editing 24
END SEARCH 18, 22

F, G, H

Hand strap 6
House current 10

I, J, K, L

Lens cap 7
Lithium battery 27

M, N, O, P

MACRO 15
Photo recording 14
PHOTO SCAN 21, 22
Playback pause 22
Power sources 8, 10

Q, R

Recording mode 13
Rewind 22

S

Self-diagnosis display 35

T, U, V

Tape counter 7, 12
Time 19, 25
Tripod mounting 6, 15
Trouble check 32
Video cartridge 31

W, X, Y, Z

Watching on a TV 23
Zoom 15

Bienvenue!

Nous vous félicitons pour l'achat de ce caméscope Sony. Ce caméscope vous permet de saisir les moments précieux de la vie avec une qualité d'image et une qualité sonore exceptionnelles.

AVERTISSEMENT

Pour éviter tout risque d'incendie ou de décharge électrique, ne pas exposer cet appareil à la pluie ou à l'humidité.

Pour éviter tout risque de décharge électrique, ne pas ouvrir le coffret de cet appareil et ne confier son entretien qu'à un personnel qualifié.

Pour les utilisateurs au Canada

ATTENTION

POUR PREVENIR LES CHOCS ELECTRIQUES, NE PAS UTILISER CETTE FICHE POLARISEE AVEC UN PROLONGATEUR, UNE PRISE DE COURANT OU UNE AUTRE SORTIE DE COURANT, SAUF SI LES LAMES PEUVENT ETRE INSEREES A FOND SANS EN LAISSER AUCUNE PARTIE A DECOUVERT.

DEPOT DES BATTERIES AU LITHIUM-ION

DEPOSEZ LES BATTERIES AU LITHIUM-ION AUX ENDROITS RECOMMANDES.

Vous pouvez rapporter les batteries au lithium-ion dans un point de ramassage.

Remarque: Dans certain pays, il est interdit de jeter les batteries au lithium-ion avec les ordures ménagères ou dans les poubelles de bureau.

Pour connaître le point de ramassage le plus proche de chez vous, composez le 416-499-SONY (Canada uniquement)

Avertissement: Ne pas utiliser des batteries au lithium-ion qui sont endommagées ou qui fuient.

Table des matières

Avant de commencer	3
Identification des composants	5
<hr/>	
Prise en main	8
Mise en place des piles	8
Utilisation de l'alimentation secteur ..	10
Recharge de la batterie	11
<hr/>	
Prise de vue	12
Enregistrement caméra	12
Enregistrement photo	14
Opérations avancées	15
<hr/>	
Lecture	20
Lecture	20
Visionnage sur un écran de télévision	23
<hr/>	
Montage	24
Montage sur une autre cassette	24

Informations complémentaires 25

Réglage de la date et de l'heure	25
Utilisation optimale de la batterie rechargeable	27
Précautions	30
Guide de dépannage	32
Indicateurs d'avertissement	34
Fonction d'auto-diagnostic	35
Utilisation de votre caméscope à l'étranger	36
Spécifications	37
Index	38

Avant de commencer

Avant d'utiliser cet appareil, prière de lire attentivement ce manuel et de le conserver pour toute référence ultérieure.

A propos du système d'enregistrement

- L'image et le son sont enregistrés sur la cartouche vidéo de ce caméscope.
- La cartouche vidéo de ce caméscope est déjà mise en place. Vous ne pouvez utiliser que la cartouche vidéo VD-CR1.
- La cartouche vidéo peut contenir environ 30 minutes d'enregistrement caméra et environ 350 images fixes par 5 secondes environ.
- Il est recommandé d'effectuer le montage des images enregistrées sur une autre cassette pour sauvegarde.

Utilisation de ce mode d'emploi

Dans ce manuel, les touches et réglages du caméscope sont indiqués en majuscules. Par exemple, appuyez sur START/STOP. Un bip sonore confirme toujours votre opération.

Remarque sur les standards de télévision couleur

Les standards de télévision couleur varient d'un pays à l'autre. Pour visionner vos enregistrements sur un téléviseur, celui-ci doit être de type NTSC.

Remarque sur les droits d'auteur

Les programmes télévisés, films, cassettes vidéo et autres matériaux que vous pourriez enregistrer peuvent être protégés par des droits d'auteur. Un enregistrement illicite de ces matériaux peut être en infraction avec la législation sur les droits d'auteur.

Notre responsabilité ne pourra être engagée si l'enregistrement ou la lecture d'une cassette vidéo a été impossible en raison d'un dysfonctionnement du caméscope, de la cartouche vidéo, etc.

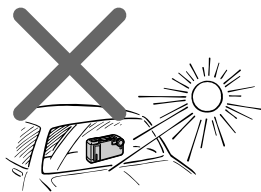
Précautions d'utilisation du caméscope

- L'écran LCD est fabriqué au moyen d'une technologie de haute précision. Toutefois, il se peut qu'il y ait de tout petits points noirs et/ou brillants (rouge, bleu ou vert en couleur) qui apparaissent constamment sur l'écran LCD. Ces points sont normaux dans le processus de fabrication et ne nuisent en rien à l'image enregistrée. Plus de 99,99% sont opérationnels pour une utilisation effective.
- Évitez de mouiller le caméscope. Protégez-le de la pluie ou de l'eau de mer. La pluie ou l'eau de mer peuvent entraîner des dégâts irréparables [a].
- Ne laissez jamais le caméscope exposé à des températures supérieures à 60°C, comme dans un véhicule garé au soleil ou en plein soleil [b].
- Veillez à ce que du sable ne pénètre pas à l'intérieur du caméscope. Lorsque vous utilisez le caméscope sur une plage ou dans un endroit poussiéreux, protégez-le du sable et de la poussière. Le sable et la poussière peuvent en effet provoquer une défaillance de l'appareil qui est parfois impossible de réparer.

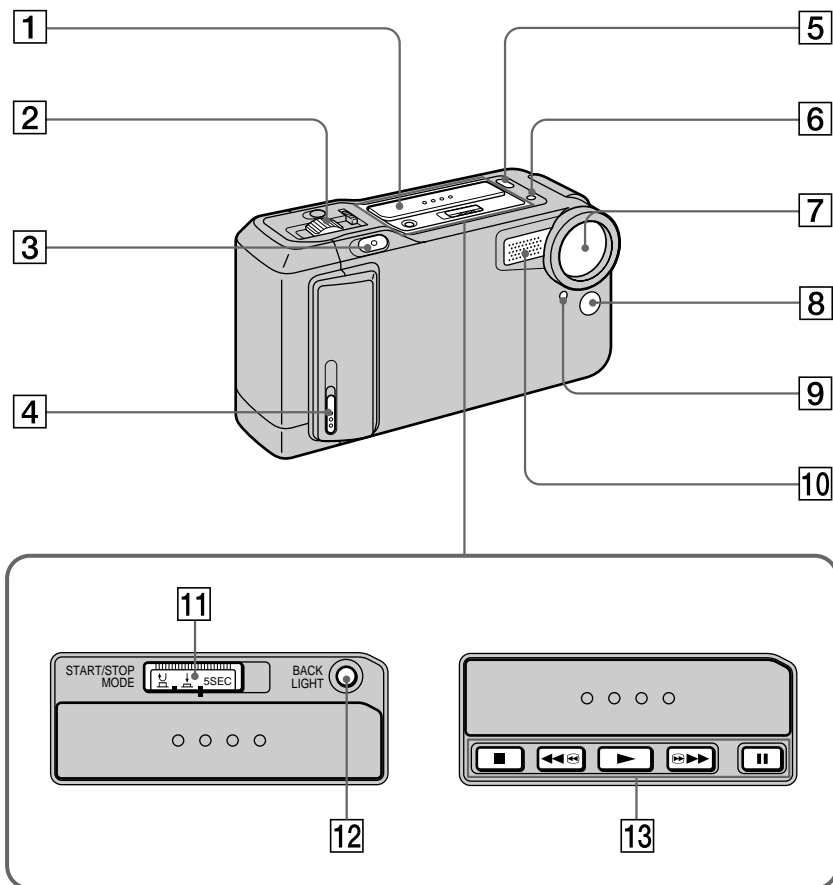
[a]



[b]

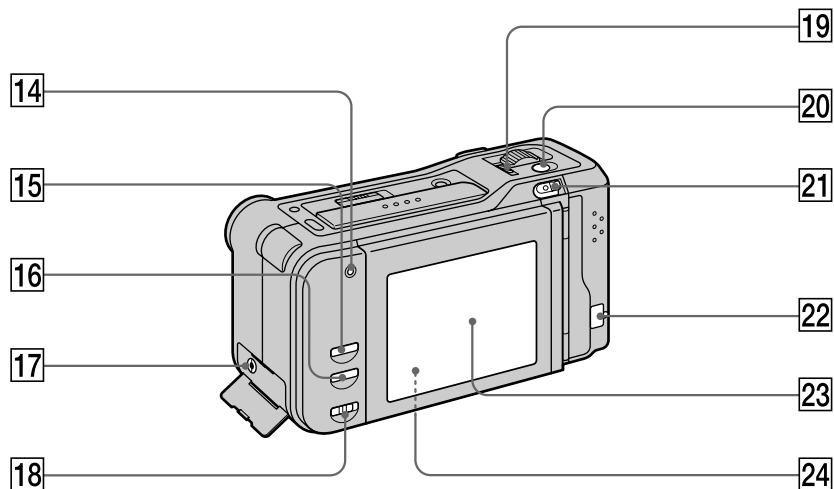


Identification des composants



- | | |
|--|--|
| <p>1 Couverture coulissante (p. 20)</p> <p>2 Levier du zoom (p. 15)</p> <p>3 Touche START/STOP (p. 12)</p> <p>4 Bouton d'ouverture de la trappe de la cartouche vidéo (p. 31)</p> <p>5 Touche END SEARCH (p. 18, 22)</p> <p>6 Touche PHOTO SCAN (p. 21, 22)</p> <p>7 Objectif</p> <p>8 Capteur de télécommande
Vous pouvez utiliser la télécommande fournie avec d'autres caméscopes ou magnétoscopes Sony. Mettez le mode de commande sur VTR 2. Reportez-vous au mode d'emploi fourni avec le magnéscope pour connaître le mode de commande.</p> | <p>9 Témoin d'enregistrement</p> <p>0 Microphone</p> <p>! ^ Commutateur START/STOP MODE (p. 13)</p> <p>! " Touche BACK LIGHT (p. 17)</p> <p>! £ Touches d'exploitation vidéo (p. 22)</p> <p>⏹ STOP (arrêt)</p> <p>⏮ REW (rembobinage)</p> <p>(PLAY (lecture)</p> <p>) FF (avance rapide)</p> <p>⏸ PAUSE (pause)</p> |
|--|--|

Identification des composants



! † Témoïn d'enregistrement

! Touche DATE (p. 19, 25)

! / Touche TIME (p. 19, 25)

! f Prise A/V OUT (p. 23)

! ¥ Commutateur SPEAKER ON/OFF (p. 20)

! » Commutateur de verrouillage MACRO (p. 15)

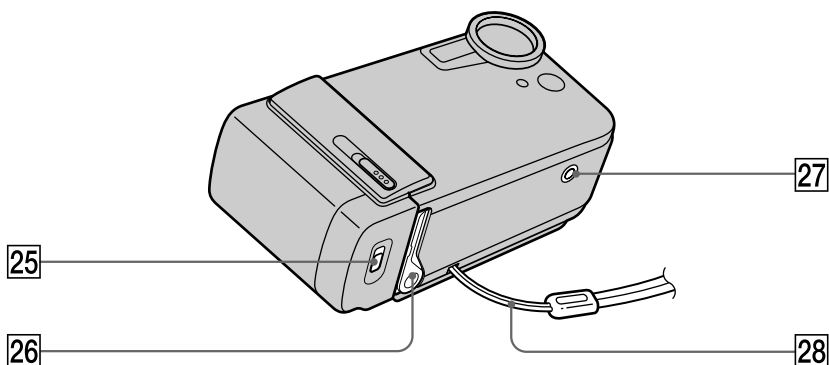
@... Touche PHOTO (p. 14)

@ ` Commutateur POWER ON/OFF (p. 12, 14)

@ " Couvre-fil (p. 10)

@ £ Ecran LCD (p. 12, 14, 20)

@ † Haut-parleur (p. 20)



@ Levier de dégagement OPEN (BATT) (p. 8)

@ / Levier d'éjection de la cartouche (p. 31)

@ f Réceptacle du pied photographique (p. 15)

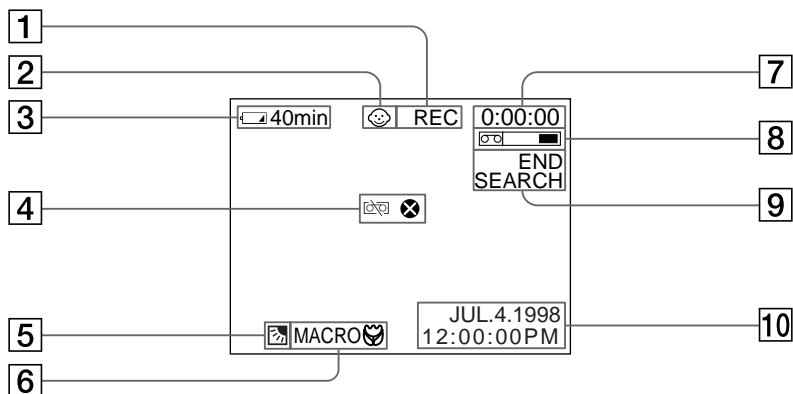
Assurez-vous que la vis du pied ne dépasse pas 6,5 mm. Sinon, vous ne pourrez pas fixer le pied convenablement et la vis pourrait endommager le caméscope.


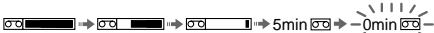
@ ¥ Bandoulière

La bandoulière est déjà fixée.

Identification des composants

Indicateurs de fonctionnement



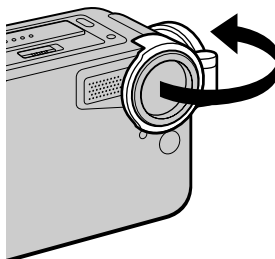
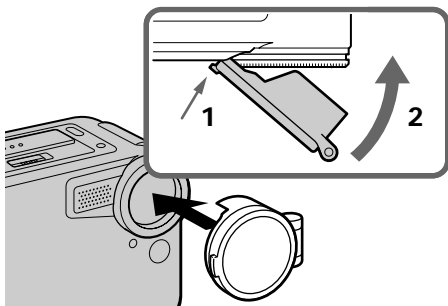
- 1 Mode d'exploitation vidéo (p. 22)
- 2 Indicateur du mode miroir (p. 16)
- 3 Indicateur de temps résiduel de la batterie

- 4 Indicateurs d'avertissement (p. 34)
- 5 Indicateur de contre-jour (p. 17)
- 6 Indicateur MACRO (p. 15)
- 7 Compteur de bande (p. 12)/indicateur des fonctions d'auto-diagnostic (p. 35)/indicateur de mode 5SEC (p. 13)/indicateur d'enregistrement photo (p. 14)
- 8 Indicateur de bande restante

- 9 Indicateur END SEARCH (p. 18, 22)/indicateur PHOTO SCAN (p. 21, 22)
- 0 Indicateur de la date et de l'heure (p. 19, 25)

Fixation du capuchon d'objectif

Fixez le capuchon d'objectif fourni sur l'objectif.

- (1) Placez le capuchon d'objectif sur l'évidement.
- (2) Enfoncez le capuchon d'objectif jusqu'au dé clic.

Lors de la prise de vue, ouvrez le capuchon d'objectif.



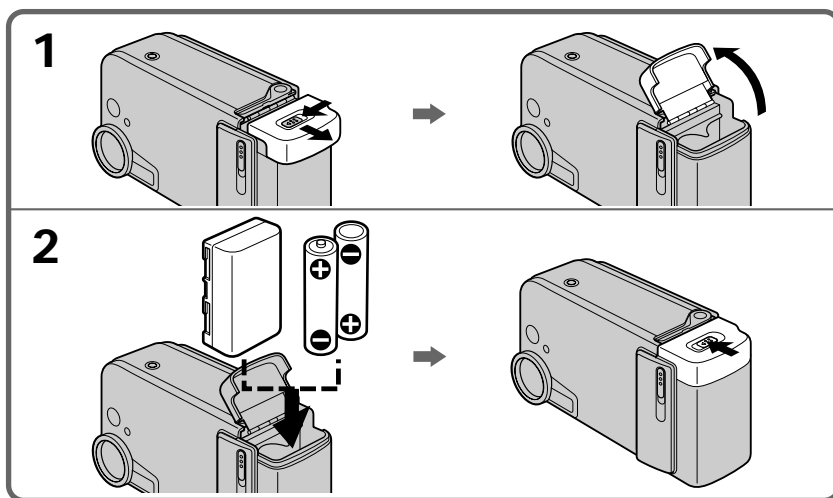
Mise en place des piles

Avant d'utiliser le caméscope, vous devez tout d'abord mettre en place deux piles AA (LR6) Sony ou la batterie rechargée. Utilisez les piles AA (LR6) Sony fournies ou la batterie "InfoLITHIUM (Série S)" NP-F10.

Lors de la mise en place ou du retrait des piles, veillez à éteindre le caméscope pour éviter toute mauvaise manipulation du caméscope.

Vous pouvez également utiliser l'alimentation secteur. (p. 10)

- (1) Pour ouvrir le couvercle du compartiment à piles, faites coulisser le levier de dégagement OPEN (BATT) situé au bas du caméscope vers la gauche, puis faites-le coulisser vers vous et dégagez-le.
- (2) Mettez en place deux piles AA (LR6) ou la batterie dans le sens de la flèche. Ensuite, refermez le couvercle et faites-le coulisser jusqu'au déclic.



A propos des piles AA (LR6)

- Veillez à installer les deux piles AA (LR6) en respectant les polarités.
- Vous ne pouvez pas utiliser les piles AA (LR6) dans un environnement froid. Utilisez la batterie NP-F10.

Autonomie de la batterie

Utilisation des deux piles AA (LR6) Sony ou de la batterie rechargée NP-F10:

Type	Piles AA (LR6)	Batterie NP-F10
Temps d'enregistrement en continu*	60 minutes	90 (80) minutes
Temps d'enregistrement théorique**	30 minutes	50 (45) minutes
Temps de lecture à l'écran LCD	60 minutes	90 (80) minutes

Les chiffres entre parenthèses de la batterie NP-F10 indiquent le temps nécessaire pour effectuer une recharge normale.

* Durée approximative d'enregistrement en continu à 25°C. L'autonomie de la batterie diminue si vous utilisez le caméscope par temps froid.

** Durée approximative en minutes avec des cycles répétés d'enregistrement/d'arrêt et de mise sous/hors tension. L'autonomie réelle peut être plus courte.

Remarque sur l'indication d'autonomie de la batterie pendant l'enregistrement
Lors de l'utilisation de la batterie "InfoLITHIUM", l'autonomie de la batterie s'affiche sur l'écran LCD. Toutefois, il est possible que l'indication n'apparaisse pas clairement en fonction des conditions et circonstances d'utilisation.

Pour retirer les piles

Ouvrez le couvercle du compartiment à piles et retirez les piles.

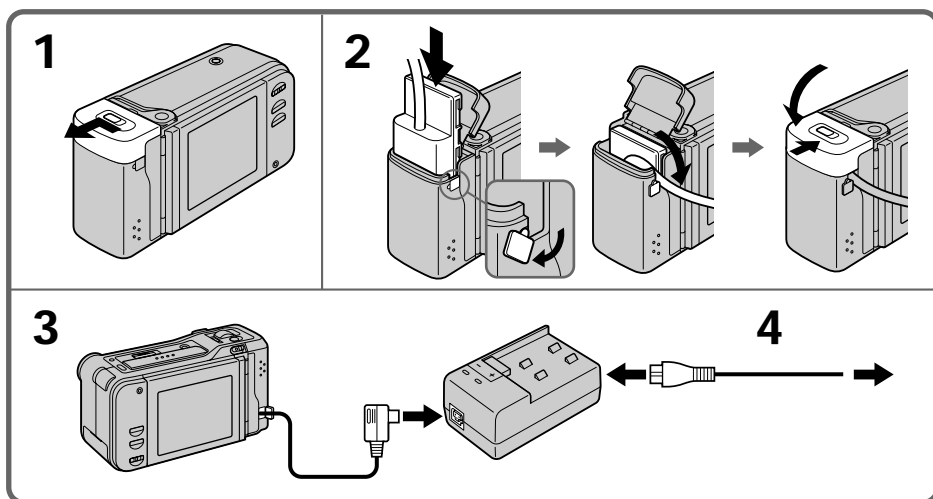
Lors du retrait des piles

Retournez toujours le caméscope de sorte que les piles ne tombent pas accidentellement lorsque vous ouvrez le couvercle.

Utilisation de l'alimentation secteur

Lorsque vous installez ou retirez le bloc du cordon de raccordement en forme de batterie, éteignez le caméscope afin d'éviter toute erreur de manipulation du caméscope.

- (1) Pour ouvrir le couvercle du compartiment à piles, faites coulisser le levier de dégagement OPEN (BATT) situé au bas du caméscope vers la gauche, puis faites-le glisser vers vous et dégagez-le.
- (2) Mettez en place le bloc du cordon de raccordement en forme de batterie dans le sens de la flèche. Ouvrez le couvre-fil et passez le fil à travers. Ensuite, refermez le couvercle et faites-le coulisser jusqu'au déclic.
- (3) Raccordez le cordon de raccordement à l'adaptateur/chargeur secteur.
- (4) Raccordez le cordon d'alimentation à l'adaptateur/chargeur secteur et à une prise murale.



AVERTISSEMENT

Pour le remplacement du cordon d'alimentation, adressez-vous à un magasin qualifié.

Remarque

Eloignez l'adaptateur/chargeur secteur du caméscope si l'image est affectée.

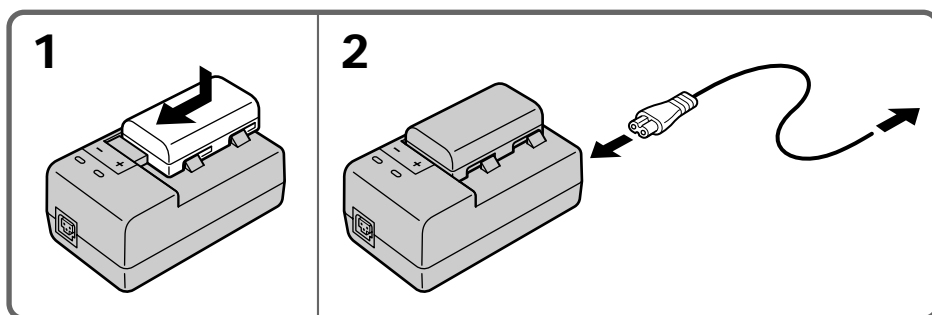
Recharge de la batterie

Rechargez la batterie sur une surface plane exempte de vibrations. La batterie NP-F10 fournie est légèrement rechargée en usine. Pour recharger la batterie, utilisez l'adaptateur/chargeur secteur AC-VF10 fourni.

(1) Mettez la batterie en place et faites-la coulisser dans le sens de la flèche.

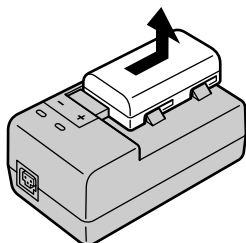
(2) Branchez le cordon d'alimentation à l'adaptateur/chargeur secteur et à une prise murale. Le témoin CHARGE (orange) s'allume. La recharge commence. Lorsque le témoin CHARGE s'éteint, la recharge normale est terminée. Pour effectuer une recharge complète, qui vous permet d'utiliser la batterie plus longtemps que d'habitude, laissez la batterie en place pendant environ une heure en plus que pour la charge normale.

Prise en main



Pour retirer la batterie

Faites coulisser la batterie dans le sens de la flèche.



Temps de recharge

Avec la batterie rechargeable NP-F10:

Temps de recharge*	145 (85) minutes
--------------------	------------------

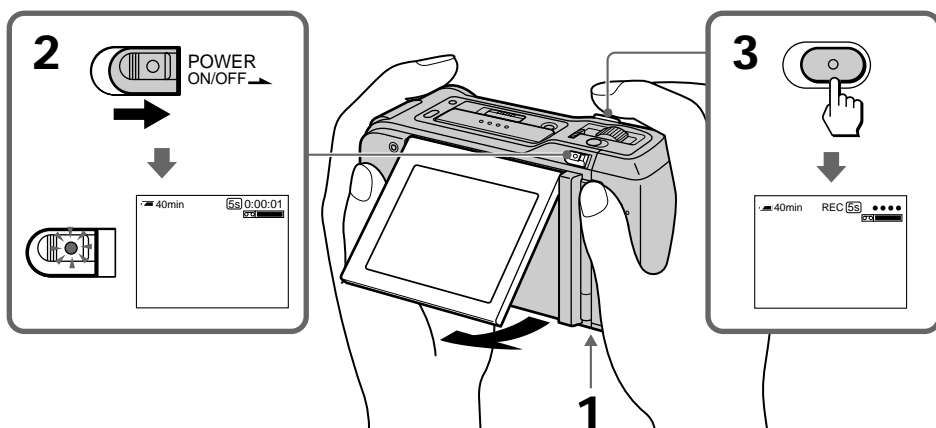
Le temps nécessaire pour effectuer une recharge normale est indiqué entre parenthèses.

* Nombre approximatif de minutes nécessaire pour recharger une batterie vide avec l'adaptateur secteur fourni. (A basse température, le temps de recharge augmente.)

Enregistrement caméra

Avant d'enregistrer des événements exceptionnels, procédez à quelques essais préalables pour vous assurer que vous manipulez correctement le caméscope.

- (1) Assurez-vous que la source d'alimentation est mise en place. (p. 8, 10)
- (2) Tout en appuyant sur le petit bouton du commutateur POWER, faites-le coulisser dans le sens de la flèche. Le petit bouton s'allume en vert.
- (3) Appuyez sur START/STOP. Le caméscope enregistre environ 5 secondes, puis s'arrête. Le compteur de bande disparaît et cinq points apparaissent. Les points disparaissent au rythme d'un point par seconde. Le témoin rouge s'allume. Pour allonger le temps d'enregistrement en mode 5SEC, appuyez de nouveau sur START/STOP avant que ne disparaissent tous les points. L'enregistrement continue pendant environ 5 secondes à partir du moment où vous appuyez sur START/STOP.



Réglage de l'angle du panneau LCD

Régalez le panneau LCD selon l'angle que vous désirez.

Remarque


Pour économiser la batterie et éviter que la batterie et la cassette ne s'usent, l'appareil se met automatiquement hors tension si vous n'utilisez plus le caméscope pendant 5 minutes alors que la cartouche vidéo est introduite et que le caméscope est allumé. Pour débiter l'enregistrement, remettez l'appareil sous tension et appuyez sur START/STOP.


Sélection du mode START/STOP

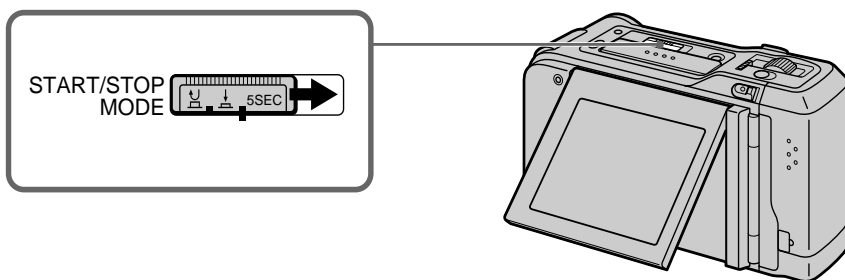
Votre caméscope propose trois modes d'enregistrement caméra. Ces modes vous permettent de prendre une série de clichés successifs pour reproduire une vidéo animée.

Mettez START/STOP MODE sur le mode désiré.

5SEC: lorsque vous appuyez sur START/STOP, le caméscope enregistre environ 5 secondes, puis s'arrête automatiquement (réglage par défaut).

ANTI GROUND SHOOTING  : le caméscope n'enregistre que lorsque vous appuyez sur START/STOP de manière à éviter l'enregistrement de scènes inutiles.

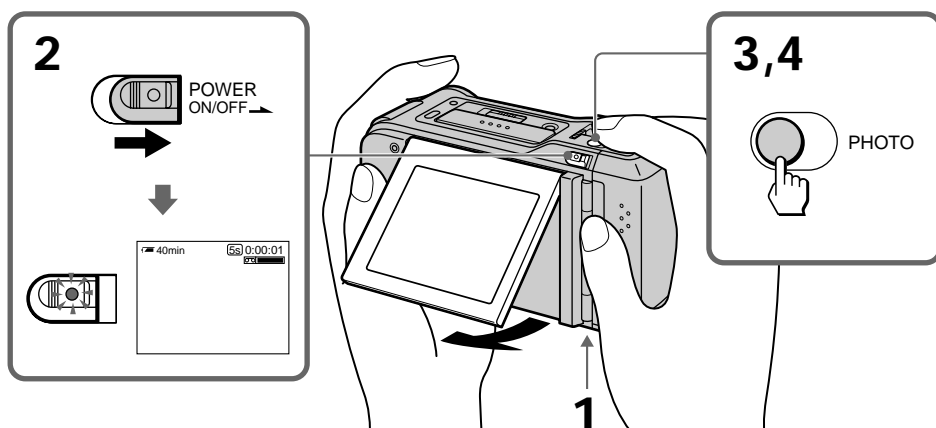
 : l'enregistrement commence lorsque vous appuyez sur START/STOP, puis s'arrête lorsque vous appuyez de nouveau sur la touche.



Enregistrement photo

Vous pouvez enregistrer une image fixe comme une photographie pendant environ cinq secondes. L'enregistrement photo est utile lorsque vous désirez visualiser une image ou si vous voulez imprimer une image à l'aide d'une imprimante vidéo.

- (1) Assurez-vous que la source d'alimentation est mise en place. (p. 8, 10)
- (2) Tout en appuyant sur le petit bouton du commutateur POWER, faites-le coulisser dans le sens de la flèche. Le petit bouton s'allume en vert.
- (3) Maintenez PHOTO légèrement enfoncé jusqu'à ce que l'image fixe et "CAPTURE" apparaissent sur l'écran LCD. Pour changer l'image fixe, relâchez PHOTO, sélectionnez de nouveau l'image fixe, puis maintenez PHOTO légèrement enfoncé.
- (4) Appuyez plus fort sur PHOTO. L'image fixe sur l'écran LCD est enregistrée pendant environ cinq secondes. Le compteur de bande disparaît et cinq points apparaissent. Les points disparaissent au rythme de un point par seconde. Le témoin rouge s'allume. Le son est également enregistré pendant ces cinq secondes.



Réglage de l'angle du panneau LCD

Réglez le panneau LCD selon l'angle désiré.

Pour éviter tout tremblement de la caméra

Lors de la prise de vue d'une image fixe, le moindre mouvement du caméscope est perceptible. Pour éviter tout tremblement de la caméra, maintenez fermement le caméscope ou utilisez un pied photographique.

Opérations avancées

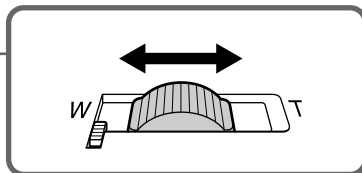
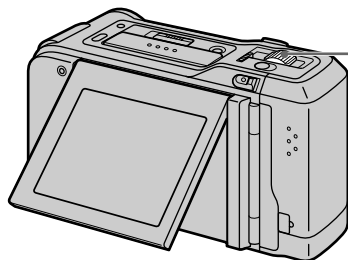
Utilisation du zoom

Le zoom est une technique d'enregistrement qui vous permet de modifier la taille du sujet.

Pour des enregistrements de qualité professionnelle, utilisez le zoom avec parcimonie.

Côté "T": téléobjectif (le sujet apparaît plus proche)

Côté "W": grand angle (le sujet apparaît plus éloigné)



Prise de vue


Pour filmer un sujet en position téléobjectif

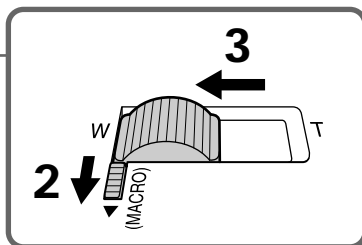
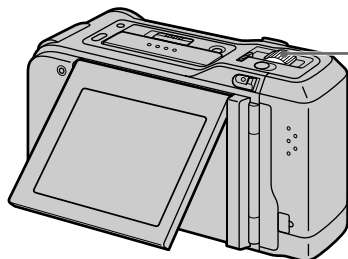
Si vous n'obtenez pas une image nette avec l'agrandissement maximum, déplacez le levier du zoom vers le côté "W" jusqu'à ce que la mise au point soit nette. Vous pouvez viser un sujet situé à au moins 140 cm de la surface de l'objectif en position téléobjectif et à 40 cm en position grand angle. Si vous filmez un objet à une distance inférieure à 40 cm, nous vous recommandons de filmer en mode macro.

Prise de vue d'un sujet proche – Macro

Même les petits sujets, tels que les fleurs, les insectes et les images photographiques, peuvent littéralement remplir l'écran en macro. Vous pouvez filmer un sujet qui se trouve à au moins à 10 cm de distance de la surface de l'objectif en macro.

Nous vous recommandons d'utiliser un pied photographique lors de prises de vues en macro.

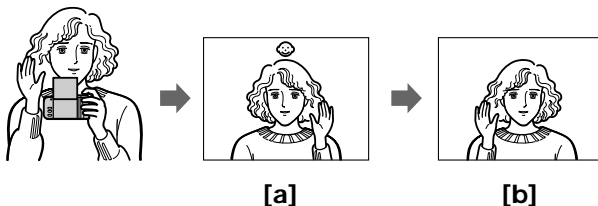
- (1) Rapprochez le caméscope autant que possible du sujet pour obtenir la taille désirée.
- (2) Faites glisser le commutateur de verrouillage MACRO dans le sens de la flèche.
- (3) Déplacez le levier du zoom du côté "W". L'indicateur MACRO  apparaît sur l'écran LCD.



Contrôle de la prise de vue par le sujet (mode miroir)

Vous pouvez complètement retourner le panneau LCD vers vous pour pouvoir contrôler la prise de vue.

- (1) Retournez le panneau LCD verticalement. L'indicateur ☺ (mode miroir) apparaît et les indicateurs de date et de bande restante disparaissent.
- (2) Commencez l'enregistrement



[a] Image sur l'écran LCD

[b] Image enregistrée

Pour annuler le mode miroir

Tournez le panneau LCD vers le bas en direction du châssis du caméscope.

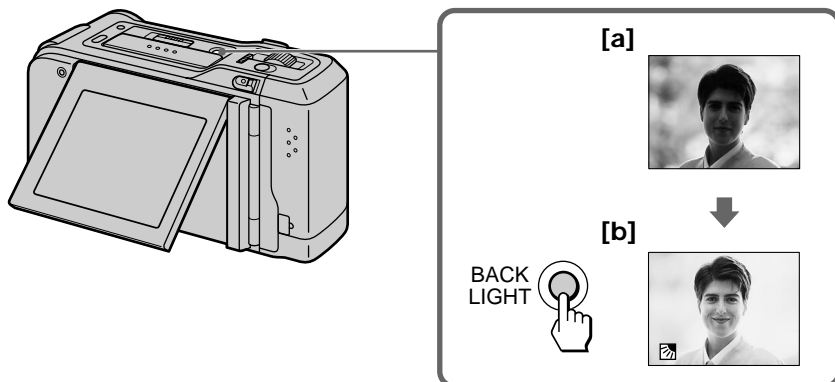
Remarques sur le mode miroir

- L'image sur l'écran LCD est inversée comme une image miroir, pendant l'enregistrement dans ce mode. L'indicateur REC apparaît sous la forme π . Certains indicateurs peuvent ne pas apparaître en mode miroir.
- Pendant l'enregistrement en mode miroir, vous ne pouvez pas activer les fonctions DATE et TIME.

Prise de vue en contre-jour

Lorsque vous filmez un sujet avec une source lumineuse dans son dos ou un sujet avec un arrière-plan lumineux, utilisez la fonction BACK LIGHT.

Appuyez sur BACK LIGHT. L'indicateur **c** apparaît sur l'écran LCD.



[a] Le sujet est trop sombre en raison du contre-jour.

[b] Le sujet devient plus clair avec la compensation du contre-jour.

Après la prise de vue

Veillez à annuler ce réglage en appuyant de nouveau sur BACK LIGHT. L'indicateur **c** disparaît. Sinon, l'image sera trop lumineuse dans des conditions normales d'éclairage.

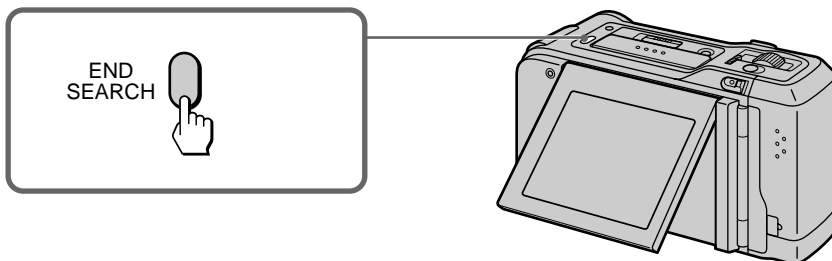
Cette fonction est également efficace dans les circonstances suivantes:

- Un sujet avec une source lumineuse à proximité ou une lumière réfléchie par un miroir.
- Un sujet blanc sur un fond blanc. Plus particulièrement lorsque vous filmez une personne portant des vêtements brillants en soie ou en fibre synthétique, son visage tend à s'assombrir si vous n'utilisez pas cette fonction.

Recherche de la fin d'une cassette

Appuyez sur END SEARCH à l'arrêt.

La cassette est rembobinée ou avancée et les cinq dernières secondes de la portion enregistrée sont reproduites. Ensuite, la cassette s'arrête à la fin de l'image enregistrée.



Si vous commencez l'enregistrement après avoir utilisé END SEARCH

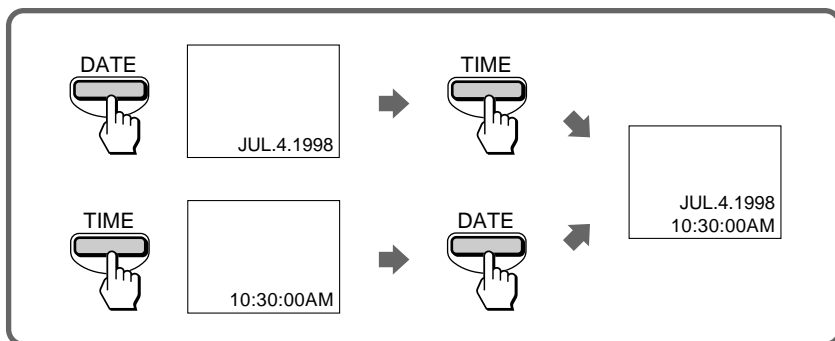
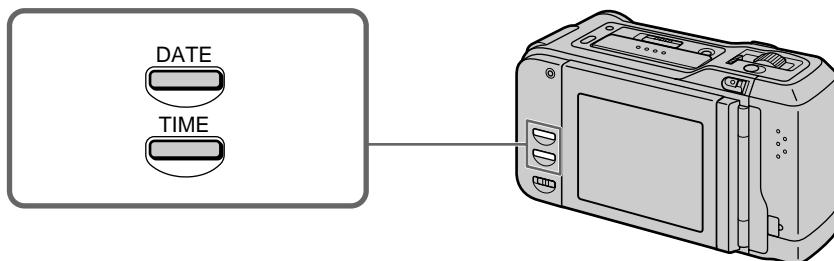
Il se peut occasionnellement que la transition entre la dernière scène que vous avez enregistrée et la scène suivante ne soit pas douce.

Enregistrement de la date/heure

Avant de commencer l'enregistrement ou en cours d'enregistrement, appuyez sur DATE et/ou TIME. Vous pouvez enregistrer la date et/ou l'heure affichée sur l'écran LCD avec l'image. Appuyez sur DATE (ou TIME), puis appuyez sur TIME (ou DATE) pour afficher la date et l'heure en même temps. A l'exception de l'indication de la date et/ou de l'heure, aucun indicateur de l'écran LCD n'est enregistré.

L'horloge est réglée en usine sur l'heure de Londres pour le Royaume-Uni et sur l'heure de Paris pour tous les autres pays européens. Vous pouvez régler l'horloge. (p.25)

Appuyez sur DATE et/ou TIME avant de commencer l'enregistrement ou en cours d'enregistrement.



Remarque sur l'enregistrement avec la date et/ou l'heure

Une fois que vous enregistrez la date et/ou l'heure, vous ne pouvez plus l'effacer.

Pour arrêter l'enregistrement avec la date et/ou l'heure

Appuyez de nouveau sur DATE et/ou TIME. L'indication de la date et/ou de l'heure disparaît, mais l'enregistrement continue.



Pour terminer l'enregistrement

Tout en appuyant sur le petit bouton du commutateur POWER, faites-le coulisser pour éteindre le caméscope. Puis, retirez les batteries.

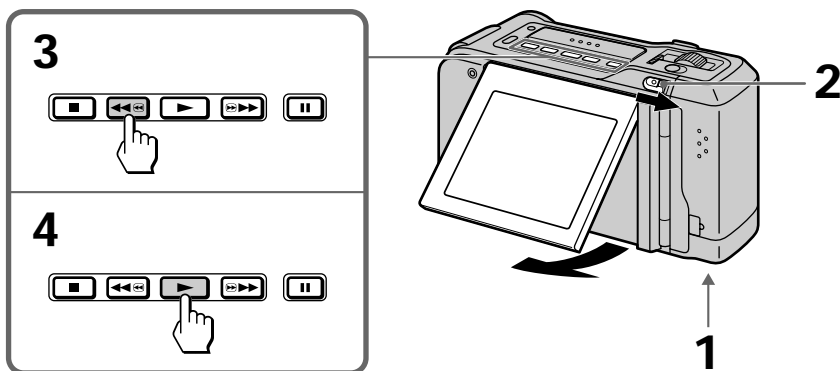
Nous vous recommandons d'éteindre le caméscope pour éviter d'user la batterie lorsque vous n'utilisez pas le caméscope.

Lecture

Vous pouvez visualiser l'image de lecture sur l'écran LCD.

- (1) Assurez-vous que la source d'alimentation est mise en place. (p. 8, 10)
- (2) Tout en appuyant sur le petit bouton du commutateur POWER, faites-le coulisser dans le sens de la flèche. Le petit bouton s'allume en vert.
- (3) Appuyez sur  pour rembobiner la cassette.
- (4) Appuyez sur  pour commencer la lecture.

Vous pouvez également visualiser l'image sur un écran de télévision, après avoir branché le caméscope à un téléviseur ou un magnétoscope.



Réglage de l'angle du panneau LCD

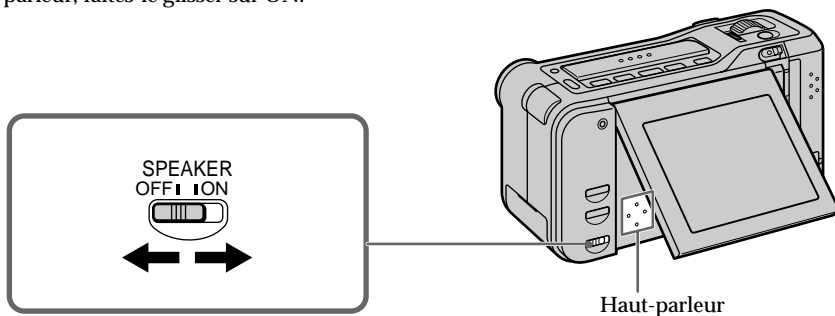
Réglez le panneau LCD selon l'angle que vous désirez.

Lors de la lecture dans l'obscurité

Il se peut que vous éprouviez des difficultés à voir l'écran LCD dans l'obscurité. Nous vous recommandons de visualiser les images de lecture sur l'écran LCD dans un endroit plus lumineux.

Pour couper le haut-parleur

Faites coulisser le commutateur SPEAKER ON/OFF sur OFF. Pour réactiver le haut-parleur, faites-le glisser sur ON.

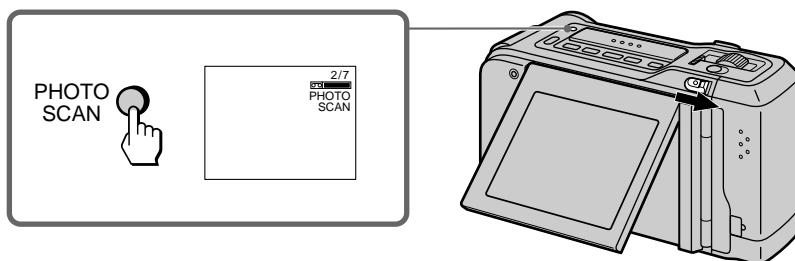


Recherche d'images fixes

Vous pouvez rechercher des images fixes l'une après l'autre et afficher automatiquement chacune d'elles pendant environ 8 secondes (Balayage de photos).

- (1) Assurez-vous que la source d'alimentation est mise en place. (p. 8, 10)
- (2) Tout en appuyant sur le petit bouton du commutateur POWER, faites-le glisser dans le sens de la flèche. Le petit bouton s'allume en vert.
- (3) Appuyez sur 0 pour rembobiner la cassette jusqu'au début.
- (4) Appuyez sur PHOTO SCAN en mode d'arrêt.

L'indicateur du balayage de photos apparaît sur l'écran LCD. Chaque image fixe s'affiche automatiquement pendant 8 secondes. Le numéro de l'image affichée et le nombre total d'images fixes s'affichent.



Pour arrêter la recherche

Appuyez sur PHOTO SCAN ou p .

A propos du balayage de photos

- Le son est mis en sourdine.
- Le caméscope commence la recherche à l'endroit où vous avez appuyé sur PHOTO SCAN.

Divers modes de lecture

Pour arrêter la lecture

Appuyez sur **P**.

Pour visualiser une image fixe (pause de lecture)

Appuyez sur **P** en cours de lecture. Pour reprendre la lecture, appuyez sur **P** ou (**.**).

Pour avancer rapidement sur la cassette

Appuyez sur **)**. Pour reprendre la lecture, appuyez sur (**.**).

Pour rembobiner la cassette

Appuyez sur **0**. Pour reprendre la lecture, appuyez sur (**.**).

Pour localiser une scène (recherche d'image)

Maintenez **0** ou **)** enfoncé en cours de lecture. Pour reprendre la lecture normale, relâchez la touche.

Pour visualiser l'image à haute vitesse tout en avançant la cassette ou le rembobinage (recherche rapide)

Maintenez **0** enfoncé tout en rembobinant ou **)** tout en avançant la cassette. Pour reprendre le rembobinage ou l'avance, relâchez la touche. Pour reprendre la lecture normale, appuyez sur (**.**).

Pour rechercher la fin de la cassette (Recherche de fin d'enregistrement)

Appuyez sur **END SEARCH** à l'arrêt. La cassette commence le rembobinage ou l'avance rapide et les 5 dernières secondes de la portion enregistrée sont reproduites. Ensuite, la cassette s'arrête à la fin de l'image enregistrée.

Pour rechercher des images fixes (Balayage de photos)

Appuyez sur **PHOTO SCAN** à l'arrêt. Chaque image s'affiche automatiquement pendant 8 secondes. Ensuite, la cassette s'arrête à la fin de l'image fixe enregistrée.

A propos de la lecture

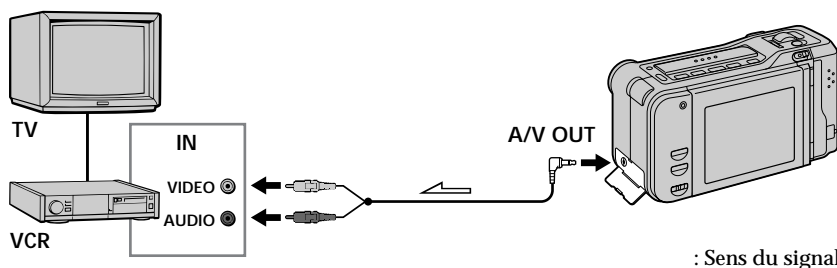
- Il se peut que les phénomènes suivants se produisent dans les différents modes de lecture suivants.
 - Des rayures apparaissent et l'image tremblote.
 - Le son est coupé.
- Lorsque le mode de pause de lecture dure plus de 5 minutes, le caméscope s'éteint automatiquement afin d'économiser l'énergie de la batterie et d'éviter l'usure prématurée de la batterie et de la cassette. Pour commencer à visualiser une image fixe, remettez l'appareil sous tension et appuyez sur **P** en cours de lecture.

Visionnage sur un écran de télévision

Raccordez le caméscope à votre téléviseur ou votre magnétoscope pour visualiser l'image de lecture sur l'écran du téléviseur. Utilisez le câble de raccordement A/V fourni. Lorsque vous contrôlez l'image de lecture en raccordant le caméscope à votre téléviseur, nous vous recommandons d'utiliser le secteur comme source d'alimentation.

Raccordement direct à un téléviseur/magnétoscope au moyen des prises d'entrée vidéo/audio

Ouvrez le couvre-prise. Branchez la fiche jaune du câble de raccordement A/V à l'entrée vidéo du téléviseur ou du magnétoscope raccordé au téléviseur. Puis, branchez la fiche noire du câble de raccordement A/V à l'entrée audio du téléviseur ou magnétoscope raccordé au téléviseur. Mettez le sélecteur TV/VCR du téléviseur sur VCR. Lors du raccordement au magnétoscope, mettez le sélecteur d'entrée du magnétoscope sur LINE.



Si votre magnétoscope ou téléviseur est de type stéréo

Branchez uniquement la fiche noire pour audio L (gauche) sur le téléviseur ou le magnétoscope. Avec ce raccordement, le son est de type monaural, même en mode stéréo.

En cas de retour acoustique (hurlement)

Eloignez le caméscope du téléviseur ou baissez le volume du téléviseur.

Montage sur une autre cassette

Vous pouvez conserver l'image enregistrée et créer votre propre montage vidéo en copiant différentes séquences à l'aide d'un autre magnétoscope h 8 mm, H Hi8, j VHS, k S-VHS, VHSC, κ S-VHSC, l Betamax ou DV DV doté de prises d'entrée vidéo/audio.

Avant le montage

Raccordez le caméscope au magnétoscope au moyen du câble de raccordement A/V fourni.

Mettez le sélecteur d'entrée du magnétoscope sur LINE, le cas échéant.

Si votre magnétoscope est de type stéréo

Branchez uniquement la fiche noire pour audio L (gauche) sur le magnétoscope. Avec ce raccordement, le son est de type monaural, même en mode stéréo.

Lancement du montage

Coupez le haut-parleur du caméscope pendant le montage. Sinon, l'image risque d'être distordue.

- (1) Introduisez une cassette vierge (ou une cassette sur laquelle vous désirez réenregistrer) dans le magnétoscope.
- (2) Lancez la lecture de la cartouche vidéo sur le caméscope jusqu'à ce que vous localisiez l'endroit juste avant le point de départ du montage, puis appuyez sur P pour mettre le caméscope en mode de pause de lecture.
- (3) Sur le magnétoscope, localisez le point de départ de l'enregistrement et mettez le magnétoscope en mode de pause d'enregistrement.
- (4) Appuyez tout d'abord sur P sur le caméscope et, après quelques secondes, appuyez sur P du magnétoscope lorsque vous désirez lancer le montage.

Pour effectuer le montage de plusieurs scènes

Répétez les étapes 2 à 4.

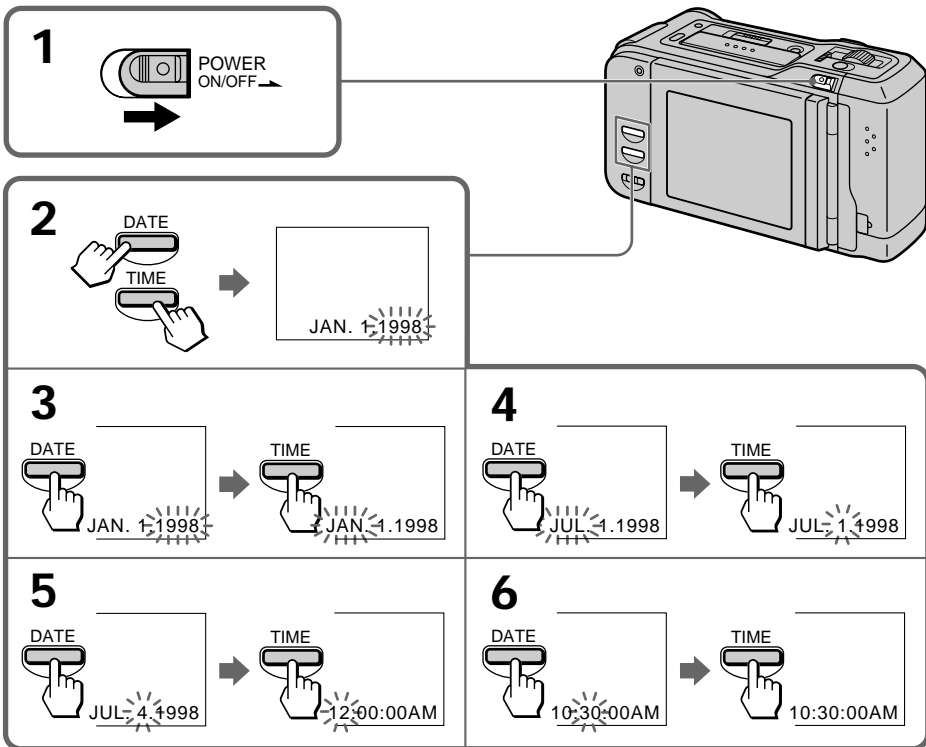
Pour arrêter le montage

Appuyez sur P sur le caméscope et sur le magnétoscope.

Réglage de la date et de l'heure

La date et/ou l'heure peuvent être enregistrées sur la cassette. L'horloge est réglée en usine sur l'heure de Londres pour le Royaume-Uni et sur l'heure de Paris pour tous les autres pays européens. Réglez l'heure en fonction de l'heure qu'il est chez vous.

- (1) Tout en appuyant sur le petit bouton du commutateur POWER, faites-le glisser dans le sens de la flèche. Le petit bouton s'allume en vert.
- (2) Appuyez en même temps sur DATE et TIME pendant plus de 2 secondes jusqu'à ce que l'année clignote sur l'écran LCD.
- (3) Réglez l'année.
Changez les chiffres clignotants de l'année avec DATE, puis appuyez sur TIME.
- (4) Réglez le mois.
Changez les chiffres clignotants du mois avec DATE, puis appuyez sur TIME.
- (5) Réglez le jour et l'heure de la même façon que pour le réglage de l'année et du mois.
- (6) Réglez les minutes et les secondes.
Changez les chiffres clignotants des minutes avec DATE, puis appuyez sur TIME. L'horloge se met en route.



A propos de la batterie au lithium

Votre caméscope est livré avec une batterie au lithium rechargeable qui permet de conserver la date et l'heure, etc. quel que soit le réglage de l'alimentation. La batterie au lithium se recharge tant que vous utilisez le caméscope. Toutefois, si vous utilisez le caméscope brièvement, elle se décharge progressivement. Elle sera complètement déchargée au bout d'environ 6 mois si vous n'utilisez pas du tout le caméscope pendant cette période. Même si la batterie au lithium n'est pas rechargée, cela n'affectera pas le fonctionnement du caméscope. Pour conserver la date et l'heure, etc., rechargez la batterie si elle se décharge. Voici les méthodes de recharge:

- Branchez le caméscope à la prise secteur au moyen de l'adaptateur/chargeur secteur fourni et laissez le caméscope éteint pendant plus de 24 heures.
- Ou, mettez la batterie complètement rechargée en place dans le caméscope et laissez le caméscope éteint pendant plus de 24 heures.

Pour vérifier la date et l'heure présélectionnées

Appuyez sur DATE pour afficher l'indication de la date.

Appuyez sur TIME pour afficher l'indication de l'heure.

Lorsque vous appuyez de nouveau sur cette touche, l'indication disparaît.

L'année change comme suit:

1998 1999 N n 2029

□ _____ □

Remarque sur l'indication de l'heure

L'horloge interne de ce caméscope fonctionne selon un cycle horaire de 12 heures.

- 12:00 AM indique minuit
- 12:00 PM indique midi

Utilisation optimale de la batterie rechargeable

Ce chapitre vous explique comment exploiter au mieux votre batterie rechargeable.

Préparation des batteries

Emportez toujours des batteries de rechange

Prévoyez des batteries en nombre suffisant pour couvrir 2 à 3 fois la durée d'enregistrement planifiée.

L'autonomie de la batterie est plus courte par temps froid

Vous ne pouvez pas utiliser des piles AA (LR6) dans un environnement froid. Utilisez la batterie rechargeable NP-F10.

Le rendement de la batterie diminue et la batterie s'épuise plus rapidement si la température ambiante est basse lors de l'enregistrement.

Pour économiser la batterie

Pour économiser la batterie, éteignez votre caméscope lorsque vous n'enregistrez pas. Une transition en douceur entre les scènes est possible même si vous arrêtez et relancez l'enregistrement. Lorsque vous cadrez le sujet, sélectionnez un angle de vue ou regardez l'écran LCD, la batterie est mise à contribution.

Quand faut-il remplacer la batterie?

A mesure que vous utilisez le caméscope, l'indicateur d'autonomie résiduelle de la batterie diminue progressivement jusqu'à ce que la batterie soit épuisée. Si vous utilisez la batterie rechargeable "InfoLITHIUM", l'autonomie résiduelle apparaît en minutes.



Quand l'indicateur d'autonomie résiduelle de la batterie atteint le dernier point de repère, l'indicateur **i** apparaît et se met à clignoter sur l'écran LCD.

Lorsque l'indicateur **i** passe d'un clignotement lent à un clignotement rapide pendant la prise de vue, éteignez le caméscope et remplacez la batterie rechargeable ou les piles AA (LR6). Laissez la cartouche vidéo dans le caméscope de manière à obtenir une transition progressive avec les prises de vues réalisées après le remplacement de la batterie.

Remarques sur la batterie "InfoLITHIUM"

Qu'est-ce qu'une batterie "InfoLITHIUM"

Ce caméscope ne fonctionne qu'avec une batterie rechargeable "InfoLITHIUM" (NP-F10). "InfoLITHIUM" est une marque de commerce de Sony Corporation.

La batterie "InfoLITHIUM" est une batterie lithium-ion qui échange des données relatives à sa consommation électrique avec tout équipement vidéo compatible.

Pour obtenir une indication de batterie résiduelle plus précise

Allumez le caméscope et dirigez-le vers un sujet stationnaire. Ne touchez pas au caméscope pendant 30 secondes ou plus.

Attention

Ne laissez jamais le caméscope exposé à des températures supérieures à 60°C, comme dans un véhicule garé au soleil ou en plein soleil.

Echauffement de la batterie

En cours de recharge ou d'enregistrement, la batterie s'échauffe. Ce phénomène est dû à l'énergie générée et à la réaction chimique qui se produit dans la batterie. Il n'y a pas lieu de s'inquiéter, ce phénomène est parfaitement normal.

Observez les recommandations suivantes:

- Gardez la batterie à l'écart des flammes.
- Gardez la batterie au sec.
- N'ouvrez pas la batterie et n'essayez pas de la démonter.
- N'exposez pas la batterie à des chocs mécaniques.

Durée de vie de la batterie

Si l'indicateur de batterie clignote rapidement juste après avoir mis le caméscope sous tension avec une batterie entièrement rechargée, c'est qu'il est temps de remplacer la batterie rechargeable par une neuve entièrement rechargée.

Température de charge

Rechargez les batteries à une température comprise entre 10°C et 30°C. Des températures inférieures allongent le temps de charge.

A propos des piles AA (LR6)

Pour éviter tout dégât éventuel dû à une fuite ou à la corrosion d'une pile, respectez ce qui suit.

- Veillez à introduire les piles dans le bon sens.
- Les piles sèches ne sont pas rechargeables.
- N'utilisez pas un mélange de piles usagées et neuves.
- N'utilisez pas différents types de piles.
- Les piles se déchargent lentement lorsqu'elles ne sont pas utilisées.
- N'utilisez pas de pile qui fuit.

En cas de fuite des piles

- Nettoyez précautionneusement le liquide dans le compartiment à piles avant de remplacer les piles.
- Si vous touchez le liquide, nettoyez-vous les mains à l'eau.
- En cas de contact avec les yeux, rincez-vous les yeux abondamment à l'eau et consultez un médecin.

A propos de l'adaptateur/chargeur secteur

- Débranchez l'appareil de l'alimentation secteur lorsque vous prévoyez de ne plus l'utiliser pendant un certain temps. Pour débrancher, tirez sur la fiche, pas sur le cordon lui-même.
- N'utilisez pas l'appareil si le cordon est endommagé ou si l'appareil est tombé ou est endommagé.
- Ne pliez pas le cordon d'alimentation et ne posez pas un objet lourd dessus, sous risque d'endommager le cordon et de provoquer un incendie ou une électrocution.
- Veillez à ce qu'aucune pièce métallique n'entre en contact avec les parties métalliques de la plaque de connexion. Il pourrait se produire un court-circuit dangereux pour l'appareil.
- Gardez toujours les contacts métalliques bien propres.
- Ne démontez pas l'appareil.
- Ne soumettez pas l'appareil à des chocs mécaniques et évitez de le laisser tomber.
- Lorsque vous utilisez l'appareil, en particulier pendant la recharge de la batterie, éloignez-le des récepteurs AM et des équipements vidéo, car il risque de provoquer des interférences.
- L'appareil s'échauffe pendant son utilisation. C'est parfaitement normal.
- Ne placez pas l'appareil à des endroits:
 - Extrêmement chauds ou froids
 - Sales ou poussiéreux
 - Très humides
 - Soumis à des vibrations

En cas de difficultés, débranchez l'appareil et consultez votre centre de service après-vente Sony agréé.

Précautions

Fonctionnement du caméscope

- Alimentez le caméscope sur 3 V (piles AA (LR6) X 2), 3,6 V (batterie) ou 4,2 V (adaptateur/chargeur secteur).
- Pour une utilisation sur secteur, utilisez les accessoires recommandés dans ce mode d'emploi.
- Si un objet ou du liquide pénètre à l'intérieur de l'appareil, débranchez le caméscope et faites-le vérifier par votre centre de service après-vente Sony agréé avant de le réutiliser.
- Evitez les manipulations brusques et les chocs mécaniques. Prenez particulièrement soin de l'objectif.
- Laissez l'appareil éteint lorsque vous n'utilisez pas le caméscope.
- N'utilisez pas le caméscope lorsqu'il est enveloppé, car il y a un risque de surchauffe.
- Gardez le caméscope à l'abri des champs magnétiques puissants ou des vibrations mécaniques.
- N'appuyez pas sur l'écran LCD.
- Si le caméscope est utilisé dans un endroit froid, il est possible qu'une image rémanente apparaisse sur l'écran LCD. C'est parfaitement normal.

Entretien du caméscope

- Si vous n'utilisez plus le caméscope pendant une période prolongée, rembobinez la cassette au début et enlevez les piles ou la batterie. Allumez le caméscope de temps en temps, faites-le fonctionner en mode caméra et lecture et reproduisez une cassette pendant 3 minutes.
- S'il y a des traces de doigts sur l'écran LCD, utilisez le kit de nettoyage LCD (non fourni) pour les enlever.
- Eliminez la poussière de l'objectif au moyen d'une petite brosse souple. S'il y a des traces de doigts sur l'objectif, utilisez un chiffon doux.
- Nettoyez le châssis du caméscope avec un chiffon doux et sec ou légèrement imbibé d'une solution détergente neutre. N'utilisez aucun type de solvant pour éviter d'endommager la finition.

A propos de la cartouche vidéo

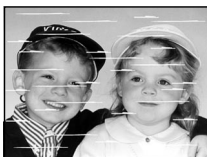
La cartouche vidéo peut enregistrer environ 30 minutes de prises de vues et environ 350 images fixes. Lorsque vous filmez et rembobinez énormément, les images de lecture deviennent difficiles à distinguer. C'est le signe que la cartouche vidéo doit être remplacée par une cartouche neuve (non fournie). Pour plus d'informations relatives à la cartouche vidéo, consultez votre centre de service après-vente Sony agréé.



[a]



[b]

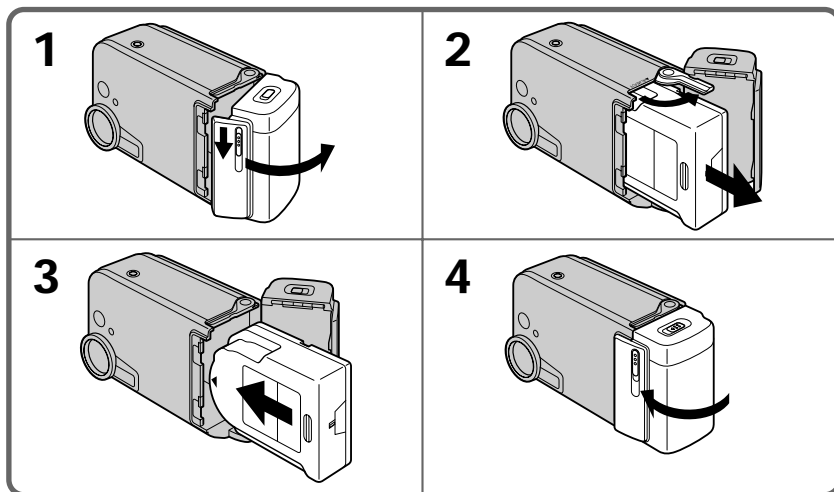


[a] Normal

[b] Trouble

Pour remplacer la cartouche vidéo

- (1) Pour ouvrir la trappe du compartiment de la cartouche, faites coulisser le bouton dans le sens de la flèche.
- (2) Faites glisser le levier d'éjection dans le sens de la flèche, puis retirez la cartouche vidéo.
- (3) Introduisez la cartouche vidéo neuve avec le repère tourné vers vous jusqu'au déclic.
- (4) Refermez la trappe.

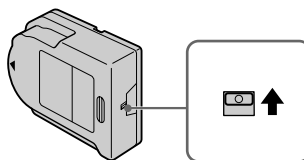


Pour éviter toute erreur de manipulation

Lorsque vous retirez ou mettez en place une nouvelle cartouche vidéo, éteignez le caméscope pour éviter toute erreur de manipulation du caméscope.

Pour éviter un effacement accidentel



Faites coulisser le taquet de la cartouche vidéo afin de faire apparaître la portion rouge. Lorsque la portion rouge est visible, tout enregistrement est impossible sur la cartouche vidéo. Pour réenregistrer sur cette cartouche vidéo, faites glisser le taquet pour obturer la portion rouge.



Guide de dépannage

Si vous rencontrez un problème au cours de l'utilisation du caméscope, référez-vous au tableau suivant pour tenter de remédier à ce problème. Si le problème persiste, débranchez la source d'alimentation et consultez votre centre de service après-vente Sony agréé.

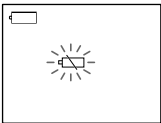
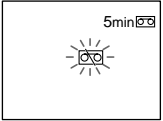
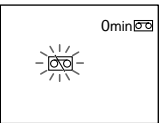

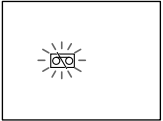
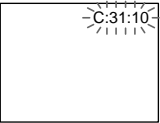
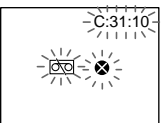
Caméscope

Symptôme	Cause et/ou solution
START/STOP ne fonctionne pas.	<ul style="list-style-type: none">• La cassette est arrivée en fin de bande.<ul style="list-style-type: none">m Rembobinez la cassette. (p. 20)• Le taquet de la cartouche vidéo fait apparaître la portion rouge.<ul style="list-style-type: none">m Utilisez une cartouche neuve ou dissimulez la portion rouge en faisant coulisser le taquet.• La cartouche vidéo n'est pas en place.<ul style="list-style-type: none">m Introduisez la cartouche vidéo. (p. 31)
L'enregistrement s'arrête après quelques secondes	<ul style="list-style-type: none">• Le commutateur START/STOP MODE est mis sur 5SEC ou .<ul style="list-style-type: none">m Pour enregistrer en permanence, mettez-le sur . (p. 13)
L'appareil se met hors tension.	<ul style="list-style-type: none">• Lorsque l'appareil est sous tension et que le caméscope n'a pas été utilisé pendant plus de 5 minutes, le caméscope se met automatiquement hors tension pour éviter une usure prématurée de la batterie et de la cartouche vidéo.<ul style="list-style-type: none">m Faites coulisser le commutateur POWER pour mettre l'appareil sous tension. (p. 12)• Les piles AA (LR6) ou la batterie rechargeable sont épuisées/presque mortes.<ul style="list-style-type: none">m Placez de nouvelles piles AA (LR6) ou une batterie rechargée. (p. 8)
Une bande verticale apparaît lorsque vous filmez un sujet tel que des lumières ou la flamme d'une bougie sur un fond sombre.	<ul style="list-style-type: none">• Le contraste entre le sujet et le fond est trop élevé. Le caméscope fonctionne correctement.<ul style="list-style-type: none">m Changez d'endroit.
Une bande verticale apparaît lorsque vous filmez un sujet très lumineux.	<ul style="list-style-type: none">• Le caméscope fonctionne correctement.
La cassette ne répond pas aux injonctions des touches d'exploitation vidéo.	<ul style="list-style-type: none">• La cassette est arrivée en fin de bande.<ul style="list-style-type: none">m Rembobinez la cassette. (p. 20)• La cartouche vidéo n'est pas mise en place.<ul style="list-style-type: none">m Introduisez la cartouche vidéo. (p. 31)
Il n'y a pas de son lors de la lecture d'une cassette.	<ul style="list-style-type: none">• Le haut-parleur est coupé.<ul style="list-style-type: none">m Mettez le commutateur du haut-parleur sur ON. (p. 20)
L'appareil n'est pas sous tension.	<ul style="list-style-type: none">• Les piles AA (LR6) ou la batterie rechargeable sont épuisées/pas installées/presque mortes.<ul style="list-style-type: none">m Introduisez des piles AA (LR6) neuves ou une batterie rechargée. (p. 8)• Les piles ne sont pas en place avec les polarités correctes.<ul style="list-style-type: none">m Mettez les piles dans le bon sens. (p. 8)• Le cordon d'alimentation n'est pas branché à une prise secteur.<ul style="list-style-type: none">m Raccordez le cordon d'alimentation à une prise murale. (p. 10)

Symptôme	Cause et/ou solution
Les piles AA (LR6) ou la batterie rechargeable se déchargent rapidement.	<ul style="list-style-type: none">• La température ambiante est trop basse. (p. 27)• La batterie n'a pas été rechargée entièrement.<ul style="list-style-type: none">m Rechargez de nouveau la batterie. (p. 11)• Les piles AA (LR6) ou la batterie sont complètement mortes et il est impossible de recharger la batterie.<ul style="list-style-type: none">m Utilisez des piles AA (LR6) neuves ou une autre batterie rechargée. (p. 27)
L'indication de la date ou de l'heure affiche des barres (---:---:---).	<ul style="list-style-type: none">• Réglez la date et l'heure. (p. 25)
Le bip retentit pendant 5 secondes.	<ul style="list-style-type: none">• Un problème s'est produit dans votre caméscope.<ul style="list-style-type: none">m Eteignez de nouveau le caméscope, puis remettez-le sous tension.m Changez la source d'alimentation.
Retour acoustique (hurlement).	<ul style="list-style-type: none">• Le caméscope est placé à côté du téléviseur.<ul style="list-style-type: none">m Eloignez le caméscope du téléviseur.m Baissez le volume du téléviseur.

Indicateurs d'avertissement

Si des indicateurs clignotent sur l'écran LCD, procédez aux vérifications suivantes:
‡... : vous entendez un bip sonore.

1		2		3	
4		5		6	
7					

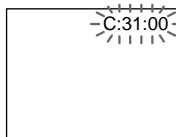
- 1 La batterie est épuisée ou morte.**
Clignotement lent: la batterie est épuisée.
Clignotement rapide: la batterie est morte.
- 2 La cassette arrive presque en fin de bande.**
Le clignotement est lent.
- 3 La cassette est arrivée en fin de bande.**
Le clignotement s'accélère.
- 4 Aucune cartouche vidéo n'est introduite.**
- 5 Le taquet de protection de la cartouche vidéo laisse apparaître la portion rouge.**
- 6 La fonction d'auto-diagnostic a été enclenchée.**
Cette fonction affiche l'état du caméscope sous la forme d'un code à cinq caractères sur l'écran LCD. Ce code à cinq caractères vous informe de l'état actuel du caméscope. (p. 35)
Si l'affichage ne disparaît pas, consultez votre centre de service après-vente Sony agréé.
- 7 Un autre problème s'est produit.**
Mettez le caméscope hors tension et retirez les piles AA (LR6) ou la batterie. Puis, remettez en place les piles AA (LR6) ou la batterie rechargeable et mettez le caméscope sous tension.
Si l'affichage ne disparaît pas, consultez votre centre de service après-vente Sony agréé.

Fonction d'auto-diagnostic

Ce caméscope possède une fonction d'auto-diagnostic.

Cette fonction exprime l'état du caméscope au moyen de cinq caractères (une combinaison d'une lettre et de chiffres) sur l'écran LCD. Dans ce cas, vérifiez le tableau des codes suivant. L'affichage à cinq chiffres vous informe du statut actuel du caméscope. Les deux derniers chiffres (indiqués par " ") varient en fonction de l'état du caméscope.

Ecran LCD



Fonction d'auto-diagnostic

- C: " " : " "
Vous pouvez résoudre le problème seul.
- E: " " : " "
Consultez votre centre de service après-vente Sony agréé.

Affichage à cinq caractères	Cause et/ou solution
C:31: " "	<ul style="list-style-type: none">• La fonction d'auto-diagnostic affiche un code signalant une situation pouvant être résolue par vos soins.<ul style="list-style-type: none">m Mettez le caméscope hors tension, puis de nouveau sous tension, puis faites fonctionner le caméscope.m Changez la source d'alimentation, puis faites fonctionner le caméscope.m Laissez le caméscope pendant environ 1 heure, puis faites fonctionner le caméscope.
C:32: " "	
E:61: " "	<ul style="list-style-type: none">• La fonction d'auto-diagnostic affiche un code signalant une situation ne pouvant pas être résolue par vos soins.<ul style="list-style-type: none">m Consultez votre centre de service après-vente Sony agréé et communiquez-leur le code d'entretien de cinq caractères (exemple: E:61:10).
E:62: " "	

Si vous n'êtes pas en mesure de résoudre le problème seul, consultez votre centre de service après-vente Sony agréé.

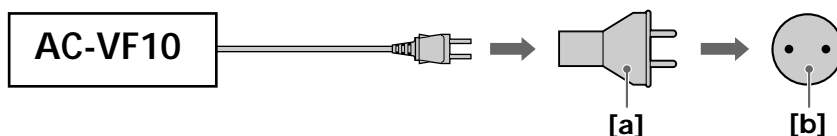
Utilisation de votre caméscope à l'étranger

Chaque pays possède ses propres systèmes d'électricité et de télévision couleur. Avant d'utiliser le caméscope dans un autre pays, vérifiez les points suivants.

Sources d'alimentation

Vous pouvez utiliser votre caméscope dans n'importe quel pays ou région avec les deux piles AA (LR6), la batterie ou avec l'adaptateur secteur, fournissant une tension d'alimentation comprise entre 100 et 240 V CA, 50/60 Hz.

Utilisez au besoin un adaptateur de fiche secteur en vente dans le commerce [a] si la forme de la prise murale l'exige [b].



Différence entre les systèmes de télévision couleur

Votre caméscope est basé sur le système NTSC. Si vous souhaitez visionner l'image sur un téléviseur, celui-ci doit également être basé sur le système NTSC. Consultez la liste ci-dessous.

Système NTSC

Amérique centrale, Bahamas, Bolivie, Canada, Chili, Colombie, Corée, Equateur, Etats-Unis, Jamaïque, Japon, Mexique, Pérou, Philippines, Surinam, Taïwan, Venezuela, etc.

Système PAL

Allemagne, Australie, Autriche, Belgique, Chine, Danemark, Espagne, Finlande, Grande-Bretagne, Hongkong, Italie, Koweït, Malaisie, Norvège, Nouvelle-Zélande, Pays-Bas, Portugal, République slovaque, République tchèque, Singapour, Suède, Suisse, Thaïlande, etc.

Système PAL-M

Brésil

Système PAL-N

Argentine, Paraguay, Uruguay

Système SECAM

Bulgarie, France, Guyane, Hongrie, Irak, Iran, Monaco, Pologne, Russie, Ukraine, etc.

Spécifications

Caméra vidéo (caméscope)

Système

Système d'enregistrement vidéo
2 têtes rotatives
Système FM à balayage hélicoïdal
Système d'enregistrement audio
Têtes rotatives, système FM
Signal vidéo
Standards NTSC couleur, EIA;
Durée d'enregistrement/de lecture
30 min.
Temps d'avance/rembobinage rapide
Approx. 2 min.
Système d'image
CCD (Capteur numérique transistorisé)
Objectif
Objectif à zoom électrique combiné
3 X (optique)
Distance focale
3,4 - 10,2 mm
(33 - 99 mm en cas de conversion en caméra fixe 35 mm)
F 2,8 - 3,9
Température de couleur
Auto
Éclairage minimal*
6 lux (F 2,8)
Plage d'éclairage
6 lux à 100.000 lux
Éclairage recommandé
Plus de 100 lux

Connecteur de sortie

Sortie vidéo/audio
Mûnprise AV
Vidéo: 75 ohms, asymétrique, synchro négative
Audio: 327 mV, (47kohms) à une impédance de sortie inférieure à 2,2 kohms

Ecran LCD

Image
2,5 pouces mesurés en diagonale
50,2 × 37,1 mm
Affichage sur écran
Méthode de réflexion
Nombre total de points
61.380 (279 × 220)

Généralités

Alimentation
3,0 V Piles AA (LR6) X 2
3,6 V Batterie rechargeable
4,2 V Adaptateur/chargeur secteur
Consommation moyenne (avec des piles AA (LR6) X 2)
En cours d'enregistrement: 2,0 W
Température d'utilisation
0°C à 40°C
Température de stockage
-20°C à +60°C
Dimensions (approx.)
124,3 × 66,5 × 44,1 mm (l/h/p)
Poids (approx.)
330 g
(avec une cartouche vidéo VD-CR1 de 110 g, sans les piles)
En ordre de marche :
380 g
(avec les deux piles AA (LR6))
370 g
(avec une batterie NP-F10)
Microphone
Monaural
Haut-parleur
Haut-parleur piézoélectrique
Accessoires fournis
Cartouche vidéo VD-CR1
(1, déjà en place dans le caméscope)
Piles AA (LR6) (2)
Batterie rechargeable NP-F10 (1)
Adaptateur/chargeur secteur AC-VF10 (1)
Cordon de raccordement DK-115 (1)
Cordon d'alimentation (1)
Câble de raccordement A/V (1)
Bandoulière (1, déjà fixée au caméscope)
Capuchon d'objectif (1)
Sac de rangement (1)

Adaptateur/chargeur secteur

Alimentation

100 - 240 V CA, 50/60 Hz
Tension de sortie
DC OUT:
4,2 V, 1,8 A en mode de fonctionnement
4,2 V, 1,4 A en mode de charge
Consommation
23 W
Température d'utilisation
0°C à 40°C
Température de stockage
-20°C à +60°C
Dimensions (approx.)
85 × 49 × 39 mm (l/h/p) sans les parties saillantes
Poids (approx.)
280 g sans le cordon d'alimentation
Longueur du cordon (approx.)
Cordon d'alimentation secteur: 2 m
Cordon de raccordement: 2 m

Batterie rechargeable

Tension de sortie
3,6 V
Capacité nominale
3,6 Wh
Batterie utilisée
Batterie au lithium-ion

La conception et les spécifications sont sujettes à modifications sans préavis.

Index

A, B

Alimentation secteur	10
Bandoulière	6
Batterie au lithium	27
Bip sonore	3, 34

C, D

Capuchon d'objectif	7
Cartouche	31
Cartouche vidéo	31
Compteur de bande	7, 12
Contre-jour	17
Date	19, 25

E

END SEARCH	18, 22
Enregistrement photo	14

F, G

Fonction d'auto-diagnostic ...	35
Guide de dépannage	32

H, I, J, K, L

Heure	19, 25
-------------	--------

M, N, O, P, Q

MACRO	15
Mode d'enregistrement	13
Montage	24
Pause de lecture	22
PHOTO SCAN	21, 22
Prise de vue	12

R

Raccordement	23
Recharge de la batterie	11
Réglage de l'horloge	25
Rembobinage	22

S, T, U

Sources d'alimentation	8, 10
Utilisation d'un pied photographique	6, 15

V, W, X, Y, Z

Visionnage sur un écran de télévision	23
Zoom	15

Sony  line

<http://www.world.sony.com/>

Printed on recycled paper