

Radio Cassette Player

Operating instructions

Mode d'emploi (reverse)

Manual de instrucciones (inverso)

WALKMAN is a registered trademark of Sony Corporation.
WALKMAN est une marque déposée de Sony Corporation.



The CE mark on the unit is valid only for products marketed in the European Union.



La marque CE indiquée sur l'appareil n'est valable que pour les produits commercialisés dans l'Union européenne.



La marca CE de la unidad es válida sólo para los productos comercializados en la Unión Europea.



The C-Tick mark on the Walkman is valid only for the products marketed in Australia.



Le symbole C-Tick sur le Walkman est uniquement valable pour les produits commercialisés en Australie.



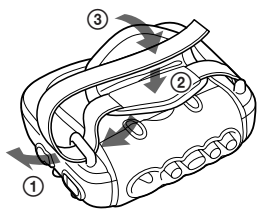
La marca C-Tick del Walkman es válida solamente para los productos comercializados en Australia.

sports
WALKMAN

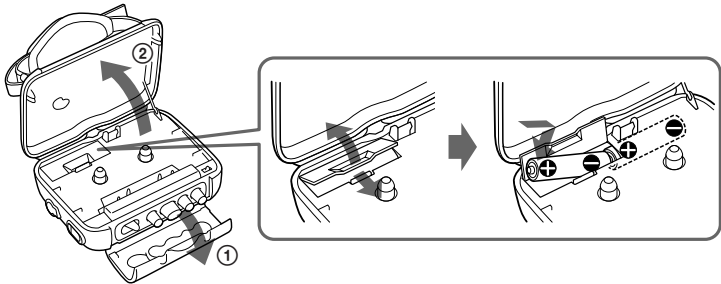
WM-FS420/FS420RS/FS220

Sony Corporation ©2000 Printed in China

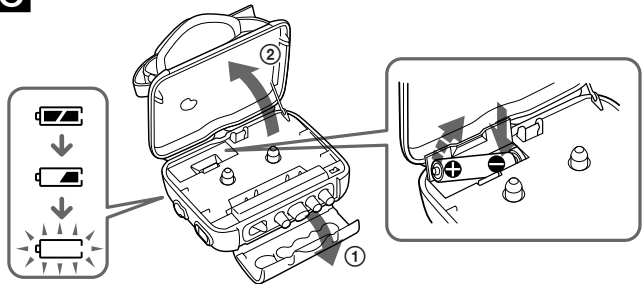
A



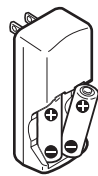
B



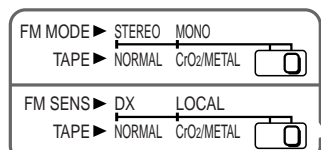
C



D



FS420RS



TUNING +, -

VOLUME

MB

1, 2, 3, 4, 5

RADIO ON/OFF

BAND

▶▶▶

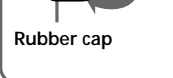
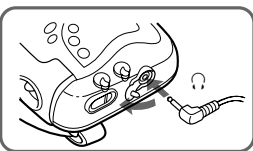
▶▶▶

▶▶▶

◀▶▶ (FS420/FS420RS only)

AVLS

HOLD



FS420/FS420RS

English

WARNING

To prevent fire or shock hazard, do not expose the unit to rain or moisture.

For the customers in the U.S.A. OWNER'S RECORD

The model number is located at the rear and the serial number is located inside the cassette holder. Record the model and serial numbers in the spaces provided below. Refer to these numbers whenever you call upon your Sony dealer regarding this product. Model No. _____ Serial No. _____

INFORMATION

This equipment has been tested and found to comply with the limits for a Class B digital device, pursuant to Part 15 of the FCC Rules. These limits are designed to provide reasonable protection against harmful interference in a residential installation. This equipment generates, uses, and can radiate radio frequency energy and, if not installed and used in accordance with the instructions, may cause harmful interference to radio communications. However, there is no guarantee that interference will not occur in a particular installation. If this equipment does cause harmful interference to radio or television reception, which can be determined by turning the equipment off and on, the user is encouraged to try to correct the interference by one or more of the following measures:

- Reorient or relocate the receiving antenna.
- Increase the separation between the equipment and receiver.
- Connect the equipment into an outlet on a circuit different from that to which the receiver is connected.
- Consult the dealer or an experienced radio/TV technician for help.

This device complies with Part 15 of the FCC Rules. Operation is subject to the following two conditions: (1) This device may not cause harmful interference, and (2) this device must accept any interference received, including interference that may cause undesired operation.

You are cautioned that any changes or modifications not expressly approved in this manual could void your authority to operate this equipment.

Preparations

To attach the carrying belt

Attach it as illustrated.

To insert batteries

- 1 Open the cassette holder.
- 2 Release the catch to open the battery compartment lid and insert two size AA (R6) dry batteries with correct polarity.

When to replace the batteries

Replace the batteries with the new ones when the BATT "□" flashes in the display.

To replace the batteries

- 1 Release the catch to open the battery compartment lid.
- 2 Push the ⊖ side of the battery to remove the batteries and replace them with new ones.

Note

- When replacing batteries, be sure to replace both batteries within 30 seconds; otherwise all the memories including the preset radio stations will be canceled.

To use with rechargeable batteries

Before using, charge the rechargeable batteries with the supplied charger.

Charging time is about 8 hours. After 8 hours, remove the batteries.

Open the battery compartment lid and insert the rechargeable batteries after charging.

Notes

- The nameplate indicating operating voltage, power consumption, etc. is located on the bottom exterior of the charger.
- Remove the charger unit from the wall outlet as soon as possible after the rechargeable batteries have been charged.
- The batteries may become warm during charging.
- Do not tear off the film on the rechargeable battery.
- Use only the rechargeable battery NC-AA, NC-WMAA with the supplied battery charger.
- If the rechargeable battery is new or has not been used for a long time, it may not be charged completely. (The playing time is shorter.)
- The rechargeable batteries can be charged about 300 times.
- Be sure not to short-circuit the batteries. When you carry them with you, use the supplied carrying case. If you are not using the case, do not carry them with other metallic objects such as keys rings in your pocket.

Spécifications

- Plage de fréquence
FM: 87.5 - 108 MHz
AM: 530 - 1.710 kHz (Amérique du Nord, centrale et du Sud)
531 - 1.602 kHz (Autres pays)

- Alimentation
3 V CC, deux piles format AA (R6)
- Dimensions (l/h/p)
Env. 108,4 x 125,7 x 47,2 mm (4 ¼ x 5 x 1 ¾ pouces) parties saillantes et commandes comprises
- Poids
Env. 280 g (9,9 onces)/Env. 355 g (12,6 onces) (piles et cassette comprises)
- Accessoires fournis
Casque d'écoute ou écouteurs stéréo (1)
Attache de ceinture (1)
Chargeur de pile (1) (FS420RS uniquement)
Pile rechargeable NC-WMAA, 1,2 V, 700 mAh, Ni-Cd (2) (FS420RS uniquement)
Etui de pile rechargeable (1)(FS420RS uniquement)

Playing a Tape

- 1 Open the cassette holder and set TAPE to match the tape type, normal (TYPE I) or CrO₂ (TYPE II)/metal (TYPE IV).
- 2 Insert a cassette and press ▶. Adjust the volume with VOLUME.

To	Press
Stop playback*	■
Fast forward or rewind**	◀◀ or ▶▶ during stop
Change sides (FS420/FS420RS)	◀▶

- * Playback will switch automatically to the opposite side when the tape reaches the end of the side (FS420/FS420RS only).
- **Notes on fast-forward and rewind
 - Check tape direction and choose ◀◀ or ▶▶ accordingly (FS420/FS420RS only).
 - If you leave the Walkman after the tape has been wound or rewound, the batteries will be consumed rapidly. Be sure to press ■.

Note

- Do not open the cassette holder while the tape is running.

Listening to the Radio

- 1 If the HOLD function is on, turn the HOLD switch in the opposite direction of the arrow to unlock the controls.
- 2 Press RADIO ON/OFF to turn on the radio.
- 3 Press BAND repeatedly to select AM, FM1, FM2, FM3, FM4 or FM5.
- 4 Press TUNING +/- to tune in to the desired station. If you keep pressing TUNING +/- for a few seconds, the Walkman after the tape has been wound or rewound, the batteries will be consumed rapidly. Be sure to press ■.

To turn off the radio

Press RADIO ON/OFF.

To improve the broadcast reception

- For FM: Extend the headphones/earphones cord (antenna), or adjust FM SENS or FM MODE.
- For AM: Reorient the unit itself.

Presetting Radio Stations

You can store radio stations into the unit's memory. You can preset up to 30 radio stations, 5 for each FM1, FM2, FM3, FM4, FM5 or AM bands.

- 1 Press RADIO ON/OFF to turn on the radio.
- 2 Tune in the desired station by using BAND and TUNING + or -.
- 3 Press a preset number (1 - 5) for 2 seconds. The frequency digits and a preset number flash in the display with a beep. The station is now stored.

Note

- If a station is already stored, the new station replaces the old one.

To play the preset radio stations

- 1 Press BAND to select the band.
- 2 Press the preset number (1 - 5) to tune in a stored station.

Receiving Stations Outside Your Country (Excluding models for Europe, Saudi Arabia, and China)

The frequency range differs depending on the area (see the chart "Area indication and frequency range"). If you listen to the radio in an area of different frequency range, change the area indication in the display.

- 1 Turn on the radio and press BAND for more than 10 seconds until the area indication flashes in the display.
- 2 While the display is flashing, press TUNING +/- to select either "U" or "E" indication.
- 3 Press BAND to set the area indication.

Note

- If you change the frequency range, all the preset stations will be canceled.

Area indication and frequency range

Area*	Frequency range	
	FM (MHz)	AM (kHz)
E	87.5 - 108	531 - 1.602
U	87.5 - 108	530 - 1.710

* E: European and other countries

U: USA, Canada, and Central and South America

Using Other Functions

To lock the controls

Turn the HOLD switch to the direction of the arrow to lock the controls.

The hold function only locks the radio operation buttons and MEGA BASS.

To emphasize bass sound

Press MB (MEGA BASS).

"MEGA BASS" appears in the display.

To protect your hearing — AVLS

Turn AVLS (Automatic Volume Limiter System) to LIMIT. The maximum volume is kept down to protect your ears, even if you turn the volume up.

Precautions

On batteries

- Do not charge a dry battery.
- Do not carry dry batteries with coins or other metallic objects. It can generate heat if the positive and negative terminals of the batteries are accidentally contacted by a metallic object.
- When you are not going to use the Walkman for a long time, remove the battery to avoid any damage caused by battery leakage and subsequent corrosion.

For the customers in the U.S.A. and Canada (FS420RS only)

RECYCLING NICKEL-CADMIUM BATTERIES

Nickel-Cadmium batteries are recyclable. You can help preserve our environment by returning your unwanted batteries to your nearest point for collection, recycling or proper disposal. Note: In some areas the disposal of nickel-cadmium batteries in household or business trash may be prohibited.

RBRC (Rechargeable Battery Recycling Corporation) advises you about spent battery collection by the following phone number. Call toll free number: 1-800-822-8837 (United States and Canada only)

Caution: Do not handle damaged or leaking nickel-cadmium batteries.



On handling

- Do not leave the unit in a location near heat sources, or in a place subject to direct sunlight, excessive dust or sand, moisture, rain, mechanical shock, or in a car with its windows closed.
- Do not use cassettes longer than 90 minutes except for long continuous playback.
- The LCD display may become hard to see or slow down when using the unit at high temperatures (above 40°C/104°F) or at low temperatures (below 0°C/32°F). At room temperature, the display will return to its normal operating condition.
- If the unit has not been used for a long time, set it in the playback mode to warm it up for a few minutes before you start using again.

On water resistance

- Before opening or closing the cassette holder, be sure to wipe off water, dust or sand on the exterior of the Walkman. (The Walkman is not water-resistant with the cassette holder open.)
- Since water in the headphones/earphones jack may cause rust, cover it with the attached rubber cap when the headphones/earphones are not in use.
- Since the Walkman is airtight, you may not be able to open the cassette holder because of sudden change in air pressure inside the Walkman, which happens after being transported on a plane or moving from a warm place to a cold place. To open the cassette holder see "Troubleshooting".
- The supplied headphones/earphones are not meant to be immersed in water or come in continuous contact with water. If they are accidentally dropped into water or get wet, dry them with a soft cloth. Never use an electric hair dryer.
- If the Walkman or the headphones/earphones are immersed in salt water, be sure to wash them in non-running fresh water. Never wash them under running water, and never use soap or detergent.
- Any sand or dust on the rubber packing will prevent the cassette holder from closing tightly, and water may leak in. Brush off the dust once in a while.
- We recommend the packing to be changed every year. Replacement packing is available at an authorized Sony Service Facility.

On headphones/earphones

Road safety

Do not use headphones/earphones while driving, cycling, or operating any motorized vehicle. It may create a traffic hazard and is illegal in some areas. It can also be potentially dangerous to play your headphones/earphones at high volume while walking, especially at pedestrian crossings. You should exercise extreme caution or discontinue use in potentially hazardous situations.

Preventing hearing damage

Do not use headphones/earphones at high volume. Hearing experts advise against continuous, loud and extended play. If you experience a ringing in your ears, reduce volume or discontinue use.

Caring for others

Keep the volume to a moderate level. This will allow you to hear outside sounds and to be considerate to the people around you.

On maintenance

To clean the tape head and path

Use the cleaning cassette CHK-1W (not supplied) every 10 hours of use. Use only the recommended cleaning cassette.

To clean the exterior

Use a soft cloth slightly moistened in water. Do not use alcohol, benzine or thinner. Clean the headphones/earphones plugs periodically.

Troubleshooting

The volume cannot be turned up.

- Set AVLS to NORM.

The display shows incorrect information.

- The batteries are weak. Replace the batteries with new ones.

The display and the operation are not normal.

- Remove the power sources for 15 seconds or more, and then set them again.

The cassette holder cannot be opened.

- Open the rubber cap, then open the cassette holder. When the cassette holder opens, remember to close the rubber cap to prevent intrusion of water.

This warranty is valid only in the United States.

Cette carte n'est valide qu'aux Etats-Unis.

Esta garantía es válida solamente en los EE. UU.

Specifications

- Frequency range
FM: 87.5 - 108 MHz
AM: 530 - 1.710 kHz (North, Central, and South America)
531 - 1.602 kHz (Other countries)

• Power requirements

3 V DC, batteries size AA (R6) x 2

• Dimensions (w/h/d)
Approx. 108.4 x 125.7 x 47.2 mm (4 ¼ x 5 x 1 ¾ inches), incl. projecting parts and controls

• Mass

Approx. 280 g (9.9 oz)/Approx. 355 g (12.6 oz) (incl. batteries and a cassette)

• Supplied accessories

Stereo headphones or earphones (1)

Belt clip (1)

Battery charger (1) (FS420RS only)

Rechargeable battery

NC-WMAA, 1.2 V, 700 mAh, Ni-Cd (2) (FS420RS only)

Rechargeable battery carrying case (1) (FS420RS only)

Design and specifications are subject to change without notice.

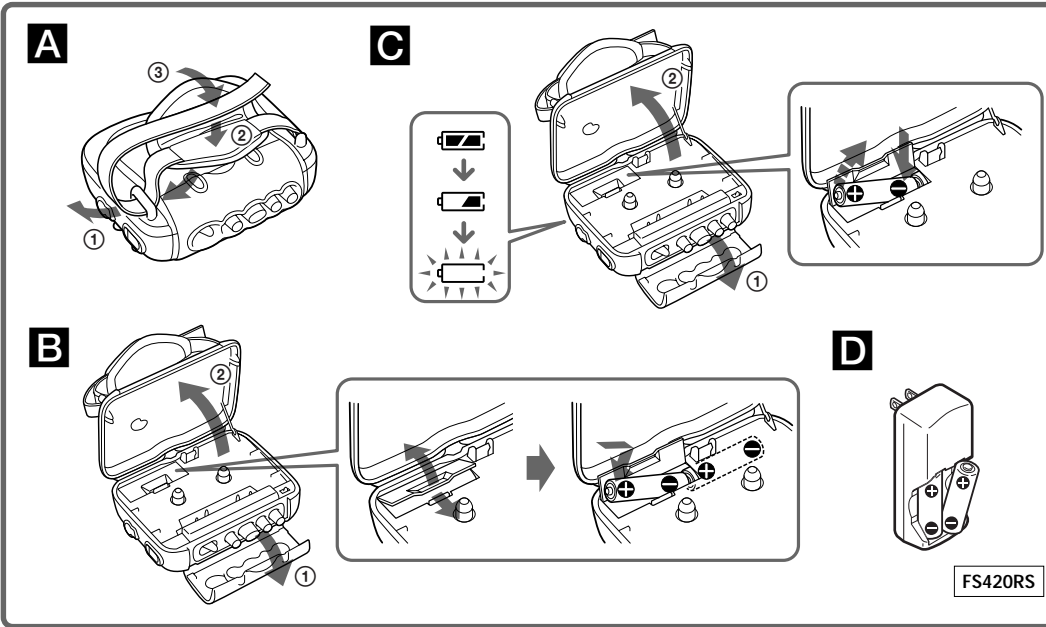
Battery life (approximate hours) (EIAJ)*

	Tape playback	Radio reception
Sony alkaline LR6 (SG)	25.0	40.0
Sony R6P (SR)	7.5	14.0
Rechargeable battery NC-WMAA (fully charged) (FS420RS only)	8.0	15.0

* Measured value by the standard of EIAJ (Electronic Industries Association of Japan). (Using a Sony HF series cassette tape)

Note

- The battery life may shorten depending on the operation of the unit.



Français AVERTISSEMENT Afin d'éviter tout risque d'incendie ou d'électrocution, ne pas exposer l'appareil à la pluie ou à l'humidité.

Préparations

Fixation de la sangle de transport [ⓘ]
La fixer comme illustré.

Pour introduire les piles [ⓘ]

- Ouvrez le compartiment à cassette.
- Relâchez le verrou pour ouvrir le couvercle du compartiment à piles, puis introduisez deux piles sèches AA (R6) en respectant les polarités.

Quand faut-il remplacer les piles [ⓘ]
Remplacez les piles par des neuves lorsque le témoin BATT "☐" clignote dans la fenêtre d'affichage.

Pour remplacer les piles

- Libérez le verrou pour ouvrir le couvercle du compartiment à piles.
- Appuyez sur le côté ☹ de la pile pour sortir les piles et remplacez-les par des neuves.

Remarque

• Lors du remplacement des piles, veillez à remplacer les deux piles dans les 30 secondes; sinon, toutes les données en mémoire, en ce compris les stations présélectionnées, seront effacées.

Utilisation avec des piles rechargeables [ⓘ]
(FS420RS uniquement)

Avant l'utilisation, chargez les piles rechargeables au moyen du chargeur fourni.

Le temps de charge est d'environ 8 heures. Après 8 heures, retirez les piles.

Ouvrez le couvercle du compartiment à piles, puis introduisez les piles rechargeables après la recharge.

Remarques

- La plaquette signalétique indiquant la tension opérationnelle, la consommation de courant, etc. est située en bas à l'extérieur du chargeur.
- Retirez le chargeur de la prise murale dès que possible après avoir rechargé les piles rechargeables.
- Les piles peuvent se réchauffer pendant la charge.
- Ne déchirez pas le film de la pile rechargeable.
- Utilisez uniquement des piles rechargeables NC-AA, NC-WMAA avec le chargeur de piles fourni.
- Si la pile rechargeable est neuve ou n'a pas été utilisée pendant une période prolongée, il se peut qu'elle ne soit pas rechargée complètement. (Le temps de lecture est plus court.)
- Les piles rechargeables peuvent être rechargées environ 300 fois.
- Ne court-circuitez pas la pile. Si vous devez la transporter, mettez-la dans l'étui de pile fourni. Si vous n'utilisez pas cet étui, ne mettez pas d'autres objets métalliques, par exemple des clés, dans la même poche.

Lecture d'une cassette

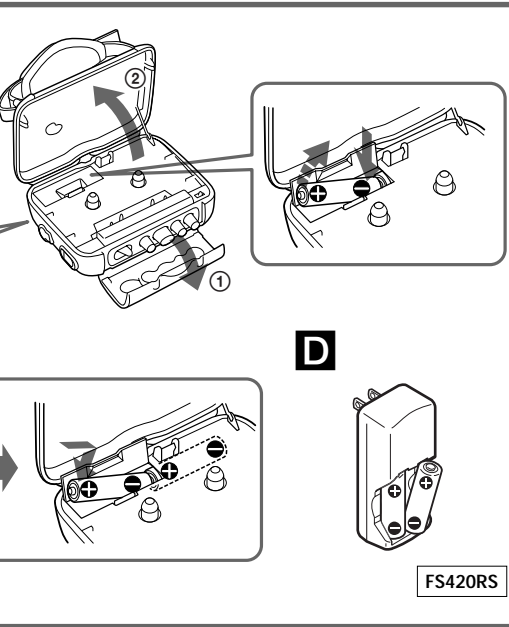
- Ouvrez le compartiment à cassette et réglez TAPE pour qu'il corresponde à la cassette introduite: normal (TYPE I) ou CrO₂ (TYPE II)/métal (TYPE IV).
- Introduisez une cassette et appuyez sur ►. Ajustez le volume à l'aide de la commande VOLUME.

Pour	Appuyez sur
Arrêter la lecture*	■
Avancer rapidement ou rebobiner**	◀◀ ou ▶▶ à l'arrêt
Changer de côté (FS420/FS420RS)	◄►

- La lecture passe automatiquement à l'autre face lorsque la cassette arrive à la fin d'une face (FS420/FS420RS uniquement).
- **Remarques sur l'avance rapide ou le rebobinage
 - Vérifiez le sens de défilement de la bande et choisissez ◀◀ ou ▶▶ en fonction (FS420/FS420RS uniquement).
 - Si vous laissez le Walkman tel quel après avoir avancé ou rebobiné la bande, les piles se consumeront rapidement. N'oubliez pas d'appuyer sur ■.

Remarque

• N'ouvrez pas le compartiment à cassette pendant que la bande défile.



Ecoute de la radio

- Si la fonction HOLD est activée, faites tourner le commutateur HOLD dans le sens contraire de la flèche pour déverrouiller les commandes.
- Appuyez sur RADIO ON/OFF pour mettre l'appareil sous tension.
- Appuyez plusieurs fois sur BAND pour sélectionner AM, FM1, FM2, FM3, FM4 ou FM5.
- Appuyez sur TUNING +/- pour accorder la station désirée. Si vous maintenez la touche TUNING +/- enfoncée pendant quelques secondes, le Walkman syntonise automatiquement la prochaine station disponible.

Pour désactiver la radio

Appuyez sur RADIO ON/OFF.

Pour améliorer la qualité de la réception radio

- En FM: Prolongez le câble des écouteurs/casque d'écoute (antenne) ou ajustez FM SENS ou FM MODE.
- En AM: Réorientez l'appareil lui-même.

Présélection des stations de radio

Vous pouvez mémoriser des stations de radio dans la mémoire de l'appareil. Vous pouvez présélectionner jusqu'à 30 stations radio, 5 en FM1, FM2, FM3, FM4, FM5 ou AM.

- Appuyez sur RADIO ON/OFF pour mettre l'appareil sous tension.
- Accordez la station désirée à l'aide de BAND et de TUNING + ou −.
- Appuyez sur un numéro de présélection (1 - 5) pendant 2 secondes. Les chiffres de fréquence et un numéro de présélection se mettent à clignoter dans la fenêtre d'affichage au moyen d'un bip. La station est à présent sélectionnée.

Remarque

• Si une station est déjà sauvegardée, la nouvelle station remplace l'ancienne.

Ecoute des stations de radio présélectionnées

- Appuyez sur BAND pour sélectionner la gamme d'ondes.
- Appuyez sur les numéros de présélection (1 - 5) pour accorder la station présélectionnée.

Réception de stations hors de votre pays

(à l'exception des modèles destinés à l'Europe, l'Arabie Saoudite et la Chine)

La plage de fréquence diffère en fonction de la zone (voir le tableau "Indication de région et plage de fréquence"). Si vous écoutez la radio dans une région affichant une plage de fréquence différente, modifiez l'indication de région dans la fenêtre d'affichage.

- Mettez la radio sous tension et appuyez sur BAND pendant plus de 10 secondes jusqu'à ce que l'indication de la région se mette à clignoter dans la fenêtre d'affichage.
- Pendant que la fenêtre d'affichage clignote, appuyez sur TUNING +/- pour sélectionner l'indication "U" ou "E".
- Appuyez sur BAND pour régler l'indication de zone.

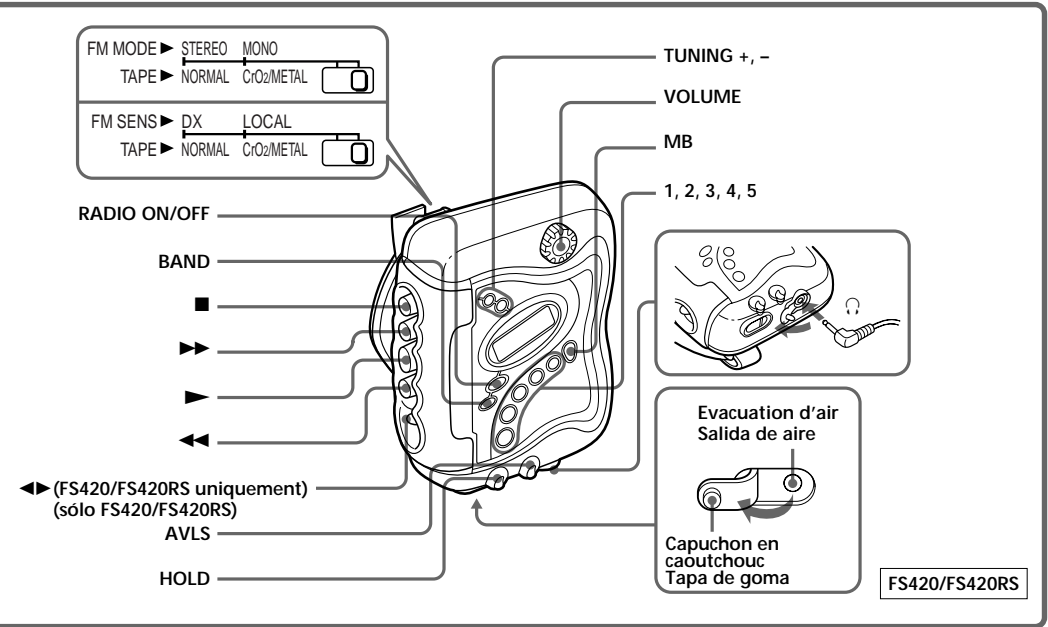
Remarque

• Si vous modifiez la plage de fréquence, toutes les stations présélectionnées seront supprimées.

Indication de région et plage de fréquence			
Région*	Plage de fréquence FM (MHz)	AM (kHz)	
E	87,5 - 108	531 - 1.602	
U	87,5 - 108	530 - 1.710	

* E: Europe et autres pays

U: Etats-Unis, Canada et Amérique centrale et du sud



Utilisation d'autres fonctions

Pour verrouiller les commandes
Faites tourner le commutateur HOLD dans le sens de la flèche pour verrouiller les commandes. La fonction HOLD ne verrouille que les touches d'exploitation de la radio et MEGA BASS.

Pour accentuer les graves
Appuyez sur MB (MEGA BASS). L'indication "MEGA BASS" apparaît dans la fenêtre d'affichage.

Pour vous protéger l'ouïe — AVLS
Mettez AVLS (Automatic Volume Limiter System) sur LIMIT. Le volume maximum est maintenu au minimum pour vous protéger l'ouïe, même si vous augmentez le volume.

Précautions

A propos des piles

- Ne pas recharger une pile sèche.
- Ne transportez pas les piles sèches avec des pièces de monnaie ou d'autres objets métalliques. Cela peut générer de la chaleur si les bornes positive et négative des piles entrent accidentellement en contact avec un objet métallique.
- Si vous comptez ne pas utiliser le baladeur pendant une période prolongée, retirez la pile pour éviter des dégâts dus à une fuite de la pile et à la corrosion.

Pour les utilisateurs aux Etats-Unis et au Canada (FS420RS uniquement) RECYCLAGE DES BATTERIES AU NICKEL-CADMIUM

Les batteries au nickel-cadmium sont recyclables. Vous pouvez contribuer à préserver l'environnement en rapportant les batteries usées dans un point de ramassage, recyclage ou retraitement.

Remarque: Dans certain pays, il est interdit de jeter les batteries au nickel-cadmium avec les ordures ménagères ou dans les poubelles de bureau.

Questionnez chez RBRC (Rechargeable Battery Recycling Corporation) pour les batteries usées.

Le numéro est: 1-800-822-8837 (Etats-Unis et Canada uniquement)

Avertissement: Ne pas utiliser des batteries au nickel-cadmium qui sont endommagées ou qui fuient.

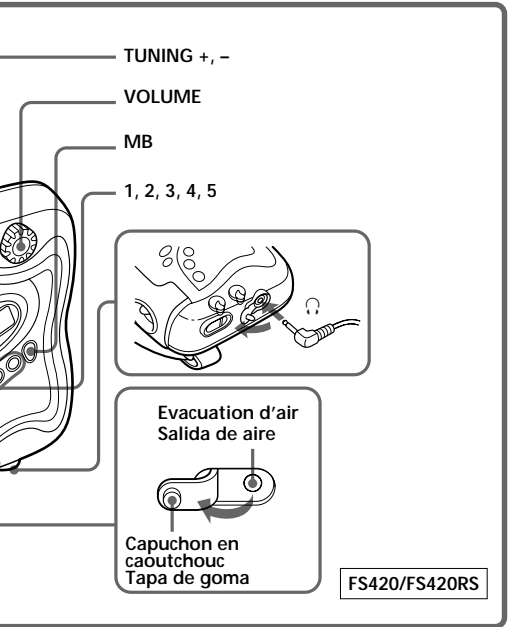
A propos de la manipulation

- N'abandonnez pas l'appareil à proximité de sources de chaleur ou à un endroit exposé aux rayons directs du soleil, à de la poussière ou du sable en excès, à de la pluie, à des chocs mécaniques ou dans une voiture aux vitres fermées.
- N'utilisez pas des cassettes dont la durée dépasse 90 minutes, sauf dans le cas d'une lecture continue de longue durée.
- L'écran LCD peut devenir difficile à voir ou s'atténuer si l'appareil est utilisé à température élevée (au-dessus de 40°C/ 104°F) ou à basse température (sous 0°C/32°F). A la température ambiante, l'écran d'affichage reviendra à son état normal de fonctionnement.
- Si l'appareil n'a pas été utilisé pendant une période prolongée, mettez-le en mode de lecture pour le faire chauffer quelques minutes avant de l'utiliser de nouveau.

A propos de la résistance à l'eau

- Avant d'ouvrir ou de fermer le compartiment à cassette, veillez à éliminer l'eau, la poussière ou le sable à l'extérieur du baladeur. (Le baladeur n'est pas étanche à l'eau si le compartiment à cassette est ouvert.)
- Etant donné que l'eau présente sur la prise écouteurs/casque d'écoute peut provoquer de la corrosion, couvrez-la du capuchon en caoutchouc l'accompagnant lorsque vous n'utilisez pas les écouteurs/casque d'écoute.
- Etant donné que le baladeur est étanche à l'air, il se peut que vous ne puissiez pas ouvrir le compartiment à cassette en raison d'un changement soudain de la pression d'air à l'intérieur du baladeur, ce qui se produit après l'avoir transporté en avion ou l'avoir déplacé d'un endroit chaud à un endroit frais. Pour ouvrir le compartiment à cassette, reportez-vous à "Dépannage".
- Les écouteurs/casque d'écoute fournis ne sont pas destinés à être immergés dans l'eau ou à être en contact permanent avec l'eau. S'ils entrent en contact accidentel avec l'eau ou se mouillent, séchez-les au moyen d'un chiffon doux. N'utilisez jamais de sèche-cheveux électrique.
- Si le baladeur ou les écouteurs/casque d'écoute sont plongés dans l'eau salée, veillez à les nettoyer dans de l'eau fraîche non courante. Ne les lavez jamais sous l'eau courante et n'utilisez pas de savon ou de détergent.
- Du sable ou de la poussière sur le joint en caoutchouc empêchera le compartiment à cassettes de se fermer correctement, ce qui peut entraîner une pénétration d'eau. Éliminez la poussière à la brosse de temps en temps.
- Nous vous recommandons de remplacer le joint d'étanchéité chaque année. Un joint de rechange est disponible auprès d'un centre de service Sony agréé.

A propos des écouteurs/casque d'écoute
Sécurité routière
N'utilisez pas les écouteurs/casque d'écoute en roulant en voiture, à vélo ou en conduisant des engins à moteur. Leur utilisation peut être dangereuse dans la circulation et est illégale dans certains endroits. Il peut également être dangereux d'utiliser les écouteurs/casque d'écoute à volume élevé en marchant, et plus particulièrement lorsque vous franchissez un passage protégé. Redoublez de vigilance ou interrompez l'écoute dans des situations à risque.



Prévention des troubles de l'ouïe
N'utilisez pas les écouteurs/casque d'écoute à volume élevé. Les médecins spécialistes déconseillent l'écoute prolongée à volume élevé. Si vous percevez un bourdonnement dans les oreilles, réduisez le volume ou interrompez l'écoute.

Respect d'autrui

Maintenez le volume à un niveau modéré. Cela vous permettra d'entendre les sons extérieurs et d'être attentif à votre entourage.

A propos de l'entretien
Pour nettoyer la tête de lecture et le chemin de la bande.

Utilisez la cassette nettoyante CHK-1W (non fournie) toutes les 10 heures.

Utilisez uniquement la cassette nettoyante recommandée.

Pour nettoyer l'extérieur

Utilisez un chiffon doux légèrement humidifié. N'utilisez pas d'alcool, de benzène ou de diluant. Nettoyez la fiche des écouteurs/casque d'écoute périodiquement.

Dépannage

Impossible d'augmenter le volume.

- Mettez AVLS sur NORM.

L'écran d'affichage indique des informations incorrectes.

- Les piles sont faibles. Remplacez les piles par des neuves.

La fenêtre d'affichage et le fonctionnement ne sont pas normaux.

- Coupez les sources d'alimentation pendant au moins 15 secondes, puis remettez-les.

Le compartiment à cassette ne s'ouvre pas.

- Ouvrez le capuchon en caoutchouc, puis ouvrez le compartiment à cassette. Lorsque le compartiment à cassette s'ouvre, n'oubliez pas de fermer le capuchon en caoutchouc pour éviter l'intrusion de l'eau.

Español AVERTENCIA Para evitar incendios o descargas eléctricas, no exponga la unidad a la lluvia ni a la humedad.

Preparativos

Para fijar la correa de transporte [ⓘ]
Fijela como se ilustra.

- Abra el portacassetes.
- Libere el enganche para abrir la tapa del compartimiento de las pilas, e inserte dos pilas secas tamaño AA (R6) con la polaridad correcta.

Cuándo sustituir las pilas [ⓘ]
Sustituya las pilas por unas nuevas cuando BATT "☐" parpadee en el visor.

Para sustituir las pilas

- Libere el enganche para abrir la tapa del compartimiento de las pilas.
- Presione el lado ☹ de las pilas para extraerlas y sustitúyalas por unas nuevas.

Nota

- Cuando sustituya las pilas, asegúrese de realizarlo antes de que transcurran 30 segundos; en caso contrario, todas las memorias, incluidas las emisoras de radio memorizadas, se cancelarán.

Para utilizar la unidad con pilas recargables [ⓘ]
(sólo FS420RS)
Antes del uso, cargue las pilas recargables con el cargador suministrado.

El tiempo de carga es de unas 8 horas. Transcurridas 8 horas, extraiga las pilas.

Abra la tapa del compartimiento de las pilas e inserte las pilas recargables después de cargarlas.

Notas

- La placa de características que indica la tensión de funcionamiento, consumo de energía, etc., se encuentra en la parte inferior exterior del cargador.
- Desconecte la unidad de cargador de la toma mural lo antes posible una vez cargadas las pilas recargables.
- Las pilas pueden calentarse durante la carga.
- No retire la película de la pila recargable.
- Utilice sólo pilas recargables NC-AA, NC-WMAA con el cargador de pilas suministrado.
- Si la pila recargable es nueva o si no se ha utilizado durante mucho tiempo, es posible que no esté completamente cargada. (El tiempo de reproducción será menor.)
- Las pilas recargables pueden cargarse unas 300 veces.
- Tenga cuidado de no cortocircuitar la pila. Cuando la lleve consigo, utilice la caja de transporte suministrada. Si no va a utilizar la caja de transporte, no lleve la pila con otros objetos metálicos, como llaveros, en su bolsillo.

Reproducción de cintas

- Abra el portacasetes y ajuste TAPE en función del tipo de cinta (normal (TYPE I) o de cromo (CrO₂) (TYPE II)/metal (TYPE IV)).
- Inserte un casete y pulse ►. Ajuste el volumen con VOLUME.

Para	Pulse
Detener la reproducción*	■
Avanzar rápidamente o rebobinar**	◀◀ o ▶▶ durante la parada
Cambiar de cara (FS420/FS420RS)	◄►

- La reproducción continuará automáticamente con la cara contraria cuando la cinta llegue al final de la cara actual (sólo FS420/FS420RS).

- **Notas sobre el avance rápido y el rebobinado
 - Compruebe la dirección de transporte de la cinta y elija ◀◀ o ▶▶ acordermente (sólo FS420/FS420RS).
 - Si deja el Walkman activado una vez bobinada o rebobinada la cinta, las pilas se consumirán rápidamente. Asegúrese de pulsar ■.

Nota

• No abra el portacasetes mientras la cinta se encuentra en funcionamiento.

Recepción de la radio

- Si la función HOLD está activada, gire el interruptor HOLD en la dirección contraria a la flecha para desbloquear los controles.
- Pulse RADIO ON/OFF para encender la radio.
- Pulse BAND varias veces para seleccionar AM, FM1, FM2, FM3, FM4 o FM5.
- Pulse TUNING +/- para sintonizar la emisora deseada. Si mantiene pulsado TUNING +/- durante unos segundos, el Walkman sintonizará la siguiente emisora disponible de forma automática.

Para apagar la radio

Pulse RADIO ON/OFF.

Para mejorar la recepción de la emisión

- Para FM: Extienda el cable (antena) de los auriculares, o ajuste FM SENS o FM MODE.
- Para AM: Cambie la orientación de la propia unidad.

Memorización de emisoras de radio

Es posible almacenar emisoras de radio en la memoria de la unidad. Puede memorizar hasta 30 emisoras, 5 en cada una de las bandas de FM1, FM2, FM3, FM4, FM5 o AM.

- Pulse RADIO ON/OFF para encender la radio.
- Sintonice la emisora deseada mediante BAND y TUNING + o −.
- Pulse un número de memorización (1 - 5) durante 2 segundos. Los dígitos de frecuencia y un número de memorización parpadearán en el visor y se oirá un pitido. La emisora queda almacenada.

Nota

• Si ya hay una emisora almacenada, la emisora nueva la sustituirá.

Para recibir las emisoras memorizadas

- Pulse BAND para seleccionar la banda.
- Pulse el número de memorización (1 - 5) para sintonizar la emisora almacenada que desea.

Recepción de emisoras fuera de su país (excluidos modelos para Europa, Arabia Saudita y China)

El margen de frecuencias varía en función de la zona (consulte la tabla "Indicación de zona y margen de frecuencias"). Si escucha la radio en una zona de margen de frecuencias diferente, cambie la indicación de zona que muestra el visor.

- Encienda la radio y pulse BAND durante más de 10 segundos hasta que la indicación de zona parpadee en el visor.
- Mientras la indicación parpadea, pulse TUNING +/- para seleccionar la indicación "U" o "E".
- Pulse BAND para ajustar la indicación de zona.

Nota

• Si cambia el margen de frecuencias, todas las emisoras memorizadas se cancelarán.

Indicación de zona y margen de frecuencias

Zona*	Margen de frecuencias FM (MHz)	AM (kHz)	
E	87,5 - 108	531 - 1.602	
U	87,5 - 108	530 - 1.710	

* E: Países europeos y otros

U: EE.UU., Canadá y América Central y del Sur

Uso de otras funciones

Para bloquear los controles

Para bloquear los controles, gire el interruptor HOLD en la dirección de la flecha. La función HOLD sólo bloquea los botones de empleo de la radio y MEGA BASS.

Para potenciar los graves

Pulse MB (MEGA BASS). El visor mostrará "MEGA BASS".

Para proteger sus oídos — AVLS
Gire AVLS (Sistema de limitación automática del volumen) hasta LIMIT. El volumen máximo se mantendrá a un nivel determinado con el fin de proteger sus oídos, aunque aumente el volumen.

Precauciones

Pilas

- No cargue una pila.
- No transporte pilas secas junto con monedas u otros objetos metálicos. Puede generarse calentamiento si los terminales positivo y negativo de las pilas entran accidentalmente en contacto con un objeto metálico.
- Cuando no vaya a emplear el Walkman durante mucho tiempo, extraiga las pilas para evitar daños por fugas y corrosión de las mismas.

Para clientes en EE UU. y Canadá (sólo FS420RS)

RECICLAJE DE PILAS DE NÍQUEL-CADMIO
Las pilas de níquel-cadmio son reciclables. Puede ayudar a conservar el medio ambiente devolviendo las pilas que no desee al punto de recogida o de reciclaje más próximo.
Nota: En ciertas zonas,el desecho de pilas de níquel-cadmio en contenedores domésticos o industriales puede estar prohibido.

La RBRC (Rechargeable Battery Recycling Corporation) le aconsejará sobre la recogida de pilas usadas en el siguiente número de teléfono:

Llamada gratuita: 1-800-822-8837 (sólo Estados Unidos y Canadá)

Aviso: No maneje pilas de níquel-cadmio dañadas o con fugas.

Manejo

- No deje la unidad en lugares próximos a fuentes de calor, ni sujetos a la luz solar directa, polvo excesivo o arena, humedad, lluvia, golpes mecánicos ni en un automóvil con las ventanillas cerradas.
- No utilice casetes de duración superior a 90 minutos, excepto para reproducciones largas y continuas.
- Es posible que resulte difícil ver el visor LCD o que su rendimiento se reduzca al utilizar la unidad con temperaturas altas (superiores a 40°C/104°F) o bajas (inferiores a 0°C/32°F). Con temperaturas normales, el visor recuperará su condición de funcionamiento normal.
- Si no ha utilizado la unidad durante mucho tiempo, póngala en el modo de reproducción para que se caliente durante algunos minutos antes de empezar a usarla de nuevo.

Resistencia al agua

- Antes de abrir o cerrar el portacasetes, asegúrese de eliminar el agua, el polvo o la arena del exterior del Walkman. (Éste no es resistente al agua con el portacasetes abierto.)
- Puesto que la existencia de agua en la toma de auriculares puede producir óxido, cubra la con la tapa de goma suministrada cuando no utilice auriculares.
- Puesto que el Walkman se cierra al vacío, es posible que no pueda abrir el portacasetes cuando se produzcan cambios bruscos en la presión del aire del interior del Walkman, lo cual ocurre tras su transporte en avión o al desplazarlo de un lugar cálido a uno frío. Para abrir el portacasetes, consulte "Solución de problemas".
- Los auriculares suministrados no están diseñados para sumergirse en agua ni para estar en contacto continuo con agua. Si se caen al agua accidentalmente o si se mojan, séquelos con un paño suave. No utilice nunca un secador eléctrico de pelo.
- Si el Walkman o los auriculares se sumergen en agua salada, asegúrese de lavarlos en agua fresca que no sea corriente. No los lave nunca en agua corriente y nunca utilice jabón ni detergente.
- La existencia de arena o polvo en el componente de cierre de goma impedirá que el portacasetes se cierre al vacío, por lo que podrían producirse entradas de agua. Elimine el polvo periódicamente.
- Se recomienda cambiar el componente de cierre cada año. Podrá encontrar componentes de cierre en centros autorizados de servicio técnico Sony.

Auriculares Seguridad en carretera

No utilice auriculares mientras conduce, monta en moto o bicicleta o maneja cualquier vehículo motorizado. Puede suponer un peligro para el tráfico y es ilegal en determinadas zonas. Igualmente, puede ser potencialmente peligroso escuchar el sonido por los auriculares a gran volumen mientras camina, especialmente en los pasos de peatonos. Preste especial atención o deje de utilizarlos en situaciones potencialmente peligrosas.

Prevención de daños a los oídos

No utilice auriculares con el volumen alto. Los expertos en audición desaconsejan el uso continuo a gran volumen. Si experimenta pitidos en los oídos, reduzca el volumen o deje de utilizarlos.

Respeto por los demás

Mantenga el volumen a un nivel moderado. De esta forma, podrá escuchar los sonidos del exterior y será considerado con la gente que le rodea.

Mantenimiento

Para limpiar el cabezal y recorrida de cinta

Utilice el casete de limpieza CHK-1W (no suministrado) cada 10 horas de uso.

Utilice únicamente el casete de limpieza recomendado.

Para limpiar el exterior

Utilice un paño suave ligeramente humedecido con agua. No utilice alcohol, bencina