



Thinking of you
Electrolux



EJF3310AOX
EJF3310AOW

.....
EN FRIDGE FREEZER
FR RÉFRIGÉRATEUR/
CONGÉLATEUR
PT COMBINADO

.....
USER MANUAL 2
NOTICE D'UTILISATION 21
MANUAL DE INSTRUÇÕES 43



CONTENTS

SAFETY INFORMATION	3
OPERATION	6
DAILY USE	7
HELPFUL HINTS AND TIPS	9
CARE AND CLEANING	10
WHAT TO DO IF...	12
INSTALLATION	15
NOISES	18
TECHNICAL DATA	19
ENVIRONMENT CONCERNS	20

WE'RE THINKING OF YOU

Thank you for purchasing an Electrolux appliance. You've chosen a product that brings with it decades of professional experience and innovation. Ingenious and stylish, it has been designed with you in mind. So whenever you use it, you can be safe in the knowledge that you'll get great results every time.

Welcome to Electrolux.

Visit our website for:



Get usage advice, brochures, trouble shooter, service information:
www.electrolux.com



Register your product for better service:
www.electrolux.com/productregistration



Buy Accessories, Consumables and Original spare parts for your appliance:
www.electrolux.com/shop

CUSTOMER CARE AND SERVICE

We recommend the use of original spare parts.

When contacting Service, ensure that you have the following data available.

The information can be found on the rating plate. Model, PNC, Serial Number.



Warning / Caution-Safety information



General information and tips



Environmental information

Subject to change without notice.



SAFETY INFORMATION

In the interest of your safety and to ensure the correct use, before installing and first using the appliance, read this user manual carefully, including its hints and warnings. To avoid unnecessary mistakes and accidents, it is important to ensure that all people using the appliance are thoroughly familiar with its operation and safety features. Save these instructions and make sure that they remain with the appliance if it is moved or sold, so that everyone using it through its life will be properly informed on appliance use and safety.

For the safety of life and property keep the precautions of these user's instructions as the manufacturer is not responsible for damages caused by omission.

CHILDREN AND VULNERABLE PEOPLE SAFETY

- This appliance is not intended for use by persons (including children) with reduced physical, sensory or mental capabilities, or lack of experience and knowledge, unless they have been given supervision or instruction concerning use of the appliance by a person responsible for their safety.

Children should be supervised to ensure that they do not play with the appliance.

- Keep all packaging well away from children. There is risk of suffocation.
- If you are discarding the appliance pull the plug out of the socket, cut the connection cable (as close to the appliance as you can) and remove the door to prevent playing children to suffer electric shock or to close themselves into it.
- If this appliance featuring magnetic door seals is to replace an older appliance having a spring lock (latch) on the door or lid, be sure to make that spring lock unusable before you discard the old appliance. This will prevent it from becoming a death trap for a child.

GENERAL SAFETY



WARNING!

Keep ventilation openings, in the appliance enclosure or in the built-in structure, clear of obstruction.

- The appliance is intended for keeping foodstuff and/or beverages in a normal household as explained in this instruction booklet.
- Do not use a mechanical device or any artificial means to speed up the thawing process.
- Do not use other electrical appliances (such as ice cream makers) inside of refrigerating appliances, unless they are approved for this purpose by the manufacturer.
- Do not damage the refrigerant circuit.
- The refrigerant isobutane (R600a) is contained within the refrigerant circuit of the appliance, a natural gas with a high level of environmental compatibility, which is nevertheless flammable.

During transportation and installation of the appliance, be certain that none of the components of the refrigerant circuit become damaged.

If the refrigerant circuit should become damaged:

- avoid open flames and sources of ignition
- thoroughly ventilate the room in which the appliance is situated
- It is dangerous to alter the specifications or modify this product in any way. Any damage to the cord may cause a short-circuit, fire and/or electric shock.



WARNING!

Any electrical component (power cord, plug, compressor) must be replaced by a certified service agent or qualified service personnel to avoid hazard.

1. Power cord must not be lengthened.
2. Make sure that the power plug is not squashed or damaged by the back of the appliance. A squashed or damaged power plug may overheat and cause a fire.
3. Make sure that you can come to the mains plug of the appliance.
4. Do not pull the mains cable.

5. If the power plug socket is loose, do not insert the power plug. There is a risk of electric shock or fire.
 6. You must not operate the appliance without the lamp cover (if foreseen) of interior lighting.
- This appliance is heavy. Care should be taken when moving it.
 - Do not remove nor touch items from the freezer compartment if your hands are damp/wet, as this could cause skin abrasions or frost/freezer burns.
 - Avoid prolonged exposure of the appliance to direct sunlight.
 - Bulb lamps (if foreseen) used in this appliance are special purpose lamps selected for household appliances use only. They are not suitable for household room illumination.

DAILY USE

- Do not put hot pot on the plastic parts in the appliance.
- Do not store flammable gas and liquid in the appliance, because they may explode.
- Do not place food products directly against the air outlet on the rear wall. (If the appliance is Frost Free)
- Frozen food must not be re-frozen once it has been thawed out.
- Store pre-packed frozen food in accordance with the frozen food manufacturer's instructions.
- Appliance's manufacturers storage recommendations should be strictly adhered to. Refer to relevant instructions.
- Do not place carbonated or fizzy drinks in the freezer compartment as it creates pressure on the container, which may cause it to explode, resulting in damage to the appliance.
- Ice lollies can cause frost burns if consumed straight from the appliance.

CARE AND CLEANING

- Before maintenance, switch off the appliance and disconnect the mains plug from the mains socket.
- Do not clean the appliance with metal objects.

- Do not use sharp objects to remove frost from the appliance. Use a plastic scraper.
- Regularly examine the drain in the refrigerator for defrosted water. If necessary, clean the drain. If the drain is blocked, water will collect in the bottom of the appliance.

INSTALLATION



For electrical connection carefully follow the instructions given in specific paragraphs.


- Unpack the appliance and check if there are damages on it. Do not connect the appliance if it is damaged. Report possible damages immediately to the place you bought it. In that case retain packing.
- It is advisable to wait at least four hours before connecting the appliance to allow the oil to flow back in the compressor.
- Adequate air circulation should be around the appliance, lacking this leads to overheating. To achieve sufficient ventilation follow the instructions relevant to installation.
- Wherever possible the back of the product should be against a wall to avoid touching or catching warm parts (compressor, condenser) to prevent possible burn.
- The appliance must not be located close to radiators or cookers.
- Make sure that the mains plug is accessible after the installation of the appliance.
- Connect to potable water supply only (If a water connection is foreseen).

SERVICE

- Any electrical work required to do the servicing of the appliance should be carried out by a qualified electrician or competent person.
- This product must be serviced by an authorized Service Centre, and only genuine spare parts must be used.

ENVIRONMENT PROTECTION



This appliance does not contain gasses which could damage the ozone layer, in either its refrigerant circuit or insulation materials. The appliance shall not be discarded together with the urban refuse and rubbish. The insulation foam contains flammable gases: the appliance shall be disposed according to the applicable regulations to obtain from your local authorities. Avoid damaging the cooling unit, especially at the rear near the heat exchanger. The materials used on this appliance marked by the symbol  are recyclable.

OPERATION

SWITCHING ON

Insert the plug into the wall socket.
Turn the Temperature regulator clockwise to a medium setting.

SWITCHING OFF

To turn off the appliance, turn the Temperature regulator to the "O" position.

TEMPERATURE REGULATION

The temperature is automatically regulated. To operate the appliance, proceed as follows:

- turn the Temperature regulator toward lower settings to obtain the minimum coldness.
- turn the Temperature regulator toward higher settings to obtain the maximum coldness.



A medium setting is generally the most suitable.

However, the exact setting should be chosen keeping in mind that the temperature inside the appliance depends on:

- room temperature
- how often the door is opened
- the quantity of food stored
- the location of the appliance.



If the ambient temperature is high or the appliance is fully loaded, and the appliance is set to the lowest temperatures, it may run continuously causing frost to form on the rear wall. In this case the dial must be set to a higher temperature to allow automatic defrosting and therefore reduced energy consumption.

DAILY USE

CLEANING THE INTERIOR

Before using the appliance for the first time, wash the interior and all internal accessories with lukewarm water and some neutral soap so as to remove the typical smell of a brand-new product, then dry thoroughly.



Do not use detergents or abrasive powders, as these will damage the finish.

FREEZING FRESH FOOD

The freezer compartment is suitable for freezing fresh food and storing frozen and deep-frozen food for a long time.

To freeze fresh foods it is not necessary to change the medium setting.

However, for a faster freezing operation, turn the temperature regulator toward higher settings to obtain the maximum coldness.



In this condition, the refrigerator compartment temperature might drop below 0°C. If this occurs reset the temperature regulator to a warmer setting.

STORAGE OF FROZEN FOOD

When first starting-up or after a period out of use, before putting the products in the

compartment let the appliance run at least 2 hours on the higher settings.



In the event of accidental defrosting, for example due to a power failure, if the power has been off for longer than the value shown in the technical characteristics chart under "rising time", the defrosted food must be consumed quickly or cooked immediately and then re-frozen (after cooling).

THAWING

Deep-frozen or frozen food, prior to being used, can be thawed in the refrigerator compartment or at room temperature, depending on the time available for this operation.

Small pieces may even be cooked still frozen, directly from the freezer: in this case, cooking will take longer.

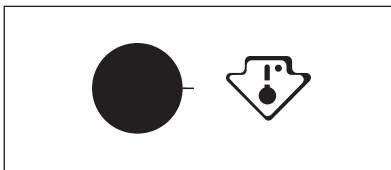
ICE-CUBE PRODUCTION

This appliance is equipped with one or more trays for the production of ice-cubes. Fill these trays with water, then put them in the freezer compartment.



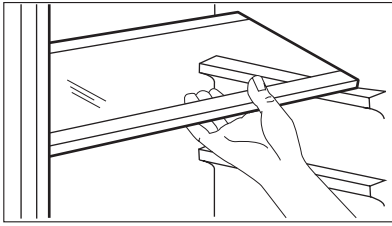
Do not use metallic instruments to remove the trays from the freezer.

TEMPERATURE INDICATOR



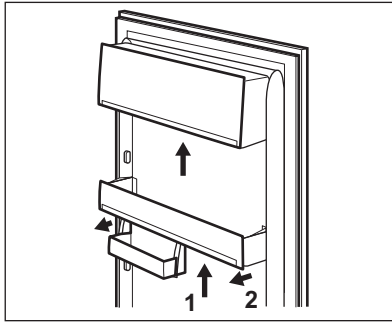
This appliance is sold in France. In accordance with regulations valid in this country it must be provided with a special device (see figure) placed in the lower compartment of the fridge to indicate the coldest zone of it.

MOVABLE SHELVES



The walls of the refrigerator are equipped with a series of runners so that the shelves can be positioned as desired.

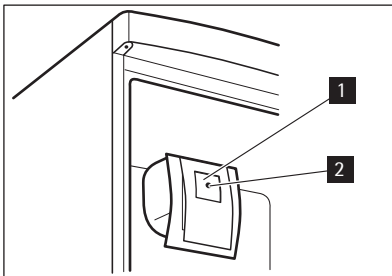
POSITIONING THE DOOR SHELVES



To permit storage of food packages of various sizes, the door shelves can be placed at different heights.

To make these adjustments proceed as follows: gradually pull the shelf in the direction of the arrows until it comes free, then reposition as required.

FREESTORE FUNCTION



The FREESTORE function let food cool quickly and a more uniform temperature in the compartment.

Press the switch (1) to switch on the FREESTORE . The green light (2) comes on. This device allows for rapid cooling of foods and a more uniform temperature in the compartment.



Switch on the FREESTORE function when the ambient temperature exceeds 25°C.

HELPFUL HINTS AND TIPS

HINTS FOR ENERGY SAVING

- Do not open the door frequently or leave it open longer than absolutely necessary.
- If the ambient temperature is high and the Temperature Regulator is set to low temperature and the appliance is fully loaded, the compressor may run continuously, causing frost or ice on the evaporator. If this happens, set the Temperature Regulator toward warmer settings to allow automatic defrosting and so a saving in electricity consumption.

HINTS FOR FRESH FOOD REFRIGERATION

To obtain the best performance:

- do not store warm food or evaporating liquids in the refrigerator
- do cover or wrap the food, particularly if it has a strong flavour
- position food so that air can circulate freely around it

HINTS FOR REFRIGERATION

Useful hints:

Meat (all types) : wrap in polythene bags and place on the glass shelf above the vegetable drawer.

For safety, store in this way only one or two days at the most.

Cooked foods, cold dishes, etc...: these should be covered and may be placed on any shelf.

Fruit and vegetables: these should be thoroughly cleaned and placed in the special drawer(s) provided.

Butter and cheese: these should be placed in special airtight containers or wrapped in aluminium foil or polythene bags to exclude as much air as possible.

Milk bottles: these should have a cap and should be stored in the bottle rack on the door.

Bananas, potatoes, onions and garlic, if not packed, must not be kept in the refrigerator.

HINTS FOR FREEZING

To help you make the most of the freezing process, here are some important hints:

- the maximum quantity of food which can be frozen in 24 hrs. is shown on the rating plate;
- the freezing process takes 24 hours. No further food to be frozen should be added during this period;
- only freeze top quality, fresh and thoroughly cleaned, foodstuffs;
- prepare food in small portions to enable it to be rapidly and completely frozen and to make it possible subsequently to thaw only the quantity required;
- wrap up the food in aluminium foil or polythene and make sure that the packages are airtight;
- do not allow fresh, unfrozen food to touch food which is already frozen, thus avoiding a rise in temperature of the latter;
- lean foods store better and longer than fatty ones; salt reduces the storage life of food;
- water ices, if consumed immediately after removal from the freezer compartment, can possibly cause the skin to be freeze burnt;
- it is advisable to show the freezing in date on each individual pack to enable you to keep tab of the storage time.

HINTS FOR STORAGE OF FROZEN FOOD

To obtain the best performance from this appliance, you should:

- make sure that the commercially frozen foodstuffs were adequately stored by the retailer;
- be sure that frozen foodstuffs are transferred from the foodstore to the freezer in the shortest possible time;
- not open the door frequently or leave it open longer than absolutely necessary;
- once defrosted, food deteriorates rapidly and cannot be refrozen;
- do not exceed the storage period indicated by the food manufacturer.

CARE AND CLEANING



CAUTION!

Unplug the appliance before carrying out any maintenance operation.



This appliance contains hydrocarbons in its cooling unit; maintenance and recharging must therefore only be carried out by authorized technicians.

PERIODIC CLEANING

The equipment has to be cleaned regularly:

- clean the inside and accessories with lukewarm water and some neutral soap.
- regularly check the door seals and wipe clean to ensure they are clean and free from debris.
- rinse and dry thoroughly.



Do not pull, move or damage any pipes and/or cables inside the cabinet.

Never use detergents, abrasive powders, highly perfumed cleaning products or wax polishes to clean the interior as this will damage the surface and leave a strong odour.

Clean the condenser (black grill) and the compressor at the back of the appliance with a brush. This operation will improve the performance of the appliance and save electricity consumption.

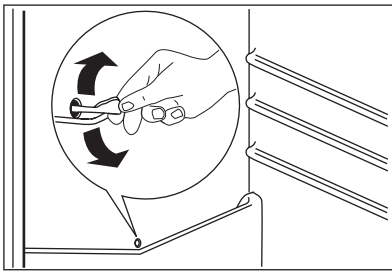


Take care of not to damage the cooling system.

Many proprietary kitchen surface cleaners contain chemicals that can attack/damage the plastics used in this appliance. For this reason it is recommended that the outer casing of this appliance is only cleaned with warm water with a little washing-up liquid added.

After cleaning, reconnect the equipment to the mains supply.

DEFROSTING OF THE REFRIGERATOR



Frost is automatically eliminated from the evaporator of the refrigerator compartment every time the motor compressor stops, during normal use. The defrost water drains out through a trough into a special container at the back of the appliance, over the motor compressor, where it evaporates. Periodically clean the defrost water drain hole in the middle of the refrigerator compartment channel to prevent the water overflowing and dripping onto the food inside. Use the special cleaner provided, which you will find already inserted into the drain hole.

DEFROSTING THE FREEZER



A certain amount of frost will always form around the top compartment.



Defrost the freezer when the frost layer reaches a thickness of about 3-5 mm.

To remove the frost, do these steps:

1. Switch off the appliance.
2. Remove any stored food, wrap it in several layers of newspaper and put it in a cool place.
3. Open the door.
4. When defrosting is completed, dry the interior thoroughly.

5. Switch on the appliance.
6. Set the temperature regulator to obtain the maximum coldness and run the appliance for two or three hours using this setting.
7. Reload the previously removed food into the compartment.

**WARNING!**

Never use sharp metal tools to scrape off frost from the evaporator as you could damage it. Do not use a mechanical device or any artificial means to speed up the thawing process other than those recommended by the manufacturer. A temperature rise of the frozen food packs, during defrosting, may shorten their safe storage life.

PERIODS OF NON-OPERATION

When the appliance is not in use for long periods, take the following precautions:

- **disconnect the appliance from electricity supply**
- remove all food
- defrost (if foreseen) and clean the appliance and all accessories
- leave the door/doors ajar to prevent unpleasant smells.

If the cabinet will be kept on, ask somebody to check it once in a while to prevent the food inside from spoiling in case of a power failure.

WHAT TO DO IF...

**WARNING!**

Before troubleshooting, disconnect the mains plug from the mains socket.

Only a qualified electrician or competent person must do the troubleshooting that is not in this manual.

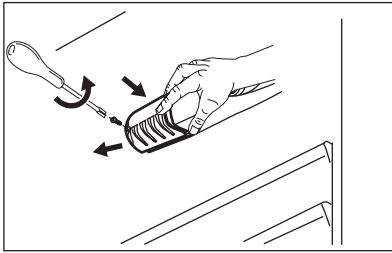


There are some sounds during normal use (compressor, refrigerant circulation).

Problem	Possible cause	Solution
The appliance does not operate. The lamp does not operate.	The appliance is switched off.	Switch on the appliance.
	The mains plug is not connected to the mains socket correctly.	Connect the mains plug to the mains socket correctly.
	The appliance has no power. There is no voltage in the mains socket.	Connect a different electrical appliance to the mains socket. Contact a qualified electrician.
The lamp does not work.	The lamp is in stand-by.	Close and open the door.
	The lamp is defective.	Refer to "Replacing the lamp".
The compressor operates continually.	The temperature is not set correctly.	Set a higher temperature.
	The door is not closed correctly.	Refer to "Closing the door".
	The door has been opened too frequently.	Do not keep the door open longer than necessary.
	The product temperature is too high.	Let the product temperature decrease to room temperature before storage.
	The room temperature is too high.	Decrease the room temperature.
Water flows on the rear plate of the refrigerator.	During the automatic defrosting process, frost defrosts on the rear plate.	This is correct.
Water flows into the refrigerator.	The water outlet is clogged.	Clean the water outlet.
	Products prevent that water flows into the water collector.	Make sure that products do not touch the rear plate.

Problem	Possible cause	Solution
Water flows on the ground.	The melting water outlet does not flow in the evaporative tray above the compressor.	Attach the melting water outlet to the evaporative tray.
The temperature in the appliance is too low.	The temperature regulator is not set correctly.	Set a higher temperature.
The temperature in the appliance is too high.	The temperature regulator is not set correctly.	Set a lower temperature.
	The door is not closed correctly.	Refer to "Closing the door".
	The product temperature is too high.	Let the product temperature decrease to room temperature before storage.
	Many products are stored at the same time.	Store less products at the same time.
The temperature in the refrigerator is too high.	There is no cold air circulation in the appliance.	Make sure that there is cold air circulation in the appliance.
The temperature in the freezer is too high.	Products are too near to each other.	Store products so that there is cold air circulation.
There is too much frost.	Food is not wrapped correctly.	Wrap the food correctly.
	The door is not closed correctly.	Refer to "Closing the door".
	The temperature regulator is not set correctly.	Set a higher temperature.

REPLACING THE LAMP



1. Disconnect the mains plug from the mains socket.
 2. Remove the screw from the lamp cover.
 3. Remove the lamp cover (refer to the illustration).
 4. Replace the used lamp with a new lamp of the same power and specifically designed for household appliances. (the maximum power is shown on the lamp cover).
 5. Install the lamp cover.
 6. Tighten the screw to the lamp cover.
 7. Connect the mains plug to the mains socket.
 8. Open the door. Make sure that the lamp comes on.
-

CLOSING THE DOOR

1. Clean the door gaskets.
2. If necessary, adjust the door. Refer to "Installation".
3. If necessary, replace the defective door gaskets. Contact the Service Center.

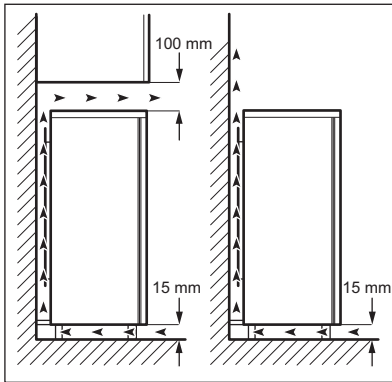
INSTALLATION



WARNING!

Read the "Safety Information" carefully for your safety and correct operation of the appliance before installing the appliance.

LOCATION



The appliance should be installed well away from sources of heat such as radiators, boilers, direct sunlight etc. Ensure that air can circulate freely around the back of the cabinet. To ensure best performance, if the appliance is positioned below an overhanging wall unit, the minimum distance between the top of the cabinet and the wall unit must be at least 100 mm. Ideally, however, the appliance should not be positioned below overhanging wall units. Accurate levelling is ensured by one or more adjustable feet at the base of the cabinet. If the cabinet is placed in a corner and the side with the hinges facing the wall, the distance between the wall and the cabinet must be at least 10 mm to allow the door to open enough so that the shelves can be removed.



WARNING!

It must be possible to disconnect the appliance from the mains power supply; the plug must therefore be easily accessible after installation.

ELECTRICAL CONNECTION

Before plugging in, ensure that the voltage and frequency shown on the rating plate correspond to your domestic power supply.

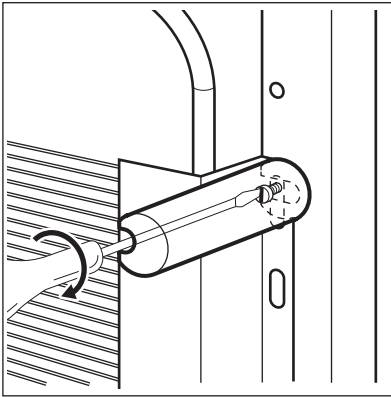
The appliance must be earthed. The power supply cable plug is provided with a contact for this purpose. If the domestic power

supply socket is not earthed, connect the appliance to a separate earth in compliance with current regulations, consulting a qualified electrician.

The manufacturer declines all responsibility if the above safety precautions are not observed.

This appliance complies with the E.E.C. Directives.

REAR SPACERS

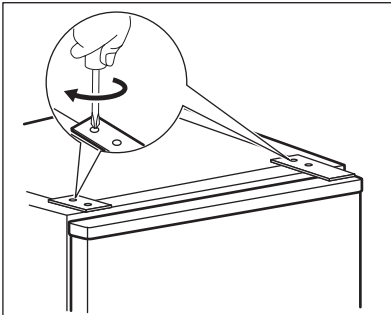


Inside the appliance you find two spacers which must be fitted as shown in the figure.

Slacken the screws and insert the spacer under the screw head, then retighten the screws.

DOOR REVERSIBILITY

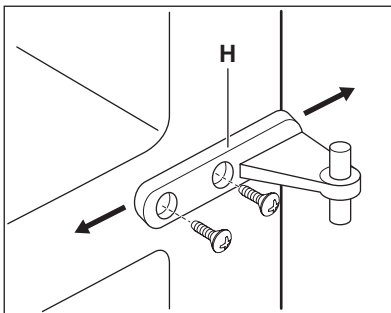
Before carrying out any operations, remove the plug from the power socket.



To carry out the following operations, we suggest that this be made with another person that will keep a firm hold on the doors of the appliance during the operations.

To change the opening direction of the door, proceed as follows:

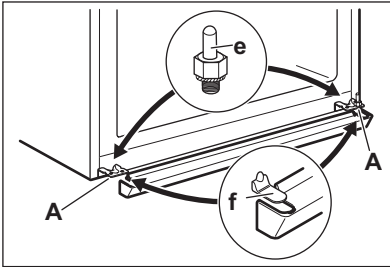
Remove the upper hinge taking care for the upper door not to fall off and keep it for future actions.



Remove the upper door.

Remove the upper support and install it in the opposite side.

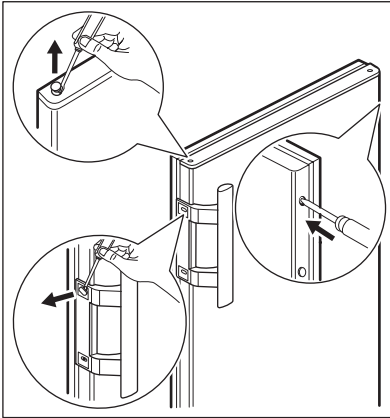
Unscrew the middle hinge (H). Remove the plastic plugs located on the opposite side of the central hinge and install them in the holes occupied before by the hinge.



Remove the lower door.

Remove with a tool the cover (f), unscrew the lower hinge pivot (e) using a 10 mm spanner and re-screw it on the opposite side.

Install the cover (f) on the opposite side.



Insert the pivot pin of the central hinge in left hole of the lower door and fix the hinge with the spacers.

Install the upper door on pivot pin of the central hinge.

Install the upper hinge in the opposite side.

Insert the lower door on the pivot of the lower hinge (e).

Remove the covers (if foreseen), unscrew the handle. On the opposite side remove the hole covers. Fix the handle on the opposite side together with the covers. Insert the plastic plugs into the holes left open that can be found in the instruction for use bag.



WARNING!

Connect it to the power socket.

In case you do not want to carry out the above mentioned operations, contact the nearest After Sales Service Force. The After Sales Service specialist will carry out the reversibility of the doors at your cost.



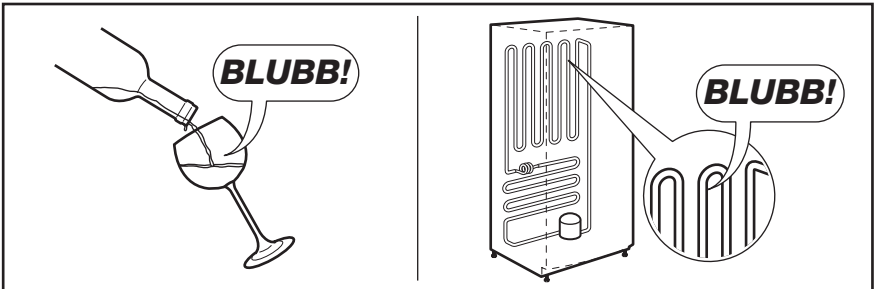
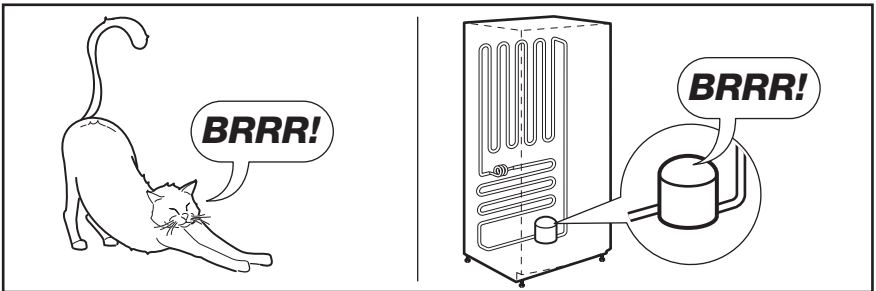
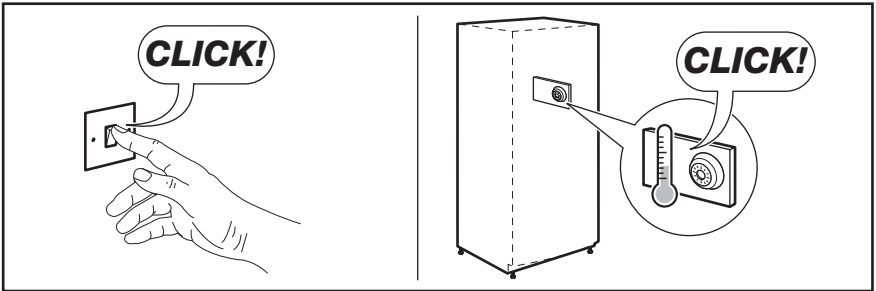
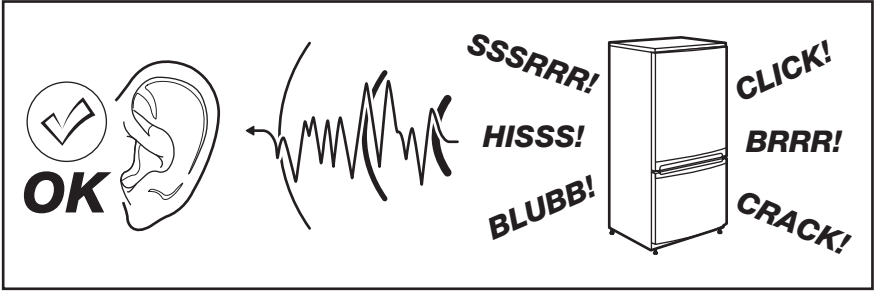
WARNING!

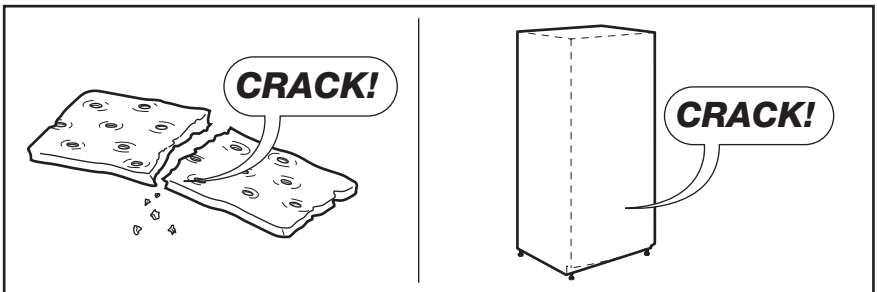
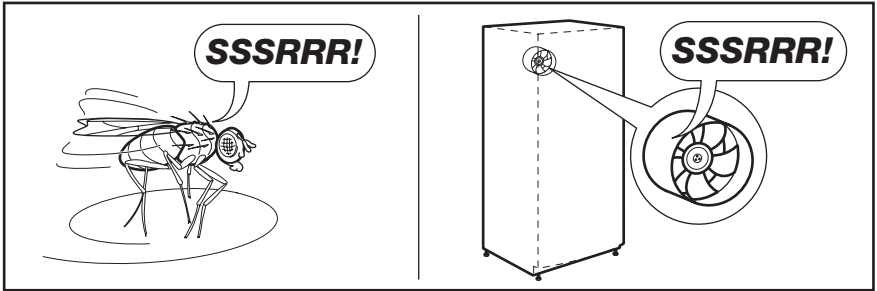
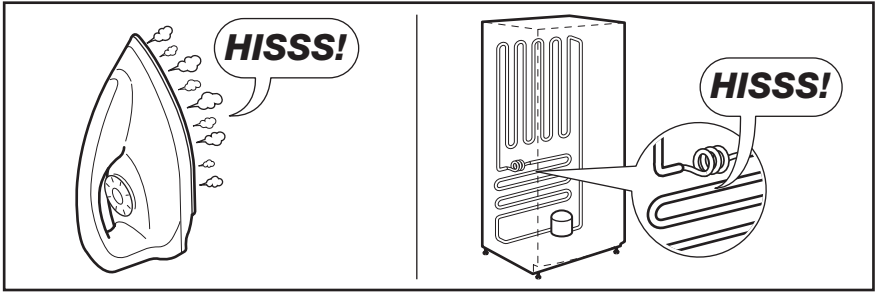
After having reversed the opening direction of the doors check that all the screws are properly tightened and that the magnetic seal adheres to the cabinet.

If the ambient temperature is cold (i.e. in Winter), the gasket may not fit perfectly to the cabinet. In that case, wait for the natural fitting of the gasket. Lay down the appliance back side down.

NOISES

There are some sounds during normal running (compressor, refrigerant circulation).







TECHNICAL DATA

Dimension of the recess		
Height	1710 mm	
Width	600 mm	
Depth	645 mm	
Rising Time	25 h	
Voltage	230-240 V	
Frequency	50 Hz	

The technical information are situated in the rating plate on the internal left side of the appliance and in the energy label.

ENVIRONMENT CONCERNS

Recycle the materials with the symbol  .
Put the packaging in applicable containers
to recycle it.
Help protect the environment and human
health and to recycle waste of electrical

and electronic appliances. Do not dispose
appliances marked with the symbol  with
the household waste. Return the product
to your local recycling facility or contact
your municipal office.

SOMMAIRE

CONSIGNES DE SÉCURITÉ	22
FONCTIONNEMENT	26
UTILISATION QUOTIDIENNE	27
CONSEILS UTILES	30
ENTRETIEN ET NETTOYAGE	32
EN CAS D'ANOMALIE DE FONCTIONNEMENT	34
INSTALLATION	37
BRUITS	40
CARACTÉRISTIQUES TECHNIQUES	41
EN MATIÈRE DE PROTECTION DE L'ENVIRONNEMENT	42

NOUS PENSONS À VOUS

Merci d'avoir choisi ce produit Electrolux. Avec ce produit, vous bénéficiez de dizaines d'années d'expérience professionnelle et d'innovation. Ingénieux et élégant, il a été conçu sur mesure pour vous. Grâce à cet appareil, vous savez que chaque utilisation vous apportera satisfaction.

Bienvenue chez Electrolux.

Visitez notre site Internet pour :



Obtenir des conseils d'utilisation, des brochures, de l'aide, des informations :
www.electrolux.com



Enregistrer votre produit pour obtenir un meilleur service :
www.electrolux.com/productregistration



Acheter des accessoires, consommables et pièces de rechange d'origine pour votre appareil :
www.electrolux.com/shop

SERVICE APRÈS-VENTE

N'utilisez que des pièces de rechange d'origine.

Avant de contacter le service, assurez-vous de disposer des informations suivantes :
Vous trouverez ces informations sur la plaque signalétique. Modèle, PNC, numéro de série.



Avertissement/Attention : consignes de sécurité.



Informations générales et conseils



Informations écologiques

Sous réserve de modifications.



CONSIGNES DE SÉCURITÉ

Pour votre sécurité et garantir une utilisation correcte de l'appareil, lisez attentivement cette notice, y compris les conseils et avertissements, avant d'installer et d'utiliser l'appareil pour la première fois. Pour éviter toute erreur ou accident, veillez à ce que toute personne qui utilise l'appareil connaisse bien son fonctionnement et ses fonctions de sécurité. Conservez cette notice avec l'appareil. Si l'appareil doit être vendu ou cédé à une autre personne, veillez à remettre cette notice au nouveau propriétaire, afin qu'il puisse se familiariser avec son fonctionnement et sa sécurité. Pour la sécurité des personnes et des biens, conservez et respectez les consignes de sécurité figurant dans cette notice. Le fabricant décline toute responsabilité en cas de dommages dus au non-respect de ces instructions.

Lors de sa fabrication, cet appareil a été construit selon des normes, directives et/ou décrets pour une utilisation sur le territoire français.

Pour la sécurité des biens et des personnes ainsi que pour le respect de l'environnement, vous devez d'abord lire attentivement les préconisations suivantes avant toute utilisation de votre appareil.



ATTENTION

Pour éviter tout risque de détérioration de l'appareil, transportez-le dans sa position d'utilisation muni de ses cales de transport (selon le modèle). Au déballage de celui-ci, et pour empêcher des risques d'asphyxie et corporel, tenez les matériaux d'emballage hors de portée des enfants.



ATTENTION

Pour éviter tout risque (mobilier, immobilier, corporel,...), l'installation, les raccordements (eau, gaz, électricité, évacuation selon modèle), la mise en service et la maintenance de votre appareil doivent être effectuées par un professionnel qualifié.



ATTENTION

Votre appareil a été conçu pour être utilisé par des adultes. Il est destiné à un usage domestique normal. Ne l'utilisez pas à des fins commerciales ou industrielles ou pour d'autres buts que ceux pour lesquels il a été conçu. Vous éviterez ainsi des risques matériel et corporel.



ATTENTION

Débranchez l'appareil avant toute opération de nettoyage manuel. N'utilisez que des produits du commerce non corrosifs ou non inflammables. Toute projection d'eau ou de vapeur est proscrite pour écarter le risque d'électrocution.



ATTENTION

Si votre appareil est équipé d'un éclairage, débranchez l'appareil avant de procéder au changement de l'ampoule (ou du néon, etc.) pour éviter de s'électrocuter.



ATTENTION

Afin d'empêcher des risques d'explosion ou d'incendie, ne placez pas de produits inflammables ou d'éléments imbibés de produits inflammables à l'intérieur, à proximité ou sur l'appareil.



ATTENTION

Lors de la mise au rebut de votre appareil, et pour écarter tout risque corporel, mettez hors d'usage ce qui pourrait présenter un danger : coupez le câble d'alimentation au ras de l'appareil. Informez-vous auprès des services de votre commune des endroits autorisés pour la mise au rebut de l'appareil.



ATTENTION

Respectez la chaîne de froid dès l'acquisition d'un aliment jusqu'à sa consommation pour exclure le risque d'intoxication alimentaire.

Veillez maintenant lire attentivement cette notice pour une utilisation optimale de votre appareil.

SÉCURITÉ DES ENFANTS ET DES PERSONNES VULNÉRABLES

- Cet appareil n'est pas destiné à être utilisé par des enfants ou des personnes dont les capacités physiques, sensorielles ou mentales, ou le manque d'expérience et de connaissance les empêchent d'utiliser l'appareil sans risque lorsqu'ils sont sans surveillance ou en l'absence d'instruction d'une personne responsable qui puisse leur assurer une utilisation de l'appareil sans danger.

Empêchez les enfants de jouer avec l'appareil.

- Ne laissez pas les différents emballages à portée des enfants. Ils pourraient s'asphyxier.
- Si l'appareil doit être mis au rebut, veillez à couper le câble d'alimentation électrique au ras de l'appareil pour éviter les risques d'électrocution. Démontez la porte pour éviter que des enfants ne restent enfermés à l'intérieur.
- Cet appareil est muni de fermetures magnétiques. S'il remplace un appareil équipé d'une fermeture à ressort, nous vous conseillons de rendre celle-ci inutilisable avant de vous en débarrasser. Ceci afin d'éviter aux enfants de s'enfermer dans l'appareil et de mettre ainsi leur vie en danger.

CONSIGNES GÉNÉRALES DE SÉCURITÉ



AVERTISSEMENT

Veillez à ce que les orifices de ventilation, situés dans l'enceinte de l'appareil ou la structure intégrée, ne soient pas obstrués.

- Les appareils sont destinés uniquement à la conservation des aliments et/ou des boissons dans le cadre d'un usage domestique normal, tel que celui décrit dans la présente notice.
- N'utilisez pas d'appareils électriques, d'agents chimiques ou tout autre système artificiel pour accélérer le processus de dégivrage.
- Ne faites pas fonctionner d'appareils électriques (comme des sorbetières électriques, ...) à l'intérieur des appareils

de réfrigération à moins que cette utilisation n'ait reçu l'agrément du fabricant.

- N'endommagez pas le circuit frigorifique.
- Le circuit frigorifique de l'appareil contient de l'isobutane (R600a), un gaz naturel offrant un haut niveau de compatibilité avec l'environnement mais qui est néanmoins inflammable.

Pendant le transport et l'installation de votre appareil, assurez-vous qu'aucune partie du circuit frigorifique n'est endommagée.

Si le circuit frigorifique est endommagé :

- évitez les flammes vives et toute autre source d'allumage
- aérez soigneusement la pièce où se trouve l'appareil

- Ne modifiez pas les spécifications de l'appareil. Si le câble d'alimentation est endommagé, il peut causer un court-circuit, un incendie et/ou une électrocution.



AVERTISSEMENT

Les éventuelles réparations ou interventions sur votre appareil, ainsi que le remplacement du câble d'alimentation, ne doivent être effectuées que par un professionnel qualifié.

1. Ne branchez pas le cordon d'alimentation à une rallonge.
 2. Assurez-vous que la prise n'est pas écrasée ou endommagée par l'arrière de l'appareil. Une prise de courant écrasée ou endommagée peut s'échauffer et causer un incendie.
 3. Vérifiez que la prise murale de l'appareil est accessible.
 4. Ne débranchez pas l'appareil en tirant sur le câble.
 5. Si la prise murale n'est pas bien fixée, n'introduisez pas de prise dedans. Risque d'électrocution ou d'incendie.
 6. N'utilisez pas l'appareil sans le diffuseur de l'ampoule (si présent) de l'éclairage intérieur.
- Cet appareil est lourd. Faites attention lors de son déplacement.
 - Ne touchez pas avec les mains humides les surfaces givrées et les produits congelés (risque de brûlure et d'arrachement de la peau).

- Évitez une exposition prolongée de l'appareil aux rayons solaires.
- Les ampoules (si présentes) utilisées dans cet appareil sont des ampoules spécifiques uniquement destinées à être utilisées sur des appareils ménagers. Elles ne sont pas du tout adaptées à un éclairage quelconque d'une habitation.

UTILISATION QUOTIDIENNE

- Ne posez pas d'éléments chauds sur les parties en plastique de l'appareil.
- Ne stockez pas de gaz ou de liquides inflammables dans l'appareil (risque d'explosion).
- Ne placez pas d'aliments directement contre la sortie d'air sur la paroi arrière de l'appareil. (Si l'appareil est sans givre.)
- Un produit décongelé ne doit jamais être recongelé.
- Conservez les aliments emballés conformément aux instructions de leur fabricant.
- Respectez scrupuleusement les conseils de conservation donnés par le fabricant de l'appareil. Consultez les instructions respectives.
- Ne mettez pas de bouteilles ni de boîtes de boissons gazeuses dans le compartiment congélateur, car la pression se formant à l'intérieur du contenant pourrait le faire éclater et endommager ainsi l'appareil.
- Ne consommez pas certains produits tels que les bâtonnets glacés dès leur sortie de l'appareil, car ils peuvent provoquer des brûlures.

ENTRETIEN ET NETTOYAGE

- Avant toute opération d'entretien, mettez l'appareil hors tension et débranchez-le de la prise de courant.
- N'utilisez pas d'objets métalliques pour nettoyer l'appareil.
- N'utilisez pas d'objet tranchant pour gratter la couche de givre. Utilisez une spatule en plastique.
- Contrôlez régulièrement l'orifice d'évacuation de l'eau de dégivrage dans le compartiment réfrigérateur. Nettoyez-le, si besoin. Si l'orifice est bouché, l'eau s'écoulera en bas de l'appareil.

INSTALLATION



Avant de procéder au branchement électrique, respectez scrupuleusement les instructions fournies dans cette notice.


- Déballez l'appareil et vérifiez qu'il n'est pas endommagé. Ne branchez pas l'appareil s'il est endommagé. Signalez immédiatement au revendeur de l'appareil les dommages constatés. Dans ce cas, gardez l'emballage.
- Il est conseillé d'attendre au moins quatre heures avant de brancher l'appareil pour que le circuit frigorifique soit stabilisé.
- Veillez à ce que l'air circule librement autour de l'appareil pour éviter qu'il ne surchauffe. Pour assurer une ventilation suffisante, respectez les instructions de la notice (chapitre Installation).
- Placez l'appareil dos au mur pour éviter tout contact avec le compresseur et le condenseur (risque de brûlure).
- Placez de préférence votre appareil loin d'une source de chaleur (chauffage, cuisson ou rayons solaires trop intenses).
- Assurez-vous que la prise murale reste accessible après l'installation de l'appareil.
- Branchez à l'alimentation en eau potable uniquement. (Si un branchement sur le réseau d'eau est prévu.)

MAINTENANCE

- Les branchements électriques nécessaires à l'entretien de l'appareil doivent être réalisés par un électricien qualifié ou une personne compétente.
- Cet appareil ne doit être entretenu et réparé que par un Service après-vente autorisé, exclusivement avec des pièces d'origine.

PROTECTION DE L'ENVIRONNEMENT



Le système frigorifique et l'isolation de votre appareil ne contiennent pas de C.F.C. contribuant ainsi à préserver l'environnement. L'appareil ne doit pas être mis au rebut avec les ordures ménagères et les déchets urbains. La mousse d'isolation contient des gaz inflammables : l'appareil sera mis au rebut conformément aux règlements applicables disponibles auprès des autorités locales. Veillez à ne pas détériorer les circuits frigorifiques, notamment au niveau du condenseur. Les matériaux utilisés dans cet appareil identifiés par le symbole  sont recyclables.

FONCTIONNEMENT

MISE EN FONCTIONNEMENT

Branchez l'appareil sur une prise murale. Tournez le bouton du thermostat dans le sens des aiguilles d'une montre sur une position moyenne.

MISE À L'ARRÊT

Pour mettre à l'arrêt l'appareil, tournez le bouton du thermostat sur la position "O".

RÉGLAGE DE LA TEMPÉRATURE

La température est réglée automatiquement.

Pour faire fonctionner l'appareil, procédez comme suit :

- tournez le bouton du thermostat vers le bas pour obtenir un réglage de froid minimum.
- tournez le bouton du thermostat vers le haut pour obtenir un réglage de froid maximum.



Une position moyenne est la plus indiquée.

Toutefois, le réglage doit être choisi en tenant compte du fait que la température à l'intérieur de l'appareil dépend de plusieurs facteurs :

- la température ambiante
- la fréquence d'ouverture de la porte
- la quantité de denrées stockées
- l'emplacement de l'appareil.



Si le thermostat est réglé sur la position de froid maximum, lorsque la température ambiante est élevée et que l'appareil est plein, il est possible que le compresseur fonctionne en régime continu. Dans ce cas, il y a un risque de formation excessive de givre sur la paroi postérieure à l'intérieur de l'appareil. Pour éviter cet inconvénient, placez le thermostat sur une température plus élevée de façon à permettre un dégivrage automatique et, par conséquent, des économies de courant.

UTILISATION QUOTIDIENNE

NETTOYAGE INTÉRIEUR

Avant d'utiliser l'appareil pour la première fois, nettoyez l'intérieur et tous les accessoires internes avec de l'eau tiède savonneuse pour supprimer l'odeur caractéristique du "neuf" puis séchez soigneusement.



N'utilisez pas de produits abrasifs, poudre à récurer, éponge métallique pour ne pas abîmer la finition.

CONGÉLATION D'ALIMENTS FRAIS

Le compartiment congélateur est idéal pour congeler des denrées fraîches et conserver les aliments surgelés ou congelés pendant longtemps.

Pour congeler des aliments frais, il n'est pas nécessaire de modifier le réglage moyen.

Toutefois, pour une congélation plus rapide, tournez le thermostat vers le haut pour obtenir plus de froid.



Dans ce cas, la température du compartiment réfrigérateur peut chuter au-dessous de 0°C. Si cela se produit, repositionnez le thermostat sur un réglage plus chaud.

CONSERVATION DES ALIMENTS CONGELÉS

À la mise en service ou après un arrêt prolongé, placez le thermostat sur la position

Max pendant 2 heures environ, avant d'introduire les produits dans le compartiment.



En cas de dégivrage accidentel, dû par exemple à une panne de courant, si la panne doit se prolonger plus longtemps qu'il n'est indiqué à la rubrique "temps d'augmentation" dans la section Caractéristiques techniques, consommez les aliments décongelés le plus rapidement possible ou recongelez-les après les avoir cuits (une fois refroidis).

LA DÉCONGÉLATION

Les aliments surgelés ou congelés peuvent être décongelés dans le compartiment réfrigérateur ou à température ambiante, avant d'être utilisés, en fonction du temps disponible pour cette opération.

Les petites pièces peuvent même être cuites sans décongélation préalable : dans ce cas, la cuisson est plus longue.

FABRICATION DE GLAÇONS

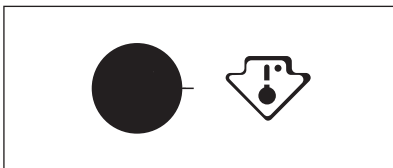
Cet appareil est équipé d'un ou de plusieurs bacs à glaçons. Remplissez d'eau ces bacs et mettez-les dans le compartiment congélateur.



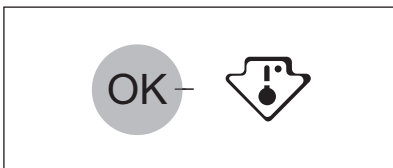
N'utilisez pas d'instruments métalliques pour décoller les bacs du congélateur.

INDICATEUR DE TEMPÉRATURE

Le thermostat nécessite un réglage



Température correcte



Pour vous aider à contrôler correctement votre appareil, nous avons intégré un indicateur de température à votre réfrigérateur. Le symbole sur le côté indique la zone la plus froide du réfrigérateur.

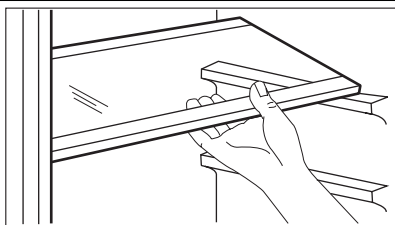
La zone la plus froide s'étend de la clayette en verre du bac à fruits et légumes au symbole ou à la clayette positionnée à la même hauteur que le symbole.

Pour un bon stockage des aliments, assurez-vous que l'indicateur de température affiche « OK ».

Si « OK » n'est pas affiché, réglez le thermostat sur une position afin d'obtenir plus de froid et attendez 12 heures avant de vérifier à nouveau.

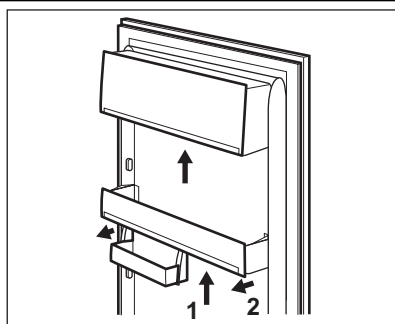
Après chargement de denrées fraîches dans l'appareil ou après des ouvertures répétées (ou une ouverture prolongée) de la porte, il est normal que l'inscription « OK » disparaisse.

CLAYETTES AMOVIBLES



Les parois du réfrigérateur sont équipées d'une série de glissières afin que les clayettes puissent être positionnées comme vous le souhaitez.

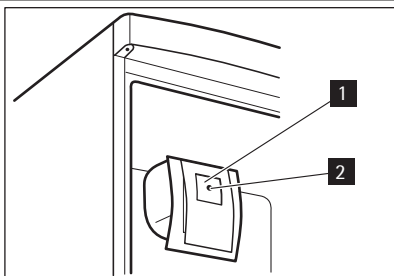
METTEZ EN PLACE LES BALCONNETS DE LA PORTE.



Selon la taille des emballages des aliments conservés, les balconnets de la porte peuvent être positionnés à différentes hauteurs.

Pour les ajuster, procédez comme suit : tirez progressivement sur le balconnet dans le sens des flèches pour le dégager, puis repositionnez-le selon vos besoins.

FONCTION FREESTORE



La fonction FREESTORE permet le refroidissement rapide des aliments et une température plus homogène dans le compartiment.

Appuyez sur la touche (1) pour activer la fonction FREESTORE. Le voyant vert (2) s'allume.

Ce système permet de refroidir plus rapidement les aliments et de maintenir une température plus homogène dans le compartiment.



Activez la fonction FREESTORE lorsque la température ambiante est supérieure à 25 °C.

CONSEILS UTILES

CONSEILS POUR L'ÉCONOMIE D'ÉNERGIE

- N'ouvrez pas la porte trop souvent ou plus longtemps que nécessaire.
- Si la température ambiante est élevée, le dispositif de réglage de température est sur la position de froid maximum et l'appareil est plein : il est possible que le compresseur fonctionne en régime continu, d'où un risque de formation excessive de givre sur l'évaporateur. Pour éviter ceci, modifiez la position du dispositif de réglage de température de façon à obtenir des périodes d'arrêt du compresseur et ainsi permettre un dégivrage automatique, d'où des économies d'énergie.

CONSEILS POUR LA RÉFRIGÉRATION DE DENRÉES FRAÎCHES

Pour obtenir les meilleures performances possibles :

- N'introduisez pas d'aliments encore chauds ou de liquides en évaporation dans le réfrigérateur.
- Couvrez ou enveloppez soigneusement les aliments, surtout s'ils sont aromatisés.
- Placez les aliments pour que l'air puisse circuler librement autour.

CONSEILS POUR LA RÉFRIGÉRATION

Conseils utiles :

Viande (tous les types) : enveloppez-la dans des sachets en plastique et placez-la sur la tablette en verre au-dessus du bac à légumes.

La période de conservation est de 1 à 2 jours au maximum.

Aliments cuits, plats froids, etc. : placez-les bien couverts sur une clayette.

Fruits et légumes : placez-les une fois nettoyés dans le(s) bac(s) à légumes fourni(s).

Beurre et fromage : placez-les dans des récipients étanches spéciaux ou enveloppez-les soigneusement dans des feuilles d'aluminium ou de polyéthylène, pour emmagasiner le moins d'air possible.

Lait en bouteille : bouchez-le et placez-le dans le balconnet de la contreporte réservé aux bouteilles.

Bananes, pommes de terre, oignons et ail ne se conservent pas au réfrigérateur, s'ils ne sont pas correctement emballés.

CONSEILS POUR LA CONGÉLATION

Pour obtenir les meilleurs résultats, voici quelques conseils importants :

- la quantité maximale de denrées que vous pouvez congeler par 24 heures est indiquée sur la plaque signalétique.
- le temps de congélation est de 24 heures. Aucune autre denrée à congeler ne doit être ajoutée pendant cette période.
- congelez seulement les denrées alimentaires fraîches, de qualité supérieure (une fois nettoyées).
- préparez la nourriture en petits paquets pour une congélation rapide et uniforme, adaptés à l'importance de la consommation.
- enveloppez les aliments dans des feuilles d'aluminium ou de polyéthylène et assurez-vous que les emballages sont étanches ;
- ne laissez pas des aliments frais, non congelés, toucher des aliments déjà congelés pour éviter une remontée en température de ces derniers.
- les aliments maigres se conservent mieux et plus longtemps que les aliments gras ; le sel réduit la durée de conservation des aliments
- la température très basse à laquelle se trouvent les bâtonnets glacés, s'ils sont consommés dès leur sortie du compartiment congélateur, peut provoquer des brûlures.
- L'identification des emballages est importante : indiquez la date de congélation du produit, et respectez la durée de conservation indiquée par le fabricant.

CONSEILS POUR LA CONSERVATION DES

PRODUITS SURGELÉS ET CONGELÉS DU COMMERCE

Pour une bonne conservation des produits surgelés et congelés, vous devez :

- vous assurer qu'ils ont bien été conservés au magasin ;
- prévoir un temps réduit au minimum pour leur transport du magasin d'alimentation à votre domicile ;
- éviter d'ouvrir trop souvent la porte du congélateur et ne la laisser ouverte que le temps nécessaire.
- une fois décongelés, les aliments se détériorent rapidement et ne peuvent pas être recongelés.
- respecter la durée de conservation indiquée par le fabricant.

ENTRETIEN ET NETTOYAGE



ATTENTION

débrancher l'appareil avant toute opération d'entretien.



Cet appareil contient des hydrocarbures dans son circuit réfrigérant : l'entretien et la recharge ne doivent donc être effectués que par du personnel autorisé.

NETTOYAGE PÉRIODIQUE

Cet appareil doit être nettoyé régulièrement :

- Nettoyez l'intérieur et tous les accessoires avec de l'eau tiède savonneuse.
- Vérifiez régulièrement les joints de porte et nettoyez-les en les essuyant pour éviter toute accumulation de déchets.
- Rincez et séchez soigneusement.



Ne pas tirer, déplacer ou endommager les tuyaux et/ou câbles qui se trouvent à l'intérieur de l'appareil.

Ne JAMAIS utiliser de produits abrasifs ou caustiques ni d'éponges avec grattoir pour nettoyer l'intérieur de façon à ne pas l'abîmer et laisser de fortes odeurs.

Nettoyer le condenseur (grille noire) et le compresseur situés à l'arrière de l'appareil avec une brosse ou un aspirateur. Cette opération améliore les performances de l'appareil et permet des économies d'énergie.

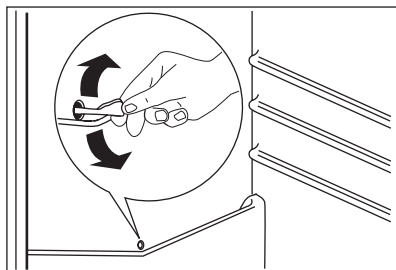


Attention à ne pas endommager le système de réfrigération.

De nombreux détergents pour la cuisine recommandés par les fabricants contiennent des produits chimiques qui peuvent attaquer/endommager les pièces en plastique utilisées dans cet appareil. Il est par conséquent recommandé d'utiliser seulement de l'eau chaude additionnée d'un peu de savon liquide pour nettoyer la carrosserie de l'appareil.

Après le nettoyage, rebranchez l'appareil.

DÉGIVRAGE DU RÉFRIGÉRATEUR



En fonctionnement normal, le givre est automatiquement éliminé de l'évaporateur du compartiment réfrigérateur à chaque fois que le compresseur s'arrête. L'eau de dégivrage est collectée dans un récipient spécial situé à l'arrière de l'appareil, au-dessus du compresseur, d'où elle s'évapore. Nettoyez régulièrement l'orifice d'écoulement de la goutte d'évacuation de l'eau de dégivrage située au milieu du compartiment réfrigérateur pour empêcher l'eau de déborder et de couler à l'intérieur de l'appareil. Nettoyez l'orifice d'écoulement de l'eau de dégivrage avec le bâtonnet spécial se trouvant déjà dans l'orifice.

DÉGIVRAGE DU COMPARTIMENT CONGÉLATEUR



Une certaine quantité de givre se forme toujours autour du compartiment supérieur.



Dégivrez le compartiment congélateur lorsque l'épaisseur de la couche de givre est d'environ 3-5 mm.

Pour enlever le givre, suivez les instructions ci-dessous :

1. Mettez l'appareil à l'arrêt.
2. Sortez les denrées congelées, enveloppez celles-ci dans plusieurs feuilles de papier journal et conservez-les dans un endroit frais.
3. Ouvrez la porte.
4. Le dégivrage terminé, épongez et séchez bien l'intérieur.
5. Mettez l'appareil en fonctionnement.
6. Réglez le thermostat pour obtenir plus de froid et faites fonctionner l'appareil pendant deux ou trois heures en utilisant ce réglage.
7. Remplacez les produits surgelés ou congelés dans le compartiment.



AVERTISSEMENT

N'utilisez en aucun cas de couteau ou tout autre objet tranchant, d'objet métallique pour gratter la couche de givre, vous risquez de détériorer irrémédiablement l'évaporateur. N'utilisez aucun autre dispositif mécanique ou moyen artificiel que ceux qui sont recommandés par le fabricant pour accélérer le dégivrage de votre appareil. Une élévation de la température des denrées congelées, pendant la décongélation, peut réduire leur durée de conservation.

- laissez la porte/les portes entrouverte(s) pour prévenir la formation d'odeurs désagréables.

Si, toutefois, vous n'avez pas la possibilité de débrancher et vider l'appareil, faites vérifier régulièrement son bon fonctionnement pour éviter la détérioration des aliments en cas de panne de courant.

EN CAS D'ABSENCE PROLONGÉE OU DE NON- UTILISATION

Prenez les précautions suivantes :

- **débranchez l'appareil**
- retirez tous les aliments
- dégivrez si nécessaire et nettoyez l'appareil ainsi que tous les accessoires

EN CAS D'ANOMALIE DE FONCTIONNEMENT



AVERTISSEMENT

Avant de résoudre les problèmes, débranchez l'appareil.

La résolution des problèmes, non mentionnés dans le présent manuel, doit être exclusivement confiée à un électricien qualifié ou une personne compétente.

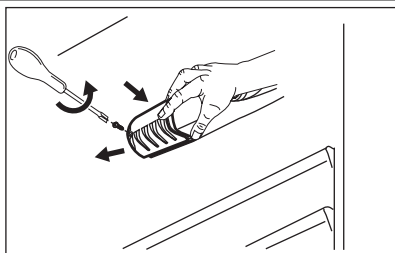


Certains bruits pendant le fonctionnement (compresseur, système réfrigérant) sont normaux.

Anomalie	Cause possible	Solution
L'appareil ne fonctionne pas. L'ampoule ne fonctionne pas.	L'appareil est à l'arrêt.	Mettez l'appareil en fonctionnement.
	La fiche d'alimentation n'est pas correctement branchée dans la prise de courant.	Branchez correctement la fiche d'alimentation dans la prise de courant.
	Le courant n'arrive pas à l'appareil. La prise de courant n'est pas alimentée.	Branchez un autre appareil électrique dans la prise de courant. Faites appel à un électricien qualifié.
L'ampoule ne fonctionne pas.	L'ampoule est en mode veille.	Fermez puis ouvrez la porte.
	L'ampoule est défectueuse.	Consultez le paragraphe « Remplacement de l'ampoule ».
Le compresseur fonctionne en permanence.	Le dispositif de réglage de température n'est pas correctement réglé.	Sélectionnez une température plus élevée.
	La porte n'est pas correctement fermée.	Consultez le paragraphe « Fermeture de la porte ».
	La porte a été ouverte trop souvent.	Ne laissez pas la porte ouverte plus longtemps que nécessaire.
	La température du produit est trop élevée.	Laissez le produit revenir à température ambiante avant de le ranger dans l'appareil.
	La température ambiante est trop élevée.	Réduisez la température ambiante.
De l'eau s'écoule sur la plaque arrière du réfrigérateur.	Pendant le dégivrage automatique, le givre fond sur l'évaporateur.	Ce phénomène est normal.
De l'eau s'écoule dans le réfrigérateur.	L'orifice d'évacuation de l'eau est obstrué.	Nettoyez l'orifice.

Anomalie	Cause possible	Solution
	Des produits empêchent l'eau de s'écouler dans le réservoir d'eau.	Assurez-vous que les produits ne touchent pas la plaque arrière.
De l'eau s'écoule sur le sol.	L'eau de dégivrage ne s'écoule pas dans le plateau d'évaporation situé au-dessus du compresseur.	Fixez le tuyau de sortie de l'eau au plateau d'évaporation.
La température à l'intérieur de l'appareil est trop basse.	Le dispositif de réglage de température n'est pas correctement réglé.	Sélectionnez une température plus élevée.
La température à l'intérieur de l'appareil est trop élevée.	Le dispositif de réglage de température n'est pas correctement réglé.	Modifiez la position du dispositif de réglage de température pour obtenir plus de froid.
	La porte n'est pas correctement fermée.	Consultez le paragraphe « Fermeture de la porte ».
	La température du produit est trop élevée.	Laissez le produit revenir à température ambiante avant de le ranger dans l'appareil.
	Trop de produits sont conservés en même temps.	Conservez moins de produits en même temps.
La température du réfrigérateur est trop élevée.	L'air froid ne circule pas dans l'appareil.	Assurez-vous que l'air froid circule dans l'appareil.
La température du congélateur est trop élevée.	Les produits sont trop près les uns des autres.	Rangez les produits de façon à permettre la circulation de l'air froid.
Il y a trop de givre.	Les aliments ne sont pas correctement emballés.	Enveloppez les aliments correctement.
	La porte n'est pas correctement fermée.	Consultez le paragraphe « Fermeture de la porte ».
	Le dispositif de réglage de température n'est pas correctement réglé.	Sélectionnez une température plus élevée.

REPLACEMENT DE L'ÉCLAIRAGE



1. Débranchez l'appareil de la prise secteur.
 2. Retirez la vis du diffuseur.
 3. Retirez le diffuseur (voir l'illustration).
 4. Remplacez l'ampoule défectueuse par une ampoule neuve de puissance identique, spécifiquement conçue pour les appareils électroménagers. (La puissance maximale est indiquée sur le diffuseur.)
 5. Installez le diffuseur de l'ampoule.
 6. Serrez la vis du diffuseur.
 7. Branchez l'appareil sur le secteur.
 8. Ouvrez la porte. Vérifiez que l'ampoule s'allume.
-

FERMETURE DE LA PORTE

1. Nettoyez les joints de la porte.
2. Si nécessaire, ajustez la porte. Reportez-vous au chapitre « Installation ».
3. Si nécessaire, remplacez les joints de porte défectueux. Contactez votre service après-vente.

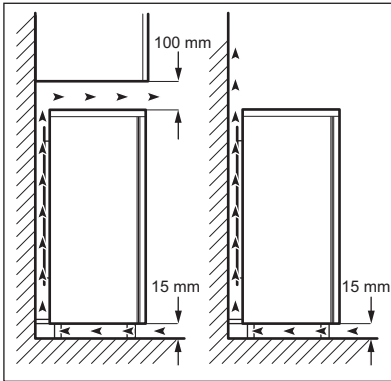
INSTALLATION



AVERTISSEMENT

Pour votre sécurité et le bon fonctionnement de l'appareil, veuillez lire attentivement les "Consignes de sécurité" avant d'installer l'appareil.

EMPLACEMENT



L'appareil doit être installé à bonne distance des sources de chaleur telles que les radiateurs, les chaudières, les rayons directs du soleil, etc. Assurez-vous que l'air circule librement à l'arrière de l'appareil. Pour assurer des performances optimales, si l'appareil est placé sous un meuble en surplomb, la distance minimale entre le haut de l'appareil et ce meuble doit être d'au moins 100 mm. Si possible, évitez de placer l'appareil sous des éléments suspendus. La mise de niveau se fait à l'aide d'un ou de plusieurs pieds réglables à la base de l'appareil. Si l'appareil est placé dans un coin avec le côté des charnières contre le mur, laissez au moins 10 mm entre le mur et l'appareil pour permettre une ouverture suffisante de la porte, afin de pouvoir retirer les clayettes.



AVERTISSEMENT

L'appareil doit pouvoir être débranché à tout moment ; il est donc nécessaire que la prise reste accessible après l'installation.

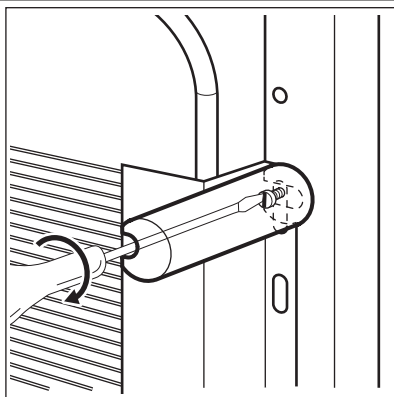
BRANCHEMENT ÉLECTRIQUE

Contrôlez, avant de brancher l'appareil, si la tension et la fréquence indiquées sur la plaque signalétique correspondent à celles de votre réseau.

L'appareil doit être relié à la terre. La fiche du câble d'alimentation comporte un logement pour mise à la terre. Si la prise de

courant murale n'est pas mise à la terre, branchez l'appareil sur une prise de terre conformément aux normes en vigueur, en demandant conseil à un électricien qualifié. Le fabricant décline toute responsabilité en cas d'incident suite au non-respect des consignes de sécurité sus-mentionnées. Cet appareil est conforme aux directives communautaires.

ENTRETOISES ARRIÈRE

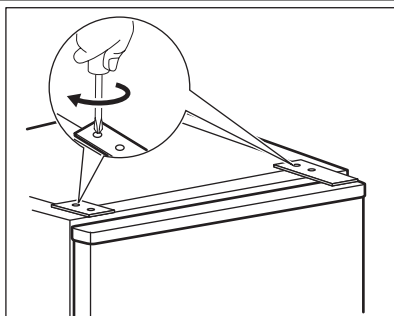


Vous trouverez deux entretoises jointes à l'appareil qui doivent être installées comme indiqué sur la figure.

Desserrez les vis et introduisez l'entretoise sous la tête de vis, puis resserrez les vis.

RÉVERSIBILITÉ DE LA PORTE

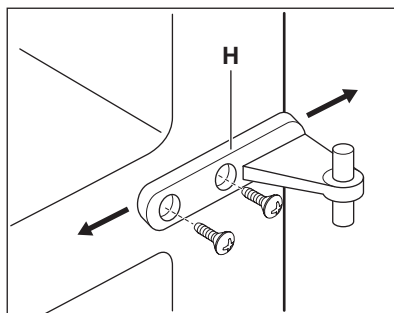
Avant toute opération, débranchez la fiche de la prise de courant.



Pour effectuer les opérations suivantes, il est conseillé de se faire aider par une autre personne pour maintenir fermement les portes lors de toute manipulation de l'appareil.

Pour changer le sens d'ouverture de la porte, procédez comme suit :

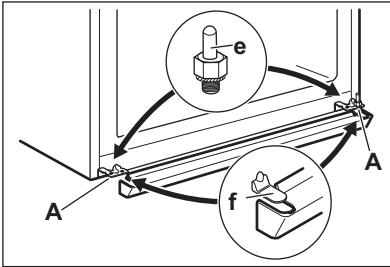
Enlevez la charnière supérieure en veillant à ce que la porte supérieure ne tombe pas et mettez la charnière de côté.



Retirez la porte supérieure.

Enlevez le support supérieur et placez-le de l'autre côté.

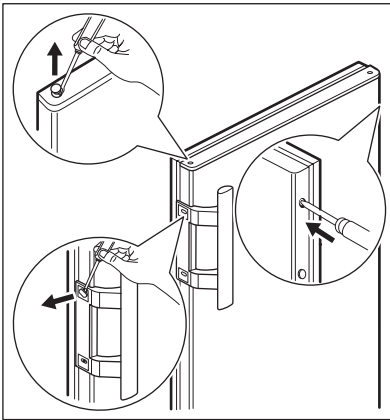
Dévissez la charnière intermédiaire (H). Retirez les caches en plastique situés de l'autre côté de la charnière centrale et utilisez-les pour boucher les trous libres.



Retirez la porte inférieure.

Enlevez le cache (f) à l'aide d'un outil, dévissez le gond de la charnière inférieure (e), à l'aide d'une clé de 10 mm et revissez-le sur le côté opposé.

Installez le cache (f) sur le côté opposé.



Insérez le pivot de la charnière centrale dans l'orifice gauche de la porte inférieure et fixez la charnière à l'aide des entretoises.

Installez la porte supérieure sur le pivot de la charnière centrale.

Installez la charnière supérieure sur le côté opposé.

Insérez la porte inférieure sur le gond de la charnière inférieure (e).

Retirez les caches (le cas échéant) et dévissez la poignée. Retirez les caches des orifices du côté opposé. Fixez la poignée sur le côté opposé avec les caches.

Insérez les caches en plastique se trouvant dans le sachet de la notice d'utilisation dans les orifices restés découverts.



AVERTISSEMENT

Rebranchez l'appareil.

Si vous ne souhaitez pas effectuer personnellement les opérations décrites ci-dessus, contactez votre service après-vente. Un technicien du service après-vente procédera à la réversibilité des portes à vos frais.



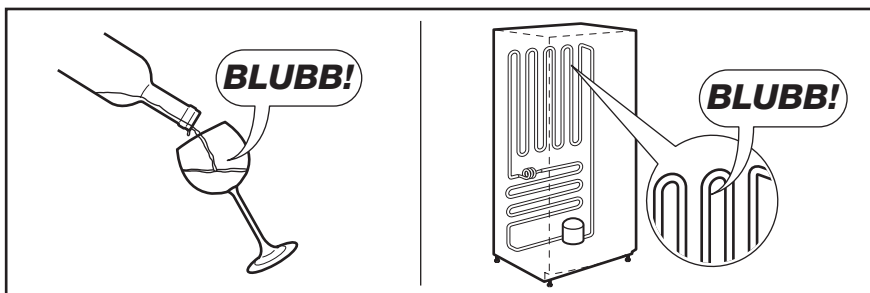
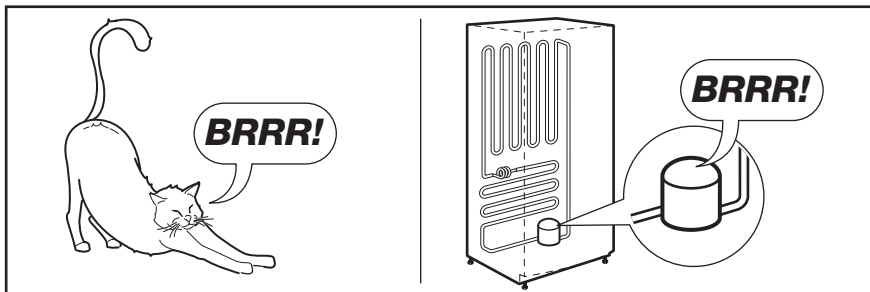
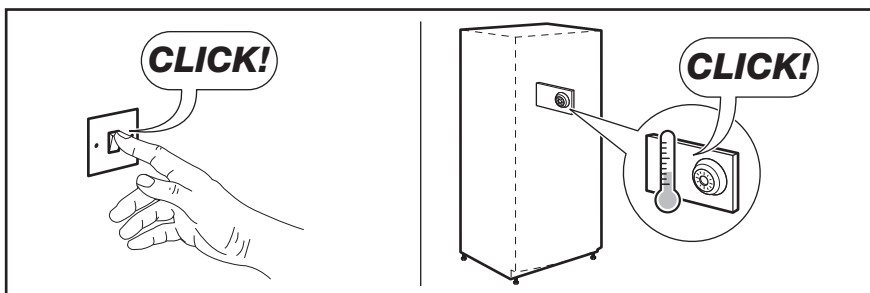
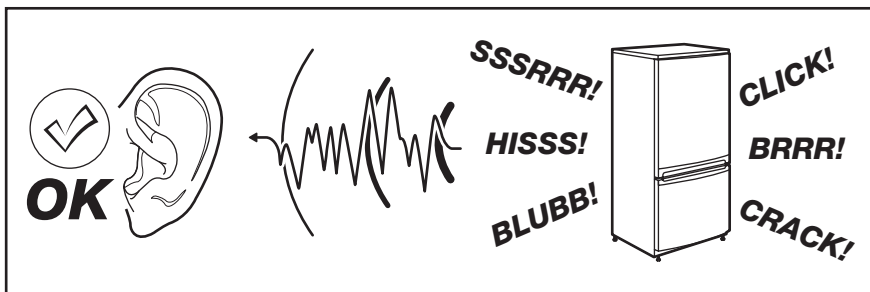
AVERTISSEMENT

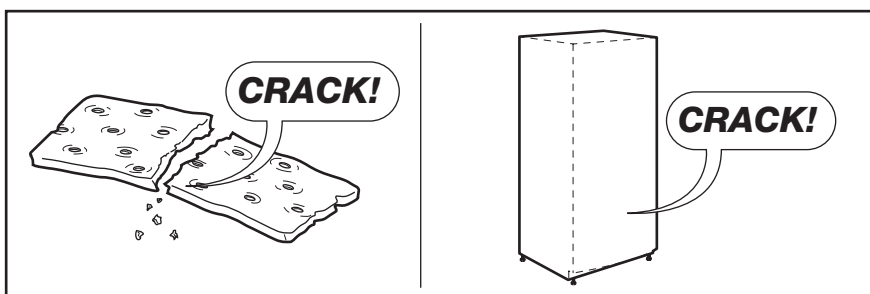
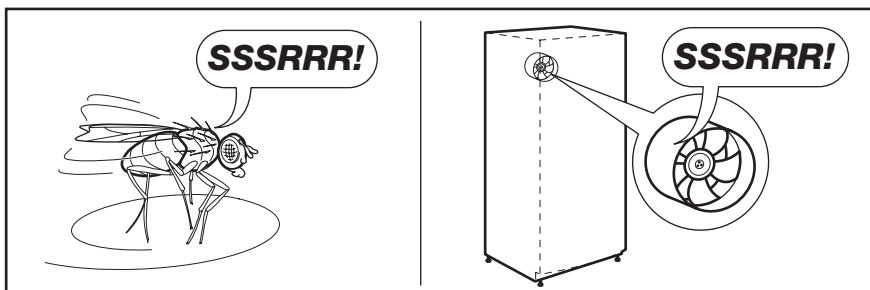
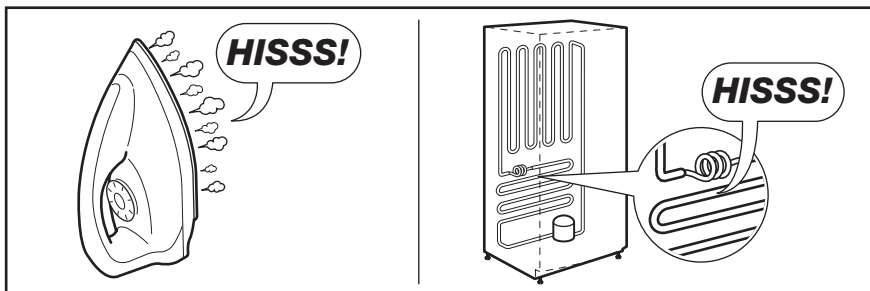
Après avoir changé le sens d'ouverture des portes, vérifiez que toutes les vis sont correctement serrées et que le joint magnétique adhère bien à l'appareil.

Si la température ambiante est basse (par exemple, en hiver), il se peut que le joint n'adhère pas parfaitement. Dans ce cas, attendez que le joint reprenne sa taille naturelle. Couchez l'appareil sur le dos.

BRUITS

L'appareil émet certains bruits pendant son fonctionnement (compresseur, circuit frigorifique).






CARACTÉRISTIQUES TECHNIQUES


Dimensions de la niche d'encastrement		
	Hauteur	1710 mm
	Largeur	600 mm
	Profondeur	645 mm
Temps de levée		25 h
Tension		230-240 V
Fréquence		50 Hz

Les caractéristiques techniques figurent sur la plaque signalétique située sur le côté

gauche à l'intérieur de l'appareil et sur l'étiquette énergétique.

EN MATIÈRE DE PROTECTION DE L'ENVIRONNEMENT

Recyclez les matériaux portant le symbole . Déposez les emballages dans les conteneurs prévus à cet effet. Contribuez à la protection de l'environnement et à votre sécurité, recyclez vos produits électriques et

électroniques. Ne jetez pas les appareils portant le symbole  avec les ordures ménagères. Emmenez un tel produit dans votre centre local de recyclage ou contactez vos services municipaux.

ÍNDICE

INFORMAÇÕES DE SEGURANÇA	44
FUNCIONAMENTO	47
UTILIZAÇÃO DIÁRIA	48
SUGESTÕES E CONSELHOS ÚTEIS	50
MANUTENÇÃO E LIMPEZA	52
O QUE FAZER SE...	54
INSTALAÇÃO	57
RUÍDOS	60
DADOS TÉCNICOS	61
PREOCUPAÇÕES AMBIENTAIS	62

ESTAMOS A PENSAR EM SI

Obrigado por ter adquirido um aparelho Electrolux. Escolheu um produto que traz consigo décadas de experiência profissional e inovação. Engenhoso e elegante, foi concebido a pensar em si. Assim, quando o utilizar, terá a tranquilidade de quem sabe que terá sempre óptimos resultados.

Bem-vindo(a) à Electrolux.

Visite o nosso website para:



Resolver problemas e obter conselhos de utilização, catálogos e informações sobre serviços:

www.electrolux.com



Registar o seu produto para beneficiar de um serviço melhor:

www.electrolux.com/productregistration



Adquirir acessórios, consumíveis e peças de substituição originais para o seu aparelho:

www.electrolux.com/shop

APOIO AO CLIENTE E ASSISTÊNCIA

Recomendamos a utilização de peças de substituição originais.

Quando contactar a Assistência, certifique-se de que tem os seguintes dados disponíveis.

A informação encontra-se na placa de características. Modelo, PNC, Número de Série.



Aviso / Cuidado - Informações de segurança.



Informações gerais e conselhos úteis



Informações ambientais

Sujeito a alterações sem aviso prévio.



INFORMAÇÕES DE SEGURANÇA

Para a sua própria segurança e para garantir uma utilização correcta, antes de instalar e usar o aparelho pela primeira vez, leia atentamente este manual do utilizador, incluindo as suas sugestões e advertências. Para evitar erros e acidentes desnecessários, é importante que todas as pessoas que utilizam o aparelho conheçam o seu funcionamento e as características de segurança. Guarde estas instruções e certifique-se de que elas acompanham o aparelho em caso de transferência ou venda, para que todos os que venham a usá-lo estejam devidamente informados quanto à sua utilização e segurança.

Para sua segurança e da propriedade, guarde as precauções destas instruções de utilização, uma vez que o fabricante não é responsável pelos danos causados por omissão.

SEGURANÇA PARA CRIANÇAS E PESSOAS VULNERÁVEIS

- Este aparelho não se destina a ser utilizado por pessoas (incluindo crianças) com capacidades físicas, sensoriais ou mentais reduzidas ou sem experiência e conhecimento, excepto se lhes tiver sido dada supervisão ou instrução relativa à utilização do aparelho por uma pessoa responsável pela sua segurança.

As crianças devem ser vigiadas para assegurar que não brincam com o aparelho.

- Mantenha todas as embalagens fora do alcance das crianças. Existe o risco de asfixia.
- Se eliminar o aparelho retire a ficha da tomada, corte o cabo eléctrico (o mais perto do aparelho possível) e retire a porta para evitar que crianças a brincar sofram choques eléctricos ou se fechem dentro do aparelho.
- Se este aparelho, com vedantes de porta magnéticos for substituir um aparelho mais velho com fecho de mola (lingueta) na porta ou tampa, certifique-se de que o fecho de mola está desactivado antes de eliminar o velho aparelho. Tal irá evitar que se torne numa armadilha fatal para uma criança.

SEGURANÇA GERAL



ADVERTÊNCIA

Mantenha as aberturas de ventilação da caixa do aparelho ou da estrutura integrada sem obstruções.

- O aparelho destina-se à conservação de alimentos e/ou bebidas em ambiente doméstico normal, como explicado neste manual de instruções.
- Não utilize um dispositivo mecânico ou qualquer meio artificial para acelerar o processo de descongelação.
- Não utilize outros aparelhos eléctricos (como máquinas de fazer gelados) dentro dos aparelhos de refrigeração, a não ser que sejam aprovados para este fim pelo fabricante.
- Não danifique o circuito de refrigeração.
- O circuito de refrigeração do aparelho contém isobutano (R600a), um gás natural com um alto nível de compatibilidade ambiental que é, no entanto, inflamável.

Durante o transporte e a instalação do aparelho, certifique-se de que nenhum dos componentes do circuito de refrigeração fica danificado.

Se o circuito de refrigeração for danificado:

- evite chamas vivas e fontes de ignição
- ventile totalmente a divisão onde o aparelho se encontra
- É perigoso alterar as especificações ou modificar este produto de qualquer forma. Quaisquer danos no cabo poderão provocar um curto-circuito, incêndio e/ou choque eléctrico.



ADVERTÊNCIA

A substituição de qualquer componente eléctrico (cabo de alimentação, ficha, compressor) tem de ser efectuada por um agente de assistência certificado ou por pessoal técnico qualificado, para evitar perigo.

1. Não deve colocar extensões no cabo de alimentação.

2. Certifique-se de que a ficha não está esmagada ou danificada pela parte posterior do aparelho. Uma ficha esmagada ou danificada pode sobreaquecer e causar um incêndio.
 3. Certifique-se de que consegue alcançar a ficha do aparelho.
 4. Não puxe o cabo de alimentação.
 5. Se a tomada estiver solta, não introduza a ficha. Existe o risco de choque eléctrico ou incêndio.
 6. O aparelho não deve funcionar sem a tampa da lâmpada (se prevista) da iluminação interior.
- Este aparelho é pesado. Tenha cuidado quando o deslocar.
 - Não retire nem toque nos itens do compartimento do congelador se estiver com as mãos húmidas/molhadas, pois pode sofrer abrasões na pele ou queimaduras provocadas pelo gelo.
 - Evite a exposição prolongada do aparelho à luz solar directa.
 - As lâmpadas (se previstas) utilizadas neste aparelho são lâmpadas especiais, seleccionadas apenas para electrodomésticos. Não são adequadas para iluminação doméstica.

UTILIZAÇÃO DIÁRIA

- Não coloque painéis quentes nas partes de plástico do aparelho.
- Não guarde gases ou líquidos inflamáveis no aparelho, porque podem explodir.
- Não coloque alimentos directamente em frente à saída de ar na parede posterior. (Se o aparelho for do tipo Frost Free - sem gelo)
- Depois de descongelados, os alimentos não devem ser recongelados.
- Guarde alimentos congelados pré-embalados de acordo com as instruções do fabricante do alimento congelado.
- As recomendações de armazenamento dos fabricantes do aparelho devem ser estritamente cumpridas. Consulte as respectivas instruções.
- Não coloque bebidas gaseificadas dentro do congelador, uma vez que cria pressão no recipiente, podendo fazer com que expluda, provocando danos no aparelho.

- Os gelados de gelo podem provocar queimaduras de gelos se forem consumidos imediatamente depois de retirados do aparelho.

LIMPEZA E MANUTENÇÃO

- Antes da manutenção, desligue o aparelho e retire a ficha da tomada.
- Não limpe o aparelho com objectos de metal.
- Não utilize objectos afiados para remover o gelo do aparelho. Utilize um raspador de plástico.
- Inspeccione regularmente o orifício de descarga do frigorífico para presença de água descongelada. Se necessário, limpe o orifício de descarga. Se o orifício estiver bloqueado, a água irá acumular na parte inferior do aparelho.

INSTALAÇÃO



Para efectuar a ligação eléctrica, siga atentamente as instruções fornecidas nos parágrafos específicos.

- Desembale o aparelho e verifique se existem danos. Não ligue o aparelho se estiver danificado. Em caso de danos, informe imediatamente o local onde o adquiriu. Nese caso, guarde a embalagem.
- É recomendável aguardar pelo menos duas horas antes de ligar o aparelho, para permitir que o óleo regresse ao compressor.
- Assegure uma circulação de ar adequada à volta do aparelho, caso contrário pode provocar sobreaquecimento. Para garantir uma ventilação suficiente, siga as instruções relevantes para a instalação.
- Sempre que possível, a traseira do aparelho deve ficar virada para uma parede para evitar toques nas partes quentes (compressor, condensador) e possíveis queimaduras.
- Não coloque o aparelho perto de radiadores ou fogões.
- Certifique-se de que a ficha de alimentação fica acessível após a instalação do aparelho.


- Ligue apenas a uma fonte de água potável (se a ligação de água estiver prevista).

ASSISTÊNCIA

- Quaisquer trabalhos eléctricos necessários para a manutenção do aparelho devem ser efectuados por um electricista qualificado ou pessoa competente.
- A manutenção deste produto deve ser efectuada por um Centro de Assistência autorizado, o qual deverá utilizar apenas peças sobressalentes originais.

PROTECÇÃO AMBIENTAL



Este aparelho não contém gases que possam danificar a camada de ozono, tanto no circuito refrigerante como nos materiais de isolamento. O aparelho não deverá ser eliminado juntamente com o lixo doméstico. A espuma de isolamento contém gases inflamáveis: o aparelho deverá ser eliminado de acordo com as normas aplicáveis que pode obter junto das autoridades locais. Evite danificar a unidade de arrefecimento, especialmente na parte traseira, perto do permutador de calor. Os materiais utilizados neste aparelho marcados pelo símbolo  são recicláveis.

FUNCIONAMENTO

LIGAR

Introduza a ficha na tomada.
Rode o regulador de temperatura no sentido dos ponteiros do relógio para uma definição média.

DESLIGAR

Para desligar o aparelho, rode o regulador de temperatura para a posição "0".

REGULAÇÃO DA TEMPERATURA

A temperatura é regulada automaticamente.

Para utilizar o aparelho, proceda do seguinte modo:

- rode o regulador de temperatura para definições inferiores para obter a frescura mínima.
- rode o regulador de temperatura para definições superiores para obter a frescura máxima.



Normalmente, uma definição média é a mais adequada.

No entanto, a definição exacta deve ser escolhida tendo em conta que a temperatura dentro do aparelho depende da:

- temperatura ambiente
- frequência de abertura da porta
- quantidade de alimentos conservados
- localização do aparelho.



Se a temperatura ambiente for alta ou se o aparelho estiver completamente cheio e estiver definido para as temperaturas mais baixas, pode funcionar continuamente causando a formação de gelo na parede de fundo. Neste caso, o selector tem de estar definido para uma temperatura mais elevada para permitir descongelação automática e, por isso, consumo de energia reduzido.

UTILIZAÇÃO DIÁRIA

LIMPEZA DO INTERIOR

Antes de utilizar o aparelho pela primeira vez, limpe o interior e todos os acessórios internos com água morna e sabão neutro de modo a remover o cheiro típico de um produto novo, de seguida seque minuciosamente.



Não utilize detergentes ou pós abrasivos, pois estes danificam o acabamento.

CONGELAÇÃO DE ALIMENTOS FRESCOS

O compartimento congelador é adequado para a congelação de alimentos frescos e para a conservação a longo prazo de alimentos congelados e ultracongelados.

Para congelar alimentos frescos não é necessário alterar a definição média.

No entanto, para uma operação de congelação mais rápida, rode o regulador de temperatura para definições superiores para obter a frescura máxima.



Nesta condição, a temperatura do compartimento do congelador pode descer abaixo dos 0°C. Se isto ocorrer reinicie o regulador de temperatura para uma definição mais quente.

ARMAZENAMENTO DE ALIMENTOS CONGELADOS

Quando ligar pela primeira vez ou após um período sem utilização, antes de colocar os produtos no compartimento, deixe o apa-

relho em funcionamento durante no mínimo 2 horas nas definições mais elevadas.



Em caso de descongelação acidental, por exemplo, devido a falta de electricidade, se a alimentação estiver desligada por mais tempo que aquele mostrado na tabela de características técnicas em "tempo de reinício", os alimentos descongelados têm de ser consumidos rapidamente ou cozinhados imediatamente e depois, novamente congelados (depois de arrefecerem).

DESCONGELAÇÃO

Os alimentos congelados, antes de serem utilizados, podem ser descongelados no compartimento do frigorífico ou à temperatura ambiente, dependendo do tempo disponível para esta operação.

Os pedaços pequenos podem mesmo ser cozinhados ainda congelados, directamente do congelador: neste caso, a confecção irá demorar mais.

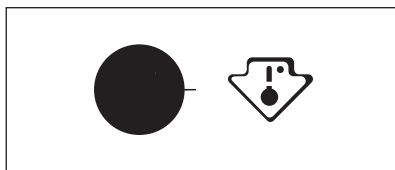
PRODUÇÃO DE CUBOS DE GELO

Este aparelho possui um ou mais tabuleiros para a produção de cubos de gelo. Encha estes tabuleiros com água, de seguida coloque-os no compartimento do congelador.



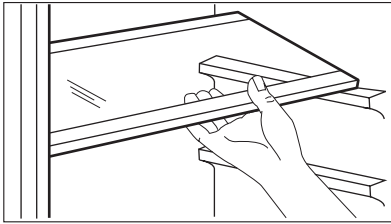
Não utilize instrumentos metálicos para remover os tabuleiros do congelador.

INDICADOR DE TEMPERATURA



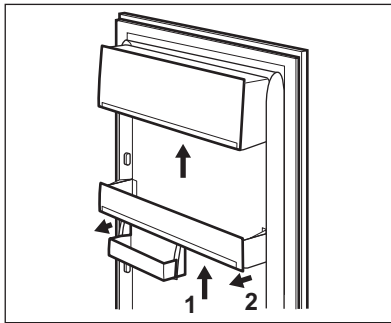
Este aparelho é vendido em França. De acordo com os regulamentos em vigor neste país, tem de estar equipado com um dispositivo especial (ver figura) colocado no compartimento inferior do frigorífico para indicar a zona mais fria.

PRATELEIRAS MÓVEIS



As paredes do frigorífico têm várias calhas que lhe permitem posicionar as prateleiras como preferir.

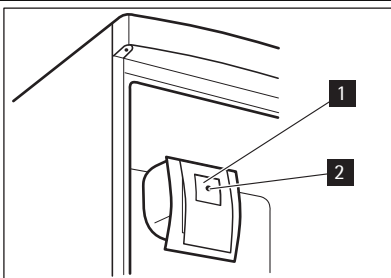
POSICIONAMENTO DAS PRATELEIRAS DA PORTA



Para permitir o armazenamento de embalagens de alimentos de várias dimensões, as prateleiras da porta podem ser colocadas a diferentes alturas.

Para fazer estes ajustes, proceda do seguinte modo: puxe gradualmente a prateleira na direcção das setas até se soltar e, de seguida, reposicione conforme necessário.

FUNÇÃO FREESTORE



A função FREESTORE permite uma rápida refrigeração dos alimentos e uma temperatura mais uniforme no compartimento. Prima o interruptor (1) para ligar o FREESTORE. A luz verde (2) acende-se. Este dispositivo permite uma rápida refrigeração dos alimentos e uma temperatura mais uniforme no compartimento.



Ligue a função FREESTORE quando a temperatura ambiente exceder os 25 °C.

SUGESTÕES E CONSELHOS ÚTEIS

CONSELHOS PARA POUPAR ENERGIA

- Não abra muitas vezes a porta nem a deixe aberta mais tempo do que o necessário.
- Se a temperatura ambiente for alta e o regulador de temperatura se encontrar na definição de baixa temperatura com o aparelho completamente cheio, o compressor pode funcionar continuamente, causando gelo no evaporador. Se isto acontecer, coloque o regulador de temperatura em definições mais quentes, para permitir a descongelação automática, poupando assim no consumo de electricidade.

CONSELHOS PARA A REFRIGERAÇÃO DE ALIMENTOS FRESCOS

Para obter o melhor desempenho:

- não guarde alimentos quentes ou líquidos que se evaporam no frigorífico
- cubra ou embrulhe os alimentos, particularmente se tiverem um cheiro forte
- posicione os alimentos de modo a que o ar possa circular livremente em redor

CONSELHOS PARA A REFRIGERAÇÃO

Conselhos úteis:

Carne (todos os tipos) : embrulhe em sacos de polieteno e coloque na prateleira de vidro acima da gaveta de vegetais.

Por motivos de segurança, guarde desta forma por um dia ou dois no máximo.

Alimentos cozinhados, pratos frios, etc: estes devem estar cobertos e podem ser colocados em qualquer prateleira.

Fruta e vegetais: estes devem ser minuciosamente limpos e colocados nas gavetas especiais fornecidas.

Manteiga e queijo: estes devem ser colocados em recipientes herméticos especiais ou embrulhados em folha de alumínio ou sacos de polieteno para excluir o máximo de ar possível.

Garrafas de leite: estas devem ter uma tampa e devem ser armazenadas na prateleira de garrafas na porta.

Bananas, batatas, cebolas e alho, se não estiverem embalados, não devem ser guardados no frigorífico.

CONSELHOS PARA A CONGELAÇÃO

Para o ajudar a tirar partido do processo de congelação, eis alguns conselhos importantes:

- a quantidade máxima de alimentos que pode ser congelada em 24h. está mostrada na placa de dados;
- O processo de congelamento demora 24 horas. Não devem ser adicionados mais alimentos para congelação durante este período;
- congele apenas alimentos de alta qualidade, frescos e extremamente limpos;
- Prepare os alimentos em pequenas quantidades para permitir que sejam rápida e completamente congeladas e para tornar possível subseqüentemente descongelar apenas a quantidade necessária;
- embrulhe os alimentos em folha de alumínio ou polieteno e certifique-se de que as embalagens são herméticas;
- Não permita que os alimentos frescos e descongelados entrem em contacto com os alimentos já congelados, evitando assim o aumento de temperatura dos alimentos congelados;
- os alimentos sem gordura são melhores para armazenar que os alimentos com gordura; o sal reduz o tempo de armazenamento dos alimentos;
- a água congela. Se for consumida imediatamente após a remoção do compartimento do congelador, poderá causar queimaduras de gelo na pele;
- é aconselhável que anote a data de congelação em cada embalagem individual para permitir que saiba o tempo de armazenamento.

CONSELHOS PARA O ARMAZENAMENTO DE ALIMENTOS CONGELADOS

Para obter o melhor desempenho deste aparelho, siga estas indicações:

- certifique-se de que os alimentos congelados comercialmente foram armazenados adequadamente pelo vendedor;
- certifique-se de que os alimentos congelados são transferidos do supermercado para o congelador no tempo mais curto possível;
- não abra a porta muitas vezes, nem a deixe aberta mais tempo do que o necessário;
- uma vez descongelados, os alimentos degradam-se rapidamente e não podem voltar a ser congelados;
- não exceda o período de armazenamento indicado pelo produtor dos alimentos.

MANUTENÇÃO E LIMPEZA



CUIDADO

Retire a ficha da tomada antes de efectuar qualquer operação de manutenção.



Este aparelho contém hidrocarbonetos na sua unidade de arrefecimento; a manutenção e a recarga devem, por isso, ser efectuadas exclusivamente por técnicos autorizados.

LIMPEZA PERIÓDICA

O equipamento tem de ser limpo regularmente:

- limpe o interior e os acessórios com água morna e sabão neutro.
- verifique regularmente os vedantes de porta e limpe-os para se certificar de que estão limpos e sem resíduos.
- lave e seque minuciosamente.



Não puxe, desloque nem danifique quaisquer tubos e/ou cabos dentro do armário.

Nunca utilize detergentes, pós abrasivos, produtos de limpeza muito perfumados ou cera de polir para limpar o interior, pois isto irá danificar a superfície e deixar um odor forte.

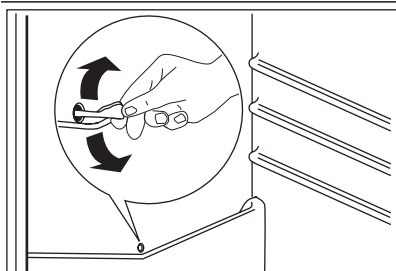
Limpe o condensador (grelha preta) e o compressor que está no fundo do aparelho, com uma escova. Esta operação irá melhorar o desempenho do aparelho e poupar consumo de electricidade.



Tenha cuidado para não danificar o sistema de arrefecimento.

Muitos agentes de limpeza de superfícies de cozinhas contêm químicos que podem atacar/danificar os plásticos usados neste aparelho. Por esta razão é aconselhável que a estrutura exterior deste aparelho seja limpa apenas com água morna com um pouco de solução de limpeza adicionada. Após a limpeza, volte a ligar o equipamento à tomada de alimentação.

DESCONGELAR O FRIGORÍFICO



O gelo é automaticamente eliminado do evaporador do compartimento do frigorífico sempre que o compressor motorizado pára, durante o funcionamento normal. A água resultante da descongelação é drenada por um canal para um recipiente especial colocado na parte posterior do aparelho, sobre o compressor motorizado, onde evapora.

Limpe periodicamente o orifício de descarga da água resultante da descongelação no centro do canal do compartimento do frigorífico para evitar que um fluxo excessivo de água pingue sobre os alimentos. Utilize o acessório de limpeza especial fornecido, que irá encontrar já inserido no orifício de descarga.

DESCONGELAÇÃO DO CONGELADOR



Haverá sempre formação de algum gelo nas paredes do compartimento superior.



Descongele o congelador quando a camada de gelo atingir uma espessura de 3 a 5 mm.

Para remover o gelo, execute estes passos:

1. Desligue o aparelho.
2. Retire os alimentos armazenados, embrulhe-os em várias folhas de jornal e coloque-os num local frio.
3. Abra a porta.
4. Quando a descongelação estiver concluída, seque totalmente o interior.
5. Ligue o aparelho.
6. Defina o regulador de temperatura para obter a frescura máxima e coloque o aparelho em funcionamento durante duas ou três horas com esta regulação.
7. Volte a colocar os alimentos previamente retirados no compartimento.



ADVERTÊNCIA

Nunca utilize objectos metálicos afiados para raspar o gelo do evaporador, pois pode danificá-lo. Não utilize um dispositivo mecânico ou qualquer meio artificial para acelerar o processo de descongelação além dos recomendados pelo fabricante. Um aumento da temperatura das embalagens dos alimentos congelados, durante a descongelação, pode reduzir o tempo de armazenamento seguro.

PERÍODOS DE INACTIVIDADE

Quando o aparelho não é utilizado por longos períodos, observe as seguintes precauções:

- **desligue o aparelho da tomada da electricidade**
- retire todos os alimentos
- descongele (se previsto) e limpe o aparelho e todos os acessórios
- deixe a(s) porta(s) aberta(s) para evitar cheiros desagradáveis.

Se o armário for mantido ligado, peça a alguém para o verificar esporadicamente, para evitar que os alimentos no interior se estraguem em caso de falha eléctrica.

O QUE FAZER SE...

**ADVERTÊNCIA**

Antes da resolução de problemas, retire a ficha da tomada.

A resolução de problemas que não se encontram no manual só deve ser efectuada por um electricista qualificado ou uma pessoa competente.

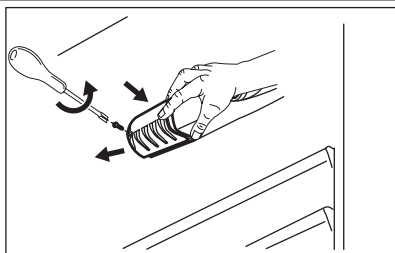


Existem alguns ruídos durante a utilização normal (compressor, circulação de refrigerante).

Problema	Possível causa	Solução
O aparelho não funciona. A lâmpada não funciona.	O aparelho está desligado.	Ligue o aparelho.
	A ficha não está correctamente inserida na tomada.	Ligue a ficha do aparelho correctamente à tomada de alimentação.
	O aparelho não tem alimentação. Não existe tensão na tomada.	Ligue um aparelho eléctrico diferente à tomada. Contacte um electricista qualificado.
A lâmpada não funciona.	A lâmpada está no modo de espera.	Feche e abra a porta.
	A lâmpada está defeituosa.	Consulte "Substituir a lâmpada".
O compressor funciona continuamente.	A temperatura não está regulada correctamente.	Defina uma temperatura mais elevada.
	A porta não está fechada correctamente.	Consulte "Fechar a porta".
	A porta foi aberta muitas vezes.	Não mantenha a porta aberta mais tempo do que o necessário.
	A temperatura do produto está muito alta.	Deixe que a temperatura do produto diminua até à temperatura ambiente antes de o guardar.
	A temperatura ambiente está muito alta.	Diminua a temperatura ambiente.
A água escorre na placa traseira do frigorífico.	Durante o processo de descongelação automático, o gelo é descongelado na placa traseira.	Isto está correcto.
A água escorre para o frigorífico.	A saída de água está obstruída.	Limpe a saída da água.

Problema	Possível causa	Solução
	Os produtos evitam que a água esorra para o coletor de água.	Certifique-se de que os produtos não tocam na placa traseira.
A água esorre para o chão.	A saída de água descongelada não esorre para o tabuleiro de evaporação acima do compressor.	Engate a saída de água descongelada no tabuleiro de evaporação.
A temperatura no aparelho está demasiado baixa.	A temperatura não está regulada correctamente.	Defina uma temperatura mais elevada.
A temperatura no aparelho está demasiado alta.	A temperatura não está regulada correctamente.	Defina uma temperatura mais baixa.
	A porta não está fechada correctamente.	Consulte "Fechar a porta".
	A temperatura do produto está muito alta.	Deixe que a temperatura do produto diminua até à temperatura ambiente antes de o guardar.
	Muitos produtos armazenados ao mesmo tempo.	Armazene menos produtos ao mesmo tempo.
A temperatura no frigorífico está demasiado alta.	Não existe circulação de ar frio no aparelho.	Certifique-se de que existe circulação de ar frio no aparelho.
A temperatura no congelador está demasiado alta.	Os produtos estão demasiado perto uns dos outros.	Armazene os produtos de forma a haver circulação de ar frio.
Existe demasiado gelo.	Os alimentos não estão embalados correctamente.	Embale os alimentos correctamente.
	A porta não está fechada correctamente.	Consulte "Fechar a porta".
	A temperatura não está regulada correctamente.	Defina uma temperatura mais elevada.

SUBSTITUIR A LÂMPADA



1. Desligue a ficha de alimentação eléctrica da tomada.
2. Retire o parafuso da tampa da lâmpada.
3. Retire a tampa da lâmpada (consulte a figura).
4. Substitua a lâmpada usada por uma lâmpada nova com a mesma potência e especialmente concebida para aparelhos domésticos. (A potência máxima está indicada na tampa da lâmpada.)
5. Instale a tampa da lâmpada.
6. Aperte o parafuso da tampa da lâmpada.
7. Ligue a ficha à tomada.
8. Abra a porta. Certifique-se de que a lâmpada acende.

FECHAR A PORTA

1. Limpe as juntas da porta.
2. Se necessário, ajuste a porta. Consulte "Instalação".
3. Se necessário, substitua as juntas defeituosas da porta. Contacte o Centro de Assistência Técnica.

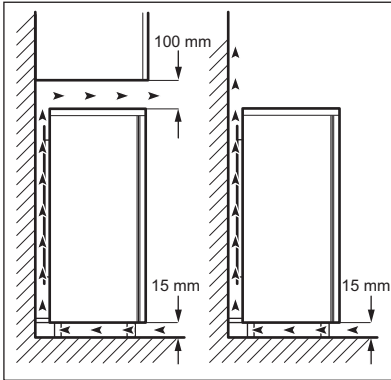
INSTALAÇÃO



ADVERTÊNCIA

Leia as "Informações de segurança" cuidadosamente para a sua segurança e funcionamento correcto do aparelho antes de o instalar.

LOCALIZAÇÃO



O aparelho deve ser instalado longe de fontes de calor, como radiadores, termoacumuladores, luz solar directa, etc. Certifique-se de que o ar pode circular livremente na parte posterior do aparelho. Para garantir o melhor desempenho, se o aparelho estiver sob uma unidade de parede suspensa, a distância mínima entre o topo do aparelho e a unidade de parede deve ser de, pelo menos, 100 mm. Em todo o caso, deve-se evitar colocar o aparelho debaixo de uma unidade suspensa na parede. O nivelamento preciso é garantido por um ou vários pés ajustáveis na base do aparelho. Se o aparelho for colocado num canto e se o lado com dobradiças ficar virado para a parede, a distância entre a parede e o aparelho deve ser de, pelo menos, 10 mm para permitir que a porta abra o suficiente para poder retirar as prateleiras.



ADVERTÊNCIA

Deve ser possível desligar o aparelho da corrente eléctrica; a ficha de alimentação eléctrica tem de estar facilmente acessível após a instalação.

LIGAÇÃO ELÉCTRICA

Antes de ligar, certifique-se de que a tensão e a frequência indicadas na placa de dados correspondem à fonte de alimentação doméstica.

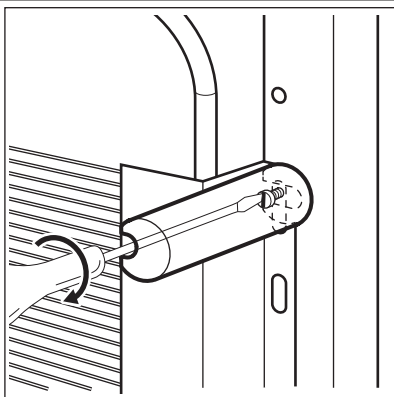
O aparelho deve ter uma ligação à terra. A ficha do cabo de alimentação é fornecida com um contacto para este objectivo. Se a tomada da fonte de alimentação doméstica

não estiver ligada à terra, ligue o aparelho a uma ligação à terra separada, em conformidade com as normas actuais, consultando um electricista qualificado.

O fabricante declina toda a responsabilidade caso as precauções de segurança acima não sejam cumpridas.

Este aparelho cumpre com as directivas E.E.C.

SEPARADORES TRASEIROS

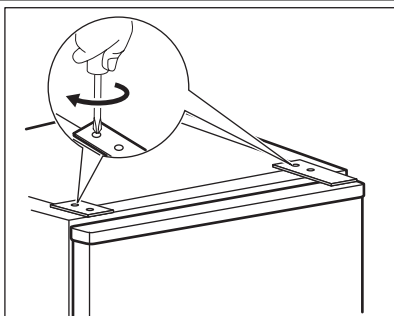


Existem dois espaçadores no interior do aparelho, que devem ser instalados conforme ilustrado.

Desaperte os parafusos, introduza o espaçador debaixo da cabeça do parafuso e volte a apertar os parafusos.

REVERSIBILIDADE DA PORTA

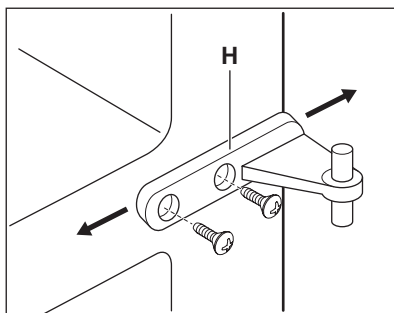
Antes de efectuar qualquer operação, retire a ficha da tomada.



Recomendamos que execute as seguintes operações com a ajuda de outra pessoa que irá segurar as portas do aparelho durante as operações.

Para alterar o sentido de abertura da porta, proceda da seguinte forma:

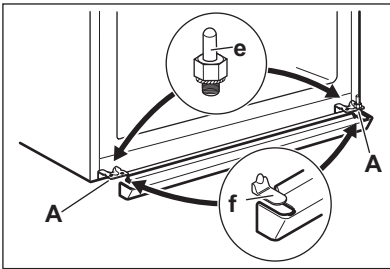
Remova a dobradiça superior, tendo o cuidado de manter segura a porta superior (risco de queda), e conserve-a para utilizar mais tarde.



Remova a porta superior.

Retire o suporte superior e monte-o no lado oposto.

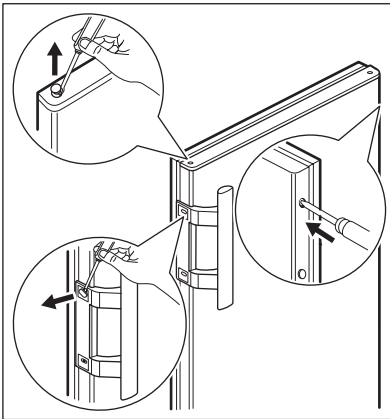
Desaparafuse a dobradiça central (H). Retire as tampas de plástico localizadas no lado oposto da dobradiça central e coloque-as nos orifícios ocupados anteriormente pela dobradiça.



Remova a porta inferior.

Com a ajuda de uma ferramenta, remova a cobertura (f), desaperte a cavilha da dobradiça inferior (e) com uma chave de porcas de 10 mm e volte a apertar no lado oposto.

Instale a cobertura (f) no lado oposto.



Coloque a cavilha da dobradiça central no orifício esquerdo da porta inferior e fixe a dobradiça com os espaçadores.

Instale a porta superior na cavilha da dobradiça central.

Instale a dobradiça superior no lado oposto.

Coloque a porta inferior na cavilha da dobradiça inferior (e).

Remova as coberturas (se previstas) e desaperte a pega. No lado oposto, remova as coberturas dos orifícios. Fixe a pega no lado oposto juntamente com as coberturas. Coloque as tampas de plástico nos orifícios que ficaram abertos, que pode encontrar no saco do manual das instruções.



ADVERTÊNCIA

Ligue-o à tomada.

Caso não queira executar as operações acima mencionadas, contacte o Serviço Pós-venda mais próximo. Os custos da inversão das portas pelo técnico do Serviço Pós-venda serão suportados por si.



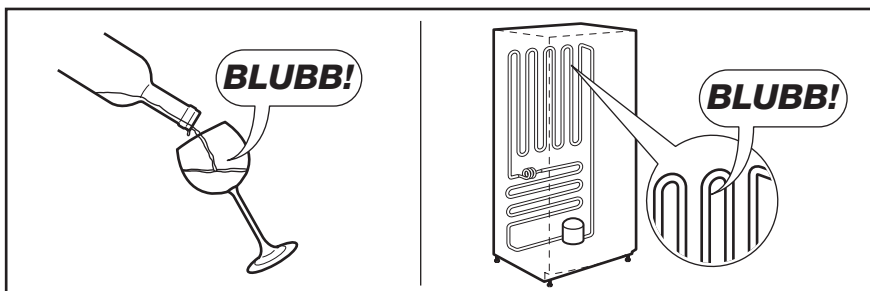
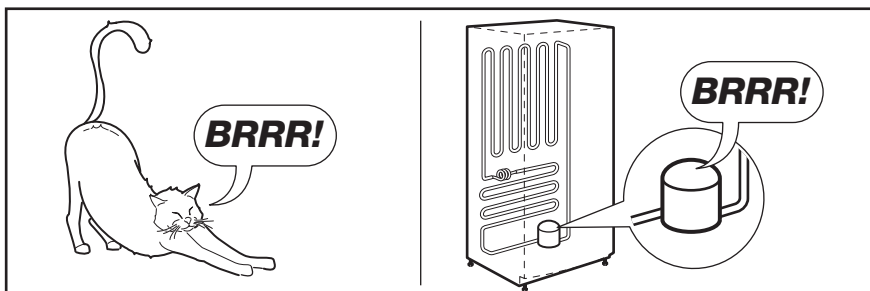
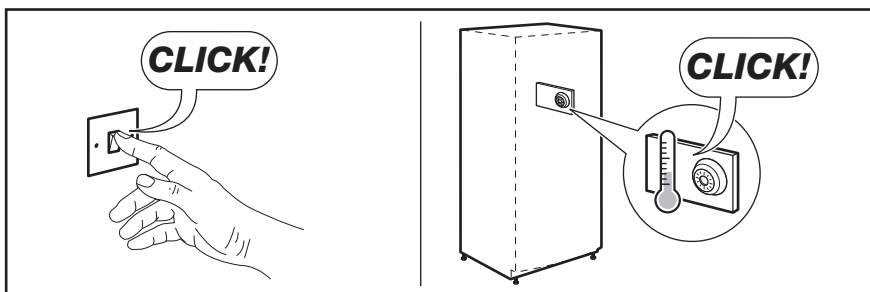
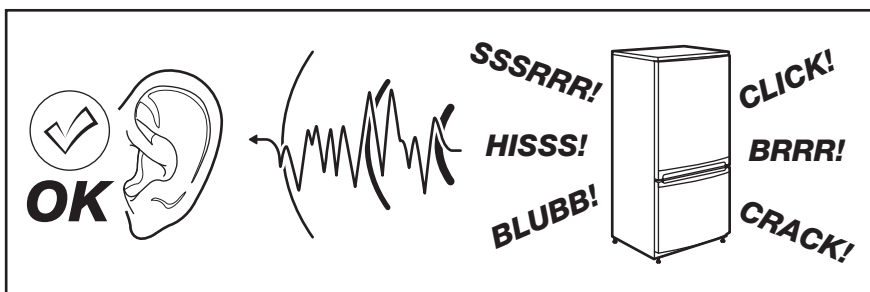
ADVERTÊNCIA

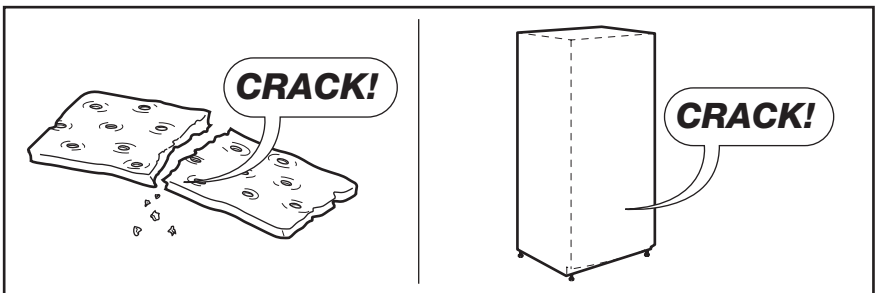
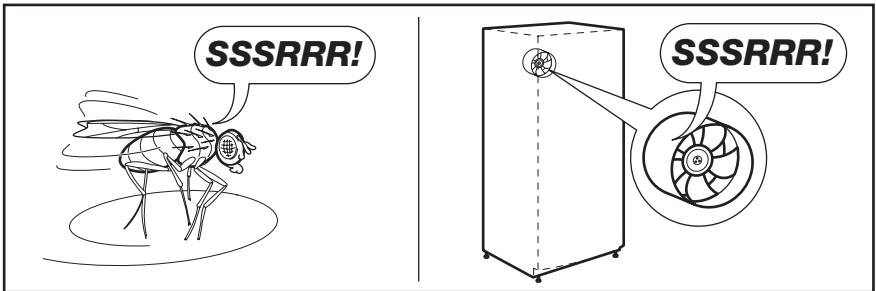
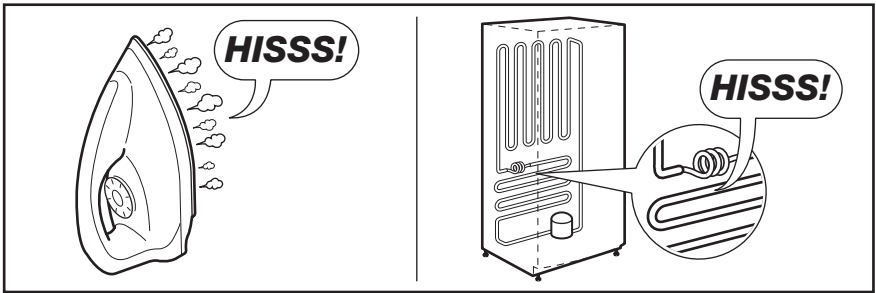
Após ter invertido a direcção de abertura das portas, verifique se todos os parafusos estão correctamente apertados e se a junta magnética adere ao aparelho.

Se a temperatura ambiente for baixa (por exemplo, no Inverno), a junta pode não se moldar perfeitamente ao aparelho. Neste caso, aguarde que a junta adira naturalmente. Pouse o aparelho com a parte posterior para baixo.

RUÍDOS

Existem alguns ruídos durante o funcionamento normal (compressor, circulação do refrigerante).






DADOS TÉCNICOS


Dimensão do nicho de instalação		
	Altura	1710 mm
	Largura	600 mm
	Profundidade	645 mm
Tempo de reinício		25 h
Tensão		230-240 V
Frequência		50 Hz

As informações técnicas encontram-se na placa de características no lado esquerdo

interno do aparelho e na etiqueta de energia.

PREOCUPAÇÕES AMBIENTAIS

Recicle os materiais que apresentem o símbolo . Coloque a embalagem nos contentores indicados para reciclagem. Ajude a proteger o ambiente e a saúde pública através da reciclagem de aparelhos eléctricos e electrónicos. Não elimine os

aparelhos que tenham o símbolo  juntamente com os resíduos domésticos. Coloque o produto num ponto de recolha para reciclagem local ou contacte as suas autoridades municipais.

