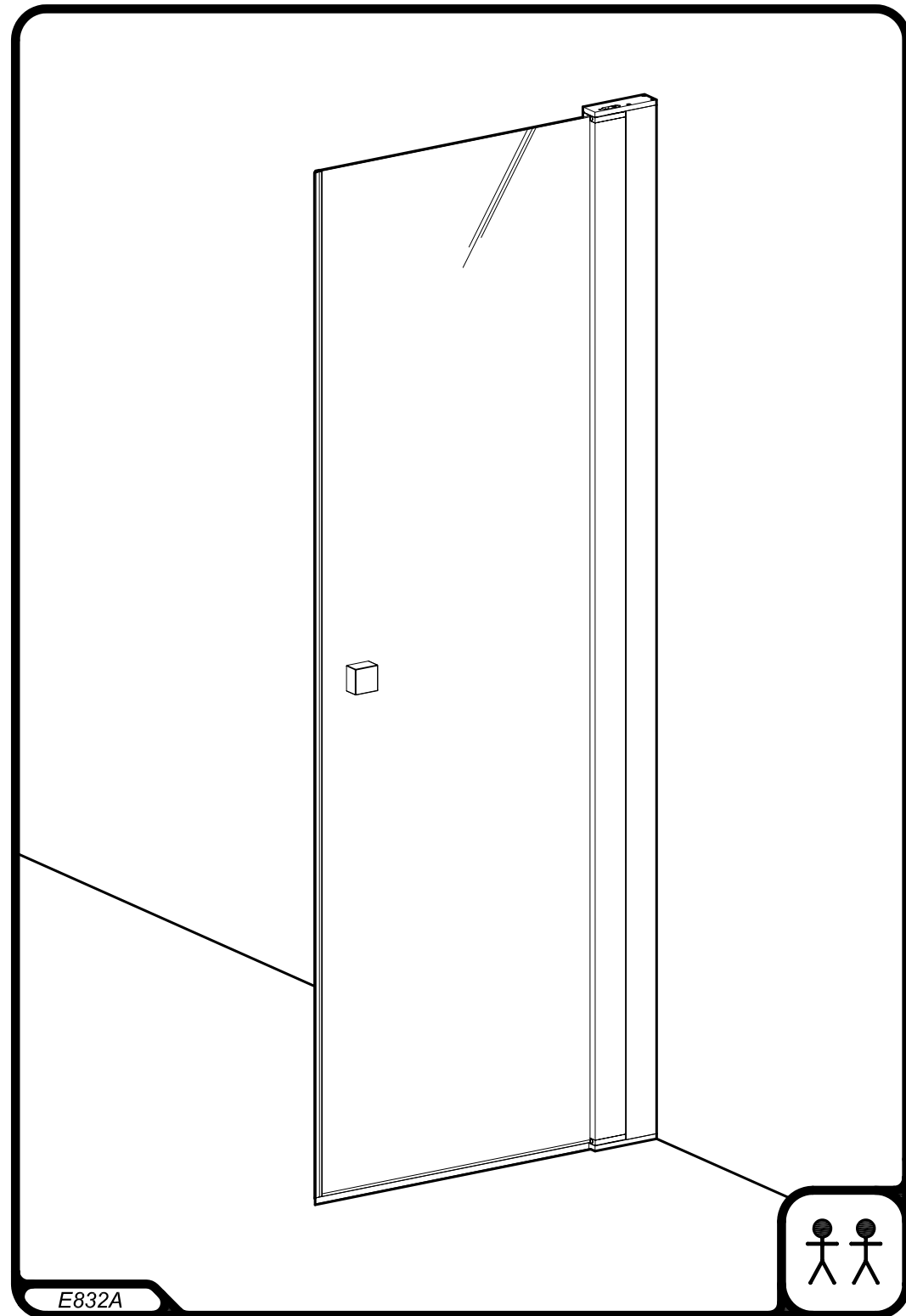


JACUZZI FRANCE
8, Route de Paris
BP 70203
03305 CUSSET CEDEX

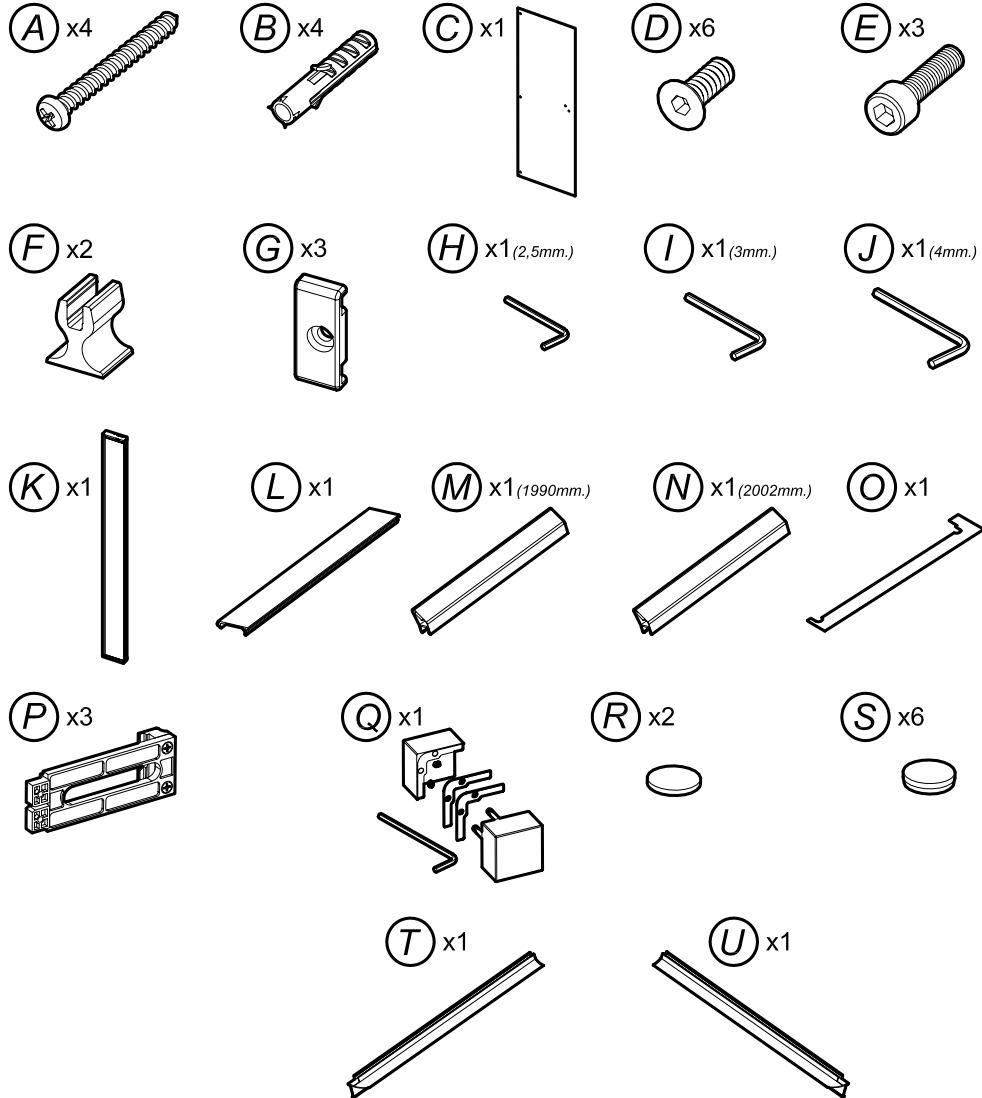
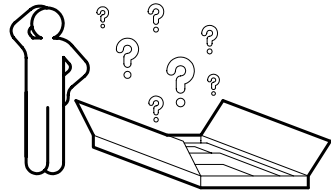
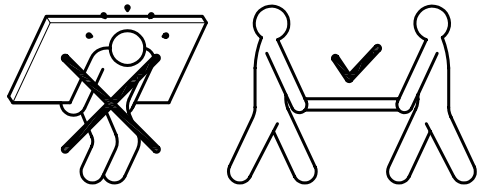
10

EN 14428+A1

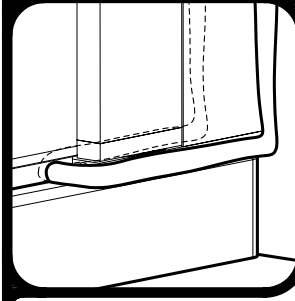


E832A

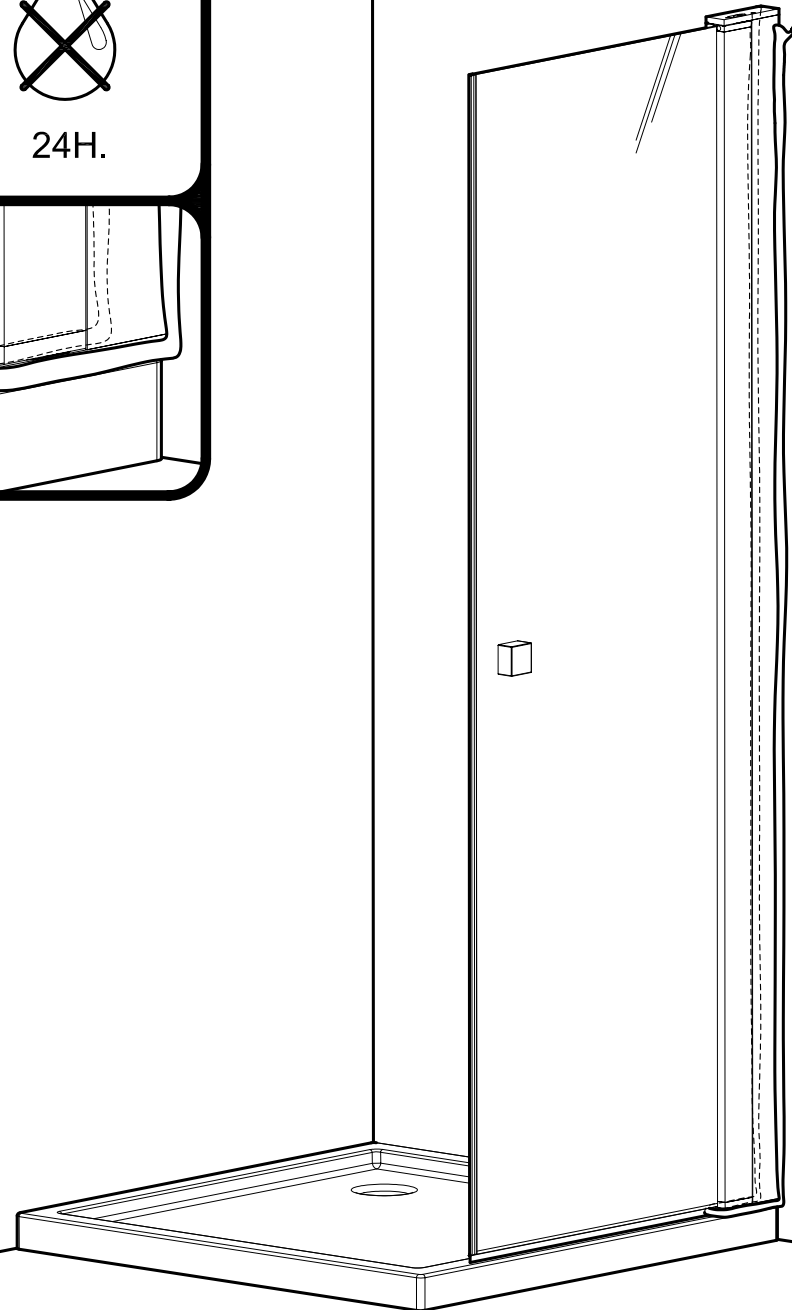




24H.



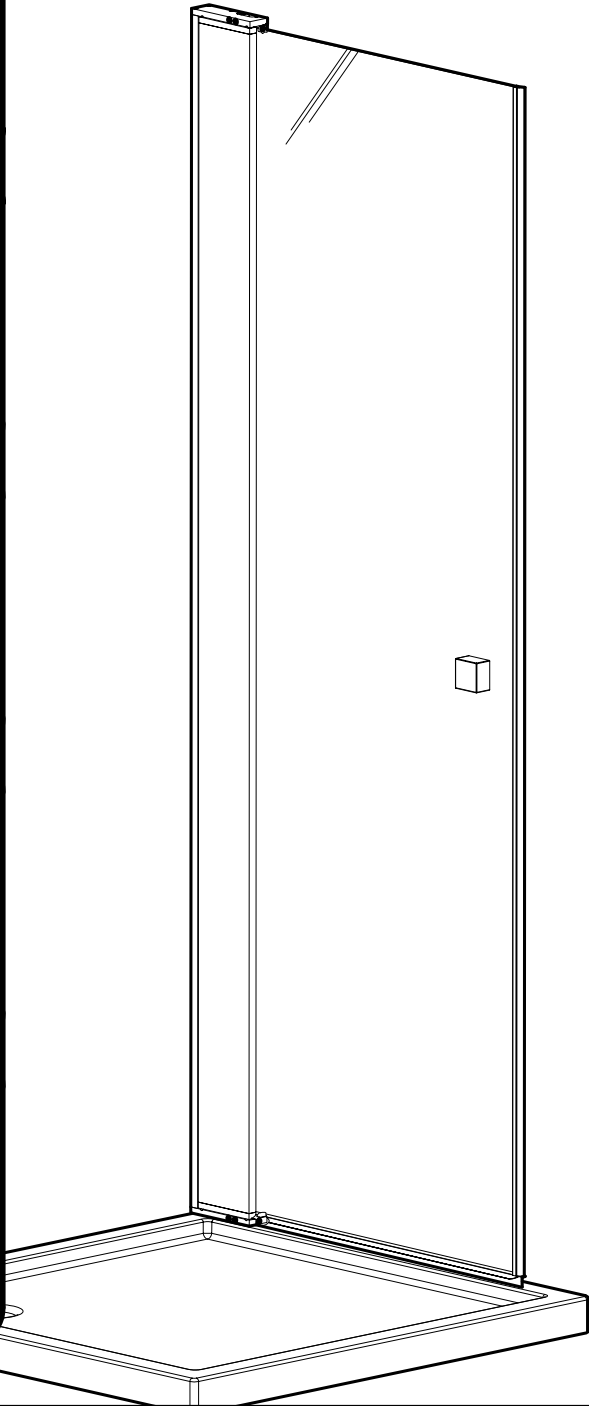
26



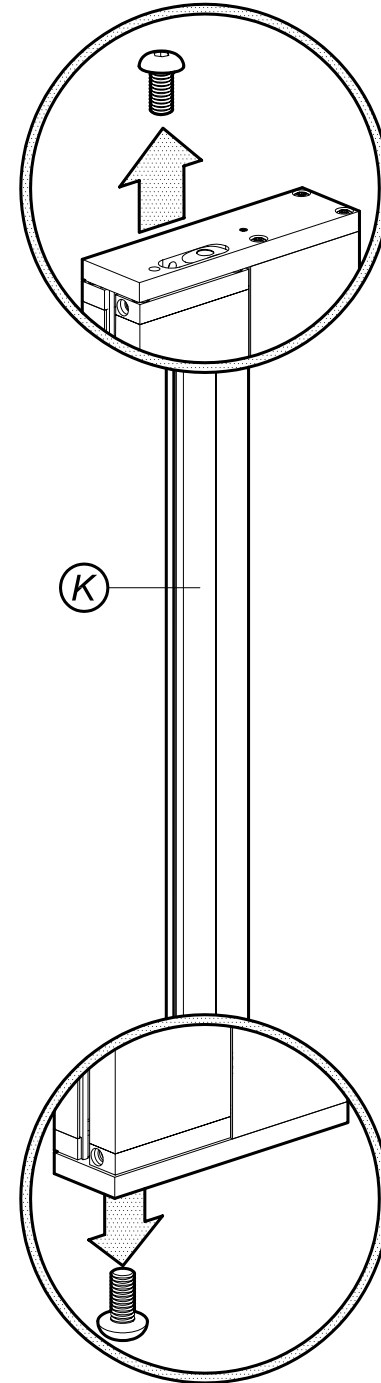


24H.

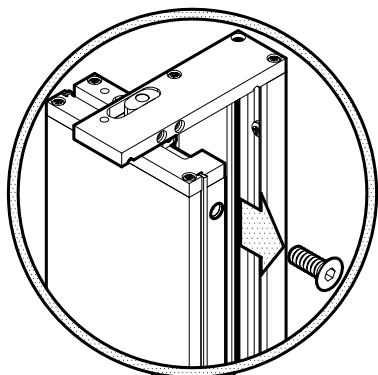
25



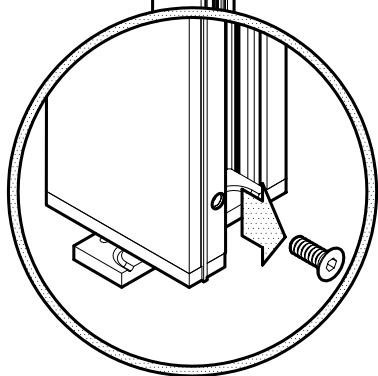
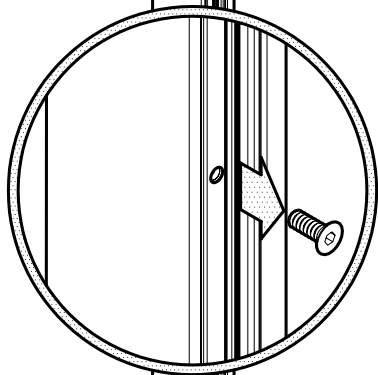
1



2



(K)

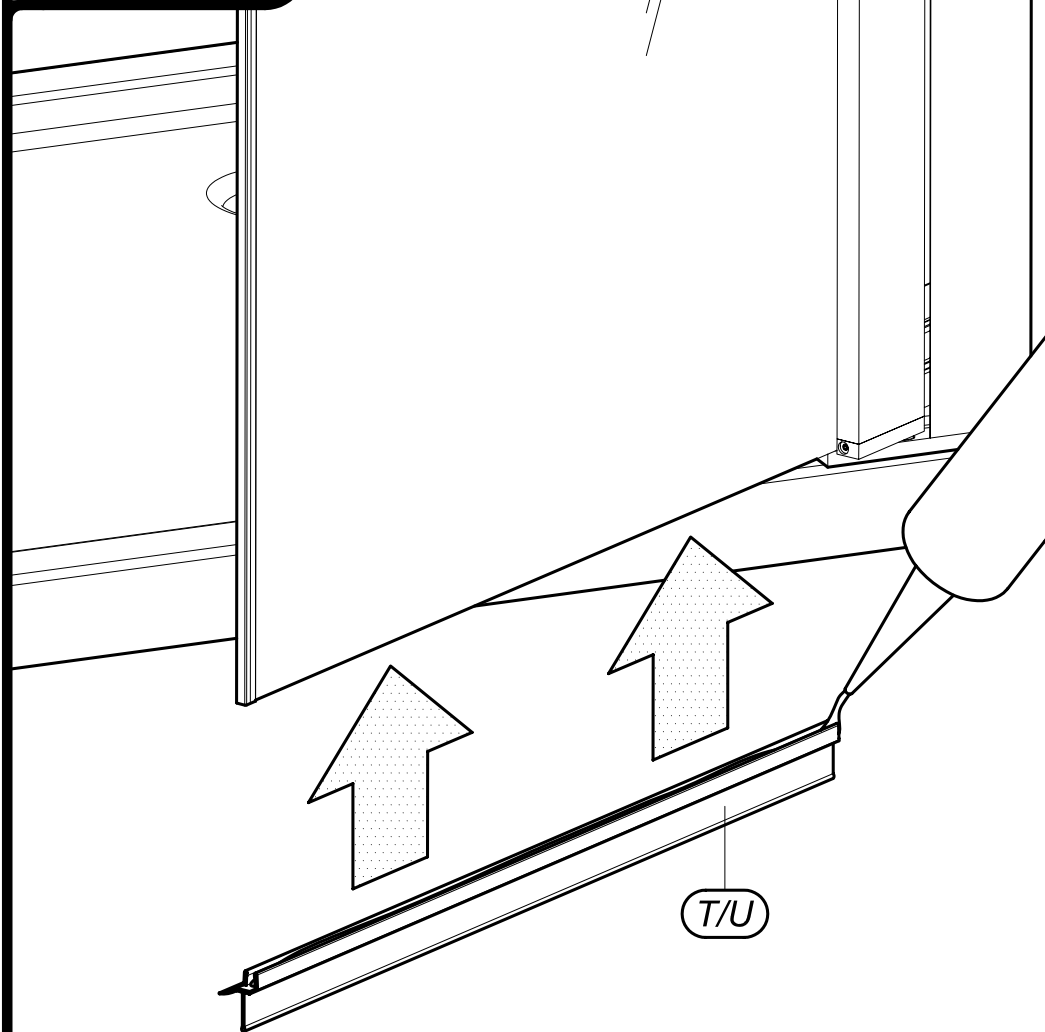


2,5mm.



24H.

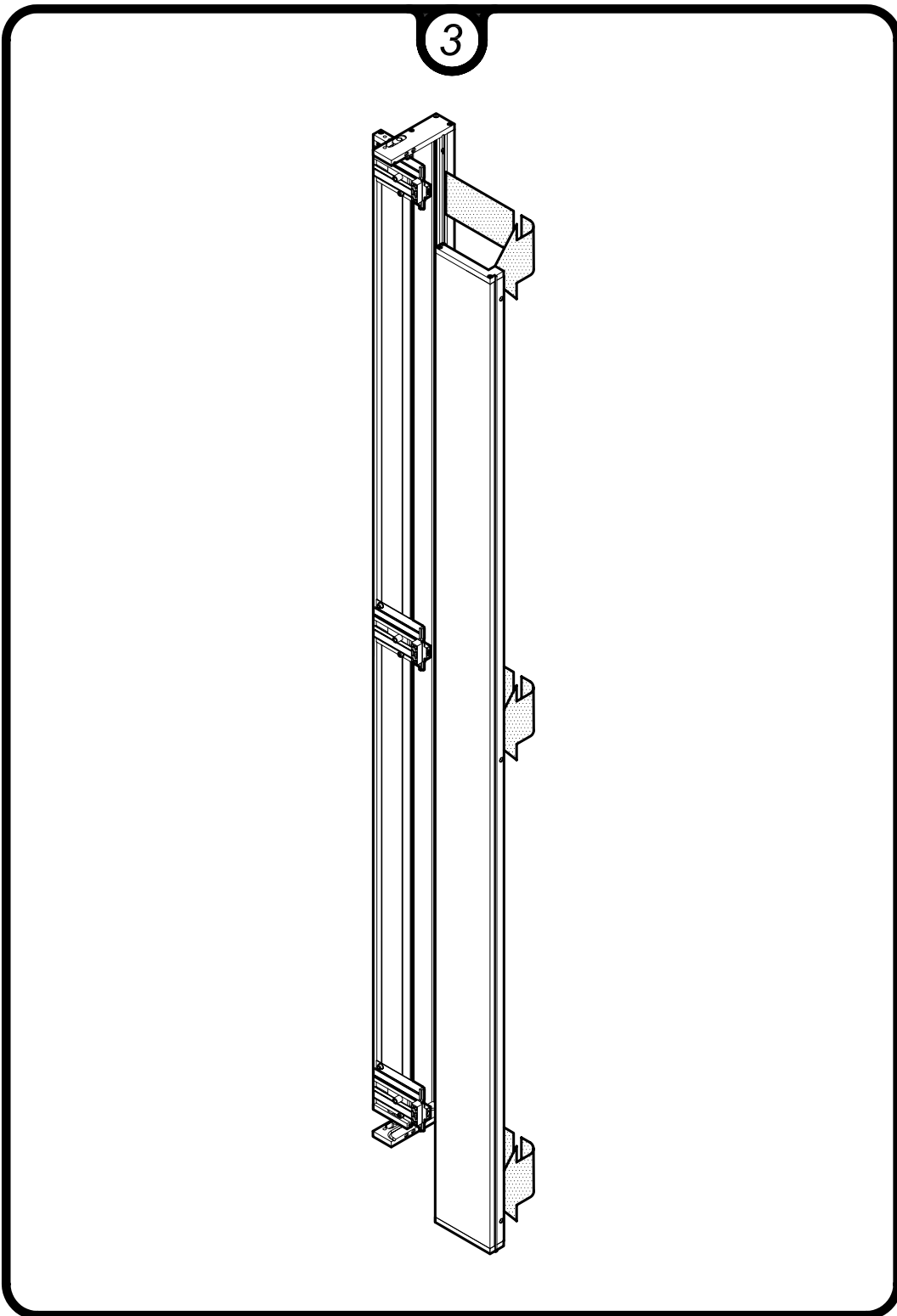
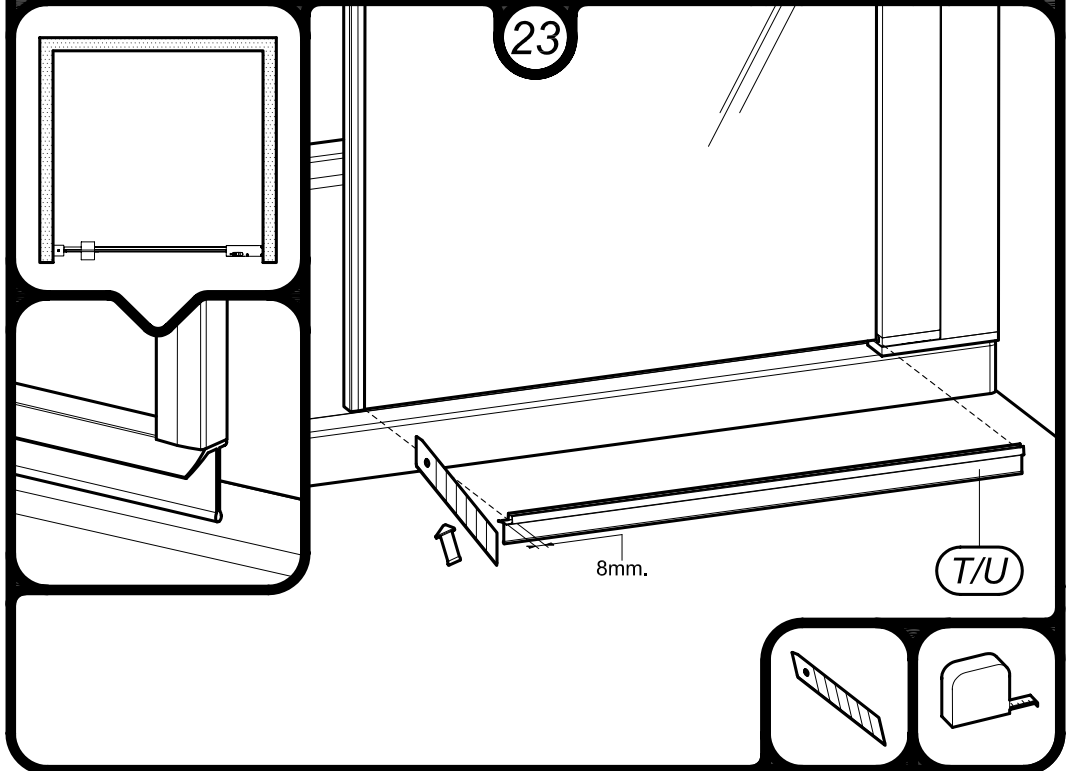
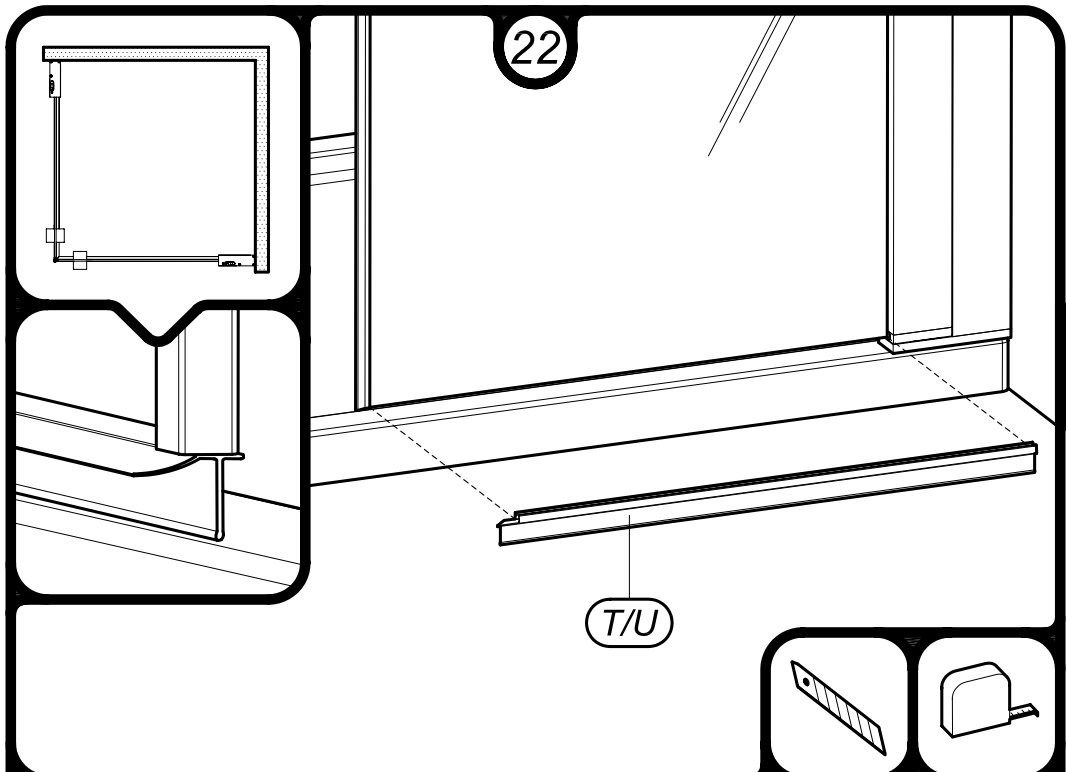
24



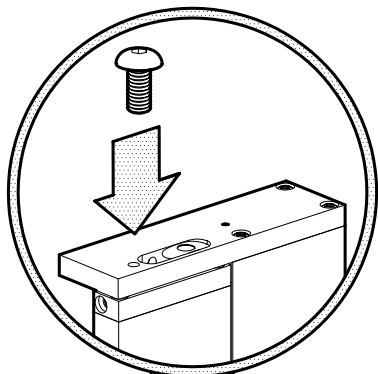
(T/U)



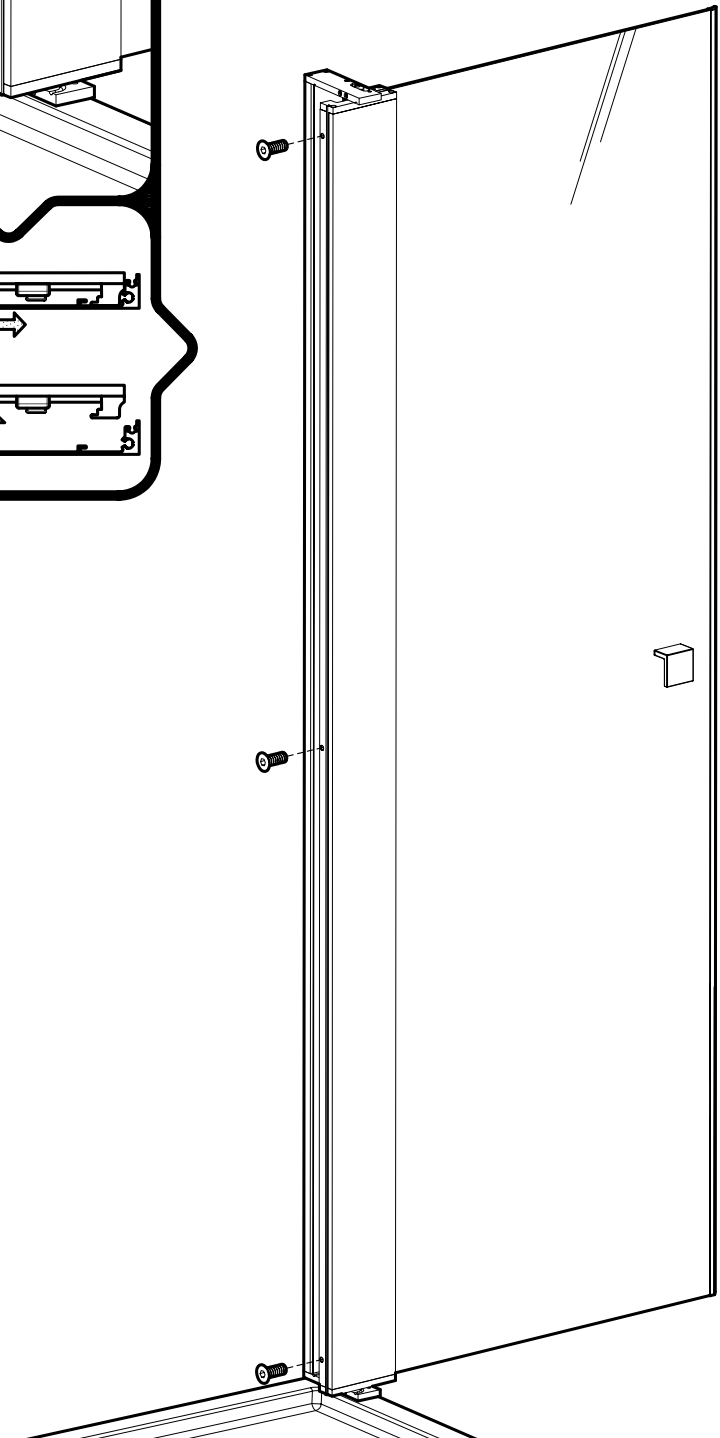
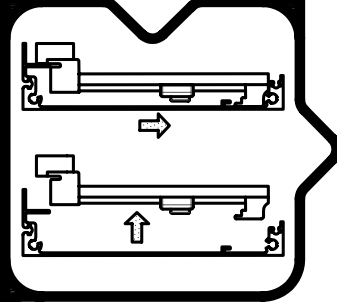
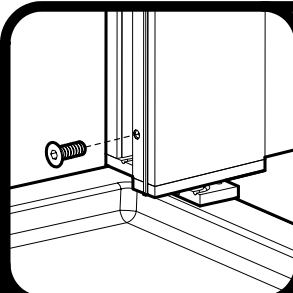
SILICONE



4

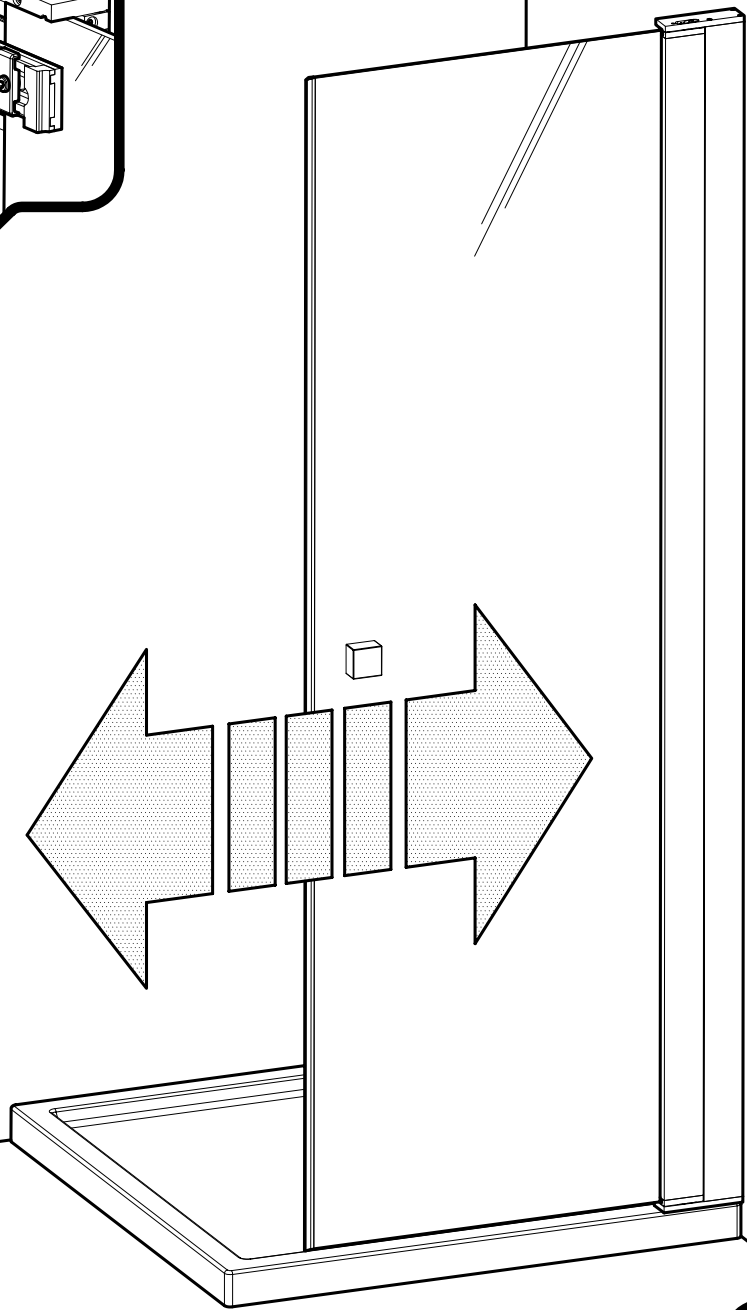
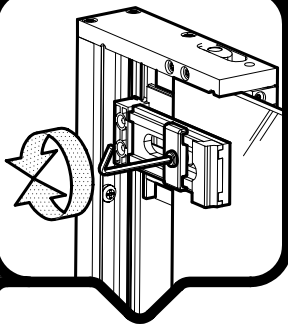


21



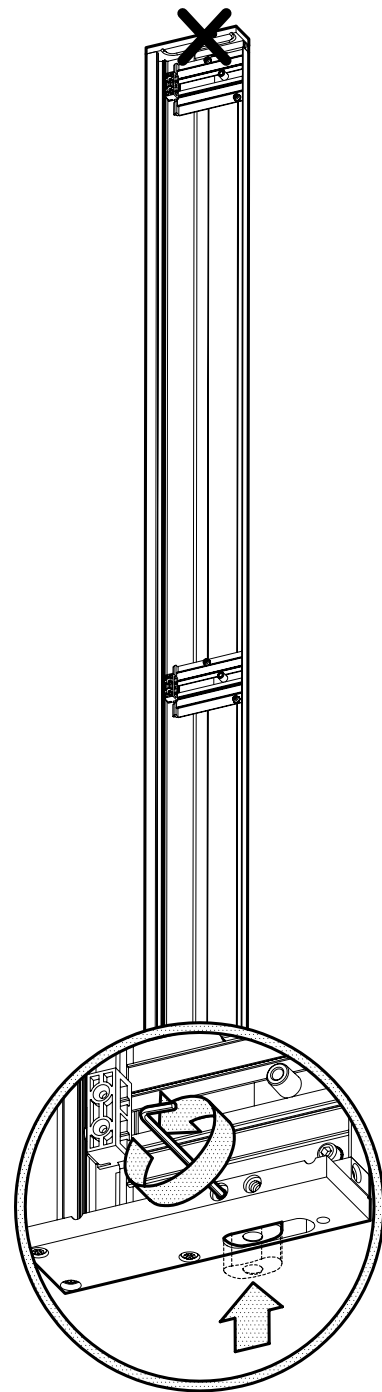
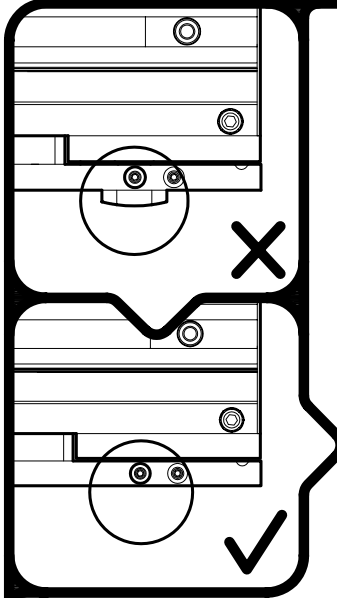
2,5mm.

20



4mm.

5

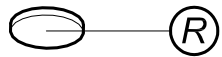
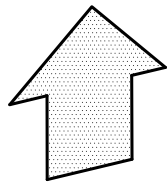
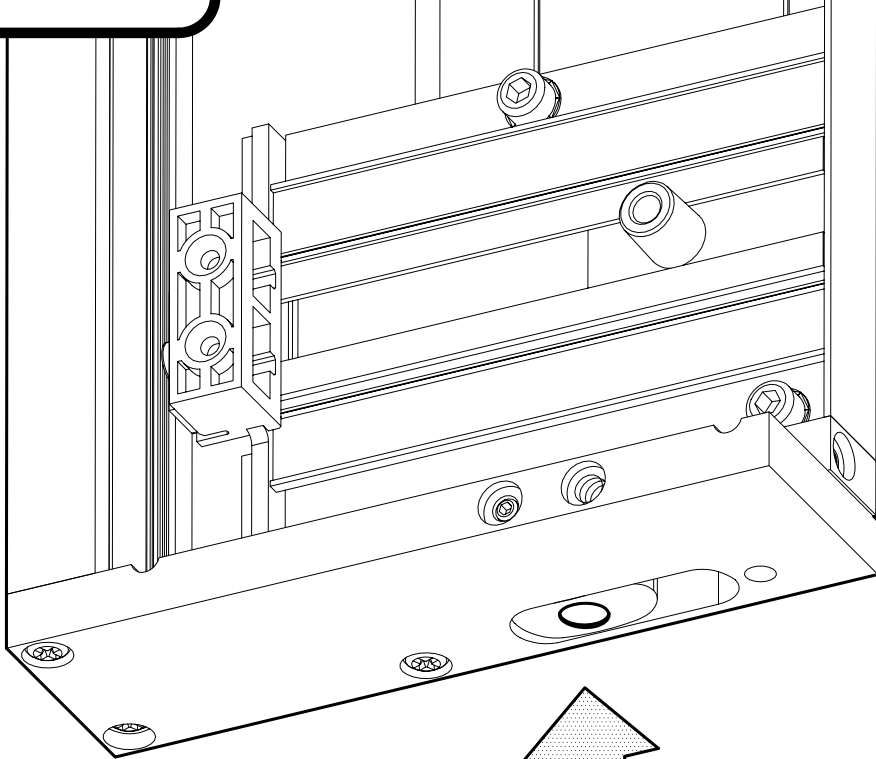


2.5mm.

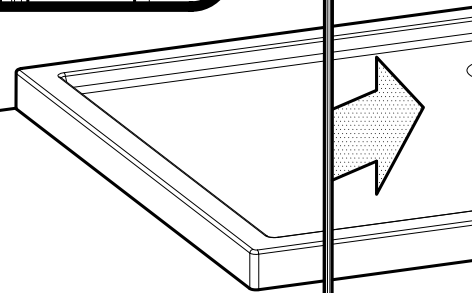
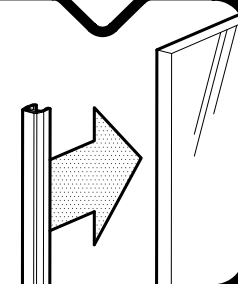
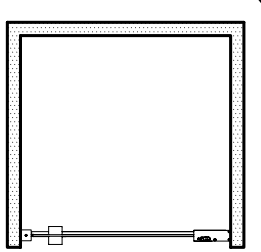
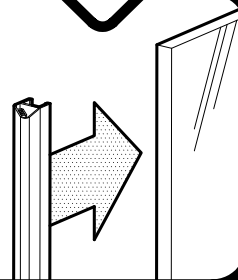
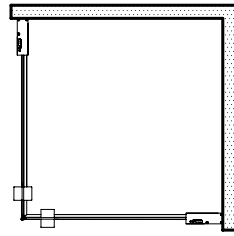


24H.

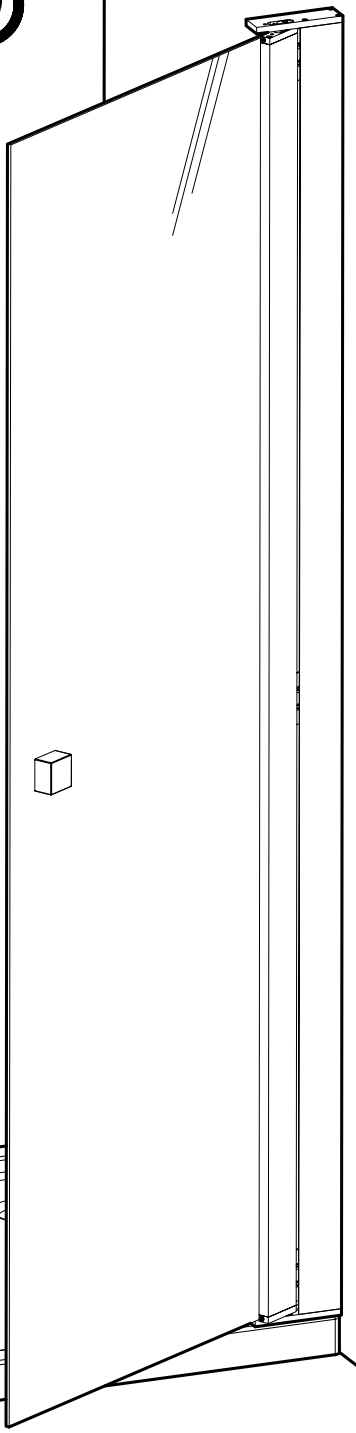
6

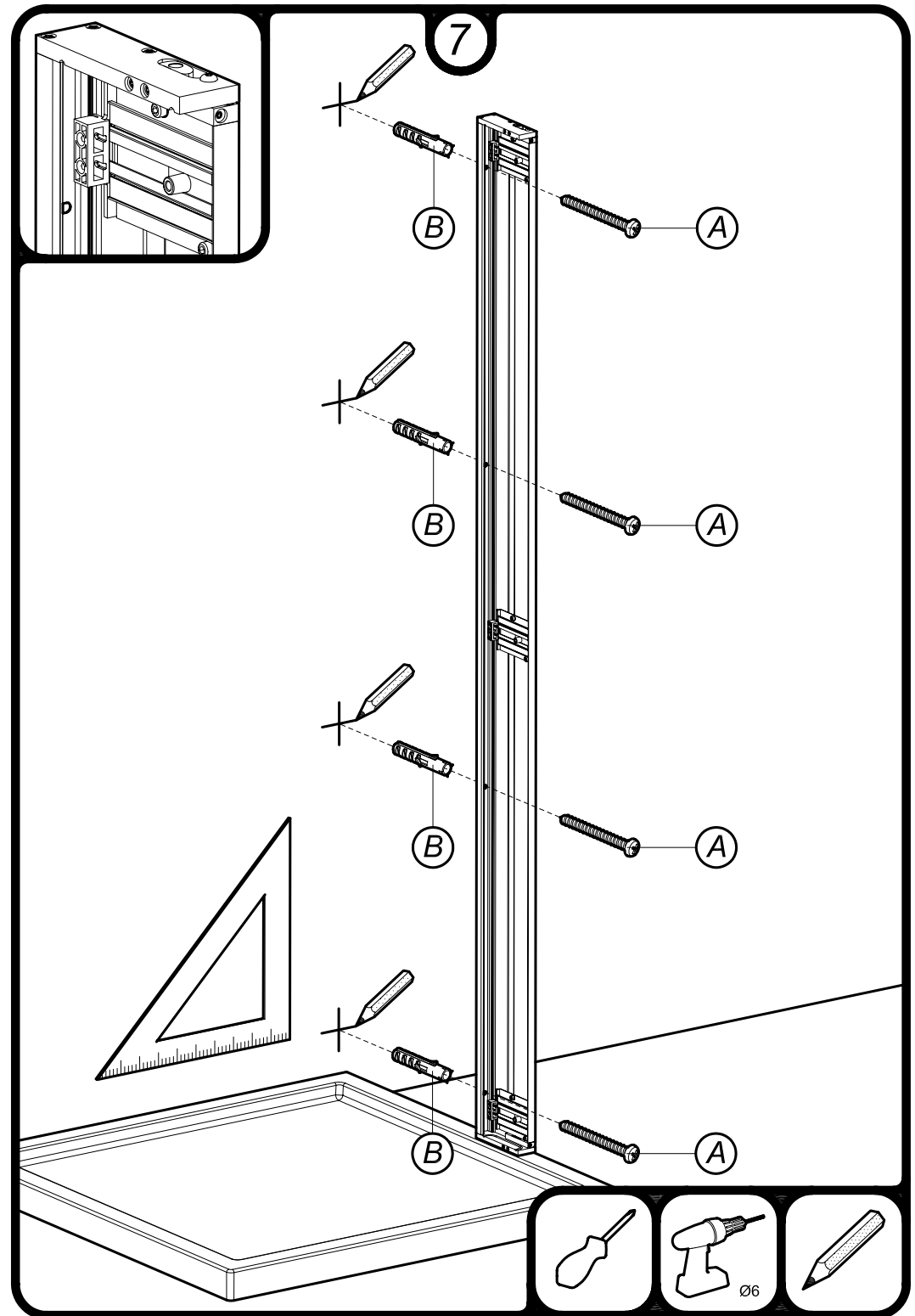
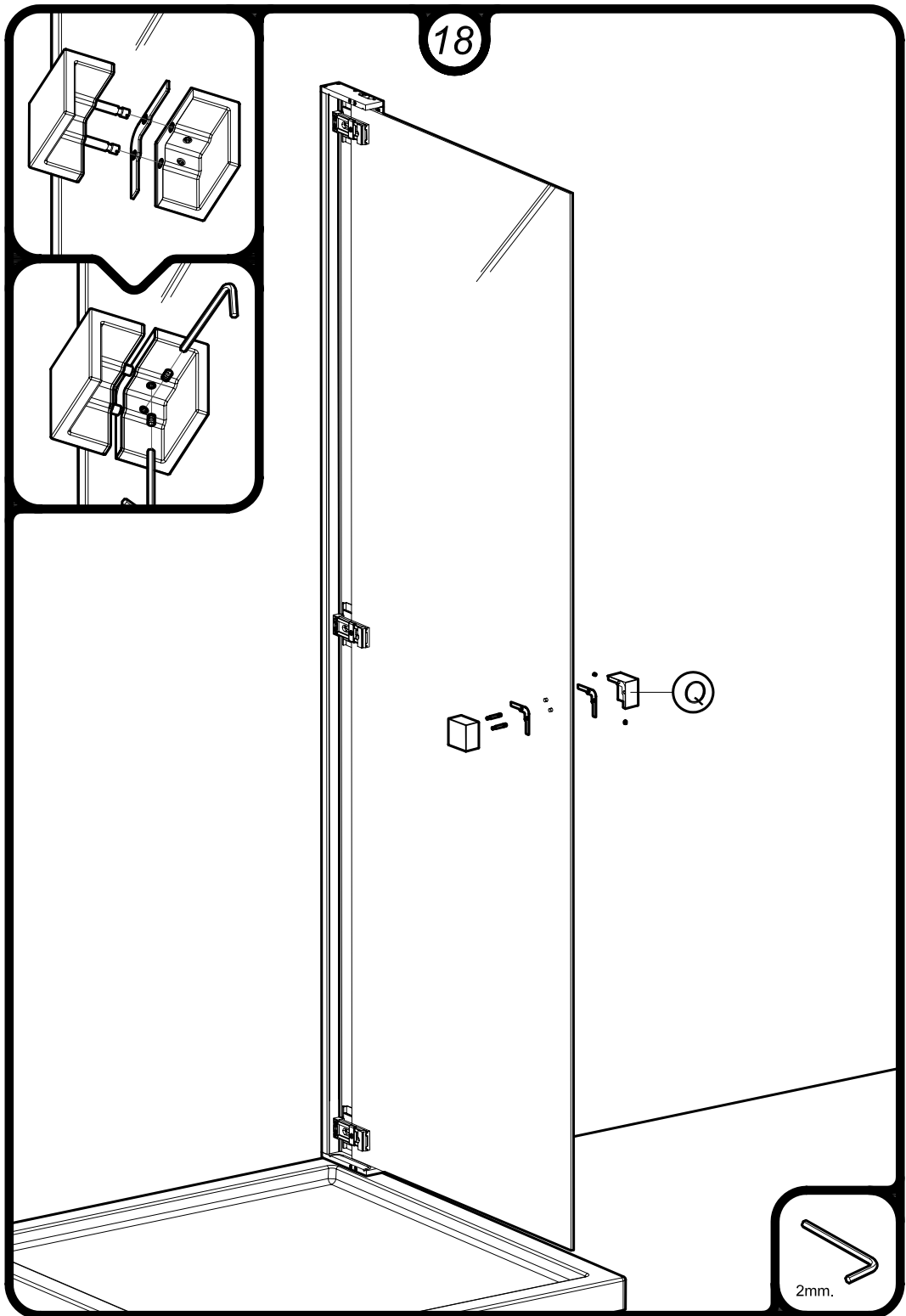


19

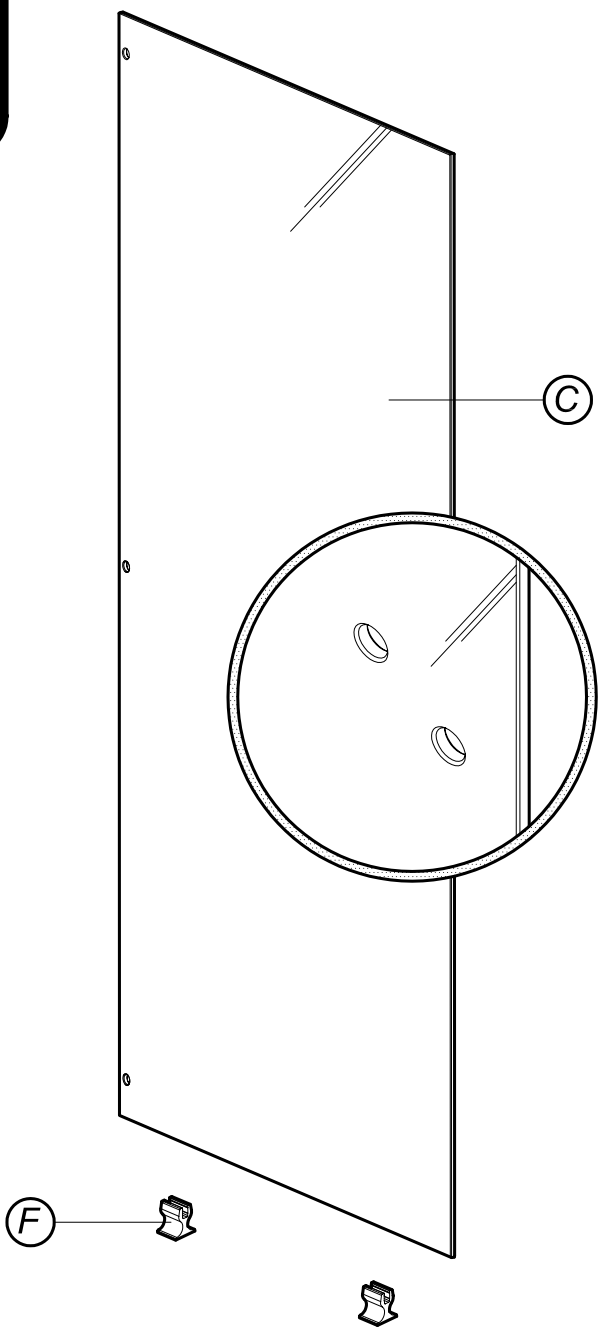
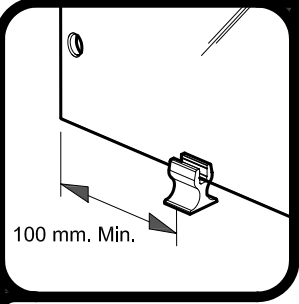


M/N

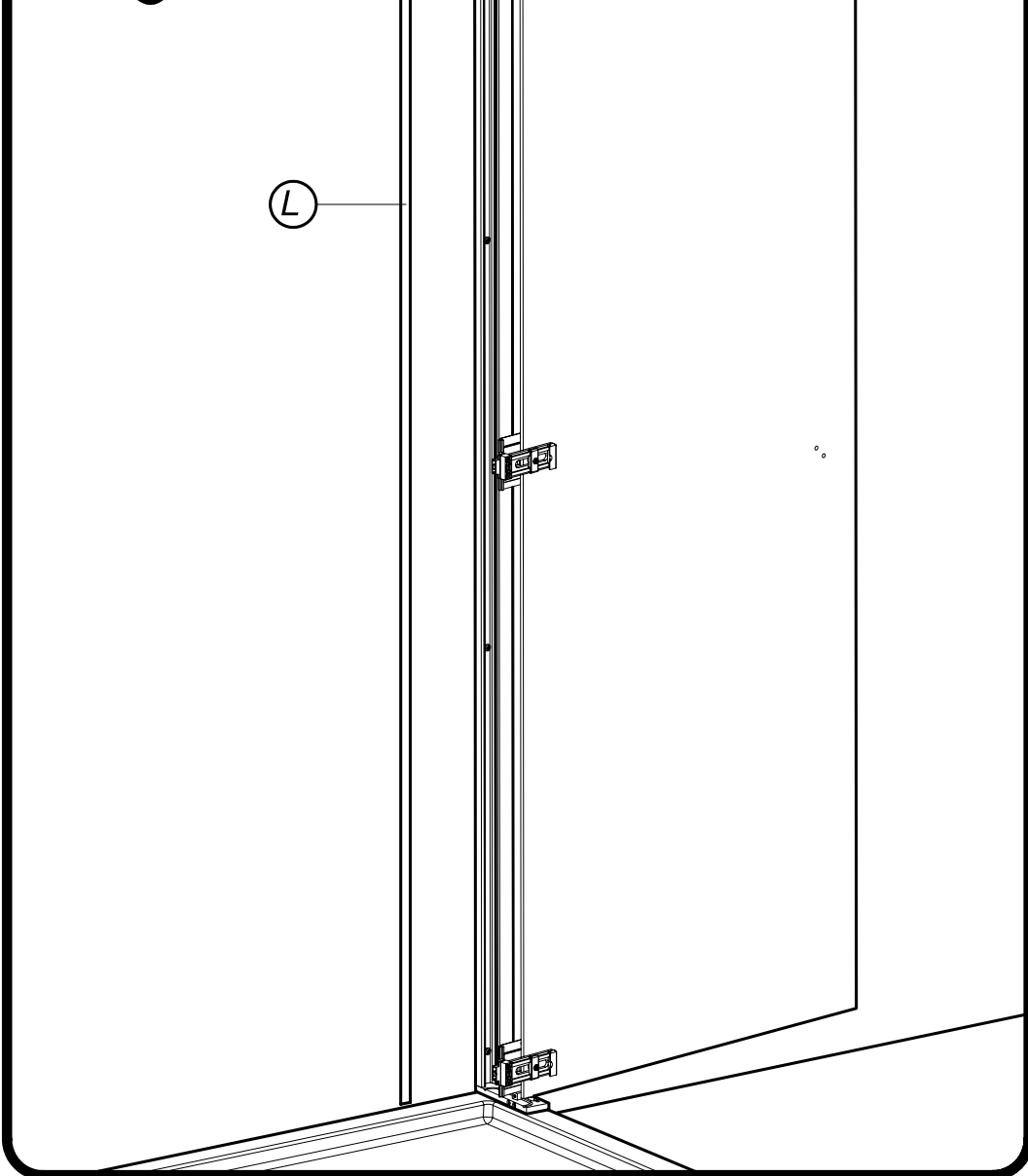
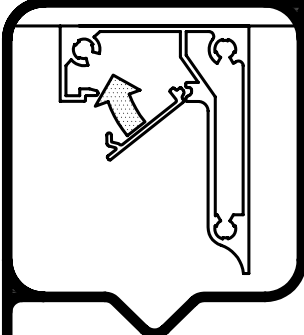


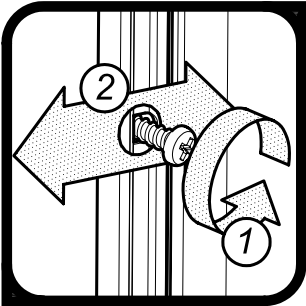


8

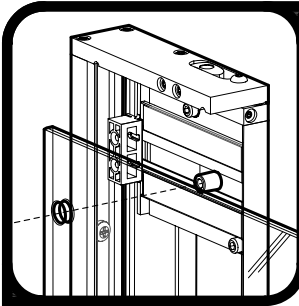
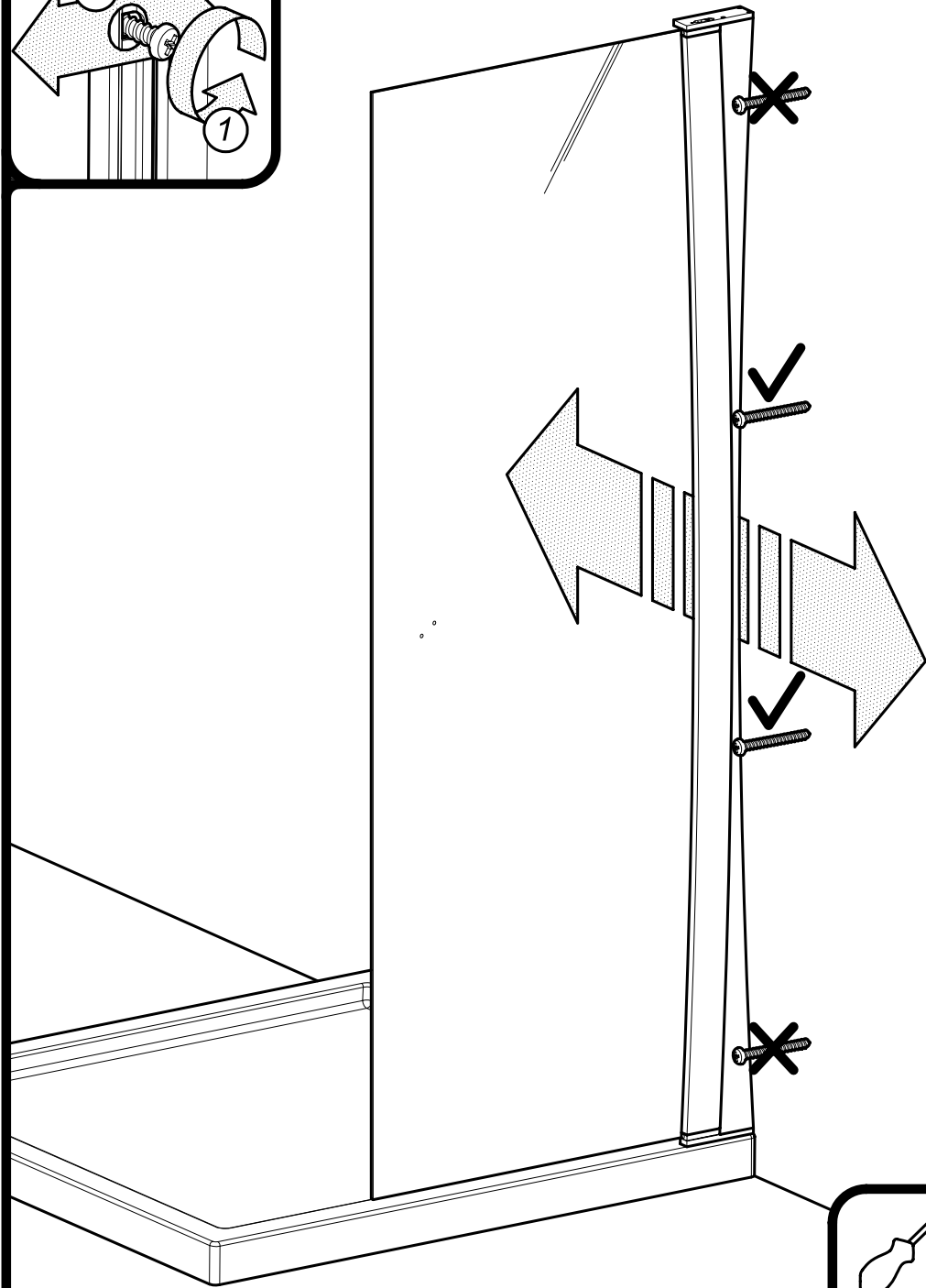


17

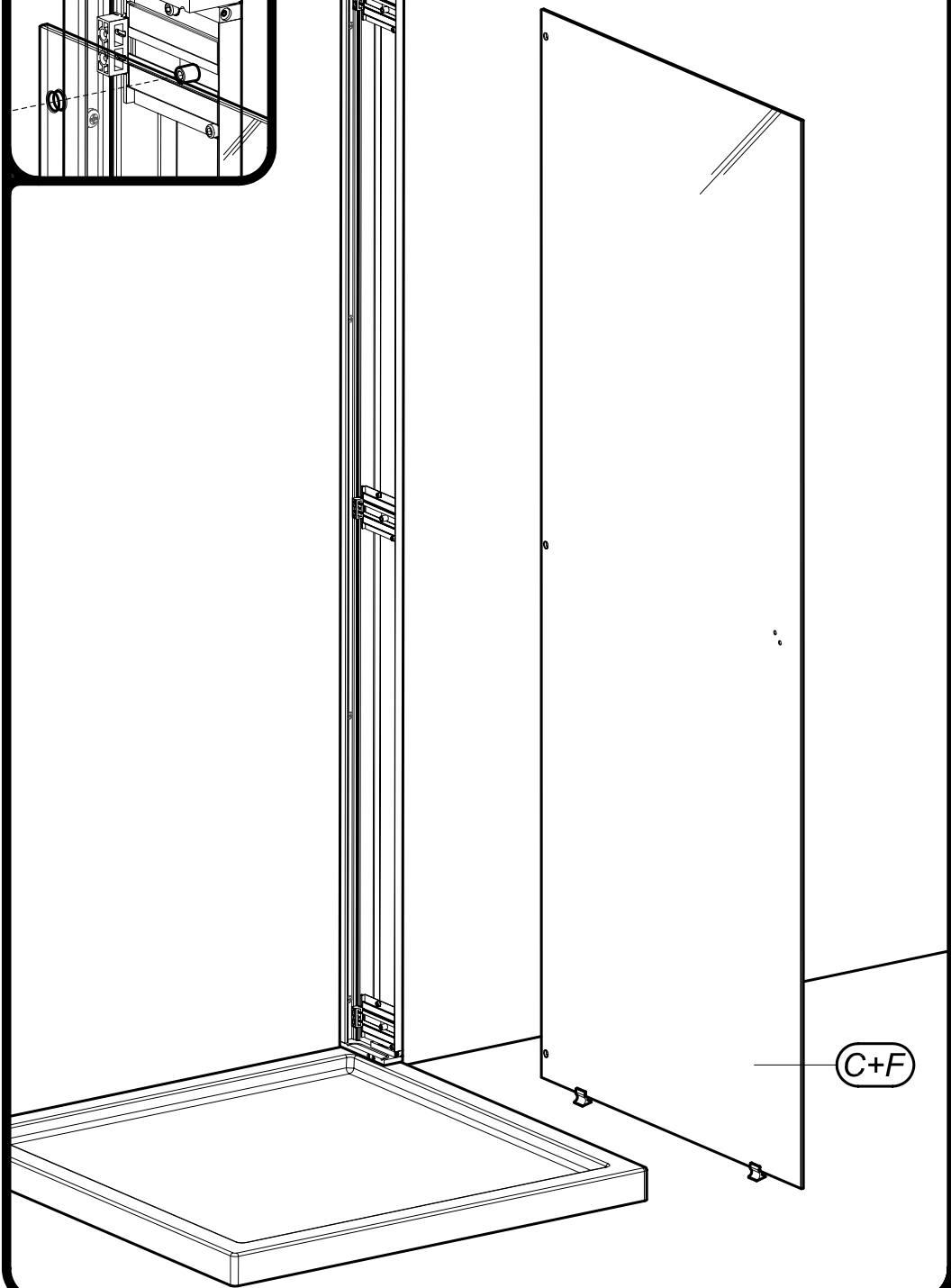


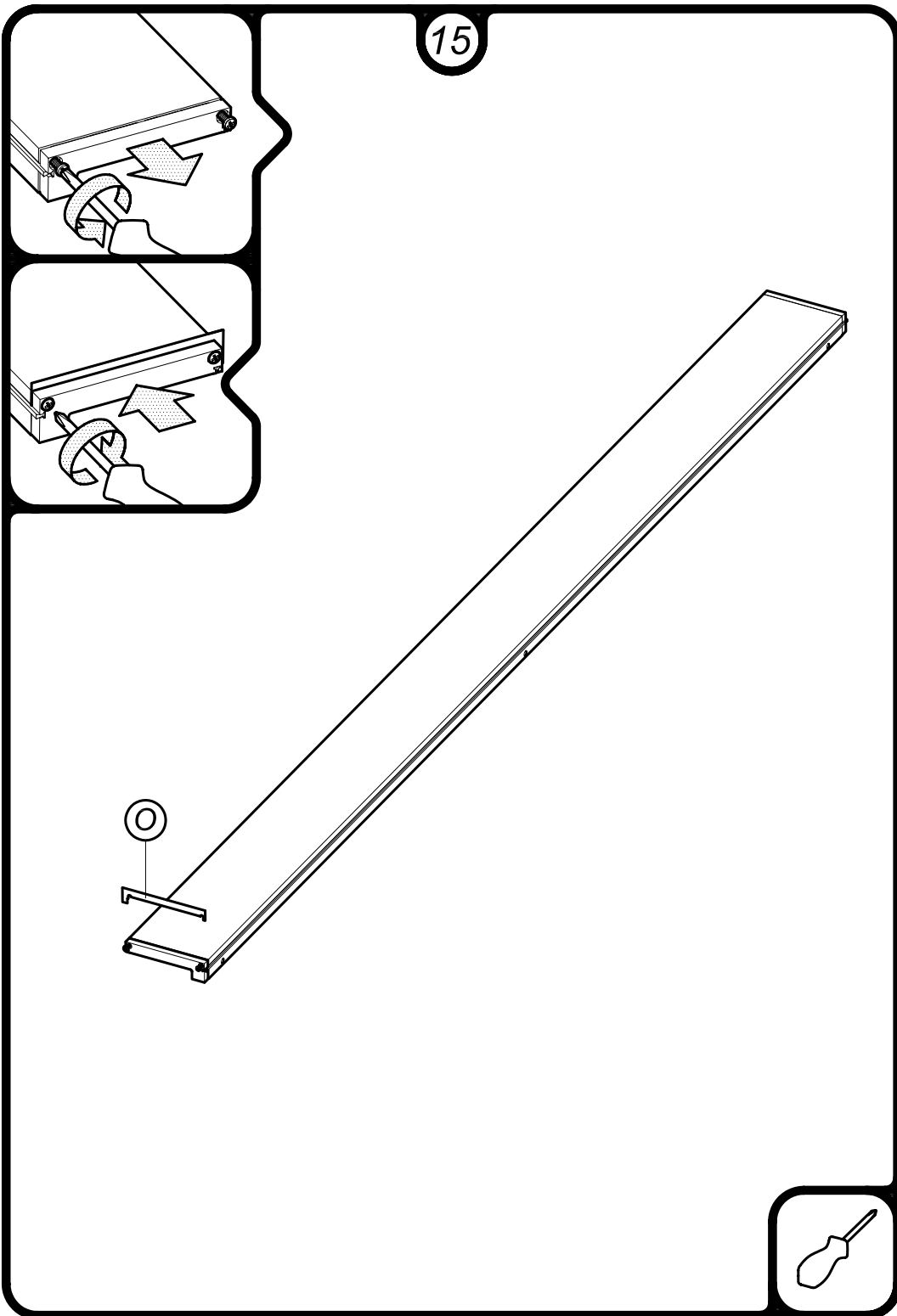
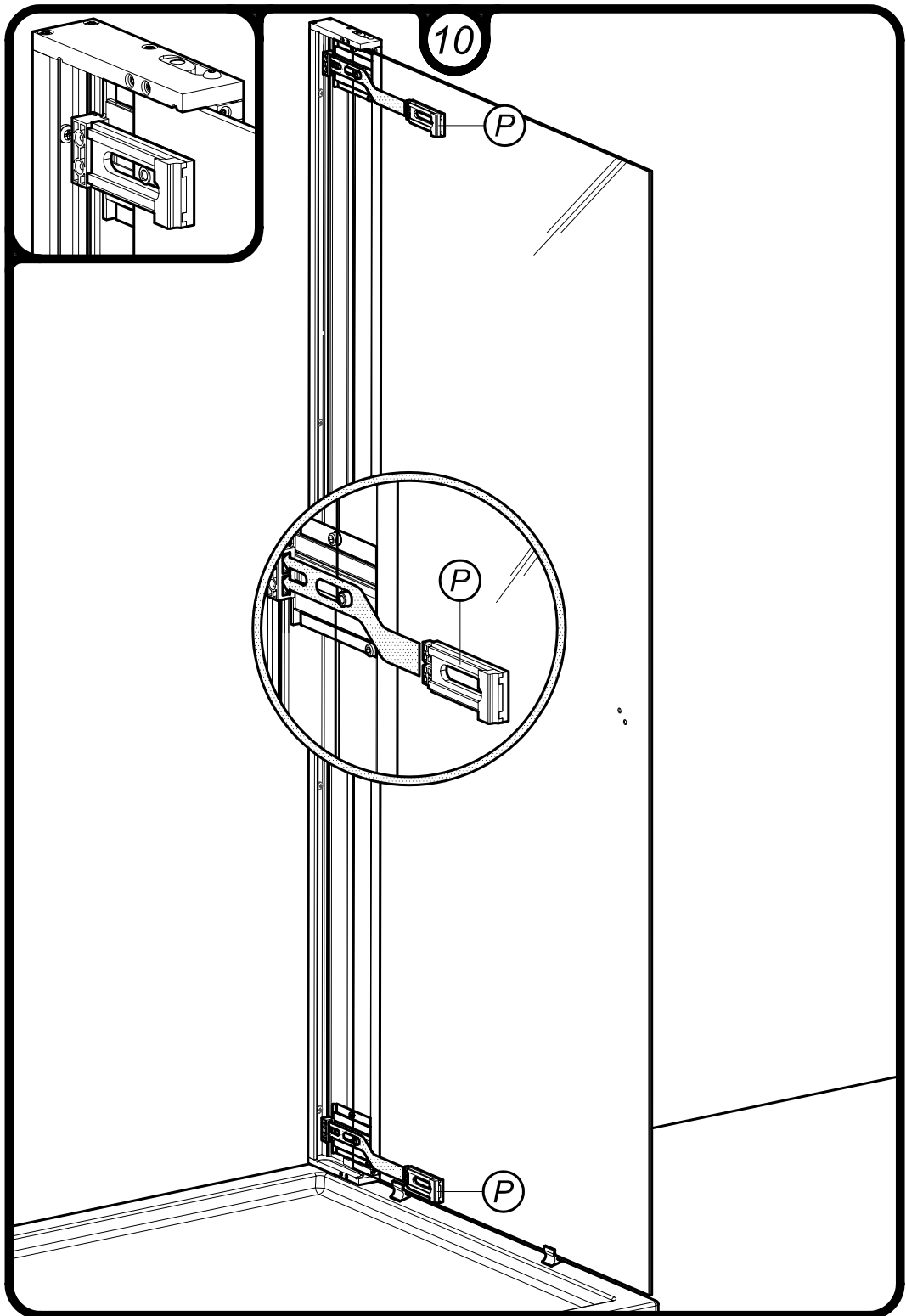


16

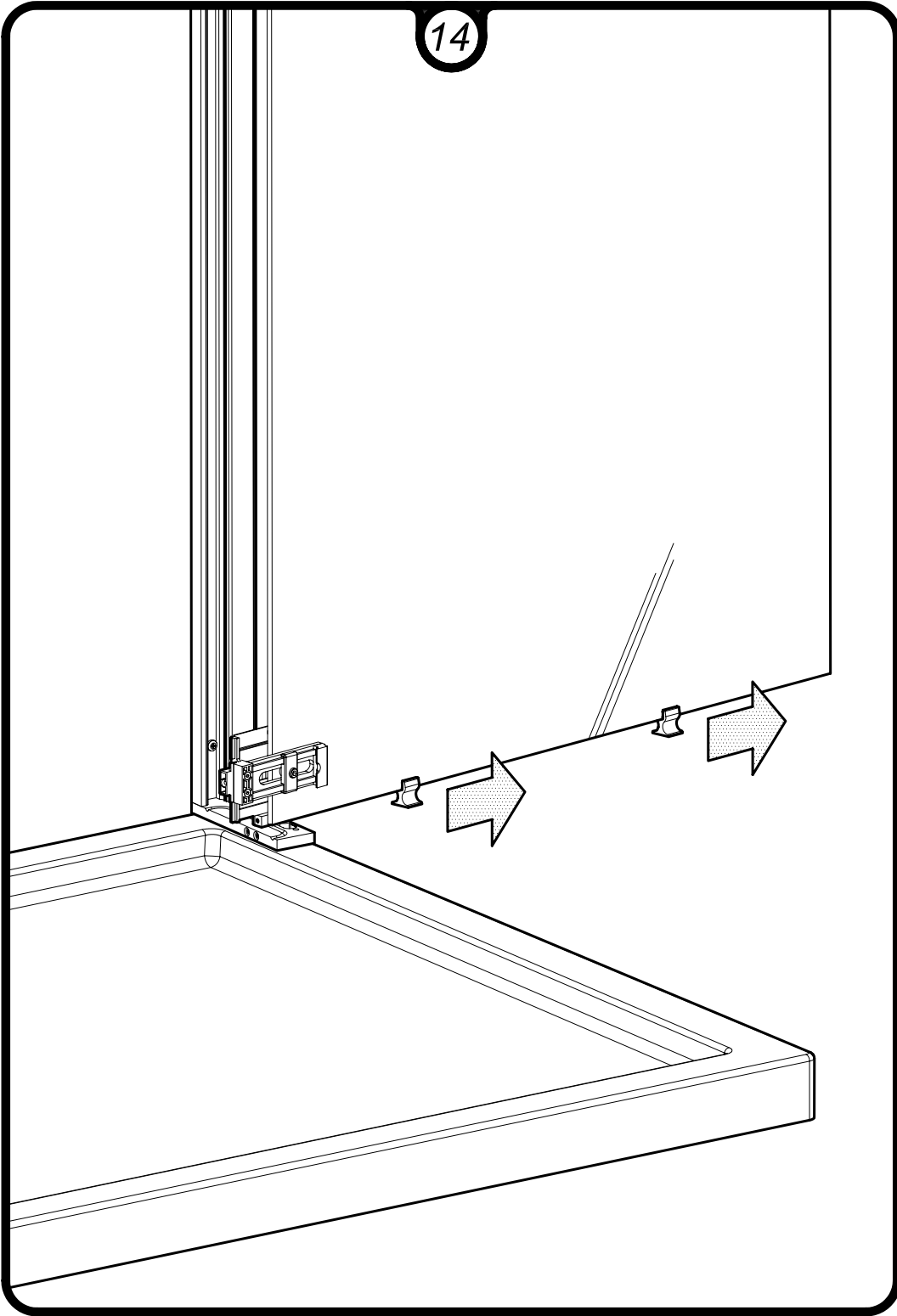


9

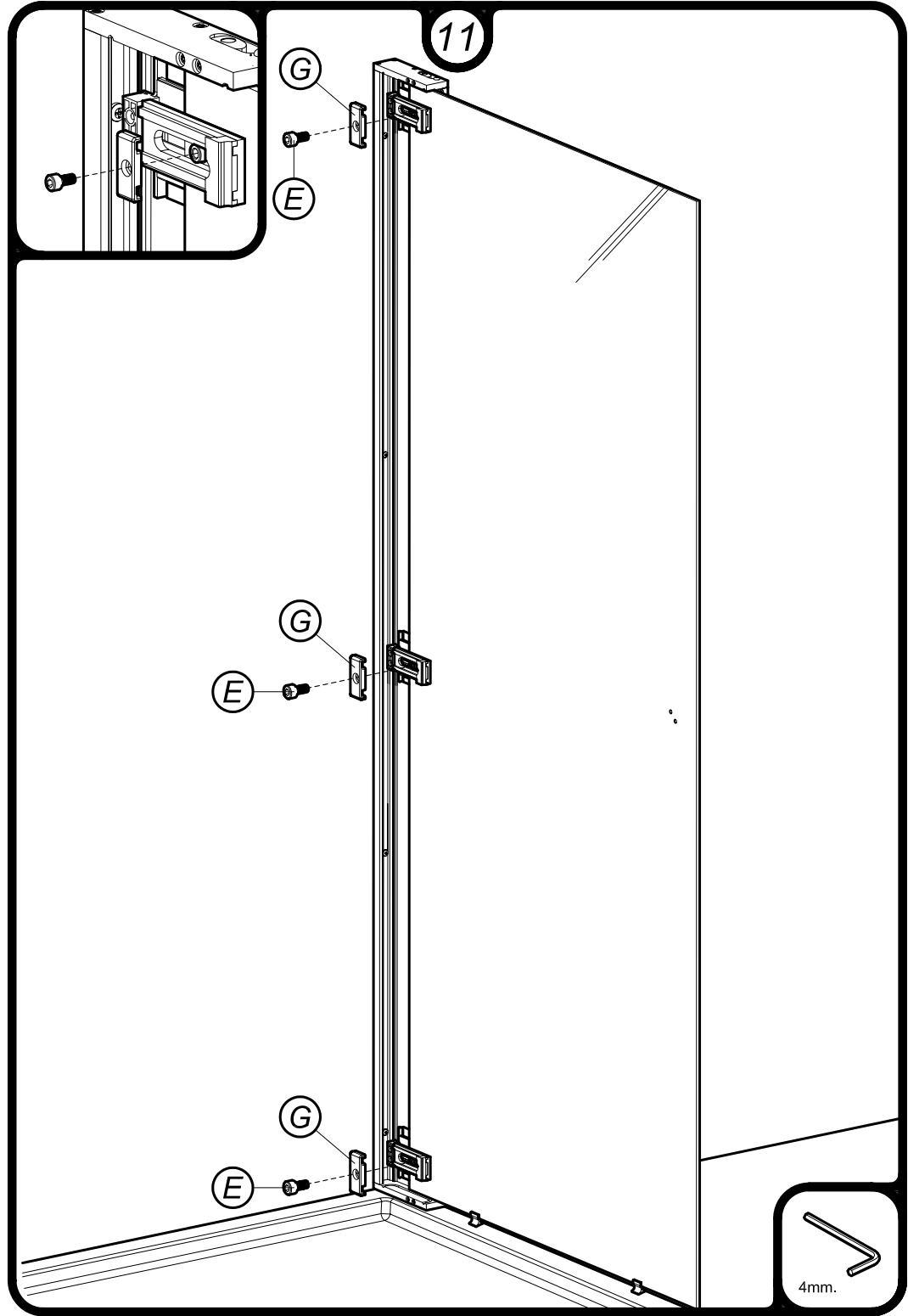




14



11



4mm.

