

LED BALL INDOOR

DMX - version



Operation Manual EN
Mode d'emploi FR
Gebruiksaanwijzing NL
Bedienungsanleitung DU
Manual de instrucciones ES

WWW.BEGLEC.COM

Copyright © 2006-2007 by BEGLEC cva.

Reproduction or publication of the content in any manner, without express permission of the publisher, is prohibited.



Version: 1.4

JBSYSTEMS
Light



EN - DISPOSAL OF THE DEVICE

Dispose of the unit and used batteries in an environment friendly manner according to your country regulations.

FR - DÉCLASSER L'APPAREIL

Débarrassez-vous de l'appareil et des piles usagées de manière écologique Conformément aux dispositions légales de votre pays.

NL - VERWIJDEREN VAN HET APPARAAT

Verwijder het toestel en de gebruikte batterijen op een milieuvriendelijke manier conform de in uw land geldende voorschriften.

DU - ENTSORGUNG DES GERÄTS

Entsorgen Sie das Gerät und die Batterien auf umweltfreundliche Art und Weise gemäß den Vorschriften Ihres Landes.

ES - DESHACERSE DEL APARATO

Reciclar el aparato y pilas usadas de forma ecologica conforme a las disposiciones legales de su pais.

PT - COMO DESFAZER-SE DA UNIDADE

Tente reciclar a unidade e as pilhas usadas respeitando o ambiente e em conformidade com as normas vigentes no seu país.

OPERATION MANUAL

Thank you for buying this JB Systems® product. To take full advantage of all possibilities and for your own safety, please read these operating instructions very carefully before you start using this unit.

FEATURES

This unit is radio-interference suppressed. This product meets the requirements of the current European and national guidelines. Conformity has been established and the relevant statements and documents have been deposited by the manufacturer. This device has been designed to produce decorative effect lighting and is used in light show systems.

- Stylish RGB 30cm LED-BALL containing 91 high-power LEDs.
- Many applications possible: discotheques, DJs, hiring companies, exhibition booths,...
- No flicker and very smooth RGB color changes thanks to high freq. dimming electronics
- Different working modes:
 - Completely standalone: automatic or beat synchronized color changes (optional CA-8 controller possible)
 - Master/slave mode: up to 16 units can be used together for wonderful preprogrammed, music synchronized lightshows. (optional CA-8 controller possible)
 - DMX-controlled (4channels: R, G, B + Dimmer/strobe) by any standard DMX-controller.
- Innovative and extremely quick DMX addressing:
 - Very easy DMX addressing of individual units using any standard DMX-controller
 - Extremely fast DMX addressing of several units at once (automatic address calculation)
- Ready to use, all cables already connected!
- Different installation possibilities for maximum flexibility:
 - Standard chain included (cfr. Mirror balls)
 - Optional pole mount adapter.
 - Optional wall mount adapter.
- Longlife LED technology: >50.000 hours!

BEFORE USE

- Before you start using this unit, please check if there's no transportation damage. Should there be any, do not use the device and consult your dealer first.
- **Important:** This device left our factory in perfect condition and well packaged. It is absolutely necessary for the user to strictly follow the safety instructions and warnings in this user manual. Any damage caused by mishandling is not subject to warranty. The dealer will not accept responsibility for any resulting defects or problems caused by disregarding this user manual.
- Keep this booklet in a safe place for future consultation. If you sell the fixture, be sure to add this user manual.

Check the contents:

Check that the carton contains the following items:

- Operating instructions
- LED BALL unit
- Chain
- M6 eyebolt

SAFETY INSTRUCTIONS:



CAUTION: To reduce the risk of electric shock, do not remove the top cover. No user-serviceable parts inside. Refer servicing to qualified service personnel only.



The lightning flash with arrowhead symbol within the equilateral triangle is intended to alert the user or the presence of un-insulated "dangerous voltage" within the product's enclosure that may be of sufficient magnitude to constitute a risk of electric shock.



The exclamation point within the equilateral triangle is intended to alert the user to the presence of important operation and maintenance (servicing) instructions in the literature accompanying this appliance.



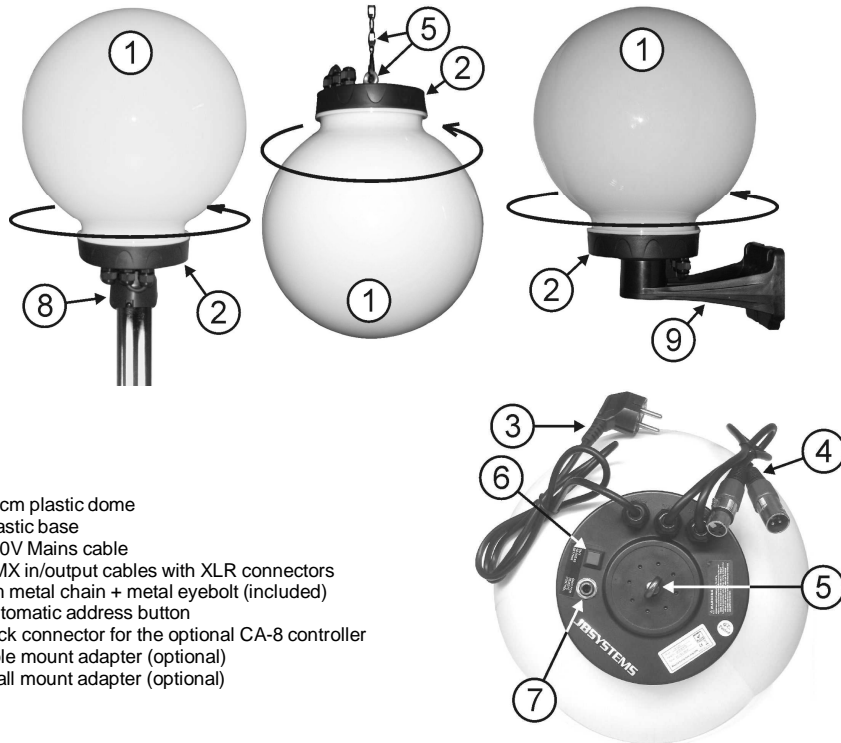
This symbol means: indoor use only.



This symbol means: Read instructions.

- To protect the environment, please try to recycle the packing material as much as possible.
- To prevent fire or shock hazard, do not expose this appliance to rain or moisture.
- To avoid condensation to be formed inside, allow the unit to adapt to the surrounding temperatures when bringing it into a warm room after transport. Condensation sometimes prevents the unit from working at full performance or may even cause damages.
- This unit is for indoor use only.
- Don't place metal objects or spill liquid inside the unit. Electric shock or malfunction may result. If a foreign object enters the unit, immediately disconnect the mains power.
- Prevent use in dusty environments and clean the unit regularly.
- Keep the unit away from children.
- Inexperienced persons should not operate this device.
- Maximum save ambient temperature is 40°C. Don't use this unit at higher ambient temperatures.
- Make sure the area below the installation place is free from unwanted persons during rigging, de-rigging and servicing.
- Always unplug the unit when it is not used for a longer time or during servicing.
- The electrical installation should be carried out by qualified personal only, according to the regulations for electrical and mechanical safety in your country.
- Check that the available voltage is not higher than the one stated on the rear panel of the unit.
- The power cord should always be in perfect condition: switch the unit immediately off when the power cord is squashed or damaged.
- Never let the power-cord come into contact with other cables!
- This fixture must be earthed to in order comply with safety regulations.
- Don't connect the unit to any dimmer pack.
- Always use an appropriate and certified safety cable when installing the unit.
- In order to prevent electric shock, do not open the cover. Apart from the mains fuse there are no user serviceable parts inside.
- **Never** repair a fuse or bypass the fuse holder. **Always** replace a damaged fuse with a fuse of the same type and electrical specifications!
- In the event of serious operating problems, stop using the fixture and contact your dealer immediately.
- The housing and the lenses must be replaced if they are visibly damaged.
- Please use the original packing when the device is to be transported.
- Due to safety reasons it is prohibited to make unauthorized modifications to the unit.

Important: Never look directly into the light source! Don't use the effect in the presence of persons suffering from epilepsy.

DESCRIPTION:

1. 30cm plastic dome
2. Plastic base
3. 230V Mains cable
4. DMX in/output cables with XLR connectors
5. 1m metal chain + metal eyebolt (included)
6. Automatic address button
7. Jack connector for the optional CA-8 controller
8. Pole mount adapter (optional)
9. Wall mount adapter (optional)

ELECTRICAL INSTALLATION + ADDRESSING

⚠ Important: The electrical installation should be carried out by qualified personal only, according to the regulations for electrical and mechanical safety in your country.

Electrical installation for 1 standalone unit:

- Just insert the mains cable. The unit starts working immediately in stand-alone mode
- Remark:** You can connect a CA-8 remote controller to the unit if you want to have more control.

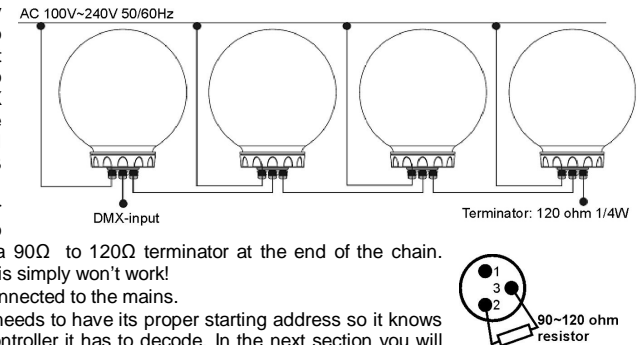
Electrical installation for two or more units in master/slave:

- Connect 2 to maximum 16 units together using good quality balanced microphone cables (like for example JB Systems ref. 7-0063). The unit that has no cable connected to its DMX-input will react as "master", the others are the slave units.
- Make sure that all units are connected to the mains.
- Done!

Remark: You can connect a CA-8 remote controller to the master unit if you want to have more control over the master/slave operation. You can also connect the LEDCON 01 remote controller, in this case all units will respond equally (all units have the same color)

Electrical installation for two or more units in DMX-mode:

- The DMX-protocol is a widely used high speed signal to control intelligent light equipment. You need to "daisy chain" your DMX controller and all the connected units with a good quality balanced cable (ex. JB Systems ref. 7-0063).
- To prevent strange behavior of the light effects, due to interferences, you must use a 90Ω to 120Ω terminator at the end of the chain. Never use Y-splitter cables, this simply won't work!
- Make sure that all units are connected to the mains.
- Each light effect in the chain needs to have its proper starting address so it knows which commands from the controller it has to decode. In the next section you will learn how to set the DMX addresses.

**How to set the DMX addresses:**

There are 2 ways to set the DMX-address of the units

A. Setting individual DMX-addresses per projector:

- Make sure the DMX cables of all units are connected.
- Connect the first unit to a universal DMX controller.
- Connect all units to the mains so they are switched on.
- Set all DMX-channels on your DMX-controller to zero (value 000).
- Set the DMX-channel, that you want to assign as DMX-start address on you projector, tot maximum (value 255)
- Press the "Auto DMX address" button (6) on the projector shortly.
- If you want to set another projector to the same DMX-start address, simply press it's "Auto DMX address" button (6) and it will receive the same address.
- Done!

An example to make things clear:

We will set the DMX start address of a projector to 106:

- Connect the projector to the DMX-controller as described above and make sure all is switched on.
- Set all DMX-channels on the controller to zero (000)
- Now set DMX-channel 106 to maximum (255)
- Press the "Auto DMX address" button (6) on the projector shortly.
- Done! → Your projector now has DMX address 106!

B. Automatic DMX-addressing, starting from any given start address:

To save a lot of time (imagine the time it takes to set the DIP switches of 16 units...) you can set the DMX addresses of all units in the DMX-chain just by the push of a button. No need to calculate the starting address of each individual unit, this will be done for you!

- Make sure the DMX cables of all units are connected.
- Connect the first unit to a universal DMX controller.
- Connect all units to the mains so they are switched on.
- Set all DMX-channels on your DMX-controller to zero (value 000).
- Set the DMX-channel, that you want to assign as DMX-start address on you projector, tot maximum (value 255)
- Press the "Auto DMX address" button (6) on the first projector in the chain for about 5seconds.
- Done! → The first projector in the chain will receive the DMX-start address you chose and it will automatically calculate and program the DMX addresses of all the other units in the DMX-chain!

An example to make things clear:

We want to set the DMX-addresses of 16 units, the DMX start address of the first projector must be 202:

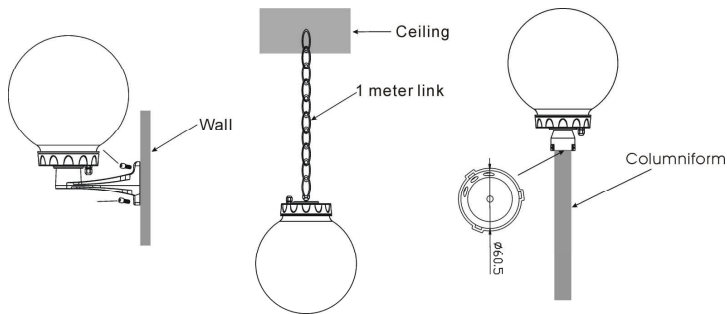
- Connect all projectors to the DMX-controller as described above and make sure all are switched on.
- Set all DMX-channels on the controller to zero (000)
- Now set DMX-channel 202 to maximum (255)
- Press the "Auto DMX address" button (6) on the first projector in the chain for about 5seconds.
- Done! → The first projector in the chain will receive DMX-start address 202 and it will automatically calculate and program the DMX addresses of all the other units in the DMX-chain! This means that the 2nd projector automatically receives address 206, the 3rd has address 210, ..., until the 16th projector who automatically receives start address 262.

You just programmed 16 projectors, this took you about 10seconds!!

Remark: you can mix the units with other DMX-effects that don't have the automatic DMX-addressing option. In that case you still have to set the DMX-addresses of these DMX-effects manually!

OVERHEAD RIGGING

- **Important:** The installation must be carried out by qualified service personal only. Improper installation can result in serious injuries and/or damage to property. Overhead rigging requires extensive experience! Working load limits should be respected, certified installation materials should be used, the installed device should be inspected regularly for safety.
- Make sure the area below the installation place is free from unwanted persons during rigging, de-rigging and servicing.
- The device should be installed out of reach of people and outside areas where persons may walk by or be seated.
- Before rigging make sure that the installation area can hold a minimum point load of 10times the device's weight.
- Always use a certified safety cable that can hold 12times the weight of the device when installing the unit. This secondary safety attachment should be installed in a way that no part of the installation can drop more than 20cm if the main attachment fails.
- The device should be well fixed.
- The operator has to make sure that the safety-relating and machine-technical installations are approved by an expert before using them for the first time. The installations should be inspected every year by a skilled person to be sure that safety is still optimal.
- 3 different fixing methods are possible:
 - Fixed to ceiling or truss (1m chain included)
 - Wall fixing (optional wall adapter available)
 - Pole mount (optional adapter for poles up to D=60mm available)



OPERATING INSTRUCTIONS

A. Standalone 1unit:

- Just connect the unit to the mains and put on some music. The unit will start working automatically to the rhythm of the music.

Remark: You can connect a CA-8 remote controller to the unit if you want to have more control.

B. Two or more units in master/slave setup:

- Connect 2 to maximum 16 units together. Refer to the chapter "electrical installation" to learn how to do this (don't forget to address all units properly!)
- Connect all units to the mains and put on some music. The units will start working automatically to the rhythm of the music and show the internal chase programs.

Remark: You can connect a CA-8 remote controller to the master unit if you want to have more control over the master/slave operation.

C. Connect the optional CA-8 controller for more control:

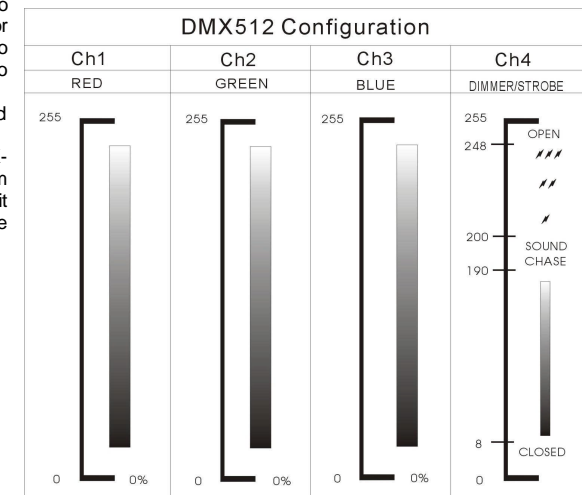
The CA-8 controller can only be used in standalone or master/slave mode. Connect the controller to the CA-8 input of the first unit (master). Now you can control all the connected units:

IMPORTANT REMARK:
When you use this LED PROJECTOR with a CA-8 controller and you select MANUAL mode (mode LED = ON), the projector reminds the last setting used with controller, even after disconnecting the controller and/or the mains voltage. If you don't want this, make sure to select another working mode (mode LED must blink or off) before you unplug the controller.

BUTTON	ACTIONS			
STANDBY	To blackout all the fixtures			
FUNCTION	Strobe 1. Synchronous strobe in white color 2. The same color chase 3. Different color strobe	9 Color select White → Red → Blue → Purple → Orange → Green → Yellow → Magenta → Cyan	Color Chase 1. The same color 2. Different color 3. One light chase 4. Two lights chase 5. Four lights chase	Color Fade 1. Fast speed 2. Middle speed 3. Slow speed
	MODE	Sound 1 (LED OFF)	Manual (LED ON)	Sound 2 (LED slow blinking)

D. Controlled by universal DMX-controller:

- Connect all units together. Refer to the chapter "Electrical installation for two or more units in DMX-mode" to learn how to do this (don't forget to address all units properly!)
- Connect all units to the mains and turn on the DMX controller. Since each unit has its own DMX-address, you can control them individually. Remember that each unit uses 4 DMX-channels as shown in the DMX chart.

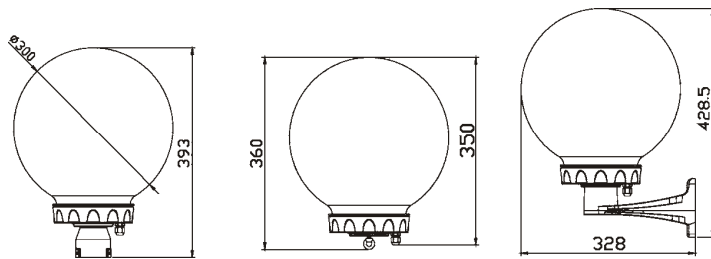


MAINTENANCE

- Make sure the area below the installation place is free from unwanted persons during servicing.
- Switch off the unit and unplug the mains cable.
- **During inspection the following points should be checked:**
- All screws used for installing the device and any of its parts should be tightly fastened and may not be corroded.
- Housings, fixations and installations spots (ceiling, truss, suspensions) should be totally free from any deformation.
- When an optical part is visibly damaged due to cracks or deep scratches, it must be replaced.
- The mains cables must be in impeccable condition and should be replaced immediately when even a small problem is detected.
- The cleaning of external optics must be carried out periodically to optimize light output. Cleaning frequency depends on the environment in which the fixture operates: damp, smoky or particularly dirty surroundings can cause greater accumulation of dirt on the unit's optics.
 - Clean with a soft cloth using normal glass cleaning products.
 - Always dry the parts carefully.
 - Clean the external optics at least once every 30 days.

SPECIFICATIONS

Mains Input:	AC 100V~240V 50/60Hz
Fuse:	250V 2A slow blow (20mm glass)
Sound Control:	Internal microphone
DMX connections:	XLR 3pin
LEDs:	91 high power LEDs (R31 + G30 + B30)
Size:	see drawing below
Weight:	1,5kg



Every information is subject to change without prior notice

You can download the latest version of this user manual on our website: www.beglec.com

MODE D'EMPLOI

Merci d'avoir choisi ce produit JB Systems®. Pour votre sécurité et pour une utilisation optimale de toutes les possibilités de l'appareil, lisez attentivement cette notice avant utilisation.

EN VOUS INSCRIVANT POUR LA LETTRE D'INFORMATION VOUS SEREZ TOUJOURS TENU AU COURANT DES DERNIERES NOUVELLES CONCERNANT NOS PRODUITS: NOUVEAUTES, ACTIONS SPECIALES, JOURNEES PORTES OUVERTES, ETC.
 → SURFEZ SUR: WWW.BEGLEC.COM ←

CARACTERISTIQUES

- Cet appareil ne produit pas d'interférences radio. Il répond aux exigences nationales et européennes. La conformité a été établie et les déclarations et documents correspondants ont été déposés par le fabricant.
- Cet appareil a été conçu pour la production d'effets lumière décoratifs et est utilisé dans des spectacles lumineux.
 - LED-BALL Stylée RGB 30cm contenant 91 LEDs de haute puissance.
 - Beaucoup d'applications possible: discothèques, DJs, compagnies de location, expositions, ...
 - Changement de couleur RGB très fluide grâce à la haute fréquence de l'électronique du variateur.
 - Différents modes de fonctionnement:
 - Fonctionnement autonome: automatique ou changement des couleurs synchronisé avec la musique (commande à distance CA-8 en option possible)
 - Mode maître/esclave: jusqu'à 16 appareils peuvent être utilisés ensemble pour un superbe spectacle lumière préprogrammé et synchronisé avec la musique. (commande à distance CA-8 en option possible)
 - Contrôlé par DMX (4canaux: R, G, B + Variateur/stroboscope) par n'importe quel contrôleur DMX standard.
 - Adressage DMX innovateur et extrêmement rapide:
 - Adressage DMX très facile des projecteurs individuels par n'importe quel contrôleur DMX standard !
 - Adressage DMX extrêmement rapide de plusieurs projecteurs (calcul automatique des adresses DMX)
 - Prêt pour un usage immédiat, tous les câbles sont déjà reliés !
 - Différentes possibilités d'installation pour une flexibilité maximale:
 - Chaîne standard inclus (voir : Boules à facettes)
 - Adaptateur en option pour un montage sur poteau.
 - Adaptateur en option pour un montage sur mur.
 - Technologie longue durée de vie des LEDs: >50.000 heures!

AVANT UTILISATION

- Avant d'utiliser cet appareil, assurez-vous de l'absence de dommage lié au transport. En cas d'endommagement, n'utilisez pas l'appareil et contactez le vendeur.
- **Important:** Cet appareil a quitté notre usine en parfaite condition et bien emballé. Il est primordial que l'utilisateur suive les instructions de sécurité et avertissements inclus dans ce manuel. La garantie ne s'applique pas en cas de dommage lié à une utilisation incorrecte. Le vendeur ne prend pas la responsabilité des défauts ou de tout problème résultant du fait de n'avoir pas tenu compte des mises en garde de ce manuel.
- Conservez ce manuel dans un endroit sûr pour toute consultation future. Si vous vendez l'appareil, assurez-vous d'y joindre ce manuel également.

Vérifiez le contenu:

Vérifiez si l'emballage contient les articles suivants:

- Mode d'emploi
- Appareil LED BALL
- Chaînette
- Visé à anneau M6

INSTRUCTIONS DE SECURITE:



ATTENTION: afin de réduire le risque d'électrocution, n'enlevez jamais le couvercle de l'appareil. Il n'y a aucune pièce à l'intérieur de l'appareil que vous pouvez remplacer vous-même. Confiez l'entretien uniquement à des techniciens qualifiés.

La flèche dans un triangle met l'utilisateur en garde contre la présence de haute tension sans isolation dans l'appareil qui peut causer un risque d'électrocution.

Un point d'exclamation dans un triangle prévient de la présence d'instructions de fonctionnement et de maintenance se trouvant dans le manuel, fourni avec l'appareil.

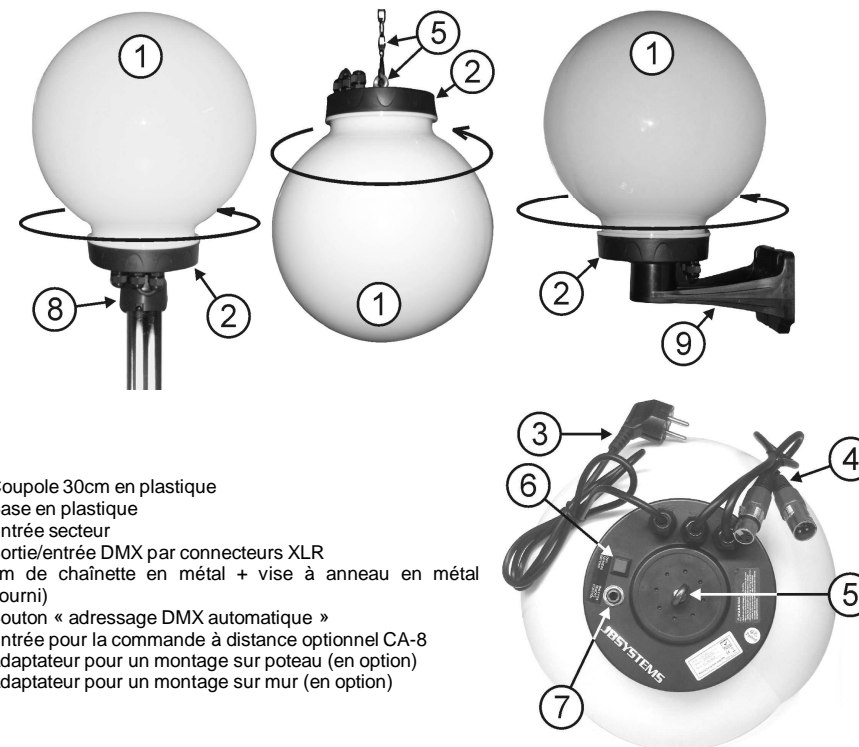
Ce symbole signifie : uniquement pour usage à l'intérieur

Ce symbole signifie : Lire le mode d'emploi.

- Afin de protéger l'environnement, merci de recycler les emballages autant que possible.
- Afin d'éviter tout risque d'incendie ou de choc électrique, ne pas exposer cet appareil à la pluie ou l'humidité.
- Pour éviter la formation de condensation à l'intérieur de l'appareil, patientez quelques minutes pour laisser l'appareil s'adapter à la température ambiante lorsqu'il arrive dans une pièce chauffée après le transport. La condensation empêche l'unité de fonctionner en performance optimale et peut même causer des dommages.
- Cette unité est destinée à une utilisation à l'intérieur uniquement.
- Ne pas insérer d'objet métallique ou verser un liquide dans l'appareil. Risque de choc électrique ou de dysfonctionnement. Si un corps étranger est introduit dans l'unité, déconnectez immédiatement de la source d'alimentation.
- Ne pas utiliser dans un environnement poussiéreux et nettoyez l'unité régulièrement.
- Ne pas laisser l'unité à portée des enfants.
- Les personnes non expérimentées ne doivent pas utiliser cet appareil.
- La température ambiante maximum d'utilisation de l'appareil est de 40°C. Ne pas l'utiliser au-delà de cette température.
- Assurez-vous que la zone au-dessous du lieu d'installation ne comporte pas de personnes indésirables pendant le montage, le démontage et les opérations de maintenance.
- Débranchez toujours l'appareil si vous ne l'utilisez pas de manière prolongée.
- Les installations électriques ne peuvent être faites que par du personnel qualifié et conformément aux réglementations de sécurité électrique et mécanique en vigueur dans votre pays.
- Assurez-vous que le voltage de la source d'alimentation de la zone dans laquelle vous vous trouvez ne dépasse pas celui indiqué à l'arrière de l'appareil.
- Le cordon d'alimentation doit toujours être en condition parfaite. Mettez immédiatement l'unité hors tension si le cordon est écrasé ou endommagé.
- Ne laissez jamais le cordon d'alimentation entrer en contact avec d'autres câbles !
- L'appareil doit être à la masse selon les règles de sécurités.
- Ne pas connecter l'unité à un variateur de lumière.
- Utilisez toujours les câbles appropriés et certifiés lorsque vous installez l'unité.
- Pour éviter tout choc électrique, ne pas ouvrir l'appareil. En dehors du fusible principal, il n'y a pas de pièces pouvant être changées par l'utilisateur à l'intérieur.
- **Ne jamais** réparer ou court-circuiter un fusible. Remplacez **systématiquement** un fusible endommagé par un fusible de même type et spécifications électriques !
- En cas de problèmes de fonctionnement sérieux, arrêtez toute utilisation de l'appareil et contactez votre revendeur immédiatement.
- La coque et les lentilles doivent être remplacées si visiblement endommagées.
- Utilisez l'emballage d'origine si l'appareil doit être transporté.
- Pour des raisons de sécurité, il est interdit d'apporter toute modification à l'unité non spécifiquement autorisée par les parties responsables.

Important: Ne jamais fixer directement la source de lumière ! Ne pas utiliser d'effets en présence de personnes souffrant d'épilepsie.

DESCRIPTION:



1. Coupole 30cm en plastique
2. Base en plastique
3. Entrée secteur
4. Sortie/entrée DMX par connecteurs XLR
5. 1m de chaînette en métal + vise à anneau en métal (fourni)
6. Bouton « adressage DMX automatique »
7. Entrée pour la commande à distance optionnel CA-8
8. Adaptateur pour un montage sur poteau (en option)
9. Adaptateur pour un montage sur mur (en option)

INSTALLATION ELECTRIQUE + ADRESSAGE

Important: L'installation électrique doit uniquement être effectuée par du personnel qualifié, selon la législation concernant les mesures de sécurité électriques et mécaniques en vigueur dans votre pays.

Installation électrique pour 1 appareil en fonctionnement seul:

- Installez simplement le câble secteur. L'appareil commencera à fonctionner immédiatement en mode de fonctionnement seul.

Remarque: vous pouvez brancher une commande à distance CA-8 sur l'appareil si vous souhaitez avoir plus de contrôle.

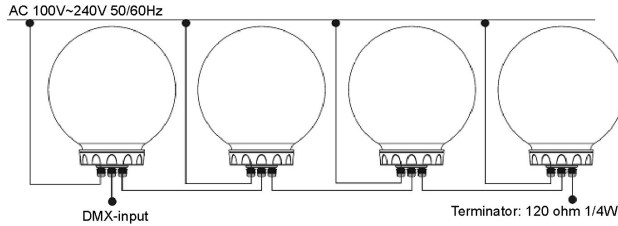
Installation électrique pour deux ou plusieurs appareils en maître/esclave:

- Branchez 2 ou 16 appareils au maximum ensembles en utilisant des câbles balancés de bonne qualité pour le microphone (comme par exemple des câbles JB Systems 7-0063). L'appareil qui n'a pas de câble branché sur son entrée-DMX réagira comme "maître", les autres seront les appareils esclaves.
- Assurez-vous que les appareils sont tous branchés sur le secteur.
- Et c'est terminé!

Remarque: vous pouvez brancher une commande à distance CA-8 sur l'appareil maître (master) si vous souhaitez avoir plus de contrôle sur le fonctionnement maître/esclave. Vous pouvez aussi connecter une commande à distance « LEDCON 01 », tous les projecteurs réagiront de façon identique (tous ont la même couleur)

Installation électrique deux appareils ou plus en mode DMX:

- Le protocole DMX est un signal à haute vitesse très utilisé pour contrôler des équipements de lumières intelligents. Vous devez connecter en guirlande votre contrôleur DMX et tous les appareils avec un câble balancé de bonne qualité (comme par exemple des câbles JB Systems réf. 7-0063).



- Pour éviter des comportements étranges des effets de lumières dus aux interférences, vous devez utiliser une résistance de bouclage de 90Ω à 120Ω au bout de la guirlande. Ne jamais utiliser de séparateur de câbles en forme « Y », cela ne fonctionnera pas!
- Assurez-vous que les appareils sont tous branchés sur le secteur.
- Chaque effet de lumière dans la guirlande doit avoir sa propre adresse de départ afin de savoir quelle est la commande du contrôleur il doit décoder. Dans la prochaine section, vous apprendrez à régler l'adresse DMX.

**Comment régler les adresses DMX:**

Il existe deux façons de régler les adresses DMX des appareils

A. Régler les adresses DMX par projecteur:

- Assurez-vous que les câbles DMX de tous les appareils sont branchés.
- Connectez le premier appareil sur le contrôleur DMX.
- Branchez tous les appareils sur le secteur pour qu'ils soient tous allumés.
- Mettez tous les canaux DMX de votre contrôleur DMX sur zéro. (valeur 000).
- Mettez le canal DMX, que vous voulez assigner comme adresse de départ sur le projecteur, sur maximum (valeur 255)
- Poussez brièvement le bouton "Adressage DMX auto" (6) du projecteur.
- Si vous voulez mettre un autre projecteur sur la même adresse de départ, vous devez également pousser le bouton "Adressage DMX auto" (6) de cet autre projecteur.
- Fin!

Un exemple pour rendre les choses claires:

Si vous souhaitez mettre l'adresse de départ d'un projecteur sur 106:

- Connectez le projecteur sur le contrôleur DMX comme décrit ci-dessus et allumez l'ensemble.
- Mettez tous les canaux DMX de votre contrôleur DMX sur zéro. (valeur 000).
- Mettez le canal DMX 106 sur maximum (valeur 255)
- Poussez brièvement le bouton "Adressage DMX auto" (6) du projecteur.
- Fin! → l'adresse de départ de notre projecteur est 106!

B. Régler automatiquement les adresses DMX de plusieurs projecteurs:

Pour gagner du temps (imaginez le temps qu'il vous faudra pour régler les interrupteurs DIP des 16 appareils...) vous pouvez régler les adresses DMX de tous les appareils dans la chaîne DMX juste en appuyant sur un bouton. Pas besoin de calculer l'adresse de départ de chaque appareil, cela sera fait à votre place!

- Assurez-vous que les câbles DMX de tous les appareils sont branchés.
- Connectez le premier appareil sur le contrôleur DMX.
- Branchez tous les appareils sur le secteur pour qu'ils soient tous allumés.
- Mettez tous les canaux DMX de votre contrôleur DMX sur zéro. (valeur 000).
- Mettez le canal DMX, que vous voulez assigner comme adresse de départ sur le premier projecteur de la chaîne, sur maximum (valeur 255)
- Poussez le bouton "Adressage DMX auto" (6) du premier projecteur de la chaîne pendant environ 5 secondes. (tous les projecteurs clignotent 1x)
- Fin! → Le premier projecteur de la chaîne reçoit l'adresse de départ que vous avez choisi. Les adresses de départ des autres projecteurs de la chaîne seront calculés et distribués automatiquement !

Un exemple pour rendre les choses claires:

Nous voulons mettre les adresses DMX de 16 projecteurs. L'adresse de départ du premier projecteur de la chaîne est fixé sur 202.

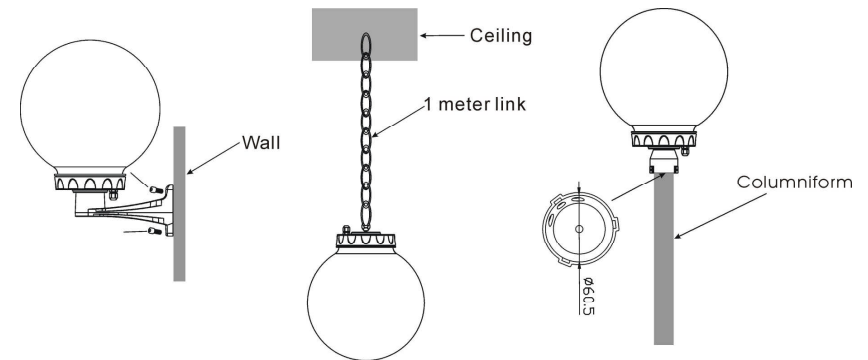
- Connectez les projecteurs sur le contrôleur DMX comme décrit ci-dessus et allumez l'ensemble.
- Mettez tous les canaux DMX de votre contrôleur DMX sur zéro. (valeur 000).
- Mettez le canal DMX 202 sur maximum (valeur 255)
- Poussez le bouton "Adressage DMX auto" (6) du premier projecteur pendant environ 5sec.
- Fin! → Le premier projecteur de la chaîne reçoit l'adresse 202. Les adresses de départ des autres projecteurs de la chaîne seront calculés et distribués automatiquement: le deuxième projecteur reçoit l'adresse 206, le troisième l'adresse 210, ..., jusqu'au seizième projecteur qui reçoit l'adresse 262.

Vous venez de programmer 16 projecteurs en 10 secondes !!!

Remarque: vous pouvez mélanger les appareils ensemble avec d'autres effets DMX qui ne possèdent pas l'option adressage DMX automatique. Dans ce cas, il vous restera à régler les adresses DMX de ces effets DMX manuellement!

INSTALLATION EN HAUTEUR

- Important:** L'installation doit être faite par du personnel qualifié uniquement. Une installation incorrecte peut causer des blessures sévères et/ou endommager l'appareil. L'installation en hauteur exige de l'expérience! Les limites de charge doivent être respectées, du matériel d'installation certifié doit être utilisé, et l'appareil installé doit subir des inspections de sécurité régulièrement.
- Assurez-vous que la zone au-dessous du lieu d'installation ne comporte pas de personnes indésirables lors de l'installation, la désinstallation ou la maintenance.
- L'appareil doit être hors de portée du public et en dehors des zones de passage de personnes ou des zones où le public est installé.
- Avant l'installation assurez-vous que la zone d'installation supporte un point localisé minimum de 10 fois le poids de l'appareil.
- Utilisez systématiquement un câble de sécurité qui peut supporter 12 fois le poids de l'appareil lors de l'installation. Ce câble de sécurité secondaire doit être installé de manière à ce qu'aucune partie de l'appareil ne puisse descendre de plus de 20 cm si le support principal tombe.
- L'appareil doit être bien fixé, un montage à balancement est dangereux et ne devrait pas être considéré !
- L'utilisateur doit s'assurer que les installations techniques et de sécurité sont bien approuvées par un expert avant la première utilisation. Les installations doivent être inspectées chaque année par du personnel qualifié pour assurer une sécurité optimale.
- 3 différentes méthodes de fixation sont possibles:
 - Fixé au plafond ou sur une armature (1m de chaîne inclus)
 - Fixation au mur (adaptateur en option disponible)
 - Montage sur poteau (adaptateur pour poteau en option disponible jusqu'à D=60mm)



INSTRUCTIONS D'UTILISATION

A. 1 appareil en fonctionnement seul:

- Branchez simplement l'appareil sur le secteur et mettez de la musique. L'appareil commencera à fonctionner automatiquement au rythme de la musique.

Remarque: vous pouvez brancher une commande à distance CA-8 sur l'appareil si vous souhaitez avoir plus de contrôle.

B. Deux ou plusieurs appareils en configuration maître/esclave:

- Branchez 2 ou maximum 16 appareils ensemble. Référez-vous au chapitre "installation électrique" pour apprendre à brancher les appareils ensemble (n'oubliez pas d'adresser tous les appareils ensemble correctement!)
- Branchez tous les appareils sur le secteur et mettez de la musique. Les appareils commenceront à fonctionner automatiquement au rythme de la musique et à indiquer les programmes internes d'approche d'asservissement.

Remarque: vous pouvez brancher une commande à distance CA-8 sur l'appareil maître (master) si vous souhaitez avoir plus de contrôle sur le fonctionnement maître/esclave.

C. Brancher le contrôleur CA-8 en option pour plus de contrôle:

Le contrôleur CA-8 peut uniquement être utilisé en fonctionnement autonome ou en mode maître/esclave. Branchez le contrôleur sur l'entrée CA-8 du premier appareil (maître). Vous pouvez maintenant contrôler tous les appareils branchés:

REMARQUE IMPORTANTE :

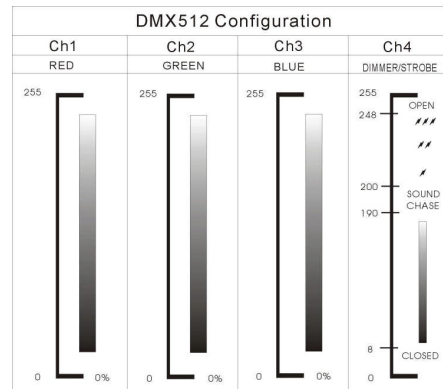
Si vous utilisez ce projecteur à LED avec un contrôleur CA-8 et choisissez le mode MANUEL (mode LED est allumé), le projecteur garde le dernier mode d'utilisation en mémoire, même si vous débranchez le contrôleur et/ou déconnectez le projecteur du courant. Pour effacer le dernier mode d'utilisation en mémoire vous devez choisir un des autres modes (la LED « mode » est éteinte ou clignote) avant de débrancher le contrôleur du projecteur.

BOUTON	ACTIONS			
STANDBY	Pour mettre en obscurcissement toutes les fonctions			
FONCTION	Strobe	9 Sélection de couleurs	Chenillard en couleurs	Fade (Fondu) des couleurs
	1. Strobe synchronisé en blanc 2. Chenillard strobe avec la même couleur 3. Chenillard strobe avec différents couleurs	Blanc → Rouge → Bleu → Violet → Orange → Vert → Jaune → Magenta → Cyan	1. Même couleur 2. Différentes couleurs 3. Chenillard sur une lumière 4. Chenillard sur deux lumières 5. Chenillard sur quatre lumières	1. Vitesse rapide 2. Vitesse moyenne 3. Vitesse lente
MODE	Son 1 (LED OFF)	Manuel (LED ON)	Son 2 (LED clignote lentement)	Auto (LED clignote rapidement)

D. Contrôlé par un contrôleur DMX universel:

- Branchez tous les appareils ensemble. Référez-vous au chapitre "installation électrique pour deux ou plusieurs appareils en mode DMX" pour apprendre à le faire (n'oubliez pas d'adresser tous les appareils correctement!)
- Branchez tous les appareils sur le secteur et allumez le contrôleur DMX.

Etant donné que chaque appareil à sa propre adresse DMX, vous pouvez les contrôler individuellement. Souvenez-vous que chaque appareil utilise 4 canaux DMX comme indiqué dans le tableau DMX:



MAINTENANCE

- Assurez-vous que la zone au-dessous du lieu d'installation ne comporte pas de personnes indésirables lors de la maintenance
- Mettez l'unité hors tension et débranchez le cordon d'alimentation.
- Toutes les vis utilisées pour l'installation de l'appareil ou de chacune de ses pièces doivent être bien fixées et non corrodées.
- Les niches, fixations et structures de support (plafond, poutres, suspensions) doivent être totalement intactes, sans aucune déformation.
- Lorsqu'une lentille optique est visiblement endommagée (fissure ou éraflures profondes), elle doit être remplacée.
- Les câbles doivent être en parfaite condition et doivent être remplacés immédiatement en cas de détection d'un problème, même bénin.
- Le nettoyage de l'optique externe doit être effectué périodiquement pour optimiser la production de lumière. La fréquence de nettoyage dépend de l'environnement dans lequel l'appareil fonctionne: des environnements humides, enfumés ou particulièrement sales peuvent entraîner une accumulation de saleté plus importantes sur les optiques de l'appareil.
 - Nettoyez à l'aide d'un chiffon doux avec des produits de nettoyage pour verres normaux.
 - Séchez toujours les parties soigneusement.
 - Nettoyez les optiques externes ou moins une fois tous les 30 jours.

SPECIFICATIONS

Alimentation:

AC 100V~240V 50/60Hz

Fusible:

250V 2A lente (20mm verre)

Contrôle de son:

Microphone interne

Connexions DMX:

XLR 3pin

LEDs:

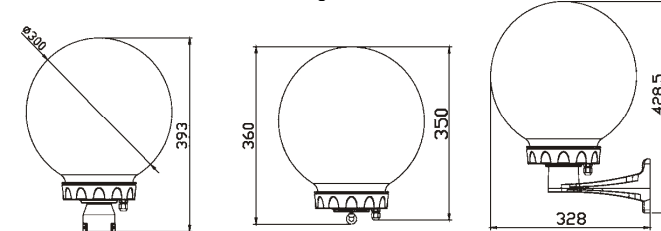
91 LEDs haute puissance (R31 + G30 + B30)

Taille:

voir schéma ci-dessous

Poids:

1.5kg



Chacune de ces informations peut être modifiée sans avertissement préalable
Vous pouvez télécharger la dernière version de ce mode d'emploi sur notre site web:
www.beglec.com

GEBRUIKSAANWIJZING

Hartelijk dank voor de aankoop van dit JB Systems® product. Om ten volle te kunnen profiteren van alle mogelijkheden en voor uw eigen veiligheid, gelieve de aanwijzingen zeer zorgvuldig te lezen voor U begint het apparaat te gebruiken.

DOOR U OP ONZE MAILINGLIJST IN TE SCHRIJVEN ONTVANGT U STEEDS DE LAATSTE INFORMATIE OVER ONZE PRODUKTEN: NIEUWIGHEDEN, SPECIALE ACTIES, OPENDEURDAGEN, ENZ.
→ SURF NAAR: WWW.BEGLEC.COM ←

KARAKTERISTIEKEN

In dit apparaat is radio-interferentie onderdrukt. Dit product voldoet aan de gangbare Europese en nationale voorschriften. Het is vastgesteld dat het apparaat er zich aan houdt en de desbetreffende verklaringen en documenten zijn door de fabrikant afgegeven.

- Het toestel is ontworpen om decoratieve lichteffecten te produceren en kan eventueel worden gebruikt in lichtshows.
- Stijlvolle RGB 30cm LED-BAL voorzien van 91 hoogvermogen LED's.
- Vele toepassingen mogelijk: discotheken, DJ's, verhuurfirma's, tentoonstellings stands,
- Erg mooie RGB kleurveranderingen, zonder flikkeren dankzij de hoge frequentie van de dimelektronica.
- Verschillende werkmodi:
 - Compleet op zichzelf staand: automatische of ritmisch gesynchroniseerde kleurveranderingen (optioneel is een CA-8 bediening mogelijk).
 - Master/slave modus: tot 16 units kunnen samen worden gebruikt voor prachtige voorgeprogrammeerde lichtshows die op muziek gesynchroniseerd zijn (optioneel is een CA-8 bediening mogelijk).
 - DMX-bediening (4kanalen: R, G, B + Dimmer/stroboscoop) met elke standaard DMX-bediening.
- Vernieuwende en extreem snelle DMX adressering:
 - Zeer makkelijke DMX adressering van individuele toestellen door het gebruik van elke standaard DMX-controller
 - Extreem snelle DMX adressering van verschillende toestellen tegelijk (automatic address calculation)
- Klaar voor onmiddellijk gebruik: alle kabels reeds aangesloten!
- Verschillende installatiemogelijkheden voor een maximale flexibiliteit:
 - Standaard ketting meegeleverd (cfr. Spiegelballen).
 - Optioneel is er een adapter voor paalbevestiging.
 - Optioneel is er een adapter voor muurbevestiging.
- LED technologie voor een lange levensduur: >50.000 uren!

ALVORENS HET APPARAAT IN GEBRUIK TE NEMEN

- Controleer voor het eerste gebruik van het apparaat of het tijdens het transport beschadigd werd. Mocht er schade zijn, gebruik het dan niet, maar raadpleeg eerst uw dealer.
- **Belangrijk:** Dit apparaat verliet de fabriek in uitstekende staat en goed verpakt. Het is erg belangrijk dat de gebruiker de veiligheidsaanwijzingen en raadgevingen in deze gebruiksaanwijzing uiterst nauwkeurig volgt. Elke schade veroorzaakt door verkeerd gebruik van het apparaat valt niet onder de garantie. De dealer aanvaardt geen verantwoordelijkheid voor mankementen en problemen die komen door het veronachtzamen van deze gebruiksaanwijzing.
- Bewaar deze brochure op een veilige plaats om hem in de toekomst nogmaals te kunnen raadplegen. Indien U het apparaat koopt, denkt U er wel aan om de gebruiksaanwijzing bij te voegen.

Controleer de inhoud:

Controleer of de doos volgende onderdelen bevat:

- Handleiding
- LED BAL unit
- Ketting
- M6 oogbout

VEILIGHEIDSVOORSCHRIFTEN:



CAUTION
RISK OF ELECTRIC SHOCK
DO NOT OPEN



WAARSCHUWING: Om het risico op elektrocutie zoveel mogelijk te vermijden mag u nooit de behuizing verwijderen. Er bevinden zich geen onderdelen in het toestel die u zelf kan herstellen. Laat de herstellingen enkel uitvoeren door een bevoegde technicus.



CAUTION
RISK OF ELECTRIC SHOCK
DO NOT OPEN



De bliksempijl die zich in een gelijkbenige driehoek bevindt is bedoeld om u te wijzen op het gebruik of de aanwezigheid van niet-geïsoleerde onderdelen met een "gevaarlijke spanning" in het toestel die voldoende kracht heeft om een risico van elektrocutie in te houden.



Het uitroepteken binnen de gelijkbenige driehoek is bedoeld om de gebruiker erop te wijzen dat er in de meegeleverde literatuur belangrijke gebruik en onderhoudsinstructies vermeld staan betreffende dit onderdeel.



Dit symbool betekent: het apparaat mag enkel binnenhuis worden gebruikt.



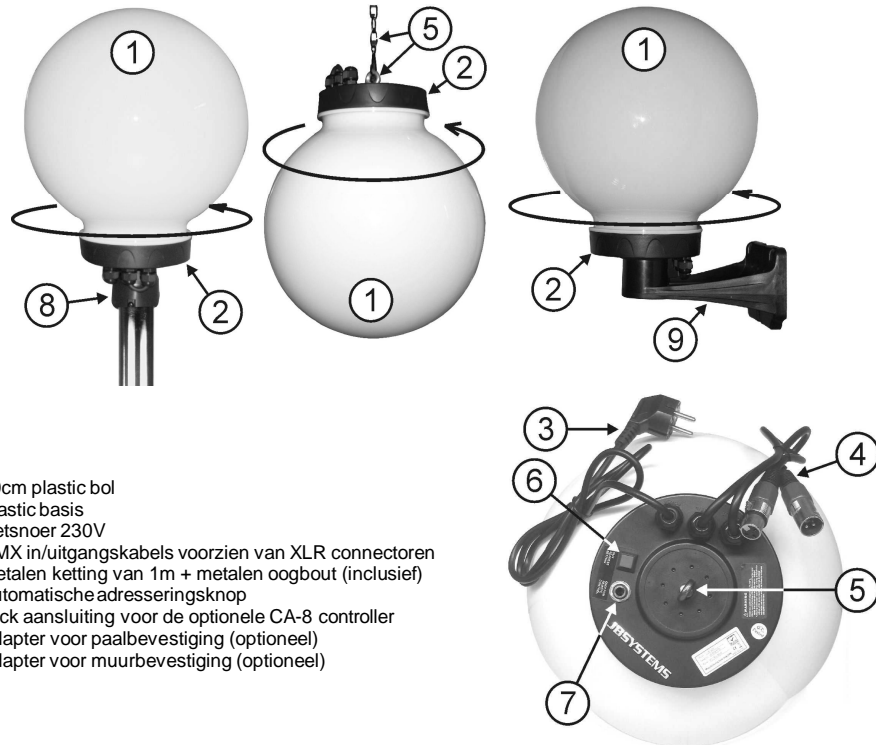
Dit symbool betekent: Lees de handleiding!

- Om het milieu te beschermen, probeer zoveel mogelijk het verpakkingsmateriaal te recyclen.
- Stel dit apparaat niet bloot aan regen of vocht, dit om het risico op brand en elektrische schokken te voorkomen.
- Om de vorming van condensatie binnenin te voorkomen, laat het apparaat aan de omgevingstemperatuur wennen wanneer het, na het transport, naar een warm vertrek is overgebracht. Condensatie kan het toestel soms verhinderen perfect te functioneren. Het kan soms zelfs schade aan het apparaat toebrengen.
- Gebruik dit apparaat uitsluitend binnenshuis.
- Plaats geen stukken metaal en mors geen vocht binnen in het toestel om elektrische schokken of storing te vermijden. Indien een vreemd voorwerp in het apparaat geraakt, moet U het direct van het lichtnet afkoppelen.
- Zorg dat het toestel niet in een stoffige omgeving wordt gebruikt en maak het regelmatig schoon.
- Houd het apparaat uit de buurt van kinderen.
- Dit apparaat mag niet door onervaren personen bediend worden.
- De maximum veilige omgevingstemperatuur is 40°C. Gebruik het apparaat dus niet bij hogere temperaturen.
- Verzekert U van dat er zich onder de plaats waar het toestel wordt geïnstalleerd geen ongewenste personen bevinden tijdens het bevestigen en losmaken alsook bij het onderhoud.
- Trek altijd de stekker uit wanneer het apparaat gedurende langere tijd niet wordt gebruikt of alvorens de lamp te vervangen of alvorens te beginnen met de onderhoudsbeurt.
- De elektrische installatie behoort uitsluitend uitgevoerd te worden door bevoegd personeel, volgens de in uw land geldende regels betreffende elektrische en mechanische veiligheid.
- Controleer dat de beschikbare spanning niet hoger is dan die aangegeven op de achterzijde van het toestel.
- De elektrische kabel behoort altijd in uitstekende staat te zijn. Zet het apparaat onmiddellijk af als de elektrische kabel gekneusd of beschadigd is.
- Laat de elektrische draad nooit in contact komen met andere draden.
- Volgens de veiligheidsvoorschriften moet deze installatie geaard worden.
- Sluit het apparaat niet aan op een elektronische dimmer.
- Gebruik altijd een geschikte en gekeurde veiligheidskabel bij het installeren van het toestel.
- Om elektrische schokken te voorkomen, moet U de behuizing niet openen. Afgezien van de zekering zitten er geen onderdelen in die door de gebruiker moeten worden onderhouden.
- Repareer **nooit** een zekering en overbrug de zekeringhouder nooit. Vervang een beschadigde zekering **steeds** door een zekering van hetzelfde type en met dezelfde elektrische kenmerken.
- Ingeval van ernstige problemen met het bedienen van het toestel, stopt U onmiddellijk het gebruik ervan. Contacteer uw dealer voor een eventuele reparatie.

- De behuizing en de lenzen moeten vervangen worden als ze zichtbaar beschadigd zijn.
- Gebruik best de originele verpakking als het toestel vervoerd moet worden.
- Om veiligheidsredenen is het verboden om ongeautoriseerde modificaties aan het toestel aan te brengen.

Belangrijk: Kijk nooit rechtstreeks in de lichtbron. Gebruik het lichteffect niet in de tegenwoordigheid van personen die lijden aan epilepsie.

BESCHRIJVING:



1. 30cm plastic bol
2. Plastic basis
3. Netsnoer 230V
4. DMX in/uitgangskabels voorzien van XLR connectoren
5. Metalen ketting van 1m + metalen oogbout (inclusief)
6. Automatische adresseringsknop
7. Jack aansluiting voor de optionele CA-8 controller
8. Adapter voor paalbevestiging (optioneel)
9. Adapter voor muurbevestiging (optioneel)

ELEKTRISCHE INSTALLATIE + ADRESSERING

⚠ Belangrijk: De elektrische installatie zou alleen uitgevoerd moeten worden door een bekwaam persoon volgens de voorschriften voor elektrische en mechanische veiligheid in uw land.

Elektrische installatie voor één alleenstaande unit:

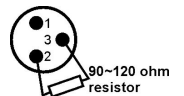
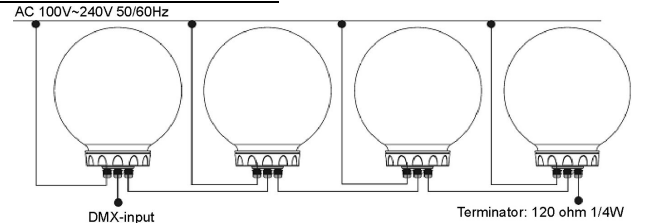
- Installeer gewoon de stroomkabel (zie punt A).
- Opmerkingen:** U kan een CA-8 afstandsbediening aansluiten op de unit als u meer controle wilt hebben.

Elektrische installatie voor twee of meer units in master/slave:

- Sluit 2 tot maximaal 16 units op elkaar aan, gebruik gebalanceerde microfoonkabels van een goede kwaliteit (zoals bijvoorbeeld JB Systems ref. 7-0063). De unit die geen kabelaansluiting op z'n DMX-ingang heeft zal reageren als "master", de anderen zijn de slave-units.
- Weet zeker dat alle units op het net zijn aangesloten.
- Klaar!
- Opmerkingen:** U kan een CA-8 afstandsbediening aansluiten op de master unit als u meer controle wilt over de master/slave werking. U kan eventueel ook een LEDCON 01 afstandsbediening aansluiten, alle units reageren dan wel identiek (dezelfde kleuren).

Elektrische installatie voor twee of meer units in DMX-modus:

- Het DMX-protocol is een breed gebruikte hogesnelheidssignaal om lichtuitrustingen te bedienen. U moet uw DMX bediening en alle units met een gebalanceerde kabel van goede kwaliteit (ex. JB Systems ref. 7-0063) doorverbinden.
- Om vreemd gedrag van de lichteffecten, veroorzaakt door storing, te voorkomen, moet u een afsluitweerstand van 90Ω tot 120Ω aan het eind van de keten gebruiken. Gebruik nooit een Y-splitkabel, dit zal eenvoudig niet werken!
- Weet zeker dat alle units op het lichtnet zijn aangesloten.
- Elk lichteffect in de keten heeft een eigen DMX startadres nodig zodat het weet welke commando's van de bediening het moet ontcijferen. In de volgende sectie zal u leren hoe het DMX adres in te stellen.



Hoe het DMX adres in te stellen:

Er zijn twee manieren om de DMX adressen van de units in te stellen.

A. Het DMX-adres individueel per projector instellen:

- Wees er zeker van dat de DMX kabels van alle toestellen met elkaar verbonden zijn.
- Sluit het eerste toestel aan op een universele DMX controller
- Sluit alle toestellen aan op het net zodat ze allen aanslaan
- Stel al uw DMX kanalen van uw DMX controller in op zero (waarde 000)
- Stel het DMX kanaal, dat u als DMX startadres wilt toewijzen aan uw projector, in op het maximum (waarde 255)
- Druk de "Auto DMX address" toets (6) op uw projector kort in.
- Wanneer u ook een andere projector op het zelfde DMX startadres wil instellen, dient u simpelweg zijn "Auto DMX address" toets (6) in te drukken en dan zal deze hetzelfde adres verkrijgen.
- Klaar !

Een voorbeeld om de zaken te verduidelijken:

We zullen het DMX startadres van een projector instellen op 106:

- Sluit de projector aan op de DMX controller zoals hierboven beschreven en wees er zeker van dat alles aangeschakeld is.
- Stel alle DMX kanalen van de controller in op zero (000)
- Stel nu het DMX kanaal 106 in op het maximum (255)
- Druk de "Auto DMX address" toets (6) van uw projector kort in

- Klaar → uw projector heeft nu als DMX startadres 106 !

B. Automatische DMX adressering, startend vanaf een willekeurig ingegeven startadres:

Om een hele hoop tijd te besparen (beeldt uzelf in hoeveel tijd het instellen van de Dip switches van 16 toestellen inneemt...) kan u de DMX adressen van alle toestellen in de DMX ketting duwen en dit enkel door één toets in te drukken. U hoeft het startadres van elk individueel toestel niet te berekenen, dit wordt voor u gedaan !

- Wees er zeker van dat de DMX kabels van alle toestellen met elkaar verbonden zijn.
- Sluit het eerste toestel aan op een universele DMX controller
- Sluit alle toestellen aan op het net zodat ze allen aanslaan
- Stel al uw DMX kanalen van uw DMX controller in op zero (waarde 000)
- Stel het DMX kanaal, dat u als DMX startadres wilt toewijzen aan uw projector, in op het maximum (waarde 255)
- Druk de "Auto DMX address" toets (6) in op uw eerste projector in de ketting gedurende ongeveer 5 seconden
- Klaar ! → De eerste projector in de ketting zal het DMX startadres ontvangen dat u gekozen heeft en de DMX adressen van alle andere toestellen in de DMX ketting worden automatisch berekend en geprogrammeerd!

Een voorbeeld om de zaken te verduidelijken:

We willen de DMX adressen van 16 toestellen instellen, het DMX startadres van het eerste toestel moet 202 zijn

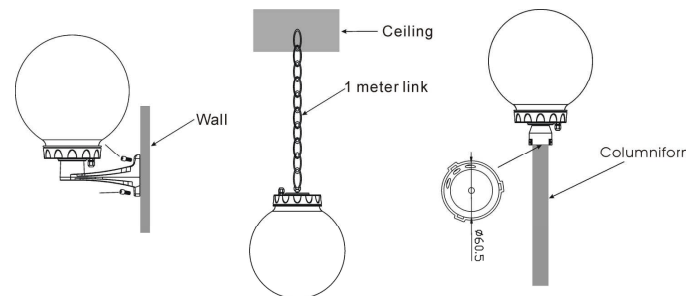
- Sluit alle projectors aan op de DMX controller zoals hierboven beschreven en wees er zeker van dat alles aangeschakeld is.
- Stel alle DMX kanalen van de controller in op zero (000)
- Stel nu het DMX kanaal 202 in op het maximum (255)
- Druk de "Auto DMX address" toets (6) van de eerste projector in de ketting in gedurende ongeveer 5 seconden.
- Klaar ! → De eerste projector in de ketting zal het DMX startadres 202 ontvangen en de DMX adressen van alle andere toestellen in de DMX ketting worden automatisch berekend en geprogrammeerd! Dit betekent dat de 2^{de} projector automatisch het adres 206 zal ontvangen, de 3^{de} heeft het adres 210,..., tot en met de 16^{de} projector die automatisch het startadres 262 zal ontvangen.

U heeft net 16 projectors geprogrammeerd en dit heeft slecht ongeveer 10 seconden geduurd !!!
Opmerking: U kan de toestellen mixen met andere DMX effecten die de automatische DMX adressering optie niet hebben. In dat geval dient u de DMX adressen van deze DMX effecten nog steeds manueel in te stellen

OPHANGEN VAN HET APPARAAT

- **Belangrijk:** De installatie van het toestel mag uitsluitend door bekwaam onderhoudspersoneel uitgevoerd worden. Onjuiste plaatsing kan ernstige letsels en/of schade aan eigendommen tot gevolg hebben. Het ophangen vergt veel ervaring. U behoort de grenzen te respecteren aan de werklust; erkende installeringmaterialen moeten worden gebruikt; de veiligheid van het geïnstalleerde toestel moet regelmatig worden gecontroleerd.
- Overtuig U ervan dat het gebied onder installatieplaats vrij is van ongewenste personen tijdens het plaatsen, het weghalen en het onderhoud.
- Het toestel moet worden geïnstalleerd buiten het bereik van iedereen en weg van plaatsen waar men mag lopen en zitten.
- Alvorens tot plaatsen over te gaan, moet men controleren dat de minimum puntbelasting van de installatieplaats 10 keer het gewicht van het toestel bedraagt.
- Gebruik bij het installeren van het toestel altijd een gewaarmerkte veiligheidskabel die 12 keer het gewicht van het toestel kan dragen. Deze bijkomende veiligheidsbevestiging moet zo worden aangebracht dat geen deel van het toestel meer dan 20 cm vallen kan als de hoofdbeveiliging faalt.
- Het apparaat moet goed worden vastgezet!
- De gebruiker moet er zich van verzekeren dat de installaties met betrekking tot de veiligheid en de technische mechaniek door een expert zijn goedgekeurd alvorens ze voor de eerste keer te gebruiken. Elk jaar moeten de installaties worden gekeurd door een vakman om te controleren of de veiligheid nog steeds perfect is.
- 3 verschillende bevestigingsmethodes zijn mogelijk:

- Aan een plafond of steun bevestigen (1m ketting meegeleverd)
- Muurbevestiging (optioneel is een muuradapter beschikbaar)
- Paalbevestiging (optioneel is een adapter voor palen tot D=60 mm beschikbaar)



BEDIENINGSVOORSCHRIFTEN

A. Alleenstaande 1 unit:

- Sluit de unit op het lichtnet aan en zet wat muziek aan. De unit zal automatisch starten op het ritme van de muziek.

Opmerking: U kan een CA-8 afstandsbediening aansluiten op de unit als u meer controle wilt hebben.

B. Twee of meer units in master/slave opstelling:

- Sluit twee tot maximaal 16 units op elkaar aan. Zie het hoofdstuk "elektrische installatie" om te leren hoe dit te doen (vergeet niet om alle units goed te adresseren).
- Sluit alle units op het lichtnet aan en zet wat muziek aan. De unit zal automatisch starten op het ritme van de muziek en de interne looplicht programma's laten zien.

Opmerking: U kan een CA-8 afstandsbediening aansluiten op de hoofdunit als u meer controle over de master/slaveopstelling wilt hebben.

C. Sluit de optionele CA-8 bediening aan voor meer controle:

De CA-8 bediening kan alleen worden gebruikt in de alleenstaande of master/slave modus. Sluit de bediening aan op de CA-8 ingang van de eerste unit (master). Nu kan u alle aangesloten units bedienen:

BELANGRIJKE OPMERKING:

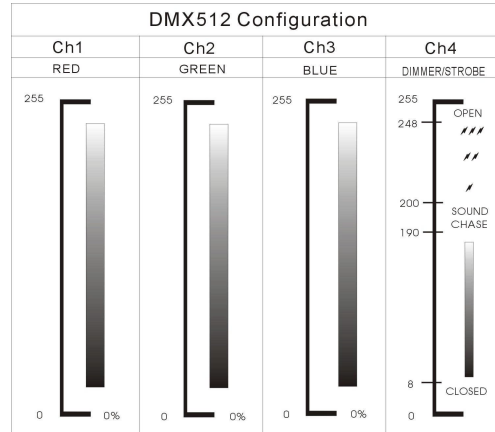
Wanneer u deze LED PROJECTOR gebruikt met een CA-8 controller en u de MANUAL modus (LED AAN) selecteert zal de projector de laatste instelling met de controller opslaan, zelfs wanneer u de controller en/of de stroomtoevoer van de led projector hebt afgekoppeld. Wanneer u dit niet wil, verzeker er u dan ervan naar een andere werkingsmodus over te gaan (LED moet KNIPPEREN of UIT staan) voordat u de controller ontkoppelt.

KNOP	ACTIES			
STAND-BY	Om alle apparaten in blackout te zetten			
FUNCTION	Stroboscoop 1. Synchroon strobos in witte kleur. 2. Strobe looplicht in dezelfde kleur. 3. Strobe looplicht in verschillende kleuren.	9 Selecteerbare kleuren Wit → Rood → Blauw → Purper → Oranje → Groen → Geel → Magenta → Cyaan	Kleuren looplicht 1. Dezelfde kleur. 2. Verschillende kleur. 3. Looplicht met één lamp. 4. Looplicht met twee lampen 5. Looplicht met vier lampen.	Kleurovergangen 1. Hoge snelheid. 2. Middelmattige snelheid. 3. Lage snelheid
MODE	Geluid 1 (LED UIT)	Handmatig (LED AAN)	Geluid 2 (LED knippert traag)	Automatisch (LED knippert snel)

D. Bediend door een universele DMX-bediening:

- Sluit alle units op elkaar aan. Zie het hoofdstuk "elektrische installatie voor twee of meer units in DMX-modus" om te leren hoe dit te doen (vergeet niet om alle units goed te adresseren!)
- Sluit alle units op het lichtnet aan en zet de DMX-bediening aan.

Omdat elke unit z'n eigen DMX-adres heeft kan u ze individueel bedienen. Denk eraan dat elke unit zoals in de DMX tabel hieronder te zien is, vier DMX-kanalen gebruikt:

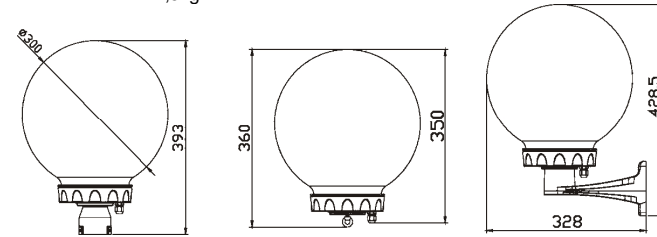


ONDERHOUD

- Overtuig U ervan dat het gebied onder de installatieplaats vrij is van ongewenste personen tijdens het onderhoud.
- Zet het toestel uit en trek de netstekker uit het stopcontact.
- **Bij inspectie moeten de volgende punten worden gecontroleerd.**
- Alle schroeven gebruikt om het te toestel te installeren en al zijn onderdelen moeten goed vastgedraaid zijn en mogen niet verroest zijn.
- Behuizingen, vastzetstukken, installeringplaatsen (plafond, spanten, schokbrekers) mogen absoluut niet verwrongen zijn.
- Wanneer een optische lens klaarblijkelijk beschadigd is door barsten of diepe krassen, dan moet deze vervangen worden.
- De stroomkabels moeten in perfecte staat zijn en behoren vervangen te worden, wanneer er zelfs maar een klein probleem ontdekt werd.
- Het schoonmaken van de uitwendige optiek moet regelmatig worden uitgevoerd om een zo goed mogelijke lichtuitstraling te verkrijgen. Hoe vaak ze schoon moeten worden gemaakt hangt af van de omgeving waar het toestel wordt gebruikt: een klamme, rokerige of bijzonder vuile omgeving kan een grotere opeenhoping van vuil veroorzaken op de optische uitrusting.
 - Reinig met een zachte doek en gebruik normale glasreinigende producten.
 - Droog de onderdelen altijd zorgvuldig af,
 - Reinig de uitwendige optische uitrusting minstens één keer per maand.

TECHNISCHE KENMERKEN

- Netvoeding:** wisselstroom 100V~240 V, 50/60 Hz
- Zekering:** 250V / 2A trage zekering (20 mm)
- Geluidscontrole:** Inwendige microfoon
- DMX verbinding:** XLR 3pin
- LEDs:** 91 hoge intensiteitsleds (R31 + G30 + B30)
- Afmetingen:** zie tekening hieronder
- Gewicht:** 1,5kg



Elke inlichting kan veranderen zonder waarschuwing vooraf
U kan de laatste versie van deze handleiding downloaden via Onze website: www.beglec.com

BEDIENUNGSANLEITUNG

Vielen Dank, dass Sie sich für den Erwerb dieses JBSystems®-Produkt entschieden haben. Bitte lesen Sie diese Bedienungsanleitung sorgfältig vor der Inbetriebnahme durch, zur vollen Ausschöpfung der Möglichkeiten, die dieses Gerät bietet sowie, zu Ihrer eigenen Sicherheit.

EIGENSCHAFTEN

Das Gerät ist funktentstört und erfüllt die Anforderungen der europäischen und nationalen Bestimmungen. Entsprechende Dokumentation liegt beim Hersteller vor.

- Das Gerät ist zur Erzeugung von dekorativem Licht sowie der Benutzung in Lightshows bestimmt.
- Stilvoller RGB 30cm LED-BALL mit 91 Hochleistungs-LEDs.
- Einsetzbar für viele Anwendungen: Diskotheken, DJs, Vermietungsfirmen, Ausstellungsstände, usw.
- Sehr sanfte RGB-Farbänderungen ohne Flackern dank hochfrequenter Dimmerelektronik
- Unterschiedliche Arbeitsmodi:
 - Vollständig allein stehend: automatische oder taktsynchronisierte Farbänderungen (optionaler CA-8 Controller möglich)
 - Master/Slavemodus: Bis zu 16 Geräte können zusammen für wunderschöne, vorprogrammierte und musiksynchronisierte Lightshows eingesetzt werden. (optionaler Controller CA-8 möglich)
 - DMX-gesteuert (4 Kanäle: R, G, B + Dimmer/Strobe) mit beliebigen Standard DMX-Controllern.
 - Ansteuerbar über LEDCON 01 Controller
- Neuartige und extrem schnelle DMX-Adressierung:
 - Einfache DMX Adressierung mit jedem Standard DMX Controller
 - Sehr schnelle DMX Adressierung von mehreren Einheiten (automatischer Adressberechnung)
- Fertig für den unmittelbaren Gebrauch, alle Kabel sind bereits verbunden!
- Unterschiedliche Installationsmöglichkeiten für maximale Flexibilität:
 - Standardkette mitgeliefert (sowie Spiegelkugeln)
 - Optionaler Pfostenbefestigungs-Adapter.
 - Optionaler Wandbefestigungs-Adapter.
- Langlebige LED Technologie: >50.000 Stunden!

VOR DER ERSTBENUTZUNG

- Vor der Erstbenutzung bitte das Gerät zuerst auf Transportschäden überprüfen. Sollte das Gerät einen Schaden aufweisen, Gerät bitte nicht benutzen, sondern unverzüglich mit ihrem Händler in Verbindung setzen.
- **Wichtiger Hinweis:** Das Gerät hat das Werk unbeschädigt und gut verpackt verlassen. Es ist wichtig, dass der Benutzer sich streng an die Sicherheitshinweise und Warnungen in der Bedienungsanleitung hält. Schäden durch unsachgemäße Handhabung sind von der Garantie ausgeschlossen. Der Händler übernimmt keine Verantwortung für Schäden, die durch Nichtbeachtung der Bedienungsanleitung hervorgerufen wurden.
- Die Bedienungsanleitung, für zukünftiges Nachschlagen, bitte aufbewahren. Bei Verkauf oder sonstiger Weitergabe des Gerätes, bitte Bedienungsanleitung beifügen.

Packungsinhalt prüfen:

Bitte überprüfen Sie, dass die Packung folgende Einzelteile enthält:

- Bedienungsanleitung
- LED-BALL
- Kette
- Ringbolzen M6

SICHERHEITSHINWEISE



ACHTUNG: Um sich nicht der Gefahr eines elektrischen Schlags auszusetzen, entfernen Sie keines der Gehäuseteile. Im Geräte-inneren befinden sich keine vom Benutzer reparierbaren Teile. Überlassen



Sie Reparaturen dem qualifizierten Kundendienst.

Das Blitzsymbol im Dreieck weist den Benutzer darauf hin, dass eine Berührungsgefahr mit nicht isolierten Teilen im Geräteinneren, welche eine gefährliche Spannung führen, besteht. Die Spannung ist so hoch, dass hier die Gefahr eines elektrischen Schlages besteht.



Das Ausrufezeichen im Dreieck weist den Benutzer auf wichtige Bedienungs- und Wartungshinweise in den Dokumenten hin, die dem Gerät beiliegen.



Dieses Symbol bedeutet: Nur innerhalb von Räumen verwenden.

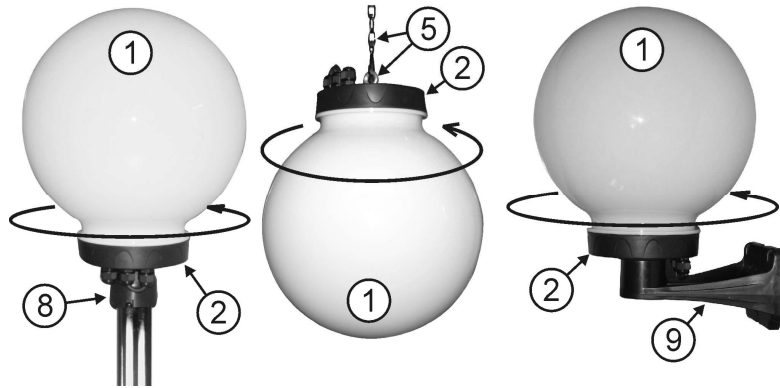


Dieses Symbol bedeutet: Achtung! Bedienungsanleitung lesen!

- Aus Umweltschutzgründen, Verpackung bitte wiederverwenden, oder richtig trennen.
- Zur Vermeidung von Stromschlag oder Feuer, Gerät bitte nicht Regen oder Feuchtigkeit aussetzen.
- Zur Vermeidung von Kondensation im Inneren des Geräts, bitte nach Transport in eine warme Umgebung einige Zeit zum Temperatúrausgleich bringen. Kondensation kann zu Leistungsverlust des Gerätes oder gar Beschädigung führen.
- Gerät nicht im Freien und in feuchten Räumen und Umgebungen verwenden.
- Keine Metallgegenstände oder Flüssigkeiten ins Innere des Geräts gelangen lassen, Kurzschluss oder Fehlfunktion können die Folge sein. Falls es doch, einmal vorkommen sollte, bitte sofort Netzstecker ziehen und vom Stromkreis trennen.
- Nicht in staubiger Umgebung verwenden und regelmäßig reinigen.
- Für Kinder unerreichbar aufbewahren.
- Unerfahrene Personen sollen das Gerät nicht bedienen.
- Umgebungstemperatur darf 40°C nicht überschreiten.
- Sicherstellen, dass sich während des Auf- und Abbaus keine unbefugten Personen unterhalb des Geräts befinden.
- Stets Netzstecker ziehen, wenn Gerät für längeren Zeitraum nicht genutzt, oder es gewartet wird.
- Elektrische Anschlüsse nur durch qualifiziertes Fachpersonal überprüfen lassen.
- Sicherstellen, dass Netzspannung mit Geräteaufkleber übereinstimmt.
- Gerät nicht mit beschädigtem Netzkabel betreiben.
- Netzkabel nicht mit anderen Kabeln in Berührung kommen lassen!
- Zur Einhaltung der Sicherheitsbestimmungen muss das Gerät geerdet sein.
- Gerät nicht an einen Dimmer anschließen.
- Ausschließlich vorschriftsmäßige Kabel zur Installation verwenden.
- Gerät nicht öffnen. Abgesehen von der Sicherung sind keine zu wartenden Bauteile im Gerät enthalten.
- Sicherung **niemals** reparieren oder überbrücken, sondern **immer** mit gleichartiger Sicherung ersetzen!
- Bei Fehlfunktion, Gerät nicht benutzen und mit Händler in Verbindung setzen.
- Bei sichtbaren Beschädigungen müssen Gehäuse und Optik ersetzt werden.
- Bei Transport bitte Originalverpackung verwenden, um Schäden am Gerät zu vermeiden.
- Aus Sicherheitsgründen dürfen an dem Gerät keine unbefugten Veränderungen vorgenommen werden.

Wichtiger Hinweis: Nicht direkt in die Lichtquelle blicken! Gerät nicht verwenden, wenn sich Personen im Raum befinden, die unter Epilepsie leiden.

BESCHREIBUNG



1. 30cm Plastikkuppel
2. Plastiksockel
3. Stromkabel
4. DMX ein/ausgang mit XLR-Verbinder
5. 1m Metallkette + Metall-Ringbolzen (mitgeliefert)
6. „auto DMX-Adresse“-Taste
7. ¼ " Buchse zum Anschluss eines optionalen CA-8-Controllers
8. Pfostenbefestigungs-Adapter (optional)
9. Wandbefestigungs-Adapter (optional)



ELEKTRISCHE INSTALLATION + ADRESSIERUNG

Wichtig: Die elektrische Installation sollte nur von qualifiziertem Personal durchgeführt werden, entsprechend den Vorschriften zur elektrischen und mechanischen Sicherheit in Ihrem Land.

Elektrische Installation von einem allein Stehenden Gerät:

- Stecken Sie einfach das Netzkabel ein. Die Gerät fängt sofort an im allein Stehenden Modus zu arbeiten
- Anmerkung:** Sie können einen Fernsteuerungscontroller CA-8 an das Gerät anschließen, wenn Sie zusätzliche Steuerungsfunktionen haben möchten.

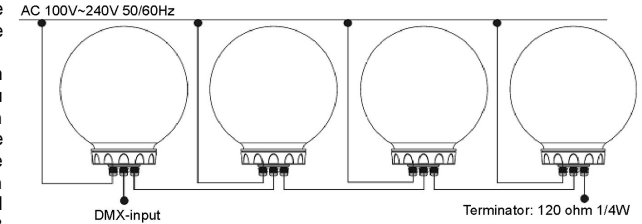
Elektrische Installation für zwei oder mehrere Geräte im Master/Slave-Modus:

- Schließen Sie 2 bis max. 16 Geräte mit hochwertig abgeschirmten Mikrofonkabeln an (wie z.B. JB Systems ref. 7-0063). Das Gerät, das keine Kabelverbindung an seinem DMX-Eingang besitzt, arbeitet als „Master“, die anderen als Slave-Geräte.
- Vergewissern Sie sich, dass alle Geräte an die Netzleitung angeschlossen wurden.
- Fertig!

Anmerkung: Sie können einen Fernsteuerungscontroller CA-8 an das Gerät anschließen, wenn Sie zusätzliche Steuerungsfunktionen haben möchten. Sie können auch den LEDCON 01 Controller anschließen, in diesem Fall machen alle Einheiten das gleiche (alle Einheiten haben die selbe Farbe)

Elektrische Installation von zwei oder mehreren Geräten im DMX-Modus:

- Das DMX-Protokoll ist die am meisten benutzte Hochgeschwindigkeits-Signalübertragung, um intelligente Lichtanlagen zu steuern. Sie müssen Ihren DMX-Controller und alle angeschlossenen Geräte mit einem hochwertigen abgeschirmten Kabel „verketteten“ (z.B. JB Systems ref. 7-0063).



- Um ein merkwürdiges Verhalten der Lichteffekte durch Störungen zu verhindern, müssen Sie die Kette mit einem 90Ω bis 120Ω Abschlusswiderstand am Ende abschließen. Benutzen Sie nie ein Y-Kabel!!!
- Vergewissern Sie sich, dass alle Geräte an die Netzleitung angeschlossen wurden.
- Jedes Gerät in der Kette benötigt eine korrekte Startadresse, damit es weiß, welche Befehle es vom DMX-Controller dekodieren muss. Im folgenden Abschnitt erfahren Sie, wie man die DMX-Adressen einstellt.

Einstellen der DMX-Adressen:

Es gibt 2 Möglichkeiten die DMX-Adressen der Geräte einzustellen.

A. Einstellen der individuellen DMX-Adresse pro LED Strahler:

- Stellen sie sicher, das alle Geräte mit einem DMX Kabel verbunden sind.
- Schließen sie den ersten Strahler an einen universal DMX Controller an.
- Verbinden Sie alle Einheiten mit den Netzleitungen, so dass sie eingeschaltet sind.
- Setzen sie alle DMX-Kanäle am DMX Controller auf Null (Wert 000).
- Setzen Sie den DMX Kanal, den sie als DMX Anfangsadresse auf Ihren LED Strahler zuteilen möchten, auf den maximalen Wert (Wert 255).
- Drücken sie kurz den "Auto DMX address" Taster (6) an dem LED Strahler.
- Wenn sie einen anderen angeschlossenen LED Strahler mit der selben DMX Adresse belegen möchten, drücken sie einfach auch den "Auto DMX address" Taster (6) an diesem Gerät.

Fertig!**Beispiel:**

Wir möchten die DMX Start Adresse eines LED Strahlers auf 106 setzen:

- Verbinden sie alle LED Strahler mit dem DMX Controller wie beschrieben und stellen sie sicher, das alle eingeschaltet sind.
- Setzen sie alle DMX-Kanäle am DMX Controller auf Null (Wert 000).
- Nun setzen sie den DMX-Kanal 106 auf Maximum (255)
- Drücken sie kurz den "Auto DMX address" Taster (6) am Projektor.
- Fertig! → Der LED Strahler hat nun die DMX Adresse 106!

B. Automatische DMX-Adressierung, die mit jeder angegebenen Anfangsadresse beginnt:

Um viel Zeit zu sparen (stellen sie sich die Zeit vor, die sie für 16 Einheiten benötigen, um die DIP Schalter zu setzen...) können sie die DMX Adressen aller Einheiten nur durch drücken eines Tasters festlegen. Sie müssen keine Start Adresse für die Einheiten mehr berechnen, das haben wir für sie getan!

- Stellen sie sicher, das alle Geräte mit einem DMX Kabel verbunden sind.
- Schließen sie den ersten LED Strahler an einen universal DMX Controller an.
- Verbinden Sie alle Einheiten mit den Netzleitungen, so dass sie eingeschaltet sind.
- Setzen sie alle DMX-Kanäle am DMX Controller auf Null (Wert 000).
- Setzen Sie den DMX Kanal, den sie als DMX Anfangsadresse auf Ihren ersten LED Strahler zuteilen möchten, auf den maximalen Wert (Wert 255).
- Drücken sie den "Auto DMX address" Taster (6) am ersten LED Strahler für 5 Sekunden.
- Fertig! → Der erste LED Strahler in dieser Kette hat nun die Startadresse die sie gewählt haben und berechnet und programmiert nun die DMX Adressen der anderen LED Strahler in dieser Kette.

Beispiel:

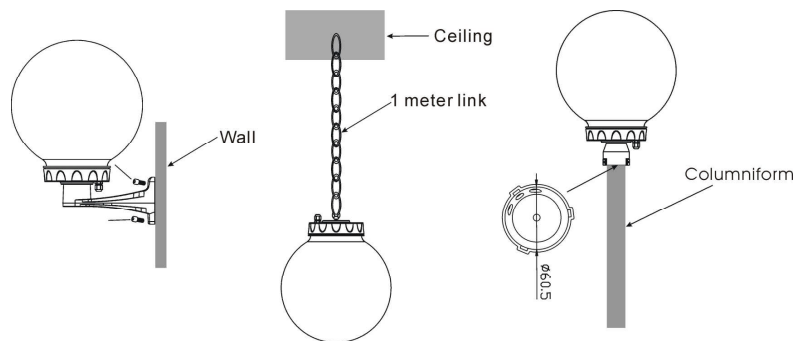
Wir möchten die DMX Adressen von 16 LED Strahler einstellen. Die erste Startadresse soll 202 sein:

- Verbinden sie alle Projektoren mit dem DMX Controller wie beschrieben und stellen sie sicher, das alle angeschaltet sind.
- Setzen sie alle DMX-Kanäle am DMX Controller auf Null (Wert 000).
- Nun setzen sie den DMX-Kanal 202 auf Maximum (Wert 255)
- Drücken sie den "Auto DMX address" Taster (6) am ersten Projektor in dieser Kette für 5 Sekunden
- Fertig! → Der erste LED Strahler in dieser Kette hat nun die Startadresse 202. Nun werden automatisch die DMX Adressen der anderen 15 LED Strahler in dieser Kette berechnet und programmiert! Das bedeutet, das der zweite LED Strahler automatisch die Startadresse 206, der dritte die Adresse 210, ...erhält. Das geht solange, bis der letzte (der 16) LED Strahler automatisch die Startadresse 262 erhält. Nun sind die 16 LED Strahler programmiert, das dauert nur ca. 10 Sekunden!!!

ACHTUNG: Sie können auch diese LED Strahler mit anderen DMX Geräten verwenden, die nicht diese Automatik Funktion haben. Dann müssen sie allerdings die DMX Adresse dieser Geräte manuelleinstellen!

ÜBERKOPF-MONTAGE

- **Wichtig:** Montage ausschließlich durch qualifiziertes Fachpersonal durchführen lassen. Unvorschriftsmäßiger Einbau kann erhebliche Verletzungen und/oder Schäden verursachen. Überkopf-Montage verlangt entsprechende Erfahrung! Belastungsgrenzen müssen beachtet werden, geeignetes Installationsmaterial muß verwendet werden und das installierte Gerät muß in regelmäßigen Abständen überprüft werden.
- Sicherstellen, dass sich keine unbefugten Personen unterhalb des Geräts befinden, während es installiert oder gewartet wird.
- Gerät außerhalb der Reichweite von Personen, und nicht in niedrigen Durchgängen oder in der Nähe von Sitzgelegenheiten installieren.
- Vor Montage sicherstellen, dass die gewählte Position wenigstens das 10-fache Gerätegewicht aufnehmen kann.
- Zur Aufhängung stets geeignetes Befestigungsmaterial verwenden, das das 12-fache Gerätegewicht aushalten kann. Eine zweite Sicherungsaufhängung muß angebracht werden, die ein Absacken des Geräts von mehr als 20 cm verhindert, sollte die Befestigung brechen.
- Gerät gut befestigen.
- Betreiber muß sicherstellen, dass die sicherheitsrelevanten und technischen Installationen vor Erstbetrieb fachmännisch vorgenommen worden sind.
- Installationen sollten jährlich durch qualifiziertes Fachpersonal inspiziert werden, um jederzeit einen sicheren Betrieb zu gewährleisten.
- 3 unterschiedliche Befestigungsmethoden sind möglich:
 - Deckenbefestigung oder an einem Träger (1m Kette mitgeliefert)
 - Wandbefestigung (optionaler Wandhalter vorhanden)
 - Pfostenbefestigung (optionaler Halter für die für einen Pfosten von bis zu D=60mm vorhanden)



BEDIENUNGSANLEITUNG

A. Allein stehendes Gerät:

- Schließen Sie Ihr Gerät einfach an die Netzleitung an und schalten Musik ein. Das Gerät fängt automatisch zum Rhythmus der Musik zu arbeiten an.

Anmerkung: Sie können einen Fernsteuerungscontroller CA-8 an das Gerät anschließen, wenn Sie zusätzliche Steuerungsfunktionen haben möchten.

B. Zwei oder mehr Geräte in der Master/Slaveeinstellung:

- Schließen Sie 2 bis max. 16 Geräte zusammen an. Lesen Sie den Abschnitt „elektrische Installation“, um zu erfahren, wie man die Geräte anschließt (Vergessen Sie nicht, alle Geräte richtig zu adressieren!)

- Schließen Sie Ihr Gerät einfach an die Netzleitung an und schalten Musik ein. Die Geräte fangen automatisch zum Rhythmus der Musik zu arbeiten an und spielen die internen Chaseprogramme ab.

Anmerkung: Sie können einen Fernsteuerungscontroller CA-8 an das Gerät anschließen, wenn Sie zusätzliche Steuerungsfunktionen haben möchten.

C. Anschließen des optionalen Fernbedienungscontroller CA-8 für mehr Steuerungsmöglichkeiten:

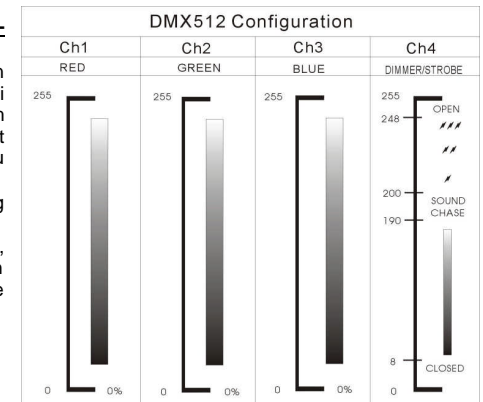
Der Fernbedienungs-Controller CA-8 kann nur im allein Stehenden oder Master/Slavemodus benutzt werden. Schließen Sie den Controller an den Eingang des CA-8 des ersten Geräts an (Master). Jetzt können Sie alle angeschlossenen Geräte steuern:

Wichtiger Hinweis:
 Wenn Sie diesen LED Projektor mit einem CA-8 Controller nutzen und den MANUAL Mode (Mode LED = AN) gedrückt haben, erinnert sich der Projektor an die letzte Szene die mit diesem CA-8 Controller abgelaufen ist, auch wenn Sie den Controller oder die Spannungentfernen. Wenn Sie das nicht möchten, stellen Sie sicher das Sie in einem anderen Modus sind (dieMODE LED muß blinken oder aus sein) bevor sie den Controller entfernen.

TASTE	AKTIONEN			
BEREITSCHAFT	Blackout aller Geräte			
FUNKTION	Strobe 1. Synchroner Strobe in weißer Farbe 2. Synchroner Strobe in gleiche farbe 3. Synchroner Strobe in verschiedene farben	Auswahl von 9 Farben Weiß→Rot→Blau→Purpurrot→Orange→Grün→Gelb→Magenta→Cyan-blau	Chasefarbe 1. Die gleiche Farbe 2. Unterschiedliche Farbe 3. Eine Lampe Chase 4. Chase mit zwei Lampen 5. Chase mit vier Lampen	Farbfade 1. hohe Geschwindigkeit 2. Mittlere Geschwindigkeit 3. Langsam
MODUS	Ton 1 (LED AUS)	Manuell (LED EIN)	Ton 2 (LED blinkt langsam)	Automatisch (LED blinkt schnell)

D. Steuerung mit einem universellen DMX-Controller:

- Schließen Sie alle Geräte an. Lesen Sie den Abschnitt „Elektrische Installation von zwei oder mehreren Geräten im DMX-Modus“, um zu erfahren, wie man die Geräte anschließt (Vergessen nicht, alle Geräte richtig zu adressieren!)
- Schließen Sie alle Geräte an die Netzleitung an und schalten den DMX-Controller ein. Da jedes Gerät seine eigene DMX-Adresse hat, kann es einzeln gesteuert werden. Vergessen Sie nicht, dass jedes Gerät 4 DMX-Kanäle besitzt, s. DMX-Diagramm:



WARTUNG UND INSTANDHALTUNG

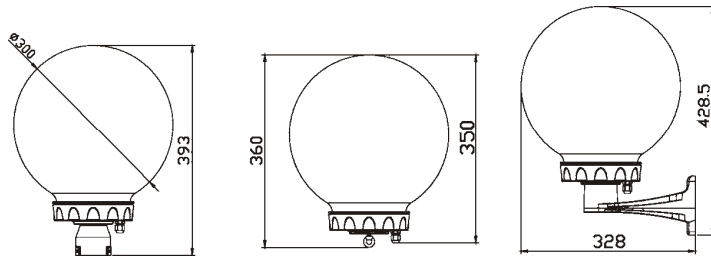
- Sicherstellen, dass sich keine unbefugten Personen unterhalb des Geräts befinden, während es gewartet wird.
- Gerät ausschalten und Netzstecker ziehen.

Während der Wartung sind folgende Punkte ganz besonders zu beachten:

- Sämtliche Schrauben zur Installation und Befestigung jeglicher Teile müssen fest angezogen und rostfrei sein.
- Gehäuse, Befestigungsmaterialien und Aufhängungen (Decke, Balken, abgehängte Decken) dürfen keine Anzeichen von Verformung zeigen.
- Ist die Optik sichtbar beschädigt (Sprünge oder tiefe Kratzer), dann müssen die entsprechenden Teile ausgewechselt werden.
- Netzkabel muß stets in einwandfreiem Zustand sein und selbst bei kleinsten Beschädigungen erneuert werden.
- Reinigung der äußeren Optik muss in regelmäßigen Abständen zur Beibehaltung einer optimalen Lichtausbeute vorgenommen werden. Reinigungsintervalle hängen stark von der Umgebung ab: feuchte, verrauchte und besonders verschmutzte Umgebung führen zu größerer Verschmutzung auf den Linsen.
 - Mit weichem Tuch und gewöhnlichem Glasreiniger säubern.
 - Alle Teile stets gut abtrocknen.
 - Äußere Optik mindestens alle 30 Tage säubern.

TECHNISCHE EINZELHEITEN

Netzspannung:	AC 100V–240V 50/60Hz
Sicherung:	250V / 2A träge Sicherung (20mm Glas)
Klangregler:	Eingebautes Mikrofon
DMX-Anschlüsse:	XLR 3pin
Lichtquelle:	91 Hochleistungs-LEDs (R31 + G30 + B30)
Abmessungen:	s. Abb. unten
Gewicht:	1,5kg



Technische Änderungen können auch ohne Vorankündigung vorgenommen werden!
 Sie können sich die neueste Version dieses Benutzerhandbuchs von unserer Website herunterladen: www.beglec.com

MANUAL DE INSTRUCCIONES

Gracias por la compra de este producto JB Systems®. Para sacar todo el rendimiento de las posibilidades de este aparato y por su propia seguridad, por favor lea este manual de instrucciones con mucho cuidado antes de utilizar esta unidad.

CARACTERÍSTICAS

Esta unidad no interfiere con señales de radio. Este producto cumple las exigencias de las directrices actuales Europeas y nacionales. Se ha establecido conformidad y las declaraciones y documentos relevantes se han depositado por el fabricante.

- Este aparato ha sido diseñado para producir efecto de iluminación decorativa y se usa en sistemas de iluminación de espectáculos.
- Elegante BOLA LED de 30cm con 91 LED de alta potencia.
- Muchas posibles aplicaciones: discotecas, DJs, compañías de alquiler, salas de exposición...
- Sin parpadeo y con cambios de color RGB suaves gracias a electrónica de suavizado de alta frecuencia
- Distintos modos de funcionamiento:
 - Totalmente independiente: cambios de color automáticos o sincronizados con el ritmo (controlador CA-8 opcional)
 - Modo maestro/esclavo: pueden usarse hasta 16 unidades conjuntamente para espectáculos luminosos preprogramados y sincronizados con la música. (controlador CA-8 opcional)
 - Controlado por DMX (4 canales: R, G, B + suavizado/estroboscopia) con cualquier controlador DMX estándar.
 - Controlado por LEDCON 01
- Direccionamiento DMX innovador y extremadamente rápido:
 - Direccionamiento DMX muy fácil por unidad con controlador DMX estándar
 - Direccionamiento DMX rapidísimo para varias unidades (cálculo de dirección automático)
- ¡Preparado para utilizar, todos los cables conectados ya!
- Distintas posibilidades de instalación para una flexibilidad máxima:
 - Cadena estándar incluida (cf. Bolas de espejo)
 - Adaptador para montaje con pie opcional.
 - Adaptador para montaje de pared opcional.
- Tecnología LED de larga duración: >50.000 horas!

ANTES DEL USO

- Antes de utilizar esta unidad, por favor compruebe que no hay daños causados por el transporte. En caso contrario, no utilice este aparato y consulte a su vendedor.
- **Importante:** Este aparato salió de la empresa en perfecto estado y bien empaquetado. Es absolutamente necesario por parte del usuario seguir estrictamente las instrucciones de seguridad y advertencias de este manual. Cualquier daño causado por manejo inadecuado no estará sujeto a la garantía. El vendedor no aceptará responsabilidad por ningunos defectos o problemas que resulten de ignorar este manual del usuario.
- Mantenga este folleto en un lugar seguro para consultas futuras. Si vende esta instalación, asegúrese de añadir este manual de usuario.
- Para proteger el medio ambiente, por favor intente reciclar el material de empaquetado tanto como sea posible.

Compruebe el contenido:

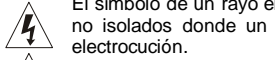
Compruebe que la caja contiene los siguientes ítems:

- Instrucciones de manejo
- Unidad BOLA LED
- Cadena
- Enganche M6

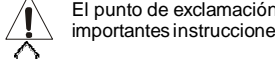
INSTRUCCIONES DE SEGURIDAD:



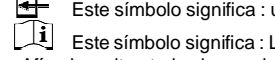
PRECAUCIÓN: Para reducir el riesgo de electrocución, no quite la cubierta superior. Ninguna pieza usable adentro para el utilizador. Diríjase únicamente a personal cualificado.



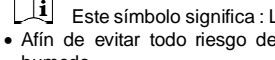
El símbolo de un rayo en el interior de un triángulo alerta sobre la presencia o el uso de elementos no aislados donde un voltaje peligroso constituye un riesgo grande para causar una eventual electrocución.



El punto de exclamación en el interior de un triángulo alerta al usuario sobre la presencia de importantes instrucciones de operación y de mantenimiento tenidas en cuenta en el manual de uso.



Este símbolo significa : uso para el interior solamente.

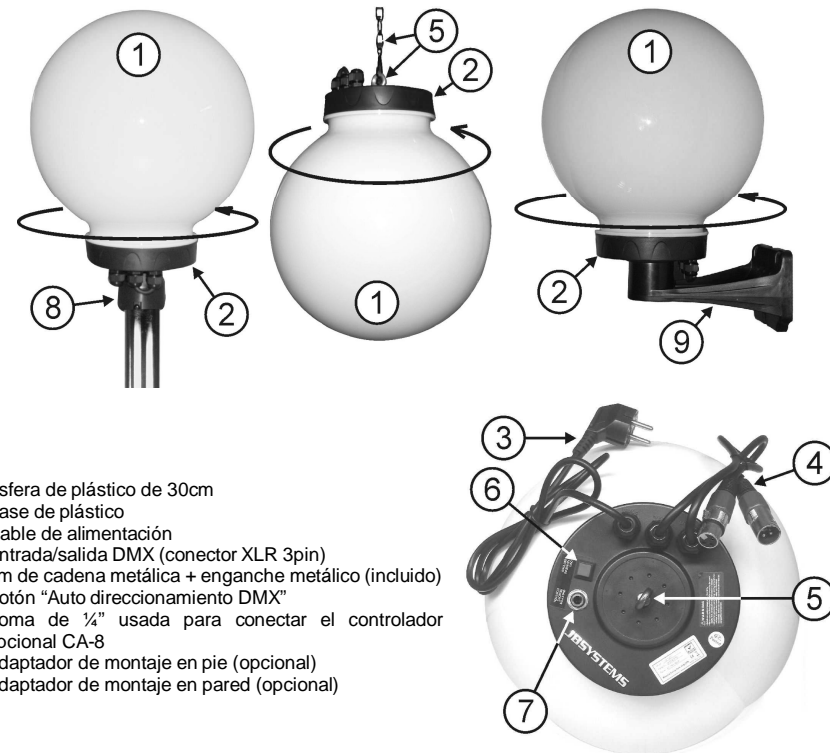


Este símbolo significa : Lea las instrucciones.

- Afín de evitar todo riesgo de incendio o electrocución, no exponer el aparato a la lluvia o ambiente húmedo.
- Para evitar fuego o riesgos de descargas no exponga este aparato a la lluvia o humedad.
- Para evitar que se forme condensación en el interior, permita que la unidad se adapte a las temperaturas circundantes cuando la lleve a una habitación cálida después de transporte. Condensación algunas veces impide que la unidad funcione a rendimiento pleno o puede incluso causar daños.
- Esta unidad es sólo para uso interior.
- No coloque objetos metálicos o derrame líquidos dentro de la unidad. Podría resultar descarga eléctrica o mal funcionamiento. Si un objeto extraño entrara en la unidad, desconecte inmediatamente la fuente de alimentación.
- Evite su uso en ambientes polvorientos y limpie la unidad regularmente.
- Mantenga la unidad alejada de los niños.
- Personas sin experiencia no deberían manejar este aparato.
- La temperatura máxima de ambiente es 40°C. No use esta unidad a temperaturas más elevadas.
- Asegúrese de que el área por debajo del sitio de instalación está libre de personas ajenas durante el montaje, desmontaje y reparación.
- Siempre desenchufe la unidad cuando no la use por un periodo de tiempo largo o antes de cambiar la bombilla o comenzar una reparación.
- La instalación eléctrica debería ser llevada a cabo sólo por personal cualificado, acorde a las regulaciones para seguridad eléctrica y mecánica de su país.
- Compruebe que el voltaje disponible no es superior al que aparece en el panel trasero de la unidad.
- El cable de alimentación debería estar siempre en perfectas condiciones: apague la unidad inmediatamente cuando el cable de alimentación esté roto o dañado.
- ¡Nunca deje el cable de alimentación entrar en contacto con otros cables!
- Esta instalación debe ser conectada a tierra para cumplir con las regulaciones de seguridad.
- No conecte la unidad a ningún paquete de reducción de luz.
- Siempre use un cable de seguridad apropiado y certificado cuando instale la unidad.
- Para prevenir descargas eléctricas, no abra la tapa. Aparte de la fusibles principales no hay partes que puedan ser reparadas por el usuario en su interior.
- **Nunca** repare un fusible o haga un bypass al fusible. ¡Siempre sustituya el fusible dañado por un fusible del mismo tipo y especificaciones eléctricas!
- En el caso de problemas serios de manejo, deje de usar la instalación y contacte con su vendedor inmediatamente.
- La carcasa y las lentes deben ser cambiadas si hay daño visible.
- Por favor, use el empaquetado original cuando el aparato deba ser transportado.
- Debido a motivos de seguridad está prohibido hacer modificaciones sin autorizar a la unidad.

Importante: ¡Nunca mire directamente a la fuente de luz! No use el efecto en presencia de personas que sufran de epilepsia.

DESCRIPTION:



1. Esfera de plástico de 30cm
2. Base de plástico
3. Cable de alimentación
4. Entrada/salida DMX (conector XLR 3pin)
5. 1m de cadena metálica + enganche metálico (incluido)
6. Botón "Auto direccionamiento DMX"
7. Toma de ¼" usada para conectar el controlador opcional CA-8
8. Adaptador de montaje en pie (opcional)
9. Adaptador de montaje en pared (opcional)

INSTALACIÓN ELÉCTRICA + DIRECCIONAMIENTO

⚠ Importante: La instalación eléctrica debe ser realizada exclusivamente por personal cualificado, según las normas de seguridad eléctrica y mecánica en vigor en su país.

Instalación eléctrica para 1 unidad independiente:

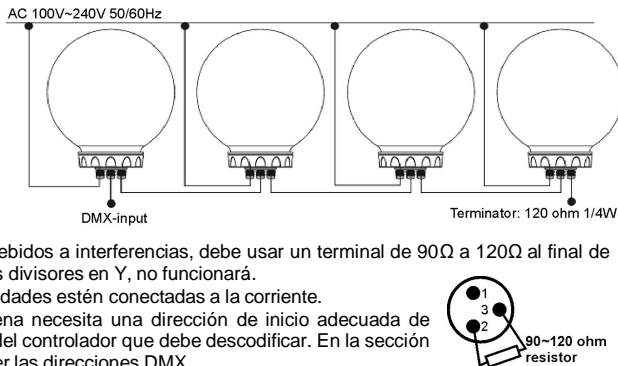
- Introduzca el cable de alimentación. La unidad empezará a funcionar de inmediato en modo independiente
- **Observación:** Puede conectar un controlador remoto CA-8 a la unidad si desea tener más control.

Instalación eléctrico para dos o más unidades en modo maestro/esclavo:

- Conecte de 2 a un máximo de 16 unidades conjuntamente usando cables de micrófono balanceados de buena calidad (como, por ejemplo, JB Systems ref. 7-0063). La unidad que no tenga ningún cable conectado a la entrada DMX funcionará como "maestro", y las demás como unidades esclavas.
- Asegúrese de que todas las unidades estén conectadas a la corriente.
- ¡Hecho!
- **Observación:** Puede conectar un controlador remoto CA-8 a la unidad maestra si desea tener más control del funcionamiento maestro/esclavo.

Instalación eléctrica para dos o más unidades en modo DMX:

- El protocolo DMX es una señal de alta velocidad muy utilizada para controlar equipamiento de iluminación inteligente. Necesita "encadenar" su controlador DMX y todas las unidades conectadas con un cable balanceado de buena calidad (ej. JB Systems ref. 7-0063).
- Para evitar un funcionamiento anormal de los efectos de luz debidos a interferencias, debe usar un terminal de 90Ω a 120Ω al final de la cadena. No use nunca cables divisores en Y, no funcionará.
- Asegúrese de que todas las unidades estén conectadas a la corriente.
- Cada efecto de luz de la cadena necesita una dirección de inicio adecuada de modo que sepa los comandos del controlador que debe descodificar. En la sección siguiente aprenderá a establecer las direcciones DMX.



Cómo establecer las direcciones DMX:

Hay 2 formas de establecer las direcciones DMX.

A. Ajuste individual de direcciones por foco:

- Asegurarse que todas las unidades estén cableadas.
- Conectar la primera unidad a un controlador DMX universal.
- Enchufar todas las unidades a la red.
- Colocar todos los deslizantes de su controlador DMX en cero (valor 000).
- Posicionar el deslizante del canal DMX que desea como dirección de arranque al máximo (valor 255)
- Pulsar brevemente el botón "Auto DMX address" (6) del proyector LED.
- Si desea dar a otro proyector esta misma dirección, pulsar simplemente el botón "Auto DMX address" (6) y recibirá la misma.

¡Hecho!

Un ejemplo para que quede claro:

Queremos dar la dirección DMX de arranque 106 al proyector LED.

- Conectar el proyector al controlador y asegurarse que están encendidos.
- Colocar todos los canales DMX del controlador en cero (000).
- Ajustar el canal DMX 106 al máximo (255).
- Pulsar brevemente el botón "Auto DMX address" (6) del proyector LED.

¡Hecho! → Su proyector lleva ahora la dirección DMX 106.

B. Direccionamiento DMX automatico, a partir de cualquier dirección de arranque:

Para ahorrar mucho tiempo (imagine el tiempo que lleva colocar los interruptores DIP de 16 unidades...) usted puede fijar las direcciones DMX de todas las unidades en la cadena-DMX justo pulsando un botón. Ninguna necesidad de calcular individualmente la dirección de arranque de cada unidad,

- Asegurarse que todas las unidades estén cableadas.
- Conectar la primera unidad a un controlador DMX universal.
- Enchufar todas las unidades a la red.
- Colocar todos los deslizantes de su controlador DMX en cero (valor 000).
- Posicionar el deslizante del canal DMX que desea como dirección de arranque al máximo (valor 255)
- Pulsar durante 5 segundos el botón "Auto DMX address" (6) del proyector LED
- ¡Hecho! → El primer proyector de la cadena recibe la dirección de arranque deseada y ya están automáticamente calculadas y programadas las direcciones DMX de las otras unidades de la cadena-DMX!

Un ejemplo para que quede claro:

Queremos dar la dirección de arranque para 16 unidades, la dirección de arranque del primer proyector sera 202:

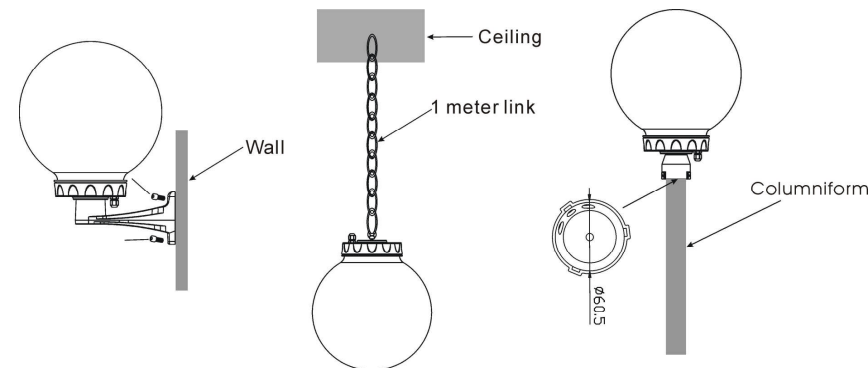
- Conectar todos los proyectores al controlador DMX y asegurese que está todo encendido.
- Colocar todos los deslizantes de su controlador DMX en cero (000)
- Ajustar el canal DMX 202 al máximo (255)
- Pulsar durante 5 segundos el botón "Auto DMX address" (6) del proyector LED
- ¡Hecho! → El primer proyector de la cadena recibe la dirección de arranque 202 y ya están automáticamente calculadas y programadas las direcciones de las otras unidades de la cadena-DMX! Así el 2º proyector recibe automáticamente la dirección 206, el 3º la dirección 210.....hasta el 16º proyector que automáticamente recibe la dirección de arranque 262.

Usted acaba de programar 16 proyectores, ¡esto le costó 10 segundos!!!

Observación: usted puede mezclar las unidades con otros efectos DMX que no tengan la opción de direccionamiento automático. ¡En este caso usted tiene que ajustar las direcciones DMX de estos efectos DMX manualmente!

APAREJADO SUPERIOR

- Importante:** La instalación debe ser llevada a cabo sólo por personal cualificado. Una instalación impropia podría resultar en serias heridas y/o daño a la propiedad. ¡El aparejado superior requiere una larga experiencia! Los límites de las cargas de trabajo deben respetarse, materiales certificados de instalación deben ser usados, el aparato instalado debería ser inspeccionado regularmente por seguridad.
- Asegúrese de que el área por debajo del sitio de instalación está libre de personas ajenas durante el montaje, desmontaje y reparación.
- El aparato debería ser instalado fuera del alcance de la gente y fuera de áreas donde personas puedan caminar o sentarse.
- Antes del aparejado asegúrese de que el área de instalación puede soportar un mínimo punto de carga de 10 veces el peso del aparato.
- Siempre use un cable de seguridad certificado que pueda sostener 12 veces el peso del aparato. Este añadido secundario de seguridad debería ser instalado de una forma que no hubiera parte de la instalación que pudiera caer más de 20cm si el añadido principal falla.
- El aparato debe ser bien fijado!
- No cubra ninguna apertura de ventilación ya que esto podría resultar en sobrecalentamiento.
- El operador tiene que asegurarse de que las instalaciones relativas a seguridad, maquinaria y técnica están aprobadas por un experto antes de usarlas la primera vez. Las instalaciones deberían ser inspeccionadas cada año por una persona con conocimientos para asegurar que la seguridad es todavía óptima.
- Pueden usarse 3 métodos de fijación distintos:
 - Fijado al techo o a bastidor (cadena de 1m incluida)
 - Fijación a pared (adaptador de pared opcional disponible)
 - Montaje con pie (adaptador opcional para pies hasta D=60mm disponibles)



INSTRUCCIONES DE USO

A. 1 unidad independiente:

- Conecte la unidad a la corriente y ponga música. La unidad empezará a funcionar automáticamente al ritmo de la música.

Observación: Puede conectar un controlador remoto CA-8 a la unidad si desea más control.

B. Dos o más unidades en configuración maestro/esclavo:

- Conecte de 2 a un máximo de 16 unidades juntas. Consulte el capítulo "instalación eléctrica" para aprender a hacerlo (no olvide direccionar adecuadamente todas las unidades)
- Conecte todas las unidades a la corriente y ponga música. Las unidades empezarán a funcionar automáticamente al ritmo de la música y mostrarán los programas de seguimiento internos.

Observación: Puede conectar un controlador remoto CA-8 a la unidad maestra si desea más control sobre el funcionamiento maestro/esclavo.

C. Conecte el controlador opcional CA-8 para más control:

El controlador CA-8 sólo puede usarse en modo independiente o maestro/esclavo. Conecte el controlador a la entrada CA-8 de la primera unidad (maestra). Ahora puede controlar todas las unidades conectadas:

OBSERVACIÓN IMPORTANTE:

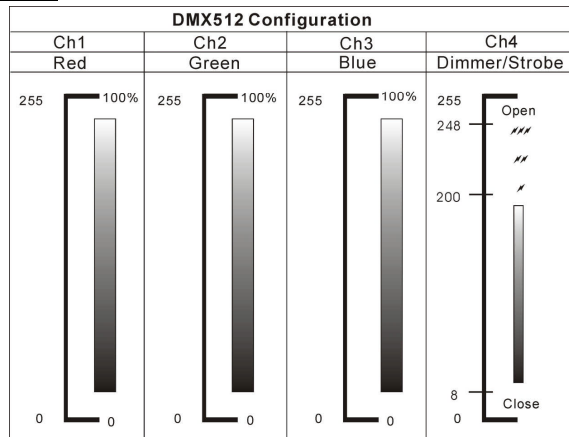
Cuando utiliza este LED PROYECTOR con un controlador CA 8 y selecciona el modo **MANUAL (modo LED = ON)**, el proyector guarda el último ajuste del controlador, aún después de desconectar el controlador o la red eléctrica. Si usted no desea este, asegúrese de seleccionar otro modo (modo LED debe parpadear o apagado) antes de reconectar el controlador.

BOTON	ACCIONES			
ESPERA	Para apagar todas las luces			
FUNCIÓN	Estroboscopio	Selección de 9 colores	Seguimiento de color	Fundido de color
	1. Estroboscopio sincronizado en blanco 2. Mismo seguimiento de colores 3. Estroboscopio de distinto color	Blanco → Rojo → Azul → Púrpura → Naranja → Verde → Amarillo → Magenta → Cian	1. Mismo color 2. Distinto color 3. Seguimiento de una luz 4. Seguimiento de dos luces 5. Seguimiento de cuatro luces	1. Velocidad rápida 2. Velocidad media 3. Velocidad lenta
MODO	Sonido 1 (LED APAGADO)	Manual (LED ENCENDIDO)	Sonido 2 (LED parpadeo lento)	Auto (LED parpadeo rápido)

D. Controlado por controlador DMX universal:

- Conecte todas las unidades juntas. Consulte el capítulo "Instalación eléctrica para dos o más unidades en modo DMX" para aprender a hacerlo (no olvide direccionar adecuadamente todas las unidades)
- Conecte todas las unidades a la corriente y encienda el controlador DMX.

Como cada unidad tiene su propia dirección DMX, puede controlarlas individualmente. Recuerde que cada unidad usa 4 canales DMX, como se indica en la tabla DMX:



MANTENIMIENTO

- Asegúrese de que el área por debajo del sitio de instalación está libre de personas ajenas durante la reparación.
- Apague la unidad y desconecte el cable principal.

Durante la inspección los siguientes puntos deben ser comprobados:

- Todos los tornillos usados para la instalación del aparato y cualquiera de sus partes deben ser apretados fuertemente y no pueden estar corroídos.
- Carcasas, fijaciones y puntos de instalación (techos, armaduras, suspensiones) deberán estar totalmente libres de ninguna deformación.
- Cuando una lente óptica esté visiblemente dañada debido a golpes o rayados profundos, debe ser cambiada.
- Los cables principales deben estar en una condición impecable y deben ser cambiados de inmediato cuando incluso un pequeño problema se detecte.
- La limpieza de las ópticas externas debería realizarse periódicamente para optimizar la producción de luz. La frecuencia de limpieza depende del ambiente en el cual la instalación está funcionando: húmedo, con humo o con alrededores particularmente sucios puede causar una mayor acumulación de polvo en las ópticas de la unidad.
 - Limpie con un trapo suave usando productos limpiadores normales de cristal.
 - Seque siempre las partes cuidadosamente.
 - Limpie las ópticas externas al menos una vez cada 30 días.

ESPECIFICACIONES

Alimentación:

CA 100V~240V 50/60Hz

Fusible:

250V 2A Volado lento (cristal de 20mm)

Control de sonido:

Micrófono Interno

Conexiones DMX :

Conector XLR

Lámpara:

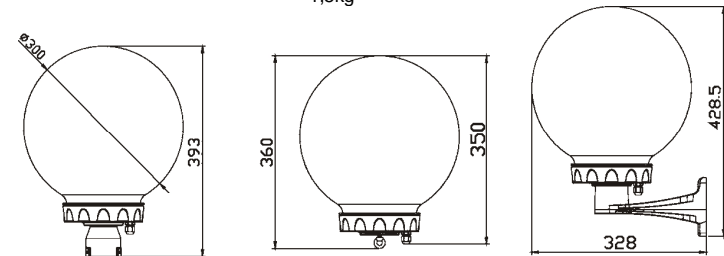
91 LED de alta potencia (R31 + G30 + B30)

Tamaño:

ver imagen inferior

Peso:

1,5kg



Toda la información está sujeta a cambio sin previo aviso.

Puede descargar la última versión de este manual de usuario en nuestro sitio web: www.beglec.com