

gemini[®]

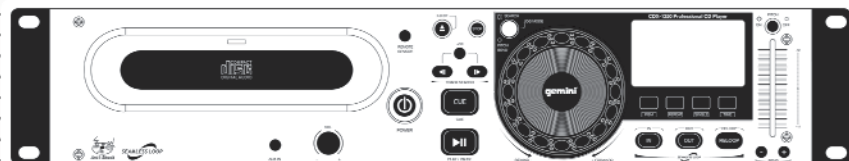
SINGLE 19" CD PLAYER w/AUX INPUT

CDX-1250

OPERATIONS MANUAL
MANUAL DE INSTRUCCIONES
MANUEL D'INSTRUCTIONS
BEDIENUNGSHANDBUCH

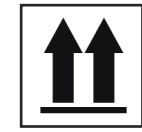
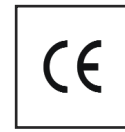
FOR ENGLISH READERS
PARA LECTORES EN ESPAÑOL
UTILISATEURS FRANCAIS
FÜR DEUTSCHE LESER

Page 2 ~ Page 5
Página 6 ~ Página 9
Page 10 ~ Page 13
Seite 14 ~ Seite 17



PLEASE READ BEFORE USING APPLIANCE

IMPORTANT WARNING AND SAFETY INSTRUCTIONS!



CAUTION: This product satisfies FCC regulations when shielded cables and connectors are used to connect the unit to other equipment. To prevent electromagnetic interference with electric appliances such as radios and televisions, use shielded cables and connectors for connections.

The exclamation point within an equilateral triangle is intended to alert the user to the presence of important operating and maintenance (servicing) instructions in the literature accompanying the appliance.

The lightning flash with arrowhead symbol, within an equilateral triangle, is intended to alert the user to the presence of uninsulated "dangerous voltage" within the product's enclosure that may be of sufficient magnitude to constitute a risk of electric shock to persons.

READ INSTRUCTIONS: All the safety and operating instructions should be read before the product is operated.

RETAIN INSTRUCTIONS: The safety and operating instructions should be retained for future reference.

HEED WARNINGS: All warnings on the product and in the operating instructions should be adhered to.

FOLLOW INSTRUCTIONS: All operating and use instructions should be followed.

CLEANING: The product should be cleaned only with a polishing cloth or a soft dry cloth. Never clean with furniture wax, benzene, insecticides or other volatile liquids since they may corrode the cabinet.

ATTACHMENTS: Do not use attachments not recommended by the product manufacturer as they may cause hazards.

WATER AND MOISTURE: Do not use this product near water, for example, near a bathtub, wash bowl, kitchen sink, or laundry tub; in a wet basement; or near a swimming pool; and the like.

ACCESSORIES: Do not place this product on an unstable cart, stand, tripod, bracket, or table. The product may fall, causing serious injury to a child or adult, and serious damage to the product. Use only with a cart, stand, tripod, bracket, or table recommended by the manufacturer, or sold with the product. Any mounting of the product should follow the manufacturer's instructions, and should use a mounting accessory recommended by the manufacturer.

CART: A product and cart combination should be moved with care. Quick stops, excessive force, and uneven surfaces may cause the product and cart combination to overturn. See Figure A.

VENTILATION: Slots and openings in the cabinet are provided for ventilation and to ensure reliable operation of the product and to protect it from overheating, and these openings must not be blocked or covered. The openings should never be blocked by placing the product on a bed, sofa, rug, or other similar surface. This product should not be placed in a built-in installation such as a bookcase or rack unless proper ventilation is provided or the manufacturer's instructions have been adhered to.

POWER SOURCES: This product should be operated only from the type of power source indicated on the marking label. If you are not sure of the type of power supply to your home, consult your product dealer or local power company.

LOCATION: The appliance should be installed in a stable location.

NON-USE PERIODS: The power cord of the appliance should be unplugged from the outlet when left unused for a long period of time.

GROUNDING OR POLARIZATION:

- If this product is equipped with a polarized alternating current line plug (a plug having one blade wider than the other), it will fit into the outlet only one way. This is a safety feature. If you are unable to insert the plug fully into the outlet, try reversing the plug. If the plug should still fail to fit, contact your electrician to replace your obsolete outlet. Do not defeat the safety purpose of the polarized plug.
- If this product is equipped with a three-wire grounding type plug, a plug having a third (grounding) pin, it will only fit into a grounding type power outlet. This is a safety feature. If you are unable to insert the plug into the outlet, contact your electrician to replace your obsolete outlet. Do not defeat the safety purpose of the grounding type plug.



POWER-CORD PROTECTION: Power-supply cords should be routed so that they are not likely to be walked on or pinched by items placed upon or against them, paying particular attention to cords at plugs, convenience receptacles, and the point where they exit from the product.

OUTDOOR ANTENNA GROUNDING: If an outside antenna or cable system is connected to the product, be sure the antenna or cable system is grounded so as to provide some protection against voltage surges and built-up static charges. Article 810 of the National Electrical Code, ANSI/NFPA 70, provides information with regard to proper grounding of the mast and supporting structure, grounding of the lead-in wire to an antenna discharge unit, size of grounding conductors, location of antenna-discharge unit, connection to grounding electrodes, and requirements for the grounding electrode. See Figure B.

LIGHTNING: For added protection for this product during a lightning storm, or when it is left unattended and unused for long periods of time, unplug it from the wall outlet and disconnect the antenna or cable system. This will prevent damage to the product due to lightning and power-line surges.

POWER LINES: An outside antenna system should not be located in the vicinity of overhead power lines or other electric light or power circuits, or where it can fall into such power lines or circuits. When installing an outside antenna system, extreme care should be taken to keep from touching such power lines or circuits as contact with them might be fatal.

OVERLOADING: Do not overload wall outlets, extension cords, or integral convenience receptacles as this can result in a risk of fire or electric shock.

OBJECT AND LIQUID ENTRY: Never push objects of any kind into this product through openings as they may touch dangerous voltage points or short-out parts that could result in a fire or electric shock. Never spill liquid of any kind on the product.

SERVICING: Do not attempt to service this product yourself as opening or removing covers may expose you to dangerous voltage or other hazards. Refer all servicing to qualified service personnel.

DAMAGE REQUIRING SERVICE: Unplug this product from the wall outlet and refer servicing to qualified service personnel under the following conditions:

- When the power-supply cord or plug is damaged.
- If liquid has been spilled, or objects have fallen into the product.
- If the product has been exposed to rain or water.
- If the product does not operate normally by following the operating instructions. Adjust only those controls that are covered by the operating instructions as an improper adjustment of other controls may result in damage and will often require extensive work by a qualified technician to restore the product to its normal operation.
- If the product has been dropped or damaged in any way.
- When the product exhibits a distinct change in performance, this indicates a need for service.

REPLACEMENT PARTS: When replacement parts are required, be sure the service technician has used replacement parts specified by the manufacturer or have the same characteristics as the original part. Unauthorized substitutions may result in fire, electric shock, or other hazards.

SAFETY CHECK: Upon completion of any service or repairs to this product, ask the service technician to perform safety checks to determine that the product is in proper operating condition.

WALL OR CEILING MOUNTING: The product should not be mounted to a wall or ceiling.

HEAT: The product should be situated away from heat sources such as radiators, heat registers, stoves, or other products (including amplifiers) that produce heat.

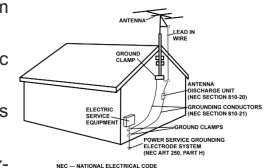
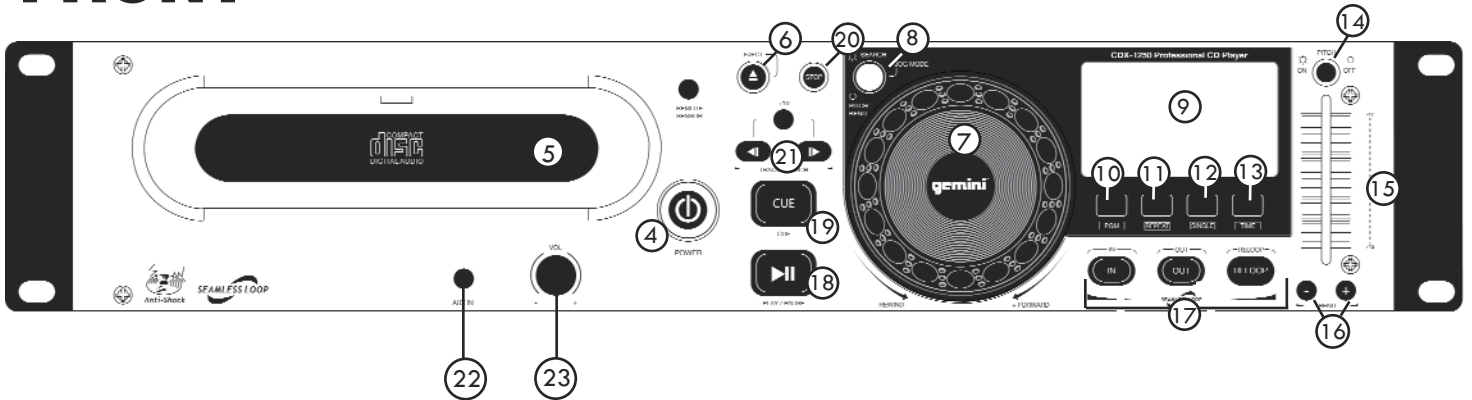
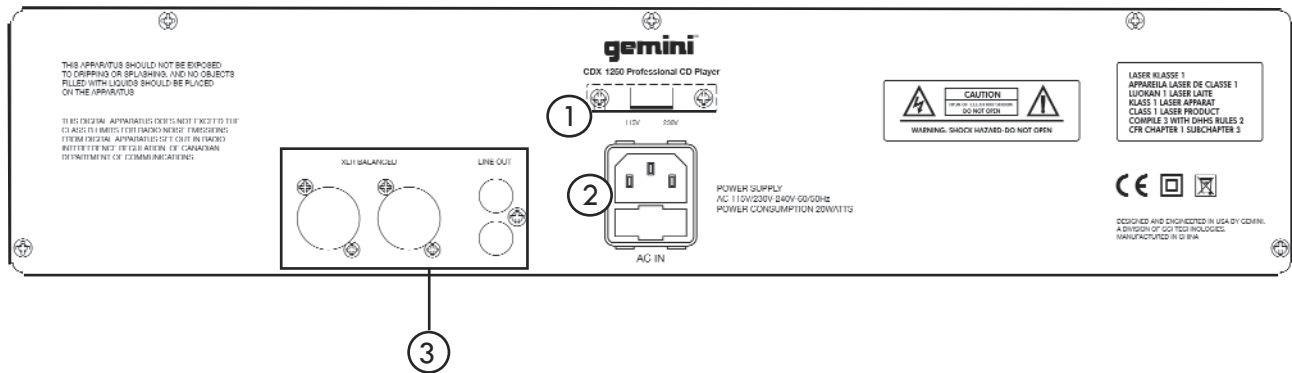


Fig. B

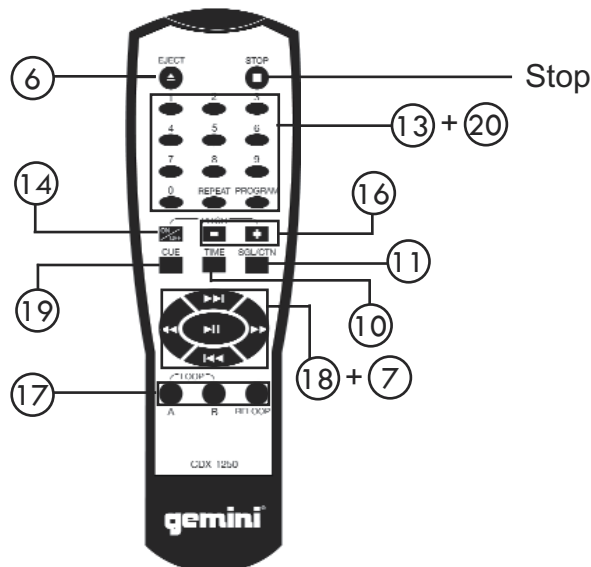
FRONT



BACK



REMOTE



INTRODUCTION:

Congratulations on purchasing the **Gemini CDX-1250 CD Player**. This state of the art **2U professional CD player** is backed by a 1 year warranty*. Prior to use, we suggest that you carefully read all the instructions.

FEATURES:

- Audio CD, & CD-R, compatible
- Anti-shock using RAM buffer memory
- XLR balanced Output
- 1/8" (3.5mm) Mp3 player input
- Output volume control
- 2 Selectable Jog modes Pitch Bend/Search
- Instant-start & cue with preview
- Single & continuous play modes
- One seamless loop with reloop
- Pitch bend via jog wheel or buttons +/- 16%
- Three mode time selection
- Frame accurate search
- Large blue backlit LCD display
- Rubber jog wheels with finger grips
- Variable pitch control with a +/- 12% range

SAFETY SPECIFICATIONS:

Laser Diode Properties

Material: Ga - Al - As

Wavelength: 755 - 815 nm (25° C)

Laser Output: Continuous Wave, max. 0.5 mW

PRECAUTIONS:

1. Do not use this CD player at temperatures below **41°F/5°C** or higher than **95°F/35°C**.
2. The apparatus should not be exposed to dripping or splashing, and no objects filled with liquids such as vases should be placed on the apparatus.
3. Place the unit in a clean and dry location.
4. Do not place the unit in an unstable location.
5. When disconnecting the power cord from the AC outlet, always grasp it by the plug. Never pull the power cord.
6. To prevent electric shock, do not remove the cover or the bottom screws.
7. There are **NO USER SERVICEABLE PARTS INSIDE**. Please refer to a qualified technician.

IN THE USA ~ IF YOU EXPERIENCE PROBLEMS WITH THIS UNIT CALL GEMINI CUSTOMER SERVICE AT: 1 (732) 346-0061. DO NOT ATTEMPT TO RETURN THESE EQUIPMENT TO YOUR DEALER.

8. Do not use chemical solvents to clean the unit.
9. Keep the laser pickup clean by keeping the tray closed.
10. Keep this manual in a safe place for future reference.

CONNECTIONS:

- ① **VOLTAGE SELECTION SWITCH** Before plugging the **CDX-1250** into any wall outlet, make sure that the **VOLTAGE SELECTION SWITCH** is set to the proper voltage.
To change this selection unscrew the hard plastic protective top with a Phillips head screw driver. Then use a flat head screw driver to move the switch to the proper selection (**115V** or **230V**).
Do not force or twist the switch. Excessive force may cause damage, if the switch does not move smoothly, contact a qualified technician.

- ② **POWER** After you have properly set the **VOLTAGE LINE SELECTOR SWITCH** you may plug in the power cord of the **CDX-1250**.

- ③ **LINE OUTPUT JACKS** Plug one end of the included **RCA** cable into **LINE OUTPUT JACKS** on the rear panel. Plug the other end of the **RCA** connectors into any available line input jacks on your mixer. If you are connecting the **CDX-1250** through a receiver, you can plug the **RCA** connectors into the **CD** or **AUX INPUT JACKS** on your receiver. If there are no **CD** or **AUX INPUTS** use any line level (not phono) inputs.

There is also a **BALANCED** pair of **XLR** outputs for pro installations, both **RCA** and **XLR** can be used at the same time.

FUNCTIONS:

- ④ **POWER:** Once you have connected all your cables and made sure that the **VOLTAGE SELECTION SWITCH** is set correctly, you can turn the **CDX-1250** on by pressing the **POWER** button, pressing the **CDX-1250's** **POWER** button a second time will turn off the unit.
- ⑤ **DISC TRAY:** The **DISC TRAY** is where the **CD** is held during loading, unloading and playback, and holds both 12 cm and 8cm CD's. **(DO NOT FORCE THE CD TRAY TO CLOSE EXCESSIVE FORCE WILL DAMAGE THE CD MECHANISM, USE THE OPEN AND CLOSE BUTTONS)**
- ⑥ **EJECT BUTTON:** Pressing the **EJECT BUTTON** will open or close the **DISC TRAY**, unless the **CDX-1250** is in play mode, then you must first stop the side you wish to eject.
- ⑦ **JOG WHEEL :** In **SEARCH MODE** the **JOG WHEEL** can be used to search forward or backwards in the music track, as well as for fine adjustments to a **CUE** point in **PAUSE** mode. In **PITCH BEND** mode the **JOG WHEEL** will function the same as the **PITCH BEND** allowing you to speed up (**FORWARD**) or slow down (**REWIND**) the music clockwise being (**FORWARD**) and counter clockwise being (**REWIND**).
- ⑧ **JOG MODE BUTTON:** When the **JOG MODE BUTTON** is illuminated it indicates the the **JOG WHEEL** is in **SEARCH MODE**, and when not illuminated it indicates that the **JOG WHEEL** is in **PITCH BEND MODE**.
- ⑨ **DISPLAY:** The **DISPLAY** shows the track number, pitch value, pitch bend, single, continue (for continuous play), play/pause modes, fast forward/reverse modes, loop mode, reloop mode, **PGM**, repeat modes, the playback display bar, and three different time displays. These times displays are **TIME ELAPSED** on the track, **TIME REMAINING** on the disc and **TIME REMAINING** on the track. Time is measured in minutes, seconds and frames.
- ⑩ **PGM:** Allows you to create a set playlist. To program a set list into the **CDX-1250** memory, begin by stopping the unit from play and pressing **PGM** to begin the set list. Select a track by using the track selection button to scan to the first track to be placed in the set list. When you have selected the proper track press **PGM** and the **CDX-1250** will be ready to set your next selection. Repeat the previous steps until you have completed your playlist, then press play to begin the set list.
- ⑪ **REPEAT:** Press the repeat button once to engage **1** or repeat the selected track. Press **REPEAT** again to engage **ALL** setting which will repeat all the tracks on the **CD**. Press **REPEAT** again to disengage the repeat function

FUNCTIONS: (CONTINUED)

- 12 **SINGLE:** Pressing the **SINGLE** button engages **SINGLE** mode, in this mode the **CDX-1250** will play one song and then stop. Pressing the **SINGLE** button again will then activate **CONTINUOUS** mode causing the unit to play continuously (after the last track, the unit will return to the first track of the disc and continue to play).
- 13 **TIME:** The **TIME BUTTON** switches the time display between three available sources, these three are **TIME ELAPSED** on the track, **TIME REMAINING** on the disc and **TIME REMAINING** on the track. **TIME ELAPSED** indicates how much time has currently gone by since the play button was pressed, **TIME REMAINING ON DISC** will count down the time remaining on the entire disc and **TIME REMAINING ON TRACK** counts down the time that is left before the end of the track.
- 14 **PITCH:** Pushing the **PITCH** button (the button will light up blue) activates the **PITCH CONTROL SLIDE**. The pitch or speed of the **CD** will change plus or minus 12% depending on the position of the **PITCH CONTROL SLIDER**. Push the **PITCH** button again to deactivate this mode.
- 15 **PITCH CONTROL SLIDE:** Moving the **PITCH CONTROL SLIDE** up or down will lower or raise the pitch percentage + or - 12%.
- 16 **PITCH BEND:** Pushing the **PITCH BEND BUTTONS** will automatically raise the pitch up to +16% or lower the pitch down to -16% from the existing pitch setting. Releasing the buttons will return the pitch to the original pitch setting. You can use this function to match the beat when mixing from one song to another
- 17 **LOOP SECTION:** A **LOOP** repeats the section between the entry point (**IN**) and the exit point (**OUT**). To set a loop while the unit is playing, start by pressing the **IN BUTTON** (it will light up) and when you reach the desired end loop point press the **OUT BUTTON** (it will also light up). The loop will continue playing until you press the **OUT BUTTON** again allowing the music to continue from that point on, to re-engage the loop you must press the **RELOOP BUTTON**. When you have released your loop the **OUT BUTTON** will turn **OFF** and the **IN BUTTON** will remain lit to indicate that your loop is stored in the **CDX-1250** memory. Pressing the **IN BUTTON** again while the unit is playing will erase the previously saved loop while saving your new loop entry point. Press **OUT** to exit the loop and save a new complete loop. Press **RELOOP** to return to the beginning of the previously saved loop from normal play. Press **RELOOP** repeatedly to cause the loop to stutter.

NOTE: THE FIRST LOOP WILL HAVE A PAUSE AT THE EXIT POINT, WHILE ALL OTHERS WILL BE SEAMLESS.

- 18 **PLAY/PAUSE:** Each press of the **PLAY/PAUSE BUTTON** causes the operation to change from **PLAY** to **PAUSE** or from **PAUSE** back to **PLAY**. The **PLAY/PAUSE BUTTON** remains lit when in **PLAY** mode, while it blinks in **PAUSE** mode.
- 19 **CUE:** While the unit is playing and after the cue point has been programmed, pressing **CUE** will cause the **CD** player to enter the **PAUSE** mode (**PLAY/PAUSE BUTTON** blinks) at the programmed cue point (the **CUE LED** is lit). Holding down the **CUE** button changes the function to preview, and allows you to stutter start or play from the programmed **CUE POINT** Releasing the **CUE** button will return the **CD** to the preset **CUE** point.
- 20 **STOP BUTTON:** When pressed the **STOP BUTTON** stops the playback of the **CD** player.

- 21 **TRACK SELECTION:** The **TRACK SELECTION** buttons let you select the track to play. **+10** allows you to scan through the track selection in increments of 10. **TRACK SKIP** allows you to scan through each track one at a time.

NOTE : ONCE YOU HAVE SKIPPED TO ANOTHER TRACK, YOU MAY NOT GO BACK TO YOUR PROGRAMMED CUE POINT. YOU MUST BEGIN YOUR CUE SELECTION OVER AGAIN, THE CUE WILL BE PRESET TO THE BEGINNING OF THE NEWLY SELECTED TRACK.

- 22 **AUX INPUT (MP3):** This 1/8" (3.5mm) input accepts any line level source including MP3 players, Once a 1/8" (3.5mm) plug is inserted the audio from the CD Player is cancelled out and only the **AUX INPUT SOURCE** will be heard out of the main outputs.
- 23 **MASTER OUTPUT ROTARY KNOB:** The **MASTER OUTPUT** rotary knob adjusts the volume of the **MAIN MASTER** output.

TROUBLESHOOTING:

- If a disc will not play, check to see if the disc was loaded correctly (label side up). Also check the disc for excessive dirt, scratches, etc.
- If the disc turns but there is no sound, check the cable connections, if they are ok, check your amplifier or receiver.
- If the CD skips, check the CD for dirt or scratches. Do not assume that the CD player is defective. Many cd's are recorded out of spec and will skip on most or all CD players. Before sending the unit for repair, try playing a CD that you are sure plays properly.

SPECIFICATIONS:

GENERAL:

Type.....	Compact Disc Player
Disc Type.....	Standard Compact discs (12 cm & 8 cm)
Time Display.....	Track Elapsed, Track Remain, or Total remain
Variable Pitch.....	± 12% Slider with Resume Switch
Pitch Bend.....	± 16% Maximum
Instant Start.....	Within 0.03 seconds
Installation.....	19" each
Dimensions.....	Main unit: 19" x 3.5" x 10" (482.6 x 88.9 x 254 mm)
Weight Per Unit.....	Main unit: 5.5 lbs. (2.5 kg)

AUDIO SECTION:

Quantization.....	1 Bit Linear/Channel, 3 Beam Laser
Oversampling Rate.....	8 Times
Sampling Frequency.....	44.1 kHz
Frequency Response.....	20 Hz to 20 kHz
Total Harmonic Distortion.....	Less Than 0.05%
Signal to Noise Ratio.....	85 dB
Dynamic Range.....	85 dB
Channel Separation.....	85 dB (1 KHz)
Output Level.....	2.0 +/- 0.2V R.M.S.
Power Supply.....	AC 115/230V, 60/50 Hz

SPECIFICATIONS AND DESIGN ARE SUBJECT TO CHANGE WITHOUT NOTICE FOR PURPOSE OF IMPROVEMENT.

POR FAVOR LEA ANTES DE UTILIZAR, INSTRUCCIONES IMPORTANTES DE SEGURIDAD



ATENCIÓN: Este producto cumple con la normativa legal si se utilizan cables y conectores blindados para conectar la unidad a otro equipo. Para evitar interferencias electromagnéticas con otros aparatos eléctricos, como radios y televisores, deben emplearse cables y conectores blindados.

Los signos de exclamación dentro de un triángulo que puedan aparecer en la documentación que acompaña a la unidad pretenden alertar al usuario de instrucciones de operación o mantenimiento importantes.

El signo de un rayo dentro de un triángulo pretende alertar al usuario de la presencia de "voltaje peligroso" no aislado en el interior de la unidad, que podría ser de suficiente intensidad como para constituir riesgo de descarga eléctrica.

LEA LAS INSTRUCCIONES: Deben leerse todas las indicaciones de uso y seguridad antes de usar este producto.

CONSERVE LAS INSTRUCCIONES: Las instrucciones de uso y seguridad deben conservarse para referencias futuras.

ATIENDA A LAS ADVERTENCIAS: Deben seguirse todas las advertencias sobre este producto que figuran en el manual de instrucciones.

SIGA LAS INSTRUCCIONES: Deben seguirse todas las instrucciones del manual.

LIMPIEZA: Este producto debe limpiarse con una mopa suave o con un paño seco. Nunca utilice cera para muebles, gasolina, insecticidas u otros líquidos volátiles, ya que podrían corroer la carcasa.

COMPLEMENTOS: No utilice accesorios que no estén recomendados por el fabricante, pues podrían dañar la unidad.

AGUA Y HUMEDAD: No use este producto cerca de medios acuáticos, como una bañera, un cubo de agua, un fregadero o un lavadero; tampoco en un sótano húmedo, ni cerca de una piscina o similar.

ACCESORIOS: No coloque el producto sobre un carrito, soporte, trípode, brazo o mesa. Podría caer y causar graves daños a un niño o adulto, así como a la propia unidad. Úsese sólo con un carrito, soporte, trípode, brazo o mesa recomendado por el fabricante. Al montar la unidad deben seguirse siempre las instrucciones y emplearse accesorios recomendados por el fabricante.

CARRITO: Si el producto va sobre un carrito, debe moverse el conjunto con cuidado. Detenciones bruscas, una fuerza excesiva o superficies inadecuadas pueden provocar la caída de todo el conjunto. Véase Figura A.

VENTILACIÓN: Las aperturas y ranuras de la carcasa están diseñadas para la ventilación, aseguran un manejo fiable y lo protegen de cualquier sobrecalentamiento, por tanto, nunca deben cubrirse ni bloquearse. Estas aperturas no deben taparse colocando el producto sobre un sofá, una cama, una alfombra o superficies similares. Nunca debe colocarse en una estructura prefabricada, como una caja o un rack, a menos que tengan la ventilación adecuada o lo permitan las instrucciones del fabricante.

FUENTES DE ALIMENTACIÓN: Esta unidad debe utilizarse exclusivamente con el tipo de suministro eléctrico indicado en la etiqueta correspondiente. Consúltelo antes de enchufar el producto si no está seguro del tipo de suministro del lugar donde lo va a usar.

UBICACIÓN: Este aparato debe colocarse en una ubicación estable.

PERIODOS SIN USARLO: Si no se va a usar la unidad durante un tiempo prolongado, desenchúfelo de la corriente eléctrica.

TOMA DE TIERRA O POLARIZACIÓN:

- Si este producto lleva una clavija de corriente alterna polarizada (con un pivote más grueso que otro, tipo inglés), sólo entrará en una posición. Es una medida de seguridad. Si no puede introducir la clavija en el enchufe, gírela. En ningún caso debe forzarse. Si sigue sin entrar, un electricista debería cambiar el enchufe.

- Si la unidad lleva una clavija con tres pivotes (el tercero corresponde a la toma de tierra), sólo entrará en un tipo de enchufe. Se trata de una medida de seguridad. Si el enchufe y la clavija no son compatibles, un electricista deberá cambiar el enchufe. En ningún caso deberá forzarse.

PROTECCIÓN DEL CABLE DE CORRIENTE: Los cables de corriente deben protegerse para que nadie los pise ni corran el riesgo de pinzarse por elementos colocados encima o que los aprisionen. Debe prestarse especial atención al cable, al enchufe, a los extensores de cable y al punto por donde el cable sale de la unidad.

TIERRA DE LA ANTENA EXTERIOR: Si el producto lleva conectada una antena exterior o sistema de cables, asegúrese de que cuenta con la toma de tierra correspondiente, a fin de proteger la unidad de variaciones de voltaje y cargas de electricidad estática. Existe documentación oficial acerca de la correcta utilización de la toma de tierra y de las medidas de seguridad pertinentes, conexión de los electrodos de descarga y sus requisitos. Véase Figura B.

RAYOS: Como protección adicional del producto durante una tormenta eléctrica, o durante periodos prolongados sin usarlo, desenchúfelo de la corriente y desconecte la antena o sistema de cables. De este modo se protegerá el producto de los daños que pueda producir la caída de un rayo o las fluctuaciones de la red eléctrica.

LÍNEAS ELÉCTRICAS: Nunca debe situarse un sistema de antena cerca de líneas eléctricas u otros circuitos de corriente. Tampoco debe colocarse en lugares donde pueda caer sobre dichos circuitos eléctricos. Al instalar un sistema de antenización exterior, debe tomarse la extrema precaución de no tocar dichas líneas eléctricas, pues el más mínimo contacto puede ser fatal.

SOBRECARGA: No sobrecargue los enchufes de la pared con ladrones o instalando enchufes múltiples, pues correría el riesgo de electrocución o incendio.

ENTRADA DE OBJETOS O LÍQUIDOS: Nunca introduzca objetos de ningún tipo en el interior del producto, pues podrían tocar una parte eléctrica y cortocircuitar el aparato, lo que resultaría en un incendio o descarga eléctrica. No verter nunca ningún líquido sobre el producto.

REPARACIÓN: No intente reparar el producto por cuenta propia, ya que abrir o retirar la carcasa le expondría a un voltaje peligroso u otros peligros. Diríjase siempre a un centro de servicio técnico autorizado.

DAÑOS QUE REQUIEREN REPARACIÓN: Desenchufe el aparato de la corriente y diríjase a un servicio técnico autorizado si se da alguna de las siguientes situaciones:

- El cable de alimentación o la clavija están dañados.
- Se ha vertido líquido o ha caído algún objeto sobre la unidad.
- El aparato se ha expuesto a la lluvia o a salpicaduras.
- La unidad se ha caído al suelo o dañado de algún modo.
- El aparato no funciona con normalidad, ni aun siguiendo las instrucciones. Ajuste sólo los mandos que se indican en las instrucciones, ya que la manipulación inadecuada de otros controles podría dañar la unidad y requeriría un mayor trabajo de un técnico para restablecer su funcionamiento normal.
- Si el producto muestra anomalías en su funcionamiento, necesita revisión por parte de un servicio técnico autorizado.

RECAMBIOS: Cuando se necesite alguna pieza de recambio, asegúrese de que el servicio técnico utilice piezas originales autorizadas o que tengan las mismas características que las originales. Los reemplazos no autorizados pueden causar descargas eléctricas, incendios u otros daños.

COMPROBACIÓN DE SEGURIDAD: Tras la reparación, solicite al técnico que efectúe las comprobaciones de seguridad necesarias para determinar que el producto se encuentra en las condiciones adecuadas para su funcionamiento.

MONTAJE EN UNA PARED O TECHO: Este producto nunca debe montarse en una pared o en el techo.

CALOR: Este producto debe alejarse de fuentes de calor, como radiadores, estufas u otros aparatos que irradian calor, incluyendo amplificadores.



Fig. A

adecuada o lo permitan las instrucciones del fabricante.

FUENTES DE ALIMENTACIÓN: Esta unidad debe utilizarse exclusivamente con el tipo de suministro eléctrico indicado en la etiqueta correspondiente. Consúltelo antes de enchufar el producto si no está seguro del tipo de suministro del lugar donde lo va a usar.

UBICACIÓN: Este aparato debe colocarse en una ubicación estable.

PERIODOS SIN USARLO: Si no se va a usar la unidad durante un tiempo prolongado, desenchúfelo de la corriente eléctrica.

TOMA DE TIERRA O POLARIZACIÓN:

- Si este producto lleva una clavija de corriente alterna polarizada (con un pivote más grueso que otro, tipo inglés), sólo entrará en una posición. Es una medida de seguridad. Si no puede introducir la clavija en el enchufe, gírela. En ningún caso debe forzarse. Si sigue sin entrar, un electricista debería cambiar el enchufe.

- Si la unidad lleva una clavija con tres pivotes (el tercero corresponde a la toma de tierra), sólo entrará en un tipo de enchufe. Se trata de una medida de seguridad. Si el enchufe y la clavija no son compatibles, un electricista deberá cambiar el enchufe. En ningún caso deberá forzarse.

PROTECCIÓN DEL CABLE DE CORRIENTE: Los cables de corriente deben protegerse para que nadie los pise ni corran el riesgo de pinzarse por elementos colocados encima o que los aprisionen. Debe prestarse especial atención al cable, al enchufe, a los extensores de cable y al punto por donde el cable sale de la unidad.

TIERRA DE LA ANTENA EXTERIOR: Si el producto lleva conectada una antena exterior o sistema de cables, asegúrese de que cuenta con la toma de tierra correspondiente, a fin de proteger la unidad de variaciones de voltaje y cargas de electricidad estática. Existe documentación oficial acerca de la correcta utilización de la toma de tierra y de las medidas de seguridad pertinentes, conexión de los electrodos de descarga y sus requisitos. Véase Figura B.

RAYOS: Como protección adicional del producto durante una tormenta eléctrica, o durante periodos prolongados sin usarlo, desenchúfelo de la corriente y desconecte la antena o sistema de cables. De este modo se protegerá el producto de los daños que pueda producir la caída de un rayo o las fluctuaciones de la red eléctrica.

LÍNEAS ELÉCTRICAS: Nunca debe situarse un sistema de antena cerca de líneas eléctricas u otros circuitos de corriente. Tampoco debe colocarse en lugares donde pueda caer sobre dichos circuitos eléctricos. Al instalar un sistema de antenización exterior, debe tomarse la extrema precaución de no tocar dichas líneas eléctricas, pues el más mínimo contacto puede ser fatal.

SOBRECARGA: No sobrecargue los enchufes de la pared con ladrones o instalando enchufes múltiples, pues correría el riesgo de electrocución o incendio.

ENTRADA DE OBJETOS O LÍQUIDOS: Nunca introduzca objetos de ningún tipo en el interior del producto, pues podrían tocar una parte eléctrica y cortocircuitar el aparato, lo que resultaría en un incendio o descarga eléctrica. No verter nunca ningún líquido sobre el producto.

REPARACIÓN: No intente reparar el producto por cuenta propia, ya que abrir o retirar la carcasa le expondría a un voltaje peligroso u otros peligros. Diríjase siempre a un centro de servicio técnico autorizado.

DAÑOS QUE REQUIEREN REPARACIÓN: Desenchufe el aparato de la corriente y diríjase a un servicio técnico autorizado si se da alguna de las siguientes situaciones:

- El cable de alimentación o la clavija están dañados.
- Se ha vertido líquido o ha caído algún objeto sobre la unidad.
- El aparato se ha expuesto a la lluvia o a salpicaduras.
- La unidad se ha caído al suelo o dañado de algún modo.
- El aparato no funciona con normalidad, ni aun siguiendo las instrucciones. Ajuste sólo los mandos que se indican en las instrucciones, ya que la manipulación inadecuada de otros controles podría dañar la unidad y requeriría un mayor trabajo de un técnico para restablecer su funcionamiento normal.
- Si el producto muestra anomalías en su funcionamiento, necesita revisión por parte de un servicio técnico autorizado.

RECAMBIOS: Cuando se necesite alguna pieza de recambio, asegúrese de que el servicio técnico utilice piezas originales autorizadas o que tengan las mismas características que las originales. Los reemplazos no autorizados pueden causar descargas eléctricas, incendios u otros daños.

COMPROBACIÓN DE SEGURIDAD: Tras la reparación, solicite al técnico que efectúe las comprobaciones de seguridad necesarias para determinar que el producto se encuentra en las condiciones adecuadas para su funcionamiento.

MONTAJE EN UNA PARED O TECHO: Este producto nunca debe montarse en una pared o en el techo.

CALOR: Este producto debe alejarse de fuentes de calor, como radiadores, estufas u otros aparatos que irradian calor, incluyendo amplificadores.

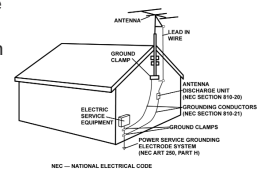
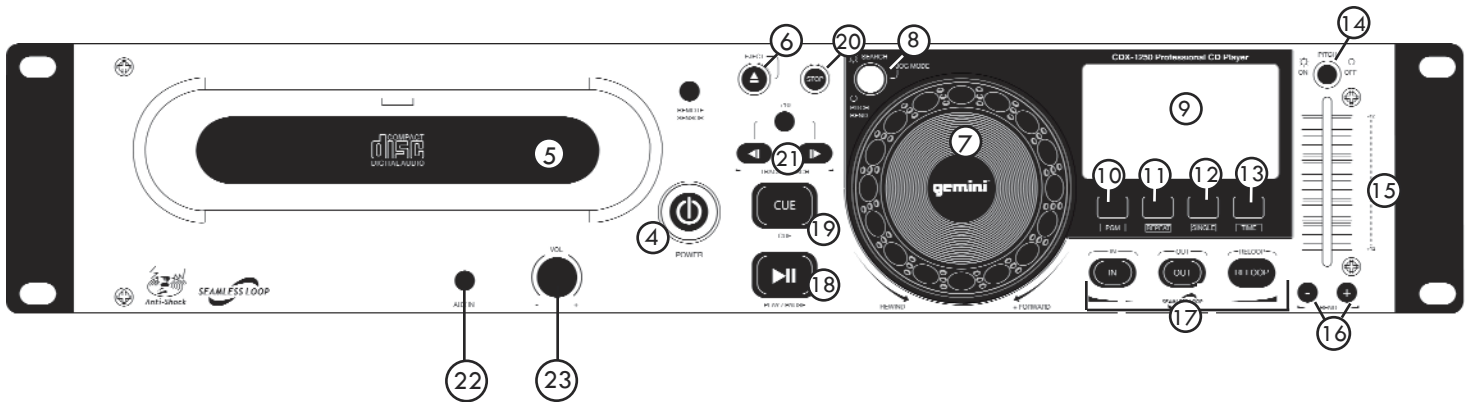
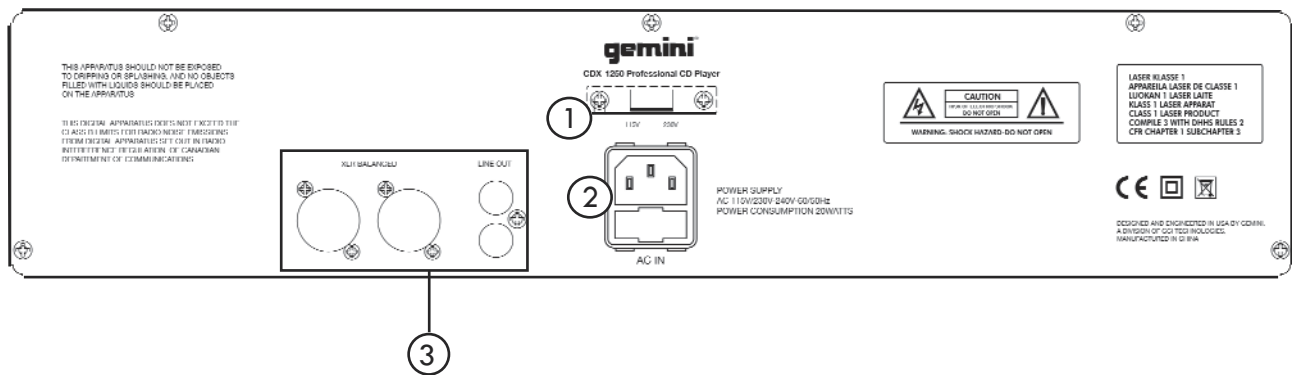


Fig. B

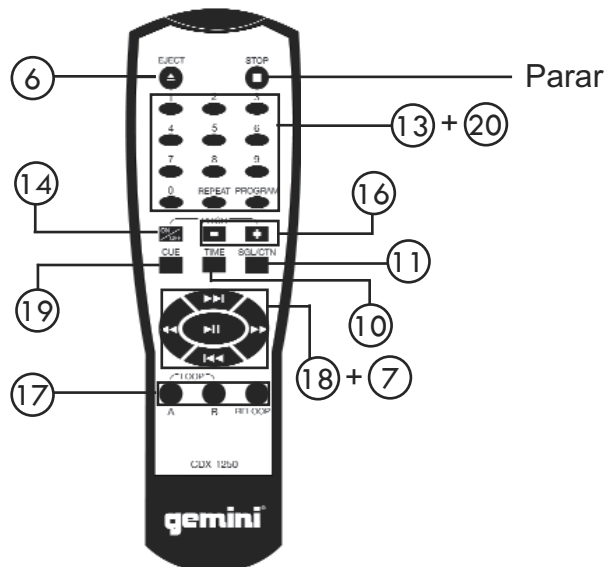
FRONTAL



TRASERO



REMOTE



INTRODUCCION:

Felicidades por la compra de su **Gemini CDX-1250 CD Player**. Este **reproductor de CD profesional 2U** está amparado por 1 año de garantía. Antes de usar le rogamos lea detenidamente estas instrucciones.

CARACTERISTICAS:

- Compatible Audio CD & CD-R
- Anti-shock usando memoria RAM buffer
- Salidas Balanceadas XLR
- Entrada Micro jack 1/8" (3.5mm) para Mp3
- Control de volumen de salida
- 2 modos de Jog Pitchbend y Search
- Instant-start y cue con pre-escucha
- Modos Single/continuous play
- Un seamless loop por lado con reloop
- Pitch bend vía jog wheel o botones +/- 16%
- Tres modos de display de tiempo
- Búsqueda precisa de pista
- Display iluminado azul LCD
- Jog wheel de goma con alojamiento de dedos
- Control variable de pitch con rango de +/- 12%

ESPECIFICACIONES DE SEGURIDAD:

Propiedades del Diodo Laser

Material: Ga - Al - As

Longitud de onda: 755 - 815 nm (25° C)

Salida Laser: Onda Continua, max. 0.5 mW

PRECAUCIONES:

1. No utilice este CD a temperaturas por debajo de 41°F/5°C o superiores a 95°F/35°C.
2. Este aparato no debe exponerse a chorros o salpicaduras, y no deben colocarse objetos con líquidos como por ejemplo jarrones, encima del aparato.
3. Coloque la unidad en lugar limpio y seco.
4. No colocar la unidad en una superficie inestable.
5. Al desconectar el cable de corriente de la toma de pared, siempre cójalo por el conector. Nunca tire del cable.
6. Para evitar shock eléctrico, no quite la tapa ni los tornillos inferiores.
7. **NO HAY PARTES REEMPLAZABLES POR EL USUARIO** en el interior. Por favor acuda a un técnico cualificado si es necesario

En USA - si usted tiene problemas con esta unidad llame atención al cliente Gemini en: 1 (732) 346-0061. No intente devolver el equipo a su distribuidor.

8. No use disolventes químicos para limpiar la unidad.
9. Mantenga el lector laser limpio manteniendo la bandeja cerrada.
10. Guarde este manual en lugar seguro para futuras referencias.

CONEXIONES:

- ① **SELECTOR DE VOLTAGE** Antes de conectar su **CDX-1250** en la toma de pared, asegúrese que el **SELECTOR DE VOLTAGE** está en la posición correcta.
Para cambiar la selección desatornille el protector de plástico con un destornillador Phillips. Luego use un destornillador plano para mover el interruptor a la posición correcta (**115V** o **230V**).
No fuerce ni doble el interruptor. Una fuerza excesiva puede dañar la unidad, si el interruptor no se mueve suavemente contacte con un técnico cualificado.
- ② **ALIMENTACION** Después de seleccionar el **VOLTAGE ADECUADO** ya puede conectar la alimentación de su **CDX-1250**.

- ③ **JACKS DE SALIDA LINEA** Conecte un extremo del cable suministrado de **RCA** en las **SALIDAS JACKS** del panel trasero. Conecte el otro extremo en cualquier entrada **RCA** de línea disponible en su mezclador. Si está conectando su **CDX-1250** a un receptor, puede conectar las entradas **RCA** a la toma **CD** o **AUXILIAR** de su receptor. Si no hay tomas **CD** o **AUXILIAR** use cualquiera de nivel línea (nunca phono).

Salida **XLR** tipo audio estereo balanceada. Estos conectores proporcionan la señal de audio generada en la unidad

FUNCIONES:

- ④ **ALIMENTACION:** Una vez haya conectado todos los cables y asegurado que el **SELECTOR E VOLTAGE** está en su posición correcta, puede encender el **CDX-1250** pulsando el botón **POWER**. Pulsandolo de nuevo el **CDX-1250** se apagará.
- ⑤ **BANDEJA DE DISCO:** La **BANDEJA DE DISCO** es donde el **CD** va alojado durante la carga, descarga y reproducción, y permite discos de 12 cm y 8cm. **(NO FUERCE LA BANDEJA PARA CERRARLA YA QUE UNA FUERZA EXCESIVA DAÑARA EL MAECANISMO DEL CD, USE SIEMPRE EL BOTON DE ABRIR / CERRAR)**
- ⑥ **BOTON EJECT:** Pulsando este **BOTON** se abrirá o cerrará la **BANDEJA DE DISCO**, a no ser que el **CDX-1250** esté en reproducción, en ese caso deberá primero pulsar stop en el lado que quiera abrir.
- ⑦ **JOG WHEEL :** En **MODO BUSQUEDA** el **JOG WHEEL** puede usarse para avanzar o retroceder en la pista, así como hacer ajustes finos de **CUE** en modo **PAUSA**. En modo **PITCH BEND** el **JOG WHEEL** funcionará como **PITCH BEND** permitiendo incrementar la velocidad (**ADELANTE**) o disminuirla (**ATRAS**) de la música moviendo la rueda en el sentido del reloj (**FORWARD**) o a la inversa (**REWIND**).
- ⑧ **BOTON MODO JOG:** Cuando el **BOTON MODO JOG** está iluminado indica que el **JOG WHEEL** está en **MODO BUSQUEDA**, y cuando no está iluminado indica que el **JOG WHEEL** está en **MODO PITCH BEND**.
- ⑨ **DISPLAY:** El **DISPLAY** muestra el número de pista, valor del pitch, pitch bend, single, continue (en continuous play), play/pausa, rápido adelante/modo reverse, modo loop, reloop, **PGM**, modo repetición, la barra de reproducción, y tres modos distintos de tiempo. Estos modos de tiempo son **TIEMPO TRANSCURRIDO** de pista, **TIEMPO RESTANTE** en el disco y **TIEMPO RESTANTE** en la pista. El tiempo se mide en minutos, segundos y fragmento.
- ⑩ **PGM:** Permite crear una lista de reproducción. Para programar una lista en la memoria del **CDX-1250**, primero pare la reproducción y pulse **PGM** para iniciar la lista. Seleccione una pista usando el selector de pistas para buscar la primera pista de la lista. Cuando haya seleccionado la pista correcta pulse **PGM** y el **CDX-1250** estará listo para la próxima selección. Repita los pasos anteriores para completar la lista, luego pulse play para iniciar la reproducción de la lista fijada.
- ⑪ **REPETICION:** Pulse el botón repetición una vez para fijar **1** o repetir la pista sonando. Pulse **REPETICION** de nuevo para fijar **TODAS** las canciones seleccionadas lo que repetirá todas las pistas del **CD**. Pulse **REPETICION** de nuevo para desactivar la función

FUNCIONES: (CONTINUACION)

- 12 **SINGLE:** Pulsando el botón **SINGLE** se activa el modo **SINGLE**, en este modo el **CDX-1250** reproducirá una canción y luego se para. Pulsando el botón **SINGLE** de nuevo se activará el modo **CONTINUOUS** provocando que la unidad reproduzca de forma continua (después de la última canción, la unidad vuelve a la pista primera y sigue reproducción).
- 13 **TIEMPO:** El **BOTON TIEMPO** conmuta el display de tiempo entre tres posibilidades, estas tres son **TIEMPO TRANSCURRIDO** de pista, **TIEMPO RESTANTE** en el disco y **TIEMPO RESTANTE** en la pista. **TIEMPO TRANSCURRIDO** indica cuanto tiempo lleva esta canción desde que se pulso play, **TIEMPO RESTANTE EN DISCO** mostrará el tiempo que queda de todo el disco y **TIEMPO RESTANTE EN PISTA** cuenta el tiempo que falta para finalizar la pista que suena.
- 14 **PITCH:** Pulsando el botón de **PITCH** (el botón se ilumina en azul) se activa el **CONTROL ESLIZANTE DE PITCH**. El pitch o velocidad del **CD** varía en más o menos 12% dependiendo de la posición del **CONTROL DESLIZANTE DE PITCH**. Pulsa el botón de **PITCH** para desactivar.
- 15 **CONTROL DESLIZANTE DE PITCH:** Moviendo el **CONTROL DE PITCH** arriba o abajo se disminuye o aumenta el porcentaje + o - 12%.
- 16 **PITCH BEND:** Pulsando los botones **PITCH BEND** se aumentará automáticamente +16% o se disminuirá el pitch en -16% desde el ajuste existente. Soltando los botones se vuelve al nivel de pitch original. Se puede utilizar esta función para cuadrar el beat cuando se mezcla de una canción a otra.
- 17 **SECCION LOOP:** Un **LOOP** repite la sección entre el punto de entrada (**IN**) y el de salida (**OUT**). Para fijar un loop mientras la unidad esta reproduciendo, pulse el botón **IN** (se ilumina) y cuando llegue al punto que desea finalizar el loop pulse el botón **OUT** (también se ilumina). El loop seguirá reproduciéndose hasta que pulse el botón **OUT** de nuevo permitiendo que la música continúe desde ese punto, para re-enganchar el loop debe pulsar el botón **RELOOP**. Cuando abandona el loop el botón **OUT** se apagará **OFF** y el botón **IN** seguirá iluminado para indicar que su loop está guardado en la memoria del **CDX-1250**. Pulsando el botón **IN** de nuevo mientras la unidad reproduce, se borrará el loop previo guardado y se guardará el nuevo punto de entrada. Pulse **OUT** para salir del loop y guardar un nuevo loop completo. Pulse **RELOOP** para volver al principio del loop guardado para reproducción normal. Pulse **RELOOP** repetidamente para tartamudeo.
- NOTA: EL PRIMER LOOP TENDRA UNA PAUSA EN EL PUNTO DE SALIDA, MIENTRAS QUE TODOS LOS DEMAS SERAN SIN CORTE.**
- 18 **PLAY/PAUSA:** Cada pulsación de **PLAY/PAUSE** causa el cambio de función de **PLAY a PAUSA** o de **PAUSA** de nuevo a **PLAY**. El botón **PLAY/PAUSA** queda iluminado cuando es **PLAY**, mientras que parpadea durante **PAUSA**.
- 19 **CUE:** Cuando la unidad esta reproduciendo y después de haber programado un punto cue, pulsando **CUE** el reproductor de **CD** entrará en modo **PAUSA (BOTON PLAY/PAUSE** parpadea) en el punto cue programado (el **CUE LED** se enciende). Manteniendo el botón **CUE** la función cambia a pre-escucha, y permite hacer tartamudeo del punto cue o reproducir desde ese punto **CUE** Al soltar el botón de **CUE** la unidad vuelve al punto **CUE** prefijado.
- 20 **BOTON STOP:** Cuando se pulsa el botón **STOP** se detiene la reproducción del reproductor de **CD**.

- 21 **SELECCION DE PISTA:** Los botones de **SELECCION DE PISTA** permiten seleccionar la pista a reproducir. **+10** permite saltar la selección de pista en incrementos de 10. **TRACK SKIP** permite pasar de pista en pista, una cada vez.

NOTA : UNA VEZ SALTE A OTRA PISTA, NO PODRÁ VOLVER AL PUNTO CUE QUE TUVIERA PROGRAMADO. DEBERA EMPEZAR LA SELECCION DE CUE DE NUEVO, YA QUE EL CUE ESTARÁ PRE AJUSTADO EN EL INICIO DE LA SIGUIENTE CANCION.

- 22 **ENTRADA AUXILIAR (MP3):** Esta entrada 1/8" (3,5mm) acepta cualquier fuente con nivel de línea incluyendo reproductores **MP3**. Una vez se conecte el conector de 1/8" (3,5mm) el audio procedente del reproductor de **CD** se cancelará y sólo se oír en la salida principal la fuente aplicada en la entrada auxiliar.
- 23 **SALIDA MASTER:** El control rotativo de **SALIDA MASTER** ajusta el volumen de salida de la señal **MASTER**.

RESOLUCION DE PROBLEMAS:

- Si un disco no suena, compruebe si el disco se ha cargado correctamente (etiqueta hacia arriba). También compruebe que el disco no tenga excesiva suciedad, rallas, etc.
- Si el disco gira pero no hay sonido, compruebe las conexiones, si están bien compruebe su etapa de potencia o amplificador.
- Si el CD salta, compruebe el CD de suciedad o rallas. No asuma que el reproductor de CD es defectuoso. Muchos cd's están grabados fuera de norma y saltarán en la mayoría de reproductores CD. Antes de enviar la unidad a reparar, pruebe con un CD que usted sepa con seguridad que funciona bien.

ESPECIFICACIONES:

GENERAL:

Tipo.....	Reproductor de Compact Disc
Tipo de Disco.....	Standard Compact discs (12 cm & 8 cm)
Display tiempo.....	Pista pasada, Pista Restante, o Total Restante
Pitch variable.....	± 12% deslizante con interruptor
Pitch Bend.....	± 16% Maximum
Arranque instantaneo.....	en 0.03 segundos
Instalación	19"
Dim..... unidad principal:	19" x 3.5" x 10" (482.6 x 88.9 x 254 mm)
Peso por unidad.....	unidad principal: 5.5 lbs. (2.5 kg)

SECCION AUDIO:

Cuantización.....	1 Bit Linear/Channel, 3 Beam Laser
Muestreo.....	8 Veces
Frecuencia de Muestreo.....	44.1 kHz
respuesta en frecuencia.....	20 Hz a 20 kHz
Distorsión Armonica Total.....	Menor de 0.05%
Relación Señal Ruido.....	85 dB
Rango Dinamico.....	85 dB
Separación de canales.....	85 dB (1 KHz)
Nivel de Salida.....	2.0 +/- 0.2V R.M.S.
Alimentación.....	AC 115/230V, 60/50 Hz

ESPECIFICACIONES Y DISEÑO ESTAN SUJETOS A CAMBIO SIN PREVIO AVISO POR RAZONES DE MEJORA.

AVANT TOUTE UTILISATION DE L'APPAREIL, MERCI DE PRENDRE CONNAISSANCE DES INSTRUCTIONS D'UTILISATION & DE SECURITE! RISQUE DE CHOC ELECTRIQUE, NE PAS OUVRIR!



ATTENTION: Cet appareil répond aux certifications FCC lorsqu'il est connecté à d'autres appareils à l'aide de cordons blindés. Afin de prévenir tout risque de parasites électromagnétiques avec un poste radio ou TV, veuillez utiliser des cordons blindés.

Le point d'exclamation situé dans un triangle est destiné à attirer votre attention durant l'utilisation de votre appareil ou d'un entretien périodique de ce dernier. Vous en trouverez plusieurs dans le mode d'emploi de l'appareil.

LIRE LES INSTRUCTIONS: Toutes les instructions et consignes d'utilisation doivent être lues avant l'utilisation de l'appareil.

CONSERVEZ LES INSTRUCTIONS: Nous vous recommandons de conserver les instructions et consignes d'utilisation en cas de nécessité ultérieure.

RISPECT DES CONDITIONS D'UTILISATION: Nous vous recommandons de respecter les instructions d'utilisation.

SUIVRE LES INSTRUCTIONS D'UTILISATION: Nous vous recommandons de respecter la chronologie des instructions d'utilisation.

NETTOYAGE: L'appareil doit être nettoyé avec un chiffon légèrement humide. Ne pas utiliser de produits chimiques corrosifs & volatiles (cire, essence, insecticide...) afin de ne pas endommager l'appareil.

CORDON: Ne pas utiliser de cordons non préconisés par le fabricant afin de ne pas endommager l'appareil.

EAU & HUMIDITE: Ne pas utiliser l'appareil à proximité d'une source d'eau (cuisine, salle de bain, lavabo...), ni dans un endroit sujet à l'humidité (piscine...).

ACCESSOIRES: Ne pas installer cet appareil sur un support ou dans un endroit instable. L'appareil pourrait tomber au risque de blesser une personne et être endommagé. Veillez à utiliser des accessoires (Pied, support, crochet...) recommandés par le fournisseur ou vendu avec l'appareil. Tout montage ou installation doit respecter les instructions du fabricant et utiliser des accessoires d'installation recommandés par le fabricant.

TRANSPORT SUR CHARIOT: Tout produit installé sur un chariot doit être manipulé avec précaution. Un déplacement brusque ou trop rapide sur une surface non plane pourrait entraîner la chute de l'ensemble et endommager l'appareil. Voir Figure A.

VENTILATION: Les ouvertures et ouïes d'aération situées sur l'appareil permettent une ventilation optimale de ce dernier afin d'éviter toute surchauffe. Ces ouvertures ne doivent jamais être obstruées. Ne pas placer l'appareil sur un support souple risquant de bloquer les ouïes d'aération (Lit, sofa, canapé...). Si l'appareil est intégré dans une installation ou dans un rack, veillez à la ventilation et consultez le fabricant pour toute information complémentaire.

ALIMENTATION: Veillez à respecter la tension d'alimentation située au dos de l'appareil. Si vous n'êtes pas certain de la tension d'utilisation dans votre pays, contactez votre revendeur.

EMPLACEMENT: Veillez à installer l'appareil sur un support stable.

PERIODE DE NON UTILISATION: Débranchez le cordon d'alimentation de l'appareil en cas de non utilisation prolongée.

MISE A LA TERRE:

- Si l'appareil est équipé d'une alimentation à courant alternatif (Prise possédant un contact plus large que l'autre), celle-ci se connectera correctement à la prise uniquement si vous respectez le sens de branchement. Il s'agit là d'une mesure de sécurité. Si vous n'arrivez pas à insérer la fiche dans la prise, inversez la fiche. Si vous ne pouvez toujours pas insérer cette dernière, contactez un électricien afin de remplacer votre prise électrique qui est obsolète. Veillez à respecter cette consigne.

- Si l'appareil est équipé d'une fiche d'alimentation avec terre, veillez à la connecter à une prise électrique équipée d'une connexion à la terre. Il s'agit d'une mesure de sécurité. Si vous ne pouvez insérer la fiche dans la prise électrique, contactez un électricien afin de remplacer votre prise électrique qui est obsolète. Il est important de respecter cette mesure de sécurité.

INSTALLATION DU CORDON D'ALIMENTATION: Les cordons d'alimentation doivent être déroulés et rangés proprement afin d'éviter de se prendre les pieds dedans, en particulier les cordons reliés aux prises électriques.

ANTENNE EXTERIEURE: Si vous reliez votre appareil à une antenne ou un câble extérieur, assurez-vous de la présence d'une connexion à la terre afin d'éviter les surtensions et les décharges d'électricité statique. L'article 810 du National Electrical Code, ANSI/NFPAS 70, précise toutes les informations nécessaires afin d'effectuer correctement le branchement à la terre du pylône ou de la structure porteuse, la connexion du câble à l'antenne de décharge, dimensions des connecteurs de mise à la terre, connexions des électrodes, consignes de mise à la terre des électrodes. Voir Schéma B.

ORAGE/FOUDRE: En cas d'orage et de non utilisation prolongée, débranchez le cordon d'alimentation, le câble d'antenne et les cordons audio. Ceci afin d'éviter les dégâts occasionnés par la foudre et les surcharges électriques.

LIGNES ELECTRIQUES: Une antenne extérieure ne doit pas être située à proximité immédiate de lignes électriques et/ou d'un transformateur électrique, afin de ne pas tomber dessus en cas de chute. Lors de l'installation d'une antenne extérieure, veillez à éviter tout contact avec des lignes électriques : tout contact peut être fatal.

SURCHARGE: Ne surchargez pas les prises électriques, blocs multiprises & rallonges en y connectant trop d'appareils. Ceci afin d'éviter tout risque de surcharge électrique ou d'incendie (Surchauffe).

INSERTION D'OBJET & DE LIQUIDE: N'insérez pas d'objets dans les fentes ou ouvertures de l'appareil afin d'éviter tout risque de choc électrique et d'incendie. Ne jamais renverser de liquide sur l'appareil.

SERVICE APRES VENTE: N'essayez pas de réparer cet appareil ; en l'ouvrant ou en le démontant afin d'éviter tout risque de choc électrique. En cas de problème, veuillez prendre contact avec votre revendeur.

PANNE/SITUATION NECESSITANT UN RETOUR EN SAV: Débranchez l'appareil de la prise électrique, remettez le dans son emballage d'origine et contactez votre revendeur en tenant compte des situations suivantes :

- Lorsque le cordon d'alimentation est endommagé.
- Si un liquide a été renversé dessus.
- Si l'appareil a été exposé à la pluie.

- Si l'appareil ne fonctionne pas correctement malgré le respect des instructions d'utilisation. Ajustez uniquement les réglages préconisés dans le mode d'emploi, toute manipulation ou réglage non conseillés dans ce dernier peut endommager l'appareil et procurer plus de travail en cas d'intervention SAV afin de remettre l'appareil en état de marche.

PIECES DE RECHANGE: Lorsque vous avez besoin de remplacer des pièces de l'appareil, veillez à utiliser des pièces d'origine ou possédant des caractéristiques identiques. L'utilisation de pièces non autorisées peut endommager l'appareil : surchauffe, court-circuit, choc électrique...

CONTROLE DE SECURITE: Avant de récupérer votre appareil, assurez vous que le SAV a effectué tous les contrôles de sécurité nécessaires afin de vous restituer un appareil en état de marche.

INSTALLATION AU PLAFOND OU SUR UN MUR: Ce type d'installation est déconseillé.

CHALEUR: Veillez à installer l'appareil loin de toute source de chaleur telle que radiateur, réchaud ou tout autre appareil produisant de la chaleur.

recyclage: Cet appareil ne doit pas être considéré comme un déchet domestique à usage unique. Vous devez le déposer dans un point de collecte destiné au recyclage des appareils électroniques et électroménagers. Ainsi vous préserverez l'environnement et éviterez les problèmes de santé publique vis à vis de conséquences négatives; liées à leur dépôt dans un endroit non approprié. Le recyclage contribue à préserver les ressources naturelles. Pour plus d'informations sur les conditions de recyclage de l'appareil, veuillez contacter les autorités de votre pays, les institutions locales ou votre revendeur.



Fig. A

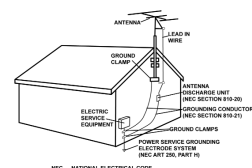
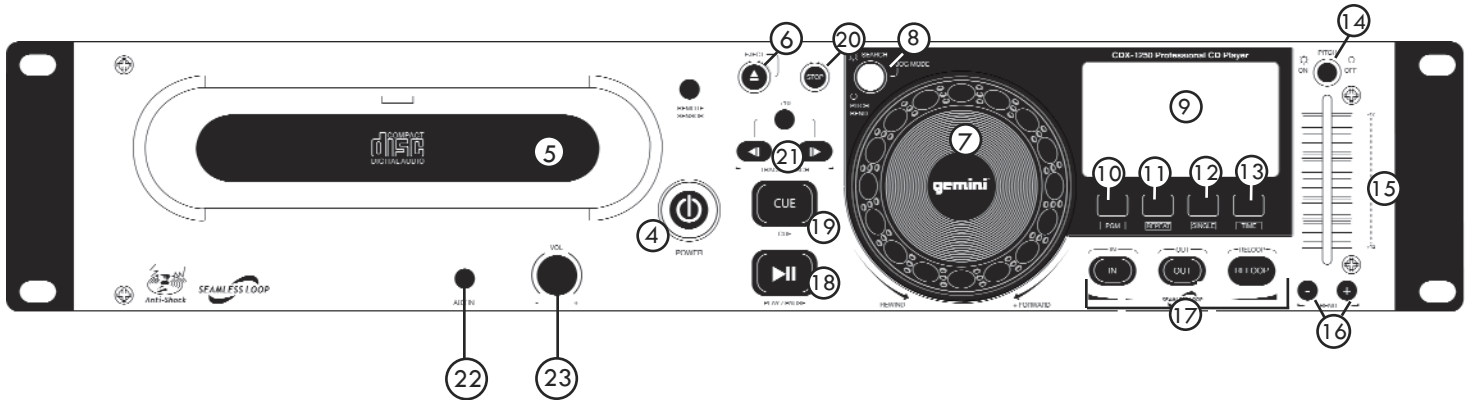
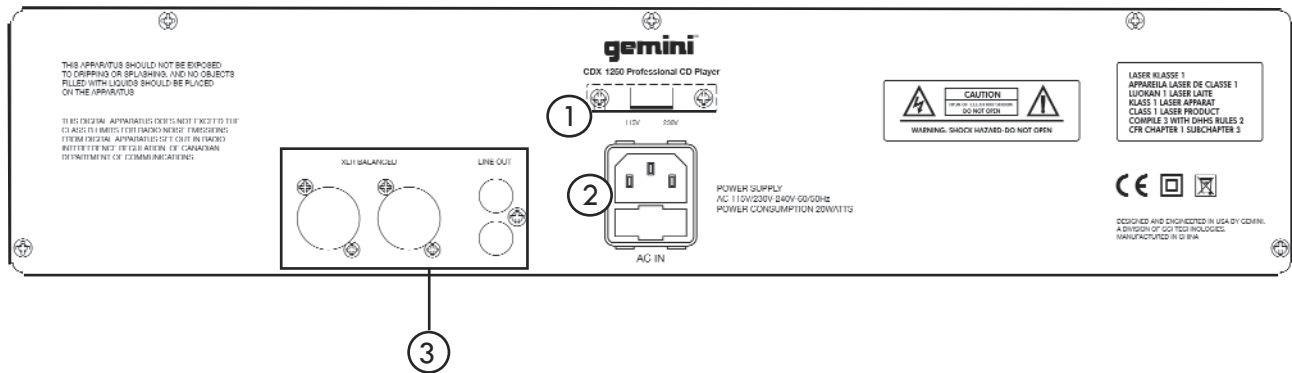


Fig. B

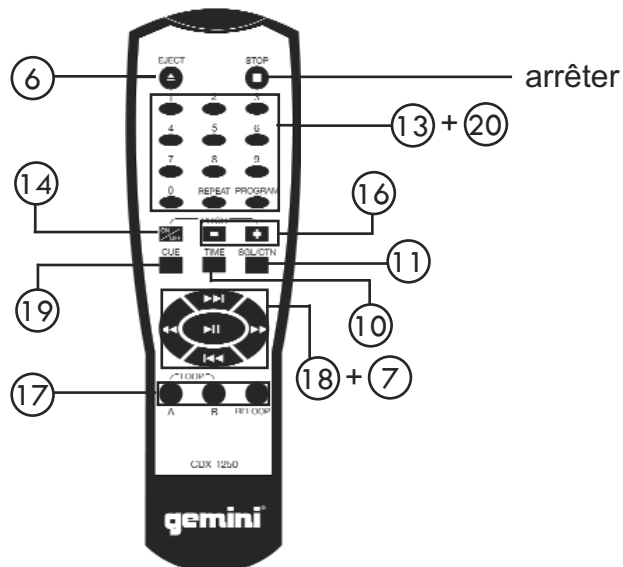
FACE AVANT



FACE ARRIERE



Télécommande



INTRODUCTION:

Félicitations concernant votre achat du **Simple Lecteur CD Professionnel Gemini CDX-1250**. Ce Simple Lecteur CD Professionnel 2U est couvert par une garantie durant 1 an. Avant toute utilisation, nous vous recommandons de prendre connaissance des instructions qui suivent.

CARACTERISTIQUES:

- Compatible CD Audio, & CD-R
- Mémoire anti-choc
- Sortie symétrique XLR
- 1/8" (3.5mm) Entrée pour lecteur MP3
- Contrôle du volume de sortie
- Large molette de recherche et rattrapage
- Démarrage de lecture instantané & pré-écoute du point CUE
- Fonction Single /Continuous (Arrêt automatique et/ou lecture continue)
- Boucle parfaite avec fonction de retour instantané à la boucle (Reloop)
- Touches de rattrapage & molette +/- 16%
- 3 modes affichage temps: temps écoulé, temps restant, temps total restant
- Lecture à la frame (1/75ème de seconde)
- Large écran bleu LCD haute visibilité
- Molette avec revêtement toucher Rubber
- Pitch réglable +/- 12%

SPECIFICATIONS LASER:

Propriétés Diode Laser

Gaz: Ga - Al - As

Longueur d'Onde: 755 - 815 nm (25° C)

Niveau de Sortie: Signal Continu, max. 0.5 mW

MISES EN GARDE

1. Ne pas utiliser ce lecteur CD à des températures inférieures à 41°F/5°C et supérieures à 95°F/35°C.
2. L'appareil ne doit pas être positionné à proximité de tout objet contenant un liquide (Exemple: vase...).
3. Placez l'appareil dans un endroit propre, sec & ventilé.
4. Placez l'appareil sur un support stable.
5. Lorsque vous débranchez l'appareil de la prise électrique, utilisez la prise. Ne tirez jamais sur le cordon.
6. Afin de prévenir tout accident électrique éventuel, veuillez ne pas démonter l'appareil.
7. Il n'y a pas **DE PIECES DETACHEES ACCESSIBLES A TOUT UTILISATEUR A L'INTERIEUR DE L'APPAREIL**. En cas de problème, veuillez contacter votre revendeur ou un technicien qualifié.

AUX USA - EN CAS DE PROBLEME AVEC L'APPAREIL, CONTACTEZ LE SERVICE TECHNIQUE DE GEMINI AU: 1 (732) 346-0061. NE RENVOYEZ PAS L'APPAREIL A VOTRE REVENDEUR.

8. Veuillez à ne pas utiliser de solvants chimiques pour nettoyer l'appareil.
9. Veuillez à conserver les tiroirs en position fermée afin de protéger les blocs optiques des poussières.
10. Conservez ce mode d'emploi dans un endroit sûr pour tout usage futur.

CONNECTIONS:

- ① **SELECTION DE LA TENSION D'UTILISATION:** Avant de relier le **CDX-1250** à toute alimentation électrique, vérifiez le positionnement du **SE-LECTEUR DE TENSION**.

Utilisez un tournevis Phillips cruciforme afin de démonter la protection plastique. Puis utilisez un tournevis à tête plate afin de sélectionner la tension adéquate (**115V** ou **230V**).

Ne pas forcer lors de cette manoeuvre car vous pourriez endommager le commutateur. Si celui-ci reste bloqué, contactez un technicien qualifié.

- ② **ALIMENTATION (POWER):** Après avoir sélectionné la **TENSION ADEQUATE (France: 230V)** vous pouvez brancher le cordon d'alimentation du **CDX-1250**.

- ③ **SORTIE AUDIO:** Utilisez les cordons **RCA** livrés avec l'appareil et branchez les sur les sorties **LINE OUTPUT** situées à l'arrière de l'appareil. Connectez l'autre extrémité à toute entrée ligne de votre mixer. Si vous utilisez le **CDX-1250** avec un amplificateur hi-fi, utilisez les cordons **RCA** et les entrées **CD** ou **AUX**. Si votre amplificateur ne possède pas d'entrées **CD** ou **AUX**, utilisez n'importe quelle entrée de niveau ligne (Ne pas utiliser l'entrée phono).

La console **CDX-1250** est équipée d'une sortie stéréo symétrique **XLR** dont le niveau est contrôlée par le potentiomètre rotatif **MASTER**.

FONCTIONS:

- ④ **POWER:** Lorsque vous avez effectué tous les branchements et sélectionné la **TENSION D'ALIMENTATION ADEQUATE (France: 230V)**, mettez le **CDX-1250** sous tension en appuyant sur la touche **POWER**, pour éteindre l'appareil, appuyez sur la touche **POWER** une seconde fois.

- ⑤ **TIROIR POUR CD:** Permet le chargement, la lecture et le déchargement de tout **CD** (Compatible 12cm/8cm). (**AFIN DE NE PAS ENDOMMAGER LES TIROIRS ET LEURS MECANISMES, UTILISEZ SYSTEMATIQUEMENT LES TOUCHES OPEN/CLOSE**).

- ⑥ **TOUCHE EJECTION (EJECT):** En appuyant sur la touche **EJECT**, vous ouvrez & fermez le **TIROIR POUR CD**. En cours de lecture, le **CDX-1250** est équipé d'une protection permettant d'éviter une ouverture accidentelle du **TIROIR POUR CD**.

- ⑦ **MOLETTE (JOG WHEEL) :** En **MODE SEARCH (RECHERCHE)** la **MOLETTE** permet une recherche rapide avant & arrière, ainsi qu'une recherche précise afin de caler un point **CUE** en mode **PAUSE**. En **MODE PITCH BEND** la **MOLETTE** permettra un ajustement temporaire de la vitesse durant un calage. Dans le sens des aiguilles d'une montre (**FORWARD**) vous accélérez la vitesse, à l'inverse (**REWIND**), vous réduisez la vitesse de lecture.

- ⑧ **TOUCHE JOG MODE:** Lorsque la **TOUCHE JOG MODE** est illuminée, la **MOLETTE** est en **MODE SEARCH (RECHERCHE)**, à l'inverse (Touche éteinte), la **MOLETTE** est en **MODE PITCH BEND**.

- ⑨ **ECRAN LCD:** L'**ECRAN LCD** permet l'affichage du nombre de plages, la réglage de vitesse (Pitch), fonction pitch bend, lecture simple ou continue, mode play/pause, mode recherche avant/arrière, boucle (Loop), retour à la boucle (Reloop), **PGM**, mode répétition (Repeat), barre de progression & 3 modes affichages temps (**TEMPS ECOULE, TEMPS RESTANT & TEMPS TOTAL RESTANT**). L'affichage du temps s'effectue en minutes - secondes - frames.

- ⑩ **PROGRAMME (PGM):** Permet la création d'une playlist (Programme de lecture). Mettez le **CDX-1250** à l'arrêt (Pas de lecture en cours), pressez la touche **PGM** afin de démarrer la création d'une playlist. Sélectionnez les morceaux à l'aide des touches de recherche de page. Lorsque vous avez atteint la plage souhaitée, pressez la touche **PGM** & ainsi de suite. A l'issue de la sélection, appuyez sur la touche play (Lecture) afin de démarrer la lecture de votre playlist.

- ⑪ **REPETITION (REPEAT):** Pressez la touche afin de lire une seconde fois la plage en cours de lecture. Appuyez une seconde fois sur la touche **REPEAT** afin de re-lire complètement le CD. Appuyez une nouvelle fois sur la touche **REPEAT** afin de désactiver la fonction repeat.

FONCTIONS: (SUITE)

⑫ **LECTURE SIMPLE (SINGLE):** Appuyez sur la touche **SINGLE** afin d'activer le mode **SINGLE**, le **CDX-1250** lira alors la plage une fois, puis s'arrêtera. Appuyez une seconde fois sur la touche **SINGLE** afin d'activer le mode **CONTINUOUS (LECTURE CONTINUE)**: lorsque la dernière plage sera lue, l'appareil reprendra la lecture à partir de la première plage.

⑬ **TEMPS (TIME):** La touche **TIME** permet de modifier l'affichage temps. 3 types d'affichage sont disponibles:
 - **TEMPS ECOULE**
 - **TEMPS RESTANT**
 - **TEMPS TOTAL RESTANT**

⑭ **REGLAGE DE VITESSE (PITCH):** Appuyez sur la touche **PITCH** afin d'activer la fonction permettant de modifier la vitesse de lecture. Vous pouvez modifier celle-ci à concurrence de +/- 12%. Pour désactiver la fonction **PITCH**, appuyez une nouvelle sur cette touche.

⑮ **POTENTIOMETRE DE REGLAGE DE VITESSE (PITCH CONTROL SLIDE):** Permet de modifier la vitesse de lecture à concurrence de +/- 12%.

⑯ **TOUCHES DE RATTRAPAGE (PITCH BEND):** Les touches **PITCH BEND** permettent de modifier de façon instantanée & temporaire la vitesse de lecture de +/- 16% en fonction du réglage de vitesse en cours. Le fait de relâcher ces touches permet de revenir à la vitesse de lecture en cours. Cette fonction permet de caler 2 morceaux lors d'un mix.

⑰ **FONCTION BOUCLE (LOOP):** La **BOUCLE** permet la répétition d'un passage sélectionné entre un point d'entrée (**IN**) & un point de sortie (**OUT**). Pour créer une boucle durant la lecture d'une plage, appuyez sur la touche **IN** (La touche s'allume) & lorsque vous avez atteint le point de sortie désiré, appuyez sur la touche **OUT** (La touche s'allume aussi). La boucle sera lue jusqu'à ce que vous appuyez sur la touche **OUT** afin de reprendre la lecture normale, pour activer de nouveau la boucle, appuyez sur la touche **RELOOP**. Lorsque vous sortez de la boucle, la touche **OUT** s'éteindra & la touche **IN** restera allumée indiquant la mémorisation d'une boucle dans la mémoire du **CDX-1250**. Une nouvelle pression sur la touche **IN** permet d'effacer la boucle précédente & marque le début d'une nouvelle boucle. Appuyez sur la touche **OUT** afin de finaliser le point de sortie & créer une nouvelle boucle. Appuyez sur la touche **RELOOP** pour revenir au début de la boucle durant la lecture. Appuyez de façon répétée sur la touche **RELOOP** afin de créer un effet stutter.

NOTE: LA PREMIERE BOUCLE MARQUERA UN TEMPS D'ARRET AU NIVEAU DU POINT DE SORTIE, ALORS QUE LES AUTRES SERONT PARFAITES (SEAMLESS).

⑱ **PLAY/PAUSE:** Chaque pression sur la touche **PLAY/PAUSE** permet de démarrer ou de mettre en mode pause la **LECTURE**. La touche **PLAY/PAUSE** reste allumée durant la **LECTURE** et clignote en mode **PAUSE**.

⑲ **CUE:** Lorsque l'appareil est en mode lecture & après avoir enregistré un point cue, le fait d'appuyer sur la touche **CUE** mettra le lecteur **CD** en mode **PAUSE** (La touche **PLAY/PAUSE** clignote) au niveau du point cue mémorisé (La led **CUE** est alors allumée). Maintenez la touche **CUE** enfoncée afin de pré-écouter le point cue & créer un effet stutter permettant de démarrer la lecture à partir de ce point **CUE**. Relâchez la touche **CUE** afin de revenir au point **CUE** enregistré.

⑳ **TOUCHE STOP:** La touche **STOP** permet d'arrêter la lecture du **CD**.

⑳ **SELECTION DE PLAGE (TRACK SELECTION):** Les touches **TRACK SELECTION** permettent de sélectionner les plages que vous souhaitez lire. **+10** permet d'accéder aux plages par saut de 10. Les touches **TRACK SKIP** permettent d'accéder aux plages une par une.

NOTE : UNE FOIS QUE VOUS AVEZ ACCÉDÉ À UNE AUTRE PLAGE, VOUS NE POUVEZ PLUS ACCÉDÉ AU POINT CUE ENREGISTRÉ. DEVEZ ALORS ENREGISTRER UN AUTRE POINT CUE, LE POINT CUE SERA ALORS ASSOCIÉ À CETTE NOUVELLE PLAGE.

㉑ **ENTRÉE AUXILIAIRE (MP3):** Ce Mini-jack 3.5mm permet le branchement de toute source de niveau ligne tels que les lecteurs MP3. Dès qu'une source y est connectée, la sortie audio du lecteur CD est alors coupée et seul le signal provenant de l'**ENTRÉE AUXILIAIRE** transitera par la sortie audio de l'appareil.

㉒ **VOLUME SORTIE MASTER (SORTIE PRINCIPALE):** Le potentiomètre rotatif **VOLUME SORTIE MASTER** permet de régler le niveau de la **SORTIE MASTER**.

DYSFONCTIONNEMENTS:

- Le CD n'est pas lu: vérifiez que celui-ci a correctement été chargé dans le tiroir (Le côté portant les inscriptions doit être lisible). Vérifiez aussi l'état de propreté et les éventuelles rayures...

- Le CD tourne, mais aucun son ne sort: vérifiez les connexions, l'amplificateur, la console de mixage.

-Le CD saute: Vérifiez l'état de propreté et les éventuelles rayures. Ne considérez pas que votre appareil est défectueux. Beaucoup de CDs sont fabriqués sans tenir compte des normes obligatoires en vigueur et ils fonctionneront incorrectement sur tout lecteur CD. Avant d'envoyer votre appareil en réparation, essayez avec un CD lu sur un autre lecteur.

CARACTERISTIQUES TECHNIQUES:

GENERAL:

Type.....Lecteur CD Professionnel
 Disques Lus.....CD Standards (12 cm & 8 cm)
 Affichage Temps....Temps écoulé, Temps restant & Temps total restant
 Réglage de vitesse (Potentiomètre linéaire).....± 12%
 Pitch Bend.....± 16% Maximum
 Départ de Lecture.....<0.03 seconde
 Installation.....19" x 2U
 Dimensions..... 19" x 3.5" x 10" (482.6 x 88.9 x 254 mm)
 Poids de l'Appareil.....: 5.5 lbs. (2.5 kgs)

SECTION AUDIO:

Quantification.....1 Bit Linéaire/Canal, 3 Faisceaux Laser
 Echantillonnage.....x8
 Fréquence d'Echantillonnage.....44.1 kHz
 Bande Passante.....20 Hz - 20 kHz
 Distortion Harmonique Totale.....<0.05%
 Rapport Signal/Bruit.....85 dB
 Dynamique.....85 dB
 Diaphonie.....85 dB (1 KHz)
 Niveau de Sortie.....2.0 +/- 0.2V R.M.S.
 Alimentation Electrique.....AC 115/230V, 60/50 Hz

LES SPECIFICATIONS TECHNIQUES ET LA CONCEPTION PEUVENT ETRE MODIFIEES SANS PREAVIS DANS LE CADRE D'UN SOUCI CONSTANT D'AMELIORATION DU PRODUIT.

VOR BENUTZUNG DES GERÄTS LESEN. WICHTIGE HINWEISE & SICHERHEITSBESTIMMUNGEN



VORSICHT: Dieses Produkt erfüllt die FCC-Regeln, wenn Sie zum Anschluss abgeschirmte Kabel und Stecker verwenden, um es mit anderen Geräten zu verbinden. Auch um elektromagnetische Störungen anderer elektrischer Geräte wie Radios oder Fernseher zu vermeiden, benutzen Sie abgeschirmte Kabel und Stecker für die Verbindungen.

Das Ausrufezeichen im gleichseitigen Dreieck weist Sie in der Bedienungsanleitung auf wichtige Bedienungsanweisungen und Wartungs-/Serviceanweisungen hin.

Das Blitzsymbol im gleichseitigen Dreieck dient dazu, den Benutzer vor gefährlichen Spannungen an nicht isolierten Stellen im Gehäuse zu warnen, die so groß sind, dass sie eine Gefahr für den Benutzer darstellen.

ANWEISUNGEN LESEN: Lesen Sie alle Sicherheits- und Bedienungsanweisungen, bevor Sie mit dem Produkt arbeiten.

AUFBEWAHRUNGSHINWEIS: Bewahren Sie alle Sicherheits- und Bedienungsanweisungen gut auf.

WARNHINWEISE: Alle Warnhinweise für das Produkt und die Bedienungsanweisungen müssen genau eingehalten werden.

ANWEISUNGEN BEFOLGEN: Alle Anweisungen zum Betrieb des Produkts sollten befolgt werden.

REINIGUNG: Das Produkt sollte nur mit einem Polier- oder einem weichen trockenen Tuch gereinigt werden. Benutzen Sie dazu niemals Möbelwachs, Benzine, Insektizide oder andere flüchtige Reinigungsmittel, denn Sie könnten zur Korrosion des Gehäuses führen.

ERWEITERUNGEN: Benutzen Sie keine Erweiterungen, die nicht vom Hersteller empfohlen sind, da sie zu Risiken führen könnten.

WASSER&FEUCHTIGKEIT: Benutzen Sie dieses Produkt nicht in der Nähe von Wasser, z. B. in der Nähe einer Badewanne, einer Waschkübel, eines Küchenspülbeckens, eines Waschbeckens, in einem feuchten Keller, in der Nähe eines Schwimmbeckens oder an ähnlichen Orten.

ZUBEHÖR: Stellen Sie das Produkt nicht auf eine wackelige oder labile Unterlage. Das Produkt könnte herunterfallen und dabei Kinder oder Erwachsene verletzen, wie auch selber beschädigt werden. Stellen Sie das Produkt nur auf vom Hersteller empfohlene oder verkaufte Unterlagen. Jede Befestigung und Montage des Produkts sollte nach den Anweisungen des Herstellers ausgeführt werden. Nutzen Sie dazu ein vom Hersteller empfohlenes Montageset.

MOBILE UNTERLAGEN: Bewegen Sie eine Kombination aus dem Produkt und einer mobilen Unterlage mit Vorsicht. Schnelles Anhalten, zu viel Schub oder unebene Böden können dazu führen, dass sich Produkt und mobile Unterlage überschlagen (SIEHE FIG. A).

BELÜFTUNG: Schlitze und Öffnungen im Gehäuse sind für die Belüftung vorgesehen. Sie stellen den zuverlässigen Betrieb des Produkts sicher und schützen es vor Überhitzung. Diese Öffnungen dürfen nicht verschlossen, blockiert oder bedeckt werden. Stellen Sie deswegen das Produkt niemals auf ein Bett, ein Sofa, einen Teppich oder Stellen mit ähnlicher Oberfläche. Wenn Sie dieses Produkt in einer festen Installation wie z. B. in einem Regal oder einem Rack einbauen, sorgen Sie für ausreichende Belüftung oder sorgen Sie dafür, dass die Bestimmungen des Herstellers genau eingehalten werden.

STROMANSCHLUSS: Dieses Produkt darf nur mit dem auf dem Gerät angegebenen Strom betrieben werden. Wenn Sie sich nicht sicher sind, welche Stromart Sie bei sich zu Hause haben, fragen Sie den Verkäufer des Geräts oder Ihren Stromversorger.

AUFSTELLUNGORT: Stellen Sie das Gerät an einem festen Ort auf.

ZEITEN DES NICHTGEBRAUCHS: Ziehen Sie das Stromkabel aus dem Gerät heraus, wenn Sie es für eine längere Zeit nicht gebrauchen.

ERDUNG ODER POLUNG: Wenn dieses Produkt mit einem gepolten Wechselstromstecker (ein Stecker mit einem Kontakt mehr als andere Stecker) ausgestattet ist, passt dieser nur in einer bestimmten Richtung in die Steckdose und ist ein besonderes Sicherheitsmerkmal. Sollten Sie den Stecker nicht komplett in die Steckdose stecken können, versuchen Sie ihn andersherum einzustecken. Sollte der Stecker auch dann noch nicht in die Steckdose passen, beauftragen Sie einen Elektriker, um diese veraltete Steckdose auszutauschen.

Wenn dieses Produkt mit einem geerdeten dreipoligen Stecker ausgestattet ist, hat der Stecker einen dritten (Erdungs-)Kontakt und passt nur in eine Steckdose mit entsprechender Erdung. Auch das ist ein Sicherheitsmerkmal. Sollte der Stecker nicht in die Steckdose passen, beauftragen Sie einen Elektriker, um diese veraltete Steckdose auszutauschen.

SCHUTZ DES STROMKABELS: Stromkabel sollten so verlegt werden, dass man nicht auf sie treten kann, noch dass sie von darauf stehenden oder gegen sie stoßenden Gegenständen gequetscht werden. Achten Sie besonders auf Kanten, Sicherung, Stecker und Buchsen.

AUSSENANTENNENERDUNG: Wenn Sie eine Außenantenne oder ein Radio-/Fernsehkabelsignal an das Produkt anschließen, achten Sie darauf, dass die Antenne oder das Kabel geerdet sind, um dafür zu sorgen, dass Überspannungen und elektrostatische Aufladungen nicht auftreten können. Im Artikel 810 des National Electrical Code, ANSI/NFPA 70, finden Sie Informationen über die richtige Erdung des Antennenmasts und weitere Informationen zu diesem Thema. (SIEHE AUCH FIG. B).

GEWITTER: Trennen Sie das Produkt während eines Gewitters oder wenn es unbeaufsichtigt ist oder wenn es für eine lange Zeit nicht benutzt wird, durch Herausziehen des Stromkabels aus der Steckdose. Trennen Sie auch die Verbindung zu einer Antenne oder Radio-/Fernsehkabeln. Dadurch vermeiden Sie Beschädigungen des Produkts durch Blitze oder Überspannungen.

STROM- UND ÜBERLANDLEITUNGEN: Stellen Sie eine Außenantenne nicht in der Nähe von Überlandleitungen, elektrischen Licht- oder Stromkreisen oder an Stellen, wo sie in eine solche Leitung fallen könnte, auf. Wenn Sie eine Außenantenne aufstellen, achten Sie besonders darauf, dass Sie auf keinen Fall irgendwelche Stromleitungen berührt. Das kann zu gefährlichen Auswirkungen führen.

ÜBERLASTUNG: Überlasten Sie keine Steckdosen, Verlängerungskabel oder Sicherungen. Das kann zu Bränden oder elektrischen Schlägen führen.

EINDRINGEN VON GEGENSTÄNDEN ODER FLÜSSIGKEIT: Führen Sie niemals irgendwelche Gegenstände durch Öffnungen in das Produkt ein. Sie könnten mit Strom führenden Stellen in Verbindung kommen oder Kurzschlüsse verursachen, die zu Bränden oder elektrischen Schlägen führen können. Gießen Sie niemals irgendwelche Flüssigkeiten auf oder in das Produkt.

SERVICE: Versuchen Sie nicht, das Produkt selber zu reparieren. Durch das Öffnen des Gehäuses oder Entfernen von Schrauben können Sie mit gefährlichen Spannungen oder anderen Risiken in Kontakt kommen. Beauftragen Sie im Reparaturfall nur qualifiziertes Servicepersonal.

WANN SERVICE NÖTIG IST: Unter den folgenden Bedingungen ziehen Sie auf jeden Fall das Stromkabel aus der Steckdose und beauftragen Sie für eine Reparatur nur qualifiziertes Servicepersonal:

- Wenn das Stromkabel defekt ist.
- Wenn Flüssigkeit auf oder in das Produkt gelaufen ist oder Gegenstände in das Produkt gefallen sind.
- Wenn das Produkt Regen oder Wasser ausgesetzt war.
- Wenn das Produkt trotz Befolgen der Bedienungsanweisungen nicht normal arbeitet. Stellen Sie dabei das Produkt nur nach den Anweisungen der Bedienungsanleitung ein, andere Einstellungen können das Produkt beschädigen und den aufwändigen Einsatz von Technikern für die Wiederherstellung erfordern.
- Wenn das Produkt hingefallen oder auf andere Art und Weise beschädigt ist.
- Wenn das Produkt eine eindeutige Veränderung im Betrieb zeigt.

ERSATZTEILE: Wenn Ihr Produkt Ersatzteile benötigt, achten Sie darauf, dass der Servicetechniker nur vom Hersteller erlaubte Ersatzteile oder Ersatzteile, die die gleichen Eigenschaften wie die originalen Teile aufweisen, einsetzt. Falsche Ersatzteile können zu Bränden, elektrischen Schlägen oder anderen Risiken führen.

SICHERHEITSTEST: Bevor der Service oder eine Reparatur für dieses Produkt beendet sind, beauftragen Sie den Servicetechniker, einen Servicetest durchzuführen, um sicher zu stellen, dass das Produkt einwandfrei funktioniert.

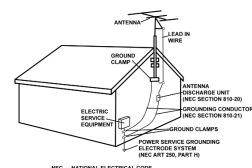
WAND- ODER DECKENMONTAGE: Das Produkt sollte nicht an einer Wand oder der Decke montiert werden.

HITZE: Stellen Sie das Produkt nicht in die Nähe von Wärmequellen wie Radiatoren, Wärmespeichern, Öfen oder anderen Produkten (auch Verstärker), die Hitze erzeugen.

VERWERTEN SIE WIEDER: Dieses Produkt sollte nicht als Haushaltsmüll entsorgt werden. Entsorgen Sie das Produkt im Bedarfsfall bei einer zuständigen Entsorgungsstelle, die das Recycling der elektrischen und elektronischen Bauteile übernimmt. Wenn Sie das Produkt dem gemäß entsorgen, schützen Sie die Umwelt und die menschliche Gesundheit. Bei nicht sachgemäßer Entsorgung gefährden Sie die Umwelt und die menschliche Gesundheit. Das Recycling verschiedener Materialien hilft, die Natur und ihre Ressourcen zu schonen. Für nähere Informationen bezüglich der Entsorgung dieses Produkts nehmen Sie Kontakt auf mit Ihrer lokalen Stadtverwaltung, dem zuständigen Entsorgungsunternehmen oder dem Händler, bei dem Sie das Produkt gekauft haben.



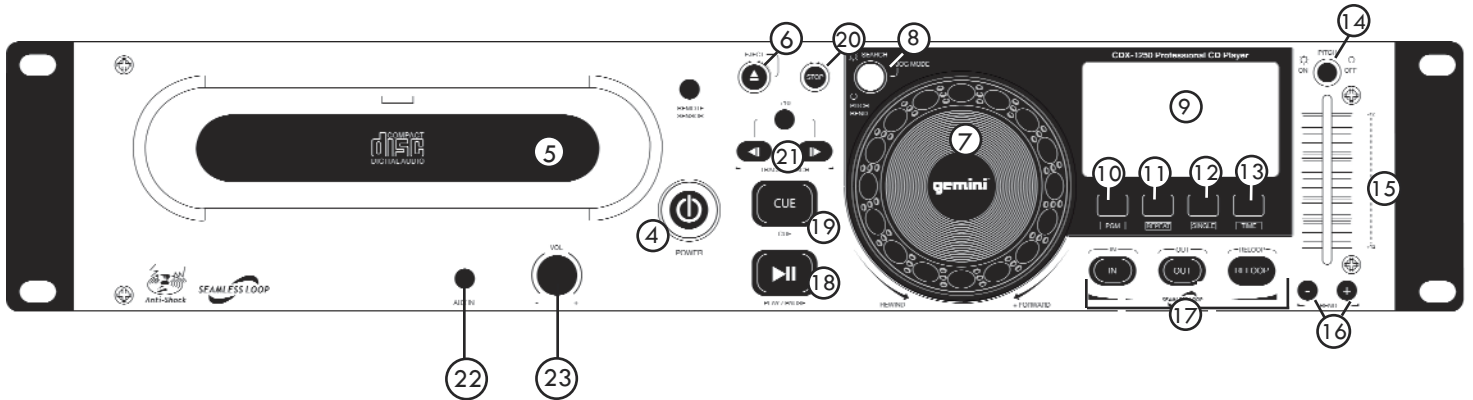
Abb. A



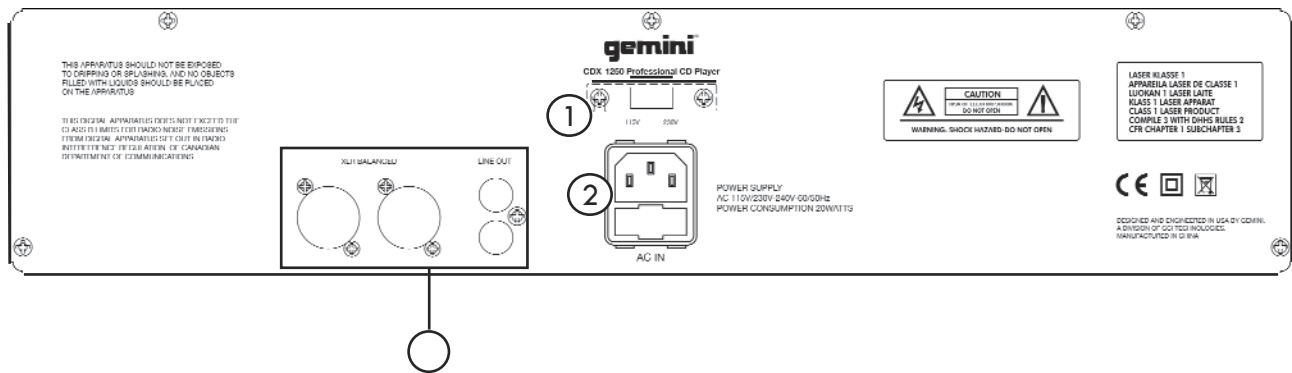
NEC - NATIONAL ELECTRICAL CODE

Abb. B

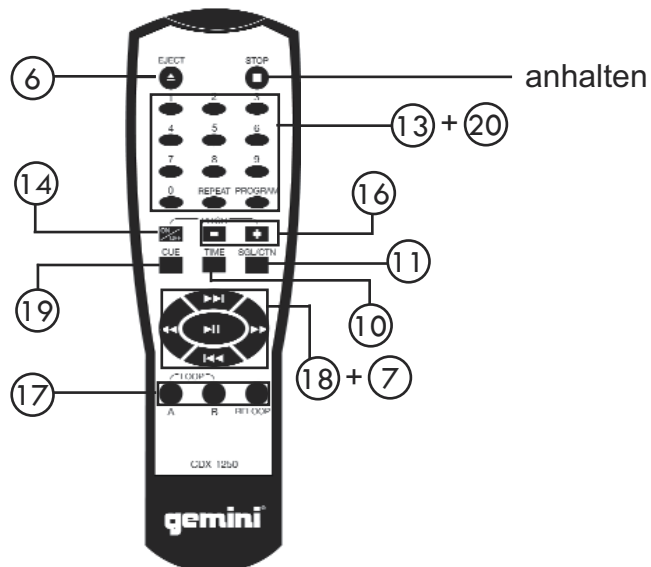
VORNE



HINTEN



FERNBEDIENUNG



EINLEITUNG:

Glückwunsch zum Kauf des **Gemini CDX-1250 CD-Player**. Dieser professionelle State of the art 2 HE CD-Player ist mit einer 1 Jahres Herstellergarantie* versehen. Bitte lesen Sie diese Anleitung sorgfältig durch, bevor Sie den Player verwenden.

FEATURES:

- Spielt Audio-CDs, & CD-Rs
- Antishock RAM-Speicher
- Symmetrischer XLR Ausgang
- 3,5 mm Klinkeneingang für MP3 Player
- Lautstärke Regler
- Zwei Jog Modi: Pitch Bend & Suche
- Sofort Start & Cue mit Vorhören
- Single /Continuous Play Modus
- Seamless Loop mit Reloop
- Pitch Bend mit Jog Wheel oder Tasten +/- 16%
- Drei Zeitanzeigemodi
- Frame genaue Suche
- Großes blaues hintergrundbeleuchtetes LCD Display
- Gummi Jog Wheel mit Fingermulden
- Pitch Control bis zu +/- 12 %

SICHERHEITSINFORMATIONEN:

Laser Dioden Eigenschaften

Material: Ga - Al - As

Wellenlänge: 755 - 815 nm (bei 25°C)

Laserausgang: konstanter Strahl, max. 0,5 mW

VORSICHTSMASSNAHMEN:

1. Setzen Sie diesen CD-Player keinen Temperaturen unterhalb **41°F/5°C** und oberhalb von **95°F/35°C** aus.
2. Das Produkt darf keinem Spritzwasser ausgesetzt werden und es dürfen keine Objekte gefüllt mit Flüssigkeit (etwa Vasen) auf dem Produkt platziert werden.
3. Stellen Sie das Produkt an einem sauberen und trockenen Ort auf.
4. Stellen Sie das Produkt nicht auf wackelige Oberflächen.
5. Wenn Sie das Netzkabel ziehen, halten Sie es stets am Stecker selbst und nicht am Kabel fest.
6. Um einem elektrischen Schock vorzubeugen öffnen Sie niemals das Gehäuse des Gerätes.
7. Im Gerät befinden sich **KEINE VOM BENUTZER AUSZUTAUSSCHEN-DEN TEILE**. Bitte wenden Sie sich an einen qualifizierten Techniker.

VORGEHEN IM FALLE EINER BEANSTANDUNG:

BITTE SETZEN SIE SICH MIT IHREM GEMINI VERTRAGSHÄNDLER IN VERBINDUNG.

8. Keine Sprühreiniger oder Schmieröl an Reglern, Oberfläche oder Schaltern benutzen.
9. Lassen Sie die CD-Schublade geschlossen, damit der Laser sauber bleibt
10. Verwahren Sie diese Anleitung gut auf für die Zukunft.

ANSCHLÜSSE:

- ① **SPANNUNGSWAHLSCHALTER** Bevor Sie den **CDX-1250** mit Ihrer Netzsteckdose verbinden überprüfen Sie, dass der **SPANNUNGSWAHLSCHALTER** auf der korrekten Spannung steht. Um diese Einstellung zu ändern, benutzen Sie einen Schraubendreher, um die Plastikabdeckung zu lösen. Mit einem Schlitzschraubendreher können Sie nun zw. **110 oder 230 Volt** umschalten. Wenden Sie keine Gewalt an, denn sonst können Sie den Schalter beschädigen. Wenden Sie sich an einen qualifizierten Techniker, falls der Schalter sich nicht leicht bewegen lässt.

- ② **NETZEINGANG** Nachdem Sie den **SPANNUNGSWAHLSCHALTER** überprüft haben können Sie das Netzkabel an den **CDX-1250** anschliessen.
- ③ **CINCH ANSCHLUSSBUCHSEN** Verbinden Sie ein Ende des mitgelieferten **CINCH KABELS** mit den **LINE ANSCHLÜSSEN** auf der Rückseite, das andere Ende mit einem freien Line-Anschluss an Ihrem Mischpult oder dem **AUX-Eingang** eines Vollverstärkers. Verwenden Sie jedoch keine Phono-Anschlüsse an Ihrem Mixer.

Hier können Sie symmetrische **XLR** Kabel an den **MASTER AUSGANG** des **CDX-1250** anschließen. **CINCH** und **XLR** Ausgang arbeiten simultan

BEDIENOBERFLÄCHE:

- ④ **NETZSCHALTER:** Nachdem Sie die korrekte Einstellung des **SPANNUNGSWAHLSCHALTERS** geprüft haben und alle Kabel verbunden wurden, schalten Sie den **CDX-1250** ein, indem Sie die **POWER** Taste drücken. Schalten Sie ihn aus, indem Sie diese Taste ein zweites Mal betätigen.
- ⑤ **CD-SCHUBLADE:** Im **Laufwerk** wird die CD während der Wiedergabe gehalten. Es werden **12 cm** und **8 cm** CDs unterstützt. (**SCHLIESSEN SIE DIE SCHUBLADE NICHT MIT GEWALT, SONST KÖNNEN SIE DIE MECHANIK DES PLAYERS BESCHÄDIGEN, VERWENDEN SIE DIE OPEN/CLOSE TASTE**)
- ⑥ **CD-AUSWURF TASTE:** Drücken Sie die **EJECT TASTE**, um das Laufwerk zu öffnen. Im Wiedergabemodus müssen Sie zunächst mit **STOP** die Wiedergabe beenden.
- ⑦ **JOG WHEEL:** Im **SUCHMODUS** kann das JogWheel zur Suche vorwärts oder rückwärts genutzt werden und zum genauen Einstellen des **CUE**-Punktes im Pause-Modus. Im **PITCH BEND** Modus übt das JogWheel dieselbe Funktion aus wie die **PITCH BEND** Tasten und Sie können die Wiedergabe kurz beschleunigen oder abbremsen.
- ⑧ **JOG MODUS TASTE:** Wenn die Anzeige **JOG MODUS** leuchtet zeigt dies an, dass das JogWheel im **SUCH MODUS** ist und wenn Sie nicht leuchtet, ist das Jog Wheel im **PITCH BEND Modus**.
- ⑨ **DISPLAY:** Das **DISPLAY** zeigt neben Titelnummer, Pitchwert, Pitchbend, Wiedergabemodus, Play/Pause, Suchmodus, Loop/Reloop, **Programmierung** und Repeat auch die Zeitanzeigeleiste und die Zeitanzeigemodi an. Diese sind **ABGELAUFENE ZEIT, VERBLEIBENDE ZEIT** des Titels und **VERBLEIBENDE ZEIT** der CD. Die Zeit wird in Minuten, Sekunden und Frames angezeigt.
- ⑩ **PROGRAMM:** Erlaubt, eigene Wiedergabelisten zu programmieren. Um eine Liste zu erstellen, halten Sie die Wiedergabe des Players an und drücken Sie die **PGM Taste**. Mittels **Track + und -** wählen Sie den ersten Titel für die Wiedergabe und drücken die Taste **PGM** erneut. Nun ist der **CDX-1250** bereit für Ihre nächste Auswahl. Wiederholen Sie dies solange, bis Ihre Auswahl abgeschlossen ist. Dann drücken Sie die **PLAY-Taste**, um die Wiedergabe dieser Liste zu starten.
- ⑪ **REPEAT:** Mit Druck auf die Taste **REPEAT** wechseln Sie in den Wiederholmodus, der den aktuellen Titel wiederholt. Drücken Sie erneut auf **REPEAT**, um den Modus **ALLE WIEDERHOLEN (REPEAT ALL)** zu aktivieren. Erneutes Drücken der Taste schaltet die Funktion aus.

BEDIENOBERFLÄCHE: (FORTSETZUNG)

- 12 **SINGLE:** Mit Druck auf die **SINGLE** Taste wechseln Sie in den **SINGLE** Modus, in welchem der Player einen Titel spielt und dann stoppt. Mit erneutem Druck auf die Taste aktivieren Sie den **CONTINUOUS** Modus, in welchem der Player kontinuierlich die CD wiederholt.
- 13 **ZEITMODUSAUSWAHL:** Mit der Taste **TIME** wechseln Sie zwischen den 3 Zeitanzeigemodi **ABGELAUFENE ZEIT des Titels**, **VERBLEIBENDE ZEIT auf der CD** und **VERBLEIBENDE ZEIT des Titels**. **ABGELAUFENE ZEIT** zeigt die Zeit an, die ab Beginn des Titel verstrichen ist, **VERBLEIBENDE ZEIT der CD** zeigt die übrige Spielzeit auf der gesamten CD und **VERBLEIBENDE ZEIT des Titels** zeigt die verbleibende Dauer des aktuellen Titels an.
- 14 **PITCH:** Drücken der Taste **PITCH** aktiviert den **PITCHFADER**. Die Wiedergabegeschwindigkeit kann mit dem Pitchfader um 12 % schneller oder langsamer eingestellt werden. Erneutes Drücken der Taste schaltet die Pitch-Funktion aus.
- 15 **PITCHFADER:** Bewegen Sie den **PITCHFADER nach oben oder unten, um die Wiedergabegeschwindigkeit zu erhöhen oder vermindern**.
- 16 **PITCH BEND:** Drücken der **PITCH BEND** Tasten erhöht oder vermindert automatisch die Wiedergabegeschwindigkeit auf bis zu 16%. Dies dient dazu, zwei Titel aneinander anzugleichen.
- 17 **LOOP SEKTION:** Ein **LOOP** wiederholt einen Teil des Titels zwischen **Anfangspunkt (IN)** und **Endpunkt (OUT)**. Um eine Schleife zu setzen, während der Player wiedergibt, drücken Sie auf die **IN Taste** und die **OUT Taste**, wenn Sie den gewünschten Endpunkt erreicht haben. Bis Sie erneut die **OUT Taste** drücken, wird die Schleife dauernd wiedergegeben. Um die Schleife erneut aufzurufen, drücken Sie die Taste **RELOOP**. Schnelles mehrfaches Drücken auf die **RELOOP Taste** kann als Stottereffekt verwendet werden. Während der normalen Wiedergabe zeigt Ihnen nun die **IN-Leuchte** an, dass eine Schleife programmiert wurde. Mit Druck auf die **Loop IN** Taste können Sie jederzeit eine neue Schleife starten und die alte löschen.
- 18 **PLAY/PAUSE:** Jeder Druck auf diese Taste wechselt zwischen dem Play und Pause Modus. Im Wiedergabemodus ist die Play-Taste beleuchtet, im Pause Modus blinkt diese.
- 19 **CUE:** Wenn der Player spielt und ein **CUE-Punkt** gespeichert ist, wird der Player mit Druck auf **CUE** in den Pausemodus wechseln und am definierten **CUE-Punkt** auf Sie warten. Halten der **CUE-Taste** bewirkt das Vorhören des Titels ab dem **CUE-Punkt**, lassen Sie die Taste los, um zum **CUE-Punkt** zurückzuspringen.
- 20 **STOP TASTE:** Mit Druck auf die **STOP Taste** halten Sie die Wiedergabe an.

- 21 **TITELWAHLTASTEN:** Die **TITELWAHLTASTEN** dienen dazu, den gewünschten Titel auszuwählen. Die Taste **+10** erlaubt, um 10 Titel vorwärts zu springen.

ACHTUNG: WENN SIE DEN TITEL WECHSELN, KÖNNEN SIE NICHT MEHR ZU DEM VORHER VERWENDETEN CUE-PUNKT ZURÜCKKEHREN. SIE MÜSSEN EINEN NEUEN CUE-PUNKT ERSTELLEN. DER CUE-PUNKT WIRD STANDARDMÄSSIG AN DEN ANFANG DES GEWÄHLTEN TITELS GESETZT.

- 22 **AUX EINGANG (MP3):** An diesen Eingang mit 3,5 mm Klinkenbuchse kann jedes Line Signal inklusive einem **MP3** Player angeschlossen werden. Sobald ein 3,5 mm Klinkenstecker eingesteckt ist, wird das Signal des **CD** Players unterbrochen und das Signal des **AUX EINGANGS** auf den Main Ausgang geleitet.

- 23 **MASTER AUSGANG REGLER:** Der **MASTER** Regler stellt die Lautstärke des **MASTER** Ausgangs ein.

FEHLERBESEITIGUNG:

- sollte eine CD nicht wiedergegeben werden, überprüfen Sie, ob die CD richtig eingelegt wurde und frei von Staub und Kratzern ist.
- sollte sich die CD drehen, jedoch kein Ton hörbar sein, prüfen Sie, ob die Kabelverbindungen korrekt sind und ihren Verstärker/Mixer
- sollte die CD springen, prüfen Sie diese auf Kratzer und Staub. Gehen Sie nicht davon aus, dass der CD-Player nicht funktioniert. Einige CDs wurden nicht qualitativ hochwertig verarbeitet/beschrieben und springen auf anderen Playern. Bevor Sie eine Reparatur in Betracht ziehen testen Sie CDs, wovon Sie wissen, dass diese einwandfrei sind.

TECHNISCHE DATEN:

ALLGEMEIN:

Typ.....	Compact Disc Player
CD Typ.....	Standard CDs (12 cm & 8 cm)
Zeitanzeige.....	abgelaufene Zeit, verbleibende Zeit
Pitchreglung.....	± 12% Regler mit Mitteleinrastung
Pitch Bend.....	± 16% Maximum
Sofort-Start.....	Innerhalb 0.03 Sekunden
Format.....	19"
Abmessungen.....	19" x 3,5" x 10" (482,6 x 88,9 x 254 mm)
Gewicht jeweils.....	5.5 Pfund (2.5 kg)

AUDIO SEKTION:

Quantisierung.....	1 Bit Linear/Kanal, 3 Strahl Laser
Oversampling Rate.....	8fach
Sample Frequenz.....	44,1 kHz
Frequenzgang.....	20 Hz bis 20 kHz
Klirrfaktor (THD).....	weniger als 0,05%
Rauschabstand (SNR).....	85 dB
Dynamikumfang.....	85 dB
Kanaltrennung.....	85 dB (1 KHz)
Ausgangspegel.....	2,0 +/- 0,2Vrms
Spannungsversorgung.....	AC 115/230V, 60/50 Hz

TECHNISCHE DATEN UND DAS DESIGN KÖNNEN ZUR VERBESSERUNG VERÄNDERT WERDEN.

EN FRANCE

En cas de panne, merci de contacter votre revendeur. Tout appareil en panne doit y être retourné, accompagné de sa facture d'achat, de son emballage d'origine et d'un descriptif de panne. L'appareil sera expédié au SAV de GCI Technologies France. Tout produit reçu sans facture sera réparé hors garantie. L'appareil sera ensuite ré-expédié au revendeur.

IN GERMANY

Die allgemeinen gesetzlichen Gewährleistungen bleiben von den Herstellergarantien unberührt. Der Garantieanspruch erlischt bei Eingriffen durch den Käufer oder durch Dritte sowie bei unsachgemässer Behandlung.

Gewährleistungsansprüche sind ausschließlich gegenüber Ihrem Fachhändler geltend zu machen.

IN THE UNITED KINGDOM

In the event that you need service on your Gemini product under warranty, simply write a letter describing the problem, along with your contact information. Make sure to enclose a copy of your receipt for proof of warranty information. A return number is not required. You will be responsible for shipping charges to Gemini UK, and Gemini UK will pay to return the unit to you if it is considered under warranty.

IN SPAIN

En caso de mal funcionamiento de esta unidad, por favor contacte con el Servicio de Atención al Cliente en el teléfono 93 436 37 00 que le asesorará sobre el procedimiento correcto para solucionarlo. En caso de ser necesario enviar la unidad para su reparación, el Servicio de Atención al Cliente le proveerá de un número de incidencia, así como de la dirección del Servicio de Asistencia Técnica más cercano a su residencia.



Save postage and register your product online at www.geminidj.com and automatically be registered for great prize giveaways!

If you do not have internet access, fill out the form below and mail to the appropriate address listed at the right side of this page.

First Name: _____ Initial: _____ Last Name: _____

Address: (Number and Street) _____ Apt #: _____

City: _____ State: _____ or Province: _____

Country: _____ Zip Code: _____ Postal Code: _____

E-mail Address: _____

Phone #: _____ Age: _____ Date of Birth: _____

Date of Purchase: _____ Purchase Price: \$ _____ .00
Month Day Year (EXCLUDING TAX)

City: _____

Model Number: (Example: CDT-05) _____ Serial Number: (Located on back of most units) _____

Cut along this line & keep the rest of this page for your records.

USA
GEMINI SOUND PRODUCTS
Worldwide Headquarters
1 Mayfield Ave
Edison, NJ 08837 USA

Tel: (732) 346-0061
Fax: (732) 346-0065

FRANCE
GCI TECHNOLOGIES S.A.R.L
1, Allée d'Effiat,
Parc de l'événement, 91160
Longjumeau, France

Tél: + 33 1 69 79 97 70
Fax: + 33 1 69 79 97 80

GERMANY
GCI TECHNOLOGIES
Liebigstr. 16,
Haus B - 3. OG,
85757 Karlsfeld
Germany
Tel: 08131 - 39171 - 0
Fax: 08131 - 39171 - 8

UK
GEMINI SOUND PRODUCTS
Unit C4
Hazleton Industrial Estate, P08
9JU Waterlooville, UK

Tel: 087 087 00880
Fax: 087 087 00990

SPAIN
GEMINI SOUND PRODUCTS
S.A.
Rosello, 516,
08026 Barcelona, Spain

Tel: 3493-436 37 00
Fax: 3493-347-6961

WARRANTY AND REPAIR:

All Gemini products are designed and manufactured to the highest standards in the industry. With proper care and maintenance, your product will provide years of reliable service.

LIMITED WARRANTY

A. Gemini warrants its products to be free from defects in materials and workmanship for **One (1) year** from the original purchase date.

Exceptions: Laser assemblies on CD Players, cartridges, and crossfaders are covered for 90 days.

B. This limited warranty does **not** cover damage or failure caused by abuse, misuse, abnormal use, faulty installation, improper maintenance or any repairs other than those provided by an authorized Gemini Service Center.

C. There are no obligations of liability on the part of Gemini for consequential damages arising out of or in connection with the use or performance of the product or other indirect damages with respect to loss of property, revenues, of profit, or costs of removal, installation, or reinstallation. All implied warranties for Gemini, including implied warranties for fitness, are limited in duration to **One (1) year** from the original date of purchase, **unless otherwise**

mandated by local statutes.

RETURN/REPAIR

A. In the U.S.A., please call our helpful Customer Service Representatives at (732)738-9003, and they will be happy to give you a **Return Authorization Number (RA#)** and the address of an authorized service center closest to you.

B. After receiving an **RA#**, include a **copy** of the **original sales receipt**, with defective product and a description of the defect. Send by insured freight to: Gemini Sound Products Corp, and use the address provided by your customer service representative. **Your RA# must be written on the outside of the package, or processing will be delayed indefinitely!**

C. Service covered under warranty will be paid for by Gemini and returned to you. For non-warranted products, Gemini will repair your unit after payment is received. Repair charges do not include return freight. Freight charges will be added to the repair charges.

D. On warranty service, **you pay for shipping to Gemini, we pay for return shipping within the Continental United States.** Alaska, Hawaii, Puerto Rico, Canada, Bahamas, and the Virgin Islands **will be charged for freight.**

E. Please allow **2-4 weeks** for return of your product. Under normal circumstances your product will spend no more than **10** working days at Gemini. We are not responsible for shipping times.

**IN THE USA: IF YOU EXPERIENCE PROBLEMS
WITH THIS UNIT, CALL 1-732-346-0061 FOR GCI TECHNOLOGIES
CUSTOMER SERVICE. DO NOT ATTEMPT
RETURN THIS EQUIPMENT TO YOUR DEALER.**

Parts of the design of this product may be protected by worldwide patents. Information in this manual is subject to change without notice and does not represent a commitment on the part of the vendor. GCI Technologies Corp. shall not be liable for any loss or damage whatsoever arising from the use of information or any error contained in this manual. No part of this manual may be reproduced, stored in a retrieval system or transmitted, in any form or by any means, electronic, electrical, mechanical, optical, chemical, including photocopying and recording, for any purpose without the express written permission of GCI Technologies Corp. It is recommended that all maintenance and service on this product is performed by GCI Technologies Corp. or its authorized agents. GCI Technologies Corp. will not accept liability for loss or damage caused by maintenance or repair performed by unauthorized personnel.

**Worldwide Headquarters • 1 Mayfield Ave, Edison, NJ 08837 • USA
Tel: (732) 346-0061 • Fax: (732) 346-0065**

France • GCI technologies France S.AR.R.L • 1, Allée d'Effiat, Parc de l'événement, 91160 Longjumeau, France
Tél: + 33 1 69 79 97 70 • Fax: + 33 1 69 79 97 80

Germany • GCI Technologies GmbH • Lerchenstrasse 14 , Haus 3 – 1. Stock , 80995 München, Germany
Tel: 49 (0) 89 319 019 80 • Fax: 08131 - 39171-9

UK • GCI Technologies • 44 The Brambles Enterprise Centre, PO7 7TH Waterlooville, UK
Tel: 087 087 00880 • Fax: 087 087 00990

Spain • GCI Technologies S.A. • Rosello, 516, 08026 Barcelona, Spain,
Tel: 349-3435-0814 • Fax: 3493-347-6961

gemini[®]