

# LOGO PROJECTOR



Operation Manual EN  
Mode d'emploi FR  
Gebruiksaanwijzing NL  
Bedienungsanleitung DU  
Manual de instrucciones ES  
Manual do utilizador PT

[WWW.BEGLEC.COM](http://WWW.BEGLEC.COM)

Copyright © 2005 - 2007 by BEGLEC cva.

Reproduction or publication of the content in any manner, without express permission of the publisher, is prohibited.

Version: 2.1

**JBSYSTEMS**  
*Light*



### **EN - DISPOSAL OF THE DEVICE**

Dispose of the unit and used batteries in an environment friendly manner according to your country regulations.

### **FR - DÉCLASSER L'APPAREIL**

Débarrassez-vous de l'appareil et des piles usagées de manière écologique Conformément aux dispositions légales de votre pays.

### **NL - VERWIJDEREN VAN HET APPARAAT**

Verwijder het toestel en de gebruikte batterijen op een milieuvriendelijke manier conform de in uw land geldende voorschriften.

### **DU - ENTSORGUNG DES GERÄTS**

Entsorgen Sie das Gerät und die Batterien auf umweltfreundliche Art und Weise gemäß den Vorschriften Ihres Landes.

### **ES - DESHACERSE DEL APARATO**

Reciclar el aparato y pilas usadas de forma ecologica conforme a las disposiciones legales de su pais.

### **PT - COMO DESFAZER-SE DA UNIDADE**

Tente reciclar a unidade e as pilhas usadas respeitando o ambiente e em conformidade com as normas vigentes no seu país.

# OPERATION MANUAL

Thank you for buying this JB Systems® product. To take full advantage of all possibilities and for your own safety, please read these operating instructions very carefully before you start using this unit.

## FEATURES

This unit is radio-interference suppressed. This product meets the requirements of the current European and national guidelines. Conformity has been established and the relevant statements and documents have been deposited by the manufacturer.

- This device has been designed to produce decorative effect lighting and is used in light show systems.
- A powerful architectural and promotional projector
- Projects your own promotional gobo or any metal and glass D-size gobo
- Comes with 7 free gobos, including "Happy New Year", "Merry Christmas", etc.
- Very easy gobo replacement!
- Precise optics for sharp projections.
- Adjustable speed and direction for gobo rotation
- Adjustable focus
- Fan cooling
- Stepper motors for extra reliability

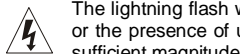
## BEFORE USE

- Before you start using this unit, please check if there's no transportation damage. Should there be any, do not use the device and consult your dealer first.
- **Important:** This device left our factory in perfect condition and well packaged. It is absolutely necessary for the user to strictly follow the safety instructions and warnings in this user manual. Any damage caused by mishandling are not subject to warranty. The dealer will not accept responsibility for any resulting defects or problems caused by disregarding this user manual.
- Keep this booklet in a safe place for future consultation. If you sell the fixture, be sure to add this user manual.

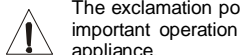
## SAFETY INSTRUCTIONS:



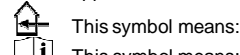
**CAUTION:** To reduce the risk of electric shock, do not remove the top cover. No user-serviceable parts inside. Refer servicing to qualified service personnel only.



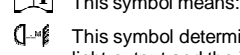
The lightning flash with arrowhead symbol within the equilateral triangle is intended to alert the user of the presence of un-insulated "dangerous voltage" within the product's enclosure that may be of sufficient magnitude to constitute a risk of electric shock.



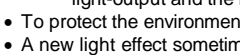
The exclamation point within the equilateral triangle is intended to alert the user to the presence of important operation and maintenance (servicing) instructions in the literature accompanying this appliance.



This symbol means: indoor use only.



This symbol means: Read instructions.



This symbol determines: the minimum distance from lighted objects. The minimum distance between light-output and the illuminated surface must be more than 1 meters.

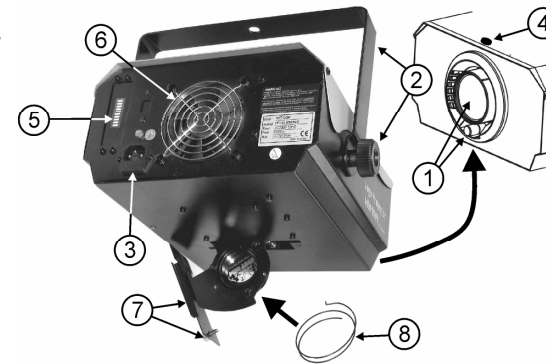
- To protect the environment, please try to recycle the packing material as much as possible.
- A new light effect sometimes causes some unwanted smoke and/or smell. This is normal and disappears after some minutes.
- To prevent fire or shock hazard, do not expose this appliance to rain or moisture.
- To avoid condensation to be formed inside, allow the unit to adapt to the surrounding temperatures when bringing it into a warm room after transport. Condensation sometimes prevents the unit from working at full performance or may even cause damages.

- This unit is for indoor use only.
- Don't place metal objects or spill liquid inside the unit. Electric shock or malfunction may result. If a foreign object enters the unit, immediately disconnect the mains power.
- Locate the fixture in a well ventilated spot, away from any flammable materials and/or liquids. The fixture must be fixed at least 50cm from surrounding walls.
- Don't cover any ventilation openings as this may result in overheating.
- Prevent use in dusty environments and clean the unit regularly.
- Keep the unit away from children.
- Inexperienced persons should not operate this device.
- Maximum save ambient temperature is 40°C. Don't use this unit at higher ambient temperatures.
- The units' surface temperature may reach up to 85°C. Don't touch the housing with bare hands during its operation.
- Make sure the area below the installation place is free from unwanted persons during rigging, de-rigging and servicing.
- Allow the device about 10 minutes to cool down before replacing the bulb or start servicing.
- Always unplug the unit when it is not used for a longer time or before replacing the bulb or start servicing.
- The electrical installation should be carried out by qualified personal only, according to the regulations for electrical and mechanical safety in your country.
- Check that the available voltage is not higher than the one stated on the rear panel of the unit.
- The power cord should always be in perfect condition. Switch the unit immediately off when the power cord is squashed or damaged. It must be replaced by the manufacturer, its service agent or similarly qualified persons in order to avoid a hazard.
- Never let the power-cord come into contact with other cables!
- This fixture must be earthed to in order comply with safety regulations.
- Don't connect the unit to any dimmer pack.
- Always use an appropriate and certified safety cable when installing the unit.
- In order to prevent electric shock, do not open the cover. Apart from the lamp and mains fuse there are no user serviceable parts inside.
- **Never** repair a fuse or bypass the fuse holder. **Always** replace a damaged fuse with a fuse of the same type and electrical specifications!
- In the event of serious operating problems, stop using the fixture and contact your dealer immediately.
- The housing and the lenses must be replaced if they are visibly damaged.
- Please use the original packing when the device is to be transported.
- Due to safety reasons it is prohibited to make unauthorized modifications to the unit.

**Important:** Never look directly into the light source! Don't use the effect in the presence of persons suffering from epilepsy.

## DESCRIPTION:

1. Optical lens with manual focus adjustment.
2. Hanging bracket with 2 knobs on both sides to fasten the unit and a mounting hole to fix a mounting hook.
3. Mains input with IEC socket and integrated fuse holder, connect the supplied mains cable here.
4. Lamp compartment, to be opened with this knob
5. Manual speed + direction adjustment for the rotating gobo.
6. Cooling fan
7. Gobo compartment for easy gobo replacement, just unscrew the knob to access the gobo.
8. Fixation ring, used to keep the gobo in place.



**LAMP (RE)PLACEMENT**

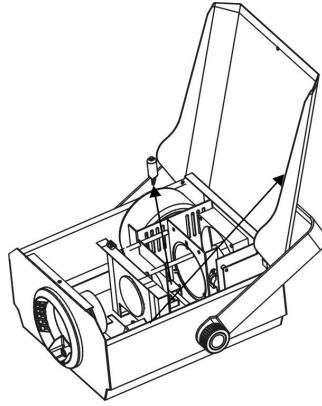


In case of replacement of the lamp or maintenance, do not open the fixture within 10 minutes until the unit cools down after switching off. Always unplug the unit before servicing! Always use the same type of spare parts (bulbs, fuses, etc.) When replacing parts, please only genuine spare parts.

- Unplug the mains cable.
- Wait for about 10 minutes until the unit has been cooled down.
- Unscrew the knob that closes the lamp compartment of the fixture and open de top of the enclosure.
- On the inside you will see the lamp socket. Tear the lamp socket gently out of the lamp compartment.
- Unplug the old lamp. Hold the lamp socket while unplugging the lamp instead of pulling the cable!
- Hold the lamp socket while pressing the new lamp gently in the socket.

**Attention!** Check the label on the backside of the device or see the technical specifications in this manual to know which lamp should be used. Never install lamps with a higher wattage! Lamps with higher wattage generate temperatures the device was not designed for. If the device uses a lamp transformer, it will burn due to current overload.

- Don't touch the bulb with bare hands! This drastically shortens the lifespan of the lamp. If you touched the lamp, clean it with a cloth and a little denatured alcohol. Wipe the lamp off before installing.
- Put the new lamp back inside the unit. Be sure that the wires don't touch the lamp.
- Close the lamp compartment.
- Done!

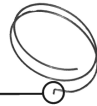


**EXCHANGING A GOBO**

The logo projector accepts both metal and glass gobos.

Diameter: 53.3mm (D-size) maximum thickness glass gobos: 3mm

- Switch off the main supply and unplug the unit.
- Unscrew the small knob (8) on the bottom of the enclosure to open the gobo compartment.
- Remove the fixation ring of the gobo. You can do this easily with your fingers.
- Remove the gobo and insert the new gobo.
- Press the fixation-ring together and insert it in front of the gobo.
- Make sure that the end of the fixation ring locks in the groove of the gobo holder.
- Close the gobo compartment again.
- Done!

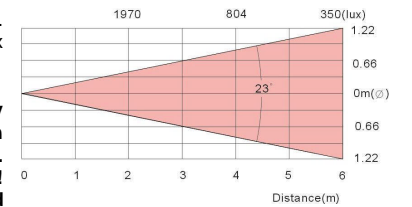


**OVERHEAD RIGGING**

Best installation distance:

A projection distance of +/- 5 meters from the wall is perfect. From this distance the projection will cover an area of 2.1m x 2.1m.

WT-LGP



- **Important:** The installation must be carried out by qualified service personal only. Improper installation can result in serious injuries and/or damage to property. Overhead rigging requires extensive experience! Working load limits should be respected, certified installation materials should be used, the installed device should be inspected regularly for safety.
- Make sure the area below the installation place is free from unwanted persons during rigging, de-rigging and servicing.
- Locate the fixture in a well ventilated spot, far away from any flammable materials and/or liquids. The fixture must be fixed **at least 50cm** from surrounding walls.
- The device should be installed out of reach of people and outside areas where persons may walk by or be seated.
- Before rigging make sure that the installation area can hold a minimum point load of 10times the device's weight.
- Always use a certified safety cable that can hold 12times the weight of the device when installing the unit. This secondary safety attachment should be installed in a way that no part of the installation can drop more than 20cm if the main attachment fails.
- The device should be well fixed; a free-swinging mounting is dangerous and may not be considered!
- Don't cover any ventilation openings as this may result in overheating.
- The operator has to make sure that the safety-relating and machine-technical installations are approved by an expert before using them for the first time. The installations should be inspected every year by a skilled person to be sure that safety is still optimal.

**OPERATING INSTRUCTIONS**

- Once connected to the mains the device starts running.
- Point the projector to the wall and adjust the focus to obtain a clear picture.
- Eventually adjust the rotating speed and/or direction of the gobo with the dip switches on the back of the unit (5):
  - **DIP1 → 8:** slow to fast rotation speed.
  - **DIP9:** Rotation direction (left or right)
  - **DIP10:** Rotation on/off switch
- Regular breaks during operation are essential to maximize the life of this device as it is not designed for continual use.
- Do not switch the unit on and off in short time intervals as this reduces the lamp life.
- The units' surface temperature may reach up to 85°C. Don't touch the housing with bare-hands during its operation.
- Always unplug the unit when it is not used for a longer time or before replacing the bulb or start servicing.
- In the event of serious operating problems, stop using the fixture and contact your dealer immediately.
- **Important:** Never look directly into the light source! Don't use the effect in the presence of persons suffering from epilepsy.

Speed	Dip Switches setting	Function
Speed 1	↓ [ON 1 2 3 4 5 6 7 8 9 10]	Slow ↓ Fast
Speed 2	↓ [ON 1 2 3 4 5 6 7 8 9 10]	
Speed 3	↓ [ON 1 2 3 4 5 6 7 8 9 10]	
Speed 4	↓ [ON 1 2 3 4 5 6 7 8 9 10]	
Speed 5	↓ [ON 1 2 3 4 5 6 7 8 9 10]	
Speed 6	↓ [ON 1 2 3 4 5 6 7 8 9 10]	
Speed 7	↓ [ON 1 2 3 4 5 6 7 8 9 10]	Direction
Speed 8	↓ [ON 1 2 3 4 5 6 7 8 9 10]	
Speed 9	↓ [ON 1 2 3 4 5 6 7 8 9 10]	Stand-alone
Speed 10	↓ [ON 1 2 3 4 5 6 7 8 9 10]	

## MAINTENANCE

- Make sure the area below the installation place is free from unwanted persons during servicing.
- Switch off the unit, unplug the mains cable and wait until the unit has been cooled down.
- **During inspection the following points should be checked:**
- All screws used for installing the device and any of its parts should be tightly fastened and may not be corroded.
- Housings, fixations and installations spots (ceiling, truss, suspensions) should be totally free from any deformation.
- When an optical lens is visibly damaged due to cracks or deep scratches, it must be replaced.
- The mains cables must be in impeccable condition and should be replaced immediately when even a small problem is detected.
- In order to protect the device from overheat the cooling fans (if any) and ventilation openings should be cleaned monthly.
- The interior of the device should be cleaned annually using a vacuum cleaner or air-jet.
- The cleaning of internal and external optical lenses and/or mirrors must be carried out periodically to optimize light output. Cleaning frequency depends on the environment in which the fixture operates: damp, smoky or particularly dirty surroundings can cause greater accumulation of dirt on the unit's optics.
  - Clean with a soft cloth using normal glass cleaning products.
  - Always dry the parts carefully.
  - Clean the external optics at least once every 30 days.
  - Clean the internal optics at least every 90 days.

**Attention:** We strongly recommend internal cleaning to be carried out by qualified personnel!

## SPECIFICATIONS

<b>Mains Input:</b>	AC 230V, 50Hz
<b>Fuse:</b>	250V 5A slow blow (20mm glass)
<b>Sound Control:</b>	none
<b>Lamp:</b>	EHJ 250W / 24V
<b>Size:</b>	31 x 27 x 14cm
<b>Weight:</b>	8.2kg

Every information is subject to change without prior notice

You can download the latest version of this user manual on our website: [www.beglec.com](http://www.beglec.com)

## MODE D'EMPLOI

Merci d'avoir choisi ce produit JB Systems®. Pour votre sécurité et pour une utilisation optimale de toutes les possibilités de l'appareil, lisez attentivement cette notice avant utilisation.

**EN VOUS INSCRIVANT POUR LA LETTRE D'INFORMATION VOUS SEREZ TOUJOURS TENU AU COURANT DES DERNIERES NOUVELLES CONCERNANT NOS PRODUITS: NOUVEAUTES, ACTIONS SPECIALES, JOURNEES PORTES OUVERTES, ETC.**  
 → SURFEZ SUR: [WWW.BEGLEC.COM](http://WWW.BEGLEC.COM) ←

## CARACTERISTIQUES

Cet appareil ne produit pas d'interférences radio. Il répond aux exigences nationales et européennes. La conformité a été établie et les déclarations et documents correspondants ont été déposés par le fabricant.

- Cet appareil a été conçu pour la production d'effets lumière décoratifs et est utilisé dans des spectacles lumineux.
- Puissant projecteur publicitaire et architectural
- Projette votre propre logo ou n'importe quel gobo en verre ou métallique de taille D
- Livré avec 7 gobos, dont "Happy New Year", "Merry Christmas", etc.
- Remplacement aisé des gobos!
- Lentilles de précision pour des projections nettes.
- Vitesse et sens de rotation réglables
- Focus réglable
- Ventilation forcée par ventilateur
- Moteurs pas à pas pour plus de fiabilité

## AVANT UTILISATION

- Avant d'utiliser cet appareil, assurez-vous de l'absence de dommage lié au transport. En cas d'endommagement, n'utilisez pas l'appareil et contactez le vendeur.
- **Important:** Cet appareil a quitté notre usine en parfaite condition et bien emballé. Il est primordial que l'utilisateur suive les instructions de sécurité et avertissements inclus dans ce manuel. La garantie ne s'applique pas en cas de dommage lié à une utilisation incorrecte. Le vendeur ne prend pas la responsabilité des défauts ou de tout problème résultant du fait de n'avoir pas tenu compte des mises en garde de ce manuel.
- Conservez ce manuel dans un endroit sûr pour toute consultation future. Si vous vendez l'appareil, assurez-vous d'y joindre ce manuel également.

## INSTRUCTIONS DE SECURITE:



**ATTENTION:** afin de réduire le risque d'électrocution, n'enlevez jamais le couvercle de l'appareil. Il n'y a aucune pièce à l'intérieur de l'appareil que vous pouvez remplacer vous-même. Confiez l'entretien uniquement à des techniciens qualifiés.



La flèche dans un triangle met l'utilisateur en garde contre la présence de haute tension sans isolation dans l'appareil qui peut causer un risque d'électrocution.



Un point d'exclamation dans un triangle prévient de la présence d'instructions de fonctionnement et de maintenance se trouvant dans le manuel, fourni avec l'appareil.



Ce symbole signifie: uniquement pour usage à l'intérieur



Ce symbole signifie: Lire le mode d'emploi.



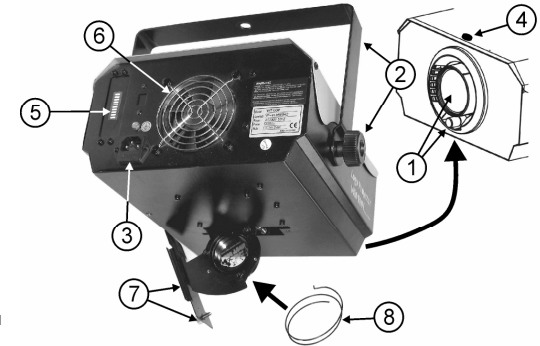
Ce symbole détermine: la distance minimum des objets allumés. La distance minimum entre le projecteur et la surface à éclairer doit être plus de 1 mètres.

- Afin de protéger l'environnement, merci de recycler les emballages autant que possible.
- Un nouvel effet lumière peut provoquer de la fumée et/ou une odeur non souhaitée, disparaissant après quelques minutes.
- Afin d'éviter tout risque d'incendie ou de choc électrique, ne pas exposer cet appareil à la pluie ou l'humidité.
- Pour éviter la formation de condensation à l'intérieur de l'appareil, patientez quelques minutes pour laisser l'appareil s'adapter à la température ambiante lorsqu'il arrive dans une pièce chauffée après le transport. La condensation empêche l'unité de fonctionner en performance optimale et peut même causer des dommages.
- Cette unité est destinée à une utilisation à l'intérieur uniquement.
- Ne pas insérer d'objet métallique ou verser un liquide dans l'appareil. Aucun objet rempli de liquides, tels que des vases, ne peut être placé sur cet appareil. Risque de choc électrique ou de dysfonctionnement. Si un corps étranger est introduit dans l'unité, déconnectez immédiatement de la source d'alimentation.
- Aucune source de flamme nue, telle que les bougies allumées, ne peut être placée sur l'appareil.
- Placez l'appareil dans un endroit bien ventilé, éloigné de tout matériau ou liquide inflammable. L'appareil doit être fixé à 50cm minimum des murs.
- Ne pas couvrir les ouvertures de ventilation, un risque de surchauffe en résulterait.
- Ne pas utiliser dans un environnement poussiéreux et nettoyez l'unité régulièrement.
- Ne pas laisser l'unité à portée des enfants.
- Les personnes non expérimentées ne doivent pas utiliser cet appareil.
- La température ambiante maximum d'utilisation de l'appareil est de 40°C. Ne pas l'utiliser au-delà de cette température.
- La température des parois de l'unité peut atteindre 85°C. Ne pas toucher la coque à mains nues en cours de fonctionnement.
- Assurez-vous que la zone au-dessous du lieu d'installation ne comporte pas de personnes indésirables pendant le montage, le démontage et les opérations de maintenance.
- Laissez l'appareil refroidir environ 10 minutes avant de remplacer l'ampoule ou d'effectuer des réparations.
- Débranchez toujours l'appareil si vous ne l'utilisez pas de manière prolongée avant de changer une ampoule ou d'entreprendre des réparations.
- Les installations électriques ne peuvent être faites que par du personnel qualifié et conformément aux réglementations de sécurité électrique et mécanique en vigueur dans votre pays.
- Assurez-vous que la tension d'alimentation de la source d'alimentation de la zone dans laquelle vous vous trouvez ne dépasse pas celui indiqué à l'arrière de l'appareil.
- Le cordon d'alimentation doit toujours être en parfait état. Mettez immédiatement l'unité hors tension si le cordon devait être écrasé ou endommagé. Pour éviter tout risque de choc électrique, le cordon doit être remplacé par le constructeur, son agent ou un technicien qualifié.
- Ne laissez jamais le cordon d'alimentation entrer en contact avec d'autres câbles !
- L'appareil doit être à la masse selon les règles de sécurité.
- Ne pas connecter l'unité à un variateur de lumière.
- Utilisez toujours les câbles appropriés et certifiés lorsque vous installez l'unité.
- Pour éviter tout choc électrique, ne pas ouvrir l'appareil. En dehors des ampoules et du fusible principal, il n'y a pas de pièces pouvant être changées par l'utilisateur à l'intérieur.
- **Ne jamais** réparer ou court-circuiter un fusible. Remplacez **systématiquement** un fusible endommagé par un fusible de mêmes type et spécifications électriques !
- En cas de problèmes de fonctionnement sérieux, arrêtez toute utilisation de l'appareil et contactez votre revendeur immédiatement.
- La coque et les lentilles doivent être remplacées si visiblement endommagées.
- Utilisez l'emballage d'origine si l'appareil doit être transporté.
- Pour des raisons de sécurité, il est interdit d'apporter toute modification à l'unité non spécifiquement autorisée par les parties responsables.

**Important:** Ne jamais fixer directement la source de lumière ! Ne pas utiliser d'effets en présence de personnes souffrant d'épilepsie.

## DESCRIPTION:

1. Objectif à focale réglable manuellement.
2. Support de fixation, pourvu de 2 vis de serrage (une de chaque côté de l'appareil) et d'un trou pouvant recevoir un crochet de fixation.
3. Entrée d'alimentation par connecteur IEC avec porte fusible intégré. Branchez le câble d'alimentation ici.
4. Compartiment de l'ampoule, peut être ouvert en dévissant cette vis
5. Réglage manuel de la vitesse et la direction du gobo rotatif.
6. Ventilateur de refroidissement
7. Compartiment à Gobo pour un remplacement aisé du gobo, vous n'avez qu'à dévisser cette vis pour avoir accès au gobo.
8. Anneau de fixation du gobo.

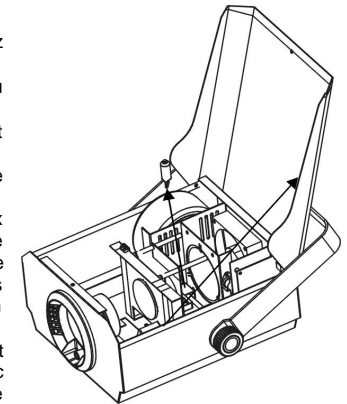


## MISE EN PLACE / REMPLACEMENT DES AMPOULES



En cas d'opération de maintenance ou de remplacement des ampoules, ne pas ouvrir l'installation dans les 10 minutes suivant la fin de l'utilisation jusqu'à ce que l'appareil ait refroidi. Débranchez systématiquement l'unité avant toute opération de maintenance. Utilisez toujours le même type de pièces (ampoules, fusibles, etc.) Lors du remplacement, n'utilisez que des pièces véritables.

- Débranchez le câble d'alimentation.
- Attendez environ 10 minutes jusqu'à ce que l'unité ait refroidi.
- Dévissez la vis qui referme le compartiment de l'ampoule et ouvrez le dessus du boîtier.
- A l'intérieur vous pouvez voir la douille. Sortez-la délicatement du compartiment à ampoules.
- Sortez l'ampoule usagée. Tenez la douille pendant l'opération, plutôt que de tirer sur le câble!
- Tenez encore la douille lorsque vous mettez en place la nouvelle ampoule.
- **Attention!** Reportez-vous à l'étiquette à l'arrière de l'appareil ou aux spécifications techniques de ce manuel pour savoir quelle ampoule utiliser. Ne jamais installer d'ampoules à puissance plus élevée! De telles ampoules produisent des températures supérieures à celles pour lesquelles l'appareil a été conçu. Si l'appareil utilise un transformateur, il brûlera en raison de la surcharge induite.
- Ne pas toucher l'ampoule à mains nues! Cela réduirait énormément le cycle de vie de la lampe. Si vous l'avez touchée, nettoyez-la avec un linge et un peu d'alcool modifié. Essayez l'ampoule avant de l'installer.
- Insérez la nouvelle ampoule à l'intérieur de l'unité. Assurez-vous que les fils ne touchent pas l'ampoule.
- Refermez le compartiment à ampoules.
- Voilà!

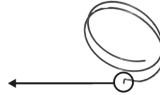


## REEMPLACER UN GOBO

Le projecteur à logo peut être équipé de gobos en verre ou en métal.

**Diamètre:** 53.3mm (taille D) épaisseur maximale des gobos en verre: 3mm

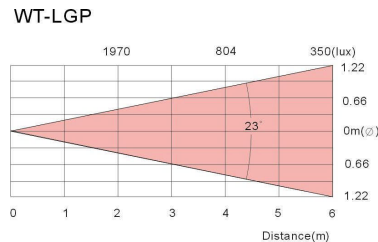
- Coupez l'alimentation et débranchez l'appareil.
- Dévissez le petit bouton (8) en dessous du boîtier pour ouvrir le compartiment à gobo.
- Retirez l'anneau de fixation du gobo. Vous pouvez le faire aisément avec vos doigts.
- Retirez le gobo et insérez le nouveau gobo.
- Comprimez l'anneau de fixation et insérez-le devant le gobo.
- Assurez-vous que le bout courbé de l'anneau de fixation est verrouillé dans la rainure du support à gobo.
- Refermez le compartiment à gobo.
- Prêt!



## INSTALLATION EN HAUTEUR

### Distance idéale d'installation:

Une distance de projection de +/- 5 mètres du mur est parfait. De cette distance la projection couvrira une surface de 2.1m x 2.1m.



- **Important:** L'installation doit être faite par du personnel qualifié uniquement. Une installation incorrecte peut causer des blessures sévères et/ou endommager l'appareil. L'installation en hauteur exige de l'expérience! Les limites de charge doivent être respectées, du matériel d'installation certifié doit être utilisé, et l'appareil installé doit subir des inspections de sécurité régulièrement.
- Assurez-vous que la zone au-dessous du lieu d'installation ne comporte pas de personnes indésirables lors de l'installation, la désinstallation ou la maintenance.
- Placez l'appareil dans un endroit bien ventilé, éloigné de tout matériau ou liquide inflammable. L'appareil doit être fixé à **50cm minimum** des murs à l'entour.
- L'appareil doit être hors de portée du public et en dehors des zones de passage de personnes ou des zones où le public est installé.
- Avant l'installation assurez-vous que la zone d'installation supporte un point localisé minimum de 10 fois le poids de l'appareil.
- Utilisez systématiquement un câble de sécurité qui peut supporter 12 fois le poids de l'appareil lors de l'installation. Ce câble de sécurité secondaire doit être installé de manière à ce qu'aucune partie de l'appareil ne puisse descendre de plus de 20 cm si le support principal tombe.
- L'appareil doit être bien fixé, un montage à balancement est dangereux et ne devrait pas être considéré!
- Ne pas couvrir les ouvertures de ventilation pour éviter tout risque de surchauffe.
- L'utilisateur doit s'assurer que les installations techniques et de sécurité sont bien approuvées par un expert avant la première utilisation. Les installations doivent être inspectées chaque année par du personnel qualifié pour assurer une sécurité optimale.

## INSTRUCTIONS D'UTILISATION

- Une fois l'appareil connecté, l'unité principale fonctionne.
- Pointez le projecteur vers le mur et ajustez le focus afin d'obtenir une image nette.
- Réglez éventuellement la vitesse de rotation et/ou la direction de rotation du gobo à l'aide des interrupteurs DIP(5):
  - **DIP1 → 8:** Vitesse de rotation (lentement → vite)
  - **DIP9:** Direction de la rotation (gauche / droit)
  - **DIP10:** mettre/arrêter la rotation
- Des pauses régulières dans l'utilisation sont primordiales pour maximiser la durée de vie de l'appareil, puisqu'il n'est pas conçu pour une utilisation continue.

- Ne pas mettre l'unité sous tension et hors tension à de faibles intervalles, cela réduit la durée de vie des ampoules.
- La surface de l'unité peut atteindre une température de 85°C. Ne pas toucher la coque à mains nues en cours de fonctionnement de l'appareil.
- Débranchez systématiquement l'appareil s'il n'est pas utilisé pour une période prolongée ou avant de changer une ampoule ou d'effectuer des opérations de maintenance.
- En cas de problèmes de fonctionnement sérieux, arrêtez toute utilisation de l'appareil et contactez votre revendeur immédiatement.
- **Important:** Ne jamais fixer directement la source de lumière! Ne pas utiliser d'effets en présence de personnes souffrant d'épilepsie.

Speed	Dip Switches setting	Function
Speed 1	↓  ON 1 2 3 4 5 6 7 8 9 10	Slow ↓
Speed 2	↓  ON 1 2 3 4 5 6 7 8 9 10	
Speed 3	↓  ON 1 2 3 4 5 6 7 8 9 10	
Speed 4	↓  ON 1 2 3 4 5 6 7 8 9 10	
Speed 5	↓  ON 1 2 3 4 5 6 7 8 9 10	Fast
Speed 6	↓  ON 1 2 3 4 5 6 7 8 9 10	
Speed 7	↓  ON 1 2 3 4 5 6 7 8 9 10	
Speed 8	↓  ON 1 2 3 4 5 6 7 8 9 10	Direction
Speed 9	↓  ON 1 2 3 4 5 6 7 8 9 10	
Speed 10	↓  ON 1 2 3 4 5 6 7 8 9 10	Stand-alone

## MAINTENANCE

- Assurez-vous que la zone au-dessous du lieu d'installation ne comporte pas de personnes indésirables lors de la maintenance
- Mettez l'unité hors tension, débranchez le cordon d'alimentation et attendez que l'appareil ait refroidi.
- **Pendant l'inspection, les points suivants doivent être vérifiés :**
- Toutes les vis utilisées pour l'installation de l'appareil ou de chacune de ses pièces doivent être bien fixées et non corrodées.
- Les niches, fixations et structures de support (plafond, poutres, suspensions) doivent être totalement intactes, sans aucune déformation.
- Lorsqu'une lentille optique est visiblement endommagée (fissure ou éraflures profondes), elle doit être remplacée.
- Les câbles doivent être en parfaite condition et doivent être remplacés immédiatement en cas de détection d'un problème, même bénin.
- Pour protéger l'appareil de toute surchauffe, les ventilateurs (si applicable) et les ouvertures de ventilation doivent être nettoyées mensuellement.
- L'intérieur de l'appareil doit être nettoyé annuellement à l'aide d'un aspirateur ou jet d'air.
- Le nettoyage des lentilles optiques internes et externes et/ou des miroirs doit être effectué périodiquement pour optimiser la production de lumière. La fréquence de nettoyage dépend de l'environnement dans lequel l'appareil fonctionne: des environnements humides, enfumés ou particulièrement sales peuvent entraîner une accumulation de saleté plus importantes sur les optiques de l'appareil.
  - Nettoyez à l'aide d'un chiffon doux avec des produits de nettoyage pour verres normaux.
  - Séchez toujours les parties soigneusement.
  - Nettoyez les optiques externes ou moins une fois tous les 30 jours.
  - Nettoyez les optiques internes ou moins une fois tous les 90 jours.

**Attention:** Nous vous recommandons fortement de faire exécuter le nettoyage interne par du personnel qualifié!

## SPECIFICATIONS

<b>Alimentation:</b>	AC 230V, 50Hz
<b>Fusible:</b>	250V 5A lente (20mm verre)
<b>Contrôle de son:</b>	non
<b>Ampoules:</b>	EHJ 250W / 24V
<b>Taille:</b>	31 x 27 x 14cm
<b>Poids:</b>	8.2kg

Chacune de ces informations peut être modifiée sans avertissement préalable. Vous pouvez télécharger la dernière version de ce mode d'emploi de notre site Web: [www.beglec.com](http://www.beglec.com)

# GEBRUIKSAANWIJZING

Hartelijk dank voor de aankoop van dit JB Systems® product. Om ten volle te kunnen profiteren van alle mogelijkheden en voor uw eigen veiligheid, gelieve de aanwijzingen zeer zorgvuldig te lezen voor U begint het apparaat te gebruiken.

**DOOR U OP ONZE MAILINGLIJST IN TE SCHRIJVEN ONTVANGT U STEEDS DE LAATSTE INFORMATIE OVER ONZE PRODUKTEN: NIEUWIGHEDEN, SPECIALE ACTIES, OPENDEURDAGEN, ENZ.  
→ SURF NAAR: WWW.BEGLEC.COM ←**

## KARAKTERISTIEKEN

In dit apparaat is radio-interferentie onderdrukt. Dit product voldoet aan de gangbare Europese en nationale voorschriften. Het is vastgesteld dat het apparaat er zich aan houdt en de desbetreffende verklaringen en documenten zijn door de fabrikant afgegeven.

- Het toestel is ontworpen om decoratieve lichteffecten te produceren en kan eventueel worden gebruikt in lichtshows.
- Een krachtige architecturale projector en logoprojector
- Projecteer uw eigen logo of om het even welke glazen of metalen gobo (maat D)
- Wordt geleverd met 7 gobo's, waaronder "Happy New Year", "Merry Christmas", enz.
- De gobo is zeer gemakkelijk te vervangen!
- Precisielenzen voor scherpe projecties.
- Regelbare draaizin en snelheid van de gobo
- Regelbare focus
- Ventilatorcooling
- Stappen motoren voor een grote bedrijfszekerheid

## ALVORENS HET APPARAAT IN GEBRUIK TE NEMEN

- Controleer voor het eerste gebruik van het apparaat of het tijdens het transport beschadigd werd. Mocht er schade zijn, gebruik het dan niet, maar raadpleeg eerst uw dealer.
- **Belangrijk:** Dit apparaat verliet de fabriek in uitstekende staat en goed verpakt. Het is erg belangrijk dat de gebruiker de veiligheidsaanwijzingen en raadgevingen in deze gebruiksaanwijzing uiterst nauwkeurig volgt. Elke schade veroorzaakt door verkeerd gebruik van het apparaat valt niet onder de garantie. De dealer aanvaardt geen verantwoordelijkheid voor mankementen en problemen die komen door het veronachtzamen van deze gebruiksaanwijzing.
- Bewaar deze brochure op een veilige plaats om hem in de toekomst nogmaals te kunnen raadplegen. Indien U het apparaat verkoopt, denkt U er wel aan om de gebruiksaanwijzing bij te voegen.

## VEILIGHEIDSVOORSCHRIFTEN:



**WAARSCHUWING:** Om het risico op elektrocutie zoveel mogelijk te vermijden mag u nooit de behuizing verwijderen. Er bevinden zich geen onderdelen in het toestel die u zelf kan herstellen. Laat de herstellingen enkel uitvoeren door een bevoegde technicus.

De bliksempijl die zich in een gelijkbenige driehoek bevindt is bedoeld om u te wijzen op het gebruik of de aanwezigheid van niet-geïsoleerde onderdelen met een "gevaarlijke spanning" in het toestel die voldoende kracht heeft om een risico van elektrocutie in te houden.

Het uitroepteken binnen de gelijkbenige driehoek is bedoeld om de gebruiker erop te wijzen dat er in de meegeleverde literatuur belangrijke gebruik en onderhoudsinstructies vermeld staan betreffende dit onderdeel.

Dit symbool betekent: het apparaat mag enkel binnenhuis worden gebruikt.

Dit symbool betekent: Lees de handleiding!

Dit symbool bepaalt: de minimumafstand van te belichten voorwerpen. De minimumafstand tussen projector en het verlichte voorwerp moet meer dan 1 meters zijn.

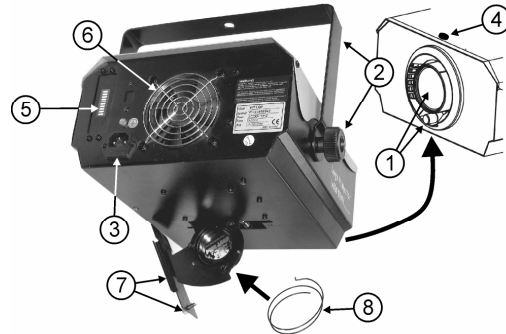
- Om het milieu te beschermen, probeer zoveel mogelijk het verpakkingsmateriaal te recyclen.
- Een nieuw lichteffect kan soms ongewenste rook en/of reuk veroorzaken. Dit is normaal en verdwijnt na een paar minuten.
- Stel dit apparaat niet bloot aan regen of vocht, dit om het risico op brand en elektrische schokken te voorkomen.
- Om de vorming van condensatie binnenin te voorkomen, laat het apparaat aan de omgevingstemperatuur wennen wanneer het, na het transport, naar een warm vertrek is overgebracht. Condensatie kan het toestel soms verhinderen perfect te functioneren. Het kan soms zelfs schade aan het apparaat toebrengen.
- Gebruik dit apparaat uitsluitend binnenshuis.
- Plaats geen stukken metaal en mors geen vocht binnen in het toestel om elektrische schokken of storing te vermijden. Indien een vreemd voorwerp in het apparaat geraakt, moet U het direct van het lichtnet afkoppelen.
- Plaats de installatie op een plaats met goede ventilatie, ver van brandbare materialen en/of vloeistoffen. De installatie moet op minstens 50 cm van de muren rondom geplaatst worden.
- Bedek geen enkele ventilatieopening om oververhitting te vermijden.
- Zorg dat het toestel niet in een stoffige omgeving wordt gebruikt en maak het regelmatig schoon.
- Houd het apparaat uit de buurt van kinderen.
- Dit apparaat mag niet door onervaren personen bediend worden.
- De maximum veilige omgevingstemperatuur is 40°C. Gebruik het apparaat dus niet bij hogere temperaturen.
- De temperatuur van het oppervlak van het apparaat kan 85°C bereiken. Raak de metalen ombouw tijdens het gebruik niet met blote handen aan.
- Verzeker er U van dat er zich onder de plaats waar het toestel wordt geïnstalleerd geen ongewenste personen bevinden tijdens het bevestigen en losmaken alsook bij het onderhoud.
- Laat het toestel ongeveer 10 minuten afkoelen alvorens de lamp te vervangen of alvorens te starten met de onderhoudsbeurt.
- Trek altijd de stekker uit wanneer het apparaat gedurende langere tijd niet wordt gebruikt of alvorens de lamp te vervangen of alvorens te beginnen met de onderhoudsbeurt.
- De elektrische installatie behoort uitsluitend uitgevoerd te worden door bevoegd personeel, volgens de in uw land geldende regels betreffende elektrische en mechanische veiligheid.
- Controleer dat de beschikbare spanning niet hoger is dan die aangegeven op de achterzijde van het toestel.
- De elektrische kabel behoort altijd in uitstekende staat te zijn. Zet het apparaat onmiddellijk af als de elektrische kabel gekneusd of beschadigd is. De kabel moet vervangen worden door de fabrikant zelf, zijn dealer of vergelijkbare bekwame personen om een brand te voorkomen.
- Laat de elektrische draad nooit in contact komen met andere draden.
- Volgens de veiligheidsvoorschriften moet deze installatie geaard worden.
- Sluit het apparaat niet aan op een elektronische dimmer.
- Gebruik altijd een geschikte en gekeurde veiligheidskabel bij het installeren van het toestel.
- Om elektrische schokken te voorkomen, moet U de behuizing niet openen. Afgezien van de lamp en de zekering zitten er geen onderdelen in die door de gebruiker moeten worden onderhouden.
- Repareer **nooit** een zekering en overbrug de zekeringhouder nooit. Vervang een beschadigde zekering **steeds** door een zekering van hetzelfde type en met dezelfde elektrische kenmerken.
- Ingeval van ernstige problemen met het bedienen van het toestel, stopt U onmiddellijk het gebruik ervan. Contacteer uw dealer voor een eventuele reparatie.
- De behuizing en de lenzen moeten vervangen worden als ze zichtbaar beschadigd zijn.
- Gebruik best de originele verpakking als het toestel vervoerd moet worden.
- Om veiligheidsredenen is het verboden om ongeautoriseerde modificaties aan het toestel aan te brengen.

**Belangrijk:** Kijk nooit rechtstreeks in de lichtbron. Gebruik het lichteffect niet in de tegenwoordigheid van personen die lijden aan epilepsie.



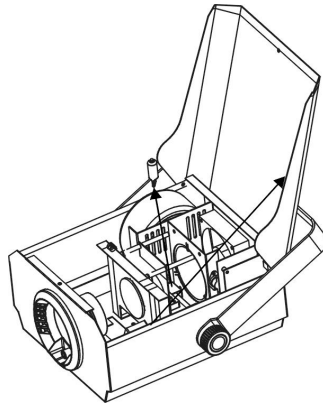
**BESCHRIJVING:**

1. Optische lens met manuele focusregeling.
2. Ophangbeugel met 2 knoppen aan beide zijden om het toestel vast te zetten. Tevens voorzien van een gat voor een bevestigingshaak.
3. Voedingsingang via IEC stekker met geïntegreerde zekeringhouder. Sluit hier de voedingskabel aan.
4. Lampcompartiment; kan geopend worden met deze knop
5. Manuele regeling voor snelheid en draairichting van de gobo.
6. Koelventilator
7. Gobo compartiment voor een gemakkelijke vervanging van de gobo. Schroef gewoon deze knop los om toegang te verstrekken tot de gobo.
8. De bevestigingsring wordt gebruikt om de gobo op zijn plaats te houden.

**HET PLAATSEN OF VERVANGEN VAN DE LAMP**

Wacht, in het geval van het vervangen van een lamp of van het geven van een onderhoudsbeurt, 10 minuten na het uitzetten van de installatie met het openen ervan totdat het apparaat is afgekoeld. Trek altijd de stekker uit het stopcontact voor U begint aan het onderhoud. Gebruik altijd hetzelfde type reserveonderdelen (lampen, zekeringen, e.d.) Gebruik bij het vervangen van onderdelen uitsluitend authentieke reserveonderdelen.

- Trek de netstekker uit het stopcontact.
- Wacht 10 minuten tot het apparaat is afgekoeld.
- Schroef het knopje bovenaan (4) los zodat U de bovenzijde van het apparaat volledig kan openen.
- Aan de binnenzijde zult U de lampenhouder zien. Trek de lampenhouder voorzichtig uit het lampcompartiment.
- Verwijder de oude lamp. Bij het verwijderen van de oude lamp houdt U de lampenhouder vast en trekt U niet aan de draad.
- Houd de lampenhouder vast terwijl U de nieuwe lamp rustig in de lampenhouder drukt.
- **Opgepast!** Controleer het etiket achter op het toestel of kijk naar de technische karakteristieken in deze gebruikswijzing om te weten welke lamp U moet gebruiken. Gebruik nooit een lamp met een hogere wattage. Lampen met een hogere wattage produceren temperaturen waarvoor het apparaat niet ontworpen was. Als het apparaat een lampentransformator gebruikt, zal hij verbranden wegens de te grote belasting.
- Raak de lamp niet met blote handen aan; dit zal de levensduur van de lamp drastisch verkorten. Indien U de lamp aanraakte, maak hem dan schoon met een lapje en een beetje schoonmaakalcohol. Veeg de lamp droog alvorens hem te installeren.
- Plaats de nieuwe lamp terug in het apparaat. Vergewis U ervan dat geen draden de lamp raken.
- Sluit het lampcompartiment (bovenzijde) terug af.
- Klaar.

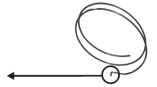
**EEN GOBO VERVANGEN**

De logo projector aanvaardt zowel metalen als glazen gobo's.

**Diameter:** 53.3mm (maat D) maximum dikte van de glazen gobo's: 3mm

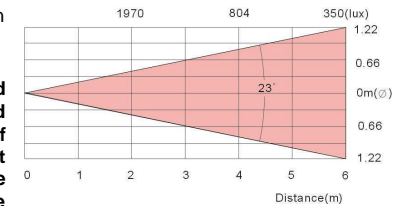
- Schakel het toestel uit en trek de voedingsstekker uit het stopcontact.
- Schroef de kleine knop (8) aan de onderkant van het toestel los om het gobo compartiment te openen.

- Verwijder de bevestigingsring van de gobo. U kunt dit gemakkelijk doen met uw vingers
- Verwijder de gobo en plaats de nieuwe gobo in het toestel.
- Druk de bevestigingsring samen en plaats hem voor de gobo.
- Let er op dat het uiteinde van de bevestigingsring goed vastzit in de groef van de gobohouder.
- Sluit opnieuw het gobocompartiment.
- Klaar!

**OPHANGEN VAN HET APPARAAT****Beste installatieafstand:**

Een projectieafstand van +/- 5 meter van de muur is perfect. Van op deze afstand zal het geprojecteerde beeld een oppervlakte van 2.1m x 2.1m bedekken.

WT-LGP




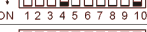





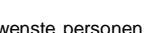


- **Belangrijk:** De installatie van het toestel mag uitsluitend door bekwaam onderhoudspersoneel uitgevoerd worden. Onjuiste plaatsing kan ernstige letsels en/of schade aan eigendommen tot gevolg hebben. Het ophangen vergt veel ervaring. U behoort de grenzen te respecteren aan de werklust; erkende installeringmaterialen moeten worden gebruikt; de veiligheid van het geïnstalleerde toestel moet regelmatig worden gecontroleerd.
- Overtuig U ervan dat het gebied onder installatieplaats vrij is van ongewenste personen tijdens het plaatsen, het weghalen en het onderhoud.
- Installeer het toestel op een goed geventileerde plaats, ver van brandbare stoffen en/of vloeistoffen. Het toestel moet worden bevestigd op minstens 50 cm van de omringende muren.
- Het toestel moet worden geïnstalleerd buiten het bereik van iedereen en weg van plaatsen waar men mag lopen en zitten.
- Alvorens tot plaatsen over te gaan, moet men controleren dat de minimum puntbelasting van de installatieplaats 10 keer het gewicht van het toestel bedraagt.
- Gebruik bij het installeren van het toestel altijd een gewaarmerkte veiligheidskabel die 12 keer het gewicht van het toestel kan dragen. Deze bijkomende veiligheidsbevestiging moet zo worden aangebracht dat geen deel van het toestel meer dan 20 cm vallen kan als de hoofdbeveiliging faalt.
- Het apparaat moet goed worden vastgezet; aan een vrij zwaaiende montering mag zelfs niet gedacht worden.
- Bedek geen ventilatieopeningen, anders zou dit oververhitting tot gevolg kunnen hebben.
- De gebruiker moet er zich van verzekeren dat de installaties met betrekking tot de veiligheid en de technische mechaniek door een expert zijn goedgekeurd alvorens ze voor de eerste keer te gebruiken. Elk jaar moeten de installaties worden gekeurd door een vakman om te controleren of de veiligheid nog steeds perfect is.

**BEDIENINGSVOORSCHRIFTEN**

- Als het apparaat op het net is aangesloten begint het te functioneren.
- Richt de projector naar de muur en regel de focus tot u een scherp beeld bekomt.
- Regel eventueel de rotatiesnelheid en/of draairichting van de gobo met de DIP-schakelaars (5) die zich op de achterzijde van het toestel bevinden:
  - **DIP1** → **8**: rotatiesnelheid (traag → snel)
  - **DIP9**: rotatierichting (links / rechts)
  - **DIP10**: rotatie aan/uitschakelen
- Regelmatige pauzes bij het bedienen zijn noodzakelijk om het apparaat zo lang mogelijk te laten functioneren, daar het niet bedoeld is om onafgebroken te functioneren.
- Zet het toestel niet aan en uit met korte tussenpozen omdat de lamp het anders eerder begeeft.
- De oppervlaktetemperatuur van het apparaat kan 85° bereiken. Raak gedurende het bedienen van het apparaat de behuizing niet met blote handen aan.

- Trekt U altijd de stekker uit het stopcontact als het apparaat langere tijd geen dienst doet of alvorens een lamp te vervangen of alvorens een onderhoudsbeurt te beginnen.
- Stop, in geval van serieuze bedieningsproblemen, met het gebruiken van het apparaat en stel U onmiddellijk in verbinding met uw dealer.
- Belangrijk:** Kijk nooit rechtstreeks in de lichtbron. Gebruik het effect nooit in de aanwezigheid van mensen die aan epilepsie lijden.

Speed	Dip Switches setting	Function
Speed 1	↓  ON 1 2 3 4 5 6 7 8 9 10	Slow ↓
Speed 2	↓  ON 1 2 3 4 5 6 7 8 9 10	
Speed 3	↓  ON 1 2 3 4 5 6 7 8 9 10	
Speed 4	↓  ON 1 2 3 4 5 6 7 8 9 10	
Speed 5	↓  ON 1 2 3 4 5 6 7 8 9 10	
Speed 6	↓  ON 1 2 3 4 5 6 7 8 9 10	Fast ↓
Speed 7	↓  ON 1 2 3 4 5 6 7 8 9 10	
Speed 8	↓  ON 1 2 3 4 5 6 7 8 9 10	Direction ↓
Speed 9	↓  ON 1 2 3 4 5 6 7 8 9 10	
Speed 10	↓  ON 1 2 3 4 5 6 7 8 9 10	Stand-alone

## ONDERHOUD

- Overtuig U ervan dat het gebied onder de installatieplaats vrij is van ongewenste personen tijdens het onderhoud.
- Zet het toestel uit, trek de netstekker uit het stopcontact en wacht tot het toestel is afgekoeld.
- Bij inspectie moeten de volgende punten worden gecontroleerd.**
- Alle schroeven gebruikt om het toestel te installeren en al zijn onderdelen moeten goed vastgedraaid zijn en mogen niet verroest zijn.
- Behuizingen, vastzetstukken, installeringplaatsen (plafond, spanten, schokbrekers) mogen absoluut niet verwrongen zijn.
- Wanneer een optische lens klaarblijkelijk beschadigd is door barsten of diepe krassen, dan moet deze vervangen worden.
- De stroomkabels moeten in perfecte staat zijn en behoren vervangen te worden, wanneer er zelfs maar een klein probleem ontdekt werd.
- Om het toestel tegen oververhitting te beschermen, behoren de ventilatoren (als die er zijn) en de ventilatieopeningen elke maand gereinigd te worden.
- De binnenkant van het toestel behoort elk jaar gereinigd te worden met een stofzuiger of een luchtspuiter.
- Het schoonmaken van inwendige en uitwendige optische lenzen en/of spiegels moet regelmatig worden uitgevoerd om een zo goed mogelijke lichtuitstraling te verkrijgen. Hoe vaak ze schoon moeten worden gemaakt hangt af van de omgeving waar het toestel wordt gebruikt: een klamme, rokerige of bijzonder vuile omgeving kan een grotere opeenhoping van vuil veroorzaken op de optische uitrusting.
  - Reinig met een zachte doek en gebruik normale glasreinigende producten.
  - Droog de onderdelen altijd zorgvuldig af,
  - Reinig de uitwendige optische uitrusting minstens één keer per maand.
  - Reinig de inwendige optische uitrusting minstens om de 3 maanden.

**Let op:** We bevelen sterk aan dat het schoonmaken van de binnenkant wordt uitgevoerd door vakbekwaam personeel!!

## TECHNISCHE KENMERKEN

<b>Netvoeding:</b>	wisselstroom 230V, 50 Hz
<b>Zekering:</b>	250 V/ 5A trage zekering (20 mm)
<b>Geluidscontrole:</b>	Inwendige microfoon
<b>Lamp:</b>	EHJ 250W / 24V
<b>Afmetingen:</b>	31 x 27 x 14cm
<b>Gewicht:</b>	8,2kg

Elke inlichting kan veranderen zonder waarschuwing vooraf

U kan de laatste versie van deze handleiding downloaden via Onze website: [www.beglec.com](http://www.beglec.com)

# BEDIENUNGSANLEITUNG

Vielen Dank, dass Sie sich für den Erwerb dieses JBSystems®-Produkt entschieden haben. Bitte lesen Sie diese Bedienungsanleitung sorgfältig vor der Inbetriebnahme durch, zur vollen Ausschöpfung der Möglichkeiten, die dieses Gerät bietet sowie, zu Ihrer eigenen Sicherheit.

## EIGENSCHAFTEN

Das Gerät ist funktentstört und erfüllt die Anforderungen der europäischen und nationalen Bestimmungen. Entsprechende Dokumentation liegt beim Hersteller vor.

- Das Gerät ist zur Erzeugung von dekorativem Licht sowie der Benutzung in Lightshows bestimmt.
- Architekturprojektor
- Projiziert Ihre eigenen Promotion Gobos oder jedes andere Metall- und Glas Gobo mit Größe D
- Im Lieferumfang befinden sich 7 Gobos (inkl. Happy New Year, Merry Christmas)
- Sehr einfacher Gobowechsel
- Präzise Optik für randscharfe Goboabbildungen
- Einstellbare Richtung und Geschwindigkeit für Goborotationen
- Einstellbarer Fokus
- Lüfterkühlung
- Schrittmotoren für extra Beständigkeit

## VOR DER ERSTBENUTZUNG

- Vor der Erstbenutzung bitte das Gerät zuerst auf Transportschäden überprüfen. Sollte das Gerät einen Schaden aufweisen, Gerät bitte nicht benutzen, sondern unverzüglich mit ihrem Händler in Verbindung setzen.
- Wichtiger Hinweis:** Das Gerät hat das Werk unbeschädigt und gut verpackt verlassen. Es ist wichtig, dass der Benutzer sich streng an die Sicherheitshinweise und Warnungen in der Bedienungsanleitung hält. Schäden durch unsachgemäße Handhabung sind von der Garantie ausgeschlossen. Der Händler übernimmt keine Verantwortung für Schäden, die durch Nichtbeachtung der Bedienungsanleitung hervorgerufen wurden.
- Die Bedienungsanleitung, für zukünftiges Nachschlagen, bitte aufbewahren. Bei Verkauf oder sonstiger Weitergabe des Gerätes, bitte Bedienungsanleitung beifügen.

## SICHERHEITSHINWEISE



**CAUTION**  
RISK OF ELECTRIC SHOCK  
DO NOT OPEN



**ACHTUNG:** Um sich nicht der Gefahr eines elektrischen Schlags auszusetzen, entfernen Sie keines der Gehäuse Teile. Im Geräte-inneren befinden sich keine vom Benutzer reparierbaren Teile. Überlassen



**CAUTION**  
RISK OF ELECTRIC SHOCK  
DO NOT OPEN



Sie Reparaturen dem qualifizierten Kundendienst. Das Blitzsymbol im Dreieck weist den Benutzer darauf hin, dass eine Berührungsgefahr mit nicht isolierten Teilen im Geräteinneren, welche eine gefährliche Spannung führen, besteht. Die Spannung ist so hoch, dass hier die Gefahr eines elektrischen Schlages besteht.



**CAUTION**  
RISK OF ELECTRIC SHOCK  
DO NOT OPEN



Das Ausrufezeichen im Dreieck weist den Benutzer auf wichtige Bedienungs- und Wartungshinweise in den Dokumenten hin, die dem Gerät beiliegen.



**CAUTION**  
RISK OF ELECTRIC SHOCK  
DO NOT OPEN



Dieses Symbol bedeutet: Nur innerhalb von Räumen verwenden.



**CAUTION**  
RISK OF ELECTRIC SHOCK  
DO NOT OPEN



Dieses Symbol bedeutet: Achtung! Bedienungsanleitung lesen!



**CAUTION**  
RISK OF ELECTRIC SHOCK  
DO NOT OPEN



Dieses Symbol stellt fest: der minimale Abstand von beleuchteten Gegenständen. Der minimale Abstand zwischen Projektor und dem belichteten Gegenstand muß mehr als 1 Meter sein.

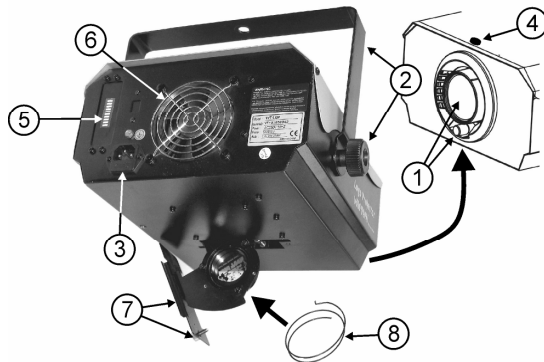
- Aus Umweltschutzgründen, Verpackung bitte wiederverwenden, oder richtig trennen.
- Ein neues Gerät kann Geruch oder Rauch entwickeln. Das ist völlig normal und legt sich nach einigen Minuten.
- Zur Vermeidung von Stromschlag oder Feuer, Gerät bitte nicht Regen oder Feuchtigkeit aussetzen.

- Zur Vermeidung von Kondensation im Inneren des Geräts, bitte nach Transport in eine warme Umgebung einige Zeit zum Temperatenausgleich bringen. Kondensation kann zu Leistungsverlust des Gerätes oder gar Beschädigung führen.
- Gerät nicht im Freien und in feuchten Räumen und Umgebungen verwenden.
- Keine Metallgegenstände oder Flüssigkeiten ins Innere des Geräts gelangen lassen, Kurzschluß oder Fehlfunktion können die Folge sein. Falls es doch einmal vorkommen sollte, bitte sofort Netzstecker ziehen und vom Stromkreis trennen.
- Gerät nur in gut belüfteter Position und entfernt von entflammaren Materialien oder Flüssigkeiten betreiben. Mindestabstand an allen Seiten soll mindestens 50 cm sein.
- Ventilationsöffnungen nicht abdecken, da Überhitzungsgefahr!
- Nicht in staubiger Umgebung verwenden und regelmäßig reinigen.
- Für Kinder unerreichbar aufbewahren.
- Unerfahrene Personen sollen das Gerät nicht bedienen.
- Umgebungstemperatur darf 40°C nicht überschreiten.
- Die Oberflächentemperatur kann bis zu 85°C erreichen, Gerät während des Betriebs nicht mit bloßen Händen anfassen.
- Sicherstellen, daß sich während des Auf- und Abbaus keine unbefugten Personen unterhalb des Geräts befinden.
- Vor dem Auswechseln des Leuchtmittels oder sonstigen Eingriffen, 10 Minuten Abkühlzeit einhalten.
- Stets Netzstecker ziehen, wenn Gerät für längeren Zeitraum nicht genutzt, oder es gewartet wird.
- Elektrische Anschlüsse nur durch qualifiziertes Fachpersonal überprüfen lassen.
- Sicherstellen, daß Netzspannung mit Geräteaufkleber übereinstimmt.
- Gerät nicht mit beschädigtem Netzkabel betreiben. Ist die Zugangsleitung beschädigt, muß diese durch den Hersteller, seinen Vertrieb oder durch eine Qualifizierte Person ersetzt werden.
- Netzkabel nicht mit anderen Kabeln in Berührung kommen lassen!
- Zur Einhaltung der Sicherheitsbestimmungen muß das Gerät geerdet sein.
- Gerät nicht an einen Dimmer anschließen.
- Ausschließlich vorschriftsmäßige Kabel zur Installation verwenden.
- Gerät nicht öffnen. Abgesehen vom Tausch des Leuchtmittels und der Sicherung sind keine zu wartenden Bauteile im Gerät enthalten.
- Sicherung **niemals** reparieren oder überbrücken, sondern **immer** mit gleichartiger Sicherung ersetzen!
- Bei Fehlfunktion, Gerät nicht benutzen und mit Händler in Verbindung setzen.
- Bei sichtbaren Beschädigungen müssen Gehäuse und Optik ersetzt werden.
- Bei Transport bitte Originalverpackung verwenden, um Schäden am Gerät zu vermeiden.
- Aus Sicherheitsgründen dürfen an dem Gerät keine unbefugten Veränderungen vorgenommen werden.

**Wichtiger Hinweis:** Nicht direkt in die Lichtquelle blicken! Gerät nicht verwenden, wenn sich Personen im Raum befinden, die unter Epilepsie leiden.

## BESCHREIBUNG

1. Objektiv mit manueller Einstellung der Fokus
2. Deckenhalterung mit 2 Drehknöpfen zum Festschrauben und zum Befestigen an einen Montagehaken.
3. Netzanschluss mit IEC Buchse mit integrierter Sicherung zum Anschluss an die Steckdose
4. Kammer für Lampe, öffnen mit Drehknopf
5. Manuelle Richtungs- und Geschwindigkeitseinstellung für die rotierenden Gobos
6. Kühlventilator
7. Gobokammer zum einfachen Austausch der Gobo einfach mit Drehknopf aufschrauben
8. Befestigungsring für Gobos

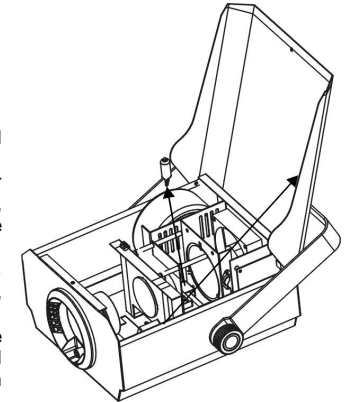


## EINSETZEN/AUSTAUSCHEN DER LICHTQUELLE



Bei Austausch oder Ersatz der Lichtquelle Gerät für mindestens 10 Minuten abkühlen lassen. Stets Netzstecker ziehen und vom Stromkreis trennen! Stets gleichartige Ersatzteile (Lichtquelle, Sicherung etc) verwenden. Original-Ersatzteile verwenden.

- Netzstecker ziehen.
- Etwa 10 Minuten abwarten, bis sich das Gerät abgekühlt hat.
- Mit Drehknopf Kammer für Lampe aufschrauben, dann Fach öffnen.
- Auf der Innenseite können Sie die Lampenfassung sehen. Vorsichtig aus dem Fach herausziehen.
- Gebrauchtes Leuchtmittel herausziehen. Hierbei an der Fassung festhalten und nicht am Kabel!
- An der Fassung festhalten, wenn ein neues Leuchtmittel eingesetzt wird.
- **Achtung!** Geräteaufkleber auf der Rückseite des Geräts oder technische Einzelheiten in dieser Bedienungsanleitung beachten, damit stets das richtige Leuchtmittel eingesetzt wird. Keine Leuchtmittel mit höherer Wattanzahl einsetzen!
- Diese Leuchtmittel erzeugen höhere Temperaturen, für die dieses Gerät nicht ausgelegt ist. Hat das Gerät einen Transformator, kann dieser wegen Überlastung durchbrennen.
- Leuchtmittel nicht mit bloßen Händen berühren! Das verkürzt die Lebenserwartung der Lichtquelle erheblich. Falls es doch einmal vorkommen, sollte, mit etwas Alkohol reinigen und vor dem Einsetzen gut abreiben.
- Neues Leuchtmittel einsetzen und sicherstellen, dass sie nicht von Kabeln berührt wird.
- Fach wieder zuschrauben.
- Fertig!

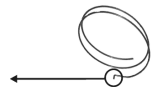


## AUSTAUSCH VON GOBOS

Der Logo-Projektor arbeitet sowohl mit Metall- wie auch Glasgobos.

D-Size: Durchmesser 53,3 mm, Stärke nicht mehr als 3 mm.

- Gerät ausschalten und Netzstecker ziehen.
- Mit kleinem Drehknopf (8) an der Unterseite Gobokammer öffnen.
- Befestigungsring am Gobo mit den Fingern einfach entfernen.
- Gobo herausnehmen und neues Gobo einsetzen.
- Befestigungsring zusammendrücken und vorne am Gobo einsetzen.
- Sicherstellen, dass das Ende des Befestigungsringes in der Kerbe des Gobohalters einrastet.
- Gobokammer wieder schließen.
- Fertig!

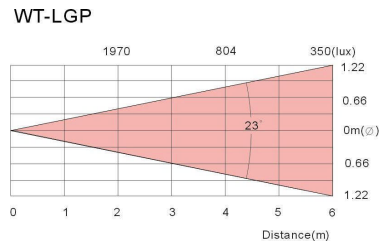


## ÜBERKOPF-MONTAGE

### Optimale Entfernung:

Entfernung des Projektors von +/- 5 Metern von der Wand ist einfach perfekt. Aus dieser Entfernung haben Sie eine Flächendeckung von 2.1m x 2.1m.

- **Wichtig: Montage ausschließlich durch qualifiziertes Fachpersonal durchführen lassen. Unvorschriftsmäßiger Einbau kann erhebliche Verletzungen und/oder Schäden verursachen. Überkopf-Montage verlangt entsprechende Erfahrung! Belastungsgrenzen müssen beachtet werden, geeignetes Installationsmaterial muß verwendet werden und das installierte Gerät muß in regelmäßigen Abständen überprüft werden.**
- Sicherstellen, dass sich keine unbefugten Personen unterhalb des Geräts befinden, während es installiert oder gewartet wird.
- Gerät in gut belüfteter Position installieren, weit entfernt von entflammaren Materialien und/oder Flüssigkeiten. Einen Seitenabstand von **mindestens 50cm** einhalten.
- Gerät außerhalb der Reichweite von Personen, und nicht in niedrigen Durchgängen oder in der Nähe von Sitzgelegenheiten installieren.
- Vor Montage sicherstellen, dass die gewählte Position wenigstens das 10-fache Gerätegewicht aufnehmen kann.
- Zur Aufhängung stets geeignetes Befestigungsmaterial verwenden, das das 12-fache Gerätegewicht aushalten kann. Eine zweite Sicherheitsaufhängung muß angebracht werden, die ein Absacken des Geräts von mehr als 20 cm verhindert, sollte die Befestigung brechen.
- Gerät gut befestigen. Eine freischwingende Aufhängung ist gefährlich und sollte auf gar keinen Fall in Betracht gezogen werden!
- Ventilationsöffnungen nicht abdecken, da Überhitzungsgefahr!
- Betreiber muß sicherstellen, dass die sicherheitsrelevanten und technischen Installationen vor Erstbetrieb fachmännisch vorgenommen worden sind.
- Installationen sollten jährlich durch qualifiziertes Fachpersonal inspiziert werden, um jederzeit einen sicheren Betrieb zu gewährleisten.



## BEDIENUNGSANLEITUNG

- Sobald das Gerät an das Stromnetz angeschlossen wird, beginnt es zu arbeiten.
- Projektor auf Wand ausrichten und Fokus für klares Bild einstellen.
- Rotationsgeschwindigkeit und Richtung des Gobos mit DIP-Schalter (5) auf der Rückseite des Geräts einstellen.
  - **DIP1 → 8:** langsam → schnell
  - **DIP9:** Rotationsrichtung (Links oder Rechts)
  - **DIP10:** Rotation an/aus Schalter
- Regelmäßige Betriebspausen sind für eine lange Lebenserwartung des Geräts notwendig. Es ist nicht für den Dauerbetrieb ausgelegt.
- Gerät nicht in kurzen Abständen ein- und ausschalten, da es die Lebensdauer des Leuchtmittels verkürzt.
- Die Oberflächentemperatur kann bis zu 85°C erreichen, Gerät während des Betriebes nicht mit bloßen Händen anfassen.
- Stets Netzstecker ziehen, wenn Gerät für längeren Zeitraum nicht genutzt, oder es gewartet wird.
- Bei Fehlfunktion Gerät nicht benutzen und umgehend mit ihrem Händler in Verbindung setzen.
- **Wichtiger Hinweis:** Nicht direkt in die Lichtquelle blicken! Gerät nicht verwenden, wenn sich Personen im Raum befinden, die unter Epilepsie leiden.

Speed	Dip Switches setting	Function
Speed 1	↓  ON 1 2 3 4 5 6 7 8 9 10	Slow ↓ Fast
Speed 2	↓  ON 1 2 3 4 5 6 7 8 9 10	
Speed 3	↓  ON 1 2 3 4 5 6 7 8 9 10	
Speed 4	↓  ON 1 2 3 4 5 6 7 8 9 10	
Speed 5	↓  ON 1 2 3 4 5 6 7 8 9 10	
Speed 6	↓  ON 1 2 3 4 5 6 7 8 9 10	Fast
Speed 7	↓  ON 1 2 3 4 5 6 7 8 9 10	
Speed 8	↓  ON 1 2 3 4 5 6 7 8 9 10	Direction
Speed 9	↓  ON 1 2 3 4 5 6 7 8 9 10	
Speed 10	↓  ON 1 2 3 4 5 6 7 8 9 10	
		Stand-alone

## WARTUNG UND INSTANDHALTUNG

- Sicherstellen, dass sich keine unbefugten Personen unterhalb des Geräts befinden, während es gewartet wird.
- Gerät ausschalten, Netzstecker ziehen und warten, bis es sich abgekühlt hat.
- **Während der Wartung sind folgende Punkte ganz besonders zu beachten:**
- Sämtliche Schrauben zur Installation und Befestigung jeglicher Teile müssen fest angezogen und rostfrei sein.
- Gehäuse, Befestigungsmaterialien und Aufhängungen (Decke, Balken, abgehängte Decken) dürfen keine Anzeichen von Verformung zeigen.
- Ist die Optik sichtbar beschädigt (Sprünge oder tiefe Kratzer), dann müssen die entsprechenden Teile ausgewechselt werden.
- Netzkabel muß stets in einwandfreiem Zustand sein und selbst bei kleinsten Beschädigungen erneuert werden.
- Zur Vermeidung von Überhitzung müssen die Ventilatoren (sofern vorhanden) und Lüftungsschlitze monatlich gereinigt werden.
- Gerät innen mindestens einmal pro Jahr mit Staubsauger oder Airjet reinigen.
- Reinigung der inneren und äußeren optischen Linsen und/oder Spiegel müssen in regelmäßigen Abständen zur Beibehaltung einer optimalen Lichtausbeute vorgenommen werden. Reinigungsintervalle hängen stark von der Umgebung ab: feuchte, verrauchte und besonders verschmutzte Umgebung führen zu größerer Verschmutzung auf den Linsen.
  - Mit weichem Tuch und gewöhnlichem Glasreiniger säubern.
  - Alle Teile stets gut abtrocknen.
  - Äußere Optik mindestens alle 30 Tage säubern.
  - Innere Optik mindestens alle 90 Tage säubern.

**Achtung: Wir empfehlen dringend, Reinigung im Innern des Geräts nur von qualifiziertem Personal durchführen zu lassen!**

## TECHNISCHE EINZELHEITEN

<b>Netzspannung:</b>	≈ 230V, 50Hz
<b>Sicherung:</b>	250V / 5A langsame Sicherung (20mm Glas)
<b>Lichtquelle:</b>	EHJ 250W / 24V
<b>Abmessungen:</b>	31 x 27 x 14cm
<b>Gewicht:</b>	8.2kg

**Technische Änderungen können auch ohne Vorankündigung vorgenommen werden!  
Sie können sich die neueste Version dieses Benutzerhandbuches von unserer Website herunterladen: [www.beglec.com](http://www.beglec.com)**

# MANUAL DE INSTRUCCIONES

Gracias por la compra de este producto JB Systems®. Para sacar todo el rendimiento de las posibilidades de este aparato y por su propia seguridad, por favor lea este manual de instrucciones con mucho cuidado antes de empezar a usar esta unidad.

## CARACTERÍSTICAS

Esta unidad no interfiere con señales de radio. Este producto cumple las exigencias de las directrices actuales Europeas y nacionales. Se ha establecido conformidad y las declaraciones y documentos relevantes se han depositado por el fabricante.

- Este aparato ha sido diseñado para producir efecto de iluminación decorativa y se usa en sistemas de iluminación de espectáculos.
- Un potente y arquitectural proyector de gobos.
- Proyecta tu propio gobo promocional o cualquier otro gobo de metal o dicroico de tamaño D
- Se entrega con 7 gobos, incluyendo "Happy New Year", "Merry Christmas", etc...
- Cambio de gobos muy sencillo.
- Ópticas precisas para proyecciones exactas.
- Velocidad y dirección ajustables para rotación del gobo.
- Focalización ajustable.
- Ventilación por turbina.
- Motor paso a paso.

## ANTES DE USAR

- Antes de empezar a usar esta unidad, por favor compruebe que no hay daños causados por el transporte. Si hubiera alguno, no use este aparato y consulte a su vendedor primero.
- **Importante:** Este aparato dejó nuestra fábrica en perfecto estado y bien empaquetado. Es absolutamente necesario por parte del usuario el seguir estrictamente las instrucciones de seguridad y advertencias de este manual del usuario. Cualquier daño causado por manejo inadecuado no estará sujeto a la garantía. El vendedor no aceptará responsabilidad por ningunos defectos o problemas que resulten de ignorar este manual del usuario.
- Mantenga este folleto en un lugar seguro para consultas futuras. Si vende esta instalación, asegúrese de añadir este manual de usuario.

## INSTRUCCIONES DE SEGURIDAD:



**CAUTION**  
RISK OF ELECTRIC SHOCK  
DO NOT OPEN



**PRECAUCIÓN:** Para reducir el riesgo de electrocución, no quite la cubierta superior. Ninguna pieza usable adentro para el utilizador. Dirijase unicamente a personal cualificado.



El símbolo de un rayo en el interior de un triángulo alerta sobre la presencia o el uso de elementos no aislados donde un voltaje peligroso constituye un riesgo grande para causar una eventual electrocución.



El punto de exclamación en el interior de un triángulo alerta al usuario sobre la presencia de importantes instrucciones de operación y de mantenimiento tenidas en cuenta en el manual de uso.



Este símbolo significa : uso para el interior solamente.



Este símbolo significa : Lea las instrucciones.



Este símbolo se determina: la distancia mínima de objetos iluminado. La distancia mínima entre el proyector y el objeto iluminado debe ser más de 1 metro.

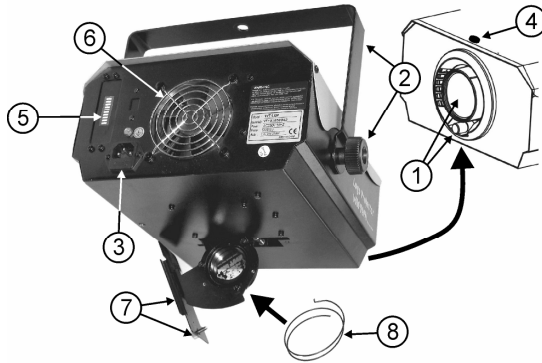
- Afín de evitar todo riesgo de incendio o electrocución, no exponer el aparato a la lluvia o ambiente húmedo.
- Un nuevo efecto de luz algunas veces causa algún olor y/o humo no deseados. Esto es normal y desaparece después de algunos minutos.
- Para evitar fuego o riesgos de descargas no exponga este aparato a la lluvia o humedad.

- Para evitar que se forme condensación en el interior, permita que la unidad se adapte a las temperaturas circundantes cuando la lleve a una habitación cálida después de transporte. Condensación algunas veces impide que la unidad funcione a rendimiento pleno o puede incluso causar daños.
- Esta unidad es sólo para uso interior.
- No coloque objetos metálicos o derrame líquidos dentro de la unidad. Podría resultar descarga eléctrica o mal funcionamiento. Si un objeto extraño entrara en la unidad, desconecte inmediatamente la fuente de alimentación.
- Coloque la instalación en un lugar bien ventilado, alejado de cualquier material inflamable y/o líquidos. La instalación debe ser fijada al menos a 50 cm. de distancia de los muros circundantes.
- No cubra ninguna apertura de ventilación ya que esto podría resultar en sobrecalentamiento.
- Evite su uso en ambientes polvorientos y limpie la unidad regularmente.
- Mantenga la unidad alejada de los niños.
- Personas sin experiencia no deberían manejar este aparato.
- La temperatura máxima y ambiente es 40°C. No use esta unidad a temperaturas más elevadas.
- La temperatura de la superficie de la unidad puede alcanzar los 85°C. No toque la carcasa con las manos sin proteger cuando esté funcionando.
- Asegúrese de que el área por debajo del sitio de instalación está libre de personas ajenas durante el montaje, desmontaje y reparación.
- Deje al aparato enfriarse por unos 10 minutos antes de cambiar la bombilla o empezar su reparación.
- Siempre desenchufe la unidad cuando no la use por un periodo de tiempo largo o antes de cambiar la bombilla o comenzar una reparación.
- La instalación eléctrica debería ser llevada a cabo sólo por personal cualificado, acorde a las regulaciones para seguridad eléctrica y mecánica de su país.
- Compruebe que el voltaje disponible no es superior al que aparece en el panel trasero de la unidad.
- El cable de alimentación debería estar siempre en perfectas condiciones: apague el aparato inmediatamente cuando el cable de alimentación esté roto o dañado. Debe ser substituido por el fabricante, su servicio técnico o otra persona cualificada.
- ¡Nunca deje el cable de alimentación entrar en contacto con otros cables!
- Esta instalación debe ser conectada a tierra para cumplir con las regulaciones de seguridad.
- No conecte la unidad a ningún paquete de reducción de luz.
- Siempre use un cable de seguridad apropiado y certificado cuando instale la unidad.
- Para prevenir descargas eléctricas, no abra la tapa. Aparte de la lámpara y fusibles principales no hay partes que puedan ser reparadas por el usuario en su interior.
- **Nunca** repare un fusible o haga un bypass al fusible. **¡Siempre** sustituya el fusible dañado por un fusible del mismo tipo y especificaciones eléctricas!
- En el caso de problemas serios de manejo, deje de usar la instalación y contacte con su vendedor inmediatamente.
- La carcasa y las lentes deben ser cambiadas si hay daño visible.
- Por favor, use el empaquetado original cuando el aparato deba ser transportado.
- Debido a motivos de seguridad está prohibido hacer modificaciones sin autorizar a la unidad.

**Importante:** ¡Nunca mire directamente a la fuente de luz! No use el efecto en presencia de personas que sufran de epilepsia.

**DESCRIPTION:**

1. Lentes ópticas con ajuste de enfocado manual
2. Asa para colgar con una tuerca en ambos lados la unidad con un gancho de montaje.
3. Entrada de alimentación principal con zocalo IEC y portafusible con fusible integrado, conecte el cable de alimentación suministrado aquí.
4. Compartimiento de la lámpara, para ser abierto con ésta tuerca.
5. Ajuste manual de la velocidad y la dirección para el gobo giratorio.
6. Ventilador
7. Compartimiento de gobos para un cambio fácil de los gobos, sólo desatornille la tuerca para acceder al gobo.
8. Anillo de fijación, usado para mantener el gobo en posición.

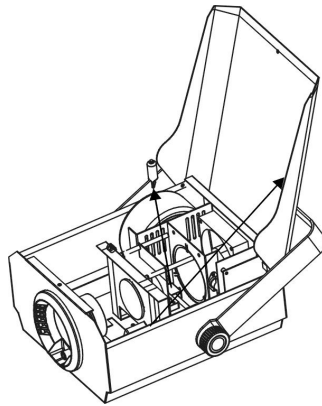


**(RE)COLOCACIÓN DE LA LÁMPARA**

**En caso de sustitución de la lámpara o mantenimiento, no abra la instalación en 10 minutos hasta que la unidad se haya enfriado después de apagarla. ¡Siempre desenchufe la unidad antes de repararla! Siempre use el mismo tipo de partes sueltas (bombillas, fusibles, etc.) Cuando cambie partes, por favor use sólo piezas genuinas.**

- Desconecte el cable principal.

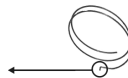
- Espere unos 10 minutos hasta que la unidad se haya enfriado.
- Destornille la tuerca que cierra el compartimiento de la lámpara y abra la parte superior .
- En el interior verá la conexión de la lámpara. Saque la conexión de la lámpara con tacto fuera del compartimiento de la lámpara.
- Desenchufe la lámpara vieja. ¡Sostenga la conexión de la lámpara mientras desconecte la lámpara en vez de tirar del cable!
- Sostenga la conexión de la lámpara mientras presiona con tacto la nueva lámpara en la conexión.
- **¡Atención!** Compruebe la etiqueta de la parte trasera del aparato o vea las especificaciones técnicas en este manual para saber que lámpara debería ser usada. ¡Nunca instale lámparas de mayor potencia! Lámparas de mayor potencia generarán temperaturas para las que el aparato no fue diseñado.
- ¡No toque la bombilla con las manos sin proteger! Esto reducirá drásticamente el periodo de vida de la lámpara. Si tocó la lámpara, límpiela con un trapo y un poco de alcohol desnaturalizado. Frote la lámpara antes de la instalación.
- Ponga la nueva lámpara de vuelta dentro de la unidad. Asegúrese que los cables no tocan la lámpara.
- Cierre el compartimiento de la lámpara.
- ¡Hecho!



**CAMBIANDO UN GOBO**

El proyector de logos acepta ambos gobos metálicos y de cristal.  
**Diámetro:** 53.3mm (Tamaño-D) grosor máximo de los gobos de cristal: 3mm

- Apague la corriente y desenchufe la unidad.
- Destornille la pequeña tuerca (8) en la parte inferior del cerramiento para abrir el compartimiento de gobos.
- Retire el anillo de fijación del gobo. Puede hacer esto fácilmente con sus dedos.

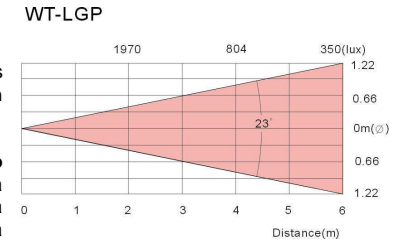


- Retire el gobo e inserte el nuevo gobo.
- Apriete el anillo de fijación hasta que se junte e introdúzcalo delante del gobo.
- Asegúrese que el extremo del anillo de fijación se fija en la ranura del compartimiento de gobos.
- Cierre el compartimiento de gobos de nuevo.
- ¡Hecho!

**APAREJADO SUPERIOR**

**Mejor distancia de instalación:**

Una distancia de proyección a la pared de unos +/- 5 metros es perfecta. Desde esta distancia la proyección cubrirá un área de 2.1m x 2.1m.



- **¡Importante!** La instalación debe ser llevada a cabo sólo por personal cualificado. Una instalación impropia podría resultar en serias heridas y/o daño a la propiedad. ¡El aparejado superior requiere una larga experiencia! Los límites de las cargas de trabajo deben respetarse, materiales certificados de instalación deben ser usados, el aparato instalado debería ser inspeccionado regularmente por seguridad.
- Asegúrese de que el área por debajo del sitio de instalación está libre de personas ajenas durante el montaje, desmontaje y reparación.
- Coloque la instalación en un sitio bien ventilado, lejos de cualquier material inflamable y/o líquidos. La instalación debe ser fijada al menos a 50cm de los muros circundantes.
- El aparato debería ser instalado fuera del alcance de la gente y fuera de áreas donde personas puedan caminar o sentarse.
- Antes del aparejado asegúrese de que el área de instalación puede soportar un mínimo punto de carga de 10 veces el peso del aparato.
- Siempre use un cable de seguridad certificado que pueda sostener 12 veces el peso del aparato. Este añadido secundario de seguridad debería ser instalado de una forma que no hubiera parte de la instalación que pudiera caer más de 20cm si el añadido principal falla.
- El aparato debe ser bien fijado, ¡un montaje que se mueva con libertad es peligroso y no debe considerarse!
- No cubra ninguna apertura de ventilación ya que esto podría resultar en sobrecalentamiento.
- El operador tiene que asegurarse de que las instalaciones relativas a seguridad, maquinaria y técnica están aprobadas por un experto antes de usarlas la primera vez. Las instalaciones deberían ser inspeccionadas cada año por una persona con conocimientos para asegurar que la seguridad es todavía óptima.

**INSTRUCCIONES DE USO**

- Una vez conectado al principal, el aparato empieza a funcionar.
- Apunte el proyector a la pared y ajuste el foco para obtener una imagen clara.
- Eventualmente ajuste la velocidad de rotación y la dirección del gobo con interruptores DIP de la parte trasera de la unidad (5):
  - o **DIP1 → 8:** Rotación de velocidad de lenta a rapida.
  - o **DIP9:** Dirección de la rotación (izquierda o derecha)
  - o **DIP10:** Interruptor de activación de la rotación
- Descansos regulares durante su uso son esenciales para maximizar la vida de este aparato ya que no está diseñado para uso continuo.
- No apague o encienda la unidad en cortos periodos de tiempo ya que esto reduce la vida de la lámpara.

Speed	Dip Switches setting	Function	
Speed 1	↓ [ON] 1 2 3 4 5 6 7 8 9 10	Slow ↓ Fast	
Speed 2	↓ [ON] 1 2 3 4 5 6 7 8 9 10		
Speed 3	↓ [ON] 1 2 3 4 5 6 7 8 9 10		
Speed 4	↓ [ON] 1 2 3 4 5 6 7 8 9 10		
Speed 5	↓ [ON] 1 2 3 4 5 6 7 8 9 10		
Speed 6	↓ [ON] 1 2 3 4 5 6 7 8 9 10		
Speed 7	↓ [ON] 1 2 3 4 5 6 7 8 9 10		
Speed 8	↓ [ON] 1 2 3 4 5 6 7 8 9 10		
Speed 9	↓ [ON] 1 2 3 4 5 6 7 8 9 10		Direction
Speed 10	↓ [ON] 1 2 3 4 5 6 7 8 9 10		Stand-alone

- La temperatura de superficie de la unidad puede alcanzar los 85°C. No toque la carcasa con las manos sin proteger cuando esté funcionando.
- Siempre desenchufe la unidad cuando no la use por un periodo de tiempo largo o antes de cambiar la bombilla o comenzar una reparación.
- En el caso de problemas serios de manejo, deje de usar la instalación y contacte con su vendedor inmediatamente.
- **Importante:** ¡Nunca mire directamente a la fuente de luz! No use el efecto en presencia de personas que sufran de epilepsia.

## MANTENIMIENTO

- Asegúrese de que el área por debajo del por debajo del sitio de instalación está libre de personas ajenas durante la reparación.
  - Apague la unidad, desconecte el cable principal y espere hasta que la unidad se haya enfriado.
- Durante la inspección los siguientes puntos deben ser comprobados:**
- Todos los tornillos usados para la instalación del aparato y cualquiera de sus partes deben ser apretados fuertemente y no pueden estar corroídos.
  - Carcasas, fijaciones y puntos de instalación (techos, armaduras, suspensiones) deberán estar totalmente libres de ninguna deformación.
  - Cuando una lente óptica esté visiblemente dañada debido a golpes o rayados profundos, debe ser cambiada.
  - Los cables principales deben estar en una condición impecable y deben ser cambiados de inmediato cuando incluso un pequeño problema se detecte.
  - En orden de proteger al aparato de sobrecalentamiento, los ventiladores de enfriamiento (caso de haberlos) y las aperturas de ventilación deberían ser limpiados mensualmente.
  - El interior del aparato debería ser limpiado anualmente usando una aspiradora o máquina de aire.
  - La limpieza de lentes y/o espejos internos y externos debe ser llevada a cabo periódicamente para optimizar la salida de luz. La frecuencia de limpieza depende del ambiente en el cual la instalación está funcionando: húmedo, con humo o con alrededores particularmente sucios puede causar una mayor acumulación de polvo en las ópticas de la unidad.
    - Limpie con un trapo suave usando productos limpiadores normales de cristal.
    - Seque siempre las partes cuidadosamente.
    - Limpie las ópticas externas al menos una vez cada 30 días.
    - Limpie las ópticas internas al menos cada 90 días.

**Atención:** ¡Recomendamos con insistencia que la limpieza interna sea llevada a cabo por personal cualificado!

## ESPECIFICACIONES

Alimentación:	AC 230V, 50Hz
Fusible:	250V 5A Volado lento (cristal de 20mm)
Lámpara:	EHJ 250W / 24V
Tamaño:	31 x 27 x 14cm
Peso:	8.2kg

Toda la información está sujeta a cambios sin previo aviso

Puede descargar la última versión de este manual de usuario en nuestro sitio web: [www.beglec.com](http://www.beglec.com)

# MANUAL DO UTILIZADOR

Obrigado por ter adquirido este produto da JB Systems®. De modo a tirar total proveito das possibilidades deste produto, por favor leia este manual com atenção.

## CARACTERÍSTICAS

Esta unidade está protegida contra interferências rádio. Este produto cumpre as exigências impostas pelas presentes directivas nacionais e europeias. A conformidade deste produto foi comprovada e as declarações e documentos relevantes foram efectuados pelo fabricante.

- Esta unidade destina-se a produzir efeitos luminosos decorativos e é utilizada em sistemas de espectáculos de luz.
- Um projector potente com potencialidades arquitecturais e promocionais.
- Possibilidade de projectar o seu próprio gobo promocional ou qualquer gobo em metal ou vidro tamanho D
- Contém 7 gobos grátis, incluindo “Happy New Year” (Feliz Ano Novo), “Merry Christmas” (Feliz Natal), etc.
- Fácil substituição de gobos!
- As suas ópticas precisas permitem projecções nítidas.
- Possibilidade de ajustar a velocidade e a direcção da rotação do gobo
- Focagem ajustável
- Arrefecimento por ventoinha
- Controlo remoto opcional CA-5 com interruptor on/off

## ANTES DE UTILIZAR

- Antes de utilizar esta unidade verifique se existem danos provocados durante o transporte. Caso existam danos aparentes, não utilize a unidade e contacte o seu revendedor.
- **Importante:** Esta unidade deixou a nossa fábrica em perfeitas condições e devidamente embalada. É imprescindível que o utilizador siga as instruções de segurança e avisos descritos neste manual. Quaisquer danos provocados por utilização incorrecta não serão cobertos pela garantia. O revendedor não será responsável por quaisquer danos ou problemas causados pelo incumprimento das instruções deste manual.
- Guarde este manual num local seguro para consulta futura. Caso venda esta unidade, forneça este manual.

## INSTRUÇÕES DE SEGURANÇA:



**ATENÇÃO:** De forma a evitar o risco de choque eléctrico, não remova peças da unidade. Não tente fazer reparações. Contacte pessoal qualificado.



O símbolo composto por um triângulo equilátero com um relâmpago no interior alerta para a presença de voltagem perigosa não isolada no interior do produto que poderá constituir risco de choque eléctrico.



O símbolo composto por um triângulo equilátero com um ponto de exclamação alerta o utilizador para a presença de instruções importantes de utilização e manutenção do produto.



Este símbolo significa: utilização unicamente em espaços fechados.



Este símbolo significa: Leia instruções.



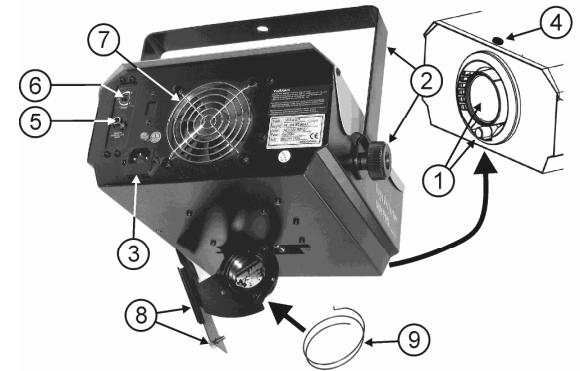
Este símbolo determina: a distância mínima dos objetos iluminados. A distância mínima entre o projetor e o objeto iluminado deve ser mais de 1 medidor.

- Proteja o ambiente. Recicle o material desta embalagem.
- Os efeitos luminosos novos podem por vezes produzir algum fumo e/ou cheiro desagradável. Esta situação é normal e temporária.
- De modo a evitar risco de fogo ou choque eléctrico, não exponha este produto a chuva ou humidade.
- De forma a evitar a formação de condensação no interior da unidade, ao transportá-la para ambiente quente aguarde algum tempo de modo a que haja uma ambientação à temperatura. A condensação poderá afectar o desempenho da unidade ou até danificá-la.
- Esta unidade destina-se unicamente a utilização em espaços fechados.
- Não introduza objectos de metal nem verta líquidos no interior do produto, correrá risco de choque eléctrico ou poderá danificar o produto. Caso algum objecto estranho entre em contacto com o interior da unidade, desligue-a de imediato da corrente.
- Coloque esta unidade num local arejado, afastado de materiais inflamáveis e/ou líquidos. Esta unidade deverá ser instalada a pelos menos 50cm de distância de paredes circundantes.
- Não cubra os orifícios de ventilação ou a unidade poderá sobreaquecer.
- Evite locais com poeiras. Limpe a unidade regularmente.
- Mantenha esta unidade fora do alcance das crianças.
- Esta unidade deverá ser operada unicamente por pessoas experientes.
- Temperatura ambiente de funcionamento máxima é de 40°C. Não utilize esta unidade a temperaturas ambientes mais elevadas.
- A temperatura da superfície da unidade pode alcançar os 85°C. Não toque na cobertura da unidade com mãos descobertas durante o funcionamento.
- Certifique-se de que não irão passar pessoas sob a área de instalação da unidade durante a instalação e manutenção.
- Aguarde cerca de 10 minutos para que a unidade arrefeça antes de substituir a lâmpada ou de efectuar a manutenção.
- Desligue sempre a unidade da corrente quando não a utilizar durante longos períodos de tempo, antes de substituir a lâmpada ou de efectuar manutenção.
- A instalação eléctrica deve ser efectuada unicamente por pessoal qualificado, cumprindo os regulamentos de segurança em instalações eléctricas e mecânicas do seu país.
- Certifique-se de que a voltagem a utilizar não é superior à voltagem indicada no painel traseiro da unidade.
- O cabo de alimentação deverá estar sempre em perfeitas condições. Desligue a unidade e substitua imediatamente o cabo caso este apresente algum dano. Deverá ser substituído pelo fabricante, pelo agente autorizado ou pessoal qualificado de modo a evitar um acidente.
- Nunca permita que este cabo entre em contacto com outros cabos!
- Esta unidade deverá estar ligada à Terra de forma a respeitar as regras de segurança.
- Não ligue a unidade a reguladores de intensidade.
- Utilize sempre um cabo de segurança aprovado ao instalar a unidade.
- De forma a não correr risco de choque eléctrico não abra a cobertura da unidade. À excepção da lâmpada e do fusível, não existem peças que possam ser substituídas pelo utilizador.
- **Nunca** repare um fusível nem tente operar a unidade sem fusível. Substitua **sempre** um fusível danificado por outro com as mesmas características!
- Em caso de problemas sérios de funcionamento, interrompa a utilização da unidade e contacte imediatamente o seu revendedor.
- A cobertura e as lentes deverão ser substituídas caso apresentem danos visíveis.
- Caso seja necessário transportar a unidade utilize a embalagem original.
- Por motivos de segurança, são proibidas quaisquer alterações não autorizadas à unidade.

**Importante:** Nunca olhe directamente para a luz! Não utilize este efeito luminoso na presença de pessoas epilépticas.

## DESCRIÇÃO:

1. Lente óptica com focagem manual.
2. Suporte de suspensão com 2 parafusos de aperto em ambos os lados para fixar a unidade e um orifício para aplicação de um gancho de montagem.
3. Fonte de Alimentação com conector CIE e suporte de fusível incorporado. Ligue o cabo de alimentação fornecido a este conector.
4. Gire este parafuso para abrir o compartimento da lâmpada
5. Ajuste manual da velocidade do gobo rotativo.
6. Conector jack ¼" utilizado para ligar o controlo remoto opcional CA-5 com interruptor on/off.
7. Ventoinha de arrefecimento
8. Compartimento do gobo. Desaperte o parafuso para aceder ao gobo e efectuar facilmente a substituição.
9. Anel de fixação. Utilizado para fixar o gobo.

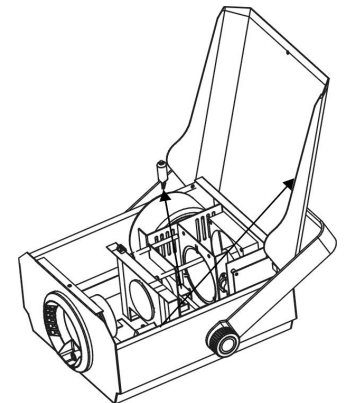


## COLOCAR/SUBSTITUIR A LÂMPADA



**Em caso de substituição da lâmpada ou manutenção, aguarde 10 minutos após desligar a unidade. Desligue sempre a unidade da corrente antes de efectuar a manutenção! Utilize sempre peças suplentes com as mesmas características (lâmpadas, fusíveis, etc). Utilize unicamente peças originais.**

- Desligue o cabo de alimentação.
- Aguarde cerca de 10 minutos para que a unidade arrefeça.
- Desaperte o parafuso que fecha o compartimento da lâmpada da unidade e retire a tampa.
- No interior irá ver o conector da lâmpada. Retire cuidadosamente o conector do compartimento da lâmpada.
- Ao retirar a lâmpada usada, segure o conector. Não puxe o cabo!
- Segure o conector e insira cuidadosamente a lâmpada.
- **Atenção!** Verifique o rótulo na parte de trás da unidade ou consulte as especificações descritas neste manual para saber que lâmpada deve utilizar. Nunca instale lâmpadas com nível de watts superior ao indicado! Lâmpadas com nível de watts superior geram temperaturas que a unidade não está preparada para suportar. Caso a unidade utilize um transformador de lâmpada, este irá danificar-se devido a sobrecarga de corrente.
- Não toque na lâmpada com as mãos descobertas, caso contrário irá diminuir drasticamente a sua duração! Caso toque na lâmpada com as mãos, limpe-a utilizando um pano e álcool antes de efectuar a instalação.
- Coloque a nova lâmpada no interior da unidade. Certifique-se que os fios não tocam na lâmpada.
- Feche o compartimento da lâmpada.
- Operação concluída!



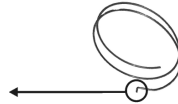


## SUBSTITUIR UM GOBO

O projector de logotipos pode utilizar gobos de metal e de vidro.

**Diâmetro:** 53.3mm (tamanho D), espessura máxima dos gobos de vidro: 3mm

- Desligue a unidade da corrente.
- Desaperte o pequeno parafuso (8) na parte inferior da unidade para abrir o compartimento dos gobos.
- Retire o anel de fixação do gobo. Poderá fazê-lo facilmente com os dedos.
- Retire o gobo usado e insira o novo gobo.
- Una o anel de fixação e insira-o na frente do gobo.
- Certifique-se que a ponta final do anel de fixação encaixa na ranhura do suporte dos gobos.
- Volte a fechar o compartimento dos gobos.
- Operação concluída!



## INSTALAÇÃO EM SUSPENSÃO

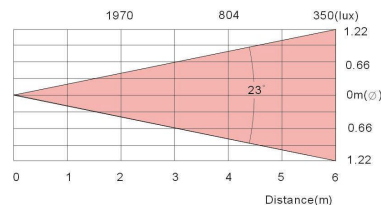
### Melhor distância de instalação:

Uma distância de cerca de 5 metros da parede será perfeita.

A esta distância, a projecção irá cobrir uma área de 2.1m x 2.1m.

- **Importante:** A instalação deve ser efectuada unicamente por pessoal qualificado. Uma instalação incorrecta pode resultar em ferimentos graves e/ou danos na sua propriedade. Para efectuar uma instalação em suspensão é necessária muita experiência! Respeite os limites de carga, utilize materiais de instalação aprovados e inspeccione a unidade instalada regularmente de forma a assegurar a segurança.
- Certifique-se que sob a área de instalação da unidade não irão passar pessoas durante a instalação e manutenção.
- Coloque esta unidade num local arejado, afastada de materiais inflamáveis e/ou líquidos. Esta unidade deverá ser instalada a **pelos menos 50cm** de distância de paredes circundantes.
- A unidade deve ser instalada fora do alcance das pessoas; afastada de áreas onde as pessoas possam passar ou sentar-se.
- Antes de proceder à instalação certifique-se que a área seleccionada pode suportar uma carga mínima de 10 vezes o peso da unidade.
- Na instalação, utilize sempre um cabo de segurança aprovado com capacidade para suportar 12 vezes o peso da unidade. Esta medida de segurança secundária deverá ser instalada de forma a que nenhuma parte da instalação possa cair mais de 20cm caso o ponto de apoio principal ceda.
- A unidade deverá ser fixa firmemente. Uma instalação oscilante pode ser perigosa e não deverá ser efectuada!
- Não cubra os orifícios de ventilação ou a unidade poderá sobreaquecer.
- O utilizador da unidade deverá certificar-se que a instalação é aprovada em termos de segurança e em termos técnicos por uma pessoa qualificada antes de efectuar a primeira utilização. A instalação deverá ser inspeccionada todos os anos por um técnico qualificado de forma a certificar-se que a segurança está assegurada.

WT-LGP



## INSTRUÇÕES DE FUNCIONAMENTO

- A unidade começa a funcionar assim que é ligada à corrente.
- Direcione o projector para a parede e ajuste a focagem de forma a obter uma imagem nítida.
- Se necessário ajuste a velocidade de rotação do gobo com o controlo na parte de trás da unidade (6).
- Deverá efectuar pausas regulares no funcionamento de forma a prolongar a duração desta unidade visto que esta não está preparada para uma utilização contínua.
- Não ligue e desligue a unidade em curtos períodos de tempo, irá reduzir a duração lâmpada.
- A temperatura da superfície da unidade pode alcançar os 85°C. Não toque na cobertura da unidade com mãos descobertas durante o funcionamento.
- Desligue sempre a unidade da corrente quando não a utilizar durante longos períodos de tempo, antes de substituir a lâmpada ou de efectuar a manutenção.
- Caso a unidade apresente problemas sérios de funcionamento, interrompa a utilização da unidade e contacte o seu revendedor imediatamente.
- **Importante:** Nunca olhe directamente para a luz! Não utilize este efeito luminoso na presença de pessoas epiléticas.

## MANUTENÇÃO

- Certifique-se que sob a área de instalação da unidade não irão passar pessoas durante a manutenção.
  - Desligue o cabo de alimentação da corrente e aguarde que a unidade arrefeça.
- Durante a inspeção deverá verificar os seguintes pontos:**
- Todos os parafusos utilizados nas peças da unidade e na instalação deverão estar apertados firmemente e não poderão estar corroídos.
  - A cobertura da unidade, os pontos de fixação e as áreas de instalação (tecto, armação, etc.) não deverão apresentar qualquer deformação.
  - Caso uma lente apresente danos visíveis como fendas ou riscos profundos, deverá ser substituída imediatamente.
  - O cabo de alimentação deverá estar em perfeitas condições e deverá ser substituído assim que for detectado o mais pequeno dano.
  - As ventoinhas de arrefecimento (caso existam) e os orifícios de ventilação deverão ser limpos todos os meses de modo a evitar que unidade sobreaqueça.
  - Utilize um aspirador ou um compressor de ar para limpar o interior da unidade uma vez por ano.
  - De forma a otimizar a projecção de luz, limpe as lentes ópticas internas e externas e/ou espelhos periodicamente. A regularidade das limpezas depende do ambiente em que está instalada a unidade: um ambiente húmido, com fumo ou poeirento dará origem a uma maior acumulação de impurezas nas ópticas da unidade.
    - Utilize um pano macio e um limpa-vidros normal na limpeza da unidade.
    - Seque sempre as peças cuidadosamente.
    - Limpe as ópticas externas pelo menos uma vez em cada 30 dias.
    - Limpe as ópticas internas pelo menos uma vez em cada 90 dias.

**Atenção:** Recomendamos vivamente que a limpeza do interior da unidade seja efectuada por pessoal qualificado!

## ESPECIFICAÇÕES

Fonte de Alimentação:	AC 230V, 50Hz
Fusível:	250V 5A Fusão Lenta (20mm vidro)
Controlo de som:	Não disponível
Lâmpada:	EH-J 250W / 24V
Dimensões:	31 x 27 x 14cm
Peso:	8.2kg

Estas informações estão sujeitas a alterações sem aviso prévio  
 Pode fazer download da versão mais recente deste manual no nosso site: [www.beglec.com](http://www.beglec.com)